

FAST™

AG SOLUTIONS



BW500 / BW750 TRAILER SPRAYER PARTS MANUAL





FAST GLOBAL
SOLUTIONS



ILLUSTRATED PARTS LIST

Limited Warranty

FAST AG Solutions warrants to the buyer that the new machinery is free from defects in material and workmanship.

This warranty is only effective as to any new machinery which has not been altered, changed, repaired or treated since its delivery to the buyer, other than by FAST AG Solutions or its authorized dealers or employees, and does not apply to accessories, attachments, tools or parts, sold or operated with the new machinery, if they have not been manufactured by FAST AG Solutions.

FAST AG Solutions shall only be liable for defects in the materials or workmanship attributable to faulty material or bad workmanship that can be proved by the buyer, and specifically excludes liability for repairs arising as a result of normal wear and tear of the new machinery or in any other manner whatsoever, and without limiting the generality of the foregoing, excludes application or installation of parts not completed in accordance with this operator's manual, specifications, or printed instructions.

Written notice shall be given by registered mail, to the Manufacturer within seven (7) days after the defect shall have become apparent or the repairs shall have become necessary, addressed as follows:

FAST AG Solutions
4130 Commerce Boulevard
Windom, MN 56101

This warranty shall expire one (1) year after the date of delivery of the new machinery.

If these conditions are fulfilled, FAST AG Solutions shall at its own cost and at its own option either repair or replace any defective parts provided that the buyer shall be responsible for all expenses incurred as a result of repairs, labor, parts, transportation or any other work, unless FAST AG Solutions has authorized such expenses in advance.

The warranty shall not extend to any repairs, changes, alterations, or replacements made to the new equipment other than by FAST AG Solutions or its authorized dealers or employees.

This warranty extends only to the original owner of the new equipment.

Rubber parts (including tires, hoses, grommets) are not warranted.

This warranty is limited to the terms stated herein and is in lieu of any other warranties whether express or implied, and without limiting the generality of the foregoing, excluded all warranties, express or implied or conditions whether statutory or otherwise as to quality and fitness for any purpose of the new equipment. the Manufacturer disclaims all liability for incidental or consequential damages.

This Applicator is subject to design changes and FAST AG Solutions shall not be required to retrofit or exchange items on previously sold units except at its own option.

Warranty void if not registered.



ILLUSTRATED PARTS LIST

FAST BW500 / BW750 TRAILER SPRAYER

Warranty Registration Form & Inspection Report

Warranty Registration

This form must be filled out by the dealer and signed by both the dealer and the customer at the time of delivery.

Customer Name					
Address					
City		State		Zip	
Phone					
Dealer Name					
Address					
City		State		Zip	
Applicator Model					
Serial Number					
Delivery Date					

DEALER INSPECTION REPORT

- All Fasteners Tight
- Wheel Bolts Torqued
- Hydraulic Hoses and Fittings Free and Tight
- Fertilizer Hoses and Fittings Free and Tight
- Wheel Drive Turns Freely
- Lubricate Machine
- Check Tire Pressure
- Frame and Wings Level
- Monitors and Controllers Function
- Wiring Harness Connected

SAFETY

- Safety Chain Installed
- All Guards Installed
- All Safety Signs Installed
- Reflectors, SMV and Lights Clean
- Review Operating and Safety Instructions

I have thoroughly instructed the buyer on the above described equipment which review included the Operator's Manual content, equipment care, adjustments, safe operation and applicable warranty policy.

Date _____

Dealer's Rep. Signature _____

The above equipment and Operator's Manual have been received by me and I have been thoroughly instructed as to care, adjustments, safe operation and applicable warranty policy.

Date _____

Owner's Signature _____

- White - FAST
- Yellow - Dealer
- Pink - Customer



ILLUSTRATED PARTS LIST

FAST BW500 / BW750 TRAILER SPRAYER

APPLICATOR SERIAL NUMBER _____

DATE PURCHASED _____ / _____ / _____

TANK SIZE _____

BOOM LENGTH _____

PUMP MANUFACTURER:

(CIRCLE ONE)

ACE 150 Belt Driven

ACE FMC150



ILLUSTRATED PARTS LIST





ILLUSTRATED PARTS LIST

General Information

All rights, especially copying and distribution rights are reserved. No part of this publication may be reproduced in any form or by any means, electronic or mechanical, including photocopying, without express written permission from FAST AG Solutions.

Parts information in this manual represents components installed when product was manufactured based upon the best available information. Modifications made subsequent to initial delivery are not included. Always verify the parts and color required when ordering parts.

If you have any questions, please contact your FAST AG Solutions Parts and Service Department.

Explanation of Parts Lists

The parts lists are broken down sub assemblies and listed in 4 columns:

- ITEM - These numbers are found on the illustration associated with the parts list.
 - NS- This item is NOT SHOWN, included for reference.
- QTY. - This is the quantity of parts needed in an assembly.
 - AR- The quantity of this item is AS REQUIRED for the location.
- PART NO.- These are the part numbers associated to the ITEM.
- DESCRIPTION - This is the description of the part.



ILLUSTRATED PARTS LIST

Table of Contents

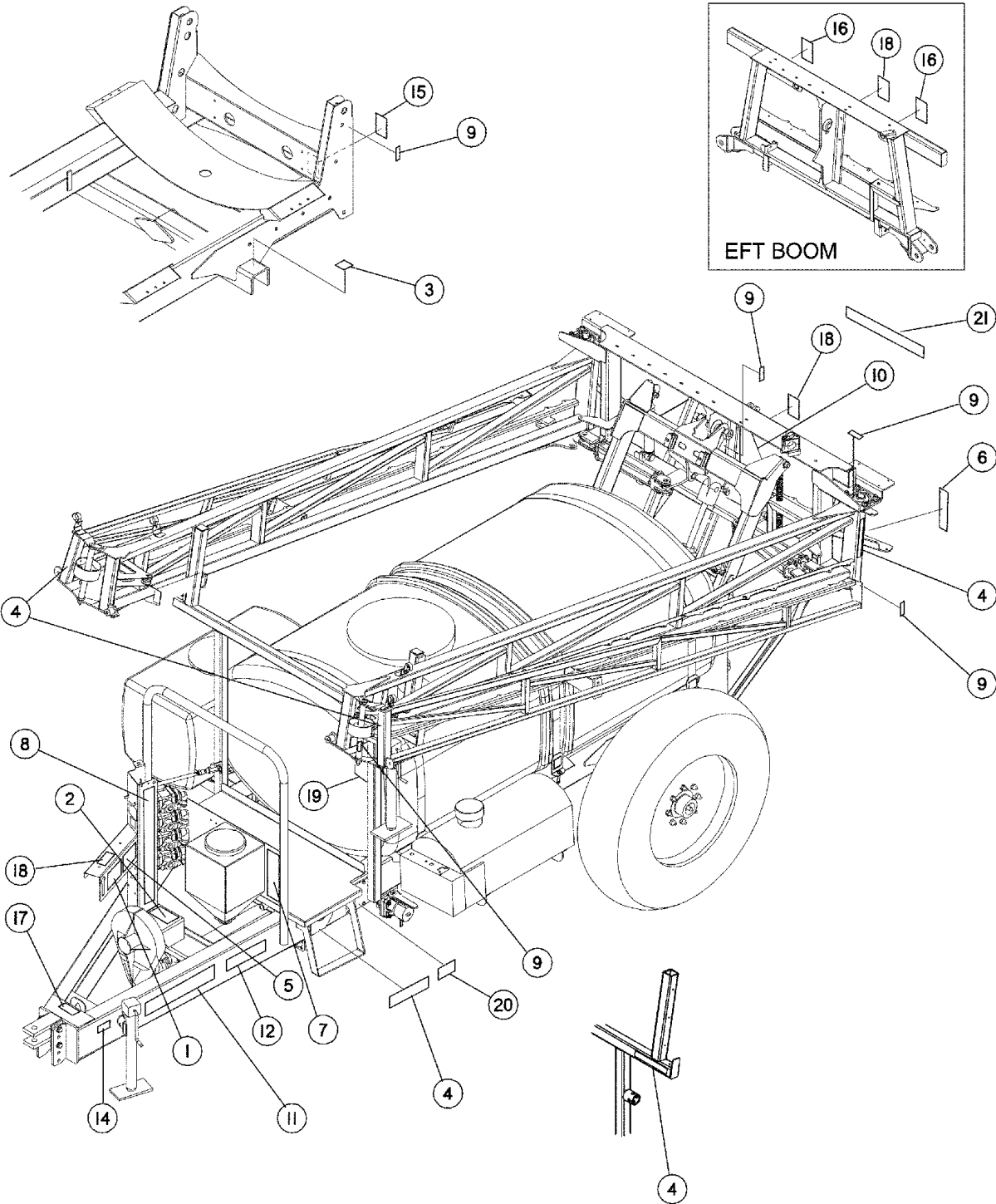
Section	Page
Table of Contents	6
Safety Signs & Decals	8
Frame & Jackstand	10
Boom Rest Assembly	12
Axle, Tire & Wheel Assembly	14
Spindle & Hub Assembly	16
Lift Arm Assembly (EF & EFT Boom)	18
Center Section (EF Boom)	20
Boom Assembly Right Side (EF Boom)	22
Boom Assembly Left Side (EF Boom)	24
Boom Assembly Right Side (EFT Boom)	26
Boom Assembly Left Side (EFT Boom)	28
Boom Wing Fold & Breakaway (EF & EFT Boom)	30
Hydraulic Lift & Wing Fold (EF Boom)	32
Hydraulic Lift & Wing Fold (EFT Boom)	34
Hydraulic Lift & Wing Fold (EFT Boom)	36
Hydraulic Tower Assembly (HC Boom)	38
Center Section Assembly	40
Center Section Assembly	42
Boom Assembly Right Side (HC Boom)	44
Boom Assembly Right Side (HC Boom)	46
Boom Assembly Left Side (HC Boom)	48
Boom Assembly Left Side (HC Boom)	50
Product Tank & Hold Down Straps	52
Optional 50 Gallon Rinse Tank & Mounting	54
PTO Shaft	56
Product Pump & Fittings	58
ACE 150 Series Belt Driven Pump	60
ACE 150 Series Belt Driven Pump	62
Pump Option - ACE Hydraulic Drive	64
ACE FMC 150 - Hydraulic 206 Pump Option	66
Transport Lights & Wiring	68
Boom Plumbing - Rubber Hose (EF & EFT Boom)	70
Boom Plumbing - Rubber Hose (EF & EFT Boom)	72
Boom Plumbing, 45' EF Boom, 15 & 20" Nozzle Spacing (stainless steel)	74
Boom Plumbing - Rubber Hose (HC Boom)	76
Boom Plumbing - HC Boom, 15 & 20" Nozzle Spacing (Stainless Steel)	78
Boom Plumbing - HC Boom, 15 & 20" Nozzle Spacing (Stainless Steel)	80
Product Tank Sump Plumbing	82
Primary Product Circuit Plumbing (Standard)	84
Agitation System - Product Tank	86
Fast Fill Plumbing (Group A Option)	88
Sight Gauge - Product Tank (Group C Option)	90
Primary Product Circuit Plumbing (Group A Option)	92
Self Cleaning Filter (Group A Option)	94
Agitation System - Self Cleaning Filter Option (Group A Option)	96
Agitation System - Control Tower Plumbing (Group A Option)	98
Chemical Inductor (Group A Option)	100



ILLUSTRATED PARTS LIST

Spray Gun (Group A Option)(Included with Chemical Inductor)	102
Foam Marker Option	104
Foam Marker Pump & Wiring Components	106
Fence Line Kit - Manual Option	108
Fence Line Kit - Electric 144a Option	110
Fence Line Kit - Electric 450 Option	112
Pump Kit - Chemical Educator, 12v Electric (Optional)	114
Filter Kit - Inline (Optional)	116
Spray Gun with 25' Hose and Tips (Optional)	118
Controls - Rinse In-Cab Electric (Optional)	120
Rinse Tank Suction Assembly (Group C Option)	122
Rinse Ball Assembly (Group C Option)	124
Rinse Tank Fill Assembly (Group C Option)	126
Fast Fill Assembly Via Sprayer Pump (Group C Option)	128
Control Group - TeeJet 744	130
Valve Assembly - Boom 3 Section Ball	132
Raven 440 Control Option	134
Kit - Raven Flow Max 220	136
Kit - Raven Pressure Transducer	138
Electric Control Ball Valve	140
FASSE Block Assembly	142
FASSE Hydraulic Block	144
FASSE Block Harness	146
Switch Box Assembly	148
Switch Box Assembly	150
9 Pin Switch Box Harness	152
Switch Box Functions	154

Safety Signs & Decals



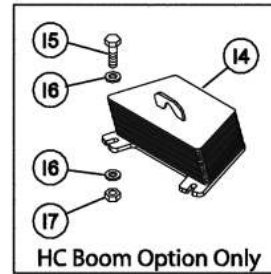
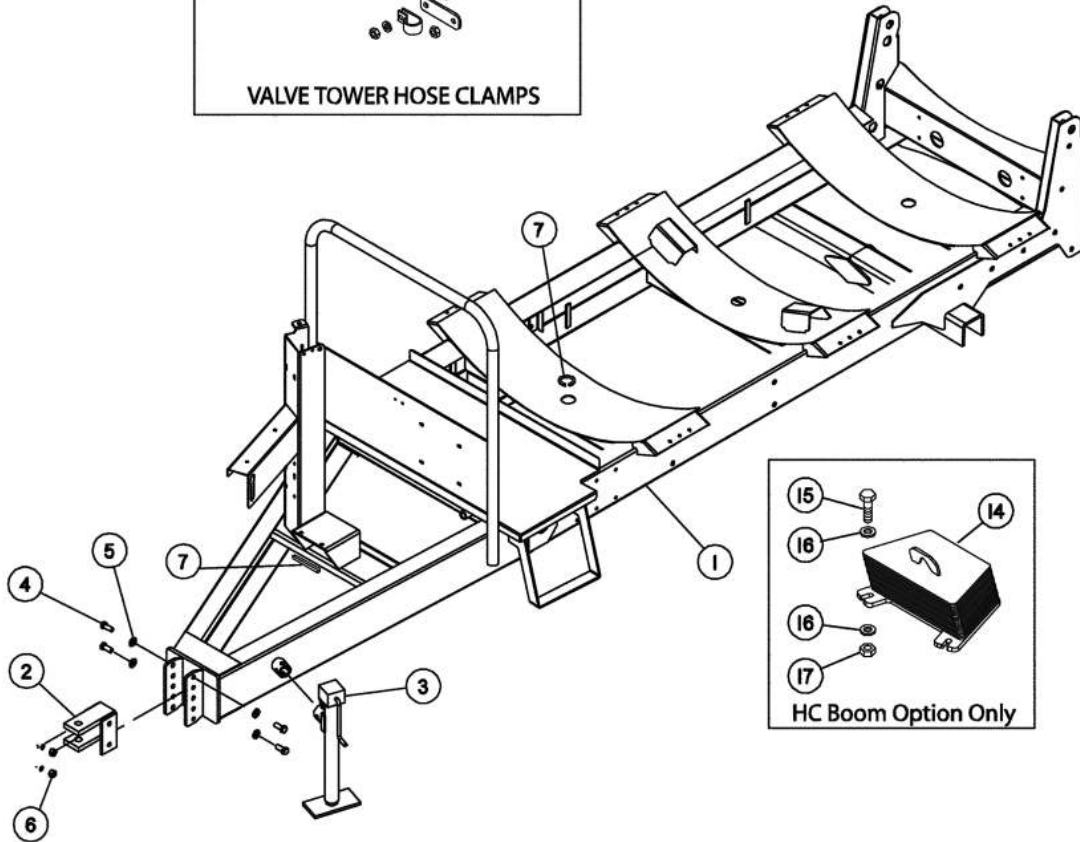
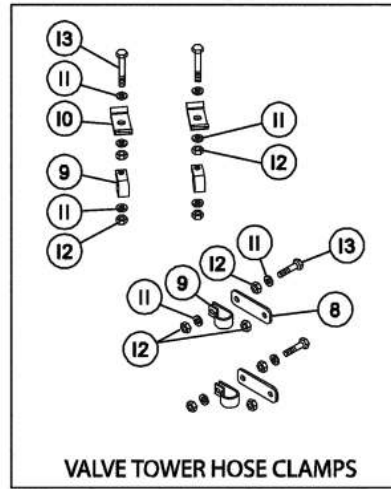


ILLUSTRATED PARTS LIST

Safety Signs & Decals Parts List

Item	Part No.	Quantity	Description
1	07.05527	1	Safety Sign - Warning, Chemical
2	16.20177	1	Safety Sign - Danger, Rotating Driveline
3	07.17908	1	Safety Sign - Warning, Wheel Spacing
4	907220	7	Decal - Yellow, 2" x 9", Retroreflective
5	16.20178	1	Safety Sign - Before Operating
6	907219	2	Decal - Red, 2" x 9", Retroreflective
7	07.09306	1	Decal - Valve Instruction
8	07.09307	1	Decal - Valve Tower
9	907510	9	Decal - Grease (EF Boom)
9	907510	11	Decal - Grease (EFT Boom)
10	907224	1	Emblem, SMV with Metal Backing
10	904863	2	Bolt, Hex, 1/4-20 x 3/4" Gr 5
10	900493	2	Washer, Flat, 1/4" SAE
10	904092	2	Nut, Hex Lock, 1/4-20 Nylock
11	07.26880	2	Decal - Miller
12	07.26878	2	Decal - 500
14	17.01155	1	Safety Sign - Warning, Foot Crushing
15	21.09044	1	Safety Sign - Warning, Accumulator Pressure
16	21.09025	2	Safety Sign - Danger, Pinch Point (EFT Boom Only)
17	340248B1	1	Safety Sign - Caution, 540 RPM
18	21.09024	2	Safety Sign - Warning, Hydraulic Fluid Pressure
19	07.09573	1	Safety Sign - Warning Fresh Water
20	07.06362	1	Decal, Valve Information
21	21.42094	1	Decal

Frame & Jackstand



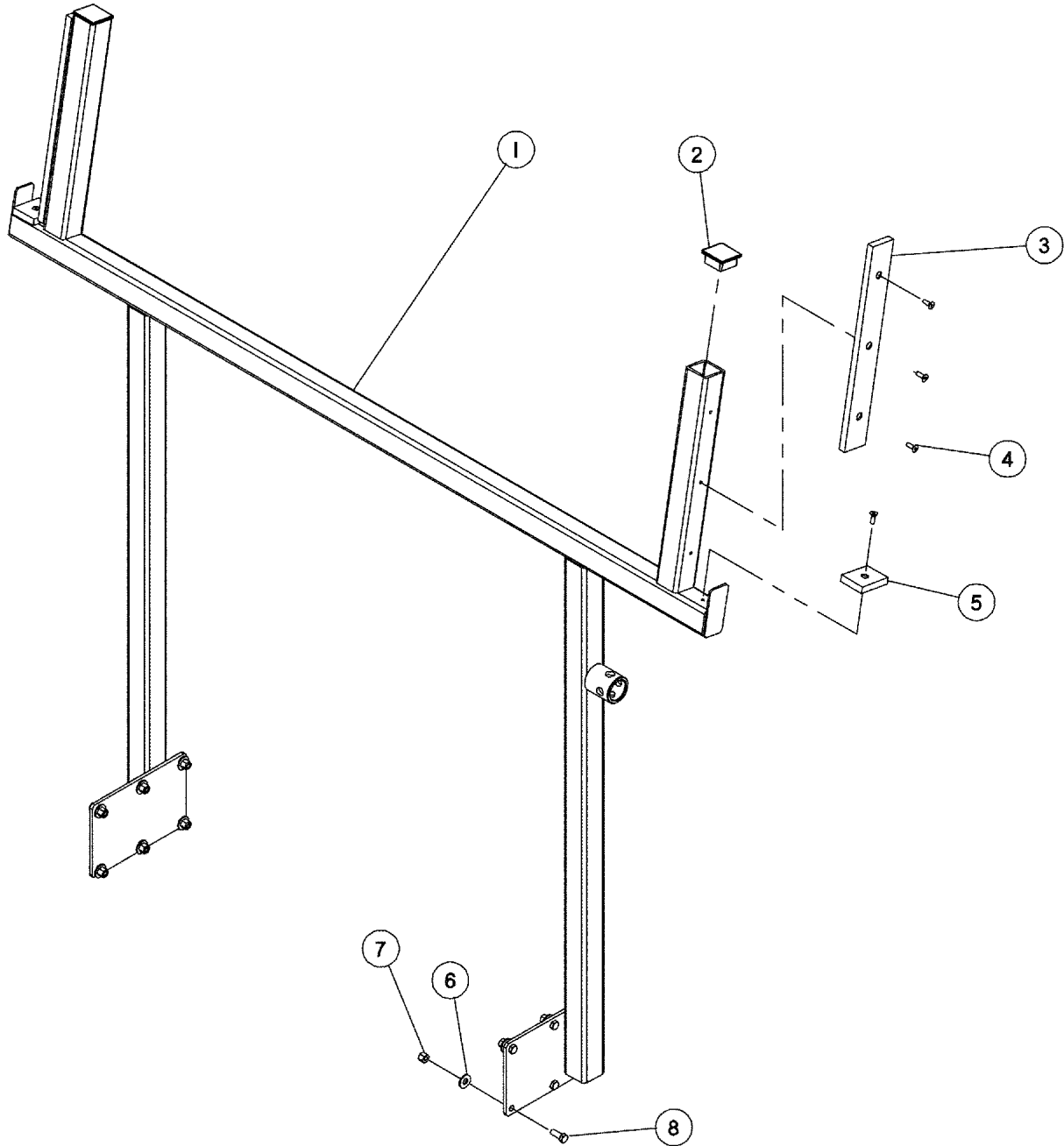


ILLUSTRATED PARTS LIST

Frame & Jackstand Parts List

Item	Part No.	Quantity	Description
1	07.08378	1	Frame Assembly
2	07.02795	1	Clevis, 1989, Trailer
3	17.00386	1	Jack, 2000 lb, 15" Side Crank
4	904115	4	Bolt, Hex, 5/8-11 x 1-1/2" Gr 8
5	904814	4	Washer, Flat, 5/8" HT
6	906402	4	Nut, Hex Lock, 5/8-11 Nylock
7	11.80534	9'	Trim, Black Vinyl, .250 - .500 (Order Per Foot)
8	07.09106	2	Bar, Hose clamp
9	21.00278	4	Clamp, Vinyl, 1.125" Diameter
10	322848B1.7	2	Clip, Hydraulic Line
11	901105	10	Washer, Flat, SAE 3/8"
12	906400	10	Nut, Hex Lock, 3/8-16 Nylock
13	907285	6	Bolt, Hex, 3/8-16 x 1-3/4" Gr 5 Tap
14	07.09109	1	Counterweight Assembly (HC Boom Only)
15	903306	2	Bolt, Hex, 1/2-13 x 1-1/2" Gr 5 (HC Boom Only)
16	900497	4	Washer, Flat, 1/2" Standard (HC Boom Only)
17	906401	2	Nut, Hex Lock, 1/2-13 Nylock

Boom Rest Assembly



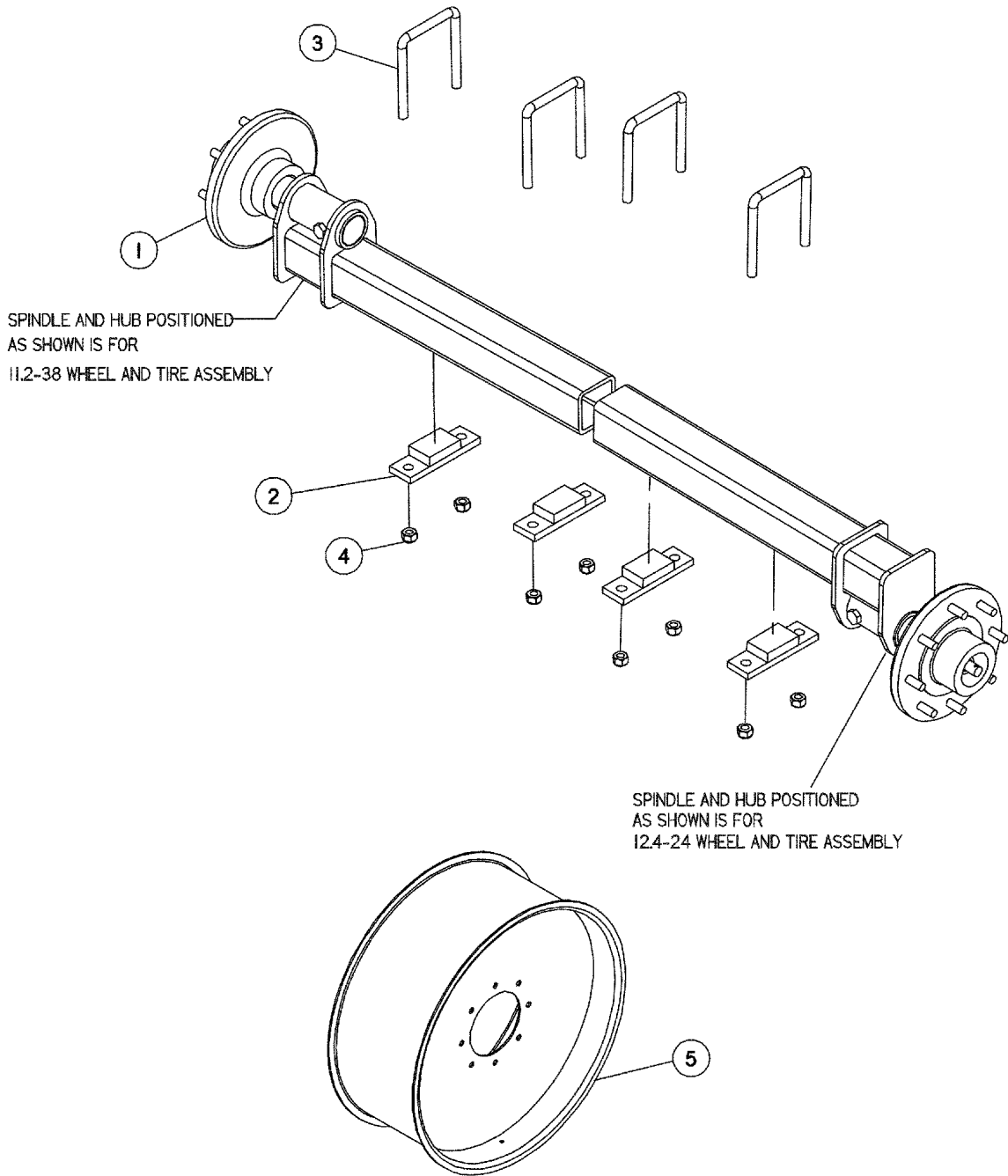


ILLUSTRATED PARTS LIST

Boom Rest Assembly Parts List

Item	Part No.	Quantity	Description
1	07.08755	1	Boom Rest (EF & EFT Boom)
1	07.08848	1	Boom Rest (HC Boom)
2	07.06406	2	Plug, 2" Square Ribbed
3	32.03138	2	Pad, ADV Boom, Inner UHMW
4	907480	8	Screw, Flat Head, 1/4-28 x 3/4" Stainless Steel
5	07.09111	2	Pad, EF Boom Front UHMW
6	900495	12	Washer, Flat, 3/8"
7	906400	12	Nut, Hex Lock, 3/8-16 Nylock
8	902300	12	Bolt, Hex, 3/8-16 x 1" Gr 5

Axle, Tire & Wheel Assembly



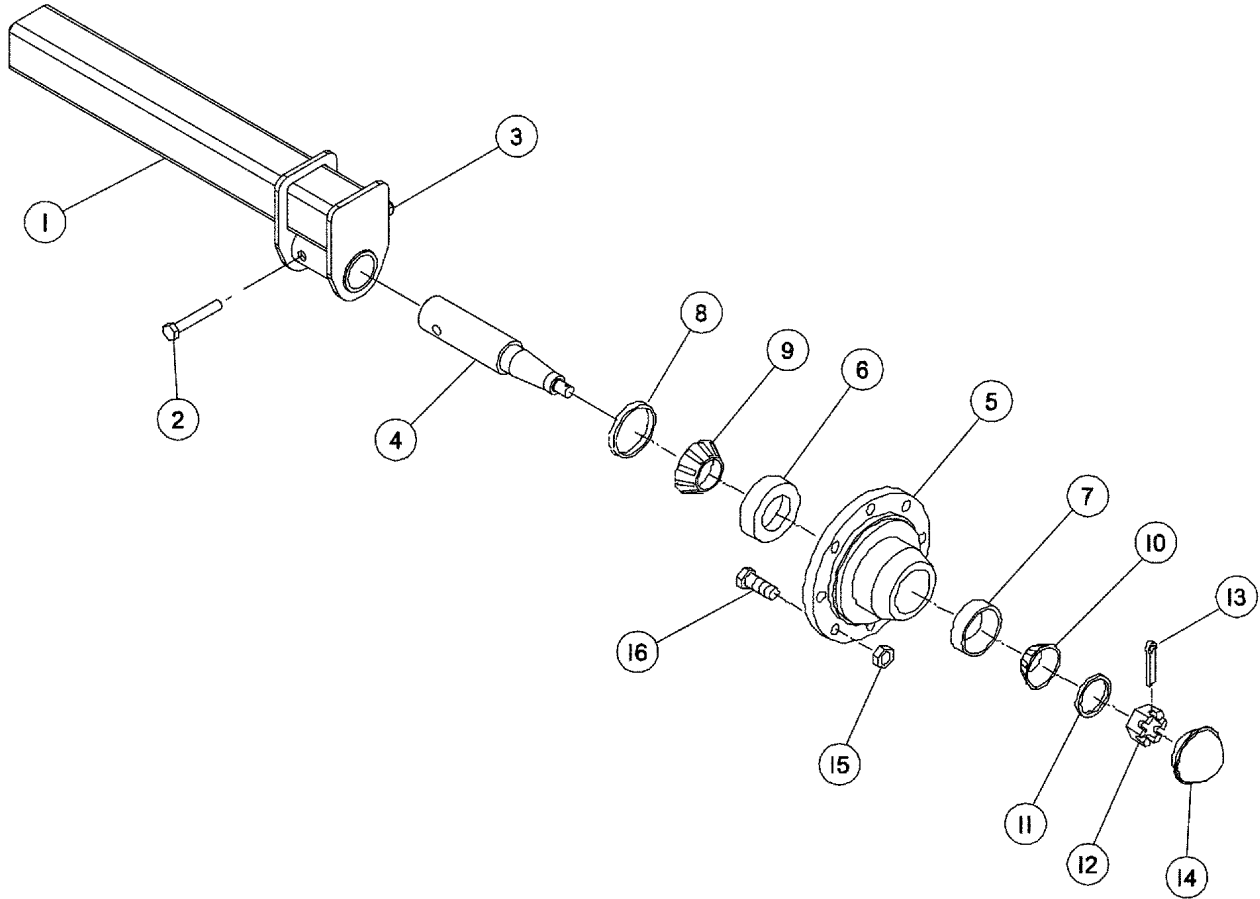


ILLUSTRATED PARTS LIST

Axle, Tire & Wheel Assembly Parts List

Item	Part No.	Quantity	Description
1	07.08397	2	Axle Assembly
2	07.00133	4	Bottom Axle weldment
3	07.17643	4	U-Bolt, 5/8 x 5-1/8 x 6"
4	906402	8	Nut, Hex Lock, 5/8-11 Nylock
5	07.08337	2	Wheel, 24" x W10, 8 Bolt
5	07.08342	2	Wheel, 38" x W10, 8 Bolt
5	07.08336	2	Tire, 12.4 - 24, 6 Ply (Not Shown)
5	07.08341	2	Tire, 11.2 - 38, 4 Ply (Not Shown)

Spindle & Hub Assembly



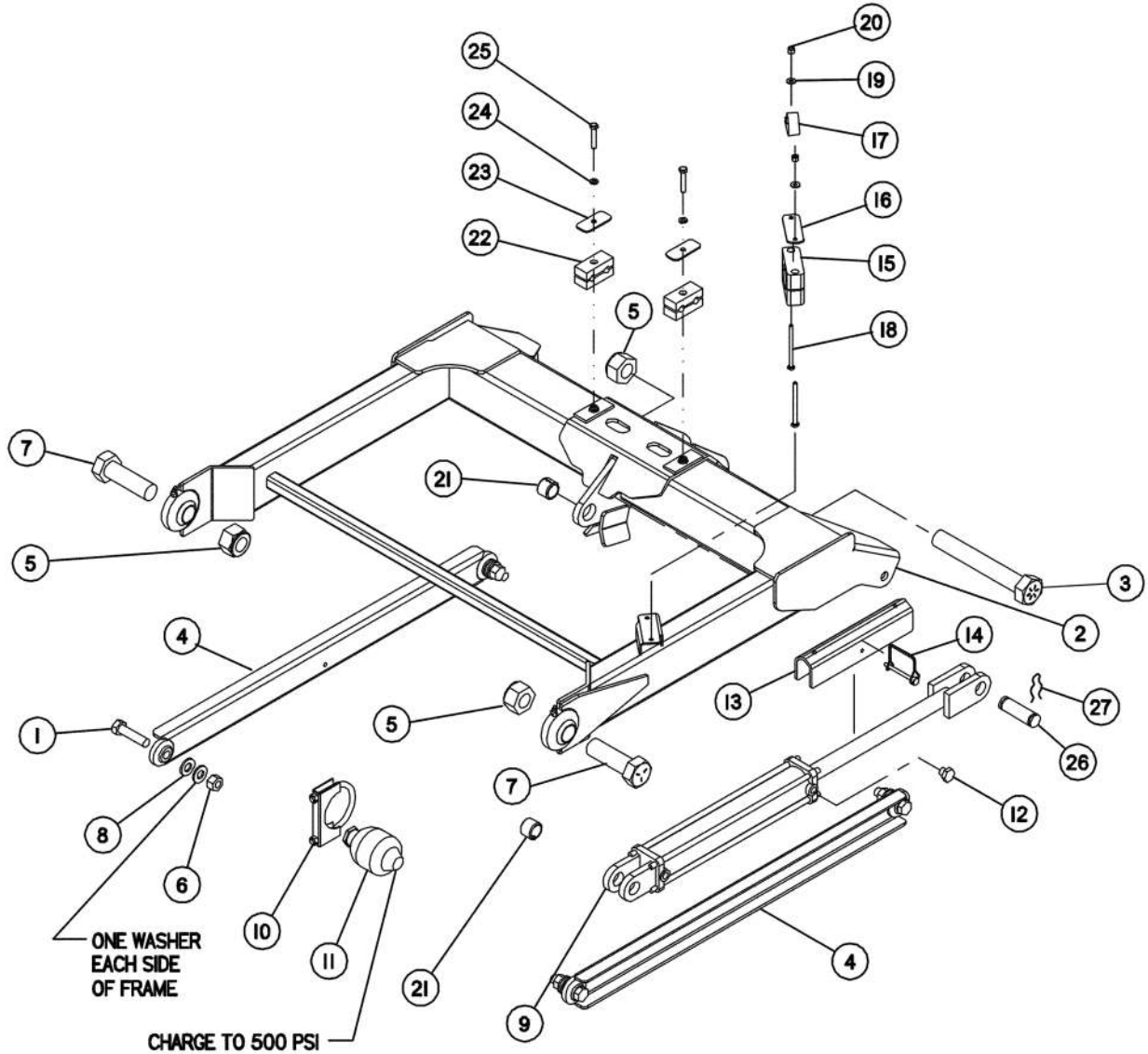


ILLUSTRATED PARTS LIST

Spindle & Hub Assembly Parts List

Item	Part No.	Quantity	Description
1	07.08458	2	Tube Assembly, Flip Axle
2	904218	2	Bolt, Hex, 5/8-11 x 4" Gr 5
3	906402	2	Nut, Hex Lock, 5/8-11 Nylock
4	07.08400	2	Spindle, 2.25" x 12.00"
5	12.10157.7	2	Hub Assembly with Cups (Includes Items 6, 7 & 16)
6	902893	2	Bearing Cup - Inner
7	901182	2	Bearing Cup - Outer
8	902894	2	Seal, Oil, 2.250"
9	902892	2	Bearing Cone - Inner
10	901181	2	Bearing Cone - Outer
11	902408	2	Washer, Flat, 3/4"
12	09.70765	2	Nut, Slotted, 3/4-16
13	905786	2	Pin, Cotter, 5/32" x 1-3/4"
14	902410	2	Cap, Hub
15	65.10125	16	Nut, Wheel
16	65.10122	16	Stud, Wheel (Included With Item 5)

Lift Arm Assembly (EF & EFT Boom)





ILLUSTRATED PARTS LIST

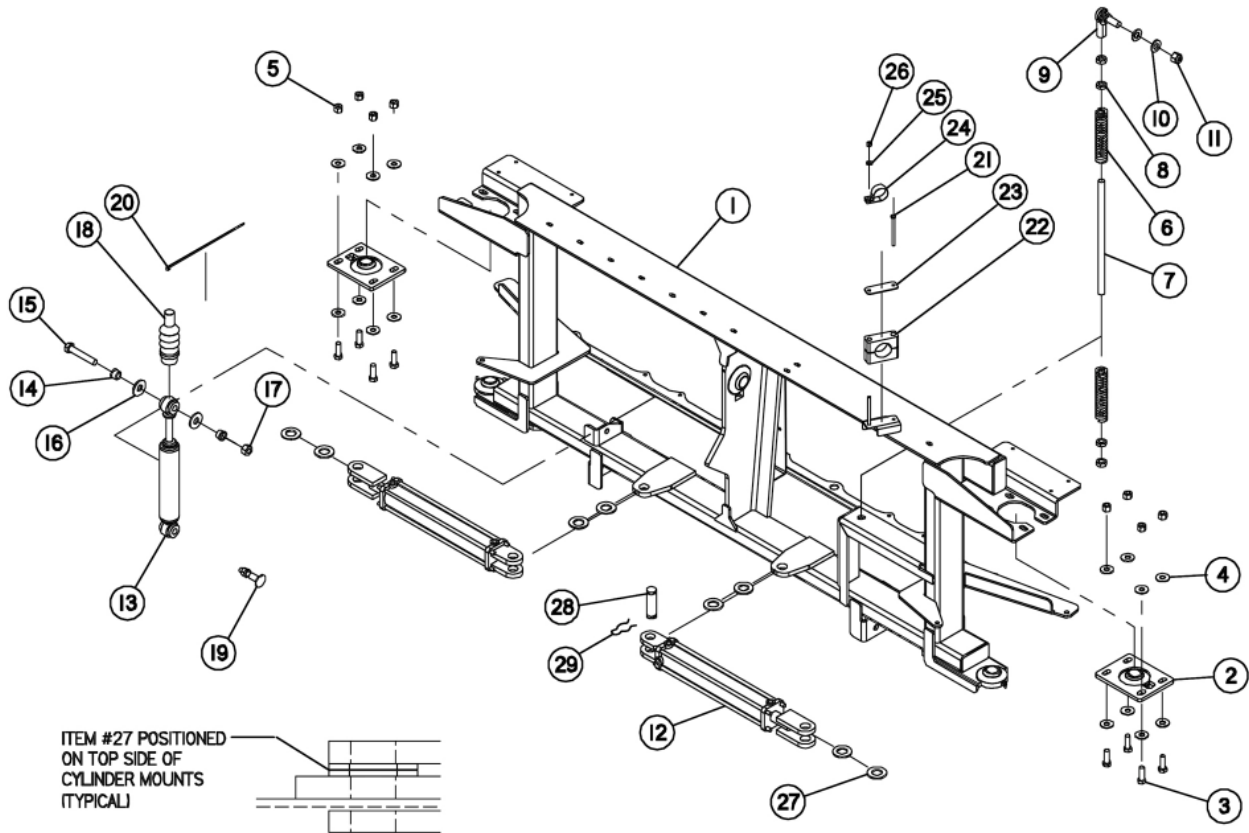
Lift Arm Assembly (EF & EFT Boom) Parts List

Item	Part No.	Quantity	Description
1	903832	4	Bolt, Hex, 5/8-11 x 2-1/2" Gr 5
2	07.08391	1	Lift Arm Assembly
2	900539	2	Grease Fitting, 45°, 1/4-28
3	907257	1	Bolt, Hex, 1-1/4-7 x 8-1/2" Gr 8
4	07.08463	2	Link, Lower
5	907249	3	Nut, Hex Lock, 1-1/4-7 Nylock
6	906402	4	Nut, Hex Lock, 5/8-11 Nylock
7	907564	2	Bolt, Hex, 1-1/4-7 x 4" Gr 5
8	904814	8	Washer, Flat, 5/8" HT
9	07.08558	1	Cylinder, Hydraulic, 2" x 12" Nitrosteel w/Pins & Clips
9	65.10083	1	Seal Kit, Cylinder, 2"
10	907542	1	Clamp, 3" Muffler, Stainless Steel
11	32.03285	1	Accumulator, 10 Cu In
12	07.08751	1	Breather, 06 ORB
13	07.09156	1	Transport Stop
14	17.00779	1	Pin, Lock, 1/4 x 2-1/2"
15	21.20129	1	Clamp, 1.75"
16	32.01597	1	Plate, Cover
17	21.00340	1	Clamp, 1-1/2" Vinyl
18	903698	2	Bolt, Hex, 1/4-20 x 3-1/2" Gr 5
19	900493	2	Washer, Flat, 1/4" SAE
20	904092	2	Nut, Hex Lock, 1/4-20 Nylock
21	21.00139	2	Bushing, Hardened Tension
22	32.01932	2	Tube Clamp, 1/2" Twin
23	32.02002	2	Clamp Plate, Tube
24	907411	2	Lockwasher, 5/16" Stainless Steel
25	907323	2	Bolt, Hex, 5/16-18 x 1-3/4" Stainless Steel
26	09.73603	2	Pin, Clevis, 1" x 2-3/8" Znc HT (Included with Item 9)
27	09.73502	4	Pin, Hair, 1" (Included with Item 9)



ILLUSTRATED PARTS LIST

Center Section (EF Boom)



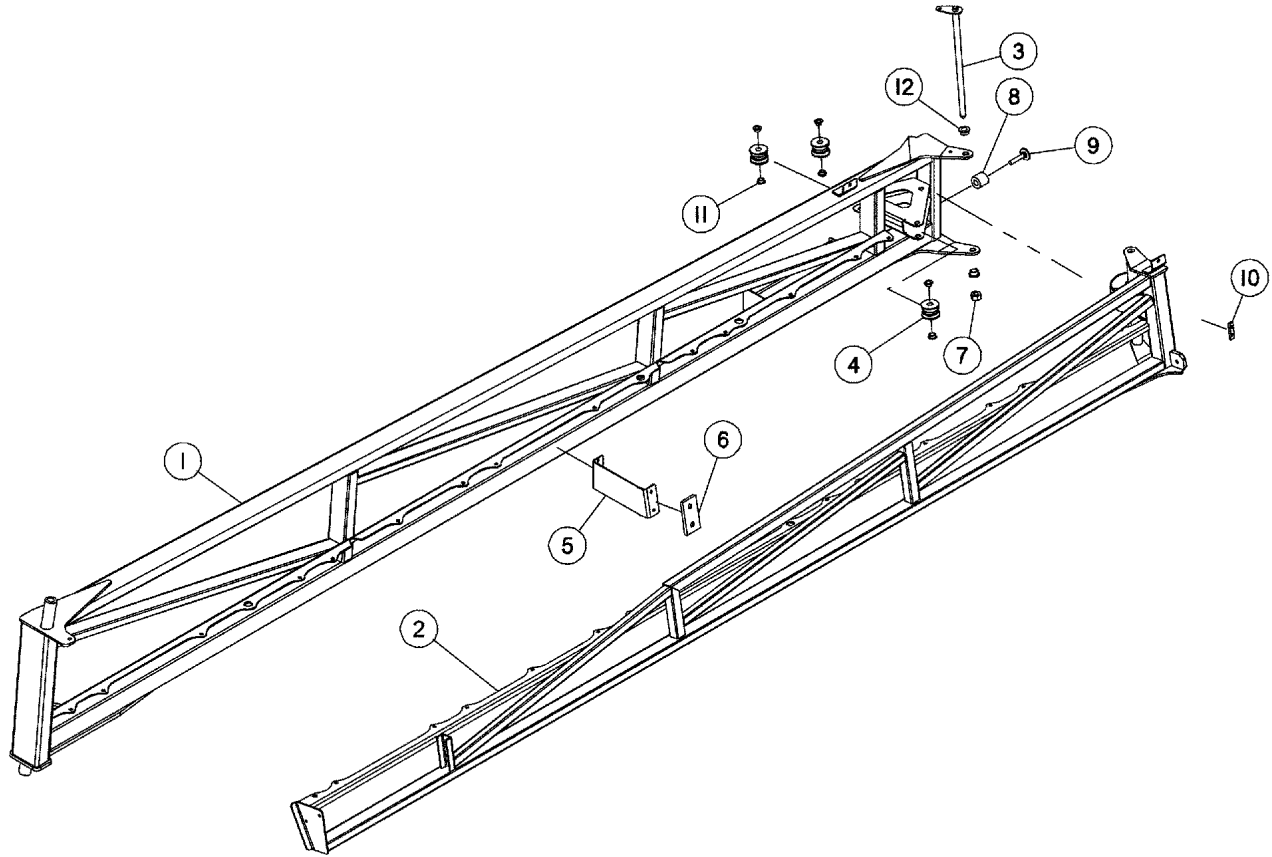


ILLUSTRATED PARTS LIST

Center Section (EF Boom) Parts List

Item	Part No.	Quantity	Description
1	07.08465	1	Boom, Center Section - EF
	903993	3	Grease Fitting, 90°, 1/4-28
2	07.08717	2	Pivot Mount Assembly
	903993	2	Grease Fitting, 90°, 1/4-28
3	903306	8	Bolt, Hex, 1/2-13 x 1-1/2" Gr 5
4	900497	16	Washer, Flat, 1/2"
5	906401	8	Nut, Hex Lock, 1/2-13 Nylock
6	907657	2	Spring, Die, 1.25 x 6"
7	07.09098	1	Rod, Threaded, 5/8-18 x 14"
8	900360	4	Nut, Hex Jam, 5/8-18
9	07.09110	1	Rod End, Ball Joint Linkage
10	904814	2	Washer, Flat, 5/8" HT
11	907589	1	Nut, Hex Lock, 5/8-18 Nylock
12	07.08558	2	Cylinder, Hydraulic, 2" x 12" Nitrosteel w/Pins & Clips
	65.10083	1	Seal Kit, Cylinder, 2"
13	07.08843	1	Shock Absorber, Boom
14	907661	2	Bushing, Flange, 5/8" Sintered Bronze
15	904635	1	Bolt, Hex, 5/8-11 x 3-1/2" Gr 5
16	900498	2	Washer, Flat, 5/8"
17	906402	1	Nut, Hex Lock, 5/8-11 Nylock
18	07.08844	1	Boot, Shock Absorber
19	07.09154	1	Kit, Shock Mount Hardware
20	07.13145	1	Tie, Cable, 11" Black
21	903698	2	Bolt, Hex, 1/4-20 x 3-1/2" Gr 5
22	21.20129	1	Clamp, 1.75"
23	32.01597	1	Plate, Cover
24	21.00340	1	Clamp, 1-1/2" Vinyl
25	900493	1	Washer, Flat, 1/4" SAE
26	904092	2	Nut, Hex Lock, 1/4-20 Nylock
27	903708	8	Washer, Flat, 1"
28	09.73603	4	Pin, Clevis, 1" x 2-3/8" Znc HT (Included with Item 12)
29	09.73502	8	Pin, Hair, 1" (Included with Item 12)

Boom Assembly Right Side (EF Boom)



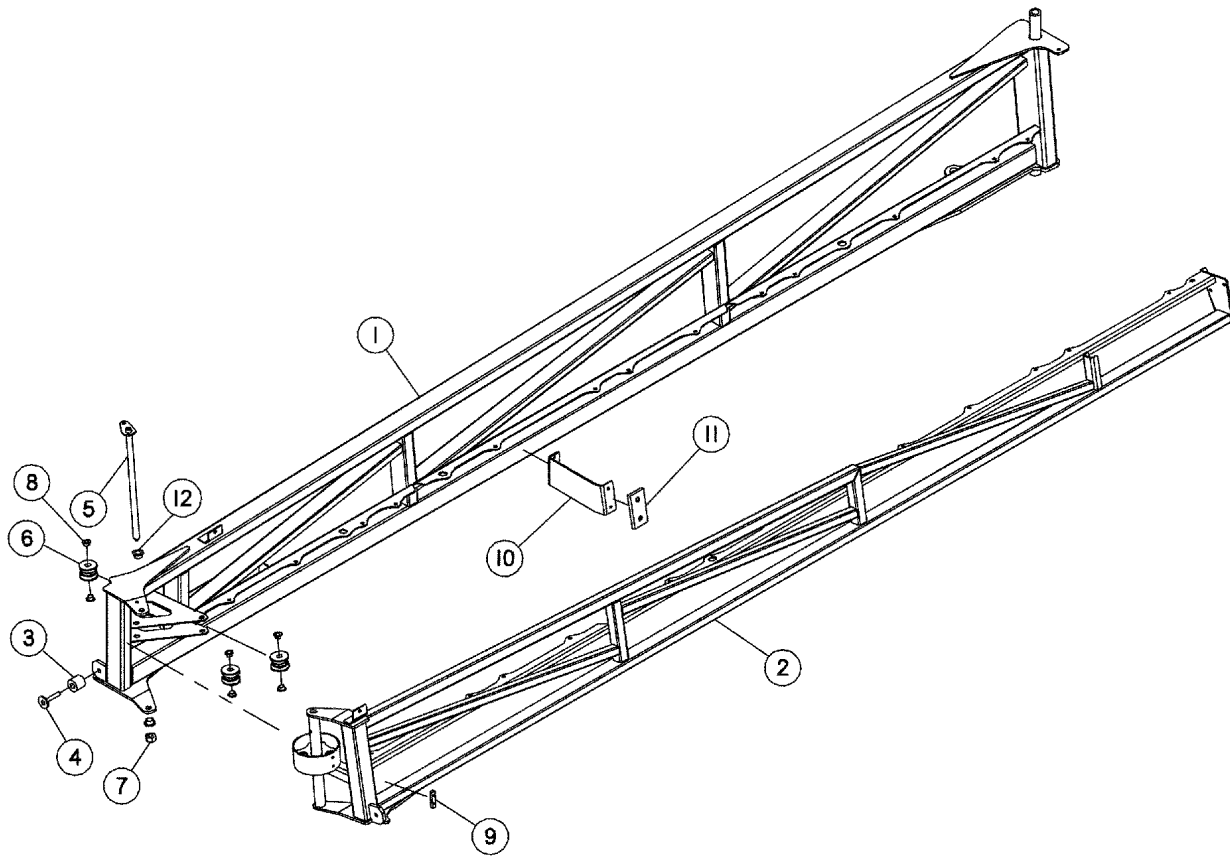


ILLUSTRATED PARTS LIST

Boom Assembly Right Side (EF Boom) Parts List

Item	Part No.	Quantity	Description
1	07.09011	1	Boom, Right Hand Primary, EF
2	07.09028	1	Boom, Right Hand Secondary, 51' (20" Nozzle Spacing)
	900538	1	Grease Fitting, 1/4-28, Taper
	07.09115	1	Boom, Right Hand Secondary, 48' (20" Nozzle Spacing)
	900538	1	Grease Fitting, 1/4-28, Taper
	07.09237	1	Boom, Right Hand Secondary, 45' (15" Nozzle Spacing)
	900538	1	Grease Fitting, 1/4-28, Taper
	07.09113	1	Boom, Right Hand Secondary, 45' (20" Nozzle Spacing)
	900538	1	Grease Fitting, 1/4-28, Taper
3	07.08501	1	Secondary Fold Pin
	904863	1	Bolt, Hex, 1/4-20 x 3/4" Gr 5
	904092	1	Nut, Hex Lock, 1/4-20 Nylock
4	07.09127	3	Roller, Transition
	903854	3	Bolt, Hex, 1/2-13 x 3-1/4" Gr 5
	901937	6	Washer, Flat, 1/2" SAE
	906401	3	Nut, Hex Lock, 1/2-13 Nylock
5	07.09133	1	Rest, Secondary Boom
	07.09134	1	Plate, Secondary Boom Rest
	903698	2	Bolt, Hex, 1/4-20 x 3-1/2" Gr 5
	900493	4	Washer, Flat, 1/4" SAE
	904092	2	Nut, Hex Lock, 1/4-20 Nylock
6	07.05487	1	Insert, Tilt Arm, UHMW Plastic
	901798	2	Bolt, Flat Head, 1/4-20 x 3/4"
	900493	2	Washer, Flat, 1/4" SAE
	904092	2	Nut, Hex Lock, 1/4-20 Nylock
7	906402	1	Nut, Hex Lock, 5/8-11 Nylock
8	07.09152	1	Bumper, Secondary
9	07.05468	1	Retainer, Wing Bumper
	907057	1	Washer, Flat, .388 x 1.25 x .12"
	906400	1	Nut, Hex Lock, 3/8-16 Nylock
10	07.09077	1	Bar, Cable Hold
	903033	2	Bolt, Hex, 1/4-20 x 1" Gr 5
	904092	2	Nut, Hex Lock, 1/4-20 Nylock
11	32.03014	6	Bushing, 1/2" Nylon
12	907651	2	Bushing, Flanged, 5/8" Nylon

Boom Assembly Left Side (EF Boom)



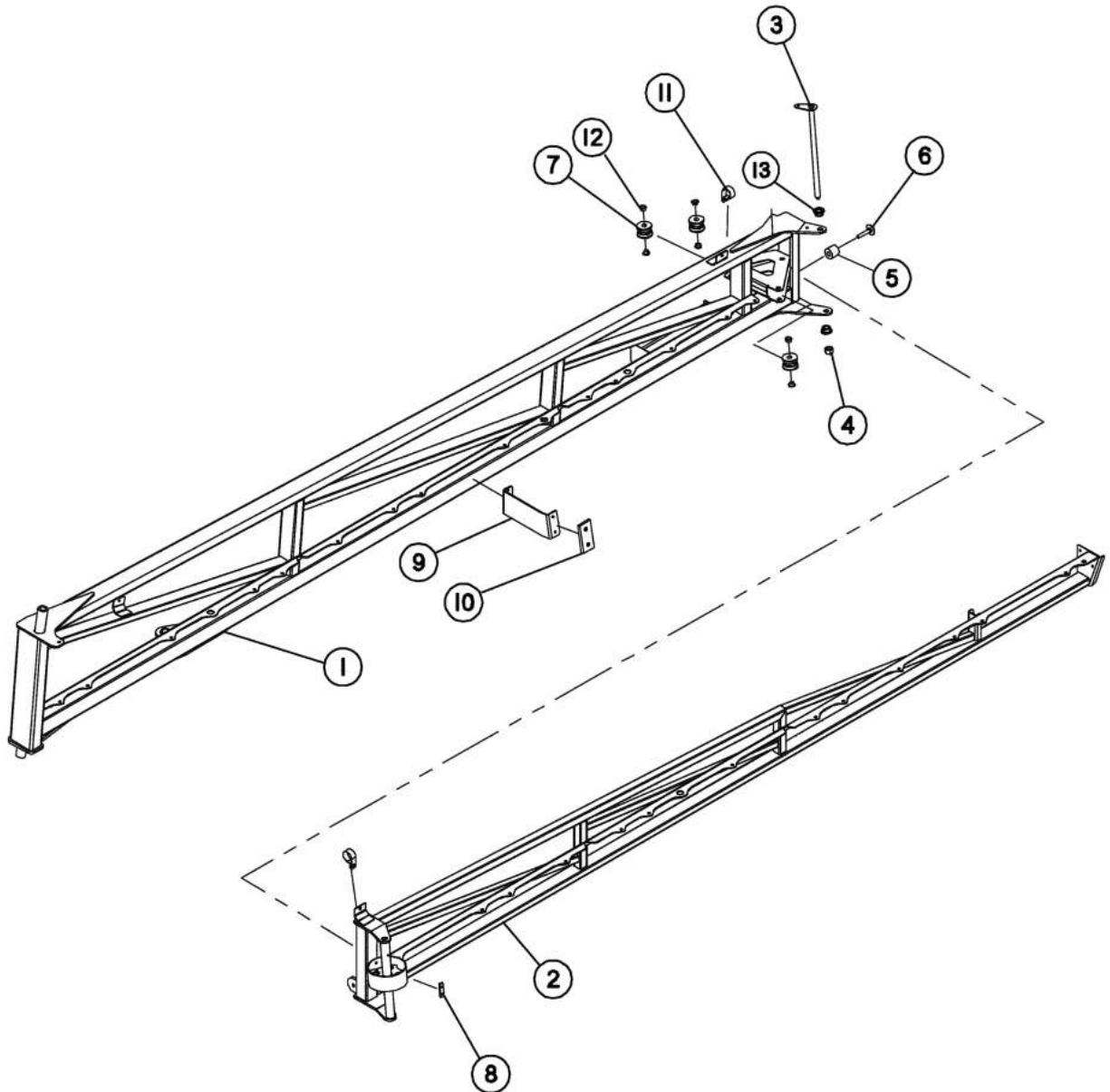


ILLUSTRATED PARTS LIST

Boom Assembly Left Side (EF Boom) Parts List

Item	Part No.	Quantity	Description
1	07.09010	1	Boom, Left Hand Primary EF
2	07.09027	1	Boom, Left Hand Secondary, 51' (20" Nozzle Spacing)
	900538	1	Grease Fitting, 1/4-28, Taper
	07.09114	1	Boom, Left Hand Secondary, 48' (20" Nozzle Spacing)
	900538	1	Grease Fitting, 1/4-28, Taper
	07.09236	1	Boom, Left Hand Secondary, 45' (15" Nozzle Spacing)
	900538	1	Grease Fitting, 1/4-28, Taper
	07.09112	1	Boom, Left Hand Secondary, 45' (20" Nozzle Spacing)
	900538	1	Grease Fitting, 1/4-28, Taper
3	07.09152	1	Bumper, Secondary
4	07.05468	1	Retainer, Wing Bumper
	907057	1	Washer, Flat, .388 x 1.25 x .12"
	906400	1	Nut, Hex Lock, 3/8-16 Nylock
5	07.08501	1	Secondary Fold Pin
	904863	1	Bolt, Hex, 1/4-20 x 3/4" Gr 5
	904092	1	Nut, Hex Lock, 1/4-20 Nylock
6	07.09127	3	Roller, Transition
	903854	3	Bolt, Hex, 1/2-13 x 3-1/4" Gr 5
	901937	6	Washer, Flat, 1/2" SAE
	906401	3	Nut, Hex Lock, 1/2-13 Nylock
7	906402	1	Nut, Hex Lock, 5/8-11 Nylock
8	32.03014	6	Bushing, 1/2" Nylon
9	07.09077	1	Bar, Cable Hold
	903033	2	Bolt, Hex, 1/4-20 x 1" Gr 5
	904092	2	Nut, Hex Lock, 1/4-20 Nylock
10	07.09133	1	Rest, Secondary Boom
	07.09134	1	Plate, Secondary Boom Rest
	903698	2	Bolt, Hex, 1/4-20 x 3-1/2" Gr 5
	900493	4	Washer, Flat, 1/4" SAE
	904092	2	Nut, Hex Lock, 1/4-20 Nylock
11	07.05487	1	Insert, Tilt Arm, UHMW Plastic
	901798	2	Bolt, Flat Head, 1/4-20 x 3/4"
	900493	2	Washer, Flat, 1/4" SAE
	904092	2	Nut, Hex Lock, 1/4-20 Nylock
12	907651	2	Bushing, Flanged, 5/8" Nylon

Boom Assembly Right Side (EFT Boom)



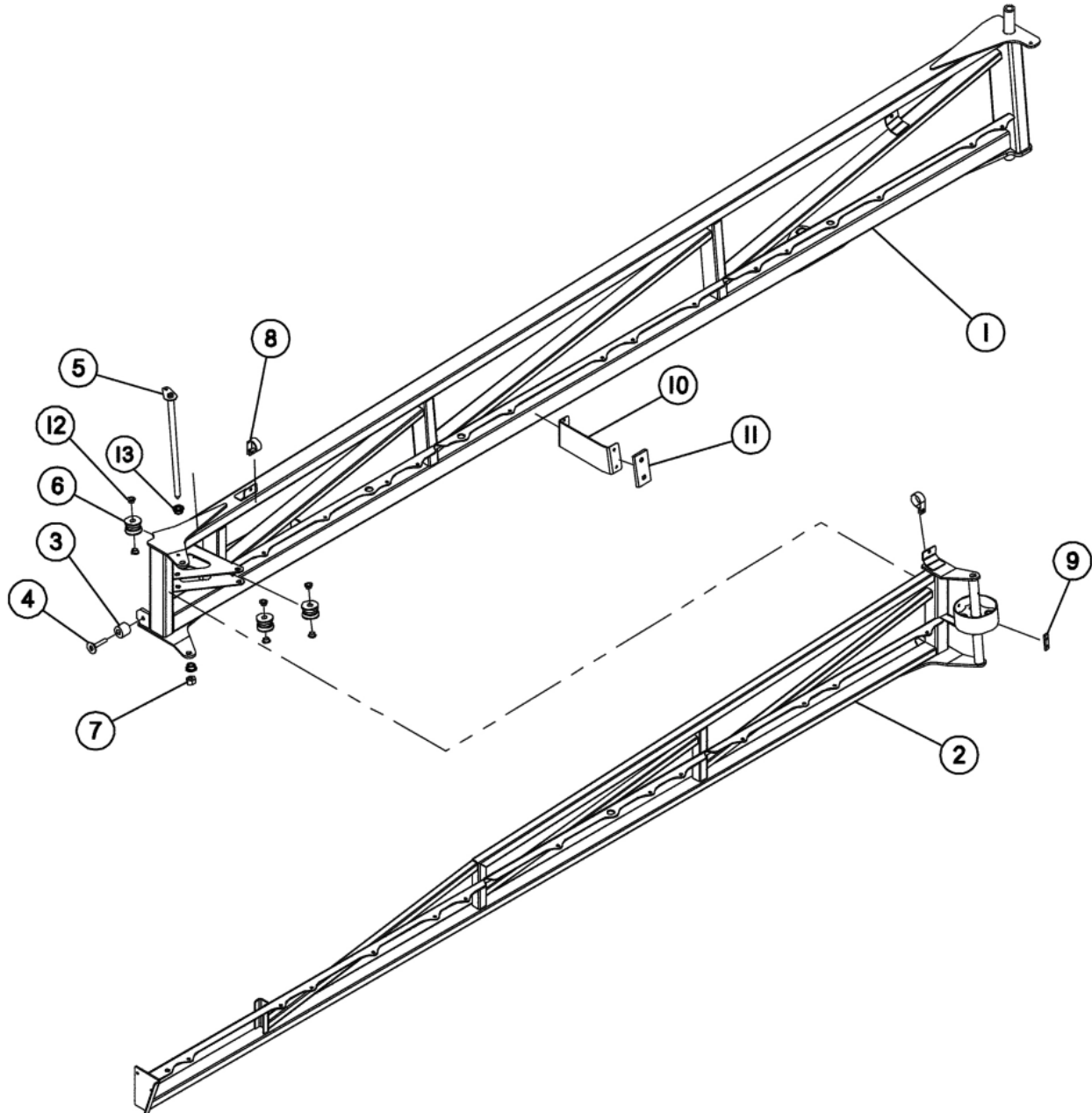


ILLUSTRATED PARTS LIST

Boom Assembly Right Side (EFT Boom) Parts List

Item	Part No.	Quantity	Description
1	07.09340	1	Boom, Right Hand Primary, with Tilt EF
2	07.09028	1	Boom, Right Hand Secondary, 51'
	900538	1	Grease Fitting, 1/4-28, Taper
3	07.08501	1	Secondary Fold Pin
	904863	1	Bolt, Hex, 1/4-20 x 3/4" Gr 5
	904092	1	Nut, Hex Lock, 1/4-20 Nylock
4	906402	1	Nut, Hex Lock, 5/8-11 Nylock
5	07.09152	1	Bumper, Secondary
6	07.05468	1	Retainer, Wing Bumper
	907057	1	Washer, Flat, .388 x 1.25 x .12"
	906400	1	Nut, Hex Lock, 3/8-16 Nylock
7	07.09127	3	Roller, Transition
	903854	3	Bolt, Hex, 1/2-13 x 3-1/4" Gr 5
	901937	6	Washer, Flat, 1/2" SAE
	906401	3	Nut, Hex Lock, 1/2-13 Nylock
8	07.09077	1	Bar, Cable Hold
	903033	2	Bolt, Hex, 1/4-20 x 1" Gr 5
	904092	2	Nut, Hex Lock, 1/4-20 Nylock
9	07.09133	1	Rest, Secondary Boom
	07.09134	1	Plate, Secondary Boom Rest
	903698	2	Bolt, Hex, 1/4-20 x 3-1/2" Gr 5
	900493	4	Washer, Flat, 1/4" SAE
	904092	2	Nut, Hex Lock, 1/4-20 Nylock
10	07.05487	1	Insert, Tilt Arm, UHMW Plastic
	901798	2	Bolt, Flat Head, 1/4-20 x 3/4"
	900493	2	Washer, Flat, 1/4" SAE
	904092	2	Nut, Hex Lock, 1/4-20 Nylock
11	21.00340	2	Clamp, 1-1/2" Vinyl
12	32.03014	6	Bushing, 1/2" Nylon
13	907651	2	Bushing, Flanged, 5/8" Nylon

Boom Assembly Left Side (EFT Boom)



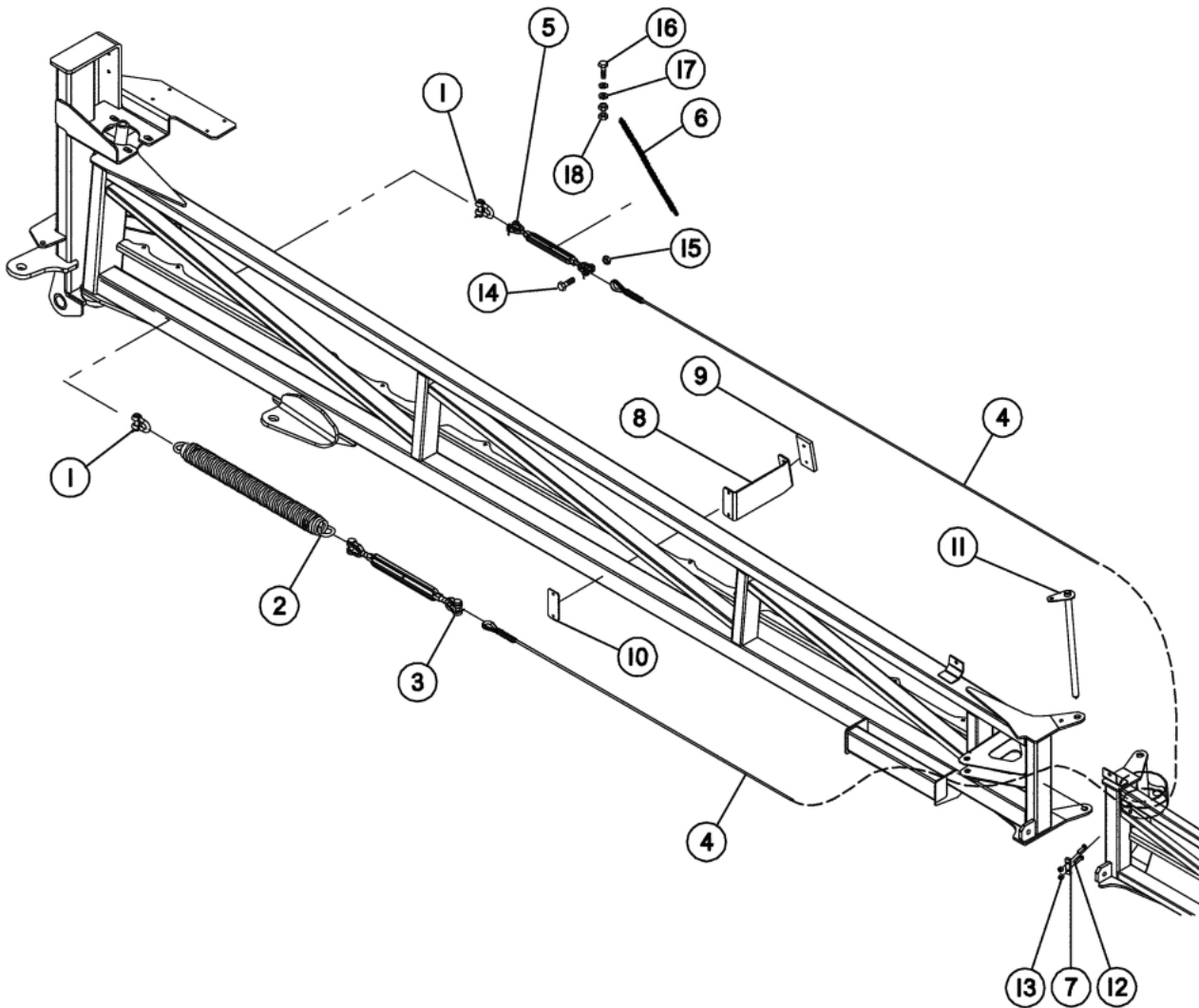


ILLUSTRATED PARTS LIST

Boom Assembly Left Side (EFT Boom) Parts List

Item	Part No.	Quantity	Description
1	07.09339	1	Boom, Left Hand Primary, with Tilt EF
2	07.09027	1	Boom, Left Hand Secondary, 51'
	900538	1	Grease Fitting, 1/4-28, Taper
3	07.09152	1	Bumper, Secondary
4	07.05468	1	Retainer, Wing Bumper
	907057	1	Washer, Flat, .388 x 1.25 x .12"
	906400	1	Nut, Hex Lock, 3/8-16 Nylock
5	07.08501	1	Secondary Fold Pin
	904863	1	Bolt, Hex, 1/4-20 x 3/4" Gr 5
	904092	1	Nut, Hex Lock, 1/4-20 Nylock
6	07.09127	3	Roller, Transition
	903854	3	Bolt, Hex, 1/2-13 x 3-1/4" Gr 5
	901937	6	Washer, Flat, 1/2" SAE
	906401	3	Nut, Hex Lock, 1/2-13 Nylock
7	906402	1	Nut, Hex Lock, 5/8-11 Nylock
8	21.00340	2	Clamp, 1-1/2" Vinyl
9	07.09077	1	Bar, Cable Hold
	903033	2	Bolt, Hex, 1/4-20 x 1" Gr 5
	904092	2	Nut, Hex Lock, 1/4-20 Nylock
10	07.09133	1	Rest, Secondary Boom
	07.09134	1	Plate, Secondary Boom Rest
	903698	2	Bolt, Hex, 1/4-20 x 3-1/2" Gr 5
	900493	4	Washer, Flat, 1/4" SAE
	904092	2	Nut, Hex Lock, 1/4-20 Nylock
11	07.05487	1	Insert, Tilt Arm, UHMW Plastic
	901798	2	Bolt, Flat Head, 1/4-20 x 3/4"
	900493	2	Washer, Flat, 1/4" SAE
	904092	2	Nut, Hex Lock, 1/4-20 Nylock
12	32.03014	6	Bushing, 1/2" Nylon
13	907651	2	Bushing, Flanged, 5/8" Nylon

Boom Wing Fold & Breakaway (EF & EFT Boom)



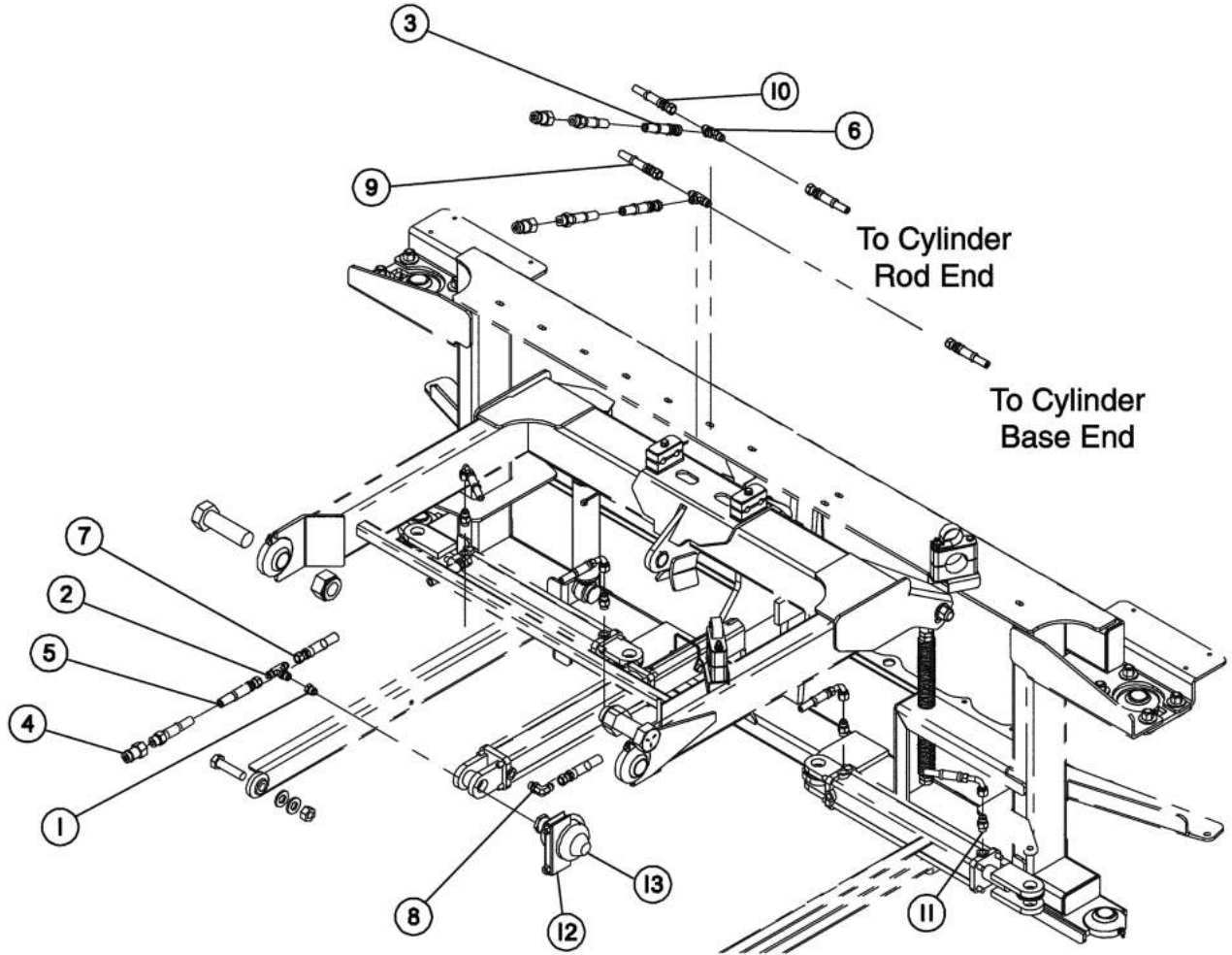


ILLUSTRATED PARTS LIST

Boom Wing Fold & Breakaway (EF & EFT Boom) Parts List

Item	Part No.	Quantity	Description
1	907666	2	Shackle, 3/8"
2	07.08920	1	Spring, Extension 24"
3	907668	1	Turnbuckle, 1/2 x 9" with Nuts
4	07.08506	1	Cable Assembly, Secondary Fold
5	907667	1	Turnbuckle, 3/8 x 6" with Nuts
6	907656	1	Spring, Extension, 1/2 x 12 x .065"
7	07.09077	1	Bar, Cable Hold
8	07.09133	1	Rest, Secondary Boom
9	07.05487	1	Insert, Tilt Arm, UHMW Plastic
	901798	2	Bolt, Flat Head, 1/4-20 x 3/4"
	900493	2	Washer, Flat, 1/4 SAE
	904092	2	Nut, Hex Lock, 1/4-20 Nylock
10	07.09134	1	Plate, Secondary Boom Rest
	903698	2	Bolt, Hex, 1/4-20 x 3-1/2" Gr 5
	900493	4	Washer, Flat, 1/4" SAE
	904092	2	Nut, Hex Lock, 1/4-20 Nylock
11	07.08501	1	Secondary Fold Pin
	904863	1	Bolt, Hex, 1/4-20 x 3/4" Gr 5
	904092	1	Nut, Hex Lock, 1/4-20 Nylock
	906402	1	Nut, Hex Lock, 5/8-11 Nylock
12	903033	2	Bolt, Hex, 1/4-20 x 1" Gr 5
13	904092	2	Nut, Hex Lock, 1/4-20 Nylock
14	907323	1	Bolt, Hex, 5/16-18 x 1-3/4" Stainless Steel
15	907390	1	Nut, Hex Lock, 5/16-18 Nylock Stainless Steel
16	907171	1	Bolt, Hex, 1/4-20 x 1-1/4" Gr 5
17	900493	2	Washer, Flat, 1/4" SAE
18	904092	2	Nut, Hex Lock, 1/4-20 Nylock

Hydraulic Lift & Wing Fold (EF Boom)



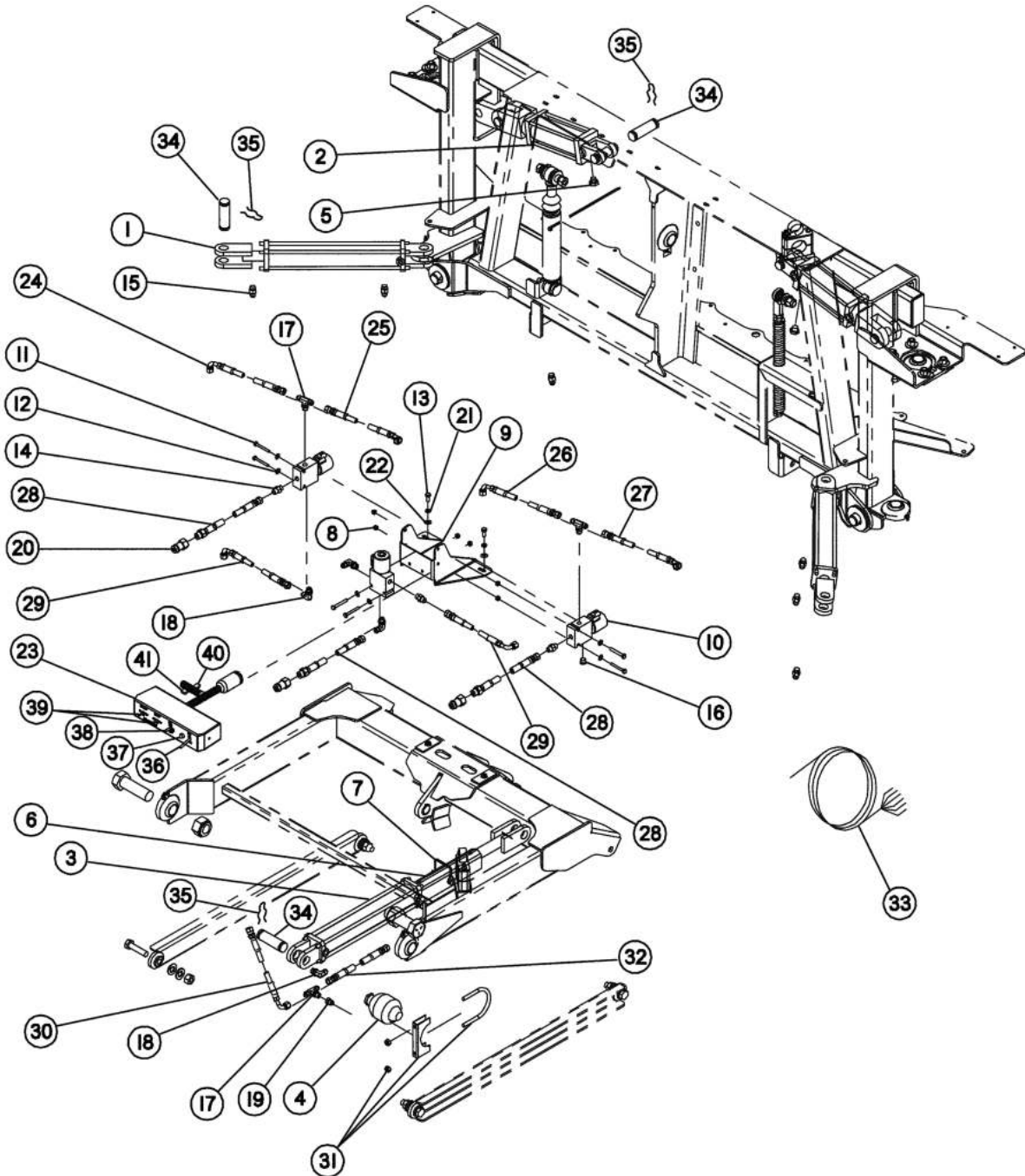


ILLUSTRATED PARTS LIST

Hydraulic Lift & Wing Fold (EF Boom) Parts List

Item	Part No.	Quantity	Description
1	32.01954	1	Orifice, 3/8" JIC, .040"
2	907183	1	Tee, 06 ORB x JIC
3	07.09100	2	Hose, Hydraulic, 3/8" x 292"
4	09.74158	3	Coupler, Quick Male, 08 ORB
5	07.09099	1	Hose, Hydraulic, 3/8" x 258"
6	07.17844	2	Tee, Union, JIC 3/8"
7	07.08423	1	Hose, Hydraulic, 3/8" x 18"
8	07.17946	1	Elbow, 06 ORB x MJIC
9	07.09102	2	Hose, Hydraulic, 1/4" x 35"
10	07.09101	2	Hose, Hydraulic, 1/4" x 49.50"
11	907205	4	Restrictor, .031"
12	907542	1	Clamp, 3" Muffler, Stainless Steel
13	32.03285	1	Accumulator, 10 Cu In

Hydraulic Lift & Wing Fold (EFT Boom)



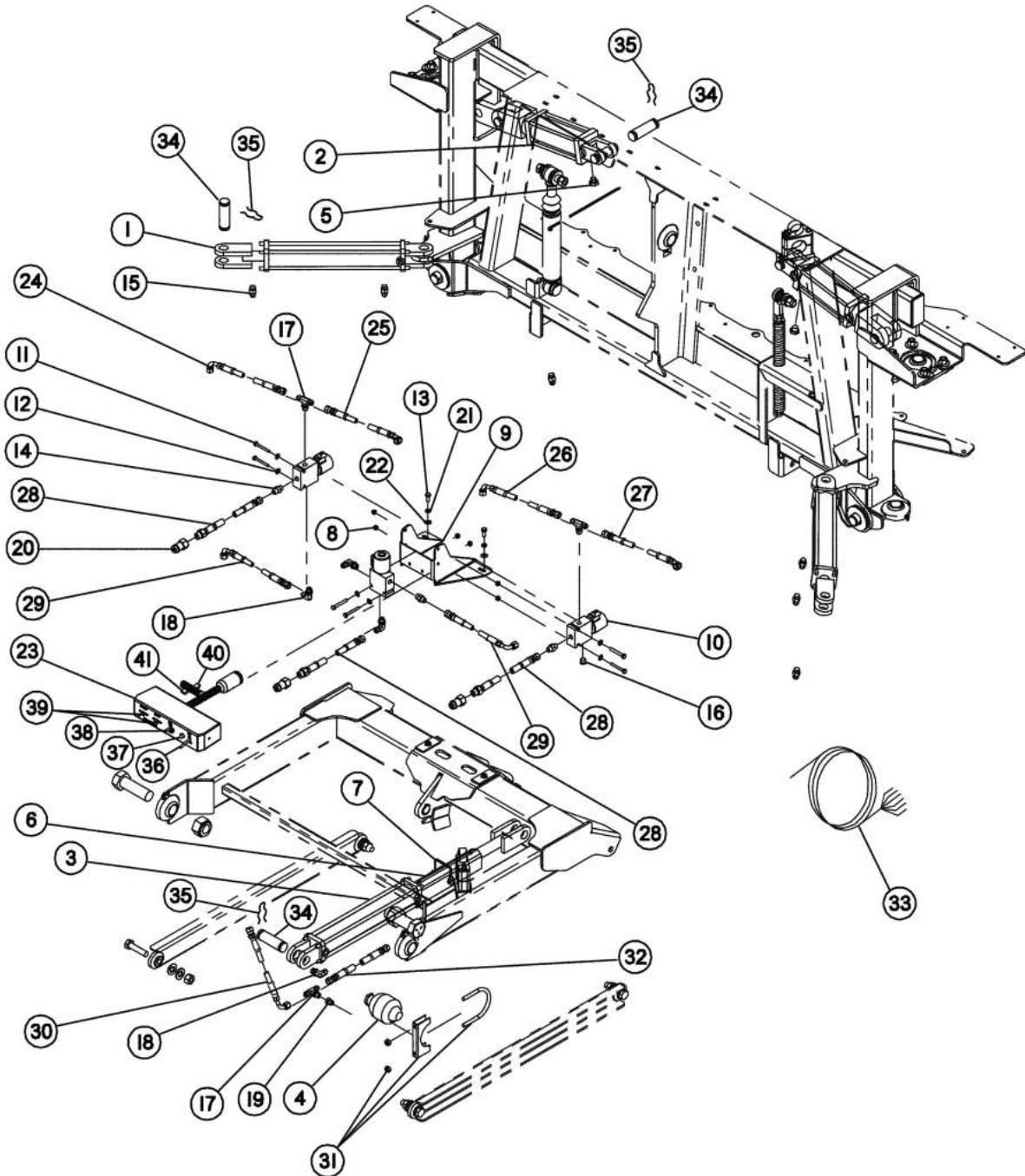


ILLUSTRATED PARTS LIST

Hydraulic Lift & Wing Fold (EFT Boom) Parts List

Item	Part No.	Quantity	Description
1	07.08558	2	Cylinder, Hydraulic, 2" x 12" Nitrosteel with Pins & Clips
	65.10083	1	Seal Kit, Cylinder, 2"
2	07.09347	2	Cylinder, Hydraulic, 2" x 5" Nitrosteel with Pins & Clips
	65.10083	1	Seal Kit, Cylinder, 2"
3	07.08558	1	Cylinder, Hydraulic, 2" x 12" Nitrosteel with Pins & Clips
	65.10083	1	Seal Kit, Cylinder, 2"
4	32.03285	1	Accumulator, 10 Cu. In.
5	07.08751	3	Breather, 06 ORB
6	07.09156	1	Transport Stop, 500 BW
7	17.00779	1	Pin, Lock, 1/4" x 2-1/2"
8	907389	6	Nut, Hex Lock, 1/4-20 Stainless Steel Nylock
9	07.09409	1	Bracket, EFT Valve Support
10	07.09408	3	Valve, EFT, 3-Way Hydraulic
11	907423	6	Bolt, Hex, 1/4-20 x 2" Stainless Steel
12	907234	6	Washer, Flat 1/4" Stainless Steel
13	907463	2	Bolt, Hex, 5/16-18 x 3/4" Stainless Steel
14	07.17911	3	Adapter, 06 ORB x 3/8" MJIC
15	907205	6	Restrictor, .031"
16	09.74143	1	Plug, 06 ORB Socket
17	907183	3	Tee, 06 ORB x JIC
18	07.17946	4	Elbow, 06 ORB x MJIC
19	32.01954	1	Orifice, 3/8" JIC, .040"
20	09.74158	3	Coupler, Quik Male, 08 ORB
21	907411	2	Lockwasher, 5/16" Stainless Steel
22	907379	2	Washer, Flat, 5/16" Stainless Steel

Hydraulic Lift & Wing Fold (EFT Boom)



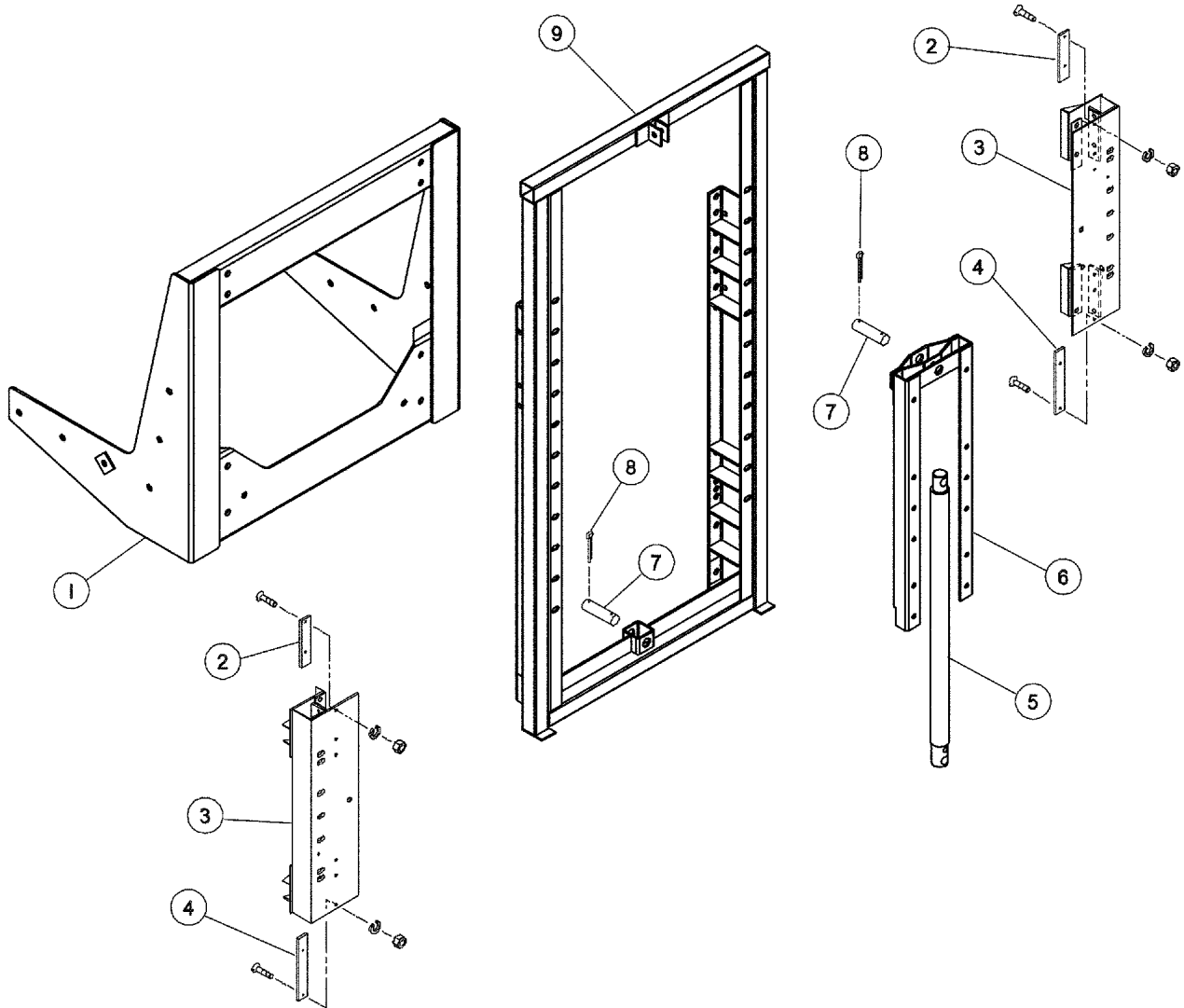


ILLUSTRATED PARTS LIST

Hydraulic Lift & Wing Fold (EFT Boom) Parts List

Item	Part No.	Quantity	Description
23	07.09433	1	Control Box, EFT/HT
			(Includes Items 36 - 41) And Mounting Knobs, Mounting Straps And Bracket.
	07.20113	1	Mounting Bracket
	07.20403	2	Mounting Knob
	07.07365	2	Mounting Strap
24	07.09432	1	Hose, Hydraulic, 1/4" x 53"
25	32.01586	1	Hose, Hydraulic, 1/4" x 60"
26	07.09431	1	Hose, Hydraulic, 1/4" x 70"
27	07.09414	1	Hose, Hydraulic, 1/4" x 63"
28	07.09411	3	Hose, Hydraulic, 3/8" x 304"
29	07.09412	2	Hose, Hydraulic, 1/4" x 41"
30	07.09413	1	Hose, Hydraulic, 1/4" x 44"
31	907542	1	Clamp, Muffler, 3" Stainless Steel
32	07.08423	1	Hose, Hydraulic, 3/8" Lift Cylinder
33	07.09434	1	Harness, Sprayer Half, EFT/HT
34	09.73603	10	Pin, Clevis, 1" x 2-3/8" Znc HT (Included with Items 1, 2 & 3)
35	09.73502	20	Pin, Hair, 1" (Included with Items 1, 2 & 3)
36	07.20617	1	Switch, SPST (Included With Item 23)
37	07.09504	1	Lamp, Indicator (Included With Item 23)
38	07.07362	1	Switch, DPDT (Included With Item 23)
39	07.09505	2	Switch, DPDT (Included With Item 23)
40	07.06550	1	Fuse, Spade, 10 Amp (Included With Item 23)
41	07.20295	1	Fuse, Spade, 20 Amp (Included With Item 23)

Hydraulic Tower Assembly (HC Boom)



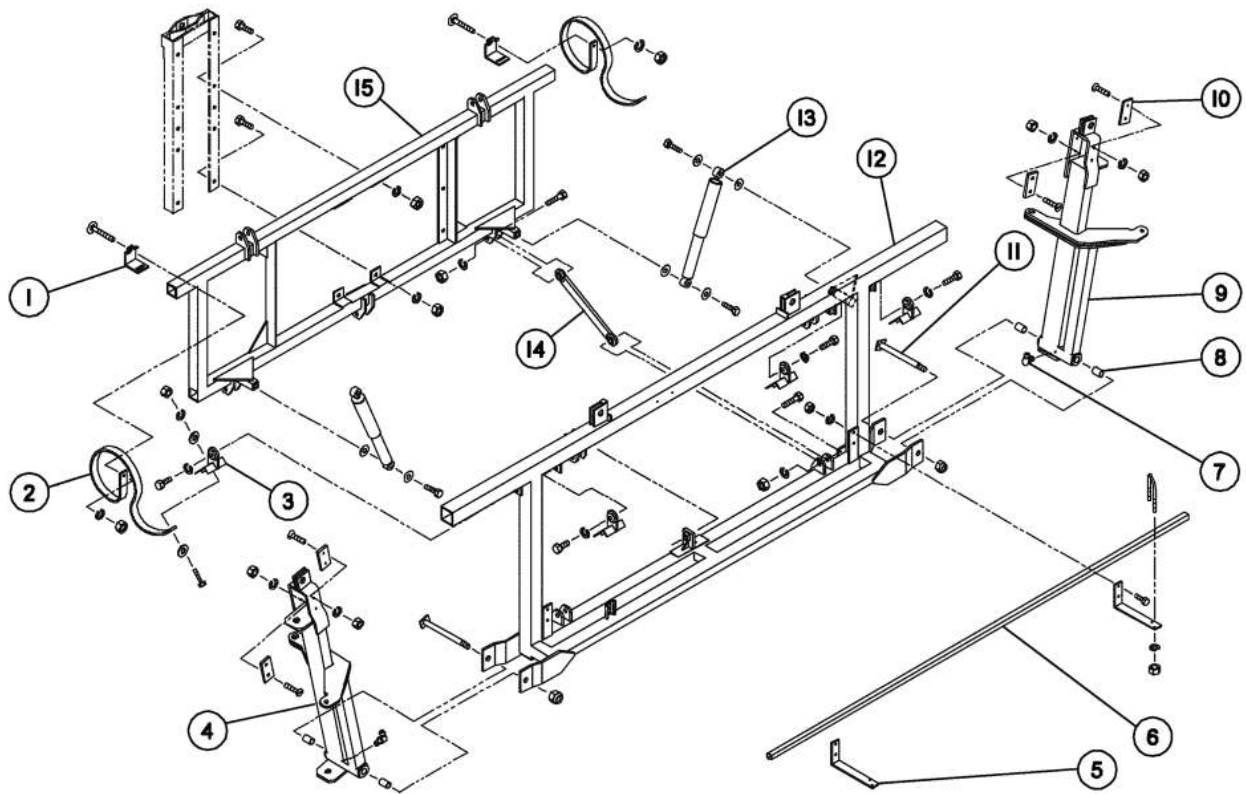


ILLUSTRATED PARTS LIST

Hydraulic Tower Assembly (HC Boom) Parts List

Item	Part No.	Quantity	Description
1	07.08822	1	Adapter, Tower Mount
	901619	10	Bolt, Hex, 5/8-11 x 1-1/2" Gr 5
	904253	2	Bolt, Hex, 5/8-11 x 2" Gr 5
	900498	12	Washer, Flat, 5/8" Std
	906402	12	Nut, Hex Lock, 5/8-11 Nylock
2	07.03075	10	Inserts, Plastic, 1-3/8" x 6" UHMW
	901798	20	Screw, Machine, 1/4-20 x 3/4"
	900502	20	Lockwasher, 1/4" Med
	900363	20	Nut, Hex, 1/4-20
3	07.05028	2	Slide, Ultra, Weldment
4	07.03076	2	Inserts, Plastic, 1-3/8 x 8" UHMW
	901798	4	Screw, Machine, 1/4-20 x 3/4"
	900502	4	Lockwasher, 1/4" Med
	900363	4	Nut, Hex, 1/4-20
5	07.07735	1	Cylinder, Hydraulic, One Way, CS150 x 29
	07.19123	1	Seal Kit, Lift Cylinder
	09.73501	2	Pin, Safety
6	07.03250	1	Mount, Cylinder, Mid Section Lift
7	07.17905	2	Pin, Headless, 1" x 3.75" PI
8	901520	4	Pin, Cotter, 3/16" x 1-1/2"
9	07.05897	1	Tower, Ultra Slide, Wide
	901619	6	Bolt, Hex, 5/8-11 x 1-1/2" Gr 5
	904253	2	Bolt, Hex, 5/8-11 x 2" Gr 5
	900498	8	Washer, Flat, 5/8" Std
	906402	8	Nut, Hex Lock, 5/8-11 Nylock

Center Section Assembly



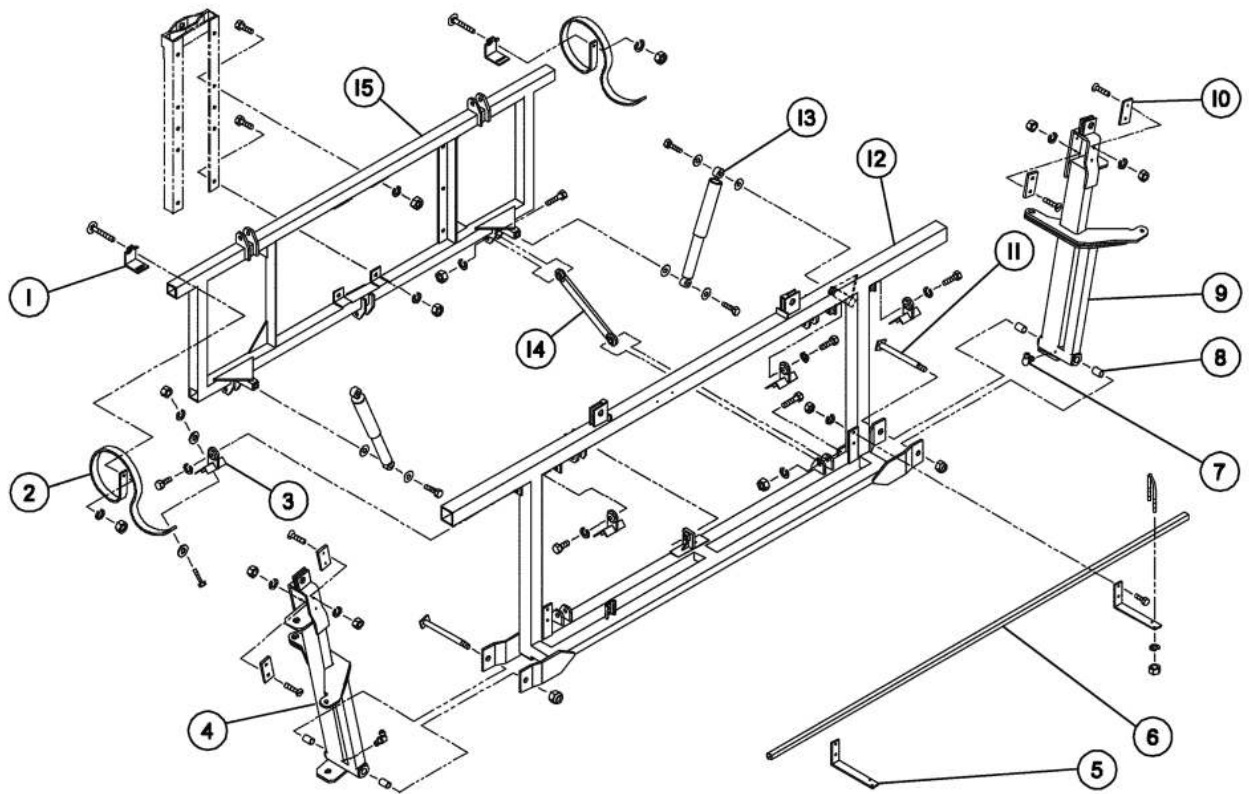


ILLUSTRATED PARTS LIST

Center Section Assembly Parts List

Item	Part No.	Quantity	Description
1	07.06063	8	Clamp, 2", HD
	907054	8	Bolt, Carriage, 1/2-13 x 3-1/2" Gr 5 Yellow Zinc
	900506	8	Lockwasher, 1/2" Med
	900369	8	Nut, Hex, 1/2-13
2	07.06062	8	Tine, HD
	902367	8	Bolt, Hex, 3/8-16 x 1-1/4"
	900495	16	Washer, Flat, 3/8"
	900504	8	Lockwasher, 3/8"
	900366	8	Nut, Hex, 3/8-16
3	07.00471	4	Bracket, S-Tine
	904253	4	Bolt, Hex, 5/8-11 x 2" Gr 5
	900508	4	Lockwasher, 5/8"
4	07.05200	1	Tilt Arm, Left Side
5	07.05463	2	Bracket, Standard, Mid Section
	900890	4	Bolt, Hex, 5/16-18 x 1-1/4"
	900503	4	Lockwasher, 5/16"
	900365	4	Nut, Hex, 5/16-18
6	07.05263	1	Tube, Mid Clamp Mount
	14.73140	2	U-Bolt, 1/4 x 1-1/4 x 2"
	900502	4	Lockwasher, 1/4"
	900363	4	Nut, Hex, 1/4-20

Center Section Assembly



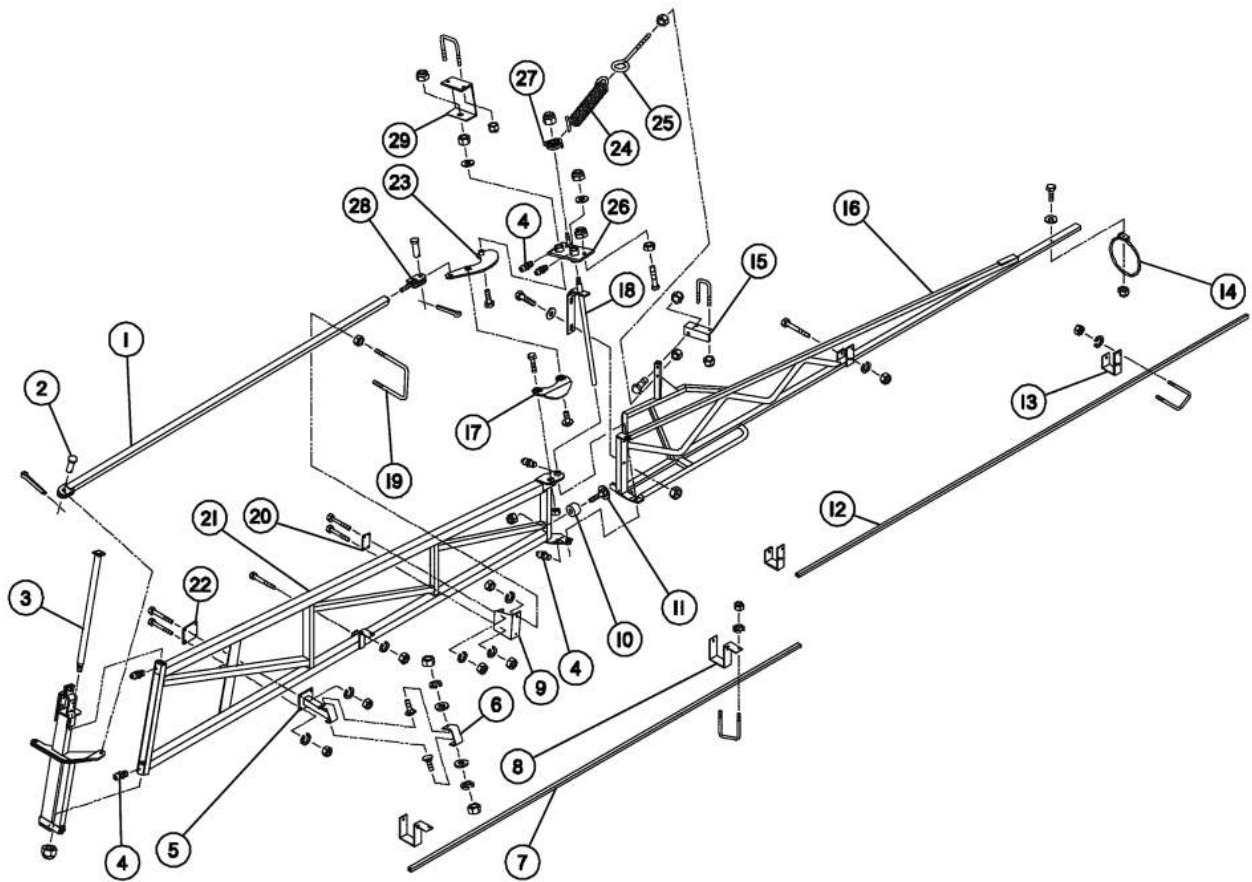


ILLUSTRATED PARTS LIST

Center Section Assembly Parts List

Item	Part No.	Quantity	Description
7	903993	2	Fitting, Grease, 1/4-28, 90°
8	12.10026	4	Bushing, .875 x 1.00 x 1.5"
9	07.05199	1	Tilt Arm, Right Side
10	07.05487	4	Insert, Plastic, UHMW, Tilt Arm
	900454	8	Screw, Flat Head, 1/4-20 x 1"
	900502	8	Lockwasher, 1/4"
	900363	8	Nut, Hex, 1/4-20
11	07.05278	2	Pin, Tilt
	906349	2	Nut, Hex Lock, 3/4-10 Nylock
12	07.05895	1	Mid Section
13	07.15768	2	Shock Absorber, HD Gas
	903849	4	Bolt, Hex, 5/8-11 x 3" Gr 5
	900498	8	Washer, Flat, 5/8"
14	07.05316	4	Link, Lower
	903849	8	Bolt, Hex, 5/8-11 x 3" Gr 5
	900508	8	Lockwasher, 5/8"
	900371	8	Nut, Hex, 5/8-11
15	07.05893	1	Carrier
	903306	4	Bolt, Hex, 1/2-13 x 1-1/2" Gr 5
	900506	4	Lockwasher, 1/2" Med
	900369	4	Nut, Hex, 1/2-13

Boom Assembly Right Side (HC Boom)



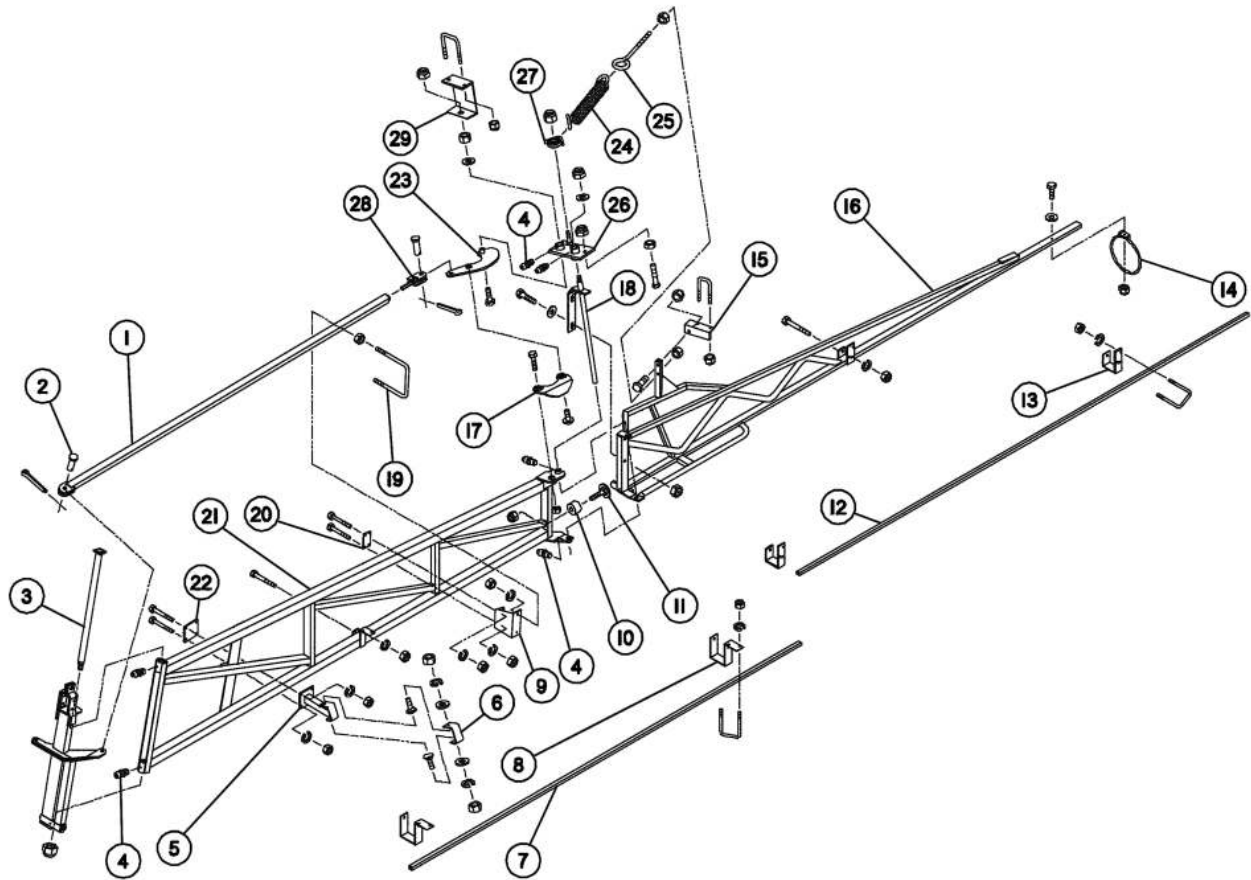


ILLUSTRATED PARTS LIST

Boom Assembly Right Side (HC Boom) Parts List

Item	Part No.	Quantity	Description
1	07.05387	1	Link
2	18.00098	2	Pin, Clevis, 5/8" x 2" Zinc
	901292	2	Pin, Cotter, 5/32" x 1-1/4"
3	07.05275	1	Pin, Swing
	906349	1	Nut, Hex Lock, 3/4-10 Nylock
4	900538	6	Fitting, Grease, 1/4-28
5	07.05502	1	Rest, Outer Wing
	903698	4	Bolt, Hex, 1/4-20 x 3-1/2"
	900502	4	Lockwasher, 1/4"
	900363	4	Nut, Hex, 1/4-20
6	07.05505	1	Pad, Wing Rest
	903690	2	Bolt, Carriage, 5/16-18 x 1"
	900494	2	Washer, Flat, 5/16"
	900503	2	Lockwasher, 5/16"
	900365	2	Nut, Hex, 5/16-18
7	07.05265	1	Tube, Inner Wing Clamp Mount
	14.73140	3	U-Bolt, 1/4 x 1-1/4 x 2"
	900502	6	Lockwasher, 1/4"
	900363	6	Nut, Hex, 1/4-20
8	07.05464	3	Bracket, Standard, Inner Wing
	903698	3	Bolt, Hex, 1/4-20 x 3-1/2"
	900502	3	Lockwasher, 1/4"
	900363	3	Nut, Hex, 1/4-20
9	07.05385	1	Bracket, Guide
	903698	4	Bolt, Hex, 1/4-20 x 3-1/2"
	900502	4	Lockwasher, 1/4"
	900363	4	Nut, Hex, 1/4-20
10	07.06089	1	Bumper, HD
11	07.05468	1	Retainer, Wing Bumper
	906400	1	Nut, Hex Lock, 3/8-16 Nylock
12	07.05308	1	Tube, Outer Wing Clamp Mounting, 45'
	14.73140	1	U-Bolt, 1/4 x 1-1/4 x 2"
	900502	3	Lockwasher, 1/4"
	900363	6	Nut, Hex, 1/4-20
13	07.05465	6	Bracket, Standard, Outer Wing
	907062	3	Bolt, Hex, 1/4-20 x 3"
	900502	3	Lockwasher, 1/4"
	900363	3	Nut, Hex, 1/4-20
14	07.01203	1	Shoe, Boom Skid
	901633	1	Bolt, Hex, 3/8-16 x 2"
	907057	1	Washer, Flat, 3/8" Fender
	906400	1	Nut, Hex Lock, 3/8-16 Nylock
15	07.06323	1	Bracket, Hose Guide
	901341	1	Bolt, Hex, 1/2-13 x 2-1/2"
	906401	1	Nut, Hex Lock, 1/2-13 Nylock
	09.74204	1	U-Bolt, 5/16 x 2-1/2 x 3"
	906483	2	Nut, Hex Lock, 5/16-18 Nylock

Boom Assembly Right Side (HC Boom)



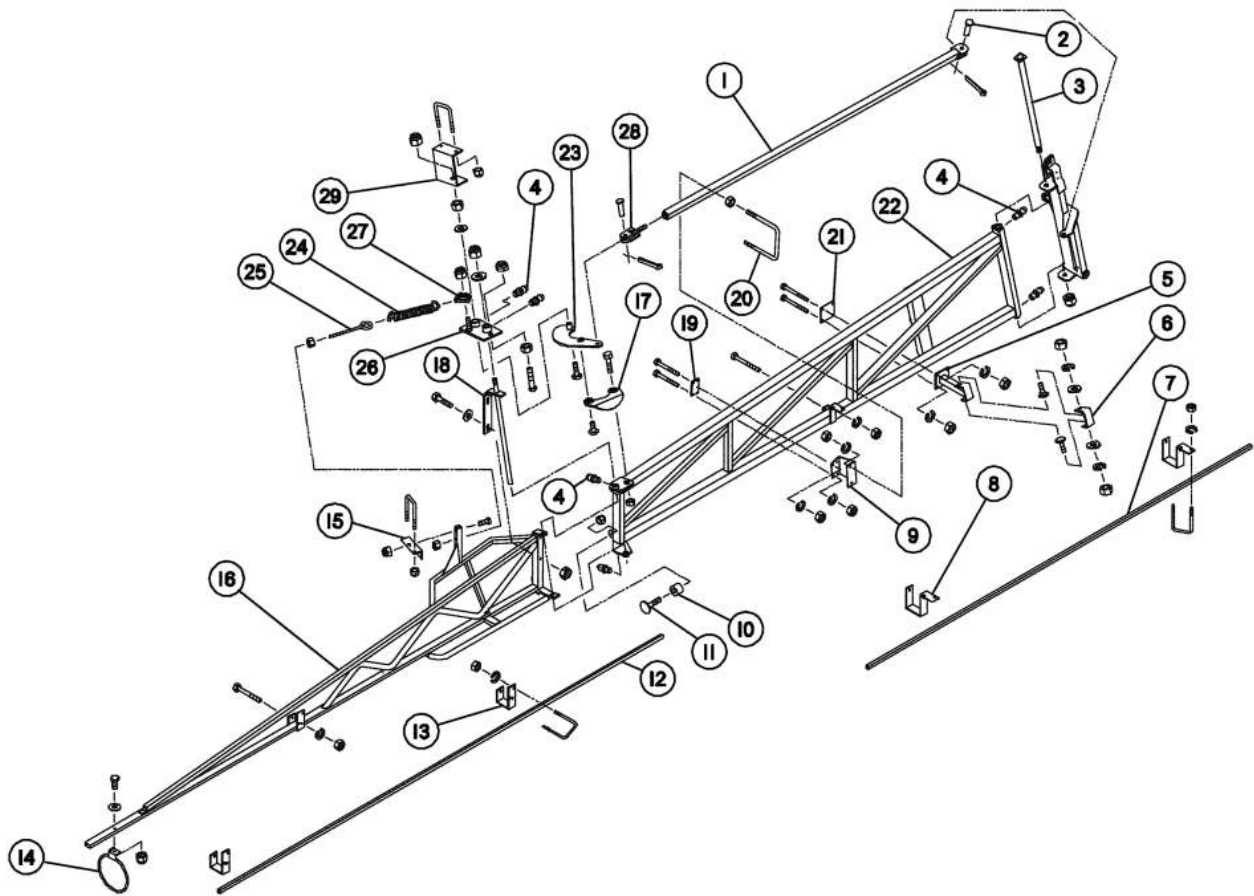


ILLUSTRATED PARTS LIST

Boom Assembly Right Side (HC Boom) Parts List

Item	Part No.	Quantity	Description
16	07.05947	1	Wing, Outer, Right Side, 45'
17	07.05293	1	Pivot Link
	903832	1	Bolt, Hex, 5/8-11 x 2-1/2"
	900371	1	Nut, Hex, 5/8-11
	09.72803	1	Capscrew, Button Socket Head, 5/8-11 x 1-1/2"
18	07.06060	2	Mount, Pivot Index
	902675	2	Bolt, Hex, 1/2-13 x 3"
	900497	2	Washer, Flat, 1/2"
	901650	1	Nut, Hex Lock, 1/2-13 C-Lock
	902408	1	Washer, Flat, 3/4"
	906349	1	Nut, Hex Lock, 3/4-10 Nylock
19	07.05492	1	U-Bolt, 3/8 x 4 x 4" Squared
	900504	2	Lockwasher, 3/8"
	900366	4	Nut, Hex, 3/8-16
20	07.05386	1	Plate, Guide
21	07.05191	1	Wing, Mid Right Side
22	07.05539	1	Plate, Rest, Back
23	07.06069	1	Pivot Lever, Right Side
24	07.05945	1	Spring
25	07.19034	2	Eyebolt, 1/2-13 x 9"
	900369	1	Nut, Hex, 1/2-13
26	07.05944	1	Plate, Pivot, Right Side
	903849	1	Bolt, Hex, 5/8-11 x 3"
	900498	1	Washer, Flat, 5/8"
	900371	1	Nut, Hex, 5/8-11
	903832	1	Bolt, Hex, 5/8-11 x 2-1/2"
	901885	1	Nut, Hex Jam, 5/8-11
	904290	1	Nut, Hex Jam Lock, 5/8-11 Nylock
27	07.02975	1	Ball Joint, Spring Anchor
	906402	1	Nut, Hex Lock, 5/8-11 Nylock
28	07.05390	1	Link End
29	07.06322	1	Strap, Hose Guide
	904290	1	Nut, Hex Jam Lock, 5/8-11 Nylock
	09.74204	1	U-Bolt, 5/16 x 2-1/2 x 3"
	906483	2	Nut, Hex Lock, 5/16-18 Nylock

Boom Assembly Left Side (HC Boom)



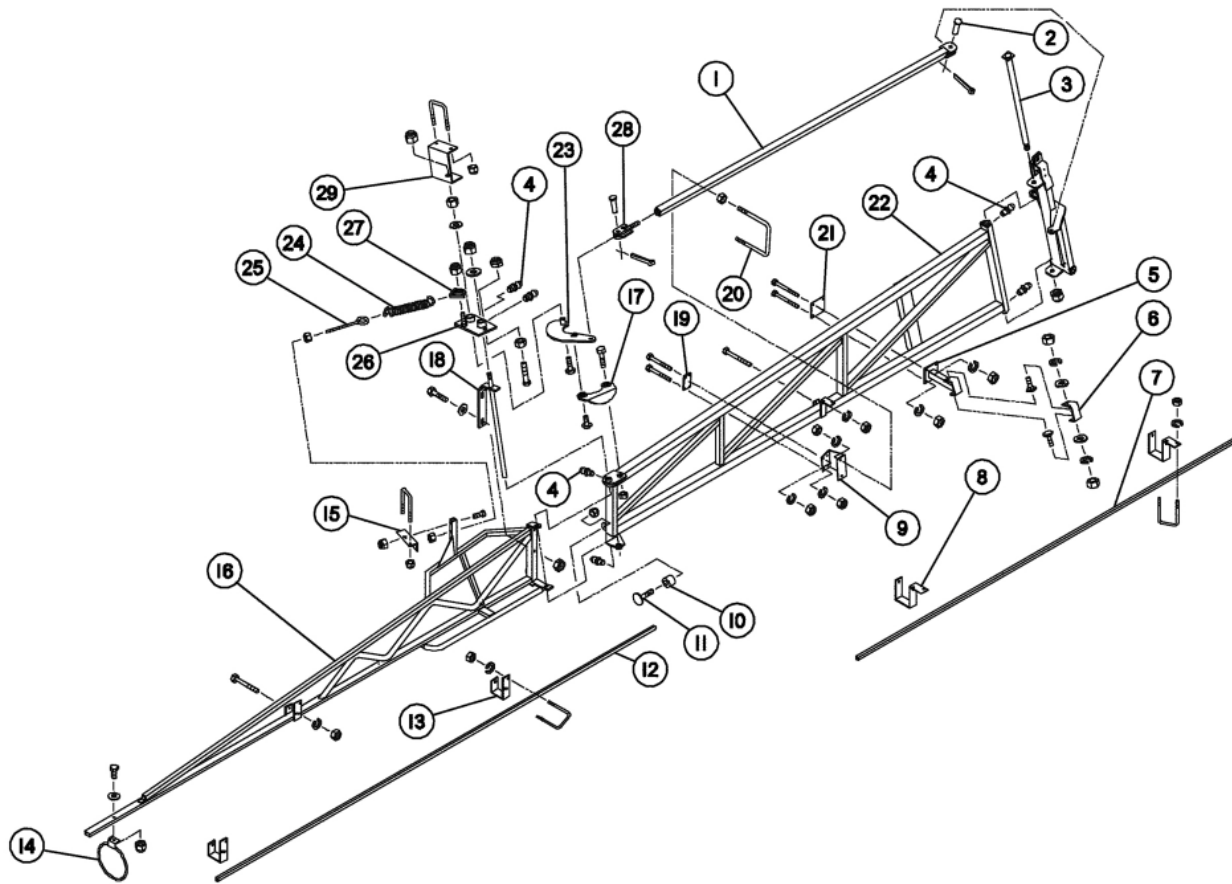


ILLUSTRATED PARTS LIST

Boom Assembly Left Side (HC Boom) Parts List

Item	Part No.	Quantity	Description
1	07.05387	1	Link
2	18.00098	2	Pin, Clevis, 5/8" x 2" Zinc
	901292	2	Pin, Cotter, 5/32" x 1-1/4"
3	07.05275	1	Pin, Swing
	906349	1	Nut, Hex Lock, 3/4-10 Nylock
4	900538	6	Fitting, Grease, 1/4-28
5	07.05502	1	Rest, Outer Wing
	903698	4	Bolt, Hex, 1/4-20 x 3-1/2"
	900502	4	Lockwasher, 1/4"
	900363	4	Nut, Hex, 1/4-20
6	07.05505	1	Pad, Wing Rest
	903690	2	Bolt, Carriage, 5/16-18 x 1"
	900494	2	Washer, Flat, 5/16"
	900503	2	Lockwasher, 5/16"
	900365	2	Nut, Hex, 5/16-18
7	07.05265	1	Tube, Inner Wing Clamp Mount
	14.73140	3	U-Bolt, 1/4 x 1-1/4 x 2"
	900502	6	Lockwasher, 1/4"
	900363	6	Nut, Hex, 1/4-20
8	07.05464	3	Bracket, Standard, Inner Wing
	903698	3	Bolt, Hex, 1/4-20 x 3-1/2"
	900502	3	Lockwasher, 1/4"
	900363	3	Nut, Hex, 1/4-20
9	07.05385	1	Bracket, Guide
	903698	4	Bolt, Hex, 1/4-20 x 3-1/2"
	900502	4	Lockwasher, 1/4"
	900363	4	Nut, Hex, 1/4-20
10	07.06089	1	Bumper, HD
11	07.05468	1	Retainer, Wing Bumper
	906400	1	Nut, Hex Lock, 3/8-16 Nylock
12	07.05308	1	Tube, Outer Wing Clamp Mounting, 45'
	14.73140	1	U-Bolt, 1/4 x 1-1/4 x 2"
	900502	3	Lockwasher, 1/4"
	900363	6	Nut, Hex, 1/4-20
13	07.05465	6	Bracket, Standard, Outer Wing
	907062	3	Bolt, Hex, 1/4-20 x 3"
	900502	3	Lockwasher, 1/4"
	900363	3	Nut, Hex, 1/4-20
14	07.01203	1	Shoe, Boom Skid
	901633	1	Bolt, Hex, 3/8-16 x 2"
	907057	1	Washer, Flat, 3/8" Fender
	906400	1	Nut, Hex Lock, 3/8-16 Nylock
15	07.06323	1	Bracket, Hose Guide
	901341	1	Bolt, Hex, 1/2-13 x 2-1/2"
	906401	1	Nut, Hex Lock, 1/2-13 Nylock
	09.74204	1	U-Bolt, 5/16 x 2-1/2 x 3"
	906483	2	Nut, Hex Lock, 5/16-18 Nylock

Boom Assembly Left Side (HC Boom)



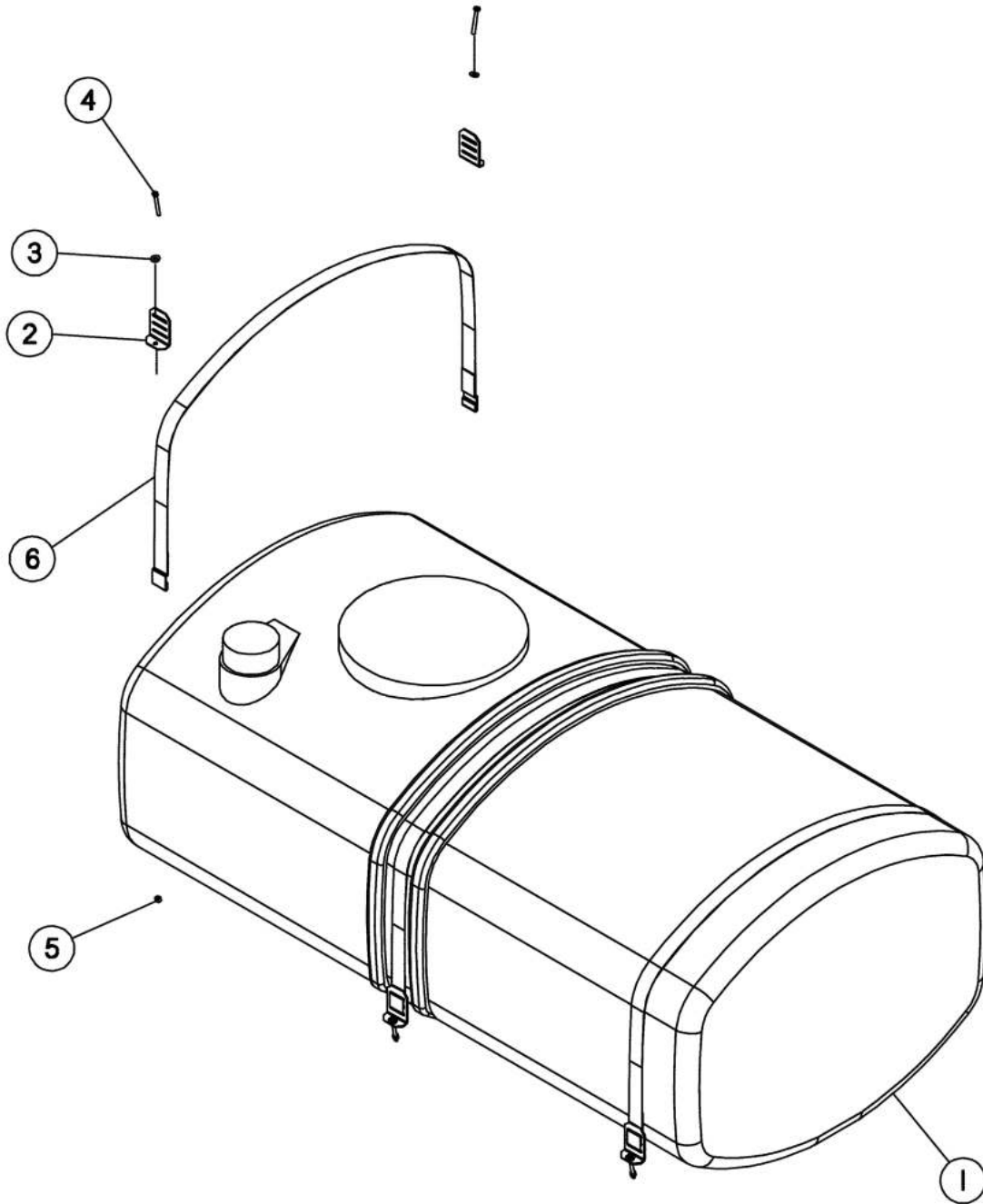


ILLUSTRATED PARTS LIST

Boom Assembly Left Side (HC Boom) Parts List

Item	Part No.	Quantity	Description
16	07.05948	1	Wing, Outer, Left Side, 45'
17	07.05293	1	Link, Pivot
	903832	1	Bolt, Hex, 5/8-11 x 2-1/2"
	900371	1	Nut, Hex, 5/8-11
	09.72803	1	Capscrew, Button Socket Head, 5/8-11 x 1-1/2"
18	07.06060	2	Mount, Pivot Index
	902675	2	Bolt, Hex, 1/2-13 x 3"
	900497	2	Washer, Flat, 1/2"
	901650	1	Nut, Hex Lock, 1/2-13 C-Lock
	902408	1	Washer, Flat, 3/4
	906349	1	Nut, Hex Lock, 3/4-10 Nylock
19	07.05386	1	Plate, Guide
20	07.05492	1	U-Bolt, 3/8 x 4 x 4" Squared
	900504	2	Lockwasher, 3/8"
	900366	4	Nut, Hex, 3/8-16
21	07.05539	1	Plate, Rest, Back
22	07.05192	1	Wing, Mid Left Side
23	07.06068	1	Pivot Lever, Left Side
24	07.05945	1	Spring
25	07.19034	2	Eyebolt, 1/2-13 x 9"
	900369	1	Nut, Hex, 1/2-13
26	07.05943	1	Plate, Pivot, Left Side
	903849	1	Bolt, Hex, 5/8-11 x 3"
	900498	1	Washer, Flat, 5/8"
	900371	1	Nut, Hex, 5/8-11
	903832	1	Bolt, Hex, 5/8-11 x 2-1/2"
	901885	1	Nut, Hex Jam, 5/8-11
	904290	1	Nut, Hex Jam Lock, 5/8-11 Nylock
27	07.02975	1	Ball Joint, Spring Anchor
	906402	1	Nut, Hex Lock, 5/8-11 Nylock
28	07.05390	1	Link End Weldment
29	07.06322	1	Strap, Hose Guide
	904290	1	Nut, Hex Jam Lock, 5/8-11 Nylock
	09.74204	1	U-Bolt, 5/16 x 2-1/2 x 3"
	906483	2	Nut, Hex Lock, 5/16-18 Nylock

Product Tank & Hold Down Straps





ILLUSTRATED PARTS LIST

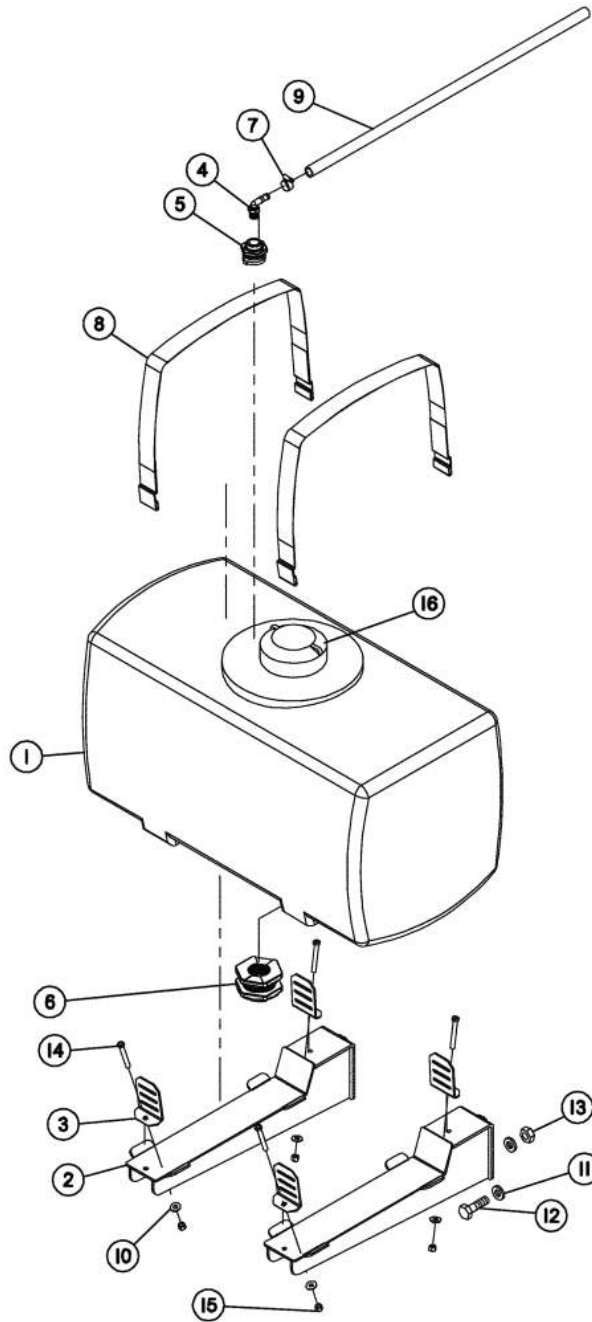
Product Tank & Hold Down Straps Parts List

Item	Part No.	Quantity	Description
1	07.08338	1	Tank, 500 Gallon, Crop Care
1	570101	1	Tank, 750 Gallon, Crop Care, WHITE
	07.16756	1	Ring, 16"
	07.16755	1	Lid, 16"
	07.15495	1	Cap, Breather, 4"
	07.09364	1	Tank, Clean Water, 5 Gallon
	21.22640	1	Lid, Clean Water Tank, 5"
	07.09365	1	Valve, 5 Gallon Clean Water Tank
2	07.05756	6	Bracket, Belt
3	900495	6	Washer, Flat 3/8"
4	907058	6	Bolt, Hex, 3/8-16 x 3" Full Thread Gr 5
5	906400	6	Nut, Hex Lock, 3/8-16 Nylock
6	11.77800	25'	Webbing, 2" Black (Order Per Foot)



ILLUSTRATED PARTS LIST

Optional 50 Gallon Rinse Tank & Mounting



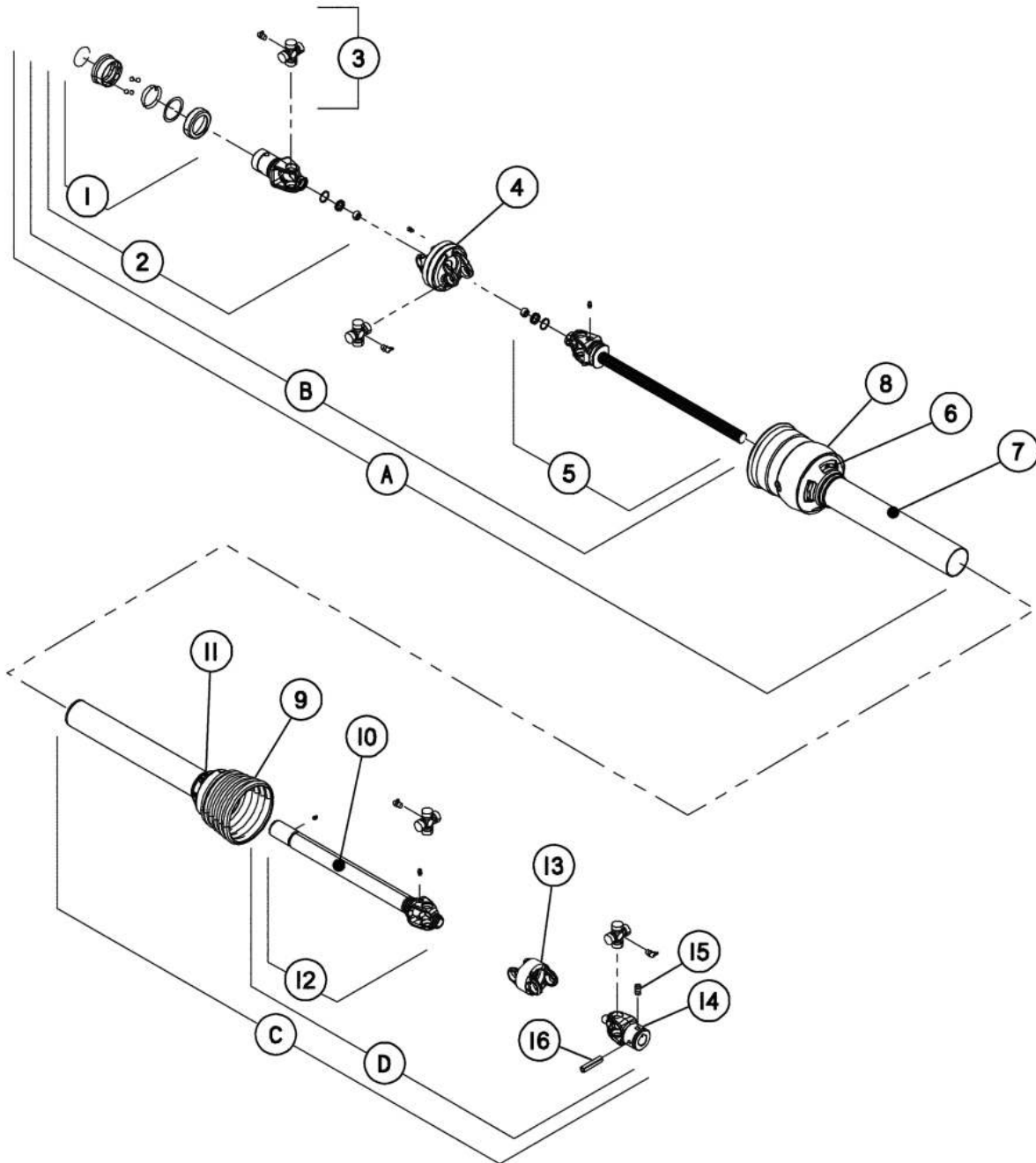


ILLUSTRATED PARTS LIST

Optional 50 Gallon Rinse Tank & Mounting Parts List

Item	Part No.	Quantity	Description
1	07.15825	1	Tank, Rectangular, 50 Gallon, White (Includes Item 16)
2	07.08760	2	Tank Mount, 50 Gallon Rinse
3	07.05756	4	Bracket, Belt
4	07.10305	1	Elbow, 90°, 3/4" MPT x 3/4" Hose Barb
5	07.13030	1	Fitting, Bulkhead, 3/4" FPT
6	07.17405	1	Fitting, Bulkhead, 1-1/2" FPT
7	07.16542	1	Clamp, .56" - 1.25" Hose
8	11.77800	10'	Webbing, 2" Black (Order Per Foot)
9	07.10570	3'	Hose, EPDM, .75" (Order Per Foot)
10	900495	4	Washer, Flat, 3/8"
11	900498	8	Washer, Flat, 5/8"
12	904253	4	Bolt, Hex, 5/8-11 x 2" Gr 5
13	906402	4	Nut, Hex Lock, 5/8-11 Nylock
14	907058	4	Bolt, Hex, 3/8-16 x 3" Full Thread Gr 5
15	906400	4	Nut, Hex Lock, 3/8-16 Nylock
16	21.22640	1	Lid, 5" (Included With Item 1)

PTO Shaft



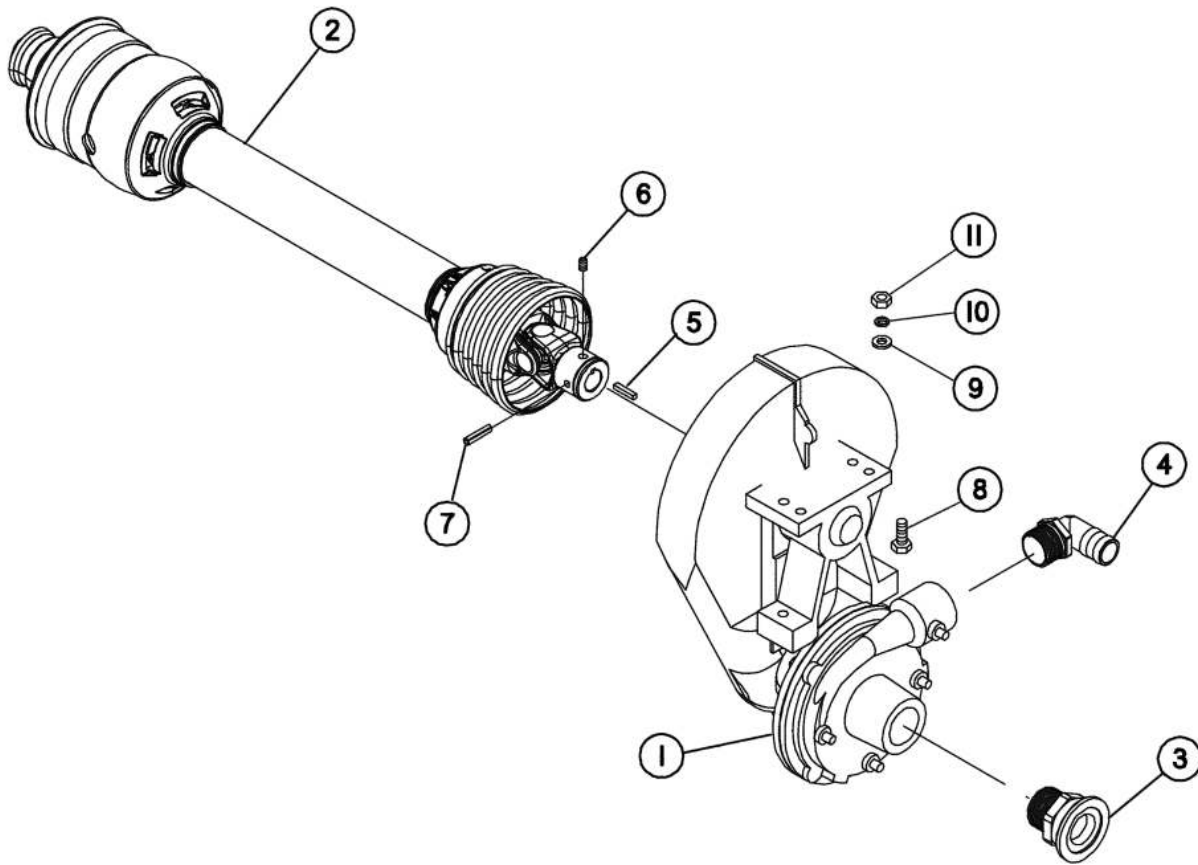


ILLUSTRATED PARTS LIST

PTO Shaft Parts List

Item	Part No.	Quantity	Description
A	07.09415	1	Joint & Shaft Half Assembly with Guard
B	NS	1	Joint & Shaft Half Assembly (Order Item A)
C	07.09416	1	Joint & Tube Half Assembly with Guard
D	NS	1	Joint & Tube Half Assembly (Order Item C)
1	906195	1	Spring - Lok Repair Kit
2	07.09417	1	Spring - Lok Yoke Assembly
3	903071	4	6R Cross & Bearing Kit
4	07.09418	1	C.V. Center Housing
5	07.09419	1	Yoke & Shaft (1.00 - 15 Spline)
6	07.09420	1	Nylon Repair Kit (Not Shown)
7	329594B2	1	Safety Sign
8	07.09421	1	Outer Guard
9	07.09422	1	Inner Guard
10	331639B2	1	Safety Sign - Guard Is Off (Not Shown)
11	07.09423	1	Nylon Repair Kit (Not Shown)
12	07.09424	1	Yoke, Tube & Slip Sleeve
13	07.09425	1	C.V. Center Housing
14	07.09426	1	Yoke
15	900444	1	Set Screw, 3/8-16 x 3/8" Yellow Zinc
16	01.74170	1	Pin, Spirol, 5/16" x 2-1/2" HD
	07.08429	1	PTO Shaft Assembly, Complete

Product Pump & Fittings



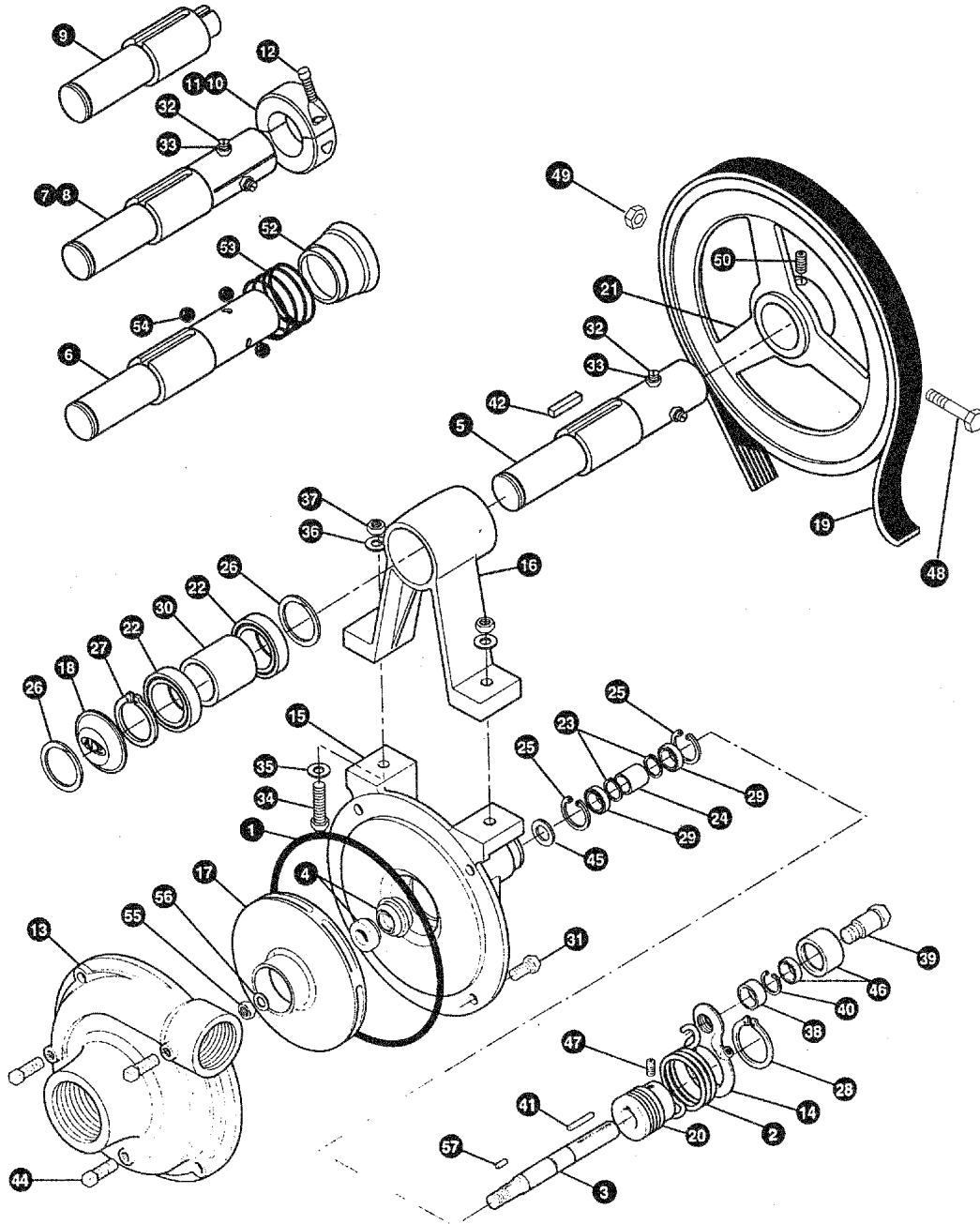


ILLUSTRATED PARTS LIST

Product Pump & Fittings Parts List

Item	Part No.	Quantity	Description
1	07.20052	1	Pump, ACE, 540 RPM, Frame Mount
2	07.08429	1	Driveline, 540 RPM
3	07.06696	1	Fitting, 2" Flange x 1-1/2" MPT
4	07.10294	1	Elbow, 90°, 1-1/4" MPT x 1-1/4" Hose Barb
5	900546	1	Key, Square, 1/4" x 1"
6	900444	1	Set Screw, 3/8-16 x 3/8" Yellow Zinc
7	01.74170	1	Pin, Spirol, 5/16" x 2-1/2" HD
8	901612	2	Bolt, Hex, 7/16-14 x 1-1/2" Gr 5
9	900496	2	Washer, Flat, 7/16"
10	900505	2	Washer, Lock, 7/16"
11	900367	2	Nut, Hex, 7/16-14

ACE 150 Series Belt Driven Pump





ILLUSTRATED PARTS LIST

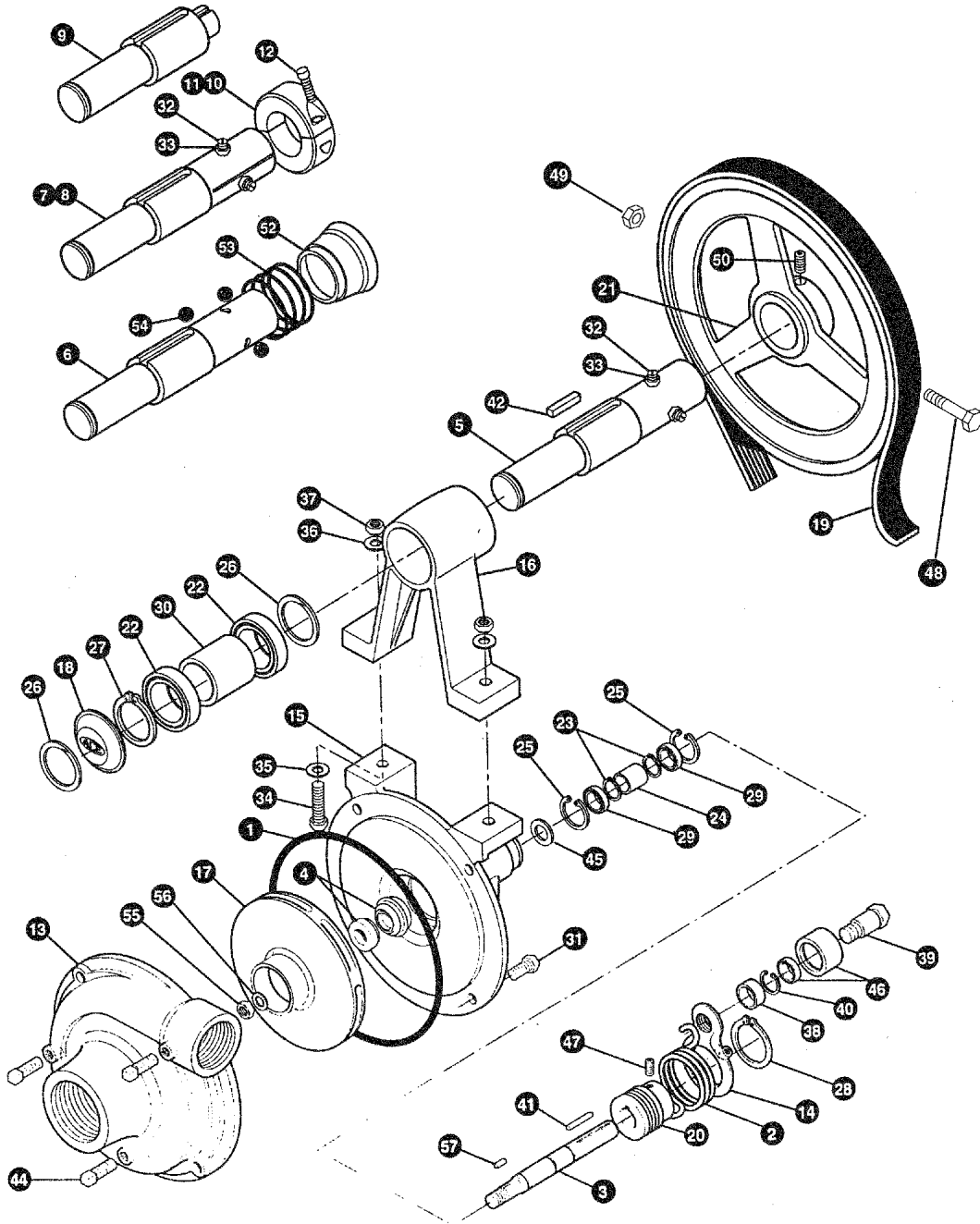
ACE 150 Series Belt Driven Pump Parts List

Item	Part No.	Quantity	Description
1	07.12520	1	O-Ring, Volute Seal
2	07.12748	1	Torsion Spring, 150
3	07.12547	1	5/8" Driven Shaft
	07.12724	1	5/8" Driven Shaft - Stainless (Optional)
4	07.12457	1	Seal, Viton
	07.12521	1	Seal, Silicon Carbide
	07.12456	1	Seal, Buna N
	07.12628	1	Shaft O-Ring (Included With Seal)
5	07.12459	1	6 Spline Drive Shaft
6	07.12460	1	6 Spline Drive Shaft - Quick Coupler
7	07.15048	1	20 Spline, 1-3/4" Drive Shaft With Collar
8	07.12461	1	21 Spline, 1-3/8" Drive Shaft With Collar
9	07.11591	1	1" Tumble Rod Drive Shaft
10	07.40235	1	Locking Collar, 1-3/8" Shaft
11	07.40236	1	Locking Collar, 1-3/4" Shaft
12	07.20437	1	Set Screw
13	07.12522	1	Volute, 1-1/2 x 1-1/4
14	07.12463	1	Idler Arm
15	07.12725	1	Mounting Frame
16	07.12550	1	Bearing Housing, PTO Drive - 3 Qt. Sprayer
	07.15690	1	Bearing Housing, Tumble Rod Drive Shaft (Pull Type Sprayer Includes Flat Casting On Top For Mounting To Sprayer)
17	07.12525	1	Impeller - Cast Iron
18	07.12728	1	Name Plate
19	07.12532	1	Belt
20	07.12548	1	Driven Pulley
21	07.12549	1	Drive Pulley
22	07.12746	2	Bearing
23	07.12483	2	Snap Ring
24	07.16314	1	Spacer
25	07.12484	2	Snap Ring
26	07.12485	2	Snap Ring
27	07.12486	1	Snap Ring
28	07.12487	1	Snap Ring
29	07.12488	2	Bearing, Pump Shaft
30	07.12747	1	Bearing Spacer
31	07.12630	4	3/8" x 3/4" Bolt
	07.12732	4	3/8" x 3/4" Bolt - Stainless (Optional)
32	07.12490	3	Set Screw
33	07.12631	3	Jam Nut
34	07.12491	2	3/8" x 1-3/4" Bolt
35	07.12633	2	3/8" Flat Washer
36	07.10228	2	3/8" Lockwasher
37	07.12493	4	3/8" Hex Nut
38	07.12494	1	Spacer
39	07.12495	1	Idler Bolt
40	07.12470	1	Snap Ring
41	07.12498	1	Key
42	07.12499	1	Key
	07.12500	1	Cold Shut



ILLUSTRATED PARTS LIST

ACE 150 Series Belt Driven Pump



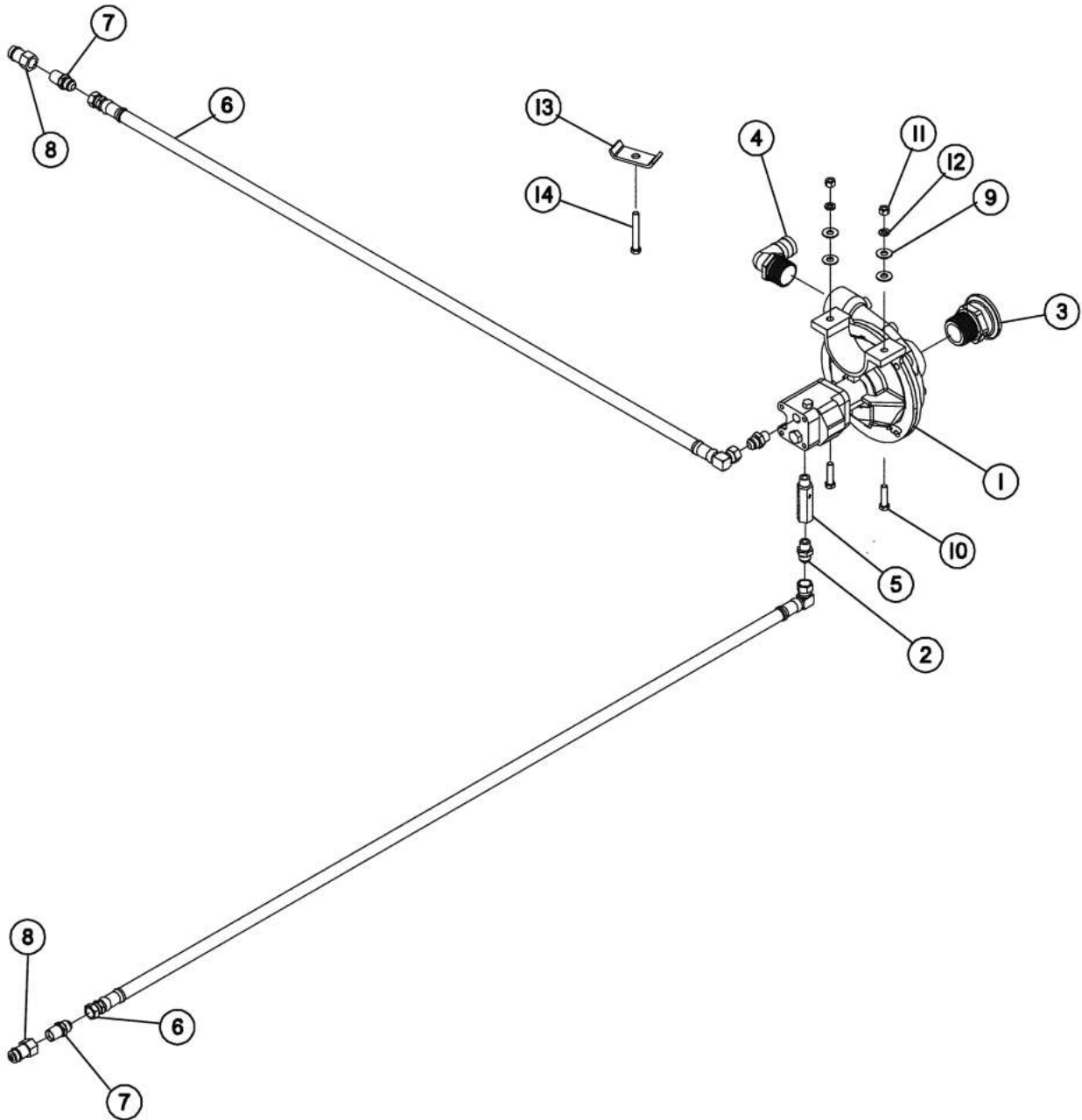


ILLUSTRATED PARTS LIST

ACE 150 Series Belt Driven Pump Parts List

Item	Part No.	Quantity	Description
44	07.12635	3	1/8" Pipe Plug
	07.12733	3	1/8" Pipe Plug - Stainless (Optional)
45	07.12501	1	Slinger
46	07.12502	1	Idler Roller With Bearing
47	07.12504	2	Allen Head Bolt
	07.12505	1	Grease Zerk
48	07.12734	1	5/16" x 3-1/4" Bolt
49	09.70711	1	5/16" Lock Nut
50	07.12506	2	Allen Head Bolt
52	07.12517	1	Quick Coupler Sleeve
53	07.12518	1	Spring
54	07.12519	3	Ball
55	07.12530	1	Nut, Stainless
56	07.12471	1	Washer, Stainless
57	07.12534	1	Key
	07.12735	1	Pump Assembly, Less Pulley And Idler Assembly
	07.12722	1	Belt Guard, Left (Facing Tractor)
	07.12723	1	Belt Guard, Right (Facing Tractor)

Pump Option - ACE Hydraulic Drive



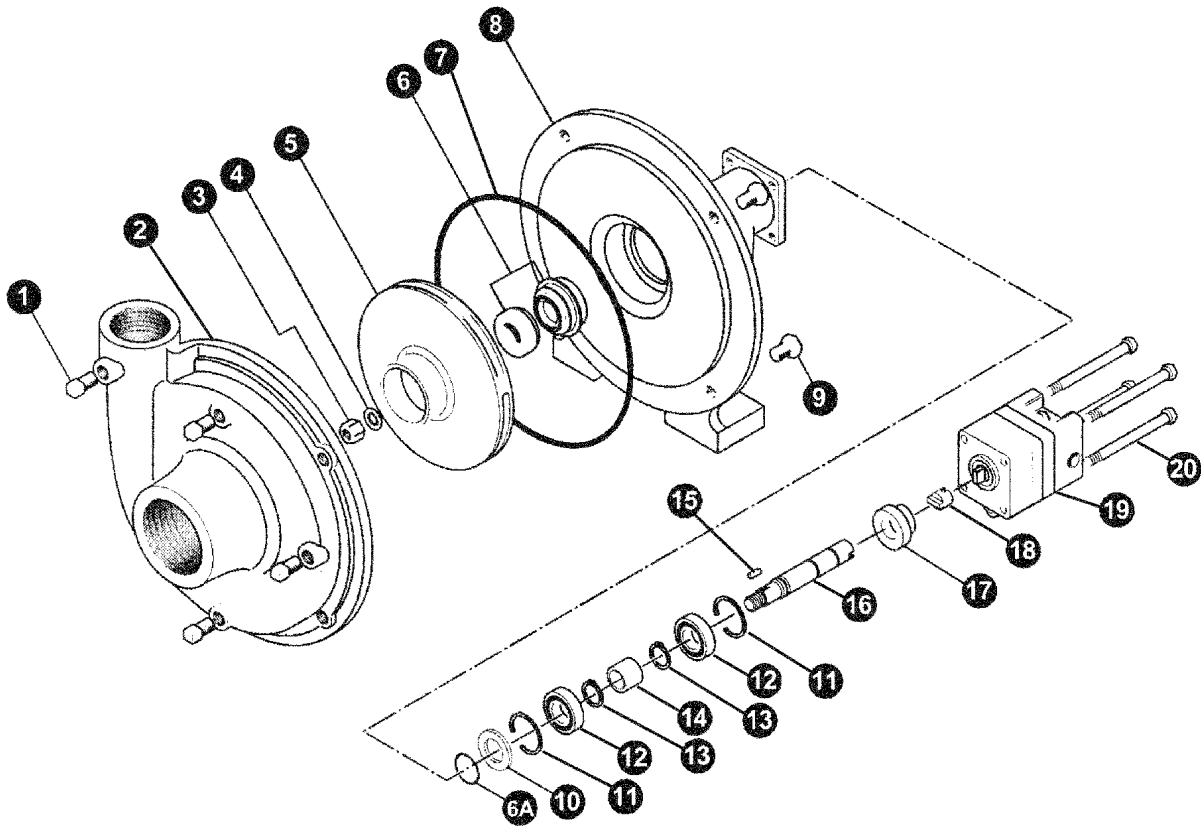


ILLUSTRATED PARTS LIST

Pump Option - ACE Hydraulic Drive Parts List

Item	Part No.	Quantity	Description
1	07.20035	1	Pump, ACE, 150 Hydraulic Drive Pump - 206 with Valox
2	07.17856	2	Connector, Male, 1/2" JIC - 3/8" NPTF
3	07.06696	1	Fitting, 2" Flange x 1-1/2" MPT
4	07.10294	1	Elbow, 90° 1-1/4" MPT x 1-1/4" Hose Barb
5	07.06991	1	Limitter, Flow LS206
6	07.06695	2	Hose, Hydraulic, 1/2" x 72" JIC F SW
7	07.17862	2	Adapter, 1/2" M JIC to 1/2" MPT
8	07.19044	2	Coupler, Quick Male, 1/2" NPT
9	900495	4	Washer, Flat, 3/8"
10	903848	2	Bolt, Hex, 3/8-16 x 1-1/2"
11	900366	2	Nut, Hex, 3/8-16
12	900504	2	Washer, Lock, 3/8"
13	322848B1	1	Clip, Hydraulic Line
14	901610	1	Bolt, Hex, 3/8-16 x 2-3/4"

ACE FMC 150 - Hydraulic 206 Pump Option





ILLUSTRATED PARTS LIST

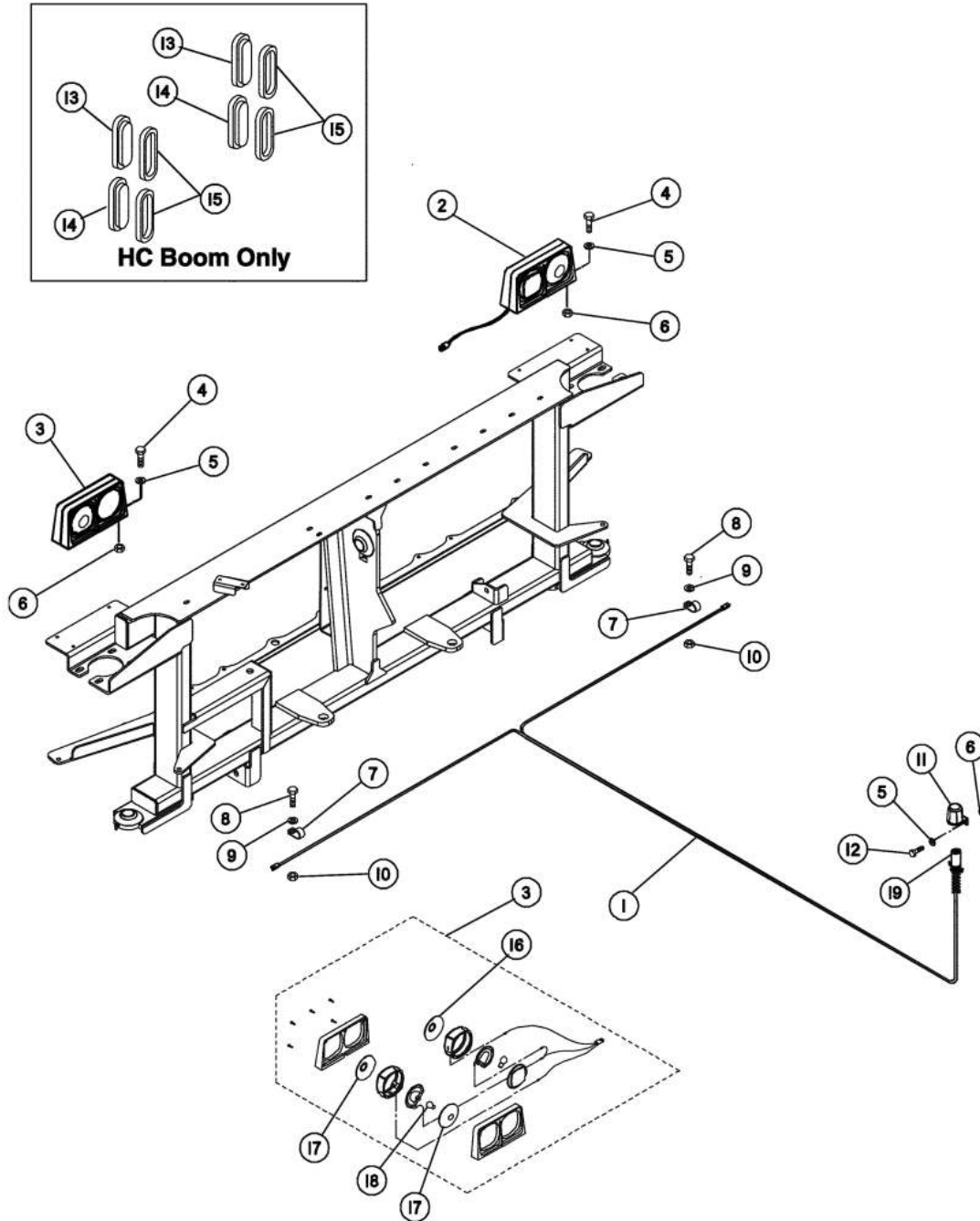
ACE FMC 150 - Hydraulic 206 Pump Option Parts List

Item	Part No.	Quantity	Description
1	07.12635	4	Pipe Plug
2	07.12522	1	Volute, 1-1/2" x 1-1/4"
3	07.12530	1	Nut, 3/8" NF, Stainless Steel
4	07.12471	1	Washer, Lock, Stainless Steel
5	07.06974	1	Impeller, Valox, Keyed
5	07.12525	1	Impeller, Cast Iron, Keyed
6	07.12457	1	Seal, Mechanical, Viton
6	07.12521	1	Seal, Mechanical, Silicon Carbide
6A	07.12628	1	O-Ring, Shaft Seal
7	07.12520	1	O-Ring, Housing
8	07.12523	1	Mounting Frame, 200 Series
9	902364	4	HHD Bolt, 3/8" x 3/4"
10	07.12501	1	Slinger, Rubber
11	07.12484	2	Internal Snap Ring
12	07.12488	2	Ball Bearing, Sealed
13	07.12483	2	External Snap Ring
14	07.16314	1	Spacer, Bearing
15	07.12533	1	Key, Impeller
16	07.12454	1	Shaft, 5/8", Stainless
17	07.07025	1	Spacer – Seal Support
18	07.12510	1	Coupling
19	07.12526	1	Hydraulic Motor, 206, 7 GPM
20	07.12637	4	HHD Bolt, 5/16" x 3-3/4"
	07.12536		Pump Assembly Less Hydraulic Motor
	07.12535		Pump Repair Kit
	07.12507		Hydraulic Motor Repair Kit



ILLUSTRATED PARTS LIST

Transport Lights & Wiring





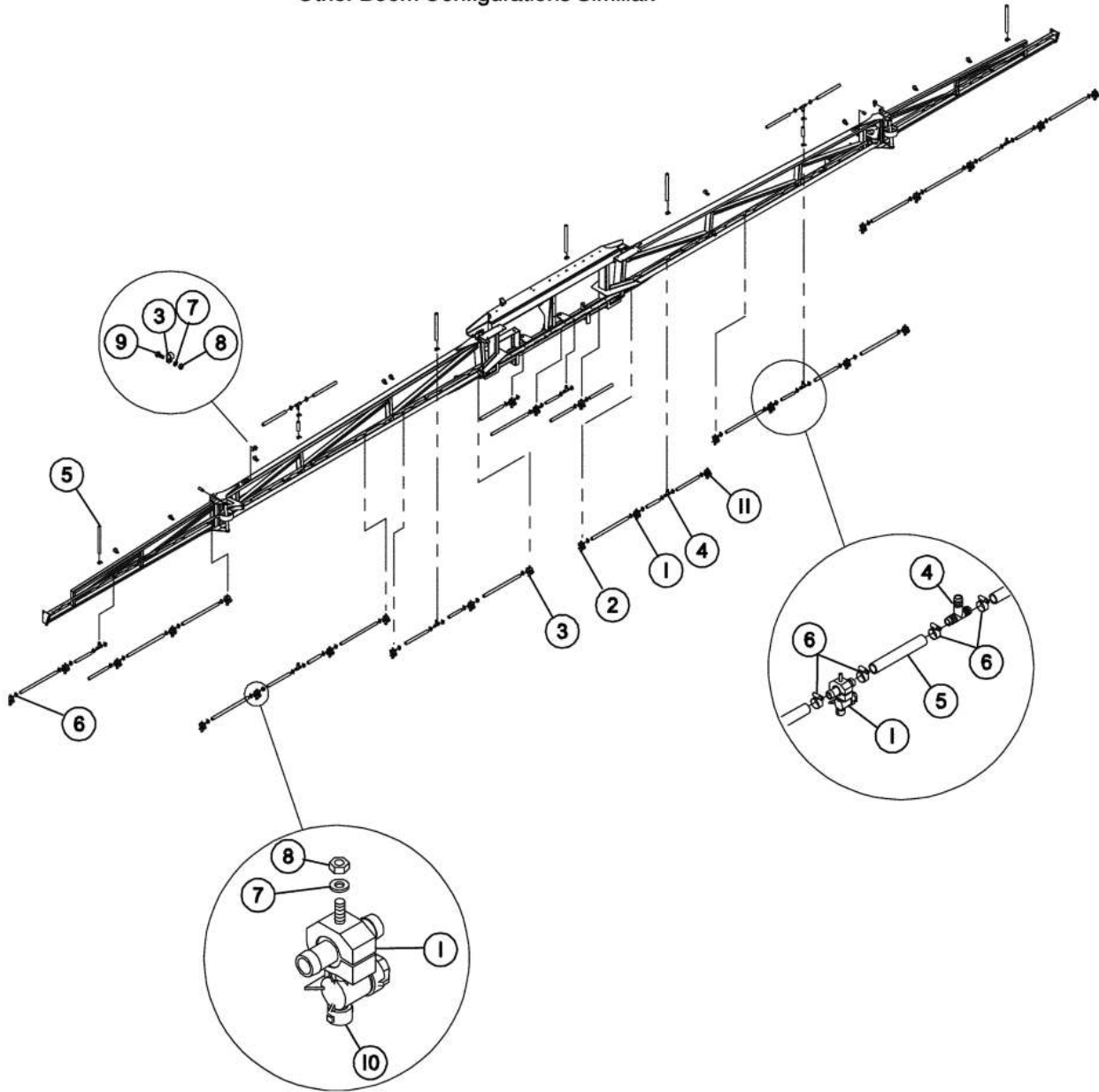
ILLUSTRATED PARTS LIST

Transport Lights & Wiring Parts List

Item	Part No.	Quantity	Description
1	07.08938	1	Harness, Lights, 7' Wishbone (EF & EFT Boom Only)
	07.06455	1	Wiring Harness (HC Boom Only)
2	16.10742	1	Light, Dual Lamp, Amber/Red - Left Hand (EF & EFT Boom Only)
3	16.10743	1	Light, Dual Lamp, Amber/Red - Right Hand (EF & EFT Boom Only)
4	907171	8	Bolt, Hex, 1/4-20 x 1-1/4" Gr 5 (EF & EFT Boom Only)
5	900493	10	Washer, Flat, 1/4" SAE (EF & EFT Boom Only)
	900493	2	Washer, Flat, 1/4" SAE (HC Boom Only)
6	904092	10	Nut, Hex Lock, 1/4-20 Nylock (EF & EFT Boom Only)
	904092	2	Nut, Hex Lock, 1/4-20 Nylock (HC Boom Only)
7	17.00650	2	Clamp, Single, .625" ID (EF & EFT Boom Only)
8	902859	2	Bolt, Hex, 5/16-18 x 1" Gr 5 (EF & EFT Boom Only)
9	900494	4	Washer, Flat, 5/16" (EF & EFT Boom Only)
10	906483	2	Nut, Hex Lock, 5/16-18 Nylock (EF & EFT Boom Only)
11	16.20165	1	Holder, Plug Storage
12	904863	2	Bolt, Hex, 1/4-20 x 3/4" Gr 5
13	16.20191	2	Light, Amber, M421-A (HC Boom Only)
14	16.20192	2	Light, Red, M421-R (HC Boom Only)
15	16.20193	4	Grommet, Light, B421-1B (HC Boom Only)
16	907311	2	Lens, Red (EF & EFT Boom Only)
17	907312	4	Lens, Amber (EF & EFT Boom Only)
18	21.20917	4	Bulb, #1157
19	16.10818	1	Plug, Light Cord (Included With Item 1)

Boom Plumbing - Rubber Hose (EF & EFT Boom)

45 Foot Boom with 20" Nozzle Spacing Shown.
Other Boom Configurations Similiar.





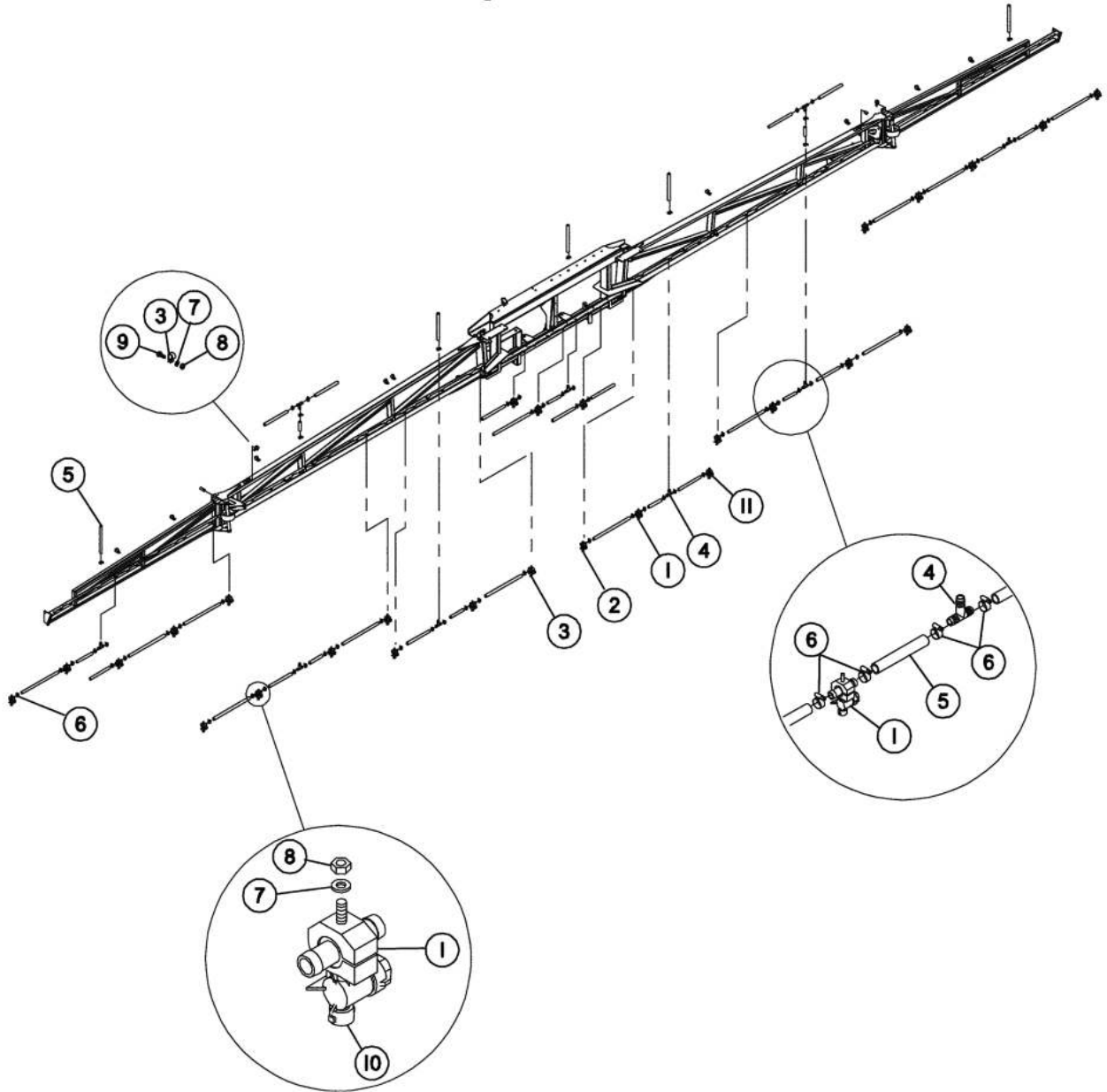
ILLUSTRATED PARTS LIST

Boom Plumbing - Rubber Hose (EF & EFT Boom) Parts List

Item	Part No.	Quantity	Description	
1	07.08918	15	Nozzle Assy, Single, 3/4" Double Hose Barb (45' - 20" Spacing)	
	07.08918	23	Nozzle Assy, Single, 3/4" Double Hose Barb (45' - 15" Spacing)	
	07.08918	15	Nozzle Assy, Single, 3/4" Double Hose Barb (48' - 20" Spacing)	
	07.08918	17	Nozzle Assy, Single, 3/4" Double Hose Barb (51' - 20" Spacing)	
	07.08915	15	Nozzle Assy, Triplet, 3/4" Double Hose Barb (45' - 20" Spacing)	
	07.08915	23	Nozzle Assy, Triplet, 3/4" Double Hose Barb (45' - 15" Spacing)	
	07.08915	15	Nozzle Assy, Triplet, 3/4" Double Hose Barb (48' - 20" Spacing)	
	07.08915	17	Nozzle Assy, Triplet, 3/4" Double Hose Barb (51' - 20" Spacing)	
	2	07.08917	12	Nozzle Assy, Single, 3/4" Single Hose Barb (45' - 20" Spacing)
		07.08917	14	Nozzle Assy, Single, 3/4" Single Hose Barb (45' - 15" Spacing)
07.08917		14	Nozzle Assy, Single, 3/4" Single Hose Barb (48' - 20" Spacing)	
07.08917		14	Nozzle Assy, Single, 3/4" Single Hose Barb (51' - 20" Spacing)	
07.08913		6	Nozzle Assy, Triplet, 3/4" Single Hose Barb L.H. (45' - 20" Spacing)	
07.08913		7	Nozzle Assy, Triplet, 3/4" Single Hose Barb L.H. (45' - 15" Spacing)	
07.08913		7	Nozzle Assy, Triplet, 3/4" Single Hose Barb L.H. (48' - 20" Spacing)	
07.08913		7	Nozzle Assy, Triplet, 3/4" Single Hose Barb L.H. (51' - 20" Spacing)	
3		21.00278	14	Clamp, 1-1/4" Vinyl (45' - 20" Spacing)
	21.00278	16	Clamp, 1-1/4" Vinyl (45' - 15" Spacing)	
	21.00278	18	Clamp, 1-1/4" Vinyl (48' - 20" Spacing)	
	21.00278	20	Clamp, 1-1/4" Vinyl (51' - 20" Spacing)	
4	07.10610	9	Tee, Hose Barb, 3/4" Polypro	
5	07.10570	90'	Hose, EPDM, 3/4" BLK (Order Per Foot) (45' - 20" Spacing)	
	07.10570	92'	Hose, EPDM, 3/4" BLK (Order Per Foot) (45' - 15" Spacing)	
	07.10570	94'	Hose, EPDM, 3/4" BLK (Order Per Foot) (48' - 20" Spacing)	
	07.10570	99'	Hose, EPDM, 3/4" BLK (Order Per Foot) (51' - 20" Spacing)	
6	07.16542	69	Clamp, .56" - 1.25" Hose (45' - 20" Spacing)	
	07.16542	91	Clamp, .56" - 1.25" Hose (45' - 15" Spacing)	
	07.16542	71	Clamp, .56" - 1.25" Hose (48' - 20" Spacing)	
	07.16542	75	Clamp, .56" - 1.25" Hose (51' - 20" Spacing)	
7	907379	31	Washer, Flat, 5/16" Stainless Steel (45' - 20" Spacing)	
	907379	41	Washer, Flat, 5/16" Stainless Steel (45' - 15" Spacing)	
	907379	33	Washer, Flat, 5/16" Stainless Steel (48' - 20" Spacing)	
	907379	35	Washer, Flat, 5/16" Stainless Steel (51' - 20" Spacing)	
8	907390	31	Nut, Hex Lock, 5/16-18 Nylock Stainless Steel (45' - 20" Spacing)	
	907390	41	Nut, Hex Lock, 5/16-18 Nylock Stainless Steel (45' - 15" Spacing)	
	907390	33	Nut, Hex Lock, 5/16-18 Nylock Stainless Steel (48' - 20" Spacing)	
	907390	35	Nut, Hex Lock, 5/16-18 Nylock Stainless Steel (51' - 20" Spacing)	
9	907463	4	Bolt, Hex, 5/16-18 x 3/4" Stainless Steel	
10	07.08289	27	Tip, with Cap & Gasket XRC11004-VK (45' - 20" Spacing)	
	07.08289	37	Tip, with Cap & Gasket XRC11004-VK (45' - 15" Spacing)	
	07.08289	29	Tip, with Cap & Gasket XRC11004-VK (48' - 20" Spacing)	
	07.08289	31	Tip, with Cap & Gasket XRC11004-VK (51' - 20" Spacing)	

Boom Plumbing - Rubber Hose (EF & EFT Boom)

45 Foot Boom with 20" Nozzle Spacing Shown.
Other Boom Configurations Similiar.





ILLUSTRATED PARTS LIST

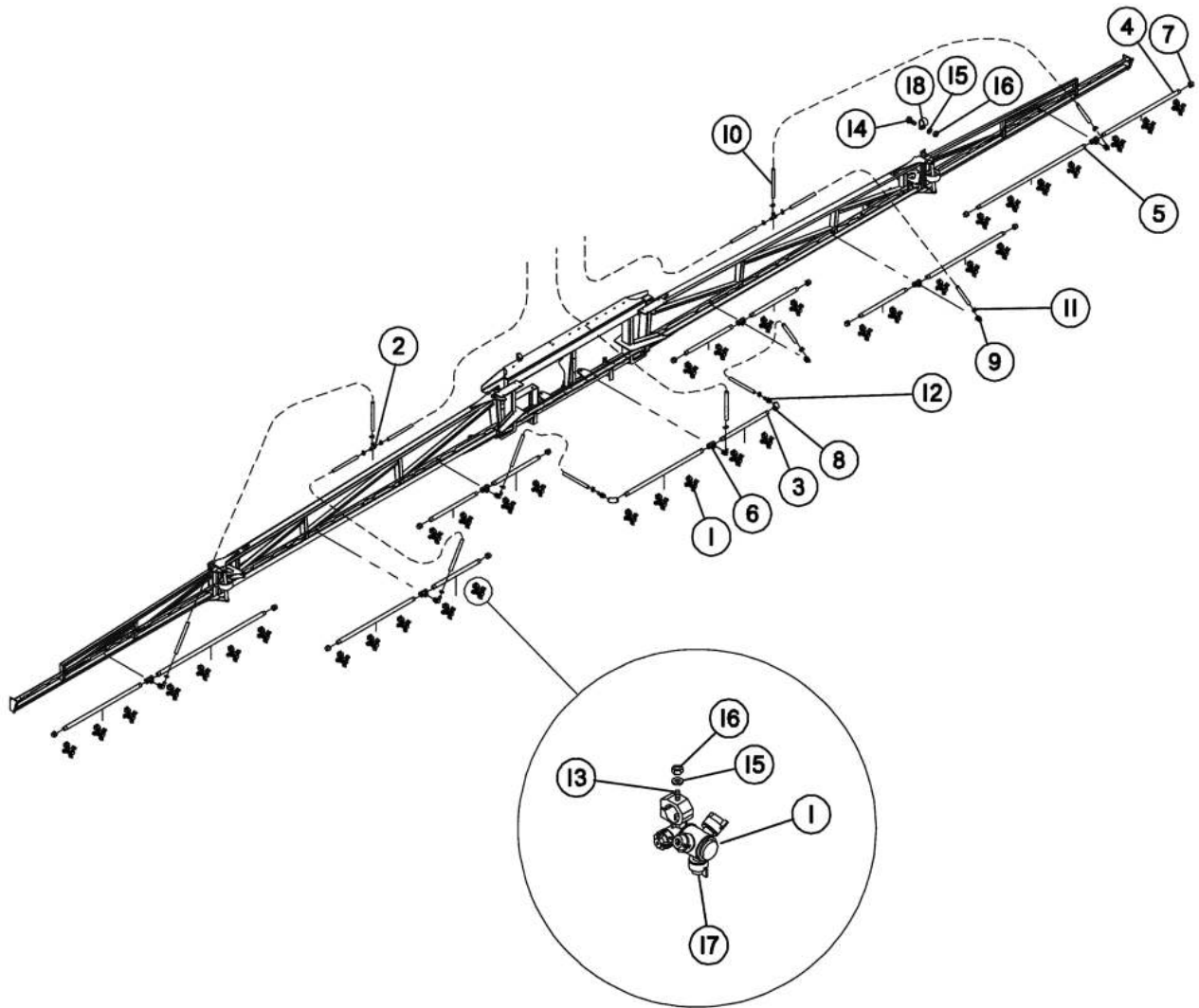
Boom Plumbing - Rubber Hose (EF & EFT Boom) Parts List

Item	Part No.	Quantity	Description
11	07.08914	6	Nozzle Assembly, Triplet, 3/4" Single Hose Barb R.H. (45' - 20" Spacing)
	07.08914	7	Nozzle Assembly, Triplet, 3/4" Single Hose Barb R.H. (45' - 15" Spacing)
	07.08914	7	Nozzle Assembly, Triplet, 3/4" Single Hose Barb R.H. (48' - 20" Spacing)
	07.08914	7	Nozzle Assembly, Triplet, 3/4" Single Hose Barb R.H. (51' - 20" Spacing)
			Nozzle Assemblies
	07.08918	AR	Nozzle Assembly, Single, 3/4" Double Hose Barb
	07.10629	AR	Strainer, Nozzle, 50 Mesh Red
	07.13051	AR	Cap, Red, CP25611-3-NY
	07.15790	AR	Gasket, Cap, EPDM, CP19438-EPR
	07.08917	AR	Nozzle Assembly, Single, 3/4" Single Hose Barb
	07.10629	AR	Strainer, Nozzle, 50 Mesh Red
	07.13051	AR	Cap, Red, CP25611-3-NY
	07.15790	AR	Gasket, Cap, EPDM, CP19438-EPR
	07.08915	AR	Nozzle Assembly, Triplet, 3/4" Double Hose Barb
	07.10629	AR	Strainer, Nozzle, 50 Mesh Red
	07.13051	AR	Cap, Red, CP25611-3-NY
	07.17833	AR	Cap, White, CP25611-2-NY
	07.17838	AR	Cap, Blue, CP25611-4-NY
	07.15790	AR	Gasket, Cap, EPDM, CP19438-EPR
	07.08913	AR	Nozzle Assembly, Triplet, 3/4" Single Hose Barb L.H.
	07.10629	AR	Strainer, Nozzle, 50 Mesh Red
	07.13051	AR	Cap, Red, CP25611-3-NY
	07.17833	AR	Cap, White, CP25611-2-NY
	07.17838	AR	Cap, Blue, CP25611-4-NY
	07.15790	AR	Gasket, Cap, EPDM, CP19438-EPR
	07.08914	AR	Nozzle Assembly, Triplet, 3/4" Single Hose Barb R.H.
	07.10629	AR	Strainer, Nozzle, 50 Mesh Red
	07.13051	AR	Cap, Red, CP25611-3-NY
	07.17833	AR	Cap, White, CP25611-2-NY
	07.17838	AR	Cap, Blue, CP25611-4-NY
	07.15790	AR	Gasket, Cap, EPDM, CP19438-EPR



ILLUSTRATED PARTS LIST

Boom Plumbing, 45' EF Boom, 15 & 20" Nozzle Spacing (stainless steel)



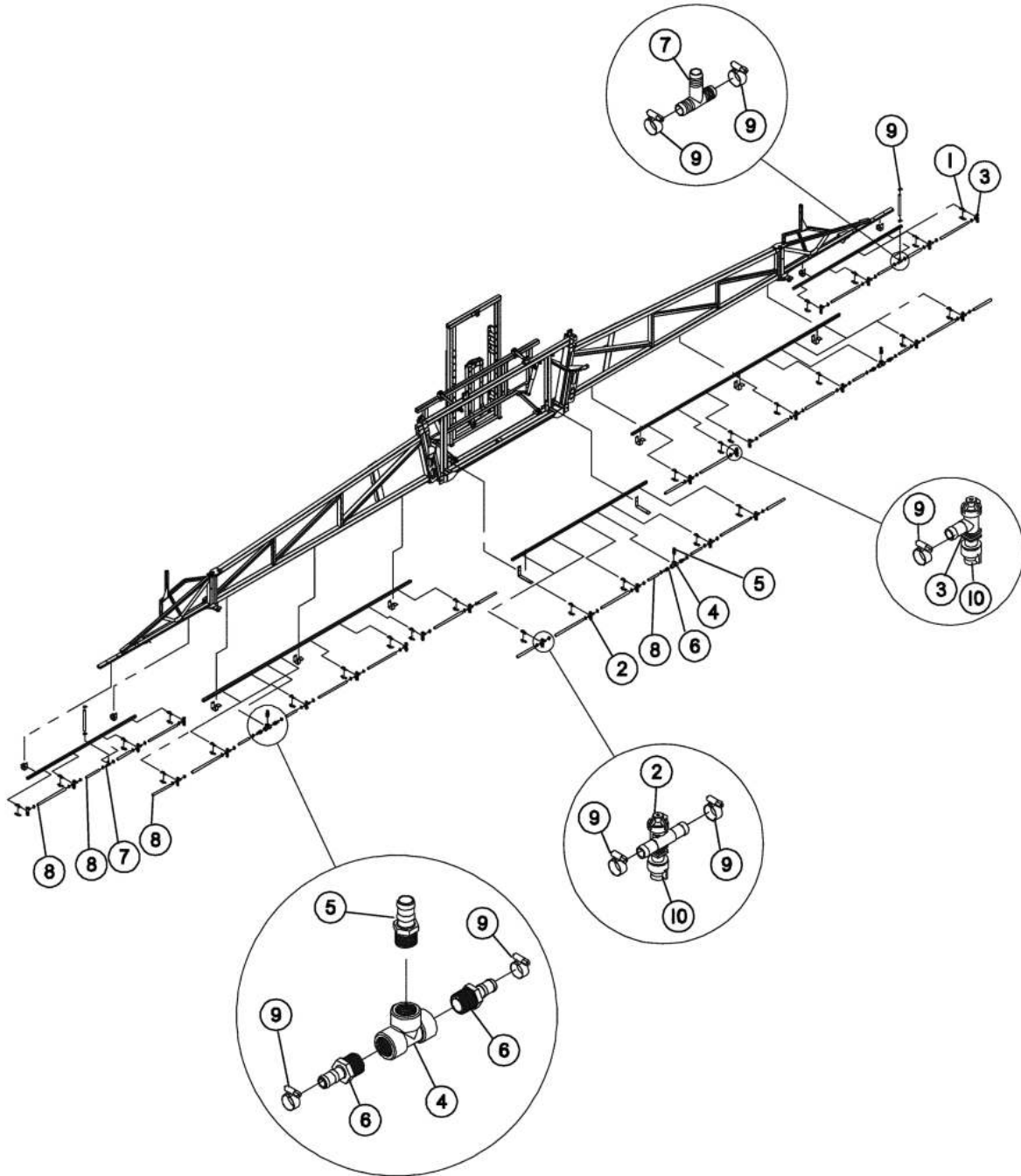


ILLUSTRATED PARTS LIST

Boom Plumbing, 45' EF Boom, 15 & 20" Nozzle Spacing (stainless steel) Parts List

Item	Part No.	Quantity	Description
1	21.00230	37	Nozzle Assembly, 1" Single (Wet Boom) - 15" Centers
	07.10629	37	Strainer, Nozzle, 50 Mesh Red - 15" Centers
	07.13051	37	Cap, Red, CP25611-3-NY - 15" Centers
	07.15790	37	Gasket, Cap, EPDM, CP19438-EPR - 15" Centers
1	21.00231	37	Nozzle Assembly, 1" Triplet (Wet Boom) - 15" Centers
	07.10629	111	Strainer, Nozzle, 50 Mesh Red - 15" Centers
	07.13051	37	Cap, Red, CP25611-3-NY - 15" Centers
	07.17833	37	Cap, White, CP25611-2-NY - 15" Centers
	07.17838	37	Cap, Blue, CP25611-4-NY - 15" Centers
	07.15790	111	Gasket, Cap, EPDM, CP19438-EPR - 15" Centers
1	21.00230	27	Nozzle Assembly, 1" Single (Wet Boom) - 20" Centers
	07.10629	27	Strainer, Nozzle, 50 Mesh Red - 20" Centers
	07.13051	27	Cap, Red, CP25611-3-NY - 20" Centers
	07.15790	27	Gasket, Cap, EPDM, CP19438-EPR - 20" Centers
1	21.00231	27	Nozzle Assembly, 1" Triplet (Wet Boom) - 20" Centers
	07.10629	81	Strainer, Nozzle, 50 Mesh Red - 20" Centers
	07.13051	27	Cap, Red, CP25611-3-NY - 20" Centers
	07.17833	27	Cap, White, CP25611-2-NY - 20" Centers
	07.17838	27	Cap, Blue, CP25611-4-NY - 20" Centers
	07.15790	81	Gasket, Cap, EPDM, CP19438-EPR - 20" Centers
2	07.10610	2	Tee, Hose Barb, 3/4" Poly
3	21.00504	7	Boom Line, Stainless Steel, 23" 2 Hole 15" Centers
	21.00505	6	Boom Line, Stainless Steel, 30.5" 2 Hole 20" Centers
4	21.00503	5	Boom Line, Stainless Steel, 38" 3 Hole 15" Centers
	21.00507	5	Boom Line, Stainless Steel, 50.5" 3 Hole 20" Centers
5	21.00502	2	Boom Line, Stainless Steel, 53" 4 Hole 15" Centers
6	21.00385	7	Tee, 1" FNPT, 304 Stainless Steel
7	21.00386	12	Cap, 1" NPT, 304 Stainless Steel
8	21.00388	2	Elbow, 90°, 1" MPT, 304 Stainless Steel
9	07.10291	7	Elbow, 90°, 1" MPT x 3/4" Hose Barb
10	07.10570	50'	Hose, EPDM, .75" BLK (Order Per Foot)
11	07.16542	15	Clamp, .56" - 1.25" Hose
12	07.10328	2	Straight, 1" PT x 3/4" Hose Barb, Nylon
13	907349	37	Bolt, Hex, 5/16-18 x 1" Stainless steel
14	907463	4	Bolt, Hex, 5/16-18 x 3/4" Stainless Steel
15	907379	41	Washer, Flat, 5/16" Stainless Steel
16	907390	41	Nut, Hex Lock, 5/16-18 Nylock Stainless Steel
17	07.08289	37	Tip, with Cap & Gasket XRC11004-VK
18	21.00278	4	Clamp, Vinyl, 1.125"

Boom Plumbing - Rubber Hose (HC Boom)





ILLUSTRATED PARTS LIST

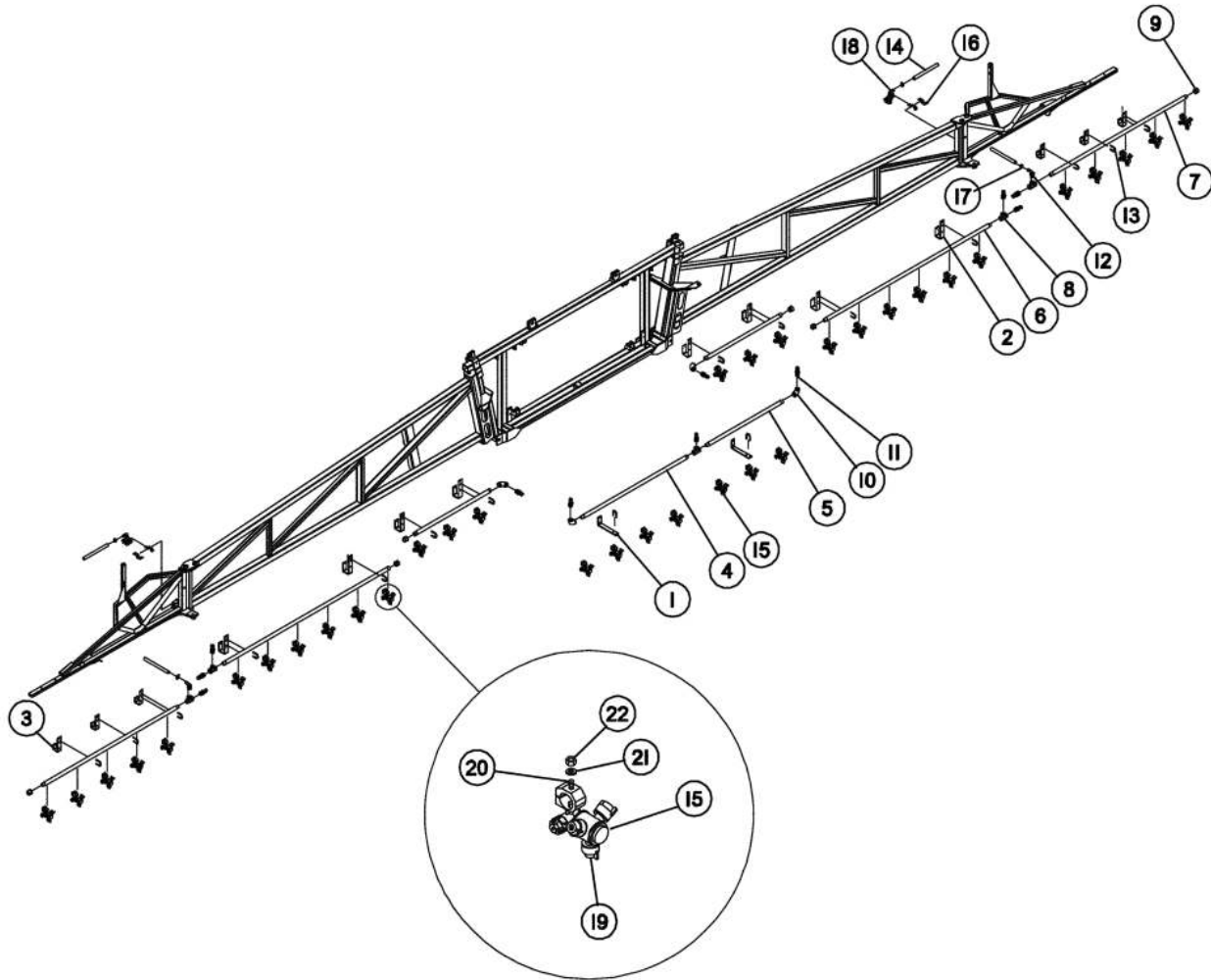
Boom Plumbing - Rubber Hose (HC Boom) Parts List

Item	Part No.	Quantity	Description
1	07.13053	27	Clamp, Square 1" Tube
2	07.06451	19	Nozzle Assembly, Single, 3/4" Double Hose Barb
	07.10629	19	Strainer, Nozzle, 50 Mesh Red
	07.13051	19	Cap, Red, CP25611-3-NY
	07.15790	19	Gasket, Cap, EPDM, CP19438-EPR
2	07.09050	19	Nozzle Assembly, Triplet, 3/4" Double Hose Barb
	07.10629	57	Strainer, Nozzle, 50 Mesh Red
	07.13051	19	Cap, Red, CP25611-3-NY
	07.17830	19	Cap, Yellow, CP25611-6-NY
	07.17831	19	Cap, Black, CP25599-1-NY
	07.15790	57	Gasket, Cap, EPDM, CP19438-EPR
3	07.06450	8	Nozzle Assembly, Single, 3/4" Single Hose Barb
	07.10629	19	Strainer, Nozzle, 50 Mesh Red
	07.13051	19	Cap, Red, CP25611-3-NY
	07.15790	19	Gasket, Cap, EPDM, CP19438-EPR
3	07.07814	8	Nozzle Assembly, Triplet, 3/4" Single Hose Barb
	07.10629	24	Strainer, Nozzle, 50 Mesh Red
	07.13051	8	Cap, Red, CP25611-3-NY
	07.17830	8	Cap, Yellow, CP25611-6-NY
	07.17831	8	Cap, Black, CP25599-1-NY
	07.15790	24	Gasket, Cap, EPDM, CP19438-EPR
4	07.10386	3	Tee, 1" FPT
5	07.10327	3	Straight, 1" PT x 1" Hose Barb Nylon
6	07.10328	6	Straight, 1" PT x 3/4" Hose Barb Nylon
7	07.10610	2	Tee, Hose Barb, 3/4" Polypro
8	07.10570	50'	Hose, EPDM, .75" Bulk (Order Per Foot)
9	07.16542	60	Clamp, Hose, .56" - 1.25" Hose
10	07.08289	27	Tip, with Cap & Gasket, XRC11004-VK



ILLUSTRATED PARTS LIST

Boom Plumbing - HC Boom, 15 & 20" Nozzle Spacing (Stainless Steel)





ILLUSTRATED PARTS LIST

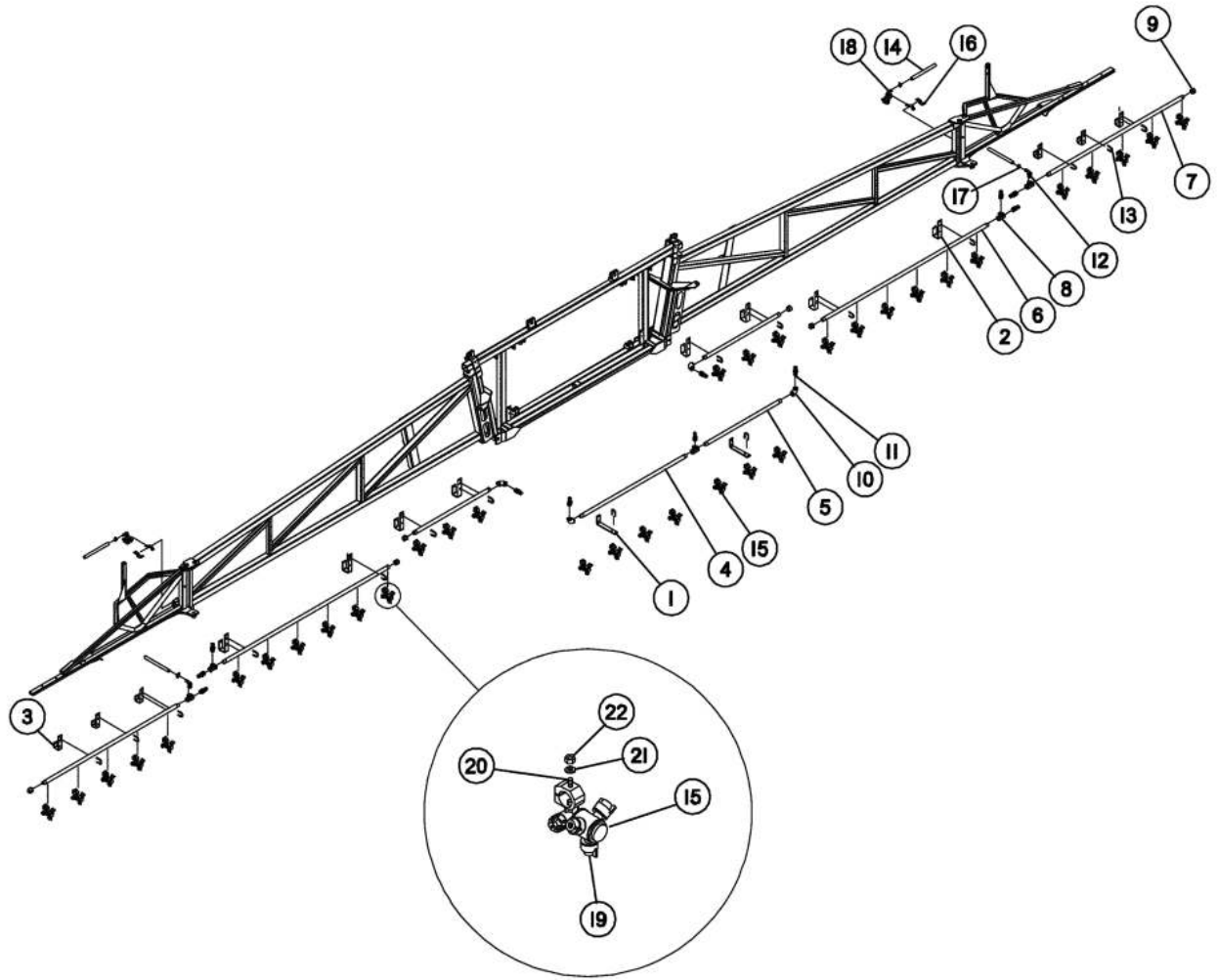
Boom Plumbing - HC Boom, 15 & 20" Nozzle Spacing (Stainless Steel) Parts List

Item	Part No.	Quantity	Description
1	07.07037	2	Bracket, Stainless Steel Mount, Mid Section
2	07.07038	8	Bracket, Inner Wing, Mount
3	07.07039	6	Bracket, Outer Wing, Mount
4	21.00502	1	Boom Line, Stainless Steel, 53" 4 Hole, 15" Centers
5	21.00503	3	Boom Line, Stainless Steel, 38" 3 Hole, 15" Centers
6	21.00511	2	Boom Line, Stainless Steel, 83" 6 Hole, 15" Centers
7	21.00512	2	Boom Line, Stainless Steel, 68" 5 Hole, 15" Centers
8	21.00385	5	Tee, 1" FNPT, 304 Stainless Steel
9	21.00386	6	Cap, 1" NPT, 304 Stainless Steel
10	21.00388	6	Elbow, 90°, 1" NPT, 304 Stainless Steel
11	07.10327	11	Straight, 1" PT x 1" Hose Barb, Nylon
12	07.10291	2	Elbow, 90°, 1" MPT x 3/4" Hose Barb
13	21.21655	16	U-Bolt, 5/16 x 1.37 x 1.5" Round, Stainless Steel
14	07.10570	4'	Hose, EPDM, .75" Bulk (Order Per Foot)
15	21.00231	35	Nozzle Assembly, 1" Triplet (Wet Boom) - 15" Centers
	07.10629	105	Strainer, Nozzle, 50 Mesh Red - 15" Centers
	07.13051	35	Cap, Red, CP25611-3-NY - 15" Centers
	07.17833	35	Cap, White, CP25611-2-NY - 15" Centers
	07.17838	35	Cap, Blue, CP25611-4-NY - 15" Centers
	07.15790	105	Gasket, Cap, EPDM, CP19438-EPR - 15" Centers
15	21.00230	37	Nozzle Assembly, 1" Single (Wet Boom) - 15" Centers
	07.10629	37	Strainer, Nozzle, 50 Mesh Red - 15" Centers
	07.13051	37	Cap, Red, CP25611-3-NY - 15" Centers
	07.15790	37	Gasket, Cap, EPDM, CP19438-EPR - 15" Centers
15	21.00231	27	Nozzle Assembly, 1" Triplet (Wet Boom) - 20" Centers
	07.10629	81	Strainer, Nozzle, 50 Mesh Red - 20" Centers
	07.13051	27	Cap, Red, CP25611-3-NY - 20" Centers
	07.17833	27	Cap, White, CP25611-2-NY - 20" Centers
	07.17838	27	Cap, Blue, CP25611-4-NY - 20" Centers
	07.15790	81	Gasket, Cap, EPDM, CP19438-EPR - 20" Centers
15	21.00230	27	Nozzle Assembly, 1" Single (Wet Boom) - 20" Centers
	07.10629	27	Strainer, Nozzle, 50 Mesh Red - 20" Centers
	07.13051	27	Cap, Red, CP25611-3-NY - 20" Centers
	07.15790	27	Gasket, Cap, EPDM, CP19438-EPR - 20" Centers
16	07.13070	2	Clamp, Stainless Steel, Square, 1-1/2" Tube
17	07.16542	4	Clamp, .56" - 1.25" Hose
18	07.07814	2	Turret, 3/4" Hose Barb - 15" Centers
	07.10629	6	Strainer, Nozzle, 50 Mesh Red - 15" Centers
	07.13051	2	Cap, Red, CP25611-3-NY - 15" Centers
	07.17833	2	Cap, White, CP25611-2-NY - 15" Centers
	07.17838	2	Cap, Blue, CP25611-4-NY - 15" Centers
	07.15790	6	Gasket, Cap, EPDM, CP19438-EPR - 15" Centers



ILLUSTRATED PARTS LIST

Boom Plumbing - HC Boom, 15 & 20" Nozzle Spacing (Stainless Steel)





ILLUSTRATED PARTS LIST

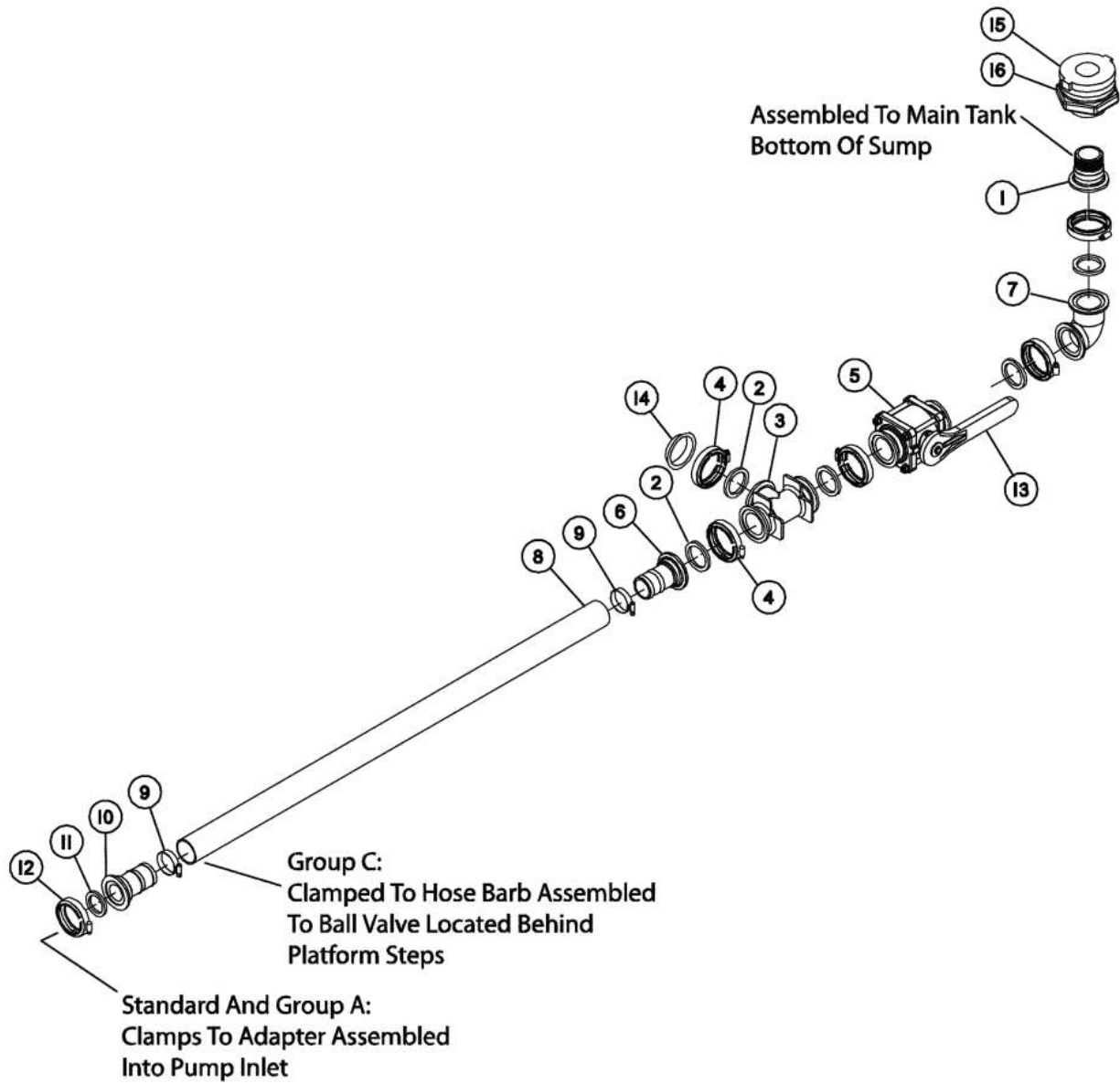
Boom Plumbing - HC Boom, 15 & 20" Nozzle Spacing (Stainless Steel) Parts List

Item	Part No.	Quantity	Description
19	07.08289	37	Tip, with Cap & Gasket, XRC11004-VK - 15" Centers
	07.08289	27	Tip, with Cap & Gasket, XRC11004-VK - 20" Centers
20	907349	37	Bolt, Hex, 5/16-18 x 1" Stainless Steel - 15" Centers
	907349	27	Bolt, Hex, 5/16-18 x 1" Stainless Steel - 20" Centers
21	907379	37	Washer, Flat, 5/16" Stainless Steel - 15" Centers
	907379	27	Washer, Flat, 5/16" Stainless Steel - 20" Centers
22	907390	37	Nut, Hex Lock, 5/16-18 Nylock Stainless Steel - 15" Centers
	907390	27	Nut, Hex Lock, 5/16-18 Nylock Stainless Steel - 20" Centers
			20" Center Stainless Steel Boom Lines
	21.00505	5	Boom Line, Stainless Steel, 30.5" 2 Hole 20" Centers
	21.00507	3	Boom Line, Stainless Steel, 50.5" 3 Hole 20" Centers
	21.00510	2	Boom Line, Stainless Steel, 70.5" 4 Hole 20" Centers



ILLUSTRATED PARTS LIST

Product Tank Sump Plumbing



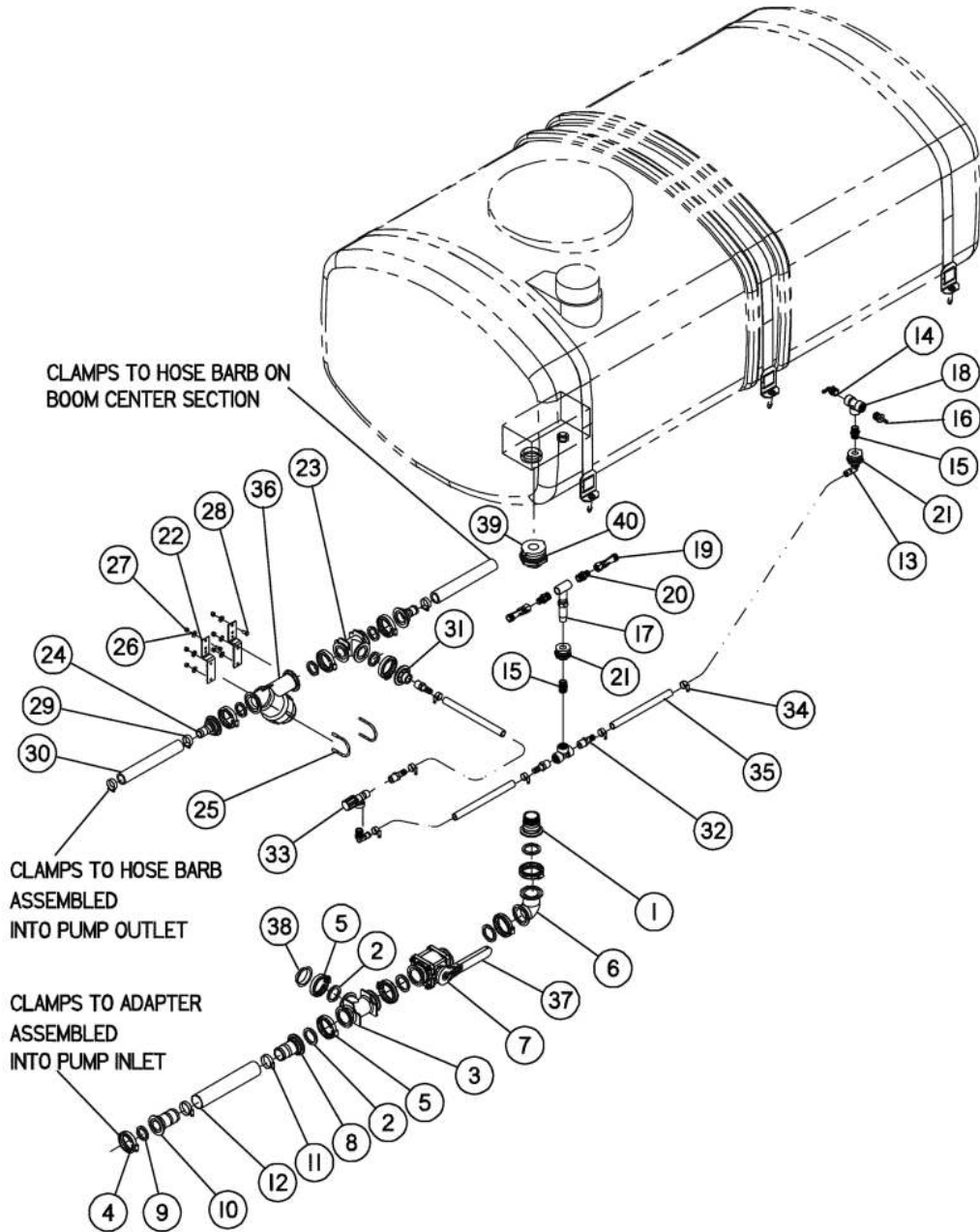


ILLUSTRATED PARTS LIST

Product Tank Sump Plumbing Parts List

Item	Part No.	Quantity	Description
1	21.20999	1	Fitting, 2" FP Flange x 2" MPT
2	07.11584	5	Gasket, EDPM, 2" Full Port
3	21.21001	1	Tee, Flanged, 2" Full Port
4	21.21068	5	Clamp, Worm 220 Full Port
5	21.21069	1	Valve, Ball, 2" x 2" Full Port Flange (Includes Item 14)
6	21.21079	1	Flange, 2" Full Port x 2" Hose Barb
7	21.21077	1	Elbow, 90°, 2" Full Port Flange
8	07.15985	4'	Hose, Fertilizer, 2" (Order Per Foot)
9	07.13245	2	Clamp, 1.562" - 2.500" Hose
10	07.07074	1	Fitting, Flange, 2" Std x 2" Hose Barb
11	07.06701	1	Gasket, 2" EPDM
12	07.06702	1	Clamp, Worm Screw, 2"
13	07.12312	1	Handle (Included With Item 5)
14	07.07076	1	Plug, Flange, 2" Full Port (Standard Configuration Only)
15	07.07912	1	Fitting, Bulkhead, 2" with Gasket
16	07.07914	1	Gasket, 2"

Primary Product Circuit Plumbing (Standard)



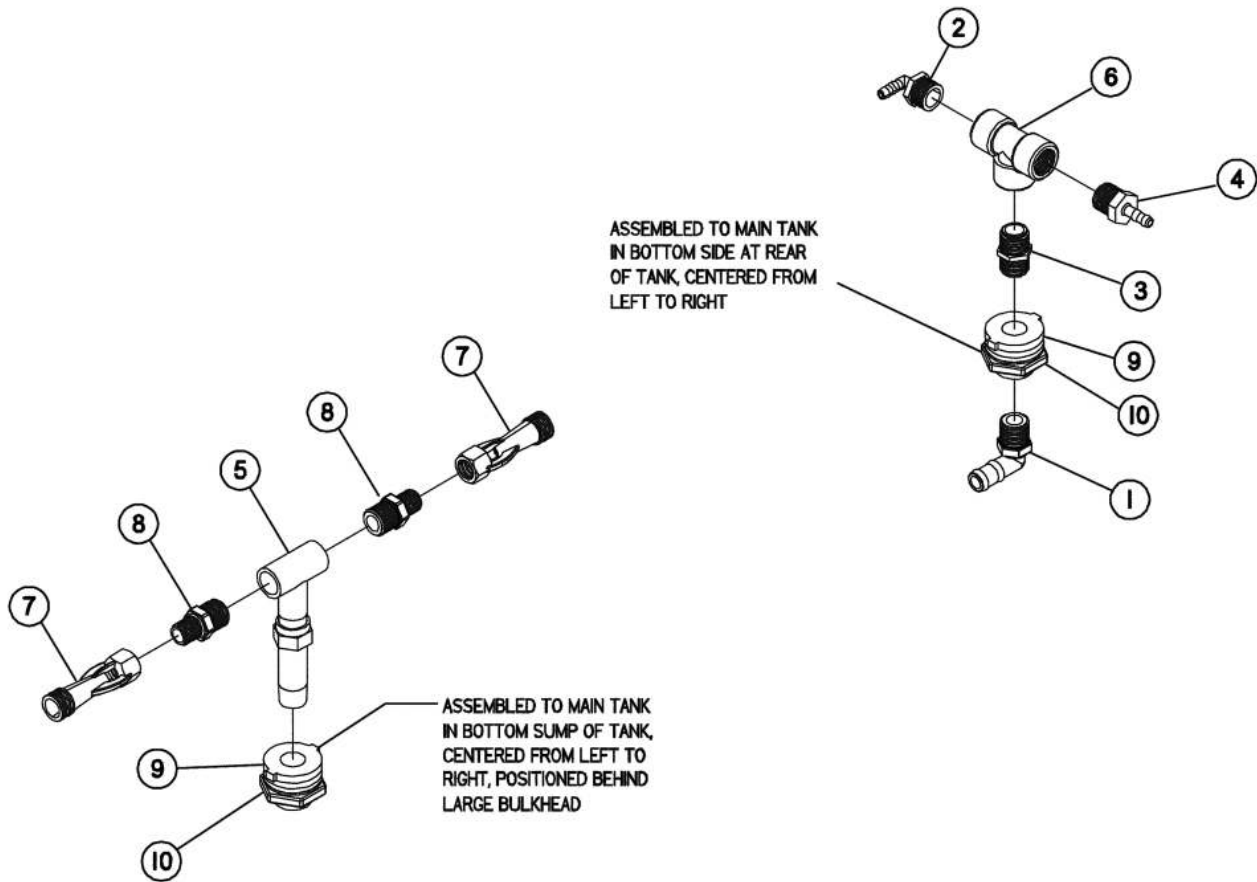


ILLUSTRATED PARTS LIST

Primary Product Circuit Plumbing (Standard) Parts List

Item	Part No.	Quantity	Description
1	21.20999	1	Fitting, 2" FP Flange x 2" MPT
2	07.11584	5	Gasket, EDPM, 2" Full Port
3	21.21001	1	Tee, Flanged, 2" Full Port
4	07.06702	5	Clamp, Worm Screw, 2"
5	21.21068	5	Clamp, Worm 220 Full Port
6	21.21077	1	Elbow, 90°, 2" Full Port Flange
7	21.21069	1	Valve, Ball, 2" x 2" Full Port Flange (Includes Item 37)
8	21.21079	1	Flange, 2" Full Port x 2" Hose Barb
9	07.06701	5	Gasket, 2" EPDM
10	07.07074	1	Fitting, Flange, 2" Std x 2" Hose Barb
11	07.13245	2	Clamp, 1.562" - 2.500" Hose
12	07.15985	4'	Hose, Fertilizer, 2" (Order Per Foot)
13	07.10305	2	Elbow, 90°, 3/4" MPT x 3/4" Hose Barb
14	07.10307	1	Elbow, 90°, 3/4" MPT x 3/8" Hose Barb
15	07.10322	2	Nipple, 3/4" x Close Poly
16	07.10353	1	Straight, 3/4" PT x 3/8" Hose Barb Nylon
17	07.10381	1	Tee, Agitator, 3/4" T34 TE External
18	07.10391	2	Tee, 3/4" FPT
19	07.13536	2	Agitator, Hypro
20	07.15684	2	Nipple, Reducer, 3/4" x 1/2"
21	07.13030	2	Fitting, Bulkhead, 3/4" FPT
22	07.05882	2	Bracket, Mount
23	07.06977	1	2" Standard Port Flange Tee
24	21.21078	2	Fitting, Flange, 2" Standard x 1-1/4" Hose Barb
25	09.74204	2	U-Bolt, 5/16 x 2-1/2 x 3-3/16"
26	900494	6	Washer, Flat, 5/16"
27	906483	6	Nut, Hex Lock, 5/16-18 Nylock
28	903277	2	Bolt, Hex, 5/16-18 x 3/4" Gr 5
29	07.11699	3	Clamp, 1.062" - 2.000" Hose
30	07.10561	19'	Hose, EPDM 1.25" x 2 Braid, 200 PSI (Order Per Foot)
31	07.07075	1	Plug, Flange, 2" Std x 3/4" FPT
32	07.10348	4	Straight, 3/4" NPT x 3/4" Hose Barb Nylon
33	07.17893	1	Valve, Throttling, 23520, 3/4"
34	07.16542	6	Clamp, .56" - 1.25" Hose
35	07.10570	14'	Hose, EPDM, .75" Black (Order Per Foot)
36	07.07004	1	Strainer, "Y" 2" Std Port, 50 Mesh
	07.10481	1	50 Mesh Screen
	07.10480	1	Gasket, EPDM
	07.10482	1	Cap
	32.00912	1	O-Ring
	07.10694	1	Plug
37	07.12312	1	Handle (Included With Item 7)
38	07.07076	1	Plug, Flange, 2" Full Port
39	07.07912	1	Fitting, Bulkhead, 2" with Gasket
40	07.07914	1	Gasket, 2"

Agitation System - Product Tank



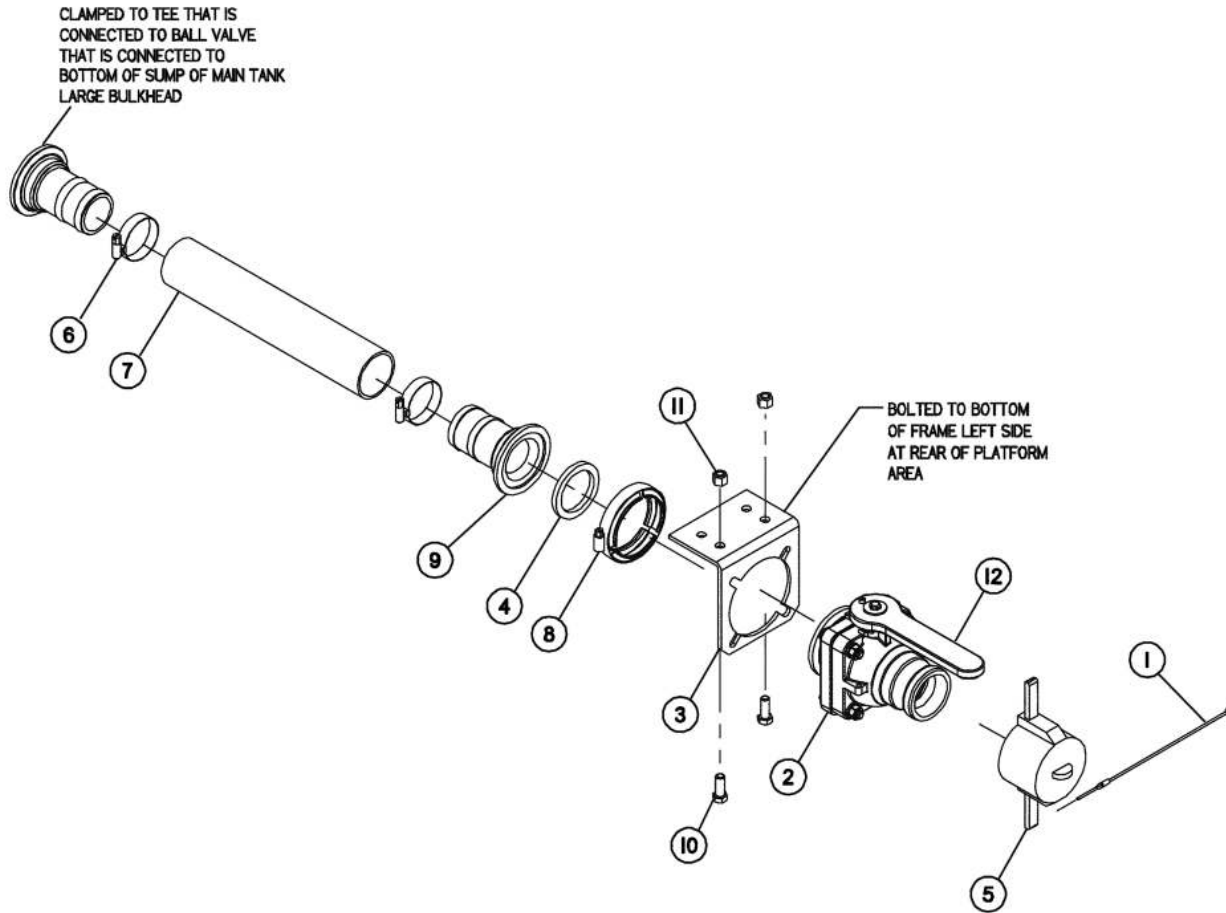


ILLUSTRATED PARTS LIST

Agitation System - Product Tank Parts List

Item	Part No.	Quantity	Description
1	07.10305	1	Elbow, 90°, 3/4" MPT x 3/4" Hose Barb
2	07.10307	1	Elbow, 90°, 3/4" MPT x 3/8" Hose Barb
3	07.10322	1	Nipple, 3/4" x Close Poly
4	07.10353	1	Straight, 3/4" PT x 3/8" Hose Barb Nylon
5	07.10381	1	Tee, Agitator, 3/4" T34 TE External
6	07.10391	1	Tee, 3/4" FPT
7	07.13536	2	Agitator, Hypro
8	07.15684	2	Nipple, Reducer, 3/4" x 1/2"
9	07.13030	2	Fitting, Bulkhead, 3/4" FPT with Gasket
10	07.17339	2	Gasket

Fast Fill Plumbing (Group A Option)



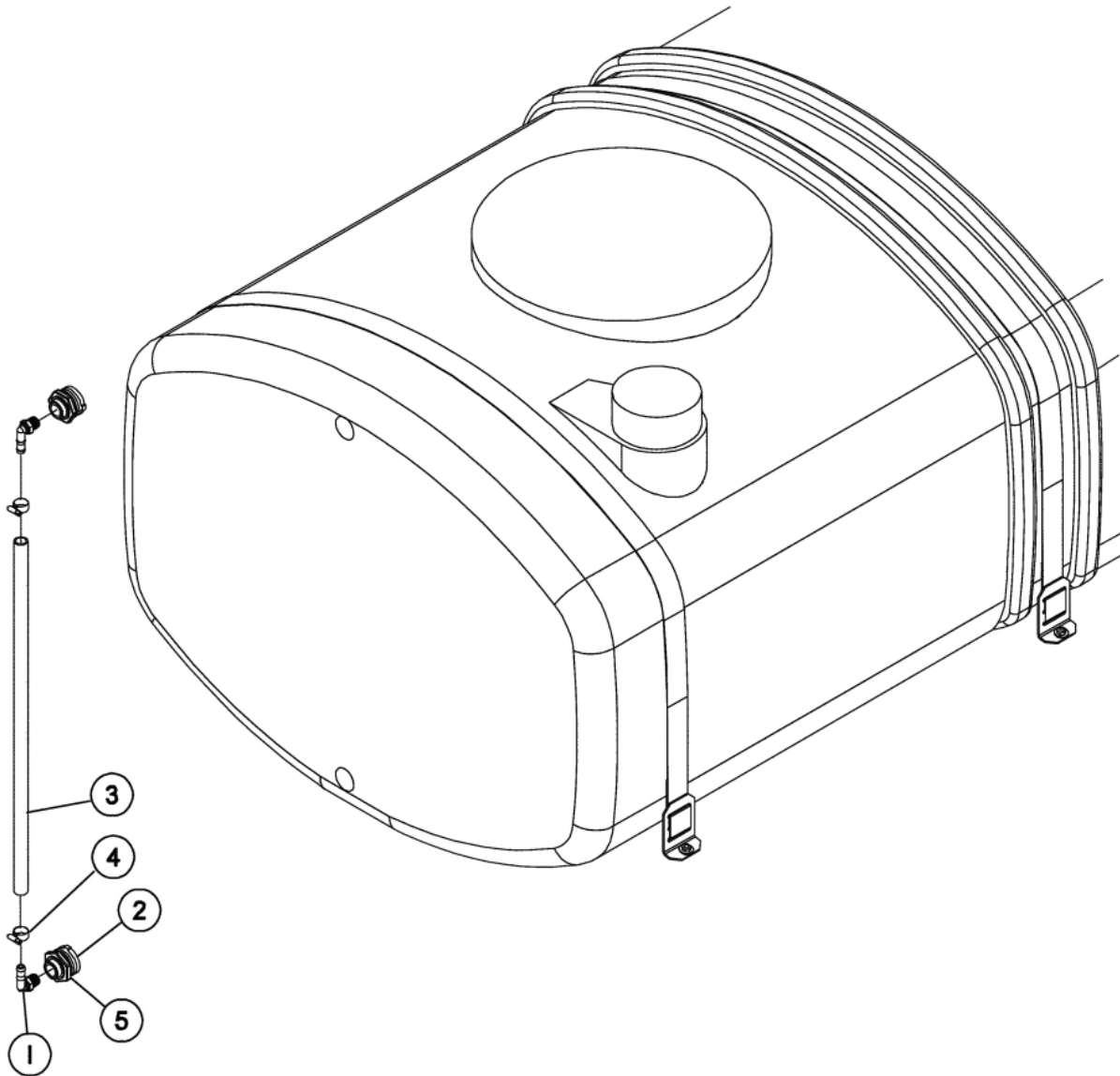


ILLUSTRATED PARTS LIST

Fast Fill Plumbing (Group A Option) Parts List

Item	Part No.	Quantity	Description
1	07.06703	1	Lanyard, 11" Poly Rubber
2	07.07110	1	Ball Valve, Stubby 2" x 2" Flange (Includes Item 12)
3	07.09126	1	Bracket, Short, 2" Ball Valve
4	07.11584	2	Gasket, EPDM, 2" Full Port
5	07.26868	1	Dust Cap, 2" Camlock
6	07.13245	2	Clamp, Worm, 1.562" - 2.500" Diameter
7	07.15985	2'	Hose, Fertilizer, 2" (Order Per Foot)
8	21.21068	2	Clamp, Worm, 220 Full Port
9	21.21079	2	Flange, 2" Full Port x 2" Hose Barb
10	902300	2	Bolt, Hex, 3/8-16 x 1" Gr 5
11	906400	2	Nut, Hex Lock, 3/8-16 Nylock
12	07.07930	1	Handle, Short (Included With Item 2)

Sight Gauge - Product Tank (Group C Option)



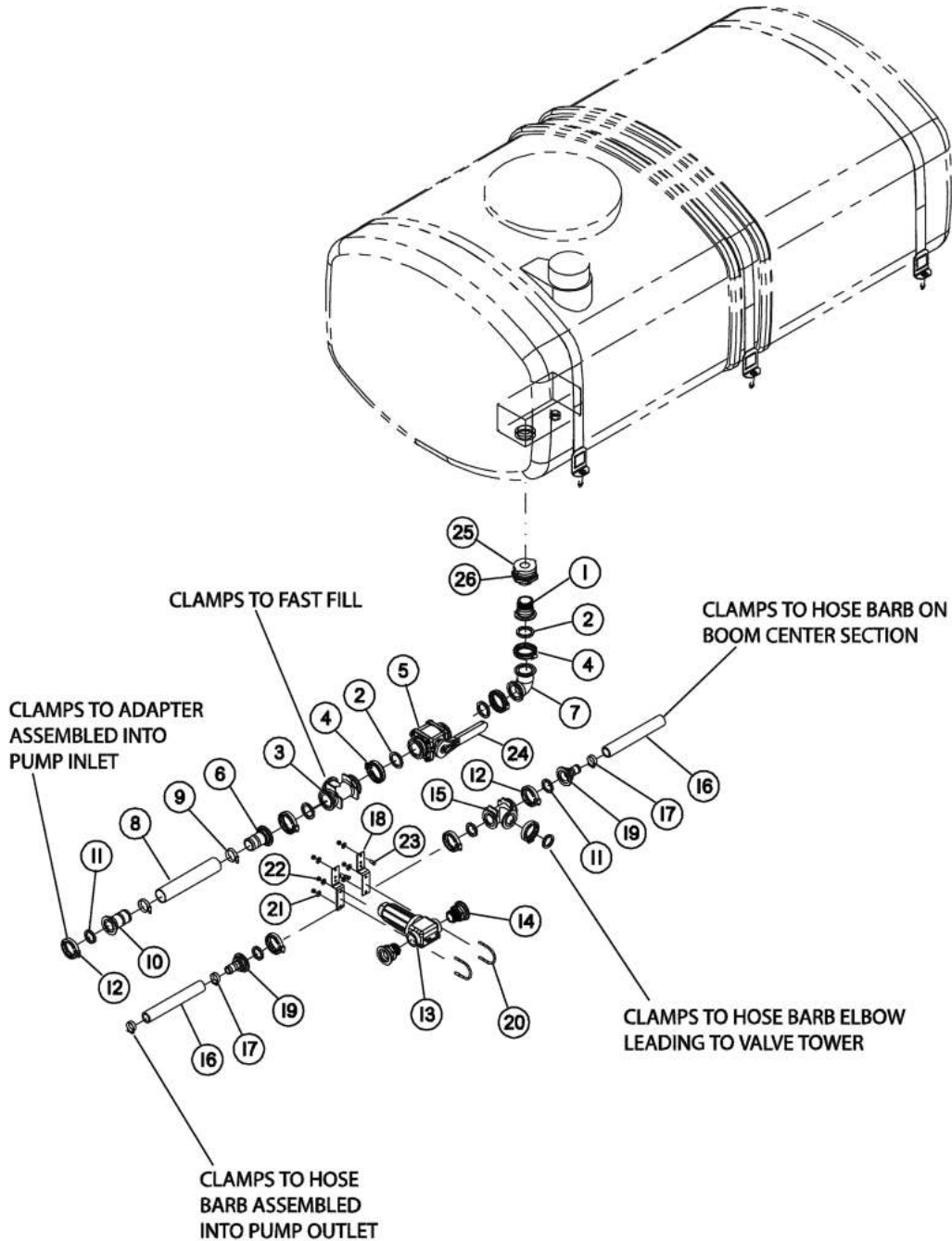


ILLUSTRATED PARTS LIST

Sight Gauge - Product Tank (Group C Option) Parts List

Item	Part Number	Quantity	Description
1	07.10305	2	Elbow, 90°, 3/4" MPT x 3/4" Hose Barb
2	07.13030	2	Fitting, Bulkhead, 3/4" FPT with Gasket (Includes Item 5)
3	07.13402	2.5'	Tubing, Clear Vinyl, .75" ID (Order Per Foot)
4	07.16542	2	Clamp, .56" - 1.25" Hose
5	07.17339	2	Gasket (Included with Item 2)

Primary Product Circuit Plumbing (Group A Option)



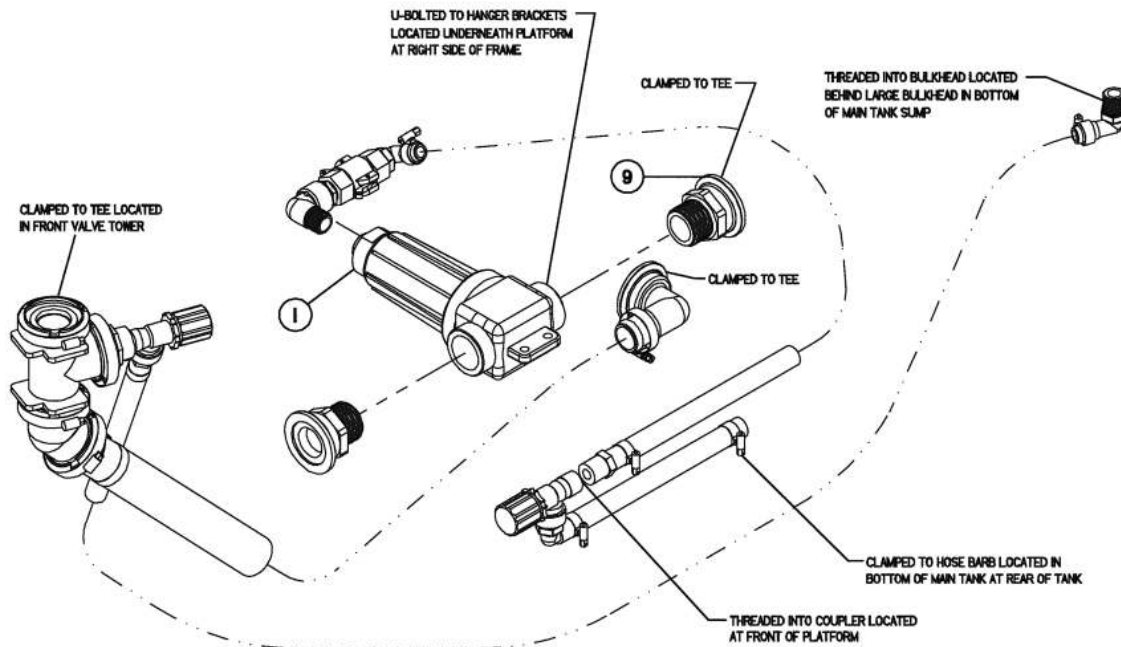
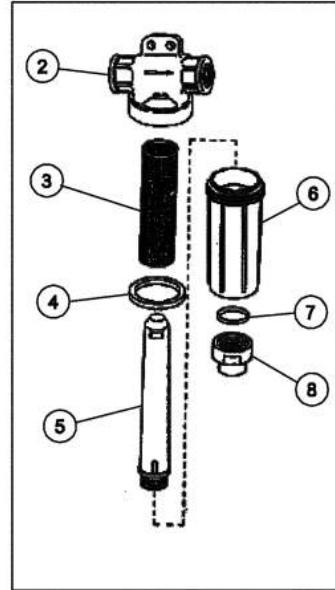


ILLUSTRATED PARTS LIST

Primary Product Circuit Plumbing (Group A Option) Parts List

Item	Part No.	Quantity	Description
1	21.20999	1	Fitting, 2" FP Flange x 2" MPT
2	07.11584	4	Gasket, EDPM, 2" Full Port
3	21.21001	1	Tee, Flanged, 2" Full Port
4	21.21068	4	Clamp, Worm 220 Full Port
5	21.21069	1	Valve, Ball, 2" x 2" Full Port Flange (Includes Item 24)
6	21.21079	1	Flange, 2" Full Port x 2" Hose Barb
7	21.21077	1	Elbow, 90°, 2" Full Port Flange
8	07.15985	4'	Hose, Fertilizer, 2" (Order Per Foot)
9	07.13245	2	Clamp, 1.562" - 2.500" Hose
10	07.07074	1	Fitting, Flange, 2" Standard x 2" Hose Barb
11	07.06701	5	Gasket, 2" EPDM
12	07.06702	5	Clamp, Worm Screw, 2"
13	07.07200	1	Strainer, 124, 1-1/2" Self Cleaning, AL 50
14	07.06696	2	Fitting, 2" Flange x 1-1/2" MPT
15	07.06977	1	2" Standard Port Flange Tee
16	07.10561	19'	Hose, EPDM 1.25" x 2 Braid, 200 PSI (Order Per Foot)
17	07.11699	3	Clamp, 1.062" - 2.000" Hose
18	07.05882	2	Bracket, Mount
19	21.21078	2	Fitting, Flange, 2" Standard x 1-1/4" Hose Barb
20	09.74204	2	U-Bolt, 5/16 x 2-1/2 x 3-3/16"
21	900494	6	Washer, Flat, 5/16"
22	906483	6	Nut, Hex Lock, 5/16-18 Nylock
23	903277	2	Bolt, Hex, 5/16-18 x 3/4" Gr 5
24	07.12312	1	Handle (Included With Item 5)
25	07.07912	1	Fitting, Bulkhead, 2" with gasket
26	07.07914	1	Gasket, 2"

Self Cleaning Filter (Group A Option)



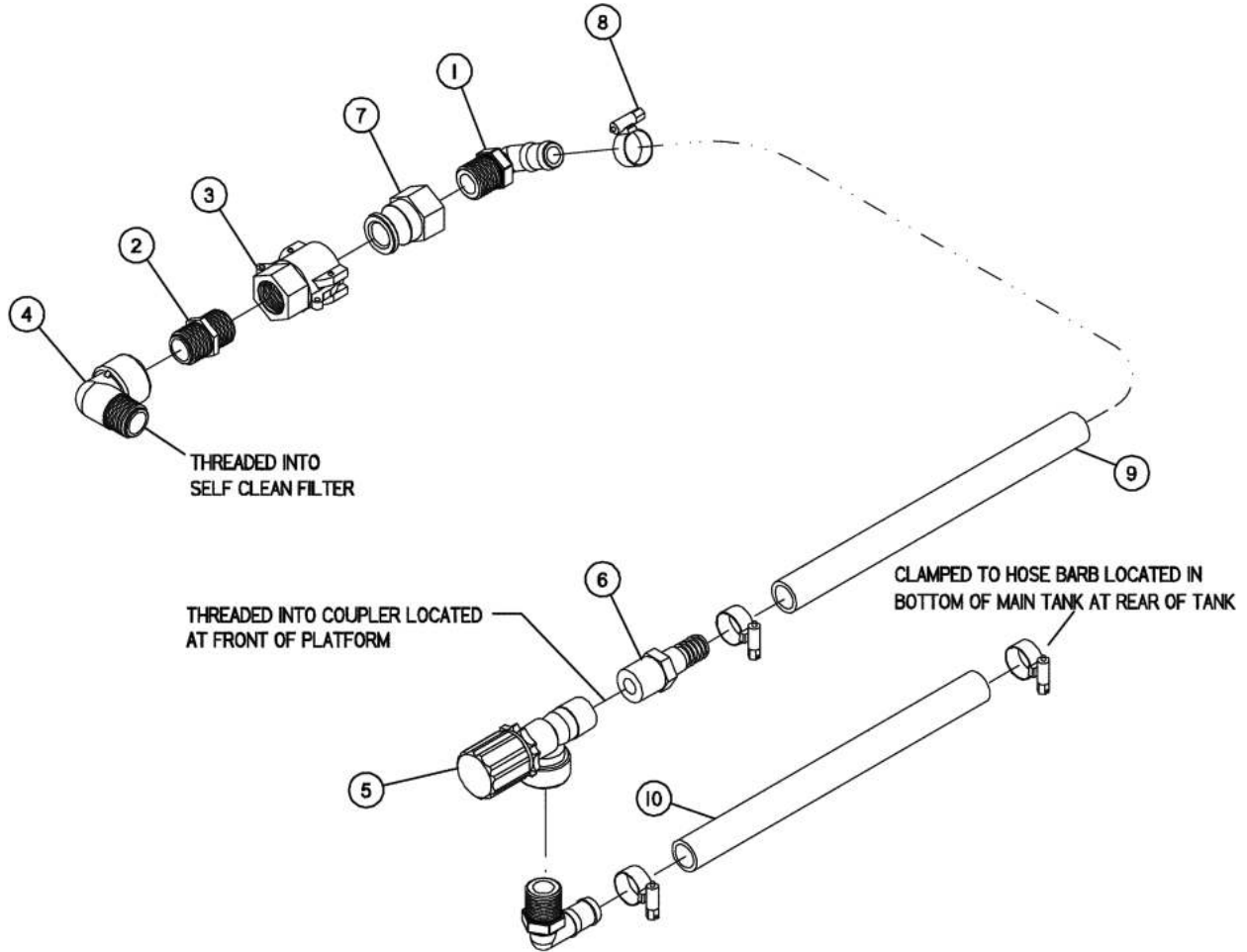


ILLUSTRATED PARTS LIST

Self Cleaning Filter (Group A Option) Parts List

Item	Part No.	Quantity	Description
1	07.07200	1	1-1/2" Self Cleaning Filter Assembly 50 Mesh
2	07.07921	1	1-1/2" Filter Head Only
3	07.13439	1	50 Mesh Screen
4	07.13434	1	Gasket, Viton
5	07.13450	1	Inner Cylinder
6	07.13451	1	Bowl
7	07.11287	1	O-Ring
8	07.13452	1	Bypass Adaptor
9	07.06696	2	Fitting, 2" Flange x 1-1/2" MPT

Agitation System - Self Cleaning Filter Option (Group A Option)



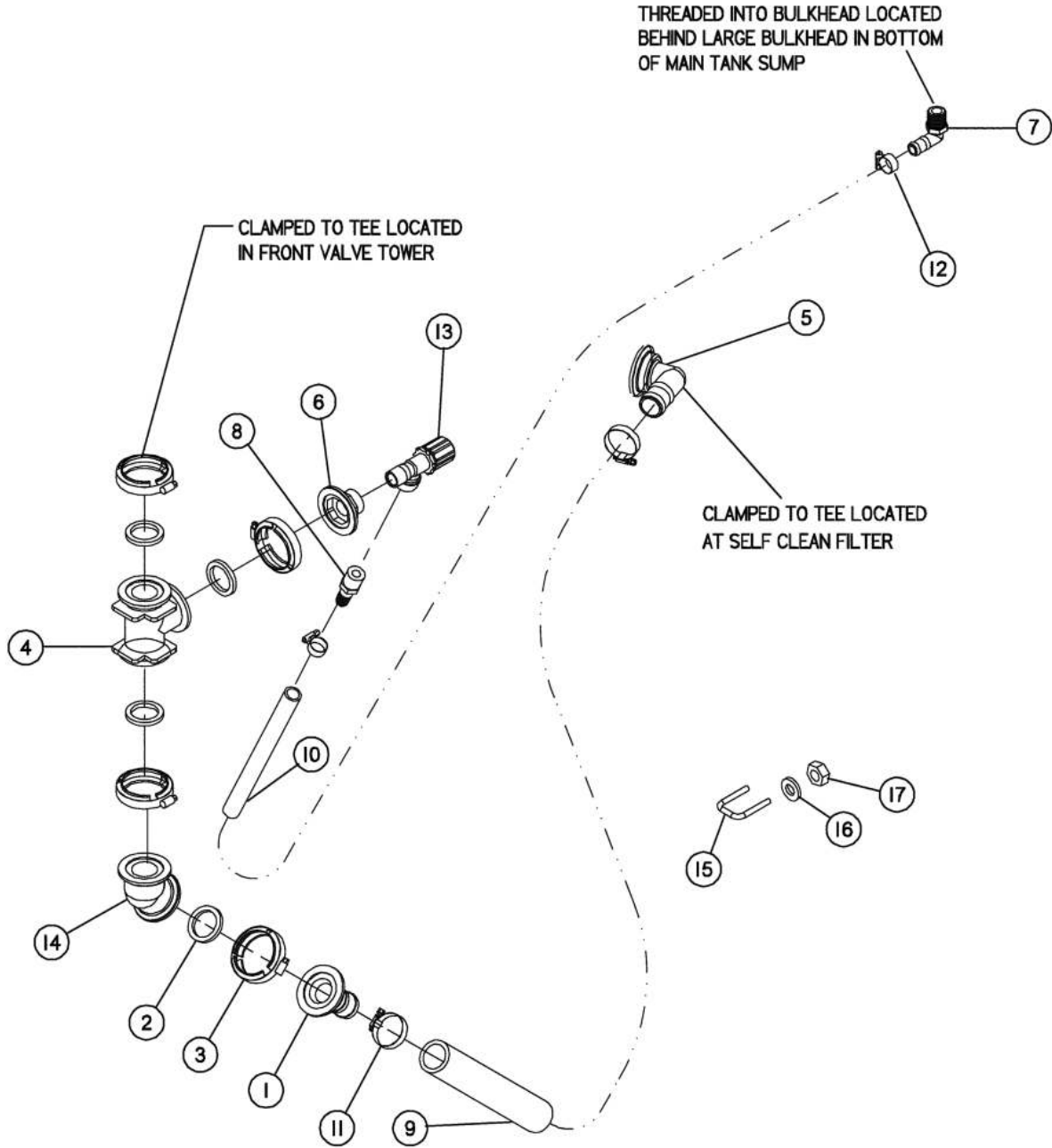


ILLUSTRATED PARTS LIST

Agitation System - Self Cleaning Filter Option (Group A Option) Parts List

Item	Part No.	Quantity	Description
1	07.10305	2	Elbow, 90°, 3/4" MPT x 3/4" Hose Barb
2	07.10322	1	Nipple, 3/4" x Close Poly
3	07.12320	1	Coupler, Female / Female .75" Thread
4	07.13032	1	Elbow, Street, 90°, 3/4"
5	07.17893	1	Valve, Throttling, 23520, 3/4"
6	07.10348	1	Straight, 3/4" NPT x 3/4" Hose Barb, Nylon
7	07.12316	1	Adapter, Male / Female .75" Thread
8	07.16542	4	Clamp, .56" - 1.25" Hose
9	07.10570	5'	Hose, EPDM, .75" bulk (Order Per Foot)
10	07.10570	10'	Hose, EPDM, .75" bulk (Order Per Foot)

Agitation System - Control Tower Plumbing (Group A Option)



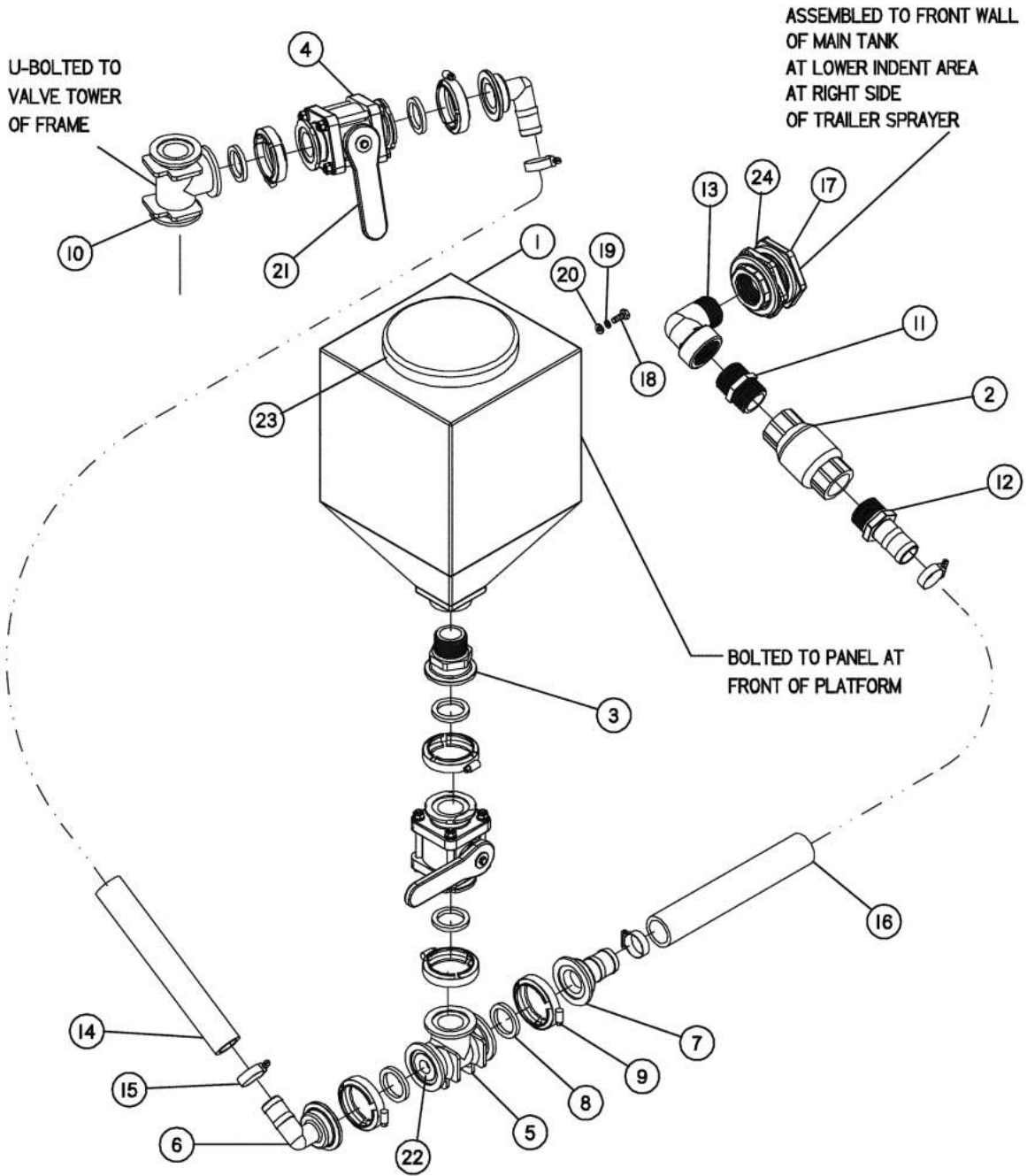


ILLUSTRATED PARTS LIST

Agitation System - Control Tower Plumbing (Group A Option) Parts List

Item	Part No.	Quantity	Description
1	07.06700	1	Fitting, 2" Flange x 1-1/2" Hose Barb
2	07.06701	4	Gasket, EPDM 2"
3	07.06702	4	Clamp, Worm Screw 2"
4	07.06977	1	2" Standard Port Flange Tee
5	07.06978	1	Fitting, 2" S Flange x 1-1/2" Hose Barb, 90°
6	07.07075	1	Plug, Flange, 2" Standard x 3/4" FPT
7	07.10305	1	Elbow, 90°, 3/4" MPT x 3/4" Hose Barb
8	07.10348	1	Straight, 3/4" NPT x 3/4" Hose Barb Nylon
9	07.10559	4'	Hose, EPDM, 1.50" x 2 Braid 200 PSI (Order Per Foot)
10	07.10570	6'	Hose, EPDM, .75" Bulk (Order Per Foot)
11	07.11690	2	Clamp, Worm, 1.312" - 2.250" Diameter
12	07.16542	2	Clamp, .56" - 1.25" Hose
13	07.17893	1	Valve, Throttling, 23520, 3/4"
14	21.22197	1	Elbow, 45°, Flanged, 2" Standard
15	907663	2	U-Bolt, 3/8" x 2.5"
16	901105	4	Washer, Flat, 3/8" SAE
17	906400	4	Nut, Hex Lock, 3/8-16 Nylock

Chemical Inductor (Group A Option)



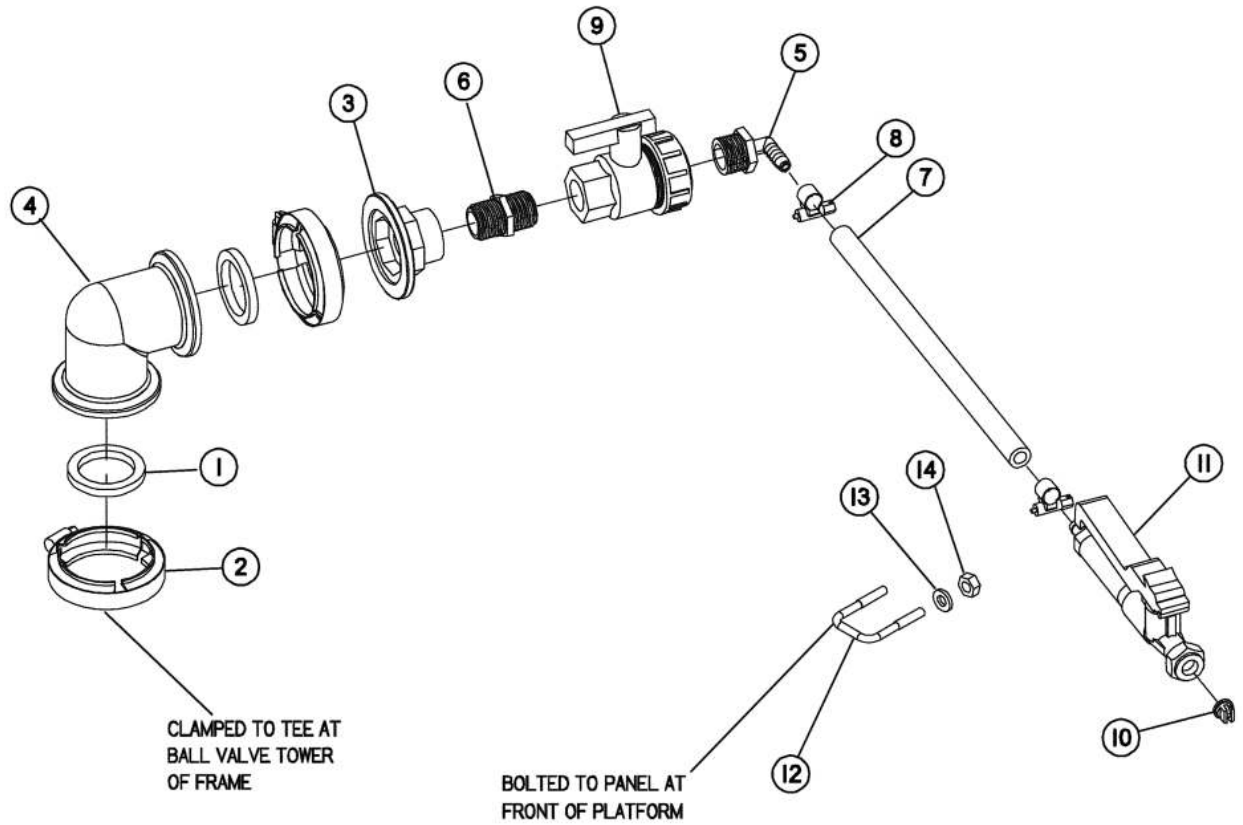


ILLUSTRATED PARTS LIST

Chemical Inductor (Group A Option) Parts List

Item	Part No.	Quantity	Description
1	07.06579	1	Tank, Chemical Inductor, 5 gallon (Includes Item 23)
2	07.06681	1	Valve, Check, 1/2# Spring, 1.50
3	07.06696	1	Fitting, 2" Flange x 1-1/2" MPT
4	07.06697	2	Valve, Ball, 2" Flange x 2" Flange Port (Includes Item 21)
5	07.06698	1	Tee, Manifold, 2" with 3/4" Inductor
6	07.06699	2	Elbow, 90°, 2" Flange x 1-1/4" Hose Barb
7	07.06700	1	Fitting, 2" Flange x 1-1/2" Hose Barb
8	07.06701	6	Gasket, EPDM 2"
9	07.06702	6	Clamp, Worm Screw 2"
10	07.06977	1	2" Standard Port Flange Tee
11	07.10317	1	Nipple, 1-1/2" x Close Poly
12	07.10329	1	Straight, 1-1/2" PT x 1-1/2" Hose Barb, Nylon
13	07.10376	1	Elbow, Street, 90°, 1-1/2"
14	07.10561	2'	Hose, EPDM, 1.25" x 2 Braid 200 PSI (Order Per Foot)
15	07.11699	4	Clamp, 1.062" - 2.000" Hose
16	07.15733	4'	Hose, Fertilizer SOL 1.50" (Order Per Foot)
17	07.17405	1	Fitting, Bulkhead, 1-1/2" FPT with Gasket (Includes Item 24)
18	903277	4	Bolt, Hex, 5/16-18 x 3/4" Gr 5
19	900503	4	Lockwasher, 5/16"
20	900494	4	Washer, Flat, 5/16"
21	07.12311	1	Handle (Included With Item 4)
22	07.06872	1	Venturi Cone
23	07.17334	1	Lid, 8" (Included With Item 1)
24	07.17336	1	Gasket, 1-1/2" (Included With Item 17)

Spray Gun (Group A Option)(Included with Chemical Inductor)



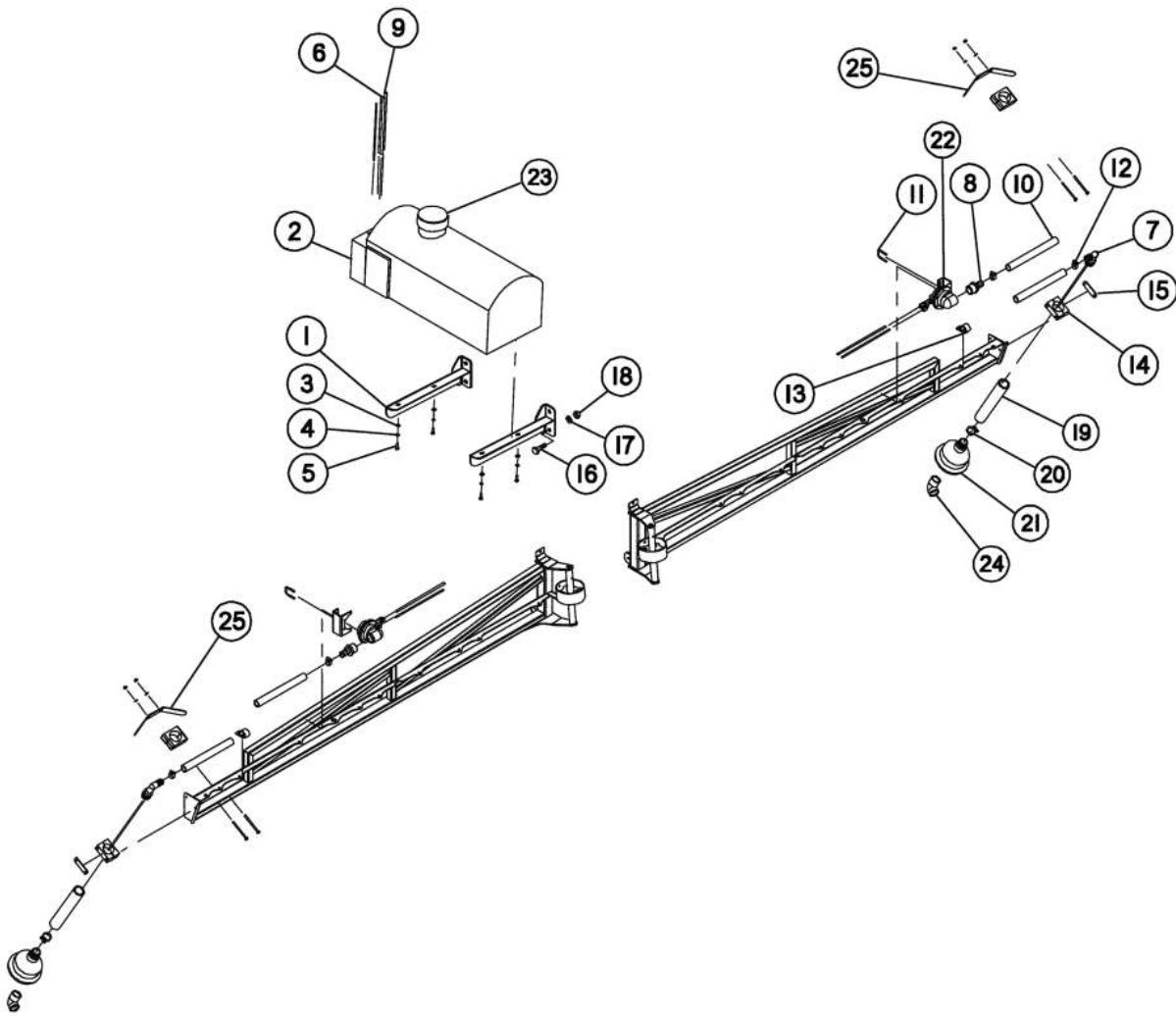


ILLUSTRATED PARTS LIST

Spray Gun (Group A Option)(Included with Chemical Inductor) Parts List

Item	Part No.	Quantity	Description
1	07.06701	2	Gasket, EPDM 2"
2	07.06702	2	Clamp, Worm Screw 2"
3	07.07075	1	Plug, Flange, 2" Standard x 3/4" PT
4	07.07114	1	Elbow, 90°, 2" x 2" Standard Port, Short
5	07.10307	1	Elbow, 90°, 3/4" MPT x 3/8" Hose Barb
6	07.10322	1	Nipple, 3/4" x Close Poly
7	07.10572	5'	Hose, EPDM, .375" x 1 Braid Bulk (Order Per Foot)
8	07.11695	2	Clamp, .375" - .875" Hose
9	07.13491	1	Valve, Ball, 3/4" Single Union
10	07.17275	1	Tip, XR8008VS White 50 Mesh
11	07.20729	1	Spray Gun, 22650-PP
12	14.73140	1	U-Bolt, 1/4" Square
13	900493	2	Washer, Flat, 1/4" SAE
14	901651	4	Nut, Hex Lock, 1/4-20

Foam Marker Option



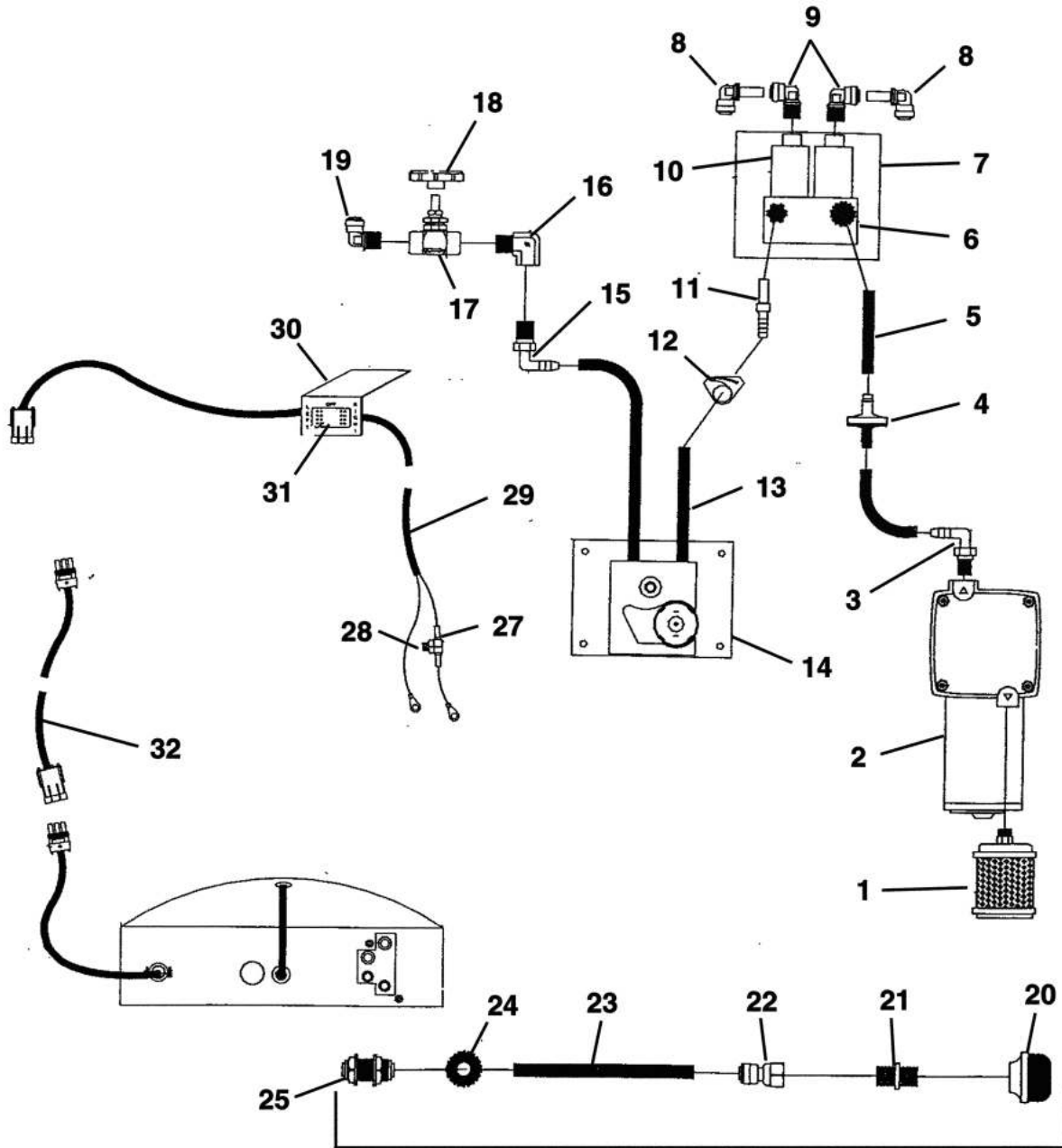


ILLUSTRATED PARTS LIST

Foam Marker Option Parts List

Item	Part No.	Quantity	Description
1	07.08840	2	Mount, 17 Gallon Foam Tank
2	07.08839	1	Foam Assembly, Trac Rite 17 Gallon (Includes Item 23)
3	907379	4	Washer, Flat, 5/16" Stainless Steel
4	907411	4	Lockwasher, 5/16" Stainless Steel
5	907349	4	Bolt, Hex, 5/16-18 x 1" Stainless Steel
6	11.80528	4	Tubing, 1/4" Nylon Air
7	07.20219	2	Elbow, Boom End, 1-1/2"
8	07.10330	2	Straight, 1-1/4" PT x 1" Hose Barb, Nylon
9	11.80529	4	Tubing, 3/8" Nylon Air
10	07.10555	4	Hose, PVC Suction, 1" Clear
11	14.73140	2	U-Bolt, 1/4 x 1-1/4 ID x 2" Yellow Zinc
12	07.11698	4	Clamp, .687" - 1.500" Hose
13	21.30727	2	Clamp, 1.25" ID Vinyl Coated
14	21.20125	2	Clamp, Plastic 2" Tube
15	32.01597	2	Plate, Cover
16	904253	4	Bolt, Hex, 5/8-11 x 2" Gr 5
17	900498	4	Washer, Flat, 5/8"
18	906402	4	Nut, Hex Lock, 5/8-11 Nylock
19	07.10558	AR	Drop Hose, 1-1/2" (Order Per Foot)
20	07.11699	2	Hose Clamp
21	07.20217	2	Collector Head Assembly, Orange
22	07.09406	2	Chamber, Foamer Head Assembly
23	07.09494	1	Cover, Tank, 17 Gallon (Included With Item 2)
24	07.07034	2	Streamer, Orange
25	07.09643	2	Plate, Deflector (Used With 45' Boom 20" Nozzle Spacing Only)

Foam Marker Pump & Wiring Components



Tank Components

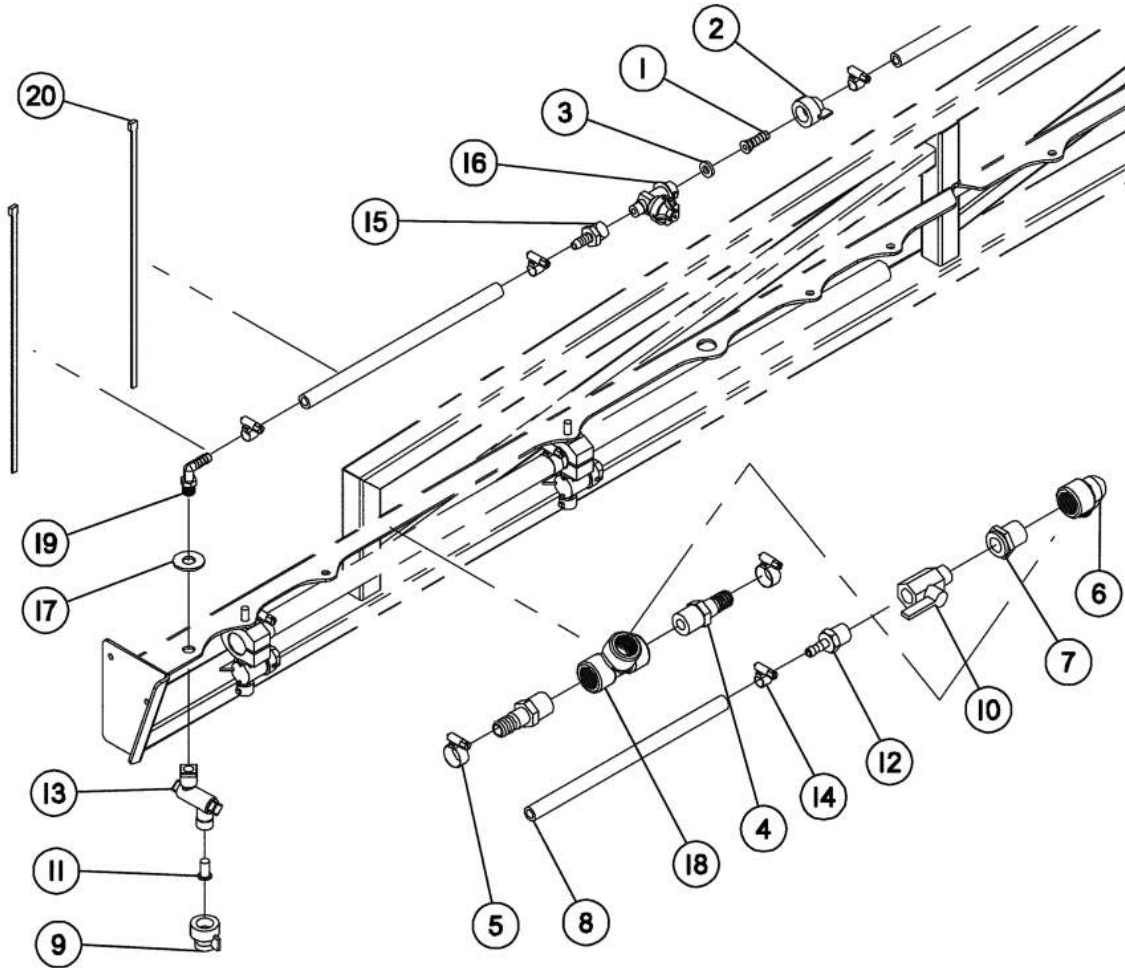


ILLUSTRATED PARTS LIST

Foam Marker Pump & Wiring Components Parts List

Item	Part No.	Quantity	Description
1	07.20216	1	Filter, Compressor
2	07.20235	1	Compressor
3	07.20298	1	Elbow, 90° 1/8" M x 1/4" Hose Barb
4	07.20208	1	3/8" OD Disk Check Valve
5	11.80529	AR	3/8" OD Nylon Tubing (Order Per Foot)
6	07.09485	1	Control Module, Block Only
7	07.09484	1	Control Module Assembly with 2 Actuators
8	07.08582	2	Elbow, 90° 1/4" Stem x 1/4" T (Quick Connect)
9	07.08584	2	Elbow, 90° 1/8" M x 1/4" T (Quick Connect)
10	07.08585	2	3-Way Actuator Only
11	07.09487	1	Stem, 1/4" x 1/4" Hose Barb
12	07.09488	1	Clamp, Speed
13	07.09532	1	Liquid Pump Tubing (18" Length)
14	07.08936	1	Pump, Liquid
15	07.15672	1	Elbow, 90° 1/4" M x 1/4" Hose Barb
16	07.10378	1	Elbow, Street 90° 1/4"
17	07.09486	1	Flow Control Valve
18	07.20879	1	Knob, Flow Control Valve
19	07.20871	1	Elbow, 90° 1/4" M x 1/4" T (Quick Connect)
20	07.20877	1	Screen, Strainer
21	07.16724	1	1/4" Nipple, Male
22	07.09491	1	Connector, Quick, 1/4" Tube x 1/4" FPT
23	07.20904	AR	1/4" OD Poly Tubing (Order Per Foot)
24	07.09490	1	O-Ring, Liquid Bulkhead
25	07.09489	1	Bulkhead, 1/4" Tube Quick Connect
27	07.20833	1	Fuse holder, In Line
28	07.20295	1	Fuse, 20 Amp (Spade)
29	07.20834	1	2 Wire Battery Cable (8 Foot)
30	07.09506	1	Control Box, Rocker Switch
			Box Style May Appear Different Than Shown In Illustration
31	07.09291	1	Switch, Rocker
32	07.20953	1	10' Extension Cable with Male & Female Plugs

Fence Line Kit - Manual Option





ILLUSTRATED PARTS LIST

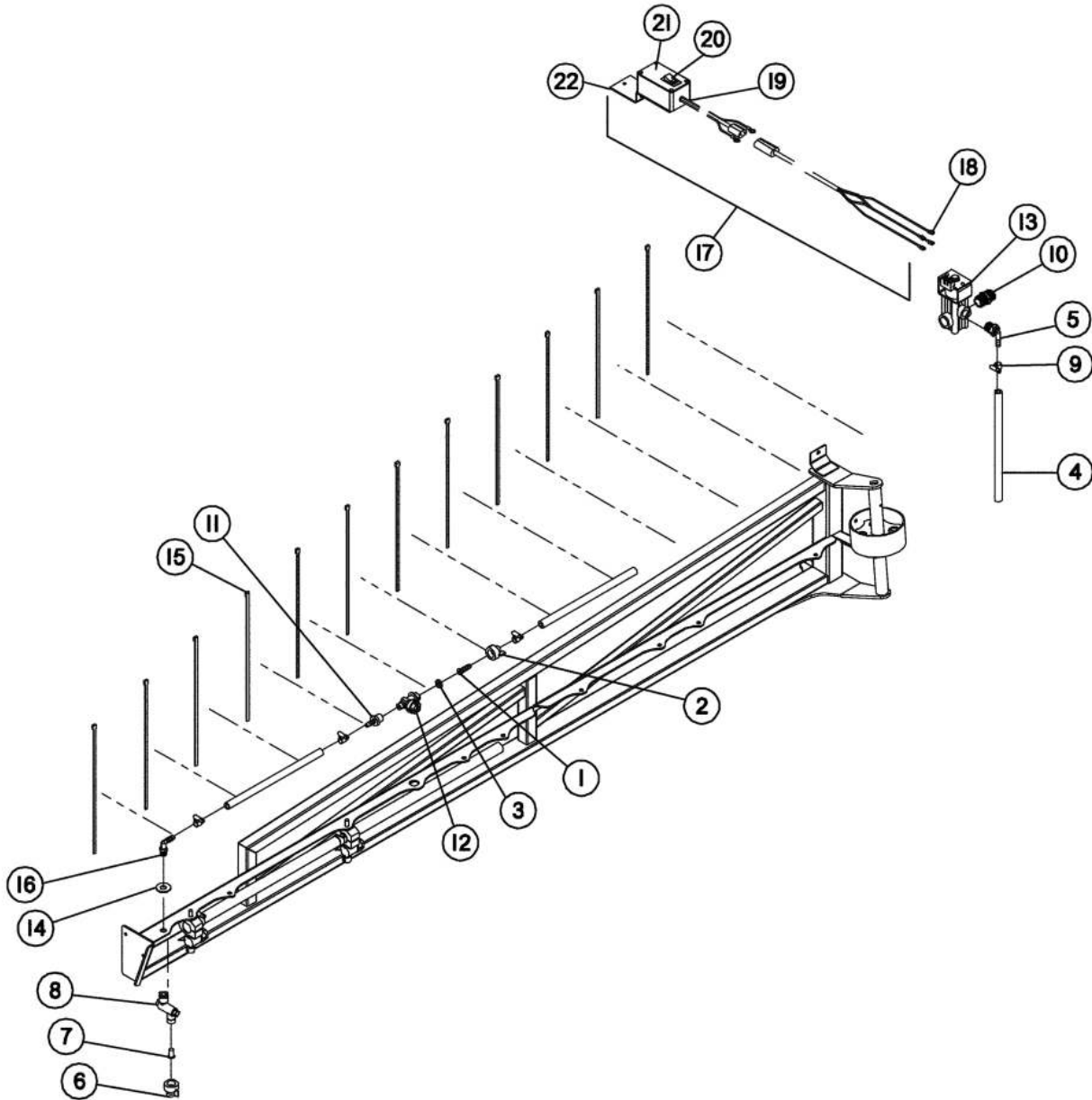
Fence Line Kit - Manual Option Parts List

Item	Part No.	Quantity	Description
1	07.11259	1	Hose Shank, TeeJet, 3/8" Nylon
2	07.17837	1	Cap, CP25607-1-Nylon Black
3	07.15790	1	Gasket, Cap, EPDM CP19438-EPR
4	07.10348	2	Straight, 3/4" NPT x 3/4" Hose Barb Nylon
5	07.16542	2	Clamp, .56" - 1.25" Hose
6	07.13032	1	Elbow, Street 90°, 3/4"
7	07.10260	1	Bushing, 3/4" x 1/2" Poly
8	07.10572	3	Hose, EPDM, .375" x 1 Braid, bulk
9	07.08289	1	Tip, with Cap & Gasket, XRC11004-VK
	07.15790	1	Gasket
10	07.20708	1	Ball Valve, 1/2" Lever Handle
11	07.10629	1	Strainer, Nozzle, 50 Mesh, Red
12	07.10337	1	Straight, 1/2" PT x 3/8" Hose Barb Nylon
13	07.16723	1	Swivel, Hose Drop, QJ Single
14	07.11695	4	Clamp, .375" - .875" Hose
15	07.10310	1	Slip-On, 1/4" FPT x 3/8" Hose Barb Nylon
16	07.15580	1	Adapter, QJ8360 - NYB
	07.20107	1	Diaphragm
	07.17050	1	Cap
17	900497	1	Washer, Flat, 1/2"
18	07.10391	1	Tee, 3/4" FPT
19	07.10279	1	Elbow, 90°, 1/4" MPT x 3/8" Hose Barb
20	07.05531	2	Tie, Cable 14" Black



ILLUSTRATED PARTS LIST

Fence Line Kit - Electric 144a Option





ILLUSTRATED PARTS LIST

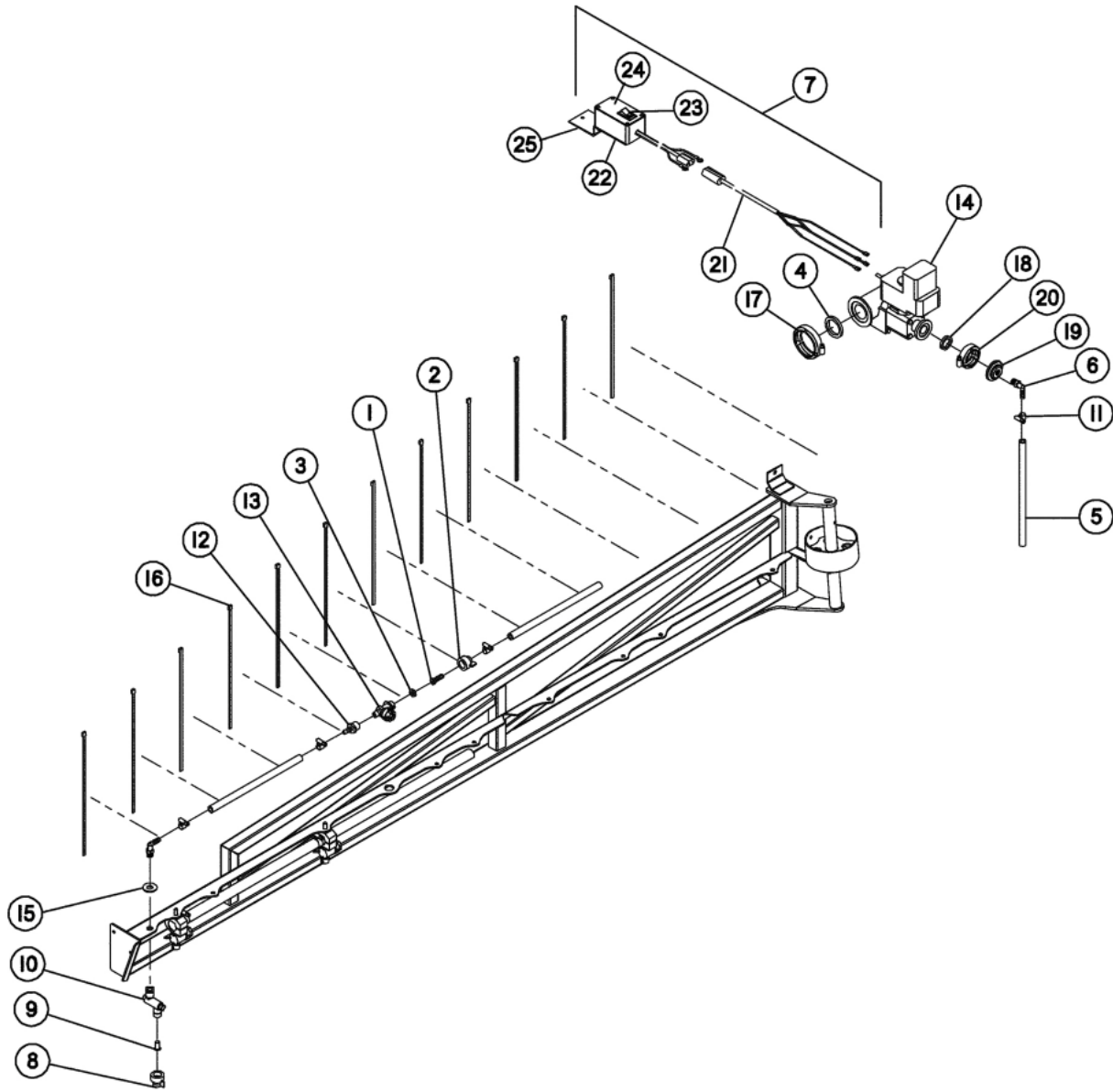
Fence Line Kit - Electric 144a Option Parts List

Item	Part No.	Quantity	Description
1	07.11259	1	Hose Shank, TeeJet, 3/8" Nylon
2	07.17837	1	Cap, CP25607-1-Nylon Black
3	07.15790	1	Gasket, Cap, EPDM CP19438-EPR
4	07.10572	26'	Hose, EPDM, .375" x 1 Braid, bulk (Order Per Foot)
5	07.10297	1	Elbow, 90°, 1/2" MPT x 3/8" Hose Barb
6	07.08289	1	Tip, with Cap & Gasket, XRC11004-VK
	07.15790	1	Gasket
7	07.10629	1	Strainer, Nozzle, 50 Mesh, Red
8	07.16723	1	Swivel, Hose Drop, QJ Single
9	07.11695	4	Clamp, .375" - .875" Hose
10	07.10322	1	Nipple, 3/4" x Close Poly
11	07.10310	1	Slip-On, 1/4" FPT x 3/8" Hose Barb Nylon
12	07.15580	1	Adapter, QJ8360 - NYB
	07.20107	1	Diaphragm
	07.17050	1	Cap
13	07.11316	1	Valve, Directo Single, AA144A-1
14	900497	1	Washer, Flat, 1/2"
15	07.05531	12	Tie, Cable 14" Black
16	07.10279	1	Elbow, 90°, 1/4" MPT x 3/8" Hose Barb
17	07.05932	1	Control Box with Harness HT
18	07.06888	1	Wire Harness, Sprayer Half
19	07.06887	1	Control Box with Wire Harness, Tractor Half (Includes Items 20 - 22)
20	07.06340	1	Switch
21	07.06566	1	Decal
22	07.06334	1	Bracket, Control Box



ILLUSTRATED PARTS LIST

Fence Line Kit - Electric 450 Option



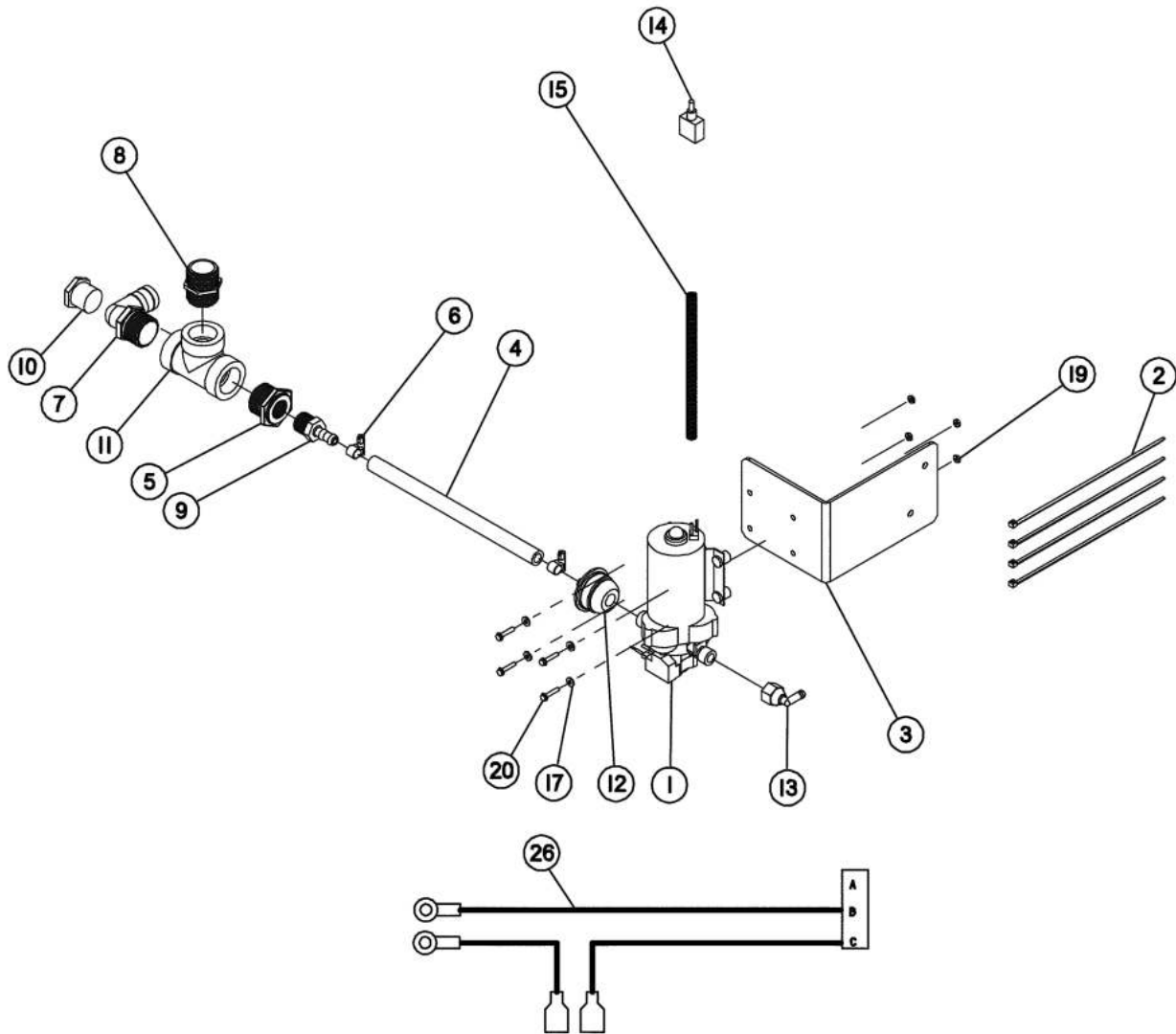


ILLUSTRATED PARTS LIST

Fence Line Kit - Electric 450 Option Parts List

Item	Part No.	Quantity	Description
1	07.11259	1	Hose Shank, TeeJet, 3/8" Nylon
2	07.17837	1	Cap, CP25607-1-Nylon Black
3	07.15790	1	Gasket, Cap, EPDM CP19438-EPR
4	07.06701	1	Gasket, EPDM 2"
5	07.10572	26'	Hose, EPDM, .375" x 1 Braid, bulk (Order Per Foot)
6	07.10279	2	Elbow, 90°, 1/4" MPT x 3/8" Hose Barb
7	07.05932	1	Control, Box with Harness HT (Includes Item 21 - 25)
8	07.08289	1	Tip, with Cap & Gasket, XRC11004-VK
	07.15790	1	Gasket
9	07.10629	1	Strainer, Nozzle, 50 Mesh, Red
10	07.16723	1	Swivel, Hose Drop, QJ Single
11	07.11695	4	Clamp, .375" - .875" Hose
12	07.10310	1	Slip-On, 1/4" FPT x 3/8" Hose Barb Nylon
13	07.15580	1	Adapter, QJ8360 - NYB
	07.20107	1	Diaphragm
	07.17050	1	Cap
14	21.23184	1	Manifold, 1 Section Electric Valve
15	900497	1	Washer, Flat, 1/2"
16	07.05531	12	Tie, Cable 14" Black
17	07.06702	1	Clamp, Worm Screw 2"
18	21.20994	1	Gasket, EPDM 1"
19	07.07754	1	Plug, Flange 1" w/1/4" FPT
20	21.20995	1	Clamp, Worm, 100 Series
21	07.06888	1	Wire Harness, Sprayer Half
22	07.06887	1	Control Box with Wire Harness, Tractor Half (Includes Items 23 - 25)
23	07.06340	1	Switch
24	07.06566	1	Decal
25	07.06334	1	Bracket, Control Box

Pump Kit - Chemical Eductor, 12v Electric (Optional)



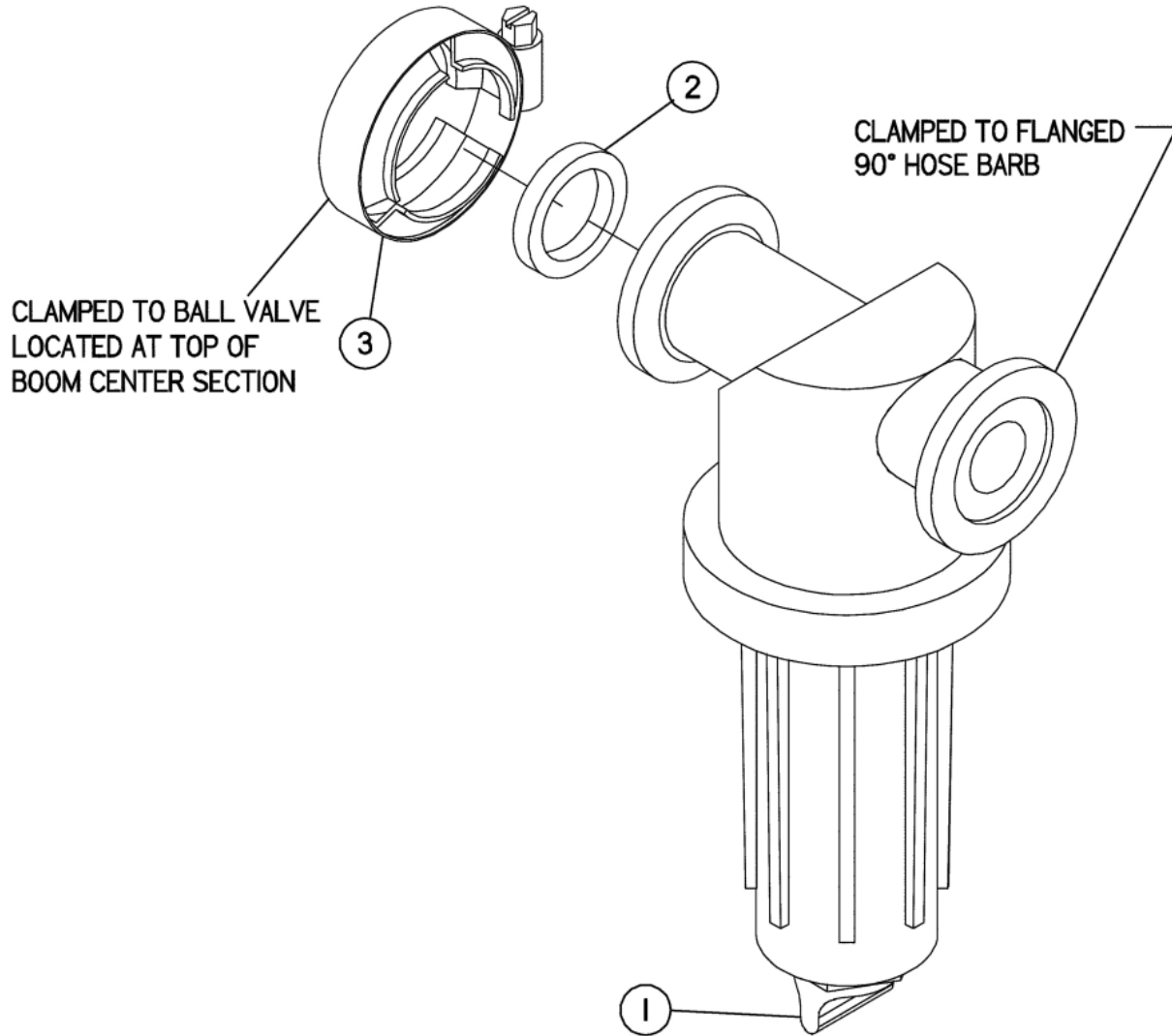


ILLUSTRATED PARTS LIST

Pump Kit - Chemical Eductor, 12v Electric (Optional) Parts List

Item	Part No.	Quantity	Description
1	07.05114	1	Pump, Shurflo, 3.0 GPM
2	07.13145	4	Tie, Cable, 11" Black
3	07.07320	1	Bracket, 12 Volt Pump (Not Required On All Models)
4	07.10565	1	Hose, EPDM, .50" x 2 Braid Black
5	07.10257	1	Bushing, 1-1/4" MPT x 3/4" FPT
6	07.11695	2	Clamp, .375" - .875" Hose
7	07.10294	1	Elbow, 90° 1-1/4" MPT x 1-1/4" Hose Barb
8	07.10318	1	Nipple, 1-1/4" x Close Poly
9	07.10344	1	Straight, 3/4" PT x 1/2" Hose Barb Nylon
10	07.10363	1	Hex Plug, 1" MPT
11	07.10388	1	Tee, 1-1/4" FPT
12	07.15044	1	Filter, Twist On, 1/2" FPT, 1/2" Hose Barb
13	07.15046	1	Elbow, 90° Swivel, 1/2" FPT, 3/8" Hose Barb
14	07.20732	1	Switch, SPST Toggle
15	11.77810	1	Tubing, 3/8" ID Split Flex
17	903834	4	Washer, Flat SAE #10
19	900616	4	Nut, Hex, #10-24
20	907070	4	Screw, Hex Hd, #10-24 x 1" Gr 2
26	07.09499	1	Wire Harness

Filter Kit - Inline (Optional)





ILLUSTRATED PARTS LIST

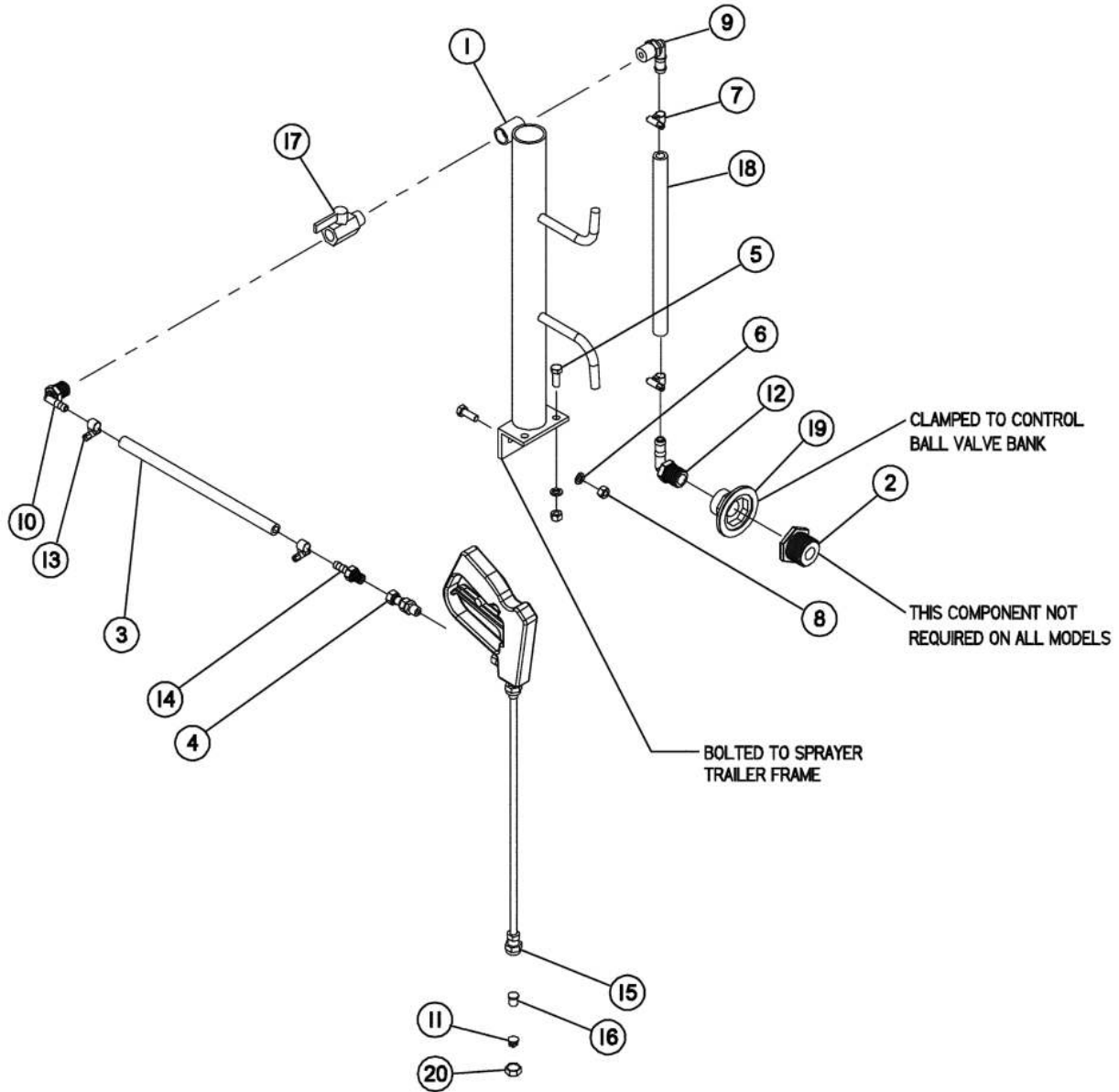
Filter Kit - Inline (Optional) Parts List

Item	Part No.	Quantity	Description
1	07.06979	1	Strainer, "T" 1" Flanged, 50 Mesh
	07.17475	1	50 Mesh Screen
	07.10680	1	Upper Bowl Gasket
	07.10670	1	Bowl
	07.10693	1	Clean Out Plug
	07.10695	1	O-Ring, Plug
2	21.20994	1	1" EPDM Gasket
3	21.20995	1	Clamp, Worm, 100 Series



ILLUSTRATED PARTS LIST

Spray Gun with 25' Hose and Tips (Optional)



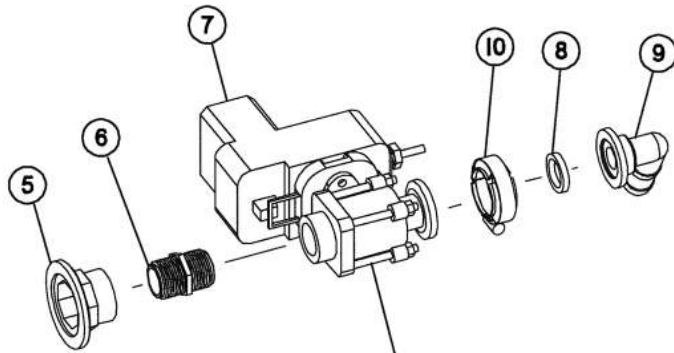


ILLUSTRATED PARTS LIST

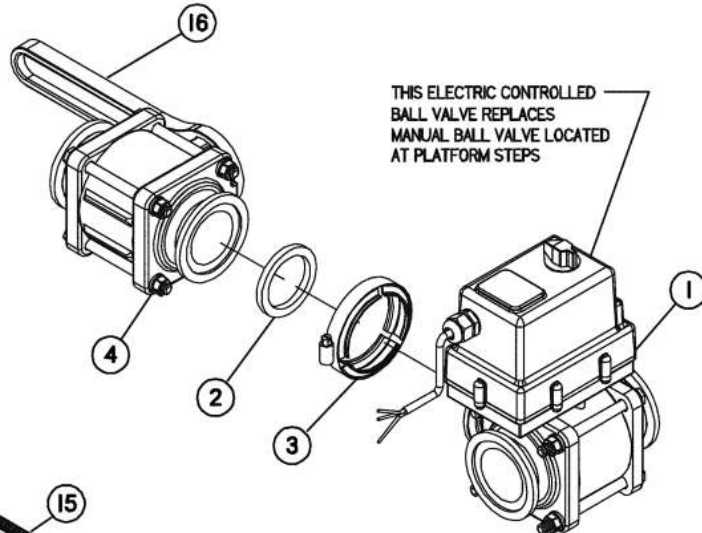
Spray Gun with 25' Hose and Tips (Optional) Parts List

Item	Part No.	Quantity	Description
1	07.05482	1	Stand, Hand Gun
2	07.10257	1	Bushing, 1-1/4" MPT x 3/4" FPT
3	07.10572	25'	Hose, EPDM, .375" x 1 Braid (Order Per Foot)
4	07.15582	1	Connector, Swivel, 1/4" M x 1/4" F
5	900397	2	Bolt, Hex, 3/8-16 x 1" Special
6	900504	2	Washer, Lock, 3/8"
7	07.11695	2	Clamp, .375" - .875" Hose
8	900366	2	Nut, Hex, 3/8-16
9	07.10295	1	Elbow, 90° 1/2" MPT x 1/2" Hose Barb
10	07.10297	1	Elbow, 90° 1/2" MPT x 3/8" Hose Barb
11	07.11346	1	Tip, TP8006, Stainless Steel 80°
12	07.10302	1	Elbow, 90° 3/4" MPT x 1/2" Hose Barb
13	07.17210	2	Clamp, .218" - .625" Hose
14	07.10341	1	Straight, 1/4" PT x 3/8" Hose Barb Nylon
15	07.17434	1	Spray Gun, 30L with 18" Extension
	07.20106	1	Repair Kit, Hand Gun
16	07.17541	1	Full Jet - FL - 6.5VS Gray Stainless Steel
17	07.20708	1	Ball Valve, 1/2" Lever Handle
18	07.10565	6'	Hose, EPDM, .50" x 2 Braid Black (Order Per Foot)
19	07.07075	1	Plug, Flange, 2" Standard x 3/4" FPT
20	07.11107	1	Nut, Hand Gun

Controls - Rinse In-Cab Electric (Optional)



THIS ELECTRIC CONTROLLED BALL VALVE REPLACES MANUAL BALL VALVE LOCATED AT FRONT BALL VALVE TOWER POSITION 'B' LABELED 'PRODUCT RINSE TANK'



THIS ELECTRIC CONTROLLED BALL VALVE REPLACES MANUAL BALL VALVE LOCATED AT PLATFORM STEPS

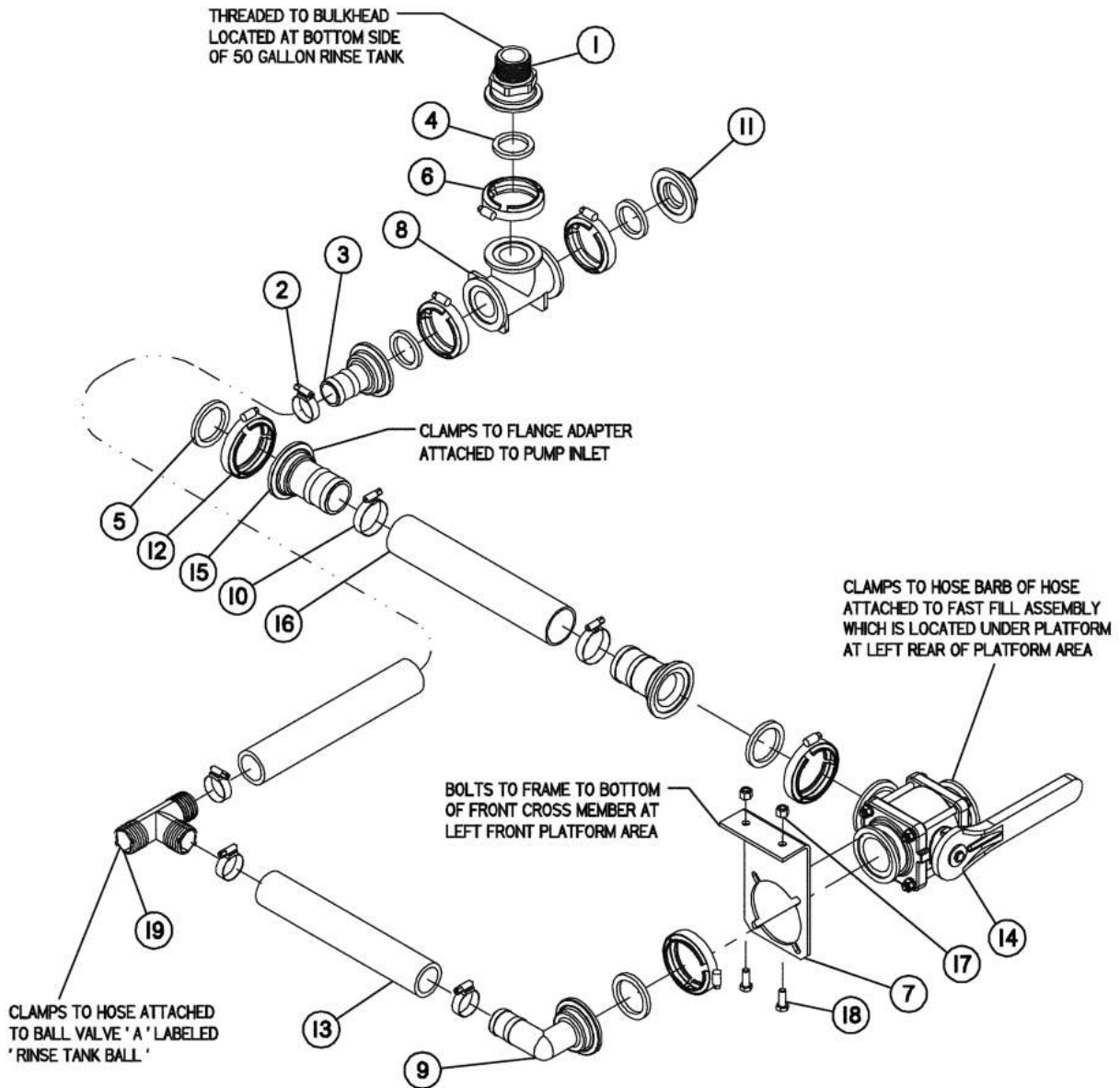


ILLUSTRATED PARTS LIST

Controls - Rinse In-Cab Electric (Optional) Parts List

Item	Part No.	Quantity	Description
1	07.07083	1	Valve, 3-Way Electric Flange 2" FP
2	07.11584	1	Gasket, EPDM, 200 Full Port
3	21.21068	1	Clamp, Worm, 220 Full Port
4	21.21069	1	Valve, Ball, 2" x 2" Full Port Flange (Includes Item 12)
5	07.07082	1	Plug, Flanged, 2" Standard x 1" FPT
6	07.10316	1	Nipple, 1" x Close Nylon
7	21.23177	1	Valve, Ball, 1" NPT "IN"/1" Flange "OUT"
8	21.20994	1	Gasket, EPDM, 1"
9	21.20998	1	Elbow, 90° 1" Flange x 1" Hose Barb
10	21.20995	1	Clamp, Worm, 100 Series
11	07.06570	1	Control Box Assembly (Includes Items 12 - 15)
12	07.06885	1	Electric Control Box with Harness (Tractor Half)
13	07.06340	2	Switch
14	07.06562	1	Decal, Switch Box
15	07.06886	1	Wiring Harness (Sprayer Half)
16	07.12312	1	Handle, Valve (Included With Item 4)

Rinse Tank Suction Assembly (Group C Option)



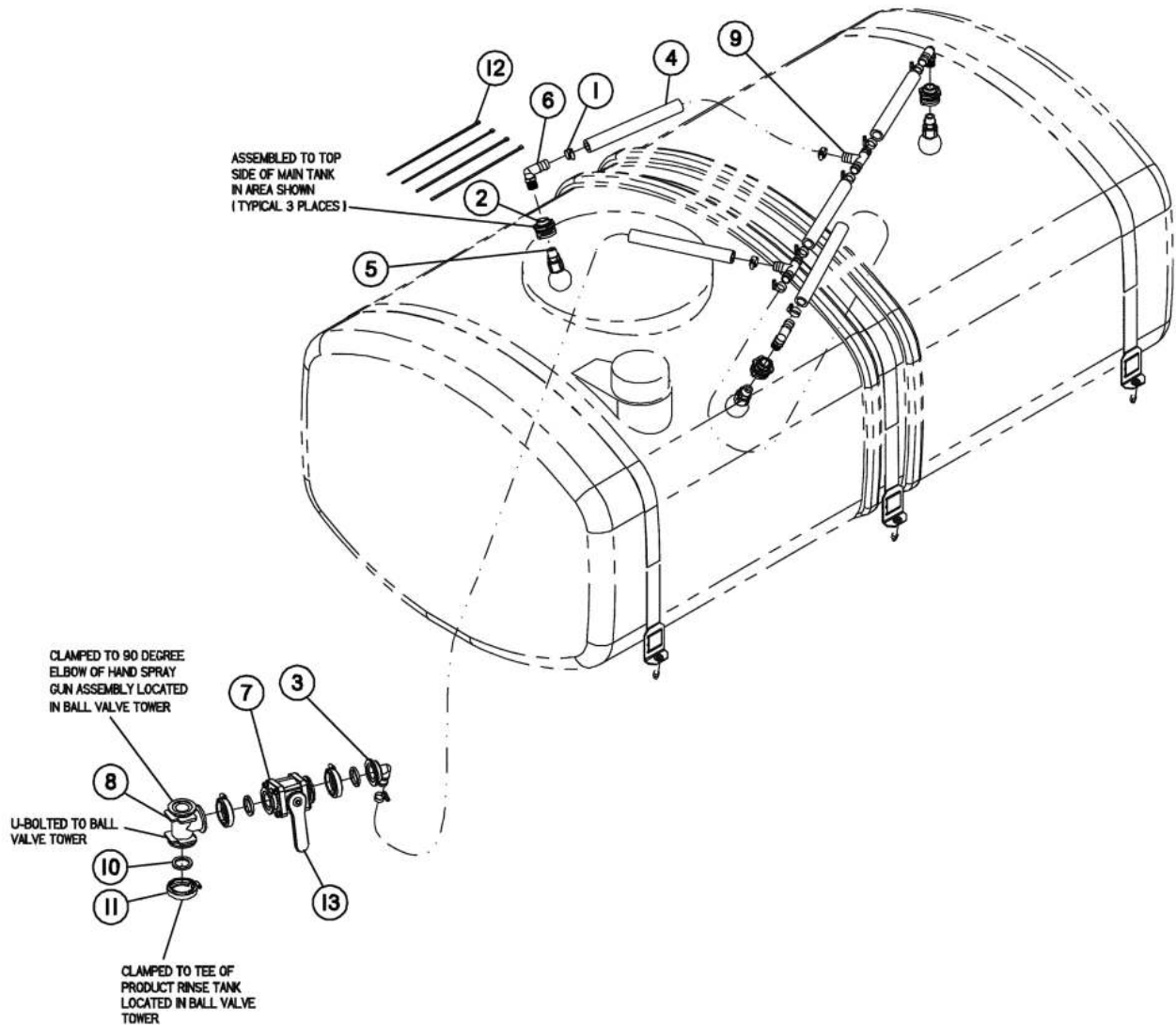


ILLUSTRATED PARTS LIST

Rinse Tank Suction Assembly (Group C Option) Parts List

Item	Part No.	Quantity	Description
1	07.06696	1	Fitting, 2" Flange x 1-1/2" MPT
2	07.11699	4	Clamp, 1.062" - 2.000" Hose
3	07.06700	1	Fitting, 2" flange x 1-1/2" Hose Barb
4	07.06701	3	Gasket, EPDM 2"
5	07.11584	3	Gasket, EPDM, 200 Full Port
6	07.06702	3	Clamp, Worm Screw, 2"
7	07.08933	1	Bracket, Long, 2" Ball Valve
8	07.06977	1	2" Standard Port Flange Tee
9	07.07077	1	Elbow, 90° Flange, 2" FP x 1-1/2" Hose Barb
10	07.13245	2	Clamp, 1.562" - 2.500" Hose
11	21.20996	1	Plug, Flanged, 2" Standard Port
12	21.21068	3	Clamp, Worm, 220 Full Port
13	07.15733	6'	Hose, Fertilizer SOL 1.50" (Order Per Foot)
14	07.07078	1	Valve, 3 Way Flange, 2" FP x 2" FPT
15	21.21079	2	Flange, 2" Full Port x 2" Hose Barb
16	07.15985	1.5'	Hose, 2" Fertilizer (Order Per Foot)
17	906400	2	Nut, Hex Lock, 3/8-16 Nylock
18	902300	2	Bolt, Hex, 3/8-16 x 1" Gr 5 Yellow Zinc
19	07.17413	1	Tee, Hose Barb, 1.5" Polypro

Rinse Ball Assembly (Group C Option)



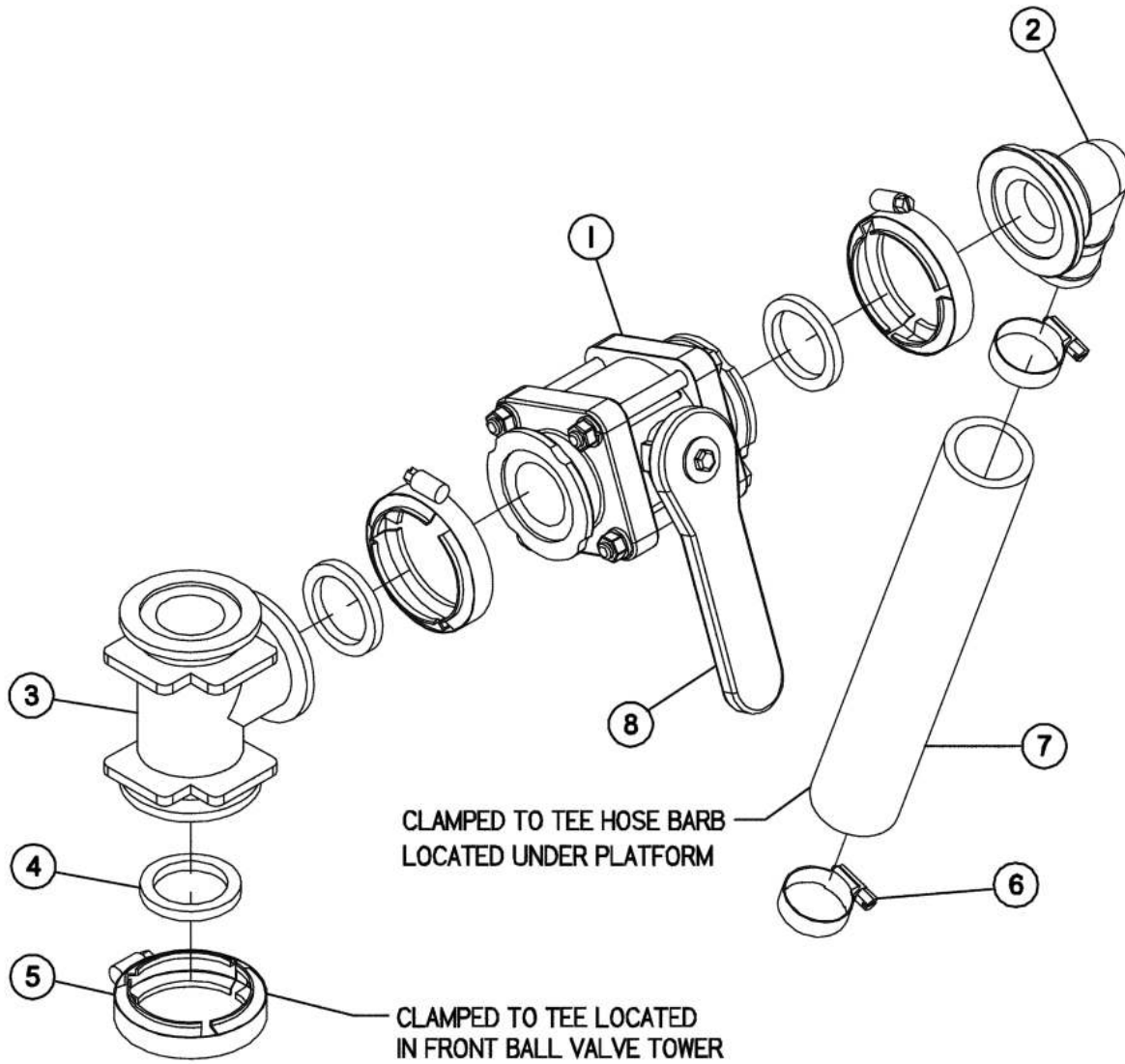


ILLUSTRATED PARTS LIST

Rinse Ball Assembly (Group C Option) Parts List

Item	Part No.	Quantity	Description
1	07.11698	10	Clamp, .687" - 1.500" Hose
2	07.13030	3	Fitting, Bulkhead, 3/4" FPT
3	07.07495	1	Elbow, 90° 2" Flange x 1" Hose Barb
4	07.10557	18'	Hose, EPDM, 1.0" x 2 Braid Black (Order Per Foot)
5	07.20161	3	Spray Ball, 1" FPT, 360° 20"
6	07.10301	3	Elbow, 90° 3/4" MPT x 1" Hose Barb
7	07.06697	1	Valve, Ball, 2" Flange x 2" Flange Port (Includes Item 13)
8	07.06977	1	2" Standard Port Flange Tee
9	07.13370	2	Tee, Hose Barb, 1" Nylon
10	07.06701	3	Gasket, EPDM 2"
11	07.06702	3	Clamp, Worm Screw 2"
12	07.05531	4	Tie, Cable, 14" Black
13	07.12311	1	Handle, Valve (Included With Item 7)

Rinse Tank Fill Assembly (Group C Option)





ILLUSTRATED PARTS LIST

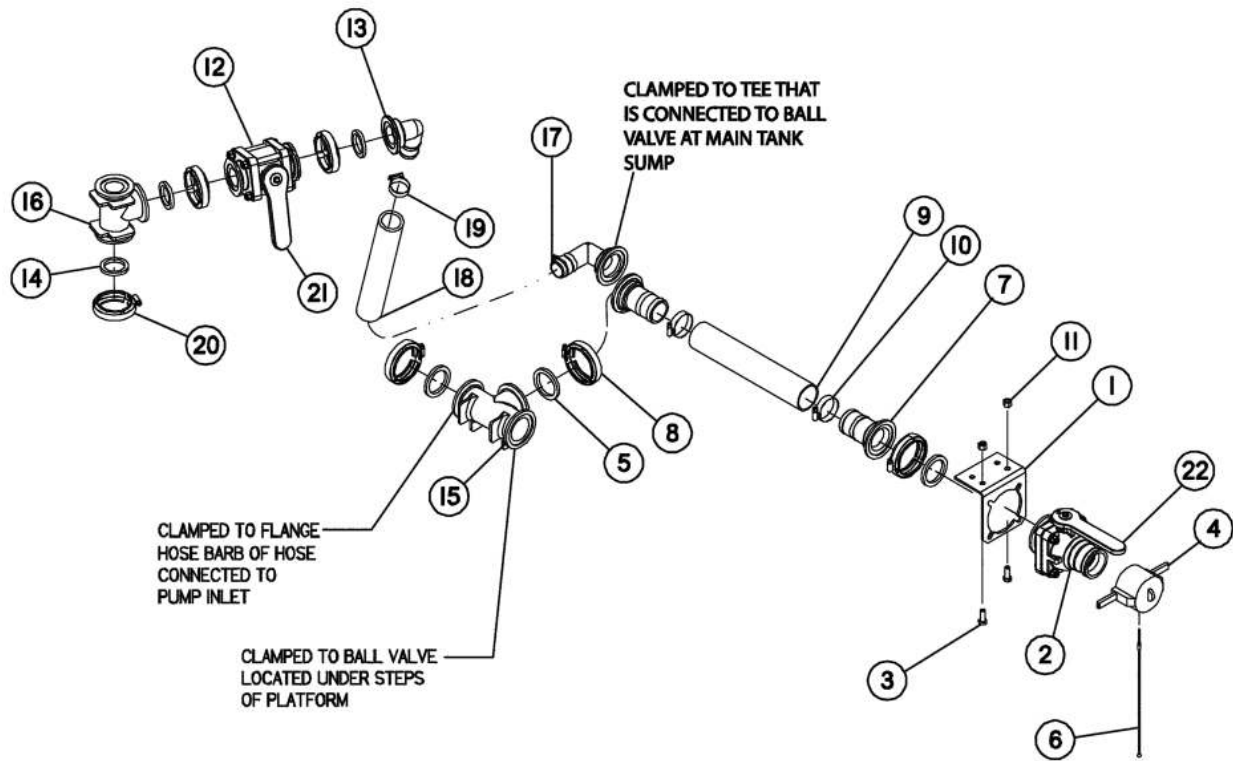
Rinse Tank Fill Assembly (Group C Option) Parts List

Item	Part No.	Quantity	Description
1	07.06697	1	Valve, Ball, 2" Flange x 2" Flange Port (Includes Item 8)
2	07.06978	1	Fitting, 2" Standard Flange x 1-1/2" Hose Barb, 90°
3	07.06977	1	2" Standard Port Flange Tee
4	07.06701	3	Gasket, EPDM 2"
5	07.06702	3	Clamp, Worm Screw 2"
6	07.11699	2	Clamp, 1.062" - 2.000" Hose
7	07.15733	3'	Hose, Fertilizer, SOL 1.50" (Order Per Foot)
8	07.12311	1	Handle, Valve (Included With Item 1)



ILLUSTRATED PARTS LIST

Fast Fill Assembly Via Sprayer Pump (Group C Option)



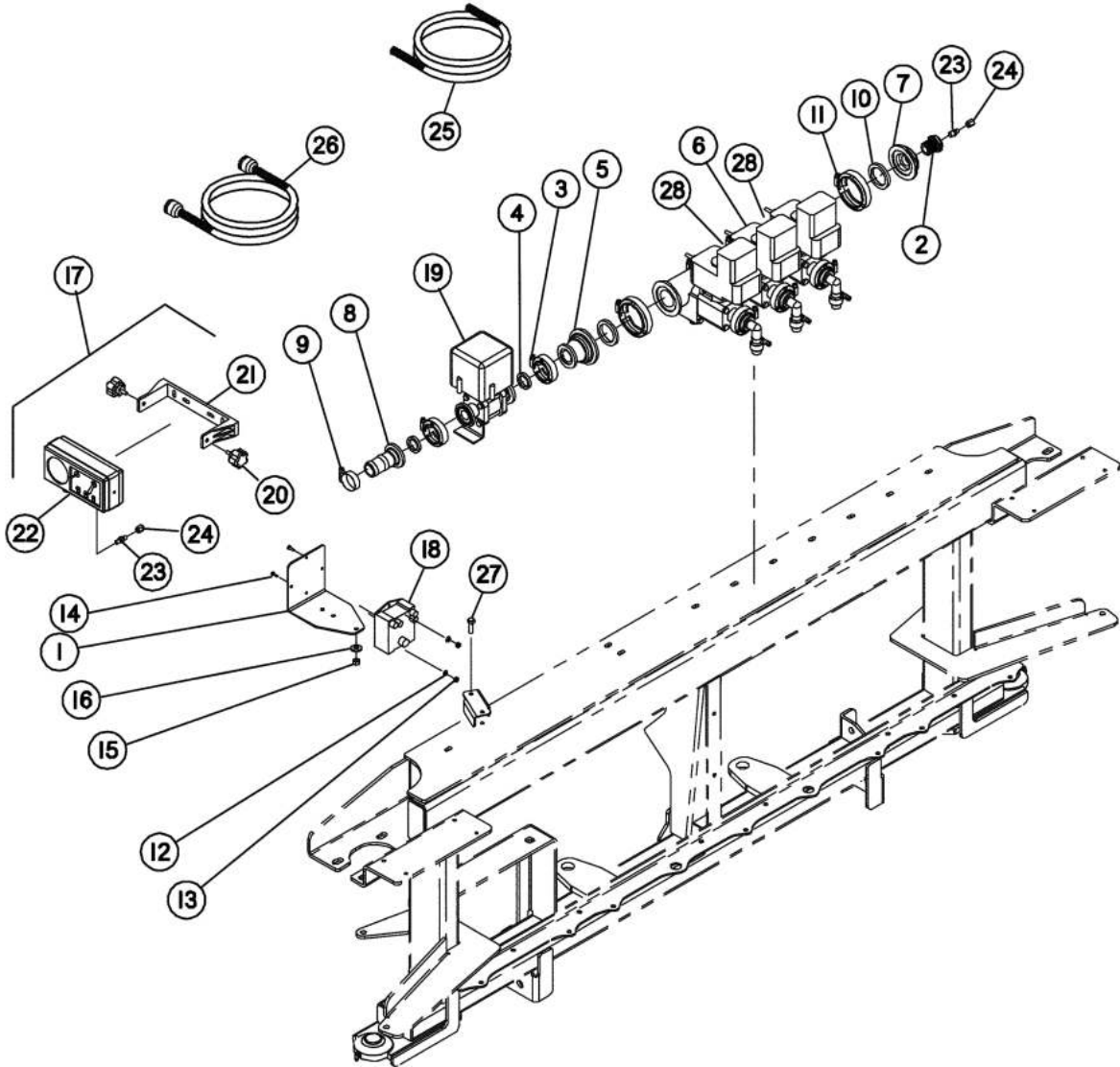


ILLUSTRATED PARTS LIST

Fast Fill Assembly Via Sprayer Pump (Group C Option) Parts List

Item	Part No.	Quantity	Description
1	07.09126	1	Bracket, Short 2" Ball Valve
2	07.07110	1	Valve, Stubby Ball, 2" Full Port x 2" Adapter (Includes Item 22)
3	902300	2	Bolt, Hex, 3/8-16 x 1" Gr 5 Yellow Zinc
4	07.26868	1	Dust Cap, 2" Camlock
5	07.11584	3	Gasket, EPDM 200 Full Port
6	07.06703	1	Lanyard, 11" Poly Rubber
7	21.21079	2	Flange, 2" Full Port x 2" Hose Barb
8	21.21068	3	Clamp, Worm, 220 Full Port
9	07.15985	2'	Hose, 2" Fertilizer (Order Per foot)
10	07.13245	2	Clamp, 1.562" - 2.500" Hose
11	906400	2	Nut, Hex Lock, 3/8-16 Nylock
12	07.06697	1	Valve, Ball, 2" Flange x 2" Flange Port (Includes Item 21)
13	07.06978	1	Fitting, 2" Standard Flange x 1-1/2" Hose Barb, 90°
14	07.06701	3	Gasket, EPDM 2"
15	21.21001	1	Tee, Flanged, 2" Full Port
16	07.06977	1	2" Standard Port Flange Tee
17	07.07077	1	Elbow, 90° Flange, 2" Full Port x 1-1/2" Hose Barb
18	07.15733	7'	Hose, Fertilizer, SOL 1.50" (Order Per Foot)
19	07.11699	2	Clamp, 1.062" - 2.000" Hose
20	07.06702	3	Clamp, Worm screw 2"
21	07.12311	1	Handle, Valve (Included With Item 12)
22	07.07930	1	Handle, Valve (Included With Item 2)

Control Group - TeeJet 744



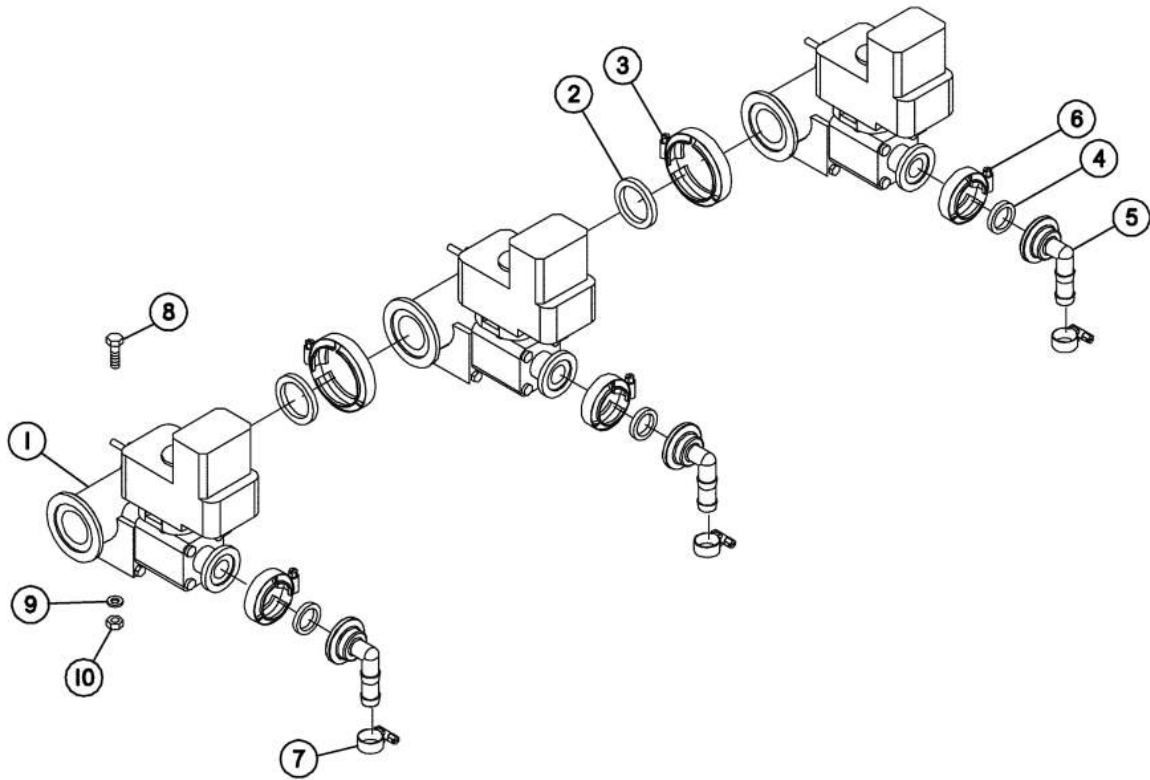


ILLUSTRATED PARTS LIST

Control Group - TeeJet 744 Parts List

Item	Part No.	Quantity	Description
1	07.09076	1	Bracket, Control Harness
2	07.16421	1	Bushing, 3/4" MPT x 1/8" FPT
3	21.20995	2	Clamp, Worm 100 Series
4	21.20994	2	1" EPDM Gasket
5	21.20993	1	Reducer, 2" Flange x 1" Flange
6	07.09196	1	Valve Assembly, Boom 3 Section Ball
7	07.07075	1	Plug, Flange, 2" Standard x 3/4" FPT
8	07.07992	1	Fitting, Flanged, 1" x 1-1/4" Hose Barb
9	07.11699	1	Clamp, 1.062" - 2.000" Hose
10	07.06701	2	Gasket, EPDM 2"
11	07.06702	2	Clamp, Worm Screw 2"
12	904862	2	Washer, Machine, #8
13	907206	2	Nut, Hex, #8-32 KEPS
14	907405	2	Screw, #8-32 x 1/2" Rd Hd
15	906483	1	Nut, Hex Lock, 5/16-18 Nylock
16	900494	1	Washer, Flat, 5/16"
17	07.09078	1	Control Kit, Sprayer with Valve Harness Connector (Includes: 18 - 26)
18	07.09005	1	Cable, Valve 24'
19	07.26879	1	Valve Assembly
20	07.17570	2	Knob
21	07.17604	1	Bracket, Control Mounting
22	07.16881	1	Control Box with Wiring
23	07.17611	2	Connector, Male Nylon
24	07.17602	2	Nut, Tubing
25	07.09003	1	Cable, Power - Sprayer
26	07.09004	1	Cable, Control Box Extension, 12 Ft
27	902859	1	Bolt, Hex, 5/16-18 x 1" Gr 5
28	07.08679	2	O-Ring (Between Valve sections)

Valve Assembly - Boom 3 Section Ball



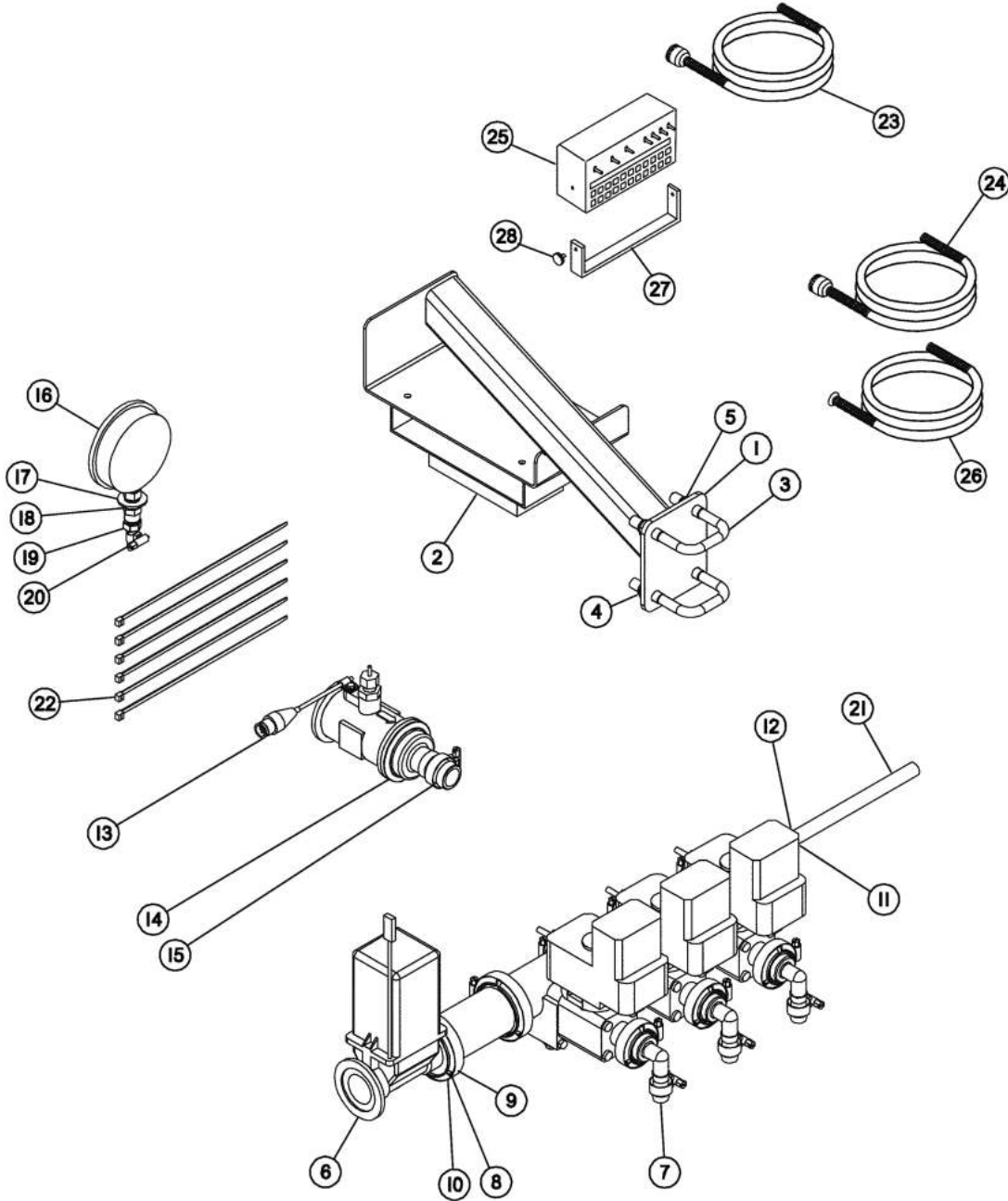


ILLUSTRATED PARTS LIST

Valve Assembly - Boom 3 Section Ball Parts List

Item	Part No.	Quantity	Description
1	21.23175	1	Manifold, 3 Section Electric Valve
	21.23177	3	Valve, Single
2	07.06701	2	Gasket, EPDM 2"
3	07.06702	2	Clamp, Worm Screw 2"
4	21.20994	3	1" EPDM Gasket
5	21.21080	3	Elbow, 90° 1" Flange x 3/4" Hose Barb
6	21.20995	3	Clamp, Worm 100 Series
7	07.16542	3	Clamp, .56" - 1.25" Hose
8	902859	2	Bolt, Hex, 5/16-18 x 1" Gr 5
9	900494	2	Washer, Flat, 5/16"
10	906483	2	Nut, Hex Lock, 5/16-18 Nylock

Raven 440 Control Option



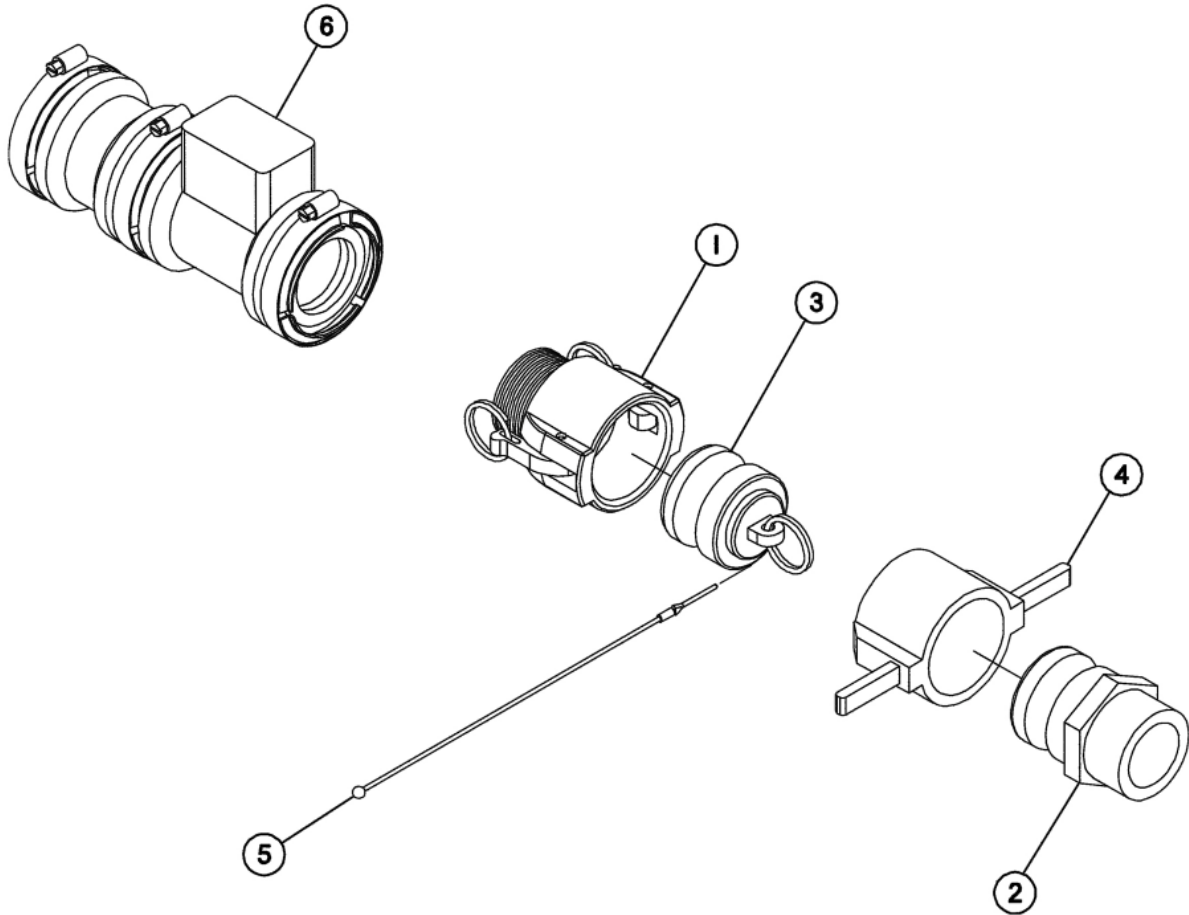


ILLUSTRATED PARTS LIST

Raven 440 Control Option Parts List

Item	Part No.	Quantity	Description
1	07.09085	1	Mount, Radar Gun
2	07.08855	1	Radar, with Power Cable
3	07.10209	2	U-Bolt, Boom Rest
4	901937	4	Washer, Flat, 1/2"
5	906401	4	Nut, Hex Lock, 1/2-13 Nylock
6	07.07925	1	Valve, Control, 1" Poly NPT/FLG
7	07.09196	1	Valve Assembly, Boom 3 Section Ball
8	07.07400	1	Flange, Standard Port 2" x 2"
9	07.06701	3	Gasket, EPDM 2"
10	07.06702	3	Clamp, Worm Screw 2"
11	07.07075	1	Plug, Flange, 2" Standard x 3/4" FPT
12	07.10353	1	Straight, 3/4" PT x 3/8" Hose Barb Poly
13	07.07721	1	Flowmeter, RFM60P, 1-60 GPM
14	21.21078	1	Fitting, Flange, 2" Standard x 1-1/4" Hose Barb
15	07.11699	1	Clamp, 1.062" - 2.000" Hose
16	07.11005	1	Gauge, 100 PSI Dry 4"
17	900497	1	Washer, Flat, 1/2" Standard
18	09.74139	1	Coupling, 1/4" NPTF
19	07.10341	1	Straight, 1/4" PT x 3/8" Hose Barb Nylon
20	07.11695	2	Clamp, .375" - .875" Hose
21	07.10572	25'	Hose, EPDM .375" 1 Braid Black (Order Per Foot)
22	07.13145	6	Tie, Cable, 11" Black
23	07.20453	1	Cable, Console Control, 10 Ft
24	07.06708	1	Cable, Flow 12 Ft with Weather Pak (Sprayer half)
25	07.20952	1	Console, SCS440P with Serial Port
26	07.09090	1	Cable, 12' Extension, 6BM SCS440
27	07.20113	1	Mounting Bracket
28	07.20403	2	Mounting Knob

Kit - Raven Flow Max 220



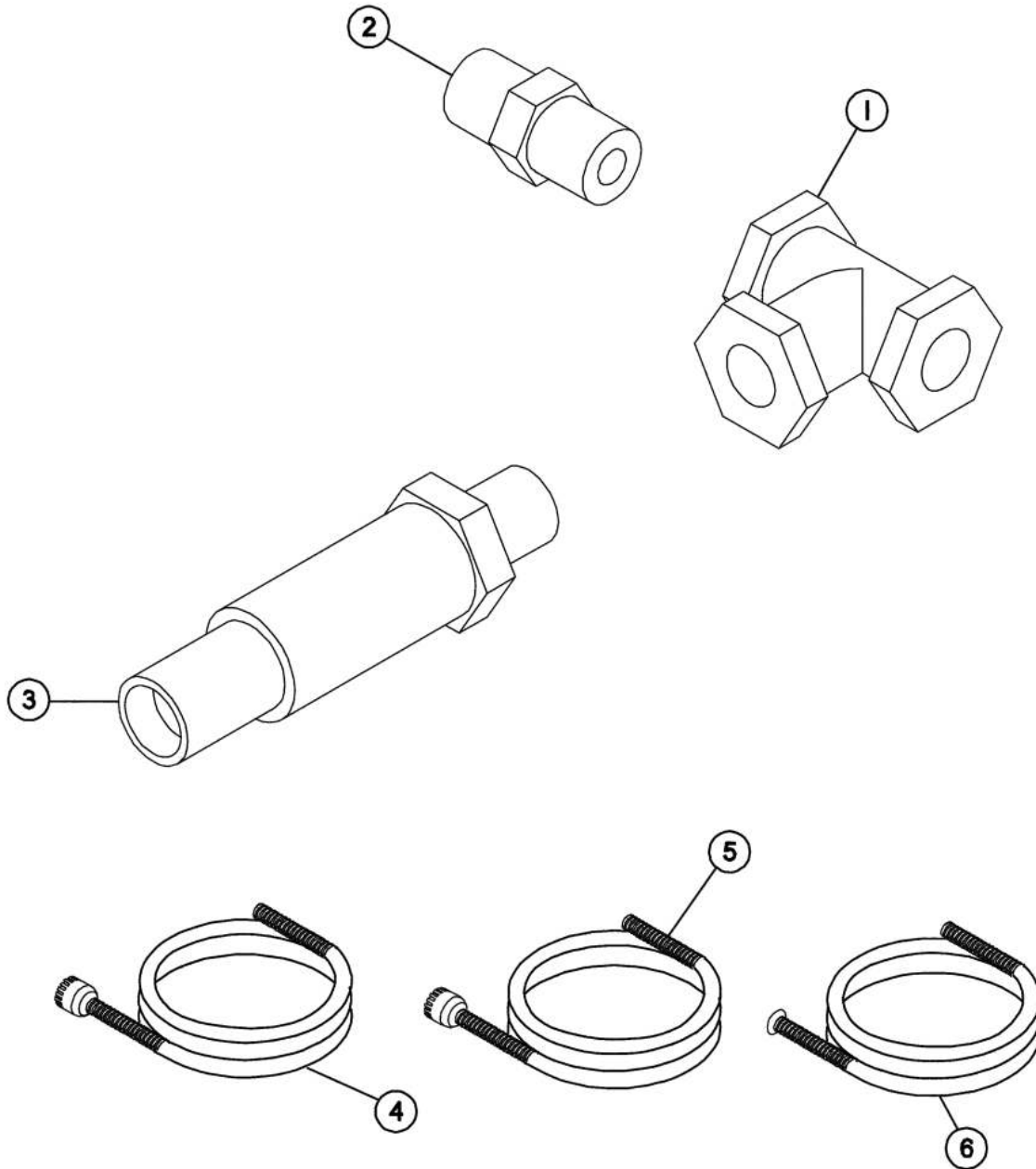


ILLUSTRATED PARTS LIST

Kit - Raven Flow Max 220 Parts List

Item	Part No.	Quantity	Description
1	07.12347	1	Coupler, Female / Male 2" Thread
2	07.12352	1	Adapter, Male / Male 2" Camlock
3	07.12353	1	Dust Cap, 2" Camlock
4	07.26868	1	Dust Cap, 2" Camlock
5	07.06703	1	Lanyard, 11" Poly Rubber
6	07.07827	1	Flow Max Kit 220

Kit - Raven Pressure Transducer



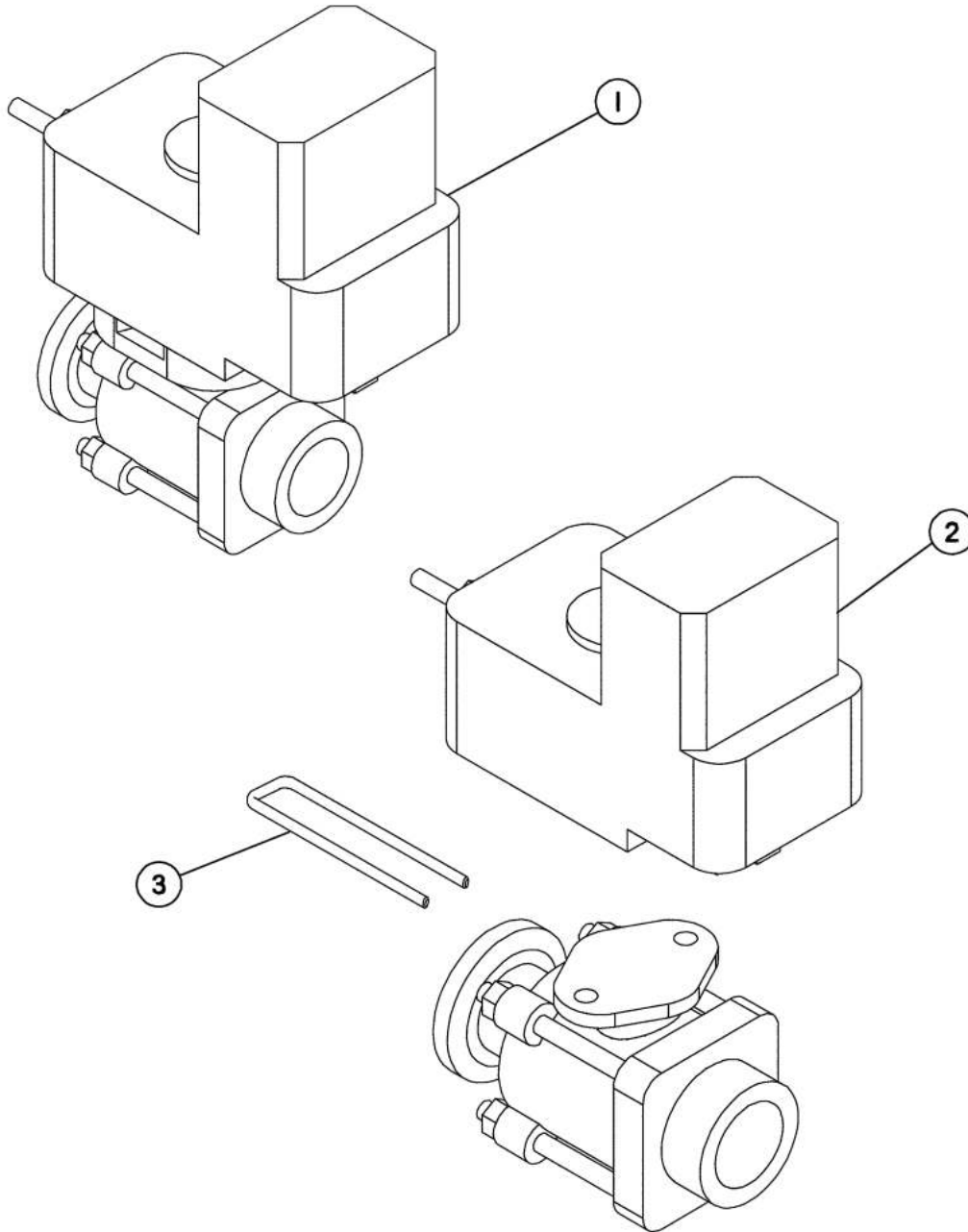


ILLUSTRATED PARTS LIST

Kit - Raven Pressure Transducer Parts List

Item	Part No.	Quantity	Description
1	07.10409	1	Tee, 1/4" FPT Polypro
2	07.16724	1	Nipple, 1/4" x Close Polypro
3	07.08031	1	Sensor, Pressure
4	07.20427	1	Cable, Extension, 12'
5	07.08029	1	Cable, Console, 10'
6	07.08030	1	Cable, Sensor, 12'

Electric Control Ball Valve





ILLUSTRATED PARTS LIST

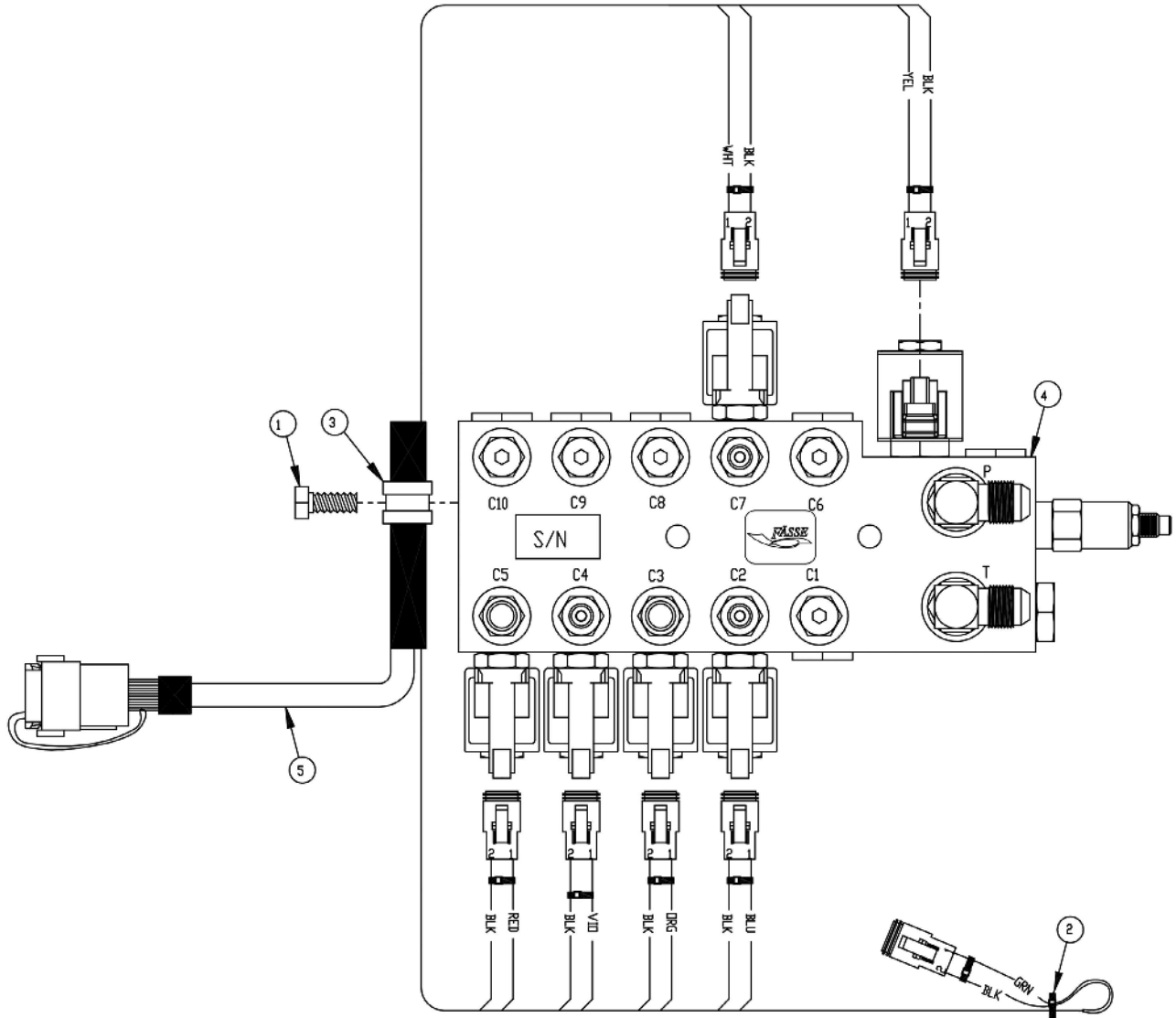
Electric Control Ball Valve Parts List

Item	Part No.	Quantity	Description
1	21.23177	1	Electric Control Ball Valve
			Complete With Weather Pack Connector
2	07.09262	1	Motor
3	07.09263	1	Clip
	07.08675	1	Seal Kit



ILLUSTRATED PARTS LIST

FASSE Block Assembly



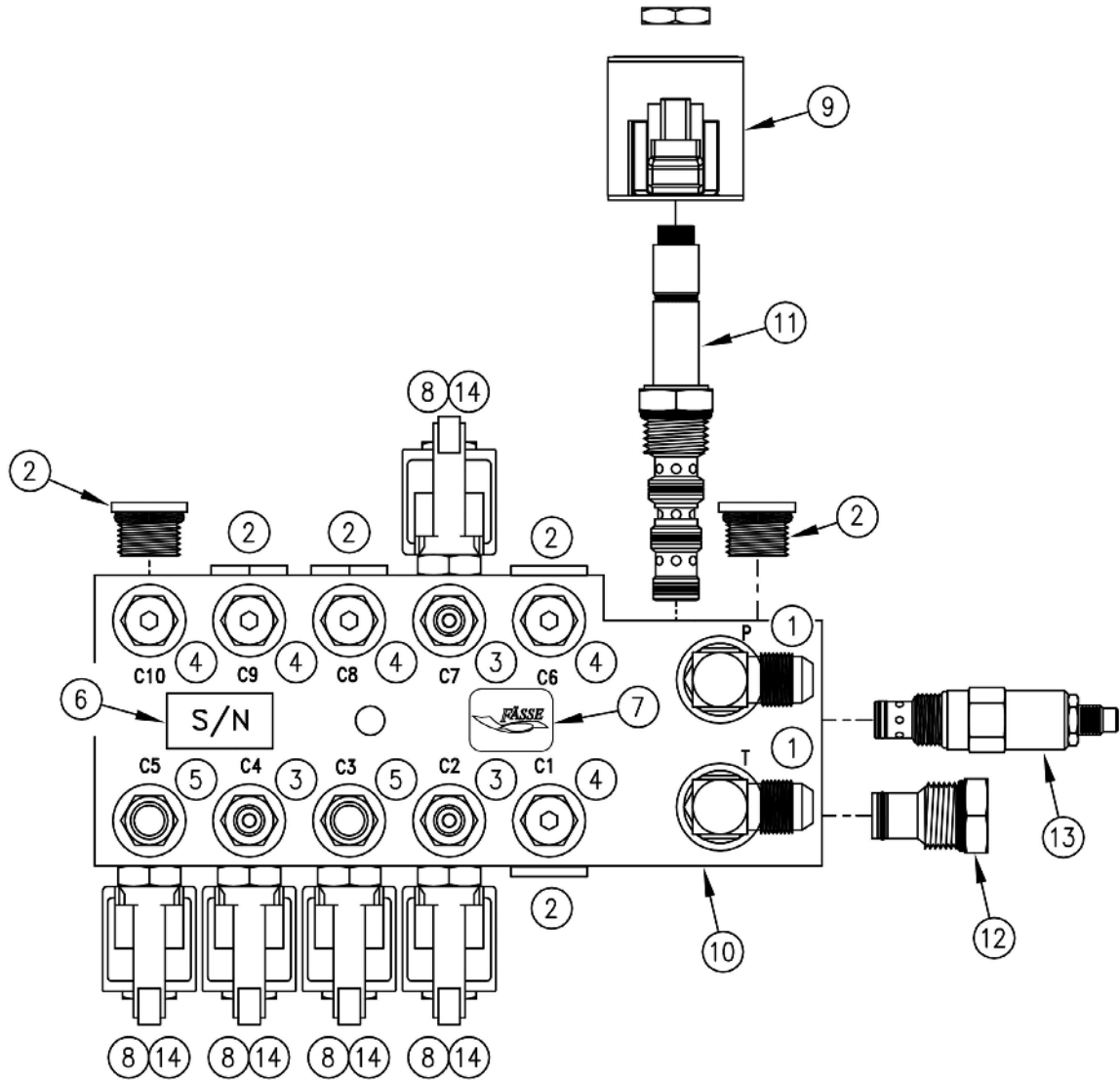


ILLUSTRATED PARTS LIST

FASSE Block Assembly Parts List

ITEM	PART NO.	VENDOR PART NO.	QTY.	DESCRIPTION
0		303-761	1	FASSE HYDRAULIC BLOCK ASSEMBLY (ITEMS 1-5)
1		212-025	1	BOLT 5/16-18 X 0.75
2		214-002	14	CABLE TIE, BLACK 7"
3		255-026	1	LOOM CLAMP .5" ID METAL/RUBBER
4		302-776	1	MANIFOLD ASSEMBLY 0804 1DA 3SA CLSD INTG DTR 12V WP6400-4 PT6801-8
5		319-568	1	HARNESS ASSEMBLY 9 CONNECTOR DTR KEY A 12P(9)-7DTP2P(2) - 26'

FASSE Hydraulic Block



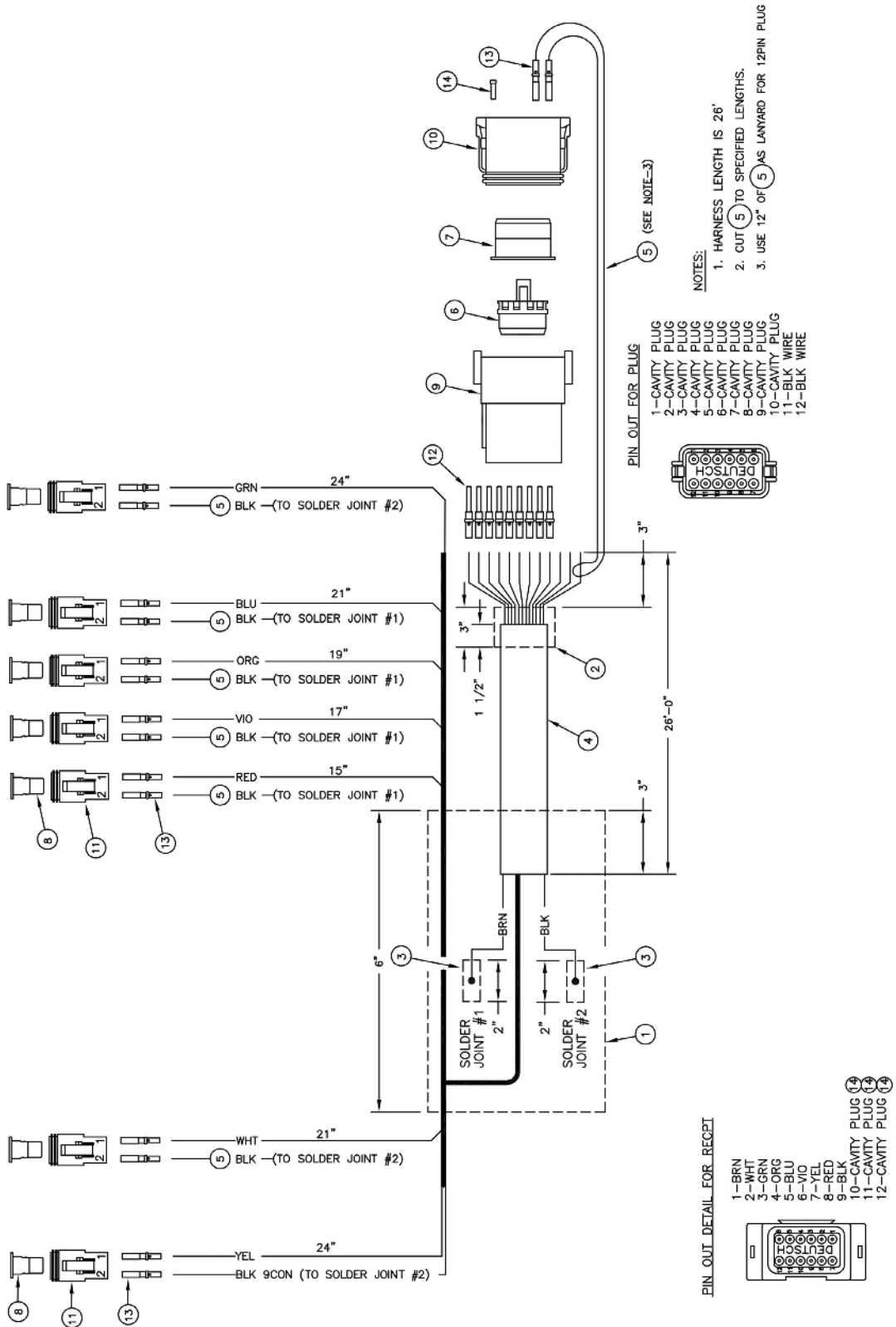


ILLUSTRATED PARTS LIST

FASSE Hydraulic Block Parts List

ITEM	PART NO.	VENDOR PART NO.	QTY.	DESCRIPTION
0		302-776	1	FASSE HYDRAULIC BLOCK (ITEMS 1-14)
1		210-017	2	FITTING 6801-8-8/E-MJ-MO
2		210-038	6	FITTING 6408-HHP-8/HOLL HEX PLUG MO
3		210-113	3	FITTING 6400-4-6/S-MJ-MO
4		210-127	5	FITTING 6408-HHP-6/HOLL HEX PLUG MO
5		210-188	2	FITTING 6400-6-6 R.047/S-MJ-MO
6		232-050	2	DECAL S/N (SILVER)
7		232-058	1	DECAL FASSE BLACK/GOLD 1"X.75"
8		253-046	5	COIL HYDAC 0312600 DL DEUTCH CONNECTOR
9		253-593	1	COIL H/F 4304112E-10 INTG DTR 12V ZENER DIODE
10		270-093	1	MANIFOLD S14153-4 5SCIR AL RV
11		273-008	1	CARTRIDGE SV10-40-0-N-00
12		273-012	1	CARTRIDGE CP10-20
13		273-058	1	CARTRIDGE H/F RV10-22A-0-N-NC-35-30
14		273-077	5	CARTRIDGE HYDAC WS 08W-01-C-N-0

FASSE Block Harness



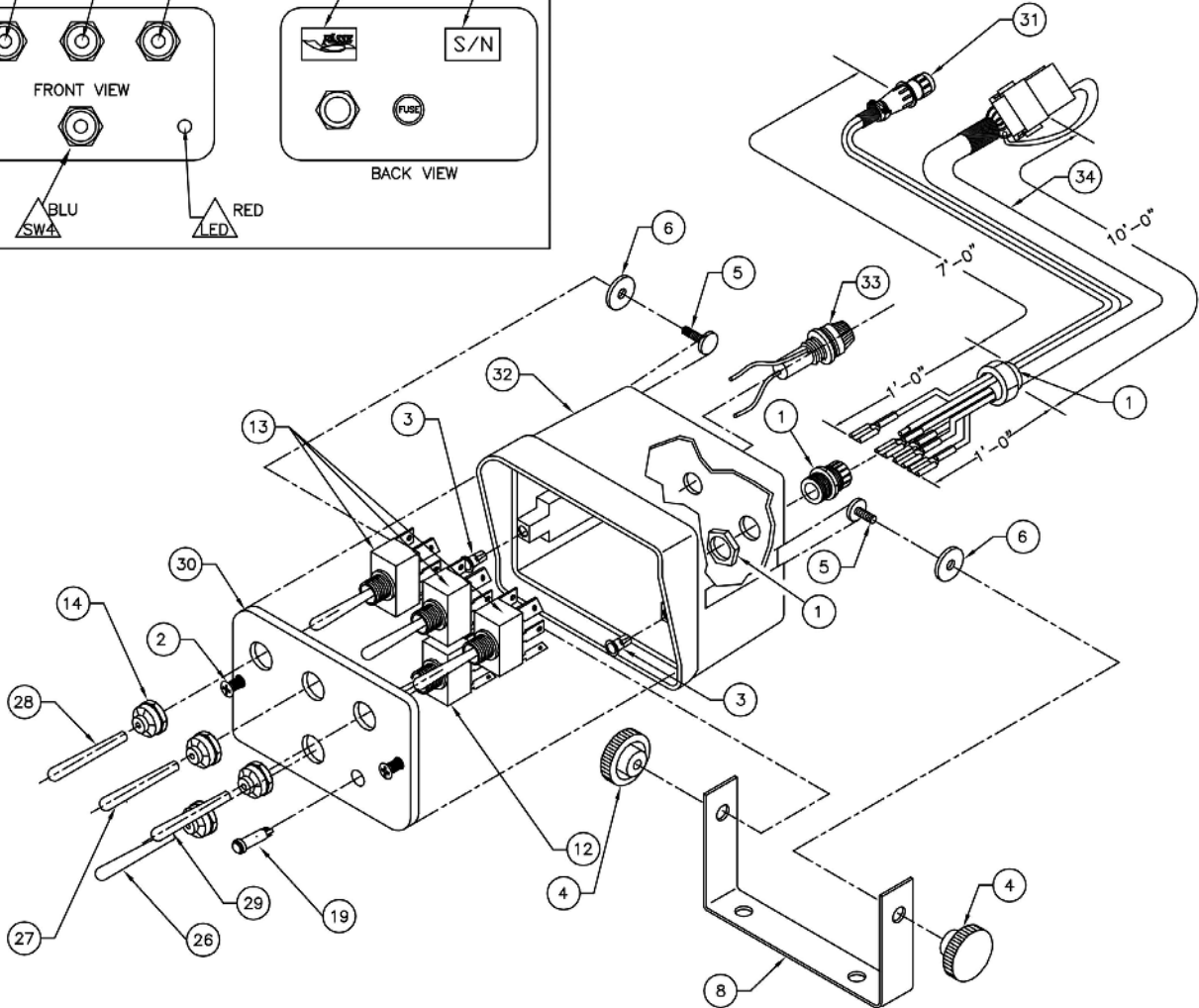
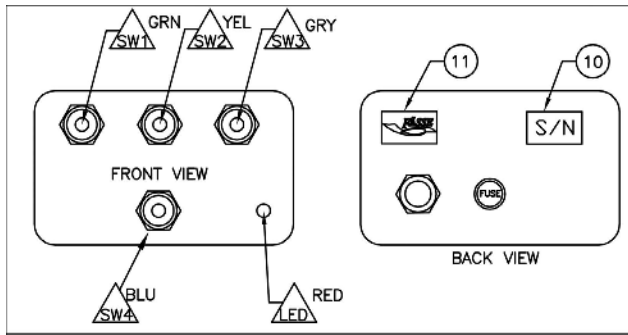


ILLUSTRATED PARTS LIST

FASSE Block Harness Parts List

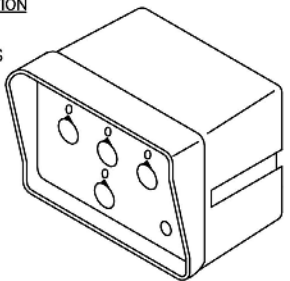
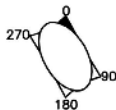
ITEM	PART NO.	VENDOR PART NO.	QTY.	DESCRIPTION
0		319-568	1	FASSE BLOCK HARNESS (ITEMS 1-14)
1		231-008	6"	SHRINK TUBING .750
2		231-009	3"	SHRINK TUBING .5
3		231-250	4"	SHRINK TUBING .250
4		252-025	28'	CABLE 9CON 18GA PVC GRAY
5		252-058	153"	WIRE 18GA BLACK
6		255-214	1	CONNECTOR DEUTSCH LOCK WEDGE 12 PIN DTR
7		255-215	1	CONNECTOR DEUTSCH LOCK WEDGE 12 PIN DTP
8		255-505	7	CONNECTOR DEUTSCH LOCK WEDGE 2 PIN DTP
9		255-755	1	CONNECTOR DEUTSCH DT RECEPTICLE 12 PIN KEY A
10		255-756	1	CONNECTOR DEUTSCH DT PLUG 12 PIN KEY A
11		255-801	7	CONNECTOR DEUTSCH DT 2 PIN PLUG DT
12		255-977	9	TERMINAL PIN DEUTSCH 16/18GA
13		255-978	16	TERMINAL SOCKET DEUTSCH 16/18GA
14		255-979	13	CONNECTOR DEUTSCH CAVITY PLUG

Switch Box Assembly



SWITCH NOTCH ORIENTATION

- ORIENT SWITCH NOTCHES AS SHOWN IN GRAPHIC
- USE THE ANGLE VALUES SHOWN AS REFERENCE





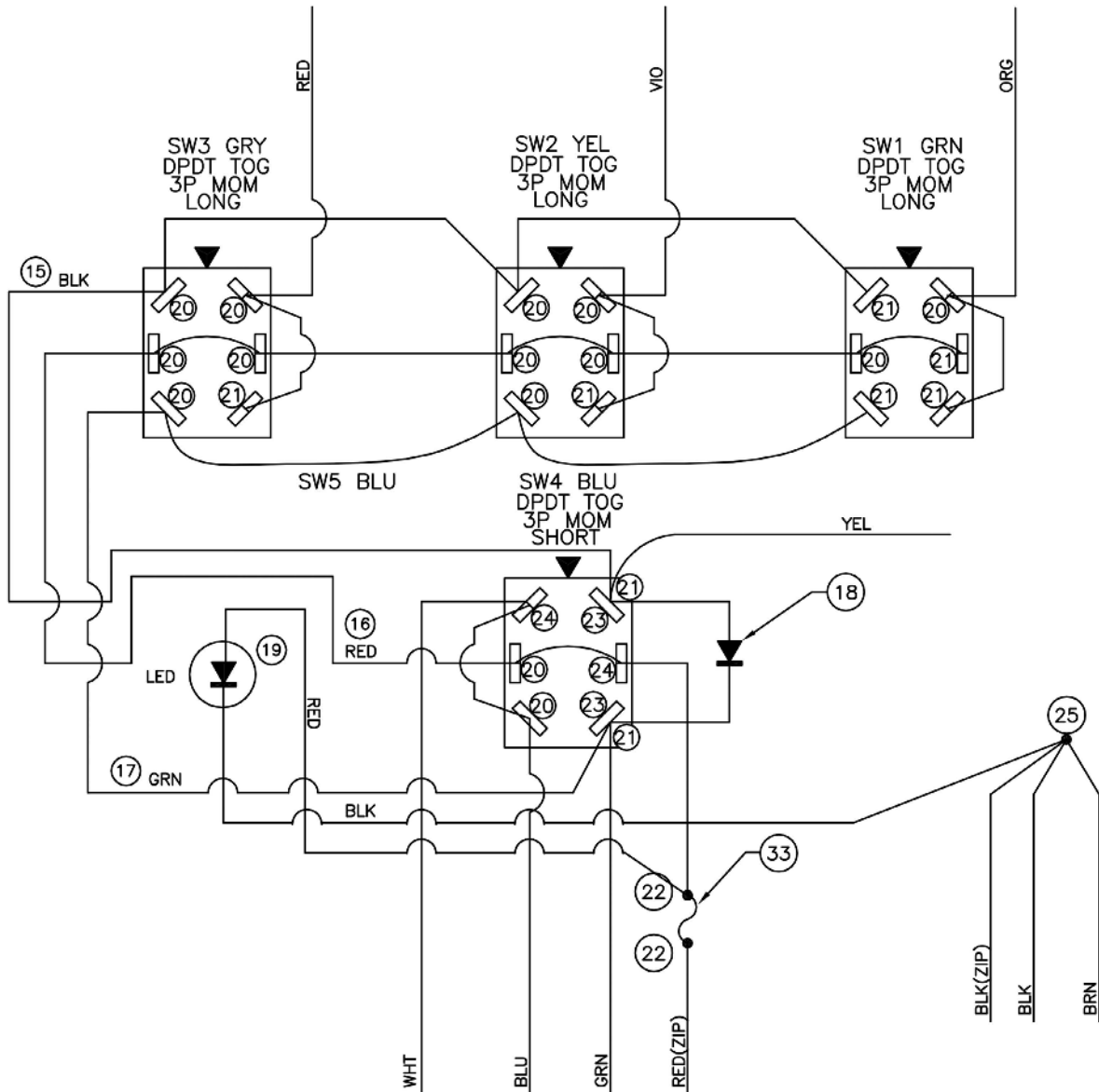
ILLUSTRATED PARTS LIST

Switch Box Assembly Parts List

ITEM	PART NO.	VENDOR PART NO.	QTY.	DESCRIPTION
0		312-505	1	SWITCH BOX ASSEMBLY (ITEMS 1-34)
1		210-710	1	STRAIN RELIEF HEYCO .23-.53ID, HOLE DIAMETER .86
2		212-184	2	SCREW 6-32 X 3/8 OVAL HEAD BLACK
3		212-202	2	INSERT 6-32 X 3/8 BRASS
4		212-215	2	KNOB 1/4-20 X .500
5		212-231	2	SCREW WELDED 1/4-20 X .500
6		213-335	2	WASHER NYLON .257 X .875 X .060
8		219-300	1	BRACKET, MONITOR HOUSING
10		232-050	2	DECAL S/N SILVER
11		232-059	1	DECAL GOLD/BLACK 1.5 X .5
12		250-007	1	SWITCH TOGGLE DPDT 3P MOM SHORT
13		250-013	2	SWITCH TOGGLE DPDT 3P MOM LONG
14		250-023	4	SWITCH TOGGLE BOOT OPEN GRAY
19		254-350	1	LED RED T-1 3/4 12V LEADS PANEL MOUNT
26		259-015	1	SWITCH TOGGLE GRIP VINYL BLUE .187"
27		259-022	1	SWITCH TOGGLE GRIP VINYL YELLOW .187"
28		259-023	1	SWITCH TOGGLE GRIP VINYL GREEN .187"
29		259-027	1	GRIP TOGGLE VINYL GRAY .187"
30		304-503	1	ENCLOSED DRILL FP MONITOR SW4 LED 1 F00204
31		314-217	1	HARNESS R/B WIRE SERIES 3 P/8'
32		319-725	1	ENCLOSED DRILL MONITOR BOX FH-7/8" STRAIN RELIEF
33		319-769	1	FUSE HOLDER PM ASSEMBLY 10A / .5
34		320-336	1	HARNESS 9CON 18GA DTP KEY A 12P(9) 11' END CAP

Switch Box Assembly

SWITCH WIRING DIAGRAM



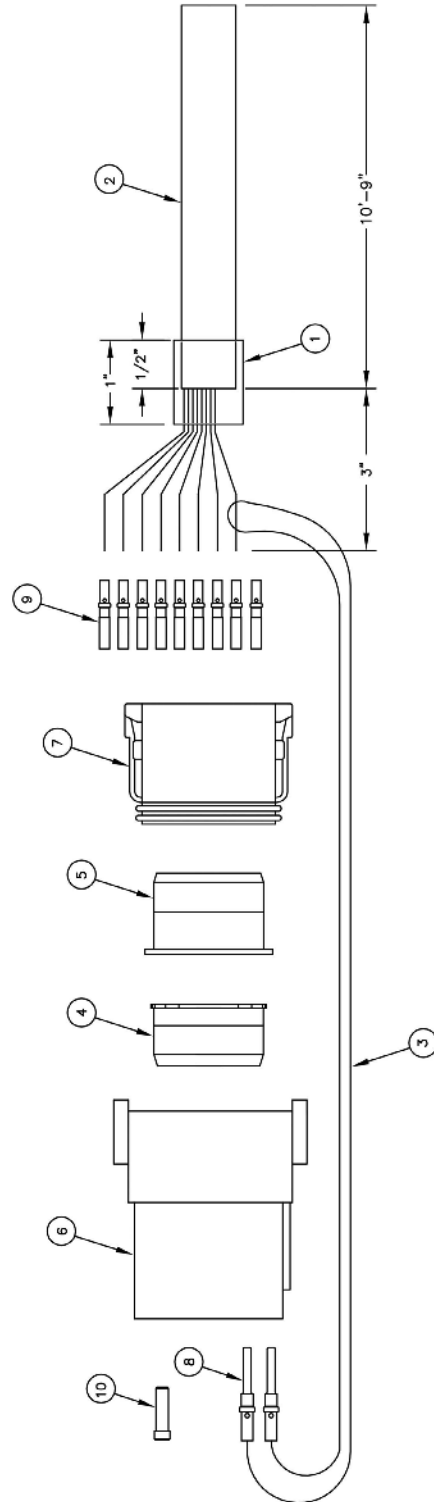


ILLUSTRATED PARTS LIST

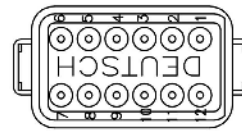
Switch Box Assembly Parts List

ITEM	PART NO.	VENDOR PART NO.	QTY.	DESCRIPTION
0		312-505	1	SWITCH BOX ASSEMBLY (ITEMS 1-34)
15		252-058	12"	WIRE 18GA BLACK
16		252-059	12"	WIRE 18GA RED
17		252-060	12"	WIRE 18GA GREEN
18		254-001	1	DIODE D116A2 6 AMP
19		254-350	1	LED RED T-1 3/4 12V LEADS PANEL MOUNT
22		255-030	2	TERMINAL SPLICE CLOSES END 16-18GA
25		255-285	1	TERMINAL SPLICE CLOSES END LARGE
33		319-769	1	FUSE HOLDER PM ASSEMBLY 10A / .5

9 Pin Switch Box Harness

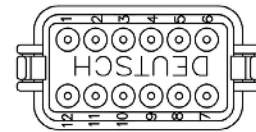


PIN OUT DETAIL FOR RECEPT



- 1-CAVITY PLUG
- 2-CAVITY PLUG
- 3-CAVITY PLUG
- 4-CAVITY PLUG
- 5-CAVITY PLUG
- 6-CAVITY PLUG
- 7-CAVITY PLUG
- 8-CAVITY PLUG
- 9-CAVITY PLUG
- 10-CAVITY PLUG
- 11-BLK WIRE
- 12-BLK WIRE

PIN OUT DETAIL FOR PLUG



- 1-BRN
- 2-WHT
- 3-GRN
- 4-ORG
- 5-BLU
- 6-VIO
- 7-YEL
- 8-RED
- 9-BLK
- 10-CAVITY PLUG 10
- 11-CAVITY PLUG 10
- 12-CAVITY PLUG 10



ILLUSTRATED PARTS LIST

9 Pin Switch Box Harness Parts List

ITEM	PART NO.	VENDOR PART NO.	QTY.	DESCRIPTION
0		320-336	1	9 PIN SWITCH BOX HARNESS (ITEMS 1-9)
1		231-009	1"	SHRINK TUBING .500" BLACK
2		252-025	28'	CABLE 9 CONNECTOR 18GA PVC GRAY
3		252-058	12"	WIRE 18GA BLACK
4		255-214	1	CONNECTOR DEUTSCH LOCK WEDGE 12 PIN DTR
5		255-215	1	CONNECTOR LOCK WEDGE 12 PIN DTP
6		255-755	1	CONNECTOR DEUTSCH DT RECEPTICLE 12P KEY A
7		255-756	1	CONNECTOR DEUTSCH DT PLUG 12P KEY A
8		255-977	2	CONNECTOR DEUTSCH PIN 16/18GA
9		255-978	9	CONNECTOR DEUTSCH SOCKET 16/18GA
10		255-979	13	CONNECTOR DEUTSCH CAVITY PLUG



ILLUSTRATED PARTS LIST

Switch Box Functions

Control box to control valve operation and pin out location						
		Fasse P/N	700-0804-4002			
				Hydraulic Valve Circuits		
Switch #	Boot Color	Switch Positions	Signal Wires	Pressure Port	Tank Port	Function
1	Green	Up	Orange, Green	C3	C8	Left Tilt Up
		Center	----	----	----	Off
		Down	Orange, Yellow, Green	C8	C3	Left Tilt Down
2	Yellow	Up	Violet, Green	C4	C9	Main Lift Up
		Center	----	----	----	Off
		Down	Violet, Yellow, Green	C9	C4	Main Lift Down
3	Grey	Up	Red, Green	C5	C10	Right Tilt Up
		Center	----	----	----	Off
		Down	Red, Yellow, Green	C10	C5	Right Tilt Down
4	Blue	Up	White, Blue, Green	C2	C7	Transport
		Center	----	----	----	Off
		Down	White, Blue, Yellow, Green	C7	C2	Field Wing Fold
----	----	----	Black	----	----	Ground
----	----	----	Brown	----	----	Ground



FAST GLOBAL
SOLUTIONS



FAST GLOBAL **SOLUTIONS**

FAST Global Solutions
4130 Commerce Boulevard
Windom, MN 56101
1-800-772-9279 Toll Free
1-507-427-3861 Voice
1-507-427-3030 Fax