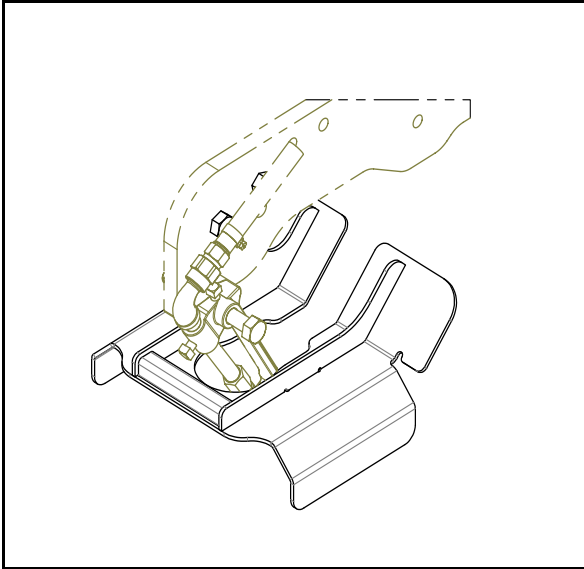


## FAST DEFENDER QUICK MOUNT GUIDE

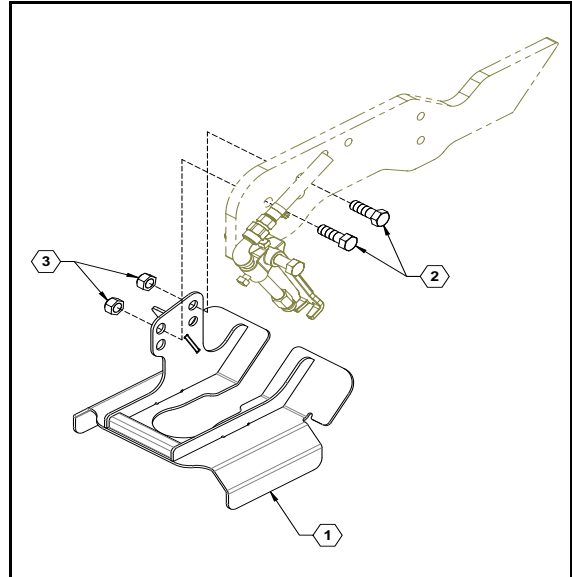
### DEFENDER®



The optional DEFENDER® is used to shield plants from airborne soil caused by coulter rotation.

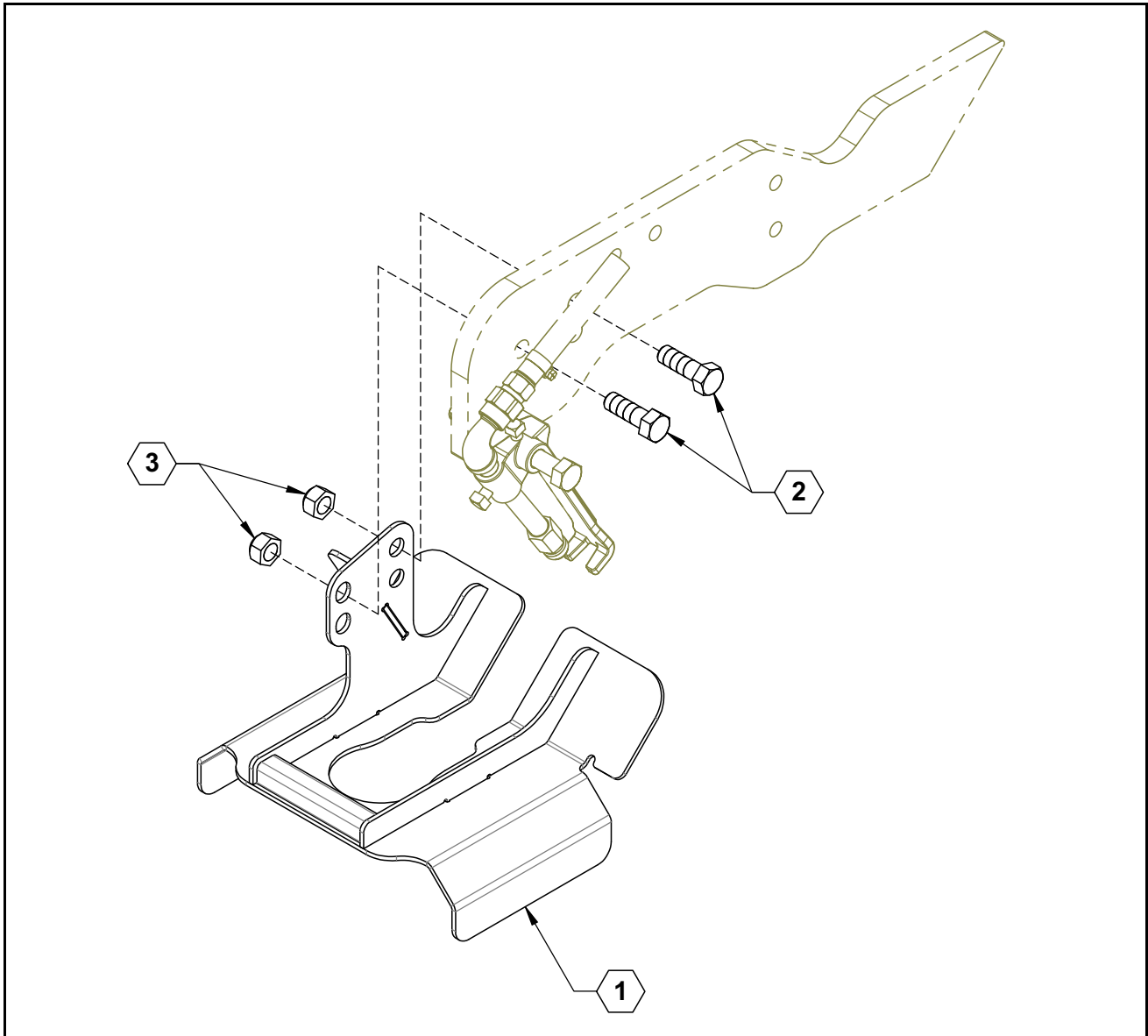
The DEFENDER® is used with the injector nozzles.

### Install the DEFENDER®



1. Fit the DEFENDER® (1) around the injector nozzle and rock guard.
2. Install the two bolts (2) with the bolt heads toward the injector nozzle.
3. Install the toplock nuts.
4. Adjust height by using the upper or lower mounting holes.

**DEFENDER® for Injection Assembly**



**DEFENDER® for Injection Parts List**

ITEM	PART NO.	QTY.	DESCRIPTION
1	21805	1	COULTER DEFENDER®
2	596153M	2	BOLT, HH 1/2-13X1-1/2 GR5 MAGNI
3	596619M	2	NUT, TOPLOCK 1/2-13 MAGNI