

# FAST™

## AG SOLUTIONS



### 9600 SPRAYER PARTS MANUAL





**FAST GLOBAL**  
**SOLUTIONS**





# ILLUSTRATED PARTS LIST

## Limited Warranty

FAST AG Solutions warrants to the buyer that the new machinery is free from defects in material and workmanship.

This warranty is only effective as to any new machinery which has not been altered, changed, repaired or treated since its delivery to the buyer, other than by FAST AG Solutions or its authorized dealers or employees, and does not apply to accessories, attachments, tools or parts, sold or operated with the new machinery, if they have not been manufactured by FAST AG Solutions.

FAST AG Solutions shall only be liable for defects in the materials or workmanship attributable to faulty material or bad workmanship that can be proved by the buyer, and specifically excludes liability for repairs arising as a result of normal wear and tear of the new machinery or in any other manner whatsoever, and without limiting the generality of the foregoing, excludes application or installation of parts not completed in accordance with this operator's manual, specifications, or printed instructions.

Written notice shall be given by registered mail, to the Manufacturer within seven (7) days after the defect shall have become apparent or the repairs shall have become necessary, addressed as follows:

FAST AG Solutions  
4130 Commerce Boulevard  
Windom, MN 56101

This warranty shall expire one (1) year after the date of delivery of the new machinery.

If these conditions are fulfilled, FAST AG Solutions shall at its own cost and at its own option either repair or replace any defective parts provided that the buyer shall be responsible for all expenses incurred as a result of repairs, labor, parts, transportation or any other work, unless FAST AG Solutions has authorized such expenses in advance.

The warranty shall not extend to any repairs, changes, alterations, or replacements made to the new equipment other than by FAST AG Solutions or its authorized dealers or employees.

This warranty extends only to the original owner of the new equipment.

Rubber parts (including tires, hoses, grommets) are not warranted.

This warranty is limited to the terms stated herein and is in lieu of any other warranties whether express or implied, and without limiting the generality of the foregoing, excluded all warranties, express or implied or conditions whether statutory or otherwise as to quality and fitness for any purpose of the new equipment. the Manufacturer disclaims all liability for incidental or consequential damages.

This Applicator is subject to design changes and FAST AG Solutions shall not be required to retrofit or exchange items on previously sold units except at its own option.

Warranty void if not registered.



# ILLUSTRATED PARTS LIST

## FAST 9600 SPRAYER

Warranty Registration Form & Inspection Report

Warranty Registration

This form must be filled out by the dealer and signed by both the dealer and the customer at the time of delivery.

|                  |  |       |  |     |  |
|------------------|--|-------|--|-----|--|
| Customer Name    |  |       |  |     |  |
| Address          |  |       |  |     |  |
| City             |  | State |  | Zip |  |
| Phone            |  |       |  |     |  |
|                  |  |       |  |     |  |
| Dealer Name      |  |       |  |     |  |
| Address          |  |       |  |     |  |
| City             |  | State |  | Zip |  |
|                  |  |       |  |     |  |
| Applicator Model |  |       |  |     |  |
| Serial Number    |  |       |  |     |  |
| Delivery Date    |  |       |  |     |  |

### DEALER INSPECTION REPORT

- All Fasteners Tight
- Wheel Bolts Torqued
- Hydraulic Hoses and Fittings Free and Tight
- Fertilizer Hoses and Fittings Free and Tight
- Wheel Drive Turns Freely
- Lubricate Machine
- Check Tire Pressure
- Frame and Wings Level
- Monitors and Controllers Function
- Wiring Harness Connected

### SAFETY

- Safety Chain Installed
- All Guards Installed
- All Safety Signs Installed
- Reflectors, SMV and Lights Clean
- Review Operating and Safety Instructions

I have thoroughly instructed the buyer on the above described equipment which review included the Operator's Manual content, equipment care, adjustments, safe operation and applicable warranty policy.

Date \_\_\_\_\_

Dealer's Rep. Signature \_\_\_\_\_

The above equipment and Operator's Manual have been received by me and I have been thoroughly instructed as to care, adjustments, safe operation and applicable warranty policy.

Date \_\_\_\_\_

Owner's Signature \_\_\_\_\_

- White - FAST
- Yellow - Dealer
- Pink - Customer



## ILLUSTRATED PARTS LIST

---

### FAST 9600 SPRAYER

APPLICATOR SERIAL NUMBER \_\_\_\_\_

DATE PURCHASED \_\_\_\_\_ / \_\_\_\_\_ / \_\_\_\_\_

TANK SIZE \_\_\_\_\_

BOOM LENGTH \_\_\_\_\_

PUMP MANUFACTURER:

(CIRCLE ONE)

ACE 150 - 206

ACE 205 - 304F

HYPRO 9306C



# ILLUSTRATED PARTS LIST

---





# ILLUSTRATED PARTS LIST

---

## General Information

All rights, especially copying and distribution rights are reserved. No part of this publication may be reproduced in any form or by any means, electronic or mechanical, including photocopying, without express written permission from FAST AG Solutions.

Parts information in this manual represents components installed when product was manufactured based upon the best available information. Modifications made subsequent to initial delivery are not included. Always verify the parts and color required when ordering parts.

If you have any questions, please contact your FAST AG Solutions Parts and Service Department.

## Explanation of Parts Lists

The parts lists are broken down sub assemblies and listed in 4 columns:

- ITEM - These numbers are found on the illustration associated with the parts list.
  - NS- This item is NOT SHOWN, included for reference.
- QTY. - This is the quantity of parts needed in an assembly.
  - AR- The quantity of this item is AS REQUIRED for the location.
- PART NO.- These are the part numbers associated to the ITEM.
- DESCRIPTION - This is the description of the part.



# ILLUSTRATED PARTS LIST

## Table of Contents

| <b>Section</b>   | <b>Page</b> |
|--|-------------|
| Table of Contents .....  | 6           |
| Trailer - 9600 .....   | 10          |
| Trailer - 9600 .....   | 12          |
| Axles - Standard .....   | 14          |
| Axles - Metric 7500# .....   | 16          |
| Hub, 758-8 Bolt, 7500# .....                                       | 18          |
| Tires .....  | 20          |
| Parallel Link & Interior Pivot .....                               | 22          |
| Parallel Link Assembly .....                                       | 24          |
| 12' Center Section .....   | 26          |
| 12' Center Section, 60 - 100' Boom .....                           | 28          |
| 12' Center Section, 60 - 100' Boom .....                           | 30          |
| Wings - 60 & 66 Foot Boom - Standard .....                         | 32          |
| Wings - 80, 90 & 100 Foot Boom - Standard .....                    | 34          |
| Breakaway Pivot .....  | 36          |
| Wings - 60 & 66 Foot Boom .....                                    | 38          |
| Wings - 60 & 66 Foot Boom .....                                    | 40          |
| Tank Assembly .....  | 42          |
| Tank .....   | 44          |
| Rinse Tank, Plumbing & Sight Gauge .....                           | 46          |
| Quick Fill & Pump Feed - 60-66 Ft Boom With ACE 150-206 Pump ..... | 48          |
| Pump Option - 60' - 66' Boom With ACE 105-206 Pump .....           | 50          |
| Pump Option - 60' - 100' Boom With ACE 205-304 Pump .....          | 52          |
| Pump Option - 80, 90 & 100' Boom With ACE 205-304 PWM Pump .....   | 54          |
| Pump Option - 60' - 100' Boom With HYPRO Pump .....                | 56          |
| Quick Fill & Pump Feed - 80,90&100 Ft Boom With HYPRO Pump .....   | 58          |
| ACE 150-206 Pump, 60 & 66 Foot Boom .....                          | 60          |
| ACE 150-206 Pump Hydraulic Motor, 60 & 66 Foot Boom .....          | 61          |
| ACE 205-304 Pump, 80, 90 & 100 Foot Boom .....                     | 62          |
| HYPRO Pump, 80, 90 & 100 Foot Boom .....                           | 64          |
| ACE 205-304 PWM Pump, 80, 90 & 100 Foot Boom .....                 | 66          |
| HYPRO Pump, 80, 90 & 100 Foot Boom .....                           | 68          |
| Raven Flow Controls .....  | 70          |
| Quick Fill - Optional 3 Inch .....                                 | 72          |
| Agitation & Rinse Control .....                                    | 74          |
| Electronic Sight Gauge .....                                       | 76          |
| Electronic Sight Gauge - Sensor Tube .....                         | 77          |
| Electronic Sight Gauge - Power Cable .....                         | 78          |
| Boom Plumbing .....  | 80          |
| Fence Line Option .....  | 82          |
| Single Fence Line, Display Control .....                           | 84          |
| Dual Fence Line, Display Control .....                             | 86          |
| Single Fence Line, Toggle Switch Control .....                     | 88          |
| Dual Fence Line, Toggle Switch Control .....                       | 90          |
| Plumbing Valves .....  | 92          |
| Butterfly Valve .....  | 94          |
| Nozzle Bodies .....  | 96          |
| Y Strainer .....   | 98          |



# ILLUSTRATED PARTS LIST

|   |     |
|---|-----|
| 60 - 80' Side Fold Fitting .....  | 100 |
| Delivery Tubes .....  | 102 |
| Hydraulic System .....  | 104 |
| Hydraulic Control Valve Harness - 60 - 66 Foot Boom .....                                 | 106 |
| Hydraulic Control Valve - 60 - 66 Foot Boom .....   | 108 |
| Hydraulic Control Valve Harness - 60 - 66 Foot Boom .....                                 | 110 |
| Control Console - 60 - 66 Foot Boom .....   | 112 |
| Control Console - 60 - 66 Foot Boom .....   | 114 |
| Wiring Harness - 60 - 66 Foot Boom .....  | 115 |
| Control Console Decal - 60 - 66 Foot Boom .....   | 116 |
| Hydraulic Control Valve Wiring Harness - 80, 90 & 100 Foot Boom .....                     | 117 |
| Hydraulic Control Valve - 80, 90 & 100 Foot Boom - 9600 .....                             | 118 |
| Hydraulic Control Valve Wiring Harness .....  | 120 |
| Control Console - 80, 90 & 100 Foot Boom .....  | 121 |
| Control Console Switch Diagram .....  | 122 |
| Wiring Harness - 80, 90 & 100 Foot Boom .....   | 123 |
| Control Console Decal - 80, 90 & 100 Foot Boom .....                                      | 124 |
| Control Console Wiring Harness .....  | 125 |
| Control Console Wiring Harness .....  | 126 |
| HYPRO Cleanload Eductor & Mounting, 5.8 Gallon .....                                      | 128 |
| HYPRO Cleanload Eductor, 5.8 Gallon .....   | 130 |
| HYPRO Cleanload Eductor & Mounting, 7.5 Gallon .....                                      | 132 |
| HYPRO Cleanload Eductor, 7.5 Gallon .....   | 134 |
| Richway Direct Injection Foamer & Mounting .....  | 136 |
| Richway Foam Marker 1 Gallon Tank .....   | 138 |
| Richway Foam Marker Liquid Flow .....   | 139 |
| Richway Foam Marker Compressor .....  | 140 |
| Richway Foam Marker Foamhead .....  | 141 |
| Richway Foam Marker Wiring Harness .....  | 142 |
| Pressure Transducer Kit .....   | 143 |
| Raven 450 Controller Kit With Skytrak, Up To 6 Sections .....                             | 144 |
| Raven ISO Rate Control Module, Cables To Tractor, ISO Hookup, No VT Console .....         | 145 |
| Deere JDRC 2000 ISO Rate Controller, Cables To Tractor, ISO Hookup, No VT Console ..      | 145 |
| 47 Pin Product Control Cable - Customer Supplied JDRC2000 Rate Controller / Raven RCM 146 | 146 |
| 47 Pin To 37 Pin Product Control Cable - Customer Supplied GreenStar Rate Controller ..   | 146 |
| 47 Pin To 16 Pin Product Control Cable - Customer Supplied Raven 450 .....                | 147 |
| 47 Pin Product Control Cable - Customer Supplied Rate Controller .....                    | 147 |
| Raven CR7 ISO Display With Deere Harness (Deere ISO Controller) .....                     | 147 |
| Raven CR7 ISO Display With Harness (Non-Deere ISO Controller) .....                       | 147 |
| Raven CR7 ISO Display With Complete ISO Harness (Non-ISO Tractor) .....                   | 148 |
| Flow-Back Ball Valve Line Rinse - Electric Valve With Toggle Switch .....                 | 148 |
| Raven Sensor Mounts .....   | 148 |
| Raven Sensor Mounts .....   | 150 |
| Raven Sensor Mounts .....   | 152 |
| Raven Sensor Mounts .....   | 154 |
| NORAC Auto Height Boom Control UC4+ .....   | 156 |
| NORAC Hydraulic Valve Block .....   | 158 |
| NORAC Auto Height Boom Control Hydraulic Schematic UC4+ & UC5 .....                       | 160 |
| NORAC Auto Height Boom Control Brackets .....   | 162 |
| NORAC Auto Height Boom Control Harness .....  | 164 |
| NORAC Auto Height Boom Control Extension Harness .....                                    | 165 |
| NORAC Auto Height Boom Control Sensor Cables .....  | 166 |



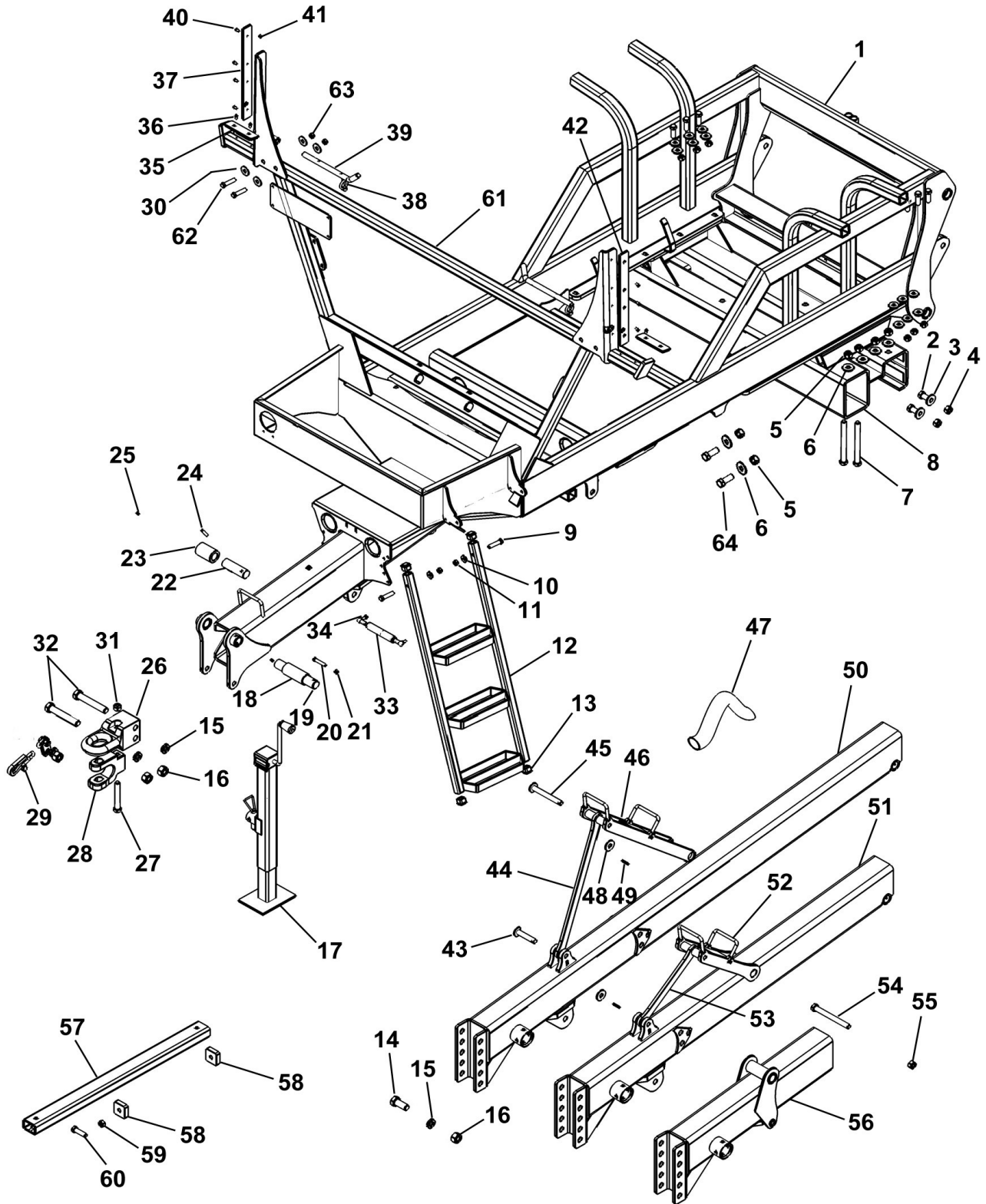
## ILLUSTRATED PARTS LIST

|  |     |
|--|-----|
| NORAC Auto Height Boom Control Valve Cable .....                             | 167 |
| NORAC Auto Height Boom Control Main Interface Cable .....                    | 168 |
| NORAC Auto Height Boom Control Wing Interface Cable .....                    | 169 |
| Severe Terrain Cable UC4+ .....  | 170 |
| NORAC Kit Layout .....   | 171 |
| UC5 Network Cables .....   | 172 |
| UC5 Network Cables .....   | 173 |
| UC5 Network Cables .....   | 174 |
| UC5 Network Cables .....   | 175 |
| UC5 Network Cables .....   | 176 |
| Wing Tilt Options .....  | 178 |
| Powerglide Wiring Schematic .....  | 180 |
| Powerglide Hydraulic Block .....   | 181 |
| Powerglide Solid Axle .....  | 182 |
| Powerglide & Powerglide Plus Mounting Brackets .....                         | 184 |
| Powerglide Plus Wiring Schematic .....                                       | 186 |
| Powerglide Plus Hydraulic Block .....  | 187 |
| Powerglide Plus Cushioned Axle .....   | 188 |
| Gauge Wheel Assembly .....   | 189 |
| Kit 99RBSORL .....   | 190 |
| Adapter Cable, 16 Pin Console To 47 Pin Product Port (632028) .....          | 191 |
| Cable, 81 Pin ECU, 47 Pin Rate Control Interface (632029) .....              | 192 |
| Cable, 81 Pin ECU, 47 Pin Rate Control Interface (632029) .....              | 193 |
| Cable, Pull Type Sprayer Frame, 14' 47 Pin To 47 Pin (632035) .....          | 194 |
| Adapter Cable, 17', 9 Pin IBIC / 3 Pin Master to Gen 1 Isobus (632043) ..... | 195 |
| Cable, Foot Switch, 12' (632061) .....                                       | 196 |
| Cable, Raven ISO/Power With IBBC Connector (632064) .....                    | 198 |
| Cable, Raven ISO/Power With IBBC Connector (632064) .....                    | 199 |
| CAN/Power Cable, OEM ISO To Raven ISO Bulkhead (632065) .....                | 200 |
| Cable, CR7, ISO VT Only (632066) .....                                       | 201 |
| Cable, Display Port, Y Adapter (632067) .....                                | 202 |
| Adapter Cable, 37 Pin Console To 47 Pin Product Port (632070) .....          | 203 |
| Product Cable, 47 Pin, 6 Section, Liquid, FAST, Center Mount (632077) .....  | 204 |
| Product Cable, 47 Pin, 6 Section, Liquid, FAST, Center Mount (632077) .....  | 205 |
| Product Cable, 47 Pin, 10 Section, Liquid, FAST 6'(632078) .....             | 206 |
| Product Cable, 47 Pin, 10 Section, Liquid, FAST 6'(632078) .....             | 207 |
| 9613 Harness Identification & Location .....                                 | 209 |
| Lighting Harness Routing .....   | 211 |
| Product Control Harness Routing .....  | 213 |
| Fold Harness Routing .....   | 215 |
| 9613TF-80 Hydraulic Fitting Locations .....                                  | 217 |
| 9613TF-80 Hydraulic Fitting Locations .....                                  | 219 |
| Fold Block Hydraulic Hose Routing .....                                      | 221 |
| Main Lift Hydraulic Hose Routing .....                                       | 223 |
| Tilt Cylinder Hydraulic Hose Routing .....                                   | 225 |
| Main Hydraulic Hose Routing .....  | 227 |
| Flip Wing Hydraulic Hose Routing .....                                       | 229 |
| Breakaway Wing Hydraulic Hose Routing .....                                  | 231 |
| Breakaway Wing Hydraulic Hose Routing .....                                  | 233 |
| Hydraulic Pump Hose Routing .....  | 235 |





## Trailer - 9600



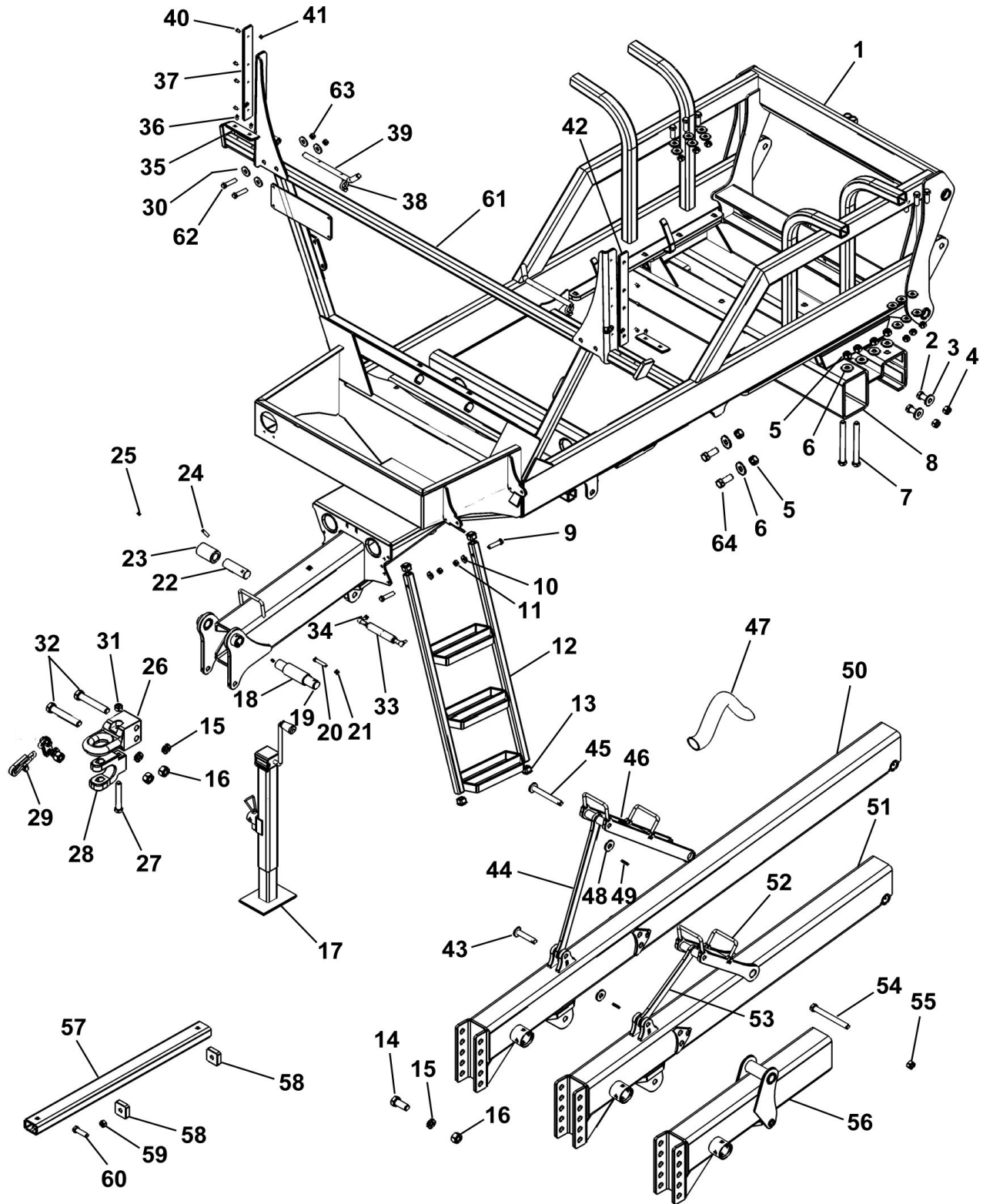


# ILLUSTRATED PARTS LIST

## Trailer - 9600 Parts List

| Item | Vendor Part # | Fast Part # | Description  | Qty. | 60' | 80 - 90' | 100' |
|------|---------------|-------------|--|------|-----|----------|------|
| 1    |               | 13501       | Fast Trailer 9600 Series                           | 1    |     |          |      |
| 2    |               | 170         | Bolt HH 5/8 X 2.5 GR5 Zp                           | 6    |     |          |      |
| 3    |               | 261         | Washer Flat 5/8 Zp                                 | 12   |     |          |      |
| 4    |               | 240         | Nut HH 5/8 Centerlock Zp                           | 6    |     |          |      |
| 5    |               | 241         | Nut HH 3/4 Centerlock Zp                           | 4    |     |          |      |
| 6    |               | 262         | Washer Flat 3/4 Zp                                 | 4    |     |          |      |
| 7    |               | 488         | Bolt HH 3/4 X 8.5 GR5 Zp                           | 2    |     |          |      |
| 8    |               | 11705       | Axle Housing Receiver                              | 1    |     |          |      |
| 9    |               | 155         | Bolt HH 1/2 X 2-1/2 GR5 Zp                         | 2    |     |          |      |
| 10   |               | 260         | Washer Flat 1/2"                                   | 2    |     |          |      |
| 11   |               | 231         | Nut HH 1/2" Centerlock Zp                          | 2    |     |          |      |
| 12   |               | 10620       | Ladder 3 Step                                      | 1    |     |          |      |
| 13   |               | 4191        | Cap Black Drive-In                                 | 4    |     |          |      |
| 14   |               | 199         | Bolt HH 1 X 2-1/2 GR5 Zp (Attach Item 29 To Hitch) | 1    |     |          |      |
| 15   |               | 255         | Washer Lock 1" Zp (Attach Item 29 To Hitch)        | 1    |     |          |      |
| 16   |               | 218         | Nut HH 1" Zp (Attach Item 29 To Hitch)             | 1    |     |          |      |
| 17   | FASTHD800     | 790005      | Jack 8000# Side Wind Fast HD800                    | 1    |     |          |      |
| NS   | P800-001      |             | Black Handle (Part Of Fasthd700)                   | AR   |     |          |      |
| NS   | P700-020      |             | 9" Handle Kit (Part Of Fasthd700)                  | AR   |     |          |      |
| NS   | P700-040      |             | Hd700 Side Wind Gear Kit (Part Of Fasthd700)       | AR   |     |          |      |
| NS   | P700-080      |             | Hd700 Bearing Kit (Part Of Fasthd700)              | AR   |     |          |      |
| NS   | P800-060      |             | 5/8" Pin With Chain And Clip (Part Of Fasthd700)   | AR   |     |          |      |
| 18   |               | 10713       | Roller External                                    | 1    |     |          |      |
| 19   |               | 8933        | Pin Roller External                                | 1    |     |          |      |
| 20   |               | 131         | Bolt Hex Head 3/8 X 2-1/2 GR5 Zp                   | 1    |     |          |      |
| 21   |               | 237         | Nut Hex Head 3/8" Centerlock Zp                    | 1    |     |          |      |
| 22   |               | 10710       | Pin Internal Roller                                | 1    |     |          |      |
| 23   |               | 10709       | Roller Internal                                    | 1    |     |          |      |
| 24   |               | 707         | Pin Spring 3/8 X 2                                 | 1    |     |          |      |
| 25   |               | 759         | Zerk 1/4-28 Tpi                                    | 2    |     |          |      |
| 26   | PPI-301V3-10  | 790003      | Hitch Cat 3  | 1    |     |          |      |
| 27   |               | 390         | Bolt HH 3/4 X 5-1/2 GR8 Zp                         | 1    |     |          |      |
| 28   | PPI-208-VR-10 | 790002      | Clevis For Hitch                                   | 1    |     |          |      |
| 29   | PPSC21A       | 790015      | Safety Chain 20,200#                               | 1    |     |          |      |
| 30   |               | 260         | Washer Flat 1/2 Zp                                 | 8    |     |          |      |
| 31   |               | 233         | Nut HH 3/4" Nylock Zp                              | 1    |     |          |      |
| 32   |               | 564         | Bolt HH Special 1 X 6-1/2 GR 5 Zp                  | 2    |     |          |      |
| 33   | 22011A3       | 590010      | Easylift Cylinder (For Use With Ladder Item 12)    | 1    |     |          |      |

## Trailer - 9600



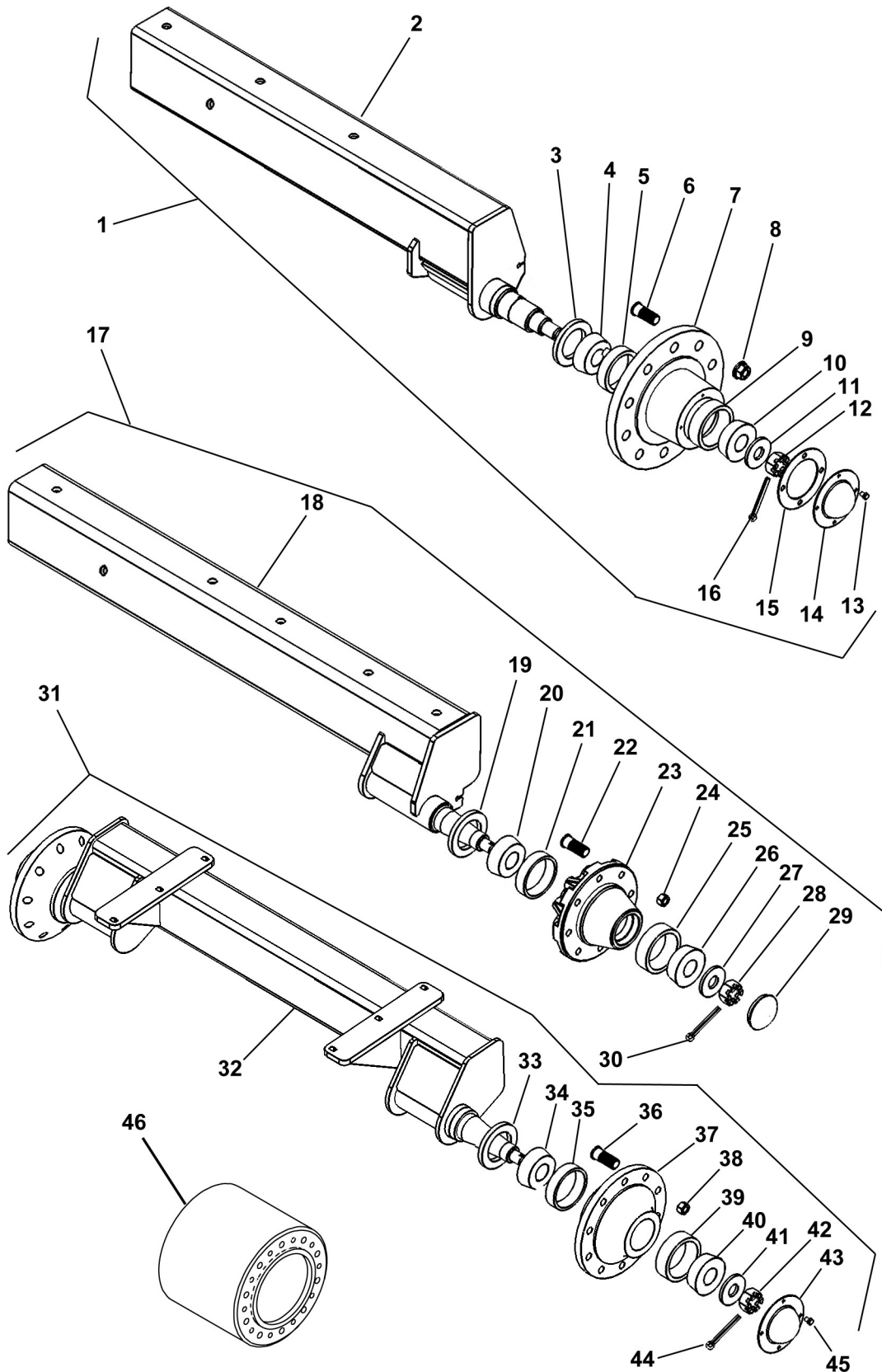


# ILLUSTRATED PARTS LIST

## Trailer - 9600 Parts List

| Item | Vendor Part # | Fast Part # | Description   | Qty. | 60' | 80 - 90' | 100' |
|------|---------------|-------------|---|------|-----|----------|------|
| 34   |               | 855         | Nut HH M8 Zp (For Use With Ladder 10620 Item 12)  | 1    |     |          |      |
| 35   |               | 7781        | Wear Pad Plastic Transport Saddle Base  | 2    |     |          |      |
| 36   |               | 581         | Rivet 1/4" Drive In   | 4    |     |          |      |
| 37   |               | 11050R      | Vertical Stop Chamfered Plastic Right   | 1    |     |          |      |
| 38   | 715300927     | 720001      | Kwik Clip Pin   | 2    |     |          |      |
| 39   |               | 7618        | Safety Latch Pin  | 2    |     |          |      |
| 40   |               | 671         | Flat Head Socket Cap Screw 1/4x7/8"   | 8    |     |          |      |
| 41   |               | 235         | Nut Hex Head 1/4" Centerlock Zp   | 8    |     |          |      |
| 42   |               | 11050L      | Vertical Stop Chamfered Plastic Left  | 1    |     |          |      |
| 43   |               | 10779       | Pin Pivot   |      |     | 2        | 2    |
| 44   |               | 13511       | Link Front 100' Tongue  |      |     |          | 1    |
| 45   |               | 8341        | Pin Pivot   |      |     | 1        | 1    |
| 46   |               | 13510       | Link Rear 100' Tongue   |      |     |          | 1    |
| 47   | NHS-FS334     | 790018      | Nylon Sleeving 7'   | 1    |     |          |      |
| 48   |               | 262         | Washer Flat 3/4 Zp  | 1    |     |          |      |
| 49   |               | 683         | Pin Spring 1/4 X 1-1/2  | 1    |     |          |      |
| 50   |               | 13507       | Tongue Retractable 100'   |      |     |          | 1    |
| 51   |               | 13503       | Tongue Retractable 80'  |      |     | 1        |      |
| 52   |               | 13505       | Link Rear 80' Tongue  |      |     | 1        |      |
| 53   |               | 13506       | Link Front 80' Tongue   |      |     | 1        |      |
| 54   |               | 487         | Bolt Hex Head 3/4 X 8 GR5 Zp  |      | 1   |          |      |
| 55   |               | 241         | Nut Hex Head 3/4" Zp  |      | 1   |          |      |
| 56   |               | 13504       | Tongue Fixed 60', Non Weighted  | 1    | 1   |          |      |
| 56   |               | 13730       | Tongue Weighted, Short, 80', 90' & 100' (SEE NOTE)  | 1    | 1   | 1        | 1    |
|      |               |             | NOTE: Required on 9600N/TF 60' & 66' boom with axle in forward position and with all booms larger than 66'. |      |     |          |      |
| 57   |               | 13594       | Tube Tank Support   | AR   |     |          |      |
| 58   |               | 13590       | Spacer Tube Tank Support  | AR   |     |          |      |
| 59   |               | 250         | Nut Hex Head 5/8" Zp  | AR   |     |          |      |
| 60   |               | 171         | Bolt Hex Head 5/8 X 2-1/2" GR5 Zp   | AR   |     |          |      |
| 61   |               | 13246       | Wing Rest, Top  | 1    |     |          |      |
| 62   |               | 157         | Bolt Hex Head 1/2 x 3-1/2 GR5 Zp  | 4    |     |          |      |
| 63   |               | 239         | Nut Hex Head 1/2 Center Lock Zp   | 4    |     |          |      |
| 64   |               | 174         | Bolt Hex Head 3/4 x 2 GR5 Zp  | 2    |     |          |      |

## Axles - Standard







# ILLUSTRATED PARTS LIST

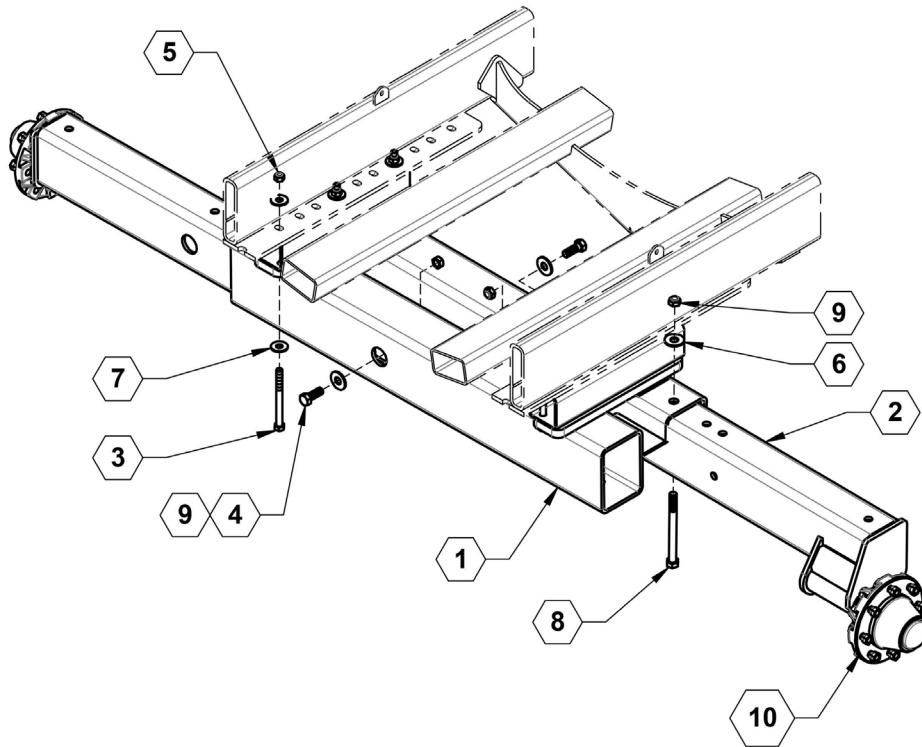
## Axles - Standard Parts List

| ITEM | VENDOR PART NO.    | PART NO. | QTY. | DESCRIPTION   |
|------|--------------------|----------|------|---|
| 1    |                    | 13586    | 2    | Axle Assembly 10 Bolt (Inc 2 - 16)                      |
| 2    |                    | 13518    | 2    | Trailer Narrow Axle Sub Weld 3-3/8" Spindle             |
| 3    | 946275             | 730013   | 2    | Seal 873 Series Hub                                     |
| 4    | NI-910398/332752   | 730011   | 2    | Cone Inner 873 Series Hub                               |
| 5    | NI-910397/133462   |          | 2    | Cup Inner 873 Series Hub                                |
| 6    | NI-953033          | 1683     | 20   | Stud Wheel  |
| 7    | NI-289121          | 730002   | 2    | Hub 10 Bolt With Cups 873 Series Hubs, 15.000#          |
| 8    | NI-913571          | 730051   | 20   | Nut Wheel   |
| 9    | NI-910332/453a     | 1679     | 2    | Cup Outer   |
| 10   | NI-910334/460      | 1681     | 2    | Cone Outer  |
| 11   | NI-913632          | 1688     | 2    | Washer Spindle  |
| 12   | NI-912969          | 1689     | 2    | Nut Spindle 1.25-12 TPI                                 |
| 13   | NI-9052148         | 113      | 8    | Bolt HH 5/16 X 1/2 GR5 Zp                               |
| 14   | 1682               | 730072   | 2    | Hub Cap Q-871 Hub                                       |
| 15   | 1686               | 730016   | 2    | Gasket Hub Cap  |
| 16   | NI-905944          | 1690     | 2    | Cotter Pin  |
| 17   |                    | 13588    | 2    | Axle Assembly 9600 8-Bolt Q758 Hub, 7500# (Inc 18 - 30) |
| 18   |                    | 13587    | 2    | Trailer Narrow Axle Sub Weld                            |
| 19   | NI-946486 CR29968  | 1669     | 2    | Seal 8 Bolt   |
| 20   | NI-910359/387AS    | 730020   | 2    | Cone Inner  |
| 21   | NI-910358/382A     | 730058   | 2    | Cup Inner   |
| 22   | NI-943527          | 1667     | 16   | Stud Wheel  |
| 23   | NI-281189          | 730059   | 2    | Hub 8 Bolt 7500# With Cups                              |
| 24   | NI-913557          | 730024   | 16   | Nut Wheel   |
| 25   | NI-910272/LM501310 | 730051   | 2    | Cup Outer   |
| 26   | NI-910273/LM501349 | 730021   | 2    | Cone Outer  |
| 27   | NI-913624          | 730022   | 2    | Washer Spindle  |
| 28   | NI-912959          | 730023   | 2    | Nut Spindle 1-14 TPI                                    |
| 29   | NI-909912          | 730019   | 2    | Hub Cap Q75-8   |
| 30   | NI-905941          | 730025   | 2    | Cotter Pin  |
| 31   |                    | 10913    | 1    | Axle Assembly 10 Bolt Duals 60"-120" TW (Inc 33 - 45)   |
| 31   | Not Illustrated    | 10907    | 1    | Axle Assembly 10 Bolt Duals 80"-132" TW (Inc 33 - 45)   |
| 31   | Not Illustrated    | 10910    | 1    | Axle Assembly 10 Bolt Duals 80"-120" TW (Inc 33 - 45)   |
| 32   |                    | 10917    | 1    | Trailer Axle 30" Row                                    |
| 32   | Not Illustrated    | 10908    | 1    | Trailer Axle 22" Row                                    |
| 32   | Not Illustrated    | 10911    | 1    | Trailer Axle 20" Row                                    |
| 33   | NI-906979          | 730041   | 2    | Seal  |
| 34   | NI-910346          | 730043   | 2    | Cone Inner  |
| 35   | NI-910334          | 730012   | 2    | Cup Inner   |
| 36   | NI-953035          |          | 20   | Stud Wheel  |
| 37   | NI-281171          | 730060   | 2    | Hub 10 Bolt, 20,000#                                    |
| 38   | NI-913571          | 730051   | 20   | Nut Wheel   |
| 39   | NI-910384          | 1679     | 2    | Cup Outer   |
| 40   | NI-910347          | 700037   | 2    | Cone Outer  |
| 41   | NI-913632          | 730040   | 2    | Washer Spindle  |
| 42   | NI-913571          | 730051   | 2    | Nut   |
| 43   | NI-909921          | 700038   | 2    | Hub Cap   |
| 44   | NI-905944          | 730042   | 2    | Cotter Pin  |
| 45   | NI-9052148         | 113      | 8    | Bolt HH 5/16 X 1/2 GR5 Zp                               |
| 46   |                    | 710030   | 2    | Spacer 30" Row 13.75" OAL                               |
| 46   | Not Illustrated    | 710032   | 2    | Spacer 22" Row 7" OAL                                   |
| 46   | Not Illustrated    | 710031   | 2    | Spacer 20" Row 5" OAL                                   |

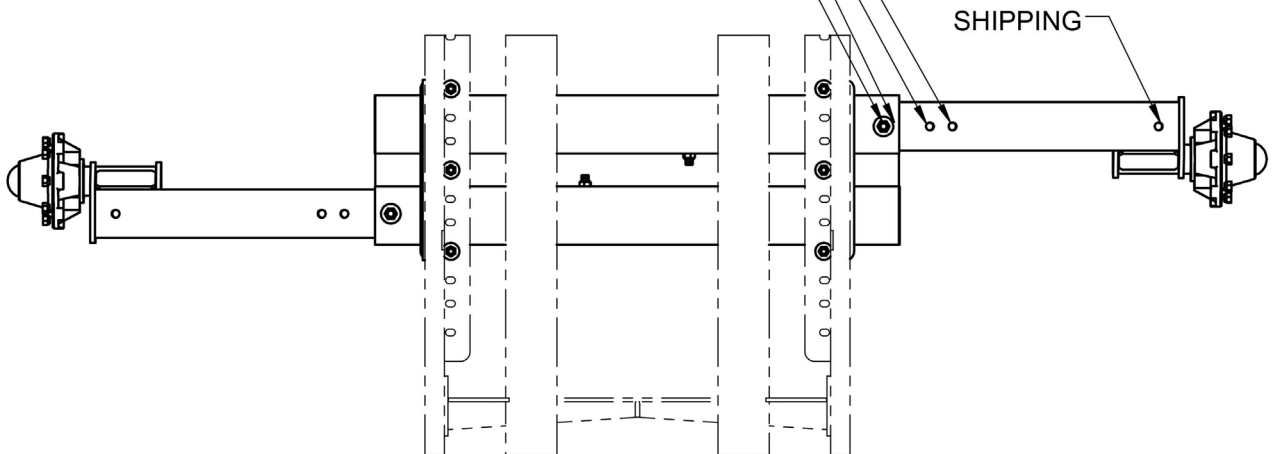
## Axles - Metric 7500#

NOTES:

1. BOLTS TO BE INSTALLED IN ORIENTATION SHOWN
2. BOLTS TO BE TIGHTENED WITH 1/2" IMPACT



45cm (2.70m) SPACING  
 70cm (2.80m) SPACING  
 50cm (3.00m) SPACING  
 76cm (3.04m) SPACING







## ILLUSTRATED PARTS LIST

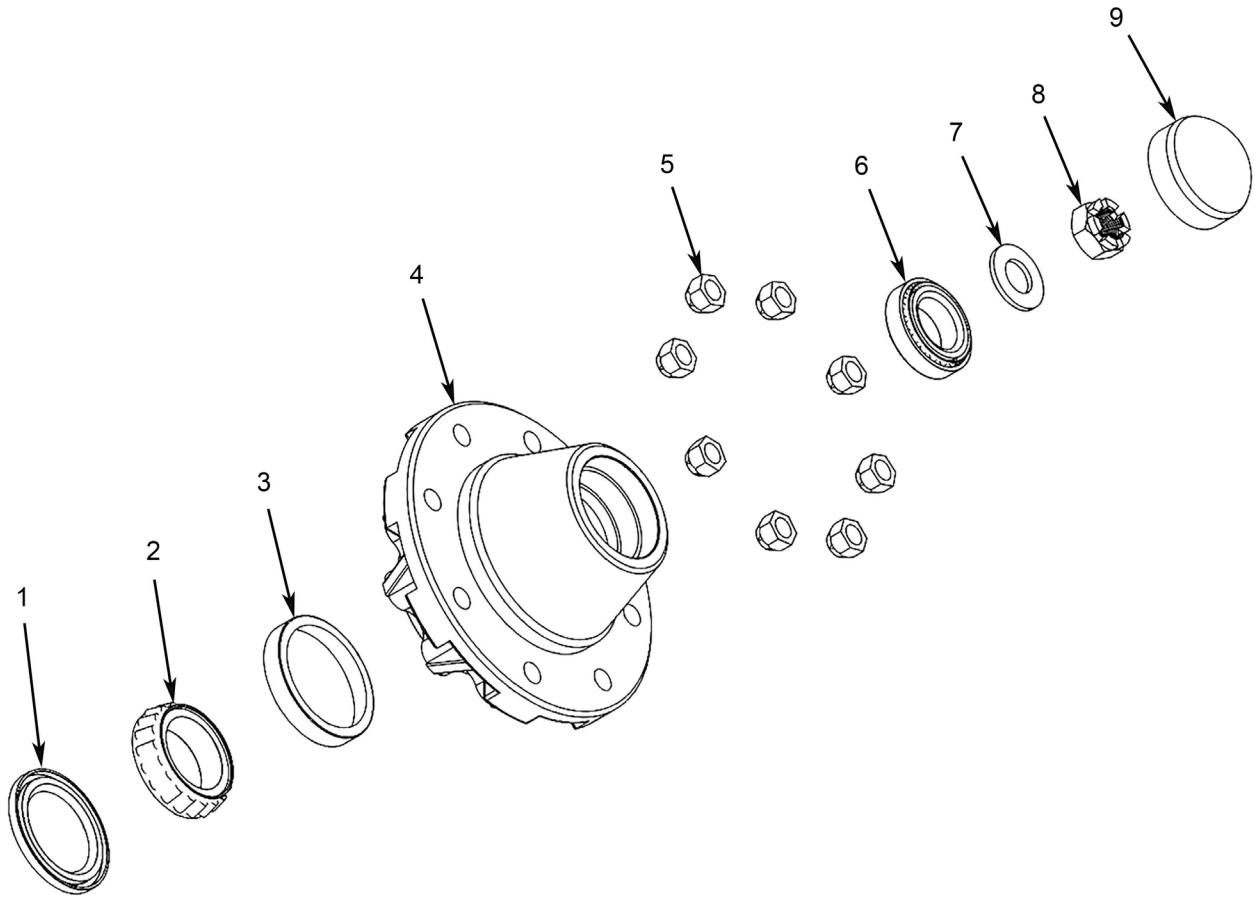
### Axles - Metric 7500# Parts List

| ITEM | PART NO. | QTY. | DESCRIPTION                       |
|------|----------|------|-----------------------------------|
| 1    | 13512    | 1    | AXLE RECEIVER                     |
| 2    | 27274    | 2    | METRIC ADJUSTABLE AXLE 7.5K HUB   |
| 3    | 596174M  | 6    | BOLT, HH 5/8-11 X 7 G5 MAGNI      |
| 4    | 596184M  | 2    | BOLT, HH 3/4X2 GR5 MAGNI          |
| 5    | 596243M  | 6    | NUT, TOPLOCK 5/8-11 G8 MAGNI      |
| 6    | 596259M  | 4    | WASHER, FLAT 3/4 MAGNI            |
| 7    | 596261M  | 12   | WASHER, FLAT 5/8 MAGNI            |
| 8    | 596488M  | 2    | BOLT, HH 3/4-10 X 8-1/2 G5 MAGNI  |
| 9    | 596626M  | 4    | NUT, TOPLOCK 3/4-10 G5 MAGNI      |
| 10   | 730059   | 2    | HUB, WITH CUPS, 758-8 BOLT, 7.5K# |



# ILLUSTRATED PARTS LIST

Hub, 758-8 Bolt, 7500#



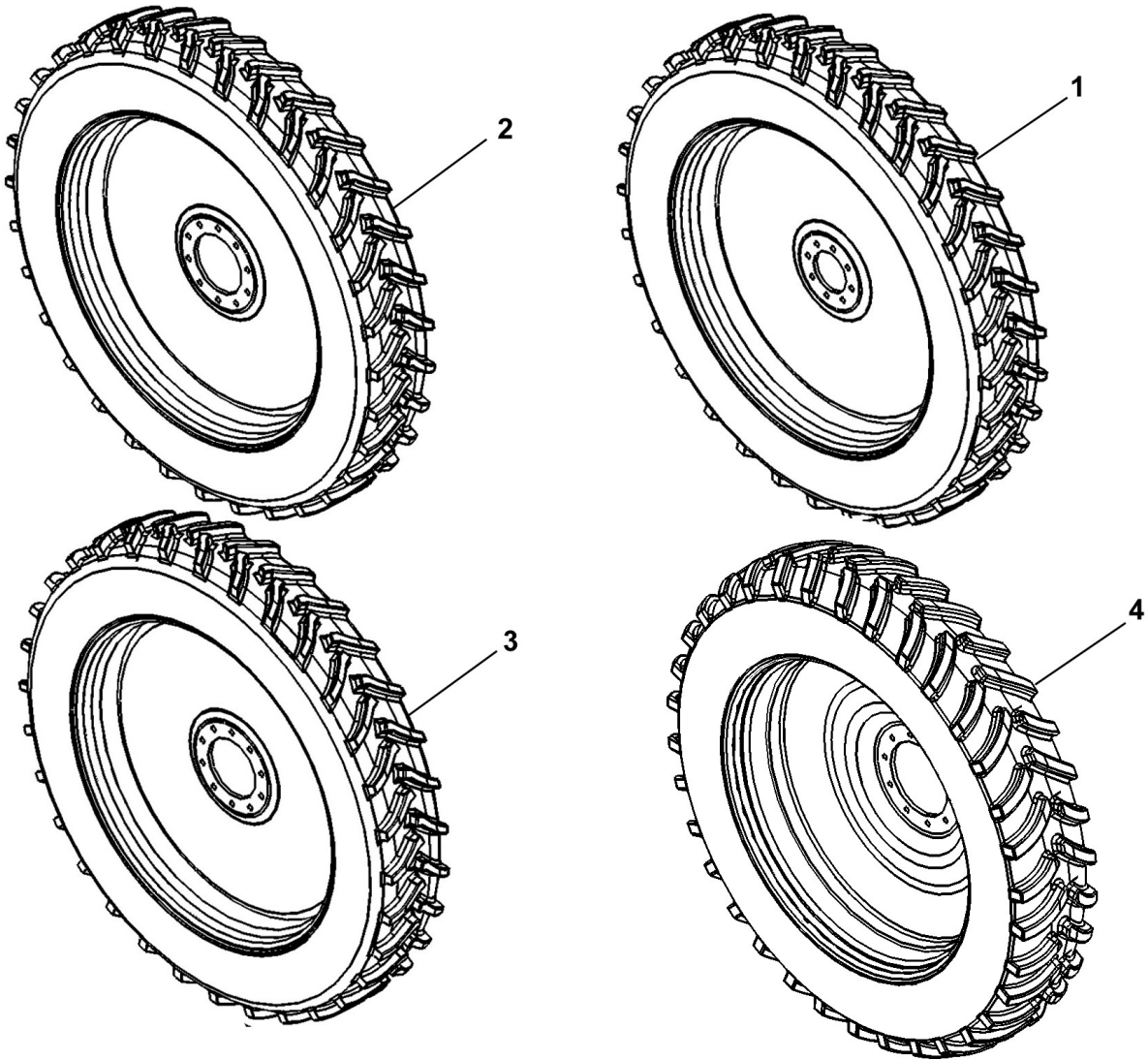


## ILLUSTRATED PARTS LIST

### Hub, 758-8 Bolt, 7500# Parts List

| ITEM | PART NO.  | QTY. | DESCRIPTION                |
|------|-----------|------|----------------------------|
| 1    | 730053    | 1    | SEAL 758 HUB               |
| 2    | 730020    | 1    | INNER CONE                 |
| 3    | 730058    | 1    | INNER CUP                  |
| 4    | 730004    | 1    | HEAVY 8 BOLT HUB WITH CUPS |
| 4    | 730059    | 1    | HEAVY 8 BOLT HUB, COMPLETE |
| 5    | 730024    | 8    | NUT .625-18 NI913557       |
| 6    | 730021    | 1    | OUTER CONE                 |
| 6    | 730051    | 1    | OUTER CUP                  |
| 7    | 98023A036 | 1    | SPINDLE WASHER             |
| 8    | 913559    | 1    | SPINDLE NUT, 1"            |
| 9    | 730019    | 1    | HUB CAP                    |

**Tires**



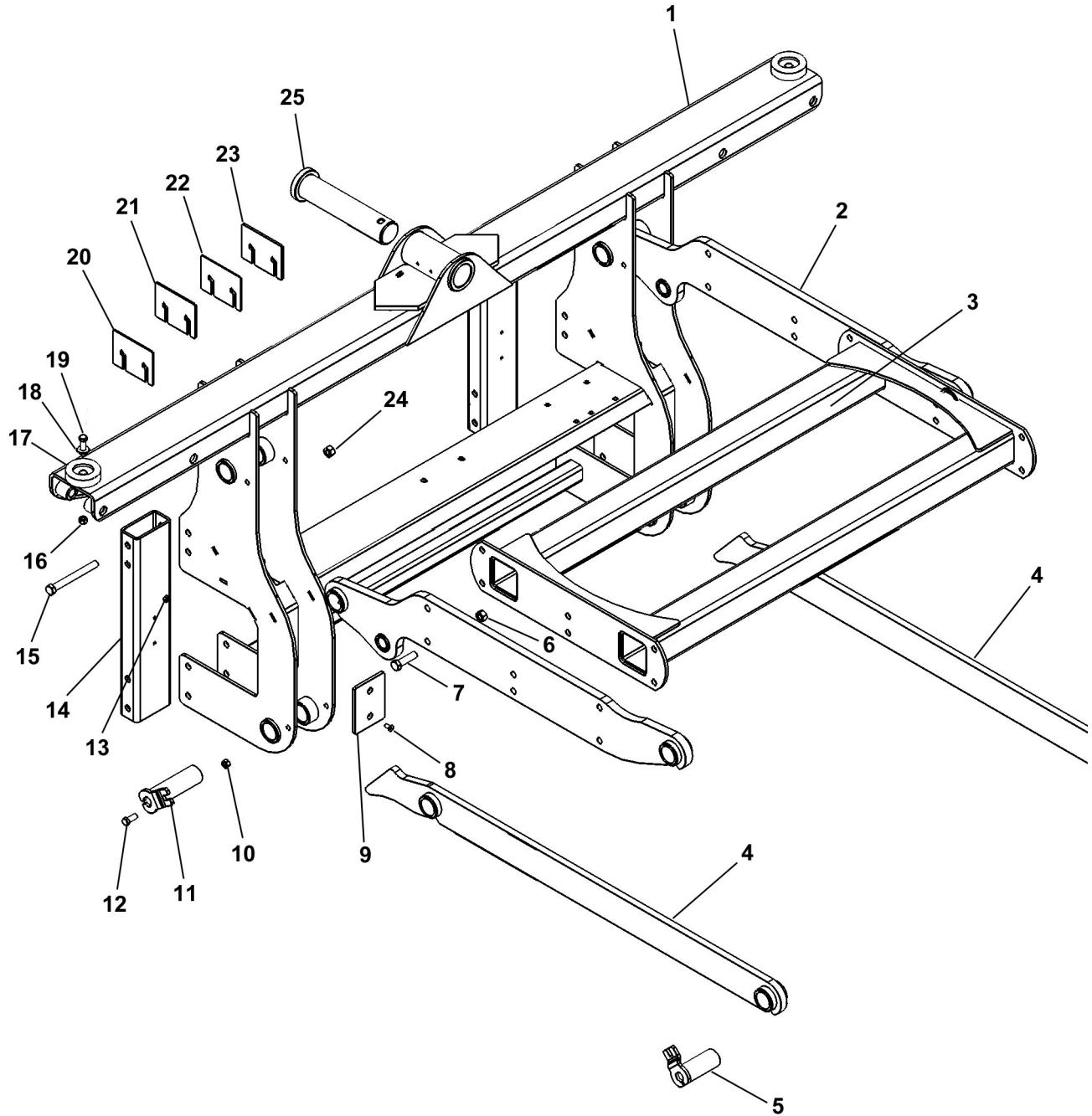


# ILLUSTRATED PARTS LIST

## Tires Parts List

| ITEM | VENDOR PART NO.     | PART NO. | 9600      | 9610/9613 | DESCRIPTION              |
|------|---------------------|----------|-----------|-----------|--------------------------|
| 1    | TT-508260000057212L | 700026   | 1         |           | 13.6 X 38 Yellow LH      |
| 1    | TT-508260000057212R | 700027   | 1         |           | 13.6 X38 Yellow RH       |
| 1    | TT-508260000040712L | 700024   | 1 Opt/Red |           | 13.6 X 38 Silver LH      |
| 1    | TT-508260000040712R | 700025   | 1 Opt/Red |           | 13.6 X38 Silver RH       |
| 2    | TT-51578800572011L  | 700010   |           | 1         | 320/90R46 Yellow LH      |
| 2    | TT-5157880057201R   | 700011   |           | 1         | 320/90R46 Yellow RH      |
| 2    | TT-5157880040701R   | 700009   |           | 1 Opt/Red | 320/90R46 Silver RH      |
| 2    | TT-5157880040701L   | 700008   |           | 1 Opt/Red | 320/90R46 Silver LH      |
| 3    | TT-512318057201R    | 700002   |           | 1 Opt     | 380/90R46 Yellow RH      |
| 3    | TT-512318057201L    | 700003   |           | 1 Opt     | 380/90R46 Yellow LH      |
| 3    | TT-5123180040701L   | 700001   |           | 1 Opt/Red | 380/90R46 Silver LH      |
| 3    | TT-5123180040701R   | 700000   |           | 1 Opt/Red | 380/90R46 Silver RH      |
| 4    | TT-05193450040701L  | 700032   |           | 2 Opt.    | 320/90R46 Yellow LH Dual |
| 4    | TT-05193450040701R  | 700033   |           | 2 Opt.    | 320/90R46 Yellow RH Dual |
| 4    | TT-05193450057201L  | 700040   |           | 2 Opt/Red | 320/90R46 Silver LH Dual |
| 4    | TT-05193450057201R  | 700041   |           | 2 Opt/Red | 320/90R46 Silver RH Dual |
| 4    | TT-5193450057201L   | 700020   |           | 2 Opt.    | 380/90R46 Yellow LH Dual |
| 4    | TT-5193450057201R   | 700021   |           | 2 Opt.    | 380/90R46 Yellow RH Dual |
| 4    | TT-519345004071L    | 700034   |           | 2 Opt/Red | 380/90R46 Silver LH Dual |
| 4    | TT-5193450040701R   | 700035   |           | 2 Opt/Red | 380/90R46 Silver RH Dual |

## Parallel Link & Interior Pivot





## ILLUSTRATED PARTS LIST

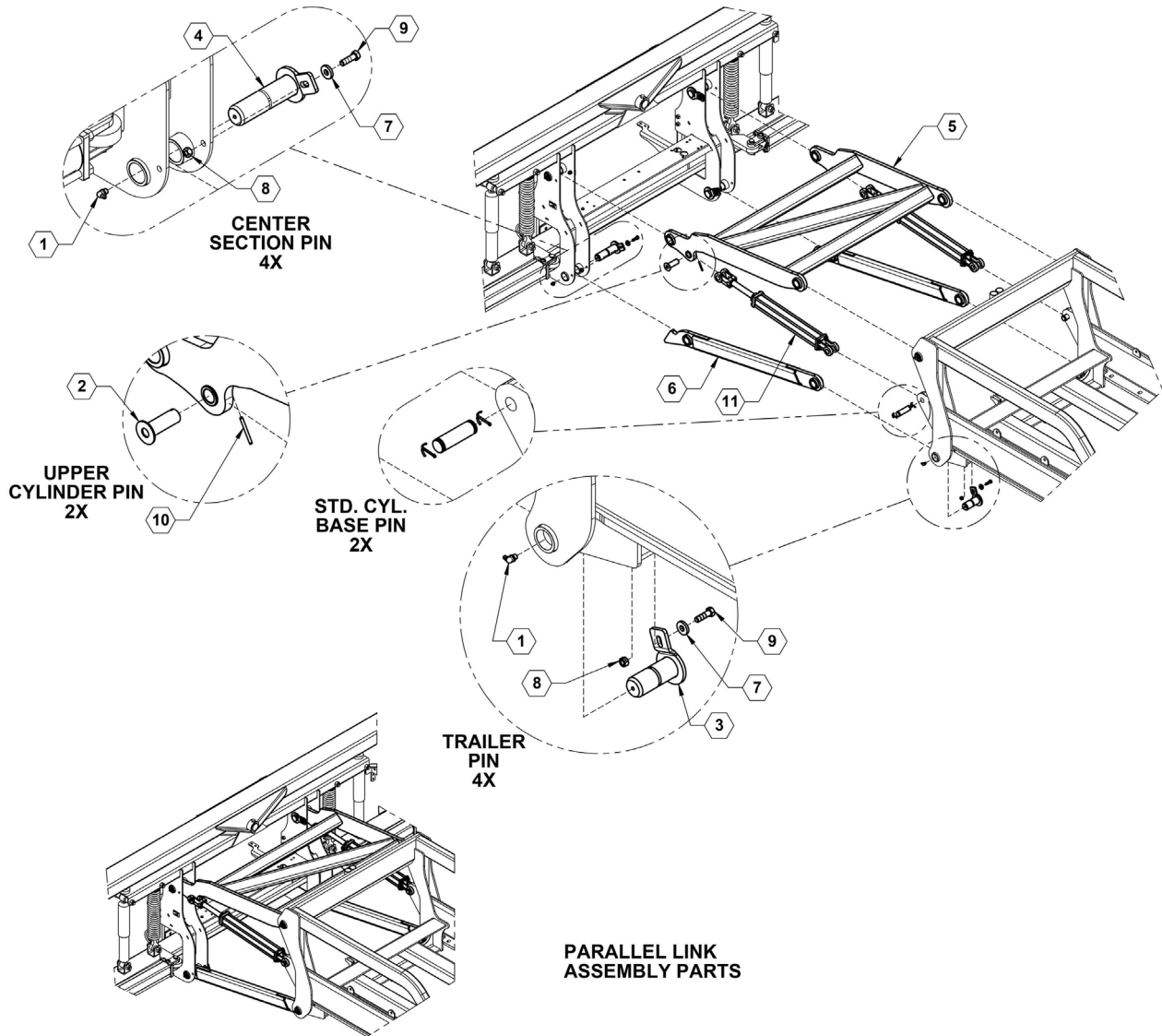
### Parallel Link & Interior Pivot Parts List

| ITEM | VENDOR PART NO. | PART NO. | QTY. | DESCRIPTION                    |
|------|-----------------|----------|------|--------------------------------|
| 1    |                 | 13806    | 1    | Interior Pivot                 |
| 2    |                 | 13803    | 2    | Upper Link Weldment            |
| 3    |                 | 13804    | 1    | H Brace                        |
| 4    |                 | 13802    | 2    | Lower Link Weldment            |
| 5    |                 | 13871    | 1    | Pin Trailer Pivot              |
| 6    |                 | 239      | 12   | Nut Hex 1/2" Centerlock        |
| 7    |                 | 154      | 12   | Bolt Hex Head 1/2 X 2 GR5 Zp   |
| 8    |                 | 671      | 8    | Bolt Flat Head 1/4 X 5/8 Black |
| 9    |                 | 11739    | 4    | Rub Plate                      |
| 10   |                 | 237      | 6    | Nut Hex Head 3/8" Centerlock   |
| 11   |                 | 13872    | 4    | Cradle Pin                     |
| 12   |                 | 129      | 8    | Bolt HH 3/8 1-1/2 GR5 Zp       |
| 13   |                 | 235      | 8    | Nut Hex 1/4" Centerlock Zp     |
| 14   |                 | 13883    | 2    | Tube Interior Pivot Lock       |
| 15   |                 | 160      | 8    | Bolt Hex Head 1/2 X 5 GR5 Zp   |
| 16   |                 | 237      | 10   | Nut Hex Head 3/8" Centerlock   |
| 17   | B1              | 59026    | 2    | Rubber Bumper                  |
| 18   |                 | 258      | 2    | Washer Flat 3/8" Zp            |
| 19   |                 | 129      | 2    | Bolt HH 3/8 1-1/2 GR5 Zp       |
| 20   |                 | 11265    | AR   | Shim Rub Plate 12 Ga           |
| 21   |                 | 11266    | AR   | Shim Rub Plate 10 Ga           |
| 22   |                 | 11267    | AR   | Shim Rub Plate 7 Ga            |
| 23   |                 | 11942    | AR   | Shim Rub Plate 14 Ga           |
| 24   |                 | 239      | 8    | Nut Hex 1/2" Centerlock        |
| 25   |                 | 13870    | 1    | Pin Center Interior Pivot      |
| NS   |                 | 759      | 10   | Grease Zerk 1/4-28 TPI Zp      |



# ILLUSTRATED PARTS LIST

## Parallel Link Assembly





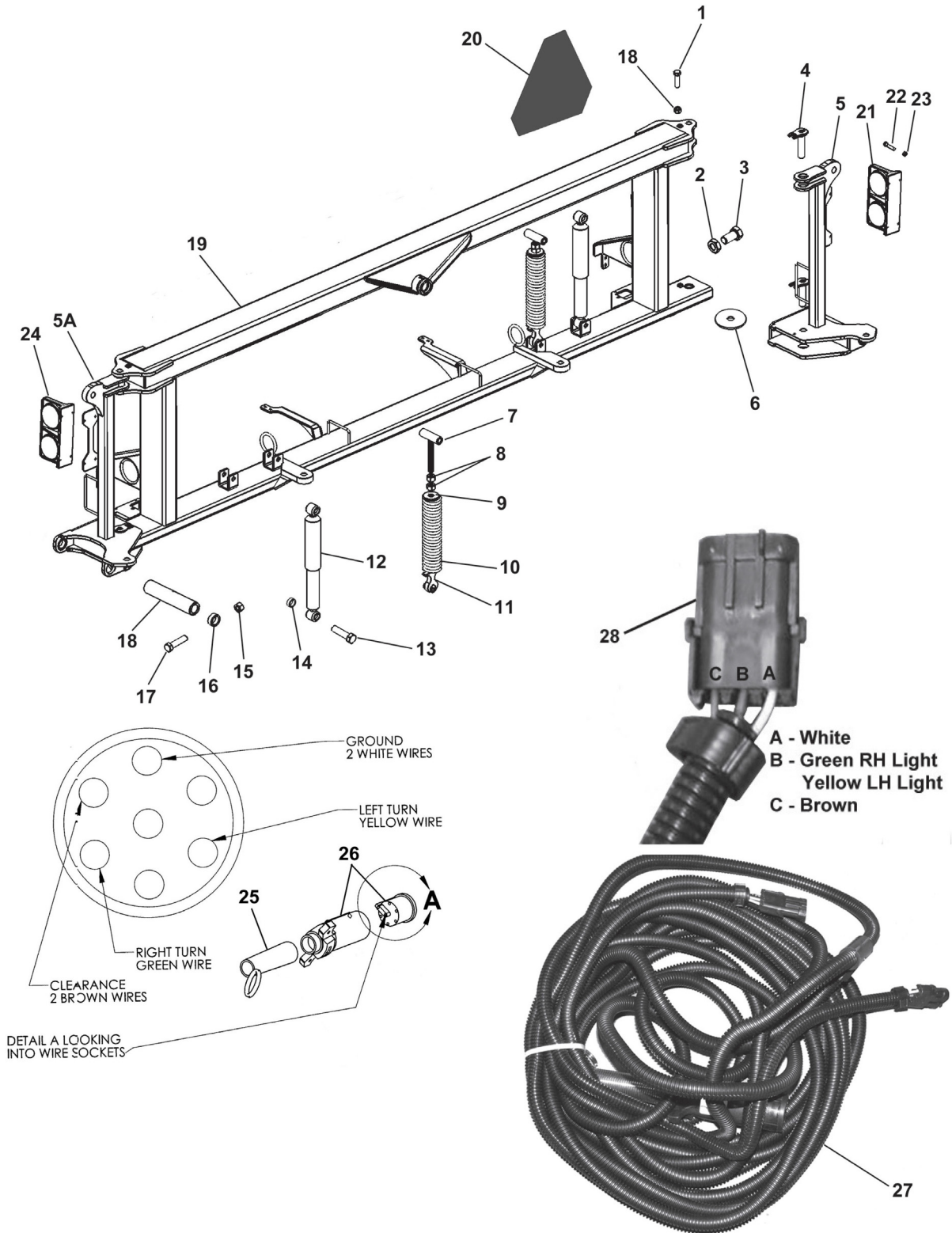


## ILLUSTRATED PARTS LIST

### Parallel Link Assembly

| ITEM | PART NO. | QTY. | DESCRIPTION                   |
|------|----------|------|-------------------------------|
| 1    | 761      | 8    | ZERK, 90 , 1/4" STRAIGHT PIPE |
| 2    | 11629    | 2    | CRADLE CYLINDER PIN           |
| 3    | 13871    | 4    | PIN                           |
| 4    | 13872    | 4    | PIN                           |
| 5    | 14790    | 1    | LITE MACHO UPPER LINK         |
| 6    | 14795    | 2    | LITE LINK, LOWER              |
| 7    | 530309   | 8    | WASHER, FLAT HEAVY 13/32 X 1  |
| 8    | 596237M  | 8    | NUT, CENTERLOCK 3/8 MAGNI     |
| 9    | 596635M  | 8    | BOLT, HH 3/8-16 x 1-1/4 MAGNI |
| 10   | 596746M  | 2    | SPRING PIN 5X50mm MAGNI       |
| 11   | 620019   | 2    | CYLINDER 20TD16-112 MAIN LIFT |

## 12' Center Section



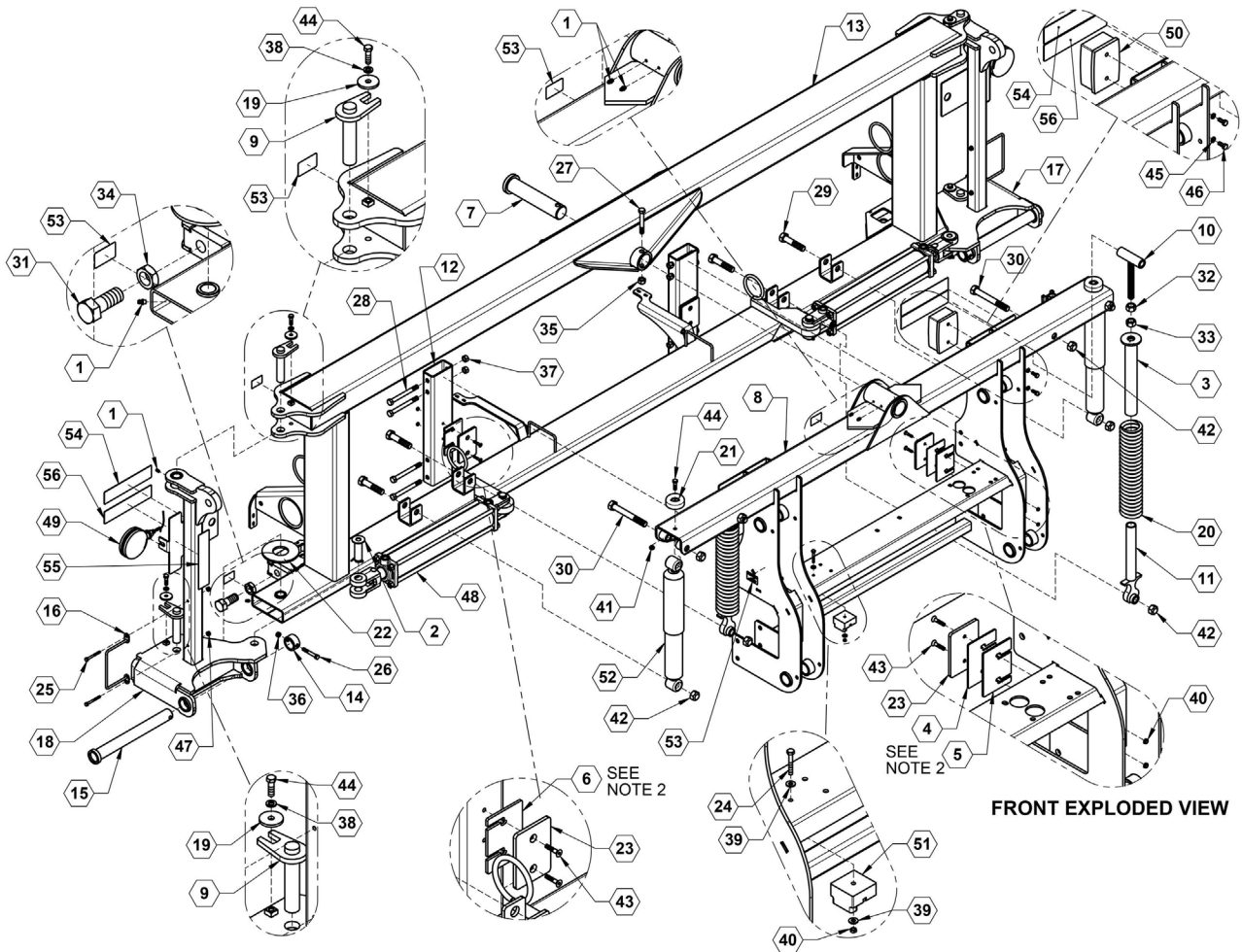


# ILLUSTRATED PARTS LIST

## 12' Center Section Parts List

| ITEM | VENDOR PART NO. | PART NO. | QTY. | DESCRIPTION                        |
|------|-----------------|----------|------|------------------------------------|
| 1    |                 | 128      | 4    | Bolt HH 3/8 X 1 GR5 Zp             |
| 2    |                 | 226      | 2    | Nut Hex Head Jam 1" Zp             |
| 3    |                 | 198      | 2    | Bolt Hex Head 1 X 2 GR5 Zp         |
| 4    |                 | 13886    | 4    | Wing Pivot Pin                     |
| 5    |                 | 11513L   | 1    | Wing Pivot Left                    |
| 5A   |                 | 11513R   | 1    | Wing Pivot Right                   |
| 6    |                 | 13891    | 2    | Washer UHMW Poly                   |
| 7    |                 | 13875    | 2    | Spring Adjustment Eyebolt          |
| 8    |                 | 217      | 4    | Nut HH 3/4" Zp                     |
| 9    |                 | 7442     | 2    | Outer Spring Mount                 |
| 10   | FX-FV0006656    | 590011   | 2    | Spring Center Section              |
| 11   |                 | 13876    | 2    | Inner Spring Mount                 |
| 12   | 66833           | 790011   | 2    | Shock Center Section               |
| 13   |                 | 187      | 8    | Bolt HH 3/4 X 3-1/2" GR5 Zp        |
| 14   |                 | 241      | 8    | Nut HH 3/4" Centerlock Zp          |
| 15   |                 | 237      | 2    | Nut 3/8 Center Lock Zp             |
| 16   |                 | 14296    | 2    | Collar, Pin Retainer               |
| 17   |                 | 131      | 2    | Bolt HH 3/8 x 2-1/2" GR5 Zp        |
| 18   |                 | 14300    | 2    | Main Wing Pivot Pin                |
| 19   |                 | 13801    | 1    | Center Section, 12' Wide, Dry Boom |
| 20   |                 | 790017   | 1    | SMV                                |
| 21   |                 | 740001   | 1    | Lights Left Side                   |
| 22   |                 | 102      | 8    | Bolt HH 1/4 x 1" GR5 Zp            |
| 23   |                 | 767      | 8    | Nut HH 1/4" Whizlock               |
| 24   |                 | 740002   | 1    | Lights Right Side                  |
| NS   |                 | 256      | 8    | 1/4" Flat Washer Used On #22       |
| 25   | WA-37678        |          | 1    | Spring Cable Guide                 |
| 26   | WA-37673        |          | 1    | 7-Pin Electrical Connector         |
| 27   | DA-1528         | 740007   | 1    | Warning Light Harness              |
| 28   | WA-38044        |          | 2    | Weather Pack 3-Pin Shroud          |

## 12' Center Section, 60 - 100' Boom



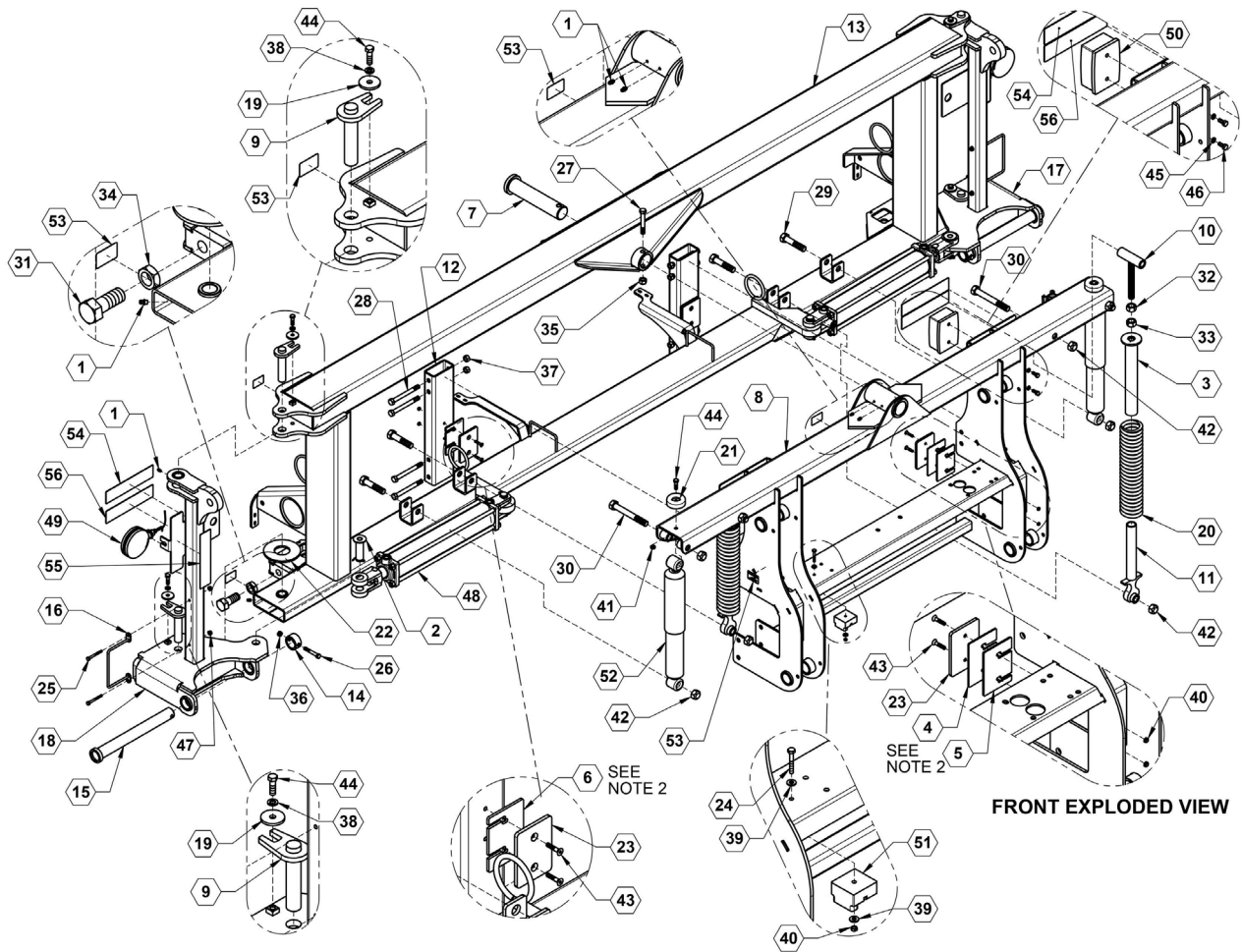


## ILLUSTRATED PARTS LIST

### 12' Center Section, 60 - 100' Boom Parts List

| ITEM | PART NO. | QTY. | DESCRIPTION                                 |
|------|----------|------|---|
| 1    | 759      | 6    | ZERK, 1/4-28 STRAIGHT                       |
| 2    | 7340     | 2    | 1" CYLINDER PIN                             |
| 3    | 7442     | 2    | OUTER SPRING GUIDE                          |
| 4    | 11265    | 2    | SHIM, RUB PLATE 12 Ga                       |
| 5    | 11266    | 2    | SHIM, RUB PLATE 10 Ga                       |
| 6    | 11267    | 2    | SHIM, RUB PLATE 7Ga                         |
| 7    | 13304    | 1    | PIN, CENTER PIVOT                           |
| 8    | 13806    | 1    | CRADLE, WELDMENT                            |
| 9    | 13874    | 4    | PIN, WING PIVOT                             |
| 10   | 13875    | 2    | ADJUSTER, SPRING                            |
| 11   | 13876    | 2    | BASE, SPRING MT                             |
| 12   | 13883    | 2    | TUBE, CRADLE LOCK                           |
| 13   | 14200    | 1    | CENTER SECTION, 12' WIDE, STANDARD WET BOOM |
| 14   | 14296    | 2    | BUSHING WITH HOLE                           |
| 15   | 14300    | 2    | PIN, MAIN WING                              |
| 16   | 18267    | 2    | BOLT ON HOSE HOLDER                         |
| 17   | 21353L   | 1    | PIVOT, WING LH                              |
| 18   | 21353R   | 1    | PIVOT, WING, RH                             |
| 19   | 530308   | 4    | WASHER, HEAVY 13/32 X 1 5/8                 |
| 20   | 590011   | 2    | CENTER SECTION SPRING                       |
| 21   | 590026   | 2    | BUMPER, 1X2-1/2 RUBBER ROUND                |
| 22   | 590042   | 2    | WASHER, 2 1/8" ID THRUST                    |
| 23   | 590097   | 4    | RUB PLATE                                   |
| 24   | 596104M  | 1    | BOLT, HH 1/4-20X1-3/4 GR5 MAGNI             |
| 25   | 596105M  | 4    | BOLT, HH 1/4-20X2-1/2 GR5 MAGNI             |
| 26   | 596131M  | 2    | BOLT, HH 3/8-16X2-1/2 GR5 MAGNI             |
| 27   | 596157M  | 1    | BOLT, HH 1/2X3-1/2 GR5 MAGNI                |
| 28   | 596160M  | 8    | BOLT, HH 1/2X5 GR5 MAGNI                    |

## 12' Center Section, 60 - 100' Boom







## ILLUSTRATED PARTS LIST

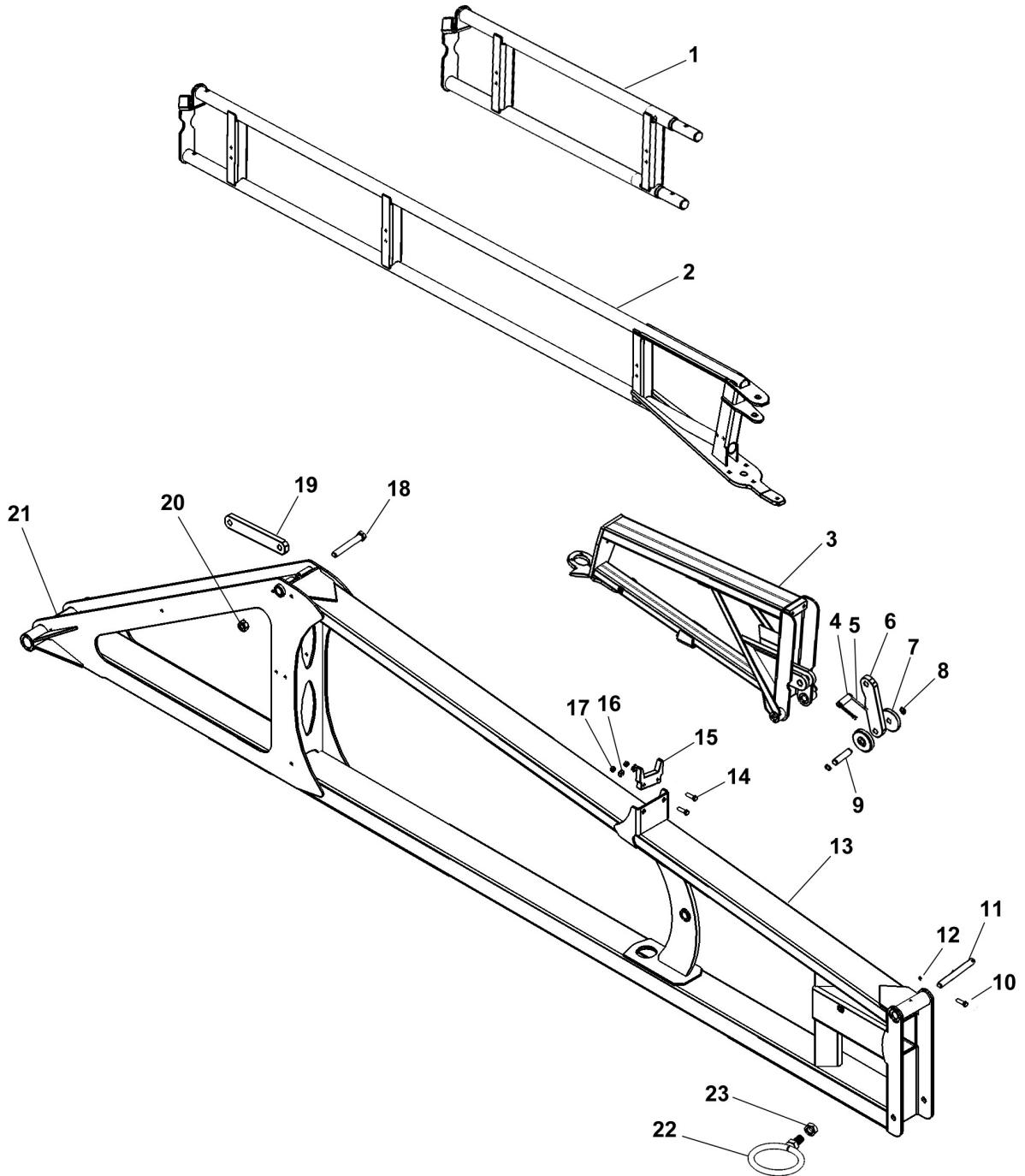
### 12' Center Section, 60 - 100' Boom Parts List

| ITEM | PART NO. | QTY. | DESCRIPTION                       |
|------|----------|------|-----------------------------------|
| 29   | 596187M  | 4    | BOLT, HH 3/4-10X3-1/2 GR5 MAGNI   |
| 30   | 596192M  | 4    | BOLT, HH 3/4-10X6 GR5 MAGNI       |
| 31   | 596199M  | 2    | BOLT, HH 1-8X2-1/2 GR5 MAGNI      |
| 32   | 596217M  | 2    | NUT, HEX 3/4-10 G5 MAGNI          |
| 33   | 596225M  | 2    | NUT, HEX JAM 3/4-10 GR8 MAGNI     |
| 34   | 596226M  | 2    | NUT, HEX JAM 1-8 MAGNI            |
| 35   | 596231M  | 1    | NUT, HEX NYLOCK 1/2-13 MAGNI      |
| 36   | 596237M  | 2    | NUT, CENTERLOCK 3/8-16 MAGNI      |
| 37   | 596239M  | 8    | NUT, CENTERLOCK, 1/2-13 MAGNI     |
| 38   | 596250M  | 4    | LOCKWASHER 3/8 MAGNI              |
| 39   | 596256M  | 2    | WASHER, FLAT 1/4 USS MAGNI        |
| 40   | 596622M  | 9    | NUT, TOPLOCK 1/4-20 MAGNI         |
| 41   | 596624M  | 2    | NUT, TOPLOCK 3/8-16 MAGNI         |
| 42   | 596626M  | 8    | NUT, TOPLOCK 3/4-10 G5 MAGNI      |
| 43   | 596631M  | 8    | FHSCS 1/4-20X1-1/4 MAGNI          |
| 44   | 596634M  | 6    | BOLT, HH 3/8-16X1-1/4 GR8 MAGNI   |
| 45   | 596728M  | 4    | LOCKWASHER 8MM MAGNI              |
| 46   | 596737M  | 4    | BOLT, HH 8-1.25 X 20MM 8.8 MAGNI  |
| 47   | 596767M  | 4    | NUT, HEX FLANGE 1/4-20 MAGNI      |
| 48   | 620057   | 2    | CYLINDER, 30THC16.00-150          |
| 49   | 740024   | 2    | LIGHT, AMBER, PEDESTAL. MOUNT     |
| 50   | 740025   | 2    | LIGHT, RED SURFACE MOUNT ASSEMBLY |
| 51   | 740031   | 1    | LIGHT MODULE                      |
| 52   | 790010   | 2    | SHOCK, YELLOW 7400 120' CENTER    |
| 53   | 800014   | 7    | DECAL, GREASE PIVOT POINTS        |
| 54   | 800109   | 4    | DECAL, RED REFLECTOR              |
| 55   | 800110   | 2    | DECAL, AMBER REFLECTOR            |
| 56   | 800111   | 2    | DECAL, ORANGE REFLECTOR           |



# ILLUSTRATED PARTS LIST

## Wings - 60 & 66 Foot Boom - Standard







# ILLUSTRATED PARTS LIST

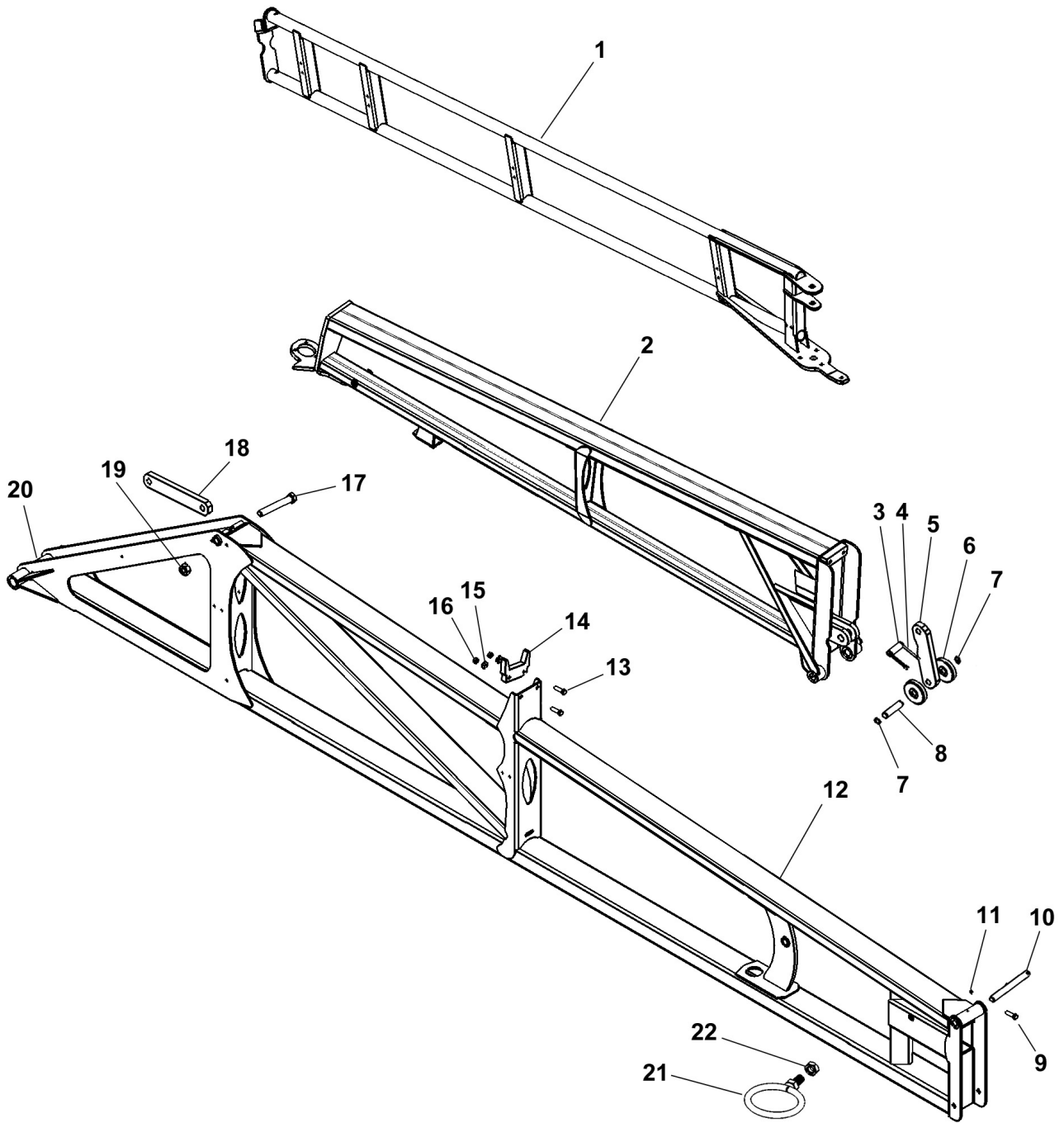
## Wings - 60 & 66 Foot Boom - Standard Parts List

| ITEM | PART NO. | 60 & 66' BOOM | 66' BOOM | DESCRIPTION                     |
|------|----------|---------------|----------|---------------------------------|
| 1    | 14627    |               | 2        | Breakaway Extension 3' Aluminum |
| 2    | 18300    | 2             |          | Breakaway Wing 93"              |
| 3    | 14215    | 2             |          | Flip Wing                       |
| 4    | 11127    | 2             |          | Pin                             |
| 5    | 135995   | 4             |          | Cotter Pin 3/16 x 2 ZP          |
| 6    | 9514     | 2             |          | Flip Wing Arm                   |
| 7    | 7668     | 4             |          | Wing Roller Machined            |
| 8    | 534      | 4             |          | Snap Ring External 1"           |
| 9    | 7669     | 2             |          | Roller Pin 1"                   |
| 10   | 117      | 2             |          | Bolt HH 5/16 x 2" GR5 Zp        |
| 11   | 9468     | 2             |          | Flip Wing Pin                   |
| 12   | 236      | 2             |          | Nut HH 5/16" Centerlock Zp      |
| 13   | 14205    | 2             |          | Main Wing                       |
| 14   | 154      | 4             |          | Bolt HH 1/2 X 2 GR5 Zp          |
| 15   | 9674     | 2             |          | Wing Rest 1" UHMW               |
| 16   | 260      | 4             |          | Washer Flat 1/2" Zp             |
| 17   | 231      | 4             |          | Nut HH 1/2" Centerlock Zp       |
| 18   | 209      | 2             |          | Bolt HH 1 X 7-1/2" GR5 Zp       |
| 19   | 14149    | 2             |          | Link Level Boom                 |
| 20   | 242      | 2             |          | Nut HH 1" Centerlock Zp         |
| 21   | 759      | 2             |          | Zerk 1/4-28                     |
| 22   | 14146    | 2             |          | Ring Hose Holder                |
| 23   | 223      | 2             |          | Nut Jam                         |



# ILLUSTRATED PARTS LIST

## Wings - 80, 90 & 100 Foot Boom - Standard



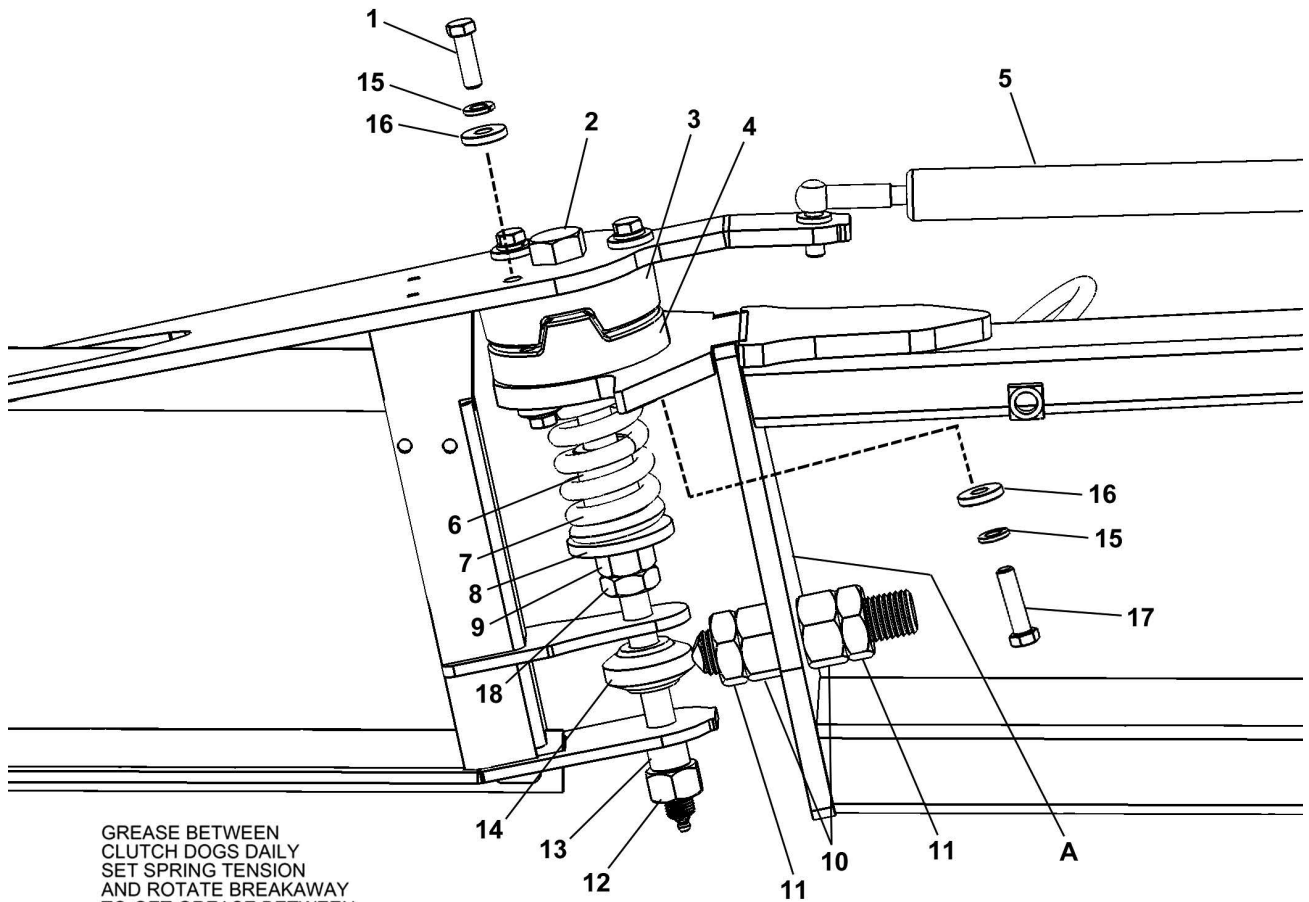


# ILLUSTRATED PARTS LIST

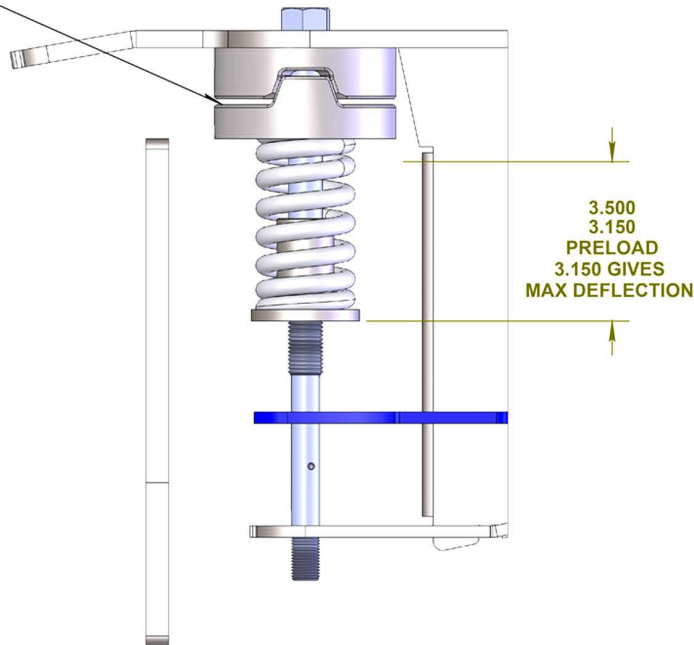
## Wings - 80, 90 & 100 Foot Boom - Standard Parts List

| ITEM | PART NO. | DESCRIPTION                     | 80, 90 & 100' Boom | 80' Boom | 90' Boom | 100' Boom |
|------|----------|---------------------------------|--------------------|----------|----------|-----------|
| 1    | 14627    | Breakaway Extension 3' Aluminum |                    | 2        | 2        | 2         |
| 2    | 18300    | Breakaway Wing 93"              | 2                  |          |          |           |
| 3    | 14215    | Flip Wing                       | 2                  |          |          |           |
| 4    | 11127    | Pin                             | 2                  |          |          |           |
| 5    | 135995   | Cotter Pin 3/16 x 2 ZP          | 4                  |          |          |           |
| 6    | 9514     | Flip Wing Arm                   | 2                  |          |          |           |
| 7    | 7668     | Wing Roller Machined            | 4                  |          |          |           |
| 8    | 534      | Snap Ring External 1"           | 4                  |          |          |           |
| 9    | 7669     | Roller Pin 1"                   | 2                  |          |          |           |
| 10   | 117      | Bolt HH 5/16 x 2" GR5 Zp        | 2                  |          |          |           |
| 11   | 9468     | Flip Wing Pin                   | 2                  |          |          |           |
| 12   | 236      | Nut HH 5/16" Centerlock Zp      | 2                  |          |          |           |
| 13   | 14205    | Main Wing                       | 2                  |          |          |           |
| 14   | 154      | Bolt HH 1/2 X 2 GR5 Zp          | 4                  |          |          |           |
| 15   | 9674     | Wing Rest 1" UHMW               | 2                  |          |          |           |
| 16   | 260      | Washer Flat 1/2" Zp             | 4                  |          |          |           |
| 17   | 231      | Nut HH 1/2" Centerlock Zp       | 4                  |          |          |           |
| 18   | 209      | Bolt HH 1 X 7-1/2" GR5 Zp       | 2                  |          |          |           |
| 19   | 14149    | Link Level Boom                 | 2                  |          |          |           |
| 20   | 242      | Nut HH 1" Centerlock Zp         | 2                  |          |          |           |
| 21   | 759      | Zerk 1/4-28                     | 2                  |          |          |           |
| 22   | 14146    | Ring Hose Holder                | 2                  |          |          |           |
| 23   | 223      | Nut Jam                         | 2                  |          |          |           |

## Breakaway Pivot



GREASE BETWEEN  
CLUTCH DOGS DAILY  
SET SPRING TENSION  
AND ROTATE BREAKAWAY  
TO GET GREASE BETWEEN  
SURFACES



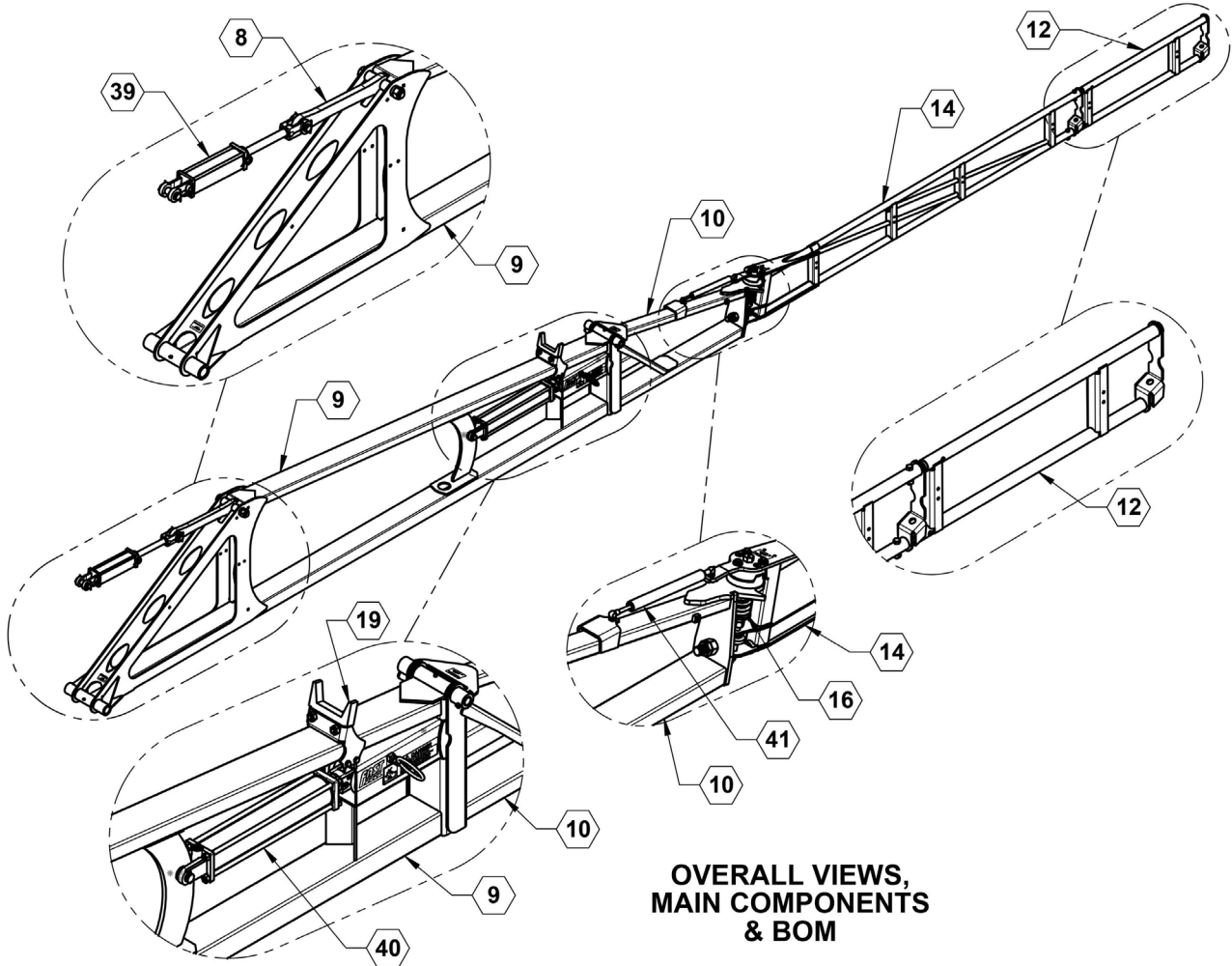
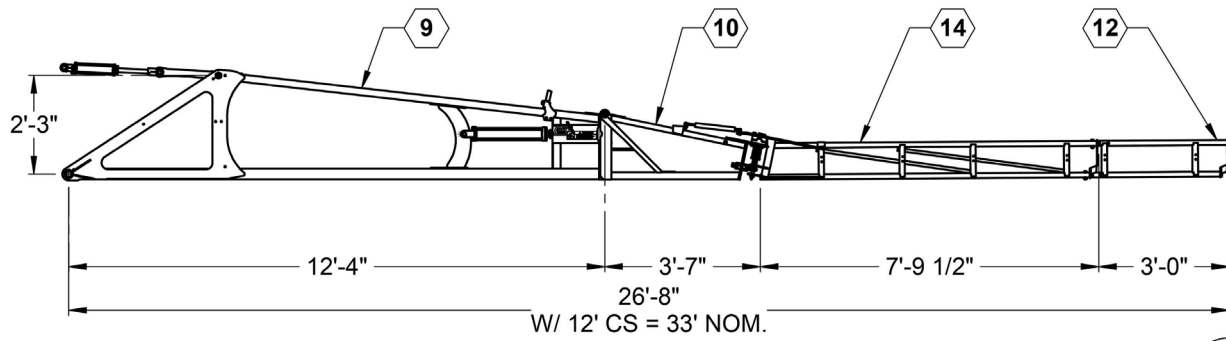


# ILLUSTRATED PARTS LIST

## Breakaway Pivot Parts List

| ITEM | VENDOR PART NO. | PART NO. | QTY. | DESCRIPTION  |
|------|-----------------|----------|------|--|
| 1    |                 | 596633M  | 6    | Bolt Hex Head 3/8-24 x 1-1/4 GR8 Magni                                       |
| 2    |                 | 590112   | 1    | Bolt Hex Head Breakaway Pivot  |
| 3    | 14457           | 590074   | 1    | 20° Clutch Male Half   |
| 4    | 14458           | 590073   | 1    | 20° Clutch Female Half   |
| 5    | EL-2X3X2-046    | 790028   | 1    | Shock Breakaway, Heavy   |
| 6    |                 | 13611    | 1    | Spring Guide Tube  |
| 7    |                 | 590006   | 1    | Spring, Breakaway  |
| 8    |                 | 14013    | 1    | Guide, Spring Breakaway  |
| 9    |                 | 217      | 1    | Nut Hex Head 3/4" Zp   |
| 10   |                 | 799      | 2    | Nut Hex Head 1" Zp   |
| 11   |                 | 226      | 2    | Nut Hex Head Jam 1" Zp   |
| 12   |                 | 216      | 1    | Nut Hex Head 5/8 Zp  |
| 13   |                 | 14268    | 1    | Collar   |
| 14   |                 | 14575    | 1    | Breakaway Adjustment Bolt  |
| 15   |                 | 250      | 6    | Lock Washer 3/8 Zp   |
| 16   |                 | 530309   | 6    | Flat Washer Heavy 3/8  |
| 17   |                 | 368      | 3    | Bolt Hex Head 3/8 x 1-1/2 GR8 Zp   |
| 18   |                 | 225      | 1    | Nut Hex Head Jam 3/4" Zp   |
| 19   |                 | 12388    | 1    | Early Unit Update - Replaces 3/4" #14 when plate (A) has a 3/4 x 1-1/2" Slot |

## Wings - 60 & 66 Foot Boom





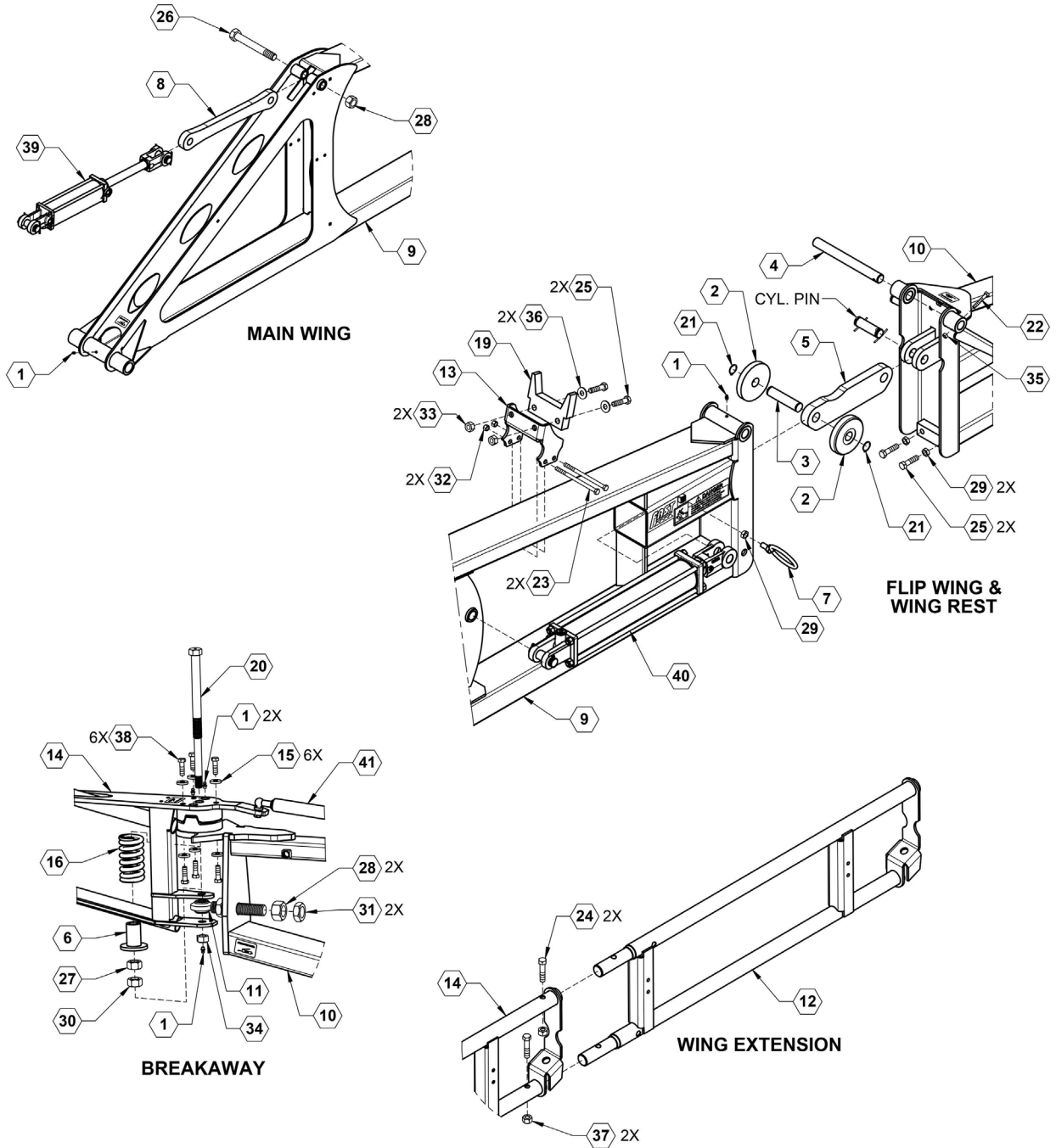
## ILLUSTRATED PARTS LIST

### Wings - 60 & 66 Boom Parts List

| ITEM | PART NO. | QTY. | DESCRIPTION                        |
|------|----------|------|------------------------------------|
| 8    | 14149    | 1    | LINK, WING TILT                    |
| 9    | 14205    | 1    | WING, MAIN 60'                     |
| 10   | 14215    | 1    | WING, FLIP                         |
| 12   | 14627    | 1    | 3' ALUMINUM EXTENSION FOR 66' BOOM |
| 14   | 18300    | 1    | WELDMENT, 93" BREAKAWAY            |
| 16   | 590006   | 1    | SPRING, COMPRESSION                |
| 19   | 590099   | 1    | REST, WING                         |
| 39   | 620023   | 1    | CYLINDER, 25TD08-112 WING TILT     |
| 40   | 620057   | 1    | CYLINDER, 30THC16.00-150 FLIP WING |
| 41   | 790028   | 1    | SHOCK, BREAKAWAY, HEAVY            |
|      | 800014   | 4    | DECAL, GREASE PIVOT POINTS         |
|      | 800020   | 1    | DECAL, FAST LOGO BLACK/GRAY        |
|      | 800106   | 2    | DECAL, DANGER-STAND CLEAR          |
|      | 800110   | 3    | DECAL, AMBER REFLECTOR             |



## Wings - 60 & 66 Foot Boom



EXPLODED PARTS VIEWS

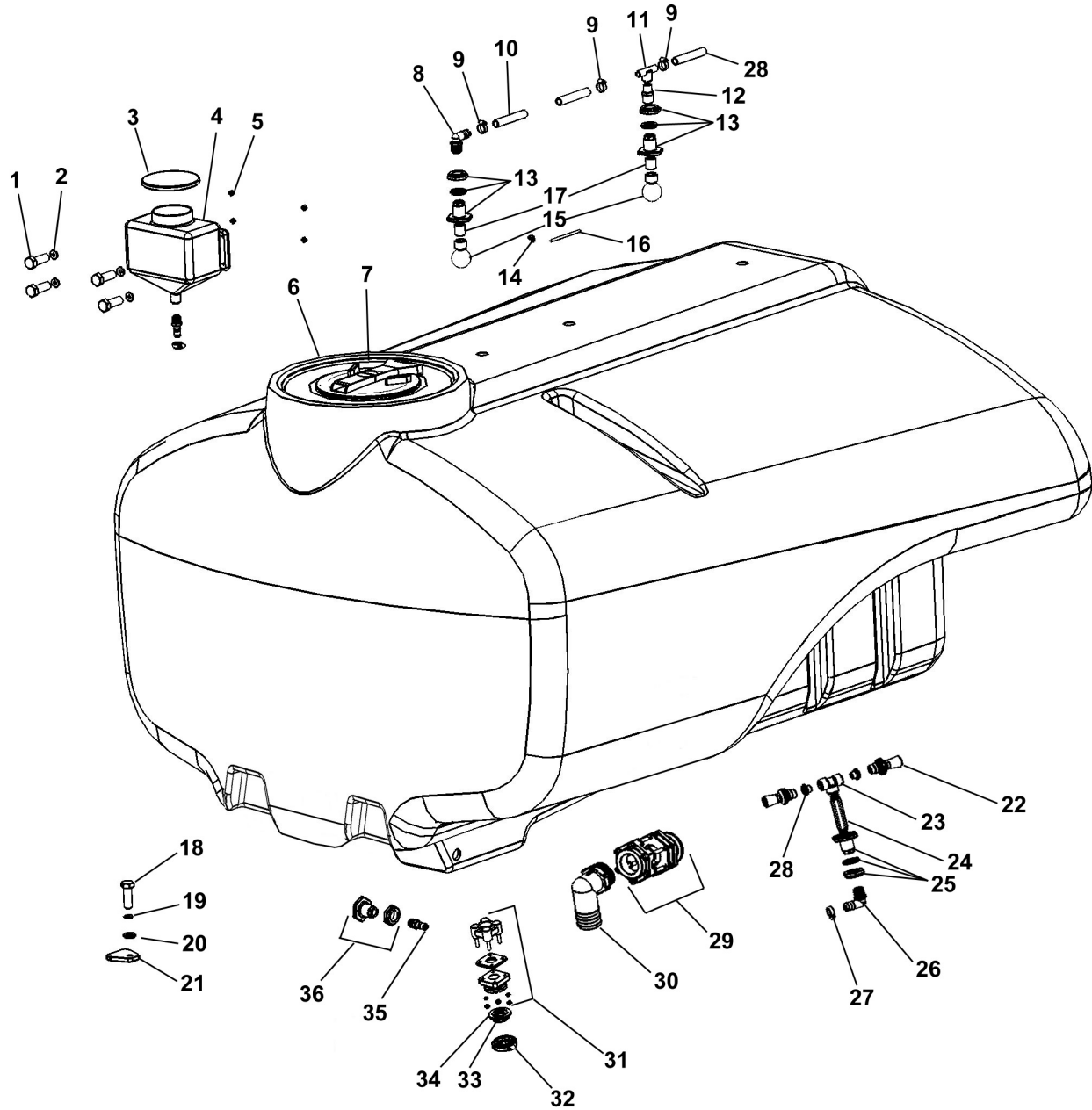


# ILLUSTRATED PARTS LIST

## Wings - 60 & 66 Boom Parts List

| ITEM | PART NO. | QTY. | DESCRIPTION                        |
|------|----------|------|------------------------------------|
| 1    | 759      | 5    | ZERK, 1/4-28 STRAIGHT              |
| 2    | 7668     | 2    | ROLLER, WING, MACHINED             |
| 3    | 7669     | 1    | PIN, ROLLER, 1"                    |
| 4    | 9468     | 1    | PIN, FLIP WING                     |
| 5    | 9514     | 1    | ARM, FLIP WING                     |
| 6    | 14013    | 1    | SPRING GUIDE                       |
| 7    | 14146    | 1    | BRACKET, HOSE RING                 |
| 8    | 14149    | 1    | LINK, WING TILT                    |
| 9    | 14205    | 1    | WING, MAIN 60'                     |
| 10   | 14215    | 1    | WING, FLIP                         |
| 11   | 14575    | 1    | BALL JOINT, ADJUSTMENT             |
| 12   | 14627    | 1    | 3' ALUMINUM EXTENSION              |
| 13   | 14725    | 1    | FLIP WING STOP MOUNT               |
| 14   | 18300    | 1    | WLDMNT, 93" BREAKAWAY              |
| 15   | 530309   | 6    | WASHER, FLAT HEAVY 13/32 X 1       |
| 16   | 590006   | 1    | SPRING, COMPRESSION                |
| 19   | 590099   | 1    | REST, WING                         |
| 20   | 590112   | 1    | BOLT, BREAKAWAY                    |
| 21   | 590180   | 2    | SNAP RING 1" EXTERNAL              |
| 22   | 596117M  | 1    | BOLT, HH 5/16-18X2 GR5 MAGNI       |
| 24   | 596142M  | 2    | BOLT, HH 7/16X2 GR5 MAGNI          |
| 25   | 596154M  | 4    | BOLT, HH 1/2-13X2 GR5 MAGNI        |
| 26   | 596209M  | 1    | BOLT, HH 1-8X7-1/2 GR5 MAGNI       |
| 27   | 596217M  | 1    | NUT, HEX 3/4-10 G5 MAGNI           |
| 28   | 596218M  | 3    | NUT, HEX 1-8 MAGNI                 |
| 29   | 596223M  | 3    | NUT, HEX JAM 1/2-13 MAGNI          |
| 30   | 596225M  | 1    | NUT, HEX JAM 3/4-10 GR8 MAGNI      |
| 31   | 596226M  | 2    | NUT, HEX JAM 1-8 MAGNI             |
| 32   | 596229M  | 2    | NUT, HEX NYLOCK 3/8-16 MAGNI       |
| 33   | 596231M  | 2    | NUT, HEX NYLOCK 1/2-13 MAGNI       |
| 34   | 596232M  | 1    | NUT, HEX NYLOCK 5/8-11 MAGNI       |
| 35   | 596236M  | 1    | NUT, CENTERLOCK, 5/16-18 MAGNI     |
| 36   | 596260M  | 2    | WASHER, FLAT 1/2 MAGNI             |
| 37   | 596625M  | 2    | NUT, TOPLOCK 7/16-14 MAGNI         |
| 38   | 596633M  | 6    | BOLT, HH 3/8-24X1-1/4 GR8 MAGNI    |
| 39   | 620023   | 1    | CYLINDER, 25TD08-112 WING TILT     |
| 40   | 620057   | 1    | CYLINDER, 30THC16.00-150 FLIP WING |
| 41   | 790028   | 1    | SHOCK, BREAKAWAY, HEAVY            |

### Tank Assembly



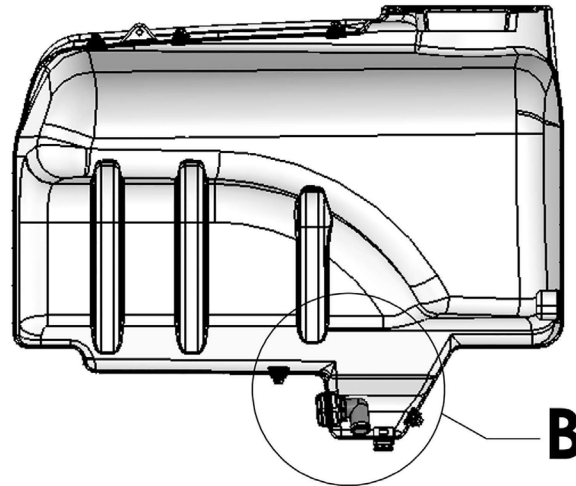


# ILLUSTRATED PARTS LIST

## Tank Assembly Parts List

| ITEM | VENDOR PART NO.     | PART NO. | QTY. | DESCRIPTION                                  |
|------|---------------------|----------|------|--|
| 1    |                     | 129      | 4    | Bolt HH 3/8 X 1-1/2 GR5 Zp                   |
| 2    |                     | 258      | 4    | Washer Flat 3/8 Zp                           |
| 3    |                     | 10522    | 1    | 5" Vented Lid                                |
| 4    |                     | 570038   | 1    | Rinse Tank 2.5 Gallon, Yellow                |
| 4    | SP002-5SYLS         | 570044   | 1    | Rinse Tank 2.5 Gallon, White                 |
| 4    | SP0005-SQ5          | 570125   | 1    | Rinse Tank 5 Gallon, Yellow, 5" Screw on Lid |
| 5    |                     | 169      | 4    | Nut HH 3/8 Whizlock Zp                       |
| 6    | 13260W              | 570007   | 1    | 1000 Gallon Tank White, With Bungs, No Lid   |
|      | 13260Y              | 570008   | 1    | 1000 Gallon Tank Yellow, With Bungs, No Lid  |
|      | 13261W              | 570009   | 1    | 1350 Gallon Tank White, With Bungs, No Lid   |
|      | 13261Y              | 570010   | 1    | 1350 Gallon Tank Yellow, With Bungs, No Lid  |
| 7    | 10516               | 570070   | 1    | Lid, Hytek                                   |
| 8    | HB10075-90          | 530042   | 1    | Hose Barb 1" MPT X 3/4" HB X 90°             |
| 9    | 64012H              | 540013   | 4    | Clamp, Hose 3/4" SS                          |
| 10   | 3/4BH200            | 510012   | 36"  | Hose 3/4" EDPM                               |
| 11   | 3T34F               | 530220   | 1    | 3/4" Tee HB X 3/4" FPT                       |
| 12   | RN100075            | 530148   | 1    | Nipple Reducer 1" X 3/4"                     |
| 13   | 67172               | 530160   | 2    | Bulkhead Fitting 3/4"                        |
| 14   | 44103211            | 530004   | 2    | Connector 90° 1/4 Tube X 1/4 NPT             |
| 15   | TJ-55270-3.4-18-POM | 520012   | 2    | Tank Rinse Ball                              |
| 16   | 2T20-604            | 510024   | 120" | LLDP 1/4" OD Poly Tubing                     |
| 17   | BJ-NIP075-6         | 530130   | 2    | Nipple 3/4 x 6"                              |
| 18   |                     | 170      | 2    | Bolt HH 5/8 X 2 GR5 Zp                       |
| 19   |                     | 253      | 2    | Washer Lock 5/8" Zp                          |
| 20   |                     | 261      | 2    | Washer Flat 5/8" Zp                          |
| 21   | 10244               | 590023   | 2    | Holddown Tab Poly                            |
| 22   | Y33180-PP           | 520028   | 2    | Agitation Nozzle                             |
| 23   | HBT075              | 530054   | 1    | Tee 3/4" Hose Barb                           |
| 24   | NIP075-6            | 530130   | 1    | Nipple 3/4" X 6"                             |
| 25   | TF075               | 530160   | 1    | Bulkhead Fitting 3/4" Banjo                  |
| 26   | HB075-90            | 530040   | 1    | Hose Barb 3/4" X 90°                         |
| 27   | 64012H              | 540013   | 1    | Clamp Hose 3/4" SS                           |
| 28   | RB075038            | 530140   | 2    | Bushing Reducer 1/2 x 3/8"                   |
| 29   | BJMF300             | 530120   | 1    | Bottom Drain 3"                              |
| 30   | HB300-90            | 530053   | 1    | Hose Barb Elbow 3" 90°                       |
| 31   | MBF200BD            | 530118   | 1    | Bottom Drain 2" Standard Port                |
| 32   | FC200               | 540001   | 1    | Flange Clamp 2" Standard Port                |
| 33   | M200PLG             | 530093   | 1    | Plug 2" Standard Port                        |
| 34   | 150G                | 530014   | 1    | Gasket 2" Standard Port                      |
| 35   | HB075               | 530230   | 1    | Hose Barb 3/4"                               |
| 36   | TF075               | 530160   | 1    | Bulkhead Fitting 3/4" Banjo                  |

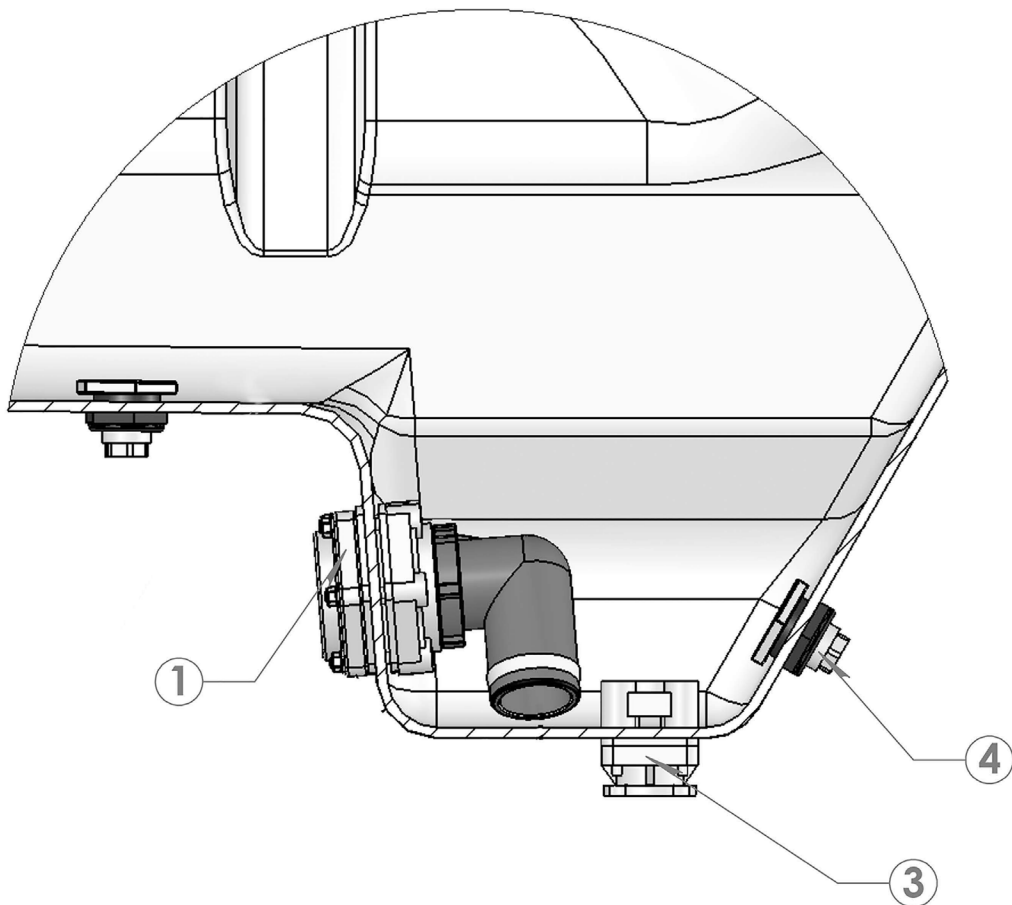
**Tank**



**SECTION A-A**

**B**

**DETAIL B**





# ILLUSTRATED PARTS LIST

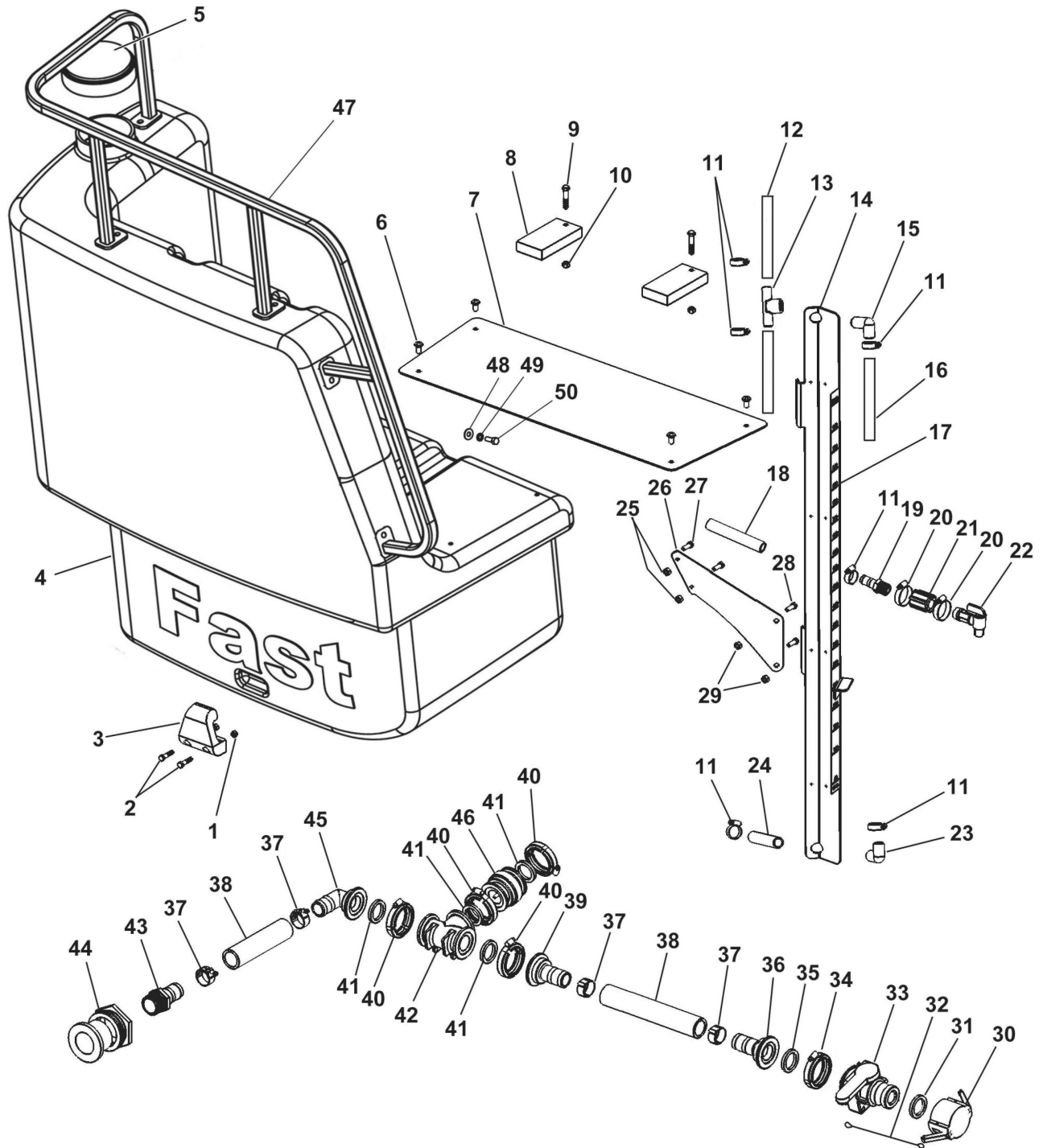
## Tank Assembly Parts List

| ITEM | VENDOR PART NO.            | QTY. | DESCRIPTION              |
|------|----------------------------|------|--------------------------|
| 1    | 13791                      | 1    | SUMP ASSEMBLY            |
| 3    | MBF15020 BD                | 1    | FITTING, 1-1/2" BULKHEAD |
| 4    | TF075 .75 BULKHEAD FITTING | 1    | 3/4" BULKHEAD FITTING    |



# ILLUSTRATED PARTS LIST

## Rinse Tank, Plumbing & Sight Gauge







# ILLUSTRATED PARTS LIST

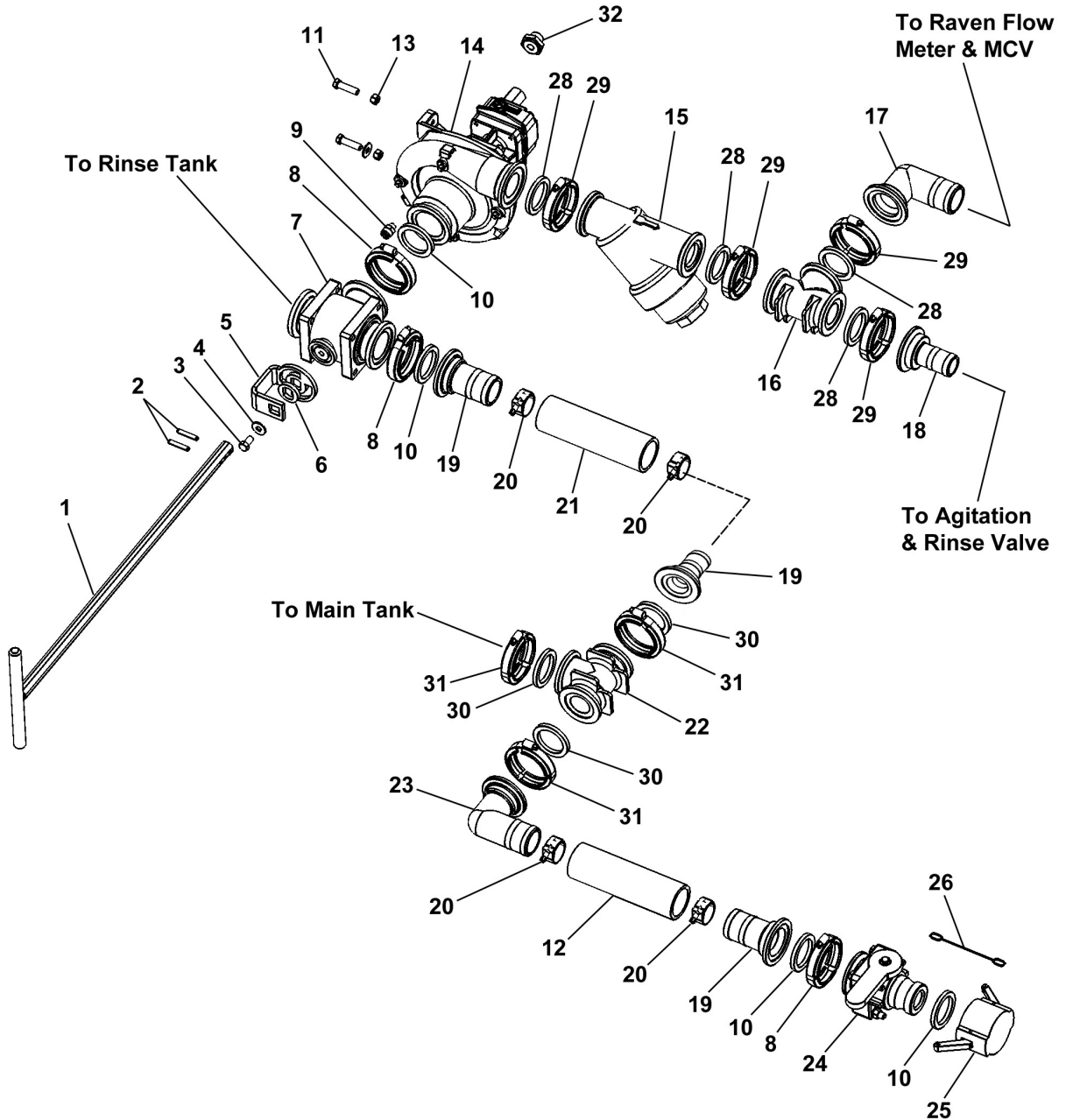
## Rinse Tank, Plumbing & Sight Gauge Parts List

| ITEM | VENDOR PART NO. | PART NO. | QTY.  | DESCRIPTION                             |
|------|-----------------|----------|-------|---|
| 1    |                 | 228      | 2     | Nut HH 5/16" Nylock Zp                  |
| 2    |                 | 116      | 2     | Bolt HH 5/16 X 1-1/2 GR5 Zp             |
| 3    | 10643           | 590022   | 2     | Poly Rinse Tank Holddown                |
| 4    | 10602W          | 570003   | 1     | Tank Rinse 100 Gallon White             |
|      | 10602Y          | 570004   | 1     | Tank Rinse 100 Gallon Yellow            |
|      | 10918           |          | 1     | ACE Fitting                             |
| 5    | AR-10522        |          | 1     | 5" Vented Lid                           |
| 6    |                 | 607      | 4     | Bolt Truss Head 3/8 X 3/4 Zp            |
| 7    |                 | 10612    | 1     | Platform Top Safety Plate               |
| 8    |                 | 10669    | 2     | Poly Rinse Tank Holddown                |
| 9    |                 | 130      | 2     | Bolt HH 3/8 X 2 GR5 Zp                  |
| 10   |                 | 769      | 2     | Nut HH 3/8" Whizlock Zp                 |
| 11   | 64012           | 540013   | 5     | Clamp Hose 3/4"                         |
| 12   | 15017503        | 510008   | 6"    | Hose EVA 3/4"                           |
| 13   | 3T34F           | 530220   | 1     | Tee Hose Barb X 3/4 NPTF                |
| 14   |                 | 10921    | 1     | Formed Sight Guage Support 1000 Gallon  |
|      |                 | 10919    | 1     | Formed Sight Guage Support 1250 Gallon  |
| 15   | 3EL34           | 530210   | 1     | Hose Barb Elbow 3/4"HB X 3/4"NPTM       |
| 16   | 15007008        | 510006   | 66.5" | Hose Vinyl Clear 3/4" 1000 Gallon       |
| 17   | 13595           | 800040   | 1     | Decal Gallon 1000 Gallon Tank           |
| NS   | 13596           | 800041   | 1     | Decal Gallon 1250 Gallon Tank           |
| 18   | 15007008        | 510006   | 40"   | Hose Vinyl Clear 3/4"                   |
| 19   | HB075           | 530230   | 1     | Hose Barb 3/4"                          |
| 20   | 64020H          | 540015   | 2     | Clamp Hose 1-1/2"                       |
| 21   | CPLG075         | 530235   | 1     | Coupling 3/4" Npt                       |
| 22   | DF-103          | 510022   | 1     | Flo-Rite Faucet                         |
| 23   | 3EL34HB         | 530214   | 1     | Hose Barb 90°                           |
| 24   | 15007008        | 510006   | 58"   | Hose Vinyl Clear 3/4"                   |
| 25   |                 | 768      | 2     | Nut HH 5/16 Whizlock Zp                 |
| 26   |                 | 10818    | 1     | Sight Guage Support Bracket             |
| 27   |                 | 115      | 2     | Bolt HH 5/16 X 1 GR5 Zp                 |
| 28   |                 | 152      | 2     | Bolt HH 1/2 X 1 GR5 Zp                  |
| 29   |                 | 771      | 2     | Nut HH 1/2" Whizlock                    |
| 30   | 200CAP          | 530017   | 1     | 2" Cam Lock Cap W/530019 Gasket         |
| 31   | 200G            | 530019   | 7     | Gasket 2" Standard Thickness            |
|      | 200GXT          |          | SP    | Gasket 2" Extra Thick                   |
| 32   | HN-79.12        | 530179   | 1     | Lynard 12"                              |
| 33   | VSF200CF        | 500037   | 1     | Valve Manifold X 2" Male Adapter        |
| 34   | FC200           | 540001   | 6     | Clamp Manifold 2" Standard Port         |
| 35   | 150G            | 530014   | 1     | Gasket 2"                               |
| 36   | M150BRB         | 530079   | 2     | Manifold 1-1/2" Hose Barb               |
| 37   | TC-181          | 540006   | 4     | Clamp T-Bolt 1-1/2"                     |
| 38   | 12012800        | 510002   | 27"   | Fertilizer Solution Hose 1-1/2"         |
| 39   | M220150BRB      | 530100   | 1     | Manifold 2" Full Port X 1-1/2 Hose Barb |
| 40   | FC220           | 540002   | 4     | Clamp Manifold 2" Full Port             |
| 41   | 200G            | 530019   | 4     | Gasket 2" Full Port                     |
| 42   | M220TEE         | 530097   | 1     | Manifold Tee 2" Full Port               |
| 43   | HB125-125       | 530045   | 1     | Hose Barb 1-1/2 NPT X 1-1/2 Hose Barb   |
| 44   | AR10918         | 570071   | 1     | Bulkhead 1/14"                          |
| 45   | M220150BRB90    | 530100   | 1     | Manifold Hose Barb Elbow 90°            |
| 46   | CV220           | 500003   | 1     | Manifold Check Valve                    |
| 47   |                 | 10638    | 1     | Handrail Rise Tank                      |
| 48   |                 | 258      | 5     | Washer Flat 3/8"                        |
| 49   |                 | 250      | 5     | Washer Lock 3.8"                        |
| 50   |                 | 128      | 5     | Bolt HH 3/8 x 1"                        |



# ILLUSTRATED PARTS LIST

## Quick Fill & Pump Feed - 60-66 Ft Boom With ACE 150-206 Pump





## ILLUSTRATED PARTS LIST

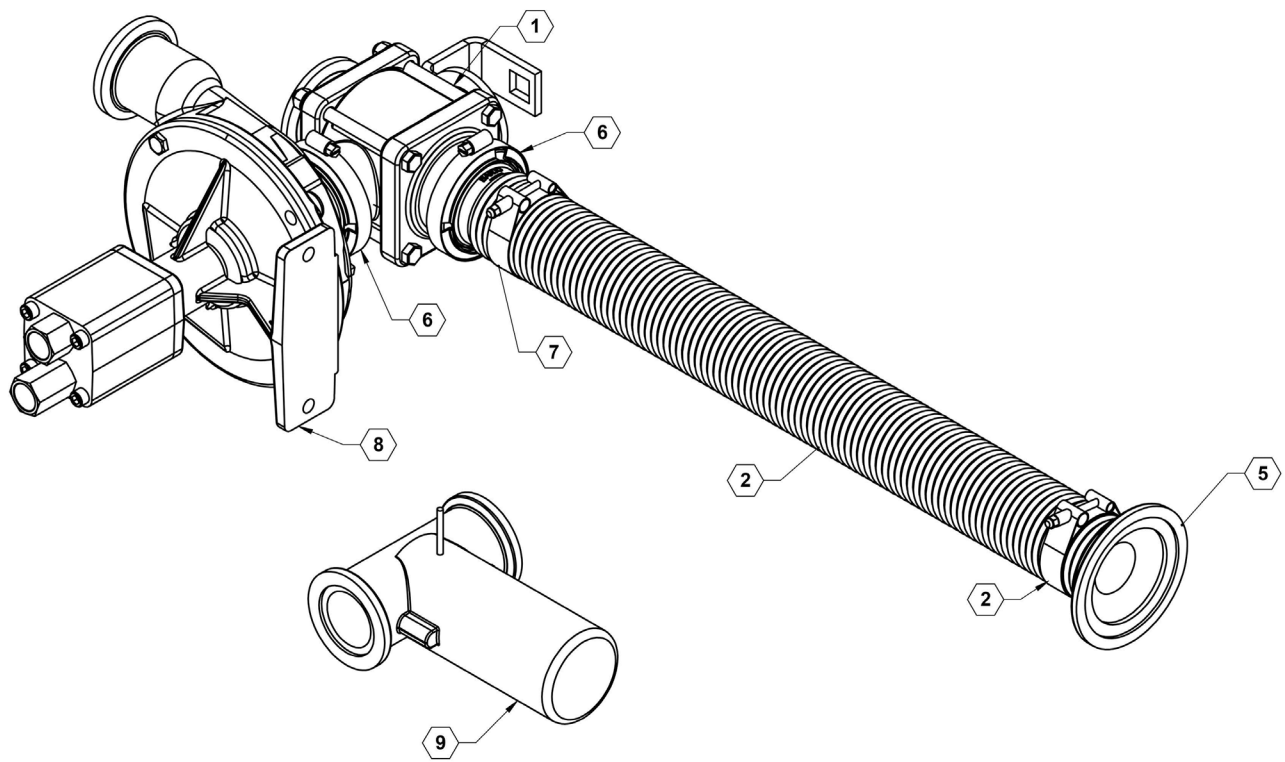
### Quick Fill & Pump Feed - 60-66 Ft Boom With ACE 150-206 Pump Parts List

| ITEM | VENDOR PART NO.     | PART NO. | QTY. | DESCRIPTION                                |
|------|---------------------|----------|------|--|
| 1    |                     | 7236     | 1    | Valve Handle Extension                     |
| 2    |                     | 683      | 2    | Pin, Spring 1/4 x 2                        |
| 3    |                     | 127      | 1    | Bolt HH 3/8 x 3/4 GR5 Zp                   |
| 4    |                     | 258      | 1    | Washer, Flat 3/8" Zp                       |
| 5    |                     | 7232     | 1    | Valve Handle Adapter                       |
| 6    |                     | 7233     | 1    | Valve Handle Collar                        |
| 7    | MV220BL             | 500034   | 1    | Manifold Valve 2" Full Port Bottom Load    |
| 8    | FC220               | 530002   | 3    | Manifold Clamp 2" Full Port                |
| 9    | 44103220            | 530005   | 1    | Adapter 1/8 MPT x 1/4 Quick Lock           |
| 10   | 200G                | 530019   | 4    | Gasket 2" Full Port                        |
| 11   |                     | 129      | 2    | Bolt HH 3/8 x 1-1/2 GR5 Zp                 |
| 12   | 12012800            | 510002   | 1    | Fertilizer Solution Hose                   |
| 13   |                     | 769      | 2    | Nut HH 3/8" Whizlock Zp                    |
| 14   | AC-FMC-150F-HYD-206 | 550000   | 1    | Pump, Ace 150-260F                         |
| 15   | MLS200-30           | 530123   | 1    | Manifold Y Strainer 30 Mesh Screen         |
| 16   | M200TEE             | 530097   | 1    | Manifold Tee 2" Port                       |
| 17   | M200150BRB90        | 530080   | 1    | Manifold Elbow 2" Port x 1-1/2 Hose Barb   |
| 18   | M200150BRB          | 530100   | 1    | Manifold Hose Barb 2 x 1-1/2 Hose Barb     |
| 19   | M220200BRB          | 530103   | 2    | Manifold 2" Full Port x 2" Hose Barb       |
| 20   | TC-231              | 540007   | 4    | T-Bolt Clamp 2" Hose                       |
| 21   | 12012800            | 510002   | 1    | Fertilizer Solution Hose                   |
| 22   | M300TEE             | 530115   | 1    | Manifold Tee 3"                            |
| 23   | M300200BRB90        | 530112   | 1    | Manifold 3 x 2 Hose Barb 90°               |
| 24   | MVSF220FP           | 530128   | 1    | Manifold Valve 2" Full Port x Male Adapter |
| 25   | 200CAP              | 530017   | 1    | Cap 2" Quick Cam                           |
| 26   | HN-79-12            | 530179   | 1    | Lanyard                                    |
| 27   | 200GXT              |          | AR   | Gasket 2" Extra Thick                      |
| 28   | 150G                | 530014   | 4    | Gasket 2"                                  |
| 29   | FC200               | 540001   | 4    | Clamp 2" Std                               |
| 30   | 300G                | 530024   | 3    | Gasket 3"                                  |
| 31   | FC300               | 540003   | 3    | Clamp 3" Std                               |
| 32   | 6404-10-08          | 610019   | 1    | Adapter 1/2 NPT x 10 ORD                   |



# ILLUSTRATED PARTS LIST

## Pump Option - 60' - 66' Boom With ACE 105-206 Pump





## ILLUSTRATED PARTS LIST

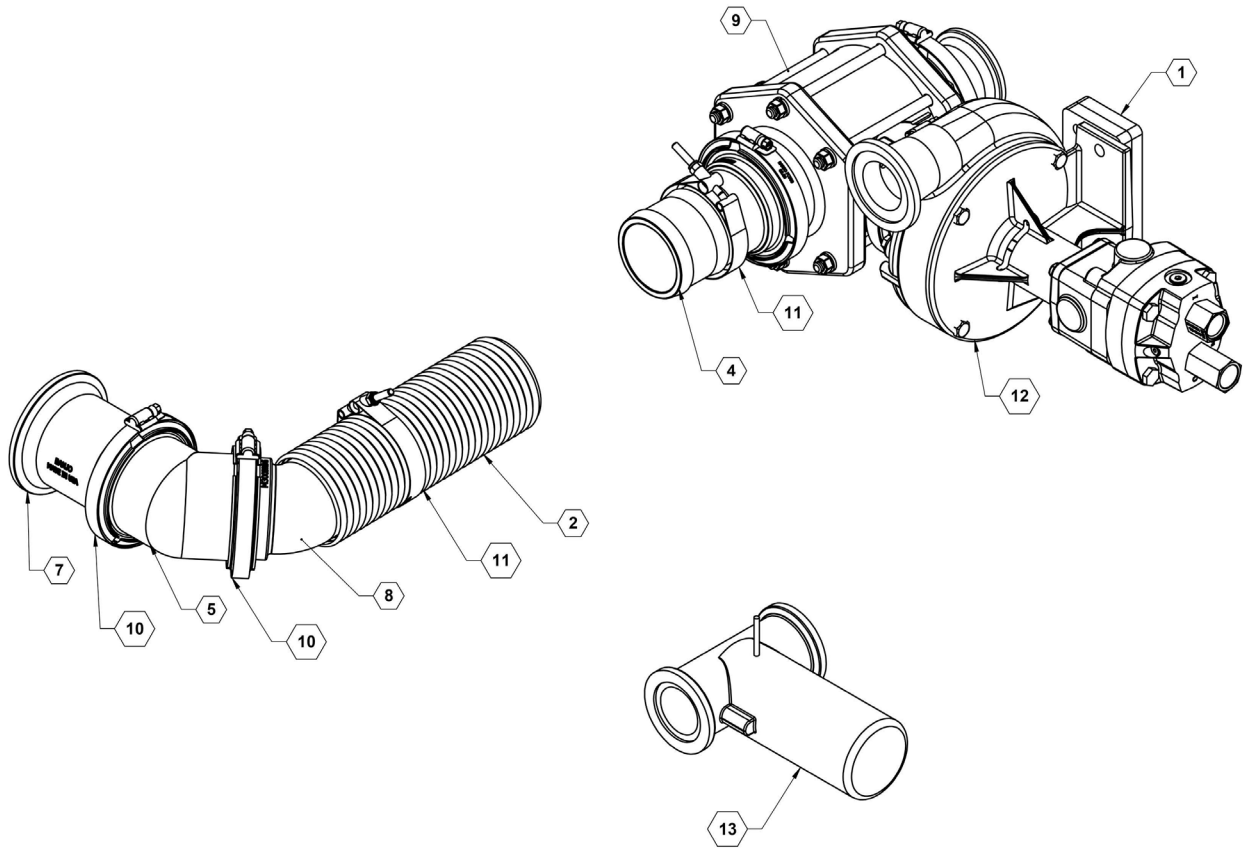
### Pump Option - 60' & 66' Boom With ACE 150-206 Pump Parts List

| ITEM | PART NO. | QTY. | DESCRIPTION                               |
|------|----------|------|---|
| 1    | 500034   | 1    | VALVE, 2" BOTTOM LOAD FPF                 |
| 2    | 510003   | 1    | BUMBLEBEE HOSE, 2"                        |
| 3    | 530019   | 2    | GASKET, 2" EPDM                           |
| 4    | 530103   | 1    | MANIFOLD FLANGE 2" FP X 2" HB             |
| 5    | 530111   | 1    | MANIFOLD, 3" X 2" HB                      |
| 6    | 540002   | 2    | CLAMP, WORM SCREW 2"                      |
| 7    | 540007   | 2    | CLAMP, HOSE 2" T-BOLT                     |
| 8    | 550000   | 1    | PUMP, 150-206 FLANGED, ACE                |
| 9    | 632079   | 1    | VALVE, BUTTERFLY, 1.5", Deutsch Connector |



# ILLUSTRATED PARTS LIST

## Pump Option - 60' - 100' Boom With ACE 205-304 Pump





## ILLUSTRATED PARTS LIST

### Pump Option - 60' - 100' Boom With ACE 205-304 Pump Parts List

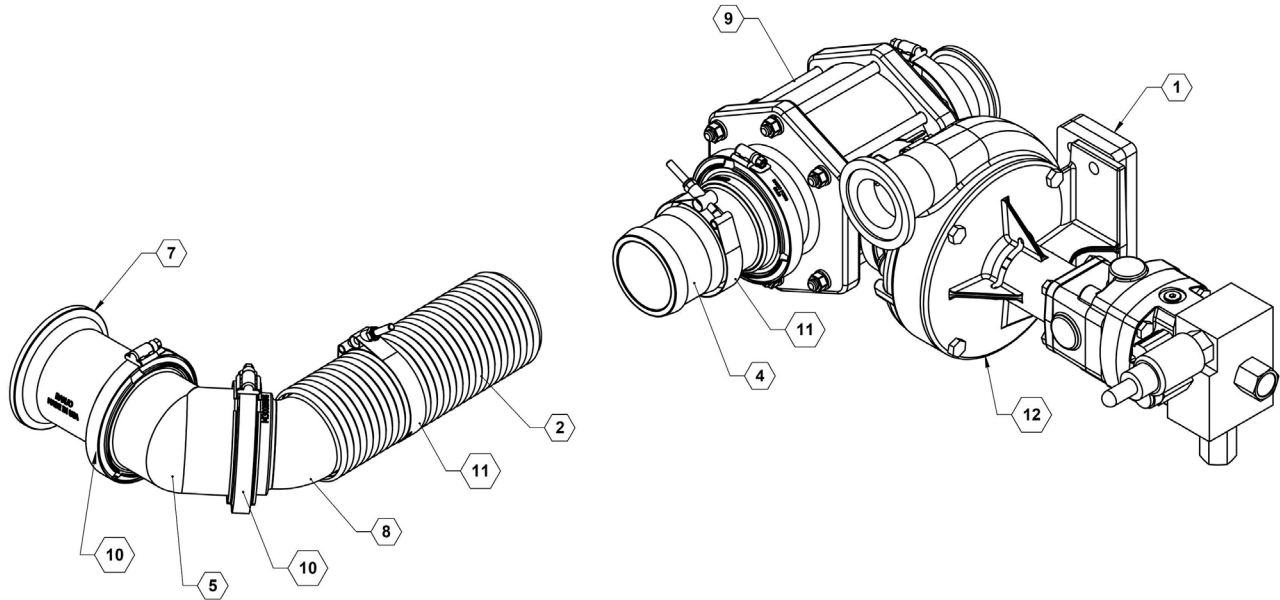
| ITEM | PART NO. | QTY. | DESCRIPTION                               |
|------|----------|------|---|
| 1    | 18339    | 2    | PLATE, PUMP SPACER                        |
| 2    | 510004   | 2'   | HOSE, 3" FERTILIZER                       |
| 3    | 530024   | 5    | GASKET, 3" EPDM                           |
| 4    | 530113   | 1    | Flanged 3 Inch Hose Barb                  |
| 5    | 530234   | 1    | 3" COUPLER, 45°                           |
| 6    | 530316   | 1    | MANIFOLD REDUCER 3" X 2" COUPLER          |
| 7    | 530448   | 1    | 3" FLANGE X 3" FLANGE                     |
| 8    | 530449   | 1    | 3" MANIFOLD TO HOSE BARB 45               |
| 9    | 530450   | 1    | 3" MANIFOLD 3 WAY VALVE                   |
| 10   | 540003   | 5    | CLAMP, WORM SCREW 3"                      |
| 11   | 540009   | 2    | CLAMP, 3" T BOLT                          |
| 12   | 550025   | 1    | PUMP, ACE 205F 304 ASSEMBLY               |
| 13   | 632079   | 1    | VALVE, BUTTERFLY, 1.5", Deutsch Connector |





# ILLUSTRATED PARTS LIST

## Pump Option - 80, 90 & 100' Boom With ACE 205-304 PWM Pump





## ILLUSTRATED PARTS LIST

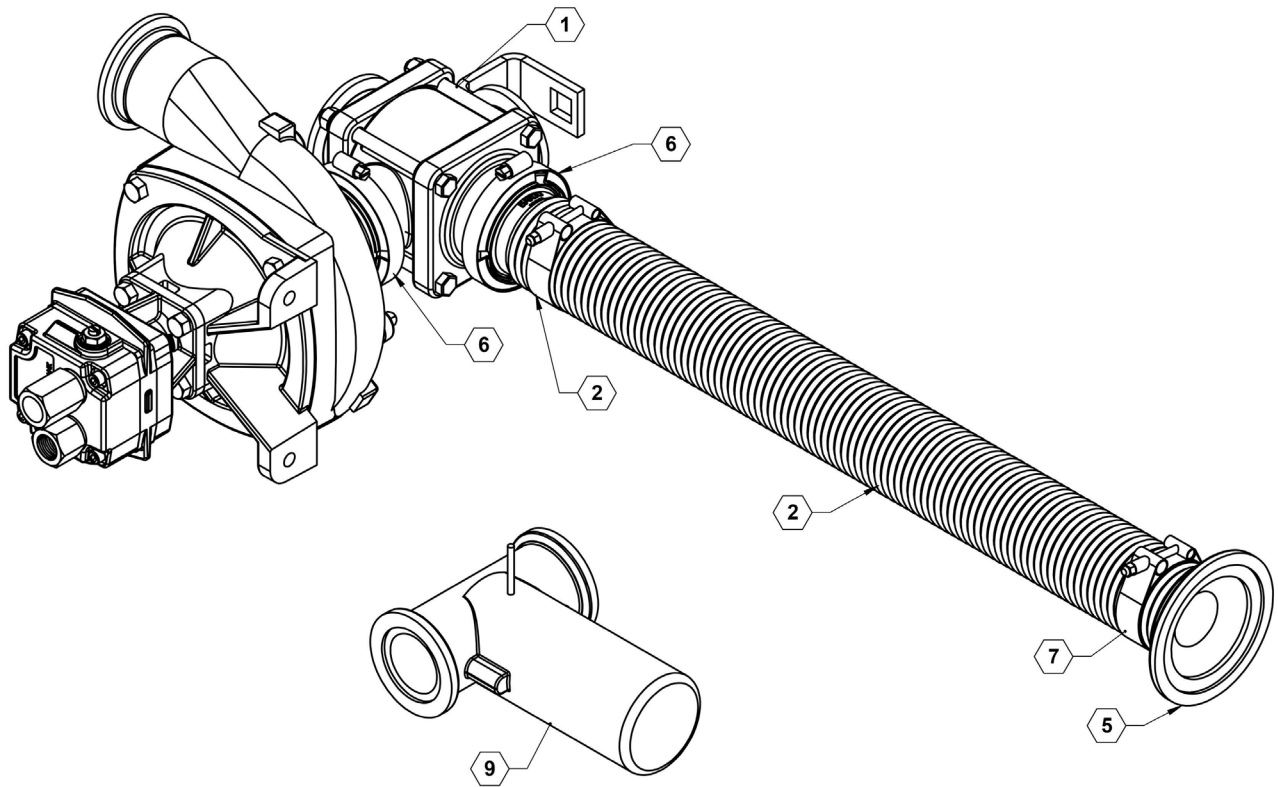
### Pump Option - 80, 90 & 100' Boom With ACE 205-304 PWM Pump Parts List

| ITEM | PART NO. | QTY. | DESCRIPTION                      |
|------|----------|------|----------------------------------|
| 1    | 18339    | 2    | PLATE, PUMP SPACER               |
| 2    | 510004   | 2'   | HOSE, 3" FERTILIZER              |
| 3    | 530024   | 5    | GASKET, 3" EPDM                  |
| 4    | 530113   | 1    | Flanged 3 Inch Hose Barb         |
| 5    | 530234   | 1    | 3" COUPLER, 45°                  |
| 6    | 530316   | 1    | MANIFOLD REDUCER 3" X 2" COUPLER |
| 7    | 530448   | 1    | 3" FLANGE X 3" FLANGE            |
| 8    | 530449   | 1    | 3" MANIFOLD TO HOSE BARB 45      |
| 9    | 530450   | 1    | 3" MANIFOLD 3 WAY VALVE          |
| 10   | 540003   | 5    | CLAMP, WORM SCREW 3"             |
| 11   | 540009   | 2    | CLAMP, 3" T BOLT                 |
| 12   | 550035   | 1    | PUMP, ACE 205F WITH 304 PWM      |



# ILLUSTRATED PARTS LIST

## Pump Option - 60' - 100' Boom With HYPRO Pump





## ILLUSTRATED PARTS LIST

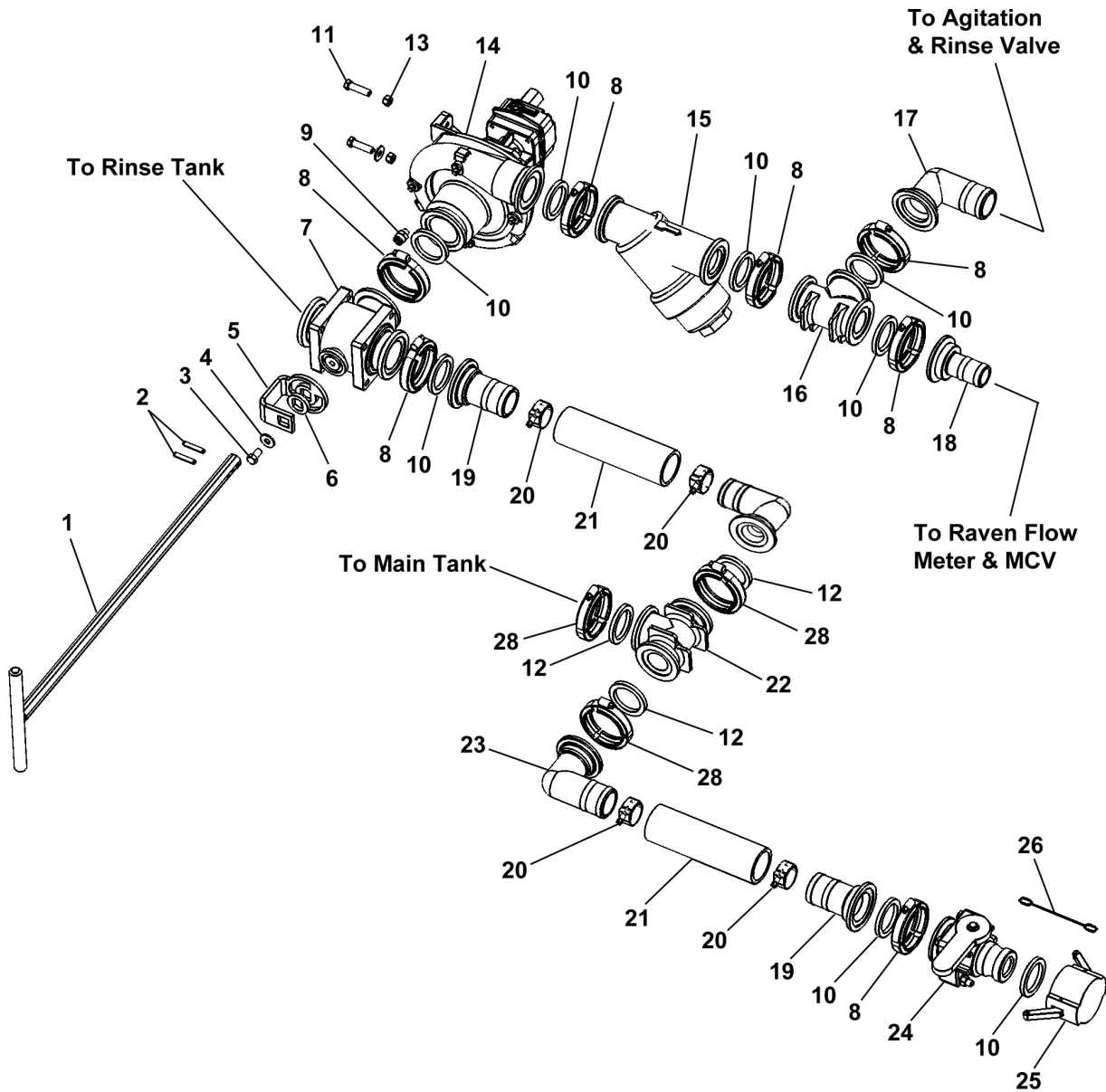
### Pump Option - 60' - 100' Boom With HYPRO Pump Parts List

| ITEM | PART NO. | QTY. | DESCRIPTION                               |
|------|----------|------|---|
| 1    | 500034   | 1    | VALVE, 2" BOTTOM LOAD FPF                 |
| 2    | 510003   | 1    | BUMBLEBEE HOSE, 2"                        |
| 3    | 530019   | 2    | GASKET, 2" EPDM                           |
| 4    | 530103   | 1    | MANIFOLD FLANGE 2" FP X 2" HB             |
| 5    | 530111   | 1    | MANIFOLD, 3" X 2" HB                      |
| 6    | 540002   | 2    | CLAMP, WORM SCREW 2"                      |
| 7    | 540007   | 2    | CLAMP, HOSE 2" T-BOLT                     |
| 8    | 550011   | 1    | PUMP, HYPRO                               |
| 9    | 632079   | 1    | VALVE, BUTTERFLY, 1.5", Deutsch Connector |



# ILLUSTRATED PARTS LIST

## Quick Fill & Pump Feed - 80,90&100 Ft Boom With HYPRO Pump



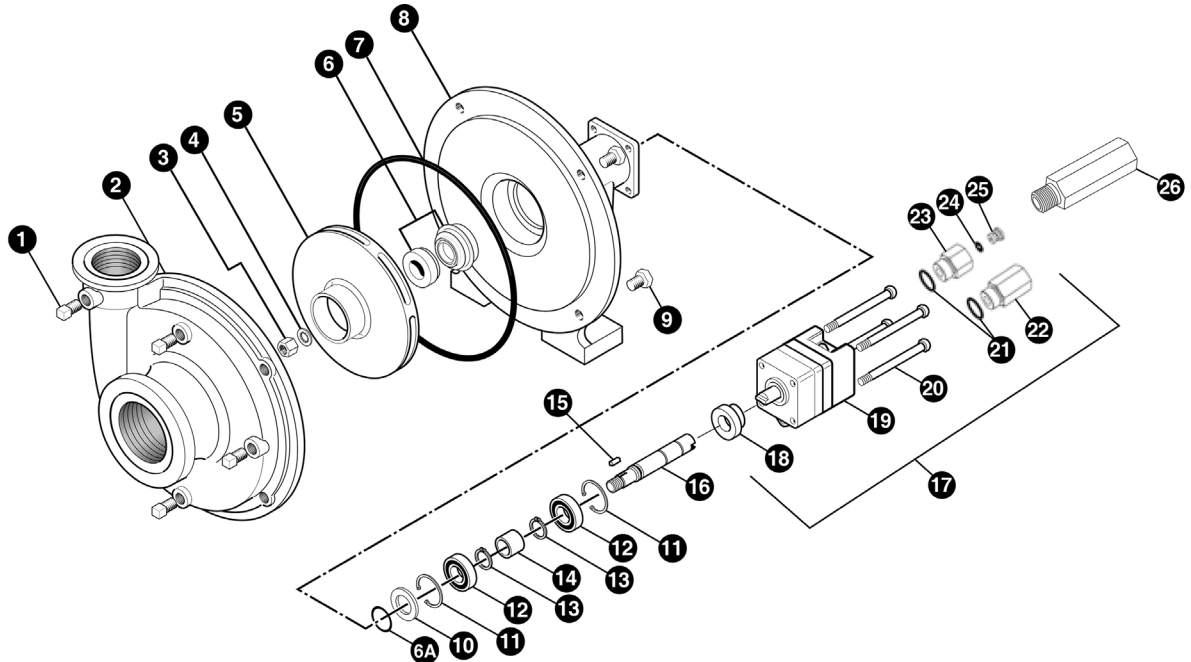


# ILLUSTRATED PARTS LIST

## Quick Fill & Pump Feed - 80,90&100 Ft Boom With HYPRO Pump Parts List

| ITEM | VENDOR PART NO. | PART NO. | QTY. | DESCRIPTION                                     |
|------|-----------------|----------|------|---|
| 1    |                 | 7236     | 1    | Valve Handle Extension                          |
| 2    |                 | 683      | 2    | Pin, Spring 1/4 x 2                             |
| 3    |                 | 127      | 1    | Bolt HH 3/8 x 3/4 GR5 Zp                        |
| 4    |                 | 258      | 1    | Washer, Flat 3/8" Zp                            |
| 5    |                 | 7232     | 1    | Valve Handle Adapter                            |
| 6    |                 | 7233     | 1    | Valve Handle Collar                             |
| 7    | MV220BL         | 500034   | 1    | Manifold Valve 2" Full Port Bottom Load         |
| 8    | FC220           | 530002   | 7    | Manifold Clamp 2" Full Port                     |
| 9    | 44103220        | 530005   | 1    | Adapter 1/8 MPT x 1/4 Quick Lock                |
| 10   | 200G            | 530019   | 8    | Gasket 2" Full Port                             |
| 11   |                 | 129      | 2    | Bolt HH 3/8 x 1-1/2 GR5 Zp                      |
| 12   | 300G            | 530024   | 3    | Gasket 3"                                       |
| 13   |                 | 769      | 2    | Nut HH 3/8" Whizlock Zp                         |
| 14   | 93079           | 550011   | 1    | Pump, Hypro 9306C-HM1C-UB                       |
| 15   | MLS220-30       | 530125   | 1    | Manifold Y Strainer 30 Mesh Screen 2" Full Port |
| 16   | M220TEE         | 530097   | 1    | Manifold Tee 2" Port                            |
| 17   | M220150BRB90    | 530080   | 1    | Manifold Elbow 2" Port x 1-1/2 Hose Barb        |
| 18   | M200150BRB      | 530100   | 1    | Manifold Hose Barb 2 x 1-1/2 Hose Barb          |
| 19   | M220200BRB      | 530103   | 2    | Manifold 2" Full Port x 2" Hose Barb            |
| 20   | TC-231          | 540007   | 4    | T-Bolt Clamp 2" Hose                            |
| 21   | 12012800        | 510002   | 1    | Fertilizer Solution Hose                        |
| 22   | M300TEE         | 530115   | 1    | Manifold Tee 3"                                 |
| 23   | M300200BRB90    | 530112   | 2    | Manifold 3 x 2 Hose Barb 90°                    |
| 24   | MVSF220FP       | 530128   | 1    | Manifold Valve 2" Full Port x Male Adapter      |
| 25   | 200CAP          | 530017   | 1    | Cap 2" Quick Cam                                |
| 26   | HN-79-12        | 530179   | 1    | Lanyard   |
| 27   | 200GXT          |          | AR   | Gasket 2" Extra Thick                           |
| 28   | FC300           | 540003   | 3    | Manifold Clamp 3"                               |

## ACE 150-206 Pump, 60 & 66 Foot Boom



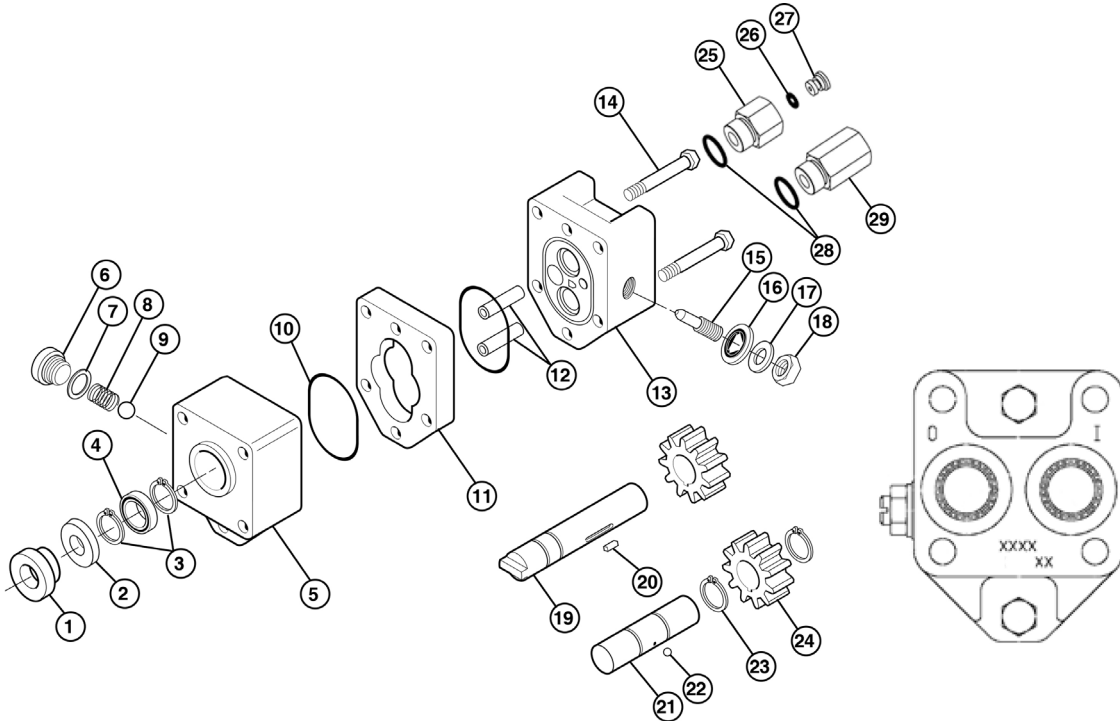
| REF. #           | PART NUMBER       | EDP # | DESCRIPTION  | REQ. |
|------------------|-------------------|-------|--|------|
| 1                | BAC-53            | 41110 | Pipe plug  | 4    |
| 1                | 41120             | 41120 | Pipe plug, stainless steel (optional)                          | 4    |
| 2                | BAC-12-150-FLG    | 40257 | Volute, cast iron, NPT & flanged (for 150F models)             | 1    |
| 2                | BAC-12-150-SS     | 40249 | Volute, 316 stainless steel, NPT & flanged (for 150FS models)  | 1    |
| 3                | BAC-23-A          | 40391 | Nut, 3/8" NF, cad plated                                       | 1    |
| 3                | BAC-23-A-SS       | 40392 | Nut, 3/8" NF, stainless steel (optional)                       | 1    |
| 4 <sup>①②</sup>  | BAC-24-HYD-SS     | 40400 | Washer, 3/8" star, stainless steel                             | 1    |
| 5                | BAC-26-150-P      | 40446 | Impeller, Valox, keyway  | 1    |
| 5                | BAC-26-150-CI     | 40445 | Impeller, cast iron, keyway (optional)                         | 1    |
| 6 <sup>①</sup>   | BAC-7V            | 40151 | Seal, carbon/ceramic/Viton (includes 40160 O-Ring)             | 1    |
| 6 <sup>②</sup>   | BAC-7SC           | 40152 | Seal, silicon carbide/Viton (includes 40160 O-Ring) (optional) | 1    |
| 6A <sup>①②</sup> | 40160             | 40160 | O-ring, shaft seal   | 1    |
| 7 <sup>①②</sup>  | BAC-4-150         | 40015 | O-ring, body seal  | 1    |
| 8                | BAC-14-150-HYD    | 40305 | Mounting frame, cast iron (for 150F models)                    | 1    |
| 8                | BAC-14-150-HYD-SS | 40319 | Mounting frame, 316 stainless steel (for 150FS models)         | 1    |
| 9                | 40950             | 40950 | Cap screw, 3/8" NC x 3/4" hex head                             | 4    |
| 9                | 40930             | 40930 | Cap screw, 3/8" NC x 3/4" hex head, stainless steel (optional) | 4    |
| 10               | BAC-54            | 41130 | Slinger  | 1    |
| 11               | BAC-33            | 40810 | Snap ring, internal, BAC-14 mounting frame                     | 2    |
| 12               | BAC-37            | 40870 | Ball Bearing, sealed, BAC-6 shaft                              | 2    |
| 13               | BAC-32            | 40790 | Snap ring, external, BAC-6 shaft                               | 2    |
| 14               | BAC-32-S          | 40795 | Spacer for BAC-6 shaft   | 1    |
| 15               | BACH-25           | 40420 | Key, 1/8" x 1/8" x 1/2"  | 1    |
| 16               | BAC-6-HYD-SS      | 40061 | Shaft, 5/8" diameter, keyway and tang slot, stainless steel    | 1    |
| 17               | BAC-75-HYD-206    | 41372 | Hydraulic motor, 7 GPM (includes parts 18 - 25)                | 1    |
| 18               | S200              | 40161 | Seal support spacer for 200 Series HYD motor                   | 1    |
| 19               | BAC-75-HYD-206N   | 41397 | Hydraulic motor, 7 GPM (motor only - no external fittings)     | 1    |
| 20               | 41255             | 41255 | Cap screw, 5/16" N. C. x 3-3/4" socket head (for 206N motor)   | 4    |
| 21               | 41875             | 41875 | O-ring, #8 SAE fitting   | 2    |
| 22               | BAC-78-8SAE       | 41441 | Reverse check valve, #8 SAE male x 1/2" NPT female             | 1    |
| 23               | BAC-80-8SAE       | 41455 | Adapter, restrictor body, #8 SAE male x 1/2" NPT female        | 1    |
| 24               | 41448             | 41448 | O-ring, orifice insert   | 1    |
| 25               | BAC-79-7          | 41456 | Orifice, restrictor insert, .109 (206N)                        | 1    |
| 26               | LS-206N           | 41418 | Flow limiting valve (206N), #8 SAE male x 1/2" NPT female      | 1    |
| ①                | RK-FMC-150        | 52710 | Repair kit for FMC-150 series pump                             | -    |
| ②                | RK-FMCSC-150      | 52711 | Repair kit for FMC-150 series with silicon carbide shaft seal  | -    |
| #                | RK-BAC-75-HYD-L   | 41374 | Repair kit for 200-L Series motor                              | -    |





# ILLUSTRATED PARTS LIST

## ACE 150-206 Pump Hydraulic Motor, 60 & 66 Foot Boom

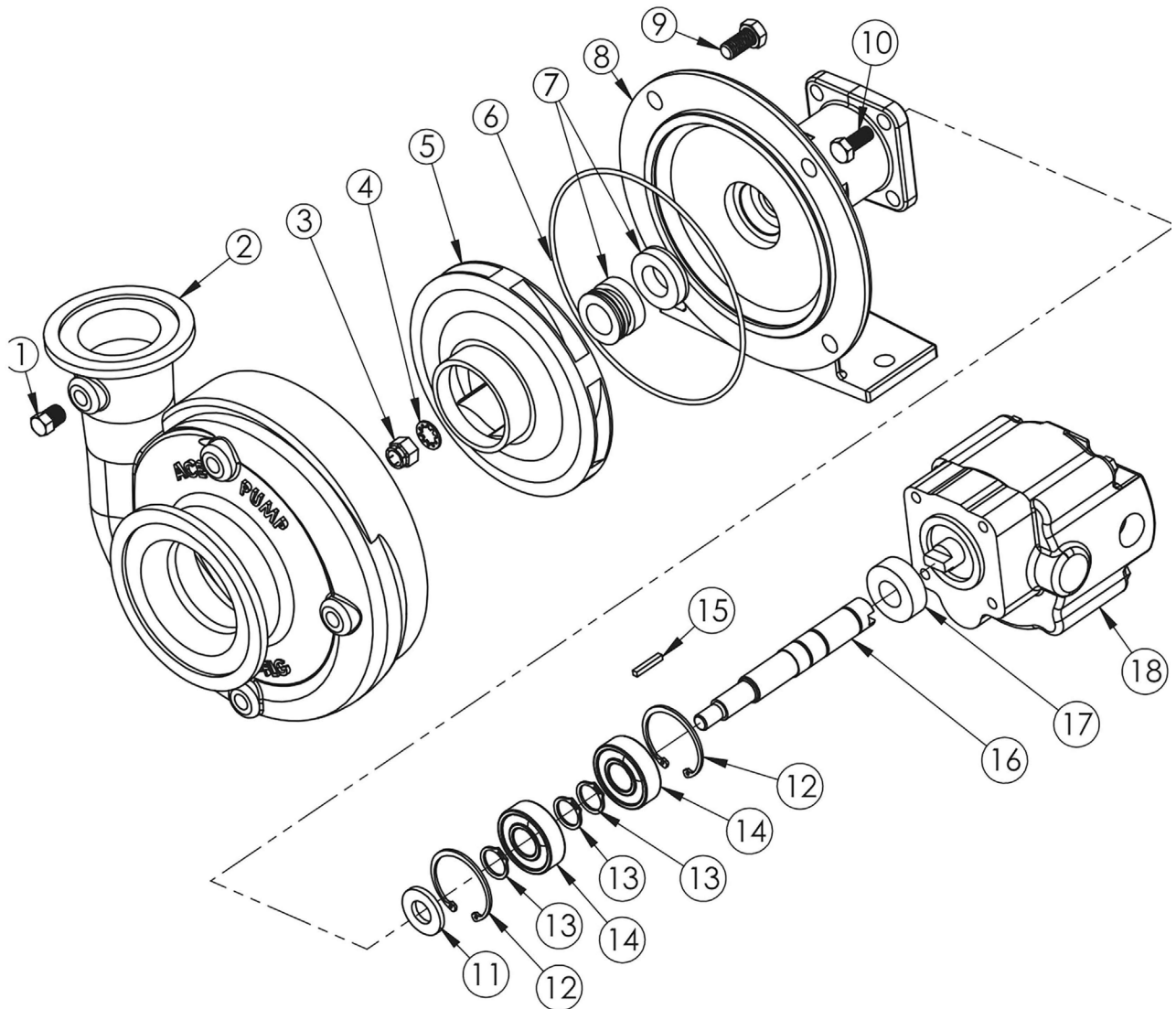


| REF. # | MODEL 204N | MODEL 206N | MODEL 210N | DESCRIPTION                                      | REQUIRED |
|--------|------------|------------|------------|--|----------|
| 1*     | S200       | S200       | S200       | Seal support spacer                              | 1        |
| 2*     | 40153      | 40153      | 40153      | Seal cartridge                                   | 1        |
| 3      | 41941      | 41941      | 41941      | Snap ring, bearing                               | 2        |
| 4      | 41961      | 41961      | 41961      | Ball bearing, 7/16" I.D.                         | 1        |
| 5      | 41731      | 41731      | 41731      | Drive plate                                      | 1        |
| 6      | 42041      | 42041      | 42041      | Valve cap, coasting check                        | 1        |
| 7*     | 42044      | 42044      | 42044      | "O" ring, coasting check                         | 1        |
| 8      | 42042      | 42042      | 42042      | Spring, coasting check                           | 1        |
| 9      | 42043      | 42043      | 42043      | Ball, coasting check                             | 1        |
| 10*    | 41850      | 41850      | 41850      | "O" ring, housing seal                           | 2        |
| 11     | 41720      | 41721      | 41725      | Gear housing                                     | 1        |
| 12     | 41800      | 41801      | 41805      | Dowel pin, housing                               | 2        |
| 13     | 41742      | 41742      | 41742      | End plate  | 1        |
| 14     | 41900      | 41900      | 41905      | Cap screw, 1/4" N.C. hex head                    | 2        |
| 15     | 42010      | 42010      | 42010      | Adjusting screw, needle valve                    | 1        |
| 16*    | 42030      | 42030      | 42030      | Thread seal, 3/8", needle valve                  | 1        |
| 17     | 42040      | 42040      | 42040      | Washer, flat steel, needle valve                 | 1        |
| 18     | 40960      | 40960      | 40960      | Nut, 3/8" N.C. jam, needle valve                 | 1        |
| 19     | 41761      | 41764      | 41766      | Drive shaft                                      | 1        |
| 20     | 41920      | 41921      | 41925      | Dowel pin, drive shaft                           | 1        |
| 21     | 41970      | 41971      | 41975      | Idler shaft                                      | 1        |
| 22     | 41990      | 41990      | 41990      | Ball, idler shaft                                | 1        |
| 23     | 41980      | 41980      | 41980      | Retaining ring, idler gear                       | 2        |
| 24     | 41750      | 41751      | 41755      | Gear   | 2        |
| 25     | 41455      | 41455      | 41455      | Adapter body, #8 SAE male x 1/2" NPT             | 1        |
| 26     | 41448      | 41448      | 41448      | "O" ring, orifice insert (use with 41456 insert) | 1        |
| 27     | 41457      | 41456      | 41456      | Insert, restrictor orifice (use with 41455 body) | 1        |
| 28     | 41875      | 41875      | 41875      | "O" ring, #8 SAE male fitting                    | 2        |
| 29     | 41441      | 41441      | 41441      | Reverse check, #8 SAE male x 1/2" NPT            | 1        |
| #      | 41374      | 41374      | 41374      | Repair Kit, RK-BAC-75-HYD-L                      | --       |



# ILLUSTRATED PARTS LIST

## ACE 205-304 Pump, 80, 90 & 100 Foot Boom





# ILLUSTRATED PARTS LIST

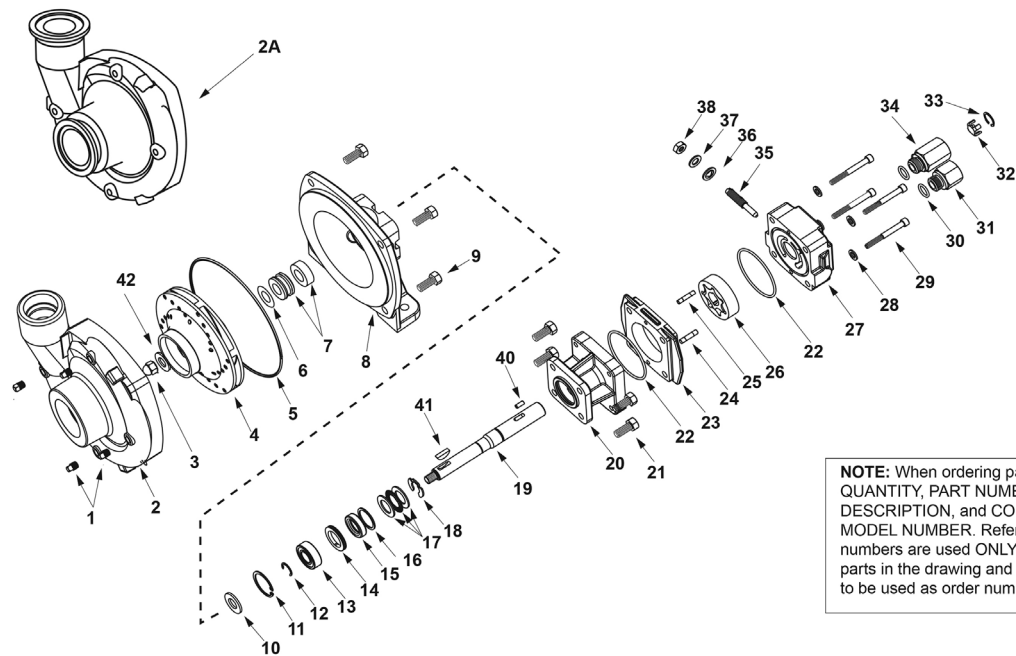
## ACE 205-304 Pump, 80, 90 & 100 Foot Boom Parts List

| ITEM | PART NO.              | QTY. | DESCRIPTION  |
|------|-----------------------|------|--|
| 0    | 550025                | 1    | PUMP, 205-304 Flanged, Complete Pump                           |
| 1    | BAC-53                | 1    | Pipe plug  |
| 1    | 41120                 | 1    | Pipe plug, stainless steel (optional)                          |
| 2    | 7AC-14-FLG            | 1    | Volute, 300 standard flange x 220 full port flange             |
| 3    | BAC-23-A              | 1    | Nut, 3/8" NF, cad plated                                       |
| 3    | BAC-23-A-SS           | 1    | Nut, 3/8" NF, stainless steel (optional)                       |
| 4j   | BAC-24-HYD-SS         | 1    | Washer, 3/8" star, stainless steel                             |
| 5    | BAC-26-200-P          | 1    | Impeller, with extended keyway, thermoplastic                  |
| 5    | BAC-26-200-CI         | 1    | Impeller, with extended keyway, cast iron (optional)           |
| 5    | BAC-26-200-SS         | 1    | Impeller, with extended keyway, 316 stainless steel (optional) |
| 6j   | BAC-4A                | 1    | O-ring, body seal  |
| 7j   | BAC-7SC-205V          | 1    | Seal, silicon carbide  |
| 8    | BAC-14-205-HYD        | 1    | Mounting frame for 205 pump                                    |
| 9    | 40950                 | 4    | Cap screw, 3/8" NC x 3/4" hex head                             |
| 10   | 41330                 | 4    | Cap screw, 5/16" NC x 3/4" hex head, motor to pump             |
| 11   | BAC-54                | 1    | Slinger  |
| 12   | BACH-33               | 1    | Snap ring, internal, BAC-14-205 mounting frame                 |
| 13   | BACH-32-HD            | 3    | Snap ring, external, BAC-6-205 shaft                           |
| 14   | 40880                 | 1    | Ball bearing, sealed, BAC-6-205 shaft                          |
| 15   | BAC-25                | 1    | Key, 1/8" x 1/8" x 13/16", extended keyway                     |
| 16   | BAC-6-205-HYD-SS      | 1    | Shaft, extended keyway, tang, stainless steel                  |
| 17   | S305                  | 1    | Seal support spacer for 205 series pump                        |
| 18   | BAC-75-HYD-304A       | 1    | Hydraulic motor, 13 GPM, 1/2" NPT ports                        |
| 18   | BAC-75-HYD-304A-12SAE | 1    | Hydraulic motor, 13 GPM, #12 SAE end ports (optional)          |
| j    | RK-FMCSC-205          | 1    | Repair kit for FMC-205 pump with silicon carbide shaft seal    |



# ILLUSTRATED PARTS LIST

## HYPRO Pump, 80, 90 & 100 Foot Boom



**NOTE:** When ordering parts, give QUANTITY, PART NUMBER, DESCRIPTION, and COMPLETE MODEL NUMBER. Reference numbers are used ONLY to identify parts in the drawing and are NOT to be used as order numbers.

**Repair Parts Kit No. 3430-0332**

Contains: One mechanical seal (Ref. 7), one o-ring (Ref. 5) and one rubber gasket (Ref. 6).

**Silicon Carbide Seal Kit No. 3430-0589**

Contains one each: mechanical seal (Ref. 7) and o-ring (Ref. 5).

**Hydraulic Motor Part Nos.**

2500-0009C (HM1C Models)  
2500-0011C (HM3C Models)  
2500-0018C (HM5C Models)

**Parts Kit No. 3430-0178**

Contains: One each ball bearing (Ref. 13), motor shaft seal (Ref. 15), thread seal gasket (Ref. 36), and washer (Ref. 37); two each motor housing o-rings (Ref. 22), and port adapter o-rings (Ref. 30).

| Ref. No. | Qty. Req'd. | Part No.    | Description   |
|----------|-------------|-------------|---|
| 1        | 4           | 2406-0007   | Drain/Vent Plug   |
| 2        | 1           | 0154-9200C1 | Pump Casing (Volute) (Includes stainless steel wear ring)                         |
| 2        | 1           | 0151-9200C  | Pump Casing (Volute) (Includes stainless steel wear ring) (9304C)                 |
| 2A       | 1           | 0157-9200C  | Pump Casing (Universal Flange)  |
| 3        | 1           | 2253-0002   | Impeller Nut  |
| 4        | 1           | 0401-9200P2 | Impeller (Nylon)  |
| 5        | 1           | 1720-0083   | O-ring  |
| 6        | 1           | 1700-0100   | Rubber Gasket   |
| 7        | 1           | 2120-0009   | Mechanical Seal (Viton/Ceramic) (Std)   |
| 7        | 1           | 3430-0589   | Mechanical Seal (Silicon Carbide) (Optional)                                      |
| 8        | 1           | 0750-9300C2 | Mounting Flange   |
| 8        | 1           | 0750-9300C  | Mounting Flange (9304C)   |
| 9        | 4           | 2210-0020   | Hex Head Cap Screw  |
| 10       | 1           | 1410-0056   | Slinger Ring  |
| 11       | 1           | 1820-0013   | Retaining Ring  |
| 12       | 1           | 1810-0014   | Snap Ring   |
| 13       | 1           | 2000-0010   | Ball Bearing  |
| 14       | 1           | 1410-0073   | Spacer  |
| 15       | 1           | 2104-0005   | Shaft Seal  |
| 16       | 1           | 1410-0074   | Seal Spacer   |
| 17       | 1           | 2029-0014   | Thrust Bearing Assembly - Consists of: (1) Thrust Bearing & (2) Thrust Brg. Races |
| 18       | 1           | 1810-0026   | Snap Ring   |
| 19       | 1           | 0510-2500   | Shaft (HM3C Model) 7-1/2" long  |
| 19       | 1           | 0511-2501   | Shaft (HM1C & HM5C Models) 7" long  |
| 20       | 1           | 0151-2500C  | Motor Body (Includes Main Bearing)  |
| 21       | 4           | 2210-0005   | Hex Head Cap Screw  |

| Ref. No. | Qty. Req'd. | Part No.    | Description                             |
|----------|-------------|-------------|---|
| 22       | 2           | 1720-0110   | O-ring                                  |
| 23       | 1           | 0700-2500C1 | Gerotor Housing (HM1C Model) 1/2" wide  |
| 23       | 1           | 0702-2500C1 | Gerotor Housing (HM3C Model) 1" wide    |
| 23       | 1           | 0704-2500C1 | Gerotor Housing (HM5C Model) 5/8" wide  |
| 24       | 1           | 1600-0052   | Dowel Pin (HM3C Models)                 |
| 24       | 1           | 1600-0044   | Dowel Pin (HM1C and HM5C Models)        |
| 25       | 1           | 1600-0068   | Dowel Pin (HM3C Model)                  |
| 25       | 1           | 1600-0037   | Dowel Pin (HM1C and HM5C Models)        |
| 26       | 1           | 3900-0022   | Gerotor (HM1C Model)                    |
| 26       | 1           | 3900-0024   | Gerotor (HM3C Model)                    |
| 26       | 1           | 3900-0048   | Gerotor (HM5C Model)                    |
| 27       | 1           | 0251-2500C2 | Motor End Plate (Includes Main Bearing) |
| 28       | 4           | 2270-0039   | Washer                                  |
| 29       | 4           | 2220-0044   | Cap Screw (HM3C)                        |
| 29       | 4           | 2220-0021   | Cap Screw (HM1C)                        |
| 29       | 4           | 2220-0032   | Cap Screw (HM5C)                        |
| 30       | 2           | 1720-0108   | O-ring                                  |
| 31       | 1           | 3360-0021   | Pressure Port Adapter                   |
| 32       | 1           | 3260-0068   | Poppet                                  |
| 33       | 1           | 1820-0038   | Retaining Ring                          |
| 34       | 1           | 3320-0049   | Tank Port Adapter                       |
| 35       | 1           | 3220-0029   | Bypass Adjusting Screw                  |
| 36       | 1           | 1700-0047   | Gasket                                  |
| 37       | 1           | 2270-0027   | Washer                                  |
| 38       | 1           | 2250-0038   | Lock Nut                                |
| 40       | 1           | 1610-0055   | Roll Pin (HM3C Models)                  |
| 40       | 1           | 1610-0031   | Roll Pin (HM1C and HM5C Models)         |
| 41       | 1           | 1610-0012   | Woodruff Key                            |
| 42       | 1           | 2270-0071   | Washer                                  |



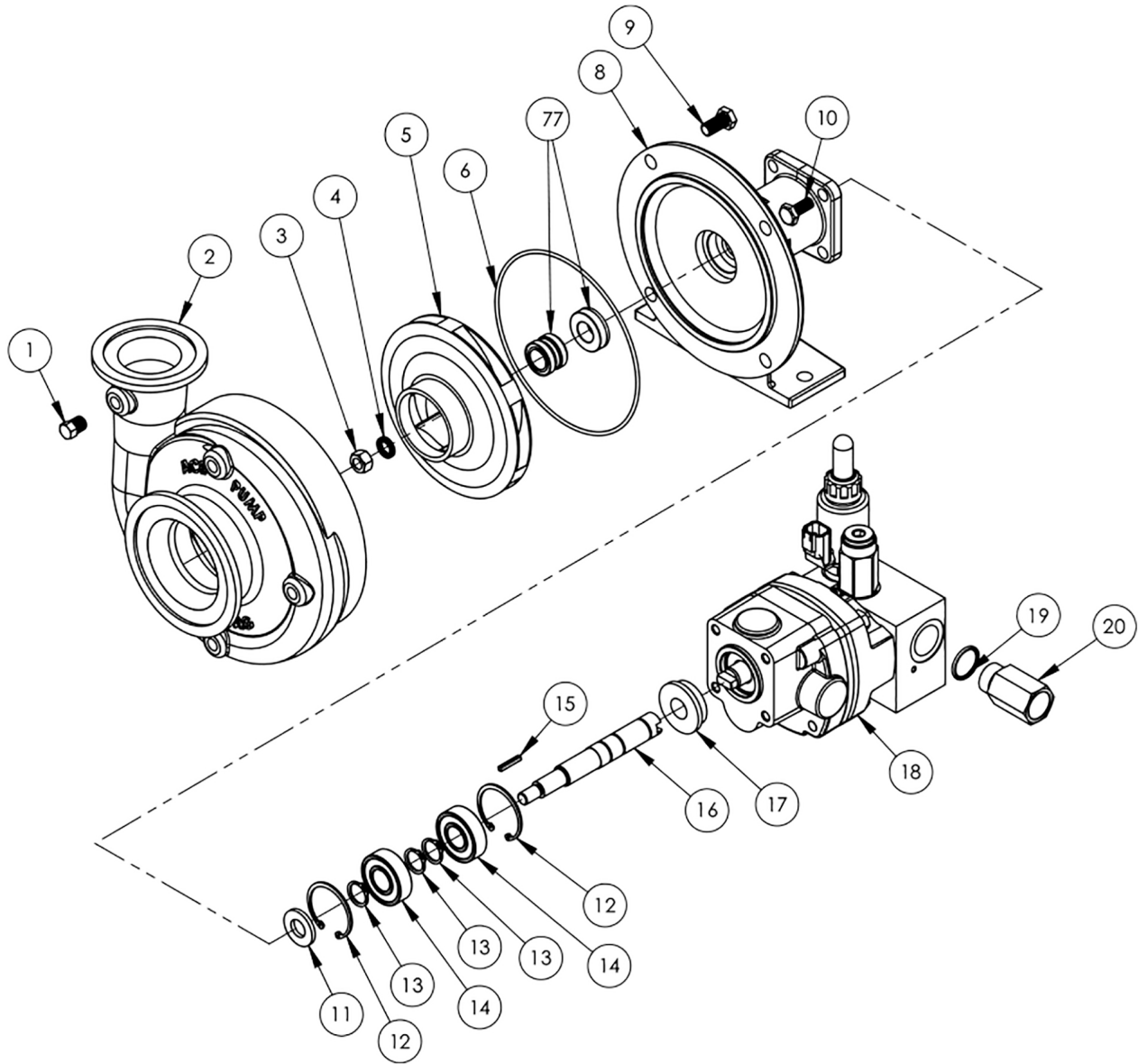
## ILLUSTRATED PARTS LIST

---



**FAST GLOBAL**  
**SOLUTIONS**

## ACE 205-304 PWM Pump, 80, 90 & 100 Foot Boom







# ILLUSTRATED PARTS LIST

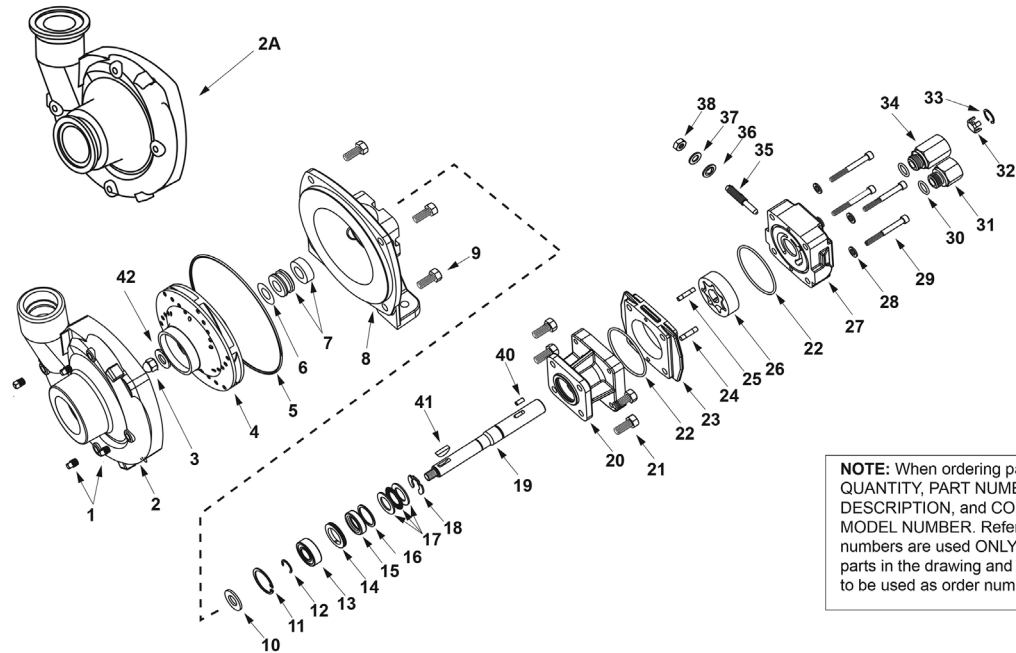
## ACE 205-304 PWM Pump, 80, 90 & 100 Foot Boom Parts List

| ITEM | PART NO.           | QTY. | EDP # | DESCRIPTION  |
|------|--------------------|------|-------|--|
| 0    | 550035             | 1    |       | PUMP, 205-304 FLANGED, PWM, COMPLETE PUMP                        |
| 1    | BAC-53             | 4    | 41110 | Pipe plug  |
| 1    | 41120              | 4    | 41120 | Pipe plug, stainless steel (-FS model) (optional)                |
| 2    | 7AC-14-FLG         | 1    | 41530 | Volute, 300 standard flange x 220 full port flange, cast iron    |
| 2    | 7AC-14-FLG-SS      | 1    | 41532 | Volute. 300 flange x 220 flange, 316 stainless steel (-FS model) |
| 3    | BAC-23-B-SS        | 1    | 40393 | Nut, 3/8" NF, stainless steel                                    |
| 4    | BAC-24-B-SS        | 1    | 42702 | Washer, 3/8", stainless steel, self-locking                      |
| 5    | BAC-26-200-P       | 1    | 40434 | Impeller, thermoplastic  |
| 5    | BAC-26-200-CI      | 1    | 40433 | Impeller, cast iron (optional)                                   |
| 5    | BAC-26-200-SS      | 1    | 40436 | Impeller, 316 stainless steel (-FS model) (optional)             |
| 6    | BAC-4A             | 1    | 40005 | O-ring, body seal  |
| 7    | BAC-7SC-205V       | 1    | 40149 | Seal, silicon carbide  |
| 8    | BAC-14-205-HYD     | 1    | 40338 | Mounting frame for 205 pump                                      |
| 8    | BAC-14-205-HYD-SS  | 1    | 40346 | Mounting frame for 205 pump, 316 stainless steel (-FS model)     |
| 9    | 40950              | 4    | 40950 | Cap screw, 3/8" NC x 3/4" hex head                               |
| 9    | 40930              | 4    | 40930 | Cap screw, 3/8" NC x 3/4" hex head, stainless steel (-FS model)  |
| 10   | 41330              | 4    | 41330 | Cap screw, 5/16" NC x 3/4" hex head, motor to pump               |
| 11   | BAC-54             | 1    | 41130 | Slinger  |
| 12   | BACH-33            | 2    | 40820 | Snap ring, internal, BAC-14-205 mounting frame                   |
| 13   | BACH-32-HD         | 3    | 40385 | Snap ring, external, BAC-6-205 shaft                             |
| 14   | 40880              | 2    | 40880 | Ball bearing, sealed, BAC-6-205 shaft                            |
| 15   | BAC-25             | 1    | 40425 | Key, 1/8" x 1/8" x 13/16", extended keyway                       |
| 16   | BAC-6-205-HYD-SS   | 1    | 40068 | Shaft, extended keyway, tang, stainless steel                    |
| 17   | S305               | 1    | 40163 | Seal support spacer for 205 series pump                          |
| 18   | BAC-75-HYD-304-PWM | 1    | 41348 | Hydraulic motor, 11 GPM, PWM                                     |
| 19   | 41445              | 1    | 41445 | o-ring, #10 SAE fitting  |
| 20   | BAC-78-10X10SAE    | 1    | 41467 | Reverse check assembly, #10 SAE x #10 SAE                        |
| NS   | RK-FMCSC-205       | -    | 52705 | Repair kit for FMC-205 pump with silicon carbide shaft seal      |



# ILLUSTRATED PARTS LIST

## HYPRO Pump, 80, 90 & 100 Foot Boom



**NOTE:** When ordering parts, give QUANTITY, PART NUMBER, DESCRIPTION, and COMPLETE MODEL NUMBER. Reference numbers are used ONLY to identify parts in the drawing and are NOT to be used as order numbers.

**Repair Parts Kit No. 3430-0332**  
Contains: One mechanical seal (Ref. 7), one o-ring (Ref. 5) and one rubber gasket (Ref. 6).

**Silicon Carbide Seal Kit No. 3430-0589**  
Contains one each: mechanical seal (Ref. 7) and o-ring (Ref. 5).

**Hydraulic Motor Part Nos.**  
2500-0009C (HM1C Models)  
2500-0011C (HM3C Models)  
2500-0018C (HM5C Models)

**Parts Kit No. 3430-0178**  
Contains: One each ball bearing (Ref. 13), motor shaft seal (Ref. 15), thread seal gasket (Ref. 36), and washer (Ref. 37); two each motor housing o-rings (Ref. 22), and port adapter o-rings (Ref. 30).

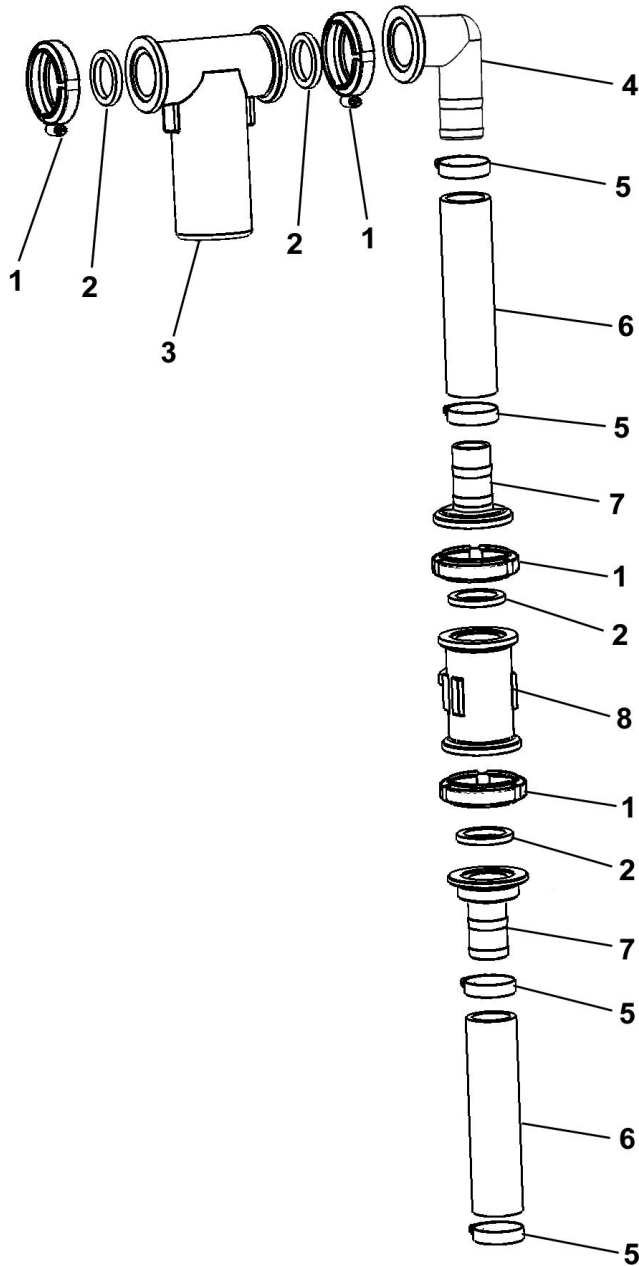
| Ref. No. | Qty. Req'd. | Part No.    | Description   |
|----------|-------------|-------------|---|
| 1        | 4           | 2406-0007   | Drain/Vent Plug   |
| 2        | 1           | 0154-9200C1 | Pump Casing (Volute) (Includes stainless steel wear ring)                         |
| 2        | 1           | 0151-9200C  | Pump Casing (Volute) (Includes stainless steel wear ring) (9304C)                 |
| 2A       | 1           | 0157-9200C  | Pump Casing (Universal Flange)  |
| 3        | 1           | 2253-0002   | Impeller Nut  |
| 4        | 1           | 0401-9200P2 | Impeller (Nylon)  |
| 5        | 1           | 1720-0083   | O-ring  |
| 6        | 1           | 1700-0100   | Rubber Gasket   |
| 7        | 1           | 2120-0009   | Mechanical Seal (Viton/Ceramic) (Std)   |
| 7        | 1           | 3430-0589   | Mechanical Seal (Silicon Carbide) (Optional)                                      |
| 8        | 1           | 0750-9300C2 | Mounting Flange   |
| 8        | 1           | 0750-9300C  | Mounting Flange (9304C)   |
| 9        | 4           | 2210-0020   | Hex Head Cap Screw  |
| 10       | 1           | 1410-0056   | Slinger Ring  |
| 11       | 1           | 1820-0013   | Retaining Ring  |
| 12       | 1           | 1810-0014   | Snap Ring   |
| 13       | 1           | 2000-0010   | Ball Bearing  |
| 14       | 1           | 1410-0073   | Spacer  |
| 15       | 1           | 2104-0005   | Shaft Seal  |
| 16       | 1           | 1410-0074   | Seal Spacer   |
| 17       | 1           | 2029-0014   | Thrust Bearing Assembly - Consists of: (1) Thrust Bearing & (2) Thrust Brg. Races |
| 18       | 1           | 1810-0026   | Snap Ring   |
| 19       | 1           | 0510-2500   | Shaft (HM3C Model) 7-1/2" long  |
| 19       | 1           | 0511-2501   | Shaft (HM1C & HM5C Models) 7" long  |
| 20       | 1           | 0151-2500C  | Motor Body (Includes Main Bearing)  |
| 21       | 4           | 2210-0005   | Hex Head Cap Screw  |

| Ref. No. | Qty. Req'd. | Part No.    | Description                             |
|----------|-------------|-------------|---|
| 22       | 2           | 1720-0110   | O-ring                                  |
| 23       | 1           | 0700-2500C1 | Gerotor Housing (HM1C Model) 1/2" wide  |
| 23       | 1           | 0702-2500C1 | Gerotor Housing (HM3C Model) 1" wide    |
| 23       | 1           | 0704-2500C1 | Gerotor Housing (HM5C Model) 5/8" wide  |
| 24       | 1           | 1600-0052   | Dowel Pin (HM3C Models)                 |
| 24       | 1           | 1600-0044   | Dowel Pin (HM1C and HM5C Models)        |
| 25       | 1           | 1600-0068   | Dowel Pin (HM3C Model)                  |
| 25       | 1           | 1600-0037   | Dowel Pin (HM1C and HM5C Models)        |
| 26       | 1           | 3900-0022   | Gerotor (HM1C Model)                    |
| 26       | 1           | 3900-0024   | Gerotor (HM3C Model)                    |
| 26       | 1           | 3900-0048   | Gerotor (HM5C Model)                    |
| 27       | 1           | 0251-2500C2 | Motor End Plate (Includes Main Bearing) |
| 28       | 4           | 2270-0039   | Washer                                  |
| 29       | 4           | 2220-0044   | Cap Screw (HM3C)                        |
| 29       | 4           | 2220-0021   | Cap Screw (HM1C)                        |
| 29       | 4           | 2220-0032   | Cap Screw (HM5C)                        |
| 30       | 2           | 1720-0108   | O-ring                                  |
| 31       | 1           | 3360-0021   | Pressure Port Adapter                   |
| 32       | 1           | 3260-0068   | Poppet                                  |
| 33       | 1           | 1820-0038   | Retaining Ring                          |
| 34       | 1           | 3320-0049   | Tank Port Adapter                       |
| 35       | 1           | 3220-0029   | Bypass Adjusting Screw                  |
| 36       | 1           | 1700-0047   | Gasket                                  |
| 37       | 1           | 2270-0027   | Washer                                  |
| 38       | 1           | 2250-0038   | Lock Nut                                |
| 40       | 1           | 1610-0055   | Roll Pin (HM3C Models)                  |
| 40       | 1           | 1610-0031   | Roll Pin (HM1C and HM5C Models)         |
| 41       | 1           | 1610-0012   | Woodruff Key                            |
| 42       | 1           | 2270-0071   | Washer                                  |





## Raven Flow Controls



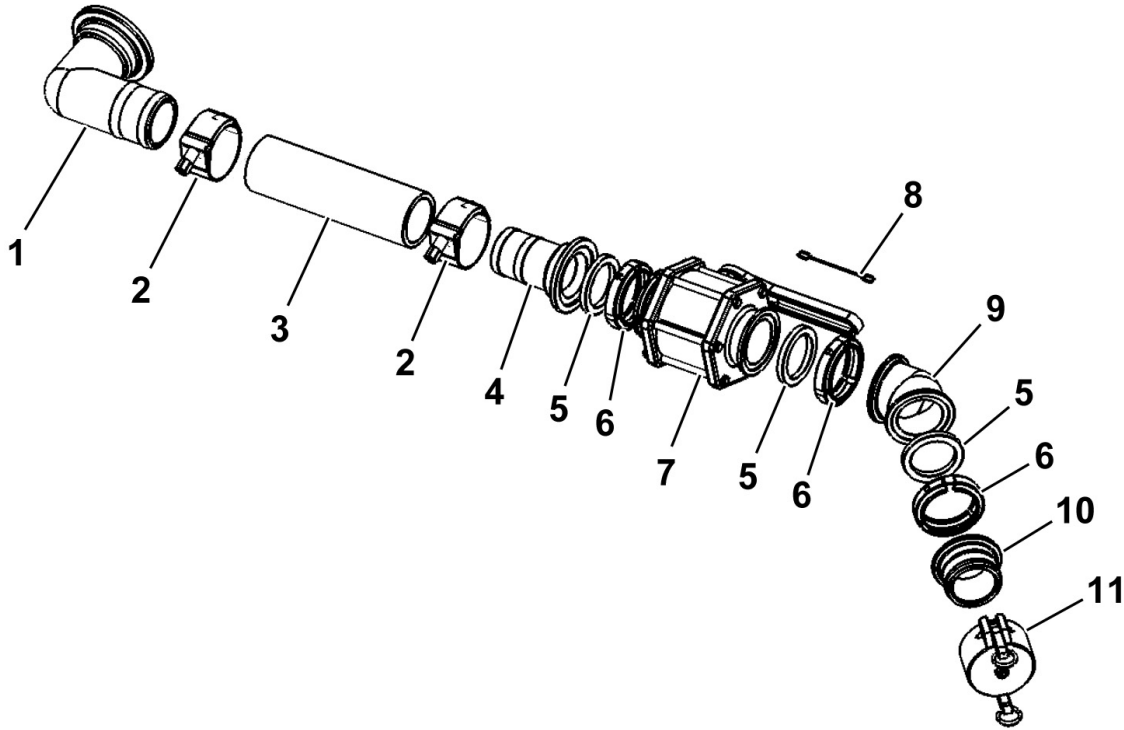


## ILLUSTRATED PARTS LIST

### Raven Flow Controls Parts List

| ITEM | VENDOR PART NO. | PART NO. | QTY. | DESCRIPTION                                     |
|------|-----------------|----------|------|---|
| 1    | FC200           | 530002   | 4    | Manifold Clamp 2" Full Port                     |
| 2    | 150G            | 530014   | 4    | Gasket 2" Port                                  |
| 3    | 063-0171-894    | 631805   | 1    | Raven Motorized Control, 2-way molded connector |
| 4    | M200150BRB90    | 530080   | 1    | Manifold Elbow 2" Full Port x 1.5" Hose Barb    |
| 5    | 64024H          | 540016   | 4    | Clamp Stainless Steel 1-1/2"                    |
| 6    | BS-1-1/2BH200   | 510014   | AR   | Hose EDPM 1-1/2"                                |
| 7    | M200150BRB      | 530100   | 2    | Manifold Hose Barb 2" x 1.5" Hose Barb          |
| 8    | 063-0171-0793   | 631804   | 1    | Raven Flow Meter                                |

## Quick Fill - Optional 3 Inch

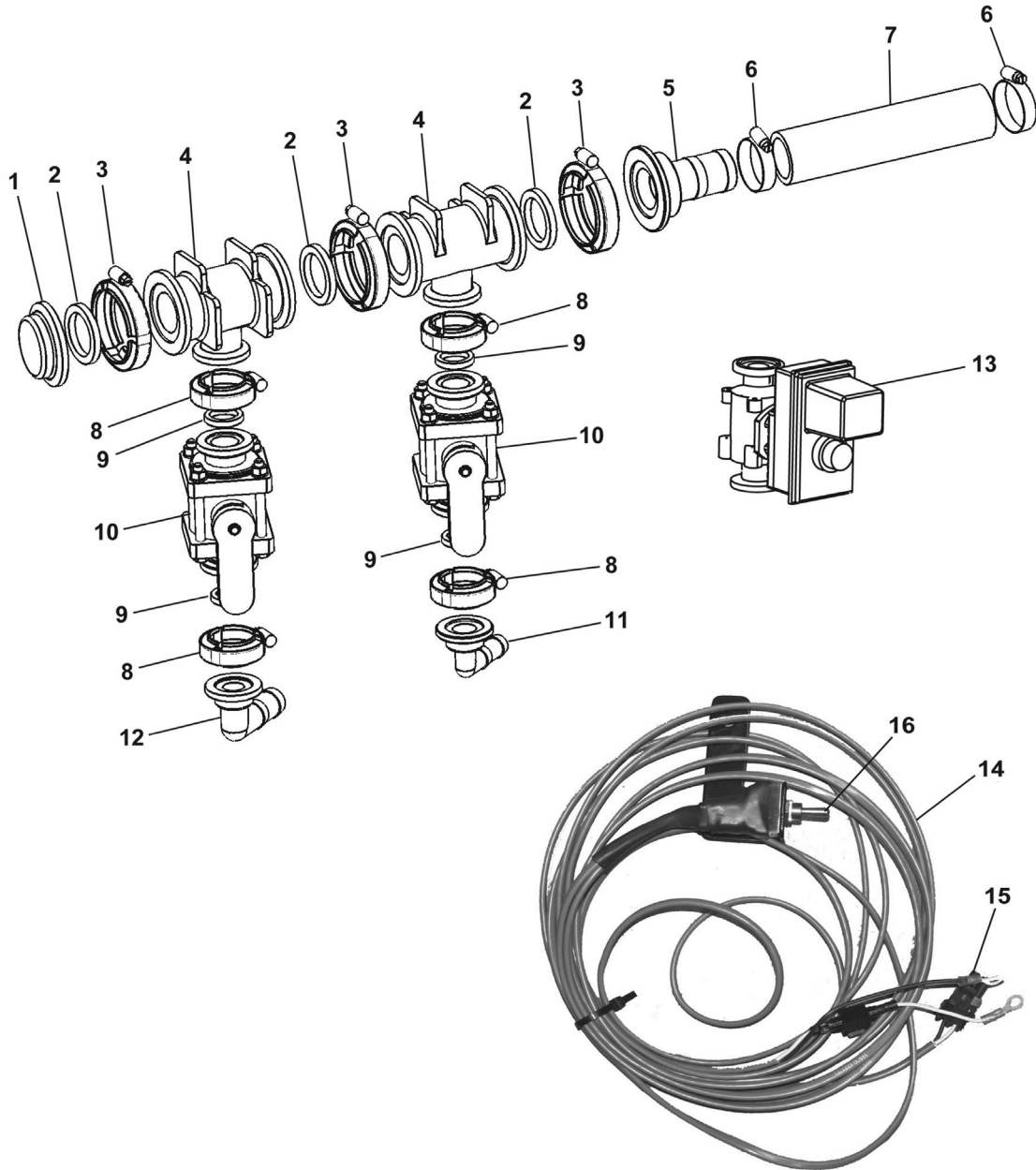


## Quick Fill - Optional 3 Inch Parts List

| ITEM | VENDOR PART NO. | PART NO. | QTY. | DESCRIPTION                    |
|------|-----------------|----------|------|--------------------------------|
| 1    | M300BRB90       | 530114   | 1    | 3" Flange x 3" HB-90 Deg       |
| 2    | TC-343          | 540009   | 2    | Clamp 3" T-Bolt Hose 3.43 MM   |
| 3    | 12012810        | 510004   | 1    | Hose 3" Fertilizer             |
| 4    | M300BRR         | 530113   | 1    | 3" Flange x 3" Hose Barb       |
| 5    | 300G            | 530024   | 3    | 3" EPDM Gasket                 |
| 6    | FC300           | 540003   | 3    | Clamp 3" Worm Screw            |
| 7    | M300FP          | 500012   | 1    | Valve 3" FPT x 3" Port Poly    |
| 8    | 79-12           | 530179   | 1    | Cable Lanyard                  |
| 9    | M300CPG45       | 530234   | 1    | 3" Manifold CPIG x 45 Deg      |
| 10   | M300A           | 530233   | 1    | Adapter, 3" Male x 3" Male THD |
| 11   | 300CAP          | 530023   | 1    | 3" Cap                         |



## Agitation & Rinse Control



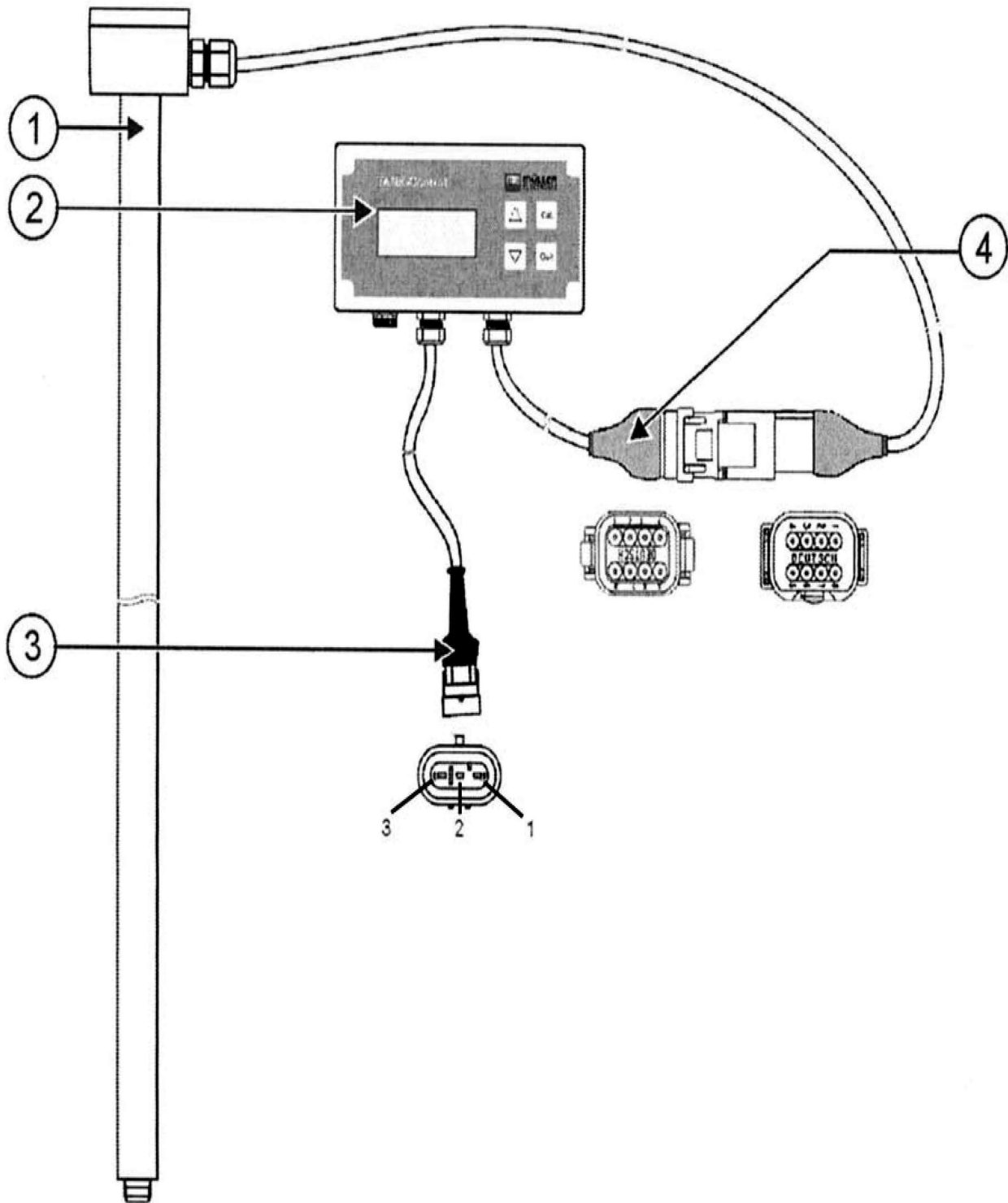


## ILLUSTRATED PARTS LIST

### Agitation & Rinse Control Parts List

| ITEM | VENDOR PART NO. | PART NO. | QTY. | DESCRIPTION                                |
|------|-----------------|----------|------|--|
| 1    | M200PLG         | 530093   | 1    | Manifold Plug 2"                           |
| 2    | 150G            | 530014   | 3    | 1.5" EPDM Gasket                           |
| 3    | FC200           | 540001   | 3    | Manifold Clamp                             |
| 4    | M200100TEE      | 530075   | 2    | Manifold Tee 2 X 1"                        |
| 5    | M200150BRB      | 530079   | 1    | Manifold Hose Barb 1-1/2"                  |
| 6    | 64024H          | 540016   | 2    | Clamp Hose 1-1/2"                          |
| 7    | 1-1/2 EDPM      | 510014   | 4'   | Hose Spray 1-1/2 Goodyear                  |
| 8    | FC100           | 540000   | 4    | Manifold Clamp 1"                          |
| 9    | M100G           | 530068   | 4    | Gasket 1"                                  |
| 10   | MV100CF         | 500005   | 2    | Manifold Valve 1"                          |
| 11   | M100075BRB90    | 530060   | 1    | Manifold Elbow 1" X 3/4" HB To Rinse Balls |
| 12   | M100BRB90       | 530061   | 1    | Manifold Elbow 1" HB To Agitation          |
| 13   | PL344BR-24-CEC  | 500001   | 2    | Valve Ball Electric Agitation (Optional)   |
| 14   |                 | 90SAEASA | 1    | Control Harness Electric Agitation         |
| 15   |                 | 560021   | 1    | Fuse 15 Amp                                |
| 16   |                 | 560043   | 1    | Switch                                     |

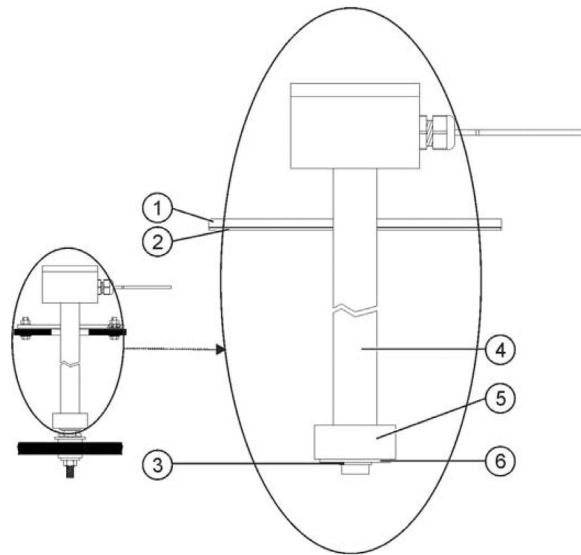
### Electronic Sight Gauge





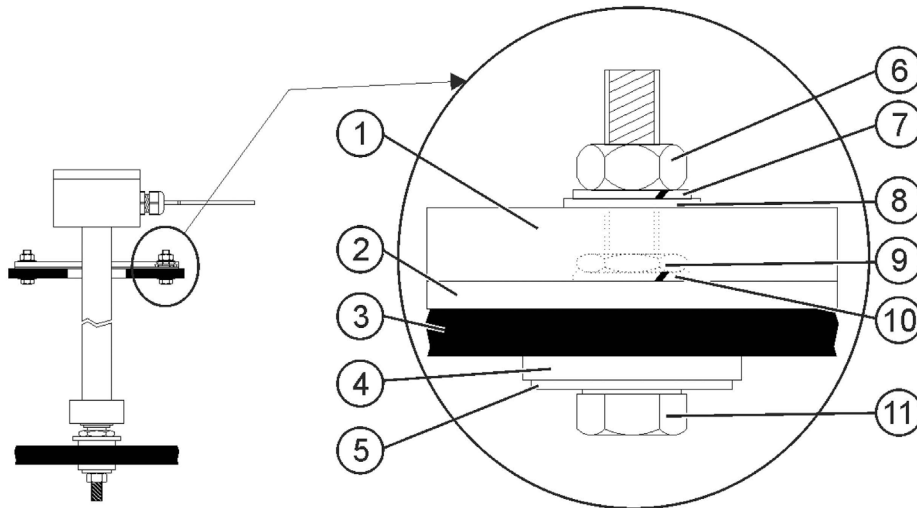
## Electronic Sight Gauge - Sensor Tube

### PREPARE THE SENSOR TUBE



| Item | Vendor Part # | Fast Part # | Description        | Qty. |
|------|---------------|-------------|--------------------|------|
| 1    |               |             | Flange             | 1    |
| 2    |               |             | Viton Gasket       | 1    |
| 3    |               |             | Locking Ring       | 1    |
| 4    |               |             | Sensor Tube        | 1    |
| 5    |               |             | Float              | 1    |
| 6    |               |             | Washer 24.2 x 12.2 | 1    |

### INSTALL THE SENSOR TUBE

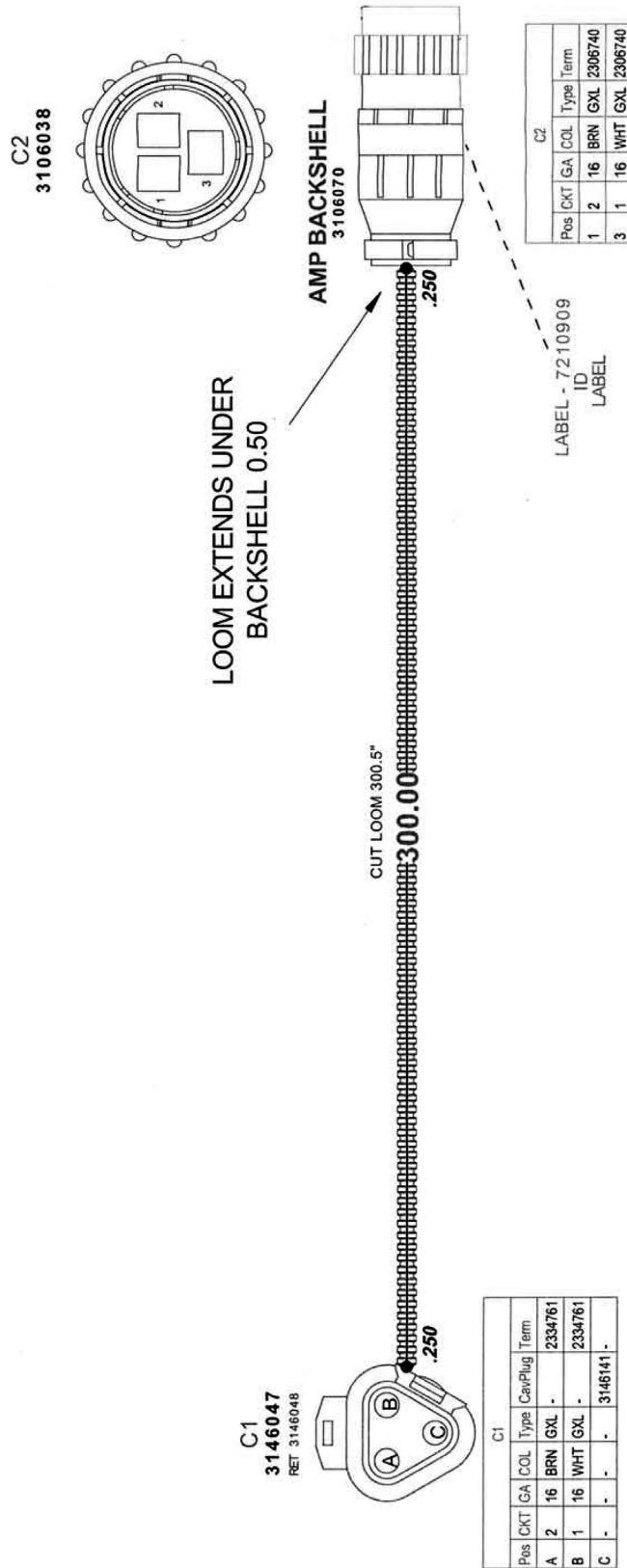


| Item | Vendor Part # | Fast Part # | Description         | Qty. |
|------|---------------|-------------|---------------------|------|
| 1    |               |             | Tube Socket         | 1    |
| 2    |               |             | Viton Gasket 25 x 6 | 1    |
| 3    |               |             | Base of Tank        | 1    |
| 4    |               |             | Viton Gasket 25 x 6 | 1    |
| 5    |               |             | Wahser A6.4         | 1    |
| 6    |               |             | Nut M6              | 1    |



# ILLUSTRATED PARTS LIST

## Electronic Sight Gauge - Power Cable



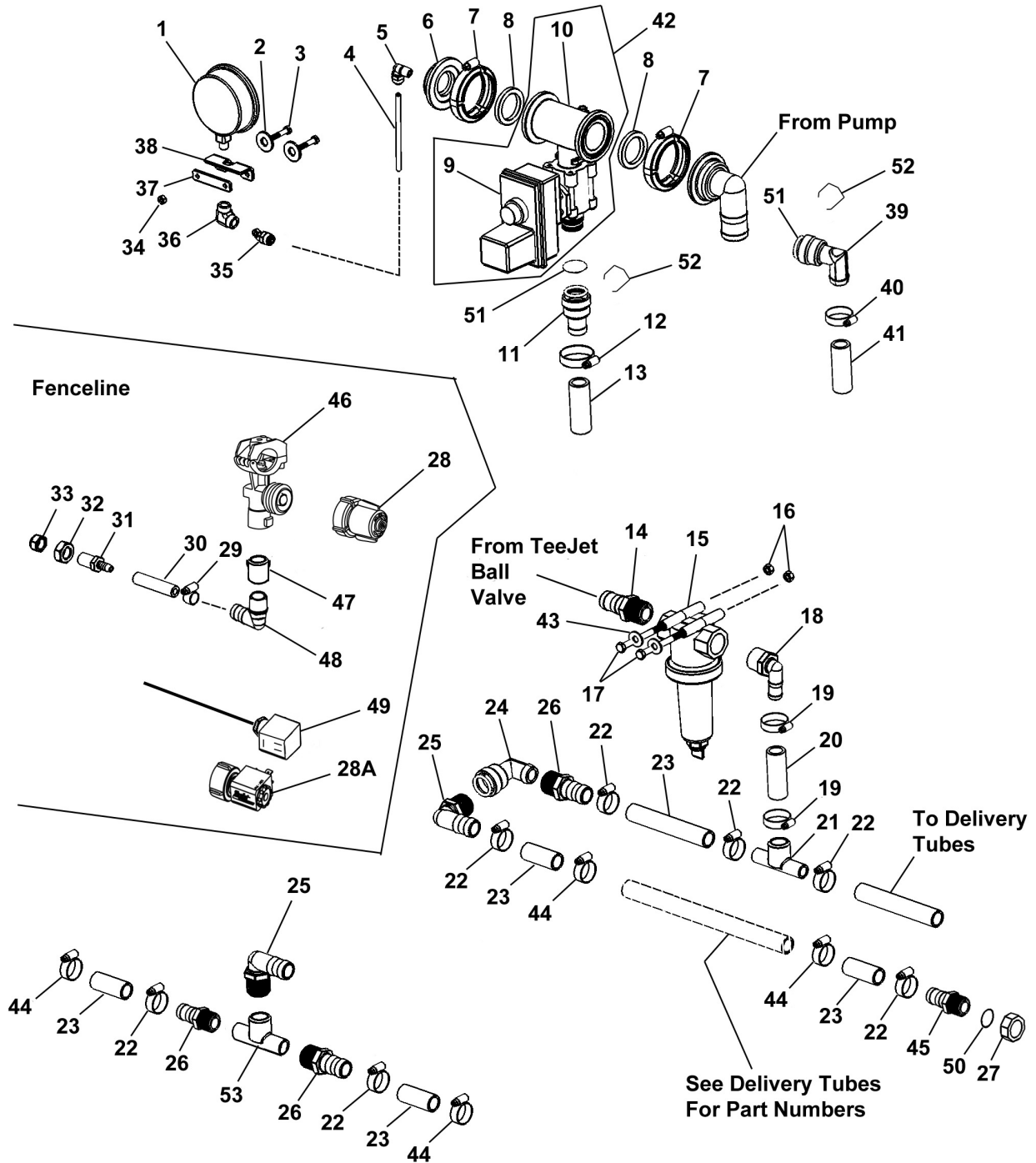


## ILLUSTRATED PARTS LIST

---



## Boom Plumbing



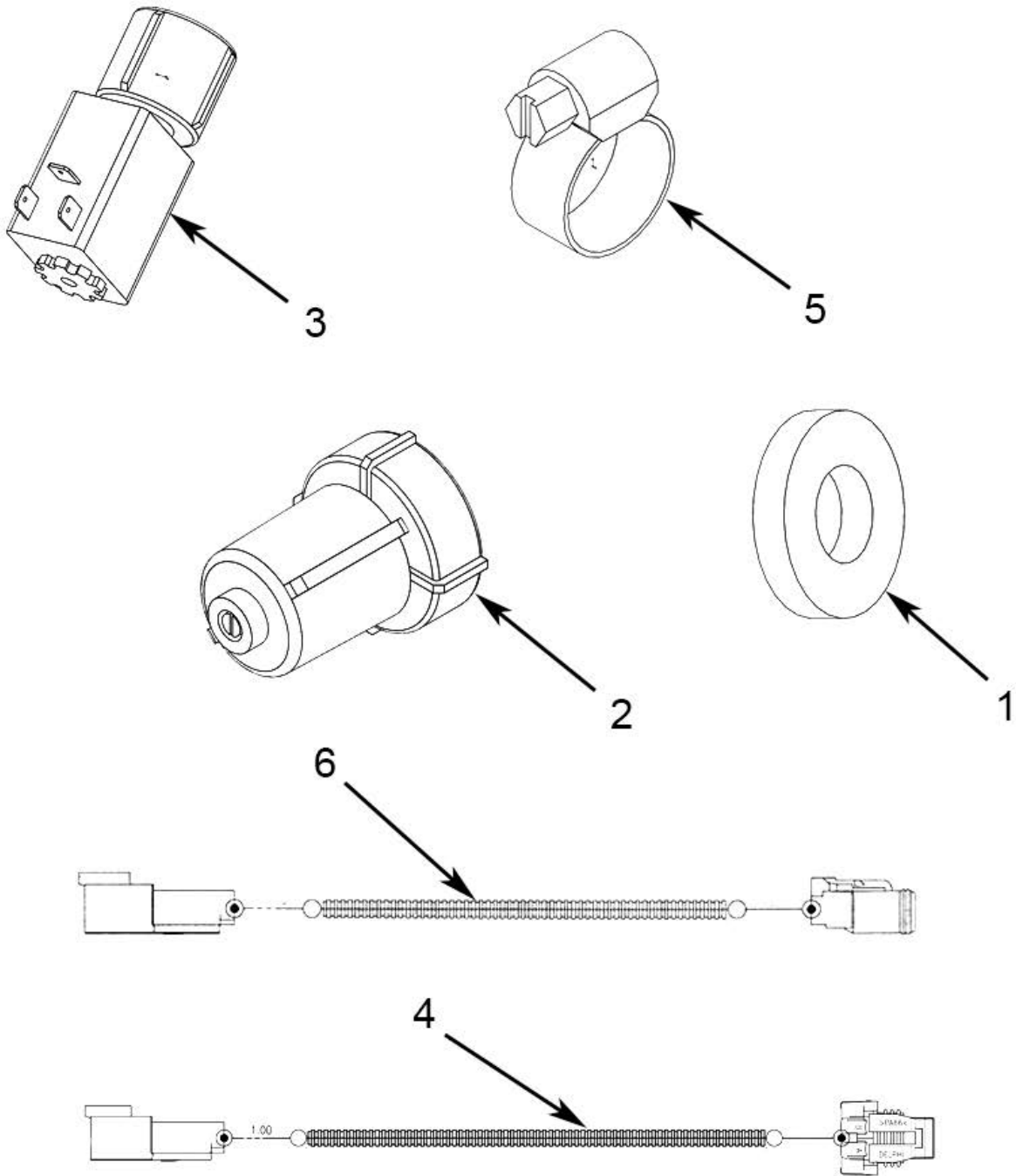


# ILLUSTRATED PARTS LIST

## Boom Plumbing Parts List

| ITEM | VENDOR PART NO.  | PART NO. | QTY. | DESCRIPTION                                    |
|------|------------------|----------|------|--|
| 1    | 4154-GXX-160     | 790020   | 1    | Pressure Guage 0-160 psi                       |
| 2    |                  | 256      | 2    | Washer Flat 1/4" Zp                            |
| 3    |                  | 103      | 2    | Bolt HH 1/4 X 1-1/2 GR5 Zp                     |
| 4    | 2T20-003         | 510023   | AR   | Tubing Poly 1/4" OD                            |
| 5    | 44103211         | 530004   | 1    | Q-Lock Connector Elbow 1/4" MPT x 1/4" Hose    |
| 6    | M200PLG025       | 530094   | 1    | Manifold Plug 2" X 1/4" Port                   |
| 7    | FC200            | 540001   | AR   | Manifold Clamp 2" Standard                     |
| 8    | 150G             | 530014   | AR   | Manifold Gasket 2"                             |
| 9    | 50516-6          | 500029   | AR   | Ball Valve Section Motor                       |
| 10   | 56609-2-F        |          | AR   | Valve Sub-Assembly                             |
| 11   | 45529-1"         | 530190   | AR   | Quick Connector Sub-Assembly                   |
| 12   | 64016H           | 540014   | AR   | Hose Clamp 1"                                  |
| 13   | 1BH200           | 510016   | AR   | Hose Spray EDPM 1" ID                          |
| 14   | HB100            | 530041   | AR   | Hose Barb 1" MPT X 1" HB                       |
| 15   | LST100-50        | 530057   | AR   | Strainer Line 50 Mesh Screen (LST150 Screen)   |
| 16   |                  | 236      | AR   | Nut HH 5/16" CL Zp                             |
| 17   |                  | 120      | AR   | Bolt HH 5/16 X 3-1/2 GR5 Zp                    |
| 18   | HB100-90         | 530044   | AR   | Hose Barb Elbow 1" MPT X 1" Hose               |
| 19   | 64016H           | 540014   | AR   | Hose Clamp 1"                                  |
| 20   | 1BH100           | 510016   | AR   | Hose Spray EDPM 1" ID                          |
| 21   | HB100            | 530056   | AR   | Hose Barb 1" x 1" Tee                          |
| 22   | 64016H           | 540014   | AR   | Hose Clamp 1"                                  |
| 23   | 1BH200           | 510016   | AR   | Hose Spray EDPM 1" ID                          |
| 24   | EL100-90         | 530310   | AR   | Elbow 1" FPT                                   |
| 25   | HB100-90         | 530044   | AR   | Hose Barb Elbow 1" MPT X 1" Hose               |
| 26   | HB100            | 530041   | AR   | Hose Barb 1" MPT X 1" HB                       |
| 27   | V13N34           | 530245   | AR   | Cap 1" FPT                                     |
| 28   | 58140            | 520037   | AR   | Fenceline Nozzle Body, Manually Controlled     |
| 28A  | 55280-1          | 520038   | AR   | Fenceline Nozzle Body, Electrically Controlled |
| 29   | 345-005          | 540032   | 2    | Hose Clamp 3/8"                                |
| 30   | 3/8BH200         | 510020   | AR   | Hose Spray EDPM 3/8"                           |
| 31   | 1338D            | 530306   | 2    | Fenceline Nozzle Body                          |
| 32   | 3B12             |          | 2    | Nozzle Body Nut                                |
| 33   | CP8027-NYB       | 520019   | 2    | Nozzle Tip Nut                                 |
| 34   |                  | 227      | 2    | Nut HH 1/4" Nylock ZP                          |
| 35   | 44103206         | 530001   | 1    | Q-LOCK Connector 1/4" MPT x 1/4" Hose          |
| 36   | 5504-04-04-SS    | 610006   | 1    | Elbow 1/4" NPT Stainless Steel                 |
| 37   |                  | 11758    | 1    | Guage Bracket                                  |
| 38   |                  | 11786    | 1    | Guage Strap                                    |
| 39   | 45529-90-1       | 530190   | 1    | Elbow 3/4" Return To Tank                      |
| 40   | 64012H           | 540013   | 1    | Clamp 3/4"                                     |
| 41   | BS-3/4 BH200     | 510019   | 1    | Hose 3/4"                                      |
| 42   | 54608-15-450BEC3 | 500029   | AR   | Ball Valve Section (Items 9 & 10)              |
| 43   |                  | 257      | AR   | 5/16" Washer                                   |
| 44   | TC-130           | 540037   | AR   | T-Bolt Clamp                                   |
| 45   | D34100           | 530225   | AR   | Hose Barb                                      |
| 46   | QJ17560A-25M     | 520030   | AR   | Body Single                                    |
| 47   | Q54676-1/4-NYR   | 530248   | AR   | Adapter  |
| 48   | 3EL14628         | 530209   | AR   | 1/4 x 3/8" Barb 90°                            |
| 49   | 58480-2          | 530429   | AR   | Cable, Chem Saver Electric Option              |
| 50   | W806V            | 530227   | AR   | Cap Gasket                                     |
| 51   | CP7717-3-912-VI  | 530198   | AR   | O-Ring   |
| 52   | CP37166-1-302SS  | 530193   | AR   | Retaining Clip                                 |
| 53   | BJTEE100 FP      | 530147   | AR   | Tee 1" NPT                                     |

## Fence Line Option





## ILLUSTRATED PARTS LIST

### Fence Line Option Parts List

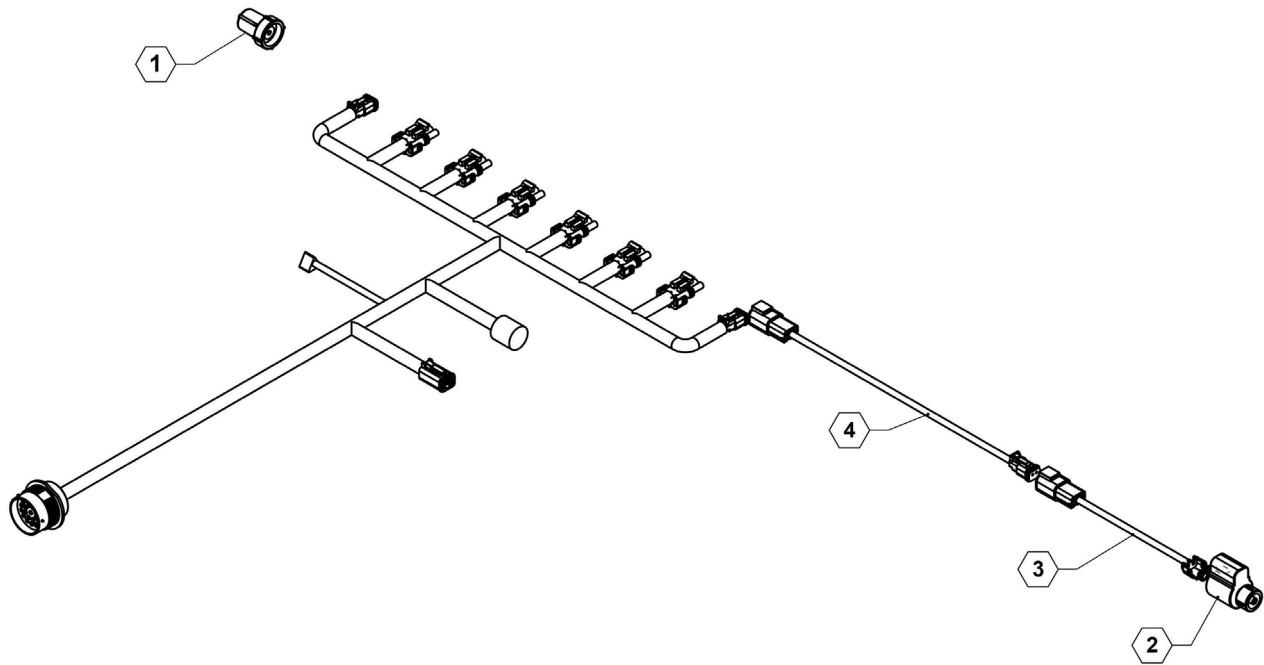
| ITEM | PART NO. | QTY. | DESCRIPTION                  |
|------|----------|------|------------------------------|
| 1    | 520016   | 2    | NOZZLE SEAT WASHER, RUBBER   |
| 2    | 520037   | 2    | NOZZLE MANUAL CHEM SAVER     |
| 3    | 520038   | 2    | NOZZLE ELECTRIC CHEM SAVER   |
| 4    | 632044   | 2    | CABLE ADAPTER 2P DT TO 2P 6" |
| 5    | 540032   | 4    | CLAMP, HOSE 5/16"            |
| 6    | 632054   | 2    | 55' FENCE ROW CABLE          |



# ILLUSTRATED PARTS LIST

## Single Fence Line, Display Control

NOTE:  
1. FOR USE WITH RAVEN RCM AND JD RC2000







## ILLUSTRATED PARTS LIST

### Single Fence Line, Display Control Parts List

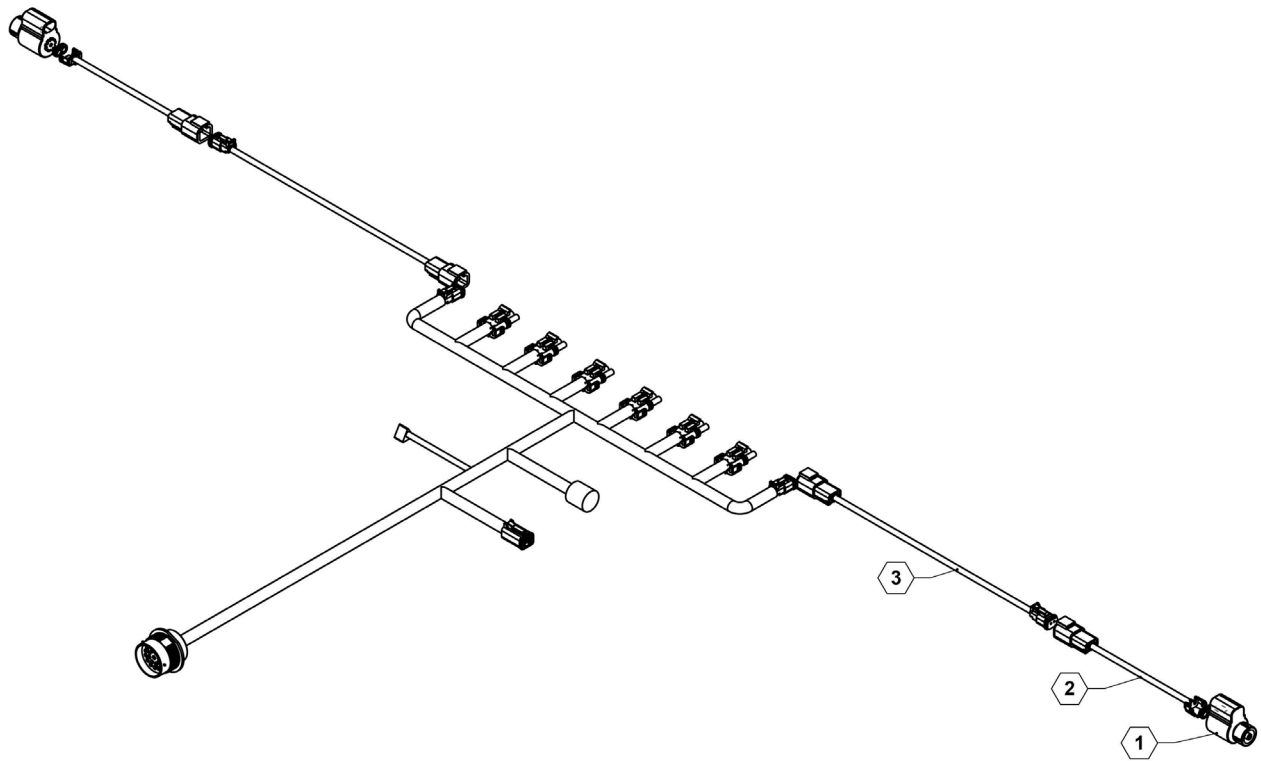
| ITEM | PART NO. | QTY. | DESCRIPTION                |
|------|----------|------|----------------------------|
| 1    | 520037   | 1    | VALVE, MANUAL CHEMSAVER    |
| 2    | 520038   | 1    | VALVE, ELECTRIC CHEMSAVER  |
| 3    | 632044   | 1    | FENCEROW ADAPTER CABLE, 6" |
| 4    | 632054   | 1    | FENCEROW CABLE, 55'        |



# ILLUSTRATED PARTS LIST

## Dual Fence Line, Display Control

NOTE:  
1. FOR USE WITH RAVEN RCM AND JD RC2000





## ILLUSTRATED PARTS LIST

### Dual Fence Line, Display Control Parts List

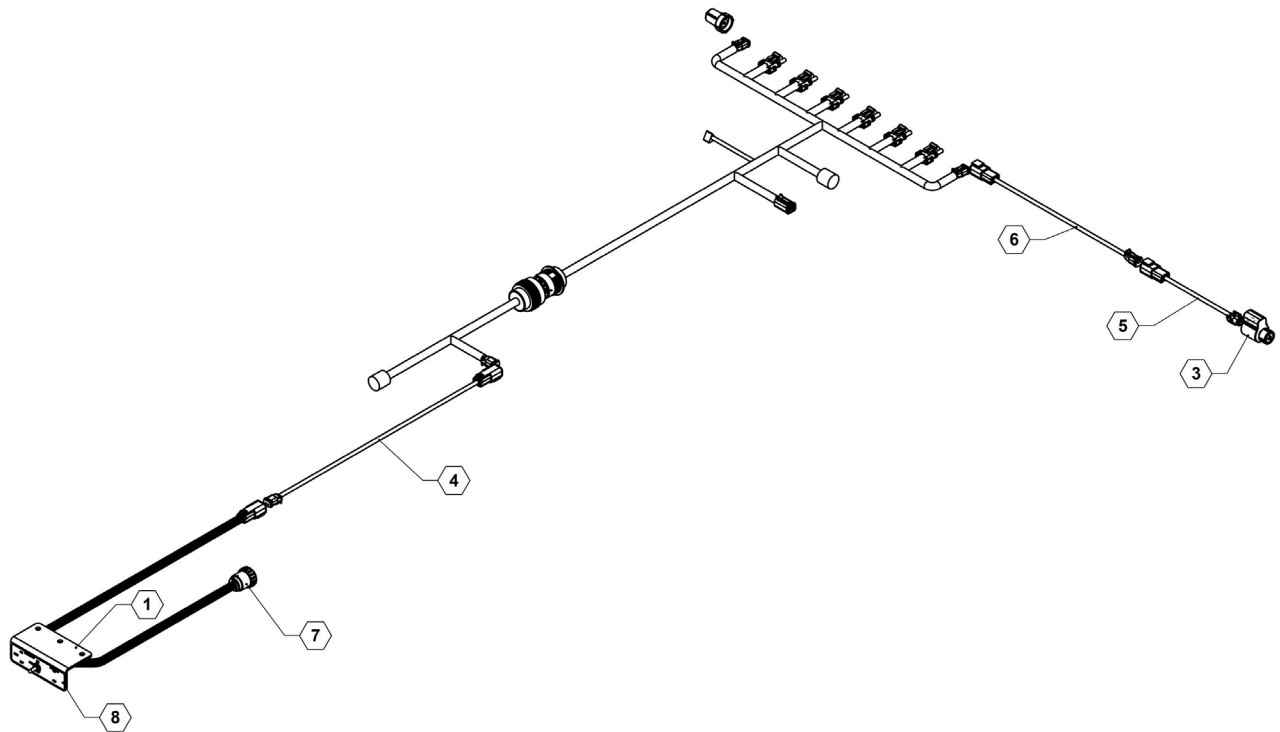
| ITEM | PART NO. | QTY. | DESCRIPTION                |
|------|----------|------|----------------------------|
| 1    | 520038   | 2    | VALVE, ELECTRIC CHEMSAVER  |
| 2    | 632044   | 2    | FENCEROW ADAPTER CABLE, 6" |
| 3    | 632054   | 2    | FENCEROW CABLE, 55'        |



# ILLUSTRATED PARTS LIST

## Single Fence Line, Toggle Switch Control

NOTE:  
1. FOR USE WITH RAVEN 450, JD GREENSTAR & OTHER 16 & 37 PIN CABLING CONTROLLERS





## ILLUSTRATED PARTS LIST

### Single Fence Line, Toggle Switch Control Parts List

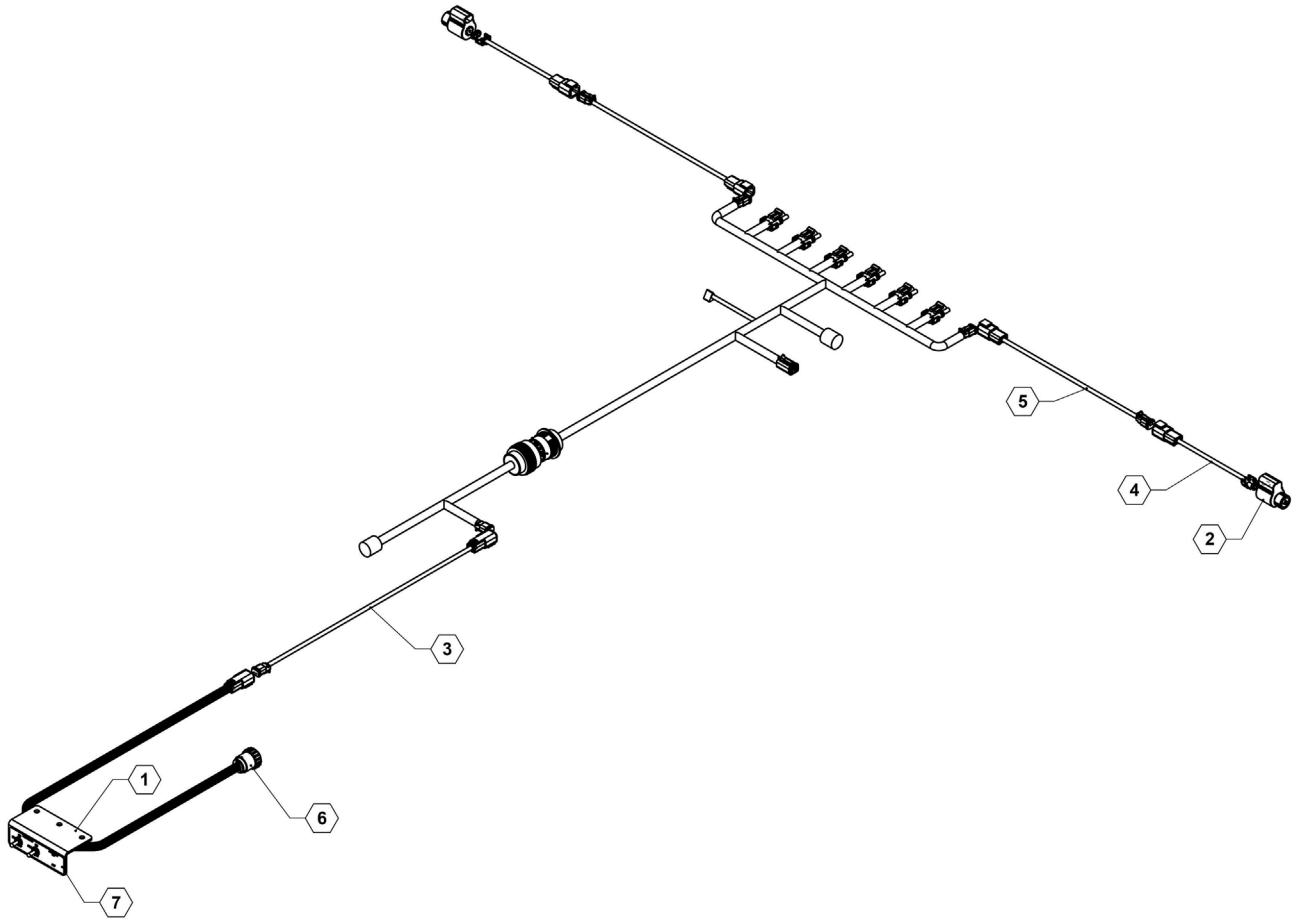
| ITEM | PART NO. | QTY. | DESCRIPTION                             |
|------|----------|------|---|
| 1    | 18437    | 1    | PLATE, MOUNT                            |
| 2    | 520037   | 1    | VALVE, MANUAL CHEMSAVER                 |
| 3    | 520038   | 1    | VALVE, ELECTRIC CHEMSAVER               |
| 4    | 632042   | 1    | 2 PIN DT 40' CABLE EXTENSION            |
| 5    | 632044   | 1    | FENCEROW ADAPTER CABLE, 6"              |
| 6    | 632054   | 1    | FENCEROW CABLE, 55'                     |
| 7    | 632089   | 1    | CABLE, SINGLE ELECTRIC FENCELINE NOZZLE |
| 8    | 800261   | 1    | DECAL, FENCELINE & AGITATION            |



# ILLUSTRATED PARTS LIST

## Dual Fence Line, Toggle Switch Control

NOTE:  
1. FOR USE WITH RAVEN 450, JD GREENSTAR & OTHER 16 & 37 PIN CABLING CONTROLLERS



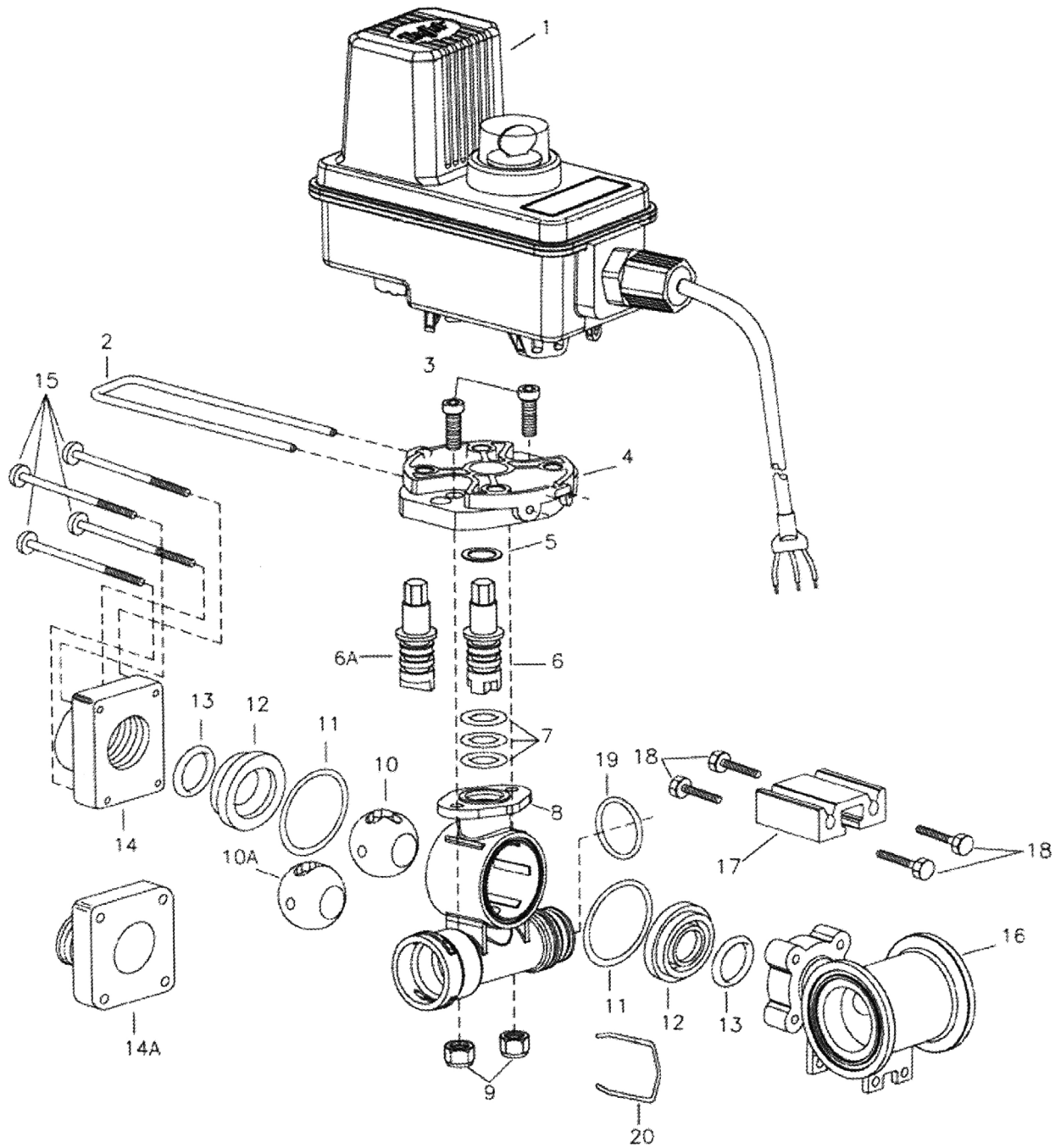


## ILLUSTRATED PARTS LIST

### Dual Fence Line, Toggle Switch Control Parts List

| ITEM | PART NO. | QTY. | DESCRIPTION                           |
|------|----------|------|---------------------------------------|
| 1    | 18437    | 1    | PLATE, MOUNT                          |
| 2    | 520038   | 2    | VALVE, ELECTRIC CHEMSAVER             |
| 3    | 632042   | 1    | 2 PIN DT 40' CABLE EXTENSION          |
| 4    | 632044   | 2    | FENCEROW ADAPTER CABLE, 6"            |
| 5    | 632054   | 2    | FENCEROW CABLE, 55'                   |
| 6    | 632088   | 1    | CABLE, DUAL ELETRIC FENCELINE NOZZLES |
| 7    | 800261   | 1    | DECAL, FENCELINE & AGITATION          |

## Plumbing Valves





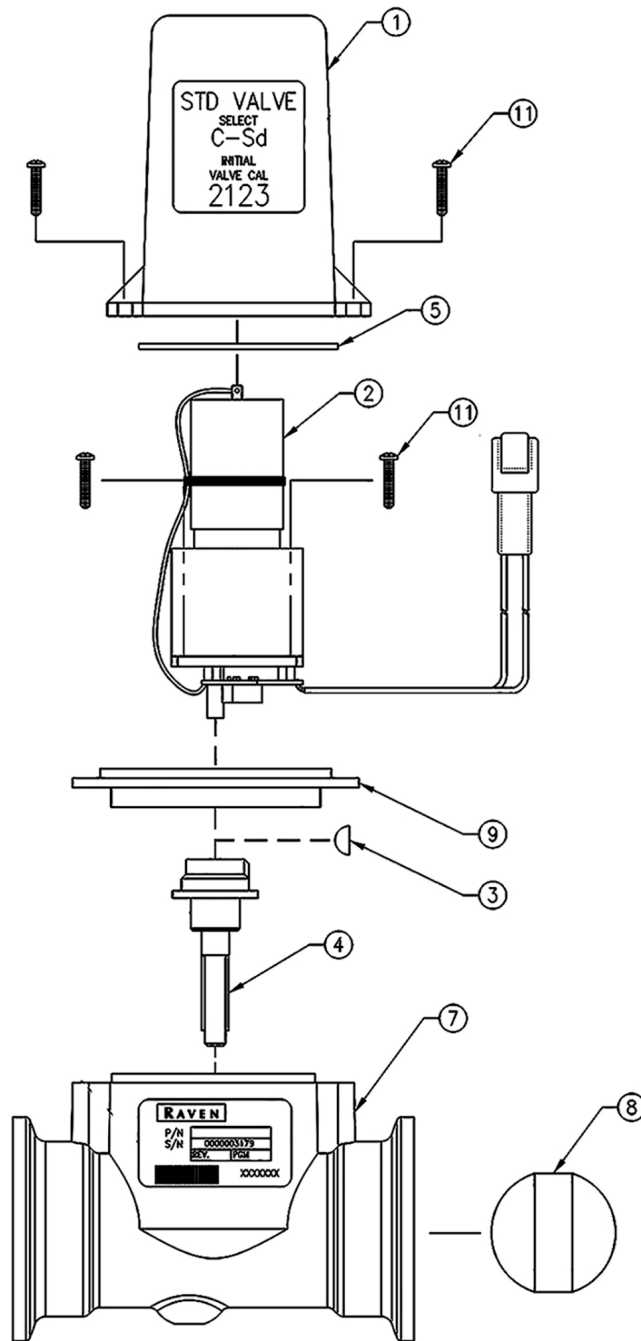


# ILLUSTRATED PARTS LIST

## Plumbing Valves Parts List

| ITEM | VENDOR PART NO.    | QTY. | DESCRIPTION   |
|------|--------------------|------|---|
| 0    | PL450BEC-FB        | 1    | Shut-off Valve  |
| 1    | TJ505156           | 1    | BEC MOTOR, 22 RPM (.07 SEC)   |
| 2    | CP50517-SSPV       | 1    | RETAINING CLIP, 304 STAINLESS   |
| 3    | CP26197-PP         | 2    | SCREW, 1/4"-20 X 7/8", STAINLESS  |
| 4    | CP50514-PP         | 1    | MOTOR ADAPTER, POLY BLACK   |
| 5    | CP20125-TEF        | 1    | THRUST WASHER, TEFLON   |
| 6    | CP56613-SS         | 1    | STEM, 303 STAINLESS (FOR POLY BALL)   |
| 7    | CP7717-M12X2.5-V1  | 3    | O-RING, VITON   |
| 8    | CP55233-NYB        | 1    | FLOW BACK BODY, NYLON BLACK   |
| 9    | CP38435-1/4-SSNY   | 2    | ELASTIC LOCKNUT, 1/4-20, STAINLESS  |
| 10   | CP20106-2-PP       | 1    | FLOW BACK BALL, POLY, WHITE   |
| 10A  | CP19926-2-SS       | 1    | FLOW BACK BALL, 303 STAINLESS   |
| 11   | CP20564            | 2    | GASKET, VITON   |
| 12   | CP20103-TEF        | 2    | SEAL, TEFLON  |
| 13   | CP7717-2-2132VI    | 2    | O-RING, VITON   |
| 14A  | CP45514-NYB        | 1    | END CAP, NYLON, BLACK, QUICK CONNECT  |
| 15   | CP45252-2-3/4-SSPV | 4    | SCREW, 1/4-12 X 2-3/4 PAN HEAD, SS  |
| 16   | CP55224-PP         | 1    | #75 NARROW TEE BODY, POLY, BLACK  |
| 17   | CP45216-AL         | 1    | MOUNTING RAIL, ALUMINUM   |
| 18   | CP45259-SS         | 4    | SCREW, M6 X 1 X 16MM HEX, SS  |
| 19   | CP7717-3-912-VI    | 2    | O-RING, VITON   |
| 20   | CP37166-1-302SS    | 2    | QUICK CONNECT RETAINING CLIP, 302 SS  |
|      | 56609-3FB-_-_-     | 1    | VALVE BODY SUB ASSEMBLY, SPECIFY OUTLET SIZE & BALL MATERIAL (INCLUDES ITEMS 1-3) |
|      | AB344AE-KIT        | 1    | SPARE PARTS KIT   |

### Butterfly Valve



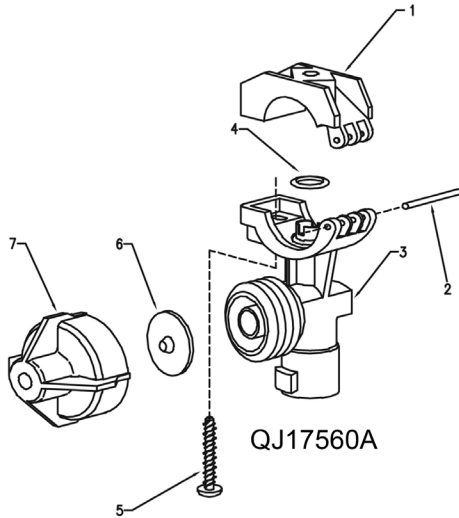


## ILLUSTRATED PARTS LIST

### Butterfly Valve Parts List

| ITEM | PART NO.     | QTY. | DESCRIPTION                           |
|------|--------------|------|---------------------------------------|
| 0    | 632037       | 1    | COMPLETE BUTTERFLY VALVE (ITEMS 1-16) |
| 1    | 106-0159-407 | 1    | COVER VALVE                           |
| 2    | 063-0173-418 | 1    | MOTOR ASSEMBLY                        |
| 3    | 321-0000-062 | 1    | WOODRUFF KEY                          |
| 4    | 063-0171-893 | 1    | COUPLE SHAFT                          |
| 5    | 219-0000-020 | 1    | TETRASEAL SEAL                        |
| 6    | 222-0000-002 | AR   | VERSILUBE LUBRICANT                   |
| 7    | 063-0171-892 | 1    | BODY ASSEMBLY                         |
| 8    | 106-0159-414 | 1    | BUTTERFLY VALVE                       |
| 9    | 063-015-0457 | 1    | ISOLATION FLANGE ASSEMBLY             |
| 10   | 222-1001-050 | AR   | RETAINING COMPOUND                    |
| 11   | 321-0000-256 | 6    | SCREW                                 |
| 12   | 041-0159-452 | 1    | LABEL                                 |
| 15   | 222-1001-006 | AR   | ADHESIVE SEAL                         |
| 16   | 054-0159-337 | 1    | REPLACEMENT PARTS LIST                |

## Nozzle Bodies



QJ17560A

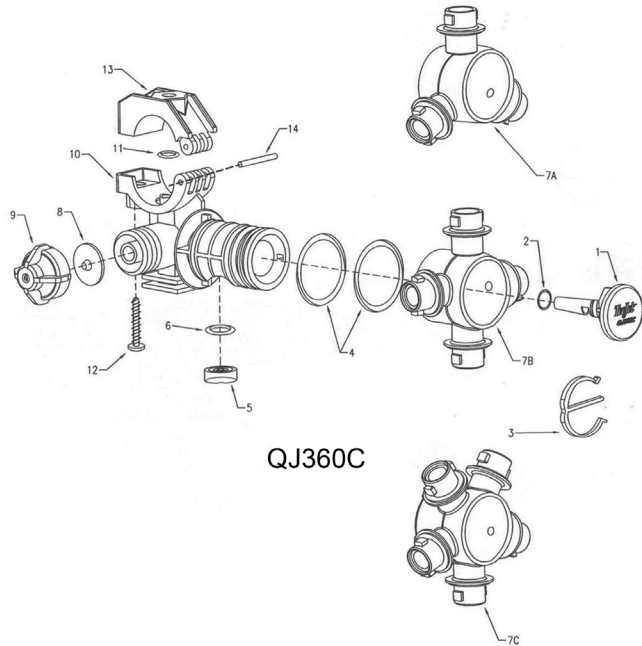
| ITEM   | PART NO.            | DESCRIPTION  |
|--|---------------------|--|
| 1  | CP48224-NYB         | Upper Clamp, 25mm, Nylon (Black)                       |
| 2  | CP48256-SS          | Pivot Pin, Stainless Steel                             |
| 3  | CP48498-NYB         | Body, 3/4", Nylon (Black) (for 3/4" and 25mm versions) |
| 4  | CP7717-2/110-BU     | O-Ring, Buna-N   |
|  | CP7717-2/110-VI     | O-Ring, Viton (Optional)                               |
| 5  | CP48255-1 1/4-302SS | Screw, Stainless Steel                                 |
| 6  | CP21953-EPR         | Diaphragm, EPDM  |
|  | CP21953-VI          | Diaphragm, Viton (Optional)                            |
| 7  | 21950-10-NYB        | End Cap Sub-Ass'y, Nylon (Black)                       |
| No. QJ17560A-25mm-NYB(-VI) - Hinged Nozzle Body Assembly |                     |  |

| ITEM  | PART NO.            | DESCRIPTION                                       |
|---|---------------------|---|
| 1   | CP38930-8-NYB       | Plug, Nylon (Black)                               |
| 2   | CP7717-2-13-EPR     | O-Ring, EPDM                                      |
|   | CP7717-2-13-VI      | O-Ring, Viton (Optional)                          |
| 3   | CP38931-NYB         | E-Clip, Nylon (Black)                             |
| 4   | CP7717-M28x3-EPRTFE | O-Ring, EPR-Teflon Filled (2 Req'd.)              |
|   | CP7717-M28x3-VITFE  | O-Ring, Viton-Teflon Filled (2 Req'd.) (Optional) |
| 5   | CP56726-VITFE       | Seal, Viton-Teflon Filled                         |
| 6   | CP7717-2-111-VI     | O-Ring, Viton                                     |
| 7A  | CP38921-2-NYB       | Turret, Nylon (Black) (3 Outlet)                  |
| 7B  | CP38922-2-NYB       | Turret, Nylon (Black) (4 Outlet)                  |
| 7C  | CP38923-2-NYB       | Turret, Nylon (Black) (5 Outlet)                  |
| 8   | CP21953-EPR         | Diaphragm, EPDM                                   |
|   | CP21953-VI          | Diaphragm, Viton (Optional)                       |
| 9   | 21950-10-NYB        | End Cap Sub-assembly, Nylon (Black)               |
| 10  | CP38925-2-NYB       | 3/4" & 25mm Body, Nylon (Black)                   |
| 11  | CP7717-2-110-BU     | O-Ring, Buna-N                                    |
|   | CP7717-2-110-VI     | O-Ring, Viton (Optional)                          |
| 12  | CP48255-1-1/4-302SS | Screw, Stainless Steel                            |
| 13  |                     |   |
|   | CP48224-NYB         | 25mm Upper Clamp, Nylon (Black)                   |
|   | CP48256-SS          | Pivot Pin, Stainless Steel                        |
| No. QJ36_C-25MM-NYB(-VI) - 25mm Wet Boom Nozzle Body*   |                     |   |
| *Notes: Specify Either 3, 4, or 5 in Part Number For Number of Outlets Desired.<br>-VI in Part Number Specifies Viton O-Ring Option |                     |   |

**DESCRIPTION:**  
**QJ17560A HINGED CLAMP**  
**WET BOOM DIAPHRAGM**  
**CHECK VALVE QUICK TEJET®**  
**NOZZLE BODY ASSEMBLY**  
 (1/2", 3/4", 1", 20mm, & 25mm)

**Spraying Systems Co.®**  
 Spray Nozzles and Accessories  
 P.O. Box 7900 - Wheaton, IL 60189-7900

|          |                    |
|----------|--------------------|
| Rev. No. | Parts List No.     |
| Ref.     | <b>PL QJ17560A</b> |
|          | SHEET OF           |



QJ360C

**DESCRIPTION:**  
**QJ360C WET BOOM**  
**DIAPHRAGM CHECK VALVE**  
**QUICK TEJET® HINGED**  
**NOZZLE BODY ASSEMBLY**

**Spraying Systems Co.®**  
 Spray Nozzles and Accessories  
 P.O. Box 7900 - Wheaton, IL 60189-7900

|            |                     |
|------------|---------------------|
| Rev. No. 1 | PARTS LIST          |
| Ref.       | <b>PL QJ360C-WB</b> |
|            | SHEET OF            |



QJ375

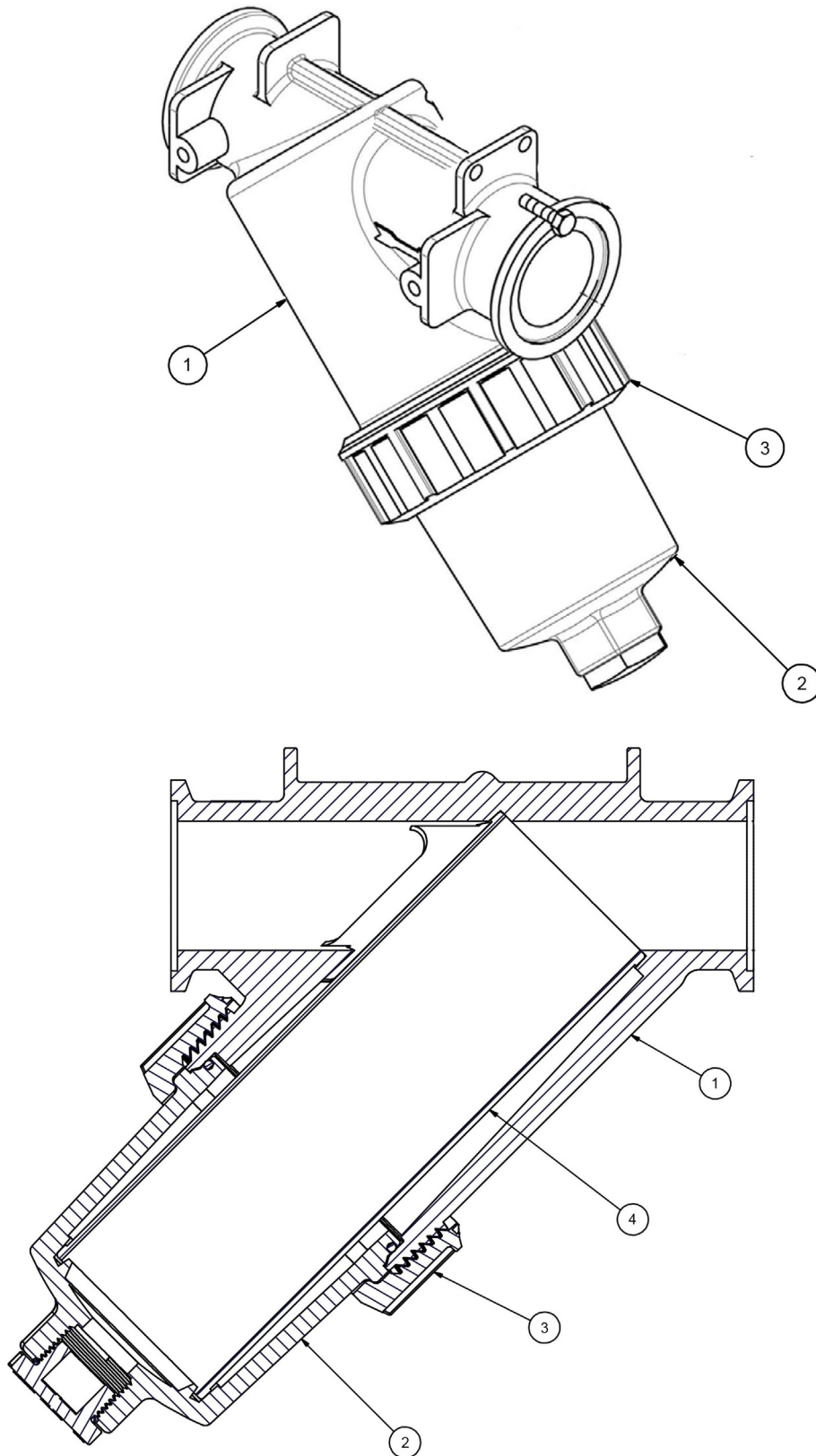


QJ373



**FAST GLOBAL**  
**SOLUTIONS**

**Y Strainer**



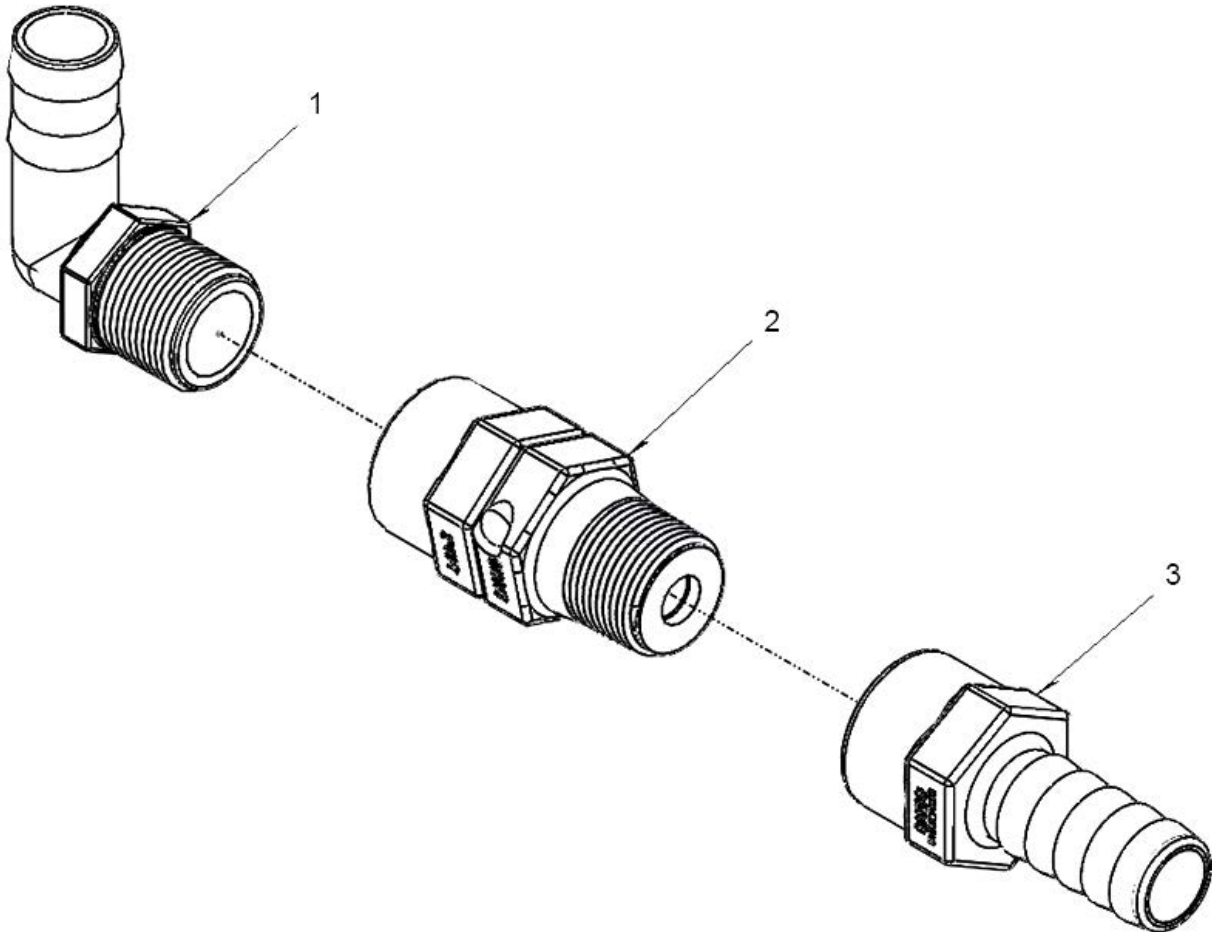


## ILLUSTRATED PARTS LIST

### Y Strainer Parts List

| ITEM | PART NO. | VENDOR PART NO. | QTY. | DESCRIPTION                   |
|------|----------|-----------------|------|-------------------------------|
|      | 530125   |                 | 1    | Complete Strainer             |
| 1    |          | MLS222B         | 1    | 2" FP Line Strainer Body      |
| 2    |          | MLS220C1        | 1    | MLS220 Cap Assembly           |
| 3    |          | MLS220R1        | 1    | 2" FP LS Retaining Ring       |
| 4    |          | LST204SS        | 1    | 4 SS MESH SCREEN              |
| 4    |          | LST206SS        | 1    | 6 SS MESH SCREEN              |
| 4    |          | LST208SS        | 1    | 8 SS MESH SCREEN              |
| 4    |          | LST210SS        | 1    | 10 SS MESH SCREEN             |
| 4    |          | LST216SS        | 1    | 16 SS MESH SCREEN             |
| 4    |          | LST230SS        | 1    | 30H SS MESH SCREEN            |
| 4    |          | LST250SS        | 1    | 50 SS MESH SCREEN             |
| 4    |          | MLS250SS        | 1    | 50 SS MESH PERFORATED SCREEN  |
| 4    |          | LST280SS        | 1    | 80 SS MESH SCREEN             |
| 4    |          | MLS280SS        | 1    | 80 SS MESH PERFORATED SCREEN  |
| 4    |          | LST2100SS       | 1    | 100 SS MESH SCREEN            |
| 4    |          | MLS2100SS       | 1    | 100 SS MESH PERFORATED SCREEN |

## 60 - 80' Side Fold Fitting



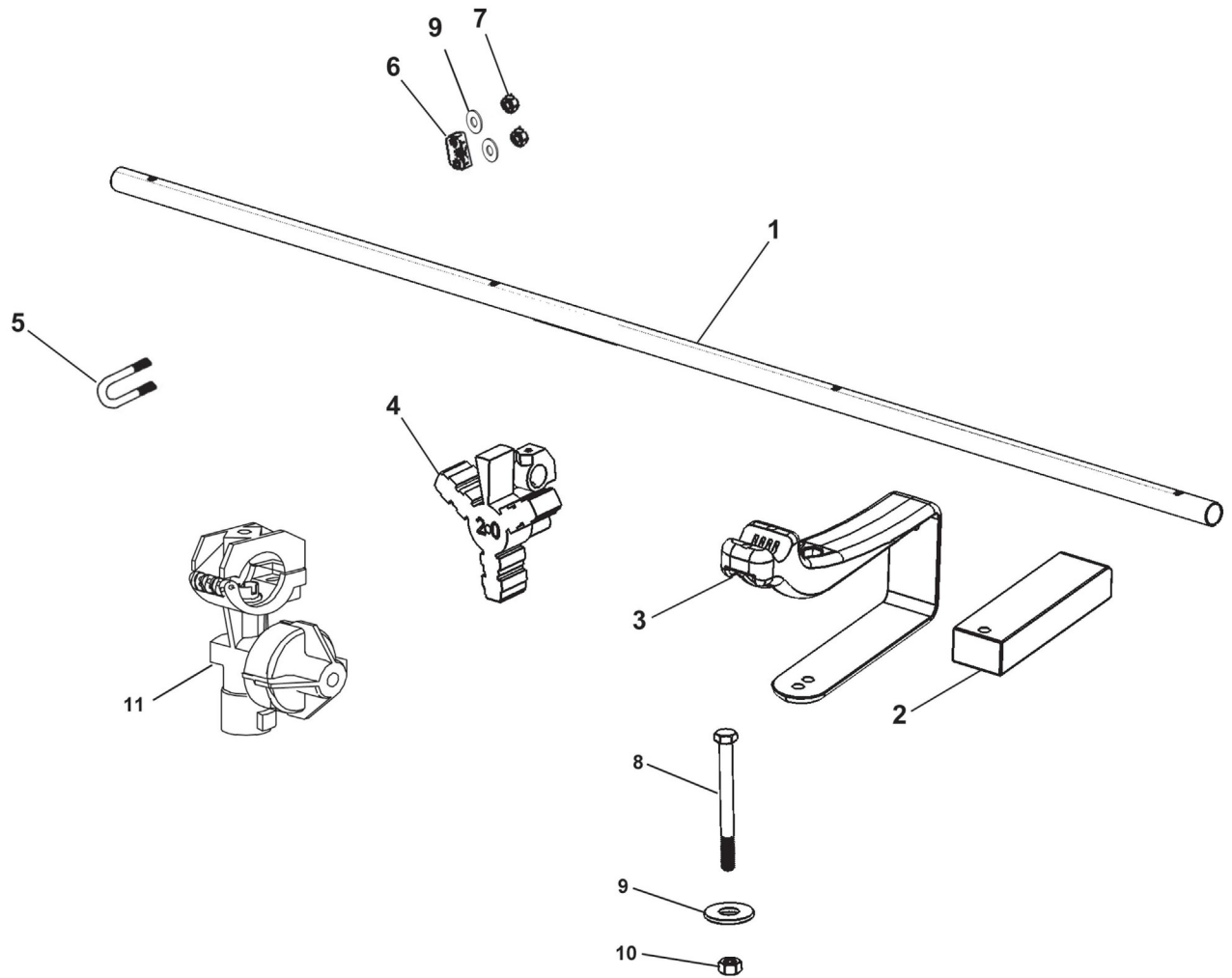
### 60 - 80' Side Fold Fitting Parts List

| ITEM | PART NO. | QTY. | DESCRIPTION                      |
|------|----------|------|----------------------------------|
| 1    | 530044   | 1    | 1" MPT X 1" HOSE SHANK-90°       |
| 2    | 530326   | 1    | 1' MALE X 1" FEMALE SWIVEL       |
| 3    | 530325   | 1    | 1' FEMALE THREAD X 1" HOSE SHANK |





## Delivery Tubes



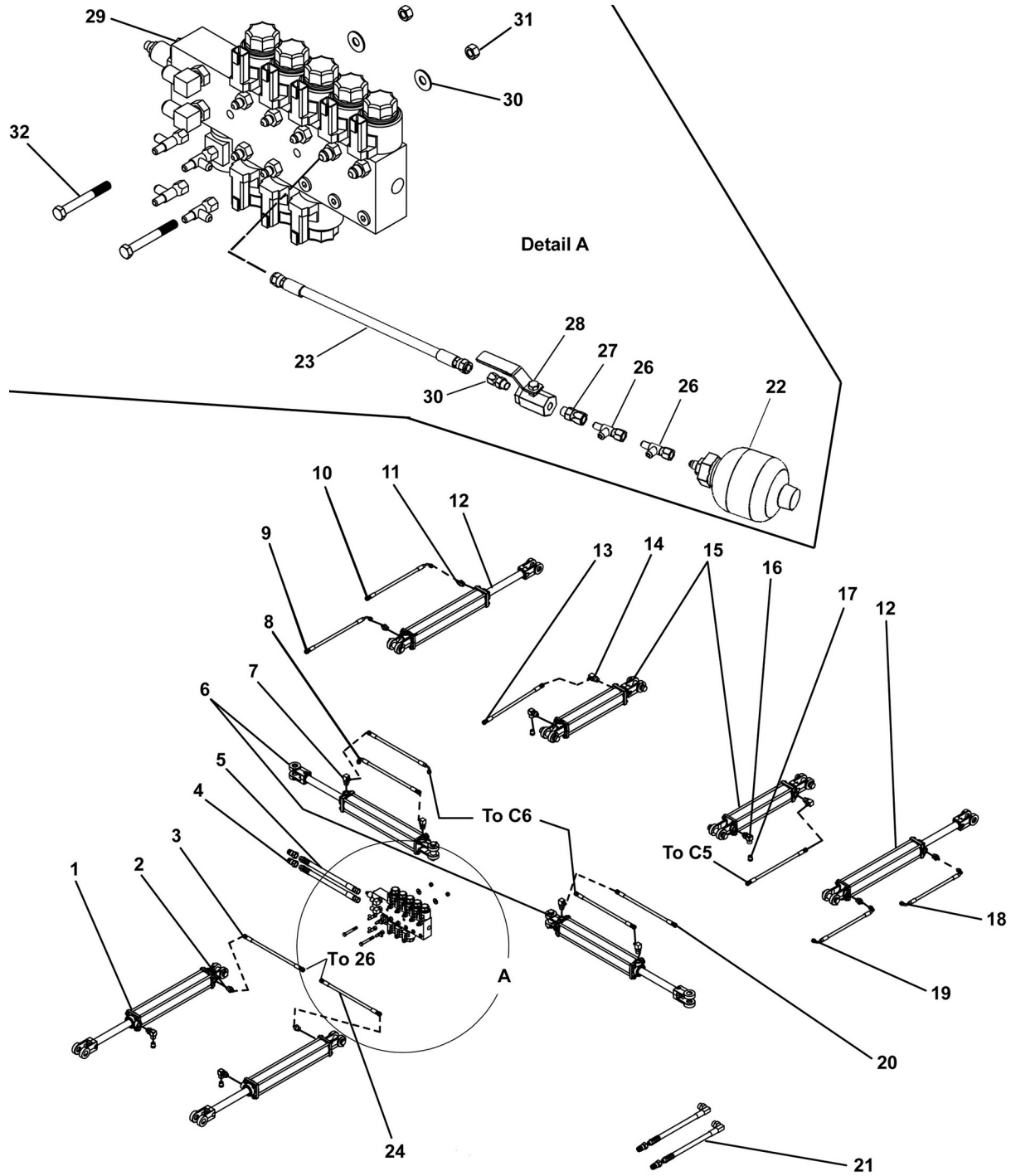


# ILLUSTRATED PARTS LIST

## Delivery Tubes Parts List

| ITEM | PART NO. | QTY. | DESCRIPTION   |
|------|----------|------|---|
| 1    | 14301    | AR   | Tube, 6 Port 15 Inch Spacing + Fenceline Valve      |
| 1    | 14302    | AR   | Tube, 2 Port 15 Inch Spacing                        |
| 1    | 14303    | AR   | Tube, 3 Port 15 Inch Spacing                        |
| 1    | 14304    | AR   | Tube, 4 Port 15 Inch Spacing                        |
| 1    | 14305    | AR   | Tube, 5 Port 15 Inch Spacing                        |
| 1    | 14306    | AR   | Tube, 6 Port 15 Inch Spacing                        |
| 1    | 14307    | AR   | Tube, 7 Port 15 Inch Spacing                        |
| 1    | 14308    | AR   | Tube, 8 Port 15 Inch Spacing                        |
| 1    | 14309    | AR   | Tube, 9 Port 15 Inch Spacing                        |
| 1    | 14310    | AR   | Tube, 10 Port 15 Inch Spacing                       |
| 1    | 14311    | AR   | Tube, 7 Port 20 Inch Spacing + Fenceline Valve      |
| 1    | 14312    | AR   | Tube, 2 Port 20 Inch Spacing                        |
| 1    | 14313    | AR   | Tube, 3 Port 20 Inch Spacing                        |
| 1    | 14314    | AR   | Tube, 4 Port 20 Inch Spacing                        |
| 1    | 14315    | AR   | Tube, 5 Port 20 Inch Spacing                        |
| 1    | 14316    | AR   | Tube, 6 Port 20 Inch Spacing                        |
| 1    | 14317    | AR   | Tube, 7 Port 20 Inch Spacing                        |
| 1    | 14318    | AR   | Tube, 8 Port 20 Inch Spacing                        |
| 1    | 14319    | AR   | Tube, 9 Port 20 Inch Spacing                        |
| 1    | 14320    | AR   | Tube, 5 Port 20 Inch Spacing + Fenceline Valve      |
| 1    | 14321    | AR   | Tube, 6 Port 20 Inch Spacing + Fenceline Valve      |
| 1    | 14322    | AR   | Tube, 2 Port 22 Inch Spacing                        |
| 1    | 14323    | AR   | Tube, 3 Port 22 Inch Spacing                        |
| 1    | 14324    | AR   | Tube, 4 Port 22 Inch Spacing                        |
| 1    | 14325    | AR   | Tube, 5 Port 22 Inch Spacing                        |
| 1    | 14326    | AR   | Tube, 6 Port 22 Inch Spacing                        |
| 1    | 14327    | AR   | Tube, 7 Port 22 Inch Spacing                        |
| 1    | 14329    | AR   | Tube, 6 Port 22 Inch Spacing + Fenceline Valve      |
| 1    | 14330    | AR   | Tube, 5 Port 22 Inch Spacing + Fenceline Valve      |
| 1    | 14331    | AR   | Tube, 6 Port 15 Inch Spacing + Fenceline Valve      |
| 1    | 14332    | AR   | Tube Assembly, 2 Port 15 Inch Spacing, Inc Nozzles  |
| 1    | 14333    | AR   | Tube Assembly, 3 Port 15 Inch Spacing, Inc Nozzles  |
| 1    | 14334    | AR   | Tube Assembly, 4 Port 15 Inch Spacing, Inc Nozzles  |
| 1    | 14335    | AR   | Tube Assembly, 5 Port 15 Inch Spacing, Inc Nozzles  |
| 1    | 14336    | AR   | Tube Assembly, 6 Port 15 Inch Spacing, Inc Nozzles  |
| 1    | 14337    | AR   | Tube Assembly, 7 Port 15 Inch Spacing, Inc Nozzles  |
| 1    | 14338    | AR   | Tube Assembly, 8 Port 15 Inch Spacing, Inc Nozzles  |
| 1    | 14339    | AR   | Tube Assembly, 9 Port 15 Inch Spacing, Inc Nozzles  |
| 1    | 14340    | AR   | Tube Assembly, 10 Port 15 Inch Spacing, Inc Nozzles |
| 2    | 590054   | AR   | Spacer, Wet Boom                                    |
| 3    | 540040   | AR   | Clamp, Wet Boom                                     |
| 4    | 520039   | AR   | Nozzle Body Triple Wet Boom                         |
| 5    | 590048   | AR   | U-Bolt Stainless Steel                              |
| 6    | 540029   | AR   | Tube Clamp Base                                     |
| 7    | 655      | AR   | Nut HH  |
| 8    | 590078   | AR   | Bolt HH 1/4 x 4-1/2 GR5 Stainless Steel             |
| 9    | 685      | AR   | Washer 1/4" Stainless Steel                         |
| 10   | 655      | AR   | Nut 1/4" Nylock Stainless Steel                     |
| 11   | 520030   | AR   | Nozzle Body Single Wet Boom                         |

## Hydraulic System





# ILLUSTRATED PARTS LIST

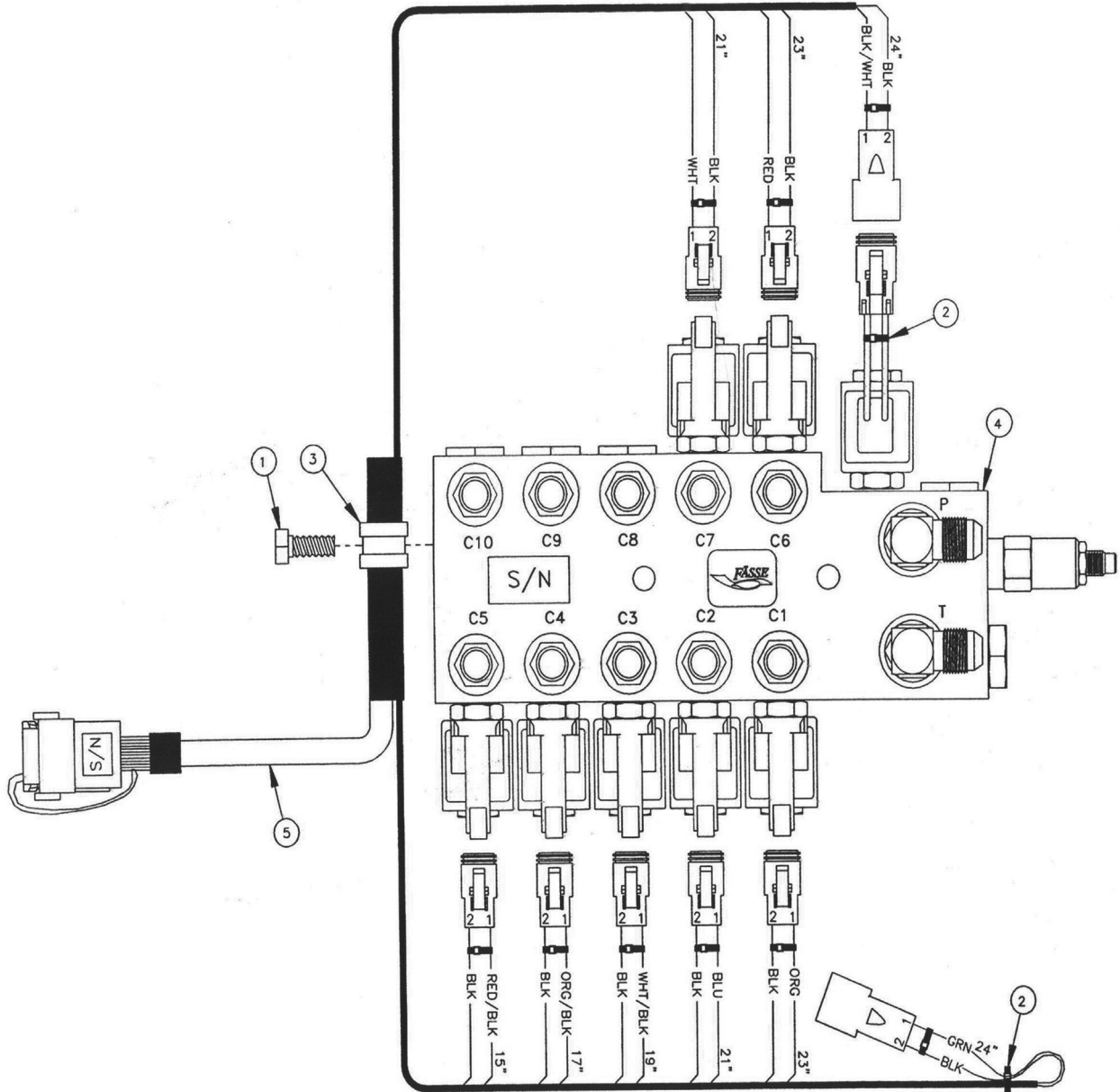
## Hydraulic System Parts List

| ITEM | VENDOR PART NO.           | PART NO. | DESCRIPTION                                  | QTY. | 60'  | 80, 90 & 100' |
|------|---------------------------|----------|--|------|------|---------------|
| 1    | 648124                    | 620019   | Cylinder, 20TD16-150 SAPush, Main Lift       | 2    |      |               |
| 2    | 6400-4-8-047              | 610038   | 8CRB x4JIXRestricted Adapter, .047           | 2    |      |               |
| 3    | FDM#R17-4FJX              | 600008   | Hose 4JIC Straight                           | 1    |      |               |
| 4    | 2-NV12-12SAE-M            | 530182   | Hydraulic TIP x8CRB                          | 4    |      |               |
| 5    | FDM#R17-8FJX-8MBO-288     |          | Hose Hydraulic Block Feed                    | 2    |      |               |
| 6    | 645710                    | 620006   | Cylinder, 30TD16-150 Double Acting, Fold     | 2    |      |               |
| 7    | 6801-4-8-R.045            | 610040   | 8CRB x4JIX90° Restricted Adapter, .045       | 4    |      |               |
| 8    | FDM#R17-4FJX-4FJX-104     |          | Hose 4JIC Straight                           | 2    |      |               |
| 9    | FDM#R17-4FJX90M4FJX-302   |          | Hose 4JIC Straight x4JIC 90°                 | 1    |      |               |
| 10   | FDM#R17-4FJX90M4FJX-302   |          | Hose 4JIC Straight x4JIC 90°                 | 1    |      |               |
| 11   | 6801-4-8-R.045            | 610040   | 8CRB x4JIX90° Restricted Adapter, .045       | 4    |      |               |
| 12   | 645710                    | 620006   | Cylinder, 30TD16-150 Double Acting, D13, Wng | 2    |      |               |
| 13   | FDM#R17-6FJX-156          |          | Hose 6JIC Straight                           | 2    |      |               |
| 14   | 6801-6-8                  | 610030   | 8CRB x6JIXAdapter                            | 2    |      |               |
| 15   | 648422                    | 620023   | Cylinder, 25TD08-112 SAPull, Wng Tilt        | 2    |      |               |
| 15   |                           |          | For Norac/Raven Boom Height Control Systems  |      | Opt. |               |
| 15   | 648402 Opt. Norac/Raven   | 620022   | Cylinder, 25TD10-112 SAPull, Wng Tilt        |      | Opt. |               |
| 16   | 6805-6-8                  | 610035   | 8CRB x3/8" FPT 90° Adapter                   | 4    |      |               |
| 17   | BV3                       | 610036   | Breather 3/8" MPT                            | 4    |      |               |
| 18   | FDM#R17-4FJX90MSAVE-302   |          | Hose Hydraulic 4JIC 90° x4JIC 90°            | 1    |      |               |
| 19   | FDM#R17-4FJX90M4FJX-322   |          | Hose Hydraulic 4JIC 90° x4JIC 90°            | 1    |      |               |
| 20   | FDM#R17-4FJX-4FJX-104     |          | Hose Hydraulic 4JIC Straight                 | 2    |      |               |
| 21   | FDM#R17-8MBO-10MBX090-204 |          | Hose Hydraulic Pump Feed                     | 2    |      |               |
| 22   | 0531-601-500/100          | 630002   | Accumulator                                  | 1    |      |               |
| 23   | FDM#R17-4FJX-4FJX90M15    |          | Hose Hydraulic 4JIC Straight                 | 1    |      |               |
| 24   | FDM#R17-4FJX-4FJX-25.3    |          | Hose Hydraulic 4JIC Straight                 | 1    |      |               |
| 25   | N/A                       |          |  |      |      |               |
| 26   | 6602-4                    | 610028   | Run Tee Adapter 4JIC                         | 6    |      |               |
| 27   | 6402-04-04                | 610018   | Adapter Swivel 4JIC x4CRB                    | 1    |      |               |
| 28   | MPV-14-SAE                | 500000   | Valve 1/4 Turn Hydraulic                     | 1    |      |               |
| 29   | 700-0805-4103             | 630008   | Hydraulic Block - 5 Station                  |      | 1    |               |
| NS   | 700-0806-4103             | 630011   | Hydraulic Block - 6-Station                  |      |      | 1             |
| 30   | 6400-04                   | 610007   | 4 CRB x4 JIC                                 | 1    |      |               |
| 31   | 237                       | 237      | Nut HH 3/8" Nylock Zp Centerlock             | 2    |      |               |
| 32   | 132                       | 132      | Bolt HH 3/8 x3" GR5 Zp                       | 2    |      |               |



# ILLUSTRATED PARTS LIST

## Hydraulic Control Valve Harness - 60 - 66 Foot Boom





## ILLUSTRATED PARTS LIST

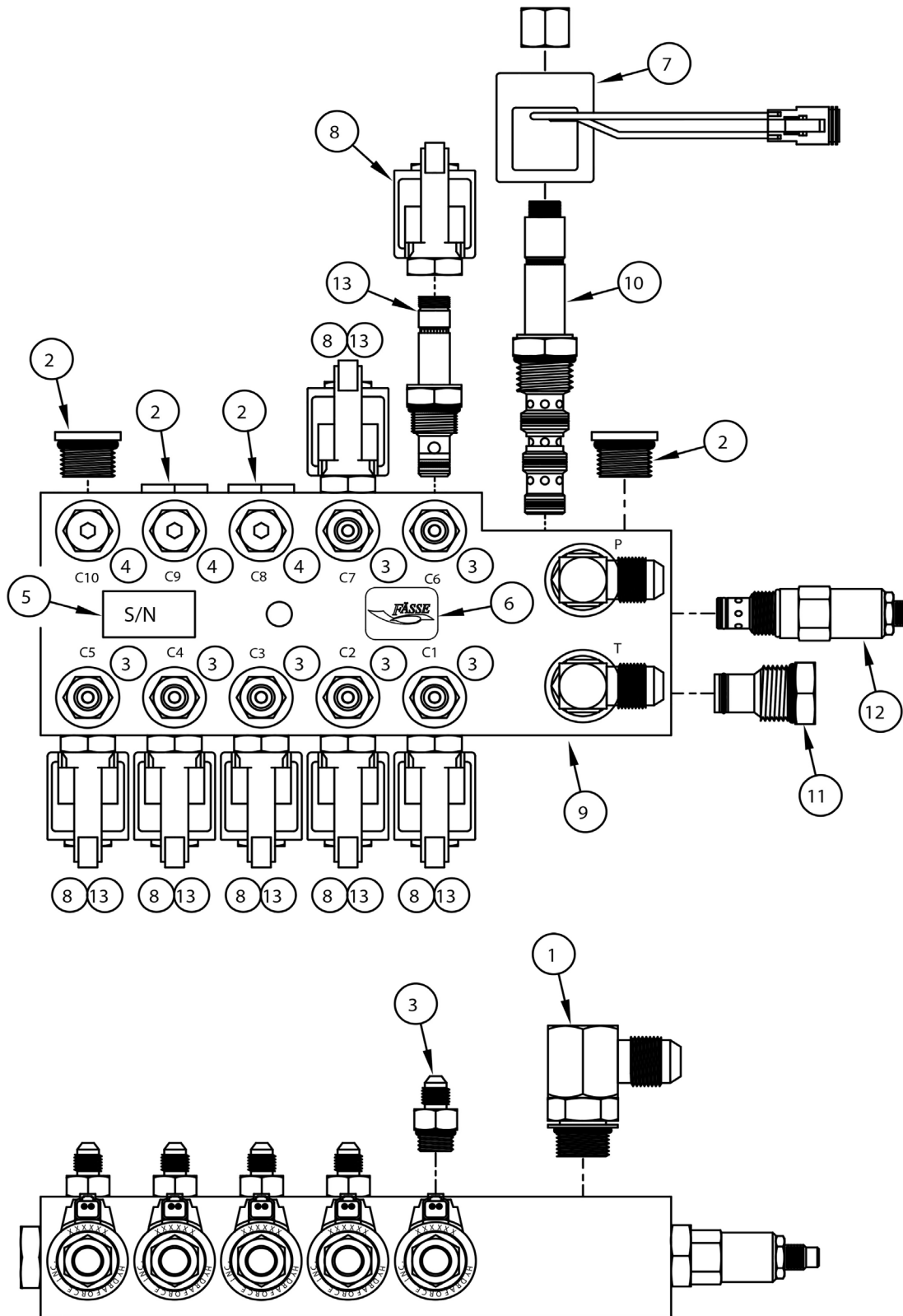
### Hydraulic Control Valve Harness - 60 - 66 Foot Boom Parts List

| ITEM | VENDOR PART NO. | QTY. | DESCRIPTION   |
|------|-----------------|------|---|
| 1    | 212-025         | 1    | Bolt, 5/16-18 x 0.75  |
| 2    | 214-002         | 14   | Cable Tie, Black, 7"  |
| 3    | 255-026         | 1    | Loom Clamp, .5" ID Metal/Rubber                                       |
| 4    | 302-374         | 1    | Manifold Assembly, 0805 2DA 3SA0Closed Intg DTR 12V WP6400-4 PT6801-8 |
| 5    | 319-668         | 1    | Harness Assembly, 12 con 18ga DTR Key A 12P(12)-2DTR2P(2) 33'         |



# ILLUSTRATED PARTS LIST

## Hydraulic Control Valve - 60 - 66 Foot Boom





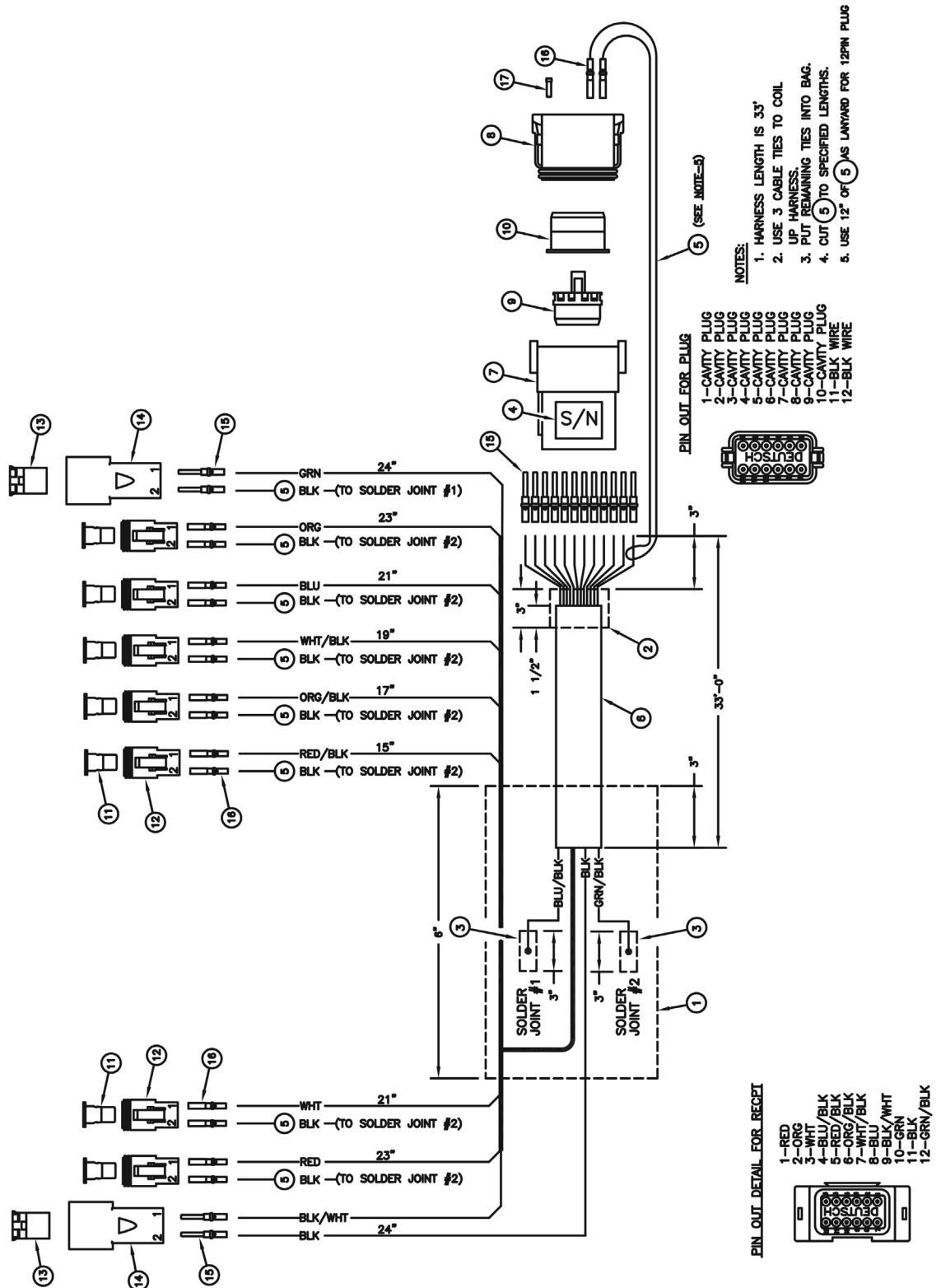


## ILLUSTRATED PARTS LIST

### Hydraulic Control Valve - 60 - 66 Foot Boom Parts List

| ITEM | VENDOR PART NO. | QTY. | DESCRIPTION  |
|------|-----------------|------|--|
| 1    | 210-017         | 2    | FITTING 6801-8-8/E-MJ-MO   |
| 2    | 210-038         | 4    | FITTING 6408-HHP-8/HOLL HEX PLUG MO                                |
| 3    | 210-113         | 7    | FITTING 6400-4-6/S-MJ-MO   |
| 4    | 210-127         | 3    | FITTING 6408-HHP-6/HOLL HEX PLUG MO                                |
| 5    | 232-050         | 2    | DECAL S/N (SILVER)   |
| 6    | 232-058         | 1    | DECAL FASSE BLACK/GOLD 1" X .75" ROUND CORNER                      |
| 7    | 253-037         | 1    | COIL H/F 6359774 DT  |
| 8    | 253-046         | 7    | COIL HYDAC 0312600 DL DSTCH RECPT.                                 |
| 9    | 270-093         | 1    | MANIFOLD S14153-4 5CIR AL RV                                       |
| 10   | 273-008         | 1    | CARTRIDGE SV10-40-0-N-00 (Seal Kit Part Number 274-001)            |
| 11   | 273-012         | 1    | CARTRIDGE CP10-20 (Seal Kit Part Number 274-019)                   |
| 12   | 273-058         | 1    | CARTRIDGE H/F RV10-22A-0-N-NC-35-30 (Seal Kit Part Number 274-009) |
| 13   | 273-077         | 7    | CARTRIDGE HYDAC WS 08W-01-C-N-0 (Seal Kit Part Number 274-028)     |

## Hydraulic Control Valve Harness - 60 - 66 Foot Boom





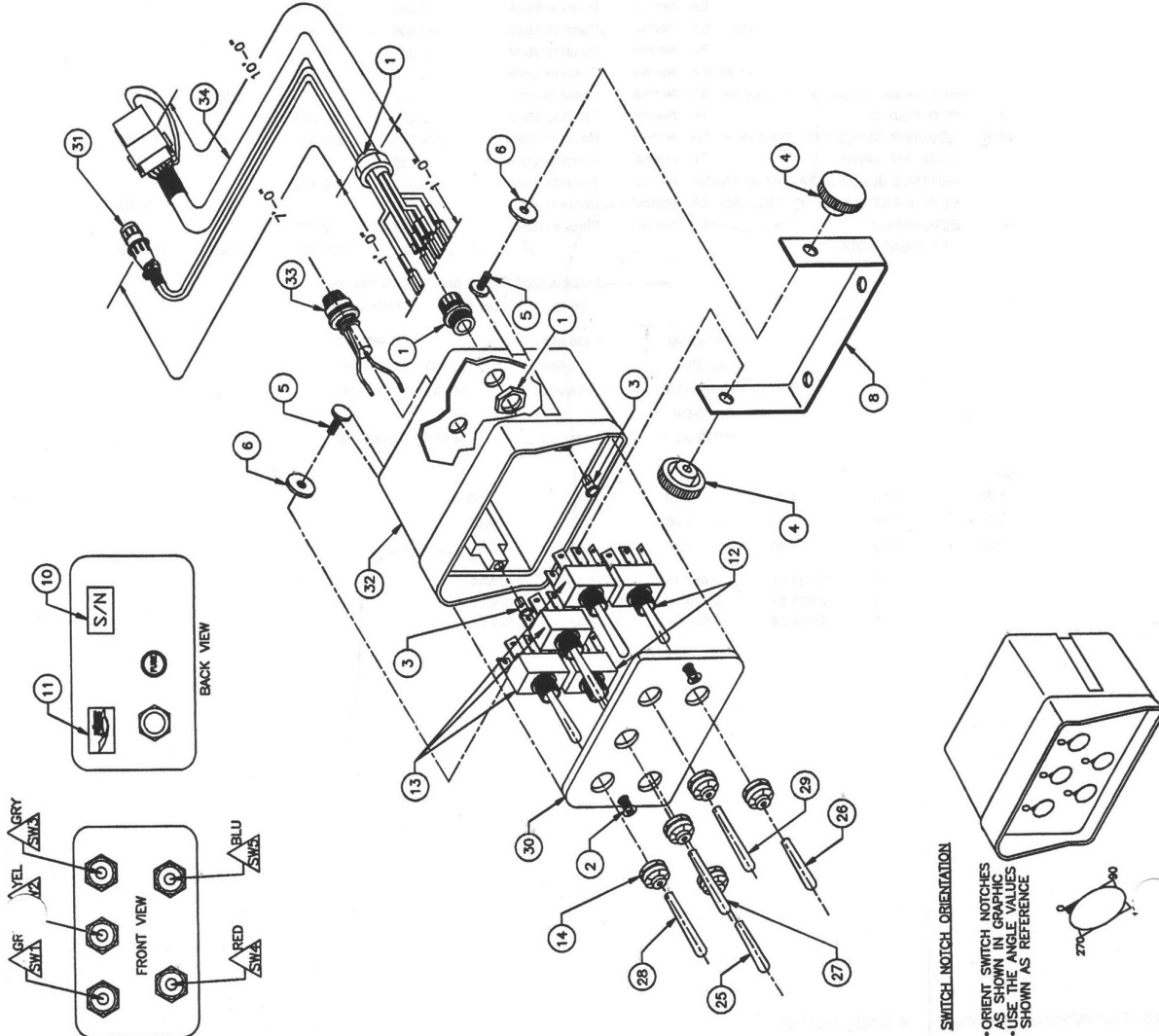
## ILLUSTRATED PARTS LIST

### Hydraulic Control Valve Harness - 60 - 66 Foot Boom Parts List

| ITEM | VENDOR PART NO. | QTY. | DESCRIPTION                             |
|------|-----------------|------|---|
| 1    | 231-008         | 6"   | Shrink Tubing .750                      |
| 2    | 231-009         | 3"   | Shrink Tubing .5                        |
| 3    | 231-250         | 6"   | Shrink Tubing .250 Black                |
| 4    | 232-050         | 2    | Decal S/N (Silver)                      |
| 5    | 252-058         | 159" | Wire 18ga Black                         |
| 6    | 252-064         | 35'  | Cable 12con Gray 18ga                   |
| 7    | 255-212         | 1    | Connector Deutsch 12 Pin recepticle DT  |
| 8    | 255-213         | 1    | Connector Deutsch DT PLUG 12 PIN        |
| 9    | 255-214         | 1    | Connector Deutsch LOCK WEDGE 12 PIN DTR |
| 10   | 255-215         | 1    | Connector Deutsch LOCK WEDGE 12 PIN DTP |
| 11   | 255-505         | 7    | Connector Deutsch LOCK WEDGE 2 PIN DTP  |
| 12   | 255-801         | 7    | Connector Deutsch 2 PIN PLUG DT         |
| 13   | 255-969         | 2    | Connector Deutsch LOCK WEDGE 2 PIN DTR  |
| 14   | 255-971         | 2    | Connector Deutsch 2 PIN RECEPTICLE DT   |
| 15   | 255-977         | 16   | TERMINAL PIN DEUTSCH 16/18GA            |
| 16   | 255-978         | 16   | TERMINAL SOCKET DEUTSCH 16/18GA         |
| 17   | 255-979         | 10   | Connector Deutsch                       |

## Control Console - 60 - 66 Foot Boom

| PARTS LIST |             |     |  |
|------------|-------------|-----|--|
| №          | PART NUMBER | QTY | PART DESCRIPTION                             |
| 1          | 210-710     | 1   | STR RLF HEYCO .23"-337ID. HOLE DA. 2860°     |
| 2          | 212-184     | 2   | SCREW 6-32 X 3/8 OVAL HD BLK                 |
| 3          | 212-202     | 2   | INSERT 6-32X3/8 BRASS                        |
| 4          | 212-215     | 2   | KNOB 1/4-20 FEMALE                           |
| 5          | 212-231     | 2   | SCREW WELDED 1/4-20 X .500                   |
| 6          | 213-355     | 2   | WASHER NYLON .2574.875X.060                  |
| 7          | 214-002     | 3   | CABLE TIE BLACK 7"                           |
| 8          | 219-300     | 1   | BRKT HSG MONITOR                             |
| 9          | 230-057     | 1   | BAG POLY CLR 14 X 18 2MIL W/LOGO             |
| 10         | 232-050     | 2   | DECL S/N (SILVER)                            |
| 11         | 232-059     | 1   | DECL GOLD/BLK 1.5 X .5                       |
| 12         | 250-007     | 2   | SW TOG DPDT 3P MOM SHORT                     |
| 13         | 250-013     | 3   | SW TOG DPDT 3P MOM LONG                      |
| 14         | 250-023     | 5   | SW TOG BOOT OPN GRY                          |
| 15         | 252-058     | 18" | WIRE 18GA BLK                                |
| 16         | 252-069     | 24" | WIRE 18GA RED                                |
| 17         | 252-060     | 18" | WIRE 18GA GRN                                |
| 18         | 254-001     | 1   | DIODE D11642 6AMP                            |
| 19         | 255-002     | 20  | TRM T-TAP F PO BLU                           |
| 20         | 255-006     | 8   | TRM PO F NON INS 20/18GA                     |
| 21         | 255-030     | 2   | TRM SPLICE CLOSED END 16-18GA                |
| 22         | 255-070     | 2   | TRM PO M/F 14-16GA                           |
| 23         | 255-119     | 2   | TRM PO F INS 16-14GA                         |
| 24         | 255-285     | 1   | TRM SPLICE CLOSED END LRG                    |
| 25         | 259-005     | 1   | SW TOG GRIP VNTL RED .187                    |
| 26         | 259-015     | 1   | SW TOG GRIP VNTL BLU .187                    |
| 27         | 259-022     | 1   | SW TOG GRIP VNTL YEL .187                    |
| 28         | 259-023     | 1   | SW TOG GRIP VNTL GRN .187                    |
| 29         | 259-027     | 1   | SW TOG GRIP VNTL GRY .187                    |
| 30         | 311-083     | 1   | ENCL FP DRL MNTBR/FD DECL-SX15/32 .35A       |
| 31         | 314-217     | 1   | HARNES R/B WIRE SERIES 3 P/B                 |
| 32         | 319-725     | 1   | ENCL DRILL MNTBRX FH-7/8" STR RLF            |
| 33         | 319-769     | 1   | FUSEHOLDER FM ASSY 10A /.5"                  |
| 34         | 320-184     | 1   | HRN 12CON 18GA DTP KEY A 12P(12) 11" END CAP |





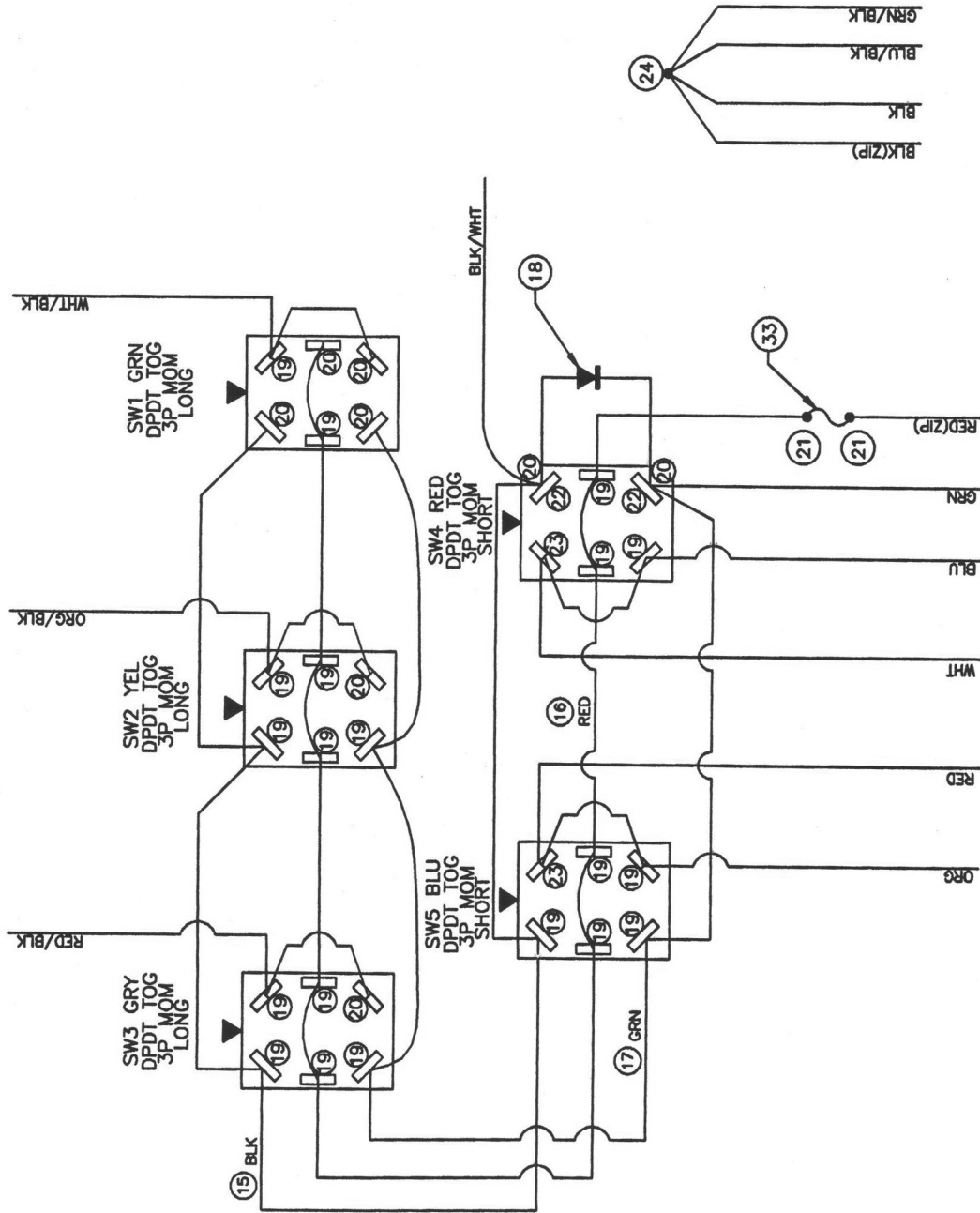
## ILLUSTRATED PARTS LIST

---



## Control Console - 60 - 66 Foot Boom

### SWITCH WIRING DIAGRAM

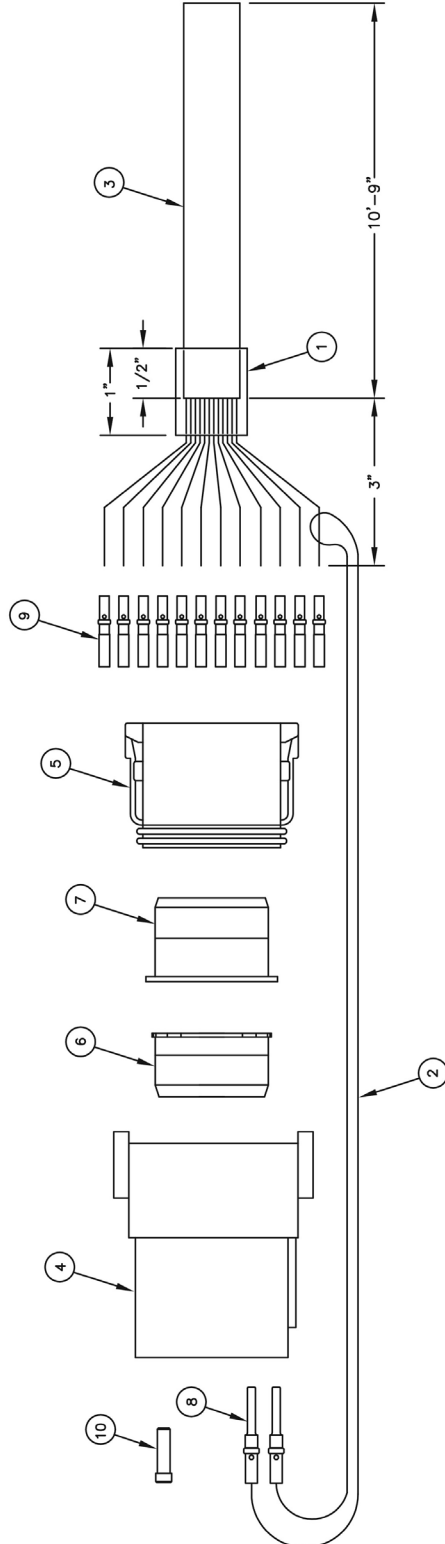


▲ = NOTCH LOCATION

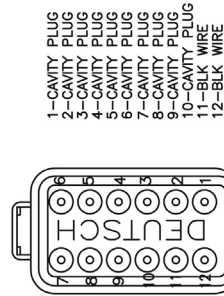
## Wiring Harness - 60 - 66 Foot Boom

### PARTS LIST

| N <sup>o</sup> | PART NUMBER | QTY | PART DESCRIPTION              |
|----------------|-------------|-----|-------------------------------|
| 1              | 231-009     | 1*  | SHRINKTUBING .500" BLK        |
| 2              | 252-058     | 12* | WIRE 18GA BLK                 |
| 3              | 252-064     | 11* | CABLE 12CON 18GA PVC GRY      |
| 4              | 255-212     | 1   | CONN DEUT DT RECP 12PIN       |
| 5              | 255-213     | 1   | CNTR DEUTSCH 12PIN PLUG DT    |
| 6              | 255-214     | 1   | CONN DEUT LOCKWEDGE 12PIN DTR |
| 7              | 255-215     | 1   | CNTR LOCK WEDGE 12PIN DTP     |
| 8              | 255-977     | 2   | CONT DEUT PIN 16-18GA         |
| 9              | 255-978     | 12  | CNTR DEUTSCH SOCKET 16/18GA   |
| 10             | 255-979     | 10  | CONT DEUT CAVITY PLUG         |

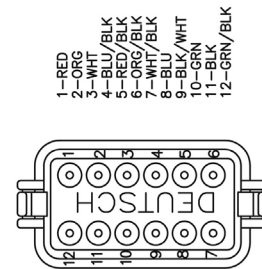


PIN OUT DETAIL FOR RECEIPT



- 1-CAVITY PLUG
- 2-CAVITY PLUG
- 3-CAVITY PLUG
- 4-CAVITY PLUG
- 5-CAVITY PLUG
- 6-CAVITY PLUG
- 7-CAVITY PLUG
- 8-CAVITY PLUG
- 9-CAVITY PLUG
- 10-CAVITY PLUG
- 11-BLK WIRE
- 12-BLK WIRE

PIN OUT DETAIL FOR PLUG



- 1-RED
- 2-WRG
- 3-BLU/BLK
- 4-BLU/BLK
- 5-RED/BLK
- 6-ORG/BLK
- 7-WHT/BLK
- 8-BLU
- 9-BLK/WHT
- 10-GRN
- 11-BLK
- 12-GRN/BLK



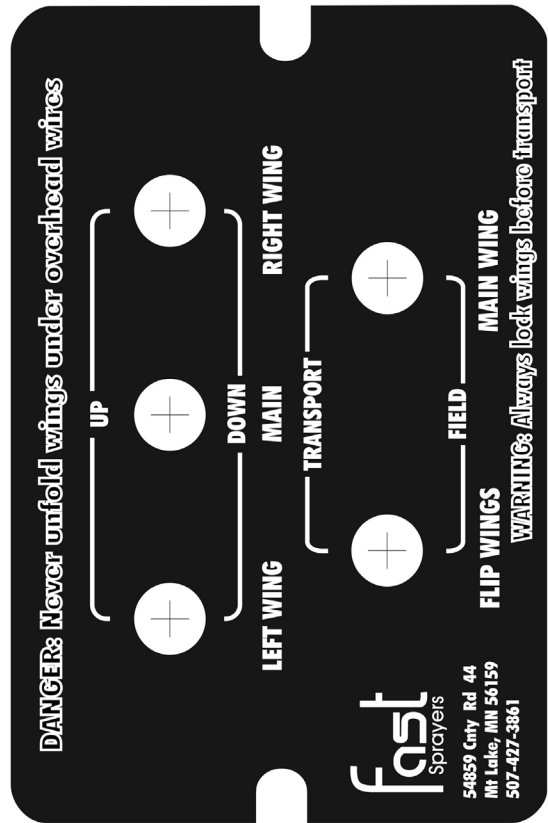


# ILLUSTRATED PARTS LIST

## Control Console Decal - 60 - 66 Foot Boom

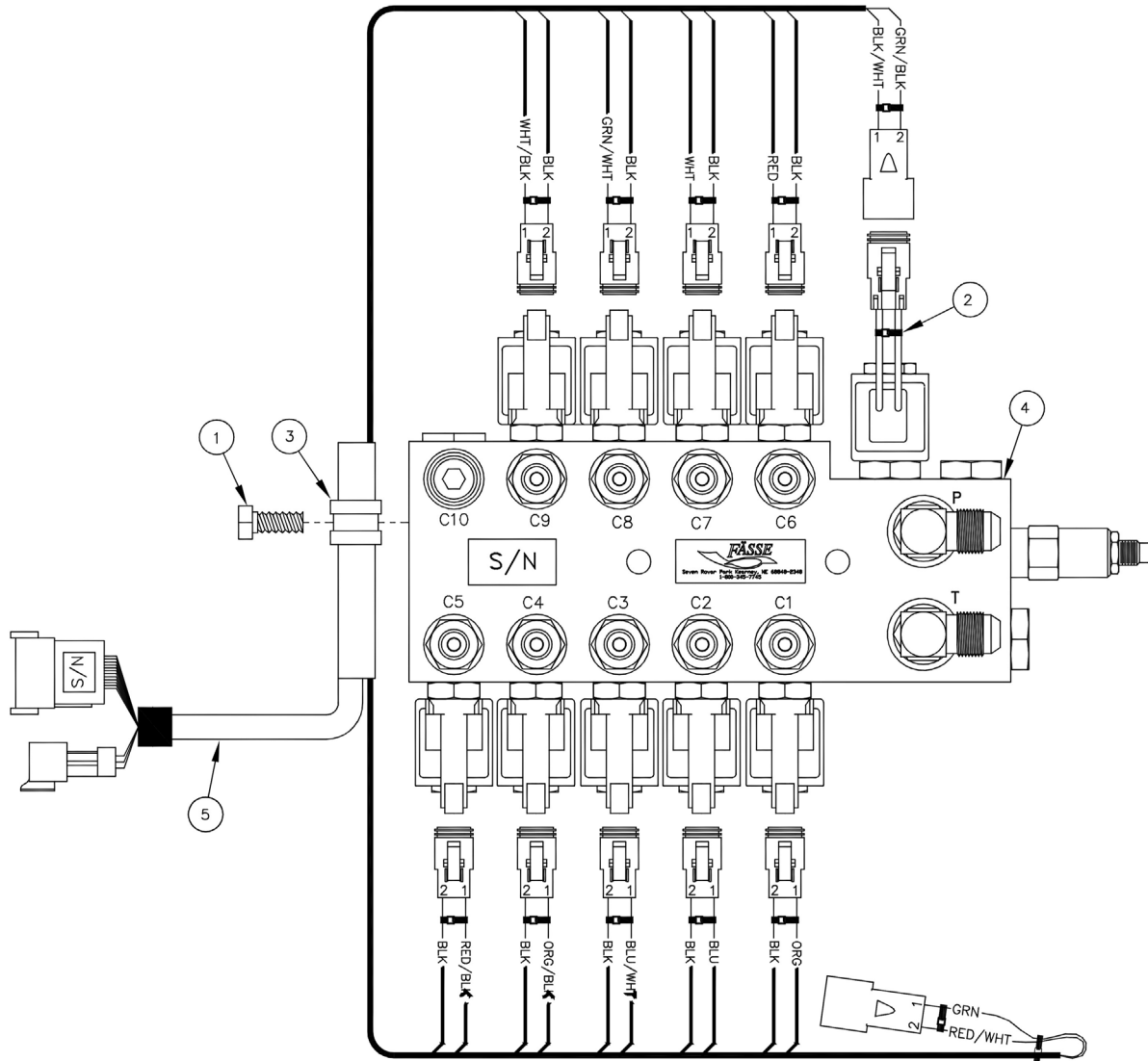
700-0805-4103 & 700-0805-4104

| Switch No. | Boot Color | Switch Position | Hot Wires                 | Pin Out Location | Pressure Ports | Tank Ports | Function             |
|------------|------------|-----------------|---------------------------|------------------|----------------|------------|----------------------|
| 1 Long     | Green      | Up (mom)        | Wht/Blk & Grn             | 7 & 10           | C3             | -----      | Lt. Wing Up          |
|            |            | Center (stat)   | -----                     | -----            | -----          | -----      | Off                  |
|            |            | Down (mom)      | Wht/Blk & Grn & Blk/Wht   | 7 & 10 & 9       | -----          | C3         | -----                |
| 2 Long     | Yellow     | Up (mom)        | Org/Blk & Grn             | 6 & 10           | C4             | -----      | Main Up              |
|            |            | Center (stat)   | -----                     | -----            | -----          | -----      | Off                  |
|            |            | Down (mom)      | Org/Blk & Grn & Blk/Wht   | 6 & 10 & 9       | -----          | C4         | -----                |
| 3 Long     | Gray       | Up (mom)        | Red/Blk & Grn             | 5 & 10           | C5             | -----      | Rt. Wing Up          |
|            |            | Center (stat)   | -----                     | -----            | -----          | -----      | Off                  |
|            |            | Down (mom)      | Red/Blk & Grn & Blk/Wht   | 5 & 10 & 9       | -----          | C5         | -----                |
| 4 Short    | Red        | Up (mom)        | Wht & Blu & Grn           | 3 & 8 & 10       | C2             | C7         | Flip Wings Transport |
|            |            | Center (stat)   | -----                     | -----            | -----          | -----      | Off                  |
|            |            | Down (mom)      | Wht & Blu & Grn & Blk/Wht | 3 & 8 & 10 & 9   | C7             | C2         | -----                |
| 5 Short    | Blue       | Up (mom)        | Red & Org & Grn           | 1 & 2 & 10       | C1             | C6         | Main Wing Transport  |
|            |            | Center (stat)   | -----                     | -----            | -----          | -----      | Off                  |
|            |            | Down (mom)      | Red & Org & Grn & Blk/Wht | 1 & 2 & 10 & 9   | C6             | C1         | -----                |
| -----      | -----      | -----           | Blk                       | 11               | -----          | -----      | Ground               |
| -----      | -----      | -----           | Blu/Blk                   | 4                | -----          | -----      | Ground               |
| -----      | -----      | -----           | Grn/Blk                   | 12               | -----          | -----      | Ground               |



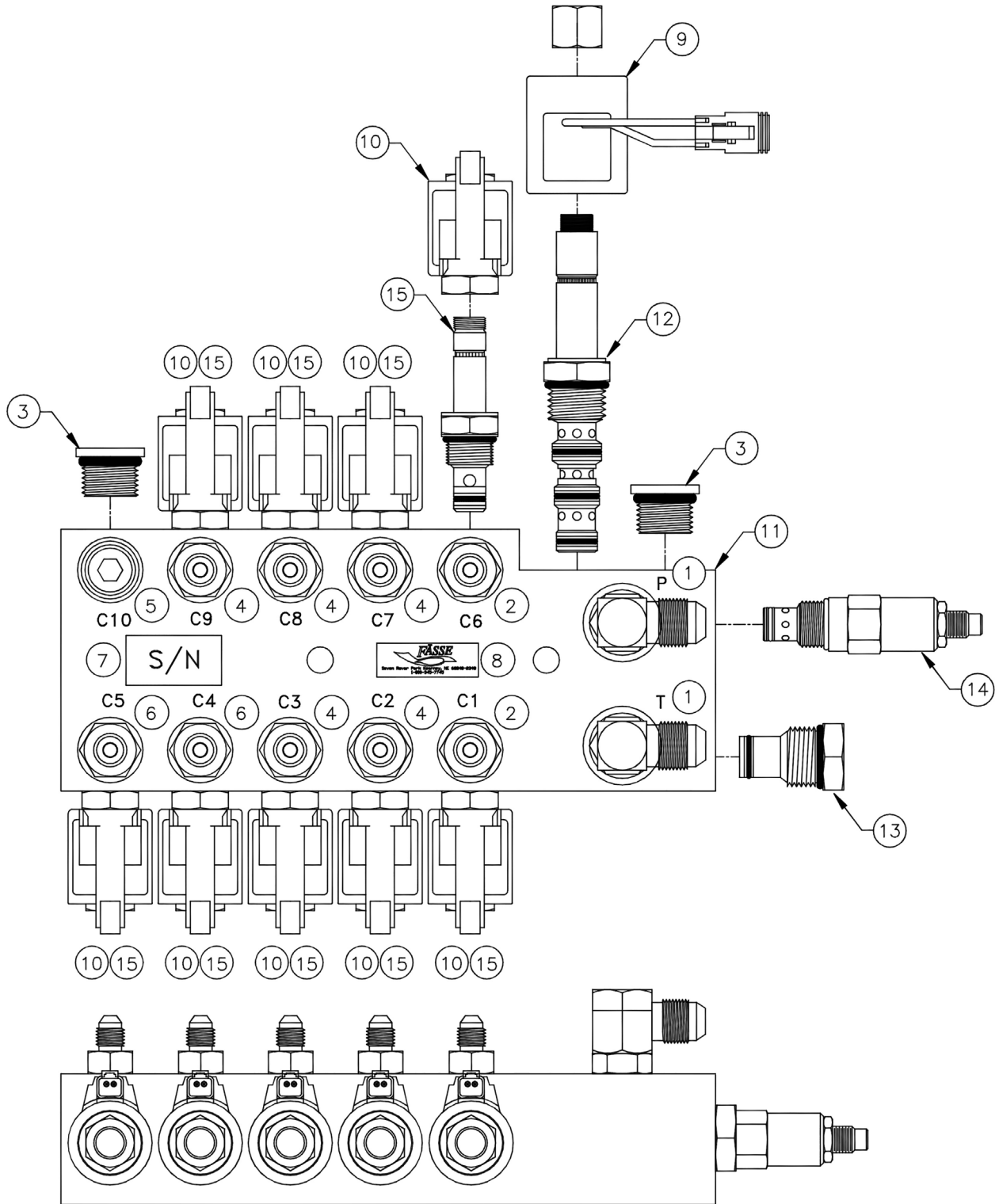


## Hydraulic Control Valve Wiring Harness - 80, 90 & 100 Foot Boom



| PARTS LIST |             |     |  |
|------------|-------------|-----|--|
| №          | PART NUMBER | QTY | PART DESCRIPTION   |
| 1          | 212-025     | 1   | BOLT 5/16-18 X .75   |
| 2          | 214-002     | 13  | CABLE TIE BLACK 7"   |
| 3          | 255-026     | 1   | LOOM CLAMP .5"ID METAL/RUBB  |
| 4          | 302-780     | 1   | MANI ASSY 0806 4DA 1SA CLSD DTR 12V WP6400-4(7)+6(2)R.047 P6801-8      |
| 5          | 319-724     | 1   | HRN ASSY 15CON 18GA DTR KEY A 12P(12)-DTR3P(3)-9DTP2P(2) 2DTR2P(2) 33" |

## Hydraulic Control Valve - 80, 90 & 100 Foot Boom - 9600





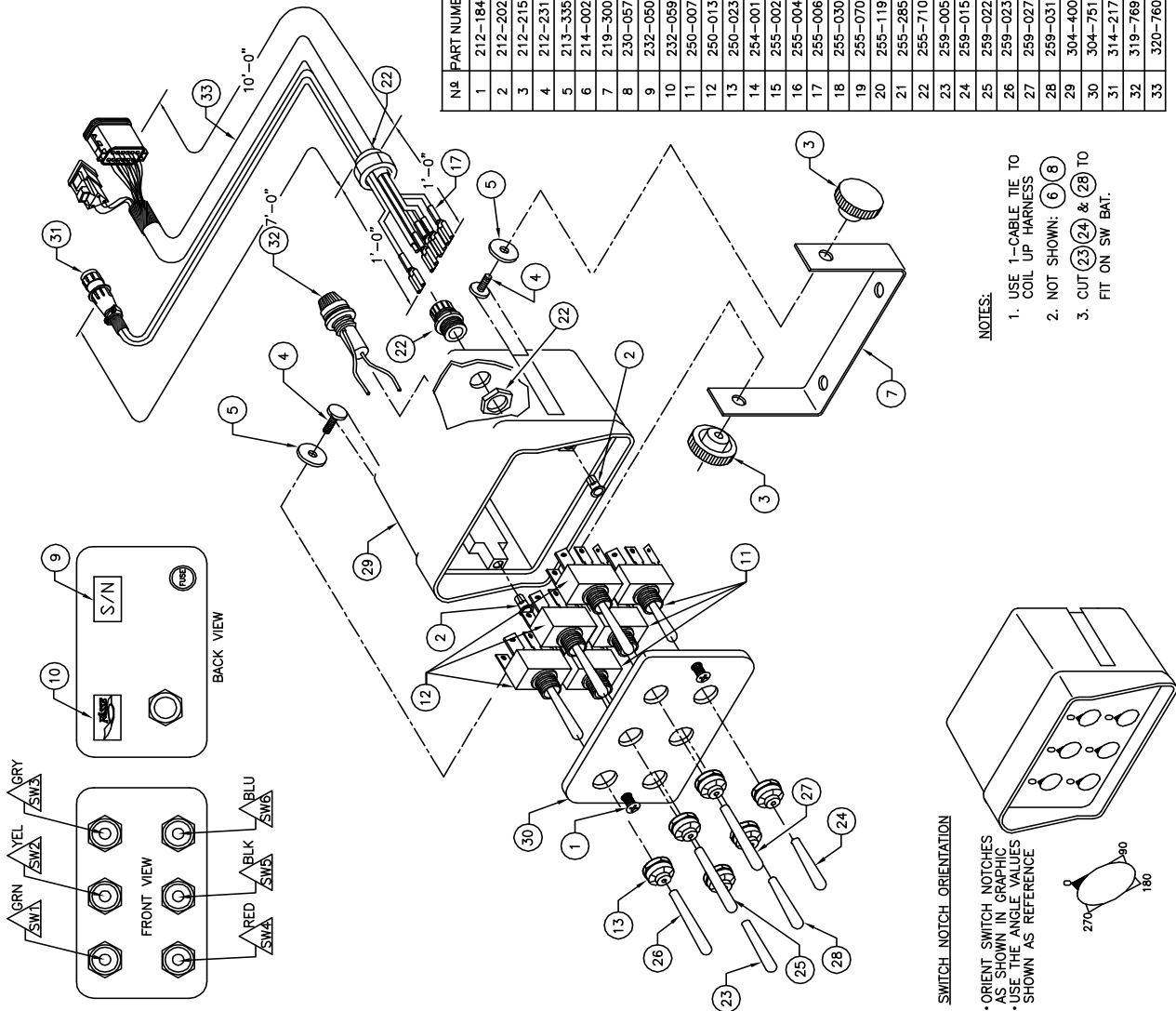
## ILLUSTRATED PARTS LIST

### Hydraulic Control Valve - 80, 90 & 100 Foot Boom Parts List

| ITEM | VENDOR PART NO. | QTY. | DESCRIPTION  |
|------|-----------------|------|--|
| 1    | 210-017         | 2    | FITTING 6801-8-8/E-MJ-MO   |
| 2    | 273-023         | 2    | FITTING 6400-6-6/S-MJ-MO   |
| 3    | 210-038         | 4    | FITTING 6408-HHP-8/HOLL HEX PLUG MO                                |
| 4    | 210-113         | 7    | FITTING 6400-4-6/S-MJ-MO   |
| 5    | 210-127         | 3    | FITTING 6408-HHP-6/HOLL HEX PLUG MO                                |
| 7    | 232-050         | 2    | DECAL S/N (SILVER)   |
| 8    | 232-058         | 1    | DECAL FASSE BLACK/GOLD 1" X .75" ROUND CORNER                      |
| 9    | 253-037         | 1    | COIL H/F 6359774 DT  |
| 10   | 253-046         | 7    | COIL HYDAC 0312600 DL DSTCH RECPT.                                 |
| 11   | 270-093         | 1    | MANIFOLD S14153-4 5CIR AL RV                                       |
| 12   | 273-008         | 1    | CARTRIDGE SV10-40-0-N-00 (Seal Kit Part Number 274-001)            |
| 13   | 273-012         | 1    | CARTRIDGE CP10-20 (Seal Kit Part Number 274-019)                   |
| 14   | 273-058         | 1    | CARTRIDGE H/F RV10-22A-0-N-NC-35-30 (Seal Kit Part Number 274-009) |
| 15   | 273-077         | 7    | CARTRIDGE HYDAC WS 08W-01-C-N-0 (Seal Kit Part Number 274-028)     |

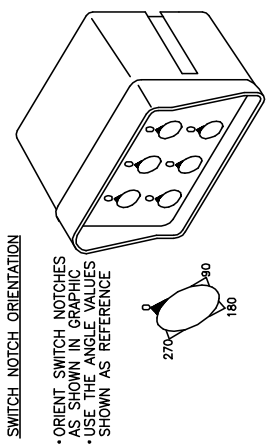


## Control Console - 80, 90 & 100 Foot Boom



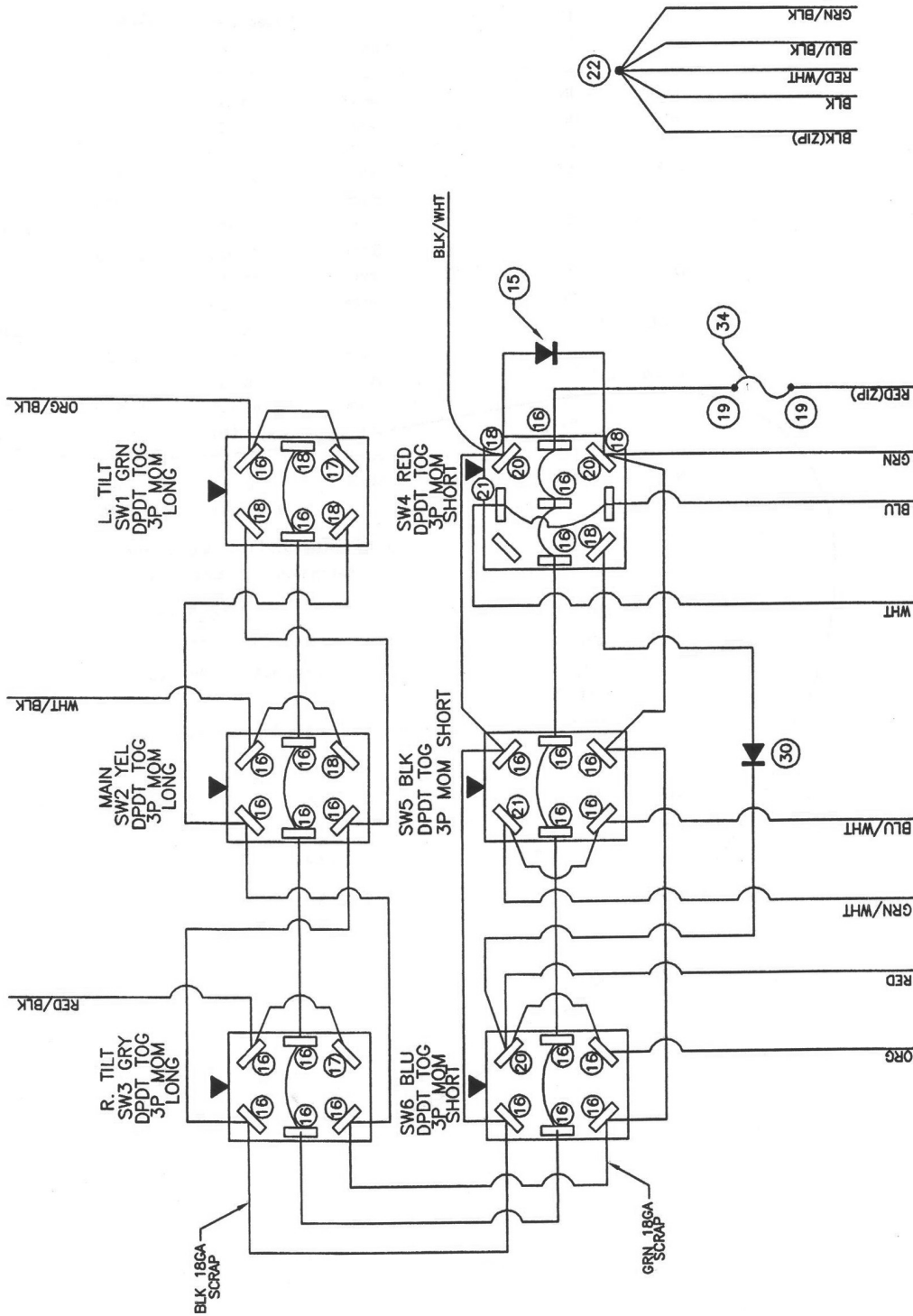
| QTY | PART NUMBER | PART DESCRIPTION                              |
|-----|-------------|---|
| 2   | 212-184     | SCREW 6-32 X 3/8 OVAL HD BLK                  |
| 2   | 212-202     | INSERT 6-32X3/8 BRASS                         |
| 2   | 212-215     | 2 KNOB 1/4-20 FEMALE                          |
| 2   | 212-231     | SCREW WELDED 1/4-20 X .500                    |
| 2   | 213-335     | WASHER NYLON .257X.875X.060                   |
| 3   | 214-002     | CABLE TIE BLACK 7"                            |
| 1   | 219-300     | BRKT HSG MONITOR                              |
| 1   | 230-057     | BAG POLY CLR 14 X 18 2MIL W/LOGO              |
| 2   | 232-050     | DECL S/N (SILVER)                             |
| 1   | 232-059     | DECL GOLD/BLK 1.5 X 5                         |
| 3   | 250-007     | SW TOG DPDT 3P MOM SHORT                      |
| 3   | 250-013     | SW TOG DPDT 3P MOM LONG                       |
| 6   | 250-023     | SW TOG BOOT OPN GRY                           |
| 1   | 254-001     | DIODE D116A2 6AMP                             |
| 25  | 255-002     | TRM T-TAP F PO BLU                            |
| 2   | 255-004     | TRM PO F FULL INS 22-18GA                     |
| 6   | 255-006     | TRM PO F NON INS 20/18GA                      |
| 2   | 255-030     | TRM SPLICE CLOSED END 16-18GA                 |
| 2   | 255-070     | TRM PO M/F 14-16GA                            |
| 3   | 255-119     | TRM PO F INS 16-14GA                          |
| 1   | 255-285     | TRM SPLICE CLOSED END LRG                     |
| 1   | 255-710     | STRAIN RLF HEYCO .45"-705"ID, HOLE DIA 1.115" |
| 1   | 259-005     | SW TOG GRIP VNYL RED .187                     |
| 1   | 259-015     | SW TOG GRIP VNYL BLU .187                     |
| 1   | 259-022     | SW TOG GRIP VNYL YEL .187                     |
| 1   | 259-023     | SW TOG GRIP VNYL GRN .187                     |
| 1   | 259-027     | SW TOG GRIP VNYL GRY .187                     |
| 1   | 259-031     | GRIP TOG VNYL BLK .187"                       |
| 1   | 304-400     | ENCL DRILL FP MNTX FH-1 1/8"G                 |
| 1   | 304-751     | ENCL DRILL FP MNTX SW6 F00204                 |
| 1   | 314-217     | HARNES R/B WIRE SERIES 3 P/8'                 |
| 1   | 319-769     | FUSEHOLDER PM ASSY 10A /.5'                   |
| 1   | 320-760     | HRN 15CON 18CA DTP KEY A 12P(12)DTP3P(3) 11'  |

- NOTES:**
1. USE 1-CABLE TIE TO COIL UP HARNESS
  2. NOT SHOWN: (6) (8)
  3. CUT (23) (24) & (28) TO FIT ON SW BAT.



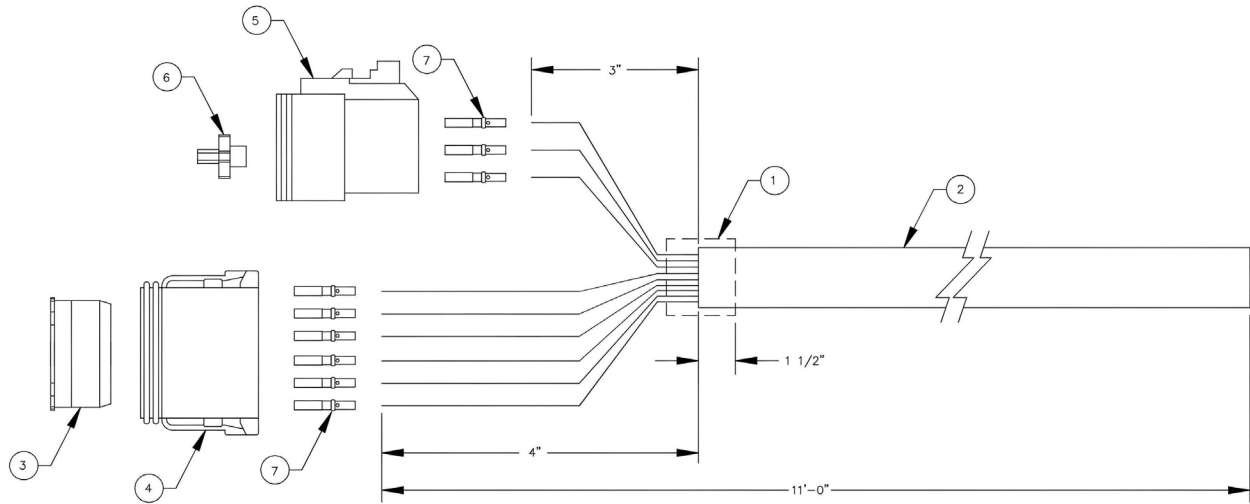
## Control Console Switch Diagram

### SWITCH WIRING DIAGRAM



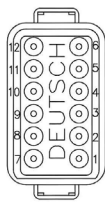
▲ = NOTCH LOCATION

## Wiring Harness - 80, 90 & 100 Foot Boom



A - GRN/WHT  
B - BLU/WHT  
C - RED/WHT

PIN OUT DETAIL



1 - RED            7 - WHT/BLK  
2 - ORG          8 - BLU  
3 - WHT          9 - BLK/WHT  
4 - BLU/BLK    10 - GRN  
5 - RED/BLK    11 - BLK  
6 - ORG/BLK    12 - GRN/BLK

## Wiring Harness - 80, 90 & 100 Foot Boom Parts List

| ITEM | PART NO. | QTY. | DESCRIPTION  |
|------|----------|------|--|
| 1    | 231-007  | 3"   | SHRINK TUBING .625                                   |
| 2    | 252-020  | 11'  | CABLE 15CON 18 GAUGE                                 |
| 3    | 255-215  | 1    | CENTER LOCK WEDGE 12 PIN DTP                         |
| 4    | 255-756  | 1    | CONNECTOR DEUTSCH DT PLUG 12 PIN KEY A               |
| 5    | 255-813  | 1    | CONNECTOR DEUTSCH 3 PIN PLUG DTD T PLUG 12 PIN KEY A |
| 6    | 255-817  | 1    | CONNECTOR DEITSCH LOCK WEDGE 3 PIN DTP               |
| 7    | 255-978  | 15   | CONNECTOR DEUTSCH SOCKET 16/18 GAUGE                 |



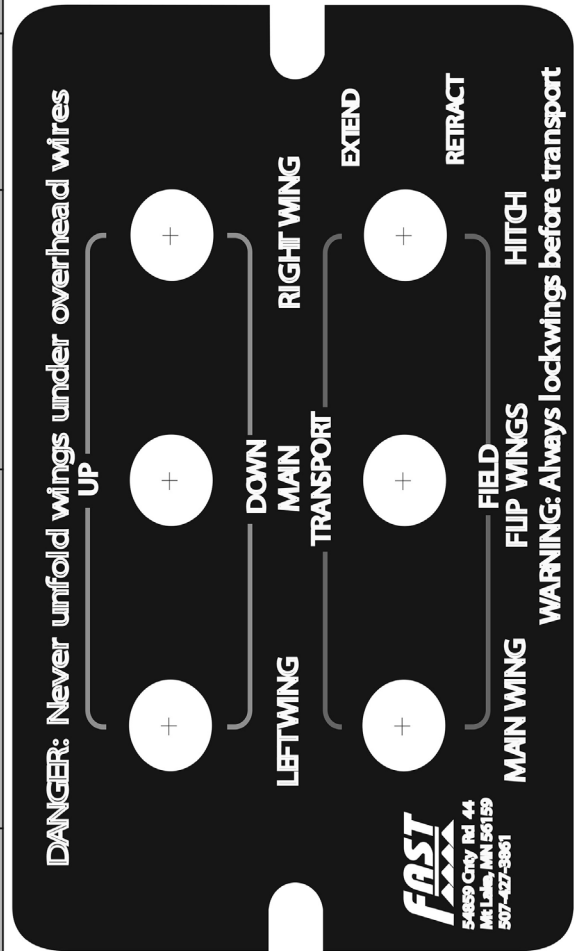


# ILLUSTRATED PARTS LIST

## Control Console Decal - 80, 90 & 100 Foot Boom

700-0806-4105 120' Fixed Tongue

| Switch No. | Boot Color | Switch Position | Hot Wires                         | Pin Out Location            | Pressure Ports | Tank Ports | Function             |
|------------|------------|-----------------|-----------------------------------|-----------------------------|----------------|------------|----------------------|
| 1 Long     | Green      | Up (mom)        | Org/Blk & Grn                     | 6-12P, 10-12P               | C4             |            | Lt. Wing Up          |
|            |            | Center (stat)   |                                   |                             |                |            | Off                  |
|            |            | Down (mom)      | Org/Blk & Grn & Blk/Wht           | 6-12P, 10-12P, 9-12P        |                | C4         | Lt. Wing Down        |
| 2 Long     | Yellow     | Up (mom)        | Wht/Blk & Grn & Blk/Wht           | 7-12P, 10-12P, 9-12P        | C9             |            | Main Up              |
|            |            | Center (stat)   |                                   |                             |                |            | Off                  |
|            |            | Down (mom)      | Wht/Blk & Grn                     | 7-12P, 10-12P               |                | C9         | Main Down            |
| 3 Long     | Gray       | Up (mom)        | Red/Blk & Grn                     | 5-12P, 10-12P               | C5             |            | Rt. Wing Up          |
|            |            | Center (stat)   |                                   |                             |                |            | Off                  |
|            |            | Down (mom)      | Red/Blk & Grn & Blk/Wht           | 5-12P, 10-12P, 9-12P        |                | C5         | Rt. Wing Down        |
| 4 Short    | Red        | Up (mom)        | Wht & Blu & Grn                   | 3-12P, 8-12P, 10-12P        | C2             |            | Main Wing Transport  |
|            |            | Center (stat)   |                                   |                             |                |            | Off                  |
|            |            | Down (mom)      | Wht & Blu & Grn & Blk/Wht         | 3-12P, 8-12P, 10-12P, 9-12P |                | C2         | Main Wing Field      |
| 5 Short    | Black      | Up (mom)        | Grn/Wht & Blu/Wht & Grn           | 1-3P, 2-3P, 10-12P          | C3             |            | Flip Wings Transport |
|            |            | Center (stat)   |                                   |                             |                |            | Off                  |
|            |            | Down (mom)      | Grn/Wht & Blu/Wht & Grn & Blk/Wht | 1-3P, 2-3P, 10-12P, 9-12P   |                | C3         | Flip Wings Field     |
| 6 Short    | Blue       | Up (mom)        | Red & Org & Grn                   | 1-12P, 2-12P, 10-12P        | C1             |            | Hitch Transport      |
|            |            | Center (stat)   |                                   |                             |                |            | Off                  |
|            |            | Down (mom)      | Red & Org & Grn & Blk/Wht         | 1-12P, 2-12P, 10-12P, 9-12P |                | C1         | Hitch Field          |
|            |            |                 | Blk                               | 11-12P                      |                |            | Ground               |
|            |            |                 | Red/Wht                           | 3-3P                        |                |            | Ground               |
|            |            |                 | Blu/Blk                           | 4-12P                       |                |            | Ground               |
|            |            |                 | Grn/Blk                           | 12-12P                      |                |            | Ground               |



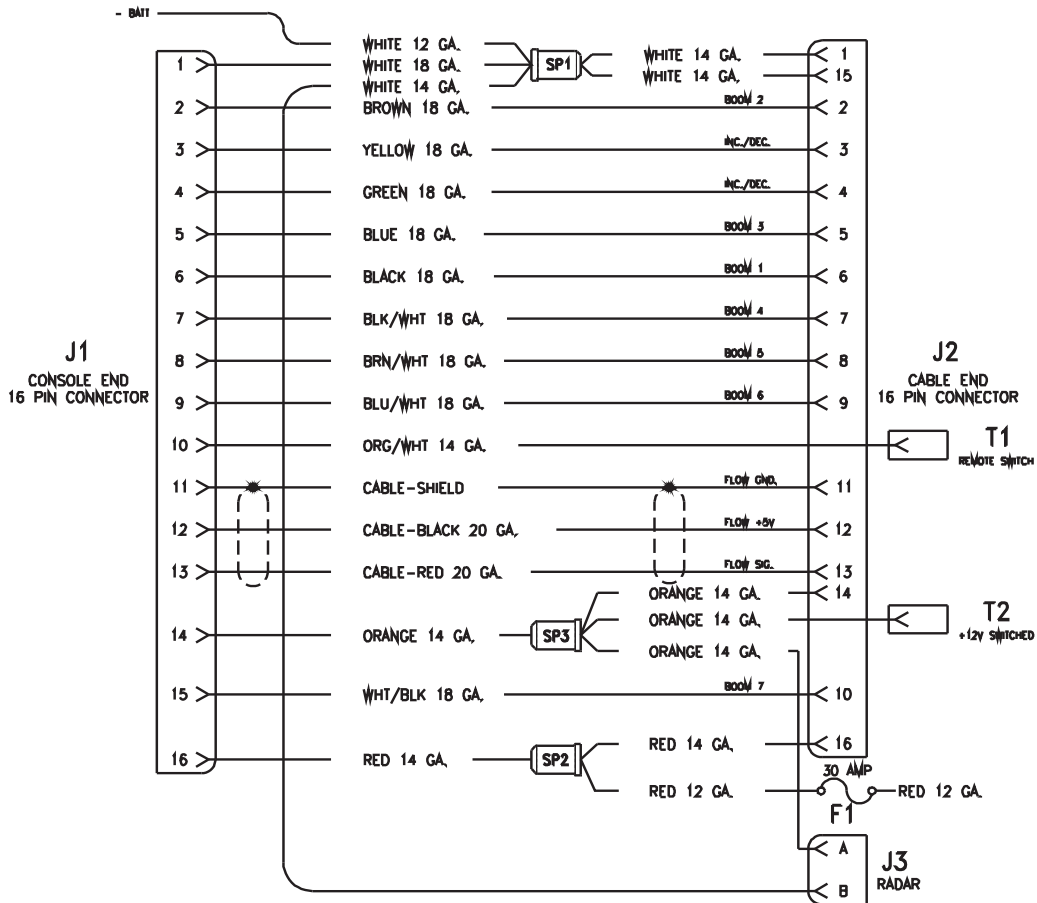




# ILLUSTRATED PARTS LIST

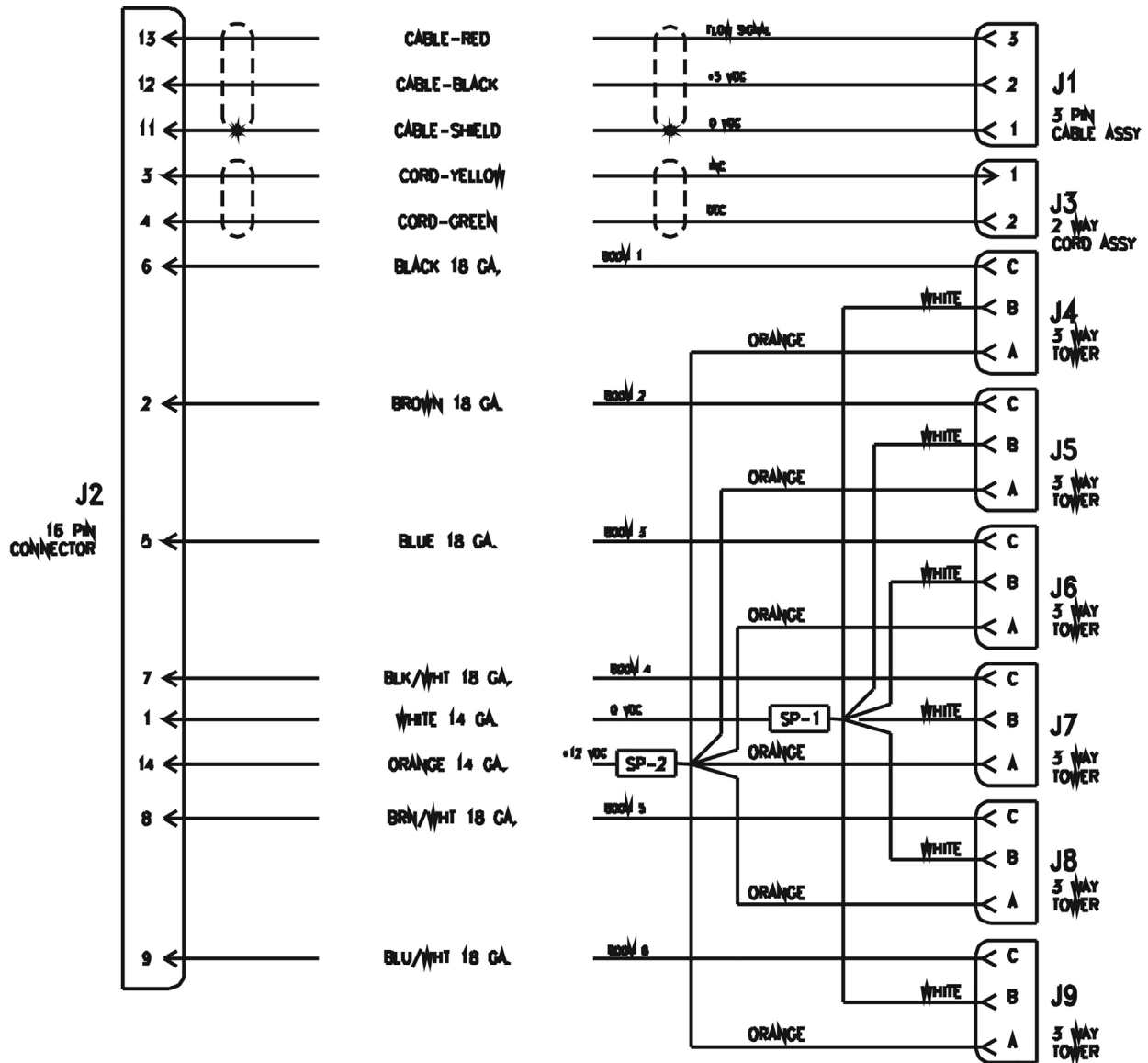
## Control Console Wiring Harness

CABLE,  
CONSOLE, SCS 460, 6 BOOM, 10'  
115-0171-085 (Rev. A)



## Control Console Wiring Harness

### CABLE, 12' PRODUCT, 6 BOOM WITH 3 PIN TOWERS 115-0171-129 (Rev. A)





## ILLUSTRATED PARTS LIST

---



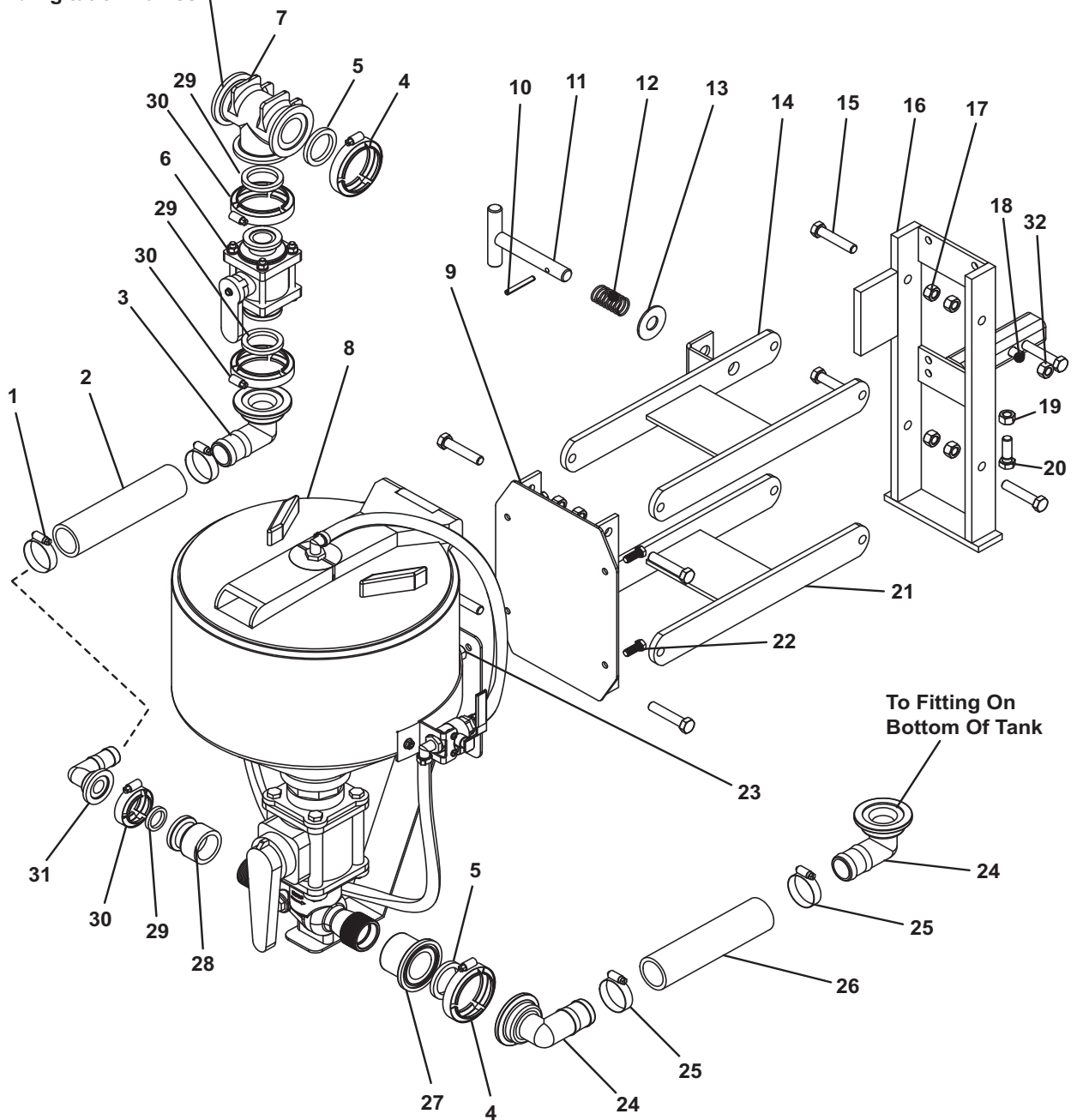
**FAST GLOBAL**  
**SOLUTIONS**



# ILLUSTRATED PARTS LIST

## HYPRO Cleanload Eductor & Mounting, 5.8 Gallon

Installs In Line With Rinse  
And Agitation Valves





# ILLUSTRATED PARTS LIST

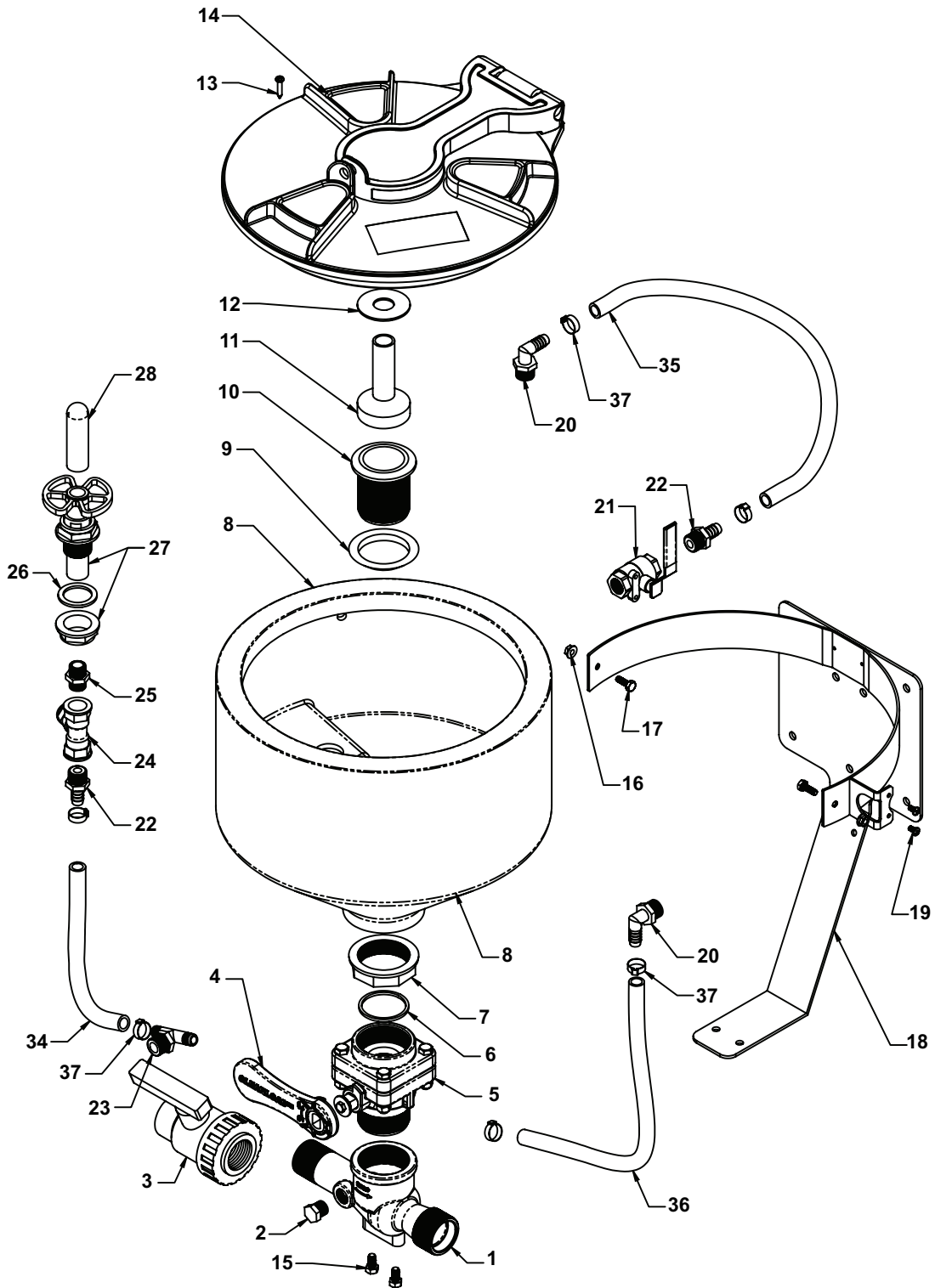
## HYPRO Cleanload Eductor & Mounting, 5.8 Gallon Parts List

| ITEM | VENDOR PART NO. | PART NO. | QTY. | DESCRIPTION                         |
|------|-----------------|----------|------|-------------------------------------|
| 1    | 64020H          | 540015   | 2    | Clamp, Hose 1.25"                   |
| 2    | 1-1/4BH200      | 510013   | 6.5  | Hose, Spray 1.25 EDPM               |
| 3    | M100125BRB90    | 530065   | 2    | Manifold Elbow 1 x 1.25 HB          |
| 4    | FC200           | 540001   | 3    | Manifold Clamp 1" Standard Port     |
| 5    | 150G            | 530014   | 3    | Gasket 1" Standard Port             |
| 6    | MV100CF         | 500005   | 1    | Manifold Valve Standard Port        |
| 7    | M200100TEE      | 530075   | 1    | Manifold Tee                        |
| 8    | 3375P-05T5-05   | 570039   | 1    | Hypro Cleadload Eductor, 5.8 Gallon |
| 9    |                 | 9250     | 1    | Plate Adapter                       |
| 10   |                 | 687      | 1    | Pin, Spring 1.25 x 2" Zp            |
| 11   |                 | 7981     | 1    | Handle Tee                          |
| 12   | 67              | 790001   | 1    | Spring, Century 2" Free Length      |
| 13   |                 | 262      | 1    | Washer, Flat 3/4" Zp                |
| 14   |                 | 7928     | 1    | Link, Upper                         |
| 15   |                 | 153      | 8    | Bolt, HH 1/2 x 1.5 GR5 Zp           |
| 16   |                 | 11632    | 1    | Back Plate                          |
| 17   |                 | 231      | 8    | Nut, HH 1/2" Nylock Zp              |
| 18   |                 | 154      | 1    | Bolt, HH 1/2 x 2.5 GR5 Zp           |
| 19   |                 | 223      | 1    | Nut, HH 1/2" Jam Zp                 |
| 20   |                 | 152      | 1    | Bolt, HH 1/2 x 1" GR5 Zp            |
| 21   |                 | 7925     | 1    | Link, Lower                         |
| 22   |                 | 128      | 4    | Bolt, HH 3/8 x 1" GR5 Zp            |
| 23   |                 | 769      | 4    | Nut, HH 3/8 " Whizlock Zp           |
| 24   | M200150BRB90    | 530080   | 2    | Manifold Elbow 2 x 1.5" HB          |
| 25   | 64024H          | 540016   | 2    | Clamp, Hose 1.5"                    |
| 26   | 1-1/2 BH200     | 510014   | 5    | Hose, Spray 1.5 EDPM                |
| 27   | CP46066-PP      | 530196   | 1    | Manifold Adapter 2 x 1.5 FPT        |
| 28   | CPC45512-PP     | 530194   | 1    | Manifold Adapter 2 x 1.25 FPT       |
| 29   | 100G            | 530008   | 3    | Gasket 1"                           |
| 30   | FC100           | 540000   | 3    | Manifold Clamp 1"                   |
| 31   | M100125BRB90    | 530065   | 1    | Manifold Elbow 1 x 1.25" HB         |
| 32   |                 | 771      | 8    | 1/2" Wizlock Nut                    |



# ILLUSTRATED PARTS LIST

## HYPRO Cleanload Eductor, 5.8 Gallon





## ILLUSTRATED PARTS LIST

### HYPRO Cleanload Eductor, 5.8 Gallon Parts List

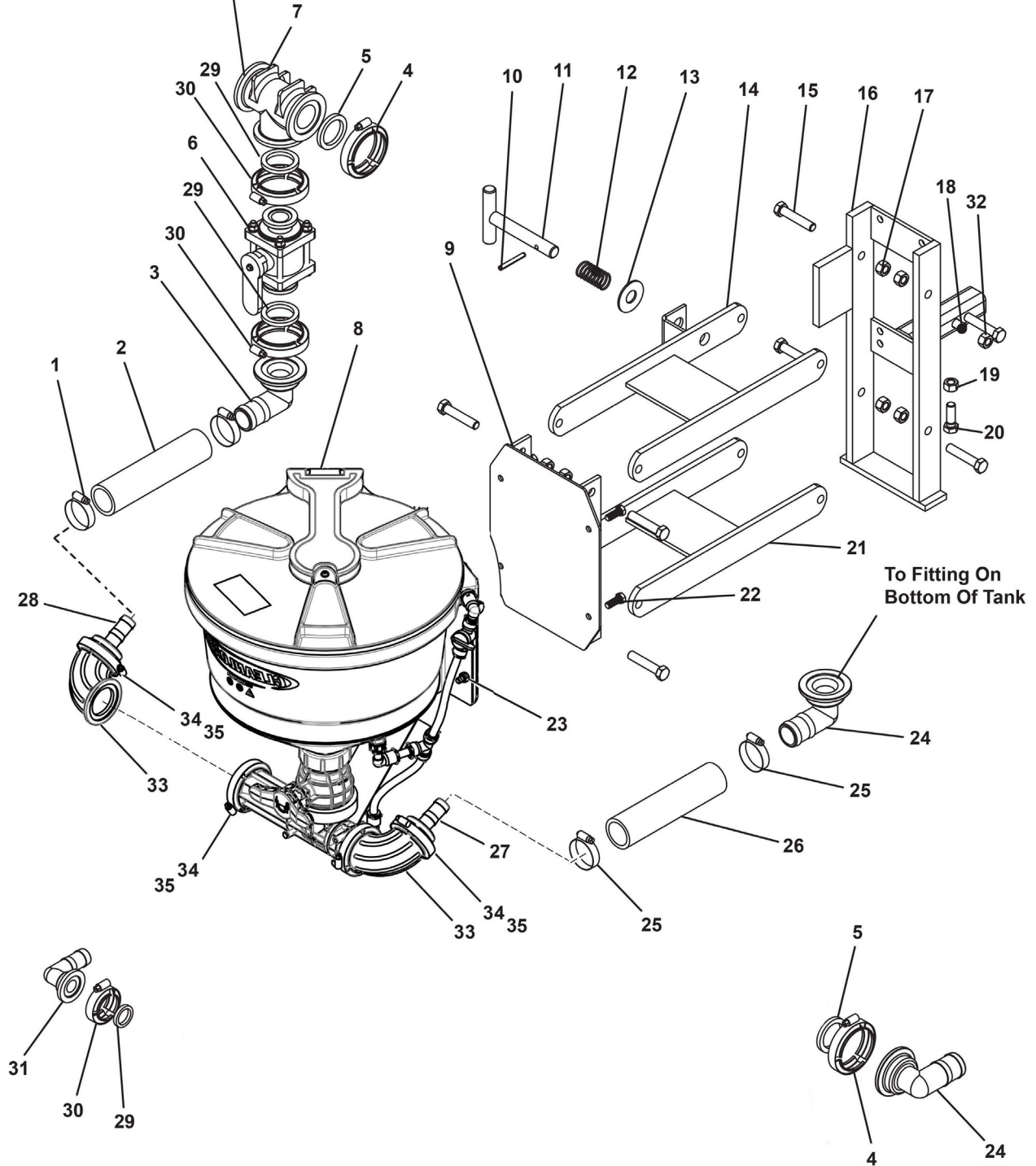
| ITEM | VENDOR PART NO. | QTY. | DESCRIPTION                    |
|------|-----------------|------|--------------------------------|
| 1    | 3371-0034S      | 1    | Cleanload Eductor              |
| 2    | 3F12            | 11   | Plug, 1/2"                     |
| 3    | 4541135N        | 1    | Ball Valve, 1-1/4 Single Union |
| 4    | 2800-0027       | 1    | Handle, Cleanload              |
| 5    | 9950-0043       | 1    | Ball Valve                     |
| 6    | 1700-0045       | 1    | Gasket: 2" BSP                 |
| 7    | 205070          | 1    | Locking Ring, 2"               |
| 8    | 1530-0016       | 1    | Tank, 5.8 Gallon               |
| 9    | 2270-0119       | 1    | Gasket: 2", Tapered            |
| 10   | 220070          | 1    | Drain Head, 2"                 |
| 11   | 510120          | 1    | Tank Rinse                     |
| 12   | 1410-0112       | 1    | Slinger Ring                   |
| 13   | 2210-0133       | 8    | Screw, #6 x 1"                 |
| 14   | TL12-0006       | 1    | Tank Lid                       |
| 15   | 2210-0003       | 2    | Bolt, 5/16-18 x 5/8            |
| 16   | 2250-0077       | 2    | Nut, Flanged 1/4-20            |
| 17   | 2210-0134       | 2    | Bolt, 1/4-20 x 3/4 SS          |
| 18   | 1510-0103       | 1    | Frame, Back Mount (shown)      |
| 19   | 2210-0132       | 2    | Screw, 10-24 x .375            |
| 20   | 3EL12           | 2    | HB Elbow 1/2"                  |
| 21   | 78-12           | 1    | Valve, SSTank Rinse            |
| 22   | 3A12            | 2    | HB, 1/2 MNPT                   |
| 23   | 3T12T           | 1    | HB Tee, 1/2 MNPTto 1/2 HB      |
| 24   | 3TT12           | 1    | Tee, 1/2 FNPT                  |
| 25   | 3M12            | 1    | Nipple, 1/2"                   |
| 26   | G40004          | 1    | Gasket, 1"                     |
| 27   | C-510100        | 1    | Valve, Bottle Rinse Base Assy. |
| 28   | 510110          | 1    | Bottle Rinse Head              |
| 34   | 2900-0072       | 1    | Hose, Bottle Rinse, 1/2" EPDM  |
| 35   | 2900-0073       | 1    | Hose, Tank Rinse, 1/2" EPDM    |
| 36   | 2900-0074       | 1    | Hose, Valve Feeder, 1/2" EPDM  |
| 37   | 10500013        | 6    | Hose Clamp, 1/2"               |
| N/S  | 6031-0378       | 1    | Label/Instructions             |



# ILLUSTRATED PARTS LIST

## HYPRO Cleanload Eductor & Mounting, 7.5 Gallon

Installs In Line With Rinse  
And Agitation Valves







## ILLUSTRATED PARTS LIST

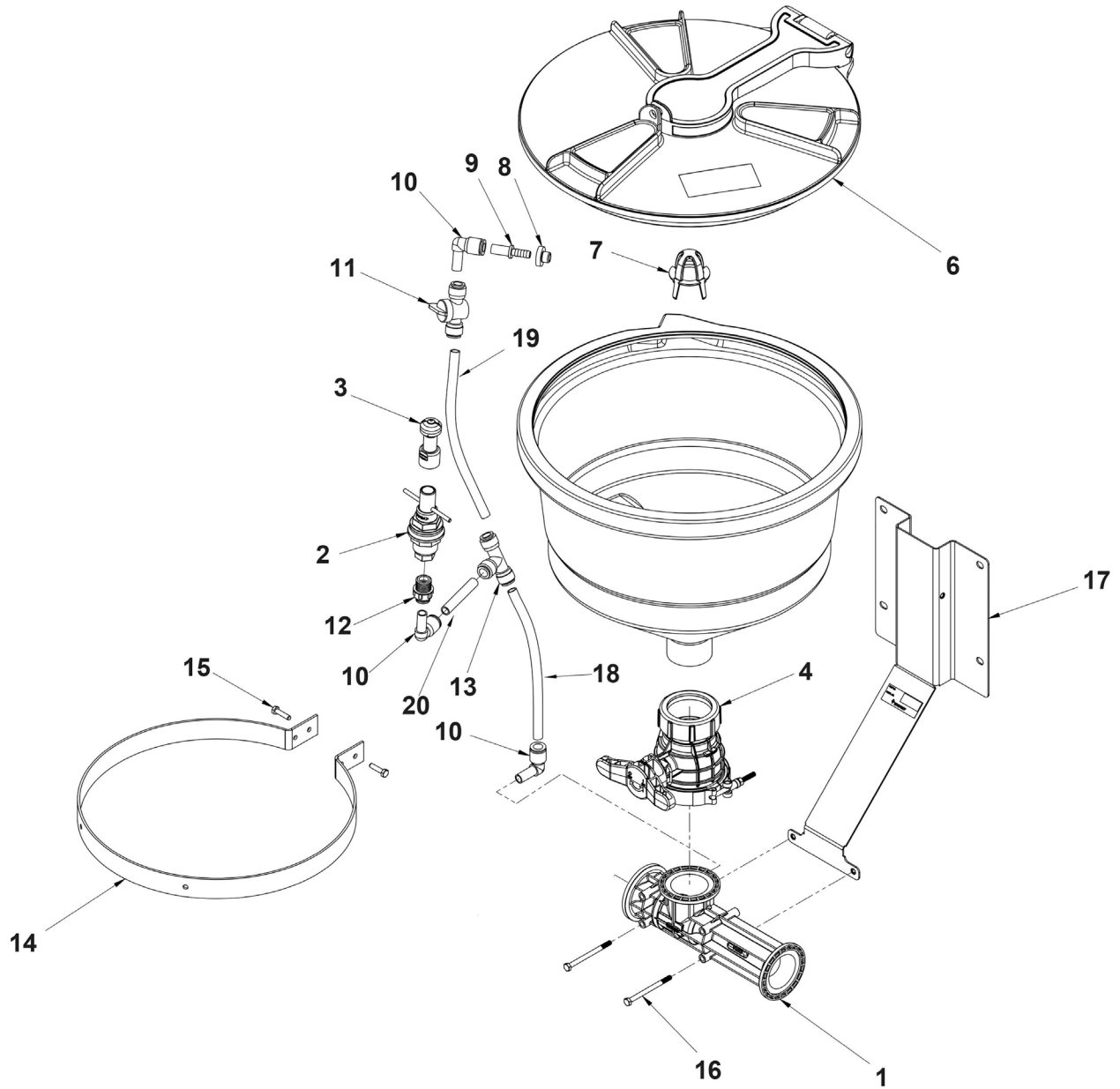
### HYPRO Cleanload Eductor & Mounting, 7.5 Gallon Parts List

| ITEM | PART NO. | QTY. | DESCRIPTION                           |
|------|----------|------|---------------------------------------|
| NS   | 800015   | 1    | DECAL, INDUCTOR                       |
| NS   | 540051   | 2    | P CLAMP, 2" HOSE 2"                   |
| 1    | 540015   | 2    | CLAMP, STAINLESS 1-1/4" #20           |
| 2    | 510015   | 6    | HOSE, 1-1/4" EPDM                     |
| 4    | 540001   | 3    | CLAMP, 2" STANDARD WORM SCREW         |
| 5    | 530014   | 3    | 1-1/2" EPDM GASKET                    |
| 6    | 500005   | 1    | VALVE, 1" FULL PORT WITH C-F          |
| 7    | 530075   | 1    | 2" STANDARD PORT X 1" FLANGED         |
| 8    | 570119   | 1    | TANK CLEANLOAD EDUCTOR 7.5 GALLON     |
| 9    | 16560BLK | 1    | MOUNT, HYPRO EDUCTOR                  |
| 10   | 687      | 1    | Pin, Spring 1.25 x 2" Zp              |
| 11   | 7981BLK  | 1    | HANDLE, T SHAPED                      |
| 12   | 790001   | 1    | SPRING, INDUCTOR LATCH                |
| 13   | 262      | 1    | WASHER, FLAT 3/4" ZIP                 |
| 14   | 7928BLK  | 1    | LINK, EDUCTOR, UPPER                  |
| 15   | 153      | 8    | Bolt, HH 1/2 x 1.5 GR5 Zp             |
| 16   | 11632BLK | 1    | MOUNT PLATE, BACK 9500 TRAILER        |
| 17   | 231      | 8    | Nut, HH 1/2" Nylock Zp                |
| 18   | 154      | 1    | Bolt, HH 1/2 x 2.5 GR5 Zp             |
| 19   | 223      | 1    | Nut, HH 1/2" Jam Zp                   |
| 20   | 152      | 1    | Bolt, HH 1/2 x 1" GR5 Zp              |
| 21   | 7925BLK  | 1    | LINK, EDUCTOR, LOWER                  |
| 22   | 128      | 4    | Bolt, HH 3/8 x 1" GR5 Zp              |
| 23   | 769      | 4    | Nut, HH 3/8 " Whizlock Zp             |
| 24   | 530080   | 1    | 2" SP FLANGE X 1-1/2" HOSE BARB - 90° |
| 25   | 540016   | 2    | CLAMP, STAINLESS 1-1/2" #24           |
| 26   | 510014   | 5    | HOSE, 1-1/2" EPDM                     |
| 27   | 530079   | 1    | 2" MANIFOLD X 1-1/2" HOSE BARB        |
| 28   | 530076   | 1    | 2" MANIFOLD X 1-1/4" HOSE BARB        |
| 29   | 530068   | 2    | 1" EPDM GASKET FOR MANIFOLD           |
| 30   | 540000   | 2    | CLAMP, 1" WORM SCREW                  |
| 31   | 530065   | 1    | 1" FLANGE X 1-1/4" HOSE BARB - 90°    |
| 32   | 771      | 8    | 1/2" Wizlock Nut                      |
| 33   | 530388   | 2    | 2" FP FLANGE X 2" STANDARD FLANGE SWP |
| 34   | 540002   | 2    | CLAMP, 2" FULL WORM SCREW             |
| 35   | 530019   | 2    | 2" EPDM GASKET                        |



# ILLUSTRATED PARTS LIST

## HYPRO Cleanload Eductor, 7.5 Gallon



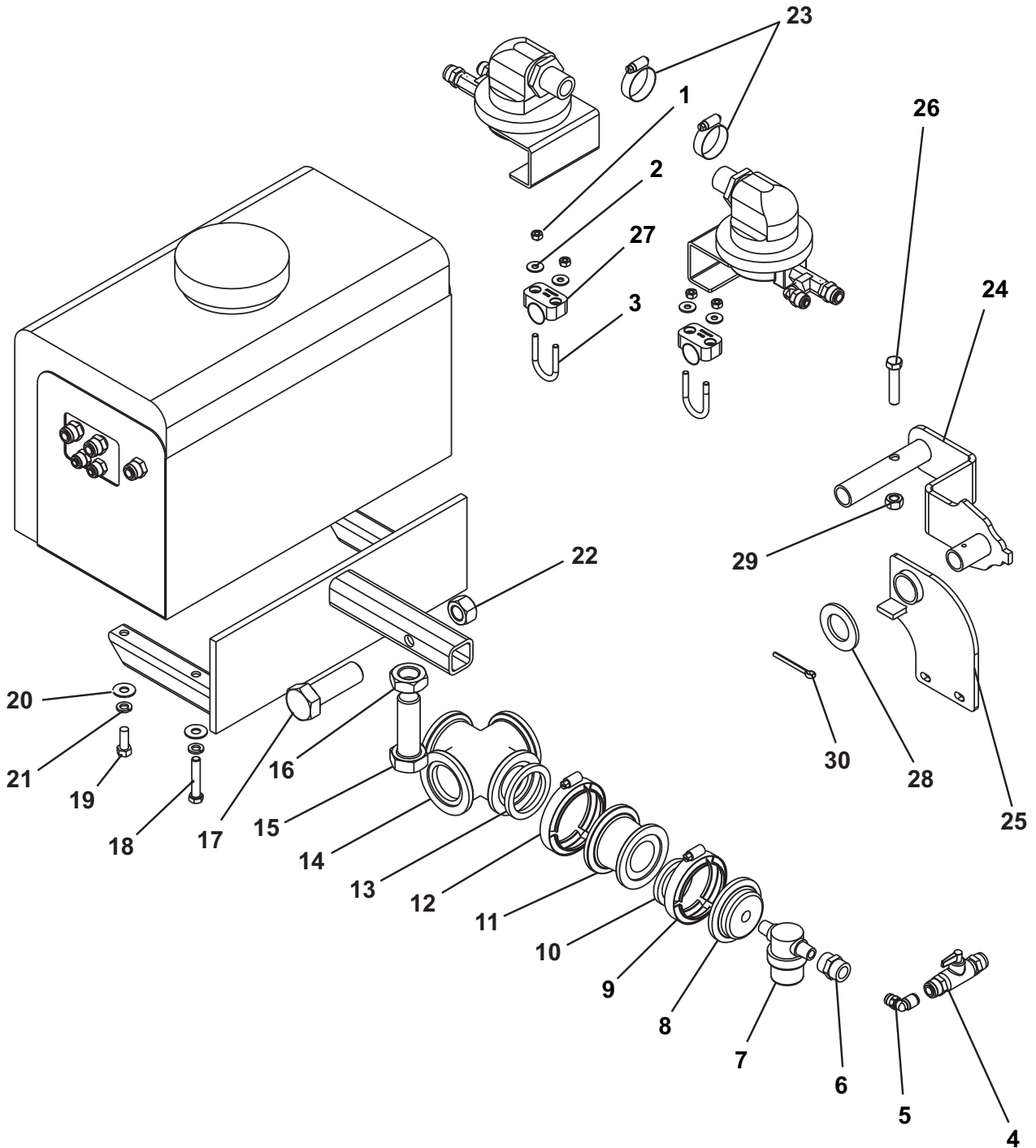


# ILLUSTRATED PARTS LIST

## HYPRO Cleanload Eductor, 7.5 Gallon Parts List

| ITEM | VENDOR PART NO. | PART NO. | QTY. | DESCRIPTION  |
|------|-----------------|----------|------|--|
| 0    |                 | 570119   | 1    | Eductor Complete                                   |
| 1    | 3371-0038R      |          | 1    | Eductor  |
| 2    | PV1/2F1/2M-MA   |          | 1    | ProClean Container Rinse                           |
| 3    | PC1/2F-36075    |          | 1    | Nozzle, ProClean Container Rinse                   |
| 4    | 7250-5000       |          | 1    | Tank Valve   |
| 6    | TL16-0006       |          | 1    | Lid Kit  |
| 7    | 3350-0180       |          | 1    | Strainer   |
| 8    | 1700-0253       |          | 1    | Grommet  |
| 9    | 2404-0413       |          | 1    | Hose Barb Fitting                                  |
| 10   | 2404-0414       |          | 1    | Elbow Fitting (1/2")                               |
| 11   | 3305-0113       |          | 1    | Two-way Valve (1/2")                               |
| 12   | 2404-0386       |          | 1    | Fitting  |
| 13   | 2404-0415       |          | 1    | Tee Fitting (1/2")                                 |
| 14   | 1510-0128       |          | 1    | Mounting Ring                                      |
| 15   | 2210-0201       |          | 2    | Hex Bolt, M6x1x25                                  |
| 16   | 2210-0200       |          | 2    | Hex Bolt, M6x1x80                                  |
| 17   | 1510-0127       |          | 1    | Bracket  |
| 18   | 3430-0833       |          | 1    | Tube Kit (includes items 18 - 20, screw and clamp) |
| 19   | 3430-0833       |          | 1    | Tube Kit (includes items 18 - 20, screw and clamp) |
| 20   | 3430-0833       |          | 1    | Tube Kit (includes items 18 - 20, screw and clamp) |

## Richway Direct Injection Foamer & Mounting





# ILLUSTRATED PARTS LIST

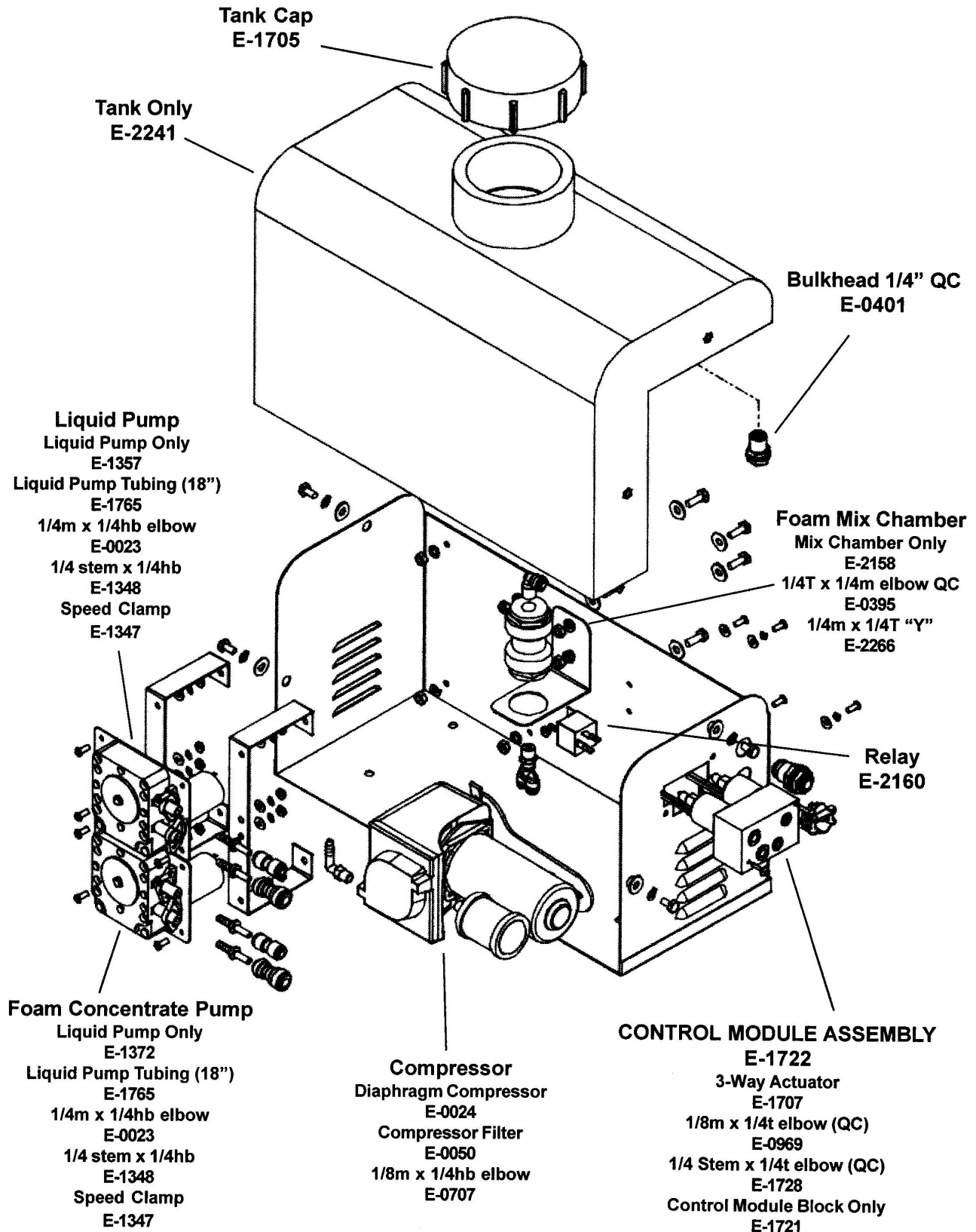
## Richway Direct Injection Foamer & Mounting Parts List

| ITEM | VENDOR PART NO. | PART NO. | QTY. | DESCRIPTION                                       |
|------|-----------------|----------|------|---|
| 1    |                 | 647      | 8    | Nut, HH 1/4" Nylock SS                            |
| 2    |                 | 663      | 8    | Washer, Flat 1/4" SS                              |
| 3    | 2M1473140       | 590048   | 4    | U-Bolt 1/4 x 1.5 SS                               |
| 4    | 44103289        | 530007   | 1    | Valve, Shut Off 3/8 Q-Lock                        |
| 5    | 44103231        | 530006   | 1    | Q-Lock Adapter Fitting 3/8" 90°                   |
| 6    | 3FC38           | 530217   | 1    | Coupler, 3/8" FPT                                 |
| 7    | RVM66NE40C      | 530000   | 1    | Strainer 40 Mesh 3/8" MPT                         |
| 8    | M200PLG038      | 530095   | 1    | Manifold Plug x 3/8" FPT                          |
| 9    | FC200           | 540001   | 1    | Manifold Clamp 2" Standard Port                   |
| 10   | 150G            | 530014   | 1    | Gasket 2" Standard Port                           |
| 11   | M220200CPG      | 530102   | 1    | Manifold Coupling 2" Full Port x 2" Standard Port |
| 12   | FC220           | 540002   | 1    | Manifold Clamp 2" Full Port                       |
| 13   | 200G            | 530019   | 1    | Gasket 2" Full Port                               |
| 14   | M220CR          | 530090   | 1    | Manifold Cross, 2" Full Port                      |
| 15   |                 | 152      | 1    | Bolt, HH 1/2 x 1 GR5 Zp                           |
| 16   |                 | 223      | 1    | Nut, HH 1/2" Jam Zp                               |
| 17   |                 | 156      | 1    | Nut, HH 1/2 x 3" GR5 Zp                           |
| 18   |                 | 130      | 2    | Bolt, HH 3/8 x 2" GR5 Zp                          |
| 19   |                 | 128      | 2    | Bolt, HH 3/8 x 1" GR5 Zp                          |
| 20   |                 | 250      | 4    | Washer, Lock 3/8 Zp                               |
| 21   |                 | 258      | 4    | Washer, Flat 3/8 Zp                               |
| 22   |                 | 771      | 1    | Nut, HH 1/2" Whizlock Zp                          |
| 23   | 64016A          | 540014   | 2    | Clamp, Hose 1"                                    |
| 24   |                 | 14275    | 2    | Foamer Insert                                     |
| 25   |                 | 14279    | 2    | Foamer Flipper                                    |
| 26   |                 | 142      | 2    | Bolt HH 7/16 x 2" GR5 Zp                          |
| 27   | 3254PP          | 540029   | 2    | Tube Clamp  |
| 28   |                 | 789      | AR   | Washer, NR 1-1/4 x 14 CP                          |
| 29   |                 | 597      | 2    | Nut, HH 7/16" Toplock                             |
| 30   |                 | 576      | 2    | Cotter Pin, 3/16 x 2 Zp                           |
| NS   |                 | 790      | AR   | Washer, NP 1-1/4 x 10 CP                          |
| NS   | 2T20-003        | 510023   | AR   | 1/4" Linear Low Density Poly Tubing               |
| NS   | 2T20-604        | 510024   | AR   | 3/8" Linear Low Density Poly Tubing               |
| NS   | 12015003        | 510005   | 20'  | PVC Water Suction Hose 1"                         |



# ILLUSTRATED PARTS LIST

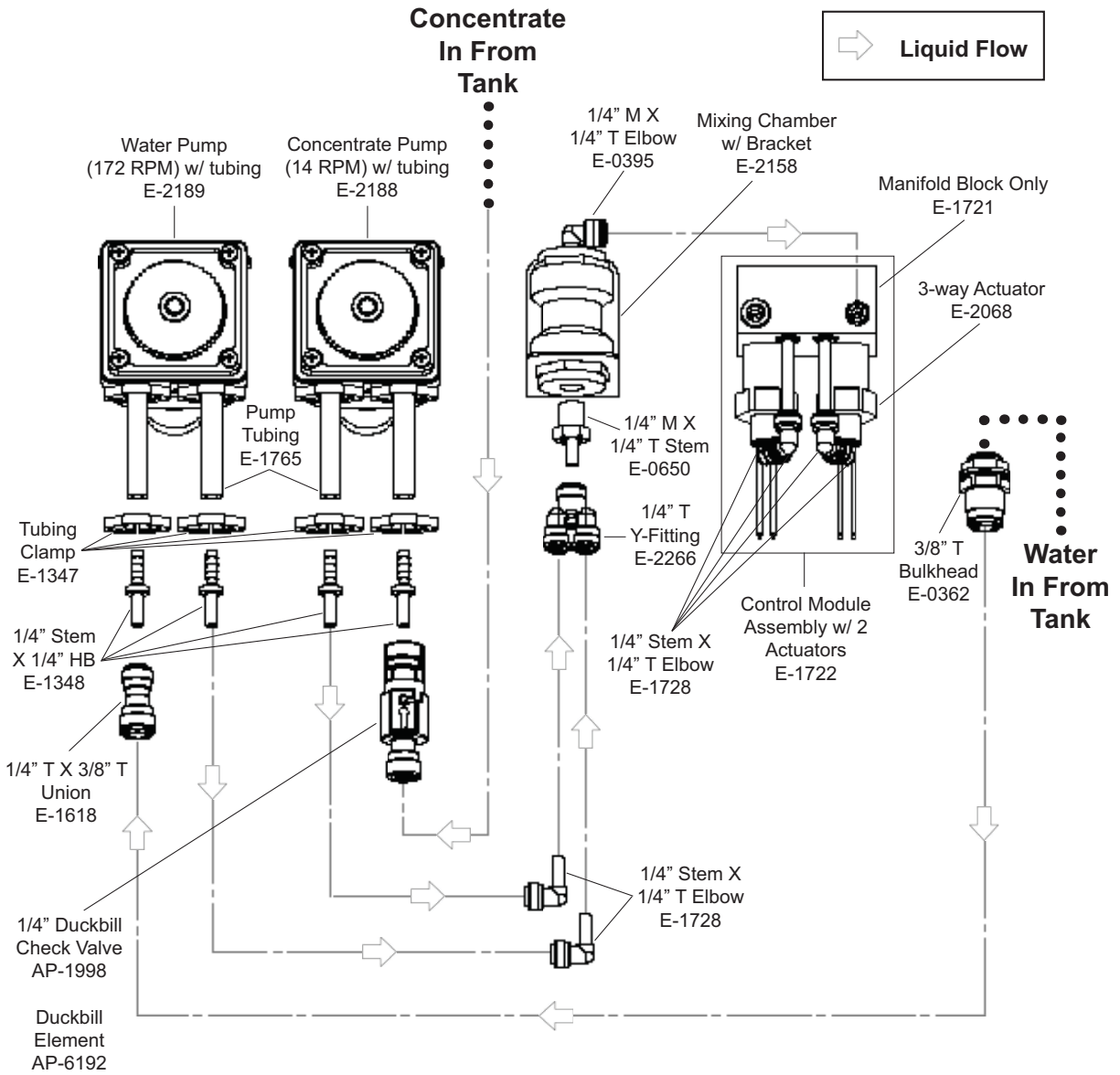
## Richway Foam Marker 1 Gallon Tank





# ILLUSTRATED PARTS LIST

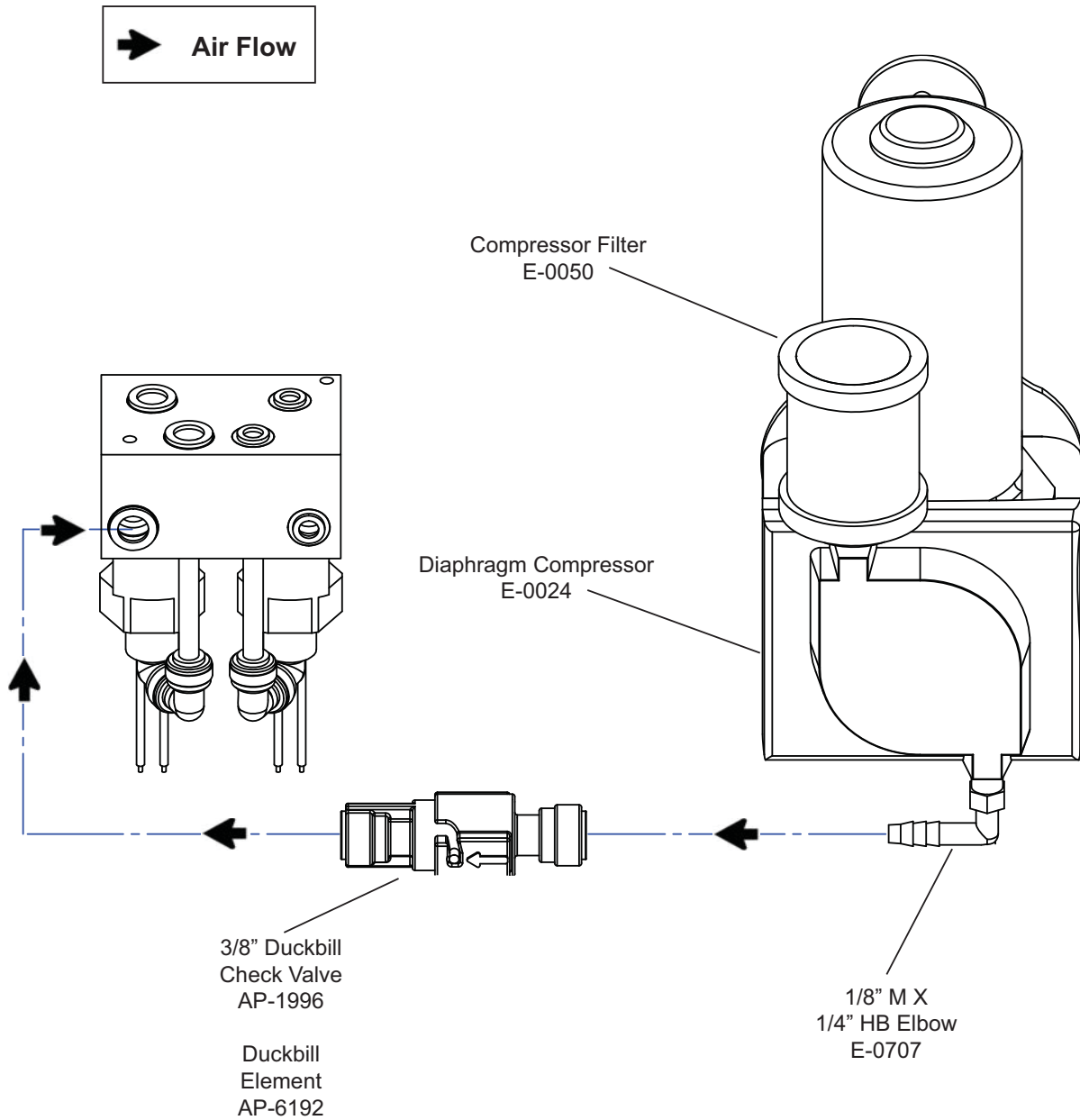
## Richway Foam Marker Liquid Flow





# ILLUSTRATED PARTS LIST

## Richway Foam Marker Compressor

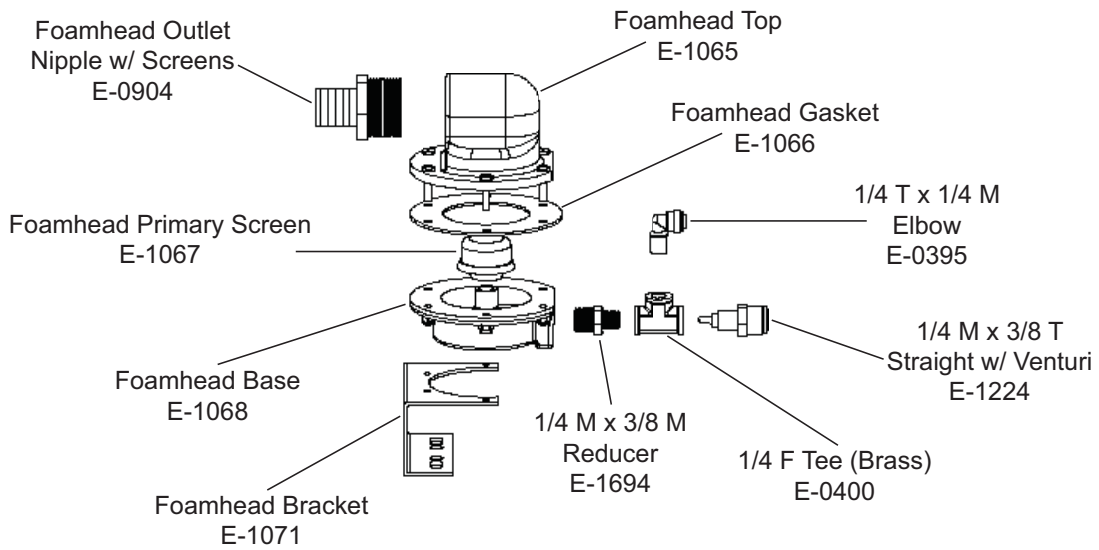






# ILLUSTRATED PARTS LIST

## Richway Foam Marker Foamhead



## Richway Foam Marker Wiring Harness

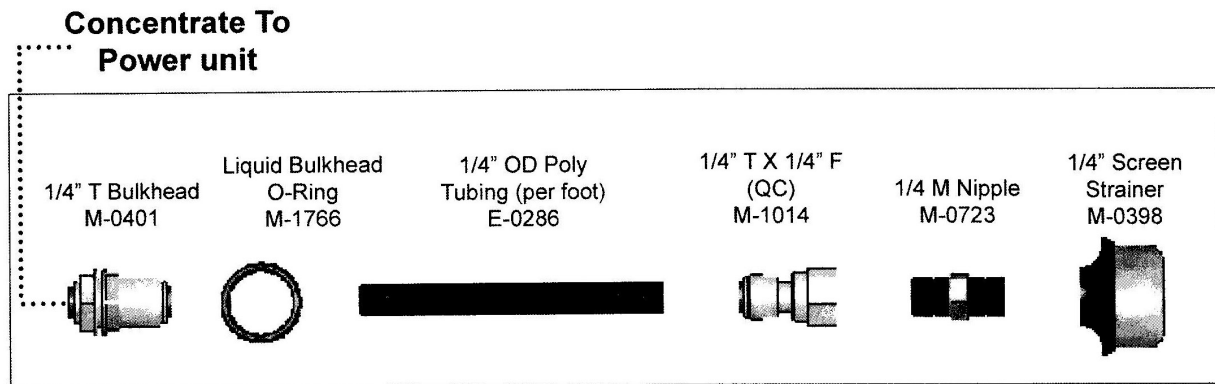
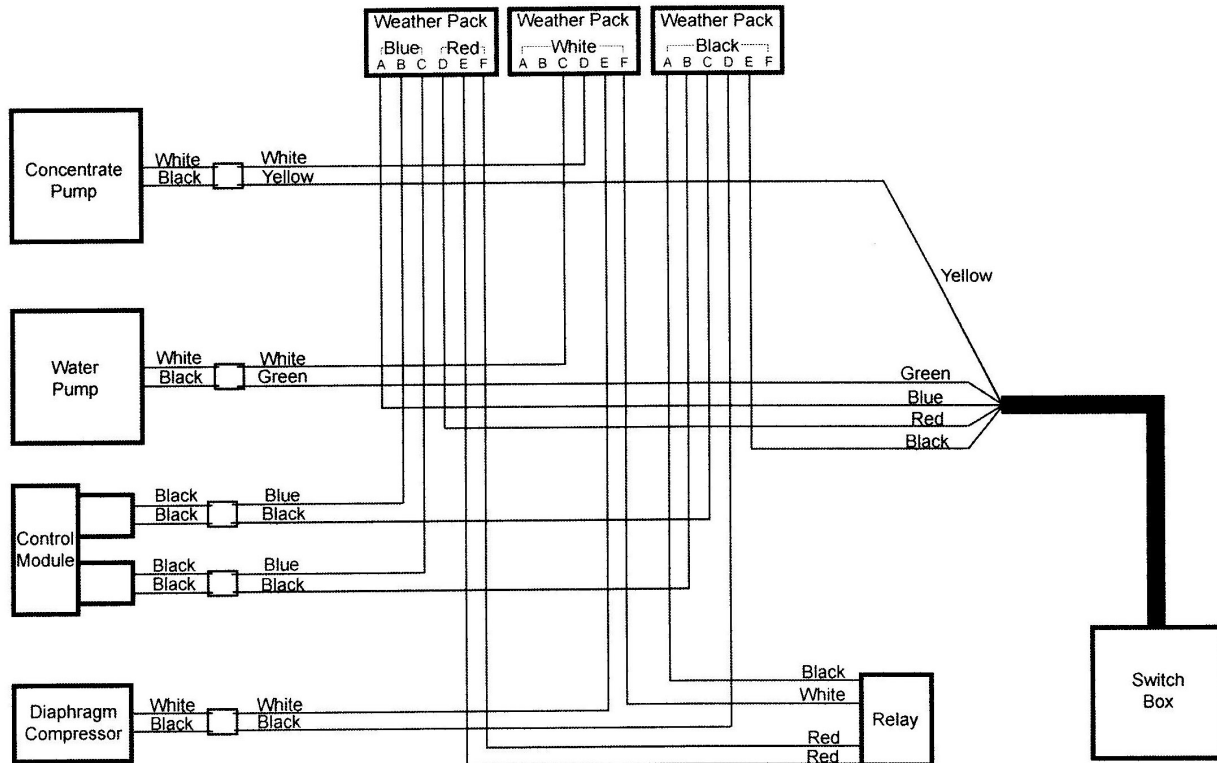


FIGURE 10 - Versa Trac Tank Components

### APPENDIX 4





## ILLUSTRATED PARTS LIST

### Pressure Transducer Kit

| ITEM | PART NO. | QTY. | DESCRIPTION                    |
|------|----------|------|--------------------------------|
|      | 530400   | 1    | TEE: 1/4" FPT, POLY            |
|      | 530401   | 1    | NIPPLE: 1/4 X 1/4" MPT, POLY   |
|      | 632036   | 1    | PRESSURE TRANSDUCER 1-5V 0-250 |



## ILLUSTRATED PARTS LIST

### Raven 450 Controller Kit With Skytrak, Up To 6 Sections

| ITEM | PART NO. | QTY. | DESCRIPTION                       |
|------|----------|------|-----------------------------------|
|      | 631803   | 1    | CONSOLE, SCS450 (6-BOOM)          |
|      | 631815   | 1    | CABLE, 24' EXT 6BM SCS450         |
|      | 631818   | 1    | CABLE 10' CONSOLE 7BM SCS 440/450 |
|      | 631832   | 1    | SENSOR, GPS SPEED, RAVEN          |
|      | 632028   | 1    | 47 PIN TO 16 PIN ADAPTER CABLE    |
|      | 632077   | 1    | CABLE PRODUCT 47 PIN 6 SECTION    |

### Raven ISO Rate Control Module, Cables To Tractor, ISO Hookup, No VT Console

| ITEM | PART NO. | QTY. | DESCRIPTION                              |
|------|----------|------|--|
|      | 15813BLK | 1    | PLATE, MOUNT, RATE CONTROLLER            |
|      | 596105M  | 1    | HEX HEAD G5 1/4-20 X 2-1/2 MAG           |
|      | 596110M  | 1    | BOLT, HH 1/4-20 X 3 MAGNI                |
|      | 596128M  | 2    | HH G5 3/8 X 1 MAGNI                      |
|      | 596235M  | 3    | HEX NUT CENTER LOCK 1/4 MAGNI            |
|      | 596237M  | 2    | HEX NUT 3/8 CENTER LOCK MAGNI            |
|      | 631856   | 1    | SWITCH ASSEMBLY FOOT ISO PRODUCT CONTROL |
|      | 632010   | 1    | RAVEN RATE CONTROL MODULE                |
|      | 632029   | 1    | 47 PIN RCM CABLE                         |
|      | 632035   | 1    | 14' 47 PIN TO 47 PIN PLUG                |
|      | 632078   | 1    | CABLE PRODUCT 47 PIN 10SEC               |
|      | 632043   | 1    | CABLE, ADAPTER 17' 9 PIN                 |
|      | 632061   | 1    | CABLE, FOOT SWITCH 12'                   |



## ILLUSTRATED PARTS LIST

### Deere JDRC 2000 ISO Rate Controller, Cables To Tractor, ISO Hookup, No VT Console

| ITEM | PART NO. | QTY. | DESCRIPTION                    |
|------|----------|------|--------------------------------|
|      | 15813BLK | 1    | PLATE, MOUNT, RATE CONTROLLER  |
|      | 596105M  | 1    | HEX HEAD G5 1/4-20 X 2-1/2 MAG |
|      | 596110M  | 2    | BOLT, HH 1/4-20 X 3 MAGNI      |
|      | 596128M  | 2    | HH G5 3/8 X 1 MAGNI            |
|      | 596235M  | 3    | HEX NUT CENTER LOCK 1/4 MAGNI  |
|      | 596237M  | 2    | HEX NUT 3/8 CENTER LOCK MAGNI  |
|      | 632035   | 1    | 14' 47 PIN TO 47 PIN PLUG      |
|      | 632078   | 1    | CABLE PRODUCT 47 PIN 10SEC     |
|      | 632043   | 1    | CABLE, ADAPTER 17' 9 PIN       |
|      | 632045   | 1    | JD RC2000 CONTROL MODULE       |
|      | 632061   | 1    | CABLE, FOOT SWITCH 12'         |

### 47 Pin Product Control Cable - Customer Supplied JDRC2000 Rate Controller / Raven RCM

| ITEM | PART NO. | QTY. | DESCRIPTION                    |
|------|----------|------|--------------------------------|
|      | 15813BLK | 1    | PLATE, MOUNT, RATE CONTROLLER  |
|      | 596105M  | 1    | HEX HEAD G5 1/4-20 X 2-1/2 MAG |
|      | 596110M  | 2    | BOLT, HH 1/4-20 X 3 MAGNI      |
|      | 596128M  | 2    | HH G5 3/8 X 1 MAGNI            |
|      | 596235M  | 3    | HEX NUT CENTER LOCK 1/4 MAGNI  |
|      | 596237M  | 2    | HEX NUT 3/8 CENTER LOCK MAGNI  |
|      | 632035   | 1    | 14' 47 PIN TO 47 PIN PLUG      |
|      | 632078   | 1    | CABLE PRODUCT 47 PIN 10SEC     |



## ILLUSTRATED PARTS LIST

### 47 Pin To 37 Pin Product Control Cable - Customer Supplied GreenStar Rate Controller

| ITEM | PART NO. | QTY. | DESCRIPTION                    |
|------|----------|------|--------------------------------|
|      | 15813BLK | 1    | PLATE, MOUNT, RATE CONTROLLER  |
|      | 596105M  | 1    | HEX HEAD G5 1/4-20 X 2-1/2 MAG |
|      | 596110M  | 2    | BOLT, HH 1/4-20 X 3 MAGNI      |
|      | 596128M  | 2    | HH G5 3/8 X 1 MAGNI            |
|      | 596235M  | 3    | HEX NUT CENTER LOCK 1/4 MAGNI  |
|      | 596237M  | 2    | HEX NUT 3/8 CENTER LOCK MAGNI  |
|      | 632035   | 1    | 14' 47 PIN TO 47 PIN PLUG      |
|      | 632078   | 1    | CABLE PRODUCT 47 PIN 10SEC     |
|      | 632070   | 1    | 37 TO 47 PIN ADAPTER           |

### 47 Pin To 16 Pin Product Control Cable - Customer Supplied Raven 450

| ITEM | PART NO. | QTY. | DESCRIPTION                             |
|------|----------|------|---|
|      | 631814   | 1    | CABLE, 12' EXTENSION 6BM SCS440, 16 PIN |
|      | 632028   | 1    | 47 PIN TO 16 PIN ADAPTER CABLE          |
|      | 632035   | 1    | 14' 47 PIN TO 47 PIN PLUG               |
|      | 632077   | 1    | CABLE PRODUCT 47 PIN 6SEC               |

### 47 Pin Product Control Cable - Customer Supplied Rate Controller

| ITEM | PART NO. | QTY. | DESCRIPTION                |
|------|----------|------|----------------------------|
|      | 632035   | 1    | 14' 47 PIN TO 47 PIN PLUG  |
|      | 632078   | 1    | CABLE PRODUCT 47 PIN 10SEC |

### Raven CR7 ISO Display With Deere Harness (Deere ISO Controller)

| ITEM | PART NO. | QTY. | DESCRIPTION                    |
|------|----------|------|--------------------------------|
|      | 632063   | 1    | RAVEN PRECISION CR7 DISPLAY    |
|      | 632066   | 1    | CABLE, CR7 ISO VT ONLY         |
|      | 632067   | 1    | CABLE, DISPLAY PORT, Y ADAPTER |



## ILLUSTRATED PARTS LIST

### Raven CR7 ISO Display With Harness (Non-Deere ISO Controller)

| ITEM | PART NO. | QTY. | DESCRIPTION                 |
|------|----------|------|-----------------------------|
|      | 632063   | 1    | RAVEN PRECISION CR7 DISPLAY |
|      | 632065   | 1    | CABLE, CAN/POWER OEM ISO    |
|      | 632066   | 1    | CABLE, CR7 ISO VT ONLY      |

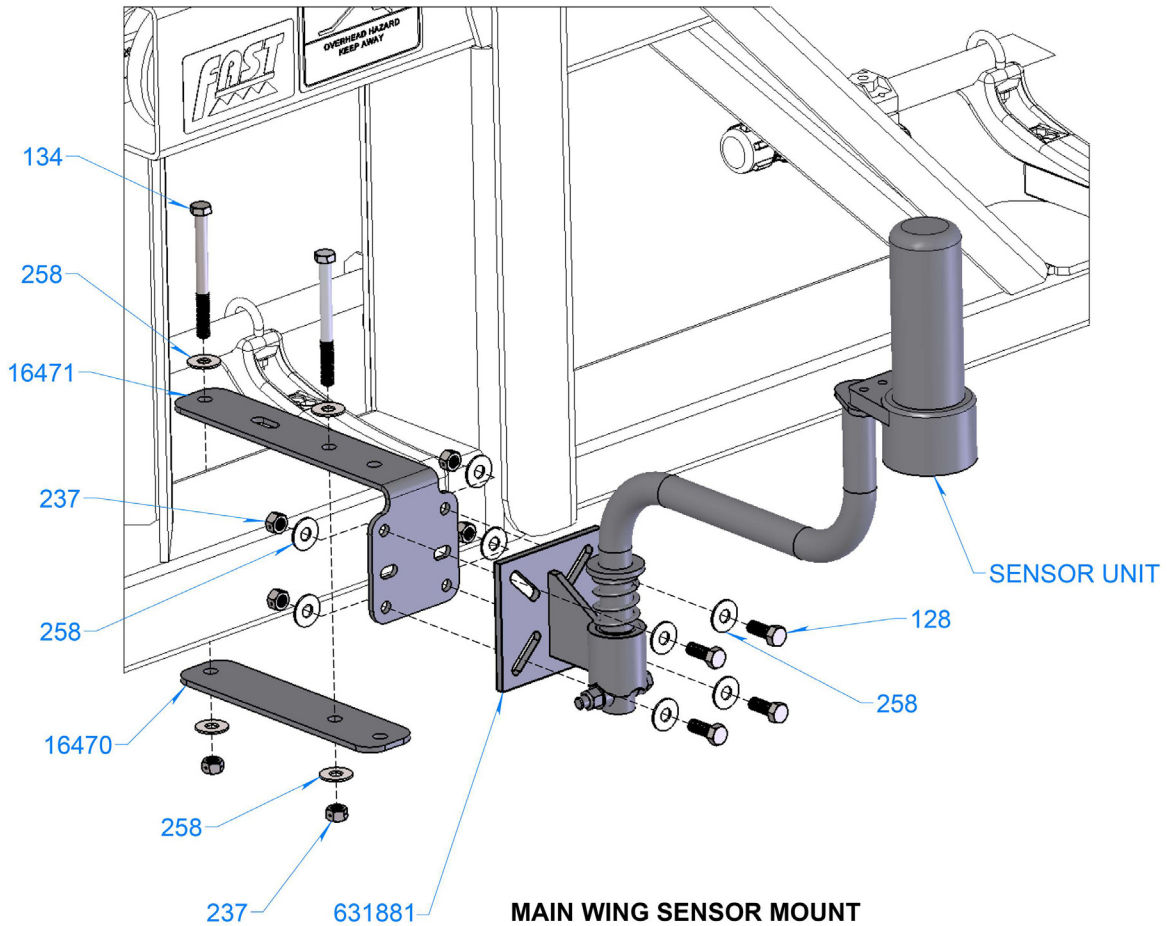
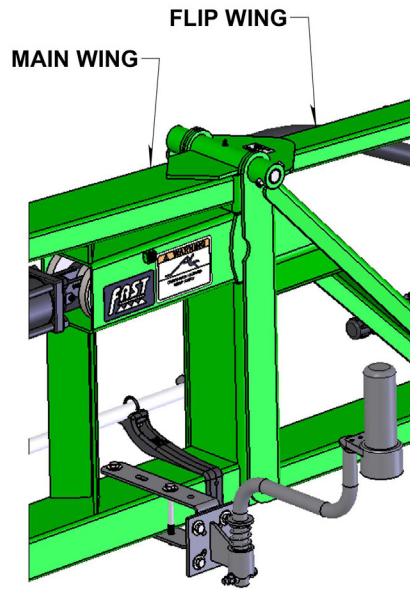
### Raven CR7 ISO Display With Complete ISO Harness (Non-ISO Tractor)

| ITEM | PART NO. | QTY. | DESCRIPTION                 |
|------|----------|------|-----------------------------|
|      | 632063   | 1    | RAVEN PRECISION CR7 DISPLAY |
|      | 632064   | 1    | CABLE, RAVEN ISO/POWER      |
|      | 632066   | 1    | CABLE, CR7 ISO VT ONLY      |

### Flow-Back Ball Valve Line Rinse - Electric Valve With Toggle Switch

| ITEM | PART NO. | QTY. | DESCRIPTION                    |
|------|----------|------|--------------------------------|
|      | 11145BLK | 1    | SWITCH BRACKET                 |
|      | 500028   | 0.25 | VALVE, 450BEC MANIFOLD         |
|      | 510016   | 2.5  | HOSE, 1" EPDM                  |
|      | 510019   | 3    | HOSE, 3/4" EPDM                |
|      | 530189   | 1    | QUICK CONNECT 1" STRAIGHT BARB |
|      | 530434   | 1    | 1" HB OUTLET X M QC            |
|      | 540013   | 2    | CLAMP, STAINLESS 3/4" #12      |
|      | 540014   | 2    | CLAMP, STAINLESS 1" #16        |
|      | 560055   | 1    | ELECTRICAL SWITCH SEALED SPST  |
|      | 560071   | 1    | TOGGLE SWITCH BOOT             |

## Raven Sensor Mounts





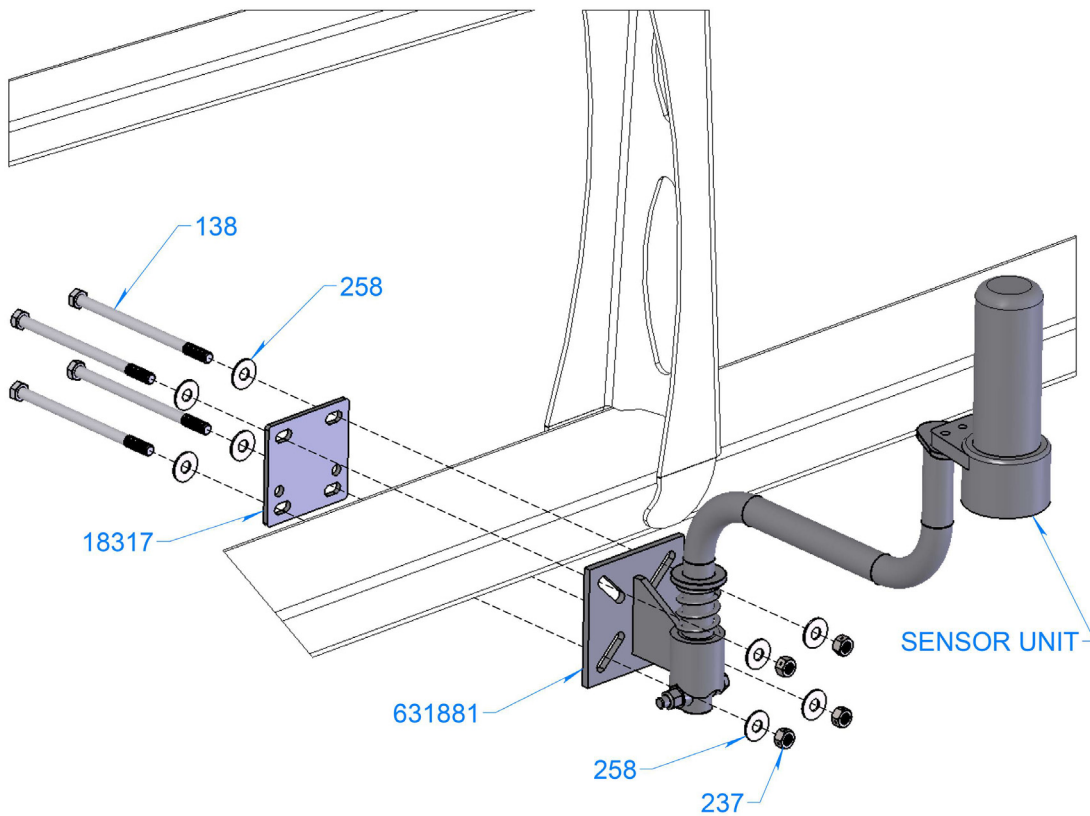
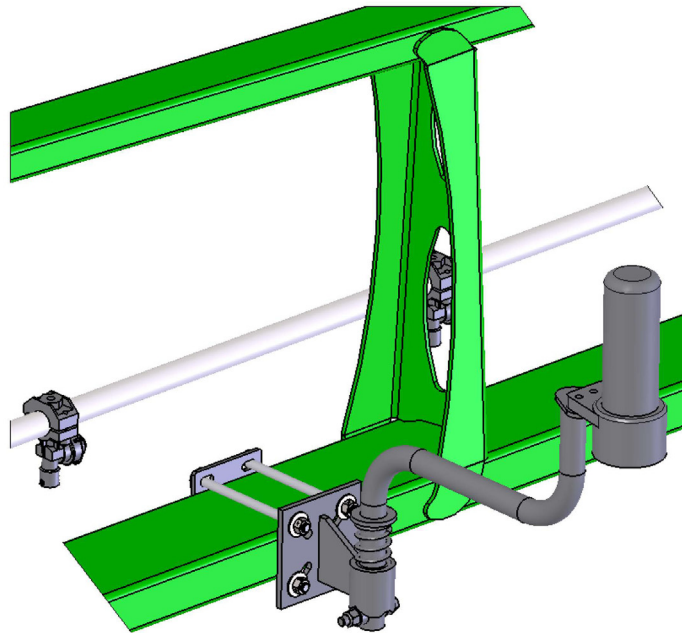


## ILLUSTRATED PARTS LIST

### Raven Sensor Mounts Parts List

| ITEM | VENDOR PART NO. | PART NO. | QTY. | DESCRIPTION                |
|------|-----------------|----------|------|----------------------------|
|      |                 | 128      | 4    | BOLT, HH 3/8-16 X 1 GR5 ZP |
|      |                 | 134      | 2    | BOLT, HH 3/8-16 X 4 GR5 ZP |
|      |                 | 237      | 6    | Nut, 3/8-16 Centerlock     |
|      |                 | 258      | 12   | 3/8" flat washer           |
|      |                 | 16470    | 1    | PLATE, BACKING, MOUNT      |
|      |                 | 16471    | 1    | MOUNT, AUTO BOOM, RAVEN    |
|      |                 | 631881   | 1    | RAVEN BRACKET SENSOR MOUNT |
|      | RA0630130026    |          | 1    | AUTO HEIGHT SENSOR         |

## Raven Sensor Mounts



WET BOOM ASSEMBLY NOT SHOWN FOR CLARITY

### FLIP WING SENSOR MOUNT

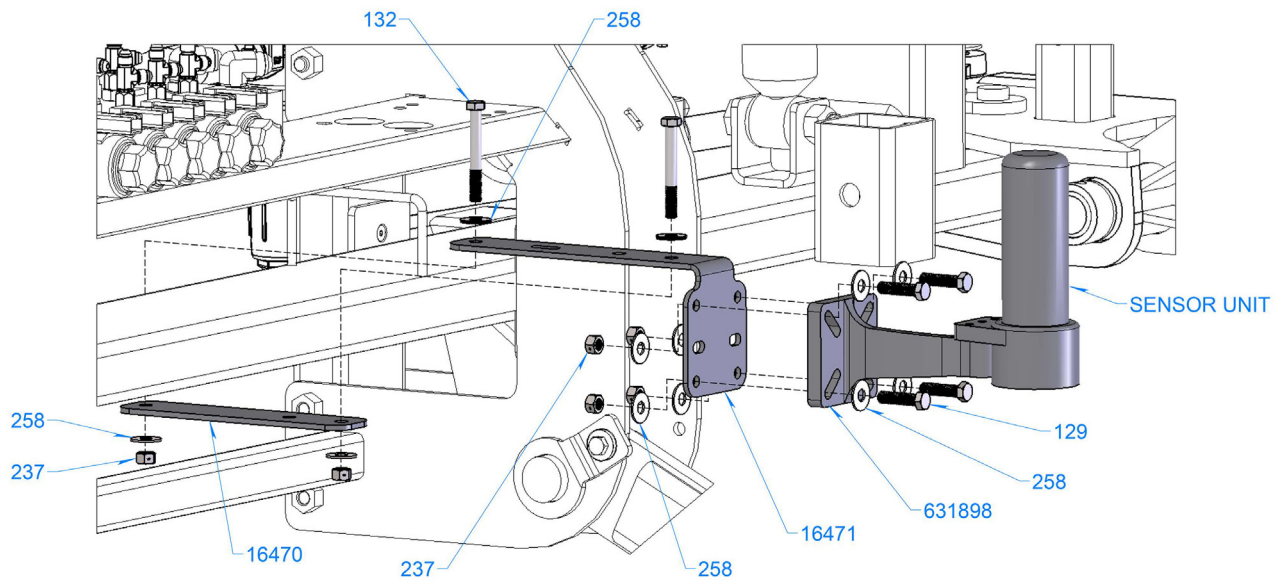
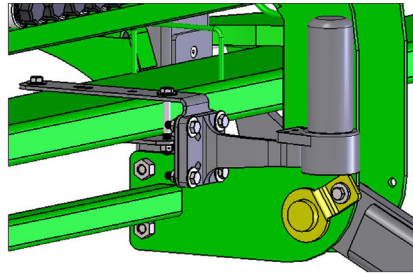


# ILLUSTRATED PARTS LIST

## Raven Sensor Mounts Parts List

| ITEM | VENDOR PART NO. | PART NO. | QTY. | DESCRIPTION                |
|------|-----------------|----------|------|----------------------------|
|      |                 | 138      | 4    | BOLT, HH 3/8-16 X6 GR5 ZP  |
|      |                 | 237      | 4    | Nut, 3/8-16 Centerlock     |
|      |                 | 258      | 8    | 3/8" flat washer           |
|      |                 | 18317    | 1    | PLATE, BACKING             |
|      |                 | 631881   | 1    | RAVEN BRACKET SENSOR MOUNT |
|      | RA0630130026    |          | 1    | AUTO HEIGHT SENSOR         |

## Raven Sensor Mounts



PARTIAL REAR VIEW AT CENTER SECTION

**CENTER SECTION  
SENSOR MOUNT**

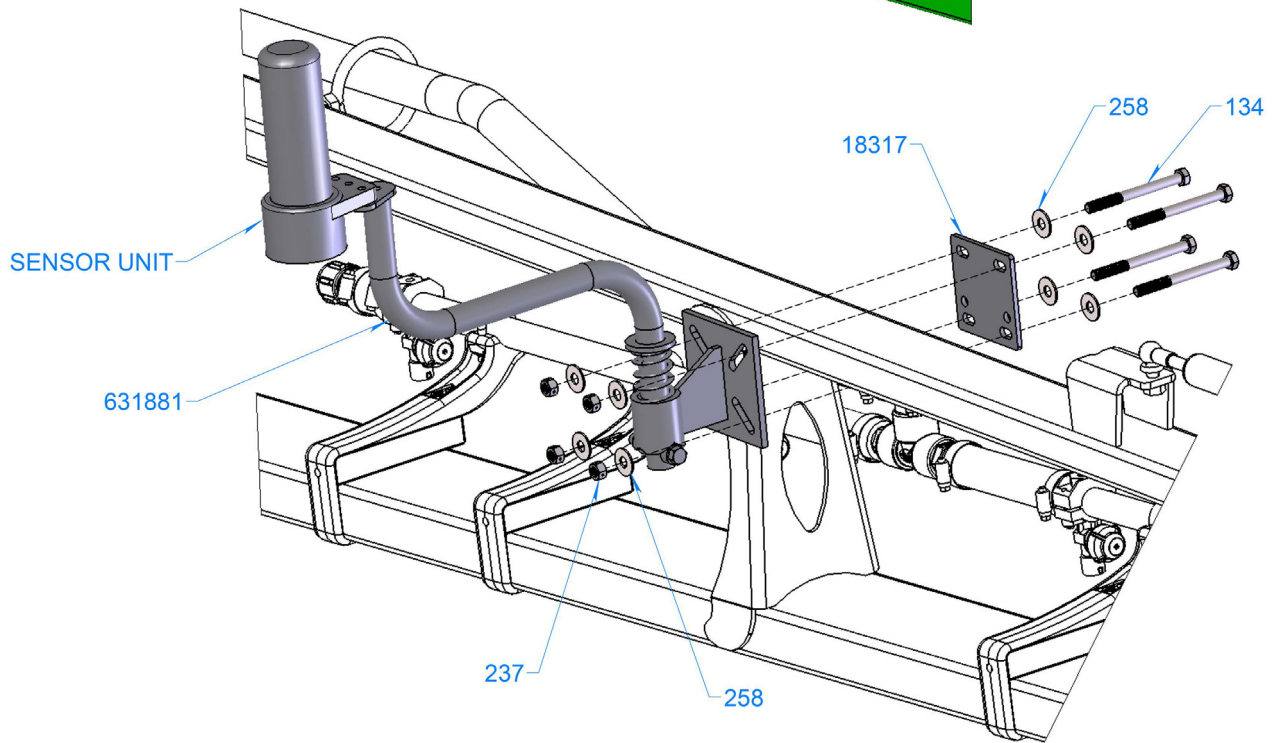
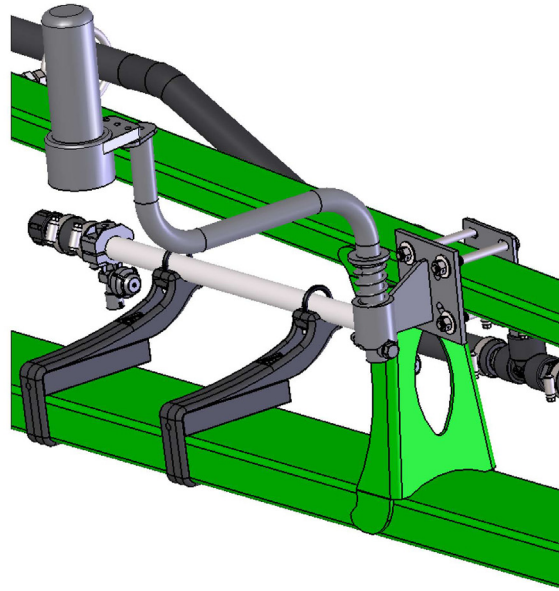


## ILLUSTRATED PARTS LIST

### Raven Sensor Mounts Parts List

| ITEM | VENDOR PART NO. | PART NO. | QTY. | DESCRIPTION                    |
|------|-----------------|----------|------|--------------------------------|
|      |                 |          | 4    | BOLT, HH 3/8-16 x 1-1/2 GR5 ZP |
|      |                 | 132      | 2    | BOLT, HH 3/8-16 X 3 GR5 ZP     |
|      |                 | 237      | 6    | Nut, 3/8-16 Centerlock         |
|      |                 | 258      | 12   | 3/8" flat washer               |
|      |                 | 16470    | 1    | PLATE, BACKING, MOUNT          |
|      |                 | 16471    | 1    | MOUNT, AUTO BOOM, RAVEN        |
|      |                 | 631898   | 1    | ARM ULTRASONIC SENSOR          |
|      | RA0630130026    |          | 1    | AUTO HEIGHT SENSOR             |

## Raven Sensor Mounts



**SWING WING  
SENSOR MOUNT**



# ILLUSTRATED PARTS LIST

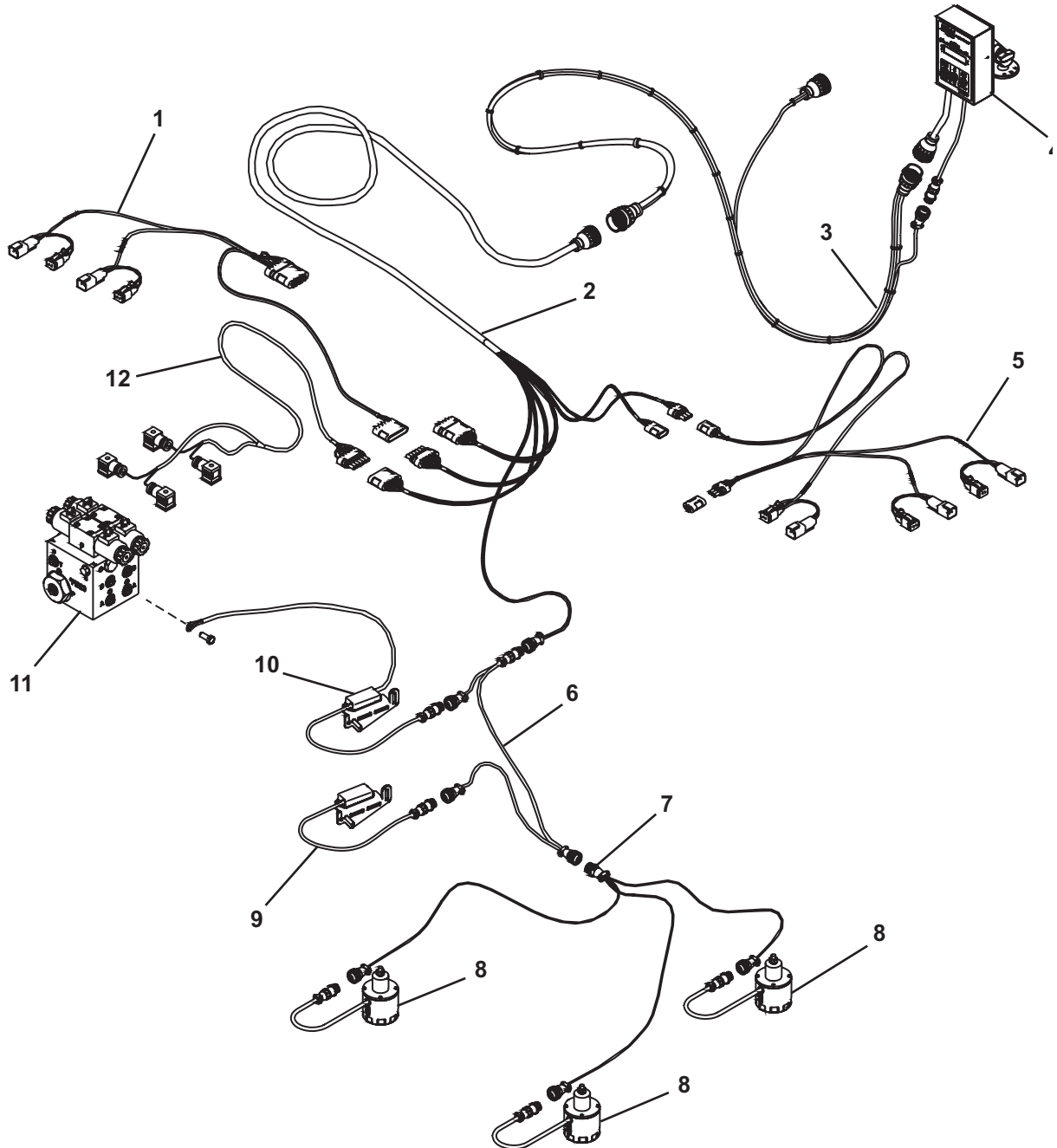
## Raven Sensor Mounts Parts List

| ITEM | VENDOR PART NO. | PART NO. | QTY. | DESCRIPTION                |
|------|-----------------|----------|------|----------------------------|
|      |                 | 134      | 4    | BOLT, HH 3/8-16 X 4 GR5 ZP |
|      |                 | 237      | 4    | Nut, 3/8-16 Centerlock     |
|      |                 | 258      | 8    | 3/8" flat washer           |
|      |                 | 18317    | 1    | PLATE, BACKING             |
|      |                 | 631881   | 1    | RAVEN BRACKET SENSOR MOUNT |
|      | RA0630130026    |          | 1    | AUTO HEIGHT SENSOR         |



# ILLUSTRATED PARTS LIST

## NORAC Auto Height Boom Control UC4+







## ILLUSTRATED PARTS LIST

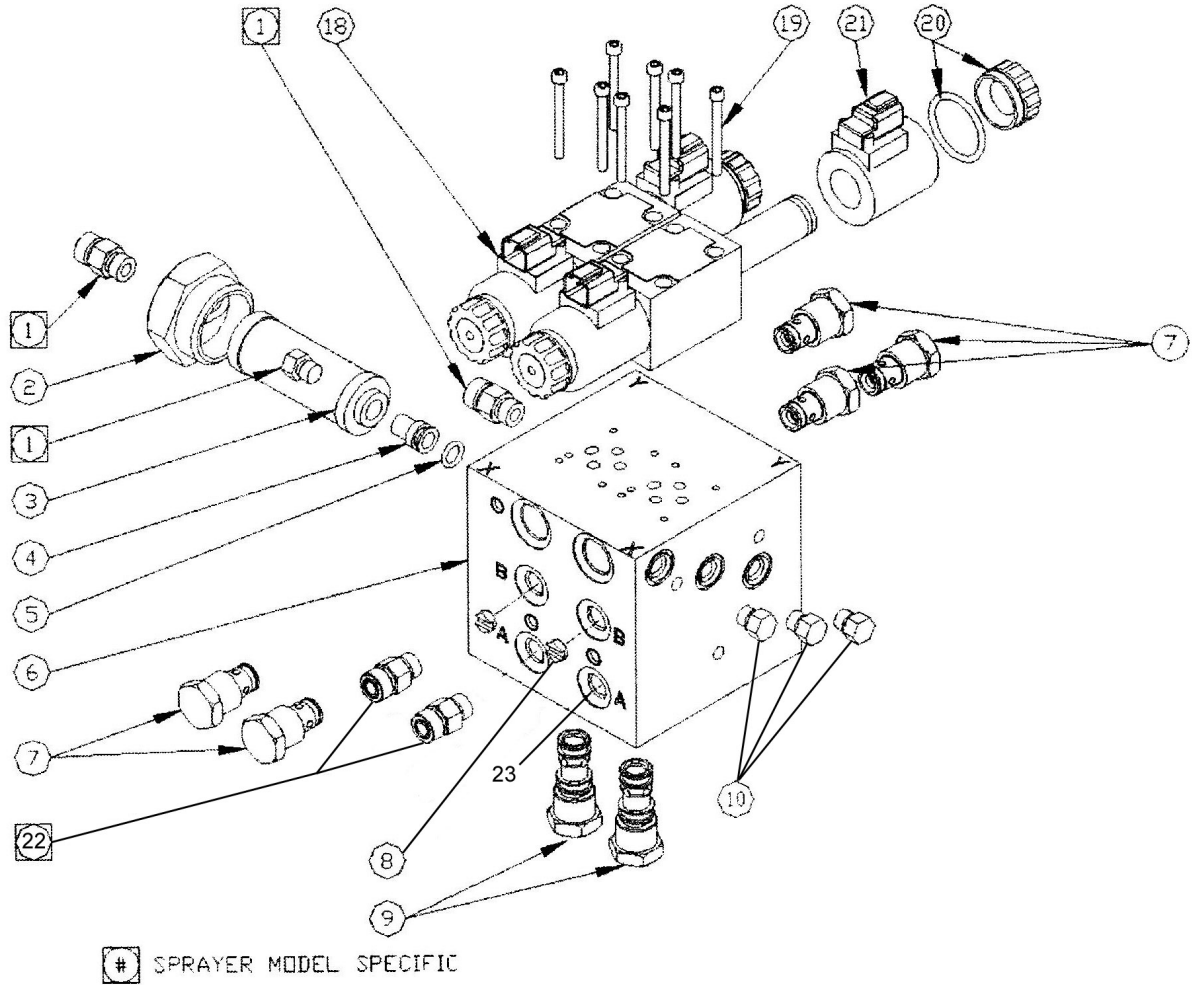
### NORAC Auto Height Boom Control UC4+ Parts List

| ITEM | VENDOR PART NO. | QTY. | DESCRIPTION  |
|------|-----------------|------|--|
| 1    | 44658-19        | 1    | Cable Interface UC4 BC C13 FT1 Main                      |
| 2    | 44651-03        | 1    | Cable Extension Valve Generic                            |
| 3    | 44650-35        | 1    | Cable Power Generic Pull-Type                            |
| 4    | 4461BC+         | 1    | UC4 Plus Boom Control Panel                              |
| 5    | 44658-20        | 1    | Cable Interface UC4 BC C12 FT1 Wings                     |
| 6    | 44664           | 1    | Cable UC4 Can Node Dual                                  |
| 7    | 44668           | 1    | Cable UC3 Sensor Branch 1 Amp Recept 3 Amp Plug BC       |
| 8    | 44631           | 3    | UC4 Ultrasound Sensor                                    |
| 9    | 44642           | 1    | UC4 Plus Roll Sensor                                     |
| 10   | 44641           | 1    | UC4 Plus Roll Sensor W Temperature Probe                 |
| 11   | 44933D          | 1    | Valve Block UC4-BC 2-Station CC/LS Variable Rate Duetsch |
| 12   | 44656D          | 1    | Cable Valve Variable Rate Duetsch                        |
| NS   | 44656           | NS   | Cable Valve Variable Rate DIN Terminal                   |



# ILLUSTRATED PARTS LIST

## NORAC Hydraulic Valve Block





## ILLUSTRATED PARTS LIST

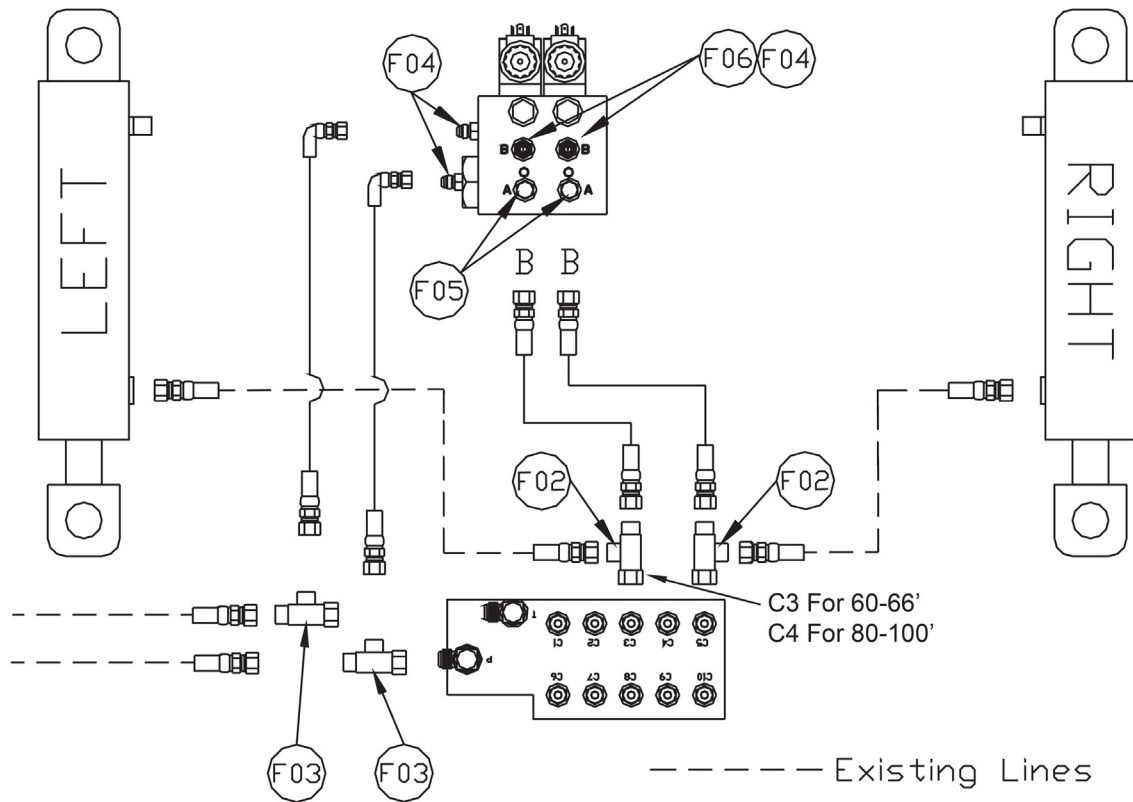
### NORAC Hydraulic Valve Block Parts List





| ITEM | VENDOR PART NO. | QTY. | DESCRIPTION  |
|------|-----------------|------|--|
| 1    | W 400-6-6       | 2    | Hydraulic Coupling - Model Specific                  |
| 2    | 44897           | 1    | Filler cap With 60RB Port                            |
| 3    | 104827          | 1    | Hydraulic Filter Element, 3000 PSI in-line 10 Micron |
| 4    | 44896           | 1    | Filter Insert  |
| 5    | 104998          | 1    | O-Ring 5/8 x 0.420 ID x 0.103                        |
| 6    | 44923           | 1    | Valve Block2 Station Closed center                   |
| 7    | 104943          | 3    | Hydraulic Check valve C-10-2                         |
| 8    | 44928           | 2    | Orifice Insert 0.047                                 |
| 9    | 104944          | 2    | Check Valve Cartridge C-10-3S                        |
| 10   | 103381          | 5    | Plug 4MBP  |
| 18   | 105723          | 1    | Hydraulic Valve 12V                                  |
| 19   | 100739          | 8    | Hex Socket Cap Screw 10-24 x 2"                      |
| 20   | 105948          | 4    | Coil Nut & O-Ring For NORAC #10599 & 105723          |
| 21   | 105926D         | 4    | Coil 12V For NORAC #10599 & 105723                   |
| 21   | 105927          | 4    | Coil 12V For NORAC DIN                               |
| 22   | 103312          | 2    | Male Adapter 6MB-6MJ                                 |
| 23   | 104369          | 2    | Plug 6MBP  |



# ILLUSTRATED PARTS LIST

## NORAC Auto Height Boom Control Hydraulic Schematic UC4+ & UC5



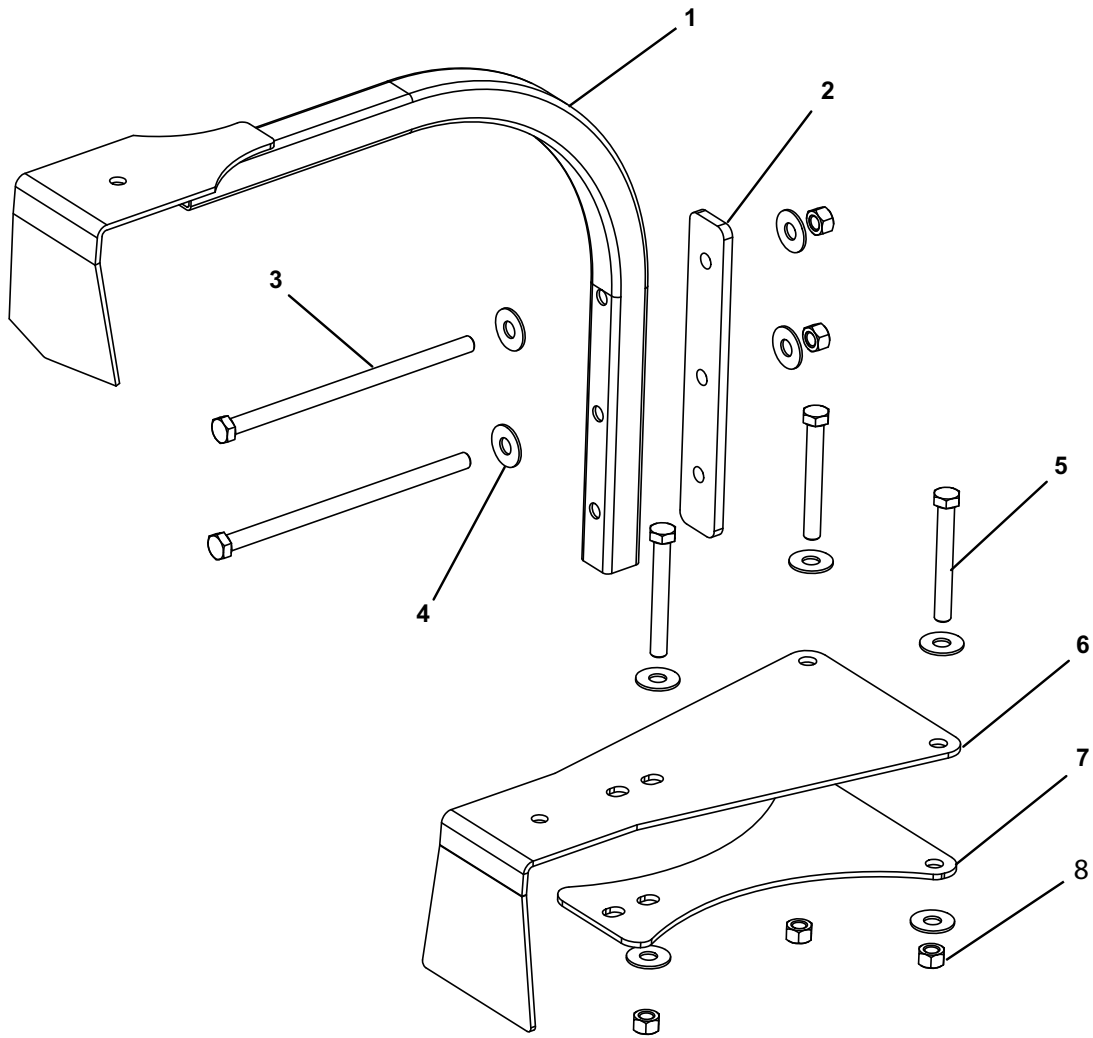
| Item | Part Number | Name                           | Quantity | Picture   |
|------|-------------|--------------------------------|----------|---|
| F02  | 105588      | TEE ADAPTER - 4FJXR 4MJT       | 2        |  |
| F03  | 104632      | TEE ADAPTER 8FJXR 8MJT         | 2        |  |
| F04  | 103312      | MALE ADAPTER - 6MB 6MJ         | 4        |  |
| F05  | 104369      | PLUG - 6MBP                    | 2        |  |
| F06  | 44928       | ORIFICE INSERT .047 IN ONE WAY | 2        |  |





# ILLUSTRATED PARTS LIST

## NORAC Auto Height Boom Control Brackets





## ILLUSTRATED PARTS LIST

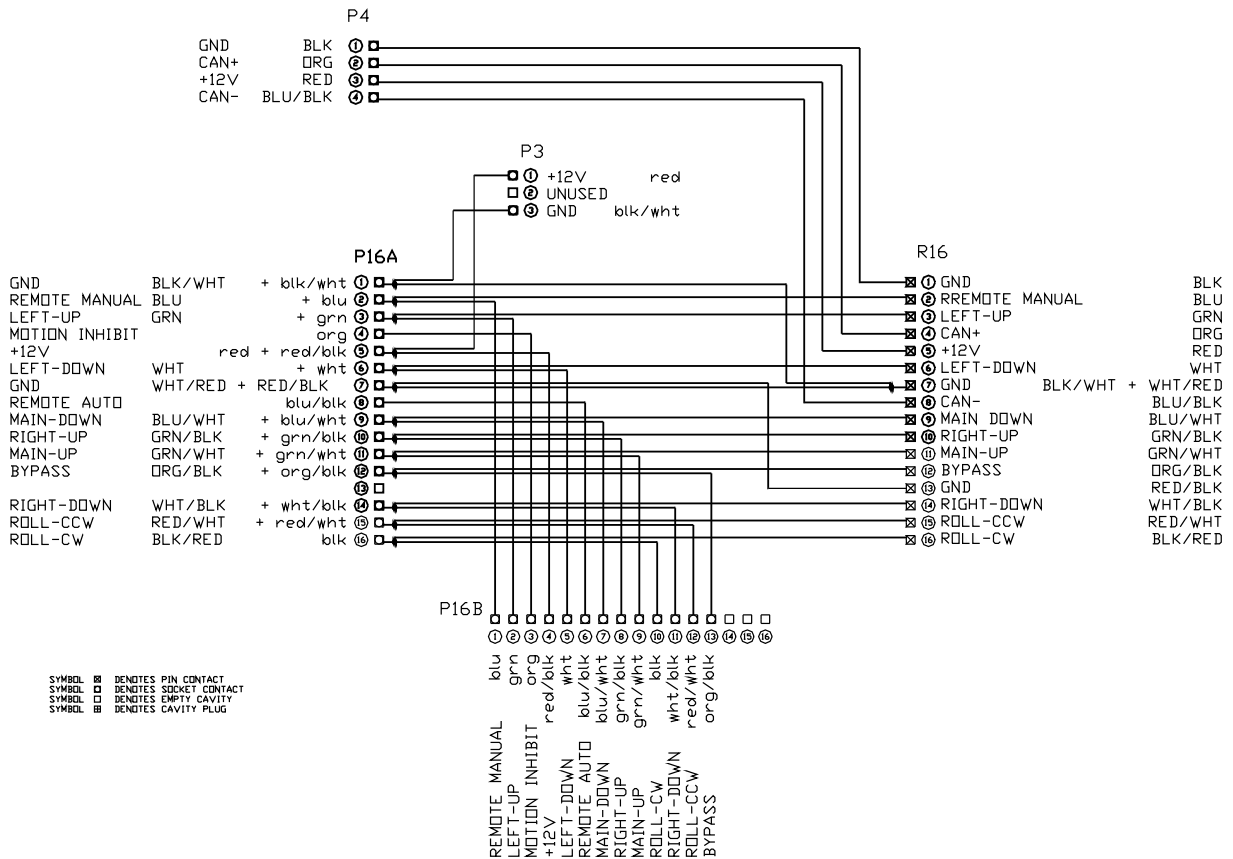
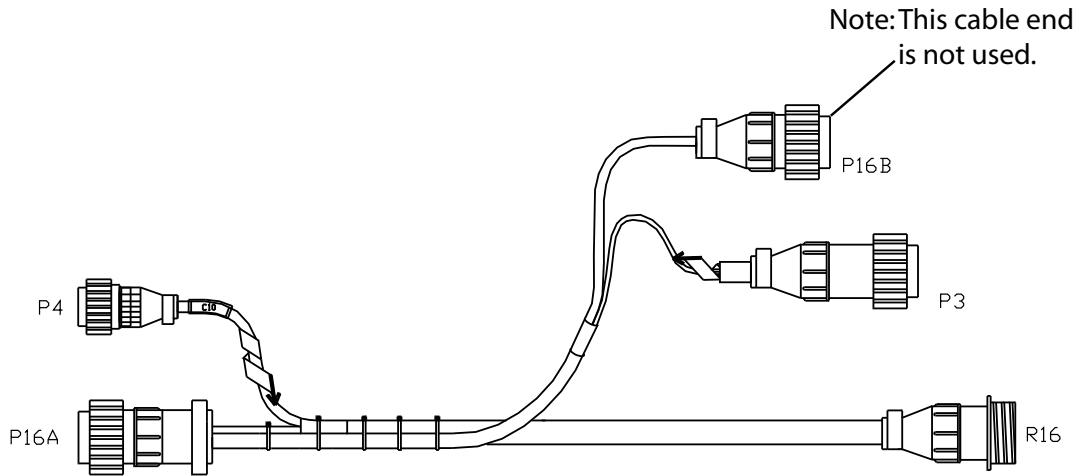
### NORAC Auto Height Boom Control Brackets Parts List

| ITEM | PART NO. | QTY. | DESCRIPTION            |
|------|----------|------|------------------------|
| 1    | 11958    | 1    | Bracket                |
| 2    | 11952    | 1    | Back Strap             |
| 3    | 437      | 2    | Hex Head Bolt 3/8 x 7" |
| 4    | 258      | 10   | Flat Washer 3/8"       |
| 5    | 132      | 3    | Hex Head Bolt 3/8 x 3" |
| 6    | 14460    | 1    | Bracket, Sensor        |
| 7    | 14459    | 1    | Plate, Lock            |
| 8    | 237      | 10   | Nut 3/8" Centerlock ZP |



# ILLUSTRATED PARTS LIST

## NORAC Auto Height Boom Control Harness

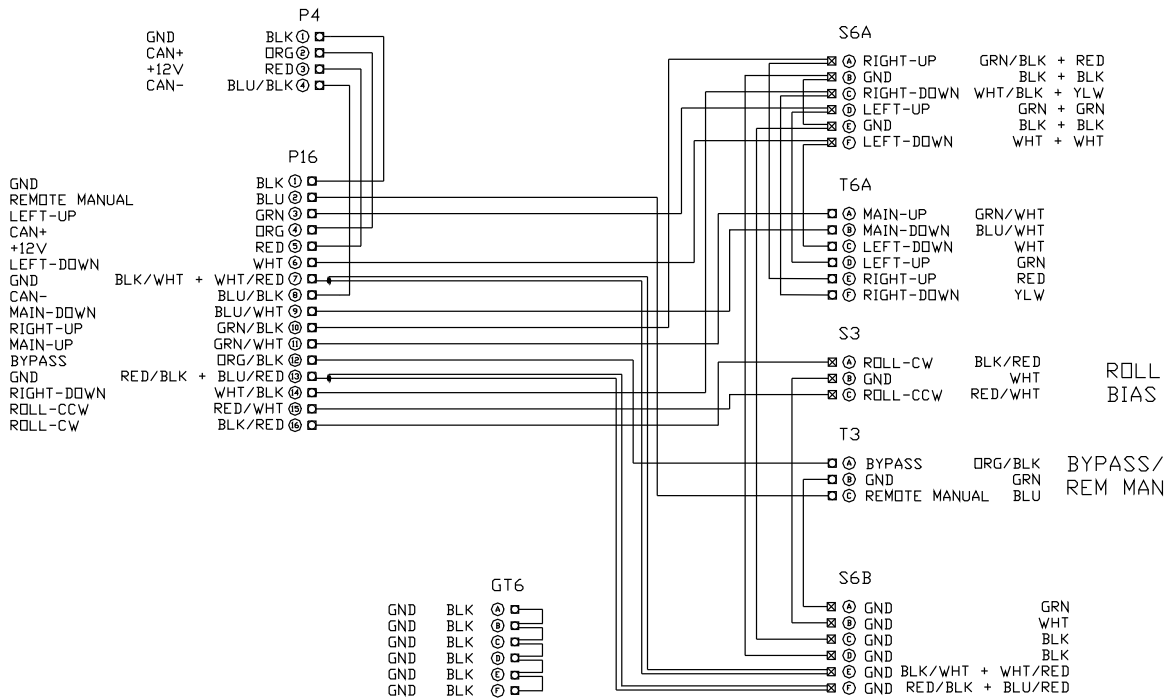
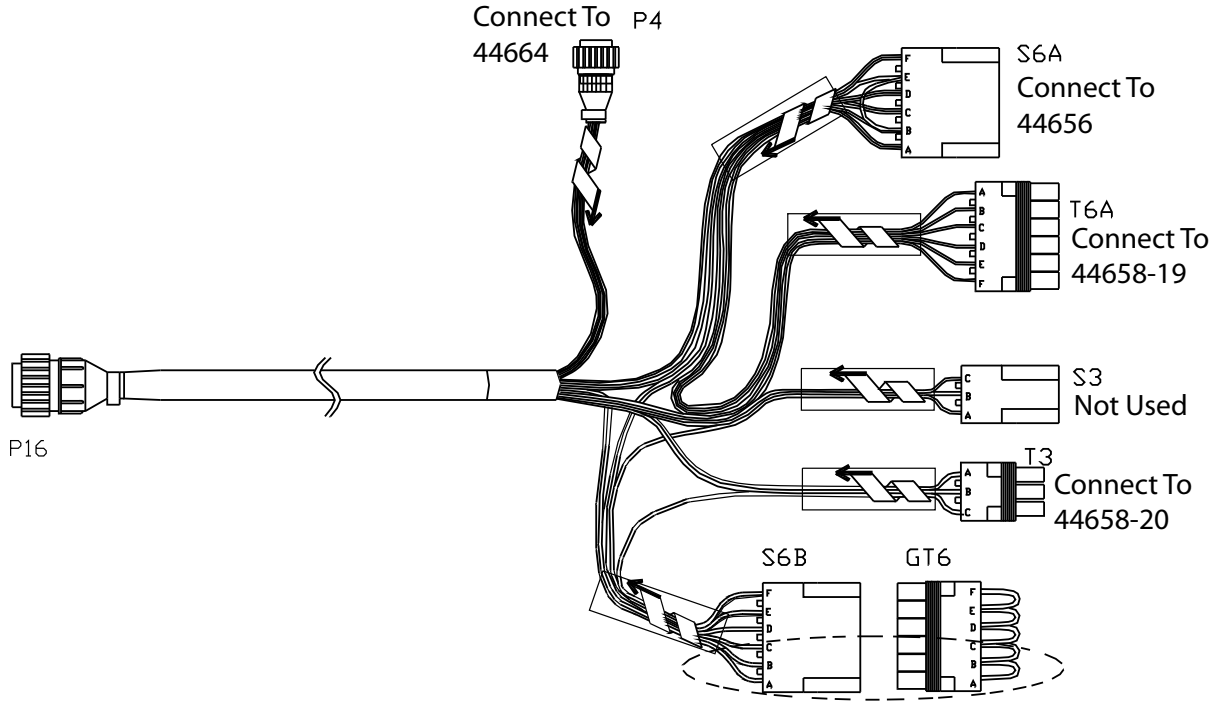






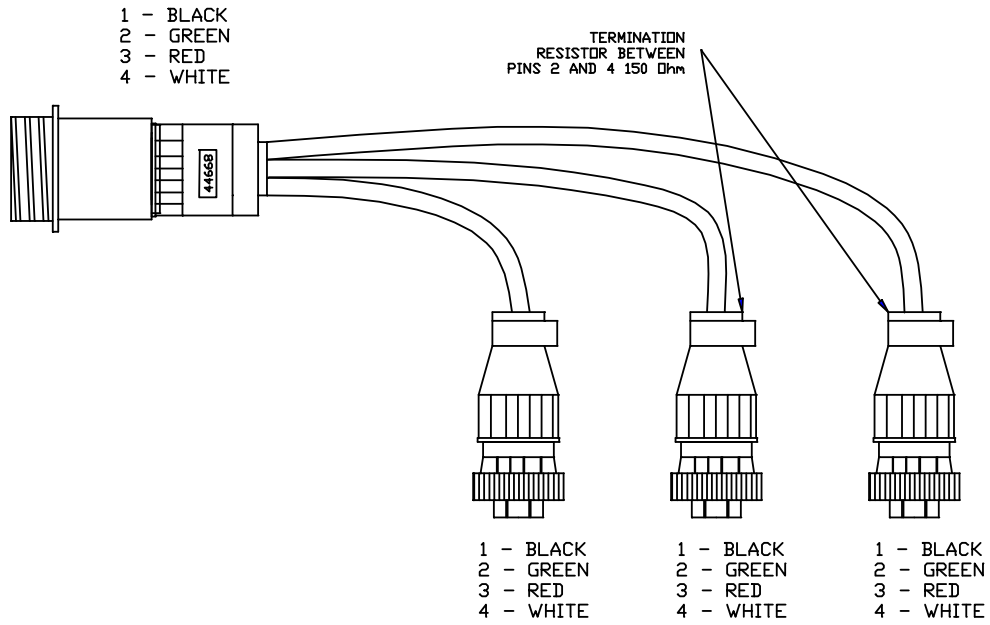
# ILLUSTRATED PARTS LIST

## NORAC Auto Height Boom Control Extension Harness

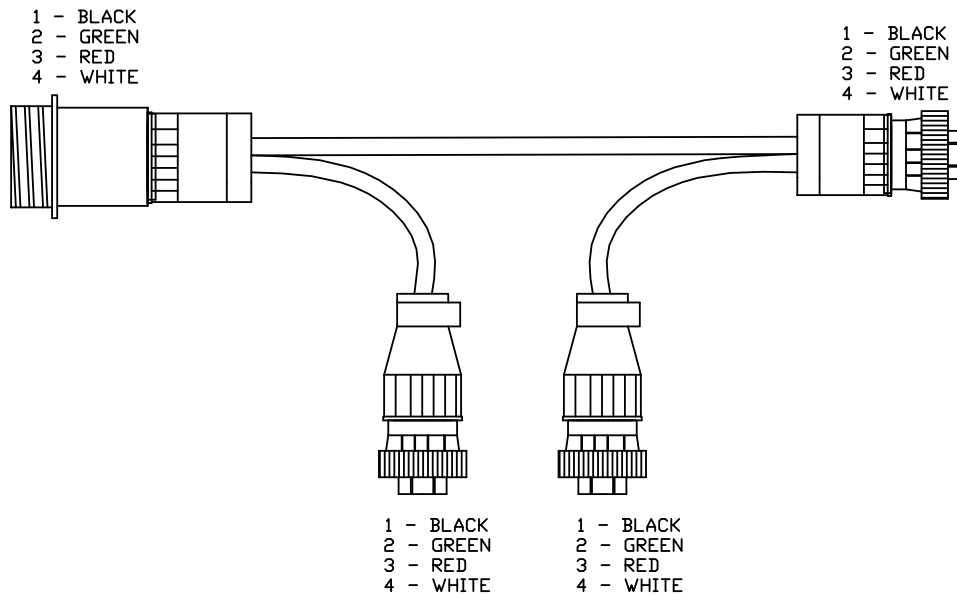


## NORAC Auto Height Boom Control Sensor Cables

### ITEM C02: 44668 – SENSOR BRANCH CABLE



### ITEM C02B: 44664 – CABLE UC4 CAN NODE DUAL



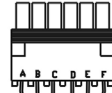


# ILLUSTRATED PARTS LIST

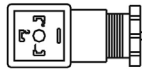
## NORAC Auto Height Boom Control Valve Cable

ITEM C03: 44656 – VALVE CABLE (VARIABLE RATE )  
DIN Terminal

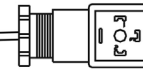
| PIN | WIRE COLOR | FUNCTION   |
|-----|------------|------------|
| A   | GREEN      | RIGHT-UP   |
| B   | BLACK      | GND        |
| C   | WHITE      | RIGHT-DOWN |
| D   | GREEN      | LEFT-UP    |
| E   | BLACK      | GND        |
| F   | WHITE      | LEFT-DOWN  |



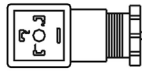
| PIN | WIRE COLOR | FUNCTION |
|-----|------------|----------|
| 1   | GREEN      | LEFT-UP  |
| 2   | BLACK      | GROUND   |
| 3   | NOT USED   | NOT USED |



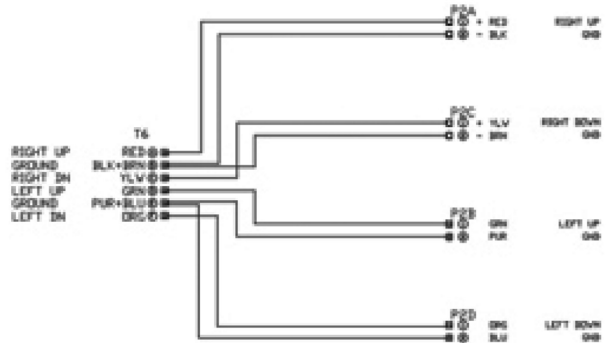
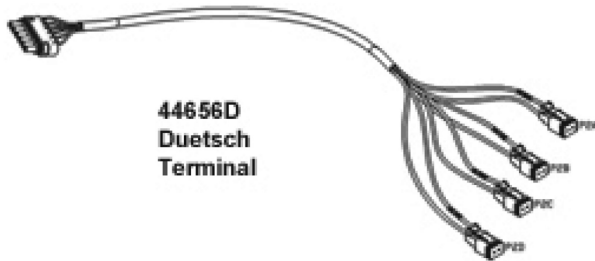
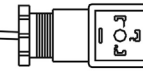
| PIN | WIRE COLOR | FUNCTION |
|-----|------------|----------|
| 1   | GREEN      | RIGHT-UP |
| 2   | BLACK      | GROUND   |
| 3   | NOT USED   | NOT USED |



| PIN | WIRE COLOR | FUNCTION  |
|-----|------------|-----------|
| 1   | WHITE      | LEFT-DOWN |
| 2   | BLACK      | GROUND    |
| 3   | NOT USED   | NOT USED  |



| PIN | WIRE COLOR | FUNCTION   |
|-----|------------|------------|
| 1   | WHITE      | RIGHT-DOWN |
| 2   | BLACK      | GROUND     |
| 3   | NOT USED   | NOT USED   |





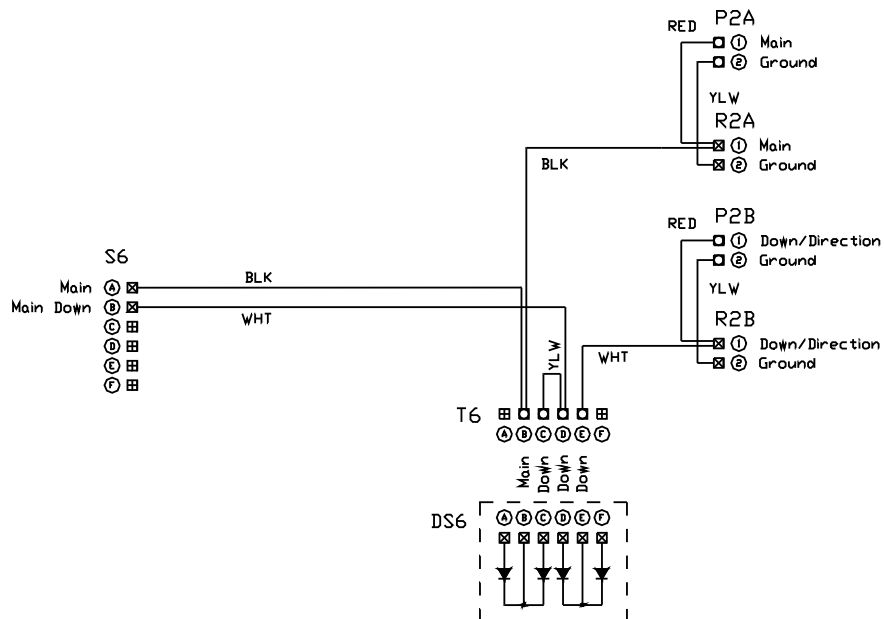
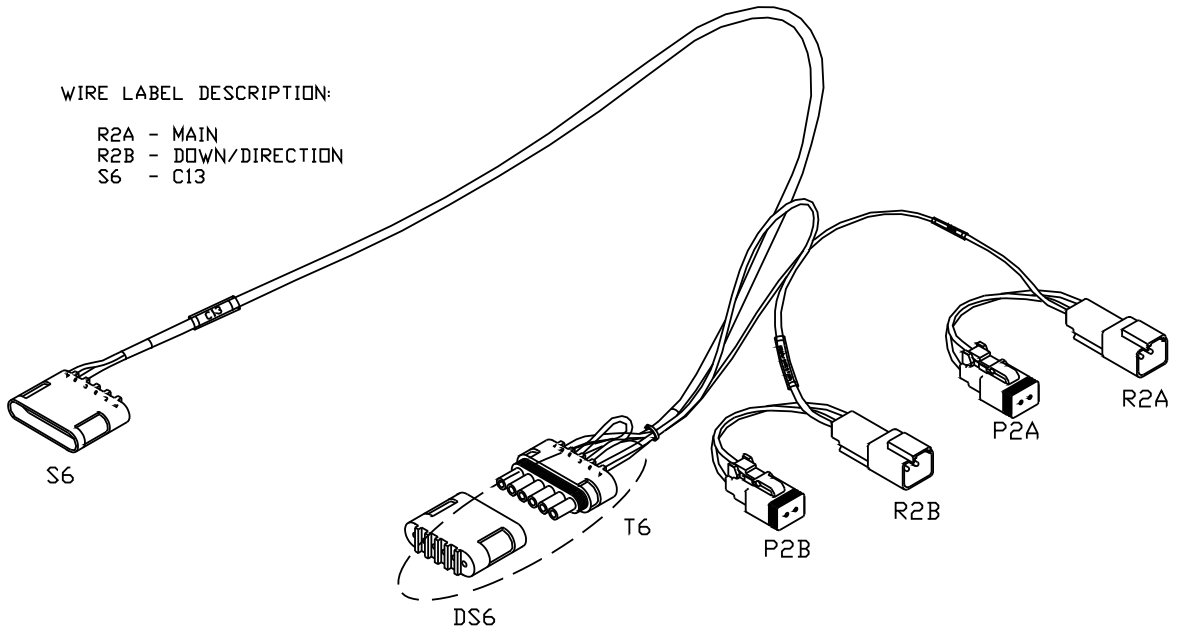
# ILLUSTRATED PARTS LIST

## NORAC Auto Height Boom Control Main Interface Cable

ITEM C13: 44658-19 – MAIN INTERFACE CABLE

WIRE LABEL DESCRIPTION:

- R2A - MAIN
- R2B - DOWN/DIRECTION
- S6 - C13





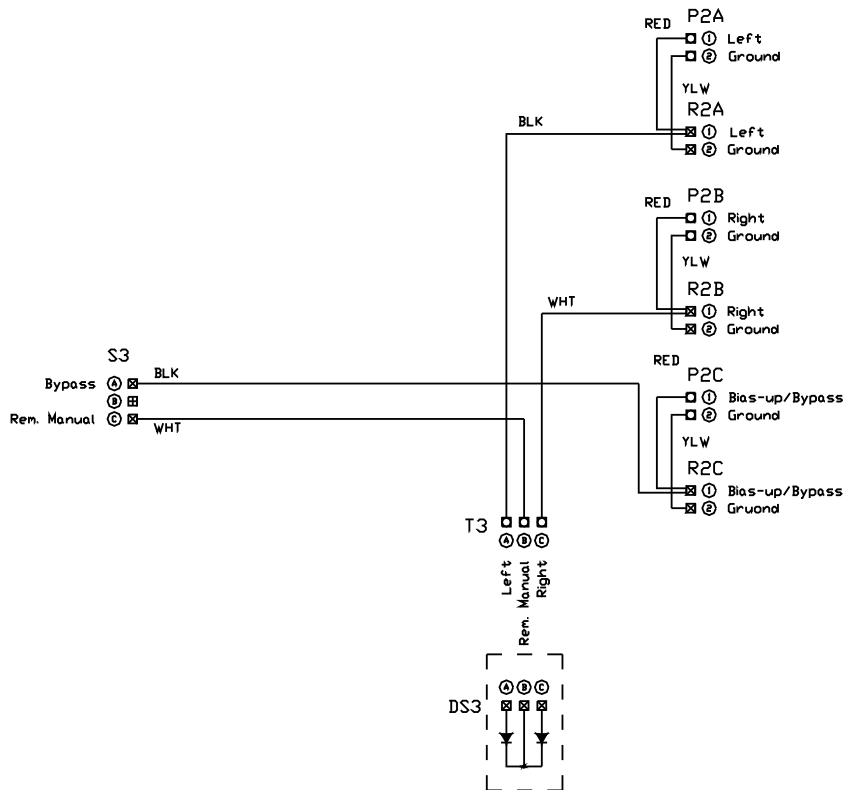
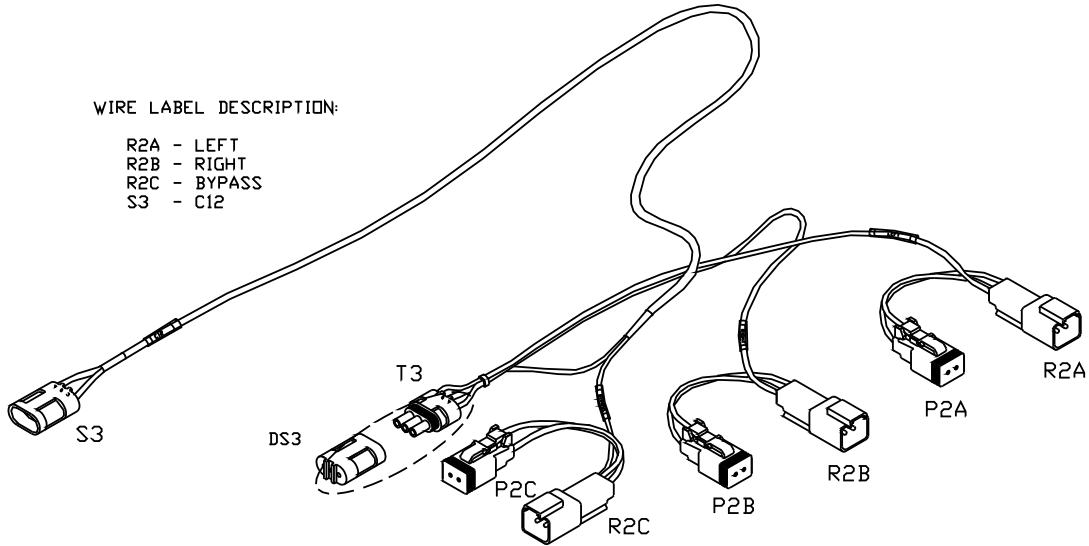
# ILLUSTRATED PARTS LIST

## NORAC Auto Height Boom Control Wing Interface Cable

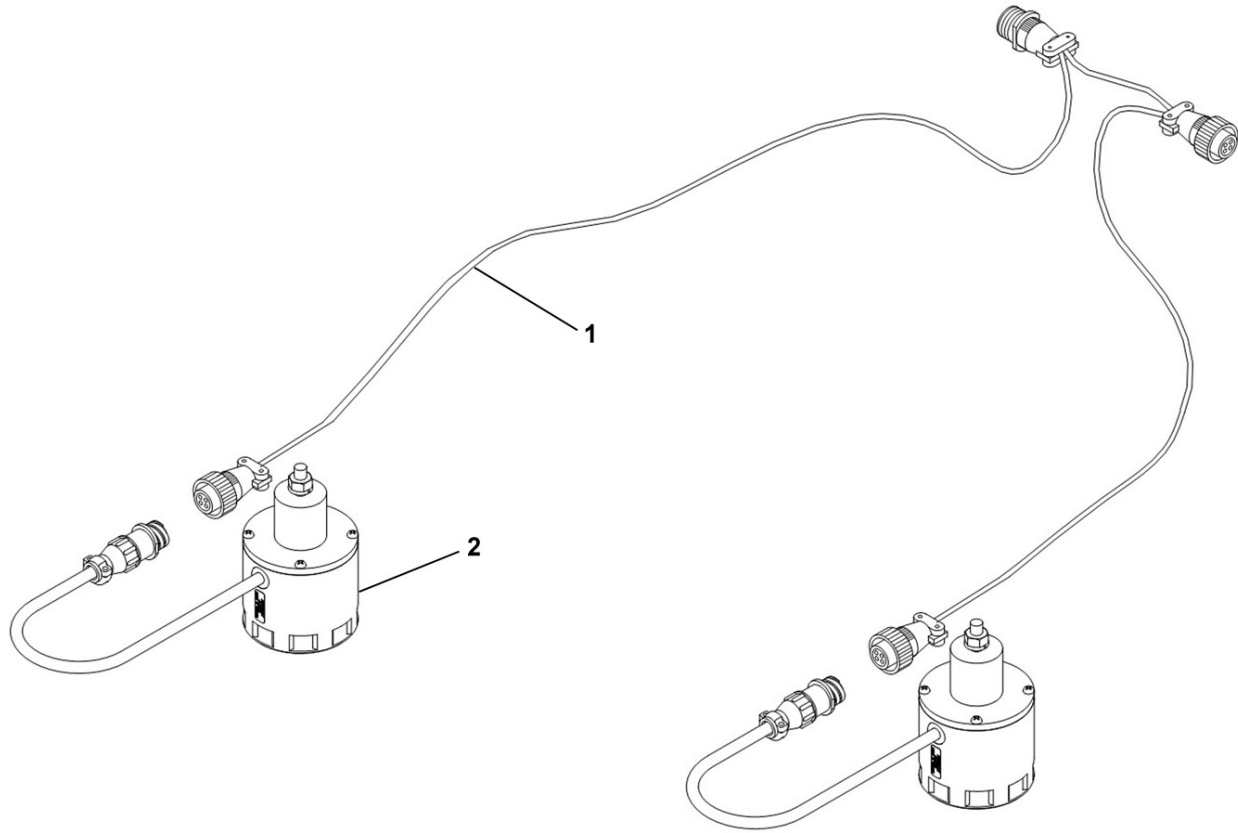
ITEM C12: 44658-20 – WING INTERFACE CABLE

WIRE LABEL DESCRIPTION:

- R2A - LEFT
- R2B - RIGHT
- R2C - BYPASS
- S3 - C12



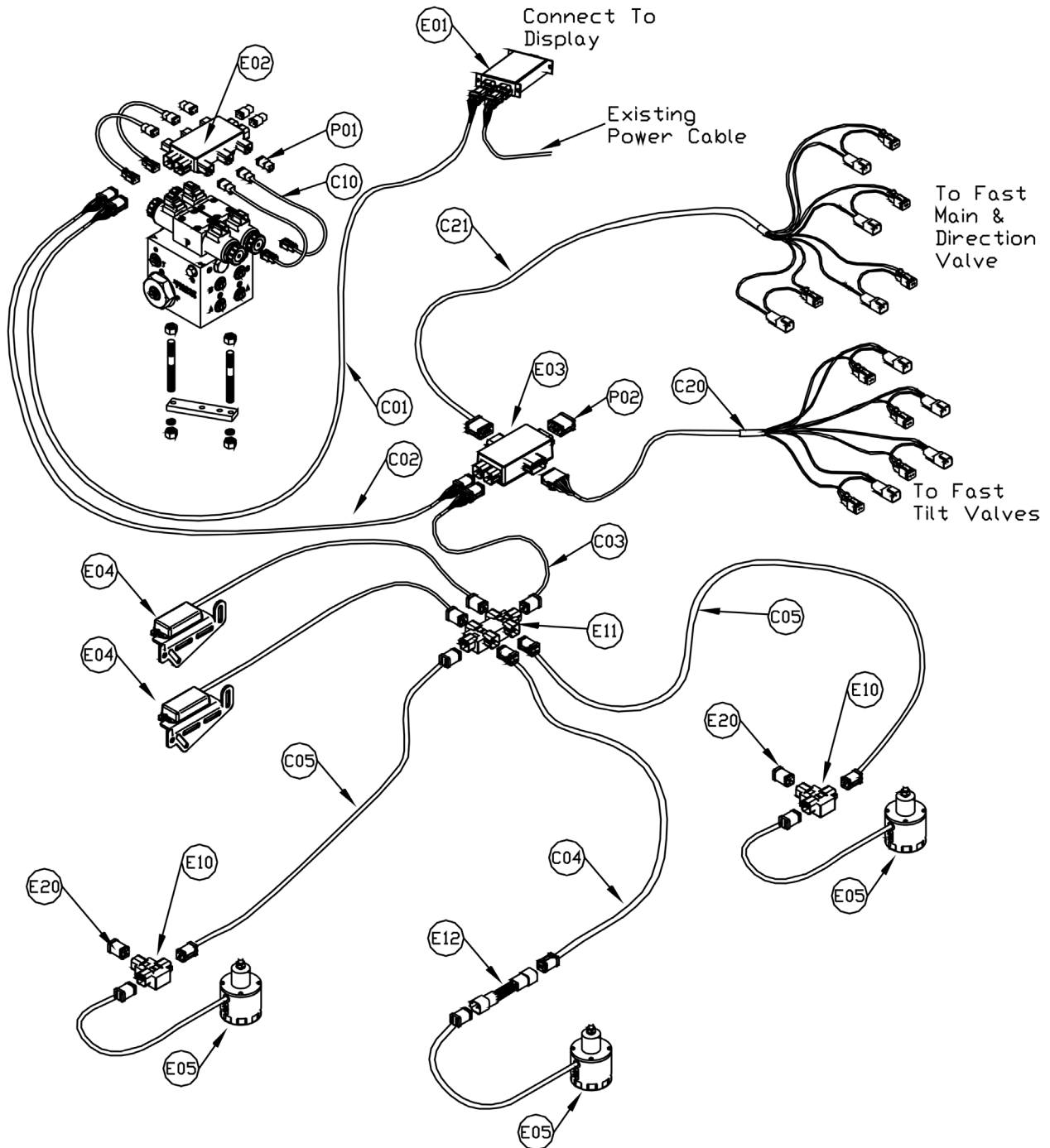
## Severe Terrain Cable UC4+



### Severe Terrain Cable UC4+ Parts List

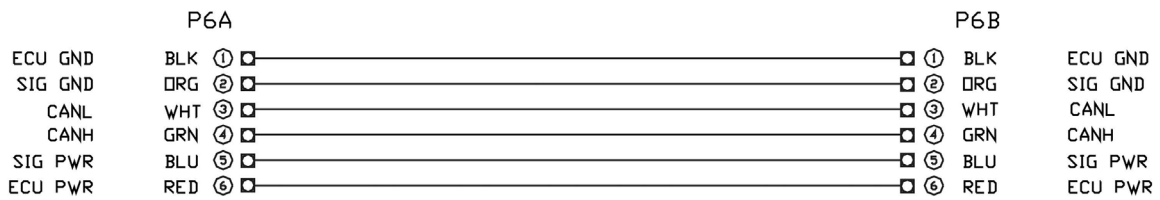
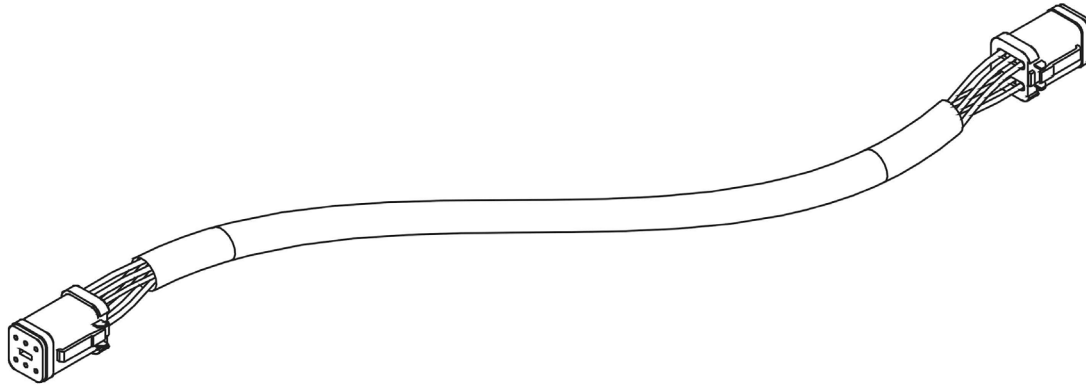
| ITEM | VENDOR PART NO. | QTY. | DESCRIPTION          |
|------|-----------------|------|----------------------|
| 1    | 44669           | 1    | Cable Severe Terrain |
| 2    | 44631           | 2    | Sensor UC4           |

## NORAC Kit Layout

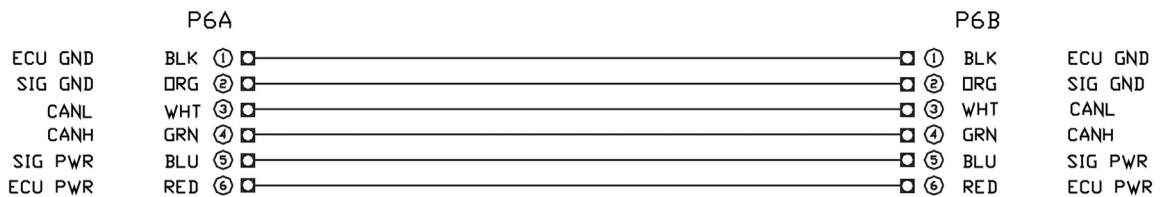
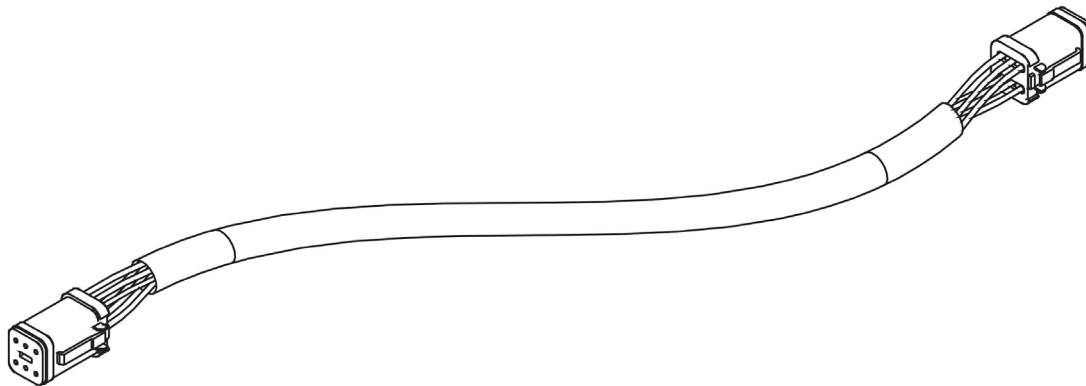


## UC5 Network Cables

### ITEM C01: 43220-10A - CABLE UC5 NETWORK 14 AWG - 10M



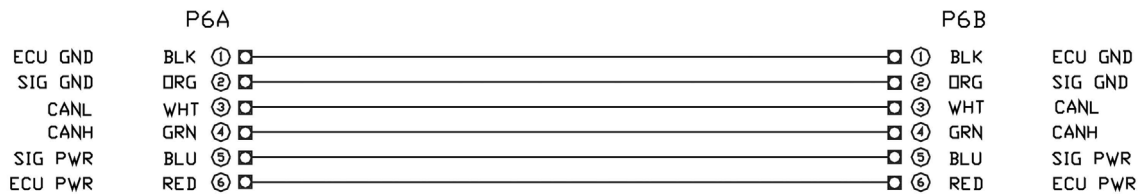
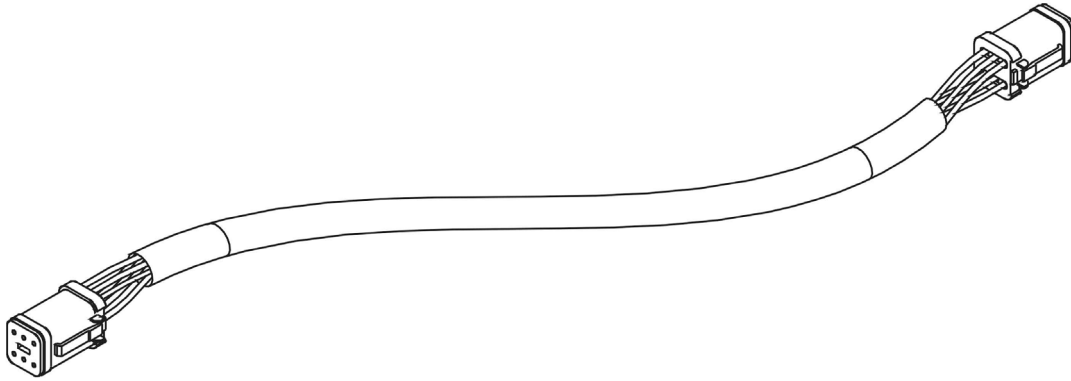
### ITEM C02: 43220-01A - CABLE UC5 NETWORK 14 AWG - 1M



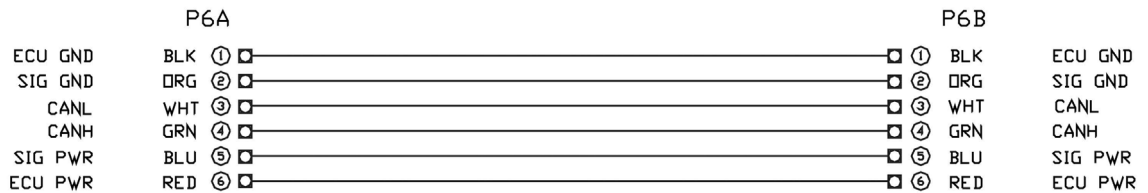
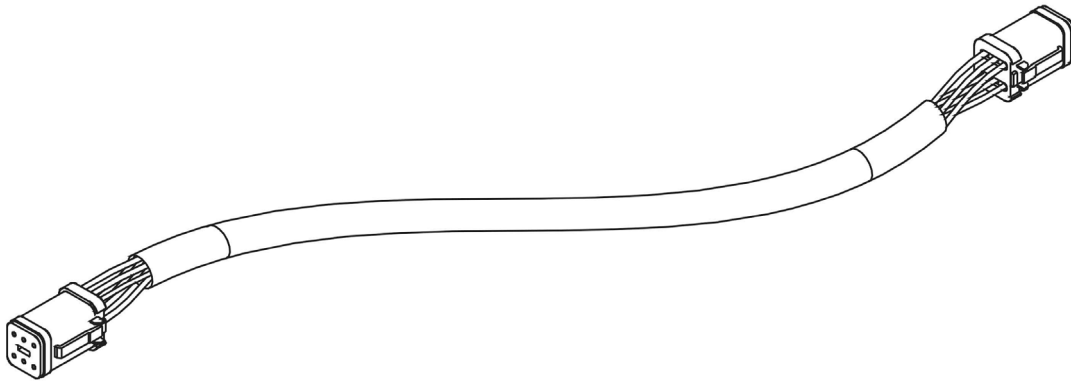


## UC5 Network Cables

### ITEM C03: 43210-03A - CABLE UC5 NETWORK 18 AWG - 3M

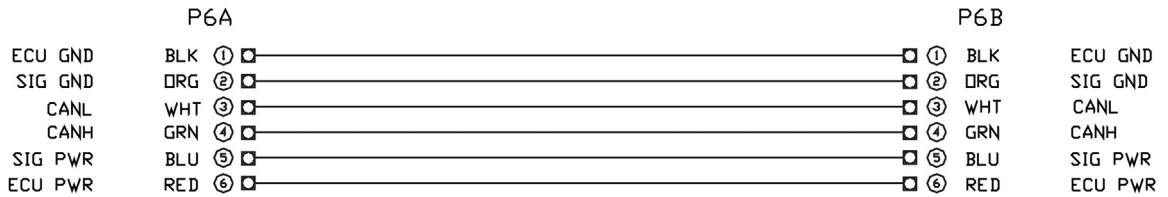
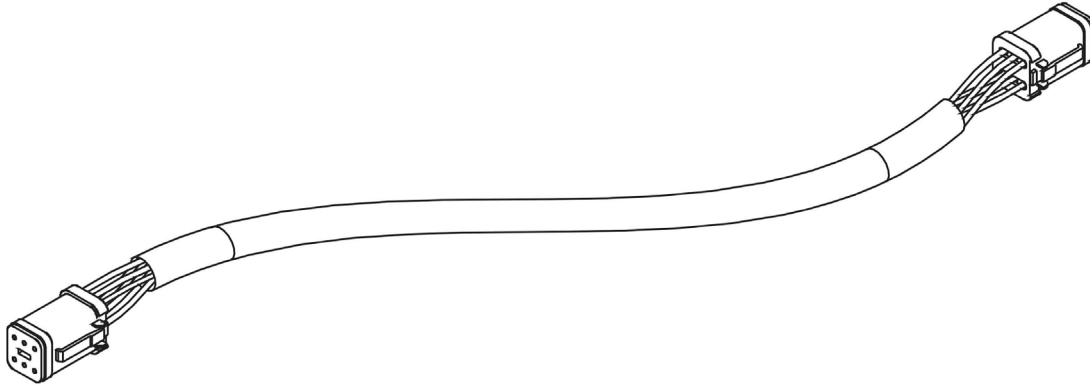


### ITEM C04: 43210-01A - CABLE UC5 NETWORK 18 AWG - 1M

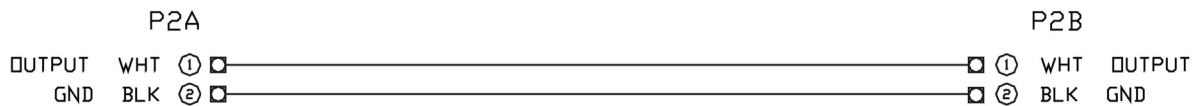
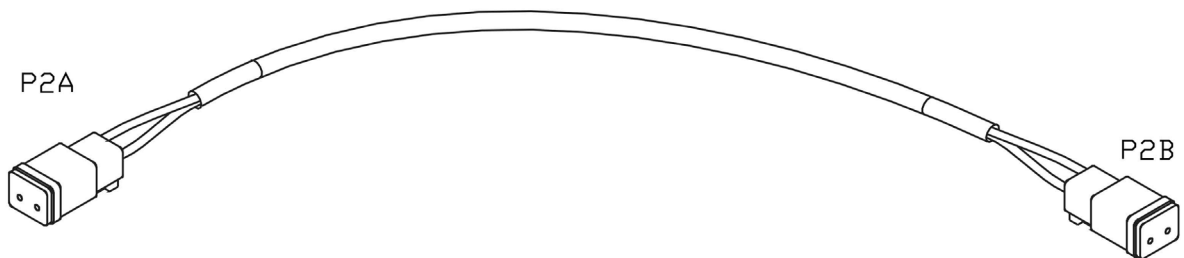


## UC5 Network Cables

### ITEM C05: 43210-20A - CABLE UC5 NETWORK 18 AWG - 20M



### ITEM C10: 43230-04A - CABLE UC5 VALVE DT To DT

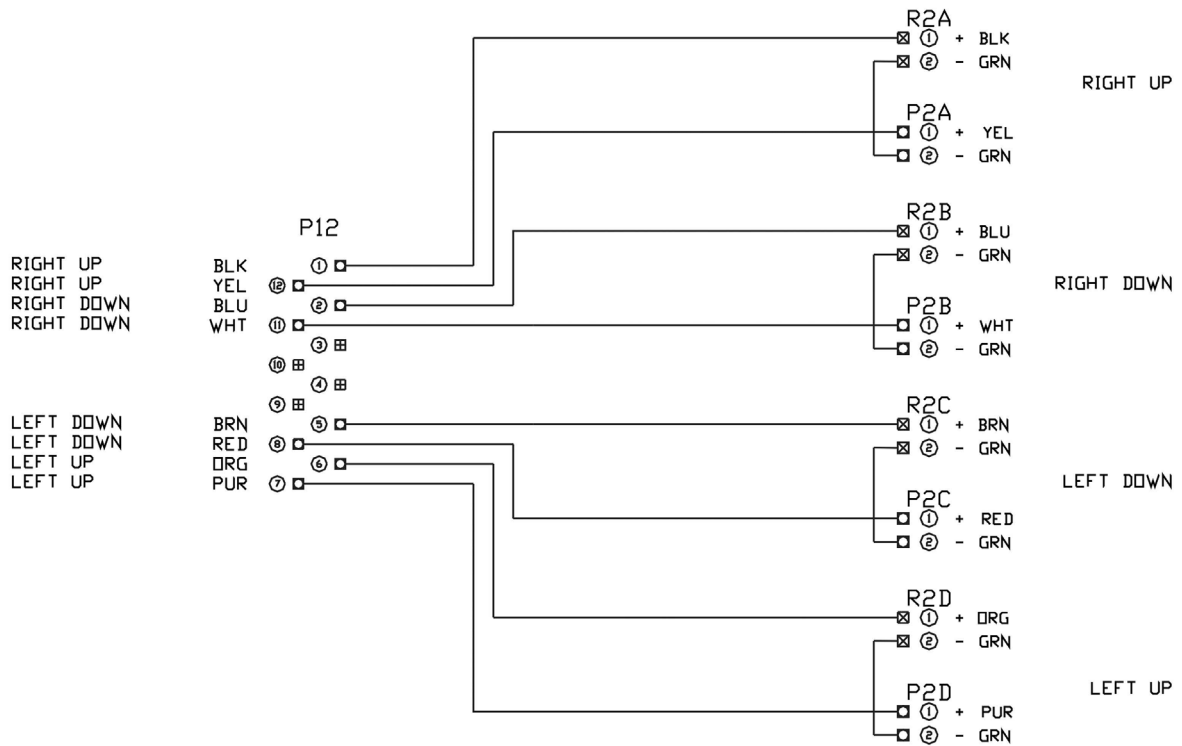
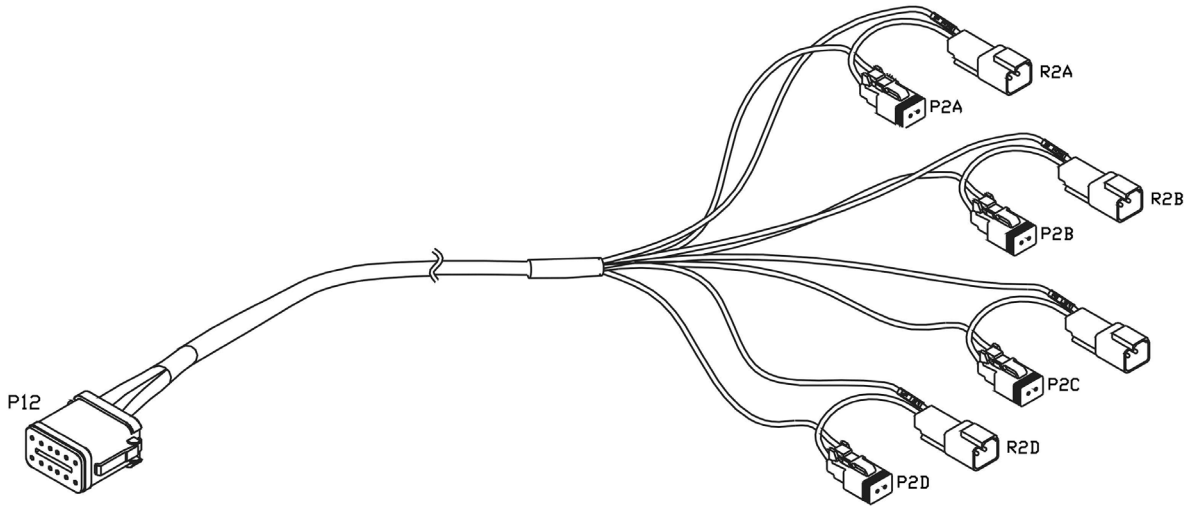




# ILLUSTRATED PARTS LIST

## UC5 Network Cables

### ITEM C20: 43240-01B - CABLE UC5 INTERFACE TILT DT

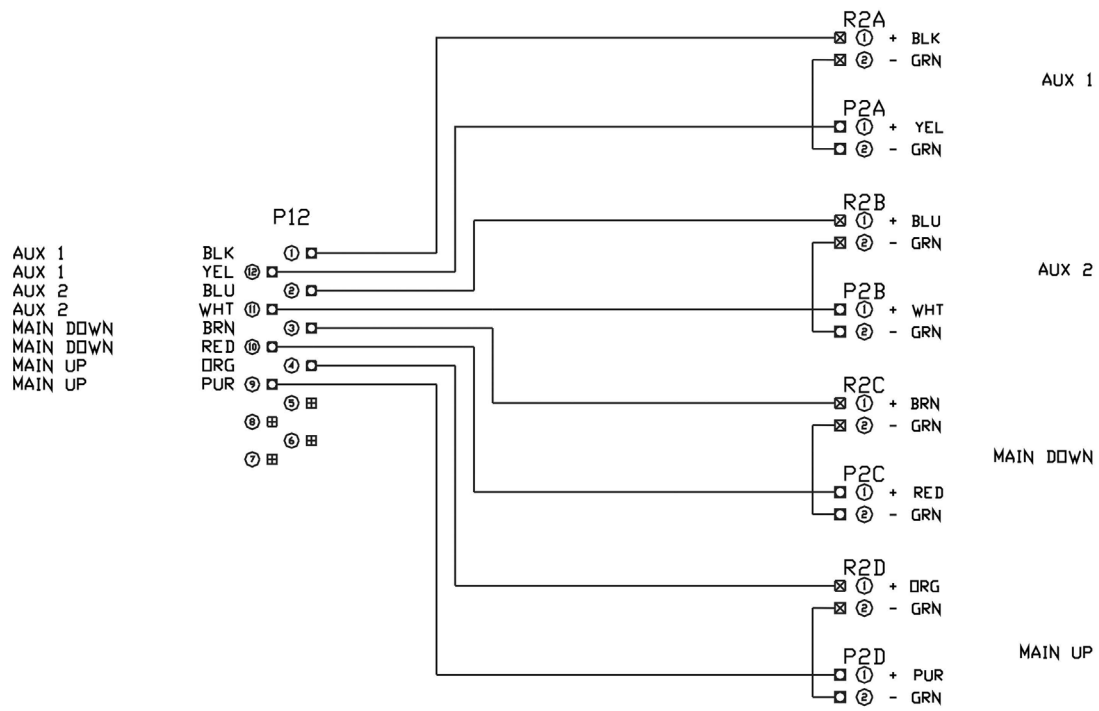
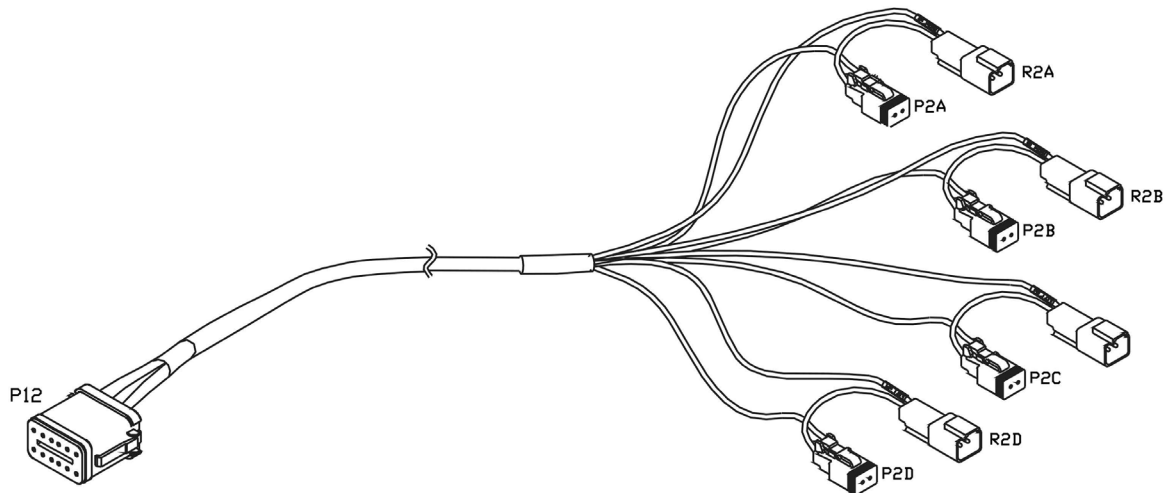




# ILLUSTRATED PARTS LIST

## UC5 Network Cables

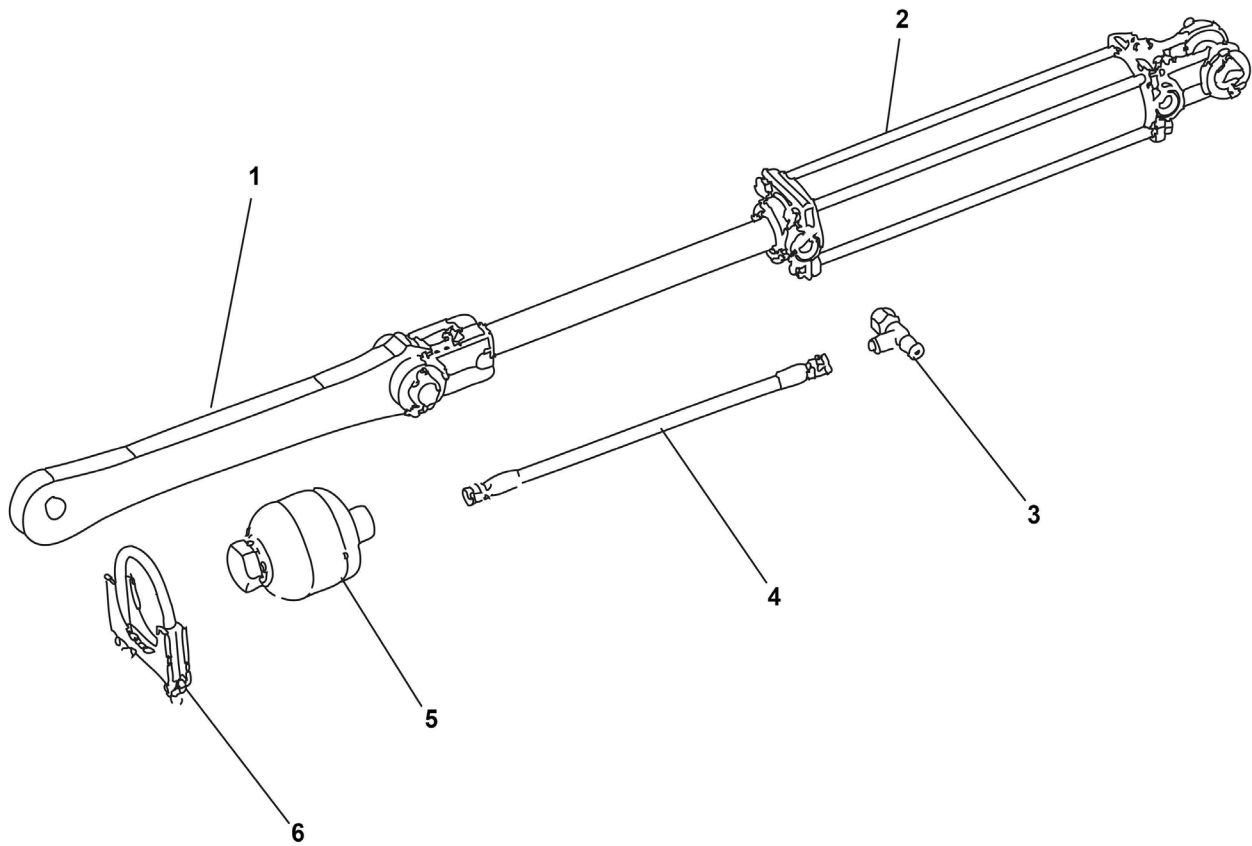
### ITEM C21: 43240-07B - CABLE UC5 INTERFACE MAIN DT (WITH AUX 1 & 2)





**FAST GLOBAL**  
**SOLUTIONS**

## Wing Tilt Options





# ILLUSTRATED PARTS LIST

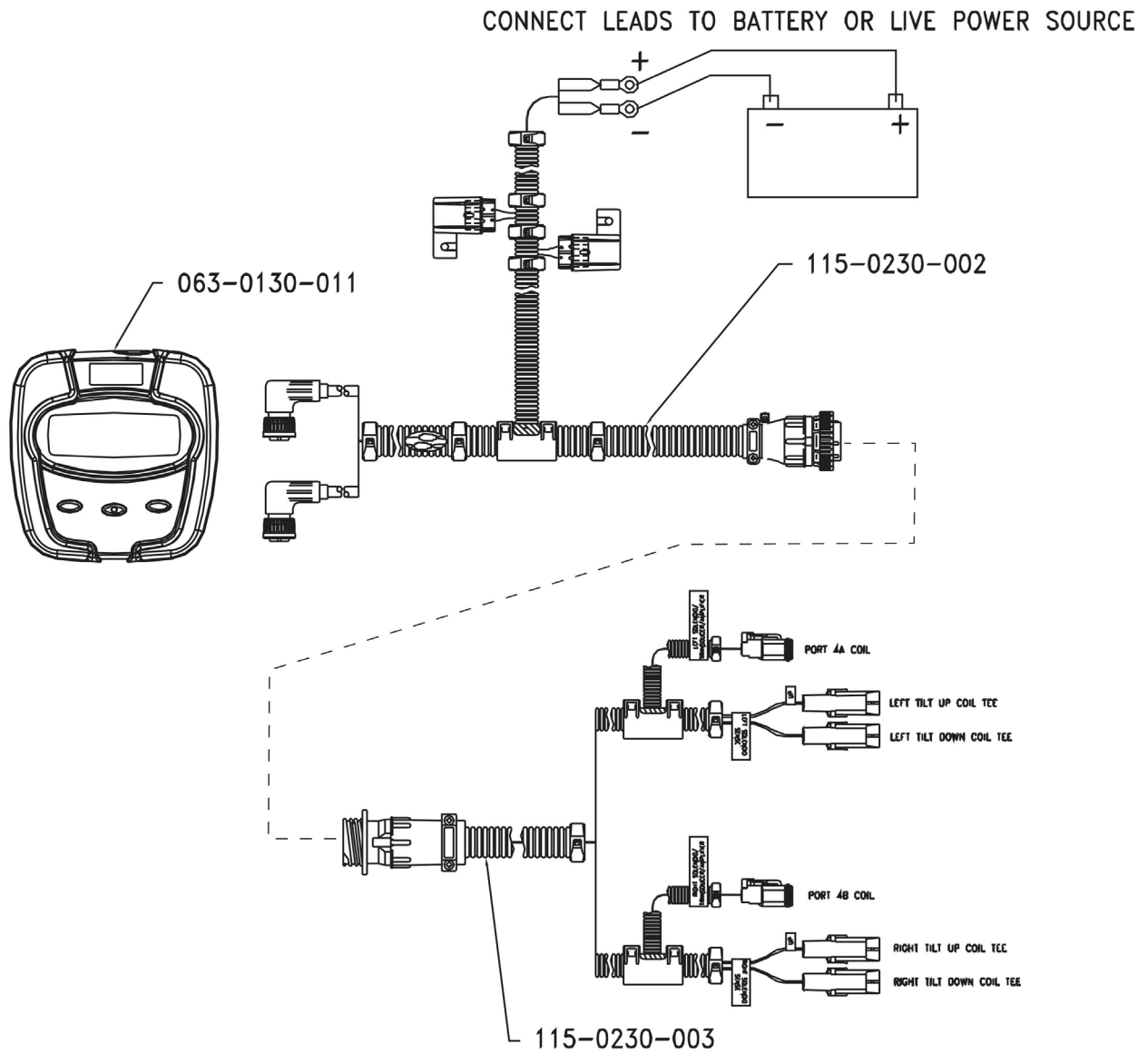
## Wing Tilt Options Parts List

| ITEM | PART NO.           | DESCRIPTION                         | QTY. | 60' Boom | 80' - 90' Boom | 100' Boom |
|------|--------------------|-------------------------------------|------|----------|----------------|-----------|
|      | Cushioned Tilt     |                                     |      |          |                |           |
| 1    | 14088              | Link, Norac                         | 1    |          |                |           |
| 2    | 620022             | Cylinder 25TD10-112 60' - 90' Wings | 1    | 1        | 1              |           |
| 2    | 620020             | Cylinder 30TD10-125 100' Wings      |      |          |                | 1         |
| 3    | 610027             | Tee JIC #6                          | 1    |          |                |           |
| 4    | 600018             | Hose, Hydraulic 3/8 x #6 JIC        | 1    |          |                |           |
| 5    | 630002             | Accumulator 21 CU"                  | 1    |          |                |           |
| 6    | 540033             | Clamp 3.5 Accumulator               | 1    |          |                |           |
|      | Non-Cushioned Tilt |                                     |      |          |                |           |
| 1    | 14088              | Link, Norac                         | 1    |          |                |           |
| 2    | 620022             | Cylinder 25TD10-112 60' - 90' Wings |      | 1        | 1              |           |
| 2    | 620020             | Cylinder 30TD10-125 100' Wings      |      |          |                | 1         |



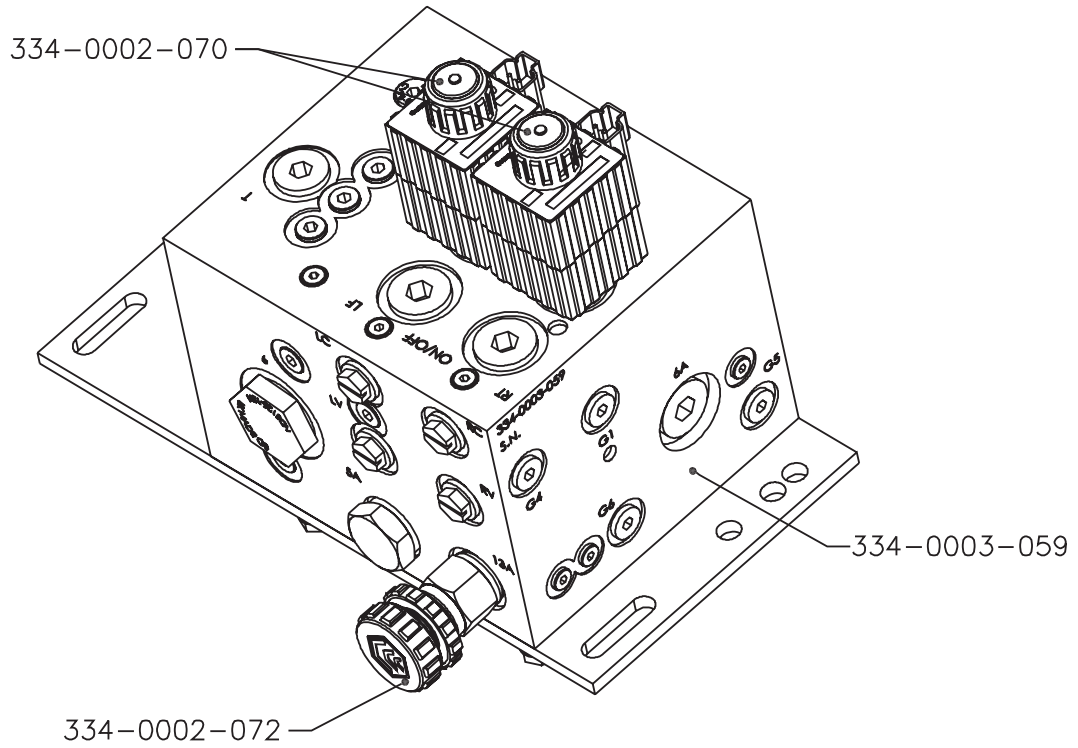
# ILLUSTRATED PARTS LIST

## Powerglide Wiring Schematic





## Powerglide Hydraulic Block

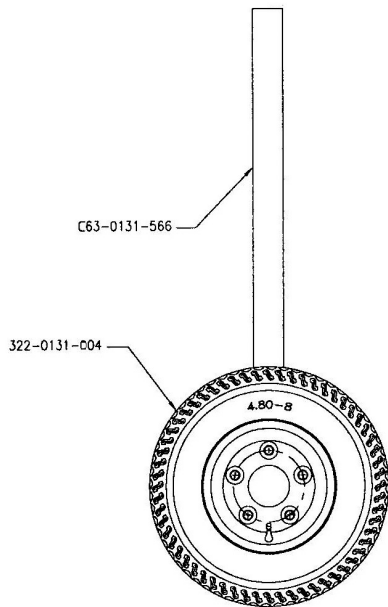




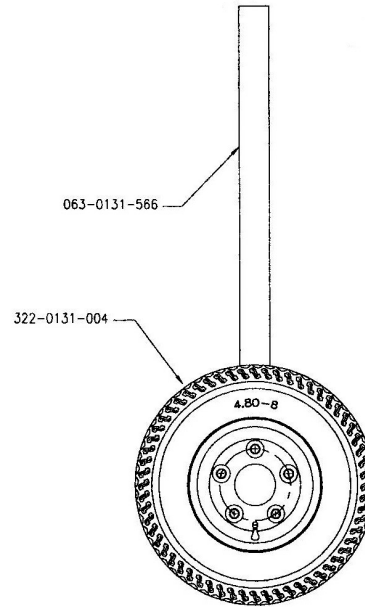
# ILLUSTRATED PARTS LIST

## Powerglide Solid Axle

LEFT SIDE  
WHEEL ASSEMBLY



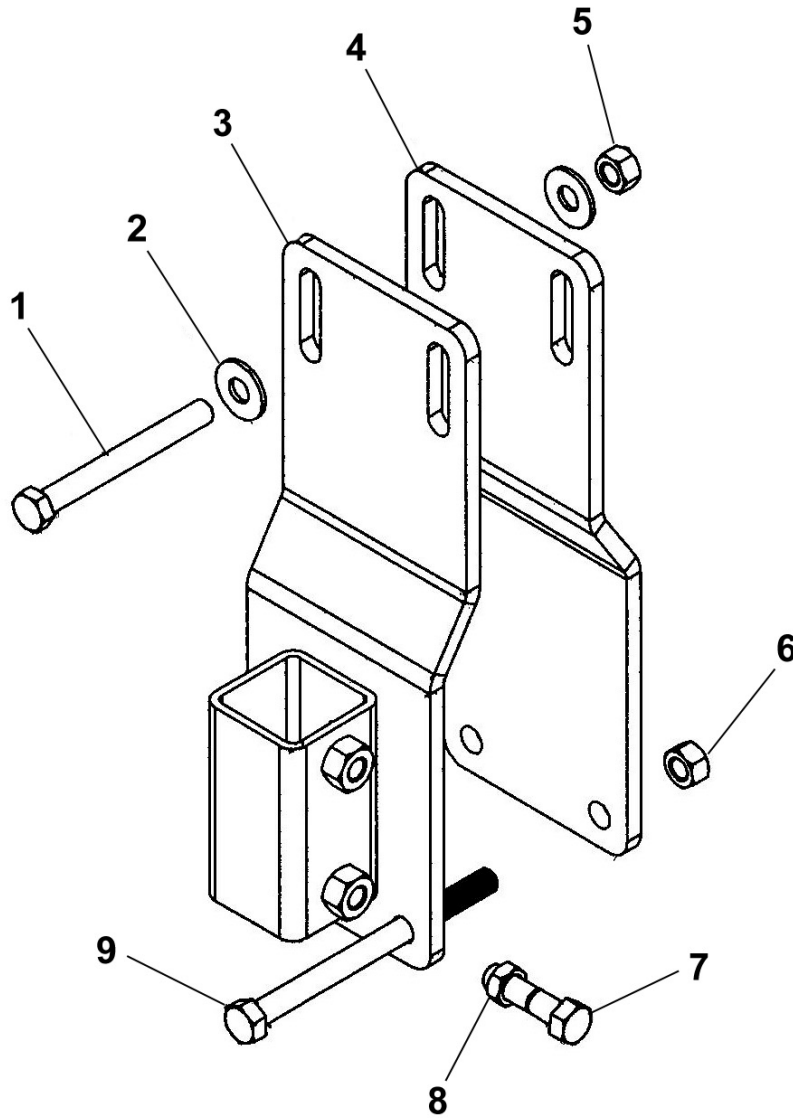
RIGHT SIDE  
WHEEL ASSEMBLY





**FAST GLOBAL**  
**SOLUTIONS**

## Powerglide & Powerglide Plus Mounting Brackets





## ILLUSTRATED PARTS LIST

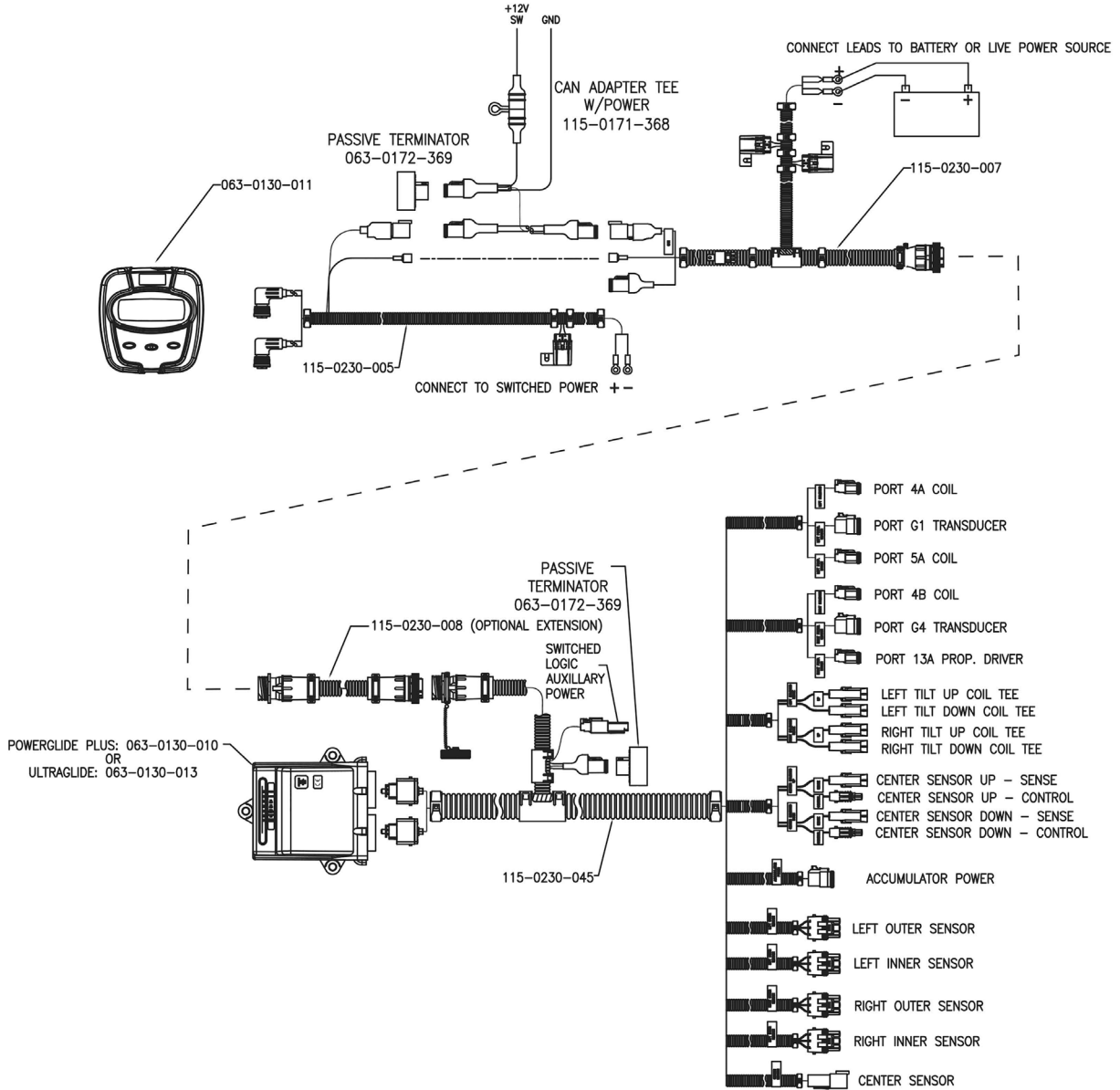
### Powerglide & Powerglide Plus Mounting Brackets Parts List

| ITEM | PART NO. | QTY. | DESCRIPTION                   |
|------|----------|------|-------------------------------|
| 1    | 159      | 2    | Bolt Hex, 1/2 x 4-1/2" GR5 Zp |
| 2    | 260      | 2    | Washer Flat 1/2" Zp           |
| 3    | 14670BLK | 1    | Raven Touch Wheel Mount       |
| 4    | 14668BLK | 1    | Raven Back Touch Plate        |
| 5    | 215      | 2    | Nut Hex Heavy 1/2"            |
| 6    | 239      | 2    | Nut Nut 1/2" Centerlock       |
| 7    | 154      | 1    | Bolt Hex, 1/2 x 2" GR5 Zp     |
| 8    | 223      | 1    | Nut Hex Jam 1/2"              |
| 9    | 163      | 2    | Bolt Hex, 1/2 x 6-1/2" GR5 Zp |



# ILLUSTRATED PARTS LIST

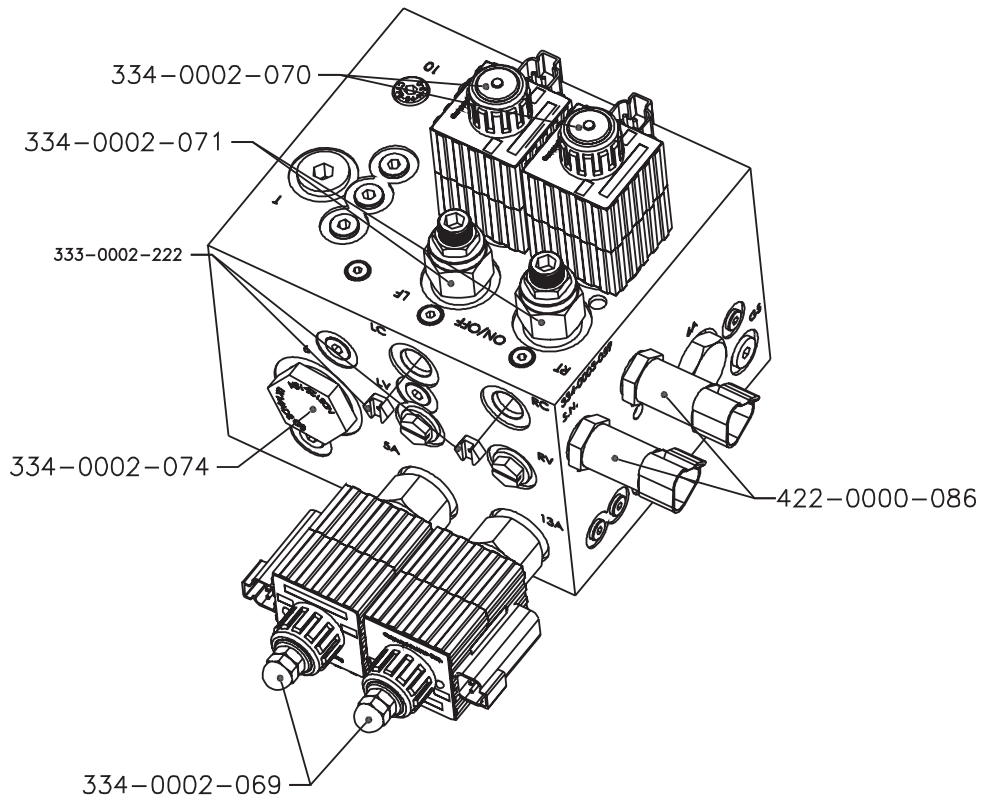
## Powerglide Plus Wiring Schematic





# ILLUSTRATED PARTS LIST

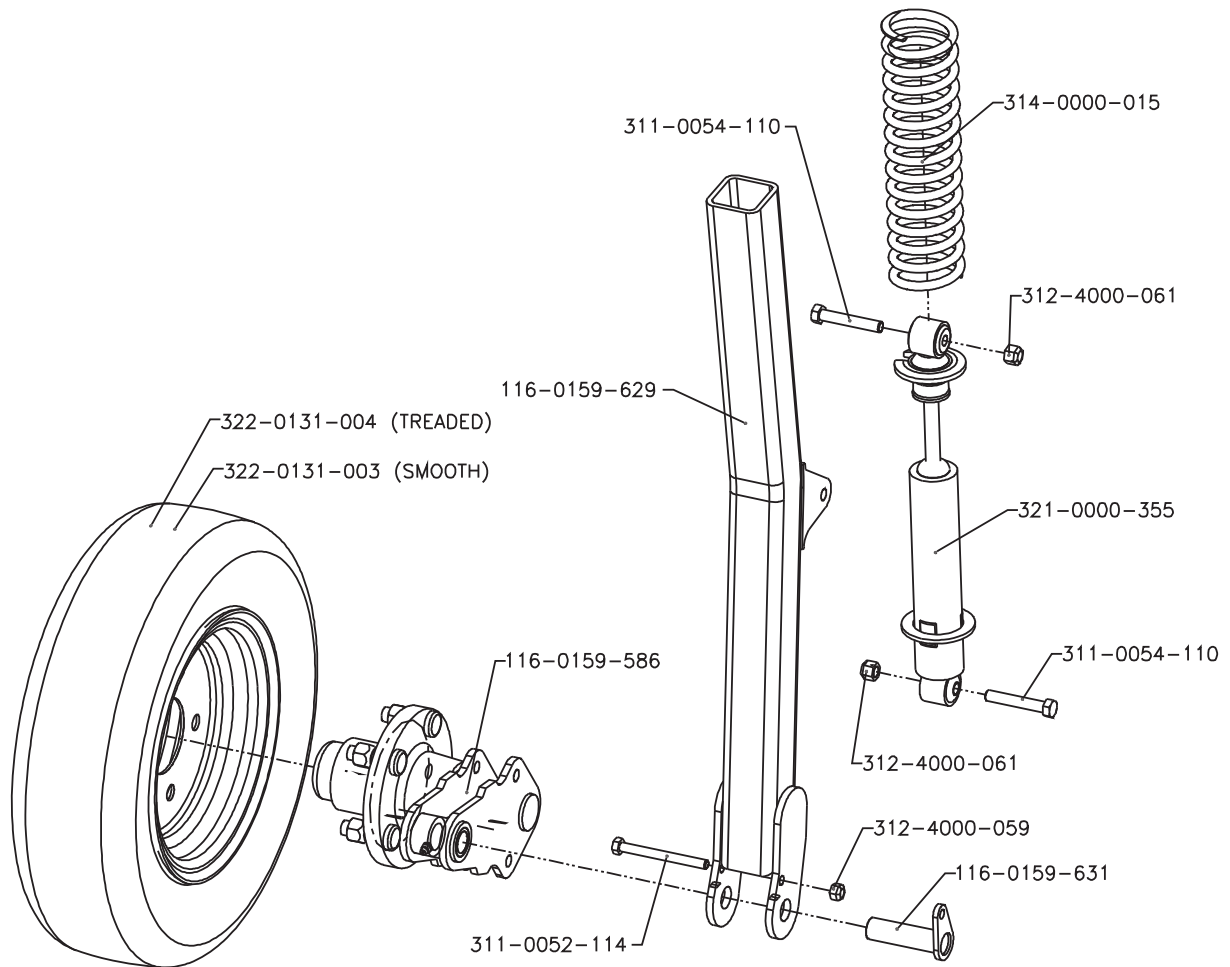
## Powerglide Plus Hydraulic Block





# ILLUSTRATED PARTS LIST

## Powerglide Plus Cushioned Axle







## ILLUSTRATED PARTS LIST

---

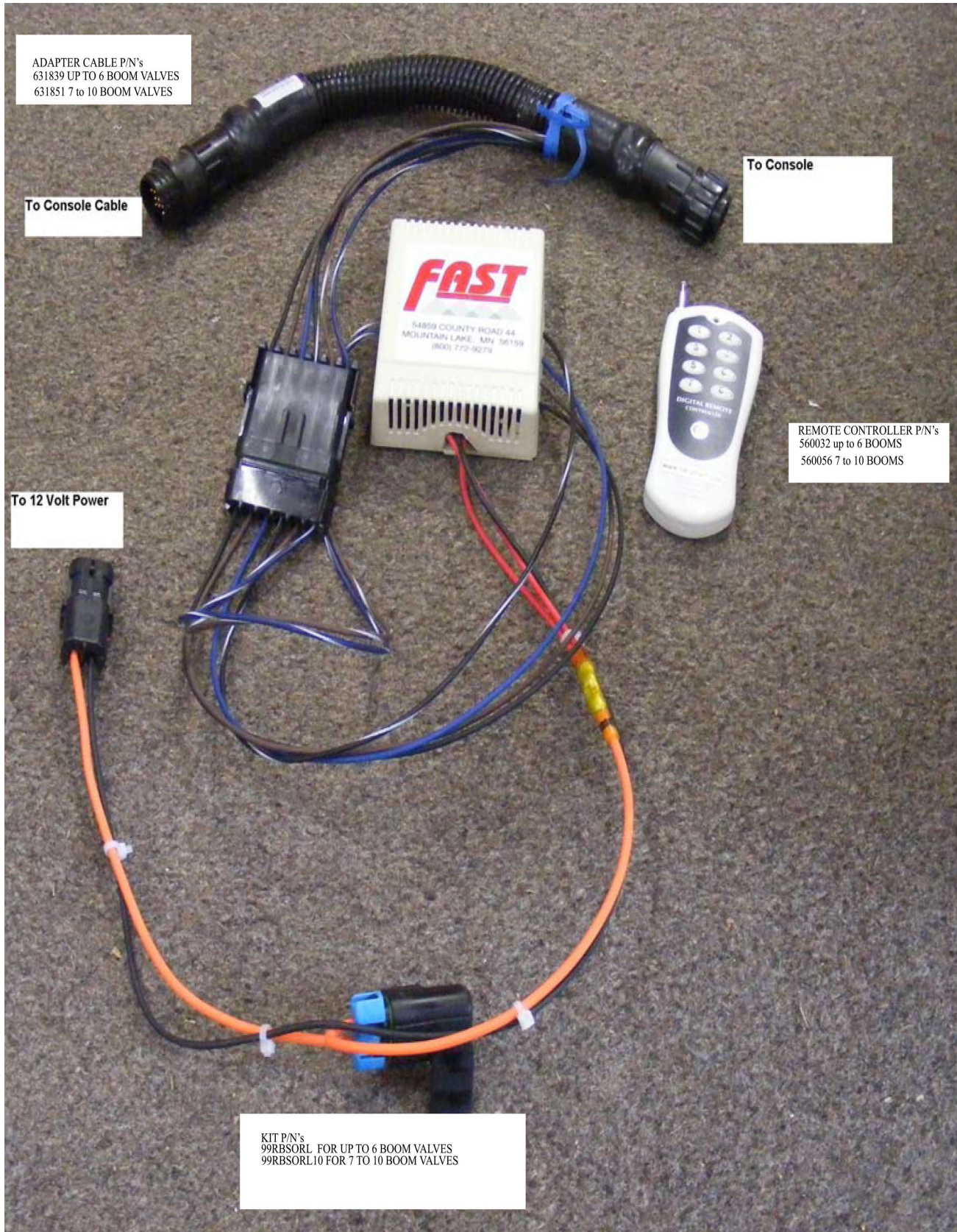
### Gauge Wheel Assembly





# ILLUSTRATED PARTS LIST

## Kit 99RBSORL





# ILLUSTRATED PARTS LIST

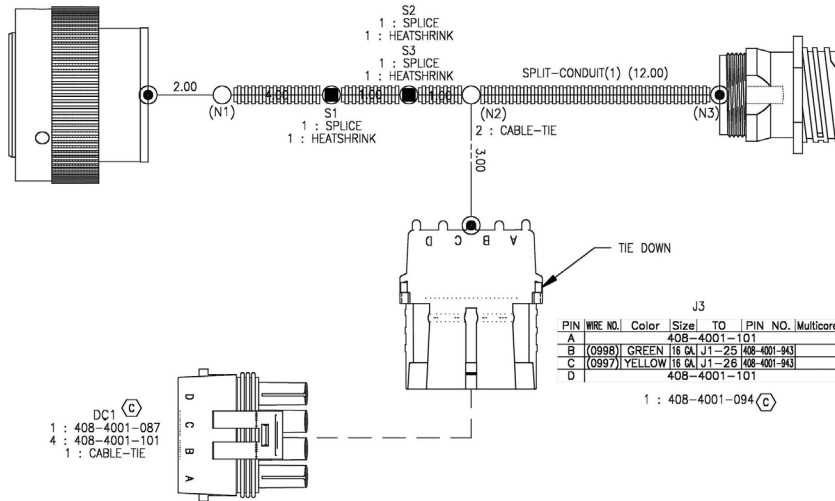
## Adapter Cable, 16 Pin Console To 47 Pin Product Port (632028)

| J1  |          |             |       |              |                   |
|-----|----------|-------------|-------|--------------|-------------------|
| PIN | WIRE NO. | Color       | Size  | TO           | PIN NO. Multicore |
| 1   | (0010A)  | BLACK       | 14 GA | J2-1         | 408-4001-318      |
| 2   | (0950A)  | BLACK       | 18 GA | S1-3         | 408-4001-823      |
| 3   | (0950B)  | BLACK       | 18 GA | S1-2         | 408-4001-823      |
| 4   | (0010B)  | BLACK       | 14 GA | J2-15        | 408-4001-318      |
| 5   | (0062A)  | RED         | 14 GA | S2-3         | 408-4001-318      |
| 6   | (0062B)  | RED         | 14 GA | S2-1         | 408-4001-318      |
| 7   |          |             |       | 408-4001-882 |                   |
| 8   |          |             |       | 408-4001-882 |                   |
| 9   |          |             |       | 408-4001-882 |                   |
| 10  |          |             |       | 408-4001-882 |                   |
| 11  |          |             |       | 408-4001-882 |                   |
| 12  | (0966)   | GRAY        | 18 GA | J2-13        | 408-4001-823      |
| 13  |          |             |       | 408-4001-882 |                   |
| 14  |          |             |       | 408-4001-882 |                   |
| 15  |          |             |       | 408-4001-882 |                   |
| 16  |          |             |       | 408-4001-882 |                   |
| 17  |          |             |       | 408-4001-882 |                   |
| 18  |          |             |       | 408-4001-882 |                   |
| 19  |          |             |       | 408-4001-882 |                   |
| 20  |          |             |       | 408-4001-882 |                   |
| 21  |          |             |       | 408-4001-882 |                   |
| 22  | (0963)   | RED         | 16 GA | J2-12        | 408-4001-823      |
| 23  | (0978)   | BLUE/WHITE  | 18 GA | J2-4         | 408-4001-823      |
| 24  | (0977)   | BROWN/WHITE | 18 GA | J2-3         | 408-4001-823      |
| 25  | (0981)   | GREEN       | 16 GA | J3-B         | 408-4001-823      |
| 26  | (0997)   | YELLOW      | 16 GA | J3-C         | 408-4001-823      |
| 27  |          |             |       | 408-4001-882 |                   |
| 28  |          |             |       | 408-4001-882 |                   |
| 29  |          |             |       | 408-4001-882 |                   |
| 30  |          |             |       | 408-4001-882 |                   |
| 31  |          |             |       | 408-4001-882 |                   |
| 32  | (0972A)  | RED/WHITE   | 18 GA | S3-2         | 408-4001-823      |
| 33  | (0972B)  | RED/WHITE   | 18 GA | S3-1         | 408-4001-823      |
| 34  | (0950C)  | BLACK       | 18 GA | S1-1         | 408-4001-318      |
| 35  |          |             |       | 408-4001-882 |                   |
| 36  | (0981)   | GRAY        | 18 GA | J2-6         | 408-4001-823      |
| 37  | (0983)   | BROWN       | 18 GA | J2-2         | 408-4001-823      |
| 38  | (0984)   | BLUE        | 18 GA | J2-5         | 408-4001-823      |
| 39  | (0985)   | BLACK/WHITE | 18 GA | J2-7         | 408-4001-823      |
| 40  | (0986)   | BROWN/WHITE | 18 GA | J2-8         | 408-4001-823      |
| 41  | (0987)   | BLUE/WHITE  | 18 GA | J2-9         | 408-4001-823      |
| 42  | (0988)   | WHITE/BLACK | 18 GA | J2-10        | 408-4001-823      |
| 43  |          |             |       | 408-4001-882 |                   |
| 44  |          |             |       | 408-4001-882 |                   |
| 45  |          |             |       | 408-4001-882 |                   |
| 46  |          |             |       | 408-4001-882 |                   |
| 47  |          |             |       | 408-4001-882 |                   |

- 1 : 408-4002-133
- 1 : 408-4001-803
- 1 : CABLE-TIE

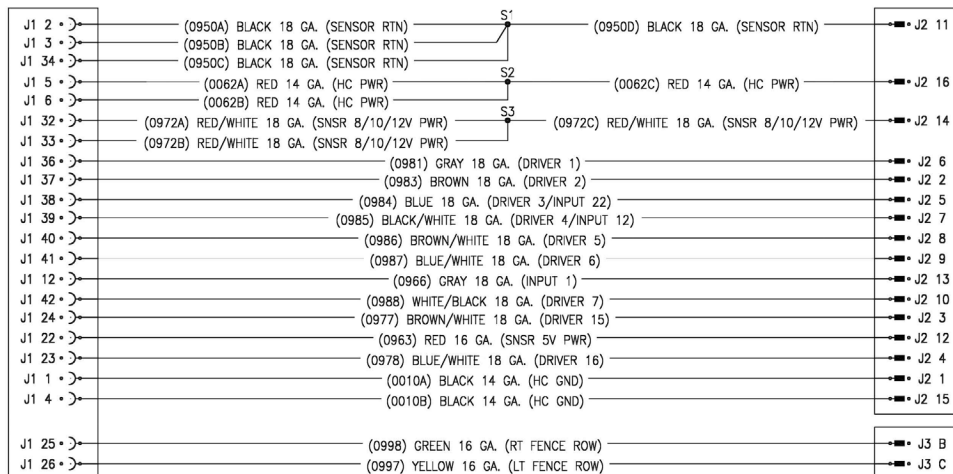
| J2  |          |             |       |       |                   |
|-----|----------|-------------|-------|-------|-------------------|
| PIN | WIRE NO. | Color       | Size  | TO    | PIN NO. Multicore |
| 1   | (0010A)  | BLACK       | 14 GA | J1-1  | 408-4001-182      |
| 2   | (0983)   | BROWN       | 18 GA | J1-37 | 408-4001-182      |
| 3   | (0977)   | BROWN/WHITE | 18 GA | J1-24 | 408-4001-182      |
| 4   | (0978)   | BLUE/WHITE  | 18 GA | J1-23 | 408-4001-182      |
| 5   | (0984)   | BLUE        | 18 GA | J1-38 | 408-4001-182      |
| 6   | (0981)   | GRAY        | 18 GA | J1-36 | 408-4001-182      |
| 7   | (0985)   | BLACK/WHITE | 18 GA | J1-39 | 408-4001-182      |
| 8   | (0986)   | BROWN/WHITE | 18 GA | J1-40 | 408-4001-182      |
| 9   | (0987)   | BLUE/WHITE  | 18 GA | J1-41 | 408-4001-182      |
| 10  | (0988)   | WHITE/BLACK | 18 GA | J1-42 | 408-4001-182      |
| 11  | (0950D)  | BLACK       | 18 GA | S1-4  | 408-4001-182      |
| 12  | (0963)   | RED         | 16 GA | J1-22 | 408-4001-182      |
| 13  | (0966)   | GRAY        | 18 GA | J1-12 | 408-4001-182      |
| 14  | (0972C)  | RED/WHITE   | 18 GA | S3-3  | 408-4001-182      |
| 15  | (0010B)  | BLACK       | 14 GA | J1-4  | 408-4001-182      |
| 16  | (0062C)  | RED         | 14 GA | S2-2  | 408-4001-182      |

- 1 : 408-4001-025
- 1 : 408-4001-024
- 1 : PERIPHERAL SEAL GREASE
- 1 : 408-4001-019
- 1 : ENCAPSULATE-POTTING



| J3  |          |        |       |       |                   |
|-----|----------|--------|-------|-------|-------------------|
| PIN | WIRE NO. | Color  | Size  | TO    | PIN NO. Multicore |
| A   |          |        |       |       | 408-4001-101      |
| B   | (0998)   | GREEN  | 16 GA | J1-25 | 408-4001-943      |
| C   | (0997)   | YELLOW | 16 GA | J1-26 | 408-4001-943      |
| D   |          |        |       |       | 408-4001-101      |

- 1 : 408-4001-094(C)

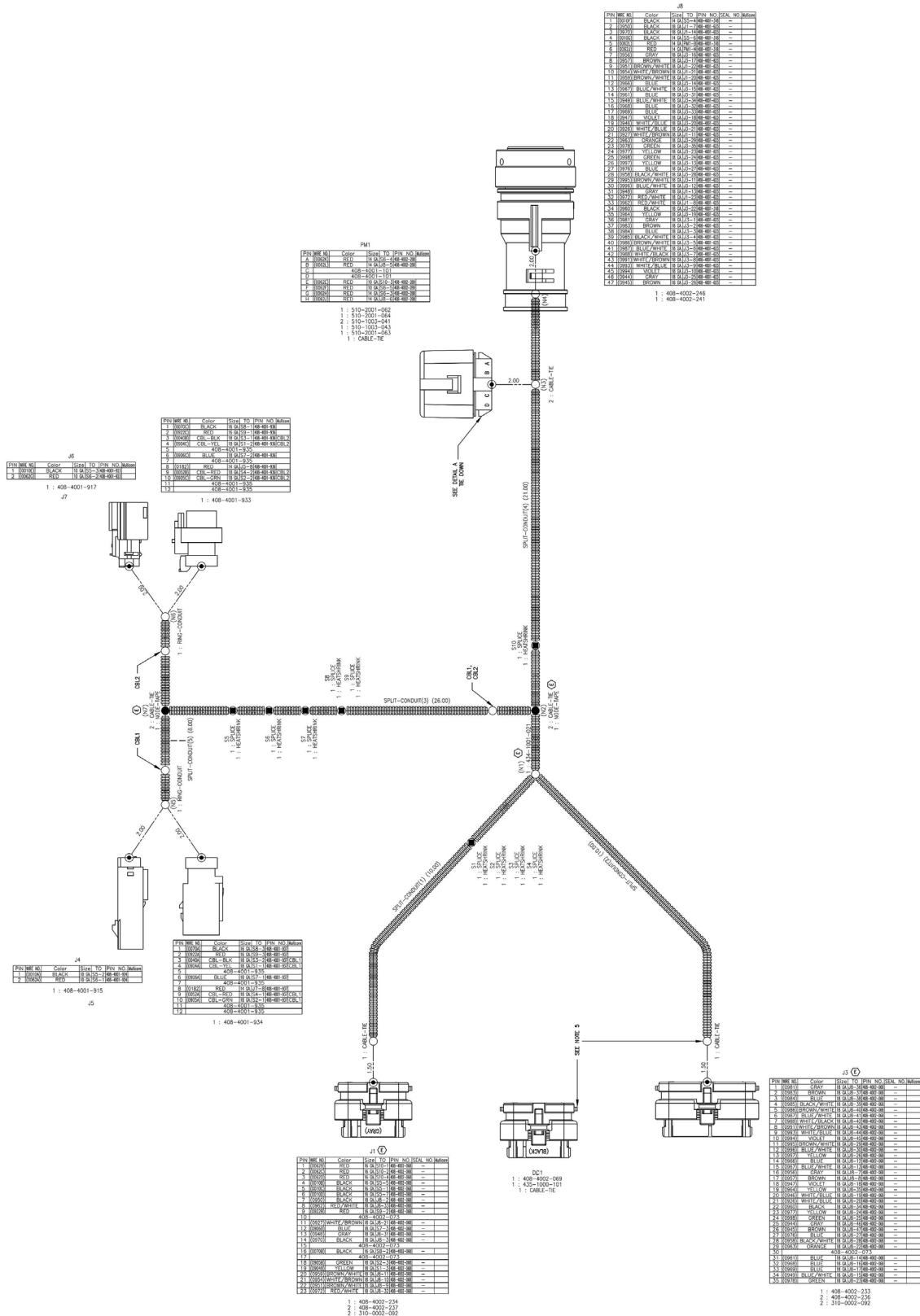






# ILLUSTRATED PARTS LIST

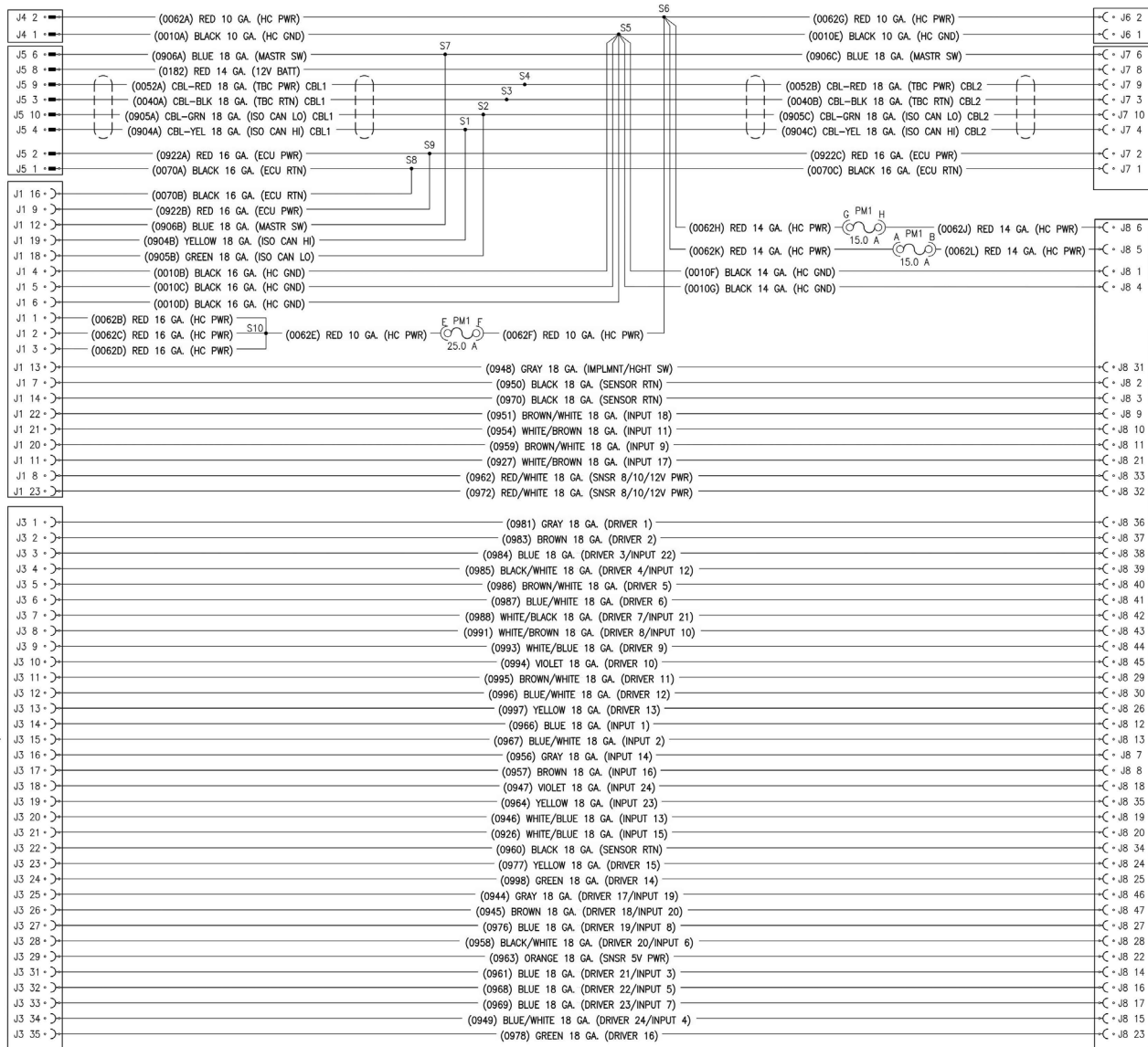
## Cable, 81 Pin ECU, 47 Pin Rate Control Interface (632029)





# ILLUSTRATED PARTS LIST

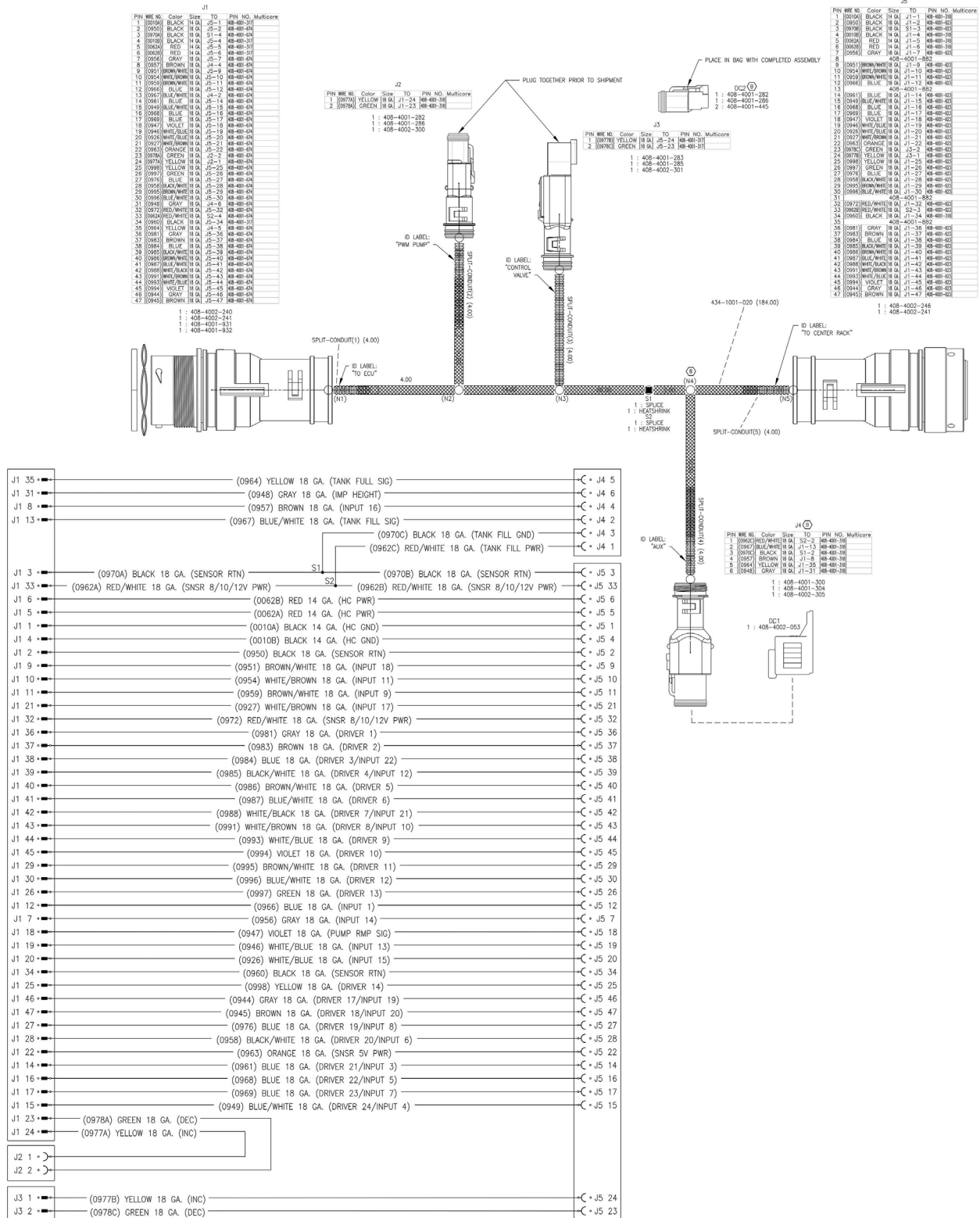
## Cable, 81 Pin ECU, 47 Pin Rate Control Interface (632029)





# ILLUSTRATED PARTS LIST

## Cable, Pull Type Sprayer Frame, 14' 47 Pin To 47 Pin (632035)

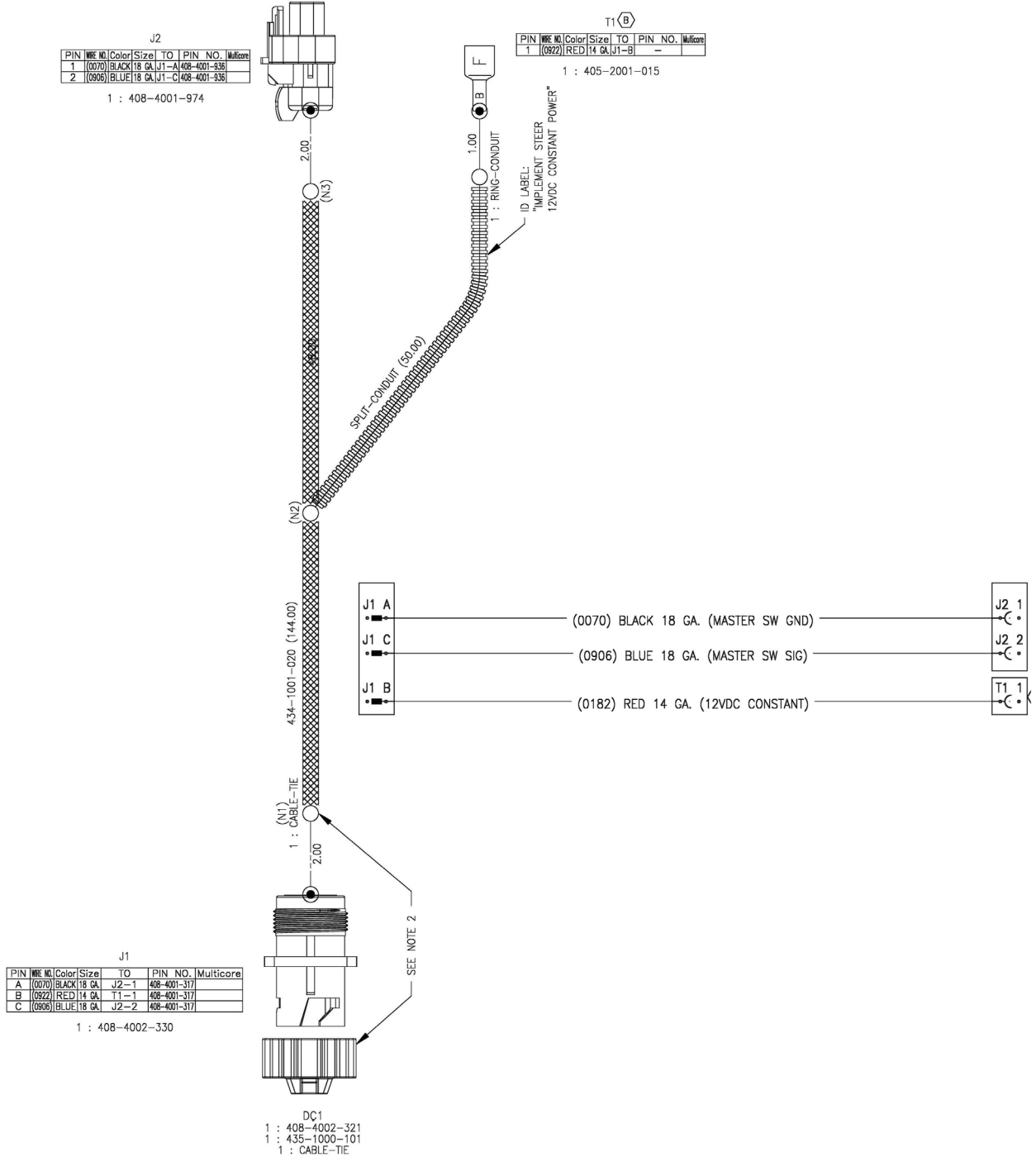






# ILLUSTRATED PARTS LIST

## Cable, Foot Switch, 12' (632061)







## ILLUSTRATED PARTS LIST

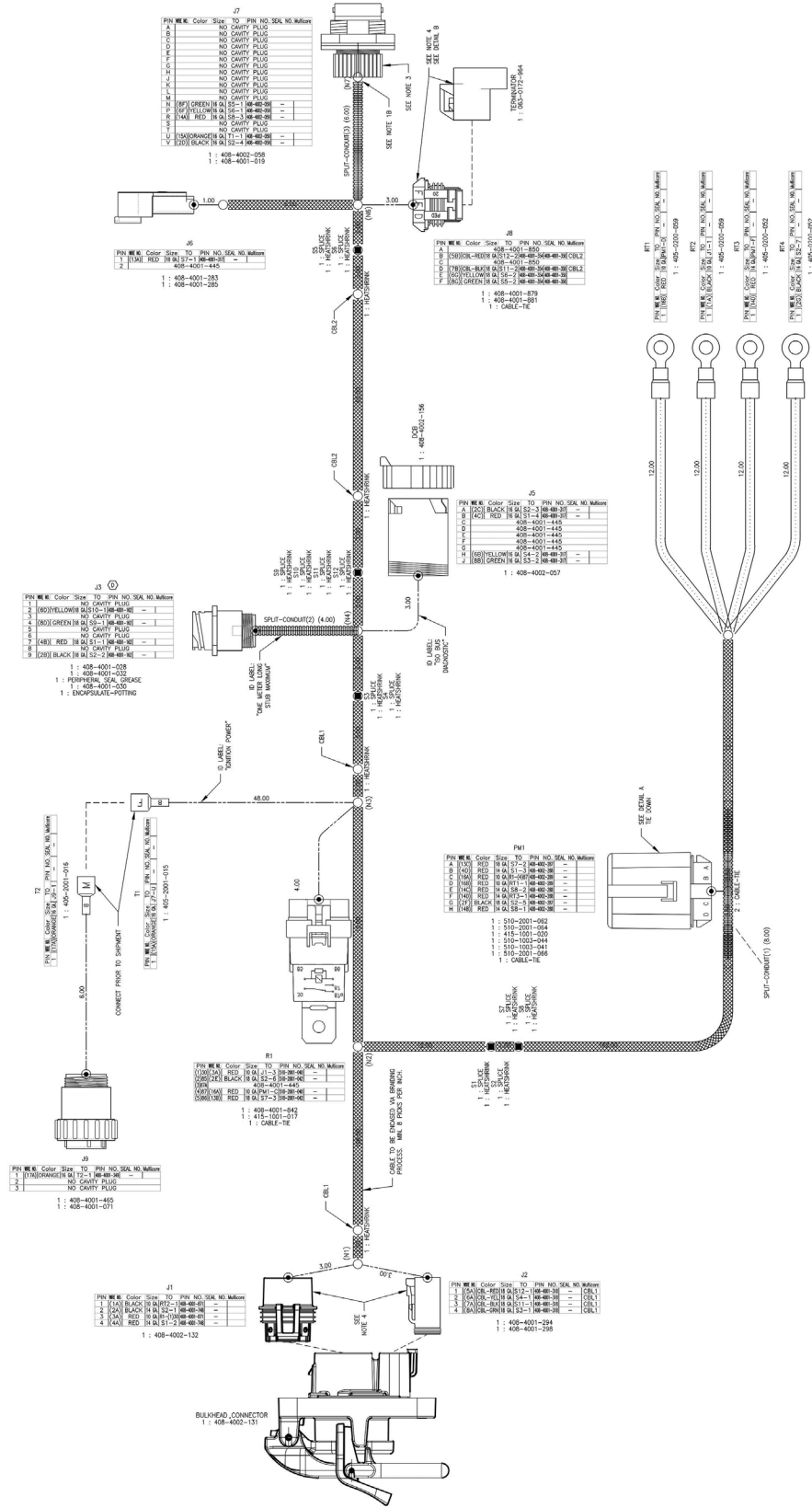
---





# ILLUSTRATED PARTS LIST

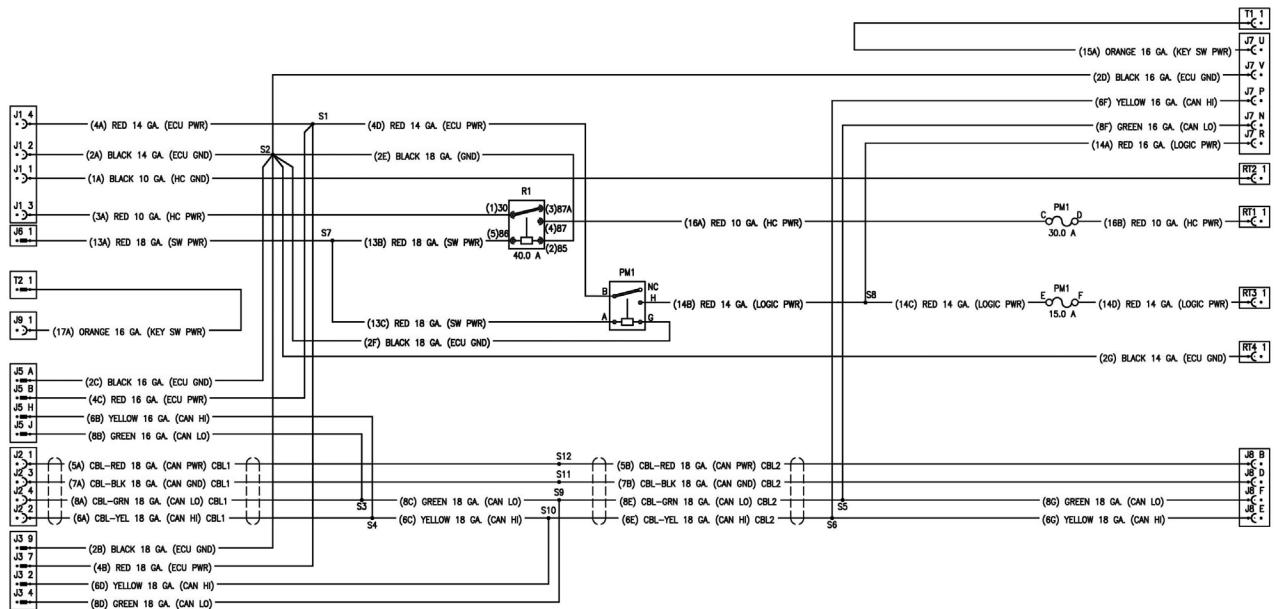
## Cable, Raven ISO/Power With IBBC Connector (632064)





# ILLUSTRATED PARTS LIST

## Cable, Raven ISO/Power With IBBC Connector (632064)







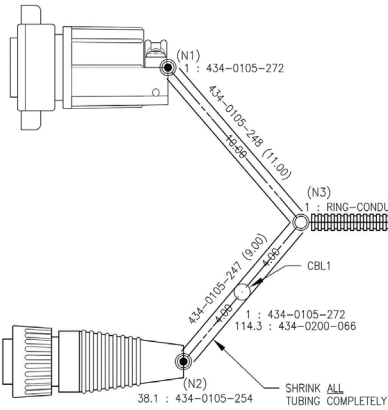
# ILLUSTRATED PARTS LIST

## Cable, CR7, ISO VT Only (632066)

J1

| PIN | WIRE NO. | Color  | Size   | TO   | PIN NO. | Multicores |
|-----|----------|--------|--------|------|---------|------------|
| 1   |          | EMPTY  |        |      |         |            |
| 2   |          | EMPTY  |        |      |         |            |
| 3   |          | EMPTY  |        |      |         |            |
| 4   |          | EMPTY  |        |      |         |            |
| 5   |          | EMPTY  |        |      |         |            |
| 6   |          | EMPTY  |        |      |         |            |
| 7   |          | EMPTY  |        |      |         |            |
| 8   |          | EMPTY  |        |      |         |            |
| 9   |          | EMPTY  |        |      |         |            |
| 10  |          | EMPTY  |        |      |         |            |
| 11  |          | EMPTY  |        |      |         |            |
| 12  | (1A)     | YELLOW | 20 GA. | J5-P | **      |            |
| 13  |          | EMPTY  |        |      |         |            |
| 14  | (2A)     | GREEN  | 20 GA. | J5-N | **      |            |
| 15  |          | EMPTY  |        |      |         |            |
| 16  | (3A)     | RED    | 20 GA. | J4-1 | **      |            |
| 17  |          | EMPTY  |        |      |         |            |
| 18  |          | EMPTY  |        |      |         |            |
| 19  |          | EMPTY  |        |      |         |            |
| 20  | (4A)     | BLACK  | 20 GA. | J4-2 | **      |            |

1 : 408-4001-818  
1 : PERIPHERAL SEAL GREASE



J2 (B)

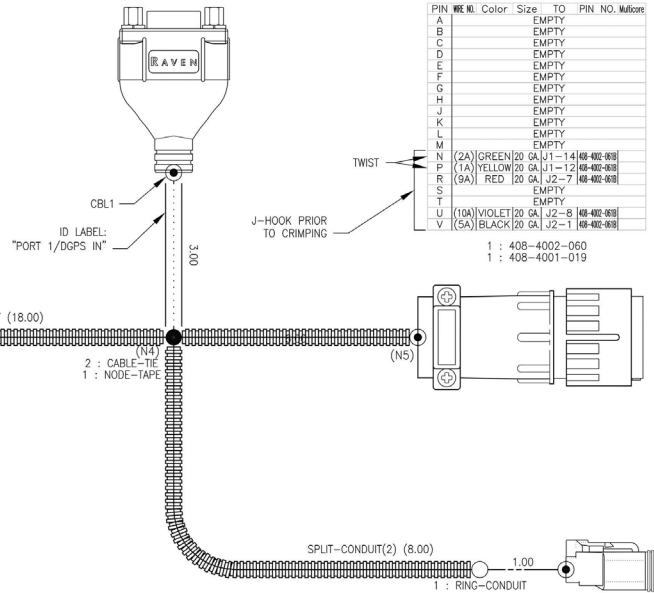
| PIN | WIRE NO. | Color   | Size   | TO   | PIN NO. | Multicores |
|-----|----------|---------|--------|------|---------|------------|
| 1   | (5A)     | BLACK   | 20 GA. | J5-V | *****   |            |
| 2   | (6A)     | CBL-BLK | 20 GA. | J3-2 | *****   | CBL1       |
| 3   | (7A)     | CBL-RED | 20 GA. | J3-3 | *****   | CBL1       |
| 4   | (8A)     | CBL-SLD | 20 GA. | J3-5 | *****   | CBL1       |
| 5   |          |         |        |      |         |            |
| 6   |          |         |        |      |         |            |
| 7   | (9A)     | RED     | 20 GA. | J5-R | *****   |            |
| 8   | (10A)    | VIOLET  | 20 GA. | J5-U | *****   |            |

1 : 408-4001-630  
1 : ENCAPSULATE-OVERMOLD

J3

| PIN | WIRE NO. | Color   | Size   | TO   | PIN NO.      | Multicores |
|-----|----------|---------|--------|------|--------------|------------|
| 1   |          | EMPTY   |        |      |              |            |
| 2   | (6A)     | CBL-BLK | 20 GA. | J2-2 | 408-4001-282 | CBL1       |
| 3   | (7A)     | CBL-RED | 20 GA. | J2-3 | 408-4001-282 | CBL1       |
| 4   |          | EMPTY   |        |      |              |            |
| 5   | (8A)     | CBL-SLD | 20 GA. | J2-4 | 408-4001-282 | CBL1       |
| 6   |          | EMPTY   |        |      |              |            |
| 7   |          | EMPTY   |        |      |              |            |
| 8   |          | EMPTY   |        |      |              |            |
| 9   |          | EMPTY   |        |      |              |            |

1 : 408-4001-892  
2 : 305-5000-563  
2 : 313-1000-004  
1 : 408-9000-001



J5

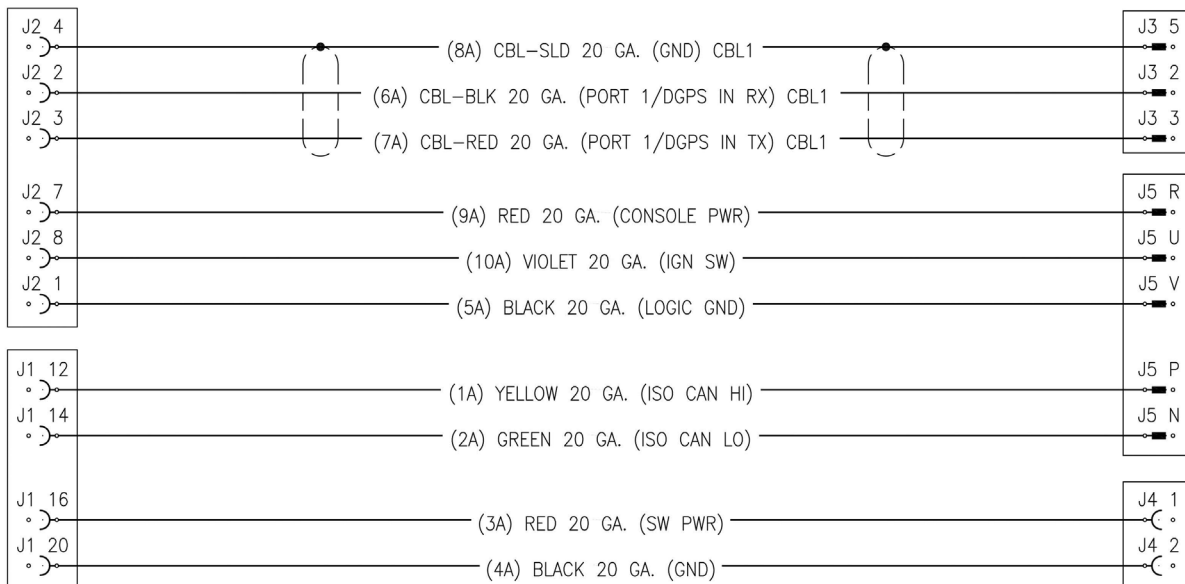
| PIN | WIRE NO. | Color  | Size   | TO    | PIN NO.      | Multicores |
|-----|----------|--------|--------|-------|--------------|------------|
| A   |          | EMPTY  |        |       |              |            |
| B   |          | EMPTY  |        |       |              |            |
| C   |          | EMPTY  |        |       |              |            |
| D   |          | EMPTY  |        |       |              |            |
| E   |          | EMPTY  |        |       |              |            |
| F   |          | EMPTY  |        |       |              |            |
| G   |          | EMPTY  |        |       |              |            |
| H   |          | EMPTY  |        |       |              |            |
| J   |          | EMPTY  |        |       |              |            |
| K   |          | EMPTY  |        |       |              |            |
| L   |          | EMPTY  |        |       |              |            |
| M   |          | EMPTY  |        |       |              |            |
| N   | (2A)     | GREEN  | 20 GA. | J1-14 | 408-4002-060 |            |
| P   | (1A)     | YELLOW | 20 GA. | J1-12 | 408-4002-060 |            |
| R   | (6A)     | RED    | 20 GA. | J2-7  | 408-4002-060 |            |
| S   |          | EMPTY  |        |       |              |            |
| T   |          | EMPTY  |        |       |              |            |
| U   | (10A)    | VIOLET | 20 GA. | J2-8  | 408-4002-060 |            |
| V   | (5A)     | BLACK  | 20 GA. | J2-1  | 408-4002-060 |            |

1 : 408-4002-060  
1 : 408-4001-019

J4

| PIN | WIRE NO. | Color | Size   | TO    | PIN NO.      | Multicores |
|-----|----------|-------|--------|-------|--------------|------------|
| 1   | (3A)     | RED   | 20 GA. | J1-16 | 408-4001-282 |            |
| 2   | (4A)     | BLACK | 20 GA. | J1-20 | 408-4001-282 |            |

1 : 408-4001-282  
1 : 408-4001-286





# ILLUSTRATED PARTS LIST

## Cable, Display Port, Y Adapter (632067)

J1(B)

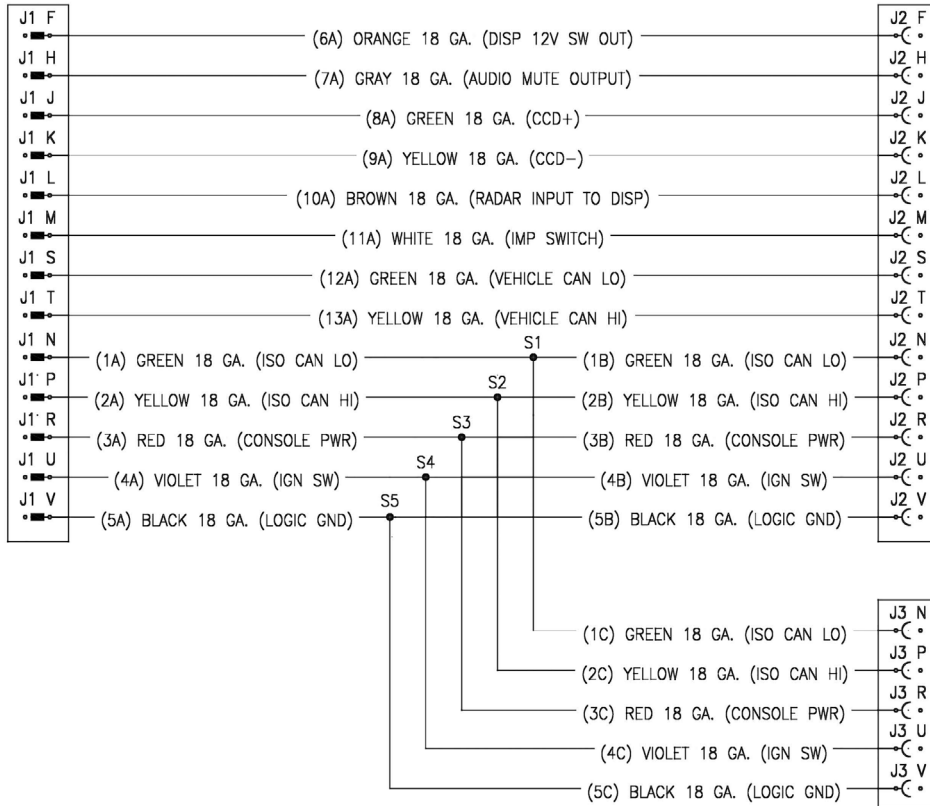
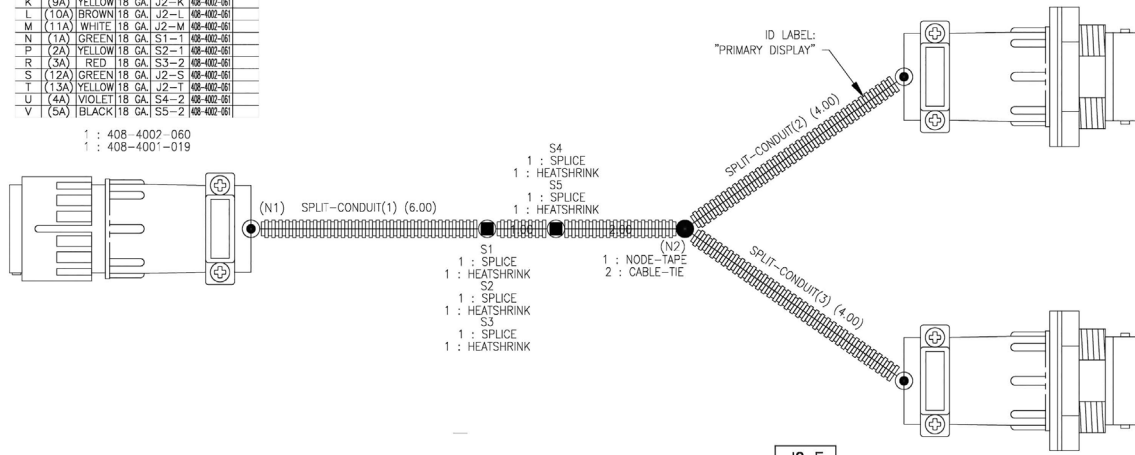
| PIN | WIRE NO. | Color  | Size   | TO   | PIN NO. | Wire         |
|-----|----------|--------|--------|------|---------|--------------|
| A   |          |        |        |      |         | EMPTY        |
| B   |          |        |        |      |         | EMPTY        |
| C   |          |        |        |      |         | EMPTY        |
| D   |          |        |        |      |         | EMPTY        |
| E   |          |        |        |      |         | EMPTY        |
| F   | (6A)     | ORANGE | 18 GA. | J2-F |         | 408-4002-061 |
| G   |          |        |        |      |         | EMPTY        |
| H   | (7A)     | GRAY   | 18 GA. | J2-H |         | 408-4002-061 |
| J   | (8A)     | GREEN  | 18 GA. | J2-J |         | 408-4002-061 |
| K   | (9A)     | YELLOW | 18 GA. | J2-K |         | 408-4002-061 |
| L   | (10A)    | BROWN  | 18 GA. | J2-L |         | 408-4002-061 |
| M   | (11A)    | WHITE  | 18 GA. | J2-M |         | 408-4002-061 |
| N   | (11A)    | GREEN  | 18 GA. | S1-1 |         | 408-4002-061 |
| P   | (2A)     | YELLOW | 18 GA. | S2-2 |         | 408-4002-061 |
| R   | (3A)     | RED    | 18 GA. | S3-2 |         | 408-4002-061 |
| S   | (12A)    | GREEN  | 18 GA. | J2-S |         | 408-4002-061 |
| T   | (13A)    | YELLOW | 18 GA. | J2-T |         | 408-4002-061 |
| U   | (4A)     | VIOLET | 18 GA. | S4-2 |         | 408-4002-061 |
| V   | (5A)     | BLACK  | 18 GA. | S5-2 |         | 408-4002-061 |

1 : 408-4002-060  
1 : 408-4001-019

J2(B)

| PIN | WIRE NO. | Color  | Size   | TO   | PIN NO. | Wire         |
|-----|----------|--------|--------|------|---------|--------------|
| A   |          |        |        |      |         | EMPTY        |
| B   |          |        |        |      |         | EMPTY        |
| C   |          |        |        |      |         | EMPTY        |
| D   |          |        |        |      |         | EMPTY        |
| E   |          |        |        |      |         | EMPTY        |
| F   | (6A)     | ORANGE | 18 GA. | J1-F |         | 408-4002-061 |
| G   |          |        |        |      |         | EMPTY        |
| H   | (7A)     | GRAY   | 18 GA. | J1-H |         | 408-4002-061 |
| J   | (8A)     | GREEN  | 18 GA. | J1-J |         | 408-4002-061 |
| K   | (9A)     | YELLOW | 18 GA. | J1-K |         | 408-4002-061 |
| L   | (10A)    | BROWN  | 18 GA. | J1-L |         | 408-4002-061 |
| M   | (11A)    | WHITE  | 18 GA. | J1-M |         | 408-4002-061 |
| N   | (1B)     | GREEN  | 18 GA. | S1-2 |         | 408-4002-061 |
| P   | (2B)     | YELLOW | 18 GA. | S2-2 |         | 408-4002-061 |
| R   | (3B)     | RED    | 18 GA. | S3-1 |         | 408-4002-061 |
| S   | (12A)    | GREEN  | 18 GA. | J1-S |         | 408-4002-061 |
| T   | (13A)    | YELLOW | 18 GA. | J1-T |         | 408-4002-061 |
| U   | (4B)     | VIOLET | 18 GA. | S4-1 |         | 408-4002-061 |
| V   | (5B)     | BLACK  | 18 GA. | S5-1 |         | 408-4002-061 |

1 : 408-4002-058  
1 : 408-4001-019



J3

| PIN | WIRE NO. | Color  | Size   | TO   | PIN NO. | Wire         |
|-----|----------|--------|--------|------|---------|--------------|
| A   |          |        |        |      |         | EMPTY        |
| B   |          |        |        |      |         | EMPTY        |
| C   |          |        |        |      |         | EMPTY        |
| D   |          |        |        |      |         | EMPTY        |
| E   |          |        |        |      |         | EMPTY        |
| F   |          |        |        |      |         | EMPTY        |
| G   |          |        |        |      |         | EMPTY        |
| H   |          |        |        |      |         | EMPTY        |
| J   |          |        |        |      |         | EMPTY        |
| K   |          |        |        |      |         | EMPTY        |
| L   |          |        |        |      |         | EMPTY        |
| M   |          |        |        |      |         | EMPTY        |
| N   | (1C)     | GREEN  | 18 GA. | S1-3 |         | 408-4002-061 |
| P   | (2C)     | YELLOW | 18 GA. | S2-3 |         | 408-4002-061 |
| R   | (3C)     | RED    | 18 GA. | S3-3 |         | 408-4002-061 |
| S   |          |        |        |      |         | EMPTY        |
| T   |          |        |        |      |         | EMPTY        |
| U   | (4C)     | VIOLET | 18 GA. | S4-3 |         | 408-4002-061 |
| V   | (5C)     | BLACK  | 18 GA. | S5-3 |         | 408-4002-061 |

1 : 408-4002-058  
1 : 408-4001-019



# ILLUSTRATED PARTS LIST

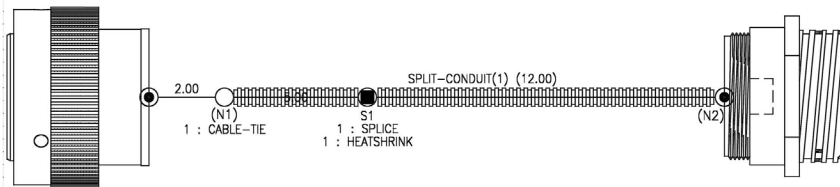
## Adapter Cable, 37 Pin Console To 47 Pin Product Port (632070)

| J1           |         |             |              |              |           |  |
|--------------|---------|-------------|--------------|--------------|-----------|--|
| PIN WIRE NO. | Color   | Size        | TO           | PIN NO.      | Multicore |  |
| 1            | (0010A) | BLACK       | 14 GA. J2-1  | 408-4001-318 |           |  |
| 2            | (0950A) | BLACK       | 18 GA. S1-2  | 408-4001-623 |           |  |
| 3            | (0950B) | BLACK       | 18 GA. S1-1  | 408-4001-623 |           |  |
| 4            | (0010B) | BLACK       | 14 GA. J2-2  | 408-4001-318 |           |  |
| 5            | (0062A) | RED         | 14 GA. J2-36 | 408-4001-318 |           |  |
| 6            | (0062B) | RED         | 14 GA. J2-37 | 408-4001-318 |           |  |
| 7            | (0956)  | BLACK/WHITE | 18 GA. J2-31 | 408-4001-623 |           |  |
| 8            | (0957)  | BLUE/WHITE  | 18 GA. J2-35 | 408-4001-623 |           |  |
| 9            |         |             | 408-4001-882 |              |           |  |
| 10           |         |             | 408-4001-882 |              |           |  |
| 11           |         |             | 408-4001-882 |              |           |  |
| 12           | (0966)  | GRAY        | 18 GA. J2-28 | 408-4001-623 |           |  |
| 13           | (0967)  | BROWN       | 18 GA. J2-23 | 408-4001-623 |           |  |
| 14           |         |             | 408-4001-882 |              |           |  |
| 15           |         |             | 408-4001-882 |              |           |  |
| 16           |         |             | 408-4001-882 |              |           |  |
| 17           |         |             | 408-4001-882 |              |           |  |
| 18           | (0947)  | BLACK/WHITE | 18 GA. J2-14 | 408-4001-623 |           |  |
| 19           | (0946)  | BLUE        | 18 GA. J2-24 | 408-4001-623 |           |  |
| 20           |         |             | 408-4001-882 |              |           |  |
| 21           |         |             | 408-4001-882 |              |           |  |
| 22           | (0963)  | RED         | 18 GA. J2-22 | 408-4001-623 |           |  |
| 23           | (0978)  | BLUE/WHITE  | 18 GA. J2-15 | 408-4001-623 |           |  |
| 24           | (0977)  | BROWN/WHITE | 18 GA. J2-16 | 408-4001-623 |           |  |
| 25           |         |             | 408-4001-882 |              |           |  |
| 26           |         |             | 408-4001-882 |              |           |  |
| 27           | (0976)  | WHITE/BLUE  | 18 GA. J2-19 | 408-4001-623 |           |  |
| 28           | (0958)  | VIOLET      | 18 GA. J2-10 | 408-4001-623 |           |  |
| 29           | (0995)  | GRAY        | 18 GA. J2-26 | 408-4001-623 |           |  |
| 30           | (0996)  | BROWN       | 18 GA. J2-27 | 408-4001-623 |           |  |
| 31           |         |             | 408-4001-882 |              |           |  |
| 32           | (0972)  | RED/WHITE   | 18 GA. J2-30 | 408-4001-623 |           |  |
| 33           | (0962)  | RED         | 18 GA. J2-34 | 408-4001-623 |           |  |
| 34           | (0960)  | BLACK       | 18 GA. J2-21 | 408-4001-318 |           |  |
| 35           |         |             | 408-4001-882 |              |           |  |
| 36           | (0981)  | GRAY        | 18 GA. J2-4  | 408-4001-623 |           |  |
| 37           | (0983)  | BROWN       | 18 GA. J2-5  | 408-4001-623 |           |  |
| 38           | (0984)  | BLUE        | 18 GA. J2-6  | 408-4001-623 |           |  |
| 39           | (0985)  | BLACK/WHITE | 18 GA. J2-7  | 408-4001-623 |           |  |
| 40           | (0986)  | BROWN/WHITE | 18 GA. J2-8  | 408-4001-623 |           |  |
| 41           | (0987)  | BLUE/WHITE  | 18 GA. J2-9  | 408-4001-623 |           |  |
| 42           | (0988)  | WHITE/BLACK | 18 GA. J2-0  | 408-4001-623 |           |  |
| 43           | (0991)  | WHITE/BROWN | 18 GA. J2-11 | 408-4001-623 |           |  |
| 44           | (0993)  | WHITE/BLUE  | 18 GA. J2-12 | 408-4001-623 |           |  |
| 45           | (0994)  | VIOLET      | 18 GA. J2-13 | 408-4001-623 |           |  |
| 46           | (0944)  | WHITE/BLACK | 18 GA. J2-17 | 408-4001-623 |           |  |
| 47           | (0945)  | WHITE/BROWN | 18 GA. J2-18 | 408-4001-623 |           |  |

1 : 408-4002-133  
1 : 408-4001-803  
1 : CABLE-TIE

| J2           |         |             |              |              |           |  |
|--------------|---------|-------------|--------------|--------------|-----------|--|
| PIN WIRE NO. | Color   | Size        | TO           | PIN NO.      | Multicore |  |
| 1            | (0010A) | BLACK       | 14 GA. J1-1  | 408-4001-182 |           |  |
| 2            | (0010B) | BLACK       | 14 GA. J1-4  | 408-4001-182 |           |  |
| 3            |         |             |              |              |           |  |
| 4            | (0981)  | GRAY        | 18 GA. J1-36 | 408-4001-182 |           |  |
| 5            | (0983)  | BROWN       | 18 GA. J1-37 | 408-4001-182 |           |  |
| 6            | (0984)  | BLUE        | 18 GA. J1-38 | 408-4001-182 |           |  |
| 7            | (0985)  | BLACK/WHITE | 18 GA. J1-39 | 408-4001-182 |           |  |
| 8            | (0986)  | BROWN/WHITE | 18 GA. J1-40 | 408-4001-182 |           |  |
| 9            | (0987)  | BLUE/WHITE  | 18 GA. J1-41 | 408-4001-182 |           |  |
| 10           | (0988)  | WHITE/BLACK | 18 GA. J1-42 | 408-4001-182 |           |  |
| 11           | (0991)  | WHITE/BROWN | 18 GA. J1-43 | 408-4001-182 |           |  |
| 12           | (0993)  | WHITE/BLUE  | 18 GA. J1-44 | 408-4001-182 |           |  |
| 13           | (0994)  | VIOLET      | 18 GA. J1-45 | 408-4001-182 |           |  |
| 14           | (0947)  | BLACK/WHITE | 18 GA. J1-18 | 408-4001-182 |           |  |
| 15           | (0978)  | BLUE/WHITE  | 18 GA. J1-23 | 408-4001-182 |           |  |
| 16           | (0977)  | BROWN/WHITE | 18 GA. J1-24 | 408-4001-182 |           |  |
| 17           | (0944)  | WHITE/BLACK | 18 GA. J1-46 | 408-4001-182 |           |  |
| 18           | (0945)  | WHITE/BROWN | 18 GA. J1-47 | 408-4001-182 |           |  |
| 19           | (0976)  | WHITE/BLUE  | 18 GA. J1-27 | 408-4001-182 |           |  |
| 20           | (0958)  | VIOLET      | 18 GA. J1-28 | 408-4001-182 |           |  |
| 21           | (0960)  | BLACK       | 18 GA. J1-34 | 408-4001-182 |           |  |
| 22           | (0963)  | RED         | 18 GA. J1-22 | 408-4001-182 |           |  |
| 23           | (0967)  | BROWN       | 18 GA. J1-13 | 408-4001-182 |           |  |
| 24           | (0946)  | BLUE        | 18 GA. J1-19 | 408-4001-182 |           |  |
| 25           |         |             |              |              |           |  |
| 26           | (0995)  | GRAY        | 18 GA. J1-29 | 408-4001-182 |           |  |
| 27           | (0996)  | BROWN       | 18 GA. J1-30 | 408-4001-182 |           |  |
| 28           | (0966)  | GRAY        | 18 GA. J1-12 | 408-4001-182 |           |  |
| 29           | (0950C) | BLACK       | 18 GA. S1-3  | 408-4001-182 |           |  |
| 30           | (0972)  | RED/WHITE   | 18 GA. J1-32 | 408-4001-182 |           |  |
| 31           | (0956)  | BLACK/WHITE | 18 GA. J1-7  | 408-4001-182 |           |  |
| 32           |         |             |              |              |           |  |
| 33           |         |             |              |              |           |  |
| 34           | (0962)  | RED         | 18 GA. J1-33 | 408-4001-182 |           |  |
| 35           | (0957)  | BLUE/WHITE  | 18 GA. J1-8  | 408-4001-182 |           |  |
| 36           | (0062A) | RED         | 14 GA. J1-5  | 408-4001-182 |           |  |
| 37           | (0062B) | RED         | 14 GA. J1-6  | 408-4001-182 |           |  |

1 : 408-4001-563  
1 : 408-4001-037  
1 : PERIPHERAL SEAL GREASE  
1 : 408-4001-036  
1 : ENCAPSULATE-POTTING



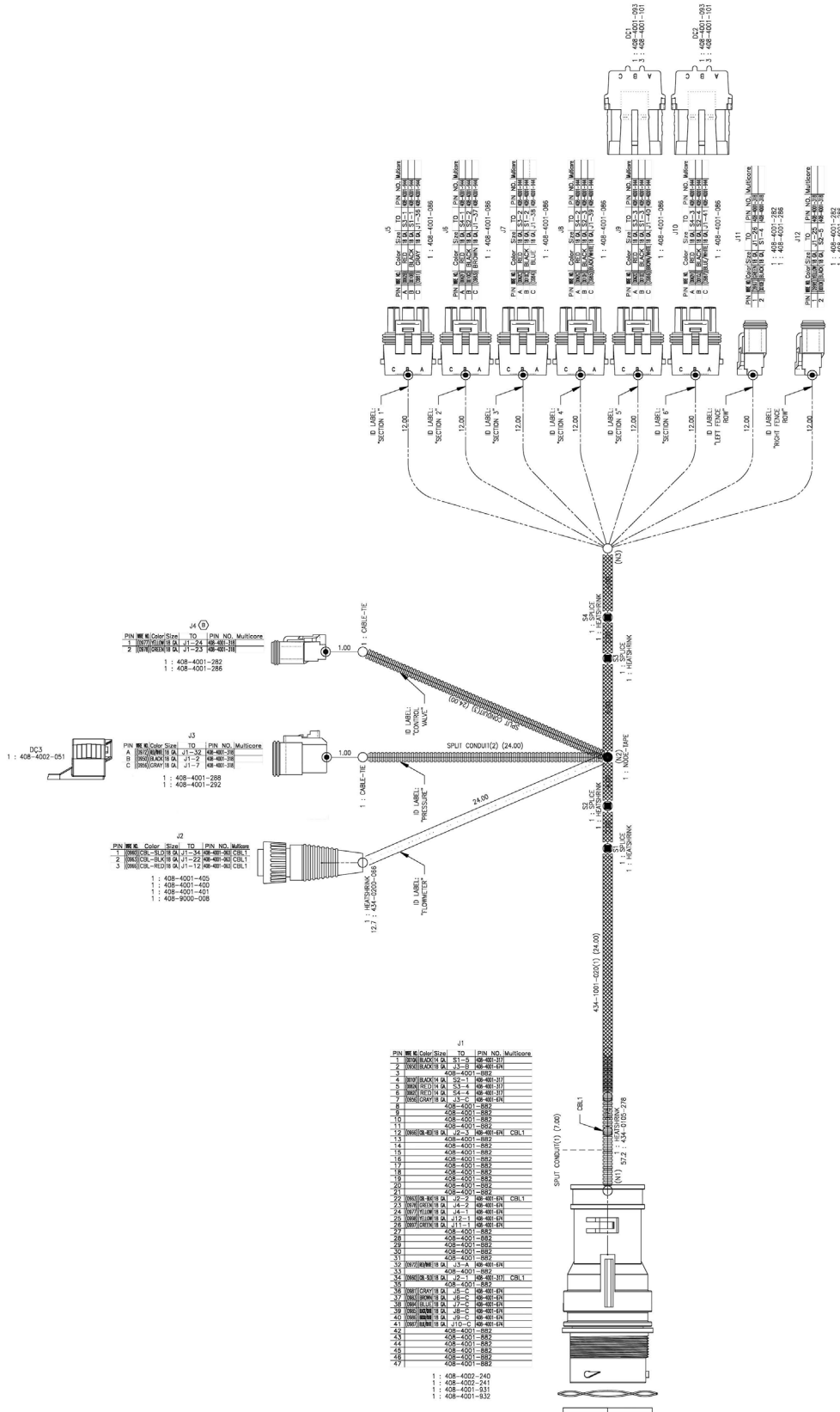
|           |  |       |
|-----------|--|-------|
| J1 5 • )  | (0062A) RED 14 GA. (HC PWR)                    | J2 36 |
| J1 6 • )  | (0062B) RED 14 GA. (HC PWR)                    | J2 37 |
| J1 1 • )  | (0010A) BLACK 14 GA. (HC GND)                  | J2 1  |
| J1 4 • )  | (0010B) BLACK 14 GA. (HC GND)                  | J2 2  |
| J1 2 • )  | (0950A) BLACK 18 GA. (SENSOR RTN)              | J2 29 |
| J1 3 • )  | (0950B) BLACK 18 GA. (SENSOR RTN)              |       |
| J1 32 • ) | (0972) RED/WHITE 18 GA. (SNSR 8/10/12V PWR)    | J2 30 |
| J1 36 • ) | (0981) GRAY 18 GA. (DRIVER 1)                  | J2 4  |
| J1 37 • ) | (0983) BROWN 18 GA. (DRIVER 2)                 | J2 5  |
| J1 38 • ) | (0984) BLUE 18 GA. (DRIVER 3/INPUT 22)         | J2 6  |
| J1 39 • ) | (0985) BLACK/WHITE 18 GA. (DRIVER 4/INPUT 12)  | J2 7  |
| J1 40 • ) | (0986) BROWN/WHITE 18 GA. (DRIVER 5)           | J2 8  |
| J1 41 • ) | (0987) BLUE/WHITE 18 GA. (DRIVER 6)            | J2 9  |
| J1 42 • ) | (0988) WHITE/BLACK 18 GA. (DRIVER 7/INPUT 21)  | J2 10 |
| J1 43 • ) | (0991) WHITE/BROWN 18 GA. (DRIVER 8/INPUT 10)  | J2 11 |
| J1 44 • ) | (0993) WHITE/BLUE 18 GA. (DRIVER 9)            | J2 12 |
| J1 45 • ) | (0994) VIOLET 18 GA. (DRIVER 10)               | J2 13 |
| J1 29 • ) | (0995) GRAY 18 GA. (DRIVER 11)                 | J2 26 |
| J1 30 • ) | (0996) BROWN 18 GA. (DRIVER 12)                | J2 27 |
| J1 12 • ) | (0966) GRAY 18 GA. (INPUT 1)                   | J2 28 |
| J1 13 • ) | (0967) BROWN 18 GA. (INPUT 2)                  | J2 23 |
| J1 7 • )  | (0956) BLACK/WHITE 18 GA. (INPUT 14)           | J2 31 |
| J1 8 • )  | (0957) BLUE/WHITE 18 GA. (INPUT 16)            | J2 35 |
| J1 18 • ) | (0947) BLACK/WHITE 18 GA. (INPUT 24)           | J2 14 |
| J1 19 • ) | (0946) BLUE 18 GA. (INPUT 13)                  | J2 24 |
| J1 34 • ) | (0960) BLACK 18 GA. (SENSOR RTN)               | J2 21 |
| J1 24 • ) | (0977) BROWN/WHITE 18 GA. (DRIVER 15)          | J2 16 |
| J1 46 • ) | (0944) WHITE/BLACK 18 GA. (DRIVER 17/INPUT 19) | J2 17 |
| J1 47 • ) | (0945) WHITE/BROWN 18 GA. (DRIVER 18/INPUT 20) | J2 18 |
| J1 22 • ) | (0963) RED 16 GA. (SNSR 5V PWR)                | J2 22 |
| J1 23 • ) | (0978) BLUE/WHITE 18 GA. (DRIVER 16)           | J2 15 |
| J1 33 • ) | (0962) RED 18 GA. (SENSOR 12V PWR)             | J2 34 |
| J1 27 • ) | (0976) WHITE/BLUE 18 GA. (DRIVER 19/INPUT 8)   | J2 19 |
| J1 28 • ) | (0958) VIOLET 18 GA. (DRIVER 20/INPUT 6)       | J2 20 |





# ILLUSTRATED PARTS LIST

## Product Cable, 47 Pin, 6 Section, Liquid, FAST, Center Mount (632077)



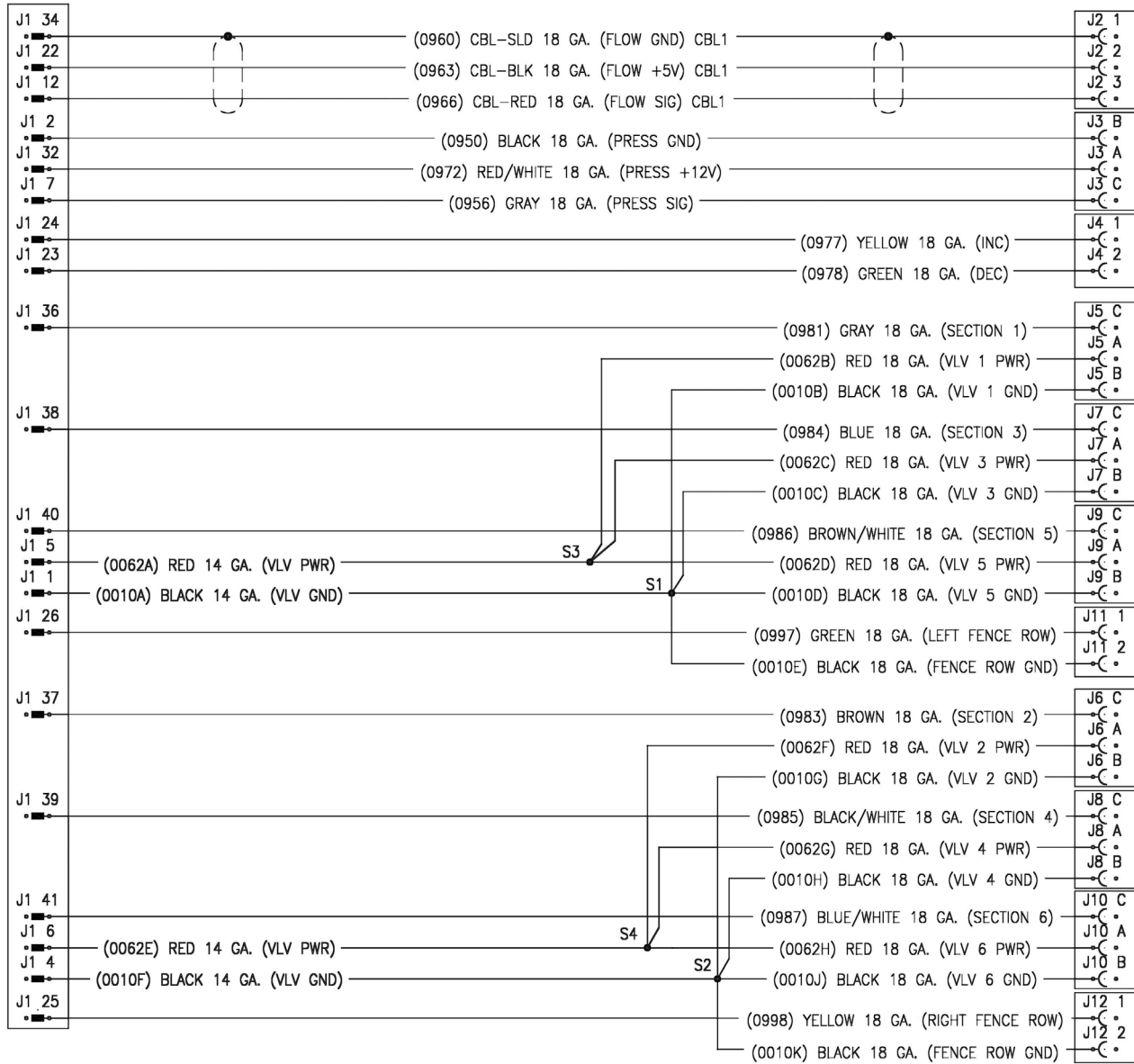
| J1  | Color/Size | TD | PN   | NO. | Multicores |
|-----|------------|----|------|-----|------------|
| 1   | RED/BLACK  | DA | S1   | 1   | 48-40-20   |
| 2   | RED/BLACK  | DA | S1   | 1   | 48-40-20   |
| 3   | RED/BLACK  | DA | S1   | 1   | 48-40-20   |
| 4   | RED/BLACK  | DA | S2   | 1   | 48-40-20   |
| 5   | RED/BLACK  | DA | S3   | 1   | 48-40-20   |
| 6   | RED/BLACK  | DA | S4   | 4   | 48-40-20   |
| 7   | RED/BLACK  | DA | S5   | 4   | 48-40-20   |
| 8   | RED/BLACK  | DA | S6   | 4   | 48-40-20   |
| 9   | RED/BLACK  | DA | S7   | 4   | 48-40-20   |
| 10  | RED/BLACK  | DA | S8   | 4   | 48-40-20   |
| 11  | RED/BLACK  | DA | S9   | 4   | 48-40-20   |
| 12  | RED/BLACK  | DA | S10  | 4   | 48-40-20   |
| 13  | RED/BLACK  | DA | S11  | 4   | 48-40-20   |
| 14  | RED/BLACK  | DA | S12  | 4   | 48-40-20   |
| 15  | RED/BLACK  | DA | S13  | 4   | 48-40-20   |
| 16  | RED/BLACK  | DA | S14  | 4   | 48-40-20   |
| 17  | RED/BLACK  | DA | S15  | 4   | 48-40-20   |
| 18  | RED/BLACK  | DA | S16  | 4   | 48-40-20   |
| 19  | RED/BLACK  | DA | S17  | 4   | 48-40-20   |
| 20  | RED/BLACK  | DA | S18  | 4   | 48-40-20   |
| 21  | RED/BLACK  | DA | S19  | 4   | 48-40-20   |
| 22  | RED/BLACK  | DA | S20  | 4   | 48-40-20   |
| 23  | RED/BLACK  | DA | S21  | 4   | 48-40-20   |
| 24  | RED/BLACK  | DA | S22  | 4   | 48-40-20   |
| 25  | RED/BLACK  | DA | S23  | 4   | 48-40-20   |
| 26  | RED/BLACK  | DA | S24  | 4   | 48-40-20   |
| 27  | RED/BLACK  | DA | S25  | 4   | 48-40-20   |
| 28  | RED/BLACK  | DA | S26  | 4   | 48-40-20   |
| 29  | RED/BLACK  | DA | S27  | 4   | 48-40-20   |
| 30  | RED/BLACK  | DA | S28  | 4   | 48-40-20   |
| 31  | RED/BLACK  | DA | S29  | 4   | 48-40-20   |
| 32  | RED/BLACK  | DA | S30  | 4   | 48-40-20   |
| 33  | RED/BLACK  | DA | S31  | 4   | 48-40-20   |
| 34  | RED/BLACK  | DA | S32  | 4   | 48-40-20   |
| 35  | RED/BLACK  | DA | S33  | 4   | 48-40-20   |
| 36  | RED/BLACK  | DA | S34  | 4   | 48-40-20   |
| 37  | RED/BLACK  | DA | S35  | 4   | 48-40-20   |
| 38  | RED/BLACK  | DA | S36  | 4   | 48-40-20   |
| 39  | RED/BLACK  | DA | S37  | 4   | 48-40-20   |
| 40  | RED/BLACK  | DA | S38  | 4   | 48-40-20   |
| 41  | RED/BLACK  | DA | S39  | 4   | 48-40-20   |
| 42  | RED/BLACK  | DA | S40  | 4   | 48-40-20   |
| 43  | RED/BLACK  | DA | S41  | 4   | 48-40-20   |
| 44  | RED/BLACK  | DA | S42  | 4   | 48-40-20   |
| 45  | RED/BLACK  | DA | S43  | 4   | 48-40-20   |
| 46  | RED/BLACK  | DA | S44  | 4   | 48-40-20   |
| 47  | RED/BLACK  | DA | S45  | 4   | 48-40-20   |
| 48  | RED/BLACK  | DA | S46  | 4   | 48-40-20   |
| 49  | RED/BLACK  | DA | S47  | 4   | 48-40-20   |
| 50  | RED/BLACK  | DA | S48  | 4   | 48-40-20   |
| 51  | RED/BLACK  | DA | S49  | 4   | 48-40-20   |
| 52  | RED/BLACK  | DA | S50  | 4   | 48-40-20   |
| 53  | RED/BLACK  | DA | S51  | 4   | 48-40-20   |
| 54  | RED/BLACK  | DA | S52  | 4   | 48-40-20   |
| 55  | RED/BLACK  | DA | S53  | 4   | 48-40-20   |
| 56  | RED/BLACK  | DA | S54  | 4   | 48-40-20   |
| 57  | RED/BLACK  | DA | S55  | 4   | 48-40-20   |
| 58  | RED/BLACK  | DA | S56  | 4   | 48-40-20   |
| 59  | RED/BLACK  | DA | S57  | 4   | 48-40-20   |
| 60  | RED/BLACK  | DA | S58  | 4   | 48-40-20   |
| 61  | RED/BLACK  | DA | S59  | 4   | 48-40-20   |
| 62  | RED/BLACK  | DA | S60  | 4   | 48-40-20   |
| 63  | RED/BLACK  | DA | S61  | 4   | 48-40-20   |
| 64  | RED/BLACK  | DA | S62  | 4   | 48-40-20   |
| 65  | RED/BLACK  | DA | S63  | 4   | 48-40-20   |
| 66  | RED/BLACK  | DA | S64  | 4   | 48-40-20   |
| 67  | RED/BLACK  | DA | S65  | 4   | 48-40-20   |
| 68  | RED/BLACK  | DA | S66  | 4   | 48-40-20   |
| 69  | RED/BLACK  | DA | S67  | 4   | 48-40-20   |
| 70  | RED/BLACK  | DA | S68  | 4   | 48-40-20   |
| 71  | RED/BLACK  | DA | S69  | 4   | 48-40-20   |
| 72  | RED/BLACK  | DA | S70  | 4   | 48-40-20   |
| 73  | RED/BLACK  | DA | S71  | 4   | 48-40-20   |
| 74  | RED/BLACK  | DA | S72  | 4   | 48-40-20   |
| 75  | RED/BLACK  | DA | S73  | 4   | 48-40-20   |
| 76  | RED/BLACK  | DA | S74  | 4   | 48-40-20   |
| 77  | RED/BLACK  | DA | S75  | 4   | 48-40-20   |
| 78  | RED/BLACK  | DA | S76  | 4   | 48-40-20   |
| 79  | RED/BLACK  | DA | S77  | 4   | 48-40-20   |
| 80  | RED/BLACK  | DA | S78  | 4   | 48-40-20   |
| 81  | RED/BLACK  | DA | S79  | 4   | 48-40-20   |
| 82  | RED/BLACK  | DA | S80  | 4   | 48-40-20   |
| 83  | RED/BLACK  | DA | S81  | 4   | 48-40-20   |
| 84  | RED/BLACK  | DA | S82  | 4   | 48-40-20   |
| 85  | RED/BLACK  | DA | S83  | 4   | 48-40-20   |
| 86  | RED/BLACK  | DA | S84  | 4   | 48-40-20   |
| 87  | RED/BLACK  | DA | S85  | 4   | 48-40-20   |
| 88  | RED/BLACK  | DA | S86  | 4   | 48-40-20   |
| 89  | RED/BLACK  | DA | S87  | 4   | 48-40-20   |
| 90  | RED/BLACK  | DA | S88  | 4   | 48-40-20   |
| 91  | RED/BLACK  | DA | S89  | 4   | 48-40-20   |
| 92  | RED/BLACK  | DA | S90  | 4   | 48-40-20   |
| 93  | RED/BLACK  | DA | S91  | 4   | 48-40-20   |
| 94  | RED/BLACK  | DA | S92  | 4   | 48-40-20   |
| 95  | RED/BLACK  | DA | S93  | 4   | 48-40-20   |
| 96  | RED/BLACK  | DA | S94  | 4   | 48-40-20   |
| 97  | RED/BLACK  | DA | S95  | 4   | 48-40-20   |
| 98  | RED/BLACK  | DA | S96  | 4   | 48-40-20   |
| 99  | RED/BLACK  | DA | S97  | 4   | 48-40-20   |
| 100 | RED/BLACK  | DA | S98  | 4   | 48-40-20   |
| 101 | RED/BLACK  | DA | S99  | 4   | 48-40-20   |
| 102 | RED/BLACK  | DA | S100 | 4   | 48-40-20   |





# ILLUSTRATED PARTS LIST

## Product Cable, 47 Pin, 6 Section, Liquid, FAST, Center Mount (632077)

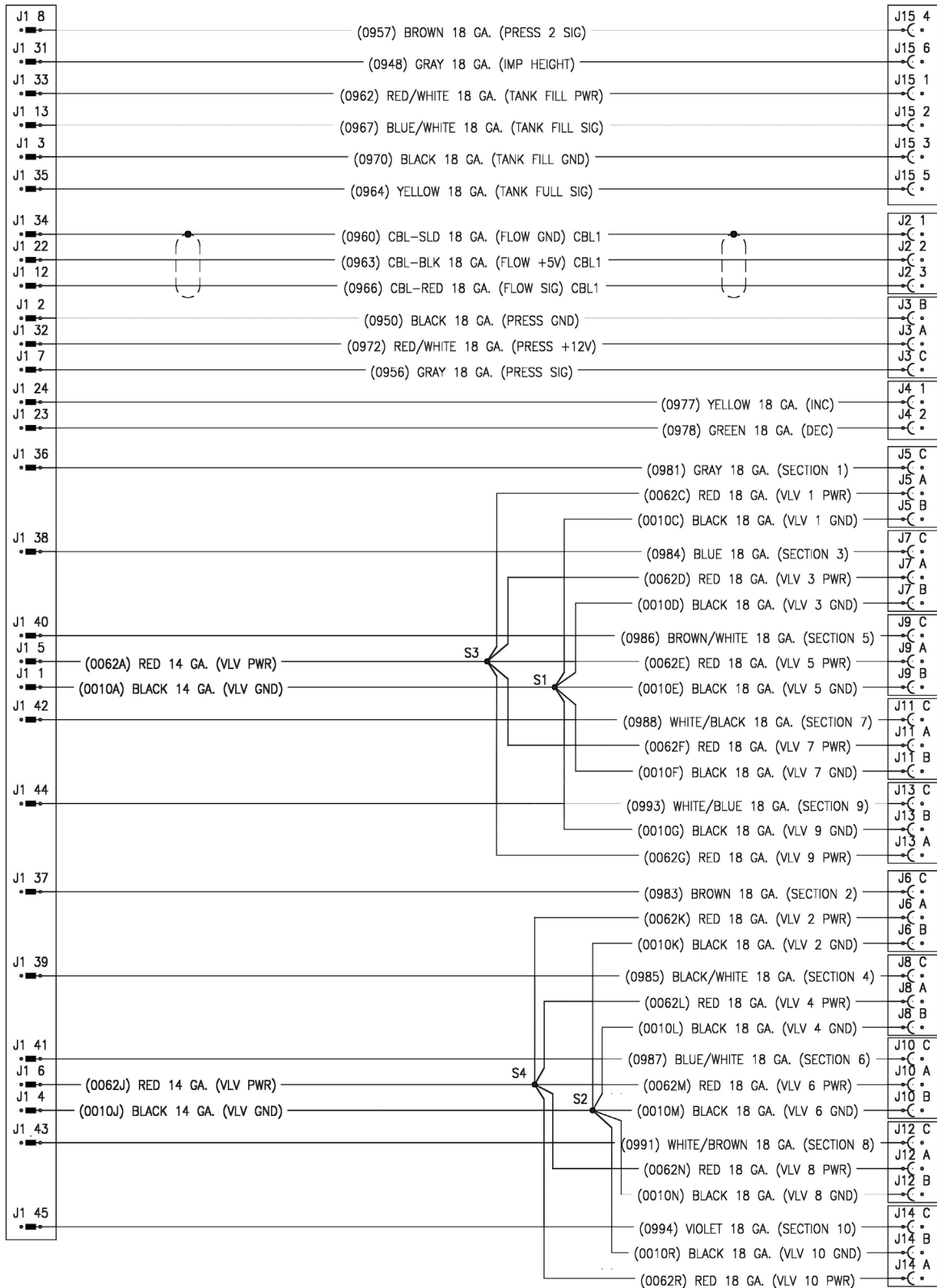






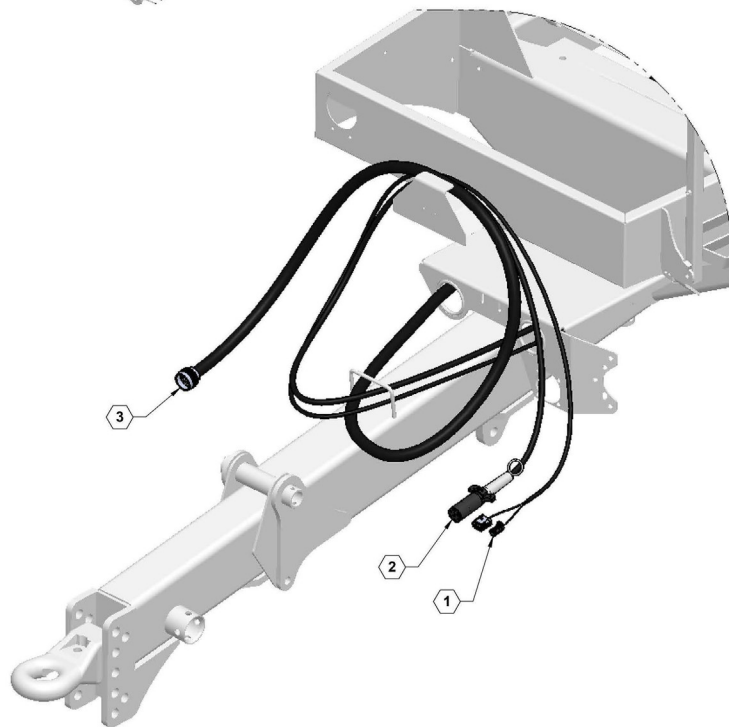
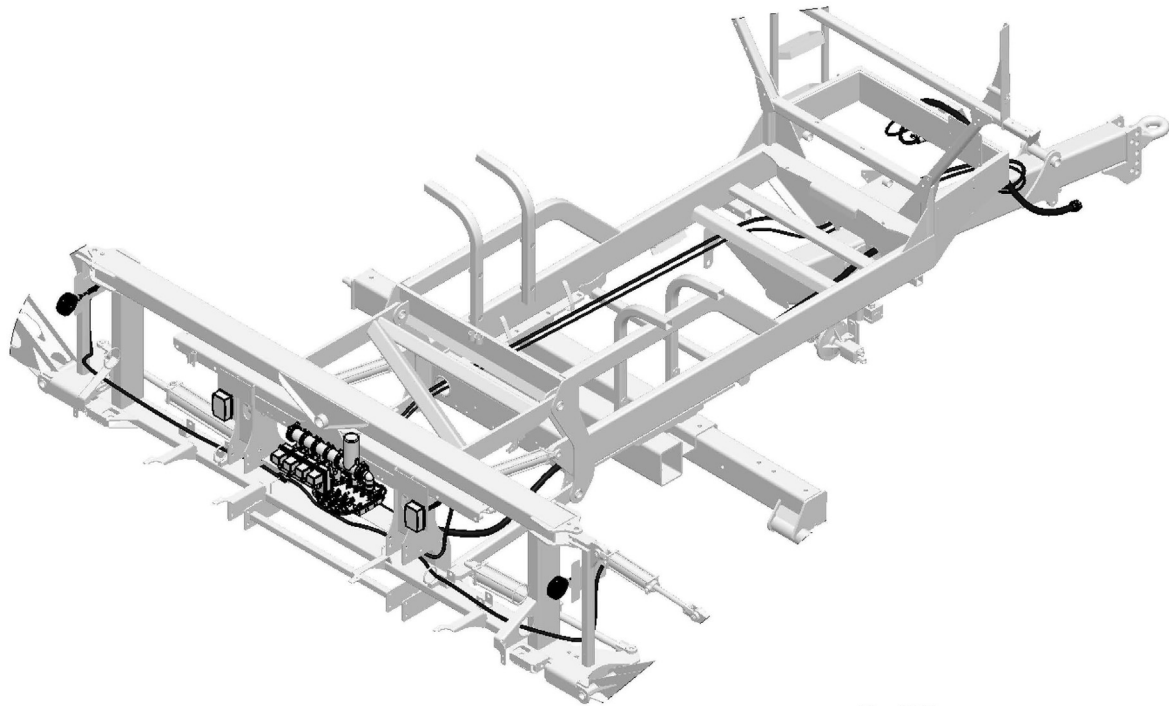
# ILLUSTRATED PARTS LIST

## Product Cable, 47 Pin, 10 Section, Liquid, FAST 6'(632078)



## 9613 Harness Identification & Location

9613TF-80 HARNESS I.D. & LOCATION





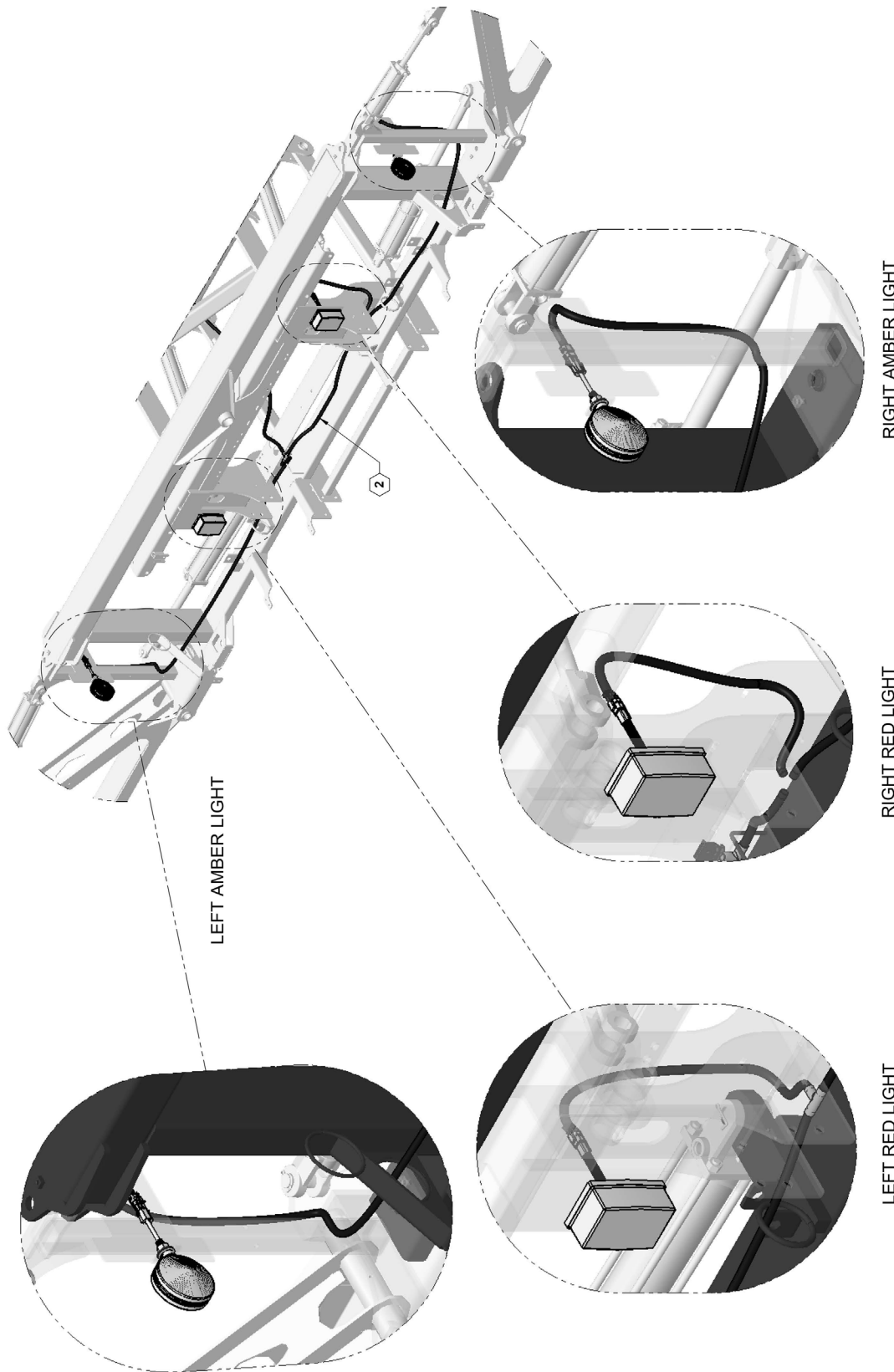
## ILLUSTRATED PARTS LIST

### 9613 Harness Identification & Location Parts List

| ITEM | PART NO. | QTY. | DESCRIPTION                         |
|------|----------|------|-------------------------------------|
| 1    | 319-668  | 1    | FOLD HARNESS, 60' - 66' BOOMS       |
| 1    | 319-724  | 1    | FOLD HARNESS, 80', 90' & 100' BOOMS |
| 2    | 740035   | 1    | LIGHTING HARNESS                    |

### Lighting Harness Routing

LIGHTING HARNESS



LEFT AMBER LIGHT

RIGHT AMBER LIGHT

RIGHT RED LIGHT

LEFT RED LIGHT



## ILLUSTRATED PARTS LIST

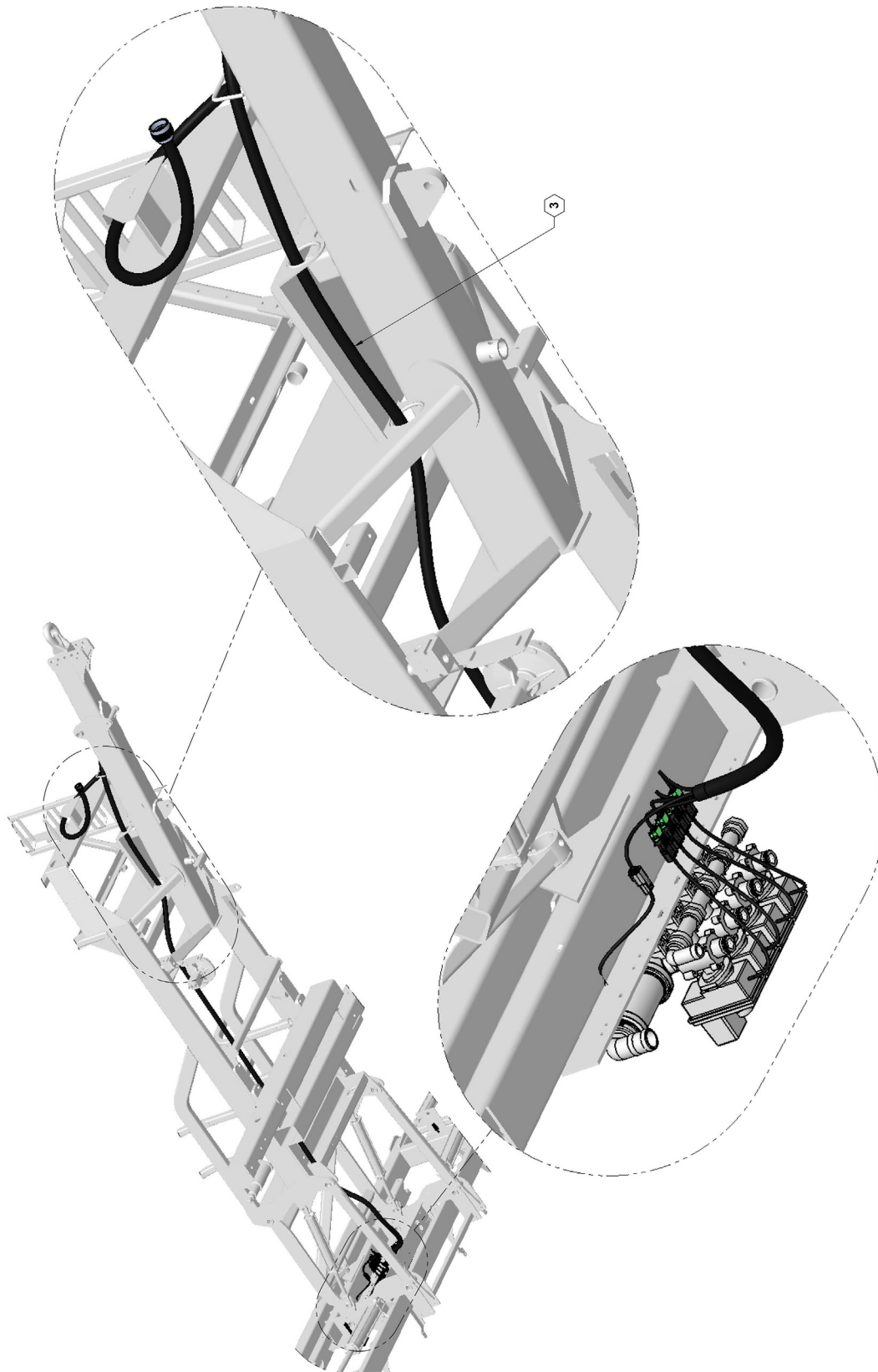
### Lighting Harness Routing Parts List

| ITEM | PART NO. | QTY. | DESCRIPTION                         |
|------|----------|------|-------------------------------------|
| 1    | 319-668  | 1    | FOLD HARNESS, 60' - 66' BOOMS       |
| 1    | 319-724  | 1    | FOLD HARNESS, 80', 90' & 100' BOOMS |
| 2    | 740035   | 1    | LIGHTING HARNESS                    |



**Product Control Harness Routing**

PRODUCT CONTROL HARNESS







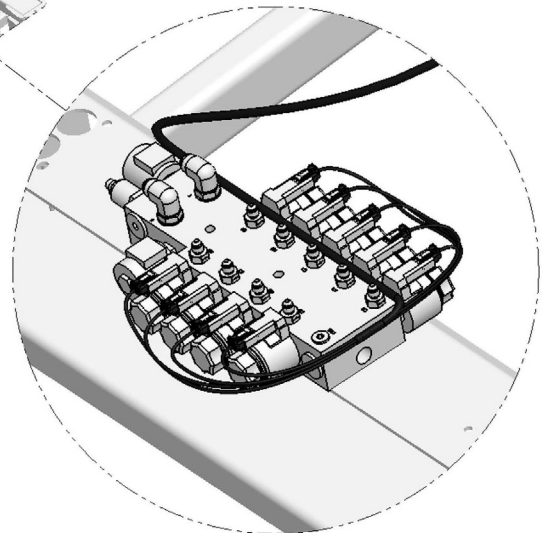
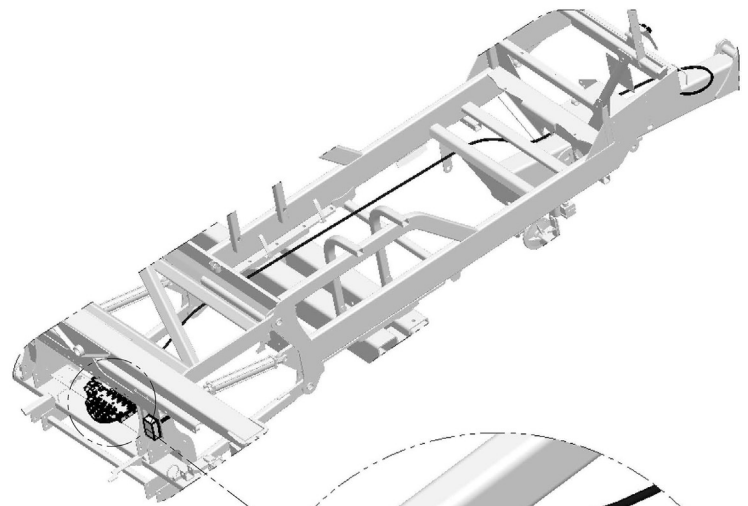
## ILLUSTRATED PARTS LIST

### Product Control Harness Routing Parts List

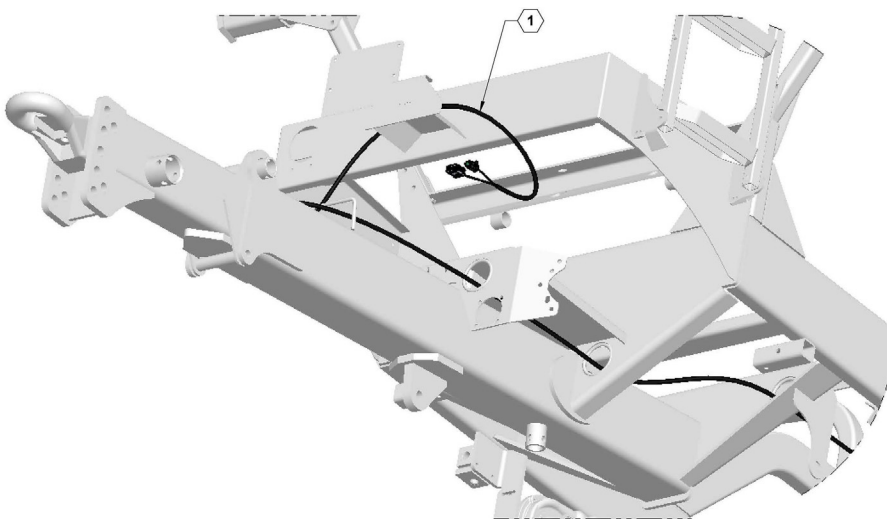
| ITEM | PART NO. | QTY. | DESCRIPTION                         |
|------|----------|------|-------------------------------------|
| 1    | 319-668  | 1    | FOLD HARNESS, 60' - 66' BOOMS       |
| 1    | 319-724  | 1    | FOLD HARNESS, 80', 90' & 100' BOOMS |
| 2    | 740035   | 1    | LIGHTING HARNESS                    |

## Fold Harness Routing

FOLD HARNESS



FOLD BLOCK





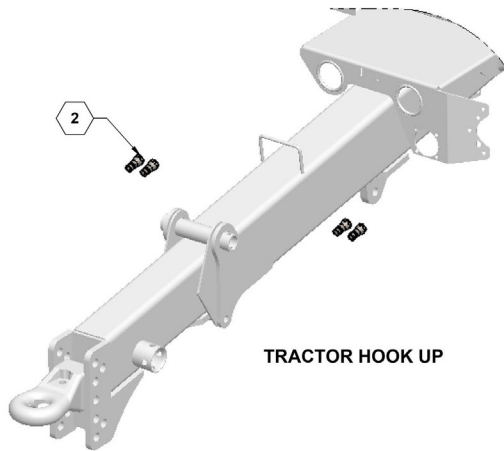
## ILLUSTRATED PARTS LIST

### Fold Harness Routing Parts List

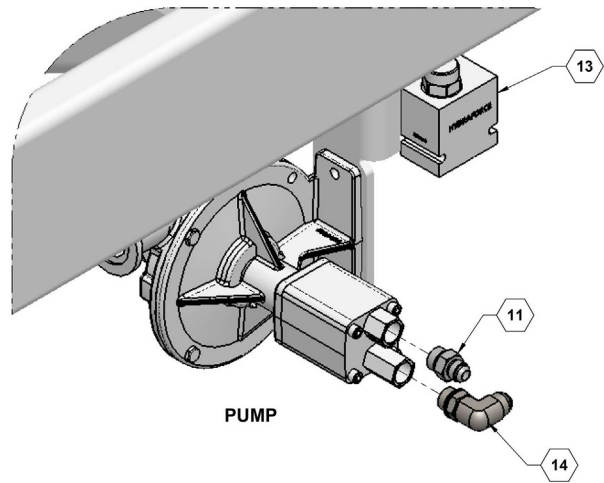
| ITEM | PART NO. | QTY. | DESCRIPTION                         |
|------|----------|------|-------------------------------------|
| 1    | 319-668  | 1    | FOLD HARNESS, 60' - 66' BOOMS       |
| 1    | 319-724  | 1    | FOLD HARNESS, 80', 90' & 100' BOOMS |
| 2    | 740035   | 1    | LIGHTING HARNESS                    |

## 9613TF-80 Hydraulic Fitting Locations

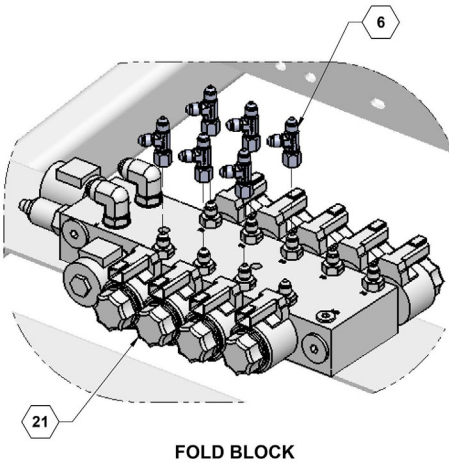
9613TF-80 FITTING I.D. & LOCATION



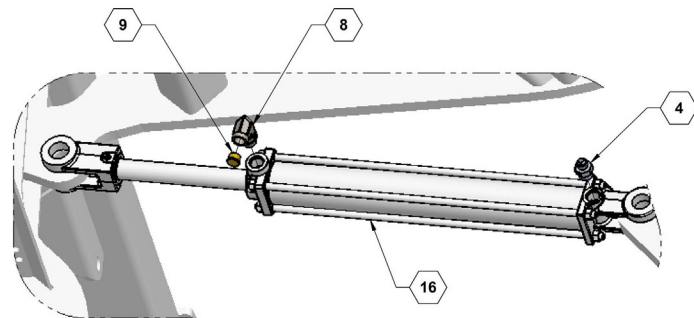
TRACTOR HOOK UP



PUMP



FOLD BLOCK



MAIN LIFT CYLINDERS



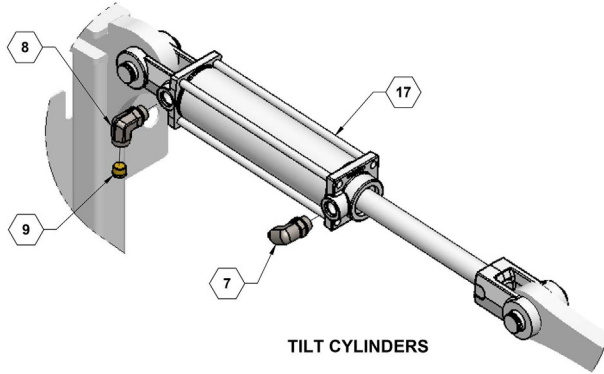
## ILLUSTRATED PARTS LIST

### 9613TF-80 Hydraulic Fitting Locations Parts List

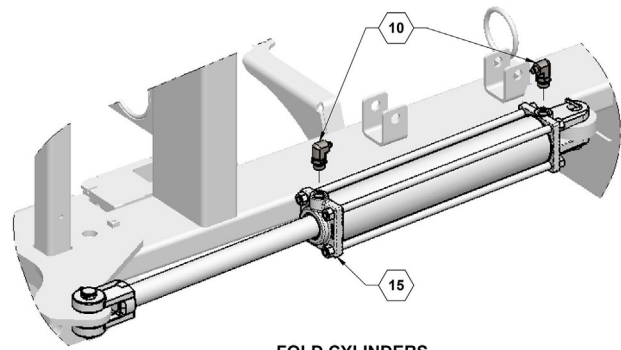
| ITEM | PART NO. | QTY. | DESCRIPTION                            |
|------|----------|------|--|
| 1    | 500000   | 1    | VALVE, BALL SAE#4 FEMALE PORT          |
| 2    | 520048   | 4    | PIONEER COUPLER #8 FORB                |
| 3    | 610007   | 1    | JIC #4 TO ORING #4                     |
| 4    | 610011   | 3    | JIC #6 TO ORING #8                     |
| 5    | 610027   | 2    | JIC #6 RUN TEE                         |
| 6    | 610028   | 6    | #4 SWIVEL RUN TEE                      |
| 7    | 610030   | 2    | JIC #6 TO ORING #8 90 DEG              |
| 8    | 610035   | 4    | ORING #8 TO 3/8" PIPE 90 DEG           |
| 9    | 610036   | 4    | PLUG 3/8-18 BREATHER VENT              |
| 10   | 610040   | 12   | JIC RESTRICTED .045 #4 X O-R #8 90 DEG |
| 11   | 610060   | 1    | JIC #8 TO ORING #10                    |
| 12   | 610079   | 1    | CONNECTOR #4ORB X #6JIC                |
| 13   | 610099   | 1    | VALVE, FLOW CONTROL, P.C.              |
| 14   | 610102   | 1    | JIC #10 TO O-RING #10 ELBOW 90°        |
| 15   | 620006   | 2    | CYLINDER, 30TD16-150 FOLD              |
| 16   | 620019   | 2    | CYLINDER, 20TD16-112 MAIN LIFT         |
| 17   | 620023   | 2    | CYLINDER, 25TD08-112 WING TILT         |
| 18   | 620034   | 2    | CYLINDER, 2X10 SWING WING              |
| 19   | 620057   | 2    | CYLINDER, 30THC16.00-150 FLIP WING     |
| 20   | 630002   | 1    | 21 CU IN ACCUMULATOR                   |
| 21   | 630011   | 1    | HYDRAULIC BLOCK 6-STA. 9610E-9612E     |

## 9613TF-80 Hydraulic Fitting Locations

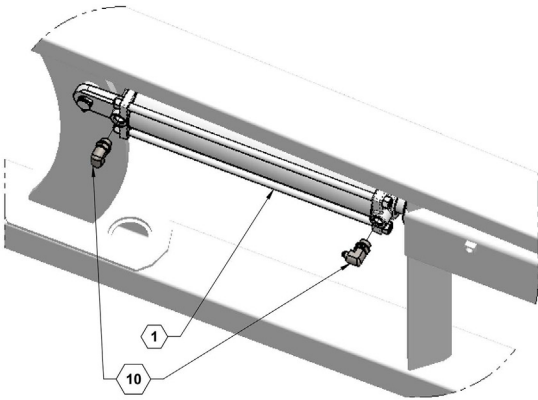
9613TF-80 FITTING I.D. & LOCATION CONTINUED



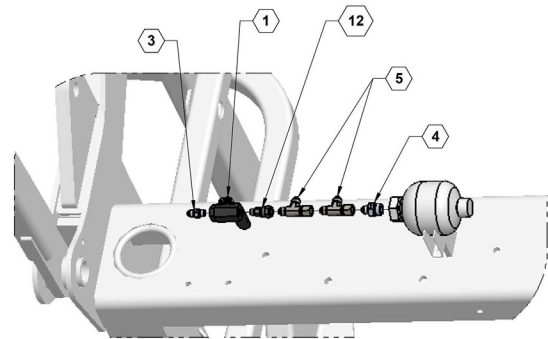
TILT CYLINDERS



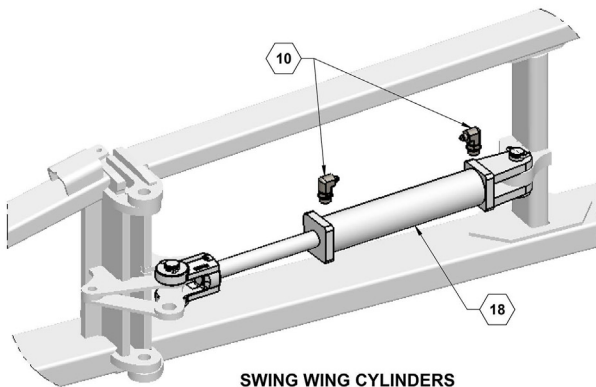
FOLD CYLINDERS



FLIP WING CYLINDERS



ACCUMULATOR



SWING WING CYLINDERS



## ILLUSTRATED PARTS LIST

### 9613TF-80 Hydraulic Fitting Locations Parts List

| ITEM | PART NO. | QTY. | DESCRIPTION                            |
|------|----------|------|--|
| 1    | 500000   | 1    | VALVE, BALL SAE#4 FEMALE PORT          |
| 2    | 520048   | 4    | PIONEER COUPLER #8 FORB                |
| 3    | 610007   | 1    | JIC #4 TO ORING #4                     |
| 4    | 610011   | 3    | JIC #6 TO ORING #8                     |
| 5    | 610027   | 2    | JIC #6 RUN TEE                         |
| 6    | 610028   | 6    | #4 SWIVEL RUN TEE                      |
| 7    | 610030   | 2    | JIC #6 TO ORING #8 90 DEG              |
| 8    | 610035   | 4    | ORING #8 TO 3/8" PIPE 90 DEG           |
| 9    | 610036   | 4    | PLUG 3/8-18 BREATHER VENT              |
| 10   | 610040   | 12   | JIC RESTRICTED .045 #4 X O-R #8 90 DEG |
| 11   | 610060   | 1    | JIC #8 TO ORING #10                    |
| 12   | 610079   | 1    | CONNECTOR #4ORB X #6JIC                |
| 13   | 610099   | 1    | VALVE, FLOW CONTROL, P.C.              |
| 14   | 610102   | 1    | JIC #10 TO O-RING #10 ELBOW 90°        |
| 15   | 620006   | 2    | CYLINDER, 30TD16-150 FOLD              |
| 16   | 620019   | 2    | CYLINDER, 20TD16-112 MAIN LIFT         |
| 17   | 620023   | 2    | CYLINDER, 25TD08-112 WING TILT         |
| 18   | 620034   | 2    | CYLINDER, 2X10 SWING WING              |
| 19   | 620057   | 2    | CYLINDER, 30THC16.00-150 FLIP WING     |
| 20   | 630002   | 1    | 21 CU IN ACCUMULATOR                   |
| 21   | 630011   | 1    | HYDRAULIC BLOCK 6-STA. 9610E-9612E     |

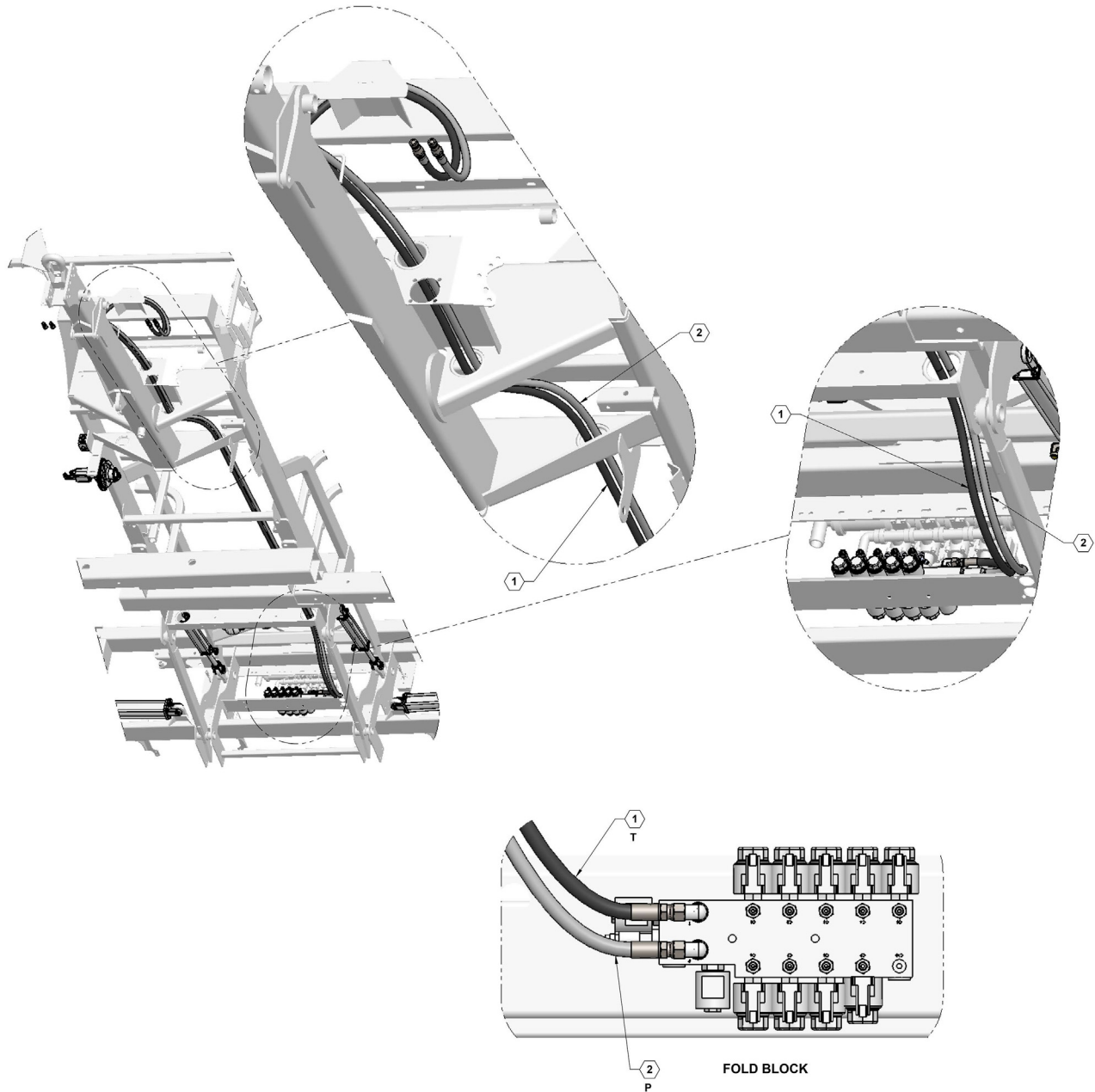


# ILLUSTRATED PARTS LIST

## Fold Block Hydraulic Hose Routing

FOLD BLOCK PRESSURE = BLACK HOSE  
FOLD BLOCK RETURN = GRAY HOSE

FOLD BLOCK HYDRAULIC HOSE ROUTING







## ILLUSTRATED PARTS LIST

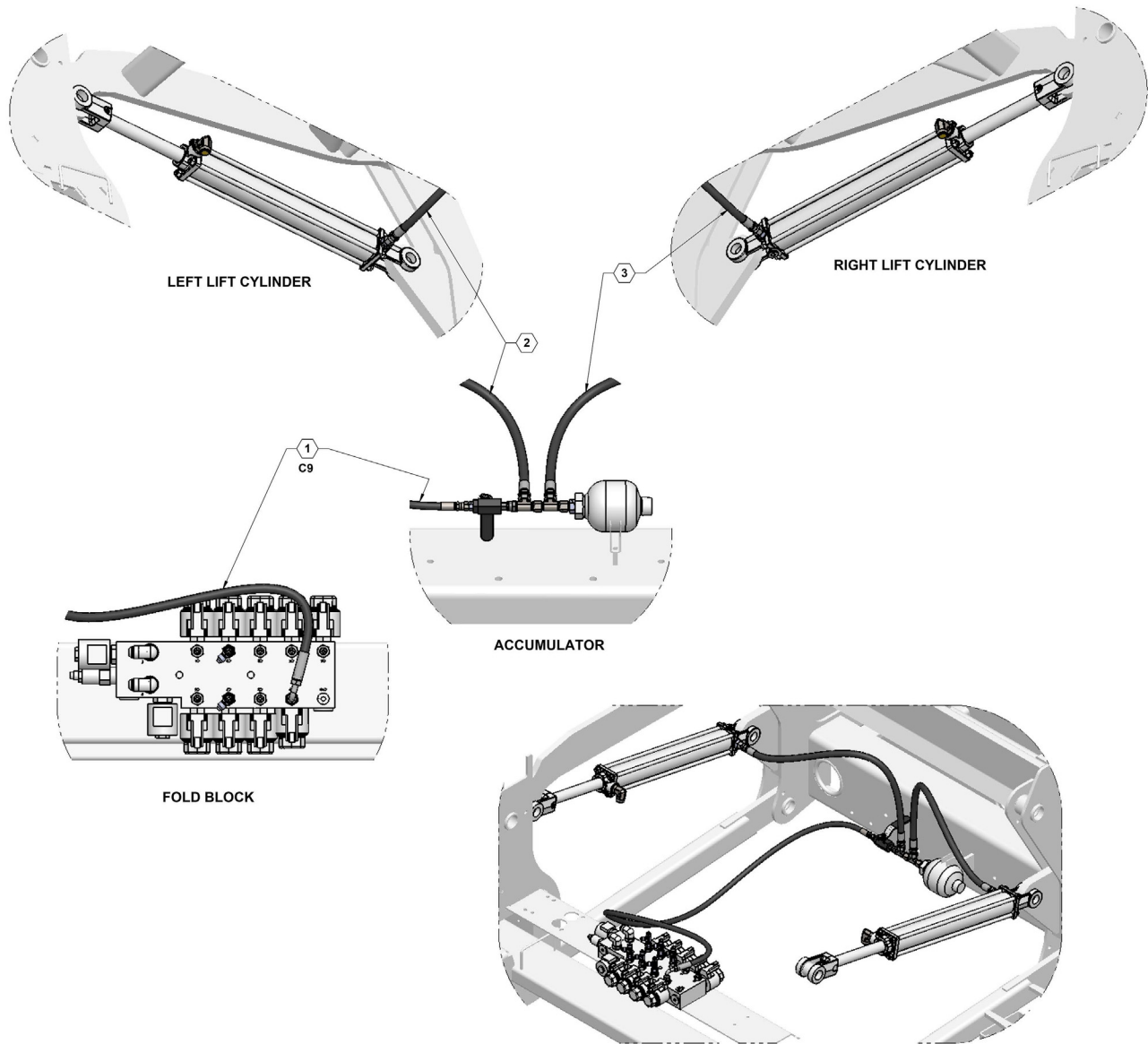
### Fold Block Hydraulic Hose Routing Parts List

| ITEM | PART NO.    | QTY. | DESCRIPTION                      |
|------|-------------|------|----------------------------------|
| 1    | 600040-1-ZN | 1    | HYDRAULIC HOSE, 08-8MOR-8FJX-302 |
| 2    | 600040-3-ZN | 1    | HYDRAULIC HOSE, 08-8MOR-8FJX-304 |

## Main Lift Hydraulic Hose Routing

MAIN LIFT PRESSURE = BLACK HOSE  
MAIN LIFT RETURN = GRAY HOSE

MAIN LIFT HYDRAULIC HOSE ROUTING





## ILLUSTRATED PARTS LIST

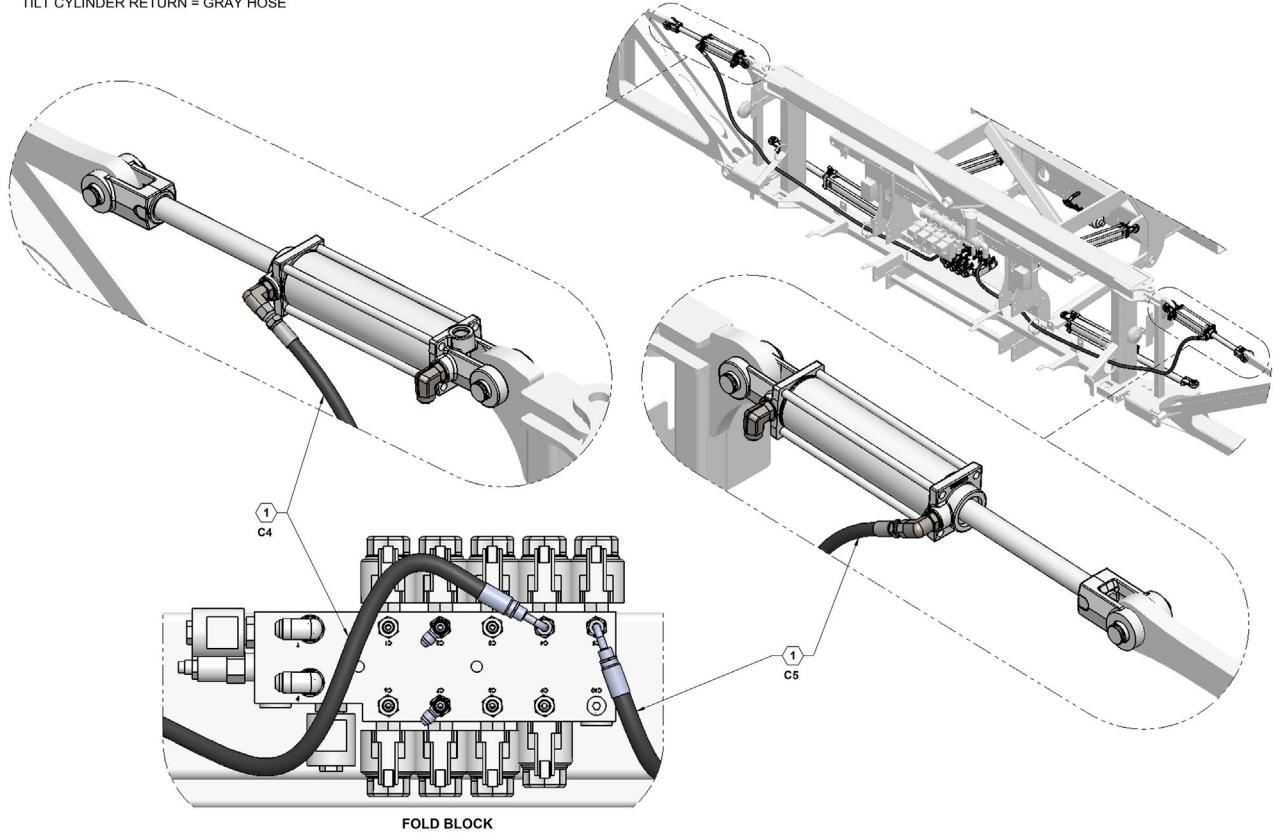
### Main Lift Hydraulic Hose Routing Parts List

| ITEM | PART NO.     | QTY. | DESCRIPTION                       |
|------|--------------|------|-----------------------------------|
| 1    | FDM 0048-ZN  | 1    | HYDRAULIC HOSE, 04-4FJX90-4FJX-85 |
| 2    | 600040-12-ZN | 1    | HYDRAULIC HOSE, 06-6FJX-6FJX-28   |
| 3    | 600040-13-ZN | 1    | HYDRAULIC HOSE, 06-6FJX-6FJX-30   |

## Tilt Cylinder Hydraulic Hose Routing

TILT CYLINDER PRESSURE = BLACK HOSE  
TILT CYLINDER RETURN = GRAY HOSE

TILT CYLINDER HYDRAULIC HOSE ROUTING





## ILLUSTRATED PARTS LIST

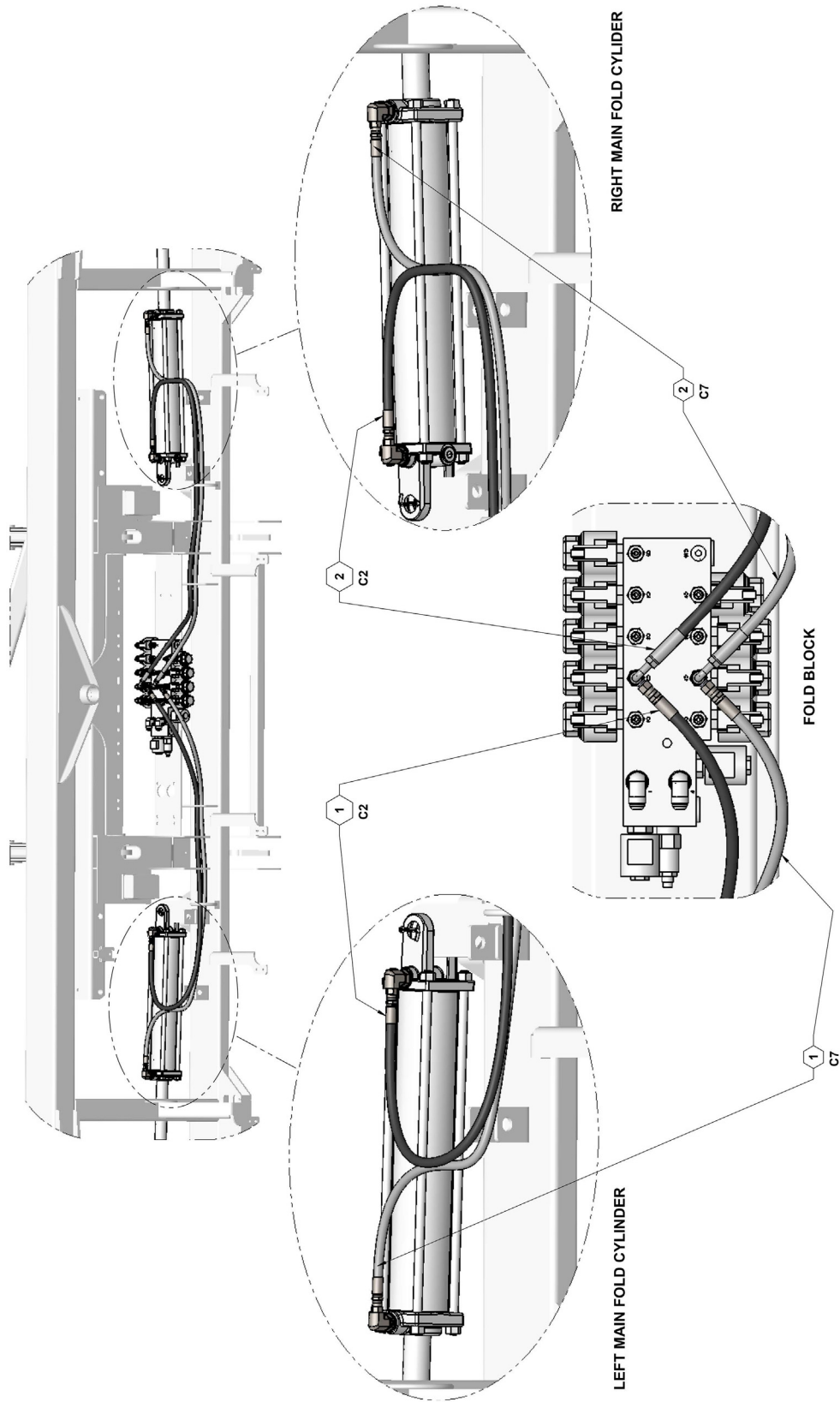
### Tilt Cylinder Hydraulic Hose Routing Parts List

| ITEM | PART NO.     | QTY. | DESCRIPTION                        |
|------|--------------|------|------------------------------------|
| 1    | 600040-19-ZN | 2    | HYDRAULIC HOSE, 06-4FJX90-6FJX-100 |

## Main Hydraulic Hose Routing

MAIN FOLD HYDRAULIC HOSE ROUTING

MAIN FOLD PRESSURE = BLACK HOSE  
 MAIN FOLD RETURN = GRAY HOSE



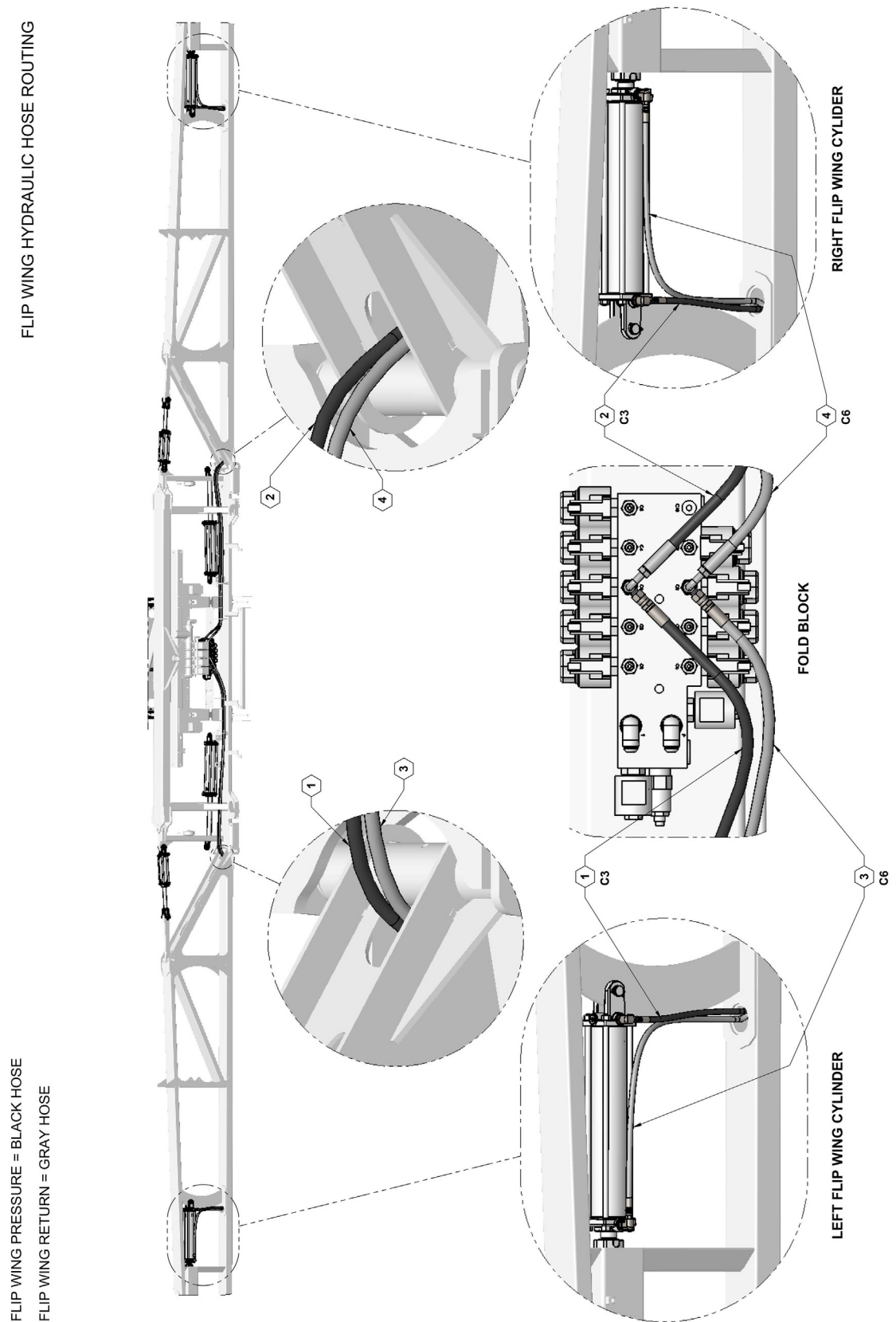


## ILLUSTRATED PARTS LIST

### Main Hydraulic Hose Routing Parts List

| ITEM | PART NO.     | QTY. | DESCRIPTION                     |
|------|--------------|------|---------------------------------|
| 1    | 600040-14-ZN | 2    | HYDRAULIC HOSE, 04-4FJX-4FJX-54 |
| 2    | 600040-9-ZN  | 2    | HYDRAULIC HOSE, 04-4FJX-4FJX-54 |

## Flip Wing Hydraulic Hose Routing







## ILLUSTRATED PARTS LIST

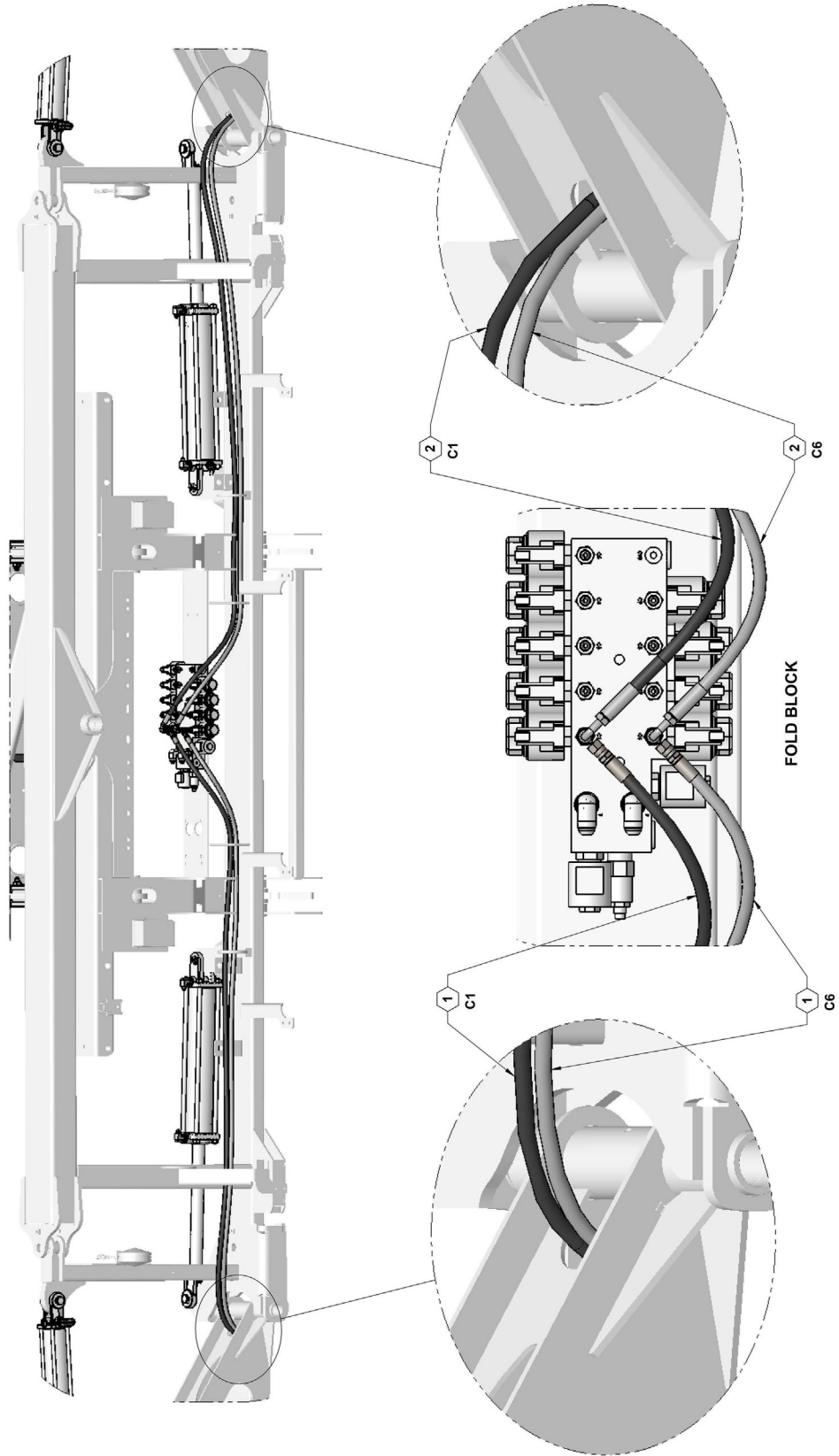
### Flip Wing Hydraulic Parts List

| ITEM | PART NO.      | QTY. | DESCRIPTION                        |
|------|---------------|------|------------------------------------|
| 1    | 600040-16-ZN  | 1    | HYDRAULIC HOSE, 04-4FJX-4FJX-202   |
| 2    | 600040-11A-ZN | 1    | HYDRAULIC HOSE, 04-4FJX90-4FJX-215 |
| 3    | 600040-17A-ZN | 1    | HYDRAULIC HOSE, 04-4FJX-4FJX-220   |
| 4    | 600045-6-ZN   | 1    | HYDRAULIC HOSE, 04-4FJX90-4FJX-200 |

## Breakaway Wing Hydraulic Hose Routing

BREAKAWAY WING HYDRAULIC HOSE ROUTING

BREAKAWAY WING PRESSURE = BLACK HOSE  
 BREAKAWAY WING RETURN = GRAY HOSE





## ILLUSTRATED PARTS LIST

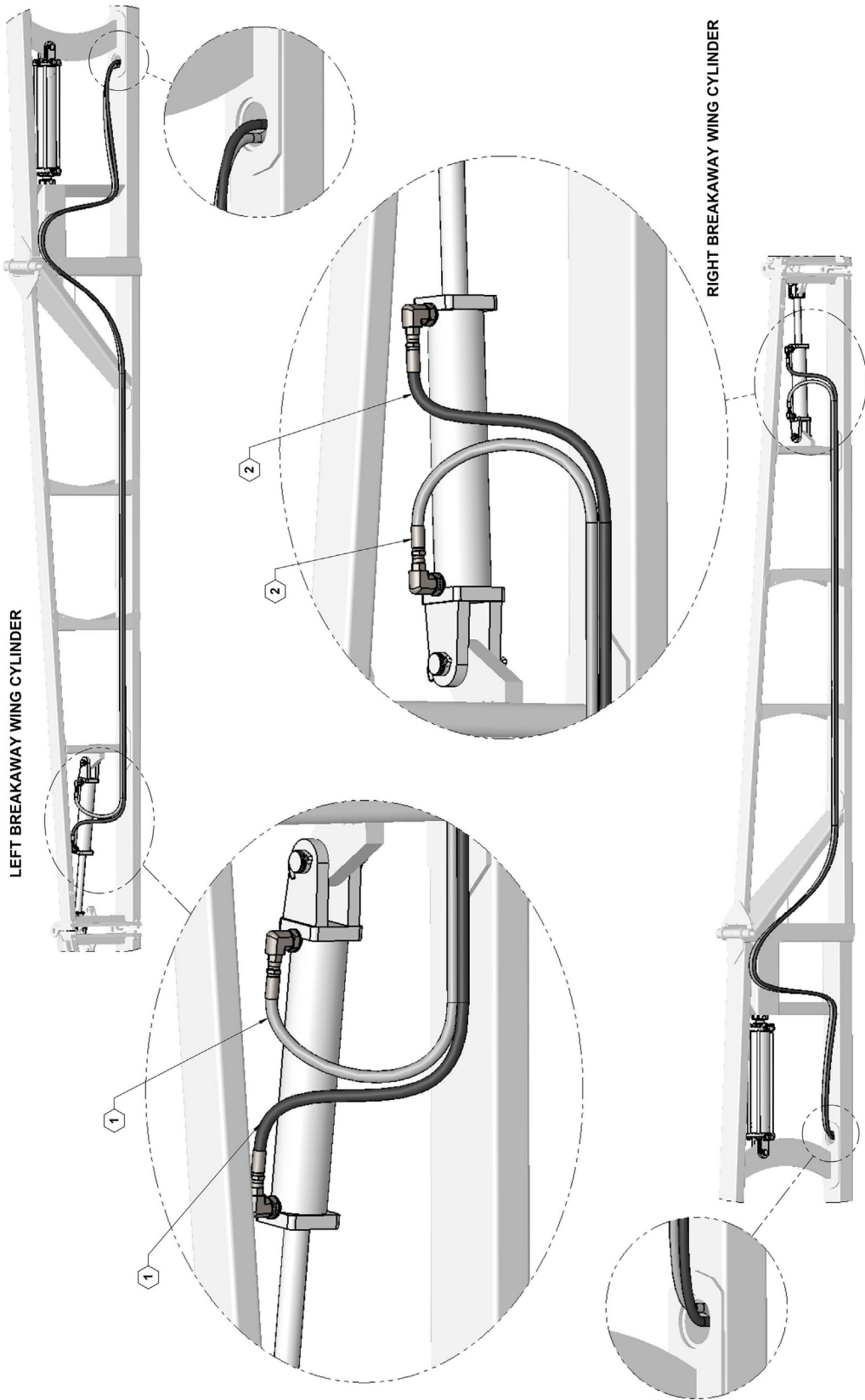
### Breakaway Wing Hydraulic Hose Routing Parts List

| ITEM | PART NO.    | QTY. | DESCRIPTION                        |
|------|-------------|------|------------------------------------|
| 1    | 600040-7-ZN | 2    | HYDRAULIC HOSE, 04-4FJX-4FJX-384   |
| 2    | 600040-8-ZN | 2    | HYDRAULIC HOSE, 04-4FJX90-4FJX-384 |

## Breakaway Wing Hydraulic Hose Routing

BREAKAWAY WING HYDRAULIC HOSE ROUTING CONTINUED

BREAKAWAY WING PRESSURE = BLACK HOSE  
BREAKAWAY WING RETURN = GRAY HOSE





## ILLUSTRATED PARTS LIST

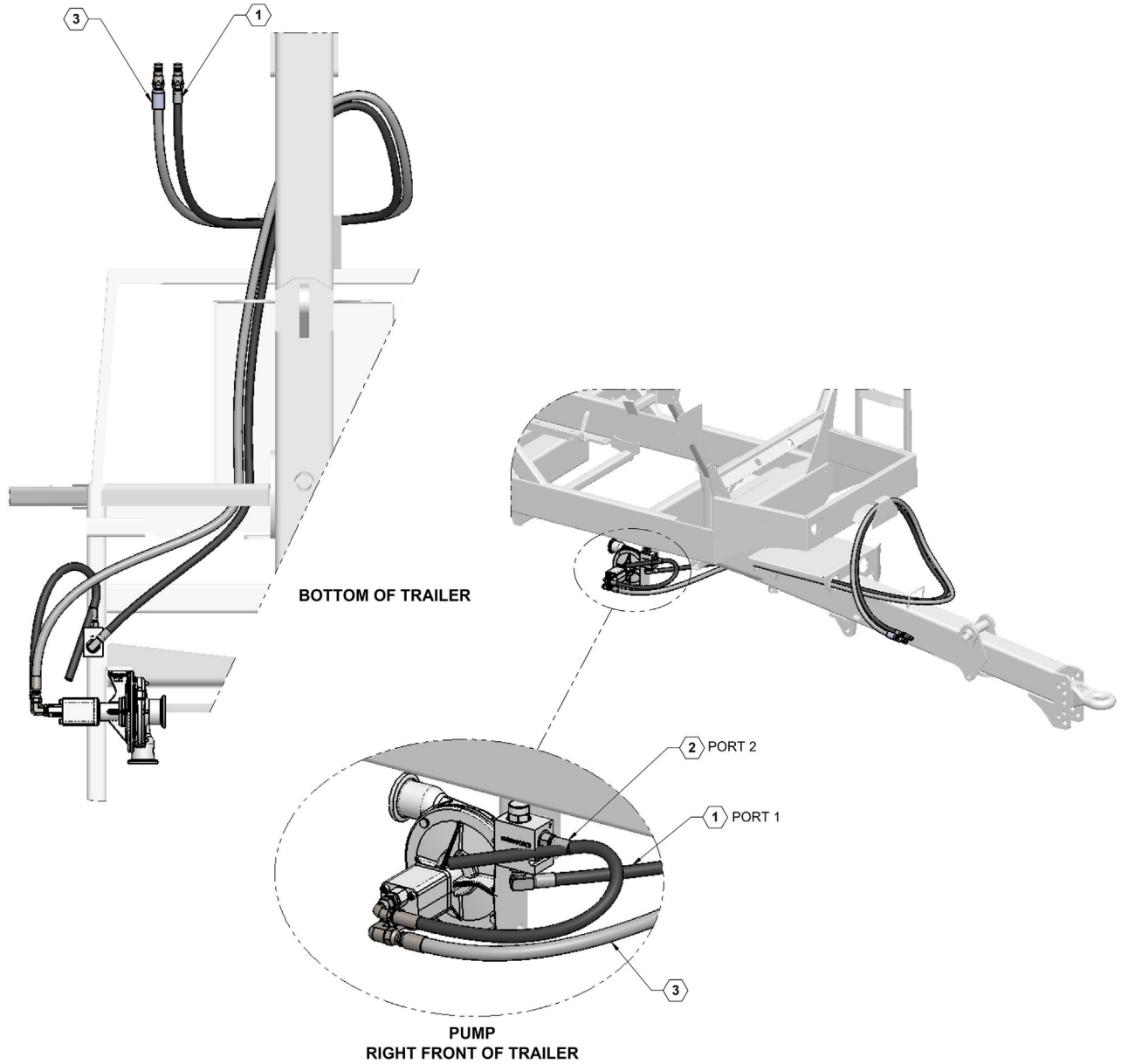
### Breakaway Wing Hydraulic Hose Routing Parts List

| ITEM | PART NO.    | QTY. | DESCRIPTION                        |
|------|-------------|------|------------------------------------|
| 1    | 600040-7-ZN | 2    | HYDRAULIC HOSE, 04-4FJX-4FJX-384   |
| 2    | 600040-8-ZN | 2    | HYDRAULIC HOSE, 04-4FJX90-4FJX-384 |

## Hydraulic Pump Hose Routing

PUMP PRESSURE = BLACK HOSE  
PUMP RETURN = GRAY HOSE

PUMP HYDRAULIC HOSE ROUTING





## ILLUSTRATED PARTS LIST

### Hydraulic Pump Hose Routing Parts List

| ITEM | PART NO.      | QTY. | DESCRIPTION                         |
|------|---------------|------|-------------------------------------|
| 1    | 600040-18A-ZN | 1    | HYDRAULIC HOSE, 08-10MOR90-8MOR-168 |
| 2    | 600040-20A-ZN | 1    | HYDRAULIC HOSE, 08-8FJX90-10MOR-25  |
| 3    | 600040-2C-ZN  | 1    | HYDRAULIC HOSE, 10-10MOR-8MOR-180   |



# ILLUSTRATED PARTS LIST

---



**FAST GLOBAL**  
**SOLUTIONS**





**FAST GLOBAL**  
**SOLUTIONS**

FAST Global Solutions  
4130 Commerce Boulevard  
Windom, MN 56101  
1-800-772-9279 Toll Free  
1-507-427-3861 Voice  
1-507-427-3030 Fax