



973P - 120' / 132'
3P BOOM SPRAYER
PARTS MANUAL



ILLUSTRATED PARTS LIST





Limited Warranty

Fast Ag Solutions warrants to the buyer that the new machinery is free from defects in material and workmanship.

This warranty is only effective as to any new machinery which has not been altered, changed, repaired or treated since its delivery to the buyer, other than by Fast Ag Solutions or its authorized dealers or employees, and does not apply to accessories, attachments, tools or parts, sold or operated with the new machinery, if they have not been manufactured by Fast Ag Solutions.

Fast Ag Solutions shall only be liable for defects in the materials or workmanship attributable to faulty material or bad workmanship that can be proved by the buyer, and specifically excludes liability for repairs arising as a result of normal wear and tear of the new machinery or in any other manner whatsoever, and without limiting the generality of the foregoing, excludes application or installation of parts not completed in accordance with this operator's manual, specifications, or printed instructions.

Written notice shall be given by registered mail, to the Manufacturer within seven (7) days after the defect shall have become apparent or the repairs shall have become necessary, addressed as follows:

Fast Ag Solutions
4130 Commerce Boulevard
Windom, MN 56101

This warranty shall expire one (1) year after the date of delivery of the new machinery.

If these conditions are fulfilled, Fast Ag Solutions shall at its own cost and at its own option either repair or replace any defective parts provided that the buyer shall be responsible for all expenses incurred as a result of repairs, labor, parts, transportation or any other work, unless Fast Ag Solutions has authorized such expenses in advance.

The warranty shall not extend to any repairs, changes, alterations, or replacements made to the new equipment other than by Fast Ag Solutions or its authorized dealers or employees.

This warranty extends only to the original owner of the new equipment.

Rubber parts (including tires, hoses, grommets) are not warrantied.

This warranty is limited to the terms stated herein and is in lieu of any other warranties whether express or implied, and without limiting the generality of the foregoing, excluded all warranties, express or implied or conditions whether statutory or otherwise as to quality and fitness for any purpose of the new equipment. The Manufacturer disclaims all liability for incidental or consequential damages.

This 3P Boom Sprayer is subject to design changes and Fast Ag Solutions shall not be required to retrofit or exchange items on previously sold units except at its own option.

Warranty void if not registered.



FAST
3P BOOM SPRAYER

Warranty Registration

This form must be filled out by the dealer and signed by both the dealer and the customer at the time of delivery.

Customer Name
Address
City State Zip
Phone

Dealer Name
Address
City State Zip

Sprayer Model
Serial Number
Delivery Date

Warranty Inspection Report

DEALER INSPECTION REPORT

- All Fasteners Tight
Wheel Bolts Torqued
Hydraulic Hoses and Fittings Free and Tight
Fertilizer Hoses and Fittings Free and Tight
Wheel Drive Turns Freely
Lubricate Machine
Check Tire Pressure
Frame and Wings Level
Monitors and Controllers Function
Wiring Harness Connected

SAFETY

- Safety Chain Installed
All Guards Installed
All Safety Signs Installed
Reflectors, SMV, and Lights Clean
Review Operating and
Safety Instructions

I have thoroughly instructed the buyer on the above-described equipment which review included the Operator's Manual content, equipment care, adjustments, safe operation, and applicable warranty policy.

Date
Dealer's Rep. Signature

The above equipment and Operator's Manual have been received by me, and I have been thoroughly instructed as to care, adjustments, safe operation, and applicable warranty policy.

Date
Owner's Signature

White - FAST
Yellow - Dealer
Pink - Customer



ILLUSTRATED PARTS LIST

FAST 973P Series Sprayer

SPRAYER SERIAL NUMBER _____

DATE PURCHASED _____ / _____ / _____

BOOM WIDTH (CIRCLE ONE) 120 FT. 132 FT.

NOZZLE SPACING (CIRCLE ONE) 15 IN. 20 IN. 22 IN.

PUMP MANUFACTURER:

(CIRCLE ONE)

ACE 205F-304 WET SEAL

ACE 205F-304 PWM WET SEAL

ACE 255F-304 WET SEAL

ACE 255F-304 PWM WET SEAL

ACE FMC-750-HYD OASIS

ACE FMC-750 OASIS PWM

HYPRO 9306C-HM1C-3U

HYPRO 9306S-HM1C-3U



General Information

All rights, especially copying and distribution rights are reserved. No part of this publication may be reproduced in any form or by any means, electronic or mechanical, including photocopying, without express written permission from Fast Ag Solutions.

Parts information in this manual represents components installed when product was manufactured based upon the best available information. Modifications made subsequent to initial delivery are not included. Always verify the parts and color required when ordering parts.

If you have any questions, please contact your Fast Ag Solutions Parts and Service Department.

Explanation of Parts Lists

The parts list is organized as follows:

Table of Contents

FRAME & WINGS

TANK & PUMP

PRODUCT PLUMBING

PRODUCT ELECTRICAL COMP.S

BOOM CONTROL - NORAC

BOOM CONTROL - RAVEN

ISO AUTOBOOM

FOLD BOX ELECTRICAL

HYDRAULICS

LIGHTS

The parts lists are broken down into sub-assemblies and listed in four (4) columns:

- **ITEM** - These numbers are found on the illustration associated with the parts list.
 - NS - This item is NOT SHOWN, included for reference.
- **QTY.** - This is the quantity of parts needed in an assembly.
 - AR - The quantity of this item is applied AS REQUIRED for the location.
- **PART NO.** - These are the part numbers associated with the ITEM.
- **DESCRIPTION** - This is the description of the part.



ILLUSTRATED PARTS LIST

Table of Contents

| Section | Page |
|--|-----------|
| <i>Warranty Registration</i> | 4 |
| <i>Warranty Inspection Report</i> | 4 |
| <i>General Information</i> | 6 |
| Table of Contents | 7 |
| FRAME & WINGS | 12 |
| <i>Wing Rest</i> | 12 |
| Parts List: Wing Rest | 13 |
| <i>Wing Rest, John Deere 8RX</i> | 14 |
| Parts List 36250: Wing Rest, John Deere 8RX | 15 |
| <i>Wing Rest Case</i> | 16 |
| Parts List 23785: Wing Rest Case | 16 |
| <i>Interior Pivot, Parallel Links</i> | 18 |
| Parts List 20135TC: Interior Pivot, Parallel Links | 19 |
| <i>ISO Yaw Center</i> | 22 |
| Parts List: ISO Yaw Center | 23 |
| <i>Puck Yaw Center</i> | 26 |
| Parts List: Puck Yaw Center | 27 |
| <i>Main Wing</i> | 30 |
| Parts List: Main Wing | 31 |
| <i>Flip Wing</i> | 34 |
| Parts List: Flip Wing | 34 |
| <i>Breakaway Wing</i> | 36 |
| Parts List: Breakaway Wing | 37 |
| TANK & PUMP | 38 |
| <i>1 Gal. Foamer Tank</i> | 38 |
| <i>50 Gal. Rinse Tank</i> | 40 |
| Parts List 99RT50973PT: 50 Gal. Rinse Tank | 41 |
| <i>Pump ACE 205-304</i> | 42 |
| Parts List 550025/550054: Pump ACE 205-304 | 42 |
| Parts List: Pump ACE 205-304 | 44 |
| <i>Pump ACE 205-304 PWM</i> | 46 |
| Parts List 550035: Pump ACE 205-304 PWM | 46 |
| <i>Pump ACE 255F-304 & 255F-304 PWM</i> | 48 |
| Parts List 550055/550056: Pump ACE 255F-304 & 255F-304 PWM | 48 |
| <i>Pump ACE 750</i> | 50 |



ILLUSTRATED PARTS LIST

| | |
|--|-----------|
| Parts List 550018/550050: Pump ACE 750 | 50 |
| <i>Pump ACE 750 PWM</i> | 52 |
| Parts List 550044: Pump ACE 750 PWM | 52 |
| <i>Pump Hypro 9306</i> | 54 |
| Parts List 550045/550046: Pump Hypro 9306 | 54 |
| PRODUCT PLUMBING..... | 57 |
| <i>Boom Plumbing Cleanout options</i> | 57 |
| Parts List: Boom Plumbing Cleanout options | 57 |
| <i>Capstan Boom Recirculation Option for Fast Track Tanks</i> | 58 |
| Parts List 36270: Capstan Boom Recirculation Option for Fast Track Tanks | 59 |
| <i>Boom Shutoff, Gauge Plumbing</i> | 60 |
| Parts List: Boom Shutoff, Gauge Plumbing (*FOR 3 BALL VALVES)..... | 61 |
| <i>Cross Assembly</i> | 62 |
| Parts List 90SACROSS/TRUSS: Cross Assembly..... | 62 |
| <i>Wet Boom Quick TeeJet Nozzle Body</i> | 63 |
| Parts List: Wet Boom Quick TeeJet Nozzle Body | 63 |
| <i>Wet Boom & Brackets</i> | 64 |
| Parts List: Wet Boom & Brackets..... | 64 |
| <i>Motorized Control Valve (MCV1-1/2")</i> | 66 |
| <i>Raven Flow Meter (631801)</i> | 67 |
| <i>Raven Flow Meter and MCV</i> | 68 |
| Parts List: Raven Flow Meter and MCV | 68 |
| <i>Banjo 2" Full Port Flow Meter</i> | 69 |
| Parts List: Banjo 2" Full Port Flow Meter | 69 |
| <i>Electric Shut-Off Flow Back Ball Valve (2014 & Prior) Red Indicator</i> | 70 |
| Parts List: Electric Shut-Off Flow Back Ball Valve (2014 & Prior) Red Indicator..... | 71 |
| PRODUCT ELECTRICAL COMPS..... | 73 |
| <i>Pressure Transducer</i> | 73 |
| Parts List: Pressure Transducer | 73 |
| <i>Harness 3-Ball Valve Control - 631930</i> | 74 |
| <i>Raven CR7</i> | 75 |
| Parts List: Raven CR7, Non-Deere ISO Controller | 75 |
| Parts List: Raven CR7, Non-ISO Tractor | 75 |
| Parts List: Raven CR7, Deere ISO Tractor..... | 75 |
| <i>Raven SCS450 Console</i> | 76 |
| Parts List: Raven SCS450 Console..... | 77 |
| <i>Control Harness 115-0171-085</i> | 78 |
| <i>Control Harness 115-0171-086 (6') or 115-0171-129 (12')</i> | 79 |
| <i>Harness Extension 115-0159-856 (12') or 115-0159-857 (24')</i> | 80 |



ILLUSTRATED PARTS LIST

| | |
|---|------------|
| <i>Cable 10-Boom 115-0171-314 (24')</i> | 81 |
| <i>Cable Adapter 6- to 10-Boom - 631889</i> | 82 |
| <i>Fence Row (optional)</i> | 83 |
| Parts List: Fence Row (optional)..... | 83 |
| <i>Single Fence Line, Display Control</i> | 84 |
| Parts List 27360: Single Fence Line, Display Control | 84 |
| <i>Single Fence Row, Toggle Switch Control</i> | 85 |
| Parts List 27362: Single Fence Row, Toggle Switch Control | 85 |
| <i>Dual Fence Line, Display Control</i> | 86 |
| Parts List 27361: Dual Fence Line, Display Control | 86 |
| <i>Dual Fence Row, Toggle Switch Control</i> | 87 |
| Parts List 27363: Dual Fence Row, Toggle Switch Control | 87 |
| BOOM CONTROL - NORAC | 88 |
| <i>NORAC Auto Height Boom Control UC4+</i> | 88 |
| Parts List 631902: NORAC Auto Height Boom Control UC4+ | 89 |
| <i>NORAC Auto Height Boom Control Harness</i> | 90 |
| <i>NORAC Auto Height Boom Control Extension Harness - No. 4465103</i> | 91 |
| <i>NORAC Auto Height Boom Control Sensor Cables</i> | 92 |
| Item C02: 44668 – Sensor Branch Cable | 92 |
| Item C02B: 44664 – Cable UC4 CAN Node Dual..... | 92 |
| Item C03: 44656 – Valve Cable (Variable Rate) | 93 |
| Item C13: 44658-19 – Main Interface Cable | 94 |
| Item C12: 44658-20 – Wing Interface Cable | 95 |
| <i>NORAC Sensor Brackets</i> | 96 |
| Parts List 99NOR120132PRTB: NORAC Sensor Brackets | 96 |
| <i>Severe Terrain Kit UC4/UC5</i> | 97 |
| Parts List 99NOSTK: Severe Terrain Kit UC4/UC5 | 97 |
| <i>UC5 NORAC Kit Layout</i> | 98 |
| Parts List: UC5 NORAC Kit Layout, Network Cable | 99 |
| Parts List: UC5 NORAC Kit Layout, Valve Cable | 99 |
| Item C20: 43240-01B – Cable UC5 Interface Tilt DT..... | 100 |
| Item C21: 43240-07B Interface Main DT (With Aux 1 & 2) | 101 |
| BOOM CONTROL - RAVEN | 102 |
| <i>PowerGlide Wiring Schematic</i> | 102 |
| <i>PowerGlide Hydraulic Block</i> | 103 |
| <i>PowerGlide Wheels</i> | 104 |
| <i>PowerGlide Solid Axle</i> | 105 |
| <i>PowerGlide, PowerGlide Plus, or UltraGlide Touch Down Bracket</i> | 106 |
| Parts List 34922: PowerGlide, PowerGlide Plus, or UltraGlide Touch Down Bracket | 106 |
| <i>PowerGlide Plus Wiring Schematic</i> | 107 |



ILLUSTRATED PARTS LIST

| | |
|--|------------|
| <i>PowerGlide Plus Hydraulic Block</i> | 108 |
| <i>UltraGlide Hydraulic Schematic</i> | 109 |
| <i>PowerGlide Plus & UltraGlide Valve Replacement Parts</i> | 110 |
| <i>Sensors</i> | 111 |
| <i>UltraGlide Mounting Parts</i> | 112 |
| Parts List: UltraGlide Mounting Parts..... | 113 |
| <i>Raven XRT Wiring</i> | 114 |
| ISO AUTOBOOM | 118 |
| <i>ISO AutoBoom Without ISO Product Control</i> | 118 |
| <i>Raven ISO AutoBoom With John Deere Product Control</i> | 119 |
| <i>Raven ISO AutoBoom With Raven ISO Rate Control</i> | 120 |
| <i>ISO AutoYAW / Fold, AutoBoom, and Raven Rate Control</i> | 122 |
| <i>ISO AutoYAW / Fold, AutoBoom, and JD Rate Control</i> | 123 |
| FOLD BOX ELECTRICAL | 124 |
| <i>Control Console</i> | 124 |
| Parts List: Control Console | 125 |
| <i>Control Console Wiring Harness</i> | 126 |
| <i>Control Console Switch Diagram</i> | 127 |
| Parts List: Control Console Switch Diagram | 128 |
| <i>Control Console Operation & Pinout</i> | 129 |
| HYDRAULICS | 130 |
| <i>Hose Assembly Descriptions</i> | 130 |
| <i>Hydraulics, Decals, and Brackets</i> | 131 |
| <i>Hydraulic System for Product Pump</i> | 133 |
| Parts List: Hydraulic System for Product Pump | 133 |
| <i>Cylinders & Flow Divider, Puck Yaw</i> | 134 |
| Parts List: Cylinders & Flow Divider, Puck Yaw | 135 |
| <i>NORAC Hydraulic Valve Block</i> | 136 |
| Parts List: NORAC Hydraulic Valve Block | 137 |
| <i>NORAC Auto Height Boom Control Hydraulic Schematic UC4+ & UCS</i> | 138 |
| Parts List: NORAC Auto Height Boom Control Hydraulic Schematic UC4+ & UCS..... | 138 |
| <i>Hydraulic Control Valve</i> | 139 |
| <i>Hydraulic Control Valve Wiring Harness</i> | 140 |
| <i>Trailer Manifold Connections – ISO YAW</i> | 141 |
| LIGHTS | 142 |
| <i>Blue Lights</i> | 142 |



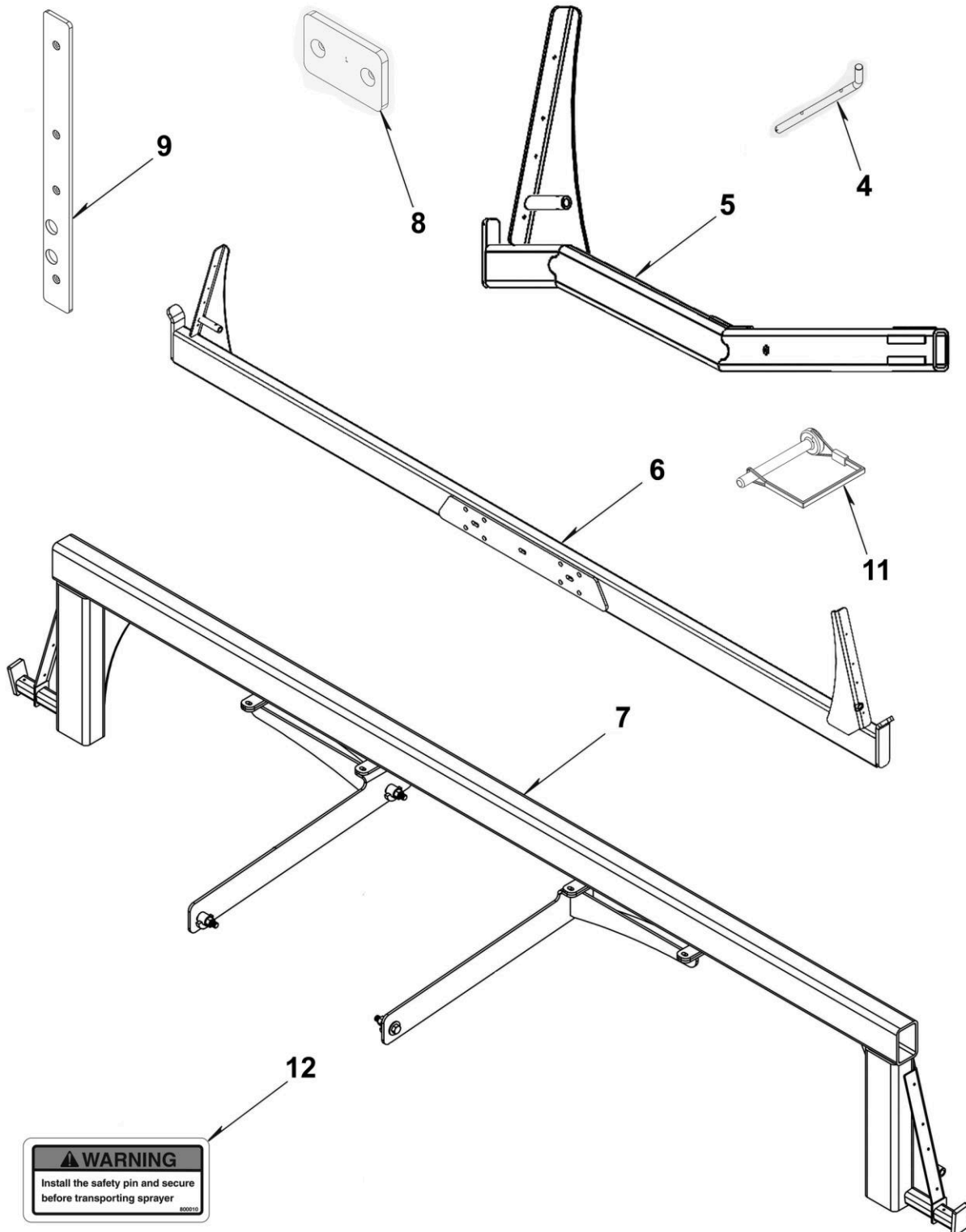
ILLUSTRATED PARTS LIST

| | |
|-------------------------------------|-----|
| Parts List 28750: Blue Lights | 142 |
| <i>Lighting</i> | 143 |
| Parts List: Lighting | 143 |



FRAME & WINGS

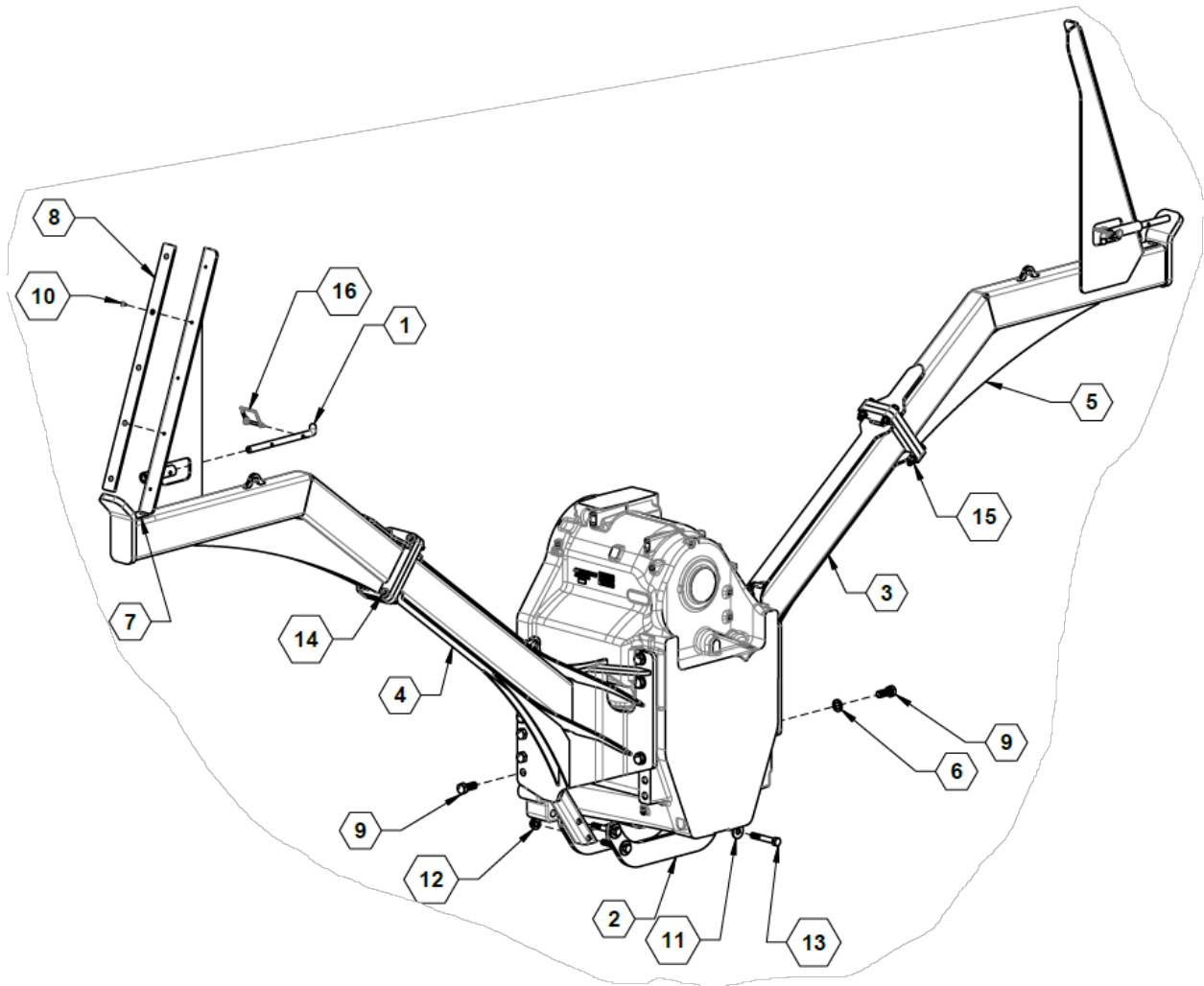
Wing Rest



Parts List: Wing Rest

| ITEM | PART NO. | QTY. | DESCRIPTION |
|-------------|-----------------|-------------|-------------------------------------|
| 1 | 596175M | 2 | BOLT, HH 5/8 X 3-1/2 NC GR5 MAGNI |
| 2 | 596223M | 2 | NUT, HH JAM 1/2 NC MAGNI |
| 3 | 596232M | 2 | NUT, HH NYLOCK 5/8" NC MAGNI |
| 4 | 7618 | 2 | SAFETY LATCH PIN |
| 5 | 16850 | 2 | 3PT TRUSS WING REST WELDMENT - JD |
| 6 | 16477 | 1 | 3PT TRUSS WING REST WELDMENT - CAT |
| 7 | 23785 | 1 | 3PT TRUSS WING REST ASSEMBLY - CASE |
| 8 | 590106 | 2 | SADDLE BASE, PLASTIC |
| 9 | 590114 | 2 | BUMP PLATE, RH |
| 10 | 596725M | 2 | SQUARE-HEAD SET SCREW 1/2 X 1-1/2 |
| 11 | 720001 | 2 | PIN, SNAP |
| 12 | 800010 | 2 | DECAL, WARNING, INSTALL PIN |

Wing Rest, John Deere 8RX



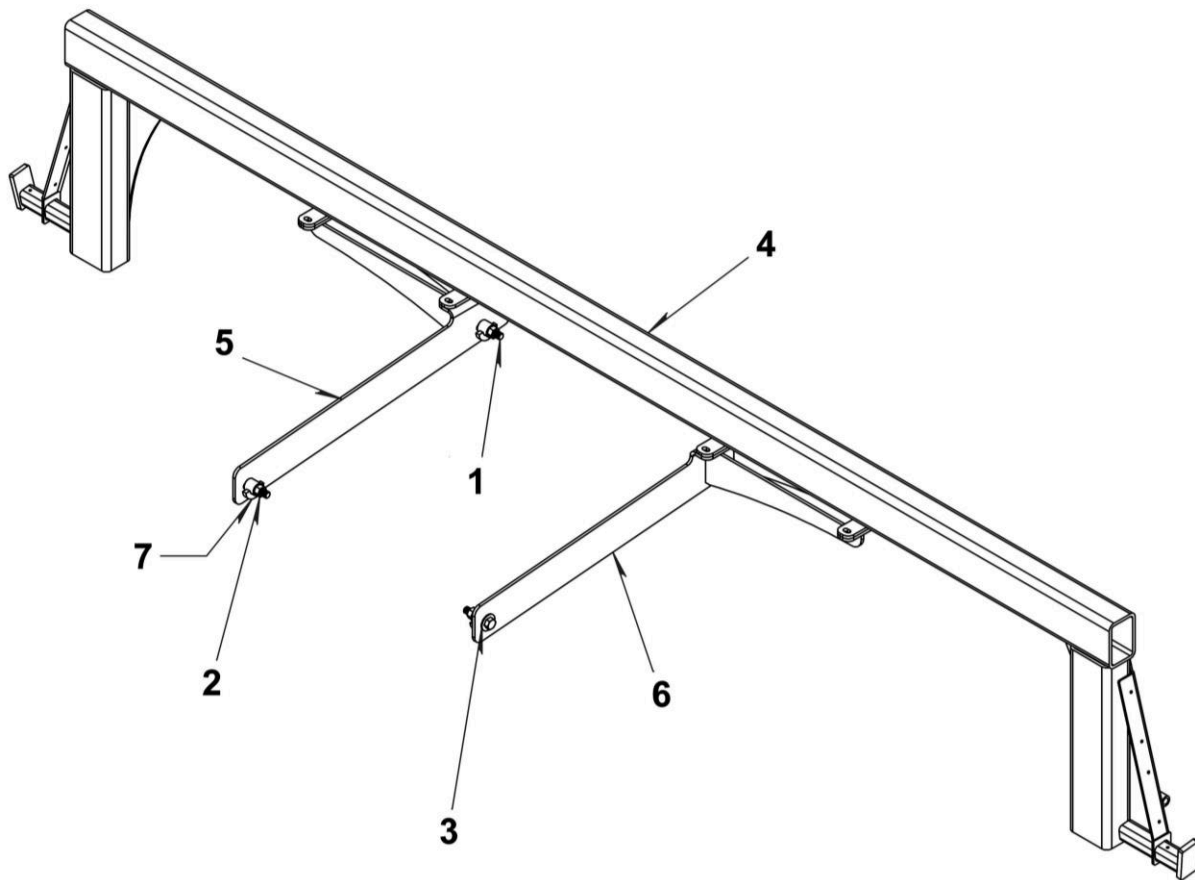


ILLUSTRATED PARTS LIST

Parts List 36250: Wing Rest, John Deere 8RX

| ITEM | PART NO. | QTY. | DESCRIPTION |
|------|----------|------|-------------------------------------|
| 1 | 7618 | 2 | 3/4" CRR 1018, 14" LG |
| 2 | 36246 | 2 | PLATE, CROSS SUPPORT |
| 3 | 36248 | 1 | WLDMNT, LH REST |
| 4 | 36249 | 1 | WLDMNT, RH BOOM REST |
| 5 | 36253 | 2 | WLDMNT, RH BOOM REST |
| 6 | 590090 | 6 | WASHER, M20 NARROW FLAT |
| 7 | 590106 | 2 | PAD, TRANSPORT |
| 8 | 590431 | 2 | POLY, WING BUMP |
| 9 | 590580 | 18 | BOLT, HEX M20 X 2.5 X 50MM GR. 10.9 |
| 10 | 590581 | 14 | RIVET, POUND IN, 1/4 X 7/16 |
| 11 | 596261M | 4 | WASHER, FLAT 5/8 MAGNI |
| 12 | 596742M | 4 | NUT, TOP LOCK FLANGE 5/8-11 MAGNI |
| 13 | 596800M | 4 | BOLT, HH 5/8-11 X 4 GR8 MAGNI |

Wing Rest Case

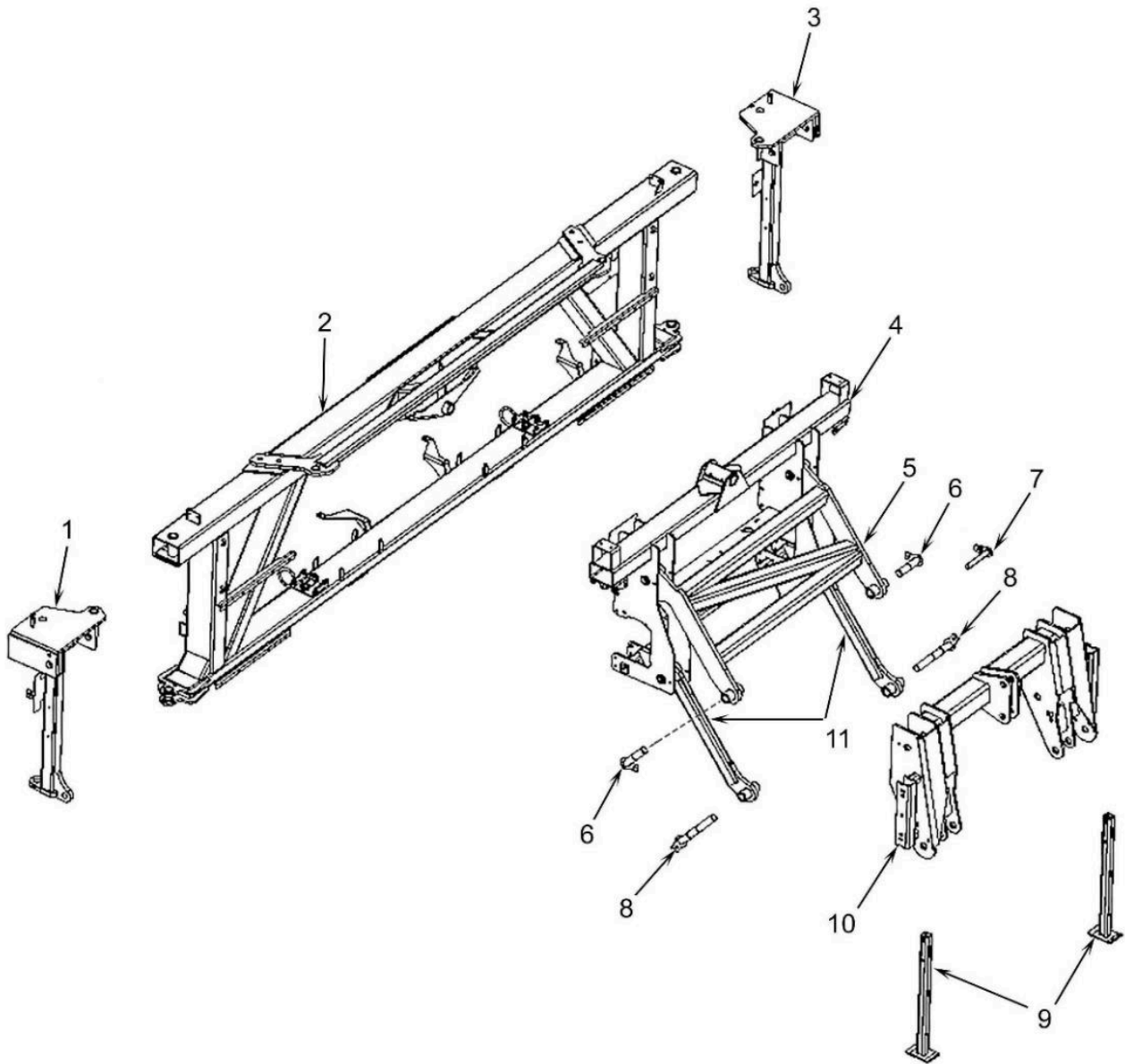


Parts List 23785: Wing Rest Case

| ITEM | PART NO. | QTY. | DESCRIPTION |
|------|----------|------|-----------------------------------|
| 1 | 596187M | 4 | 3/4-10 x 3 1/2" HEX BOLT MAGNI |
| 2 | 596233M | 4 | NUT, HEX NYLOCK 3/4-10 MAGNI |
| 3 | 596262M | 4 | WASHER, FLAT 3/4 MAGNI |
| 4 | 23792 | 1 | WING REST, TUBE MAIN, WELDMENT |
| 5 | 23793L | 1 | SUB-FRAME, LH WING REST, WELDMENT |
| 6 | 23793R | 1 | SUB-FRAME, RH WING REST, WELDMENT |
| 7 | 23796 | 4 | PIN, MOUNT, WING REST, WELDMENT |



Interior Pivot, Parallel Links



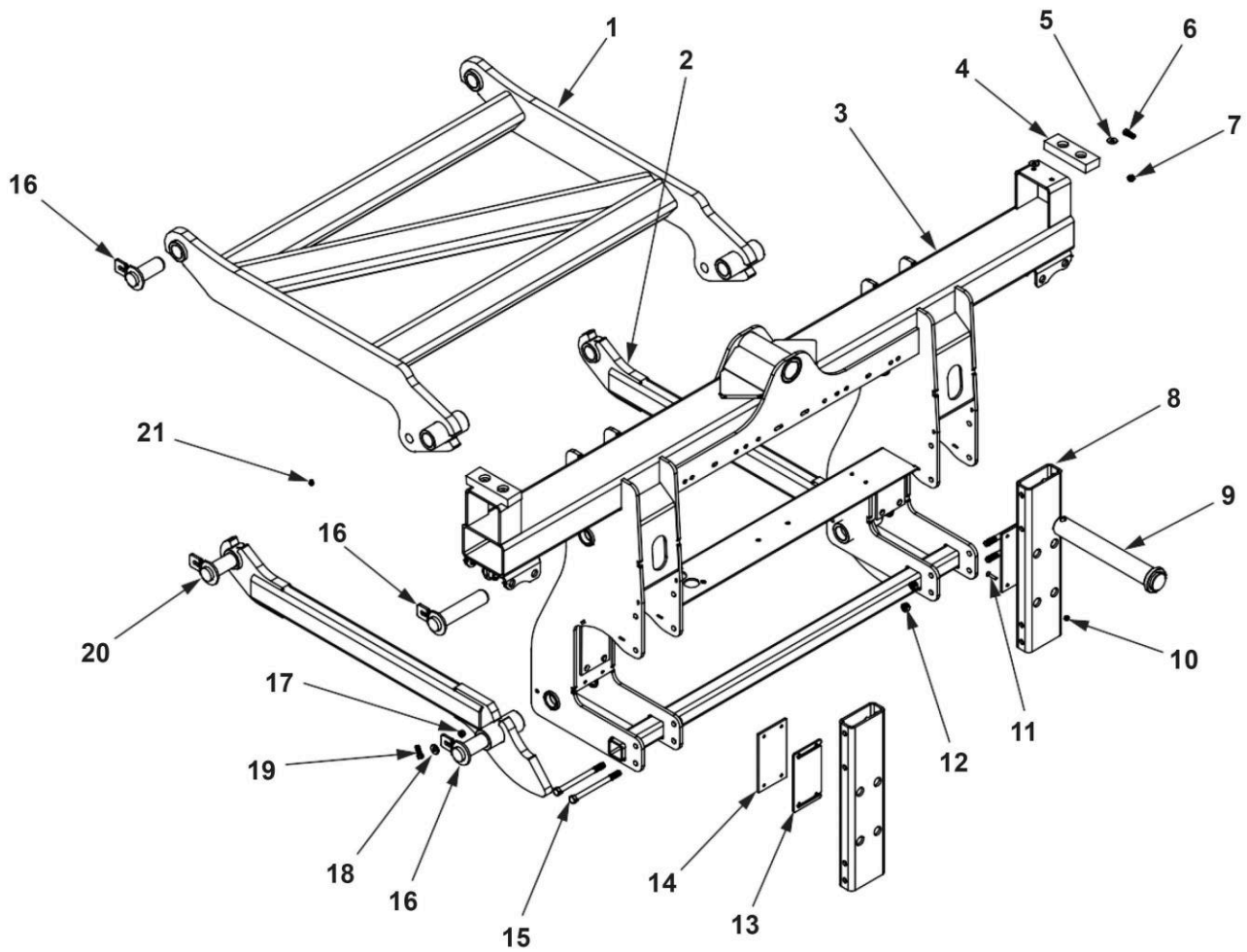


ILLUSTRATED PARTS LIST

Parts List 20135TC: Interior Pivot, Parallel Links

| ITEM | PART NO. | QTY. | DESCRIPTION |
|------|----------|------|---|
| 1 | 22204R | 1 | WING PIVOT, 3PT, RH |
| 2 | 22202 | 1 | CENTER SECTION, 3PT, TRUSS, HYDRAULIC YAW |
| 3 | 22204L | 1 | WING PIVOT, 3PT, LH |
| 4 | 16320 | 1 | PIVOT, CENTER, PASSIVE |
| 5 | 16382 | 1 | 3P TRUSS UPPER LINK |
| 6 | 16334 | 1 | PIN, UPPER PARALLEL LINK |
| 7 | 16331 | 1 | PIN, LIFT CYLINDER |
| 8 | 1225 | 1 | PIN, 3PT UPPER |
| 8 | 16329 | 2 | PIN, 3PT LOWER |
| 9 | 16340 | 2 | STAND, 3PT |
| 10 | 16310 | 1 | WELDMENT, 3PT HOOKUP |
| 11 | 16386 | 2 | LINK, LOWER WELDMENT 3P TRUSS |
| NS | 1056 | 4 | PIN, JACK STAND |
| NS | 8877 | 1 | RING, BOLT ASSEMBLY |
| NS | 14146 | 1 | BRACKET, HOSE RING |
| NS | 530308 | 4 | WASHER, HEAVY 13/32 X 1-5/8 |
| NS | 530309 | 4 | WASHER, HEAVY 13/32 X 1 |
| NS | 540052 | 3 | CLAMP, HOSE, 3" WITH 3/8 ID |
| NS | 620028 | 2 | CYLINDER 3" X 12", 1-1/4 ROD |
| NS | 800208 | 1 | DECAL, HYDRAULIC HOSE KEY SPRAYER |

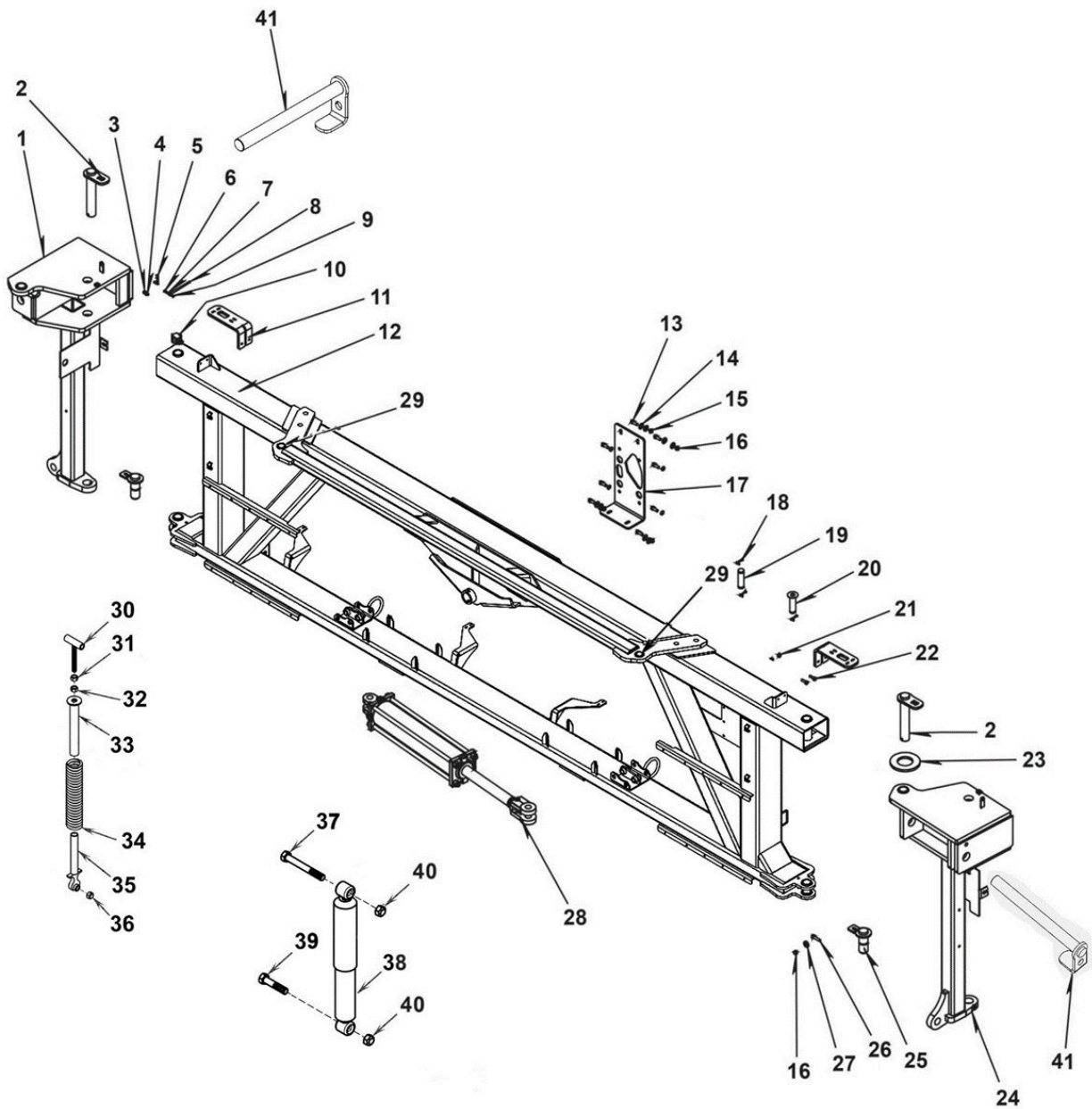
Interior Pivot, Parallel Links, continued



Parts List 20135TC: Interior Pivot, Parallel Links, continued

| ITEM | PART NO. | QTY. | DESCRIPTION |
|------|----------|------|--|
| 1 | 16382 | 1 | LINK PARALLEL UPPER (REPLACE ITEMS 16 & 20 ALSO) |
| 2 | 16386 | 2 | LINK PARALLEL LOWER |
| 3 | 16320 | 1 | INTERIOR PIVOT TRUSS BOOM |
| 4 | 590184 | 2 | BUMPER PAD, RUBBER 1" X 4" |
| 5 | 596258M | 4 | WASHER FLAT 3/8" MAGNI |
| 6 | 596128M | 4 | BOLT HH 3/8 X 1 GR5 MAGNI |
| 7 | 596237M | 4 | NUT HEX 3/8" CENTERLOCK MAGNI |
| 8 | 16518 | 2 | TRUSS BOOM STRAP TUBE |
| 9 | 11515 | 1 | PIN CENTER SECTION PIVOT |
| 10 | 596227M | 8 | NUT NYLOCK 1/4 MAGNI |
| 11 | 596102M | 8 | BOLT FLAT HEAD 1/4 X 1" MAGNI |
| 12 | 596239M | 4 | NUT HEX HEAD 1/2" CENTERLOCK MAGNI |
| 13 | 16216 | AR | PLATE SPACER 7GA |
| 13 | 16217 | AR | PLATE SPACER 10GA |
| 13 | 16218 | AR | PLATE SPACER 12GA |
| 13 | 16219 | AR | PLATE SPACER 14GA |
| 14 | 590079 | 4 | TRUSS BOOM POLY RUB PLATE |
| 15 | 596163M | 4 | BOLT HH 1/2 X 6-1/2" GR5 MAGNI |
| 16 | 16334 | 4 | PIN, UPPER PARALLEL LINK |
| 17 | 596237M | 8 | NUT HH 3/8" CENTERLOCK MAGNI |
| 18 | 530309 | 8 | WASHER HEAVY 3/8" ZP |
| 19 | 596128M | 8 | BOLT HH 3/8 X 1" GR5 MAGNI |
| 20 | 16329 | 4 | PIN, LOWER 3PT |
| 21 | 759 | 10 | ZERK 1/4-28TPI |

ISO Yaw Center





ILLUSTRATED PARTS LIST

Parts List: ISO Yaw Center

| ITEM | VENDOR NO. | PART NO. | QTY. | DESCRIPTION |
|------|------------|----------|------|--|
| 1 | | 22204R | 1 | WING PIVOT YAW RIGHT HAND |
| 2 | | 22020 | 2 | PIN WING PIVOT TOP |
| 3 | | 590274 | 4 | NUT NYLON 10-24SS18-8 |
| 4 | | 590272 | 4 | WASHER SAE #10SS18-8 |
| 5 | | 590273 | 4 | SCREW PAN HEAD #2 PHILIPS 10-24 X 1.75 SS |
| 6 | | 590275 | 2 | SCREW PAN HEA 2 PHILIPS 3-48 X .625 SS |
| 7 | | 590277 | 4 | WASHER #3 SS |
| 8 | | 590276 | 4 | NUT NYLOCK 3-48SS |
| 9 | | 22906 | 2 | SHAFT SENSOR POSITION YAW |
| 10 | | 22955 | 2 | SENSOR POSITION YAW |
| 11 | | 22904 | 2 | SENSOR MOUN TBRACKET |
| 12 | | 22202 | 1 | CENTER SECTION, 3PT TRUSS, HYDRAULIC ISO YAW |
| 13 | | 596128M | 8 | BOLT HEX HEAD 3/8 X 1GR5 MAGNI |
| 14 | | 596258M | 8 | WASHER FLAT 3/8 MAGNI |
| 15 | | 252 | 4 | WASHER LOCK 3/8 ZP |
| 16 | | 596237M | 4 | NUT CENTER LOCK 3/8" MAGNI |
| 17 | | 18389 | 1 | BRACKET ISO YAW BLOCK |
| 18 | MI135995 | | 8 | PIN COTTER 3/16 X 1.5ZP |
| 19 | MI134963 | | 6 | PIN CYLINDER |
| 20 | | 28111 | 2 | PIN CYLINDER W/HEAD |
| 21 | | 596236M | 4 | NUT HEX 5/16" CENTERLOCK MAGNI |
| 22 | | 596115M | 4 | BOLT HEX 5/16 X 1 GR5 MAGNI |
| 23 | 22036 | 750073 | 2 | WASHER NYLON 2.625 ID X 3/8" THICK |
| 24 | | 22204L | 1 | WING PIVOT YAW LEFT HAND |
| 25 | | 18270 | 2 | WING PIVOT LOWER PIN |
| 26 | | 596129M | 2 | BOLT HEX HEAD 3/8 X 1-1/2 GR5 MAGNI |
| 27 | | 530309 | 2 | WASHER HEAVY 13/32 X 1" |
| 28 | | 620077 | 2 | CYLINDER 40THC18-175, BOOM SWING |
| 29 | | 590248 | 2 | BUSHING |
| 30 | | 7444 | 4 | ADJUSTER, SPRING |
| 31 | | 596217M | 4 | NUT, HEX, 3/4-10 G5 MAGNI |
| 32 | | 596225M | 4 | NUT, HEX JAM, 3/4-10 G5 MAGNI |

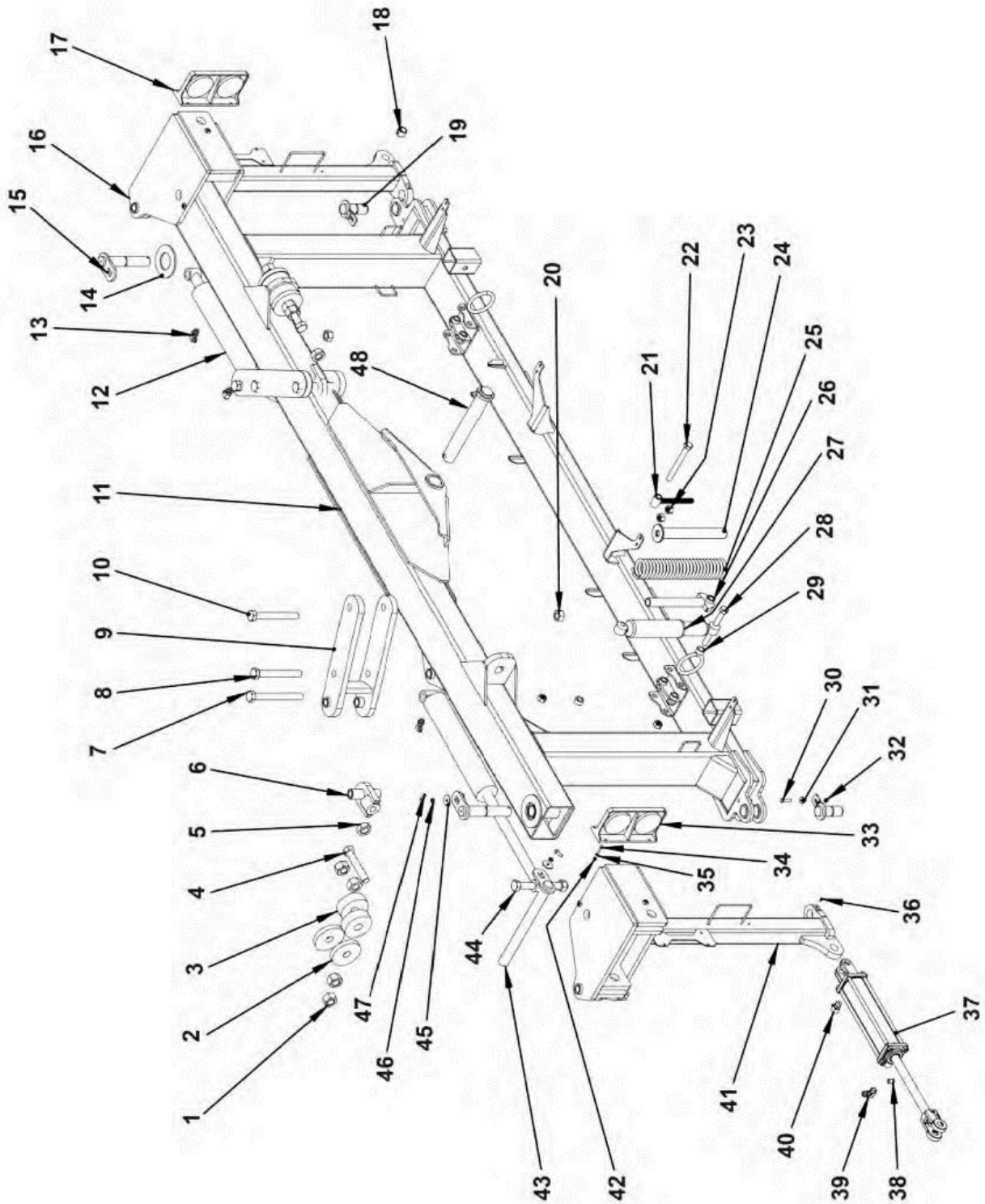


ILLUSTRATED PARTS LIST

| ITEM | VENDOR NO. | PART NO. | QTY. | DESCRIPTION |
|------|------------|----------------|------|------------------------------------|
| 33 | | 7442 | 4 | OUTER SPRING GUIDE |
| 34 | | 590011 | 2 | CENTER SECTION SPRING |
| 35 | | 11620 | 4 | MOUNT, BASE SPRING |
| 36 | | 596626M | 4 | NUT, TOPLOCK, 3/4-10 G5 MAGNI |
| 37 | | 596192M | 4 | BOLT, HH, 3/4-10X6 GR5 MAGNI |
| 38 | | 790010 | 6 | SHOCK ABSORBER |
| 39 | | 596187M | 4 | BOLT, HH, 3/4-10X3-1/2 GR5 MAGNI |
| 40 | | 596626M | 4 | NUT, CENTERLOCK, 3/4-10 G5 MAGNI |
| 41 | | 18265 | 2 | PIN, TRUSS BOOM, 16" LONG |
| NS | | 800111 | 6 | DECAL, RED/ORANGE NON-REFLECTIVE |
| NS | | 800006 | 2 | DECAL, DANGER ELECTROCUTION HAZARD |
| NS | | 800287 | 7 | DECAL, GREASE PIVOT POINTS |
| NS | | 800106 | 4 | DECAL, DANGER, STAND CLEAR |
| NS | | 800109 | 4 | DECAL, RED REFLECTOR |
| NS | | 800110 | 4 | DECAL, AMBER REFLECTOR |



Puck Yaw Center





ILLUSTRATED PARTS LIST

Parts List: Puck Yaw Center

| ITEM | VENDOR NO. | PART NO. | QTY. | DESCRIPTION |
|------|--------------------------|----------|----------|---|
| 1 | | 617 | 8 | NUT HEX HEAD 1-1/4" ZP |
| 2 | | 16017 | 4 | MECHANICAL YAW WASHER PLATE |
| 3 | | 790037 | 4 | POLY PUCK YAW DAMPNER |
| 4 | | 16016 | 2 | THREADED ROD MECHANICAL YAW |
| 5 | | 558 | 2 | NUT HEX JAM 1-1/4" ZP |
| 6 | | 16008 | 2 | MECHANICAL YAW LUG MOUNT |
| 7 | | 590125 | 2 | BOLT HEX HEAD 1 X 10 GR8 ZP |
| 8 | | 590135 | 2 | BOLT HEX HEAD 1 X 8-1/2 GR8 ZP |
| 9 | | 18362 | 2 | MECHANICAL YAW MULTIPLIER |
| 10 | | 590136 | 2 | BOLT HEX HEAD 1 X 8-1/2 GR8 ZP |
| 11 | | 16525 | 1 | CENTER SECTION 120' TRUSS BOOM PUCK YAW |
| NS | | 22005 | | CENTER SECTION 120' TRUSS BOOM ISO YAW |
| 12 | MI675418 | 620079 | 2 | CYLINDER 3 X16 WELED 1.75" ROD (2014-) |
| NS | 649209 (RK 30WR-175 TSS) | | | SEAL KIT FOR 620079 |
| 12 | | 620031 | | CYLINDER 3X16 WELED 1.5" ROD (2010-2013) |
| NS | RKWP-3015-3B-WP-1 | | | SEAL KIT FOR 620031 |
| 13 | RST6801-4-8-0.032 | 610039 | 4 | FITTING HYDRAULIC 8ORB-4JIC RST 0.032 |
| 14 | | 590038 | 4 | WASHER POLY PIVOT 1-5/8" OD |
| 15 | | 16155 | 2 | PIN WING PIVOT UPPER |
| 16 | | 16105R | 1 | RIGHT HAND WING PIVOT 120' TRUSS BOOM PUC YAW |
| 17 | | 740002 | 1 | SAFETY LIGHT RIGHT HAND |
| 18 | | 530281 | 2 | BUSHING 1" ID X 1" LONG |
| 19 | | 13871 | 2 | PIN WING PIVOT LOWER |
| 20 | | 242 | 8 | NUT HEX 1" CENTERLOCK ZP |
| 21 | | 7444 | 4 (120') | SPRING ADJUSTMENT EYEBOLT |
| | | | 6 (132') | |
| NS | | 194 | 4 (120') | BOLT HEX HEAD 3/4 X 7 GR5 ZP |
| | | | 2 (132') | |
| 22 | | 489 | 2 (132') | BOLT HEX HEAD 3/4 X 9 GR5 ZP |

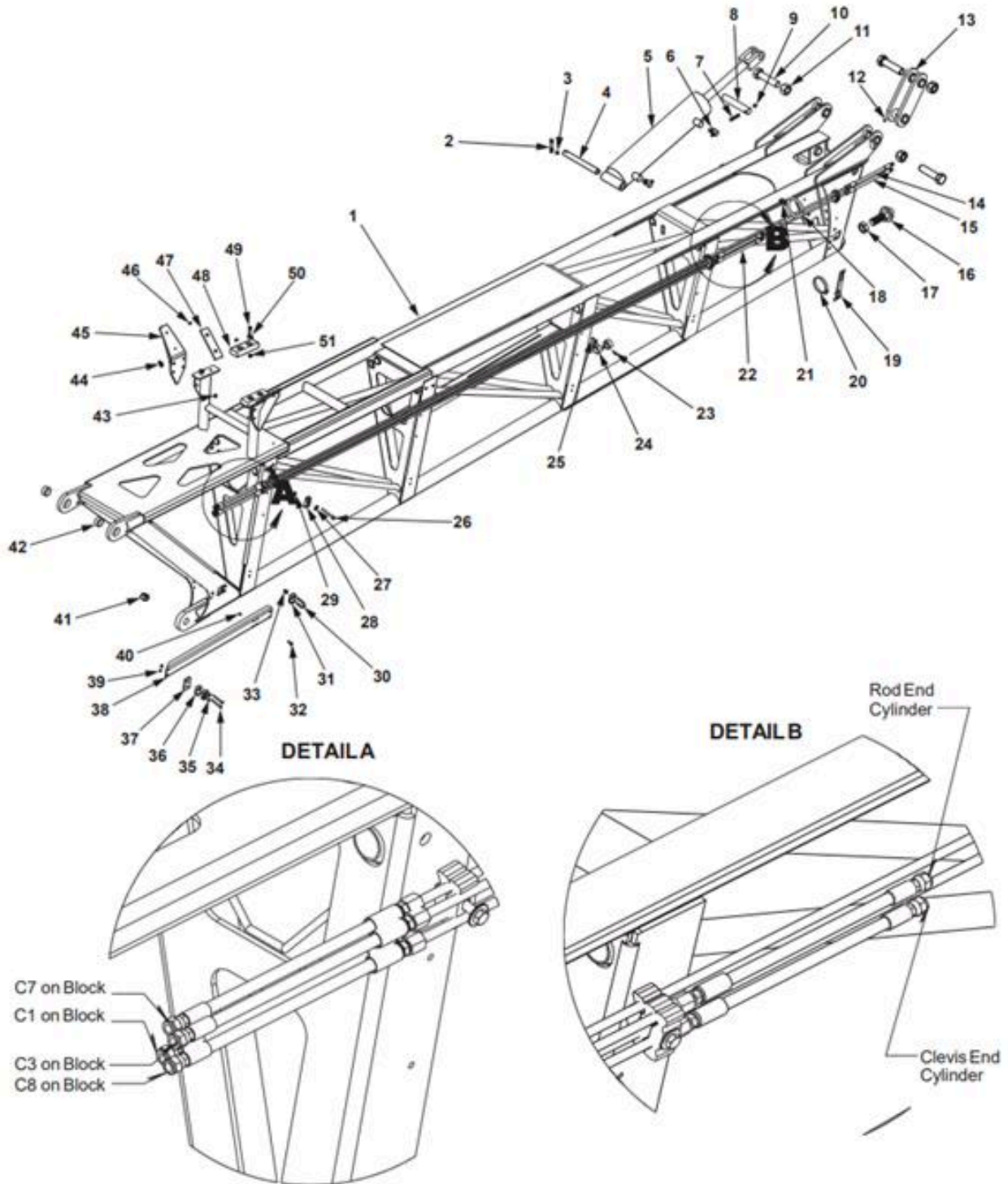


ILLUSTRATED PARTS LIST

| ITEM | VENDOR NO. | PART NO. | QTY. | DESCRIPTION |
|------|------------|----------|-----------|--|
| 23 | | 217 | 8 | NUT HEX HEAD 3/4" ZP |
| 24 | | 7442 | 4 | OUTER SPRING MOUNT |
| 25 | | 590011 | 4 | SPRING COMPRESSION |
| 26 | | 11620 | 4 (120') | LOWER SPRING MOUNT |
| | | | 6 (132') | |
| 27 | PI-65421 | 790010 | 4 (120') | SHOCK |
| | | | 12 (132') | |
| NS | | 194 | 4 (120') | BOLT HH 3/4 X 7 GR5 ZP |
| | | | 2 (132') | |
| 28 | | 489 | 2 (132') | BOLT HEX HEAD 3/4 X 9 GR5 ZP |
| 29 | | 14461 | 8 (120') | SPACER DOM |
| 30 | | 129 | AR | BOLT HEX HEAD 3/8 X 1-1/2 GR5 ZP |
| 31 | | 530309 | 2 | WASHER THICK 1" OD |
| 32 | | 237 | 2 | NUT HEX 3/8" CENTERLOCK ZP |
| 33 | | 740001 | 1 | SAFETY LIGHT LEFT HAND |
| 34 | | 102 | 8 | BOLT HEX HEAD 1/4 X 1 GR5 ZP |
| 35 | | 256 | 8 | WASHER FLAT 1/4" ZP |
| 36 | | 759 | 6 | ZERK 1/4-28 TPI |
| 37 | 671378 | 620028 | 2 | CYLINDER 30TD12-125 |
| NS | 648992 | 620032 | | CYLINDER 30TD12-125 SA PUSH SUPERCEDED BY 620028 AFTER 4/15/2013 |
| 38 | BV3 | 610035 | 2 | BREATHER 3/8" NPT |
| 39 | 8/6/6500 | 610036 | 2 | FITTING HYDRAULIC 8ORB-3/8" NPT |
| 40 | 6/8/6801 | 610030 | 2 | FITTING HYDRAULIC 8ORB-6JIC |
| 41 | | 16105L | 1 | LEFT HAND WING PIVOT 120' TRUSS BOOM |
| 42 | | 767 | 8 | NUT HEX WHIZLOCK ZP |
| 43 | | 16145 | 2 | PIN MAIN WING PIVOT |
| 44 | | 528 | 2 | BOLT HEX HEAD 1 X 10 GR8 ZP |
| 45 | | 530308 | 2 | WASHER THICK 1-5/8" OD |
| 46 | | 250 | 4 | WASHER LOCK 3/8" ZP |
| 47 | | 128 | 2 | BOLT HEX HEAD 3/8 X 1 GR5 ZP |
| 48 | | 11515 | 1 | MAIN CENTER PIVOT PIN |



Main Wing





ILLUSTRATED PARTS LIST

Parts List: Main Wing

| ITEM | VENDOR NO. | PART NO. | QTY. | DESCRIPTION |
|------|------------|----------|------|--|
| 1 | | 22260 | 2 | WING, MAIN TRUSS (120') |
| 1 | | 22261 | 2 | WING, MAIN TRUSS (132') |
| 2 | | 596131M | | BOLT HH 3/8 X 2.5 GR5 MAGNI |
| 3 | | 596237M | | NUT HEX 3/8" CENTER LOCK MAGNI |
| 4 | | 16268 | | PIN CYLINDERMOUNT |
| 5 | MHFD10013 | 620043 | 2 | CYLINDER CUSHION 5 X 16 9518T-3394-0111 & UP |
| | MHFDI0013 | | | SEAL KIT FOR 620043 |
| 6 | TO6801-4-8 | 610029 | 4 | FITTING HYDRAULIC 8ORB X 4JIC90° |
| 7 | | 596130M | 2 | BOLT HH 3/8 X 2 GR5 MAGNI |
| 8 | | 16149 | 2 | PIN CYLINDER MOUNT |
| 9 | | 596237M | 2 | NUT HH 3/8" CENTER LOCK MAGNI |
| 10 | | 590183 | 4 | BOLT HH (REWORK) 1.25 X 5 GR5ZP |
| 11 | | 790072 | 4 | NUT HH 1.25" CENTER LOCK ZP |
| 12 | | 759 | 2 | ZERK 1/4"STRAIGHT |
| 13 | | 16197 | 2 | LINK, SCISSOR |
| 14 | 600039-3A | | 2 | HOSE HYDRAULIC 29.5"OAL |
| 15 | 600039-4A | | 2 | HOSE HYDRAULIC 33" OAL |
| 16 | | 16185 | 2 | CONE, LINEUP |
| 17 | | 596722M | 2 | NUT HH JAM 1.25 MAGNI |
| 18 | | 8877 | 2 | RING BOLT ASSEMBLY |
| 19 | | 16271 | AR | BRACKET WETBOOM |
| 20 | BR64044H | 540018 | AR | HOSE CLAMP SIZE 44 |
| 21 | | 596223M | 2 | NUT HH 1/2" JAM MAGNI |
| 22 | 600039-5A | | 2 | HOSE HYDRAULIC TO BASE CYLINDER PORT |
| 22 | 600039-6A | | 2 | HOSE HYDRAULIC TO ROD CYLINDER PORT |
| 23 | | 596101M | 4 | BOLT HH 1/4 X 3/4" GR5 MAGNI |
| 24 | | 540048 | 4 | HOLDER SPRAY HOSE |
| 25 | | 596227M | 4 | NUT HH 1/4" NYLOCK MAGNI |
| 26 | | 596637M | 8 | BOLT HH 3/8 X 2-3/4" GR5 MAGNI |
| 27 | | 596258M | 8 | WASHER 3/8 MAGNI |
| 28 | AG-2 | | 28 | STEEL TUBE HOLDER |
| 29 | | 596213M | 8 | NUT HH 3/8" MAGNI |
| 30 | | 590048 | AR | U-BOLT 1/4 X 1 STAINLESS |
| 31 | | 540029 | AR | TUBE CLAMP FOR 1" SS TUBE |

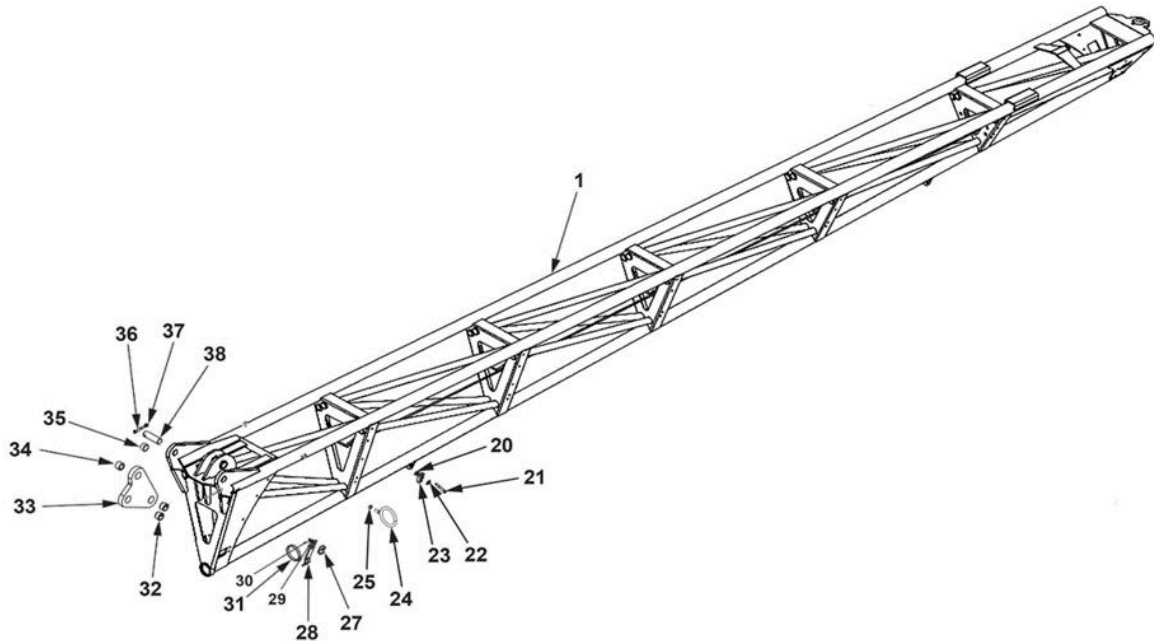


ILLUSTRATED PARTS LIST

| ITEM | VENDOR NO. | PART NO. | QTY. | DESCRIPTION |
|------|------------------|----------------|------|---|
| 32 | | 596235M | AR | NUT HH 1/4" CENTERLOCK MAGNI |
| 33 | | 596101M | 8 | BOLT HH 1/4 X 3/4" GR5 MAGNI |
| 34 | | 596105M | 4 | BOLT HH 1/4 X 2-1/2" GR5 MAGNI |
| 35 | | 596256M | 4 | WASHER 1/4" MAGNI |
| 36 | | 540029 | 4 | TUBE CLAMP FOR 1" SS TUBE |
| 37 | | 11494 | 2 | SPACER WETBOOM |
| 38 | | 16378 | 2 | BRACKET WET BOOM SUPPORT |
| 39 | | 596235M | 4 | NUT HH 1/4" CENTERLOCK SS |
| 40 | | 596256M | AR | WASHER 1/4" MAGNI |
| 41 | | 530281 | 2 | BUSHING SPRING 1"ID |
| 42 | | 530280 | 4 | BUSHING SPRING 1-1/2"ID |
| 43 | | 596237M | 8 | HUT HH 3/8" CENTERLOCK GR5 MAGNI |
| 44 | | 596128M | 8 | BOLT HH 3/8 X 1 GR5 MAGNI |
| 45 | | 16794 | 2 | GUIDE, WING REST, BOLT-ON |
| 46 | | 581 | 4 | RIVET DRIVE 1/4" |
| 47 | 7781 | 590024 | 4 | SADDLE BASE |
| 48 | | 590094 | 4 | BUMPER PAD, 6"LG |
| 49 | | 596129M | 4 | BOLT HH 3/8 X 1-1/2" GR5 MAGNI |
| 50 | | 596258M | 4 | WASHER 3/8" MAGNI |
| 51 | | 596237M | 4 | HUT HH 3/8" CENTERLOCK GR5 MAGNI |
| 52 | 600039-1A | | 4 | HOSE HYDRAULIC BLOCK TO HYDRAULIC TUBE LH |
| NS | 600039-2A | | 4 | HOSE HYDRAULIC BLOCK TO HYDRAULIC TUBE RH |
| 53 | FDMP603 | | 4 | HYDRAULIC TUBE 3/8" X124" |
| 54 | FDMP604 | 620043 | 4 | HYDRAULIC TUBE 3/8" X162" |



Flip Wing

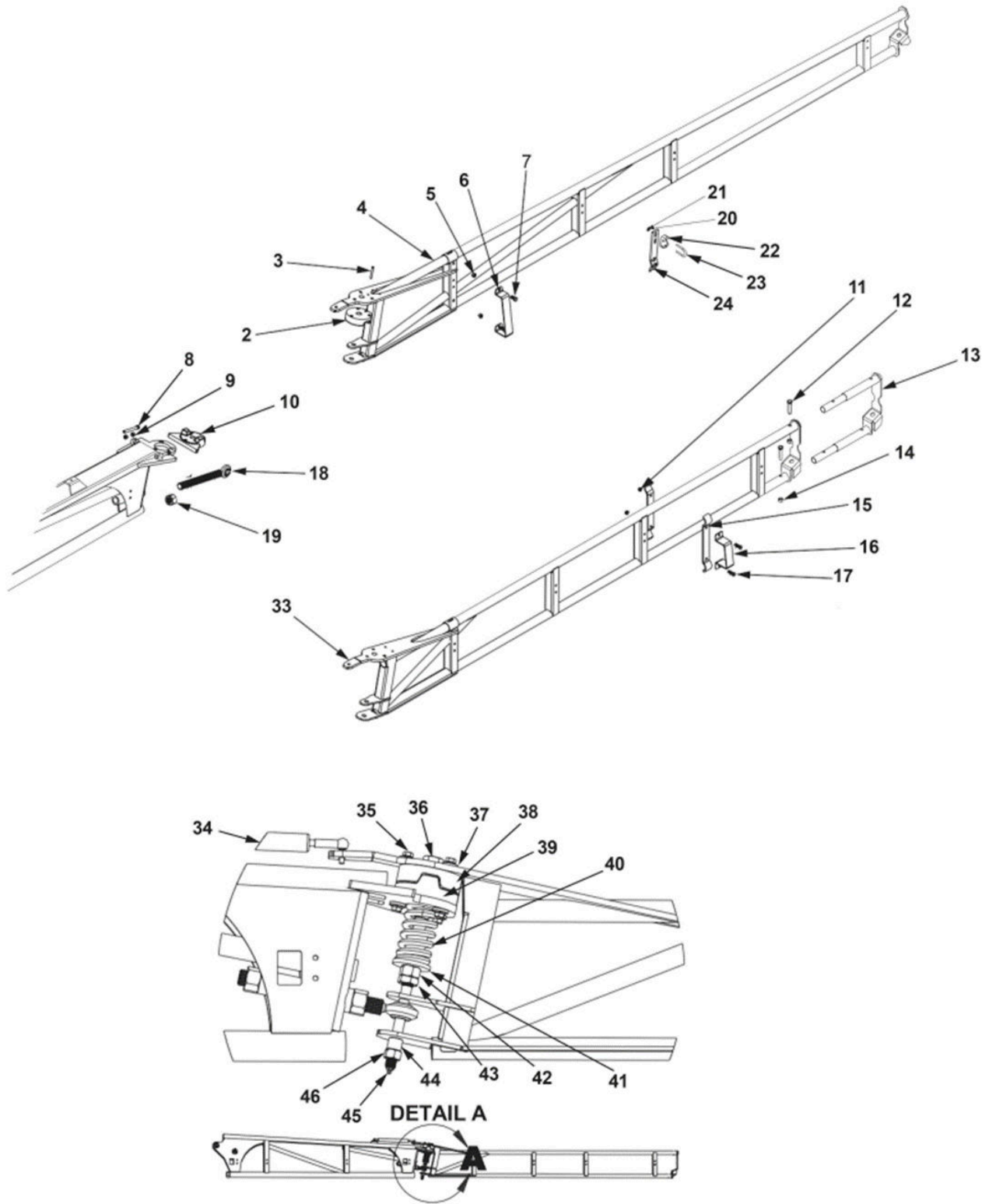


Parts List: Flip Wing

| ITEM | VENDOR NO. | PART NO. | QTY. | DESCRIPTION |
|------|------------|----------|------|--------------------------------------|
| 1 | | 16580 | 2 | FLIP WING TRUSS BOOM |
| 20 | | 596237M | 12 | NUT HH 3/8" CENTERLOCK MAGNI |
| 21 | | 596128M | 12 | BOLT HH 3/8 X 1 GR5 MAGNI |
| 22 | | 596258M | 12 | WASHER FLAT 3/8" MAGNI |
| 23 | AG-2 | | 24 | STEEL TUBE HOLDER |
| 24 | | 8877 | 2 | RING BOLT ASSEMBLY |
| 25 | | 596223M | 2 | NUT HH JAM 1/2" MAGNI |
| 27 | NT-3254PP | 540029 | AR | 1" TUBE CLAMP |
| 28 | | 16271 | AR | CLAMP WET BOOM HOLDER |
| 29 | | 596256M | AR | WASHER 1/4" MAGNI |
| 30 | | 596227M | AR | NUT HH 1/4" CENTERLOCK MAGNI |
| 31 | BR64032H | 540017 | AR | CLAMP STAINLESS STEEL |
| 32 | | 530291 | 4 | BUSHING 1.5 OD X 1.25 ID X 1" LONG |
| 33 | | 16198 | 2 | LINK, SCISSOR TRUSS BOOM |
| 34 | | 530312 | 2 | BUSHING 1.5 OD X 1.0 ID X 1" LONG |
| 35 | | 530282 | 4 | BUSHING 1.5 OD X 1.25 ID X 3/4" LONG |
| 36 | | 596131M | 2 | BOLT HH 3/8 X 2-1/2" GR5 MAGNI |
| 37 | | 596237M | 2 | NUT HH 3/8" CENTERLOCK MAGNI |
| 38 | | 21076 | 2 | PIN, WING PIVOT 1-1/4" X 4"LONG |



Breakaway Wing





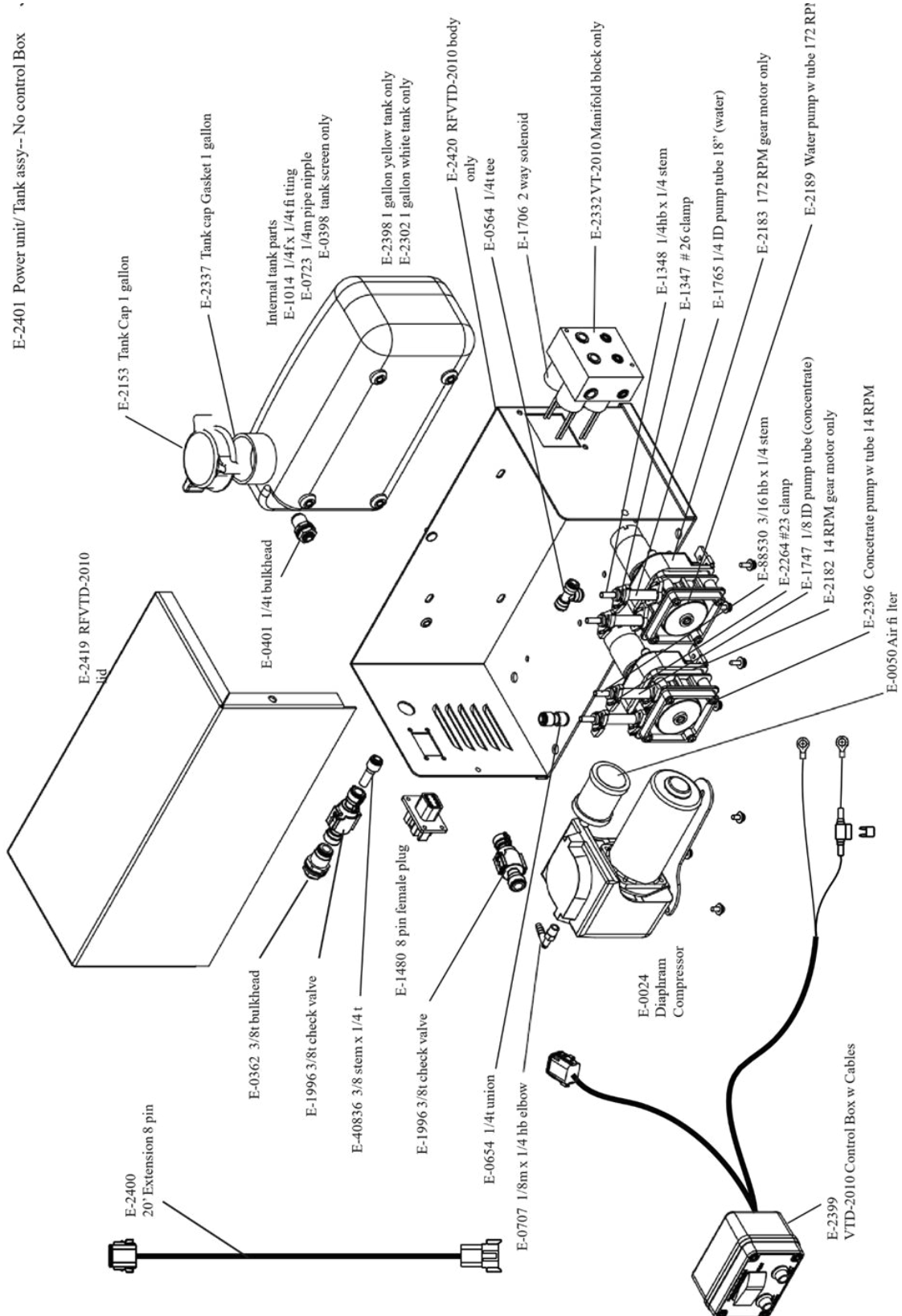
ILLUSTRATED PARTS LIST

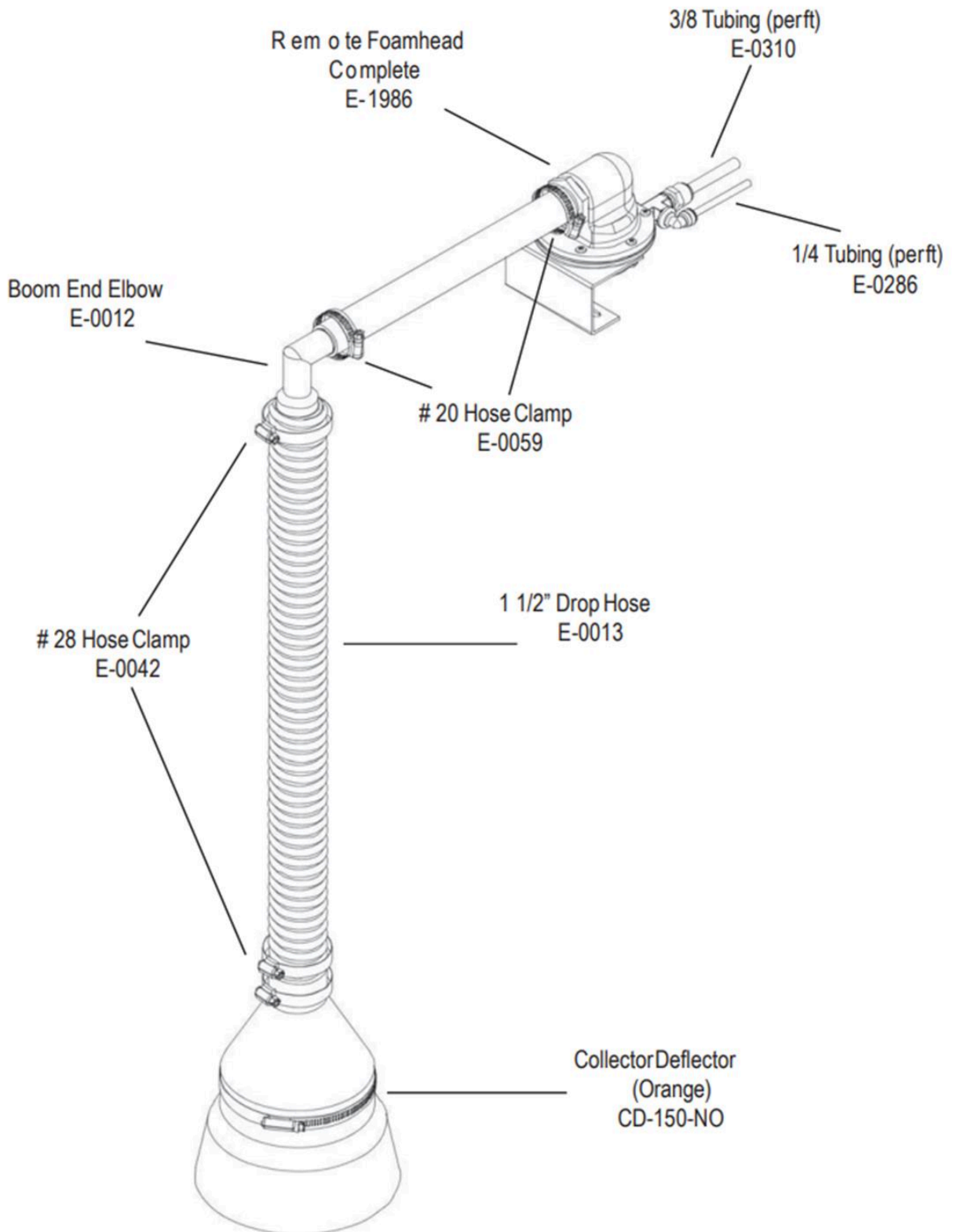
Parts List: Breakaway Wing

| ITEM | For Width | VENDOR NO. | PART NO. | QTY. | DESCRIPTION |
|------|-----------|------------|----------|------|--|
| 2 | 132' | | 18409 | 2 | BREAKAWAY CLUTCH TOP |
| 3 | 132' | | 687 | 2 | PIN SPRING 1/4 X2 |
| 4 | 132' | | 14000 | 2 | BREAKAWAY132' |
| 5 | 132' | | 596237M | 4 | NUT HEX CENTERLOCK 3/8 MAGNI |
| 6 | 132' | | 16180 | 2 | BREAKAWAYGUIDE |
| 7 | 132' | | 596127M | 4 | BOLT HH 3/8 X 3/4 GR5 MAGNI |
| 8 | 132' | | 590200 | 4 | BOLT HH 3/8 X 3 GR5 MAGNICOATED FULL THREAD |
| 9 | 132' | | 596213M | 4 | NUT HEX 3/8 MAGNI |
| 10 | 132' | | 18400 | 2 | BREAKAWAY CLUTCH WITH STOP |
| 11 | 120' | | 596236M | 4 | NUT HEX CENTERLOCK 5/16 MAGNI |
| 12 | 120' | | 596142M | 4 | BOLT HH 7/16 X 2 GR5 MAGNI |
| 13 | 120' | | 14295 | 2 | BREAKAWAY EXTENSION 15" PLUMBING 120' BOOM |
| 14 | 120' | | 596238M | 4 | NUT HEX CENTERLOCK 7/16 MAGNI |
| 15 | 120' | | 18315 | 4 | BREAKAWAY CLAMP |
| 16 | 120' | | 16671 | 2 | BREAKAWAY GUIDE |
| 17 | 120' | | 596115M | 4 | BOLT HH 5/16 X 1 GR5 MAGNI |
| 18 | All | | 16176 | 2 | ADJ. BREAKAWAY SUPPORT |
| 19 | All | | 596218M | 4 | NUT HH 1"-8 MAGNI |
| 20 | All | | 596235M | AR | NUT HEX CENTERLOCK 1/4" MAGNI |
| 21 | All | | 596256M | AR | WASHER 1/4" MAGNI |
| 22 | All | | 540029 | AR | TUBE CLAMP BASE |
| 23 | All | | 590048 | AR | U-BOLT STAINLESS STEEL |
| 24 | All | | 16271 | AR | CLAMP WET BOOM HOLDER |
| 33 | 120' | | 18300 | 2 | BREAKAWAY 93" |
| 34 | All | | 790028 | 2 | SHOCK BREAKAWAY HEAVY |
| 35 | All | | 596634M | 6 | BOLT HH 3/8 X 1-1/4 GR8 MAGNI |
| 36 | All | | 590112 | 2 | BOLT HH BREAKAWAY PIVOT |
| 37 | All | | 530309 | 6 | FLAT WASHER HEAVY 3/8" |
| 38 | 120' | 14458 | 590074 | 2 | BREAKAWAY CLUTCH FEMALE' |
| 39 | 120' | 14457 | 590073 | 2 | BREAKAWAY CLUTCH MALE |
| 40 | All | | 590006 | 2 | SPRING, BREAKAWAY |
| 41 | All | | 14013 | 2 | GUIDE SPRING BREAKAWAY |
| 42 | All | | 596217M | 2 | NUT HH 3/4" MAGNI |
| 43 | All | | 596225M | 2 | NUT HH JAM 3/4" MAGNI |
| 44 | All | | 14268 | 2 | COLLAR |
| 45 | All | | 759 | 2 | ZERK 1/4-28 STRAIGHT |
| 46 | All | | 596216M | 2 | NUT HH 5/8" MAGNI |

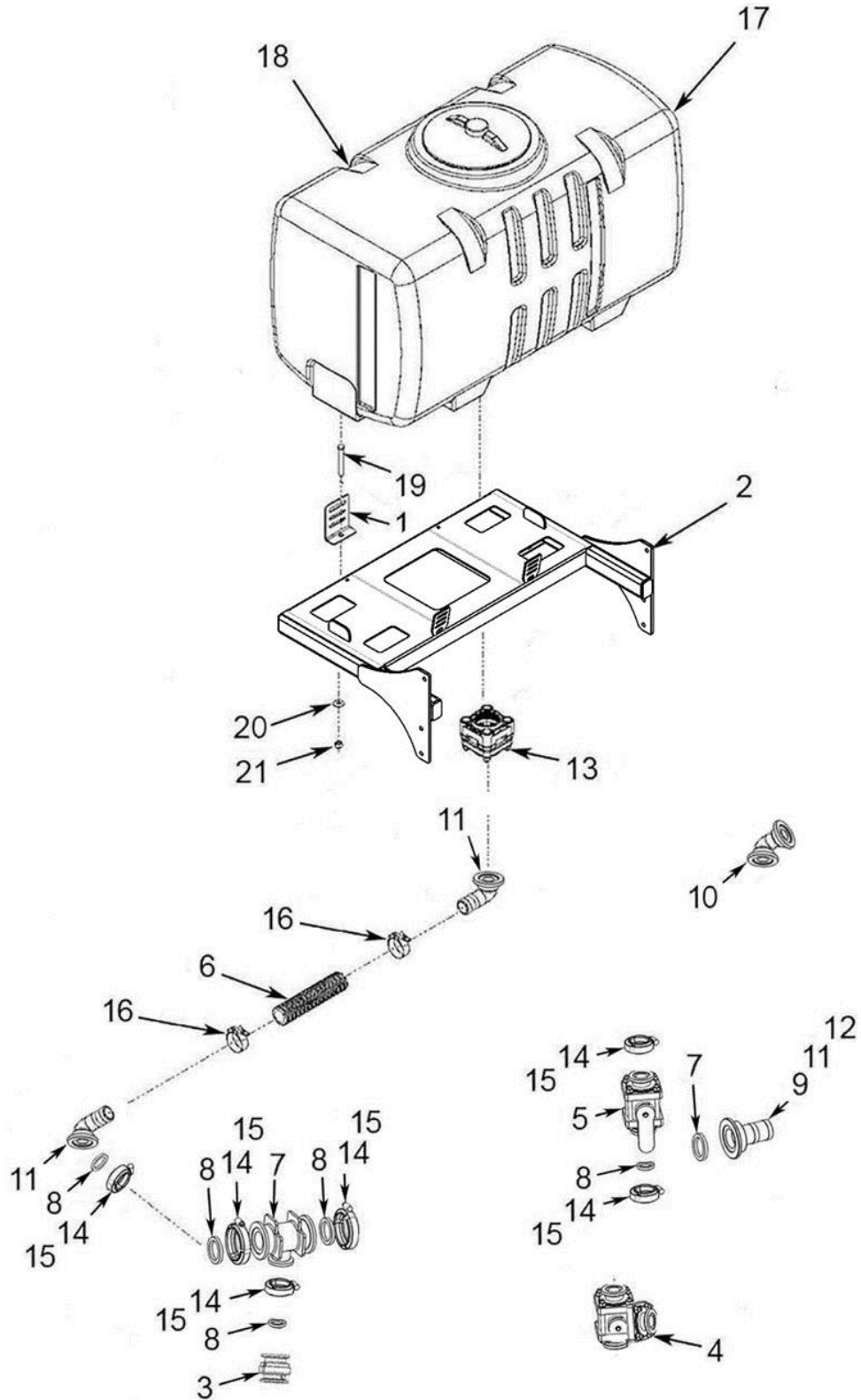
TANK & PUMP

1 Gal. Foamer Tank





50 Gal. Rinse Tank



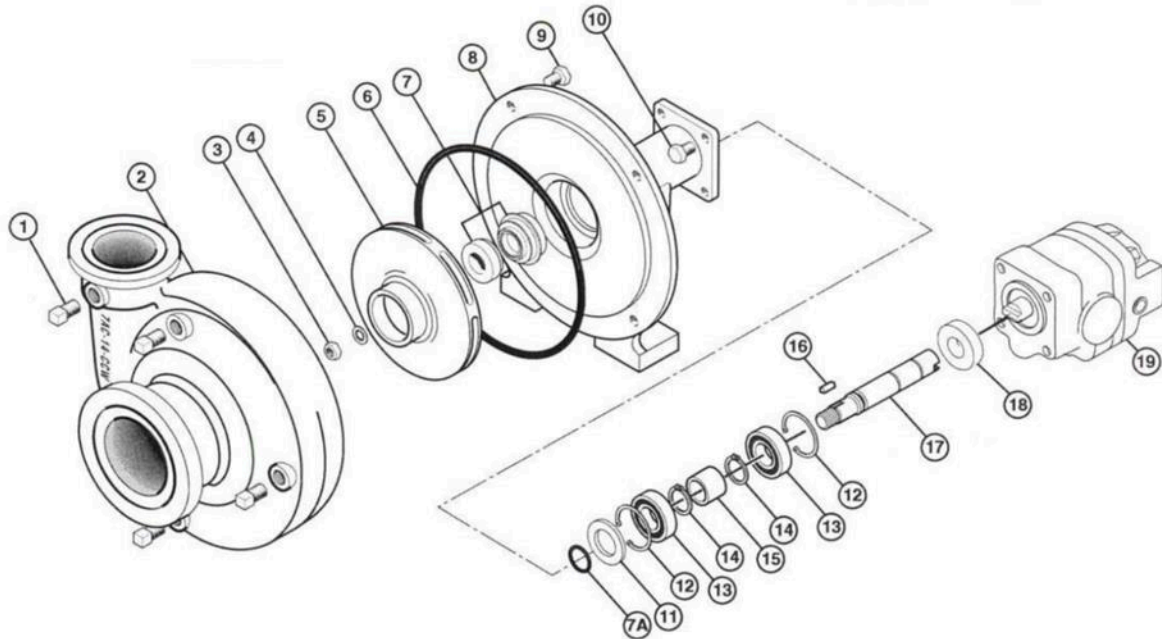


ILLUSTRATED PARTS LIST

Parts List 99RT50973PT: 50 Gal. Rinse Tank

| ITEM | PART NO. | QTY. | DESCRIPTION |
|------|----------|------|--|
| 1 | 3071 | 2 | BUCKLE, 2", SS |
| 2 | 16802 | 1 | 3PT TRUSS RINSE TANK |
| 3 | 500002 | 1 | VALVE, 2" MANIFOLD CHECK ASSEMBLY |
| 4 | 500034 | 1 | VALVE, 2" BOTTOM LOAD FPF |
| 5 | 500039 | 1 | VALVE, 2" X 2" FLANGE |
| 6 | 510002 | 15 | HOSE, 1-1/2" FERTILIZER |
| 7 | 530014 | 4 | 1-1/2" EPDM GASKET |
| 8 | 530019 | 5 | 2" EPDM GASKET |
| 9 | 530079 | 1 | 2" MANIFOLD X 1-1/2" HOSE BARB |
| 10 | 530089 | 1 | 2" MANIFOLD COUPLING X 90 DEGREE - SHORT |
| 11 | 530100 | 1 | 2" FP FLANGE X 1-1/2" HOSE BARB |
| 12 | 530103 | 2 | 2" FP FLANGE X 2" HOSE BARB |
| 13 | 530129 | 1 | 1-1/2 X 2" MANIFOLD BOLTED TANK FITTING |
| 14 | 540001 | 4 | CLAMP, 2" STANDARD WORM SCREW |
| 15 | 540002 | 5 | CLAMP, 2" FULL WORM SCREW |
| 16 | 540005 | 2 | CLAMP, 1-1/4" T-BOLT HOSE, 1.6" |
| 17 | 570034 | 1 | TANK PCO 50 GALLON, YELLOW |
| 18 | 580004 | 12 | WEBBING, NYLON, 1.75" WIDE |
| 19 | 596660M | 4 | BOLT, HH 3/8 X 3" FULL THREAD |
| 20 | 23160 | 4 | WASHER, FLAT 3/8" |
| 21 | 596229M | 4 | NUT, HH NYLOCK 3/8" NC ZP |

Pump ACE 205-304



Parts List 550025/550054: Pump ACE 205-304

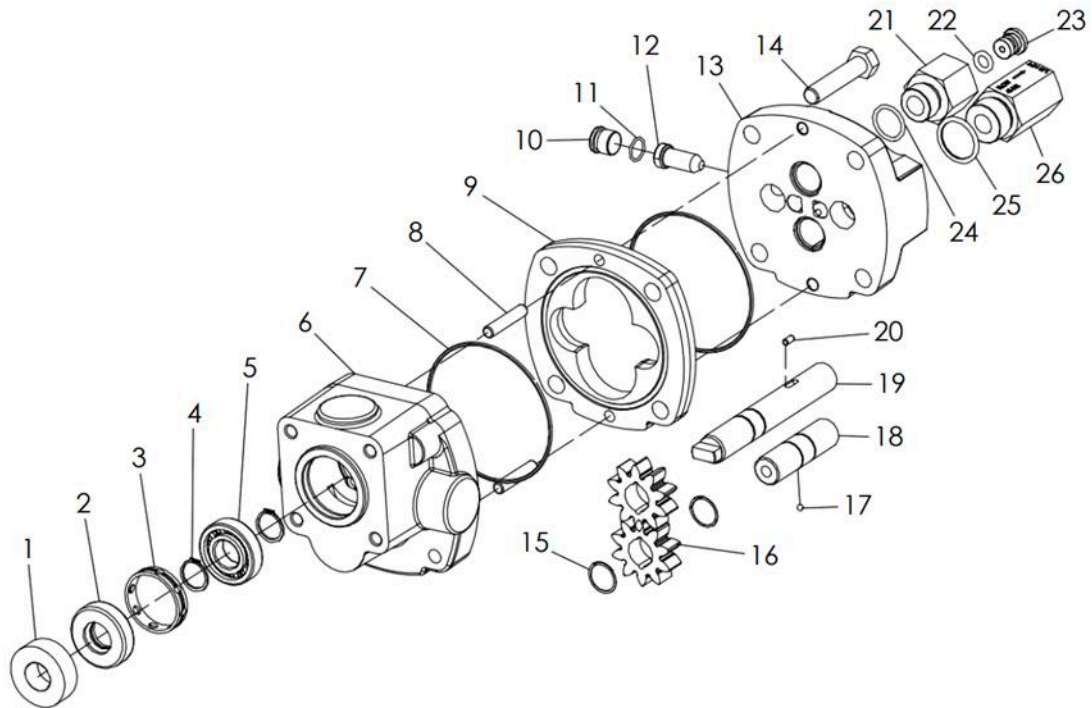
| ITEM | EDP NO. | VENDOR NO. | QTY. | DESCRIPTION |
|----------------|--------------|----------------------|------|--|
| 0 | - | 550025 (550054) | 1 | PUMP, 205-304 (SS) FLANGED, COMPLETE PUMP |
| 1 | 41110 | BAC-53 | 4 | PIPE PLUG |
| 1 | 41120 | 41120 | 4 | PIPE PLUG, STAINLESS STEEL (OPTIONAL) |
| 2 | 41530 | 7AC-14-FLG | 1 | VOLUTE, 300 STANDARD FLANGE X 220 FULL PORT FANGE |
| 3 | 40391 | BAC-23-A | 1 | NUT, 3/8" NF, CAD PLATED |
| 4 | 40400 | BAC-24-HYD-SS | 1 | WASHER, 3/8" STAR, STAINLESS STEEL |
| 5 | 40433 | BAC-26-200-CI | 1 | IMPELLER, WITH EXTENDED KEYWAY, CAST IRON (OPTIONAL) |
| 5 | 40434 | BAC-26-200-P | 1 | IMPELLER, WITH EXTENDED KEYWAY, THERMOPLASTIC |
| 6 ¹ | 40005 | BAC-4A | 1 | O-RING, BODY SEAL |
| 7 ¹ | 40151 | BAC-7V | 1 | SEAL, CARBON/CERAMIC/VITON (INCLUDES 40160 "O" RING) |
| 7 ² | 40152 | BAC-7SC | 1 | SEAL, SILICON CARBIDE (INCLUDES 40160 "O" RING) (OPTIONAL) |
| 7A | 40160 | 40160 | 1 | O-RING, SHAFTSEAL |



ILLUSTRATED PARTS LIST

| ITEM | EDP NO. | VENDOR NO. | QTY. | DESCRIPTION |
|------|---------|-----------------------|------|--|
| 8 | 40314 | BAC-14-HYD-300A | 1 | MOUNTING FRAME (FOR -300A SERIES HYDRAULIC MOTOR) |
| 9 | 40950 | 40950 | 4 | CAP SCREW, 3/8" NC X 3/4" HEX HEAD |
| 9 | 40930 | 40930 | 4 | CAP SCREW, 3/8" NC X 3/4" HEX HEAD, STAINLESS STEEL (OPTIONAL) |
| 10 | 41330 | 41330 | 4 | CAP SCREW, 5/16" NC X 3/4" HEX HEAD, MOTOR TO PUMP |
| 11 | 41130 | BAC-54 | 1 | SLINGER |
| 12 | 40810 | BAC-33 | 2 | SNAP RING, INTERNAL, BAC-14 MOUNTING FRAME |
| 13 | 40870 | BAC-37 | 2 | BALL BEARING, SEALED, BAC-6 SHAFT |
| 14 | 40790 | BAC-32 | 2 | SNAP RING, EXTERNAL, BAC-6 SHAFT |
| 15 | 40795 | BAC-32S | 1 | SPACER FOR BAC-6SHAFT |
| 16 | 40425 | BAC-25 | 1 | KEY, 1/8" X 1/8" X 13/16", EXTENDED KEYWAY |
| 17 | 40063 | BAC-6-HYD-200-SS | 1 | SHAFT, EXTENDED KEYWAY, TANG, STAINLESS STEEL |
| 18 | 40162 | S300 | 1 | SEAL SUPPORT SPACER FOR 300 SERIES HYD MOTOR |
| 19 | 41388 | BAC-75-HYD-304A | 1 | HYDRAULIC MOTOR, 11 GPM, 1/2" NPT PORTS |
| 19 | 41426 | BAC-75-HYD-304A-12SAE | 1 | HYDRAULIC MOTOR, 11 GPM, #12 SAE END PORTS (OPTIONAL) |
| 1 | 52700 | RK-FMC | - | REPAIR KIT FOR FMC SERIES PUMP |
| 2 | 52706 | RK-FMCSC | - | REPAIR KIT FOR FMC SERIES PUMP WITH SILICON CARBIDE SHAFT SEAL |
| # | 41362 | RK-BAC-75-HYD-300-L | - | REPAIR KIT FOR 300 SERIES - LMOTOR |

Pump ACE 205-304 continued



Parts List: Pump ACE 205-304

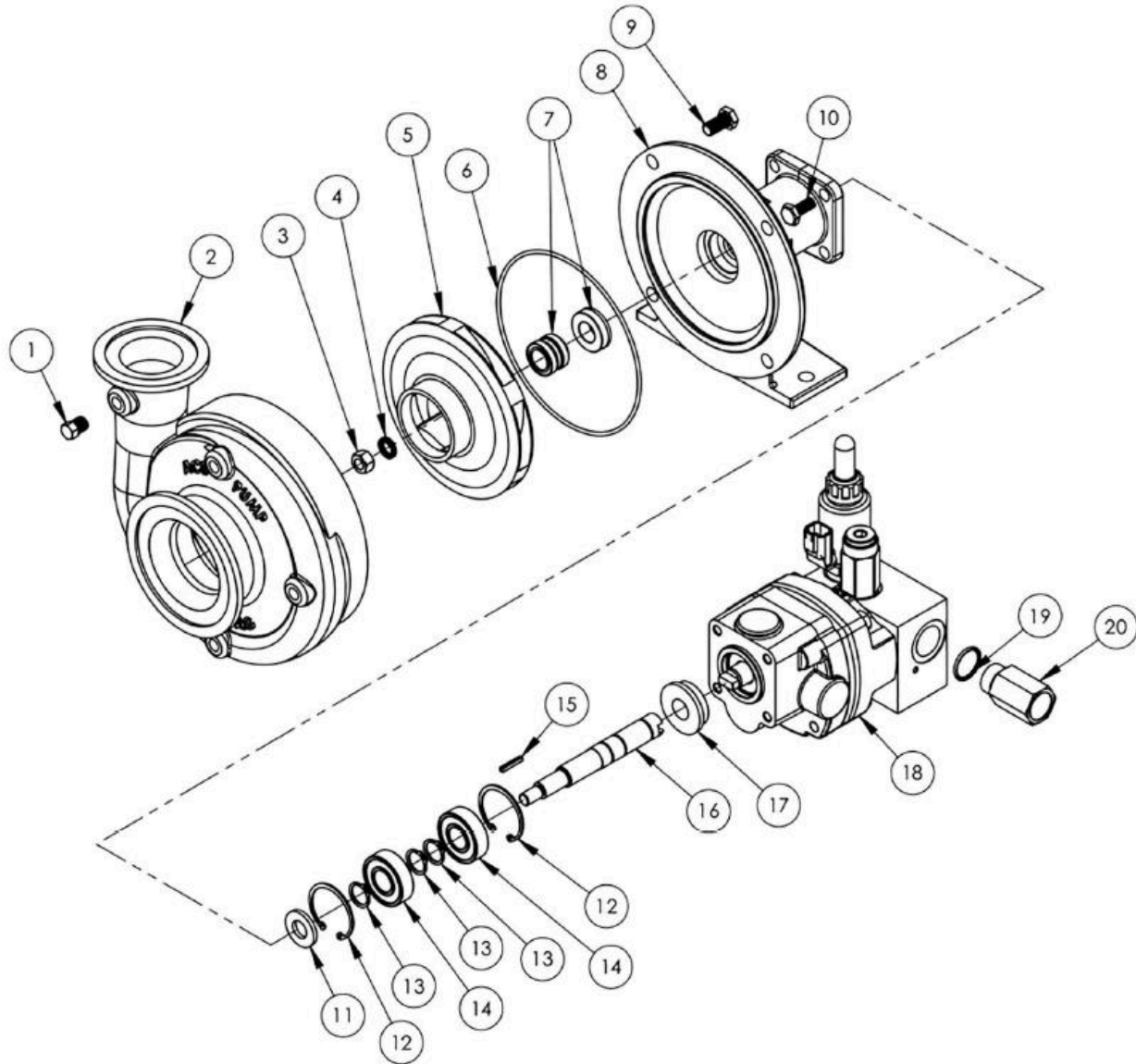
| ITEM | EDP NO. | VENDOR NO. | QTY. | DESCRIPTION |
|----------------|---------|----------------|------|--|
| 1 | 41110 | BAC-53 | 4 | PIPE PLUG |
| 1 | 41120 | 41120 | 4 | PIPE PLUG, STAINLESS STEEL (OPTIONAL) |
| 2 | 41535 | 7AC-14-FLG-A | 1 | VOLUTE, 300 STANDARD FLANGE X 220 FULL PORT FLANGE |
| 3 | 40393 | BAC-23-B-SS | 1 | NUT, 3/8" NF, STAINLESS STEEL |
| 4 | 42702 | BAC-24-B-SS | 1 | WASHER, 3/8", STAINLESS STEEL, SELF-LOCKING |
| 5 | 40434 | BAC-26-200-P | 1 | IMPELLER, WITH EXTENDED KEYWAY, THERMOPLASTIC |
| 5 | 40433 | BAC-26-200-CI | 1 | IMPELLER, WITH EXTENDED KEYWAY, CAST IRON (OPTIONAL) |
| 5 | 40436 | BAC-26-200-SS | 1 | IMPELLER, WITH EXTENDED KEYWAY, 316 STAINLESS STEEL (OPTIONAL) |
| 6 ¹ | 40149 | BAC-7SC-205V | 1 | SEAL, SILICON CARBIDE |
| 7 ¹ | 40005 | BAC-4A | 1 | O-RING, BODY SEAL |
| 8 | 40338 | BAC-14-205-HYD | 1 | MOUNTING FRAME FOR 205 PUMP |



ILLUSTRATED PARTS LIST

| ITEM | EDP NO. | VENDOR NO. | QTY. | DESCRIPTION |
|------|---------|---------------------|------|--|
| 9 | 40950 | 40950 | 4 | CAP SCREW, 3/8" NC X 3/4" HEX HEAD |
| 9 | 40930 | 40930 | 4 | CAP SCREW, 3/8" NC X 3/4" HEX HEAD, STAINLESS STEEL (OPTIONAL) |
| 10 | 41330 | 41330 | 4 | CAP SCREW, 5/16" NC X 3/4" HEX HEAD, MOTOR TO PUMP |
| 11 | 41130 | BAC-54 | 1 | SLINGER |
| 12 | 40820 | BACH-33 | 2 | SNAP RING, INTERNAL, BAC-14-205 MOUNTING FRAME |
| 13 | 40385 | BACH-32-HD | 3 | SNAP RING, EXTERNAL, BAC-6-205 SHAFT |
| 14 | 40880 | 40880 | 2 | BALL BEARING, SEALED, BAC-6-205 SHAFT |
| 15 | 40068 | BAC-6-205-HYD-SS | 1 | SHAFT, EXTENDED KEYWAY, TANG, STAINLESS STEEL |
| 16 | 40425 | BAC-25 | 1 | KEY, 1/8" X 1/8" X 13/16", EXTENDED KEYWAY |
| 17 | 40163 | S305 | 1 | SEAL SUPPORT SPACER FOR 205 SERIES PUMP |
| 18 | 41343 | BAC-75-HYD-304N | 1 | HYDRAULIC MOTOR, 11 GPM, EFFECTIVE 5/13 |
| 19 | 41875 | 41875 | 1 | O-RING, #8 SAE FITTING |
| 20 | 41445 | 41445 | 1 | O-RING, #10 SAE FITTING |
| 21 | 41455 | BAC-80-8SAE | 1 | BODY, RESTRICTOR ORIFICE, #8 SAE X 1/2"NPT |
| 22 | 41448 | 41448 | 1 | O-RING, ORIFICE INSERT |
| 23 | 41447 | BAC-79-8 | 1 | ORIFICE INSERT, RESTRICTOR INSERT, 0.125 |
| 24 | 41442 | 41442 | 1 | REVERSE CHECK ASSEMBLY, #10 SAE X 1/2"NPT |
| 25 | 41429 | LS-304N | 1 | FLOW LIMITER (OPTIONAL) |
| 1 | 52705 | RK-FMCSC-205 | | REPAIR KIT FOR FMC-205 PUMP WITH SILICON CARBIDE SHAFT SEAL |
| # | 41362 | RK-BAC-75-HYD-300-L | 4 | REPAIR KIT FOR 300 SERIES HYDRAULIC MOTOR |

Pump ACE 205-304 PWM



Parts List 550035: Pump ACE 205-304 PWM

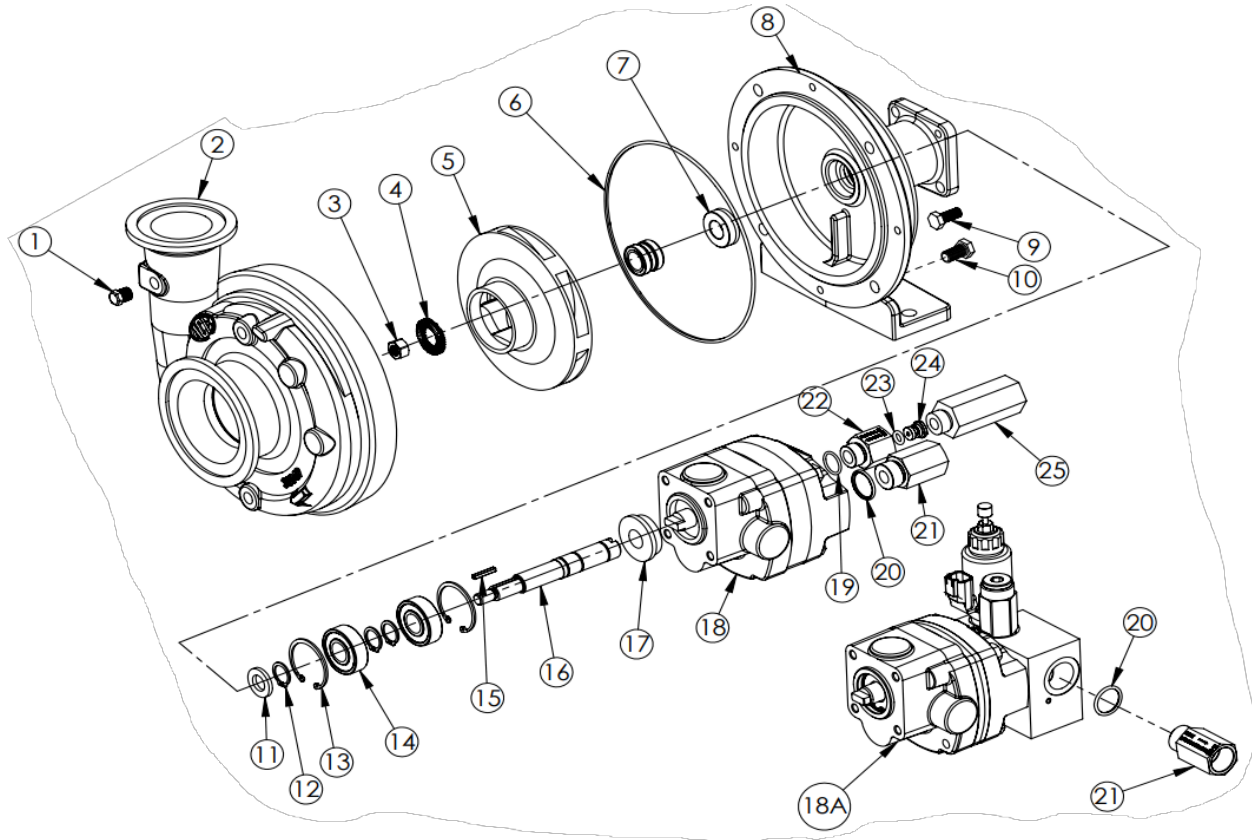
| ITEM | EDP NO. | VENDOR NO. | QTY. | DESCRIPTION |
|------|--------------|----------------------|------|--|
| 0 | | 550035 | 1 | PUMP, 205-304 FLANGED, PWM, COMPLETE PUMP |
| 1 | 41110 | BAC-53 | 4 | PIPE PLUG |
| 1 | 41120 | 41120 | 4 | PIPE PLUG, STAINLESS STEEL (-FS MODEL) (OPTIONAL) |
| 2 | 41530 | 7AC-14-FLG | 1 | VOLUTE, 300 STANDARD FLANGE X 220 FULL PORT FLANGE, CAST IRON |
| 2 | 41532 | 7AC-14-FLG-SS | 1 | VOLUTE. 300 FLANGE X 220 FLANGE, 316 STAINLESS STEEL (-FS MODEL) |
| 3 | 40393 | BAC-23-B-SS | 1 | NUT, 3/8" NF, STAINLESS STEEL |



ILLUSTRATED PARTS LIST

| ITEM | EDP NO. | VENDOR NO. | QTY. | DESCRIPTION |
|------|---------|---------------------|------|--|
| 4 | 42702 | BAC-24-B-SS | 1 | WASHER, 3/8", STAINLESS STEEL, SELF-LOCKING |
| 5 | 40434 | BAC-26-200-P | 1 | IMPELLER, THERMOPLASTIC |
| 5 | 40433 | BAC-26-200-CI | 1 | IMPELLER, CAST IRON (OPTIONAL) |
| 5 | 40436 | BAC-26-200-SS | 1 | IMPELLER, 316 STAINLESS STEEL (-FS MODEL) (OPTIONAL) |
| 6 | 40005 | BAC-4A | 1 | O-RING, BODY SEAL |
| 7 | 40149 | BAC-7SC-205V | 1 | SEAL, SILICON CARBIDE |
| 8 | 40338 | BAC-14-205-HYD | 1 | MOUNTING FRAME FOR 205 PUMP |
| 8 | 40346 | BAC-14-205-HYD-SS | 1 | MOUNTING FRAME FOR 205 PUMP, 316 STAINLESS STEEL (-FS MODEL) |
| 9 | 40950 | 40950 | 4 | CAP SCREW, 3/8" NC X 3/4" HEX HEAD |
| 9 | 40930 | 40930 | 4 | CAP SCREW, 3/8" NC X 3/4" HEX HEAD, STAINLESS STEEL (-FS MODEL) |
| 10 | 41330 | 41330 | 4 | CAP SCREW, 5/16" NC X 3/4" HEX HEAD, MOTOR TO PUMP |
| 11 | 41130 | BAC-54 | 1 | SLINGER |
| 12 | 40820 | BACH-33 | 2 | SNAP RING, INTERNAL, BAC-14-205 MOUNTING FRAME |
| 13 | 40385 | BACH-32-HD | 3 | SNAP RING, EXTERNAL, BAC-6-205 SHAFT |
| 14 | 40880 | 40880 | 2 | BALL BEARING, SEALED, BAC-6-205 SHAFT |
| 15 | 40425 | BAC-25 | 1 | KEY, 1/8" X 1/8" X 13/16", EXTENDED KEYWAY |
| 16 | 40068 | BAC-6-205-HYD-SS | 1 | SHAFT, EXTENDED KEYWAY, TANG, STAINLESS STEEL |
| 17 | 40163 | S305 | 1 | SEAL SUPPORT SPACER FOR 205 SERIES PUMP |
| 18 | 41348 | BAC-75-HYD-304-PWM | 1 | HYDRAULIC MOTOR, 11 GPM, PWM |
| 19 | 41445 | 41445 | 1 | O-RING, #10 SAE FITTING |
| 20 | 41467 | BAC-78-10X10SAE | 1 | REVERSE CHECK ASSEMBLY, #10 SAE X #10 SAE |
| NS | 52705 | RK-FMCSC-205 | - | REPAIR KIT FOR FMC-205 PUMP WITH SILICON CARBIDE SHAFT SEAL INCLUDES ITEMS 6 AND 7 |
| NS | 41362 | RK-BAC-75-HYD-300-L | - | REPAIR KIT FOR 300 SERIES HYDRAULIC MOTOR |

Pump ACE 255F-304 & 255F-304 PWM



Parts List 550055/550056: Pump ACE 255F-304 & 255F-304 PWM

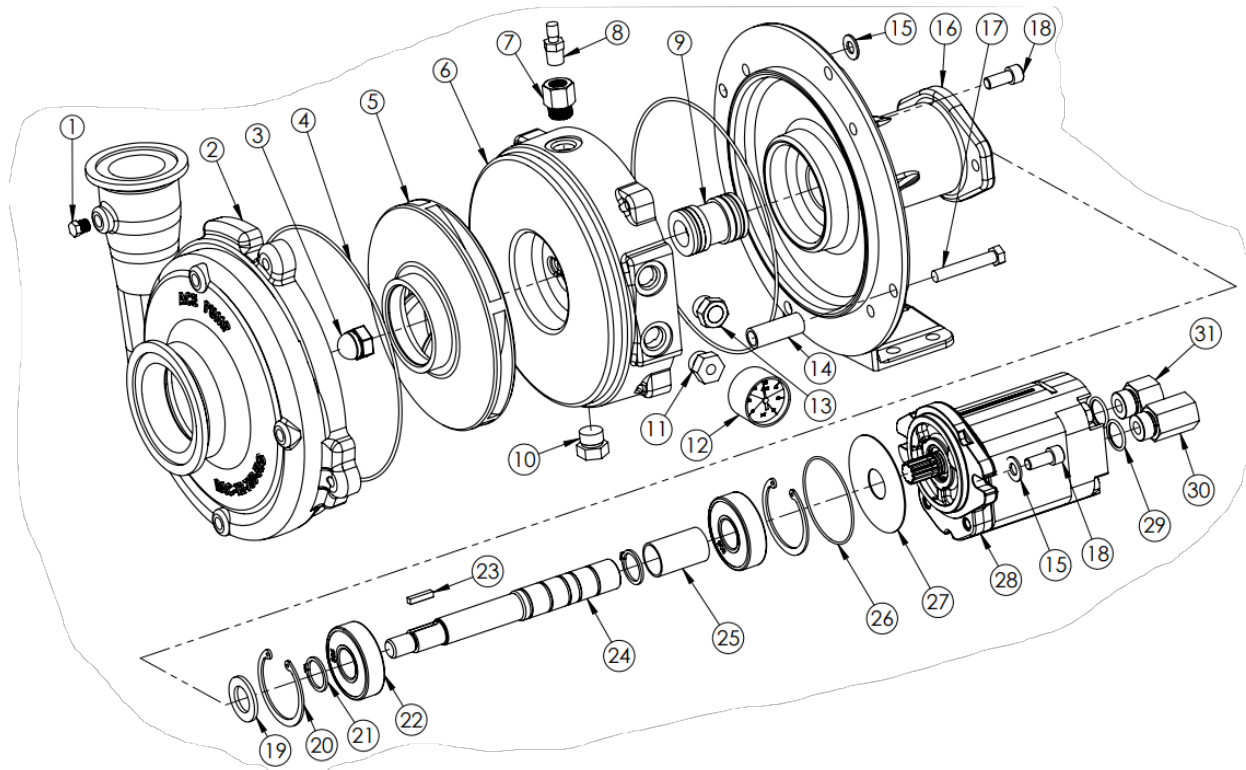
| ITEM | EDP NO. | VENDOR NO. | QTY. | DESCRIPTION |
|------|--------------|----------------------------|------|---|
| 0 | - | 550055 (550056) | 1 | PUMP, 255-304 WET SEAL (PWM) |
| 1 | 41100 | BAC-53 | 4 | PIPE PLUG |
| 1 | 41120 | 41120 | 4 | PIPE PLUG, STAINLESS STEEL (OPTIONAL) |
| 2 | 30149 | BAC-12-255- FLG | 1 | VOLUTE, CAST IRON, 300 X 220 FLANGED, E-COATED |
| 3 | 40393 | BAC-23-B-SS | 1 | NUT, 3/8" NF, SS |
| 4 | 42702 | BAC-24-B-SS | 1 | WASHER, 3/8" SS, VIBRATION PROOF |
| 5 | 40434 | BAC-26-200-P | 1 | IMPELLER, THERMOPLASTIC, KEYWAY |
| 5 | 40433 | BAC-26-200- CI | 1 | IMPELLER, CAST IRON, KEYWAY (OPTIONAL) |
| 5 | 40436 | BAC-26-200- SS | 1 | IMPELLER, STAINLESS STEEL, KEYWAY (OPTIONAL) |
| 6 | 40015 | BAC-4-150 | 1 | O-RING, BODY SEAL |
| 7 | 40149 | BAC-7SC- 205V | 1 | SEAL, TYPE 2106 SILICON CARBIDE MECHANICAL SEAL |
| 8 | 40288 | BAC-14-5- HYD | 1 | MOUNTING FRAME, CAST IRON, E-COATED |



ILLUSTRATED PARTS LIST

| ITEM | EDP NO. | VENDOR NO. | QTY. | DESCRIPTION |
|------|---------|---------------------|------|---|
| 9 | 41330 | 41330 | 2 | CAP SCREW, 5/16" NC X 3/4" |
| 10 | 40950 | 40950 | 4 | CAP SCREW, 3/8"NC X 3/4" HEX HEAD |
| 10 | 40930 | 40930 | 4 | CAP SCREW, 3/8"NC X 3/4" HEX HEAD, STAINLESS STEEL (OPTIONAL) |
| 11 | 41130 | BAC-54 | 1 | SLINGER |
| 12 | 40385 | BACH-32-HD | 3 | SNAP RING, EXTERNAL, SHAFT |
| 13 | 40820 | BACH-33 | 2 | SNAP RING, INTERNAL, MOUNTING FRAME |
| 14 | 40880 | 40880 | 2 | BEARING |
| 15 | 40425 | BAC-25 | 1 | KEY, 1/8" X 1/8" X 13/16" SS |
| 16 | 41584 | BAC-6-255-HYD-SS | 1 | SHAFT, .625 DIA, 255, SS |
| 17 | 40163 | S305 | 1 | SEAL SUPPORT SPACER (304N) |
| 18 | 41343 | BAC-75-HYD-304 | 1 | HYDRAULIC MOTOR, 9 GPM (INCLUDES 17,18, 19,20,21,22,23, 24) |
| 18 | 41312 | BAC-75-HYD-306 | 1 | HYDRAULIC MOTOR, 16.5 GPM (INCLUDES 17,18B, 19,20,21,22,23, 24A) |
| 18A | 41348 | BAC-75-HYD-304-PWM | 1 | HYDRAULIC MOTOR, INTEGRATED PWM VALVE, 9 GPM (INCLUDES 17,18A,20,21A) |
| 19 | 41875 | 41875 | 1 | O-RING, #8 SAE FITTING |
| 20 | 41445 | 41445 | 1 | O-RING, #10 SAE FITTING |
| 21 | 41442 | BAC-78-10SAE | 1 | REVERSE CHECK ASSEMBLY, #10 SAE X 1/2" NPT, W/ O-RING |
| 21A | 41467 | BAC-78-10X10SAE | 1 | REVERSE CHECK ASSEMBLY, #10 SAE X #10 SAE, W/ O-RING (OPTIONAL) |
| 22 | 41455 | BAC-80-8SAE | 1 | BODY, RESTRICTOR ORIFICE, #8 SAE X 1/2" NPT, W/ O-RING |
| 23 | 41448 | 41448 | 1 | O-RING, RESTRICTOR |
| 24 | 41447 | BAC-79-8 | 1 | ORIFICE INSERT, RESTRICTOR, W/ O-RING (304) (DO NOT USE WITH 304-PWM) |
| 24A | 41449 | BAC-79-9 | 1 | ORIFICE INSERT, RESTRICTOR, W/ O-RING (306) |
| 25 | 41429 | LS-304N | 1 | FLOW LIMITING VALVE, #8 MSAE X 1/2" FNPT (304) (OPTIONAL) |
| NS | 52717 | RK-FMCSC-PRO5 | - | REPAIR KIT, INCLUDES ITEMS 6 AND 7 |
| * | 41362 | RK-BAC-75-HYD-300-L | - | REPAIR KIT; 300 SERIES HYD MOTOR WITH HIGH PRESSURE LIP SEAL |

Pump ACE 750



Parts List 550018/550050: Pump ACE 750

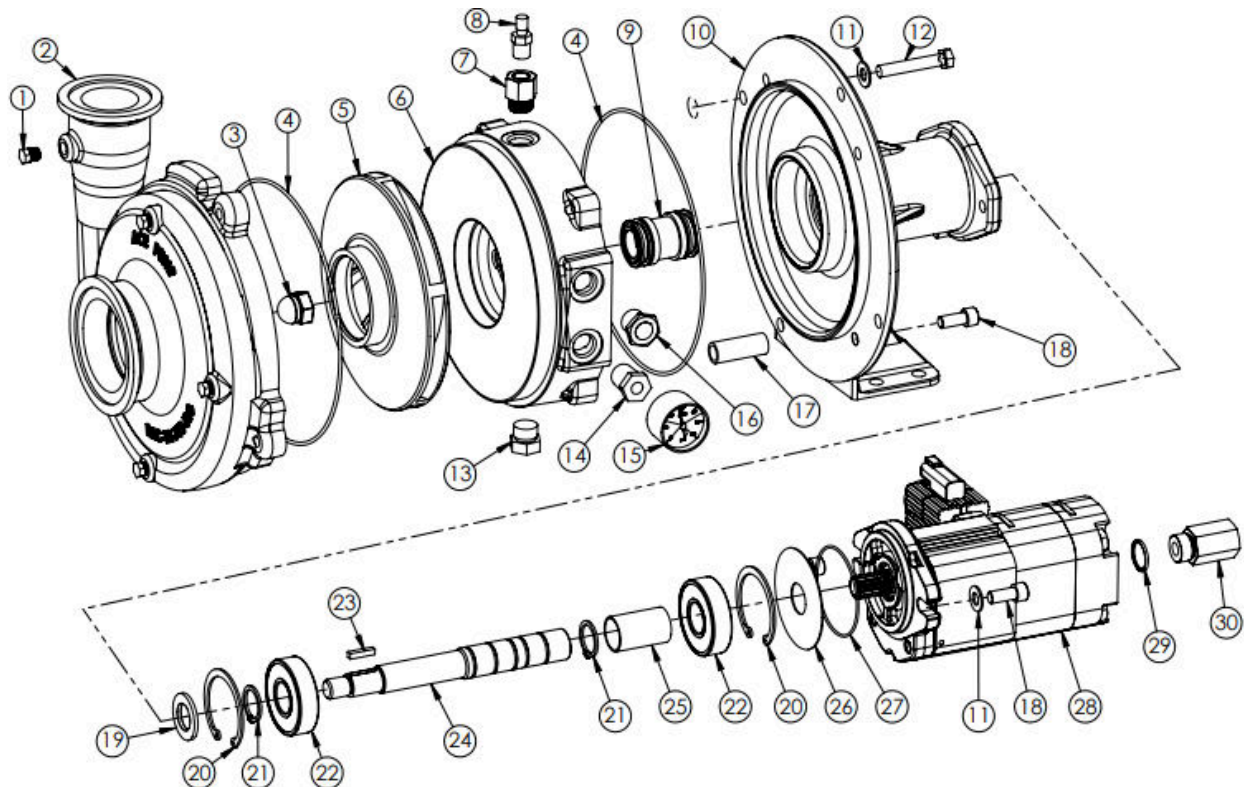
| ITEM | EDP NO. | VENDOR NO. | QTY. | DESCRIPTION |
|------|--------------|----------------------------|------|---|
| 0 | - | 550018 (550050) | 1 | PUMP 750 OASIS ACE (STAINLESS), COMPLETE |
| 1 | 41110 | BAC-53 | 4 | PIPE PLUG, 1/8" NPT |
| 2 | 30158 | BAC-12-750-FLG | 1 | VOLUTE, 300 X 220 FLANGE, CAST IRON, E-COATED |
| 3 | 40397 | 40397 | 1 | ACORN NUT, 5/8"-11 STAINLESS STEEL |
| 4 | 30009 | ACAL-4 | 2 | O-RING, VOLUTE SEAL |
| 5 | 30182 | BAC-26-750-CI | 1 | IMPELLER, CAST IRON, E-COATED |
| 5 | 30189 | BAC-26-750-SS | 1 | IMPELLER, 316 STAINLESS STEEL (OPTIONAL) |
| 6 | 45264 | BAC-16-750 | 1 | SEAL PLATE, CAST IRON, E-COATED |
| 7 | 41107 | 41107 | 1 | PLUG, #8 SAE X 1/4" FNPT, HEX HEAD, WITH O-RING |
| 8 | 41316 | 41316 | 1 | AIR VALVE, 1/4" NPT |
| 9 | 40147 | BAC-7-750V | 1 | DUAL SEAL ASSEMBLY, TYPE 21, .875 SHAFT |
| 10 | 41108 | 41108 | 1 | PLUG, SAE #8, HEX HEAD, WITH O-RING |
| 11 | 44039 | 44039 | 1 | BUSHING, #8 SAE X 1/8" FNPT |



ILLUSTRATED PARTS LIST

| ITEM | EDP NO. | VENDOR NO. | QTY. | DESCRIPTION |
|------|---------|---------------------|------|--|
| 11 | 44038 | 44038 | 1 | BUSHING, 1/2" MNPT X 1/8" FNPT (PRIOR TO 11/11) |
| 12 | 50150 | 50150 | 1 | PRESSURE GAUGE, 0-60 PSI, 1/8" NPT |
| 13 | 55851 | 55851 | 1 | SITE GAUGE, #8 SAE, STEEL |
| 13 | 55850 | 55850 | 1 | SITE GAUGE, BRASS 1/2" NPT |
| 14 | 45267 | 45267 | 4 | SPACER, SEAL PLATE |
| 15 | 42701 | 42701 | 3 | WASHER, 3/8", VOLUTE AND MOTOR MOUNT |
| 16 | 40333 | BAC-14-750-HYD | 1 | MOUNTING FRAME, CAST IRON, E-COATED |
| 17 | 40952 | 40952 | 4 | CAP SCREW, 3/8" NC X 2-1/2", HEX HEAD (VOLUTE) |
| 18 | 41907 | 41907 | 4 | CAP SCREW, 3/8" NC X 1", SOCKET HEAD (SEAL PLATE, MOTOR MOUNT) |
| 19 | 41132 | BAC-54-650 | 1 | SLINGER, 7/8" SHAFT |
| 20 | 41943 | 41943 | 2 | SNAP RING, INTERNAL, FRAME |
| 21 | 30174 | ACAL-32 | 2 | SNAP RING, EXTERNAL, SHAFT |
| 22 | 40875 | 40875 | 2 | BALL BEARING, SEALED |
| 23 | 41085 | 41085 | 1 | KEY, .188 X .188 X .875 |
| 24 | 40066 | BAC-6-750-HYD-SS-WS | 1 | SHAFT, 11T FEMALE SPLINE, STAINLESS STEEL |
| 25 | 40793 | BAC-32-750 | 1 | SPACER, SHAFT |
| 26 | 43419 | 43419 | 1 | O-RING, FLANGE, M SERIES MOTOR (EFFECTIVE 6/15) |
| 27 | 43414 | 43414 | 1 | PAD, ABSORBENT, M SERIES MOTOR (EFFECTIVE 6/15) |
| 28 | 41355 | BAC-75-HYD-M22 | 1 | HYDRAULIC MOTOR, PRESSURE PLATED GEAR TYPE, 18 GPM |
| 28 | 41356 | BAC-75-HYD-M25 | 1 | HYDRAULIC MOTOR, PRESSURE PLATED GEAR TYPE, 20 GPM |
| 29 | 41445 | 41445 | 2 | O-RING, #10 SAE FITTING |
| 30 | 41442 | BAC-78-10SAE | 1 | REVERSE CHECK, #10 SAE MALE X 1/2" NPT FEMALE |
| 31 | 41446 | BAC-80-10SAE | 1 | BODY, ADAPTER/RESTRICTOR, #10 SAE MALE X 1/2" NPT FEMALE |
| NS | 55032 | 55032 | 1.32 | BARRIER FLUID, ROYAL PURPLE, QUART |
| NS | 52724 | RK-FMC-750 | - | REPAIR KIT, INCLUDES ITEMS 4 (2 PCS.), 9, AND 32 (2 QTS.) |

Pump ACE 750 PWM



Parts List 550044: Pump ACE 750 PWM

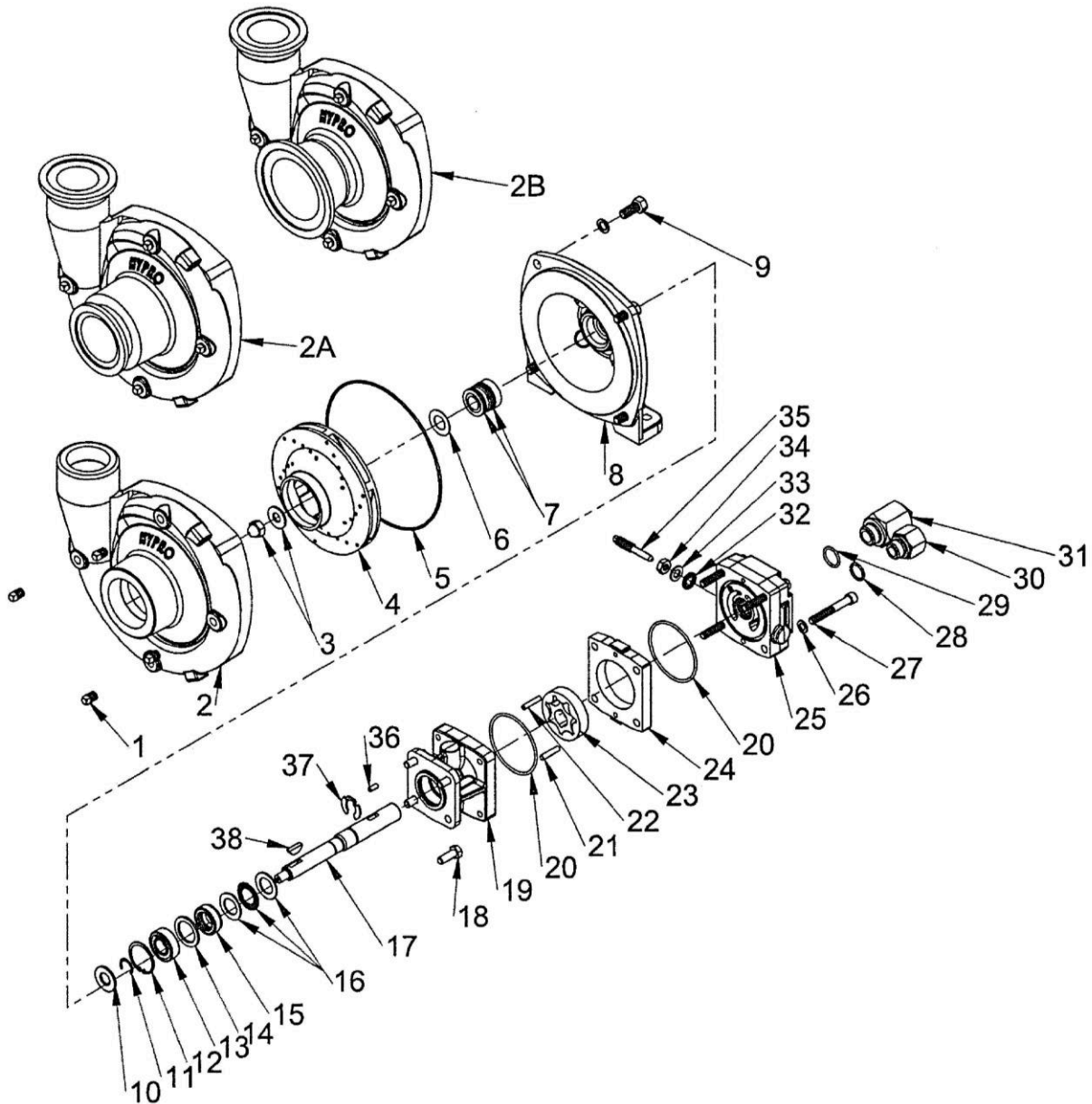
| ITEM | EDP NO. | VENDOR NO. | QTY. | DESCRIPTION |
|------|---------|----------------|------|---|
| 0 | - | 550044 | 1 | PUMP ACE OASIS 750, PWM, COMPLETE |
| 1 | 41110 | BAC-53 | 4 | PIPE PLUG, 1/8" NPT |
| 2 | 30158 | BAC-12-750-FLG | 1 | VOLUTE, 300 X 220 FLANGE, CAST IRON, E-COATED |
| 3 | 40397 | 40397 | 1 | ACORN NUT, 5/8"-11 STAINLESS STEEL |
| 4 | 30009 | ACAL-4 | 2 | O-RING, VOLUTE SEAL |
| 5 | 30182 | BAC-26-750-CI | 1 | IMPELLER, CAST IRON, E-COATED |
| 5 | 30189 | BAC-26-750-SS | 1 | IMPELLER, 316 STAINLESS STEEL (OPTIONAL) |
| 6 | 45264 | BAC-16-750 | 1 | SEAL PLATE, CAST IRON, E-COATED |
| 7 | 41107 | 41107 | 1 | PLUG, #8 SAE X 1/4" FNPT, HEX HEAD, WITH O-RING |
| 8 | 41316 | 41316 | 1 | AIR VALVE, 1/4" NPT |
| 9 | 40147 | BAC-7-750V | 1 | DUAL SEAL ASSEMBLY |
| 10 | 40333 | BAC-14-750-HYD | 1 | MOUNTING FRAME, CAST IRON, E-COATED |
| 11 | 42701 | 42701 | 3 | WASHER, 3/8", VOLUTE DISCHARGE AND MOTOR MOUNT |



ILLUSTRATED PARTS LIST

| ITEM | EDP NO. | VENDOR NO. | QTY. | DESCRIPTION |
|------|---------|---------------------|------|--|
| 12 | 40952 | 40952 | 4 | CAP SCREW, 3/8" NC X 2-1/2", HEX HEAD (VOLUTE) |
| 13 | 41108 | 41108 | 1 | PLUG, SAE #8, HEX HEAD, WITH O-RING |
| 14 | 44039 | 44039 | 1 | BUSHING, #8 SAE X 1/8" FNPT |
| 15 | 50150 | 50150 | 1 | PRESSURE GAUGE, 0-60 PSI, 1/8" NPT |
| 16 | 55851 | 55851 | 1 | SITE GAUGE, #8 SAE, STEEL |
| 17 | 45267 | 45267 | 4 | SPACER, SEAL PLATE |
| 18 | 41907 | 41907 | 1 | CAP SCREW, 3/8" NC X 1", SOCKET HEAD (SEAL PLATE, MOTOR MOUNT) 6 19 BAC-54-650 41132 SLINGER, 7/8" SHAFT |
| 20 | 41943 | 41943 | 2 | SNAP RING, INTERNAL, FRAME |
| 21 | 30174 | ACAL-32 | 2 | SNAP RING, EXTERNAL, SHAFT |
| 22 | 40875 | 40875 | 2 | BALL BEARING, SEALED |
| 23 | 41085 | 41085 | 1 | KEY, .188 X .188 X .875 |
| 24 | 40066 | BAC-6-750-HYD-SS-WS | 1 | SHAFT, 11T FEMALE SPLINE, STAINLESS STEEL |
| 25 | 40793 | BAC-32-750 | 1 | SPACER, SHAFT |
| 26 | 43414 | 43414 | 1 | PAD, ABSORBENT, M SERIES MOTOR |
| 27 | 43419 | 43419 | 1 | O-RING, FLANGE, M SERIES MOTOR |
| 28 | 41336 | BAC-75-HYD-M22-PWM | 1 | HYDRAULIC MOTOR, 18 GPM (65.9 LPM), WITH INTEGRATED VALVE |
| 29 | 41445 | 41445 | 2 | O-RING, #10 SAE FITTING |
| 30 | 41442 | BAC-78-10X10SAE | 1 | REVERSE CHECK, #10 SAE MALE X #10 SAE FEMALE |
| 31 | 55032 | 55032 | 1.32 | 55032 BARRIER FLUID, QUART 1.32 J RK-FMC-750 |
| NS | 52724 | | - | REPAIR KIT, INCLUDES ITEMS 4 (2 PCS.), 9, AND 31 (2 QTS.) |

Pump Hypro 9306



Parts List 550045/550046: Pump Hypro 9306

| ITEM | PART NO. | QTY. | DESCRIPTION |
|------|----------------------------------|----------|---|
| 0 | 550045 (550046) | 1 | COMPLETE PUMP ASSEMBLY, CAST (STAINLESS) |
| 1 | 2406-0016 | 4 | DRAIN/VENT PLUG |
| 2 | 0154-9200C1 | 1 | PUMP CASING (9306C) |
| 2 | 0154-9200S1 | 1 | PUMP CASING (9306S) |
| 2A | 0157-9200C | 1 | PUMP CASING (UNIVERSAL FLANGE 2' X 2' CAST) |
| 2A | 0157-9200S | 1 | PUMP CASING (UNIVERSAL FLANGE 2' X 2' SS) |



ILLUSTRATED PARTS LIST

| ITEM | PART NO. | QTY. | DESCRIPTION |
|------|-------------|------|---|
| 2B | 0158-9200C | 1 | PUMP CASING (UNIVERSAL FLANGE 3' X 2' CAST) |
| 2B | 0158-9200S | 1 | PUMP CASING (UNIVERSAL FLANGE 3' X 2' SS) |
| 3 | 3430-0825 | 1 | IMPELLER NUT (9306C and 9306S) |
| 4 | 0401-9200P2 | 1 | IMPELLER (NYLON STD 9306S) |
| 4 | 0405-9100P2 | 1 | IMPELLER (POLY OPTIONAL) (STD 9306S) |
| 4 | 0405-9100P2 | 1 | IMPELLER (GTX OPTIONAL) |
| 5 | 3430-0332 | 1 | O-RING |
| 6 | 3430-0332 | 1 | GASKET |
| 7 | 3430-0332 | 1 | MECHANICAL SEAL (VITON/CERAMIC (STD 9306C) |
| 7 | 3430-0589 | 1 | MECHANICAL SEAL (SILICON CARBIDE) (STD 9306S) |
| 8 | 0750-9300C2 | 1 | MOUNTING FLANGE (9306C) |
| 8 | 0756-9300S | 1 | MOUNTING FLANGE (9306S) |
| 9 | 2210-0020 | 4 | HEX HEAD CAP SCREW (9306C) |
| 9 | 2210-0125 | 4 | HEX HEAD CAP SCREW (9306S) |
| 10 | 1410-0056 | 1 | SLINGER RING |
| 11 | 1810-0015 | 1 | SNAP RING |
| 12 | 1820-0013 | 1 | RETAINING RING |
| 13 | 3430-0881 | 1 | BALL BEARING |
| 14 | 1410-0154 | 1 | SPACER |
| 15 | 3430-0881 | 1 | LIP SEAL |
| 16 | 2029-0014 | 1 | THRUST BEARING ASSEMBLY |
| 17 | 3430-0852 | 1 | SHAFT (HM1C/HM5C) |
| 17 | 3430-0855 | 1 | SHAFT (HM3C) |
| 18 | 2210-0005 | 1 | HEX HEAD CAP SCREW |
| 19 | 0150-2540C | 1 | MOTOR BODY (INCLUDES NEEDLE BEARING) |
| 19 | 0150-2542C | 1 | MOTOR BODY CASE DRAIN SAE-4 (INCLUDES NEEDLE BEARING) |
| 20 | 3430-0881 | 1 | O-RING |
| 21 | 1600-0095 | 1 | DOWEL PIN (HMIC/HM5C) |
| 21 | 1600-0096 | 1 | DOWEL PIN (HMIC/HM3C) |
| 22 | 1600-0084 | 1 | DOWEL PIN (HMIC/HM5C) |
| 22 | 1600-0085 | 1 | DOWEL PIN (HMIC/HM3C) |
| 23 | 3900-0022 | 1 | GEROTOR (HM1C) |
| 23 | 3900-0048 | 1 | GEROTOR (HM3C) |
| 23 | 3900-0048 | 1 | GEROTOR (HM5C) |
| 24 | 0720-2603 | 1 | GEROTOR HOUSING (HM1C MODELS) 1/2" WIDE |
| 24 | 0720-2606 | 1 | GEROTOR HOUSING (HM3C MODELS) 1" WIDE |

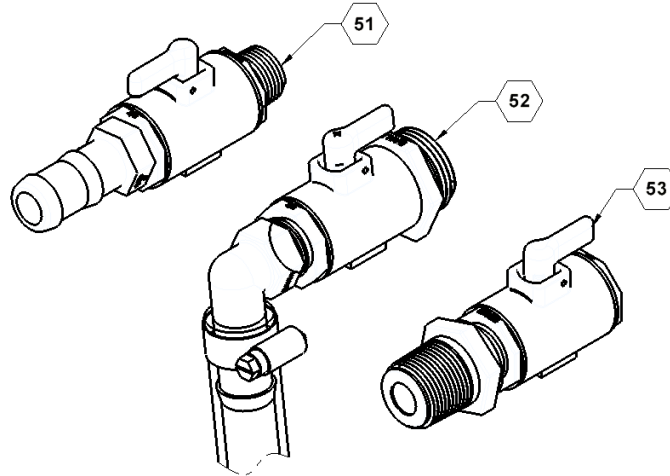


ILLUSTRATED PARTS LIST

| ITEM | PART NO. | QTY. | DESCRIPTION |
|------|--------------------|------|---|
| 24 | 0720-2604 | 1 | GEROTOR HOUSING (HM5C MODELS) 5/8" WIDE |
| 25 | 0254-2500C2 | 1 | MOTOR END PLATE (INCLUDES NEEDLE BEARING) |
| 25 | 0254-2500C3 | 1 | MOTOR END PLATE, -8, -10 SAE, NO BYPASS (INCLUDES NEEDLE BEARING) |
| 26 | 2270-0039 | 4 | WASHER |
| 27 | 2220-0021 | 4 | CAP SCREW (HM1C MODELS) |
| 27 | 2220-0044 | 4 | CAP SCREW (HM3C MODELS) |
| 27 | 2220-0032 | 4 | CAP SCREW (HM5C MODELS) |
| 28 | 3430-0881 | 1 | O-RING |
| 29 | 3430-0881 | 1 | O-RING |
| 30 | 3360-0021A | 1 | PRESSURE PORT ADAPTER (INCLUDES O-RING) |
| 31 | 3320-0051A | 1 | TANK PORT ADAPTER (INCLUDES O-RING) |
| 32 | 3430-0881 | 1 | GASKET |
| 33 | 3430-0881 | 1 | WASHER |
| 34 | 2250-0038 | 1 | LOCK NUT |
| 35 | 3220-0029 | 1 | BYPASS ADJUSTING SCREW |
| 36 | 1610-0031 | 1 | GEROTOR KEY (HM1C/HM5C) |
| 36 | 1610-0055 | 1 | GEROTOR KEY (HM3C) |
| 37 | 1810-0026 | 1 | SNAP RING |
| 38 | 1610-0012 | 1 | WOODRUFF KEY (9306C) |
| 38 | 04432-SHW | 1 | WOODRUFF KEY (9306S) |
| REF | 3430-0589 | 1 | SILICON CARBIDE SEAL KIT (CONTAINS: ITEM # 7 & 5) |
| REF | 3430-0332 | 1 | REPAIR PARTS KIT (CONTAINS: ITEM 7, 5 AND 6) |
| REF | 3430-0881 | 1 | PARTS KIT (CONTAINS: ITEM 13, 15, 32, 33, 20, 28 & 29) |
| REF | 2540-0806C | 1 | HYDRAULIC MOTOR (HM1C) |
| REF | 2540-1606C | 1 | HYDRAULIC MOTOR (HM3C) |
| REF | 2540-1006C | 1 | HYDRAULIC MOTOR (HM5C) |

PRODUCT PLUMBING

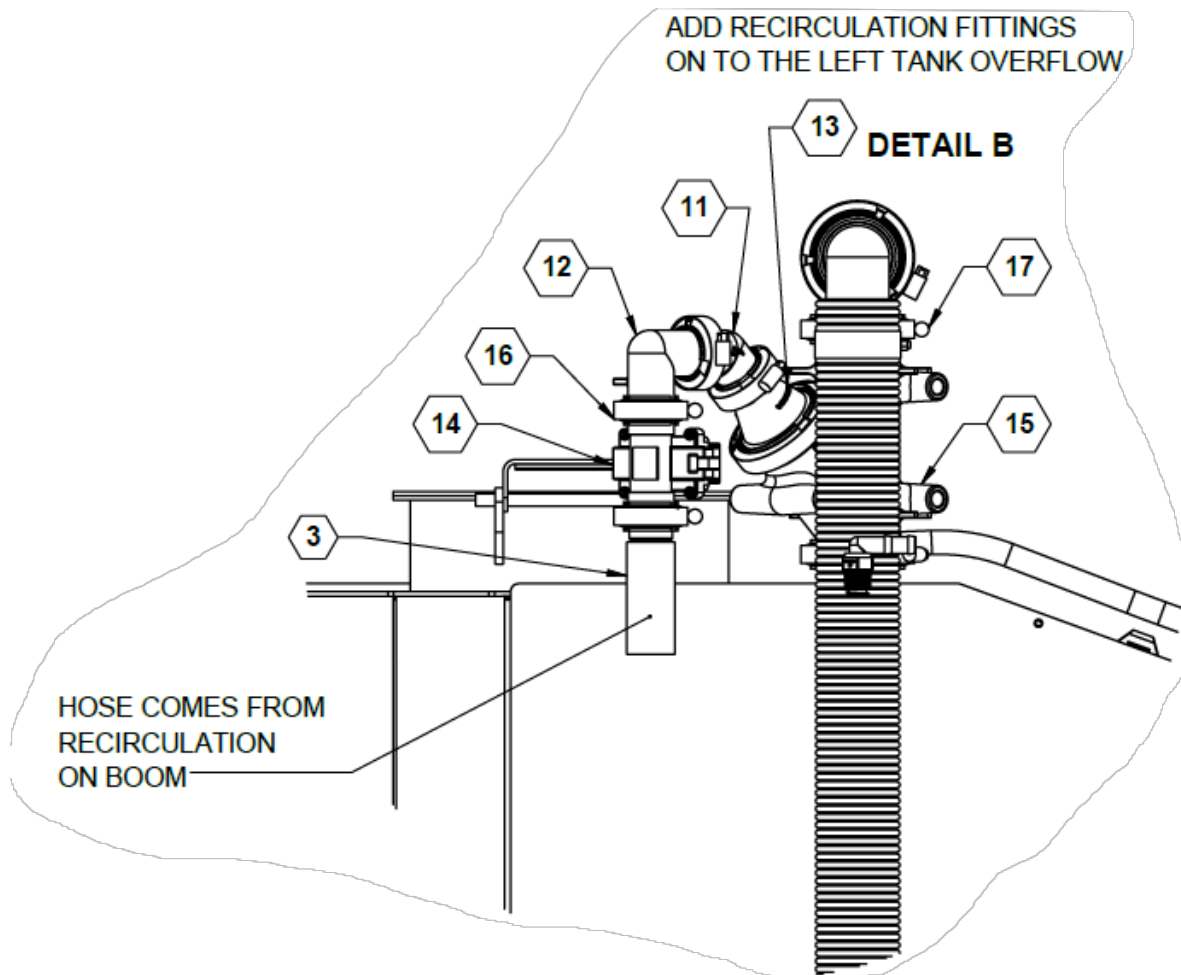
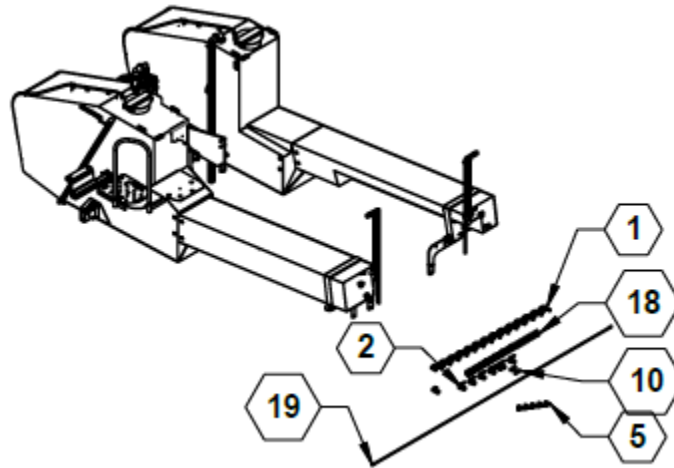
Boom Plumbing Cleanout options



Parts List: Boom Plumbing Cleanout options

| ITEM | PART NO. | QTY. | DESCRIPTION |
|------|----------|------|-----------------------------|
| 51 | 90SASC1 | AR | ASSEMBLY, STRAINER DRAIN 1" |
| 52 | 90SASC2 | AR | ASSEMBLY, STRAINER DRAIN 2" |
| 53 | 90SASC3 | AR | ASSEMBLY, STRAINER DRAIN 3" |

Capstan Boom Recirculation Option for Fast Track Tanks



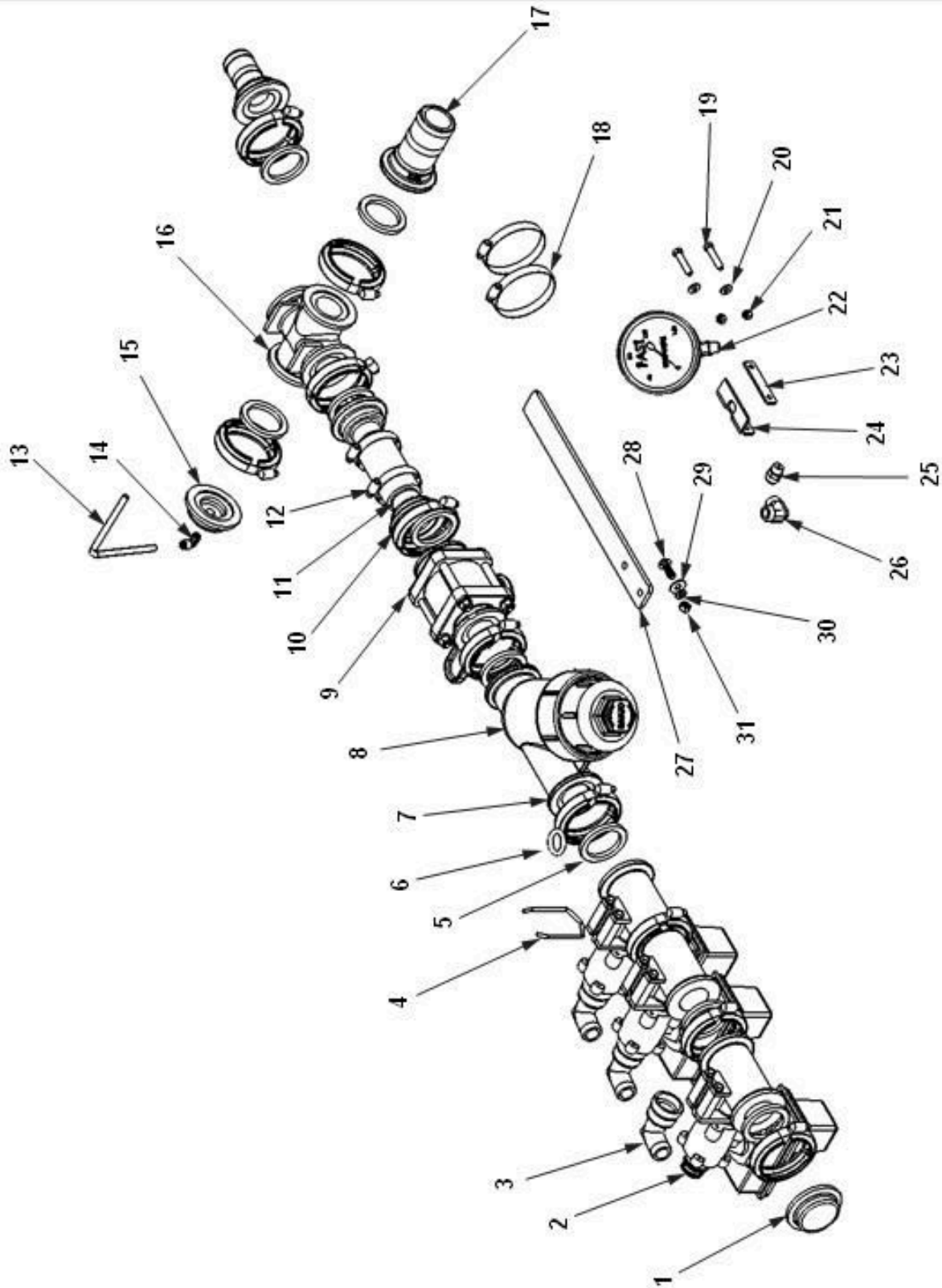


ILLUSTRATED PARTS LIST

Parts List 36270: Capstan Boom Recirculation Option for Fast Track Tanks

| ITEM | PART NO. | QTY. | DESCRIPTION |
|------|----------|------|------------------------------------|
| 1 | 90SAU | 14 | SUB ASSY U-FITTING |
| 2 | 500043 | 6 | VALVE, 3/4" UNION |
| 3 | 510016 | 170 | (FT) HOSE, 1.00" EPDM |
| 4 | 530019 | 2 | GASKET, 2.00 EPDM |
| 5 | 530036 | 5 | ELBOW, .75 MPT X 1.00 HB, 90 |
| 6 | 530066 | 1 | FITTING, 1.00 MANIFOLD X 1.00 HB |
| 7 | 530068 | 4 | GASKET, 1.00 EPDM |
| 8 | 530156 | 2 | TEE, 3/4" POLY PIPE |
| 9 | 530181 | 4 | TEE, .75 MPT X 1.00 HB X 1.00 HB |
| 10 | 530203 | 2 | FITTING, .750 MNPT X 1.00 HB, POLY |
| 11 | 530324 | 1 | 1" MANIFOLD CPLNG-45° |
| 12 | 530362 | 1 | Coupling 90° 1" Flanged |
| 13 | 530447 | 1 | MANIFOLD, 2 IN FP X 1 IN COUPLING |
| 14 | 530530 | 1 | ELECTRONIC MANIFOLD VALVE |
| 15 | 530532 | 1 | FITTING, 2" FULL PORT 45° Y FLANGE |
| 16 | 540000 | 4 | CLAMP, WORM SCREW, 1.00 |
| 17 | 540002 | 2 | CLAMP, FP WORM SCREW, 2.00 |
| 18 | 540014 | 44 | HOSE CLAMP, SS 1.00 #16 |
| 19 | 632205 | 1 | 3 PIN DEUTSCH EXTENSION 12" |

Boom Shutoff, Gauge Plumbing



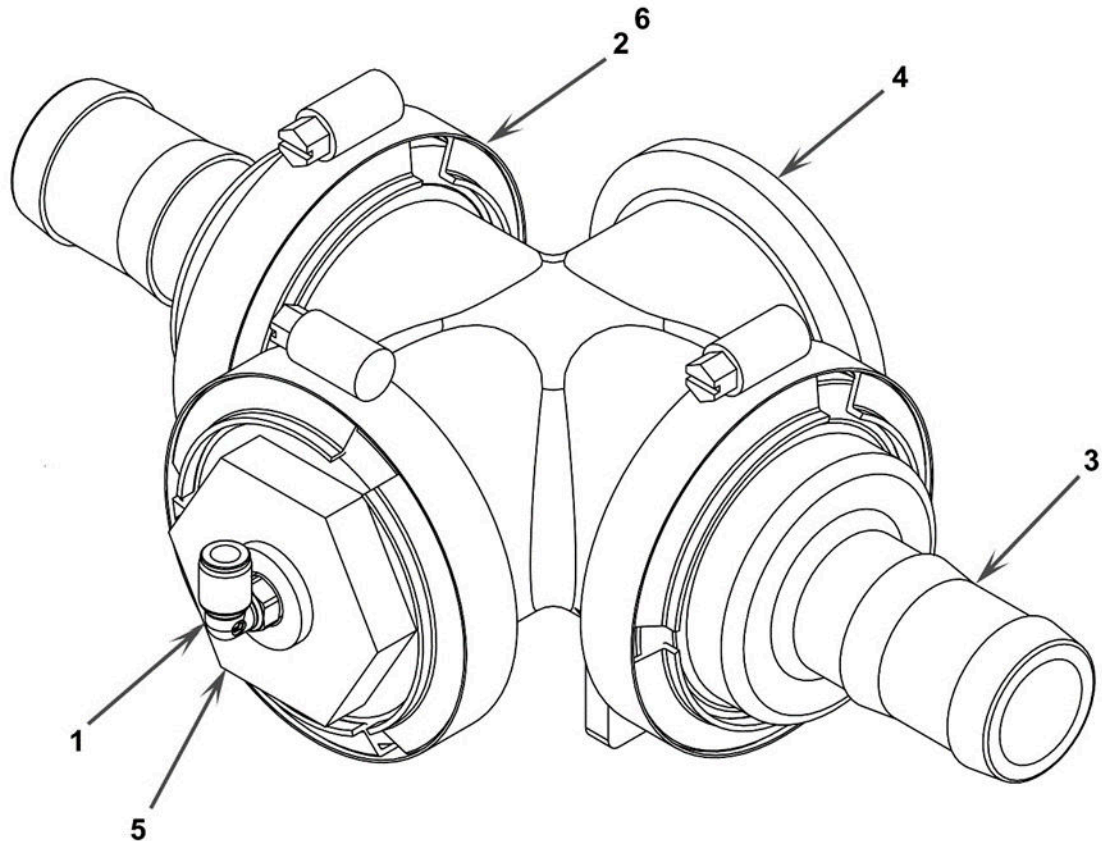


ILLUSTRATED PARTS LIST

Parts List: Boom Shutoff, Gauge Plumbing (*FOR 3 BALL VALVES)

| ITEM | VENDOR NO. | PART NO. | QTY. | DESCRIPTION |
|------|--------------------|----------|------|---|
| 1 | BJ-M200PLG | 530093 | 1 | MANIFOLD PLUG2" |
| 2 | | 520027 | 3* | VALVE 450BEC MANIFOLD (NARROW) (NON-FLOWBACK) |
| 2 | TT-56608-11-450BEC | 500028 | 3* | VALVE 450BEC MANIFOLD (WIDE) (NON-FLOWBACK) |
| 3 | TT-45529-90X1 | 530190 | 3* | 90° QUICK CONNECT HOSE BARB |
| 4 | TT-CP37166-1-302SS | 530193 | 3* | CLIP |
| 5 | BJ-150G | 530019 | 10* | GASKET2" |
| 6 | TT-CP7717-3-912-VI | 530198 | 3* | O-RING VITON |
| 7 | BJ-FC200 | 540002 | 10* | CLAMP2" |
| 8 | BJ-MLS200 | 530124 | 1 | MANIFOLD FILTER2" |
| NS | BJ-LS250 | | | FILTER 50 MESH (RED) (INCL. IN 530124) |
| 9 | BJ-MV200CF | 500039 | 1 | MANIFOLD VALVE 2" STD.FLOW |
| 10 | BJ-M200150BRB | 530079 | 4 | MANIFOLD1-1/ 2" HOSEBARB |
| 11 | BS-1-1/2BH200 | 510014 | AR | HOSE 1-1/2"EDPM |
| 12 | BR-64024H | 540016 | 4 | CLAMP STAINLESS 1-1/4IN |
| 13 | SS-2T200403BK | 510023 | AR | HOSE POLY BLACK 1/4" |
| 14 | AP-44103211 | 530004 | 1 | ELBOW, MALE |
| 15 | BJ-M200PLG025 | 530094 | 1 | MANIFOLD PLUG .25 PORT |
| 16 | BJ-M200CR | 530090 | 1 | MANIFOLD CROSS 2" |
| 17 | BJ-M200BRB | 530082 | 1 | MANIFOLD 2" HOSEBARB |
| 18 | BR-64044H | 540018 | 2 | HOSE CLAMP (CLAMPS 16 TO 27) |
| 19 | | 596103M | 2 | BOLT HH 1/4 X 1-1/2" GR5 MAGNI |
| 20 | | 596256M | 2 | WASHER FLAT 1/4" MAGNI |
| 21 | | 596235M | | NUT HH CENTERLOCK 1/4" MAGNI |
| 22 | 4154-GXX-160 | 790020 | 1 | PRESSURE GUAGE 0-160PSI |
| 23 | | 11786 | 1 | GUAGE- STRAP |
| 24 | | 11758 | 1 | GUAGE BRACKET |
| 25 | AP-44103206 | 530001 | 1 | Q-LOCK ADAPTER 1/4" MPT X 1/4"HOSE |
| 26 | PA-5504-04-04-SS | 610006 | 1 | ELBOW 1/4" NPTSS |
| 27 | | 16682 | 1 | MOUNT, CROSS (ITEM 16) |
| 28 | | 596582M | 2 | BOLT, CARRIAGE 5/16 X 1 MAGNI |
| 29 | | 596257M | 2 | WASHER, 5/16 FLAT MAGNI |
| 30 | | 596249M | 2 | WASHER, LOCK 5/16 MAGNI |
| 31 | | 596236M | 2 | NUT, CENTERLOCK 5/16 MAGNI |

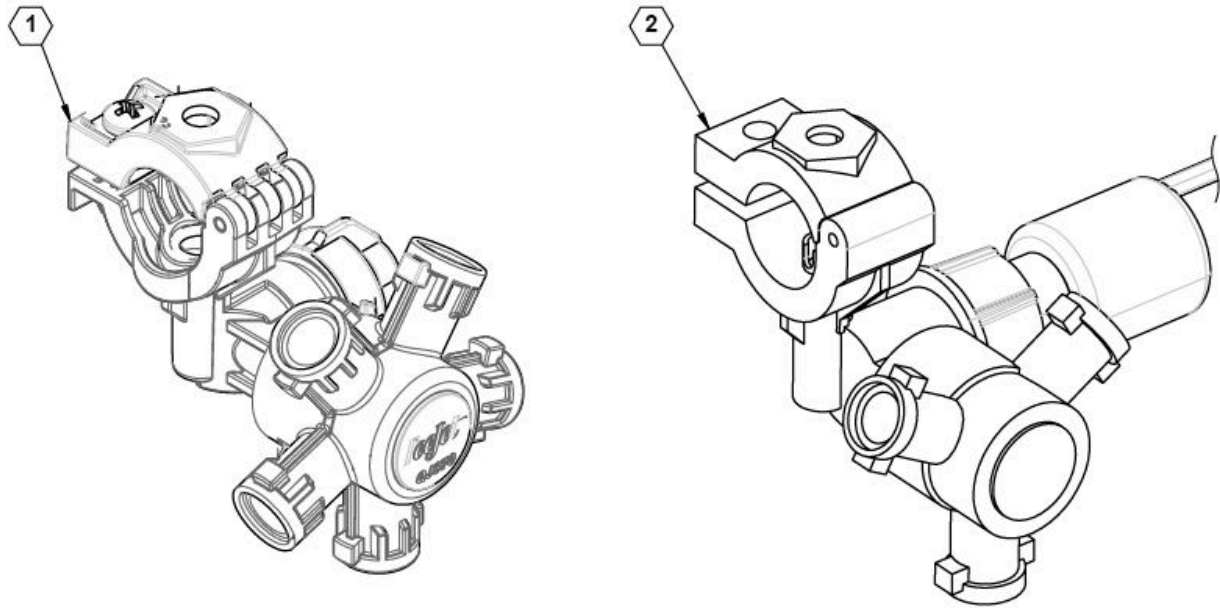
Cross Assembly



Parts List 90SACROSS/TRUSS: Cross Assembly

| ITEM | PART NO. | QTY. | DESCRIPTION |
|------|----------|------|---|
| 1 | 530004 | 1 | FITTING, ELBOW, .250 QC X .250 MST, 90D |
| 2 | 530014 | 3 | GASKET, 1.500 EPDM |
| 3 | 530076 | 2 | MANIFOLD, 2" X 1-1/4" BARB |
| 4 | 530090 | 1 | CROSS, MANIFOLD 2.00 |
| 5 | 530094 | 1 | PLUG, MANIFOLD 2.00 W/ HOLE |
| 6 | 540001 | 3 | CLAMP, 2.00 STD WORM SCREW |

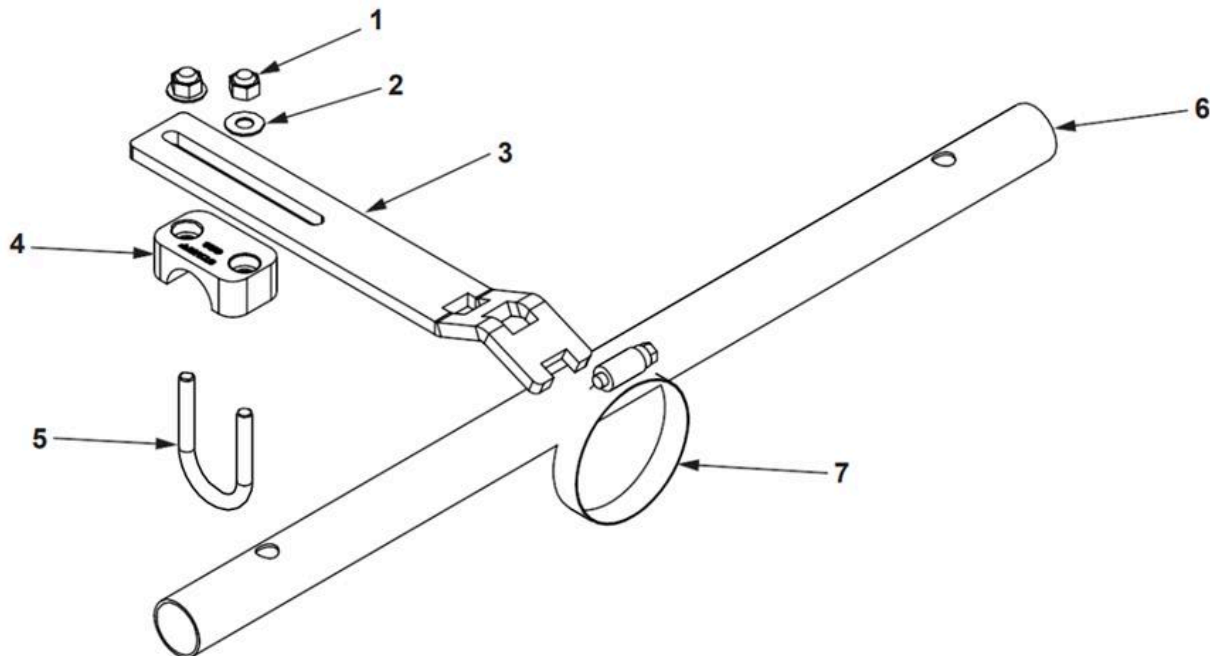
Wet Boom Quick TeeJet Nozzle Body



Parts List: Wet Boom Quick TeeJet Nozzle Body

| ITEM | PART NO. | QTY. | DESCRIPTION |
|------|----------|------|------------------------------------|
| 1 | 520085 | AR | NOZZLE BODY, QUINTUPLE 25mm, QJ375 |
| 2 | 520084 | AR | NOZZLE BODY, TRIPLE 25mm, QJ373 RH |
| NS | 520102 | AR | NOZZLE BODY, TRIPLE 25mm, QJ373 LH |

Wet Boom & Brackets



Parts List: Wet Boom & Brackets

| ITEM | VENDOR NO. | PART NO. | DESCRIPTION |
|------|------------|----------|--|
| 1 | | 596227M | NUT 1/4" NYLOCK MAGNI |
| 2 | | 596256M | WASHER 1/4" MAGNI |
| 3 | | 16271 | DELIVERY TUBE SUPPORT |
| 4 | | 540029 | TUBE CLAMP BASE |
| 5 | ZM1473140 | 590048 | U-BOLT STAINLESS STEEL |
| 6 | | 14301 | TUBE, 6 PORT 15 INCH SPACING + FENCELINE VALVE |
| | | 14302 | TUBE, 2 PORT 15 INCH SPACING |
| | | 14303 | TUBE, 3 PORT 15 INCH SPACING |
| | | 14304 | TUBE, 4 PORT 15 INCH SPACING |
| | | 14305 | TUBE, 5 PORT 15 INCH SPACING |
| | | 14306 | TUBE, 6 PORT 15 INCH SPACING |
| | | 14307 | TUBE, 7 PORT 15 INCH SPACING |
| | | 14308 | TUBE, 8 PORT 15 INCH SPACING |
| | | 14310 | TUBE, 10 PORT 15 INCH SPACING |
| | | 14311 | TUBE, 7 PORT 20 INCH SPACING + FENCELINE VALVE |
| | | 14312 | TUBE, 2 PORT 20 INCH SPACING |
| | | 14313 | TUBE, 3 PORT 20 INCH SPACING |



ILLUSTRATED PARTS LIST

| ITEM | VENDOR NO. | PART NO. | DESCRIPTION |
|----------|-----------------|---------------|--|
| | | 14314 | TUBE, 4 PORT 20 INCH SPACING |
| | | 14315 | TUBE, 5 PORT 20 INCH SPACING |
| | | 14316 | TUBE, 6 PORT 20 INCH SPACING |
| | | 14317 | TUBE, 7 PORT 20 INCH SPACING |
| | | 14318 | TUBE, 8 PORT 20 INCH SPACING |
| | | 14319 | TUBE, 9 PORT 20 INCH SPACING |
| | | 14320 | TUBE, 5 PORT 20 INCH SPACING + FENCELINE VALVE |
| | | 14321 | TUBE, 6 PORT 20 INCH SPACING + FENCELINE VALVE |
| | | 14322 | TUBE, 2 PORT 22 INCH SPACING |
| | | 14323 | TUBE, 3 PORT 22 INCH SPACING |
| | | 14324 | TUBE, 4 PORT 22 INCH SPACING |
| | | 14325 | TUBE, 5 PORT 22 INCH SPACING |
| | | 14326 | TUBE, 6 PORT 22 INCH SPACING |
| | | 14327 | TUBE, 7 PORT 22 INCH SPACING |
| | | 14330 | TUBE, 5 PORT 22 INCH SPACING + FENCELINE VALVE |
| 7 | BR64032H | 540017 | CLAMP HOSE |

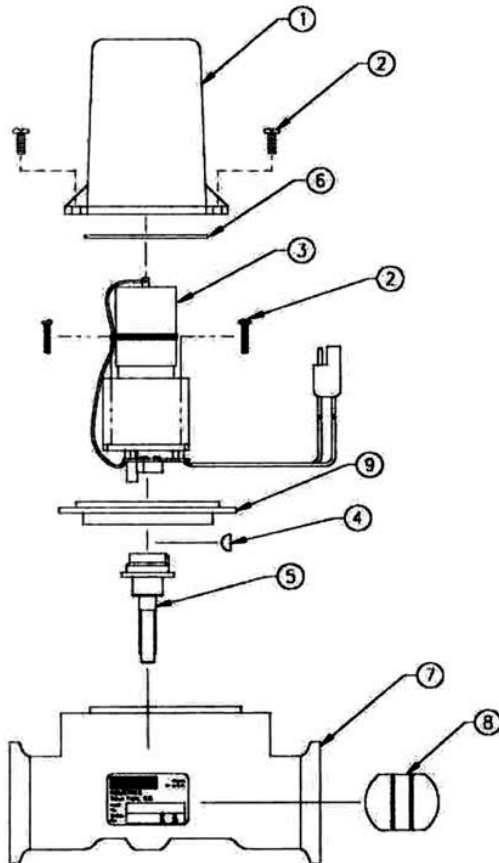
Motorized Control Valve (MCV1-1/2")

1 1/2" POLY CONTROL VALVE REPLACEMENT PARTS

063-0171-894

| ITEM | DESCRIPTION | RAVEN PART # |
|------|--|--------------|
| 1 | Valve Cover | 106-0159-407 |
| 2 | #6-32 x 3/4" Lg. Screw | 321-0000-256 |
| 3 | Motor Assembly | 063-0159-409 |
| 4 | Woodruff Key | 321-0000-062 |
| 5 | Coupler Shaft Assembly (1 1/2" Valve) | 063-0171-893 |
| 6 | Seal Tetraseal | 219-0000-020 |
| 7 | Valve Body Assembly (1 1/2" Valve) | 063-0171-892 |
| 8 | Butterfly (1 1/2" Valve) | 106-0159-414 |
| 9 | Isolation Flange Assembly | 063-0159-457 |
| 10 | *Iso-Body Kit (1 1/2" Valve) (Not Shown) | 117-0159-739 |
| 11 | *Polarity Reversal Jumper (Not Shown) | 115-0159-415 |
| 12 | Loctite RC-609 (Not Furnished) | 222-1001-050 |

*NOT SUPPLIED WITH STANDARD UNIT



When servicing Valve:

Replace valve body with iso-body kit (item 10) if valve has been leaking internally.

Replace motor assembly if the motor will not run.

Before reassembling valve, remove the coupler shaft from the valve body. Apply Loctite (item 12) to coupler shaft and woodruff key. Place the coupler shaft (item 5) and the woodruff key (item 4) onto the motor shaft. Plug motor into the valve connector coming from Sprayer Control Console. Check that the motor rotates in both directions. Motor must stop when coupler shaft CAM releases printed circuit board button.

When reassembling valve, grease both sealing surfaces of coupler shaft. Insert coupler shaft into iso-flange and be sure seal properly seats on shaft. Install motor on valve body and apply silicon sealant to mounting holes. Reassemble remaining items as shown in parts diagram.

RAVEN INDUSTRIES, INC.

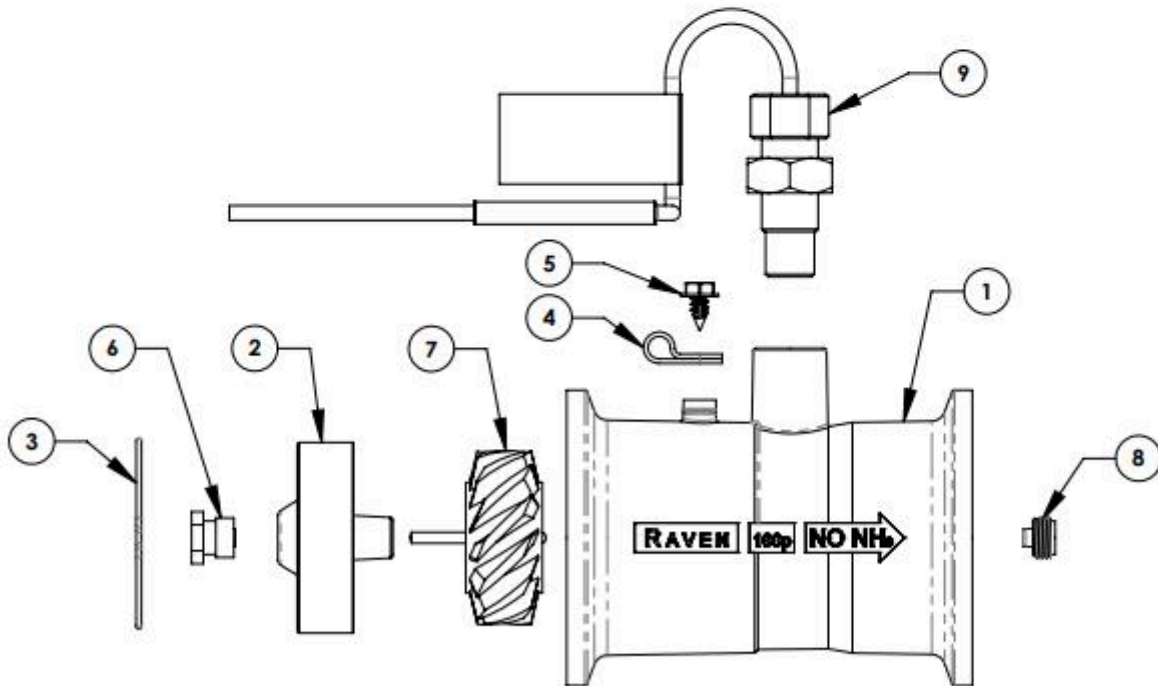
054-0159-185
1/03 REV. E
SHEET 1 OF 1

Raven Flow Meter (631801)

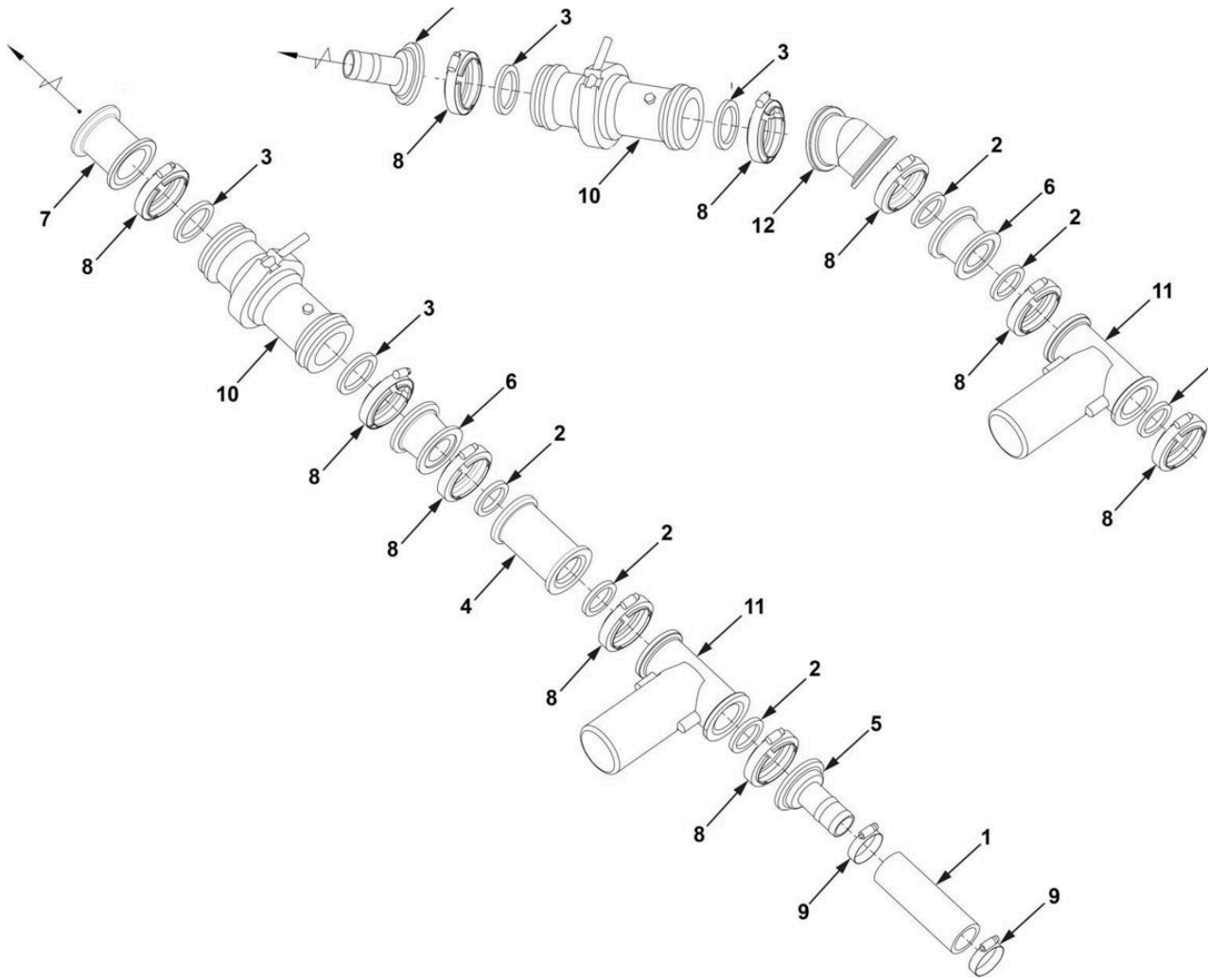
REPLACEMENT PARTS, FLOWMETER, RFM-100p

| ITEM | DESCRIPTION | RAVEN P/N: |
|------|---|--|
| 1 | BODY, MOLDED, RFM-100p, FLOWMETER | 106-0159-710 |
| 2 | HUB/BEARING ASSEMBLY, UPSTREAM, RFM-100p | 063-0173-580 |
| 3 | RING, RETAINING, WIREFORM, RFM-100 | 335-0003-198 |
| 4 | CLAMP, CABLE, PLASTIC, 1/4" x 1/2" | 435-3002-017 |
| 5 | SCREW, THREAD FORMING, #10-16 UNC x 3/8" LONG | 310-0002-137 |
| 6 | TURBINE, STUD, POLY, RFM-100p | 063-0173-057 |
| 7 | TURBINE, FLOWMETER, 4 MAGNET, RFM-100p | 063-0173-596 |
| 8 | STUD, DOWNSTREAM, CUP BEARING, FLOWMETER | 063-0173-744 |
| 9 | SENSOR ASSEMBLY, EXTERNAL, DTM SENSOR ASSEMBLY, EXTERNAL, DT SENSOR ASSEMBLY, EXTERNAL, CON-X-ALL SENSOR ASSEMBLY, EXTERNAL, METRI-PACK (JD) | 063-0172-458 063-0172-447 063-0172-004 063-0173-855 |

REF. KIT 117-0171-646 FOR ITEMS 3, 6, 7, & 8



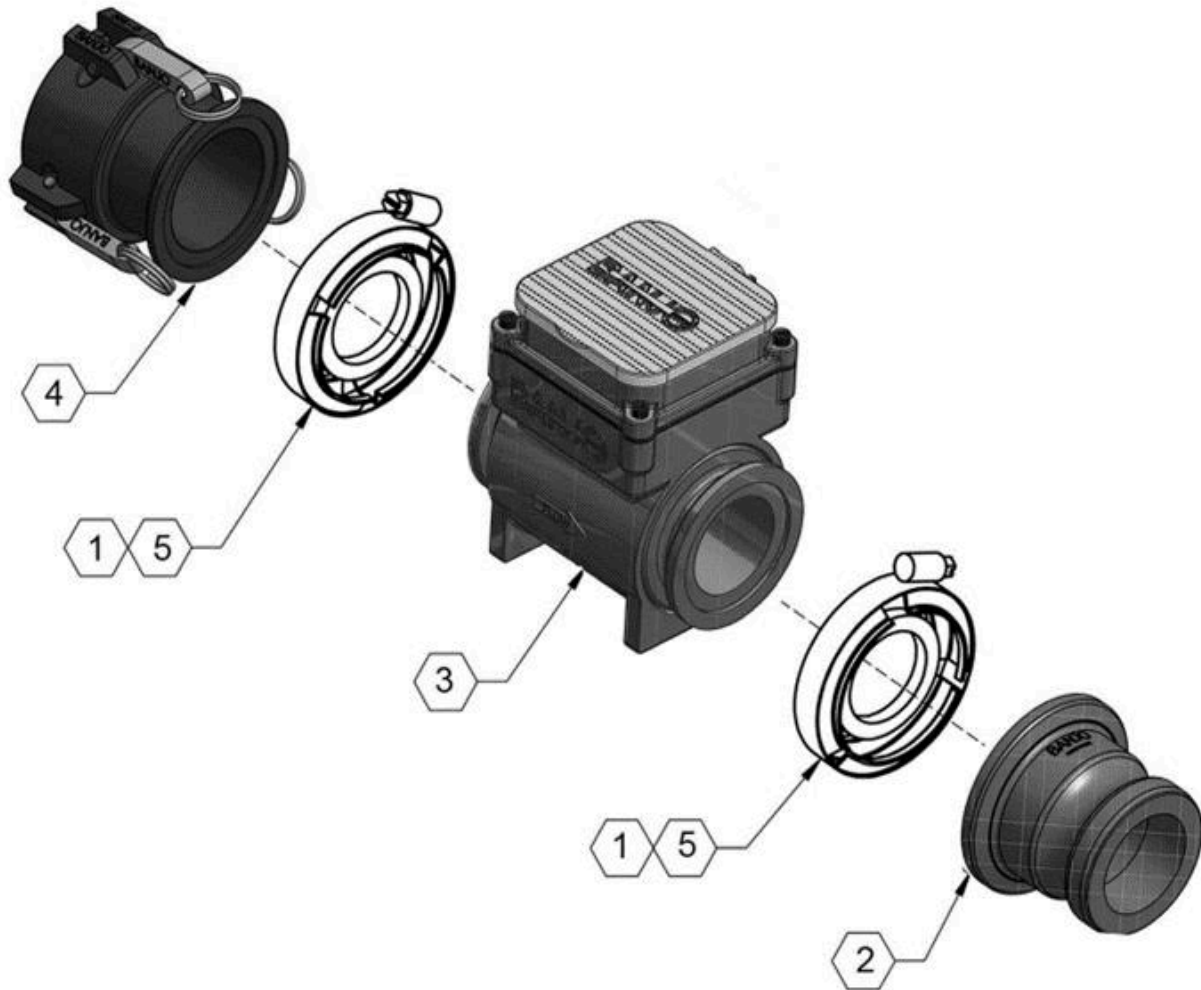
Raven Flow Meter and MCV



Parts List: Raven Flow Meter and MCV

| ITEM | VENDOR NO. | PART NO. | QTY. | DESCRIPTION |
|------|-----------------|----------|------|----------------------------------|
| 1 | BS-1-1/2BH200 | 510014 | 1 | HOSE, 1-1/2" EPDM |
| 2 | BJ-150G | 530014 | 3 | GASKET, 2" EPDM |
| 3 | BJ-200G | 530019 | 2 | GASKET, 2" EPDM |
| 4 | BJ-M200CPG | 530084 | 1 | 2" X 2" STANDARD PORT FLANGE |
| 5 | BJ-M220150BRB | 530100 | 1 | 2" FP FLANGE X 1 1/2" HOSE BARB |
| 6 | BJ-M220200CPG | 530102 | 1 | 2" FULL PORT - 2" REDUCER FLANGE |
| 7 | BJ-M220CPG | 530244 | 1 | 2" X 2" FULL PORT FLANGE |
| 8 | BJ-FC200 | 540001 | 5 | CLAMP, 2" STD WORM SCREW |
| 9 | BR-64024H | 540016 | 2 | CLAMP, 1-1/2" SS |
| 10 | - | 520059 | 1 | 802 FLOWMETER |
| 11 | RA-063-0171-894 | 631805 | 1 | CONTROL VALVE, 1-1/2" |
| 12 | BJ-M200CPG45 | 530087 | 1 | 2" SP FLANGE COUPLING, 45 DEG |

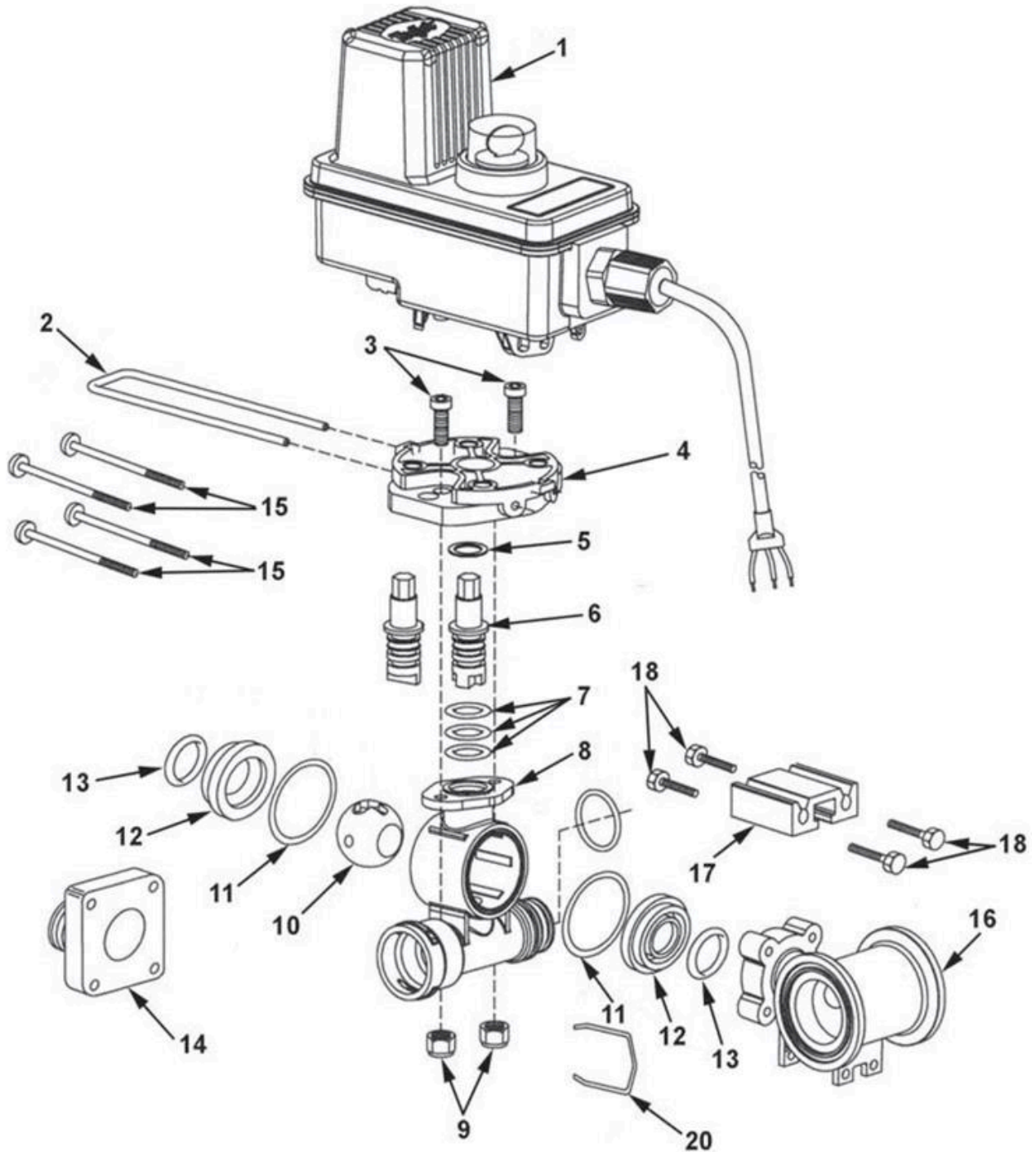
Banjo 2" Full Port Flow Meter



Parts List: Banjo 2" Full Port Flow Meter

| ITEM | PART NO. | QTY. | DESCRIPTION |
|------|----------|------|---------------------------------------|
| 1 | 530019 | 2 | 2" EPDM GASKET |
| 2 | 530271 | 1 | 2" FULL PORT FLANGE - 2" MALE ADAPTER |
| 3 | 530311 | 1 | 2" FULL PORT FLOW METER |
| 4 | 530323 | 1 | 2" FULL PORT FLANGE X FEMALE COUPLER |
| 5 | 540002 | 2 | CLAMP, 2" FULL WORM SCREW |

Electric Shut-Off Flow Back Ball Valve (2014 & Prior) Red Indicator





ILLUSTRATED PARTS LIST

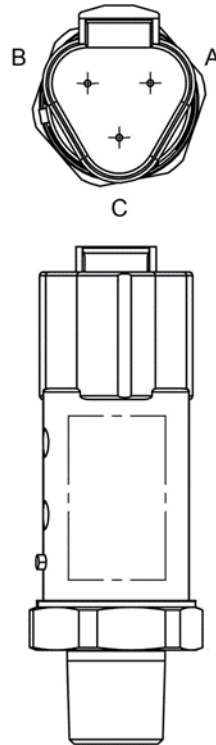
Parts List: Electric Shut-Off Flow Back Ball Valve (2014 & Prior) Red Indicator

| ITEM | VENDOR NO. | DESCRIPTION |
|------|----------------------------|--|
| 1 | 50515-22CP05 | BEC MOTOR, 22-RPM (0.7-SEC), 0.5- METER CABLE, POSITIVELY SWITCHED |
| 2 | CP50517-SSPV | RETAINING CUP, 304 STAINLESS STEEL. |
| 3 | CP26197-7/8-SS | SOCKET HEAD CAP SCREW, 1/4"-20 X 7/8", STAINLESS STEEL (2 REQ'D) |
| 4 | CP50514-PP | MOTOR ADAPTER, POLYPROPYLENE (BLACK) |
| 5* | CP20125-TEF | THRUST WASHER, TEFON |
| 6 | CP56613-SS | STEM, 303 STAINLESS STEEL (FOR POLYPROPYLENE BALL) |
| 7* | CP7717-M12 X 2.5-VI | O-RING, VITON (3 REQ'D) |
| 8 | CP55223-NYB | FLOW BACK BODY, NYLON (BLACK) |
| 9 | CP55223-NYB | ELASTIC LOCKNUT, 1/4" 20, STAINLESS STEEL (2 REQ'D) |
| 10 | CP20106 2 PP | FLOW BACK BALL POLYPROPYLENE (WHITE) |
| 11* | CP20564-VI | GASKET, VITON (2 REQ'D) |
| 12* | CP20103-TEF | SEAL, TEF ON (2 REQ'D) |
| 13* | CP7717-2-213-VI | O-RING, VITON (2 REQ'D) |
| 14 | CP45514-NYB | END CAP, NYLON (BLACK) (QUICK CONNECT) |
| 15 | CP45252-2-3/4-SSPV | SCREW, 1/4"-12 X 2-3/4" PAN HEAD, STAINLESS STEEL (4 REQ'D) |
| 16 | CP55224-PP | #75 NARROW TEE BODY, POLYPROPYLENE (BLACK) |
| 17 | CP45216-AL | MOUNTING RAIL, ALUMINUM |
| 18 | CP45259-SS | SCREW, M6 X 1 X 16 MM HEX, STAINLESS STEEL (4 REQ'D) |
| 19 | CP7717-J-912-VI | O-RING, VITON |
| 20 | CP37166-1-302SS | QUICK CONNECT RETAINING CUP, 302 STAINLESS STEEL |
| | 56609-3FB | VALVE BODY SUB-ASSY, SPECIFY OUTLET SIZE & BALL MATERIAL (INC. ITEMS 3-19) |



PRODUCT ELECTRICAL COMP.S

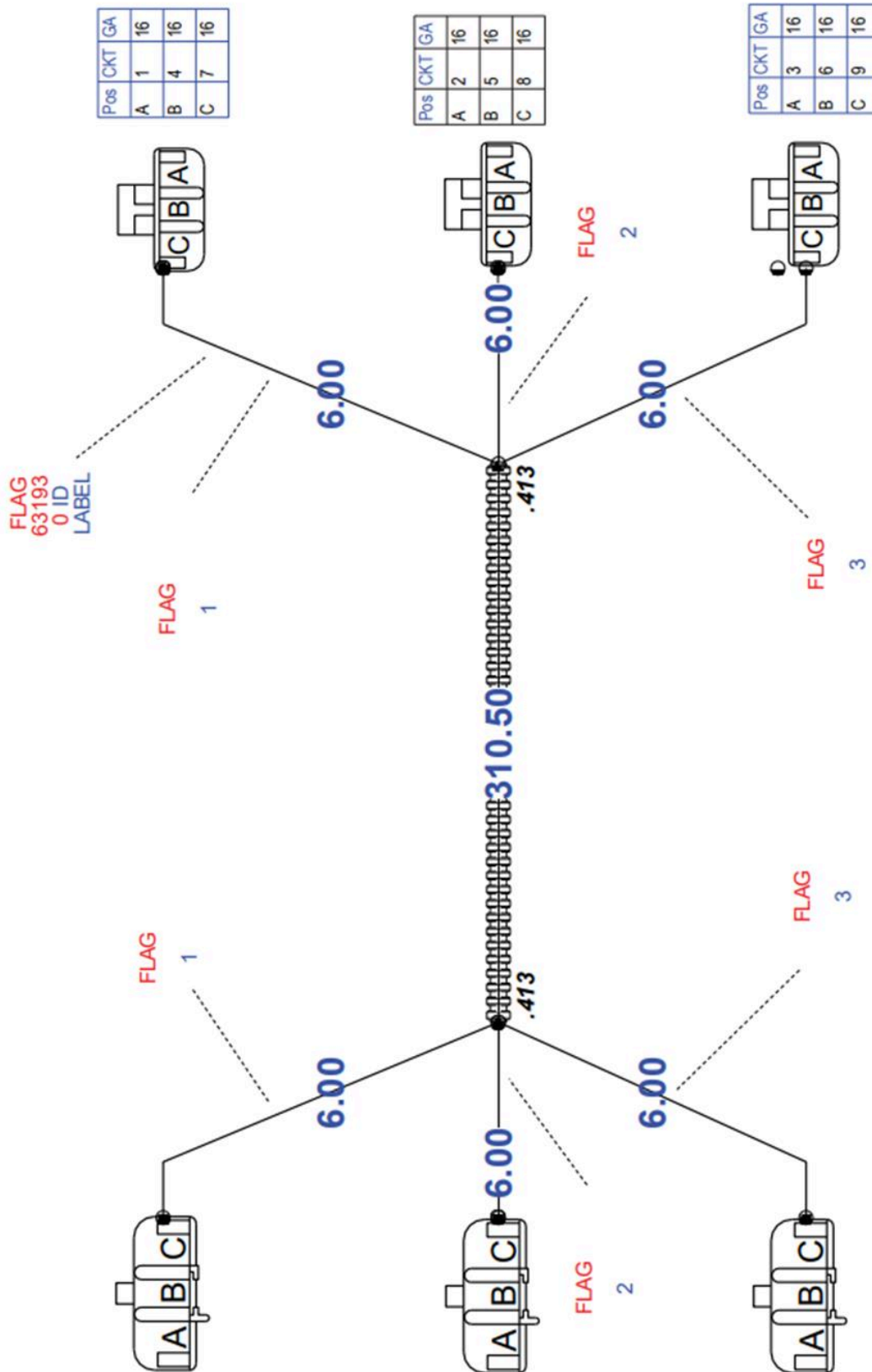
Pressure Transducer



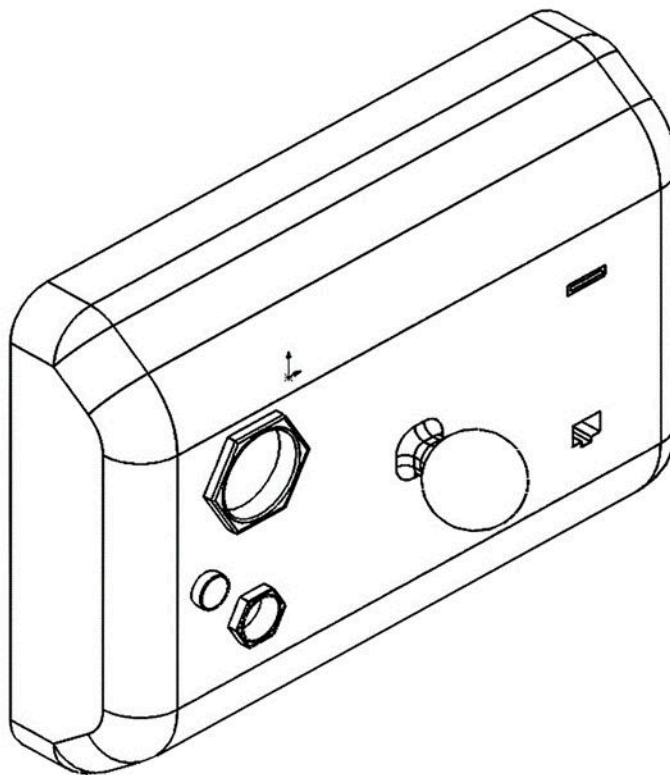
Parts List: Pressure Transducer

| ITEM | PART NO. | QTY. | DESCRIPTION |
|------|----------|------|--------------------------------|
| - | 530400 | 1 | TEE: 1/4" FPT, POLY |
| - | 530401 | 1 | NIPPLE: 1/4 X 1/4" MPT, POLY |
| - | 632036 | 1 | PRESSURE TRNSDCR 1-5V 0-250PSI |

Harness 3-Ball Valve Control - 631930



Raven CR7



Parts List: Raven CR7, Non-Deere ISO Controller

| ITEM | PART NO. | QTY. | DESCRIPTION |
|------|----------|------|-----------------------------|
| 1 | 632063 | 1 | RAVEN PRECISION CR7 DISPLAY |
| 2 | 632065 | 1 | CABLE, CAN/POWER OEM ISO |
| 3 | 632066 | 1 | CABLE, CR7 ISO VT ONLY |

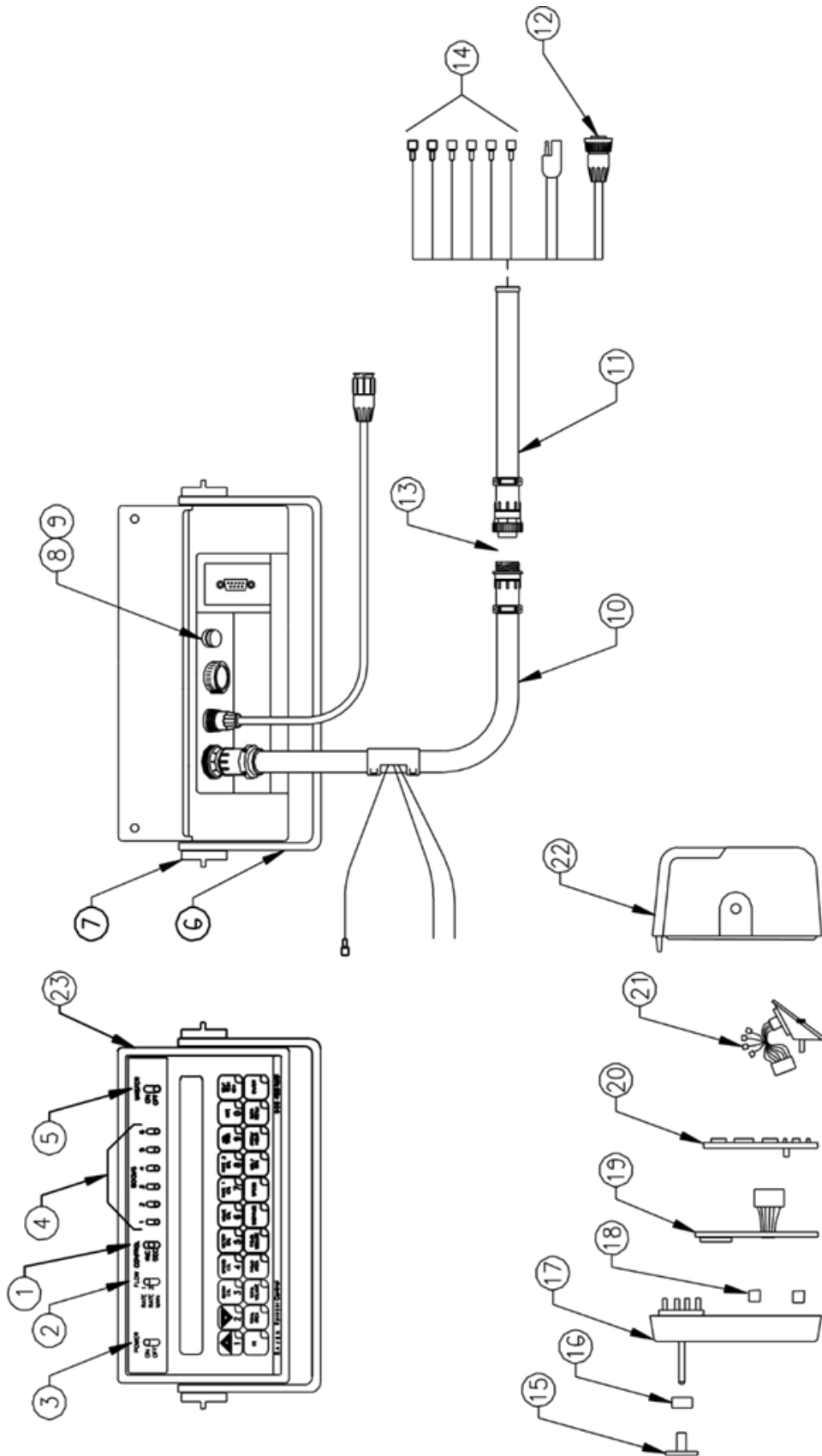
Parts List: Raven CR7, Non-ISO Tractor

| ITEM | PART NO. | QTY. | DESCRIPTION |
|------|----------|------|-----------------------------|
| 1 | 632063 | 1 | RAVEN PRECISION CR7 DISPLAY |
| 2 | 632064 | 1 | CABLE, RAVEN ISO/POWER |
| 3 | 632066 | 1 | CABLE, CR7 ISO VT ONLY |

Parts List: Raven CR7, Deere ISO Tractor

| ITEM | PART NO. | QTY. | DESCRIPTION |
|------|----------|------|--------------------------------|
| 1 | 632063 | 1 | RAVEN PRECISION CR7 DISPLAY |
| 2 | 632067 | 1 | CABLE, DISPLAY PORT, Y ADAPTER |
| 3 | 632066 | 1 | CABLE, CR7 ISO VT ONLY |

Raven SCS450 Console



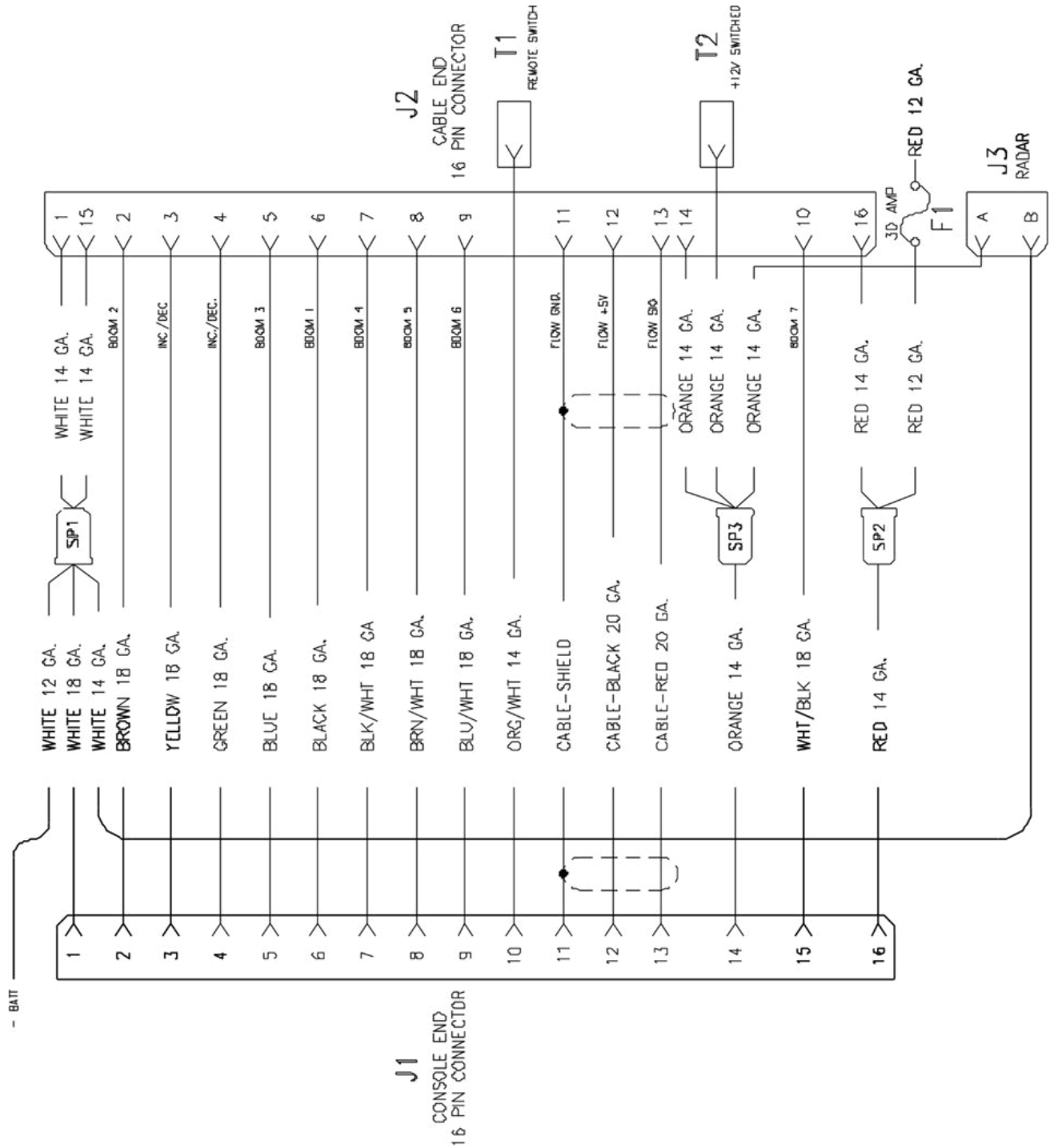


ILLUSTRATED PARTS LIST

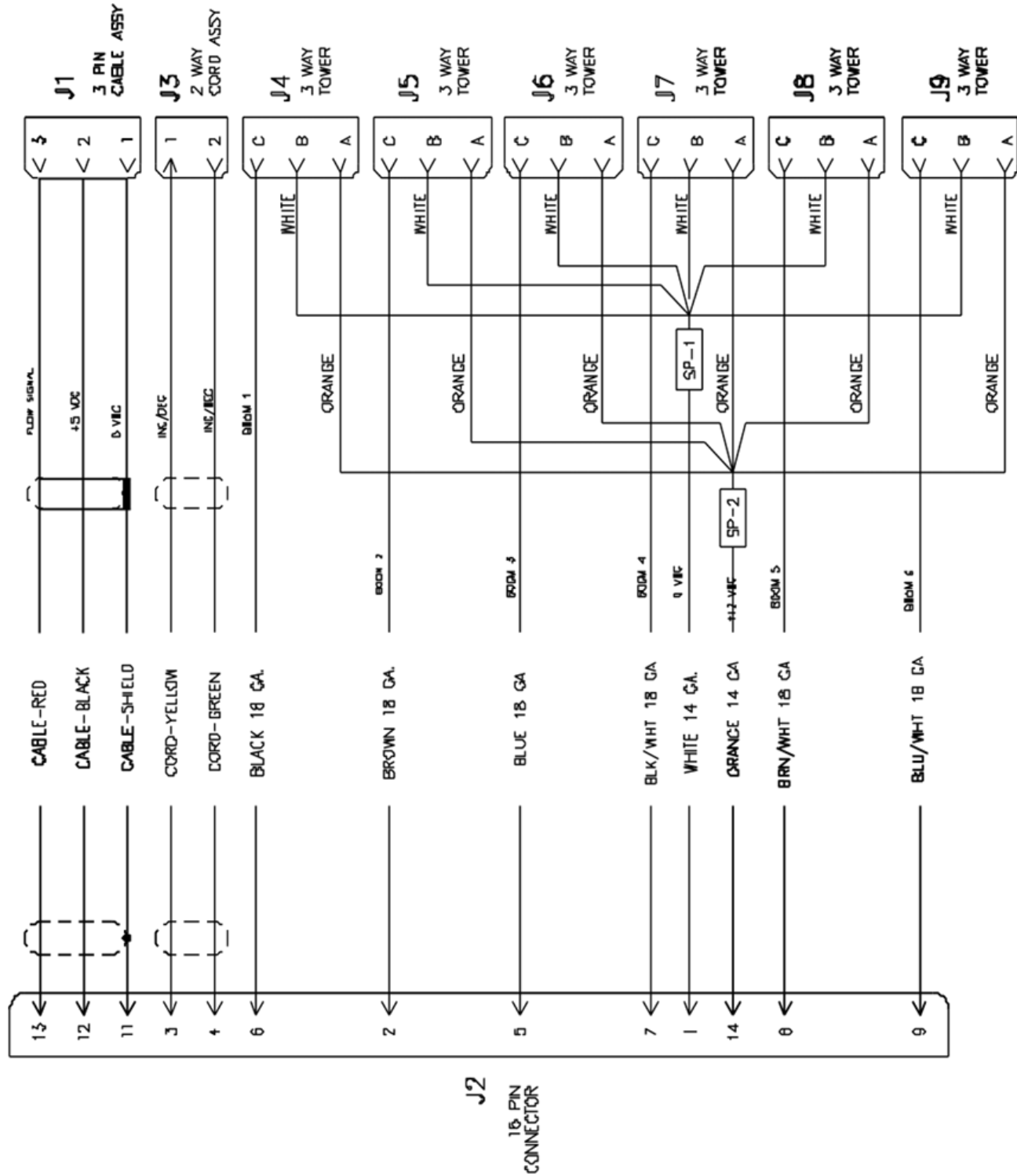
Parts List: Raven SCS450 Console

| ITEM | VENDOR NO. | DESCRIPTION |
|------|--------------|---|
| 1 | 412-2011-049 | MANUAL ADJ. SWITCH |
| 2 | 019-0159-078 | RATE1/RATE2/MANUAL SWITCH |
| 3 | 412-2011-048 | POWER SWITCH |
| 4 | 412-2003-010 | BOOM SWITCH |
| 5 | 412-2011-046 | MASTER SWITCH |
| 6 | 106-0159-437 | MOUNTING BRACKET |
| 7 | 106-0159-438 | MOUNTING KNOB |
| 8 | 510-2001-018 | FUSE HOLDER |
| 9 | 510-1003-003 | FUSE, 15AMP. |
| 10 | 631818 | CONSOLE CONTROL CABLE (10FT.) |
| 11 | 631819 | FLOW CONTROL CABLE (6FT.) |
| | 631820 | FLOW CONTROL CABLE (12FT.) |
| 12 | 115-0159-016 | FLOW METER CABLE EXT. (6FT.) |
| | 115-0159-017 | FLOW METER CABLE EXT. (12FT.) |
| 13 | 631814 | FLOW EXT. CABLE (12FT.) |
| | 631815 | FLOW EXT. CABLE (24FT.) |
| 14 | 117-0159-402 | ASSORTED TERMINAL KIT |
| 15 | 063-0159-734 | SWITCH COVER |
| 16 | 117-0159-421 | 1-SET FILLER SPACERS |
| 17 | 063-0172-024 | FACE PLATE ASSEMBLY |
| 18 | 107-0159-478 | DISPLAY BOARD SPACER |
| 19 | 063-0171-961 | LCD DISPLAY BOARD |
| 20 | 064-0159-745 | PROCESSOR BOARD (SERIAL INTERFACE) |
| 21 | 063-0172-022 | CONNECTOR PLATE ASSEMBLY (SERIAL INTERFACE) |
| 22 | 063-0159-530 | BACK ASSEMBLY |
| 23 | 063-0171-220 | SCS450 CONSOLE (SERIAL INTERFACE) |

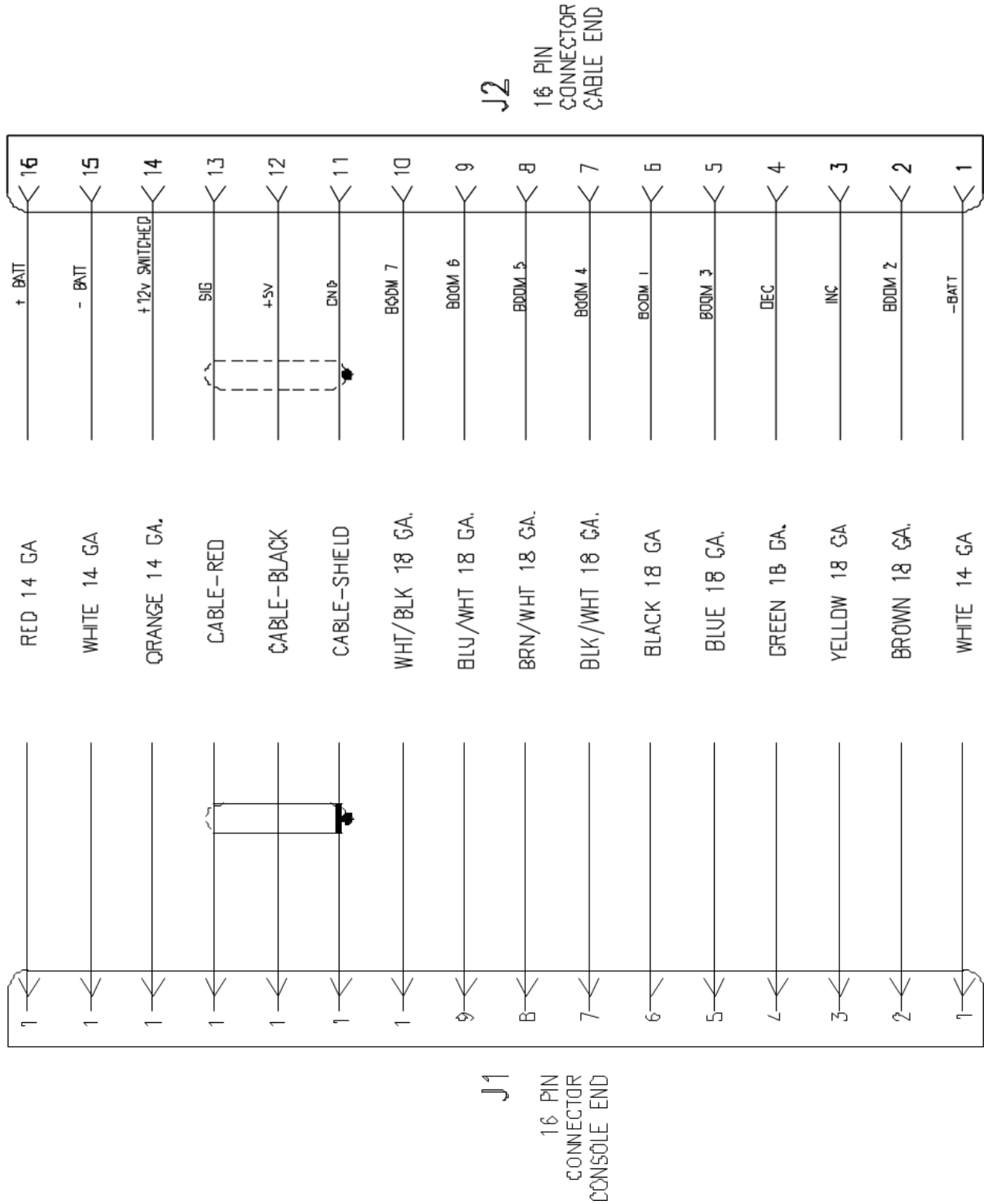
Control Harness 115-0171-085



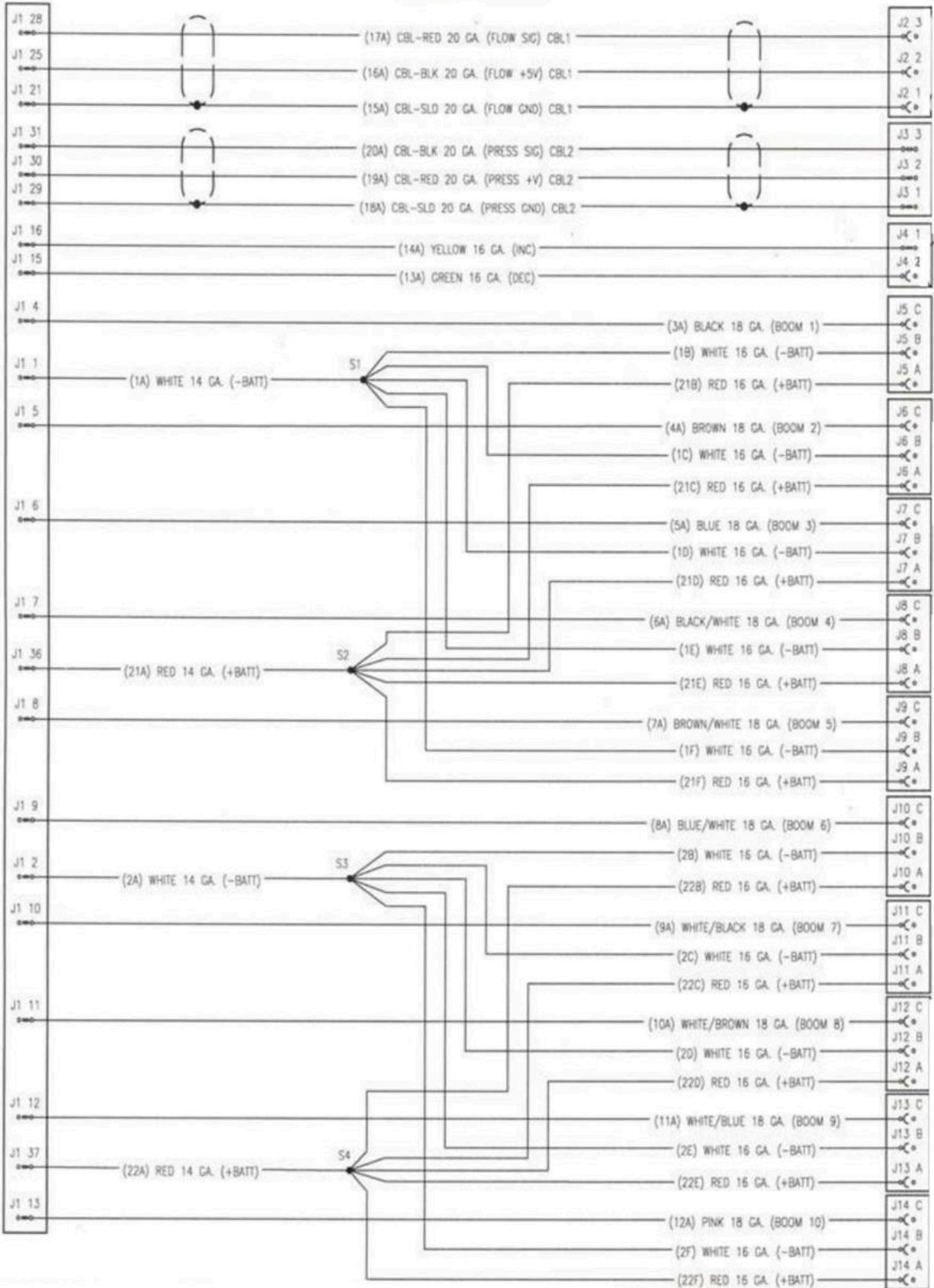
Control Harness 115-0171-086 (6') or 115-0171-129 (12')



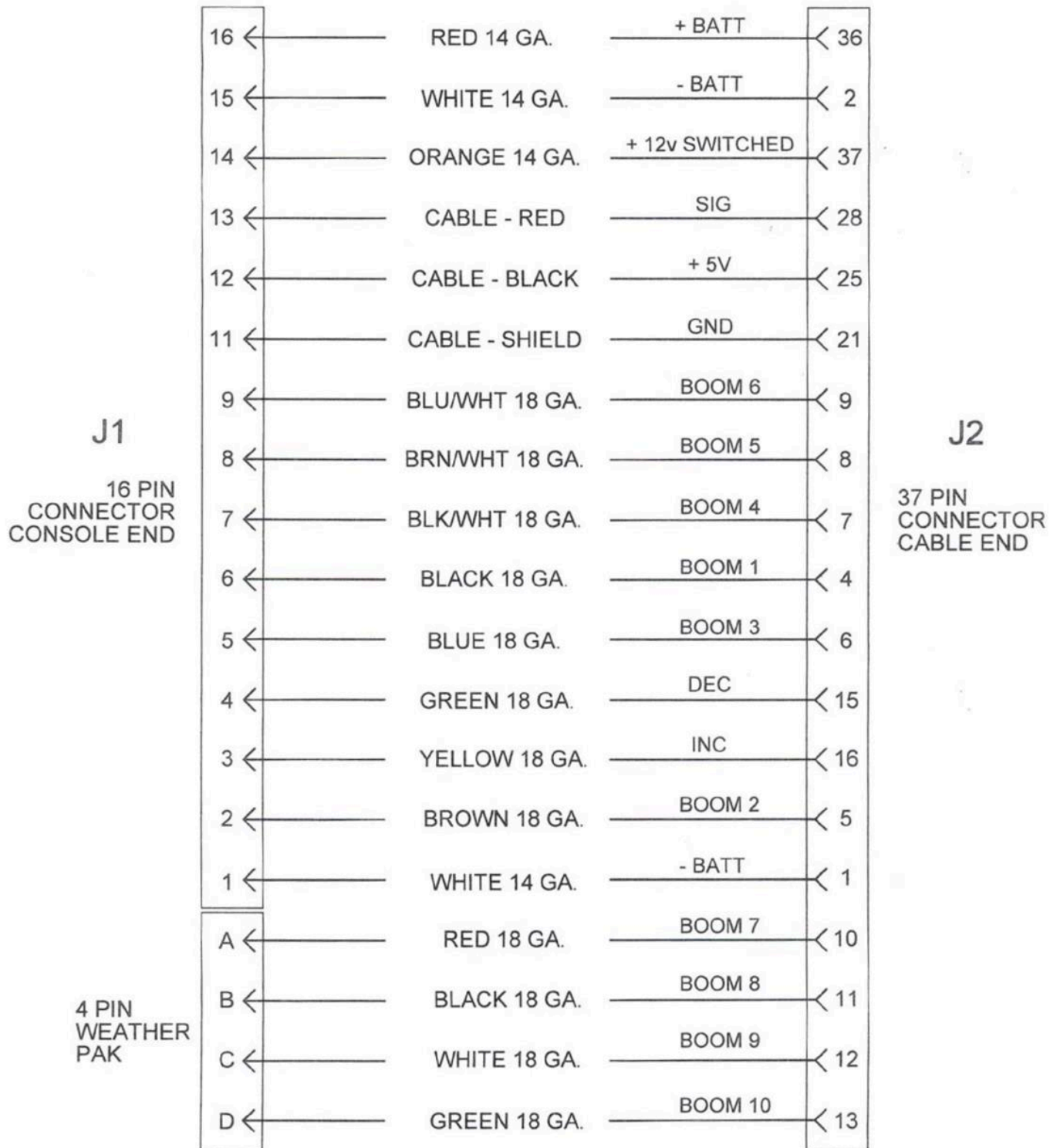
Harness Extension 115-0159-856 (12') or 115-0159-857 (24')



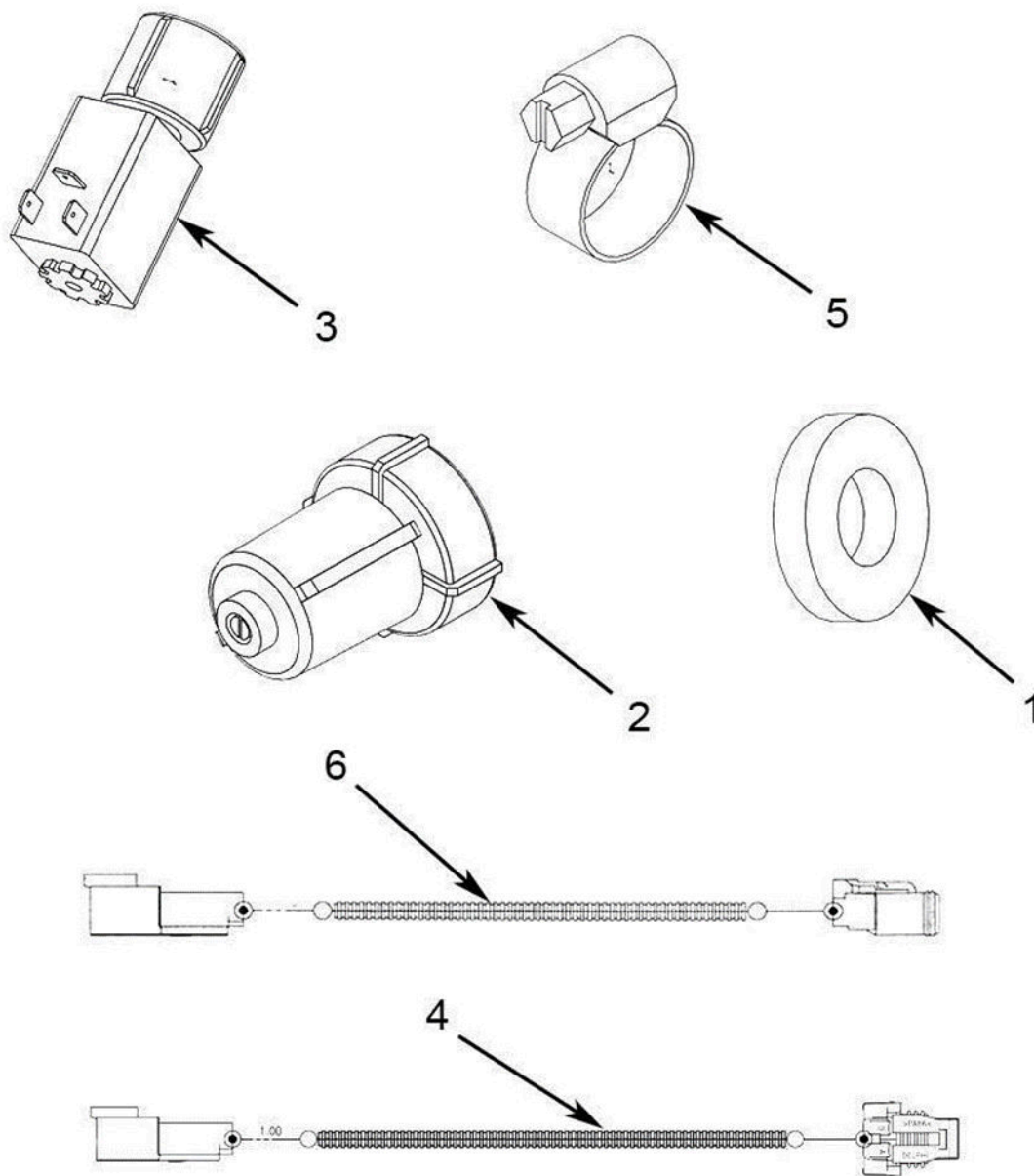
Cable 10-Boom 115-0171-314 (24')



Cable Adapter 6- to 10-Boom - 631889



Fence Row (optional)

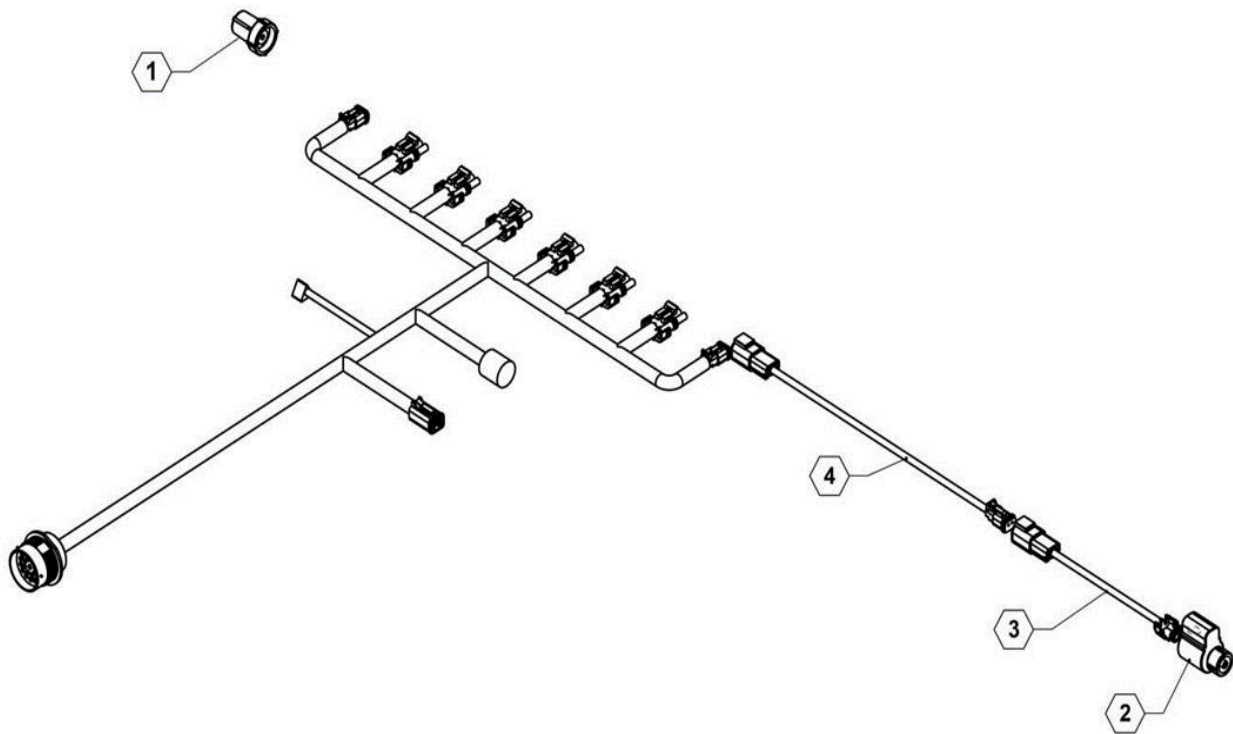


Parts List: Fence Row (optional)

| ITEM | PART NO. | QTY. | DESCRIPTION |
|------|----------|------|------------------------------|
| 1 | 520016 | 2 | NOZZLE SEAT WASHER, RUBBER |
| 2 | 520037 | 2 | NOZZLE MANUAL CHEM SAVER |
| 3 | 520038 | 2 | NOZZLE ELECTRIC CHEM SAVER |
| 4 | 632044 | 2 | CABLE ADAPTER 2P DT TO 2P 6" |
| 5 | 540032 | 4 | CLAMP, HOSE 5/16" |
| 6 | 632054 | 2 | 55' FENCE ROW CABLE |

Single Fence Line, Display Control

NOTE:
1. FOR USE WITH RAVEN RCM AND JD RC2000

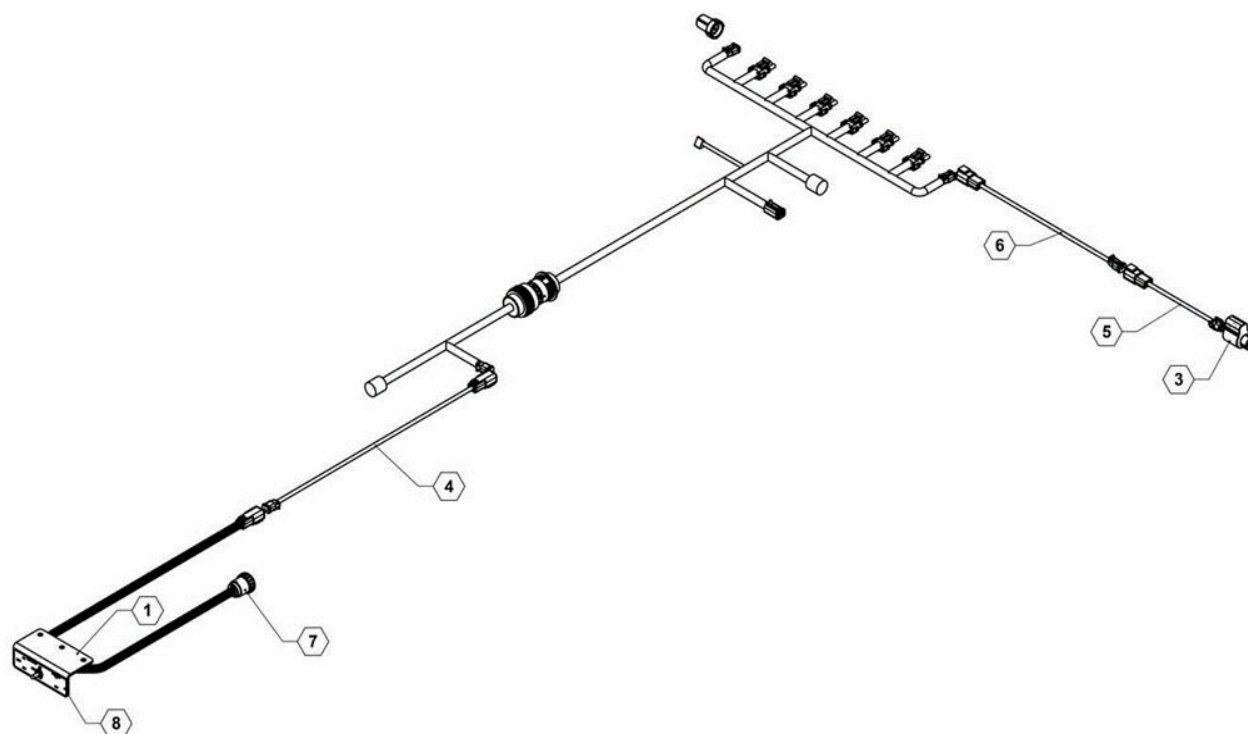


Parts List 27360: Single Fence Line, Display Control

| ITEM | PART NO. | QTY. | DESCRIPTION |
|------|----------|------|----------------------------|
| 1 | 520037 | 1 | VALVE, MANUAL CHEMSAVER |
| 2 | 520038 | 1 | VALVE, ELECTRIC CHEMSAVER |
| 3 | 632044 | 1 | FENCEROW ADAPTER CABLE, 6" |
| 4 | 632054 | 1 | FENCEROW CABLE, 55' |

Single Fence Row, Toggle Switch Control

NOTE:
1. FOR USE WITH RAVEN 450, JD GREENSTAR & OTHER 16 & 37 PIN CABLING CONTROLLERS

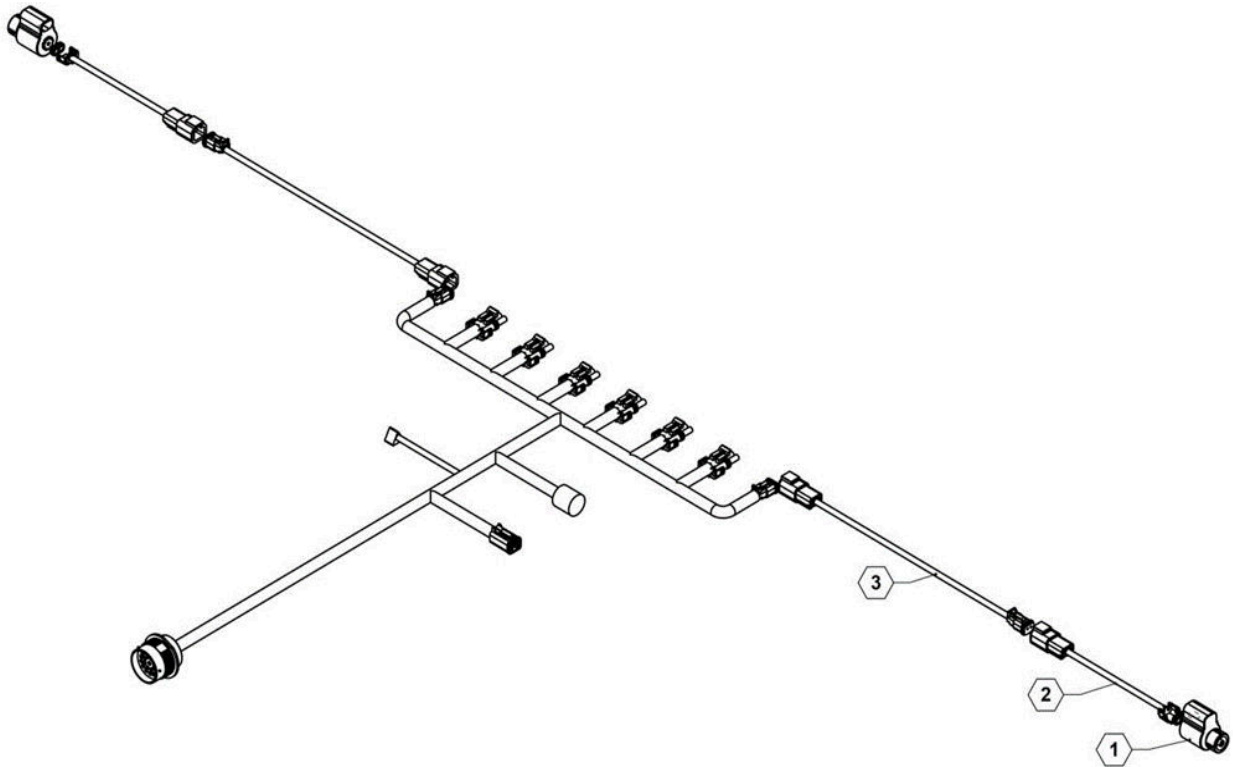


Parts List 27362: Single Fence Row, Toggle Switch Control

| ITEM | PART NO. | QTY. | DESCRIPTION |
|------|----------|------|---|
| 1 | 18437 | 1 | PLATE, MOUNT |
| 2 | 520037 | 1 | VALVE, MANUAL CHEMSAVER |
| 3 | 520038 | 1 | VALVE, ELECTRIC CHEMSAVER |
| 4 | 632042 | 1 | 2 PIN DT 40' CABLE EXTENSION |
| 5 | 632044 | 1 | FENCEROW ADAPTER CABLE 6" |
| 6 | 632054 | 1 | FENCEROW CABLE, 55' |
| 7 | 632089 | 1 | CABLE, SINGLE ELECTRIC FENCELINE NOZZLE |
| 8 | 800261 | 1 | DECAL, FENCELINE & AGITATION |

Dual Fence Line, Display Control

NOTE:
1. FOR USE WITH RAVEN RCM AND JD RC2000

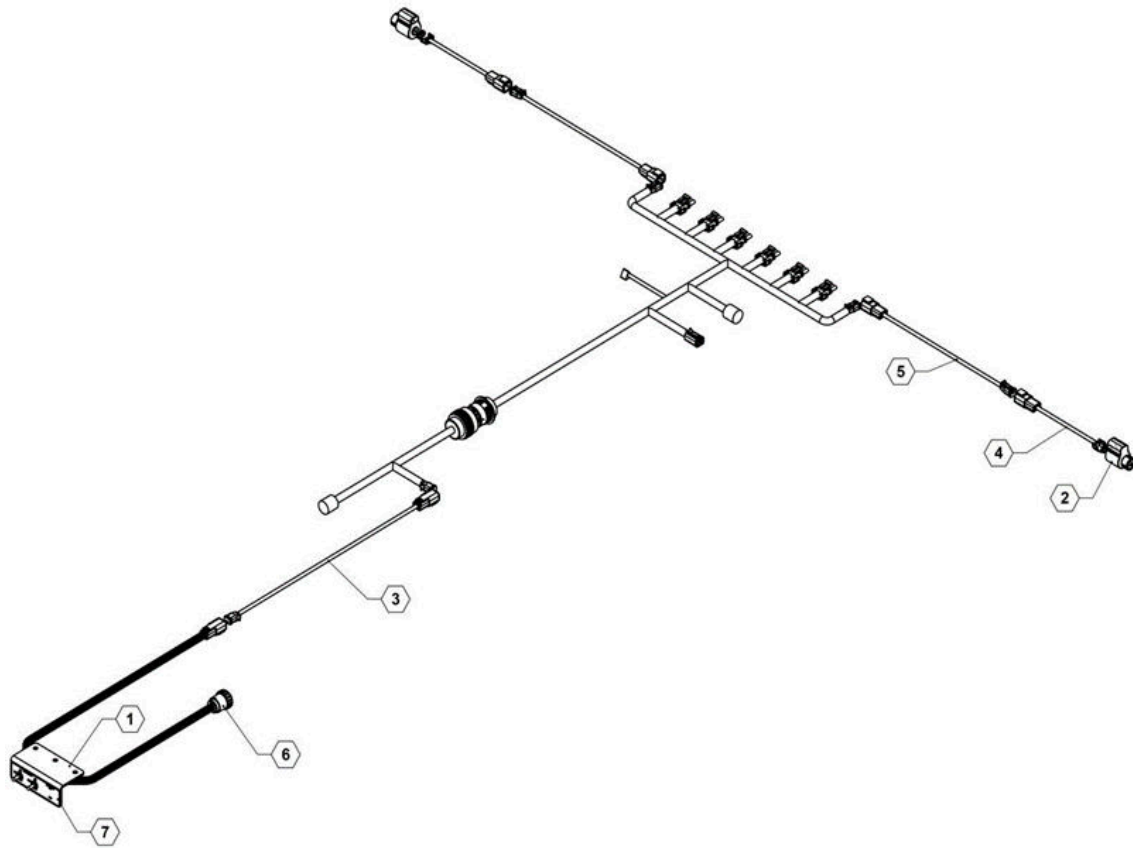


Parts List 27361: Dual Fence Line, Display Control

| ITEM | PART NO. | QTY. | DESCRIPTION |
|------|----------|------|----------------------------|
| 1 | 520038 | 2 | VALVE, ELECTRIC CHEMSAVER |
| 2 | 632044 | 2 | FENCEROW ADAPTER CABLE, 6' |
| 3 | 632054 | 2 | FENCEROW CABLE, 55' |

Dual Fence Row, Toggle Switch Control

NOTE:
1. FOR USE WITH RAVEN 450, JD GREENSTAR & OTHER 16 & 37 PIN CABLING CONTROLLERS



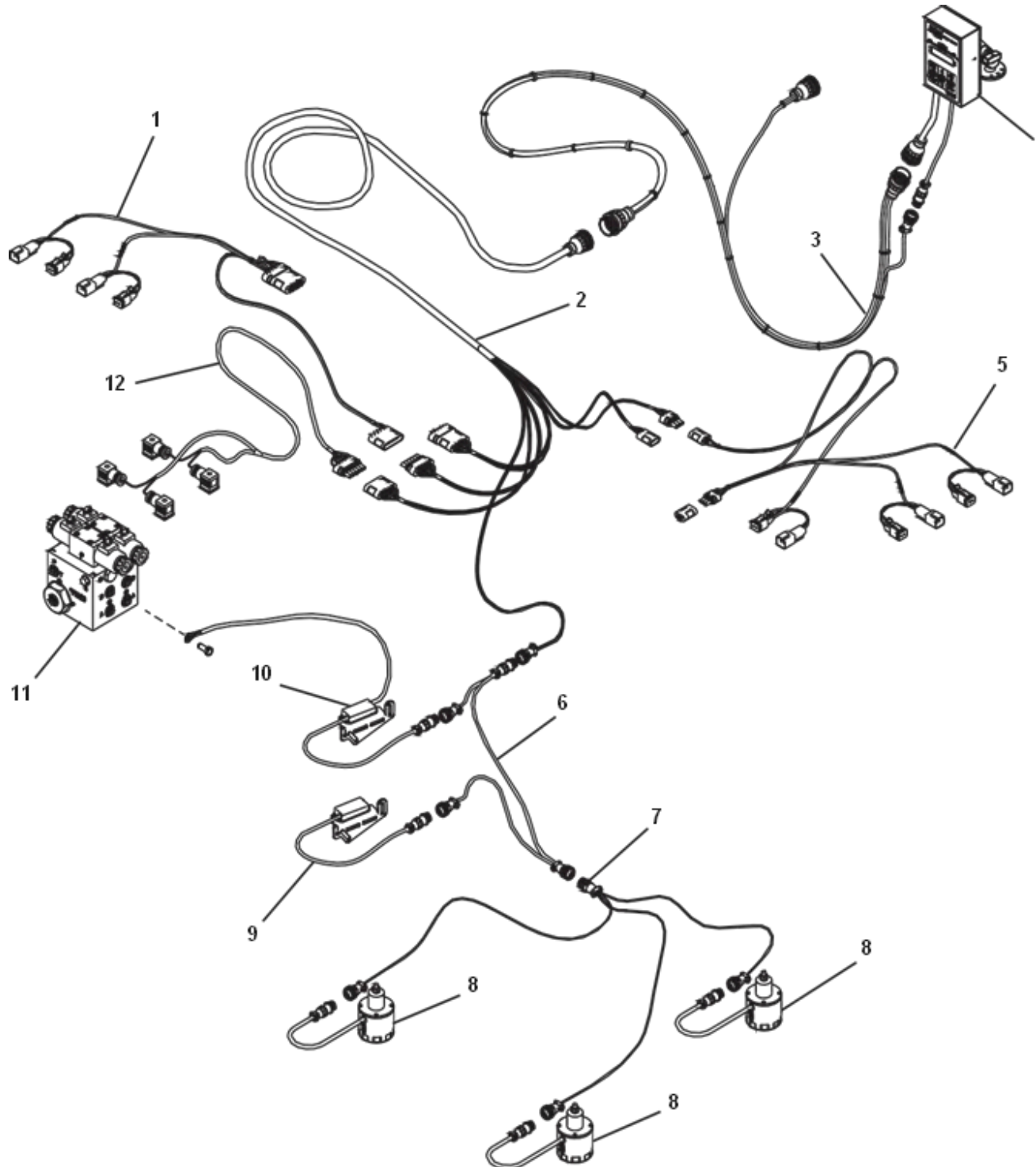
Parts List 27363: Dual Fence Row, Toggle Switch Control

| ITEM | PART NO. | QTY. | DESCRIPTION |
|------|----------|------|--|
| 1 | 18437 | 1 | PLATE, MOUNT |
| 2 | 520038 | 2 | VALVE, ELECTRIC CHEMSAVER |
| 3 | 632042 | 1 | 2 PIN DT 40' CABLE EXTENSION |
| 4 | 632044 | 2 | FENCEROW ADAPTER CABLE, 6" |
| 5 | 632054 | 2 | FENCEROW CABLE, 55' |
| 6 | 632088 | 1 | CABLE, DUAL ELECTRIC FENCELINE NOZZLES |
| 7 | 800261 | 1 | DECAL, FENCELINE & AGITATION |

BOOM CONTROL - NORAC

See also [NORAC Hydraulic Valve Block](#) and [NORAC Auto Height Boom Control Hydraulic Schematic UC4+ & UCS](#)

NORAC Auto Height Boom Control UC4+



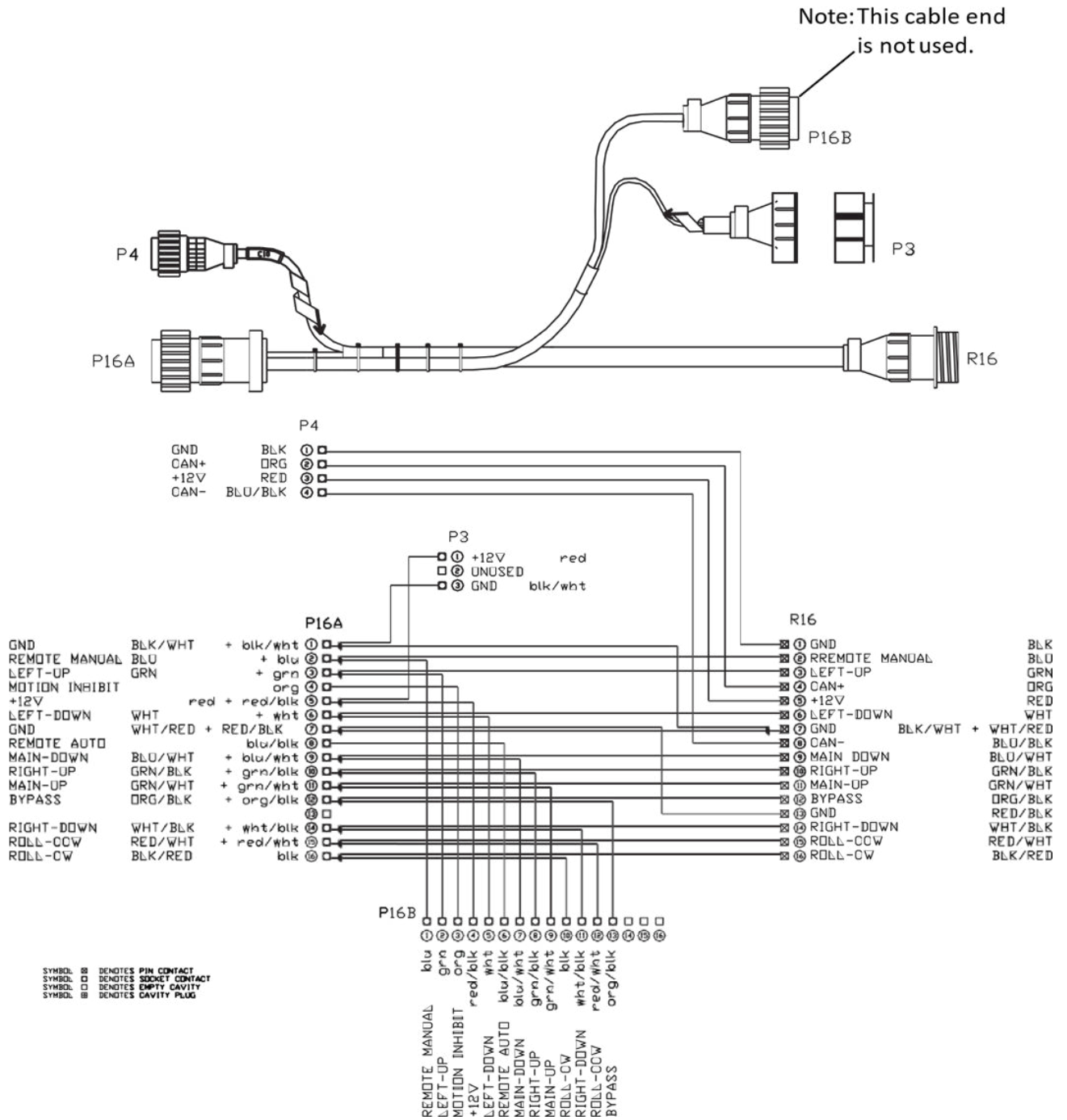


ILLUSTRATED PARTS LIST

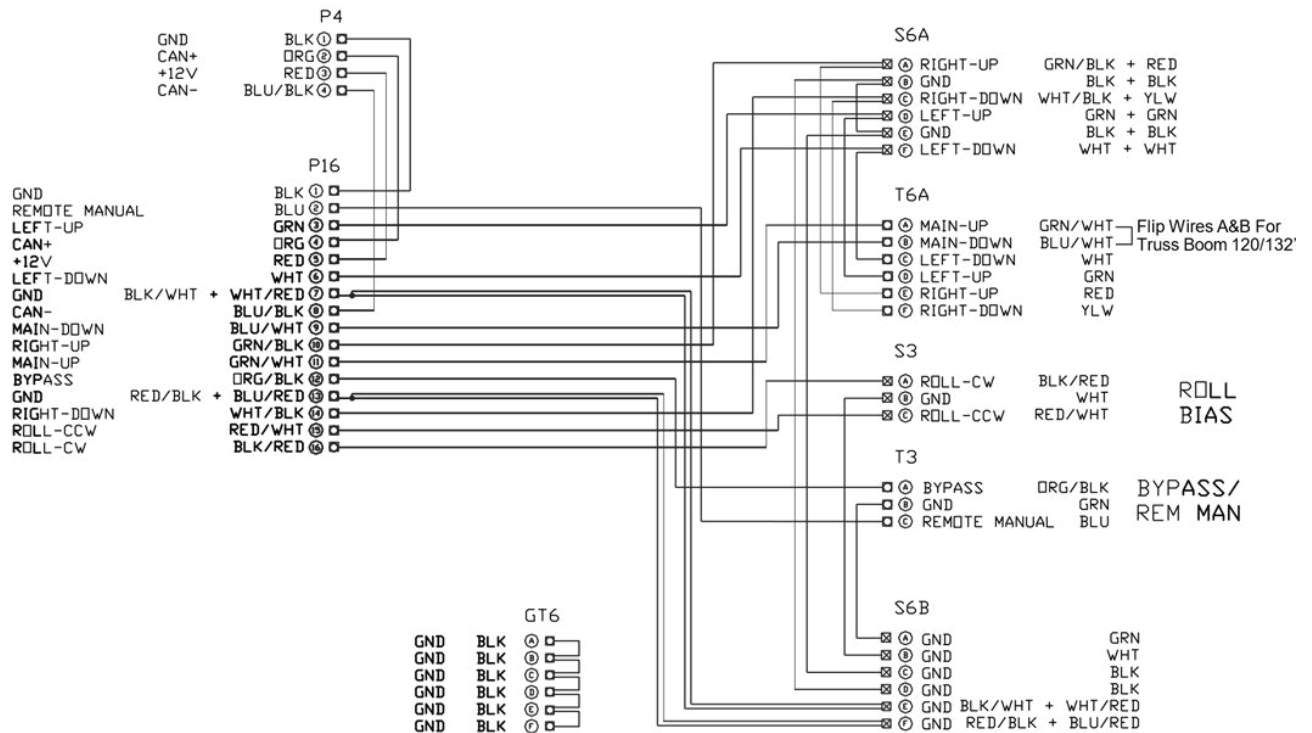
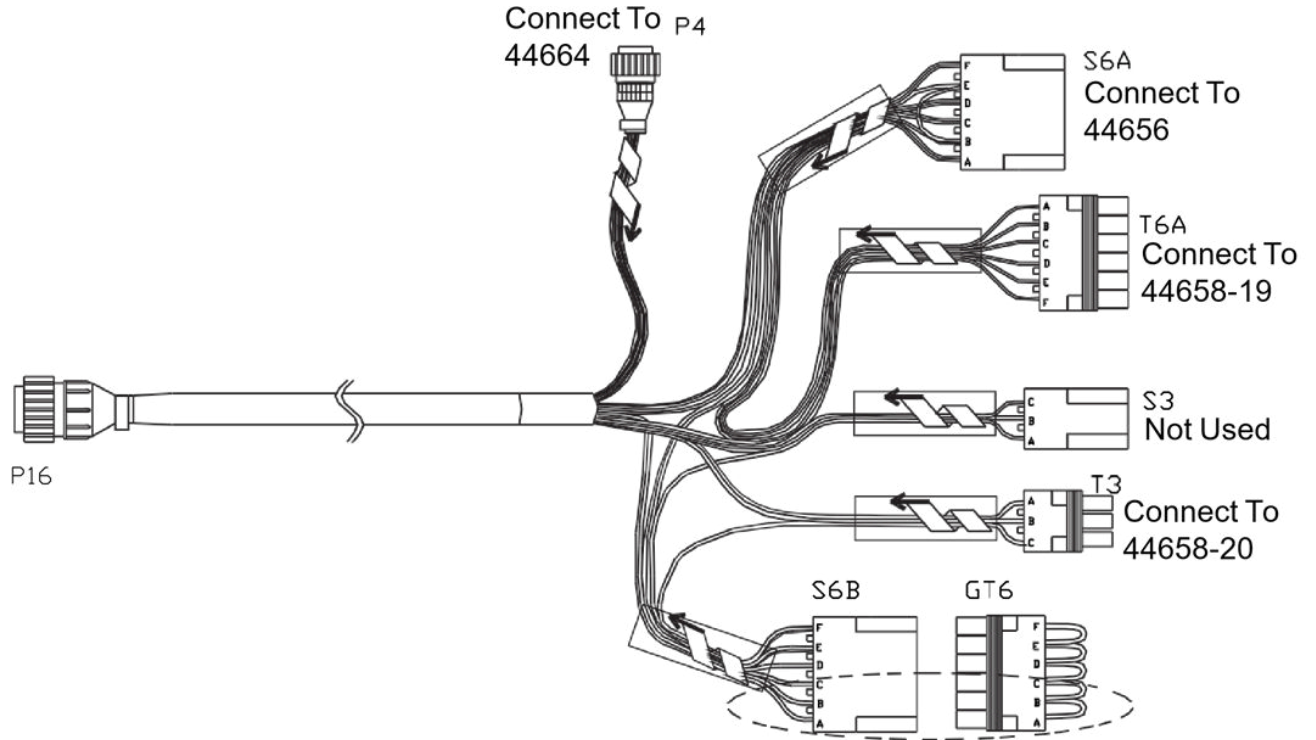
Parts List 631902: NORAC Auto Height Boom Control UC4+

| ITEM | PART NO. | QTY. | DESCRIPTION |
|------|----------|------|--|
| 1 | 44658-19 | 1 | CABLE INTERFACE UC4 BC C13 FT1 MAIN |
| 2 | 44651-03 | 1 | CABLE EXTENSION VALVE GENERIC |
| 3 | 44650-35 | 1 | CABLE POWER GENERIC PULL-TYPE |
| 4 | 4461BC+ | 1 | UC4 PLUS BOOM CONTROL PANEL |
| 5 | 44658-20 | 1 | CABLE INTERFACE UC4 BC C12 FT1 WINGS |
| 6 | 44664 | 1 | CABLE UC4 CAN NODE DUAL |
| 7 | 44668 | 1 | CABLE UC3 SENSOR BRANCH 1 AMP RECEPT 3 AMP PLUGBC |
| 8 | 44631 | 3 | UC4 ULTRASOUND SENSOR |
| 9 | 44642 | 1 | UC4 PLUS ROLL SENSOR |
| 10 | 44641 | 1 | UC4 PLUS ROLL SENSOR W TEMPERATURE PROBE |
| 11 | 44933D | 1 | VALVE BLOCK UC4-BC 2-STATION CC/LS VARIABLE RATE DUETSCH |
| 12 | 44656D | 1 | CABLE VALVE VARIABLE RATE DUETSCH |
| NS | 44656 | NS | CABLE VALVE VARIABLE RATE DIN TERMINAL |

NORAC Auto Height Boom Control Harness

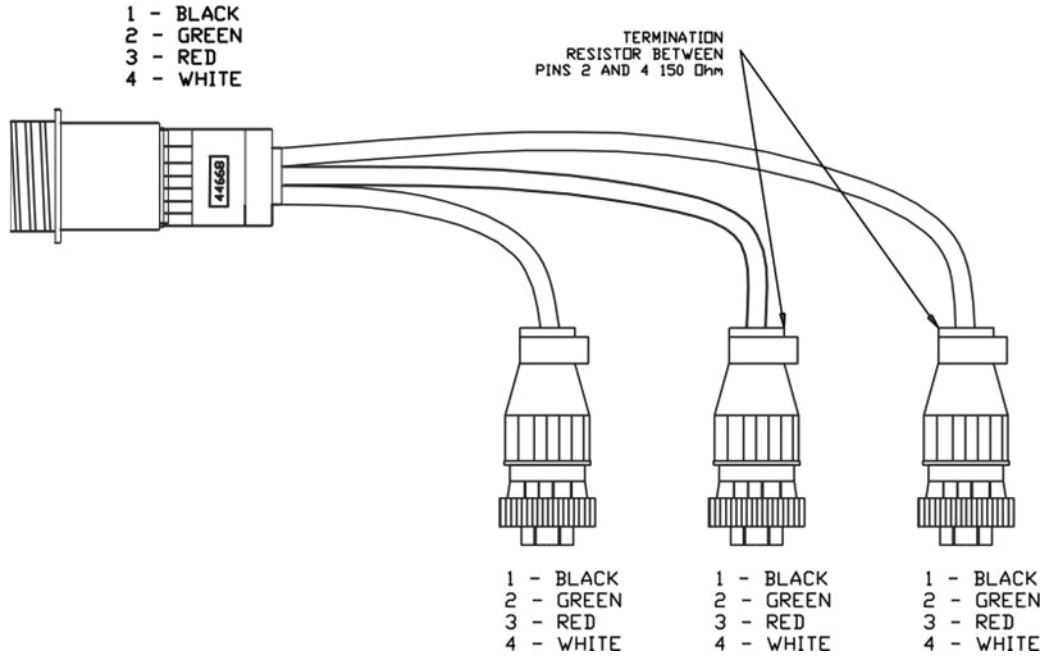


NORAC Auto Height Boom Control Extension Harness - No. 4465103

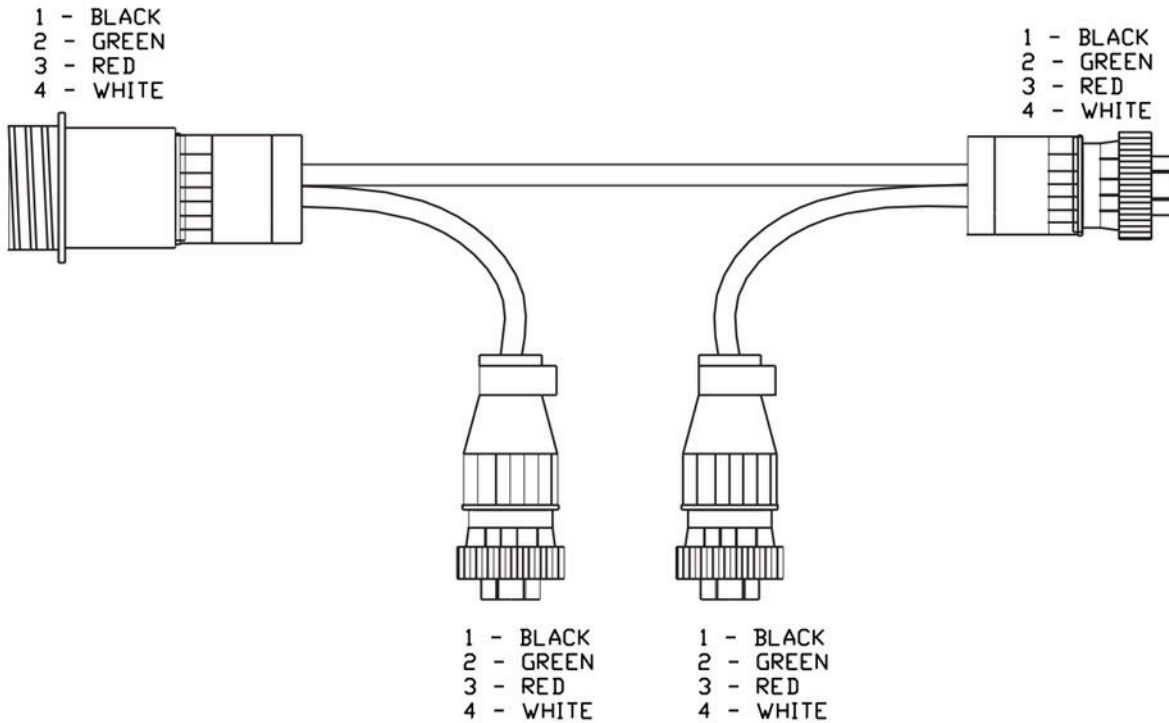


NORAC Auto Height Boom Control Sensor Cables

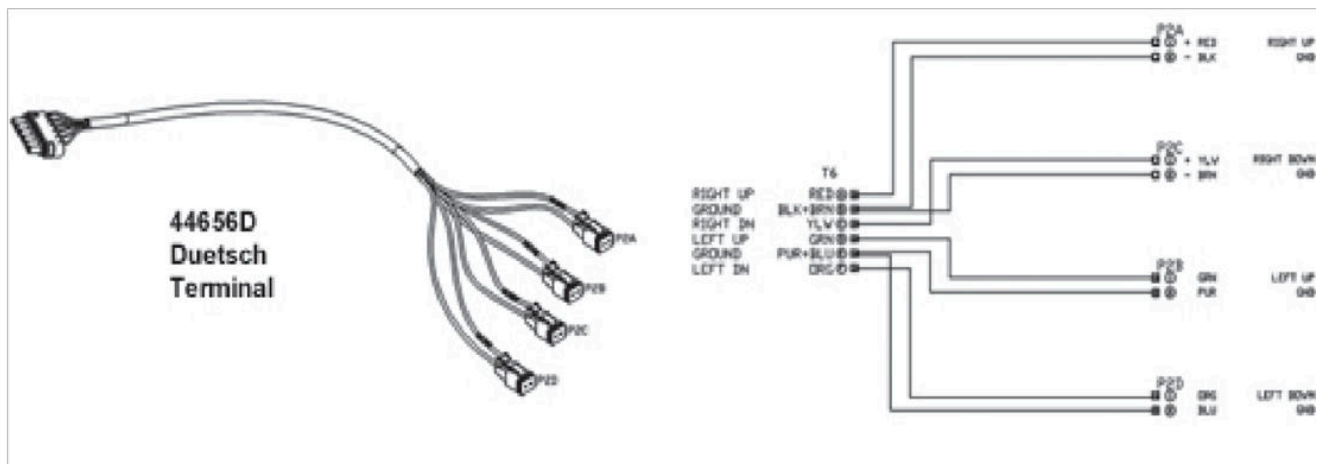
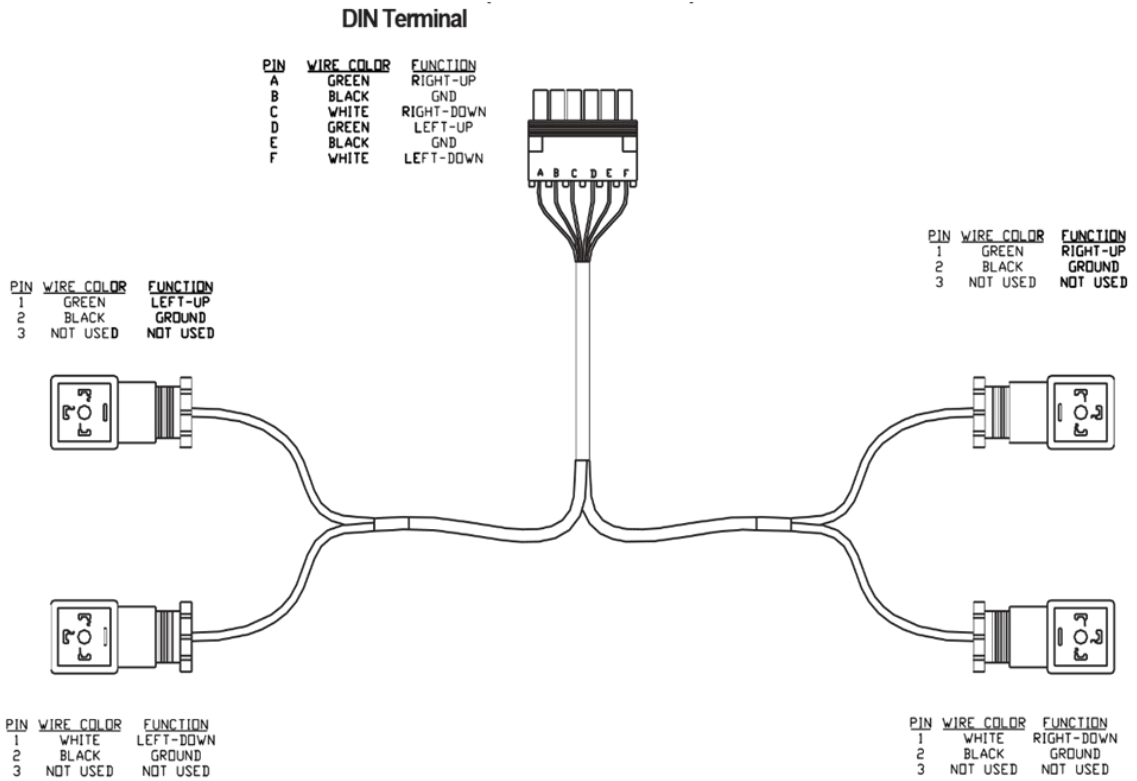
Item C02: 44668 – Sensor Branch Cable



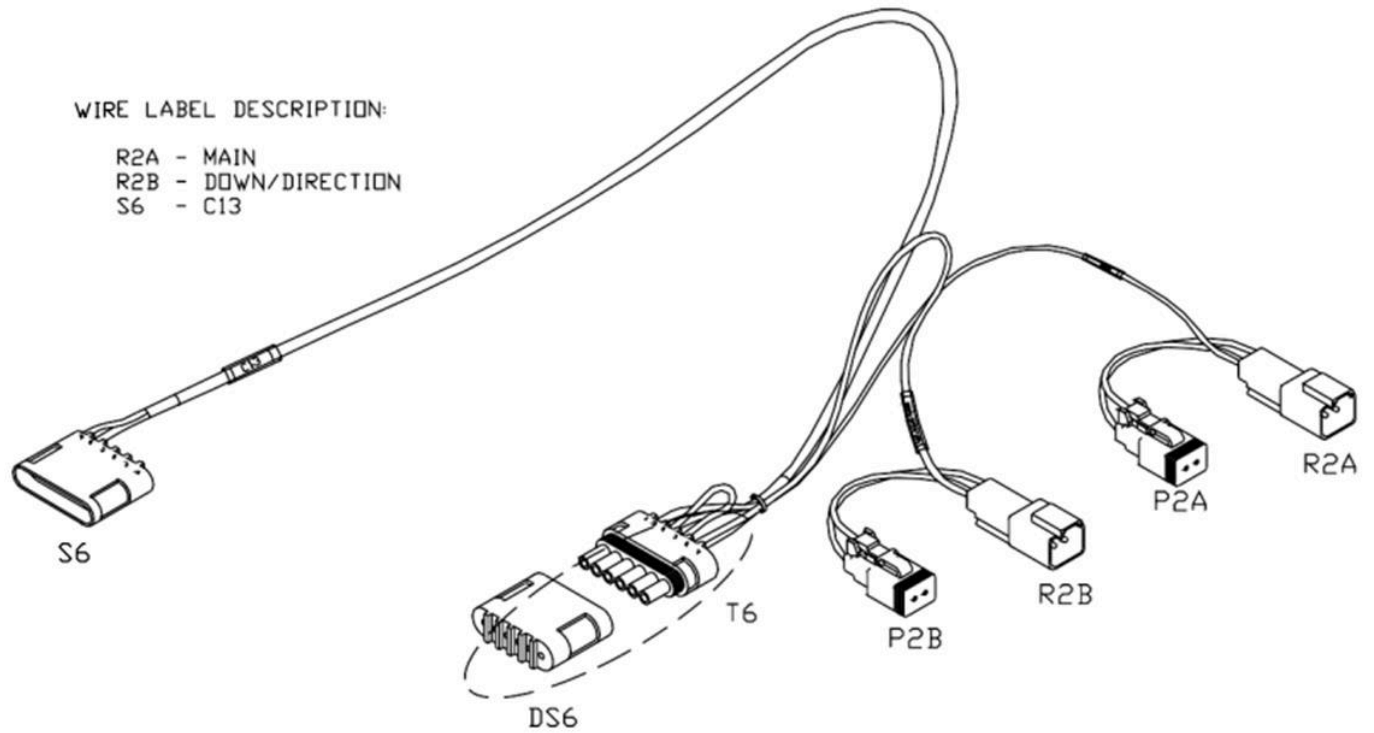
Item C02B: 44664 – Cable UC4 CAN Node Dual



Item C03: 44656 – Valve Cable (Variable Rate)

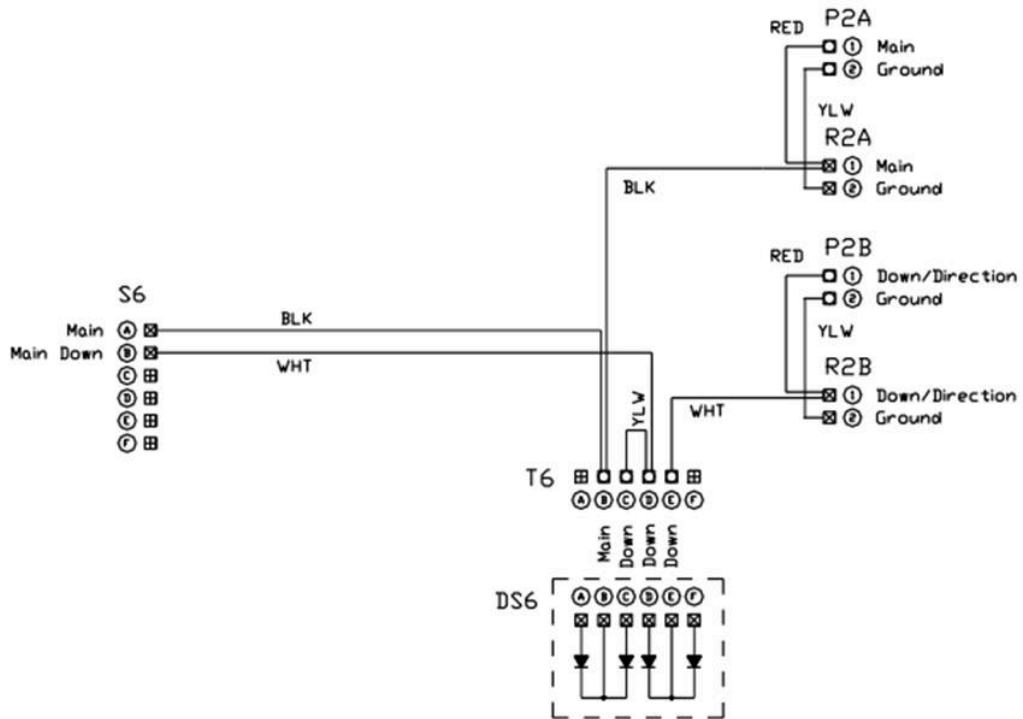


Item C13: 44658-19 – Main Interface Cable



WIRE LABEL DESCRIPTION:

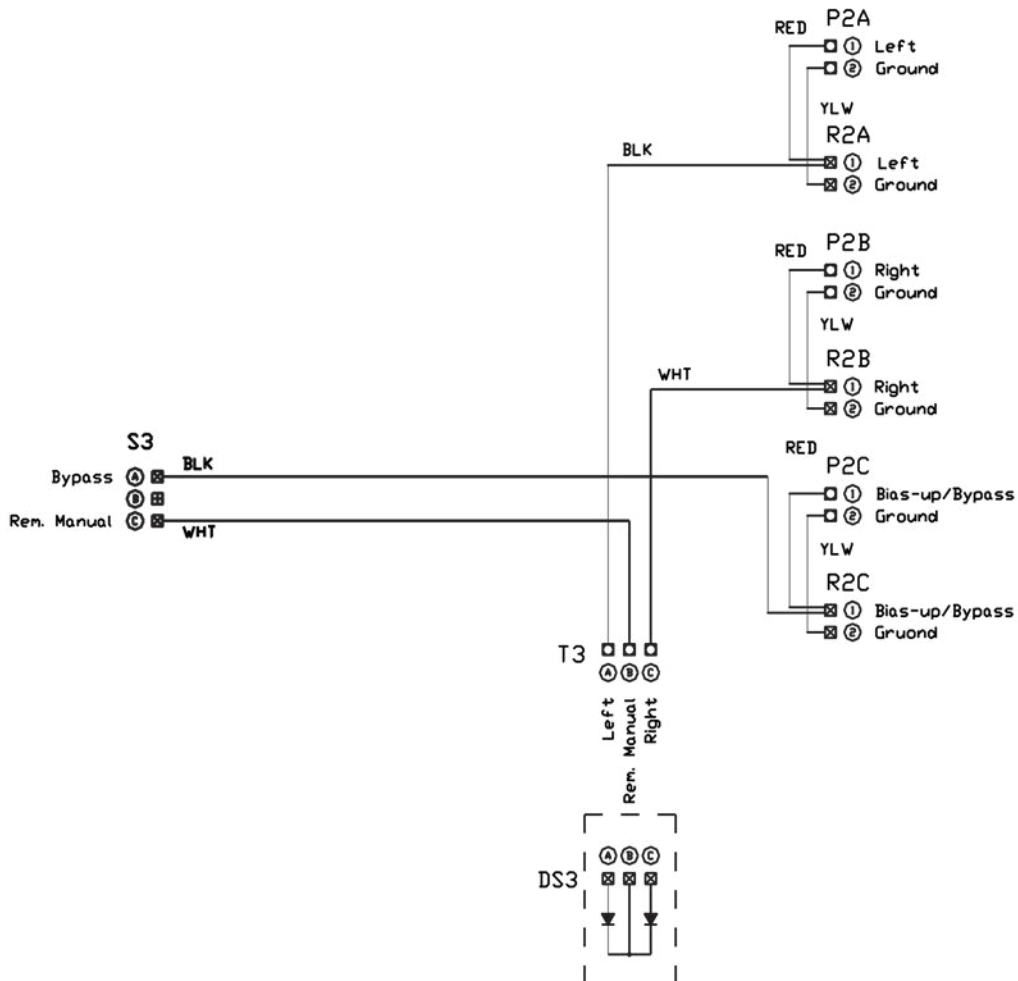
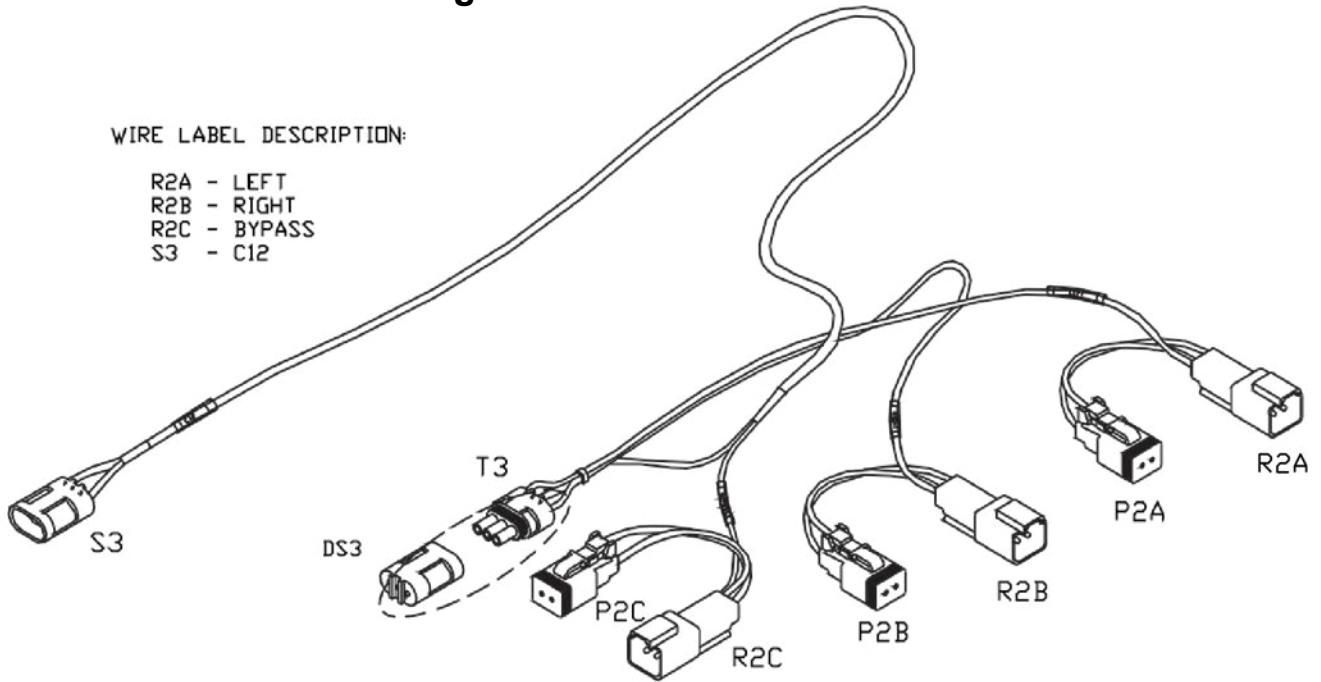
- R2A - MAIN
- R2B - DOWN/DIRECTION
- S6 - C13



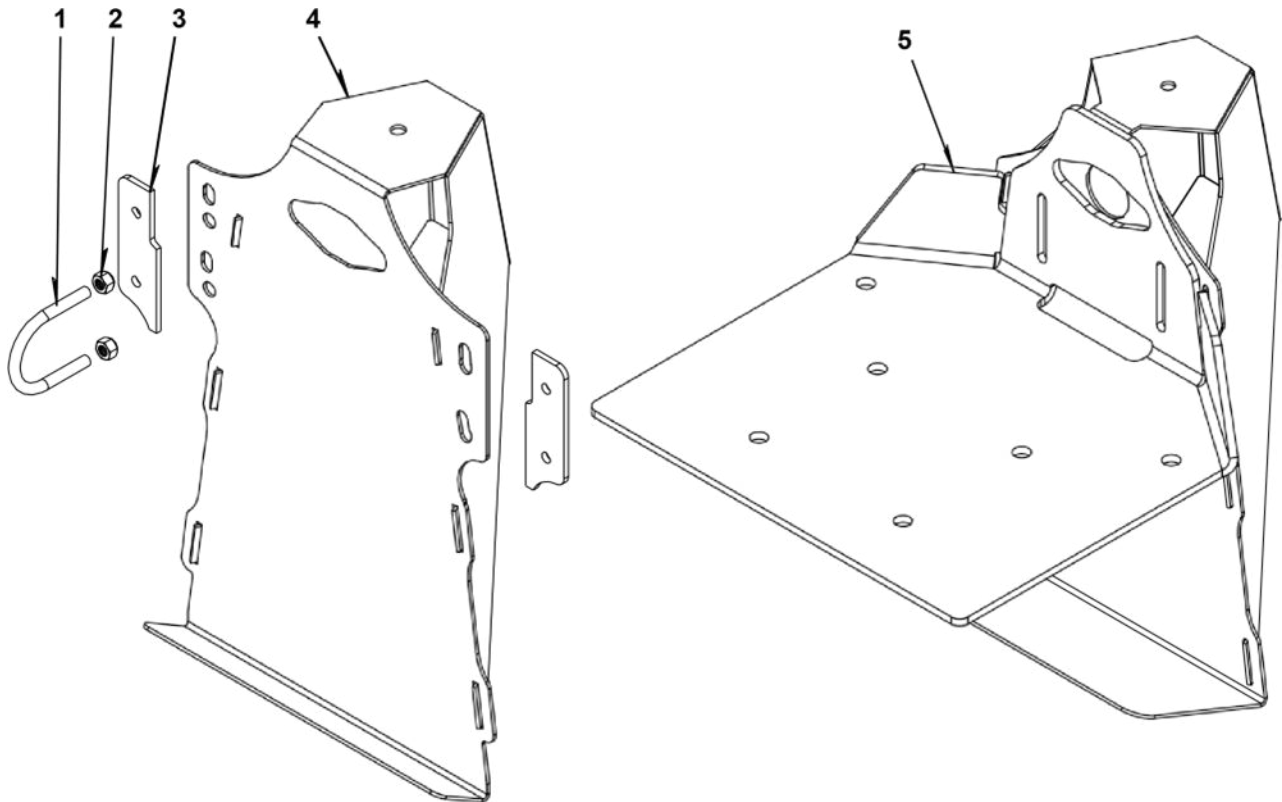
Item C12: 44658-20 – Wing Interface Cable

WIRE LABEL DESCRIPTION:

- R2A - LEFT
- R2B - RIGHT
- R2C - BYPASS
- S3 - C12



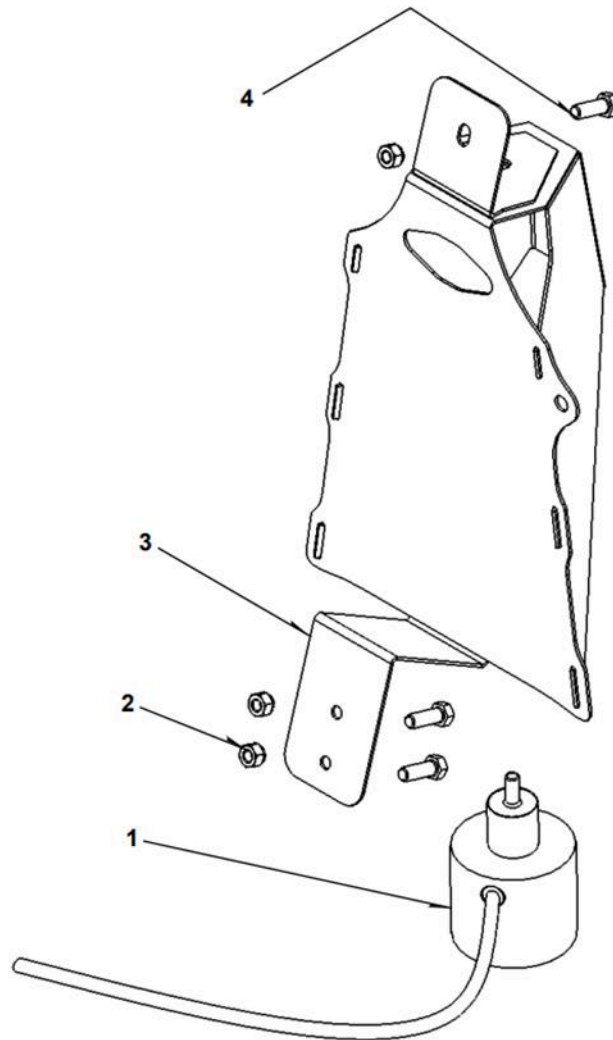
NORAC Sensor Brackets



Parts List 99NOR120132PRTB: NORAC Sensor Brackets

| ITEM | PART NO. | QTY. | DESCRIPTION |
|------|----------|------|---------------------------|
| 1 | 590118 | 2 | U-BOLT 1/4 X2 |
| 2 | 596227M | 4 | NUT HEX 1/4" NYLOCK MAGNI |
| 3 | 16737 | 4 | SPACER SENSOR MOUNT |
| 4 | 16715 | 2 | MOUNT BREAKAWAY SENSOR |
| 5 | 16721 | 1 | MOUNT CENTER SECTION |

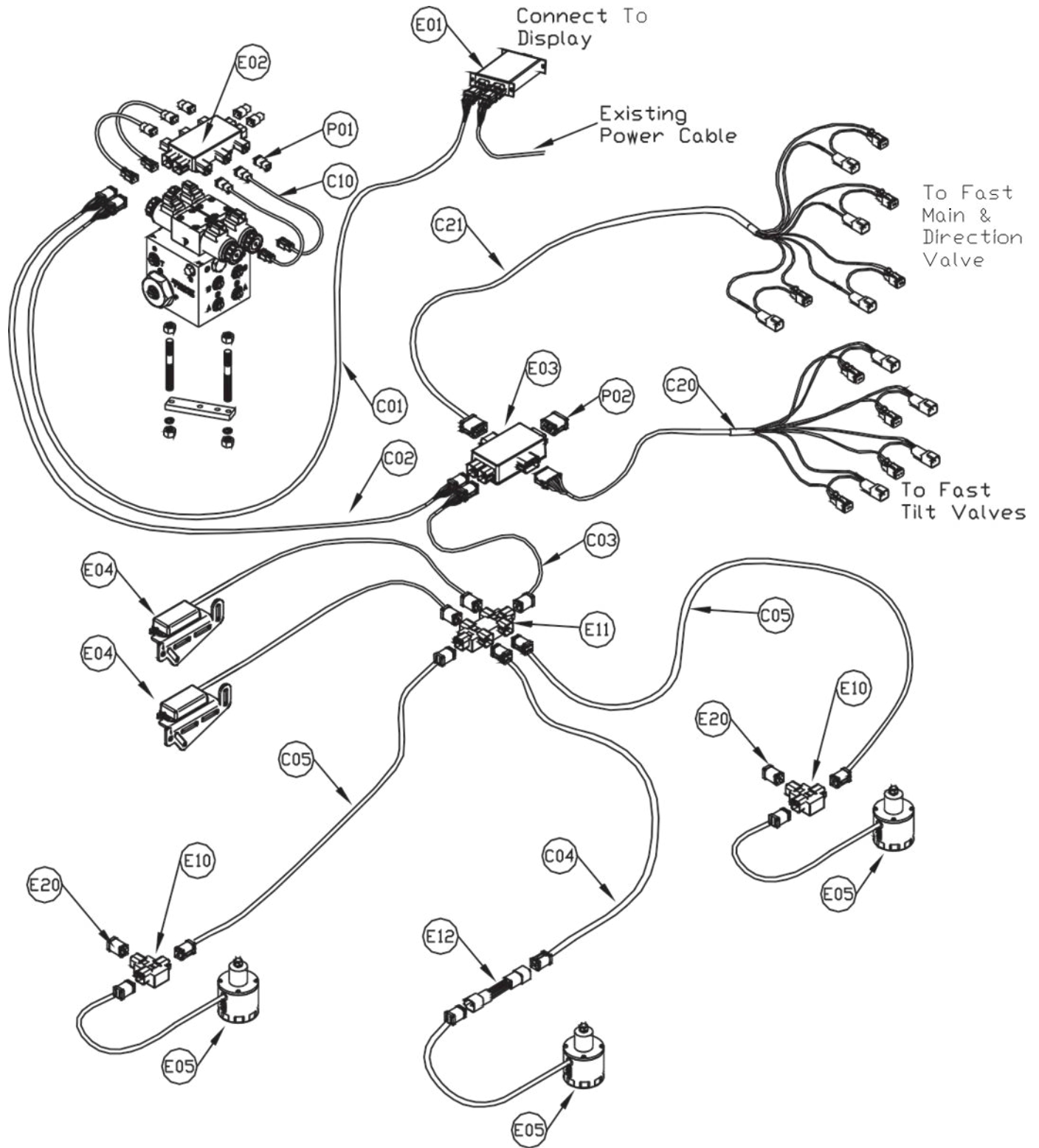
Severe Terrain Kit UC4/UC5



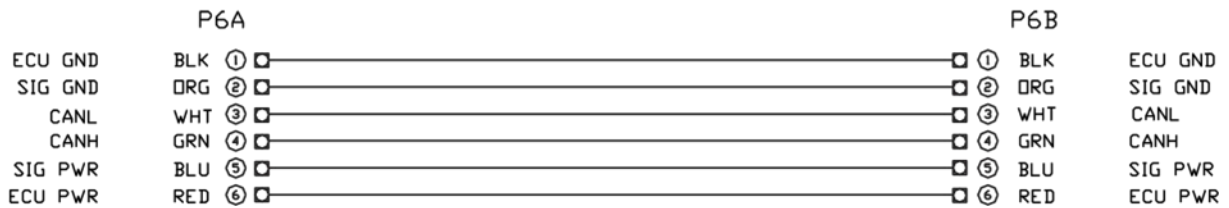
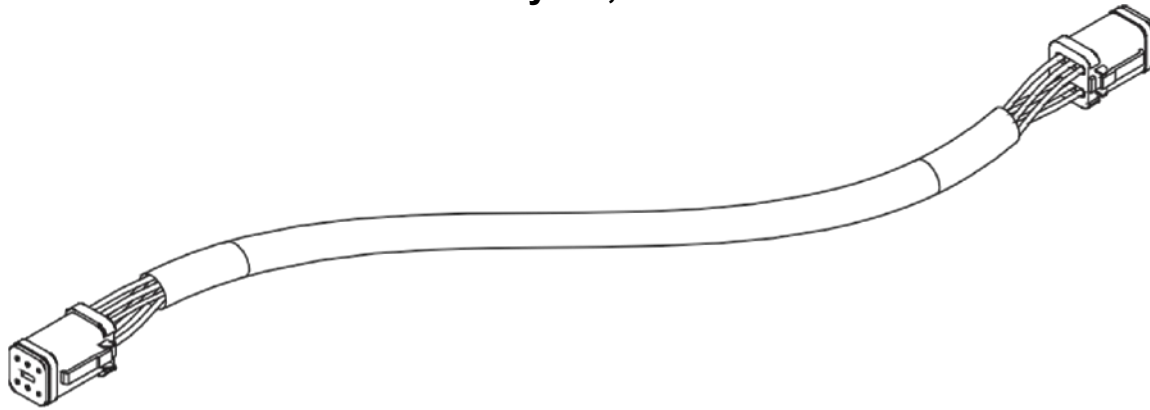
Parts List 99NOSTK: Severe Terrain Kit UC4/UC5

| ITEM | VENDOR NO. | PART NO. | QTY. | DESCRIPTION |
|------|------------|----------|------|----------------------------|
| 1 | NO44631 | 631900 | 2 | SENSOR UC4 |
| NS | NO43750 | 631911 | 2 | SENSO RUC5 |
| 2 | | 596227M | 3 | NUT HEX 1/4" NYLOCK MAGNI |
| 3 | | 16720 | 2 | SENSOR MOUNT |
| 4 | | 596115M | 3 | BOLT HH 5/16 X 1 GR5 MAGNI |
| NS | NO44669 | 631901 | 1 | CABLE SEVERE TERRAIN UC4 |
| NS | NO4222010A | | 1 | CABLE SEVERE TERRAIN UC5 |

UC5 NORAC Kit Layout

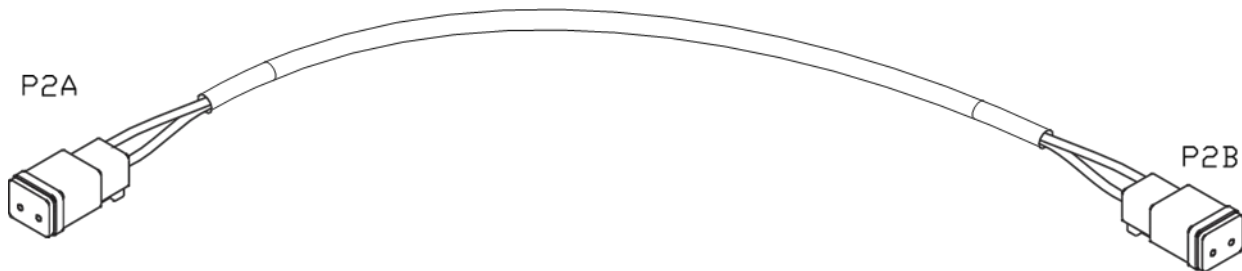


Parts List: UC5 NORAC Kit Layout, Network Cable



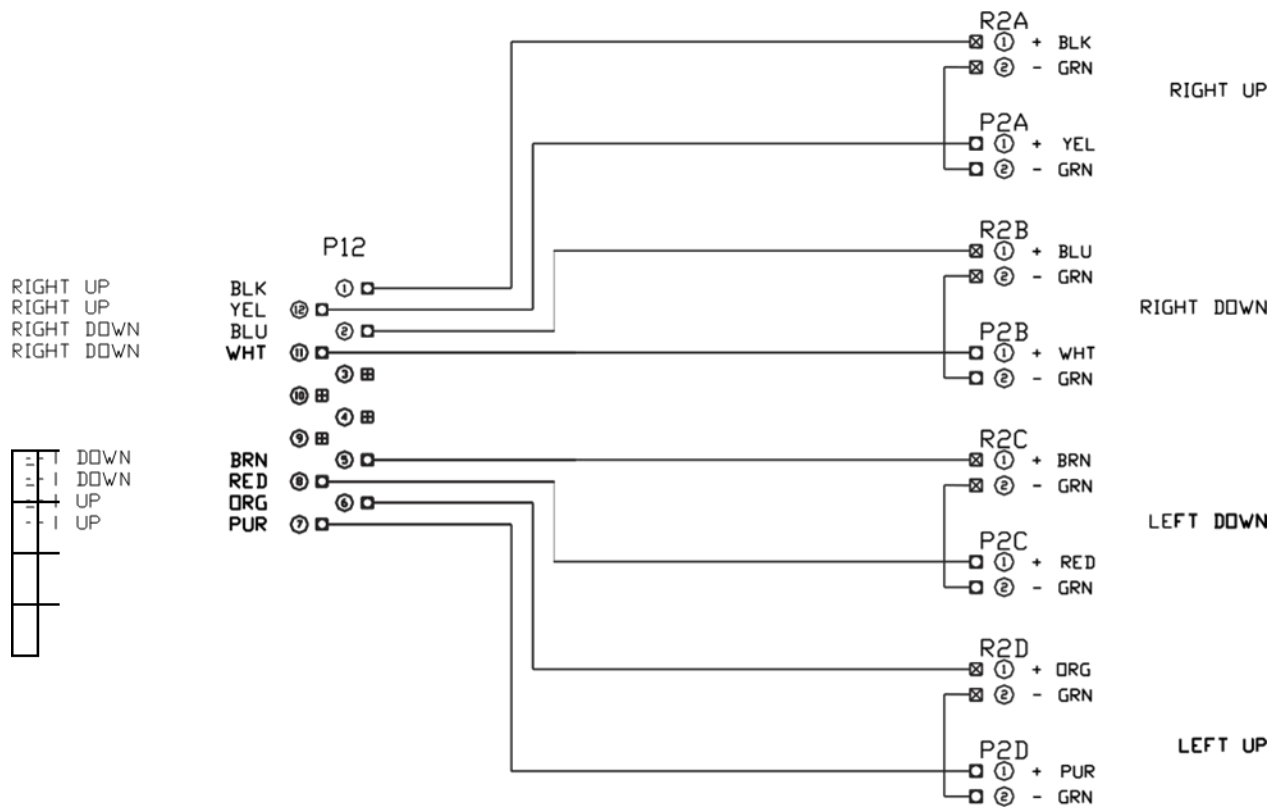
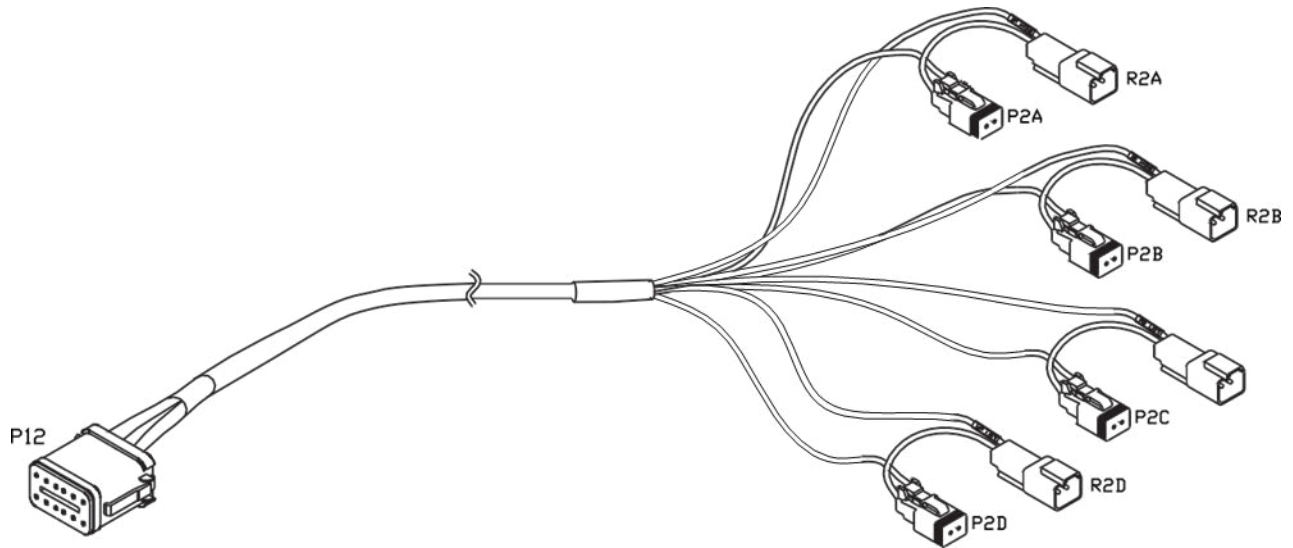
| ITEM | PART NO. | QTY. | DESCRIPTION |
|------|-----------|------|--------------------------------|
| C01 | 43220-10A | - | Cable UC5 Network 14 AWG – 10M |
| C02 | 43220-01A | - | Cable UC5 Network 14 AWG – 1M |
| C03 | 43210-03A | - | Cable UC5 Network 18 AWG - 3M |
| C04 | 43210-01A | - | Cable UC5 Network 18 AWG - 1M |
| C05 | 43210-20A | - | Cable UC5 Network 18 AWG – 20M |

Parts List: UC5 NORAC Kit Layout, Valve Cable

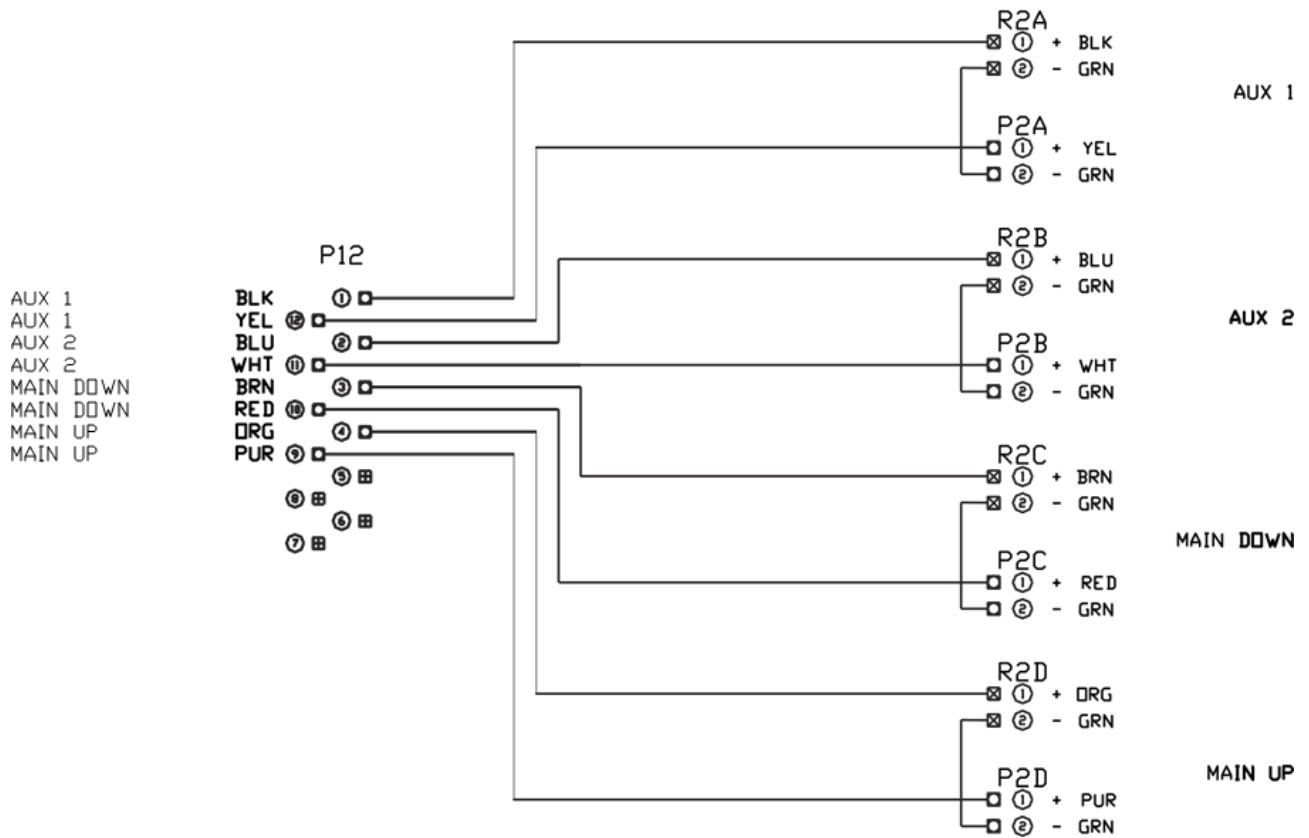
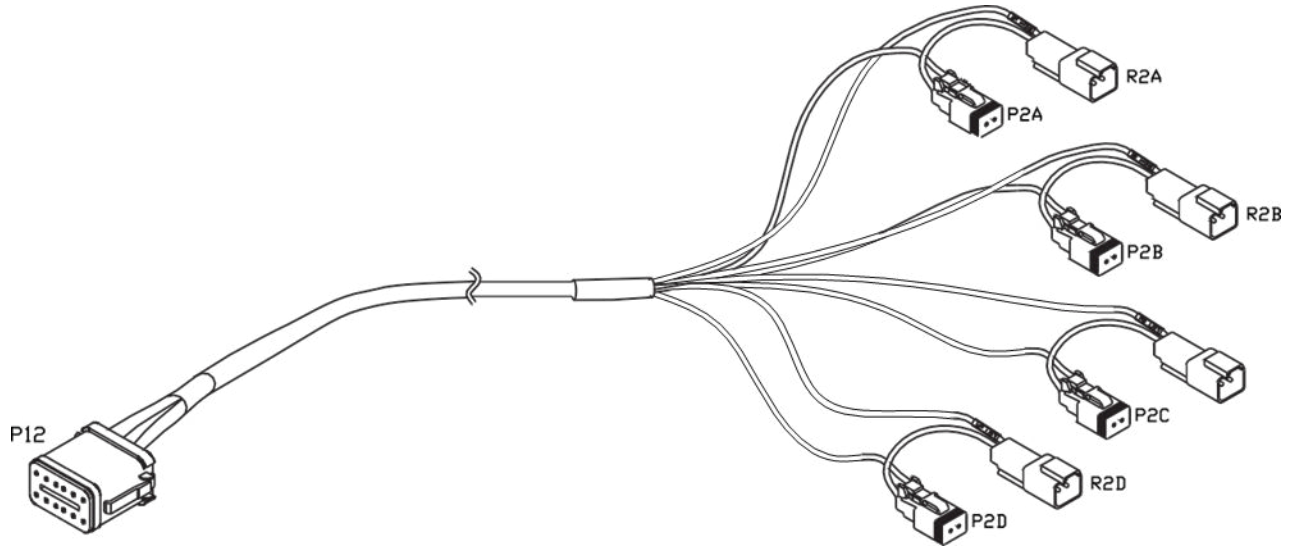


| ITEM | PART NO. | QTY. | DESCRIPTION |
|------|-----------|------|--------------------------|
| C10 | 43230-04A | - | Cable UC5 Valve DT to DT |

Item C20: 43240-01B – Cable UC5 Interface Tilt DT



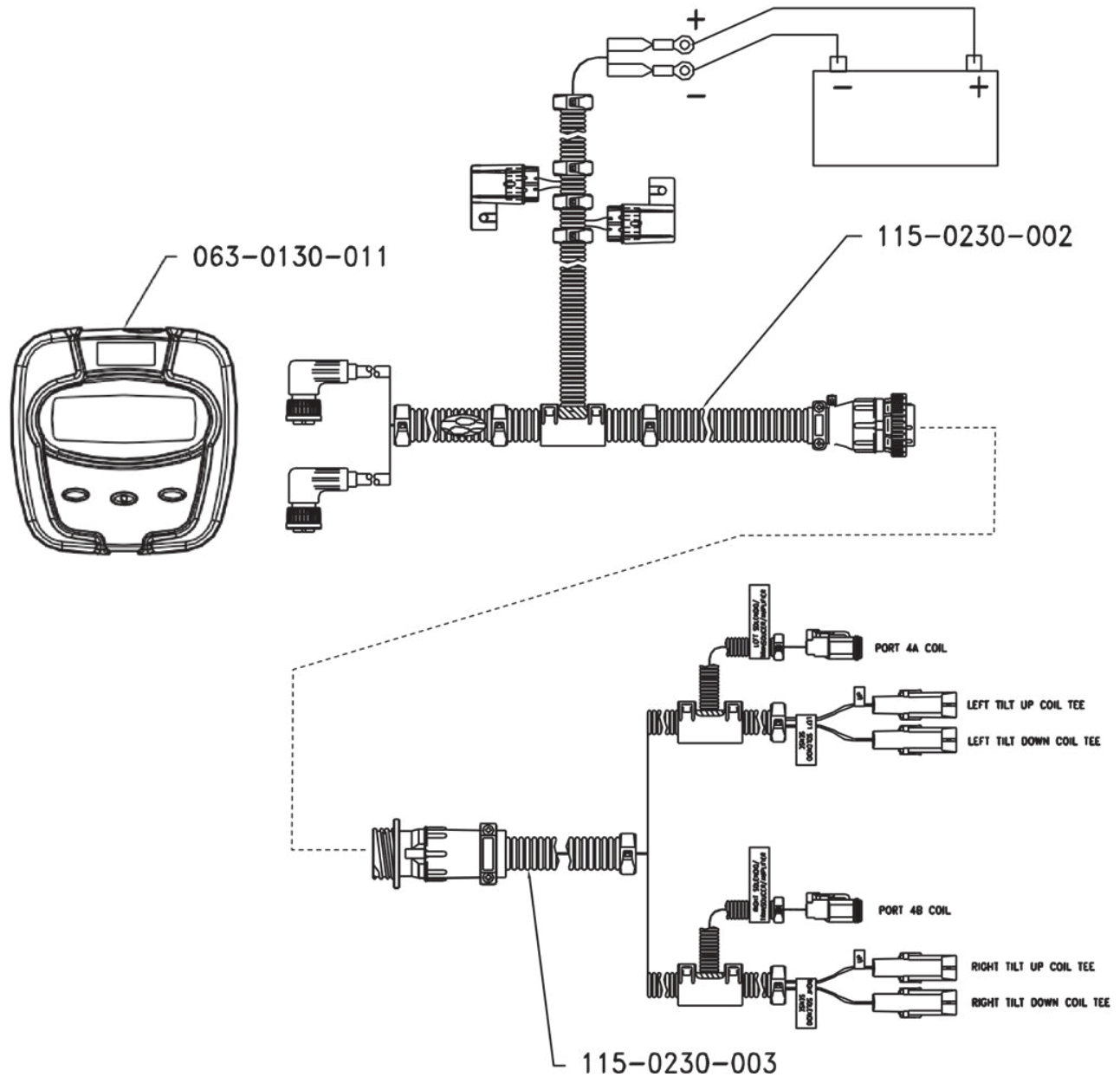
Item C21: 43240-07B Interface Main DT (With Aux 1 & 2)



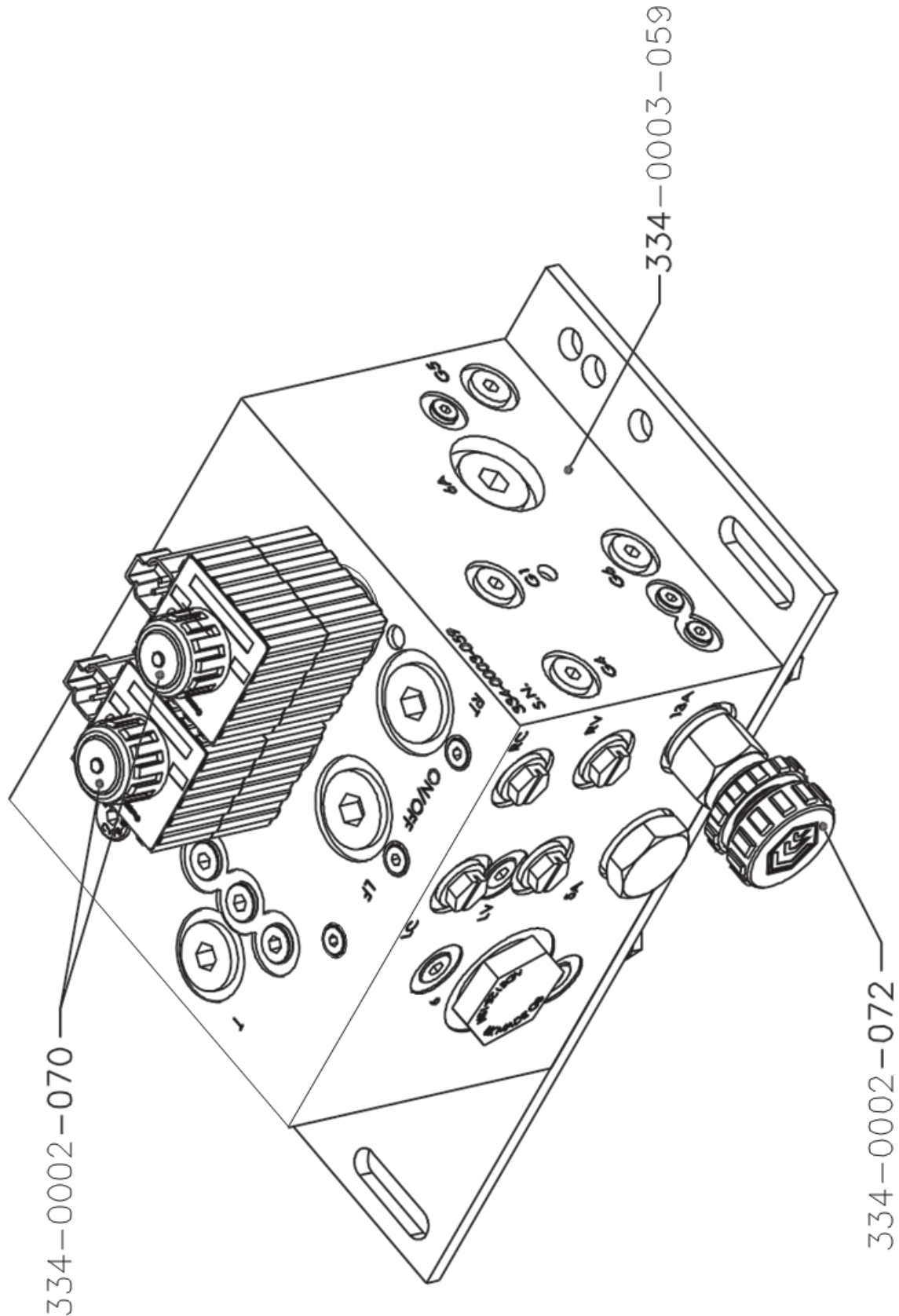
BOOM CONTROL - RAVEN

PowerGlide Wiring Schematic

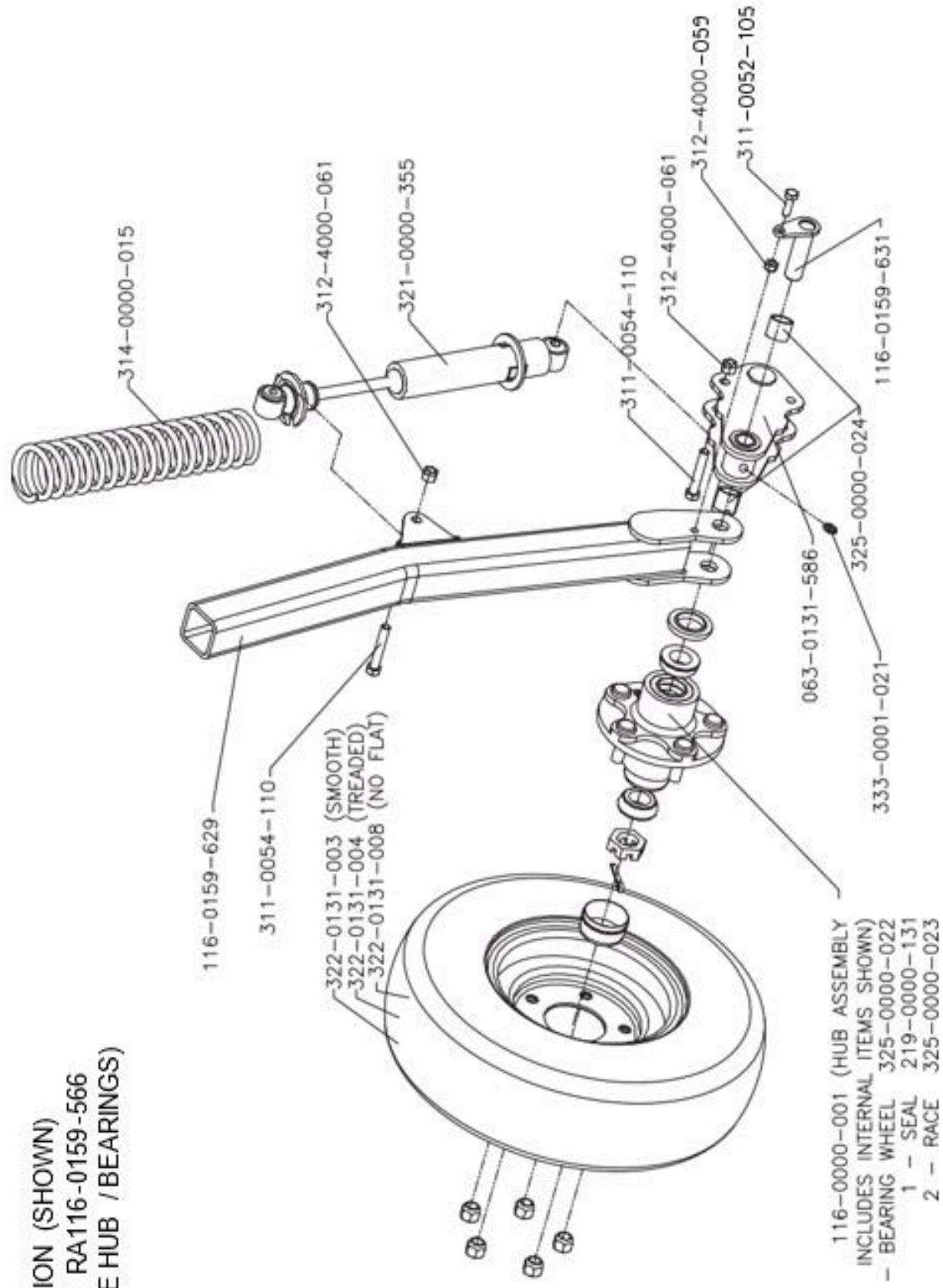
CONNECT LEADS TO BATTERY OR LIVE POWER SOURCE



PowerGlide Hydraulic Block



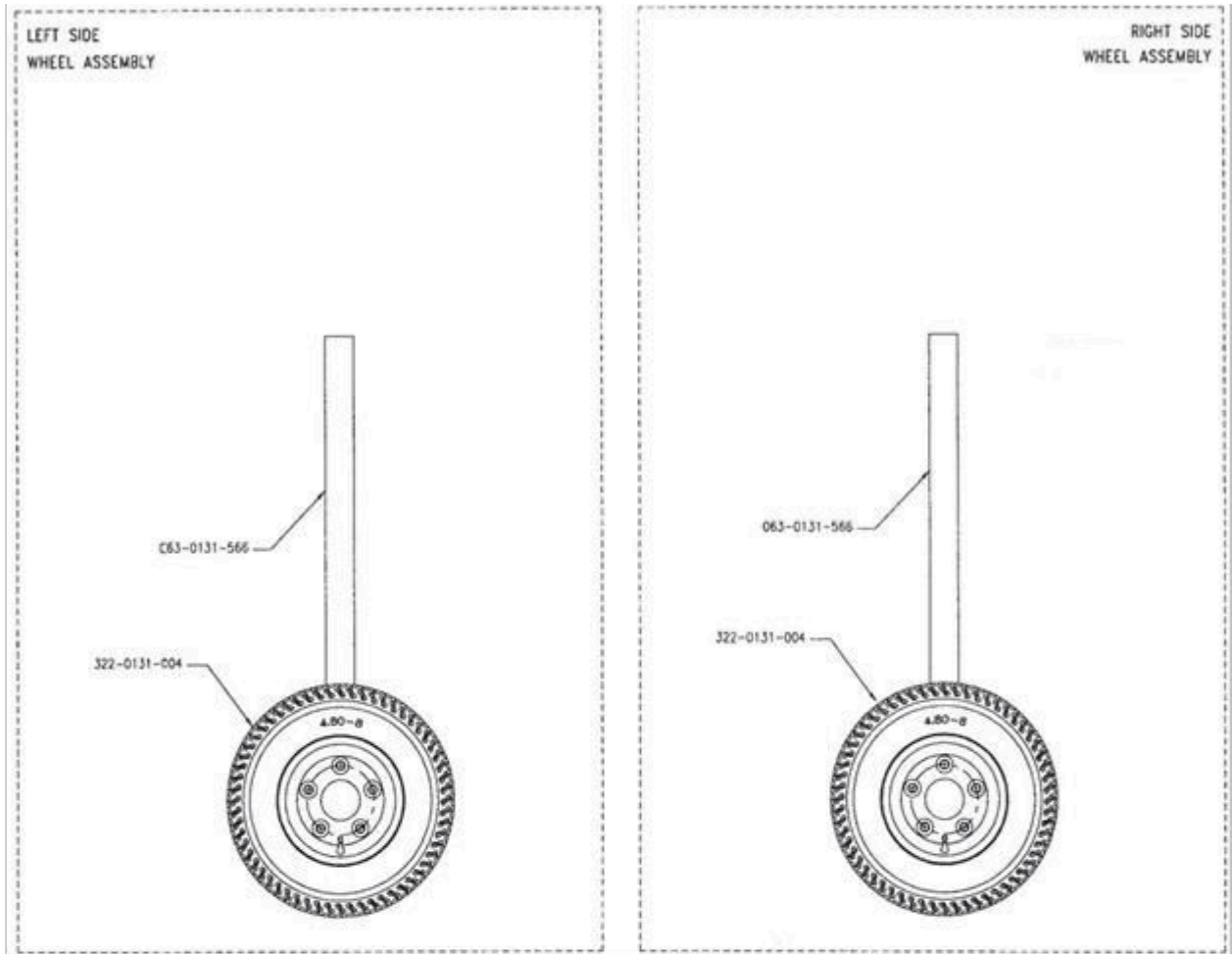
PowerGlide Wheels



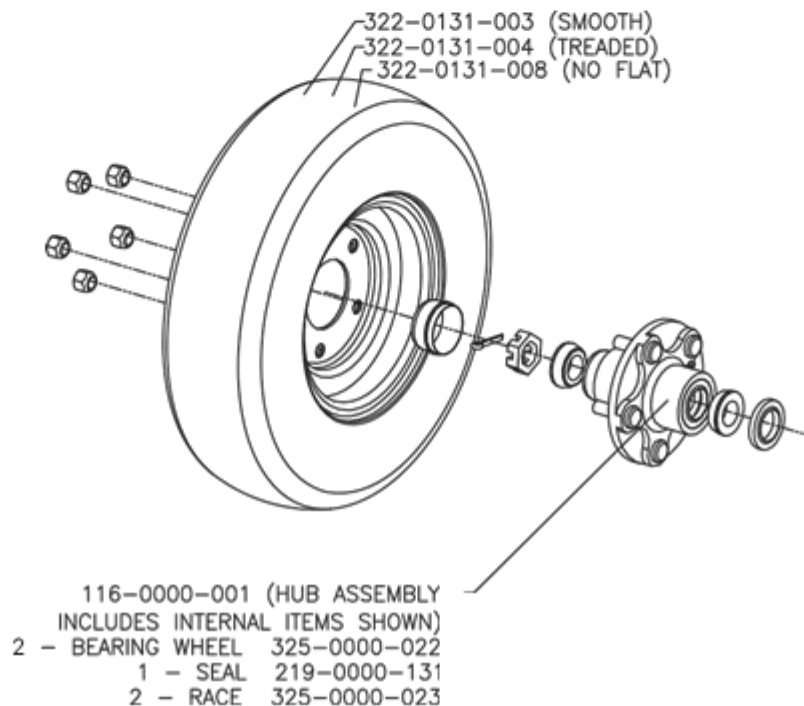
CUSHION (SHOWN)
 RIGID RA116-0159-566
 (SAME HUB / BEARINGS)

- 116-0000-001 (HUB ASSEMBLY
 INCLUDES INTERNAL ITEMS SHOWN)
- 2 - BEARING WHEEL 325-0000-022
- 1 - SEAL 219-0000-131
- 2 - RACE 325-0000-023

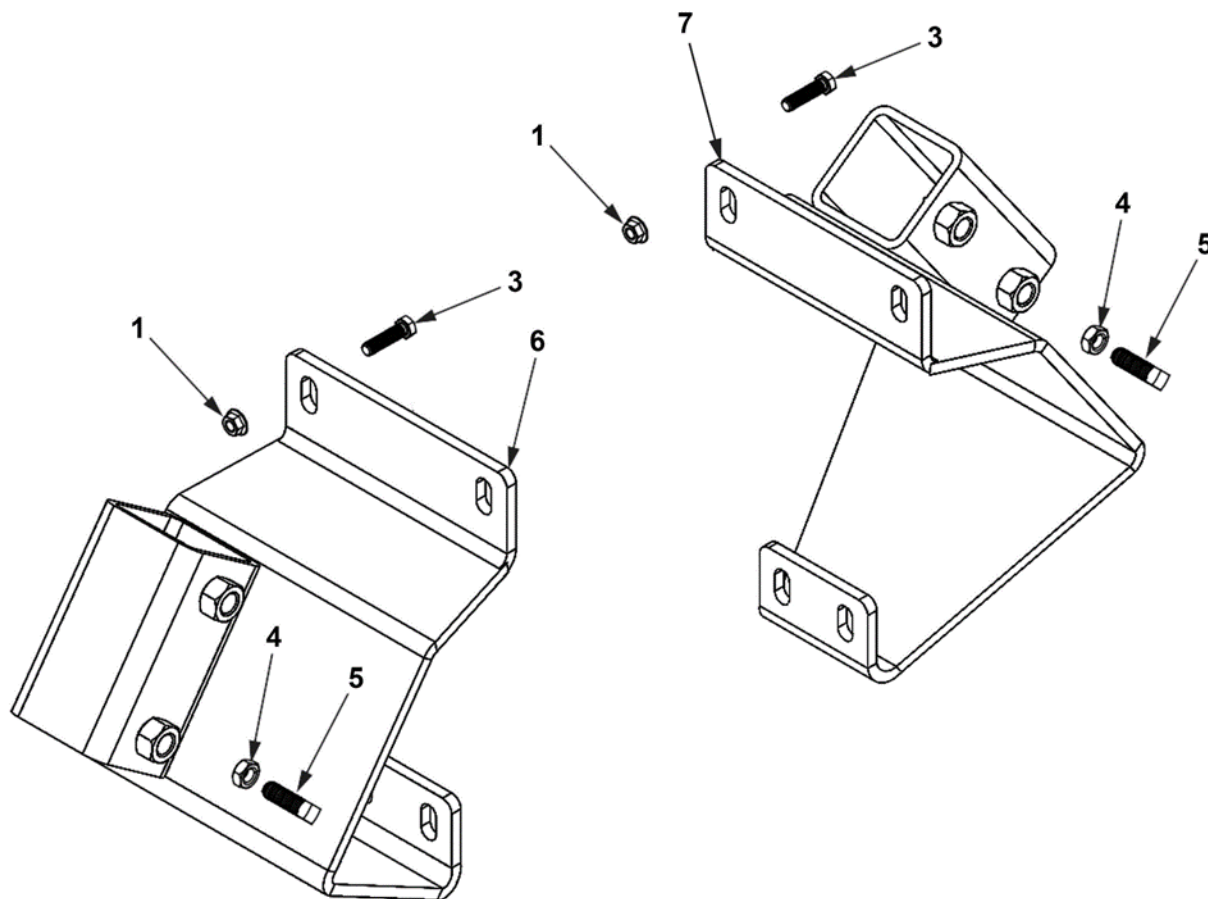
PowerGlide Solid Axle



HUB BREAKOUT



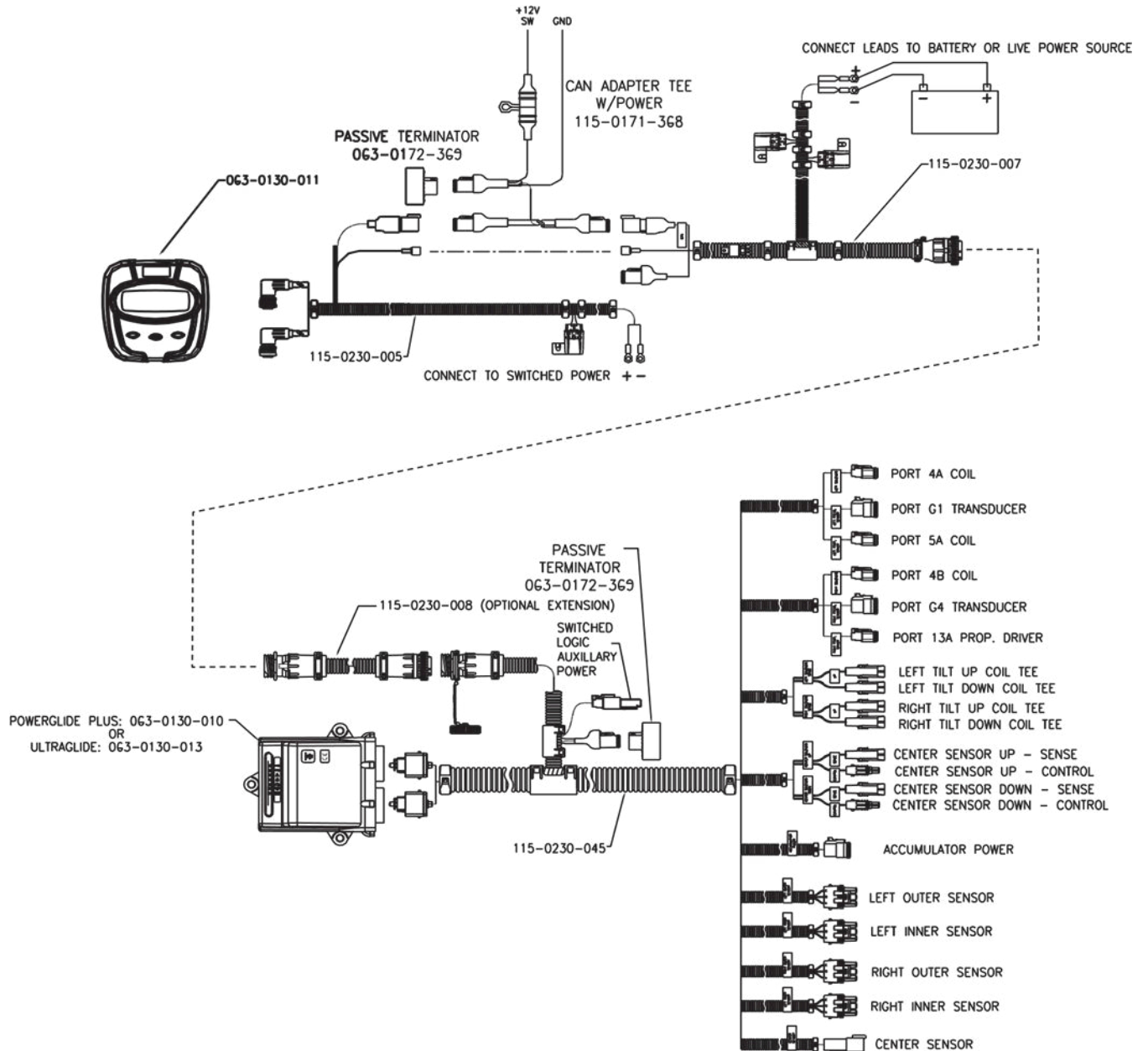
PowerGlide, PowerGlide Plus, or UltraGlide Touch Down Bracket



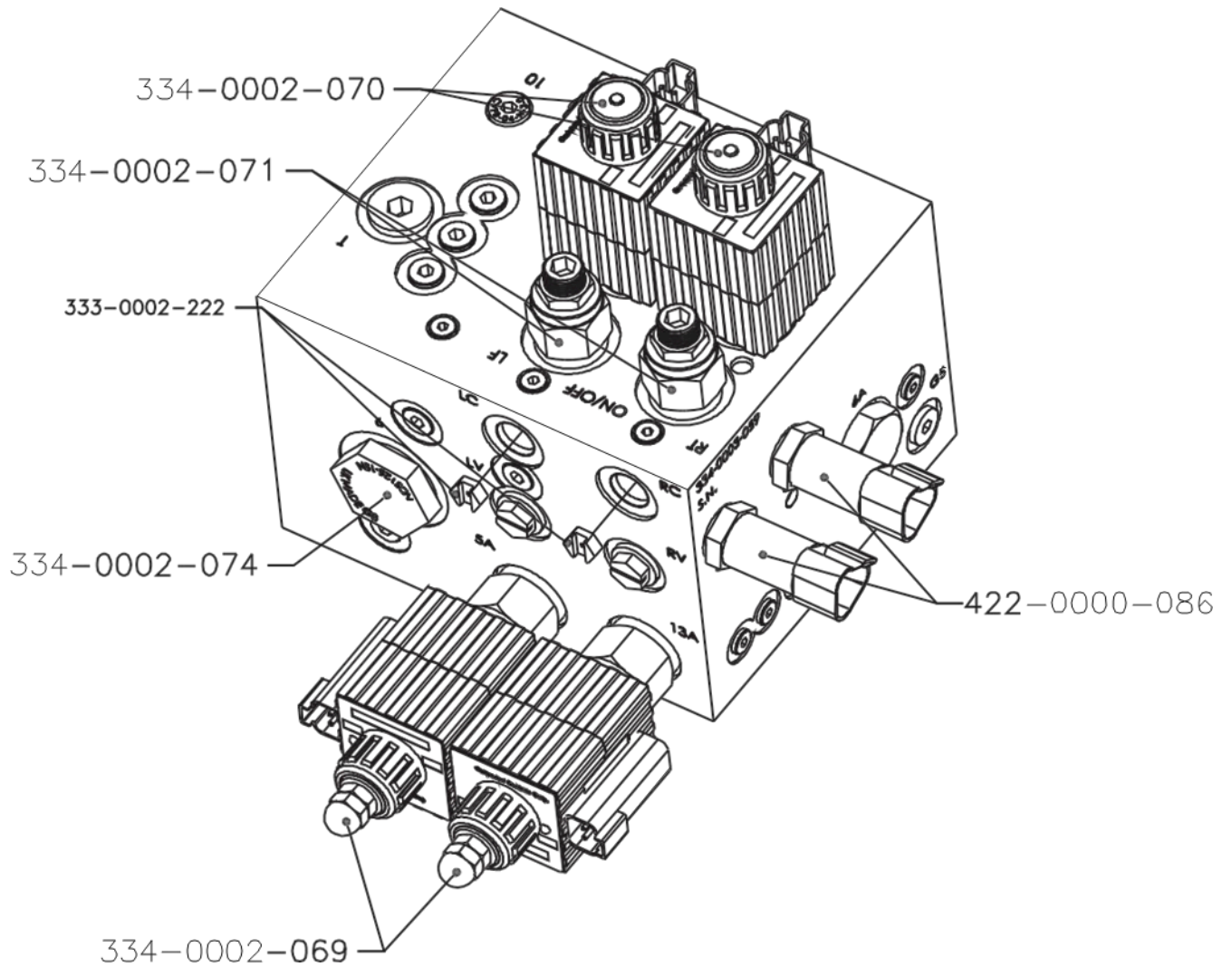
Parts List 34922: PowerGlide, PowerGlide Plus, or UltraGlide Touch Down Bracket

| ITEM | PART NO. | QTY. | DESCRIPTION |
|------|----------|------|-------------------------------|
| 1 | 596769M | 8 | NUT, FLANGE 3/8" MAGNI |
| 3 | 596129M | 8 | BOLT HH 3/8 X 1-1/2 GR5 MAGNI |
| 4 | 596223M | 4 | NUT JAM 1/2" MAGNI |
| 5 | 596725M | 4 | SETSCREW SQUARE HEAD MAGNI |
| 6 | 16648R | 1 | BRACKET WHEEL 22" ROW RH |
| 7 | 16648L | 1 | BRACKET WHEEL 22" ROW LH |
| NS | 631878 | 1 | RAVEN ULTRAGLIDE WHEEL KIT |

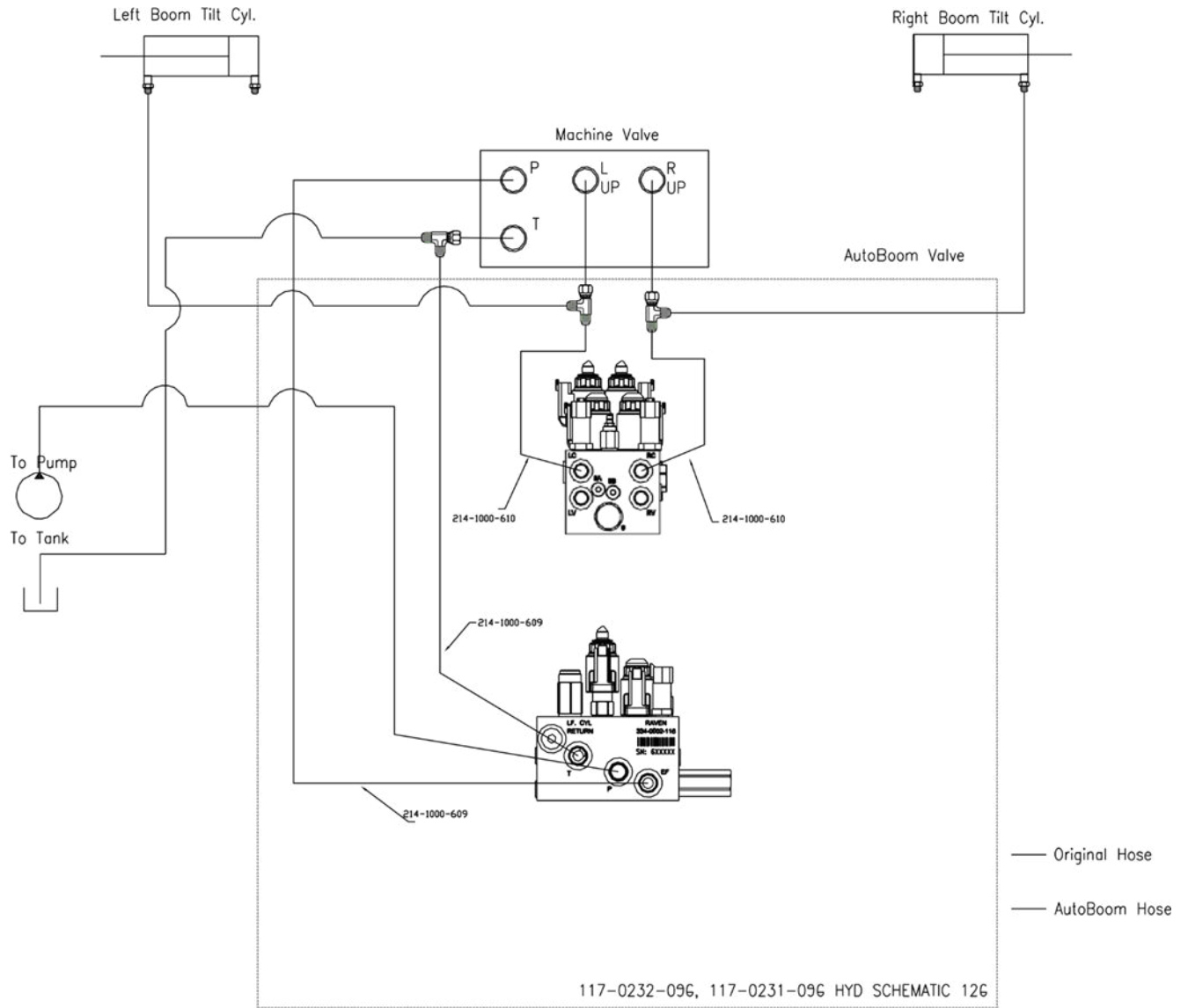
PowerGlide Plus Wiring Schematic



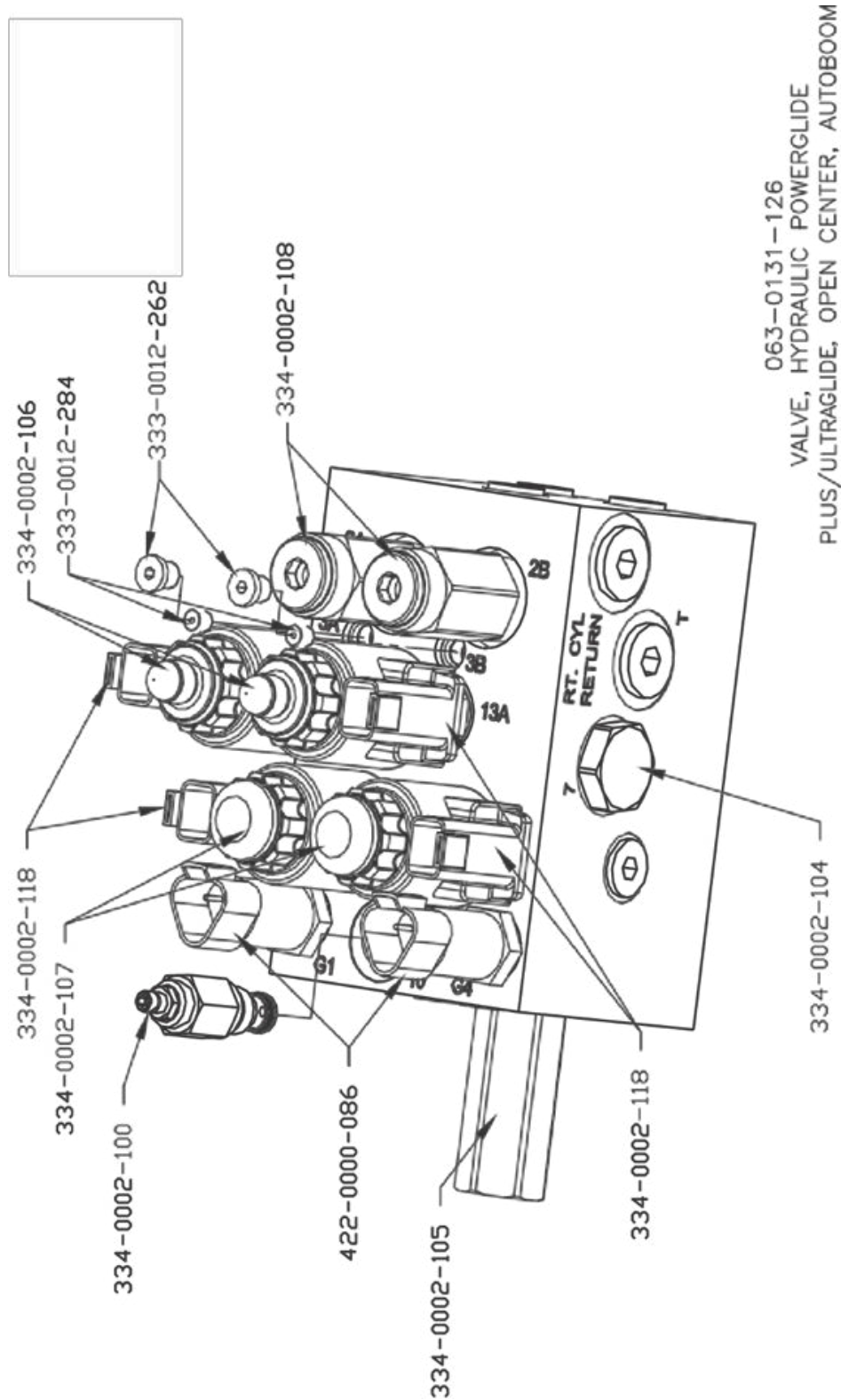
PowerGlide Plus Hydraulic Block



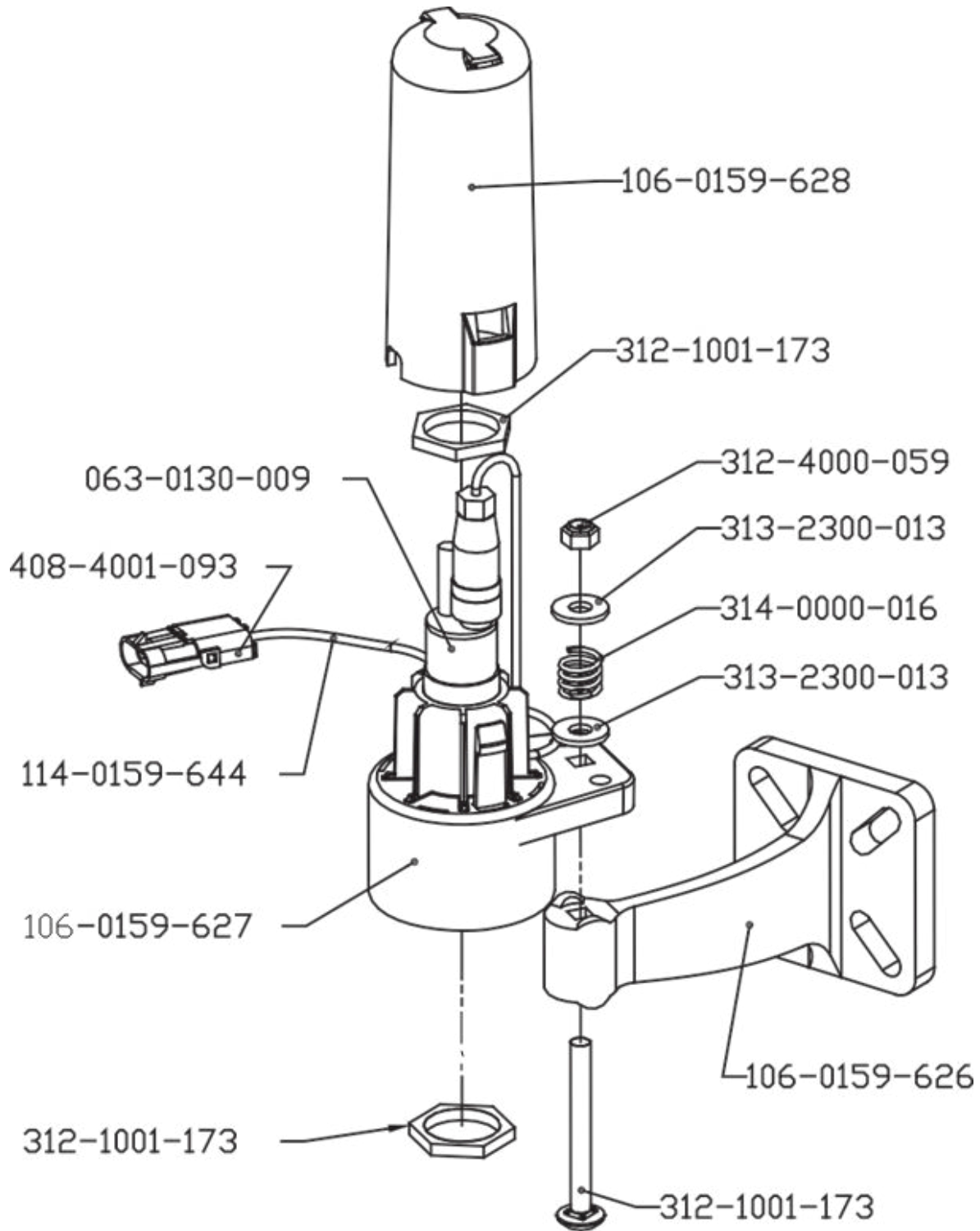
UltraGlide Hydraulic Schematic



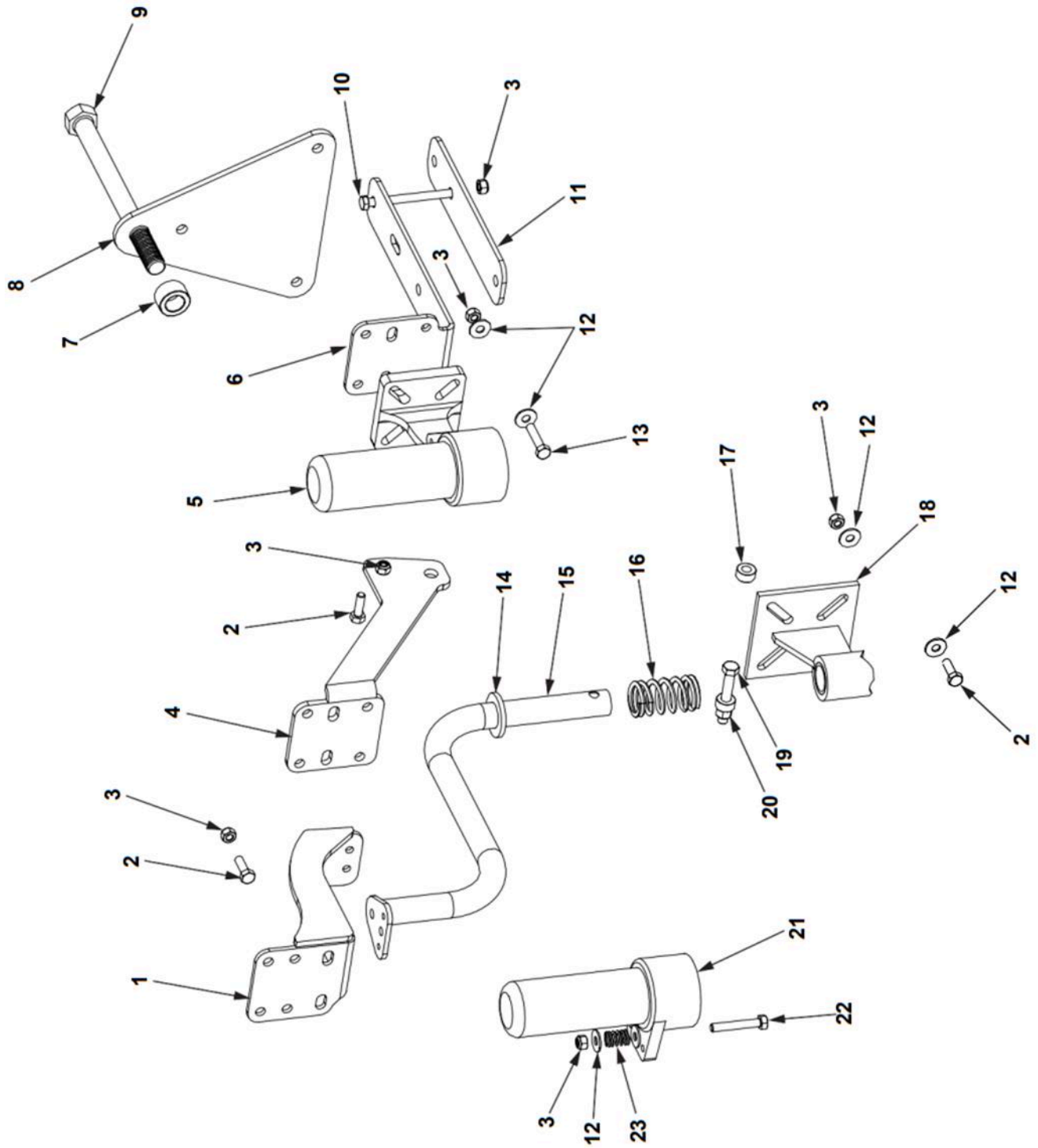
PowerGlide Plus & UltraGlide Valve Replacement Parts



Sensors



UltraGlide Mounting Parts



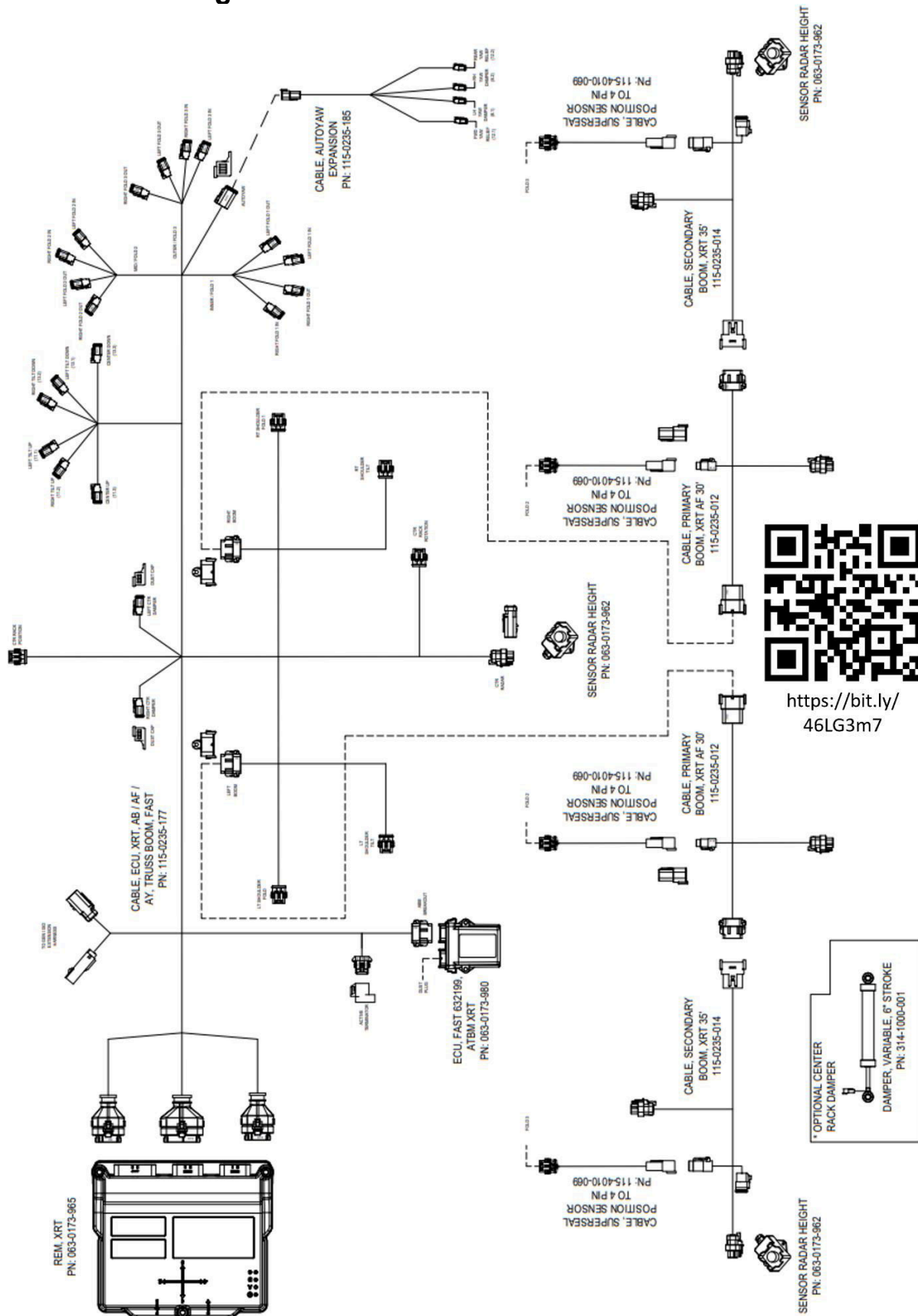


ILLUSTRATED PARTS LIST

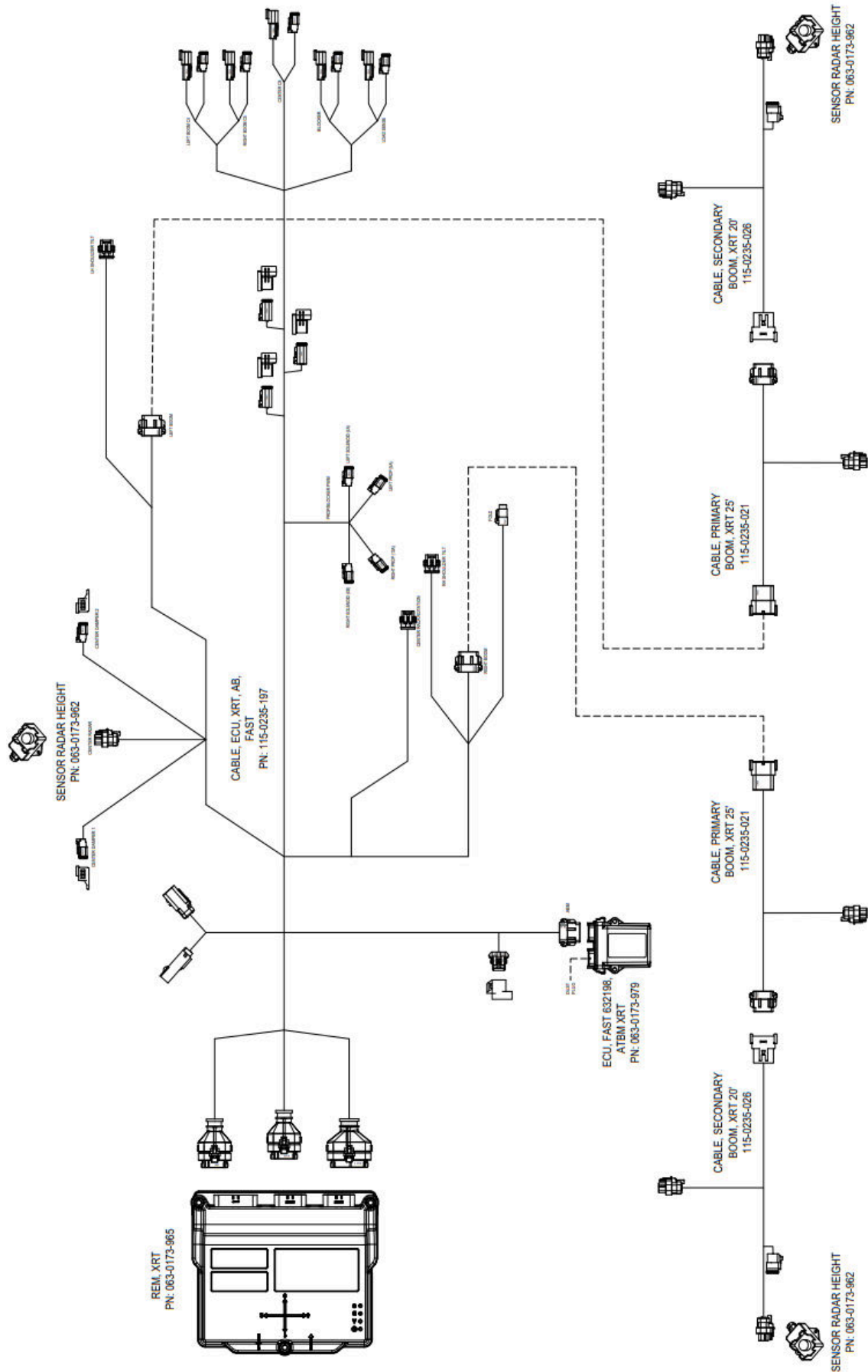
Parts List: UltraGlide Mounting Parts

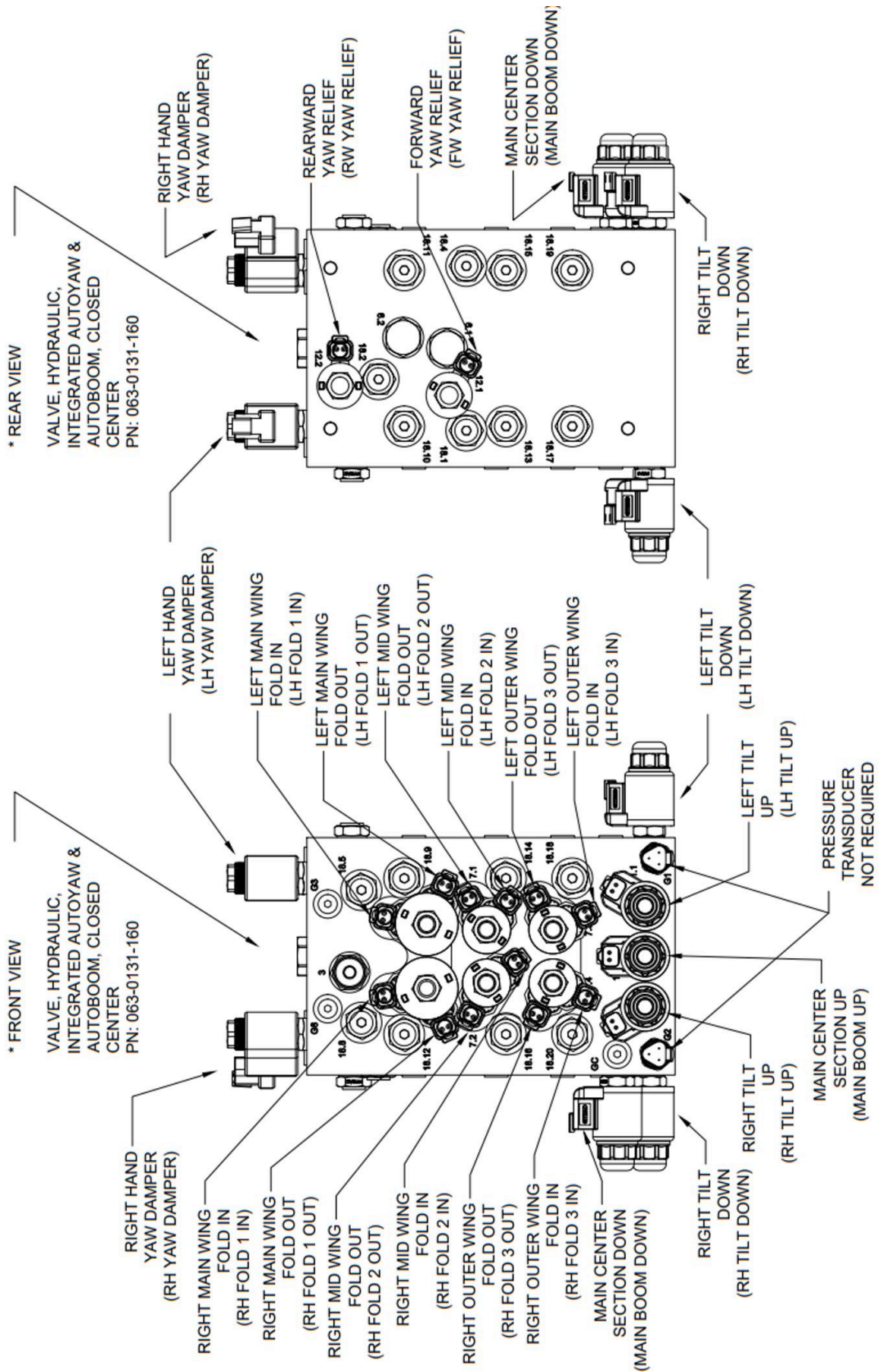
| ITEM | VENDOR NO. | PART NO. | QTY. | DESCRIPTION |
|------|--------------|----------|---------------|--|
| 1 | | 16464 | 2 | MOUNTING BRACKET BREAKAWAY |
| 2 | | 596115M | AR | BOLT HEX HEAD 5/16 X 1 GR5 MAGNI |
| 3 | | 596228M | AR | NUT HEX 5/16 NYLOCK MAGNI |
| 4 | | 16468R | 1OPT | MOUNTING BRACKET SEVERE TERRAIN RH |
| NS | | 16468L | 1OPT | MOUNTING BRACKET SEVERE TERRAIN RH |
| 5 | RA0630130014 | | 1 | SENSOR CENTER SECTION |
| 6 | | 16471 | 1 | MOUNTING BRACKET CENTER SECTION |
| 7 | | 14461 | 1 | SPACER DOM |
| 8 | | 18439 | 1 | PLATE NODE MOUNT |
| 9 | | 490 | 1 | BOLT HEX HEAD 3/4 X 9 GR5 ZP |
| 10 | | 121 | 2 | BOLT HEX HEAD 5/16 X 4 GR5 ZP |
| 11 | | 16470 | 1 | STRAP, MOUNTING BRACKET CENTER SECTION |
| 12 | | 596257M | AR | WASHER FLAT 5/16 MAGNI |
| 13 | | 596116M | AR | BOLT HEX HEAD 5/16 X 1-1/2 GR5 MAGNI |
| 14 | RA3132202463 | | | SPRING STOP |
| 15 | RA1160159704 | 631881 | 2 STD/2OPT | BRACKET MOUNT |
| 16 | RA3140000025 | | | SPRING BREAKAWAY PROTECTION |
| 17 | RA1070171948 | | | ROLLER BREAKAWAY PROTECTION |
| 18 | RA1160159705 | | | BASE BREAKAWAY PROTECTION |
| 19 | RA3110054001 | | | BOLT BREAKAWAY PROTECTION 3/8 |
| 20 | 229 | | | NUT HEX NYLOCK 3/8"ZP |
| 21 | RA0630130026 | | 2 STD/2OPT | SENSOR WING |
| 22 | | 596117M | 2 STD/2OPT | BOLT HEX HEAD 5/16 X 2 GR5 MAGNI |
| 23 | RA3140000016 | | AR | SPRING |

Raven XRT Wiring



<https://bit.ly/46LG3m7>

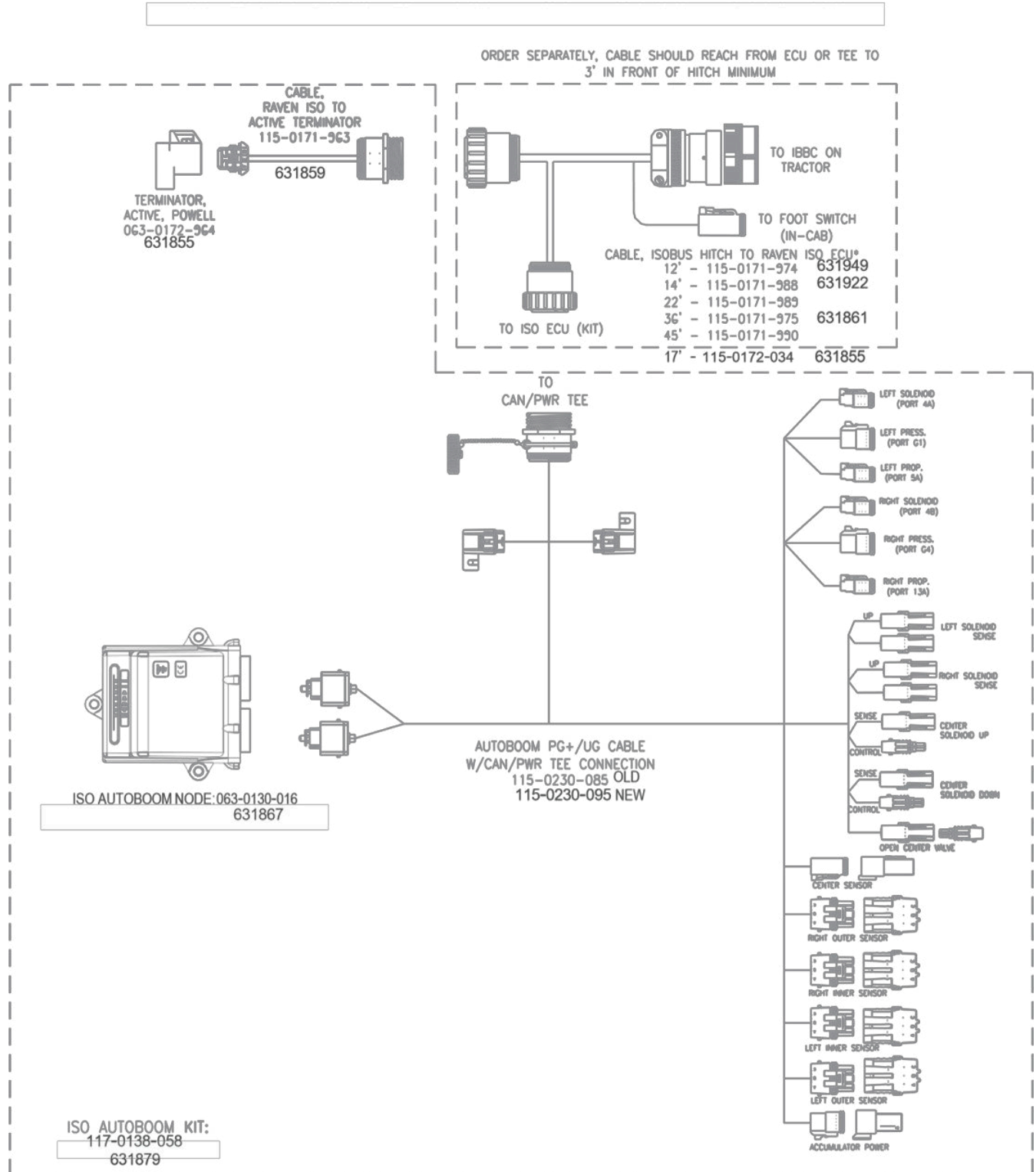




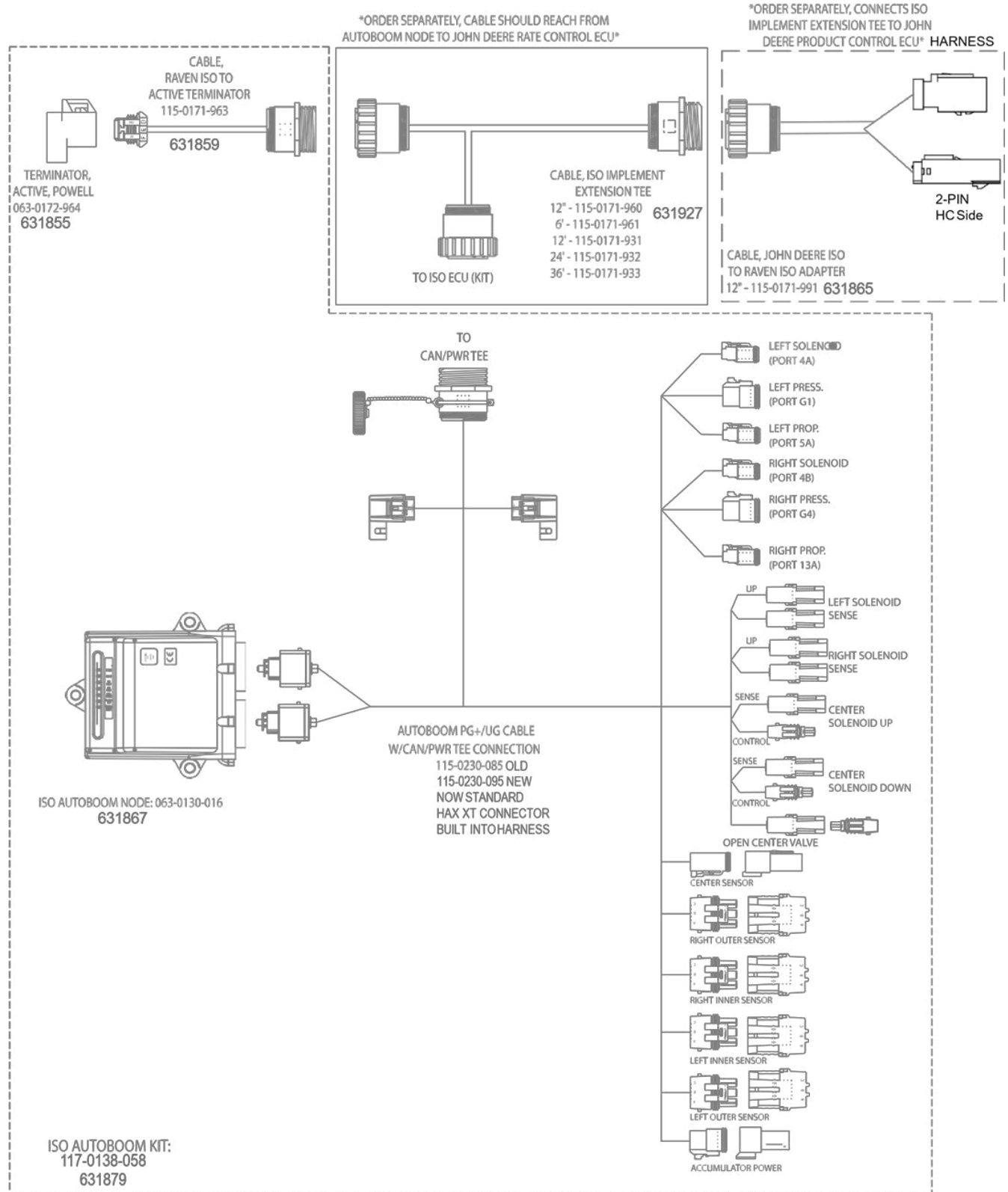


ISO AUTOBOOM

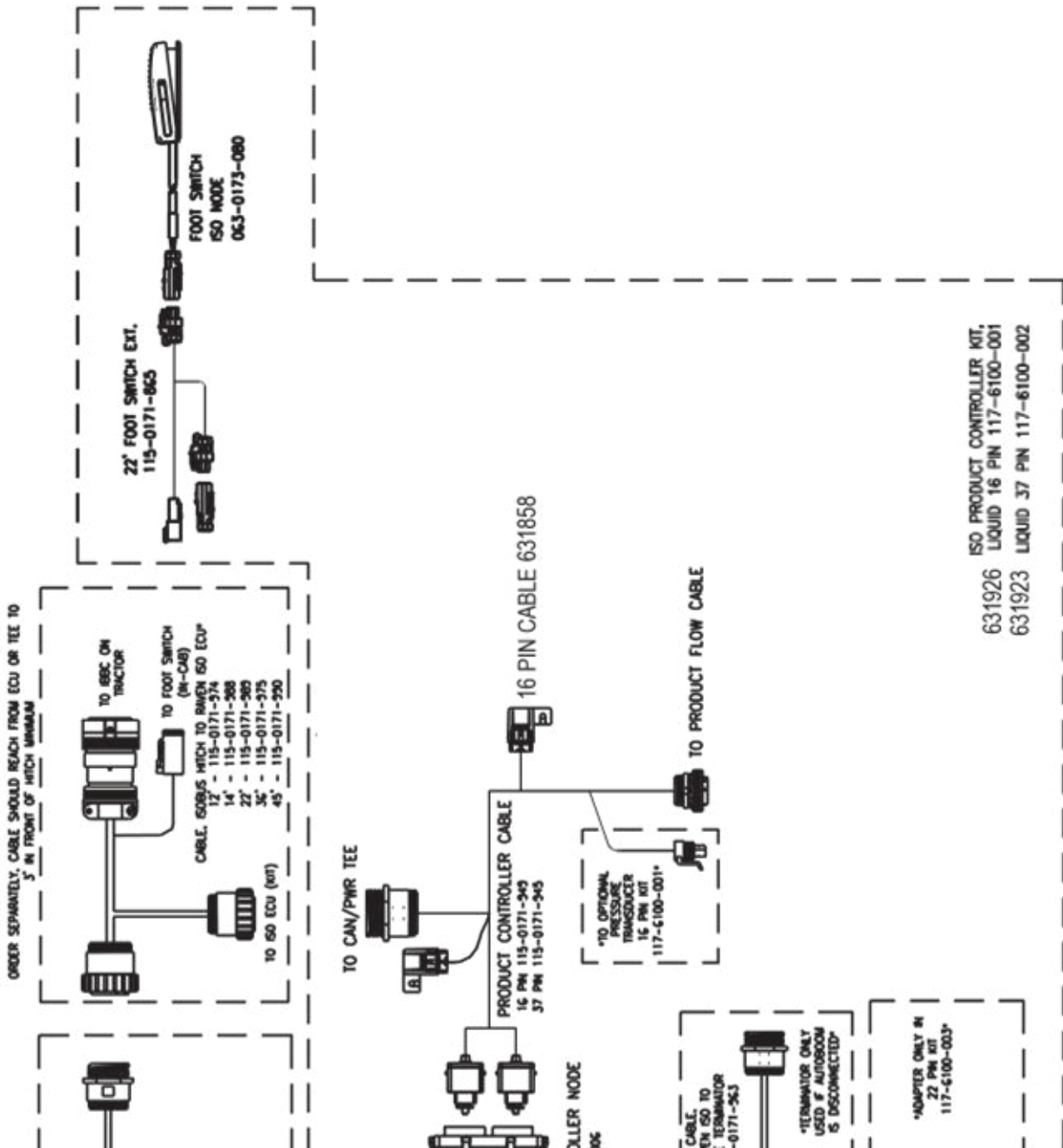
ISO AutoBoom Without ISO Product Control



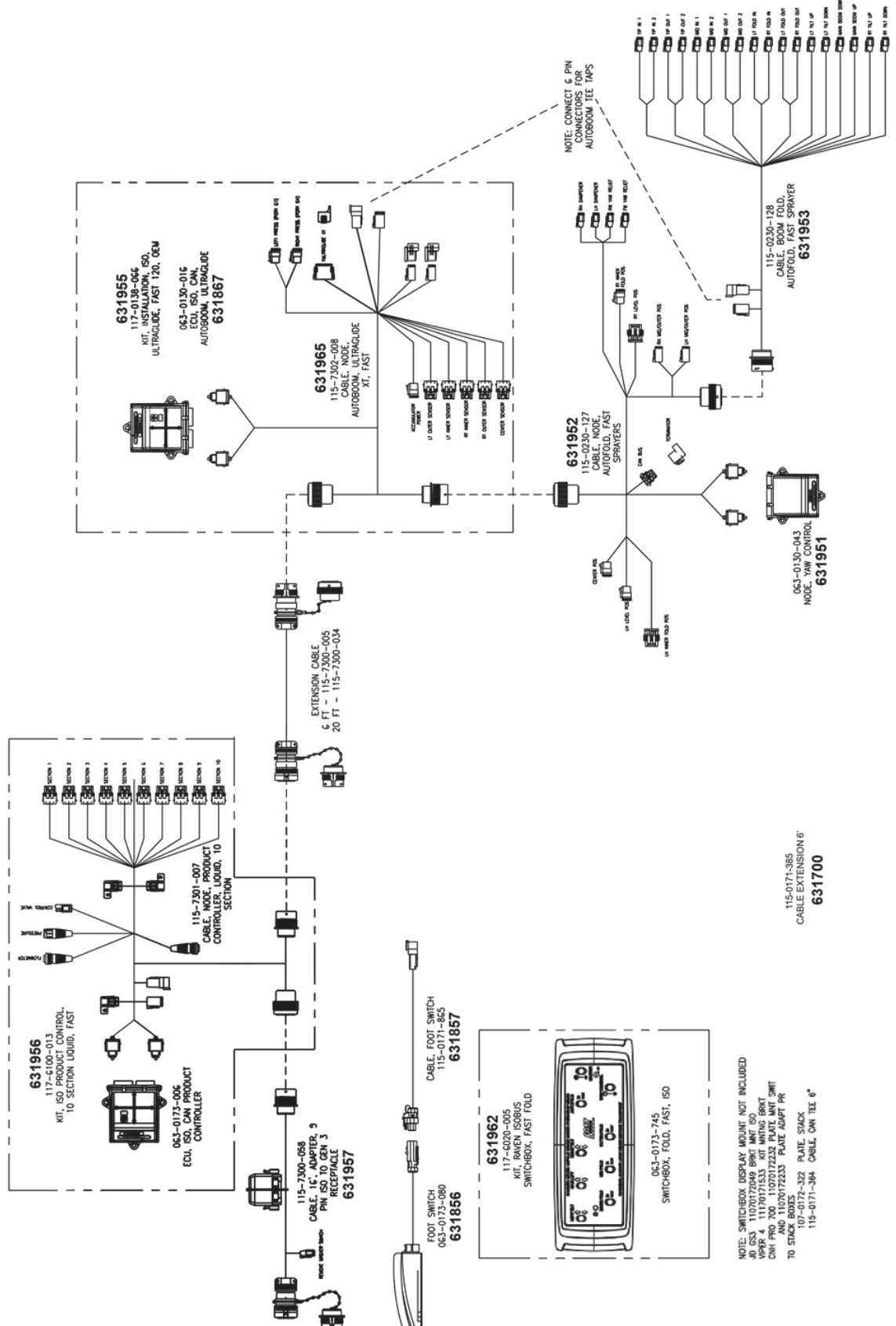
Raven ISO AutoBoom With John Deere Product Control



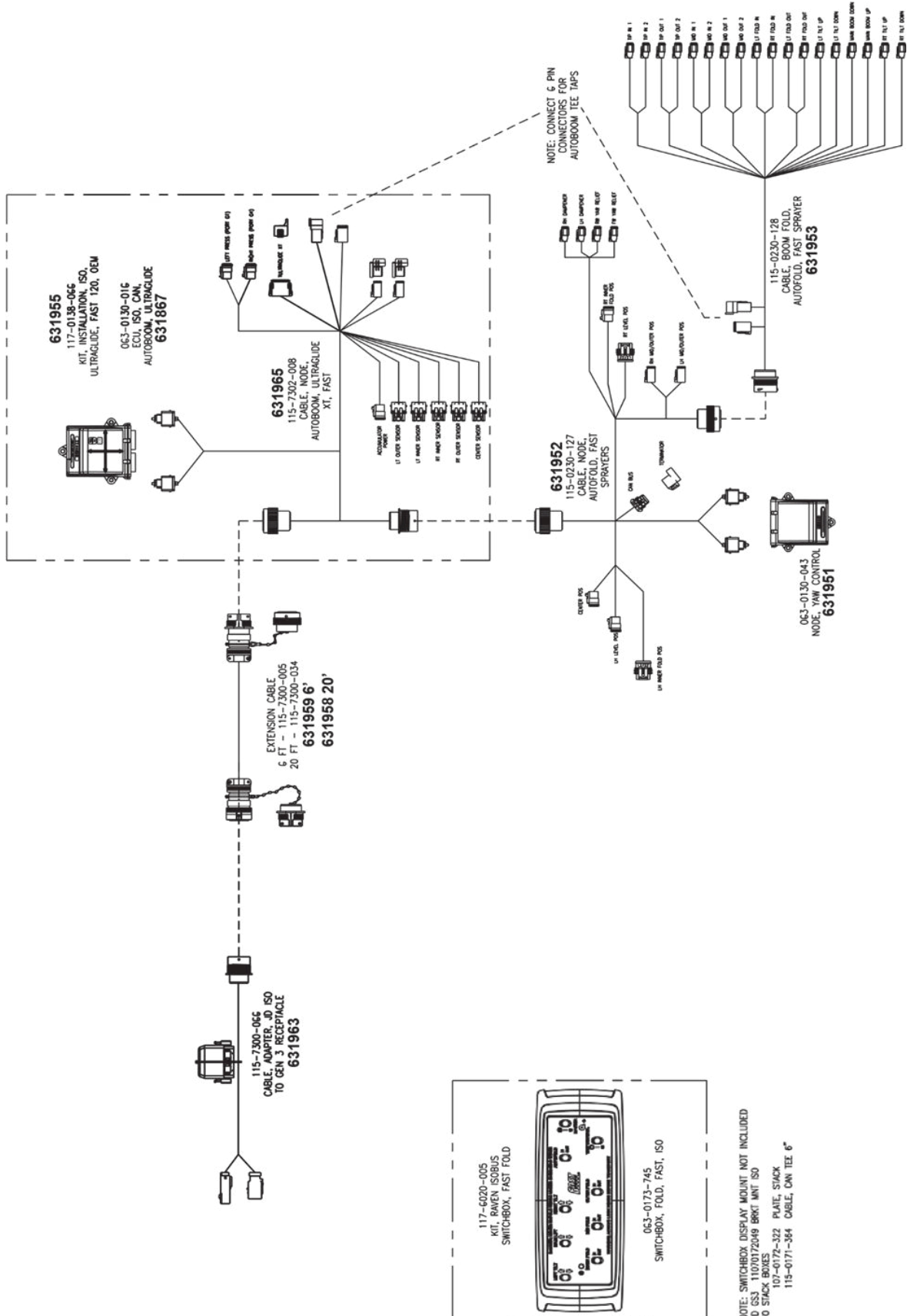
Raven ISO AutoBoom With Raven ISO Rate Control



ISO AutoYAW / Fold, AutoBoom, and Raven Rate Control

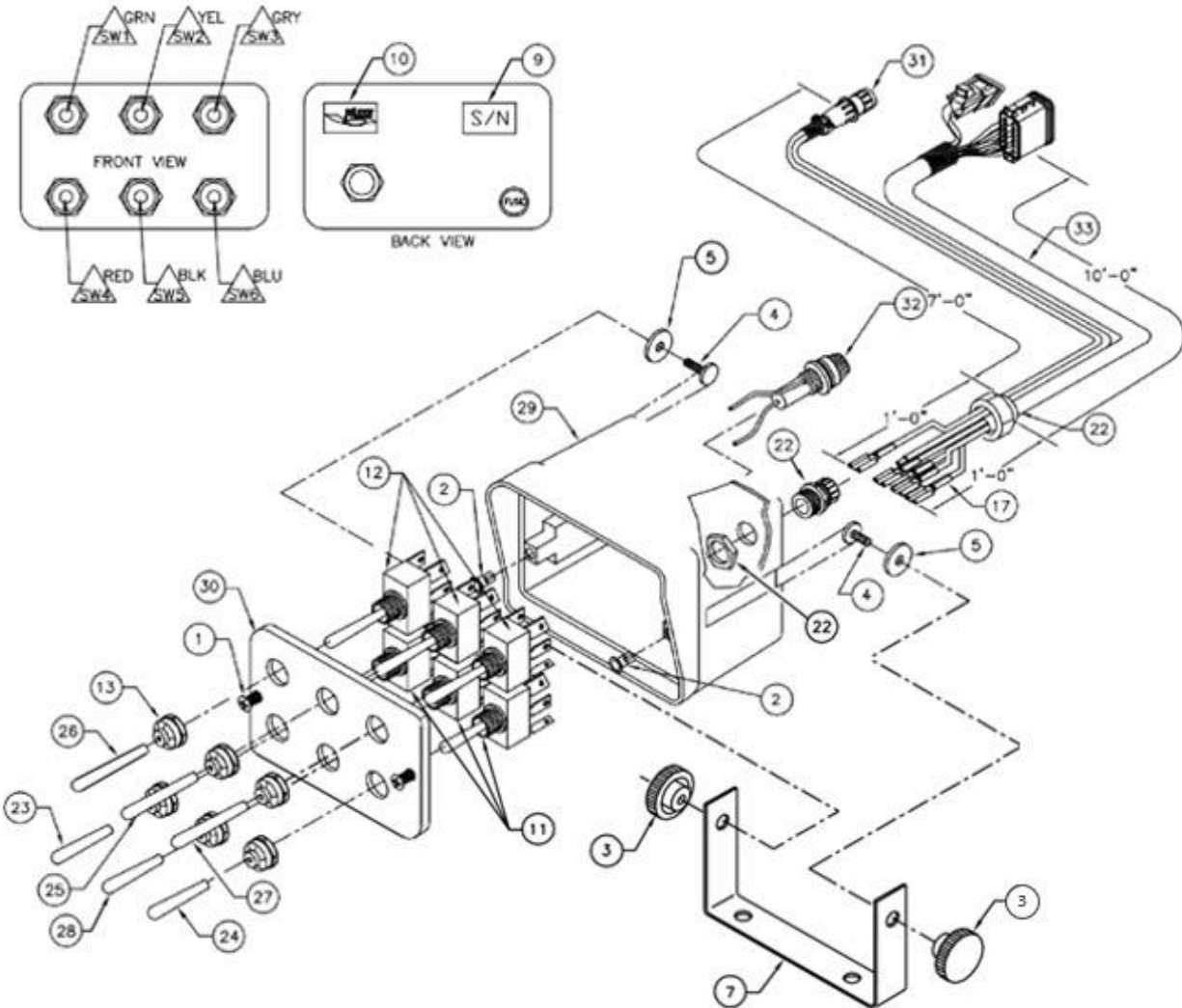


ISO AutoYAW / Fold, AutoBoom, and JD Rate Control



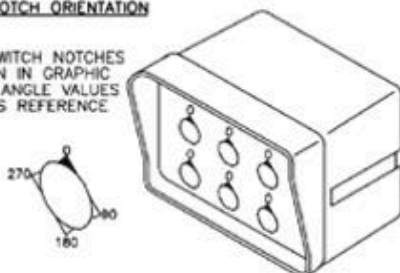
FOLD BOX ELECTRICAL

Control Console



SWITCH NOTCH ORIENTATION

- ORIENT SWITCH NOTCHES AS SHOWN IN GRAPHIC
- USE THE ANGLE VALUES SHOWN AS REFERENCE



NOTES:

1. USE 1-CABLE TIE TO COIL UP HARNESS
2. NOT SHOWN: (6) (8)
3. CUT (23) (24) & (28) TO FIT ON SW BAT.



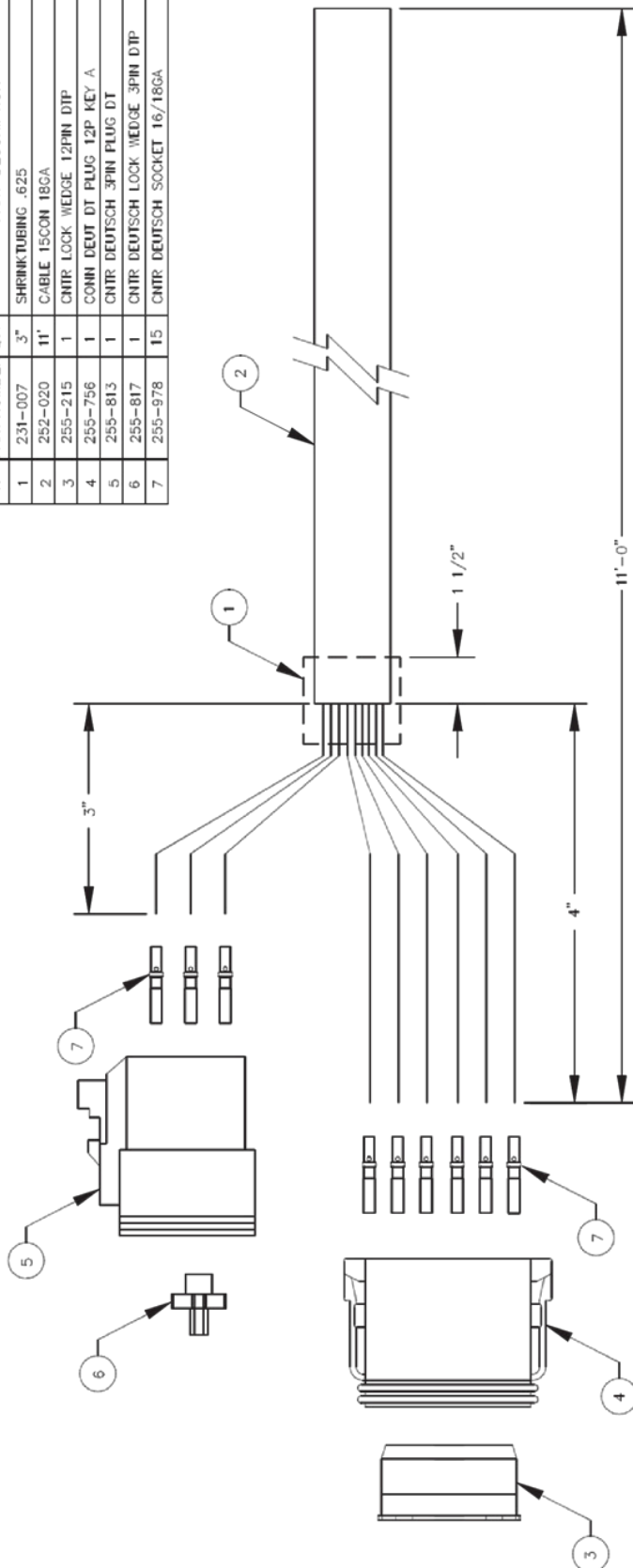
ILLUSTRATED PARTS LIST

Parts List: Control Console

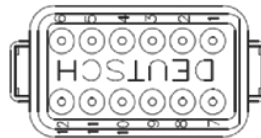
| № | PART NUMBER | QTY | PART DESCRIPTION |
|----|-------------|-----|--|
| 1 | 212-184 | 2 | SCREW 6-32 X 3/8 OVA HD B K |
| 2 | 212-202 | 2 | INSERT 6-32X3/8 BRASS |
| 3 | 212-215 | 2 | KNOB 1/4-20 FEMA F |
| | 212-231 | 2 | SCREW WELDED 1/4-20 X .500 |
| 5 | 213-335 | 2 | WASHER NYLON .257X.875X.060 |
| 6 | 214-002 | 3 | CABLE TIE BLACK 7" |
| 7 | 219-300 | 1 | BRKT HSNG MONITOR |
| 8 | 230-057 | 1 | BAG POLY CLR 14 X 18 2MIL W/LOGO |
| 9 | 232-050 | 2 | DECL S/N (SILVER) |
| 10 | 232-059 | 1 | DECL GOLD/BLK 1.5 X .5 |
| 11 | 250-007 | 3 | SW TOG DPDT 3P MOM SHORT |
| 12 | 250-013 | 3 | SW TOG DPDT 3P MOM LONG |
| 13 | 250-023 | 6 | SW TOG BOOT OPN GRY |
| 14 | 254-001 | 1 | DIODE D116A2 6AMP |
| 15 | 255-002 | 25 | TRM T-TAP F PO BLU |
| 16 | 255-00 | 2 | TRM PO F FULL INS 22-18GA |
| 17 | 255-006 | 6 | TRM PO F NON INS 20/18GA |
| 18 | 255-030 | 2 | TRM SPLICE CLOSED END 16-18GA |
| 19 | 255-070 | 2 | TRM PO M/F 14-16GA |
| 20 | 255-119 | 3 | TRM PO F INS 16-14GA |
| 21 | 255-285 | 1 | TRM SPLICE CLOSED END LRG |
| 22 | 255-710 | 1 | STRAIN RLF HEYCO .45"-.705"ID, HOLE DIA 1.115" |
| 23 | 259-005 | 1 | SW TOG GRIP VNYL RED .187 |
| 24 | 259-015 | 1 | SW TOG GRIP VNY B U .187 |
| 25 | 259-022 | 1 | SW TOG GRIP VNYL YEL .187 |
| 26 | 259-023 | 1 | SW TOG GRIP VNYL GRN .187 |
| 27 | 259-027 | 1 | SW TOG GRIP VNYL GRY .187 |
| 28 | 259-031 | 1 | GRIP TOG VNY B K .187" |
| 29 | 30-00 | 1 | ENCL DRILL MNTRBX -H-1 1/8" G |
| 30 | 304-751 | 1 | ENCL DRILL FP MNTR SW6 F00204 |
| 31 | 314-217 | 1 | HARNES R B WIRE SERIFS 3 P 8 |
| 32 | 319-769 | 1 | FUSEHO DER PM ASSY 10A /.5' |
| 33 | 320-760 | 1 | IRN 15CON 18GA DTP KEY A 12P(12)D P3P(3) 11' |

Control Console Wiring Harness

| PARTS LIST | | | |
|------------|-------------|-----|----------------------------------|
| NO | PART NUMBER | QTY | PART DESCRIPTION |
| 1 | 231-007 | 3" | SHRINKTUBING .625 |
| 2 | 252-020 | 11' | CABLE 15CON 18GA |
| 3 | 255-215 | 1 | CHTR LOCK WEDGE 12PIN DTP |
| 4 | 255-756 | 1 | CONN DEUT DT PLUG 12P KEY A |
| 5 | 255-813 | 1 | CHTR DEUTSCH 3PIN PLUG DTP |
| 6 | 255-817 | 1 | CHTR DEUTSCH LOCK WEDGE 3PIN DTP |
| 7 | 255-978 | 15 | CHTR DEUTSCH SOCKET 16/18GA |



PIN OUT DETAIL



- 1 - RED
- 2 - ORG
- 3 - WHT
- 4 - BLU/BLK
- 5 - RED/BLK
- 6 - ORG/BLK
- 7 - WHT/BLK
- 8 - BLU
- 9 - BLK/WHT
- 10 - GRN
- 11 - BLK
- 12 - GRN/BLK

PIN OUT DETAIL

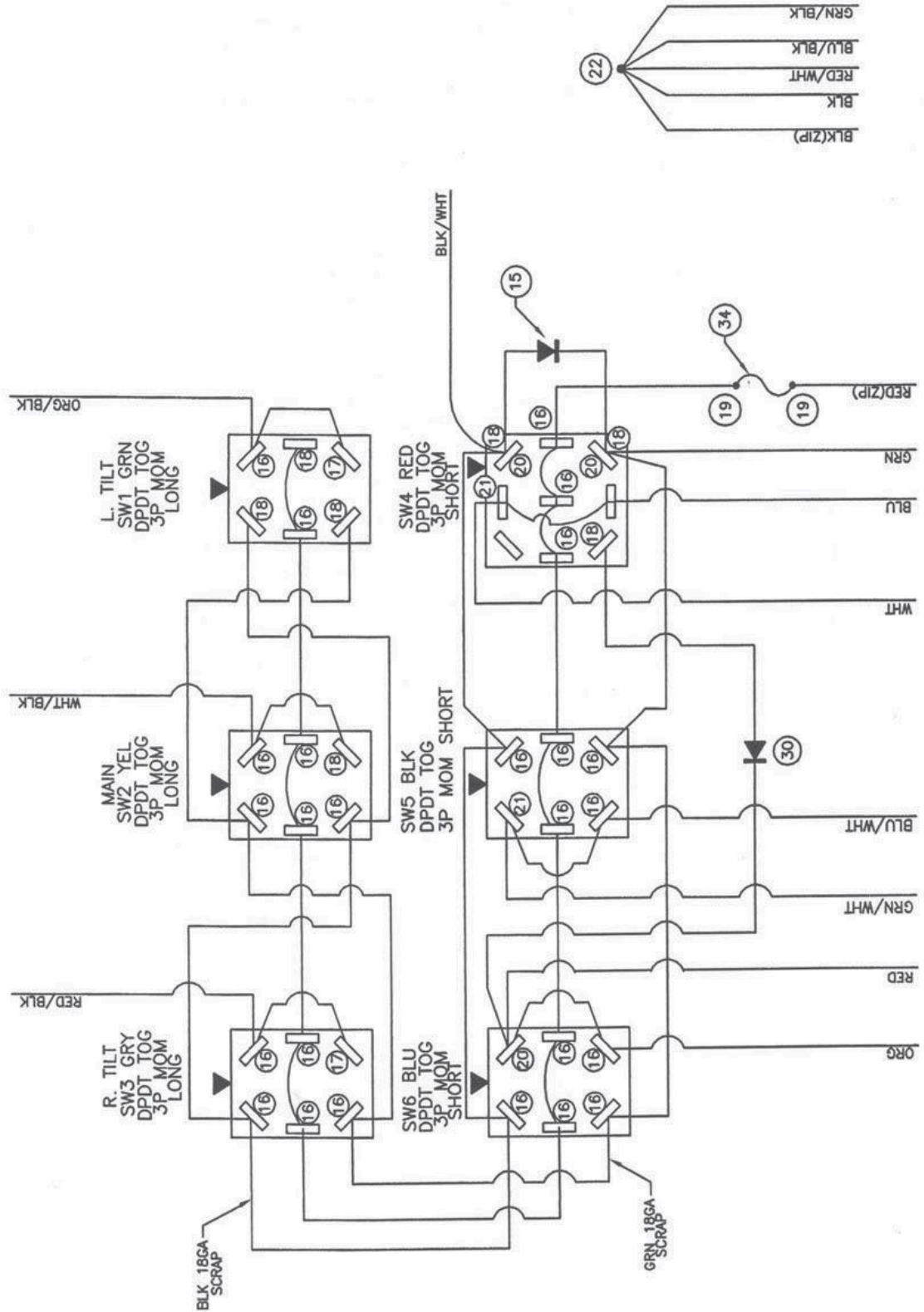


- A - GRN/WHT
- B - BLU/WHT
- C - RED/WHT

Control Console Switch Diagram

▲ = NOTCH LOCATION

SWITCH WIRING DIAGRAM





ILLUSTRATED PARTS LIST

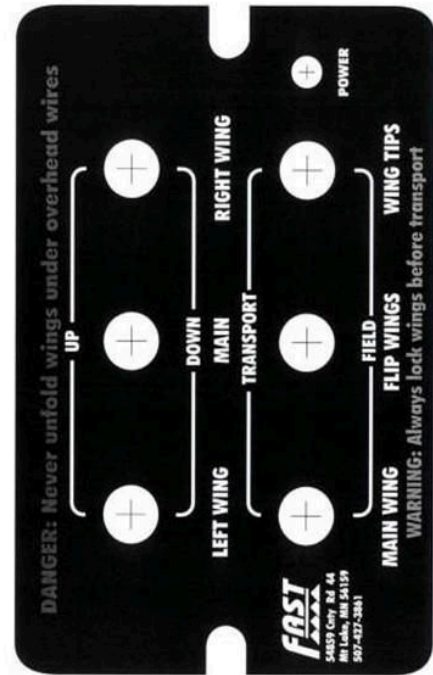
Parts List: Control Console Switch Diagram

| № | PART NUMBER | QTY | PART DESCRIPTION |
|----|-------------|-----|--|
| 1 | 212-184 | 2 | SCREW 6-32 X 3/8 OVA HD B K |
| 2 | 212-202 | 2 | INSERT 6-32X3/8 BRASS |
| 3 | 212-215 | 2 | KNOB 1/4-20 FEMA F |
| | 212-231 | 2 | SCREW WELDED 1/4-20 X .500 |
| 5 | 213-335 | 2 | WASHER NYLON .257X.875X.060 |
| 6 | 214-002 | 3 | CABLE TIE BLACK 7" |
| 7 | 219-300 | 1 | BRKT HSNQ MONITOR |
| 8 | 230-057 | 1 | BAG POLY CLR 14 X 18 2MIL W/LOGO |
| 9 | 232-050 | 2 | DECL S/N (SILVER) |
| 10 | 232-059 | 1 | DECL GOLD/BLK 1.5 X .5 |
| 11 | 250-007 | 3 | SW TOG DPDT 3P MOM SHORT |
| 12 | 250-013 | 3 | SW TOG DPDT 3P MOM LONG |
| 13 | 250-023 | 6 | SW TOG BOOT OPN GRY |
| 14 | 254-001 | 1 | DIODE D116A2 6AMP |
| 15 | 255-002 | 25 | TRM T-TAP F PO BLU |
| 16 | 255-00 | 2 | TRM PO F FULL INS 22-18GA |
| 17 | 255-006 | 6 | TRM PO F NON INS 20/18GA |
| 18 | 255-030 | 2 | TRM SPLICE CLOSED END 16-18GA |
| 19 | 255-070 | 2 | TRM PO M/F 14-16GA |
| 20 | 255-119 | 3 | TRM PO F INS 16-14GA |
| 21 | 255-285 | 1 | TRM SLPICE CLOSED END LRG |
| 22 | 255-710 | 1 | STRAIN RLF HEYCO .45"-.705"ID, HOLE DIA 1.115" |
| 23 | 259-005 | 1 | SW TOG GRIP VNYL RED .187 |
| 24 | 259-015 | 1 | SW TOG GRIP VNY B U .187 |
| 25 | 259-022 | 1 | SW TOG GRIP VNYL YEL .187 |
| 26 | 259-023 | 1 | SW TOG GRIP VNYL GRN .187 |
| 27 | 259-027 | 1 | SW TOG GRIP VNYL GRY .187 |
| 28 | 259-031 | 1 | GRIP TOG VNY B K .187" |
| 29 | 30-00 | 1 | ENCL DRILL MNTRBX -H-1 1/8"G |
| 30 | 304-751 | 1 | ENCL DRILL FP MNTR SW6 F00204 |
| 31 | 314-217 | 1 | HARNESS R B WIRE SERIFS 3 P 8 |
| 32 | 319-769 | 1 | FUSEHO DER PM ASSY 10A /.5' |
| 33 | 320-760 | 1 | IRN 15CON 18GA DTP KEY A 12P(12)D P3P(3) 11' |

Control Console Operation & Pinout

700-0806-4103 & 700-0806-4104 REV D

| Switch No. | Boot Color | Switch Position | Hot Wires | Pin Out Location | Pressure Ports | Tank Ports | Function |
|------------|------------|-----------------|-----------------------------------|-----------------------------|----------------|------------|----------------------|
| 1 Long | Green | Up (mom) | Org/Blk & Grn | 6-12P, 10-12P | C4 | | Lt. Wing Up |
| | | Center (stat) | | | | | Off |
| | | Down (mom) | Org/Blk & Grn & Blk/Wht | 6-12P, 10-12P, 9-12P | | C4 | |
| 2 Long | Yellow | Up (mom) | Wht/Blk & Grn & Blk/Wht | 7-12P, 10-12P, 9-12P | C9 | | Main Up |
| | | Center (stat) | | | | | Off |
| | | Down (mom) | Wht/Blk & Grn | 7-12P, 10-12P | | C9 | |
| 3 Long | Gray | Up (mom) | Red/Blk & Grn | 5-12P, 10-12P | C5 | | Rt. Wing Up |
| | | Center (stat) | | | | | Off |
| | | Down (mom) | Red/Blk & Grn & Blk/Wht | 5-12P, 10-12P, 9-12P | | C5 | |
| 4 Short | Red | Up (mom) | Wht & Blu & Grn | 3-12P, 8-12P, 10-12P | C2 | C7 | Main Wing Transport |
| | | Center (stat) | | | | | Off |
| | | Down (mom) | Wht & Blu & Grn & Blk/Wht | 3-12P, 8-12P, 10-12P, 9-12P | | C7 | |
| 5 Short | Black | Up (mom) | Grn/Wht & Blu/Wht & Grm | 1-3P, 2-3P, 10-12P | C3 | C8 | Flip Wings Transport |
| | | Center (stat) | | | | | Off |
| | | Down (mom) | Grm/Wht & Blu/Wht & Grm & Blk/Wht | 1-3P, 2-3P, 10-12P, 9-12P | | C8 | |
| 6 Short | Blue | Up (mom) | Red & Org & Grm | 1-12P, 2-12P, 10-12P | C1 | C6 | Wing Tips Transport |
| | | Center (stat) | | | | | Off |
| | | Down (mom) | Red & Org & Grm & Blk/Wht | 1-12P, 2-12P, 10-12P, 9-12P | | C6 | |
| | | | Blk | 11-12P | | | Ground |
| | | | Red/Wht | 3-3P | | | Ground |
| | | | Blu/Blk | 4-12P | | | Ground |
| | | | Grm/Blk | 12-12P | | | Ground |





ILLUSTRATED PARTS LIST

HYDRAULICS

Hose Assembly Descriptions

| PART# | DESCRIPTION | HOSE SIZE | 1 ST END | 2 ND END | CUT LEN | QTY. REQ. | FUNCTION OF HOSE |
|------------------|----------------------|-----------|---------------------|---------------------|---------|-----------|---|
| 520048 | 2-NV12-12SAE-M | | | | | 4 | HYDRAULIC TIPS |
| 610102 | 6801-10-10-NWO-TCT | | | | | 1 | |
| 610060 | 6400-8-10-0-TCT | | | | | 1 | |
| FDM600039-13-ZN | FDM4R17-4FJX-4FJX90M | 1/4" | FST. | F90 | 87 | 1 | BLOCK TO MAIN LIFT |
| FDM 600039-11-ZN | FDM8R17-8FJX-8FJX45M | 1/2" | FST. | F45 | 30 | 2 | TEE TO MAIN LIFT RIGHT/LEFT |
| | STAUFFAG-2 | | | | | 52 | TUBE CLAMPS |
| FDM600039-7-ZN | FDM4R17-4FJX-4FJX | 1/4" | FST. | FST | 100 | 2 | MAIN WING FOLD ROD |
| FDM600039-8-ZN | FDM4R17-4FJX-4FJX90M | 1/4" | FST. | F90 | 100 | 2 | MAIN WING FOLD BUTT |
| | | | | | | | |
| FDM600039-1A-ZN | FDM4R17-6MJX-4FJX | 1/4" | MST. | FST. | 132 | 4 | BLOCK TO HARDLINES |
| FDM600039-2A-ZN | FDM4R17-6MJX-4FJX90M | 1/4" | MST. | F901 | 132 | 4 | BLOCK TO HARDLINES |
| FDMP603 | FDMP603 | | | | 124 | 4 | FLIP WING CYLINDERS |
| FDMP604 | FDMP604 | | | | 162 | 4 | BREAKAWAY WING CYLINDER FEED ON MAIN WING |
| FDM600039-3A-ZN | FDM4R17-6MJX-6MJX | 1/4" | MST. | MST | 27.5 | 2 | HARDLINE HINGE HOSE |
| FDM600039-4A-ZN | FDM4R17-6MJX-6MJX | 1/4" | MST. | MST | 31 | 2 | HARDLINE HINGE HOSE |
| | | | | | | | |



ILLUSTRATED PARTS LIST

| PART# | DESCRIPTION | HOSE SIZE | 1 ST END | 2 ND END | CUT LEN | QTY. REQ. | FUNCTION OF HOSE |
|------------------|-------------------------|-----------|---------------------|---------------------|---------|-----------|-------------------------------|
| FDM600039-14-ZN | FDM6R17-6FJX-6FJX | 3/8" | FST. | FST. | 112 | 1 | TILT CYLINDER RIGHT |
| FDM600039-12-ZN | FDM6R17-6FJX-6FJX | 3/8" | FST. | FST. | 118 | 1 | TILT CYLINDER LEFT |
| FDMP605 | FDMP605 | | | | 203 | 4 | BREAKAWAY WING CYLINDER |
| FDM600039-5A-ZN | FDM4R17-6MJX-4FJX | 1/4" | MST. | FST. | 24 | 2 | HARDLINE TO CYLINDER FEEDBUTT |
| FDM600039-21A-ZN | FDM4R17-6MJX-4FJX | 1/4" | MST. | FST. | 26 | 2 | HARDLINE TO CYLINDER FEEDBUTT |
| FDM600039-6A-ZN | FDM4R17-6MJX-4FJX | 1/4" | MST. | FST. | 32 | 4 | HARDLINE TO CYLINDER FEED ROD |
| | | | | | | | |
| FDM600039-15-ZN | FDM8R17-8FJX-8MBO | 1/2" | FST. | #80-RING | 340 | 1 | BLOCK FEED |
| FDM600039-16-ZN | FDM8R17-8FJXZ-8MBOZ | 1/2" | FST. | #80-RING | 350 | 1 | BLOCK RETURN |
| FDM600039-17-ZN | FDM8R17-8MBO-10MBX90 | 1/2" | #80-RING | #100-RING | 200 | 1 | PC VALVE FEED |
| FDM600039-18-ZN | FDM10R17-8MBO-10FJXF | 5/8" | #80-RING | FST. | 216 | 1 | PUMP RETURN |
| FDM600040-20B-ZN | FDM8R17-8FJX90MZ-10MBOZ | 1/2" | F90 | #100-RING | 25 | 1 | PC TOPUMP |

Hydraulics, Decals, and Brackets

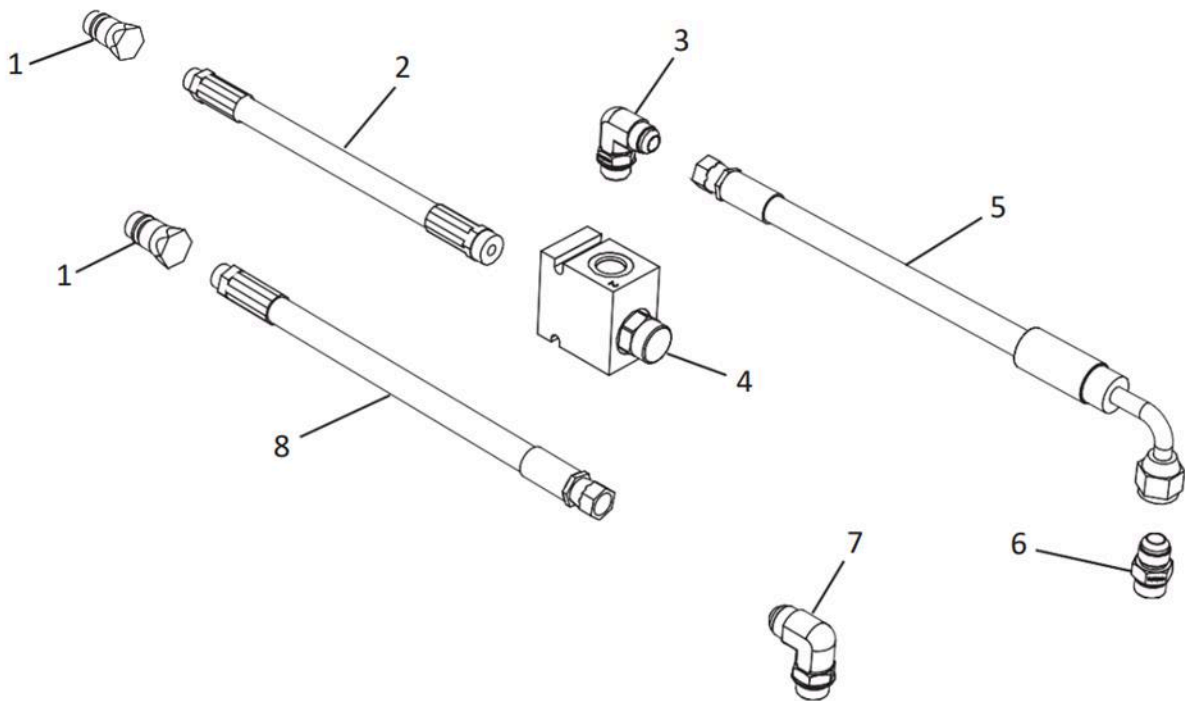
| ITEM | PART NO. | QTY. | DESCRIPTION |
|------|----------|------|--|
| 1 | 610136 | 4 | #4 JIC CAP NUT (RAVEN HYD YAW ONLY) |
| 2 | 610104 | 1 | #6 JIC TO #4 FEMALE JIC (RAVEN HYD YAW ONLY) |
| 3 | 610072 | 1 | #8 JIC - #6 JIC REDUCER |
| 4 | 610071 | 1 | #8 JIC UNION CROSS |
| 5 | 530001 | 1 | 1/4" X 1/4" MALE CONNECTOR |
| 6 | 530004 | 1 | 1/4"X1/4" MALE ELBOW |
| 7 | 530014 | 7 | 1-1/2" EPDM GASKET |



ILLUSTRATED PARTS LIST

| ITEM | PART NO. | QTY. | DESCRIPTION |
|------|-----------|------|---|
| 8 | 530143 | 1 | 1-1/4" MPTX3/4" FPT REDUCER BUSHING (RAVEN HYD YAW ONLY) |
| 9 | 530019 | 4 | 2" EPDM GASKET (RAVEN HYD YAW ONLY) |
| 10 | 530100 | 2 | 2" FP FLANGE X 1-1/2" HOSE BARB (RAVEN HYD YAW ONLY) |
| 11 | 530105 | 1 | 2" FP X 2" FP MANIFOLD COUPLING, 45° (RAVEN HYD YAW ONLY) |
| 12 | 530102 | 1 | 2" FULL PORT-2" SP REDUCER FLANGE (RAVEN HYD YAW ONLY) |
| 13 | 530076 | 2 | 2" MANIFOLD X 1-1/4" HOSE BARB |
| 14 | 570125 | 1 | 5 GALLON SQUARE TANK YELLOW |
| 15 | 630020 | 1 | ACCUMULATOR, 85 CU IN |
| 16 | 610002 | 1 | ADAPTER JIC #4 X JIC #6 FEMALE |
| 17 | 590248 | 1 | BEARING 1" ID, 1-1/4 OD X 1" (RAVEN HYD YAW ONLY) |
| 18 | 530281 | 4 | BUSHING 1.25OD X 1ID X 1"L (RAVEN HYD YAW ONLY) |
| 19 | 631701 | 1 | CABLE ADAPTER YAW CTR C REVERSE |
| 20 | 540002 | 2 | CLAMP, 2" FULL WORM SCREW (RAVEN HYD YAW ONLY) |
| 21 | 540001 | 1 | CLAMP, 2" STD WORM SCREW (RAVEN HYD YAW ONLY) |
| 22 | 540016 | 4 | CLAMP, STAINLESS 1-1/2" #24 |
| 23 | 590017 | 3 | CLIP, HAIR PIN |
| 24 | 610079 | 1 | CONNECTOR #4ORB X #6JIC (RAVEN HYD YAW ONLY) |
| 25 | 620079 | 2 | CYLINDER 3.0 X 16.0 HD |
| 26 | 620077 | 2 | CYLINDER 40THC18-175 (RAVEN HYD YAW ONLY) |
| 27 | 800135 | 2 | DECAL 973P SILVER |
| 28 | 800006 | 1 | DECAL DANGER ELECTROCUTION HAZARD |
| 29 | 800106 | 4 | DECAL DANGER-STAND CLEAR |
| 30 | 800021 | 3 | DECAL FAST SPRAYERS LOGO BLK/GRN |
| 31 | 800024 | 1 | DECAL REAR LIFT CYLINDER VALVE |
| 32 | 800002 | 1 | DECAL, CAUTION W/ YELLOW STRIP |
| 33 | 800007 | 1 | DECAL, DANGER CHEMICAL HAZARD |
| 34 | 800013 | 2 | DECAL, DANGER CRUSHING HAZARD |
| 35 | 800005 | 5 | DECAL, UPENDING HAZARD |
| 36 | 800009 | 1 | DECAL, WARNING OVERHEAD HAZARD |
| 37 | 90SAFCHWF | 1 | FC HAND WASH FAUCET ASSY |

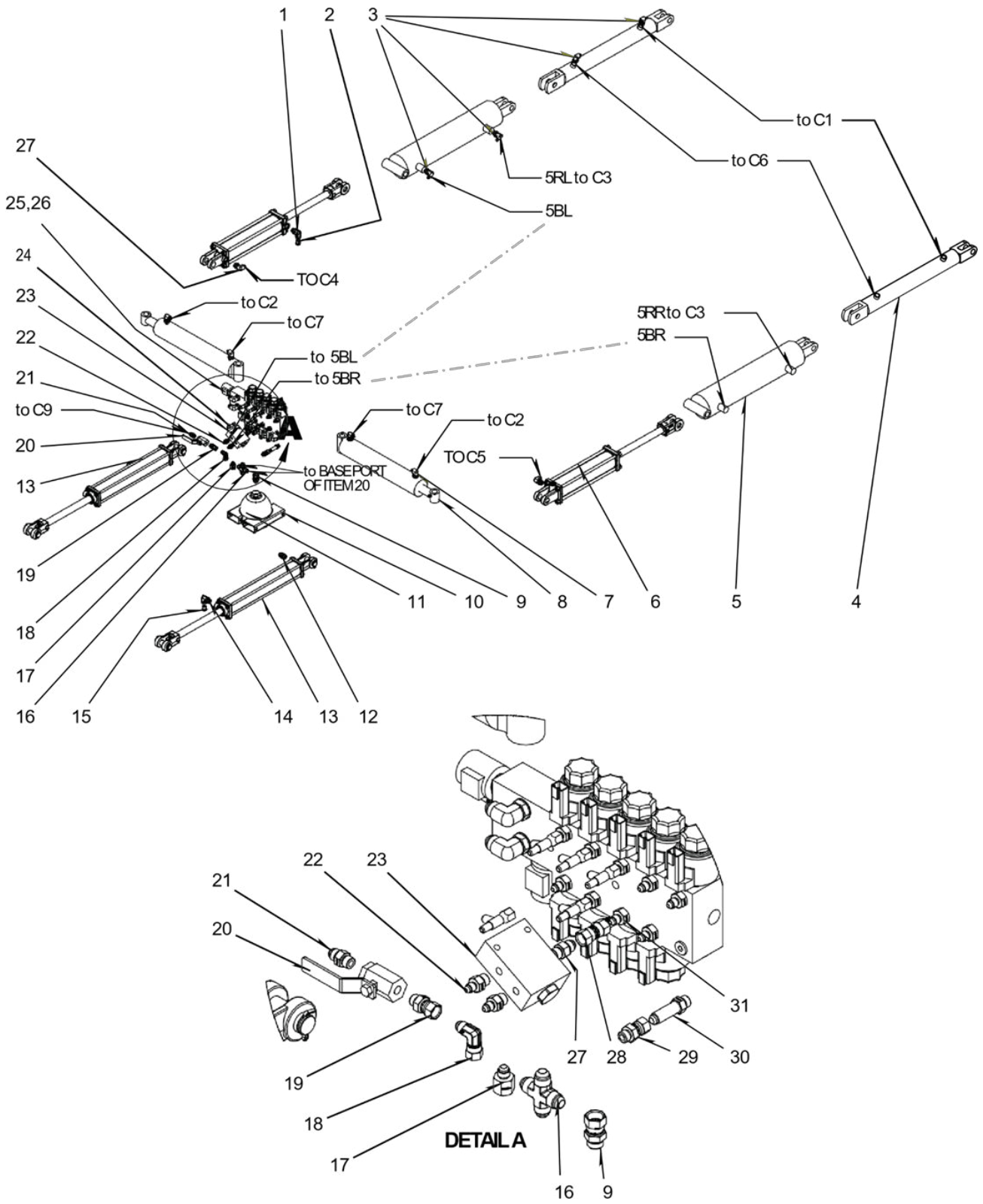
Hydraulic System for Product Pump



Parts List: Hydraulic System for Product Pump

| ITEM | PART NO. | QTY. | DESCRIPTION |
|------|--------------|------|------------------------------|
| 1 | 2-NV12-12SAE | 2 | HOSE TIP |
| 2 | PA600040-20B | 1 | HOSE PRESSURE TO VALVE |
| 3 | 610086 | 1 | HYDRAULIC FITTING 6801-8-10 |
| 4 | 610099 | | PC VALVE 13GPM |
| 5 | PA600039-17 | 1 | HOSE PRESSURE TO PUMP |
| 6 | 610106 | 1 | HYDRAULIC FITTING 6400-10-10 |
| 7 | 610102 | 1 | HYDRAULIC FITTING 6801-10-10 |
| 8 | PA600039-18 | 1 | HOSE PUMP RETURN |

Cylinders & Flow Divider, Puck Yaw



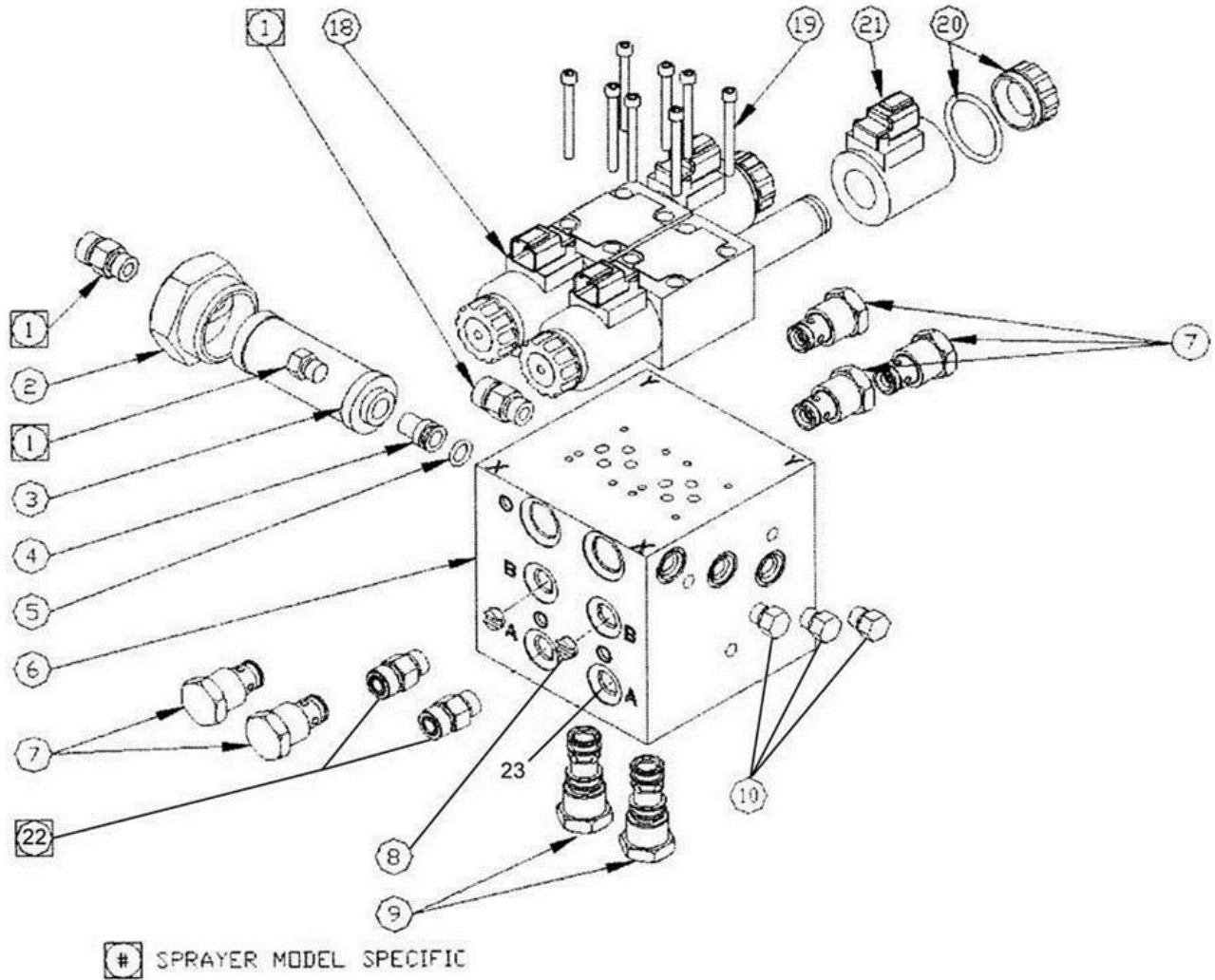


ILLUSTRATED PARTS LIST

Parts List: Cylinders & Flow Divider, Puck Yaw

| ITEM | VENDOR NO. | PART NO. | QTY. | DESCRIPTION |
|------|-----------------------|----------|------|--|
| 1 | TO6805-08-06 | 610035 | 2 | ADAPTER 8ORB X 3/8" FPT90° |
| 2 | TOBV3 | 610036 | 2 | BREATHER 3/8"MPT |
| 3 | TO6801-04-08 | 610029 | 8 | ADAPTER 8ORB X4JIC |
| 5 | MI647953 | 620043 | 2 | CYLINDER 5 X 16 WELDED, PRIMARY FLIP WING |
| NS | MI649096 | | | SEAL KIT |
| 6 | | 620056 | 2 | CYLINDER 3 X 12, TILT |
| NS | | 620276 | | SEAL KIT |
| 7 | 6801 | 610030 | 4 | ADAPTER 8ORB X6JIC |
| 8 | MI675418 | 620079 | 2 | CYLINDER 3 X 16 WELDED 1.75 ROD (2014 -), SWING WING |
| NS | 649209(RK30WR-175TSS) | | | KITSEAL |
| 9 | TO6402-08-08 | 610083 | 1 | ADAPTER 8ORB X8JIC |
| 10 | | 16654 | 2 | TUBE ACCUMULATOR MOUNT |
| 11 | | 630020 | 1 | ACCUMULATOR 80 CU.IN. |
| 12 | TO64000808 | 610013 | 2 | ADAPTER 8ORB X8JIC |
| 13 | MI645710 | 620031 | 2 | CYLINDER 3 X 16 |
| 14 | TO6805-08-06 | 610035 | 2 | ADAPTER 8ORB X 3/8" FPT90° |
| 15 | TOBV3 | 610036 | 2 | BREATHER 3/8"MPT |
| 16 | TO2650-08-08-08 | 610071 | 1 | CROSS 8JIC |
| 17 | TO2406-08-06 | 610072 | 1 | ADAPTER 8JIC TO 6JIC REDUCER |
| 18 | TO6500-06-06 | 610023 | 1 | ADAPTER 6JIC X 6JIC90° |
| 19 | TO6402-04-06 | 610079 | 1 | ADAPTER 6ORB X6JIC |
| 20 | AFMPV14SAE | 500000 | 1 | VALVE 1/4 TURN X 4ORB |
| 21 | TO64000604 | 610007 | 1 | ADAPTER 4ORB TO 6JIC |
| 22 | TO64000406 | 610008 | 2 | ADAPTER 6ORB TO 4JIC |
| 23 | AFFD50458DN22 | 630022 | 1 | BLOCK HYDRAULIC FLOW SPLITTER |
| 24 | TO6602040404 | 610026 | 5 | ADAPTER RUNTEE |
| 25 | FV273-017 | 630036 | OPT | CARTRIDGE OPEN CENTER CONVERSION |
| 26 | FV305-023 | 630037 | OPT | COIL OPEN CENTER CONVERSION |
| 27 | TO64000406 | 610008 | | ADAPTER 4JIC X 6ORB IS REPLACED BY ITEM 29 IN CURRENT PRODUCTION |
| 28 | TO65100404 | | | JIC SWIVEL UNION IS REPLACED BY ITEM 30 IN CURRENT PRODUCTION |
| 29 | TO64020606 | 610113 | 1 | ADAPTER 6JIC X 6ORB REPLACES ITEM 27 |
| 30 | TO64000606L | 610103 | 1 | ADAPTER 6JIC X 6ORB LONG STEM REPLACES ITEM 28 & 31 |
| 31 | TO64000404 | 610035 | 2 | ADAPTER 4JIC X 6ORB |

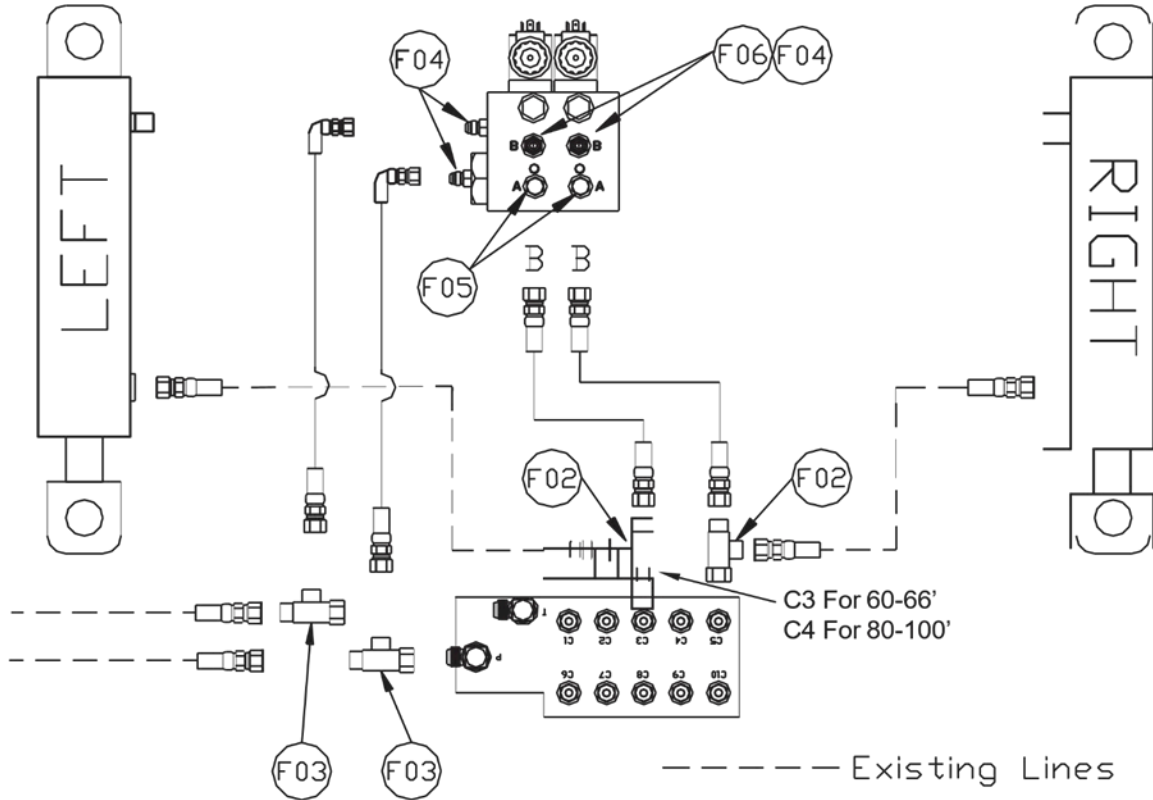
NORAC Hydraulic Valve Block



Parts List: NORAC Hydraulic Valve Block

| ITEM | PART NO. | QTY. | DESCRIPTION |
|------|-----------------|------|--|
| 1 | W400-6-6 | 2 | HYDRAULIC COUPLING - MODEL SPECIFIC |
| 2 | 44897 | 1 | FILLER CAP WITH 6 ORB PORT |
| 3 | 104827 | 1 | HYDRAULIC FILTER ELEMENT, 3000 PSI IN-LINE 10 MICRON |
| 4 | 44896 | 1 | FILTERINSERT |
| 5 | 104998 | 1 | O-RING 5/8 X 0.420 ID X0.103 |
| 6 | 44923 | 1 | VALVE BLOCK 2 STATION CLOSED CENTER |
| 7 | 104943 | 3 | HYDRAULIC CHECK VALVE C-10-2 |
| 8 | 44928 | 2 | ORIFICE INSERT 0.047 |
| 9 | 104944 | 2 | CHECK VALVE CARTRIDGE C-10-3S |
| 10 | 103381 | 5 | PLUG 4MBP |
| 18 | 105723 | 1 | HYDRAULIC VALVE 12V |
| 19 | 100739 | 8 | HEX SOCKET CAP SCREW 10-24 X 2" |
| 20 | 105948 | 4 | COIL NUT & O-RING FOR NORAC #10599 & 105723 |
| 21 | 105926D | 4 | COIL 12V FOR NORAC #10599 & 105723 |
| 21 | 105927 | 4 | COIL 12V FOR NORAC DIN |
| 22 | 103312 | 2 | MALE ADAPTER 6MB-6MJ |
| 23 | 104369 | 2 | PLUG 6MBP |

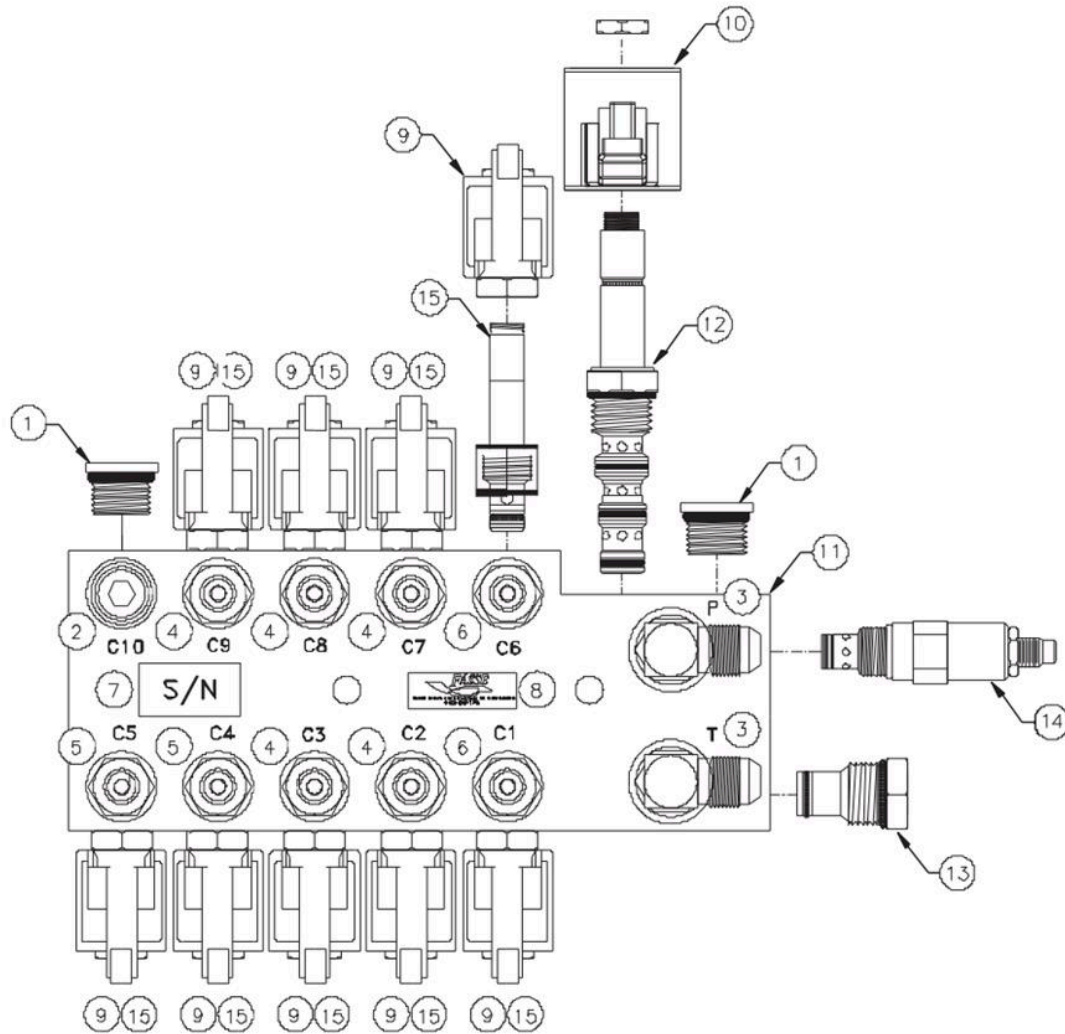
NORAC Auto Height Boom Control Hydraulic Schematic UC4+ & UCS



Parts List: NORAC Auto Height Boom Control Hydraulic Schematic UC4+ & UCS

| ITEM | PART NO. | QTY. | DESCRIPTION | |
|------|----------|------|--------------------------------|--|
| F02 | 105588 | 2 | TEE ADAPTER - 4FJXR 4MJT | |
| F03 | 104632 | 2 | TEE ADAPTER 8FJXR 8MJT | |
| F04 | 103312 | 4 | MALE ADAPTER - 6MB 6MJ | |
| F05 | 104369 | 2 | PLUG -6MBP | |
| F06 | 44928 | 2 | ORIFICE INSERT .047 IN ONE WAY | |

Hydraulic Control Valve

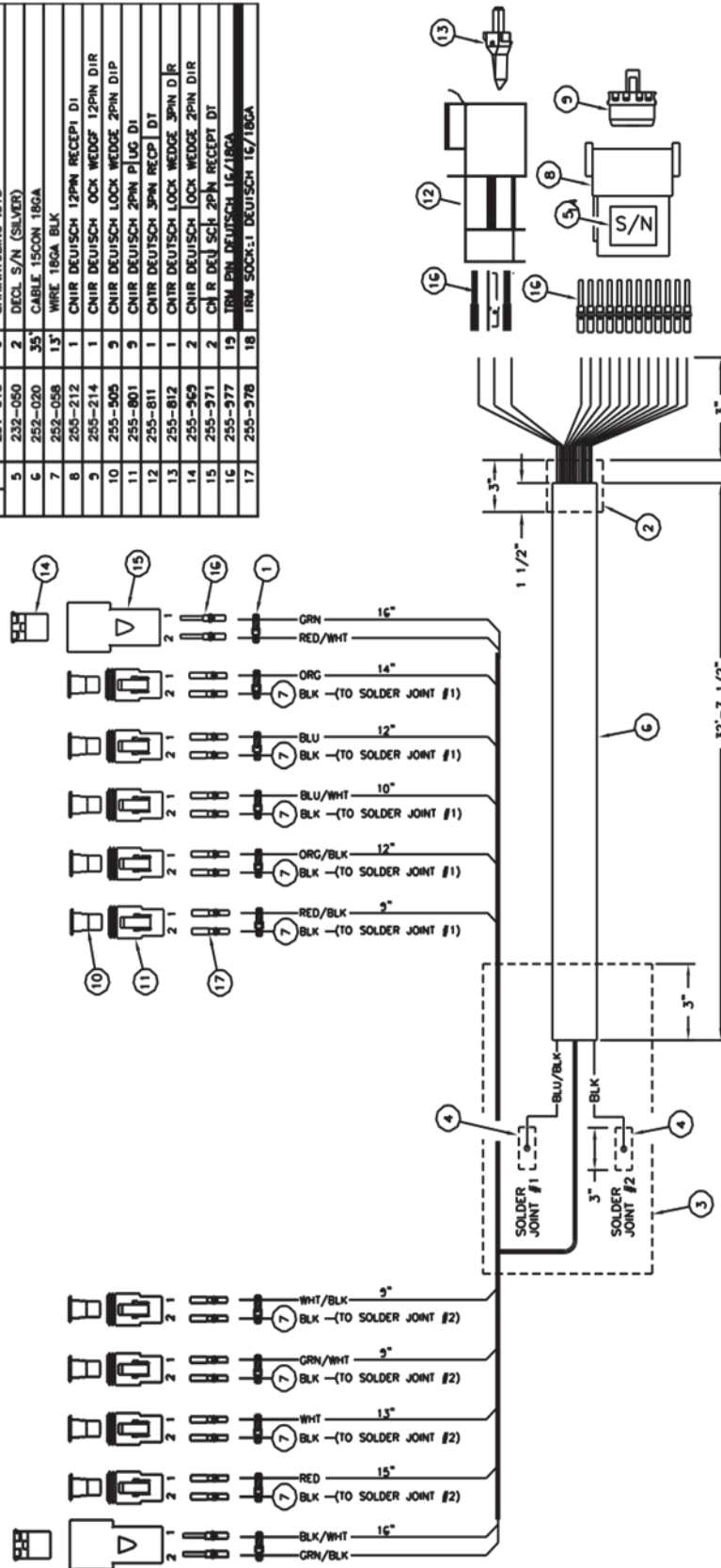


PARTS LIST

| Nº | PART NUMBER | QTY | PART DESCRIPTION |
|----|-------------|-----|--|
| 1 | 210-D38 | 2 | FTG 640B-HHP-8/HOLL HEX PLUG MO |
| 2 | 210-127 | 1 | FTG 640B-HHP-6/HOLL HEX PLUG MO |
| 3 | 210-390 | 2 | FTG 6801-B-8/E-MJ-MO ZINC NICKEL PLATED |
| 4 | 210-391 | 5 | FTG 6400-4-6/S-MJ-MO ZINC NICKEL PLATED |
| 5 | 210-392 | 2 | FTG 6400-6-6 R.D47/S-MJ-MO ZINC NICKEL PLATED |
| 6 | 210-393 | 2 | FTG 6400-6-6/5-MJ-MO ZINC NIC PLATED |
| 7 | 232-050 | 2 | DECL S/N (SILVER) |
| 8 | 232-058 | 1 | DECAL FASSE BLK/GOLD 1"X 75"RND CRNR |
| 9 | 253-046 | 9 | COIL HYDAC 0312600 DL DSTCH RECPT. |
| 10 | 253-593 | 1 | COIL H/F 4304112E-10 INTG DEUT DTR 12V ZENER DIODE |
| 11 | 270-D93 | 1 | MANI S14153-4 5CIR AL RV |
| 12 | 273-008 | 1 | CART SV10-40-0-N-00 |
| 13 | 273-D12 | 1 | CART CP10-20 |
| 14 | 273-058 | 1 | CART H/F RV10-22A-0-N-NC-35-30 |
| 15 | 273-D77 | 9 | CART HYDAC WSD8W-01-C-N-0 |

Hydraulic Control Valve Wiring Harness

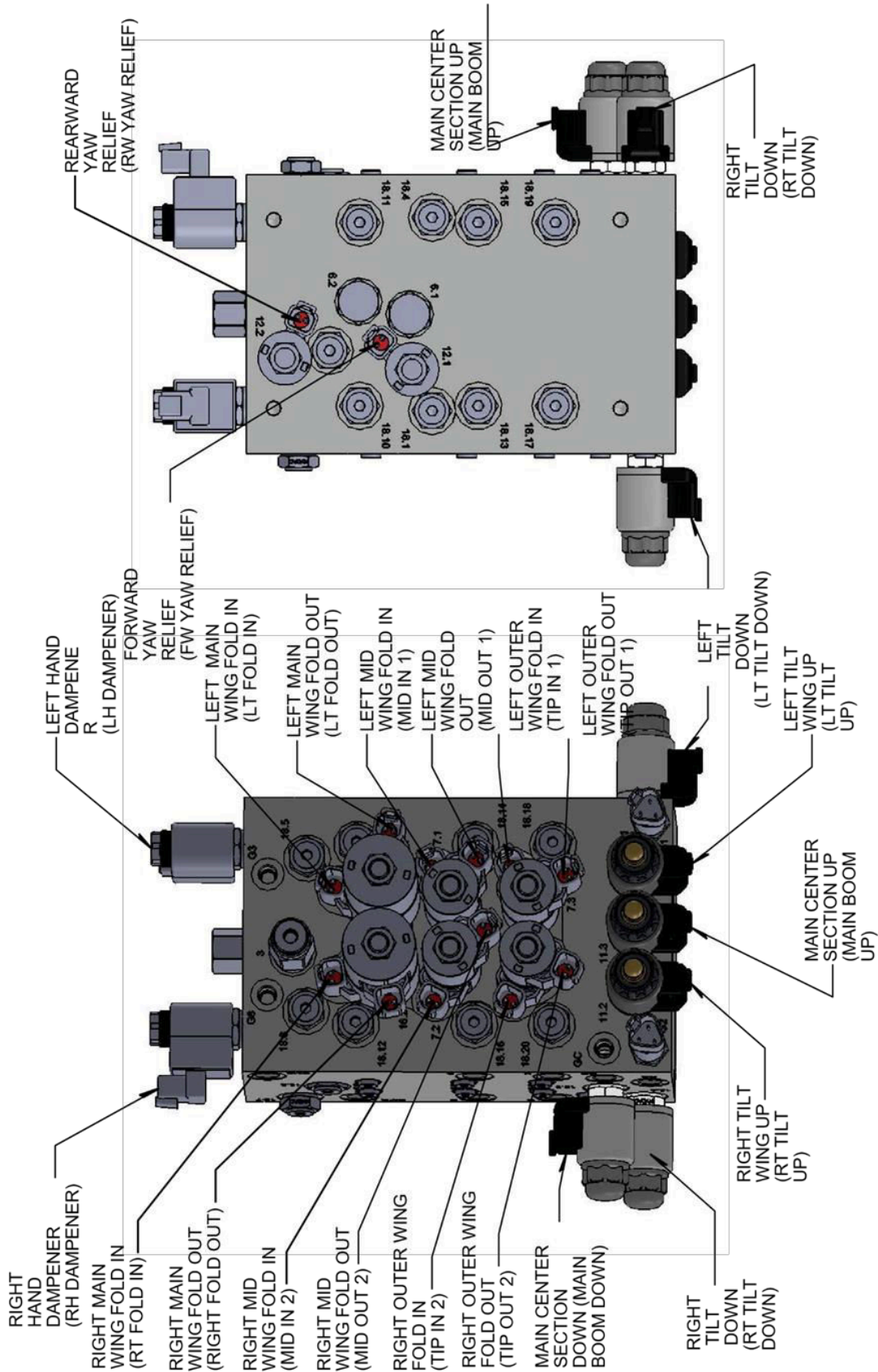
| PARTS LIST | | PART DESCRIPTION | |
|------------|-------------|------------------|-----------------------------------|
| № | PART NUMBER | QTY | |
| 1 | 214-002 | 11 | CASE 11: BLACK 7" |
| 2 | 231-007 | 3" | SHRINK TUBING .625 |
| 3 | 231-008 | 6" | SHRINK TUBING .750 |
| 4 | 231-313 | 6" | SHRINK TUBING .313 |
| 5 | 232-050 | 2 | DECOL S/N (SILVER) |
| 6 | 252-020 | 35 | CABLE 150CON 18GA |
| 7 | 252-058 | 13 | WIRE 18GA BLK |
| 8 | 255-212 | 1 | CHIR DEUTSCH 12PIN RECEPT DI |
| 9 | 255-214 | 1 | CHIR DEUTSCH LOCK WEDGE 12PIN DIR |
| 10 | 255-905 | 3 | CHIR DEUTSCH LOCK WEDGE 2PIN DIP |
| 11 | 255-801 | 3 | CHIR DEUTSCH 2PIN PLUG DI |
| 12 | 255-811 | 1 | CHIR DEUTSCH 3PIN RECP DT |
| 13 | 255-812 | 1 | CHIR DEUTSCH LOCK WEDGE 3PIN DIR |
| 14 | 255-969 | 2 | CHIR DEUTSCH LOCK WEDGE 2PIN DIR |
| 15 | 255-971 | 2 | CHIR DEUTSCH 2PIN RECEPT DT |
| 16 | 255-977 | 19 | TRM PIN DEUTSCH 16/18GA |
| 17 | 255-978 | 18 | TRM SOCK:1 DEUTSCH 16/18GA |



- NOTES:**
1. HARNESS LENGTH IS 33'
 2. USE 3 CABLE TIES TO COIL UP HARNESS.
 3. PUT REMAINING TIES INTO BAG.

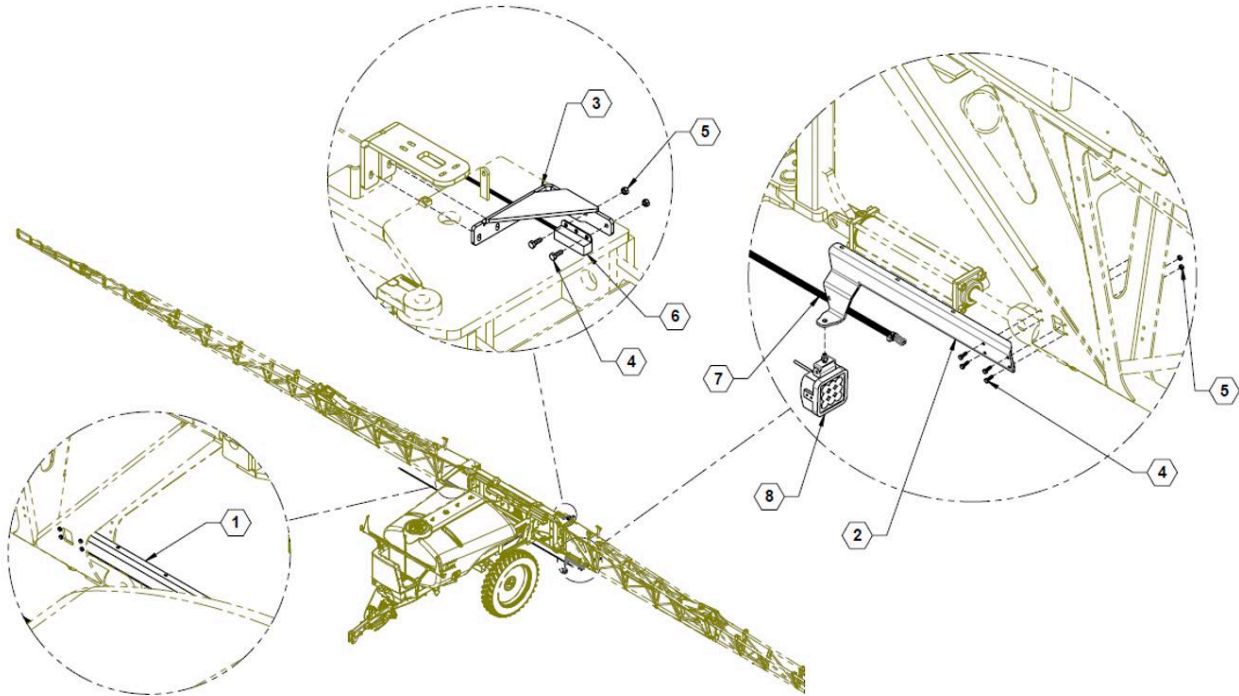


Trailer Manifold Connections – ISO YAW



LIGHTS

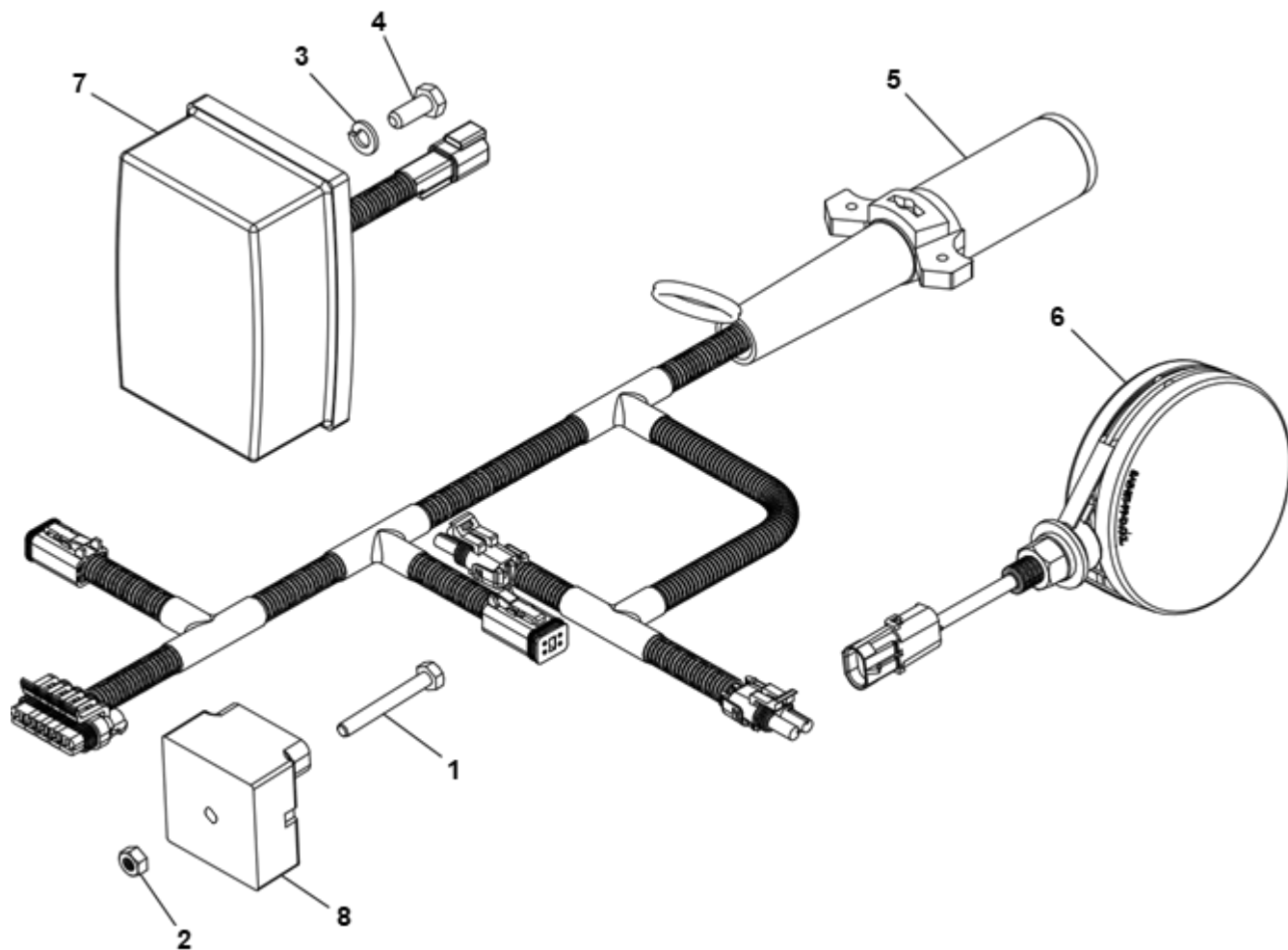
Blue Lights



Parts List 28750: Blue Lights

| ITEM | PART NO. | QTY. | DESCRIPTION |
|------|----------|------|----------------------------------|
| 1 | 28940 | 1 | PLATE, RH SPRAY LIGHT BRACKET |
| 2 | 28942 | 1 | PLATE, LH BLUE SPRAY LIGHT MOUNT |
| 3 | 28949 | 1 | PLATE, PROX SWITCH MOUNT |
| 4 | 596101M | 10 | BOLT, HH 1/4-20X3/4 GR5 MAGNI |
| 5 | 596235M | 12 | NUT, CENTERLOCK, 1/4-20 MAGNI |
| 6 | 632121 | 1 | PROX SWITCH, PARKER |
| 7 | 740057 | 1 | HARNESS, BLUE SPRAY LIGHTS |
| 8 | 740058 | 2 | LARSEN BLUE LED SPRAY LIGHT |

Lighting



Parts List: Lighting

| ITEM | PART NO. | QTY. | DESCRIPTION |
|------|----------|------|-----------------------------|
| 1 | 596848M | 1 | BOLT, 1/4 X 2" GR5 MAGNI |
| 2 | 596235M | 1 | NUT, CENTERLOCK, 1/4" MAGNI |
| 3 | 596249M | 4 | WASHER, LOCK, 5/16" MAGNI |
| 4 | 590229 | 4 | BOLT, 8 X 20 MM 8.8ZP |
| 5 | 740073 | 1 | SAFETY LIGHT WIRING HARNESS |
| 6 | 740024 | 2 | AMBER WARNING LIGHT |
| 7 | 740025 | 2 | RED TAILLIGHT |
| 8 | 740031 | 1 | LIGHT MODULE |



Fast Ag Solutions
4130 Commerce Boulevard
Windom, MN 56101

1-800-772-9279 Toll Free

1-507-427-3861 Voice

1-507-427-3030 Fax

<https://fastagsolutions.com/>