

FAST™

AG SOLUTIONS



8118 LIQUID FERTILIZER APPLICATOR PARTS MANUAL





ILLUSTRATED PARTS LIST

Limited Warranty

FAST AG Solutions warrants to the buyer that the new machinery is free from defects in material and workmanship.

This warranty is only effective as to any new machinery which has not been altered, changed, repaired or treated since its delivery to the buyer, other than by FAST AG Solutions or its authorized dealers or employees, and does not apply to accessories, attachments, tools or parts, sold or operated with the new machinery, if they have not been manufactured by FAST AG Solutions.

FAST AG Solutions shall only be liable for defects in the materials or workmanship attributable to faulty material or bad workmanship that can be proved by the buyer, and specifically excludes liability for repairs arising as a result of normal wear and tear of the new machinery or in any other manner whatsoever, and without limiting the generality of the foregoing, excludes application or installation of parts not completed in accordance with this operator's manual, specifications, or printed instructions.

Written notice shall be given by registered mail, to the Manufacturer within seven (7) days after the defect shall have become apparent or the repairs shall have become necessary, addressed as follows:

FAST AG Solutions
4130 Commerce Boulevard
Windom, MN 56101

This warranty shall expire one (1) year after the date of delivery of the new machinery.

If these conditions are fulfilled, FAST AG Solutions shall at its own cost and at its own option either repair or replace any defective parts provided that the buyer shall be responsible for all expenses incurred as a result of repairs, labor, parts, transportation or any other work, unless FAST AG Solutions has authorized such expenses in advance.

The warranty shall not extend to any repairs, changes, alterations, or replacements made to the new equipment other than by FAST AG Solutions or its authorized dealers or employees.

This warranty extends only to the original owner of the new equipment.

Rubber parts (including tires, hoses, grommets) are not warranted.

This warranty is limited to the terms stated herein and is in lieu of any other warranties whether express or implied, and without limiting the generality of the foregoing, excluded all warranties, express or implied or conditions whether statutory or otherwise as to quality and fitness for any purpose of the new equipment. the Manufacturer disclaims all liability for incidental or consequential damages.

This Applicator is subject to design changes and FAST AG Solutions shall not be required to retrofit or exchange items on previously sold units except at its own option.

Warranty void if not registered.



ILLUSTRATED PARTS LIST

FAST LIQUID FERTILIZER APPLICATOR

Warranty Registration Form & Inspection Report

Warranty Registration

This form must be filled out by the dealer and signed by both the dealer and the customer at the time of delivery.

Customer Name				
Address				
City		State		Zip
Phone				
Dealer Name				
Address				
City		State		Zip
Applicator Model				
Serial Number				
Delivery Date				

DEALER INSPECTION REPORT

- All Fasteners Tight
- Wheel Bolts Torqued
- Hydraulic Hoses and Fittings Free and Tight
- Fertilizer Hoses and Fittings Free and Tight
- Wheel Drive Turns Freely
- Lubricate Machine
- Check Tire Pressure
- Frame and Wings Level
- Monitors and Controllers Function
- Wiring Harness Connected

SAFETY

- Safety Chain Installed
- All Guards Installed
- All Safety Signs Installed
- Reflectors, SMV and Lights Clean
- Review Operating and Safety Instructions

I have thoroughly instructed the buyer on the above described equipment which review included the Operator's Manual content, equipment care, adjustments, safe operation and applicable warranty policy.

Date _____

Dealer's Rep. Signature _____

The above equipment and Operator's Manual have been received by me and I have been thoroughly instructed as to care, adjustments, safe operation and applicable warranty policy.

Date _____

Owner's Signature _____

- White - FAST
- Yellow - Dealer
- Pink - Customer



ILLUSTRATED PARTS LIST

FAST 8118 Series Applicator

APPLICATOR SERIAL NUMBER _____

DATE PURCHASED _____ / _____ / _____

TANK SIZE _____

NUMBER OF COULTERS _____

PUMP MANUFACTURER:

(CIRCLE ONE)

ACE 205F-304

Hypro HM1



ILLUSTRATED PARTS LIST



FAST GLOBAL
SOLUTIONS



General Information

All rights, especially copying and distribution rights are reserved. No part of this publication may be reproduced in any form or by any means, electronic or mechanical, including photocopying, without express written permission from FAST AG Solutions.

Parts information in this manual represents components installed when product was manufactured based upon the best available information. Modifications made subsequent to initial delivery are not included. Always verify the parts and color required when ordering parts.

If you have any questions, please contact your FAST AG Solutions Parts and Service Department.

Parts Ordering Guide

1. Provide the Serial Number of your Chassis or System when ordering.
2. Use the Part Number and Description when ordering parts.
3. Provide the Page Title and Page Number if required.

Parts Searching Guide

To search this PDF by keyword, name, description or part number, use **ctrl + f** for simple searches or **ctrl + shift + f** for advanced searches.

Explanation of Parts Lists

The parts lists are broken down sub assemblies and listed in 4 columns:

- **ITEM** - These numbers are found on the illustration associated with the parts list.
- **NS** - This item is NOT SHOWN, included for reference.
- **QTY.** - This is the quantity of parts needed in an assembly.
- **AR** - The quantity of this item is AS REQUIRED for the location.
- **PART NO.** - These are the part numbers associated to the ITEM.
- **DESCRIPTION** - This is the description of the part.



ILLUSTRATED PARTS LIST





ILLUSTRATED PARTS LIST

Table of Contents

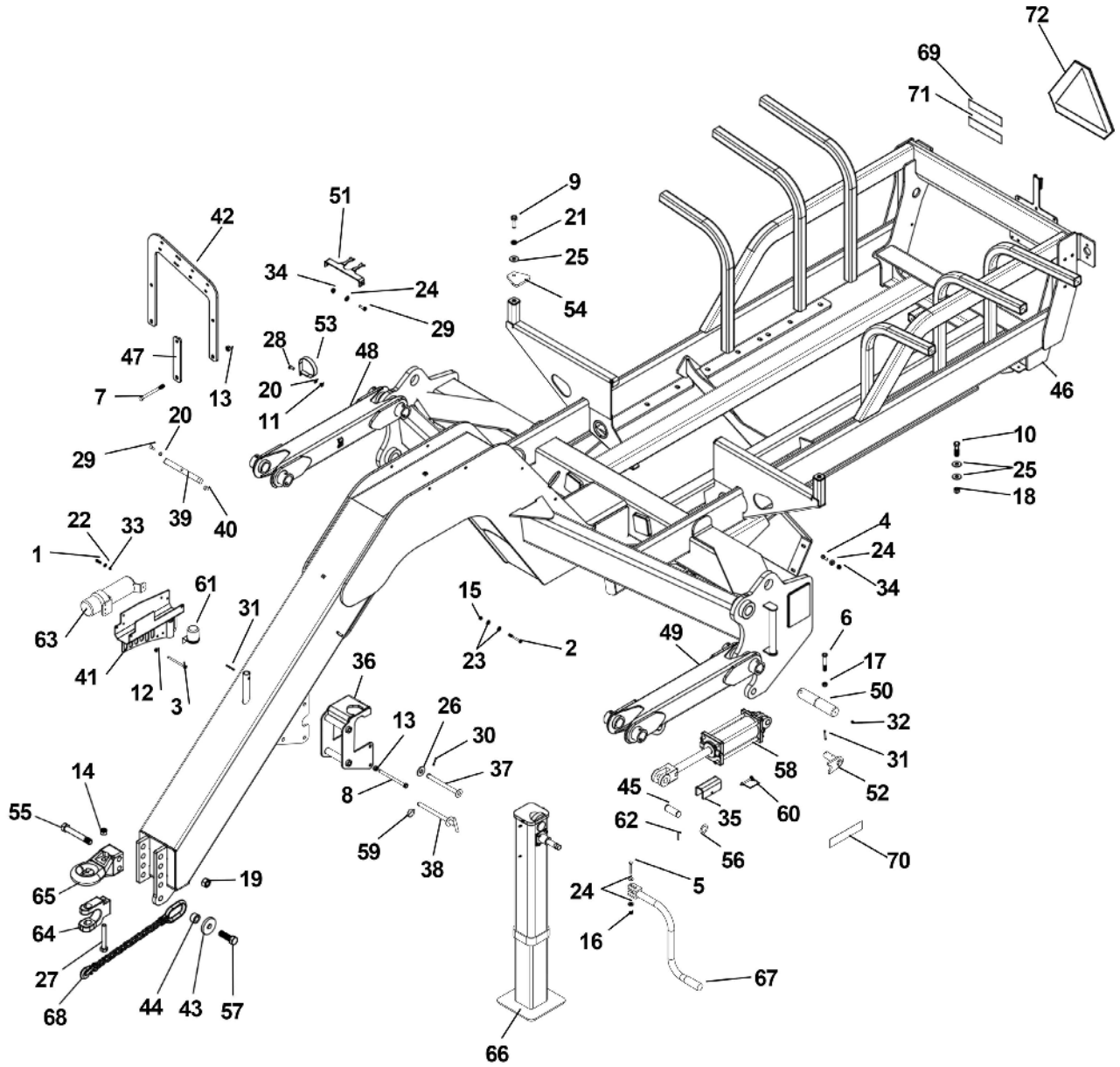
Section	Page
Warranty	2
Warranty Registration	3
General Information	6
Table of Contents	8
8118 Cart	10
8118 Cart	12
Axles	14
Tire and Rim	16
1800 Tank	18
Center Wing Section	20
Main and Flip Wings Section	22
Gauge Wheel	24
Mounting Clamp Kit for Auscherman Coulter Option	26
Auscherman Vantage II Coulter	28
Clymer Coulter Assembly	30
Knife Assembly	32
AP Coulter Row Unit Base Assembly	34
AP Coulter Row Unit Cast Coulter Assembly	36
N669 Complete Hub W/ Square Hole w/ Triple Seal Assembly	38
AP Coulter Upper Casting Mounts	40
FAST AP Coulter Injection Option Assembly	42
DeFender for Injection Assembly	44
AP Coulter Knife Option Assembly	46
Coulter Decal Assembly	48
8118 3 Inch Quick Fill	49
8100 3 Inch Quick Fill Plumbing with Strainer	50
8118 Tank to Pump Plumbing	52
Ace 205 Motor	54
Ace 304 Pump	55
Hypro Pump	56
8118 Agitation	58
Toolbar Plumbing	59
Pump to Ball Valve Plumbing	60
Raven Components	62
Raven SCS450 Console	63
Control Harness 155-0171-085	64
Control Harness 155-0159-856	65
Control Harness 155-0171-086	66
Fold Control Cab Box	68
Wiring Harness	70
Harness Connector	71
8118 Hydraulic Schematic	72
Hose Description	74
Hydraulic System for Pump	75
Toolbox Carrier	76
Kit Contents	77
Lighting	78



ILLUSTRATED PARTS LIST



8118 Cart



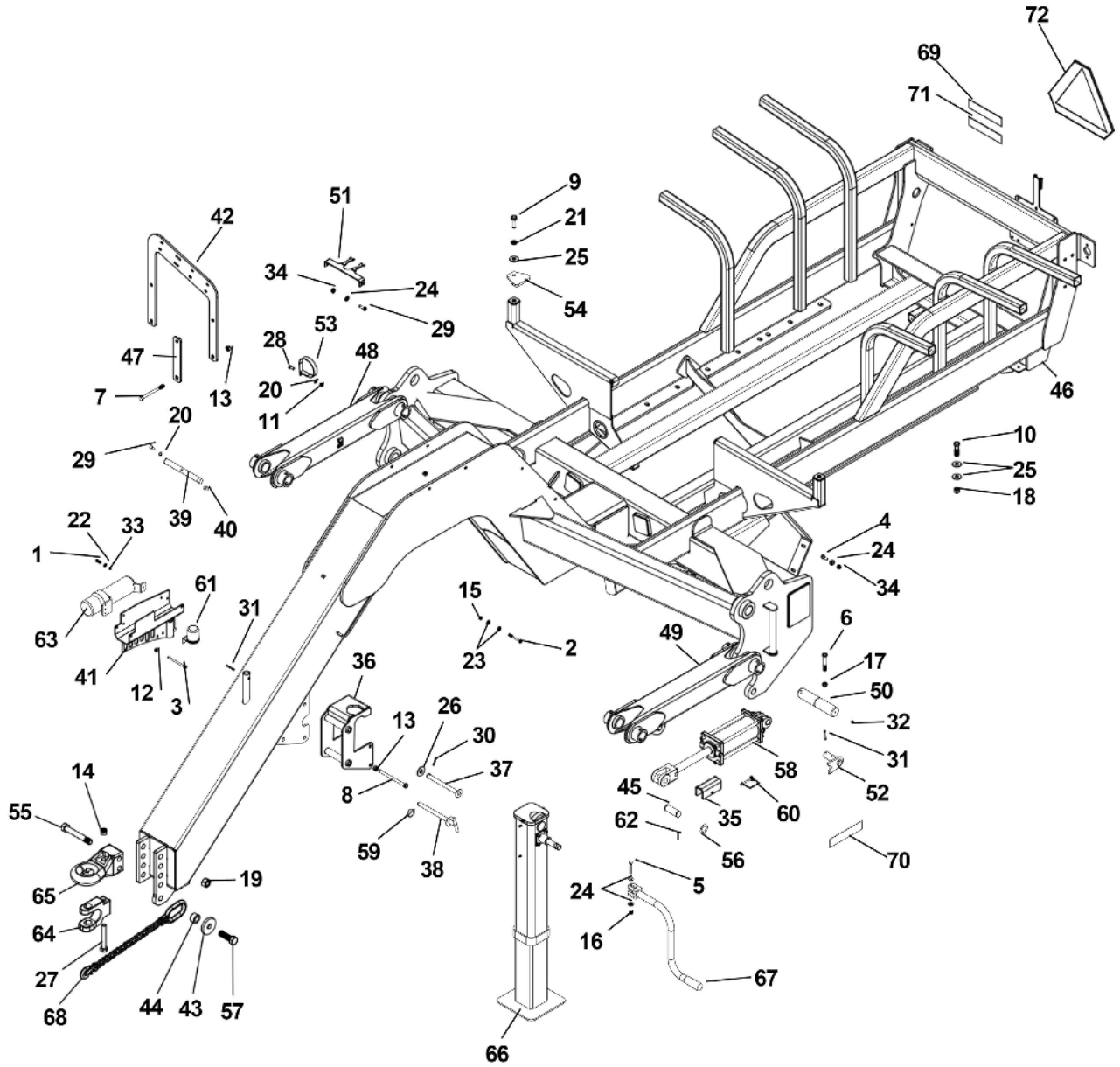


ILLUSTRATED PARTS LIST

8118 Cart Parts List

ITEM	PART NO.	QTY	DESCRIPTION
1	102	5	Bolt, 1/2 X 1" Grade 5 ZP
2	119	1	Bolt, 5/16 X 3" Grade 5 ZP
3	122	2	Bolt, 5/16 X 4-1/2" Grade 5 ZP
4	129	2	Bolt, 3/8 X 1-1/2" Grade 5 ZP
5	131	1	Bolt, 3/8 X 2-1/2" Grade 5 ZP
6	157	8	Bolt, 1/2 X 3-1/2" Grade 5 ZP
7	162	AR	Bolt, 1/2 6" Grade 5 ZP
8	164	2	Bolt, 1/2 X 7" Grade 5 ZP
9	170	2	Bolt, 5/8 X 2" Grade 5 ZP
10	171	6	Bolt, 5/8 X 2-1/2" Grade 5 ZP
11	213	2	Nut, 3/8" ZP
12	228	2	Nut, Nylock, 5/16" ZP
13	231	AR	Nut, Nylock, 1/2" ZP
14	233	1	Nut, Nylock, 3/4" ZP
15	236	1	Nut, Centerlock, 5/16" ZP
16	237	1	Nut, Centerlock, 3/8" ZP
17	239	8	Nut, Centerlock, 1/2" ZP
18	240	6	Nut, Centerlock, 5/8" ZP
19	242	3	Nut, Centerlock, 1" ZP
20	250	4	Washer, Lock, 3/8" ZP
21	253	2	Washer, Lock, 5/8" ZP
22	256	5	1/4" Flat Washer ZP
23	257	2	Washer, 5/16" ZP
24	258	6	Washer, 3/8" ZP
25	261	14	Washer, 5/8" ZP
26	262	1	Washer, 3/4" ZP
27	390	1	Bolt, 3/4 X 5-1/2" Grade 8 ZP
28	592	2	Bolt, Carriage, 3/8 X 1" Grade 5 ZP
29	616	4	Bolt, 3/8 X 1-1/4" Grade 5 ZP
30	683	1	Roll Pin, 1/4 X 1-1/2"
31	687	3	Roll Pin, 1/4 X 2"
32	759	10	Zerk, 1/4" Straight Pipe
33	767	5	Nut, Whiz, 1/4" ZP
34	769	4	Nut, Whiz, 3/8" ZP
35	15159	2	5" Cylinder Stop
36	15430	1	Jack Holder Weldment
37	15437	1	3/4" Link Pin
38	15440	1	Pin, Jack, Removable
39	15558	2	Bracket, Hose
40	15566	2	Tube, Spacer

8118 Cart



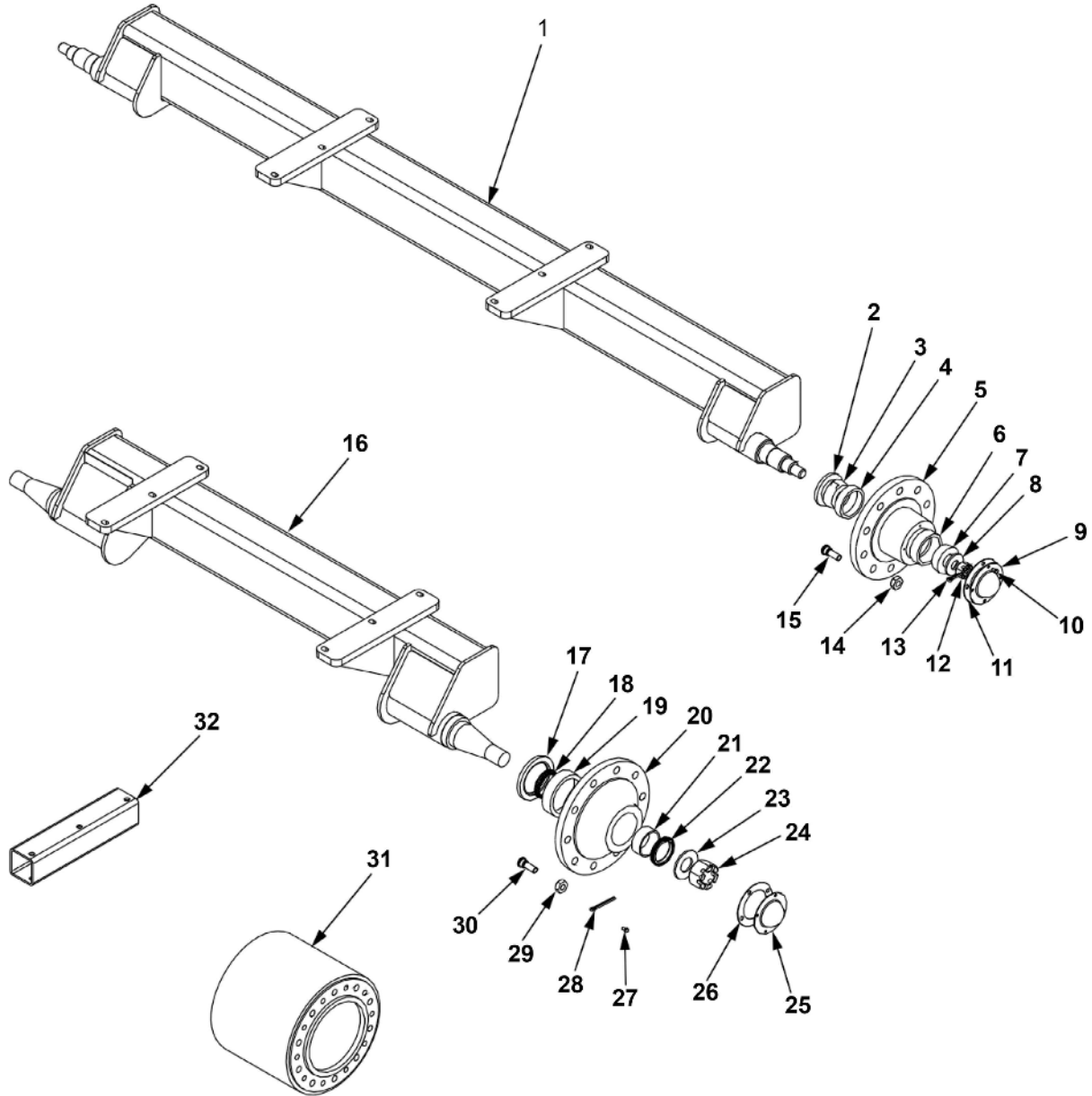


ILLUSTRATED PARTS LIST

8118 Cart Parts List

ITEM	PART NO.	QTY	DESCRIPTION
41	15810	1	Hose Holder Weldment
42	15814	AR	Plate, Ball Valve Mount
43	15829	1	Plate, Safety Chain Washer
44	15835	1	DOM, Safety Chain Spacer
45	15846	2	Pin, Cylinder,1.25"
46	16892	AR	1800 Gallon Fertilizer Cart
47	16905	AR	Plate, Bolt Through
48	17820	2	Liftarm, Upper
49	17822	2	Liftarm, Lower
50	17823	8	Pin, Tube Lift arm
51	18397	1	Mount, Flow Meter
52	18445	2	Anti Rotation Pin
53	540053	2	P-Clamp, 4" With .38" Hole
54	590023	2	1/2" UHMW Hold Down Tab
55	590153	2	Bolt, 1 X 6-3/4" Grade 5 ZP
56	590218	4	Washer, 1-1/4" 14 GA ZP
57	590226	1	1 X 3-1/4" Grade 5 ZP
58	620007	2	Cylinder, 4 X 8"ASAE
59	710005	1	Lynch Pin, 1/4 X 1-3/4" ZP
60	720001	2	Snap Pin
61	740018	1	Light Harness Holder
62	750033	4	5MM X 50MM Spring Pin ZP
63	750048	4	Manual Holder
64	790002	1	Hitch, CAT 4, Bottom
65	790004	1	Hitch, CAT 4,Top
66	790045	1	Jack, Jost, 25,000 LB Lifting
67	790046	1	Handle, Jost Jack
68	790050	1	Chain, Safety, 30,000LB
69	800109	1	Decal, Red Reflector
70	800110	4	Decal, Amber Reflector
71	800111	1	Decal, Orange Reflector
72	90ASMV	1	SMV Assembly
NS	15300	AR	2400 Gallon Fertilizer Cart
NS	590205	2	3/4" Cylinder Stop
NS	590206	2	1" Cylinder Stop
NS	590207	2	1-1/4" Cylinder Stop
NS	590208	2	1-1/2" Cylinder Stop

Axles



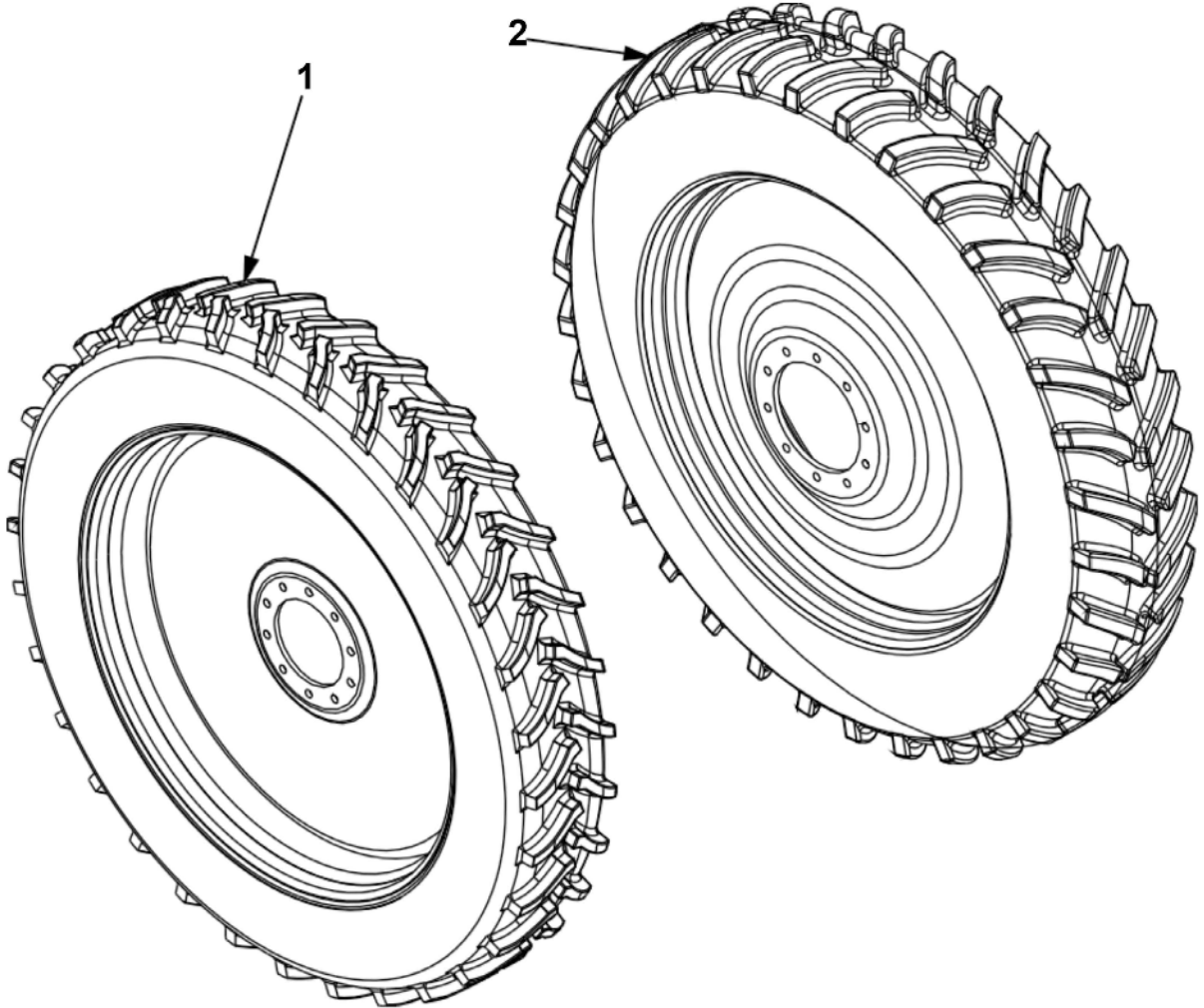


ILLUSTRATED PARTS LIST

Axles Parts List

ITEM #	PART #	DESCRIPTION	QUANTITY
1	16695	AXLE 60' SIDE FOLD 15000# 120" WHEEL TRACK	1
2	730013	SEAL 10 BOLT (906497 CR30087)	2
3	730054	CONE INNER (910333/39585)	2
4	1678	CUP INNER (910331/39520)	2
5	730002	HUB 10 BOLT W/CUPS	2
6	730074	CUP OUTER (910332/453A)	2
7	730012	CONE OUTER (910334/460)	2
8	730018	WASHER SPINDLE (913632)	2
9	730072	HUB CAP Q-871 HUB	2
10	113	BOLT HH 5/16 x 1/2 GR5 ZP	8
11	730016	GASKET HUB CAP	2
12	730014	NUT SPINDLE 1.25-12 TPI	2
13	730015	COTTER PIN	2
14	730051	NUT WHEEL (913571)	20
15	730045	STUD WHEEL (953033)	20
16	10913	AXLE, SPACER DUAL, 62 1/2"-120" WHEEL TRACK	Optional
17	730041	SEAL NI906979	2
18	730043	CONE INNER NI910346	2
19	730012	CUP INNER NI910334	2
20	730060	HUB 10 Q881 W/CUPS	2
21	1679	CUP OUTER NI910384	2
22	730037	CONE OUTER NI910347	2
23	730040	WASHER SPINDLE Q9881	2
24	730056	NUT CASTLE NI913571	2
25	730038	HUB CAP NI909921	2
26	730061	GASKET HUB CAP	2
27	113	BOLT HH 5/16 x 1/2 GR5 ZP	2
28	730042	COTTER PIN Q881 HUB	2
29	730051	NUT WHEEL NI913571	20
30	NI953035	STUD WHEEL NI953035 3/4-16 X 3.5"	20
31	710030	SPACER DUAL 30" ROWS, 13.75" SPACER	Optional
32	16457	Axle Spacer 54" tire	AR

Tire and Rim



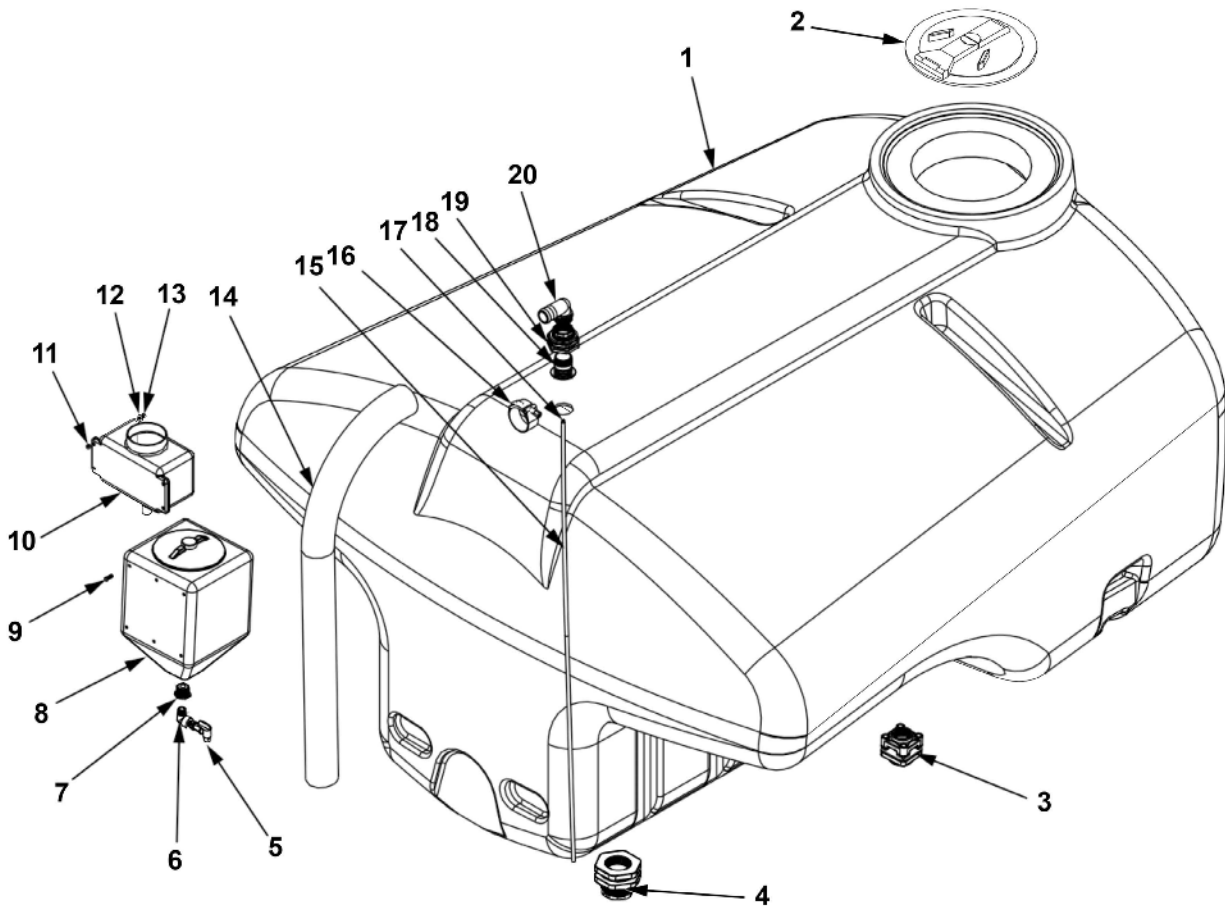


ILLUSTRATED PARTS LIST

Tire and Rim Parts List

For Units with YELLOW Tanks				
Item	Vendor Part #	Fast Part #	Tire Description	8118
1	TT5123180057201R	700002	380/90R46 LR149 TIRE/WHEEL YELLOW RH	1
1	TT5123180057201L	700003	380/90R46 LR149 TIRE/WHEEL YELLOW LH	1
2	TT05193450057201L	700020	380/90R46 LR 149 TIRE/WHEEL YELLOW DUAL LH	2 Opt.
2	TT05193450057201R	700021	380/90R46 LR 149 TIRE/WHEEL YELLOW DUAL RH	2 Opt.
For Units with WHITE Tanks				
Item	Vendor Part #	Fast Part #	Tire Description	8118
1	TT5123180040701R	700001	380/90R46 LR149 TIRE/WHEEL SILVER RH	1
1	TT5123180040701L	700000	380/90R46 LR149 TIRE/WHEEL SILVER LH	1
2	TT05193450040701L	700034	380/90R46 LR 149 TIRE/WHEEL SILVER DUAL LH	2 Opt.
2	TT05193450040701R	700035	380/90R46 LR 149 TIRE/WHEEL SILVER DUAL RH	2 Opt.

1800 Tank



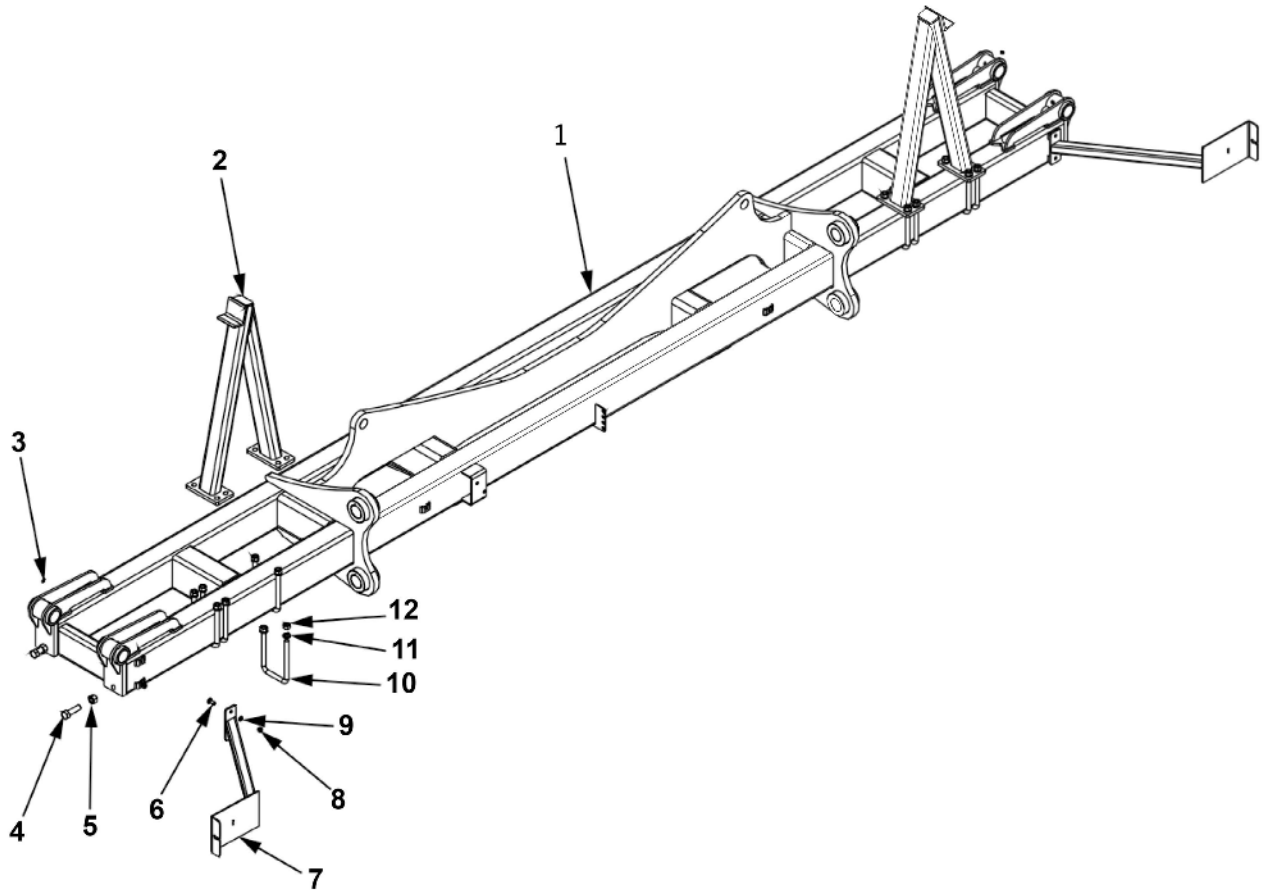


ILLUSTRATED PARTS LIST

1800 Tank Parts List

ITEM	PART NO.	DESCRIPTION	8118
1	570089	TANK 1800 GALLON YELLOW	1
NS	570088	TANK 1800 GALLON WHITE	1
2	570070	LID ASSEMBLY	1
3	530350	2" FLANGE BOTTOM DRAIN	1
4	530164	3INCH POLYPRO TANK FLANGE ASSY	1
5	510022	3/4 FLO-RITE FAUCET CLEAR	1
6	530151	3/4" POLY STREET ELBOW-90 DEG	1
7	530143	BUSHING REDUCER 1-1/4 TO 3/4 NPT	1) USED ON 10 GA OPT.
8	570097	TANK 10 GALLON RINSE YELLOW	1) USED ON 10 GA OPT.
NS	570092	TANK 10 GALLON RINSE WHITE	1) USED ON 10 GA OPT.
9	114	BOLT HEX HEAD 5/16 X 3/4 GR5 ZP	6) USED ON 10 GA OPT.
10	570038	TANK 2.5 GALLON RINSE YELLOW	1
NS	570044	TANK 2.5 GALLON RINSE WHITE	OPT. W/ WHITE TANK
11	228	HUT HEX NYLOCK ZP	4
12	257	WASHER FLAT 5/16" ZP	4
13	116	BOLT HEX HEAD 5/16 X 1-1/2 GR5 ZP	4
14	510025	HOSE OVERFLOW 2"	7 FT
15	510023	BURP TUBE PUMP	18 FT
16	540007	CLAMP T BOLT	1
17	530004	1/4" X1/4" MALE ELBOW	1
18	530331	2" VENT CAP WITHOUT SCREEN	1
19	530163	2" POLY TANK FITTING	1
20	530051	2" MPT X 2" HOSE SHANK-90	1

Center Wing Section



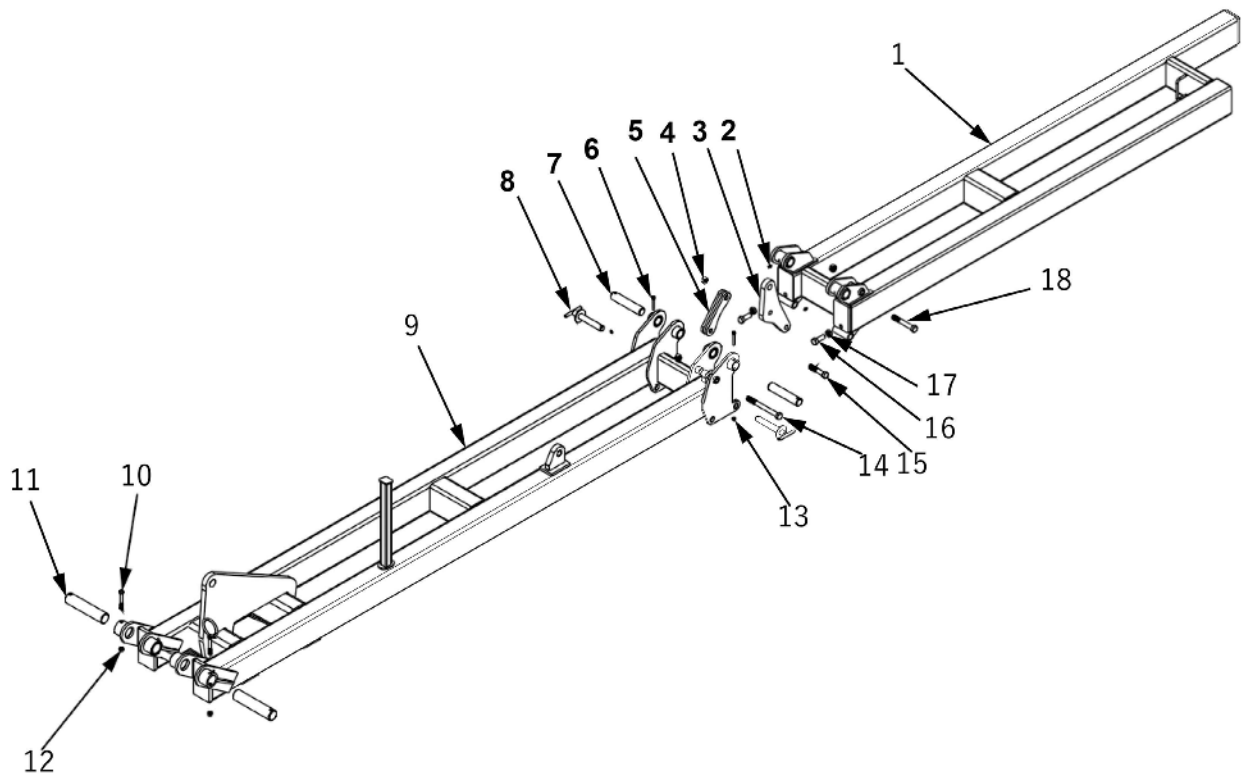


ILLUSTRATED PARTS LIST

Center Wing Section Parts List

ITEM	PART NO.	QTY	DESCRIPTION
1	16566	1	CENTER SECTION 60' VERTICAL FOLD
2	16573	2	WING STAND
3	759	4	ZERK 1/4-28
4	185	4	BOLT HEX HEAD 3/4-2-1/2 GR5 ZP
5	217	4	NUT HEX HEAD 3/4 ZP
6	590217	4	BOLT CARRAIGE 3/8 X 1 ZP
7	17897	2	LIGHT MOUNT VERTICAL FOLD TOOLBARS
8	250	4	WASHER LOCK 3/8 ZP
9	213	4	NUT HEX HEAD 3/8 ZP
10	590053	8	U-BOLT 5/8 X 4 X 6 SQUARE BEND
11	253	16	WASHER LOCK 5/8 ZP
12	216	16	NUT HEX HEAD 5/8 ZP

Main and Flip Wings Section



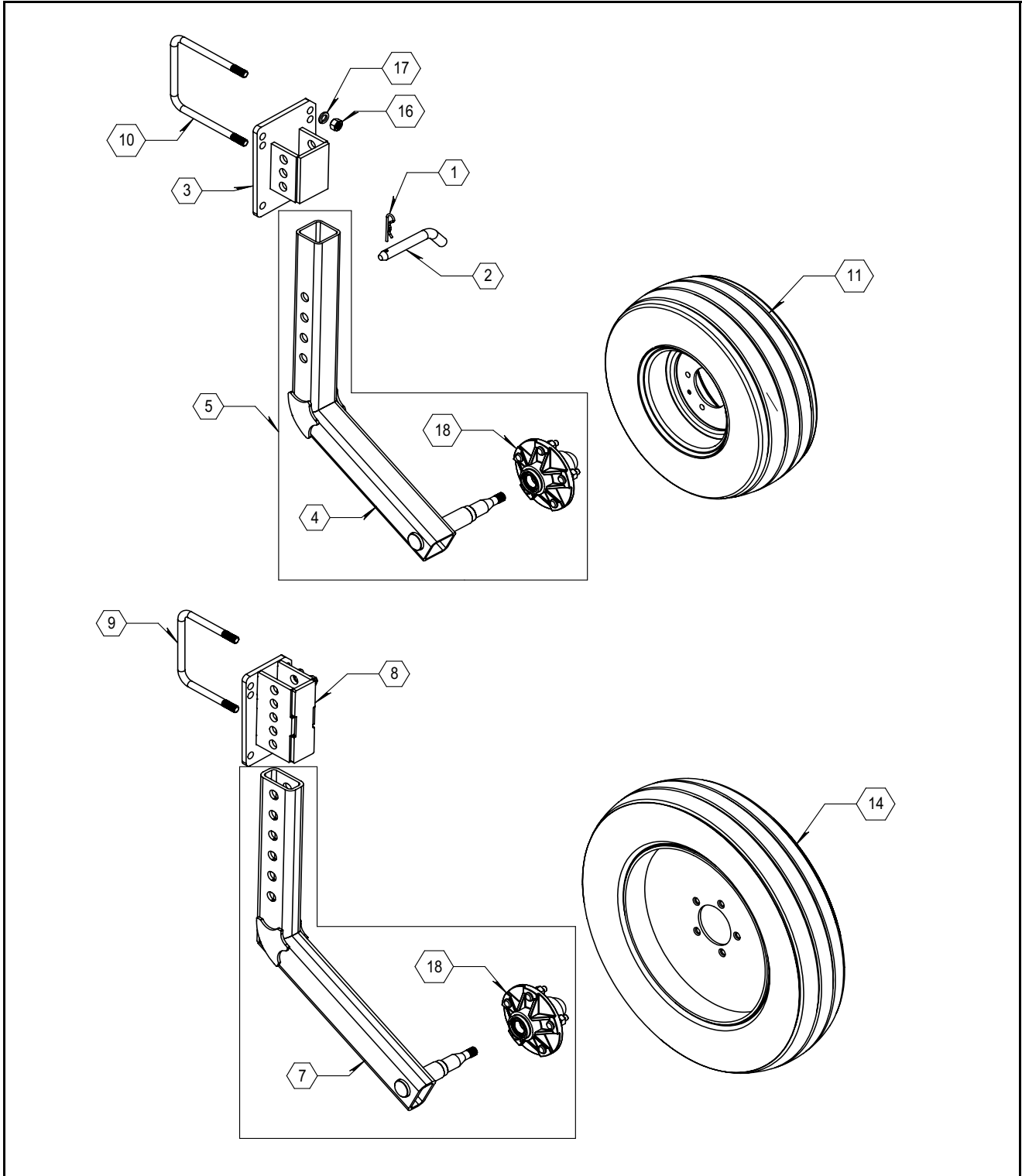


ILLUSTRATED PARTS LIST

Main and Flip Wings Section Parts List

ITEM	PART NO.	QTY	DESCRIPTION
1	5503L	1	FLIP WING 60' DOUBLE BAR LH
NS	5503R	1	FLIP WING 60' DOUBLE BAR RH
2	759	4	ZERK 1/4-28 ZP
3	5539	2	SCISSOR LINK 1" BOOMERANG
4	241	6	NUT HEX HEAD 3/4" CENTERLOCK ZP
5	5543	2	LINK FORK FOLDING
6	131	4	BOLT HEX HEAD 3/8 X 2-1/2 GR5 ZP
7	5617	4	PIN HINGE 1-1/2
8	5743	4	TEE HANDLE LOCK PIN
9	13910L	1	WING MAIN 60' DOUBLE BAR LH
NS	13910R	1	WING MAIN 60' DOUBLE BAR RH
10	157	4	BOLT HEX HEAD 1/2 X 3-1/2 GR5 ZP
11	2120	4	PIN PIVOT MAIN WING
12	238	4	NUT HEX HEAD 1/2" CENTERLOCK ZP
13	237	4	NUT HEX HEAD 3/8" CENTERLOCK ZP
14	396	2	BOLT HEX HEAD 3/4 X 7-1/2 GR8 ZP
15	386	2	BOLT HEX HEAD 3/4 X 3-1/2 GR8 ZP
16	184	2	BOLT HEX HEAD 3/4 X 2 GR5 ZP
17	225	4	NUT JAM 3/4 ZP
18	389	2	BOLT HEX HEAD 3/4 X 5 GR8 ZP

Gauge Wheel



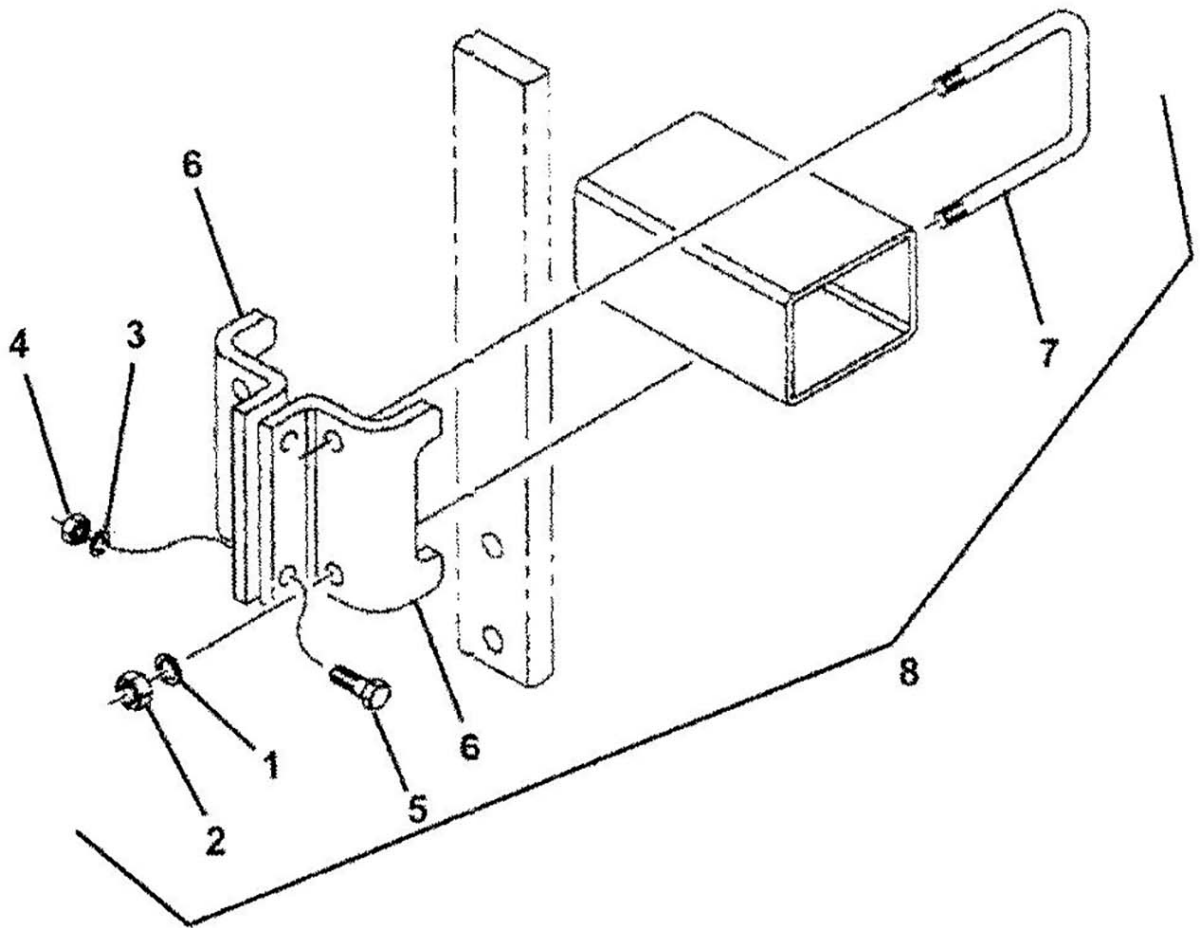


ILLUSTRATED PARTS LIST

Gauge Wheel Parts List

ITEM	PART NO.	QTY.	DESCRIPTION
1	285	AR	PIN, SPRING LOCK
2	19061	AR	PIN, CROSS
3	19055L	AR	STANDARD GAUGE WHEEL MOUNT
NS	19055R	AR	STANDARD GAUGE WHEEL MOUNT
4	19060L	AR	STANDARD GAUGE WHEEL ARM
NS	19060R	AR	STANDARD GAUGE WHEEL ARM
5	19063L	AR	STANDARD ARM WITH HUB
NS	19063R	AR	STANDARD ARM WITH HUB
6	22041L	AR	NARROW ARM WITH HUB
NS	22041R	AR	NARROW ARM WITH HUB
7	22045L	AR	NARROW GAUGE WHEEL ARM
NS	22045R	AR	NARROW GAUGE WHEEL ARM
8	22050L	AR	NARROW GAUGE WHEEL MOUNT
NS	22050R	AR	NARROW GAUGE WHEEL MOUNT
9	590061	AR	U-BOLT 5/8 X 5 X 7"
10	590108	AR	U-BOLT 5/8 X 7 X 7"
11	700023	AR	WHEEL, 20.5 X 8 X 10, YELLOW
12	700030	AR	WHEEL, 20.5 X 8 X 10, SILVER
13	700133	AR	NARROW WHEEL, SILVER
14	700134	AR	NARROW WHEEL, YELLOW
15	730030	AR	NUT, LUG
16	596216M	AR	NUT, HEX 5/8 MAGNI
17	596253M	AR	WASHER, LOCK 5/8 MAGNI
18	730003ASSY	AR	HUB ASSEMBLY

Mounting Clamp Kit for Auscherman Coulter Option



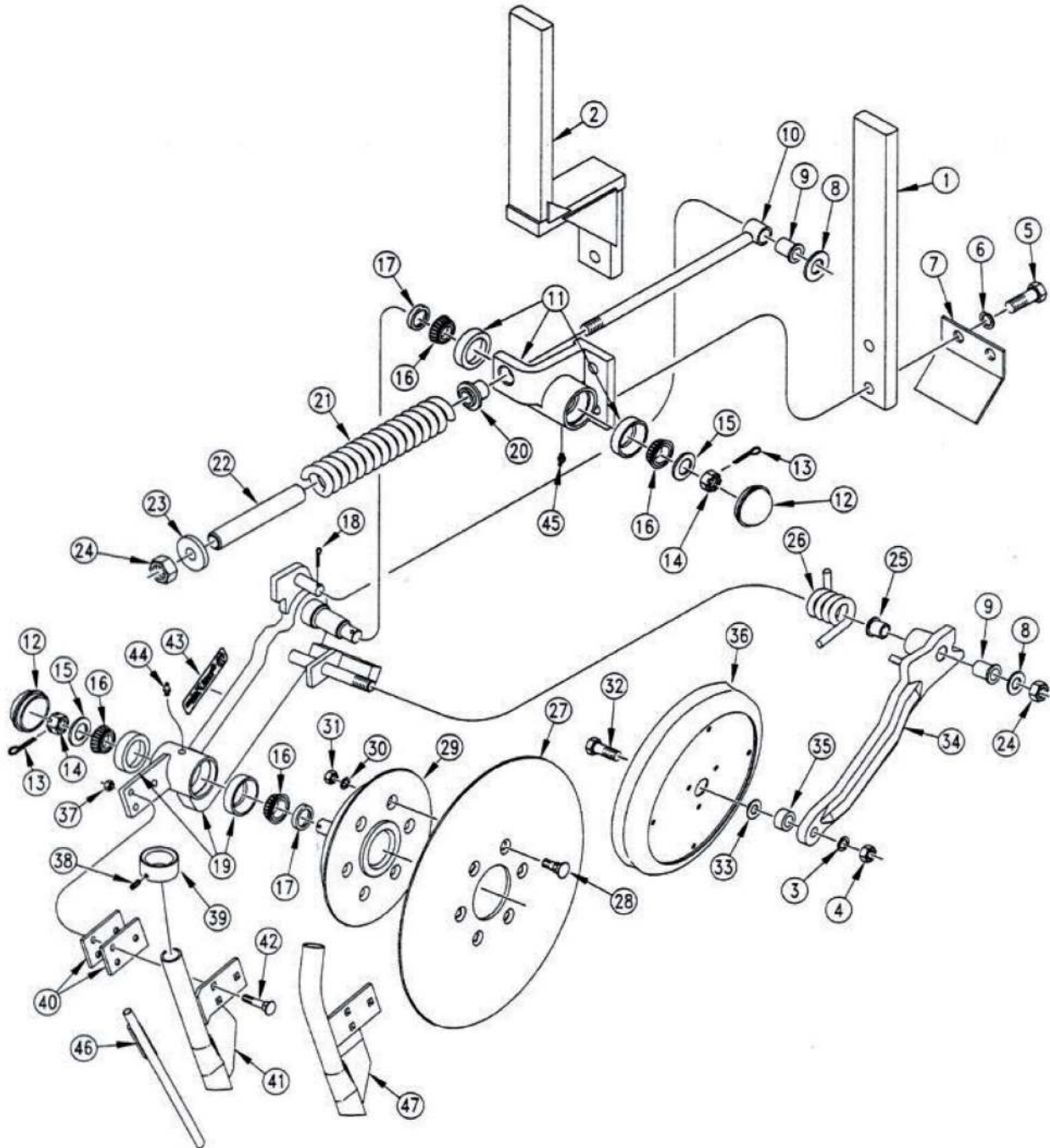


ILLUSTRATED PARTS LIST

Mounting Clamp Kit for Auscherman Coulter Option Parts List

ITEM	VENDOR PART NO.	FAST PART NO.	QTY.	DESCRIPTION
1	804-022C	253	4	LOCKWASHER 5/8" ZP
2	803-021C	216	4	NUT HEX 5/8 ZP
3	804-015C	252	2	LOCKWASHER 1/2" ZP
4	803-020C	215	2	NUT HEX 1/2" ZP
5	802-091C	153	2	BOLT HEX HEAD 1/2 X 1-1/2 GR5 ZP
6	204-188D		AR	6" SPLIT BAR CLAMP
6	204-189D		AR	7" SPLIT BAR CLAMP
7	806-116C		AR	U-BOLT 6 X 4 X 5/8, Use With 204-356k
7	806-083C		AR	U-Bolt 5/8-11 X 7 1/32 X 7 1/2, Use With 204-228k
7	806-084C		AR	U-Bolt 5/8-11 X 7 1/32 X 9 1/2, Use With 204-224k
7	806-131C		AR	U-Bolt 5/8-11 X 7 1/32 X 6, Use With 204-243k
8	204-356K	750024	1	6 X 4 BAR CLAMP KIT
8	204-224K	750046	1	7 x 7" Square Bar Clamp Kit
8	204-228K	750047	1	7 x 5" Square Bar Clamp Kit

Auscherman Vantage II Coulter



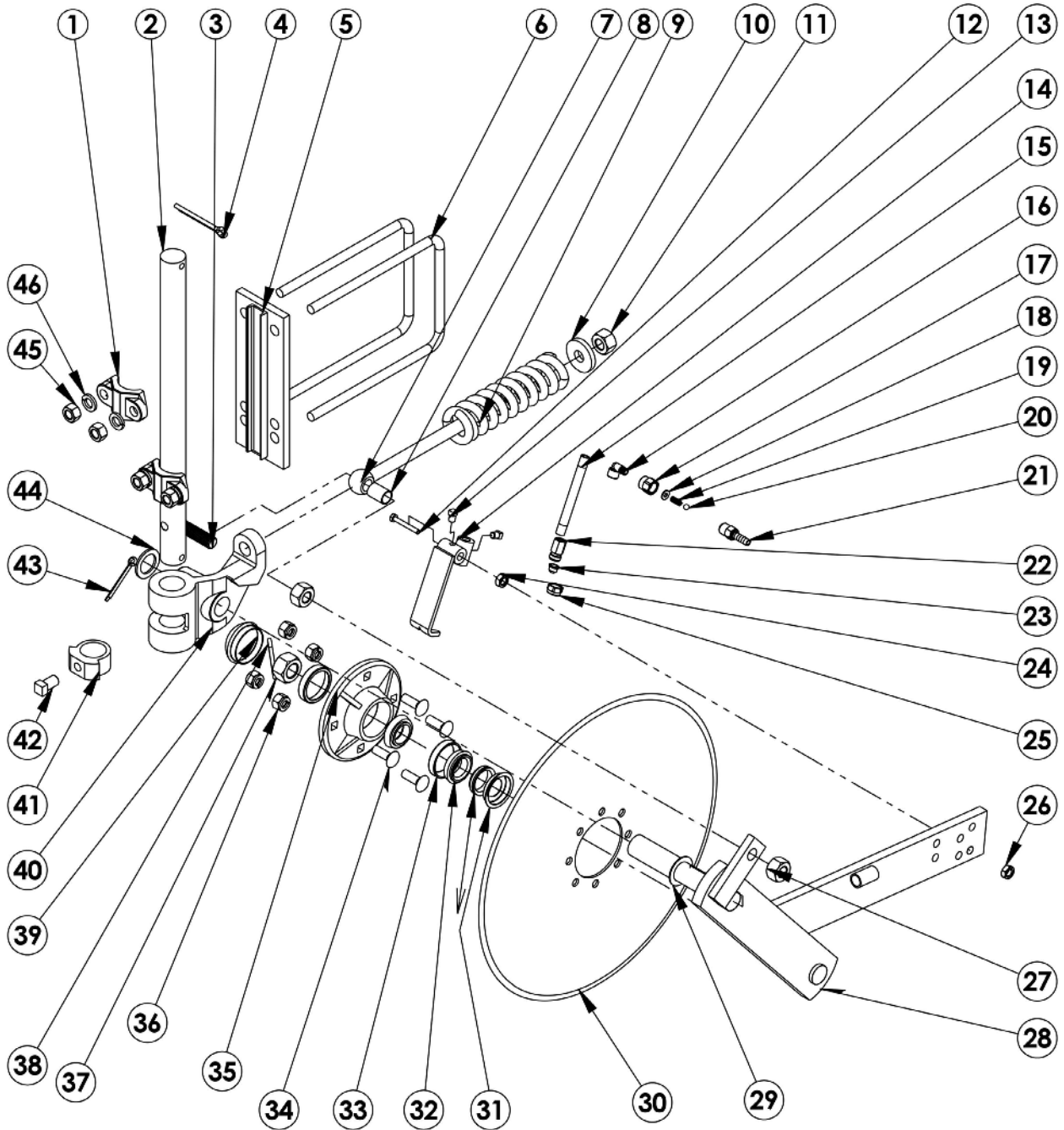


ILLUSTRATED PARTS LIST

Auscherman Vantage II Coulter Parts List

ITEM	VENDOR PART NO.	FAST PART NO.	QTY.	DESCRIPTION
1	807-124C	750026		21" Flat Bar Angled Coulter Shank
2	820-181C			Vantage II 5" Offset Flat Shank RH (Shown)
NS	820-182C			Vantage II 5" Offset Flat Shank LH
NS	804-022C			Washer Lock Spring 5/8
NS	803-021C			Nut Hex 5/8-11 Plt
5	802-064C			Hex Head Cap Screw 3/4-10 X 2 Grade 5
6	804-023C			Washer Lock Spring 3/4
7	204-154D			Front Shield
8	804-025C			Washer Flat 3/4 SAE
9	817-051C			Swing Arm Bushing
10	204-209H			Blade Spring Rod Weldment
11	204-233V			Coulter Pivot RH Sub-Assembly (Shown)
	204-235V			Coulter Pivot LH Sub-Assembly
12	200-001D			Hub Grease Cap
13	805-017C			Pin Cotter 3/16 X 1-3/4
14	803-029C			Nut Hex Slotted 7/8-14
15	804-055C			Washer Spindle - 7/8
	822-020C			Bearing Cup LM-67010 (Not Shown)
16	822-021C			Bearing Cone LM-67048
17	816-009C			Oil Seal Double Lip
18	805-063C			Pin Cotter 3/32 X 1 Long
19	204-234V			Blade Arm RH Sub-Assembly (Shown)
	204-236V			Blade Arm LH Sub-Assembly
20	817-029C			Bushing Coulter Casting
21	807-074C			Spring 2.25 OD X .5 Coil
22	204-107D			Spring Rod Sleeve 1-1/8 OD
23	812-031C			Casting Coulter Spring Washer
24	803-025C			Nut Hex 3/4-10 Plt Nylock
25	817-084C			Parallel Arm Pivot Bushing
26	807-089C			Torsion Spring 3/8 Wire RH (Shown)
	807-090C			Torsion Spring 3/8 Wire LH
27	820-093C			Single Bevel 18 Coulter Blade
28	802-354C			Plow Bolt 1/2-13 X 1-1/2 Grade 5
29	204-145D			Coulter Hub
30	804-015C			Washer Lock Spring 1/2
31	803-020C			Nut Hex 1/2-13
32	802-281C			Hex Head Cap Screw 5/8-11 X 2-3/4 Grade 5
33	804-019C			Washer Flat 5/8 USS
34	201-141D			Wiper Wheel Arm RH (Shown)
	204-142D			Wiper Wheel Arm LH
35	204-153D			Wiper Wheel Spacer
36	198-057S			2 x 13 Depth Wheel Assembly
	822-095C			Press Wheel Bearing Only
	814-083C			Press Wheel Tire Only
37	803-013C			Nut Lock 3/8-16 Plt
38	801-015C			Screw Set Socket Head 1/4-20 (1/2)
39	204-268D			Dry Fertilizer Tube Collar
40	816-134C			Rubber Pad
41	820-124C			Dry Fertilizer Tube RH
	820-125C			Dry Fertilizer Tube LH
42	802-406C			RHSNB 3/8-16 (1-3/4 SS)
43	838-482C			Decal Gp Planting Components
44	800-001C			Grease Zerk Straight 1/4-28
45	800-073C			Grease Zerk 1/4-28 X 90°
46	890-580C			Vantage II Liquid Insert
47	204-412H	750025		Vantage II RH Dry Drop Tube Weldment (shown)
	204-413H			Vantage II LH Dry Drop Tube Weldment
	204-218L	750022		Coulter Vantage II RH (Incl 8-45,47)
	204-219L	750023		Coulter Vantage II LH (Incl 8-45,47 LH)

Clymer Coultter Assembly



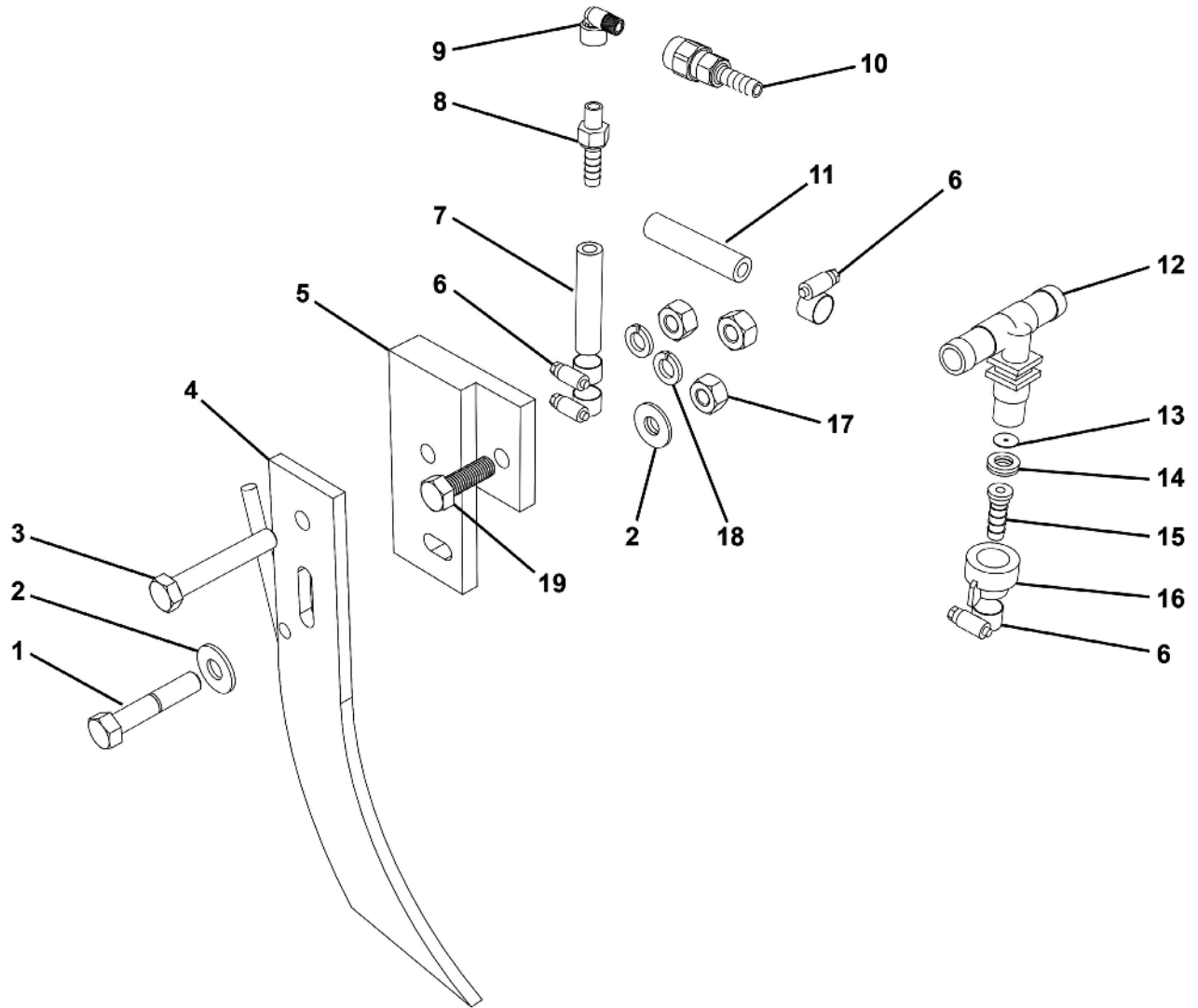


ILLUSTRATED PARTS LIST

Clymer Coulter Assembly Parts List

ITEM	VENDOR PART NO.	FAST PART NO.	QTY.	DESCRIPTION
1	N369	590005	2	Casting Clamp
2	N343	750012	1	1-1/2" Straight Coulter Shank
NS	N345	750055	AR	1-1/2" Offset Coulter Shank
NS		750054	1	1-1/2" Offset Coulter Shank Special
NS		750053	1	1-1/2" Offset Coulter Shank Special
3		186	1	Bolt Hex Head 3/4 X3 Grade 5 Zp
4	FPC510		2	Cotter Pin 5/16" X 3
5	N367-1		1	Clamp Plate
6	FBU6B0		2	U-Bolt 7 X8-1/2 X 5/8 E-Coat
7	N347-7		1	Bushing Nylon For Spring Rod
8	N347-5		1	Spring Rod
9	S233		1	Spring Coulter
10	N347-3		1	Spring Bushing Casting
11		233	1	Nut Hex Head 3/4 Nylock Zp
12	FBH0816-SS	750010	1	Bolt Hex Head 1/2 X4 Grade 5 SS
13	FBS0602	750018	2	Set Screw 3/8 X 1/2"
14	COI100-7	750016	1	Rock Guard
15	TJ-4676-22-1/4	530199	1	Nipple, Pipe 1/4 X5 SS
16	TJ-CP4916-250	530246	1	Elbow, Street 1/4" NPT SS
		530188	1	Hose Shank Check Valve Assembly Items 17-21
17	TJ-4676-22-1/4		1	Adapter 11/16" X 1/4" NPT
18	TJ-CP4916-250		1	Orifice Plate 302 SS
19	TJ-CP3655-5-SS		1	Spring 5# 302 SS
20	TJ-CP7671-5/16/SS		1	Ball 302 SS
21	TJ-39189-8400-406-SS		1	Hose Shank 11/16 X 1/4" NPT 303 SS
22	TJ-CP1321-SS	520014	1	Teejet Body SS
23	TP-00xx-SS		1	Tip SS Teejet (Specify Tip Size)
24	FNJ08-SS	750009	1	Hut Hex Head Jam 1/2" SS
25	TJ-CP1325SS	750015	1	Nozzle Cap SS
26	FNJL08-SS	750011	1	Nut Hex Head Nylock 1/2" SS
27	FNL12-NF		1	Nut Hex Head 3/4" Nf Zp
28	N347-47		1	Swing Arm W Hub
29	N347-6		1	Bushing Coulter Flanged
30	N342	750014	1	Coulter Ripple 20"
31	W40-2		1	Seal Coulter 2 Piece
32	W32		1	Bearing
33	W38		2	Cup
34	FBC0806		2	Bolt Carriage 1/2" X 1-1/2" Zp
35	W23Y		4	Hub Assembly Complete (Items 31-33,35,37-39)
	W23		1	Hub Only
36	FNH08		1	Nut Hex Head 1/2" Zp
37	W60		4	Nut Spindle 5/8"
38	FPC497		1	Pin Cotter 1/8" X 1-1/4"
39	W50		1	Cap Hub
40	N347-1		1	Coulter Hinge Casting
41	N347-2	750008	1	Locking Collar 30°
NS	N347-2/45		OPT.	Locking Collar 45°
42	FBS1004		1	Setscrew 5/8" X 1"
43	FPC505		1	Pin Cotter 1/8" X 1-1/4"
44	FWM18		1	Bushing 1/8" Thick
45		216	4	Nut Hex Head 5/8" Zp
46		253	4	Washer Lock 5/8"

Knife Assembly





ILLUSTRATED PARTS LIST

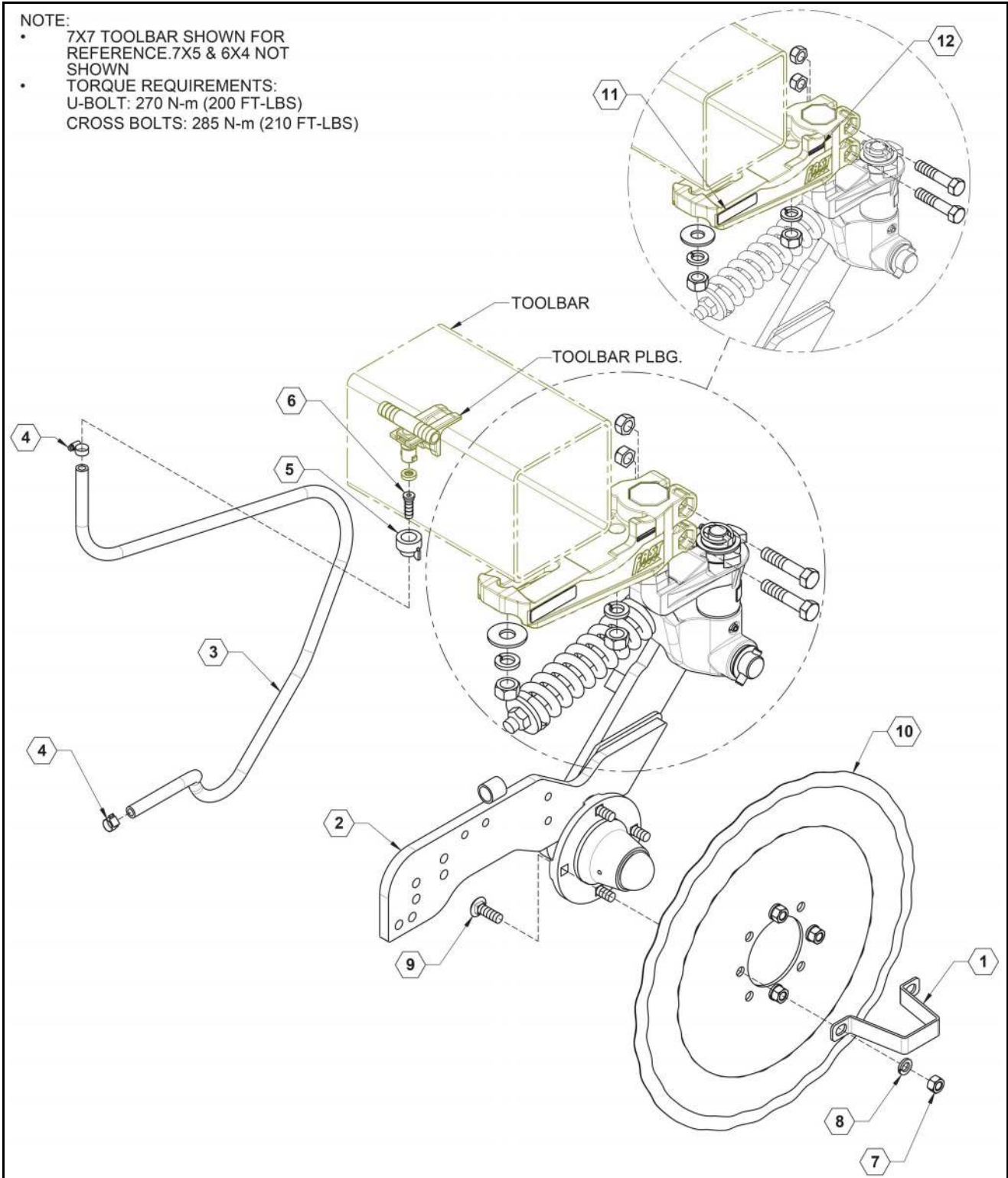
Knife Assembly Parts List

ITEM	VENDOR PART NO.	FAST PART NO.	QTY.	DESCRIPTION
1		FBH0813	1	Bolt Hex Head 1/2 X 3-1/4 Zp Grade 5
2		260	2	Washer Flat 1/2" Zp
3		155	1	Bolt Hex Head 1/2 X 2-1/2 Zp Grade 5
4	WI-CO501000	750003	1	Wiese CO50100 Knife
5	CLN3934	750019	1	Mounting Bracket And Shim Kit
6	BR-64006H	540011	4	Clamp Hose 5/16"
7	BS-3/8BH200	510020	1	Hose EDPM 3/4" X 4'
8	VI-316A1438	530247	1	Hose Barb 1/4" MPT X 3/8" Hose
9	VI-304SE14	530246	1	Elbow Street 1/4" MPT
10	39188-8400-406-SS	530188	1	Valve Check 1/4" MPT X 3/8" Hose
11	BS-3/8BH200	510020	1	Hose EDPM 3/4" X 54'
12	18720-112-785-NYB	520004	AR	Tee 3/4" Hose Barb
NS	18719-111-785-NYB	520003	AR	L 3/4" Hose Barb
13	CP4916-XX	CP4916-XX	1	Orifice Disc 4916-XX See Rate Chart
14	CP18999EPR	590029	1	Gasket Orifice Disc
15	8400-406-NYB	590077	1	Hose Shank 3/8"
16	CP25607-1-NY	590076	1	Cap Nozzle Black
17		215	3	Nut Hex Head 1/2" Zp
18		252	3	Washer Lock 1/2" Zp
19		603	1	Bolt Hex Head 1/2 X 1-3/4" Zp Grade 5

AP Coulter Row Unit Base Assembly

NOTE:

- 7X7 TOOLBAR SHOWN FOR REFERENCE. 7X5 & 6X4 NOT SHOWN
- TORQUE REQUIREMENTS:
U-BOLT: 270 N-m (200 FT-LBS)
CROSS BOLTS: 285 N-m (210 FT-LBS)



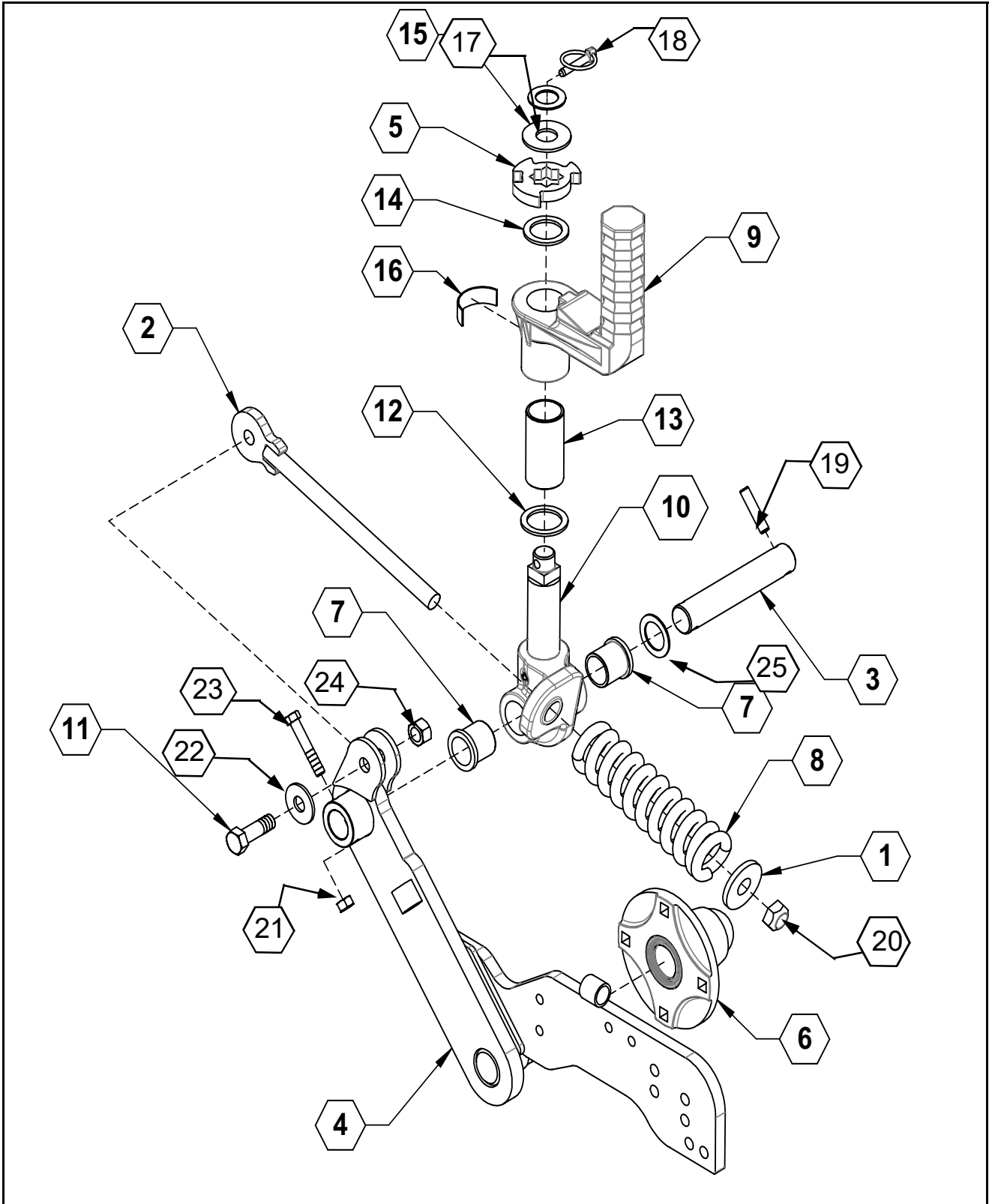


ILLUSTRATED PARTS LIST

AP Coulter Row Unit Base Assembly Parts List

ITEM	PART NO.	QTY.	DESCRIPTION
1	17214	1	HUB RETAINER BRACKET
2	17300	1	ASSY, AP COULTER ROW UNIT
3	510020	AR	HOSE, 3/8", EPDM
4	540032	2	CLAMP, HOSE 5/16"
5	590076	1	CAP
6	590077	1	CONNECTOR, HOSE BARB
7	596215M	4	NUT, HEX 1/2 NC GR5 MAGNI
8	596251M	4	WASHER, LOCK 1/2" MAGNI
9	596620M	4	BOLT, CARR, 1/2X 1-1/2 GR5 MAGNI
10	750014	1	COULTER BLADE, 20" RIPPLED
11	800198	1	DECAL, UPPER MOUNT PATENT
12	800209	1	DECAL, D FAST GLOBAL SOLUTIONS

AP Coulter Row Unit Cast Coulter Assembly



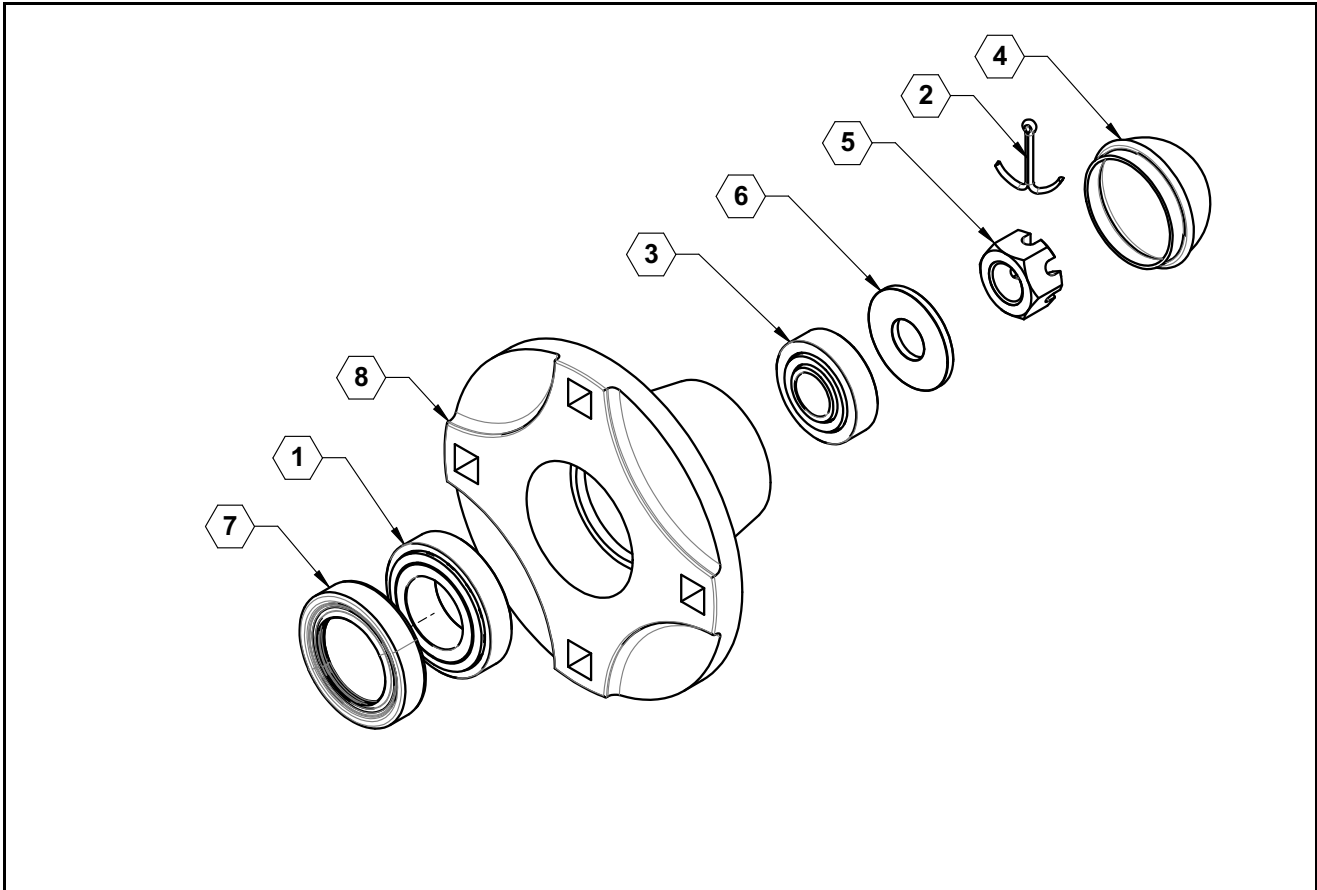


ILLUSTRATED PARTS LIST

AP Coulter Row Unit Cast Coulter Parts List

ITEM	PART NO.	QTY.	DESCRIPTION
1	17208	1	PLATE, SPRING END
2	17276	1	SPRING LEVER WELDMENT
3	17291	1	PIVOT SHAFT
4	17295	1	COULTER ARM WELDMENT
5	21088	1	PLATE, COULTER ROTATION
6	26891	1	N669 COMPLETE HUB W/ SQ HOLE W/TRIPLE SEAL
7	530328	2	IGUS FLANGED BUSHING
8	590123	1	COULTER SPRING
9	590232	1	MID CASTING
10	590233	1	LOWER CASTING
11	590260	1	BOLT, HH 5/8 X 2" SPECIAL GR5 MAGNI
12	750081	1	COULTER WASHER
13	750082	1	COULTER PIVOT BUSHING
14	750085	1	LOWER DUST CAP WASHER
15	750086	1	UPPER DUST CAP WASHER
16	800197	1	DECAL, SHANK PATENT
17	596179M	1	BUSHING, MACHINED 1" X 14GA MAGNI
18	590819M	1	LYNCH PIN, 5/16 X 1-3/4 MAGNI
19	596740M	1	ROLL PIN, 7/16 X 2 MAGNI
20	596626M	1	NUT, TOPOCK 3/4-10 MAGNI
21	596238M	1	NUT, CENTERLOCK 7/16-14 MAGNI
22	596261M	1	WASHER, FLAT 5/8 MAGNI
23	596143M	1	BOLT, HH 7/16X2-1/2 GR5 MAGNI
24	596240M	1	NUT, CENTERLOCK, 5/8-11 MAGNI
25	596744M	1	BUSHING, MACHINED, 1-1/4 X 14 GA MAGNI

N669 Complete Hub W/ Square Hole w/ Triple Seal Assembly



N669 Complete Hub w/ Square Hole w/ Triple Seal Parts List

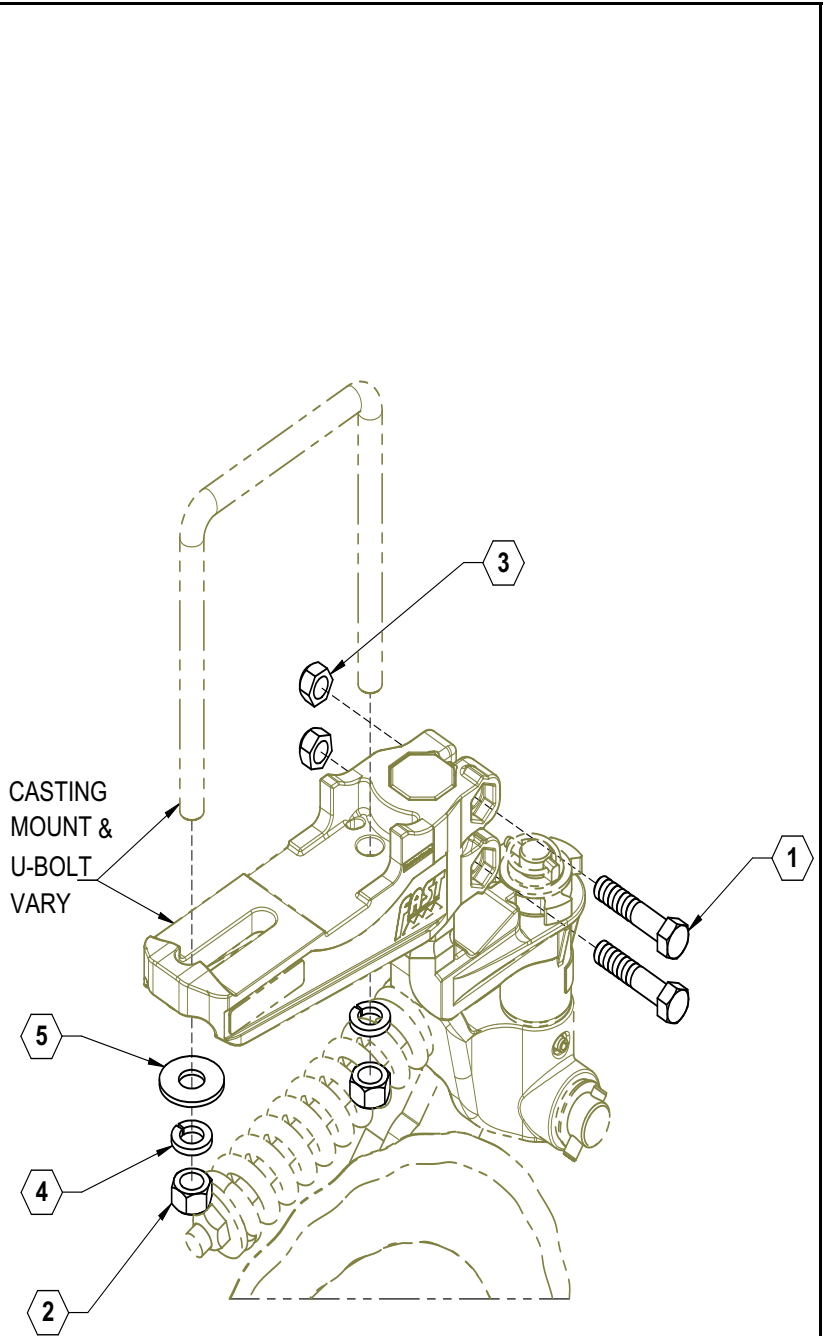
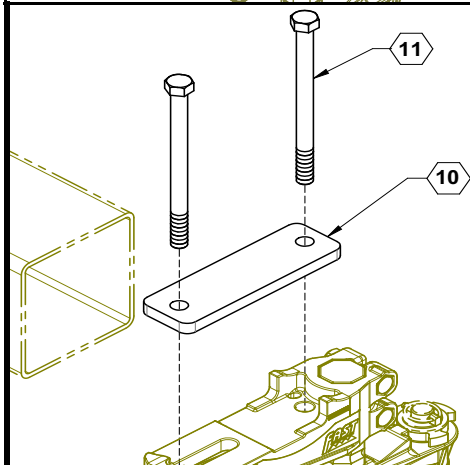
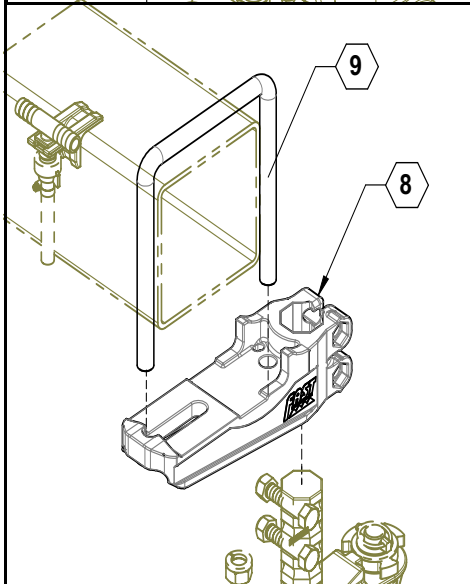
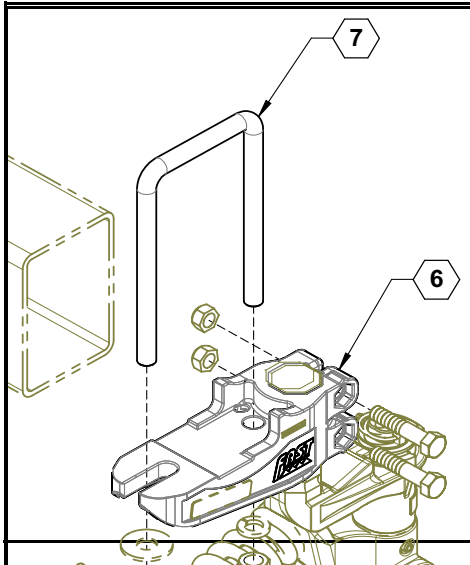
ITEM	PART NO.	QTY.	DESCRIPTION
1	730032	1	BEARING, LG LM 67048, N669 HUB
2	730033	1	COTTER PIN, N669, 4-BOLT
3	730036	1	BEARING, SM LM 11949, N669 HUB
4	730044	1	HUB CAP, (699/736) HUB
5	730088	1	CASTLE NUT 4-BOLT, 5/8-18
6	730096	1	WASHER, NSS9 4-BOLT
7	730102	1	SEAL, TRIPLE LIP ID
8	730104	1	HUB, W / CUPS, 4 BOLT, N669



ILLUSTRATED PARTS LIST



AP Coultter Upper Casting Mounts



TORQUE REQUIREMENTS:
U-BOLT: 270 N-m (200 FT-LBS)
CROSS BOLTS: 285 N-m (210 FT-LBS)



ILLUSTRATED PARTS LIST

AP Coultter Upper Casting Mounts Parts List

ITEM	PART NO.	QTY.	DESCRIPTION
1	596779M	2	BOLT, G8 HEX 5/8 X 3 MAGNI
2	596217M	2	NUT, HEX 3/4-10 MAGNI
3	596243M	2	NUT, G8 TOPLOCK 5/8-11 MAGNI
4	596254M	2	LOCKWASHER 3/4 MAGNI
5	596259M	1	WASHER, FLAT 3/4 MAGNI
6	590310	1	MOUNT CASTING AP COULTER
7	596773M	1	U-BOLT, 7 X 5 MAGNI
	596772M	1	U-BOLT, 6 X 4 MAGNI
8	590231	1	MOUNT CASTING, 7X7 TB
9	596774M	1	U-BOLT, 7 X 7 MAGNI
10	17284	1	PLATE, TOP
11	596197M	2	BOLT, 3/4-10 X 9-1/2 MAGNI

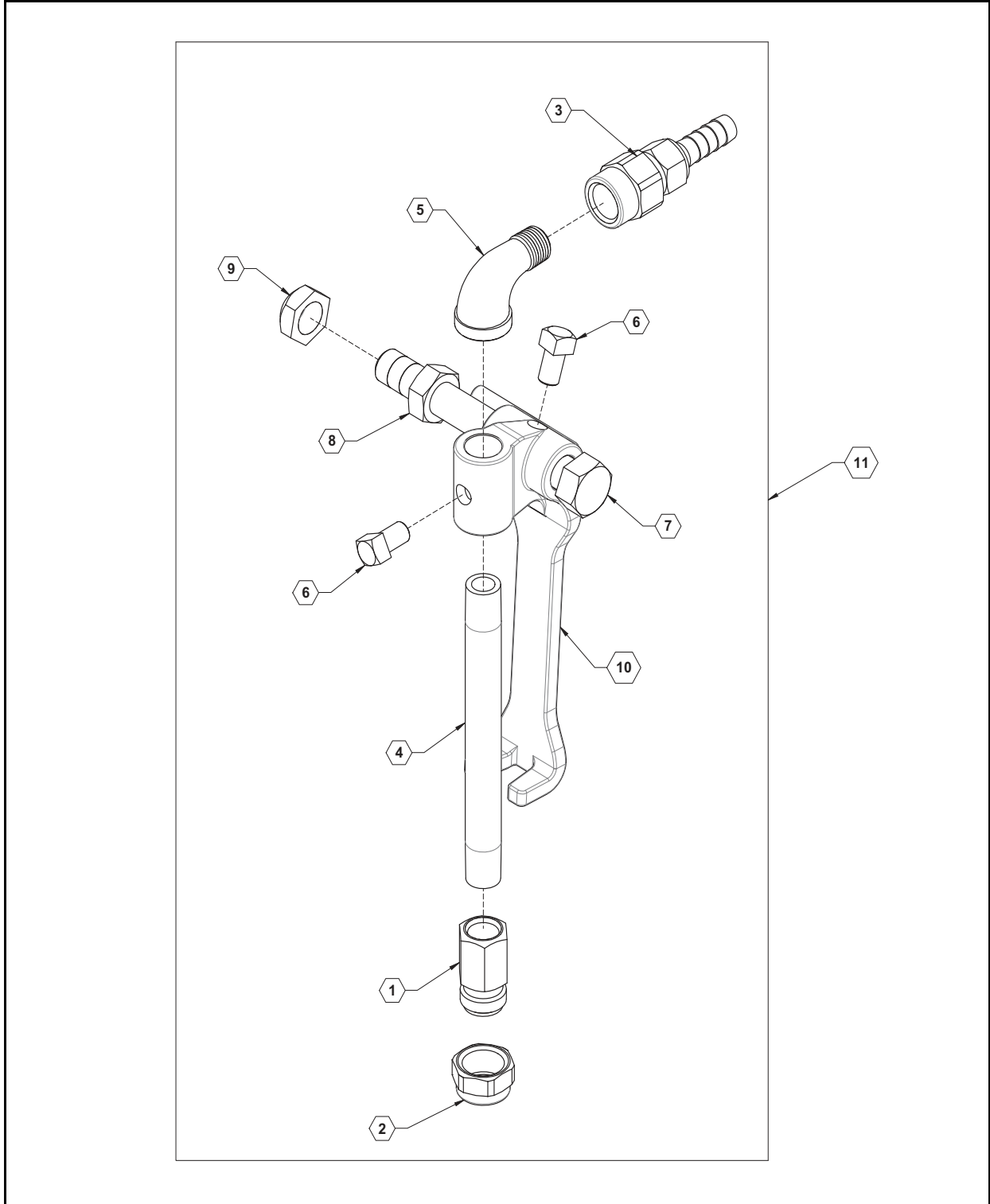


ILLUSTRATED PARTS LIST

Injector and Knife Options

FAST AP Coulter Injection Option Assembly

No closing wheel



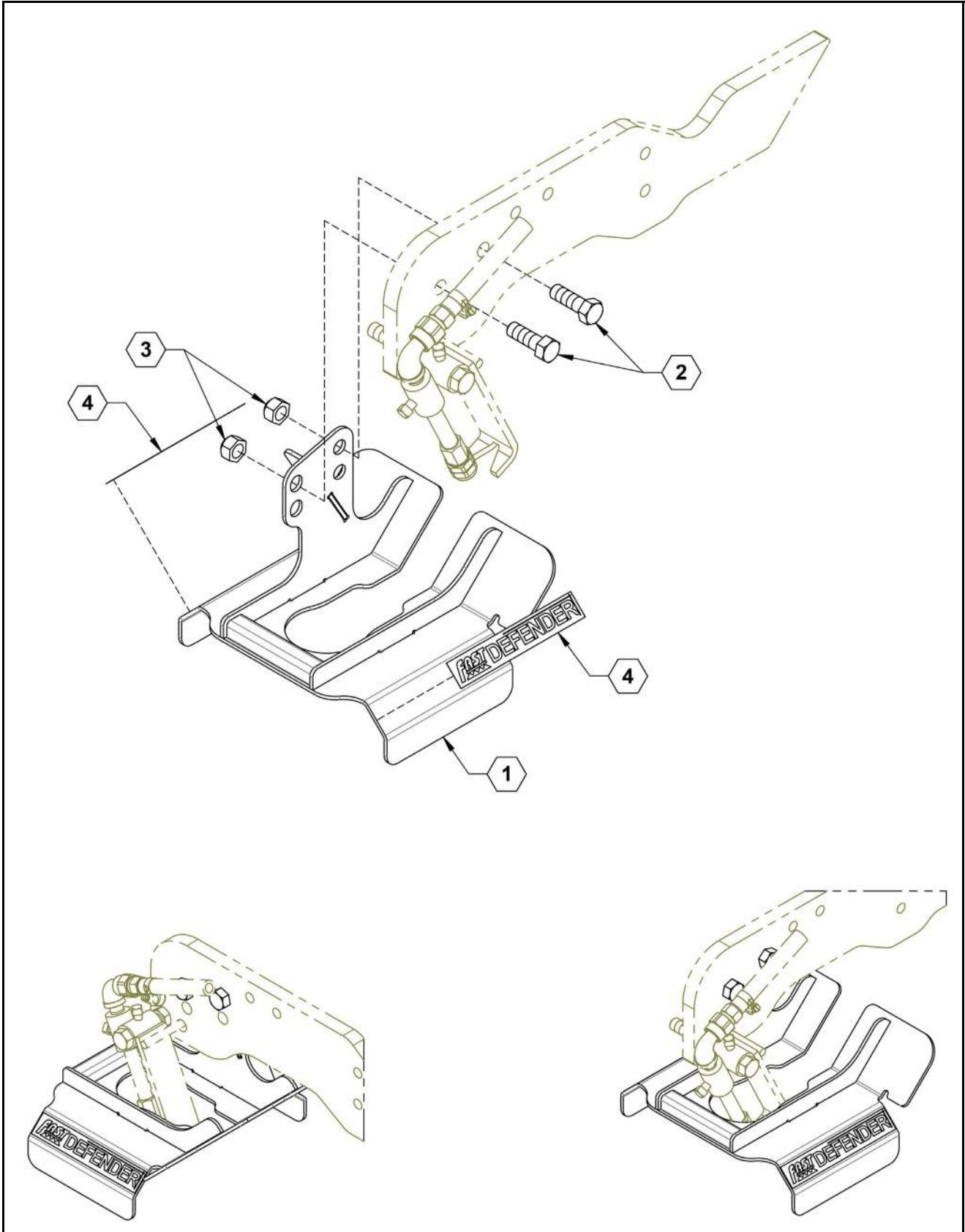


ILLUSTRATED PARTS LIST

FAST AP Coulter Injection Option Parts List

ITEM	PART NO.	QTY.	DESCRIPTION
1	520014	1	NOZZLE, SS 1/4" TEE
2	520015	1	NOZZLE, SS CA
3	530188	1	HOSE SHANK ASSEMBLY
4	530199	1	PIPE NIPPLE, 1/4" SS
5	530246	1	STR. ELB:1/4" MPTX1/4" FPT
6	596100M	2	SET SCREW, 3/8-16X 1/2 MAGNI
7	596158M	1	BOLT, HH 1/2 X 4 GR5 MAGNI
8	596223M	1	NUT, HEX JAM 1/2-13 MAGNI
9	596618M	1	NUT, TOPLOCK THIN 1/2-13 MAGNI
10	750084	1	ROCK GUARD
11	90SA INJ	AR	COMPLETE INJECTOR ASSEMBLY
NS	520049	AR	#8 STREAM JET TIP
NS	520056	AR	#10 STREAM JET TIP
NS	520034	AR	TIP, SS - 0015 TEEJET
NS	520035	AR	#20 STREAM JET TIP
NS	TJTP0030SS	AR	#30 STREAM JET TIP
NS	TJTP0040SS	AR	#40 STREAM JET TIP

DeFender for Injection Assembly



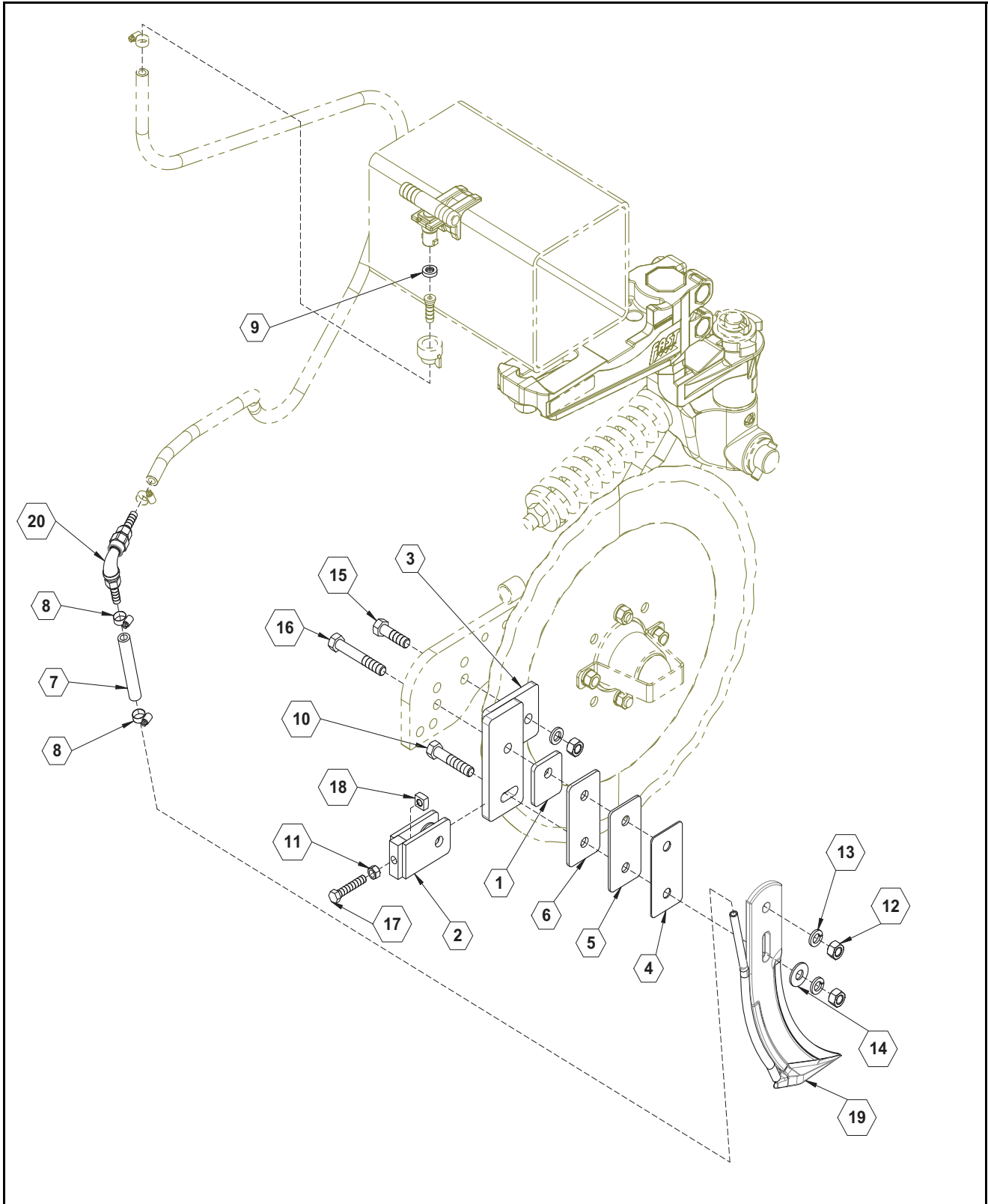


ILLUSTRATED PARTS LIST

DeFender for Injection Parts List

ITEM	PART NO.	QTY.	DESCRIPTION
1	21805	1	COULTER DEFENDER®
2	596153M	2	BOLT, HH 1/2-13X1-1/2 GR5 MAGNI
3	596619M	2	NUT, TOPLOCK 1/2-13 MAGNI
4	800273	2	DECAL, FAST DEFENDER®

AP Coulter Knife Option Assembly



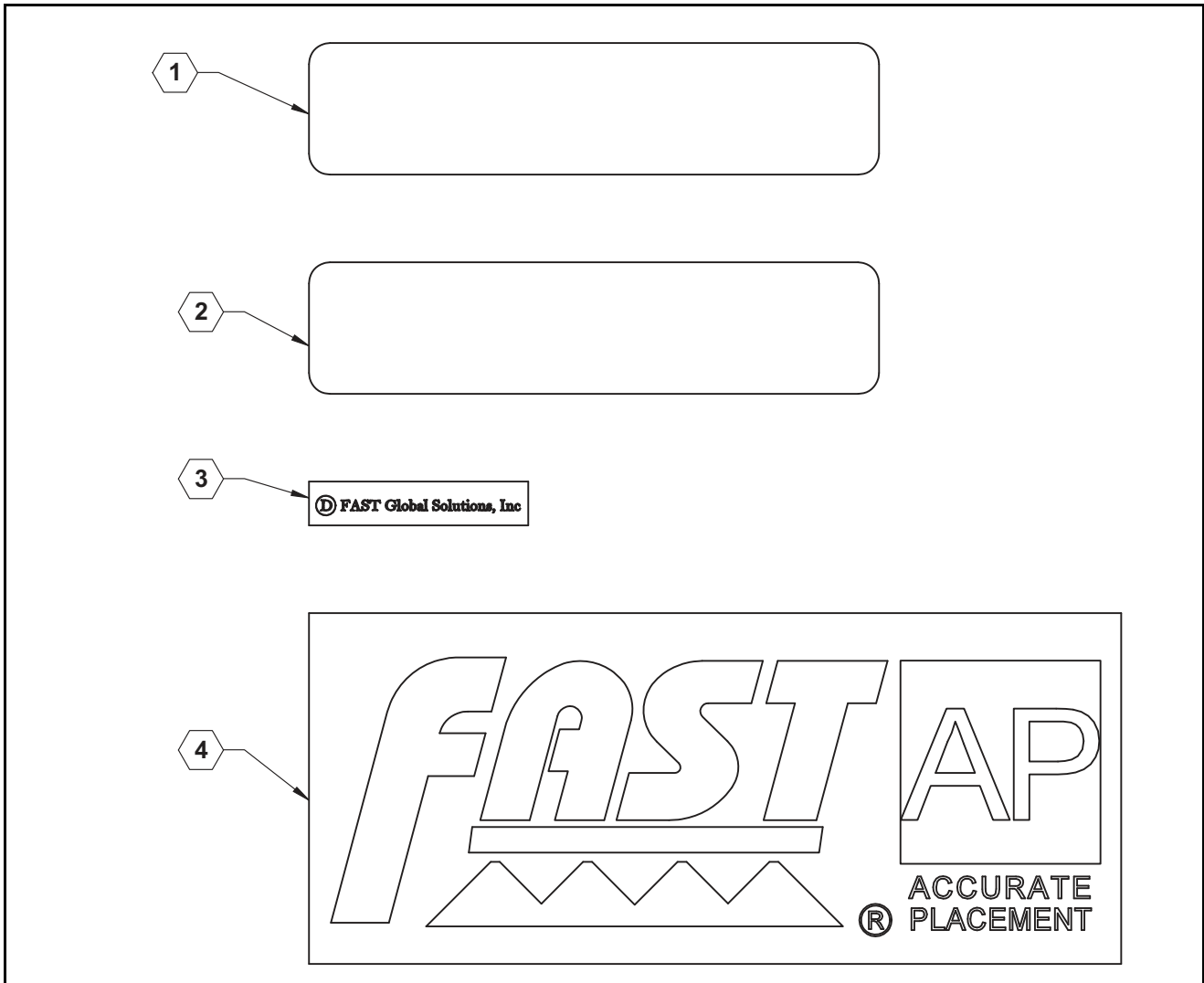


ILLUSTRATED PARTS LIST

AP Coulter Knife Option Parts List

ITEM	PART NO.	QTY.	DESCRIPTION
1	17909	1	PLATE, SHIM SPACER
2	17910	1	KNIFE ADJUSTER BRACKET
3	17915	1	KNIFE MOUNT
4	17920	1	KNIFE SHIM, 14 GA
5	17921	1	KNIFE SHIM, 10 GA
6	17922	1	KNIFE SHIM, 7 GA
7	510020	1	HOSE, 3/8", EPDM
8	540032	2	CLAMP, HOSE 5/16"
9	590029	1	SEAL, EDPM RUBBER
10	596155M	1	BOLT, HH 1/2 X 2.5" GR5 MAGNI
11	596213M	1	NUT, HEX 3/8" MAGNI
12	296215M	3	NUT, HEX 1/2" MAGNI
13	596251M	3	WASHER, LOCK 1/2" MAGNI
14	596260M	1	WASHER, FLAT 1/2" MAGNI
15	596639M	1	BOLT, HH 1/2 X 1.75" GR5 MAGNI
16	596640M	1	BOLT, HH 1/2 X 3.25" GR5 MAGNI
17	596660M	1	BOLT, HH 3/8 X 2" FT GR5 MAGNI
18	596762M	1	NUT, SQUARE 3/8" MAGNI
19	750003	1	KNIFE, EXTRA THIN W / 3/8" PIPE
20	90SACLKYNFCHCKVLV	1	KNIFE CHECK VALVE ASSEMBLY
NS	CP491663	AR	#63 ORIFICE DISK
NS	CP491665	AR	#65 ORIFICE DISK
NS	CP491672	AR	#72 ORIFICE DISK
NS	CP491675	AR	#75 ORIFICE DISK
NS	CP491677	AR	#77 ORIFICE DISK
NS	CP491678	AR	#78 ORIFICE DISK
NS	CP491680	AR	#80 ORIFICE DISK
NS	CP491689	AR	#89 ORIFICE DISK
NS	CP491691	AR	#91 ORIFICE DISK
NS	CP491693	AR	#93 ORIFICE DISK
NS	CP4916103	AR	#103 ORIFICE DISK
NS	CP4916107	AR	#017 ORIFICE DISK
NS	CP4916115	AR	#115 ORIFICE DISK
NS	CP4916125	AR	#125 ORIFICE DISK
NS	CP4916132	AR	#132 ORIFICE DISK
NS	CP4916144	AR	#144 ORIFICE DISK
NS	CP4916151	AR	#151 ORIFICE DISK
NS	CP4916177	AR	#177 ORIFICE DISK

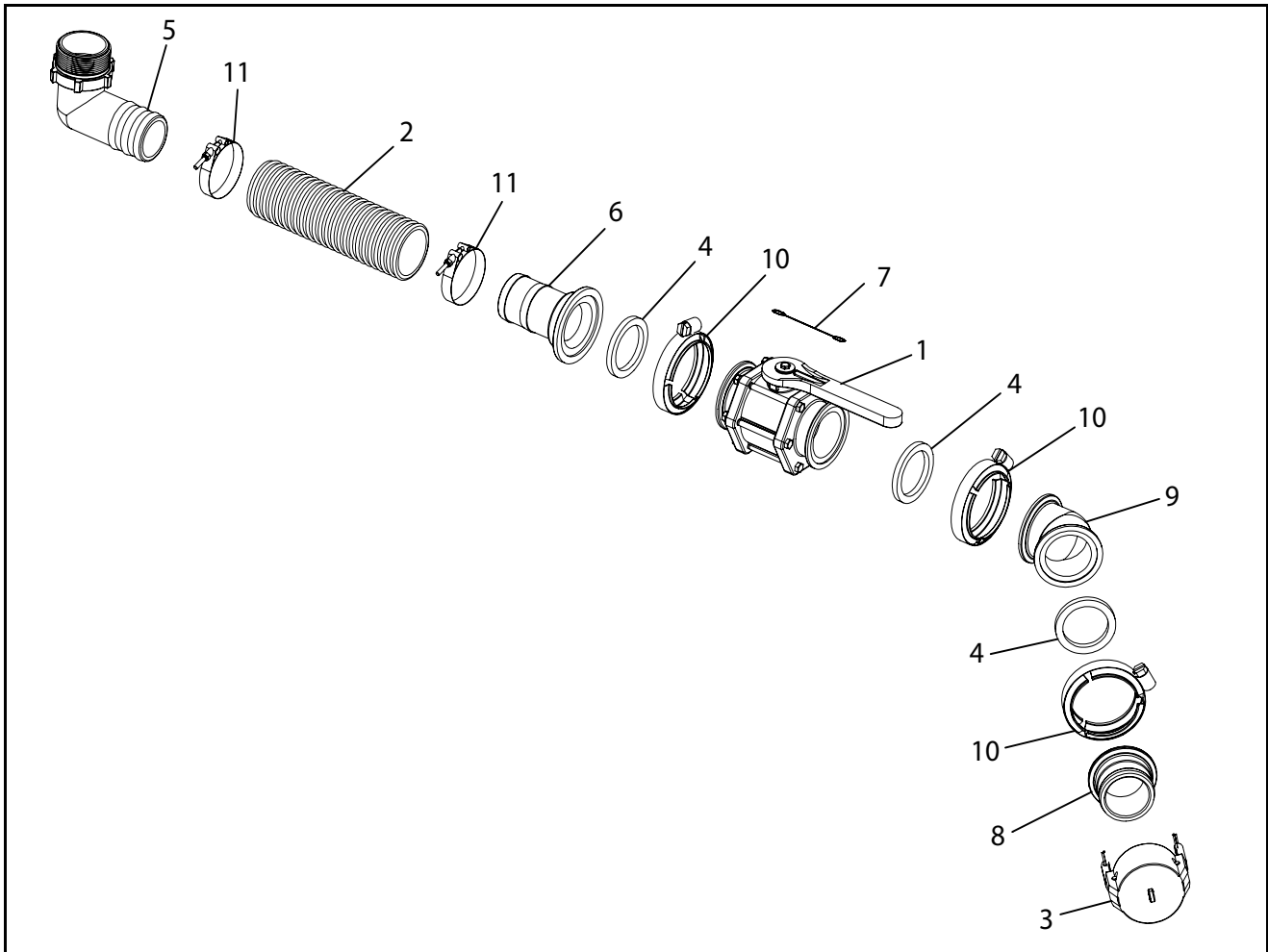
Coulter Decal Assembly



Coulter Decal Assembly Parts List

ITEM	PART NO.	QTY.	DESCRIPTION
1	800197	1	DECAL, SHANK PATENT
2	800198	1	DECAL, UPPER MOUNT PATENT
3	800209	1	DECAL, D FAST GLOBAL SOLUTIONS
4	800210	1	DECAL, FAST AP COULTER LOGO

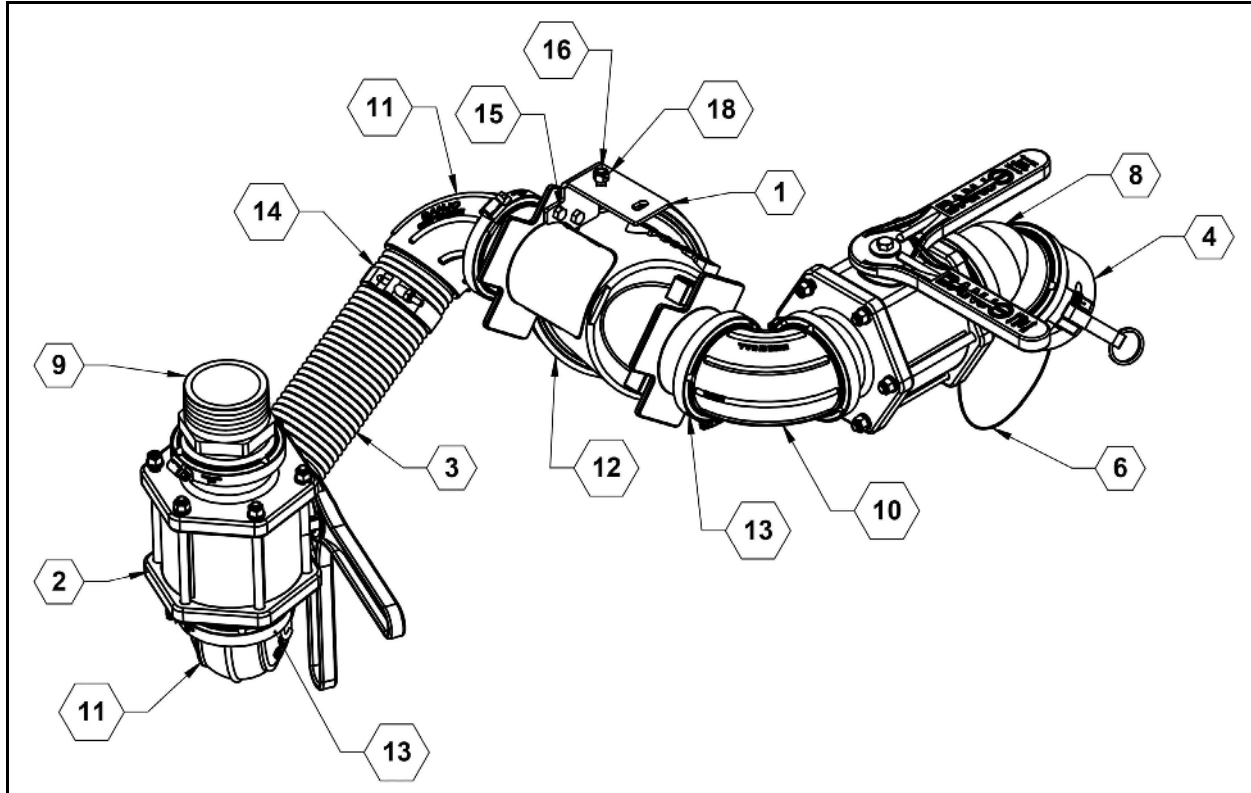
8118 3 Inch Quick Fill



8118 3 Inch Quick Fill Parts List

ITEM	PART NO.	QTY.	DESCRIPTION
1	500042	1	VALVE, 3" MANIFOLD
2	510004	1	HOSE, 3" FERTILIZER
3	530023	1	CAP, 3"
4	530024	3	3" EDPM GASKET
5	530053	1	3" HOSE BARB ELBOW 90°
6	530113	1	3" MANIFOLD X 3" HOSE BARB
7	530179	1	LANYARD
8	530233	1	3" MANIFOLD X 3" MALE ADAPTER
9	530234	1	3" MANIFOLD COUPLER, 45°
10	540003	3	CLAMP, 3" WORM SCREW
11	540009	2	CLAMP, 3" T BOLT

8100 3 Inch Quick Fill Plumbing with Strainer



8100 3 inch Quick Fill Plumbing Parts List

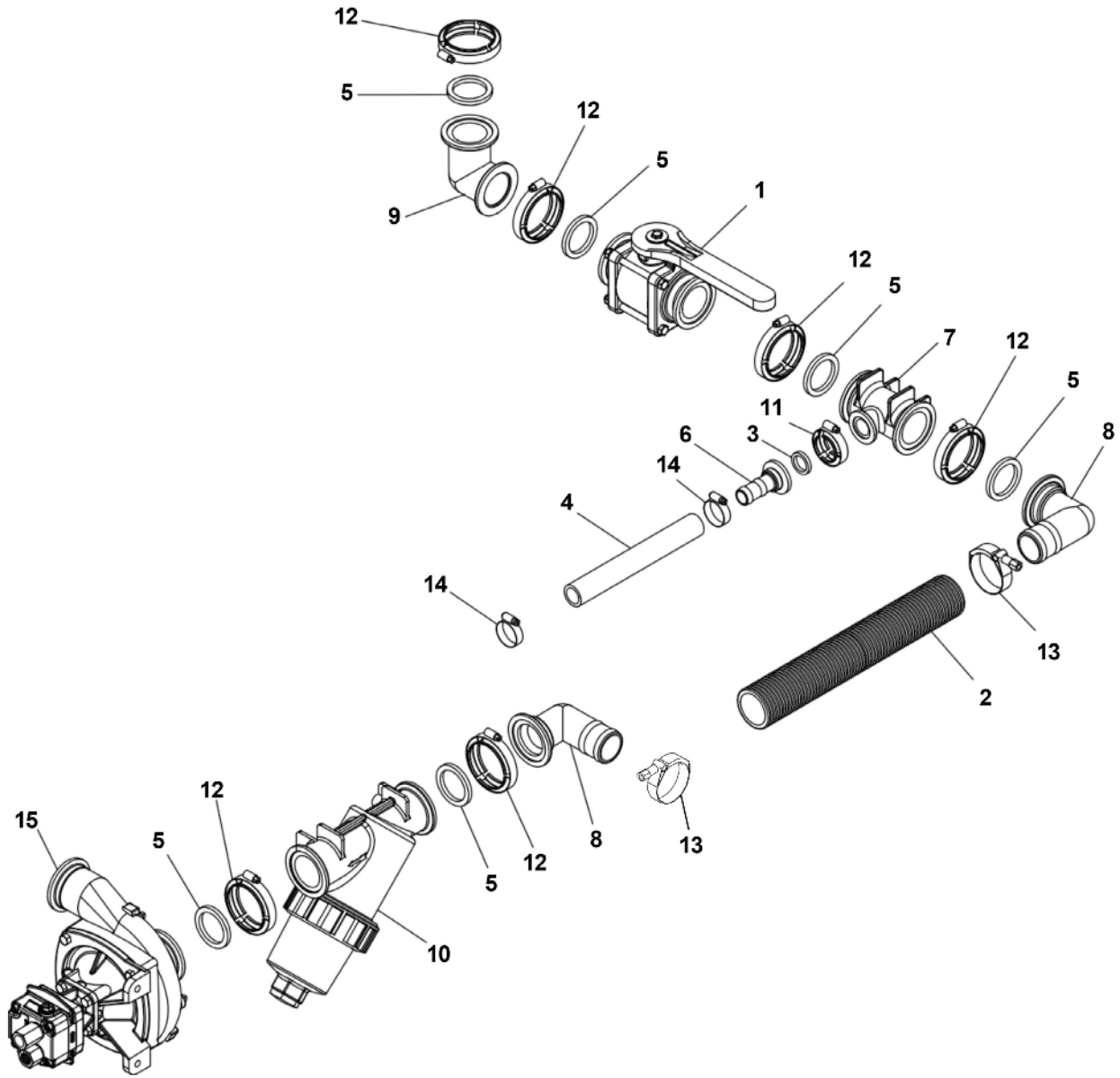
ITEM	PART NO.	QTY.	DESCRIPTION
1	28205	1	PLATE, 3" STRAINER MOUNT
2	500042	2	MANIFOLD VALVE, STD PORT 3"
3	510004	2	HOSE, 3" FERTILIZER
4	530023	1	CAP, 3"
5	530024	7	GASKET, 3" EPDM
6	530179	1	CABLE LANYARD
7	530233	1	MANIFOLD ADAPTER, 3" X 3" QDC MALE
8	530234	1	COUPLER, 3" X 45°
9	530385	1	COUPLING, 3" MANIFOLD X 3" MPT
10	530439	1	MANIFOLD SWEEP, FLANGE 3"
11	530441	2	FLANGE SWEEP, 90 X 3" HOSE BARB
12	530442	1	STRAINER, 3" Y STANDARD PORT -12
13	540003	7	CLAMP, WORM SCREW 3"
14	540027	2	CLAMP, HOSE 3" T-BOLT
15	596115M	2	BOLT, HH 5/16-18X1 GR5 MAGNI
16	596128M	1	BOLT, HH 3/8-16 X 1 GR5 MAGNI
17	596212M	2	NUT, HEX 5/16-18 MAGNI
18	596237M	1	NUT, CENTERLOCK 3/8-16 MAGNI
19	596257M	2	WASHER, FLAT 5/16 USS MAGNI
20	596258M	1	WASHER, FLAT 3/8 MAGNI



ILLUSTRATED PARTS LIST



8118 Tank to Pump Plumbing





ILLUSTRATED PARTS LIST

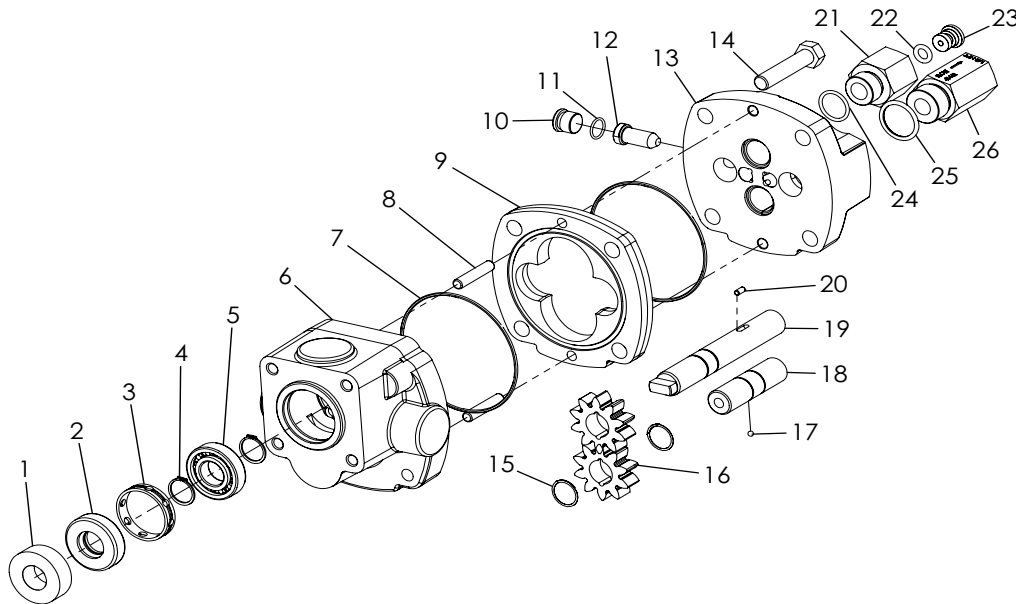
8118 Tank to Pump Plumbing Parts List

ITEM	PART NO.	QTY.	DESCRIPTION
1	50006	1	Valve, 2" Full Port Manifold
2	51003	AR	Hose, 2", Fertilizer
3	53013	1	Gasket, 1" EPDM
4	51016	AR	Hose, 1" EPDM
5	53019	6	Gasket, 2" EPDM
6	53066	1	1" Manifold X 1" Hose Barb
7	53099	1	2" Full Port Manifold X 1" Flange Tee
8	53014	2	2" Full Port Manifold X 2" Hose Barb 90°
9	53016	1	2" Full Port Manifold Coupler, 90°
10	53025	1	2" Full Port Line Strainer
11	54000	1	Clamp, 1"
12	54002	6	Clamp, 2" Full Port
13	54008	2	Clamp, 2" TBolt
14	54014	2	Clamp, 1"
15	55011	AR	Pump, Hypro
NS	55000	AR	Pump, Ace, 150-204
NS	55025	AR	Pump, Ace, 205-304
NS	53036	AR	3" Manifold Reducer X 2" Coupler
NS	54003	AR	Clamp, 3"
NS	53024	AR	Gasket, 3" EPDM



ILLUSTRATED PARTS LIST

Ace 205 Motor



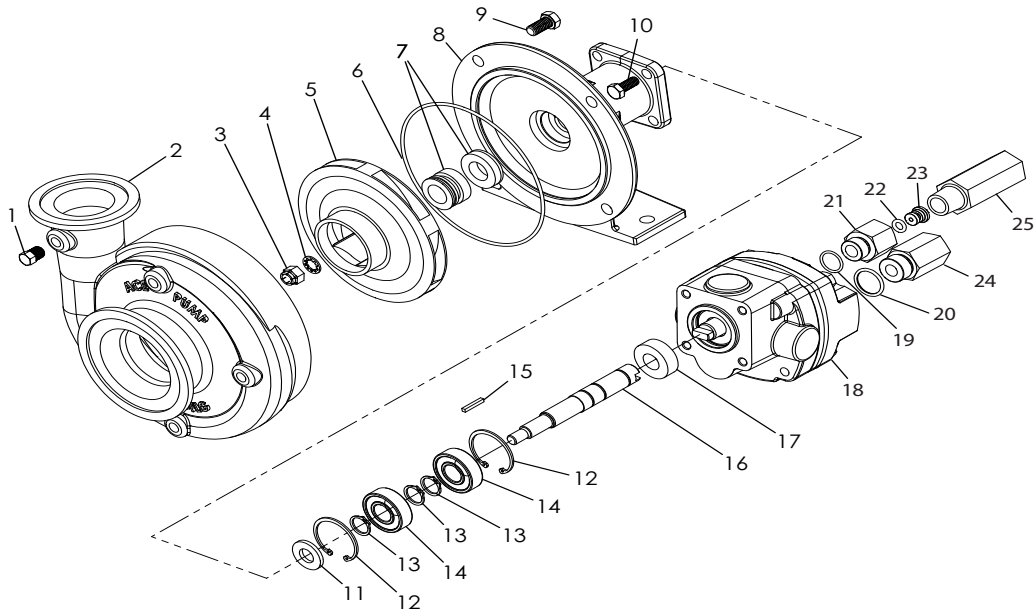
Ace 205 Motor Parts List

ITEM	PART NO.	QTY.	DESCRIPTION
1	41110	4	PIPE PLUG
1	41120	4	PIPE PLUG, STAINLESS STEEL (OPTIONAL)
2	41535	1	VOLUTE, 300 STANDARD FLANGE X 220 FULL PORT FLANGE
3	40393	1	NUT, 3/8" NF, STAINLESS STEEL
4	42702	1	WASHER, 3/8", STAINLESS STEEL, SELF-LOCKING
5	40434	1	IMPELLER, WITH EXTENDED KEYWAY, THERMOPLASTIC
5	40433	1	IMPELLER, WITH EXTENDED KEYWAY, CAST IRON (OPTIONAL)
5	40436	1	IMPELLER, WITH EXTENDED KEYWAY, 316 STAINLESS STEEL (OPTIONAL)
6 ¹	40149	1	SEAL, SILICON CARBIDE
7 ¹	40005	1	O-RING, BODY SEAL
8	40338	1	MOUNTING FRAME FOR 205 PUMP
9	40950	4	CAP SCREW, 3/8" NC X 3/4" HEX HEAD
9	40930	4	CAP SCREW, 3/8" NC X 3/4" HEX HEAD, STAINLESS STEEL (OPTIONAL)
10	41330	4	CAP SCREW, 5/16" NC X 3/4" HEX HEAD, MOTOR TO PUMP
11	41130	1	SLINGER
12	40820	2	SNAP RING, INTERNAL, BAC-14-205 MOUNTING FRAME
13	40385	3	SNAP RING, EXTERNAL, BAC-6-205 SHAFT
14	40880	2	BALL BEARING, SEALED, BAC-6-205 SHAFT
15	40068	1	SHAFT, EXTENDED KEYWAY, TANG, STAINLESS STEEL
16	40425	1	KEY, 1/8" X 1/8" X 13/16", EXTENDED KEYWAY
17	40163	1	SEAL SUPPORT SPACER, S305 FOR 205 SERIES PUMPS
18	41343	1	HYDRAULIC MOTOR, 11 GPM, EFFECTIVE 5/13
19	41875	1	O-RING, #8 SAE FITTING
20	41445	1	O-RING, #10 SAE FITTING
21	41455	1	BODY, RESTRICTOR ORIFICE, #8 SAE X 1/2" NPT
22	41448	1	O-RING, ORIFICE INSERT
23	41447	1	ORIFICE INSERT, RESTRICTOR INSERT
24	41442	1	REVERSE CHECK ASSEMBLY, #10 SAE X 1/2" NPT
25	41429	1	FLOW LIMITER (OPTIONAL)
NS	52705	AR	REPAIR KIT FOR FMC-205 PUMP WITH SILICON CARBIDE SHAFT SEAL
NS	41362	AR	MOTOR REPAIR KIT, INCLUDES 2, 7, 11



ILLUSTRATED PARTS LIST

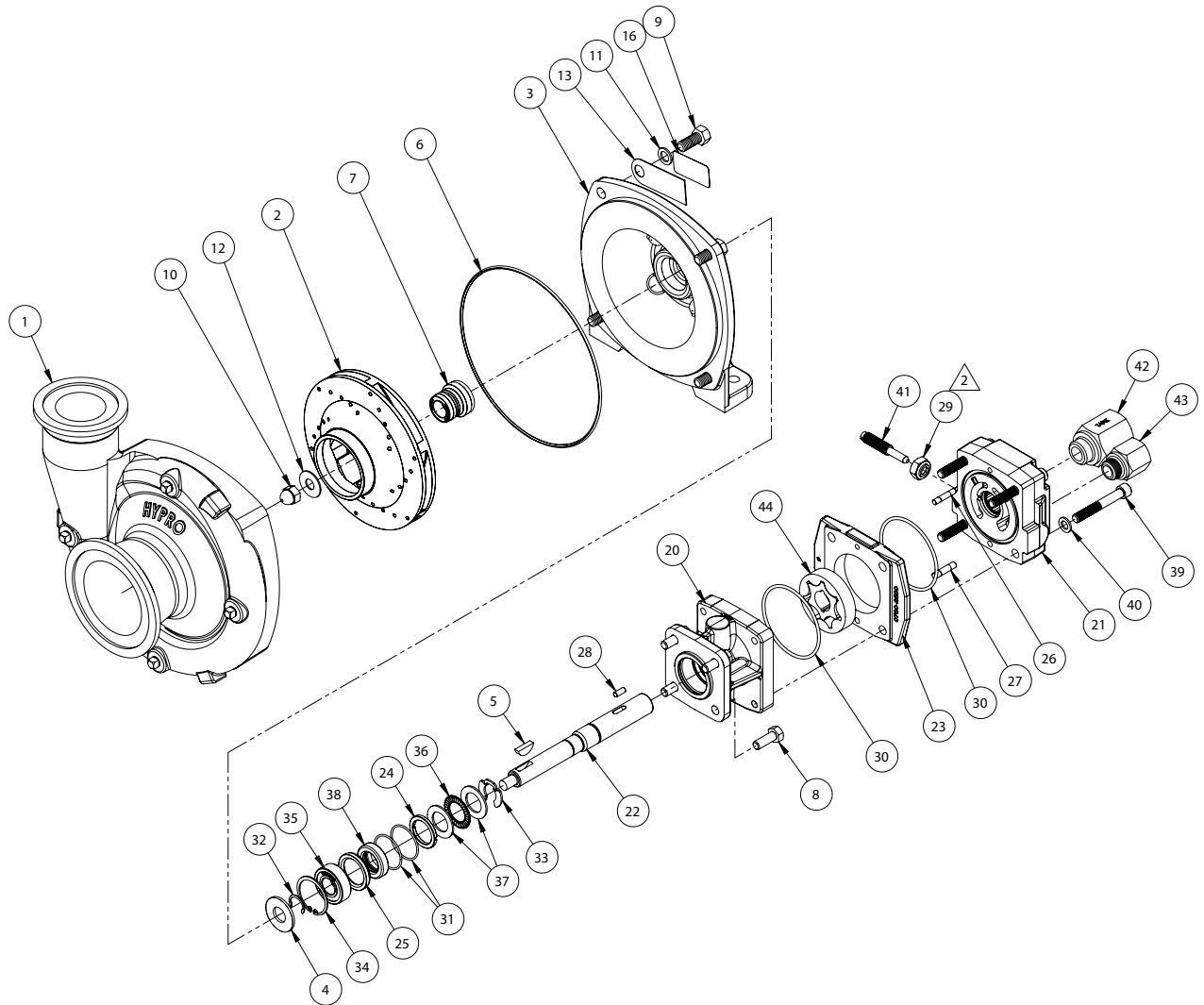
Ace 304 Pump



Ace 304 Pump Parts List

ITEM	PART NO.	PART NO.	QTY.	DESCRIPTION
	Model 304N	Model 310N		
1	40162	40162	1	SEAL SUPPORT SPACER, S300 FOR 200 SERIES PUMPS
1	40163	40163	1	SEAL SUPPORT SPACER, S305 FOR 205 SERIES PUMPS
2*	40154	40154	1	SEAL CARTRIDGE, BAC-75-300-TLS
3	43056	43056	1	SPACER SEAL/BEARING, PERFORATED, 300 SERIES MOTOR
4	43205	43205	2	RETAINING RING, BEARING
5	43225	43225	1	BALL BEARING
6	43016	43016	1	DRIVE PLATE
7*	43130	43130	2	O-RING, HOUSING SEAL
8	43085	43080	2	DOWEL PIN, HOUSING
9	43005	43000	1	GEAR HOUSING
10	43277	43277	1	CAP, NEEDLE VALVE WITH O-RING, 300N SERIES MOTOR
11*	43276	43276	1	O-RING, NEEDLE VALVE CAP
12	43266	43266	1	NEEDLE, 300N SERIES MOTOR
13	43022	43022	1	END PLATE, 300N SERIES MOTOR
14	43185	43180	4	CAP SCREW, 3/8" N.C. HEX HEAD
15	43240	43240	2	RETAINING RING, GEAR
16	43035	43030	2	GEAR
17	43250	43250	1	BALL, IDLER SHAFT
18	43235	43230	1	IDLER SHAFT
19	43046	43039	1	DRIVE SHAFT
20	43195	43190	1	DOWEL PIN, DRIVE SHAFT
21	41455	41455	1	BODY, RESTRICTOR ORIFICE, #8 SAE X 1/2" NPT
22	41448		1	O-RING, ORIFICE INSERT
23	41447		1	ORIFICE INSERT, RESTRICTOR INSERT
24	41875	41875	1	O-RING, #8 SAE FITTING
25	41445	41445	1	O-RING, #10 SAE FITTING
26	41442	41442	1	REVERSE CHECK ASSEMBLY, #10 SAE X 1/2" NPT
*	41362	41362	AR	MOTOR REPAIR KIT, INCLUDES 2, 7, 11

Hypro Pump



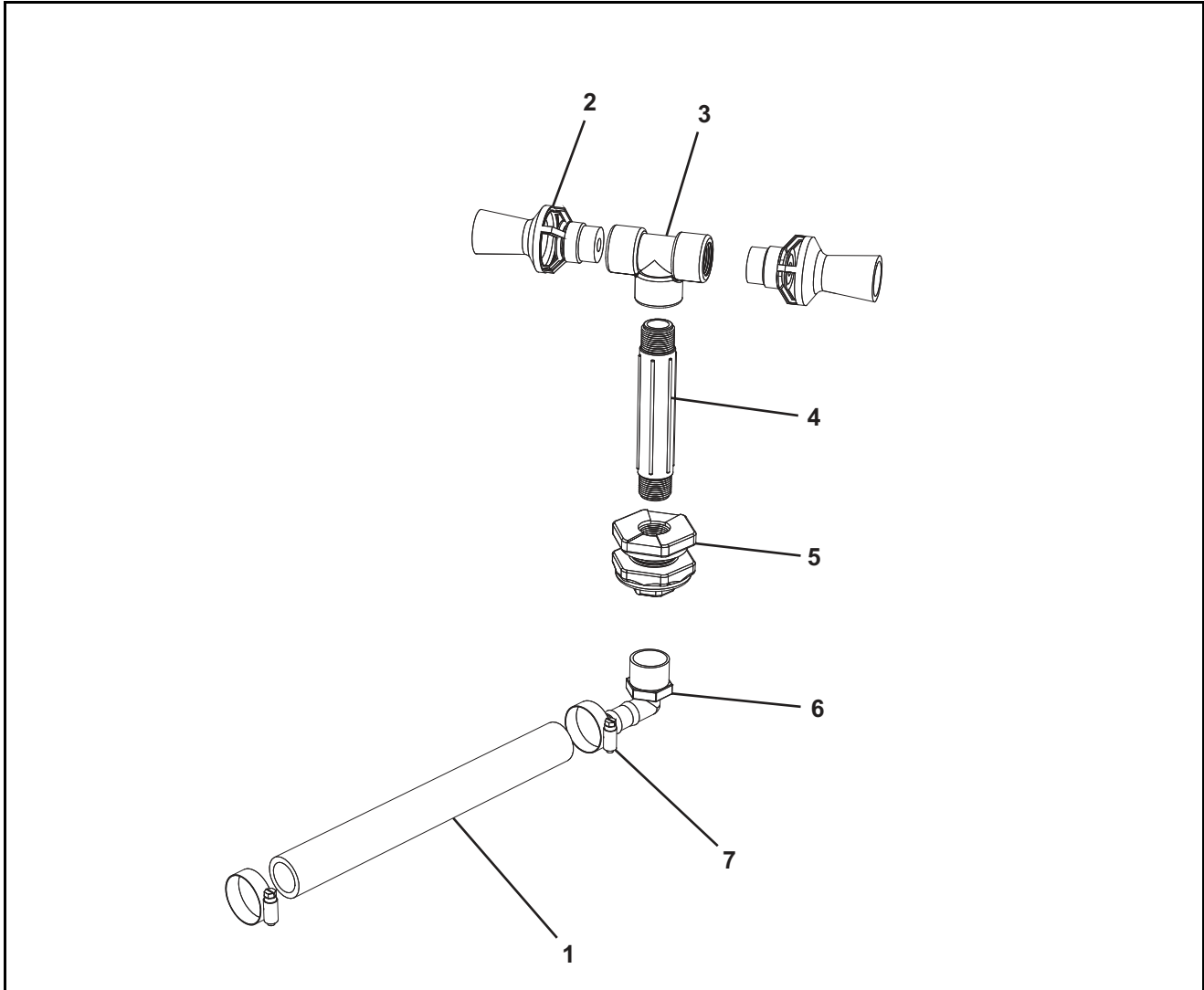


ILLUSTRATED PARTS LIST

Hypro Pump Parts List

ITEM	PART NO.	QTY.	DESCRIPTION
1	0158-9200C	1	PUMP HOUSING, 300X220 U.FLG
2	0401-9200P2	1	IMPELLER (CW ROTATION)
3	0750-9300C2	1	MOUNTING FLANGE
4	1410-0056	1	SLINGER SEAL
5	1610-0012	1	WOODRUFF KEY
6	1720-0083	1	O-RING
7	2120-0039	1	SEAL, MECHANICAL
8	2210-0005	4	CAP SCREW, HEX HEAD 5/16"-18 X 7/8"
9	2210-0020	4	CAP SCREW, HEX HEAD 3/8"-16 X 7/8"
10	2253-0002	1	ALCNUT 0.3750-24-N
11	2270-0041	1	WASHER
12	2270-0071	1	IMPELLER WASHER
13	2270-0076	1	TAG
14	3031-0134	1	CARTON - INDIVIDUAL
15	3435-0171	1	PACKING KIT
16	6031-0325	1	DECAL
17	6031-0340	1	LABEL READY FOR ROUND UP
18	6031-0343	1	INSTRUCTION TAG
19	6031-0373	1	CE STICKER LABEL
20	0150-2500C	1	BODY ASSY-SMALL PILOT
21	0254-2500C2	1	END PLATE ASSY
22	0533-2500	1	SHAFT
23	0700-2500C1	1	GEROTOR HOUSING HM1, COATED
24	1410-0130	1	SPACER, 3L SEAL
25	1410-0131	1	CARTRIDGE, FRONT
26	1600-0037	1	DOWEL PIN
27	1600-0044	1	DOWEL PIN
28	1610-0031	1	HM1 & HM5 ROUND KEY
29	1700-0245	1	NUT, SEALING
30	1720-0110	2	O-RING
31	1720-0268	2	O-RING
32	1810-0014	1	RETAINING RING
33	1810-0026	1	RETAINING RING
34	1820-0013	1	INT. RET. RING
35	2000-0010	1	BEARING, BALL
36	2029-0009	1	BEARING, THRUST
37	2029-0010	2	BEARING RACE, THRU
38	2104-0010	1	LIP SEAL
39	2220-0021	4	SCREW, SOCKET HEAD
40	2270-0039	4	WASHER, FLAT 5/16"
41	3220-0029	1	VALVE STEM
42	3320-0052A	1	CHECK VALVE ASSY - TANK PORT
43	3360-0023A	1	ADAPTER-INLET PORT ASSY
44	3900-0022	1	GEROTOR

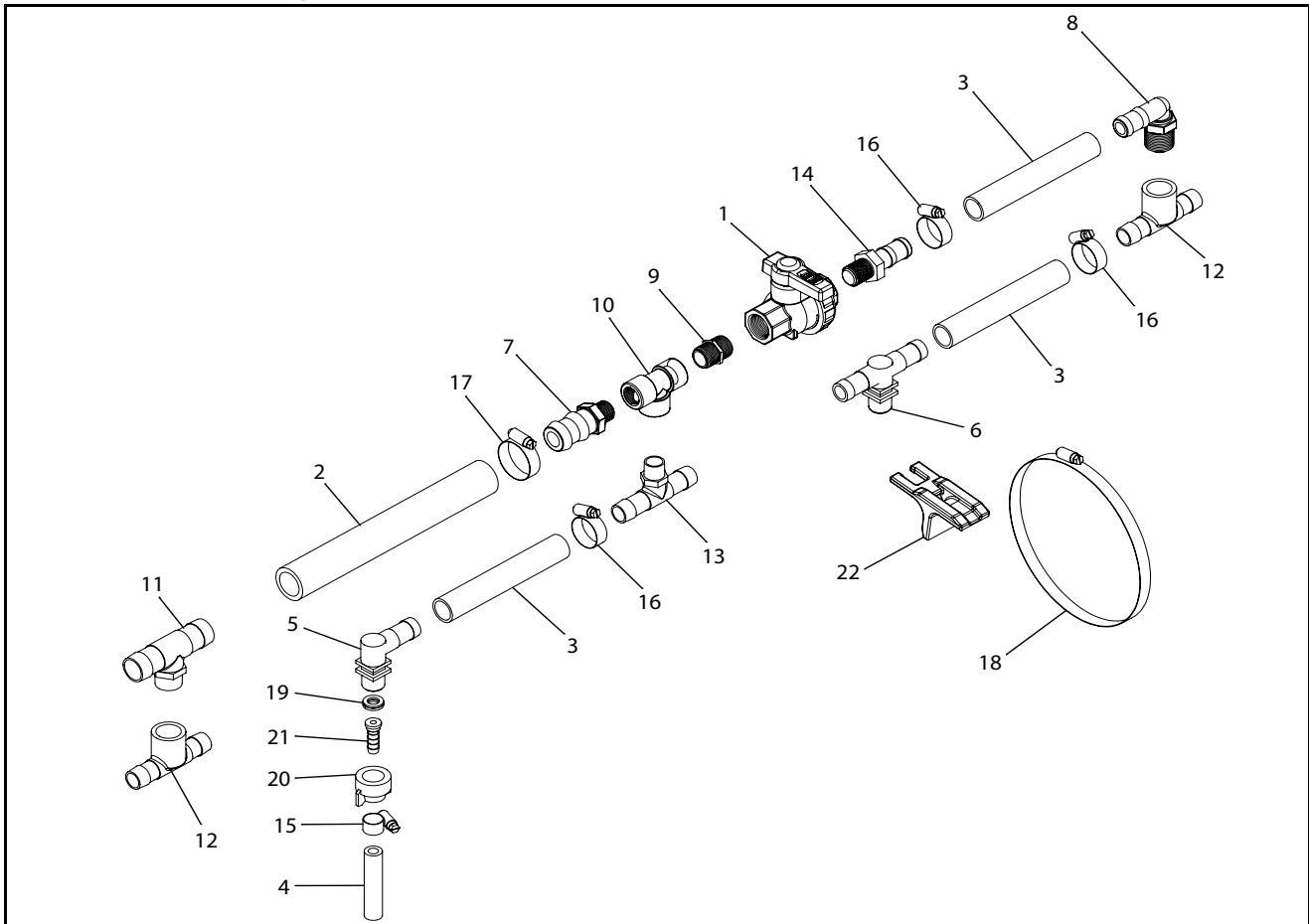
8118 Agitation



8118 Agitation Parts List

ITEM	PART NO.	QTY.	DESCRIPTION
1	510016	AR	HOSE, 1" EPDM X 6IN
2	520029	2	AGITATION NOZZLE
3	530156	1	3/4" FPT POLY TEE
4	530130	1	NIPPLE 3/4" X 6
5	530160	1	BULKHEAD 3/4" NPT
6	530036	1	HOSE BARB ELBOW 3/4" NPT X 1" HOSE
7	540014	2	CLAMP, STAINLESS 1" #16

Toolbar Plumbing



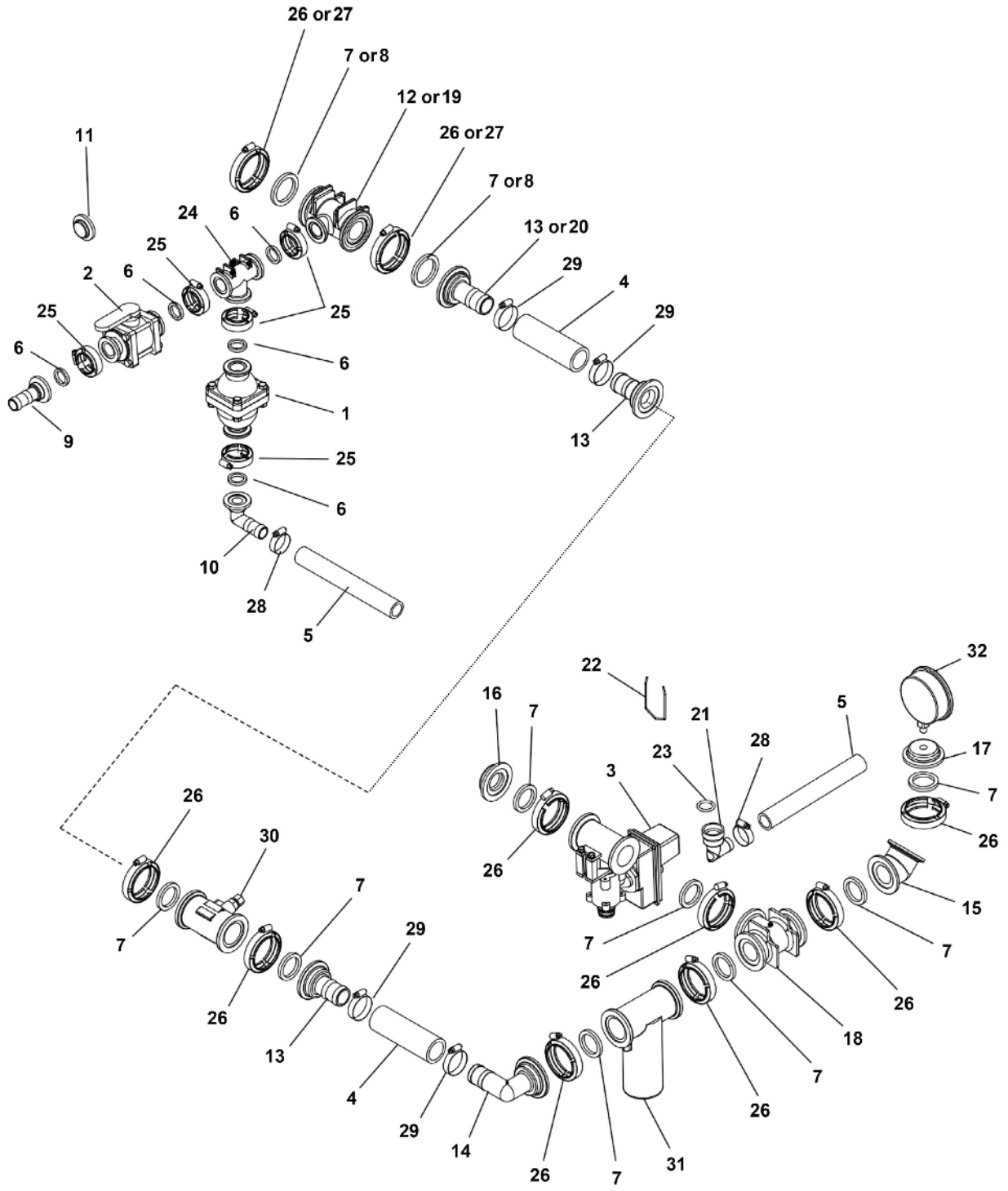
Toolbar Plumbing Parts List

ITEM	PART NO.	QTY.	DESCRIPTION
1	500043	AR	VALVE, 3/4"
2	510016	AR	HOSE, 1" EPDM X 6 IN
3	510019	AR	HOSE, 3/4", EPDM
4	510020	AR	HOSE, 3/8", EPDM
5	520003	AR	3 NOZZLE, SINGLE HOSE SHANK NYB 3
6	520004	AR	NOZZLE, DOUBLE HOSE SHANK NYB
7	530039	AR	3/4" MPT X 1" HOSE BARB
8	530040	AR	3/4" MPT X 3/4" HOSE BARB 90°
9	530131	AR	3/4" MPT SHORT NIPPLE
10	530156	AR	3/4" FPT POLY TEE
11	530181	AR	3/4" MPT X 1" HOSE BARB TEE
12	530220	AR	3/4" FPT X 3/4" HOSE BARB TEE
13	530221	AR	3/4" MPT X 3/4" HOSE BARB TEE
14	530230	AR	3/4" MPT X 3/4" HOSE BARB
15	540011	AR	CLAMP, 3/8"
16	540013	AR	CLAMP, STAINLESS 3/4" #12
17	540014	AR	CLAMP, STAINLESS 1" #16
18	540021	AR	CLAMP, 4 1/8 - 7"
19	590029	AR	SEAL, EDPM RUBBER
20	590076	AR	CAP
21	590077	AR	CONNECTOR, HOSE BARB
22	590187	AR	MOUNT, PLUMBING



ILLUSTRATED PARTS LIST

Pump to Ball Valve Plumbing



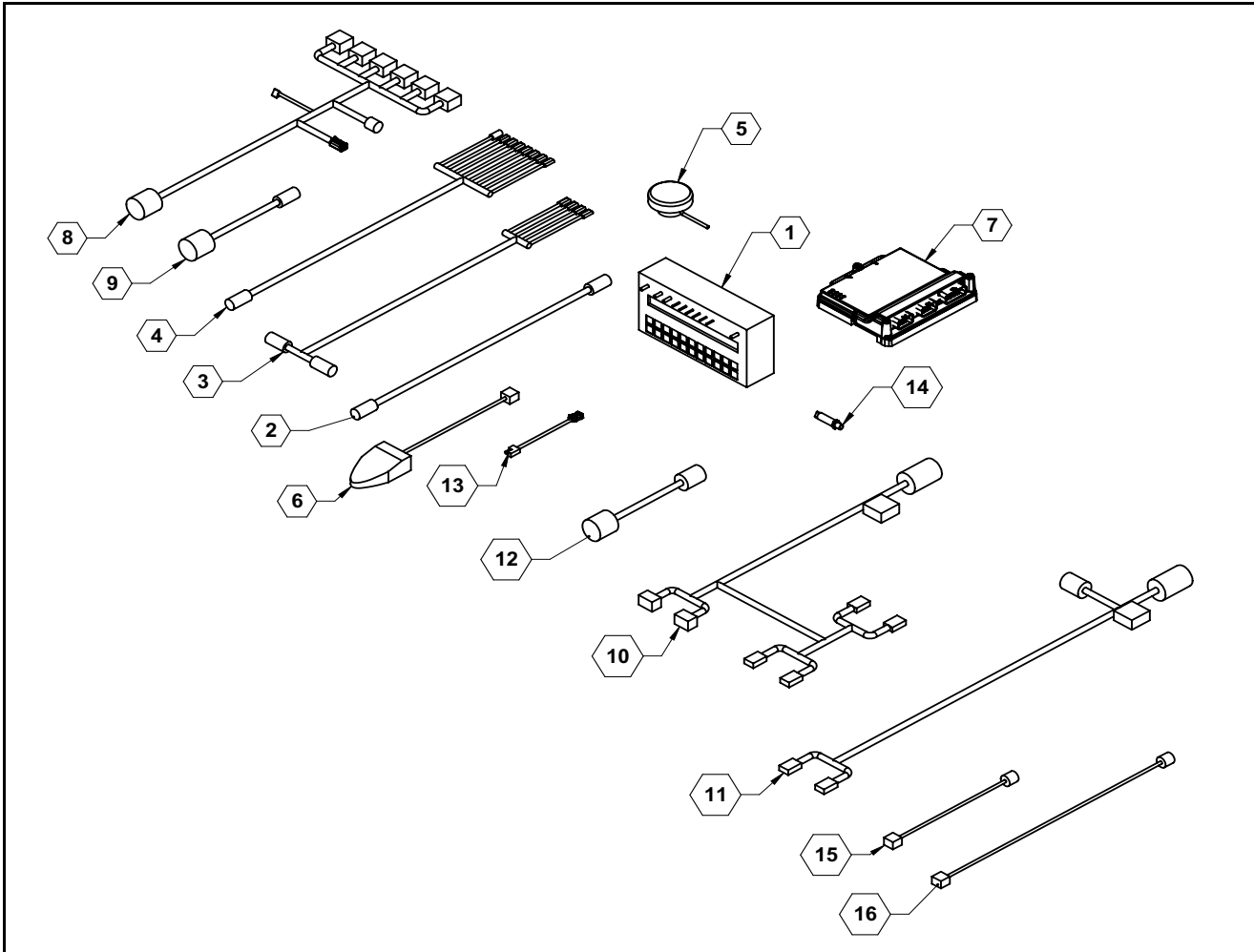


ILLUSTRATED PARTS LIST

Pump to Ball Valve Plumbing Parts List

ITEM	PART NO.	QTY.	DESCRIPTION
1	500004	1	Valve, 100 PSI Relief
2	500005	AR	Valve, 1" Full Port
3	520027	AR	VALVE 450BEC MANIFOLD (NARROW) (NON-FLOWBACK)
3	520028	AR	VALVE 450BEC MANIFOLD (WIDE) (NON-FLOWBACK)
3	520029	AR	VALVE 450BEC MANIFOLD (WIDE) (FLOWBACK)
4	510014	AR	Hose, 1-1/2" EPDM
5	510016	AR	Hose, 1" EPDM
6	530013	AR	Gasket, 1" EPDM
7	530014	AR	Gasket, 1-1/2" EPDM
8	530019	AR	Gasket, 2" EPDM
9	530066	AR	1" Manifold X 1" Hose Barb
10	530067	1	1" Manifold X 1" Hose Barb 90°
11	530070	AR	1" Manifold Plug
12	530075	AR	2" Manifold X 1" Tee
13	530079	AR	2" Manifold X 1-1/2" Hose Barb
14	530080	1	2" Manifold X 1-1/2" Hose Barb 90°
15	530087	AR	2" Flange Coupler, 45°
16	530093	1	2" Manifold Plug
17	530094	1	2" Manifold Plug W/ 1/4" FPT
18	530097	1	2" Manifold Tee
19	530099	AR	2' Full Port X 1" Flange Tee
20	530100	AR	2" Full Port X 1-1/2" Hose Barb
21	530190	AR	1" 90° Hose Barb, Nylon
22	530193	AR	Retaining Clip
23	530198	AR	O-Ring, Viton
24	530298	1	1" Manifold Tee
25	540000	AR	Clamp, 1"
26	540001	AR	Clamp, 2"
27	540002	AR	Clamp, 2" Full Port
28	540014	AR	Clamp, 1"
29	540016	4	Clamp, 1-1/2"
30	631804	1	Flow Meter, 60P
31	631805	1	Control Valve, 1-1/2"
32	790020	1	Gauge, 160PSI
			NOTE: Hypro 9306 and Ace 205 pump outlets require 220 fittings. Ace 150 pump outlet requires 200 fittings.

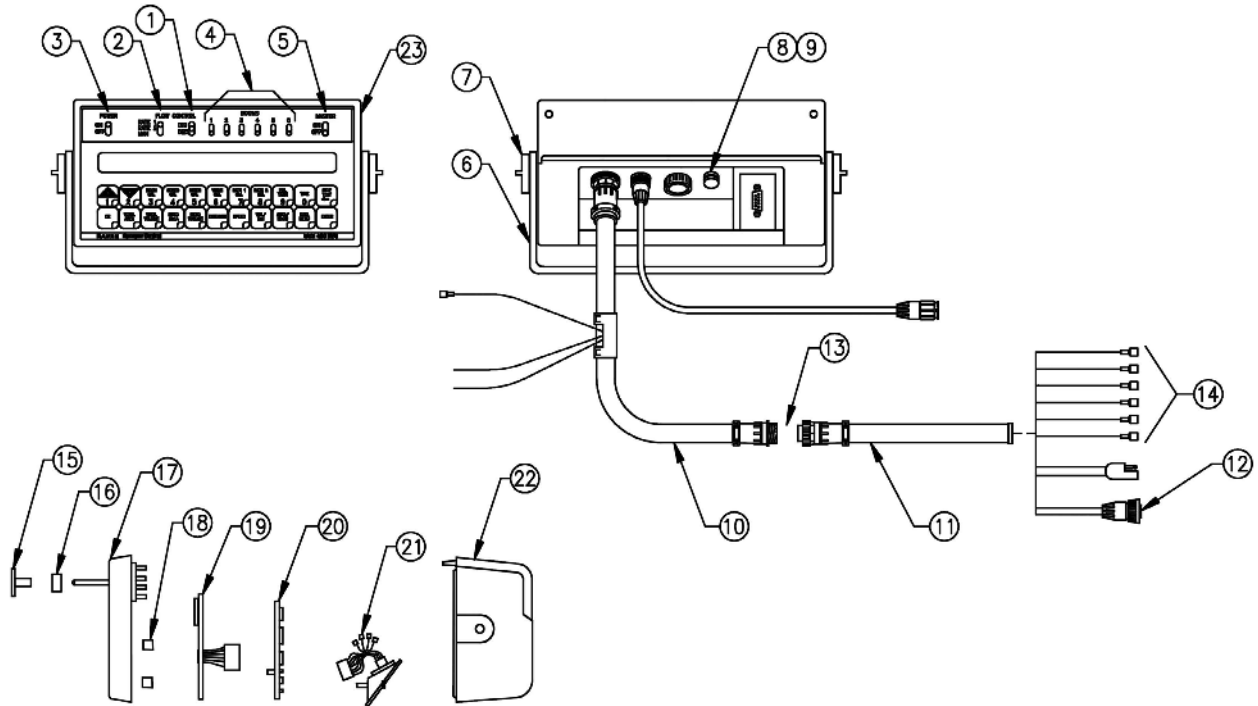
Raven Components



Raven Components Parts List

ITEM	PART NO.	QTY.	DESCRIPTION
1	631803	AR	6 SECTION 450 CONSOLE
2	631814	AR	12' 16 PIN EXTENSION CABLE
3	631818	AR	10' 440/450 CONSOLE CABLE
4	631819	AR	16 PIN 6 SECTION CABLE
5	631832	AR	GPS SPEED SENSOR
6	631856	AR	FOOTSWITCH
7	632010	AR	RCM
8	632027	AR	47 PIN 6 SECTION CABLE
9	632028	AR	47 PIN TO 16 PIN ADAPTER
10	632029	AR	47 PIN RCM Y-CABLE
11	632031	AR	12' ISO TO IBIC CABLE
12	632033	AR	47 PIN TO 37 PIN ADAPTER
13	632034	AR	TRAILER TO DEUTSCH PLUG ADAPTER CABLE
14	632036	AR	PRESSURE TRANSDUCER
15	632061	AR	CABLE, FOOTSWITCH, 12'
16	632062	AR	CABLE, FOOTSWITCH, 23'
NS	631802	AR	3 SECTION 440 CONSOLE

Raven SCS450 Console

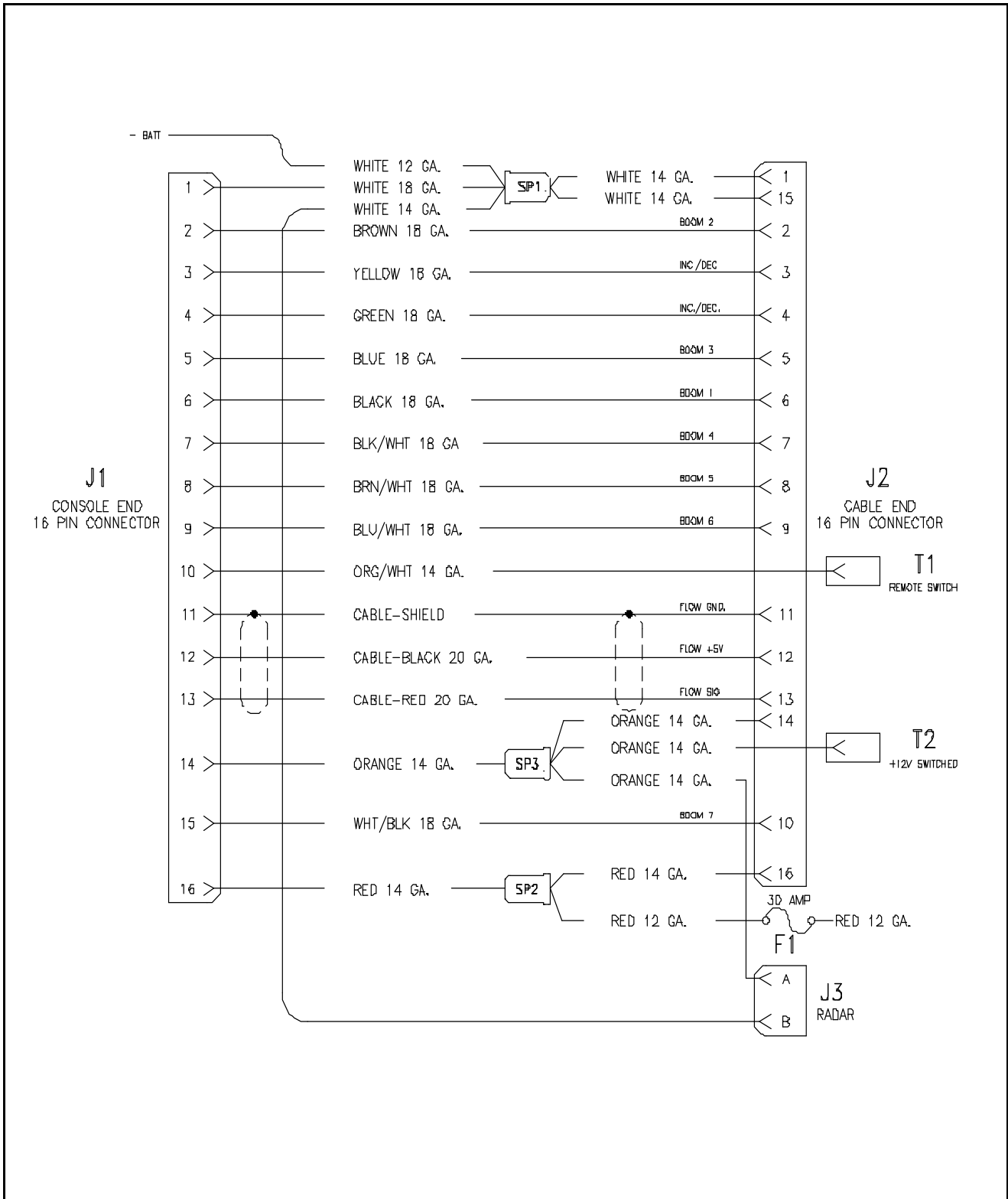


ITEM	DESCRIPTION	RAVEN PART #
1	Manual Adj. Switch	412-2011-049
2	Rate1/Rate2/Manual Switch	019-0159-078
3	Power Switch	412-2011-048
4	Boom Switch	412-2003-010
5	Master Switch	412-2011-046
6	Mounting Bracket	106-0159-437
7	Mounting Knob	106-0159-438
8	Fuse Holder	510-2001-018
9	Fuse, 15 Amp.	510-1003-003
10	Console Control Cable (10 ft.)	115-0159-492
	Console Control Cable (3 ft.)	115-0159-707
11	Flow Control Cable (6 ft.)	115-0159-495
	Flow Control Cable (12 ft.)	115-0159-496
	Flow Control Cable (24 ft.)	115-0159-708
12	Flow Meter Cable Ext. (6 ft.)	115-0159-016
	Flow Meter Cable Ext. (12 ft.)	115-0159-017
13	Flow Ext. Cable (12 ft.)	115-0159-493
	Flow Ext. Cable (24 ft.)	115-0159-494
14	Assorted Terminal Kit	117-0159-402
15	Switch Cover	063-0159-734
16	1-Set Filler Spacers	117-0159-421
17	Face Plate Assembly	063-0172-024
18	Display Board Spacer	107-0159-478
19	LCD Display Board	063-0171-961
20	Processor Board (Serial Interface)	064-0159-745
21	Connector Plate Assembly (Serial Interface)	063-0172-022
22	Back Assembly	063-0159-530
23	SCS 450 Console (Serial Interface)	063-0171-220

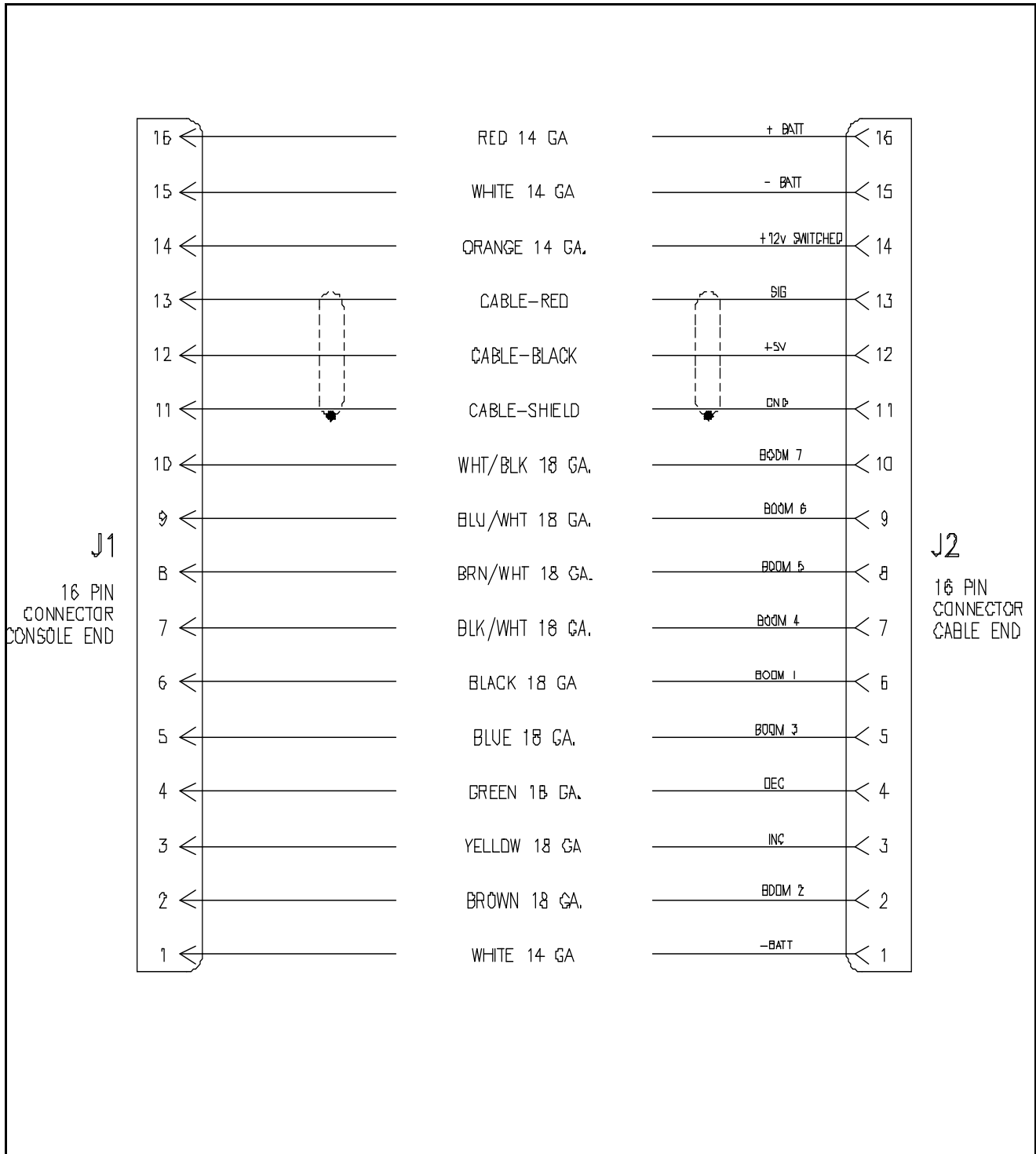


ILLUSTRATED PARTS LIST

Control Harness 155-0171-085



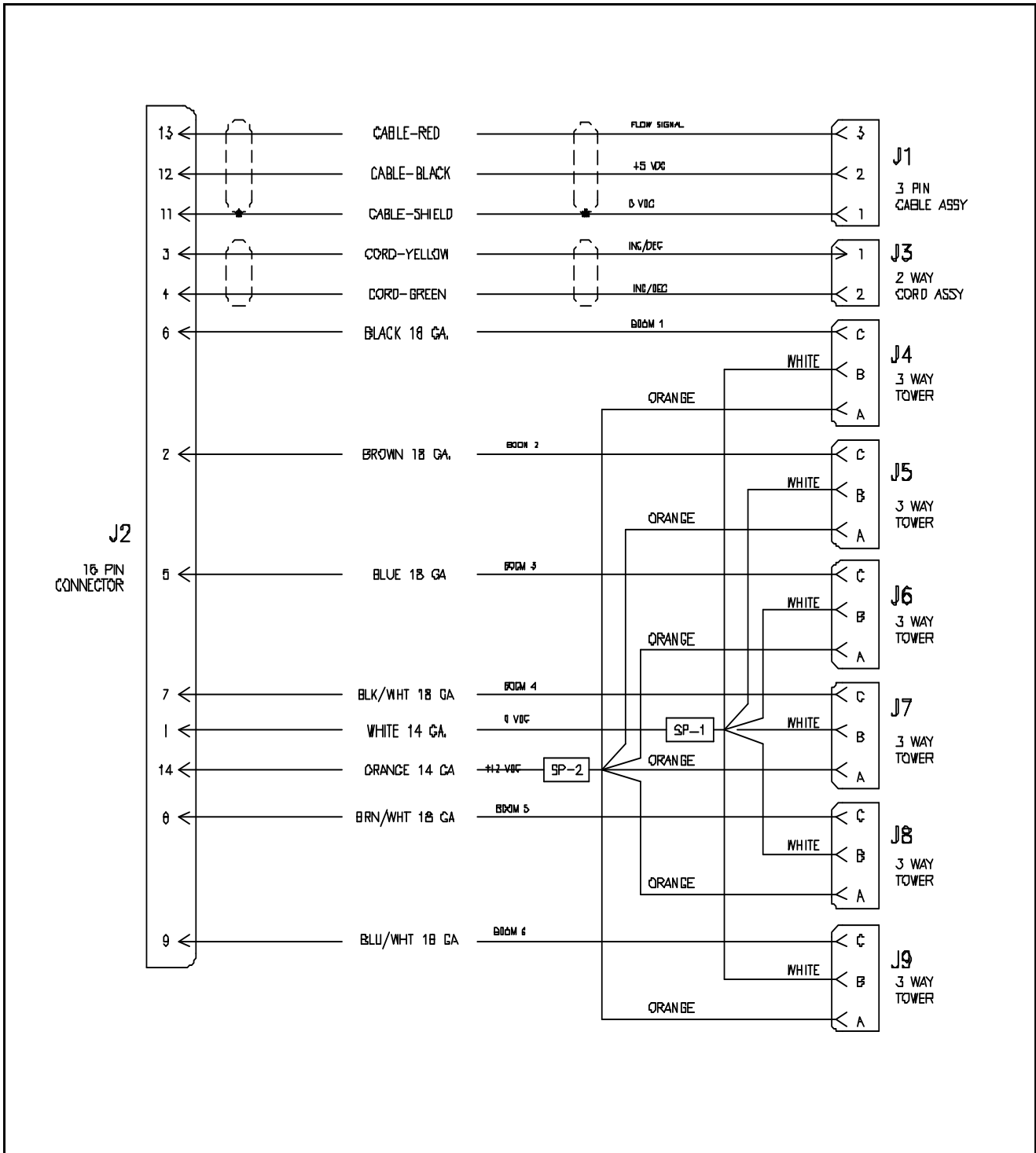
Control Harness 155-0159-856





ILLUSTRATED PARTS LIST

Control Harness 155-0171-086





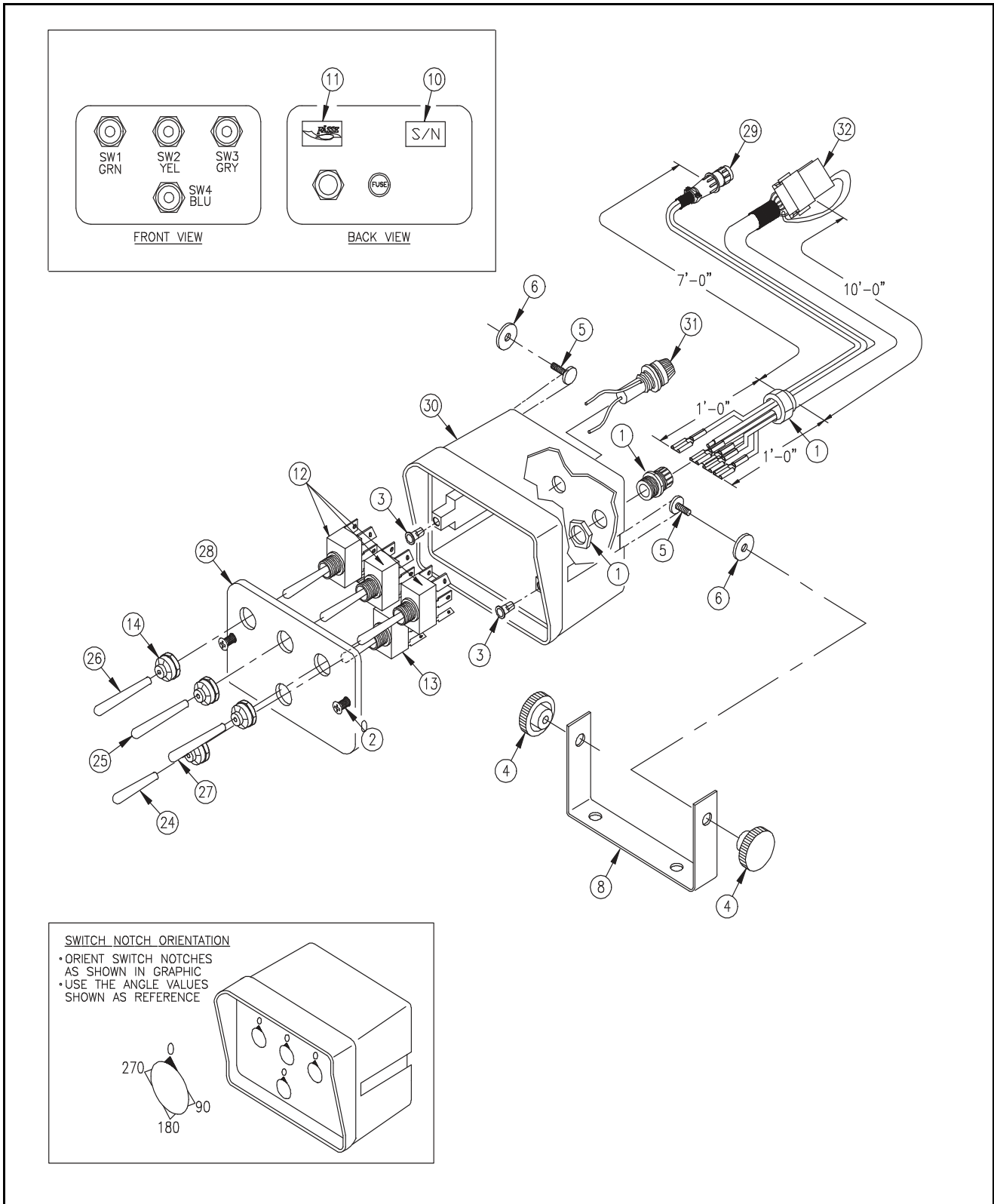
ILLUSTRATED PARTS LIST





ILLUSTRATED PARTS LIST

Fold Control Cab Box



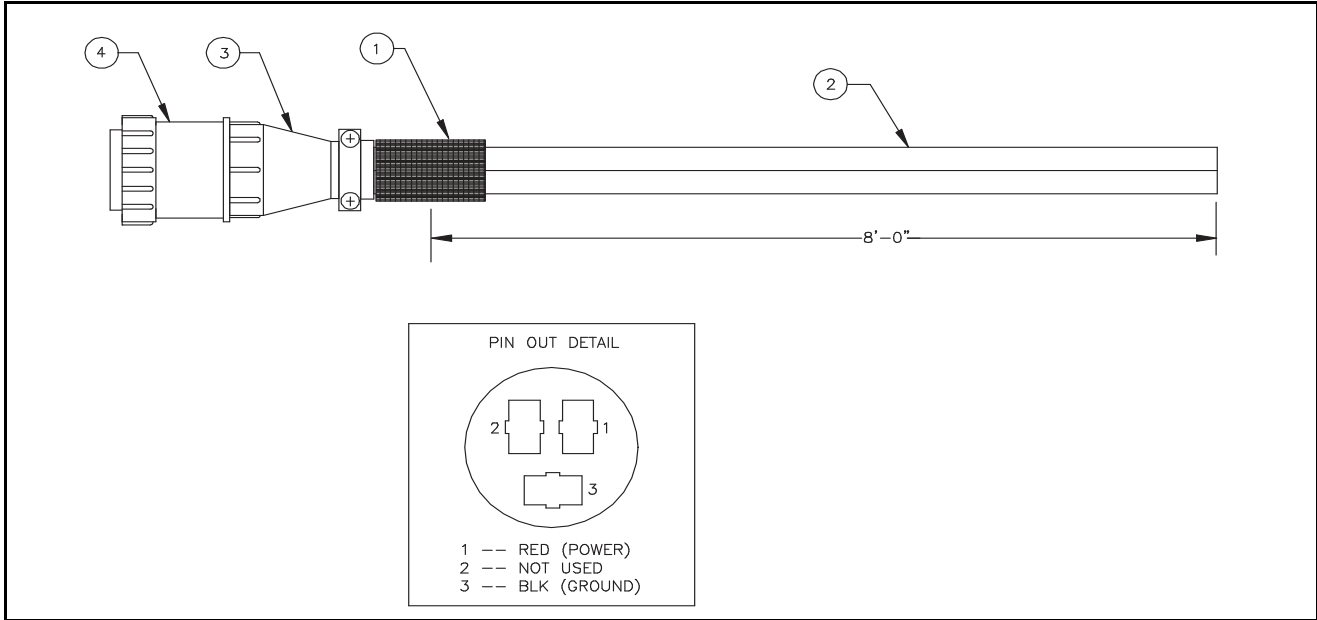


ILLUSTRATED PARTS LIST

Fold Control Cab Box Parts List

Item	Vendor Part #	Qty.	Description
1	210-710	1	STR RLF HEYCO .23 - .53 ID HOLE DIA .886
2	212-184	2	SCREW 6-32 X 3/8 OVAL HD BLK
3	212-202	2	INSERT 6-32 X 3/8 BRASS
4	212-215	2	KNOB 1/4-20 FEMALE
5	212-231	2	SCREW, WELDED 1/4-20 X .500
6	213-335	2	WASHER NYLON .257 X .875 X .060
7	214-002	3	CABLE TIE BLACK
8	219-300	1	BRACKET HOUSING MONITOR
9	230-057	1	BAG POLY CLEAR 14 X 18 2 MIL W/LOGO
10	232-050	2	DECAL S/N SILVER
11	232-059	1	DECAL GOLD/BLACK 1.5 X .5
12	250-013	3	SW TOG DPDT 3P MOM LONG
13	250-015	1	SW TOG DPDT 2P MOM SHORT
14	250-023	4	SW TOG BOOT OPN GREY
15	252-058	18"	WIRE BLACK 18 GA
16	252-059	24"	WIRE 18 GA BLACK
17	252-060	18"	WIRE 18 GA BLACK
18	252-001	1	DIADE D116A2 6 AMP
19	255-002	10	TRM T-TAP F PO BLUE
20	255-006	5	TRM PO F NON INS 20/18 GA
21	255-070	2	TRM PO MF 14-16 GA
22	255-119	5	TRM PO F INS 16-14 GA
23	255-285	1	TRM SPLICE CLOSED END LARGE
24	259-015	1	SW TOG GRIP VINYL BLUE .187
25	259-022	1	SW TOG GRIP VINYL YELLOW .187
26	259-023	1	SW TOG GRIP VINYL GREEN .187
27	259-027	1	SW TOG GRIP VINYL GREY .187
28	304-037	1	ENCL DRILL FP MONITOR SW4 F00204
29	314-217	1	HARNESS R/B WIRE SERIES 3 P/8
30	319-725	1	ENCL DRILL MNTRBX FH-7/8" STR RLF
31	319-769	1	FUSEHOLDER PM ASSM. 10A /.5'
32	320-184	1	HRN 12 CON 16 GA DTP KEY A 12P (12) 11' END CAP

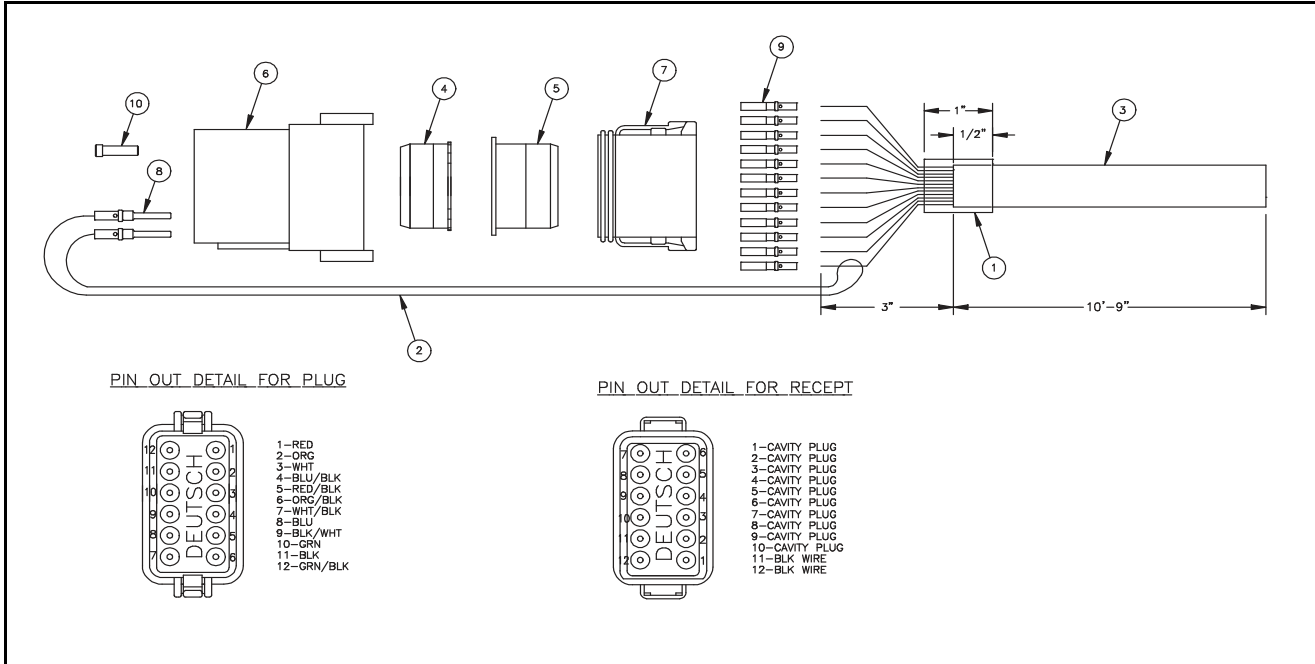
Wiring Harness



Wiring Harness Parts List

ITEM	VENDOR PART NO.	QTY.	DESCRIPTION
1	230-250	2"	SHRINK TUBING .250 BLACK
2	252-021	8'	WIRE RED/BLACK 16 GA ZIP
3	255-043	1	CENTER 16 PIN SHELL #17
4	255-233	1	CENTER AMP SOCKET
5	255-549	1	CENTER SERIES 3 17-3 PLUG

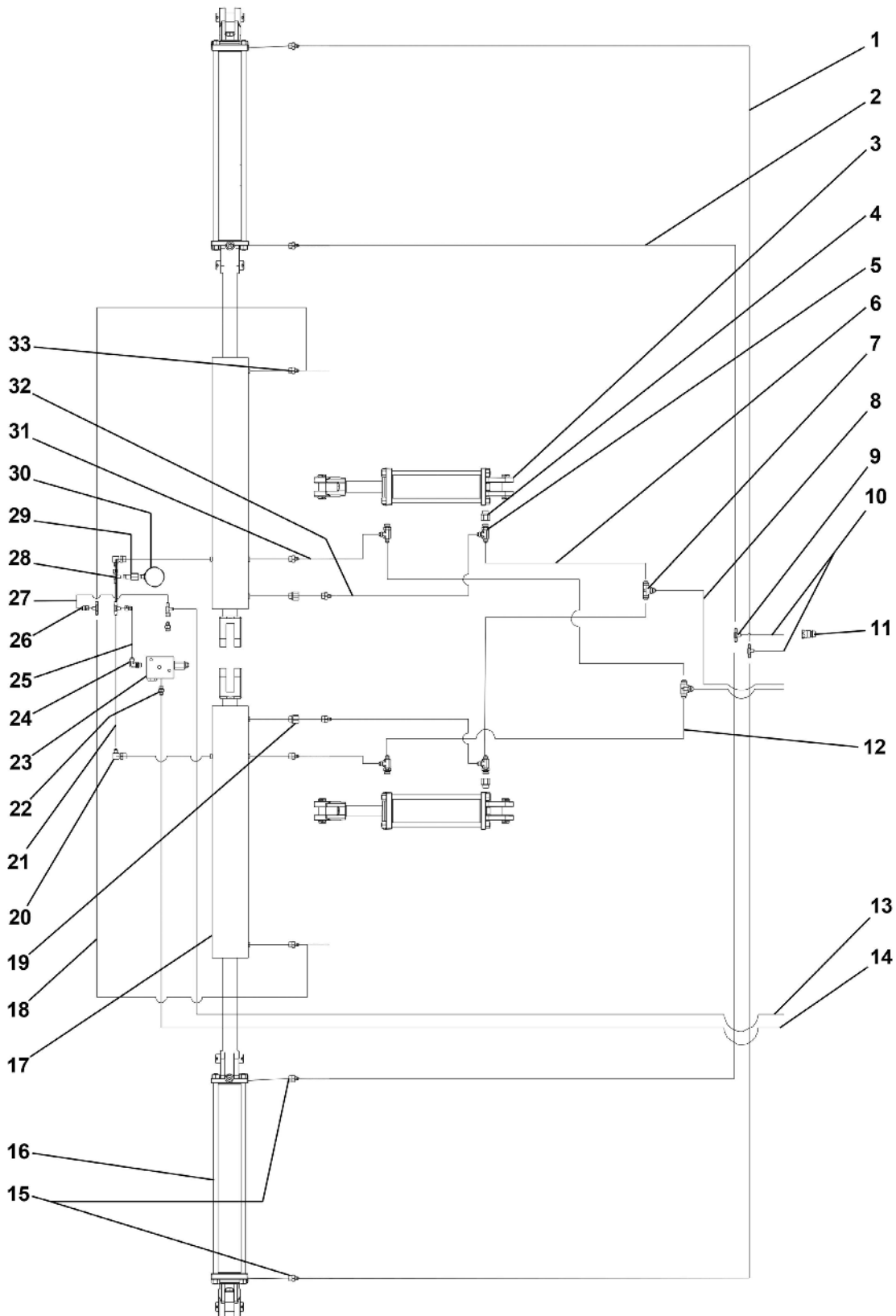
Harness Connector



Harness Connector Parts List

Item	Vendor Part NO.	Qty.	Description
1	231-009	1"	SHRINK TUBING .500 BLACK
2	252-058	12"	WIRE BLACK 18 GA
3	252-064	11'	CABLE 12 CON 18 GA PVC GREY
4	255-214	1	CONN DUET LOCK WEDGE 12 PIN DTR
5	255-215	1	CENTER LOCK WEDGE 12 PIN DTR
6	255-755	1	CONN DUET DT RCPT 12 PIN KEY A
7	255-756	1	CONN DUET DT PLUG 12 PIN KEY A
8	255-977	2	CONN DUET PIN 16-18 GA
9	255-978	12	CENTER DUETSCH SOCKET 16/18 GA.
10	255-979	10	CONN DUET CAVITY PLUG

8118 Hydraulic Schematic





ILLUSTRATED PARTS LIST

8118 Hydraulic Schematic Parts List

ITEM #	VENDOR #	PART #	DESCRIPTION	QUANTITY
1		600045-7-ZN	FDM4R17-4FJXZ-4FJX90MZ-220	2
2		600045-6-ZN	FDM4R17-4FJXZ-4FJX90MZ-200	2
3	MI661832	620073	CYLINDER 40TD10-150 DA 4 x 10" STROKE	2
NS	MI661729		KIT SEAL 4.0 BORE x 1.5 ROD	AR
4	AF661180093	610095	FITTING ADAPTER 8ORB M/F .093 ORIFICE	2
5	PA-6804-06-08-06	610066	FITTING ADAPTER JIC SWIVEL RUN TEE TO-6804-06-08-06	4
6		600045-10-ZN	FDM6R17-6FJX90MZ-8FJXZ-68	2
7	TO-2603-08-08-08	610004	FITTING ADAPTER TEE 8JIC	2
8		FDM 0025-ZN	FDM8R17-8MBOZ-8FJXZ-183	2
9	TO-2603-04-04-04	610003	FITTING ADAPTER JIC TEE TO-2603-04-04-04	2
10		FDM 0055-ZN	FDM4R17-8MBOZ-4FJX90MZ-305	2
11	2-NV12-12SAE-M	520048	TIP HYDRAULIC ISO	6
12		600045-11-ZN	FDM6R17-6FJX90MZ-8FJXZ-80	2
13		600045-4A-ZN	FDM6R17-8MBOZ-6FJXZ-90M-281	1
14		600045-3-ZN	FDM6R17-8MBOZ-6FJXZ-273	1
15	TO-6801-6-8-S	610045	FITTING ADAPTER 8ORB TO 4JIC R0.045 (USED ON 620004)	4
16	MI671326	620057	CYLINDER 30TD16-150 3" x 16" STROKE	2
NS	MI649208		KIT SEAL 3.0 BORE x 1.5 ROD	AR
17	MP-PMI 0002	620027	CYLINDER DUAL FUCTION 45WD22.5 X 1.81 WK	2
NS	MP-PMI0002		KIT SEAL 4.5 BORE x 2.0 ROD	AR
18		FDM 0048-ZN	FDM4R17-4FJXZ-4FJX90MZ-85	2
19	AF661182047	610096	FITTING ADAPTER 8ORB M/F .047 ORIFICE	2
20	TO-6801-04-08	610029	FITTING ADAPTER 8ORB TO 4JIC 90°	2
21		600056-1-ZN	FDM4R17-4FJXZ-4FJXZ-63	2
22	TO-6400-06-06	610010	FITTING ADAPTER 6ORB TO 6JIC	1
23	AFFAST194288	630038	BLOCK DOWN PRESSURE (1PDCP25-PT-12S)	1
24	TO68010606	610078	FITTING ADAPTER 6ORB TO 6JIC 90°	1
25		600045-1A-ZN	FDM6R17-6FJXZ-6FJX90MZ-25	1
26	TO-2406-6-4	610002	FITTING ADAPTER 2406-04-06	2
27		600045-2A-ZN	FDM6R17-6FJXZ-6FJX90MZ-25.5	1
28	TO-6602-04-04-04	610026	FITTING ADAPTER JIC SWIVEL RUN TEE TO-6602-04-04-04	1
29	TO-6506-4-4-S	610025	FITTING ADAPTER 6506-4-4	1
30	AF2141GXB3000	790052	GAUGE PRESSURE 0-3000 PSI	1
31		600056-2-ZN	FDM4R17-6FJXZ-4FJX90MZ-50	2
32		600056-3-ZN	FDM4R17-6FJXZ-4FJX90MZ-60	2
33	TO-6400-04-08	610009	FITTING ADAPTER 8ORB TO 4JIC	6



ILLUSTRATED PARTS LIST

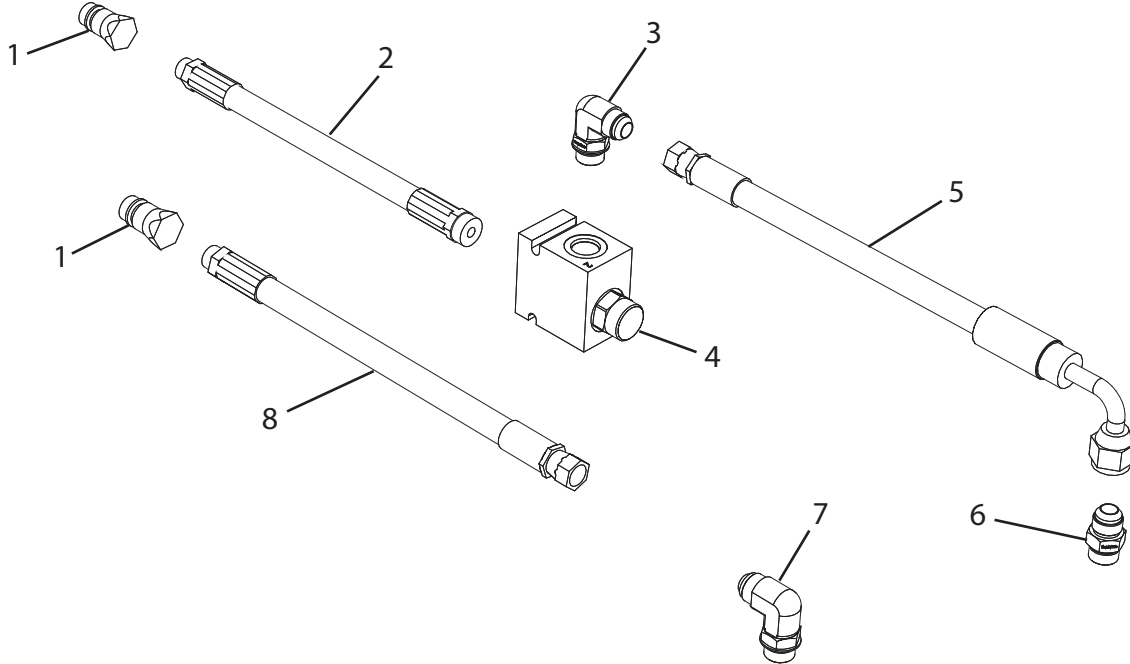
Hose Description

Part #	Description	Hose Size	1st End	2nd End	Cut Hose	Qty.
600040-11-ZN	FDM4R17-4FJXZ-4FJX90MZ	1/4"	F St.	F 90	219"	1
600042-13-ZN	FDM4R17-4FJXZ-4FJXZ	1/4"	F St.	F St.	94"	1
600042-15-ZN	FDM4R17-4FJXZ-4FJXZ	1/4"	F St.	F St.	98"	1
600042-16-ZN	FDM4R17-4FJXZ-4FJXZ	1/4"	F St.	F St.	64"	1
600042-26-ZN	FDM4R17-4FJXZ-4FJXZ	1/4"	F St.	F St.	183"	1
600042-27-ZN	FDM4R17-4FJXZ-4FJXZ	1/4"	F St.	F St.	238"	1
600042-28-ZN	FDM4R17-4FJXZ-4FJX90MZ	1/4"	F St.	F 90	86"	1
600042-29-ZN	FDM4R17-4FJXZ-4FJXZ	1/4"	F St.	F St.	52"	1
600042-30-ZN	FDM4R17-4FJXZ-4FJX90MZ	1/4"	F St.	F 90	64"	1
600042-31-ZN	FDM4R17-4FJXZ-4FJX90MZ	1/4"	F St.	F 90	70"	1
600042-32-ZN	FDM4R17-4FJXZ-4FJX90MZ	1/4"	F St.	F 90	93"	1
600064-1-ZN	FDM8R17-8FJX90MZ-8FJXZ	1/2"	F. 1/2" 90	F 1/2" St.	26"	1
600064-2-ZN	FDM6R17-8FJXZ-8FJXZ	3/8"	F 1/2" St.	F 1/2" St.	93"	1
600064-3-ZN	FDM4R17-4FJXZ-4FJXZ	1/4"	F. 1/4" St.	F 1/4" St.	84"	1
600064-4-ZN	FDM6R17-8FJXZ-8FJXZ	3/8"	F 1/2" St.	F 1/2" St.	117"	1
600064-5-ZN	FDM4R17-4FJX90MZ-4FJXZ	1/4"	F 1/4" 90	F 1/4" St.	109"	1
FDM 0049-ZN	FDM4R17-4FJXZ-4FJXZ	1/4"	F St.	F 90	201"	1
600042-1-ZN	FDM8R17-8MBOZ-8FJXZ	1/2"	#8 O-RING	F St.	195"	2
600034-2-ZN	FDM6R17-8MBOZ-6FJXZ	3/8"	#8 O-RING	F St.	340"	2
600042-2-ZN	FDM6R17-6FJX90MZ-8FJXZ	3/8"	F. 90	F 1/2" St.	62"	2
600042-3-ZN	FDM6R17-6FJX90MZ-8FJXZ	3/8"	F. 90	F 1/2" St.	73"	1
600042-4-ZN	FDM6R17-6FJX90MZ-8FJXZ	3/8"	F. 90	F 1/2" St.	51"	1
600063-1-ZN	FDM6R17-6FJXZ-8FJXZ	3/8"	F. 3/8" St.	F 1/2" St.	152"	1
600042-33-ZN	FDM6R17-6FJXZ-6FJXZ	3/8"	F. St.	F St.	150"	1
600042-34-ZN	FDM4R17-6FJXZ-4FJXZ	1/4"	F 3/8"	F St.	7"	1



ILLUSTRATED PARTS LIST

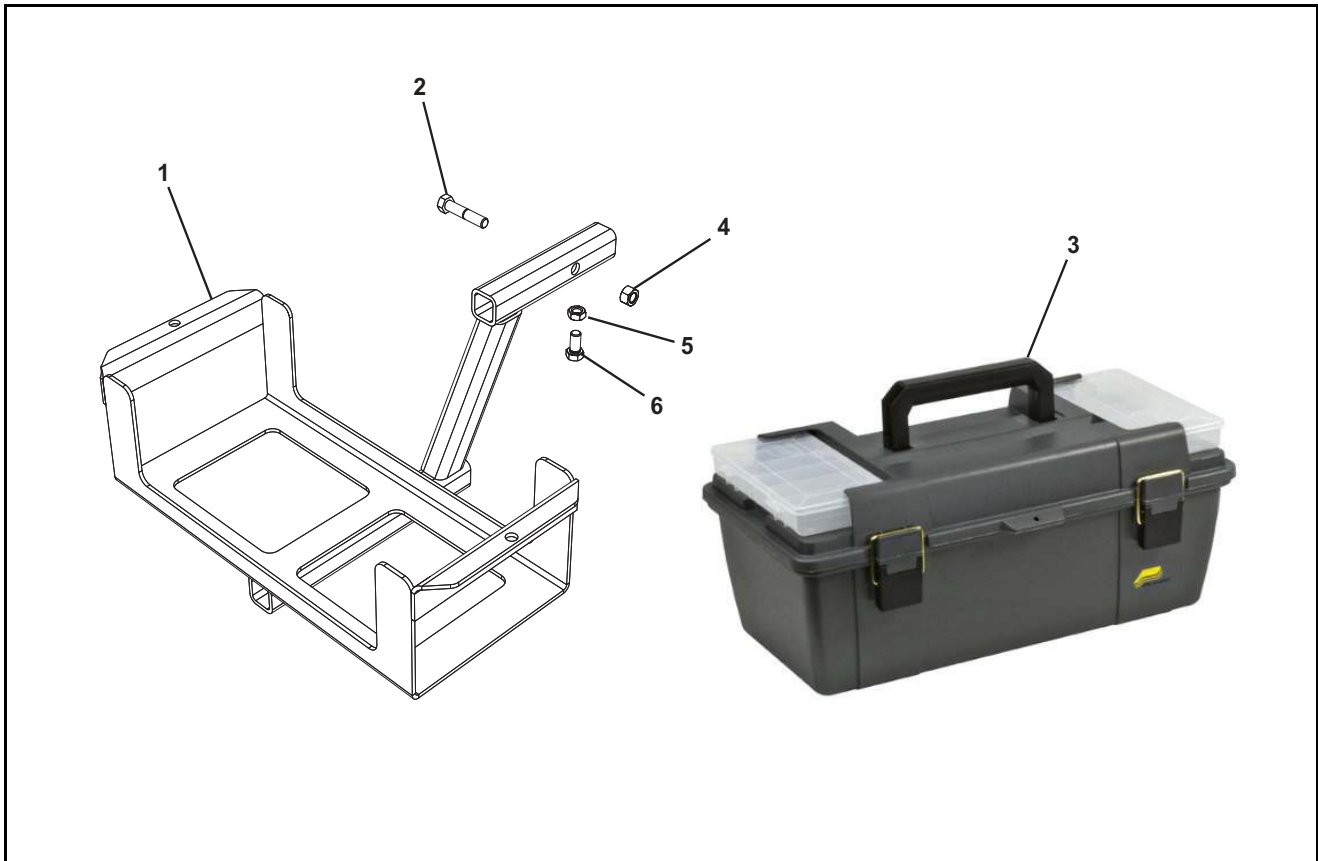
Hydraulic System for Pump



Hydraulic System for Pump Parts List

ITEM	PART NO.	QTY. 8218	QTY. 8224	DESCRIPTION
1	2-NV12-12SAE	2	2	HOSE TIP
2	PA600054-1	1	1	HOSE PRESSURE TO VALVE
3	610086	1	1	HYDRAULIC FITTING 6801-8-10
4	610099			PC VALVE 13 GPM
5	PA600054-2	1	1	HOSE PRESSURE TO PUMP
6	610106	1	1	HYDRAULIC FITTING 6400-10-10
7	610102	1	1	HYDRAULIC FITTING 6801-10-10
8	PA600054-3	1	1	HOSE PUMP RETURN

Toolbox Carrier



Toolbox Carrier Parts List

ITEM	PART NO.	QTY.	DESCRIPTION
1	18426	1	TOOLBOX HOLDER
2	155	1	BOLT HEX HEAD 1/2 X 2-1/2: GRADE 5 ZP
3	790041	1	20" DEEP GRAB & GO TOOLBOX
4	239	1	NUT HEX HEAD 1/2" CENTERLOCK ZP
5	223	1	NUT HEX HEAD 1/2" JAM ZP
6	152	1	BOLT HEX HEAD 1/2 X 1: GRADE 5 ZP

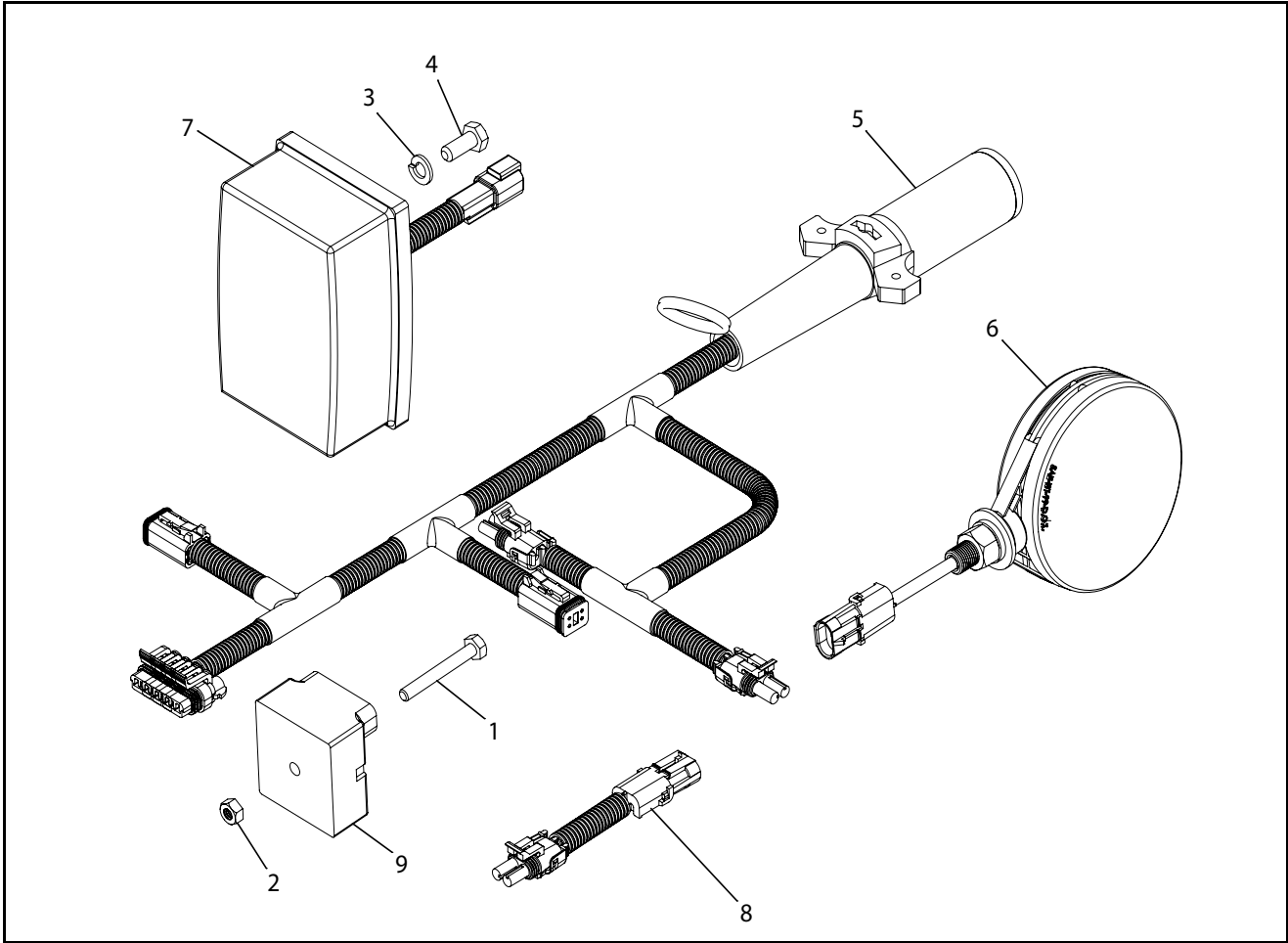


ILLUSTRATED PARTS LIST

Kit Contents

PART NO.	DESCRIPTION	INJECTOR QTY.	KNIFE QTY.
520003	3 NOZZLE, SINGLE HOSE SHANK NYB 3		2
520004	NOZZLE, DOUBLE HOSE SHANK NYB		2
520005	NOZZLE, SINGLE HS CONN 1/4" F	2	
520006	NOZZLE, DOUBLE HS CONN 1/4"F	2	3
520014	NOZZLE, SS 1/4" TEE	1	
520015	NOZZLE, SS CA	1	
520034	TIP, SS - 0015 TEEJET	2	
530001	1/4" X 1/4" MALE CONNECTOR	1	1
530014	1-1/2" EDPM GASKET	2	2
530019	2" EDPM GASKET	2	2
530024	3" EDPM GASKET	2	2
530188	HOSE SHANK ASSEMBLY	1	
530201	BARB HOSE 1/4" X 3/8"	4	
530218	3/8" X 3/8" HOSE MENDER W/ STOP	2	
530236	NIPPLE:1/4" MPTX6" MPT	1	
530246	STR. ELB:1/4" MPTX1/4" FPT	1	
540001	CLAMP, 2" STD WORM SCREW	1	1
540002	CLAMP, 2" FULL WORM SCREW	1	1
540003	CLAMP, 3" WORM SCREW	1	1
540006	CLAMP 1-1/2" T-BOLT HOSE 1.81"	2	2
540013	CLAMP, STAINLESS 3/4" #12	10	5
540014	CLAMP, STAINLESS 1" #16		4
540032	CLAMP, HOSE 5/16"	4	
590029	SEAL, EDPM RUBBER		3
590030	CAP Q.T. NY.LT.YELLOW		3
590031	PLATE ORIFICE, STAINLESS STEEL		3
750008	LOCKING COLLAR, STD 30°	2	2
750016	ROCK GUARD WITH PIN	1	
750018	3/8 X 1/2" SET SCREW, SS	2	
750019	MOUNTING BRACKET F/WIESE CO-50 KNIFE		1
790041	20" DEEP GRAB & GO TOOLBOX	1	1
AC40015	O-RING, VOLUTE SEAL		1
AC40151	SEAL, 5/8" SHAFT, VITON-C		1
AC52700	REPAIR KIT	1	
AP44103202	1/4 X 1/4" UNION CONNECTOR	3	3
AP44103240	1/4 X 1/4" FEMALE ADAPTOR	1	1
AXGC30020XL	XXL GREEN GLOVES	1	1
LAXNVGOGGLESL	GOGGLES	1	1
BJ200SHIM	2" SHIM		2
BJHM075	3/4" X 3/4" HOSE BARB	2	2
BJHM100	1" X 1" HOSE BARB	2	2
BJHM150	1-1/2" X 1-1/2" HOSE BARB	1	1
CLFBS1004	5/8 X 1 SQUARE HEAD SET SCREW	2	
PL707TB	REDURAN	1	1
WA21047	CABLE TIE, 15" HEAVY DUTY	20	20
VI3K9438	BARB:3/8" HB FOR 8027 NUT-POLY		3

Lighting



Lighting Parts List

ITEM	PART NO.	QTY.	DESCRIPTION
1	104	1	BOLT, 1/4 X 2" GRADE 5 ZP
2	235	1	NUT, CENTERLOCK, 1/4" ZP
3	249	4	WASHER, LOCK, 5/16" ZP
4	590229	4	BOLT, 8 X 20 MM 8.8 ZP
5	740023	1	APPLICATOR LIGHT WIRING HARNESS
6	740024	2	AMBER WARNING LIGHT
7	740025	2	RED TAIL LIGHT
8	740029	2	EXTENSION
9	740031	1	LIGHT MODULE



ILLUSTRATED PARTS LIST



FAST GLOBAL SOLUTIONS

4130 Commerce Boulevard

Windom, MN 56101

1-800-772-9279 Toll Free

1-507-427-3861 Voice

1-507-427-3030 Fax

www.fastsprayers.com