



9518T and 9524T TRUSS BOOM 120/132'
Parts Manual
Fast Global Solutions
4130 Commerce Boulevard
Windom, MN 56101

GENERAL INFORMATION

All rights, especially copying and distribution rights are reserved. No part of this publication may be reproduced in any form or by any means, electronic or mechanical, including photocopying, without express written permission from Fast Global Solutions.

Parts information in this manual represents components installed when product was manufactured based upon the best available information. Modifications made subsequent to initial delivery are not included. Always verify the parts and color required with your dealer or Fast Global Solutions Parts Department at 1-800-772-9279.

If you have any questions, please contact your dealer or our Parts and Service Department.

This 9518T and 9524T Truss Boom Parts Book covers units with the following serial numbers:

9518T-3372-1210 thru Current Production

9524T-3021-1210 thru Current Production

Serial number can be found at the top of the ladder.





Limited Warranty

Fast Global Solutions warrants to the buyer that the new machinery is free from defects in material and workmanship.

This warranty is only effective as to any new machinery which has not been altered, changed, repaired or treated since its delivery to the buyer, other than by Fast Manufacturing, Inc. or its authorized dealers or employees, and does not apply to accessories, attachments, tools or parts, sold or operated with the new machinery, if they have not been manufactured by Fast Global Solutions.

Fast Global Solutions shall only be liable for defects in the materials or workmanship attributable to faulty material or bad workmanship that can be proved by the buyer, and specifically excludes liability for repairs arising as a result of normal wear and tear of the new machinery or in any other manner whatsoever, and without limiting the generality of the foregoing, excludes application or installation of parts not completed in accordance with Fast Global Solutions operator's manual, specifications, or printed instructions.

Written notice shall be given by registered mail, to Fast Manufacturing, Inc. within seven (7) days after the defect shall have become apparent or the repairs shall have become necessary, addressed as follows:

Fast Manufacturing, Inc. 4130 Commerce Boulevard, Windom, Mn 56101.

This warranty shall expire one (1) year after the date of delivery of the new machinery.

If these conditions are fulfilled, FAST shall at its own cost and at its own option either repair or replace any defective parts provided that the buyer shall be responsible for all expenses incurred as a result of repairs, labor, parts, transportation or any other work, unless FAST has authorized such expenses in advance.

The warranty shall not extend to any repairs, changes, alterations, or replacements made to the new equipment other than by FAST or its authorized dealers or employees.

This warranty extends only to the original owner of the new equipment.

Tires are subject to the tire manufacturer's warranty. See Titan Tire website at www.titan-intl.com. Click on dealerlocator to find the nearest dealer.

Rubber parts (including hoses, Grommets) are not warranted.

This warranty is limited to the terms stated herein and is in lieu of any other warranties whether express or implied, and without limiting the generality of the foregoing, excluded all warranties, express or implied or conditions whether statutory or otherwise as to quality and fitness for any purpose of the new equipment. FAST disclaims all liability for incidental or consequential damages.

This Sprayer is subject to design changes and Fast Manufacturing, Inc. shall not be required to retrofit or exchange items on previously sold units except at its own option.

Fast Global Solutions

Warranty void if not registered.



9518T and 9524T Truss Boom 120/132'

FAST 9518T and 9524T Truss Boom 120/132'

Fast Sprayer Serial Number 95____T - _____ - _____

Date Purchased ____/____/____

Boom Width____ 120 or____ 132'

Nozzle Spacing____ 15" ____ 20" ____ 22"

Pump Manufacturer:____ Ace 205F-304, or____ Hypro HM1

CONTENTS

GENERAL INFORMATION	2
TRAILER FRAME, HITCH AND AXLE RECEIVER	8
BOLT TOGETHER TRAILER / STEERABLE TRAILER	10 - 13
AXLES AND HUB BREAKOUTS	14
TIRES/WHEEL ASSEMBLIES	16
INTERIOR PIVOT, PARALLEL LINKS	17
CENTER SECTION - PUCK YAW	18
ISO YAW CENTER	20
MAIN WING	22
FLIP WING	24
BREAKAWAY WING AND BREAKAWAY PARTS	26
OPTIONAL 60/66' SPRAY WING	28
MAIN PRODUCT TANK	30
RINSE TANK	32
MANUAL SIGHT GAUGE	34
PUMP, PLUMBING AND 3" QUICK FILL HYPRO PUMP	36
PUMP, PLUMBING AND 3" QUICK FILL ACE 205F 304 PUMP	38
HYPRO PUMP	40
OPTIONAL ACE 304 PUMP	41
OPTIONAL ACE 205 PUMP MOTOR	42
RAVEN FLOW METER AND MCV	43
RFM-100 PARTS	44
MCV 1-1/2"	45
AGITATION AND RINSE BALL MANIFOLD	46
OPTIONAL ELECTRIC AGITATION SHUT OFF	47
ELECTRIC AGITATION VALVE	48
ELECTRIC AGITATION CABLE 631970 (2015) YELLOW INDICATOR	49
ELECTRONIC SIGHT GAUGE	50
PREPARE THE SENSOR TUBE	51
INSTALL THE SENSOR TUBE	51
POWER CABLE - ELECTRONIC SIGHT GAUGE	52
ELECTRIC AGITATION CABLE - 631938 (2014 AND PRIOR) RED INDICATOR	53
BOOM SHUTOFF, GAUGE PLUMBING 54 HARNESS 3 BALL VALVE CONTROL - 631930	54
ELECTRIC SHUT-OFF FLOW BACK BALL VALVE (2014 AND PRIOR) RED INDICATOR	57
OPTIONAL HIGH PRESSURE BYPASS PLUMBING 58 WET BOOM & BRACKETS 59 WET BOOM DIAPHRAGM	
CHECK VALVE QUICK TEEJET HINGED NOZZLE BODY - 520039	60
HYDRAULIC CONTROL VALVE	61
WIRING HARNESS	61
Fence Row.	62-71



9518T and 9524T Truss Boom 120/132'

HYDRAULIC CONTROL VALVE	73
HYDRAULIC CONTROL VALVE WIRING HARNESS	72
CONTROL CONSOLE	75
WIRING HARNESS	76
CONTROL CONSOLE WIRING HARNESS	77
CONTROL CONSOLE SWITCH DIAGRAM	78
CYLINDER AND FITTINGS	79
HOSE DESCRIPTION	81
HYDRAULIC SYSTEM FOR PUMP	82
TRAILER MANIFOLD CONNECTIONS - ISO YAW 631943.	83
YAW BLOCK PARTS	84
ISO AUTOYAW / FOLD, AUTOBOOM, AND RAVEN RATE CONTROL	85
ISO AUTOYAW / FOLD, AUTOBOOM, AND JD RATE CONTROL	86
HYPRO CLEANLOAD EDUCTOR & MOUNTING - 5 GALLON	88
HYPRO CLEANLOAD EDUCTOR - 5 GALLON	90
HYPRO CLEANLOAD EDUCTOR AND MOUNTING - 7 GALLON	92
HYPRO 7 GALLON EDUCTOR	94
RAVEN SCS450 CONSOLE	95
CONTROL CONSOLE HARNESS - 115-0171-085	96
HARNESS EXTENSION - 115-0159-856 12'	97
HARNESS EXTENSION - 115-0159-857 24'	97
CONTROL HARNESS - 115-0171-086 6'	98
CONTROL HARNESS - 115-0171-129 12'	98
CABLE 10 BOOM, 115-0171-314, 24'	100
CABLE, ADAPTER 6 BOOM TO 10 BOOM, 631889	101
LIGHTING	102
FOAMER, 1 GALLON TANK	102
RICHWAY FOAM MARKER 3 GALLON TANK	104
RICHWAY FOAM MARKER LIQUID FLOW	105
RICHWAY FOAM MARKER COMPRESSOR	106
RICHWAY FOAM MARKER WIRING HARNESS	107
RICHWAY FOAM MARKER FOAMHEAD	108
RICHWAY FOAM MARKER BOOM END 109 NORAC AUTO HEIGHT BOOM CONTROL UC4+.	110
NORAC HYDRAULIC VALVE BLOCK 112 NORAC AUTO HEIGHT BOOM CONTROL HYDRAULIC SCHEMATIC UC4+ & UCS 113 NORAC AUTO HEIGHT SENSOR BRACKETS 114 NORAC AUTO HEIGHT BOOM CONTROL HARNESS 115 NORAC AUTO HEIGHT BOOM CONTROL EXTENSION HARNESS - No. 4465103 116 NORAC AUTO HEIGHT BOOM CONTROL SENSOR CABLES 117 NORAC AUTO HEIGHT BOOM CONTROL VALVE CABLE	118

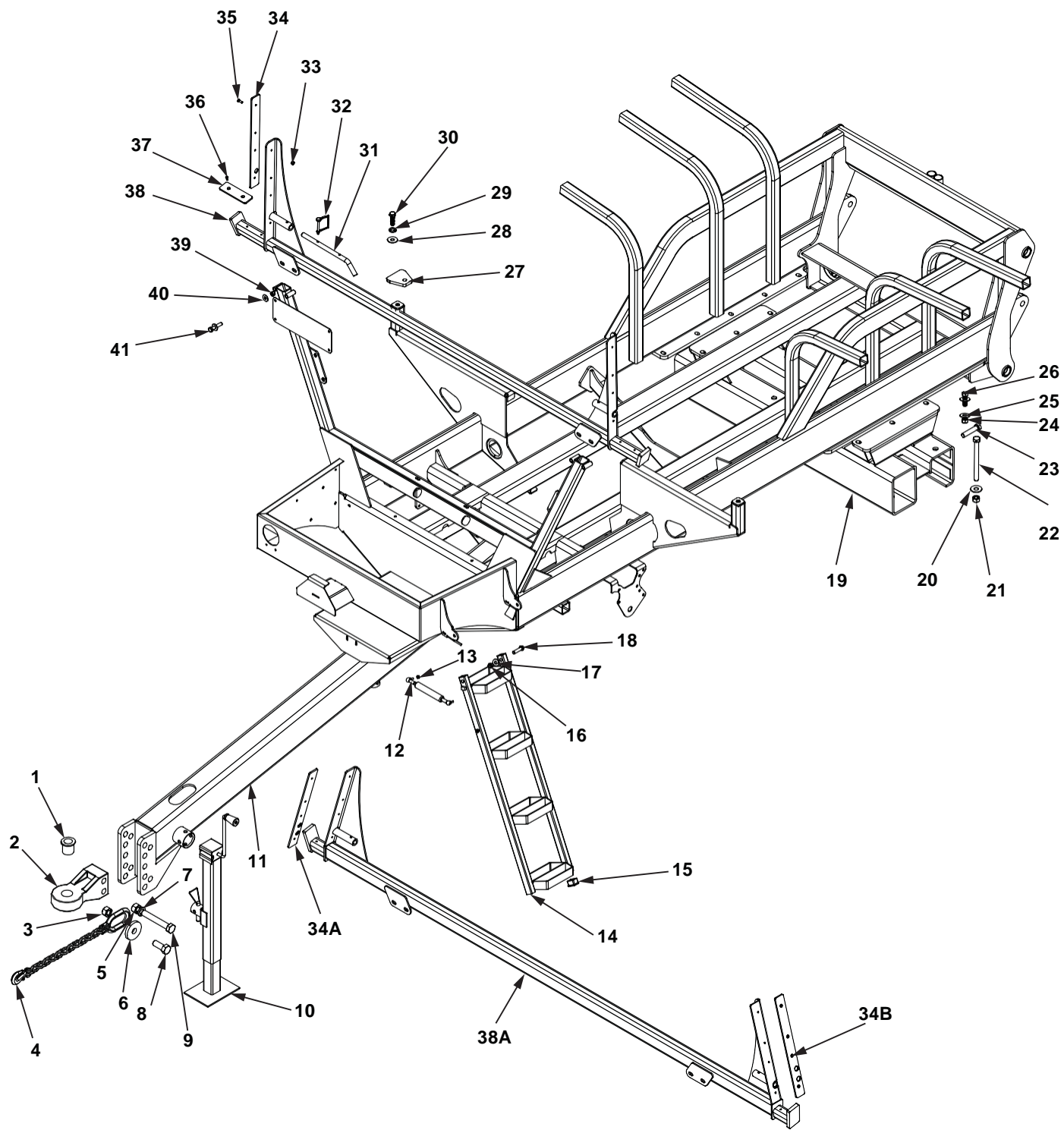


NORAC AUTO HEIGHT BOOM CONTROL MAIN INTERFACE CABLE	119
NORAC AUTO HEIGHT BOOM CONTROL WING INTERFACE CABLE	120
SEVERE TERRAIN KIT UC4 / UC5	121
UC5 NORAC KIT LAYOUT	122
ITEM C01: 43220-10A - CABLE UC5 NETWORK 14 AWG - 10M	123
ITEM C02: 43220-01A - CABLE UC5 NETWORK 14 AWG - 1M	123
ITEM C03: 43210-03A - CABLE UC5 NETWORK 18 AWG - 3M	124
ITEM C04: 43210-01A - CABLE UC5 NETWORK 18 AWG - 1M	124
ITEM C05: 43210-20A - CABLE UC5 NETWORK 18 AWG - 20M	125
ITEM C10: 43230-04A - CABLE UC5 VALVE DT To DT	125
ITEM C20: 43240-01B - CABLE UC5 INTERFACE TILT DT	126
ITEM C21: 43240-07B - CABLE UC5 INTERFACE MAIN DT (WITH AUX 1 & 2)	127
POWERGLIDE WIRING SCHEMATIC	128
POWERGLIDE HYDRAULIC BLOCK	129
POWERGLIDE SOLID AXLE	130
HUB BREAKOUT	130
POWERGLIDE, POWERGLIDE PLUS, ULTRAGLIDE TOUCH DOWN BRACKET	131
POWERGLIDE PLUS WIRING SCHEMATIC	132
POWERGLIDE PLUS HYDRAULIC BLOCK	133
ULTRAGLIDE MOUNTING PARTS	134
ISO AUTOBOOM WITHOUT ISO PRODUCT CONTROL	136
RAVEN ISO AUTOBOOM WITH JOHN DEERE PRODUCT CONTROL	137
ULTRAGLIDE HYDRAULIC SCHEMATIC	138
POWERGLIDE PLUS AND ULTRAGLIDE VALVE REPLACEMENT PARTS	139
WHEELS	139
SENSORS	140
RAVEN ISO AUTOBOOM WITH RAVEN ISO RATE CONTROL	141
TOOLBOX CARRIER	142
KIT CONTENTS	143
RAVEN Hawkeye	144



9518T and 9524T Truss Boom 120/132'

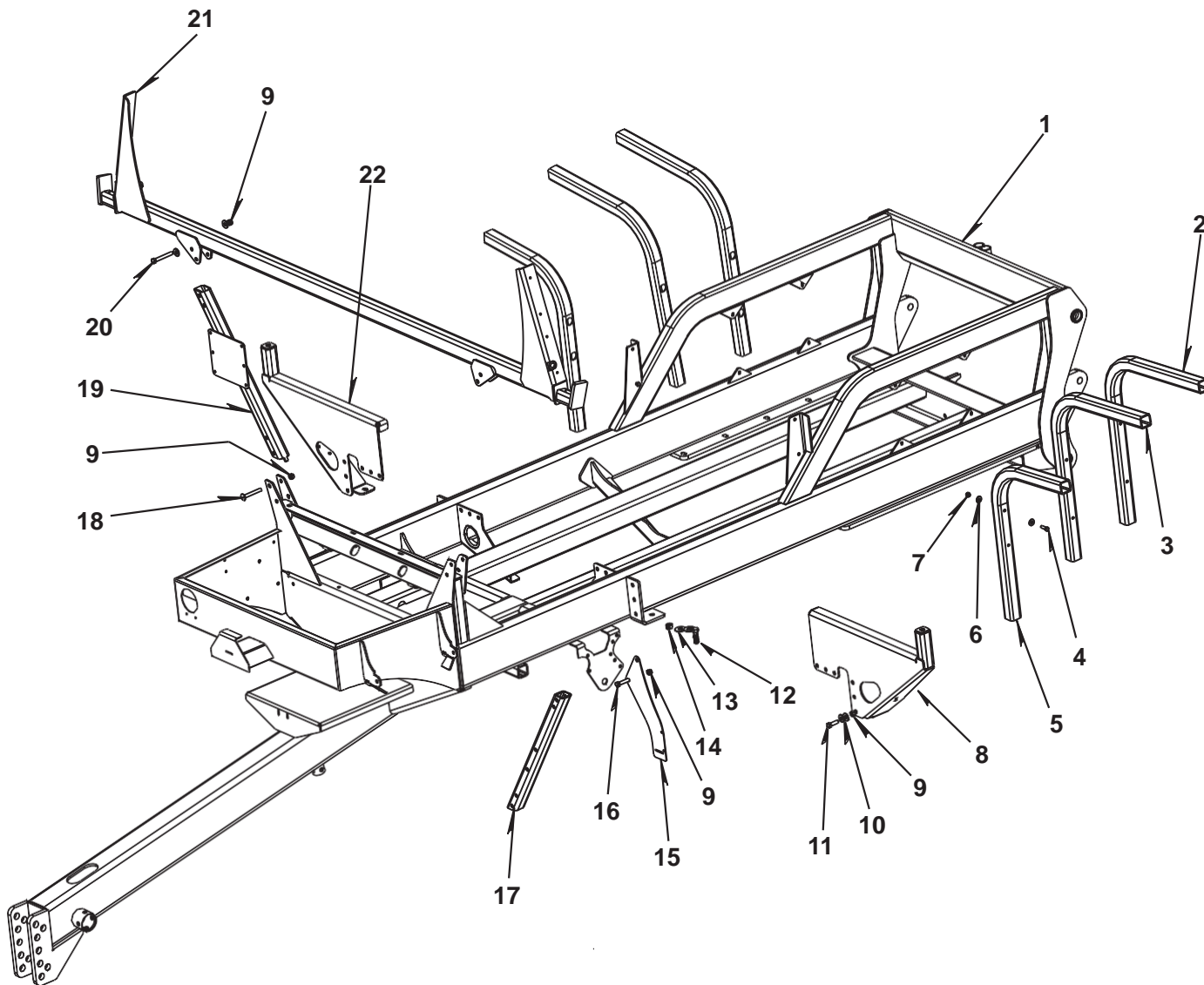
TRAILER FRAME, HITCH AND AXLE RECEIVER





9518T and 9524T Truss Boom 120/132'

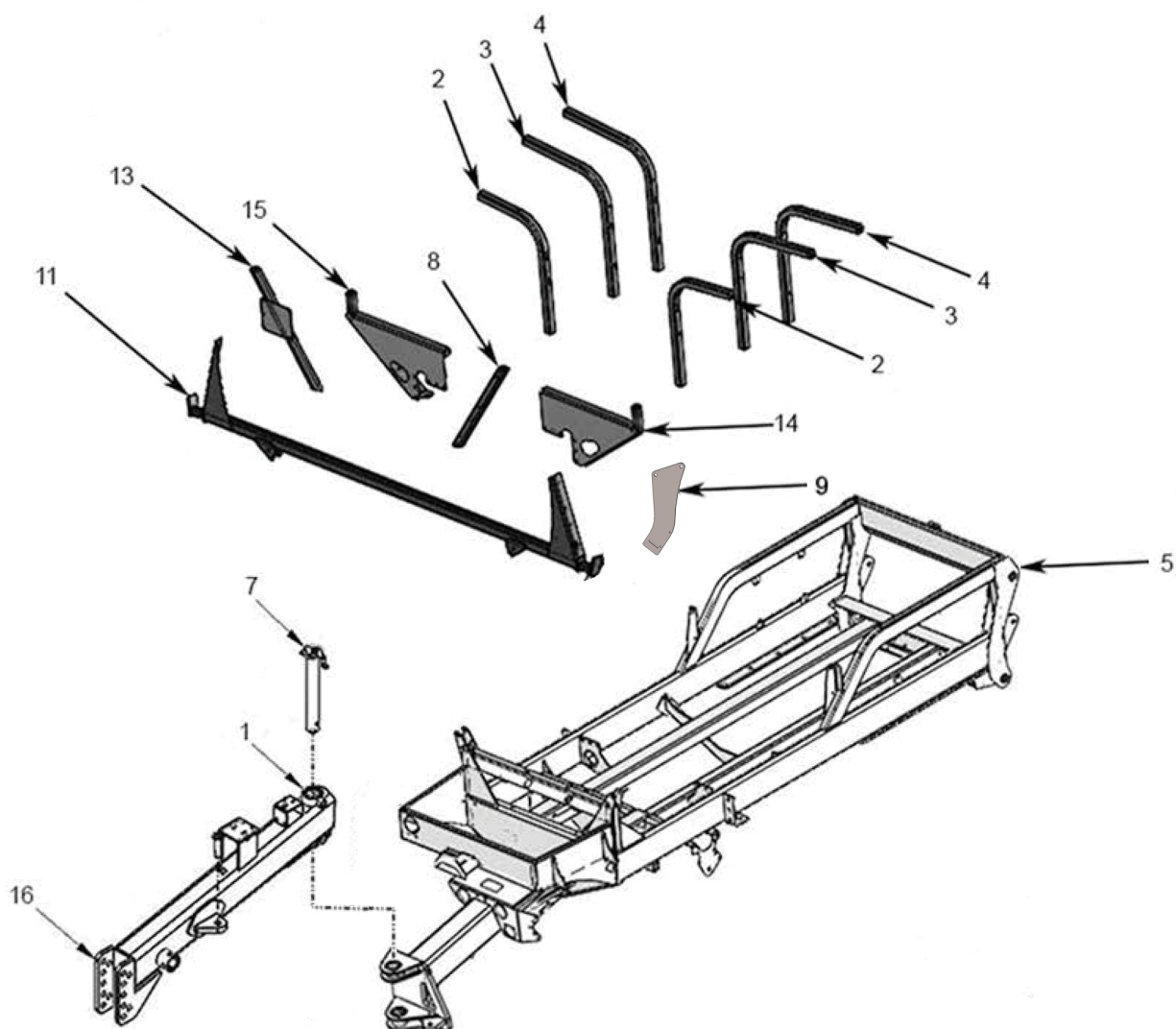
BOLT TOGETHER TRAILER



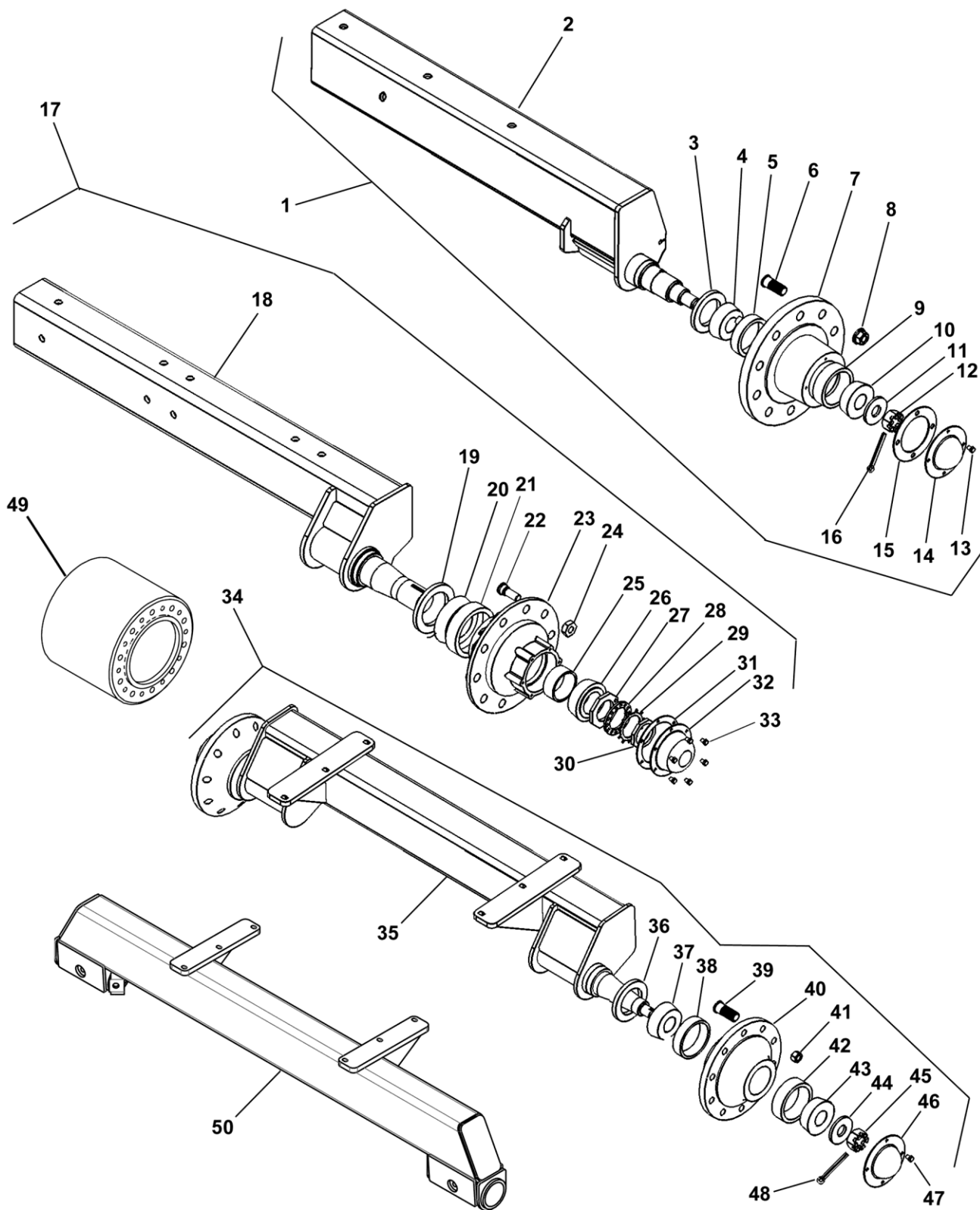


9518T and 9524T Truss Boom 120/132'

STEERABLE TRAILER 9500T



Axles

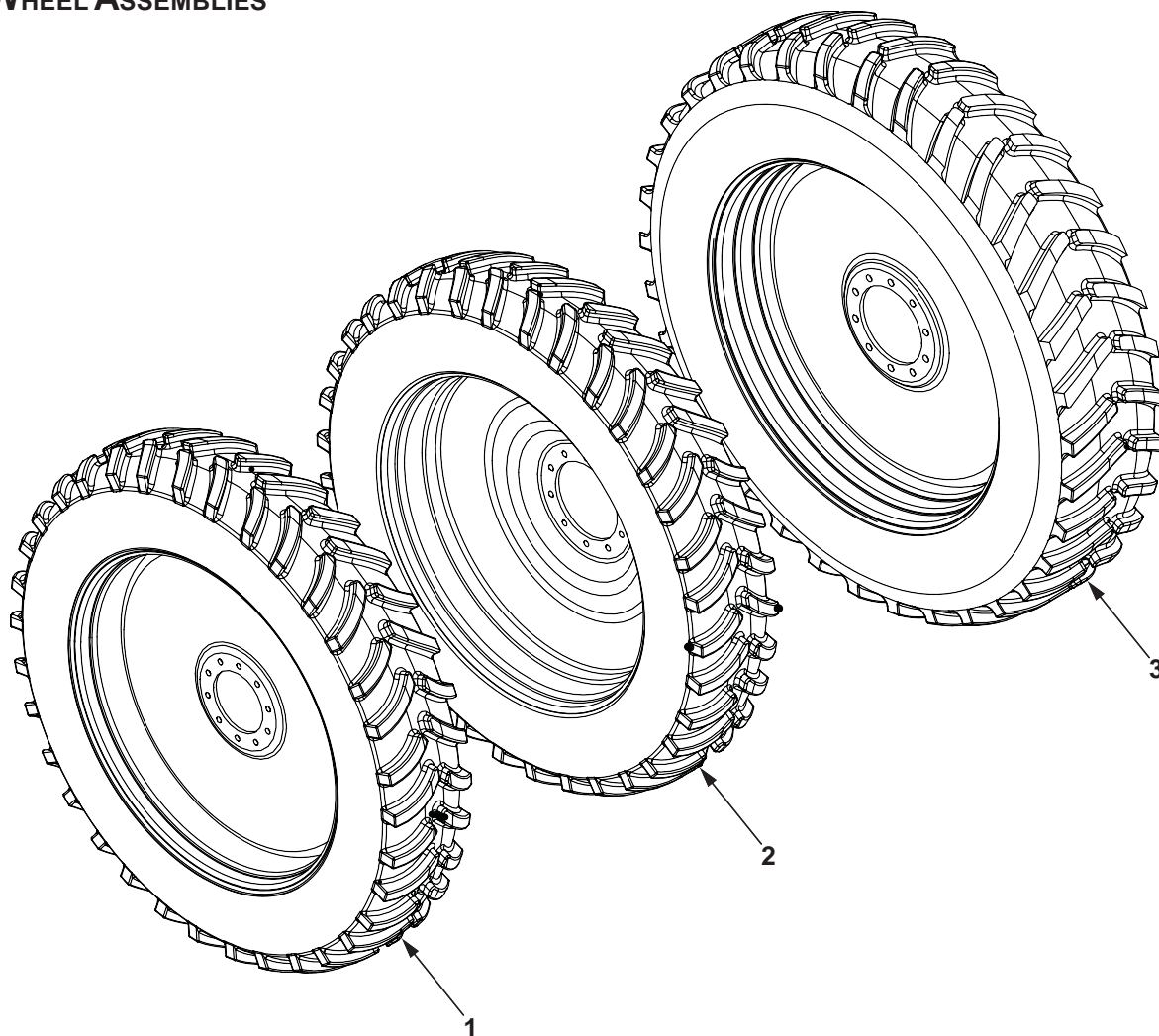


9518T and 9524T Truss Boom 120/132



Item	Vendor Part #	Fast Part #	Description	Qty.
1		13586	Axle Assembly 10 Bolt (Inc 2 - 16) 15,000#	2
2		13518	Trailer Narrow Axle Sub Weld 3-3/8" Spindle	2
3	946275	730013	Seal 873 Series Hub 15,000#	2
4	NI-910398/332752	730011	Cone Inner 873 Series Hub	2
5	NI-910397/133462		Cup Inner 873 Series Hub	2
6	NI-953033	1683	Stud Wheel	20
7	NI-289121	730002	Hub 10 Bolt W/Cups 873 Series Hubs 15,000#	2
8	NI-913571	730051	Nut Wheel	20
9	NI-910332/453a	1679	Cup Outer	2
10	NI-910334/460	1681	Cone Outer	2
11	NI-913632	1688	Washer Spindle	2
12	NI-912969	730014	Nut Spindle 1.25-12 TPI	2
13	NI-9052148	113	Bolt HH 5/16 X 1/2 GR5 Zp	8
14	1682	730072	Hub Cap Q-871 Hub	2
15	1686	730016	Gasket Hub Cap	2
16	NI-905944	1690	Cotter Pin	2
17		10900	Axle Assembly 2400 Gallon Tank (Inc 18 - 33) 19,000#	2
18		10901	Axle, Single 2400 Gallon Tank	2
19	513-0541	730051	Seal Grease CR40108	2
20	501-0663	730047	Bearing, Inner 663	2
21	511-0653		Cup, Inner 653	2
22	54101216		Wheel Stud	20
23	51001900	730071	Hub 10 Bolt 19,000 lb	2
24	55001216	730049	Wheel Nut	20
25	511-2011		Cup, Outer HM212011	2
26	512-2049	730064	Bearing, Outer HM212049	2
27	515-1918	730063	Inner Lock Nut	2
28	514-1900	730062	Inner Lock Washer	2
29	514-1884		Outer Lock Washer	2
30	515-1892		Outer Lock Nut	2
31	563-3600-HG		Gasket, Hub Cap	2
32		113	Bolt HH 5/16 X 1/2 GR5 Zp	12
33	563-3600	730046	Hub Cap	2
34		10913	Axle Assembly 10 Bolt Duals 60"-120" TW (Inc 33 - 45) 20,000#	1
34	Not Illustrated	10907	Axle Assembly 10 Bolt Duals 88"-132" TW (Inc 33 - 45) 20,000#	1
34	Not Illustrated	10910	Axle Assembly 10 Bolt Duals 80"-120" TW (Inc 33 - 45) 20,000#	1
35		10917	Trailer Axle 30" Row	1
35	Not Illustrated	10908	Trailer Axle 22" Row	1
35	Not Illustrated	10911	Trailer Axle 20" Row	1
36	NI-906979	730041	Seal	2
37	NI-910346	730043	Cone Inner	2
38	NI-910334	730012	Cup Inner	2
39	NI-953035		Stud Wheel	20
40	NI-281171	730060	Hub 10 Bolt 20,000#	2
41	NI-913571	730051	Nut Wheel	20
42	NI-910384	1679	Cup Outer	2
43	NI-910347	730037	Cone Outer	2
44	NI-913632	730040	Washer Spindle	2
45	NI-913571	730051	Nut	2
46	NI-909921	730038	Hub Cap	2
47	NI-9052148	113	Bolt HH 5/16 X 1/2 GR5 Zp	8
48	NI-905944	730042	Cotter Pin	2
49		710030	Spacer 30" Row 13.75" OAL	2
49	Not Illustrated	710032	Spacer 22" Row 7" OAL	2
49	Not Illustrated	710031	Spacer 20" Row 5" OAL	2
50		21370	Axle, Tracks	1

TIRES/WHEEL ASSEMBLIES

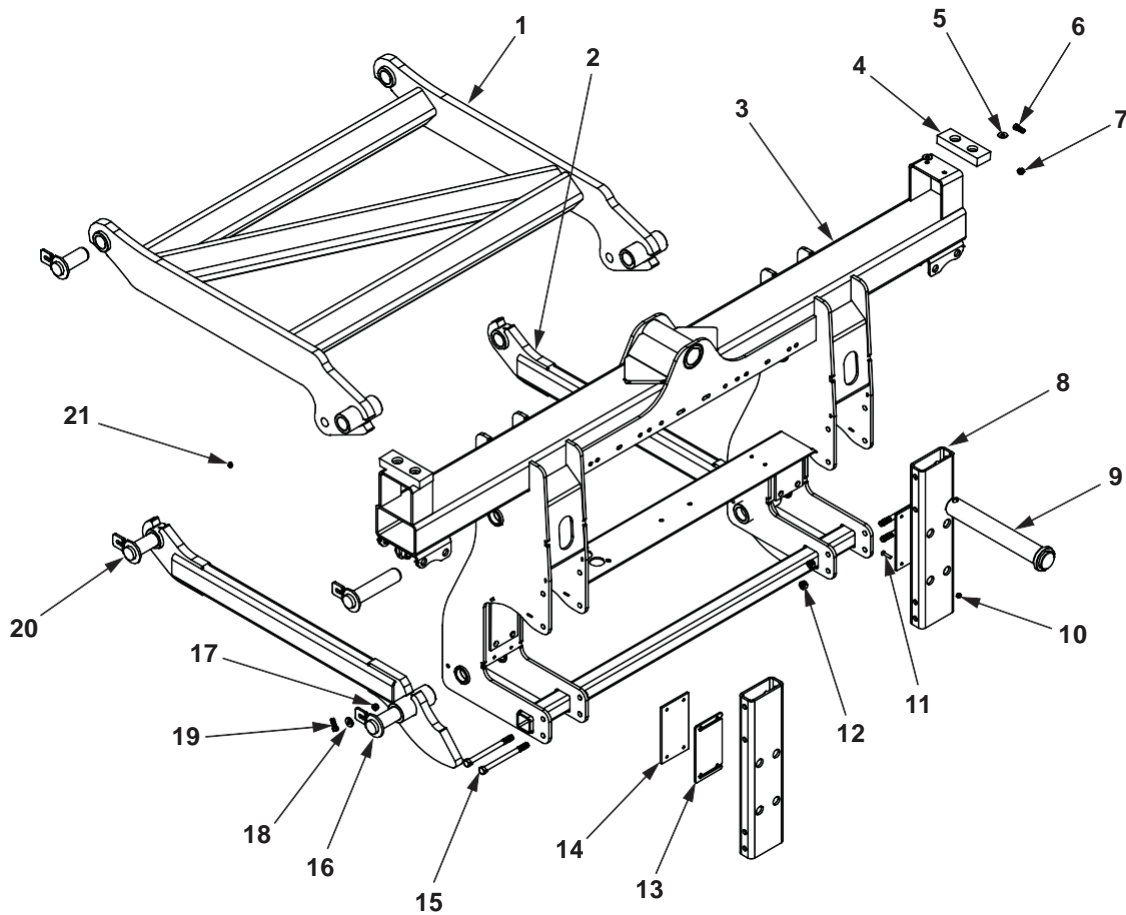


Item	Vendor Part #	Fast Part #	Description	9518	9524
1	TT-512318057201R	700002	380/90R46 Yellow RH	1	
1	TT-512318057201L	700003	380/90R46 Yellow LH	1	
1	TT-5123180040701R	700001	380/90R46 Silver RH	1 Opt/Red	
1	TT-5123180040701L	700000	380/90R46 Silver LH	1 Opt/Red	
3	TT-05201140057201R	700088	480/80R50 Yellow RH	1 Opt.	1
3	TT-05201140057201L	700087	480/80R50 Yellow LH	1 Opt.	1
3	TT-05201140040701R	700086	480/80R50 Silver RH	1 Opt/Red	1 Opt/Red
3	TT-05201140040701L	700085	480/80R50 Silver LH	1 Opt/Red	1 Opt/Red
2	TT-5193450057201R	700021	380/90R46 Yellow RH Dual	2 Opt.	2 Opt.
2	TT-5193450057201L	700020	380/90R46 Yellow LH Dual	2 Opt.	2 Opt.
2	TT-5193450040701R	700035	380/90R46 Silver RH Dual	2 Opt/Red	2 Opt/Red
2	TT-5193450040701L	700034	380/90R46 Silver LH Dual	2 Opt/Red	2 Opt/Red

9518T and 9524T Truss Boom 120/132'

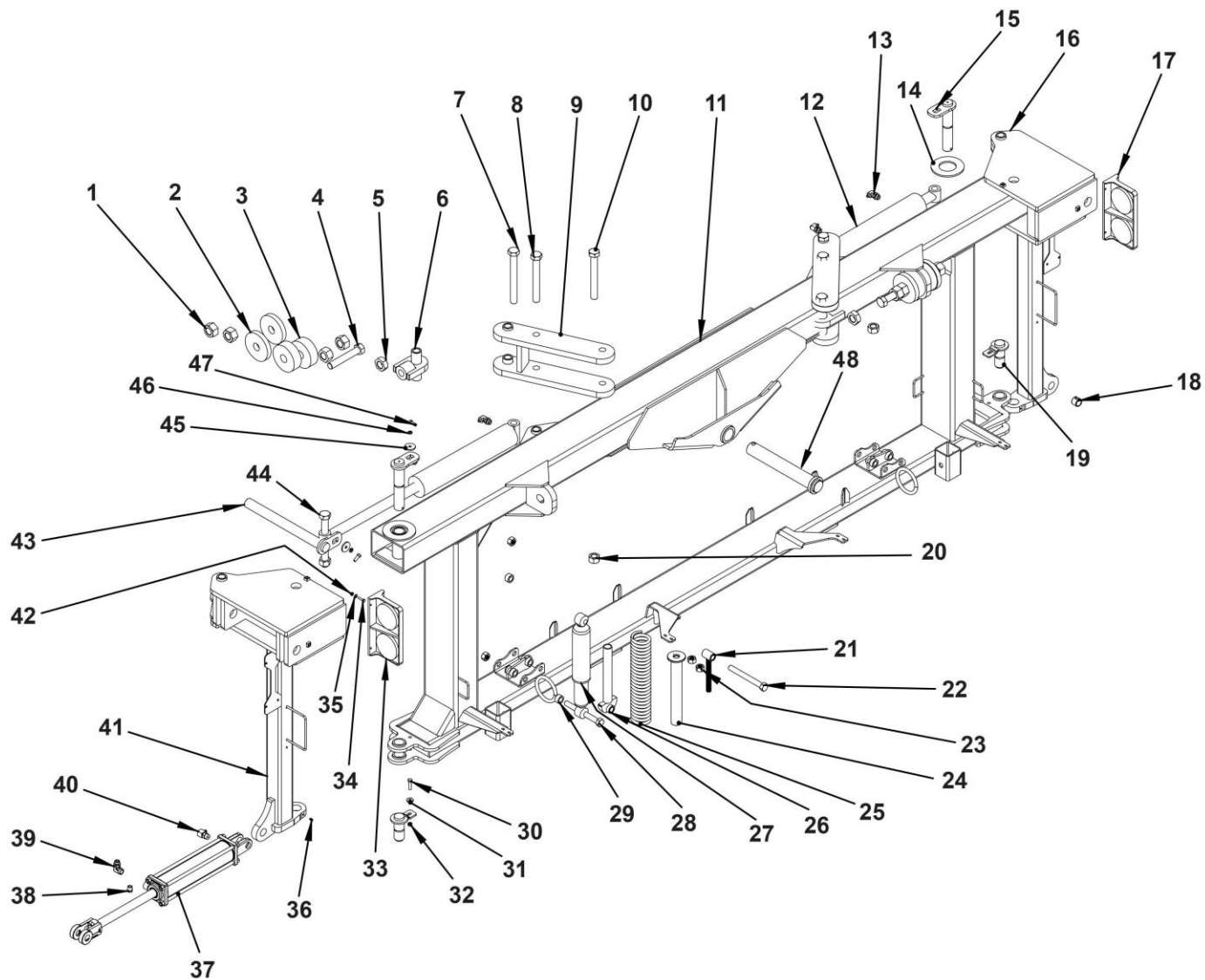


INTERIOR PIVOT, PARALLEL LINKS



Item	Vendor Part #	Fast Part #	Description	Qty.
1		14770	Link Parallel Upper (Replace Items 16 & 20 Also)	1
2		14771	Link Parallel Lower	2
3		16515	Interior Pivot Truss Boom	1
4	10488	590094	Bumper Pad, Rubber 1in	2
5		258	Washer Flat 3/8" Zp	4
6		128	Bolt HH GR5 Zp	4
7		237	Nut Hex 3/8" Zp Centerlock	4
8		16518	Truss Boom Strap Tube	2
9		11515	Pin Center Section Pivot	1
10		227	Nut Nylock 1/4 Zp	8
11		719	Bolt Flat Head 1/4 X 1" Black Oxide	8
12		239	Nut Hex Head 1/2" Centerlock Zp	4
13		16216	Plate Spacer 7 Ga	AR
13		16217	Plate Spacer 10 Ga	AR
13		16218	Plate Spacer 12 Ga	AR
13		16219	Plate Spacer 14 Ga	AR
14		590079	Truss Boom Poly Rub Plate	4
15		163	Bolt HH 1/2 X 6-1/2" GR5 Zp	4
16		13877	Pin Parallel Link Interior	4
17		237	Nut HH 3/8" Centerlock Zp	8
18		530309	Washer Heavy 3/8" Zp	8
19		128	Bolt HH 3/8 X 1" GR5 Zp	8
20		13871	Pin Parallel Link Trailer	4
21		759	Zerk 1/4-28 TPI	10

CENTER SECTION - PUCK YAW

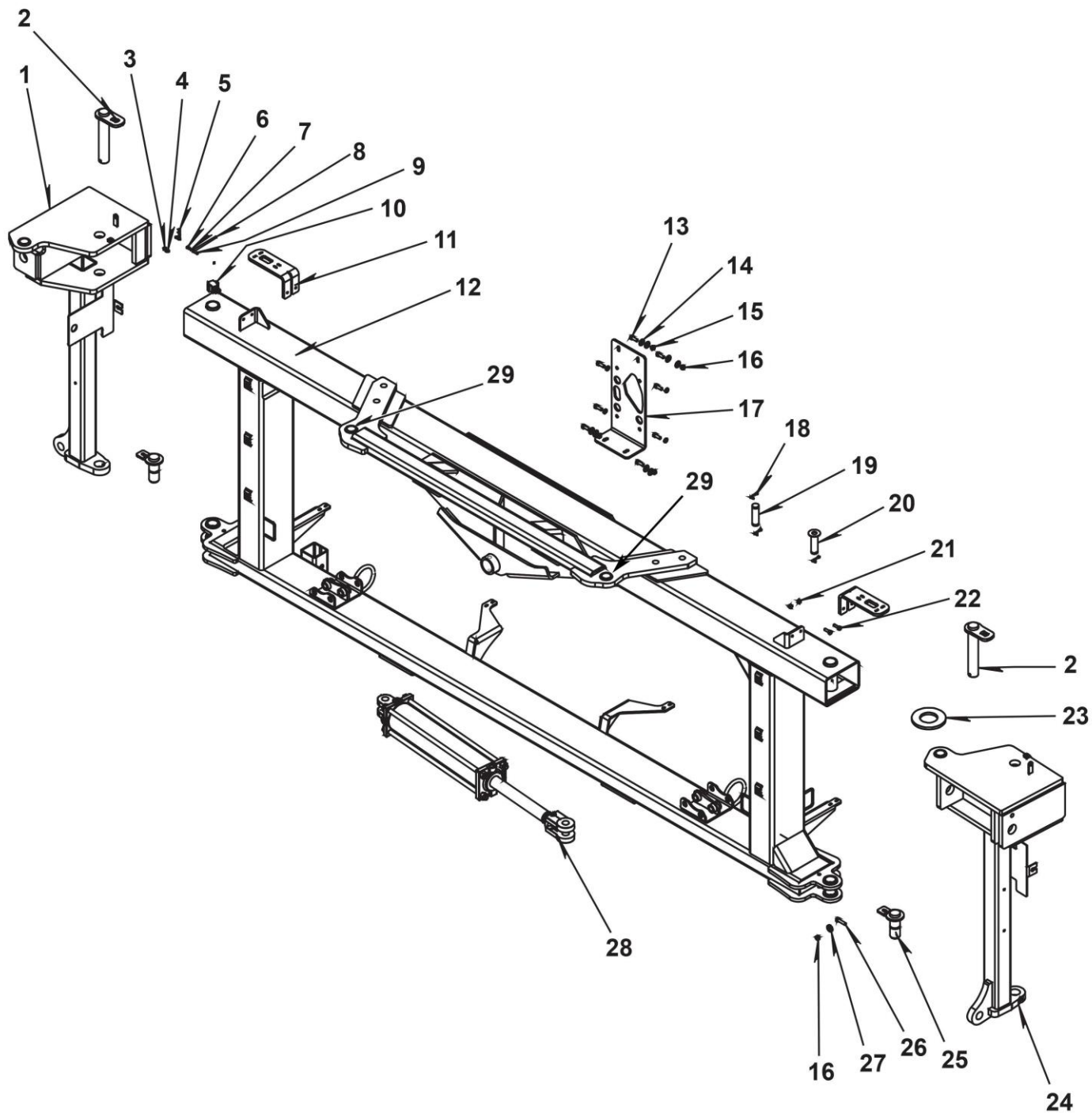


9518T and 9524T Truss Boom 120/132'

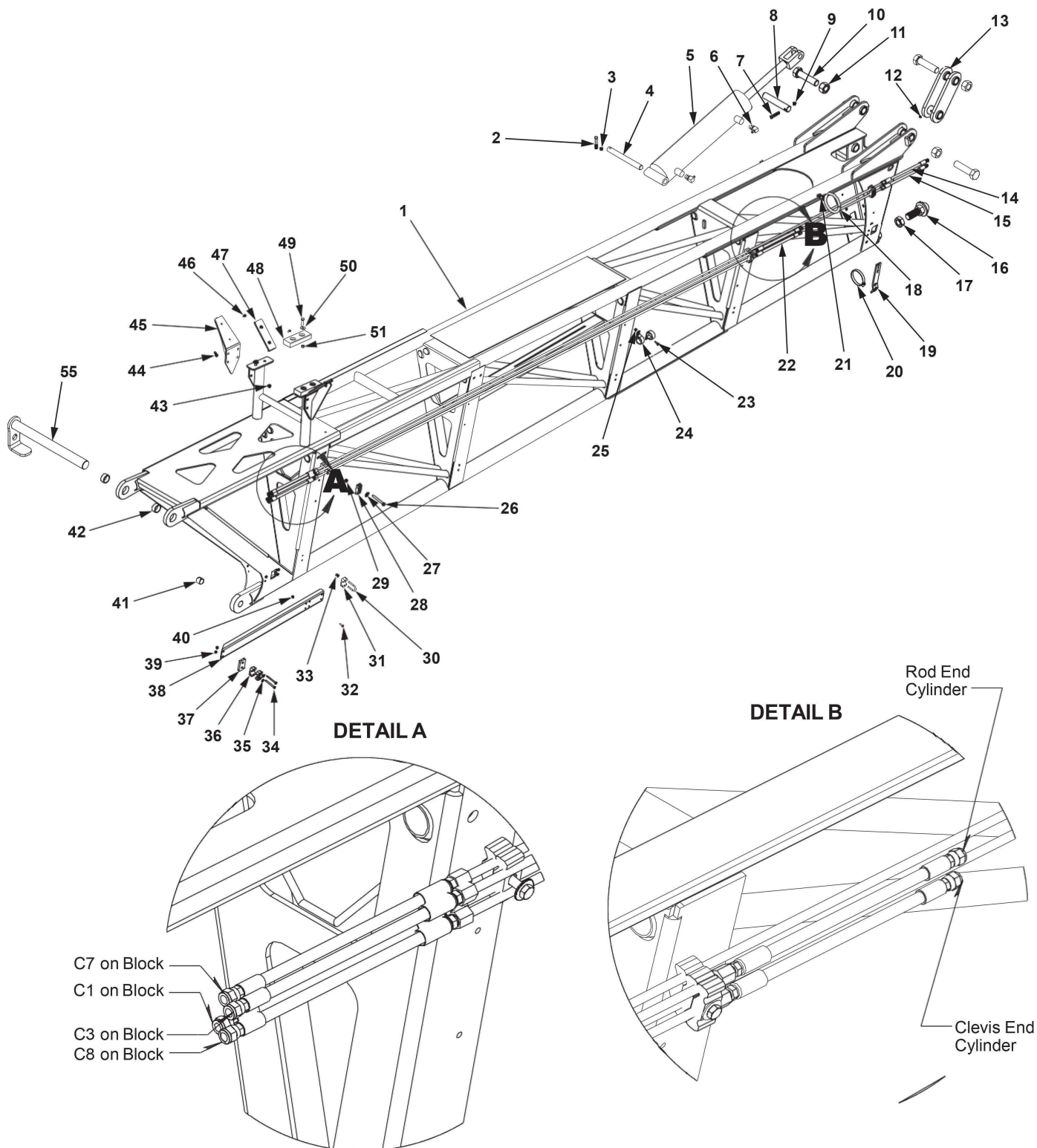


Item	Vendor Part #	Fast Part #	Description	Qty	120'	132'
1		617	Nut Hex Head 1-1/4" Zp	8		
2		16017	Mechanical Yaw Washer Plate	4		
3		790037	Poly Puck Yaw Dampner	4		
4		16016	Threaded Rod Mechanical Yaw	2		
5		558	Nut Hex Jam 1-1/4" Zp	2		
6		16008	Mechanical Yaw Lug Mount	2		
7		590125	Bolt Hex Head 1 X 10 GR8 Zp	2		
8		590135	Bolt Hex Head 1 X 8-1/2 GR8 Zp	2		
9		18362	Mechanical Yaw Multiplier	2		
10		590136	Bolt Hex Head 1 X 8-1/2 GR8 Zp	2		
11		16525	Center Section 120' Truss Boom Puck Yaw	1		
NS		22005	Center Section 120' Truss Boom ISO YAW			
12	MI675418	620079	Cylinder 3 X16 Weled 1.75" Rod (2014-)	2		
NS	649209 (RK 30WR-175 TSS)		Seal Kit For 620079			
12		620031	Cylinder 3X16 Weled 1.5" Rod (2010-2013)			
NS	RKWP-3015-3B-WP-1		Seal Kit For 620031			
13	RST6801-4-8-0.032	610039	Fitting Hydraulic 8ORB-4JIC RST 0.032	4		
14		590038	Washer Poly Pivot 1-5/8" OD	4		
15		16155	Pin Wing Pivot Upper	2		
16		16105R	Right Hand Wing Pivot 120' Truss Boom PUC YAW	1		
17		740002	Safety Light Right Hand	1		
18		530281	Bushing 1" ID X 1" Long	2		
19		13871	Pin Wing Pivot Lower	2		
20		242	Nut Hex 1" Centerlock Zp	8		
21		7444	Spring Adjustment Eyebolt	4		6
NS		194	Bolt Hex Head 3/4 X 7 GR5 Zp		4	2
22		489	Bolt Hex Head 3/4 X 9 GR5 Zp			2
23		217	Nut Hex Head 3/4" Zp	8		
24		7442	Outer Spring Mount	4		
25		590011	Spring Compression	4		
26		11620	Lower Spring Mount	4		6
27	PI-65421	790010	Shock		4	12
NS		194	Bolt HH 3/4 X 7 GR5 Zp		4	2
28		489	Bolt Hex Head 3/4 X 9 GR5 Zp			2
29		14461	Spacer Dom		8	
30		129	Bolt Hex Head 3/8 X 1-1/2 GR5 Zp			
31		530309	Washer Thick 1" OD	2		
32		237	Nut Hex 3/8" Centerlock Zp	2		
33		740001	Safety Light Left Hand	1		
34		102	Bolt Hex Head 1/4 X 1 GR5 Zp	8		
35		256	Washer Flat 1/4" Zp	8		
36		759	Zerk 1/4-28 TPI	6		
37	671378	620028	Cylinder 30TD12-125	2		
NS	648992	620032	Cylinder 30TD12-125 SA Push Super Ceded By 620028 After 4/15/2013			
38	BV3	610035	Breather 3/8" NPT	2		
39	6500-8-6	610036	Fitting Hydraulic 8ORB-3/8" NPT	2		
40	6801-6-8	610030	Fitting Hydraulic 8ORB-6JIC	2		
41		16105L	Left Hand Wing Pivot 120' Truss Boom	1		
42		767	Nut Hex Whizlock Zp	8		
43		16145	Pin Main Wing Pivot	2		
44		528	Bolt Hex Head 1 X 10 GR8 Zp	2		
45		530308	Washer Thick 1-5/8" OD	2		
46		250	Washer Lock 3/8" Zp	4		
47		128	Bolt Hex Head 3/8 X 1 GR5 Zp	2		
48		11515	Main Center Pivot Pin	1		

ISO YAW CENTER



MAIN WING



Item	Vendor Part #	Fast Part #	Description	Qty	120'	132'
1		22057	Wing Main Truss 4th Gen (For Units Built Prior To 1/1/2014, Wings Must Be Replaced In Pairs Due To Weight Of Wing Weldment)	2		
2		131	Bolt HH 3/8 X 2.5 GR5 Zp	2		
3		237	Nut Hex 3/8" Center Lock Zp	2		
4		16268	Pin Cylinder Mount	2		

9518T and 9524T Truss Boom 120/132'

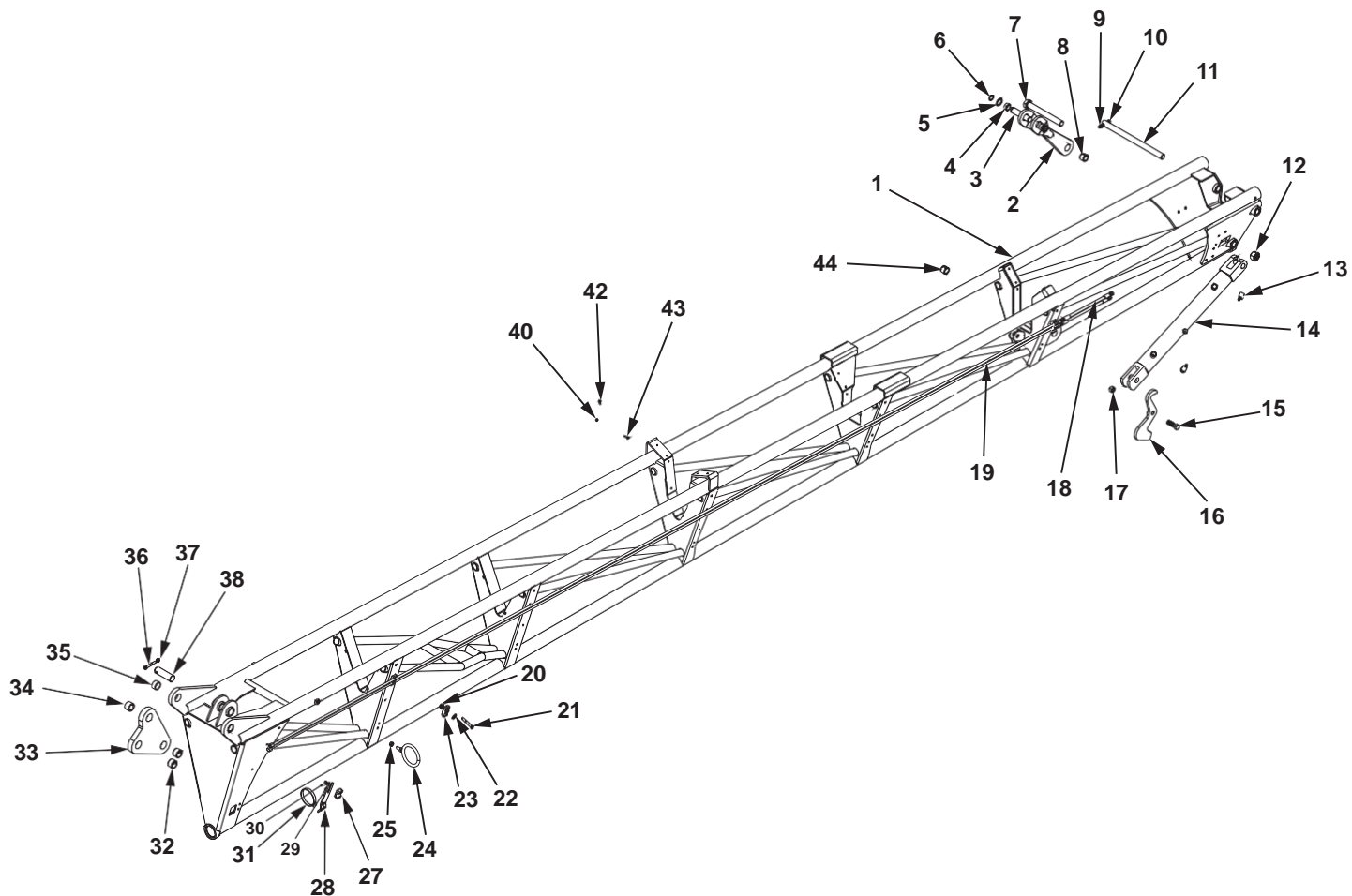


Item	Vendor Part #	Fast Part #	Description	Qty	120'	132'
5	MHFD10013	620043	Cylinder Cushion 5 X 16 9518T-3394-0111 & Up	2		
	MHFD10013		Seal Kit For 620043			
6	TO6801-4-8	610029	Fitting Hydraulic 8ORB X 4JIC 90°	4		
7		130	Bolt HH 3/8 X 2 GR5 Zp	2		
8		16149	Pin Cylinder Mount	2		
9		237	Nut HH 3/8" Center Lock Zp	2		
10		590183	Bolt HH (Rework) 1.25 X 5 GR5 Zp	4		
11		790072	Nut HH 1.25" Center Lock Zp	4		
12		759	Zerk 1/4" Straight	2		
13		16197	Link, Scissor	2		
14	600039-3A		Hose Hydraulic 29.5" OAL	2		
15	600039-4A		Hose Hydraulic 33" OAL	2		
16		16185	Cone, Line Up	2		
17		558	Nut HH Jam 1.25 Zp	2		
18		8877	Ring Bolt Assembly	2		
19		16271	Bracket Wet Boom	AR		
20	BR64044H	540018	Hose Clamp Size 44	AR		
21		223	Nut HH 1/2" Jan Zp	2		
22	600039-5A		Hose Hydraulic To Base Cylinder Port	2		
22	600039-6A		Hose Hydraulic To Rod Cylinder Port	2		
23		101	Bolt HH 1/4 X 3/4" GR5 Zp	4		
24		540048	Holder Spray Hose	4		
25		227	Nut HH 1/4" Nylock Zp	4		
26		636	Bolt HH 3/8 X 2-3/4" GR5 Stainless	8		
27		665	Washer 3/8 Stainless	8		
28	AG-2		Steel Tube Holder	28		
29		657	Nut HH 3/8" Stainless	8		
30		590048	U-Bolt 1/4 X 1 Stainless	AR		
31		540029	Tube Clamp For 1" SS Tube	AR		
32		655	Nut HH 1/4" Centerlock SS	AR		
33		637	Bolt HH 1/4 X 3/4" GR5 SS	8		
34		638	Bolt HH 1/4 X 2-1/2" GR5 SS	4		
35		685	Washer 1/4" Stainless	4		
36		540029	Tube Clamp For 1" SS Tube	4		
37		11494	Spacer Wet Boom	2		
38		16378	Bracket Wet Boom Support	2		
39		655	Nut HH 1/4" Centerlock SS	4		
40		685	Washer 1/4" Stainless	AR		
41		530281	Bushing Spring 1" ID	2		
42		530280	Bushing Spring 1-1/2" ID	4		
43		237	Hut HH 3/8" Centerlock GR5 Zp	8		
44		128	Bolt HH 3/8 X 1 GR5 Zp	8		
45		16794	Guide, Wing Rest, Bolt-On	2		
46		581	Rivet Drive 1/4"	4		
47	7781	590024	Saddle Base	4		
48		590094	Bumper Pad, 6" Lg	4		
49		129	Bolt HH 3/8 X 1-1/2" GR5 Zp	4		
50		258	Washer 3/8" Zp	4		
51		237	Hut HH 3/8" Centerlock GR5 Zp	4		
52	600039-1A		Hose Hydraulic Block To Hydraulic Tube LH	4		
NS	600039-2A		Hose Hydraulic Block To Hydraulic Tube RH	4		
53	FDM P603		Hydraulic Tube 3/8" X 124"	4		
54	FDM P604		Hydraulic Tube 3/8" X 162"	4		
55		18265	Pin, Truss Boom 16" Long	2		



9518T and 9524T Truss Boom 120/132'

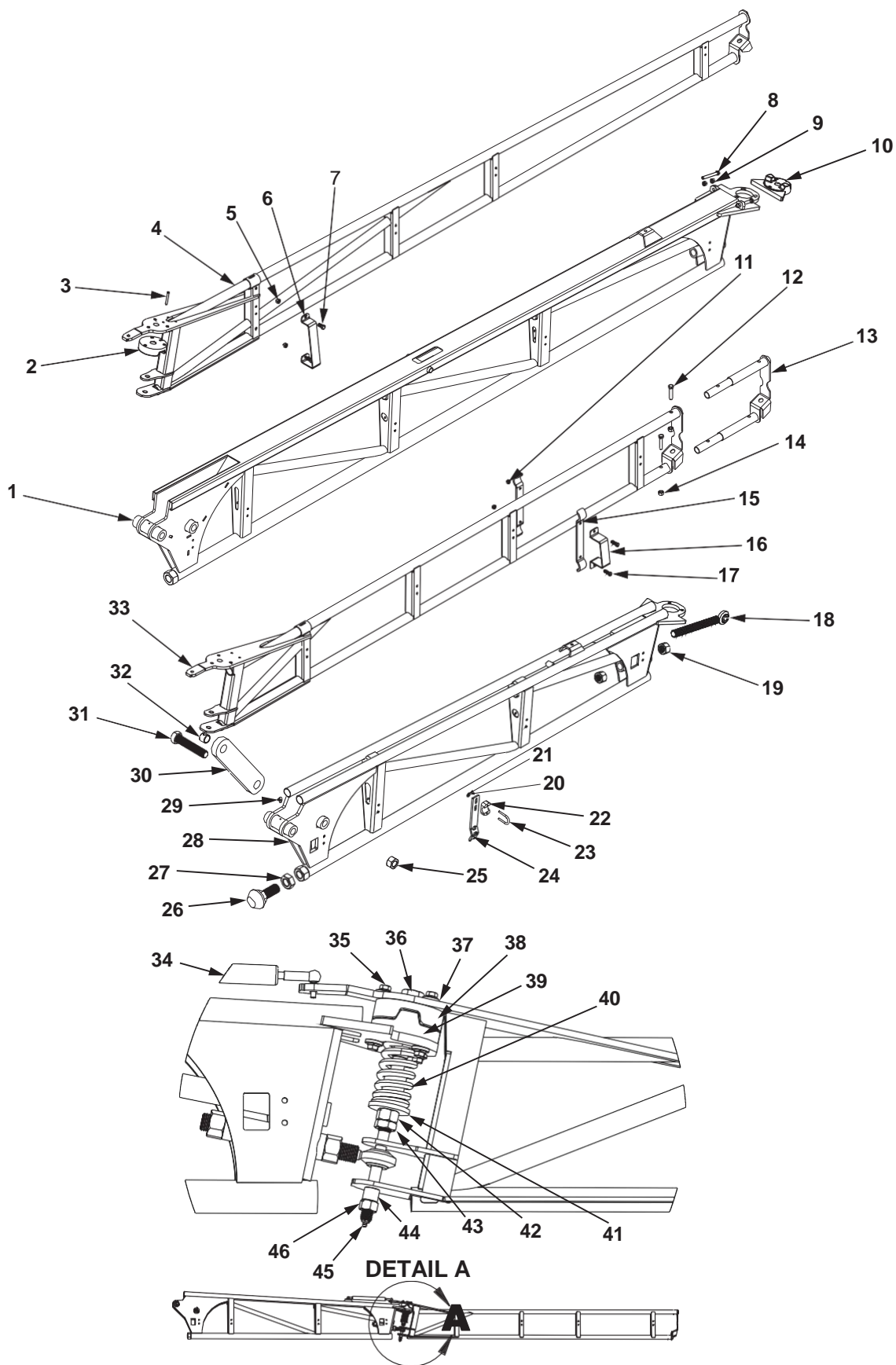
FLIP WING





9518T and 9524T Truss Boom 120/132'

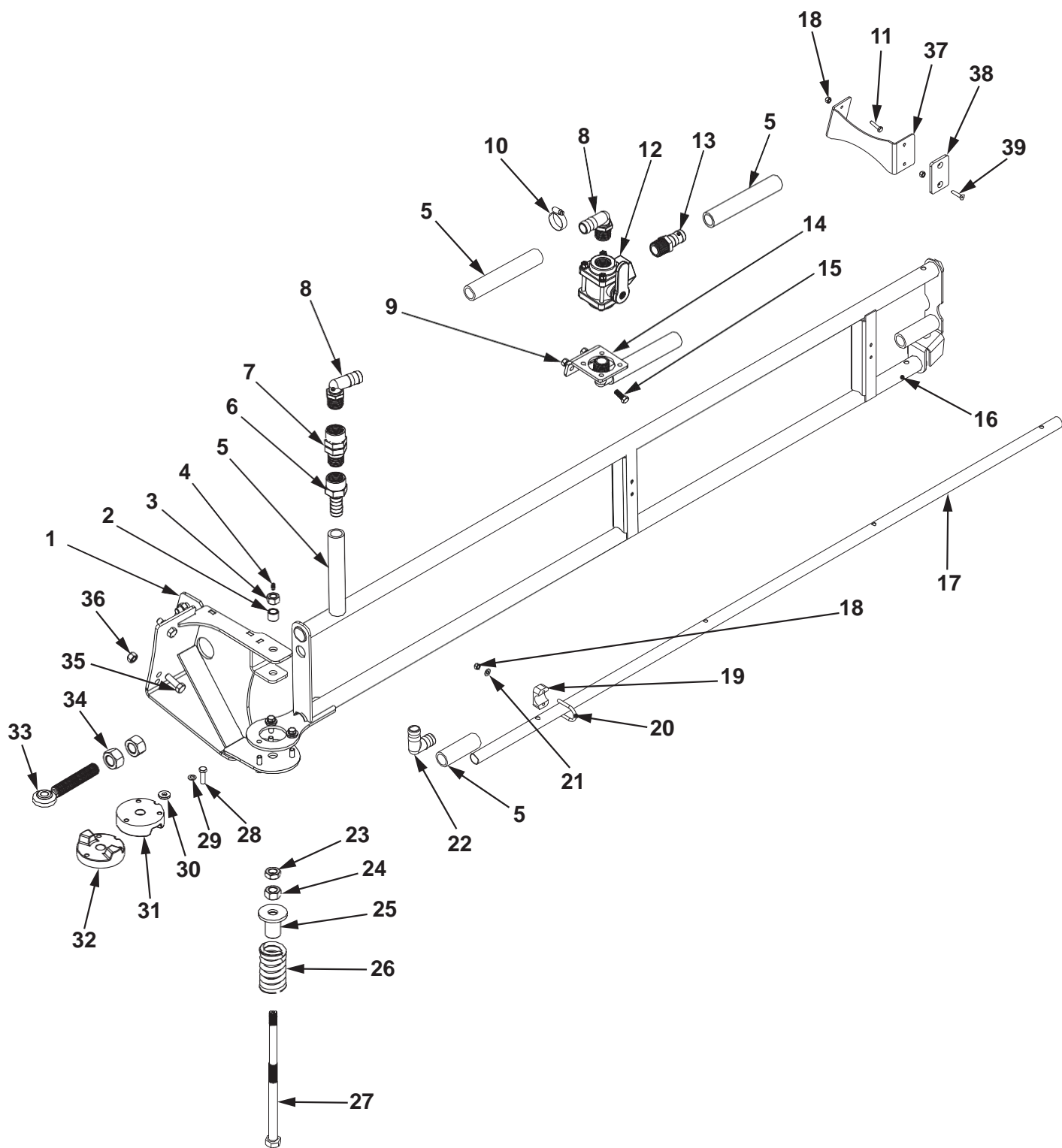
BREAKAWAY WING AND BREAKAWAY PARTS



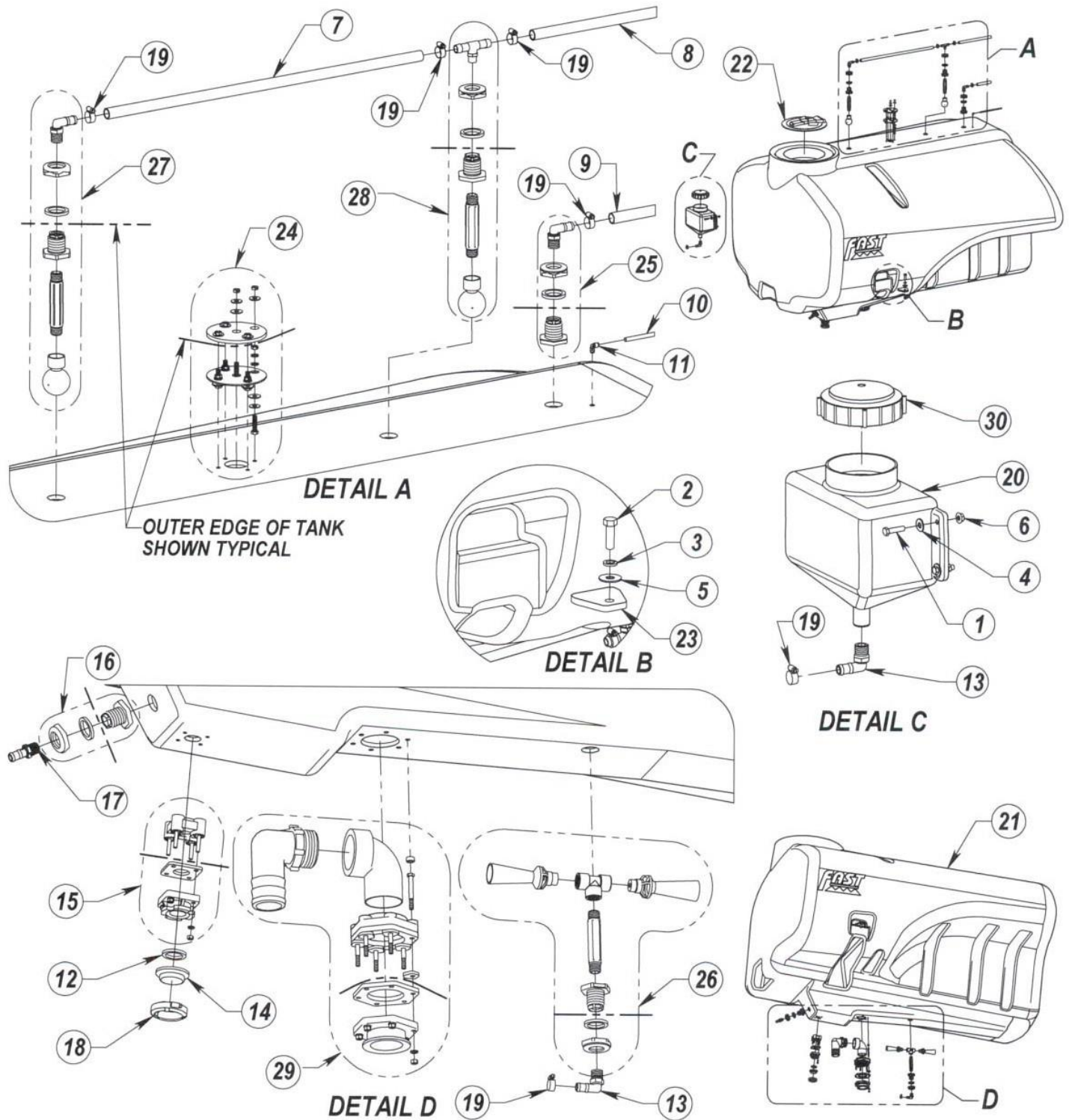


9518T and 9524T Truss Boom 120/132'

OPTIONAL 60/66' SPRAY WING



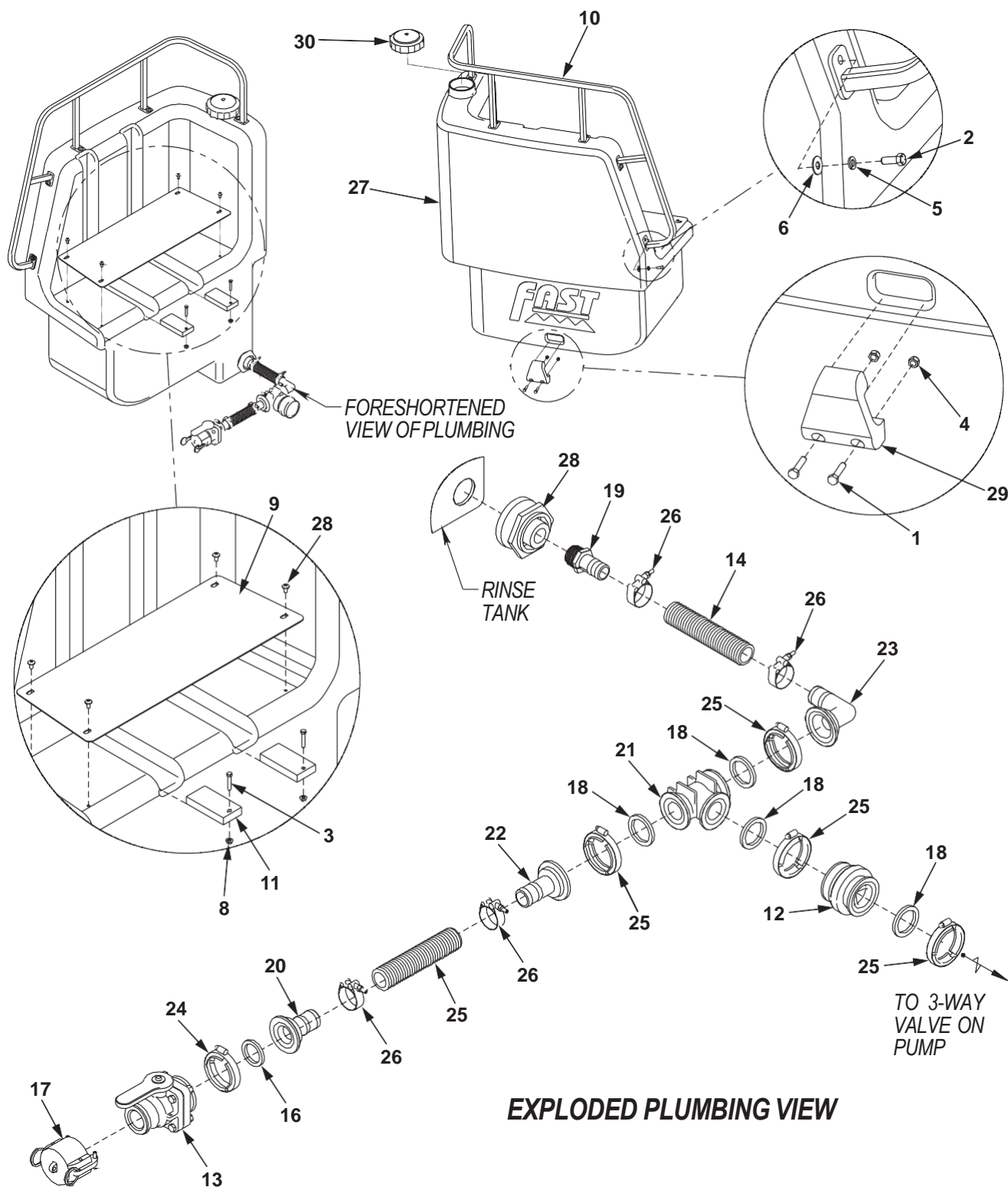
MAIN PRODUCT TANK





9518T and 9524T Truss Boom 120/132'

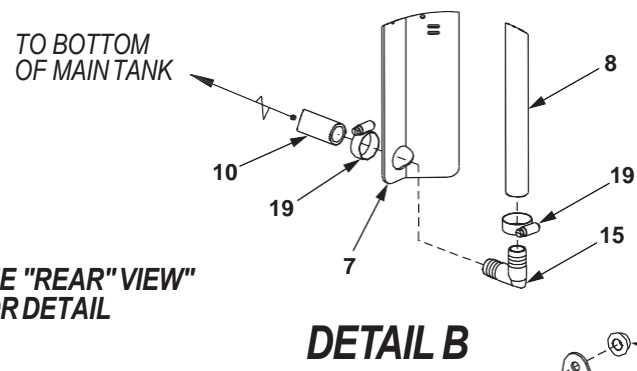
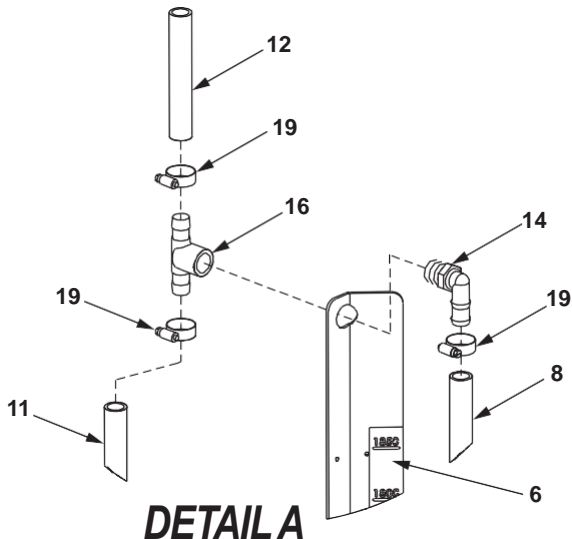
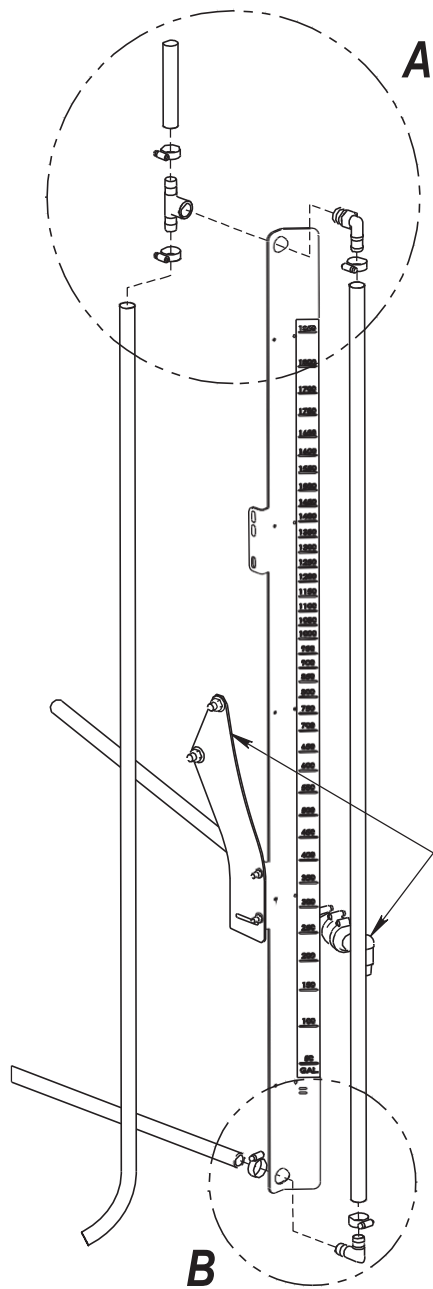
RINSE TANK



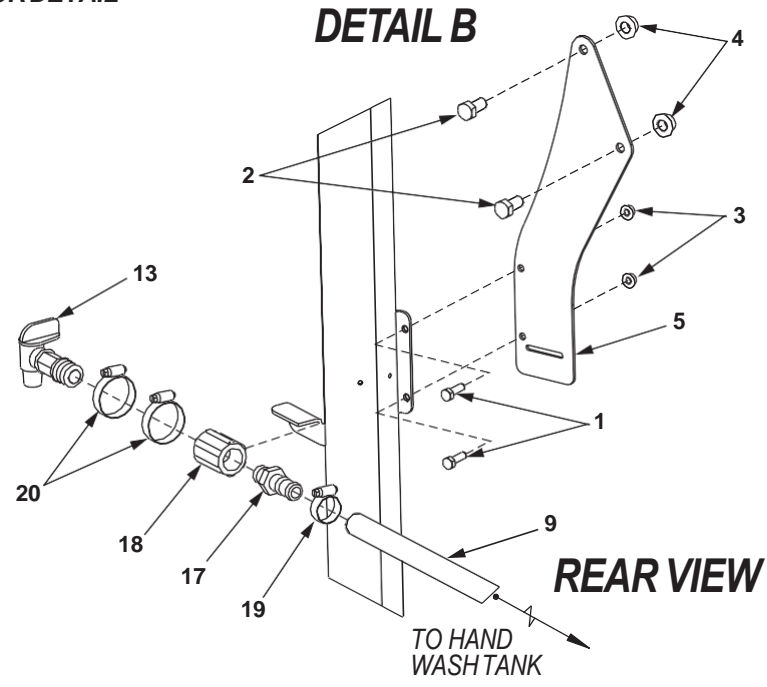


9518T and 9524T Truss Boom 120/132'

MANUAL SIGHT GAUGE



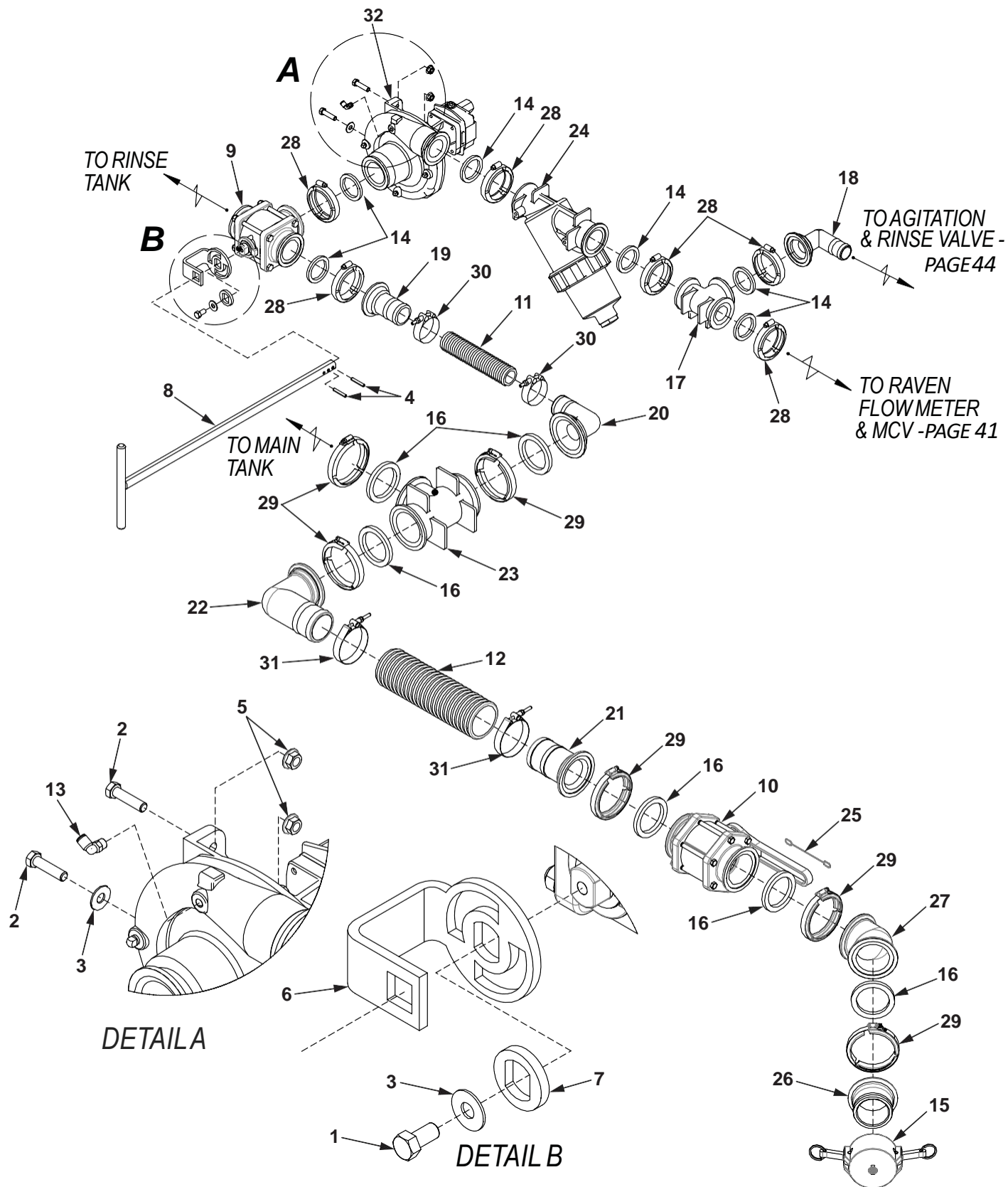
SEE "REAR" VIEW FOR DETAIL



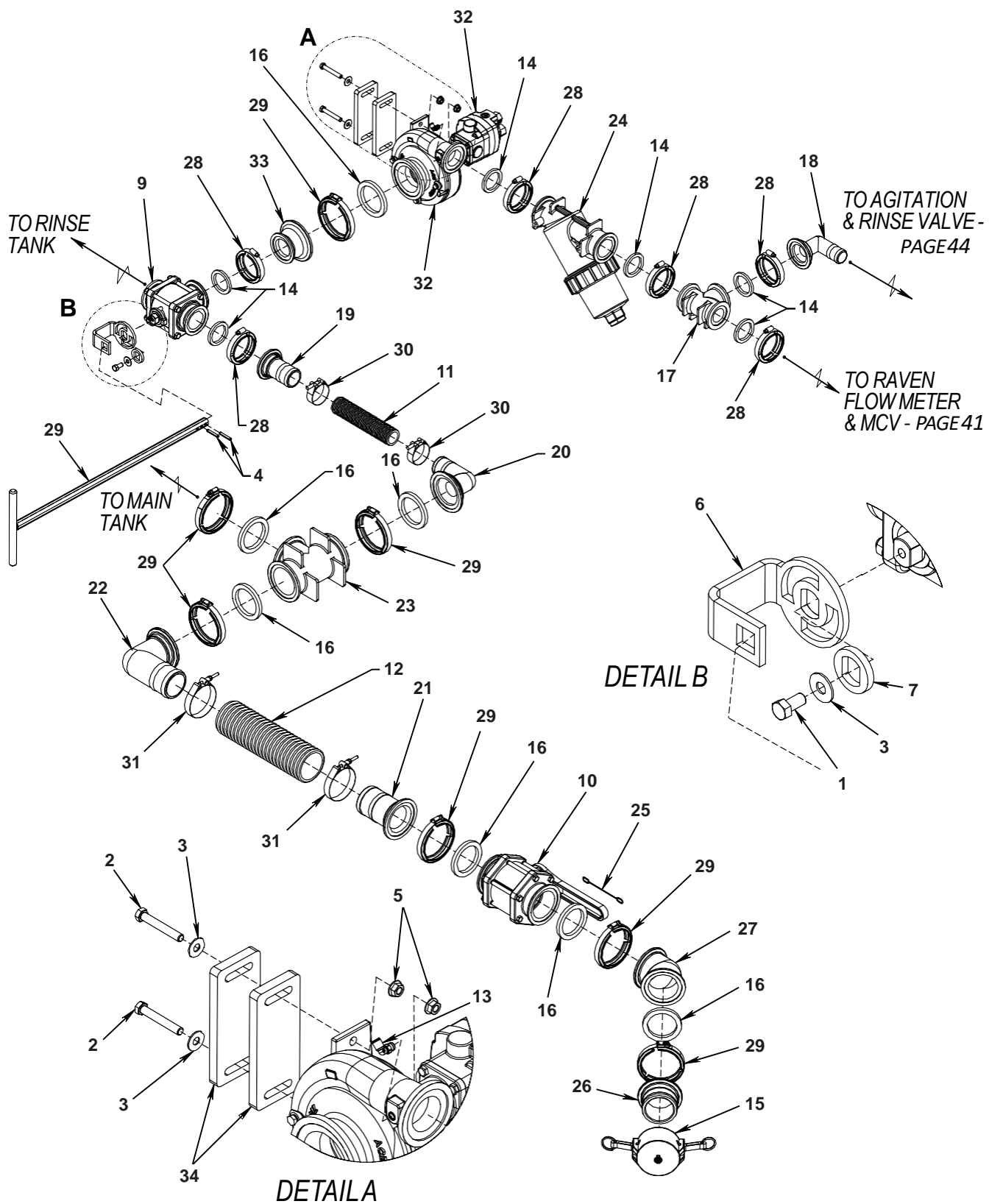


9518T and 9524T Truss Boom 120/132'

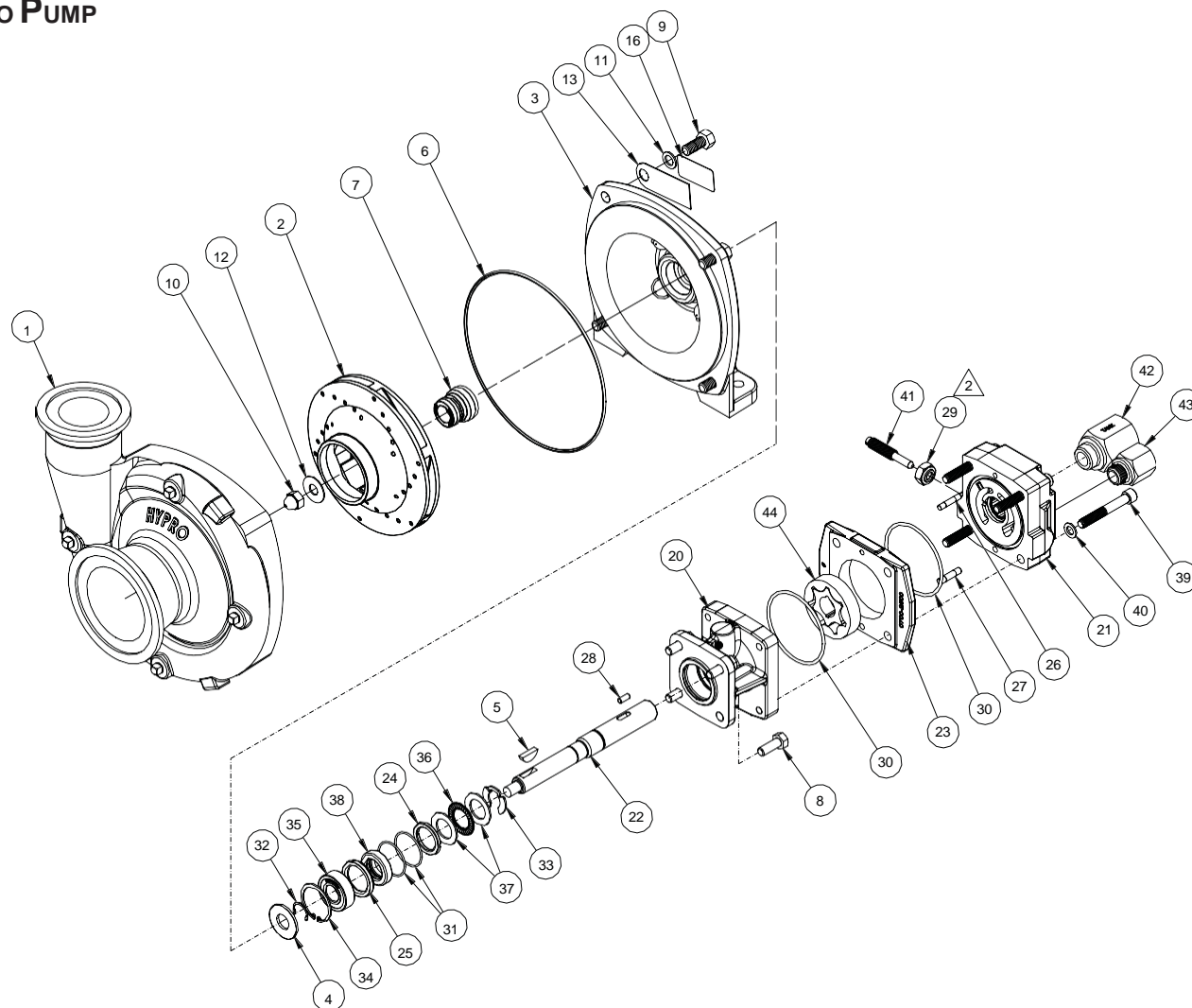
PUMP, PLUMBING AND 3" QUICK FILL HYPRO PUMP



PUMP, PLUMBING AND 3" QUICK FILL ACE 205F 304 PUMP



HYPRO PUMP

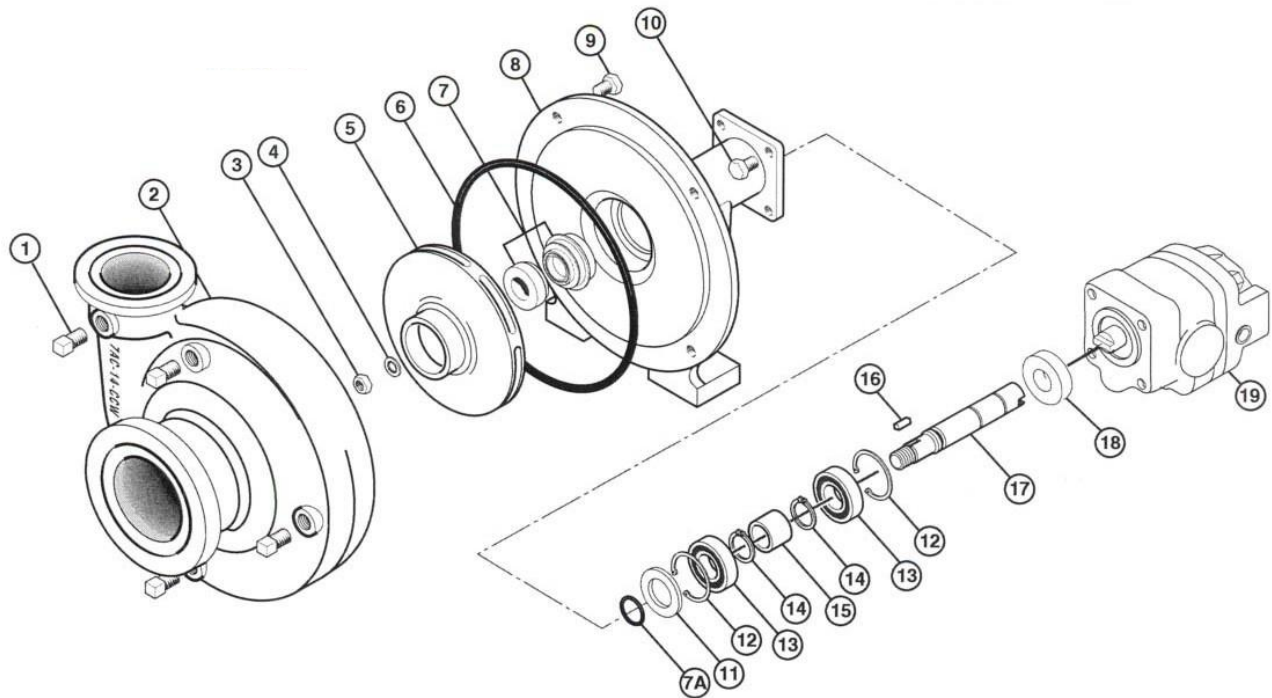


22	0533-2500	SHAFT	1	44	3900-0022	GEROTOR	1
21	0254-2500C2	END PLATE ASSY	1	43	3360-0023A	ADAPTER-INLET PORT ASSY	1
20	0150-2500C	BODY ASSY-SMALL PILOT	1	42	3320-0052A	CHECK VALVE ASSY - TANK PORT	1
19	6031-0373	CE STICKER LABEL	1	41	3220-0029	VALVE STEM	1
18	6031-0343	INSTRUCTION TAG	1	40	2270-0039	WASHER, FLAT 5/16"	4
17	6031-0340	LABEL READY FOR ROUND UP	1	39	2220-0021	SCREW, SOCKET HEAD	4
16	6031-0325	DECAL	1	38	2104-0010	LIP SEAL	1
15	3435-0171	PACKING KIT	1	37	2029-0010	BEARING RACE, THRU	2
14	3031-0134	CARTON- INDIVIDUAL	1	36	2029-0009	BEARING, THRUST	1
13	2270-0076	TAG	1	35	2000-0010	BEARING, BALL	1
12	2270-0071	IMPELLER WASHER	1	34	1820-0013	INT. RET. RING	1
11	2270-0041	WASHER	1	33	1810-0026	RETAINING RING	1
10	2253-0002	ALC NUT 0.3750-24-N	1	32	1810-0014	RETAINING RING	1
9	2210-0020	CAP SCREW, HEX HEAD 3/8"-16 X 7/8"	4	31	1720-0268	O-RING	2
8	2210-0005	CAP SCREW, HEX HEAD 5/16"-18 X 7/8"	4	30	1720-0110	O-RING	2
7	2120-0039	SEAL, MECHANICAL	1	29	1700-0245	NUT, SEALING	1
6	1720-0083	O-RING	1	28	1610-0031	HM1 & HM5 Round Key	1
5	1610-0012	WOODRUFF KEY	1	27	1600-0044	DOWEL PIN	1
4	1410-0056	SLINGER SEAL	1	26	1600-0037	DOWEL PIN	1
3	0750-9300C2	MOUNTING FLANGE	1	25	1410-0131	CARTRIDGE, FRONT	1
2	0401-9200P2	IMPELLER (CW ROTATION)	1	24	1410-0130	SPACER, 3L SEAL	1
1	0158-9200C	PUMP HOUSING, 300x220 U.FLG	1	23	0700-2500C1	GEROTOR HOUSING HM1, COATED	1
ITE M NO.	PART NUMBE R	DESCRIPTION	QTY	ITE M NO.	PART NUMBE R	DESCRIPTION	QTY.

9518T and 9524T Truss Boom 120/132'



OPTIONAL ACE 304 PUMP

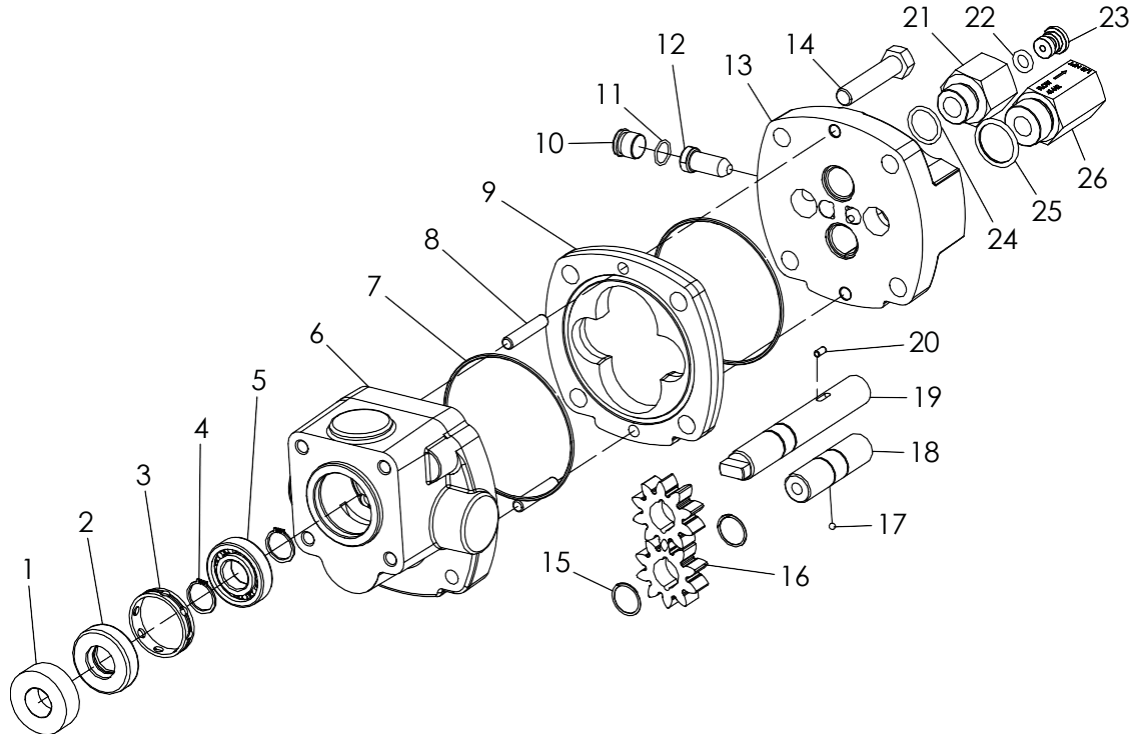


Item	Part #	EDP #	Description	Qty
1	BAC-53	41110	Pipe plug	4
1	41120	41120	Pipe plug, stainless steel (optional)	4
2	7AC-14-FLG	41530	Volute, 300 standard f ange X 220 full port f ange	1
3	BAC-23-A	40391	Nut, 3/8" NF, cad plated	1
4	BAC-24-HYD-SS	40400	Washer, 3/8" star, stainless steel	1
5	BAC-26-200-CI	40433	Impeller, with extended keyway, cast iron (optional)	1
5	BAC-26-200-P	40434	Impeller, with extended keyway, thermoplastic	1
6 ¹	BAC-4A	40005	O-ring , body seal	1
7 ¹	BAC-7V	40151	Seal, carbon/ceramic/Viton (includes 40160 "O" Ring)	1
7 ²	BAC-7SC	40152	Seal, silicon carbide (includes 40160 "O" Ring) (optional)	1
7A	40160	40160	O-ring, shaft seal	1
8	BAC-14-HYD-300A	40314	Mounting frame (for -300A series hydraulicmotor)	1
9	40950	40950	Cap screw, 3/8" NC X 3/4" hex head	4
9	40930	40930	Cap screw, 3/8" NC X 3/4" hex head, stainless steel (optional)	4
10	41330	41330	Cap screw, 5/16" NC X 3/4" hex head, motor to pump	4
11	BAC-54	41130	Slinger	1
12	BAC-33	40810	Snap ring, internal, BAC-14 mounting frame	2
13	BAC-37	40870	Ball Bearing, sealed , BAC-6 shaft	2
14	BAC-32	40790	Snap ring , external, BAC-6 shaft	2
15	BAC-32S	40795	Spacer for BAC-6 shaft	1
16	BAC-25	40425	Key, 1/8" X 1/8" X 13/16", extended keyway	1
17	BAC-6-HYD-200-SS	40063	Shaft, extended keyway, tang, stainless steel	1
18	S300	40162	Seal support spacer for 300 series HYD motor	1
19	BAC-75-HYD-304A	41388	Hydraulic motor, 11 GPM, 1/2" NPT ports	1
19	BAC-75-HYD-304A-12SAE	41426	Hydraulic motor, 11 GPM, #12 SAE end ports (optional)	1
1	RK-FMC	52700	Repair kit for FMC series pump	-
2	RK-FMCSC	52706	Repair kit for FMC series pump with silicon carbide shaft seal	-
#	RK-BAC-75-HYD-300-L	41362	Repair kit for 300 Series -L motor	-



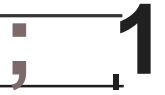
9518T and 9524T Truss Boom 120/132'

OPTIONAL ACE 205 PUMP MOTOR



Item	Vendor Part #	Fast Part #	Description	Qty.
1	BAC-53	41110	Pipe Plug	4
1	41120	41120	Pipe Plug, Stainless Steel (Optional)	4
2	7AC-14-FLG-A	41535	Volute, 300 Standard Flange X 220 Full Port Flange	1
3	BAC-23-B-SS	40393	Nut, 3/8" Nf, Stainless Steel	1
4	BAC-24-B-SS	42702	Washer, 3/8", Stainless Steel, Self-Locking	1
5	BAC-26-200-P	40434	Impeller, With Extended Keyway, Thermoplastic	1
5	BAC-26-200-CI	40433	Impeller, With Extended Keyway, Cast Iron (Optional)	1
5	BAC-26-200-SS	40436	Impeller, With Extended Keyway, 316 Stainless Steel (Optional)	1
6 ¹	BAC-7SC-205V	40149	Seal, Silicon Carbide	1
7 ¹	BAC-4A	40005	O-Ring, Body Seal	1
8	BAC-14-205-HYD	40338	Mounting Frame For 205 Pump	1
9	40950	40950	Cap Screw, 3/8" NC X 3/4" Hex Head	4
9	40930	40930	Cap Screw, 3/8" NC X 3/4" Hex Head, Stainless Steel (Optional)	4
10	41330	41330	Cap Screw, 5/16" NC X 3/4" Hex Head, Motor To Pump	4
11	BAC-54	41130	Slinger	1
12	BACH-33	40820	Snap Ring, Internal, BAC-14-205 Mounting Frame	2
13	BACH-32-HD	40385	Snap Ring, External, BAC-6-205 Shaft	3
14	40880	40880	Ball Bearing, Sealed, BAC-6-205 Shaft	2
15	BAC-6-205-HYD-SS	40068	Shaft, Extended Keyway, Tang, Stainless Steel	1
16	BAC-25	40425	Key, 1/8" X 1/8" X 13/16", Extended Keyway	1
17	S305	40163	Seal Support Spacer For 205 Series Pump	1
18	BAC-75-HYD-304N	41343	Hydraulic Motor, 11 GPM, Effective 5/13	1
19	41875	41875	O-Ring, #8 SAE Fitting	1
20	41445	41445	O-Ring, #10 SAE Fitting	1
21	BAC-80-8SAE	41455	Body, Restrictor Orifice, #8 SAE X 1/2" NPT	1
22	41448	41448	O-Ring, Orifice Insert	1
23	BAC-79-8	41447	Orifice Insert, Restrictor Insert, 0.125	1
24	41442	41442	Reverse Check Assembly, #10 SAE X 1/2" NPT	1
25	LS-304N	41429	Flow Limiter (Optional)	1
1	RK-FMCSC-205	52705	Repair Kit For FMC-205 Pump With Silicon Carbide Shaft Seal	
#	RK-BAC-75-HYD-300-L	41362	Repair Kit For 300 Series Hydraulic Motor	

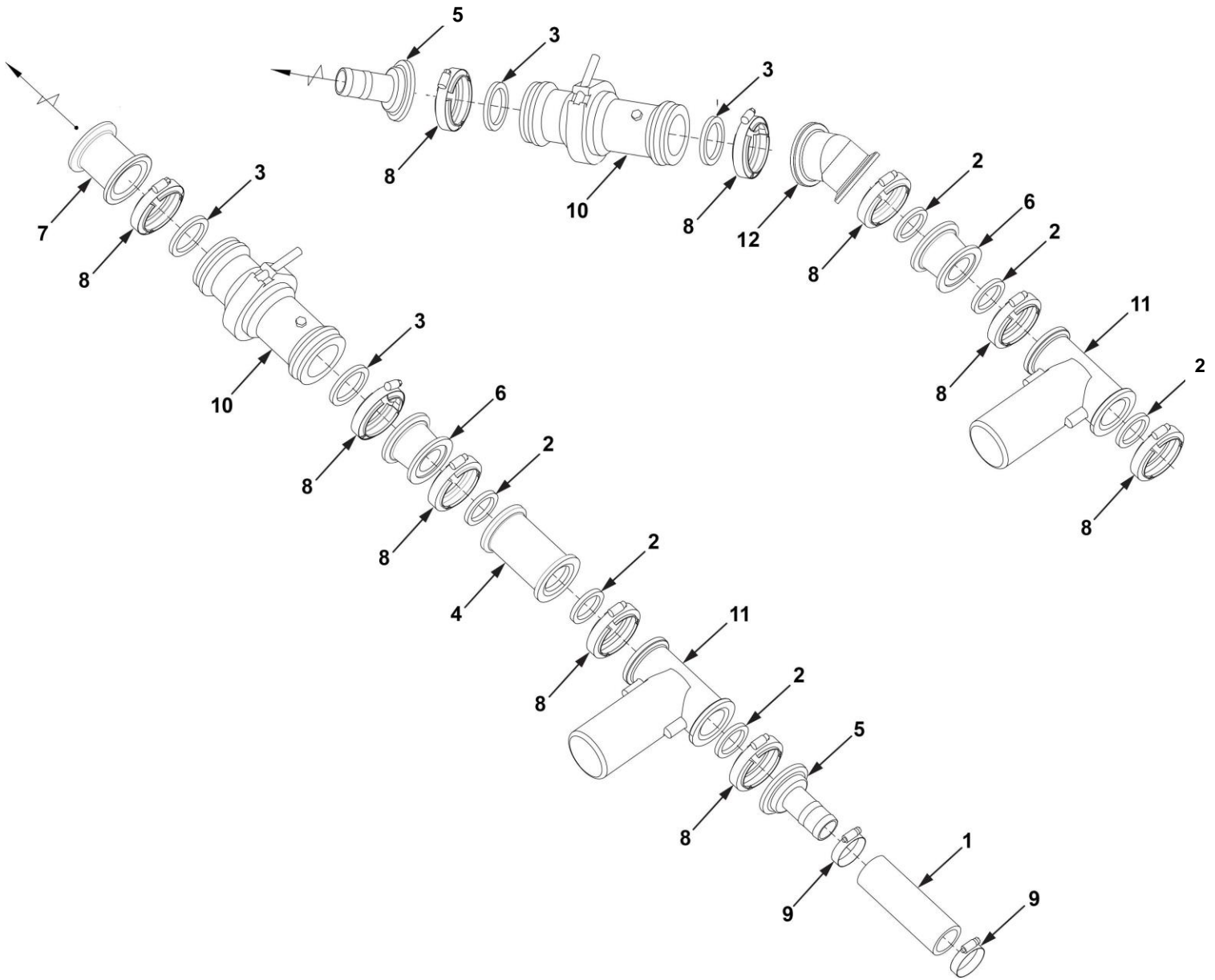
9518T and 9524T Truss Boom 120/132'



RAVEN FLOW METER AND MCV

TO TEE FITTING/

PUMP FILTER- ITEM 77, PAGE 34 & 36



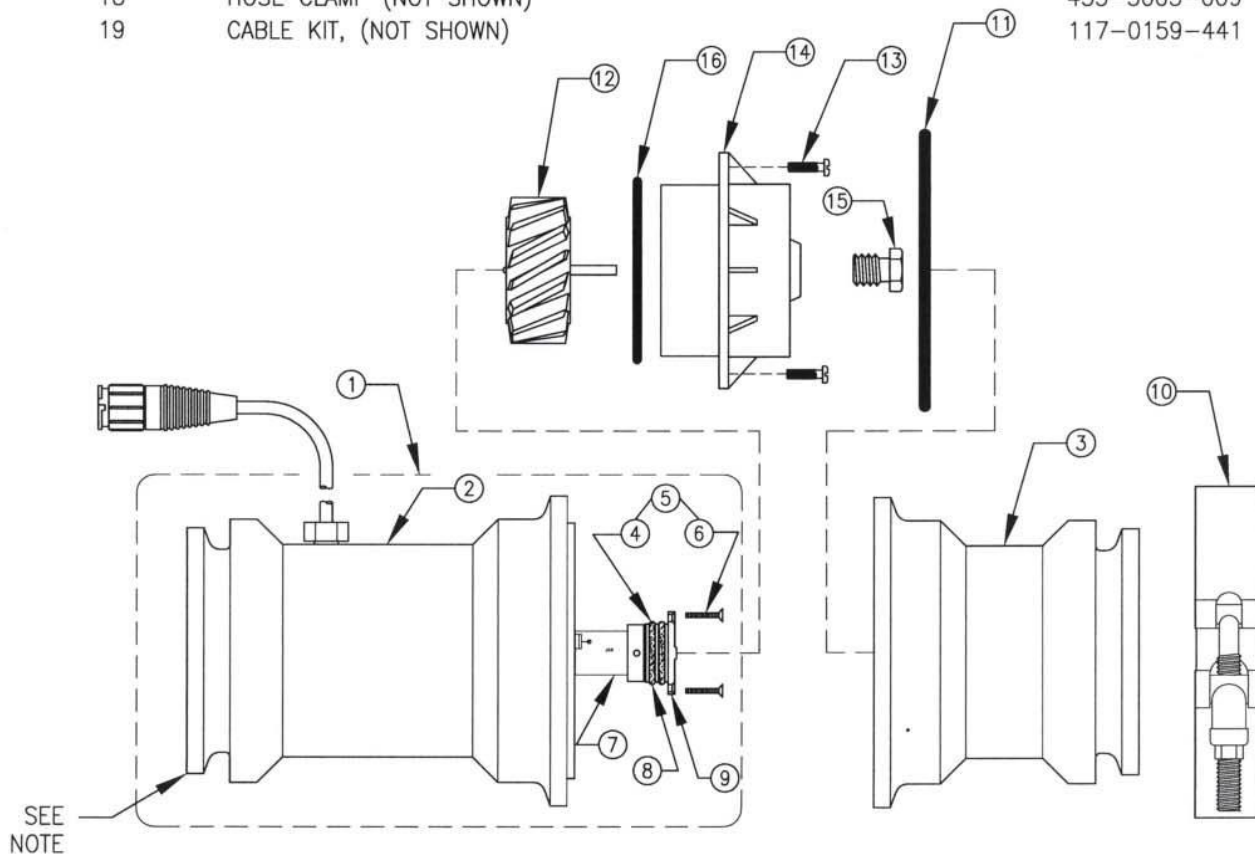
Item	Vendor Part #	Fast Part#	Description	Qty.
1	BS-1-1/2BH200	510014	Hose, 1-1/2" EPDM	1
2	BJ-150G	530014	Gasket, 2" EPDM	3
3	BJ-200G	530019	Gasket, 2" EPDM	2
4	BJ-M200CPG	530084	2" X 2" Standard Port Flange	1
5	BJ-M220150BRB	530100	2" FP Flange X 1 1/2" Hose Barb	1
6	BJ-M220200CPG	530102	2" Full Port - 2" Reducer Flange	1
7	BJ-M220CPG	530244	2" X 2" Full Port Flange	1
8	BJ-FC200	540001	Clamp, 2" Std Worm Screw	5
9	BR-64024H	540016	Clamp, 1-1/2" SS	2
10	RA-063-0171-066	631801	Flowmeter, RFM-100	1
11	RA-063-0171-894	631805	Control Valve, 1-1/2"	1
12	BJ-M200CPG45	530087	2" SP FLANGE COUPLING, 45 DEG	1

RFM-100 PARTS

RFM POLY FLOW METER REPLACEMENT PARTS

063-0171-066

ITEM	DESCRIPTION	RAVEN PART #	
1	OUTLET HOUSING ASSEMBLY	063-0171-068	
2	OUTLET HOUSING	107-0171-006	
3	HUB HOUSING , INLET	107-0171-005	
SEE NOTE	4	END BEARING/P. C. ASSEMBLY	063-0171-069
	5	END BEARING/P. C. ASSEMBLY KIT	117-0159-567
	6	2-56 x 1/2" FLAT HD. S. S. SCREW	311-0013-390
	7	P. C. ASSEMBLY	064-0171-183
	8	O-RING, VITON	219-0002-018
	9	END BEARING ASSEMBLY	063-0173-056
	10	RETAINING CLAMP	435-3003-032
	11	O-RING VITON	219-0002-238
	12	RFM 100 TURBINE	063-0173-002
	13	6-20 x 1/2" PAN HD. S. S. SCREW	310-0002-133
	14	TURBINE HUB/BEARING ASSEMBLY*	321-0000-222
	15	TURBINE STUD ASSEMBLY	063-0173-057
	16	O-RING, VITON	219-0002-140
	17	MOUNTING BRACKET, RFM 100 (NOT SHOWN)	107-0159-509
	18	HOSE CLAMP (NOT SHOWN)	435-3003-009
	19	CABLE KIT, (NOT SHOWN)	117-0159-441



NOTE:

END BEARING/PC ASSEMBLY, ITEMS 4 AND 5 WILL NOT FIT OLDER FLOWMETERS THAT DO NOT HAVE THE FLANGE MOUNTING FEATURE. FOR THESE FLOWMETERS, ORDER ITEM 1.

054-0159-056
8/10 REV. G
SHEET 1 OF 1

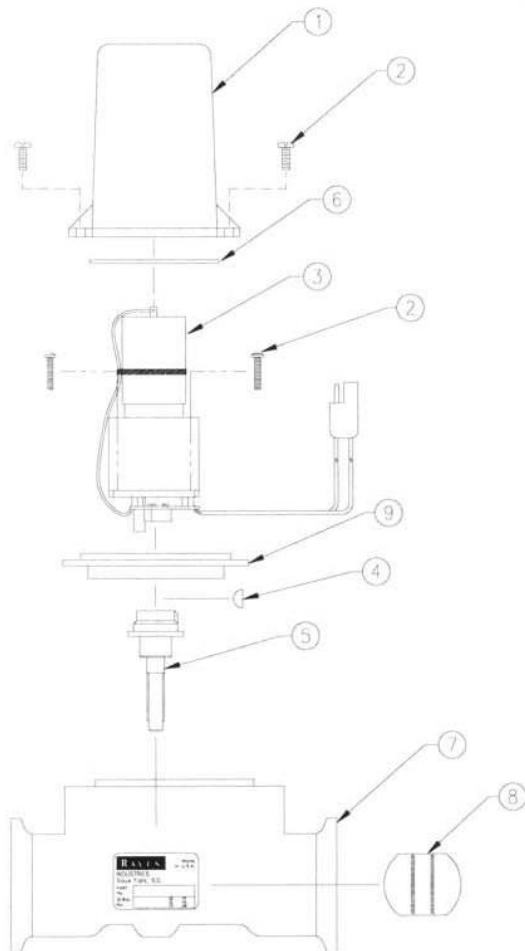
MCV 1-1/2"

1 1/2" POLY CONTROL VALVE REPLACEMENT PARTS

063-0171-894

ITEM	DESCRIPTION	RAVEN PART #
1	Valve Cover	106-0159-407
2	#6-32 x 3/4" Lg. Screw	321-0000-256
3	Motor Assembly	063-0159-409
4	Woodruff Key	321-0000-062
5	Coupler Shaft Assembly (1 1/2" Valve)	063-0171-893
6	Seal Tetraseal	219-0000-020
7	Valve Body Assembly (1 1/2" Valve)	063-0171-892
8	Butterfly (1 1/2" Valve)	106-0159-414
9	Isolation Flange Assembly	063-0159-457
10	*Iso-Body Kit (1 1/2" Valve) (Not Shown)	117-0159-739
11	*Polarity Reversal Jumper (Not Shown)	115-0159-415
12	Loctite RC-609 (Not Furnished)	222-1001-050

***NOT SUPPLIED WITH STANDARD UNIT**



When servicing Valve:

Replace valve body with iso-body kit (item 10) if valve has been leaking internally.

Replace motor assembly if the motor will not run.

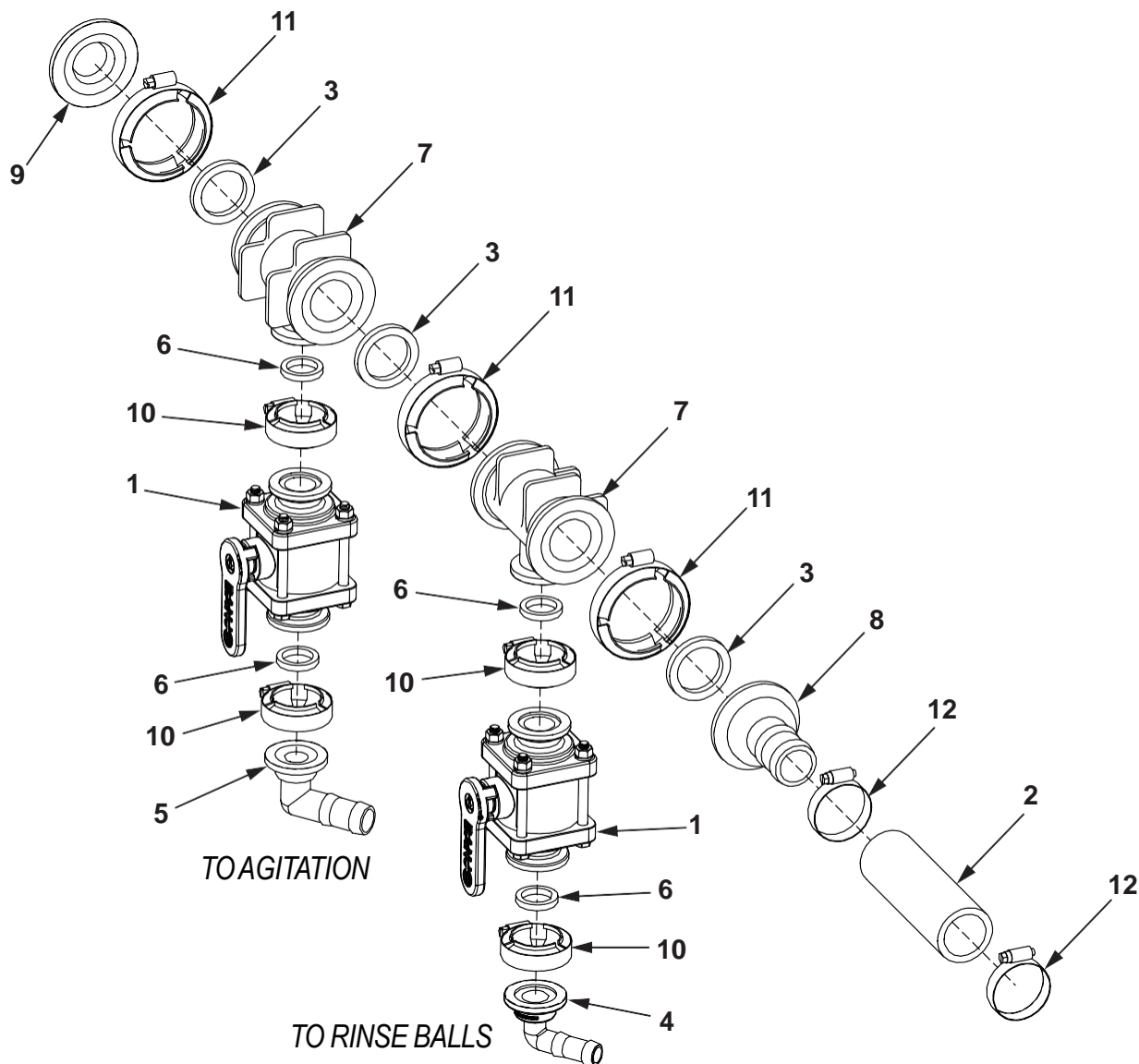
Before reassembling valve, remove the coupler shaft from the valve body. Apply Loctite (item 12) to coupler shaft and woodruff key. Place the coupler shaft (item 5) and the woodruff key (item 4) onto the motor shaft. Plug motor into the valve connector coming from Sprayer Control Console. Check that the motor rotates in both directions. Motor must stop when coupler shaft CAM releases printed circuit board button.

When reassembling valve, grease both sealing surfaces of coupler shaft. Insert coupler shaft into iso-flange and be sure seal properly seats on shaft. Install motor on valve body and apply silicon sealant to mounting holes. Reassemble remaining items as shown in parts diagram.

RAVEN INDUSTRIES, INC.

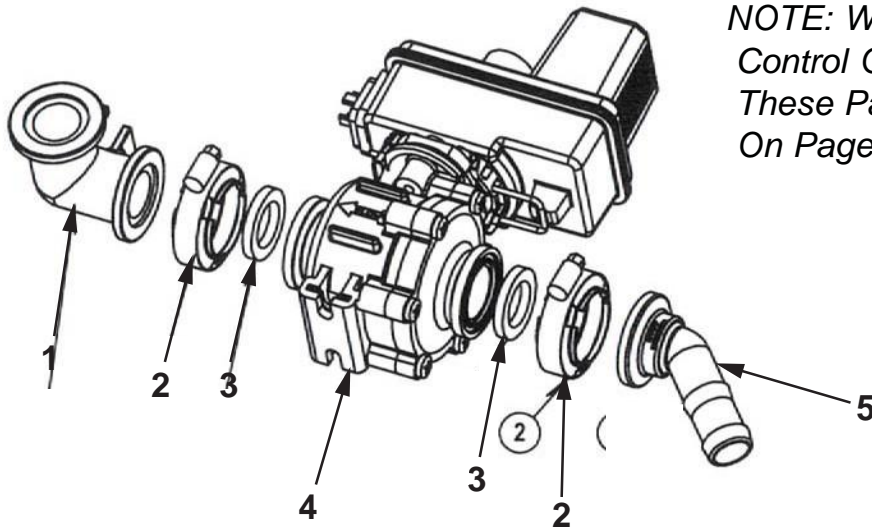
054-0159-185
1/03 REV. E
SHEET 1 OF 1

AGITATION AND RINSE BALL MANIFOLD



Item	Vendor Part #	Fast Part #	Description	Qty.
1	BJ-MV100CF	500005	Valve 1" Full Port With C-F	2
2	BS-1-1/2HB200	510014	Hose, 1-1/2" EPDM	4'
3	BJ-150G	530014	Gasket, 1-1/2" EPDM	3
4	BJ-M100075BRB90	530060	1" Manifold X 3/4" 90° BRB	1
5	BJ-M100BRB90	530063	1" X 1" Manifold HB 90°	1
6	BJ-M100G	530068	Gasket, 1" EPDM For Manifold	4
7	BJ-M200100TEE	530075	2" Std Port X 1" Tee Flanged	2
8	BJ-M200150BRB	530079	2" Manifold X 1-1/2" Hose Barb	1
9	BJ-M200PLG	530093	2" Manifold Plug	1
10	BJ-FC100	540000	Worm Screw Clamp 1"	4
11	BJ-FC200	540001	Clamp, 2" Std Worm Screw	3
12	BR-64024H	540016	Clamp, 1-1/2" SS	2

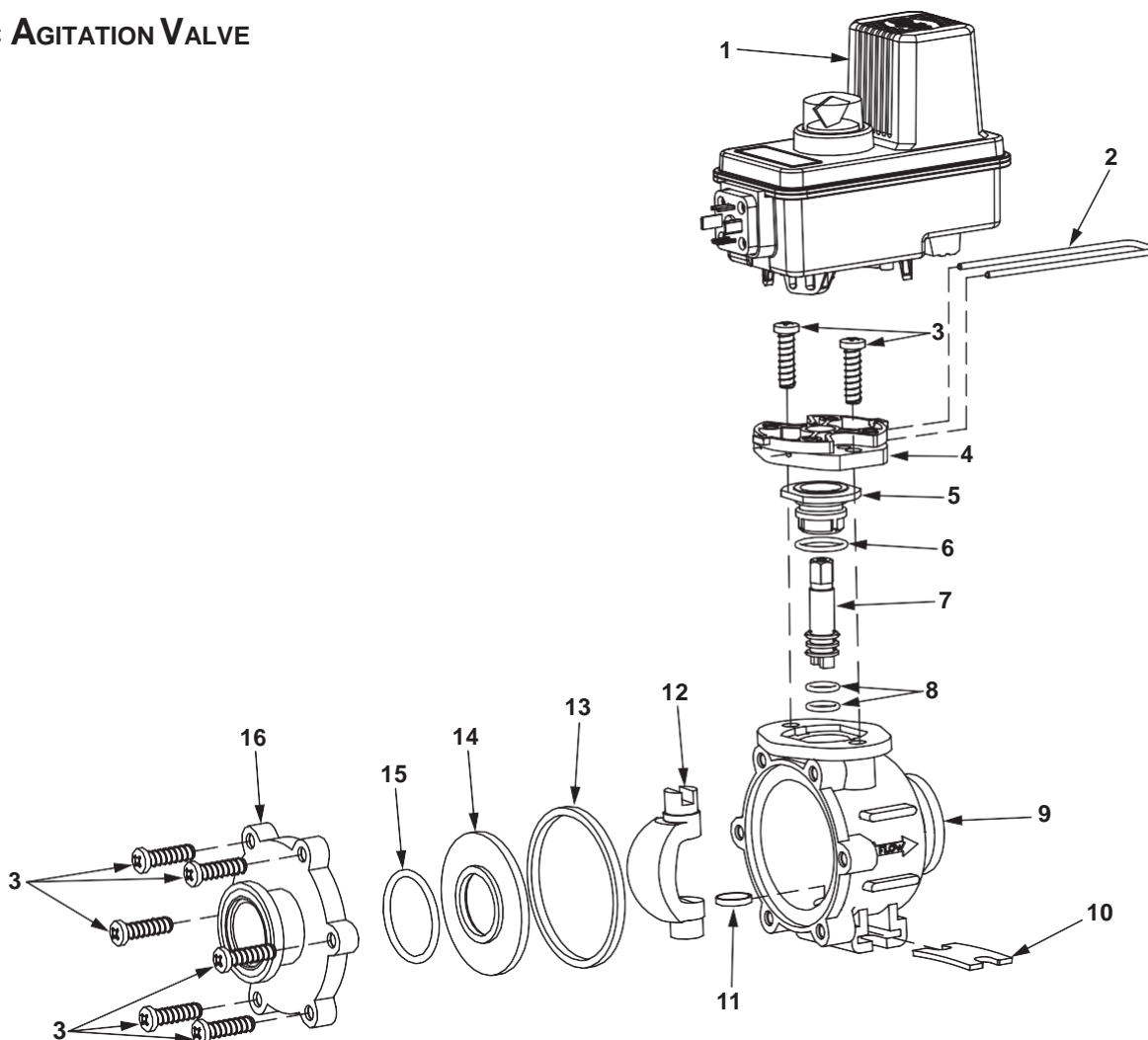
OPTIONAL ELECTRIC AGITATION SHUT OFF



NOTE: When Electric Agitation Control Option Is Selected, These Parts Replace Item 5 On Page 44

Item	Vendor Part #	Fast Part #	Description	Qty.
1	BJM100CPG	530362	Manifold Elbow 1"	1
2	BJFC100	540000	Manifold Clamp 1"	2
3	BJ100G	530013	Manifold Gasket 1"	2
4	TJ356BECC60OC	500064	Manifold Valve On/Off 1"	1
5	BJM100BRB45	530426	Manifold Hose Barb 1" 45°	1
NS	EC9367014	631970	Harness Agitation Shutoff Yellow Motor Position Indicator (2015)	1
NS		560043	Switch On/Off	
NS		11145	Bracket Switch	
NS	TJ-344BR-2F-C60	500022	Manifold Valve 344 Regulating (2014 And Prior)	REPAIR
NS	EC9367004	631938	Harness Agitation Shutoff Red Motor Position Indicator (2014 And Prior)	REPAIR

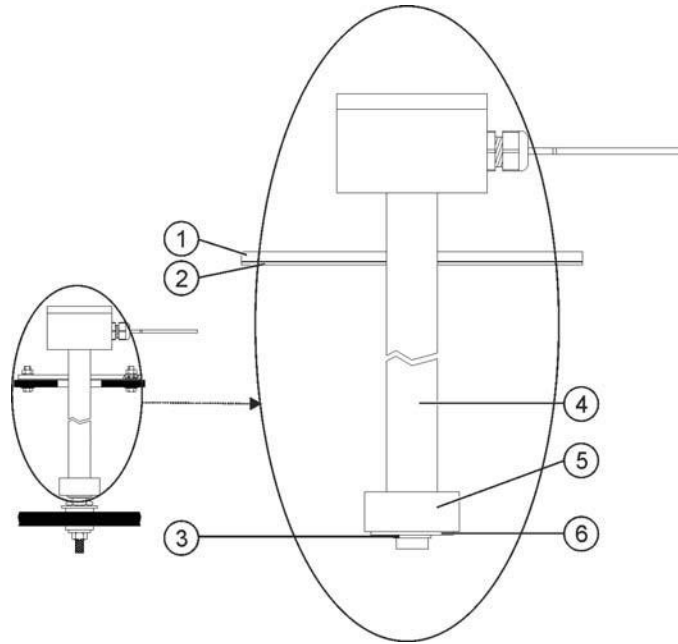
ELECTRIC AGITATION VALVE



ITEM	PART NO.	DESCRIPTION
1	50515-25CP60 ■	BEC Motor, 25-RPM (0.6-SEC), 6.0-Meter Cable Connection, Positively Switched
2	CP50517-SSPV	Retaining Clip, 304 Stainless Steel - Passivated
3	CP45517-1 1/8-SS	Screw, Phillips/Sq. Pan Head, 302 Stainless Steel (8 Req'd)
4	CP50514-PP	Motor Adapter, Glass Filled Polypropylene (Black)
5	CP50505-RYTON	Stem Bushing, Ryton (Black)
*	CP7717-2-117-VI	O-Ring, Viton
7	CP50532-316SS	Stem, 316 Stainless Steel
*	CP7717-M12X2.5-VI	O-Ring, Viton (2 Req'd)
9	CP50501-PP	Body, Glass Filled Polypropylene (Black)
10	CP50507-304SS	Mounting Plate, 304 Stainless Steel
*	CP50509-CTEF	Lower Bushing, Carbon Filled Teflon
12	CP50506-316SS	Ball, Polished 316 Stainless Steel
*	CP50504-VI	Gasket, Viton
*	CP50503-CTEF	Seal, Carbon Filled Teflon
*	CP7717-M40X4-VI	O-Ring, Viton
16	CP50502-PP	End Cap, Glass Filled Polypropylene (Black)
AB356-KIT, Spare Parts Kit (Includes all items marked with *)		

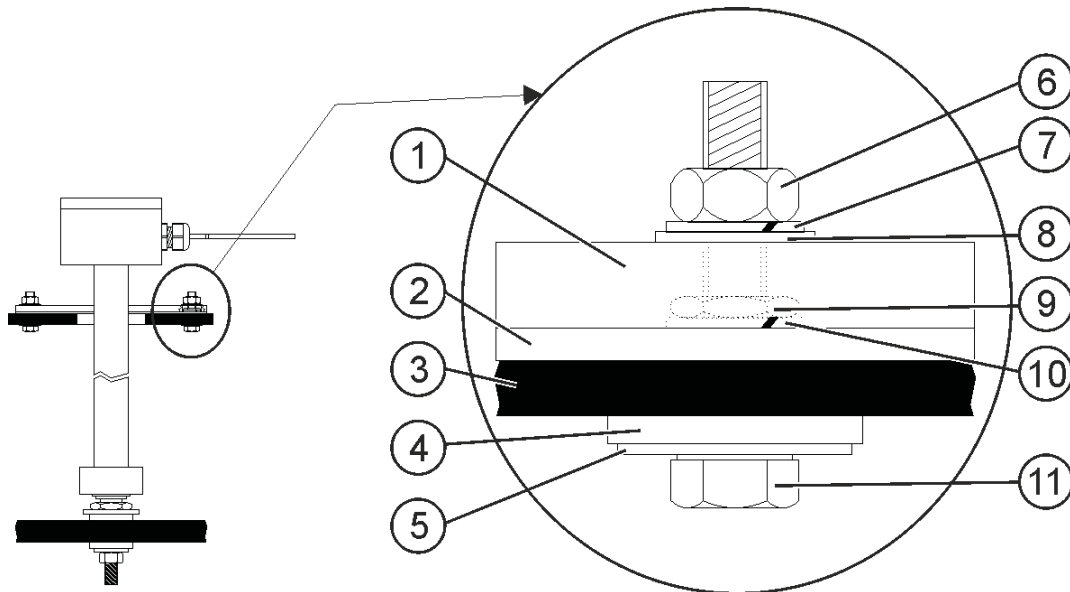
■ Note: For Negatively Switched Motors Specify "N" rather than "P" in Motor Part Number
 Example: 50515-25CN05

PREPARE THE SENSOR TUBE



Item	Vendor Part #	Fast Part #	Description	Qty.
1			Flange	1
2			Viton Gasket	1
3			Locking Ring	1
4			Sensor Tube	1
5			Float	1
6			Washer 24.2 x 12.2	1

INSTALL THE SENSOR TUBE



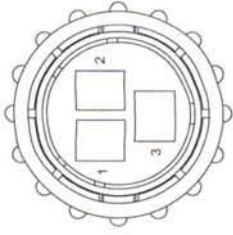
Item	Vendor Part #	Fast Part #	Description	Qty.
1			Tube Socket	1
2			Viton Gasket 25 x 6	1
3			Base of Tank	1
4			Viton Gasket 25 x 6	1
5			Wahser A6.4	1
6			Nut M6	1



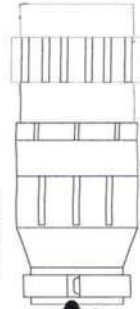
9518T and 9524T Truss Boom 120/132'

POWER CABLE - ELECTRONIC SIGHT GAUGE

C2
3106038



AMP BACKSHELL
3106070



LOOM EXTENDS UNDER
BACKSHELL 0.50

CUT LOOM 300.5"

300.00

.250

Pos	CKT	GA	COL	Type	Term
1	2	16	BRN	GXL	2306740
3	1	16	WHT	GXL	2306740

LABEL - 7210909
ID LABEL

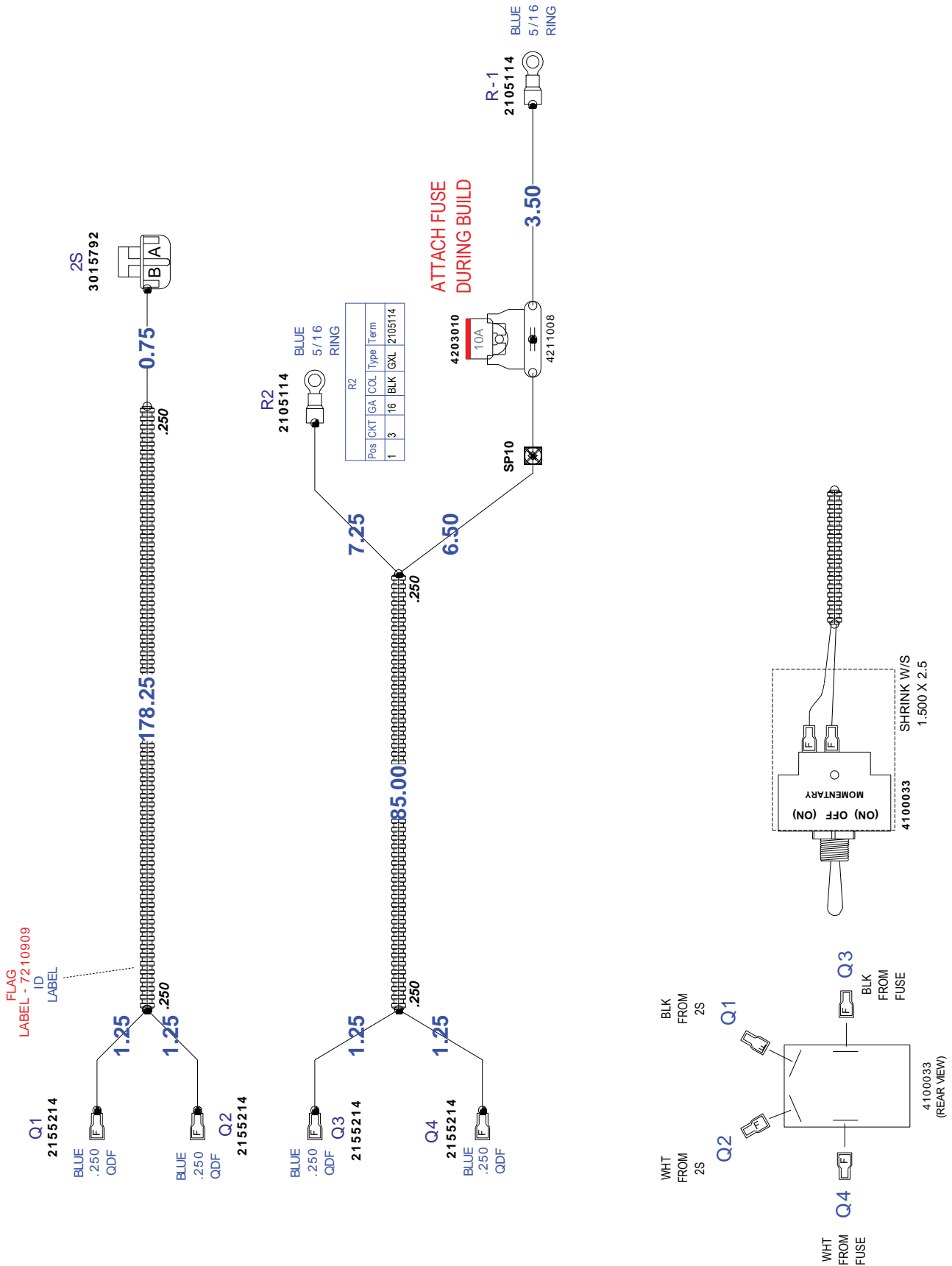
C1
3146047
RET 3146048



.250

Pos	CKT	GA	COL	Type	Cav/Plug	Term
A	2	16	BRN	GXL	-	2334761
B	1	16	WHT	GXL	-	2334761
C	-	-	-	-	-	3146141

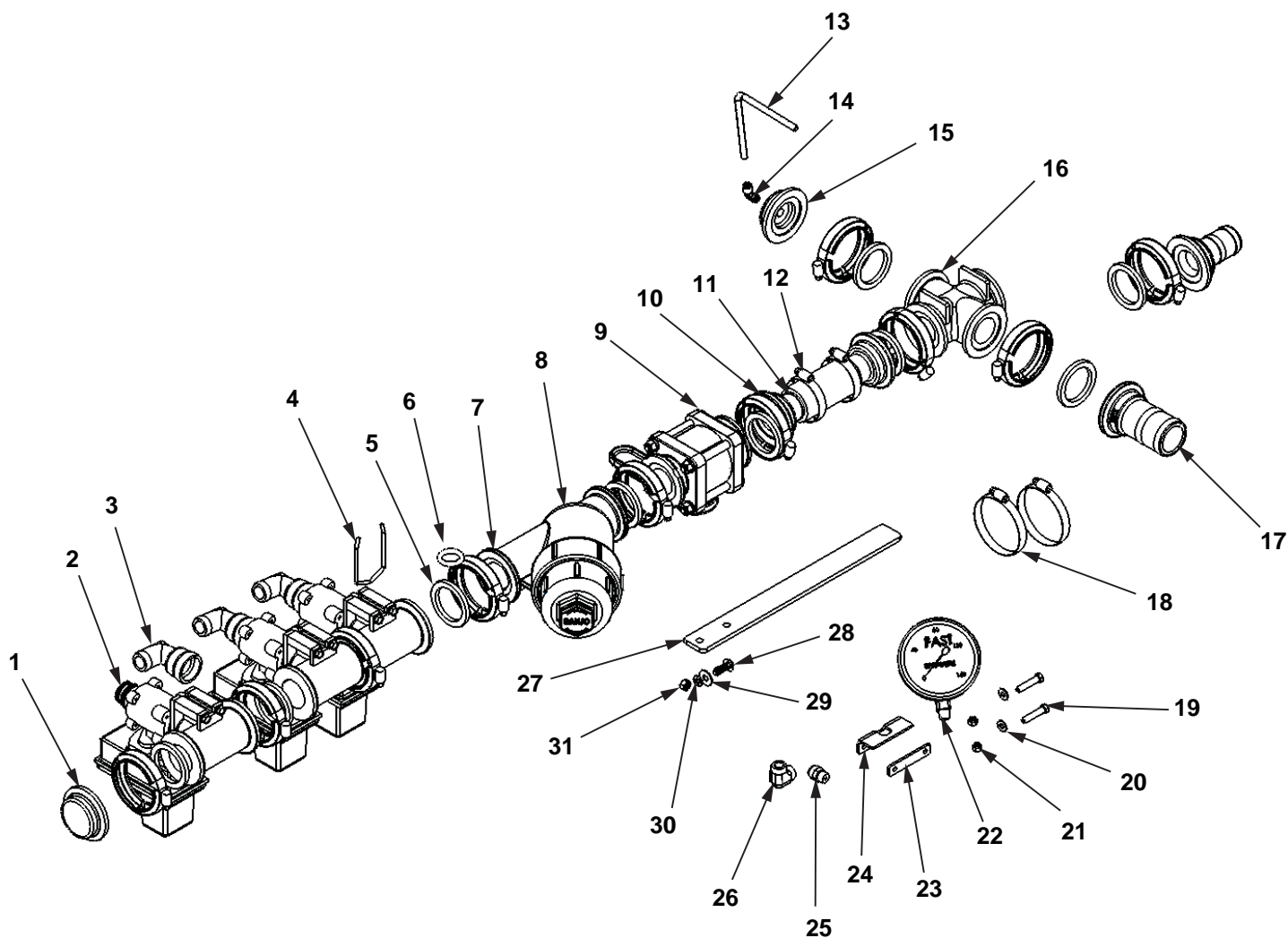
ELECTRIC AGITATION CABLE - 631938 (2014 AND PRIOR) RED INDICATOR





9518T and 9524T Truss Boom 120/132'

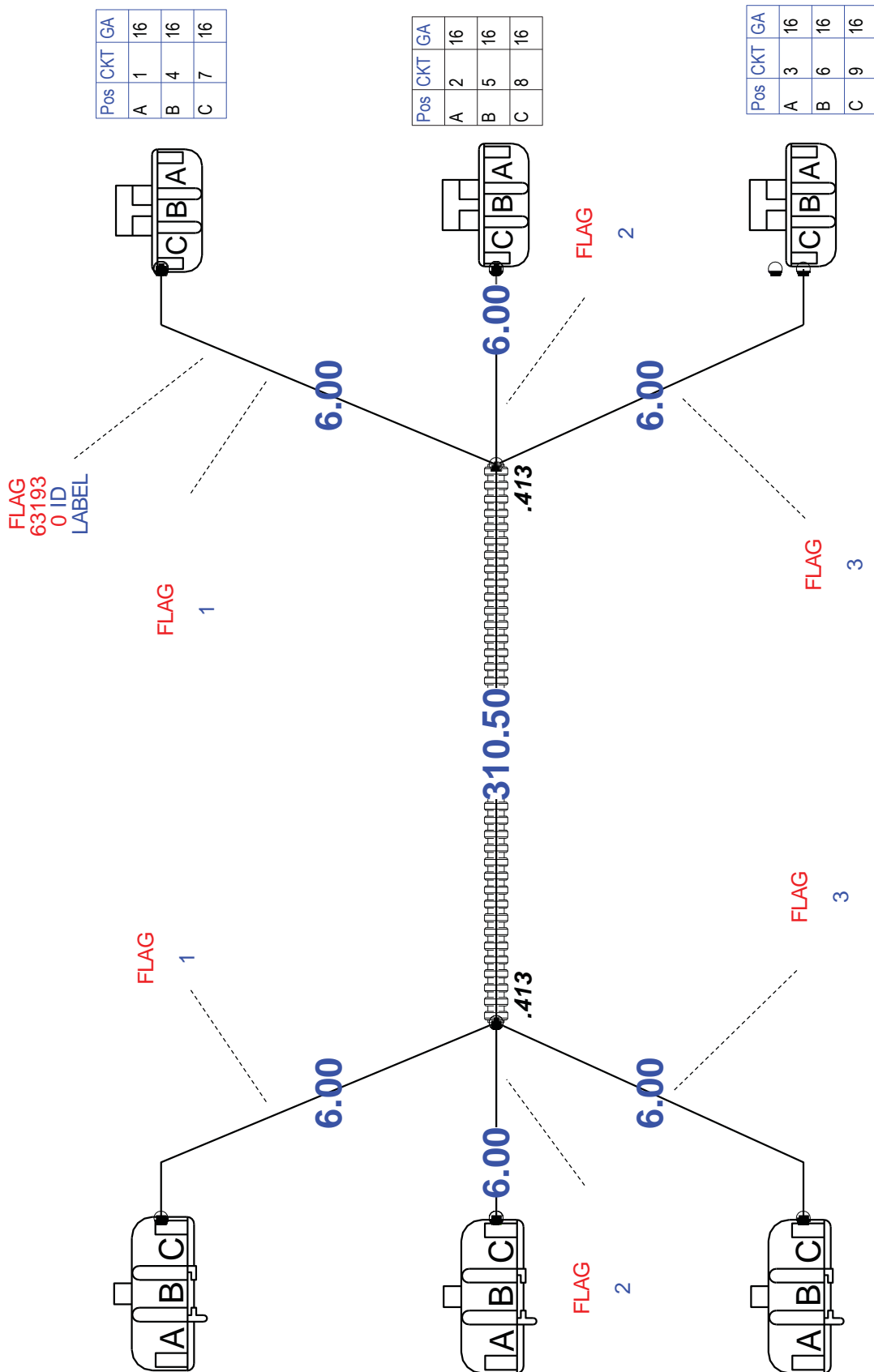
BOOM SHUTOFF, GAUGE PLUMBING



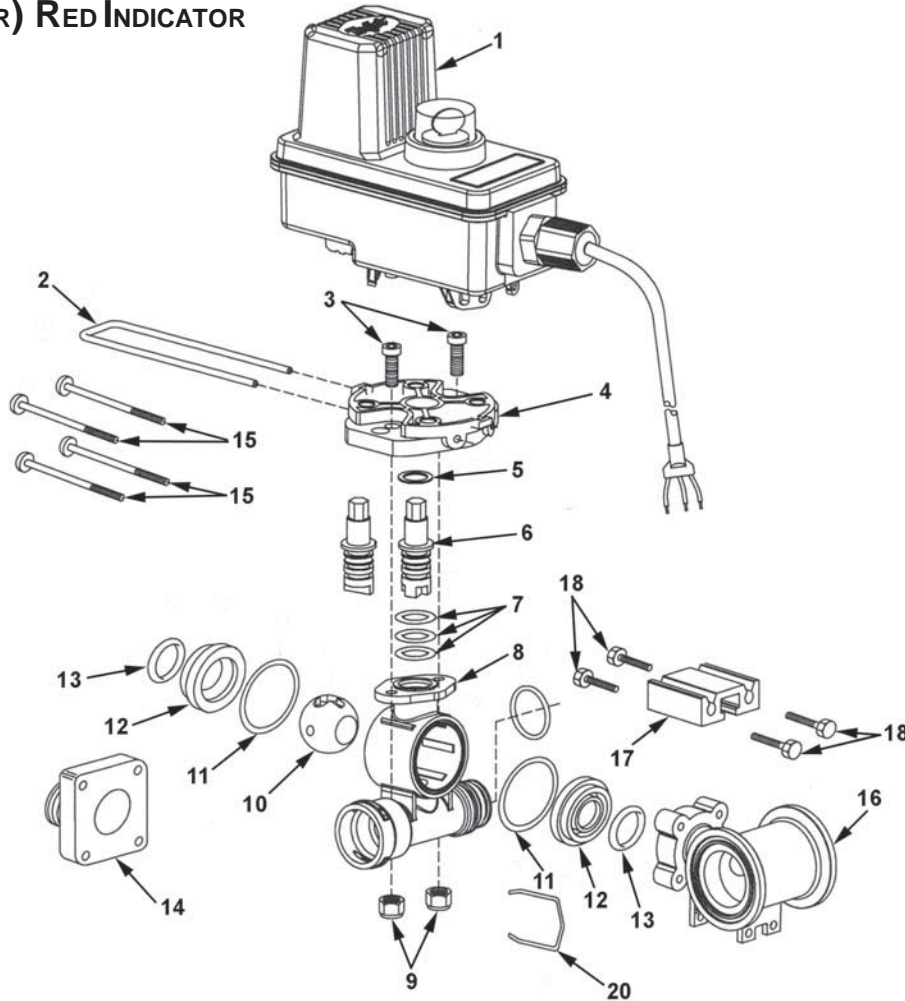


9518T and 9524T Truss Boom 120/132'

HARNES 3 BALL VALVE CONTROL - 631930

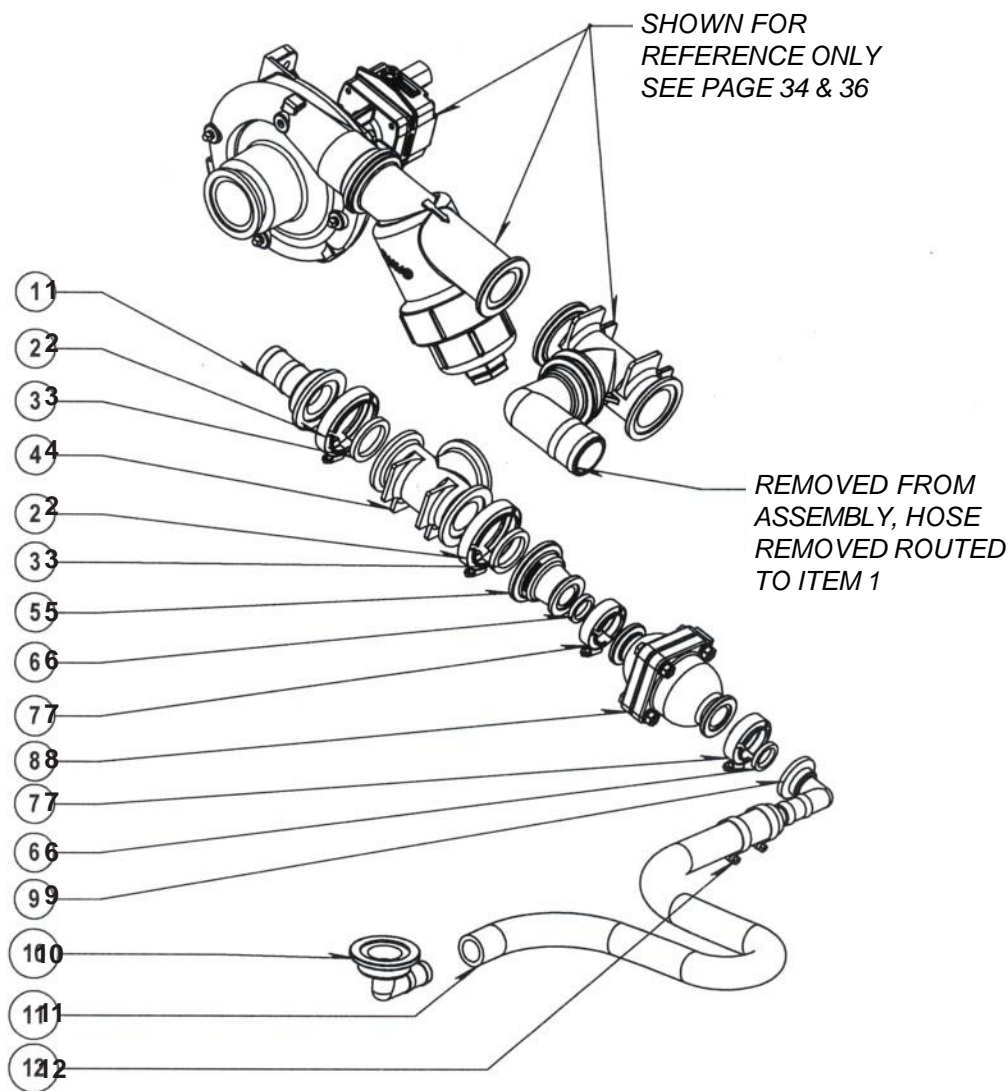


ELECTRIC SHUT-OFF FLOW BACK BALL VALVE (2014 AND PRIOR) RED INDICATOR



Item	Vendor Part #	Fast Part #	Description	Qty.
1	50515-22CP05		Bec Motor, 22-Rpm (0.7-Sec), 0.5- Meter Cable, Positively Switched	
2	CP50517-SSPV		Retaining Cup, 304 Stainless Steel.	
3	CP26197-7/8-SS		Socket Head Cap Screw, 1/4"-20 X 7/8", Stainless Steel (2 Req'd)	
4	CP50514-PP		Motor Adapter, Polypropylene (Black)	
5*	CP20125-TEF		Thrust Washer, Tef on	
6	CP56613-SS		Stem, 303 Stainless Steel (For Polypropylene Ball)	
7*	CP7717-M12 X 2.5-VI		O-Ring, Viton (3 Req'd)	
8	CP55223-NYB		Flow Back Body, Nylon (Black)	
9	CP55223-NYB		Elastic Locknut, 1/4" 20, Stainless Steel (2 Req'd)	
10	CP20106 2 PP		Flow Back Ball Polypropylene (White)	
11*	CP20564-VI		Gasket, Viton (2 Req'd)	
12*	CP20103-TEF		Seal, Tef on (2 Req'd)	
13*	CP7717-2-213-VI		O-Ring, Viton (2 Req'd)	
14	CP45514-NYB		End Cap, Nylon (Black) (Quick Connect)	
15	CP45252-2-3/4-SSPV		Screw, 1/4"-12 X 2-3/4" Pan Head, Stainless Steel (4 Req'd)	
16	CP55224-PP		#75 Narrow Tee Body, Polypropylene (Black)	
17	CP45216-AL		Mounting Rail, Aluminum	
18	CP45259-SS		Screw, M6 X 1 X 16 mm Hex, Stainless Steel (4 Req'd)	
19	CP7717-J-912-VI		O-Ring, Viton	
20	CP37166-1-302SS		Quick Connect Retaining Cup, 302 Stainless Steel	
	56609-3FB		Valve Body Sub-Assy, Specify Outlet Size & Ball Material (Inc. Items 3-19)	
AB344AE-KIT, Spare Parts Kit (Includes All Items Marked With*)				

OPTIONAL HIGH PRESSURE BYPASS PLUMBING

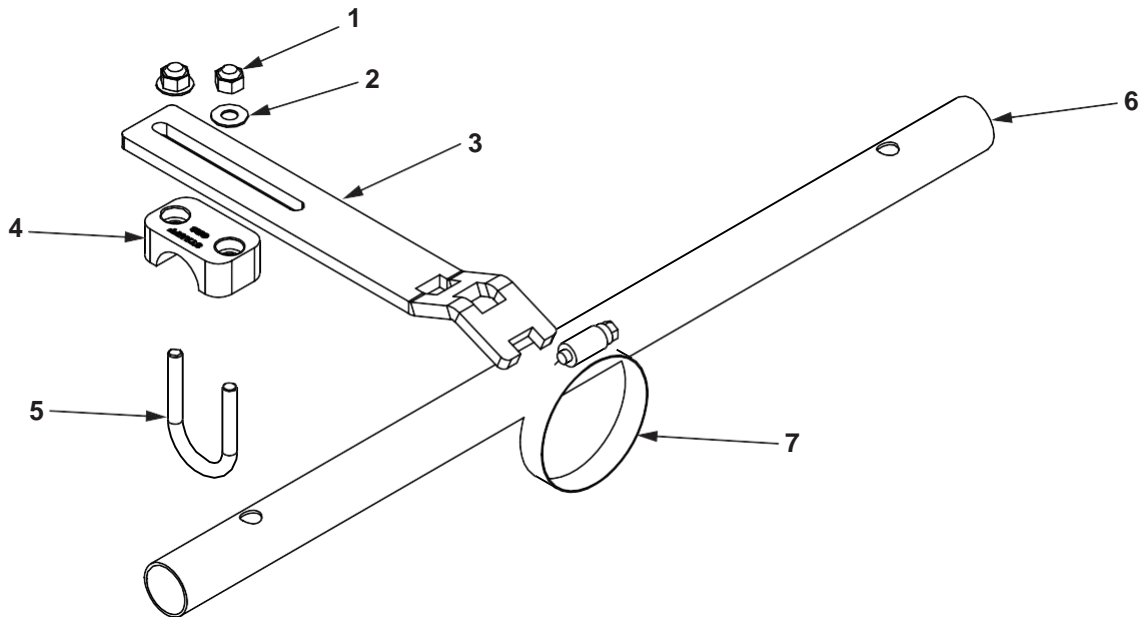


Item	Vendor Part #	Fast Part #	Description	Qty.
1	BJM200150BRB	530079	Manifold Hose Barb	1
2	BJFC200	540001	Manifold Clamp	2
3	BJ150G	530014	Manifold Gasket	2
4	BJM200TEE	530097	Manifold Tee	1
5	BJM200100CPG	530074	Manifold Reducer	1
6	BJ100G	530013	Manifold Gasket 1"	2
7	BJFC100	540000	Manifold Clamp 1"	2
8	BJMPRV100-100	500004	Manifold Pressure Reducing Valve	1
9	BJM100BRB90	530067	Manifold 1' Hose Barb 90	1
10	BJM200100BRB90	530072	Manifold 2" Hose Barb 90	1
11	BS1BH200	510016	Hose 1" EDPM	AR
12	BR64016H	540014	Clamp Hose 1"	2

9518T and 9524T Truss Boom 120/132'

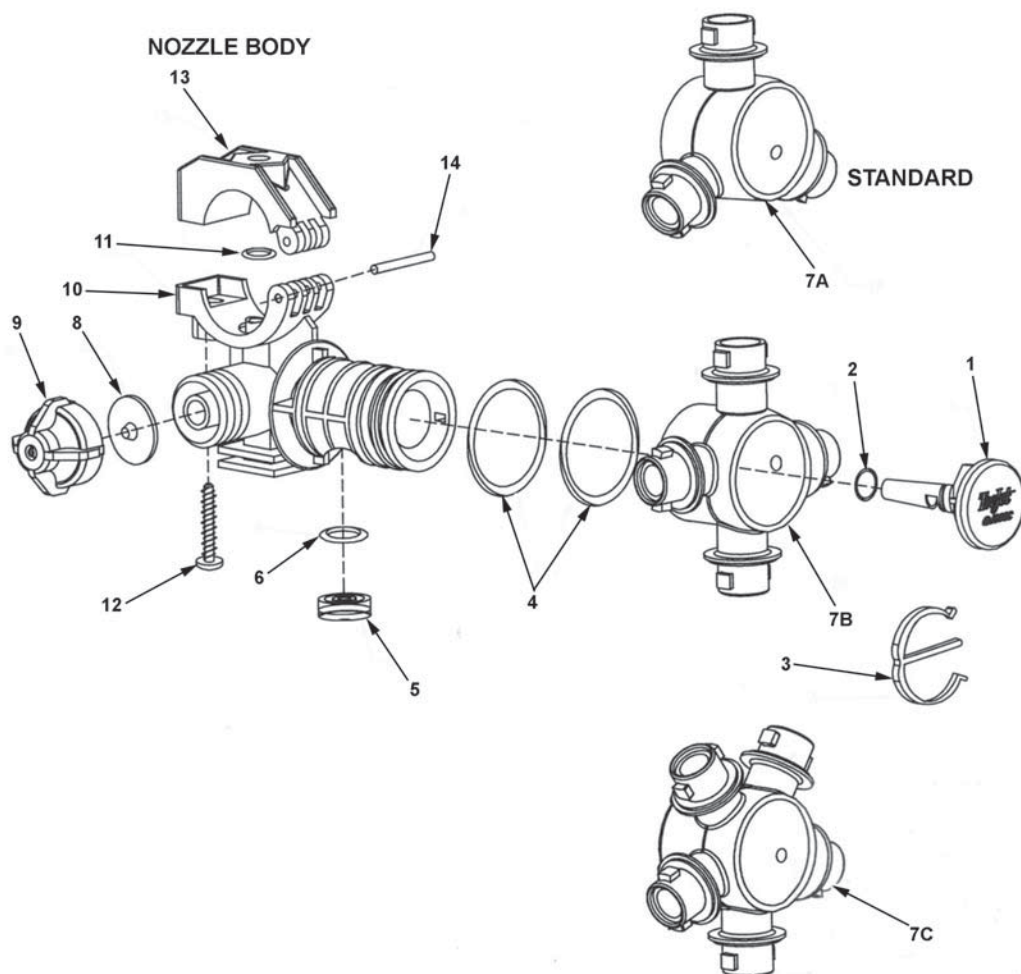


WET BOOM & BRACKETS



Item	Vendor Part #	Fast Part #	Description	Qty.
1		655	Nut 1/4" Nylock Stainless Steel	
2		685	Washer 1/4" Stainless Steel	
3		16271	Delivery Tube Support	
4		540029	Tube Clamp Base	
5	ZM1473140	590048	U-Bolt Stainless Steel	
6		14301	Tube, 6 Port 15 Inch Spacing + Fenceline Valve	
		14302	Tube, 2 Port 15 Inch Spacing	
		14303	Tube, 3 Port 15 Inch Spacing	
		14304	Tube, 4 Port 15 Inch Spacing	
		14305	Tube, 5 Port 15 Inch Spacing	
		14306	Tube, 6 Port 15 Inch Spacing	
		14307	Tube, 7 Port 15 Inch Spacing	
		14308	Tube, 8 Port 15 Inch Spacing	
		14310	Tube, 10 Port 15 Inch Spacing	
		14311	Tube, 7 Port 20 Inch Spacing + Fenceline Valve	
		14312	Tube, 2 Port 20 Inch Spacing	
		14313	Tube, 3 Port 20 Inch Spacing	
		14314	Tube, 4 Port 20 Inch Spacing	
		14315	Tube, 5 Port 20 Inch Spacing	
		14316	Tube, 6 Port 20 Inch Spacing	
		14317	Tube, 7 Port 20 Inch Spacing	
		14318	Tube, 8 Port 20 Inch Spacing	
		14319	Tube, 9 Port 20 Inch Spacing	
		14320	Tube, 5 Port 20 Inch Spacing + Fenceline Valve	
		14321	Tube, 6 Port 20 Inch Spacing + Fenceline Valve	
		14322	Tube, 2 Port 22 Inch Spacing	
		14323	Tube, 3 Port 22 Inch Spacing	
		14324	Tube, 4 Port 22 Inch Spacing	
		14325	Tube, 5 Port 22 Inch Spacing	
		14326	Tube, 6 Port 22 Inch Spacing	
		14327	Tube, 7 Port 22 Inch Spacing	
		14330	Tube, 5 Port 22 Inch Spacing + Fenceline Valve	
7	BR64032H	540017	Clamp Hose	

WET BOOM DIAPHRAGM CHECK VALVE QUICK TEEJET HINGED NOZZLE BODY - 520039

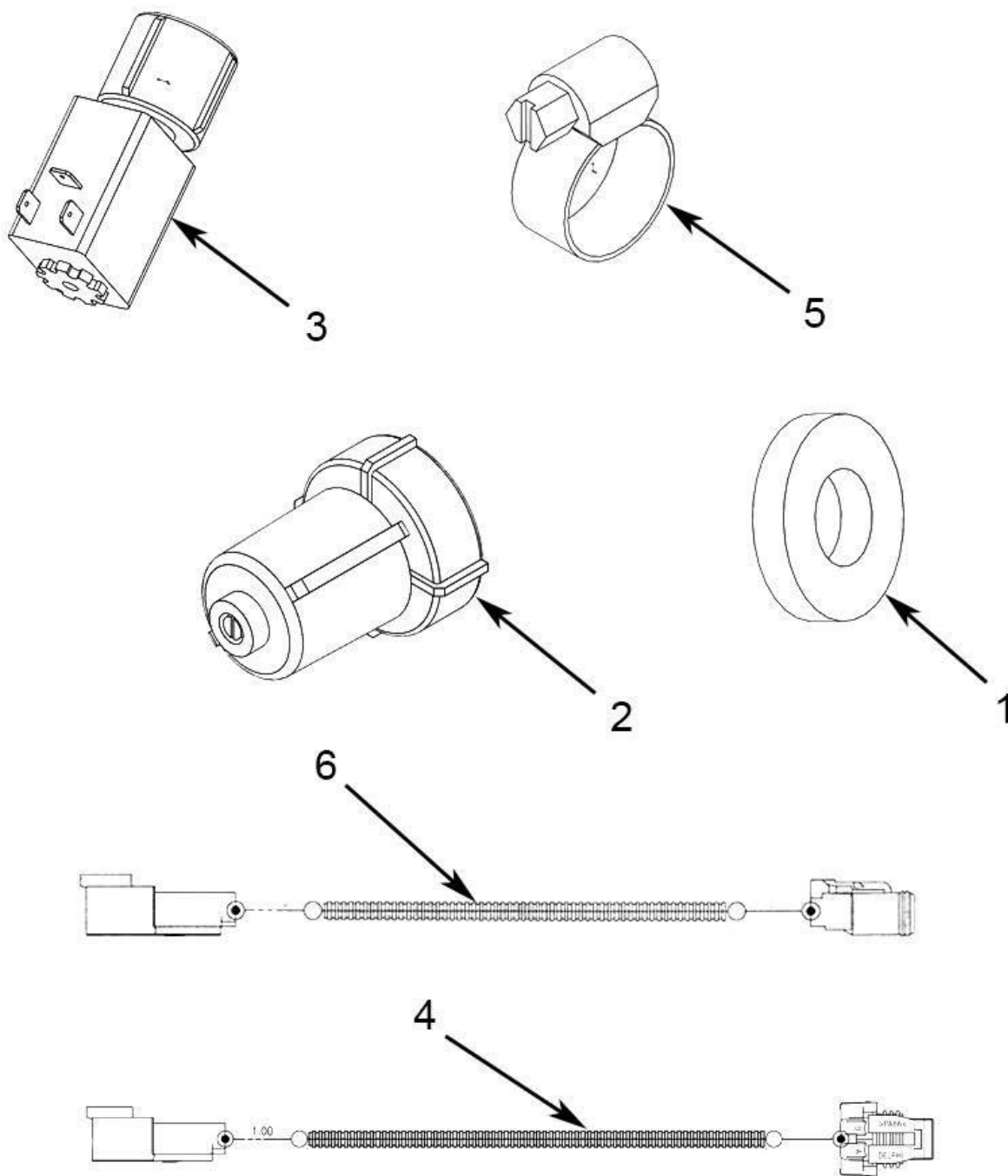


Item	Vendor Part #	Fast Part #	Description	Qty.
1	CP38930-8-NYB		Plug, Nylon (Black)	
2	CP7717-2-13-EPR		O-Ring, Epdm	
	CP7717-2-13-VI		O-Ring, Viton (Optional)	
3	CP38931-NYB		E-Clip, Nylon (Black)	
4	CP7717-M28x3-EPRTFE		O-Ring, EPR-Tef on Filled (2 Req'd.)	
	CP7717-M28x3-VITFE		O-Ring, Viton-Tef on Filled (2 Req'd.) (Optional)	
5	CP56726-VITFE		Seal, Viton-Tef on Filled	
6	CP7717-2-111 - VI		O-Ring, Viton	
7A	CP38921-2-NYB		Turret, Nylon (Black) (3 Outlet) Std	
7B	CP38922-2-NYB		Turret, Nylon (Black) (4 Outlet)	
7C	CP38923-2-NYB		Turret, Nylon (Black) (5 Outlet)	
8	CP21953-EPR		Diaphragm, EPDM	
	CP21953-VI		Diaphragm, Viton (Optional)	
9	21950-10-NYB		End Cap Sub-Assembly, Nylon (Black)	
10	CP38942-2-NYB		1/2" Body, Nylon (Black)	
	CP38925-2-NYB		3/4" & 25mm Body, Nylon (Black)	
	CP38926-2-NYB		1" Body, Nylon (Black)	
11	CP7717-2-110-BU		O-Ring, Buna-N	
	CP7717-2-110-VI		O-Ring, Viton (Optional)	
12	CP48255-1-1/4-302SS		Screw, Stainless Steel	
13	CP48224-NYB		25mm Upper Clamp, Nylon (Black)	
14	CP48256 SS		Pivot Pin, Stainless Steel	



9518T and 9524T Truss Boom 120/132'

Fence Row Option





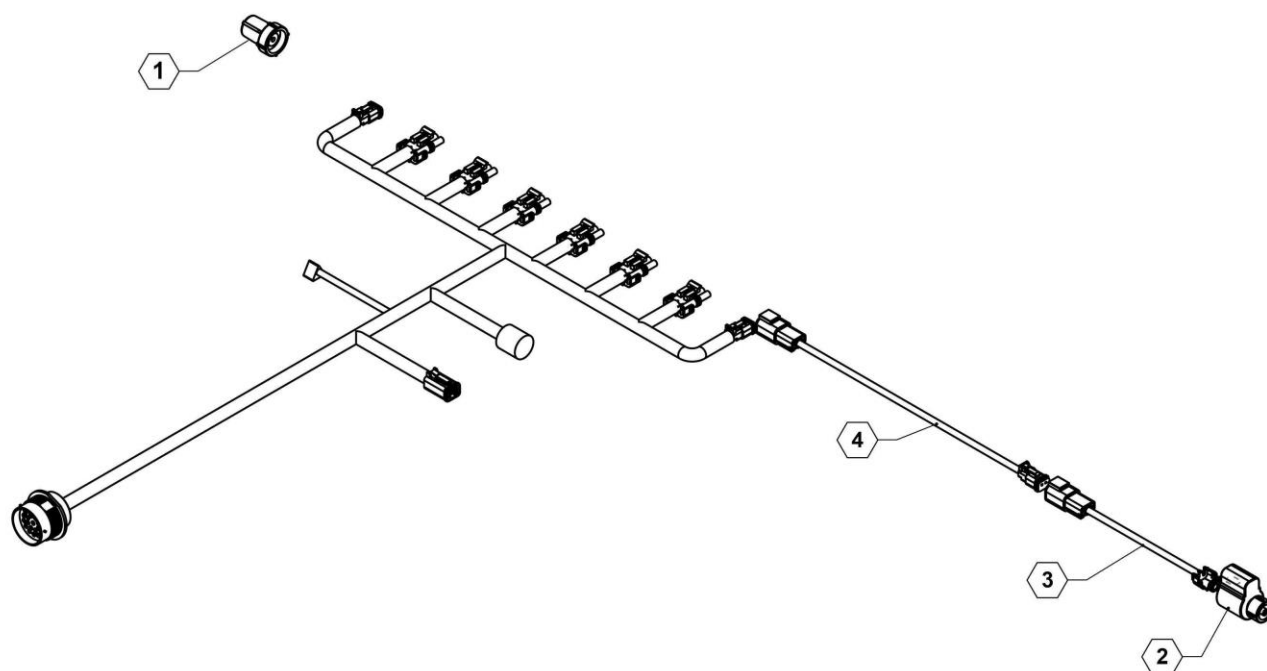
9518T and 9524T Truss Boom 120/132'

Fence Row Option

ITEM	PART NO.	QTY.	DESCRIPTION
1	520016	2	NOZZLE SEAT WASHER, RUBBER
2	520037	2	NOZZLE MANUAL CHEM SAVER
3	520038	2	NOZZLE ELECTRIC CHEM SAVER
4	632044	2	CABLE ADAPTER 2P DT TO 2P 6"
5	540032	4	CLAMP, HOSE 5/16"
6	632054	2	55' FENCE ROW CABLE

Single Fence Line, Display Control

NOTE:
1. FOR USE WITH RAVEN RCM AND JD RC2000





9518T and 9524T Truss Boom 120/132'

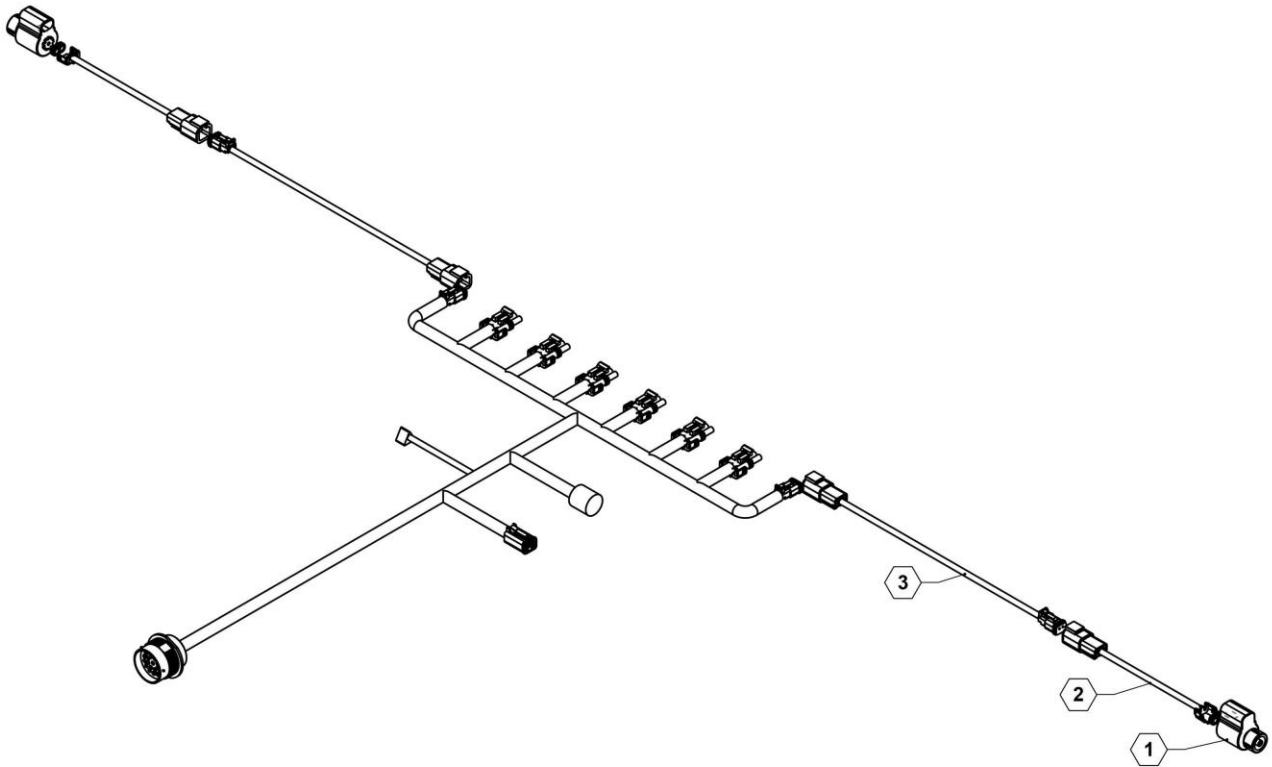
Single Fence Line, Display Control

ITEM	PART NO.	QTY.	DESCRIPTION
1	520037	1	VALVE, MANUAL CHEMSAVER
2	520038	1	VALVE, ELECTRIC CHEMSAVER
3	632044	1	FENCEROW ADAPTER CABLE, 6"
4	632054	1	FENCEROW CABLE, 55'

Dual Fence Line, Display Control

NOTE:

1. FOR USE WITH RAVEN RCM AND JD RC2000





9518T and 9524T Truss Boom 120/132'

Dual Fence Line, Display Control

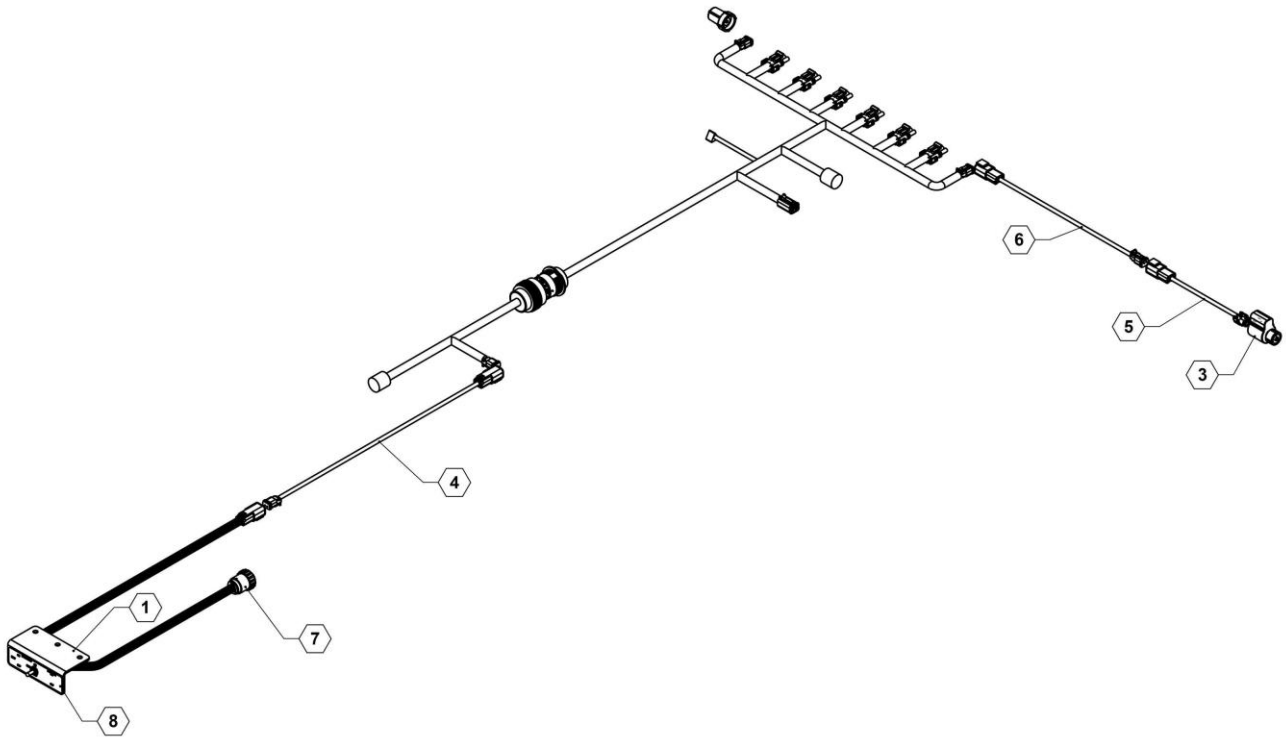
ITEM	PART NO.	QTY.	DESCRIPTION
1	520038	2	VALVE, ELECTRIC CHEMSAVER
2	632044	2	FENCEROW ADAPTER CABLE, 6"
3	632054	2	FENCEROW CABLE, 55'



9518T and 9524T Truss Boom 120/132'

Single Fence Row, Toggle Switch Control

NOTE:
1. FOR USE WITH RAVEN 450, JD GREENSTAR & OTHER 16 & 37 PIN CABLING CONTROLLERS





9518T and 9524T Truss Boom 120/132'

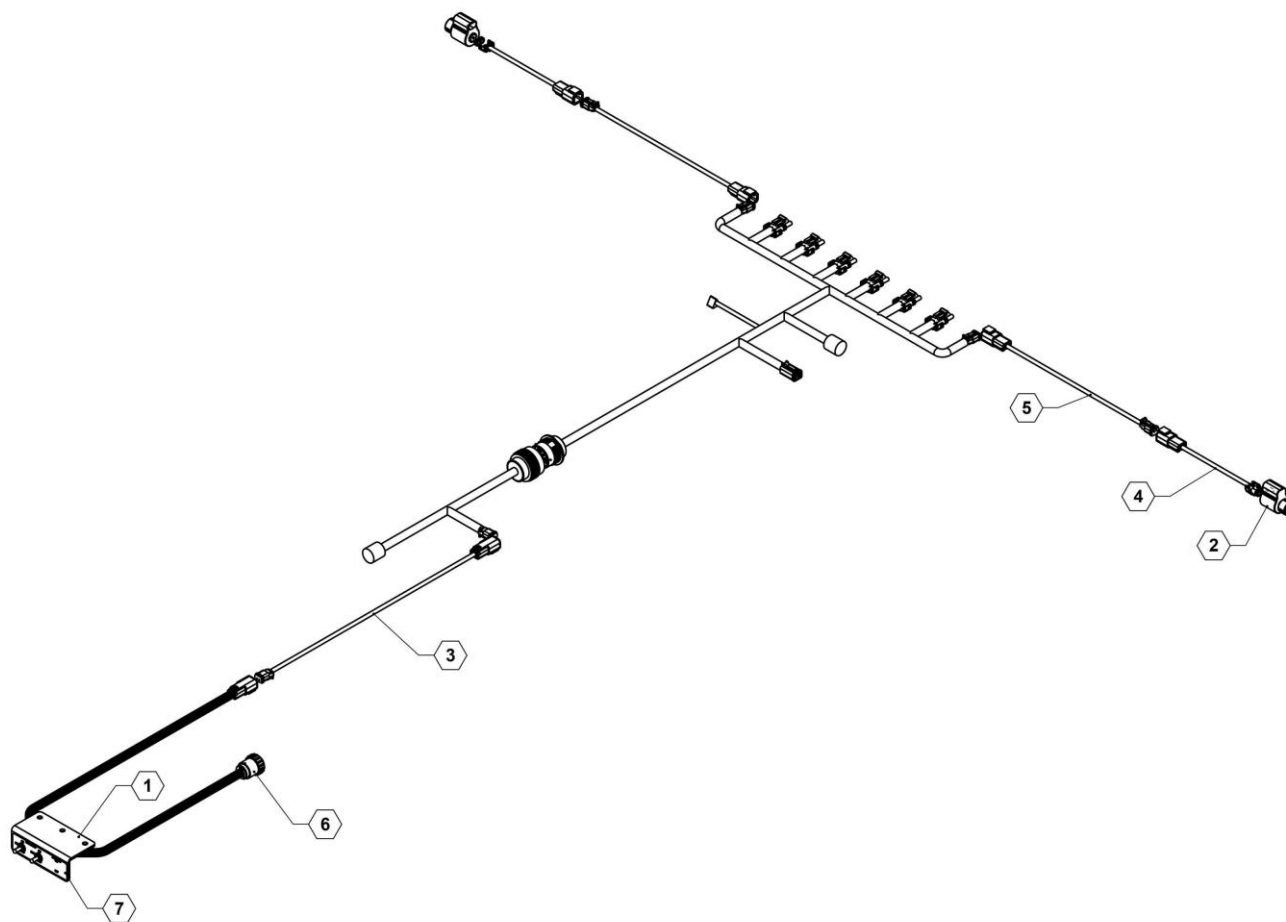
Single Fence Row, Toggle Switch Control Fence

ITEM	PART NO.	QTY.	DESCRIPTION
1	18437	1	PLATE, MOUNT
2	520037	1	VALVE, MANUAL CHEMSAVER
3	520038	1	VALVE, ELECTRIC CHEMSAVER
4	632042	1	2 PIN DT 40' CABLE EXTENSION
5	632044	1	FENCEROW ADAPTER CABLE, 6"
6	632054	1	FENCEROW CABLE, 55'
7	632089	1	CABLE, SINGLE ELECTRIC FENCELINE NOZZLE
8	800261	1	DECAL, FENCELINE & AGITATION

Dual Fence Row, Toggle Switch Control

NOTE:

1. FOR USE WITH RAVEN 450, JD GREENSTAR & OTHER 16 & 37 PIN CABLING CONTROLLERS



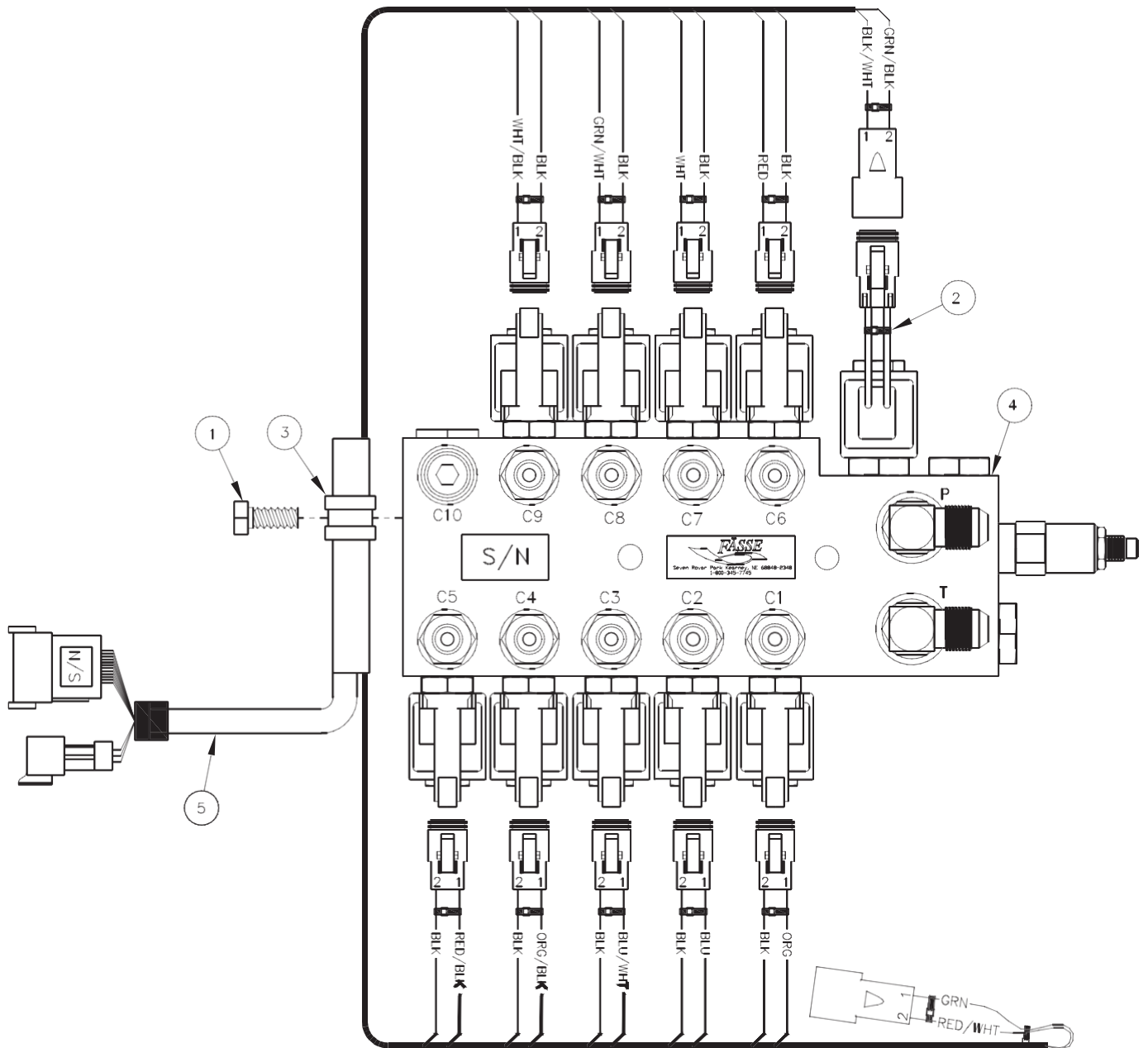


9518T and 9524T Truss Boom 120/132'

Dual Fence Row, Toggle Switch Control

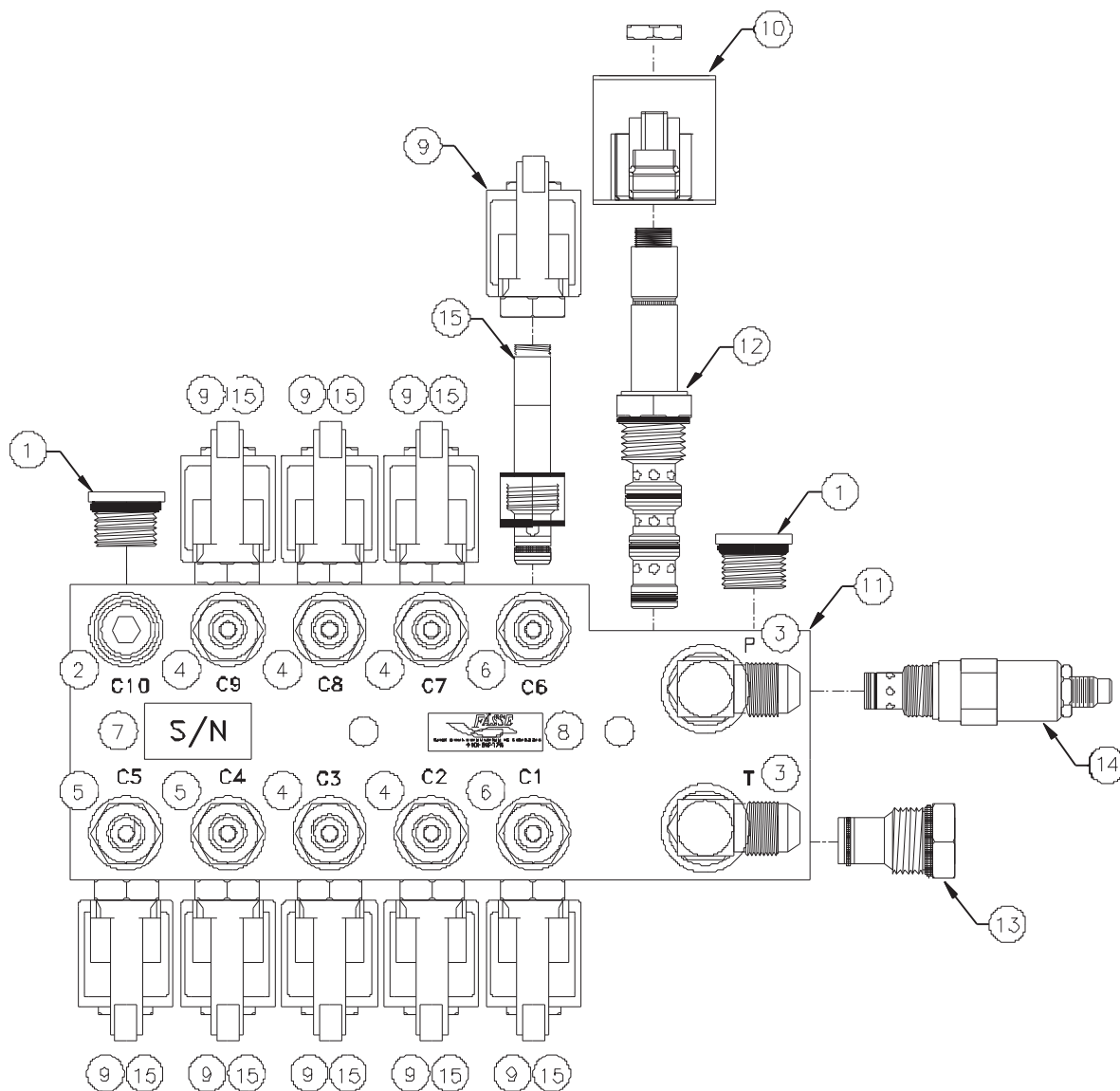
ITEM	PART NO.	QTY.	DESCRIPTION
1	18437	1	PLATE, MOUNT
2	520038	2	VALVE, ELECTRIC CHEMSAVER
3	632042	1	2 PIN DT 40' CABLE EXTENSION
4	632044	2	FENCEROW ADAPTER CABLE, 6"
5	632054	2	FENCEROW CABLE, 55'
6	632088	1	CABLE, DUAL ELETRIC FENCELINE NOZZLES
7	800261	1	DECAL, FENCELINE & AGITATION

HYDRAULIC CONTROL VALVE WIRING HARNESS



PARTS LIST			
NO	PART NUMBER	QTY	PART DESCRIPTION
1	212-025	1	BOLT 5/16-18 X .75
2	214-002	13	CABLE TIE BLACK 7"
3	255-026	1	LOOM CLAMP .5"ID METAL/RUBB
4	302-780	1	MANI ASSY 0806 4DA 1SA CLSD DTR 12V WP6400-4(7)+6(2)R.O47 P6801-8
5	319-724	1	HRN ASSY 15CON 18GA DTR KEY A 12P(12)-DTR3P(3)-9DTP2P(2) 2DTR2P(2) 33'

HYDRAULIC CONTROL VALVE

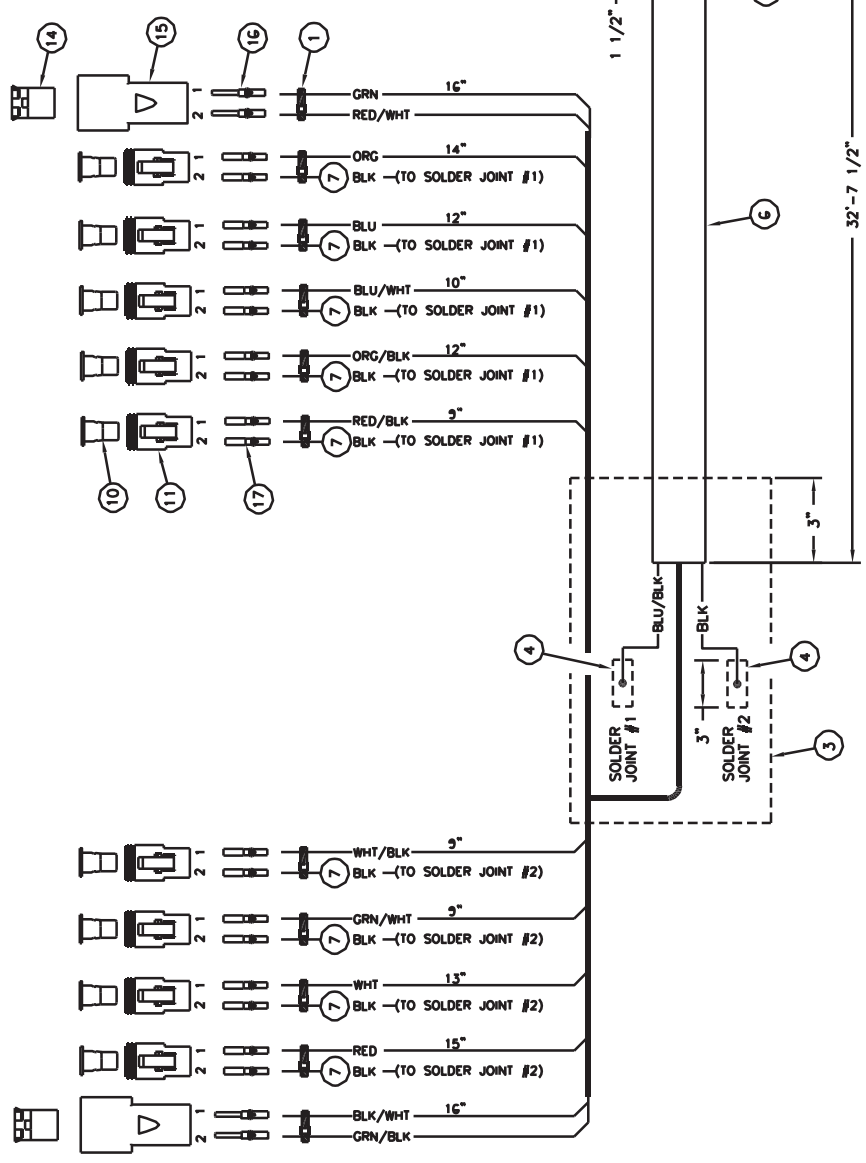


PARTS LIST

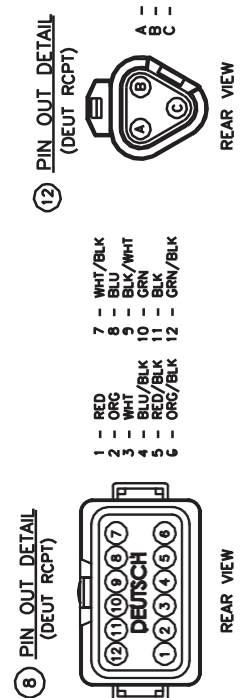
N ^o	PART NUMBER	QTY	PART DESCRIPTION
1	210-038	2	FTG 640B-HHP-8/HOLL HEX PLUG MO
2	210-127	1	FTG 640B-HHP-6/HOLL HEX PLUG MO
3	210-390	2	FTG 6801-B-8/E-MJ-MO ZINC NICKEL PLATED
4	210-391	5	FTG 6400-4-6/S-MJ-MO ZINC NICKEL PLATED
5	210-392	2	FTG 6400-6-6 R.D47/S-MJ-MO ZINC NICKEL PLATED
6	210-393	2	FTG 6400-6-6/5-MJ-MO ZINC NIC PLATED
7	232-050	2	DECL S/N (SILVER)
8	232-058	1	DECAL FASSE BLK/GOLD 1"X 75"RND CRNR
9	253-046	9	COIL HYDAC 0312600 DL DSTCH RECPT.
10	253-593	1	COIL H/F 4304112E-10 INTG DEUT DTR 12V ZENER DIODE
11	270-D93	1	MANI S14153-4 5CIR AL RV
12	273-008	1	CART SV10-40-0-N-00
13	273-D12	1	CART CP10-20
14	273-058	1	CART H/F RV10-22A-0-N-NC-35-30
15	273-D77	9	CART HYDAC WSD8W-01-C-N-0

HYDRAULIC CONTROL VALVE WIRING HARNESS

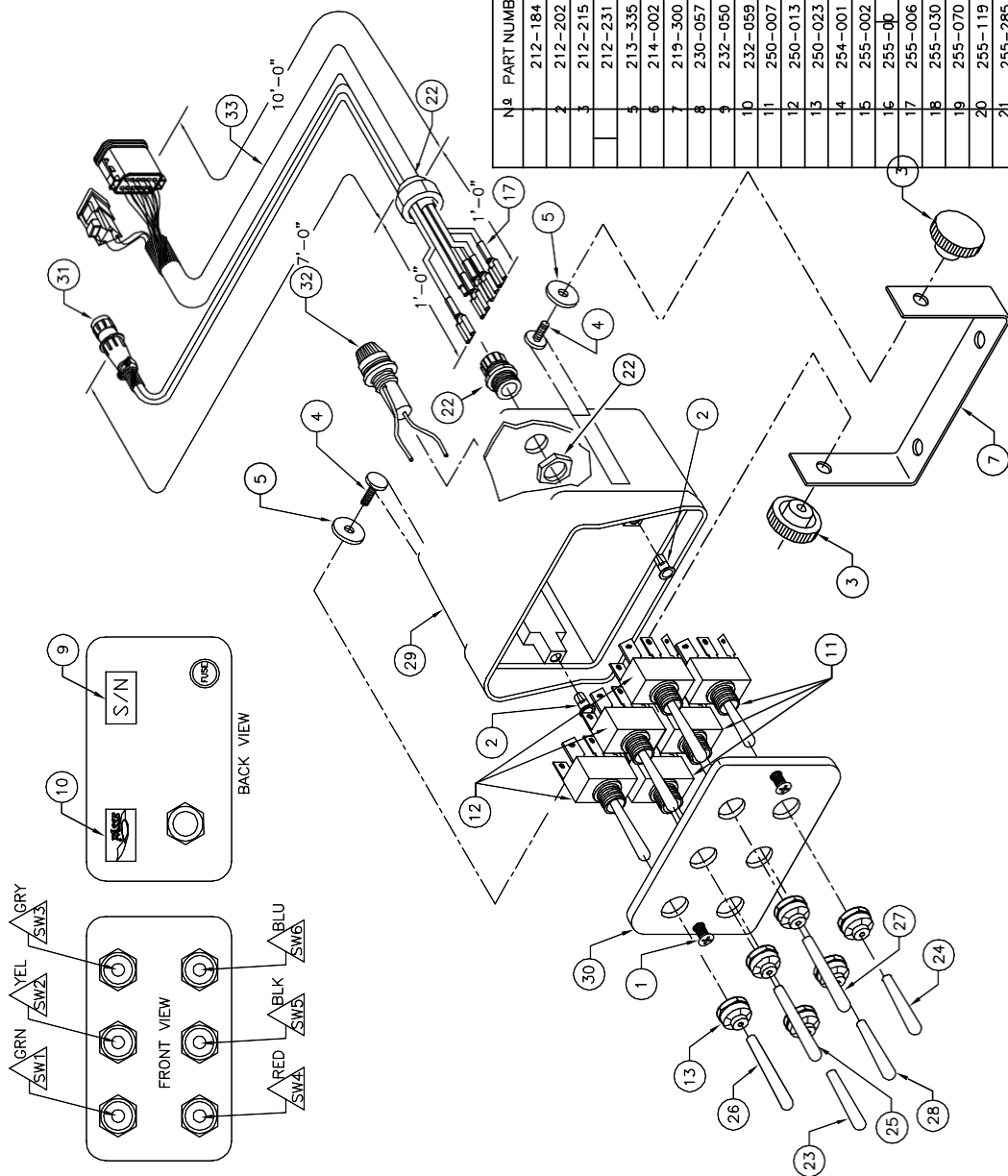
PARTS LIST		PART DESCRIPTION
1	214-002	11 CAB II: BLACK 7"
2	231-007	3" SHRINK TUBING .625
3	231-008	6" SHRINK TUBING .750
4	231-313	6" SHRINK TUBING .313
5	232-050	2 DECL S/N (SILVER)
6	252-020	35' CABLE 15CON 18GA
7	252-058	13' WIRE 18GA BLK
8	255-212	1 CNIR DEUTSCH 12PIN RECEPT DI
9	255-214	1 CNIR DEUTSCH LOCK WEDGE 12PIN DIR
10	255-505	9 CNIR DEUTSCH LOCK WEDGE 2PIN DIP
11	255-801	9 CNIR DEUTSCH 2PIN PLUG DI
12	255-811	1 CNTR DEUTSCH 3PIN RECP DT
13	255-812	1 CNTR DEUTSCH LOCK WEDGE 3PIN DIR
14	255-969	2 CNIR DEUTSCH LOCK WEDGE 2PIN DIR
15	255-971	2 CN R DEU SCH 2PIN RECEPT DT
16	255-977	15 TRM PIN DEUTSCH 16/18GA
17	255-978	18 TRM SOCK:1 DEUTSCH 16/18GA



- NOTES:**
1. HARNESS LENGTH IS 33'
 2. USE 3 CABLE TIES TO COIL UP HARNESS.
 3. PUT REMAINING TIES INTO BAG.



CONTROL CONSOLE



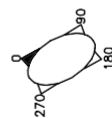
№	PART NUMBER	QTY	PART DESCRIPTION
2	212-184	2	SCREW 6-32 X 3/8 OVA HD BLK
2	212-202	2	INSERT 6-32X3/8 BRASS
3	212-215	2	KNOR 1/4-20-90-EEVA-F
2	212-231	2	SCREW WELDED 1/4-20 X .500
2	213-335	2	WASHER NYLON .257X.875X.060
3	214-002	3	CABLE TIE BLACK 7"
1	219-300	1	BRKT HSG MONITOR
1	230-057	1	BAG POLY CLR 14 X 18 2MIL W/LOGO
2	232-050	2	DECL S/N (SILVER)
1	232-059	1	DECL GOLD/BLK 1.5 X .5
3	250-007	3	SW TOG DPDT 3P MOM SHORT
3	250-013	3	SW TOG DPDT 3P MOM LONG
6	250-023	6	SW TOG BOOT OPN GRY
1	254-001	1	DIODE D116A2 6AMP
25	255-002	25	TRM T-TAP F PO BLU
2	255-00	2	TRM PO F FULL INS 22-18GA
6	255-006	6	TRM PO F NON INS 20/18GA
2	255-030	2	TRM SPLICE CLOSED END 16-18GA
2	255-070	2	TRM PO M/F 14-16GA
3	255-119	3	TRM PO F INS 16-14GA
1	255-285	1	TRM SPLICE CLOSED END LRG
1	255-710	1	STRAIN RLF HEYCO .45"-705"ID, HOLE DIA 1.115"
1	259-005	1	SW TOG GRIP VNYL RED .187
1	259-015	1	SW TOG GRIP VNY B U .187
1	259-022	1	SW TOG GRIP VNYL YEL .187
1	259-023	1	SW TOG GRIP VNYL GRN .187
1	259-027	1	SW TOG GRIP VNYL GRY .187
1	259-031	1	GRIP TOG VNY B K .187"
1	301-00	1	ENCL DRILL MNTBHX-H-1 1/8"G
1	304-751	1	-NCL DRILL FP MNTFR SW6 F00204
1	314-217	1	HARNES R B WIRE SERIES 3 P 8
1	319-769	1	FUSEHO DER PM ASSY 10A /5"
1	320-760	1	FRN 15CON 18GA DTP KEY A 12P(12)D P3P(3) 11"

NOTES:

1. USE 1-CABLE TIE TO COIL UP HARNESS
2. NOT SHOWN: (6) (8)
3. CUT (23) (24) & (28) TO FIT ON SW BAT.

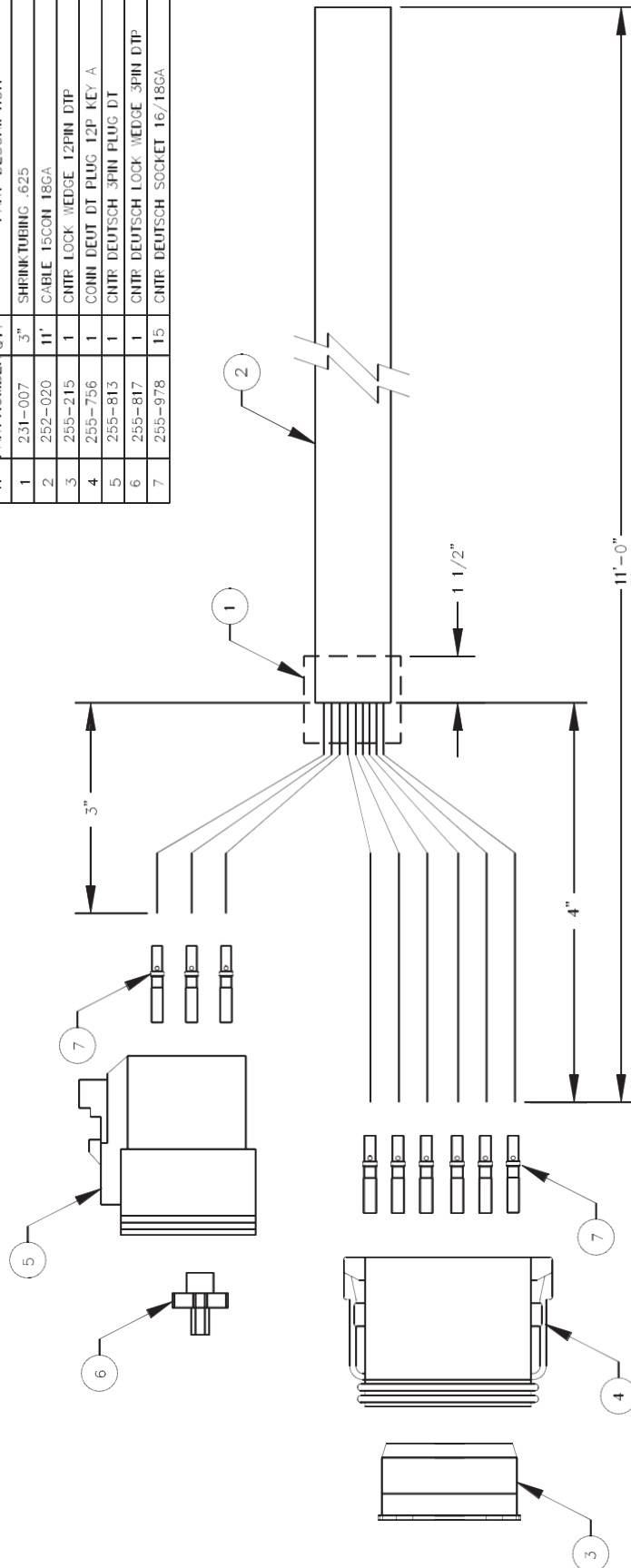
SWITCH NOTCH ORIENTATION

- ORIENT SWITCH NOTCHES AS SHOWN IN GRAPHIC
- USE THE ANGLE VALUES SHOWN AS REFERENCE

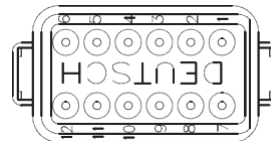


WIRING HARNESS

PARTS LIST			
NO	PART NUMBER	QTY	PART DESCRIPTION
1	231-007	3"	SHRINKTUBING .625
2	252-020	11'	CABLE 15CON 18GA
3	255-215	1	CNTR LOCK WEDGE 12PIN DTP
4	255-756	1	CNTR DEUT DT PLUG 12P KEY A
5	255-813	1	CNTR DEUTSCH 3PIN PLUG DT
6	255-817	1	CNTR DEUTSCH LOCK WEDGE 3PIN DTP
7	255-978	15	CNTR DEUTSCH SOCKET 16/18GA

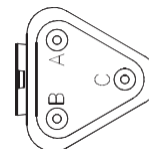


PIN_OUT_DETAIL



- 1 - RED
- 2 - ORG
- 3 - WHT
- 4 - BLU/BLK
- 5 - RED/BLK
- 6 - ORG/BLK
- 7 - WHT/BLK
- 8 - BLU
- 9 - BLK/WHT
- 10 - CRN
- 11 - BLK
- 12 - GRN/BLK

PIN_OUT_DETAIL



- A - CRN/WHT
- B - BLU/WHT
- C - RED/WHT

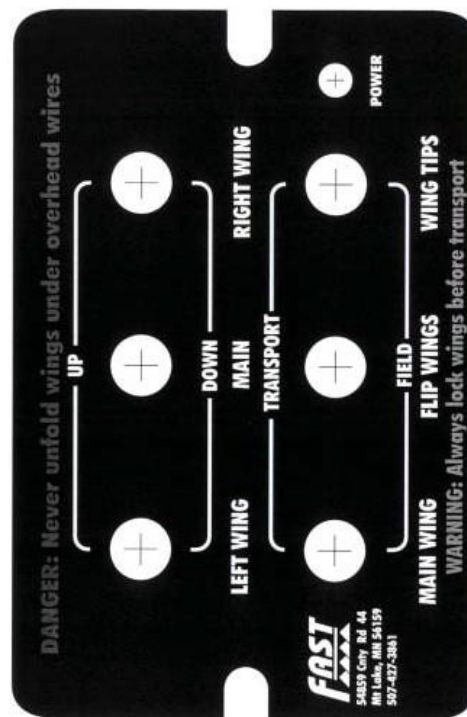


9518T and 9524T Truss Boom 120/132'

CONTROL CONSOLE WIRING HARNESS

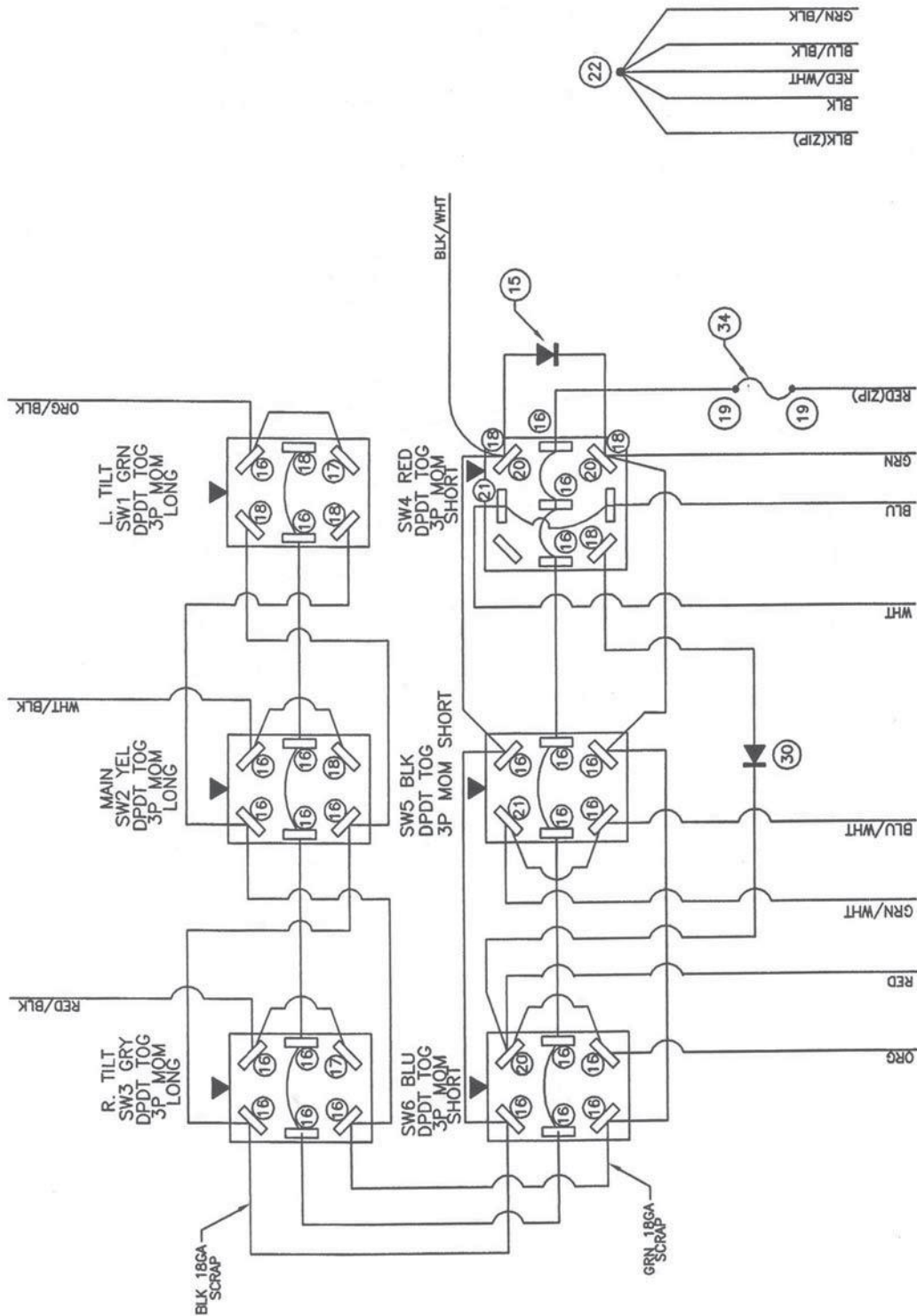
700-0806-4103 & 700-0806-4104 REV D

Switch No.	Boot Color	Switch Position	Hot Wires	Pin Out Location	Pressure Ports	Tank Ports	Function
1 Long	Green	Up (mom)	Org/Blk & Grn	6-12P, 10-12P	C4		Lt. Wing Up
		Center (stat)					Off
		Down (mom)	Org/Blk & Grn & Blk/Wht	6-12P, 10-12P, 9-12P		C4	Lt. Wing Down
2 Long	Yellow	Up (mom)	Wht/Blk & Grn & Blk/Wht	7-12P, 10-12P, 9-12P	C9		Main Up
		Center (stat)					Off
		Down (mom)	Wht/Blk & Grn	7-12P, 10-12P		C9	Main Down
3 Long	Gray	Up (mom)	Red/Blk & Grn	5-12P, 10-12P	C5		Rt. Wing Up
		Center (stat)					Off
		Down (mom)	Red/Blk & Grn & Blk/Wht	5-12P, 10-12P, 9-12P		C5	Rt. Wing Down
4 Short	Red	Up (mom)	Wht & Blu & Grn	3-12P, 8-12P, 10-12P	C2		Main Wing Transport
		Center (stat)					Off
		Down (mom)	Wht & Blu & Grn & Blk/Wht	3-12P, 8-12P, 10-12P, 9-12P		C2	Main Wing Field
5 Short	Black	Up (mom)	Grn/Wht & Blu/Wht & Grn	1-3P, 2-3P, 10-12P	C3		Flip Wings Transport
		Center (stat)					Off
		Down (mom)	Grn/Wht & Blu/Wht & Grn & Blk/Wht	1-3P, 2-3P, 10-12P, 9-12P		C3	Flip Wings Field
6 Short	Blue	Up (mom)	Red & Org & Grn	1-12P, 2-12P, 10-12P	C1		Wing Tips Transport
		Center (stat)					Off
		Down (mom)	Red & Org & Grn & Blk/Wht	1-12P, 2-12P, 10-12P, 9-12P		C1	Wing Tips Field
			Blk	11-12P			Ground
			Red/Wht	3-3P			Ground
			Blu/Blk	4-12P			Ground
			Grn/Blk	12-12P			Ground



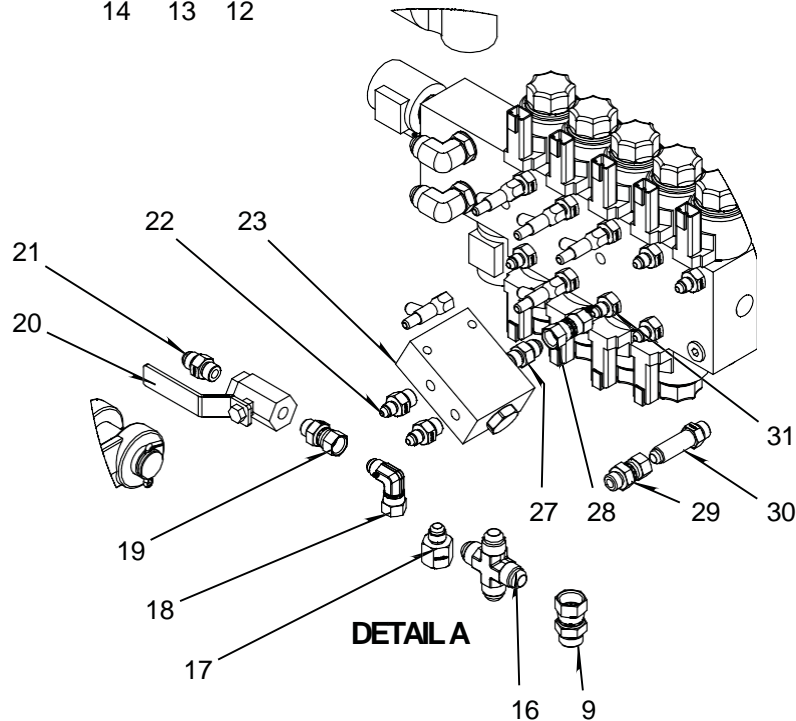
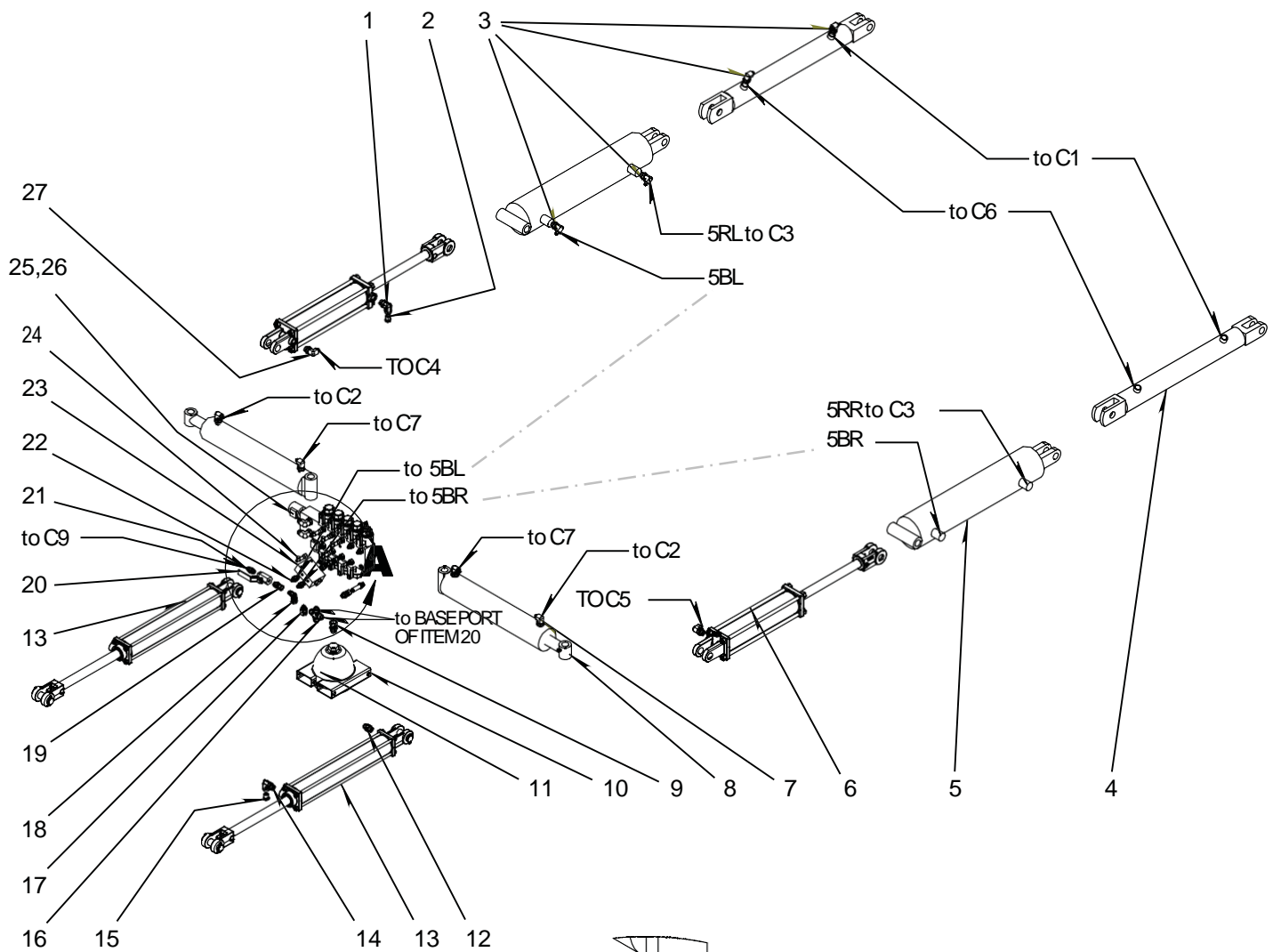
CONTROL CONSOLE SWITCH DIAGRAM

SWITCH WIRING DIAGRAM



▲ = NOTCH LOCATION

CYLINDER AND FITTINGS



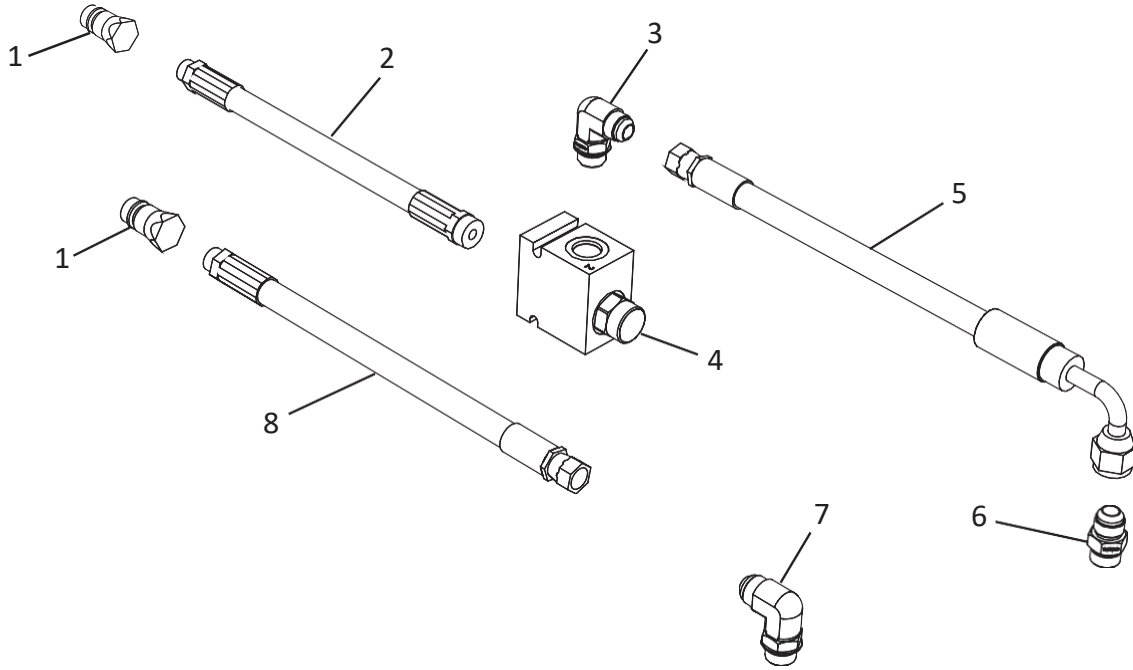


9518T and 9524T Truss Boom 120/132'

HOSE DESCRIPTION

Part #	Description	Hose Size	1st End	2nd End	Cut Length	Qty. Req.	Function of Hose
520048	2-NV12-12SAE-M					4	Hydraulic Tips
610102	6801-10-10-NWO-TCT					1	
610060	6400-8-10-0-TCT					1	
FDM 600039-13-ZN	FDM4R17-4FJX-4FJX90M	1/4"	F St.	F 90	87	1	Block To Main Lift
FDM 600039-11-ZN	FDM8R17-8FJX-8FJX45M	1/2"	F St.	F 45	30	2	Tee To Main Lift Right/Left
	STAUFF AG-2					52	Tube Clamps
FDM 600039-7-ZN	FDM4R17-4FJX-4FJX	1/4"	F St.	F St	100	2	Main Wing Fold Rod
FDM 600039-8-ZN	FDM4R17-4FJX-4FJX90M	1/4"	F St.	F 90	100	2	Main Wing Fold Butt
FDM 600039-1A-ZN	FDM4R17-6MJX-4FJX	1/4"	M St.	F St.	132	4	Block To Hardlines
FDM 600039-2A-ZN	FDM4R17-6MJX-4FJX90M	1/4"	M St.	F 901	132	4	Block To Hardlines
FDM P603	FDM P603					124	Flip Wing Cylinders
FDM P604	FDM P604					162	Breakaway Wing Cylinder Feed On Main Wing
FDM 600039-3A-ZN	FDM4R17-6MJX-6MJX	1/4"	M St.	M St	27.5	2	Hardline Hinge Hose
FDM 600039-4A-ZN	FDM4R17-6MJX-6MJX	1/4"	M St.	M St	31	2	Hardline Hinge Hose
FDM 600039-14-ZN	FDM6R17-6FJX-6FJX	3/8"	F St.	F St.	112	1	Tilt Cylinder Right
FDM 600039-12-ZN	FDM6R17-6FJX-6FJX	3/8"	F St.	F St.	118	1	Tilt Cylinder Left
FDM P605	FDM P605					203	Breakaway Wing Cylinder
FDM 600039-5A-ZN	FDM4R17-6MJX-4FJX	1/4"	M St.	F St.	24	2	Hardline To Cylinder Feed Butt
FDM 600039-21A-ZN	FDM4R17-6MJX-4FJX	1/4"	M St.	F St.	26	2	Hardline To Cylinder Feed Butt
FDM 600039-6A-ZN	FDM4R17-6MJX-4FJX	1/4"	M St.	F St.	32	4	Hardline To Cylinder Feed Rod
FDM 600039-15-ZN	FDM8R17-8FJX-8MBO	1/2"	F St.	#8 O-Ring	340	1	Block Feed
FDM 600039-16-ZN	FDM8R17-8FJXZ-8MBOZ	1/2"	F St.	#8 O-Ring	350	1	Block Return
FDM 600039-17-ZN	FDM8R17-8MBO-10MBX90	1/2"	#8 O-Ring	#10 O-Ring	200	1	PC Valve Feed
FDM 600039-18-ZN	FDM10R17-8MBO-10FJXF	5/8"	#8 O-Ring	F St.	216	1	Pump Return
FDM 600040-20B-ZN	FDM8R17-8FJX90MZ-10MBOZ	1/2"	F 90	#10 O-Ring	25	1	PC To Pump

HYDRAULIC SYSTEM FOR PUMP

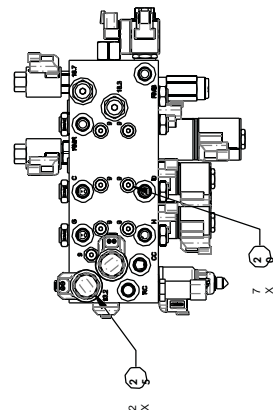
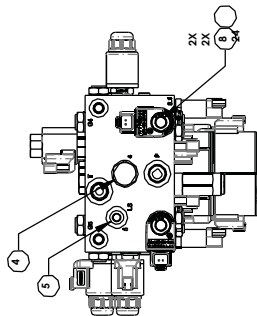
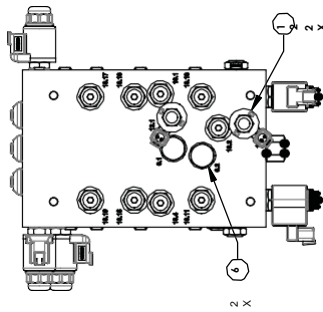
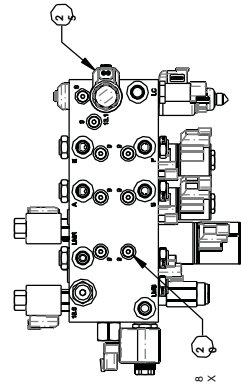
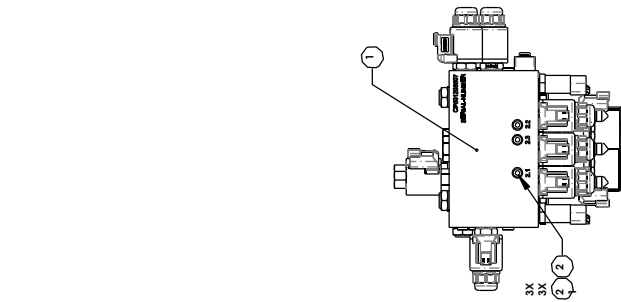


Item	Fast Part #	Description	8218	8224
1	520048	Hose Tip	2	2
2	PA600040-20B	Hose Pressure To Valve	1	1
3	610086	Hydraulic Fitting 6801-8-10	1	1
4	610099	PC Valve 13 GPM		
5	PA600039-17	Hose Pressure To Pump	1	1
6	610106	Hydraulic Fitting 6400-10-10	1	1
7	610102	Hydraulic Fitting 6801-10-10	1	1
8	PA600039-18	Hose Pump Return	1	1

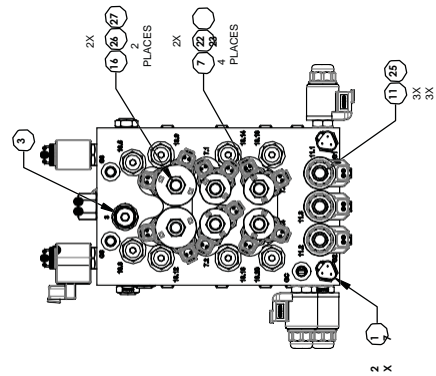
9518T and 9524T Truss Boom 120/132'



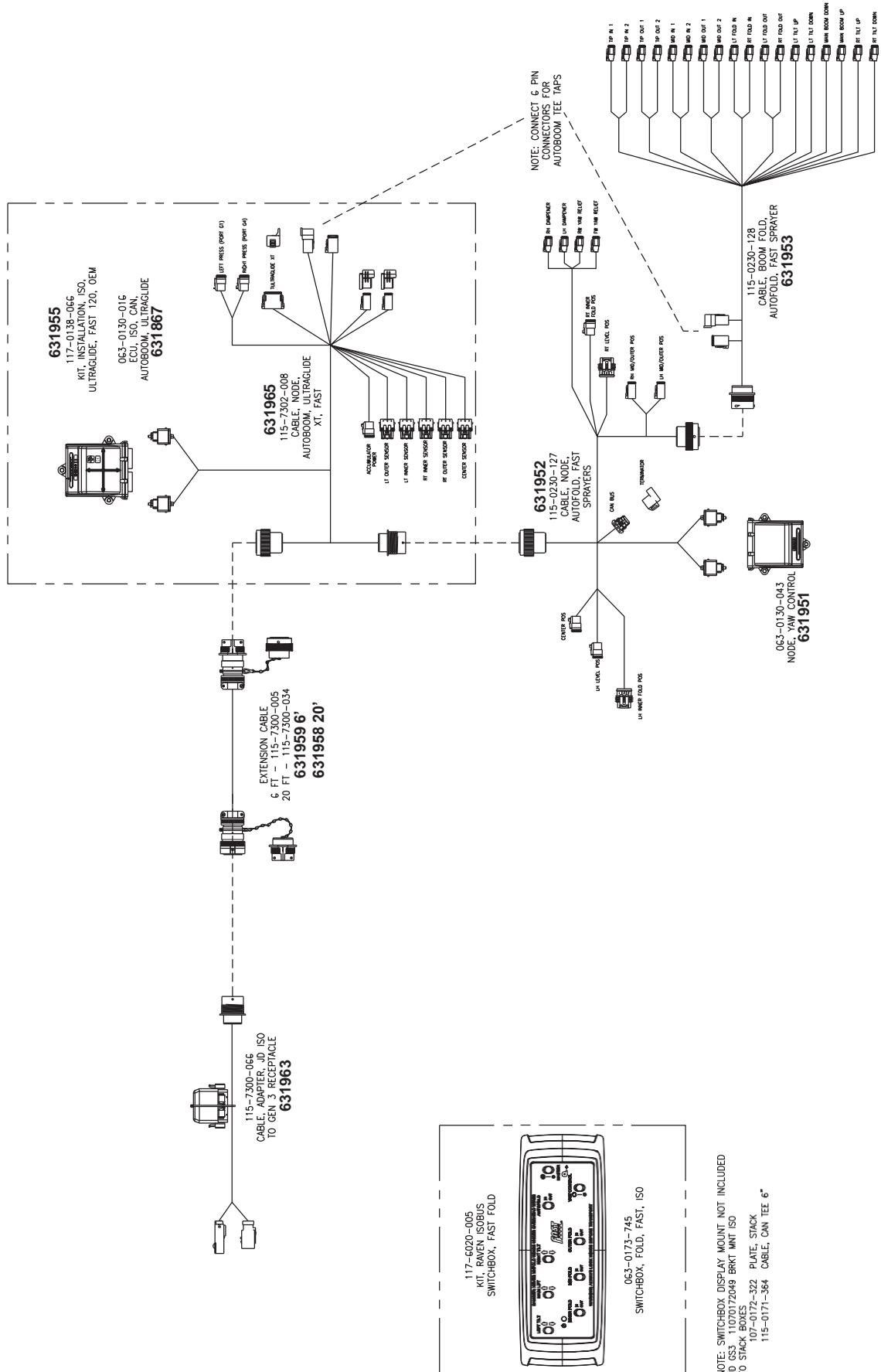
YAW BLOCK PARTS



ITEM	QTY	PART NUMBER	DESCRIPTION	SPECIAL NOTE
27	2	334-002-119	SPACER, COIL, ER, -1012	
28	4	334-002-117	COIL, 12VDC, ER, DEUTSCH, DT 042P, 1012	TORQUE TO 4 FT LBS
29	6	334-002-118	COIL, 12VDC, DN-40, DEUTSCH, DT 042P, CONNECTOR, -8	TORQUE TO 4 FT LBS
34	2	334-002-180	COIL, 12VDC, M13, DEUTSCH, DT 042P, -8	TORQUE TO 4 FT LBS
22	4	334-002-183	SPACER, COIL, ER, -8	
22	8	334-002-123	COIL, 12VDC, ER, DEUTSCH, DT 042P, -8	
21	3	333-012-262	FITTING, PLUG, ORING, 2	
20	15	333-012-261	FITTING, PLUG, ORING, 4	
17	2	422-009-096	MANIFOLD, PRESSURE, 2-WAY, 0.300 PSI	
16	2	334-002-182	MANIFOLD, HYDRAULIC, PROPORTIONAL, DIRECTIONAL, 3-WAY, 3 POSITION, MOTOR SPOOL	TORQUE TO 11.14 FT LBS
13	3	334-002-187	CARTRIDGE, HYDRAULIC, CHECKER, DOUBLE, -8	TORQUE TO 24.26 FT LBS
12	2	334-002-191	CARTRIDGE, HYDRAULIC, PROPORTIONAL, RELIEF, 2-WAY, NORMALLY CLOSED	TORQUE TO 18.5 FT LBS
11	3	334-002-186	CARTRIDGE, HYDRAULIC, PROPORTIONAL, REDUCING, RELIEF, -8	TORQUE TO 18.5 FT LBS
8	2	334-002-178	CARTRIDGE, HYDRAULIC, DAMPENER, 2-WAY, NORMALLY OPEN, WAIT	TORQUE TO 24.26 FT LBS
7	4	334-002-148	CARTRIDGE, HYDRAULIC, PROPORTIONAL, DIRECTIONAL, 3-WAY, 3 POSITION, MOTOR SPOOL	TORQUE TO 11.20 FT LBS
6	2	334-002-184	CARTRIDGE, HYDRAULIC, CHECKER, W/GREEN, -10	TORQUE TO 24.26 FT LBS
5	1	333-012-302	FITTING, HYDRAULIC, CARTRIDGE, 0.300 W/1/4-20 THREAD	
4	1	334-002-185	MANIFOLD, HYDRAULIC, DIRECTIONAL, 3-WAY, 3 POSITION, PILOTED, 2-WAY, 2 POSITION, MOTOR SPOOL	TORQUE TO 24.26 FT LBS
3	1	334-002-176	CARTRIDGE, HYDRAULIC, RELIEF, DIRECT ACTING, 2.11, -10	TORQUE TO 24.26 FT LBS
2	3	333-012-284	FITTING, HYDRAULIC, ORFICE, 0.060 W/1/4-20 THREAD	
1	1	334-002-175	MANIFOLD, HYDRAULIC, FAST, BOOM CONTROLS	



ISO AUTOYAW / FOLD, AUTOBOOM, AND JD RATE CONTROL





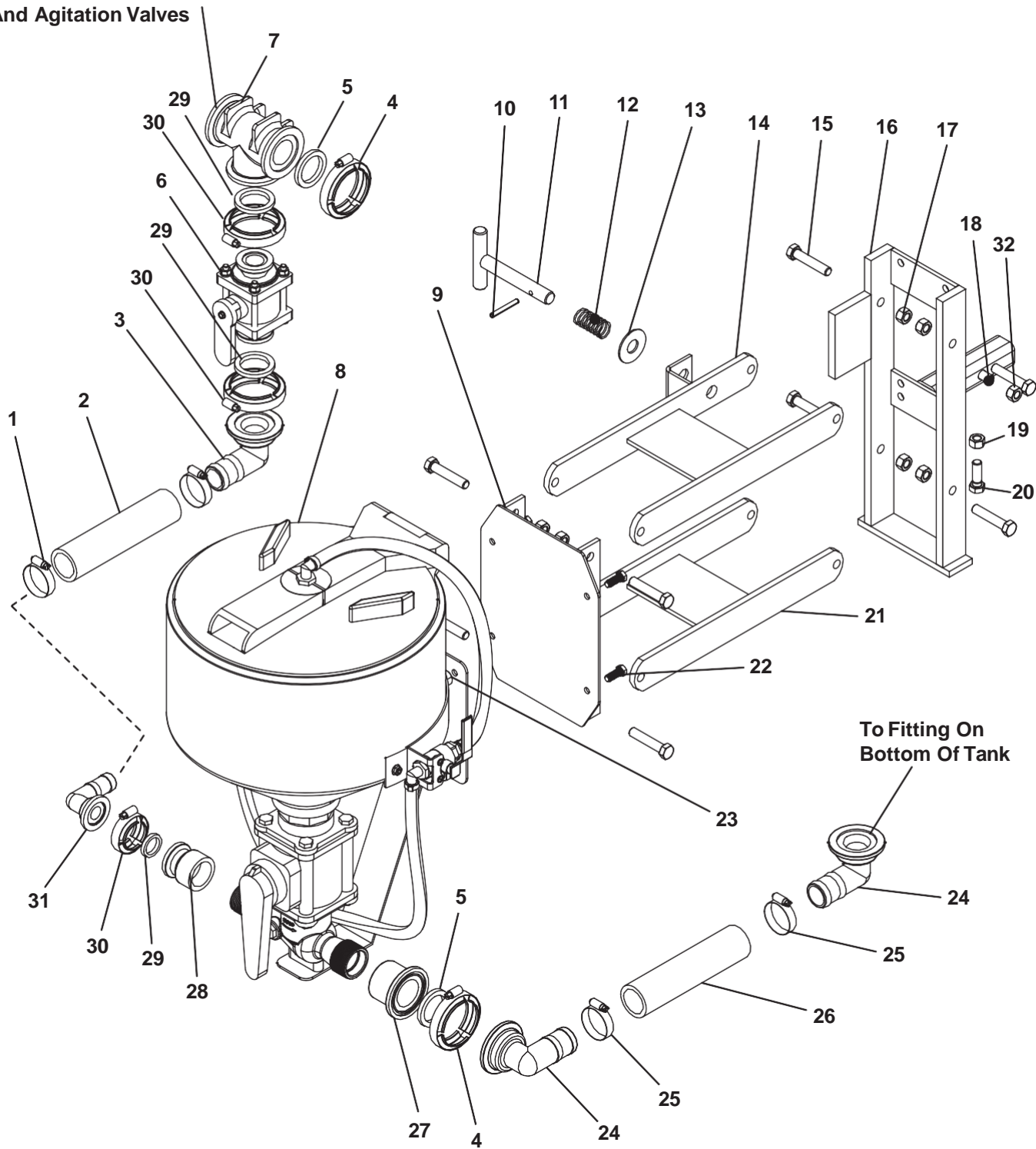
9518T and 9524T Truss Boom 120/132



9518T and 9524T Truss Boom 120/132'

HYPRO CLEANLOAD EDUCTOR & MOUNTING - 5 GALLON

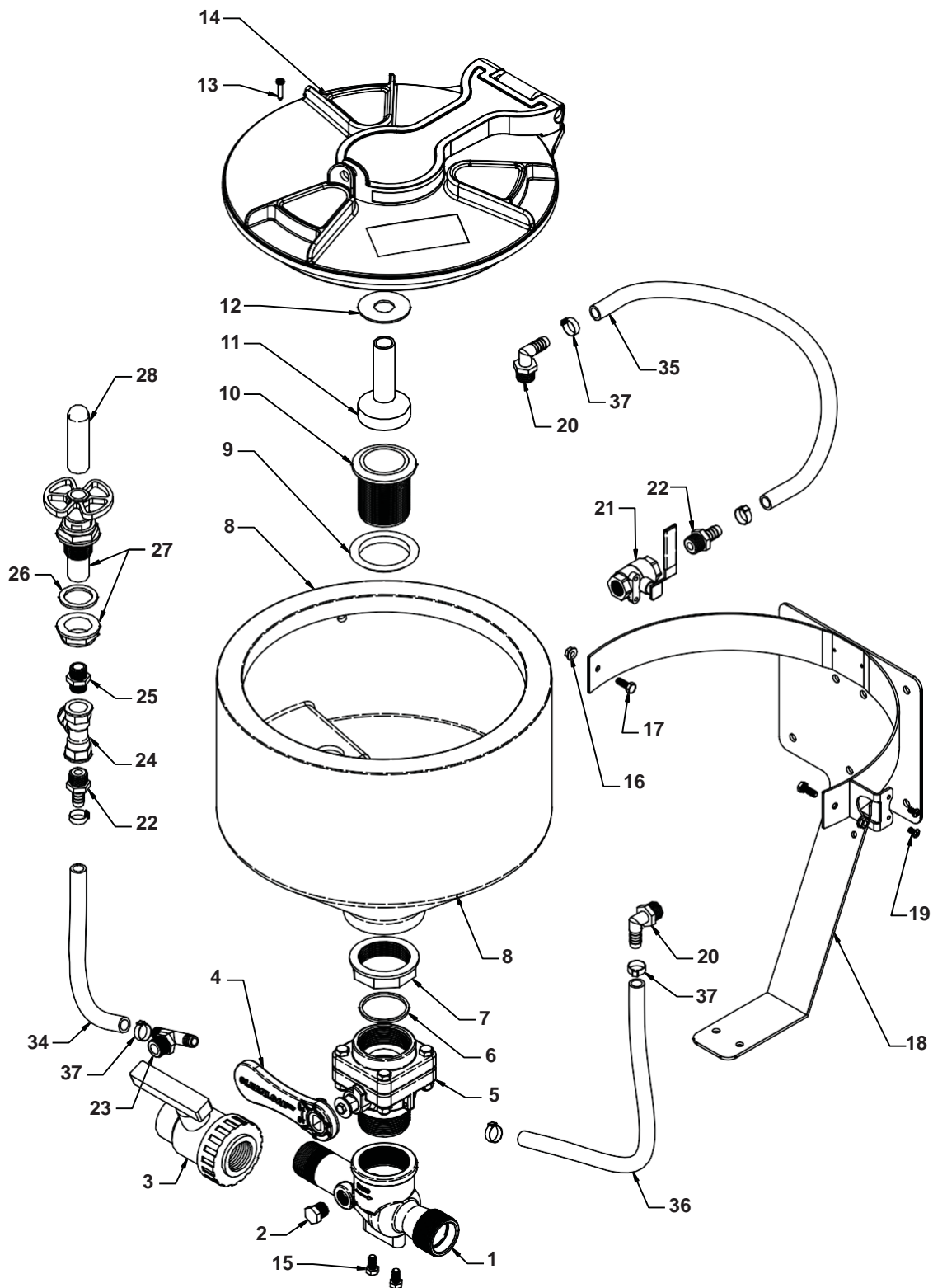
Installs In Line With Rinse
And Agitation Valves





9518T and 9524T Truss Boom 120/132'

HYPRO CLEANLOAD EDUCTOR - 5 GALLON

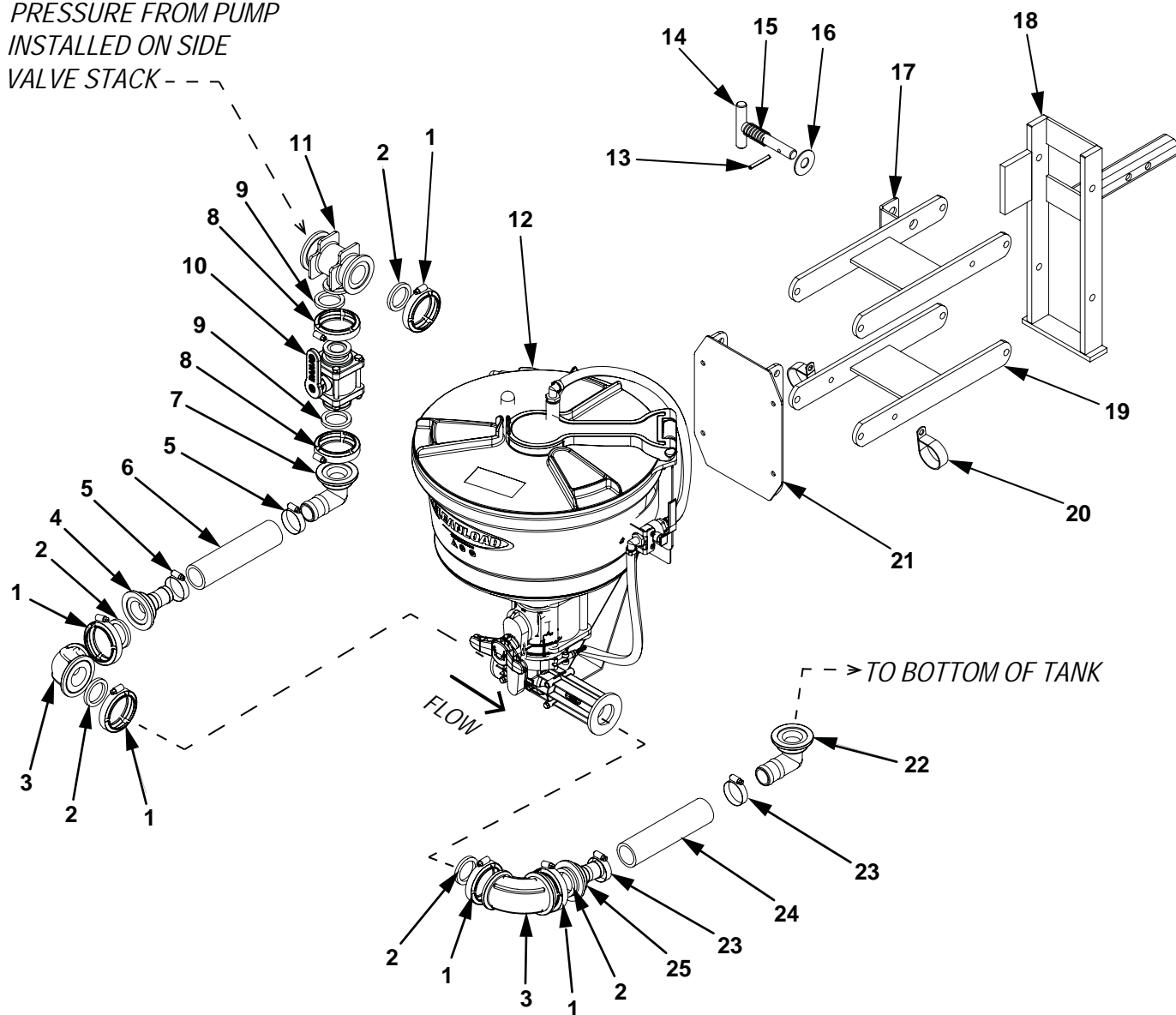




9518T and 9524T Truss Boom 120/132'

HYPRO CLEANLOAD EDUCTOR AND MOUNTING - 7 GALLON

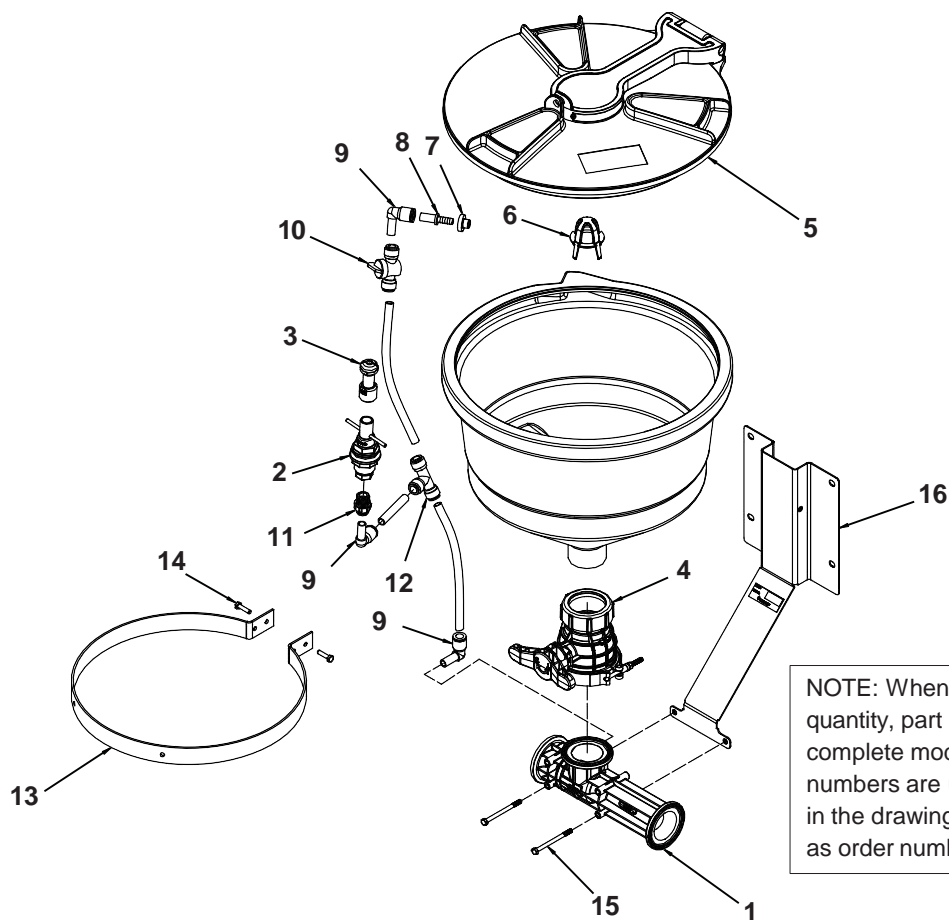
PRESSURE FROM PUMP
INSTALLED ON SIDE
VALVE STACK - - -





9518T and 9524T Truss Boom 120/132'

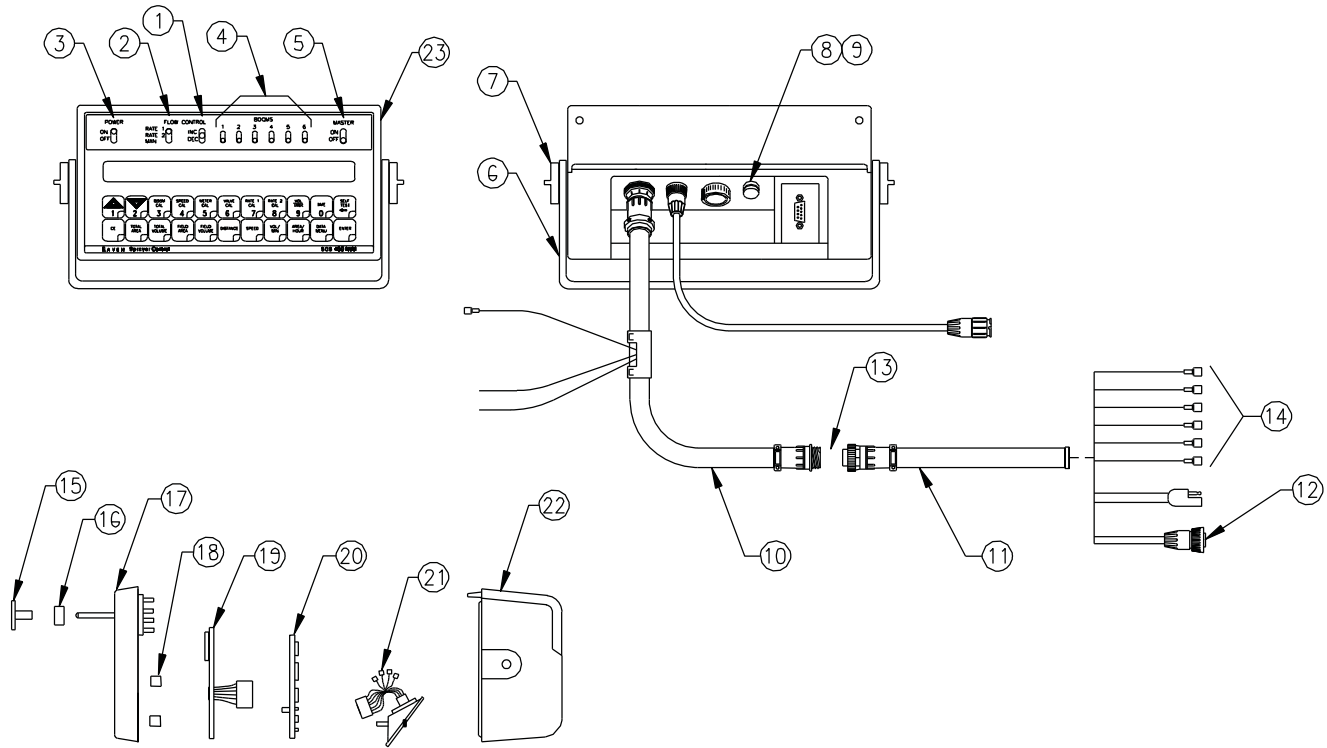
HYPRO 7 GALLON EDUCTOR



NOTE: When ordering parts, give quantity, part number, description and complete model number. Reference numbers are used ONLY to identify parts in the drawing and are NOT to be used as order numbers.

Item	Vendor Part #	Fast Part #	Description	Qty.
1	3371-0038R		Eductor (for Model 3376-1170)	1
2	PV1/2F1/2M-MA		ProClean Container Rinse	1
3	PC1/2F-36075		Nozzle, ProClean Container Rinse	1
4	7250-5000		Tank Valve	1
5	TL 16-0006		Lid Kit	1
6	3350-0180		Strainer	1
7	1700-0253		Grommet	1
8	2404-0413		Hose Barb Fitting	1
9	2404-0414		Elbow Fitting (1/2")	3
10	3305-0113		Two-way Valve (1/2")	1
11	2404-0386		Fitting	1
12	2404-0415		Tee Fitting (1/2")	1
13	1510-0128		Mounting Ring	1
14	2210-0201		Hex Bolt, M6 X 1 X 25	2
15	2210-0200		Hex Bolt, M6 X 1 X 80	2
16	1510-0127		Bracket	1

RAVEN SCS450 CONSOLE

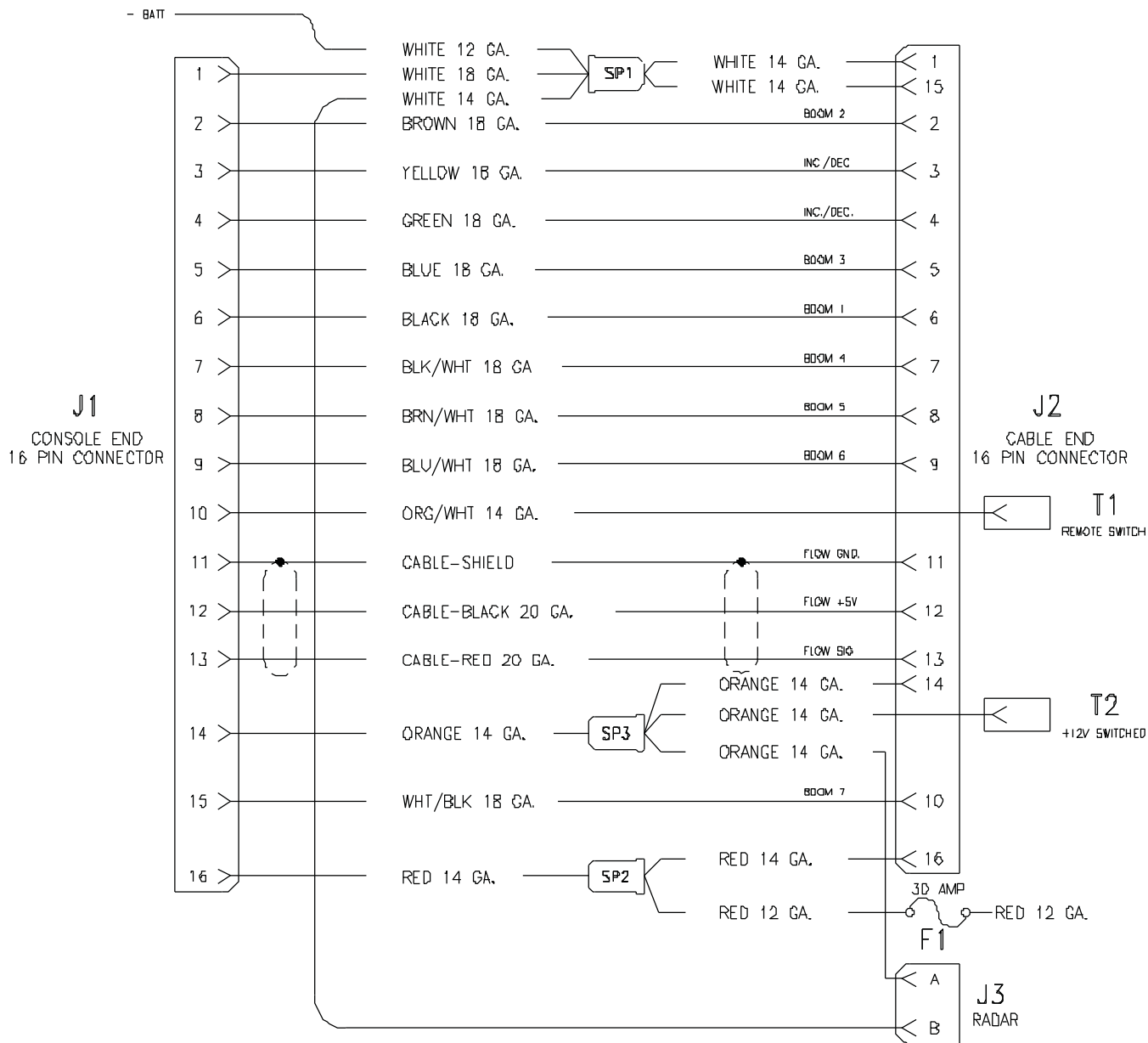


ITEM	DESCRIPTION	RAVEN PART #
1	Manual Adj. Switch	412-2011-049
2	Rate1/Rate2/Manual Switch	019-0159-078
3	Power Switch	412-2011-048
4	Boom Switch	412-2003-010
5	Master Switch	412-2011-046
6	Mounting Bracket	106-0159-437
7	Mounting Knob	106-0159-438
8	Fuse Holder	510-2001-018
9	Fuse, 15Amp.	510-1003-003
10	Console Control Cable (10 ft.)	115-0159-492
	Console Control Cable (3 ft.)	115-0159-707
11	Flow Control Cable (6 ft.)	115-0159-495
	Flow Control Cable (12 ft.)	115-0159-496
	Flow Control Cable (24 ft.)	115-0159-708
12	Flow Meter Cable Ext. (6 ft.)	115-0159-016
	Flow Meter Cable Ext. (12 ft.)	115-0159-017
13	Flow Ext. Cable (12 ft.)	115-0159-493
	Flow Ext. Cable (24 ft.)	115-0159-494
14	Assorted Terminal Kit	117-0159-402
15	Switch Cover	063-0159-734
16	1-Set Filler Spacers	117-0159-421
17	Face Plate Assembly	063-0172-024
18	Display Board Spacer	107-0159-478
19	LCD Display Board	063-0171-961
20	Processor Board (Serial Interface)	064-0159-745
21	Connector Plate Assembly (Serial Interface)	063-0172-022
22	Back Assembly	063-0159-530
23	SCS 450 Console (Serial Interface)	063-0171-220



9518T and 9524T Truss Boom 120/132'

CONTROL CONSOLE HARNESS - 115-0171-085

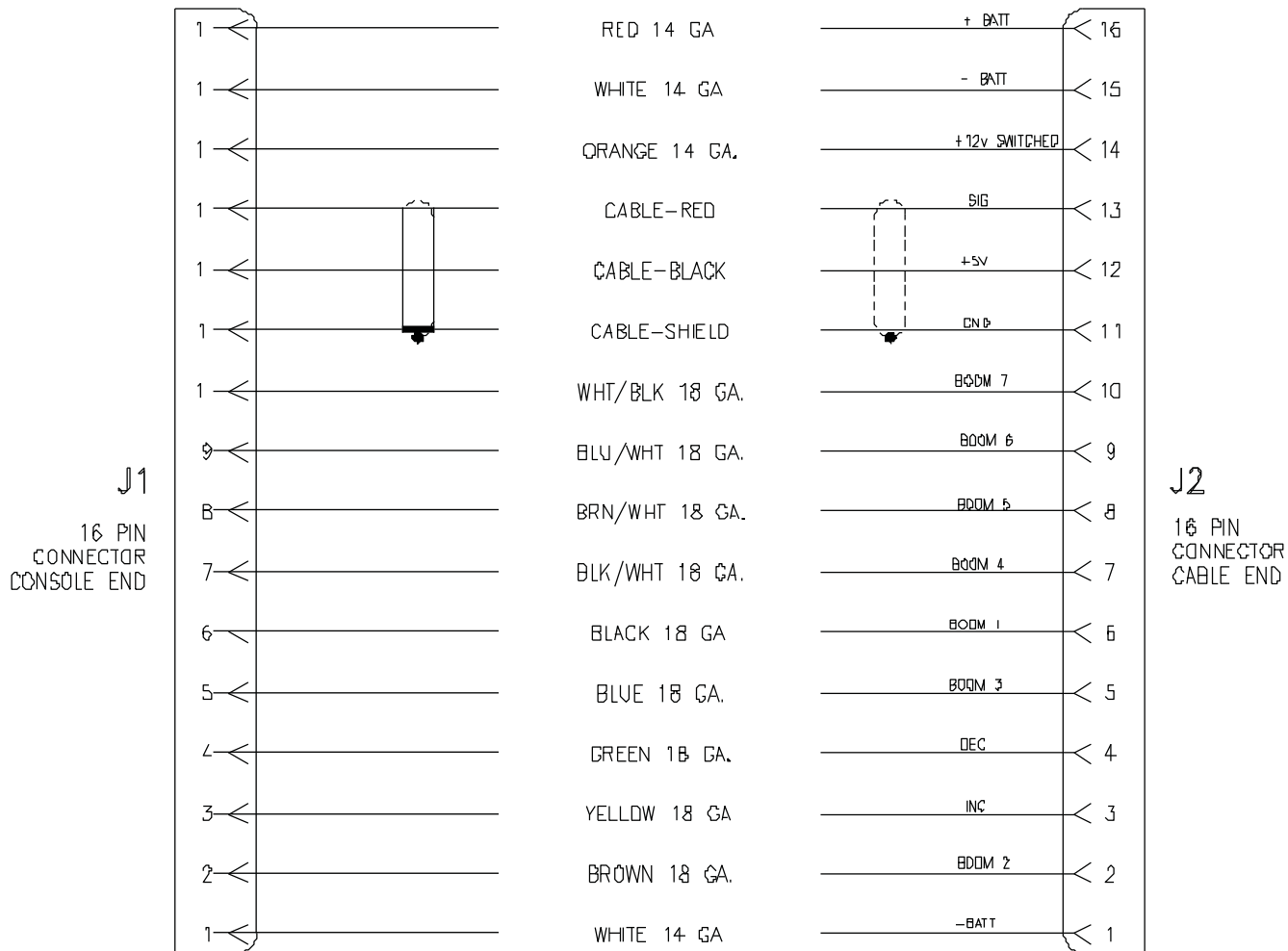


9518T and 9524T Truss Boom 120/132'



HARNESS EXTENSION - 115-0159-856 12'

HARNESS EXTENSION - 115-0159-857 24'

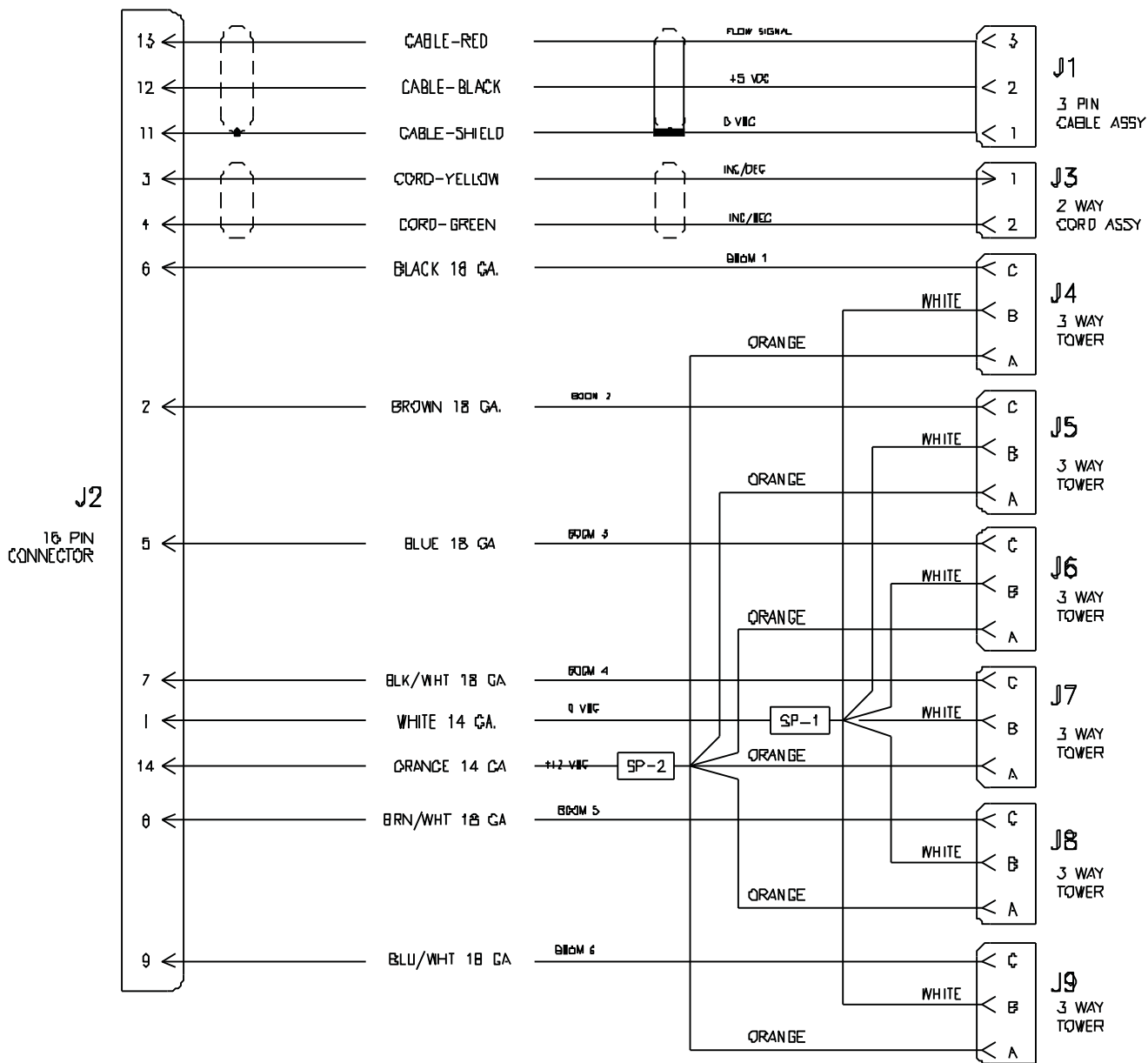




9518T and 9524T Truss Boom 120/132'

CONTROL HARNESS - 115-0171-086 6'

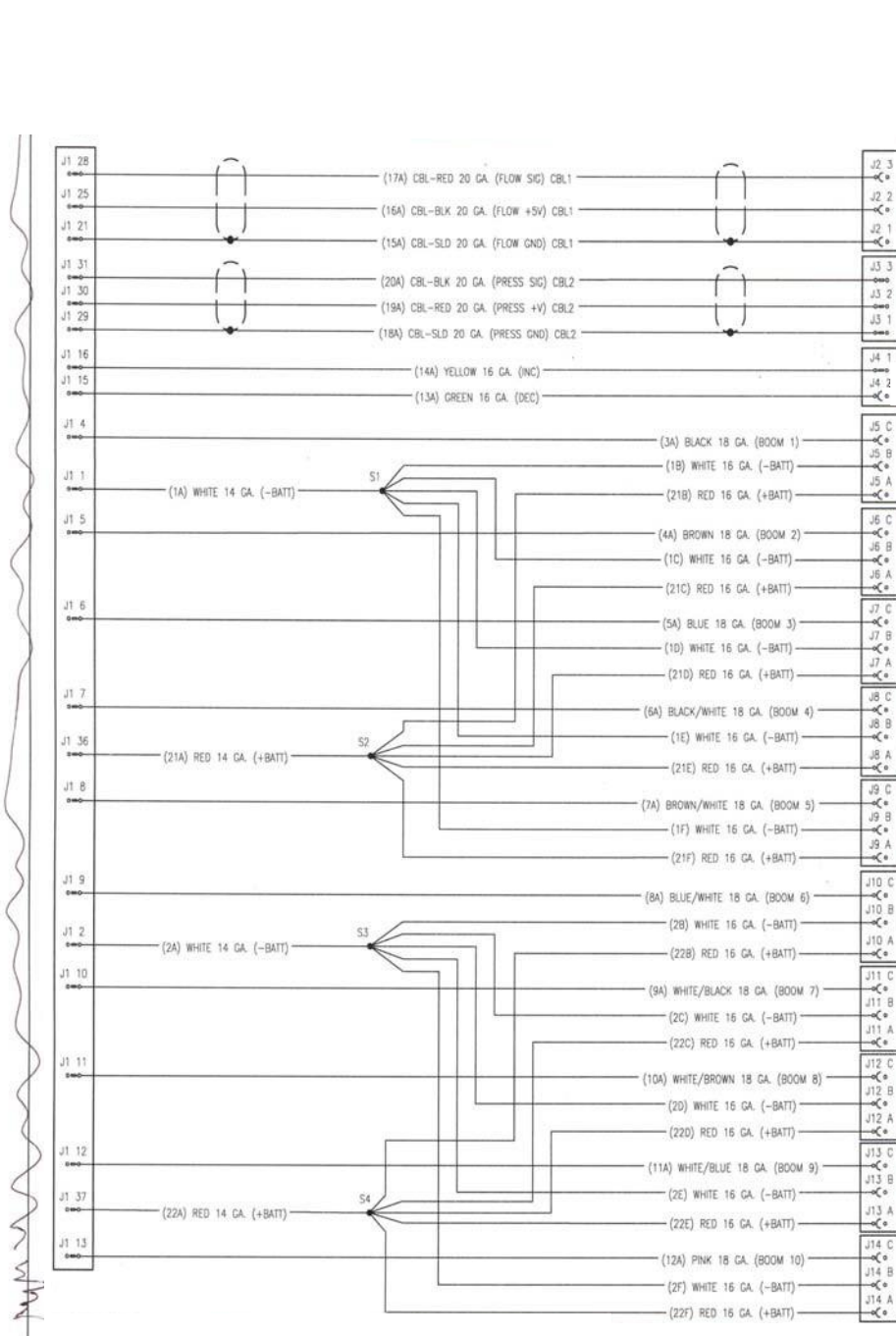
CONTROL HARNESS - 115-0171-129 12'



9518T and 9524T Truss Boom 120/132'



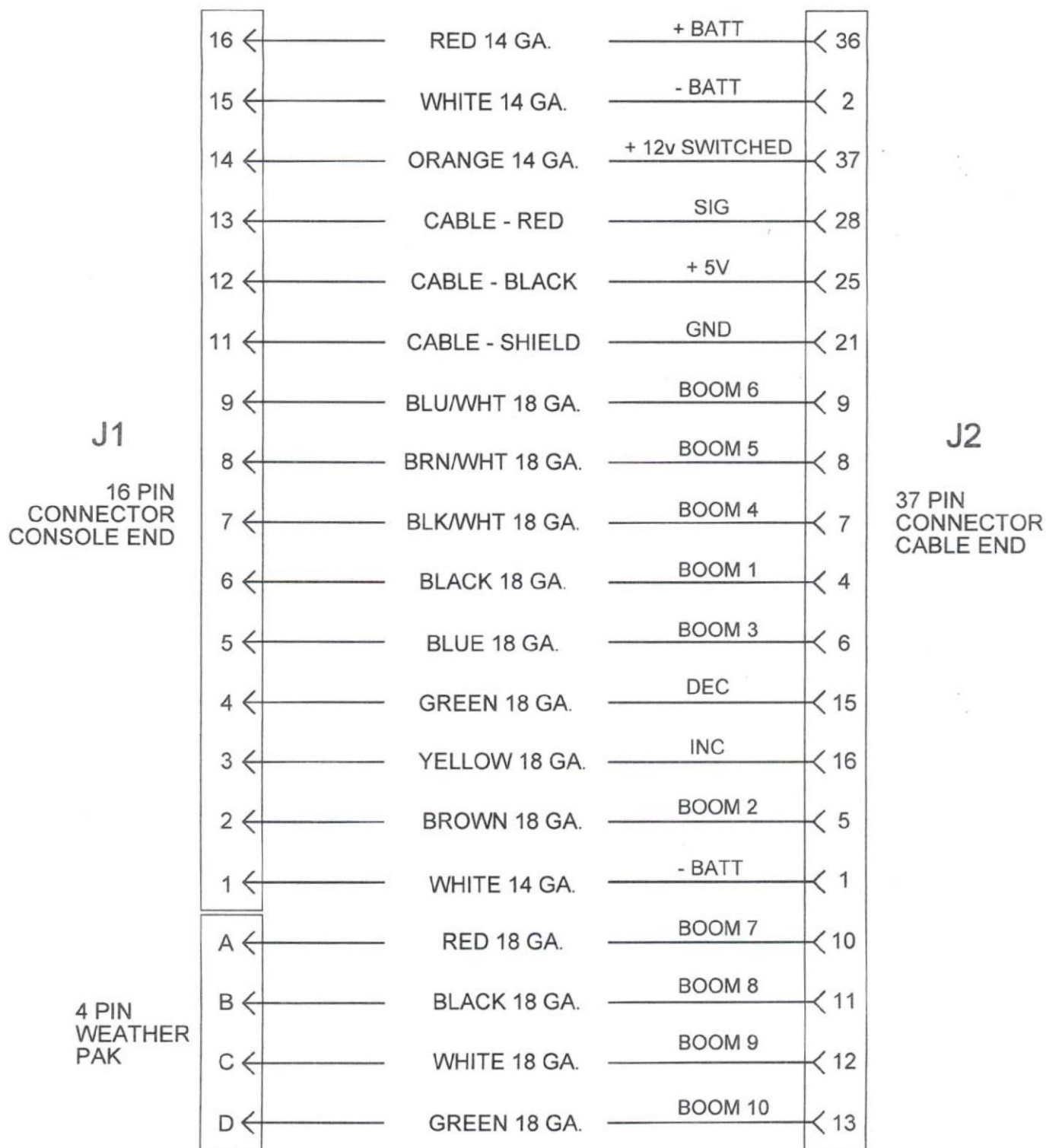
CABLE 10 BOOM, 115-0171-314, 24'





9518T and 9524T Truss Boom 120/132'

CABLE, ADAPTER 6 Boom To 10 Boom, 631889

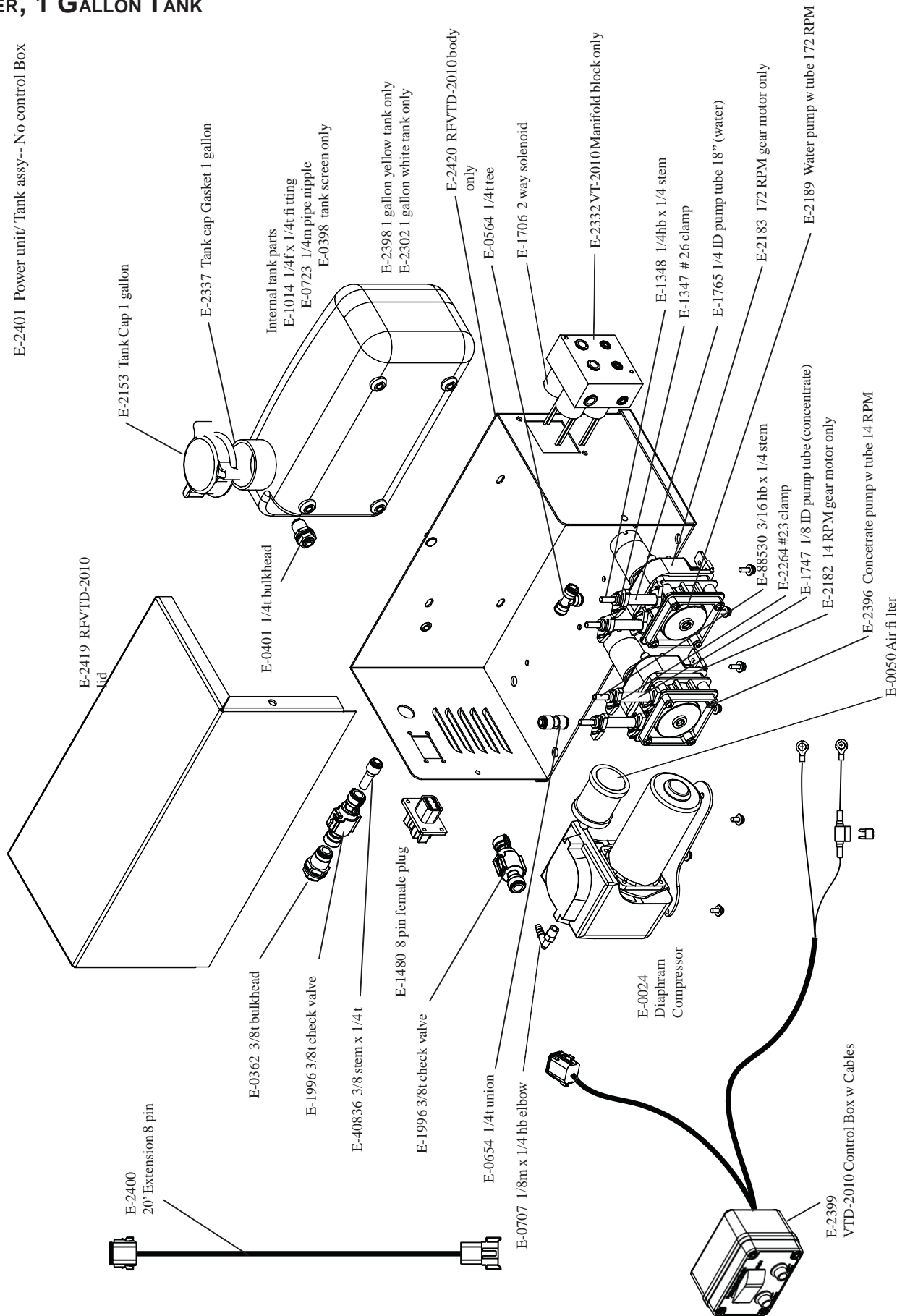


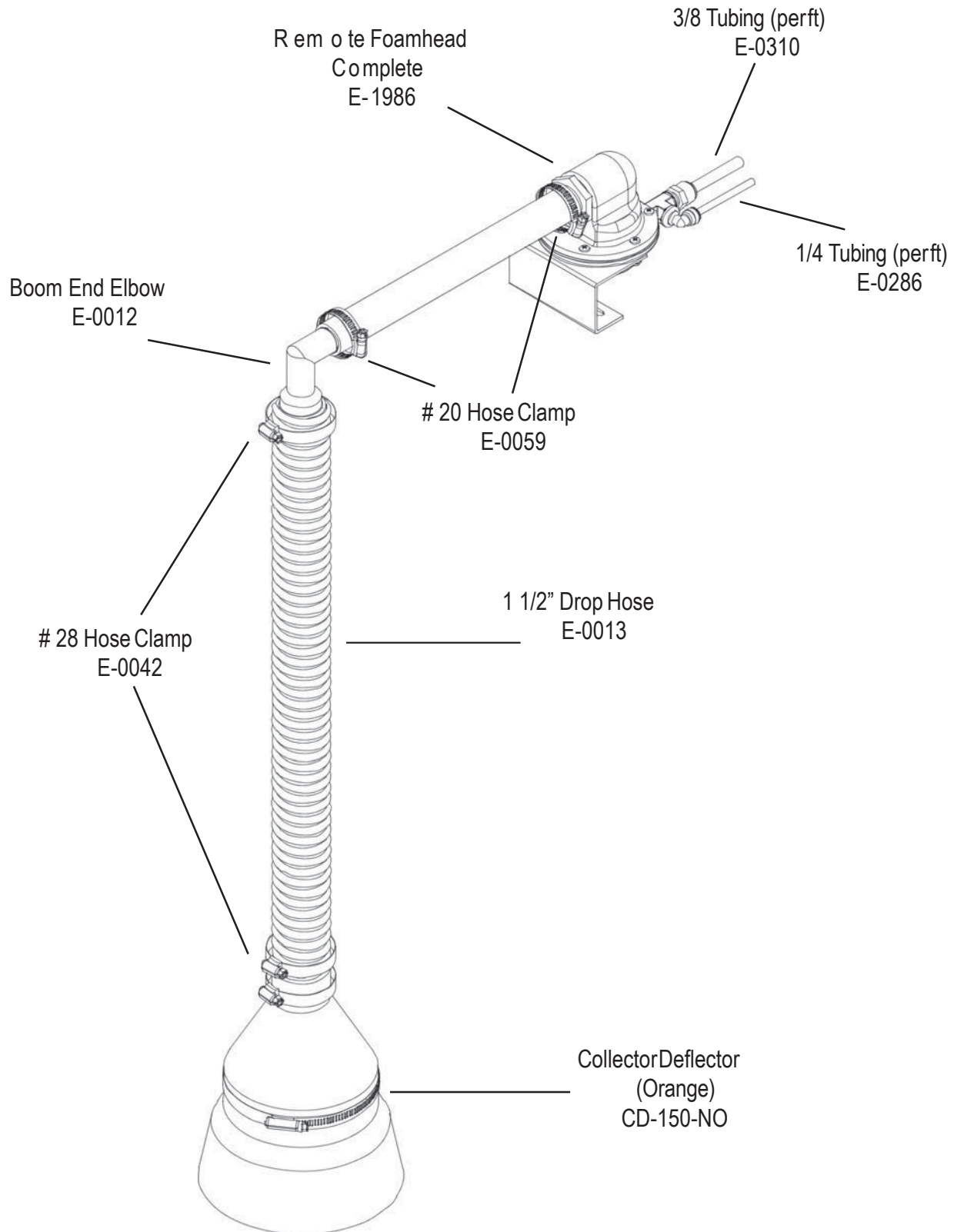


9518T and 9524T Truss Boom 120/132'

FOAMER, 1 GALLON TANK

E-2401 Power unit/Tank assy-- No control Box

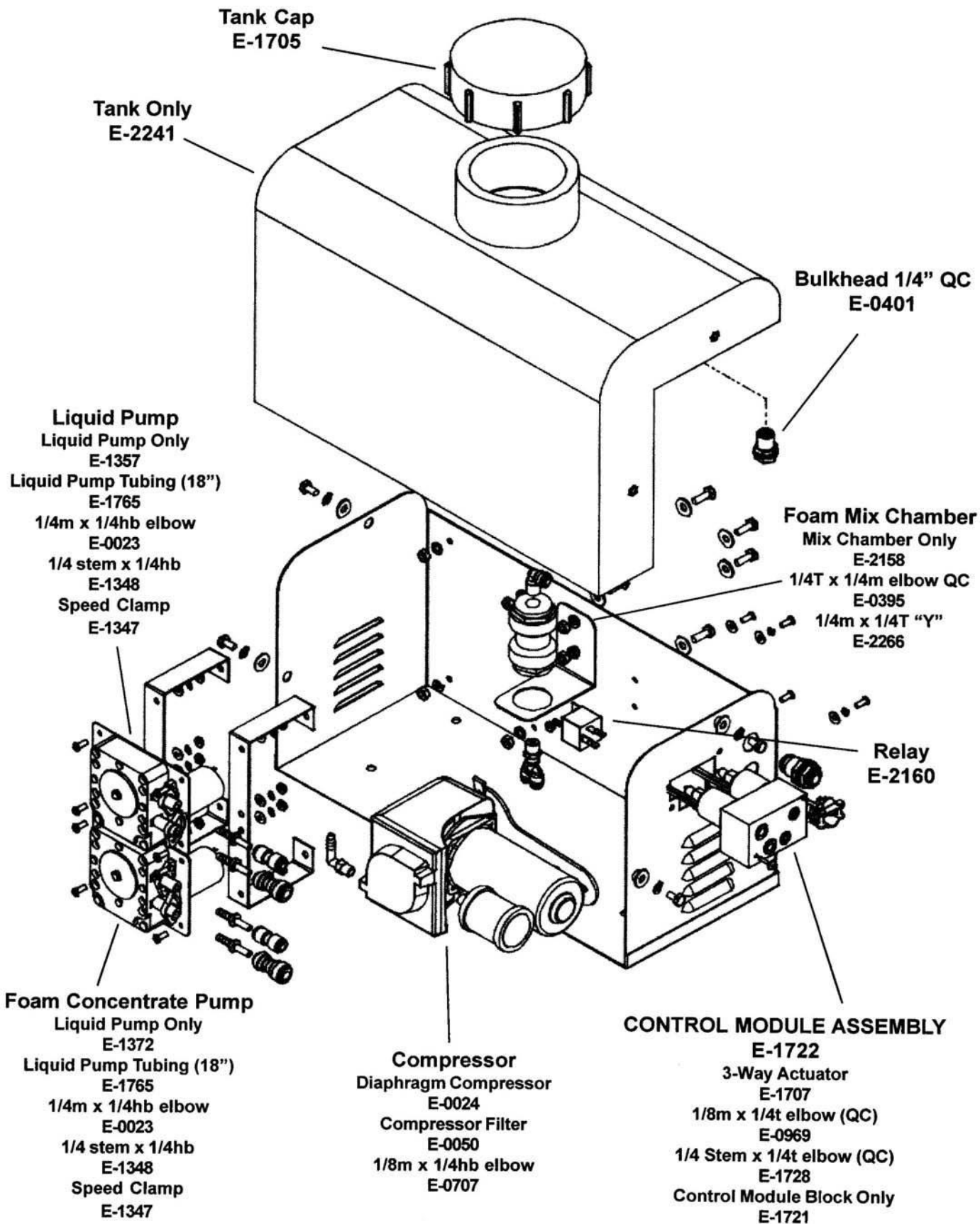




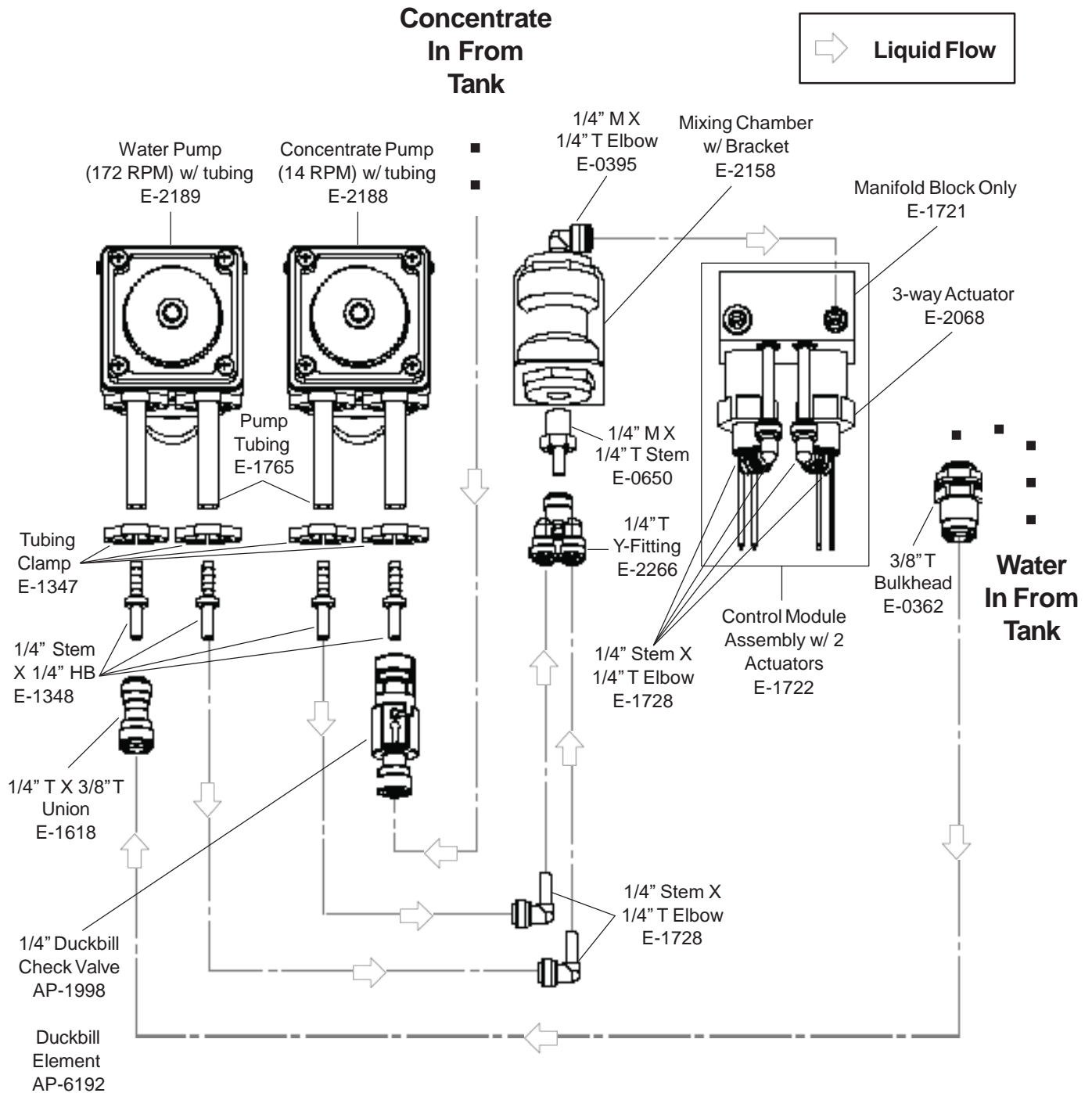


9518T and 9524T Truss Boom 120/132'

RICHWAY FOAM MARKER 3 GALLON TANK



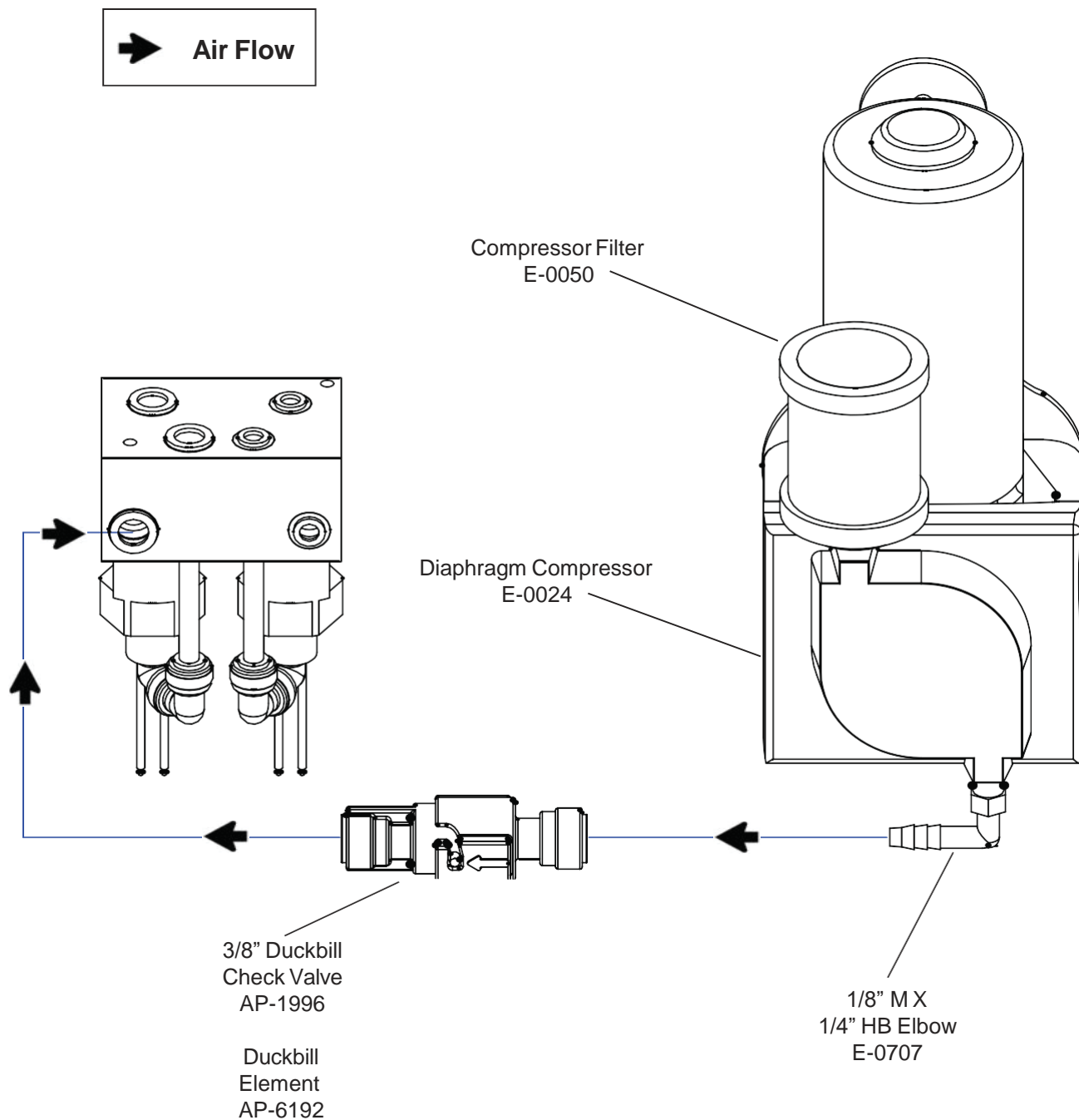
RICHWAY FOAM MARKER LIQUID FLOW





9518T and 9524T Truss Boom 120/132'

RICHWAY FOAM MARKER COMPRESSOR



RICHWAY FOAM MARKER WIRING HARNESS

**Concentrate To
Power unit**

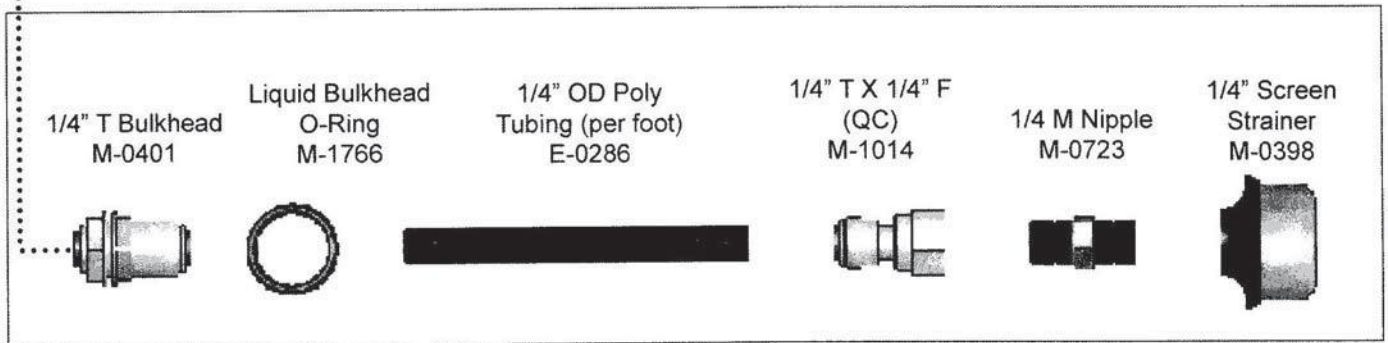
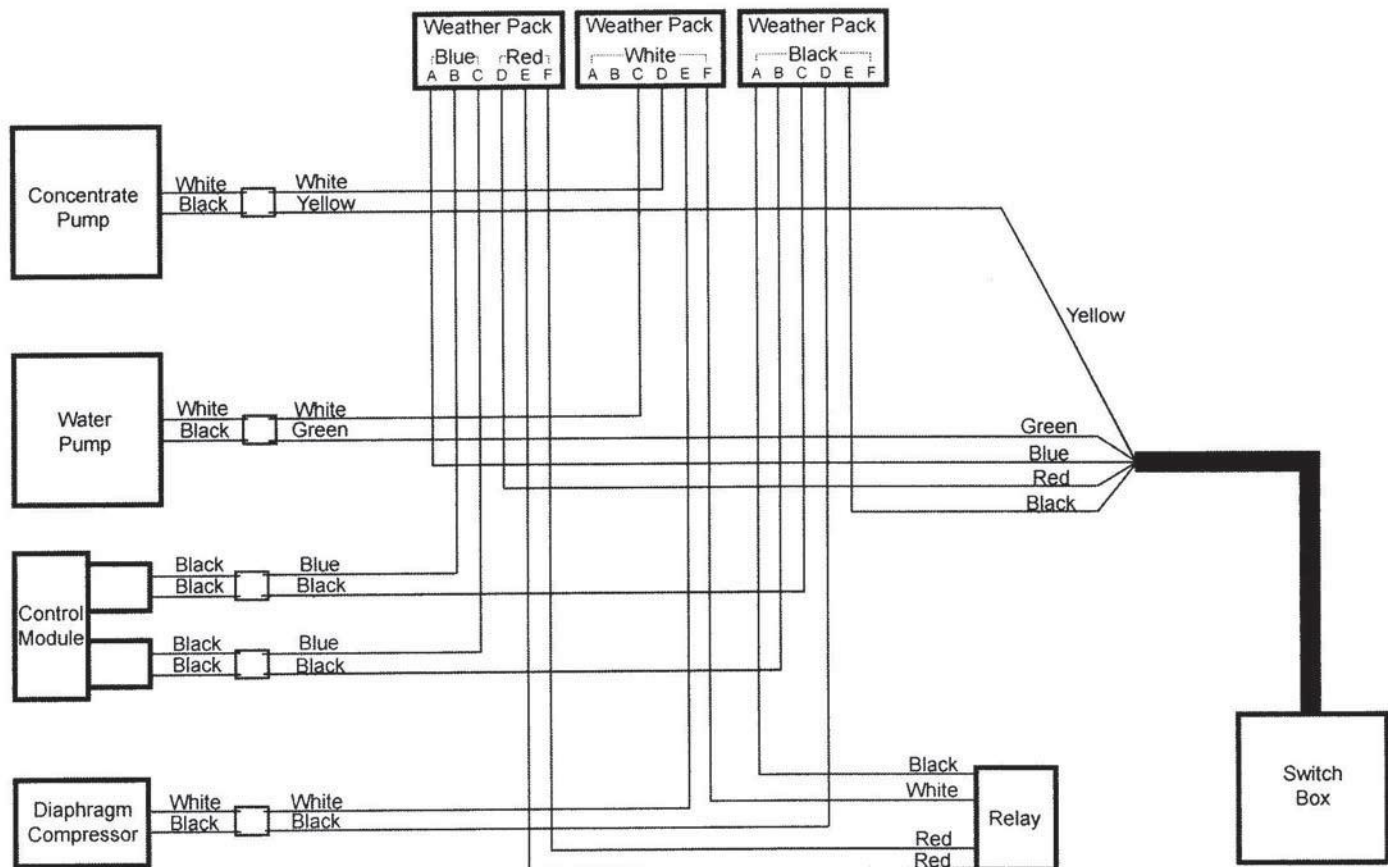


FIGURE 10 - Versa Trac Tank Components

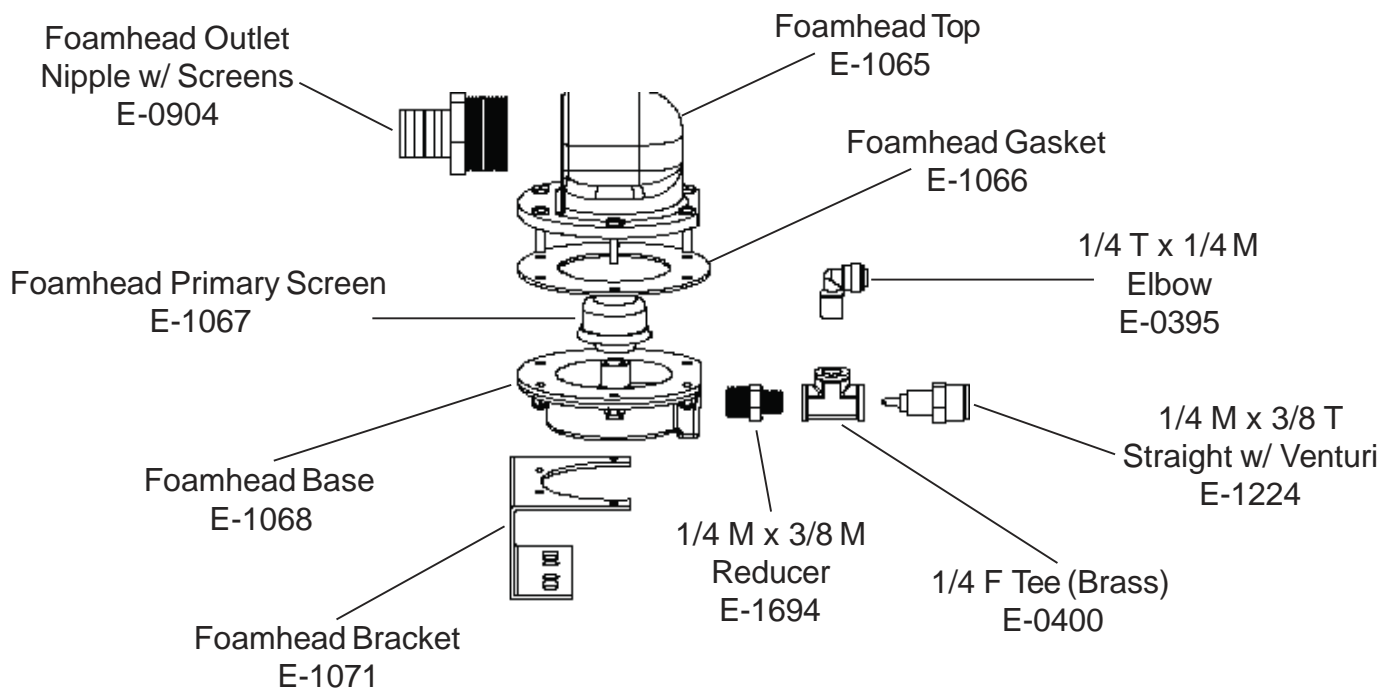
APPENDIX 4



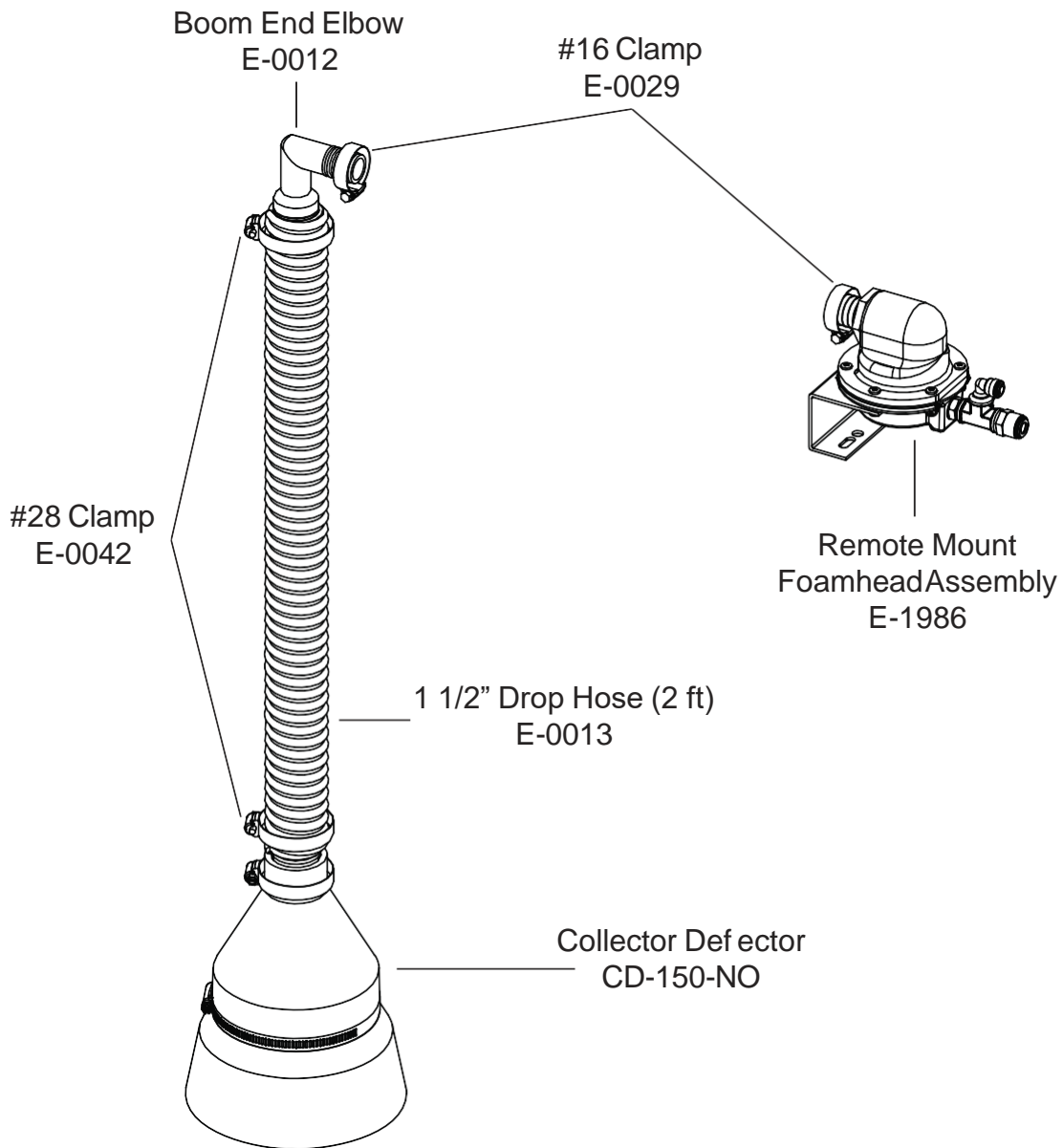


9518T and 9524T Truss Boom 120/132'

RICHWAY FOAM MARKER FOAMHEAD



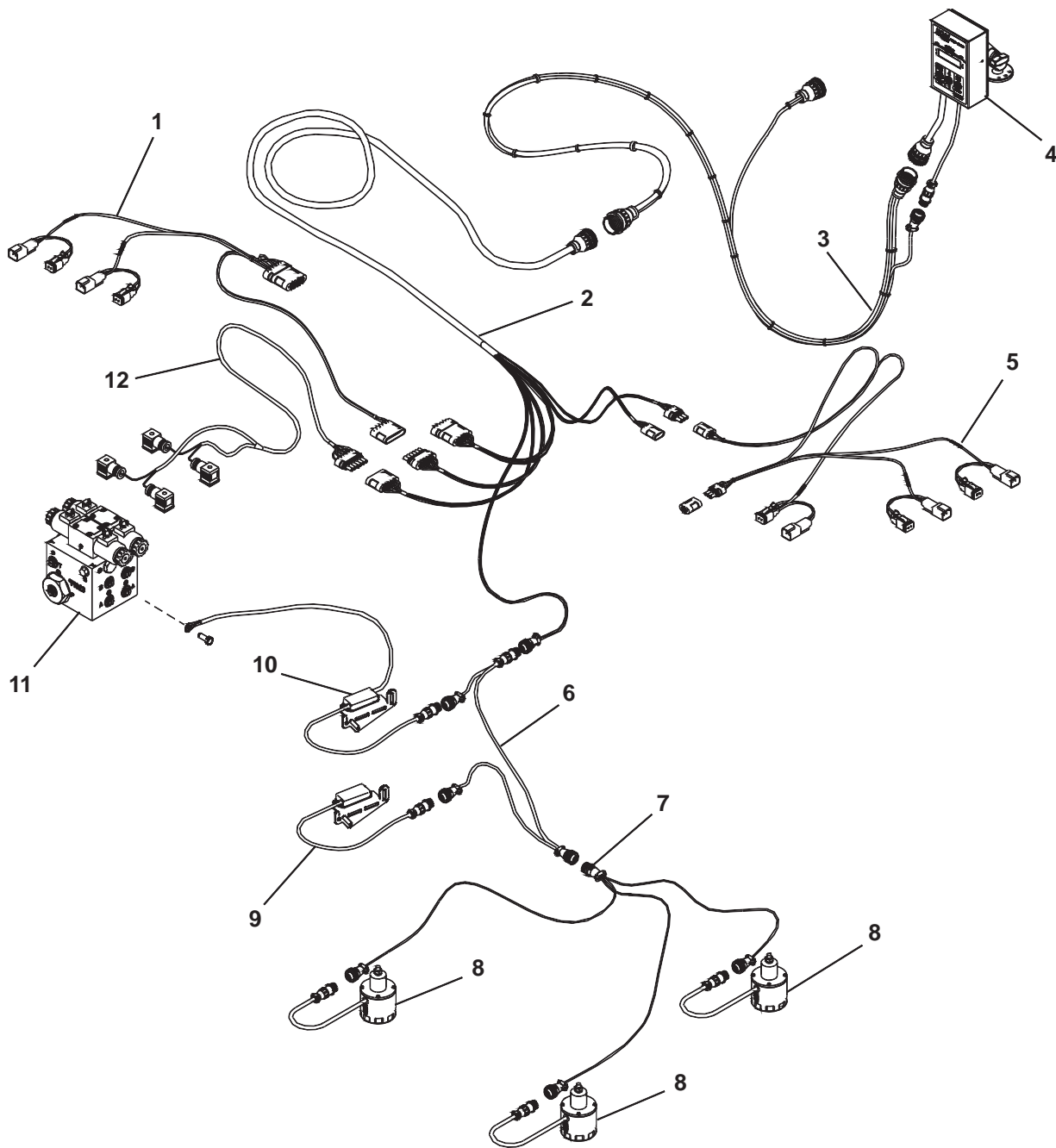
RICHWAY FOAM MARKER BOOM END



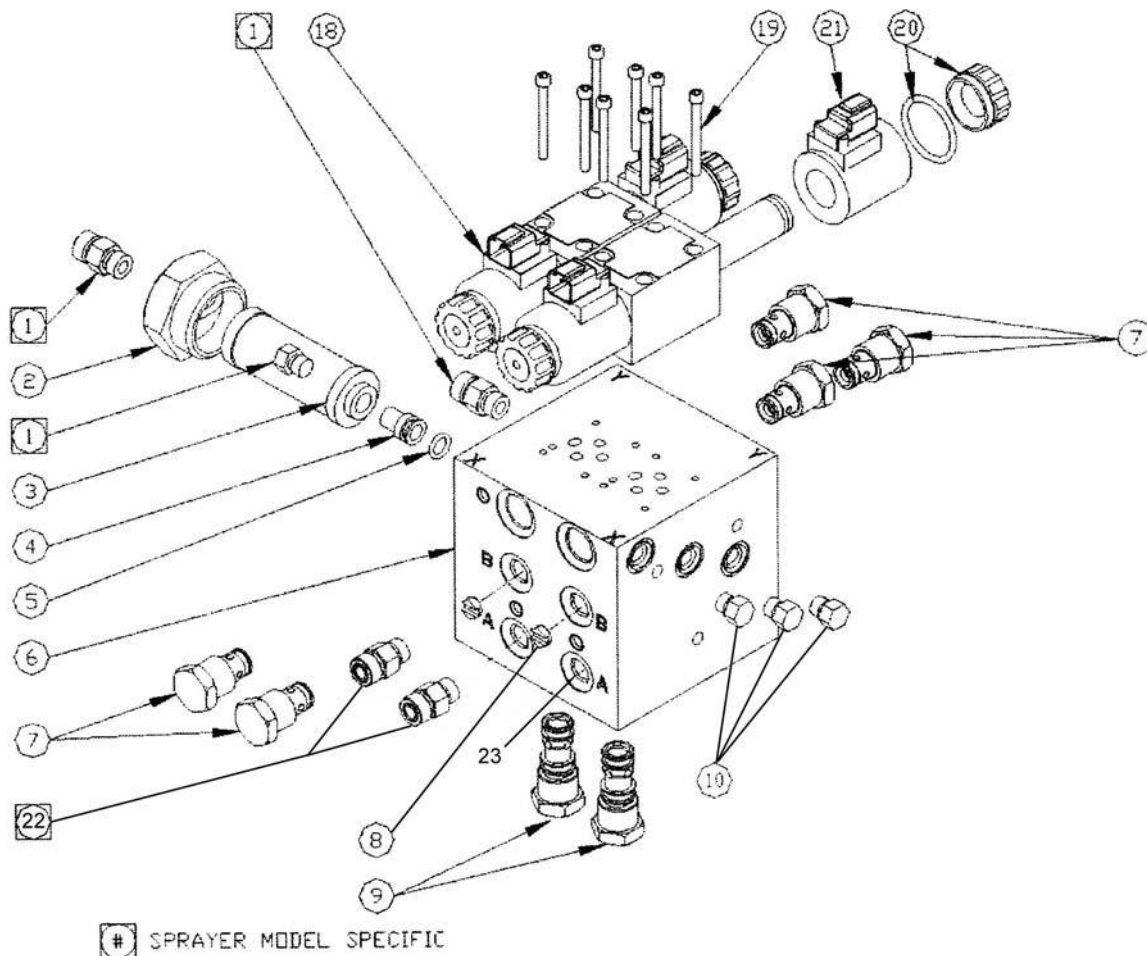


9518T and 9524T Truss Boom 120/132'

NORAC AUTO HEIGHT BOOM CONTROL UC4+

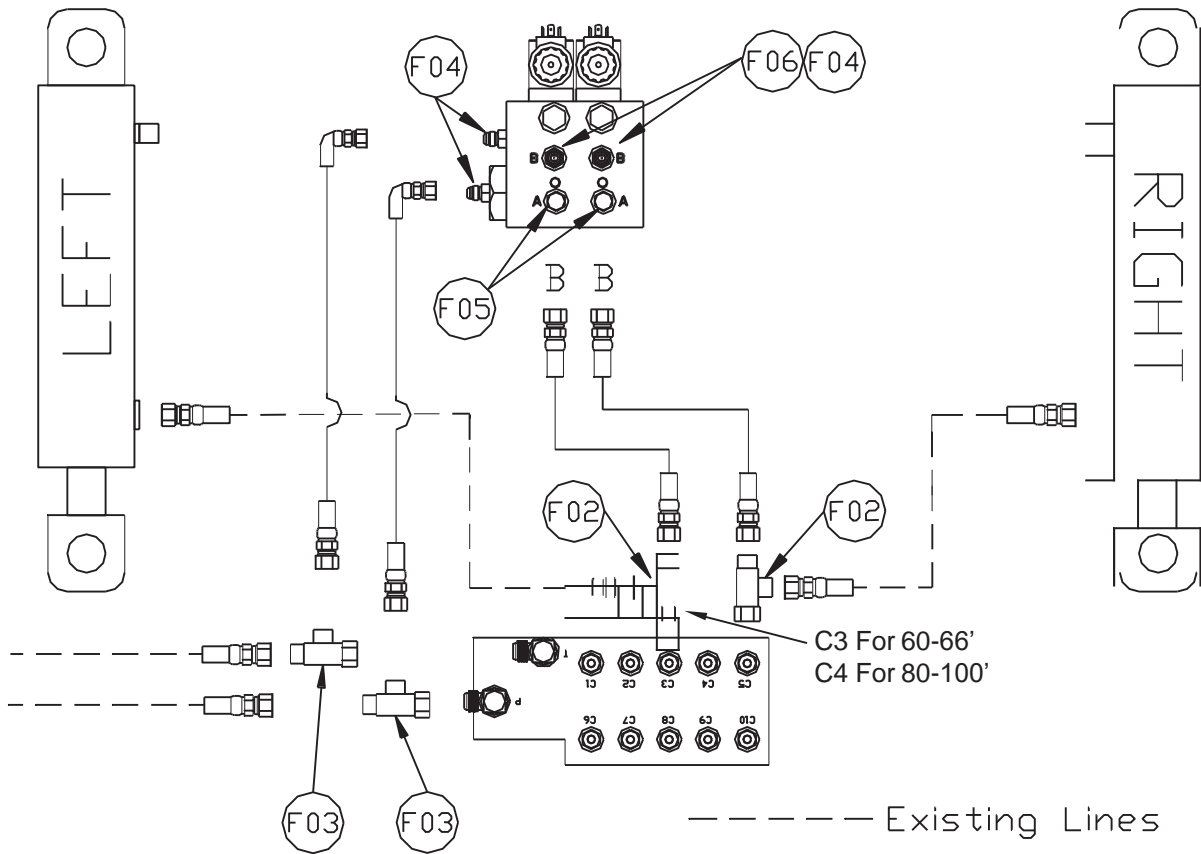


NORAC HYDRAULIC VALVE BLOCK



Item	Vendor Part #	Fast Part #	Description	Qty.	60 Ft.	80-90 Ft.	100 Ft.
1	W400-6-6		Hydraulic Coupling - Model Specific	2			
2	44897		Filler cap With 60RB Port	1			
3	104827		Hydraulic Filter Element, 3000 PSI in-line 10 Micron	1			
4	44896		Filter Insert	1			
5	104998		O-Ring 5/8 X 0.420 ID X 0.103	1			
6	44923		Valve Block2 Station Closed center	1			
7	104943		Hydraulic Check valve C-10-2	3			
8	44928		Orifice Insert 0.047	2			
9	104944		Check Valve Cartridge C-10-3S	2			
10	103381		Plug 4MBP	5			
18	105723		Hydraulic Valve 12V	1			
19	100739		Hex Socket Cap Screw 10-24 X 2"	8			
20	105948		Coil Nut & O-Ring For NORAC #10599 & 105723	4			
21	105926D		Coil 12V For NORAC #10599 & 105723	4			
21	105927		Coil 12V For NORAC DIN	4			
22	103312		Male Adapter 6MB-6MJ	2			
23	104369		Plug 6MBP	2			

NORAC AUTO HEIGHT BOOM CONTROL HYDRAULIC SCHEMATIC UC4+ & UCS

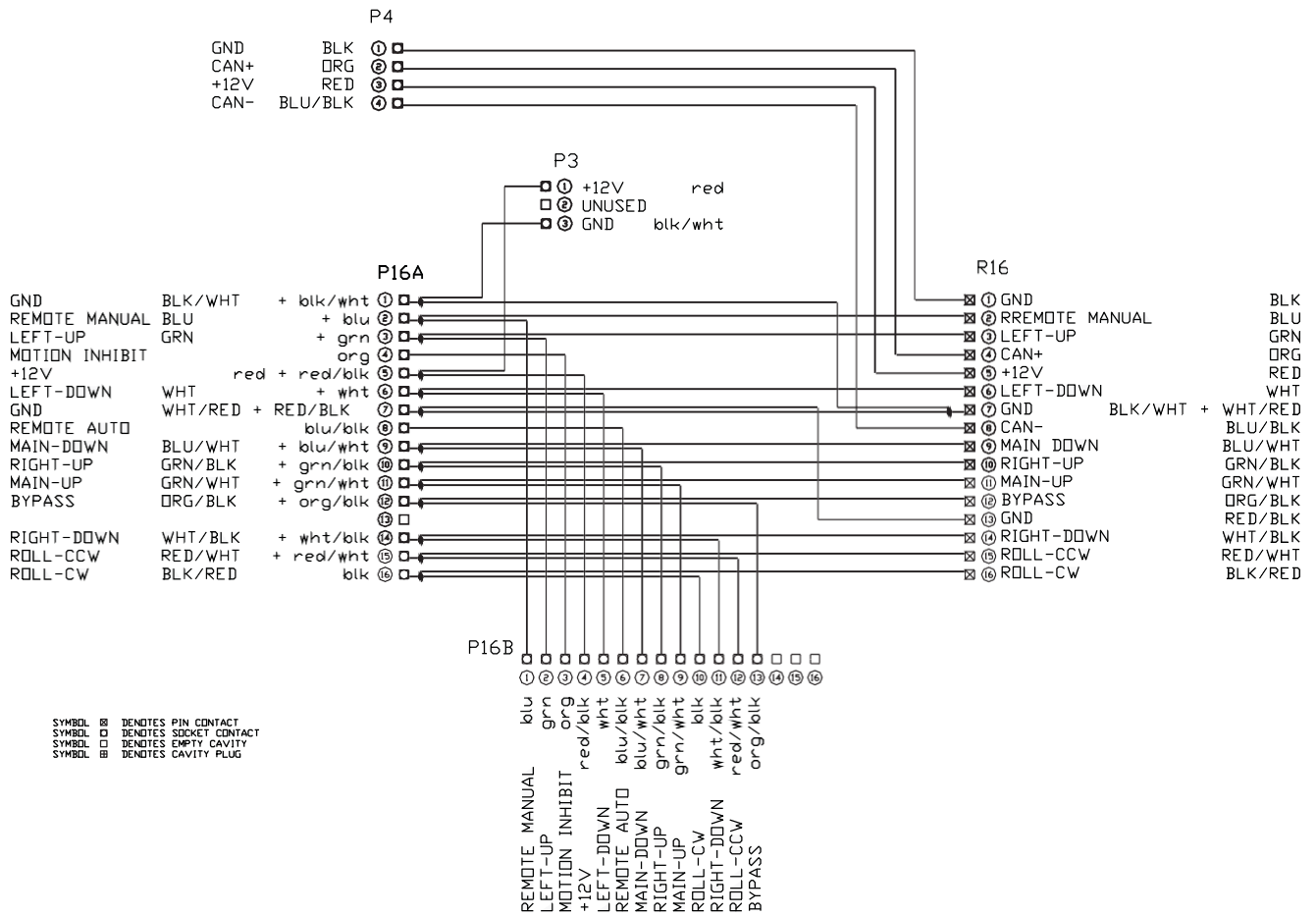
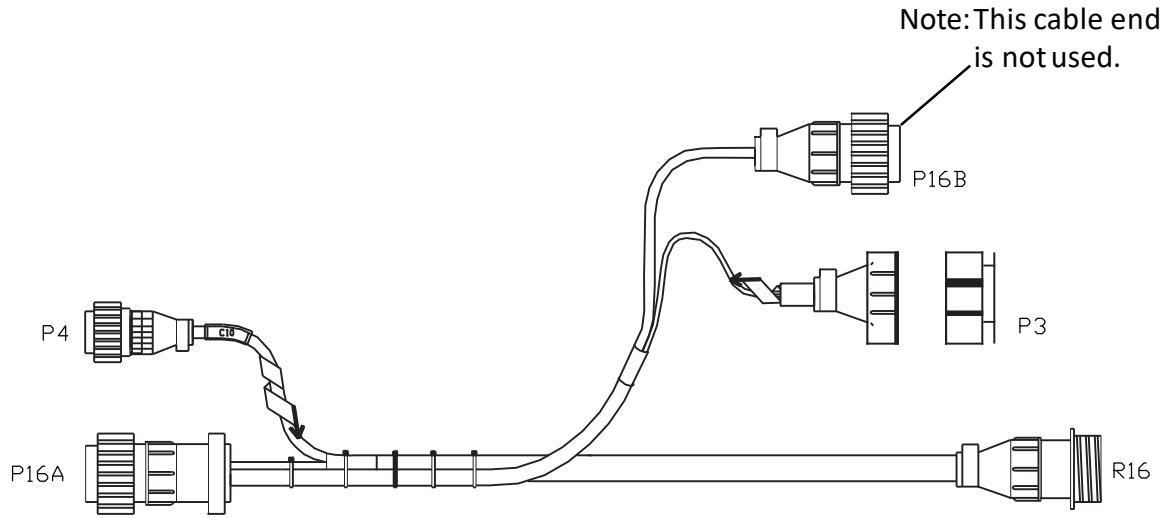


Item	Part Number	Name	Quantity	Picture
F02	105588	TEE ADAPTER - 4FJXR4MJT	2	
F03	104632	TEE ADAPTER 8FJXR8MJT	2	
F04	103312	MALE ADAPTER - 6MB 6MJ	4	
F05	104369	PLUG - 6MBP	2	
F06	44928	ORIFICE INSERT .047 IN ONE WAY	2	

9518T and 9524T Truss Boom 120/132'

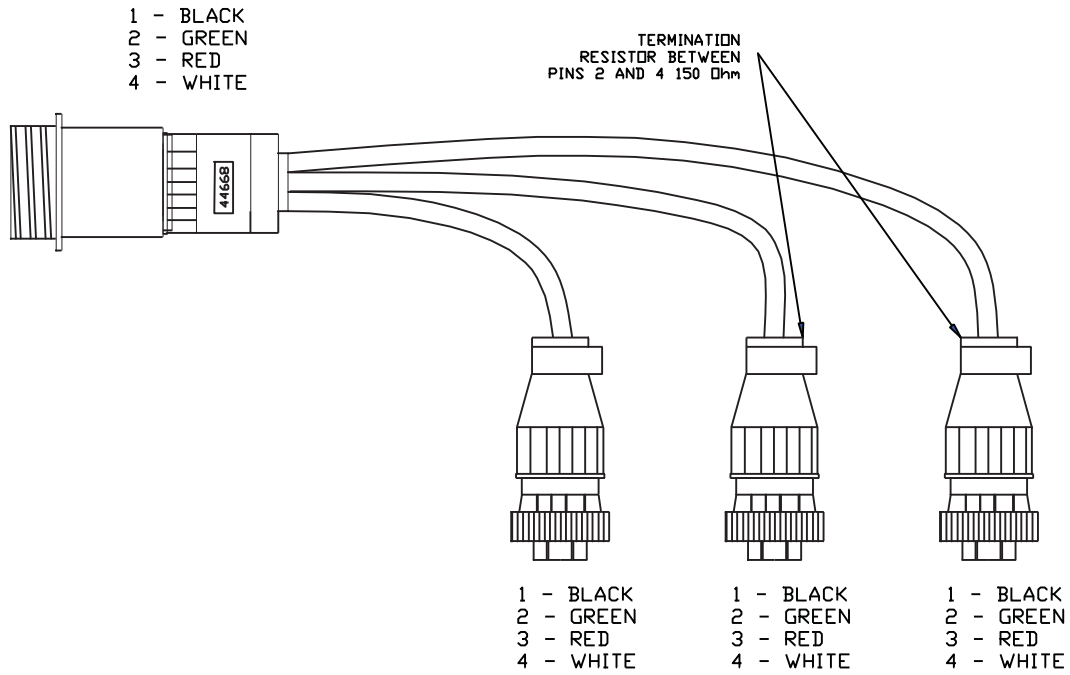


NORAC AUTO HEIGHT BOOM CONTROL HARNESS

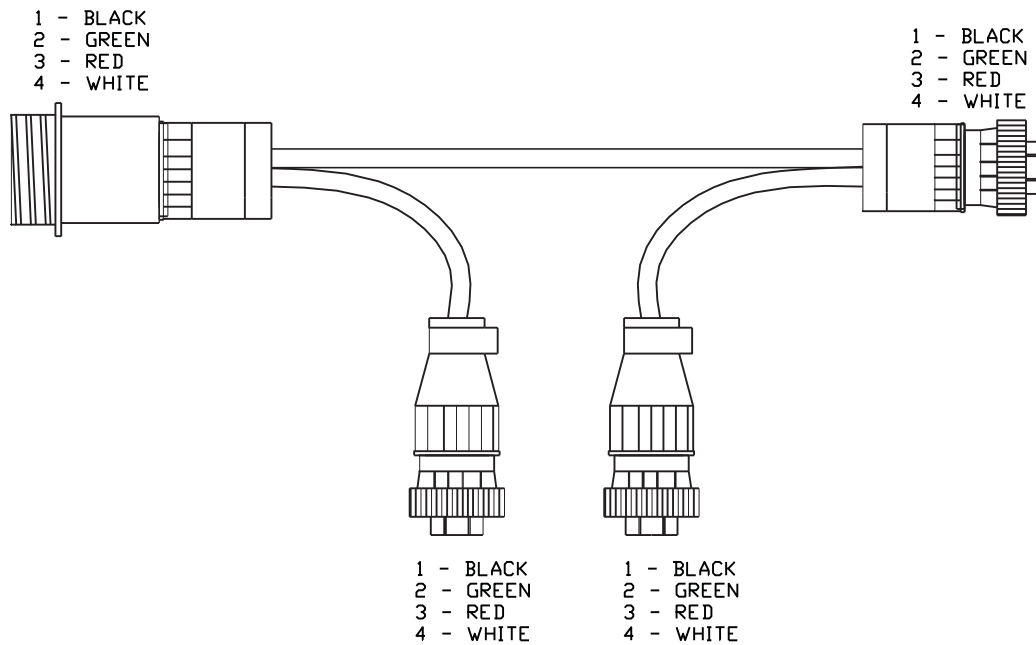


NORAC AUTO HEIGHT BOOM CONTROL SENSOR CABLES

ITEM C02: 44668 – SENSOR BRANCH CABLE



ITEM C02B: 44664 – CABLE UC4 CAN NODE DUAL



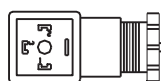
NORAC AUTO HEIGHT BOOM CONTROL VALVE CABLE

ITEM C03: 44656 – VALVE CABLE (VARIABLE RATE) DIN Terminal

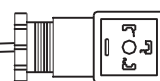
PIN	WIRE COLOR	FUNCTION
A	GREEN	RIGHT-UP
B	BLACK	GND
C	WHITE	RIGHT-DOWN
D	GREEN	LEFT-UP
E	BLACK	GND
F	WHITE	LEFT-DOWN



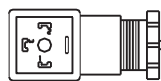
PIN	WIRE COLOR	FUNCTION
1	GREEN	LEFT-UP
2	BLACK	GROUND
3	NOT USED	NOT USED



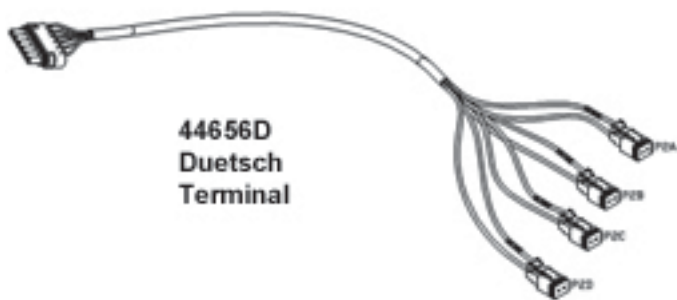
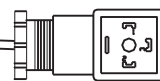
PIN	WIRE COLOR	FUNCTION
1	GREEN	RIGHT-UP
2	BLACK	GROUND
3	NOT USED	NOT USED



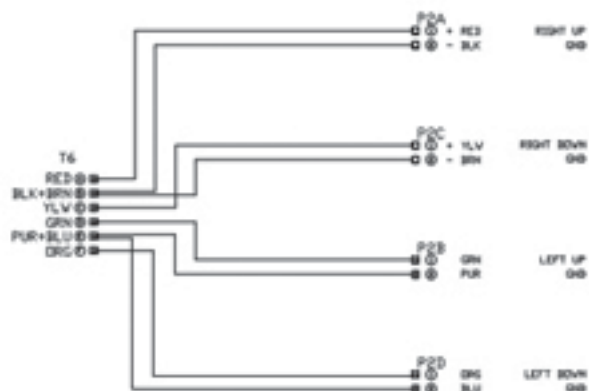
PIN	WIRE COLOR	FUNCTION
1	WHITE	LEFT-DOWN
2	BLACK	GROUND
3	NOT USED	NOT USED



PIN	WIRE COLOR	FUNCTION
1	WHITE	RIGHT-DOWN
2	BLACK	GROUND
3	NOT USED	NOT USED



RIGHT UP
GROUND IN
RIGHT DN
LEFT UP
GROUND IN
LEFT DN

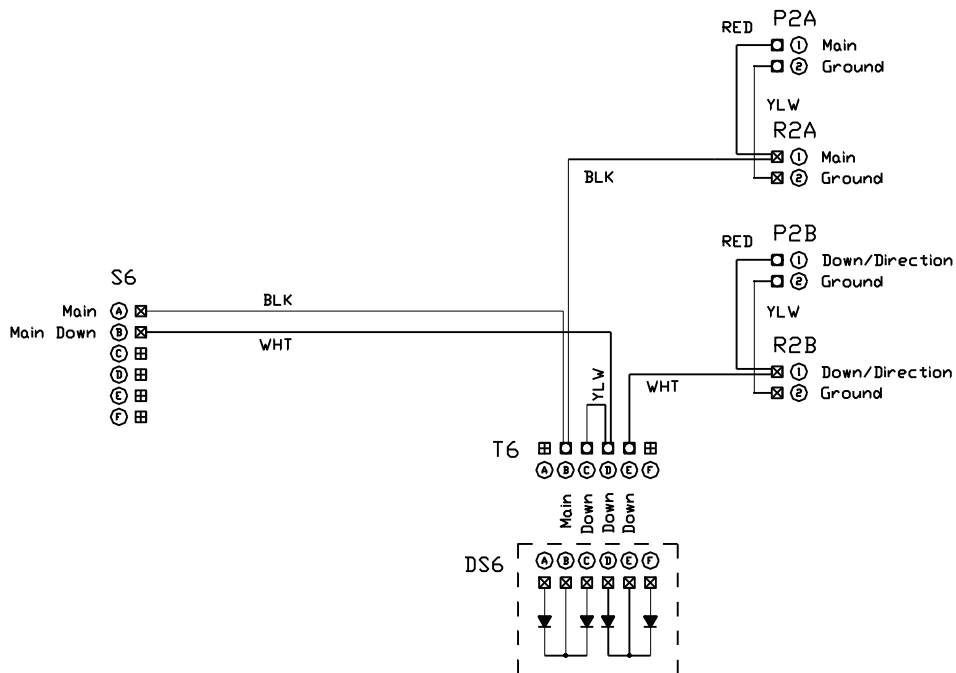
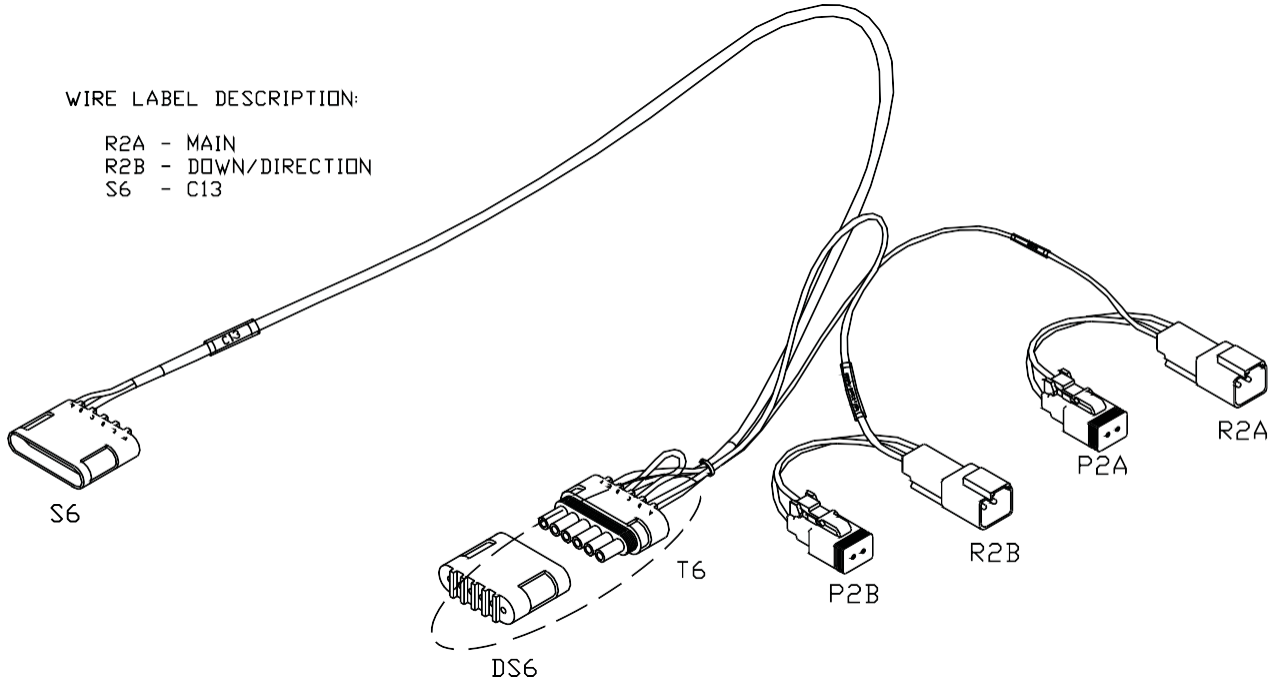


NORAC AUTO HEIGHT BOOM CONTROL MAIN INTERFACE CABLE

ITEM C13: 44658-19 – MAIN INTERFACE CABLE

WIRE LABEL DESCRIPTION:

- R2A - MAIN
- R2B - DOWN/DIRECTION
- S6 - C13





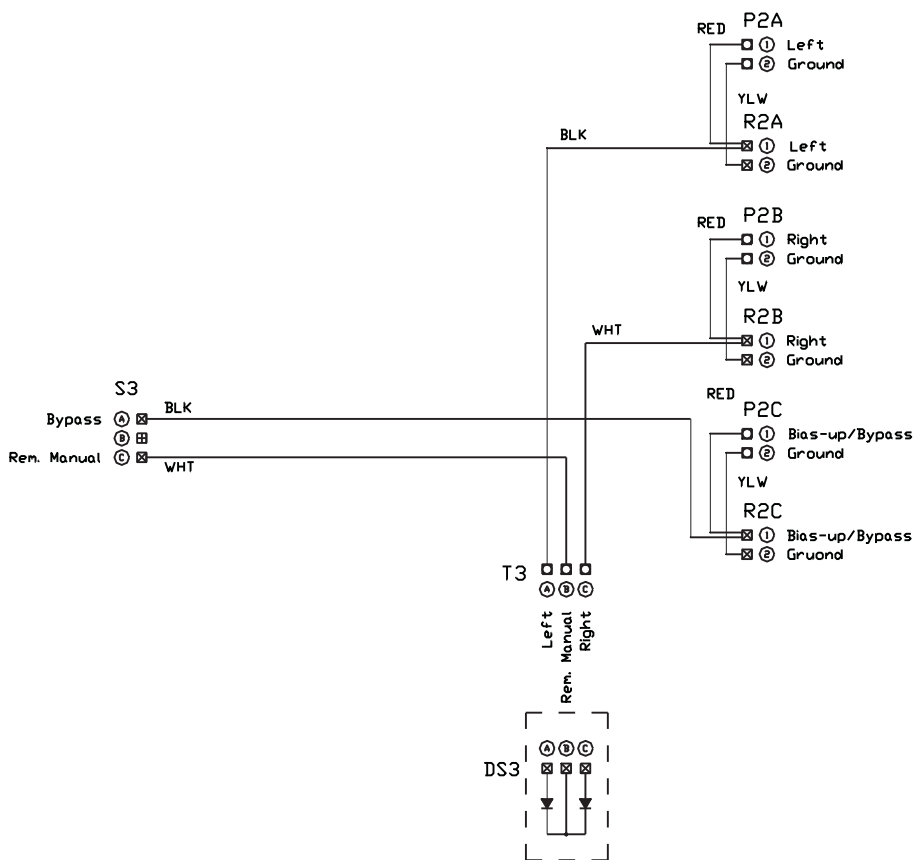
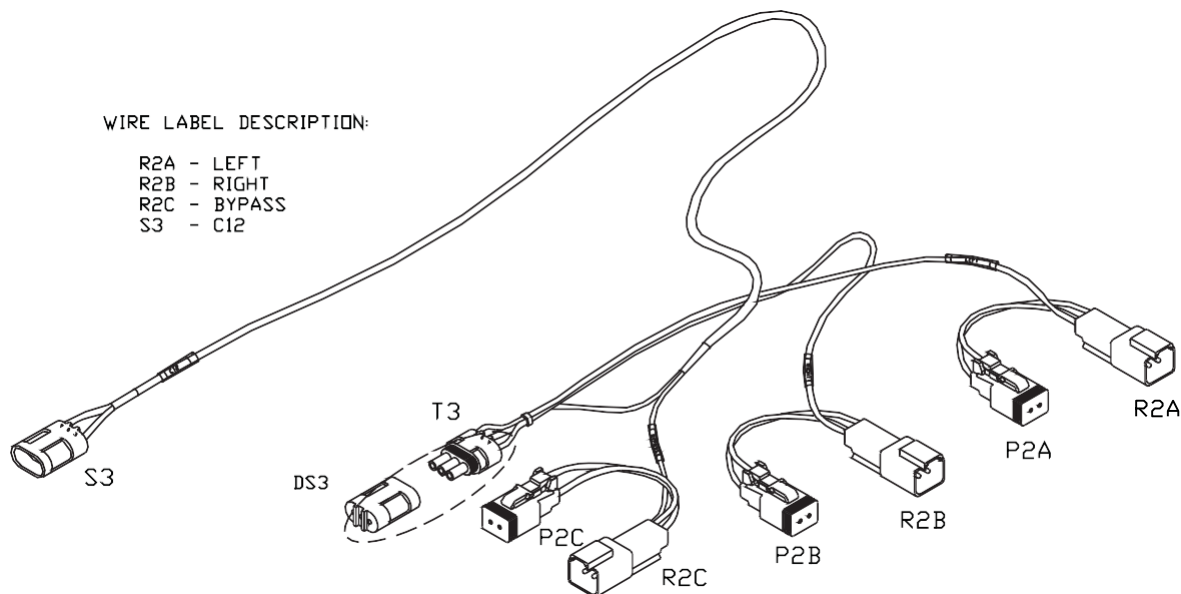
9518T and 9524T Truss Boom 120/132'

NORAC AUTO HEIGHT BOOM CONTROL WING INTERFACE CABLE

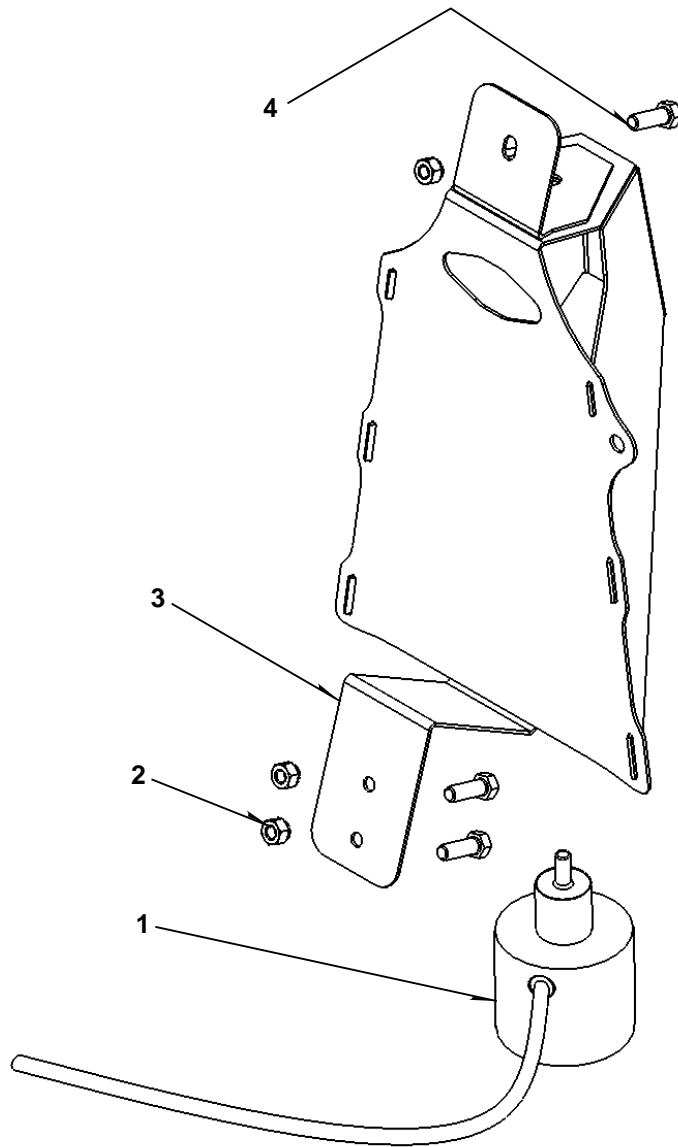
ITEM C12: 44658-20 – WING INTERFACE CABLE

WIRE LABEL DESCRIPTION:

- R2A - LEFT
- R2B - RIGHT
- R2C - BYPASS
- S3 - C12



SEVERE TERRAIN KIT UC4 / UC5

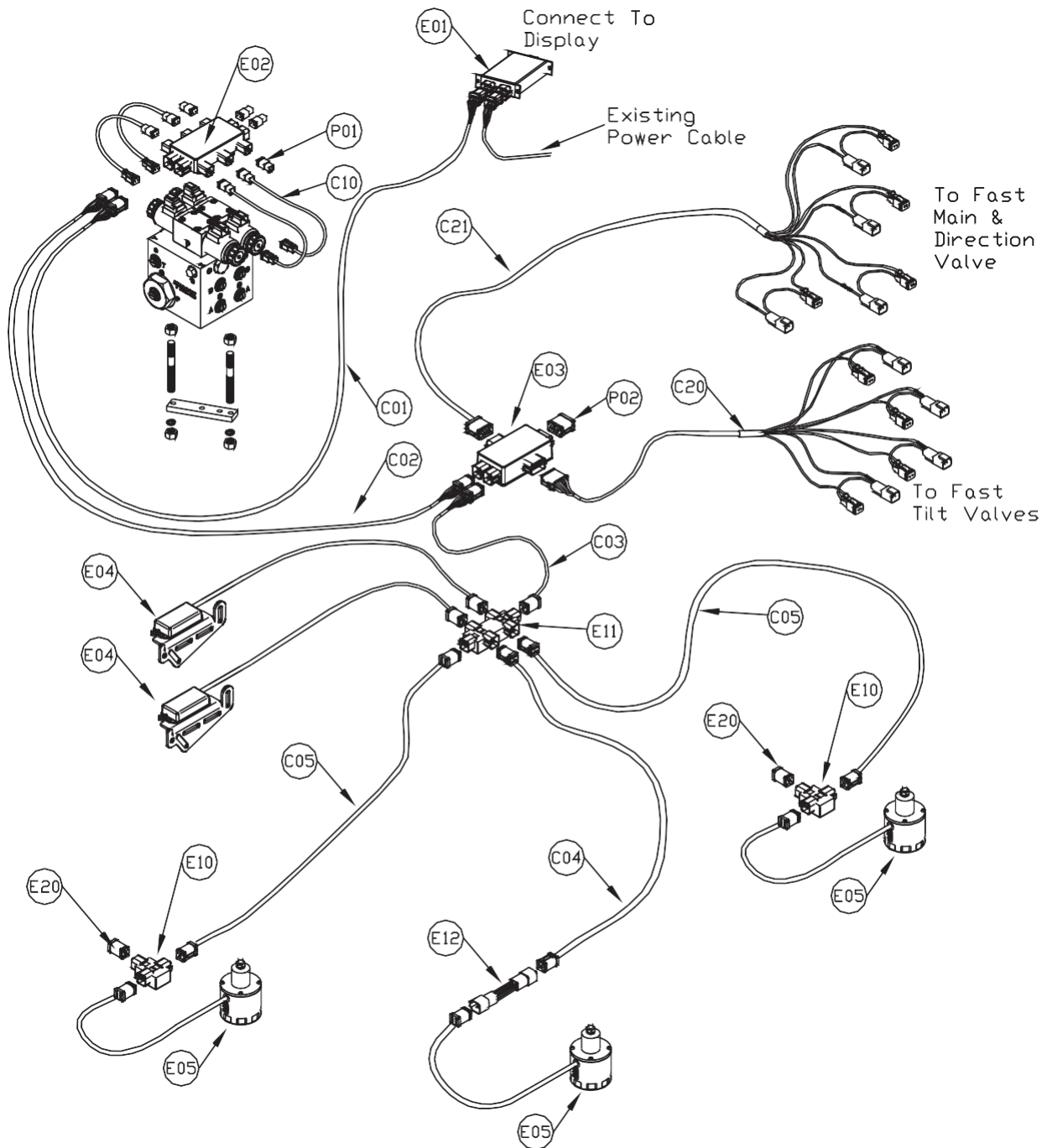


Item	Vendor Part #	Fast Part #	Description	Qty.
1	NO44631	631900	Sensor UC4	2
NS	NO43750	631911	Sensor UC5	2
2		228	Nut Hex Nylock Zp	3
3		16720	Sensor Mount	2
4		115	Bolt HH 5/16 X 1 GR5 Zp	3
NS	NO44669	631901	Cable Severe Terrain UC4	1
NS	NO4222010A		Cable Severe Terrain UC5	1

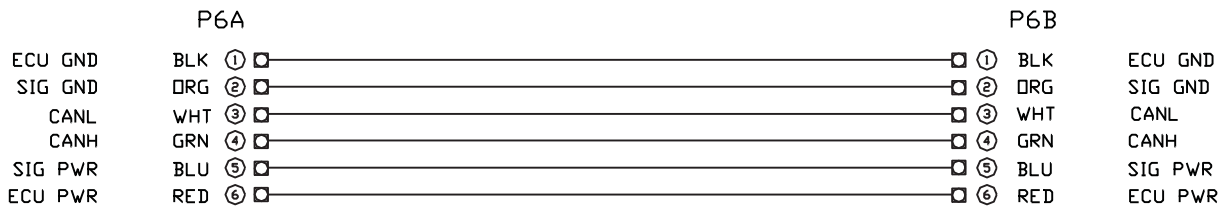
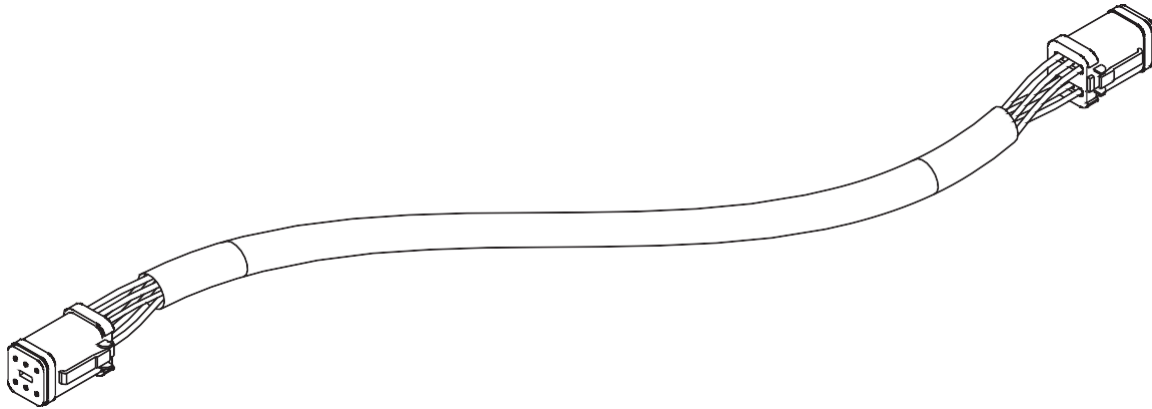


9518T and 9524T Truss Boom 120/132'

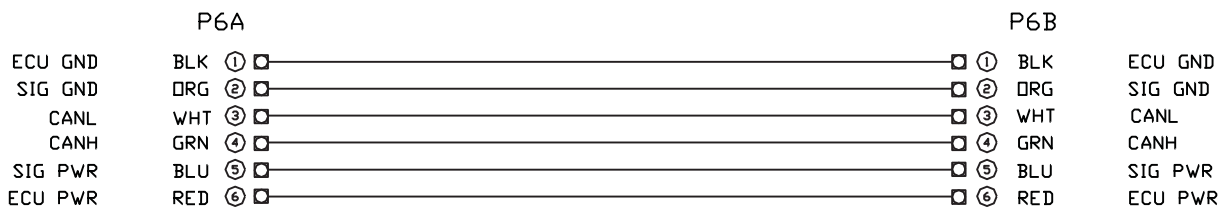
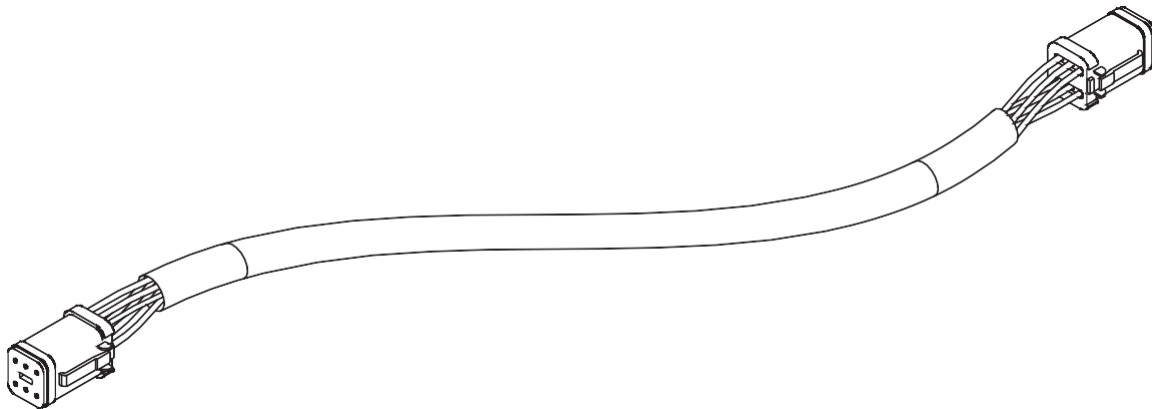
UC5 NORAC Kit LAYOUT



ITEM C01: 43220-10A - CABLE UC5 NETWORK 14 AWG - 10M



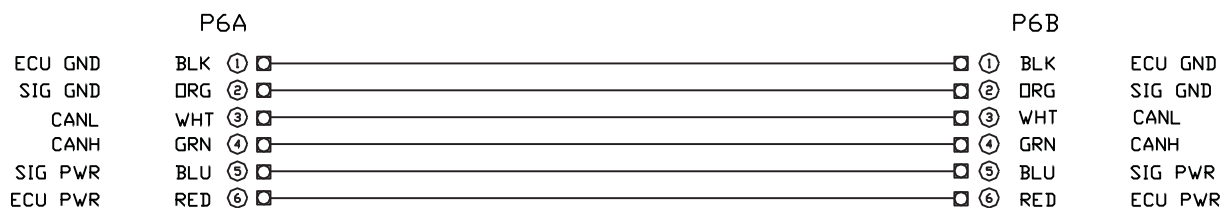
ITEM C02: 43220-01A - CABLE UC5 NETWORK 14 AWG - 1M



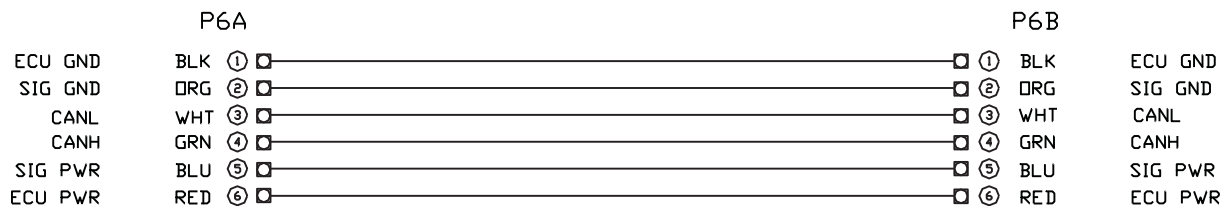
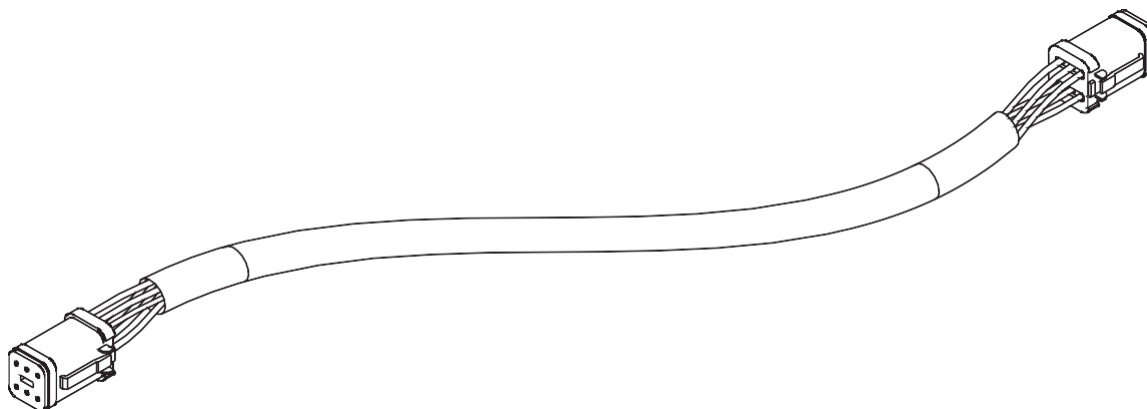


9518T and 9524T Truss Boom 120/132'

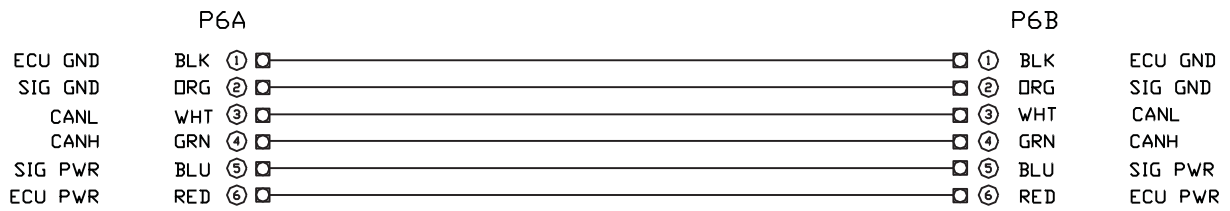
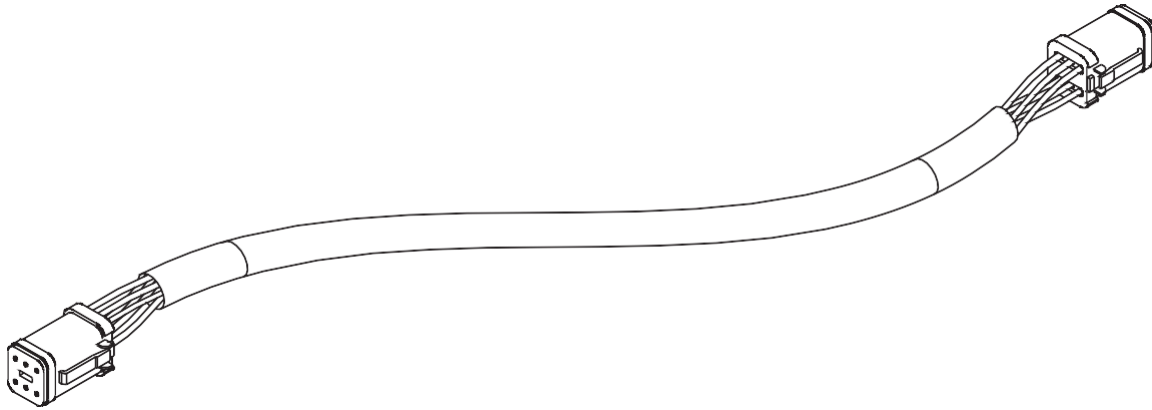
ITEM C03: 43210-03A - CABLE UC5 NETWORK 18 AWG - 3M



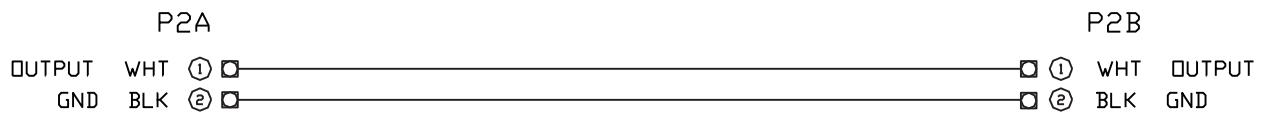
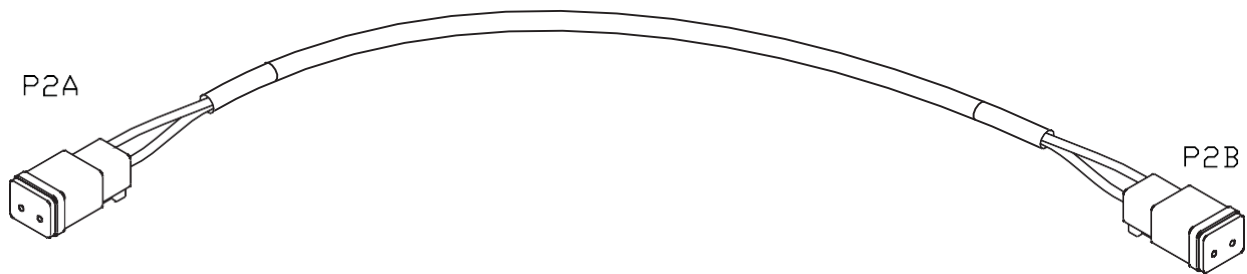
ITEM C04: 43210-01A - CABLE UC5 NETWORK 18 AWG - 1M



ITEM C05: 43210-20A - CABLE UC5 NETWORK 18 AWG - 20M



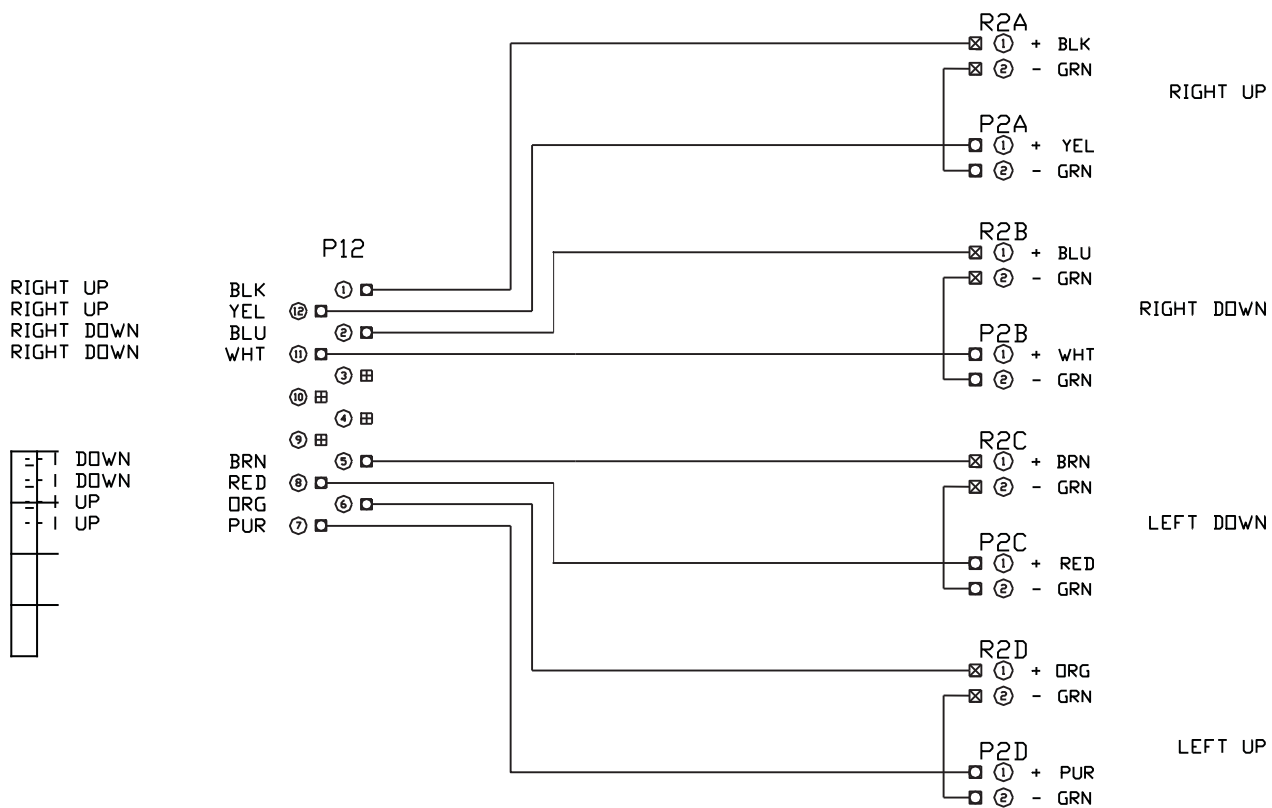
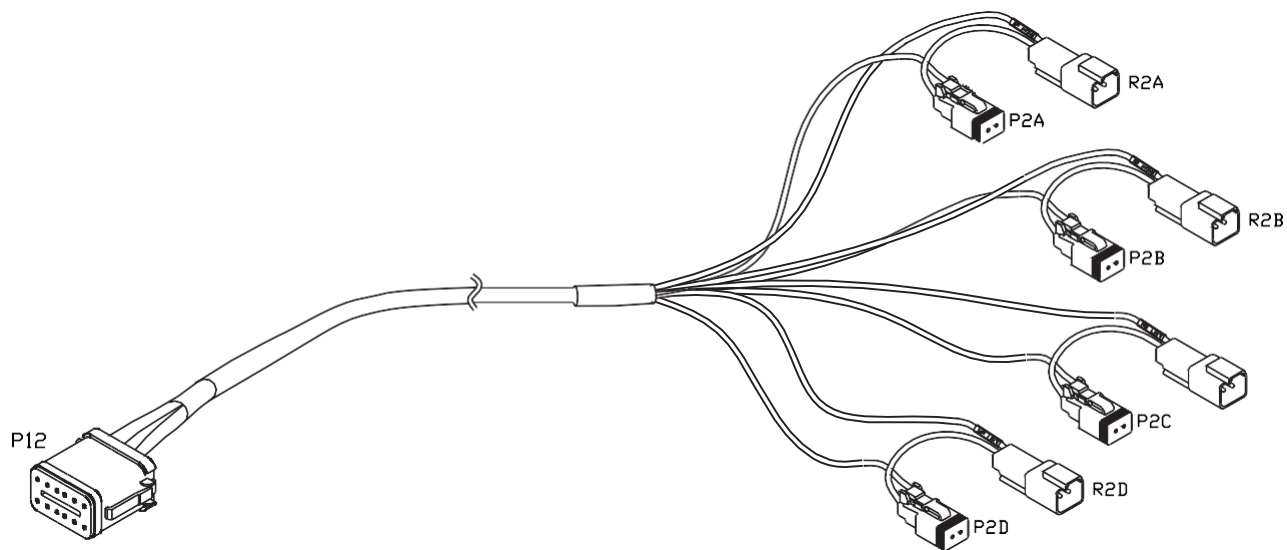
ITEM C10: 43230-04A - CABLE UC5 VALVE DT TO DT





9518T and 9524T Truss Boom 120/132'

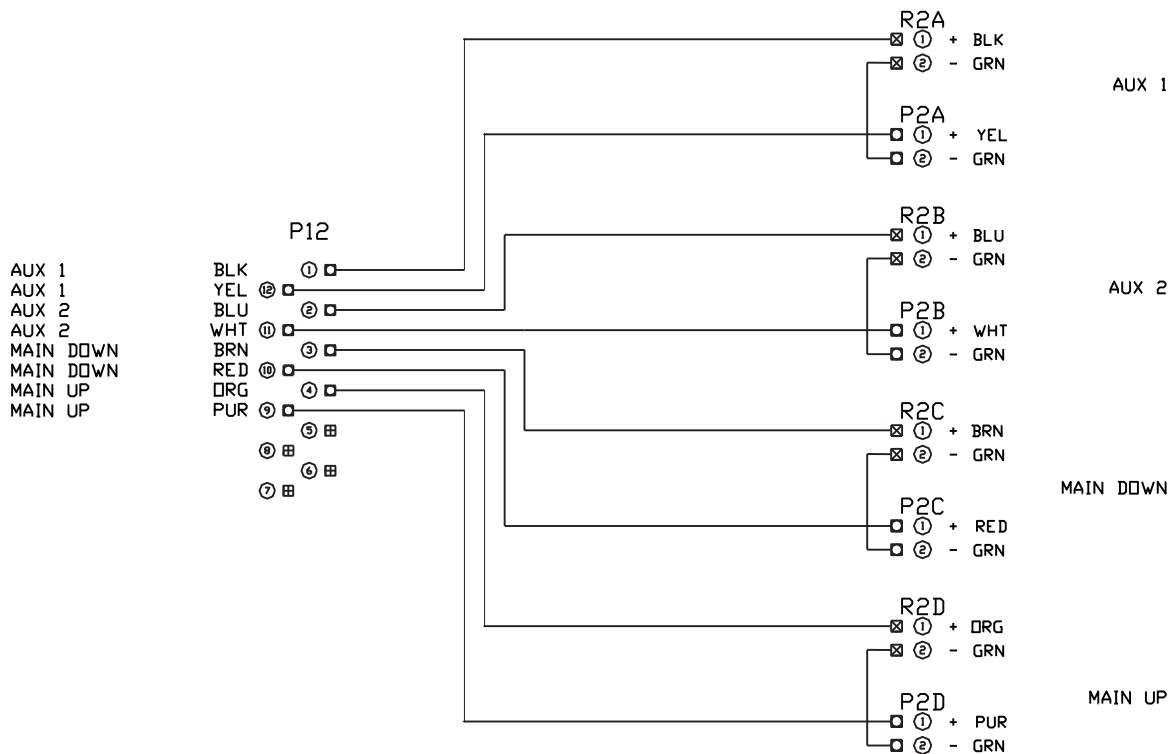
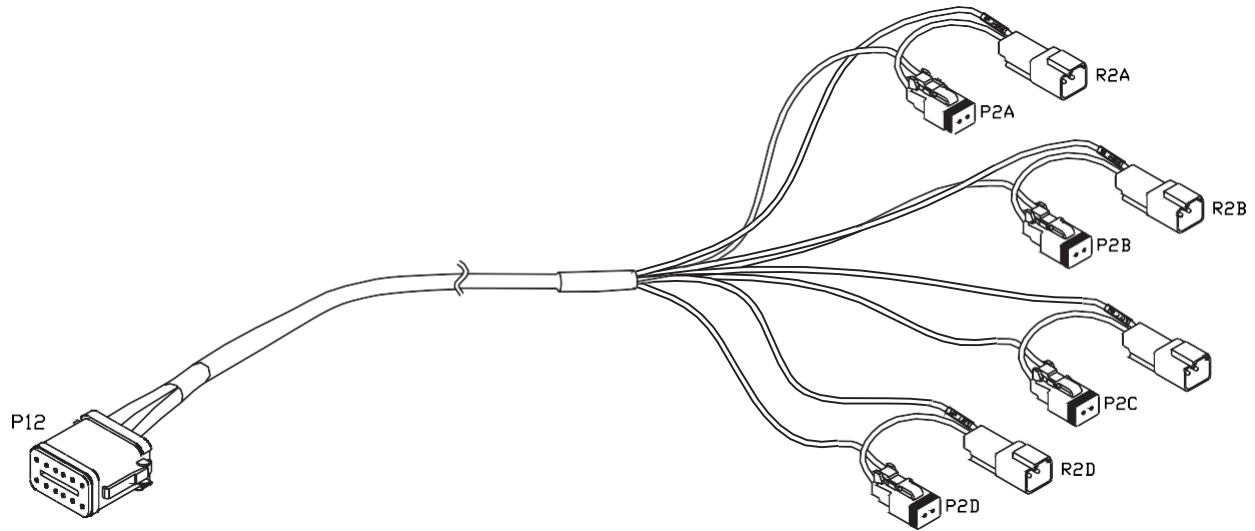
ITEM C20: 43240-01B - CABLE UC5 INTERFACE TILT DT



9518T and 9524T Truss Boom 120/132'



ITEM C21: 43240-07B - CABLE UC5 INTERFACE MAIN DT (WITH AUX 1 & 2)

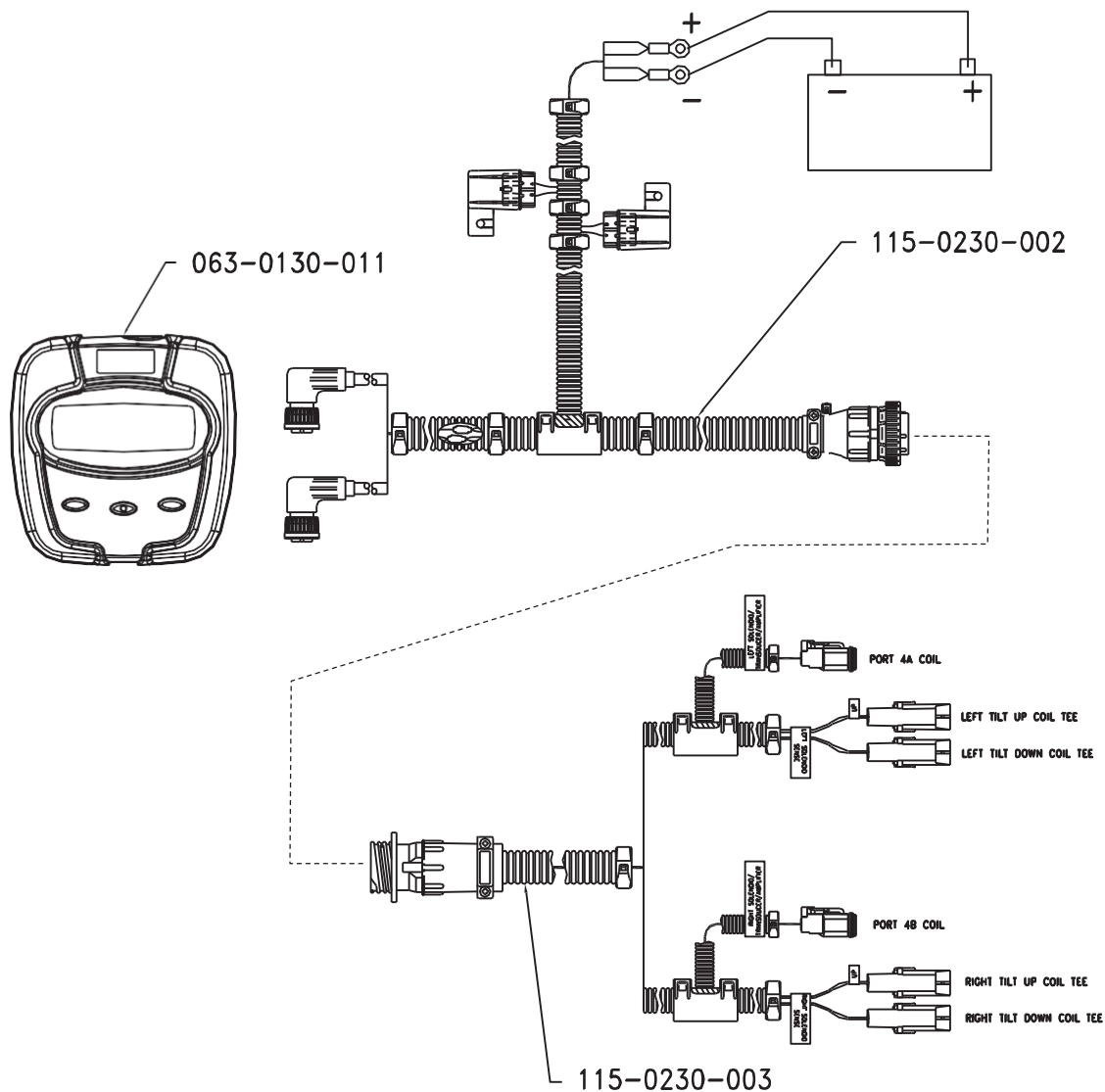




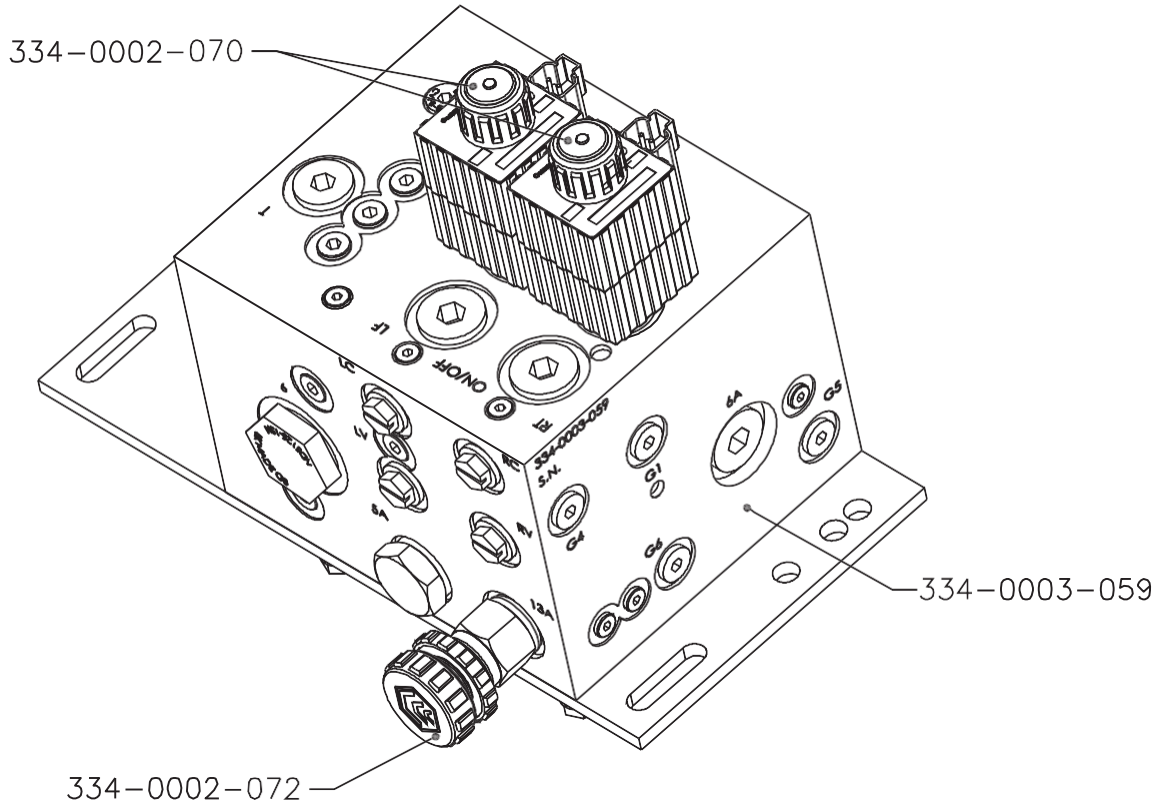
9518T and 9524T Truss Boom 120/132'

POWERGLIDE WIRING SCHEMATIC

CONNECT LEADS TO BATTERY OR LIVE POWER SOURCE

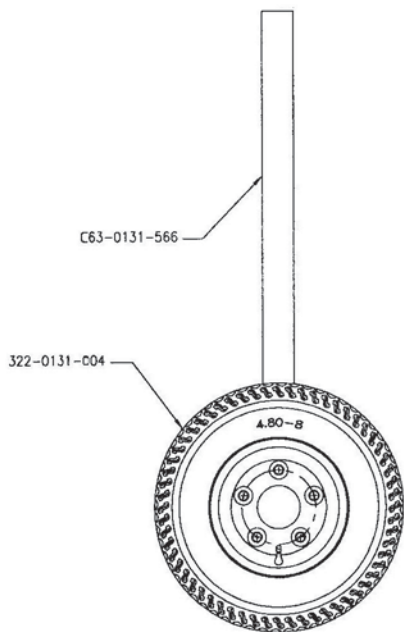


POWERGLIDE HYDRAULIC BLOCK

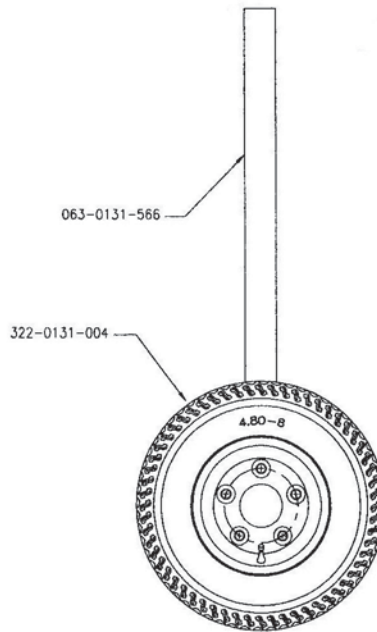


POWERGLIDE SOLID AXLE

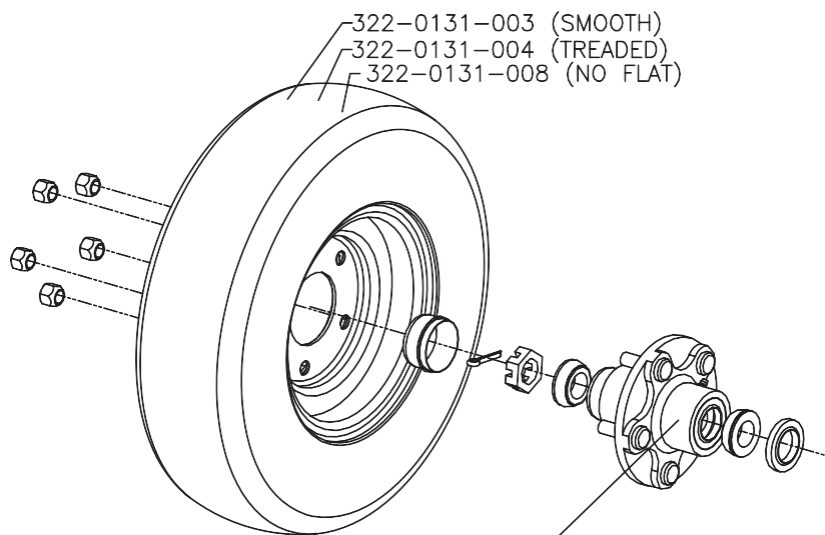
LEFT SIDE
WHEEL ASSEMBLY



RIGHT SIDE
WHEEL ASSEMBLY



HUB BREAKOUT

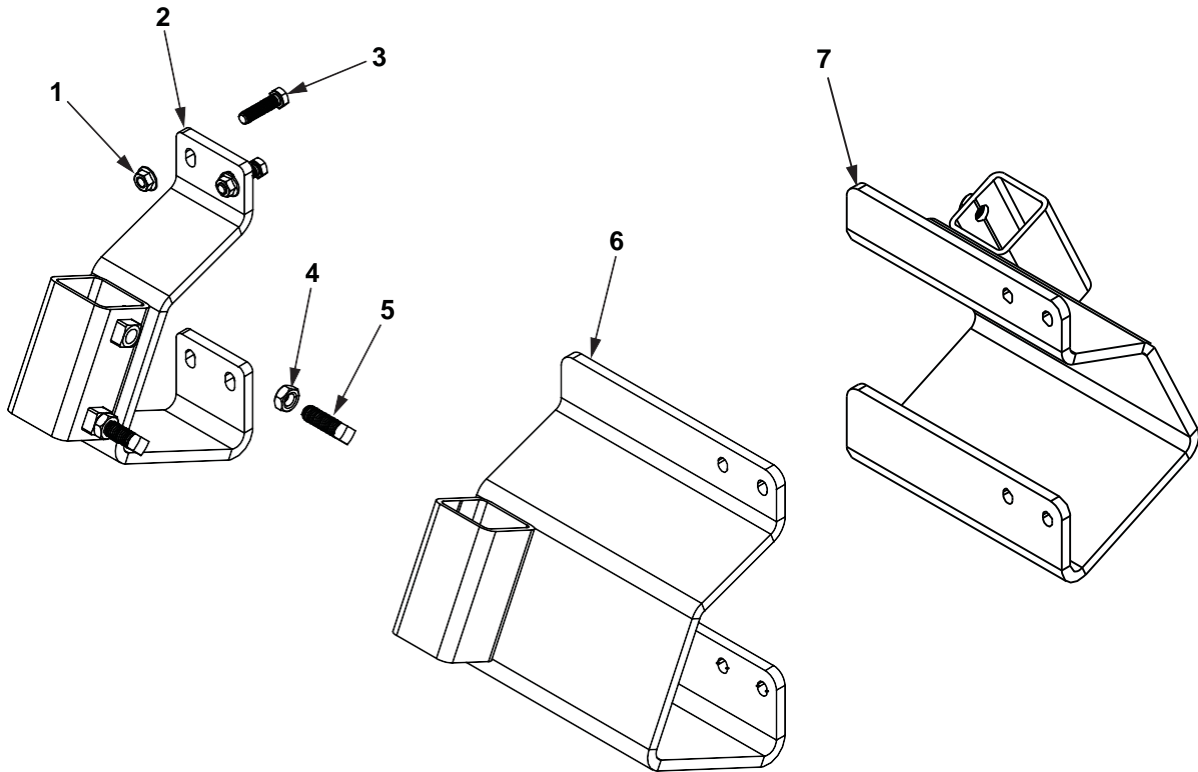


- 116-0000-001 (HUB ASSEMBLY
INCLUDES INTERNAL ITEMS SHOWN)
- 2 - BEARING WHEEL 325-0000-022
- 1 - SEAL 219-0000-131
- 2 - RACE 325-0000-023

9518T and 9524T Truss Boom 120/132'



POWERGLIDE, POWERGLIDE PLUS, ULTRAGLIDE TOUCH DOWN BRACKET

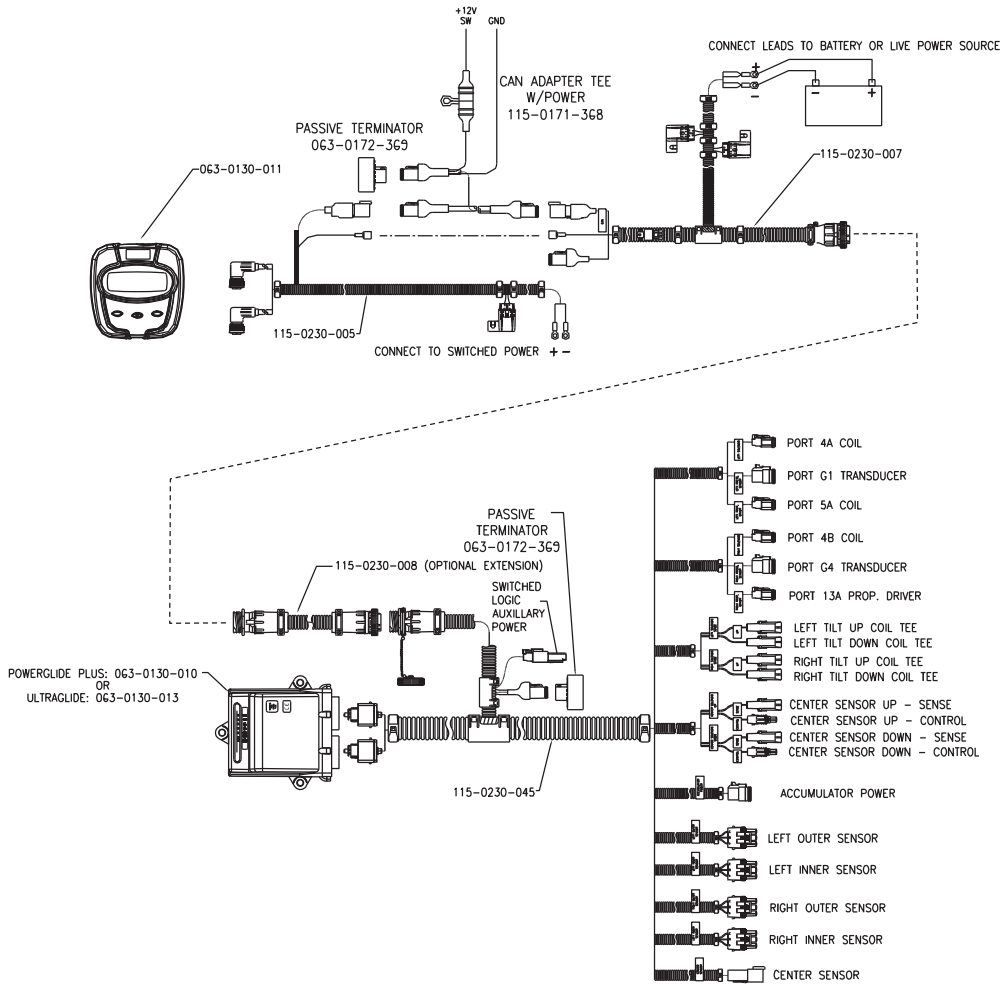


Item	Vendor Part #	Fast Part #	Description	Qty.	60 Ft.	80-90 Ft.
1		769	Nut, Whizlock 3/8" Zp	8		
2		16655	Bracket Wheel 30" Row		2	
3		129	Bolt HH 3/8 X 1-1/2 GR5 Zp	8		
4		223	Nut Jam 1/2" Zp	4		
5		779	Setscrew Square Head Zp	4		
6		16648R	Bracket Wheel 22" Row RH			1
7		16648L	Bracket Wheel 22" Row LH			1

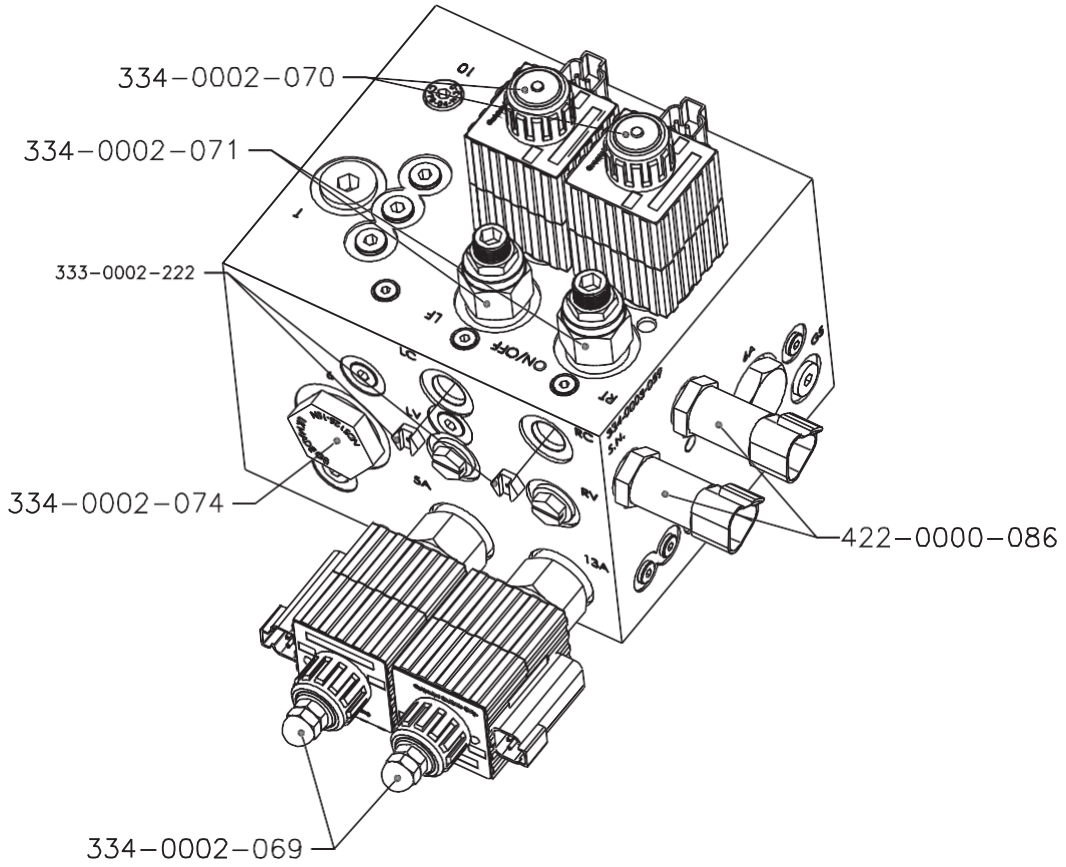


9518T and 9524T Truss Boom 120/132'

POWERGLIDE PLUS WIRING SCHEMATIC



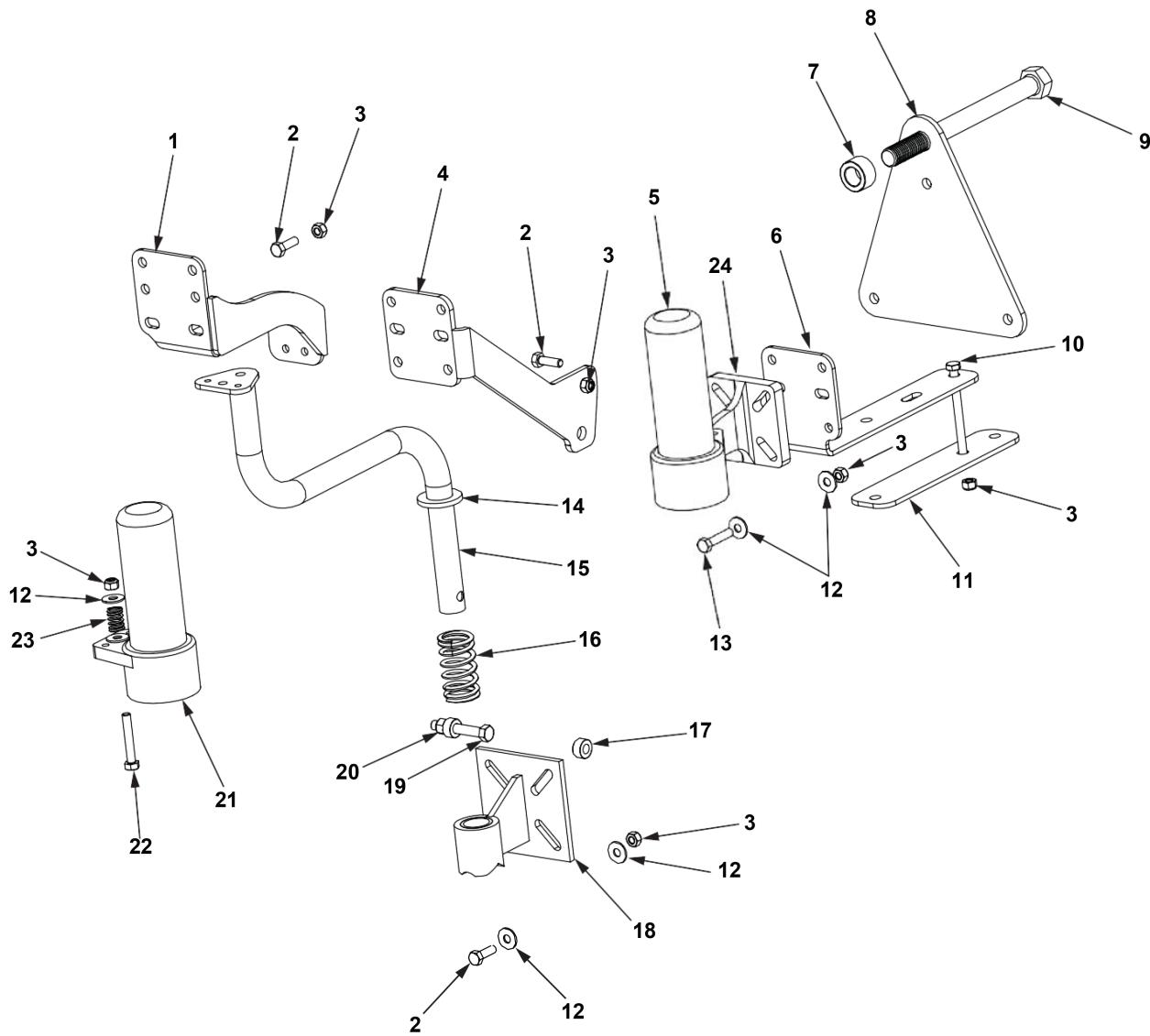
POWERGLIDE PLUS HYDRAULIC BLOCK





9518T and 9524T Truss Boom 120/132'

ULTRAGLIDE MOUNTING PARTS

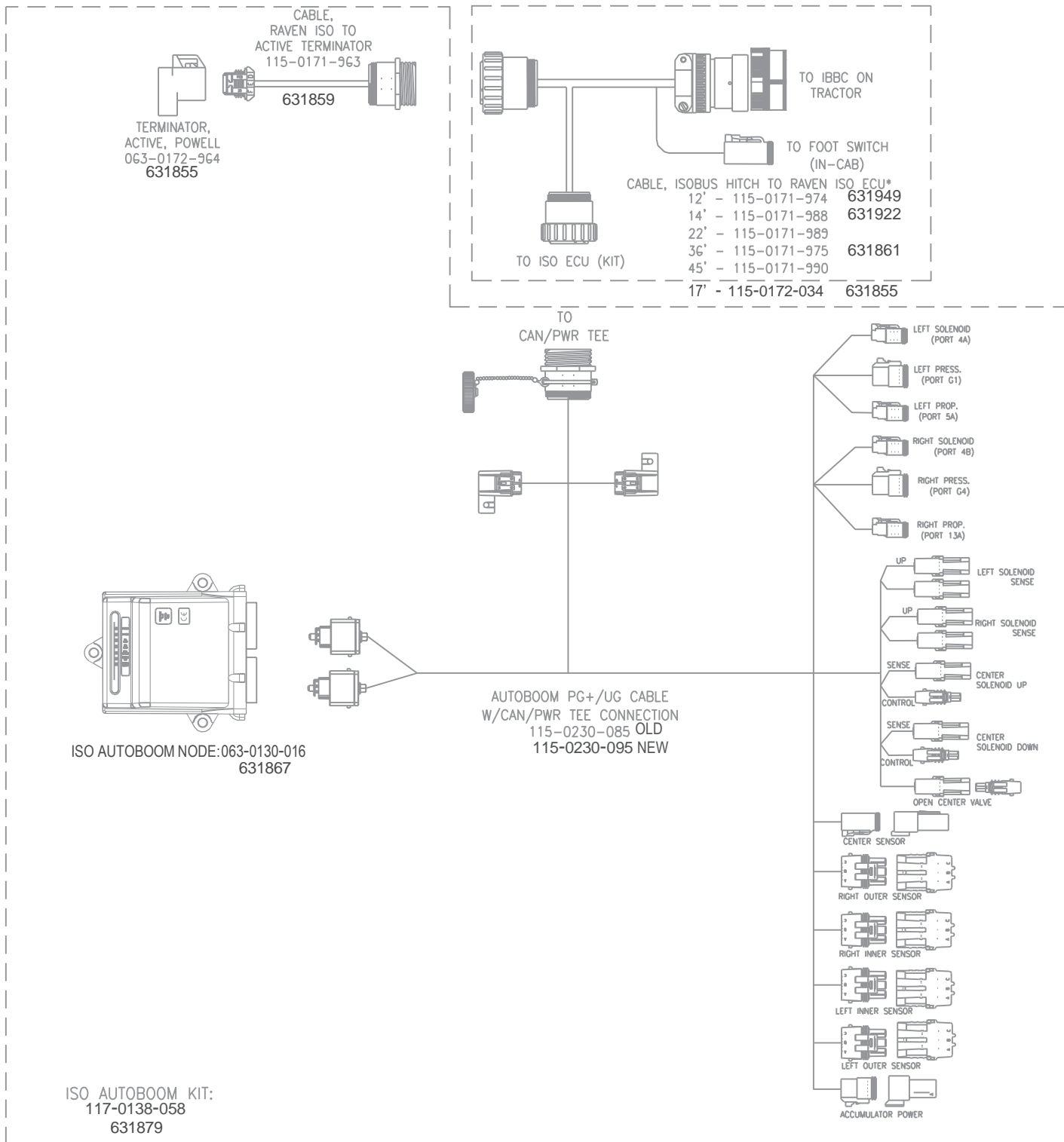




9518T and 9524T Truss Boom 120/132'

ISO AutoBoom WITHOUT ISO PRODUCT CONTROL

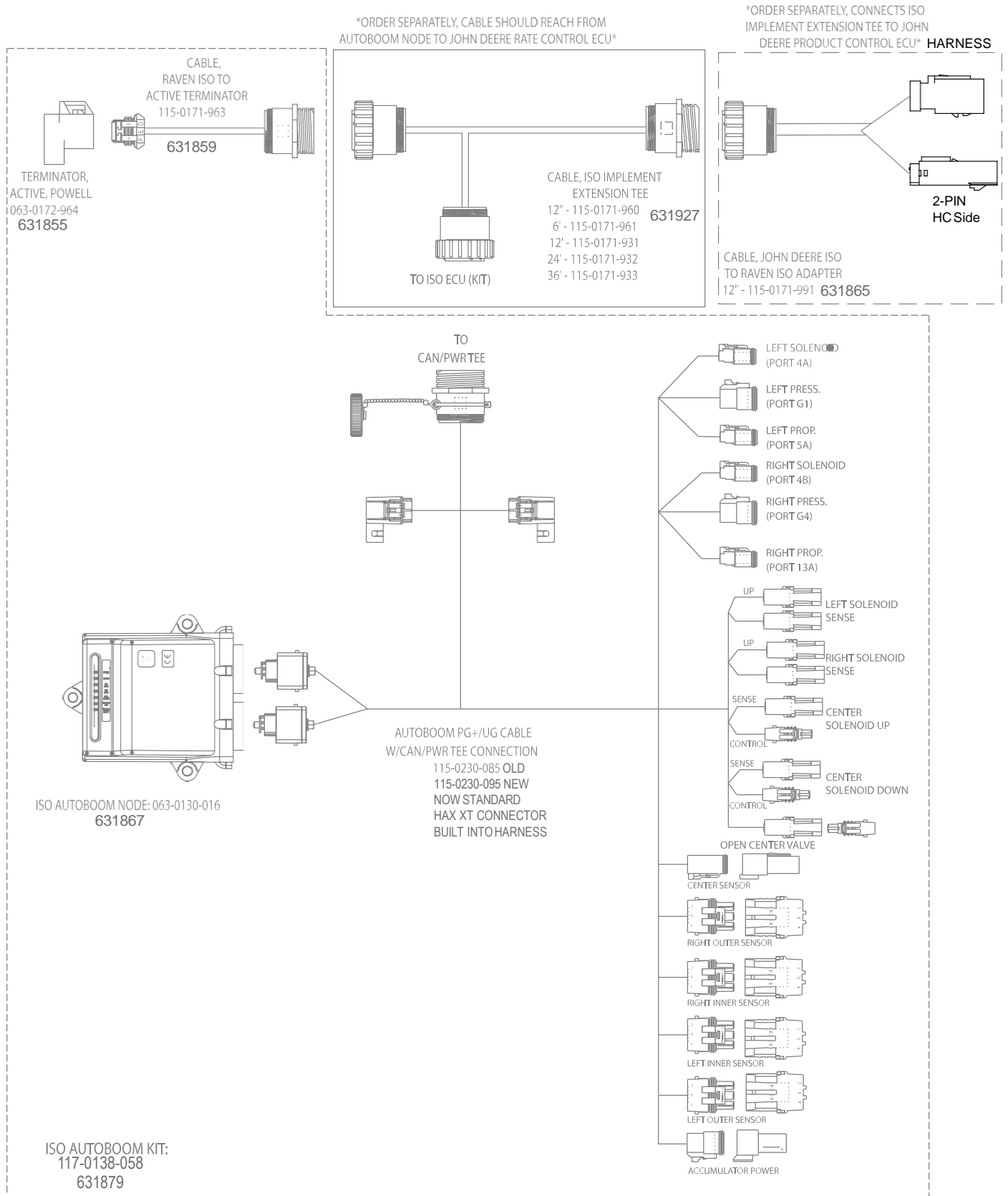
ORDER SEPARATELY, CABLE SHOULD REACH FROM ECU OR TEE TO 3' IN FRONT OF HITCH MINIMUM



9518T and 9524T Truss Boom 120/132'



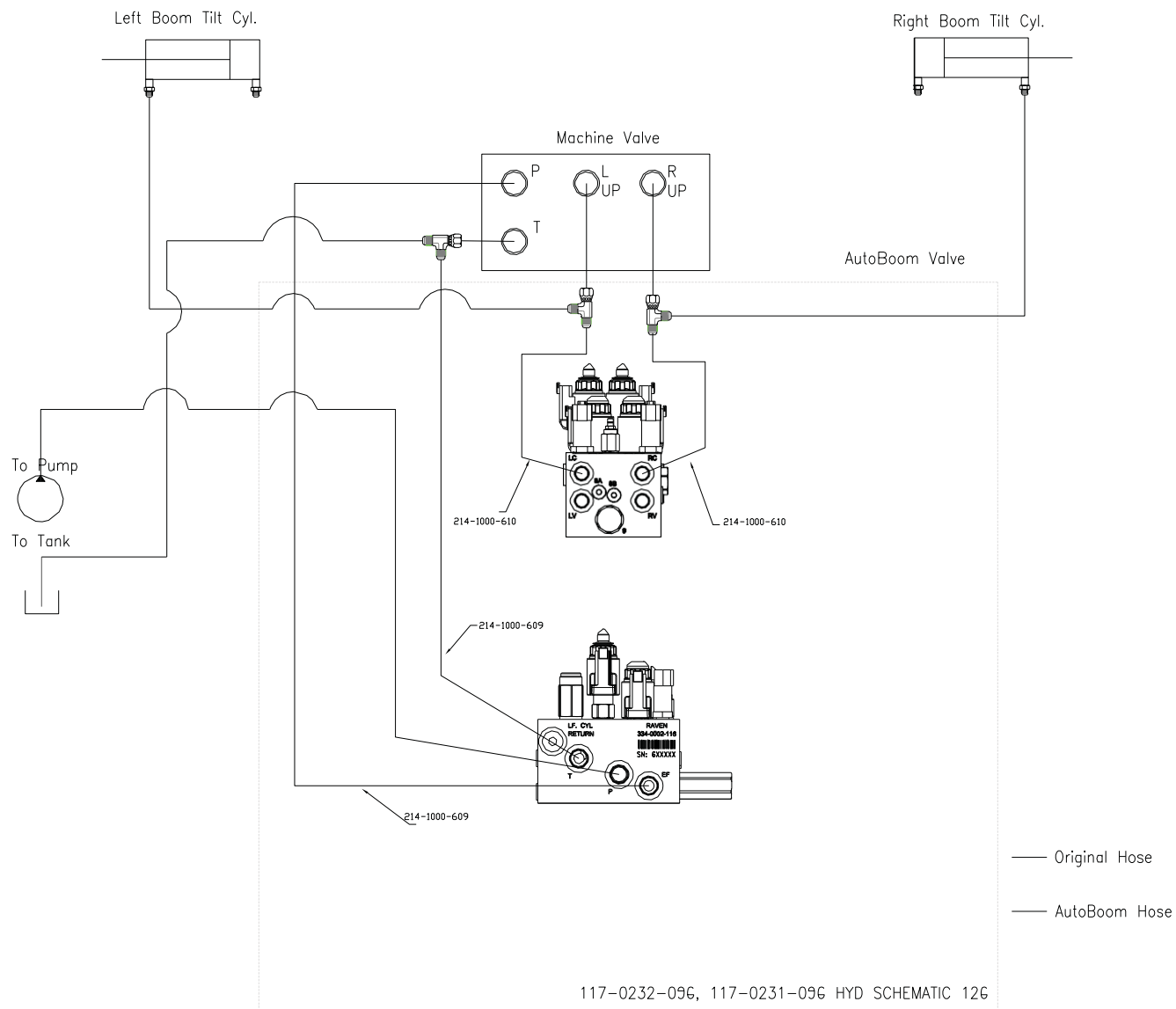
RAVEN ISO AutoBoom WITH JOHN DEERE PRODUCT CONTROL



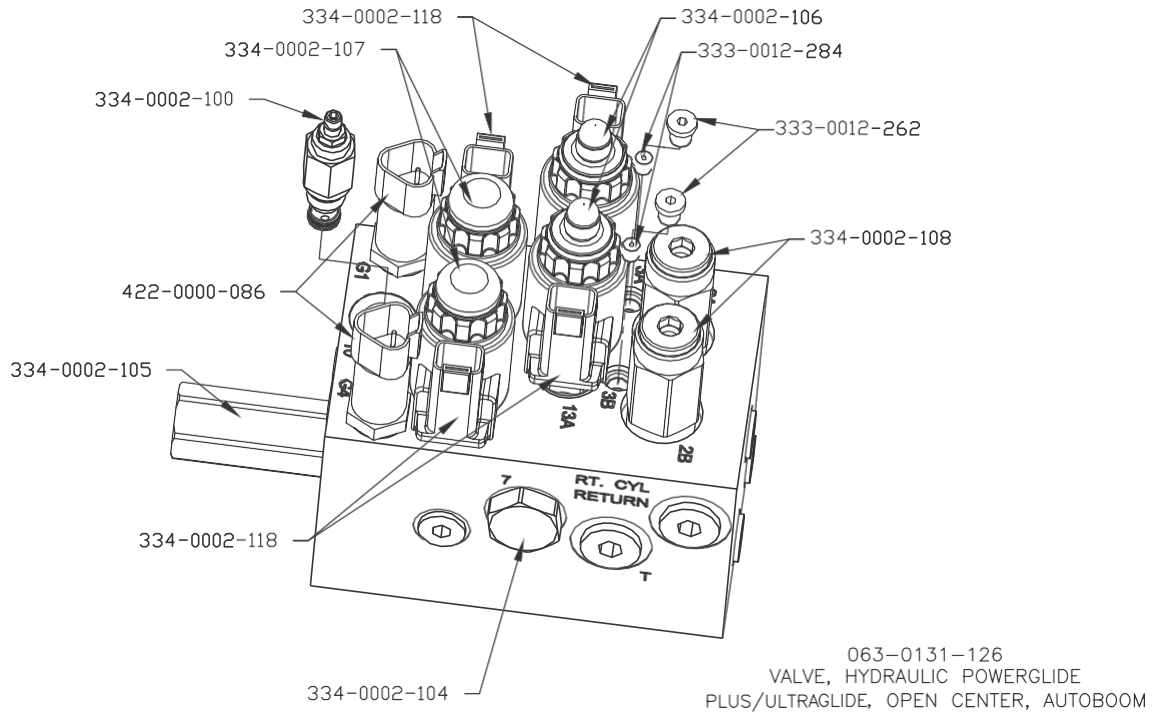


9518T and 9524T Truss Boom 120/132'

ULTRAGLIDE HYDRAULIC SCHEMATIC

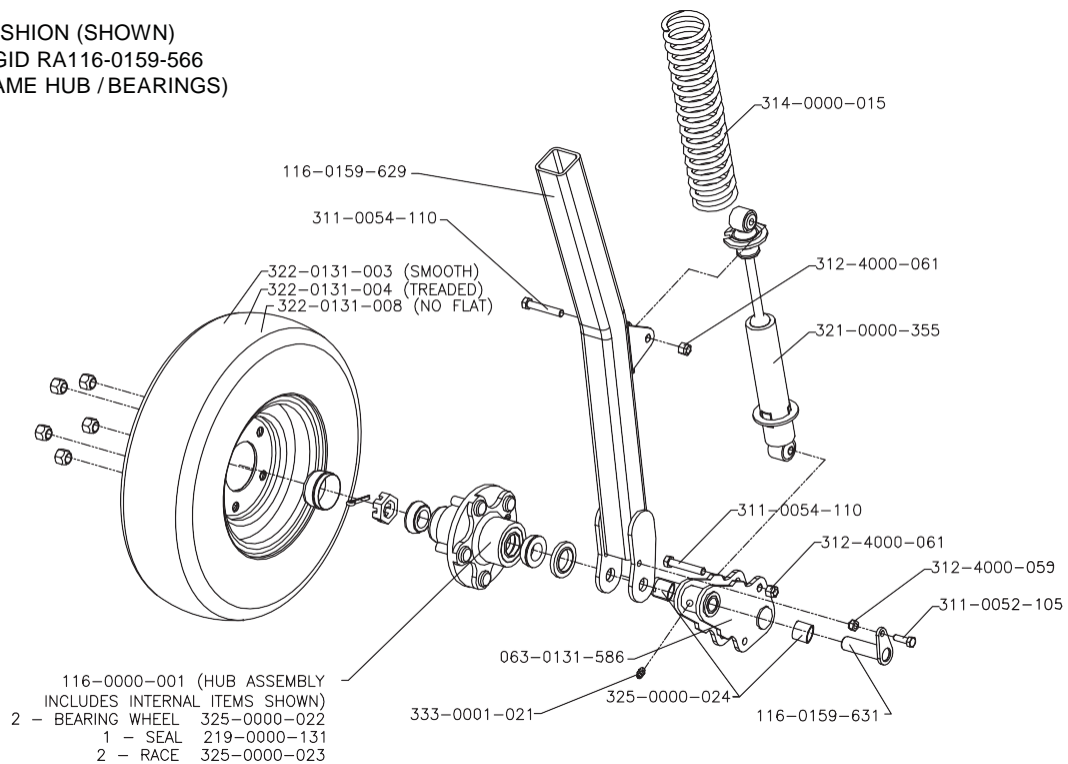


POWERGLIDE PLUS AND ULTRAGLIDE VALVE REPLACEMENT PARTS



WHEELS

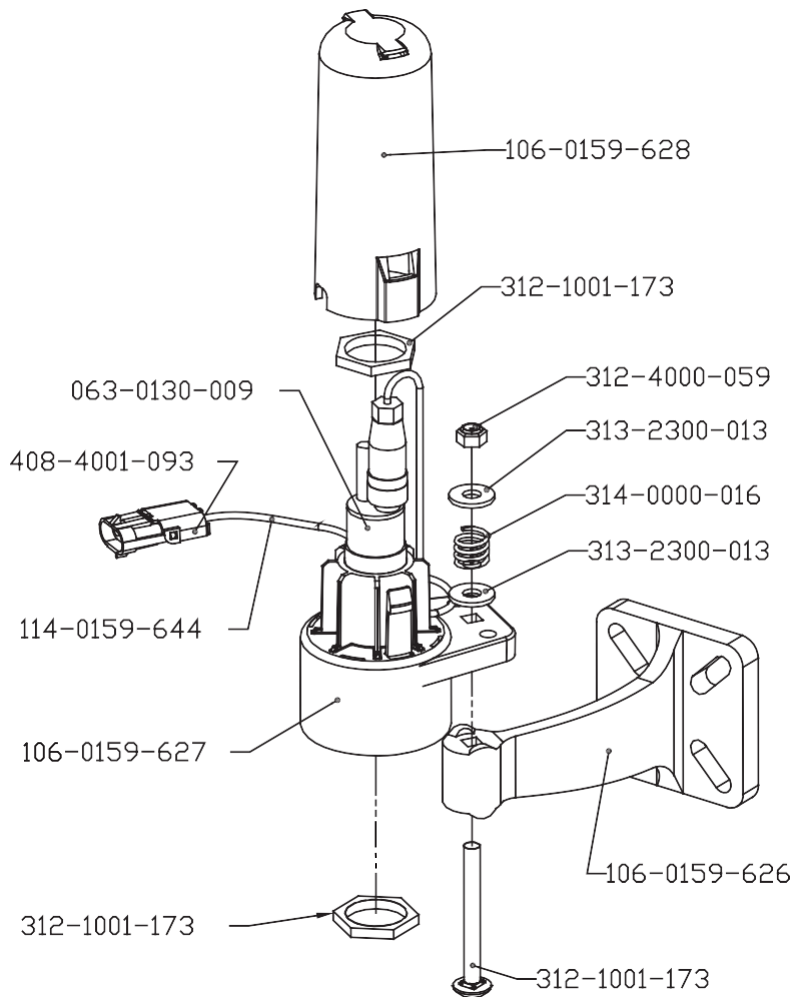
CUSHION (SHOWN)
RIGID RA116-0159-566
(SAME HUB / BEARINGS)





9518T and 9524T Truss Boom 120/132'

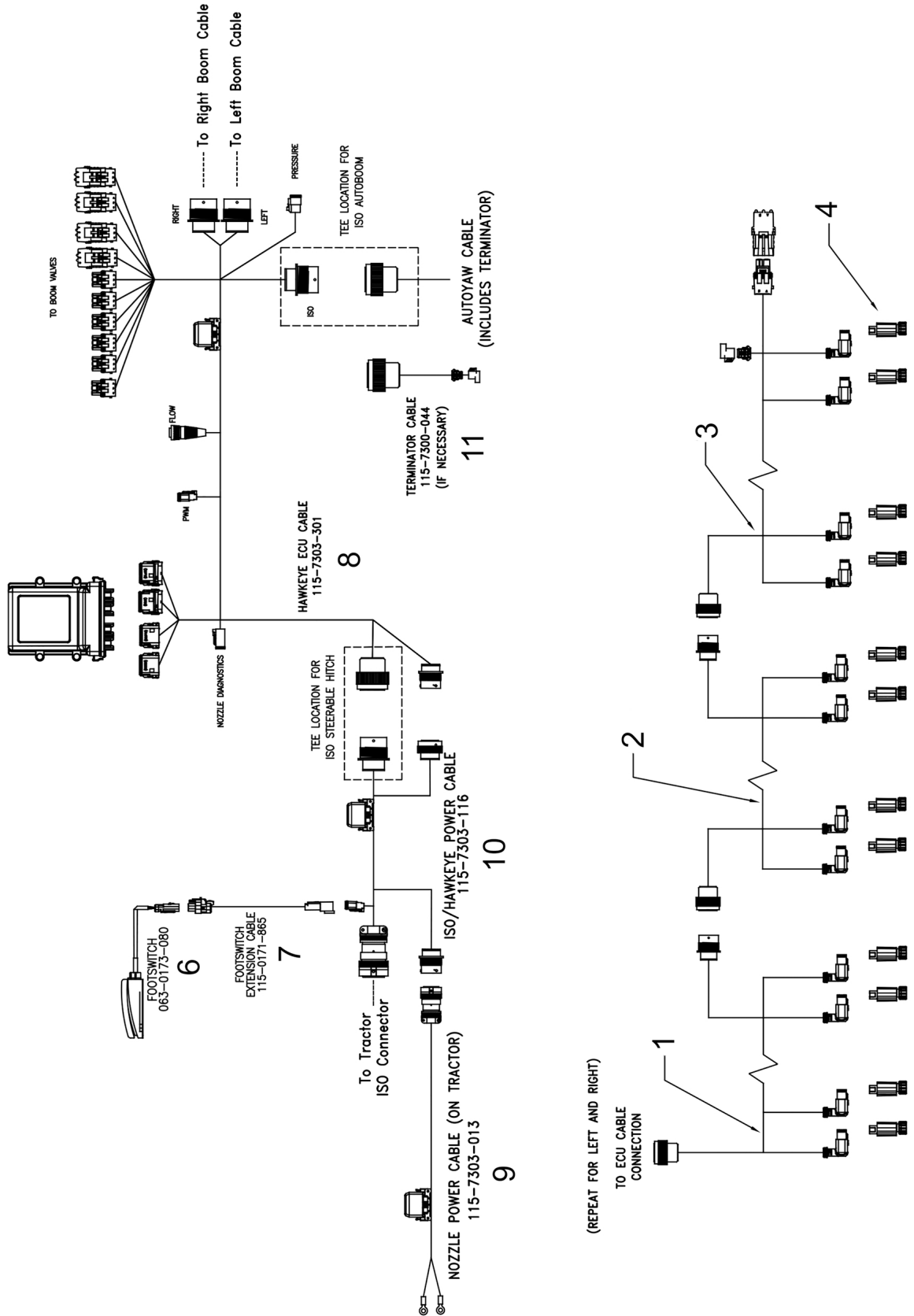
SENSORS



RAVEN Hawkeye

HAWKEYE ON FAST SPRAYERS

HAWKEYE ECU 5
063-0173-704



9518T and 9524T Truss Boom 120/132'



ITEM	VENDOR PART NO.	PART NO.	QTY.	DESCRIPTION
1	RA115-7303-105	RA1157303105	2	CABLE, PRIMARY BOOM, 90' BOOM, 20" SPACING & 120' BOOM, 20" SPACING
1	RA115-7303-336	632002	2	CABLE, PRIMARY BOOM, 120' BOOM, 15" SPACING
1	RA115-7303-333	RA1157303333	2	CABLE, PRIMARY BOOM, 132' BOOM, 22" SPACING
2	RA115-7303-340	RA1157303340	2	CABLE, MID BOOM, 90' BOOM, 20" SPACING
2	RA115-7303-337	632003	2	CABLE, MID BOOM, 120' BOOM, 15" SPACING
2	RA115-7303-106	RA1157303106	2	CABLE, MID BOOM, 120' BOOM, 20" SPACING
2	RA115-7303-334	RA1157303334	2	CABLE, MID BOOM, 132' BOOM, 22" SPACING
3	RA115-7303-338	632004	2	CABLE, OUTER BOOM, 120' BOOM, 15" SPACING
3	RA115-7303-341	RA1157303341	2	CABLE, OUTER BOOM, 90' BOOM, 20" SPACING
3	RA115-7303-122	RA1157303122	2	CABLE, OUTER BOOM, 120' BOOM, 20" SPACING
3	RA115-7303-335	RA1157303335	2	CABLE, OUTER BOOM, 132' BOOM, 22" SPACING
4	RA06-30173-673	RA0630173673	*	VALVE, HAWKEYE NOZZLE, ARAG/HYPRO
4	RA06-30173-672	631984	*	VALVE, HAWKEYE NOZZLE, TEE JET
4	RA063-0173-674	RA0630173674	*	VALVE, HAWKEYE NOZZLE, WILGER
4			*	90' 20" (QTY 54), 120' 15" (QTY 96), 120' 20" (QTY 72), 132' 22" (QTY 72)
5	RA063-0173-704	631983	1	ISO PRODUCT CONTROLLER II ECU
6	RA063-0173-080	631856	1	SWITCH ASSEMBY FOOT ISO PRODUCT CONTROL
7	RA115-0171-865	631857	1	CABLE, FOOT SWITCH ISO PRODUCT CONTROL
8	RA115-7303-301	632001	1	CABLE, HAWKEYE ECU
9	RA115-7303-013	632000	1	CABLE, NOZZLE POWER
10	RA115-7303-116	631992	1	CABLE, 17' ISO/HAWKEYE POWER
11	RA115-7300-044	631996	1	CABLE, GEN 3 TO ACTIVE TERMINAL, TERMINATOR INCLUDED
11	RA063-0172-964	RA0630172964	1	TERMINATOR, FOR 631996 (RA1157300044)
N/S	RA115-7303-168	RA1157303168	1	CABLE, 2' ECU POWER
N/S	RA115-7303-148	RA1157303148	4	CABLE, 6' EXTENSION
N/S	RA115-0171-810	632047	1	CABLE, 10' 2P EXTENSION
N/S	RA115-7303-260	RA1157303260	1	CABLE, 15' ECU NOZZLE
N/S	RA115-7303-159	RA1157303159	1	CABLE, 4 NOZZLE HAWKEYE
N/S	RA115-7305-160	RA1157305160	1	CABLE, 5 NOZZLE HAWKEYE
N/S	RA115-7305-161	RA1157305161	4	CABLE, 10 NOZZLE HAWKEYE
N/S	RA115-7303-156	RA1157303156	2	CABLE, FENCE ROW
N/S	RA117-6020-005	631962	1	KIT, FOLD SWITCH BOX, ISO, 132' TRUSS BOOM, 22" SPACING
N/S	RA117-1005-114	632014	1	KIT, HAWKEYE FAST 9500T, 120' TRUSS BOOM, 20" SPACING
N/S	RA117-1005-056	631985	1	KIT, HAWKEYE SYSTEM SERVICE TEE JET
N/S	RA117-1005-112	632081	1	KIT, HAWKEYE, 90' BOOM, 20" SPACING
N/S	RA117-1005-113	RA1171005113	1	KIT, HAWKEYE, 120' TRUSS BOOM, 15" SPACING
N/S	RA117-1005-115	632108	1	KIT, HAWKEYE, 132' TRUSS BOOM, 22" SPACING
N/S	RA117-0138-066	631955	1	KIT, INSTALLATION, ISO ULTRAGLIDE
N/S		530401	1	NIPPLE, 1/4 X 1/4" MPT, POLY
N/S	RA115-7305-139	RA1157305139	1	NOZZLE JUMPER
N/S	RA422-0000-119P	632036	1	PRESSURE TRANSDUCER, 1-5V 0-250
N/S		530400	1	TEE, 1/4" FPT, POLY



**Fast Global Solutions
4130 Commerce Boulevard
Windom, Mn 56101**

**1-800-772-9279 Toll Free
1-507-427-3861 Voice
1-507-427-3030 Fax**