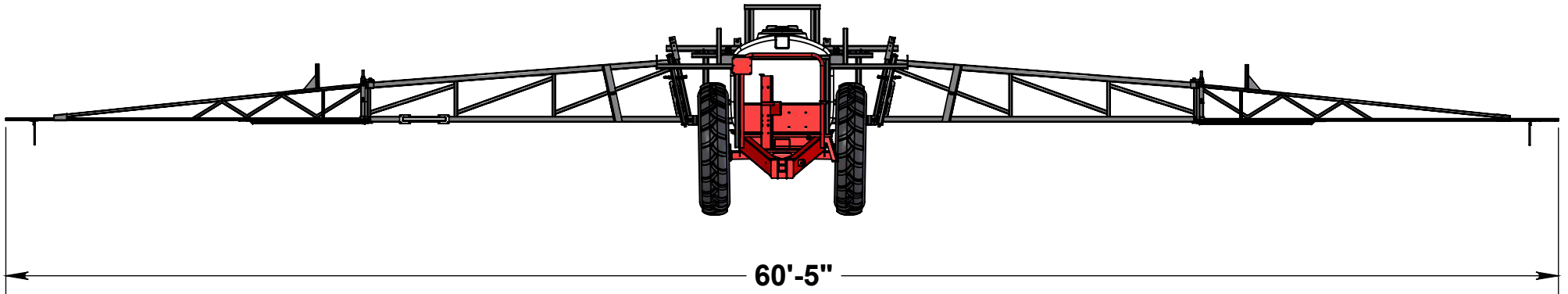

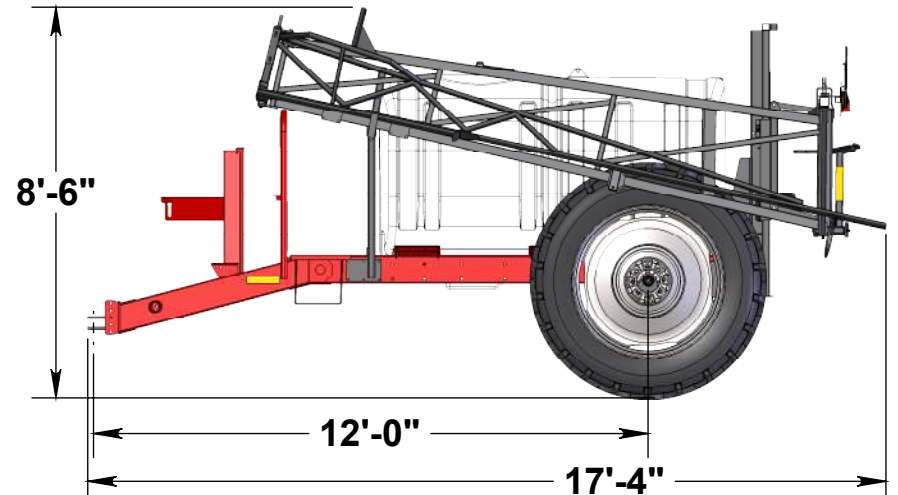
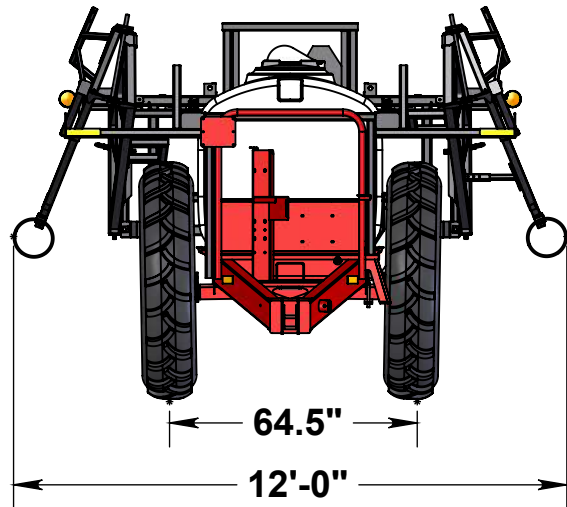
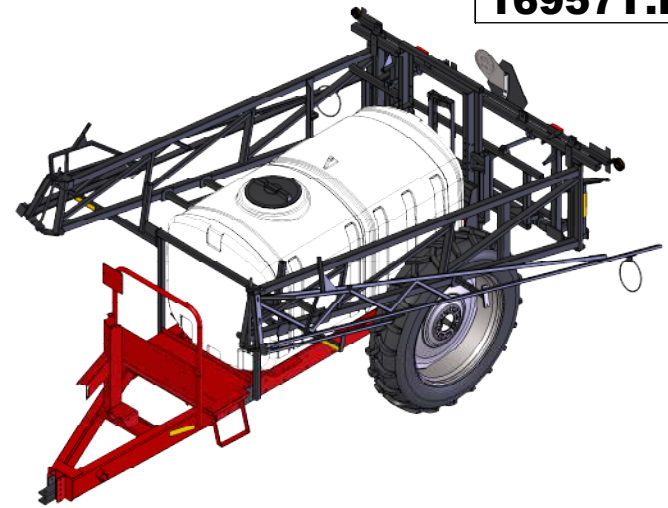
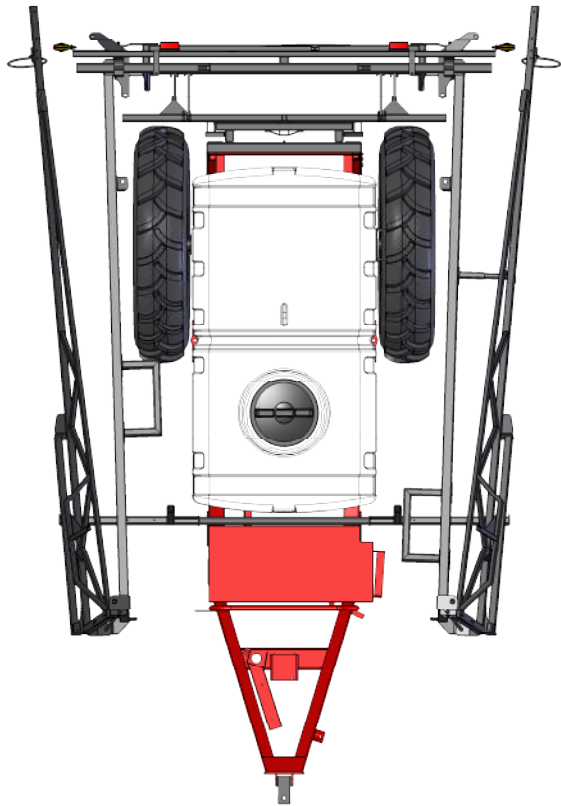


16'-9"



60'-5"

<small>UNLESS OTHERWISE SPECIFIED DIMENSIONS ARE IN INCHES AND THE TOLERANCES ARE AS FOLLOWS:</small> <b>DECIMALS FRACTIONS ±1/32</b> 0.x = ±0.06 <b>ANGLES ±1 DEG.</b> 0.xx = ±0.03 0.xxx = ± 0.005 <b>INSPECTION REQUIRED</b>		<b>Phone: 507-427-3861</b> <b>Fax: 507-427-3030</b>	54859 County Rd. 44 Mt. Lake, MN 56159	
BY: <b>SML</b> WHERE USED:	DATE: <b>4/11/2014</b>	Sheet #1 of 2	DESCRIPTION: <b>MILLER 750 60' BOOM</b> FIELD POSITION:	
			<b>16957F.P.</b>	<b>A</b>



<small>UNLESS OTHERWISE SPECIFIED DIMENSIONS ARE IN INCHES AND THE TOLERANCES ARE AS FOLLOWS:</small> DECIMALS FRACTIONS ±1/32 0.x = ±0.06 ANGLES ±1 DEG. 0.xx = ±0.03 0.xxx = ± 0.005		Phone: 507-427-3861 Fax: 507-427-3030	54859 County Rd. 44 Mt. Lake, MN 56159	
BY: SML DATE: 4/11/2014 WHERE USED:		INSPECTION REQUIRED	DESCRIPTION MILLER 750 60' BOOM TRANSPORT POSITION PART NO.	
Sheet #2 of 2			<p><b>16957T.P.</b></p>	<p><b>A</b></p>