



54859 County Road 44
Mountain Lake, MN 56159
(507) 427-3861

Date: 3-23-2021

To: Territory Managers and Dealers

Subject: John Deere Track Tank Installation on 2021 John Deere 8RT

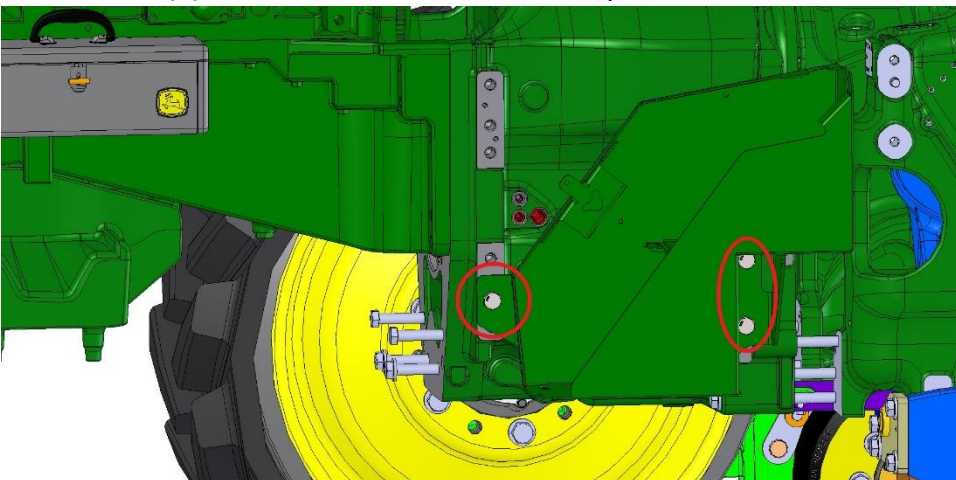
Issues Being Addressed: 1. Referencing the instructions for the 2020 John Deere 8RT, additional installation steps are required due to the relocation of the battery box on the 2021 8RT. 2. Tractor Radar location. 3. Extra parts shipped with tanks.

1. Action:

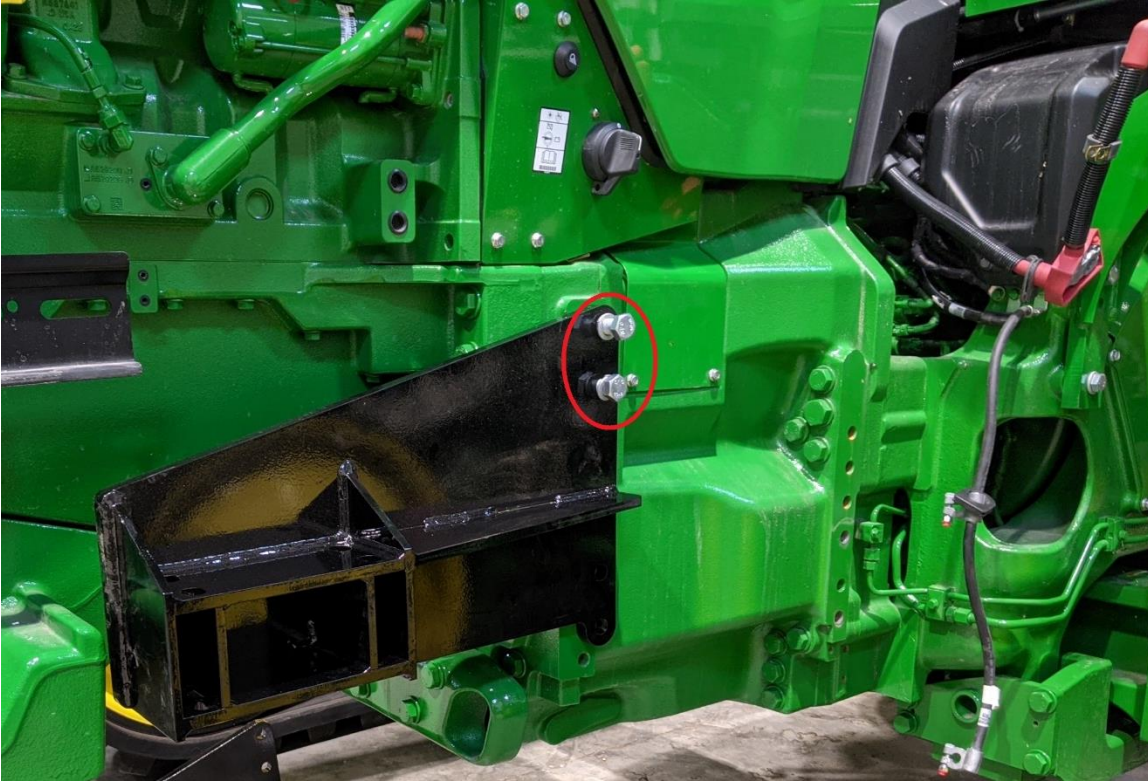
1. Remove battery box cover, disconnect, and remove batteries.



2. Remove the (3) M20 bolts that hold the battery box to the tractor frame.



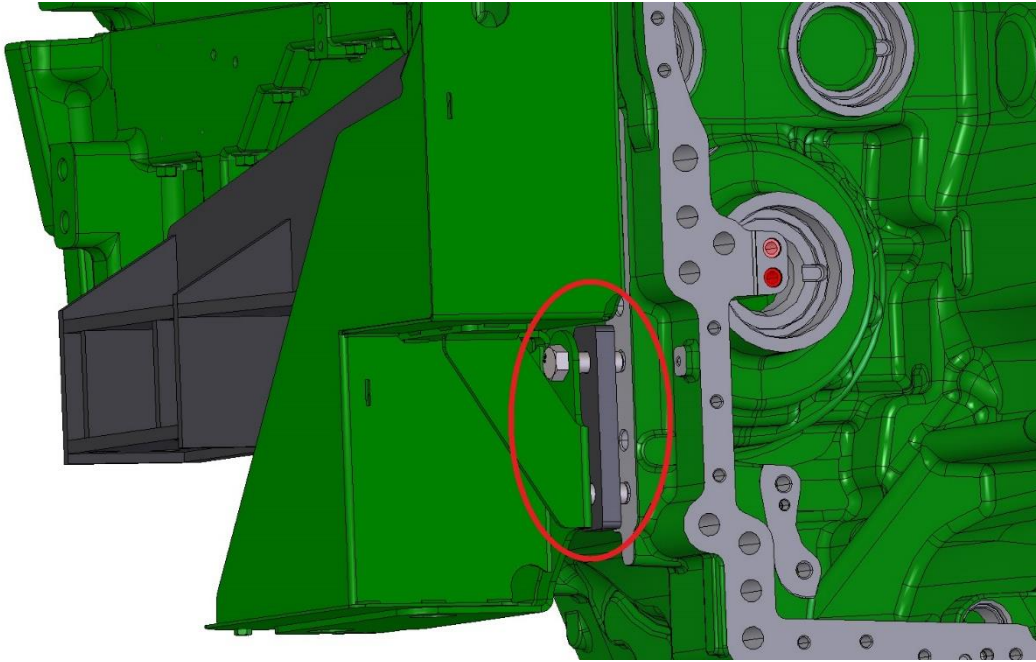
3. Install the left frame mount and install the top (2) supplied M20 X 60 mounting bolts with lock washers.



4. The battery ground cable must be rotated 45 degrees counterclockwise to allow cable to fit through hole in battery box.



5. Reinstall battery box. Use supplied longer M20 X60 bolts with lock washers and $\frac{3}{4}$ " spacer on rear (2) mounting bolts. Tighten all hardware.



6. Battery Box reinstalled and all hardware tightened.



2. If tractor is equipped with radar sensor it does not need to move from its original mounting location.
3. Track tank kit is shipped with pieces that are used on older versions of the 8RT tractors but are not needed for the newest 8RT tractors.

End