



**A18 / A26 – 60’/66’  
LIQUID FERTILIZER APPLICATOR  
PARTS MANUAL – 2024**







## Limited Warranty

Fast Ag Solutions warrants to the buyer that the new machinery is free from defects in material and workmanship.

This warranty is only effective as to any new machinery which has not been altered, changed, repaired or treated since its delivery to the buyer, other than by Fast Ag Solutions or its authorized dealers or employees, and does not apply to accessories, attachments, tools or parts, sold or operated with the new machinery, if they have not been manufactured by Fast Ag Solutions.

Fast Ag Solutions shall only be liable for defects in the materials or workmanship attributable to faulty material or bad workmanship that can be proved by the buyer, and specifically excludes liability for repairs arising as a result of normal wear and tear of the new machinery or in any other manner whatsoever, and without limiting the generality of the foregoing, excludes application or installation of parts not completed in accordance with this operator's manual, specifications, or printed instructions.

Written notice shall be given by registered mail, to the Manufacturer within seven (7) days after the defect shall have become apparent or the repairs shall have become necessary, addressed as follows:

Fast Ag Solutions  
4130 Commerce Boulevard  
Windom, MN 56101

This warranty shall expire one (1) year after the date of delivery of the new machinery.

If these conditions are fulfilled, Fast Ag Solutions shall at its own cost and at its own option either repair or replace any defective parts provided that the buyer shall be responsible for all expenses incurred as a result of repairs, labor, parts, transportation or any other work, unless Fast Ag Solutions has authorized such expenses in advance.

The warranty shall not extend to any repairs, changes, alterations, or replacements made to the new equipment other than by Fast Ag Solutions or its authorized dealers or employees.

This warranty extends only to the original owner of the new equipment.

Rubber parts (including tires, hoses, grommets) are not warranted.

This warranty is limited to the terms stated herein and is in lieu of any other warranties whether express or implied, and without limiting the generality of the foregoing, excluded all warranties, express or implied or conditions whether statutory or otherwise as to quality and fitness for any purpose of the new equipment. the Manufacturer disclaims all liability for incidental or consequential damages.

This Applicator is subject to design changes and Fast Ag Solutions shall not be required to retrofit or exchange items on previously sold units except at its own option.

Warranty void if not registered.



# ILLUSTRATED PARTS LIST

## FAST LIQUID FERTILIZER APPLICATOR

Warranty Registration Form & Inspection Report

Warranty Registration

This form must be filled out by the dealer and signed by both the dealer and the customer at the time of delivery.

Customer Name				
Address				
City		State		Zip
Phone				
Dealer Name				
Address				
City		State		Zip
Applicator Model				
Serial Number				
Delivery Date				

### DEALER INSPECTION REPORT

### SAFETY

- All Fasteners Tight
- Wheel Bolts Torqued
- Hydraulic Hoses and Fittings Free and Tight
- Fertilizer Hoses and Fittings Free and Tight
- Wheel Drive Turns Freely
- Lubricate Machine
- Check Tire Pressure
- Frame and Wings Level
- Monitors and Controllers Function
- Wiring Harness Connected

- Safety Chain Installed
- All Guards Installed
- All Safety Signs Installed
- Reflectors, SMV and Lights Clean
- Review Operating and Safety Instructions

I have thoroughly instructed the buyer on the above described equipment which review included the Operator's Manual content, equipment care, adjustments, safe operation and applicable warranty policy.

Date \_\_\_\_\_

Dealer's Rep. Signature \_\_\_\_\_

The above equipment and Operator's Manual have been received by me and I have been thoroughly instructed as to care, adjustments, safe operation and applicable warranty policy.

Date \_\_\_\_\_

Owner's Signature \_\_\_\_\_

- White - FAST
- Yellow - Dealer
- Pink - Customer





# ILLUSTRATED PARTS LIST

---

## FAST A18 / A26 Series Applicator

APPLICATOR SERIAL NUMBER \_\_\_\_\_

DATE PURCHASED \_\_\_\_\_ / \_\_\_\_\_ / \_\_\_\_\_

TANK SIZE \_\_\_\_\_

NUMBER OF COULTERS \_\_\_\_\_

PUMP MANUFACTURER:

(CIRCLE ONE)

ACE FMC205-304

ACE FMC650

ACE FMC750

HYPRO 9306-HM1C-U

HYPRO 9306C-HM1C-U

## General Information

All rights, especially copying and distribution rights are reserved. No part of this publication may be reproduced in any form or by any means, electronic or mechanical, including photocopying, without express written permission from Fast Ag Solutions.

Parts information in this manual represents components installed when product was manufactured based upon the best available information. Modifications made subsequent to initial delivery are not included. Always verify the parts and color required when ordering parts.

If you have any questions, please contact your Fast Ag Solutions Parts and Service Department.

## Explanation of Parts Lists

*The parts list is organized as follows:*

**Coulters,**

**Pumps,**

**Product plumbing on toolbar,**

**Product plumbing on frame,**

**Product electronic/electrical control components,**

**Hydraulics,**

**Toolbar and Gauge Wheels,**

**Tanks and Frame,**

**Axles, Tires, and Tracks,**

**Steerable Gooseneck,**

**Warning Lights, Decals, and Serial Number Tag**

The parts lists are broken down into sub-assemblies and listed in 4 columns:

- **ITEM** - These numbers are found on the illustration associated with the parts list.
  - NS- This item is NOT SHOWN, included for reference.
- **QTY.** - This is the quantity of parts needed in an assembly.
  - AR- The quantity of this item is AS REQUIRED for the location.
- **PART NO.**- These are the part numbers associated to the ITEM.
- **DESCRIPTION** - This is the description of the part.



# ILLUSTRATED PARTS LIST

## Table of Contents

Section	Page
<b>COULTERS</b> .....	<b>14</b>
<b>AP Couler Assembly</b> .....	<b>14</b>
Parts List: AP Couler Assembly.....	14
<b>AP Couler Base Assembly</b> .....	<b>15</b>
Parts List: AP Couler Base Assembly .....	16
<b>N669 Complete Hub with Square Hole with Triple Seal Assembly</b> .....	<b>17</b>
Parts List: N669 Complete Hub with Square Hole with Triple Seal.....	17
<b>AP Couler Upper Casting Mounts</b> .....	<b>19</b>
Parts List: AP Couler Upper Casting Mounts.....	20
<b>AP Couler Injection Option Assembly</b> .....	<b>21</b>
Parts List: AP Couler Injection Option Assembly.....	22
<b>AP Couler Blade Hardware Kit</b> .....	<b>23</b>
Parts List: AP Couler Blade Hardware Kit.....	23
<b>DEFENDER® for Injection Assembly</b> .....	<b>24</b>
Parts List: DEFENDER® for Injection .....	24
<b>AP Couler Knife Option Assembly – Non-Adjustable</b> .....	<b>25</b>
Parts List: AP Couler Knife Option Assembly – Non-Adjustable .....	26
<b>AP Couler Knife Stop Hardware Kit – Adjustable</b> .....	<b>27</b>
Parts List: AP Couler Knife Stop Hardware Kit – Adjustable .....	28
<b>Decal Assembly</b> .....	<b>29</b>
Parts List: Decal Assembly.....	29
<b>PUMPS</b> .....	<b>30</b>
<b>Pump Assembly, ACE FMCS205-HYD-304</b> .....	<b>30</b>
Parts List: Pump Assembly, ACE FMCS205-HYD-304.....	30
<b>Pump Assembly, ACE FMCS205-HYD-304 PWM</b> .....	<b>31</b>
Parts List: Pump Assembly, ACE FMCS205-HYD-304 PWM.....	31
<b>Parts Breakdown: ACE Pump, ACE FMCS205-HYD-304 PWM</b> .....	<b>32</b>
Parts List: ACE Pump, ACE FMCS205-HYD-304 PWM.....	33
<b>Pump Assembly, ACE FMC-65</b> .....	<b>34</b>
Parts List: Pump Assembly, ACE FMC-650-HYD .....	34
<b>Parts Breakdown: ACE Pump, FMC-650-HYD</b> .....	<b>35</b>
Parts Breakdown Parts List: ACE Pump, FMC-650-HYD .....	36
<b>Pump Assembly, ACE FMC-750-HYD</b> .....	<b>37</b>
Parts List: Pump Assembly, ACE FMC-750-HYD .....	37
<b>Pump Assembly, ACE FMC-750-HYD-PWM</b> .....	<b>38</b>
Parts List: Pump Assembly, ACE FMC-750-HYD-PWM .....	38
<b>Pump Assembly, HYPRO 9306C-HM1C (Cast)</b> .....	<b>39</b>
Parts List: Pump Assembly, HYPRO 9306C-HM1C (Cast).....	39
<b>Parts Breakdown: HYPRO Pump 9306C-HM1C (Cast)</b> .....	<b>40</b>
Parts Breakdown Parts List: HYPRO Pump 9306C-HM1C (Cast) .....	41



# ILLUSTRATED PARTS LIST

<b>Pump Assembly, HYPRO 9306C-HM1S (Stainless Steel)</b> .....	<b>42</b>
Parts List: Pump Assembly, HYPRO 9306C-HM1S (Stainless Steel).....	42
<b>Parts Breakdown: HYPRO Pump 9306C-HM1S (Stainless Steel)</b> .....	<b>43</b>
Parts List: HYPRO Pump 9306C-HM1S (Stainless Steel) .....	44
<b>PRODUCT PLUMBING ON TOOLBAR</b> .....	<b>45</b>
<b>3-Section Toolbar Plumbing</b> .....	<b>45</b>
Parts List: 3-Section Toolbar Plumbing .....	46
<b>Flip Wing Shutoff Valve Assembly (90SAVFF)</b> .....	<b>47</b>
Parts List: Flip Wing Shutoff Valve Assembly (90SAVFF).....	47
<b>Typical Toolbar Plumbing – Tees, Elbows, Hose, and Clamps</b> .....	<b>48</b>
Parts List: Typical Toolbar Plumbing – Tees, Elbows, Hose, and Clamps .....	48
<b>Wilger 3 Section Toolbar Plumbing, 23 Row</b> .....	<b>49</b>
Parts List: Wilger 3 Section Toolbar Plumbing, 23 Row .....	50
<b>Wilger 3 Section Toolbar Plumbing, 23 Row CONT.</b> .....	<b>51</b>
Parts List: Wilger 3 Section Toolbar Plumbing, 23 Row CONT. ....	52
<b>Wilger 3 Section Toolbar Plumbing, 35 Row</b> .....	<b>53</b>
Parts List: Wilger 3 Section Toolbar Plumbing, 35 Row .....	53
<b>Wilger 3 Section Toolbar Plumbing, 35 Row CONT.</b> .....	<b>54</b>
Parts List: Wilger 3 Section Toolbar Plumbing, 35 Row CONT. ....	55
<b>Wilger 3 Section Flow Monitor Assembly, 23-25</b> .....	<b>56</b>
Parts List: Wilger 3 Section Flow Monitor Assembly, 23-25 .....	57
<b>Wilger 3 Section Flow Monitor Assembly, 35-37</b> .....	<b>58</b>
Parts List: Wilger 3 Section Flow Monitor Assembly, 35-37 .....	59
<b>Wilger 6 Section Flow Monitor Assembly, 25</b> .....	<b>60</b>
Parts List: Wilger 6 Section Flow Monitor Assembly, 25.....	60
<b>Varitarget Nozzles, .5 Rate</b> .....	<b>61</b>
Parts List: Varitarget Nozzles, .5 Rate .....	61
<b>Varitarget Nozzles, 1.5 Rate</b> .....	<b>62</b>
Parts List: Varitarget Nozzles, 1.5 Rate .....	62
<b>Raven Motorized Control Valve</b> .....	<b>63</b>
Parts List: Raven Motorized Control Valve.....	64
<b>RFM 60P Flow Meter</b> .....	<b>65</b>
Parts List RFM 60P Flow Meter .....	65
<b>RFM 100P Flow Meter</b> .....	<b>66</b>
Parts List: RFM 100P Flow Meter .....	66
<b>Wilger 22” Coulter Toolbar Layout Assembly, 35</b> .....	<b>67</b>
Parts List: Wilger 22” Coulter Toolbar Layout Assembly, 35.....	68
<b>Wilger 30” No Coulters Toolbar Layout Assembly, 25</b> .....	<b>69</b>
Parts List: Wilger 30” No Coulters Toolbar Layout Assembly, 25.....	69
<b>PRODUCT PLUMBING ON FRAME</b> .....	<b>70</b>
<b>Standard Product Plumbing Assembly</b> .....	<b>70</b>
Parts List: Standard Product Plumbing Assembly .....	71
<b>Sight Gauge Assembly</b> .....	<b>72</b>



# ILLUSTRATED PARTS LIST

Parts List: Sight Gauge Assembly .....	73
<b>Tank and Tank Fittings 1800 and 2600 Gallon.....</b>	<b>74</b>
Parts List: Tank and Tank Fittings 1800 and 2600 Gallon.....	75
<b>Rear Tank Support Assembly 2600 Gallon .....</b>	<b>76</b>
Parts List: Rear Tank Support Assembly 2600 Gallon .....	77
<b>3"- 2" Quick Fill Adapter .....</b>	<b>78</b>
Parts List: 3"- 2" Quick Fill Adapter .....	78
<b>Standard 3" Quick Fill .....</b>	<b>79</b>
Parts List: Standard 3" Quick Fill .....	79
<b>3" Quick Fill Valve Assembly.....</b>	<b>80</b>
Parts List: 3" Quick Fill Valve Assembly.....	81
<b>3" Quick Fill with Strainer .....</b>	<b>82</b>
Parts List: 3" Quick Fill with Strainer .....	83
<b>Tank Agitation Fittings.....</b>	<b>84</b>
Parts List: Tank Agitation Fittings.....	84
<b>Electric Agitation .....</b>	<b>85</b>
Parts List: Electric Agitation.....	86
<b>Manual Agitation (Hi Volume) .....</b>	<b>87</b>
Parts List: Manual Agitation (Hi Volume).....	88
<b>No Agitation .....</b>	<b>89</b>
Parts List: No Agitation.....	90
<b>Eductor - Applicator .....</b>	<b>91</b>
Parts List: Eductor - Applicator.....	92
<b>Eductor Assembly .....</b>	<b>93</b>
Parts List: Eductor Assembly .....	94
<b>Eductor.....</b>	<b>95</b>
Parts List: Eductor .....	96
<b>PRODUCT ELECTRONIC/ELECTRICAL CONTROL COMPONENTS.....</b>	<b>97</b>
<b>Raven Harnesses and Components.....</b>	<b>97</b>
Parts List: Raven Harnesses and Components .....	98
<b>Control Harness 115-0171-085.....</b>	<b>99</b>
<b>Control Harness 115-0159-856.....</b>	<b>100</b>
<b>Control Harness 115-0171-086.....</b>	<b>101</b>
<b>CR7 Display .....</b>	<b>102</b>
Parts List: CR7 Display .....	102
<b>Raven 450 Controller.....</b>	<b>103</b>
Parts List: Raven 450 Controller.....	104
<b>Raven RCM Rate Controller .....</b>	<b>105</b>
Parts List: Raven RCM Rate Controller .....	106
<b>JD Greenstar Rate Controller .....</b>	<b>107</b>
Parts List: JD Greenstar Rate Controller.....	108
<b>Customer Supplied JD Greenstar Rate Controller .....</b>	<b>109</b>
Parts List: Customer Supplied JD Greenstar Rate Controller .....	109



# ILLUSTRATED PARTS LIST

<b>Customer Supplied Rate Controller .....</b>	<b>110</b>
Parts List: Customer Supplied Rate Controller .....	110
<b>Pressure Transducer Raven 450 .....</b>	<b>111</b>
Parts List: Pressure Transducer Raven 450 .....	111
<b>Pressure Gauge .....</b>	<b>112</b>
Parts List: Pressure Gauge .....	112
<b>Pressure Transducer ISO .....</b>	<b>113</b>
Parts List: Pressure Transducer ISO .....	113
<b>Raven Hawkeye Flow Control .....</b>	<b>114</b>
Parts List: Raven Hawkeye Flow Control .....	115
<b>Raven Hawkeye Electrical Layout Diagram .....</b>	<b>116</b>
<b>Hawkeye End Coulter Assembly .....</b>	<b>117</b>
Parts List: Hawkeye End Coulter Assembly .....	118
<b>HYDRAULICS and FOLD BOX ELECTRICAL .....</b>	<b>119</b>
<b>Hydraulic Diagram .....</b>	<b>119</b>
<b>Main Lift Cylinders .....</b>	<b>120</b>
Parts List: Main Lift Cylinders .....	120
<b>Main Lift Cylinder Hydraulic Hoses .....</b>	<b>121</b>
Parts List: Main Lift Cylinder Hydraulic Hoses .....	122
<b>Inner Wing Cyls, Flow Control Valve on Inner Wing Cyl., Main Wing Fold Cyls, and Fold Valves .....</b>	<b>123</b>
Parts List: Inner Wing Cyls, Flow Control Valve on Inner Wing Cyl., Main Wing Fold Cyls, and Fold Valves ..	124
<b>Hydraulic Extension Kit .....</b>	<b>125</b>
Parts List: Hydraulic Extension Kit .....	125
<b>Inner Wing Cylinder .....</b>	<b>126</b>
Parts List: Inner Wing Cylinder .....	126
<b>Inner Wing Hydraulic Hoses .....</b>	<b>127</b>
Parts List: Inner Wing Hydraulic Hoses .....	128
<b>Inner Wing Kick and Down Pressure Hoses .....</b>	<b>129</b>
Parts List: Inner Wing Kick and Down Pressure Hoses .....	130
<b>Main Wing Fold Hydraulic Hoses .....</b>	<b>131</b>
Parts List: Main Fold Hydraulic Hoses .....	132
<b>Main Wing Fold Valve Assembly .....</b>	<b>133</b>
Parts List: Main Wing Fold Valve Assembly .....	134
<b>Flow Dividers and Counterbalance Valve .....</b>	<b>135</b>
Parts List: Flow Dividers and Counterbalance Valve .....	136
<b>Fasse Hydraulic Block .....</b>	<b>137</b>
Parts List: Fasse Hydraulic Block .....	138
<b>Fasse Block 12-Pin Electrical Harness .....</b>	<b>139</b>
Parts List: Fasse Block 12-Pin Electrical Harness .....	140
<b>Fasse Block Pressure and Tank Hoses .....</b>	<b>141</b>
Parts List: Fasse Block Pressure and Tank Hoses .....	141
<b>Cab Fold Box .....</b>	<b>142</b>



# ILLUSTRATED PARTS LIST

Cab Fold Box Parts List .....	143
<b>Cab Fold Box Power Harness .....</b>	<b>144</b>
Parts List: Cab Fold Box Power Harness .....	144
<b>Cab Fold Box Electrical Harness .....</b>	<b>145</b>
Parts List: Cab Fold Box Electrical Harness .....	146
<b>Cab Fold Box Electrical Wiring Diagram .....</b>	<b>147</b>
Parts List: Cab Fold Box Electrical Wiring Diagram .....	148
<b>Cab Fold Box Operation and Pin-out .....</b>	<b>149</b>
<b>Inner Wing Down Pressure Valve .....</b>	<b>150</b>
Parts List: Inner Wing Down Pressure Valve .....	151
<b>Toolbar Wing Latch and Gooseneck Latch Cylinders and Hoses .....</b>	<b>152</b>
Parts List: Toolbar Latch and Gooseneck Latch Cylinders and Hoses .....	153
<b>Hydraulics Assembly, Standard Tie Rod Latch Cyl. ....</b>	<b>154</b>
Parts List: Hydraulics Assembly, Standard Tie Rod Latch Cyl. ....	155
<b>Helper Cylinders Assembly .....</b>	<b>156</b>
Parts List: Helper Cylinders Assembly .....	156
<b>Helper Cylinder Hydraulic Hoses .....</b>	<b>157</b>
Parts List: Helper Cylinder Hydraulic Hoses .....	157
<b>Flip Wing Cylinder Assembly – No Down Pressure .....</b>	<b>158</b>
Parts List: Flip Wing Cylinder Assembly – No Down Pressure .....	159
<b>Flip Wing Cylinder Hoses – No Down Pressure .....</b>	<b>160</b>
Parts List: Flip Wing Cylinder Hoses – No Down Pressure .....	160
<b>Flip Wing Cylinder Assembly – With Down Pressure .....</b>	<b>161</b>
Parts List: Flip Wing Cylinder Assembly – With Down Pressure .....	162
<b>Flip Wing Cylinder Hoses and Fittings – With Down Pressure .....</b>	<b>163</b>
Parts List: Flip Wing Cylinder Hoses and Fittings – With Down Pressure .....	164
<b>Folding Gauge Wheel Cylinders and Hoses .....</b>	<b>165</b>
Parts List: Folding Gauge Wheel Cylinders and Hoses .....	166
<b>Product Pump Hydraulic Hoses and Fittings .....</b>	<b>167</b>
Parts List: Product Pump Hydraulic Hoses and Fittings .....	167
<b>Bulkhead and Center Section Hydraulic Fittings .....</b>	<b>168</b>
Parts List: Hydraulic Fitting Locations .....	168
<b>TOOLBAR AND GAUGE WHEELS .....</b>	<b>169</b>
<b>60' Toolbar Assembly, Standard Duty .....</b>	<b>169</b>
Parts List: 60' Toolbar Assembly, Standard Duty .....	171
<b>60', 66', and 48' Foot Bare Toolbar Weldments .....</b>	<b>173</b>
Parts List: 60 and 66 Foot Bare Toolbar Weldments .....	174
<b>Pins and Wear Pads for Center, Inner, &amp; Main Wings .....</b>	<b>175</b>
Parts List: Pins and Wear Pads for Center, Inner, & Main Wings .....	176
<b>Flip Wing Linkage .....</b>	<b>177</b>
Parts List: Flip Wing Linkage .....	178
<b>Bare Toolbar Assembly .....</b>	<b>179</b>
Parts List: Bare Toolbar Assembly .....	180



# ILLUSTRATED PARTS LIST

<b>Latch Cylinder Kit Assembly, Standard Duty</b> .....	<b>181</b>
Parts List: Latch Cylinder Kit Assembly, Standard Duty.....	181
<b>Latch Cylinder Kit Assembly, Heavy Duty</b> .....	<b>182</b>
Parts List: Latch Cylinder Kit Assembly, Heavy Duty .....	182
<b>Non-Folding Gauge Wheels</b> .....	<b>183</b>
Parts List: Non-Folding Gauge Wheels .....	183
<b>Short and Tall Gauge Wheels</b> .....	<b>184</b>
Parts List: Short and Tall Gauge Wheels .....	185
<b>5-Bolt Hub Assembly, Q736</b> .....	<b>186</b>
Parts List: 5-Bolt Hub Assembly, Q736.....	187
<b>Folding Gauge Wheels</b> .....	<b>188</b>
Parts List: Folding Gauge Wheels .....	189
<b>Folding Gauge Wheel Bracket Assembly</b> .....	<b>190</b>
Parts List: Folding Gauge Wheel Bracket Assembly .....	191
<b>Flip Wing Extension Tube</b> .....	<b>192</b>
Parts List: Flip Wing Extension Tube .....	192
<b>Toolbar Decals</b> .....	<b>193</b>
Parts List: Toolbar Decals .....	193
<b>TANKS AND FRAMES</b> .....	<b>194</b>
<b>1800 Gallon Tank, Hold Down Bracket, and Hand Rinse</b> .....	<b>194</b>
Parts List: 1800 Gallon Tank, Hold Down Bracket, and Hand Rinse.....	195
<b>2600 Gallon Tank, Hold Down Bracket, and Hand Rinse</b> .....	<b>196</b>
Parts List: 2600 Gallon Tank, Hold Down Bracket, and Hand Rinse.....	197
<b>Wing Rest Cradle Assembly</b> .....	<b>198</b>
Parts List: Wing Rest Cradle Assembly .....	198
<b>Standard A-Series Cart Frame Base Assembly</b> .....	<b>199</b>
Parts List: Standard A-Series Cart Frame Base Assembly.....	201
<b>Frame, Jack, Lift Arms, Tank Supports, Rear Tank Holddown, Lighting, Decals, SMV</b> .....	<b>204</b>
Parts List: Frame, Jack, Lift Arms, Tank Supports, Rear Tank Holddown, Lighting, Decals, SMV.....	205
<b>Frame, Jack, Lift Arms, Tank Supports, Rear Tank Holddown, Lighting, Decals, SMV (cont.)</b> .....	<b>206</b>
Parts List: Frame, Jack, Lift Arms, Tank Supports, Rear Tank Holddown, Lighting, Decals, SMV (cont.) .....	207
<b>Frame Hardware Assembly</b> .....	<b>208</b>
Parts List: Frame Hardware Assembly.....	209
<b>Frame Hardware Assembly (cont.)</b> .....	<b>210</b>
Parts List: Frame Hardware Assembly (cont.) .....	211
<b>Bolt-Together Frame Assembly</b> .....	<b>212</b>
Parts List: Frame Assembly .....	213
<b>Kit, Base Trailer Hardware, Tie Rod Latch Cyl.</b> .....	<b>214</b>
Parts List: Kit, Base Trailer Hardware, Tie Rod Latch Cyl.....	215
<b>TRAILER AXLES, TIRES, AND TRACKS</b> .....	<b>217</b>
<b>Single Axle Adjust 15K, 62"-120"</b> .....	<b>217</b>
Parts List: Single Axle Adjust 15K, 62"-120" .....	218
<b>Single Axle Adjust 15K, 72"-144"</b> .....	<b>219</b>





# ILLUSTRATED PARTS LIST

Parts List: Single Axle Adjust 15K, 72"-144" .....	220
<b>Single Axle Adjust, Metric, 18.5k, 45cm - 76cm Spacing .....</b>	<b>221</b>
Parts List: Single Axle Adjust, Metric, 18.5k, 45cm - 76cm Spacing .....	222
<b>N873 15K/18.5K Hub Assembly 10 Bolt, 11.25" B.C. ....</b>	<b>223</b>
Parts List: 15K/18.5K Hub Assembly 10 Bolt, 11.25" B.C. ....	224
<b>Single Adjust Axle 20k, 88"-144" .....</b>	<b>225</b>
Parts List: Single Adjust Axle 20k, 88"-144" .....	226
<b>Single Axle Adjust, Metric 20k 45cm - 76cm Spacing .....</b>	<b>227</b>
Parts List: Single Axle Adjust, Metric 20k 45cm - 76cm Spacing .....	228
<b>Axle, Non Adjust, Duals .....</b>	<b>229</b>
Parts List: Axle, Non Adjust, Duals .....	230
<b>Axle Adjust, Duals, 45/76CM, 80/132", 84/144" .....</b>	<b>231</b>
Parts List: Axle Adjust, Duals, 45/76CM, 80/132", 84/144" .....	232
<b>Axle Adjust, Duals, 62.5/120", 80/120", 88/132" .....</b>	<b>233</b>
Parts List: Axle Adjust, Duals, 62.5/120", 80/120", 88/132" .....	234
<b>Axle Adjust, Duals, Metric, 50cm-76cm.....</b>	<b>235</b>
Parts List: Axle Adjust, Duals, Metric, 50cm-76cm.....	236
<b>Q881 20K Hub Assembly, 10 Bolt, 13.19" B.C. ....</b>	<b>237</b>
Parts List: Q881 20K Hub Assembly, 10 Bolt, 13.19" B.C. ....	238
<b>4 Inch Axle Spacer.....</b>	<b>239</b>
Parts List: 4 Inch Axle Spacer.....	240
<b>Axle Adjust Assembly, Diamond Tire.....</b>	<b>241</b>
Parts List: Axle Adjust Assembly, Diamond Tire.....	242
<b>Q981 25K Hub Assembly, 10 Bolt, 13.19" B.C. ....</b>	<b>243</b>
Parts List: Q981 25K Hub Assembly, 10 Bolt, 13.19" B.C. ....	244
<b>Tires and Rims - Trailer .....</b>	<b>245</b>
Parts List: Tires and Rims - Trailer .....	246
<b>Adjustable Track Axle .....</b>	<b>247</b>
Parts List: Adjustable Track Axle .....	248
<b>Camso Tracks .....</b>	<b>249</b>
Parts List: Camso Tracks .....	249
<b>STEERABLE GOOSENECK .....</b>	<b>250</b>
<b>Steerable Gooseneck .....</b>	<b>250</b>
Parts List: Steerable Gooseneck .....	251
<b>Raven Steerable Hitch Reverse Sensors 15K (1800 Gallon).....</b>	<b>252</b>
Parts List 28176: Raven Steerable Hitch Reverse Sensors 15K (1800 Gallon) .....	253
<b>Raven Steerable Hitch Reverse Sensors 20K (2600 Gallon).....</b>	<b>254</b>
Parts List 28177: Raven Steerable Hitch Reverse Sensors 20K (2600 Gallon) .....	255
<b>Raven Steerable Hitch Reverse Sensors TTS (Tracks).....</b>	<b>256</b>
Parts List 28175: Raven Steerable Hitch Reverse Sensors TTS (Tracks) .....	257
<b>Raven Steerable Hitch Kit .....</b>	<b>258</b>
Parts List: Raven Steerable Hitch Kit .....	258



# ILLUSTRATED PARTS LIST

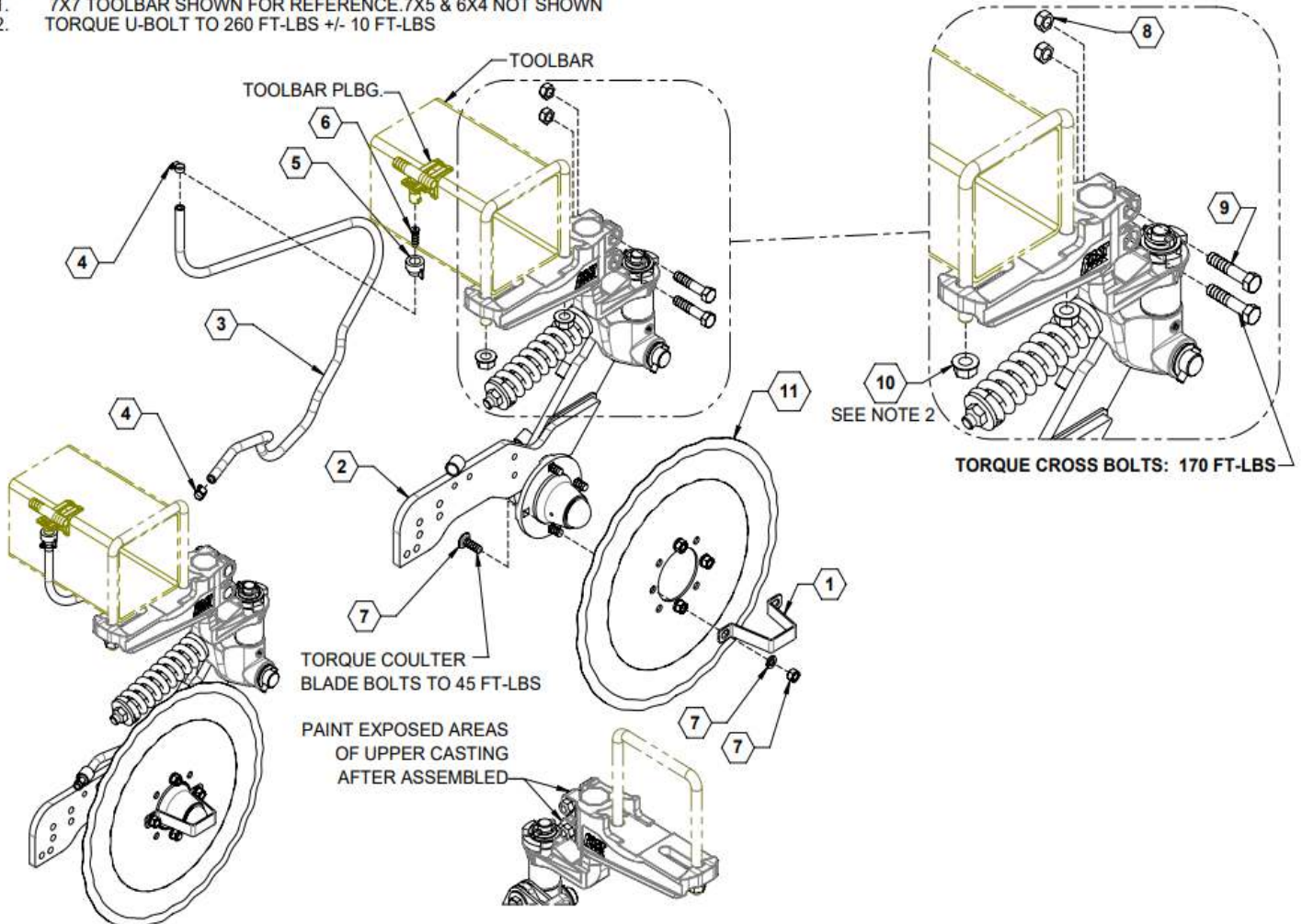
<b>Raven Steerable Applicator Kit</b> .....	<b>259</b>
Parts List: Raven Steerable Applicator Kit.....	259
<b>Raven Steering Valve</b> .....	<b>260</b>
Parts List: Raven Steering Valve .....	261
<b>Steerable Gooseneck Hydraulic Hoses &amp; Fittings</b> .....	<b>262</b>
Parts List: Steerable Gooseneck Hydraulic Hoses & Fittings.....	262
<b>Steerable Gooseneck Hydraulic Hoses &amp; Fittings (cont.)</b> .....	<b>263</b>
Parts List: Steerable Gooseneck Hydraulic Hoses & Fittings (cont.) .....	263
<b>STANDARD DUTY</b> .....	<b>264</b>
<b>Standard Duty, Steerable Welded Latch Cyl. Gooseneck Assembly</b> .....	<b>264</b>
Parts List: Standard Duty, Steerable Welded Latch Cyl. Gooseneck Assembly.....	266
<b>Standard Duty, Steerable Tie Rod Latch Cyl. Gooseneck Assembly</b> .....	<b>269</b>
Parts List: Standard Duty, Steerable Tie Rod Latch Cyl. Gooseneck Assembly .....	271
<b>Standard Duty, 66' Welded Latch Cyl. Assembly</b> .....	<b>274</b>
Parts List: Standard Duty, 66' Welded Latch Cyl. Assembly .....	277
<b>Standard Duty, 66' Tie Rod Latch Cyl. Assembly</b> .....	<b>280</b>
Parts List: Standard Duty, 66' Tie Rod Latch Cyl. Assembly .....	283
<b>WARNING LIGHTS, DECALS, and SERIAL NUMBER TAG</b> .....	<b>285</b>
<b>Warning Lights and Warning Decals</b> .....	<b>285</b>
Parts List: Warning Lights and Warning Decals.....	286
<b>Gooseneck Decals and Serial Number Tag</b> .....	<b>287</b>
Parts List: Gooseneck Decals and Serial Number Tag .....	288
<b>Decals, Domestic English</b> .....	<b>289</b>
Parts List: Decals, Domestic English .....	290
<b>Decals, NA INTL English</b> .....	<b>291</b>
Decals, NA INTL English .....	292
<b>Decals, French</b> .....	<b>293</b>
Parts List: Decals, French.....	294
<b>Decals, Ukrainian</b> .....	<b>295</b>
Parts List: Decals, Ukrainian .....	296
<b>Decals, Domestic Spanish</b> .....	<b>297</b>
Parts List: Decals, Domestic Spanish .....	298



## COULTERS

### AP Coultter Assembly

- NOTE:  
 1. 7X7 TOOLBAR SHOWN FOR REFERENCE. 7X5 & 6X4 NOT SHOWN  
 2. TORQUE U-BOLT TO 260 FT-LBS +/- 10 FT-LBS



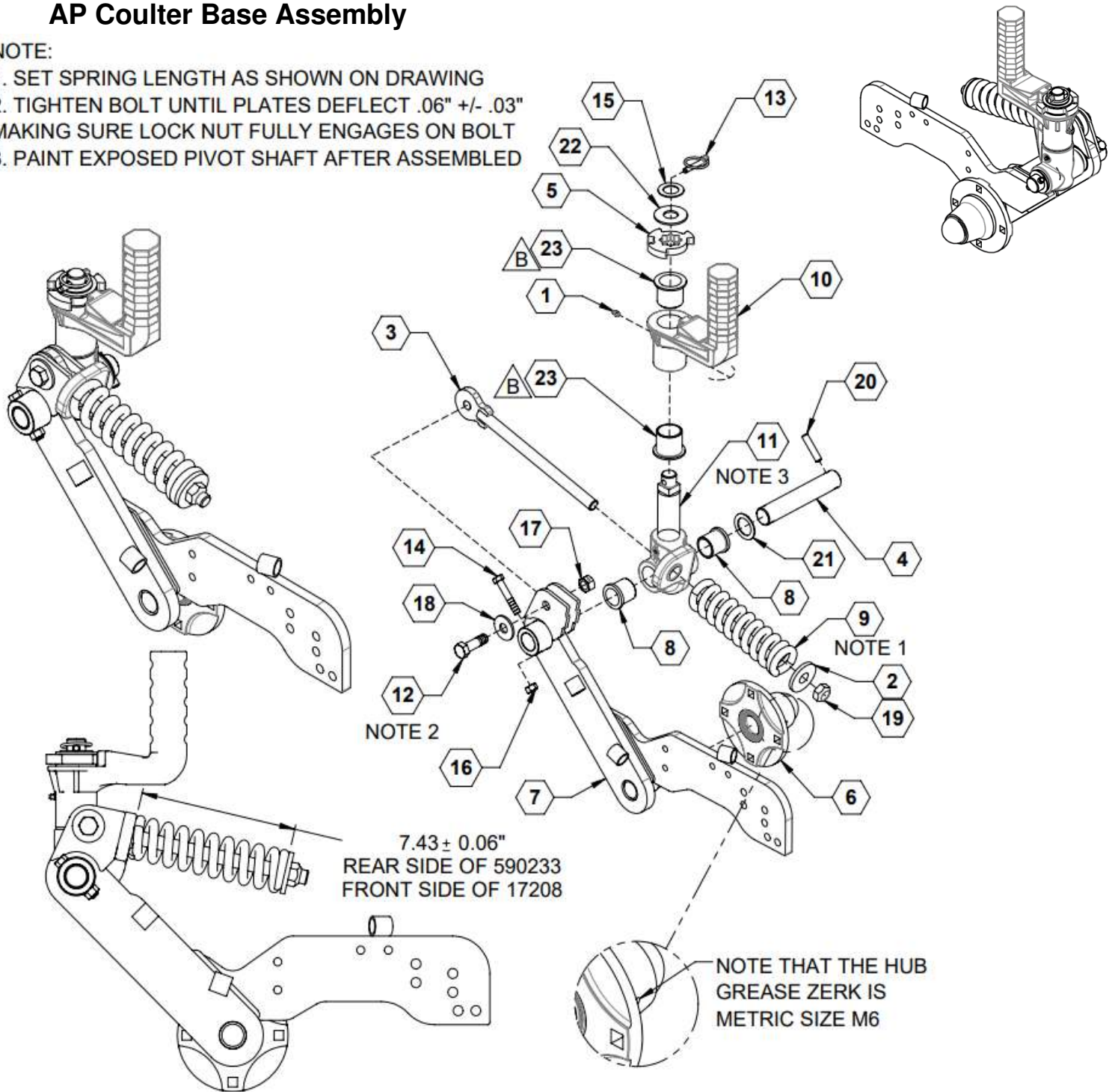
### Parts List: AP Coultter Assembly

ITEM	PART NO.	QTY.	DESCRIPTION
1	17214	1	HUB RETAINER BRACKET
2	34470	1	ASSY, UPDATED COULTER BASE
3	510020	1	HOSE, 3/8" EPDM X 4.5 FT
4	540032	2	CLAMP, HOSE SS 5/16" #5
5	590076	1	CAP, QT NYLON BLACK
6	590077	1	CONNECTOR, HOSE BARB
7	590278	1	HDWE KIT, COULTER BLADE KIT
8	596243M	2	NUT, TOPLOCK 5/8-11 G8 MAGNI
9	596779M	2	BOLT, HH 5/8 X 3 G8 MAGNI
10	596850M	2	NUT, HEX FLANGE TOPLOCK 3/4-10 GR8 MAGNI
11	750014	1	COULTER BLADE, 20' RIPPLED

## AP Coulter Base Assembly

**NOTE:**

1. SET SPRING LENGTH AS SHOWN ON DRAWING
2. TIGHTEN BOLT UNTIL PLATES DEFLECT .06" +/- .03" MAKING SURE LOCK NUT FULLY ENGAGES ON BOLT
3. PAINT EXPOSED PIVOT SHAFT AFTER ASSEMBLED





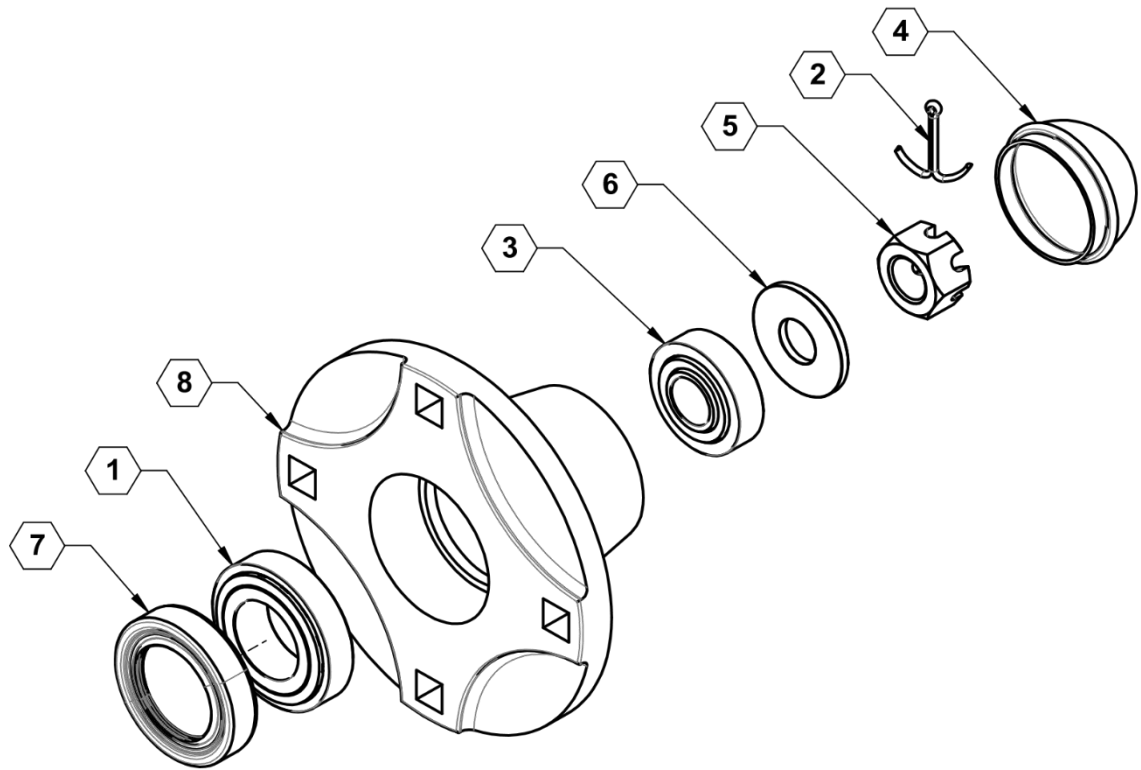
# ILLUSTRATED PARTS LIST

## Parts List: AP Coultter Base Assembly

ITEM	PART NO.	QTY.	DESCRIPTION
1	759	1	ZERK, 1/4-28 STRAIGHT PIPE THREAD
2	17208	1	PLATE, SPRING END
3	17276	1	SPRING LEVER WELDMENT
4	17291	1	PIVOT SHAFT
5	21088	1	PLATE, COULTER ROTATION
6	26891	1	HUB, COULTER 4 BOLT
7	34472	1	COULTER ARM WELDMENT
8	530328	2	IGUS FLANGED BUSHING
9	590123	1	COULTER COMPRESSION SPRING
10	590232	1	MID CASTING
11	590233	1	LOWER CASTING
12	590290	1	BOLT, HH 5/8 X 2 SPECIAL, MAGNI
13	590819M	1	LYNCH PIN, 5/16 X 1-3/4 MAGNI
14	596143M	1	BOLT, HH 7/16 X 2-1/2 GR5 MAGNI
15	596179M	1	BUSHING, MACHINED 1' X 14GA MAGNI
16	596238M	1	NUT, CENTERLOCK 7/16-14 MAGNI
17	596240M	1	NUT, CENTERLOCK, 5/8-11 MAGNI
18	596261M	1	WASHER, FLAT 5/8 MAGNI
19	596626M	1	NUT, TOPLOCK 3/4-10 GR5 MAGNI
20	596740M	1	ROLL PIN, 7/16 X 2 MAGNI
21	596744M	1	BUSHING, MACHINE, 1-1/4 X 14 GA MAGNI
22	750086	1	UPPER DUST CAP WASHER
23	750094	2	COULTER PIVOT BUSHING



## N669 Complete Hub with Square Hole with Triple Seal Assembly



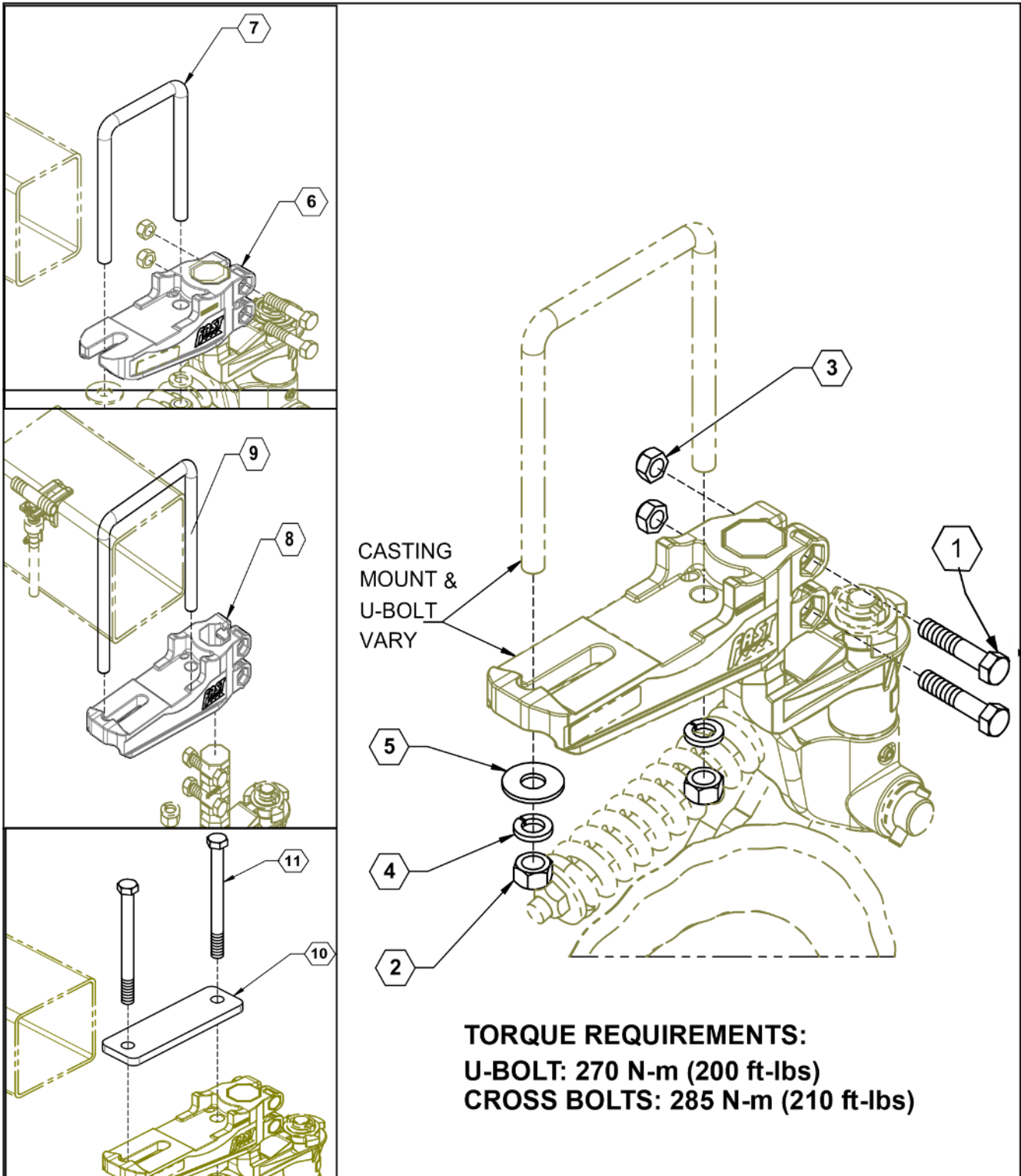
### Parts List: N669 Complete Hub with Square Hole with Triple Seal

ITEM	FAST PART NO.	VENDOR PART NO.	QTY.	DESCRIPTION
1	730032		1	BEARING AND RACE, LG LM67048,
1		LM67048	1	BEARING
1		LM67010	1	RACE
2	730033		1	COTTER PIN, N669, 4-BOLT
3	730036		1	BEARING AND RACE, SM LM11949,
3		LM11949	1	BEARING
3		LM11910	1	RACE
4	730044		1	HUB CAP, (699/736) HUB
5	730088		1	CASTLE NUT 4-BOLT, 5/8-18
6	730096		1	WASHER, NSS9 4-BOLT
7	730102		1	SEAL, TRIPLE LIP ID
8	730104		1	HUB, W/ CUPS, 4 BOLT, N669





## AP Coultter Upper Casting Mounts

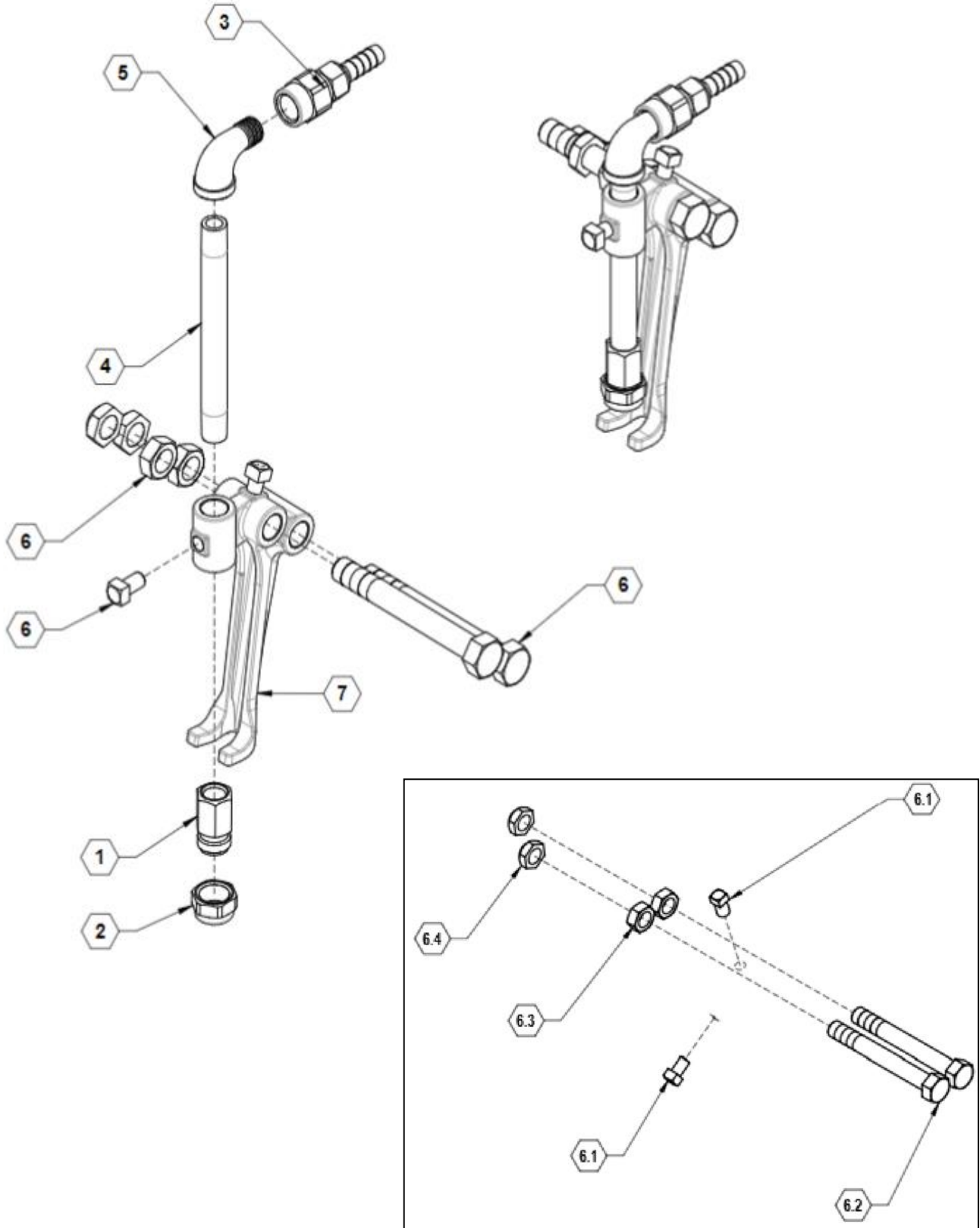


## Parts List: AP Coulter Upper Casting Mounts

ITEM	PART NO.	QTY.	DESCRIPTION
1	596779M	2	BOLT, G8 HEX 5/8 X 3 MAGNI
2	596217M	2	NUT, HEX 3/4-10 MAGNI
3	596243M	2	NUT, G8 TOPLOCK 5/8-11 MAGNI
4	596254M	2	LOCKWASHER 3/4 MAGNI
5	596259M	1	WASHER, FLAT 3/4 MAGNI
6	590310	1	MOUNT CASTING AP COULTER
7	596773M	1	U-BOLT, 7 X 5 MAGNI
	596772M	1	U-BOLT, 6 X 4 MAGNI
8	590231	1	MOUNT CASTING, 7X7 TB
9	596774M	1	U-BOLT, 7 X 7 MAGNI
10	17284	1	PLATE, TOP
11	596197M	2	BOLT, 3/4-10 X 9-1/2 MAGNI

## AP Coulter Injection Option Assembly

*No closing wheel*



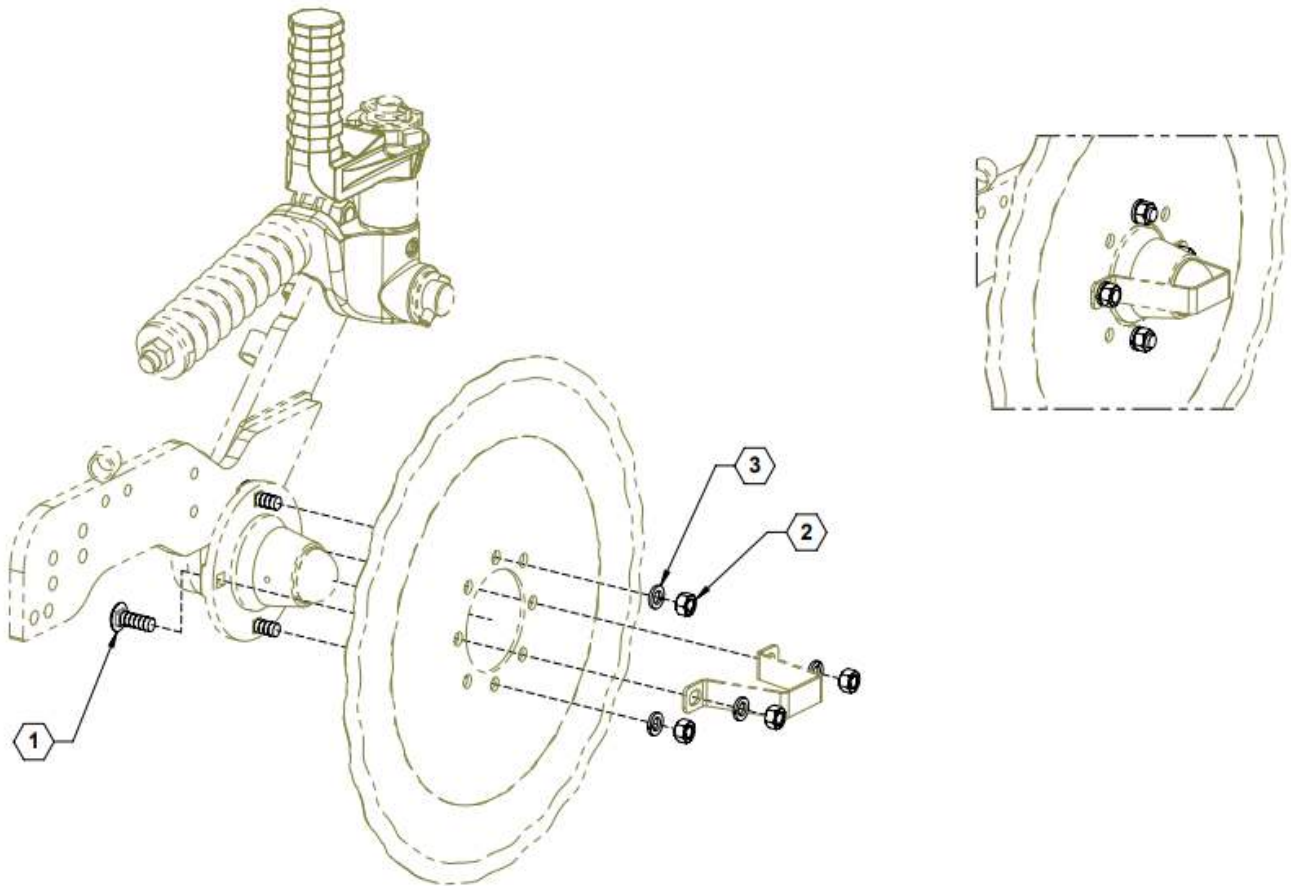


## ILLUSTRATED PARTS LIST

### Parts List: AP Coulter Injection Option Assembly

ITEM	PART NO.	QTY.	DESCRIPTION
1	520014	1	NOZZLE BODY, 1/4" SS
2	520015	1	NOZZLE CAP, SS
3	530188	1	CHECK VALVE ASSEMBLY
4	530199	1	PIPE NIPPLE, 1.4" SS
5	530246	1	ELBOW, 90° STREET 1/4 NPT SS
6	590818	1	HDWE KIT, INJECTION ASSY
6.1	596100M	2	SET SCREW, 3/8-16 X 1/2 MAGNI
6.2	596158M	2	BOLT, HH 1/2 X 4 GR5 MAGNI
6.3	596223M	2	NUT, HEX JAM 1/2 -13 MAGNI
6.4	596618M	2	NUT, TOPLOCK THIN 1/2-13 MAGNI
7	750089	1	CASTING, INJECTION ROCK GUARD

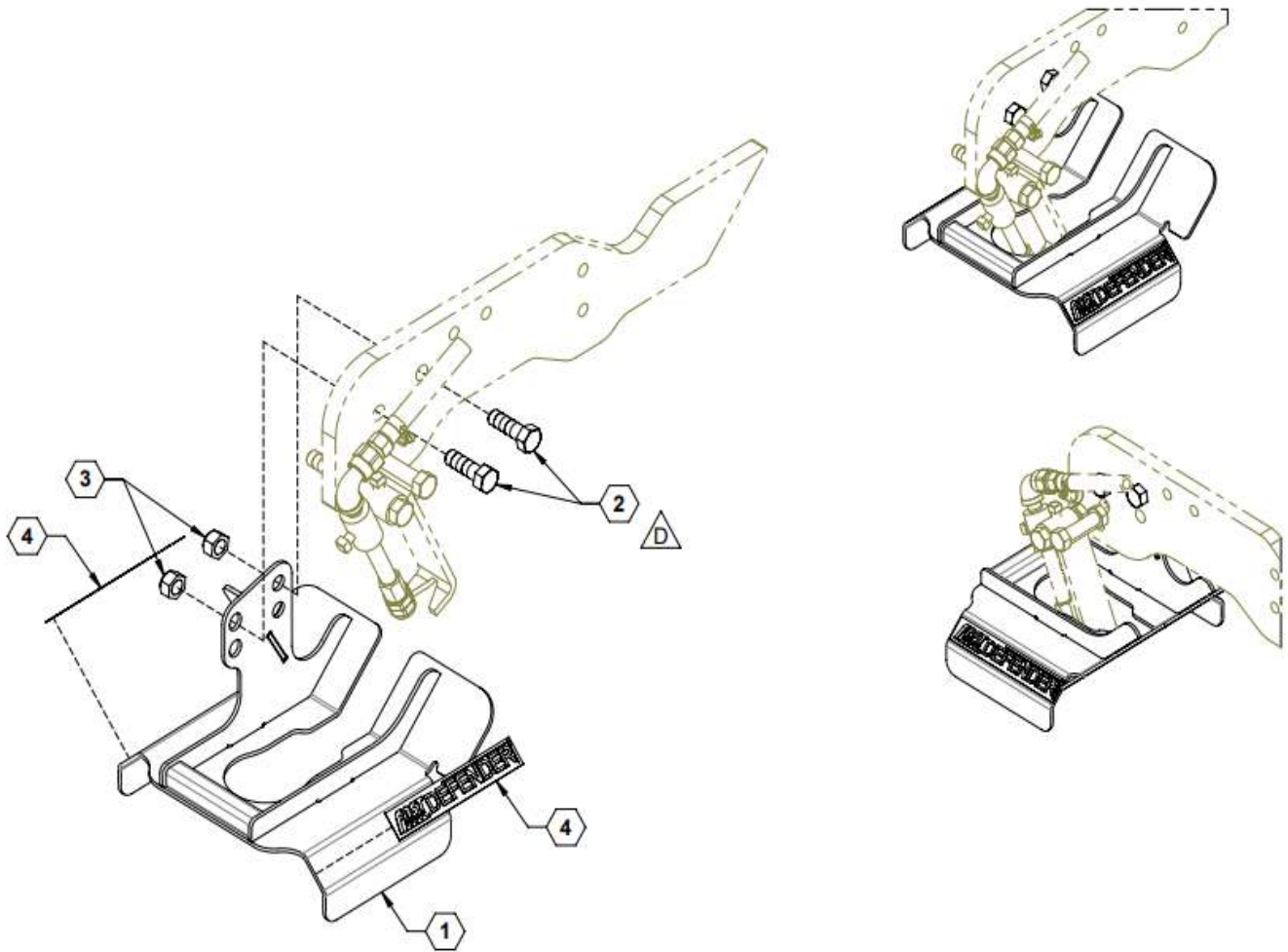
## AP Coultter Blade Hardware Kit



### Parts List: AP Coultter Blade Hardware Kit

ITEM	PART NO.	QTY.	DESCRIPTION
1	596620M	4	BOLT, CARR, 1/2 X 1-1/2 GR5 MAGNI
2	596215M	4	NUT, HEX 1/2 NC GR5 MAGNI
3	596251M	4	WASHER, LOCK, 1/2 MAGNI

## DEFENDER® for Injection Assembly



### Parts List: DEFENDER® for Injection

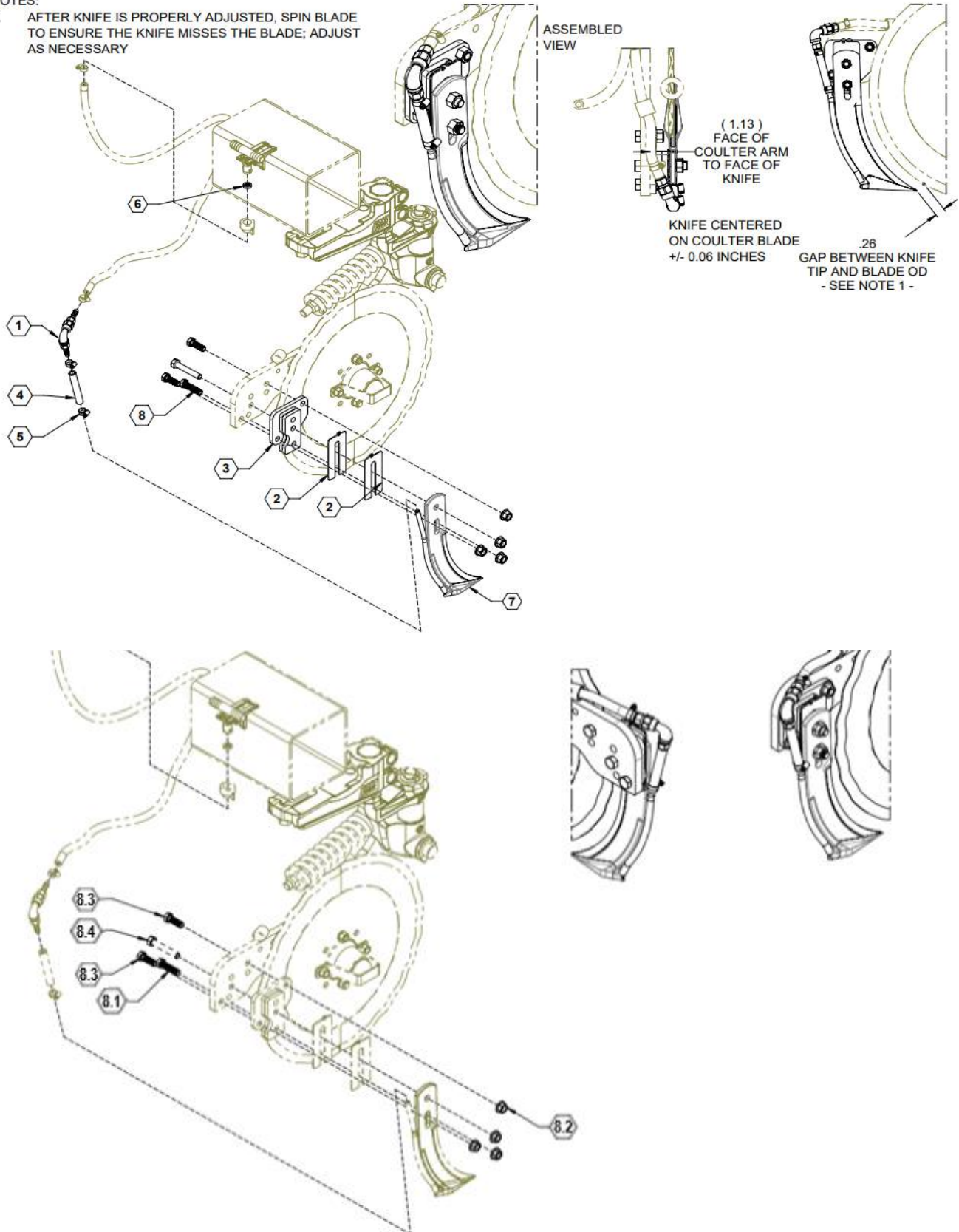
ITEM	PART NO.	QTY.	DESCRIPTION
1	21805	1	COULTER FENDER
2	596153M	2	BOLT, HH 1/2-13X1-1/2 GR5 MAGNI
3	596619M	2	NUT, TOPLOCK 1/2-13 MAGNI
4	800273	2	DECAL, FAST DEFENDER®



## AP Coultter Knife Option Assembly – Non-Adjustable (2022 and newer, backwards compatible)

**NOTES:**

1. AFTER KNIFE IS PROPERLY ADJUSTED, SPIN BLADE TO ENSURE THE KNIFE MISSES THE BLADE; ADJUST AS NECESSARY





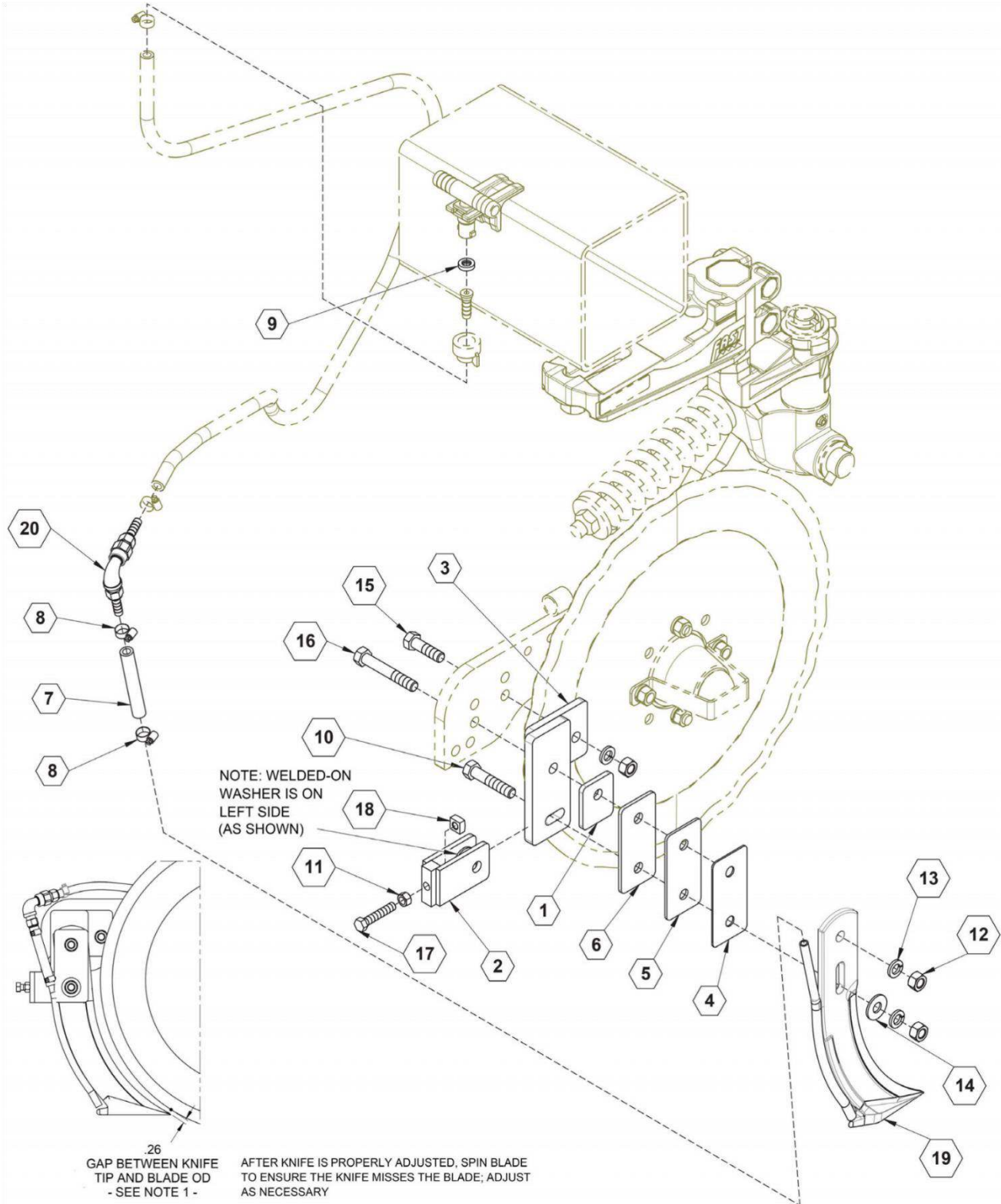
## ILLUSTRATED PARTS LIST

**Parts List: AP Coultter Knife Option Assembly – Non-Adjustable** (2022 and newer, backwards compatible)

ITEM	PART NO.	QTY.	DESCRIPTION
1	90SACLYKNFCHCKVLV	1	KNIFE CHECK VALVE ASSEMBLY
2	34474	2	KNIFE SHIM, 14 GA
3	34475	1	WELDMENT, KNIFE MOUNT
4	510020	1	HOSE, 3/8" EPDM X .33FT
5	540032	2	CLAMP, HOSE SS 5/16" #5
6	590029	2	SEAL, EPDM
7	750003	1	KNIFE, EXTRA THIN W/ 3/8" PIPE
8	590799	1	HARDWARE KIT, KNIFE
8.1	596154M	1	BOLT, HH 1/2-13 X 2 GR5 MAGNI
8.2	596820M	4	NUT, FLANGED LOCKNUT, 1/2-13 G8 MAGNI
8.3	596853M	2	BOLT, 1/2"-13 X 1.5 GR. 8 MAGNI
8.4	596854M	1	BOLT, 1/2"-13 X 3" GR. 8 MAGNI



## AP Coultter Knife Stop Hardware Kit – Adjustable (2022 and older)



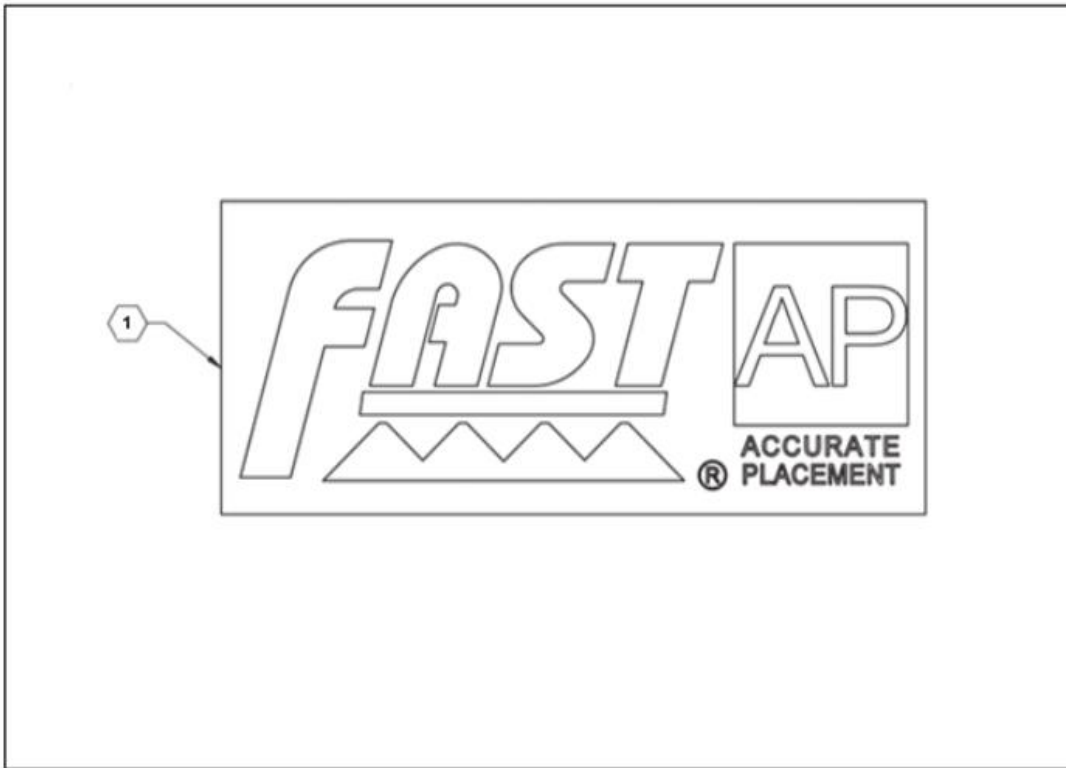


# ILLUSTRATED PARTS LIST

## Parts List: AP Coultter Knife Stop Hardware Kit – Adjustable (2022 and older)

ITEM	PART NO.	QTY.	DESCRIPTION
1	17909	1	PLATE, SHIM SPACER
2	17910	1	KNIFE ADJUSTER BRACKET
3	17915	1	KNIFE MOUNT
4	17920	1	KNIFE SHIM, 14 GA
5	17921	1	KNIFE SHIM, 10 GA
6	17922	1	KNIFE SHIM, 7 GA
7	510020	1	HOSE, 3/8", EPDM
8	540032	2	CLAMP, HOSE SS 5/16" #5
9	590029	1	SEAL, EPDM
10	596155M	1	BOLT, HH 1/2-13 X 2-1/2 GR5 MAGNI
11	596213M	1	NUT, HEX 3/8-16 MAGNI
12	596215M	3	NUT, HEX 1/2 NC GR5 MAGNI
13	596251M	3	WASHER, LOCK, 1/2 MAGNI
14	596260M	1	WASHER, FLAT 1/2 MAGNI
15	596639M	1	BOLT, HH 1/2 X 1-3/4 GR5 MAGNI
16	596640M	1	BOLT, HH 1/2 X 3-1/4 GR5 MAGNI
17	596666M	1	BOLT, HH 3/8-16 X 2 MAGNI
18	596762M	1	NUT, SQ 3/8-16 MAGNI
19	750003	1	KNIFE, EXTRA THIN W/ 3/8" PIPE
20	90SACLKYNFCHCKVLV	1	KNIFE CHECK VALVE ASSEMBLY
NS	CP491663	AR	#63 ORIFICE DISK
NS	CP491665	AR	#65 ORIFICE DISK
NS	CP491672	AR	#72 ORIFICE DISK
NS	CP491675	AR	#75 ORIFICE DISK
NS	CP491677	AR	#77 ORIFICE DISK
NS	CP491678	AR	#78 ORIFICE DISK
NS	CP491680	AR	#80 ORIFICE DISK
NS	CP491689	AR	#89 ORIFICE DISK
NS	CP491691	AR	#91 ORIFICE DISK
NS	CP491693	AR	#93 ORIFICE DISK
NS	CP4916103	AR	#103 ORIFICE DISK
NS	CP4916107	AR	#017 ORIFICE DISK
NS	CP4916115	AR	#115 ORIFICE DISK
NS	CP4916125	AR	#125 ORIFICE DISK
NS	CP4916132	AR	#132 ORIFICE DISK
NS	CP4916144	AR	#144 ORIFICE DISK
NS	CP4916151	AR	#151 ORIFICE DISK
NS	CP4916177	AR	#177 ORIFICE DISK

## Decal Assembly

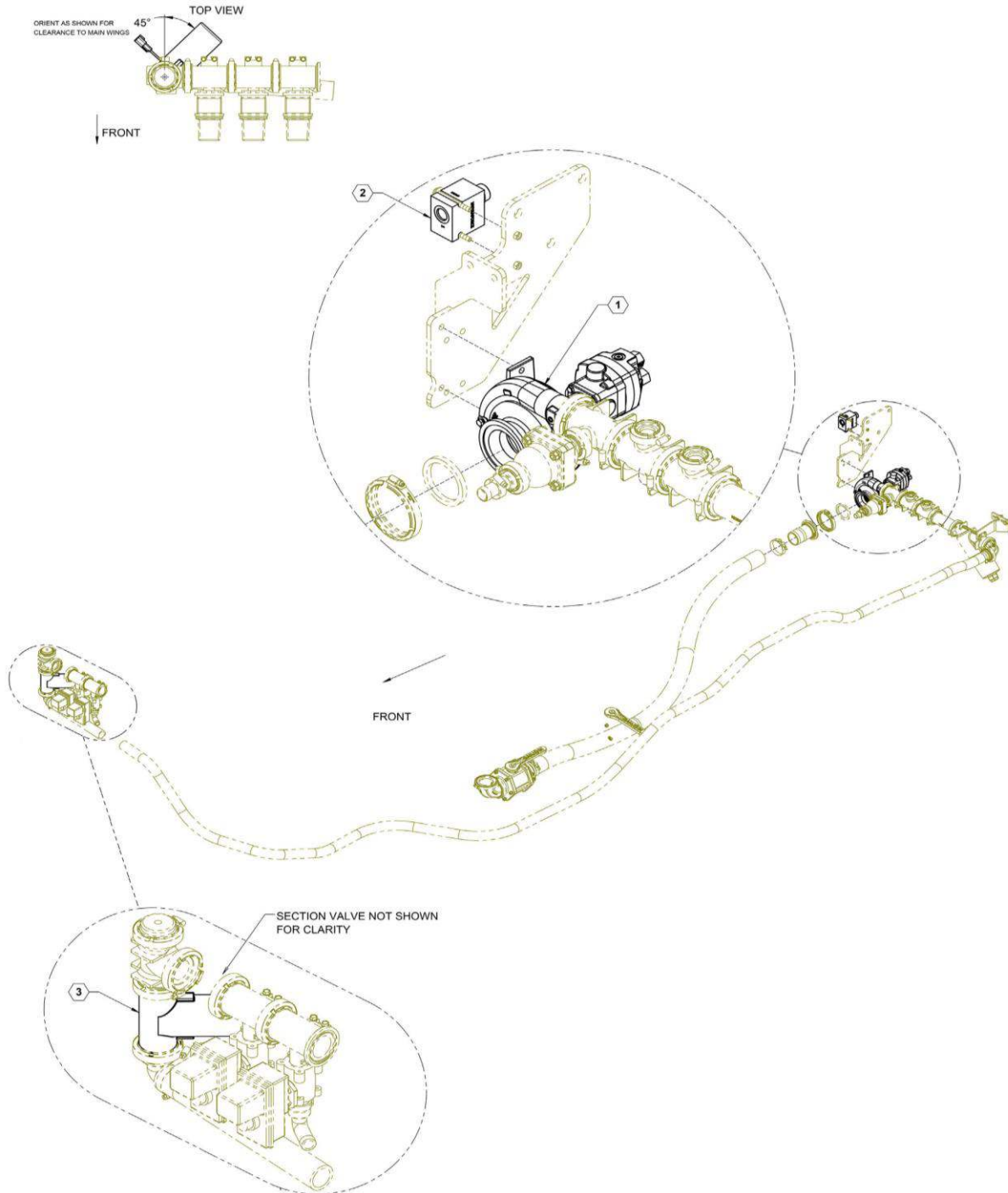


### Parts List: Decal Assembly

ITEM	PART NO.	QTY.	DESCRIPTION
1	800210	1	DECAL, FAST AP COULTER LOGO

## PUMPS

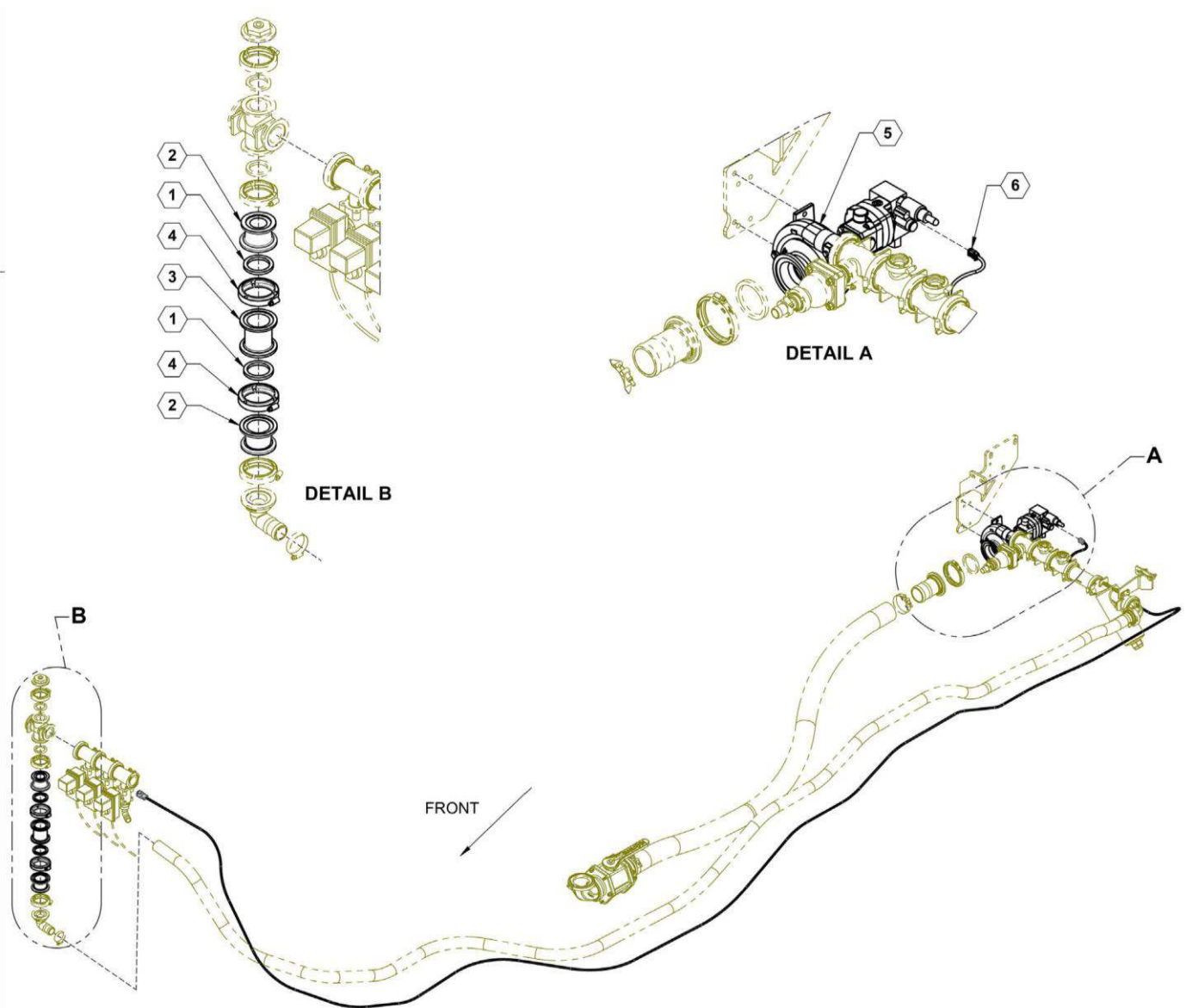
### Pump Assembly, ACE FMCS205-HYD-304



### Parts List: Pump Assembly, ACE FMCS205-HYD-304

ITEM	PART NO.	QTY.	DESCRIPTION
1	550025	1	PUMP, ACE 205F 304 ASSEMBLY
2	610099	1	VALVE, FLOW CONTROL, P.C.
3	632079	1	BUTTERFLY VALVE, 1.5"

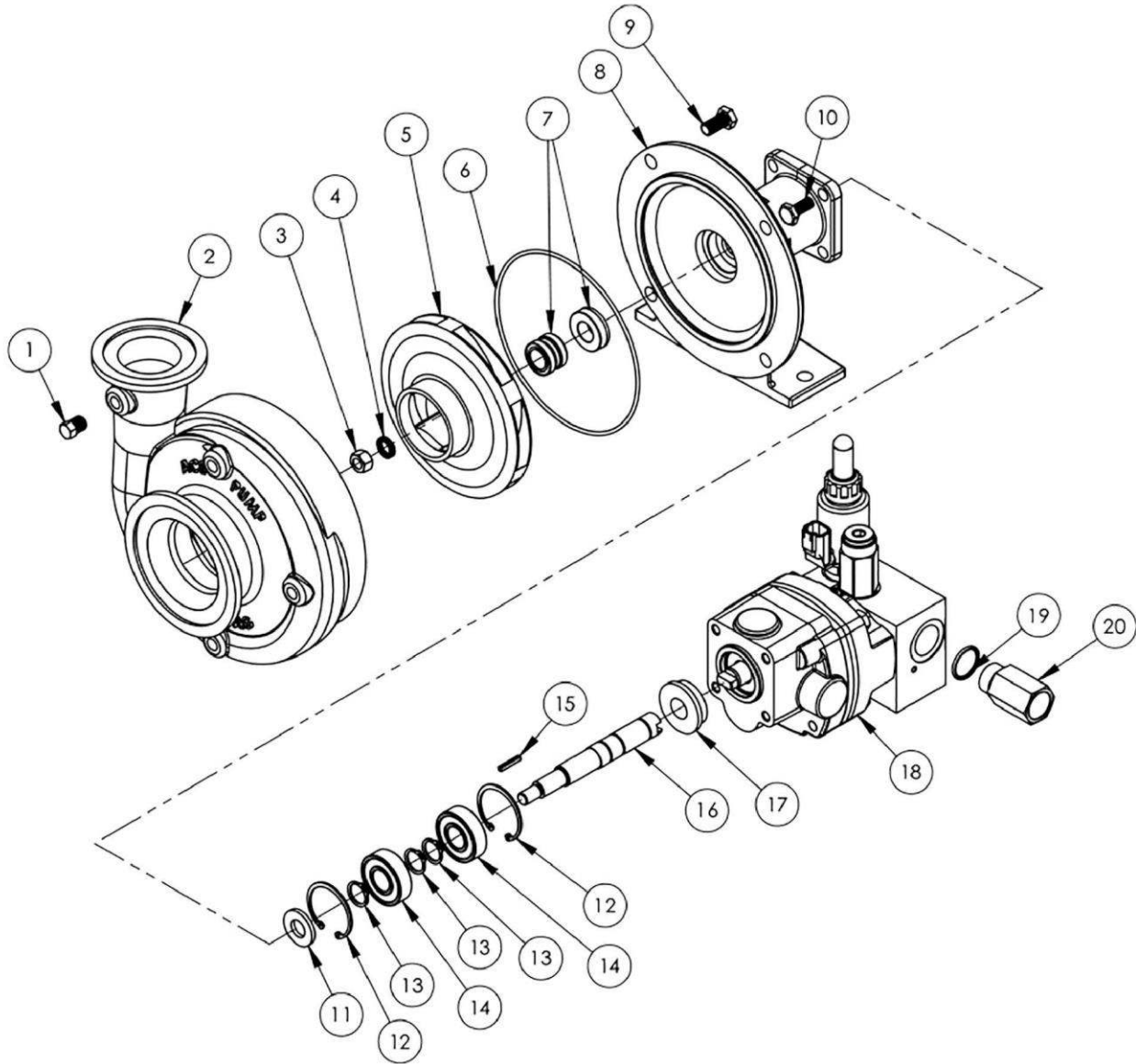
## Pump Assembly, ACE FMCS205-HYD-304 PWM



### Parts List: Pump Assembly, ACE FMCS205-HYD-304 PWM

ITEM	PART NO.	QTY.	DESCRIPTION
1	530019	2	GASKET, 2.00 EPDM
2	530102	2	FLANGE, 2" FP X 2" REDUCER
3	530244	1	FLANGE, 2" X 2" FULL PORT
4	540002	2	CLAMP, FP WORM SCREW, 2.00
5	550035	1	PUMP, ACE 205F W/304 PWM
6	632042	1	2 PIN DT 40' CABLE EXTENSION

**Parts Breakdown: ACE Pump, ACE FMCS205-HYD-304 PWM**

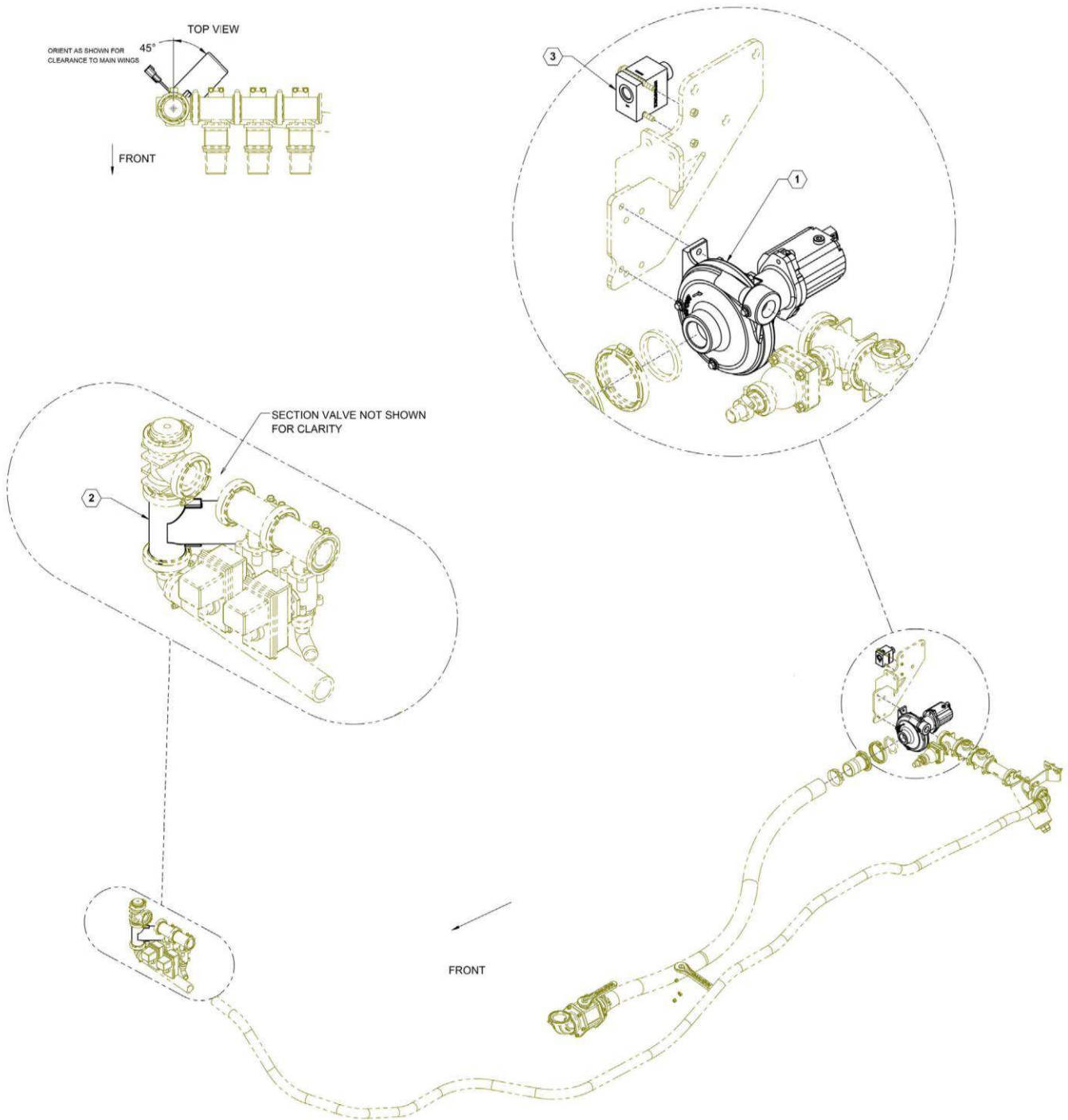




## Parts List: ACE Pump, ACE FMCS205-HYD-304 PWM

ITEM	PART NO.	QTY.	EDP #	DESCRIPTION
1	BAC-53	4	41110	Pipe plug
1	41120	4	41120	Pipe plug, stainless steel (-FS model) (optional)
2	7AC-14-FLG	1	41530	Volute, 300 standard flange x 220 full port flange, cast iron
2	7AC-14-FLG-SS	1	41532	Volute. 300 flange x 220 flange, 316 stainless steel (-FS model)
3	BAC-23-B-SS	1	40393	Nut, 3/8" NF, stainless steel
4	BAC-24-B-SS	1	42702	Washer, 3/8", stainless steel, self-locking
5	BAC-26-200-P	1	40434	Impeller, thermoplastic
5	BAC-26-200-CI	1	40433	Impeller, cast iron (optional)
5	BAC-26-200-SS	1	40436	Impeller, 316 stainless steel (-FS model) (optional)
6	BAC-4A	1	40005	O-ring, body seal
7	BAC-7SC-205V	1	40149	Seal, silicon carbide
8	BAC-14-205-HYD	1	40338	Mounting frame for 205 pump
8	BAC-14-205-HYD-S	1	40346	Mounting frame for 205 pump, 316 stainless steel (-FS model)
9	40950	4	40950	Cap screw, 3/8" NC x 3/4" hex head
9	40930	4	40930	Cap screw, 3/8" NC x 3/4" hex head, stainless steel (-FS model)
10	41330	4	41330	Cap screw, 5/16" NC x 3/4" hex head, motor to pump
11	BAC-54	1	41130	Slinger
12	BACH-33	2	40820	Snap ring, internal, BAC-14-205 mounting frame
13	BACH-32-HD	3	40385	Snap ring, external, BAC-6-205 shaft
14	40880	2	40880	Ball bearing, sealed, BAC-6-205 shaft
15	BAC-25	1	40425	Key, 1/8" x 1/8" x 13/16", extended keyway
16	BAC-6-205-HYD-SS	1	40068	Shaft, extended keyway, tang, stainless steel
17	S305	1	40163	Seal support spacer for 205 series pump
18	BAC-75-HYD-304-PWM	1	41348	Hydraulic motor, 11 GPM, PWM
19	41445	1	41445	o-ring, #10 SAE fitting
20	BAC-78-10X10SAE	1	41467	Reverse check assembly, #10 SAE x #10 SAE
NS	RK-FMCSC-205	-	52705	Repair kit for FMC-205 pump with silicon carbide shaft seal
NS	RK-BAC-75-HYD-30	-	41362	Repair kit for 300 Series hydraulic motor

## Pump Assembly, ACE FMC-65

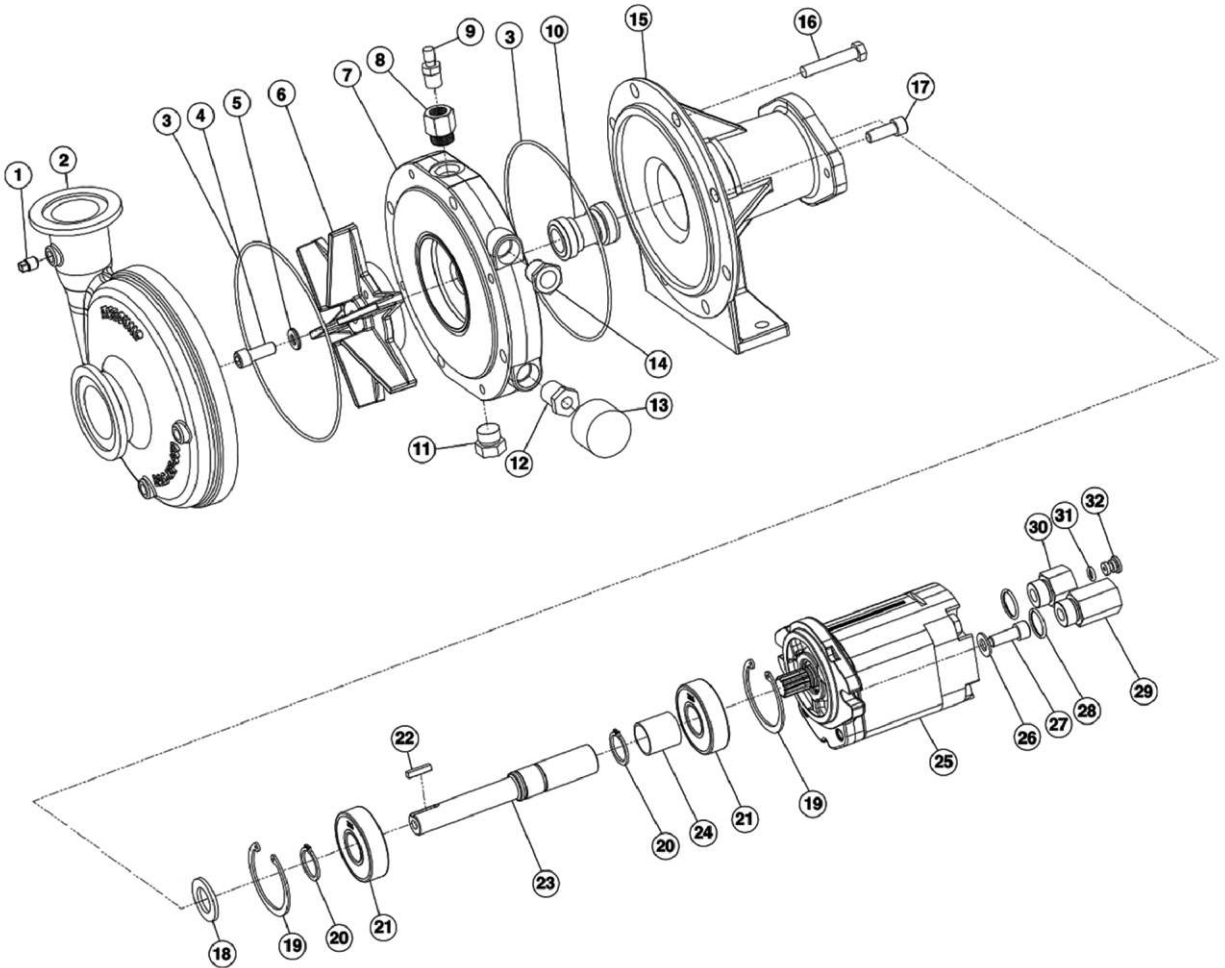


### Parts List: Pump Assembly, ACE FMC-650-HYD

ITEM	PART NO.	QTY.	DESCRIPTION
1	550036	1	ACE PUMP, HYDRAULIC, 220X200 FLANGED 650
2	632079	1	VALVE, BUTTERFLY, 1.5"
3	610099	1	VALVE, FLOW CONTROL, P.C.



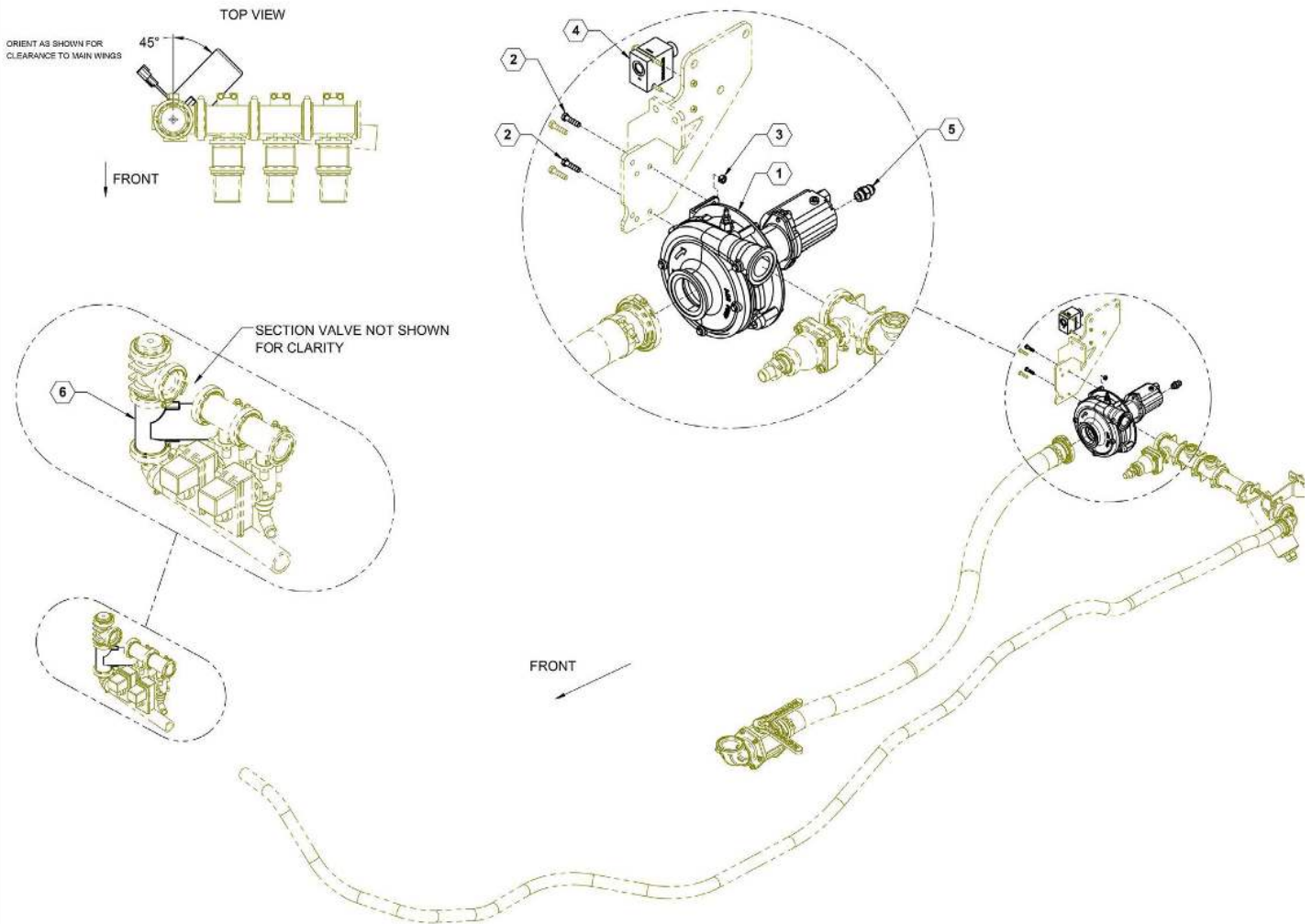
**Parts Breakdown: ACE Pump, FMC-650-HYD**



## Parts Breakdown Parts List: ACE Pump, FMC-650-HYD

ITEM	PART NO.	EDP #	QTY.	DESCRIPTION
1	BAC-53	41110	3	Pipe plug, 1/8" NPT, square head
2	BAC-12-650-FLG	30159	1	Volute, NPT & 220 flange x NPT & 200 flange
3	BAC-4-150	40015	2	O-ring, volute seal
4	40930	40930	1	Cap screw, 3/8" NC x 3/4" hex head, stainless steel
5	30029	30029	1	Washer, 3/8" O.D., sealing, stainless steel
6	BAC-26-650-WS	30192	1	Impeller, cast iron, wetseal, e-coated
7	BAC-16-650	45262	1	Seal plate, cast iron, e-coated
8	41107	41107	1	Plug, #8 SAE x 1/4" FNPT, hex, with o-ring
9	41316	41316	1	Air valve, 1/4" NPT
10	BAC-7-650-WS	40143	1	Dual seal assembly, Type 21, .750 shaft
11	41108	41108	1	Plug, #8 SAE, hex head, with o-ring
12	44038	44038	1	Bushing, 1/2" MNPT x 1/8" FNPT
13	50150	50150	1	Pressure gauge, 0-60 PSI, 1/8" NPT
14	55850	55850	1	Site gauge, brass, 1/2" NPT
15	BAC-14-650-HYD	40325	1	Mounting frame, cast iron, e-coated
16	40970	40970	4	Cap screw, 3/8" NC x 2" hex head (volute)
17	41907	41907	4	Cap screw, 3/8" NC x 1", socket head (seal plate)
18	BAC-54-650	41132	1	Slinger, 1.5" OD x 7/8" ID
19	41943	41943	2	Snap ring, internal, mounting frame
20	ACAL-32	30174	2	Snap ring, external, shaft
21	40875	40875	2	Ball bearing, sealed
22	41085	41085	1	Key, .188 x .188 x .875
23	BAC-6-650-HYD-SS-WS	40049	1	Shaft, 11T female spline, stainless steel
24	BAC-32-650-WS	40802	1	Spacer, shaft
25	BAC-75-HYD-M16	41359	1	Hydraulic motor, pressure plated gear, 14.5 GPM
26	42701	42701	2	Washer, 3/8"
27	41907	41907	2	Cap screw, 3/8" NC x 1", socket head
28	41445	41445	2	O-ring, #10 SAE fitting
29	41442	41442	1	Reverse check, #10 SAE male x 1/2" FNPT
30	41446	41446	1	Body, adapter/restrictor, #10 SAE male x 1/2" FNPT
31	41448	41448	1	O-ring, restrictor insert
32	41447	41447	1	Restrictor orifice insert, .125
*33	55032	55032	0.45	Barrier fluid, quart
				j - RK-FMCWS-650 52722 Repair kit, includes items 3 (2 each), 5, 10, and 33 (1 qt)
				* - not shown in parts diagram

## Pump Assembly, ACE FMC-750-HYD

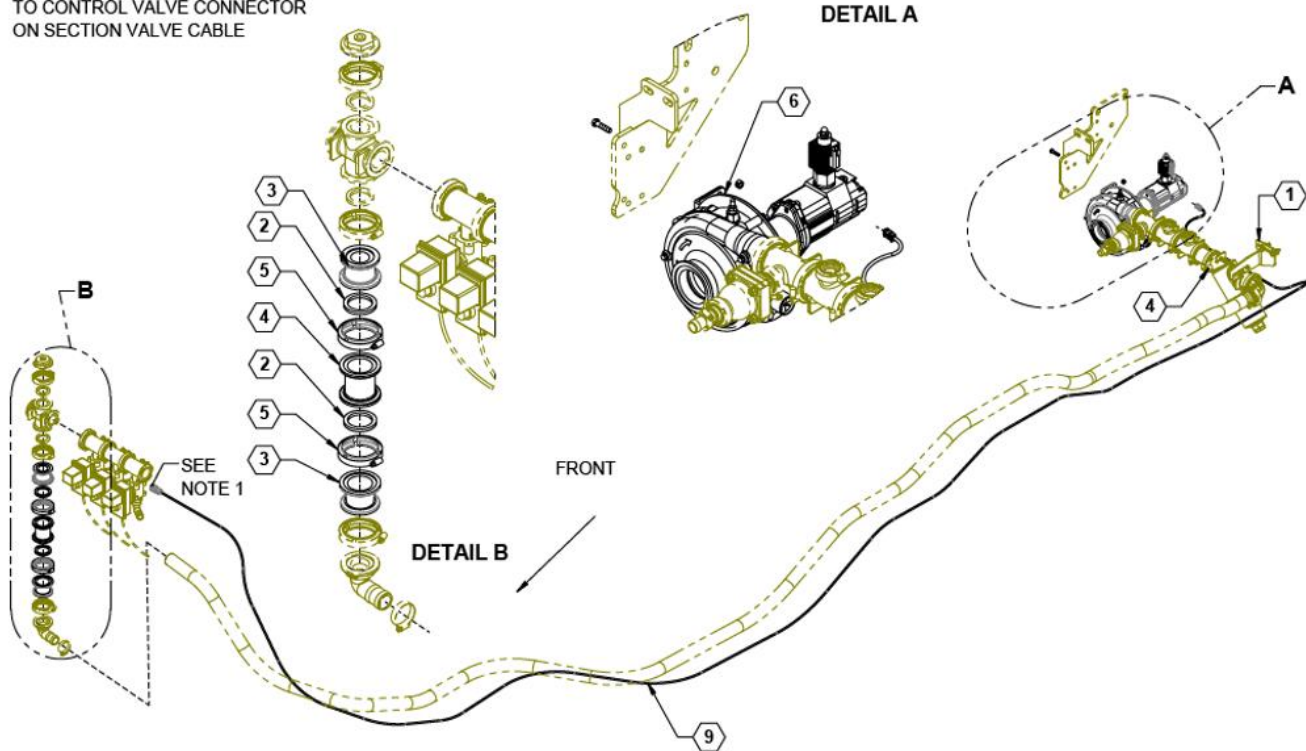


### Parts List: Pump Assembly, ACE FMC-750-HYD

ITEM	PART NO.	QTY.	DESCRIPTION
1	550041	1	PUMP ACE 750 FMC750F HYDRAULIC
			SEE PARTS & EQUIPMENT CATALOG
2	596129M	2	BOLT, HH 3/8-16X1-1/2 GR5 MAGNI
3	596237M	2	NUT, CENTERLOCK 3/8-16 MAGNI
4	610099	1	VALVE, FLOW CONTROL, P.C.
5	610106	1	JIC #10 MALE TO #10 MALE O-RING ST
6	632079	1	VALVE, BUTTERFLY, 1.5"

## Pump Assembly, ACE FMC-750-HYD-PWM

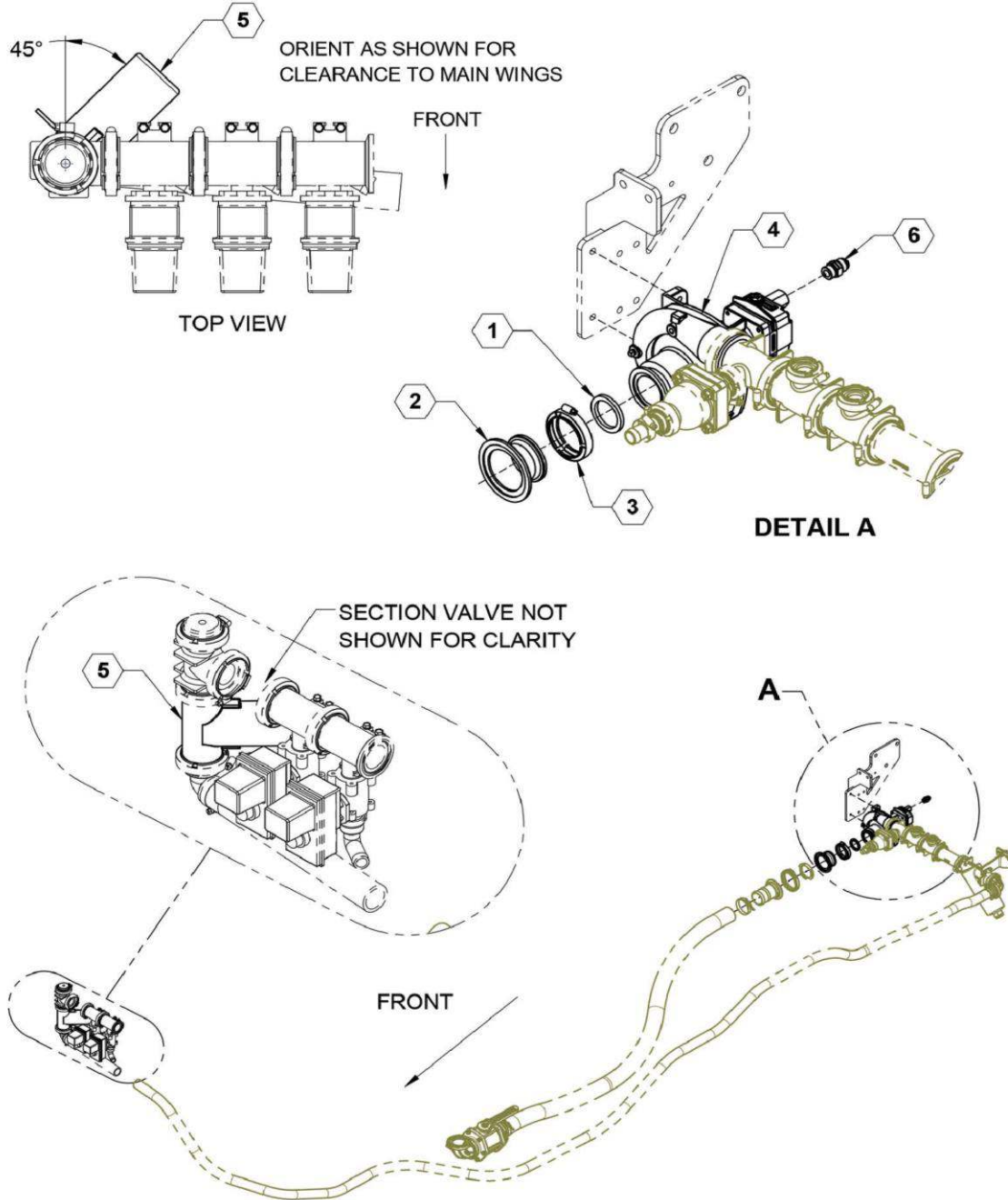
NOTES:  
CONNECTOR PWM EXTENSION CABLE  
TO CONTROL VALVE CONNECTOR  
ON SECTION VALVE CABLE



## Parts List: Pump Assembly, ACE FMC-750-HYD-PWM

ITEM	PART NO.	QTY.	DESCRIPTION
1	27215	1	PLATE, STANDARD STRAINER MNT
2	530019	2	GASKET, 2.00 EPDM
3	530102	2	FLANGE, 2" FP X 2" REDUCER
4	530244	2	FLANGE, 2" X 2" FULL PORT
5	540002	2	CLAMP, FP WORM SCREW, 2.00
6	550044	1	PUMP, 750 OASIS W/ PWM
7	596129M	2	BOLT, HH 3/8-16X1-1/2 GR5 MAGNI
8	596237M	2	NUT, CENTERLOCK 3/8-16 MAGNI
9	632042	1	2 PIN DT 40' CABLE EXTENSION

## Pump Assembly, HYPRO 9306C-HM1C (Cast)

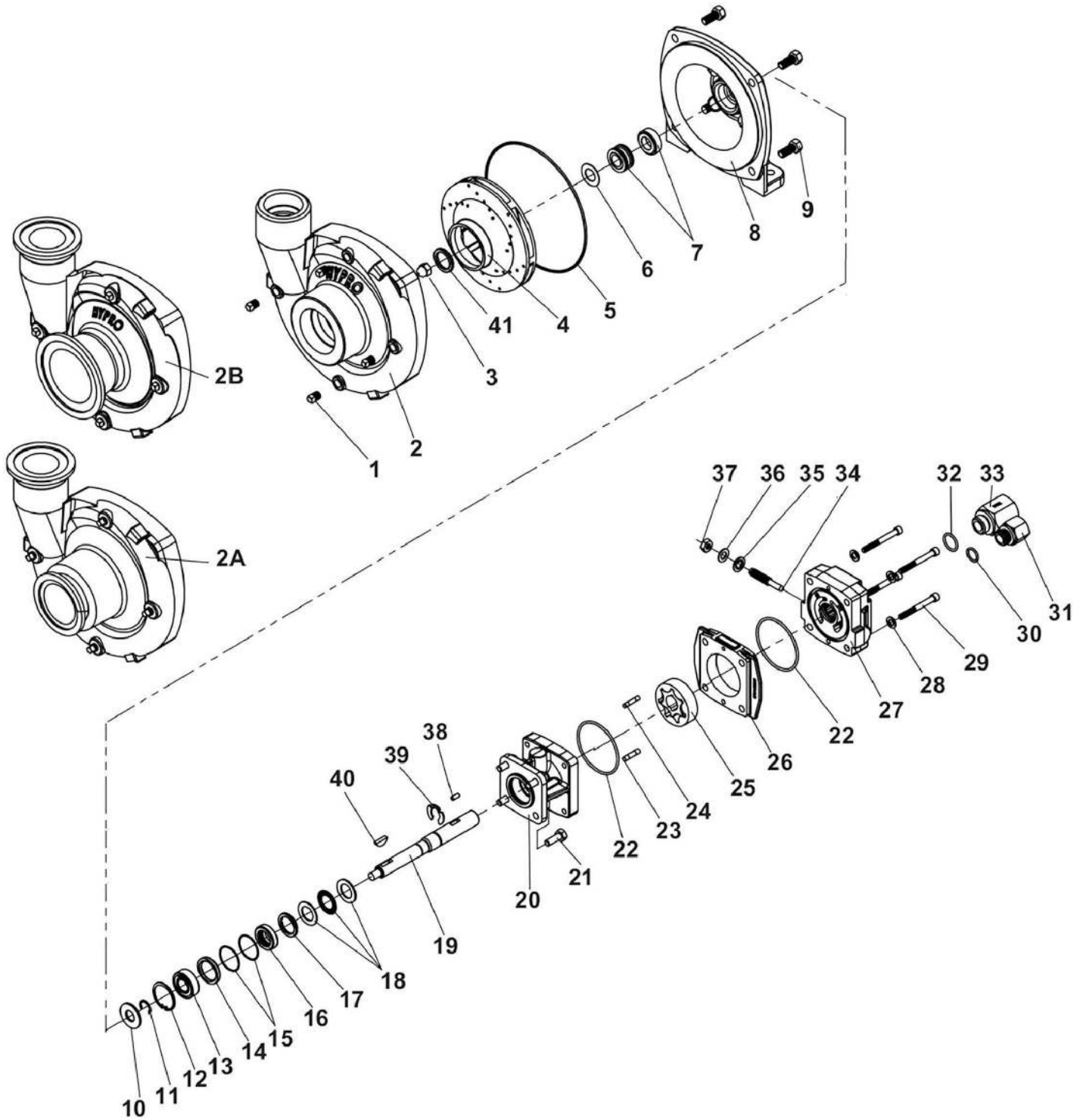


## Parts List: Pump Assembly, HYPRO 9306C-HM1C (Cast)

ITEM	PART NO.	QTY.	DESCRIPTION
1	530019	1	GASKET, 2" EPDM
2	530316	1	MANIFOLD REDUCER 3" X 2" COUPLER
3	540002	1	CLAMP, WORM SCREW 2"
4	550011	1	PUMP, HYPRO - SEE PARTS & EQUIPMENT CATALOG
5	632079	1	VALVE, BUTTERFLY, 1.5"
6	610106	1	JIC #10 MALE TO #10 MALE O-RING ST



**Parts Breakdown: HYPRO Pump 9306C-HM1C (Cast)**

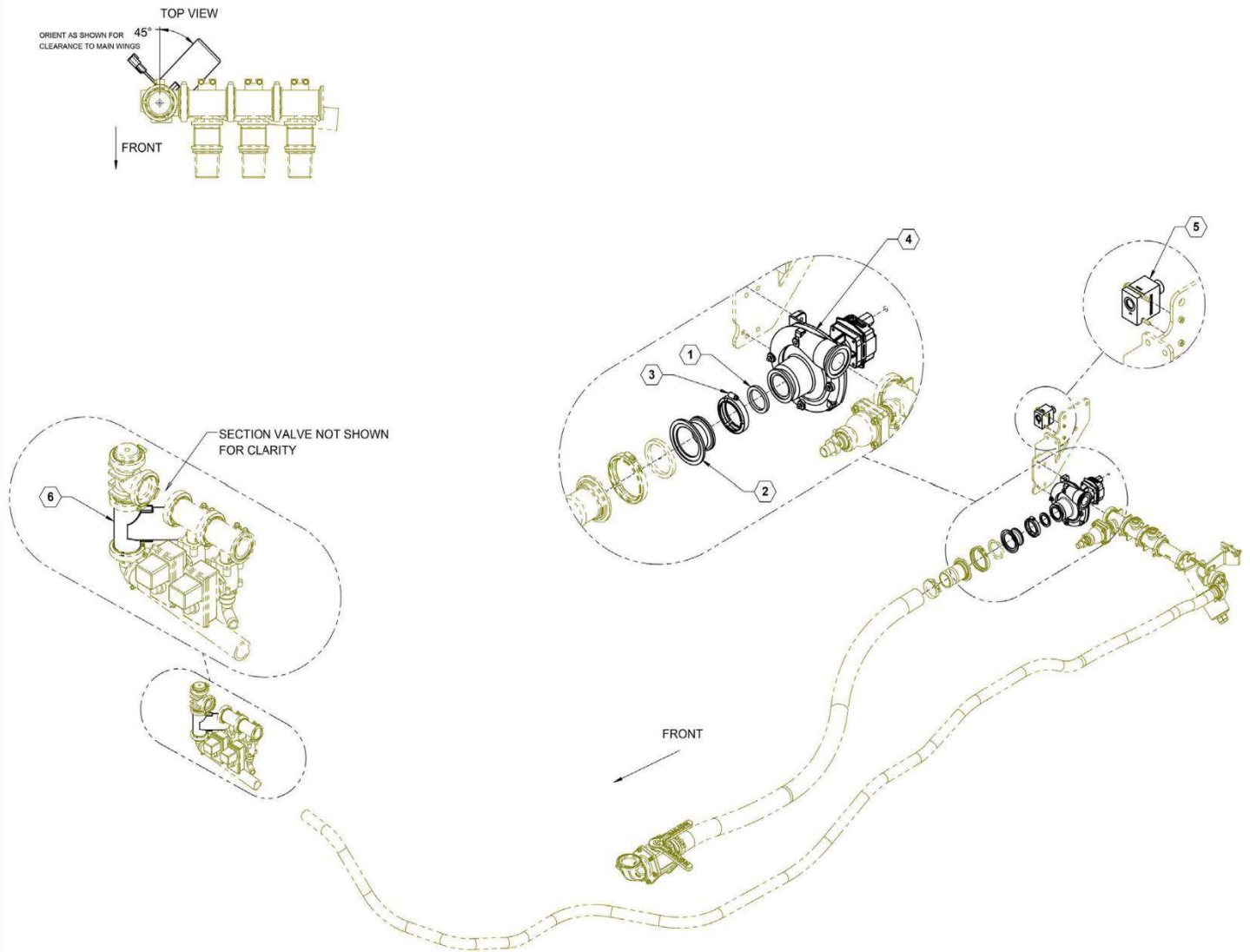


## Parts Breakdown Parts List: HYPRO Pump 9306C-HM1C (Cast)

ITEM	PART NO.	QTY.	DESCRIPTION
1	2406-0007	4	Drain/Vent Plug (9306C)
1	2406-0016	4	Drain/Vent Plug (9306S)
2	0154-9200C1	1	Pump Casing (9306C)
2	0154-9200S1	1	Pump Casing (9306S)
2A	0157-9200C	1	Pump Casing (Universal Flange 220x200)
2B	0158-9200C	1	Pump Casing (Universal Flange 300x220 Cast)
2B	0158-9200S	1	Pump Casing (Universal Flange 300x220 S.S.)
3	2253-0002	1	Impeller Nut (9306C)
3	2253-0006	1	Impeller Nut (9306S (sold in Parts Kit 3430-0825)
4	0401-9200P2	1	Impeller (Nylon Standard 9306C)
4	0405-9200P2	1	Impeller (Polypropylene Optional) (Standard 9306S)
4	0407-9306P	1	Impeller (GTX Optional)
5	1720-0083	1	O-ring
6	1700-0100	1	Gasket
7	3430-0589	1	Mechanical Seal (Silicon Carbide) (Standard 9306S) Contains one each: mechanical seal (Reference 7) and o-ring (Reference 5).
8	0750-9300C2	1	Mounting Flange (9306C)
8	0756-9300S	1	Mounting Flange (9306S)
9	2210-0020	4	Hex Head Cap Screw (9306C)
9	2210-0125	4	Hex Head Cap Screw (9306S)
10	1410-0056	1	Slinger Ring
11	1810-0014	1	Snap Ring
12	1820-0013	1	Retaining Ring
13	2000-0010	1	Ball Bearing
14	1410-0131	1	Cartridge, Front
15	1720-0268	2	O-ring
16	2104-0010	1	Lip Seal (only sold in Parts Kit No. 3430-0748)
17	1410-0130	1	Seal Spacer
18	2029-0014	1	Thrust Bearing Assembly
19	0533-2500	1	Shaft (HM1C/HM5C)
19	0536-2500	1	Shaft (HM3C)
20	0150-2500C	1	Motor Body (includes needle bearing)
			<b>NOTE:</b> When ordering parts, give QUANTITY, PART NUMBER, DESCRIPTION, and COMPLETE MODEL NUMBER. Reference numbers are used ONLY to identify parts in the drawing and are NOT to be used as order numbers.
			<b>Repair Parts Kit No. 3430-0332</b> Contains: One mechanical seal (Reference 7), one o-ring (Reference 5) and one rubber gasket (Reference 6).
			<b>Parts Kit No. 3430-0748</b> Contains: One each ball bearing (Reference 13), motor shaft seal (Reference 16), thread seal gasket (Reference 35), two cartridge o-rings (Reference 15) and washer (Reference 36); two each motor housing o-rings (Reference 22), and port adapter o-rings (Reference 30 & 32).
			<b>Hydraulic Motor Part Numbers.</b> 2500-0081C (HM1C Models) 2500-0083C (HM3C Models) 2500-0085C (HM5C Models)



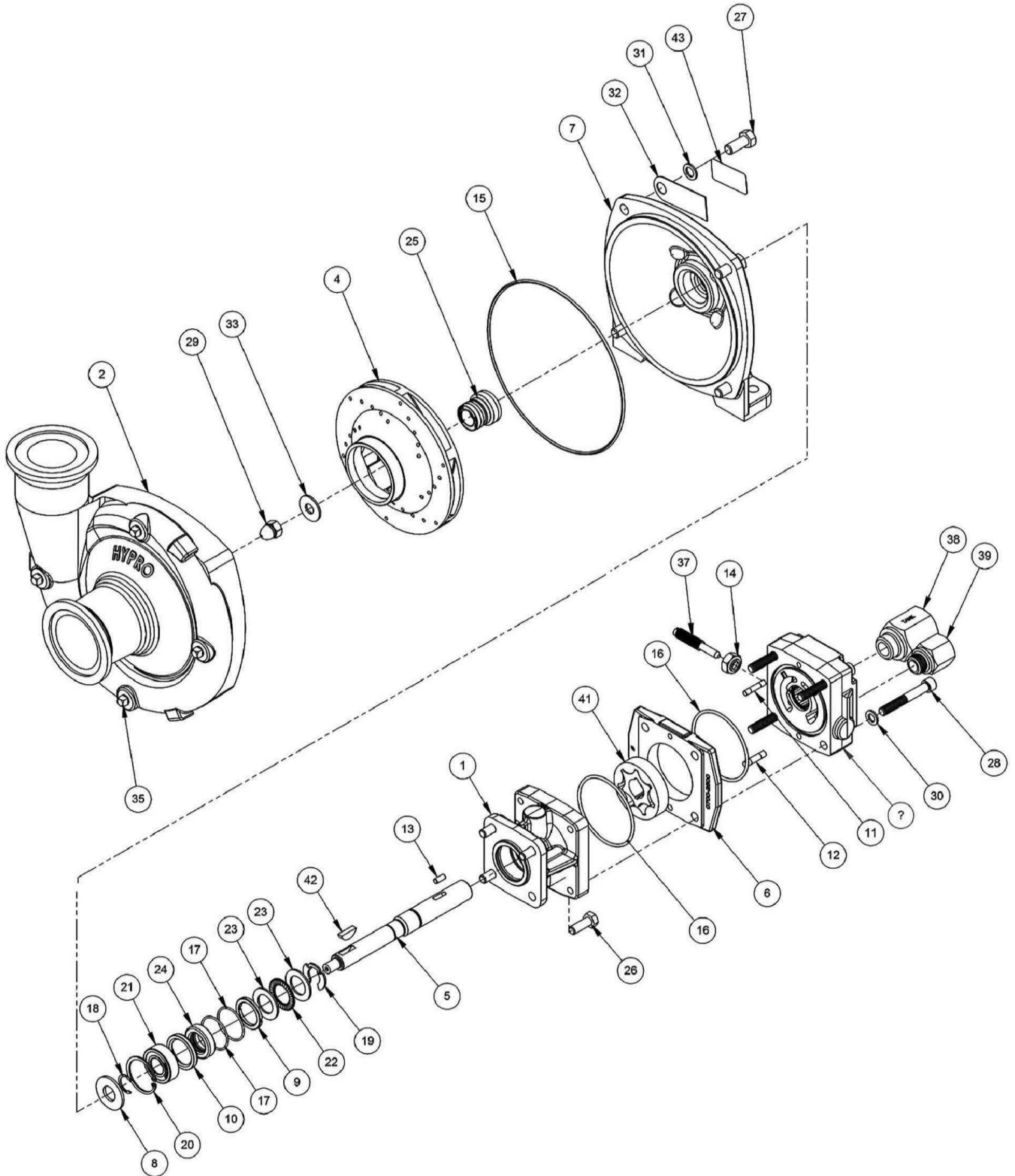
## Pump Assembly, HYPRO 9306C-HM1S (Stainless Steel)



## Parts List: Pump Assembly, HYPRO 9306C-HM1S (Stainless Steel)

ITEM	PART NO.	QTY.	DESCRIPTION
1	530019	1	GASKET, 2" EPDM
2	530316	1	MANIFOLD REDUCER 3" X 2" COUPLER
3	540002	1	CLAMP, WORM SCREW 2"
4	550027	1	PUMP, HYPRO STAINLESS STEEL
5	610099	1	VALVE, FLOW CONTROL, P.C.
6	632079	1	VALVE, BUTTERFLY, 1.5"

## Parts Breakdown: HYPRO Pump 9306C-HM1S (Stainless Steel)

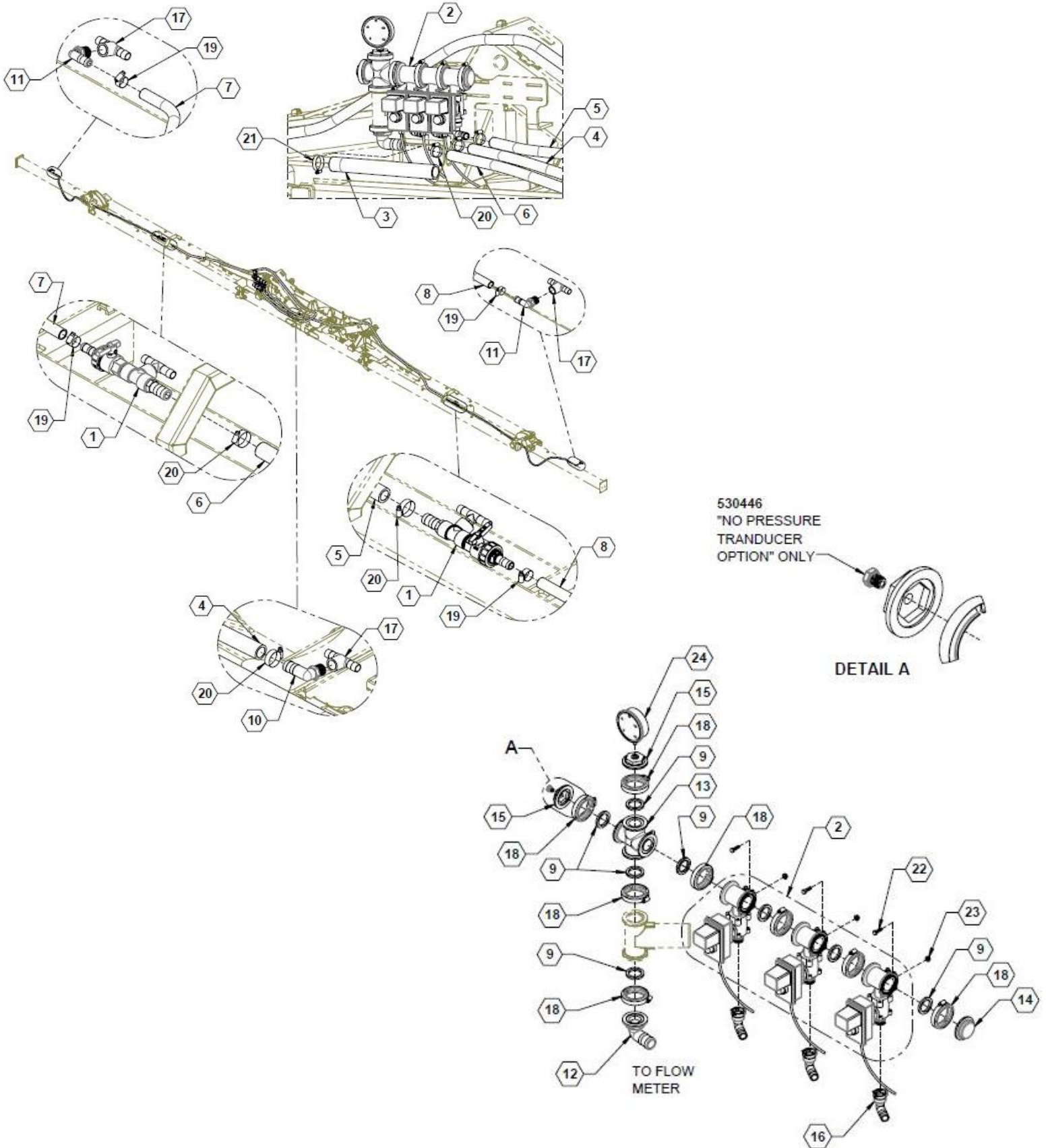


## Parts List: HYPRO Pump 9306C-HM1S (Stainless Steel)

ITEM	PART NO.	QTY.	DESCRIPTION
1	0150-2500C	1	BODY ASSEMBLY
2	0157-9200S	1	HOUSING MACHINED, PASSIVATED
3	0254-2500C2	1	END PLATE ASSEMBLY BYPASS
4	0407-9306P	1	IMPELLER (CW ROTATION)
5	0533-2500	1	SHAFT HYDRAULIC MOTOR
6	0700-2500C1	1	GEROTOR HOUSING HM1, COATED
7	0756-9300S	1	MOUNTING FLANGE PASSIVATED
8	1410-0056	1	SLINGER GASKET, SHAFT
9	1410-0130	1	SPACER, 3L SEAL
10	1410-0131	1	CARTRIDGE FRONT HYD SEAL
11	1600-0037	1	DOWEL PIN
12	1600-0044	1	DOWEL PIN
13	1610-0031	1	KEY
14	1700-0245	1	NUT, SEALING
15	1720-0083	1	O-RING
16	1720-0110	2	O-RING
17	1720-0268	2	O-RING
18	1810-0014	1	RETAINING RING
19	1810-0026	1	RETAINER RING
20	1820-0013	1	RETAINER RING
21	2000-0010	1	BEARING, BALL
22	2029-0009	1	BEARING, THRUST

## PRODUCT PLUMBING ON TOOLBAR

### 3-Section Toolbar Plumbing

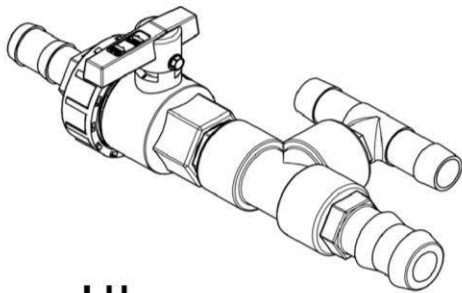


## Parts List: 3-Section Toolbar Plumbing

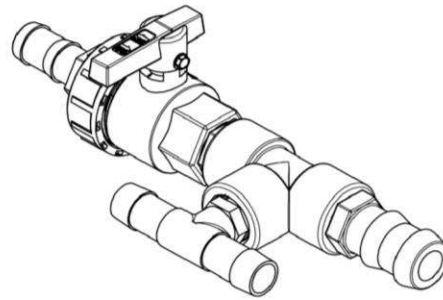
ITEM	PART NO.	QTY.	DESCRIPTION
1	90SAVFF	2	SUB ASSY, VALVE, FLIP FERT.
2	500027	0.75	VALVE, 450 4-BANK, NON- FLOWBACK, NARROW TEE
3	510014	1	HOSE, 1-1/2" EPDM X 2 FT
4	510016	1	HOSE, 1.00 EPDM X 4FT
5	510016	1	HOSE, 1.00 EPDM X 20FT
6	510016	1	HOSE, 1.00 EPDM X 22FT
7	510019	1	HOSE, .75 EPDM X 12FT
8	510019	1	HOSE, .75 EPDM X 12FT
9	530014	6	GASKET, 1.500 EPDM
10	530036	1	ELBOW, .75 MPT X 1.00 90~
11	530040	2	HOSE SHANK, 3/4" MPT X 3/4" HB 90
12	530080	1	MANIFOLD ELBOW 90, 2.00 X 1.50 HB
13	530090	1	CROSS, MANIFOLD 2.00
14	530093	1	PLUG, MANIFOLD, 2.00
15	530094	2	PLUG, MANIFOLD 2.00 W/ HOLE
16	530190	3	QUICK CONNECT, 1.00 HB ELBOW 90
17	530220	3	TEE, .75 FPT X .75 HB X .75 HB
18	540001	6	CLAMP, 2.00 STD WORM SCREW
19	540013	4	HOSE CLAMP, SS .75 #12
20	540014	6	HOSE CLAMP, SS 1.00 #16
21	540016	1	CLAMP, SS 1.500 #24
22	596115M	3	BOLT, HH 5/16-18X1 GR5 MAGNI
23	596768M	3	NUT, HEX FLANGE 5/16-18 MAGNI
24	790020	1	GAUGE, FAST LOGO 160PSI



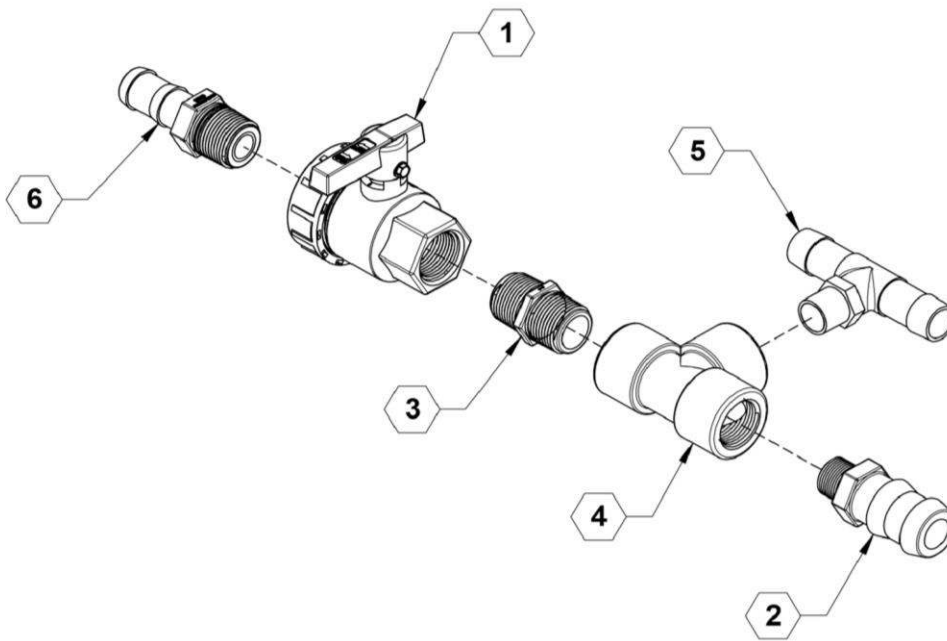
## Flip Wing Shutoff Valve Assembly (90SAVFF)



LH



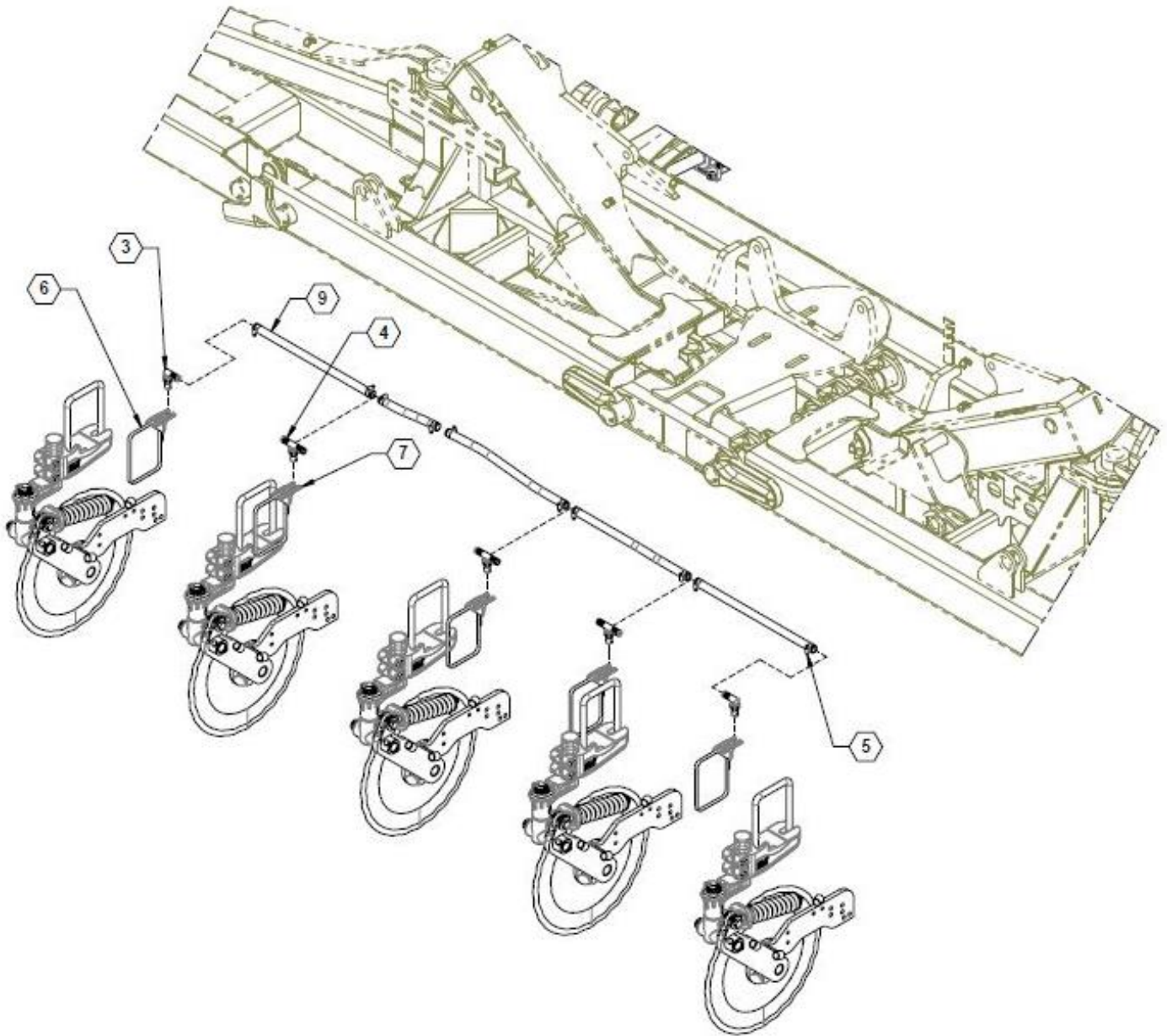
RH



### Parts List: Flip Wing Shutoff Valve Assembly (90SAVFF)

ITEM	PART NO.	QTY.	DESCRIPTION
1	500043	1	VALVE, 3/4" SINGLE UNION POLY
2	530039	1	3/4" MPT X 1" HOSE BARB
3	530131	1	NIPPLE, 3/4" SHORT POLY
4	530156	1	TEE, 3/4" POLY PIPE
5	530221	1	3/4" MPT X 3/4" HOSE BARB TEE
6	530230	1	FITTING, 3/4" MPT X 3/4" HB

## Typical Toolbar Plumbing – Tees, Elbows, Hose, and Clamps

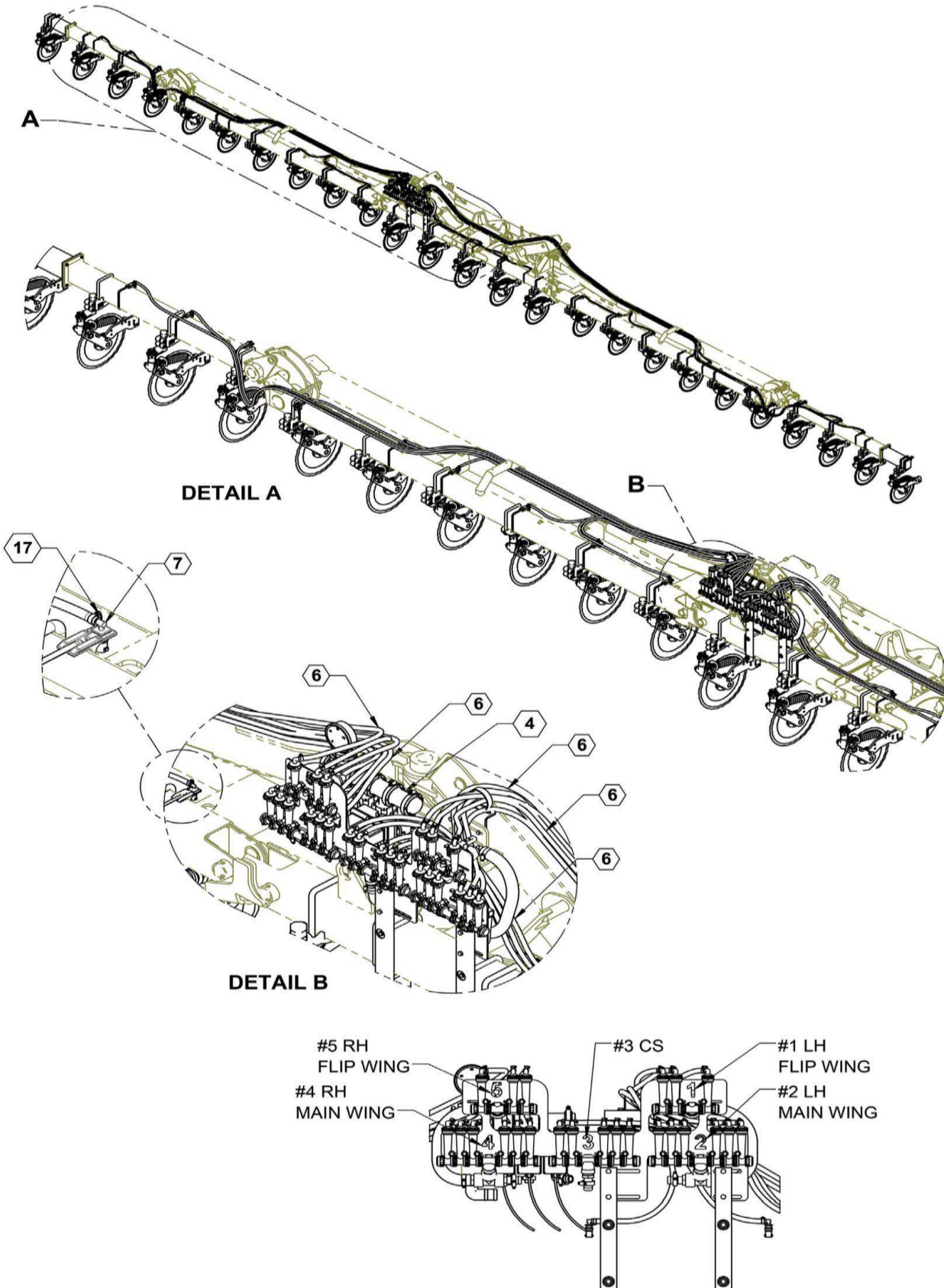


### Parts List: Typical Toolbar Plumbing – Tees, Elbows, Hose, and Clamps

ITEM	PART NO.	QTY.	DESCRIPTION
3	520003	AR	ELBOW, NOZZLE QUICK CONNECT, 3/4" HOSE SHANK
4	520004	AR	TEE, NOZZLE QUICK CONNECT, 3/4" HOSE SHANKS
5	540013	AR	HOSE CLAMP, SS .75 #12
7	590187	AR	MOUNT, PLUMBING
9	510019	AR	HOSE, 3/4", EPDM



**Wilger 3 Section Toolbar Plumbing, 23 Row**



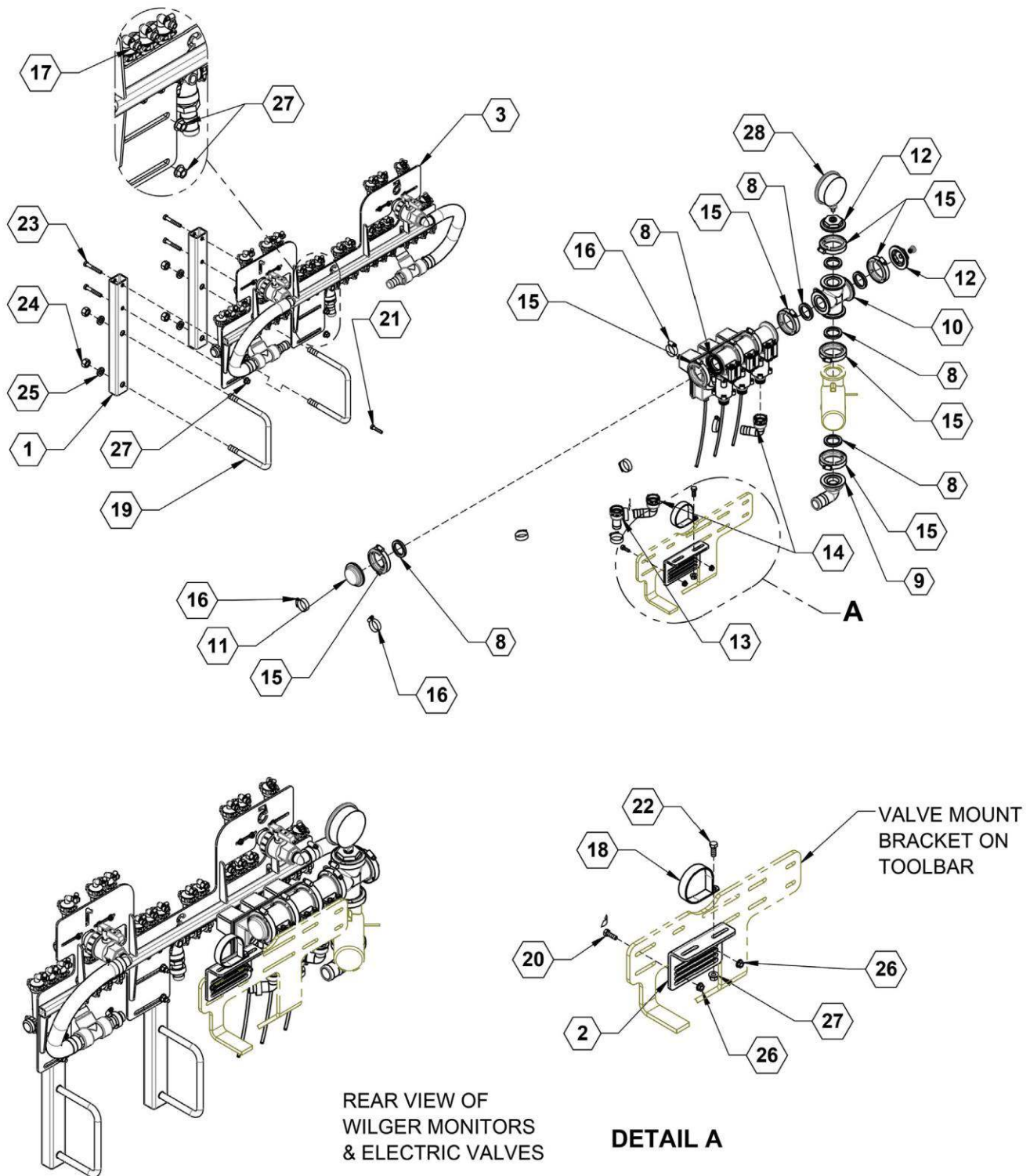


# ILLUSTRATED PARTS LIST

## Parts List: Wilger 3 Section Toolbar Plumbing, 23 Row

ITEM	PART NO.	QTY.	DESCRIPTION
4	500027	0.75	VALVE, 450 4-BANK, NON-FLOWBACK, NARROW TEE
6	510020	350	HOSE, .375 EPDM
7	520067	23	NOZZLE, 3/8" HOSE SHANK 90 DEG
17	540032	46	HOSE CLAMP, 5/16 #5 SS

**Wilger 3 Section Toolbar Plumbing, 23 Row CONT.**



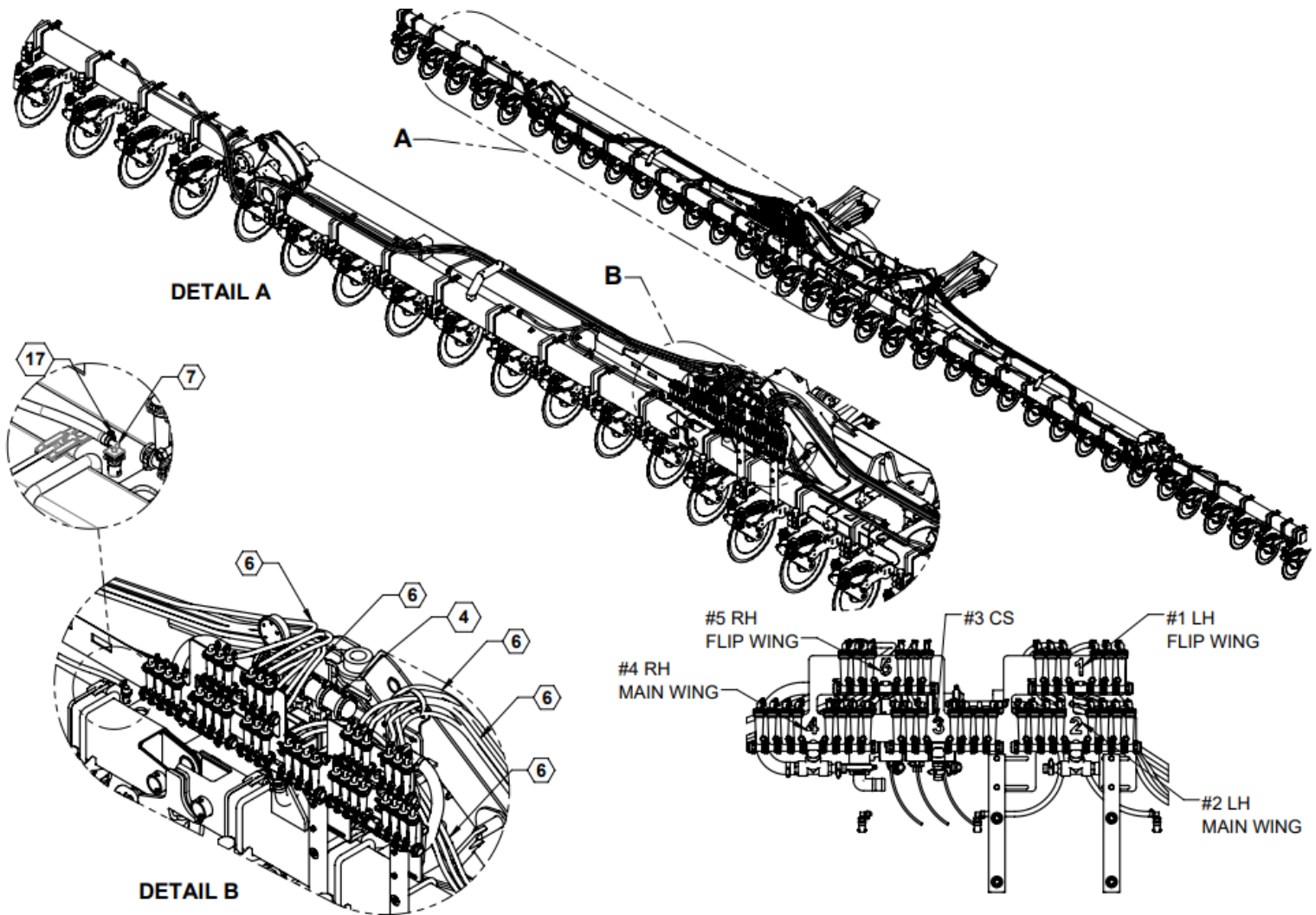


## ILLUSTRATED PARTS LIST

### Parts List: Wilger 3 Section Toolbar Plumbing, 23 Row CONT.

ITEM	PART NO.	QTY.	DESCRIPTION
1	27293	2	TUBE, WILGER MOUNT
2	27298	1	BRACKET, HOSE REST
3	28215	1	ASSY, WILGER MONITORS 3 SECTION 23 ROW, A-SERIES
8	530014	6	GASKET, 1.500 EPDM
9	530080	1	MANIFOLD ELBOW 90, 2.00 X 1.50 HB
10	530090	1	CROSS, MANIFOLD 2.00
11	530093	1	PLUG, MANIFOLD, 2.00
12	530094	2	PLUG, MANIFOLD 2.00 W/ HOLE
13	530189	1	QUICK CONNECT 1" STRAIGHT BARB
14	530190	2	QUICK CONNECT, 1.00 HB ELBOW 90
15	540001	7	CLAMP, 2.00 STD WORM SCREW
16	540014	10	HOSE CLAMP, SS 1.00 #16
17	540032	46	HOSE CLAMP, 5/16 #5 SS
18	540052	1	P-CLAMP, 3" W/3/8" HOLE
19	590061	2	U-BOLT, 5/8" X 7" X 5", CZP
20	596115M	1	BOLT, HH 5/16-18X1 GR5 MAGNI
21	596116M	1	BOLT, HH 5/16-18X1-1/2 GR5 MAGNI
22	596128M	1	BOLT, HH 3/8-16 X 1 GR5 MAGNI
23	596131M	4	BOLT, HH 3/8-16X2-1/2 GR5 MAGNI
24	596216M	4	NUT, HEX 5/8-11 MAGNI
25	596253M	4	LOCKWASHER 5/8 MAGNI
26	596768M	2	NUT, HEX FLANGE 5/16-18 MAGNI
27	596769M	5	NUT, HEX FLANGE 3/8-16 MAGNI
28	790020	1	GAUGE, FAST LOGO 160PSI

## Wilger 3 Section Toolbar Plumbing, 35 Row

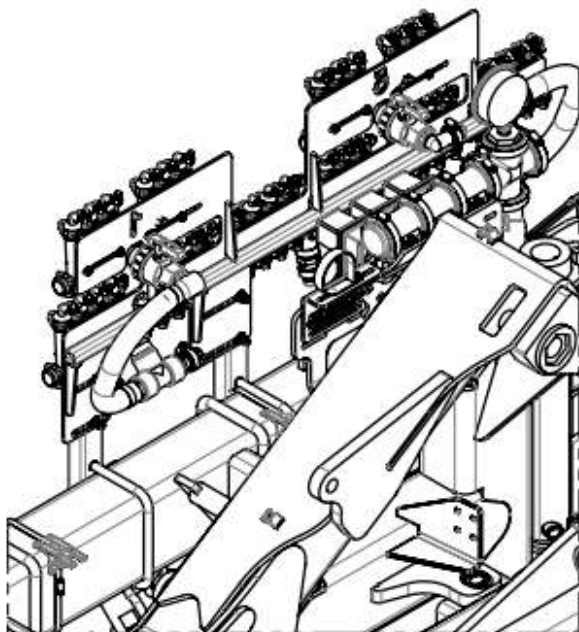
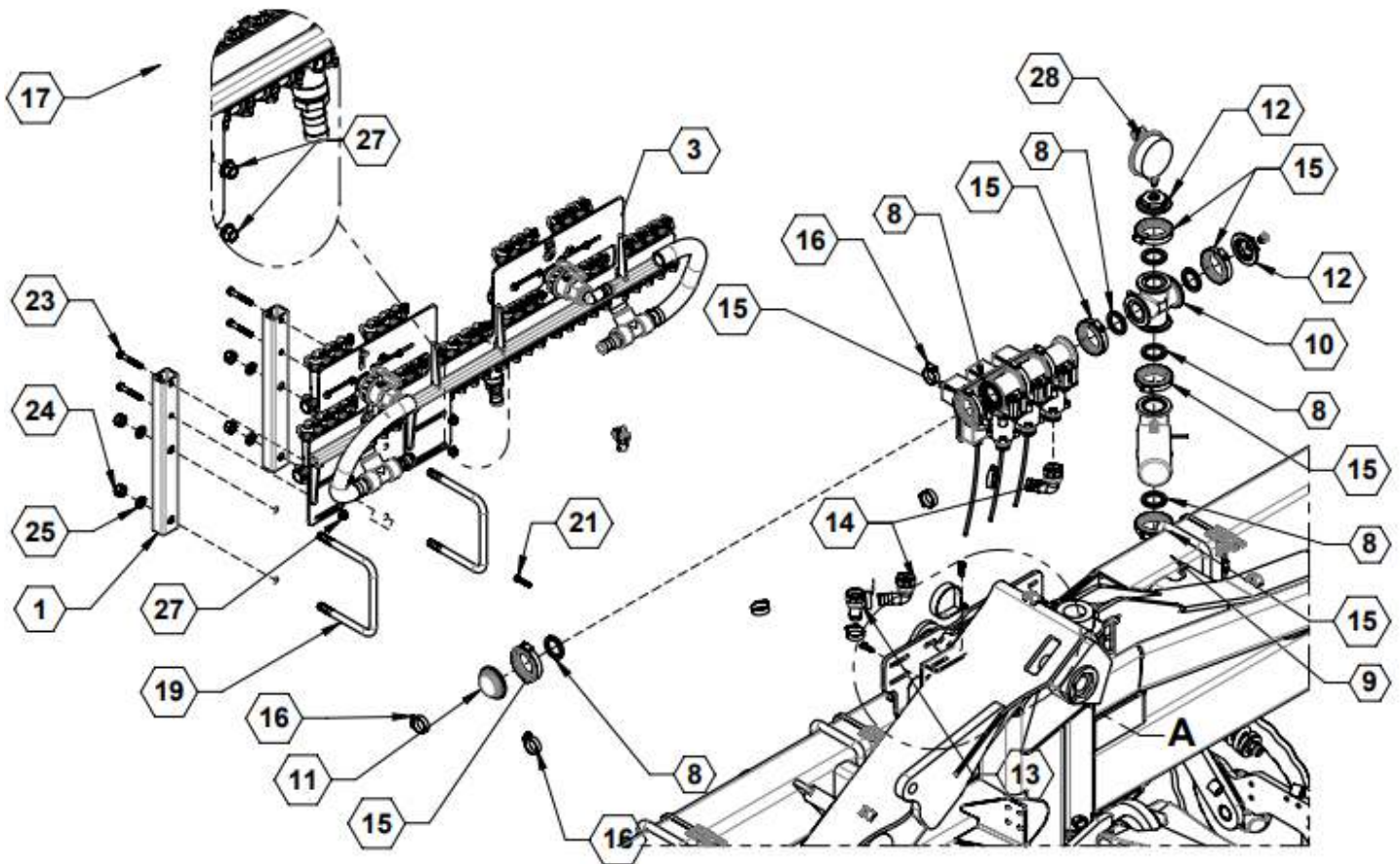


### Parts List: Wilger 3 Section Toolbar Plumbing, 35 Row

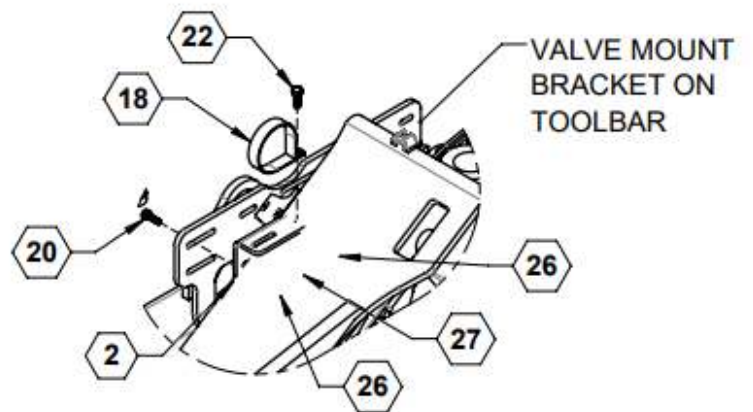
ITEM	PART NO.	QTY.	DESCRIPTION
4	500027	0.75	VALVE, 450 4-BANK, NON-FLOWBACK, NARROW TEE
6	510020	625	HOSE, 0.375 EPDM
7	520067	35	NOZZLE, 3/8" HOSE SHANK 90 DEG
17	540032	70	HOSE CLAMP, 5/16 #5 SS



**Wilger 3 Section Toolbar Plumbing, 35 Row CONT.**



**REAR VIEW OF  
WILGER MONITORS  
& ELECTRIC VALVES**



**DETAIL A**



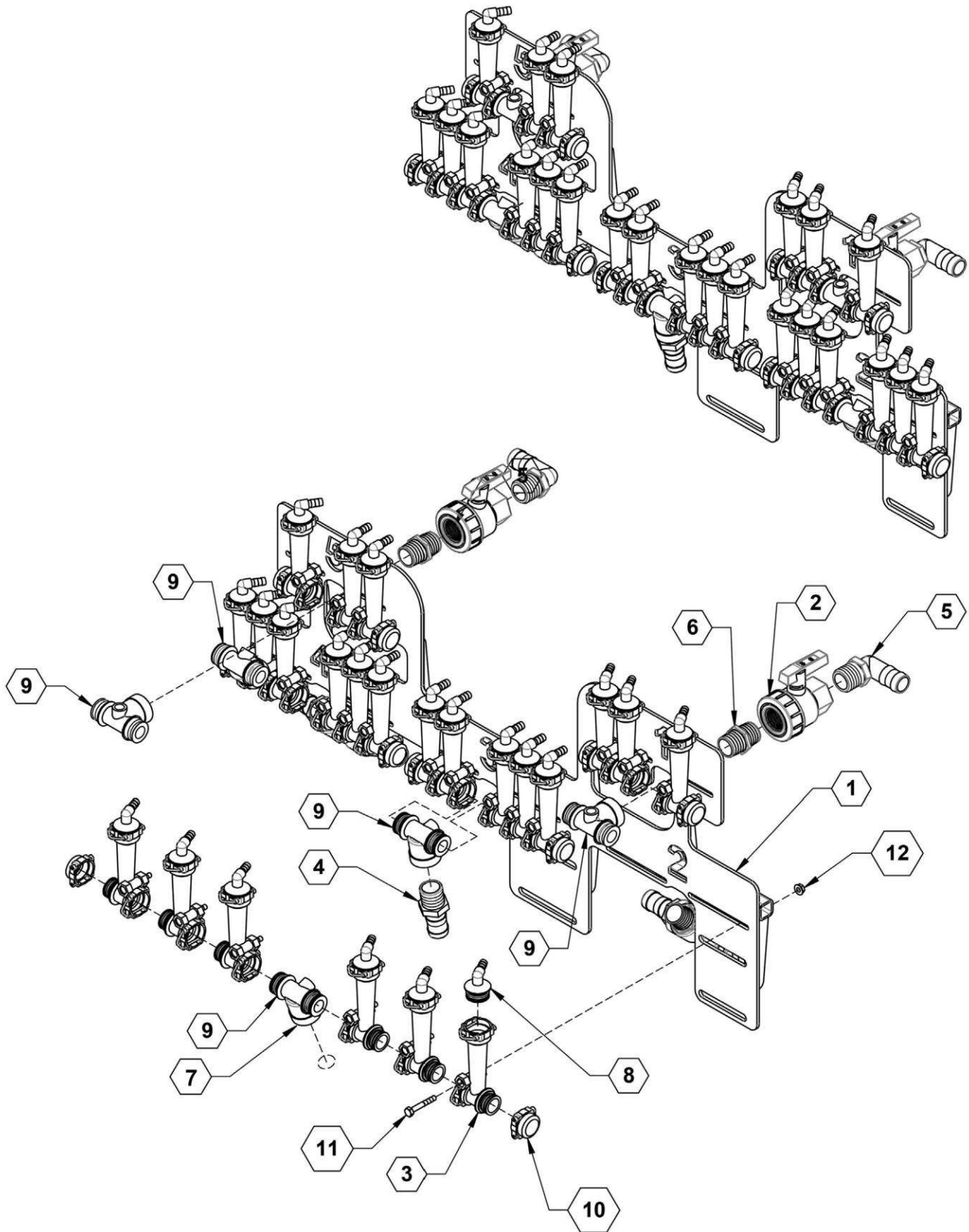
# ILLUSTRATED PARTS LIST

## Parts List: Wilger 3 Section Toolbar Plumbing, 35 Row CONT.

ITEM	PART NO.	QTY.	DESCRIPTION
1	27293	2	TUBE, WILDER MOUNT
2	27298	1	BRACKET, HOSE REST
3	28833	1	ASSY, WILGER MONITORS 3 SECTION 35 ROW, A-SERIES
4	500027	0.75	VALVE, 450 4-BANK, NON-FLOWBACK, NARROW TEE
5	510016	8	HOSE, 1" EPDM
6	510020	625	HOSE, 0.375 EPDM
7	520067	35	NOZZLE, 3/8" HOSE SHANK 90 DEG
8	530014	6	GASKET, 1.500 EPDM
9	530080	1	MANIFOLD ELBOW 90, 2.00 X 1.50 HB
10	530090	1	CROSS, MANIFOLD 2.00
11	530093	1	CLUG, MANIFOLD 2.00
12	530094	2	PLUG, MANIFOLD 2.00 W/ HOLE
13	530189	1	QUICK CONNECT 1" STRAIGHT BARB
14	530190	2	QUICK CONNECT, 1.00 HB ELBOW 90
15	540001	7	CLAMP, 2.00 STD WORM SCREW
16	540014	10	HOSE CLAMP, SS 1.00 #16
17	540032	70	HOSE CLAMP, 5/16 #5 SS
18	540052	1	P-CLAMP, 3" W/ 3/8" HOLE
19	590061	2	U-BOLT, 5/8" X 7" X 5", CZP
20	596115M	1	BOLT, HH 5/16-18 X 1 GR5 MAGNI
21	596116M	1	BOLT, HH 5/16-18 X 1-1/2 GR5 MAGNI
22	596128M	1	BOLT, HH 3/8-16 X 1 GR5 MAGNI
23	596131M	4	BOLT, HH 3/8-16 X 2-1/2 GR5 MAGNI
24	596216M	4	NUT, HEX 5/8-11 MAGNI
25	596253M	4	LOCKWASHER 5/8 MAGNI
26	596768M	2	NUT, HEX FLANGE 5/16-18 MAGNI
27	596769M	5	NUT, HEX FLANGE 3/8-16 MAGNI
28	780020	1	GUAGE, FAST LOGO 160PSI



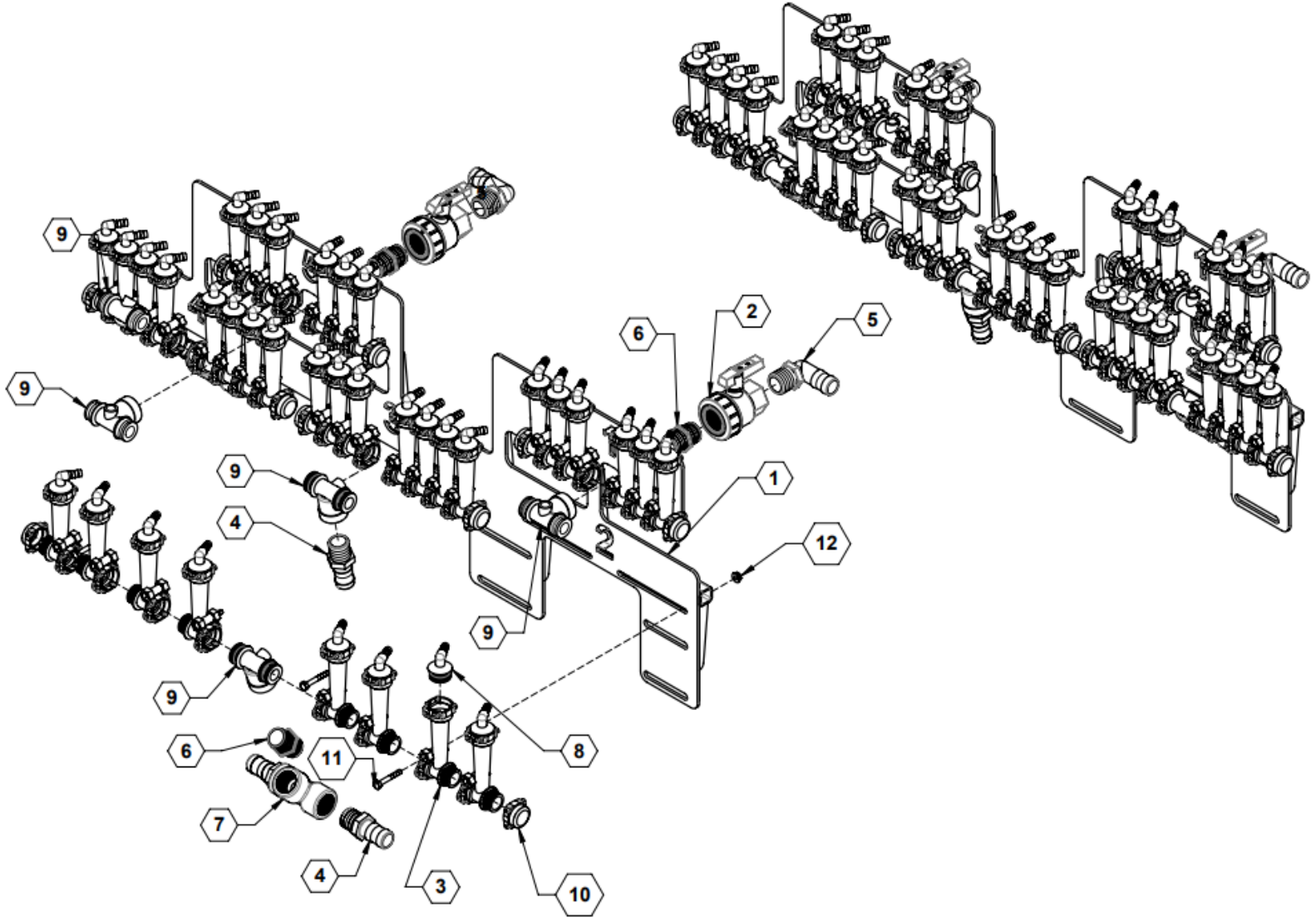
**Wilger 3 Section Flow Monitor Assembly, 23-25**



## Parts List: Wilger 3 Section Flow Monitor Assembly, 23-25

ITEM	PART NO.	QTY.	DESCRIPTION
1	27294	1	WLDMNT, WILGER MONITORS 23-25
2	500009	2	VALVE, 1.00 FULL PORT SINGLE UNION
3	500073	23	WILGER FLOW MONITOR BODY
4	530041	5	FITTING, 1.00 MNPT X 1.00 HB, POLY
5	530044	2	FITTING, ELBOW, 90D, 1.00 MNPT X 1.00 HB, POLY
6	530133	4	NIPPLE, SHORT POLY X 1 IN
7	530157	2	TEE, 1.00 PIPE, POLY
8	530458	23	WILGER ORS X 3/8" HB 90 DEG
9	530459	5	ORS M X ORS M X 1"NPT TEE
10	530464	10	WILGER ORS CAP
11	596104M	23	BOLT, HH 1/4-20X1-3/4 GR5 MAGNI
12	596767M	23	NUT, HEX FLANGE 1/4-20 MAGNI

**Wilger 3 Section Flow Monitor Assembly, 35-37**



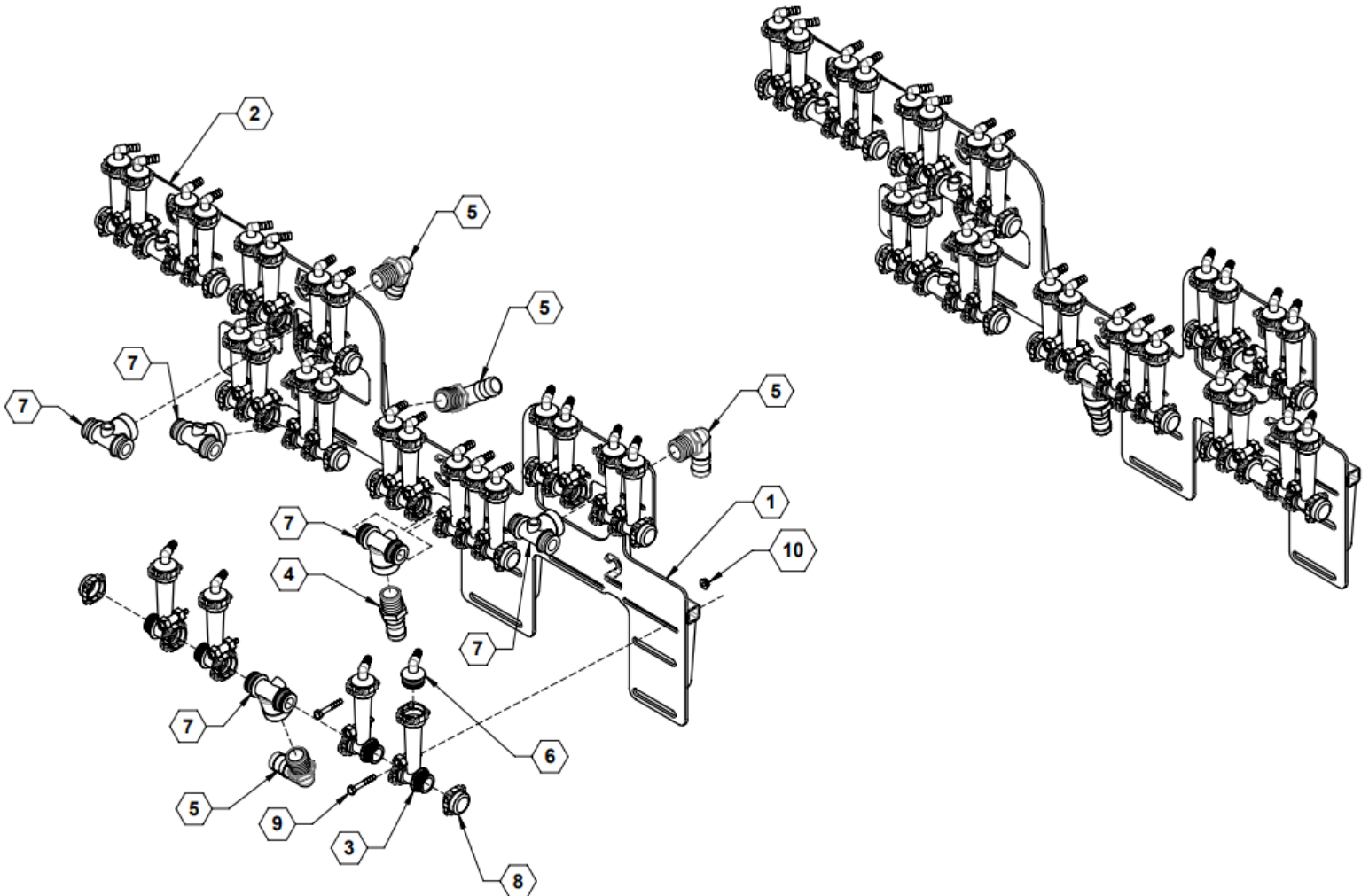


## ILLUSTRATED PARTS LIST

### Parts List: Wilger 3 Section Flow Monitor Assembly, 35-37

ITEM	PART NO.	QTY.	DESCRIPTION
1	28834	1	WELDMENT, WILGER MONITORS 35-37
2	500009	2	VALVE, 1.00 FULL PORT SINGLE UNION
3	500073	35	WILGER FLOW MONITOR BODY
4	530041	5	FITTING, 1.00 MNPT X 1.00 HB, POLY
5	530044	2	FITTING, ELBOW, 90D, 1.00 MNPT X 1.00 HB, POLY
6	530133	4	NIPPLE, SHORT POLY X 1 IN
7	530157	2	TEE, 1.00 PIPE, POLY
8	530458	35	WILGER ORS X 3/8" HB 90 DEG
9	530459	5	ORS M X ORS M X 1" NPT TEE
10	530464	10	WINGER ORS CAP
11	596104M	20	BOLT, HH 1/4-20 X 1-3/4 GR5 MAGNI
12	596767M	20	NUT, HEX FLANGE 1/4-20 MAGNI

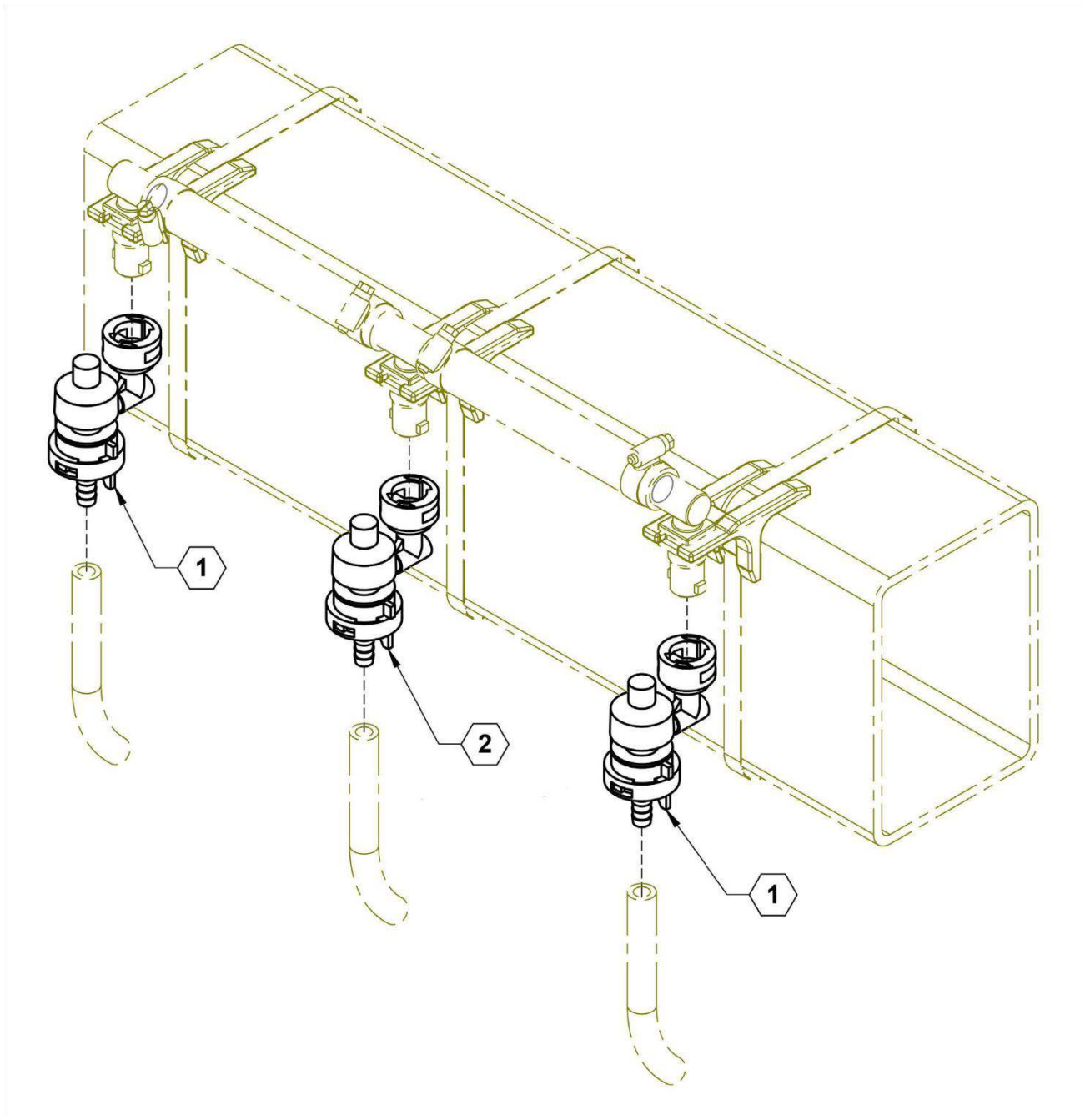
## Wilger 6 Section Flow Monitor Assembly, 25



### Parts List: Wilger 6 Section Flow Monitor Assembly, 25

ITEM	PART NO.	QTY.	DESCRIPTION
1	27294	1	WELDMENT, WILGER MONITORS 23-25
2	28850	1	PLATE, SECTION 6 WILGER MOUNT
3	500073	25	WILGER FLOW MONITOR BODY
4	530041	1	FITTING, 1.00 MNPT X 1.00 HB, POLY
5	530044	5	FITTING, ELBOW, 90D, 1.00 MNPT X 1.00 HB, POLY
6	530458	25	WILGER ORS X 3/8" HB 90 DEG
7	530459	6	ORS M X ORS M X 1" NPT TEE
8	530464	12	WILGER ORS CAP
9	596104M	25	BOLT, HH 1/4-20 X 1-3/4 GR5 MAGNI
10	596767M	25	NUT, HEX FLANGE 1/4-20 MAGNI

## Varitarget Nozzles, .5 Rate

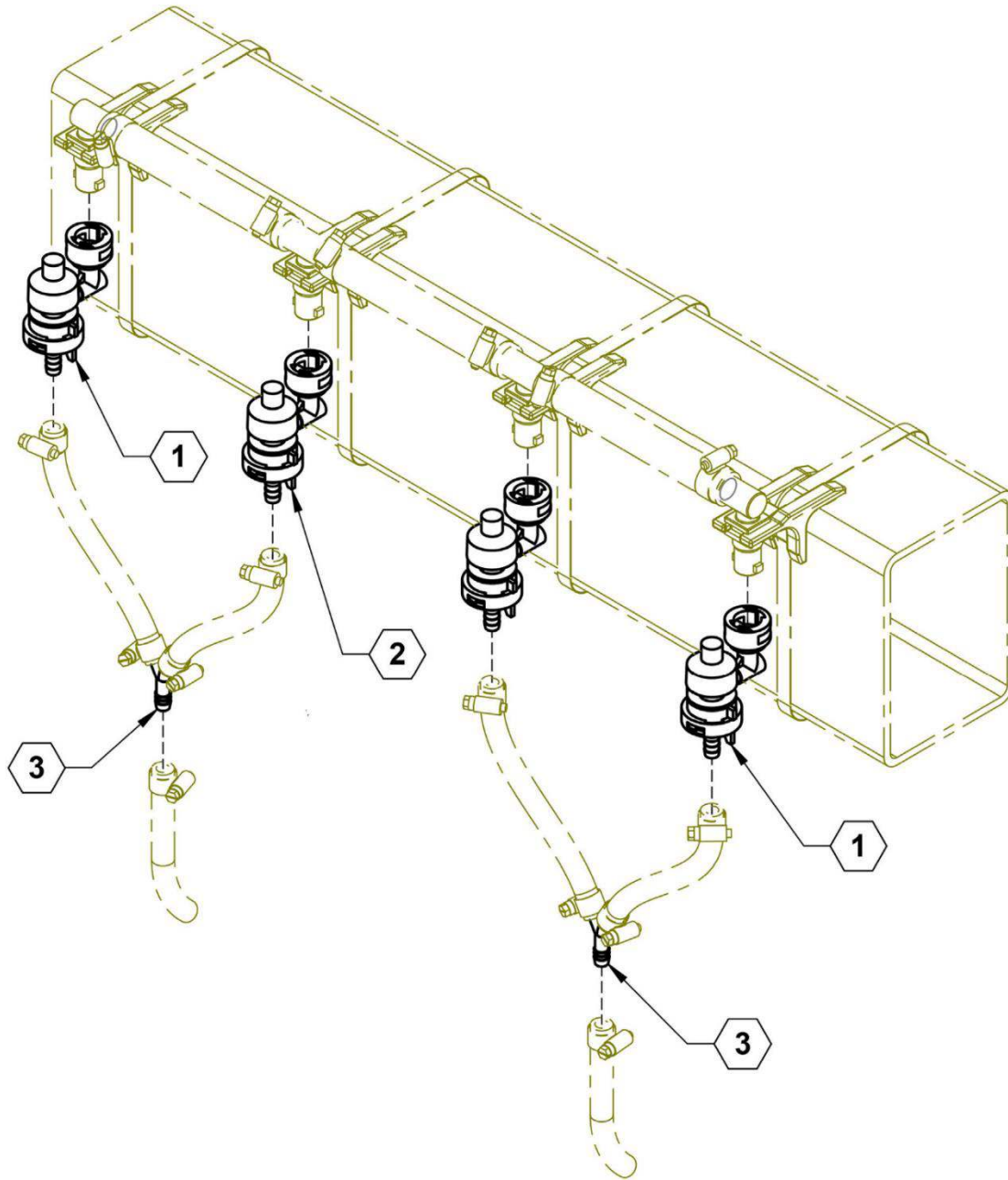


### Parts List: Varitarget Nozzles, .5 Rate

ITEM	PART NO.	QTY.	DESCRIPTION
1	520053	2	VERIFLOW BLUE TIP
2	520054	1 PER COULTER	HI VERIFLOW YELLOW TIP



## Varitarget Nozzles, 1.5 Rate

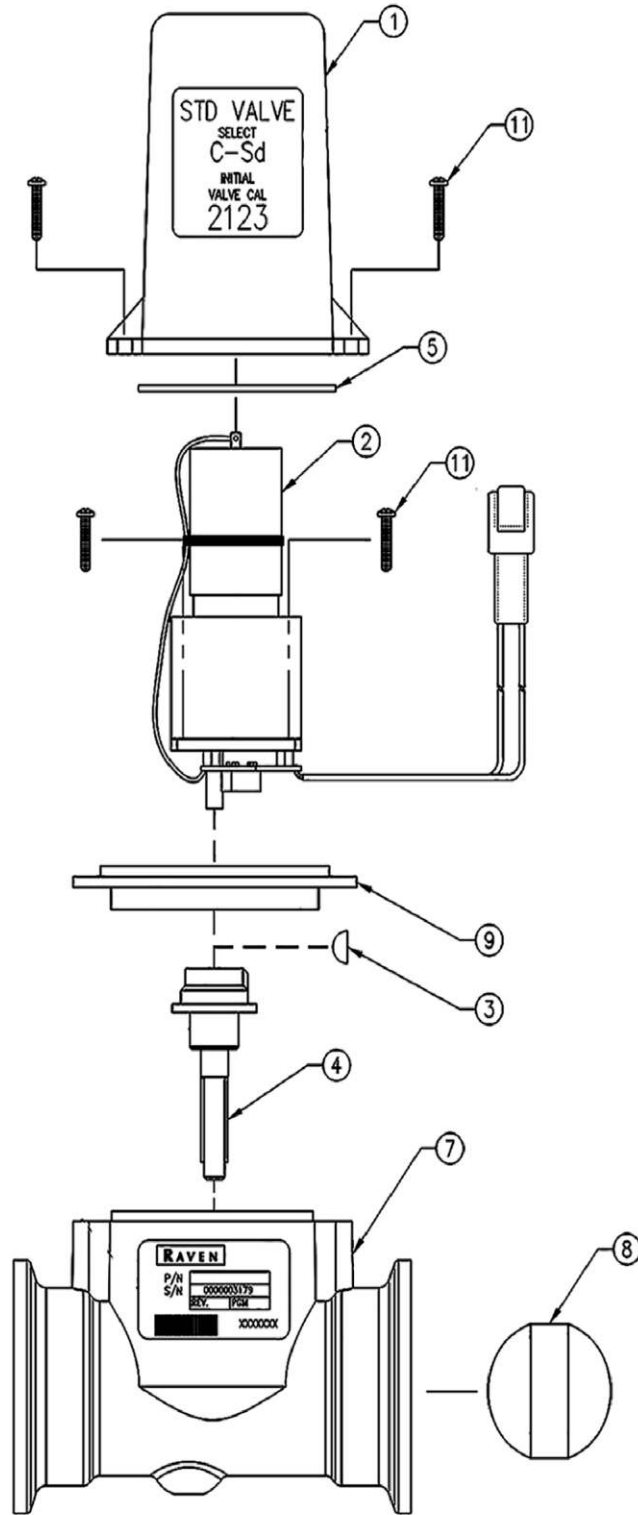


### Parts List: Varitarget Nozzles, 1.5 Rate

ITEM	PART NO.	QTY.	DESCRIPTION
1	520053	2	VERIFLOW BLUE TIP
2	520054	1 PER COULTER	HI VERIFLOW YELLOW TIP
3	530372	2	3/8" HOSE BARB Y FITTING



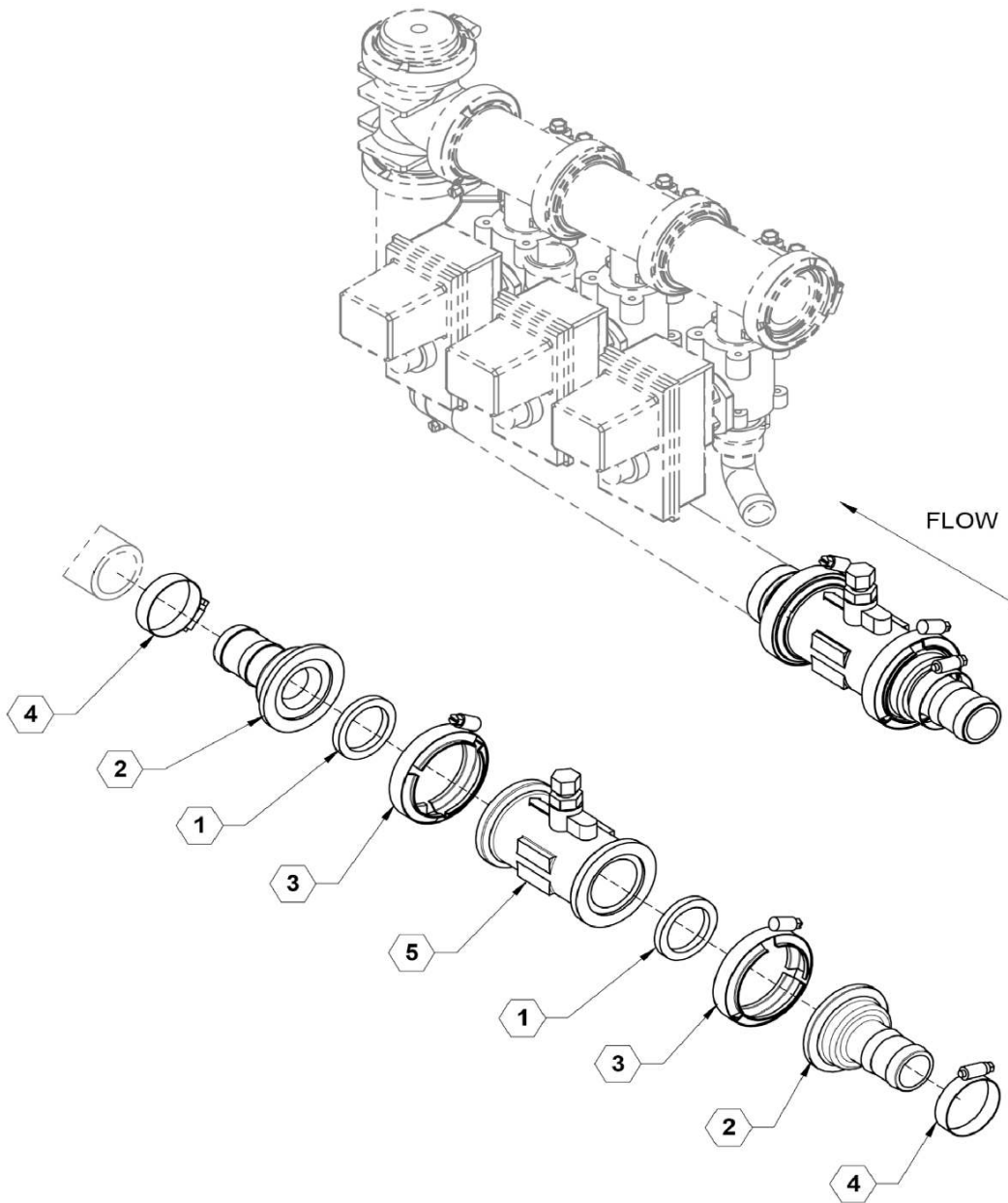
**Raven Motorized Control Valve**



## Parts List: Raven Motorized Control Valve

ITEM	PART NO.	QTY.	DESCRIPTION
0	632037	1	COMPLETE BUTTERFLY VALVE (ITEMS 1-16)
1	106-0159-407	1	COVER VALVE
2	063-0173-418	1	MOTOR ASSEMBLY
3	321-0000-062	1	WOODRUFF KEY
4	063-0171-893	1	COUPLE SHAFT
5	219-0000-020	1	TETRASEAL SEAL
6	222-0000-002	AR	VERSILUBE LUBRICANT
7	063-0171-892	1	BODY ASSEMBLY
8	106-0159-414	1	BUTTERFLY VALVE
9	063-015-0457	1	ISOLATION FLANGE ASSEMBLY
10	222-1001-050	AR	RETAINING COMPOUND
11	321-0000-256	6	SCREW
12	041-0159-452	1	LABEL
15	222-1001-006	AR	ADHESIVE SEAL
16	054-0159-337	1	REPLACEMENT PARTS LIST

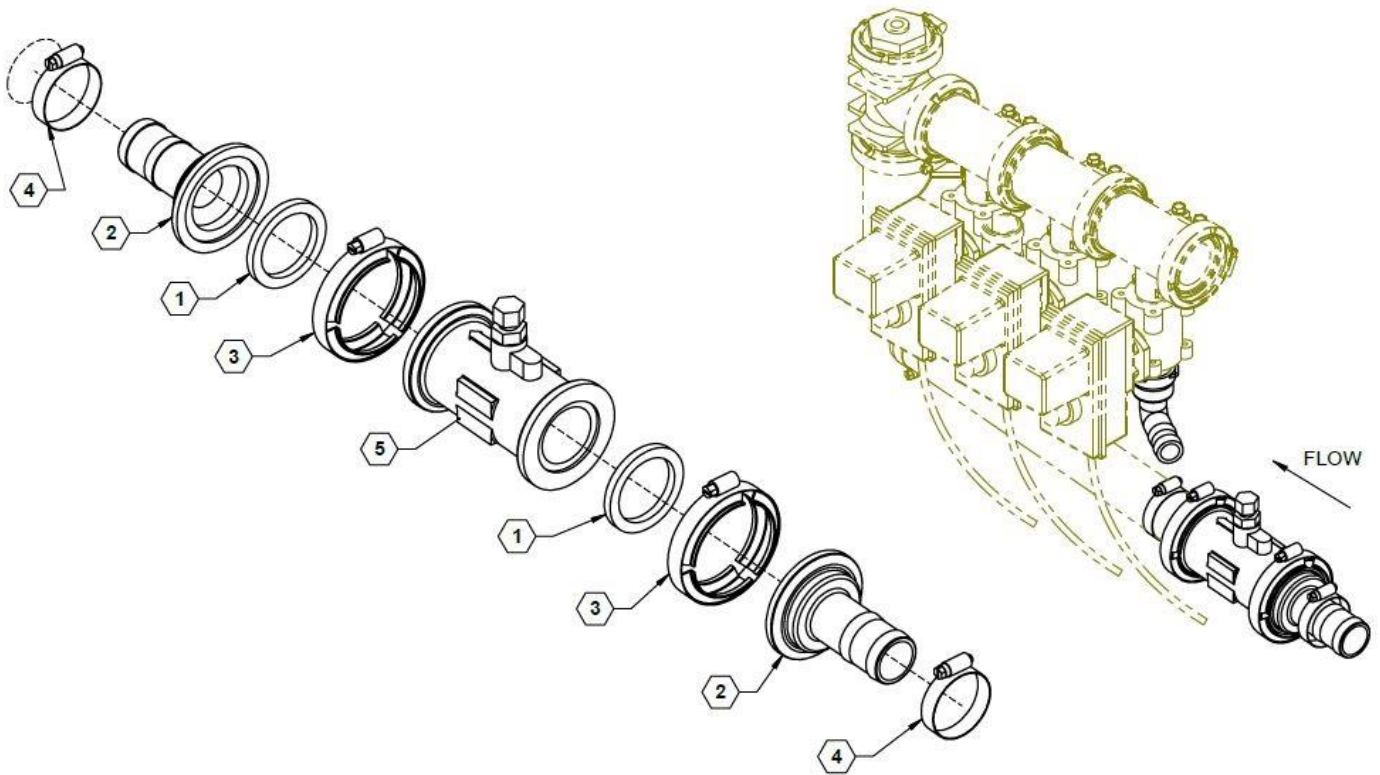
## RFM 60P Flow Meter



### Parts List RFM 60P Flow Meter

ITEM	PART NO.	QTY.	DESCRIPTION
1	530014	2	GASKET, 1-1/2" EPDM
2	530079	2	MANIFOLD FLANGE, 2" X 1-1/2" HB
3	540001	2	CLAMP, 2" STANDARD WORM SCREW
4	540016	2	CLAMP, 1-1/2" SS
5	631804	1	FLOWMETER, 60P

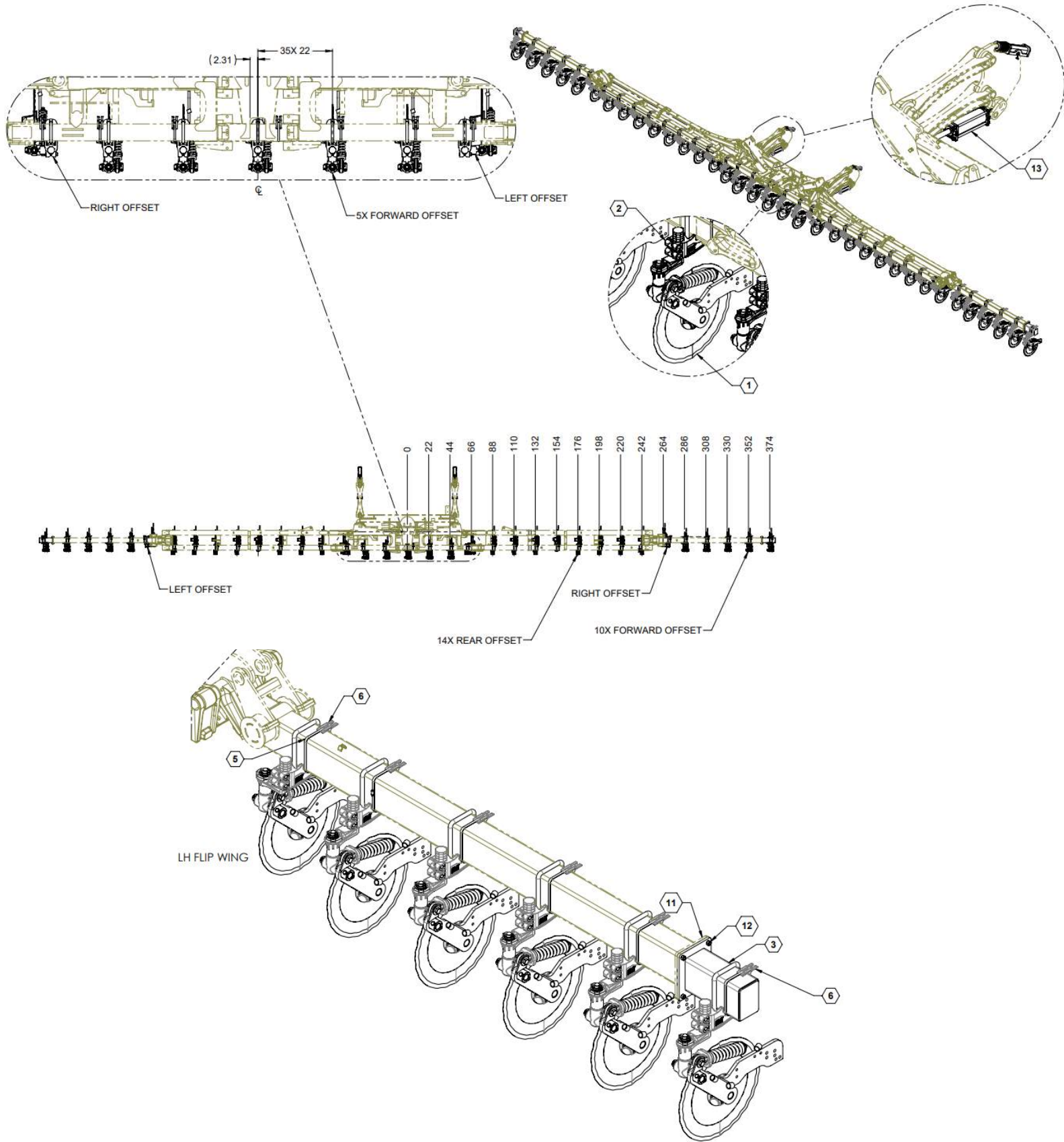
## RFM 100P Flow Meter



### Parts List: RFM 100P Flow Meter

ITEM	PART NO.	QTY.	DESCRIPTION
1	530019	2	GASKET, 2.00 EPDM
2	530100	2	MANIFOLD FLANGE, 2" FP X 1-1/2" HB
3	540002	2	CLAMP, FP WORM SCREW, 2.00
4	540016	2	CLAMP, SS 1.500 #24
5	631801	1	FLOW METER, 100P

## Wilger 22" Coulter Toolbar Layout Assembly, 35





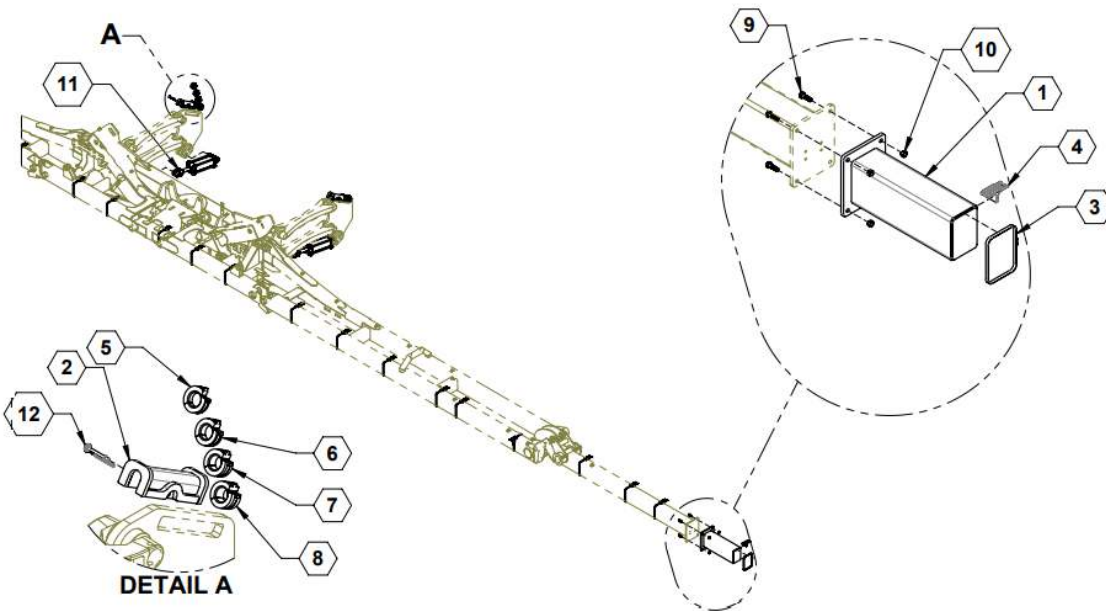
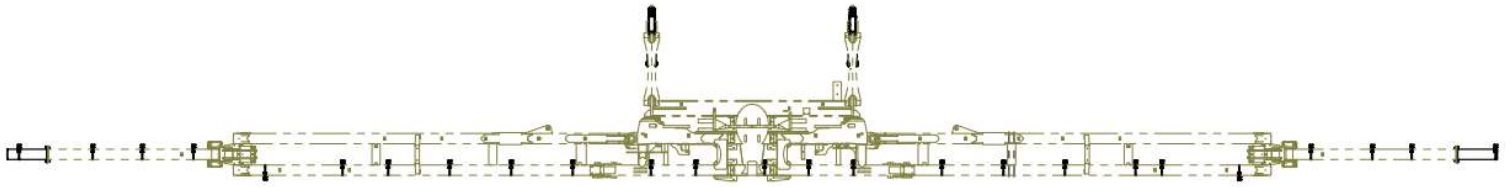
## ILLUSTRATED PARTS LIST

### Parts List: Wilger 22" Coulter Toolbar Layout Assembly, 35

ITEM	PART NO.	QTY.	DESCRIPTION
1	17301	35	ASSY, AP COULTER ROW UNIT
2	17305	35	ASSY UPPER MOUNT CAST 7 X 5 TB
3	2213	2	WELD, EXTENSION TUBE
4	28166	2	WELDMENT, RED CYLINDER STOP
5	540050	35	CLAMP, HOSE SS 5 1/2" – 8 1/2"
6	590187	35	MOUNT, PLUMBING
7	590205	2	CYLINDER STOP, 3/4"
8	590206	2	CYLINDER STOP, 1"
9	590207	2	CYLINDER STOP, 1-1/4"
10	590208	2	CYLINDER STOP, 1-1/2"
11	596153M	8	BOLT, HH 1/2-13 X 1-1/2 GR5 MAGNI
12	596239M	8	NUT, CENTERLOCK, 1/2-13 MAGNI
13	620073	2	CYLINDER, 40THC10.00-150
14	720001	2	SNAP PIN, 5/16



## Wilger 30" No Coulters Toolbar Layout Assembly, 25

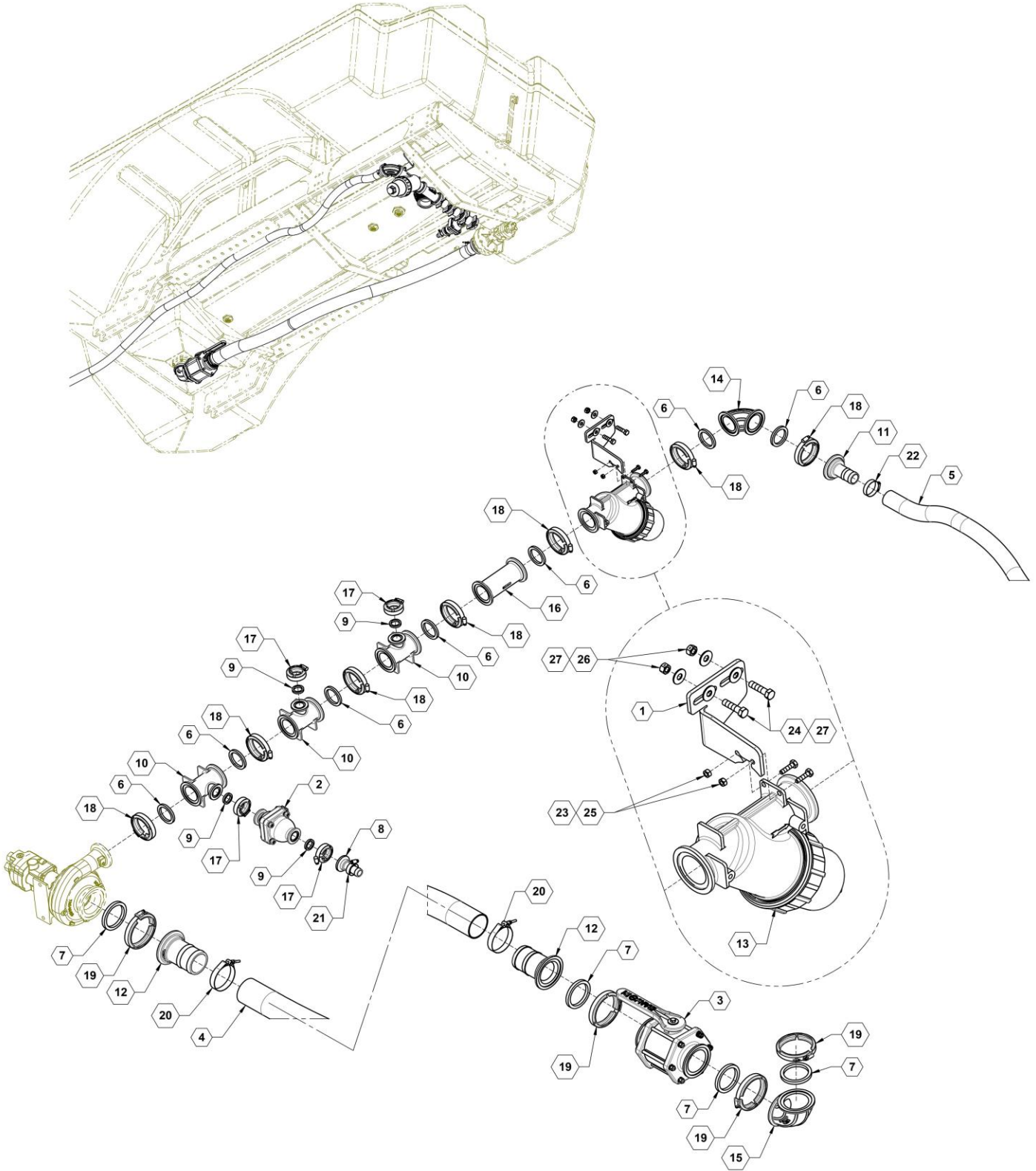


### Parts List: Wilger 30" No Coulters Toolbar Layout Assembly, 25

ITEM	PART NO.	QTY.	DESCRIPTION
1	15380	2	WING EXTENSION WELDMENT
2	28166	2	WELDMENT, RED CYLINDER STOP
3	540050	25	CLAMP, HOSE SS 5 1/2" – 8 1/2"
4	590187	25	MOUNT, PLUMBING
5	590205	2	CYLINDER STOP, 3/4"
6	590206	2	CYLINDER STOP, 1"
7	590207	2	CYLINDER STOP, 1-1/4"
8	590208	2	CYLINDER STOP, 1-1/2"
9	596153M	8	BOLT, HH 1/2-13 X 1-1/2 GR5 MAGNI
10	596239M	8	NUT, CENTERLOCK, 1/2-13 MAGNI
11	620073	2	CYLINDER, 40THC10.00-150
12	720001	2	SNAP PIN, 5/16

## PRODUCT PLUMBING ON FRAME

### Standard Product Plumbing Assembly





# ILLUSTRATED PARTS LIST

## Parts List: Standard Product Plumbing Assembly

ITEM	PART NO.	QTY.	DESCRIPTION
1	27215	1	PLATE, STANDARD STRAINER MOUNT
2	500004	1	VALVE, 100 PSI RELIEF
3	500042	1	MANIFOLD VALVE, STANDARD PORT 3"
4	510004	1	HOSE 3" FERTILIZER - 8FT
5	510014	1	HOSE, 1-1/2" EPDM - 20FT
6	530019	7	GASKET, 2" EPDM
7	530024	4	GASKET, 3" EPDM
8	530066	1	MANIFOLD FITTING, 1" X 1" HB
9	530068	4	GASKET, 1" EPDM
10	530099	3	MANIFOLD, 2" FP X 1" FLANGE TEE
11	530100	1	MANIFOLD FLANGE, 2" FP X 1-1/2" HB
12	530113	2	MANIFOLD FLANGE, 3" HB
13	530125	1	STRAINER, 2" FULL PORT LINE
14	530386	1	MANIFOLD SWEEP, 2" FP FLANGE
15	530439	1	MANIFOLD SWEEP, FLANGE 3"
16	530454	1	2" X 2" LONG PORT MANIFOLD
17	540000	4	CLAMP, WORM SCREW 1"
18	540002	7	CLAMP, WORM SCREW 2"
19	540003	4	CLAMP, WORM SCREW 3"
20	540027	2	CLAMP, 3" T BOLT
21	540014	1	CLAMP, HOSE SS 1" #16
22	540016	1	CLAMP, 1-1/2" SS
23	596102M	2	BOLT, HH 1/4-20 X 1 GR5 MAGNI
24	596129M	2	BOLT, HH 3/8-16X1-1/2 GR5 MAGNI
25	596235M	2	NUT, CENTERLOCK, 1/4-20 MAGNI
26	596237M	2	NUT, CENTERLOCK 3/8 MAGNI
27	596258M	4	WASHER, FLAT 3/8 MAGNI

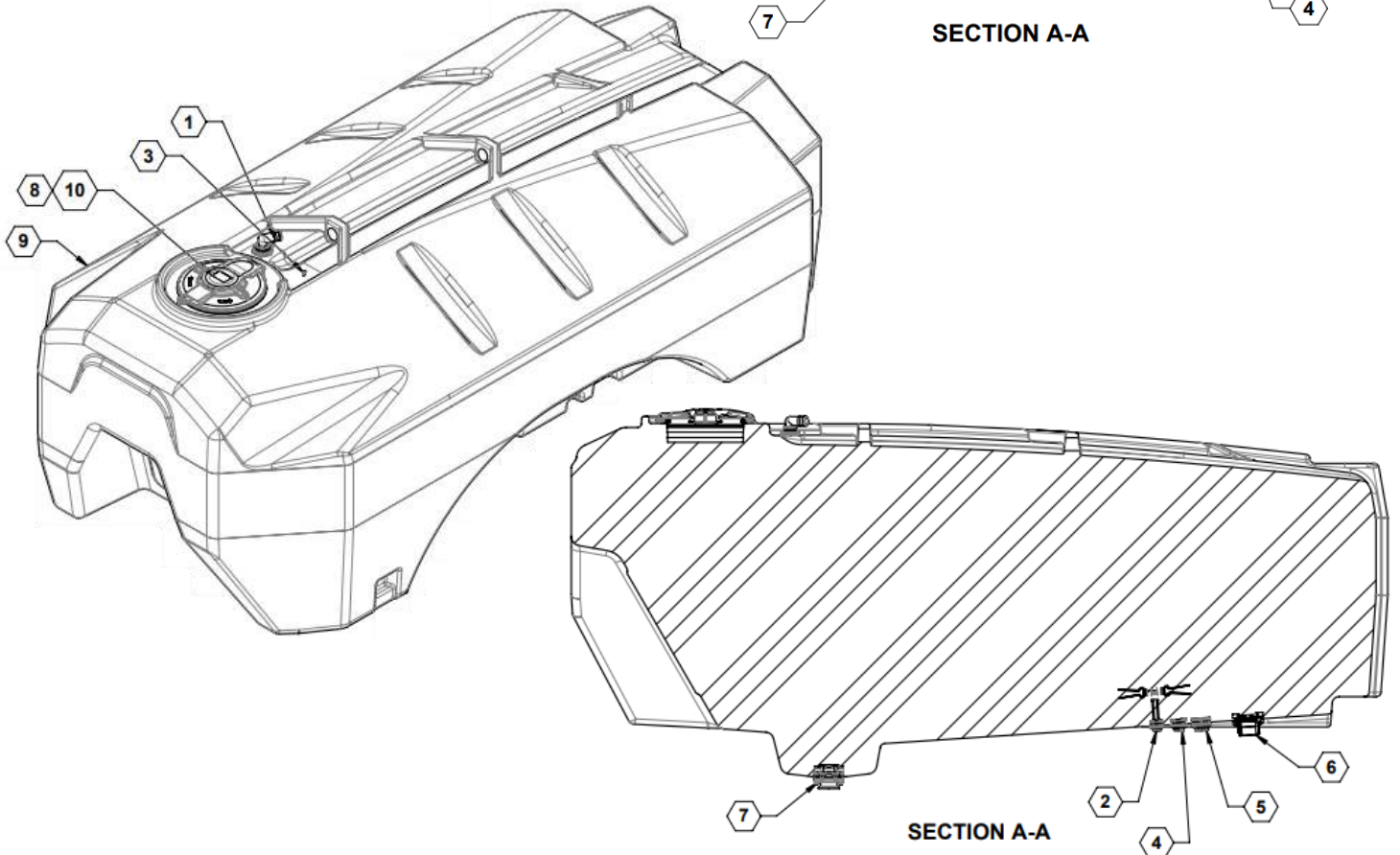
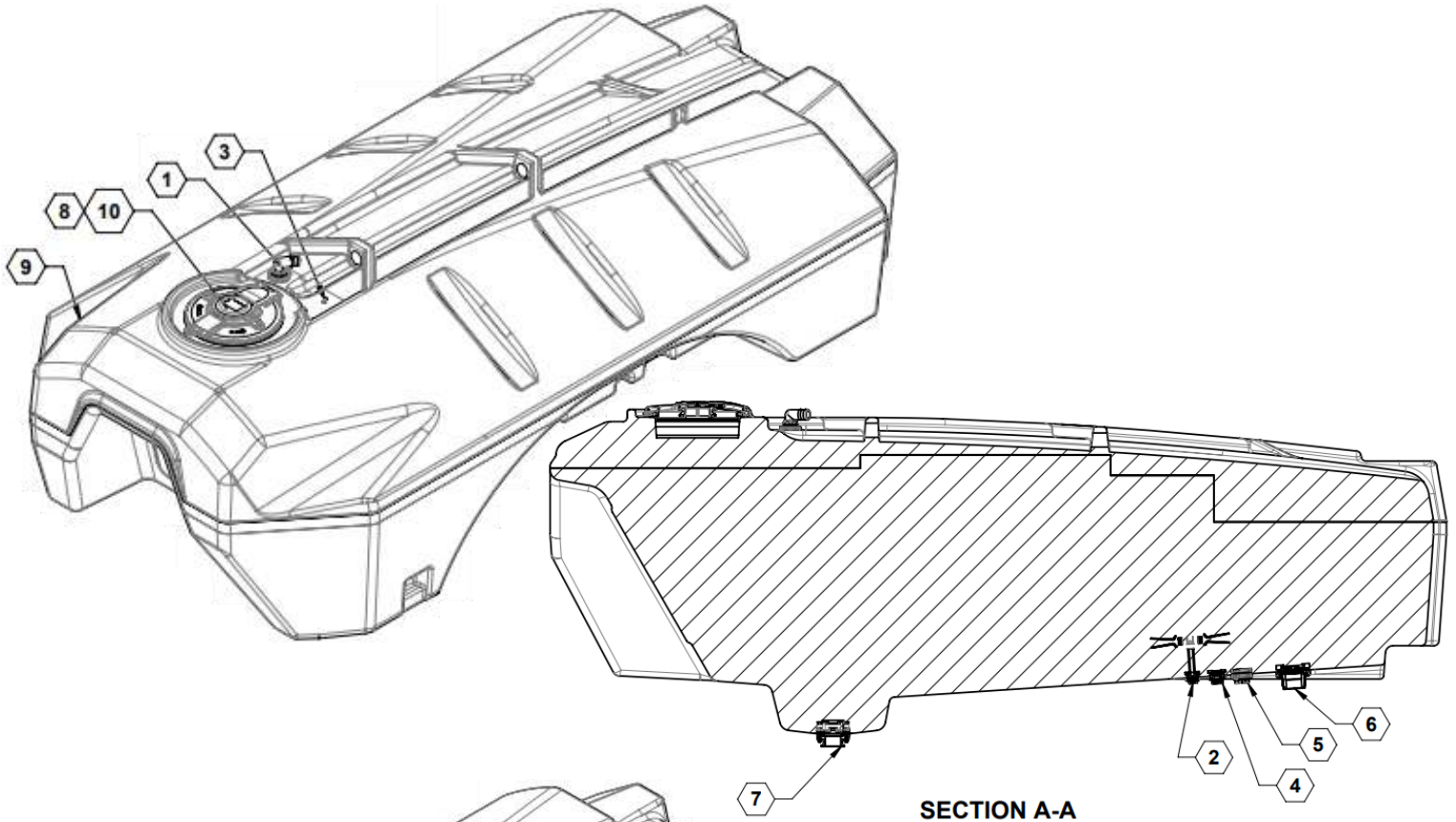


## Parts List: Sight Gauge Assembly

ITEM	PART NO.	QTY.	DESCRIPTION
1	28010	1	FORMED SIGHT GAGE A18
1	28011	1	FORMED SIGHT GAGE A26
2	28127	1	PLATE, SIGHT GAUGE UPPER
3	28162	1	PLATE, LOWER MOUNT SIGHT GAUGE
4	510006	1	HOSE VINYL CLEAR 3/4" X 59.75"
5	510006	1	HOSE VINYL CLEAR 3/4" X 58"
6	510006	1	HOSE VINYL CLEAR 3/4" X 6"
7	510019	1	HOSE 3/4" EPDM X 55"
8	530040	1	HOSE SHANK, 3/4" MPT X 3/4" HB 90°
9	530060	1	MANIFOLD 1" X 3/4" HB 90°
10	530068	1	GASKET, 1" EPDM
11	530069	1	FLANGE, 1" MANIFOLD X 1" MPT
12	530214	1	HOSE BARB
13	530220	1	FITTING, 3/4" FPT X 3/4" HB TEE
14	540000	1	CLAMP, WORM SCREW 1"
15	540013	6	CLAMP, HOSE SS 3/4" #12
16	596114M	4	BOLT, HH 5/16-18X3/4 GR5 MAGNI
17	596128M	2	BOLT, HH 3/8-16X1 GR5 MAGNI
18	596236M	4	NUT, CENTERLOCK, 5/16-18 MAGNI
19	596237M	2	NUT, CENTERLOCK 3/8-16 MAGNI
20	596257M	8	WASHER, FLAT 5/16 MAGNI
21	596258M	4	WASHER, FLAT 3/8 MAGNI
22	800283	1	DECAL, 1800 GALLON LEVEL
22	800284	1	DECAL, 2600 GALLON LEVEL



**Tank and Tank Fittings 1800 and 2600 Gallon**







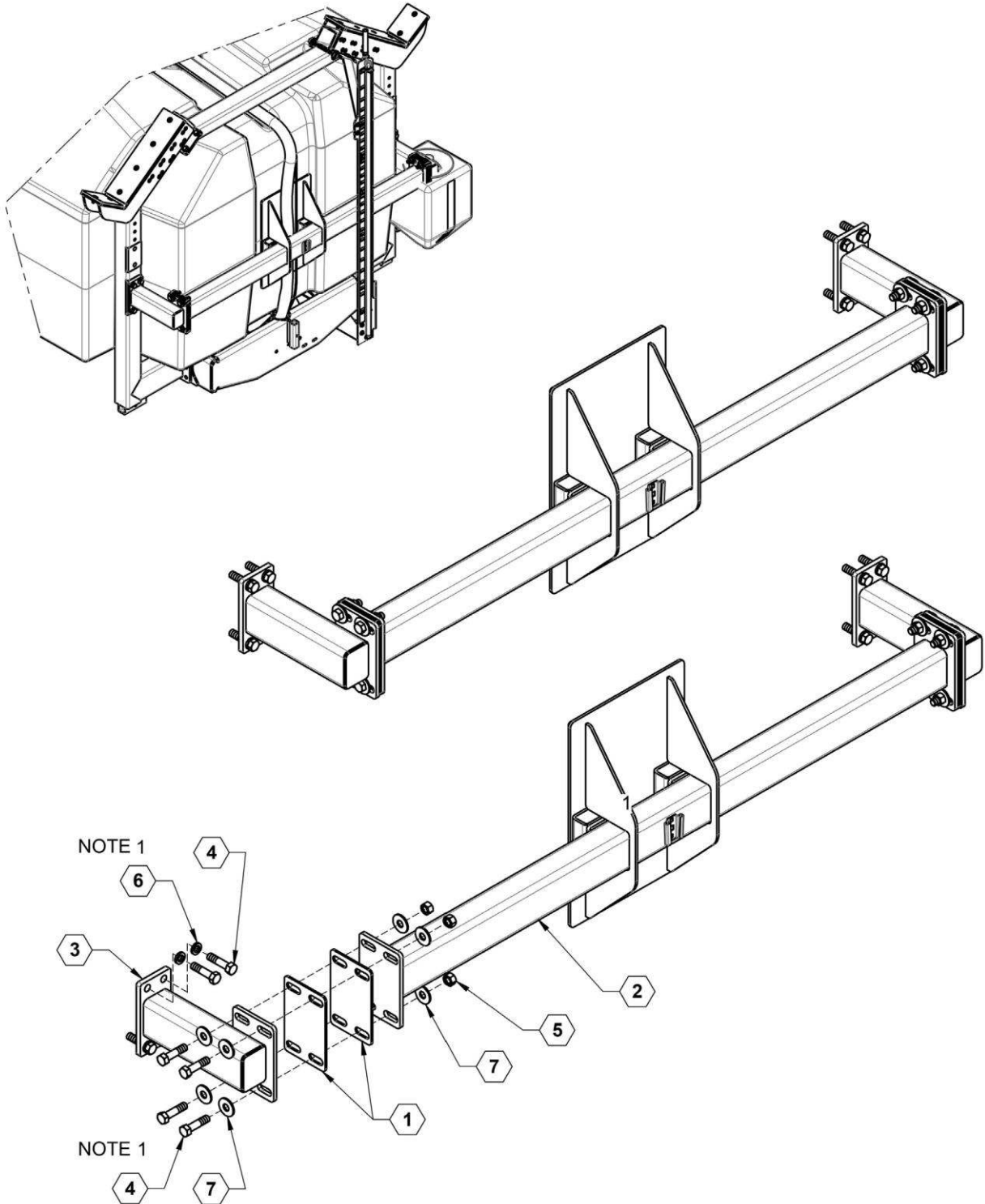
## ILLUSTRATED PARTS LIST

### Parts List: Tank and Tank Fittings 1800 and 2600 Gallon

ITEM	PART NO.	QTY.	DESCRIPTION
1	90SAFCOV	1	FERT TANK VENTED OVERFLOW
2	90SALTRUMPET	1	AGITATION ASSEMBLY
3	530004	1	FITTING, ELBOW, .250 QC X .250
4	530161	1	1" BULKHEAD FITTING
5	530162	1	FITTING, 1-1/2" TANK BULKHEAD
6	530452	1	TANK FITTING, 3" MANIFOLD, BOTTOM DRAIN
7	530446	1	TANK FITTING, 3" 6 BOLT BOTTOM DRAIN
8	570121	1	FLAT GASKET
9	570143	1	TNK 1800 (YELLOW) APCTR FIT NO DECAL
9	570142	1	TNK 2650 (YELLOW) APCTR FIT NO DECAL
9	570145	1	TNK 1800 (WHITE) APCTR FIT NO DECAL
9	570144	1	TNK 2650 (WHITE) APCTR FIT NO DECAL
10	570158	1	LID, NONVENTED, DEN HARTOG 14762

## Rear Tank Support Assembly 2600 Gallon

NOTE:  
1. TORQUE TO 110 FT-LBS +/- 10 FT-LBS



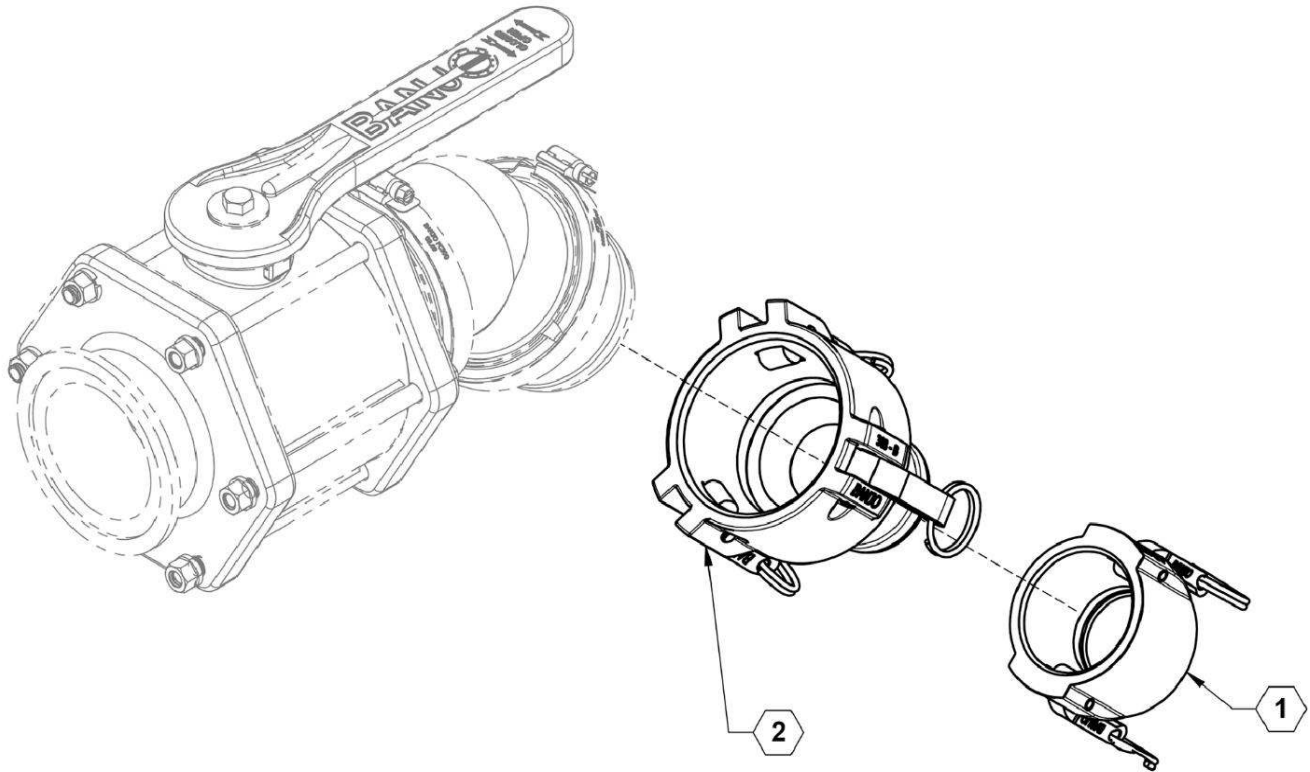


# ILLUSTRATED PARTS LIST

## Parts List: Rear Tank Support Assembly 2600 Gallon

ITEM	PART NO.	QTY.	DESCRIPTION
1	27781	4	PLATE, SUPPORT SHIM
2	27785	1	REAR SUPPORT
3	27884	2	SUPPORT STANDOFF
4	596171M	16	BOLT, HH 5/8-11X2.5 GR5 MAGNI
5	596216M	8	NUT, HEX 5/8-11 MAGNI
6	596253M	8	LOCKWASHER 5/8 MAGNI
7	596261M	16	WASHER, FLAT 5/8 MAGNI

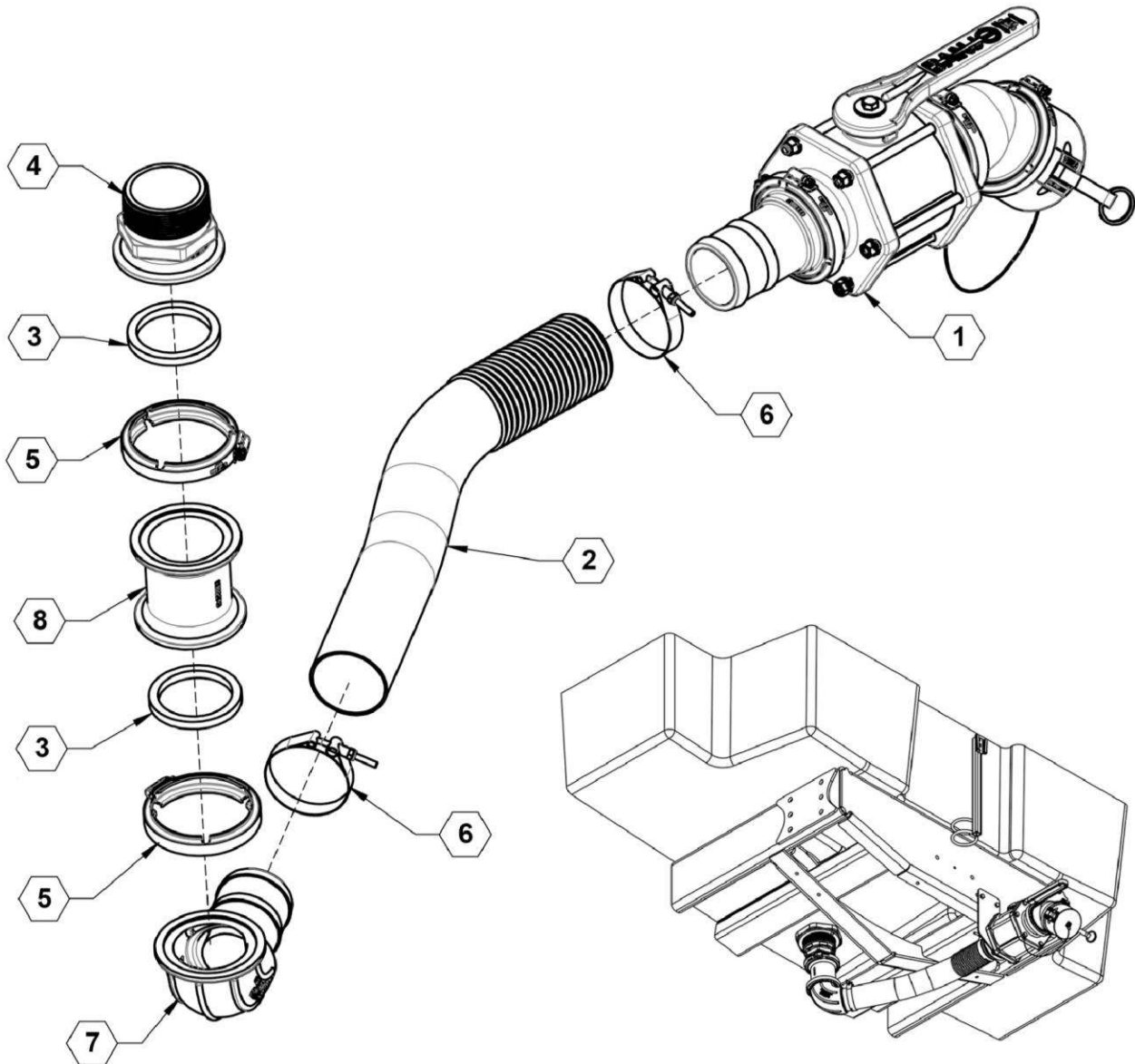
## 3"- 2" Quick Fill Adapter



### Parts List: 3"- 2" Quick Fill Adapter

ITEM	PART NO.	QTY.	DESCRIPTION
1	530017	1	2" QUICK FILL CAP
2	530357	1	3" FEMALE COUPLING-2" MALE ADAPTER

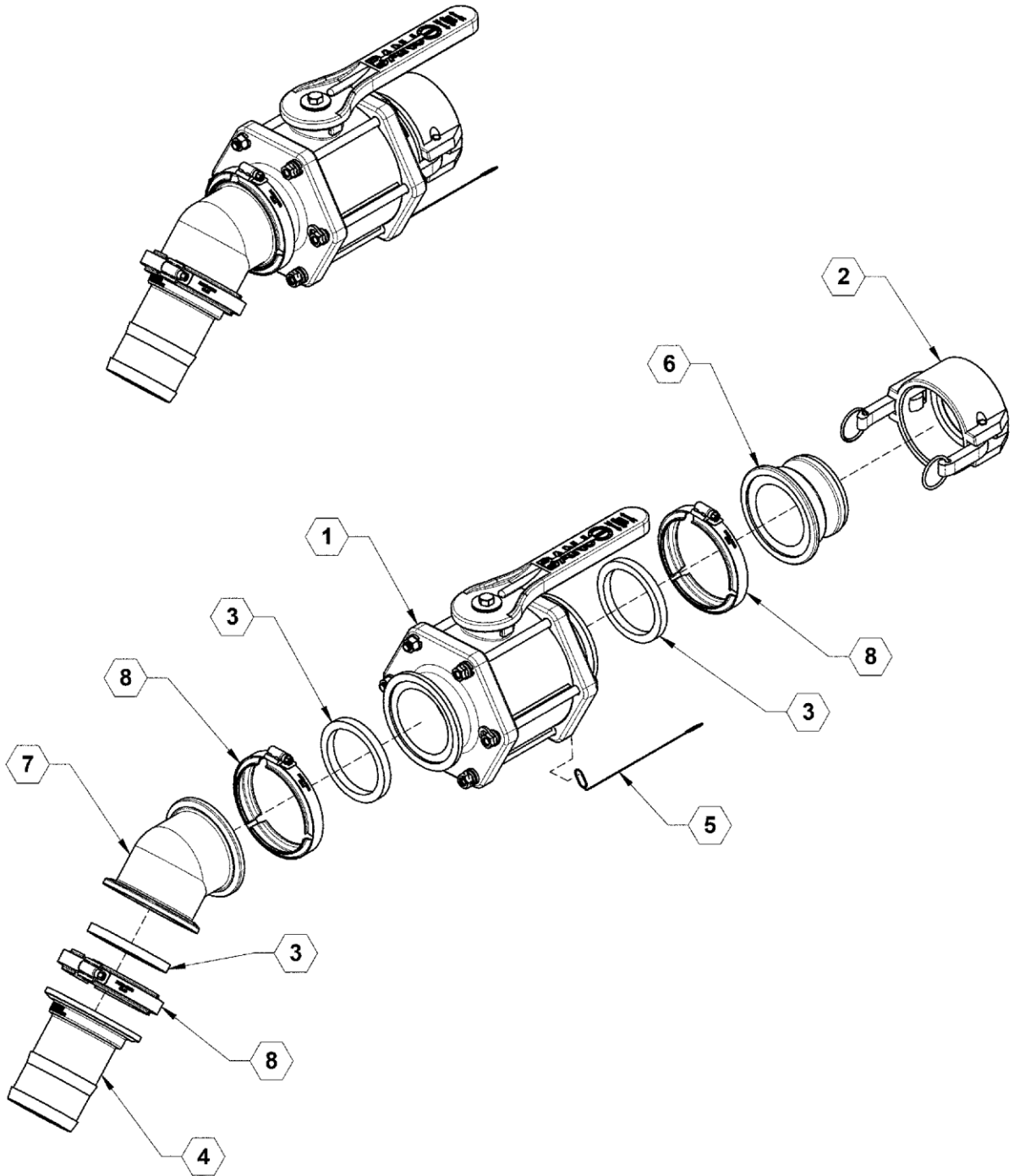
## Standard 3" Quick Fill



### Parts List: Standard 3" Quick Fill

ITEM	PART NO.	QTY.	DESCRIPTION
1	90SA3QF	1	SUB ASSEMBLY, 3" QUICK FILL
2	510004	1	HOSE, 3" FERTILIZER X 3'
3	530024	2	GASKET, 3" EPDM
4	540003	2	CLAMP, WORM SCREW 3"
5	540009	2	CLAMP, 3" T BOLT
6	530441	1	3" FLANGE SWEEP 90 X HOSE BARB
7	530453	1	3" FLANGE COUPLING

**3" Quick Fill Valve Assembly**





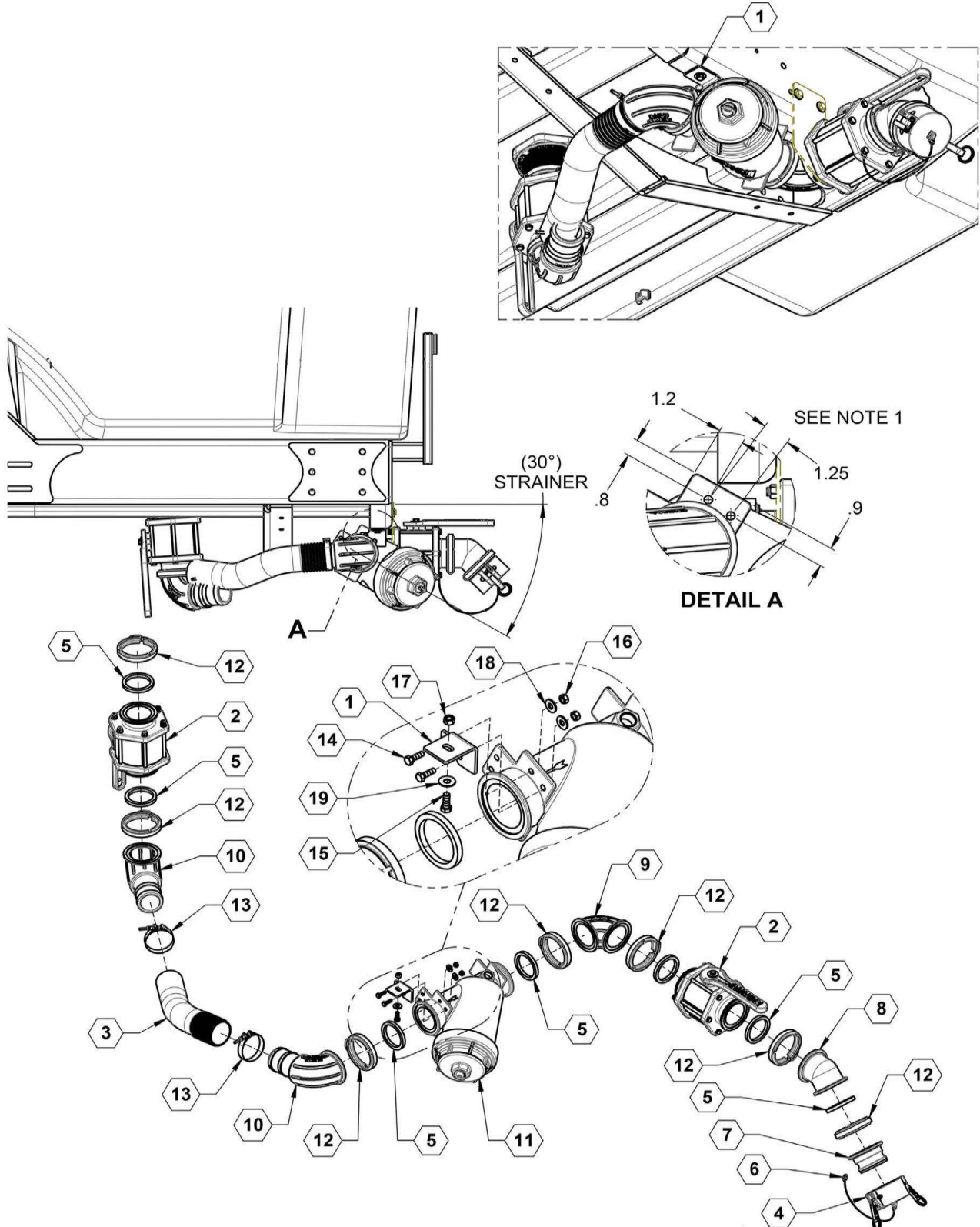
**Parts List: 3" Quick Fill Valve Assembly**

<b>ITEM</b>	<b>PART NO.</b>	<b>QTY.</b>	<b>DESCRIPTION</b>
1	500042	1	MV300CF
2	530023	1	CAP, 3"
3	530024	3	GASKET, 3" EPDM
4	530113	1	Flanged 3" Hose Barb
5	530179	1	CABLE LANYARD
6	530233	1	3" MANIFOLD X 3" MALE ADAPTER
7	530234	1	3" COUPLER, 45 DEGREE
8	540003	3	CLAMP, WORM SCREW 3"

## 3" Quick Fill with Strainer

NOTE:

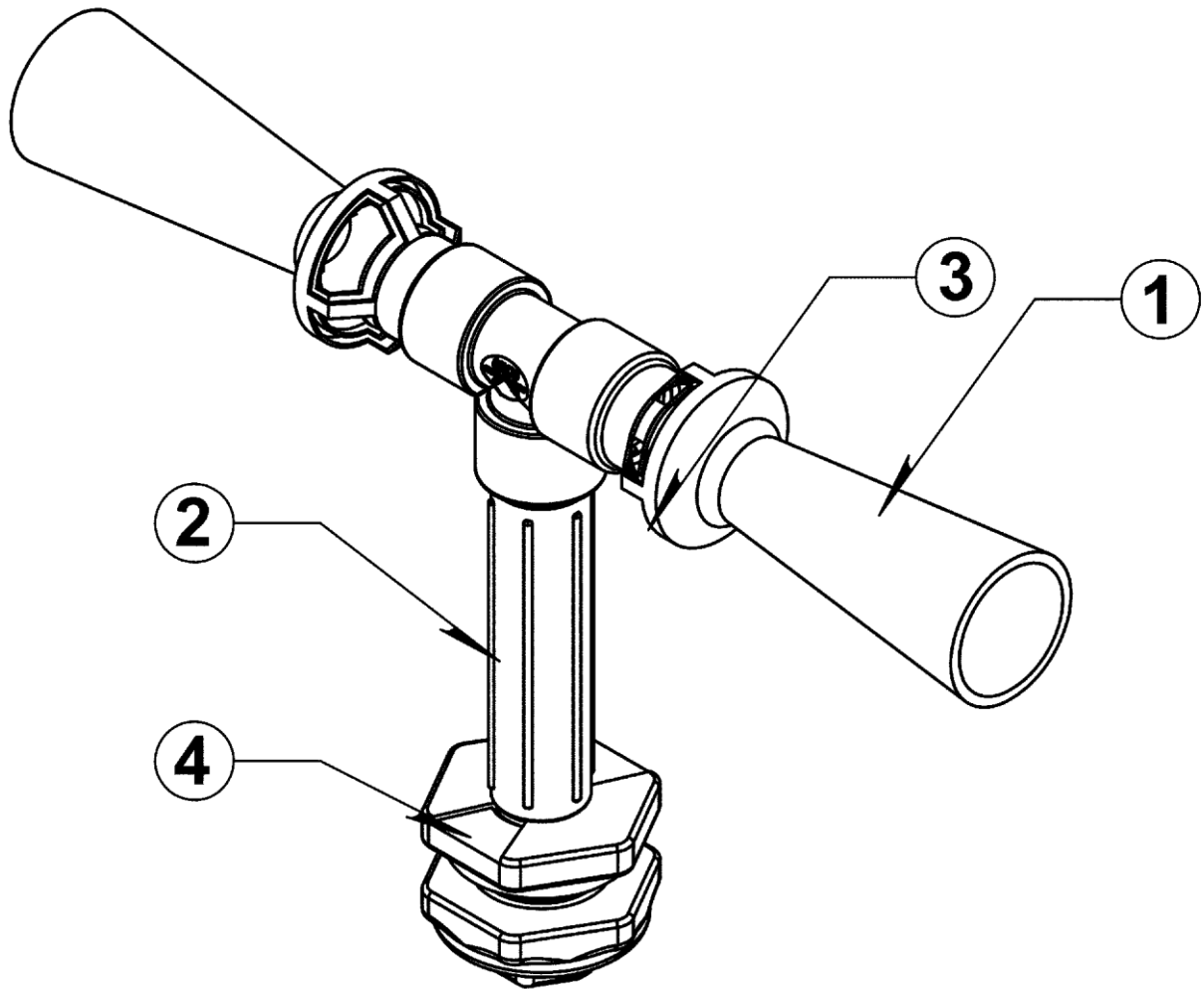
1. 2X DRILL  $\phi$  .375 HOLE IN STRAINER FLANGE FOR MOUNTING 530442 AT ASSEMBLY



## Parts List: 3" Quick Fill with Strainer

ITEM	PART NO.	QTY.	DESCRIPTION
1	26967	1	PLATE, 3" STRAINER MOUNT
2	500042	2	MANIFOLD VALVE, STANDARD PORT 3"
3	510004	1	HOSE, 3" FERTILIZER X 18"
4	530023	1	CAP, 3"
5	530024	7	GASKET, 3" EPDM
6	530179	1	CABLE LANYARD
7	530233	1	MANIFOLD ADAPTER, 3" X 3" QDC MALE
8	530234	1	COUPLER, 3" X 45°
9	530439	1	MANIFOLD SWEEP, FLANGE 3"
10	530441	2	FLANGE SWEEP, 90 X 3" HOSE BARB
11	530442	1	STRAINER, 3" Y STANDARD PORT -12
12	540003	7	CLAMP, WORM SCREW 3"
13	540027	2	CLAMP, 3" T BOLT
14	596115M	2	BOLT, HH 5/16-18X1 GR5 MAGNI
15	596128M	1	BOLT, HH 3/8-16 X 1 GR5 MAGNI
16	596212M	2	NUT, 5/16-18
17	596237M	1	NUT, CENTERLOCK 3/8 MAGNI
18	596257M	2	WASHER, FLAT 5/16 USS MAGNI
19	596258M	1	WASHER, FLAT 3/8 MAGNI

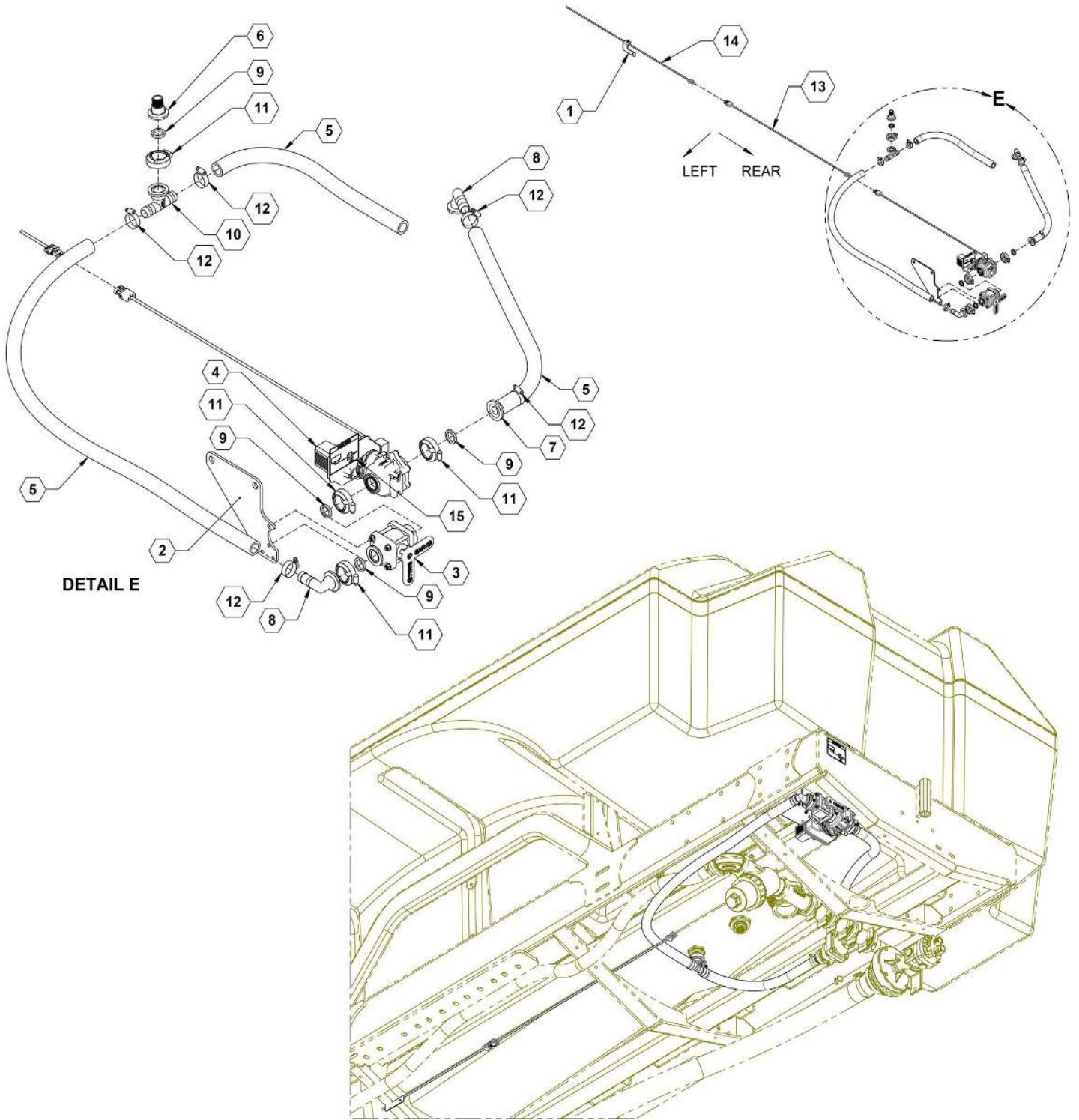
## Tank Agitation Fittings



### Parts List: Tank Agitation Fittings

ITEM	PART NO.	QTY.	DESCRIPTION
1	520029	2	AGITATION NOZZLE
2	530130	1	NIPPLE, 3/4" X 6"
3	530156	1	TEE, 3/4" NPT
4	530160	1	3/4" BULKHEAD FITTING

**Electric Agitation**

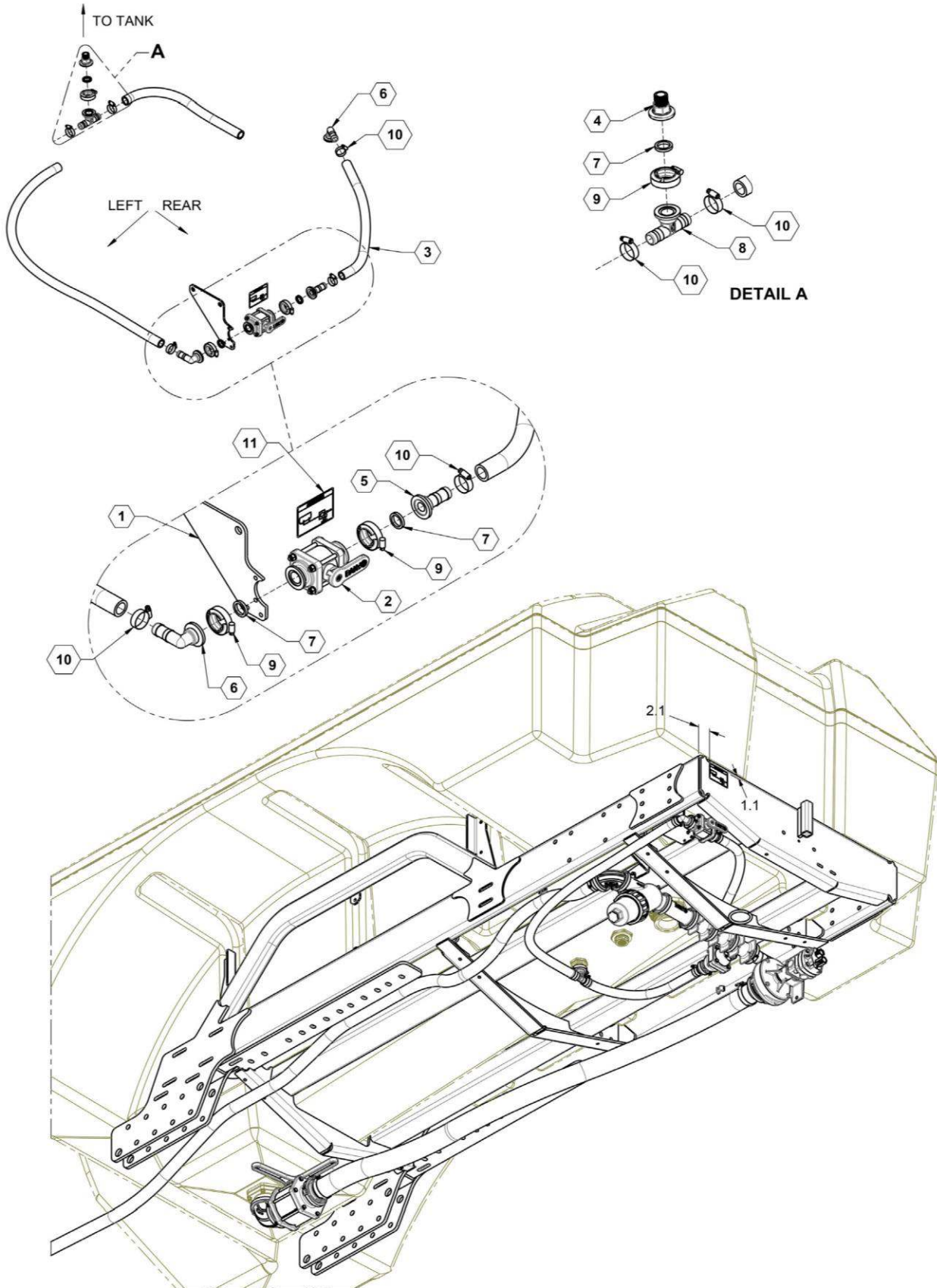


## Parts List: Electric Agitation

ITEM	PART NO.	QTY.	DESCRIPTION
1	11145	1	SWITCH BRACKET
2	27907	1	PLATE, AGITATION MOUNT
3	500005	1	VALVE, 1" FP WITH C-FLANGE
4	500064	1	VALVE, 356 SERIES ON/OFF ELECTRIC AGITATION
5	510016	1	HOSE, 1" EPDM - 9'
6	530062	1	FLANGE, 1" X 3/4" MALE THREAD
7	530066	1	MANIFOLD FITTING, 1" X 1" HB
8	530067	2	FITTING, 1" MANIFOLD X 1" HB 90°
9	530068	4	GASKET, 1" EPDM
10	530431	1	MANIFOLD FITTING X 1" HB TEE
11	540000	4	CLAMP, WORM SCREW 1"
12	540014	5	CLAMP, HOSE SS 1" #16
13	631931	1	26' 3 PIN WEATHERPACK EXTENSION
14	631970	1	SWITCH/CABLE
15	800250	1	DECAL, AGITATION VALVE OPERATION



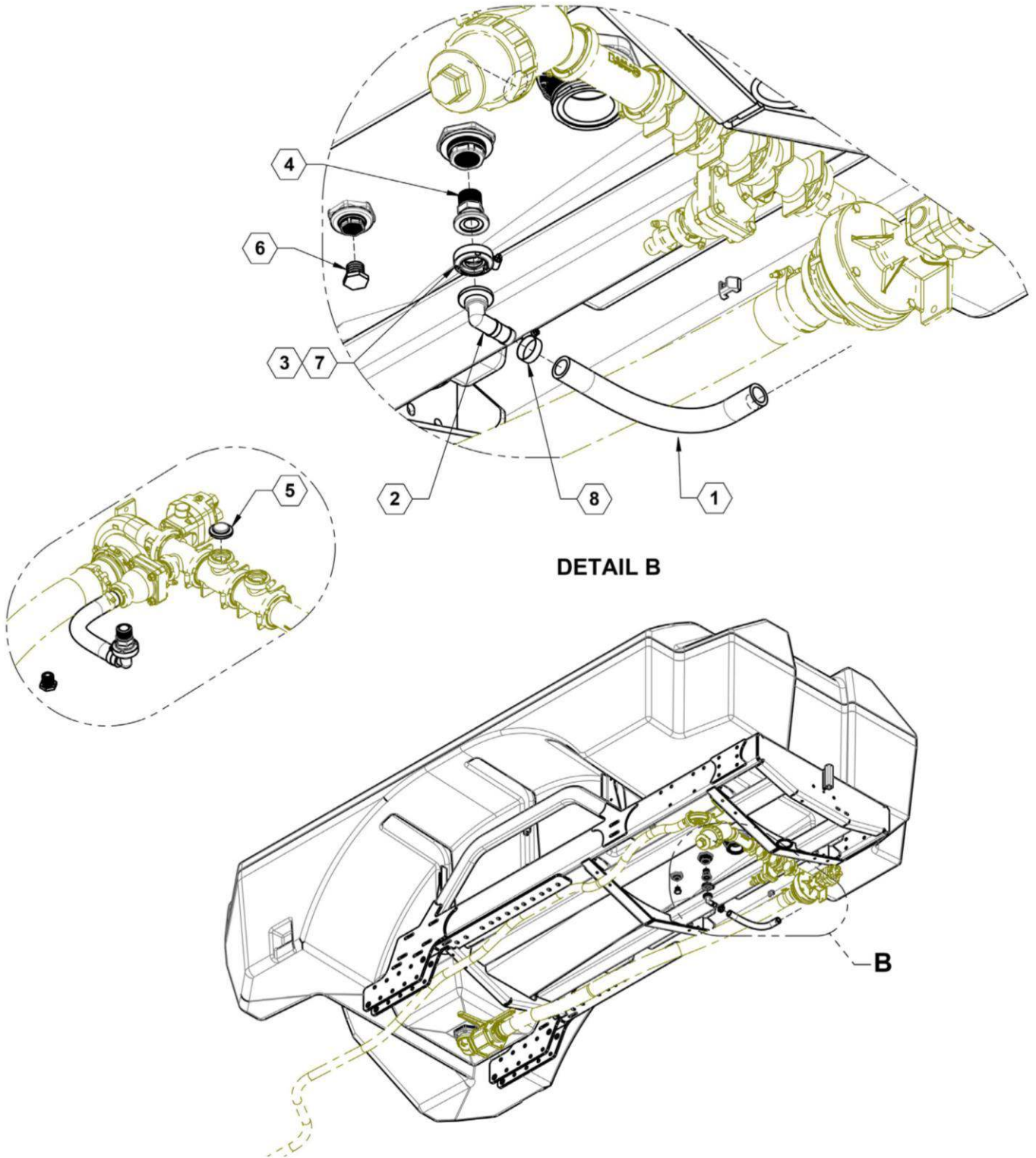
**Manual Agitation (Hi Volume)**



**Parts List: Manual Agitation (Hi Volume)**

<b>ITEM</b>	<b>PART NO.</b>	<b>QTY.</b>	<b>DESCRIPTION</b>
1	27907	1	PLATE, AGITATION MOUNT
2	500005	1	VALVE, 1" FP WITH C-FLANGE
3	510016	1	HOSE, 1" EPDM X 2 FT
4	530062	1	FLANGE, 1" X 3/4" MALE THREAD
5	530066	1	MANIFOLD FITTING, 1" X 1" HB
6	530067	2	FITTING, 1" MANIFOLD X 1" HB 90°
7	530068	3	GASKET, 1" EPDM
8	530431	1	MANIFOLD FITTING X 1" HB TEE
9	540000	3	CLAMP, WORM SCREW 1"
10	540014	5	CLAMP, HOSE SS 1" #16
11	800250	1	DECAL, AGITATION VALVE OPERATION

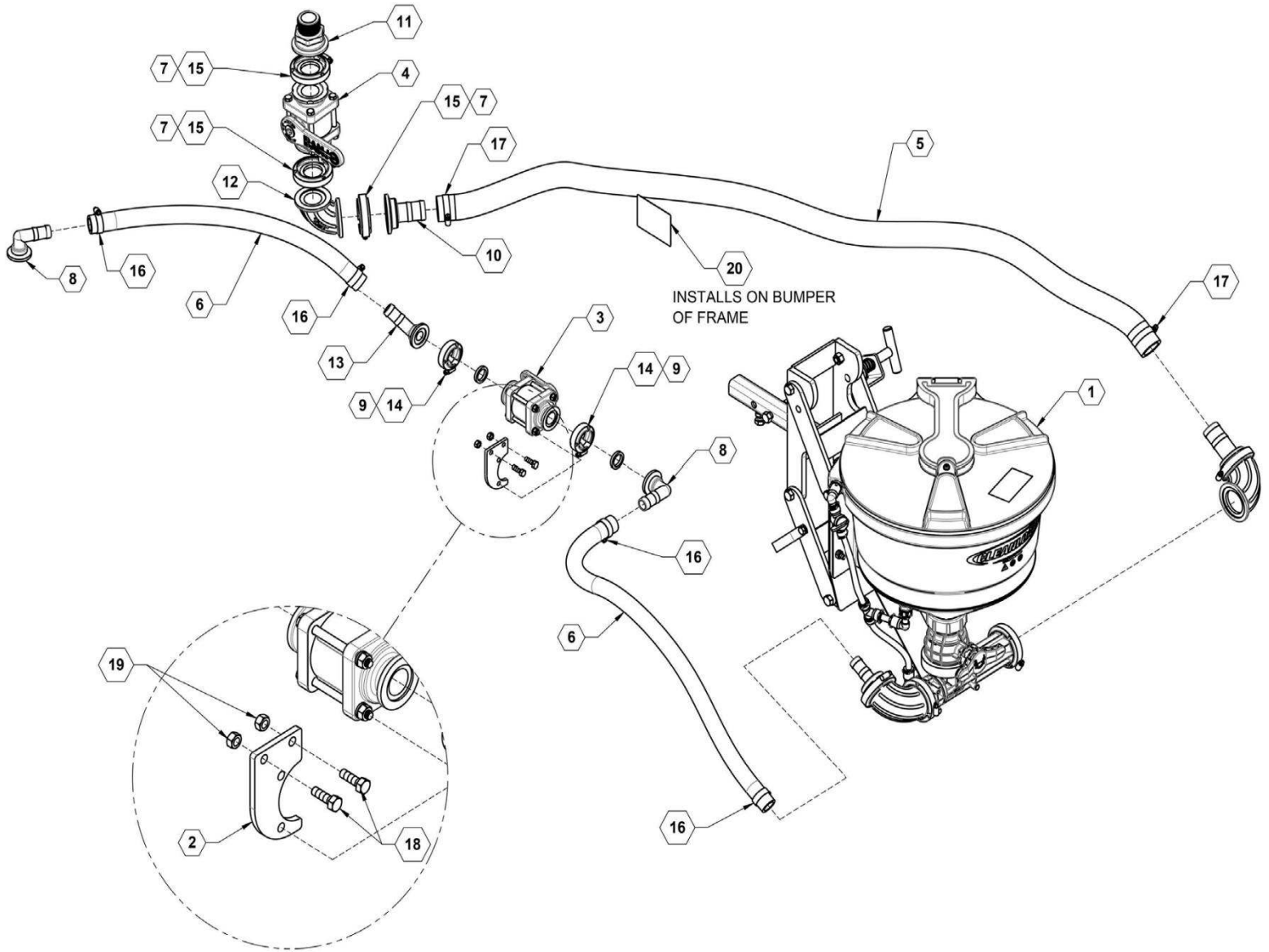
**No Agitation**



**Parts List: No Agitation**

<b>ITEM</b>	<b>PART NO.</b>	<b>QTY.</b>	<b>DESCRIPTION</b>
1	510016	1	1" EPDM HOSE X 2'
2	530067	1	FITTING, 1" MANIFOLD X 1" HOSE BARB 90°
3	530068	1	GASKET, 1" EPDM
4	530069	1	FLANGE, 1" MANIFOLD X 1" MPT
5	530070	1	MANIFOLD PLUG, 1"
6	530392	1	PLUG, 3/4" POLY PIPE
7	540000	1	CLAMP, WORM SCREW 1"
8	540014	1	CLAMP, HOSE SS 1" #16

**Eductor - Applicator**

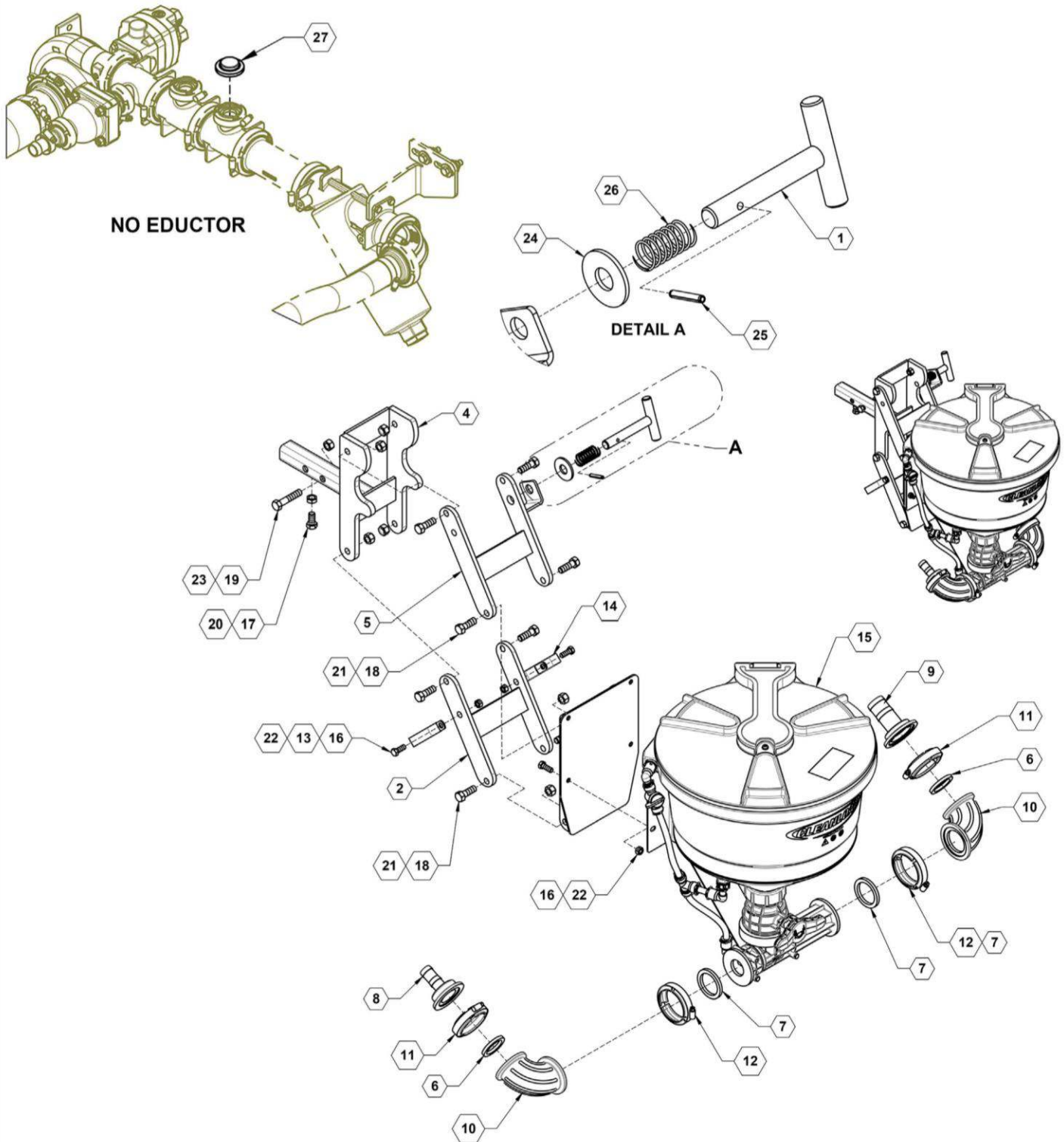


## Parts List: Eductor - Applicator

ITEM	PART NO.	QTY.	DESCRIPTION
1	26819	1	ASSY, WITH EDUCTOR
2	27253	1	PLATE, AGITATION MOUNT
3	500005	1	VALVE, 1" FP WITH C-FLANGE
4	500039	1	VALVE, MANIFOLD, 2.00 STD. PORT, 4 BOLT, POLY
5	510014	6	HOSE, 1 - 1/2" EPDM - 6FT
6	510016	6	HOSE, 1" EPDM - 11FT
7	530014	3	GASKET, 1.500 EPDM
8	530067	2	FITTING, ELBOW, 1" MANIFOLD X 1" HB 90°
9	530068	2	GASKET, 1.00 EPDM
10	530079	1	MANIFOLD FLANGE, 2" X 1-1/2" HB
11	530081	1	MANIFOLD FLANGE, 2" X 1-1/2" MPT
12	530393	1	FITTING, SWEEP, 2.00 FLANGE X 2.00 FLANGE, POLY
13	530426	1	ELBOW 45, 1.00 FLANGE X 1.00 HB
14	540000	2	CLAMP, WORM SCREW, 1.00
15	540001	3	CLAMP, 2.00 STD WORM SCREW
16	540014	4	HOSE CLAMP, SS 1.00 #16
17	540016	2	CLAMP, SS 1.500 #24
18	596115M	2	BOLT, HH 5/16-18X1 GR5 MAGNI
19	596236M	2	NUT, CENTERLOCK, 5/16-18 MAGNI
20	800251	1	DECAL, EDUCTOR VALVE OPERATION



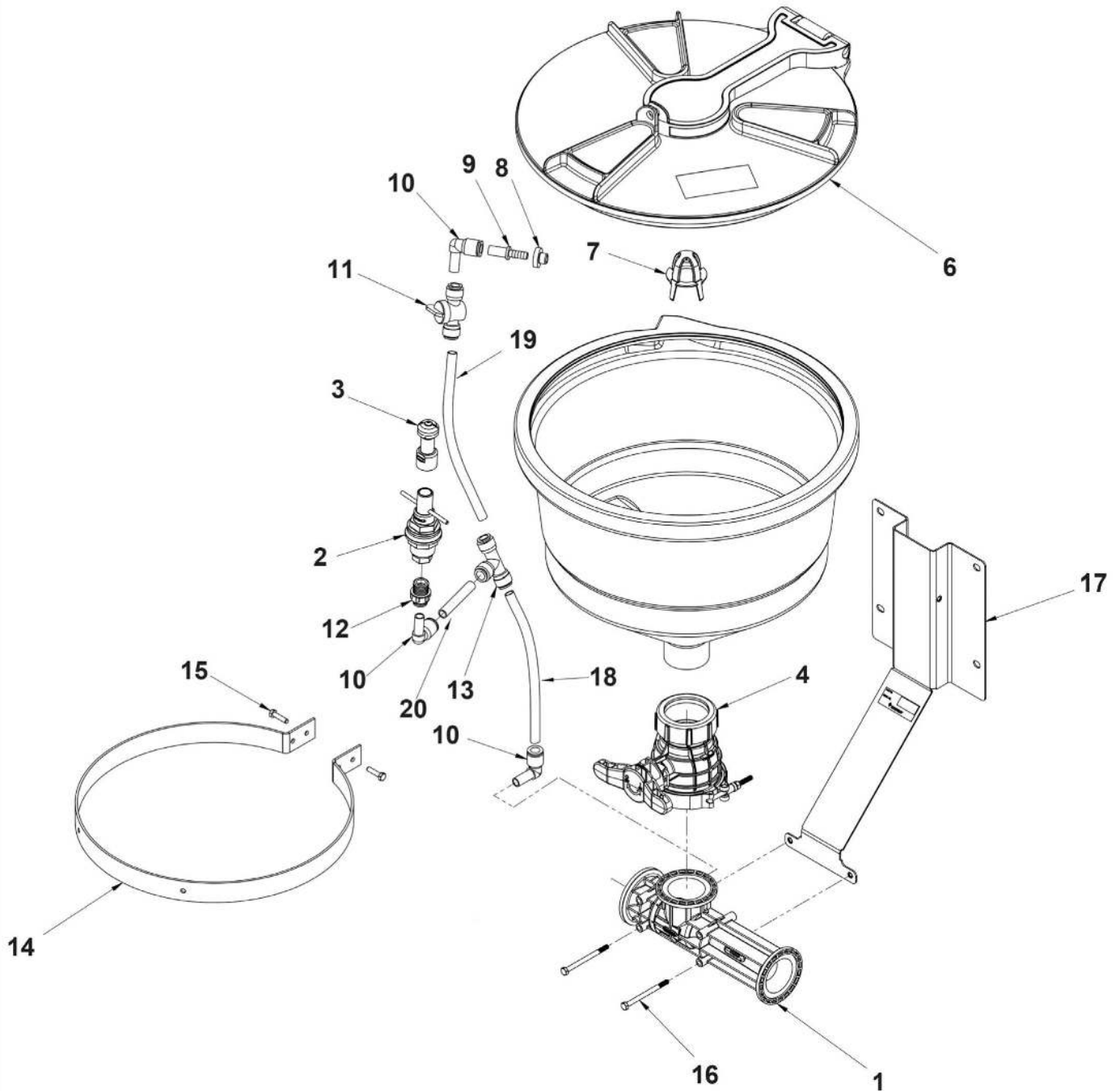
**Eductor Assembly**



## Parts List: Eductor Assembly

ITEM	PART NO.	QTY.	DESCRIPTION
1	7981	1	TRANSPORT LOCK PIN
2	15676	1	EDUCTOR LINK LOWER
3	16560	1	WELDMENT, MOUNT
4	27671	1	WLDMNT, FRAME EDUCTOR BASE
5	27673	1	WLDMNT, EDUCTOR LINK UPPER
6	530014	2	GASKET, 1.500 EPDM
7	530019	2	GASKET, 2.00 EPDM
8	530072	1	FITTING, 2.00 FLANGE X 1.00 HB, POLY
9	530100	1	MANIFOLD FLANGE, 2" FP X 1-1/2" HB
10	530388	2	MANIFOLD SWEEP, 2" FP X 2" STD
11	540001	2	CLAMP, 2.00 STD WORM SCREW
12	540002	2	CLAMP, FP WORM SCREW, 2.00
13	540051	1	P-CLAMP, 2" W/3/8" HOLE
14	540052	1	P-CLAMP, 3" WITH 3/8" HOLE
15	570119	1	EDUCTOR, 7 GAL TANK
16	596128M	6	BOLT, HH 3/8-16 X 1 GR5 MAGNI
17	596152M	1	BOLT, HH 1/2X1 GR5 MAGNI
18	596153M	8	BOLT, HH 1/2-13X1-1/2 GR5 MAGNI
19	596155M	1	BOLT, HH 1/2-13X2-1/2 GR5 MAGNI
20	596223M	1	NUT, HEX JAM 1/2-13 MAGNI
21	596231M	8	NUT, HEX NYLOCK 1/2-13 MAGNI
22	596237M	6	NUT, CENTERLOCK 3/8-16 MAGNI
23	596239M	1	NUT, CENTERLOCK, 1/2-13 MAGNI
24	596259M	1	WASHER, FLAT 3/4 MAGNI
25	596299M	1	ROLL PIN, 1/4 X 1-1/2"
26	790001	1	SPRING, EDUCTOR LATCH
27	530472	1	PLUG, 1-1/2" POLY

**Eductor**





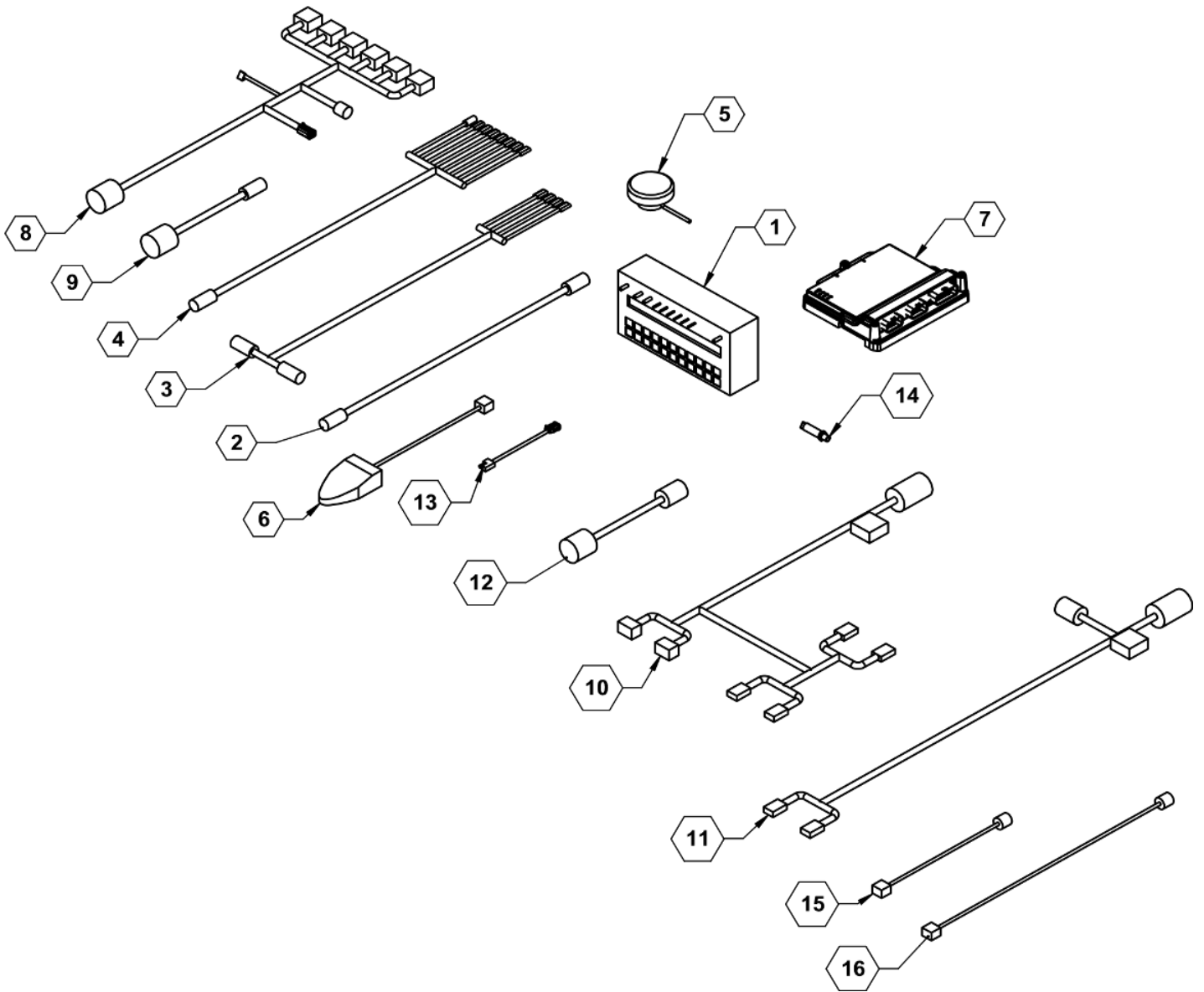
# ILLUSTRATED PARTS LIST

## Parts List: Eductor

ITEM	VENDOR PART NO.	PART NO.	QTY.	DESCRIPTION
0		570119	1	EDUCTOR COMPLETE
1	3371-0038R		1	EDUCTOR
2	PV1/2F1/2M-MA		1	PROCLEAN CONTAINER RINSE
3	PC1/2F-36075		1	NOZZLE, PROCLEAN CONTAINER RINSE
4	7250-5000		1	TANK VALVE
6	TL16-0006		1	LID KIT
7	3350-0180		1	STRAINER
8	1700-0253		1	GROMMET
9	2404-0413		1	HOSE BARB FITTING
10	2404-0414		1	ELBOW FITTING (1/2")
11	3305-0113		1	TWO-WAY VALVE (1/2")
12	2404-0386		1	FITTING
13	2404-0415		1	TEE FITTING (1/2")
14	1510-0128		1	MOUNTING RING
15	2210-0201		2	HEX BOLT, M6X1X25
16	2210-0200		2	HEX BOLT, M6X1X80
17	1510-0127		1	BRACKET
18	3430-0833		1	TUBE KIT (INCLUDES ITEMS 18 - 20, SCREW AND CLAMP)
19	3430-0833		1	TUBE KIT (INCLUDES ITEMS 18 - 20, SCREW AND CLAMP)
20	3430-0833		1	TUBE KIT (INCLUDES ITEMS 18 - 20, SCREW AND CLAMP)

**PRODUCT ELECTRONIC/ELECTRICAL CONTROL  
COMPONENTS**

**Raven Harnesses and Components**

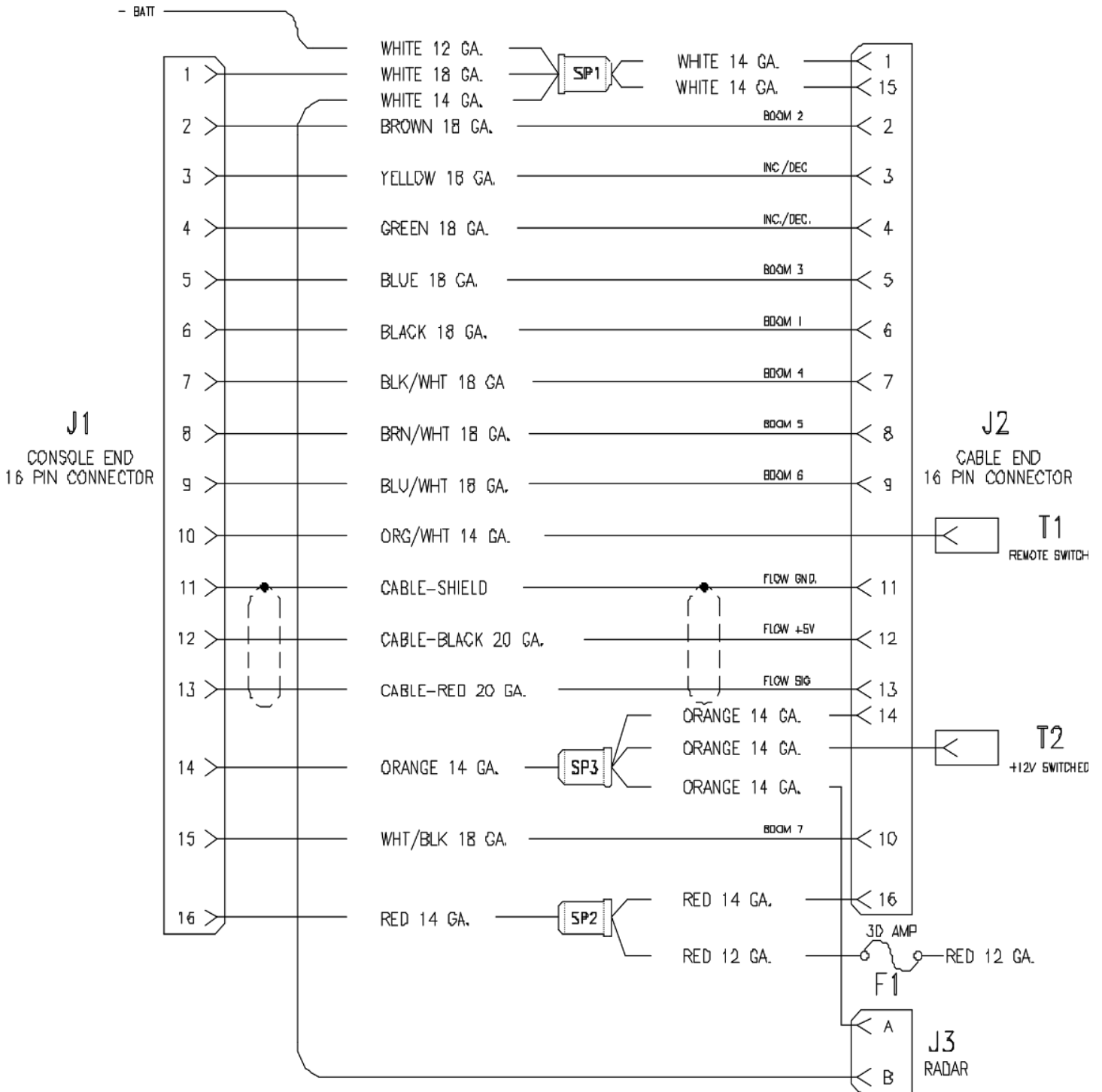


## Parts List: Raven Harnesses and Components

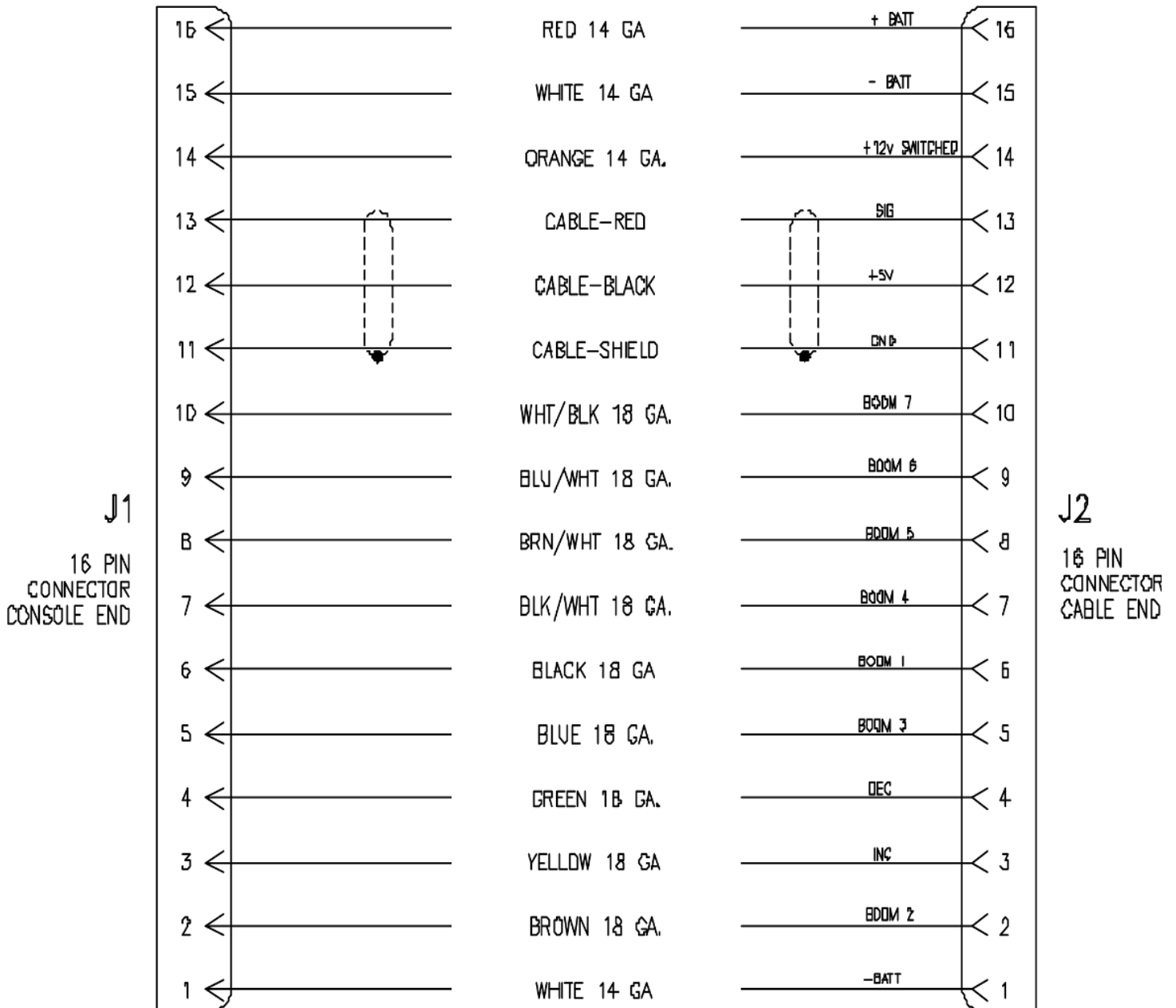
ITEM	PART NO.	QTY.	DESCRIPTION
1	631803	AR	6 SECTION 450 CONSOLE
2	631814	AR	12' 16 PIN EXTENSION CABLE
3	631818	AR	10' 440/450 CONSOLE CABLE
4	631819	AR	16 PIN 6 SECTION CABLE
5	631832	AR	GPS SPEED SENSOR
6	631856	AR	FOOTSWITCH
7	632010	AR	RCM
8	632027	AR	47 PIN 6 SECTION CABLE
9	632028	AR	47 PIN TO 16 PIN ADAPTER
10	632029	AR	47 PIN RCM Y-CABLE
11	632031	AR	12' ISO TO IBIC CABLE
12	632033	AR	47 PIN TO 37 PIN ADAPTER
13	632034	AR	TRAILER TO DEUTSCH PLUG ADAPTER CABLE
14	632036	AR	PRESSURE TRANSDUCER
15	632061	AR	CABLE, FOOTSWITCH, 12'
16	632062	AR	CABLE, FOOTSWITCH, 23'
NS	631802	AR	3 SECTION 440 CONSOLE



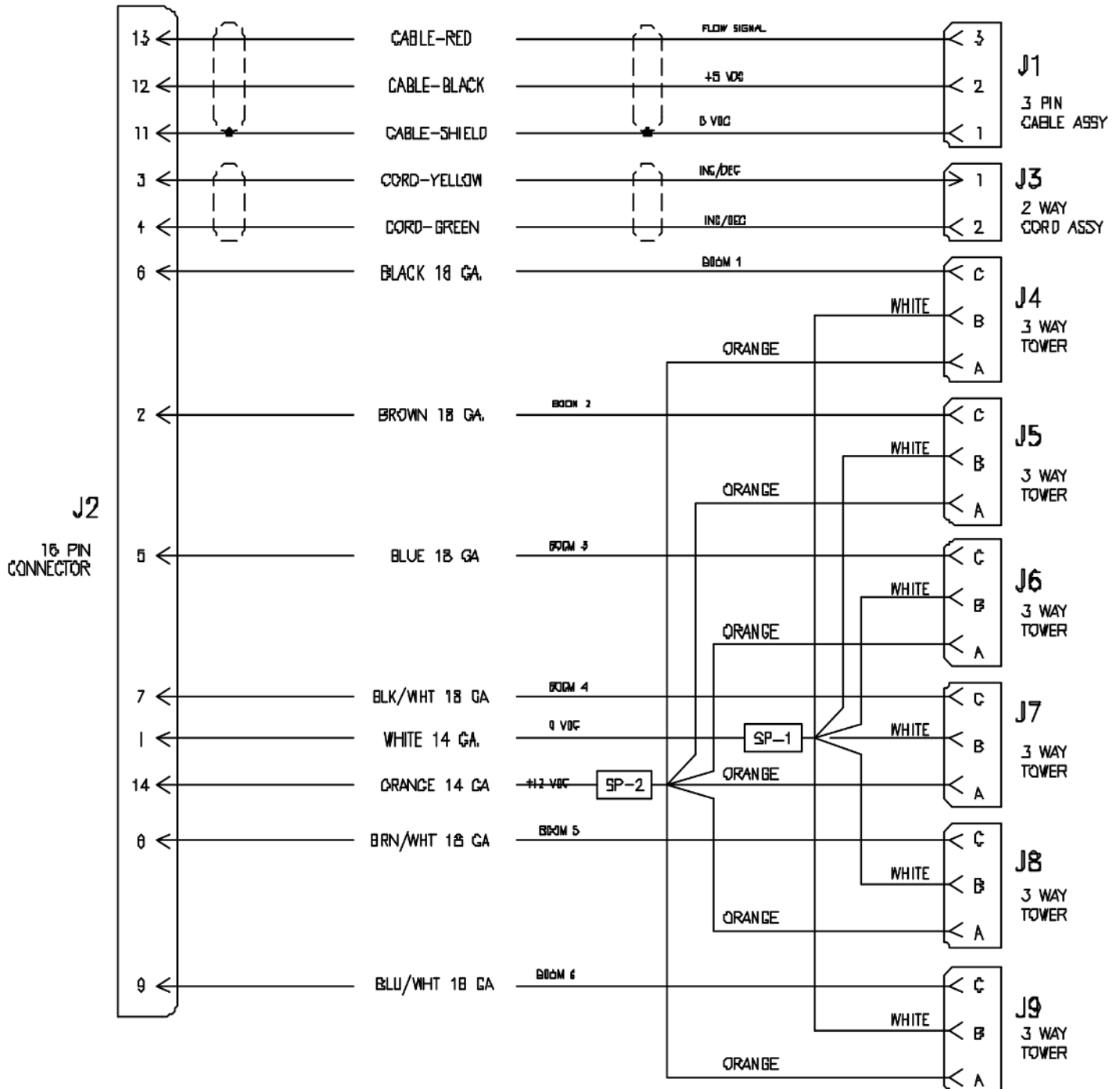
## Control Harness 115-0171-085



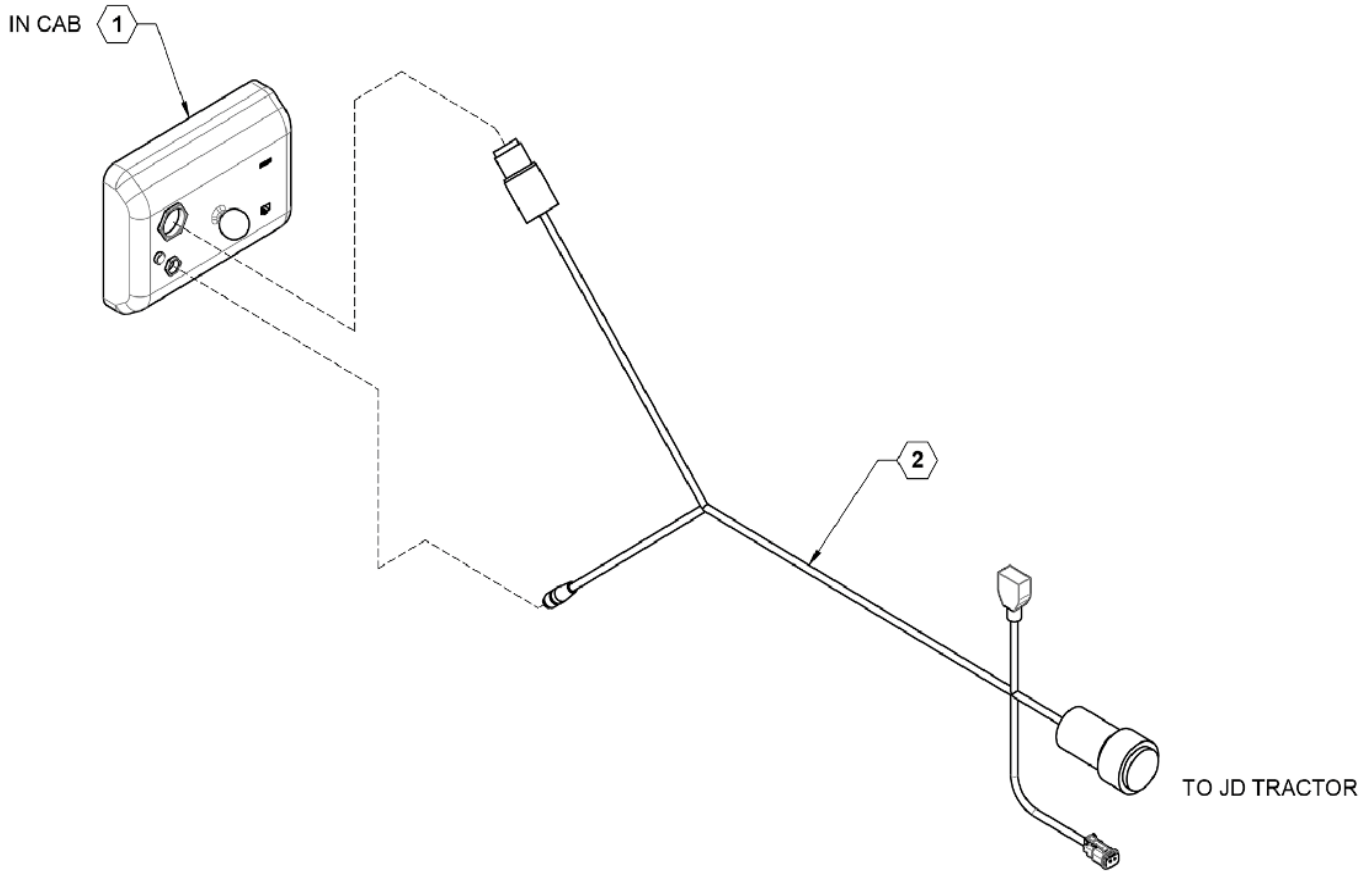
## Control Harness 115-0159-856



## Control Harness 115-0171-086



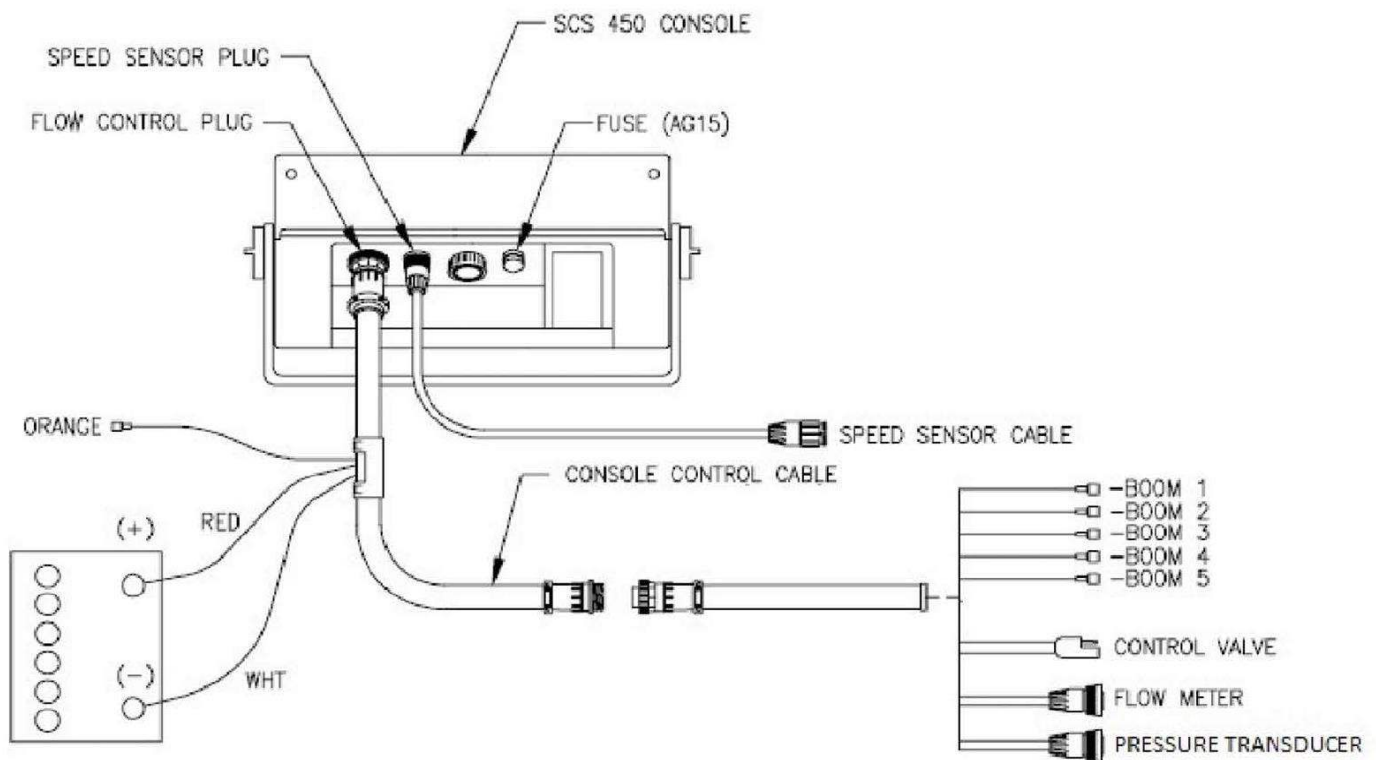
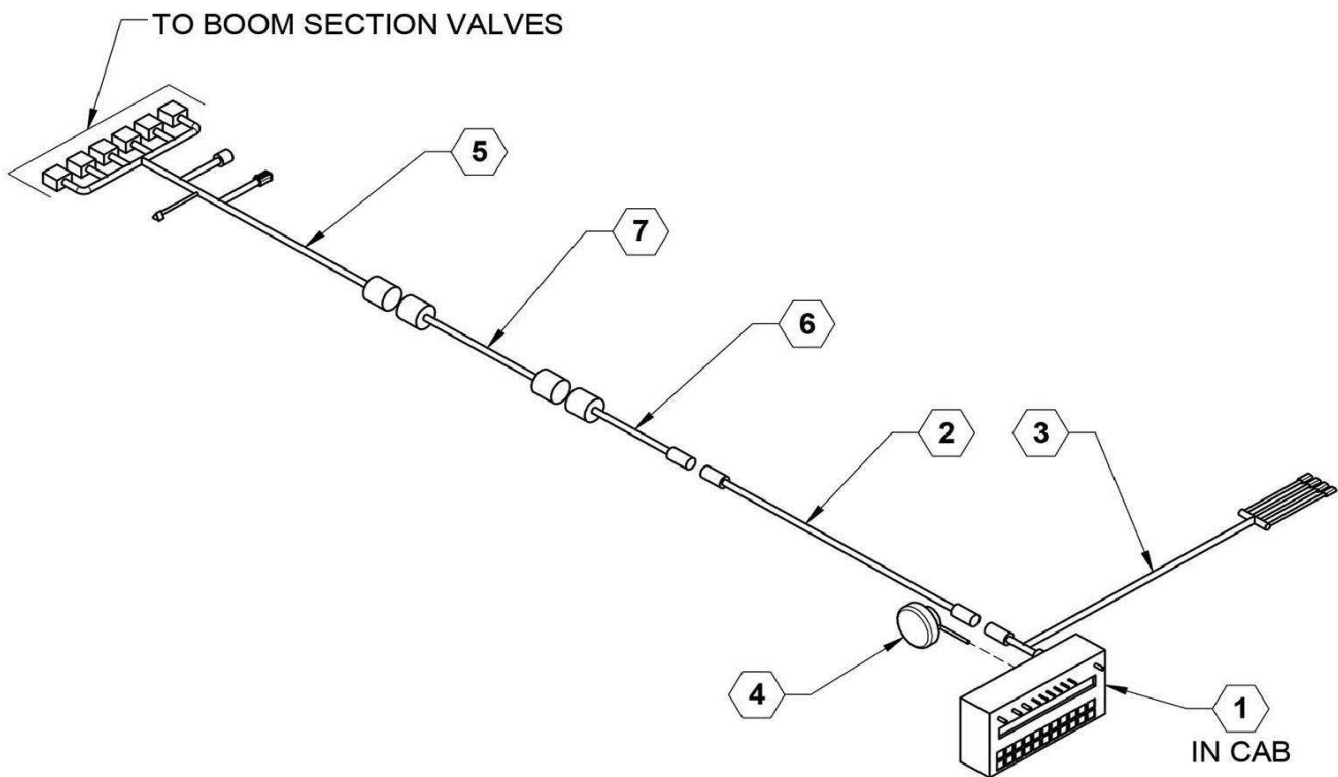
## CR7 Display



### Parts List: CR7 Display

ITEM	PART NO.	QTY.	DESCRIPTION
1	632063	1	RAVEN PRECISION CR7 DISPLAY
2	632066	1	CABLE, CR7 ISO VT ONLY

**Raven 450 Controller**





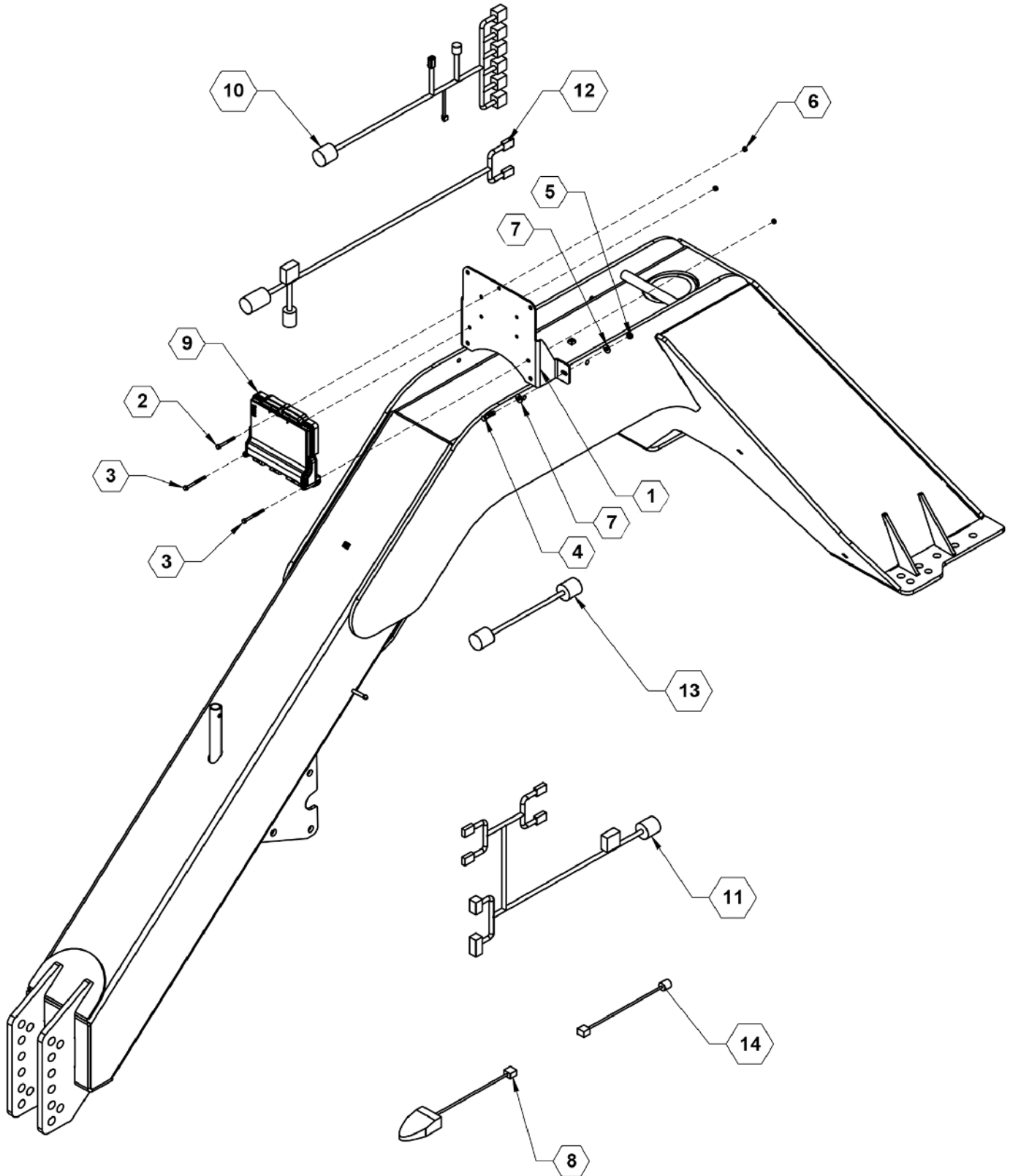
# ILLUSTRATED PARTS LIST

## Parts List: Raven 450 Controller

ITEM	PART NO.	QTY.	DESCRIPTION
1	631803	1	RAVEN SCS450 CONTROLLER
2	631814	1	CABLE, 6 BOOM 12' EXTENSION
3	631818	1	CABLE 10' CONSOLE 7 BOOM SCS 440/4
4	631832	1	SKYTRAK GPS SPEED SENSOR
5	632080	1	6 SECTION 6' FINAL CABLE
6	632028	1	47 PIN TO 16 PIN ADAPTER
7	632050	1	47 PIN 18' EXTENSION CABLE



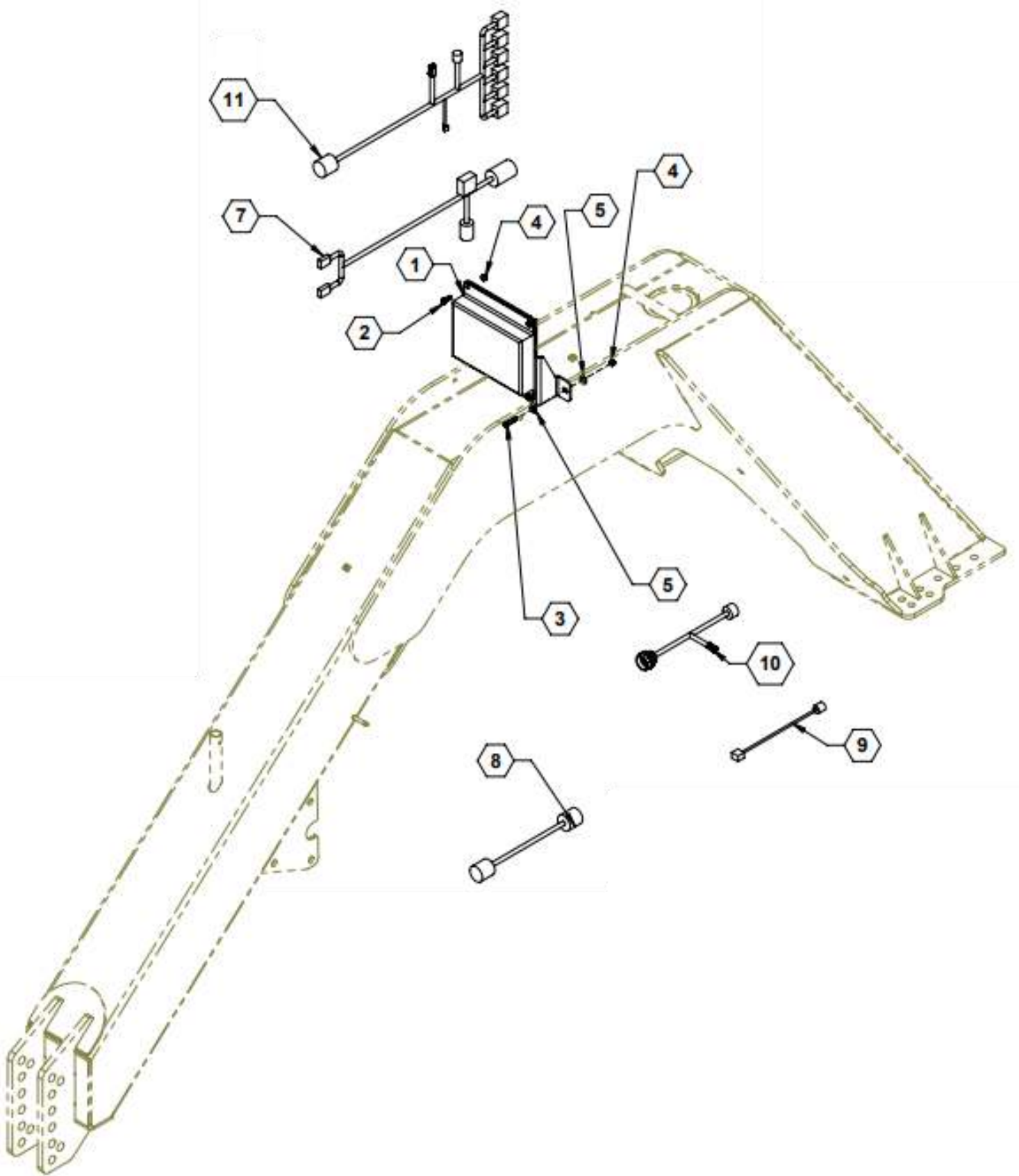
**Raven RCM Rate Controller**



## Parts List: Raven RCM Rate Controller

ITEM	PART NO.	QTY.	DESCRIPTION
1	27209	1	PLATE, CONTROLLER MOUNT
2	596105M	1	BOLT, HH 1/4-20X2-1/2 GR5 MAGNI
3	596110M	2	BOLT, HH 1/4-20 X 3 MAGNI
4	596129M	2	BOLT, HH 3/8-16X1-1/2 GR5 MAGNI
5	596213M	2	NUT, HEX 3/8-16 MAGNI
6	596235M	3	NUT, CENTERLOCK, 1/4-20 MAGNI
7	596258M	4	WASHER, FLAT 3/8 MAGNI
8	631856	1	FOOTSWITCH, ISO PRODUCT CONTROL
9	632010	1	RAVEN RCM
10	632029	1	47 PIN RATE CTRL INTERFACE CABLE
11	632031	1	IBIC TO GEN 1 ISO 12'
12	632050	1	47 PIN 18' EXTENSION CABLE
13	632061	1	CABLE, FOOTSWITCH, 12' ROW CROP TRACTOR
14	632080	1	6 SECTION 6' FINAL CABLE

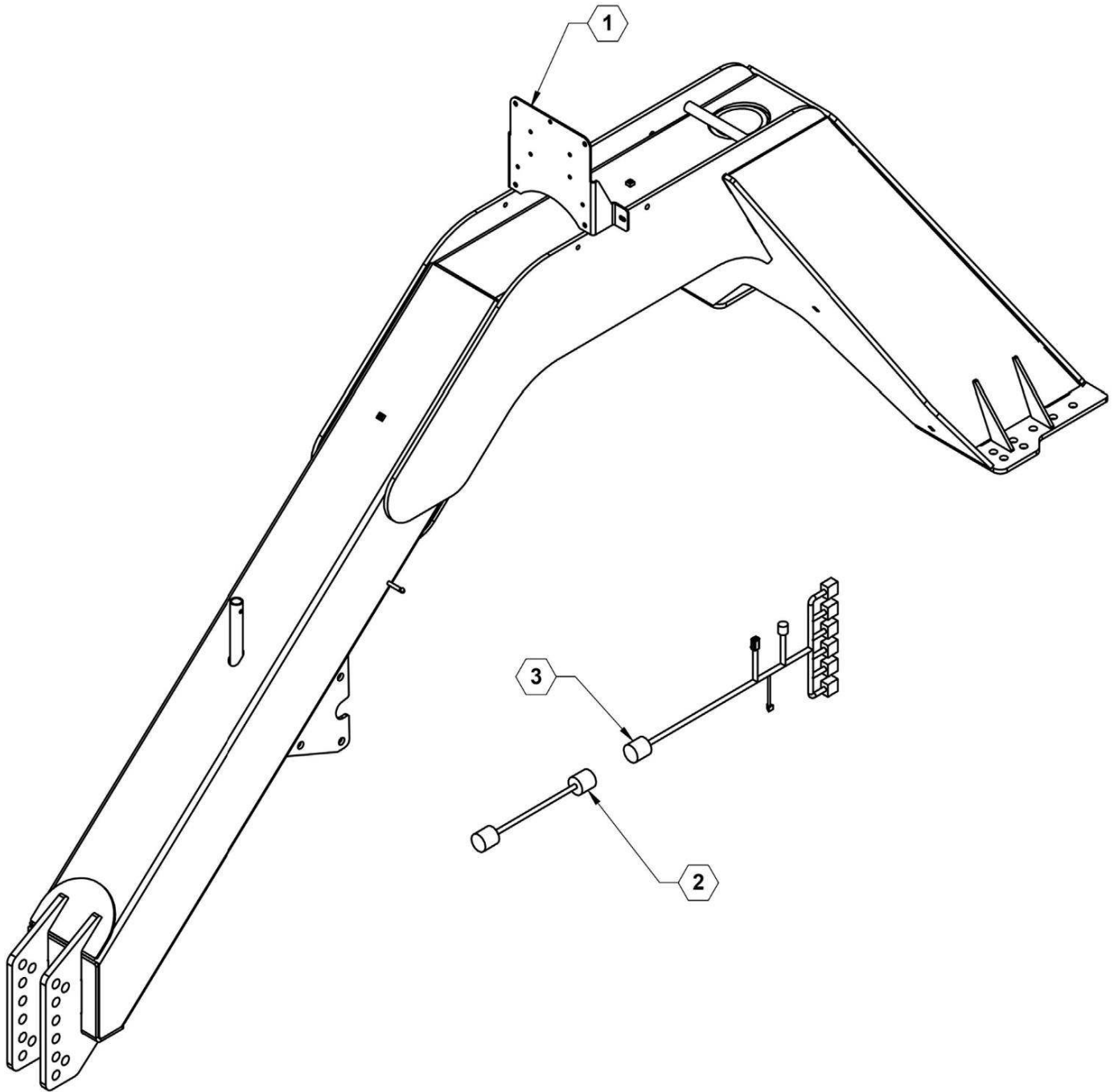
**JD Greenstar Rate Controller**



**Parts List: JD Greenstar Rate Controller**

<b>ITEM</b>	<b>PART NO.</b>	<b>QTY.</b>	<b>DESCRIPTION</b>
1	27209	1	PLATE, CONTROLLER MOUNT
2	596128M	4	BOLT, HH 3/8-16 X 1 GR5 MAGNI
3	596129M	2	BOLT, HH 3/8-16 X 1-1/2 GR5 MAGNI
4	596237M	6	NUT, CENTERLOCK 3/8-16 MAGNI
5	263258M	4	WASHER, FLAT 3/8 MAGNI
6	631001	1	JD GREENSTAR RATE CONTROLLER
7	632031	1	IBIC TO GEN 1 ISO 12'
8	632050	1	47 PIN 18' EXTENSION CABLE
9	632061	1	CABLE, FOOTSWITCH, 12' CROP TRACTOR
10	632070	1	37 TO 47 PIN ADAPTER CABLE
11	632080	1	6 SECTION 6' FINAL CABLE

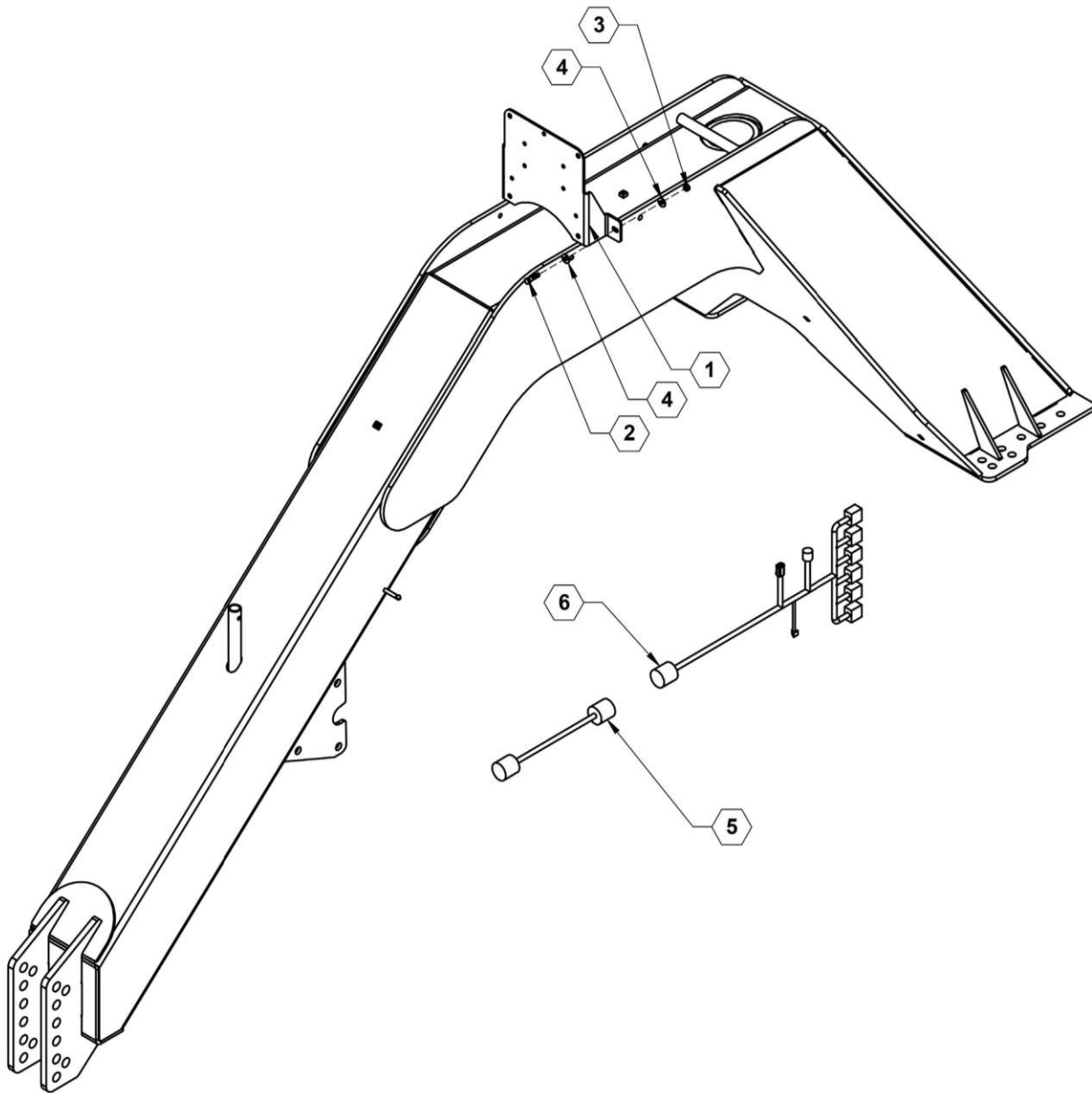
## Customer Supplied JD Greenstar Rate Controller



### Parts List: Customer Supplied JD Greenstar Rate Controller

ITEM	PART NO.	QTY.	DESCRIPTION
1	27209	1	PLATE, CONTROLLER MOUNT
2	632050	1	47 PIN 18' EXTENSION CABLE
3	632080	1	6 SECTION 6' FINAL CABLE

## Customer Supplied Rate Controller

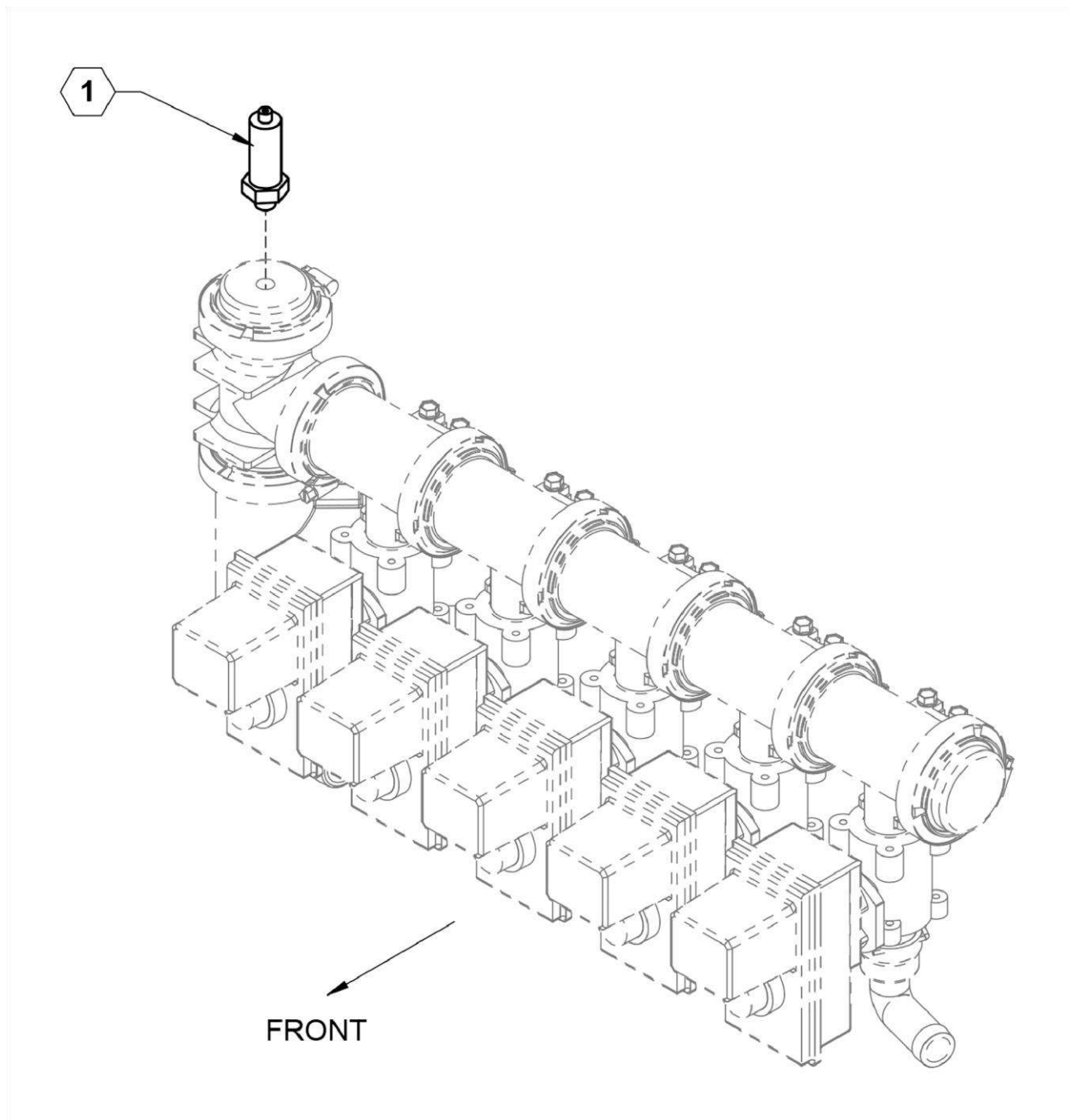


### Parts List: Customer Supplied Rate Controller

ITEM	PART NO.	QTY.	DESCRIPTION
1	27209	1	PLATE, CONTROLLER MOUNT
2	596129M	2	BOLT, HH 3/8-16X1-1/2 GR5 MAGNI
3	596213M	2	NUT, HEX 3/8-16 MAGNI
4	596258M	4	WASHER, FLAT 3/8 MAGNI
5	632050	1	47 PIN 18' EXTENSION CABLE
6	632080	1	6 SECTION 6' FINAL CABLE



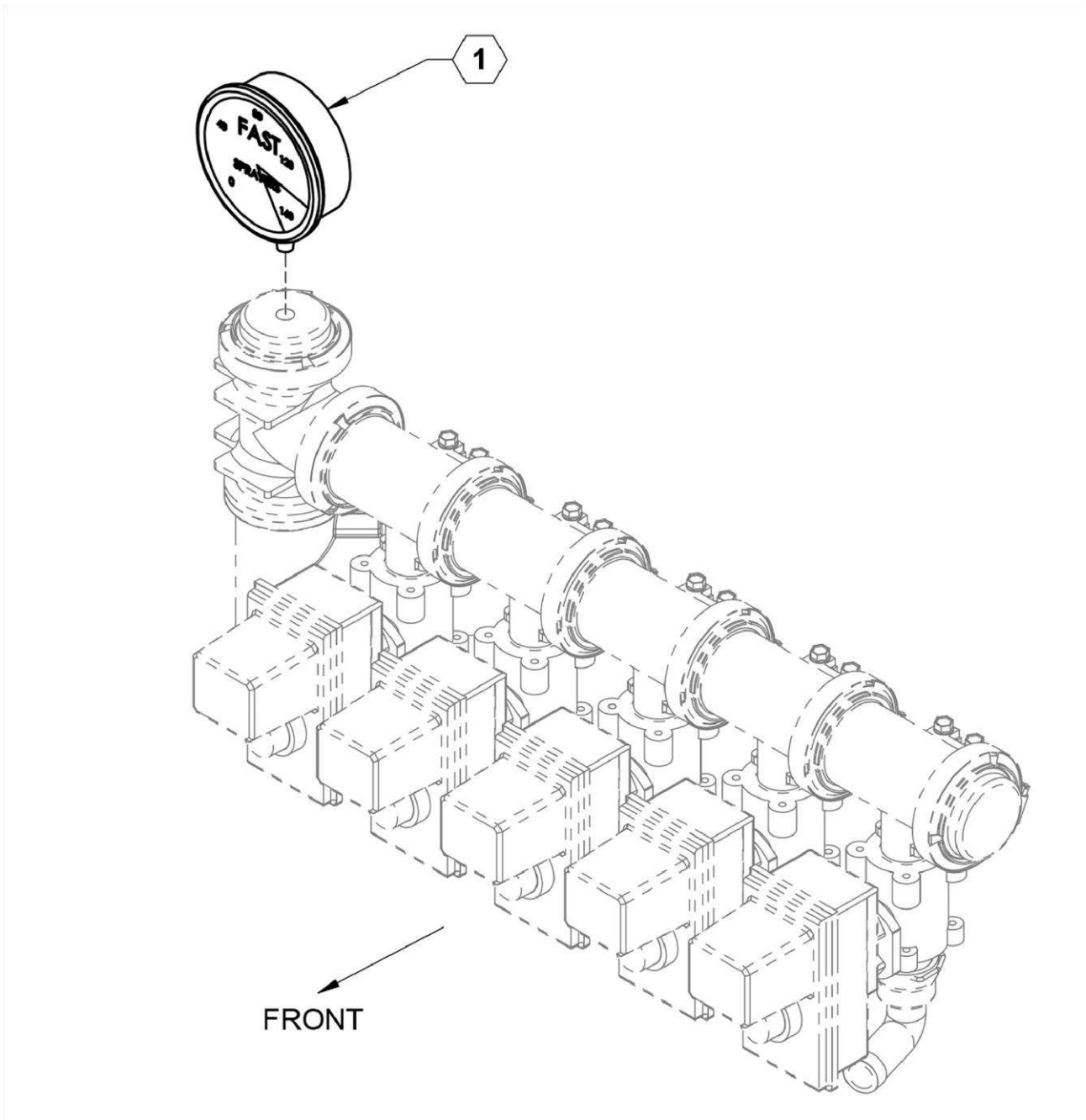
## Pressure Transducer Raven 450



### Parts List: Pressure Transducer Raven 450

ITEM	PART NO.	QTY.	DESCRIPTION
1	631828	1	TRANSDUCER, PRESSURE

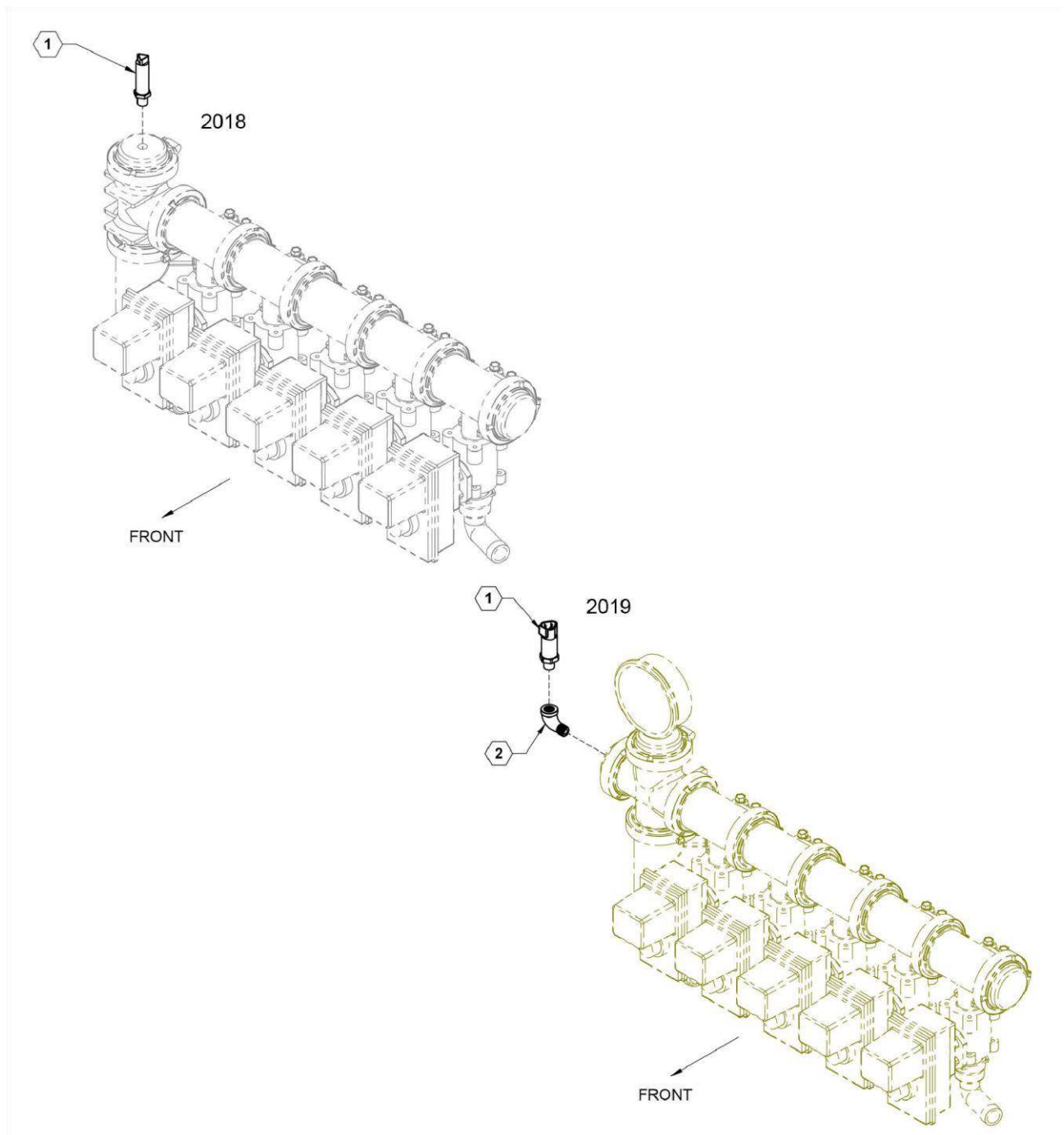
## Pressure Gauge



### Parts List: Pressure Gauge

ITEM	PART NO.	QTY.	DESCRIPTION
1	790020	1	GAUGE, FAST LOGO 160PSI

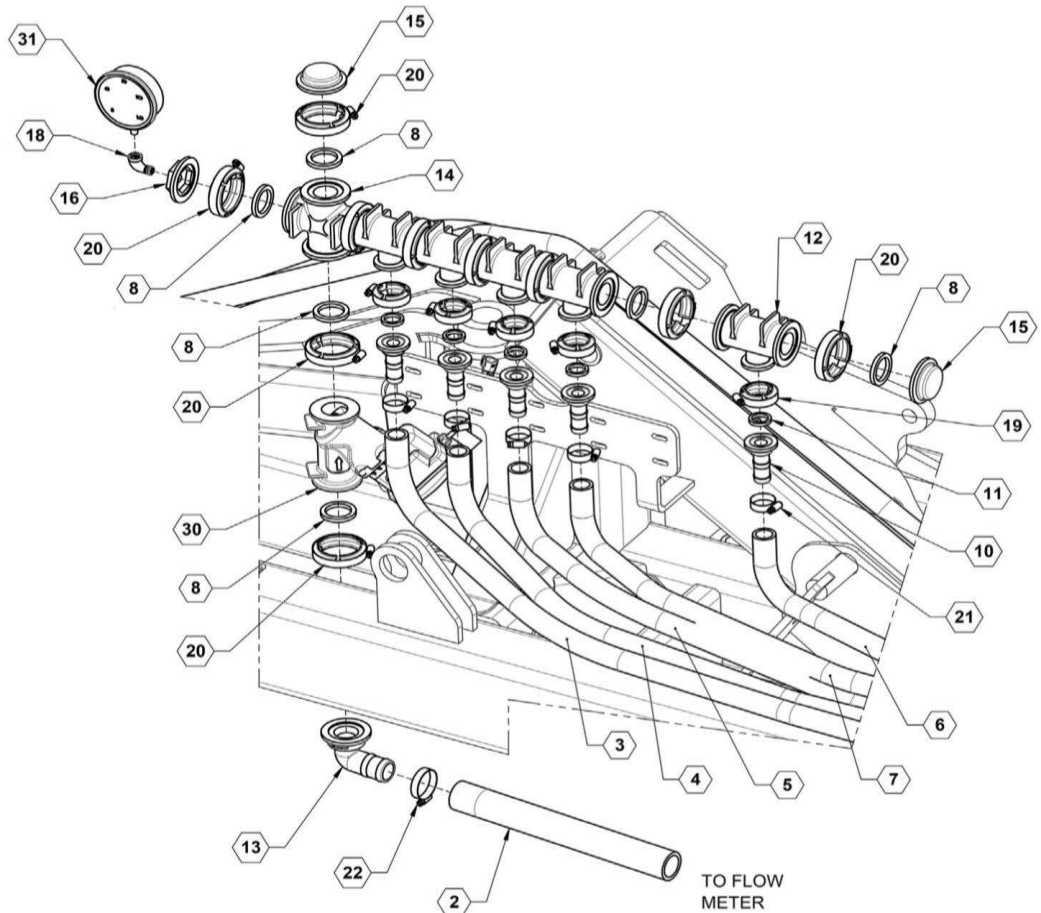
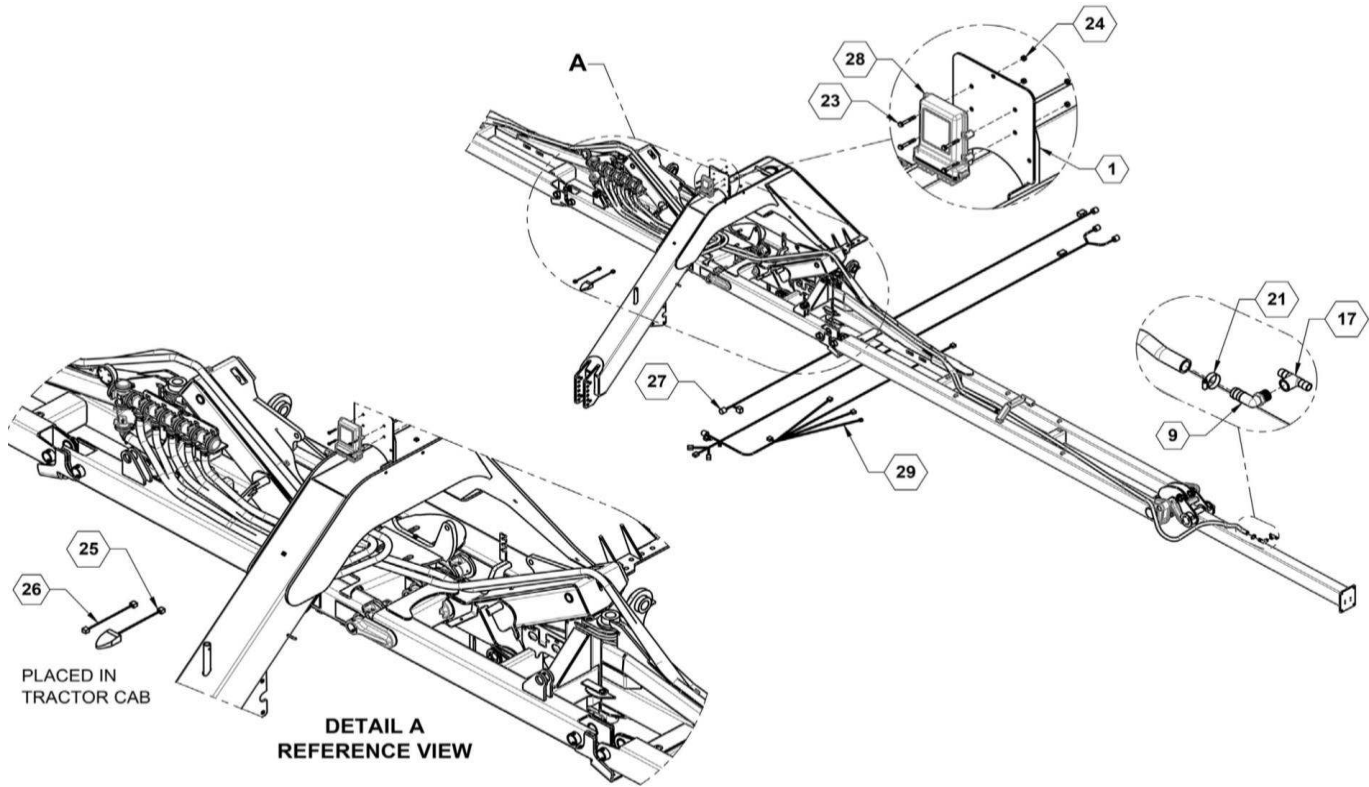
## Pressure Transducer ISO



### Parts List: Pressure Transducer ISO

ITEM	PART NO.	QTY.	DESCRIPTION
1	632036	1	TRANSDUCER, PRESSURE
2	530246	1	ELBOW, 90 DEGREE STREET, 1/4 NPT SS

## Raven Hawkeye Flow Control



## Parts List: Raven Hawkeye Flow Control

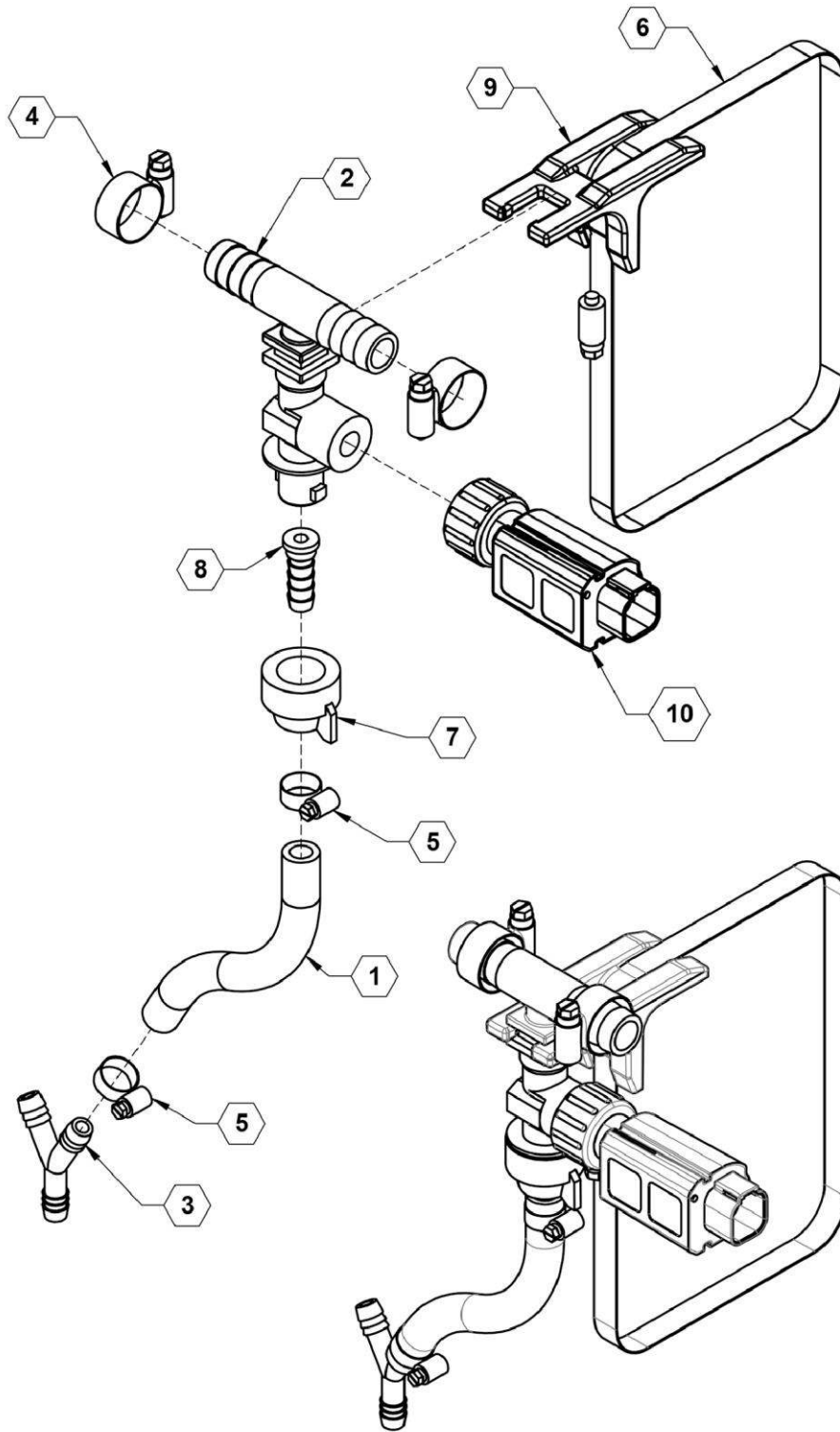
ITEM	PART NO.	QTY.	DESCRIPTION
1	26953	1	RCM MOUNT
2	510014	1	HOSE, 1-1/2" EPDM X 2'
3	510016	1	HOSE, 1" EPDM 3'
4	510016	1	HOSE, 1" EPDM 19'
5	510016	1	HOSE, 1" EPDM 21'
6	510016	1	HOSE, 1" EPDM 31'
7	510016	1	HOSE, 1" EPDM 33'
8	530014	10	GASKET, 1-1/2" EPDM
9	530036	5	HOSE SHANK, 3/4" MPT X 1" 90~
10	530066	5	MANIFOLD FITTING, 1" X 1" HB
11	530068	5	GASKET, 1" EPDM
12	530075	5	MANIFOLD 2" STANDARD PORT X 1" TEE FLANGED
13	530080	1	MANIFOLD, 2" TO 1.5" HOSE BARB 90
14	530090	1	FLANGED CROSS 2"
15	530093	2	MANIFOLD PLUG, 2"
16	530094	1	PLUG, 2" MANIFOLD WITH HOLE
17	530220	5	FITTING, 3/4" FPT X 3/4" HOSE BARB TEE
18	530246	1	ELBOW, 90~ STREET 1/4 NPT SS
19	540000	5	CLAMP, WORM SCREW 1"
20	540001	10	CLAMP, 2" STANDARD WORM SCREW
21	540014	10	CLAMP, HOSE SS 1" #16
22	540016	1	CLAMP, 1-1/2" SS
23	596104M	4	BOLT, HH 1/4-20X1-3/4 GR5 MAGNI
24	596235M	4	NUT, CENTERLOCK, 1/4-20 MAGNI
25	631856	1	FOOTSWITCH, ISO PRODUCT CONTROL
26	631857	1	FOOTSWITCH EXTENSION CABLE
27	631957	1	9 PIN TO GEN 3 RECEPTACLE
28	631983	1	ISO PRODUCT CONTROLLER II ECU
29	632068	1	HAWKEYE ECU CABLE
30	632069	1	RAVEN MASTER VALVE
31	790020	1	GAUGE, FAST LOGO 160PSI







**Hawkeye End Coupler Assembly**

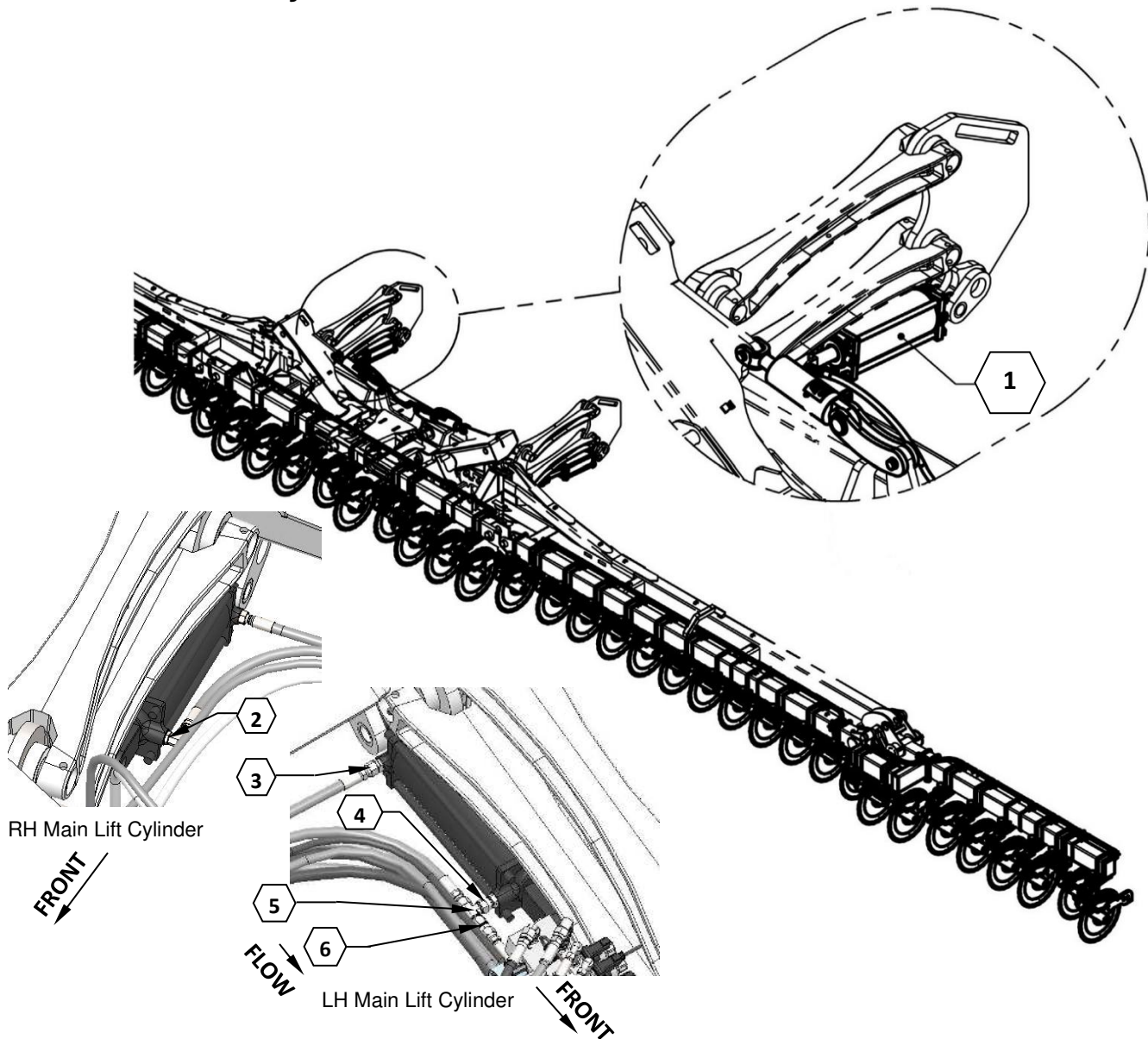


**Parts List: Hawkeye End Coultter Assembly**

ITEM	PART NO.	QTY.	DESCRIPTION
1	510020	1	HOSE 3/8" EPDM
2	520093	1	NOZZLE, DOUBLE HOSE SHANK
3	530372	1	3/8" HOSE BARB Y FITTING
4	540013	2	CLAMP, HOSE SS 3/4" #12
5	540032	2	CLAMP, HOSE SS 5/16" #5
6	540050	1	CLAMP, HOSE SS 5 1/2" - 8 1/2"
7	590076	1	CAP, QT NYLON BLACK
8	590077	1	CONNECTOR, HOSE BARB
9	590187	1	MOUNT, PLUMBING
10	631984	1	ASSEMBLY, HAWKEYE NOZZLE TEE JET



## Main Lift Cylinders



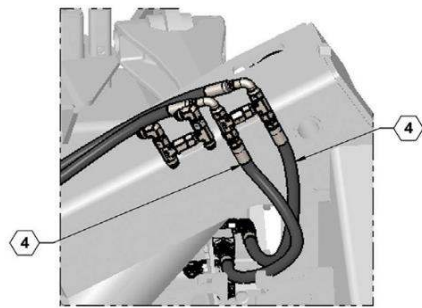
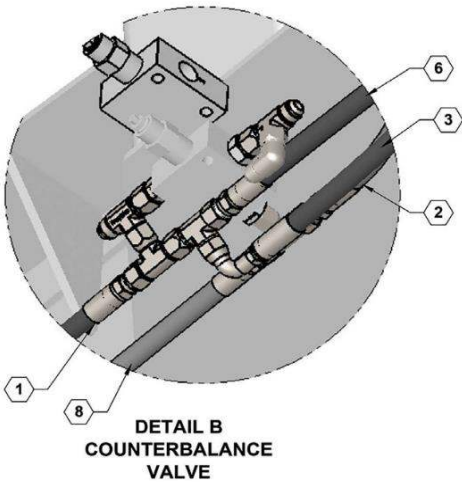
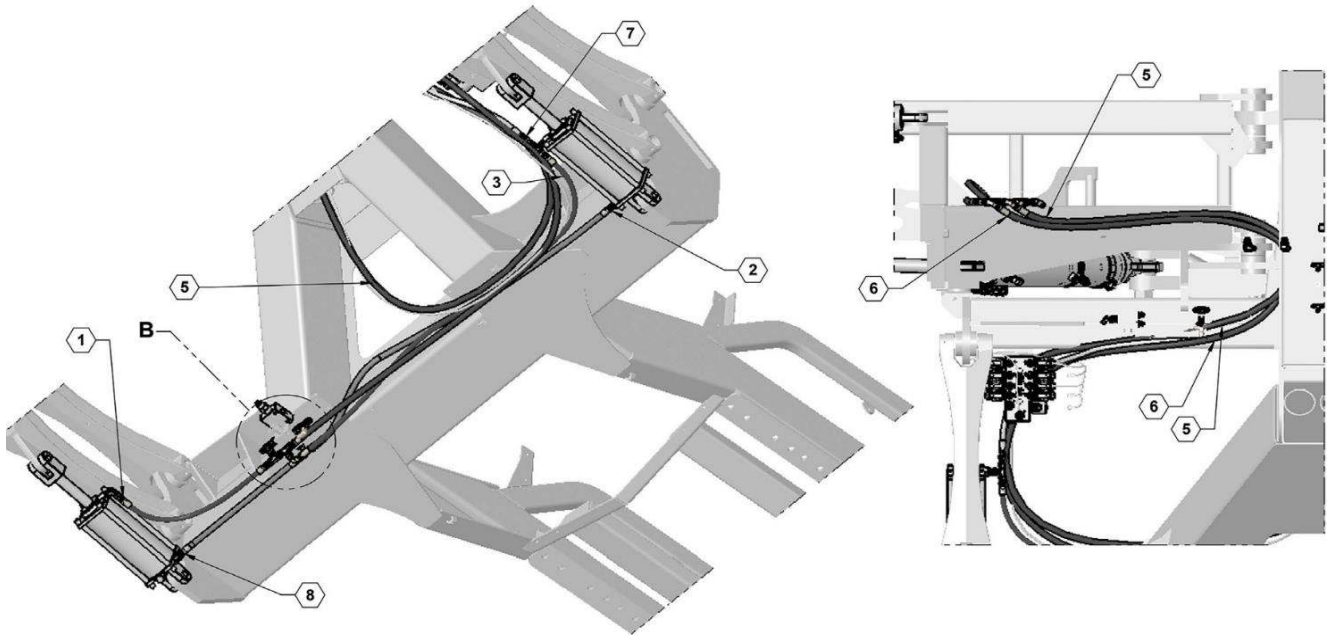
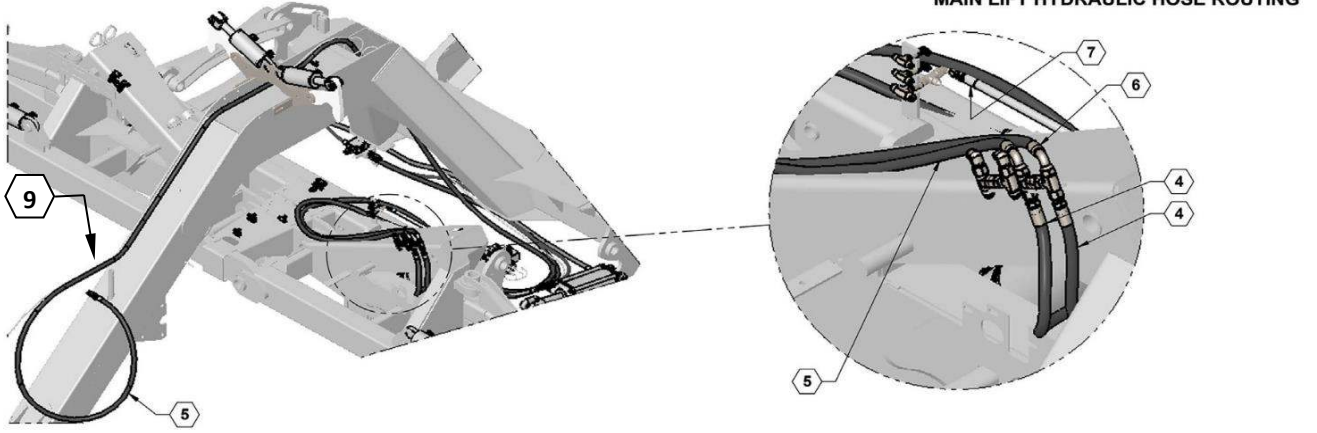
### Parts List: Main Lift Cylinders

ITEM	PART NO.	QTY.	DESCRIPTION
1	620073	2	MAIN LIFT CYLINDER, 4" X 10" STROKE
1	620091	2	MAIN LIFT CYLINDER, 4.5" X 10" STROKE
2	610097	1	ADAPTER, -8MJIC X -8MORB90
3	610013	1	ADAPTER, -8MJIC X -8MORB
4	610083	1	ADAPTER, -8MORB X -8FJX
5	610053	1	JIC #8 SWIVEL RUN TEE
6	630043	1	INLINE CHECK VALVE

## Main Lift Cylinder Hydraulic Hoses

MAIN LIFT PRESSURE: BLACK HOSE  
 MAIN LIFT RETURN: GRAY HOSE

MAIN LIFT HYDRAULIC HOSE ROUTING

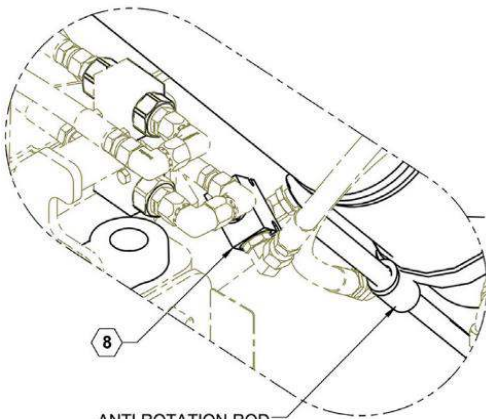


**Parts List: Main Lift Cylinder Hydraulic Hoses**

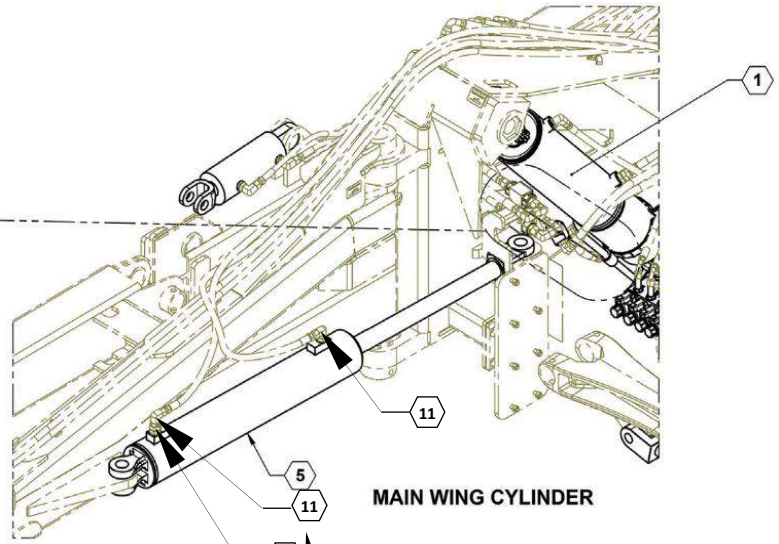
<b>ITEM</b>	<b>PART NO.</b>	<b>QTY.</b>	<b>DESCRIPTION</b>
1	600100-34	1	HOSE ASSY, 08-8FJX-8FJX-32
2	600100-36	1	HOSE ASSY, 08-8FJX-8FJX-66
3	600100-37	1	HOSE ASSY, 08-8FJX90-8FJX-72
4	600115-1	2	HOSE ASSY, 08-8FJX-8FJX-23.5
5	600115-6	1	HOSE ASSY, 08-8FJX90-8MOR-383
6	600115-7	1	HOSE ASSY, 08-8FJX-8FJX90-184
7	600115-10	1	HOSE ASSY, 06-8FJX-6FJX-45
8	600115-11	1	HOSE ASSY, 08-8FJX-8MBS-27
9	520048	2	PIONEER COUPLER #8 FORB



## Inner Wing Cyls, Flow Control Valve on Inner Wing Cyl., Main Wing Fold Cyls, and Fold Valves



ANTI ROTATION ROD  
MUST CLEAR PRESSURE  
COMP FLOW CONTROL  
VALVE ASSEMBLY

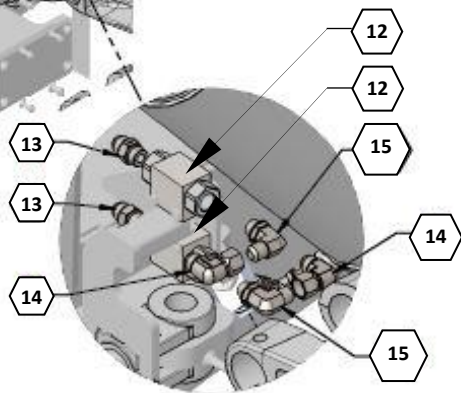


MAIN WING CYLINDER

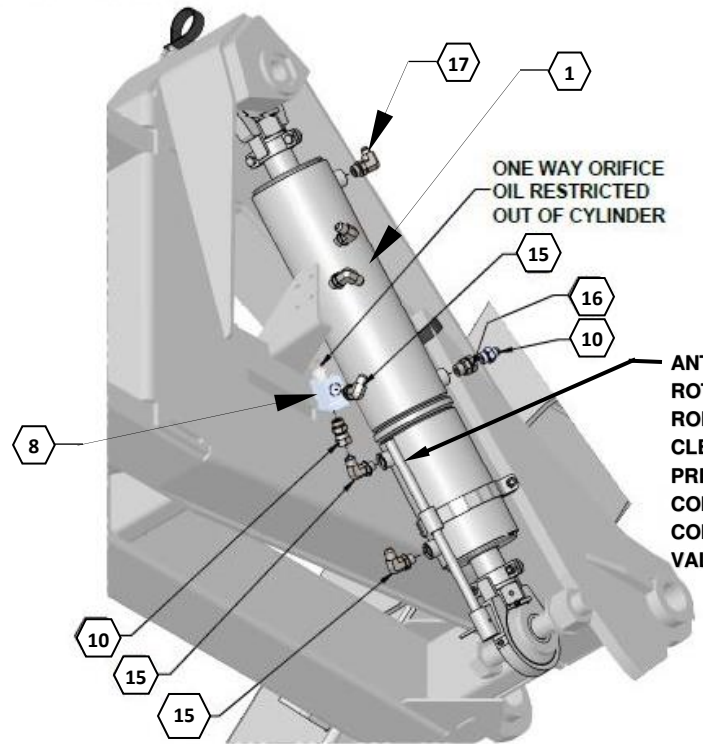
ONE-WAY ORIFICE, ARROW POINTING UP,  
RESTRICTS OIL COMING OUT



LEFT SIDE FOLD VALVE  
AND FITTINGS



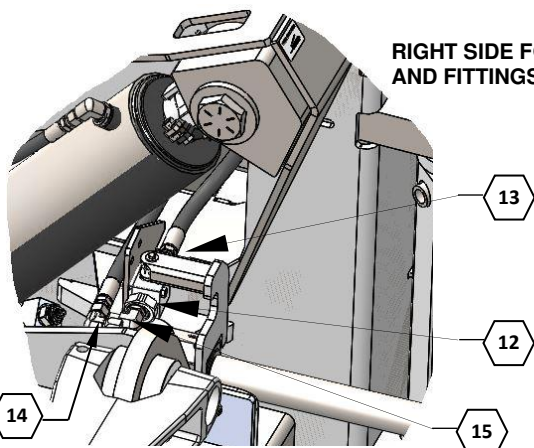
LEFT INNER WING CYLINDER



ONE WAY ORIFICE  
OIL RESTRICTED  
OUT OF CYLINDER

ANTI-  
ROTATION  
ROD MUST  
CLEAR  
PRESSURE  
COMP FLOW  
CONTROL  
VALVE

INNER WING CYLINDER FITTINGS



RIGHT SIDE FOLD VALVE  
AND FITTINGS

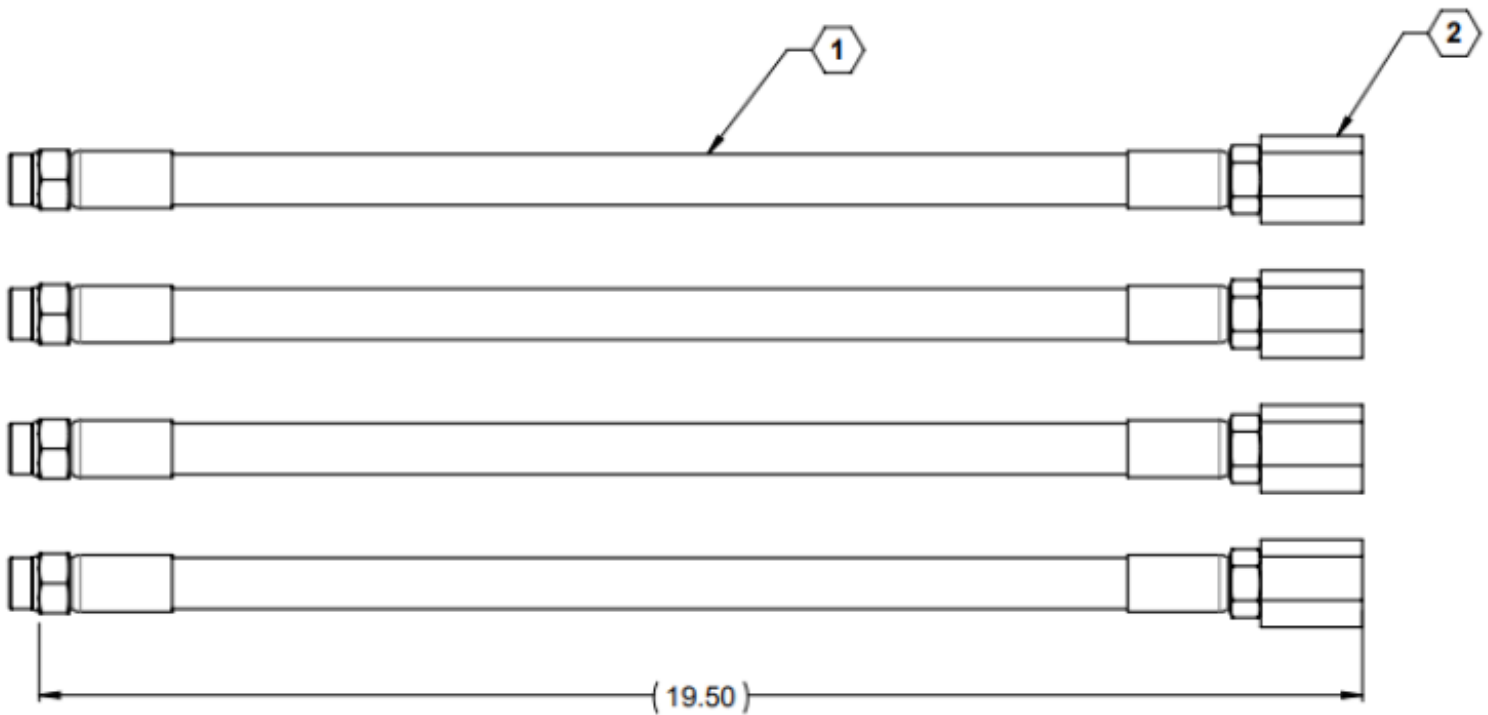


## ILLUSTRATED PARTS LIST

### Parts List: Inner Wing Cyls, Flow Control Valve on Inner Wing Cyl., Main Wing Fold Cyls, and Fold Valves

ITEM	PART NO.	QTY.	DESCRIPTION
1	26640	2	ASSY, CYLINDER, 5"x5.25/13.25 SPHERICAL BALLS
5	620095	2	CYLINDER 4.00 CUSHIONED
6	630035	2	FLOW DIVIDER
6	PRH121K20	1	PRESSURE REDUCING VALVE
6	SK12-3	1	PRESSURE REDUCING VALVE SEAL KIT
6	CVH103P	1	CHECK VALVE C10
6	SK10-2	1	CHECK VALVE C10 SEAL KIT
6	11441-015	1	.015 ORIFICE
8	630053	2	VALVE ASSEMBLY, FA101, PRESSURE COMP FLOW CONTROL
8	FA101S-A8T	1	FLOW CONTROL CARTRIDGE
8	SK10-2N	1	SEAL KIT - NITRILE
8	SK10-2V	1	SEAL KIT - VITON
10	610161	1	FITTING, .031 VONBERG 1WAY ORI
11	610030	2	JIC #6 TO O-RING #8, 90°
12	610153	3	VALVE, MANUAL SHUT OFF
13	610013	3	ADAPTER, -8MJIC X -8MORB
14	610024	3	JIC #8 90 DEG
15	610097	3	ADAPTER, -8MJIC X -8MORB90
16	610162	1	FITTING, 0.047 VONBERG 1 WAY ORIFICE, FA 19373-0.047
17	610030	1	ADAPTER, -6MJIC X -8MORB90

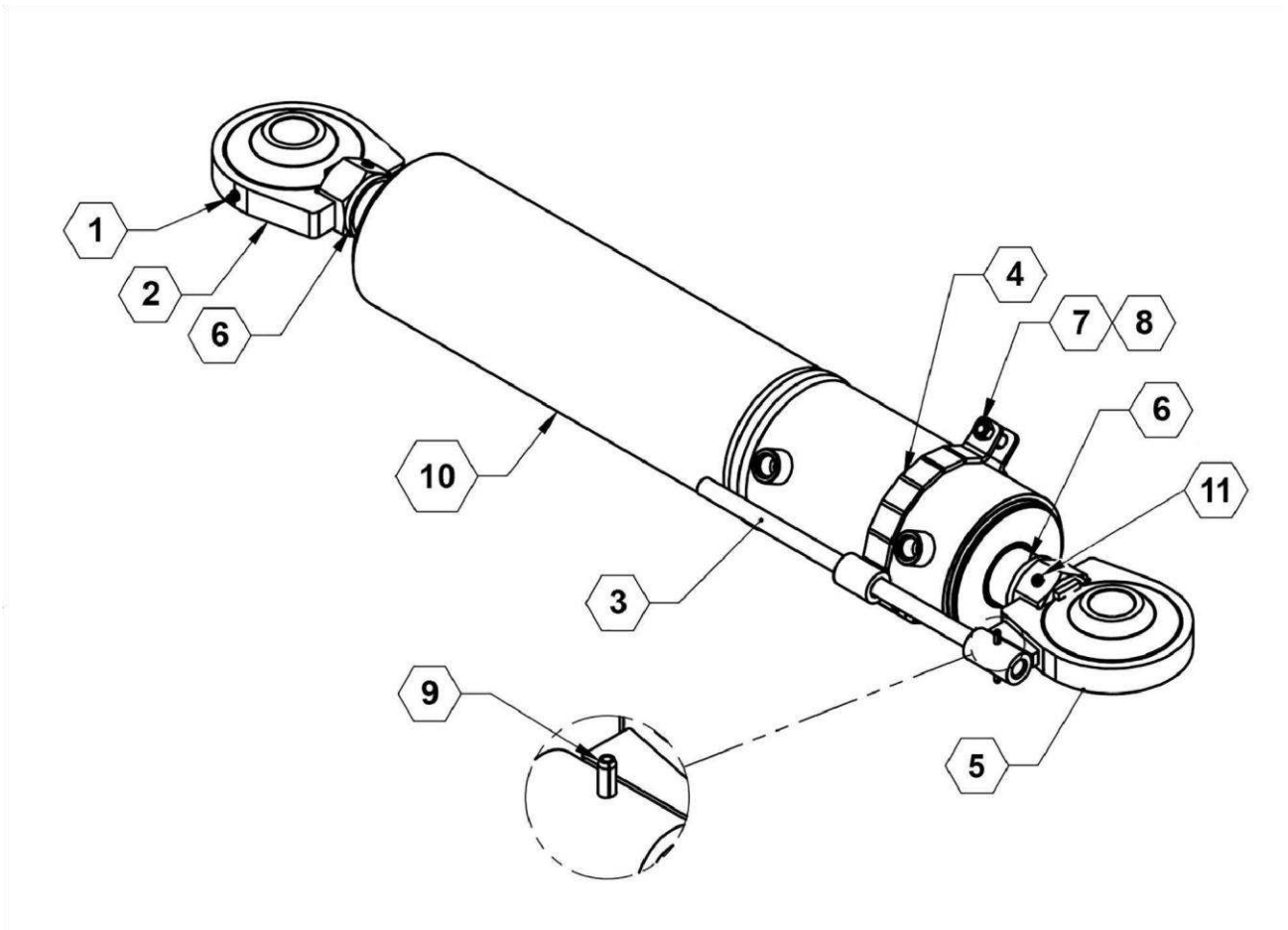
## Hydraulic Extension Kit



### Parts List: Hydraulic Extension Kit

ITEM	PART NO.	QTY.	DESCRIPTION
1	600115-18-ZN	4	HOSE ASSY, 08-8MORB-8MORB-18
2	610164	4	FITTING, #8 O-RING COUPLER

## Inner Wing Cylinder



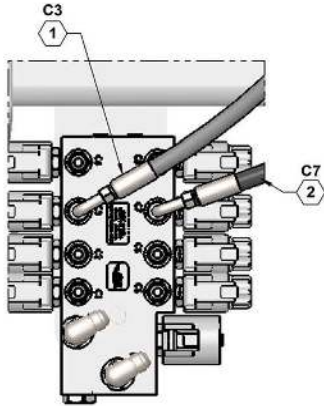
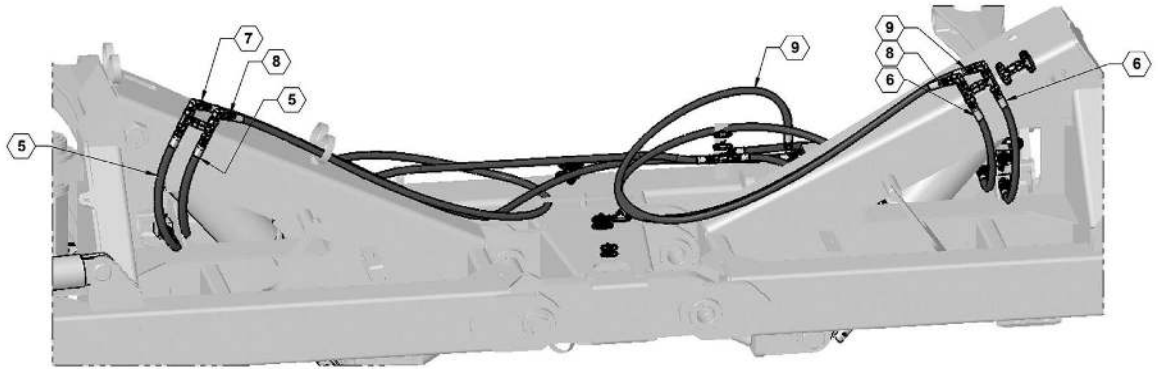
### Parts List: Inner Wing Cylinder

ITEM	PART NO.	QTY.	DESCRIPTION
1	759	2	ZERK, 1/4-28 STRAIGHT
2	26171	1	1.5" SPHERICAL BALL
3	26660	1	CYLINDER, ROD, ANTI ROTATION
4	26663	1	CLAMP ANTI-ROTATION
5	26664	1	SPHERICAL BALL ANTI-ROTATION
6	27204	2	SPACER, INNER WING LUG
7	596213M	1	NUT, HEX 3/8-16 MAGNI
8	596328M	1	BOLT, HH 3/8X1-1/2 GR8 MAGNI
9	596746M	1	SPRING PIN 5X50mm MAGNI
10	620094	1	CYLINDER 5" x 5.25/13.25
11	H011673	2	SET SCREW, 3/8"-16 NC X 3/4"

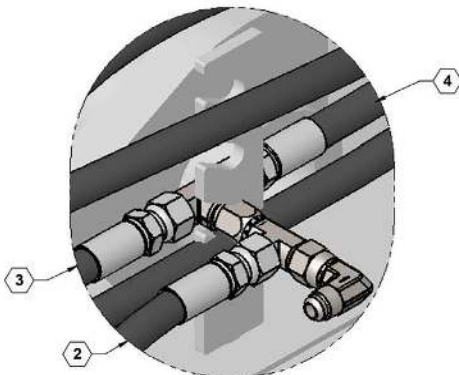
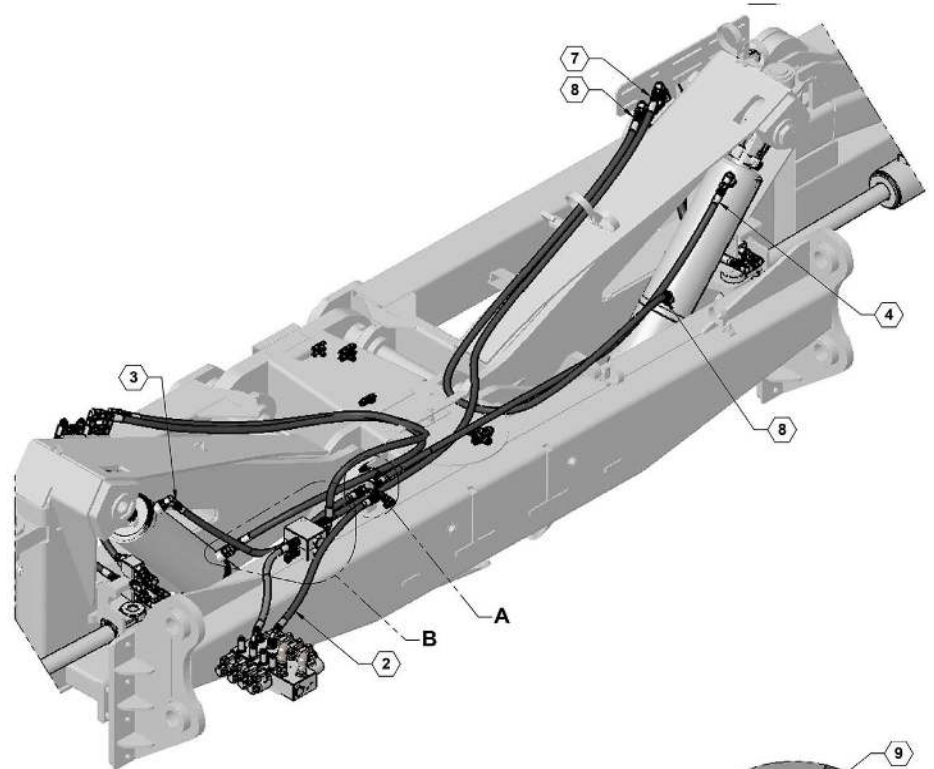
## Inner Wing Hydraulic Hoses

INNER WING PRESSURE: BLACK HOSE  
 INNER WING RETURN: GRAY HOSE

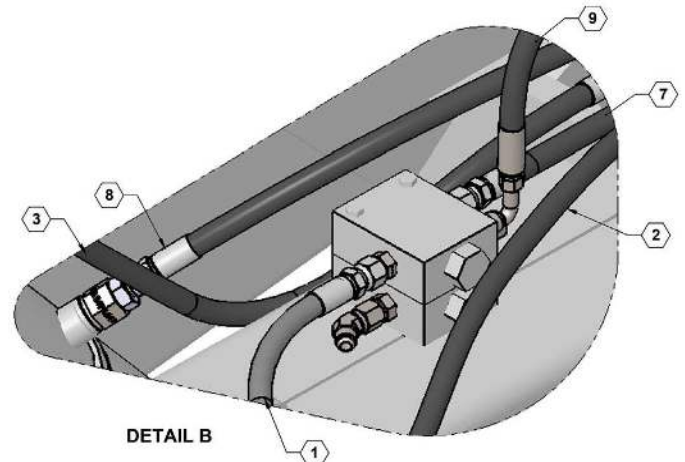
### INNER WING HYDRAULIC HOSE ROUTING



FASSE BLOCK



DETAIL A  
 BULKHEAD FITTINGS



DETAIL B



**Parts List: Inner Wing Hydraulic Hoses**

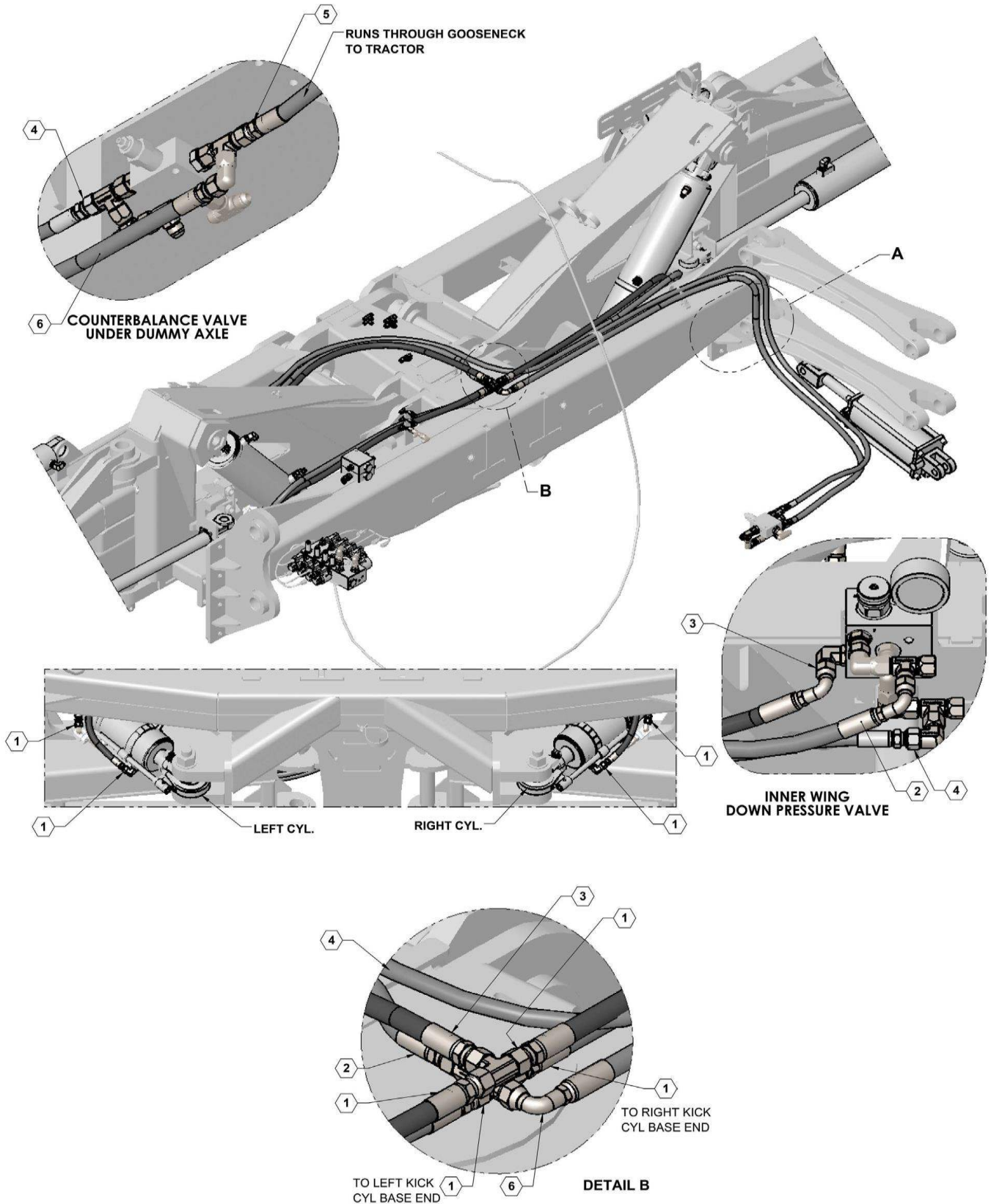
<b>ITEM</b>	<b>PART NO.</b>	<b>QTY.</b>	<b>DESCRIPTION</b>
1	600100-23	1	HOSE ASSY, 06-6FJX90-6FJX-18
2	600100-46	1	HOSE ASSY, 06-6FJX90-6FJX-27
3	600100-47	1	HOSE ASSY, 06-6FJX-6FJX-32
4	600100-48	1	HOSE ASSY, 06-6FJX-6FJX-63
5	600115-1	2	HOSE ASSY, 08-8FJX-8FJX-23.5
6	600115-2	2	HOSE ASSY, 06-8FJX-8FJX-22
7	600115-3	1	HOSE ASSY, 06-6FJX-8FJX-77
8	600115-4	2	HOSE ASSY, 06-6FJX-8FJX-80
9	600115-5	1	HOSE ASSY, 06-6FJX90-8FJX-79



## Inner Wing Kick and Down Pressure Hoses

INNER WING KICK PRESSURE: BLACK HOSE  
 INNER WING KICK RETURN: GRAY HOSE

INNER WING KICK HYDRAULIC HOSE ROUTING



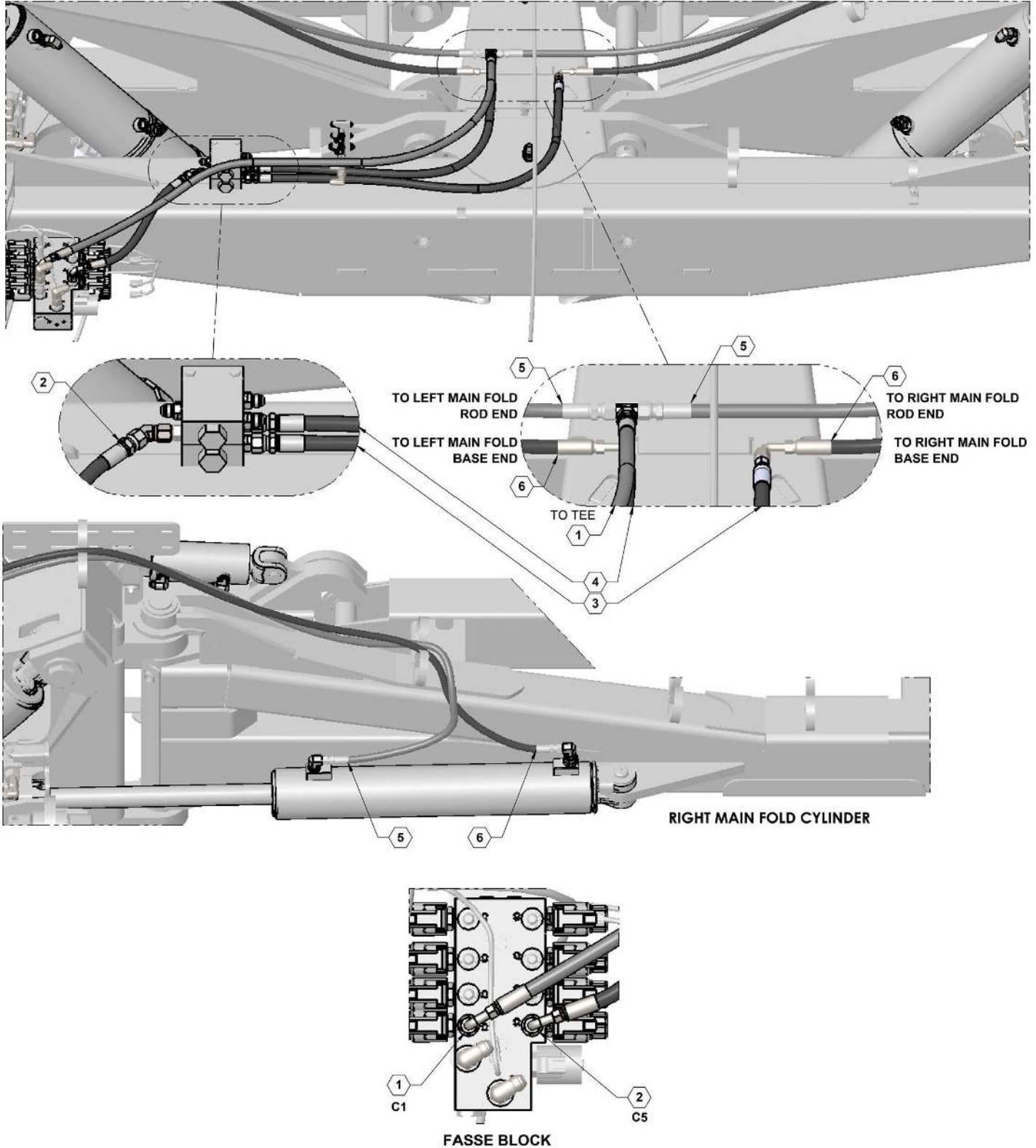
## Parts List: Inner Wing Kick and Down Pressure Hoses

ITEM	PART NO.	QTY.	DESCRIPTION
1	600100-26	4	HOSE ASSY, 08-8FJX-8FJX-53
2	600100-27	1	HOSE ASSY, 08-8FJX90-8FJX-62
3	600100-28	1	HOSE ASSY, 08-8FJX90-8FJX-59
4	600100-32	1	HOSE ASSY, 06-8FJX-8FJX-162
5	600100-35	1	HOSE ASSY, 08-8FJX-8MORB-PIONEER-232
6	600100-45	1	HOSE ASSY, 08-8FJX90-8FJX-104

## Main Wing Fold Hydraulic Hoses

MAIN FOLD PRESSURE: BLACK HOSE  
 MAIN FOLD RETURN: GRAY HOSE

MAIN FOLD HYDRAULIC HOSE ROUTING



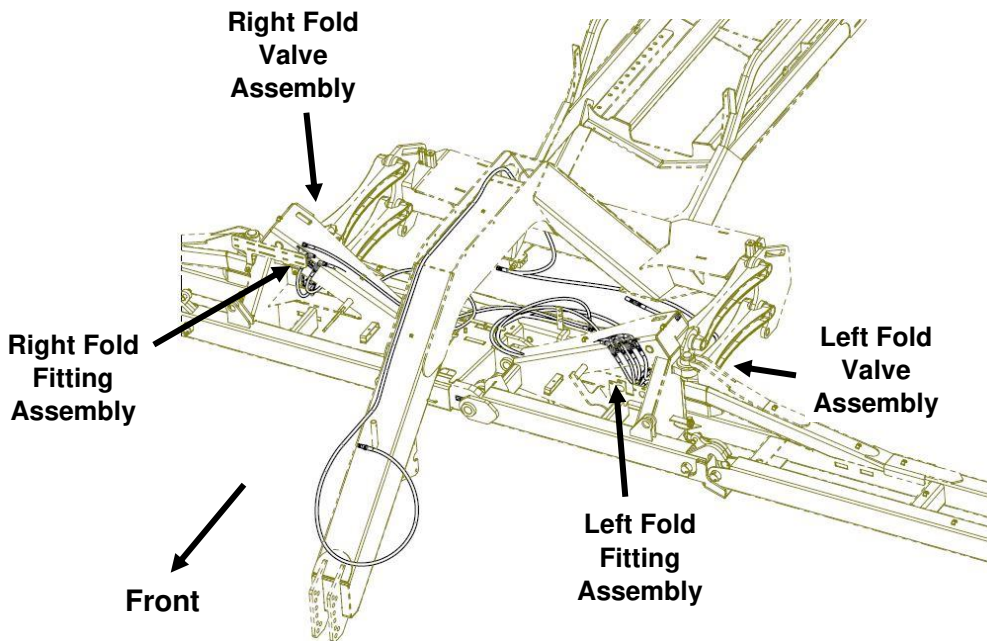
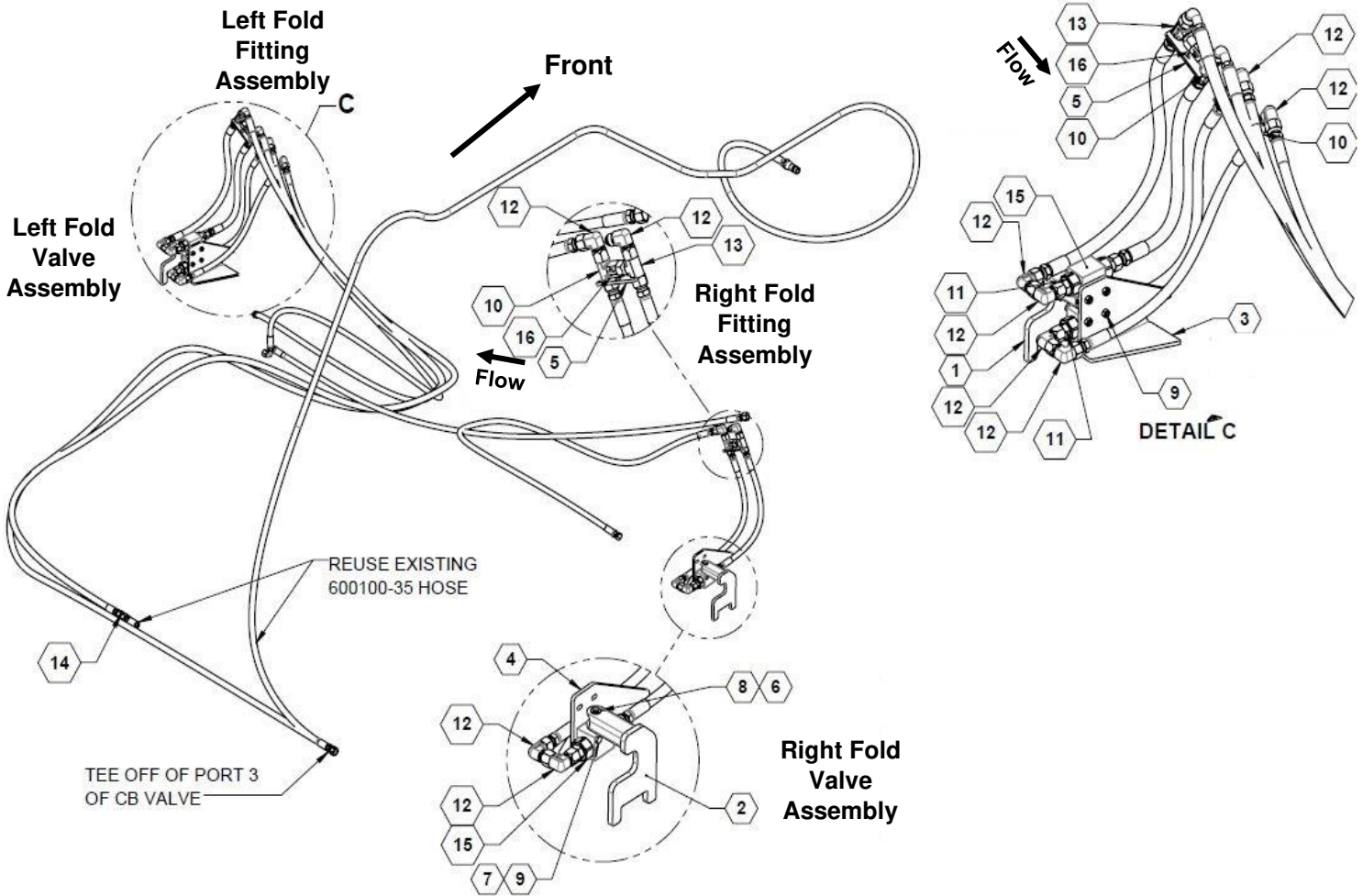


# ILLUSTRATED PARTS LIST

## Parts List: Main Fold Hydraulic Hoses

ITEM	PART NO.	QTY.	DESCRIPTION
1	600100-13	1	HOSE ASSY, 06-6FJX90-6FJX-54
2	600100-24	1	HOSE ASSY, 06-6FJX90-6FJX-15
3	600100-40	1	HOSE ASSY, 06-6FJX-6MJIC-39
4	600100-44	1	HOSE ASSY, 06-6FJX-6MJIC-32
5	600115-8	2	HOSE ASSY, 06-6FJX-6FJX-115
6	600115-9	2	HOSE ASSY, 06-6FJX-6FJX90-107

**Main Wing Fold Valve Assembly**



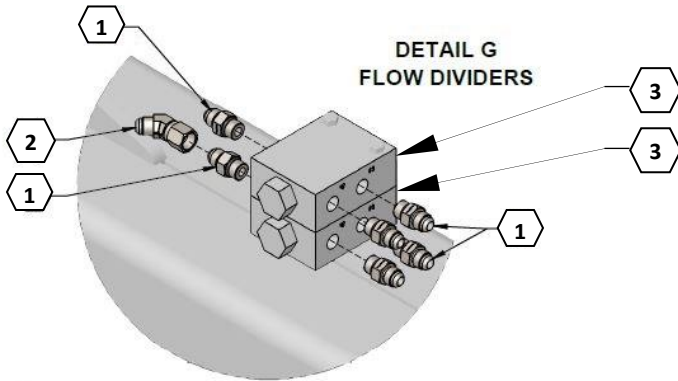


## Parts List: Main Wing Fold Valve Assembly

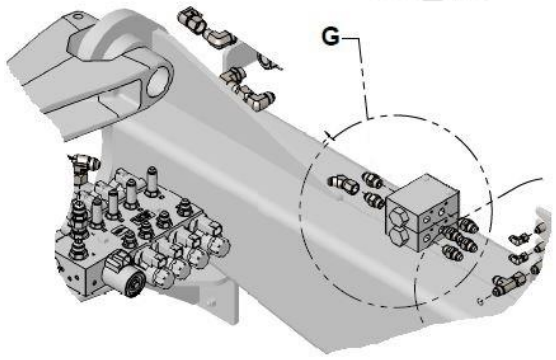
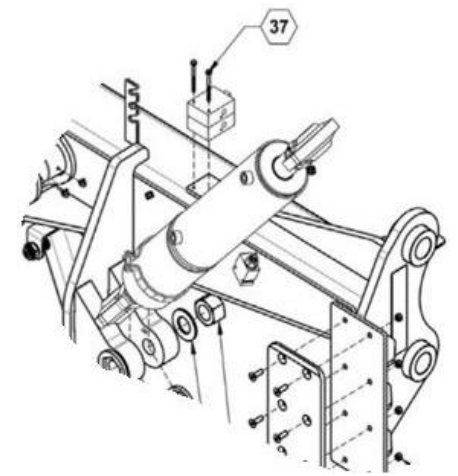
ITEM	PART NO.	QTY.	DESCRIPTION
1	28820	1	WELDMNT, LH VALVE HANDLE
2	28823	1	WLDMNT, RH HANDLE
3	28824	1	PLATE, LH VALVE MOUNT
4	28825	1	PLATE, RH VALVE MOUNT
5	28826	3	PLATE, ADAPTER MOUNT
6	92620A418	1	BOLT, HH 10-32 x 1" FULLY THD
7	596235M	6	NUT, CENTERLOCK, 1/4-20 MAGNI
8	596256M	1	WASHER, FLAT 1/4 USS MAGNI
9	596843M	6	BOLT, HH 1/4-20 X 2 GR5 MAGNI
10	610004	3	JIC #8 UNION TEE
11	610013	6	ADAPTER, -8MJIC X -8MORB
12	610024	10	JIC #8 90 DEG
13	610107	3	#8 JIC SWIVEL BRANCH TEE
14	610147	1	FITTING, #8 JIC UNION
15	610153	3	VALVE, MANUAL SHUT OFF
16	630054	3	CHECK VALVE, -8MJIC x -8FJIC



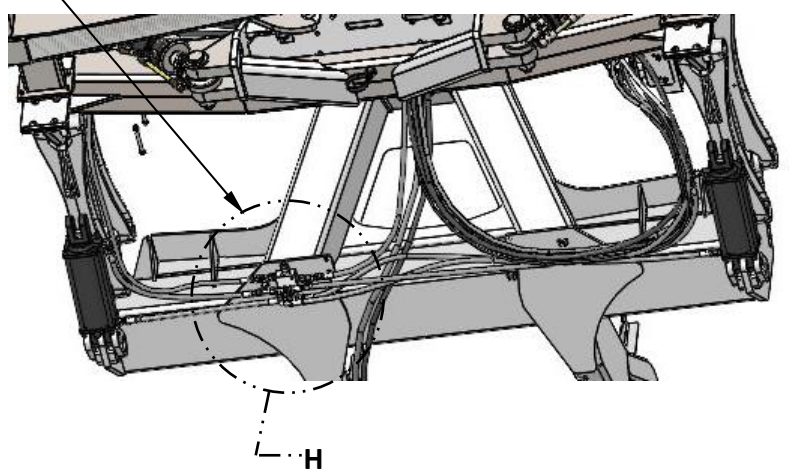
**Flow Dividers and Counterbalance Valve**



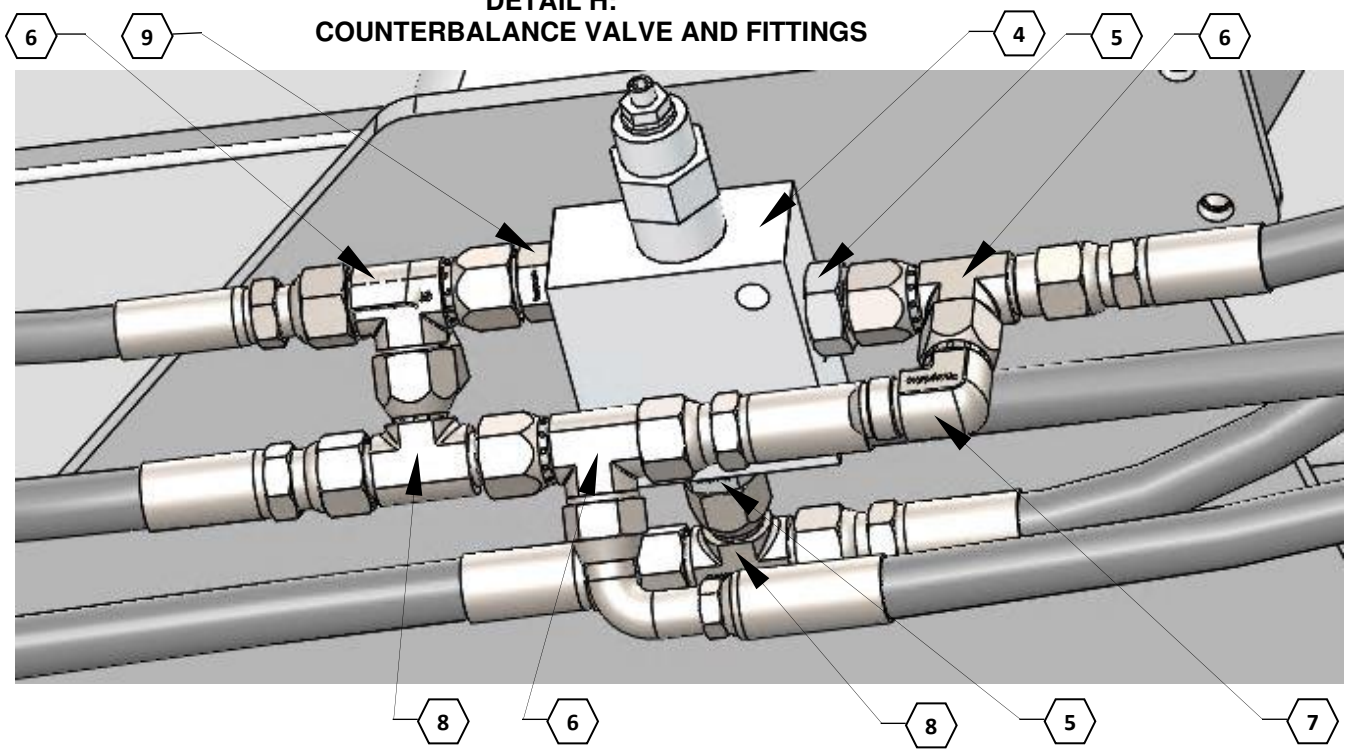
**DETAIL G  
FLOW DIVIDERS**

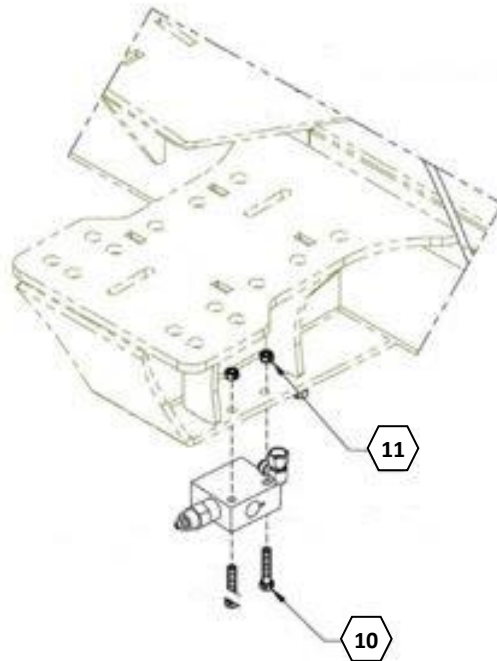


**COUNTERBALANCE VALVE UNDER FRAME**



**DETAIL H:  
COUNTERBALANCE VALVE AND FITTINGS**



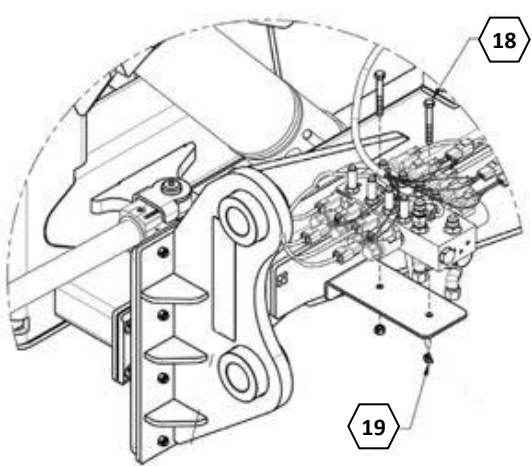
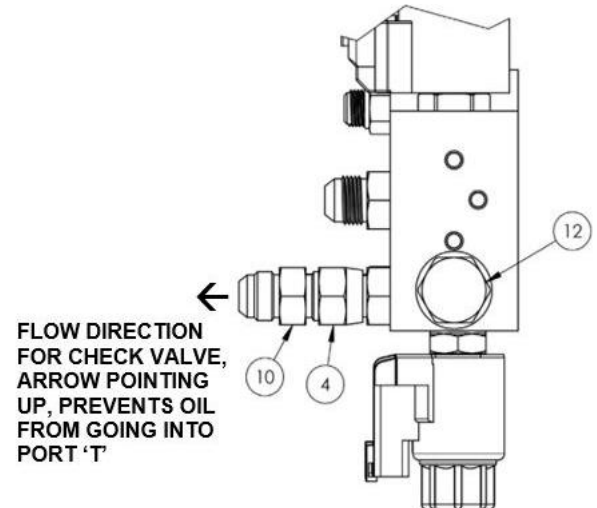
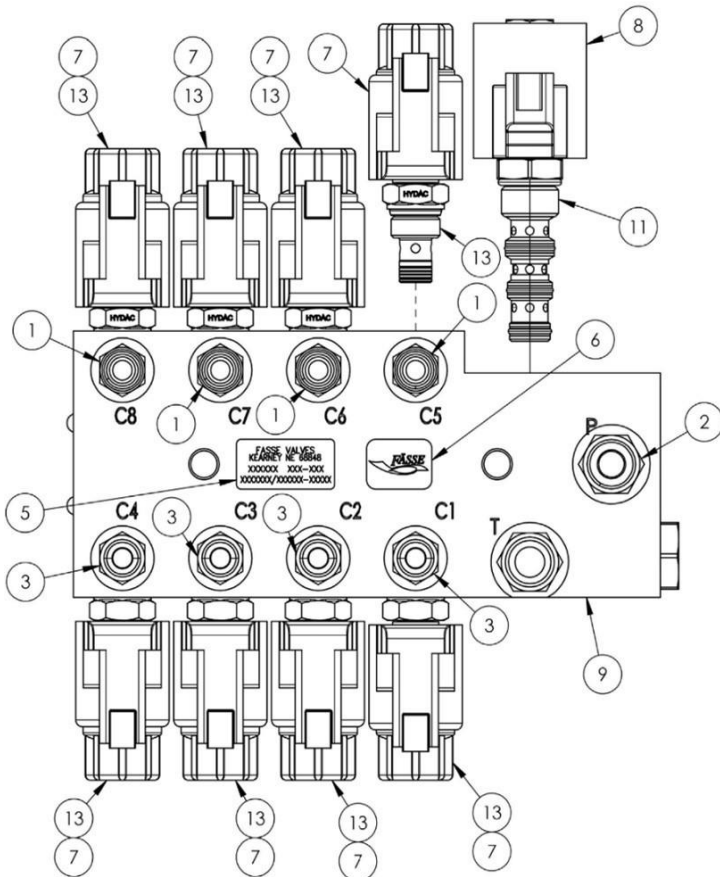
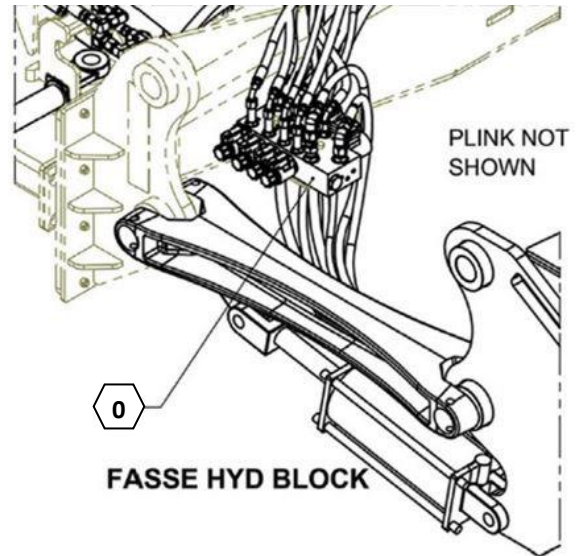


**COUNTERBALANCE VALVE**

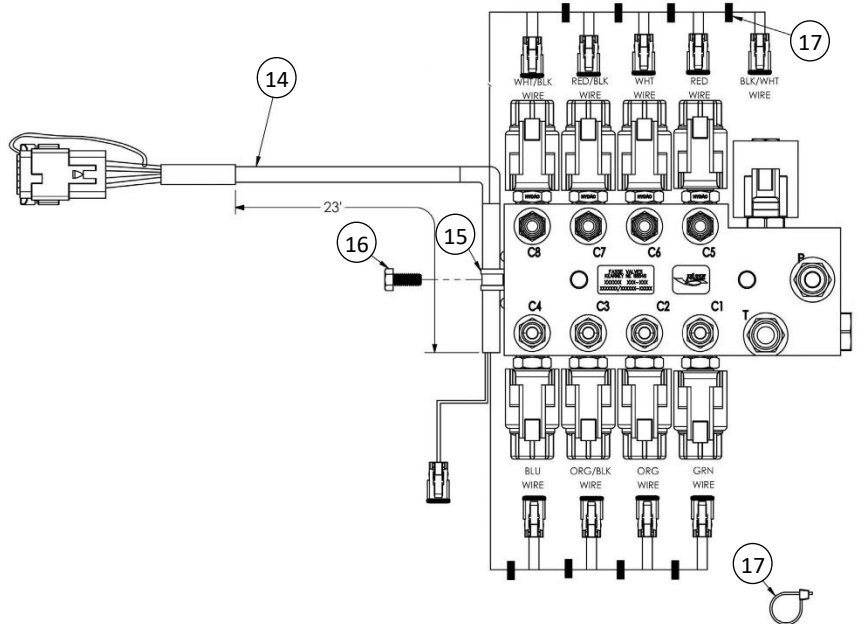
## Parts List: Flow Dividers and Counterbalance Valve

ITEM	PART NO.	QTY.	DESCRIPTION
1	610010	6	ADAPTER, -6MJIC X -6MORB
2	610142	1	#6 JIC SWIVEL ELBOW 45 DEG
3	630035	2	FLOW DIVIDER
4	500049	1	VALVE, COUNTERBALANCE
4	VBSN-12U	1	COUNTERBALANCE VALVE CARTRIDGE
5	610060	2	JIC #8 TO ORING #10
6	610053	3	JIC #8 SWIVEL RUN TEE
7	610024	1	JIC #8 90 DEG
8	610107	2	#8 JIC SWIVEL BRANCH TEE
9	610012	1	JIC #8 TO ORING #6
10	596130M	2	BOLT, HH 3/8-16 X 2 GR5 MAGNI
11	596237M	2	NUT, CENTERLOCK 3/8-16 MAGNI

## Fasse Hydraulic Block



**FASSE HYD BLOCK**





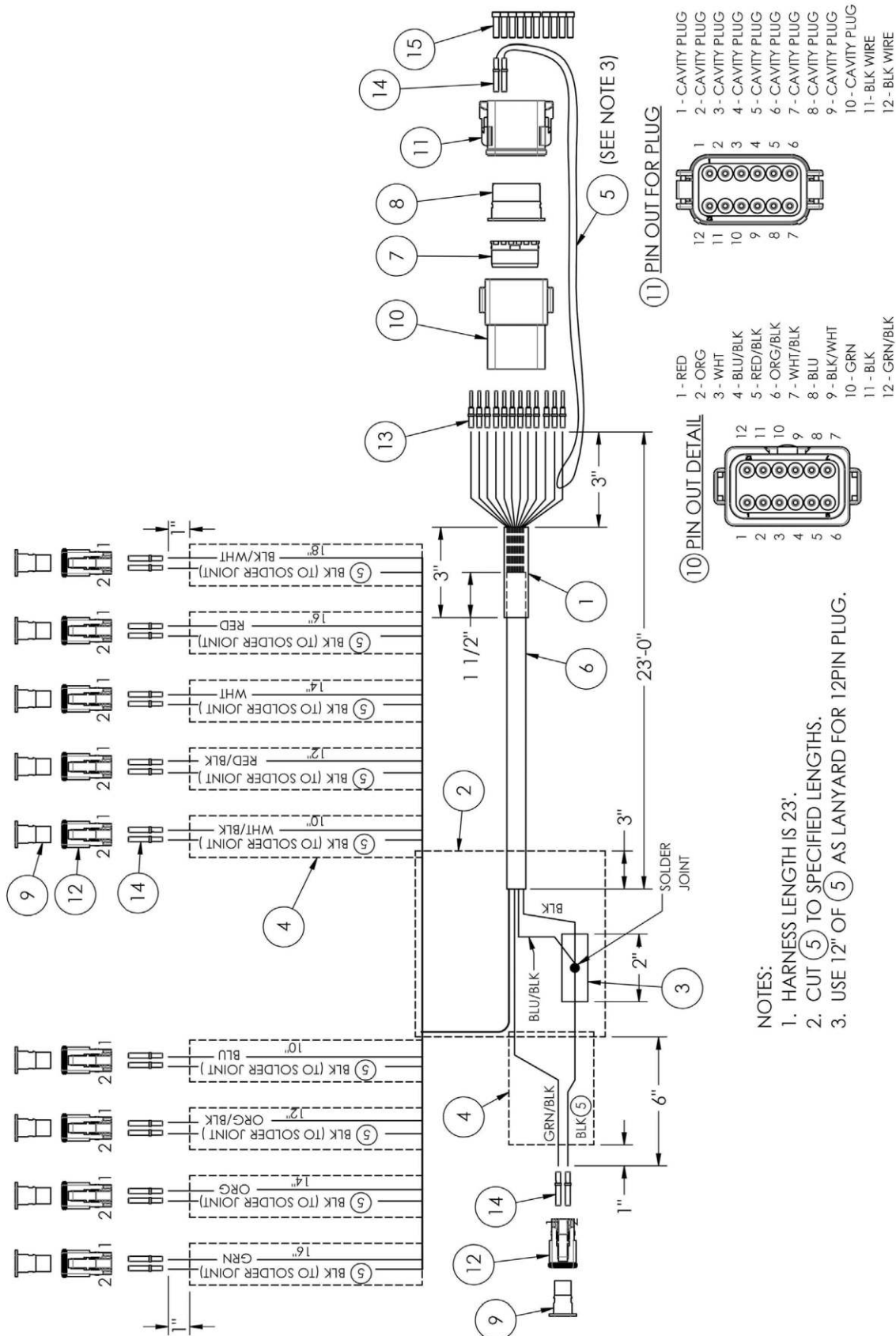
# ILLUSTRATED PARTS LIST

## Parts List: Fasse Hydraulic Block

ITEM	PART NO.	VENDOR PART NO.	QTY.	DESCRIPTION
0	630056		1	ASSY, HYDRAULIC VALVE CAB FOLD BOX KIT
				<b>NOTE:</b> INCLUDES BLOCK, CAB FOLD BOX AND FOLD BOX 12-PIN ELECTRICAL HARNESS.
				<b>NOTE:</b> SEE HYDRAULIC BLOCK ASSEMBLY.
				<b>NOTE:</b> SEE CAB FOLD BOX.
0		302-822	1	HYDRAULIC BLOCK (ITEMS 1-13)
1	610010	210-393	4	FITTING 6400-6-6/S-MJ-MO ZINC NICKEL PLATED
2	610013	210-398	1	FITTING 6400-8-8/S-MJ-MO ZINC NICKEL PLATED
3	610103	210-440	4	FITTING 6400L-6-6/S-MJ-MO ZINC NICKEL PLATED
4	610083	210-441	1	FITTING 6402-8-8/S-MO-FJSW
5		232-050	1	DECAL S/N SILVER
6		232-058	1	DECAL FASSE BLACK/GOLD 1"X.75"
7		253-046	8	COIL HY 03012600 INTG DUET RCPT 12V 1.5A
8		253-421	1	COIL H/F 4301892 D-10 INTG DEUT DTR 12V 1.67A DIODE
9		270-092	1	HYDRAULIC BLOCK S11204-2 4CIR AL BYPASS 804
10	630043	271-040	1	CHECK VALVE VON 1908-8-8/S-MJ-MJ ZINC NICKEL
11		273-008	1	CARTRIDGE H/F SV10-40-0-N-00 SPL 4W 2P
12		273-012	1	CARTRIDGE H/F CP10-20-N CAVITY PLUG 2W
13		273-077	8	CARTRIDGE HY WS08W-01-C-N-0 BI DIR POP 2/2 NC
14	FV304143	304-143	1	12-PIN FASSE BLOCK ELECTRICAL HARNESS
15		255-026	1	LOOM CLAMP .50"ID
16		212-025	1	BOLT 5/16"-18X.75"
17		214-002	11	CABLE TIE BLACK 8.5"
18	596132M		2	BOLT, HH 3/8-16 X 3 GR5 MAGNI
19	596237M		2	NUT, CENTERLOCK 3/8-16 MAGNI



## Fasse Block 12-Pin Electrical Harness





# ILLUSTRATED PARTS LIST

## Parts List: Fasse Block 12-Pin Electrical Harness

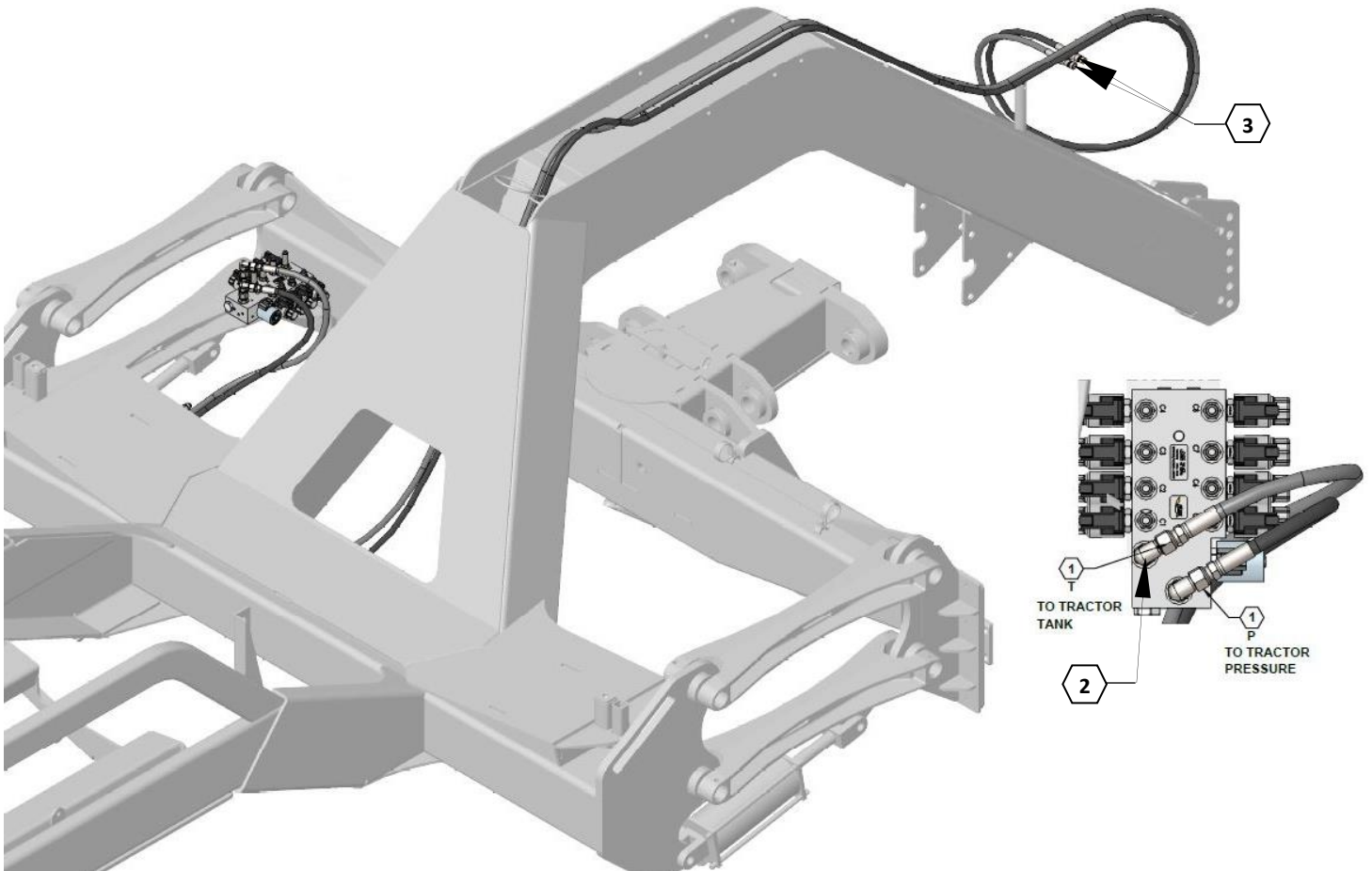
ITEM	PART NO.	VENDOR PART NO.	QTY.	DESCRIPTION
0		304-143	1	FASSE VALVE HARNESS
1		231-009	3"	SHRINK TUBING .500" BLACK
2		231-011	6"	SHRINK TUBING .750" BLACK DUAL WALL
3		231-013	1"	SHRINK TUBING .250" BLACK DUAL WALL
4		231-187	128"	SHRINK TUBING .187" BLACK
5		252-058	14'	WIRE 18GA BLACK
6		252-064	25'	CABLE 12CONNECTOR 18GA PVC GRAY
7		255-214	1	CONNECTOR DEUTSCH LOCK WEDGE 12 PIN DTR GREEN
8		255-215	1	CONNECTOR DEUTSCH LOCK WEDGE 12 PIN DTP ORANGE
9		255-505	10	CONNECTOR DEUTSCH LOCK WEDGE 2 PIN DTP ORANGE
10		255-755	1	CONNECTOR DEUTSCH DT RCPT 12 PIN KEY A
11		255-756	1	CONNECTOR DEUTSCH DT PLUG 12 PIN KEY A
12		255-801	10	CONNECTOR DEUTSCH DT PLUG 2 PIN
13		255-977	12	CONNECTOR DEUTSCH PIN 16-18GA
14		255-978	22	CONNECTOR DEUTSCH SOCKET 16-18GA
15		255-979	10	CONNECTOR DEUTSCH CAVITY PLUG



## Fasse Block Pressure and Tank Hoses

PRESSURE: BLACK HOSE  
 RETURN: GRAY HOSE

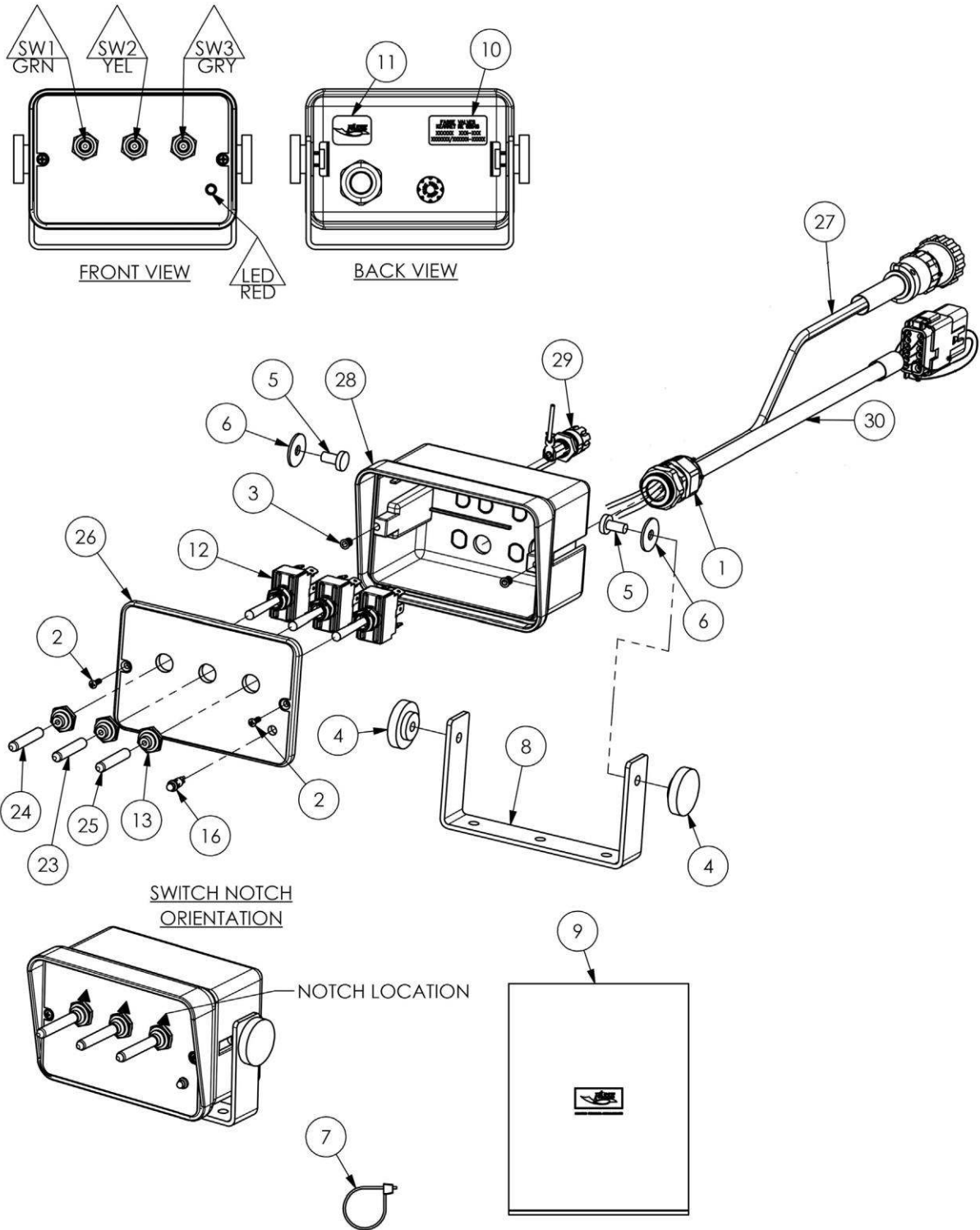
FASSE BLOCK HYDRAULIC HOSE ROUTING



### Parts List: Fasse Block Pressure and Tank Hoses

ITEM	PART NO.	QTY.	DESCRIPTION
1	600100-39	2	HOSE ASSY, 06-8FJX-8MOR-PIONEER-295
2	610024	1	JIC #8 90 DEG
3	520048	2	PIONEER COUPLER #8 FORB

**Cab Fold Box**



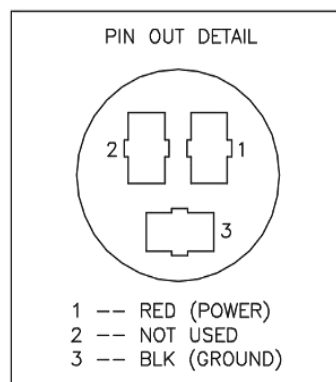
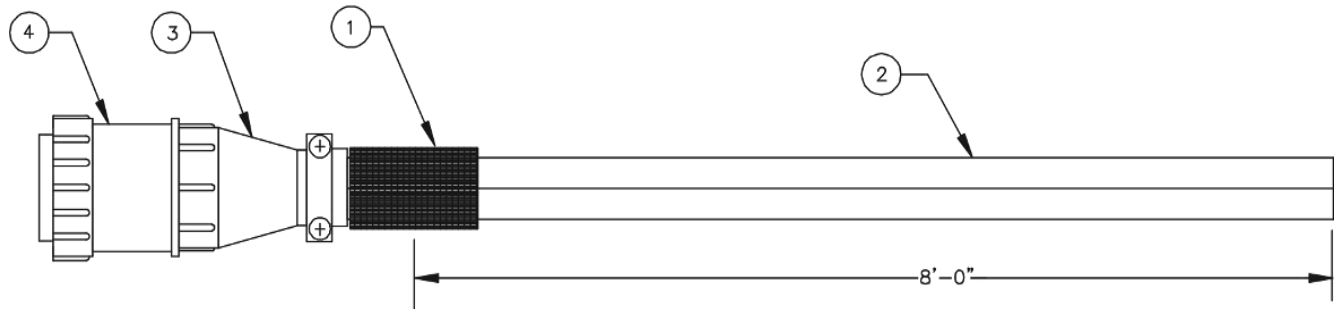


# ILLUSTRATED PARTS LIST

## Cab Fold Box Parts List

ITEM	PART NO.	VENDOR PART NO.	QTY.	DESCRIPTION
0		304-141	1	SWITCH BOX COMPLETE (ITEMS 1-30)
1		210-710	1	STRAIN RELIEF HEYCO .23"-.54"ID, HOLE DIAMETER .886"
2		212-184	2	SCREW PHILLIPS PAN #6-32X3/8" BLACK
3		212-202	2	SCREW INSERT BRASS #6-32X3/8"
4		212-215	2	KNOB FEMALE 1/4"-20
5		212-231	2	SCREW WELDED 1/4"-20X.625"
6		213-335	2	WASHER NYLON FLAT 1/4"-20
7		214-002	3	CABLE TIE BLACK 8.5"
8		219-300	1	BRACKET, MONITOR BLACK ALUMINUM
9		230-057	1	BAG POLY 14X18 2MIL LOGO
10		232-050	1	DECAL S/N SILVER
11		230-058	1	FASSE DECAL
13		250-023	3	BOOT TOGGLE 15/32" OPEN BACK
16		254-350	1	LED RED T-1 3/4 PANEL MOUNT 12V 6" LEADS
23		259-022	1	GRIP TOGGLE VINYL YELLOW .187"
24		259-023	1	GRIP TOGGLE VINYL GREEN .187"
25		259-027	1	GRIP TOGGLE VINYL GRAY .187"
26		304-040	1	ENCL DRILL FP MONITOR SW3 F00204
27		304-001	1	HARNESS 2 CON 14GA AMP PLUG 3P(2) 8'
28		319-725	1	ENCLOSED MONITOR BOX 4.75"X3"X2"
29		319-769	1	FUSE HOLDER ASSEMBLY AGC 10A 250V
30		320-714	1	HARNESS 12CON 18GA KEY A DTP12P(12) 11' END CAP F00204

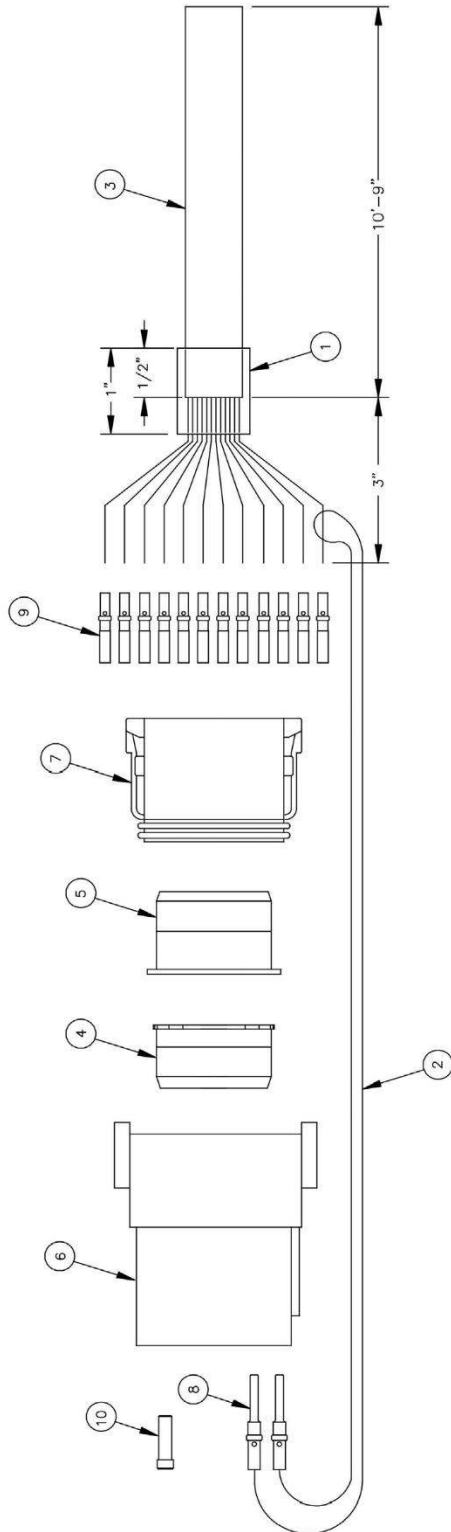
## Cab Fold Box Power Harness



## Parts List: Cab Fold Box Power Harness

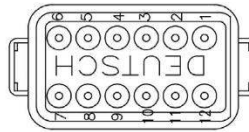
ITEM	PART NO.	QTY.	DESCRIPTION
1	230-250	2"	SHRINK TUBING .250 BLACK
2	252-021	8'	WIRE RED/BLACK 16 GA ZIP
3	255-043	1	CENTER 16 PIN SHELL #17
4	255-233	1	CENTER AMP SOCKET
5	255-549	1	CENTER SERIES 3 17-3 PLUG

**Cab Fold Box Electrical Harness**



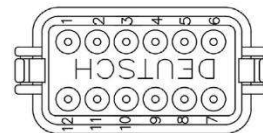
PIN OUT DETAIL FOR RECEIPT

- 1-CAVITY PLUG
- 2-CAVITY PLUG
- 3-CAVITY PLUG
- 4-BLK WIRE
- 5-CAVITY PLUG
- 6-CAVITY PLUG
- 7-CAVITY PLUG
- 8-CAVITY PLUG
- 9-CAVITY PLUG
- 10-CAVITY PLUG
- 11-BLK WIRE
- 12-CAVITY PLUG



PIN OUT DETAIL FOR PLUG

- 1-RED
- 2-WHT
- 3-WHT
- 4-BLU/BLK
- 5-RED/BLK
- 6-ORG/BLK
- 7-WHT/BLK
- 8-BLU
- 9-BLK/WHT
- 10-GRN
- 11-BLK
- 12-GRN/BLK





# ILLUSTRATED PARTS LIST

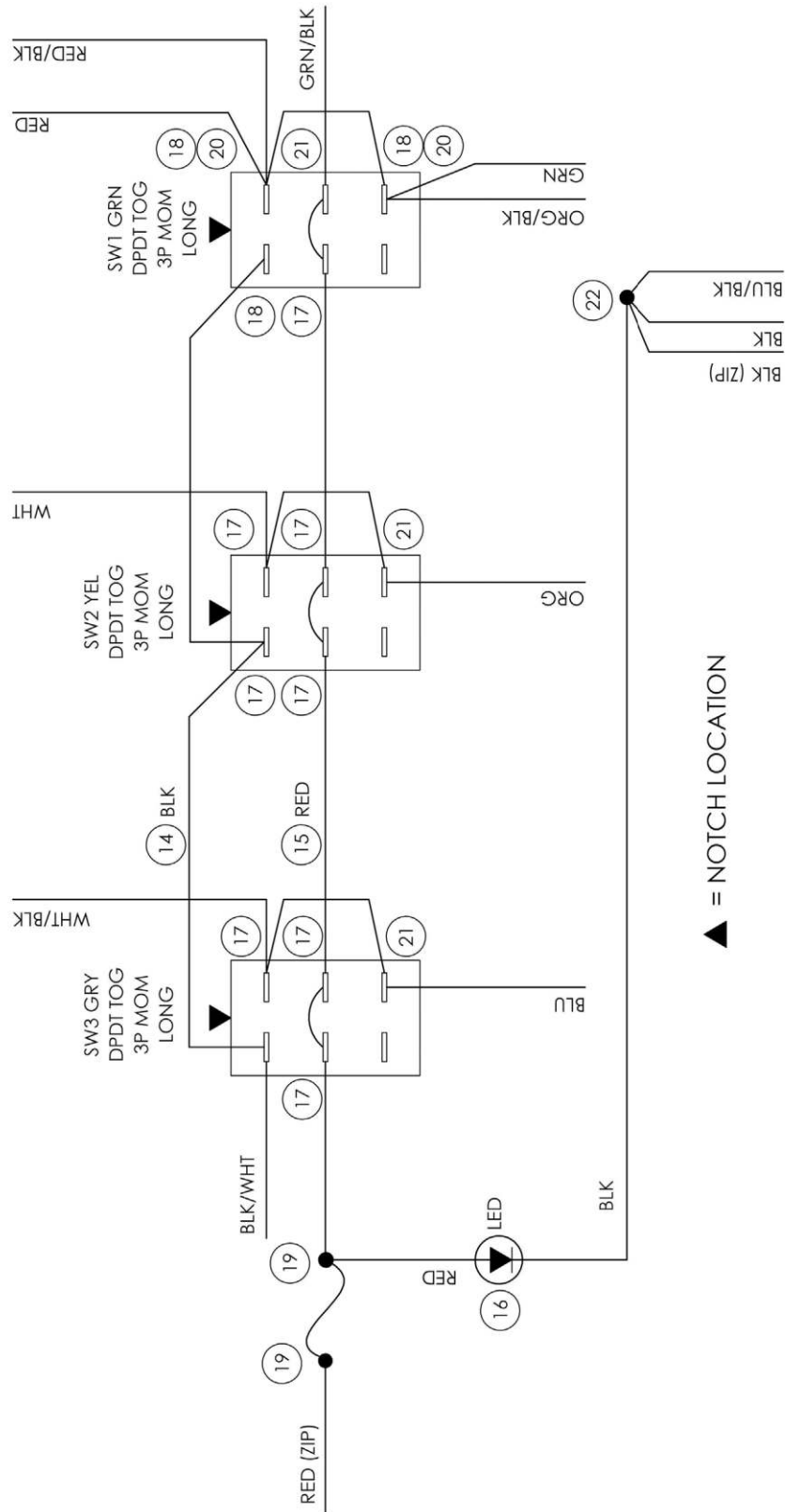
## Parts List: Cab Fold Box Electrical Harness

ITEM	PART NO.	VENDOR PART NO.	QTY.	DESCRIPTION
0		320-714	1	COMPLETE HARNESS (ITEMS 1-10)
1		231-009	1"	SHRINK TUBING .500" BLACK
2		252-058	12"	WIRE 18GA BLACK
3		252-064	11'	CABLE 12CONNECTOR 18GA PVC GRAY
4		255-214	1	CONNECTOR DEUTSCH LOCK WEDGE 12 PIN DTR GREEN
5		255-215	1	CONNECTOR DEUTSCH LOCK WEDGE 12 PIN DTP ORANGE
6		255-755	1	CONNECTOR DEUTSCH DT RCPT 12 PIN KEY A
7		255-756	1	DT PLUG 12P KEY A
8		255-977	2	PIN 16-18GA
9		255-978	12	SOCKET 16/18GA
10		255-979	10	CAVITY PLUG



## Cab Fold Box Electrical Wiring Diagram

SWITCH WIRING DIAGRAM





# ILLUSTRATED PARTS LIST

## Parts List: Cab Fold Box Electrical Wiring Diagram

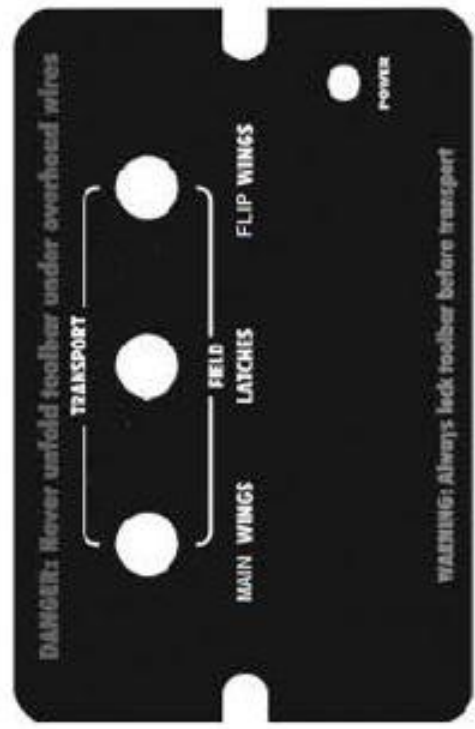
ITEM	PART NO.	VENDOR PART NO.	QTY.	DESCRIPTION
0		304-141	1	SWITCH BOX COMPLETE (ITEMS 1-30)
14		252-058	12"	WIRE 18 GAUGE BLACK
15		252-059	14"	WIRE 18 GAUGE RED
16		254-350	1	LED RED T-1 3/4 PANEL MOUNT 12V 6" LEADS
17		255-002	8	TERMINAL PO T-TAP F 18-14GA
18		255-006	3	TERMINAL PO F INS 22-18GA
19		255-030	2	TERMINAL SPLICE CLOSED END 16-18GA
20		255-070	2	TERMINAL PO M/F 16-14GA
21		255-119	3	TERMINAL PO F INS 16-14GA
22		255-285	1	TERMINAL SPLICE CLOSED END LARGE 14-16GA

## Cab Fold Box Operation and Pin-out

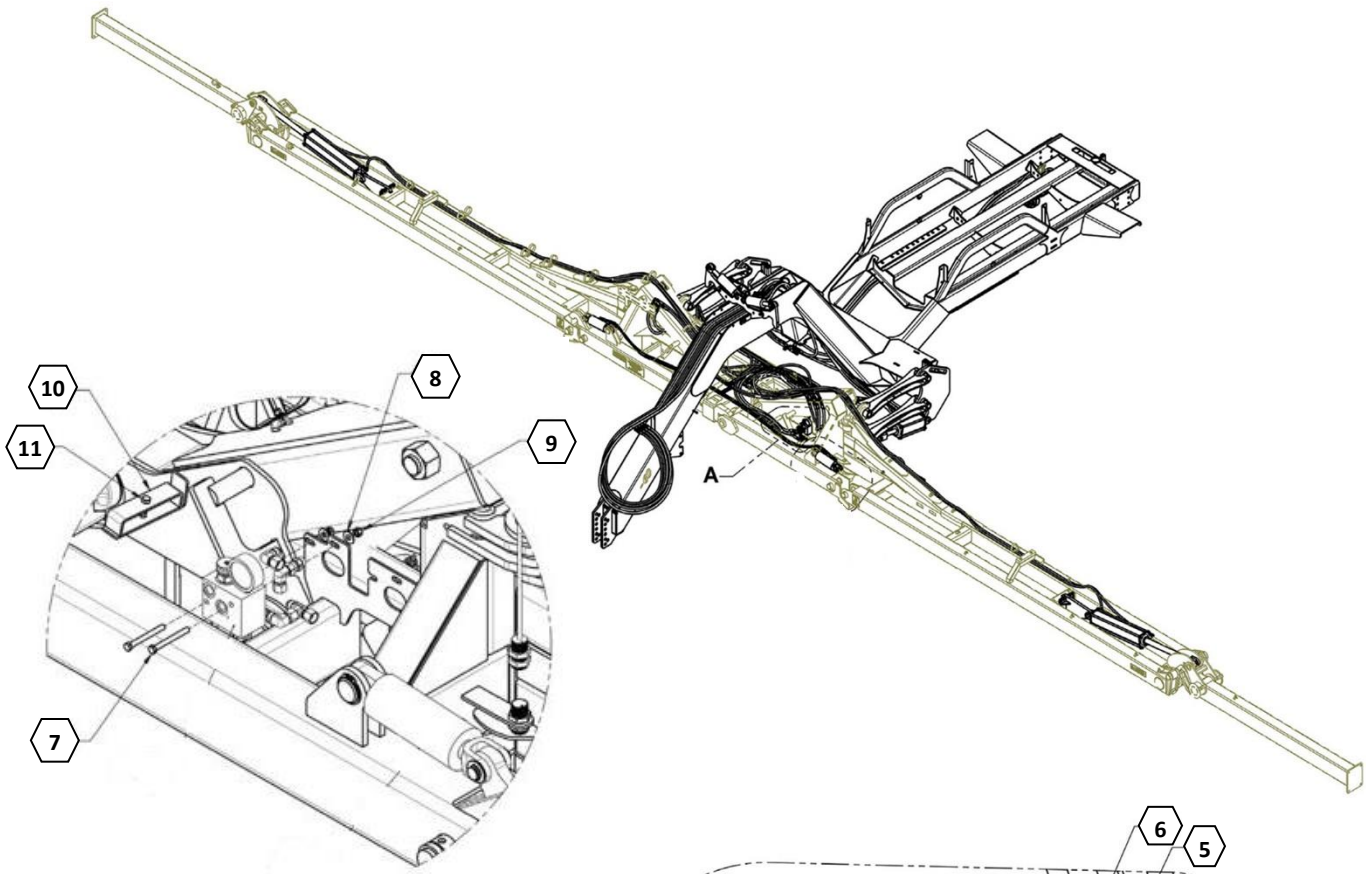
Pinout Table - A Series Fold Block (Correlates to Fasse 304-141 and 303-228, FAST p/n 630051) 700-0804-4004

Switch No.	Switch Positions	Signal Wires	Pin-Out Location	Hydraulic Valve Circuit Pressure Port	Function
1 - Green	Up	Red, Red/Black, Orange/Black, Green	1, 5, 6, 10	C1, C3	Main Wings - Transport
	Center	Off	-----	-----	Off
	Down	Red, Red/Black, Orange/Black, Green, Black/white	1, 5, 6, 10, 9	C7	Main Wings - Field
2 - Yellow	Up	White, Orange	3, 2	C2	Latches - Transport
	Center	Off	-----	-----	Off
	Down	White, Orange, Black/white	3, 2, 9	C6	Latches - Field
3 - Grey	Up	Blue, White/Black	8, 7	C4	Flip Wings - Transport
	Center	Off	-----	-----	Off
	Down	Blue, White/Black, Black/white	8, 7, 9	C8	Flip Wings - Field

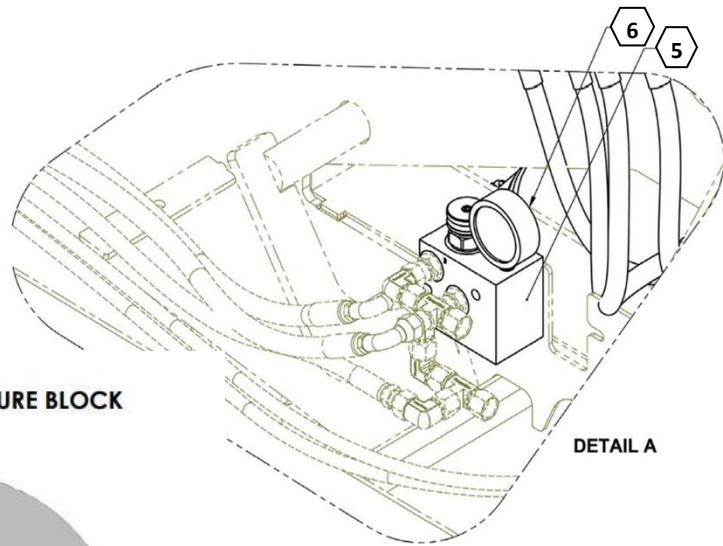
<b>Ground Wires</b>	
Black	11
Blue/Black	4
<b>Constant Power</b>	
Green/Black	12



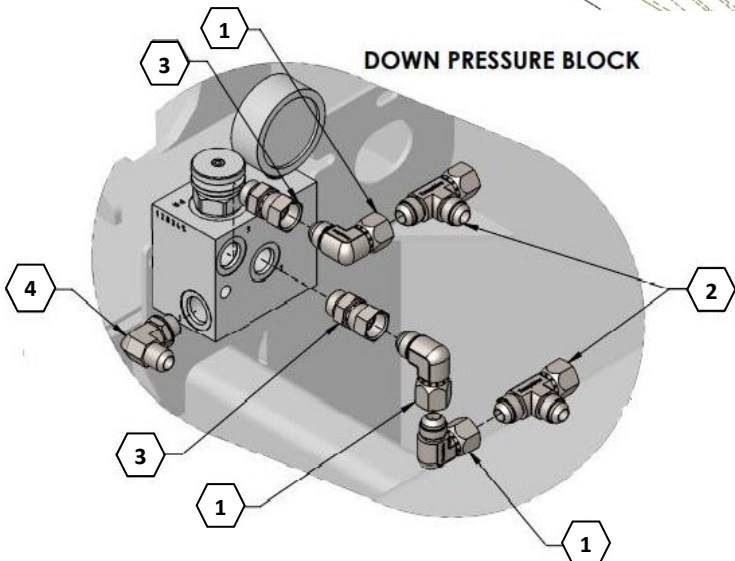
**Inner Wing Down Pressure Valve**



**DOWN PRESSURE MANIFOLD**



**DOWN PRESSURE BLOCK**



## Parts List: Inner Wing Down Pressure Valve

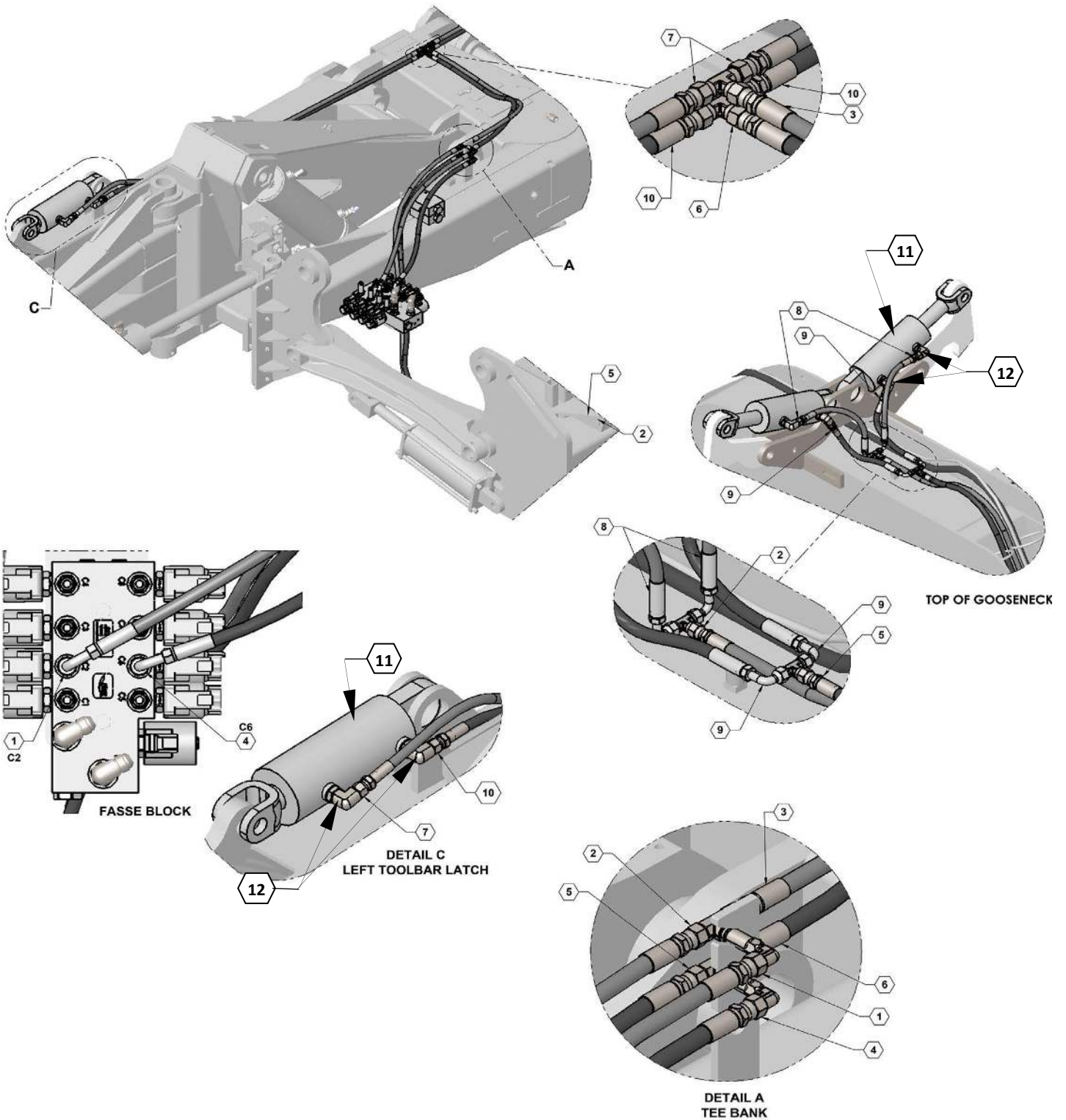
ITEM	PART NO.	QTY.	DESCRIPTION
1	610024	3	JIC #8 90 DEG
2	610053	2	JIC #8 SWIVEL RUN TEE
3	610083	2	FITTING #8 ORB X #8 JICF
4	610097	1	#8 JIC TO #8 O-RING 90
5	630041	1	MANIFOLD, HYDRAULIC DOWN PRESSURE
5	PRH121K20	1	PRESSURE REDUCING VALVE
5	CVH103P	1	CHECK VALVE C10
5	11441-015	1	.015 ORIFICE
6	790052	1	PRESSURE GAUGE, 3000 PSI
7	596133M	2	BOLT, HH 3/8 X 3-1/2 GR5 MAGNI
8	596258M	2	WASHER, FLAT 3/8 MAGNI
9	596237M	2	NUT, CENTERLOCK 3/8-16 MAGNI
10	26813	1	PLATE, HOSE HOLD DOWN
11	596130M	1	BOLT, HH 3/8-16 X 2 GR5 MAGNI



## Toolbar Wing Latch and Gooseneck Latch Cylinders and Hoses

LATCH PRESSURE: BLACK HOSE  
 LATCH RETURN: GRAY HOSE

LATCH CYLINDERS HYDRAULIC HOSE ROUTING

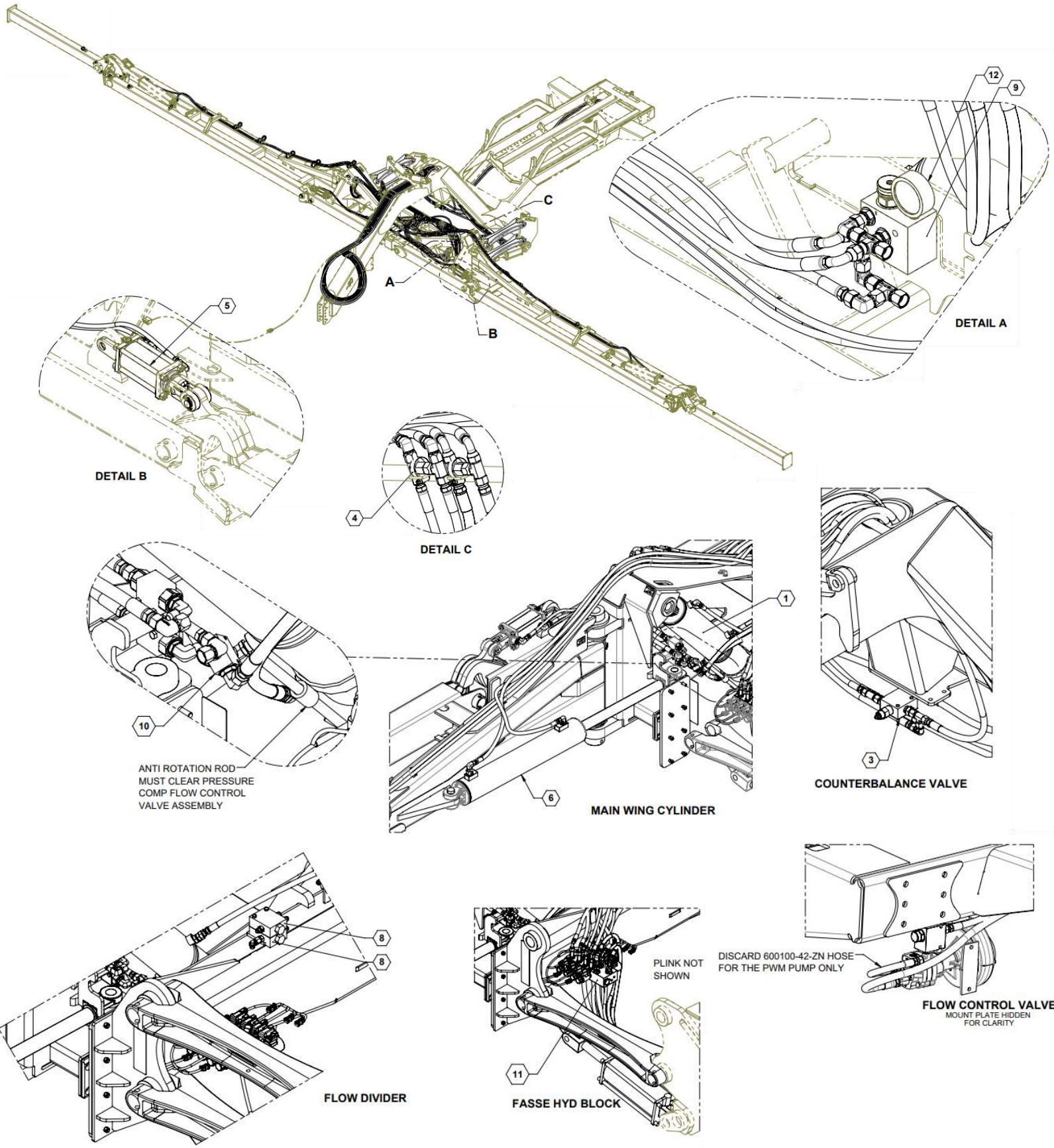




## Parts List: Toolbar Latch and Gooseneck Latch Cylinders and Hoses

ITEM	PART NO.	QTY.	DESCRIPTION
1	600100-7	1	HOSE ASSY, 04-6FJX90-4FJX-30
2	600100-8	1	HOSE ASSY, 04-4FJX-4FJX-168
3	600100-9	1	HOSE ASSY, 04-4FJX-4FJX-36
4	600100-10	1	HOSE ASSY, 04-6FJX90-4FJX-27
5	600100-11	1	HOSE ASSY, 04-4FJX-4FJX-159
6	600100-12	1	HOSE ASSY, 04-4FJX-4FJX-35
7	600100-19	2	HOSE ASSY, 04-6FJX-4FJX-66
8	600100-20	2	HOSE ASSY, 04-4FJX90-6FJX-15
9	600100-21	2	HOSE ASSY, 04-4FJX90-6FJX-13
10	600100-22	2	HOSE ASSY, 04-6FJX-4FJX-60
11	620026	4	CYLINDER 3X4 CUSTOM WING LATCH
11	34324	2	ASSY, SINGLE LUG TIE ROD CYLINDER
12	610030	8	JIC #6 TO ORING #8 90 DEG

**Hydraulics Assembly, Standard Tie Rod Latch Cyl.**





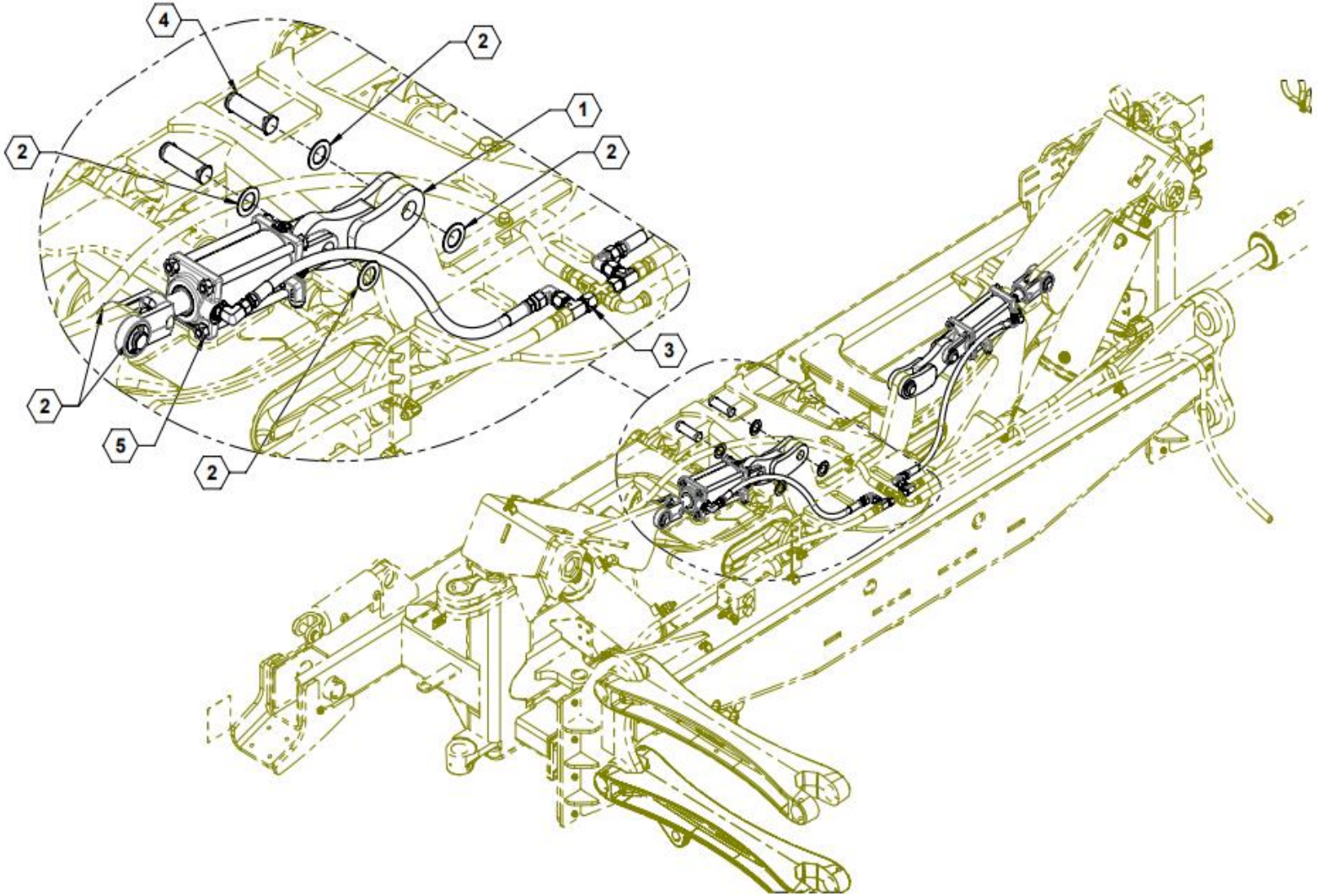
## ILLUSTRATED PARTS LIST

### Parts List: Hydraulics Assembly, Standard Tie Rod Latch Cyl.

ITEM	PART NO.	QTY.	DESCRIPTION
1	26640	2	ASSY, CYL 5" X 5.25"/13.25 SPH. BALLS
2	27258	3	BLACKING VALVE/WITH MOUNTING HOLES
3	500049	1	VALVE, COUNTERBALANCE
4	540014	3	HOSE CLAMP, SS 1.00 #16
5	600115	1	ASSY, STANDARD HYD KIT
6	620095	2	CYLINDER 4.00 CUSHIONED
7	620105	2	CYLIINDER, 3" X 4" X 1.25 ROD TIE ROD
8	630035	2	FLOW DIVIDER
9	630041	1	MANIFOLD, HYDRAULIC DOWN PRESSURE
10	630053	2	VALVE ASSEMBLY, FA101, PRESSURE COMP FLOW CONTROL
11	63056	1	ASSY, HYD VLV SWITCH BOX KIT
12	790052	1	PRESSURE GUAGE, 3000 PSI



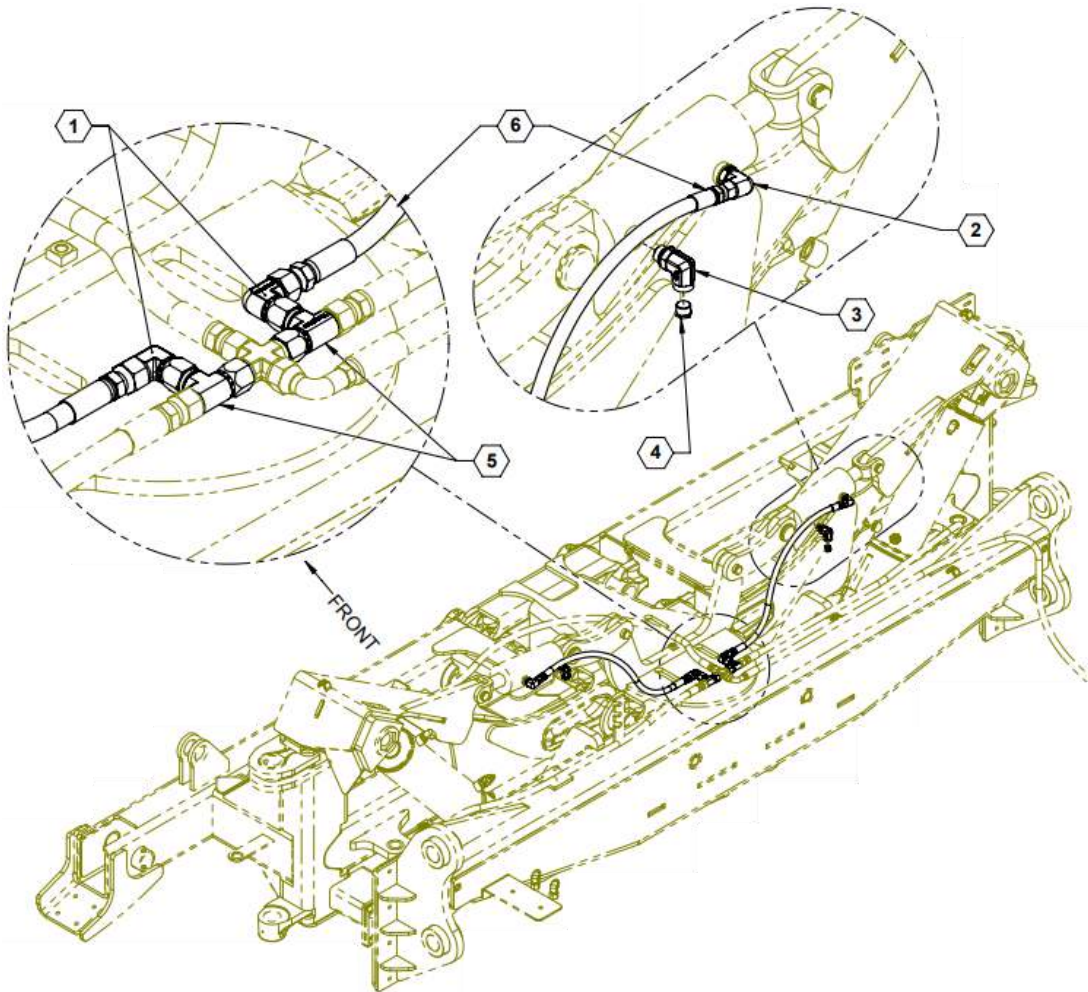
## Helper Cylinders Assembly



### Parts List: Helper Cylinders Assembly

ITEM	PART NO.	QTY.	DESCRIPTION
1	34552	2	WELDMENT, HELPER CYL LINK
2	596179M	12	BUSHING, MACHINED 1" X 14GA MAGNI
3	600103	1	ASY, HELPER CYL HYD KIT
4	620072	2	PIN, CYLINDER, 1" X 3-3/8". KIT PKG OF 2
5	620105	2	CYLINDER, 3" X 4" X 1.25 ROD TIE ROD

## Helper Cylinder Hydraulic Hoses



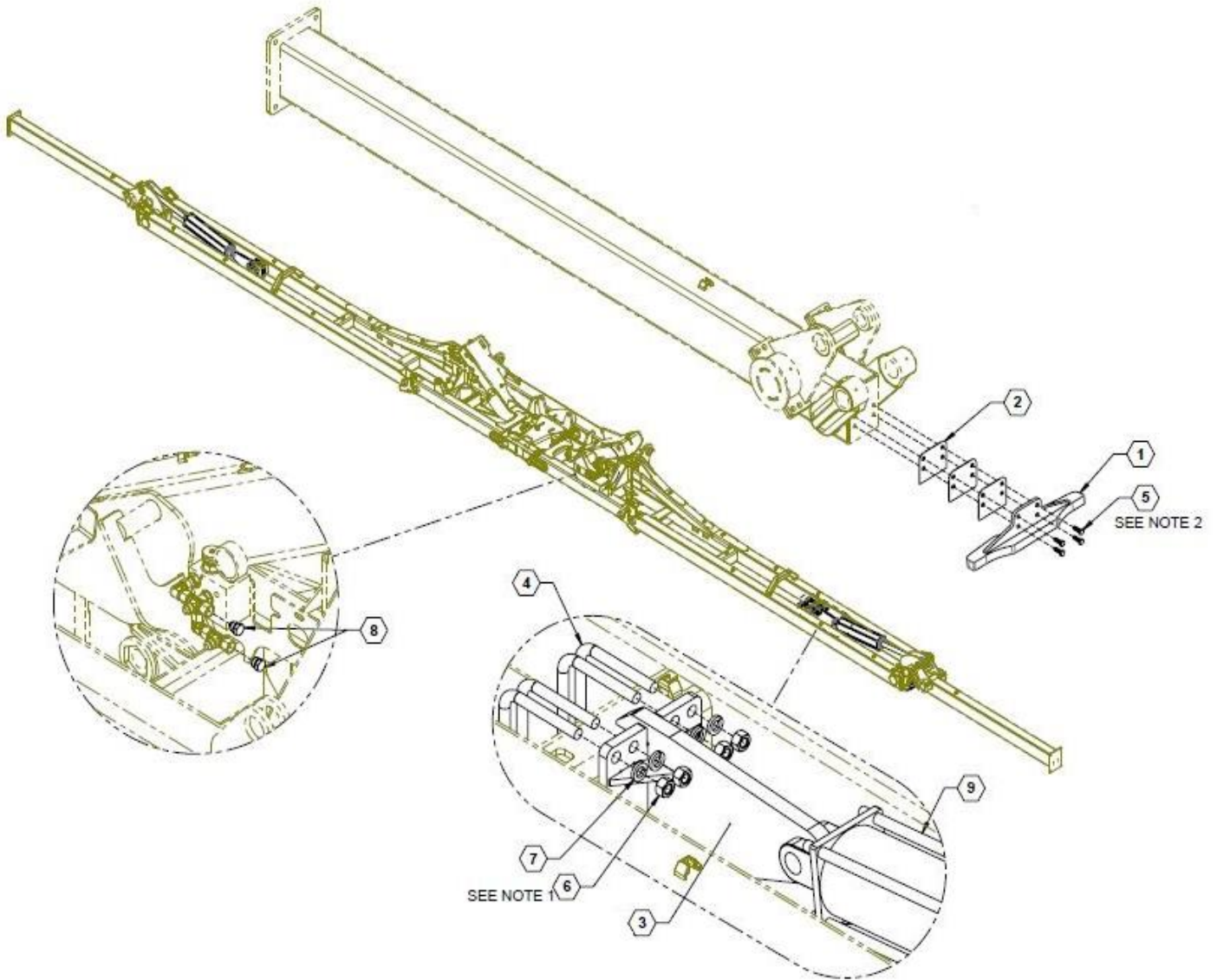
### Parts List: Helper Cylinder Hydraulic Hoses

ITEM	PART NO.	QTY.	DESCRIPTION
1	610224	2	JIC #8 90 DEG
2	610030	2	JIC #6 TO ORING #8 90 DEG
3	610035	2	ORING #8 TO 3/8" PIPE 90 DEG
4	610036	2	PLUG 3/8-18 BREATHER VENT
5	610053	2	JIC #8 SWIVEL RUN TEE
6	600103-1	2	HOSE ASSY, 06-8FJ

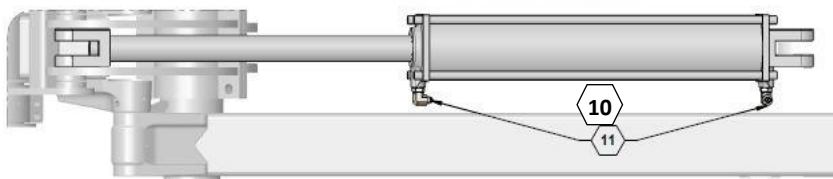
## Flip Wing Cylinder Assembly – No Down Pressure

**NOTE:**

1. TORQUE CYLINDER MOUNT HARDWARE TO 110 FT-LBS +/- 10 FT-LBS
2. TORQUE TO 23 FT-LBS +/- 3 FT-LBS



LEFT FLIP WING CYLINDER







## ILLUSTRATED PARTS LIST

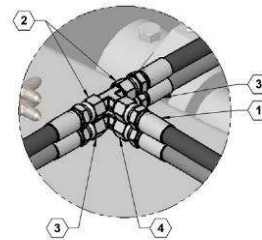
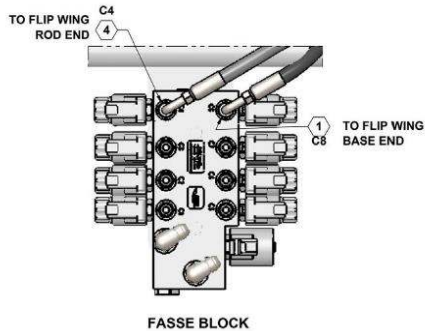
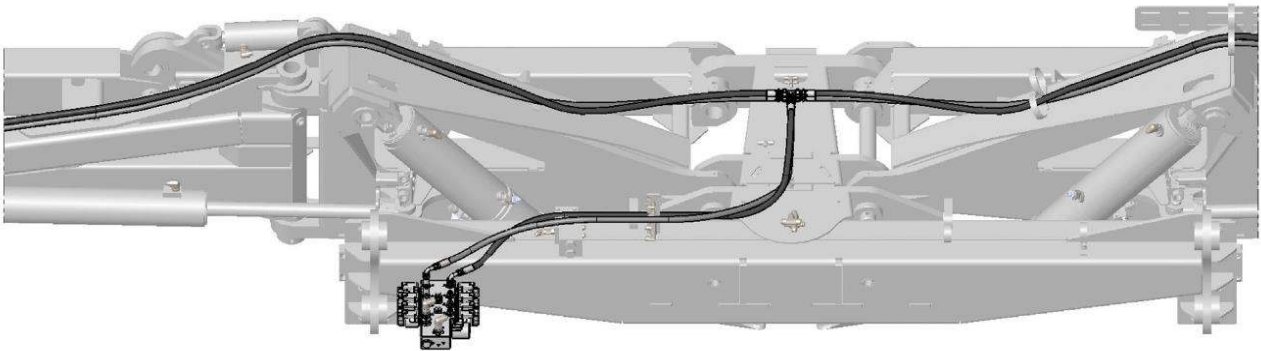
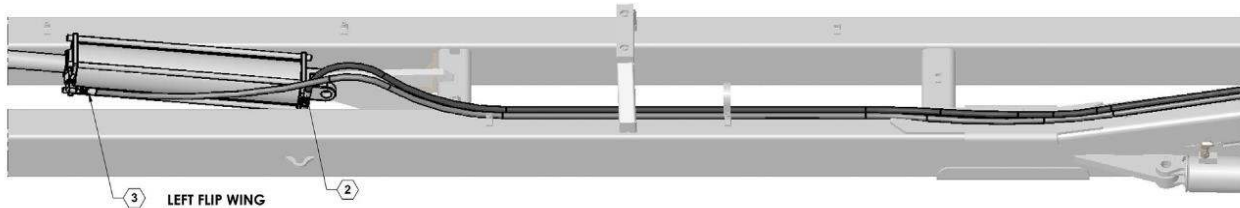
### Parts List: Flip Wing Cylinder Assembly – No Down Pressure

ITEM	PART NO.	QTY.	DESCRIPTION
1	26932	2	WLDMNT, FLIP WING STOP
2	26933	6	PLATE, FLIP STOP SHIM
3	27077	2	WLDMNT, CYL MNT A SERIES NO FLIP WING DOWN PRESSURE
4	590075	8	U-BOLT, 5/8 X 6 X 4 MAGNI
5	596128M	8	BOLT, HH 3/8-16 X 1 GR5 MAGNI
6	596216M	16	NUT, HEX 5/8-11 MAGNI
7	596253M	16	LOCKWASHER 5/8 MAGNI
8	610145	2	#8 JIC PLUG
9	620101	2	CYLINDER, 4.5 X 24" WITH ADI CLEVIS
10	610030	4	JIC #6 TO O-RING #8 90 DEGREE

## Flip Wing Cylinder Hoses – No Down Pressure

FLIP WING PRESSURE: BLACK HOSE  
 FLIP WING RETURN: GRAY HOSE

FLIP WING HYDRAULIC HOSE ROUTING



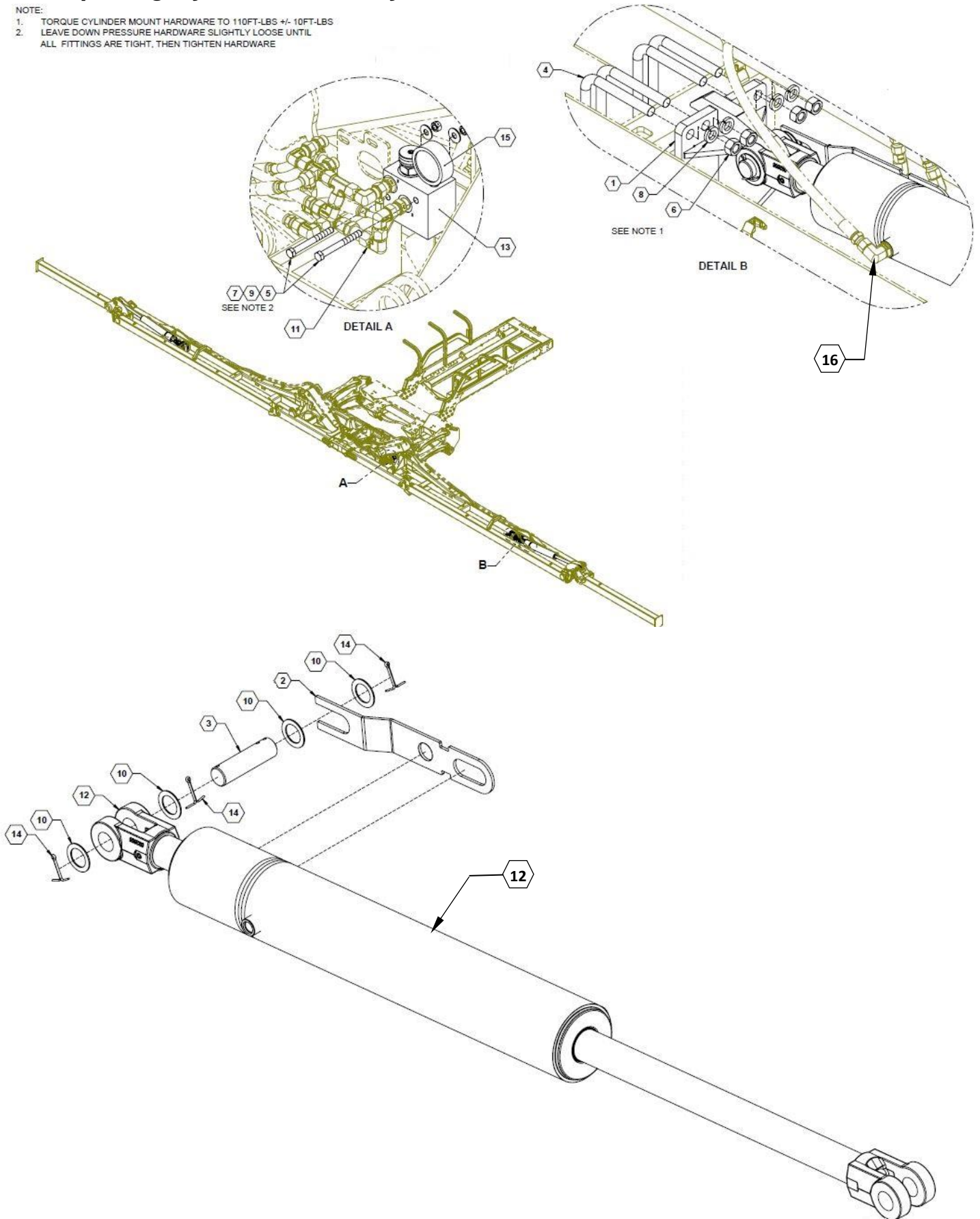
## Parts List: Flip Wing Cylinder Hoses – No Down Pressure

ITEM	PART NO.	QTY.	DESCRIPTION
1	600100-4	1	HOSE ASSY, 06-6FJX90-6FJX-59
2	600100-5	2	HOSE ASSY, 06-6FJX-6FJX-220
3	600100-6	2	HOSE ASSY, 06-6FJX-6FJX-243
4	600100-16	1	HOSE ASSY, 06-6FJX90-6FJX-56

## Flip Wing Cylinder Assembly – With Down Pressure

**NOTE:**

1. TORQUE CYLINDER MOUNT HARDWARE TO 110FT-LBS +/- 10FT-LBS
2. LEAVE DOWN PRESSURE HARDWARE SLIGHTLY LOOSE UNTIL ALL FITTINGS ARE TIGHT, THEN TIGHTEN HARDWARE





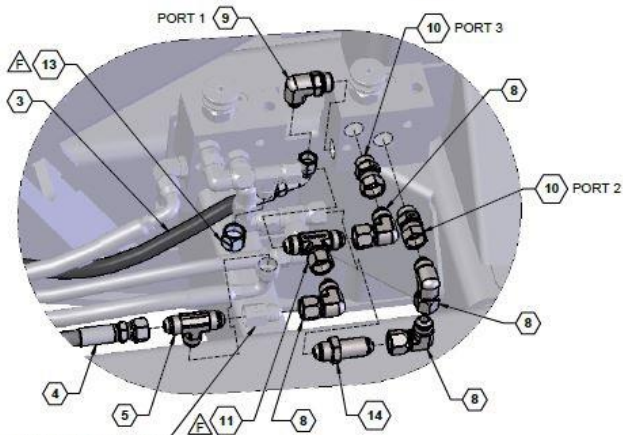
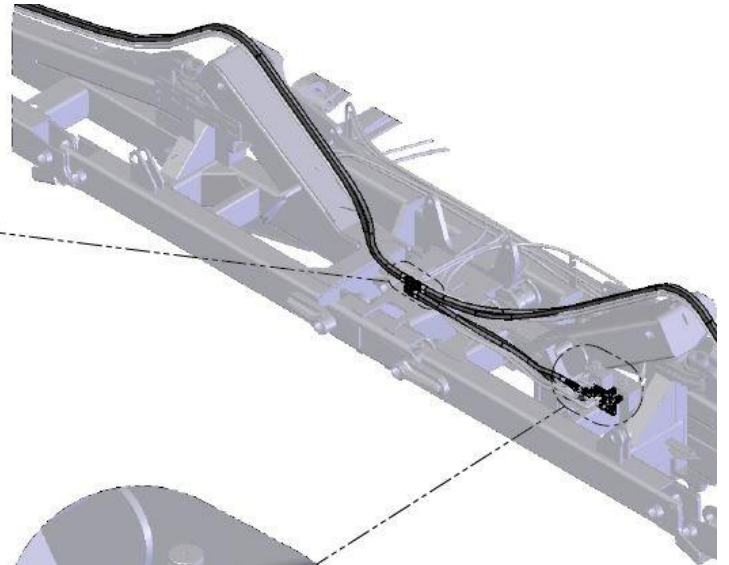
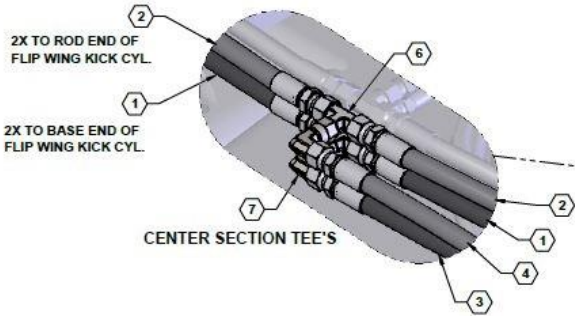
## ILLUSTRATED PARTS LIST

### Parts List: Flip Wing Cylinder Assembly – With Down Pressure

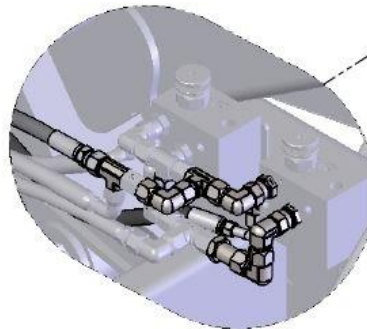
ITEM	PART NO.	QTY.	DESCRIPTION
1	27073	2	WLDMNT, CYL MNT A SERIES FLIP WING DOWN PRESSURE
2	27255	2	PLATE, CYLINDER ANTI ROTATE
3	27256	2	ANTI ROTATE PIN
4	590075	8	U-BOLT, 5/8 X 6 X 4 MAGNI
5	596133M	2	BOLT, HH 3/8 X 3-1/2 GR5 MAGNI
6	596216M	16	NUT, HEX 5/8-11 MAGNI
7	596237M	2	NUT, CENTERLOCK 3/8-16 MAGNI
8	596253M	16	LOCKWASHER 5/8 MAGNI
9	596258M	2	WASHER, FLAT 3/8 MAGNI
10	596744M	8	BUSHING, MACHINE, 1-1/4 x 14 GA MAGNI
11	600102	1	ASSY, FLIP WING DP HYD KIT
12	620027	2	CYLINDER, 4.5" BORE X 22-1/2" AND 1-13/16" STROKE
13	630041	1	MANIFOLD, HYDRAULIC DOWN PRESSURE
14	730033	6	COTTER PIN
15	790052	1	PRESSURE GAUGE, 3000 PSI
16	610030	4	JIC #6 TO O-RING #8 90 DEGREE

## Flip Wing Cylinder Hoses and Fittings – With Down Pressure

FLIP WING KICK PRESSURE = BLACK HOSE  
 FLIP WING KICK RETURN = GRAY HOSE

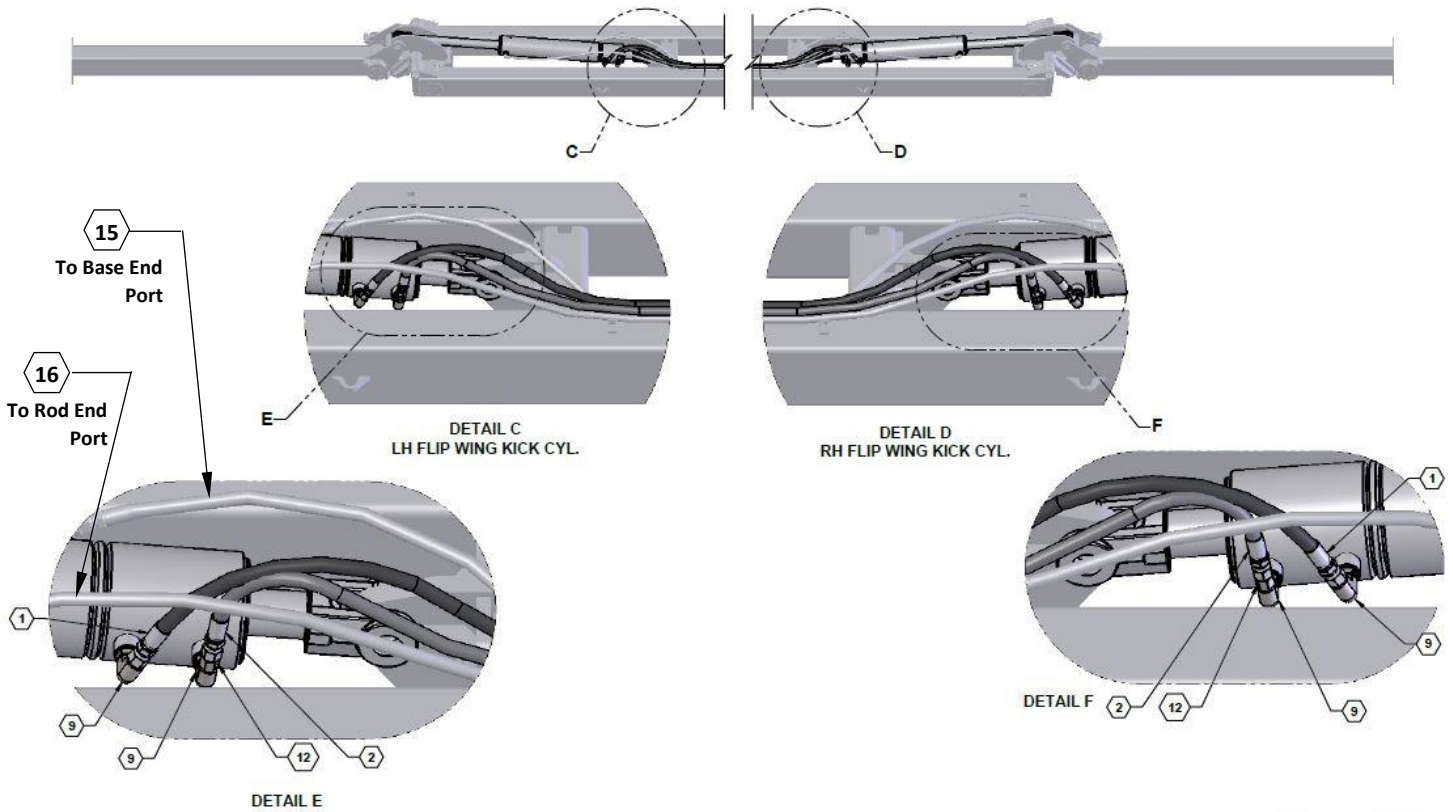


CHECK VALVE FROM BASE HYDRAULICS TO BE INSTALLED HERE



DOWN PRESSURE VALVE & FITTINGS

# ILLUSTRATED PARTS LIST

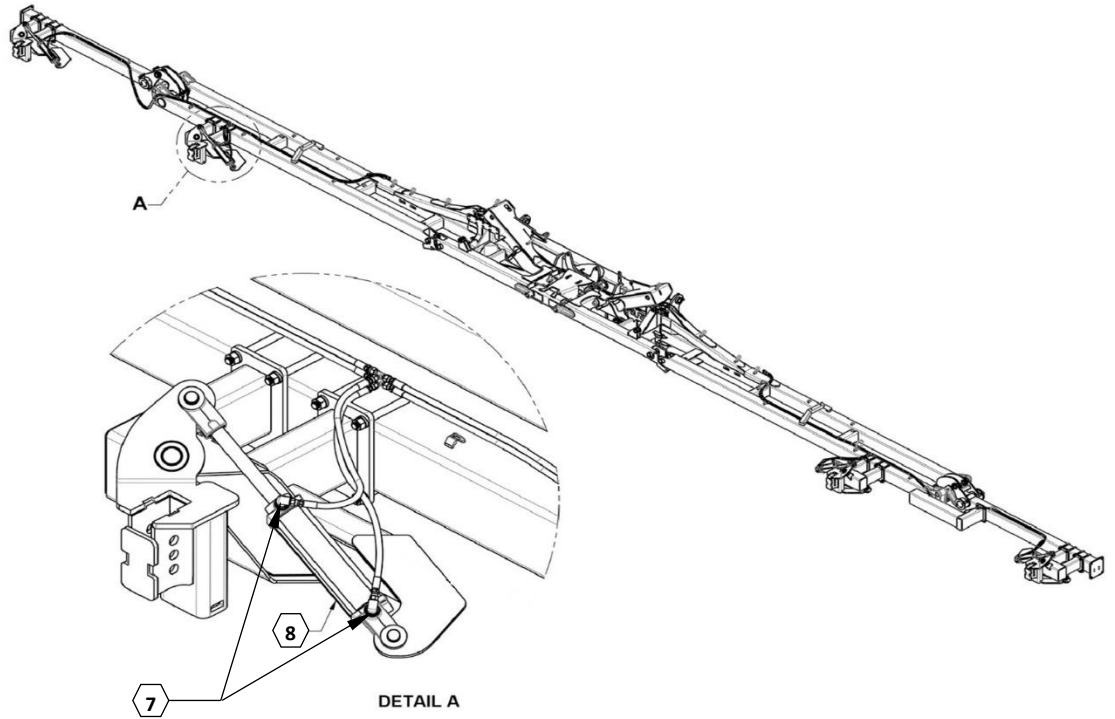


## Parts List: Flip Wing Cylinder Hoses and Fittings – With Down Pressure

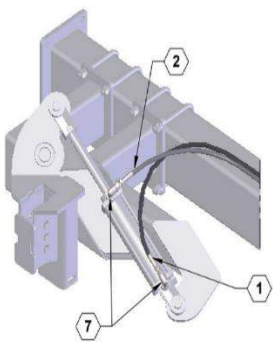
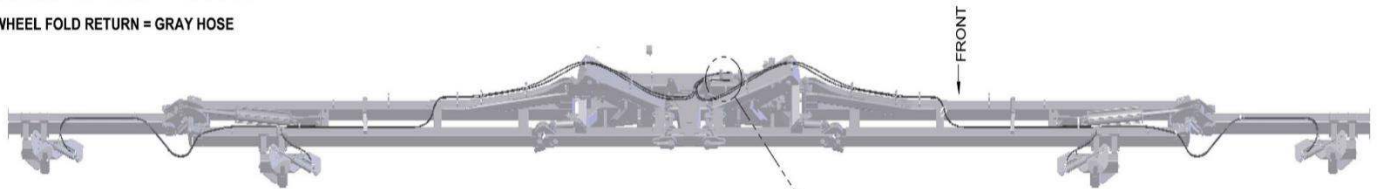
ITEM	PART NO.	QTY.	DESCRIPTION
1	600102-1	2	HOSE ASSY, 06-6FJX-6FJX-216
2	600102-2	2	HOSE ASSY, 06-6FJX-6FJX-214
3	600102-3	1	HOSE ASSY, 06-6FJX90-6FJX-46
4	600102-4	1	HOSE ASSY, 06-8FJX-6FJX-46
5	610004	1	JIC #8 UNION TEE
6	610005	2	JIC UNION TEE #6
7	610023	2	ADAPTER, -6MJIC X -6FJX 90
8	610024	4	JIC #8 90 DEG
9	610030	5	ADAPTER, -6MJIC X -8MORB90
10	610083	2	ADAPTER, -8MORB X -8FJX
11	610107	1	#8 JIC SWIVEL BRANCH TEE
12	610140	2	JIC #6 TO FJIC #6 X .031"
13	610144	1	FJIC #8 CAP
14	610146	1	#8 JIC BULKHEAD UNION
15	600100-5	2	HOSE ASSY, 06-6FJX-6FJX-220
16	600100-6	2	HOSE ASSY, 06-6FJX-6FJX-243



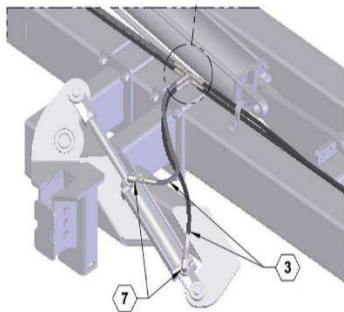
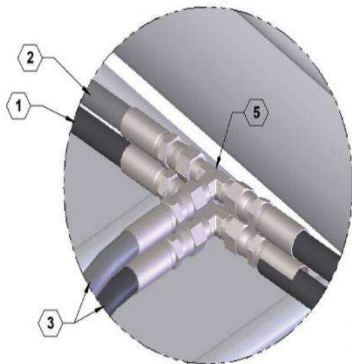
## Folding Gauge Wheel Cylinders and Hoses



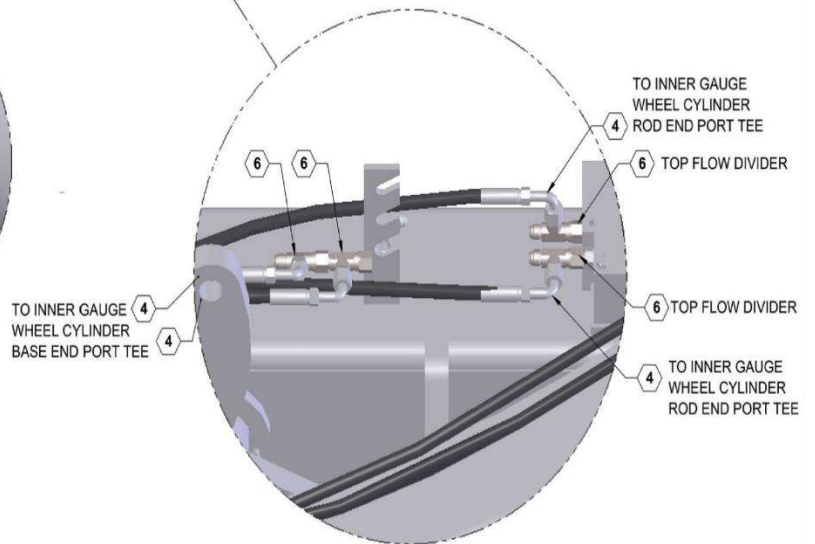
GAUGE WHEEL FOLD PRESSURE = BLACK HOSE  
 GAUGE WHEEL FOLD RETURN = GRAY HOSE



OUTER RH GAUGE WHEEL



INNER RH GAUGE WHEEL



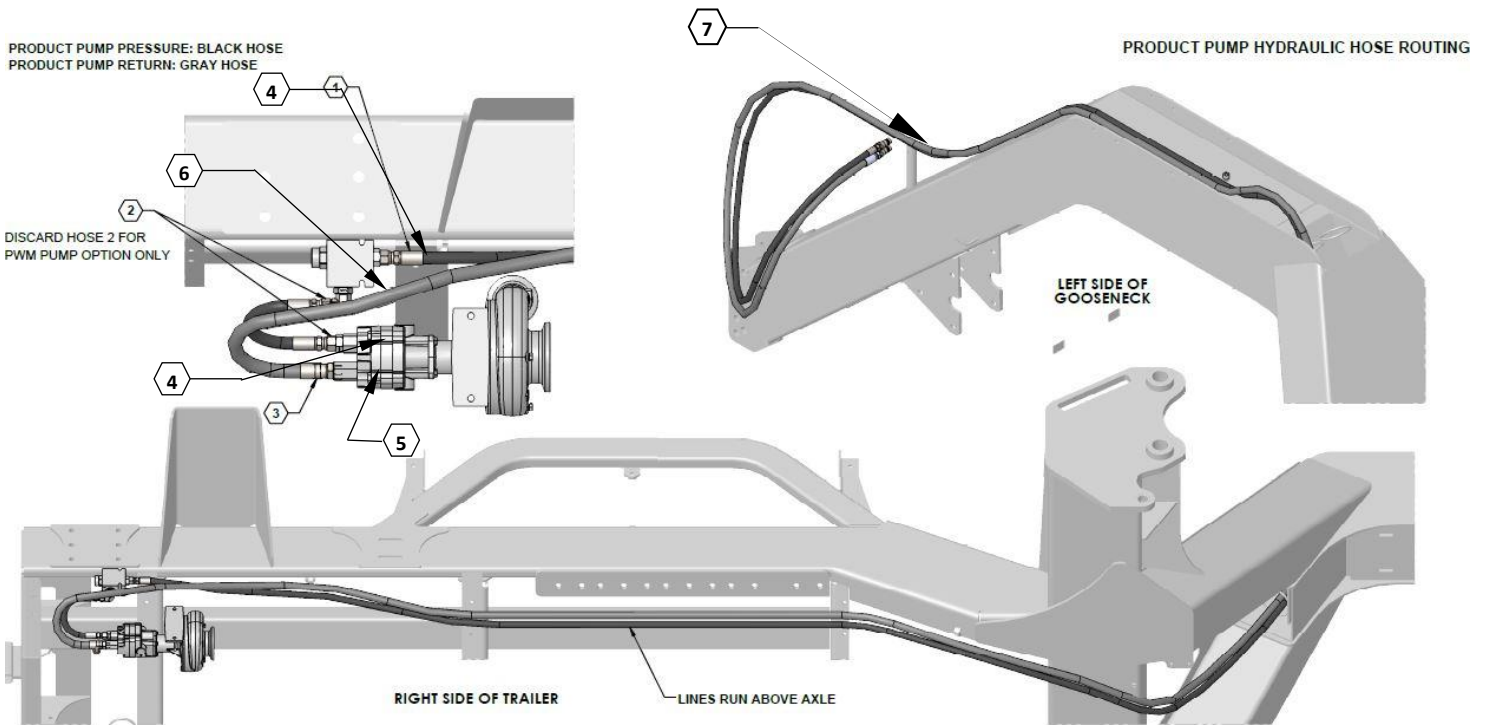


# ILLUSTRATED PARTS LIST

## Parts List: Folding Gauge Wheel Cylinders and Hoses

ITEM	PART NO.	QTY.	DESCRIPTION
1 (60')	600101-1	2	HOSE ASSY, 04-6FJX-4FJX-146 <b>60' ONLY</b>
1 (66')	600104-1	2	HOSE ASSY, 04-6FJX-4FJX-190 <b>66' ONLY</b>
2 (60')	600101-2	2	HOSE ASSY, 04-6FJX-4FJX-138 <b>60' ONLY</b>
2 (66')	600104-2	2	HOSE ASSY, 04-6FJX-4FJX-182 <b>66' ONLY</b>
3	600101-4	4	HOSE ASSY, 04-6FJX-4FJX-27
4	600101-5	4	HOSE ASSY, 04-6FJX90-4FJX-248
5	610003	4	JIC #4 UNION TEE
6	610027	4	JIC #6 RUN TEE
7	610030	8	JIC #6 TO ORING #8 90 DEG
8	620023	4	CYLINDER, 25TD08-112

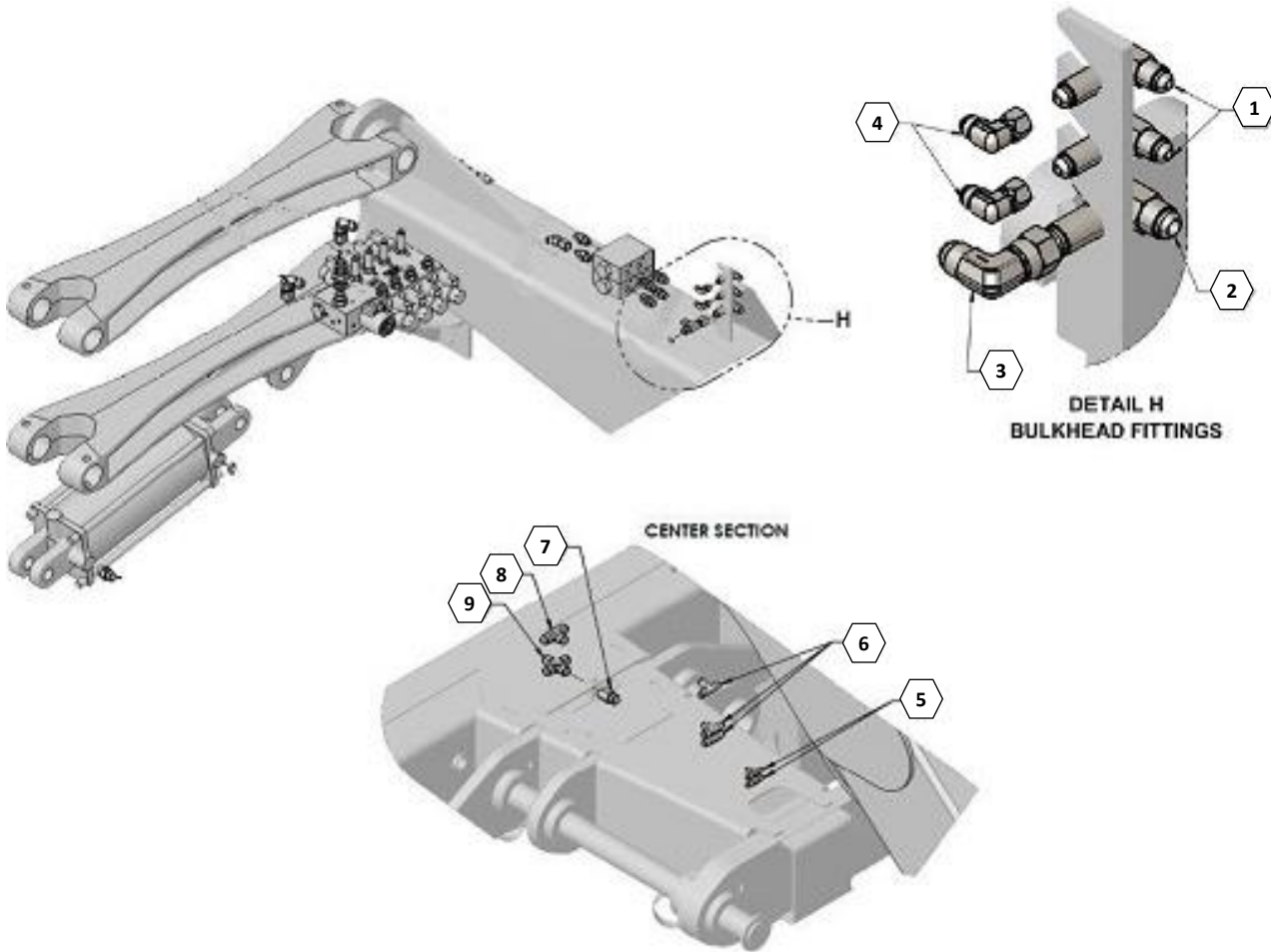
## Product Pump Hydraulic Hoses and Fittings



### Parts List: Product Pump Hydraulic Hoses and Fittings

ITEM	PART NO.	QTY.	DESCRIPTION
1	600100-41	1	HOSE ASSY, 08-8FJX-8MOR-PIONEER-365
2	600100-42	1	HOSE ASSY, 08-8FJX-8FJX-14
3	600100-43	1	HOSE ASSY, 10-10FJX-8MOR-PIONEER-386
4	610060	2	JIC #8 TO ORING #10
5	610102	1	ADAPTER, -10MJIC X -10MORB90
6	610086	1	JIC #8 TO O-RING #10 ELBOW 90°
7	520048	2	PIONEER COUPLER #8 FORB

## Bulkhead and Center Section Hydraulic Fittings



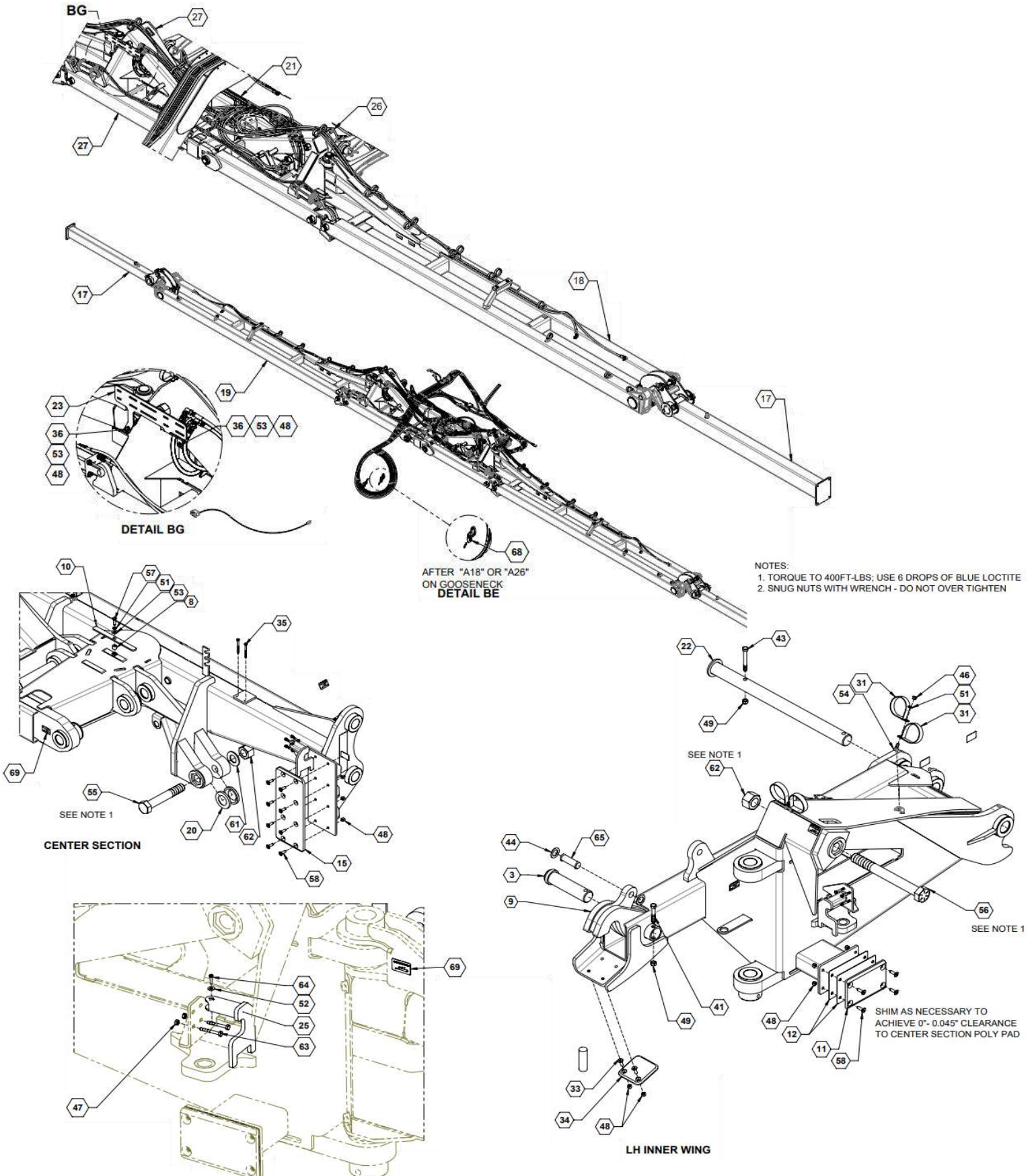
### Parts List: Hydraulic Fitting Locations

ITEM	PART NO.	QTY.	DESCRIPTION
1	610141	2	#4 JIC BULKHEAD TEE
2	610155	1	#6 JIC BULKHEAD TEE
3	610024	1	JIC #8 90 DEG
4	610022	2	#4 MJIC X #4FJX 90
5	610003	2	JIC #4 UNION TEE
6	610005	3	JIC UNION TEE #6
7	630054	1	CHECK VALVE, -8MJIC X -8FJIC
8	610004	1	JIC #8 UNION TEE
9	610071	1	#8 JIC UNION CROSS

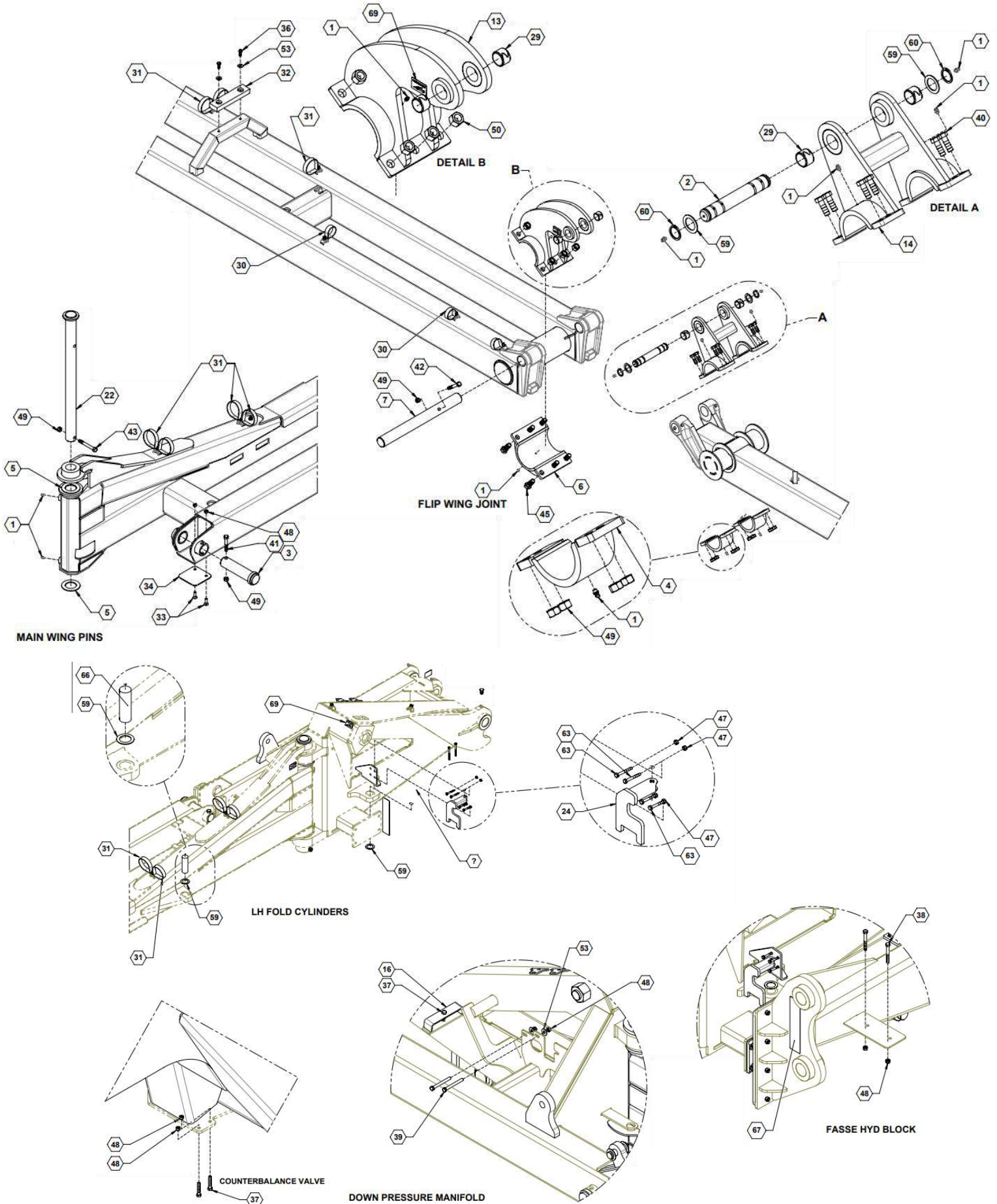


**TOOLBAR AND GAUGE WHEELS**

**60' Toolbar Assembly, Standard Duty**



# ILLUSTRATED PARTS LIST







## ILLUSTRATED PARTS LIST

### Parts List: 60' Toolbar Assembly, Standard Duty

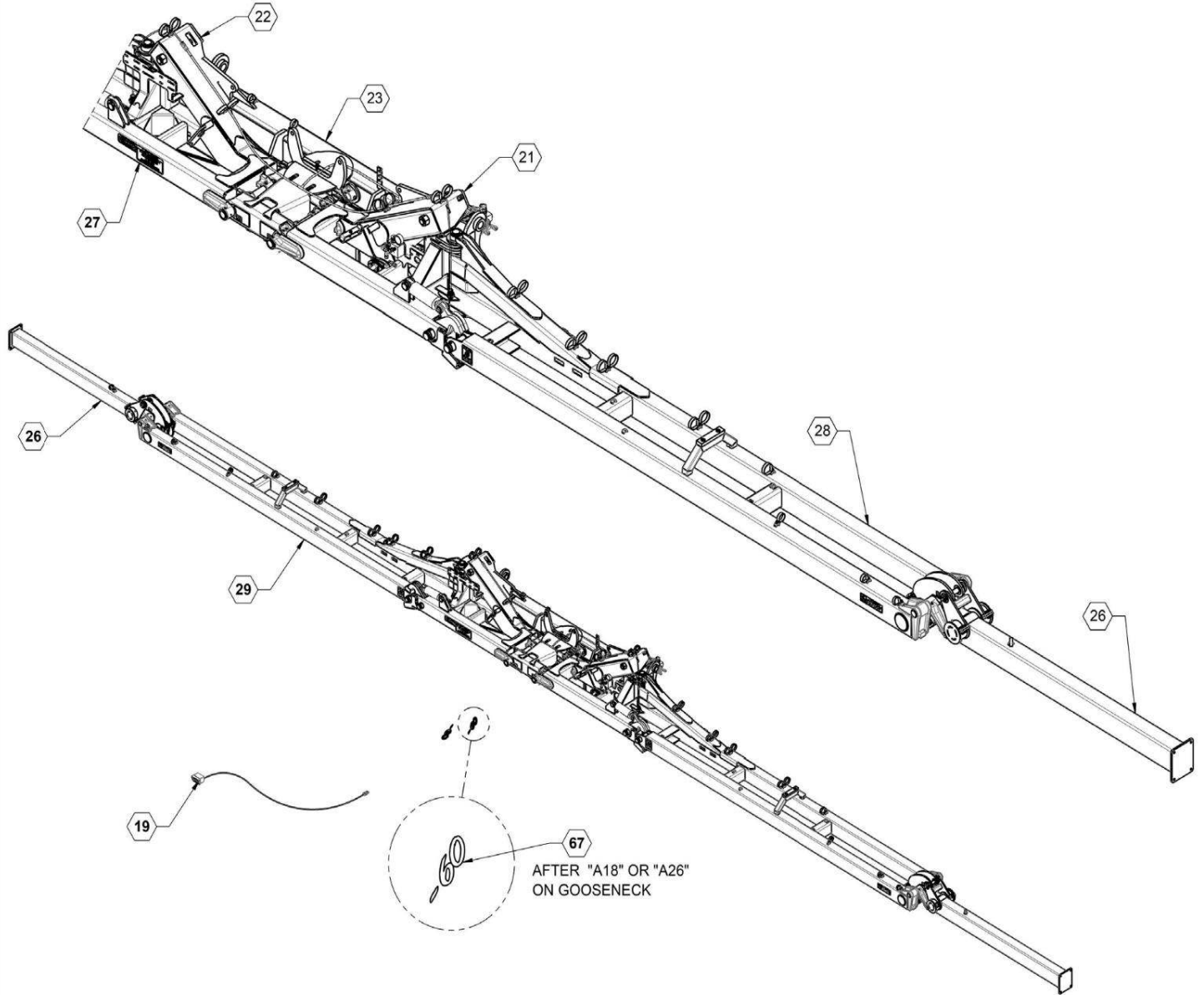
ITEM	PART NO.	QTY.	DESCRIPTION
1	759	32	ZERK, 1/4-28 STRAIGHT PIPE THREAD
2	15137	2	PIN, FLIP WING LINKAGE
3	15155	4	WELDMENT, LATCH PIN
4	5232	4	LINKAGE BASE WELDMENT
5	15277	12	WASHER, STAINLESS STEEL
6	15537	2	LINKAGE BASE WELDMENT
7	15539	2	PIN, FLIP WING
8	15566	1	SPACER, HOSE BRACKET
9	15630	2	LATCH WELDMENT
10	15844	1	PLATE, HOSE HOLDER
11	21090	2	PAD, UHMW, WING BUMP
12	21091	4	PLATE, BUMP PAD SHIM
13	21092	2	WELDMENT, FLIP LINKAGE MAIN
14	21094	2	WELDMENT, OUTER FLIP LINKAGE
15	21922	2	UHMW, CNTR LWR BUMP PAD
16	26813	2	PLATE, HOSE HOLD DOWN
17	26910	2	WELDMENT, 60' FLIP WING
18	27070	1	WELDMENT, LH MAIN WING
19	27071	1	WELDMENT, RH MAIN WING
20	27918	4	UHMW, CYLINDER SPACER RING
21	28680	1	WELDMENT, CENTER TOOLBAR
22	28692	4	WELDMENT, WING PIVOT PIN
23	28695	1	BRACKET, VALVE MOUNT
24	28820	1	WELDMENT, LH VALVE HANDLE
25	28823	1	WELDMENT, RH HANDLE
26	34554	1	WELDMENT, LH INNER WING
27	34555	1	WELDMENT, RH INNER WING
28	34603	1	ASSY, A SERIES HYDRAULICS
29	530291	8	BUSHING, 1-1/4 I.D. X 1" LG
30	540051	10	P-CLAMP, 2" W/3/8" HOLE
31	540052	28	P-CLAMP, 3" W/3/8" HOLE
32	590065	2	BUMPER PAD, WING REST
33	590133	8	BOLT, FHSCS 3/8 Z 1-1/4 SS
34	590265	4	PLATE, WEAR
35	596110M	2	BOLT, HH 1/4-20 X 3 MAGNI



## ILLUSTRATED PARTS LIST

36	596128M	6	BOLT, HH 3/8-16 X 1 GR5 MAGNI
37	596130M	4	BOLT, HH 3/8-16 X 2 GR5 MAGNI
38	596132M	2	BOLT, HH 3/8-16 X 3 GR5 MAGNI
39	596133M	2	BOLT, HH 3/8 X 3-1/2 GR5 MAGNI
40	596153M	16	BOLT, HH 1/2-13 X 1-1/2 GR5 MAGNI
41	596156M	4	BOLT, HH 1/2 X 3 GR5 MAGNI
42	596157M	2	BOLT, HH 1/2 X 3-1/2 GR5 MAGNI
43	596158M	4	BOLT, HH 1/2 X 4 GR5 MAGNI
44	596179M	4	BUSHING, MACHINED 1" X 14 GA MAGNI
45	596184M	12	BOLT, HH 3/4 X 2 GR5 MAGNI
46	596213M	26	NUT, HEX 3/8-16 MAGNI
47	596235M	6	NUT, CENTERLOCK, 1/4-20 MAGNI
48	596237M	40	NUT, CENTERLOCK 3/8-16 MAGNI
49	596239M	26	NUT, CENTERLOCK 3/8-16 MAGNI
50	596241M	12	NUT, CENTERLOCK 3/4-10 MAGNI
51	596250M	27	LOCKWASHER, 3/8 MAGNI
52	596256M	1	WASHER, FLAT 1/4 USS MAGNI
53	596258M	9	WASHER, FLAT 3/8 MAGNI
54	596592M	26	BOLT, CARRIAGE 3/8-16 X 1 MAGNI
55	596593M	2	BOLT, HH G8 1-1/2-6 X 9 MAGNI
56	596594M	2	BOLT, HH G8 1-1/2-6 X 14 MAGNI
57	596635M	1	BOLT, HH 3/8-16 X 1-1/4 MAGNI
58	596726M	24	BOLT, FHSCS 3/8-16 X 1-1/4
59	596744M	8	BUSHING, MACHINE, 1-1/4 X 14 GA MAGNI
60	596748M	4	SNAP RING, 1.25 MAGNI, HVY DUTY
61	596811M	2	WASHER, FLAT 1-1/2 MAGNI
62	596813	4	NUT, HEX 1-1/2-6 GR8 MAGNI
63	596843M	6	BOLT, HH 1/4-20 X 2 GR5 MAGNI
64	596847M	1	BOLT, HEX M5 X 20MM GR. 8.8 MAGNI
65	620072	1	PIN, CYLINDER, 1" X 3-3/8", KIT PKG OF 2
66	620075	2	PIN, CYLINDER, 1-1/4 X 3-7/8"
67	800110	2	DECAL, AMBER, REFLECTOR
68	800231	2	DECAL, -60 SILVER
69	800287	8	DECAL, GREASE PIVOT POINTS

## 60', 66', and 48' Foot Bare Toolbar Weldments





## ILLUSTRATED PARTS LIST

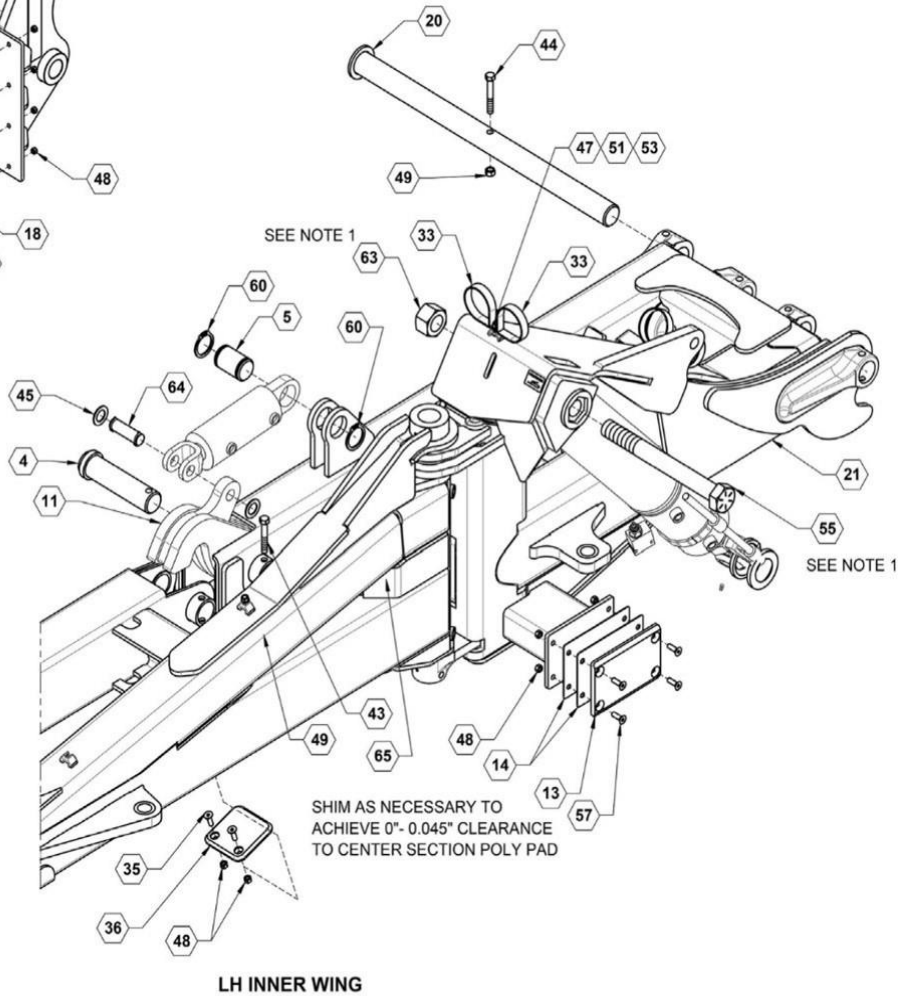
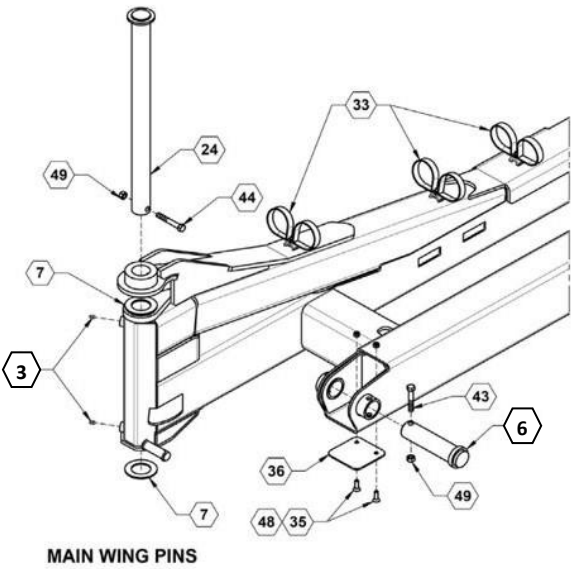
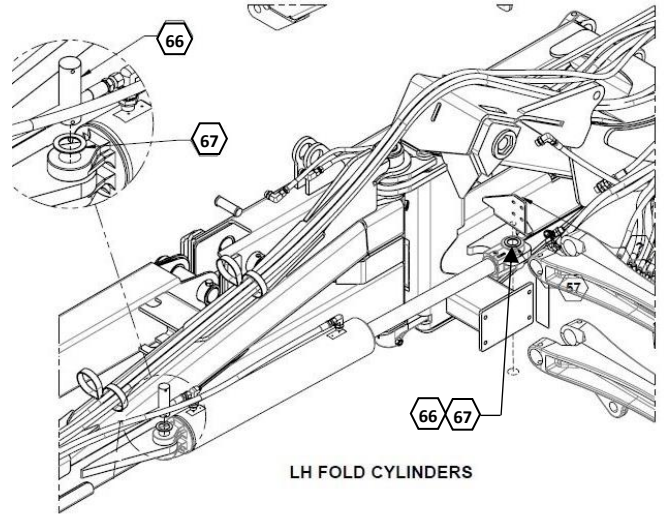
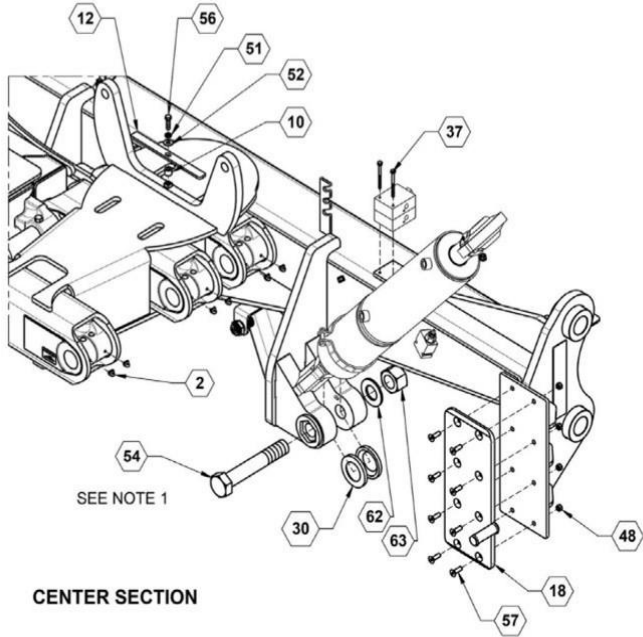
### Parts List: 60 and 66 Foot Bare Toolbar Weldments

ITEM	PART NO.	QTY.	DESCRIPTION
19	26023	1	ASSY, STANDARD HYDRAULICS
21	34554	1	WLDMNT, LH INNER WING <b>STANDARD DUTY for 22"/56cm Spacing and wider</b>
21	26360	1	WLDMNT, LH INNER WING HEAVY DUTY <b>for 20"/50cm Spacing and narrower</b>
22	34555	1	WLDMNT, RH INNER WING <b>STANDARD DUTY for 22"/56cm Spacing and wider</b>
22	26361	1	WLDMNT, RH INNER WING HEAVY DUTY <b>for 20"/50cm Spacing and narrower</b>
23	28905	1	WLDMNT, CENTER TOOLBAR <b>STANDARD DUTY for 22"/56cm Spacing and wider</b>
23	26386	1	WLDMNT, CENTER TOOLBAR HEAVY DUTY <b>for 20"/50cm Spacing and narrower</b>
26	26910	2	WLDMNT, 60' FLIP WING
26	15226	2	WLDMNT, 66' FLIP WING
26	28962	2	WLDMNT, 48' FLIP WING
27	26961	1	DECALS, TOOLBAR
28	27070	1	WLDMNT, LH MAIN WING
29	27071	1	WLDMNT, RH MAIN WING
67	800231	2	DECAL, -60 SILVER
67	800232	2	DECAL, -66 SILVER
67	800233	2	DECAL, -48 SILVER

## Pins and Wear Pads for Center, Inner, & Main Wings

**NOTES:**

1. TORQUE TO 400FT-LBS; USE 6 DROPS OF BLUE LOCTITE
2. SNUG NUTS WITH WRENCH - DO NOT OVER TIGHTEN







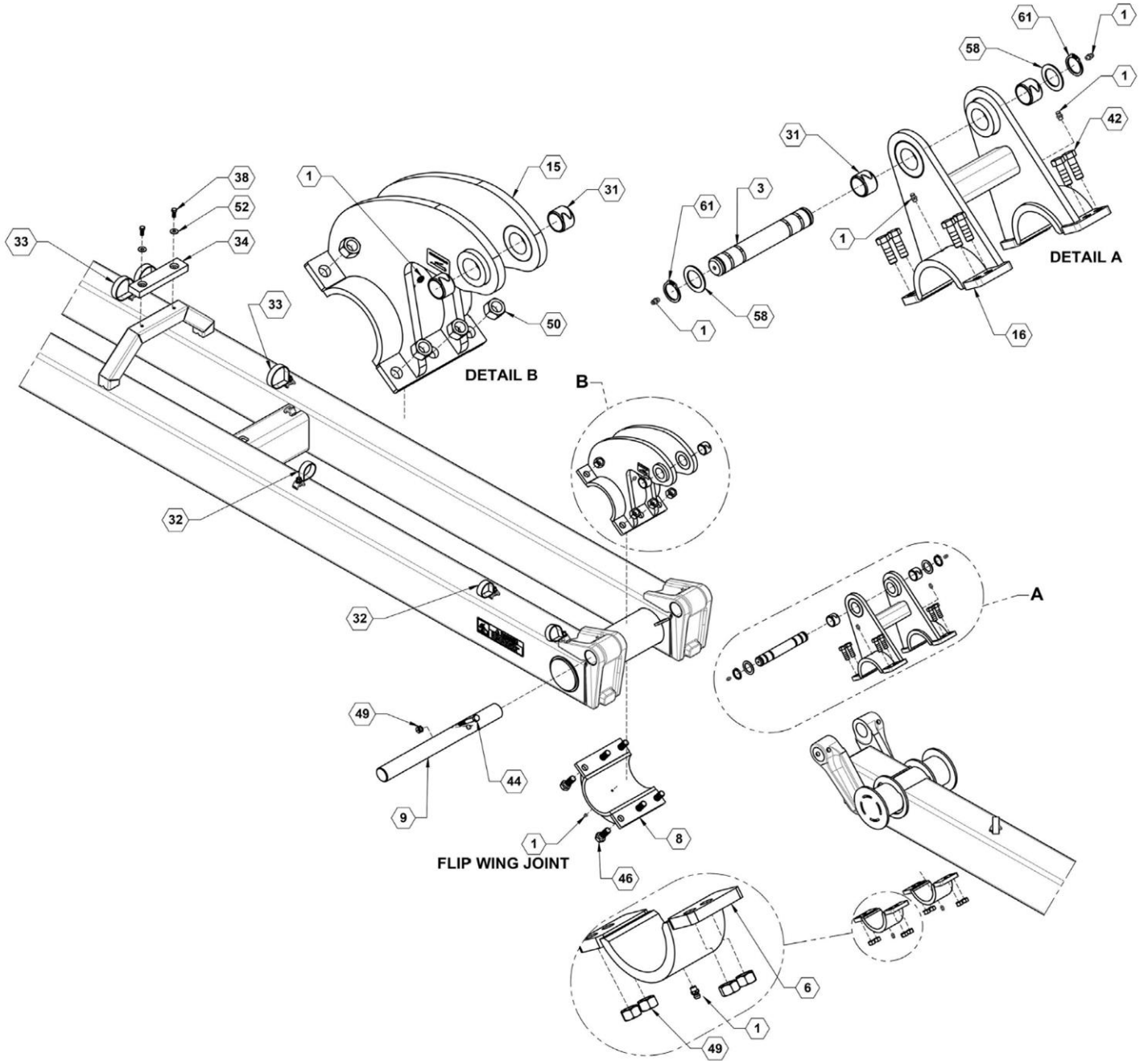
# ILLUSTRATED PARTS LIST

## Parts List: Pins and Wear Pads for Center, Inner, & Main Wings

ITEM	PART NO.	QTY.	DESCRIPTION
2	761	12	ZERK, 90° , 1/4-28 STRAIGHT PIPE THREAD
3	759	8	ZERK, 1/4-28 STRAIGHT PIPE THREAD
4	15155	4	WLDMT, LATCH PIN
5	15179	2	PIN, LATCH CYLINDER BASE
6	15155	4	WLDMT, LATCH PIN
7	15277	4	WASHER, STAINLESS STEEL
10	15566	1	SPACER, HOSE BRACKET
11	15630	2	LATCH WLDMNT
12	15844	1	PLATE, HOSE HOLDER
13	21090	2	PAD, UHMW, WING BUMP
14	21091	4	PLATE, BUMP PAD SHIM
18	21922	2	UHMW, CENTER LOWER BUMP PAD
20	26165	2	WLDMNT, WING PIVOT PIN
21	REF	1	WLDMNT, LH INNER WING
24	26405	2	WLDMNT, MAIN PIN
30	27918	4	UHMW, CYLINDER SPACER RING
33	540052	40	P-CLAMP, 3" W/3/8" HOLE
35	590133	12	BOLT, FHSCS 3/8 X 1-1/4 SS
36	590265	4	PLATE, WEAR
37	596110M	2	BOLT, HH 1/4-20 X 3 MAGNI
43	596156M	4	BOLT, HH 1/2 X 3 GR5 MAGNI
44	596157M	6	BOLT, HH 1/2X3-1/2 GR5 MAGNI
45	596179M	4	BUSHING, MACHINED 1" X 14GA MAGNI
47	596213M	26	NUT, HEX 3/8-16 MAGNI
48	596237M	41	NUT, CENTERLOCK 3/8-16 MAGNI
49	596239M	26	NUT, CENTERLOCK, 1/2-13 MAGNI
51	596250M	27	LOCKWASHER, 3/8 MAGNI
52	596258M	7	WASHER, FLAT 3/8 MAGNI
53	596592M	26	BOLT, CARRIAGE 3/8-16 X 1 MAGNI
54	596593M	2	BOLT, HH G8 1-1/2-6 X 9 MAGNI
55	596594M	2	BOLT, HH G8 1-1/2-6 X 14 MAGNI
56	596635M	1	BOLT, HH 3/8-16 x 1-1/4 MAGNI
57	596726M	24	BOLT, FHSCS 3/8-16 X 1-1/4 MAGNI
60	596747M	4	SNAP RING, 2" MAGNI
62	596811M	2	WASHER, FLAT 1-1/2 MAGNI
63	596813M	4	NUT, HEX 1-1/2-6 GR8 MAGNI
64	620072	1	PIN, CYLINDER, 1" X 3-3/8", KIT PKG OF 2
65	759	30	ZERK, 1/4-28 STRAIGHT PIPE THREAD
66	620075	2	CYL PIN KIT 1-1/4 X 3-7/8
67	596744M	8	BUSHING, MACHINE, 1-1/4 x 14 GA MAGNI



**Flip Wing Linkage**



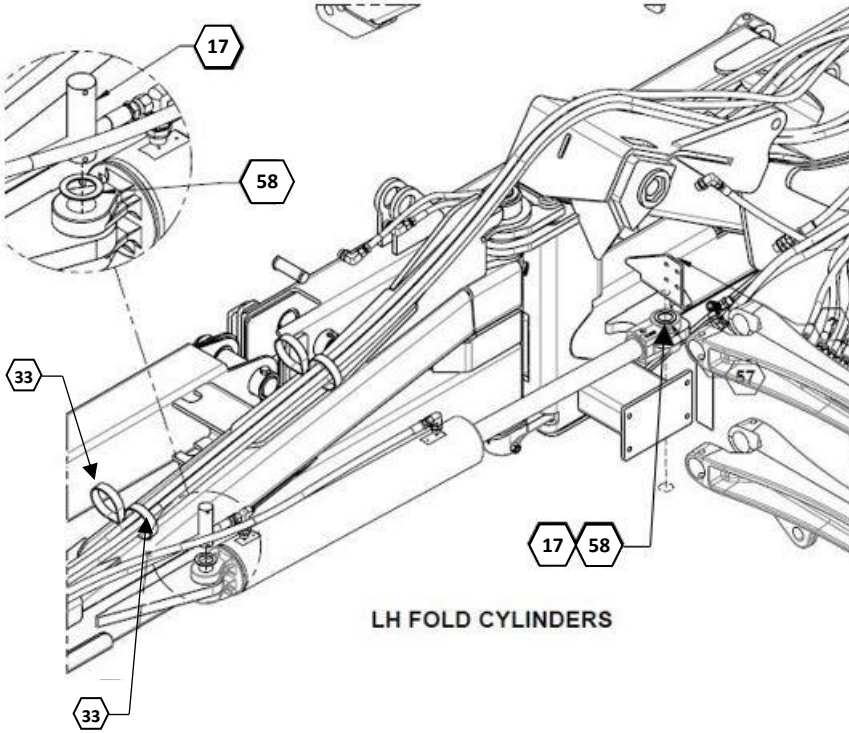


# ILLUSTRATED PARTS LIST

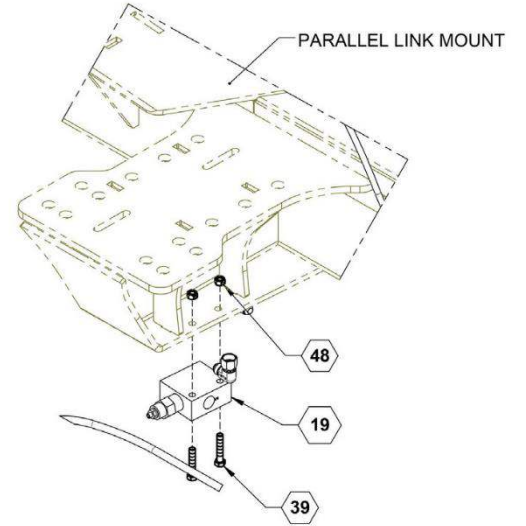
## Parts List: Flip Wing Linkage

ITEM	PART NO.	QTY.	DESCRIPTION
1	759	12	ZERK, 1/4-28 STRAIGHT PIPE THREAD
3	15137	2	PIN, FLIP WING LINKAGE
6	15232	4	LINKAGE BASE WLDMNT
8	15537	2	LINKAGE BASE WLDMNT
9	15539	2	PIN, FLIP WING
15	21092	2	WLDMT, FLIP LINKAGE MAIN
16	21094	2	WLDMT, OUTER FLIP LINKAGE
31	530291	8	BUSHING, 1-1/4" I.D. x 1" LG
32	540051	10	P-CLAMP, 2" W/3/8" HOLE
33	540052	16	P-CLAMP, 3" W/3/8" HOLE
34	590065	2	BUMPER PAD, WING REST
38	596128M	4	BOLT, HH 3/8-16 X 1 GR5 MAGNI
42	596153M	16	BOLT, HH 1/2-13X1-1/2 GR5 MAGNI
43	596156M	4	BOLT, HH 1/2 X 3 GR5 MAGNI
44	596157M	6	BOLT, HH 1/2X3-1/2 GR5 MAGNI
46	596184M	12	BOLT, HH 3/4X2 GR5 MAGNI
48	596237M	33	NUT, CENTERLOCK 3/8-16 MAGNI
49	596239M	26	NUT, CENTERLOCK, 1/2-13 MAGNI
50	596241M	12	NUT, CENTERLOCK 3/4-10 MAGNI
52	596258M	7	WASHER, FLAT 3/8 MAGNI
58	596744M	8	BUSHING, MACHINE, 1-1/4 x 14 GA MAGNI
61	596748M	4	SNAP RING, 1-1/4" MAGNI

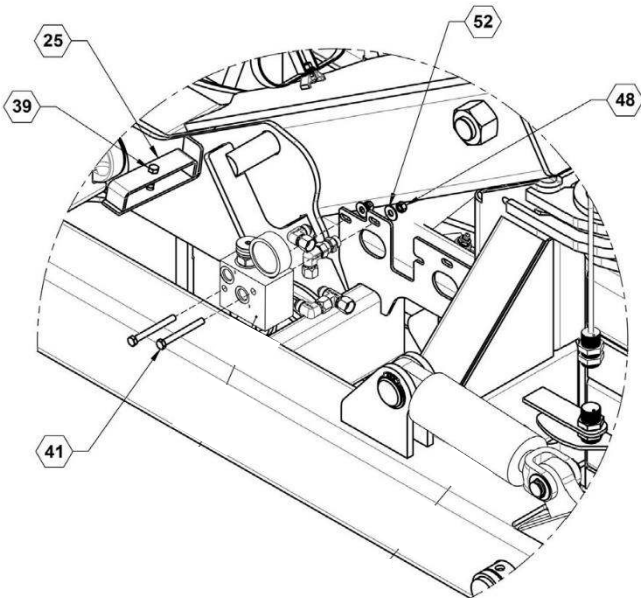
**Bare Toolbar Assembly**



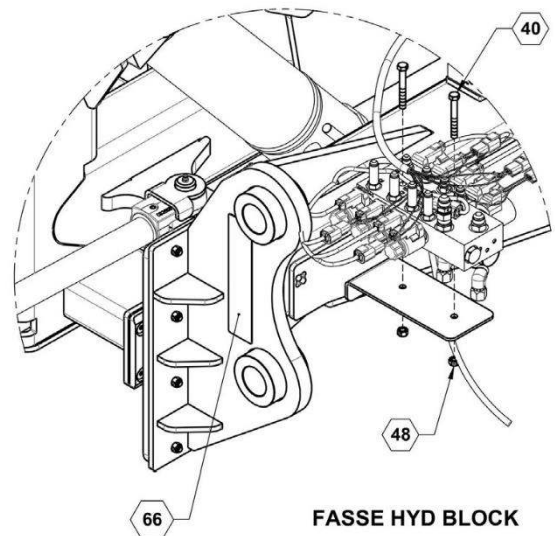
**LH FOLD CYLINDERS**



**COUNTERBALANCE VALVE**



**DOWN PRESSURE MANIFOLD**



**FASSE HYD BLOCK**

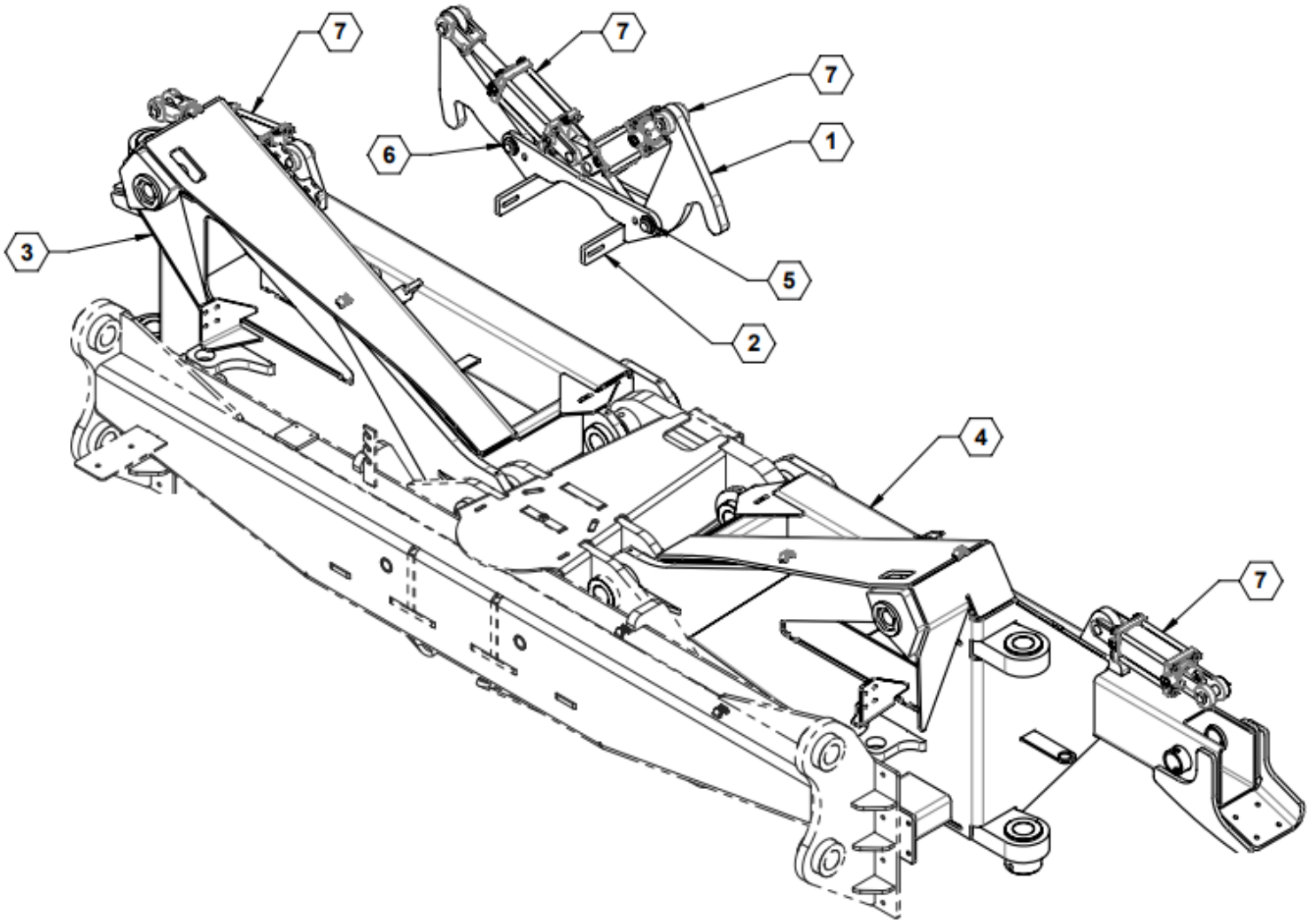


## ILLUSTRATED PARTS LIST

### Parts List: Bare Toolbar Assembly

ITEM	PART NO.	QTY.	DESCRIPTION
17	620075	2	CYL PIN KIT 1-1/4 X 3-7/8
25	26813	1	PLATE, HOSE HOLD DOWN
33	540052	28	P-CLAMP, 3" W/3/8" HOLE
39	596130M	3	BOLT, HH 3/8-16 X 2 GR5 MAGNI
40	596132M	2	BOLT, HH 3/8-16 X 3 GR5 MAGNI
41	596133M	2	BOLT, HH 3/8 X 3-1/2 GR5 MAGNI
48	596237M	37	NUT, CENTERLOCK 3/8-16 MAGNI
52	596258M	7	WASHER, FLAT 3/8 MAGNI
58	596744M	8	BUSHING, MACHINE, 1-1/4 x 14 GA MAGNI
66	800110	2	DECAL, AMBER, REFLECTOR

## Latch Cylinder Kit Assembly, Standard Duty

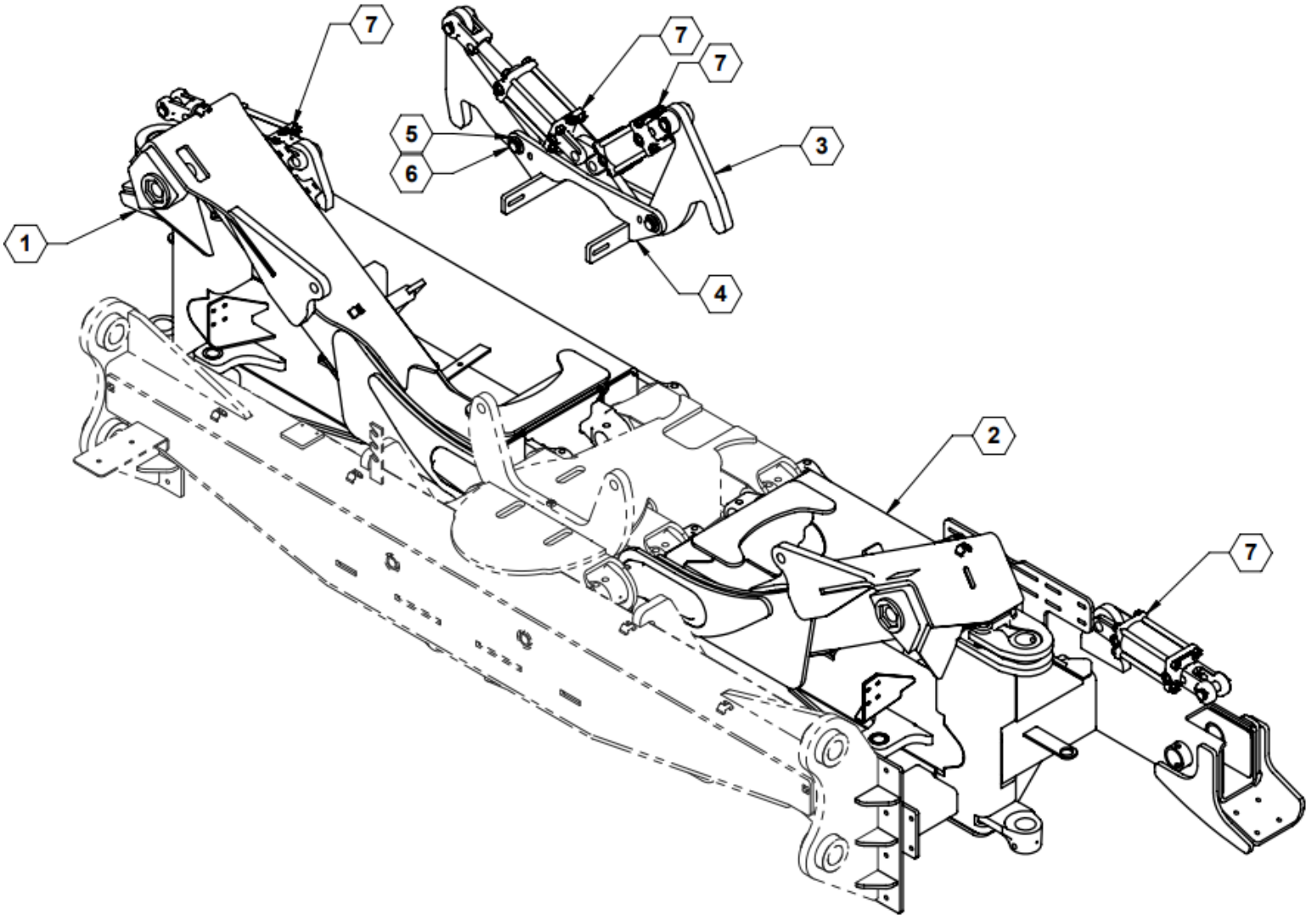


### Parts List: Latch Cylinder Kit Assembly, Standard Duty

ITEM	PART NO.	QTY.	DESCRIPTION
1	34543	2	PLATE, TRANSPORT LATCH ARM
2	34545	1	WELDMENT, TRANSPORT LATCH
3	34554	1	WELDMENT, LH INNER WING
4	34555	1	WELDMENT, RH INNER WING
5	596179M	4	BUSHING, MACHINED 1" X 14GA MAGNI
6	620072	1	PIN, CYLINDER, 1" X 3-3/8", KIT PKG OF 2
7	620105	4	CYLINDER, 3" X 4" X 1.25 ROD TIE ROD



## Latch Cylinder Kit Assembly, Heavy Duty

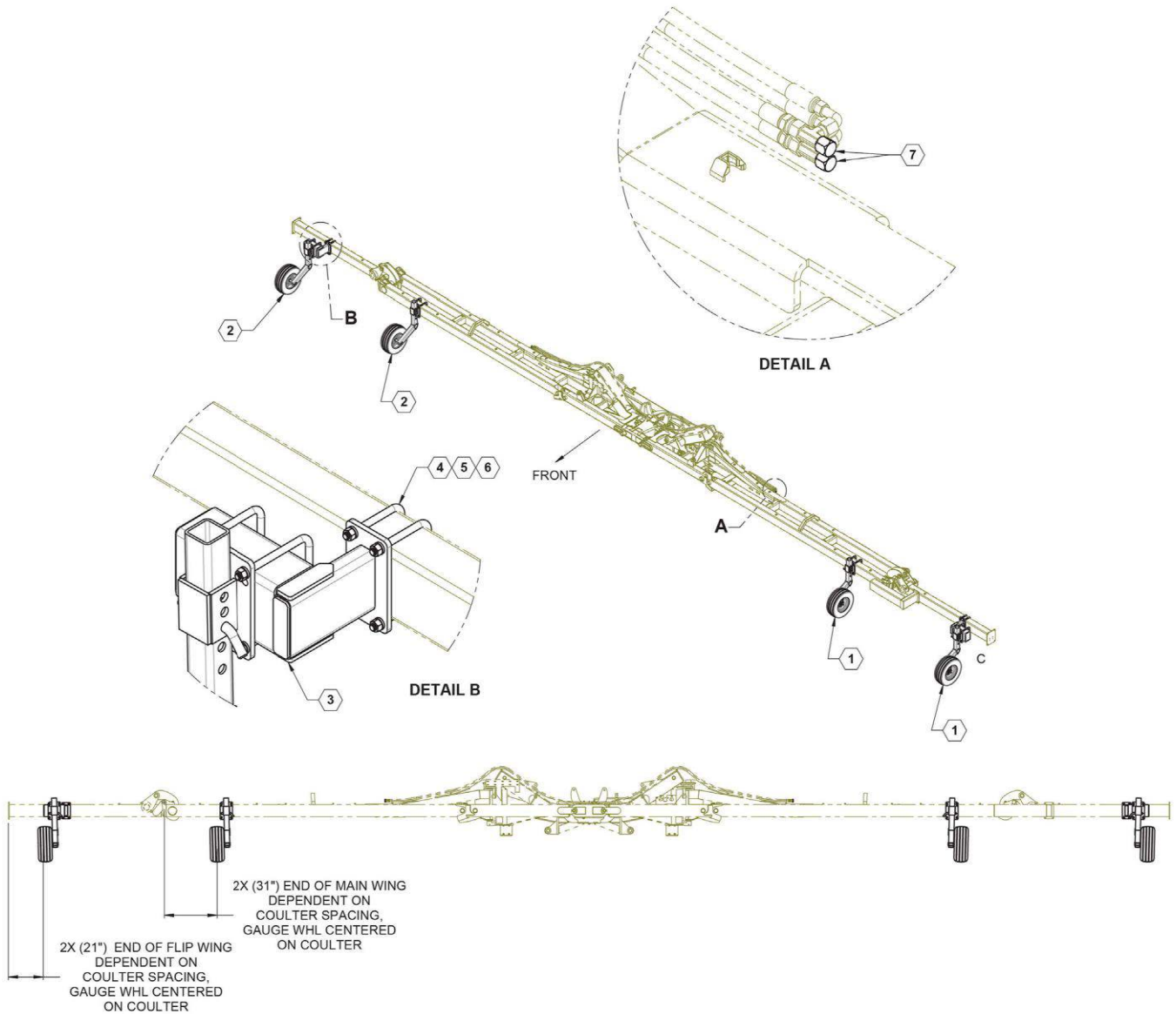


### Parts List: Latch Cylinder Kit Assembly, Heavy Duty

ITEM	PART NO.	QTY.	DESCRIPTION
1	34535	1	WELDMENT, LH INNER WING
2	34540	1	WELDMENT, RH INNER WING
3	34543	2	PLATE, TRANSPORT LATCH ARM
4	34545	1	WELDMENT, TRANSPORT LATCH
5	596179M	4	BUSHING, MACHINED 1" X 14GA MAGNI
6	620072	1	PIN, CYLINDER, 1" X 3-3/8", KIT PKG OF 2
7	620105	4	CYLINDER, 3 X 4 X 1.25 ROD TIE ROD



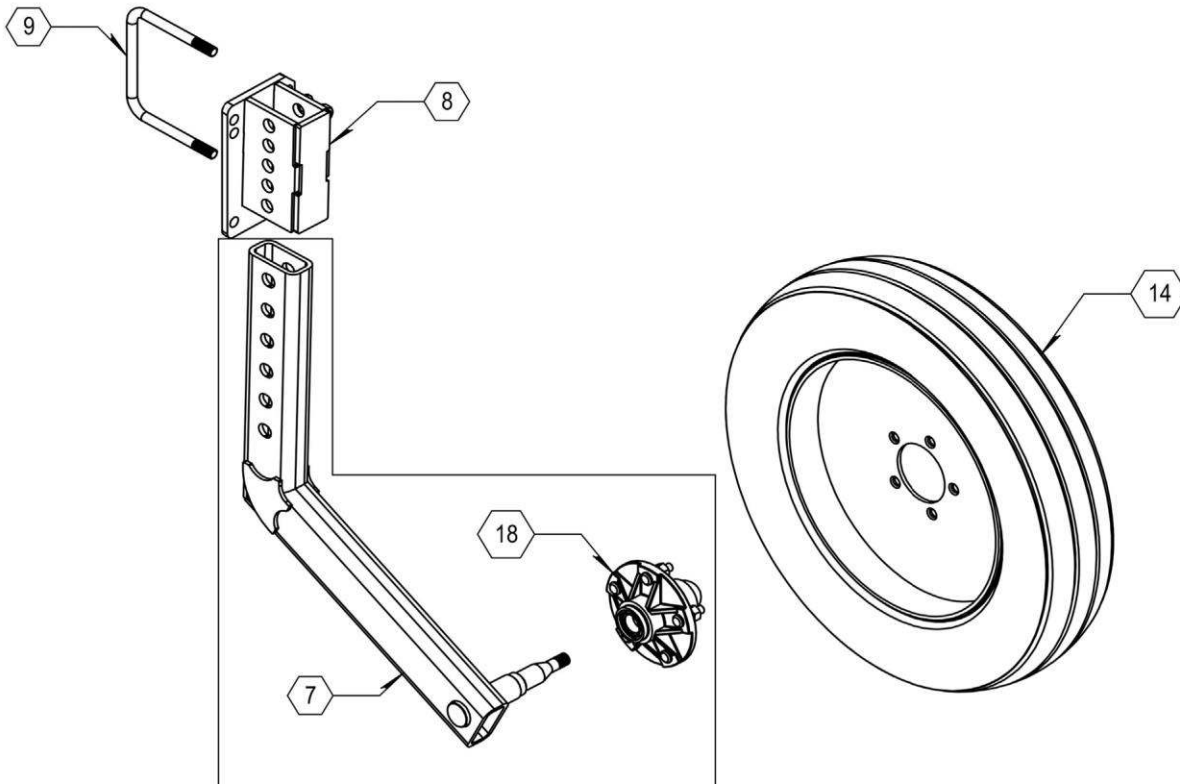
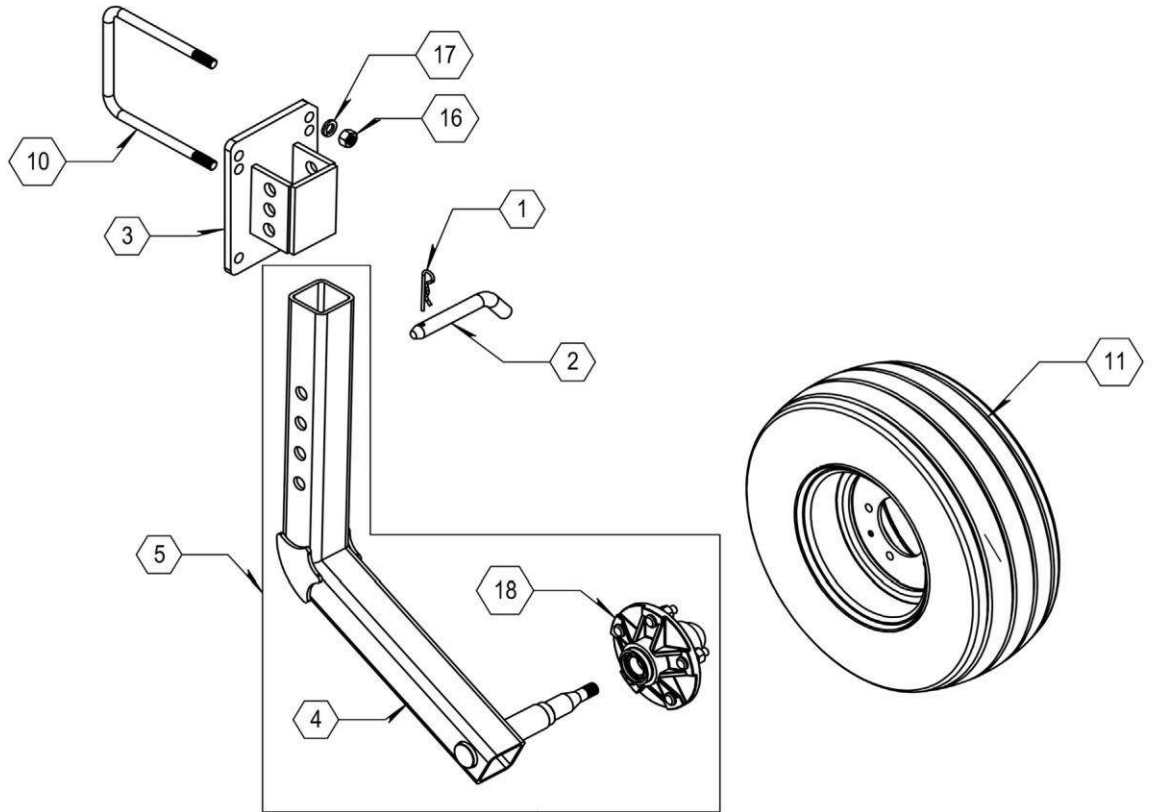
## Non-Folding Gauge Wheels



## Parts List: Non-Folding Gauge Wheels

ITEM	PART NO.	QTY.	DESCRIPTION
1	LH ASSY	2	See <i>SHORT &amp; TALL GAUGE WHEELS</i> Section
1	RH ASSY	2	See <i>SHORT &amp; TALL GAUGE WHEELS</i> Section
3	27145	2	STAND OFF TUBE WLDMNT
4	590061	4	U-BOLT, 5/8 X 7" X 5"
5	596216M	8	NUT, HEX 5/8-11 MAGNI
6	596253M	8	LOCKWASHER 5/8 MAGNI
7	610143	4	FJIC #6 CAP

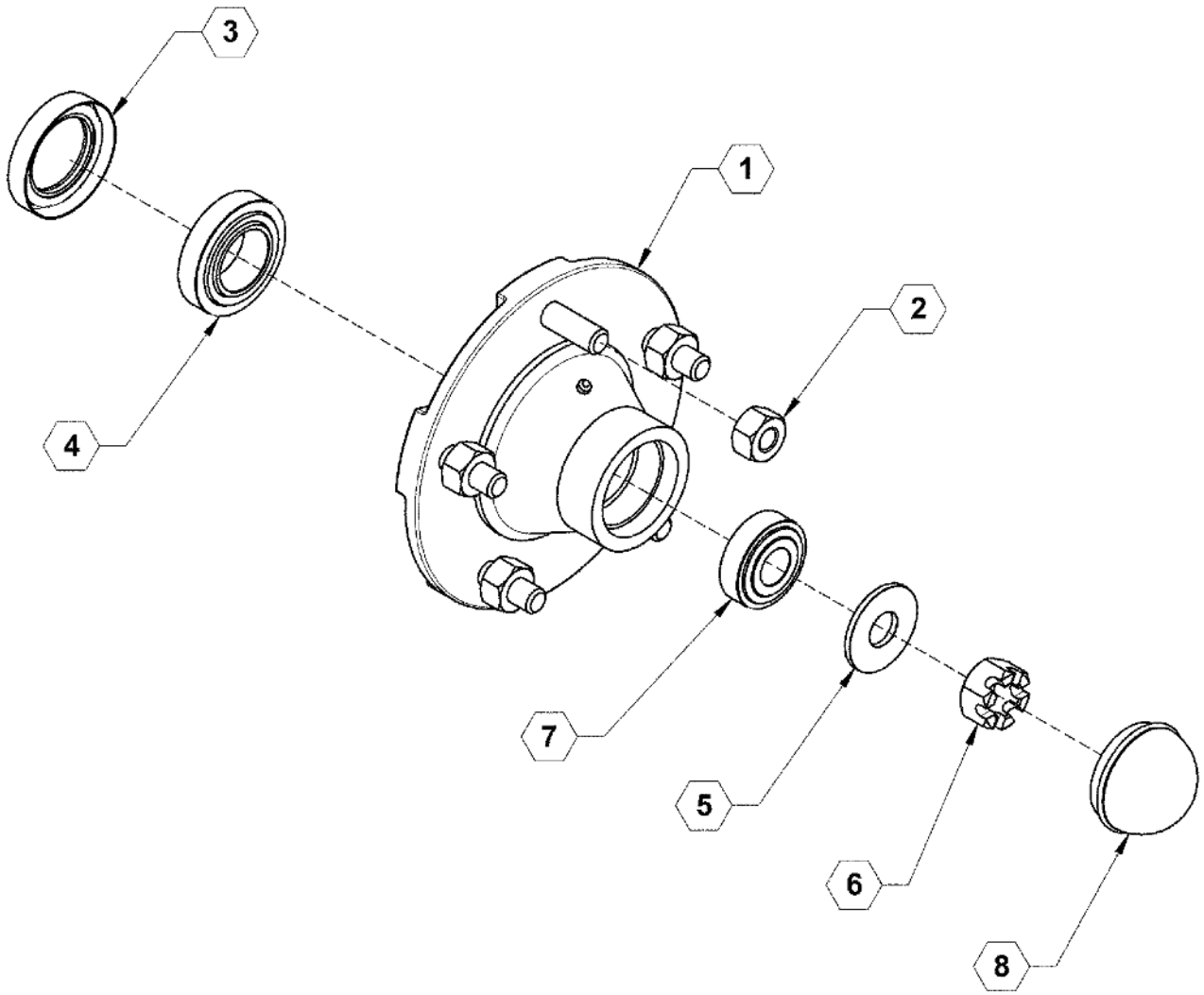
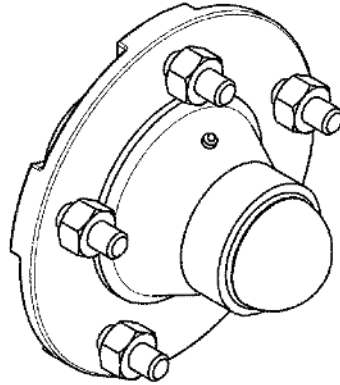
## Short and Tall Gauge Wheels



## Parts List: Short and Tall Gauge Wheels

ITEM	PART NO.	QTY	DESCRIPTION
1	285	AR	PIN, SPRING LOCK
2	19061	AR	PIN, CROSS
3	19055L	AR	SHORT GAUGE WHEEL MOUNT
NS	19055R	AR	SHORT GAUGE WHEEL MOUNT
4	19060L	AR	SHORT GAUGE WHEEL ARM
NS	19060R	AR	SHORT GAUGE WHEEL ARM
5	19063L	AR	SHORT ARM WITH HUB
NS	19063R	AR	SHORT ARM WITH HUB
6	22041L	AR	TALL ARM WITH HUB
NS	22041R	AR	TALL ARM WITH HUB
7	22045L	AR	TALL GAUGE WHEEL ARM
NS	22045R	AR	TALL GAUGE WHEEL ARM
8	35747	AR	TALL GAUGE WHEEL MOUNT
NS	35748	AR	TALL GAUGE WHEEL MOUNT
9	590061	AR	U-BOLT 5/8 X 5 X 7"
10	590108	AR	U-BOLT 5/8 X 7 X 7"
11	700023	AR	TIRE & RIM, SHORT 20.5 X 8 X 10, YELLOW
12	700030	AR	TIRE & RIM, SHORT 20.5 X 8 X 10, SILVER
13	700133	AR	TIRE & RIM, TALL, 6.70 X 15, SILVER
14	700134	AR	TIRE & RIM, TALL, 6.70 X 15, YELLOW
15	730030	AR	NUT, LUG
16	596216M	AR	NUT, HEX 5/8 MAGNI
17	596253M	AR	WASHER, LOCK 5/8 MAGNI
18	730003ASSY	AR	Q736 HUB ASSEMBLY, 5 BOLT, 5.5" B.C.

**5-Bolt Hub Assembly, Q736**





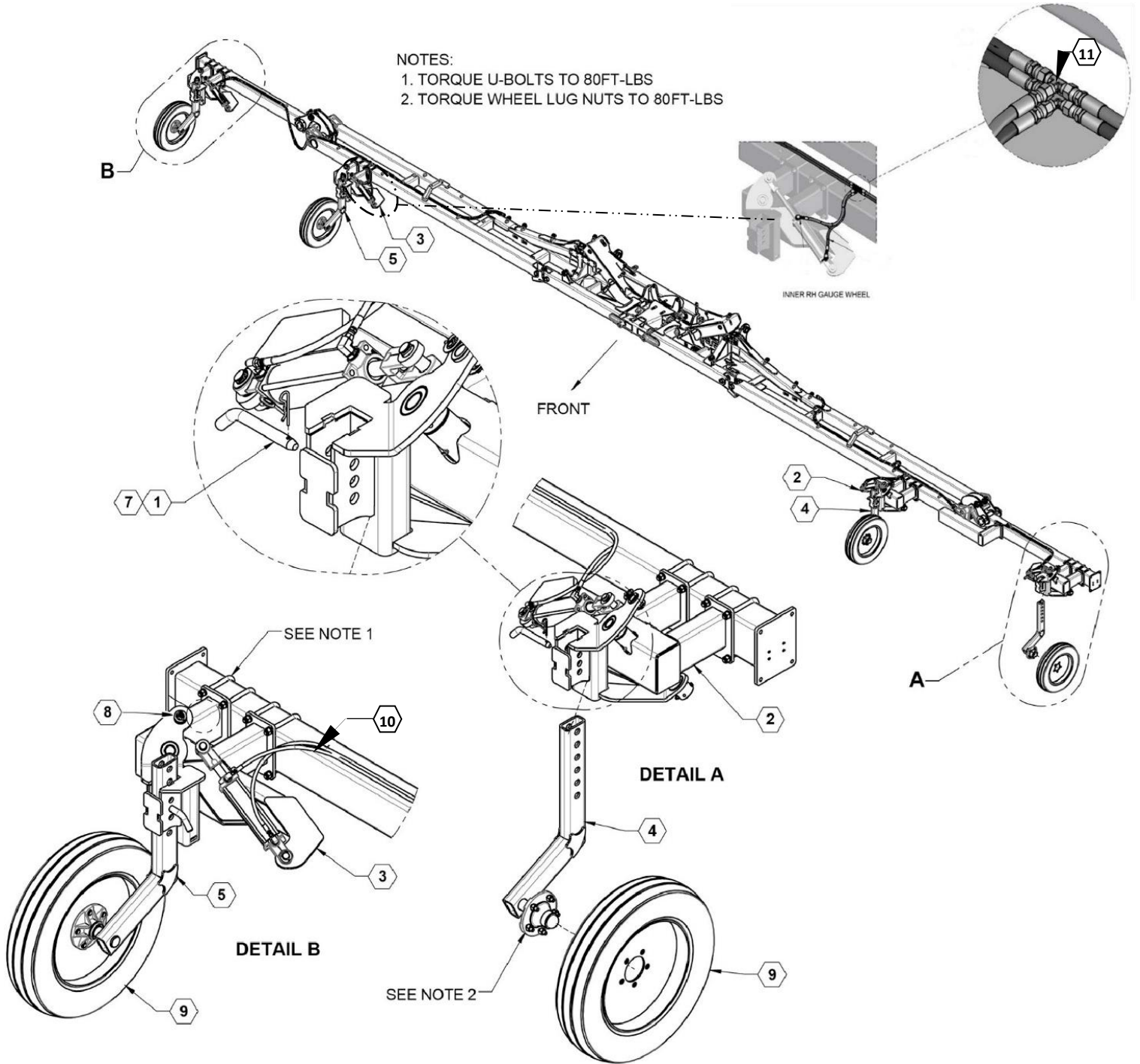
## ILLUSTRATED PARTS LIST

### Parts List: 5-Bolt Hub Assembly, Q736

ITEM	PART NO.	QTY.	DESCRIPTION
1	730003	1	Q736 HUB ASSEMBLY (ITEMS 1-7)
2	1724	5	WHEEL STUD BOLT, 913576
2	1725	5	WHEEL LUG NUT, 912919
3	1716	1	SEAL QDS 906296
4	1710	1	INNER CUP (LM67010)
4	1712	1	INNER CONE (LM67048)
5	730034	1	HUB WASHER
6	730035	1	CASTLE NUT N669
7	1711	1	OUTER CUP (LM11910)
7	1713	1	OUTER CONE (LM11949)
8	1714	1	HUB CAP QDS 909931

**Folding Gauge Wheels**

- NOTES:  
 1. TORQUE U-BOLTS TO 80FT-LBS  
 2. TORQUE WHEEL LUG NUTS TO 80FT-LBS





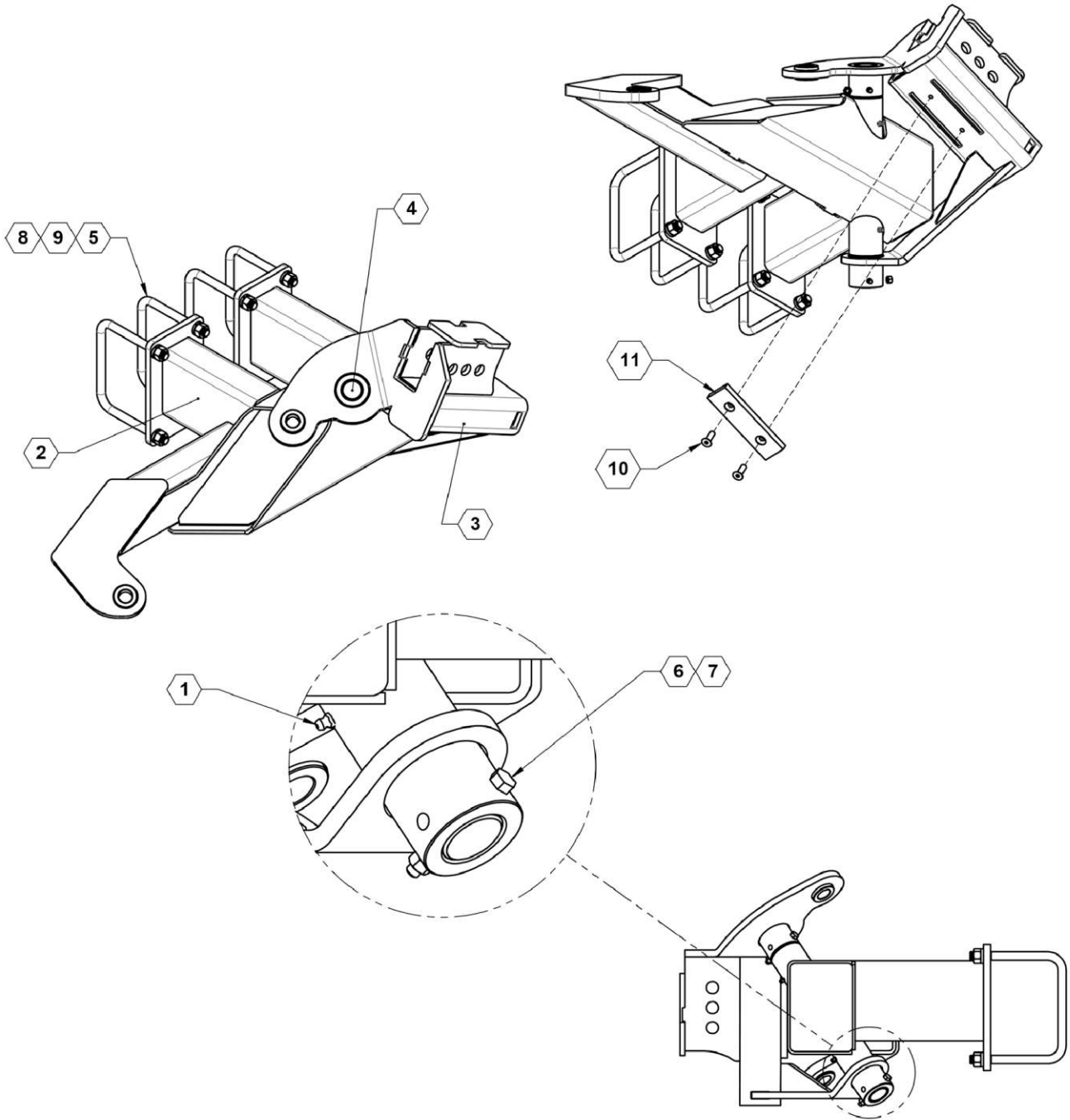


# ILLUSTRATED PARTS LIST

## Parts List: Folding Gauge Wheels

ITEM	PART NO.	QTY.	DESCRIPTION
1	19061	4	PIN, GAUGE WHEEL MOUNT
2	21923L	2	ASSEMBLY, FOLDING GAUGE WHEEL LH
3	21923R	2	ASSEMBLY, FOLDING GAUGE WHEEL RH
4	22018L	2	ARM ASSEMBLY, PIVOT GAUGE WHEEL LH – ( <b>TALL TIRE</b> )
4	19063L	2	LH GAUGE WHEEL ARM ASSEMBLY – ( <b>SHORT TIRE</b> )
5	22018R	2	ARM ASSEMBLY, PIVOT GAUGE WHEEL RH – ( <b>TALL TIRE</b> )
5	19063R	2	RH GAUGE WHEEL ARM ASSEMBLY – ( <b>SHORT TIRE</b> )
7	590017	4	PIN, HITCH, 1/8 X 3-1/8" ZP
8	590179	16	WASHER, 1 X 14GA ZP
9	700134	4	TIRE / WHEEL 6.70X15 GAUGE WHEEL – ( <b>TALL TIRE</b> )
9	700023	4	TIRE, 20.5 X 8 X 10", YELLOW – ( <b>SHORT TIRE</b> )
10	26929	1	<b>60'</b> HYDRAULIC ASSEMBLY, FOLDING GAUGE WHEEL
10	27062	1	<b>66'</b> HYDRAULIC ASSEMBLY, FOLDING GAUGE WHEEL
11	610003	4	JIC #4 UNION TEE

## Folding Gauge Wheel Bracket Assembly



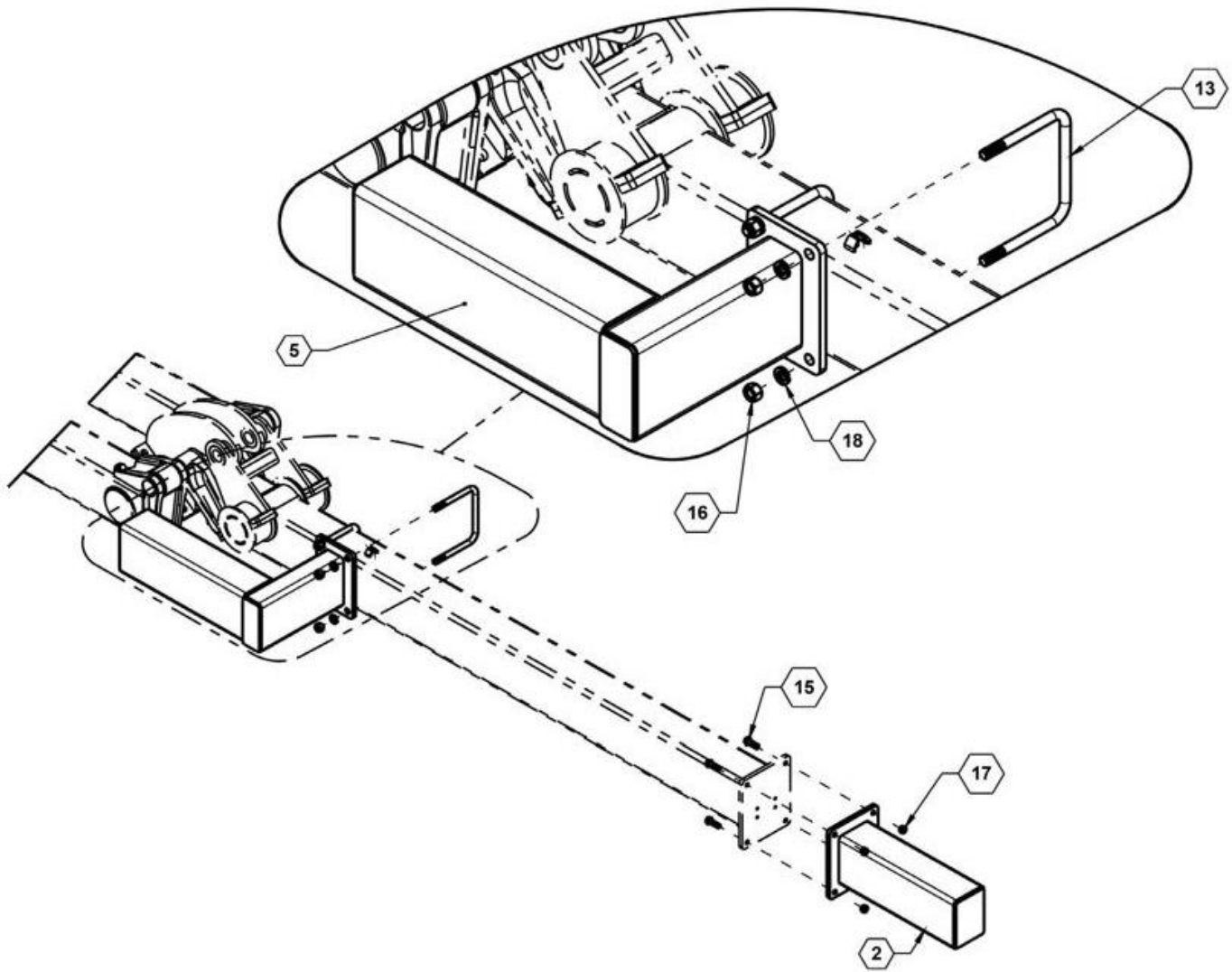


## ILLUSTRATED PARTS LIST

### Parts List: Folding Gauge Wheel Bracket Assembly

ITEM	PART NO.	QTY.	DESCRIPTION
1	759	2	ZERK, 1/4-28 STRAIGHT
2	21924L	1	GAUGE WHEEL BASE MOUNT
NS	21924R	1	GAUGE WHEEL BASE MOUNT
3	21925L	1	GAUGE WHEEL ARM MOUNT
NS	21925R	1	GAUGE WHEEL ARM MOUNT
4	21944	1	PIN, GAUGE WHEEL PIVOT
5	530171	4	U-BOLT, 5/8x7 1/16" x 8 1/2", ZP
6	596119M	2	BOLT, HH 5/16-18X3 GR5 MAGNI
7	596212M	2	NUT, 5/16-18
8	596216M	8	NUT, HEX 5/8-11 MAGNI
9	596253M	8	LOCKWASHER 5/8 MAGNI
10	596726M	2	FHSCS 3/8-16 X 1-1/4 MAGNI
11	750066	1	PAD, GAUGE WHEEL STOP

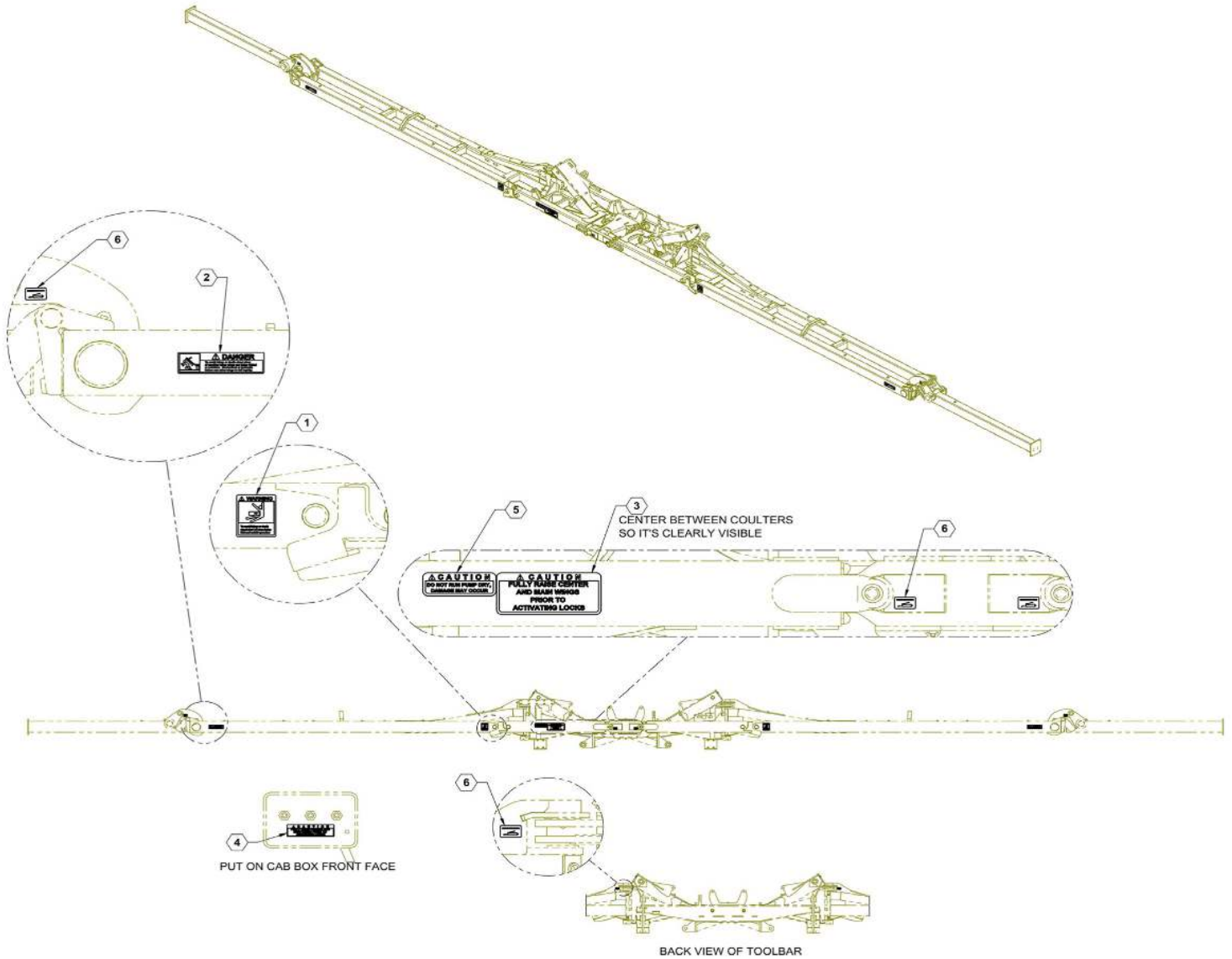
## Flip Wing Extension Tube



### Parts List: Flip Wing Extension Tube

ITEM	PART NO.	QTY.	DESCRIPTION
2	22213	2	7x5 WING EXTENSION 13.5" LONG
2	15380	2	7x5 WING EXTENSION 19.75" LONG
2	22213	2	7x5 WING EXTENSION 22" LONG
5	26034	2	STAND OFF BRACKET
13	590061	8	U-BOLT, 5/8 X 7" X 5"
15	596153M	8	BOLT, HH 1/2-13X1-1/2 GR5 MAGNI
16	596216M	16	NUT, HEX 5/8-11 MAGNI
17	596239M	8	NUT, CENTERLOCK, 1/2-13 MAGNI
18	596253M	16	LOCKWASHER 5/8 MAGNI

## Toolbar Decals



### Parts List: Toolbar Decals

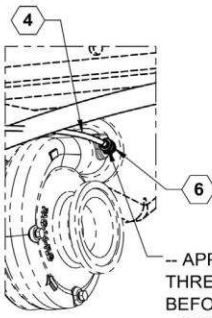
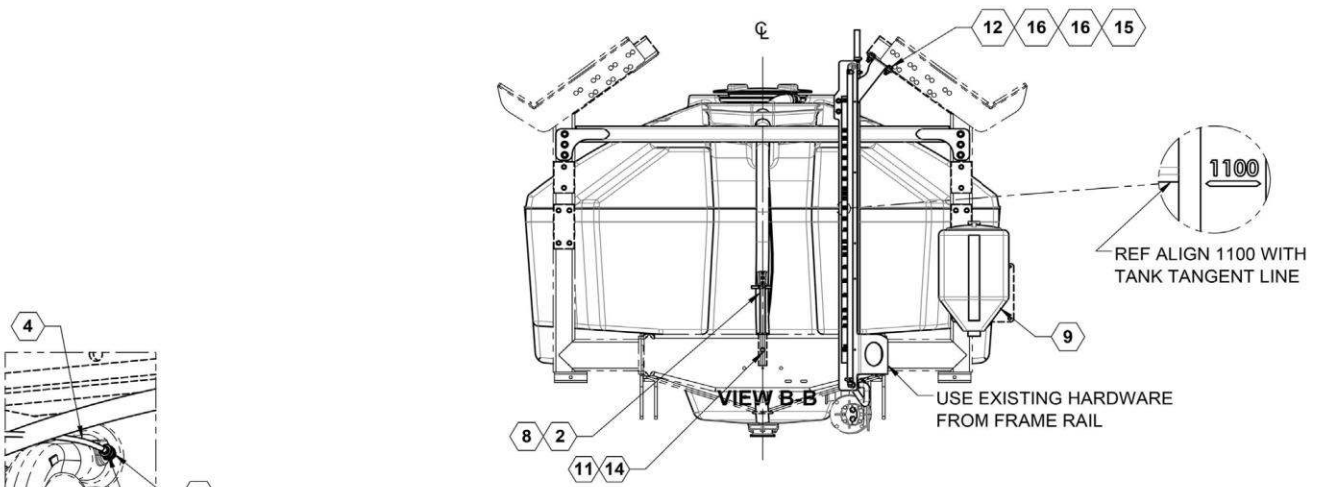
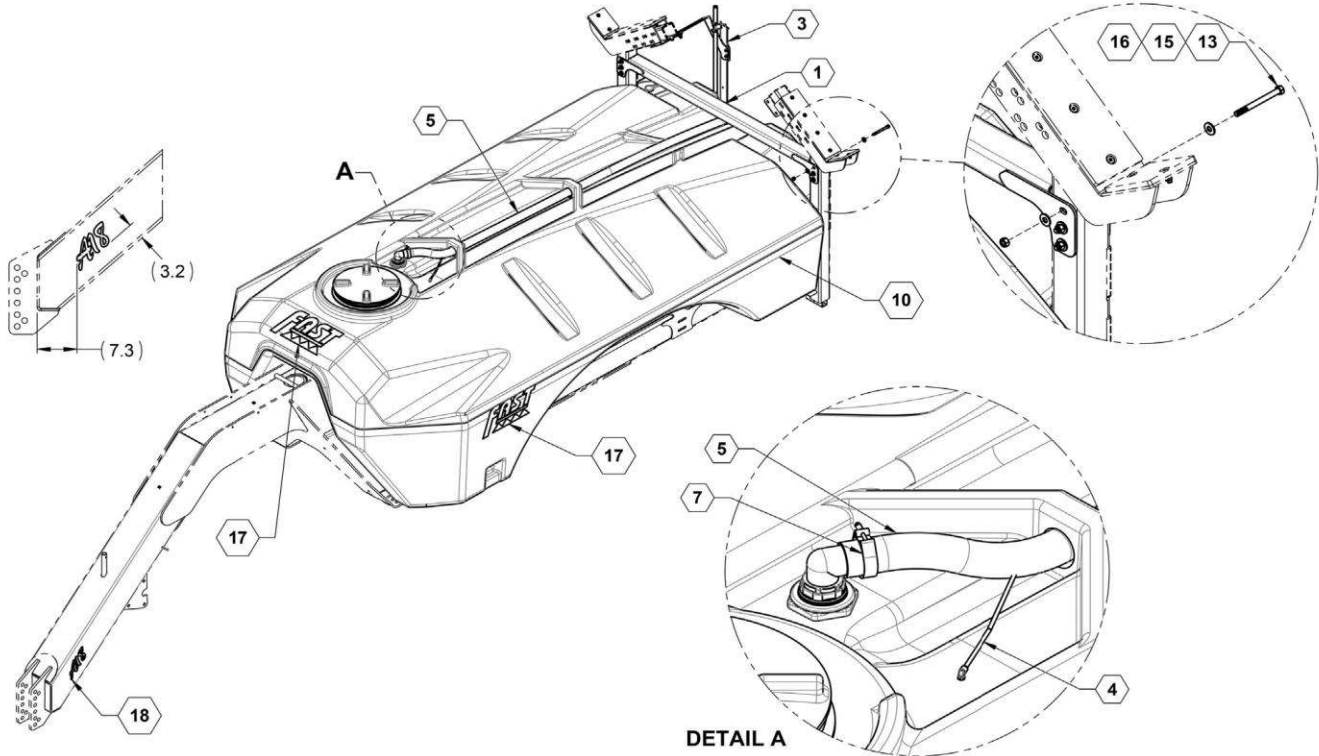
ITEM	PART NO.	QTY.	DESCRIPTION
1	800105	2	DECAL, WARNING-STAND CLEAR
2	800106	2	DECAL, DANGER-STAND CLEAR
3	800249	1	DECAL, FULLY RAISE CENTER
4	800252	1	DECAL, CAUTION FULLY RAISE CENTER
5	800282	1	DECAL, DO NOT RUN PUMP DRY , ENGLISH
6	800287	8	DECAL, GREASE PIVOT POINTS

## TANKS AND FRAMES

### 1800 Gallon Tank, Hold Down Bracket, and Hand Rinse

NOTE:

1. APPLY 800181 AND 800195 AT ASSEMBLY
2. INSTALL 26441 AFTER TANK IS INSTALLED



-- APPLY A SMALL AMOUNT OF  
THREAD SEALANT TO THREADS  
BEFORE INSTALLING  
--PUSH HOSE INTO FITTING ON  
PUMP - ENSURE HOSE ALWAYS  
GOES UPWARD, AND HAS NO DIPS





## ILLUSTRATED PARTS LIST

### Parts List: 1800 Gallon Tank, Hold Down Bracket, and Hand Rinse

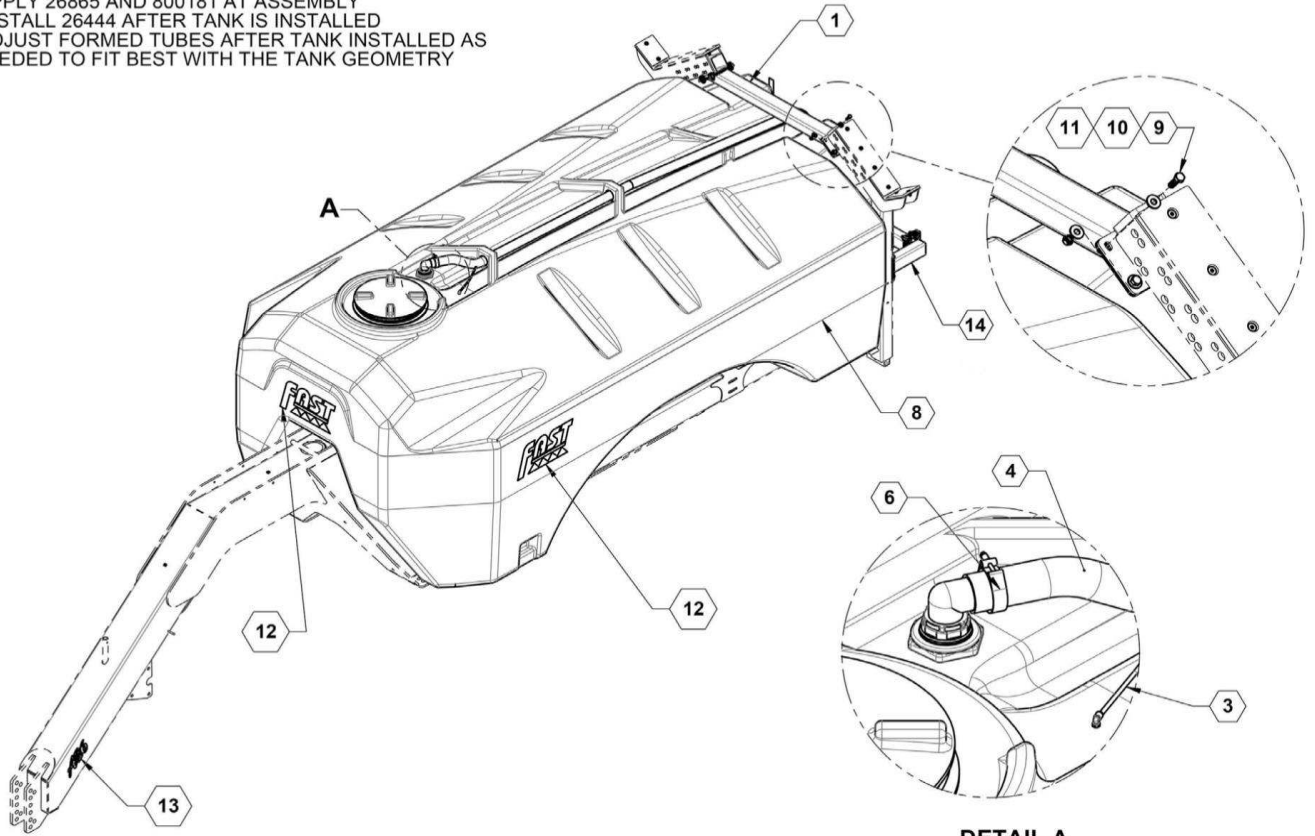
ITEM	PART NO.	QTY.	DESCRIPTION
1	26441	1	TANK HOLD DOWN, 1800 GALLON
2	27867	1	SMV MOUNT
3	28012	1	ASSEMBLY, SIGHT GAUGE A18
4	510023	1	HOSE, 1/4" POLY BLACK 19FT
5	510025	1	HOSE, 2" CLEAR PVC SUCTION 60 X 15FT
6	530003	1	ELBOW, MALE 1/4"X1/8"
7	540007	1	CLAMP, HOSE 2" T-BOLT
8	540020	1	CLAMP, 3-1/2" SS
9	570092	1	TANK 10 GALLON, WHITE
9	570097	1	TANK 10 GALLON, YELLOW
10	570155TNK	1	TANK 1800, WHITE, APPLICATOR FITTINGS, NO DECAL
10	570153TNK	1	TANK 1800 YELLOW, APPLICATOR FITTING, NO DECAL
11	596152M	1	BOLT, HH 1/2X1 GR5 MAGNI
12	596153M	2	BOLT, HH 1/2-13X1-1/2 GR5 MAGNI
13	596161M	6	BOLT, HH 1/2X5-1/2 GR5 MAGNI
14	596223M	1	NUT, HEX JAM 1/2-13 MAGNI
15	596239M	8	NUT, CENTERLOCK, 1/2-13 MAGNI
16	596260M	16	WASHER, FLAT 1/2 MAGNI
17	800181	3	FAST TANK LOGO
18	800229	2	DECAL, A18 SILVER

# ILLUSTRATED PARTS LIST

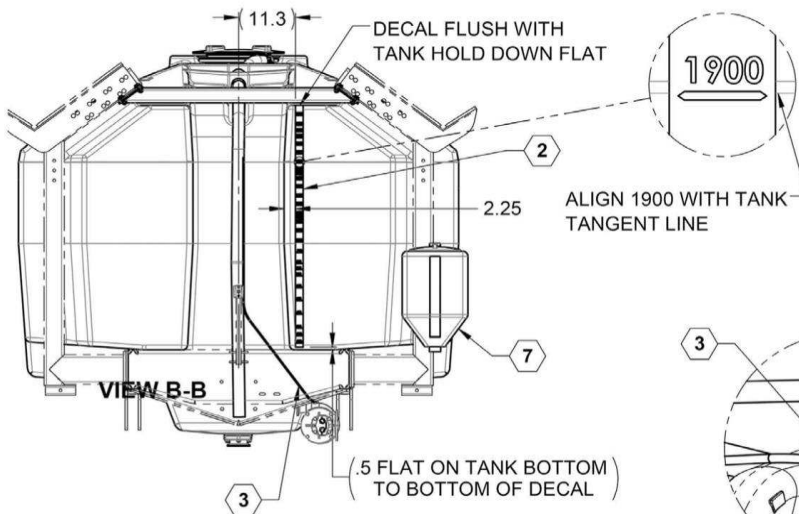
## 2600 Gallon Tank, Hold Down Bracket, and Hand Rinse

**NOTE:**

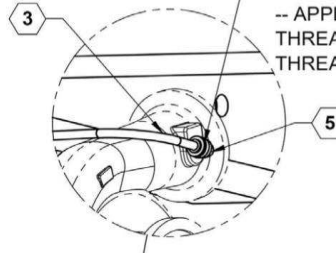
1. APPLY 26865 AND 800181 AT ASSEMBLY
2. INSTALL 26444 AFTER TANK IS INSTALLED
3. ADJUST FORMED TUBES AFTER TANK INSTALLED AS NEEDED TO FIT BEST WITH THE TANK GEOMETRY



**DETAIL A**



PUSH HOSE INTO FITTING ON PUMP - ENSURE HOSE ALWAYS GOES UPWARD, AND HAS NO DIPS -- APPLY A SMALL AMOUNT OF THREAD SEALANT TO THE THREADS BEFORE INSTALLING



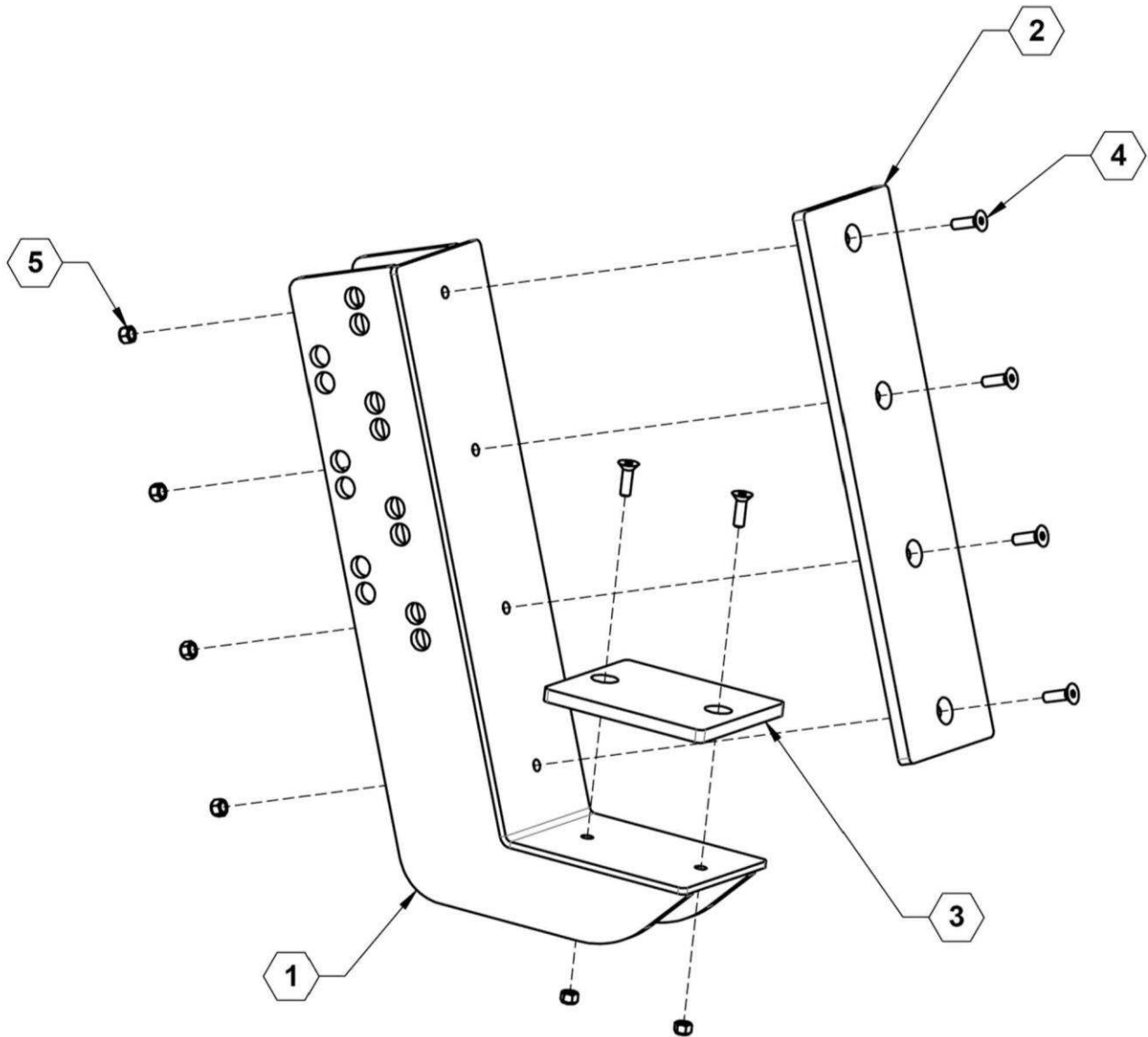


## ILLUSTRATED PARTS LIST

### Parts List: 2600 Gallon Tank, Hold Down Bracket, and Hand Rinse

ITEM	PART NO.	QTY.	DESCRIPTION
1	26444	1	UPPER TANK HOLD DOWN
2	800194	1	DECAL, 2650 GALLON LEVEL
2	28013	1	A26 SIGHT GAUGE ASSEMBLY
3	510023	1	HOSE, 1/4" POLY BLACK 19'
4	510025	1	2" CLEAR PVC SUCTION HOSE 60 x 15'
5	530003	1	ELBOW, MALE 1/4"X1/8"
6	540007	1	CLAMP, HOSE 2" T-BOLT
7	570092	1	TANK 10 GALLON, WHITE
7	570097	1	TANK 10 GALLON, YELLOW
8	570156TNK	1	TANK 2600 (White) APPLICATOR FIT NO DECAL
8	570154TNK	1	TANK 2600 (Yellow) APPLICATOR FITTING, NO DECAL
9	596153M	7	BOLT, HH 1/2-13X1-1/2 GR5 MAGNI
10	596239M	8	NUT, CENTERLOCK, 1/2-13 MAGNI
11	596260M	16	WASHER, FLAT 1/2 MAGNI
12	800181	3	FAST TANK LOGO
13	800230	2	DECAL, A26 SILVER
14	27885	1	TANK SUPPORT ASSEMBLY

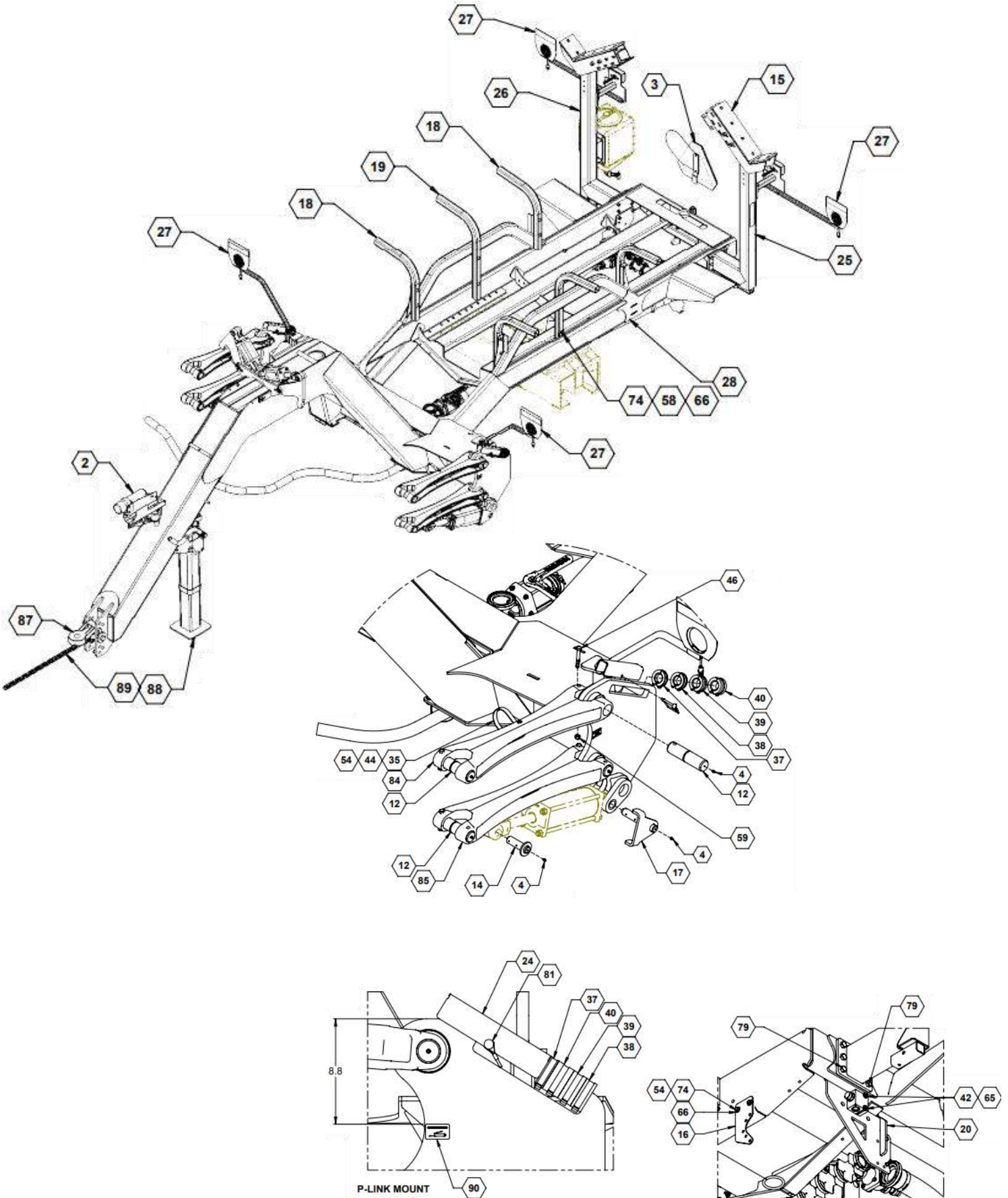
## Wing Rest Cradle Assembly



### Parts List: Wing Rest Cradle Assembly

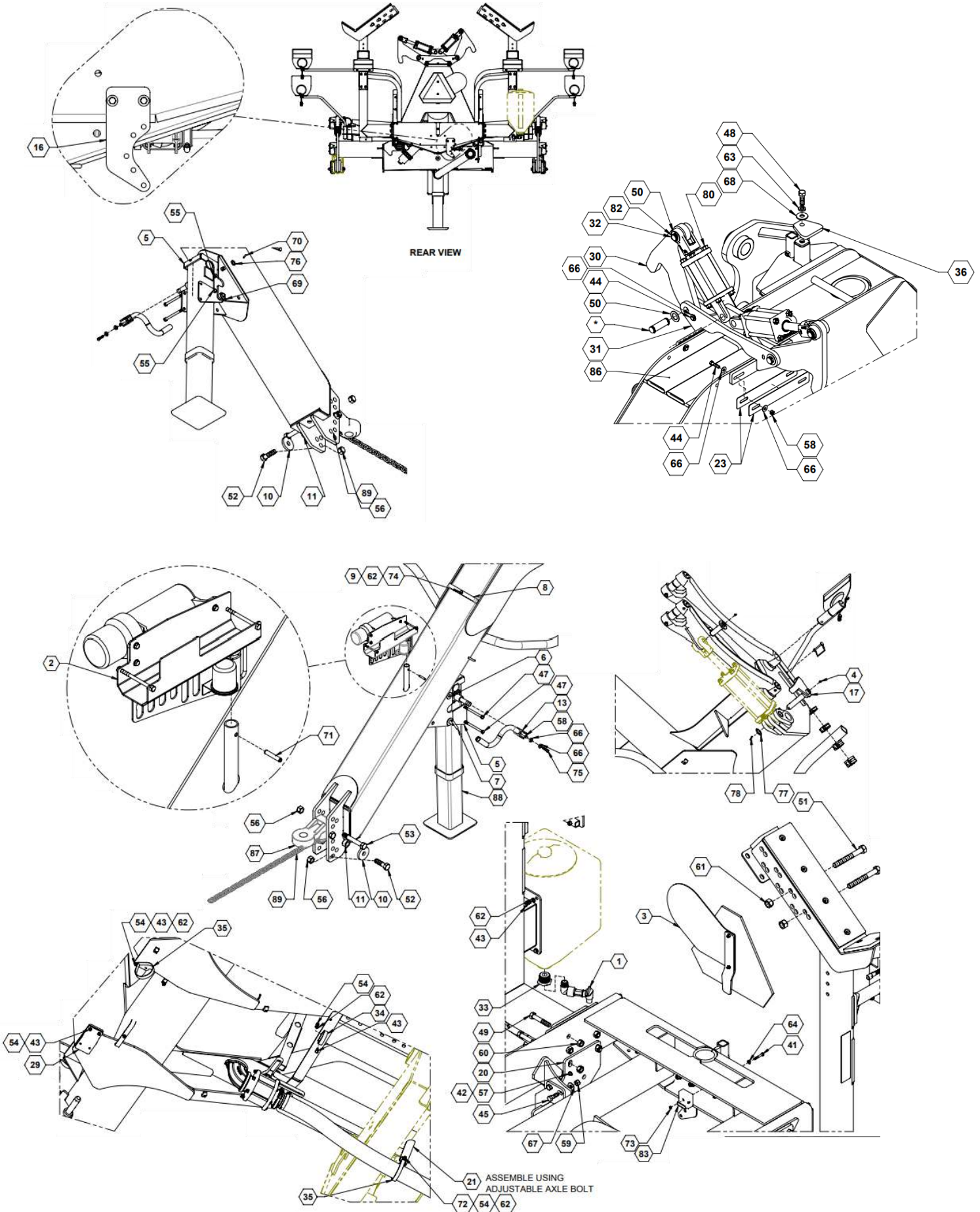
ITEM	PART NO.	QTY.	DESCRIPTION
1	21994	1	WING REST CRADLE
2	26019	1	UHMW TOOLBAR REST
3	26020	1	UHMW TOOLBAR REST SMALL
4	596726M	6	FHSCS 3/8-16 X 1-1/4 MAGNI
5	596229M	6	NUT, HEX NYLOCK 3/8-16 MAGNI

**Standard A-Series Cart Frame Base Assembly**





# ILLUSTRATED PARTS LIST







# ILLUSTRATED PARTS LIST

## Parts List: Standard A-Series Cart Frame Base Assembly

ITEM	PART NO.	QTY.	DESCRIPTION
1	90SAFCHWF	1	FC HAND WASH FAUCET ASSY
2	90SAHMH	1	HOSE.MANUAL HOLDER
3	90SASMVWOSIS	1	SMV ASSEMBLY W/O SIS DECAL
4	759	12	ZERK, 1/4-28 STRAIGHT PIPE THREAD
5	15430	1	JACK HOLDER WELDMENT
6	15437	1	PIN, JACK LINKAGE
7	15440	1	PIN, JACK LOCK
8	15558	3	BRACKET HOSE
9	15566	3	SPACER, HOSE BRACKET
10	15829	1	WASHER PLATE, SAFTEY CHAIN
11	15835	1	BUSHING, SAFTEY CHAIN SPACER
12	15848	8	PIN, CAST LIFTARM
13	17846	1	JACK CRANK WELDMENT
14	21822	2	PIN WELDMENT, ROD END MAIN LIFT
15	21995	2	SYBASSY, WING REST CRADLE
16	22253	1	PLATE, QUICK FIL VALVE MOUNT
17	23385	2	PIN WELDMENT, MAIN LIFT
18	26954	4	TUBE, SUPPORT, FENDER
19	26955	2	TUBE, SUPPORT FENDER MID
20	26960	1	WELDMENT, PUMP MOUNT
21	2675	1	WELDMENT, HOSE MOUNT
22	2682	1	ASSY, STD PRODUCT PLUMBING
23	27213	4	PLATE, TRANSPORT LATCH SHIM
24	27676	2	CYLINDER STOP 10" STROKE
25	27877	1	WELDMENT, WING REST
26	27878	1	WELDMENT, WING REST RH
27	27880	1	ASSY, LIGHTING AND MARKING
28	28800	1	WELDMENT, WELDED TRAILER
29	28974	1	PLATE, COUNTERBALANCE RELOCATION, STD A-SERIES
30	34543	2	PLATE, TRANSPORT LATCH ARM
31	34545	1	WELDMENT, TRANSPORT LATCH
32	34633	2	PIN, CYLINDER WELDED
33	530143	1	REDUCER, 1-1/4" MPT X 3/4" FPT
34	540052	5	P-CLAMP, 3" W/3/8" HOLE
35	540053	4	P-CLAMP, 4" W/3/8" HOLE

# ILLUSTRATED PARTS LIST

36	590023	2	TAB, HOLD DOWN
37	590205	2	CYLINDER STOP, 3/4"
38	590206	2	CYLINDER STOP 1"
39	590207	2	CYLINDER STOP, 1-1/4"
40	590208	2	CYLINDER STOP, 1-1.2"
41	596104M	1	BOLT, HH 1/4-20 X 1-3/4 GR5 MAGNI
42	596119M	2	BOLT, HH 5/16-18 X 3 GR5 MAGNI
43	596128M	12	BOLT, HH 3/8-16 X 1 GR5 MAGNI
44	596129M	10	BOLT, HH 3/8-16 X 1-1/2 GR5 MAGNI
45	596153M	2	BOLT, HH 1/2-13 X 1-1/2 GR5 MAGNI
46	596157M	8	BOLT, HH 1/2 X 3-1/2 GR5 MAGNI
47	596163M	2	BOLT, HH 1/2 X 6-1/2 GR5 MAGNI
48	596170M	2	BOLT, H 5/8-11 X 2 GR5 MAGNI
49	596175M	8	BOLT, HH 5/8-11 X 3-1/2 GR8 MAGNI
50	596179M	6	BUSHING, MACHINED 1" X 14 GA MAGNI
51	596192M	4	BOLT, HH 3/4-10 X 6 GR5 MAGNI
52	596201M	1	BOLT, HEX 1-8 X 3-1/2 GR5 MAGNI
53	596208M	2	BOLT, HH 1-8 X 6-3/4 GR5 MAGNI
54	596213M	15	NUT, HEX 3/8-16 MAGNI
55	596231M	2	NUT, HEX NLOCK 1.2-13 MAGNI
56	596234M	3	NUT, NEX NYLOCK 1-8 MAGNI
57	596236M	2	NUT, CENTERLOCK, 5/16-18 MAGNI
58	596237M	19	NUT, CENTERLOCK 3/8-16 MAGNI
59	596239M	10	NUT, CENTERLOCK, 1/2-13 MAGNI
60	596240M	12	NUT, CENTERLOCK, 5/8-11 MAGNI
61	596241M	4	NUT, CENTERLOCK 3/4-10 MAGNI
62	596250M	20	LOCKWASHER, 3/8 MAGNI
63	596253M	2	LOCKWASHER 5/8 MAGNI
64	596256M	1	WASHER, FLAT 1/4 USS MAGNI
65	596257M	2	WASHER, FLAT 5/16 USS MAGNI
66	596258M	30	WASHER, FLAT 3/8 MAGNI
67	596260M	2	WASHER, FLAT 1/2 MAGNI
68	596261M	2	WASHER, FLAT 5/8 MAGNI
69	596296M	1	LYNCH PIN, 1/2 X 1-3/4 MAGNI
70	596299M	1	ROLL PIN, 1/4 X 1-1/2"
71	596300M	1	SPRING PIN, 3/8 X 2 MAGNI
72	596592M	3	BOLT, CARRIAGE 3/8-16 X 1 MAGNI

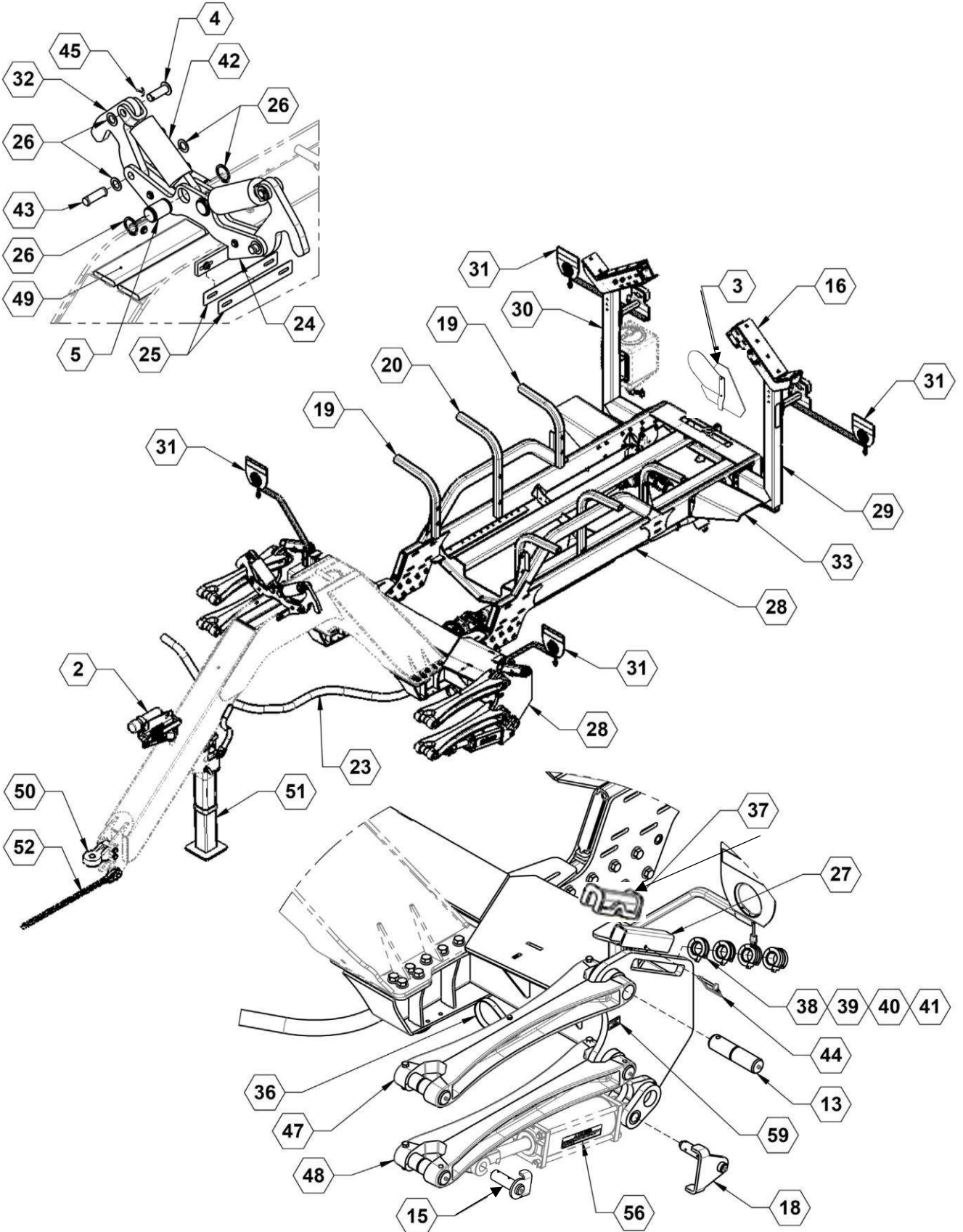


## ILLUSTRATED PARTS LIST

73	596622M	1	NUT, TOPLOCK 1/4-20 MAGNI
74	596635M	17	BOLT, HH 3/8 X 1-1/4 MAGNI
75	596636M	1	BOLT, HH 3/8-16 X 2-1/4 GR5 MAGNI
76	596738M	1	MACHINED BUSHING 3/4" 10GA
77	596744M	4	BUSHING, MACHINE, 1-1/4 X 14 GA MAGNI
78	5996746M	4	SPRING PIN 5x50mm MAGNI
79	596800M	4	BOLT, HH 5/8-1 X 4 GR5 MAGNI
80	620105	2	CYLINDER, 3" X 4" X 1.25 ROD TIE ROD
81	720001	2	SNAP PIN, 5/16
82	730033	2	COTTER PIN, N669, 4-BOLT
83	740031	1	LIGHT MODULE, SAFTEY FLASHER
84	750051M	2	UPPER LIFTARM CASTING
85	750052M	2	LOWER LIFTARM CASTING
86	790018	2	HOSE SLEEVE
87	790040	1	HITCH CAT 4 BLACK ARTICULATING
88	790045	1	JACK, JOSTM, 25,000 LB LIFTING
89	790050	1	SAFTEY CHAIN, 30,000 LB
90	800287	2	DECAL, GREASE PIVOT POINTS

# ILLUSTRATED PARTS LIST

Frame, Jack, Lift Arms, Tank Supports, Rear Tank Holddown, Lighting, Decals, SMV





## ILLUSTRATED PARTS LIST

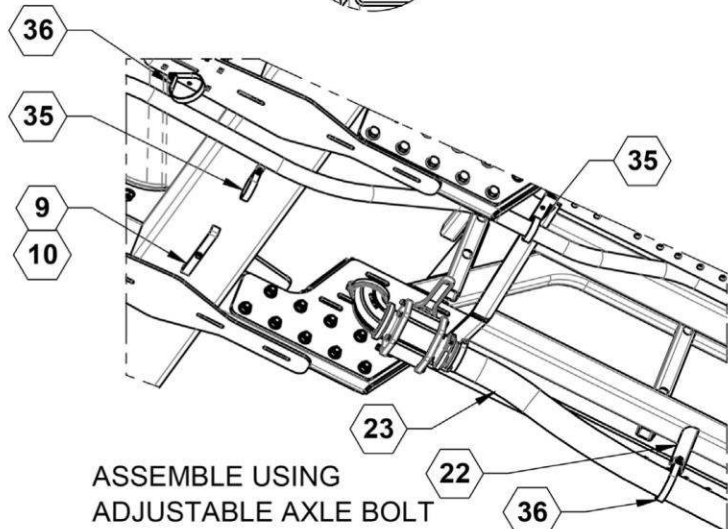
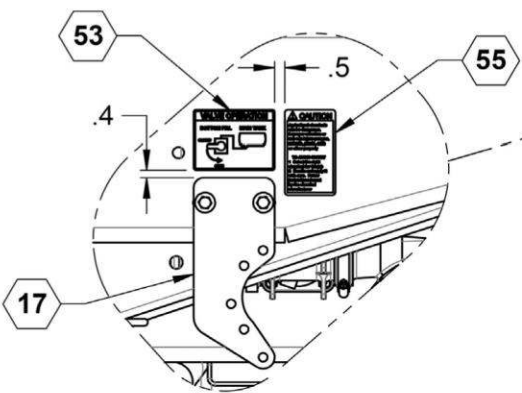
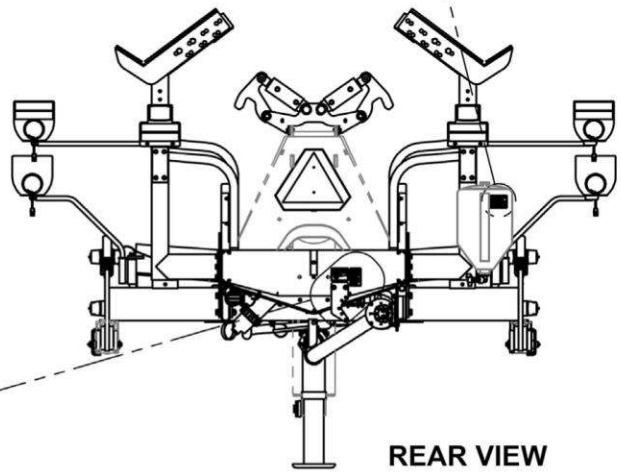
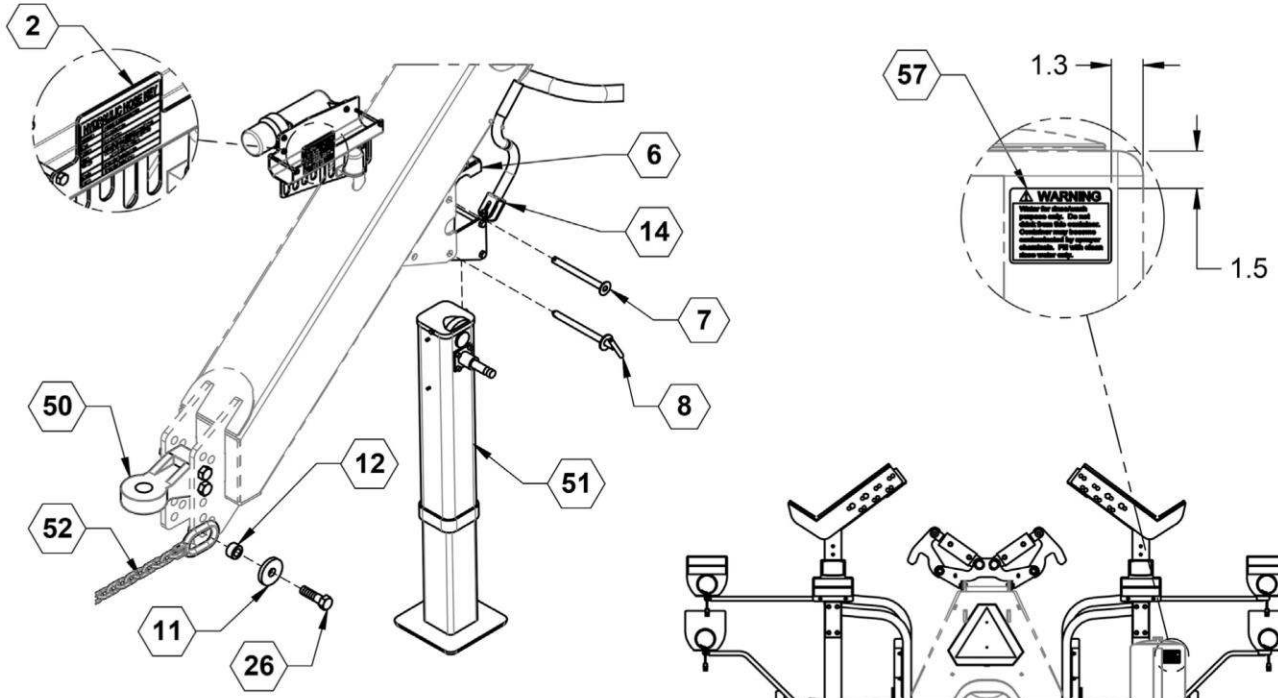
### Parts List: Frame, Jack, Lift Arms, Tank Supports, Rear Tank Holddown, Lighting, Decals, SMV

ITEM	PART NO.	QTY.	DESCRIPTION
2	90SAHMH	1	HOSE/MANUAL HOLDER
3	90SASMVWOSIS	1	SMV ASSEMBLY W/O SIS DECAL
4	11629	2	CRADLE CYLINDER PIN
5	15179	2	PIN, LATCH CYL BASE
13	15848	8	PIN, CAST LIFTARM
15	28915	2	PIN WLDMT, ROD END MAIN LIFT
16	21995	2	SUBASSY, WING REST CRADLE
18	23385	2	PIN WLDMT, MAIN LIFT
19	26954	4	TUBE, SUPPORT, FENDER
20	26955	2	TUBE, SUPPORT FENDER MID
24	27211	1	WLDMNT, TRANSPORT LATCH
25	27213	4	PLATE, TRANSPORT LATCH SHIM
26	34611	1	KIT, BASE TRAILER HARDWARE
27	28166	2	WLDMNT, RED CYLINDER STOP
28	27875	1	ASSEMBLY, CART, BOLT TOGETHER <i>for narrower than 20"/50cm Coulter Spacing</i>
28	34600	1	ASSY, STD A SERIES CART FRAME <i>for 22"/56cm Coulter Spacing and wider</i>
29	27877	1	WLDMT, WING REST
30	27878	1	WLDMT, WING REST RH
31	27880	1	ASSY, LIGHTING AND MARKING
32	27908	2	PLATE, TRANSPORT LATCH ARM
33	27920	2	WLDMNT, TANK SIDE SUPPORT
36	540053	4	P-CLAMP, 4" W/3/8" HOLE
37	590023	2	TAB, HOLD DOWN
38	590205	2	CYLINDER STOP, 3/4" CLIP-ON
39	590206	2	CYLINDER STOP, 1" CLIP-ON
40	590207	2	CYLINDER STOP, 1-1/4" CLIP-ON
41	590208	2	CYLINDER STOP, 1-1/2" CLIP-ON
42	620026	2	CYLINDER 3X4 CUSTOM WING LATCH
42	34324	2	ASSY, SINGLE LUG TIE ROD CYLINDER
43	620072	1	PIN, CYLINDER, 1" X 3-3/8", KIT PKG OF 2
44	720001	2	SNAP PIN, 5/16
45	730033	2	COTTER PIN, N669, 4-BOLT
47	750051M	2	UPPER LIFTARM CASTING
48	750052M	2	LOWER LIFTARM CASTING
49	790018	1	HOSE SLEEVE X 14FT
50	790040	1	HITCH CAT 4 BLACK ARTICULATING
51	790045	1	JACK, JOST, 25,000 LB LIFTING
52	790050	1	SAFETY CHAIN, 30,000 LB
56	800107	2	DECAL, WARNING-AVOID CRUSHING
59	800287	2	DECAL, GREASE PIVOT POINTS

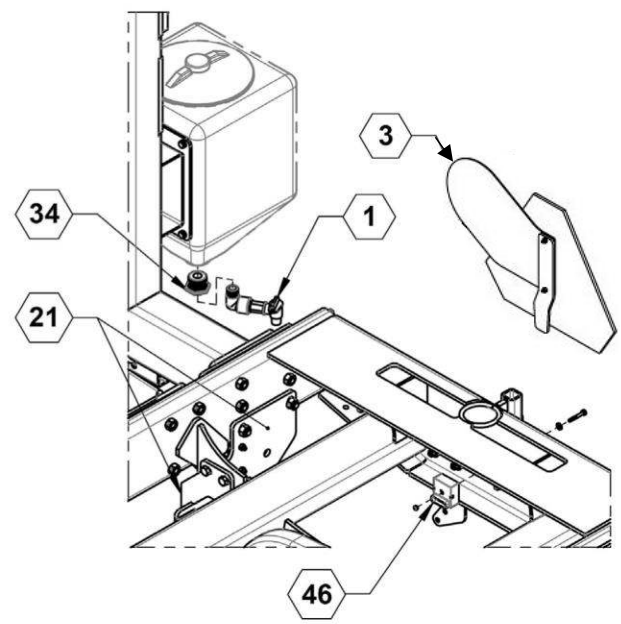


# ILLUSTRATED PARTS LIST

Frame, Jack, Lift Arms, Tank Supports, Rear Tank Holddown, Lighting, Decals, SMV (cont.)



**PARTIAL BOTTOM VIEW**





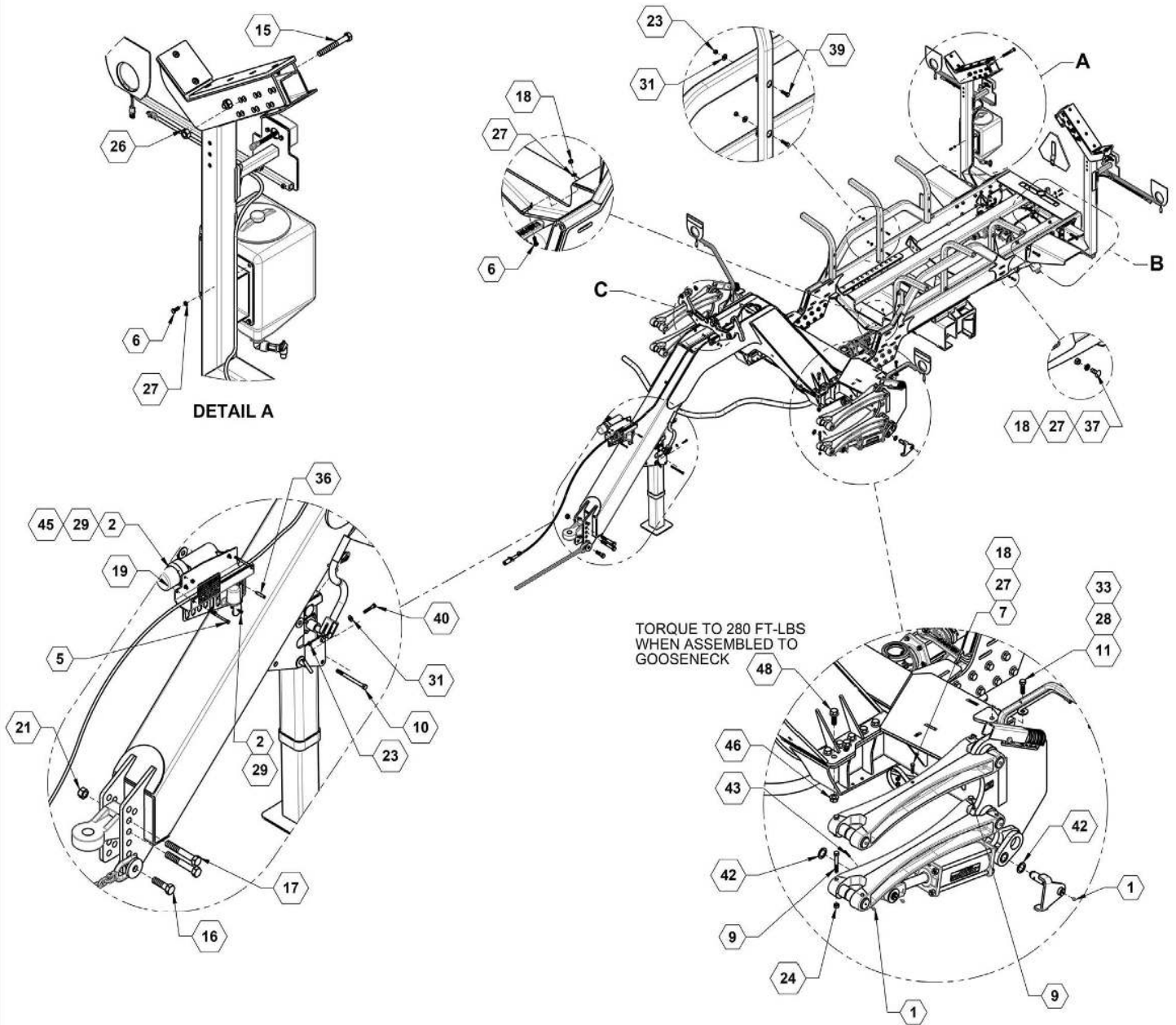


## ILLUSTRATED PARTS LIST

### Parts List: Frame, Jack, Lift Arms, Tank Supports, Rear Tank Holddown, Lighting, Decals, SMV (cont.)

ITEM	PART NO.	QTY.	DESCRIPTION
1	90SAFCHWF	1	FC HAND WASH FAUCET ASSY
2	90SAHMH	1	HOSE/MANUAL HOLDER
3	90SASMVWOSIS	1	SMV ASSEMBLY W/O SIS DECAL
6	15430	1	JACK HOLDER WELDMENT
7	15437	1	PIN, JACK LINKAGE
8	15440	1	PIN, JACK LOCK
9	15558	1	BRACKET, HOSE
10	15566	1	SPACER, HOSE BRACKET
11	15829	1	WASHER PLATE, SAFETY CHAIN
12	15835	1	BUSHING, SAFETY CHAIN SPACER
14	17846	1	JACK CRANK WLDMT
17	22253	1	PLATE, QUICK FILL VALVE MOUNT
22	26975	1	WLDMNT, HOSE MOUNT
23	26982	1	ASSY, STD PRODUCT PLUMBING
26	34611	1	KIT, BASE TRAILER HARDWARE
34	530143	1	REDUCER, 1-1/4" MPT X3 /4" FPT
35	540052	5	P-CLAMP, 3" W/3/8" HOLE
36	540053	4	P-CLAMP, 4" W/3/8" HOLE
46	740031	1	LIGHT MODULE, SAFETY FLASHER
50	790040	1	HITCH CAT 4 BLACK ARTICULATING
51	790045	1	JACK, JOST, 25,000 LB LIFTING
52	790050	1	SAFETY CHAIN, 30,000 LB
53	800017	1	DECAL, MAIN TANK VALVE OPERATION
55	800101	1	DECAL, CAUTION-AG CHEMICAL
57	800108	1	DECAL, WARNING-RINSE TANK

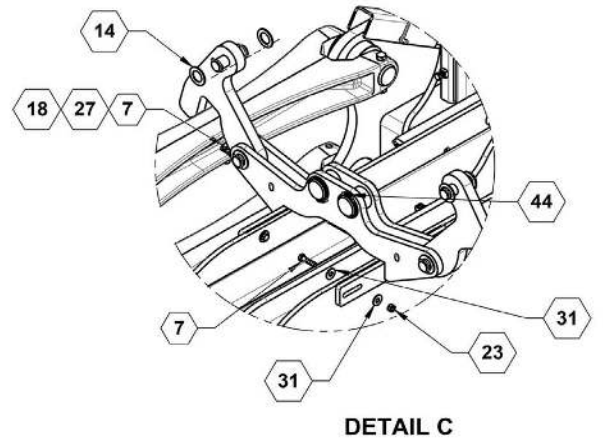
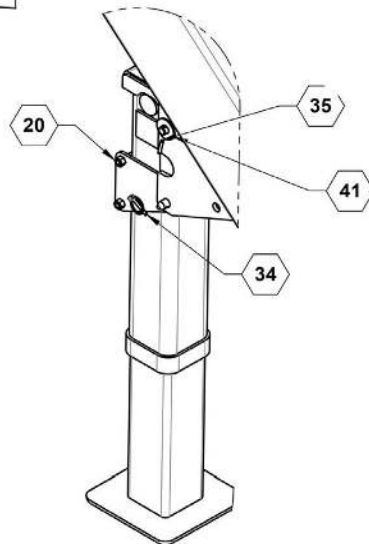
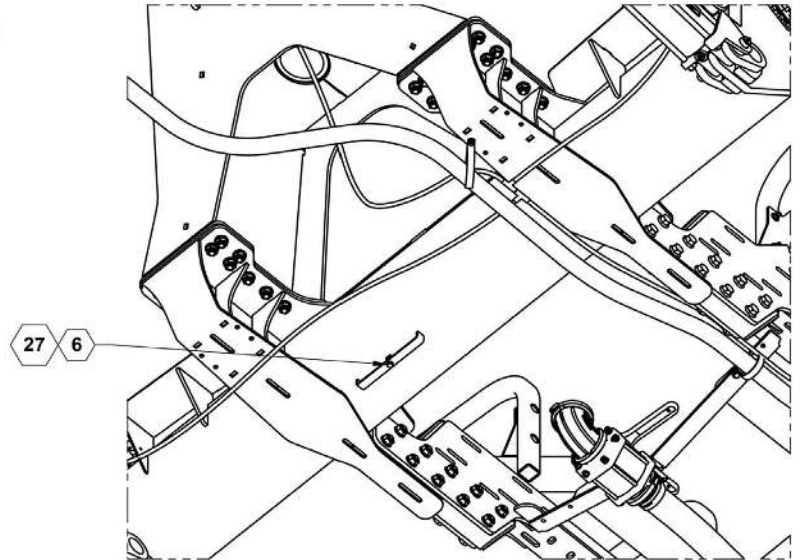
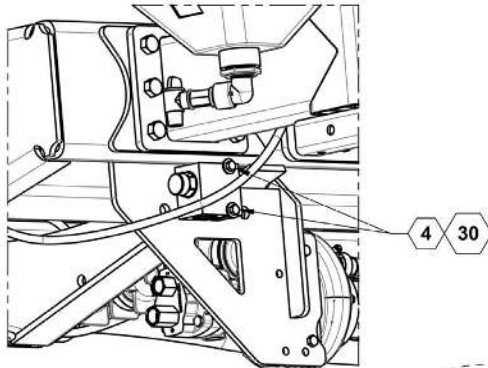
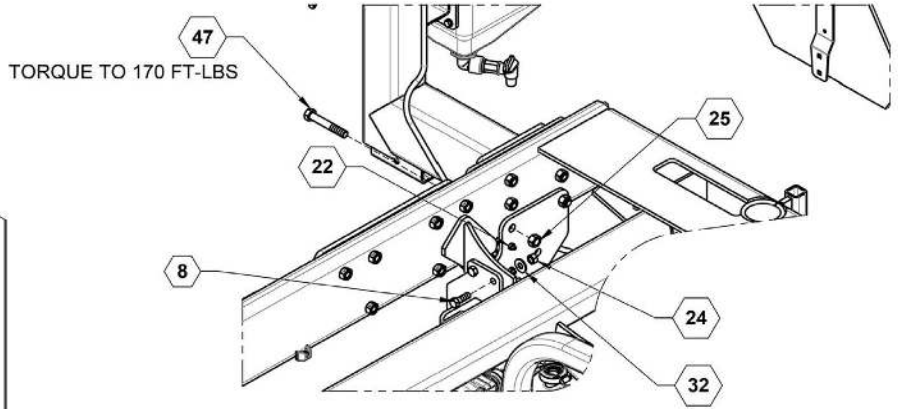
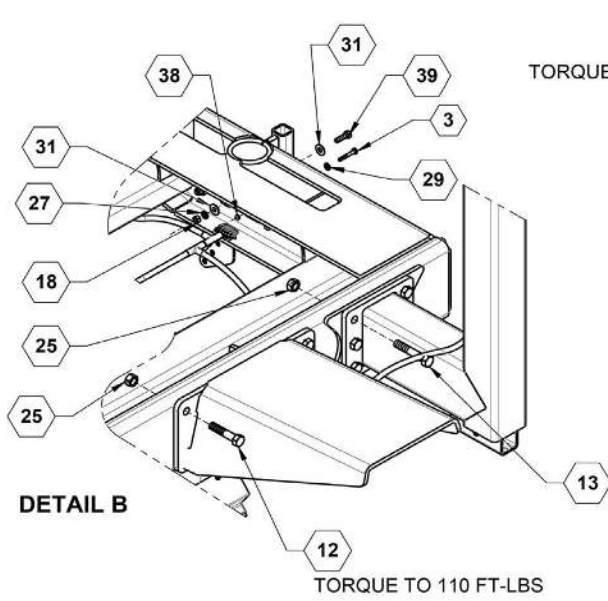
**Frame Hardware Assembly**



## Parts List: Frame Hardware Assembly

ITEM	PART NO.	QTY.	DESCRIPTION
1	759	12	ZERK, 1/4-28 STRAIGHT
2	596101M	5	BOLT, HH 1/4-20X3/4 GR5 MAGNI
5	596122M	2	BOLT, HEX 5/16X4-1/2" GR5 MAGNI
6	596128M	11	BOLT, HH 3/8-16 X 1 GR5 MAGNI
7	596129M	8	BOLT, HH 3/8-16X1-1/2 GR5 MAGNI
9	596157M	8	BOLT, HH 1/2X3-1/2 GR5 MAGNI
10	596163M	2	BOLT, HH 1/2X6-1/2 GR5 MAGNI
11	596170M	2	BOLT, HH 5/8-11X2 GR5 MAGNI
15	596192M	4	BOLT, HH 3/4-10X6 GR5 MAGNI
16	596201M	1	BOLT, HEX 1-8X3-1/2 GR5 MAGNI
17	596208M	2	BOLT, HH 1-8X6-3/4 GR5 MAGNI
18	596213M	10	NUT, HEX 3/8-16 MAGNI
19	596228M	2	NUT, HEX NYLOCK 5/16-18 MAGNI
21	596234M	3	NUT, HEX NYLOCK 1-8 MAGNI
23	596237M	19	NUT, CENTERLOCK 3/8-16 MAGNI
24	596239M	10	NUT, CENTERLOCK, 1/2-13 MAGNI
26	596241M	4	NUT, CENTERLOCK 3/4-10 MAGNI
27	596250M	17	LOCKWASHER 3/8 MAGNI
28	596253M	2	LOCKWASHER 5/8 MAGNI
29	596256M	6	WASHER, FLAT 1/4 USS MAGNI
31	596258M	26	WASHER, FLAT 3/8 MAGNI
33	596261M	2	WASHER, FLAT 5/8 MAGNI
36	596300M	1	SPRING PIN, 3/8 X 2 MAGNI
37	596592M	2	BOLT, CARRIAGE 3/8-16 X 1 MAGNI
39	596635M	14	BOLT, HH 3/8-16 x 1-1/4 MAGNI
40	596636M	1	BOLT, HH 3/8-16X2-1/4 GR5 MAGNI
42	596744M	4	BUSHING, MACHINED, 1-1/4 x 14 GA MAGNI
43	596746M	4	SPRING PIN 5X50mm MAGNI
45	596767M	5	NUT, HEX FLANGE 1/4-20 MAGNI
46	596775M	28	NUT, HEX FLANGE 3/4-10 GR8 MAGNI
48	596814M	28	BOLT, HEX FLANGE 3/4-10 X 2 GR 8 MAGNI

**Frame Hardware Assembly (cont.)**

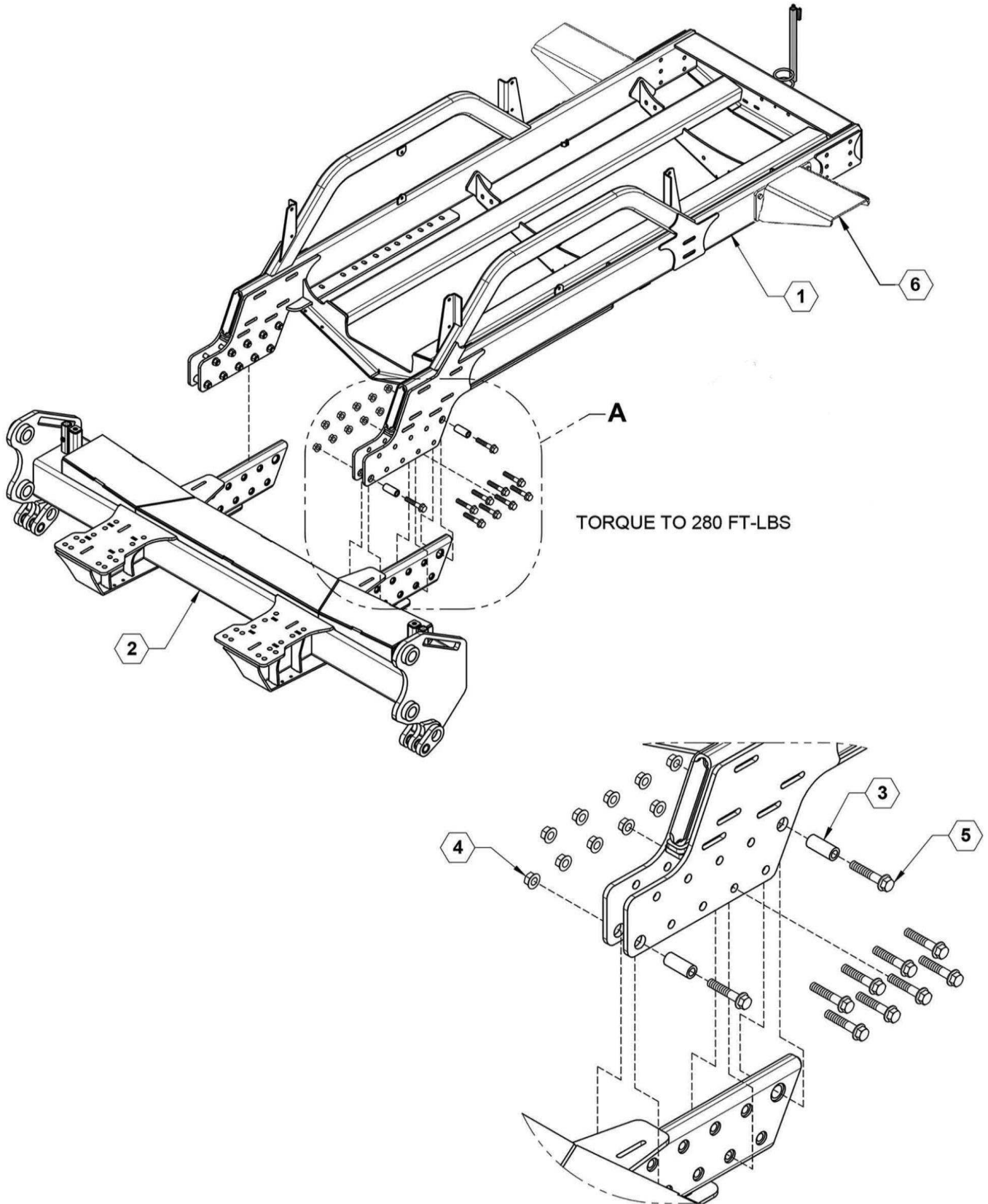


## Parts List: Frame Hardware Assembly (cont.)

ITEM	PART NO.	QTY.	DESCRIPTION
3	596104M	1	BOLT, HH 1/4-20X1-3/4 GR5 MAGNI
4	596119M	2	BOLT, HH 5/16-18X3 GR5 MAGNI
6	596128M	11	BOLT, HH 3/8-16 X 1 GR5 MAGNI
7	596129M	8	BOLT, HH 3/8-16X1-1/2 GR5 MAGNI
8	596153M	2	BOLT, HH 1/2-13X1-1/2 GR5 MAGNI
12	596173M	12	BOLT, HEX 5/8 X 3 MAGNI
13	596175M	10	BOLT, HH 5/8-11X3-1/2 GR8 MAGNI
14	596179M	8	BUSHING, MACHINED 1" X 14GA MAGNI
18	596213M	10	NUT, HEX 3/8-16 MAGNI
20	596231M	2	NUT, HEX NYLOCK 1/2-13 MAGNI
22	596236M	2	NUT, CENTERLOCK, 5/16-18 MAGNI
23	596237M	19	NUT, CENTERLOCK 3/8-16 MAGNI
24	596239M	10	NUT, CENTERLOCK, 1/2-13 MAGNI
25	596240M	24	NUT, CENTERLOCK, 5/8-11 MAGNI
27	596250M	17	LOCKWASHER 3/8 MAGNI
29	596256M	6	WASHER, FLAT 1/4 USS MAGNI
30	596257M	2	WASHER, FLAT 5/16 USS MAGNI
31	596258M	26	WASHER, FLAT 3/8 MAGNI
32	596260M	2	WASHER, FLAT 1/2 MAGNI
34	596296M	1	LYNCH PIN, 1/4 X 1-3/4 MAGNI
35	596299M	1	ROLL PIN, 1/4 X 1-1/2"
38	596622M	1	NUT, TOPLOCK 1/4-20 MAGNI
39	596635M	14	BOLT, HH 3/8-16 x 1-1/4 MAGNI
41	596738M	1	MACHINED BUSHING 3/4" 10GA
44	596747M	4	SNAP RING, 2" MAGNI
47	596800M	2	BOLT, HH 5/8-11 X 4 GR8 MAGNI



## Bolt-Together Frame Assembly



**DETAIL A**



**Parts List: Frame Assembly**

<b>ITEM</b>	<b>PART NO.</b>	<b>QTY.</b>	<b>DESCRIPTION</b>
1	21946	1	REAR CART, 2018
1	27876	1	REAR CART, 2019
2	21972	1	LIFT ARM MOUNT
3	21991	4	LONG TUBE SPACER MOUNT
4	596775M	20	NUT, HEX FLANGE 3/4-10 GR8 MAGNI
5	596815M	20	BOLT, HEX FLANGE 3/4-10 X 4 GR8 MAGNI





# ILLUSTRATED PARTS LIST

## Parts List: Kit, Base Trailer Hardware, Tie Rod Latch Cyl.

ITEM	PART NO.	QTY.	DESCRIPTION
1	759	12	ZERK, 1/4-28 STRAIGHT PIPE THREAD
2	34633	2	PIN, CYLINDER WELDED
3	596104M	1	BOLT, HH 1/4-20 X 1-3/4 GR5 MAGNI
4	596119M	2	BOLT, HH 5/16-18 X 3 GR5 MAGNI
5	596128M	10	BOLT, HH 3/8-16 X 1 GR5 MAGNI
6	596129M	10	BOLT, HH 3/8-16 X 1-1/2 GR5 MAGNI
7	596153M	2	BOLT, HH 1/2-13 X 1-1/2 GR5 MAGNI
8	596157M	8	BOLT, HH 1/2 X 3-1/2 GR5 MAGNI
9	596163M	2	BOLT, HH 1/2 X 6-1/2 GR5 MAGNI
10	596170M	2	BOLT, HH 5/8-11 X 2 GR5 MAGNI
11	596173M	12	BOLT, HEX 5/8 X 3 MAGNI
12	596175M	8	BOLT, HH 5/8-11 X 3-1/2 GR8 MAGNI
13	596179M	6	BUSHING, MACHINED 1" X 14GA MAGNI
14	596192M	4	BOLT, HH 3/4-10 X 6 GR5 MAGNI
15	596201M	1	BOLT, HEX 1-8 X 3-1/2 GR5 MAGNI
16	596208M	2	BOLT, HH 1-8 X 6-3/4 GR5 MAGNI
18	596213M	13	NUT, HEX 3/8-16 MAGNI
18	596231M	2	NUT, HEX HYLOCK 1/2-13 MAGNI
19	596234M	3	NUT, HEX NYLOCK 1-8 MAGNI
20	596236M	2	NUT, CENTERLOCK, 5/16-18 MAGNI
21	596237M	19	NUT, CENTERLOCK 3/8-16 MAGNI
22	596239M	10	NUT, CENTERLOCK, 1/2-13 MAGNI
23	596240M	24	NUT, CENTERLOCK, 5/8-11 MAGNI
24	596241M	4	NUT, CENTERLOCK 3/4-10 MAGNI
25	596250M	18	LOCKWASHER, 3/8 MAGNI
26	596253M	2	LOCKWASHER 5/8 MAGNI
27	596256M	1	WASHER, FLAT 1/4 USS MAGNI
28	596257M	2	WASHER, FLAT 5/16 USS MAGNI
31	596258M	30	WASHER, FLAT 3/8 MAGNI
30	596260M	2	WASHER, FLAT 1/2 MAGNI
31	596261M	2	WASHER, FLAT 5/8 MAGNI
32	596296M	1	LYNCH PIN, 1/4 X 1-3/4 MAGNI
33	596299M	1	ROLL PIN, 1/4 X 1-1/2"
34	596300M	1	SPRING, 3/8 X 2 MAGNI
35	596592M	3	BOLT, CARRIAGE 3/8-16 X 1 MAGNI
36	56622M	1	NUT, TOPLOCK 1/4-20 MAGNI
37	596635M	15	BOLT, HH 3/8-16 X 1 MAGNI
38	596636M	1	BOLT, HH 3/8-16 X 2-1/4 GR5 MAGNI
39	596738M	1	MACHINED BUSHING 3/4" 10 GA MAGNI

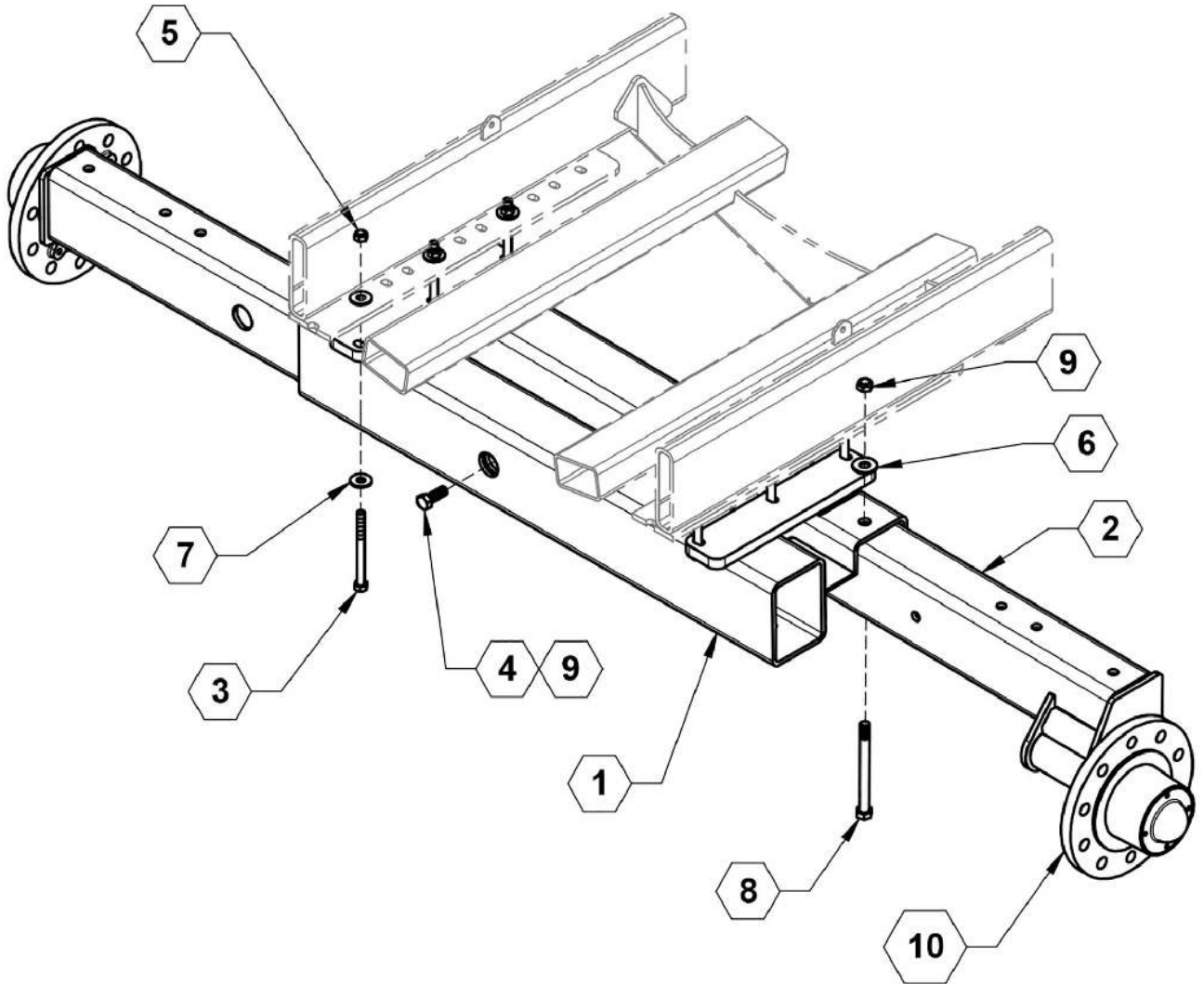


## ILLUSTRATED PARTS LIST

40	596744M	4	BUSHING, MACHINE, 1-1/4 X 14 GA MAGNI
41	596746M	4	SPRING PIN 5 X 50mm MAGNI
42	596775M	28	NUT, HEX FLANGE 3/4-10 GR8 MAGNI
43	596800M	4	BOLT, HH 5/8-22 X 4 GR8 MAGNI
44	596814M	28	BOLT, HEX FLANGE 3/4-10 X 2 GR8 MAGNI
45	620072	1	PIN, CYLINDER, 1" X 3-3/8", KIT PKG OF 2
46	730033	2	COTTER PIN, N669, 4-BOLT

**TRAILER AXLES, TIRES, AND TRACKS**

Single Axle Adjust 15K, 62"-120"





## ILLUSTRATED PARTS LIST

### Parts List: Single Axle Adjust 15K, 62"-120"

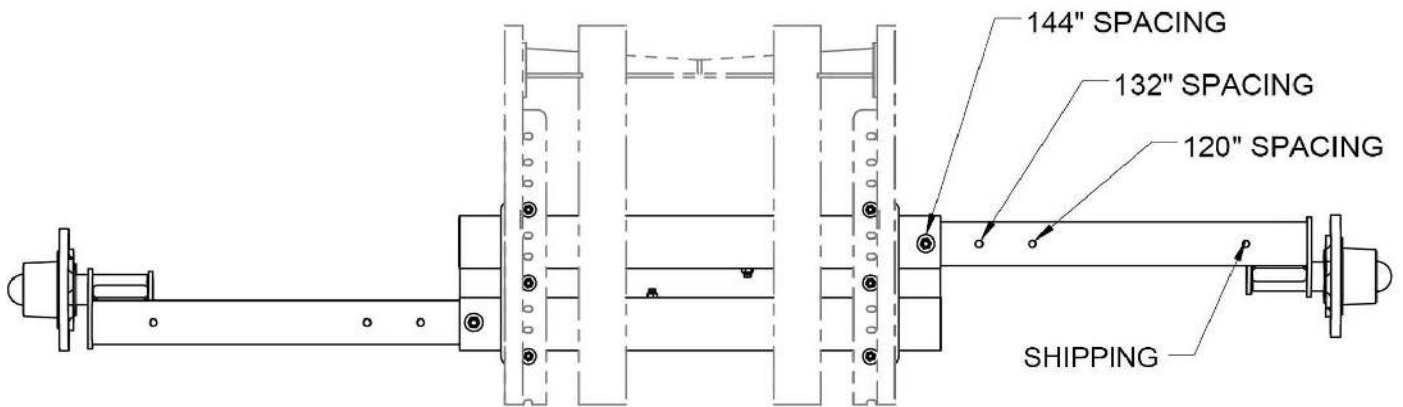
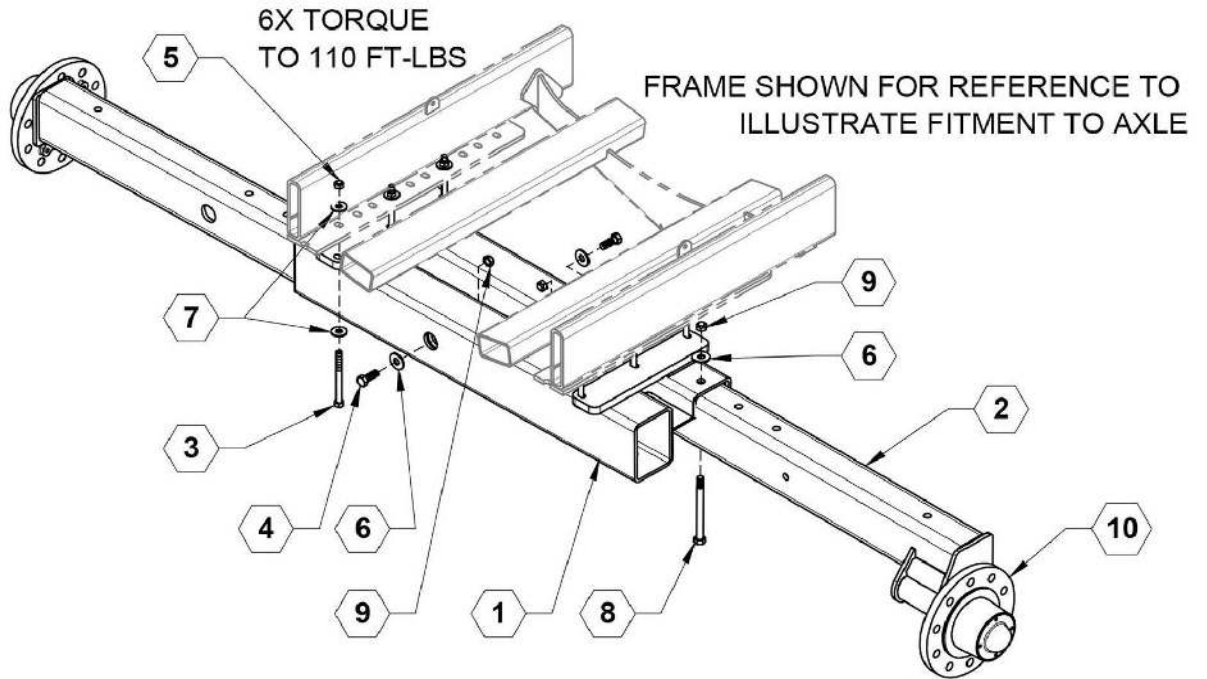
ITEM	PART NO.	QTY.	DESCRIPTION
1	13512	1	RECEIVER, AXLE
2	13518	2	15K AXLE
3	596174M	6	BOLT, HH 5/8-11 X 7 G5 MAGNI
4	596184M	2	BOLT, HH 3/4X2 GR5 MAGNI
5	596243M	6	NUT, TOPLOCK 5/8-11 G8 MAGNI
6	596259M	4	NUT, HEX 3/4-10 MAGNI
7	596261M	12	WASHER, FLAT 3/4 MAGNI
8	596488M	1	BOLT, HH 3/4-10 X 8-1/2 MAGNI
9	596626M	4	NUT, TOPLOCK 3/4-10 MAGNI
10	730010	2	15K LB 10 BOLT, 11.25 B.C. HUB Pkg



## Single Axle Adjust 15K, 72"-144"

**NOTES:**

1. BOLTS TO BE INSTALLED IN ORIENTATION SHOWN
2. BOLTS TO BE TIGHTENED WITH 1/2" IMPACT





## ILLUSTRATED PARTS LIST

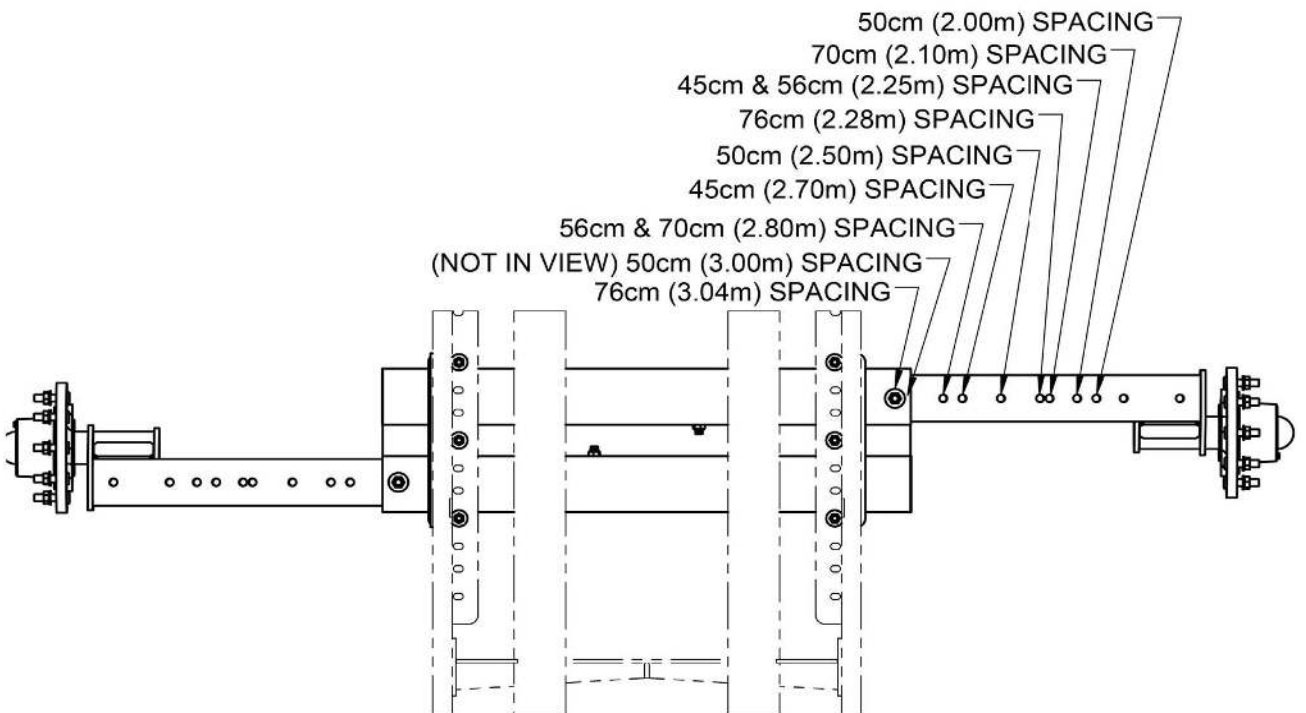
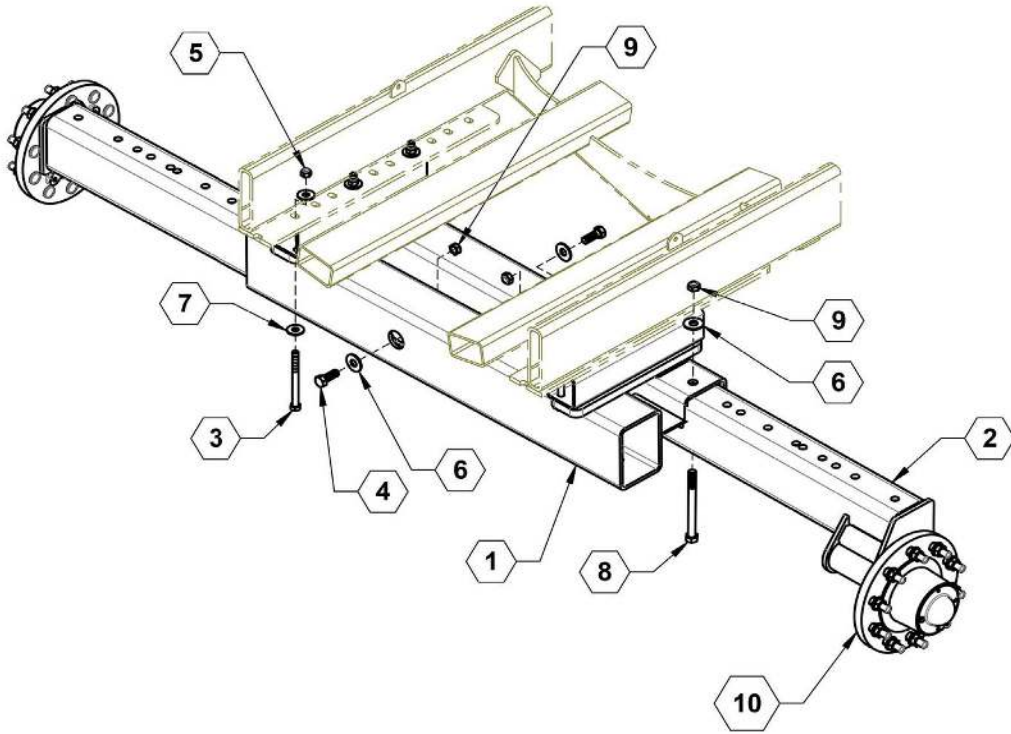
### Parts List: Single Axle Adjust 15K, 72"-144"

ITEM	PART NO.	QTY.	DESCRIPTION
1	13512	1	RECEIVER, AXLE
2	13752	2	72", 132", 144" AXLE
3	596174M	6	HH G5 5/8-11 X 7 MAGNI
4	596184M	2	BOLT, HH 3/4X2 GR5 MAGNI
5	596243M	6	NUT, HEX 5/8-11 MAGNI
6	596259M	4	WASHER, FLAT 3/4 MAGNI
7	596261M	12	WASHER, FLAT 5/8 MAGNI
8	596488M	2	BOLT, HH 3/4-10 X 8-1/2 MAGNI
9	596626M	4	NUT, TOPLOCK 3/4-10 MAGNI
10	730010	2	15K LB 10 BOLT, 11.25 B.C. HUB PACKAGE

## Single Axle Adjust, Metric, 18.5k, 45cm - 76cm Spacing

**NOTES:**

1. BOLTS TO BE INSTALLED IN ORIENTATION SHOWN
2. BOLTS TO BE TIGHTENED WITH 1/2" IMPACT



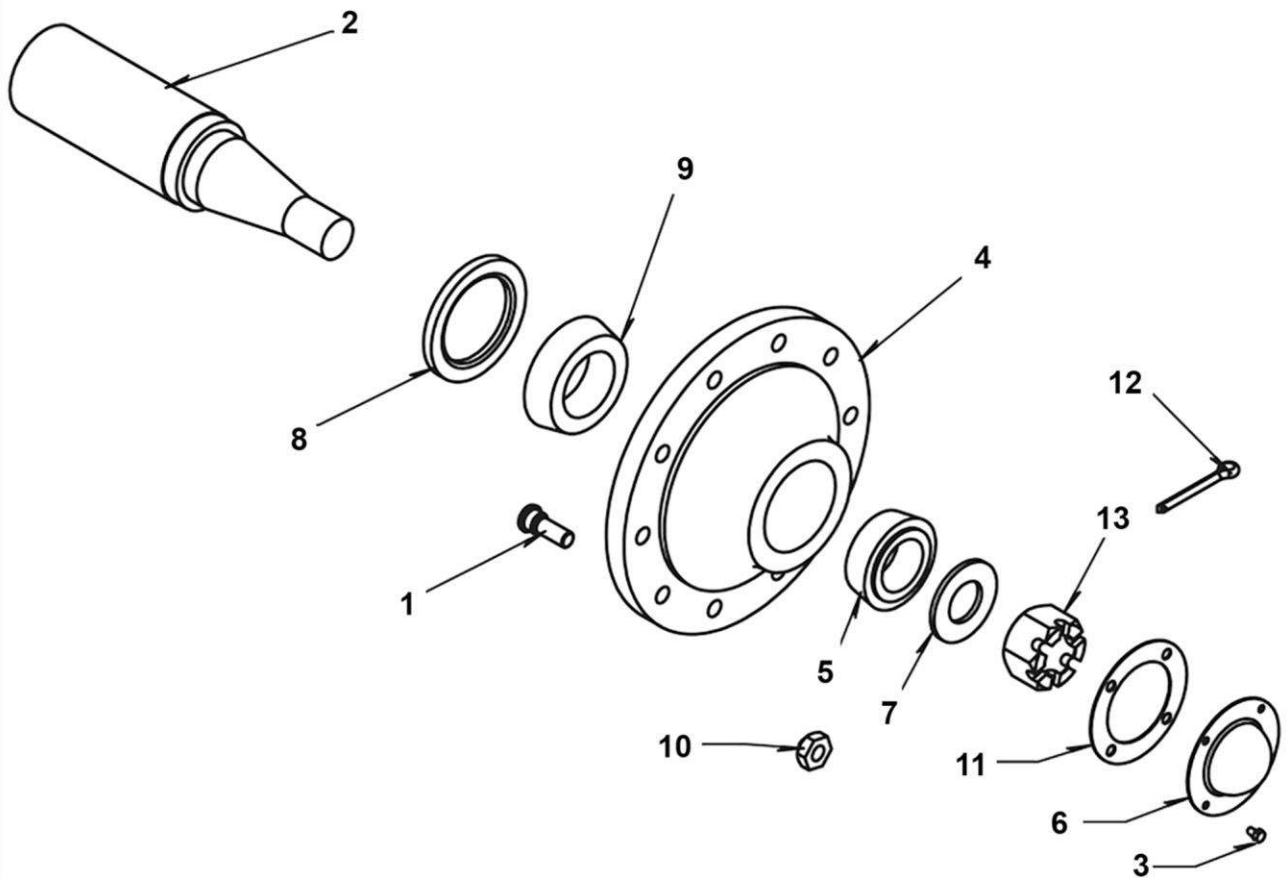


## ILLUSTRATED PARTS LIST

### Parts List: Single Axle Adjust, Metric, 18.5k, 45cm - 76cm Spacing

ITEM	PART NO.	QTY.	DESCRIPTION
1	13512	1	RECEIVER, AXLE
2	27942	2	AXLE, 18.5K METRIC
3	596174M	6	BOLT, HH 5/8-11 X 7 G5 MAGNI
4	596184M	2	BOLT, HH 3/4X2 GR5 MAGNI
5	596243M	6	NUT, TOPLOCK 5/8-11 G8 MAGNI
6	596259M	4	WASHER, FLAT 3/4 MAGNI
7	596261M	12	WASHER, FLAT 5/8 MAGNI
8	596488M	2	BOLT, HH 3/4-10 X 8-1/2 G5 MAGNI
9	596626M	4	NUT, TOPLOCK 3/4-10 G5 MAGNI
10	730110ASSY	2	18.5K LB 10 BOLT HUB PACKAGE

**N873 15K/18.5K Hub Assembly 10 Bolt, 11.25" B.C.**





## ILLUSTRATED PARTS LIST

### Parts List: 15K/18.5K Hub Assembly 10 Bolt, 11.25" B.C.

ITEM	PART NO.	QTY.	DESCRIPTION
	730110	1	N873 15K/18.5K HUB ASSEMBLY COMPLETE (ITEMS 1-13)
1	54101216	10	WHEEL STUD
2	730111	1	SPINDLE, 18500 LB
3	730017	4	5/16 x 1/2" BOLT
4	730110	1	N873 Hub Package, 18.5k
5	130012	1	FRONT BEARING
6	730072	1	HUB CAP
7	730018	1	WASHER
8	730013	1	SEAL
9	730011	1	REAR BEARING
10	730051	10	LUG NUT
11	730016	1	HUB CAP SEAL
12	COTTER PIN	1	COTTER PIN
13	730014	1	2" CASTLE NUT



# ILLUSTRATED PARTS LIST

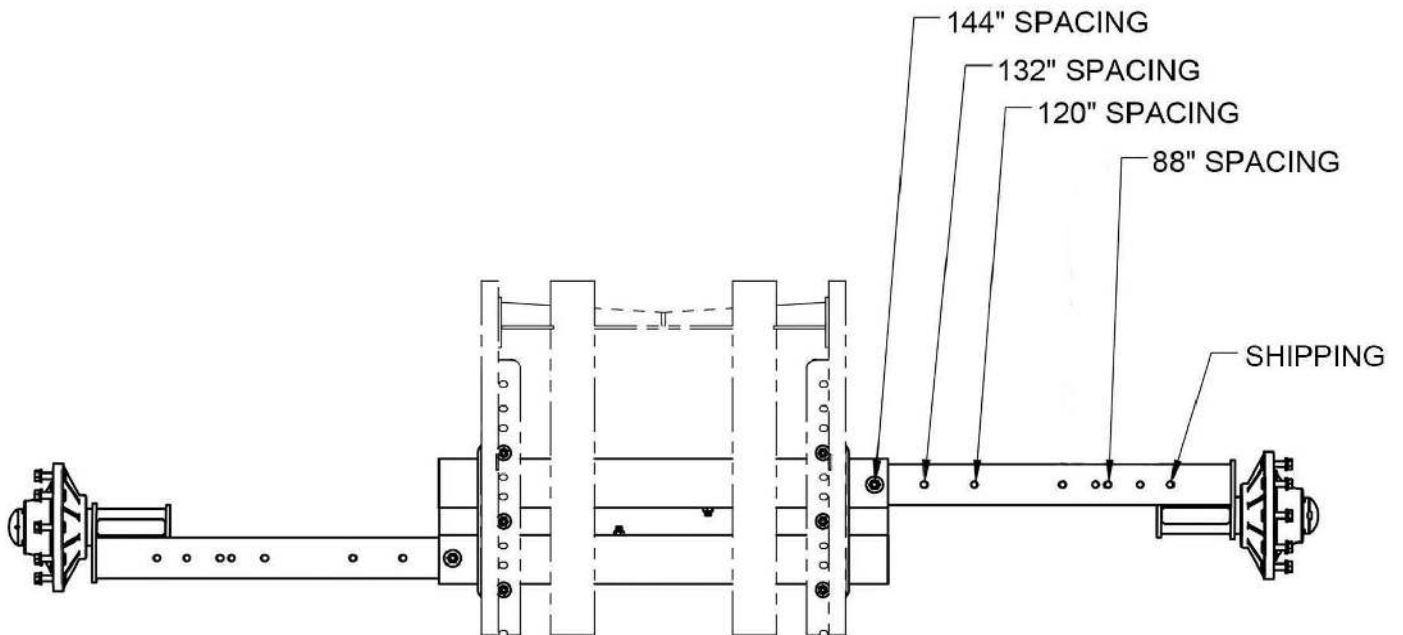
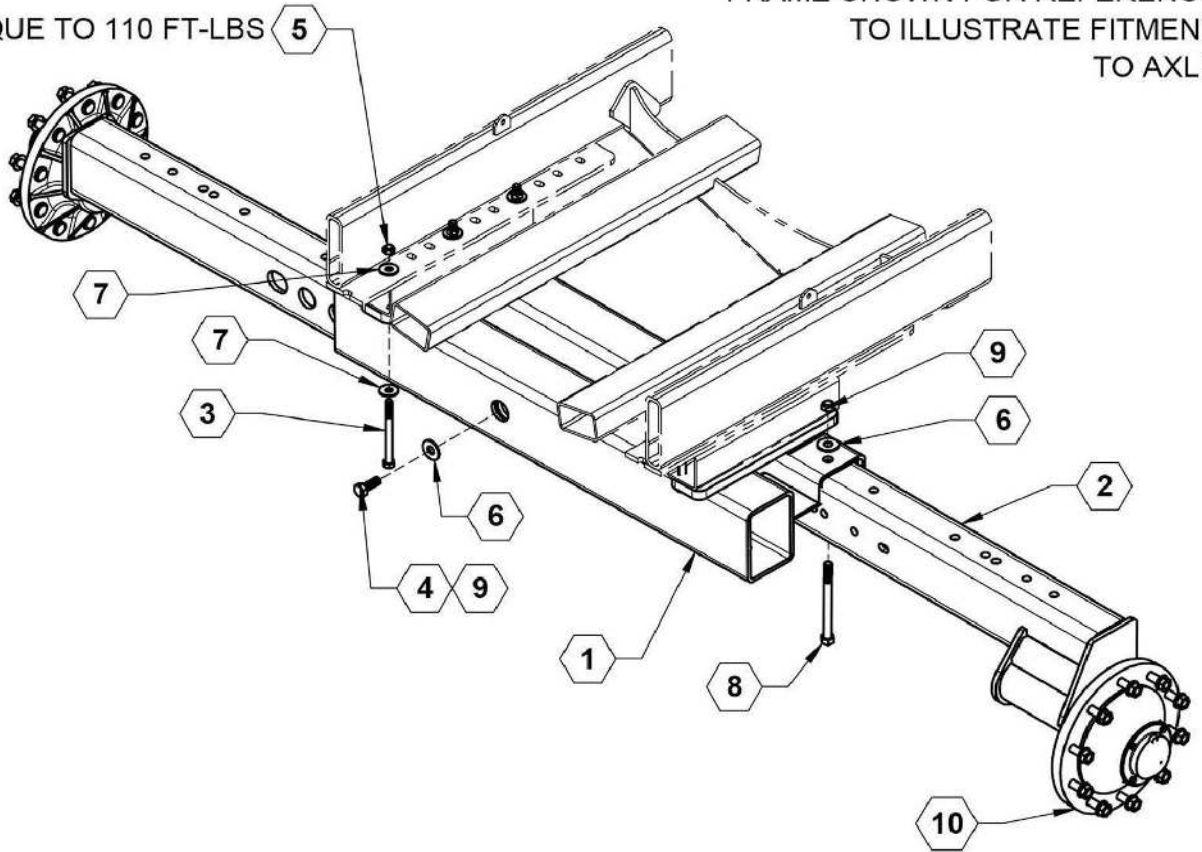
## Single Adjust Axle 20k, 88"-144"

**NOTES:**

1. BOLTS TO BE INSTALLED IN ORIENTATION SHOWN
2. BOLTS TO BE TIGHTENED WITH 1/2" IMPACT

6X TORQUE TO 110 FT-LBS

FRAME SHOWN FOR REFERENCE  
TO ILLUSTRATE FITMENT  
TO AXLE



**Parts List: Single Adjust Axle 20k, 88"-144"**

<b>ITEM</b>	<b>PART NO.</b>	<b>QTY.</b>	<b>DESCRIPTION</b>
1	13512	1	RECEIVER, AXLE
2	13752	2	72", 132", 144" AXLE
3	596174M	6	HH G5 5/8-11 X 7 MAGNI
4	596184M	2	BOLT, HH 3/4X2 GR5 MAGNI
5	596243M	6	NUT, HEX 5/8-11 MAGNI
6	596259M	4	WASHER, FLAT 3/4 MAGNI
7	596261M	12	WASHER, FLAT 5/8 MAGNI
8	596488M	2	BOLT, HH 3/4-10 X 8-1/2 MAGNI
9	596626M	4	NUT, TOPLOCK 3/4-10 MAGNI
10	730029ASSY	2	Q881 HUB PACKAGE WITH LONG STUDS 20K

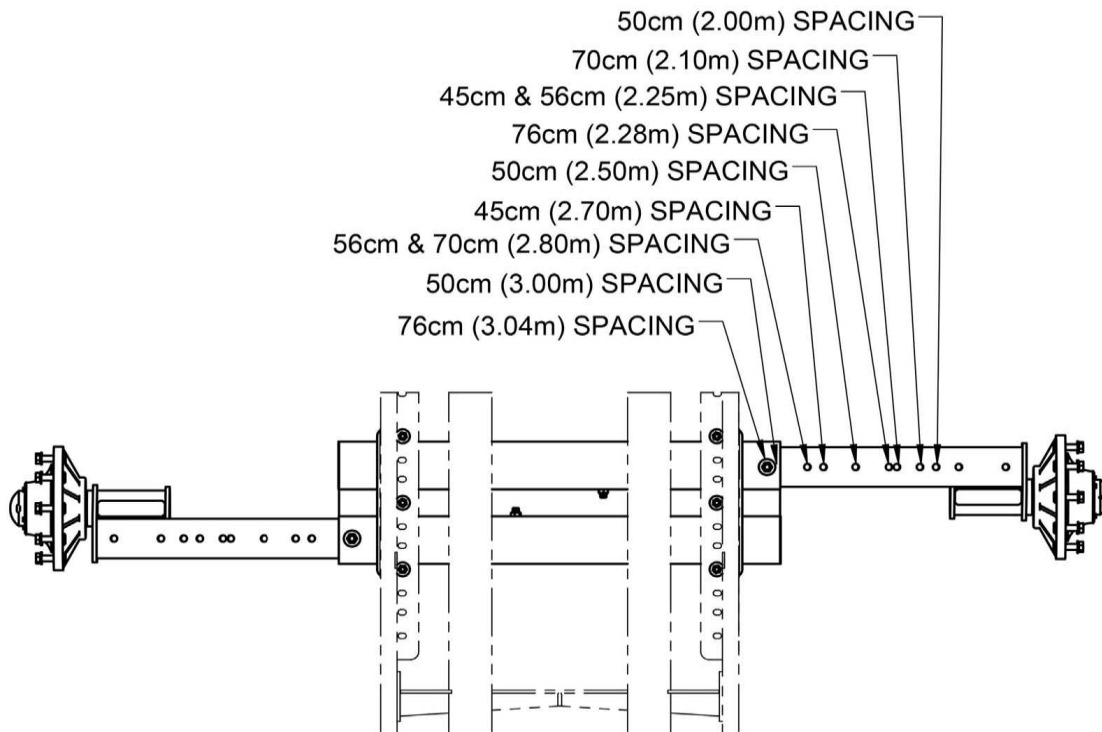
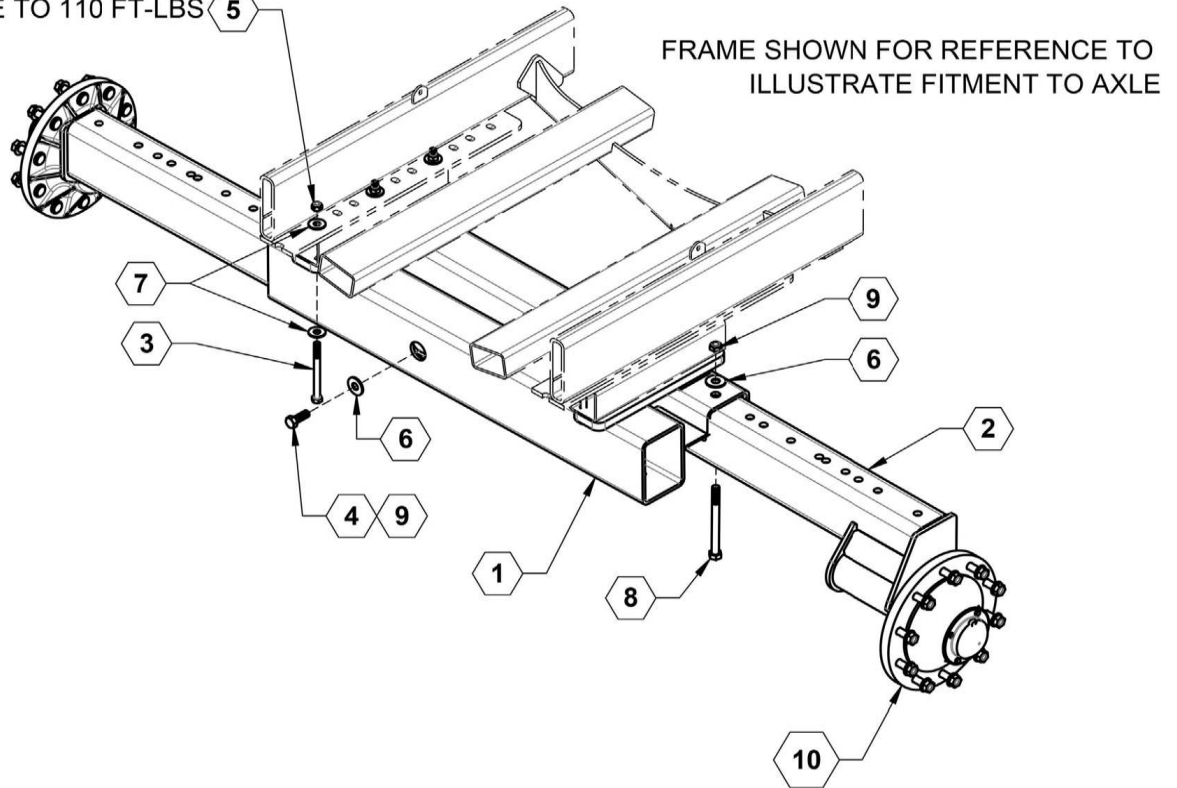
# ILLUSTRATED PARTS LIST

## Single Axle Adjust, Metric 20k 45cm - 76cm Spacing

NOTES:

1. BOLTS TO BE INSTALLED IN ORIENTATION SHOWN
2. BOLTS TO BE TIGHTENED WITH 1/2" IMPACT

6X TORQUE TO 110 FT-LBS **5**



## Parts List: Single Axle Adjust, Metric 20k 45cm - 76cm Spacing

ITEM	PART NO.	QTY.	DESCRIPTION
1	13512	1	RECEIVER, AXLE WELDMENT
2	27945	2	20K AXLE METRIC
3	596174M	6	BOLT, HH 5/8-11 X 7 G5 MAGNI
4	596184M	2	BOLT, HH 3/4X2 GR5 MAGNI
5	596243M	6	NUT, TOPLOCK 5/8-11 G8 MAGNI
6	596259M	4	WASHER, FLAT 3/4 MAGNI
7	596261M	12	WASHER, FLAT 5/8 MAGNI
8	596488M	2	BOLT, HH 3/4-10 X 8-1/2 G5 MAGNI
9	596626M	4	NUT, TOPLOCK 3/4-10 G5 MAGNI
10	730029ASSY	2	Q881 HUB PACKAGE WITH LONG STUDS 20K

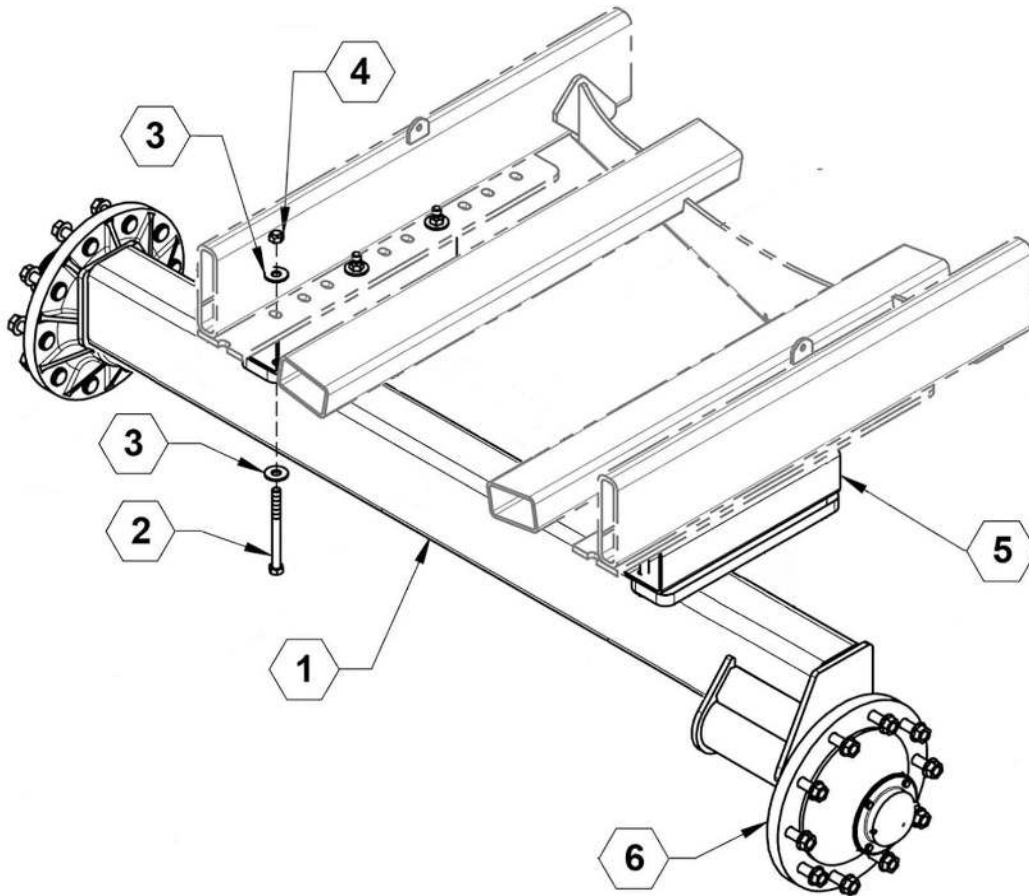
## Axle, Non Adjust, Duals

NOTES:

1. BOLTS TO BE INSTALLED IN ORIENTATION SHOWN
2. BOLTS TO BE TIGHTENED WITH 1/2" IMPACT

FRAME SHOWN FOR REFERENCE TO  
ILLUSTRATE FITMENT TO AXLE

6X TORQUE TO 110 FT-LBS





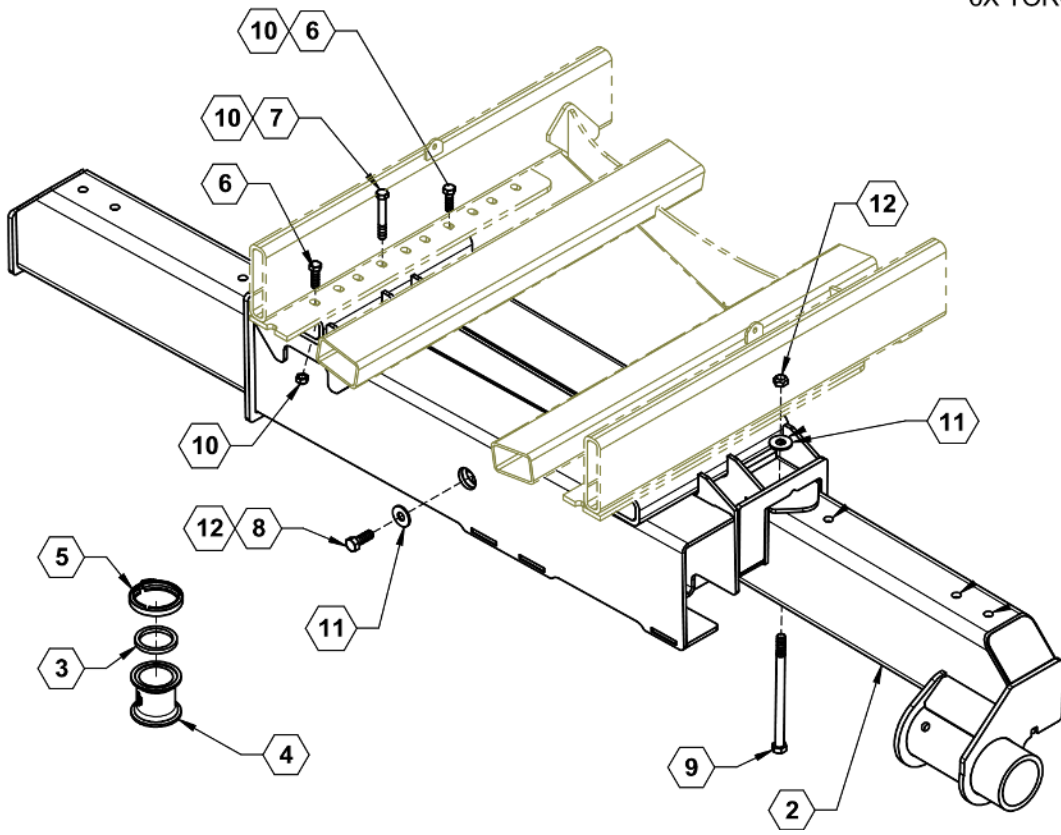
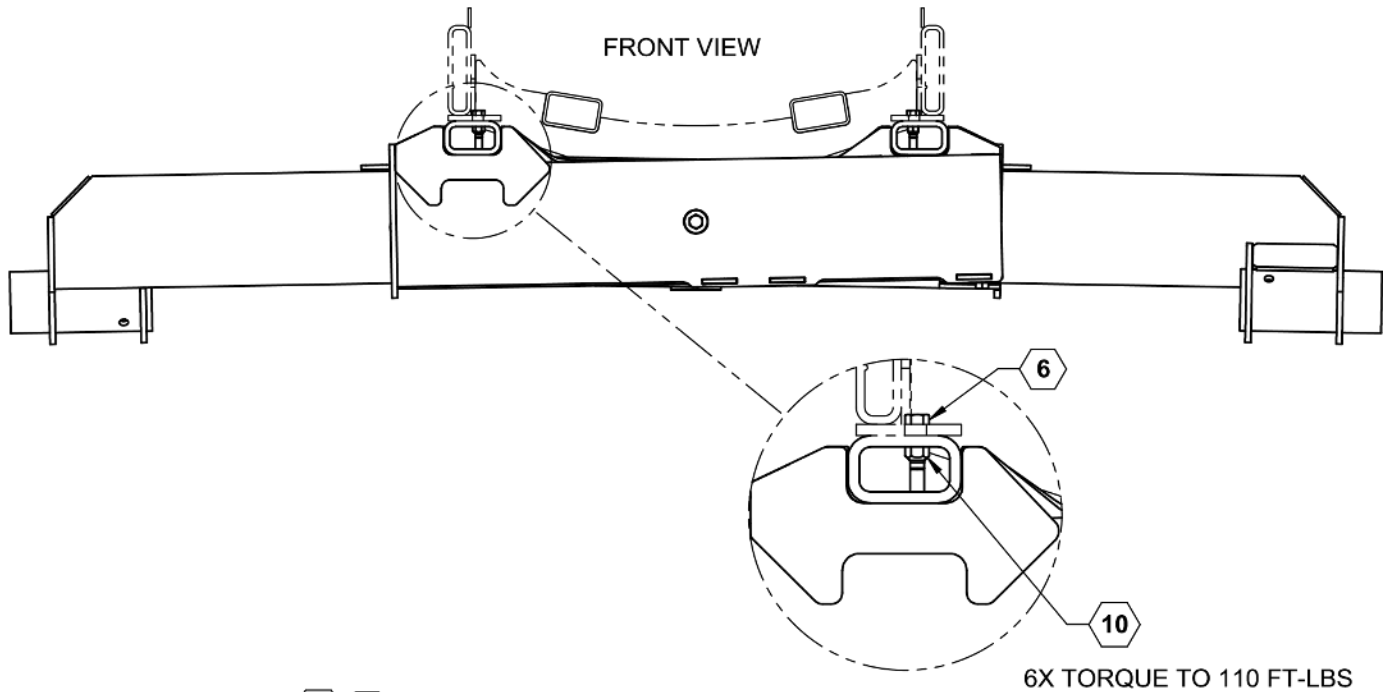
## ILLUSTRATED PARTS LIST

### Parts List: Axle, Non Adjust, Duals

ITEM	PART NO.	QTY.	DESCRIPTION
	800253	2	DECAL, WHEEL LUG NUT TORQUE
1	10917	1	AXLE, DUAL, 62.5"-120", 20,000#, NON-ADJUSTABLE
1	10911	1	AXLE, DUAL, 80"-120", 20,000#, NON-ADJUSTABLE
1	10908	1	AXLE, DUAL, 88"-132", 20,000#, NON-ADJUSTABLE
2	596174M	6	HH G5 5/8-11 X 7 MAGNI
3	596261M	12	WASHER, FLAT 5/8 MAGNI
4	596243M	6	NUT, TOPLOCK 5/8-11 MAGNI
5	710030	2	SPACER, DUAL, 13-3/4"
6	730029ASSY	2	Q881 HUB PACKAGE WITH LONG STUDS 20K



**Axle Adjust, Duals, 45/76CM, 80/132", 84/144"**



## ILLUSTRATED PARTS LIST

### Parts List: Axle Adjust, Duals, 45/76CM, 80/132", 84/144"

ITEM	PART NO.	QTY.	DESCRIPTION
1	23955	1	AXLE RECEIVER
2	23958	2	80 - 132" ADJUSTABLE AXLE
2	26312	2	84 - 144" ADJUSTABLE AXLE
2	26994	2	45 - 76CM ADJUSTABLE AXLE
3	530024	1	GASKET, 3" EPDM
4	530443	1	FLANGE COUPLING 3"
5	540003	1	CLAMP, WORM SCREW 3"
6	596170M	4	BOLT, HH 5/8-11X2 GR5 MAGI
7	596177M	2	BOLT, HH 5/8-11X4.5 GR5 MAGI
8	596184M	2	BOLT, HH 3/4-11X2 GR5 MAGI
9	596210M	2	BOLT, HH 3/4-10X12 GR5 MAGI
10	596243M	6	NUT, TOPLOCK 5/8-11 G8 MAGNI
11	596259M	4	WASHER, FLAT 3/4 MAGNI
12	596626M	4	NUT, TOPLOCK 3/4-10 G8 MAGNI
13	800259	1	DECAL, CAUTION - TRACK FIRE

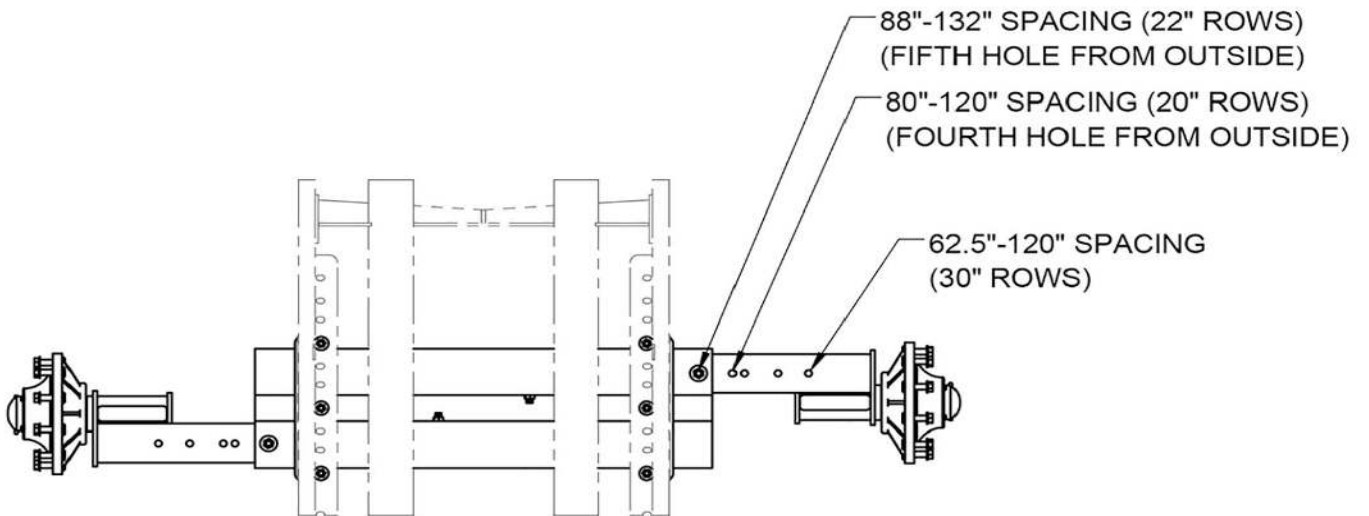
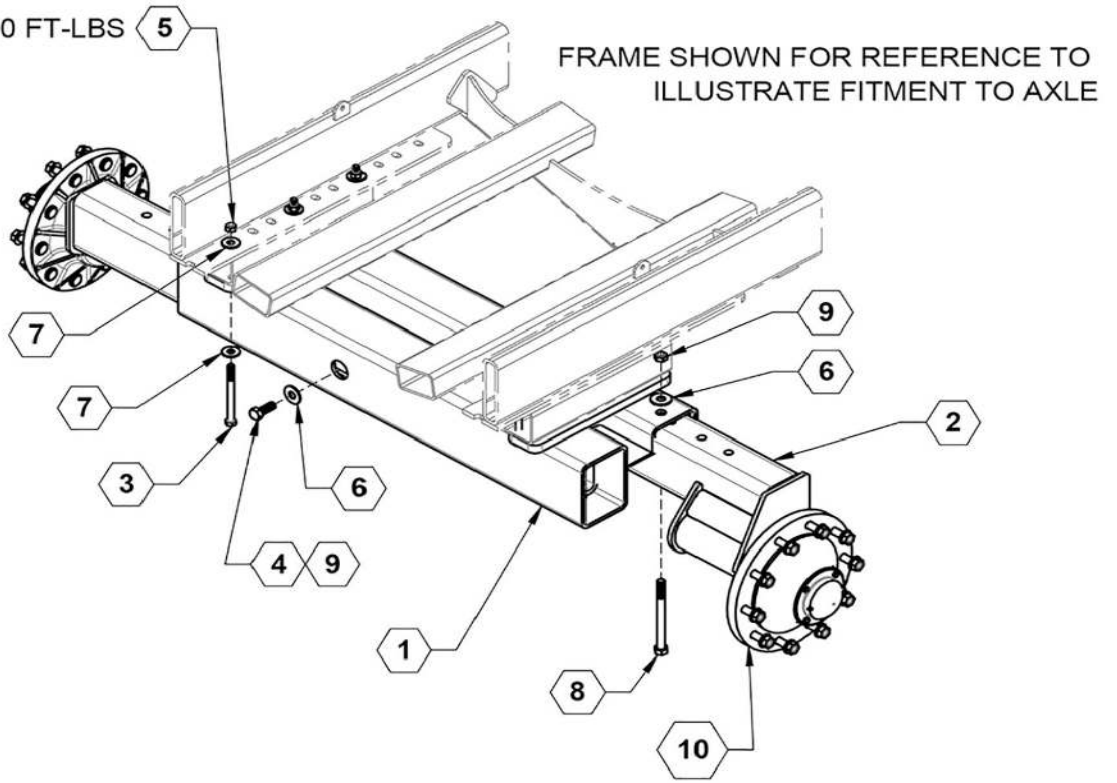
# ILLUSTRATED PARTS LIST

## Axle Adjust, Duals, 62.5/120", 80/120", 88/132"

NOTES:

1. BOLTS TO BE INSTALLED IN ORIENTATION SHOWN
2. BOLTS TO BE TIGHTENED WITH 1/2" IMPACT

6X TORQUE TO 110 FT-LBS



**Parts List: Axle Adjust, Duals, 62.5/120", 80/120", 88/132"**

<b>ITEM</b>	<b>PART NO.</b>	<b>QTY.</b>	<b>DESCRIPTION</b>
1	16061	1	RECEIVER, AXLE, DUAL
2	18386	2	AXLE, 20K ADJUSTABLE
3	596174M	6	BOLT, HH G5 5/8-11 X 7 MAGNI
4	596184M	2	BOLT, HH 3/4X2 GR5 MAGNI
5	596243M	6	NUT, TOPLOCK. 5/8-11 MAGNI
6	596259M	4	WASHER, FLAT 3/4 MAGNI
7	596261M	12	WASHER, FLAT 5/8 MAGNI
8	596488M	2	BOLT, HH 3/4-10 X 8-1/2 MAGNI
9	596626M	4	NUT, TOPLOCK. 3/4-10 MAGNI
10	730029ASSY	2	Q881 HUB PACKAGE WITH LONG STUDS 20K

# ILLUSTRATED PARTS LIST

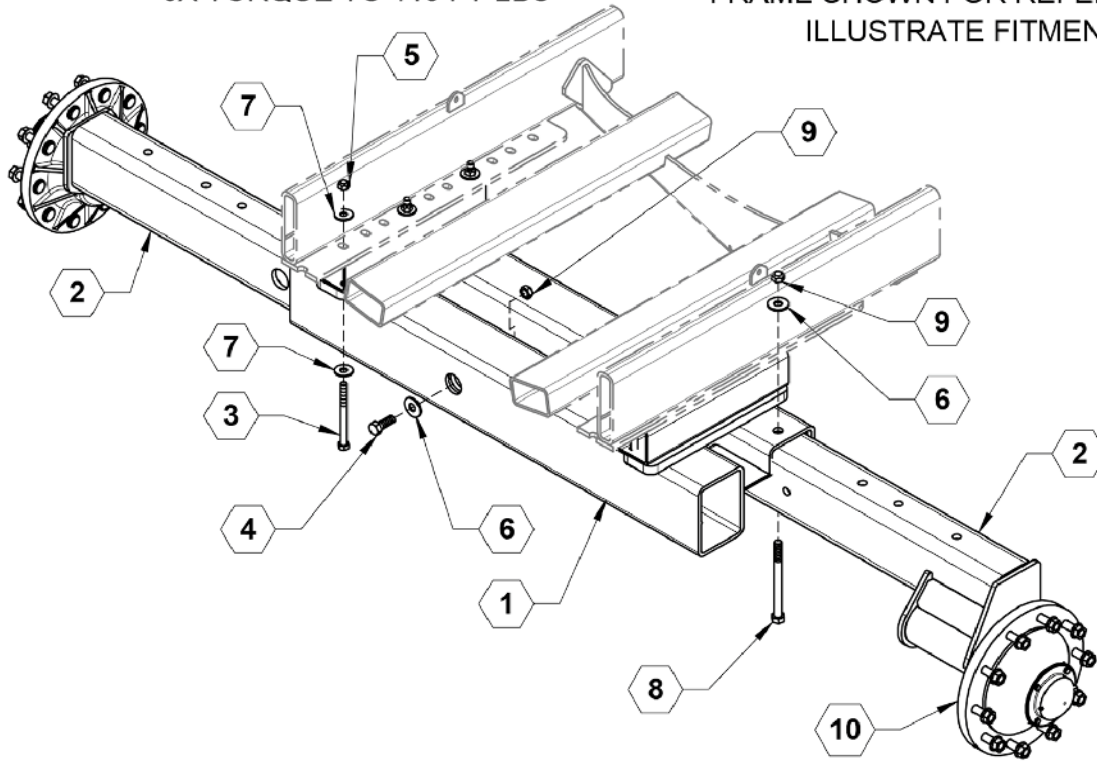
## Axle Adjust, Duals, Metric, 50cm-76cm

NOTES:

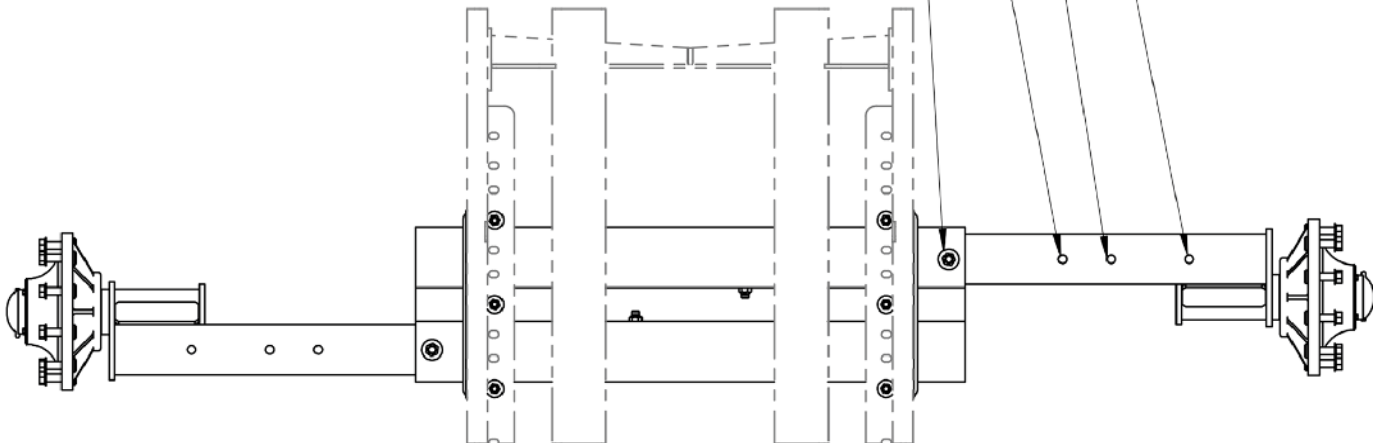
1. BOLTS TO BE INSTALLED IN ORIENTATION SHOWN
2. BOLTS TO BE TIGHTENED WITH 1/2" IMPACT

6X TORQUE TO 110 FT-LBS

FRAME SHOWN FOR REFERENCE TO ILLUSTRATE FITMENT TO AXLE



76cm SPACING  
 50cm SPACING  
 70cm SPACING  
 56cm SPACING

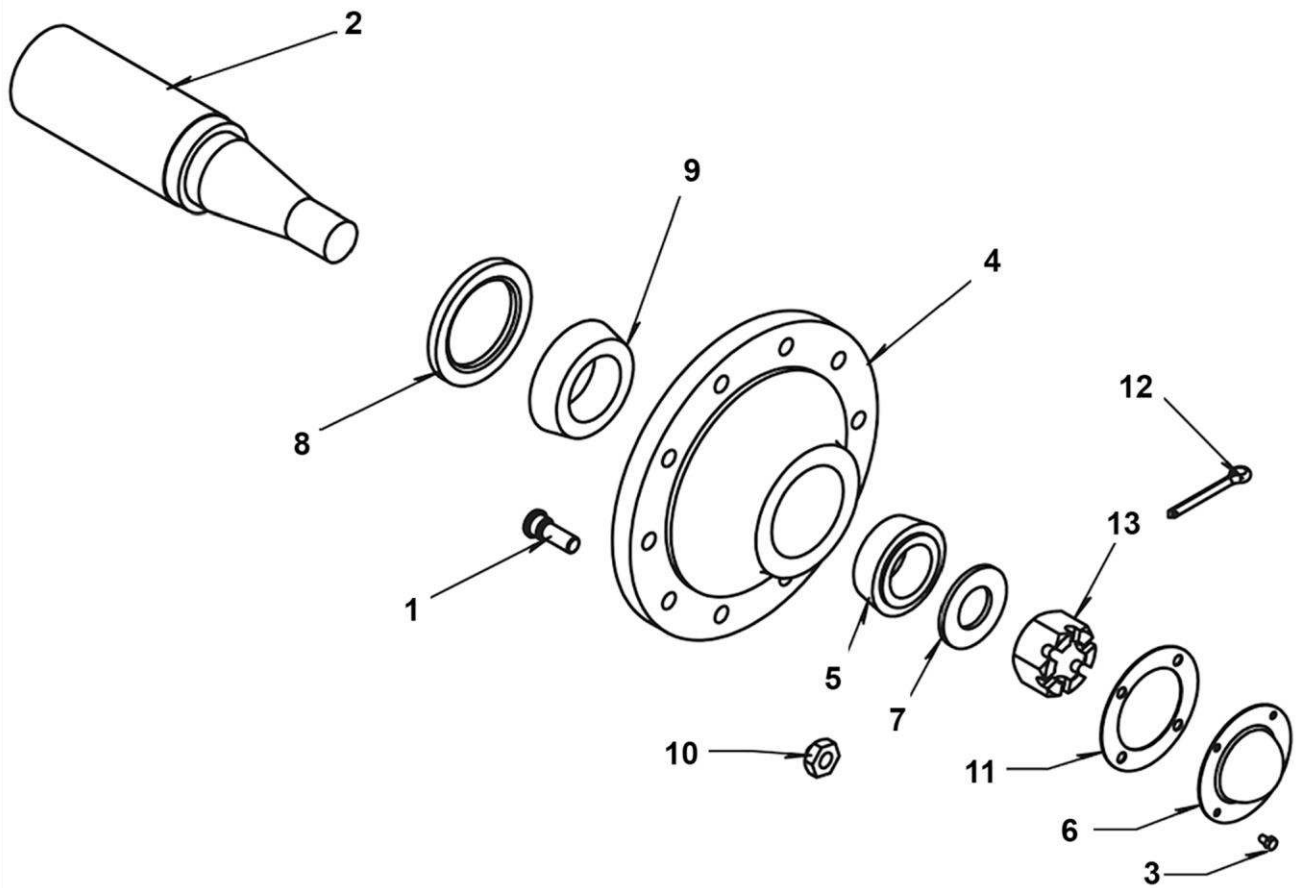


## Parts List: Axle Adjust, Duals, Metric, 50cm-76cm

ITEM	PART NO.	QTY.	DESCRIPTION
1	16061	1	RECEIVER, AXLE, DUAL
2	27109	2	20K ADJUSTABLE AXLE
3	596174M	6	HH G5 5/8-11 X 7 MAGNI
4	596184M	2	BOLT, HH 3/4X2 GR5 MAGNI
5	596243M	6	NUT, TOPLOCK 5/8-11 MAGNI
6	596259M	10	WASHER, FLAT 3/4 MAGNI
7	596261M	12	WASHER, FLAT 5/8 MAGNI
8	596488M	2	BOLT, HH 3/4-10 X 8-1/2 MAGNI
9	596626M	4	NUT, TOPLOCK 3/4-10 G5 MAGNI
10	730029ASSY	2	Q881 HUB PACKAGE WITH LONG STUDS 20K



**Q881 20K Hub Assembly, 10 Bolt, 13.19" B.C.**

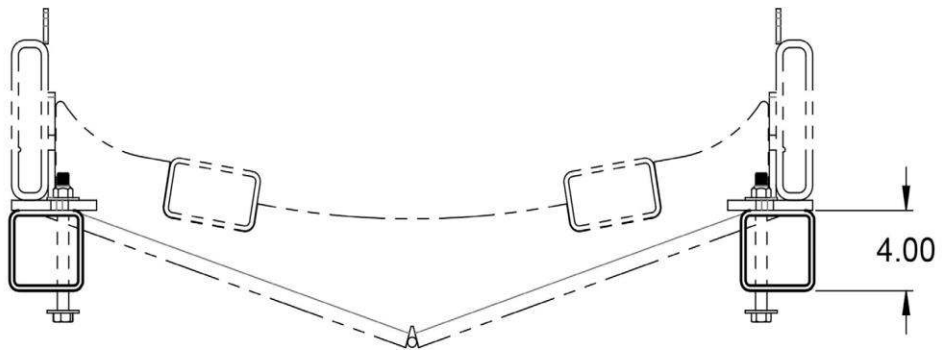
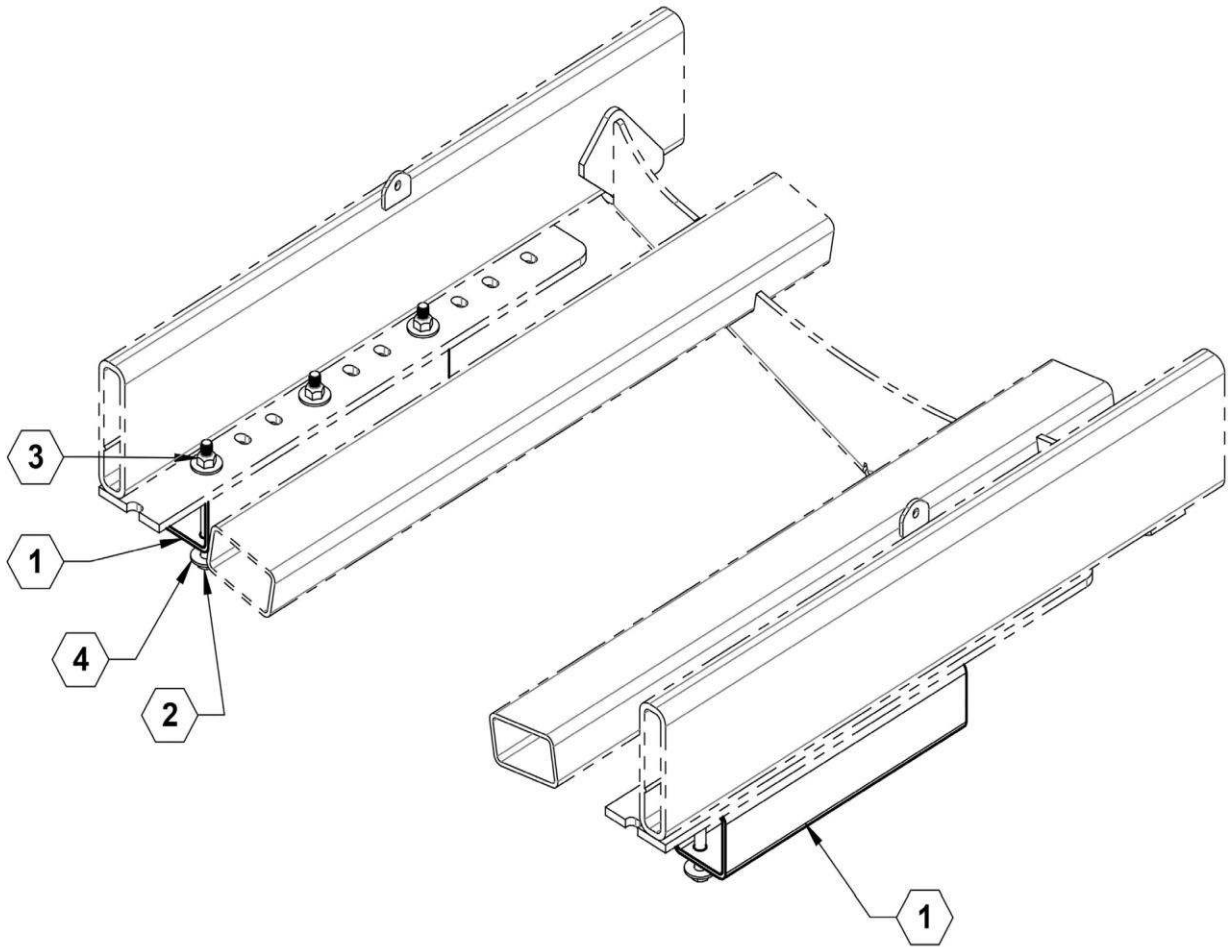


## Parts List: Q881 20K Hub Assembly, 10 Bolt, 13.19" B.C.

ITEM	PART NO.	QTY.	DESCRIPTION
	730029	1	Q881 20K HUB ASSEMBLY COMPLETE (ITEMS 1-13)
1	NI953035	10	WHEEL STUD
2	730007	1	SPINDLE, 20000 LB
3	730017	4	5/16 x 1/2" BOLT
4	730029	1	Q881 Hub Package, 20k
5	730037	1	FRONT BEARING
6	730039	1	HUB CAP
7	730040	1	WASHER
8	730041	1	SEAL
9	730043	1	REAR BEARING
10	730051	10	LUG NUT
11	730061	1	HUB CAP SEAL
12	COTTER PIN	1	COTTER PIN
13	2"SPINDLE NUT	1	2" CASTLE NUT

## 4 Inch Axle Spacer

NOTE:  
1. MOUNTS BETWEEN AXLE WELDMENT AND  
FRAME



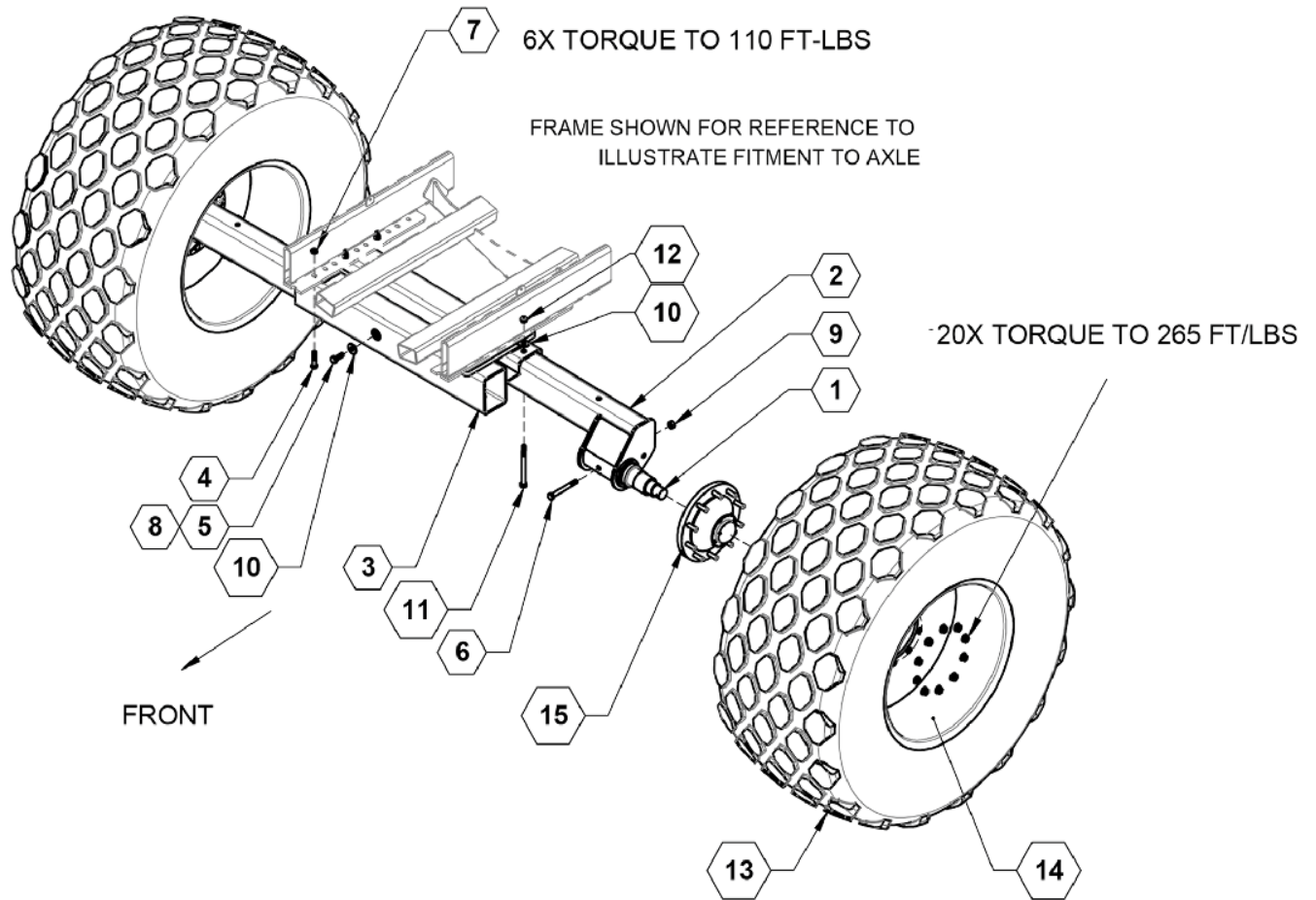
**Parts List: 4 Inch Axle Spacer**

<b>ITEM</b>	<b>PART NO.</b>	<b>QTY.</b>	<b>DESCRIPTION</b>
1	16457	2	TUBE, 4" AXLE RISER
2	596174M	6	BOLT, HH 5/8-11 X 7 G5 MAGNI
3	596243M	6	NUT, TOPLOCK 5/8-11 G8 MAGNI
4	596261M	12	WASHER, FLAT 5/8 MAGNI

## Axle Adjust Assembly, Diamond Tire

NOTES:

1. BOLTS TO BE INSTALLED IN ORIENTATION SHOWN
2. BOLTS TO BE TIGHTENED WITH 1/2" IMPACT

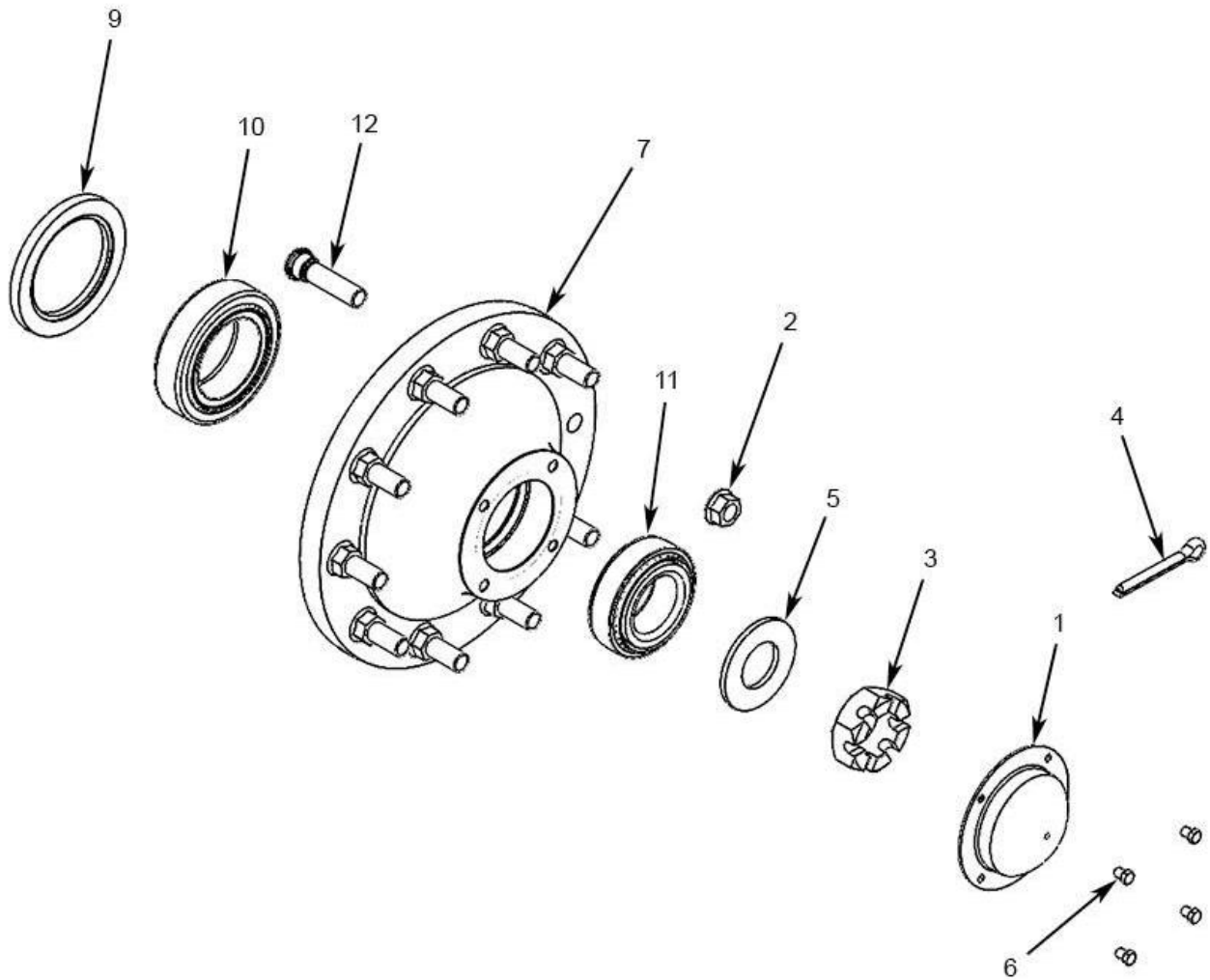


## Parts List: Axle Adjust Assembly, Diamond Tire

ITEM	PART NO.	QTY.	DESCRIPTION
1	18160	2	SPINDLE, 25K, BOLT IN
2	27189	2	AXLE ADJUST DIAMOND TIRE 25K 80, 120
3	27190	1	RECEIVER AXLE DIAMOND TIRE
4	596173M	6	BOLT, HEX 5/8 X 3 MAGNI
5	596184M	2	BOLT, HH 3/4X2 GR5 MAGNI
6	596193M	2	BOLT, HH 3/4-10X6-1/2 GR5 MAGNI
7	596216M	6	NUT, HEX 5/8-11 MAGNI
8	596217M	2	NUT, HEX 3/4-10 G5 MAGNI
9	596241M	2	NUT, CENTERLOCK 3/4-10 MAGNI
10	596259M	4	WASHER, FLAT 3/4 MAGNI
11	596488M	2	BOLT, HH 3/4-10 X 8-1/2 G5 MAGNI
12	596626M	2	NUT, TOPLOCK 3/4-10 G5 MAGNI
13	700158	2	TIRE TITAN 30.5LR32 TORC-TRAC
14	700157	2	WHEEL 27X32, 0" OFFSET SILVER
14	700164	2	WHEEL 27X32, 0" OFFSET YELLOW
15	730086ASSY	2	HUB COMPLETE Q981 25K BIG 10 Bolt, 13.19" B.C.
	800253	2	DECAL, WHEEL LUG NUT TORQUE



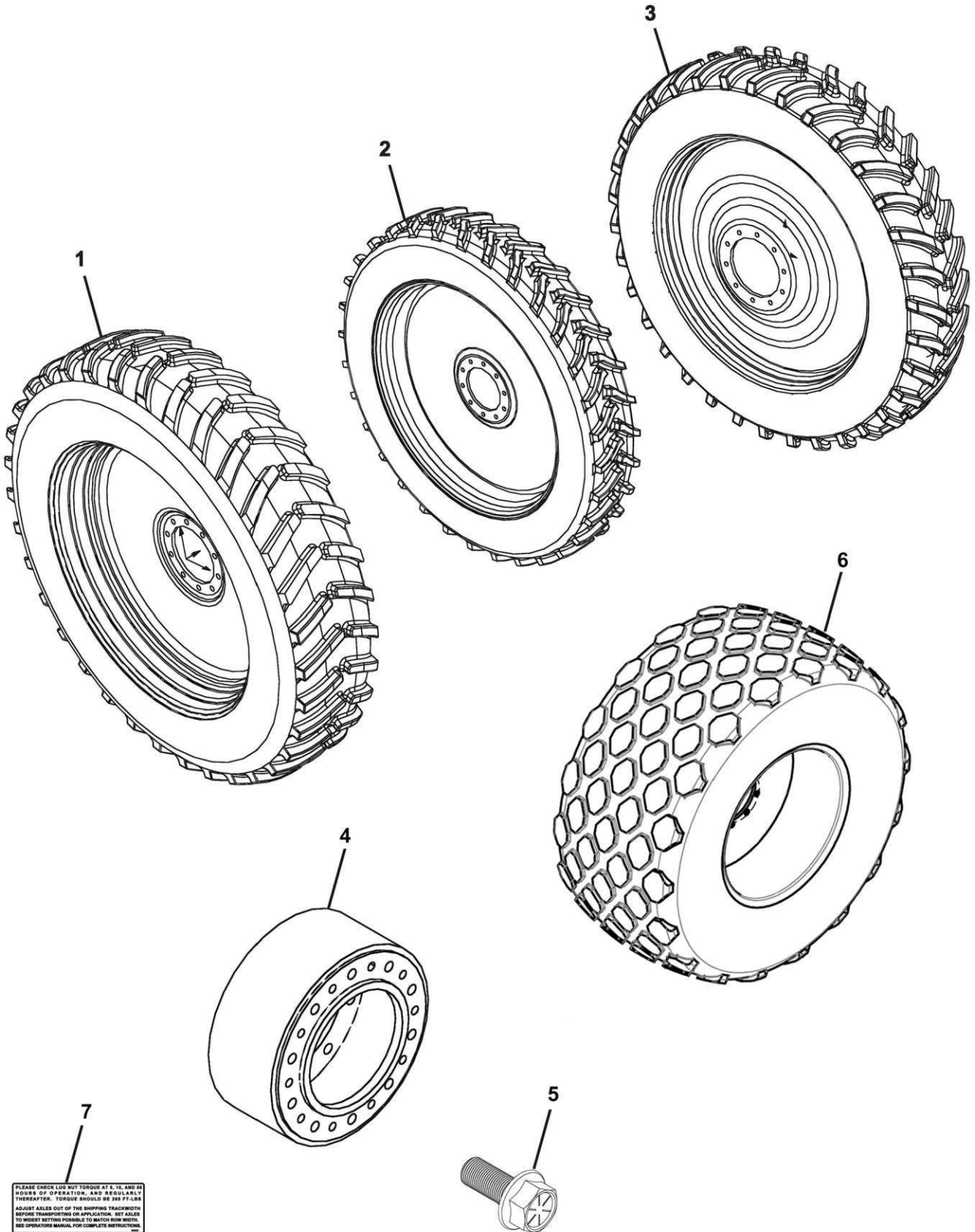
**Q981 25K Hub Assembly, 10 Bolt, 13.19" B.C.**



**Parts List: Q981 25K Hub Assembly, 10 Bolt, 13.19" B.C.**

ITEM	PART NO.	QTY.	DESCRIPTION
	730086	1	Q981 25K HUB ASSEMBLY COMPLETE
1	730039	1	HUB CAP
2	730051	10	LUG NUT
3	730056	1	CASTLE NUT
4	730042	1	COTTER PIN
5	730040	1	WASHER
6	730017	4	BOLT
7	730029	1	HUB
8	730061	1	PLATE
9	730041	1	SEAL
10	730043	1	INNER BEARING
11	730037	1	OUTER BEARING
12	5410216	10	WHEEL STUD

**Tires and Rims - Trailer**



PLEASE CHECK LUG NUT TORQUE AT 5, 10, AND 50 HOURS OF OPERATION, AND REGULARLY THEREAFTER. TORQUE SHOULD BE 55 FT-LBS. ADJUST ADLES OUT OF THE SHIPPING TRACKWIDTH BEFORE TRANSPORTING OR APPLICATION. SET ADLES TO WISSEY SETTING POSSIBLE TO MATCH BORN WIDTH. SEE OPERATORS MANUAL FOR COMPLETE INSTRUCTIONS.



# ILLUSTRATED PARTS LIST

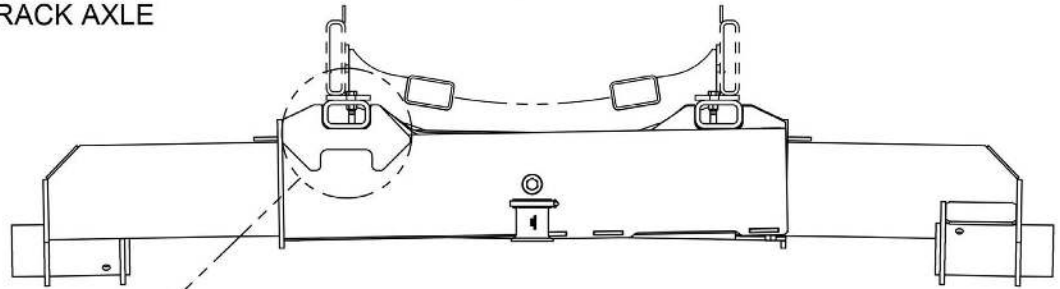
## Parts List: Tires and Rims - Trailer

ITEM	PART NO.	QTY.	DESCRIPTION
1	700177	1	480/80R50 TIRE/WHEEL SILVER, LH, LR176A8
1	700176	1	480/80R50 TIRE/WHEEL SILVER, RH, LR176A8
1	700175	1	480/80R50 TIRE/WHEEL YELLOW, LH, LR176A8
1	700174	1	480/80R50 TIRE/WHEEL YELLOW, RH, LR176A8
2	700173	1	380/90R46 TIRE/WHEEL SILVER, LH, LR168A8
2	700172	1	380/90R46 TIRE/WHEEL SILVER, RH, LR168A8
2	700171	1	380/90R46 TIRE/WHEEL YELLOW, LH, LR168A8
2	700170	1	380/90R46 TIRE/WHEEL YELLOW, RH, LR168A8
2	700097	1	380/90R46 TIRE/WHEEL JD GREEN, LH, LR168A8
2	700098	1	380/90R46 TIRE/WHEEL JD GREEN, RH, LR168A8
2	700179	1	380/90R54 TIRE/WHEEL YELLOW, LH, LR170A8
2	700178	1	380/90R54 TIRE/WHEEL YELLOW, RH, LR170A8
2	700181	1	380/90R54 TIRE/WHEEL, SILVER, LH, LR170A8
2	700180	1	380/90R54 TIRE/WHEEL, SILVER RH, LR170A8
3	700135	2	380/90R46 TIRE/WHEEL DUAL YELLOW LH 20H, LR149
3	700136	2	380/90R46 TIRE/WHEEL DUAL YELLOW RH 20H, LR149
3	700137	2	380/90R54 TIRE/WHEEL DUAL YELLOW LH 20 H, LR152
3	700138	2	380/90R54 TIRE/WHEEL DUAL YELLOW RH 20 H, LR152
3	700139	2	380/90R46 TIRE/WHEEL DUAL SILVER LH 20H, LR149
3	700140	2	380/90R46 TIRE/WHEEL DUAL SILVER RH 20H, LR149
3	700141	2	380/90R54 TIRE/WHEEL DUAL SILVER LH 20H, LR152
3	700142	2	380/90R54 TIRE/WHEEL DUAL SILVER RH 20H, LR152
4	710031	2	5.00" DUALS SPACER, FOR 80-120 FT TRACK WIDTH
4	710032	2	7.00" DUALS SPACER, FOR 88-132 FT TRACK WIDTH
4	710030	2	13.75" DUALS SPACER, FOR 62.5-120 FT TRACK WIDTH
5	590258	20	HUB SPACER BOLT, FOR OUTER DUAL, .750 NC X 1.50 YZ
6	700158	2	TIRE TITAN 30.5LR32 TORC-TRAC
6	700157	2	WHEEL 27X32, 0" OFFSET SILVER
6	700164	2	WHEEL 27X32, 0" OFFSET YELLOW
7	800253	2	DECAL, WHEEL LUG NUT TORQUE

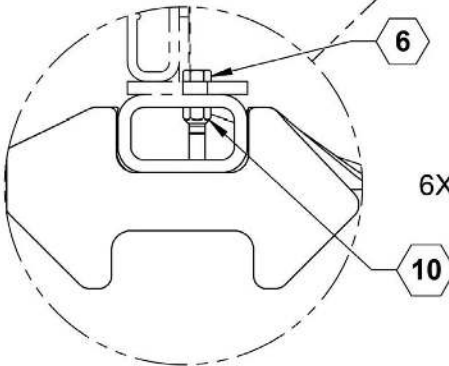
## Adjustable Track Axle

**NOTES:**

1. BOLTS TO BE INSTALLED IN ORIENTATION SHOWN
2. BOLTS TO BE TIGHTENED WITH 1/2" IMPACT
3. ADD 3" FLANGE COUPLING TO BOTTOM OF SUMP ON TANK ABOVE THE 3" FLANGE SWEEP MANIFOLD TO CLEAR THE BOTTOM OF TRACK AXLE

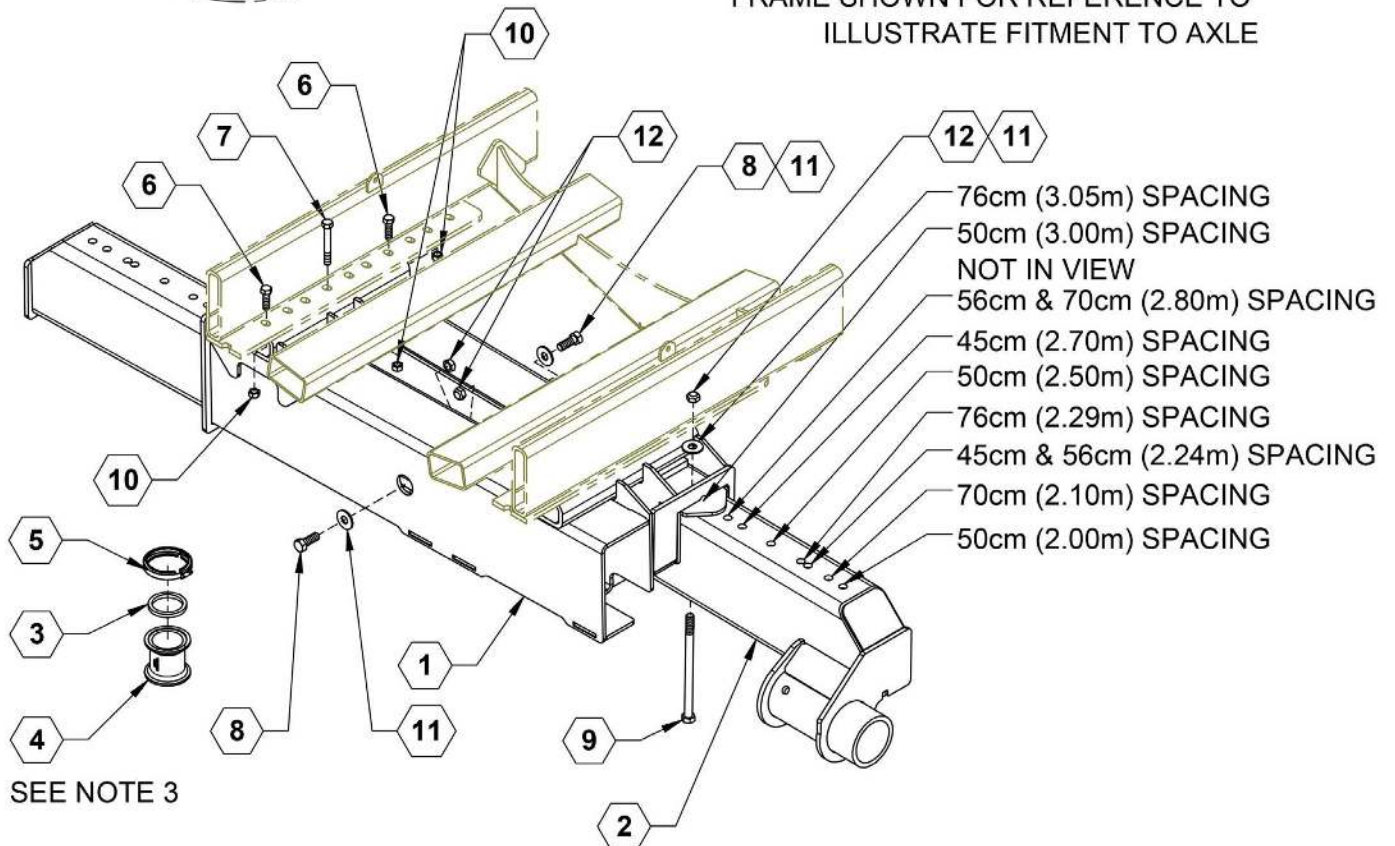


FRONT VIEW



6X TORQUE TO 110 FT-LBS

FRAME SHOWN FOR REFERENCE TO ILLUSTRATE FITMENT TO AXLE



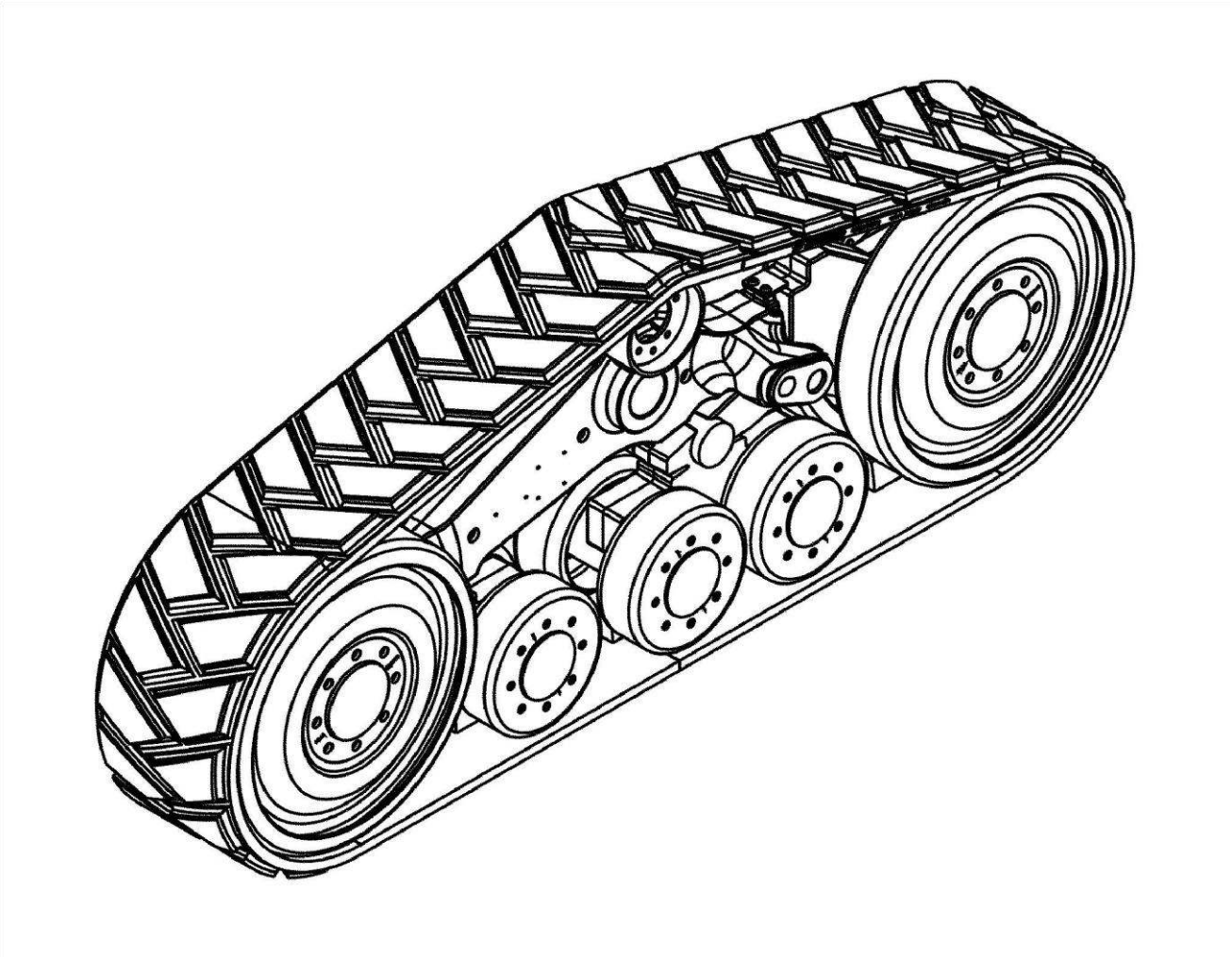


## Parts List: Adjustable Track Axle

ITEM	PART NO.	QTY.	DESCRIPTION
1	23955	1	AXLE RECEIVER
2	23958	2	ADJUSTABLE TRACK AXLE, 80" - 132"
2	26312	2	ADJUSTABLE TRACK AXLE, 84" - 144"
2	27948	2	ADJUSTABLE TRACK AXLE, 45-76cm
3	530024	1	GASKET, 3" EPDM
4	530443	1	FLANGE COUPLING 3"
5	540003	1	CLAMP, WORM SCREW 3"
6	596170M	4	BOLT, HH 5/8-11X2 GR5 MAGNI
7	596177M	2	BOLT, HH 5/8-11X4.5 GR5 MAGNI
8	596184M	2	BOLT, HH 3/4X2 GR5 MAGNI
9	596210M	2	BOLT, HH 3/4-10 X 12 GR5 MAGNI
10	596243M	6	NUT, TOPLOCK 5/8-11 G8 MAGNI
11	596259M	4	WASHER, FLAT 3/4 MAGNI
12	596626M	4	NUT, TOPLOCK 3/4-10 G5 MAGNI
13	800259	1	DECAL, CAUTION - TRACK FIRE



**Camso Tracks**



**Parts List: Camso Tracks**

ITEM	PART NO.	QTY.	DESCRIPTION
1	700206	AR	CAMSO TTS 40-1511, GREY
1	700202	AR	CAMSO TTS 40-1511, YELLOW
1	800259	1	DECAL, CAUTION - TRACK FIRE





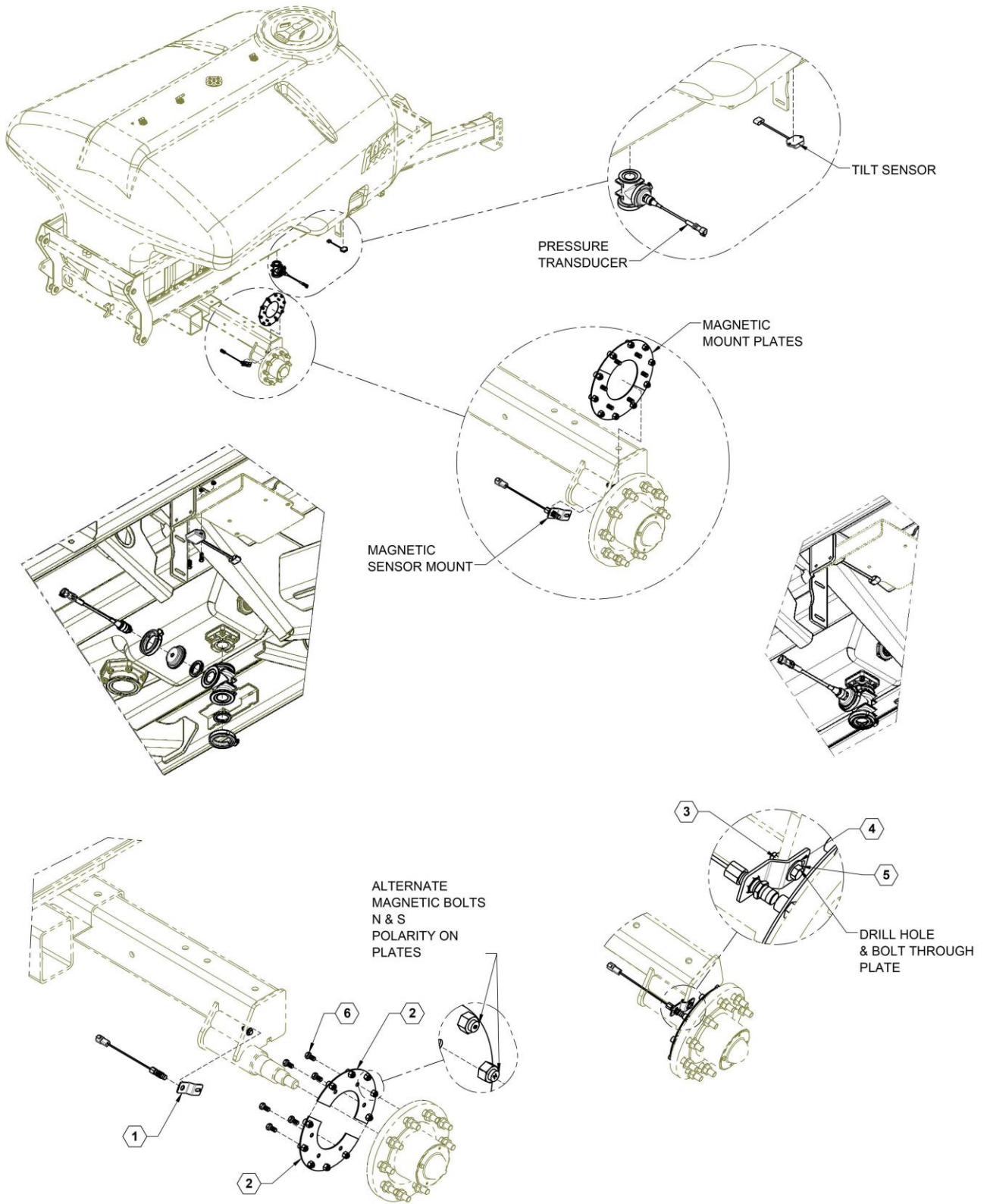
# ILLUSTRATED PARTS LIST

## Parts List: Steerable Gooseneck

ITEM	PART NO.	QTY.	DESCRIPTION
1	759	1	ZERK, 1/4-28 STRAIGHT PIPE THREAD
2	761	1	ZERK, 90°, 1/4-28 STRAIGHT PIPE
3	15558	2	BRACKET, HOSE
4	15566	2	SPACER, HOSE BRACKET
5	22906	1	ROD, ROTARY SENSOR LEVER
6	27082	1	WELDMENT, HITCH CART
7	27093	1	WELDMENT, VALVE MOUNT
8	27169	1	PLATE, HOSE HOLDER
9	28988	1	ASSY, 180 DEG SENSOR & ADAPTER HARNESS
10	34619	3	SHIM, KINGPIN
11	34625	1	WELDMENT, STEERABLE NECK
12	34632	1	WELDMENT, HOSE SUPPORT
13	34636	1	O-RING, STEERABLE GNECK SEAL
14	34640	1	WELDMENT, KINGPIN
15	34642	1	PLATE, CLAMP PUCK
16	34651	1	WASHER, SS THRUST
17	34652	1	WASHER, SS THRUST
18	34683	2	PLATE, CYLINDER STOP
19	530281	4	SPRING BUSHING 1" I.D.
20	590216	1	FAST SERIAL TAG
21	590275	1	SCREW PHIL 3-48 X .625 SS18-8
22	590276	1	NUT NYLON 3-48 SS18-8
23	590277	1	WASHER, #3 SS18-8
24	590435	4	WASHER, #8 SS
25	590436	2	NUT, NYLOCK, 8-32 SS
26	590437	2	SCREW, #8-32 X 2" SS
27	596101M	2	BOLT, HH 1/4-20 X 3/4 GR5 MAGNI
28	596114M	2	BOLT, HH 5/16-18 X 3/4 GR5 MAGNI
29	263128M	3	BOLT, HH 3/8-16 X 1 GR5 MAGNI
30	596199M	2	BOLT, HH 1-8 X 2-1/2 GR5 MAGNI
31	596235M	2	NUT, CENTERLOCK, 1/4-20 MAGNI
32	596237M	7	NUT, CENTERLOCK 3/8-16 MAGNI
33	596249M	2	LOCKWASHER 5/16 MAGNI
34	596250M	6	LOCKWASHER, 3/8 MAGNI
35	596258	8	WASHER, FLAT 3/8 MAGNI
36	596276M	2	WASHER, FLAT 1" MAGNI
37	596635M	2	BOLT, HH 3/8-16 X 1-1/4 MAGNI
38	596635M	2	BOLT, HH 3/8-16 X 1-1/4 MAGNI
39	596818M	6	BOLT, HH 3/8-16 X 1-1/4 MAGNI
40	600107	1	STRBL GSNCK HYD KIT
41	620057	2	CYLINDER, 30THC16.00-150
43	720001	2	SNAP PIN, 5/16
44	800287	3	DECAL, GREASE PIVOT POINTS

# ILLUSTRATED PARTS LIST

## Raven Steerable Hitch Reverse Sensors 15K (1800 Gallon)





## ILLUSTRATED PARTS LIST

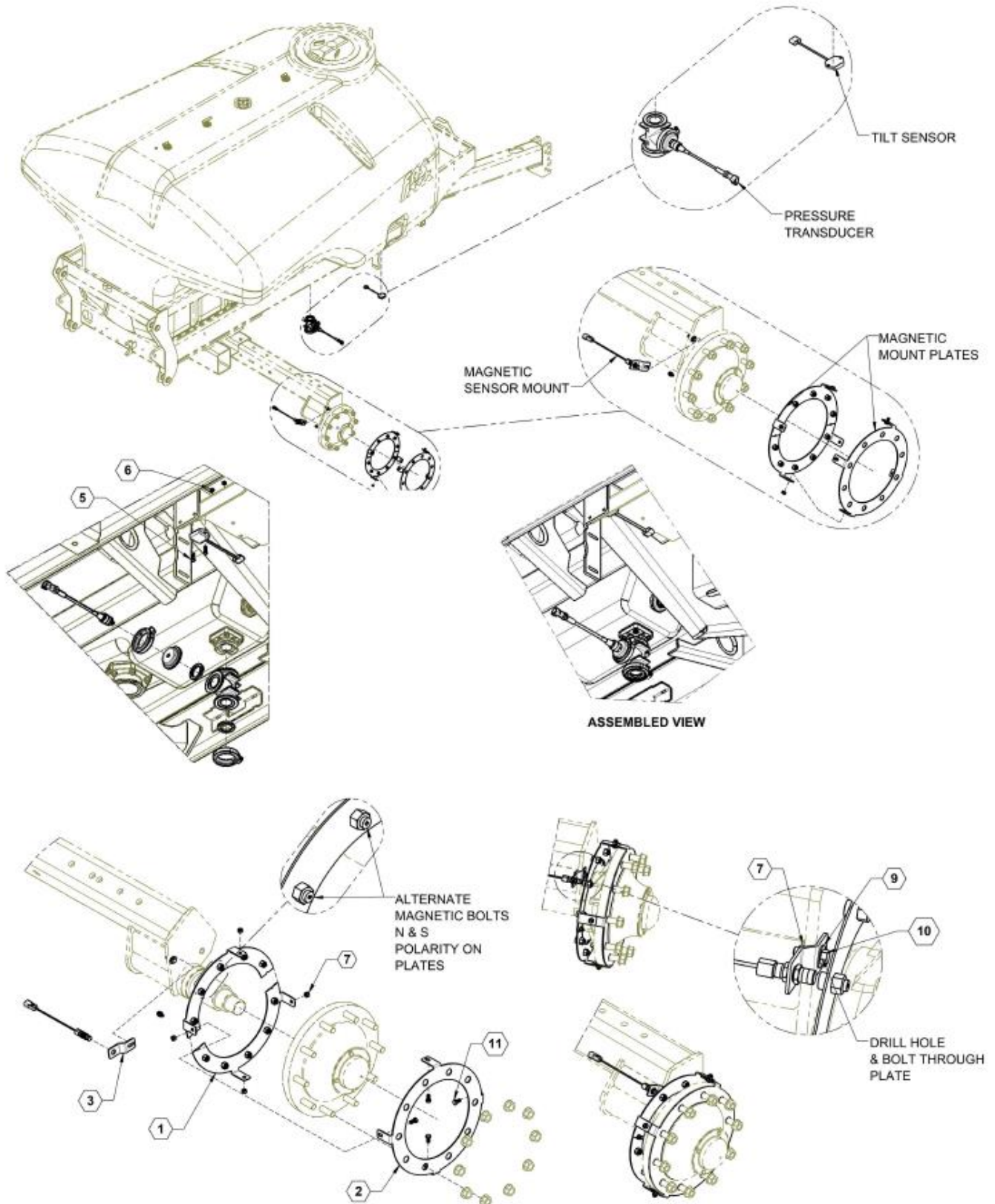
### Parts List 28176: Raven Steerable Hitch Reverse Sensors 15K (1800 Gallon)

ITEM	PART NO.	QTY.	DESCRIPTION
1	27237	1	BRACKET, REVERSE SENSOR
2	27238	2	PLATE, MAGNET MOUNT, 15K
3	596237M	1	NUT, CENTERLOCK 3/8-16 MAGNI
4	596258M	1	WASHER, FLAT 3/8 MAGNI
5	596635M	1	BOLT, HH 3/8-16 x 1-1/4 MAGNI
6	596834M	6	BOLT, 1/2-20X1 GR5 MAGNI



# ILLUSTRATED PARTS LIST

## Raven Steerable Hitch Reverse Sensors 20K (2600 Gallon)







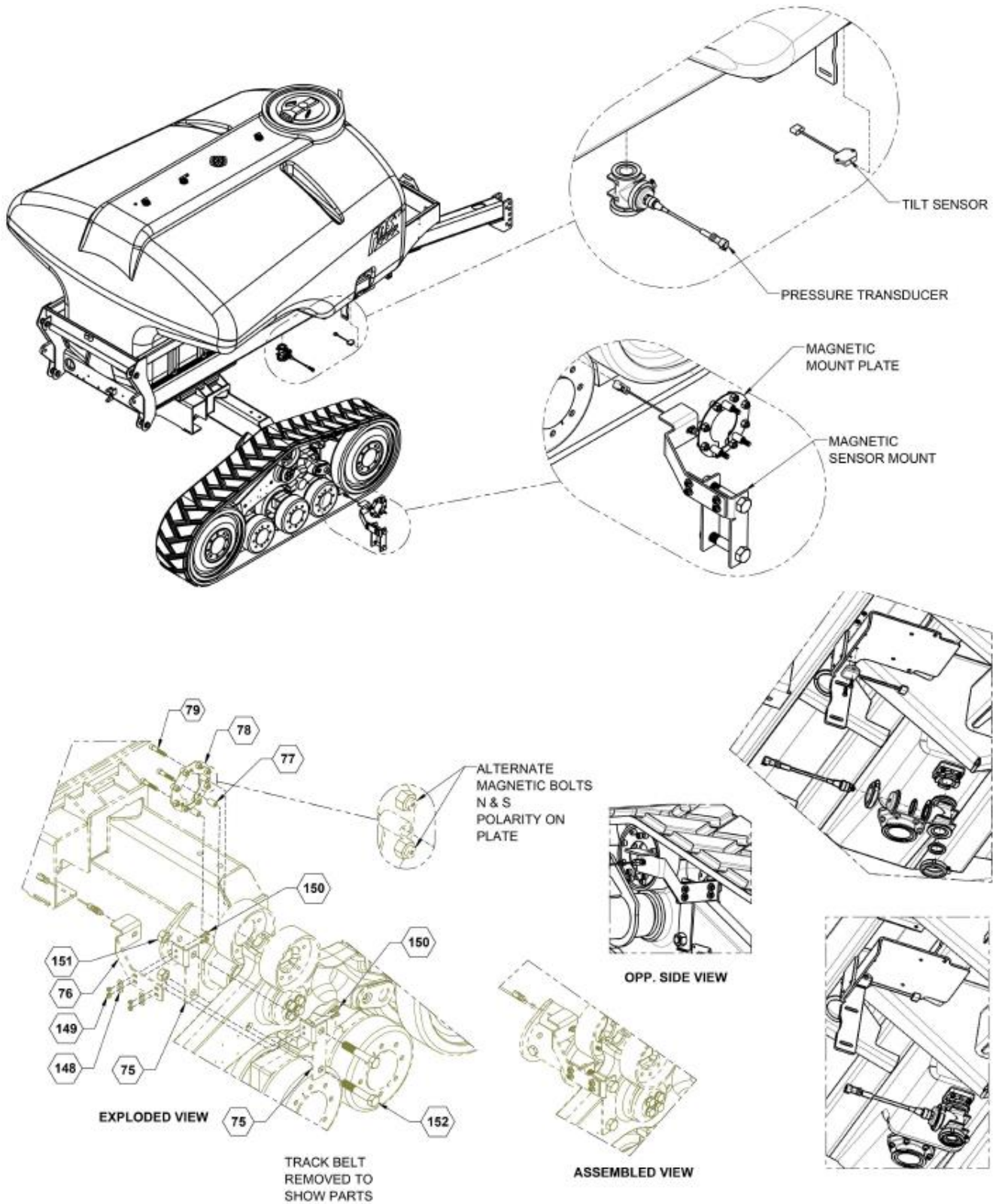
## ILLUSTRATED PARTS LIST

### Parts List 28177: Raven Steerable Hitch Reverse Sensors 20K (2600 Gallon)

ITEM	PART NO.	QTY.	DESCRIPTION
1	27234	2	PLATE, 20K MAGNET MOUNT, RAVEN STEERING
2	27236	1	PLATE, 20K HUB SIDE REVERSE SENSOR RING, RAVEN STEERING
3	27237	1	BRACKET, REVERSE SENSOR
4	596101M	2	BOLT, HH 1/4-20X3/4 GR5 MAGNI
5	596102M	2	BOLT, HH 1/4-20 X 1 GR5 MAGNI
6	596235M	4	NUT, CENTERLOCK, 1/4-20 MAGNI
7	596237M	5	NUT, CENTERLOCK 3/8-16 MAGNI
8	596256M	4	WASHER, FLAT 1/4 USS MAGNI
9	596258M	1	WASHER, FLAT 3/8 MAGNI
10	596635M	1	BOLT, HH 3/8-16 x 1-1/4 MAGNI
11	596818M	4	BOLT, HH 3/8-16 X 3/4 GR5 MAGNI

# ILLUSTRATED PARTS LIST

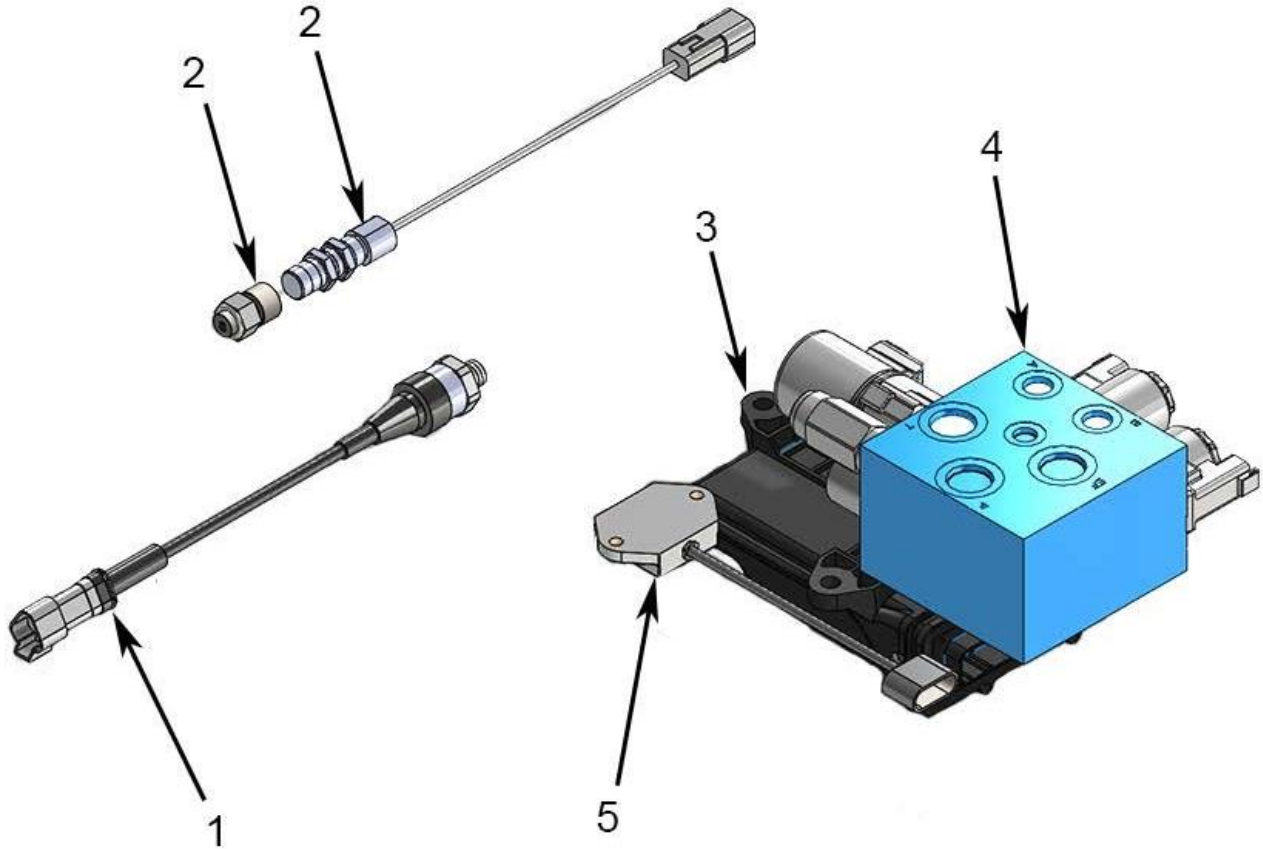
## Raven Steerable Hitch Reverse Sensors TTS (Tracks)



**Parts List 28175: Raven Steerable Hitch Reverse Sensors TTS (Tracks)**

ITEM	PART NO.	QTY.	DESCRIPTION
75	27239	2	BRACKET, VERTICAL SUPPORT
76	27240	1	BRACKET, SENSOR SUPPORT
77	27241	3	SPACER, MAGNET SENSOR PLATE
78	27242	1	PLATE, MAGNET MOUNT
79	596835M	3	SCREW, SOCKET HEAD CAP, M12X1.75X60MM 12.9 MAGNI
148	596258M	4	WASHER, FLAT 3/8 MAGNI
149	596237M	4	NUT, CENTERLOCK 3/8-16 MAGNI
150	596128M	4	BOLT, HH 3/8-16 X 1 GR5 MAGNI
151	596242M	2	NUT, CENTERLOCK, 1" MAGNI
152	596205M	2	BOLT, HEX 1-8X5-1/2 GR5 MAGNI

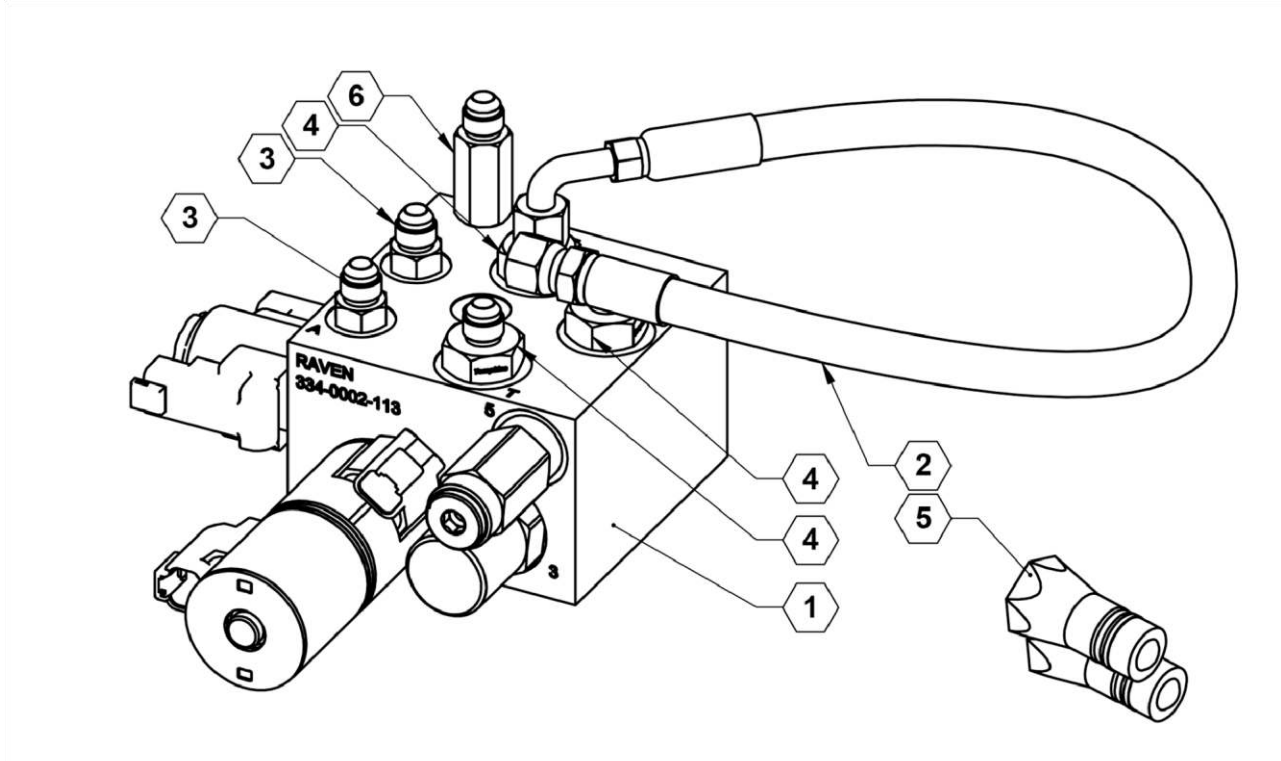
## Raven Steerable Hitch Kit



### Parts List: Raven Steerable Hitch Kit

ITEM	PART NO.	QTY.	DESCRIPTION
1	632097	1	PRESSURE TRANSDUCER
2	632096 R	1	REVERSE SENSOR
2	632096 S	4	WHEEL MAGNET SOUTH POLE
2	632096 N	4	WHEEL MAGNET NORTH POLE
3	632020	1	ISO STEERABLE HITCH NODE
4	632021	1	STEERING VALVE
5	632098	1	TILT SENSOR

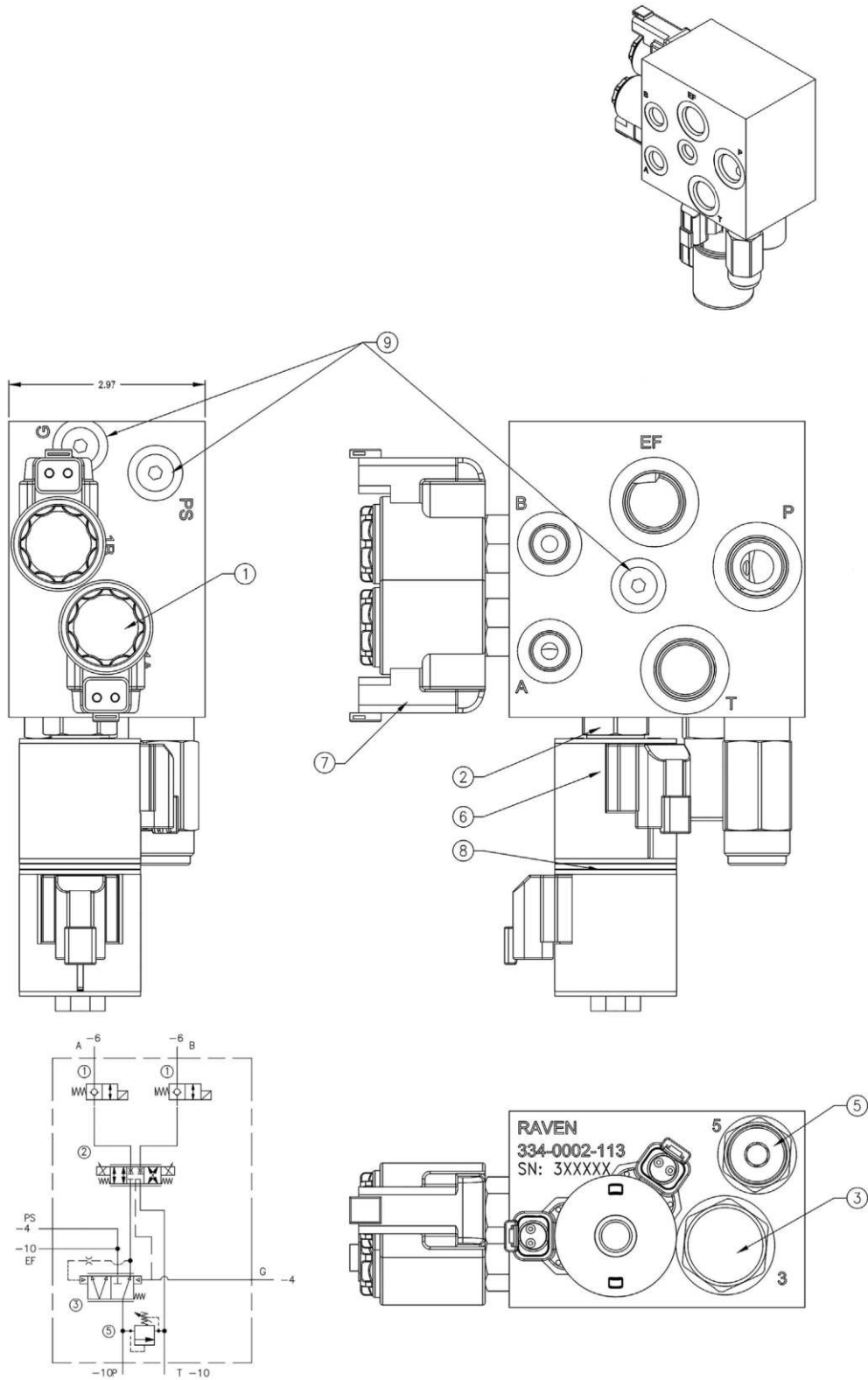
## Raven Steerable Applicator Kit



### Parts List: Raven Steerable Applicator Kit

ITEM	PART NO.	QTY.	DESCRIPTION
1	063-0131-130	1	RAVEN STEERING VALVE
2	214-1001-170	1	HOSE ASSEMBLY, 06-6FJX90-6FJX-24
3	333-0012-045	2	FITTING, ADAPTER, STRAIGHT, -6 JIC (M) TO -6 SAE O-RING (M)
4	333-0012-106	3	FITTING, ADAPTER, STRAIGHT, -6 JIC (M) TO -10 SAE O-RING (M)
5	333-0012-310	2	COUPLER, HYDRAULIC, -10 SAE O-RING (F) TO ISO AG (M)
6	334-0003-078	1	FITTING., CHECK VALVE, -6 JIC M/F, 5 PSI

**Raven Steering Valve**

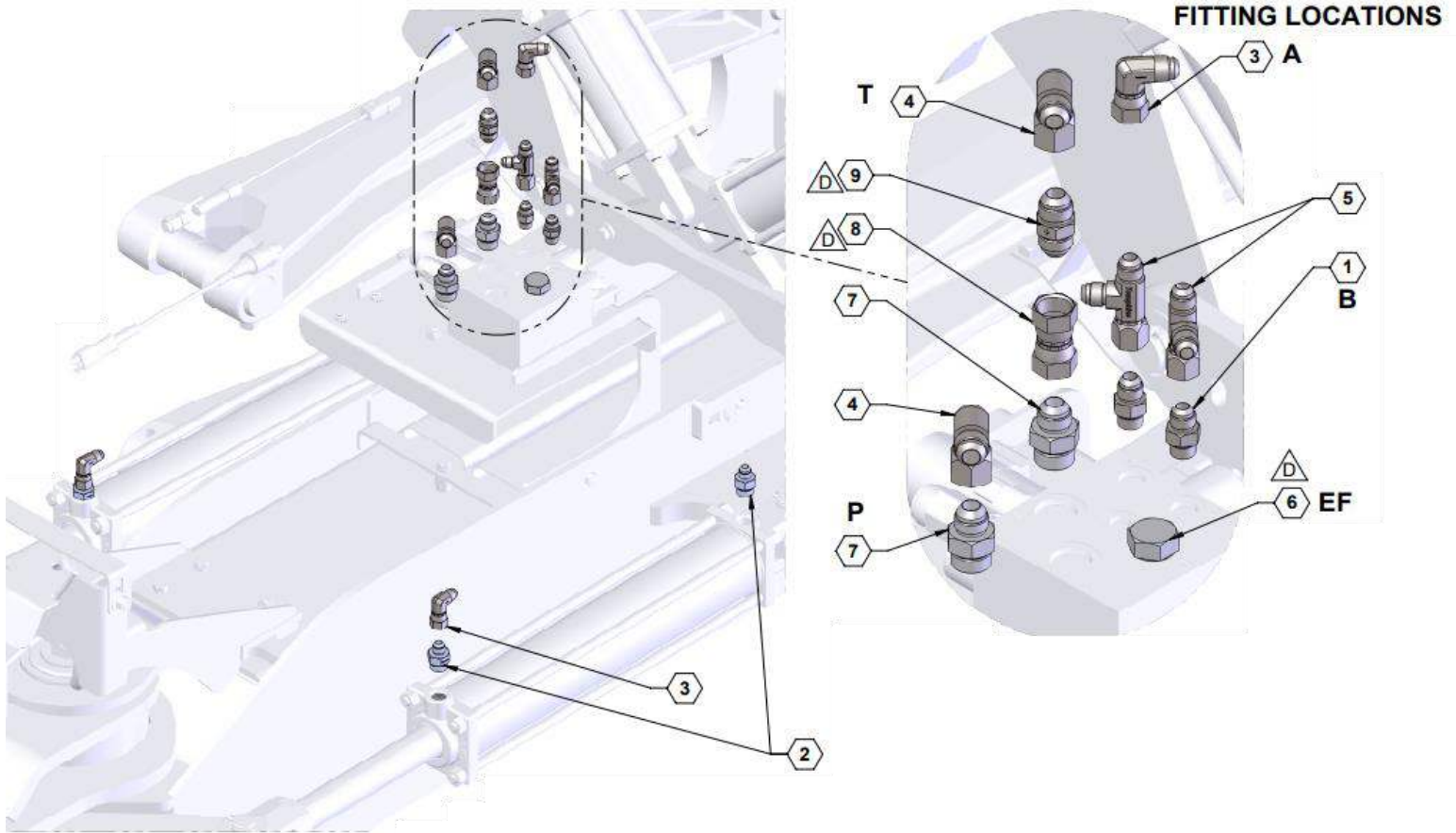




**Parts List: Raven Steering Valve**

<b>ITEM</b>	<b>PART NO.</b>	<b>VENDOR PART NO.</b>	<b>QTY.</b>	<b>DESCRIPTION</b>
0		063-0131-130	1	SMARTRAX VALVE (ITEMS 1-9)
1		334-0002-096	2	CARTRIDGE, BLOCKER, SINGLE, NORMALLY CLOSED
2		334-0002-097	1	CARTRIDGE, PROPORTIONAL, DIRECTIONAL
3		334-0002-102	1	PRORITY VALVE
4		334-0002-113	1	MANIFOLD
5		334-0002-103	1	RELIEF CARTRIDGE
6		334-0002-117	2	COIL
7		334-0002-118	2	COIL
8		334-0002-119	1	COIL SPACER
9		334-0002-051	3	PLUG

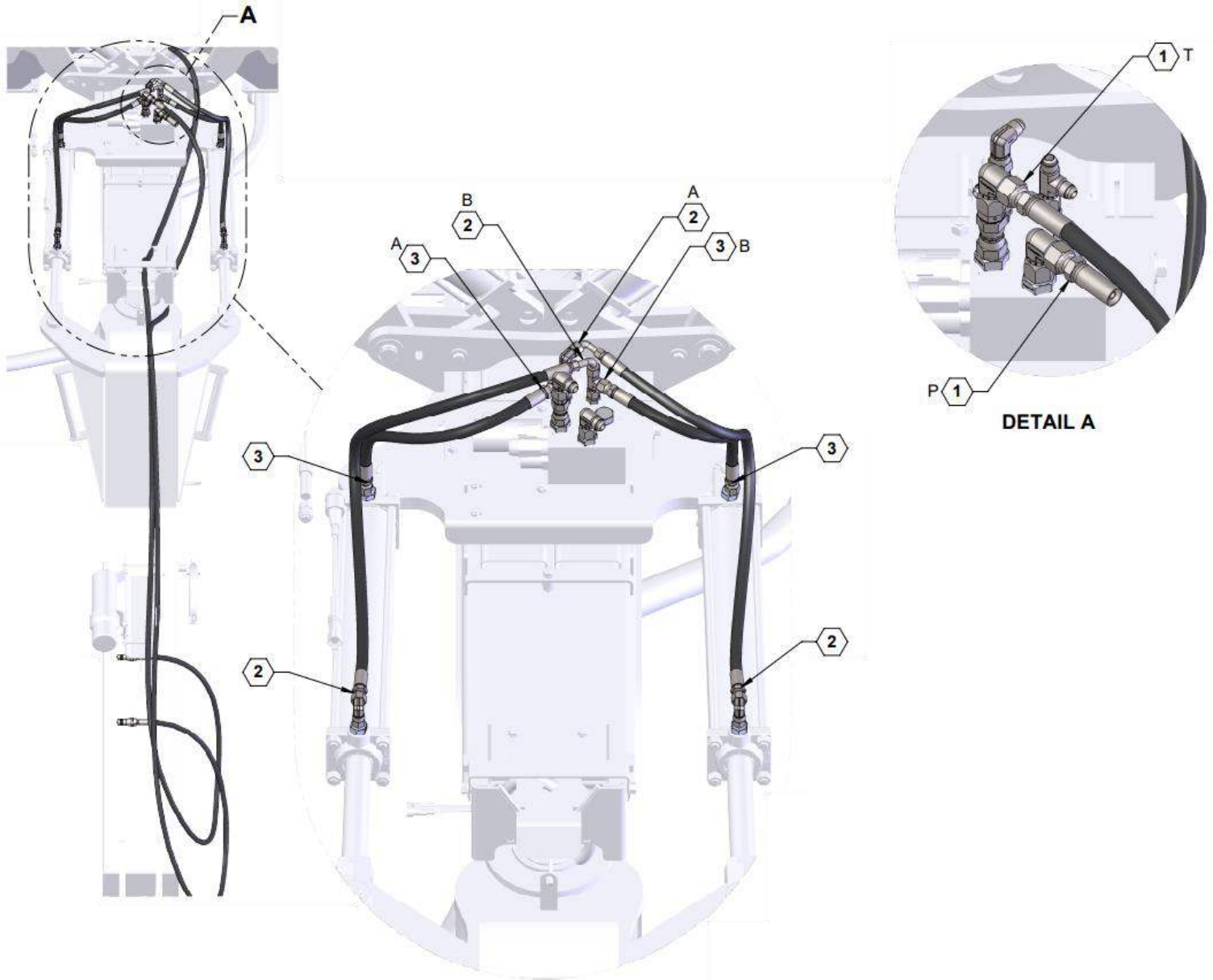
## Steerable Gooseneck Hydraulic Hoses & Fittings



### Parts List: Steerable Gooseneck Hydraulic Hoses & Fittings

ITEM	PART NO.	QTY.	DESCRIPTION
1	610010	2	ADAPTER, -6MJIC X -6MORB
2	610011	4	JIC#6 TO ORING #8
3	610023	3	ADAPTER, -6MJIC X -6FJX 90
4	610024	2	JIC #8 90 DEG
5	610027	2	JIC #6 TEE RUN
6	610056	1	PLUG, -10 MORB HEX
7	610060	2	JIC #8 TO ORING #10
8	610068	1	JIC #8 SWIVEL UNION
9	630043	1	INLINE CHECK VALVE

## Steerable Gooseneck Hydraulic Hoses & Fittings (cont.)

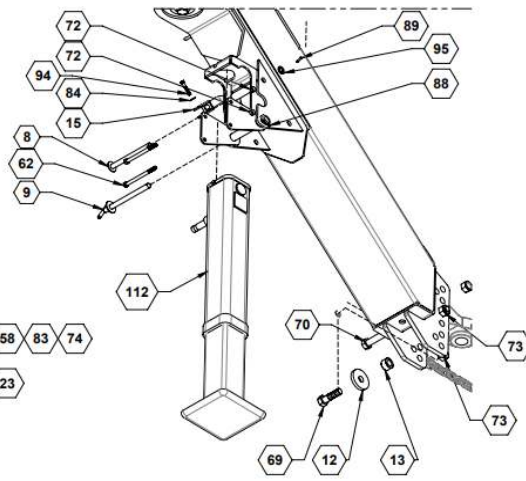
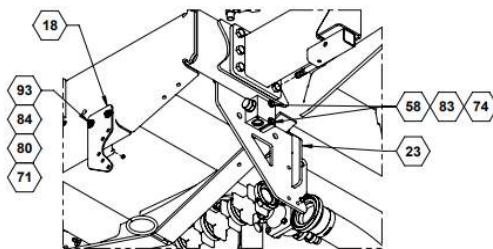
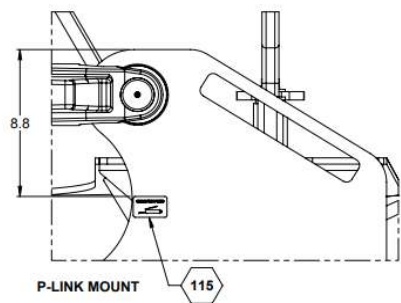
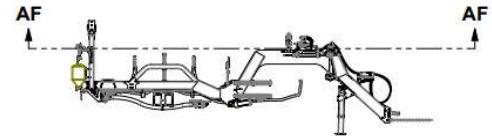
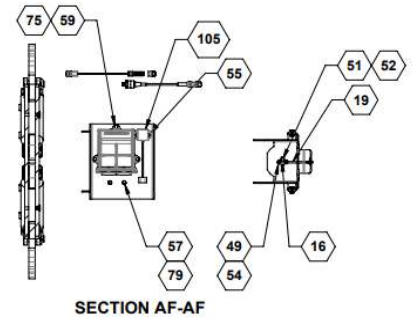
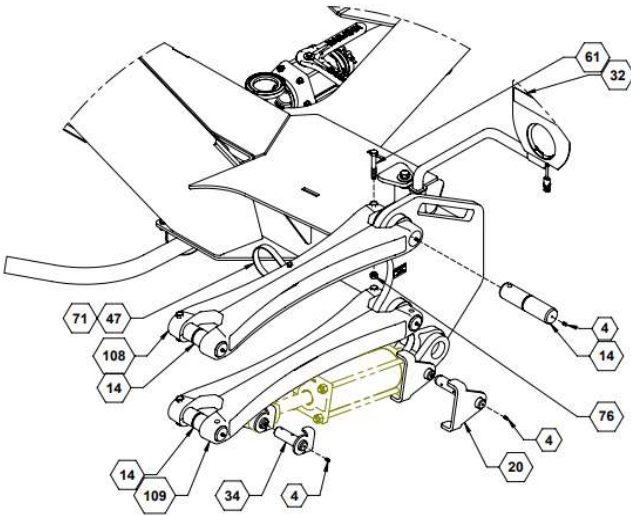
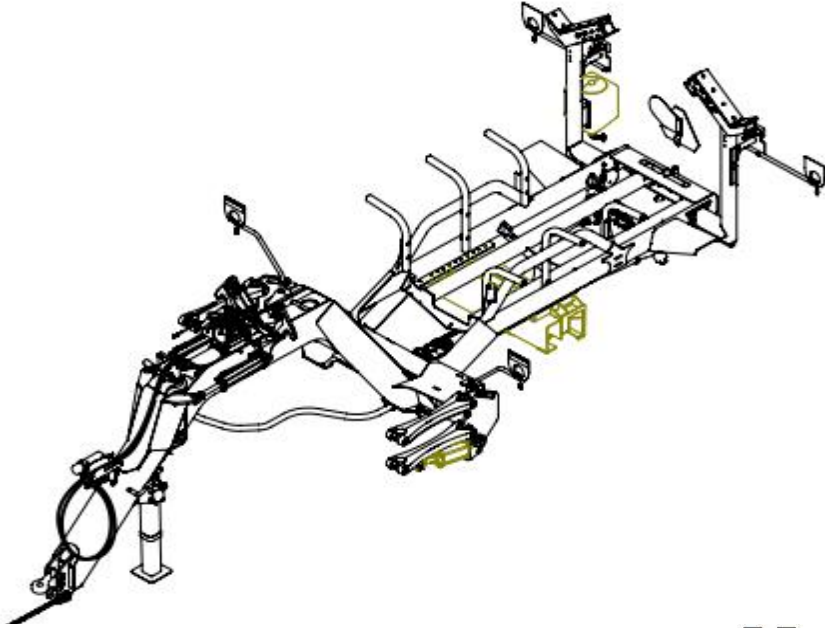


### Parts List: Steerable Gooseneck Hydraulic Hoses & Fittings (cont.)

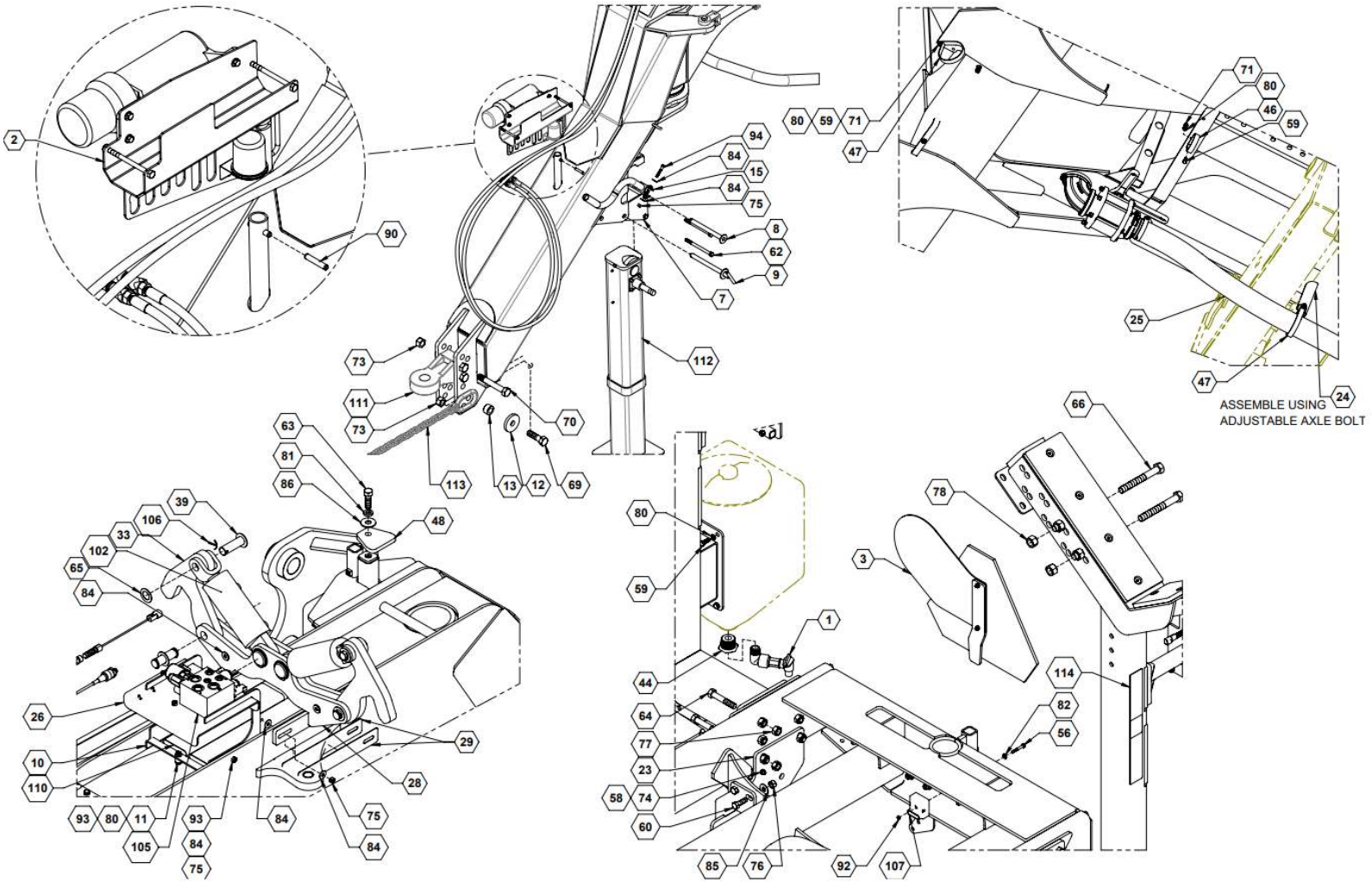
ITEM	PART NO.	QTY.	DESCRIPTION
1	600107-1	2	HOSE ASSY, 06-8FJX-8MOR-PIONEER-193
2	600107-2	2	HOSE ASSY, 06-6FJX90-6FJX-43
3	600107-3	2	HOSE ASSY, 06-6FJX-6FJX-23
4	610056	1	PLUG, -10 MORB HEX
5	630043	1	INLINE CHECK VALVE
6	610068	1	JIC #8 SWIVEL UNION

**STANDARD DUTY**

**Standard Duty, Steerable Welded Latch Cyl. Gooseneck Assembly**









## ILLUSTRATED PARTS LIST

### Parts List: Standard Duty, Steerable Welded Latch Cyl. Gooseneck Assembly

ITEM	PART NO.	QTY.	DESCRIPTION
1	90SAFCHWF	1	FC HAND WASH FAUCET ASSY
2	90SAHMH	1	HOSE/MANUAL HOLDER
3	90SASMVWOSIS	1	SMV ASSEMBLY W/O SIS DECAL
4	759	13	ZERK, 1/4-28 STRAIGHT PIPE THREAD
5	761	1	ZERK, 90°, 1/4-28 STRAIGHT PIPE THREAD
6	15179	2	PIN, LATCH CLY BASE
7	15430	1	JACK HOLDER WELDMENT
8	15437	1	PIN, JACK LINKAGE
9	15440	1	PIN, JACK LOCK
10	15558	3	BRACKET, HOSE
11	15566	3	SPACER, HOSE BRACKET
12	15829	1	WASHER PLATE, SAFTEY CHAIN
13	15835	1	BUSHING, SAFETY CHAIN SPACER
14	15848	8	PIN, CAST LIFTARM
15	17846	1	JACK CRANK WELDMENT
16	21495	1	180 ROTARY SENSOR
17	21995	2	SUBASSY, WING REST CRADLE
18	22253	1	PLATE, QUICK FILL VALVE MOUNT
19	22906	1	ROD, ROTARY SENSOR LEVER
20	23385	2	PIN WELDMENT, MAIN LIFT
21	26954	4	TUBE, SUPPORT, FENDER
22	26955	2	TUBE, SUPPORT FENDER MID
23	26960	1	WELDMENT, PUMP MOUNT
24	26975	1	WELDMENT, HOSE MOUNT
25	26982	1	ASSY, STD PRODUCT PLUMBING
26	27093	1	WELDMENT, VALVE MOUNT
27	27169	1	PLATE, HOSE HOLDER
28	27211	1	WELDMENT, TRANSPORT LATCH
29	27213	4	PLATE, TRANSPORT LATCH SHIM
30	27877	1	WELDMENT, WING REST
31	27878	1	WELDMENT, WING REST RH
32	27880	1	ASSY, LIGHTING AND MARKING
33	27908	2	PLATE, TRANSPORT LATCH ARM
34	28915	2	PIN WELDMENT, ROD END MAIN LIFT
35	28975	1	WELDMENT, STEERABLE TRAILER
36	34619	3	SHIM, KINGPIN
37	34625	1	WELDMENT, STEERABLE NECK





## ILLUSTRATED PARTS LIST

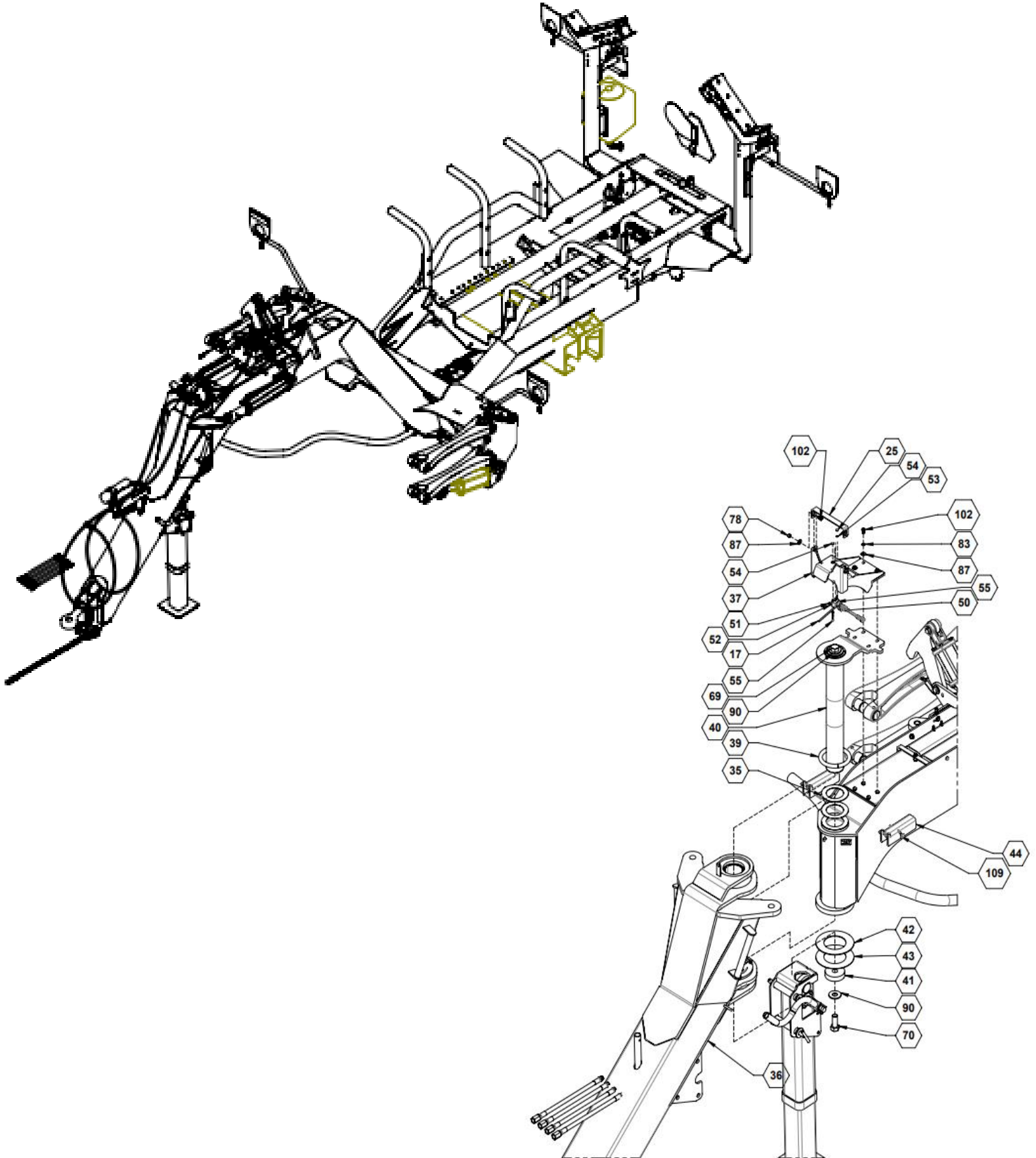
38	34632	1	WELDMENT, HOSE SUPPORT
39	34633	2	PIN, CYLINDER WELDED
40	34636	1	O-RING, STEERABLE GNECK SEAL
41	34640	1	WELDMENT, KINGPIN
42	34642	1	PLATE, CLAMP PUCK
43	34643	1	POLY, THRUST WASHER
44	530143	1	REDUCER, 1-1/4" MPT X 3/4" FPT
45	530281	4	SPRING BUSHING 1" I.D.
46	540052	5	P-CLAMP, 3" W/ 3/8" HOLE
47	540053	4	P-CLAMP, 4" W/ 3/8" HOLE
48	590023	2	TAB, HOLD DOWN
49	590272	4	WASHER SAE #10 SS18-8
50	590274	2	NUT TYLON 10-24 SS18-8
51	590275	1	SCREW PHIL 3-48 X .625 SS18-8
52	590276	1	NUT NYLON 3-48 SS18-8
53	590277	1	WASHER #3 SS18-8
54	590336	2	BOLT, HH, 10-24 X 1.5" ZP
55	596101M	2	BOLT, HH 1/4-20 X 3/4 GR5 MAGNI
56	596104M	1	BOLT, HH 1/4-20 X 1-3/4 GR5 MAGNI
57	596114M	2	BOLT, HH 5/16-18 X 3/4 GR5 MAGNI
58	596119M	2	BOLT, HH 5/16-18 X 3 GR5 MAGNI
59	596128M	13	BOLT, HH 3/8-16 X 1 GR5 MAGNI
60	596153M	2	BOLT, HH 1/2-13 X 1-1/2 GR5 MAGNI
61	596157M	8	BOLT, HH 1/2 X 3-1/2 GR5 MAGNI
62	596163M	2	BOLT, HH 1/2 X 6-1/2 GR5 MAGNI
63	596170M	2	BOLT, HH 5/8-11 X 2 GR5 MAGNI
64	596175M	8	BOLT, HH 5/8-11 X 3-1/2 GR8 MAGNI
65	596179M	6	BUSHING, MACHINED 1" X 14GA MAGNI
66	596192M	4	BOLT, HH 3/4-10 X 6 GR5 MAGNI
67	596198M	1	BOLT, HH 1-8 X 2 GR5 MAGNI
68	596199M	1	BOLT, HH 1-8 X 2-1/2 GR5 MAGNI
69	596201M	1	BOLT, HEX 1-8 X 3-1/2 GR5 MAGNI
70	596208M	2	BOLT, HH 1-8 X 6-3/4 GR5 MAGNI
71	596213M	13	NUT, NEX 3/8-16 MAGNI
72	596231M	2	NUT, HEX NYLOCK 1/2-13 MAGNI
73	596234M	3	NUT, HEX NYLOCK 1-8 MAGNI
74	596236M	2	NUT, CENTERLOCK, 5/16-18 MAGNI
75	596237M	26	NUT, CENTERLOCK 3/8-16 MAGNI
76	596239M	10	NUT, CENTERLOCK, 1/2-13 MAGNI
77	596240M	12	NUT, CENTERLOCK 5/8-11 MAGNI



## ILLUSTRATED PARTS LIST

78	596241M	4	NUT, CENTERLOCK 3/4-10 MAGNI
79	596249M	2	LOCKWASHER 5/16 MAGNI
80	596250M	24	LOCKWASHER, 3/8 MAGNI
81	596253M	2	LOCKWASHER 5/8 MAGNI
82	596256M	1	WASHER, FLAT 1/4 USS MAGNI
83	596257M	2	WASHER, FLAT 5/16 USS MAGNI
84	596258M	38	WASHER, FLAT 3/8 MAGNI
85	596260M	2	WASHER, FLAT 1/2 MAGNI
86	596261M	2	WASHER, FLAT 5/8 MAGNI
87	596276M	2	WASHER, FLAT 1" MAGNI
88	596296M	1	LYNCH PIN, 1/4 X 1-3/4 MAGNI
89	596299M	1	ROLL PIN, 1/4 X 1-1/2"
90	596300M	1	SPRING PIN, 3/8 X 2 MAGNI
91	596592M	3	BOLT, CARRIAGE 3/8-16 X 1 MAGNI
92	596622M	1	NUT, TOPLOCK, 1/4-20 MAGNI
93	596635M	19	BOLT, HH 3/8-16 X 1-1/4 MAGNI
94	596636M	1	BOLT, HH 3/8-16 X 2-1/4 GR5 MAGNI
95	596738M	1	MACHINED BUSHING 3/4" 10GA
96	596744M	4	BUSHING, MACHINE, 1-1/4 X 14 GA MAGNI
97	596746M	4	SPRING PIN 5X50mm MAGNI
98	596747M	4	SNAP RING, 2" MAGNI
99	596800M	4	BOLT, HH 5/8-11 X 4 GR8 MAGNI
100	596818M	6	BOLT, HH 3/8-16 X 3/4 GR5 MAGNI
101	600107	1	STRBL GSNCK HYD KIT
102	620026	2	CYLINDER 3X4 CUSTOM WING LATCH
102	34324	2	ASSY, SINGLE LUG TIE ROD CYLINDER
103	620057	2	CYLINDER 30THX16.00-150
104	620072	1	PIN, CYLINDER, 1" X 3-3/8", KIT PKG OF 2
105	632092	1	KIT, STEER, APPLICATOR, GEN 1 ISO
106	730033	2	COTTER PIN, N669, 4-BOLT
107	740031	1	LIGHT MODULE, SAFETY FLASHER
108	750051M	2	UPPER LIFTARM CASTING
109	750052M	2	LOWER LIFTARM CASTING
110	790018	2	HOSE SLEEVE
111	790040	1	HITCH CAT 4 BLACK ARTICULATING
112	790045	1	JACK, JOST, 25,000 LB LIFTING
113	790050	1	SAFETY CHAIN, 30,000 LB
114	800110	2	DECAL, AMBER, REFLECTOR
115	800287	5	DECAL, GREASE PIVOT POINTS

**Standard Duty, Steerable Tie Rod Latch Cyl. Gooseneck Assembly**









## ILLUSTRATED PARTS LIST

### Parts List: Standard Duty, Steerable Tie Rod Latch Cyl. Gooseneck Assembly

ITEM	PART NO.	QTY.	DESCRIPTION
1	90SAFCHWF	1	FC HAND WASH FAUCET ASSEMBLY
2	90SAHMH	1	HOSE/MANUAL HOULDER
3	90SASMVWOSIS	1	SMV ASSEMBLY W/O SIS DECAL
4	759	13	ZERK, 1/4-28 STRAIGHT PIPE THREAD
5	761	1	ZERK, 90°, 1/4-28 STRAIGHT PIPE THREAD
6	15430	1	JACK HOLDER WELDMENT
7	15437	1	PIN, JACK LINKAGE
8	15440	1	PIN, JACK LOCK
9	15558	3	BRACKET, HOSE
10	15566	3	SPACER, HOSE BRACKET
11	15829	1	WASHER PLATE, SAFETY CHAIN
12	15835	1	BUSHING, SAFETY CHAIN SPACER
13	15848	8	PIN, CAST LIFTARM
14	17846	1	JACK CRANK WELDMENT
15	21995	2	SUBASSY, WING REST CRADLE
16	22253	1	PLATE, QUICK FILL VALVE MOUNT
17	22906	1	ROD, ROTARY SENSOR LEVER
18	23385	2	PIN, WELDMENT, MAIN LIFT
19	26954	4	TUBE, SUPPORT, FENDER
20	26955	2	TUBE, SUPPORT FENDER MID
21	26960	1	WELDMENT, PUMP MOUNT
22	26975	1	WELDMENT, HOSE MOUNT
23	26982	1	ASSY, STD PRODUCT PLUMBING
24	27093	1	WELDMENT, VALVE MOUNT
25	27169	1	PLATE, HOSE HOLDER
26	27213	4	PLATE, TRANSPORT LATCH SHIM
27	27877	1	WELDMENT, WING REST
28	27878	1	WELDMENT, WING REST RH
29	27880	1	ASSY, LIGHTING AND MARKING
30	28915	2	PIN WELDMENT, ROD END MAIN LIFT
31	28975	1	WELDMENT, STEERABLE TRAILER
32	28988	1	ASSY, 180 DEG SENSOR & ADAPTER HARNESS
33	34543	2	PLATE, TRANSPORT LATCH ARM
34	34545	1	WELDMENT, TRANSPORT LATCH
35	34619	3	SHIM, KINGPIN
36	34625	1	WELDMENT, STEERABLE NECK
37	34632	1	WELDMENT, HOSE SUPPORT
38	34633	2	PIN, CYLINDER WELDED
39	34636	1	O-RING, STEERABLE GNECK SEAL



## ILLUSTRATED PARTS LIST

40	34640	1	WELDMENT, KINGPIN
41	34642	1	PLATE, CLAMP PUCK
42	34651	1	WASHER, SS THRUST
43	34562	1	WASHER, SS THRUST
44	34683	2	PLATE, CYLINDER STOP
45	530143	1	REDUCER, 1-1/4" MPT X 3/4" FPT
46	530281	4	SPRING BUSHING 1" I.D.
47	540052	5	P-CLAMP, 3" W/3/8" HOLE
48	540053	4	P-CLAMP, 4" W/3/8" HOLE
49	590023	2	TAB, HOLD DOWN
50	590275	1	SCREW PHIL 3-48 X .625 SS 18-8
51	590276	1	NUT, NYLON 3-48 SS18-8
52	590277	1	WASHER #3 SS18-8
53	590435	4	WASHER #8 SS
54	590436	2	NUTM NYLOCK, 8-32 SS
55	590437	2	SCREW, #8-32 X 2" SS
56	596101M	2	BOLT, HH 1/4-20 X 3/4 GR5 MAGNI
57	596104M	1	BOLT, HH 1/4-20 X 1-3/4 GR5 MAGNI
58	596114M	2	BOLT, HH 5/16-18 X 3/4 GR MAGNI
59	596119M	2	BOLT, HH 5/16-18 X 3 GR5 MAGNI
60	596128M	13	BOLT, HH 3/8-16 X 1 GR5 MAGNI
61	596129M	10	BOLT, HH 3/8-16 X 1-1/2 GR5 MAGNI
62	596153M	2	BOLT, HH 1/2-13 X 1-1/2 GR5 MAGNI
63	596157M	8	BOLT, HH 1/2 X 3-1/2 GR5 MAGNI
64	596163M	2	BOLT, HH 1/2 X 6-1/2 GR5 MAGNI
65	596170M	2	BOLT, HH 5/8-11 X 2 GR5 MAGNI
66	596175M	8	BOLT, HH 5/8-11 X 3-1/2 GR8 MAGNI
67	596179M	6	BUSHING, MACHINED 1" X 14GA MAGNI
68	596192M	4	BOLT, HH 3/4-10 X 6 GR5 MAGNI
69	596198M	1	BOLT, HH 1-8 X 2 GR5 MAGNI
70	596199M	1	BOLT, HH 1-8 X 2-1/2 GR5 MAGNI
71	596201M	1	BOLT, HEX 1-8 X 3-1/2 GR5 MAGNI
72	596208M	2	BOLT, HH, 1-8 X 6-3/4 GR5 MAGNI
73	506213M	13	NUT, HEX 3/8-16 MAGNI
74	596231M	2	NUT, HEX NYLOCK 1/2-13 MAGNI
75	596234M	3	NUT, HEX NYLOCK 1-8 MAGNI
76	596235M	2	NUT, CENTERLOCK, 1/4-20 MAGNI
77	596236M	2	NUT, CENTERLOCK, 5/16-18 MAGNI
78	596237M	26	NUT, CENTERLOCK, 3/8-16 MAGNI
79	596239M	10	NUT, CENTERLOCKM 1/2-13 MAGNI
80	596240M	12	NUT, CENTERLOCK, 3/4-10
81	596241M	4	NUT, CENTERLOCK 3/4-10 MAGNI
82	596249M	2	LOCKWASHER, 5/16 MAGNI

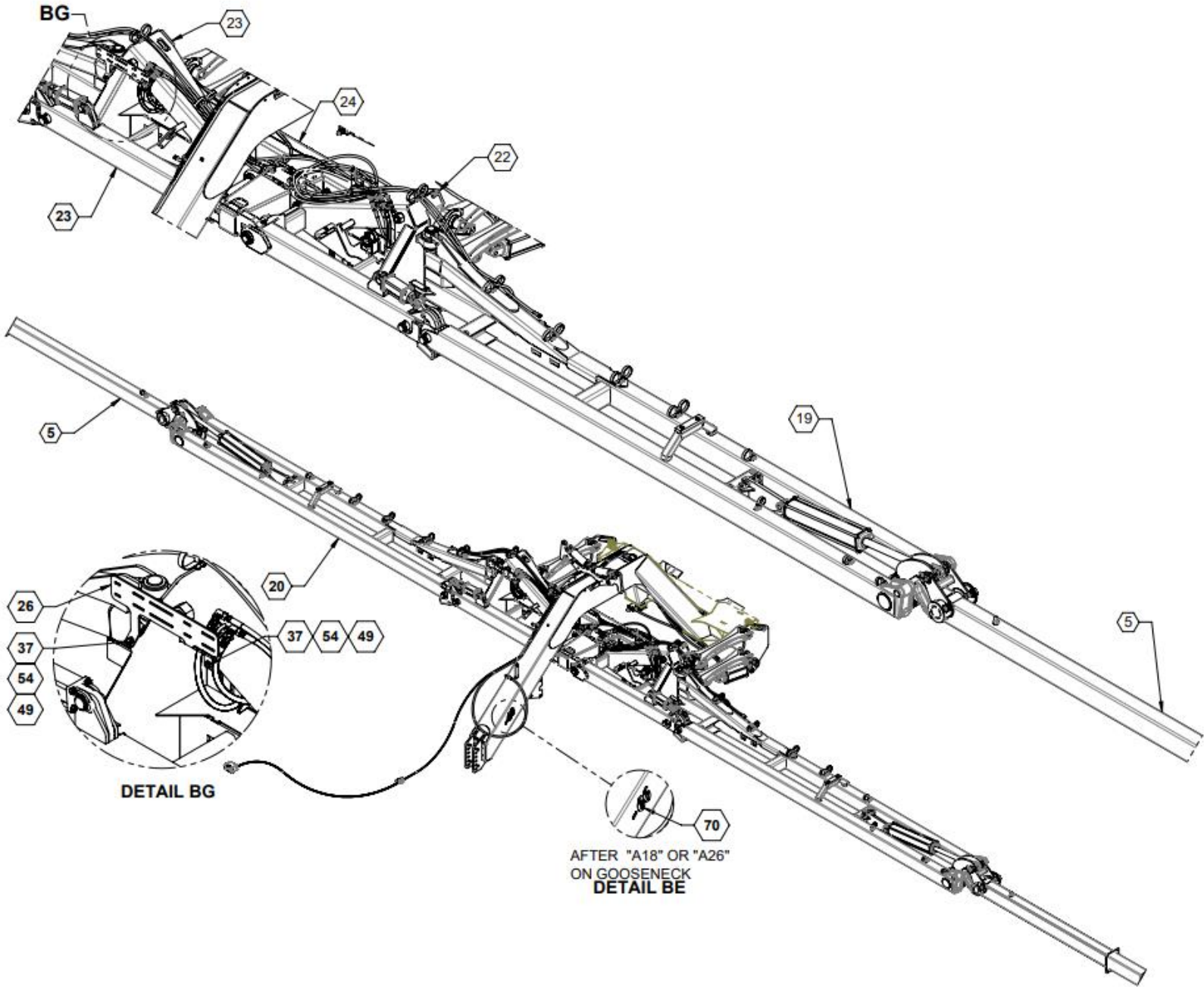




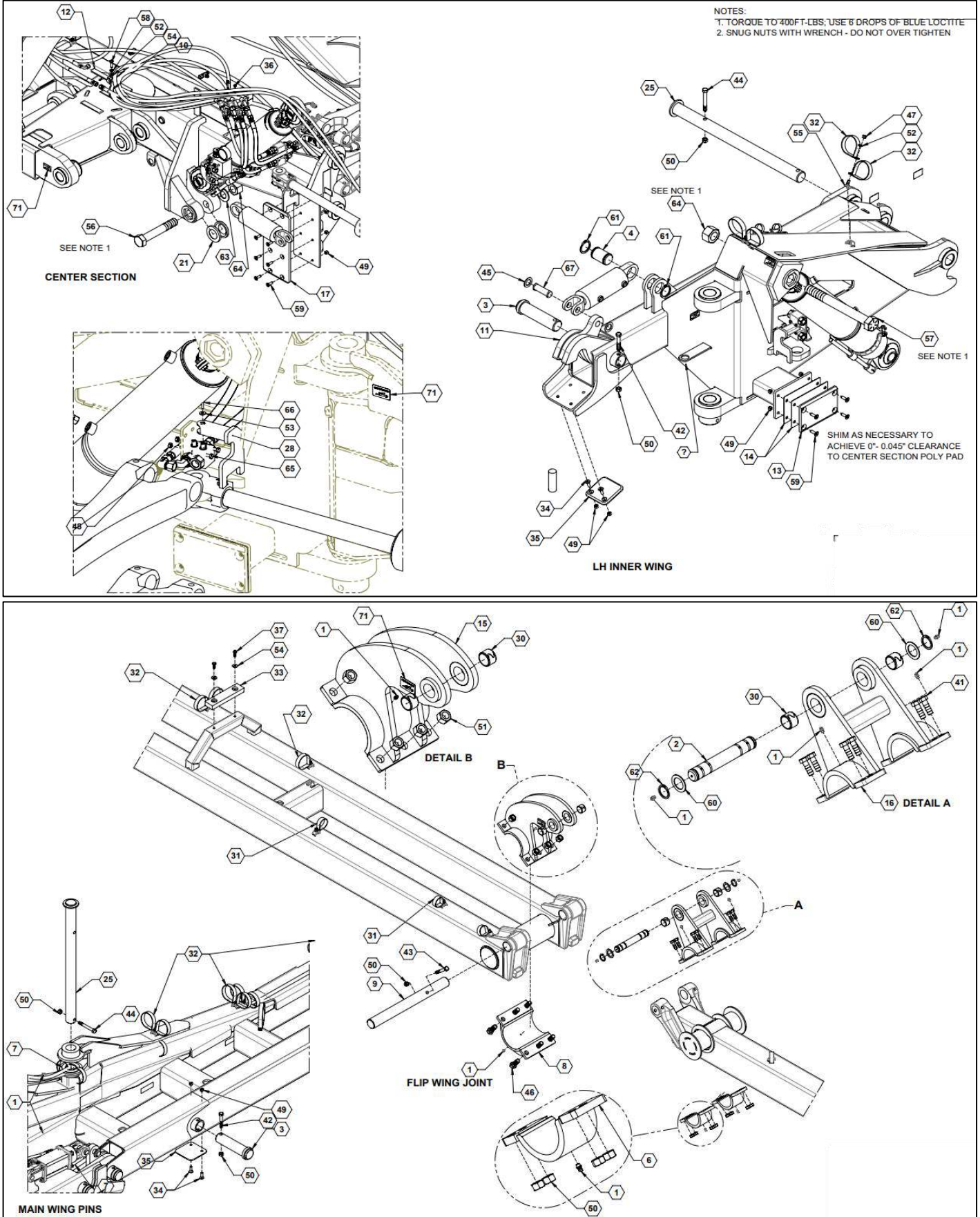
## ILLUSTRATED PARTS LIST

83	596250M	24	LOCKWASHER, 3/8 MAGNI
84	596253M	2	LOCKWASHER 5/8 MAGNI
85	596256M	1	WASHER, FLAT 1/4 USS MAGNI
86	596257M	2	WASHER, FLAT 5/16 USS MAGNI
87	596258M	38	WASHER, FLAT 3.8 MAGNI
88	596260M	2	WASHER, FLAT 1/2 MAGNI
89	596261M	2	WASHER, FLAT 5/8 MAGNI
90	596276M	2	WASHER, FLAT 1" MAGNI
91	596296M	1	LYNCH PIN, 1/4 X 1-3/4 MAGNI
92	596299M	1	ROLL PIN, 1/4 X 1-1/2"
93	596300M	1	SPRING PIN, 3/8 X 2 MAGNI
94	596592M	3	BOLT, CARRIAGE 3/8-16 X 1 MAGNI
95	596622M	1	NUT, TOPLOCK 1/4-20 MAGNI
96	596635M	19	BOLT, HH 3/8-16 X 1-1/4 MAGNI
97	596636M	1	BOLT, HH 3/8-16 X 2-1/4 GR5 MAGNI
98	596738M	1	MACHINED BUSHING 3/4" 10GA
99	596744M	4	BUSHING, MACHINE, 1-1/4 X 14 GA MAGNI
100	596746M	4	SPRING PIN 5 X 50mm MAGNI
101	596800M	4	BOLT, HH 5/8-11 X 4 GR8 MAGNI
102	596818M	6	BOLT, HH 3/8-16 X 3/4 GR5 MAGNI
103	600107	1	STRBL GSNECK HYD KIT
104	600123	1	KIT, A SERIES HYDRAULIC EXTENSION
105	620057	2	CYLINDER, 30THC16.00-150
106	620072	1	PIN, CYLINDER, 1" X 3-3/8", KIT PKG OF 2
107	620105	1	CYLINDER, 3"X4" X 1.25 ROD TIE ROD
108	632092	1	KIT, STEER, APPLICATOR, GEN 1 ISO
109	720001	2	SNAP PIN, 5/16
110	730033	2	COTTER P
111	740031	1	LIGHT MODULE, SAFETY FLASHER
112	750051M	2	UPPER LIFTARM CASTING
113	750052M	2	LOWER LIFTARM CASTING
114	790018	2	HOSE SLEEVE
115	790040	1	HITCH CAT 4 BLACK ARTICULATING
116	790045	1	JACK, JOST, 25,000 LB LIFTING
117	790050	1	SAFETY CHAIN, 30,000 LB
118	800110	2	DECAL, AMBER, REFLECTOR
119	800287	5	DECAL, GREASE PIVOT POINTS

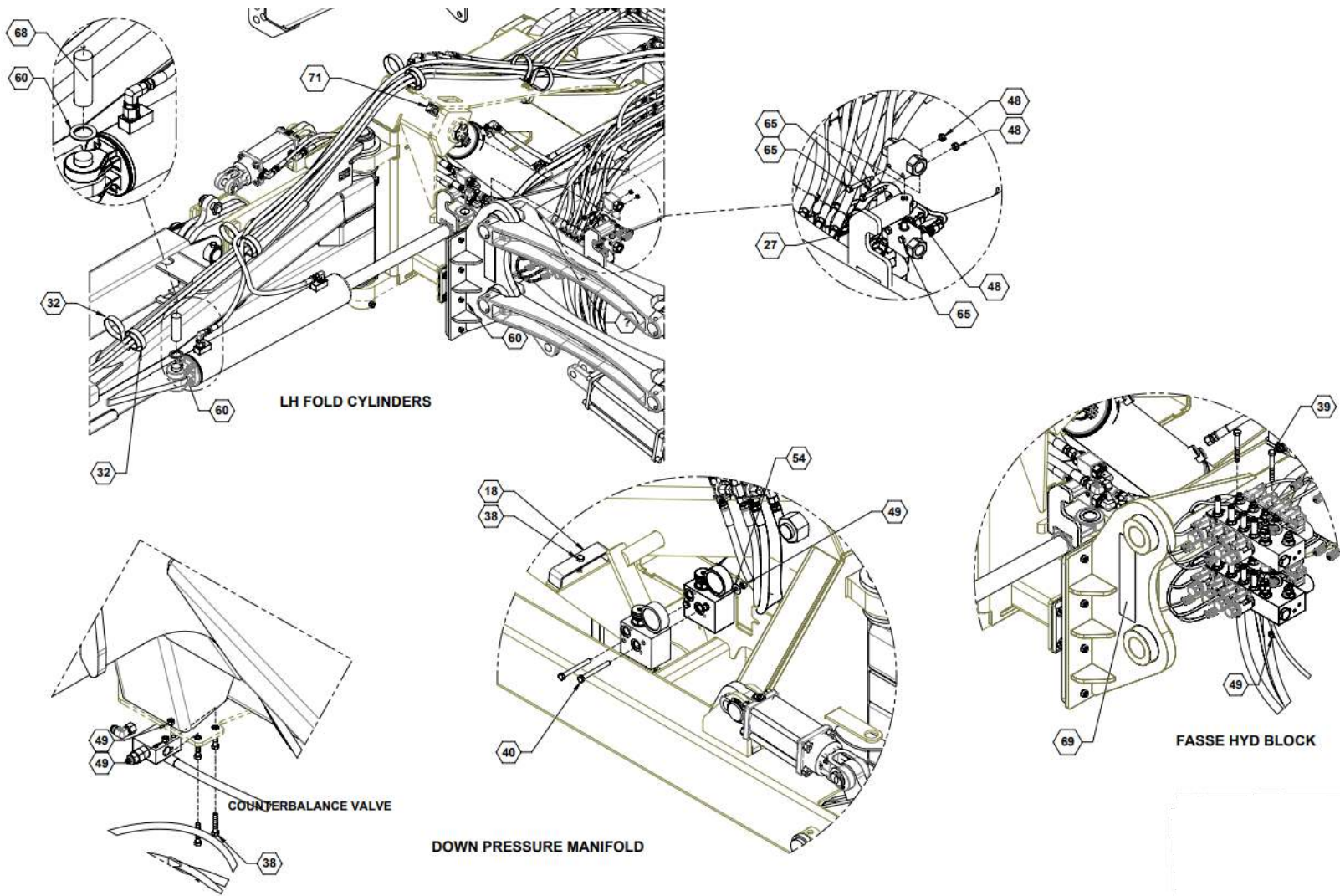
**Standard Duty, 66' Welded Latch Cyl. Assembly**



# ILLUSTRATED PARTS LIST









## ILLUSTRATED PARTS LIST

### Parts List: Standard Duty, 66' Welded Latch Cyl. Assembly

ITEM	PART NO.	QTY.	DESCRIPTION
1	759	1	ZERK, 1/4-28 STRAIGHT PIPE THREAD
2	15137	2	PIN, FLIP WING LINKAGE
3	15155	4	WELDMENT, LATCH PIN
4	15179	2	PIN, LATCH CYL BASE
5	15226	2	60' FLIP WING
6	15232	4	LINKAGE BASE WELDMENT
7	15277	12	WASHER, STAINLESS STEEL
8	15537	2	LINKAGE BASE WELDMENT
9	15539	2	PIN, FLIP WING
10	15566	1	SPACER, HOSE BRACKET
11	15630	2	LATCH WELDMENT
12	15844	1	PLATE, HOSE HOLDER
13	21090	2	PAD, UHMW, WING BUMP
14	21091		PLATE, BUMP PAD SHIM
15	21092	2	WELDMENT, FLIP LINKAGE MAIN
16	21094	2	WELDMENT, OUTER FLIP LINKAGE
17	21922	2	UHMW, CNTR LWR BUMP PAD
18	26813	2	PLATE, HOSE HOLD DOWN
19	27070	1	WELDMENT, LH MAIN WING
20	27071	1	WELDMENT, RH MAIN WING
21	27918	4	UHMW, CYLINDER SPACE RING
22	28650	1	WELDMENT, LH INNER WING
23	28660	1	WELDMENT, RH INNER WING
24	28680	1	WELDMENT, CENTER TOOLBAR
25	28692	4	WELDMENT, WING PIVOT PIN
26	28695	1	BRACKET, VALE MOUNT
27	28820	1	WELDMENT, LH VALVE HANDLE
28	28823	1	WELDMENT, RH HANDLE
29	28900	1	ASSY, STANDARD HYDRAULICS
30	530291	8	BUSHING, 1-1/4" I.D. X 1" LG
31	540051	10	P-CLAMP, 2" W/3/8" HOLE



## ILLUSTRATED PARTS LIST

32	540052	28	P-CLAMP, 3" W/3/8" HOLE
33	590065	2	BUMPER PAD, WING REST
34	590133	8	BOLT, FHSCS 3/8 X 1-1/4 SS
35	590265	4	PLATE, WEAR
36	596110M	2	BOLT, HH 1/4-20 X 3 MAGNI
37	596128M	6	BOLT, HH 3/8-16 X 1 GR5 MAGNI
38	596130M	4	BOLT, HH 3/8-16 X 2 GR5 MAGNI
39	596132M	2	BOLT, HH 3/8-16 X 2 GR5 MAGNI
40	596133M	2	BOLT, HH 3/8 X 3-1/2 GR5 MAGNI
41	596153M	16	BOLT, HH 1/2-13 X 1-1/2 GR5 MAGNI
42	596156M	4	BOLT, HH 1/2 X 3 GR5 MAGNI
43	596157M	2	BOLT, HH 1/2 X 3-1/2 GR5 MAGNI
44	596158M	4	BOLT, HH 1/2 X 4 GR5 MAGNI
45	596179M	4	BUSHING, MACHINED 1" X 14GA MAGNI
46	596184M	12	BOLT, HH 3/4 X 2 GR5 MAGNI
47	596213M	26	NUT, HEX 3/8-16 MAGNI
48	596235M	6	NUT, CENTERLOCK, 1/4-20 MAGNI
49	596237M	40	NUT, CENTERLOCK 3/8-16 MAGNI
50	596239M	26	NUT, CENTERLOCK, 1/2-13 MAGNI
51	596241M	12	NUT, CENTERLOCK 3/4-10 MAGNI
52	596250M	27	LOCKWASHER, 3/8 MAGNI
53	596256M	1	WASHER, FLAT 1/4 USS MAGNI
54	596258M	9	WASHER, FLAT 3/8 MAGNI
55	596295M	26	BOLT, CARRIAGE 3/8-16 X 1 MAGNI
56	596293M	2	BOLT, HH G8 1-1/2-6 X 9 MAGNI
57	596594M	2	BOLT, HH G8 1-1/2-6 X 14 MAGNI
58	596635M	1	BOLT, HH 3/8-16 X 1-1/4 MAGNI
59	596726M	24	BOLT, FHSCS 3/8-16 X 1-1/4 MAGNI
60	596744M	8	BUSHING, MACHINE, 1-1/4 X 14 GA MAGNI
61	596747M	4	SNAP RING, 2" MAGNI
62	596748M	4	SNAP RING, 1.25 MAGNI, HVY DUTY
63	596811M	2	WASHER, FLAT 1-1/2 MAGNI
64	596813M	4	NUT, NEX, 1-1/2-6 X GR8 MAGNI
65	596843M	6	BOLT, HH 1/4-20 X 2 GR5 MAGNI

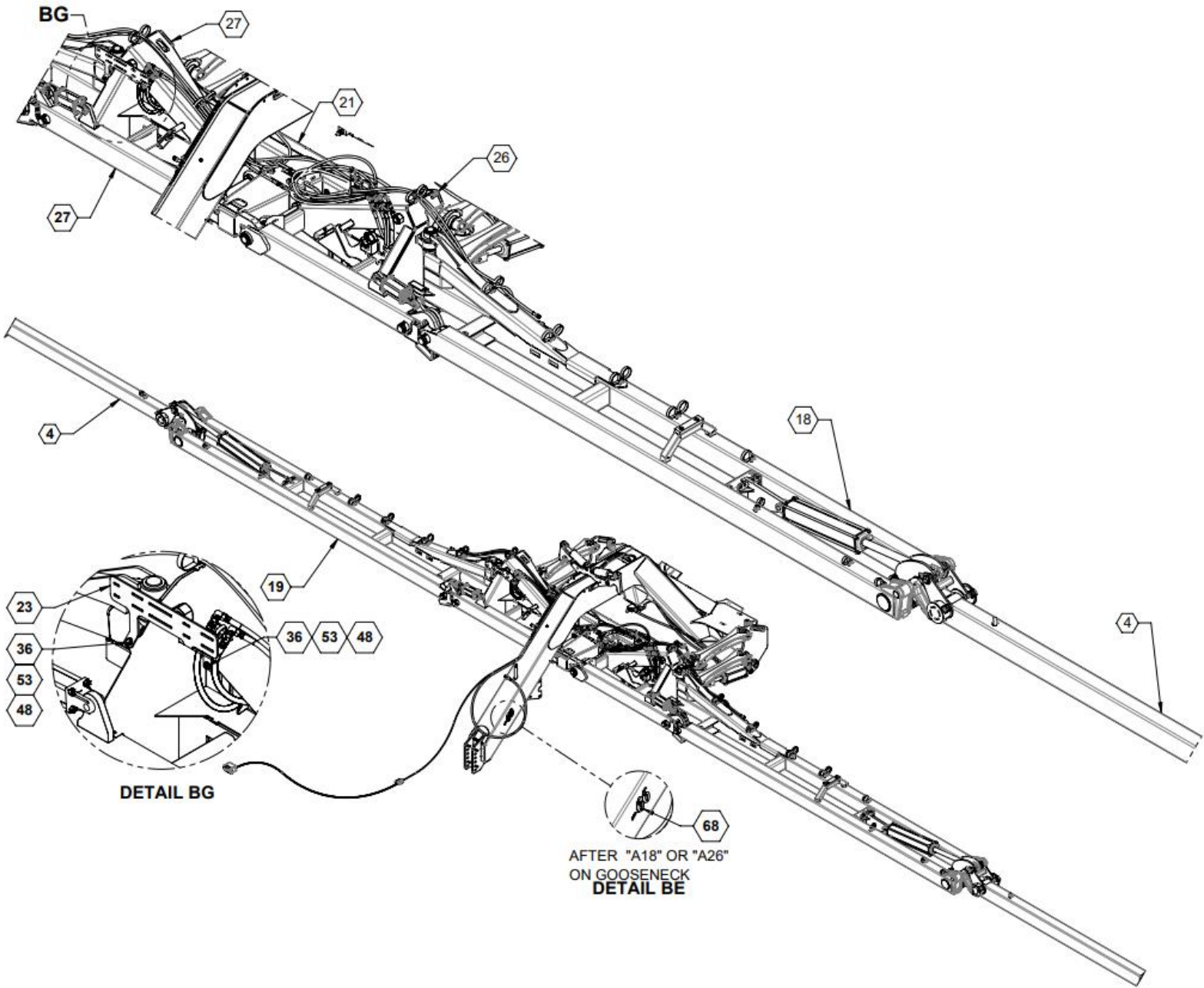




## ILLUSTRATED PARTS LIST

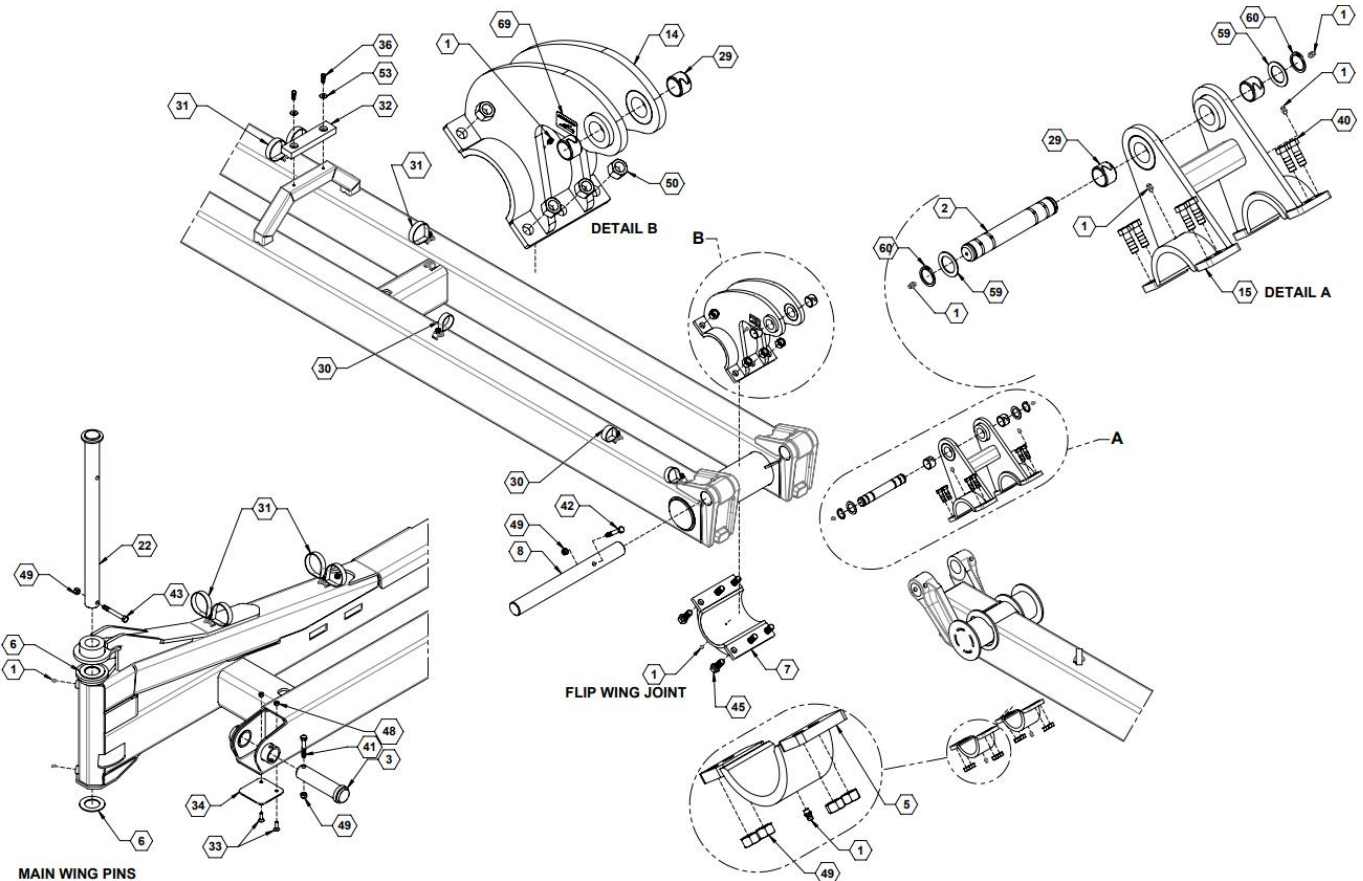
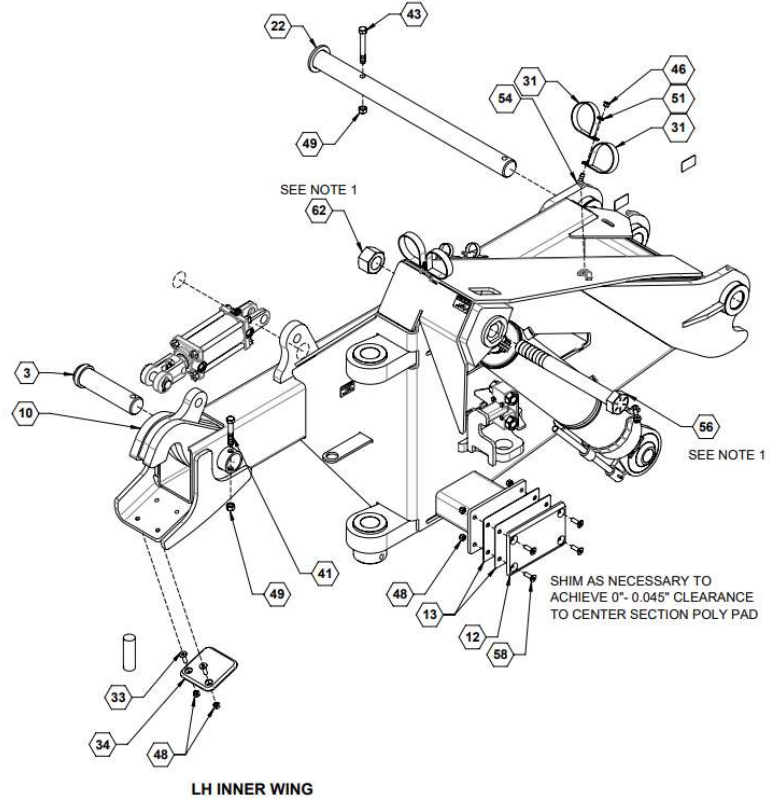
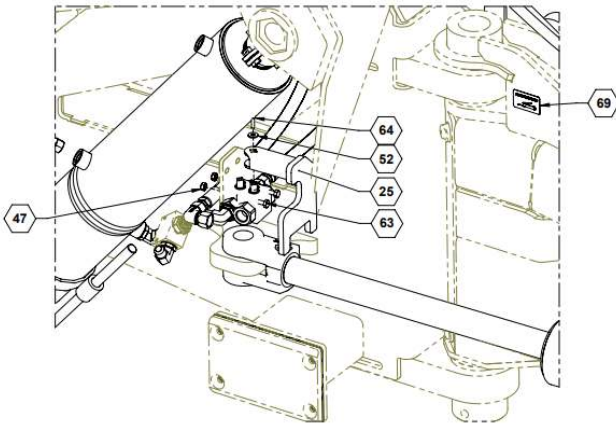
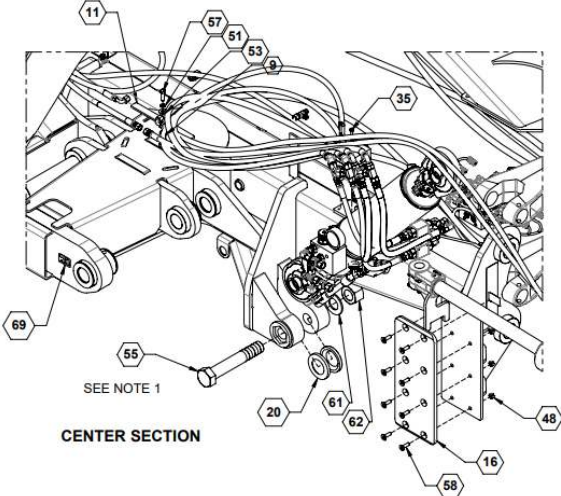
66	596847M	1	BOLT, HEX M5 X 20MM GR. 8.8 MAGNI
67	620072	1	PIN, CYLINDER, 1" X 3-3/8", KIT PKG OF 2
68	620075	2	PIN, CYLINDER, 1-1/4 X 3-7/8"
69	800110	2	DECAL, AMBERM REFLECTOR
70	800232	2	DECAL, -66 SILVER
71	800287	8	DECAL, GREASE PIVOT POINTS

**Standard Duty, 66' Tie Rod Latch Cyl. Assembly**

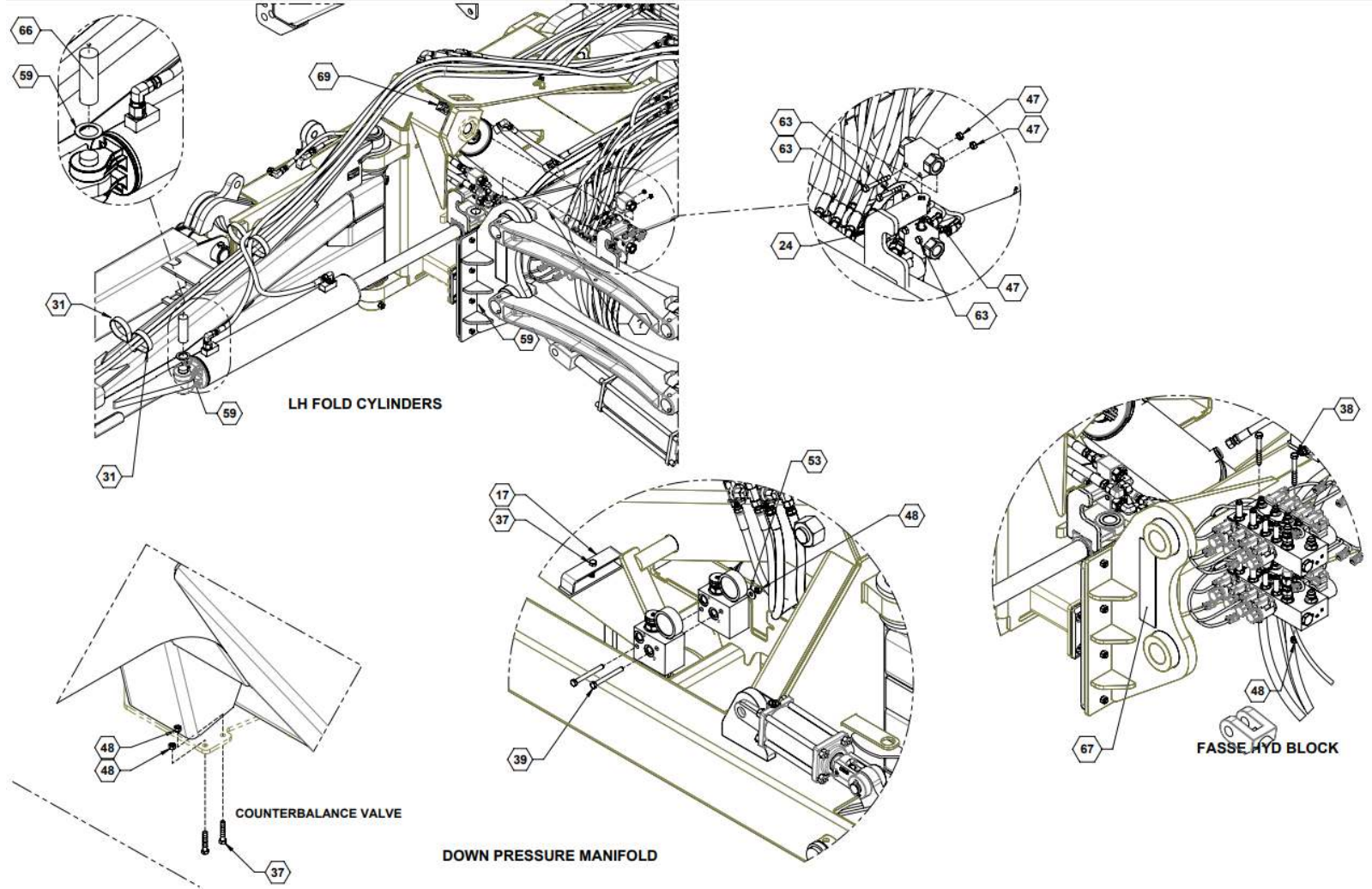


# ILLUSTRATED PARTS LIST

NOTES:  
 1. TORQUE TO 400FT-LBS; USE 6 DROPS OF BLUE LOCTITE  
 2. SNUG NUTS WITH WRENCH - DO NOT OVER TIGHTEN









# ILLUSTRATED PARTS LIST

## Parts List: Standard Duty, 66' Tie Rod Latch Cyl. Assembly

ITEM	PART NO.	QTY.	DESCRIPTION
1	759	32	ZERK, 1/4-28 STRAIGHT PIPE THREAD
2	15137	2	PIN, FLIP WING LINKAGE
3	15155	4	WELDMENT, LATCH PIN
4	152262	2	60' FLIP WING
5	15232	4	LINKAGE BASE WELDMENT
6	15277	12	WASHER, STAINLESS STEEL
7	15537	2	LINKAGE BASE WELDMENT
8	15539	2	PIN, FLIP WING
9	15566	1	SPACER, HOSE BRACKET
10	15630	2	LATCH WELDMENT
11	15844	1	PLATE, HOSE HOLDER
12	21090	2	PAD, UHMW, WING DUMP
13	21091	4	PLATE, BUMP PAD SHIM
14	21092	2	WELDMENT, FLIP LINKAGE MAIN
15	21094	2	WELDMENT, OUTER FLIP LINKAGE
16	21922	2	UHMW, CNTR LWR BUMP PAD
17	26813	2	PLATE, HOSE HOLD DOWN
18	27070	1	WELDMENT, LH MAIN WING
19	27071	1	WELDMENT, RH MAIN WING
20	27918	4	UHMW, CYLINDER SPACER RING
21	26860	1	WELDMENT, CENTER TOOLBAR
22	26892	4	WELDMENT, WING PIVOT PIN
23	28695	1	BRACKET, VALVE MOUNT
24	28820	1	WELDMENT, LH VALVE HANDLE
25	28823	1	WELDMENT, RH HANDLE
26	34554	1	WELDMENT, LH INNER WING
27	34555	1	WELDMENT, RH INNER WING
28	34603	1	ASSY, A SERIES HYDRAULICS
29	530291	8	BUSHING, 1-1/4" I.D. X 1" LG
30	540051	10	P-CLAMP, 2" W/3/8" HOLE
31	540052	28	P-CLAMP, 3" W/3/8" HOLE
32	590065	2	BUMPER PAD, WING REST
33	590133	8	BOLT, FHSCS 3/8 X 1-1/4 SS
34	590265	4	PLATE, WEAR



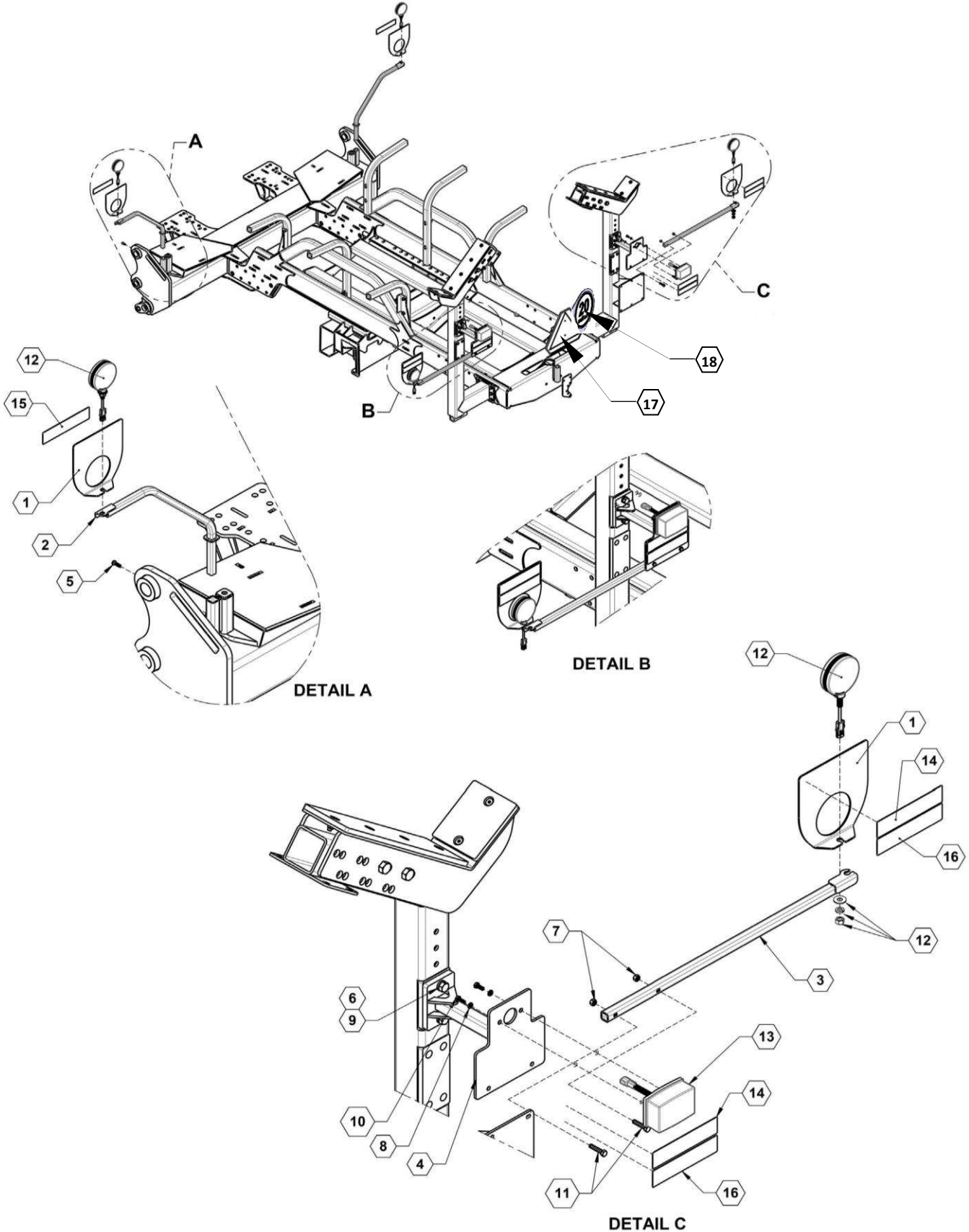
## ILLUSTRATED PARTS LIST

35	596110M	2	BOLT, HH 1/4-20 X 3 MAGNI
36	596128M	6	BOLT, HH 3/8-16 X 1 GR5 MAGNI
37	596130M	4	BOLT, HH 3/8-16 X 2 GR5 MAGNI
38	596132M	4	BOLT, HH 3/8-16 X 3 GR5 MAGNI
39	596133M	2	BOLT, HH 3/8-16 X 3-1/2 GR5 MAGNI
40	596153M	16	BOLT, HH 1/2-13 X 1-1/2 GR5 MAGNI
41	596156M	4	BOLT, HH 1.2 X 3 GR5 MAGNI
42	596157M	2	BOLT, HH 1.2 X 3-1/2 GR5 MAGNI
43	596158M	4	BOLT, HH 1/2 X 4 GR5 MAGNI
44	596179M	4	BUSHING, MACHINED 1" X 14GA MAGNI
45	596184M	12	BOLT, HH 3/4 X 2 GR5 MAGNI
46	596213M	26	NUT, HEX 3/8-16 MAGNI
47	596235M	6	NUT, CENTERLOCK, 1/4-20 MAGNI
48	596237M	40	NUT, CENTERLOCK 3/8-16 MAGNI
49	596239M	26	NUT, CENTERLOCK, 1/2-13 MAGNI
50	596241M	12	NUT, CENTERLOCK 3/4-10 MAGNI
51	596250M	27	LOCKWASHER, 3/8 MAGNI
52	596256M	1	WASHER, FLAT 1/4 USS MAGNI
53	596258M	9	WASHER, FLAT 3/8 MAGNI
54	596592M	26	BOLT, CARRIAGE 3/8-16 X 1 MAGNI
55	596593M	2	BOLT, HH G8 1-1/2-6 X 9 MAGNI
56	596594M	2	BOLT, HH G8 1-1/2-6 X 14 MAGNI
57	596635M	1	BOLT, HH 3/8-16 X 1-1/4 MAGNI
58	596726M	24	BOLT, FHSCS 3/8-16 X 1-1/4 MAGNI
59	596744M	8	BUSHING, MACHINE, 1-1/4 X 14 GA MAGNI
60	596748M	4	SNAP RING, 1.25 MAGNI, HVY DUTY
61	596811M	2	WASHER, FLAT 1-1/2 MAGNI
62	596813M	4	NUT, HEX 1-1/2-6 GR8 MAGNI
63	596843M	6	BOLT, HH 1/4-20 X 2 GR5 MAGNI
64	596847M	1	BOLT, HEX M5 X 20MM GR. 8.8 MAGNI
65	620072	1	PIN, CYLINDER, 1" X 3-3/8", KIT PKG OF 2
66	620075	2	PIN, CYLINDER, 1-1/4 X 3-7/8"
67	800110	2	DECAL, AMBER, REFLECTOR
68	800232	2	DECAL, -66 SILVER
69	800287	8	DECAL, GREASE PIVOT POINTS



**WARNING LIGHTS, DECALS, and SERIAL NUMBER TAG**

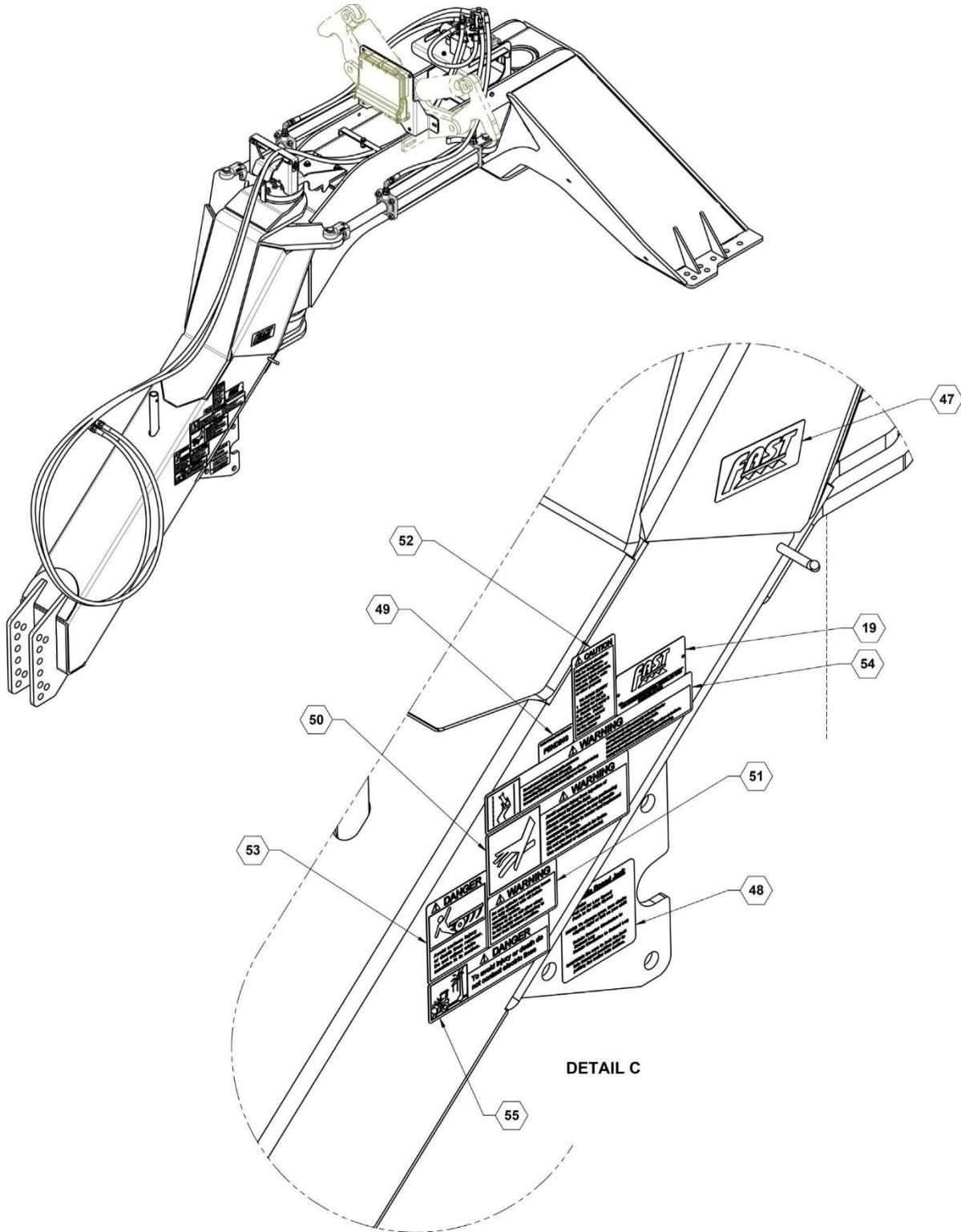
**Warning Lights and Warning Decals**



## Parts List: Warning Lights and Warning Decals

ITEM	PART NO.	QTY.	DESCRIPTION
0	740046	1	HARNESS, LIGHT, NORTH AMERICA
0	740048	1	HARNESS, LIGHT, INTERNATIONAL
1	26902	4	PLATE, LIGHT BRACKET
2	26903	2	LIGHT ARM
3	26908	2	REAR LIGHT ARM
4	27902	2	LIGHT MOUNT
5	596128M	2	BOLT, HH 3/8-16 X 1 GR5 MAGNI
6	596171M	4	BOLT, HH 5/8-11X2.5 GR5 MAGNI
7	596237M	4	NUT, CENTERLOCK 3/8-16 MAGNI
8	596249M	4	LOCKWASHER 5/16 MAGNI
9	596253M	4	LOCKWASHER 5/8 MAGNI
10	596737M	4	BOLT, HH 8-1.25 X 20MM 8.8 MAGNI
11	596801M	4	BOLT, HH 3/8-16 X 1-3/4 MAGNI
12	740024	4	AMBER WARNING LIGHT
13	740025	2	RED TAILLIGHT
14	800109	4	DECAL, RED REFLECTOR
15	800110	2	DECAL, AMBER REFLECTOR
16	800111	4	DECAL, ORANGE REFLECTOR
17	790017	1	SIGN SMV PLASTIC MOLDED
18	800306	1	DECAL, SIS 20 MPH
18	800307	1	DECAL, SIS 30 KPH

**Gooseneck Decals and Serial Number Tag**



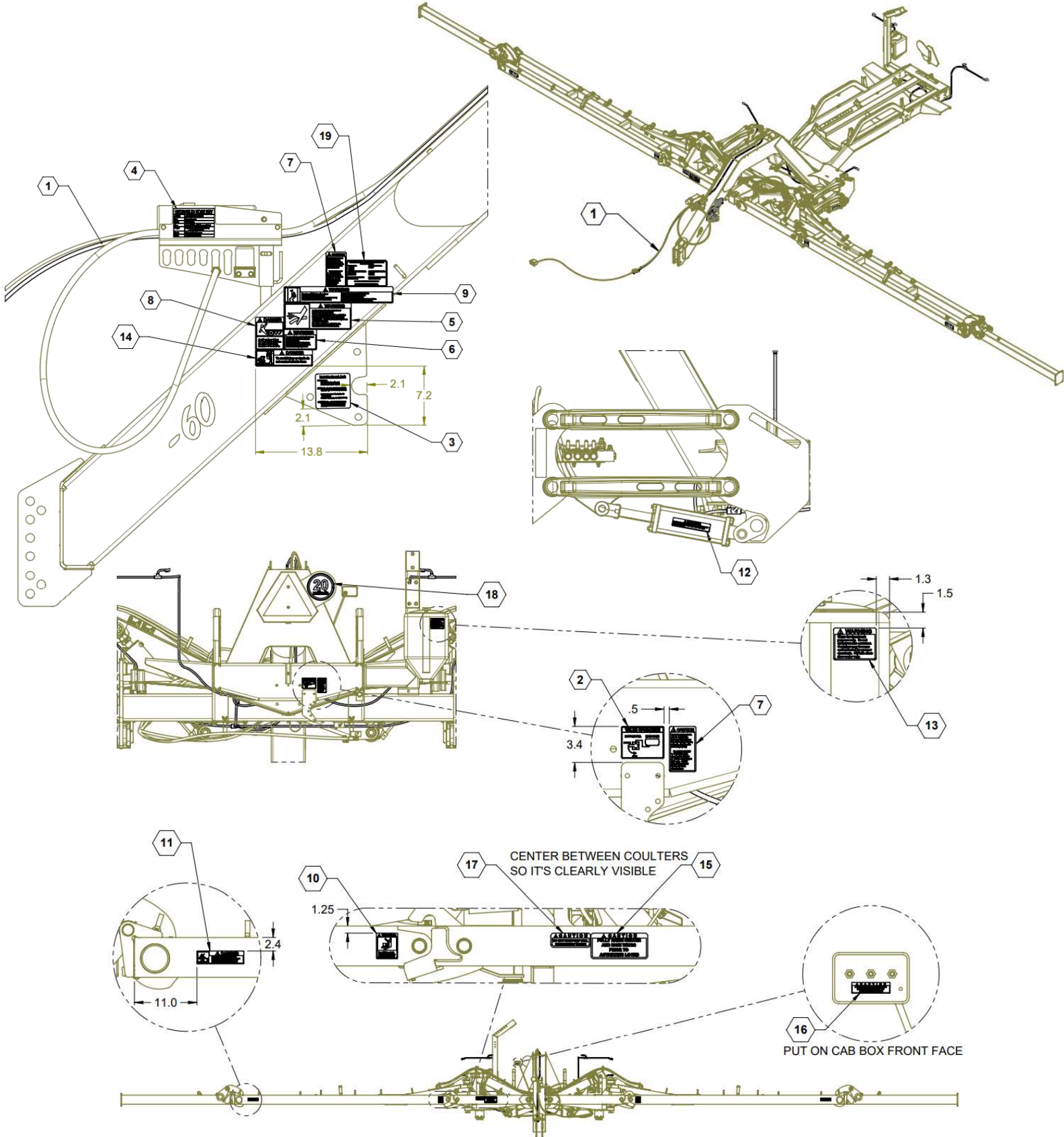


## ILLUSTRATED PARTS LIST

### Parts List: Gooseneck Decals and Serial Number Tag

ITEM	PART NO.	QTY.	DESCRIPTION
19	590216	1	FAST SERIAL TAG
47	800020	1	DECAL, FAST LOGO BLACK/GRAY
48	800044	1	DECAL, VARIABLE SPEED JACK
49	800338	1	DECAL, FAST PATENTS
50	800098	1	DECAL, WARNING-HYDRAULIC FLUID
51	800099	1	DECAL, WARNING-CHARGE WITH OIL
52	800101	1	DECAL, CAUTION-AG CHEMICAL
53	800103	1	DECAL, DANGER-RUNOVER
54	800104	1	DECAL, WARNING-DO NOT SPEED
55	800112	1	DECAL, DANGER-ELECTRIC LINES

**Decals, Domestic English**

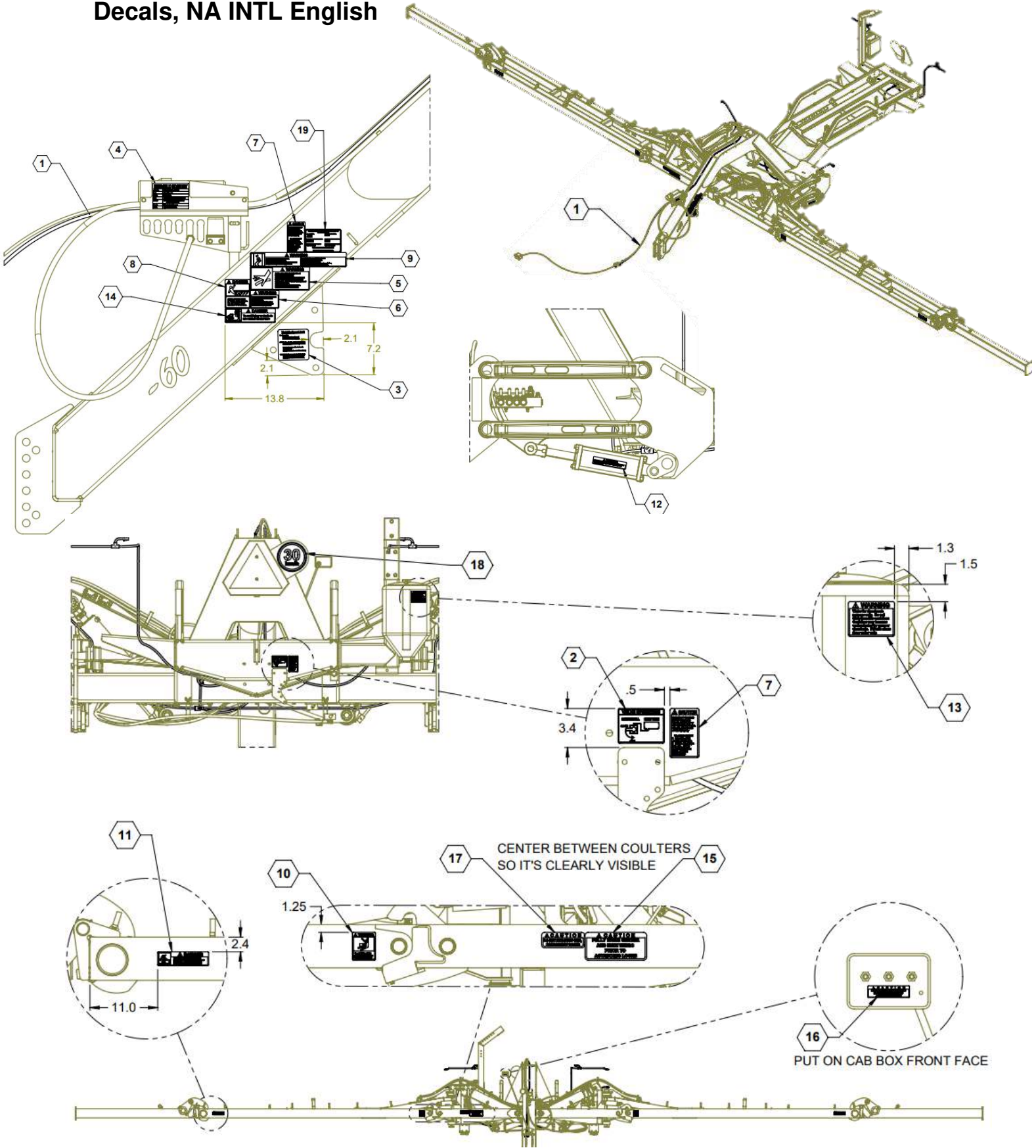


## Parts List: Decals, Domestic English

ITEM	PART NO.	QTY.	DESCRIPTION
1	740046	1	HARNES, A SERIES TAILLIGHT
2	800017	1	DECAL, MAIN TANK VALVA OPERATION
3	800044	1	DECAL, VAR. SPEED JACK
4	800087	1	DECAL, HOSE KEY
5	800098	1	DECAL, WARNING-HYDRAULIC FLUID
6	800099	1	DECAL, WARNING-CHARGE WITH OIL
7	800101	2	DECAL, CAUTION-AG CHEMICAL
8	800103	1	DECAL, DANGER-RUNOVER
9	800104	1	DECAL, WARNING-DO NOT SPEED
10	800105	2	DECAL, WARNING-STAND CLEAR
11	800106	2	DECAL, DANGER-STAND CLEAR
12	800107	2	DECAL, WARNING-AVOID CRUSHING
13	800108	1	DECAL, WARMING-RINSE TANK
14	800112	1	DECAL, DANGER, ELECTRIC LINES
15	800249	1	DECAL, FULLY RAISE CENTER
16	800252	1	DECAL, CAUTHIN FULLY RAISE CENTER
17	800282	1	DECAL, DO NOT RUN PUMP DRY. ENGLISH
18	800306	1	DECAL, SIS, 20 MILE/HOUR
19	800338	1	DECAL, FAST PATENTS



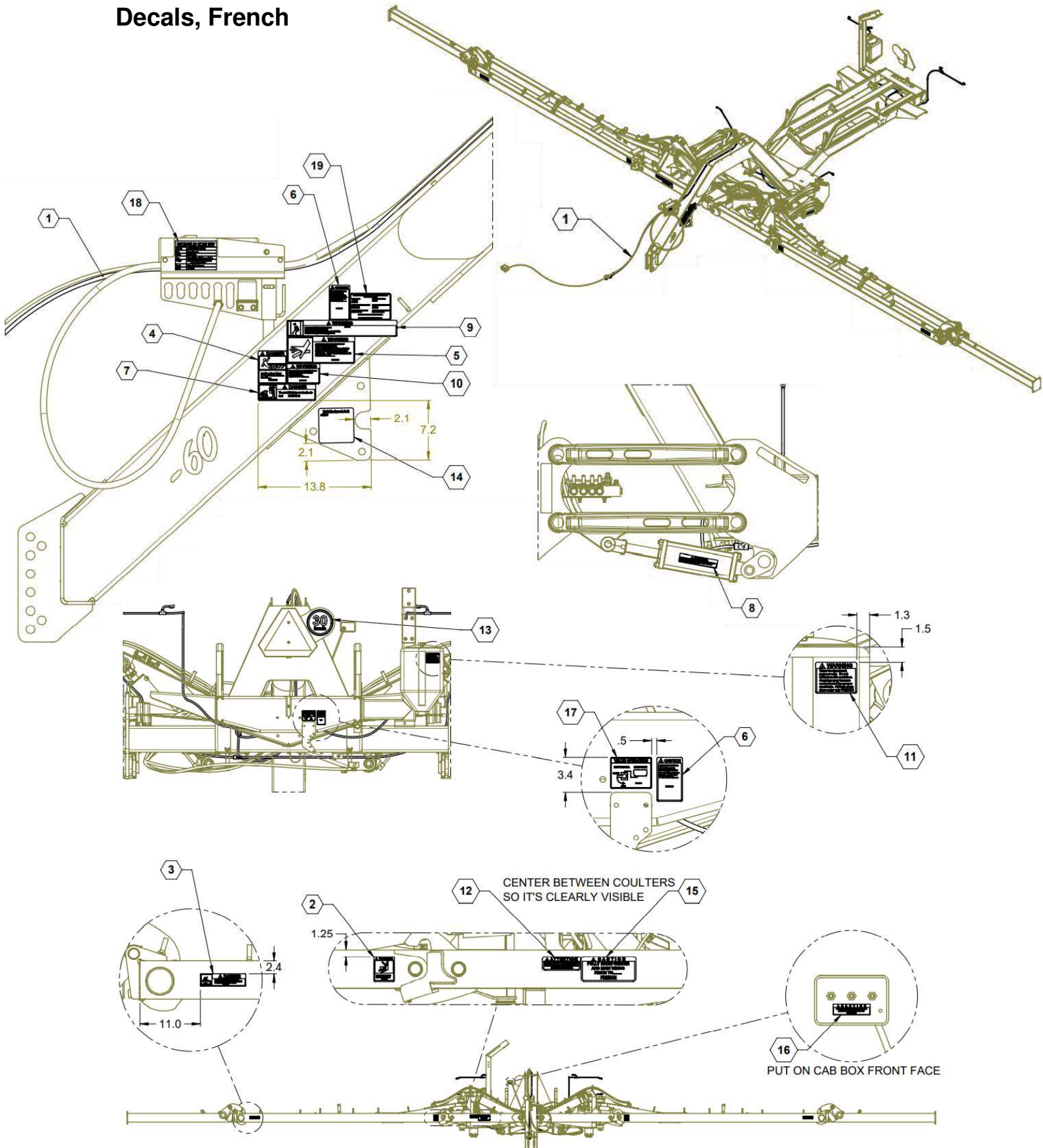
## Decals, NA INTL English



## Decals, NA INTL English

ITEM	PART NO.	QTY.	DESCRIPTION
1	740046	1	HARNES, A SERIES TAILLIGHT
2	800017	1	DECAL, MAIN TANK VALVE OPERATION
3	800044	1	DECAL, VAR. SPEED JACK
4	800087	1	DECAL, HOSE KEY
5	800098	1	DECAL, WARNING-HYDRAULIC FLUID
6	800099	1	DECAL, WARNING-CHARGE WITH OIL
7	800101	2	DECAL, CAUTION-AG CHEMICAL
8	800103	1	DECAL, DANGER-RUNOVER
9	800104	1	DECAL, WARNING-DO NOT SPEED
10	800105	2	DECAL, WARNING-STAND CLEAR
11	800106	2	DECAL, DANGER-STAND CLEAR
12	800107	2	DECAL, WARNING-AVOID CRUSHING
13	800108	1	DECAL, WARNING-RINSE TANK
14	800112	1	DECAL, DANGER, ELECTRIC LINES
15	800249	1	DECAL, FULLY RAISE CENTER
16	800252	1	DECAL, CAUTION FULLY RAISE CENTER
17	800282	1	DECAL, DO NOT RUN PUMP DRY. ENGLISH
18	800307	1	DECAL, SIS, 30 km/h
19	800338	1	DECAL, FAST PATENTS

**Decals, French**

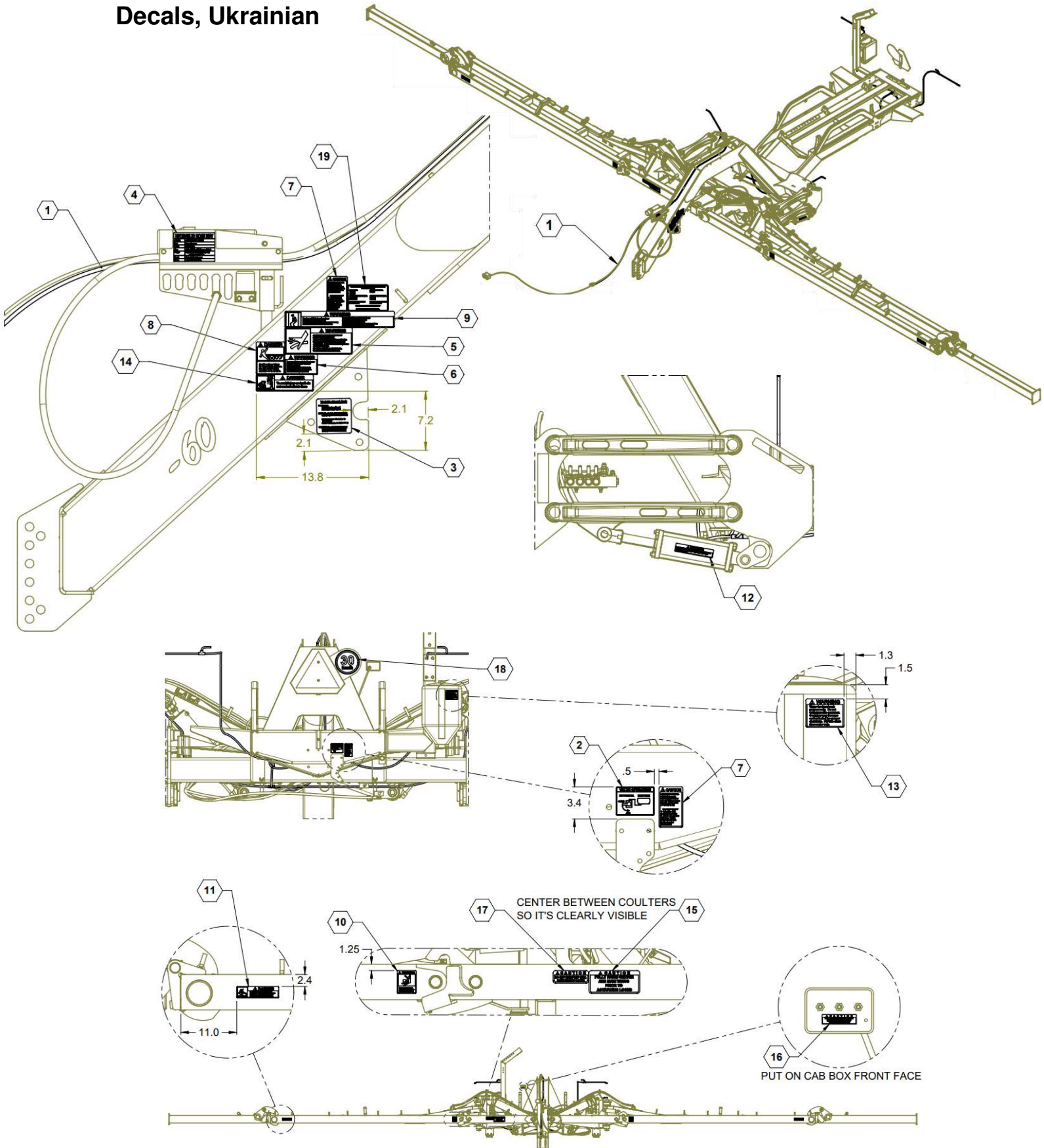


## Parts List: Decals, French

ITEM	PART NO.	QTY.	DESCRIPTION
1	740046	1	HARNES, A SERIES TAILLIGHT
2	800105	2	FRENCH DECAL, WARNING-STAND CLEAR
3	800106	2	FRENCH DECAL, DANGER-STAND CLEAR
4	800296	1	FRENCH DECAL, DANGER-RUNOVER
5	800297	1	FRENCH DECAL, WARNING-HYDRAULIC FLUID
6	800299	2	FRENCH DECAL, CAUTION-AG CHEMICAL
7	800300	1	FRENCH DECAL, DANGER, ELECTRIC LINES
8	800301	2	FRENCH DECAL, WARNING-AVOID CRUSHING
9	800302	1	FRENCH DECAL, WARNING-DO NOT SPEED
10	800303	1	FRENCH DECAL, WARNING-CHARGE WITH OIL
11	800304	1	FRENCH DECAL, WARNING-RINSE TANK
12	800305	1	DECAL, DO NOT RUN PUMP DRY. FRENCH
13	800307	1	DECAL, SIS, 30 km/h
14	800308	1	FRENCH DEAL, VAR. SPEED JACK
15	800318	1	FRENCH DECAL, RULLY RAISE CENTER
16	800320	1	FRENCH DECAL, CAUTION FULLY RAISE CENTER
17	800322	1	FRENCH DECAL, MAIN TANK VALVE OPERATION
18	800324	1	FRENCH DECAL, HOSE KEY
19	800338	1	DECAL, FAST PATENTS



**Decals, Ukrainian**



## Parts List: Decals, Ukrainian

ITEM	PART NO.	QTY.	DESCRIPTION
1	740048	1	HARNESS, LIGHT A-60, INTRNTNL
2	800017	1	DECAL, MAIN TANK VALVE OPERATION
3	800044	1	DECAL, VAR. SPEED JACK
4	800087	1	DECAL, HOSE KEY
5	800098	1	DECAL, WARNING-HYDRAULIC FLUID
6	800099	1	DECAL, WARNING-CHARGE WITH OIL
7	800101	2	DECAL, CAUTION-AG CHEMICAL
8	800103	1	DECAL, DANGER-RUN OVER
9	800104	1	DECAL, WARNING-DO NOT SPEED
10	800105	2	DECAL, WARNING-STAND CLEAR
11	800106	2	DECAL, DANGER-STAND CLEAR
12	800107	2	DECAL, WARNING-AVOID CRUSHING
13	800108	1	DECAL, WARNING-RINSE TANK
14	800112	1	DECAL, DANGER, ELECTRIC LINES
15	800249	1	DECAL, FULLY RAISE CENTER
16	800252	1	DECAL, CAUTION FULLY RAISE CENTER
17	800282	1	DECAL, DO NOT RUN PUMP DRY. ENGLISH
18	800307	1	DECAL, SIS, 30 km/h
19	800338	1	DECAL, FAST PATENTS





## Parts List: Decals, Domestic Spanish

ITEM	PART NO.	QTY.	DESCRIPTION
1	740046	1	HARNESS, A SERIES TAILLIGHT
2	800106	2	SPANISH DECAL, DANGER-STAND CLEAR
3	800227	2	DECAL, WARNING, STAND CLEAR, SPANISH
4	800228	1	DECAL, DANGER, ELECTRIC LINES, SPANISH
5	800258	1	DECAL, DO NOT RUN PUMP DRY. SPANISH
6	800307	1	DECAL, SIS, 30 km/h
7	800309	1	SPANISH DECAL, VAR. SPEED JACK
8	800312	1	SPANISH DECAL, WARNING-HYDRAULIC FLUID
9	800313	1	SPANISH DECAL, WARNING-CHARGE WITH OIL
10	800315	1	SPANISH DECAL, DANGER-RUNOVER
11	800316	1	SPANISH DECAL, WARNING-DO NOT SPEED
12	800319	1	SPANISH DECAL, FULLY RAISE CENTER
13	800312	1	SPANISH DECAL, CAUTION FULLY RAISE CENTER
14	800323	1	SPANISH DECAL, MAIN TANK VALVE OPERATION
15	800325	1	SPANISH DECAL, HOSE KEY
16	800326	2	SPANISH DECAL, CAUTION-AG CHEMICAL
17	800327	2	SPANISH DECAL, WARNING-AVOID CRUSHING
18	800328	1	SPANISH DECAL, WARNING-RINSE TANK
19	800338	1	DECAL, FAST PATENTS



Fast Ag Solutions  
4130 Commerce Boulevard  
Windom, MN 56101

1-800-772-9279 Toll Free  
1-507-427-3861 Voice  
1-507-427-3030 Fax

[www.fastagsolutions.com](http://www.fastagsolutions.com)