



UT3P UTILITY SPRAYER PARTS MANUAL





Limited Warranty

Fast Ag Solutions warrants to the buyer that the new machinery is free from defects in material and workmanship.

This warranty is only effective as to any new machinery which has not been altered, changed, repaired or treated since its delivery to the buyer, other than by Fast Ag Solutions or its authorized dealers or employees, and does not apply to accessories, attachments, tools or parts, sold or operated with the new machinery, if they have not been manufactured by Fast Ag Solutions.

Fast Ag Solutions shall only be liable for defects in the materials or workmanship attributable to faulty material or bad workmanship that can be proved by the buyer, and specifically excludes liability for repairs arising as a result of normal wear and tear of the new machinery or in any other manner whatsoever, and without limiting the generality of the foregoing, excludes application or installation of parts not completed in accordance with this operator's manual, specifications, or printed instructions.

Written notice shall be given by registered mail, to the Manufacturer within seven (7) days after the defect shall have become apparent or the repairs shall have become necessary, addressed as follows:

Fast Ag Solutions
4130 Commerce Boulevard
Windom, MN 56101

This warranty shall expire one (1) year after the date of delivery of the new machinery.

If these conditions are fulfilled, Fast Ag Solutions shall at its own cost and at its own option either repair or replace any defective parts provided that the buyer shall be responsible for all expenses incurred as a result of repairs, labor, parts, transportation or any other work, unless Fast Ag Solutions has authorized such expenses in advance.

The warranty shall not extend to any repairs, changes, alterations, or replacements made to the new equipment other than by Fast Ag Solutions or its authorized dealers or employees.

This warranty extends only to the original owner of the new equipment.

Rubber parts (including tires, hoses, grommets) are not warrantied.

This warranty is limited to the terms stated herein and is in lieu of any other warranties whether express or implied, and without limiting the generality of the foregoing, excluded all warranties, express or implied or conditions whether statutory or otherwise as to quality and fitness for any purpose of the new equipment. the Manufacturer disclaims all liability for incidental or consequential damages.

This Sprayer is subject to design changes and Fast Ag Solutions shall not be required to retrofit or exchange items on previously sold units except at its own option.

Warranty void if not registered.



FAST Warranty Registration & Inspection Form

Warranty Registration Form & Inspection Report

Warranty Registration

This form must be filled out by the dealer and signed by both the dealer and the customer at the time of delivery.

Customer Name					
Address					
City		State		Zip	
Phone					
Dealer Name					
Address					
City		State		Zip	
Model					
Serial Number					
Delivery Date					

DEALER INSPECTION REPORT

- All Fasteners Tight
- Wheel Bolts Torqued
- Hydraulic Hoses and Fittings Free and Tight
- Product Hoses and Fittings Free and Tight
- Lubricate Machine
- Check Tire Pressure
- Wiring Harnesses Connected
- All Functions on Machine Work Properly
- Monitors and Controllers Function Properly

SAFETY

- Safety Chain Installed
- All Guards Installed
- All Safety Signs Installed
- Reflectors, SMV and Lights Clean
- Review Operating and
- Safety Instructions

I have thoroughly instructed the buyer on the above described equipment which review included the Operator's Manual content, equipment care, adjustments, safe operation and applicable warranty policy.

Date _____

Dealer's Rep. Signature _____

The above equipment and Operator's Manual have been received by me, and I have been thoroughly instructed as to care, adjustments, safe operation and applicable warranty policy.

Date _____

Owner's Signature _____



ILLUSTRATED PARTS LIST

FAST UT3P SPRAYER

SPRAYER SERIAL NUMBER _____

DATE PURCHASED _____ / _____ / _____

TANK SIZE _____ 250 GAL. or _____ 300 GAL.

BOOM WIDTH _____ 25' _____ 30' **BOOMLESS** _____ 30' _____ 40'

_____ 40 HYD FOLD _____ 45' HYD FOLD _____ **OTHER**

NOZZLE SPACING _____ 15" _____ 20" _____ **OTHER**

PUMP MANUFACTURER:

(CIRCLE ONE)

ACE FMC75-HYD

ACE FMC150-HYD

HYPRO 6500C-PTO

General Information

All rights, especially copying and distribution rights are reserved. No part of this publication may be reproduced in any form or by any means, electronic or mechanical, including photocopying, without express written permission from Fast Ag Solutions.

Parts information in this manual represents components installed when product was manufactured based upon the best available information. Modifications made subsequent to initial delivery are not included. Always verify the parts and color required when ordering parts.

If you have any questions, please contact your Fast Ag Solutions Parts and Service Department.

Explanation of Parts Lists

The parts list is organized as follows:

Product Pump and Plumbing Options,

Utility Sprayer Base,

Tank Options,

Boom Options,

Hydraulic Hoses,

Section Control Valve Options,

Controller Options,

Foam Maker Options,

Other Options

The parts lists are broken down into sub-assemblies and listed in 4 columns:

- ITEM - These numbers are found on the illustration associated with the parts list.
 - NS- This item is NOT SHOWN, included for reference.
- QTY - This is the quantity of parts needed in an assembly.
 - AR- The quantity of this item is AS REQUIRED for the location.
- PART NO.- These are the part numbers associated to the ITEM.
- DESCRIPTION - This is the description of the part.

Table of Contents

Section	Page
PRODUCT PUMP and PLUMBING OPTIONS	13
Hypro 6500C PTO Pump and Plumbing	13
Parts List 27035: Hypro 6500C PTO Pump and Plumbing	14
Hypro 6500C PTO Pump – Parts Breakdown	15
Parts List 550016: Hypro 6500C PTO Pump	15
Ace FMC-75-HYD Pump and Plumbing	16
Parts List 27036: Ace FMC-75-HYD Pump and Plumbing	17
Ace FMC-75-HYD Pump – Parts Breakdown	18
Parts List 550049: Ace FMC-75-HYD Pump – Parts Breakdown	19
Ace FMC-150-HYD Pump and Plumbing	20
Parts List 27037: Ace FMC-150-HYD Pump and Plumbing	21
Ace FMC-150-HYD Pump – Parts Breakdown	22
Parts List 550000: Ace 150 HYD Pump – Parts Breakdown	23
UTILITY SPRAYER BASE	24
UT3P Utility Sprayer Base	24
Parts List 27000: UT3P Utility Sprayer Base	25
SMV Sign Assembly, No SIS or Mount Plate	26
Parts List 90SASMVONLY: SMV Sign Assembly	26
TANK OPTIONS	27
Tanks	27
Parts List 27003/27004: Tank Options	27
Tank Fittings	28
Parts List 570151TNK/570152TNK: Tank Fittings	28
BOOM OPTIONS	29
30 Foot Boomless	29
Parts List 27012: 30 Foot Boomless	29
25 Foot Boom	30
Parts List 27010: 25 Foot Boom	30
25 Foot Boom (CONT.)	32
Parts List: 25 Foot Boom (CONT.)	33
25 Foot Boom Plumbing, Single Nozzle Bodies	34
15 Inch On-Center Single Nozzle Bodies X 19	34
Parts List 27015: 15 Inch On-Center Single Nozzle Bodies X 19	35
15 inch On-Center Single Nozzle Bodies X 19 (CONT.)	36



ILLUSTRATED PARTS LIST

Parts List: 15 inch On-Center Single Nozzle Bodies X 19 (CONT.).....	37
20 Inch Off-Center, Single Nozzle Bodies X 14.....	38
Parts List 27017: 20 Inch Off-Center, Single Nozzle Bodies X 14.....	39
30 Foot Boom.....	40
Parts List 27011: 30 Foot Boom.....	40
30 Foot Plumbing, Single Nozzle Bodies.....	42
15 Inch On-Center, Single Nozzle Bodies X 23	42
Parts List 27019: 15 Inch On-Center, Single Nozzle Bodies X 23	43
15 Inch On-center, Single Nozzle Bodies X 23 (CONT.)	44
Parts List: 15 Inch On-Center, Single Nozzle Bodies X 23 (CONT.)	45
20 Inch Off-Center, Single Nozzle Bodies X 18	46
Parts List 27021: 20 Inch Off-Center, Single Nozzle Bodies X 18.....	47
20 Inch Off-Center, Single Nozzle Bodies X 18 (CONT.)	48
Parts List: 20 Inch Off-Center, Single Nozzle Bodies X 18 (CONT.).....	49
30 Foot Plumbing, Triple Nozzle Bodies.....	50
15 Inch On-Center, Triple Nozzle Bodies X 23.....	50
Parts List 27257: 15 Inch On-Center, Triple Nozzle Bodies X 23	51
15 Inch On-center, Triple Nozzle Bodies X 23 (CONT.).....	52
Parts List: 15 Inch On-Center, Triple Nozzle Bodies X 23 (CONT.).....	53
20 Inch Off-Center, Triple Nozzle Bodies X 18	54
Parts List 27034: 20 Inch Off-Center, Triple Nozzle Bodies X 18	55
20 Inch Off-Center, Triple Nozzle Bodies X 18 (CONT.).....	56
Parts List: 20 Inch Off-Center, Triple Nozzle Bodies X 18 (CONT.).....	57
33 Foot Boom.....	58
Parts List: 33 Foot Boom.....	58
40 Foot Boom.....	59
Parts List 27013: 40 Foot Boom.....	59
40 Foot Plumbing, Single Nozzle Bodies.....	60
15 Inch On-Center, Single Nozzle Bodies X 31	60
Parts List 27023: 15 Inch On-Center, Single Nozzle Bodies X 31	61
15 Inch On-Center, Single Nozzle Bodies X 31 (CONT.).....	62
Parts List: 15 Inch On-Center, Single Nozzle Bodies X 31 (CONT.)	63
20 Inch Off-Center, Single Nozzle Bodies X 24	64
Parts List 27025: 20 Inch Off-Center, Single Nozzle Bodies X 24.....	65
20 Inch Off-Center, Single Nozzle Bodies X 24 (CONT.)	66
Parts List: 20 Inch Off-Center, Single Nozzle Bodies X 24 (CONT.).....	66
40 Foot Plumbing, Triple Nozzle Bodies.....	68
15 Inch On-Center, Triple Nozzle Bodies X 31.....	68
Parts List 27024: 15 Inch On-Center, Triple Nozzle Bodies X 31	69

15 Inch On-Center, Triple Nozzle Bodies X 31 (CONT.)	70
Parts List: 15 inch On-Center, Triple Nozzle Bodies X 31 (CONT.)	71
20 Inch Off-Center, Triple Nozzle Bodies X 24	72
Parts List 27026: 20 Inch Off-Center, Triple Nozzle Bodies X 24	73
20 Inch Off-Center, Triple Nozzle Bodies X 24 (CONT.)	74
Parts List: 20 Inch Off-Center, Triple Nozzle Bodies X 24 (CONT.)	75
40 Foot Boom Hydraulic Fold	76
Parts List 27043: 40 Foot Boom Hydraulic Fold	76
40 Foot Boom Hydraulic Fold (CONT.)	78
Parts List: 40 Foot Boom Hydraulic Fold (CONT.)	79
40 Foot Boom Hydraulic Fold (CONT.)	80
Parts List: 40 Foot Boom Hydraulic Fold (CONT.)	81
Hydraulic 40 Foot Plumbing, Single Nozzle Bodies	82
15 Inch On-Center, Single Nozzle Bodies X 31	82
Parts List 27044: 15 Inch On-Center, Single Nozzle Bodies X 31	83
15 Inch On-Center, Single Nozzle Bodies X 31 (CONT.)	84
Parts List: 15 Inch On-Center, Single Nozzle Bodies X 31 (CONT.)	85
20 Inch Off-Center, Single Nozzle Bodies X 24	86
Parts List 27046: 20 Inch Off-Center, Single Nozzle Bodies X 24	87
20 Inch Off-Center, Single Nozzle Bodies X 24 (CONT.)	88
Parts List: 20 Inch Off-Center, Single Nozzle Bodies X 24 (CONT.)	89
Hydraulic 40 Foot Plumbing, Triple Nozzle Bodies	90
15 Inch On-Center, Triple Nozzle Bodies X 31	90
Parts List 27045: 15 Inch On-Center, Triple Nozzle Bodies X 31	91
15 Inch On-Center, Triple Nozzle Bodies X 31 (CONT.)	92
Parts List: 15 Inch On-Center, Triple Nozzle Bodies X 31 (CONT.)	93
20 Inch Off-Center, Triple Nozzle Bodies X 24	94
Parts List 27047: 20 Inch Off-Center, Triple Nozzle Bodies X 24	95
20 Inch Off-Center, Triple Nozzle Bodies X 24 (CONT.)	96
Parts List: 20 Inch Off-Center, Triple Nozzle Bodies X 24 (CONT.)	97
45 Foot Hydraulic Boom	98
Parts List 27014: 45 Foot Hydraulic Boom	98
45 Foot Plumbing, Single Nozzle Bodies	100
15 Inch On-Center, Single Nozzle Bodies	100
Parts List 27027: 15 Inch On-Center, Single Nozzle Bodies	101
15 Inch On-Center, Single Nozzle Bodies (CONT.)	102
Parts List: 15 Inch On-Center, Single Nozzle Bodies (CONT.)	103
20 Inch Off-Center, Single Nozzle Bodies X 28	104

Parts List 27029: 20 Inch Off-Center, Single Nozzle Bodies X 28.....	104
20 Inch Off-Center, Single Nozzle Bodies X 28 (CONT.)	106
Parts List: 20 Inch Off-Center, Single Nozzle Bodies X 28 (CONT.)	107
45 Foot Plumbing, Triple Nozzle Bodies.....	108
15 Inch On-Center, Triple Nozzle Bodies.....	108
Parts List 27028: 15 Inch On-Center, Triple Nozzle Bodies	109
15 Inch On-Center, Triple Nozzle Bodies (CONT.)	110
Parts List: 15 Inch On-Center, Triple Nozzle Bodies (CONT.).....	111
20 Inch Off-Center, Triple Nozzle Bodies X 28	112
Parts List 27030: 20 Inch Off-Center, Triple Nozzle Bodies X 28	112
20 Inch Off-Center, Triple Nozzle Bodies X 28 (CONT.).....	114
Parts List: 20 Inch Off-Center, Triple Nozzle Bodies X 28 (CONT.).....	115
51 Foot Boom Hydraulic Fold.....	116
Parts List: 51 Foot Boom Hydraulic Fold.....	117
51 Foot Boom Hydraulic Fold (CONT.)	118
Parts List: 51 Foot Boom Hydraulic Fold (CONT.).....	119
51 Foot Boom Hydraulic Fold (CONT.)	120
Parts List: 51 Foot Boom Hydraulic Fold (CONT.).....	121
HYDRAULIC HOSES.....	122
Hydraulic Hose Kit.....	122
Parts List 600093: Hydraulic Hose Kit.....	122
Hydraulic Hose Kit (CONT.)	123
Parts List: Hydraulic Hose Kit (CONT.)	123
SECTION CONTROL VALVE OPTIONS.....	124
Manual Section Valve, 2-Section.....	124
Parts List 27048: Manual Section Valve, 2-Section	125
Manual Section Valve, 3-Section.....	126
Parts List 27049: Manual Section Valve, 3-Section	127
Boom Plumbing Cleanout options	128
Parts List: Boom Plumbing Cleanout options	128
TIR Valves 2-Section	129
Parts List 27039: TIR Valves 2-Section.....	129
TIR Valves 3-Section	130
Parts List 27040: TIR Valves 3-Section.....	130
TeeJet 430 Valves 3-Section.....	131
Parts List 27041: TeeJet 430 Valves 3-Section.....	131
TeeJet 430 Valves 3-Section with Micro-Trak	132

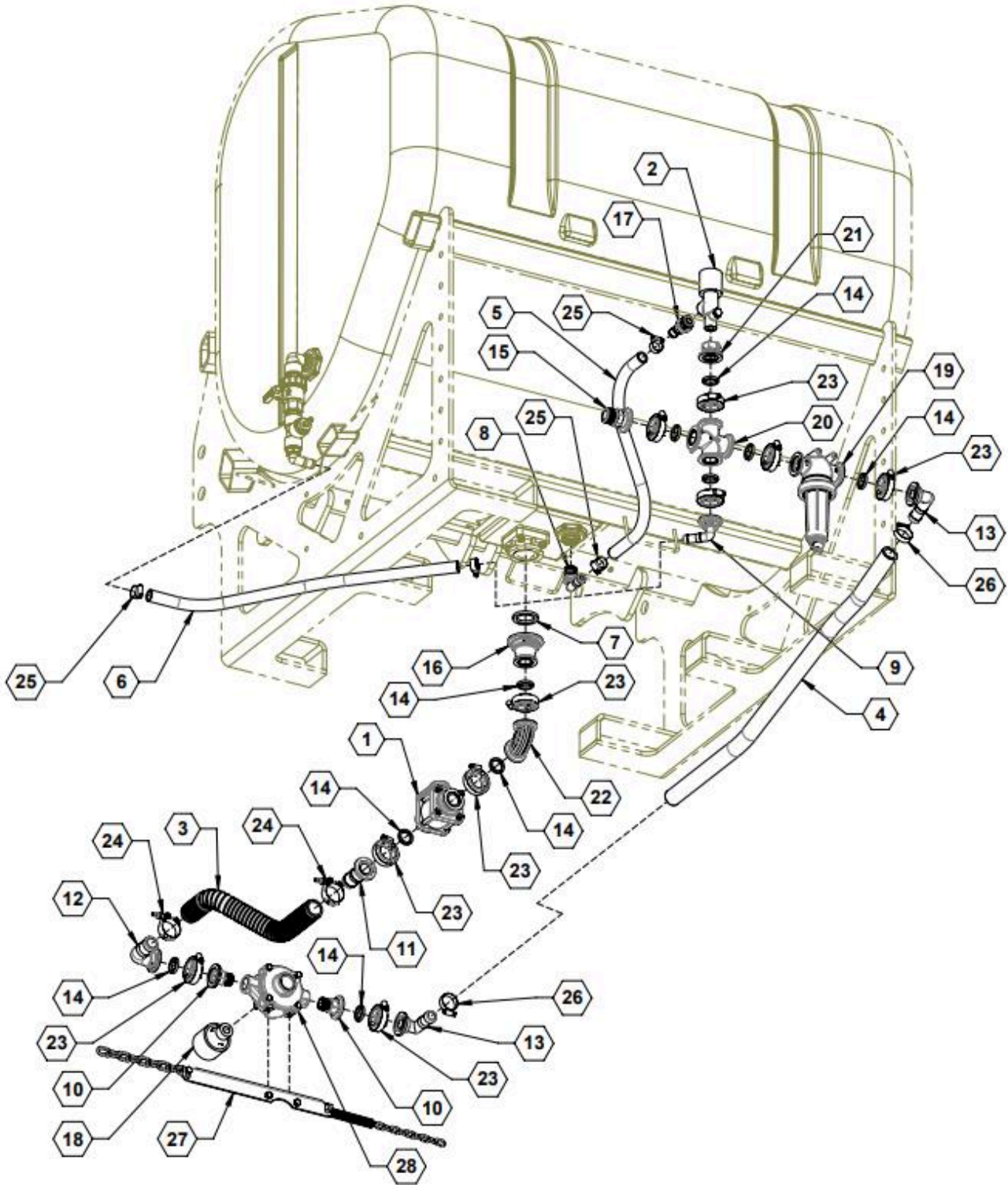


Parts List 27020: TeeJet 430 Valves 3-Section with Micro-Trak.....	132
TeeJet 430 Valves 5-Section.....	133
Parts List 27397: TeeJet 430 Valve 5-Section	133
CONTROLLER OPTIONS.....	134
Texas Remcor Controller	134
Parts List 27009: Texas Remcor Controller.....	135
Raven SCS 450 Controller	136
Parts List 27038: Raven SCS 450 Controller.....	136
Customer-Supplied Rate Controller.....	137
Parts List 28387: Customer-Supplied Rate Controller	137
No Rate Controller	138
Parts List 27058: No Rate Controller	138
FOAM MARKER OPTIONS	139
Foam Marker – 25 FT Boom Only	139
Parts List 27008: Foam Marker – 25 FT Boom Only	140
Foam Marker 30-45 Foot Booms	141
Parts List 27051: Foam Marker 30-45 Foot Boom.....	142
OTHER OPTIONS	143
Manual Fenceline Nozzle	143
Parts List 27016: Manual Fenceline Nozzle	144
Electric Fenceline Nozzle.....	145
Parts List 27059: Electric Fenceline Nozzle.....	146
Decals	147
Parts List 27005/27006/27007: Decals.....	148
2” Reload Option	149
Parts List 27232: 2” Reload Option.....	149



PRODUCT PUMP and PLUMBING OPTIONS

Hypro 6500C PTO Pump and Plumbing

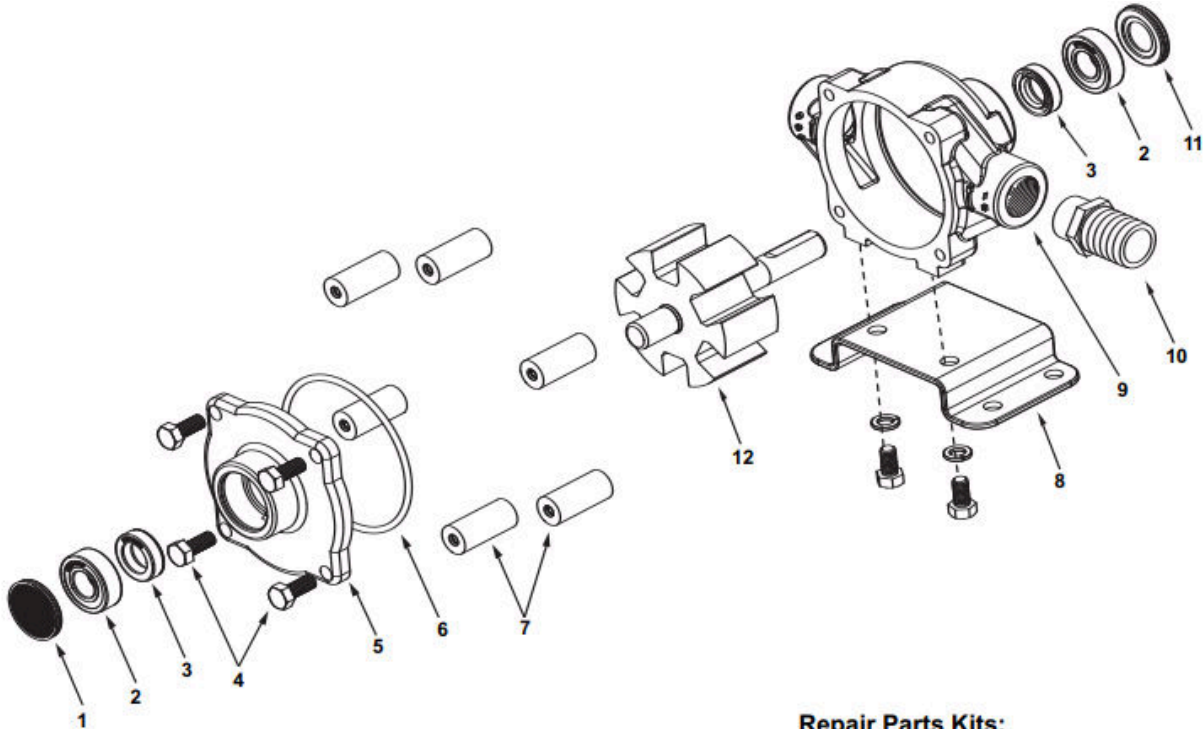


Parts List 27035: Hypro 6500C PTO Pump and Plumbing

ITEM	PART NO.	QTY.	DESCRIPTION
1	500005	1	VALVE, 1" FP WITH C-FLANGE
2	500020	1	PRESSURE RELIEF VALVE
3	510001	6	HOSE 1-1/4" BUMBLE BEE X 6FT
4	510016	1	HOSE, 1" EPDM X 4FT
5	510019	1	HOSE, 3/4" EPDM X 3FT
6	510019	1	HOSE, 3/4" EPDM X 3FT
7	530014	1	GASKET, 1.500 EPDM
8	530040	1	HOSE SHANK, 3/4" MPT X 3/4" HB 90°
9	530060	1	ELBOW, 1" FLANGE X 3/4" HB 90°
10	530062	2	FLANGE, 1" X 3.4" MALE THREAD
11	530064	1	FITTING, HB 1" X 1-1/4" FLANGE
12	530065	1	FITTING, ELBOW, 1" FLANGE X 1- 1/4" HB
13	530067	2	FITTING, ELBOW, 1" MANIFOLD X 1" HB 90°
14	530068	10	GASKET, 1.00 EPDM
15	530069	1	FITTING, 1.00 MANIFOLD X 1.00 MPT
16	530074	1	COUPLING, REDUCER, 2" X 1"
17	530230	1	FITTING, 3/4" MPT X 3/4" HB
18	530258	1	COUPLER, 540 PTO
19	530349	1	STRAINER, TEE, 1.00 MANIFOLD-50 MESH
20	530413	1	CROSS FITTING, 1.00
21	530414	1	FITTING, 1" FLANGE X 3/4" FPT
22	530424	1	MANIFOLD SWEEP, 1" FLANGE
23	540000	10	CLAMP, WORM SCREW, 1.00
24	540005	2	CLAMP, HOSE T-BOLT 1.25"
25	54003	4	HOSE CLAMP, SS .75 #12
26	540014	2	HOSE CLAMP, SS 1.00 #16
27	550007	1	TORQUE ARM KIT
28	550016	1	PUMP, PTO HY6500C

Hypro 6500C PTO Pump – Parts Breakdown

Parts List 550016: Hypro 6500C PTO Pump



IMPORTANT:

When ordering parts, give PART NUMBER and PART DESCRIPTION. Reference Numbers are used ONLY to point out parts in the drawing and are NOT to be used as ordering numbers.

Repair Parts Kits:

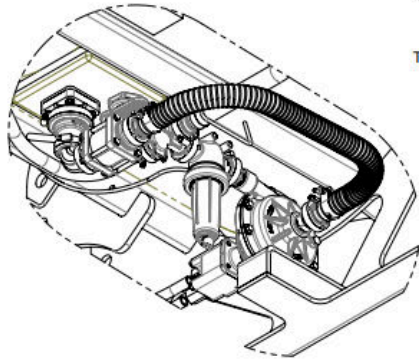
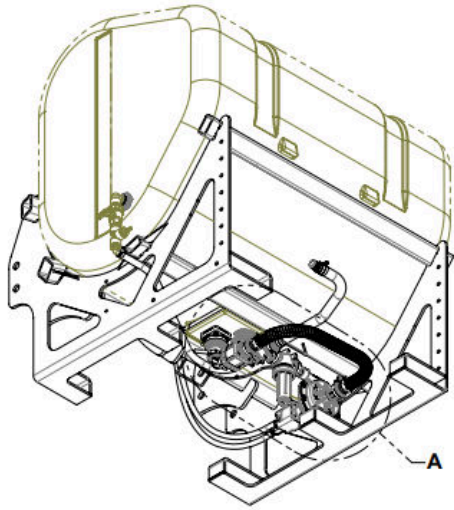
No. 3430-0380 Consists of (6) Ref. 7 Super Rollers, (1) Ref. 6 O-ring, and (2) Ref. 3 Viton seals.

No. 3430-0175 Consists of (6) Ref. 7 Polypropylene Rollers, (1) Ref. 6 O-ring, and (2) Ref. 3 Viton seals.

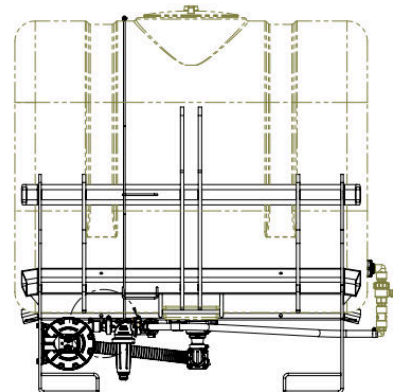
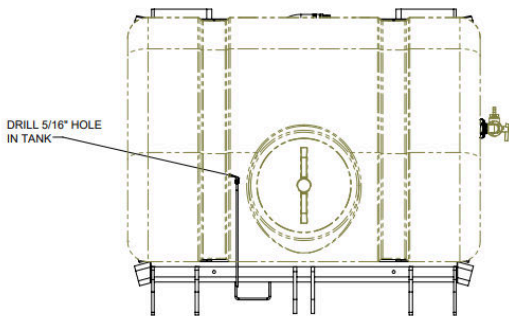
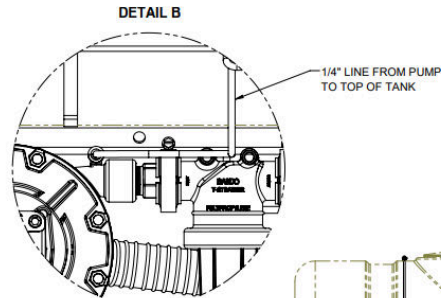
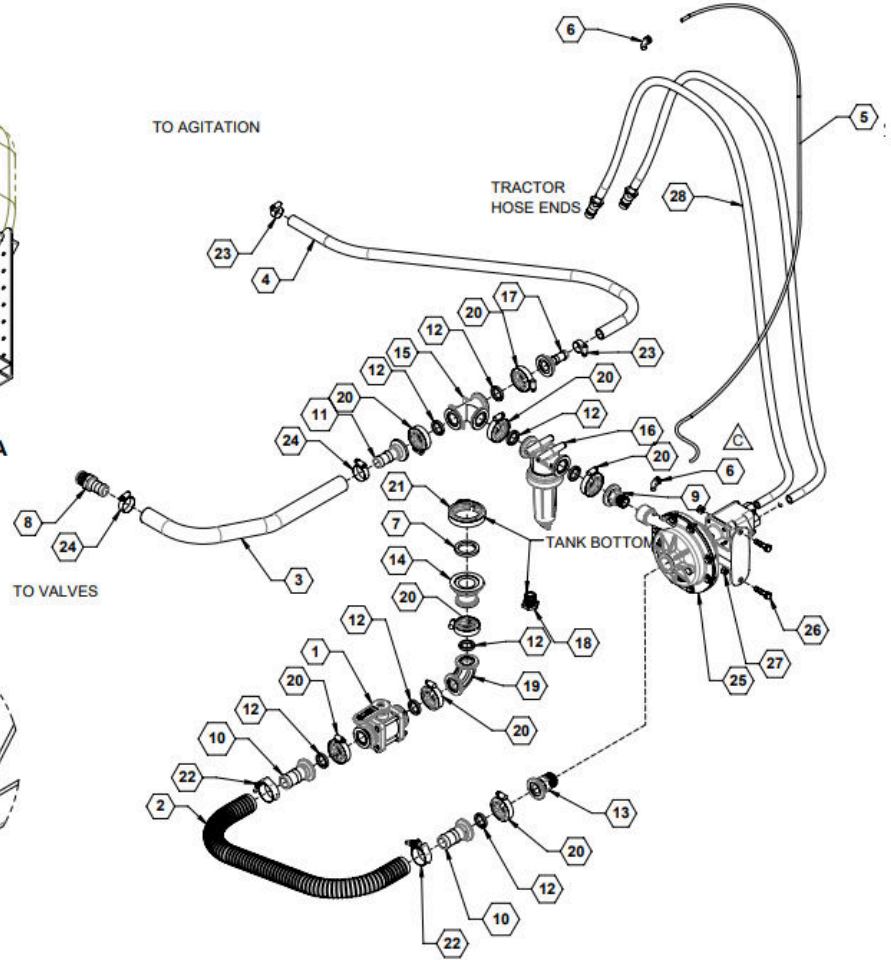
Ref. No.	Qty. Req'd.	Part Number	Description
1	1	2300-0021	Bearing Cover
2	2	2000-0010	Sealed Ball Bearing
3	2	2107-0002	Viton Seal (Standard)
3	2	2102-0001	Buna-N Seal (Optional)
3	2	2102-0001T	Teflon-coated Buna-N Seal (Optional)
4	4	2210-0004	Bolts
5	1	0200-6600C	Endplate (Cast Iron) with Seal
5	1	0200-6600N	Endplate (Ni-Resist) with Seal
5	1	0200-6600X	Endplate (SilverCast) with Seal
6	1	1720-0008	O-ring Gasket for Endplate
7	6	1005-0004	Super Roller (Standard)
7	6	1002-0004	Polypropylene Roller (Optional)
7	6	1055-0004	Teflon Roller (Optional)

Ref. No.	Qty. Req'd.	Part Number	Description
8	1 kit	3420-0023	Base Kit - Sold Separately Includes: (1) Base, (2) Bolts and (2) Washers
9	1	0100-6600C	Body (Cast Iron) with Seal
9	1	0100-6600N	Body (Ni-Resist) with Seal
9	1	0100-6600X	Body (SilverCast) with Seal
10	1	2404-0052	1" Hose Barb
11	1	2300-0023	Shaft Bearing Cover
12	1	0300-6600C	Rotor Assembly (Cast Iron)
12	1	3430-0767	Rotor Assembly (Std. Ni-Resist & XL)

Ace FMC-75-HYD Pump and Plumbing



DETAIL A



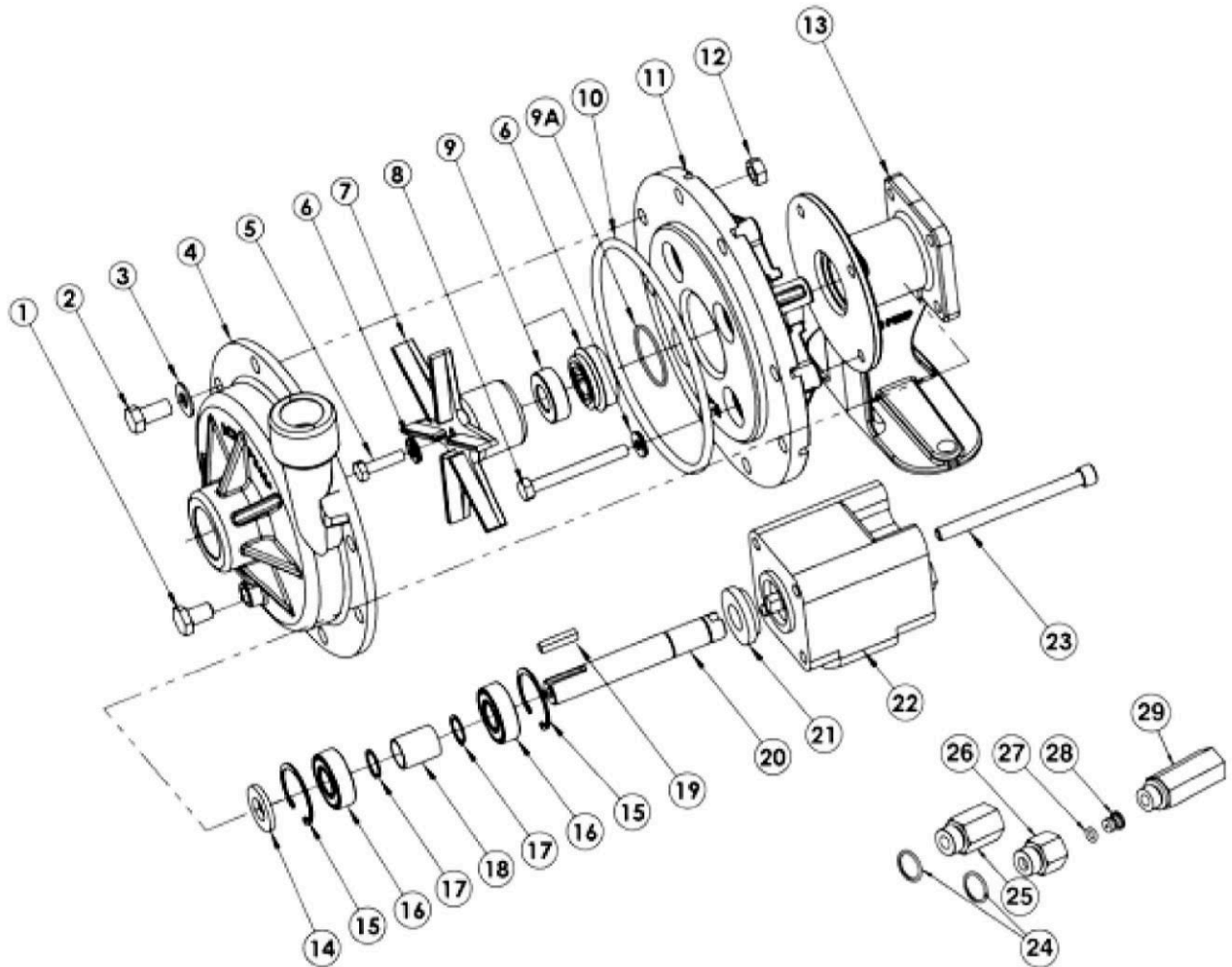


ILLUSTRATED PARTS LIST

Parts List 27036: Ace FMC-75-HYD Pump and Plumbing

ITEM	PART NO.	QTY.	DESCRIPTION
1	500005	1	VALVE, 1" FP WITH C-FLANGE
2	510001	2.5FT	HOSE, BUMBLE BEE 1-1/4" X 2.5FT
3	510016	1	HOSE, 1" EPDM X 2FT
4	510019	1	HOSE, 3/4" EPDM X 4FT
5	510023	6FT	LLDP 1/4" OD POLY TUBING, BLACK
6	530003	2	ELBOW, MALE 1/4" X 1/8"
7	530014	1	GASKET, 1.500 EPDM
8	530041	1	FITTING, 1.00 MNPT X 1.00 HB, POLY
9	530062	1	FLANGE, 1" X 3/4" MALE THREAD
10	530064	2	FITTING, HB 1" X 1-1/4" FLANGE
11	530066	1	FITTING, 1.00 MANIFOLD X 1.00 HB
12	530068	8	GASKET, 1.00 EPDM
13	530069	1	FITTING, 1.00 MANIFOLD X 1.00 MPT
14	530074	1	COUPLING, REDUCED, 2" X 1"
15	530298	1	MANIFOLD TEE, 1"
16	530349	1	STRAUBER, TEE, 1.00 MANIFOLD-50 MESH
17	5300355	1	FITTING, 1.00 FLANGE X .750 HB, POLY
18	530392	1	FITTING, PLUG, 0.750 MNPT, POLY
19	530424	1	MANIFOLD SWEEP, 1" FLANGE
20	540000	8	CLAMP, 1" WORM SCREW
21	540001	1	CLAMP, 2.00 STD WORM SCREW
22	540005	2	CLAMP, HOSE T-BOLT 1.25"
23	540013	2	HOSE CLAMP, SS .75 #12
24	540014	2	HOSE CLAMP, SS 1.00 #16
25	550049	1	PUMP, ACE FMC-75-HY204
26	596129M	2	BOLT, HH 3/8-16 X 1-1/2 GR5 MAGNI
27	596237M	2	NUT, CENTERLOCK 3/8-16 MAGNI
28	600083	1	HOSE KIT, HYD PUMP

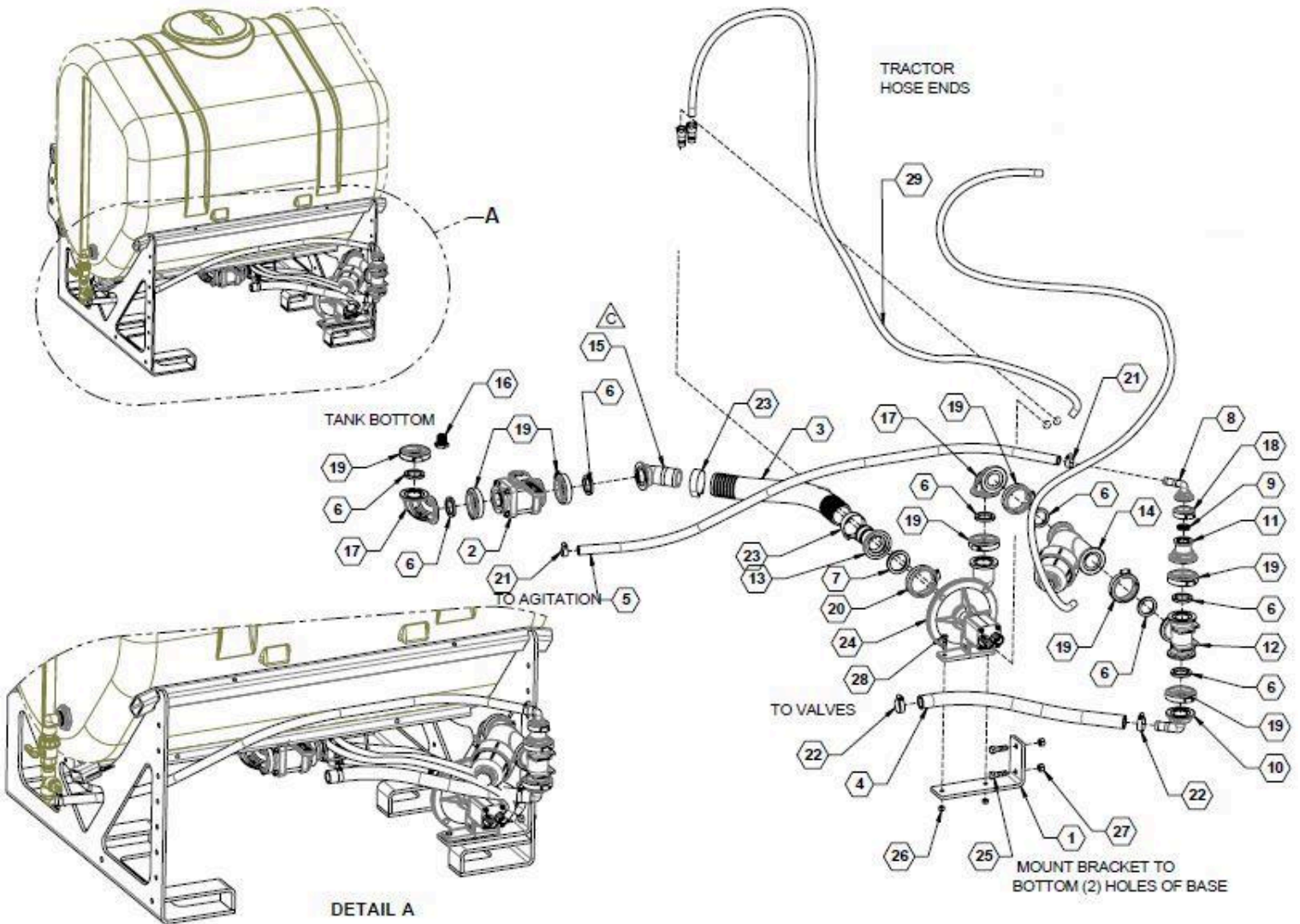
Ace FMC-75-HYD Pump – Parts Breakdown



Parts List 550049: Ace FMC-75-HYD Pump – Parts Breakdown

ITEM	PART NO.	QTY.	DESCRIPTION
1	BAC-53-P	1	PIPE PLUG, 1/8" NPT, PLASTIC
2	80250	8	CAP SCREW, 3/8"-16 X 7/8", HEX HEAD
3	42701	8	WASHER, 3/8" FLAT
4	GE-12-75, W/O PORT	1	VOLUTE, 3/4" X 1", POLYPROPYLENE, WITHOUT 1/8" PORT
4	GE-12-75, W/PORT	1	VOLUTE, 3/4" X 1", POLYPROPYLENE, WITH 1/8" PORT
5	42240	5	CAP SCREW, 1/4"-28 X 1", HEX, STAINLESS STEEL
6①②	30028	1	WASHER, SEALING, (INCLUDED IN ITEMS 6A AND 6B)
7	GE-26-75	1	IMPELLER, WITH KEYWAY, POLYPROPYLENE
8	42238	4	CAP SCREW, 5/16"NF X 2-1/4"
9①	BAC-7-75V	1	SEAL, 5/8", VITON®/CARBON/CERAMIC
9②	BAC-7SC-75V	1	SEAL, 5/8", VITON®/SILICON CARBIDE (OPTIONAL)
9A①②	40159	1	"O" RING, SEAL SEAT
10①②	40017	1	"O" RING, VOLUTE SEAL
11	GE-14-75	1	BRACKET, POLYPROPYLENE
12	BAC-45	8	NUT, HEX, 3/8"
13	BAC-14-75-HYD	1	MOUNTING FRAME (FOR BAC-75-HYD-204R, 206R HYDRAULIC MOTOR)
14	BAC-54	1	SLINGER
15	BAC-33	2	SNAP RING, INTERNAL, BAC-14 MOUNTING FRAME
16	BAC-37	2	BEARING, BAC-6 DRIVEN SHAFT
17	BAC-32	2	SNAP RING, EXTERNAL, BAC-6 DRIVEN SHAFT
18	BAC-32-S	1	SPACER FOR BAC-6 SHAFT
19	41082	1	KEY, 3/16" X 3/16" X 15/16"
20	BAC-6-75-HYD-SS	1	SHAFT, 5/8" DRIVEN SHAFT WITH TANG SLOT, STAINLESS STEEL
21	S200	1	SEAL SUPPORT SPACER FOR 200 SERIES HYDRAULIC LIP SEAL
22	BAC-75-HYD-204R	1	HYDRAULIC MOTOR, 4 GPM
22	BAC-75-HYD-206R	1	HYDRAULIC MOTOR, 7 GPM
23	41253	4	CAP SCREW, 5/16" NC X 3 1/2" SOCKET HEAD (FOR 204 MOTOR)
23	41255	4	CAP SCREW, 5/16" NC X 3 3/4" SOCKET HEAD (FOR 206 MOTOR)
24	41875	2	O-RING, #8 SAE FITTING
25	BAC-78-8SAE	1	REVERSE CHECK ASSEMBLY, #8 SAE MALE X 1/2" NPT FEMALE
26	BAC-80-8SAE	1	BODY, RESTRICTOR ORIFICE, #8 SAE MALE X 1/2" NPT FEMALE
27	41448	1	O-RING, ORIFICE INSERT
28	BAC-79-5	1	ORIFICE, RESTRICTOR INSERT, .078 (204)
28	BAC-79-7	1	ORIFICE, RESTRICTOR INSERT, .109 (206)
29	LS-204N	1	FLOW LIMITING VALVE (204), #8 SAE MALE X 1/2" NPT FEMALE
29	LS-206N	1	FLOW LIMITING VALVE (206), #8 SAE MALE X 1/2" NPT FEMALE
①	RK-GE-75	1	REPAIR KIT FOR FMC-75-HYD SERIES
②	RK-GESC-75	1	REPAIR KIT FOR FMC-75-HYD SERIES WITH SILICON CARBIDE SHAFT SEAL
*	RK-BAC-75-HYD-L	1	REPAIR KIT FOR 200 SERIES MOTOR

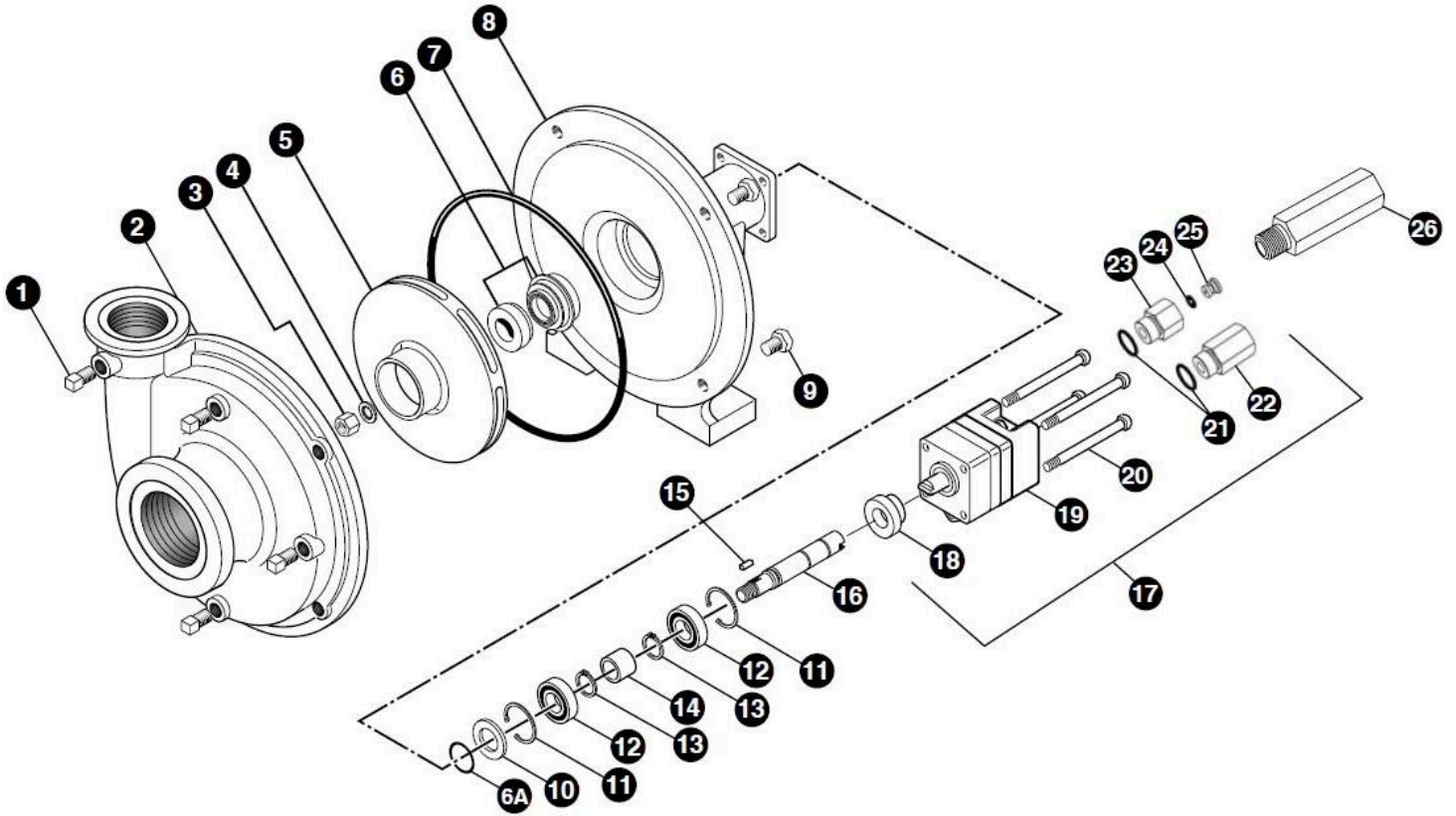
Ace FMC-150-HYD Pump and Plumbing



Parts List 27037: Ace FMC-150-HYD Pump and Plumbing

ITEM	PART NO.	QTY.	DESCRIPTION
1	23922	1	PUMP MOUNT
2	500039	1	VALVE, MANIFOLD, 2.00 STD. PORT, 4 BOLT, POLY
3	510003	1	HOSE, 2" BUMBLE BEE - 2FT
4	510016	1	HOSE, 1" EPDM X 3FT
5	510019	1	HOSE, 3/4" EPDM X 6FT
6	530014	8	GASKET, 1.500 EPDM
7	530019	1	GASKET, 2.00 EPDM
8	530060	1	ELBOW, 1" FLANGE X 3/4" HB 90~
9	530068	1	GASKET, 1.00 EPDM
10	530073	1	FITTING, ELBOW, 90D, 2.00 FLANGE X 1.00 HB, POLY
11	530074	1	COUPLING, REDUCER, 2" X 1"
12	530097	1	MANIFOLD TEE, 2"
13	530103	1	FITTING, 2.00 FP FLANGE X 2.00 HB
14	530123	1	Y STRAINER: 2" 30 MESH
15	530346	1	2" MANIFOLD HOSE BARB X 45
16	530392	1	FITTING, PLUG, .750 MNPT, POLY
17	530393	2	FITTING, SWEEP, 2.00 FLANGE X 2.00 FLANGE, POLY
18	540000	1	CLAMP, WORM SCREW, 1.00
19	540001	8	CLAMP, 2.00 STD WORM SCREW
20	540002	1	CLAMP, FP WORM SCREW, 2.00
21	540013	2	HOSE CLAMP, SS .75 #12
22	540014	2	HOSE CLAMP, SS 1.00 #16
23	540069	2	HOSE CLAMP, 2.00 T-BOLT
24	550000	1	PUMP, 150-206 FLANGED, ACE
25	596153M	2	BOLT, HH 1/2-13X1-1/2 GR5 MAGNI
26	596237M	2	NUT, CENTERLOCK 3/8-16 MAGNI
27	596239M	2	NUT, CENTERLOCK, 1/2-13 MAGNI
28	596635M	2	BOLT, HH 3/8-16 x 1-1/4 MAGNI
29	600096	1	HOSE KIT, ACE 150-206 PUMP

Ace FMC-150-HYD Pump – Parts Breakdown



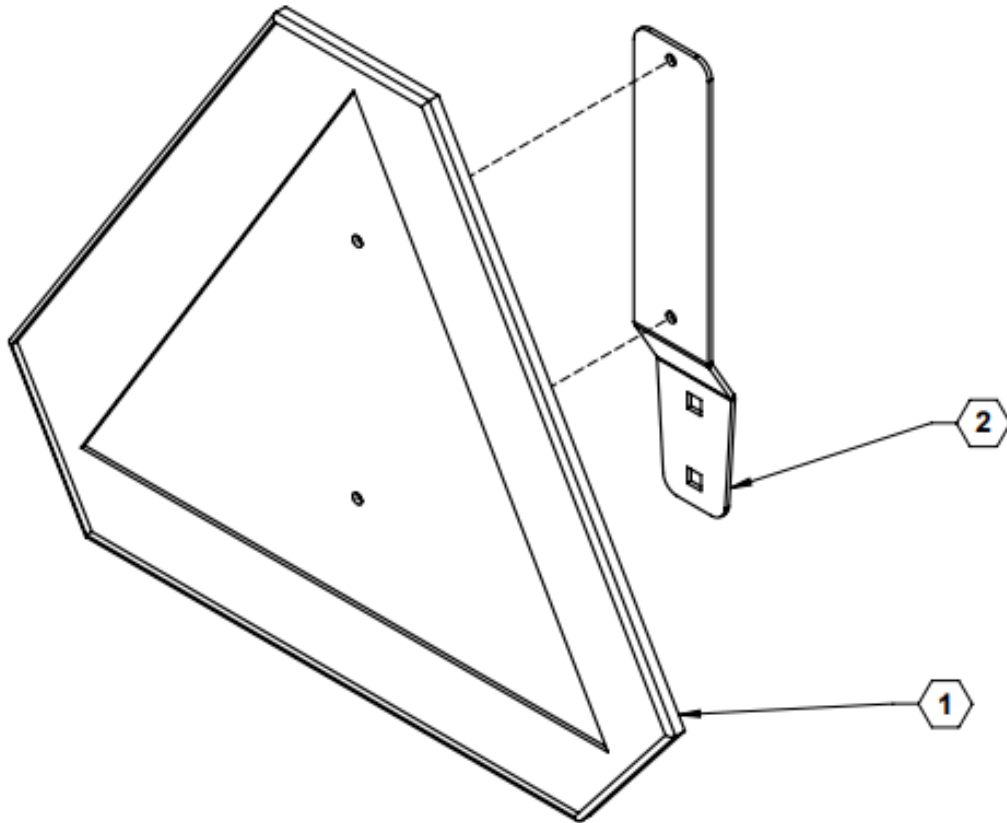
Parts List 550000: Ace 150 HYD Pump – Parts Breakdown

ITEM	PART NO.	QTY.	DESCRIPTION
1	BAC-53	4	Pipe plug
1	41120	4	Pipe plug, stainless steel (optional)
2	BAC-12-150-FLG	1	Volute, cast iron, NPT & flanged (for 150F models)
2	BAC-12-150-SS	1	Volute, 316 stainless steel , NPT & flanged (for 150FS models)
3	BAC-23-A	1	Nut, 3/8" NF, cad plated
3	BAC-23-A-SS	1	Nut, 3/8" NF, stainless steel (optional)
4①②	BAC-24-HYD-SS	1	Washer, 3/8" star, stainless steel
5	BAC-26-150-P	1	Impeller, Valox, keyway
5	BAC-26-150-CI	1	Impeller, cast iron, keyway (optional)
6①	BAC-7V	1	Seal, carbon/ceramic/Viton (includes 40160 O-Ring)
6②	BAC-7SC	1	Seal, silicon carbide/Viton (includes 40160 O-Ring) (optional)
6A①②	40160	1	O-ring, shaft seal
7①②	BAC-4-150	1	O-ring, body seal
8	BAC-14-150-HYD	1	Mounting frame, cast iron (for 150F models)
8	BAC-14-150-HYD-SS	1	Mounting frame, 316 stainless steel (for 150FS models)
9	40950	4	Cap screw, 3/8" NC x 3/4" hex head
9	40930	4	Cap screw, 3/8" NC x 3/4" hex head, stainless steel (optional)
10	BAC-54	1	Slinger
11	BAC-33	2	Snap ring, internal, BAC-14 mounting frame
12	BAC-37	2	Ball Bearing, sealed, BAC-6 shaft
13	BAC-32	2	Snap ring, external, BAC-6 shaft
14	BAC-32-S	1	Spacer for BAC-6 shaft
15	BACH-25	1	Key, 1/8" x 1/8" x 1/2"
16	BAC-6-HYD-SS	1	Shaft, 5/8" diameter, keyway and tang slot, stainless steel
17	BAC-75-HYD-206	1	Hydraulic motor, 7 GPM (includes parts 18 - 25)
18	S200	1	Seal support spacer for 200 Series HYD motor
19	BAC-75-HYD-206N	1	Hydraulic motor, 7 GPM (motor only - no external fittings)
20	41255	4	Cap screw, 5/16" N. C. x 3-3/4" socket head (for 206N motor)
21	41875	2	O-ring, #8 SAE fitting
22	BAC-78-8SAE	1	Reverse check valve, #8 SAE male x 1/2" NPT female
23	BAC-80-8SAE	1	Adapter, restrictor body, #8 SAE male x 1/2" NPT female
24	41448	1	O-ring, orifice insert
25	BAC-79-7	1	Orifice, restrictor insert, .109 (206N)
26	LS-206N	1	Flow limiting valve (206N), #8 SAE male x 1/2" NPT female
①	RK-FMC-150	-	Repair kit for FMC-150 series pump
②	RK-FMCSC-150	-	Repair kit for FMC-150 series with silicon carbide shaft seal
#	RK-BAC-75-HYD-L	-	Repair kit for 200-L Series motor

Parts List 27000: UT3P Utility Sprayer Base

ITEM	PART NO.	QTY.	DESCRIPTION
1	90SASMVONLY	1	SMV ASSY, NO SIS OR MOUNT PLATE
2	3071	4	BUCKLE, 2" STRAP
3	18050	1	TANK CRADLE WELDMENT
4	18134	1	PIN, CAT 2 UPPER
5	21385	2	PIN, CAT 2 LOWER
6	21386	2	BUSHING, SPACER
7	26470	1	PLATE, HAND RINSE MNT
8	500017	1	VALVE, 3/8" HOSE BARB
9	500043	1	VALVE, 3/4" SINGLE UNION POLY
10	510020	3FT	HOSE, 3/8" EPDM
11	510022	1	FAUCET, 3/4" FLO-RITE, CLEAR
12	530037	1	HOSE BARB, 0.75 MNPT X 3/8 HB
13	530040	1	HOSE SHANK, 3/4" MPT X 3/4" HB 90°
14	530131	2	NIPPLE, POLY PIPE 3/4" SHORT
15	530151	2	ELBOW, STREET 3/4" 90°
16	530156	1	TEE, 3/4" POLY PIPE
17	540032	5	CLAMP, HOSE SS 5/16" #5
18	580004	16FT	TANK STRAP
19	590176	1	HOSE REEL ASSEMBLY
20	590227	4	CAP, TUBE END INSERT 1.5 X 3 POLY
21	590228	2	CAP, TUBE INSERT, 3 X 3 BLACK
22	590281	1	BUSHING, TOP LINK REDUCER
23	590282	2	BUSHING, LIFTARM REDUCER
24	590323	2	INSERT, TUBE END, 2.500 X 2.500, BLACK, MCMASTER 9565K92
25	596101M	3	BOLT, HH 1/4-20X3/4 GR5 MAGNI
26	596116M	4	BOLT, HH 5/16-18X1-1/2 GR5 MAGNI
27	596128M	4	BOLT, HH 3/8-16 X 1 GR5 MAGNI
28	596137M	4	BOLT, HH 3/8-16X4-1/2 FT G5 MAGNI
29	596235M	3	NUT, CENTERLOCK, 1/4-20 MAGNI
30	596236M	4	NUT, CENTERLOCK, 5/16-18 MAGNI
31	596237M	8	NUT, CENTERLOCK 3/8-16 MAGNI
32	596256M	3	WASHER, FLAT 1/4 USS MAGNI
33	596257M	8	WASHER, FLAT 5/16 USS MAGNI
34	596258M	4	WASHER, FLAT 3/8 MAGNI
35	596296M	3	LYNCH PIN, 1/4 X 1-3/4 MAGNI
36	596624M	4	NUT, TOPLOCK 3/8-16 MAGNI
37	596635M	4	BOLT, HH 3/8-16 x 1-1/4 MAGNI
38	596728M	4	LOCKWASHER 8MM MAGNI
39	596737M	4	BOLT, HH 8-1.25 X 20MM 8.8 MAGNI
40	740025	2	LIGHT, RED SURF MNT ASSY
41	740055	1	HARNESS, UTILITY SPRAYER LIGHT
42	750048	1	MANUAL HOLDER
43	790044	1	GAUGE, 200PSI, 2.5" SS
44	800109	2	DECAL, RED REFLECTOR

SMV Sign Assembly, No SIS or Mount Plate

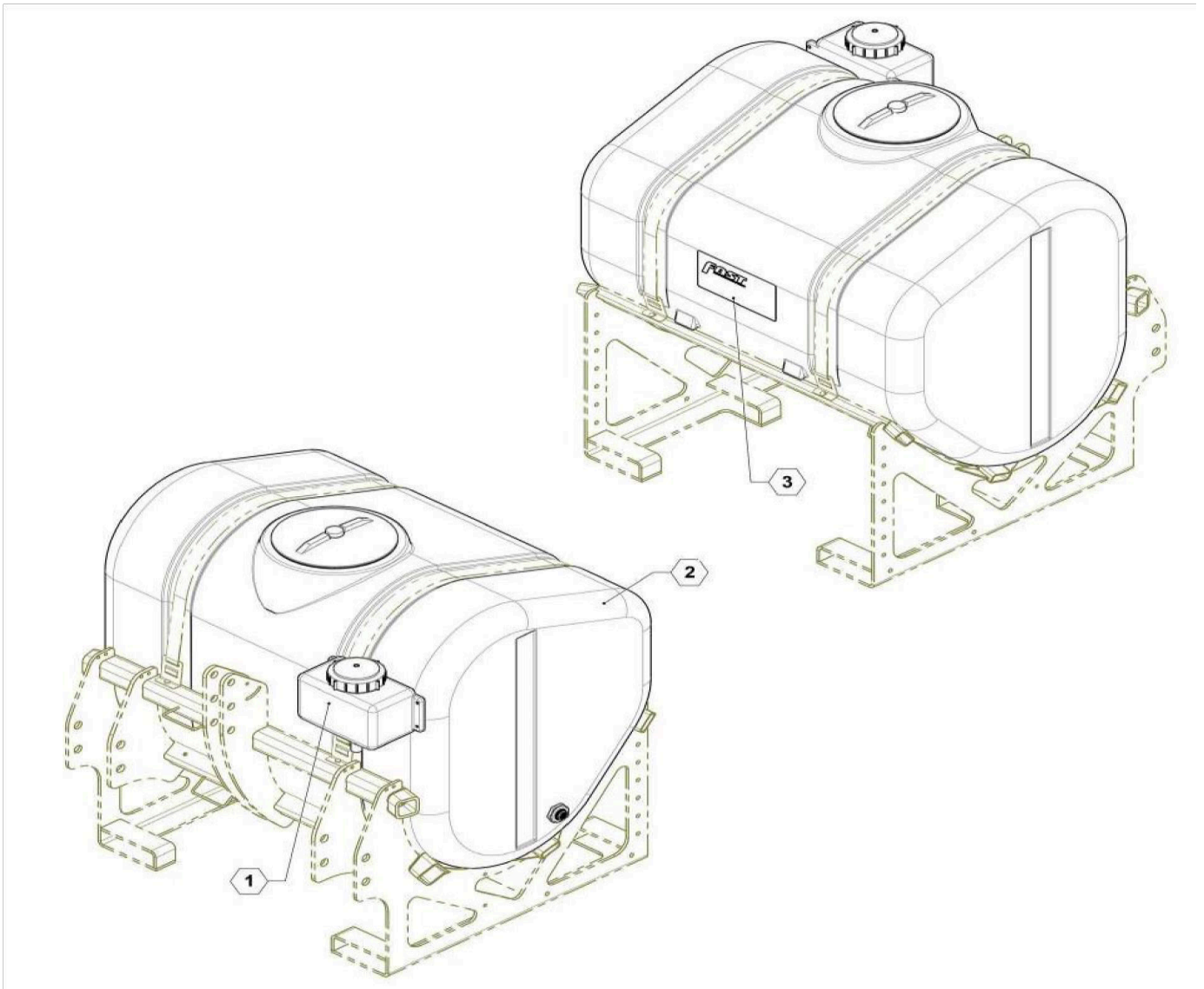


Parts List 90SASMVONLY: SMV Sign Assembly

ITEM	PART NO.	QTY.	DESCRIPTION
1	790017	1	SIGN, SMV PLASTIC MOLDED
2	710008	1	PLATE, SMV MOUNT W/ HARDWARE

TANK OPTIONS

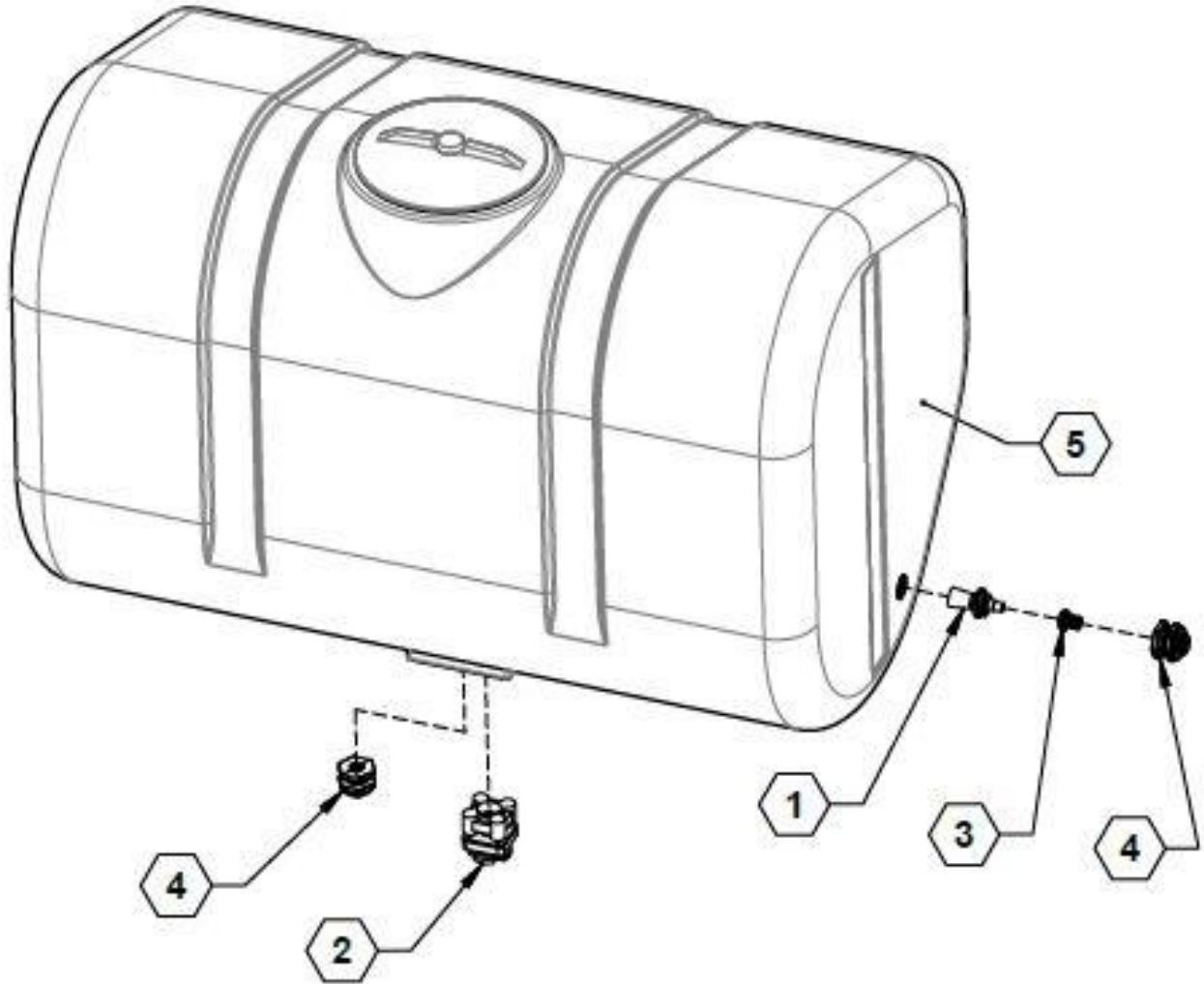
Tanks



Parts List 27003/27004: Tank Options

ITEM	PART NO.	QTY.	DESCRIPTION
1	570038	1	TANK, RINSE 2.5 GAL YELLOW
2	570151TNK	1	TANK, TEAR DROP 250
	570152TNK	REF (1)	TANK, TEAR DROP 300
3	800080	1	FAST LOCATION LABEL

Tank Fittings

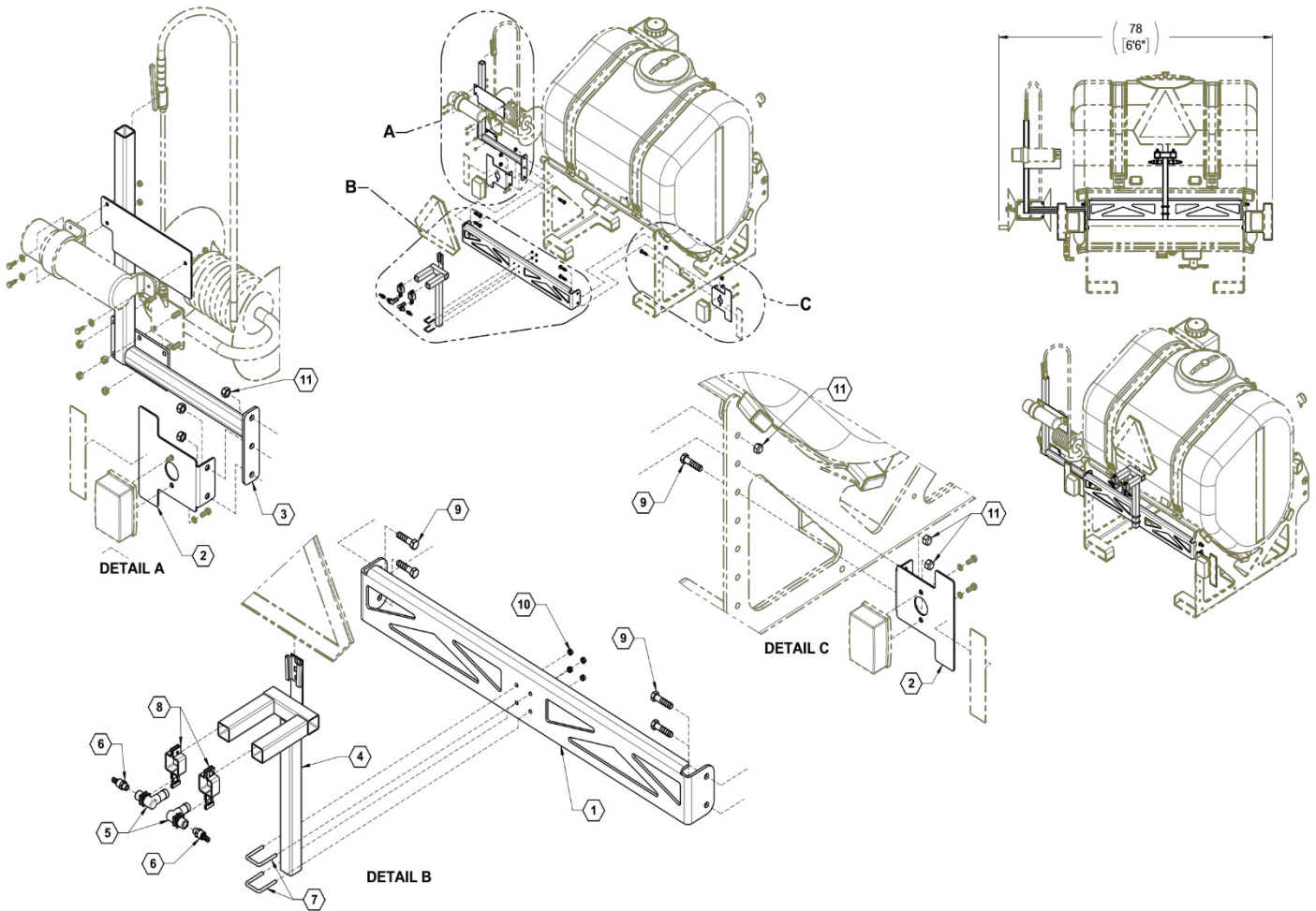


Parts List 570151TNK/570152TNK: Tank Fittings

ITEM	PART NO.	QTY.	DESCRIPTION
1	520028	1	NOZZLE, TANK MIX. EDUCTOR 3/8
2	530118	1	FLANGE, 2" STD PORT BOTTOM DRAIN
3	530140	1	BUSHING, 3/4" TO 3/8" REDUCER
4	530160	2	FLANGE, 3/4" POLY TANK
5	570151	1	TANK, TEAR DROP 250
	570152	1	TANK, TEAR DROP 300

BOOM OPTIONS

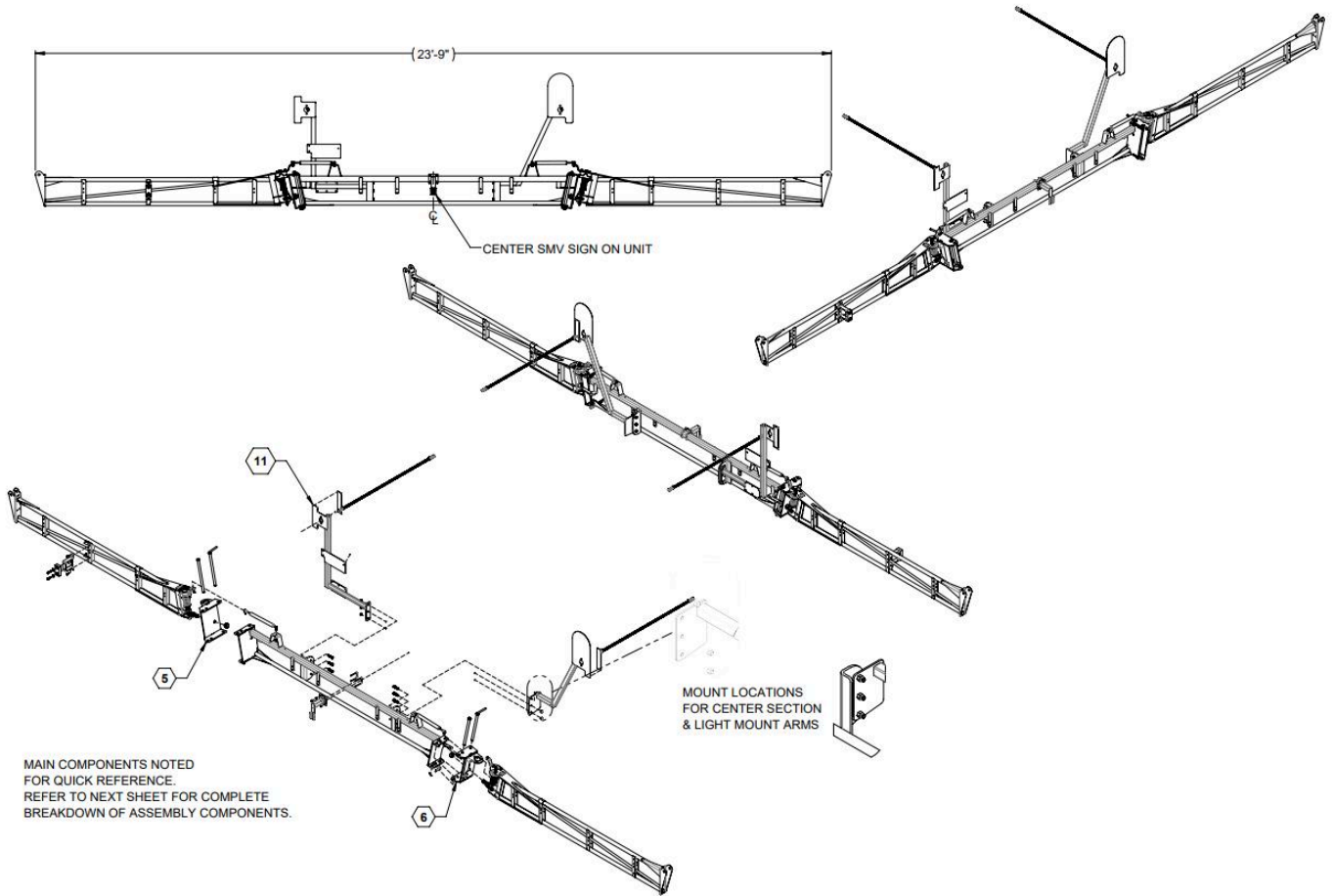
30 Foot Boomless



Parts List 27012: 30 Foot Boomless

ITEM	PART NO.	QTY.	DESCRIPTION
1	18113	1	PLATE, BOOMLESS MOUNT
2	18485	2	BRACKET, TAILLIGHT MOUNT
3	18498	1	HOSE REEL MOUNT
4	18825	1	MOUNT, BOOMLESS NOZZLE
5	520005	2	NOZZLE, SINGLE
6	520055	2	NOZZLE, BOOMLESS
7	530168	2	U-BOLT 1/4" X 1-1/2" SQ, SS
8	540034	2	CLAMP, VARI-QUICK 1-1/2"
9	596154M	6	BOLT, HH 1/2-13X2 GR5 MAGNI
10	596235M	4	NUT, CENTERLOCK, 1/4-20 MAGNI
11	596619M	6	NUT, TOPLOCK 1/2-13 MAGNI

25 Foot Boom

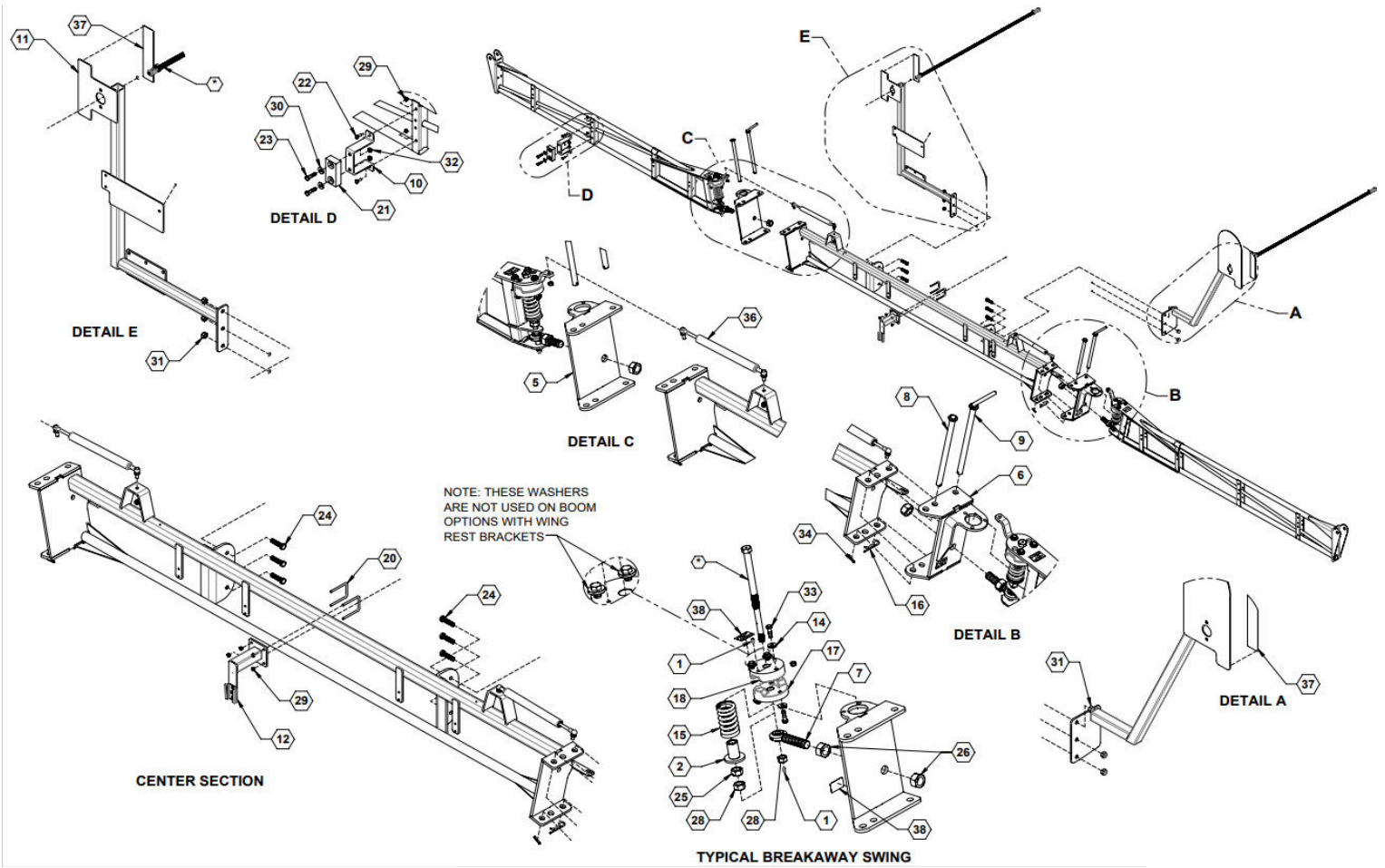


Parts List 27010: 25 Foot Boom

ITEM	PART NO.	QTY.*	DESCRIPTION
5	18068	1	HINGE, LEFT WING FOLD
6	18069	1	HINGE, RIGHT WING FOLD
11	18490L	1	REEL/LIGHT MOUNT WLDMNT, LH



25 Foot Boom (CONT.)

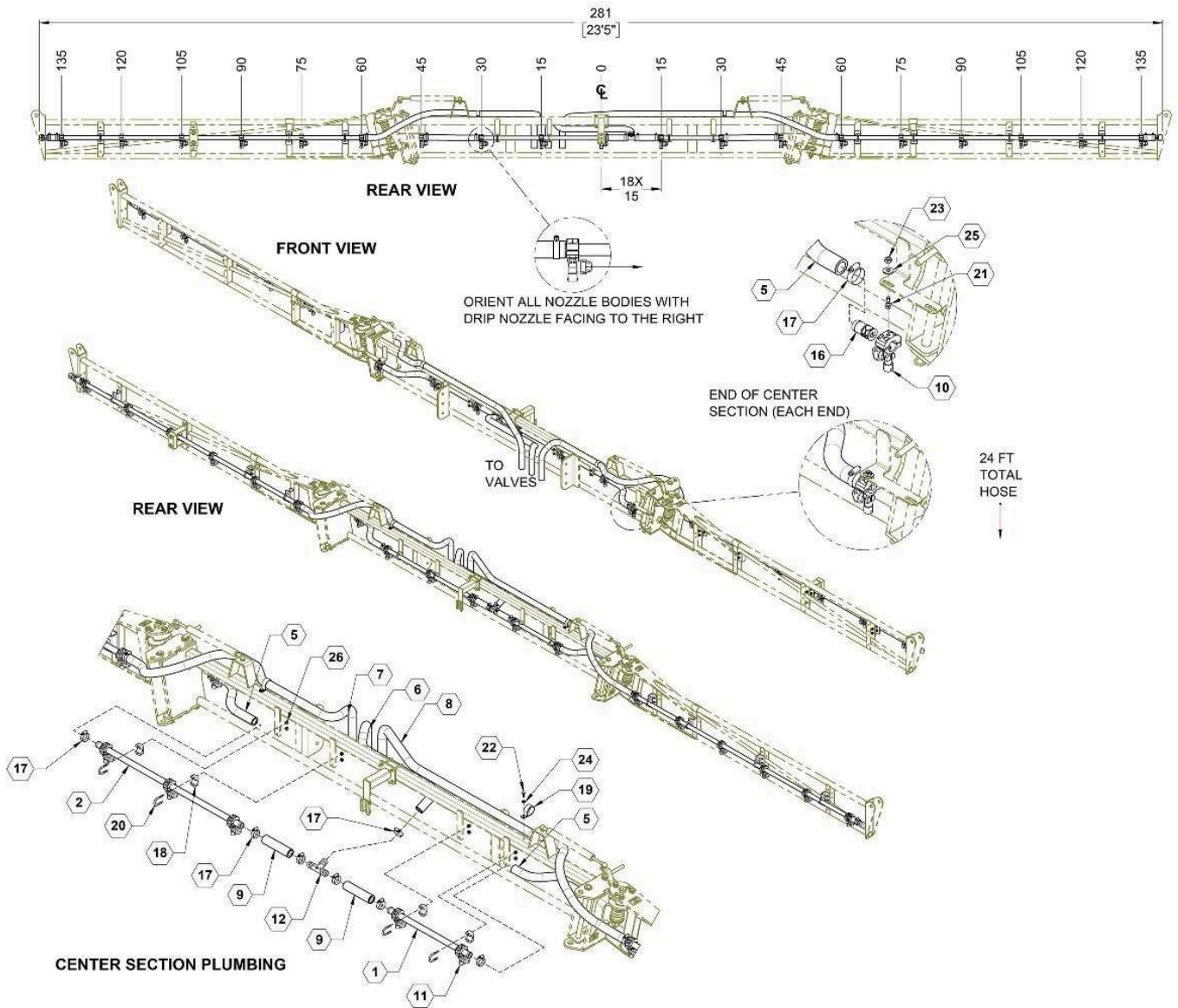


Parts List: 25 Foot Boom (CONT.)

ITEM	PART NO.	QTY.*	DESCRIPTION
1	759	6	ZERK, 1/4-28 STRAIGHT PIPE THREAD
2	14013	2	SPRING GUIDE
3	18056	2	WLDMNT, WING MAIN
4	18059	1	BOOM CENTER SECTION
5	18068	1	HINGE, LEFT WING FOLD
6	18069	1	HINGE, RIGHT WING FOLD
7	18070	2	HINGE ADJ BALL JOINT
8	18075	2	PIN, PIVOT
9	18112	2	PIN, REMOVABLE
10	18473	1	PLATE, WING FOLD STOP
11	18490L	1	REEL/LIGHT MOUNT WLDMT, LH
12	18497	1	MOUNT, SMV HOLDER
13	21492	1	LIGHT MOUNT WLDMT
14	530309	12	WASHER, 1.00 OD X .406 ID X .188, MAGNI
15	590006	2	SPRING, COMPRESSION
16	590017	2	PIN, HAIR CLIP, 1/8 X 3-1/8" ZP
17	590073	2	CLUTCH, MALE 20°
18	590074	2	CLUTCH, FEMALE 20°
19	590112	2	BOLT, BREAKAWAY
20	590156	2	U-BOLT, 2 X 3 X 1/4 SS
21	590184	1	PAD, WING REST
22	596101M	2	BOLT, HH 1/4-20 X 3/4 GR5 MAGNI
23	596129M	2	BOLT, HH 3/8-16 X 1-1/2 GR5 MAGNI
24	596154M	6	BOLT, HH 1/2-13 X 2 GR5 MAGNI
25	596217M	2	NUT, HEX 3/4-10 GR5 MAGNI
26	596218M	4	NUT, HEX 1-8 MAGNI
27	596225M	2	NUT, HEX JAM 3/4-10 GR8 MAGNI
28	596232M	2	NUT, HEX NYLOCK 5/8-11 MAGNI
29	596235M	6	NUT, CENTERLOCK, 1/4-20 MAGNI
30	596258M	2	WASHER, FLAT 3/8 MAGNI
31	596619M	6	NUT, TOPLOCK 1/2-13 MAGNI
32	596624M	2	NUT, TOPLOCK 3/8-16 MAGNI
33	596633M	12	BOLT, HH 3/8-24 X 1-1/4 GR5 MAGNI
34	596844M	2	PIN, SPRING, .250 X 1.5, MAGNI
35	740041	1	HARNES, LIGHT 4FT EXT, PAIR
36	790028	2	SHOCK, BREAKAWAY, HEAVY
37	800110	2	DECAL, AMBER, REFLECTOR
38	800287	4	DECAL, GREASE PIVOT POINTS

25 Foot Boom Plumbing, Single Nozzle Bodies

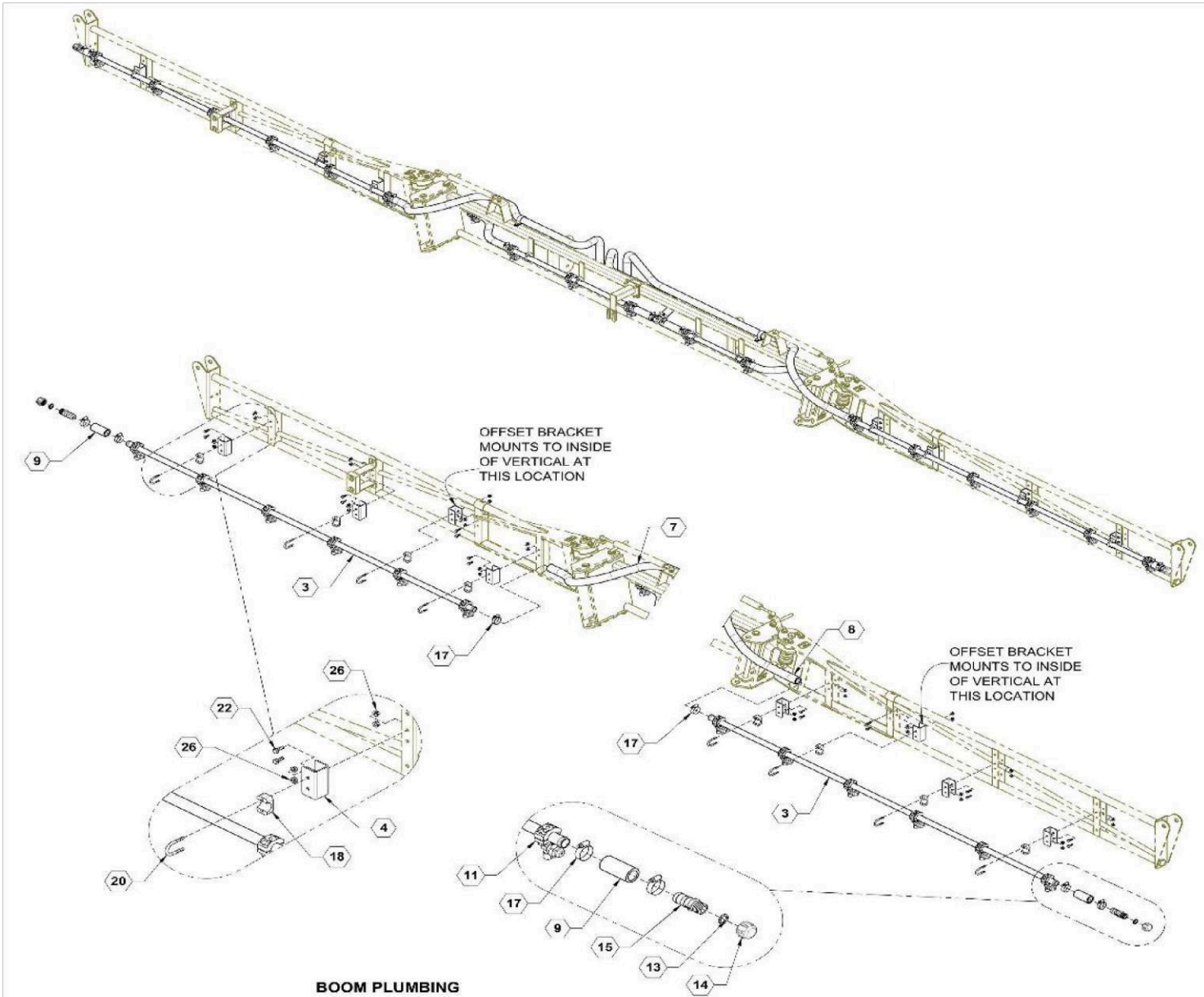
15 Inch On-Center Single Nozzle Bodies X 19



Parts List 27015: 15 Inch On-Center Single Nozzle Bodies X 19

ITEM	PART NO.	QTY.	DESCRIPTION
1	14302	1	TUBE, 2 PORT 15" WB
2	14303	1	TUBE, 3 PORT 15" WB
5	510016	2	HOSE, 1" EPDM X 18IN
6	510016	1	HOSE, 1" EPDM X 3FT
7	510016	1	HOSE, 1" EPDM X 7FT
8	510016	1	HOSE, 1" EPDM X 8FT
9	510016	4	HOSE, 1" EPDM X 3IN
10	520020	2	NOZZLE BODY, 3/4 SINGLE
11	520030	17	NOZZLE BODY, 25MM SINGLE
12	530056	1	HOSE BARB, 1" TEE
16	530359	2	SHANK, SINGLE 1" HB
17	540014	15	CLAMP, HOSE SS 1" #16
18	540029	12	TUBE CLAMP, 1" GREEN
19	540048	2	P-CLAMP, 1-1/2" X 1/4" HOLE
20	590048	12	U-BOLT SS 1/4 X 1"
21	590264	2	BOLT, HH 5/16-18 X 3/4 SS
22	596101M	18	BOLT, HH 1/4-20X3/4 GR5 MAGNI
23	596236M	2	NUT, CENTERLOCK, 5/16-18 MAGNI
24	596256M	2	WASHER, FLAT 1/4 USS MAGNI
25	596257M	2	WASHER, FLAT 5/16 USS MAGNI
26	596767M	40	NUT, HEX FLANGE 1/4-20 MAGNI

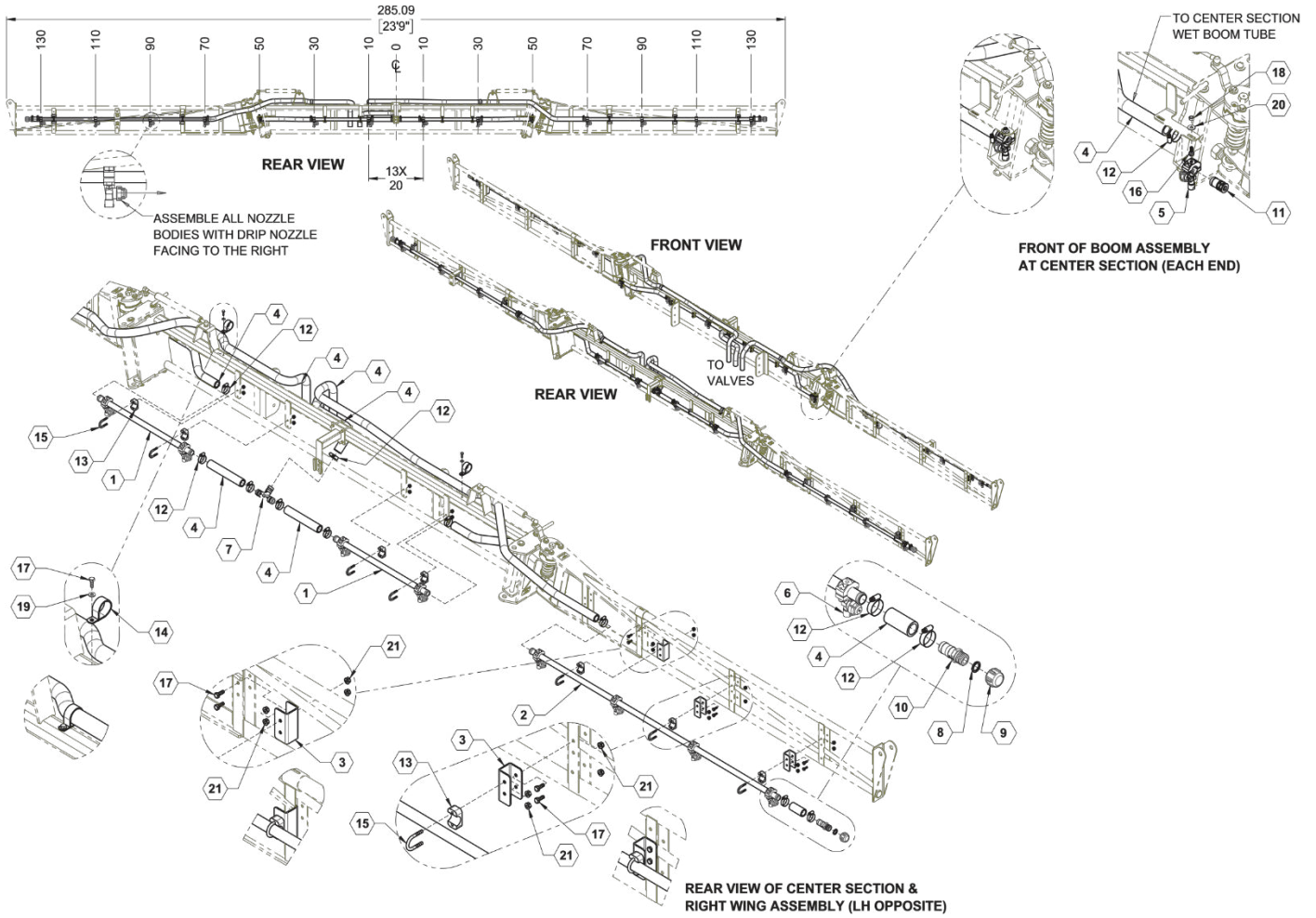
15 inch On-Center Single Nozzle Bodies X 19 (CONT.)



Parts List: 15 inch On-Center Single Nozzle Bodies X 19 (CONT.)

ITEM	PART NO.	QTY.	DESCRIPTION
3	14306	2	TUBE, 6 PORT 15" WB
4	14452	8	BRACKET, WB OFFSET
7	510016	1	HOSE, 1" EPDM X 7FT
8	510016	1	HOSE, 1" EPDM X 8FT
9	510016	4	HOSE, 1" EPDM X 3IN
11	520030	17	NOZZLE BODY, 25MM SINGLE
13	530227	2	GASKET, VINYL BLACK 3/4IDX1
14	530245	2	CAP, BLK, 3/4" NYLON
15	530275	2	FITTING, 1" MPT X 1" HB
17	540014	15	CLAMP, HOSE SS 1" #16
18	540029	12	TUBE CLAMP, 1" GREEN
20	590048	12	U-BOLT SS 1/4 X 1"
22	596101M	18	BOLT, HH 1/4-20X3/4 GR5 MAGNI
26	596767M	40	NUT, HEX FLANGE 1/4-20 MAGNI

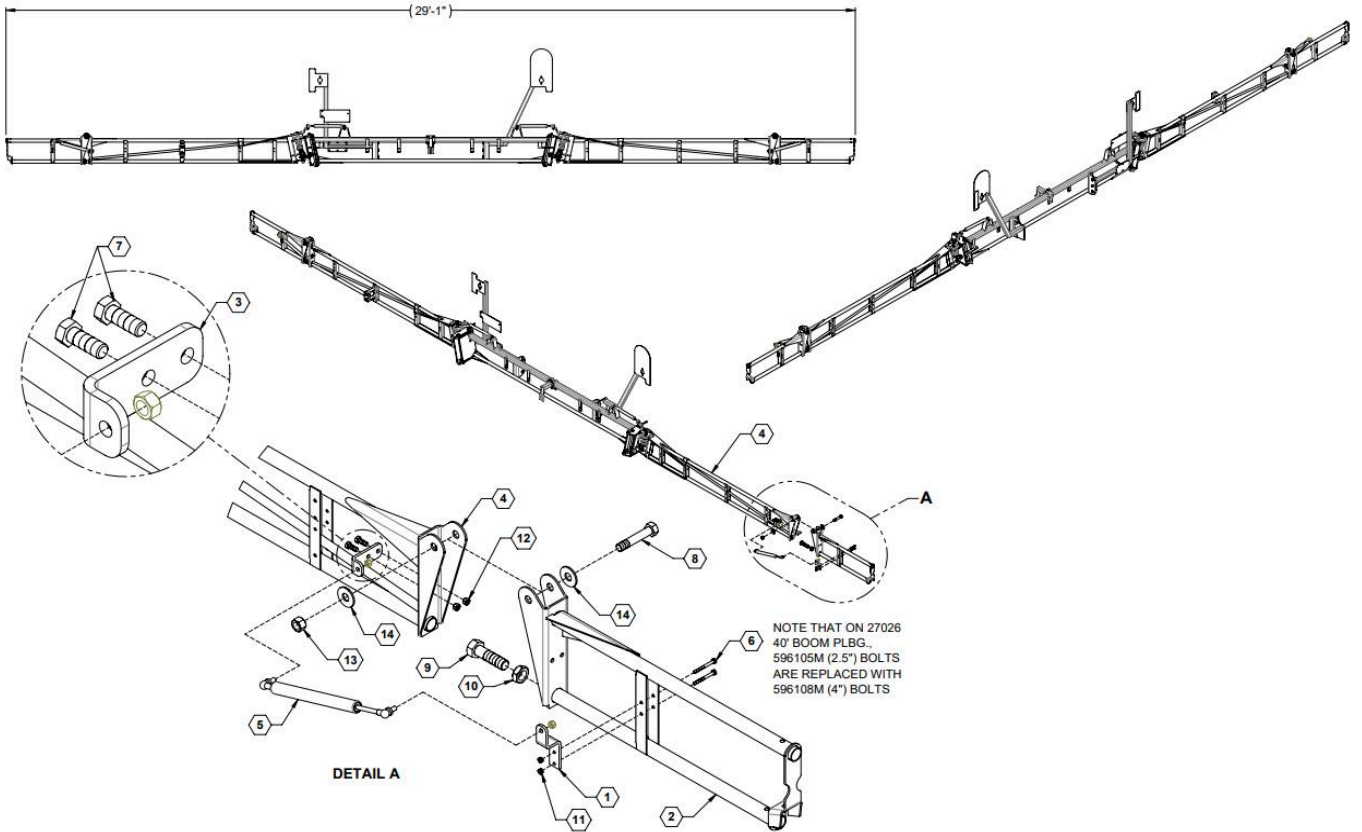
20 Inch Off-Center, Single Nozzle Bodies X 14



Parts List 27017: 20 Inch Off-Center, Single Nozzle Bodies X 14

ITEM	PART NO.	QTY.	DESCRIPTION
1	14312	2	TUBE, 2 PORT 20" WB
2	14314	2	TUBE, 4 PORT 20" WB
3	14452	6	BRACKET, WB OFFSET
4	510016	AR	HOSE, 1" EPDM
5	520020	2	NOZZLE BODY, 3/4 SINGLE
6	520030	12	NOZZLE BODY, 25MM SINGLE
7	530056	1	HOSE BARB, 1" TEE
8	530227	2	GASKET, VINYL BLACK 3/4IDX1
9	530245	2	CAP, BLK, 3/4" NYLON
10	530275	2	FITTING, 1" MPT X 1" HB
11	530359	2	SHANK, SINGLE 1" HB
12	540014	15	CLAMP, HOSE SS 1" #16
13	540029	10	TUBE CLAMP, 1" GREEN
14	540048	2	P-CLAMP, 1-1/2" X 1/4" HOLE
15	590048	10	U-BOLT SS 1/4 X 1"
16	590264	2	BOLT, HH 5/16-18 X 3/4 SS
17	596101M	14	BOLT, HH 1/4-20X3/4 GR5 MAGNI
18	596236M	2	NUT, CENTERLOCK, 5/16-18 MAGNI
19	596256M	2	WASHER, FLAT 1/4 USS MAGNI
20	596257M	2	WASHER, FLAT 5/16 USS MAGNI
21	596767M	32	NUT, HEX FLANGE 1/4-20 MAGNI

30 Foot Boom



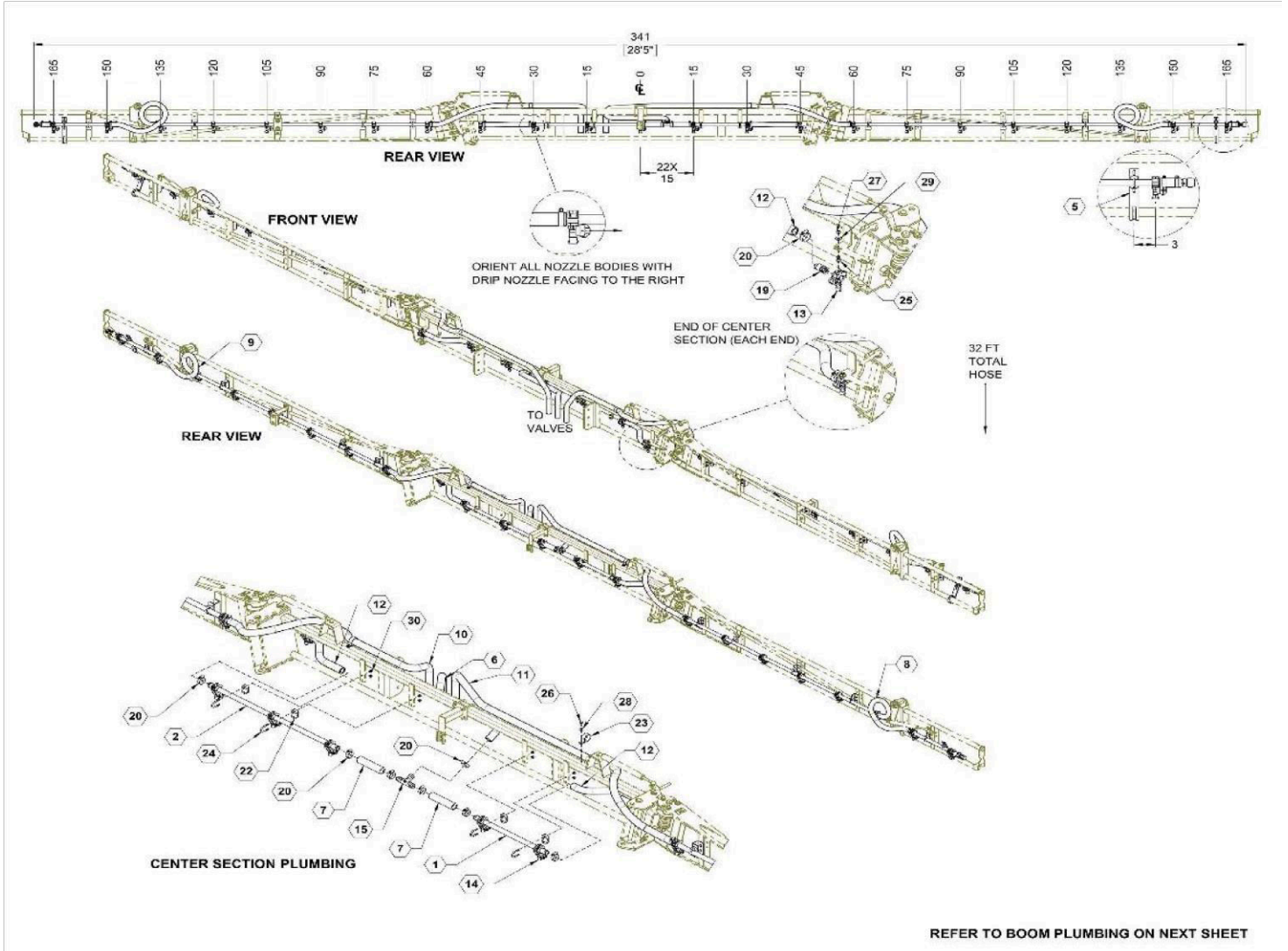
Parts List 27011: 30 Foot Boom

ITEM	PART NO.	QTY.	DESCRIPTION
1	18094	2	BRACKET, SHOCK MOUNT
2	18095	2	WLDMNT, WING, FLIP
3	18098	2	BRACKET, SHOCK MOUNT
4	27010	1	25' BOOM OPTION
5	590202	2	SPRING, GAS, TENSION, PRELOAD 125LBS, BALL STUDS
6	596105M	4	BOLT, HH 1/4-20 X 2-1/2 GR5 MAGNI
7	596128M	4	BOLT, HH 3/8-16 X 1 GR5 MAGNI
8	596189	2	BOLT, HH 3/4-10 X 4 X 1 GR5 MAGNI
9	596201M	2	BOLT, HEX 1-8 X 3-1/2 GR5 MAGNI
10	596226M	2	NUT, HEX JAM 1-8 MAGNI
11	596235M	4	NUT, CENTERLOCK, 1/4-20 MAGNI
12	596237M	4	NUT, CENTERLOCK 3/8-16 MAGNI
13	596241M	2	NUT, CENTERLOCK 3/4 - 10 MAGNI
14	596259M	4	WASHER, FLAT 3/4 MAGNI



30 Foot Plumbing, Single Nozzle Bodies

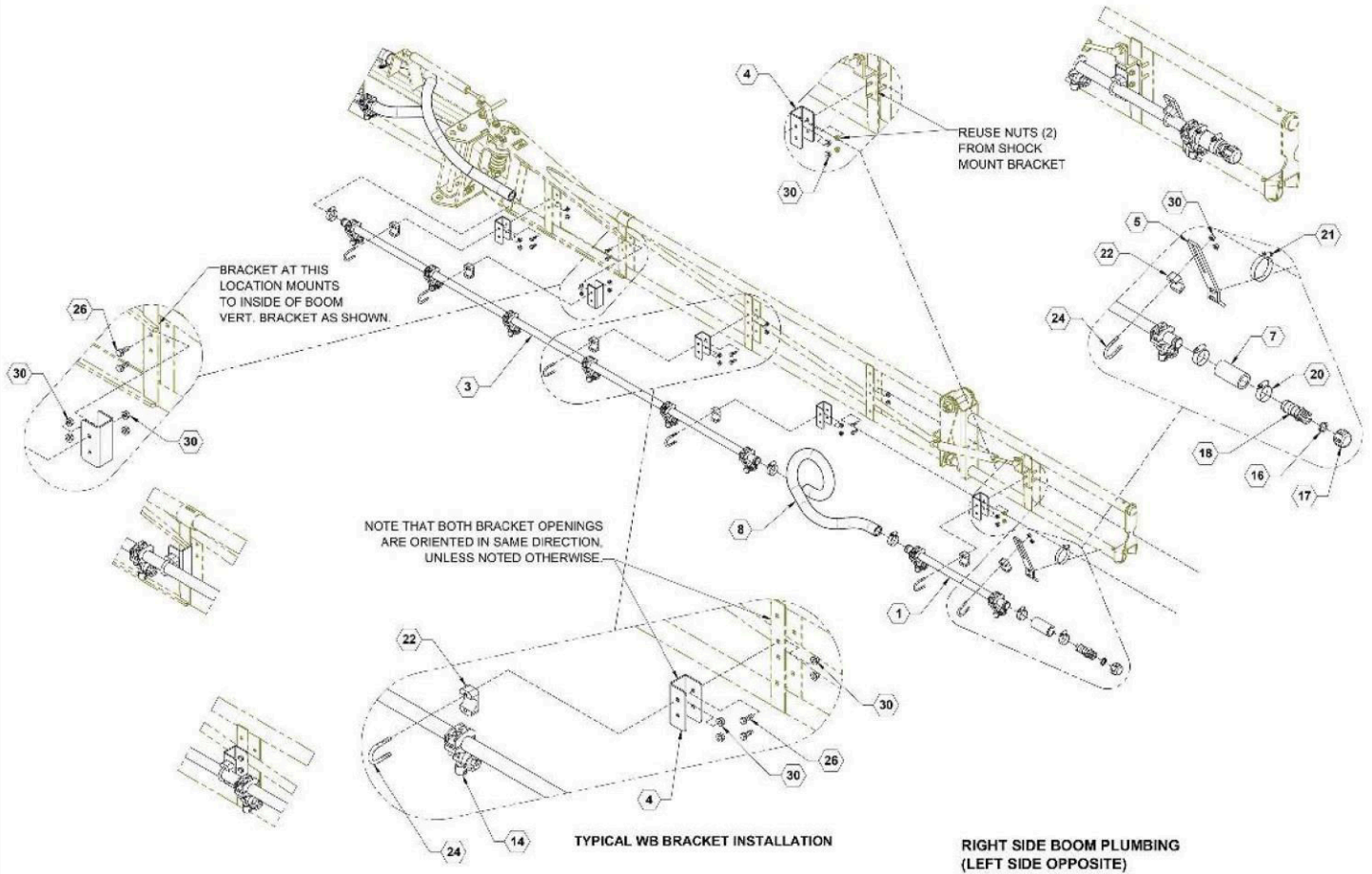
15 Inch On-Center, Single Nozzle Bodies X 23



Parts List 27019: 15 Inch On-Center, Single Nozzle Bodies X 23

ITEM	PART NO.	QTY.	DESCRIPTION
1	14302	3	TUBE, 2 PORT 15" WB
2	14303	1	TUBE, 3 PORT 15" WB
5	16271	2	BRACKET, WET BOOM
6	510016	1	HOSE, 1" EPDM X 3FT
7	510016	4	HOSE, 1" EPDM X 3IN
8	510016	1	HOSE, 1" EPDM X 4FT
9	510016	1	HOSE, 1" EPDM X 4FT
10	510016	1	HOSE, 1" EPDM X 7FT
11	510016	1	HOSE, 1" EPDM X 8FT
12	510016	2	HOSE, 1" EPDM X 18IN
13	520020	2	NOZZLE BODY, SINGLE 3/4"
14	520030	21	NOZZLE BODY, SINGLE 25mm
15	530056	1	HOSE BARB, 1" TEE
19	530359	2	SHANK, SINGLE 1" HB
20	540014	19	CLAMP, HOSE SS 1" #16
22	540029	16	TUBE CLAMP, 1" GREEN
23	540048	2	P-CLAMP, 1-1/2" X 1/4" HOLE
24	590048	16	U-BOLT SS 1/4 X 1"
25	590264	2	BOLT, HH 5/16-18 X 3/4 SS
26	596101M	18	BOLT, HH 1/4-20X3/4 GR5 MAGNI
27	596236M	2	NUT, CENTERLOCK, 5/16-18 MAGNI
28	596256M	2	WASHER, FLAT 1/4 USS MAGNI
29	596257M	2	WASHER, FLAT 5/16 USS MAGNI
30	596767M	48	NUT, HEX FLANGE 1/4-20 MAGNI

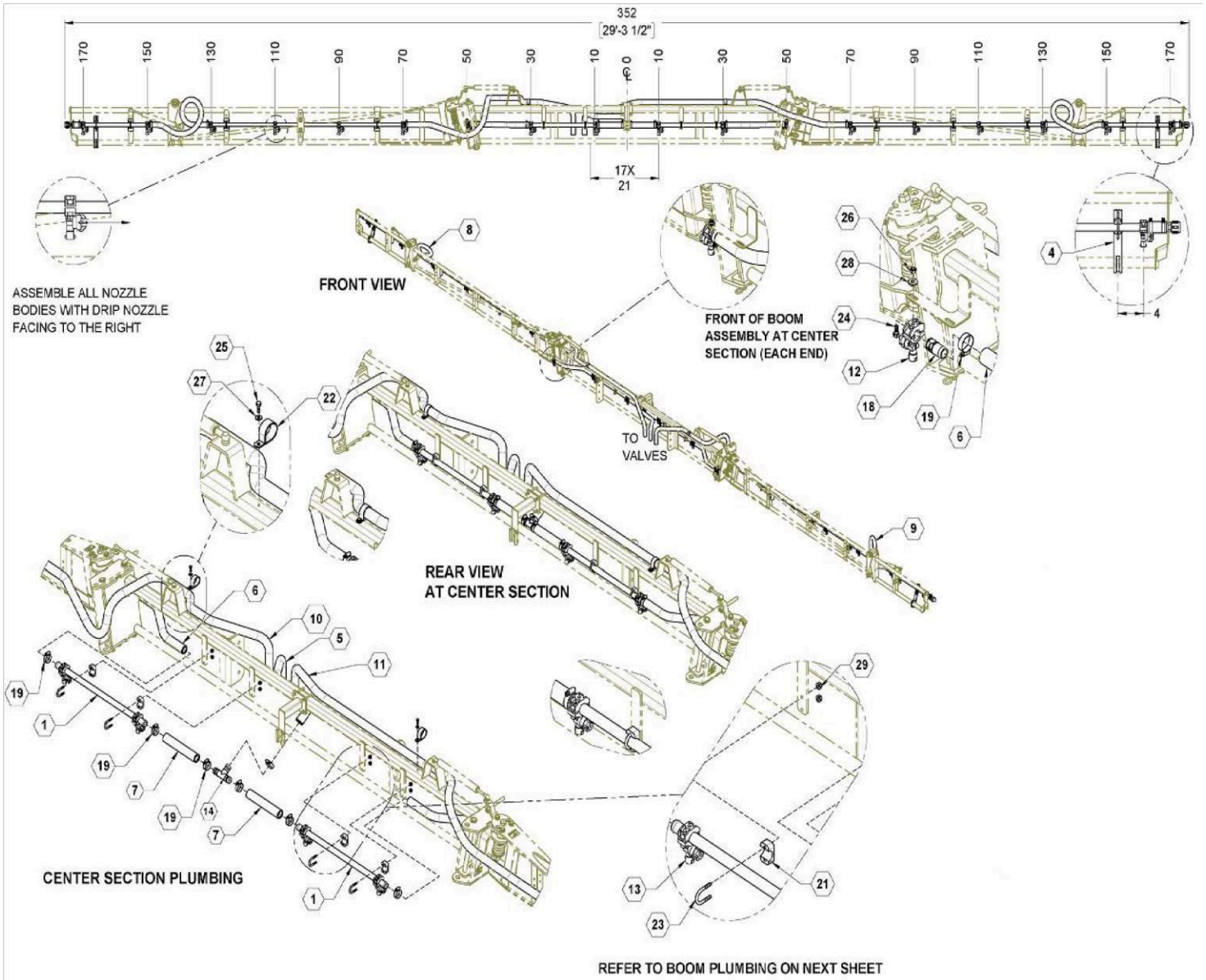
15 Inch On-center, Single Nozzle Bodies X 23 (CONT.)



Parts List: 15 Inch On-Center, Single Nozzle Bodies X 23 (CONT.)

ITEM	PART NO.	QTY.	DESCRIPTION
1	14302	3	TUBE, 2 PORT 15" WB
3	14306	2	TUBE, 6 PORT 15" WB
4	14452	10	BRACKET, WB OFFSET
5	16271	2	BRACKET, WET BOOM
8	510016	1	HOSE, 1" EPDM X 4FT
14	520030	21	NOZZLE BODY, SINGLE 25mm
16	530227	2	GASKET, VINYL BLACK 3/4IDX1
17	530245	2	CAP, BLK, 3/4" NYLON
18	530275	2	FITTING, 1" MPT X 1" HB
20	540014	19	CLAMP, HOSE SS 1" #16
21	540017	2	CLAMP, HOSE SS 2" #32
22	540029	16	TUBE CLAMP, 1" GREEN
24	590048	16	U-BOLT SS 1/4 X 1"
26	596101M	18	BOLT, HH 1/4-20X3/4 GR5 MAGNI
30	596767M	48	NUT, HEX FLANGE 1/4-20 MAGNI

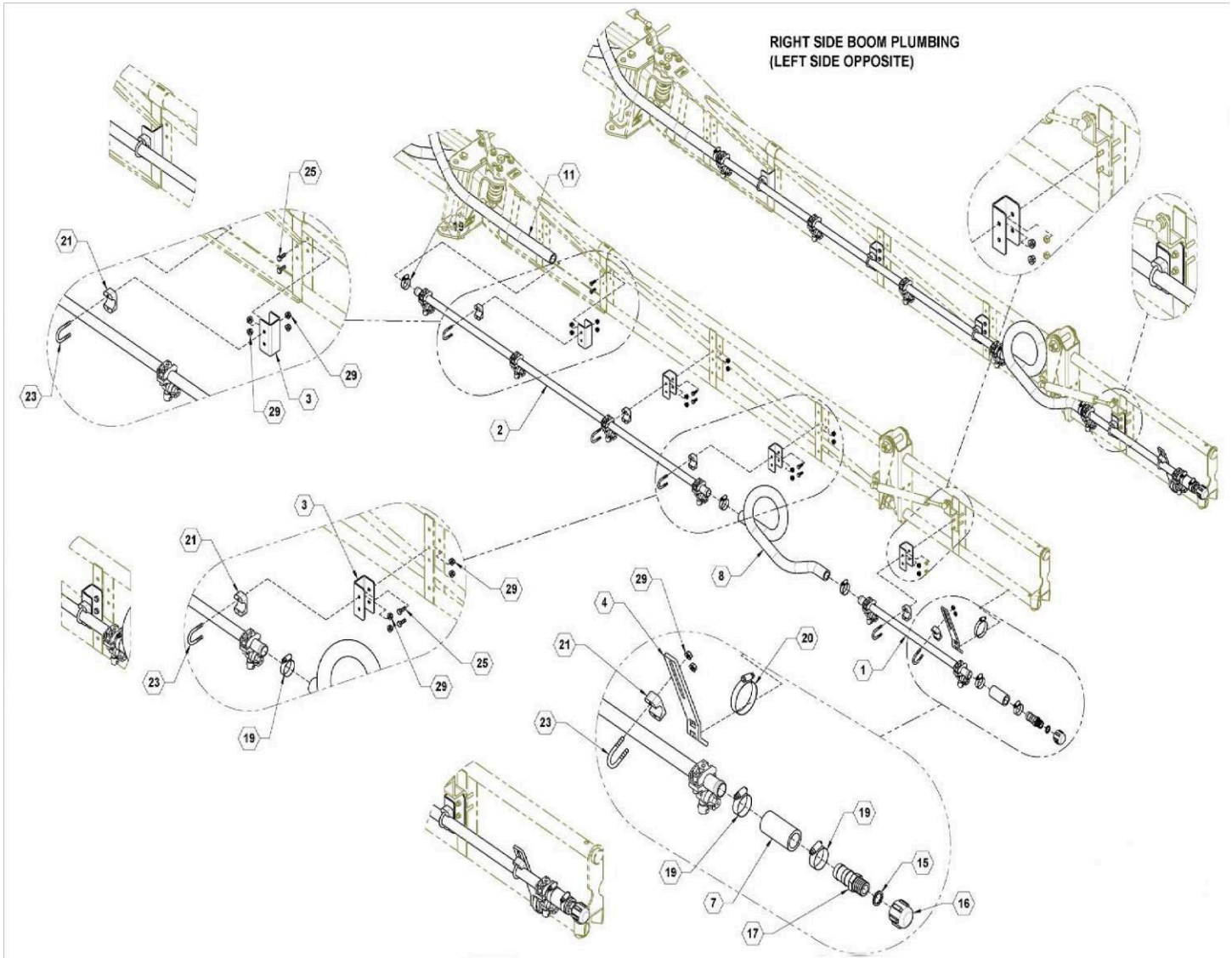
20 Inch Off-Center, Single Nozzle Bodies X 18



Parts List 27021: 20 Inch Off-Center, Single Nozzle Bodies X 18

ITEM	PART NO.	QTY.	DESCRIPTION
1	14312	4	TUBE, 2 PORT 20" WB
4	16271	2	BRACKET, WET BOOM
5	510016	1	HOSE, 1" EPDM X 2FT
6	510016	2	HOSE, 1" EPDM X 2FT
7	510016	4	HOSE, 1" EPDM X 3IN
8	510016	1	HOSE, 1" EPDM X 4FT
9	510016	1	HOSE, 1" EPDM X 4FT
10	510016	1	HOSE, 1" EPDM X 6FT
11	510016	1	HOSE, 1" EPDM X 8FT
12	520020	2	NOZZLE BODY, SINGLE 3/4"
13	520030	16	NOZZLE BODY, SINGLE 25mm
14	530056	1	HOSE BARB, 1" TEE
18	530359	2	SHANK, SINGLE 1" HB
19	540014	19	CLAMP, HOSE SS 1" #16
21	540029	14	TUBE CLAMP, 1" GREEN
22	540048	2	P-CLAMP, 1-1/2" X 1/4" HOLE
23	590048	14	U-BOLT SS 1/4 X 1"
24	590264	2	BOLT, HH 5/16-18 X 3/4 SS
25	596101M	14	BOLT, HH 1/4-20X3/4 GR5 MAGNI
26	596236M	2	NUT, CENTERLOCK, 5/16-18 MAGNI
27	596256M	2	WASHER, FLAT 1/4 USS MAGNI
28	596257M	2	WASHER, FLAT 5/16 USS MAGNI
29	596767M	40	NUT, HEX FLANGE 1/4-20 MAGNI

20 Inch Off-Center, Single Nozzle Bodies X 18 (CONT.)

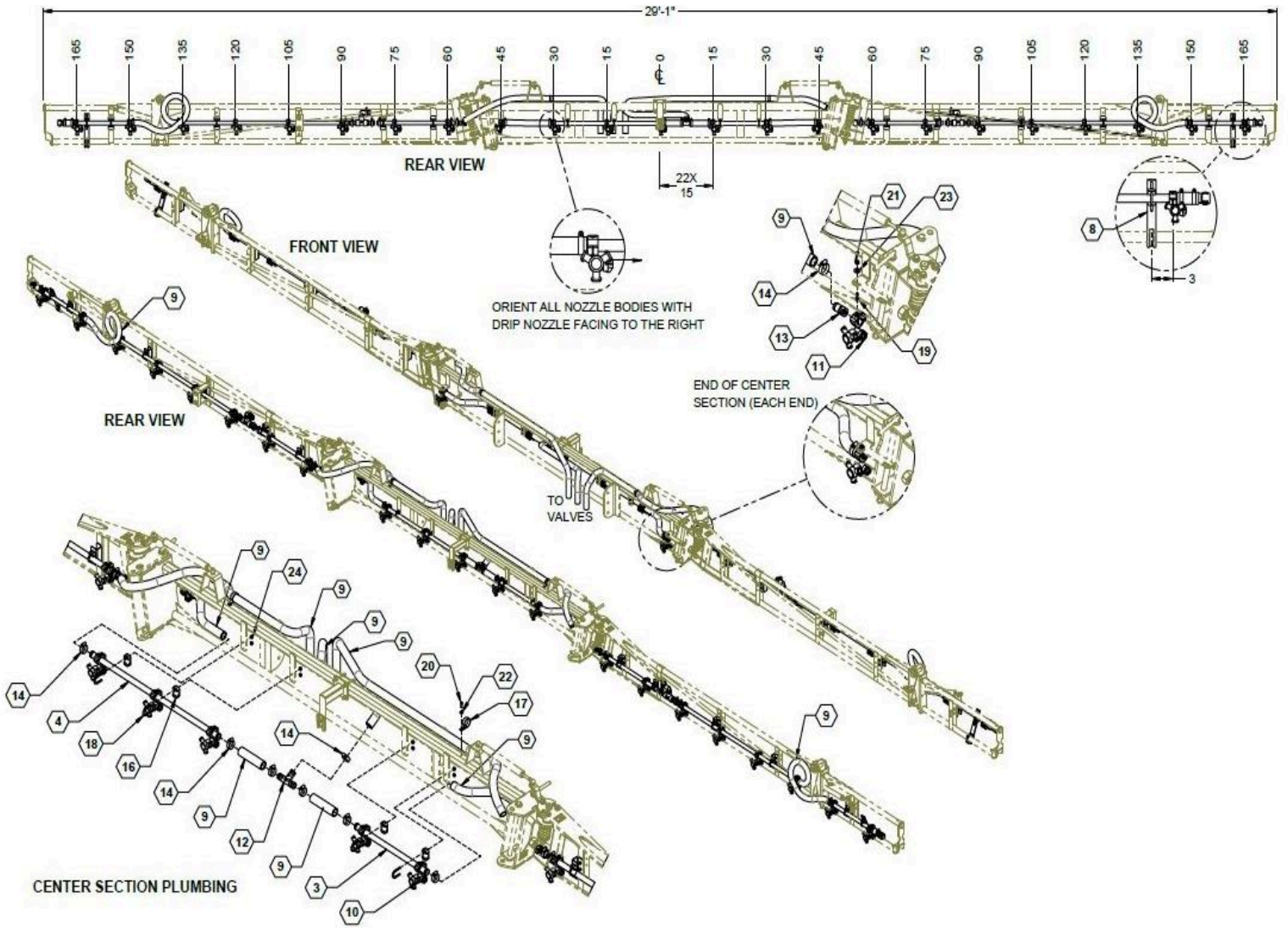


Parts List: 20 Inch Off-Center, Single Nozzle Bodies X 18 (CONT.)

ITEM	PART NO.	QTY.	DESCRIPTION
1	14312	4	TUBE, 2 PORT 20" WB
2	14314	2	TUBE, 4 PORT 20" WB
3	14452	8	BRACKET, WB OFFSET
4	16271	2	BRACKET, WET BOOM
7	510016	4	HOSE, 1" EPDM X 3IN
8	510016	1	HOSE, 1" EPDM X 4FT
11	510016	1	HOSE, 1" EPDM X 8FT
15	530227	2	GASKET, VINYL BLACK 3/4IDX1
16	530245	2	CAP, 3/4 BLACK NYLON
17	530275	2	FITTING, 1" MPT X 1" HB
19	540014	19	CLAMP, HOSE SS 1" #16
20	540017	2	CLAMP, HOSE SS 2" #32
21	540029	14	TUBE CLAMP, 1" GREEN
23	590048	14	U-BOLT SS 1/4 X 1"
25	596101M	14	BOLT, HH 1/4-20X3/4 GR5 MAGNI
29	596767M	40	NUT, HEX FLANGE 1/4-20 MAGNI

30 Foot Plumbing, Triple Nozzle Bodies

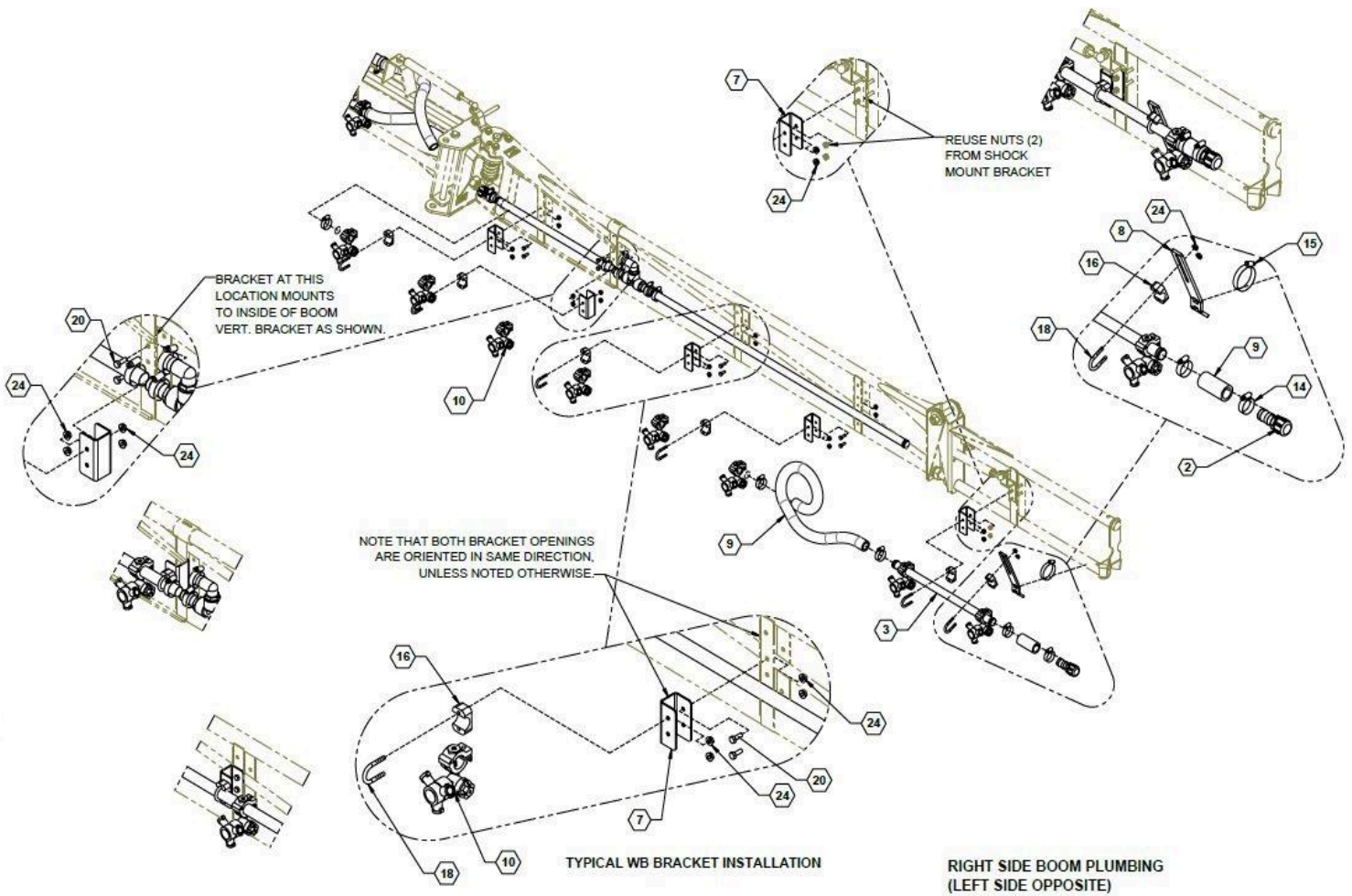
15 Inch On-Center, Triple Nozzle Bodies X 23



Parts List 27257: 15 Inch On-Center, Triple Nozzle Bodies X 23

ITEM	PART NO.	QTY.	DESCRIPTION
1	90SALT	2	SUB-ASSY, LT; FTTNGS-L,T,2HB
2	90SAPLUG	4	SUB-ASSY, PLUG; FTTNGS-C,W,1HB
3	14302	3	TUBE, 2 PORT 15" WB
4	14303	1	TUBE, 3 PORT 15" WB
6	14304	2	TUBE, 4 PORT 15" WB
7	14452	10	BRACKET, WB OFFSET
8	16271	2	BRACKET, WET BOOM
9	510016	11	HOSE, 1" EPDM
10	520084	21	NOZZLE BODY, TRIPLE 25mm
11	520091	2	NOZZLE BODY, TRIPLE, 3/4"
12	530056	1	FITTING, TEE, 1.00 HB, POLY
13	530359	2	NOZZLE, HOSE BARB, 1.00 SINGLE, FOR QJ360
14	540014	31	HOSE CLAMP, SS 1.00 #16
15	540017	2	CLAMP, HOSE, 2.00 #32, SS
16	540029	16	CLAMP BODY, 1.00 DIA PIPE, POLY GREEN
17	540048	2	CLAMP, LOOP, 1.50, .50 WIDE, W/ .281 HOLE, VINYL COATED
18	590048	16	U-BOLT SS 1/4 X 1"
19	590264	2	BOLT, HH 5/16-18 X 3/4 SS
20	596101M	18	BOLT, HH 1/4-20X3/4 GR5 MAGNI
21	596236M	2	NUT, CENTERLOCK, 5/16-18 MAGNI
22	596256M	2	WASHER, FLAT 1/4 USS MAGNI
23	596257M	2	WASHER, FLAT 5/16 USS MAGNI
24	596767M	48	NUT, HEX FLANGE 1/4-20 MAGNI

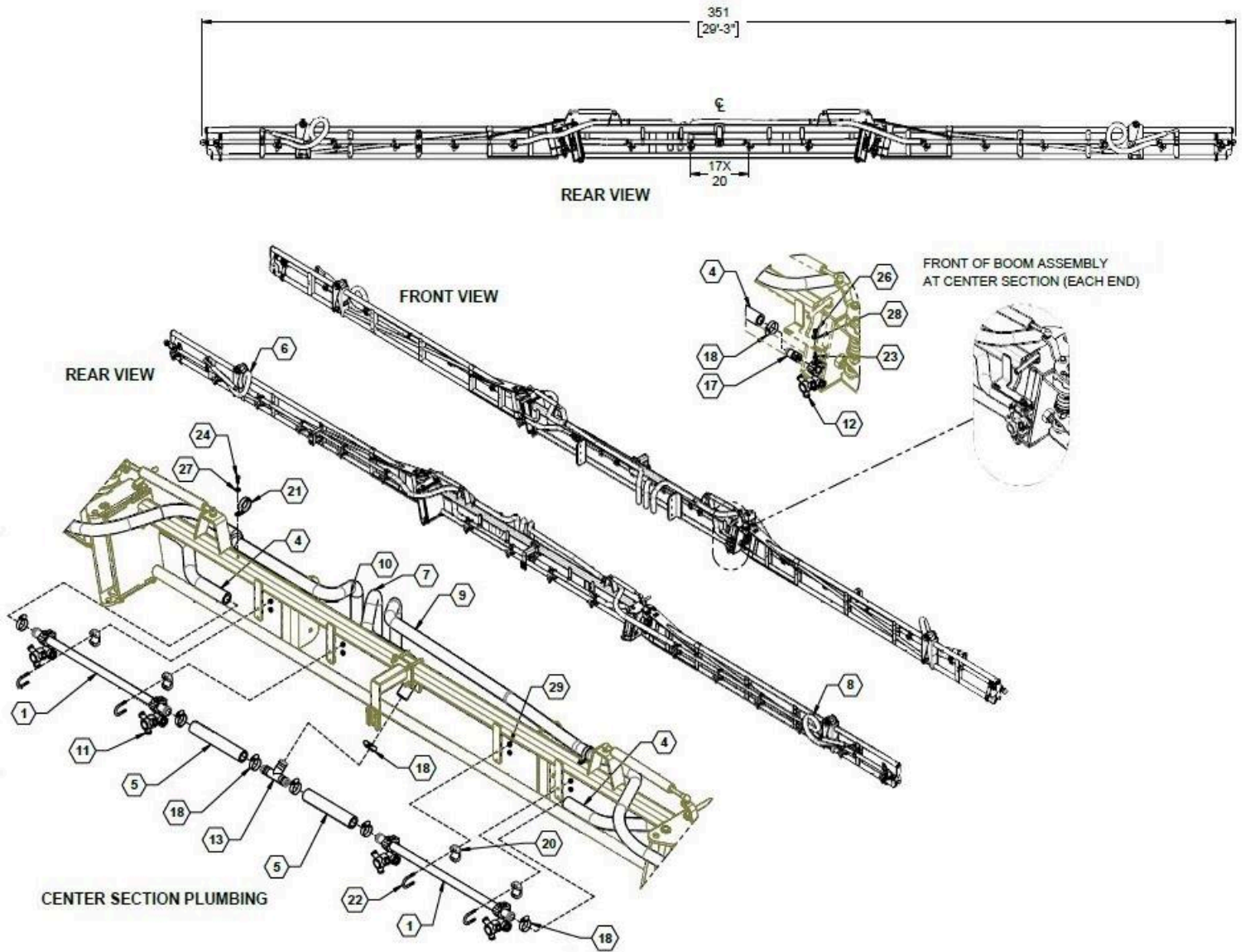
15 Inch On-center, Triple Nozzle Bodies X 23 (CONT.)



Parts List: 15 Inch On-Center, Triple Nozzle Bodies X 23 (CONT.)

ITEM	PART NO.	QTY.	DESCRIPTION
1	90SALT	2	SUB-ASSY, LT; FTTNGS-L,T,2HB
2	90SAPLUG	4	SUB-ASSY, PLUG; FTTNGS-C,W,1HB
3	14302	3	TUBE, 2 PORT 15" WB
4	14303	1	TUBE, 3 PORT 15" WB
6	14304	2	TUBE, 4 PORT 15" WB
7	14452	10	BRACKET, WB OFFSET
8	16271	2	BRACKET, WET BOOM
9	510016	11	HOSE, 1" EPDM
10	520084	21	NOZZLE BODY, TRIPLE 25mm
11	520091	2	NOZZLE BODY, TRIPLE, 3/4"
12	530056	1	FITTING, TEE, 1.00 HB, POLY
13	530359	2	NOZZLE, HOSE BARB, 1.00 SINGLE, FOR QJ360
14	540014	31	HOSE CLAMP, SS 1.00 #16
15	540017	2	CLAMP, HOSE, 2.00 #32, SS
16	540029	16	CLAMP BODY, 1.00 DIA PIPE, POLY GREEN
17	540048	2	CLAMP, LOOP, 1.50, .50 WIDE, W/ .281 HOLE, VINYL COATED
18	590048	16	U-BOLT SS 1/4 X 1"
19	590264	2	BOLT, HH 5/16-18 X 3/4 SS
20	596101M	18	BOLT, HH 1/4-20X3/4 GR5 MAGNI
21	596236M	2	NUT, CENTERLOCK, 5/16-18 MAGNI
22	596256M	2	WASHER, FLAT 1/4 USS MAGNI
23	596257M	2	WASHER, FLAT 5/16 USS MAGNI
24	596767M	48	NUT, HEX FLANGE 1/4-20 MAGNI

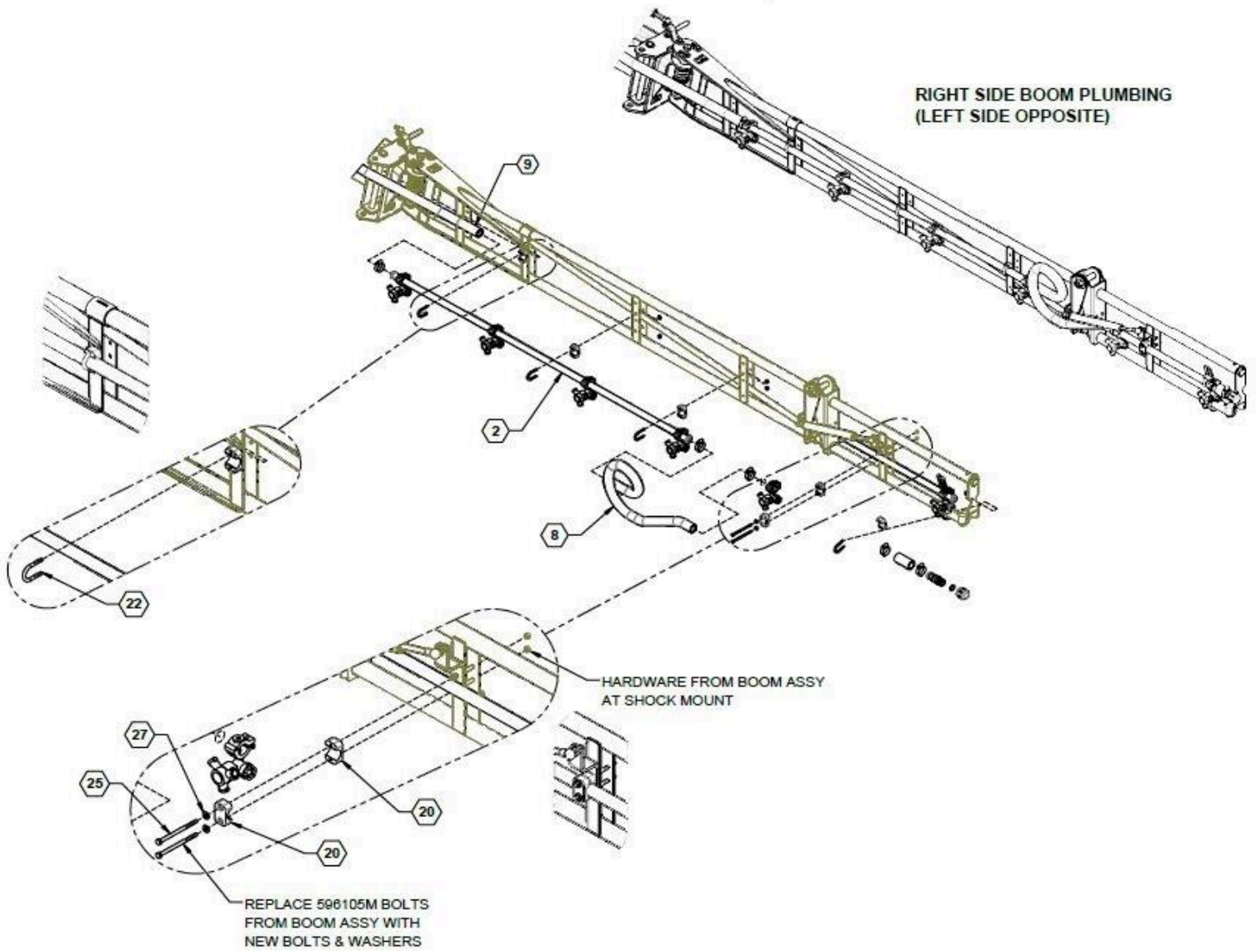
20 Inch Off-Center, Triple Nozzle Bodies X 18



Parts List 27034: 20 Inch Off-Center, Triple Nozzle Bodies X 18

ITEM	PART NO.	QTY.	DESCRIPTION
1	14312	4	TUBE, 2 PORT 20" WB
2	14314	2	TUBE, 4 PORT 20" WB
3	16271	2	BRACKET, WET BOOM
4	510016	2	HOSE, 1" EPDM X 2FT
5	510016	4	HOSE, 1" EPDM X 3IN
6	510016	1	HOSE, 1" EPDM X 4FT
7	510016	1	HOSE, 1" EPDM X 4FT
8	510016	1	HOSE, 1" EPDM X 4FT
9	510016	1	HOSE, 1" EPDM X 8FT
10	510016	1	HOSE, 1" EPDM X 8FT
11	520084	16	NOZZLE BODY, TRIPLE 25mm
12	520091	2	NOZZLE BODY, TRIPLE, 3/4"
13	530056	1	FITTING, TEE, 1.00 HB, POLY
14	530227	2	WASHER, 1.00 OD X .750 ID, BLACK VINYL
15	530245	2	CAP, .750 FGT, BLACK POLY
16	530275	2	FITTING, 1.00 MNPT X 1.00 HB, POLY
17	530359	2	NOZZLE, HOSE BARB, 1.00 SINGLE, FOR QJ360
18	540014	19	HOSE CLAMP, SS 1.00 #16
19	540017	2	CLAMP, HOSE, 2.00 #32, SS
20	540029	16	CLAMP BODY, 1.00 DIA PIPE, POLY GREEN
21	540048	2	CLAMP, LOOP, 1.50, .50 WIDE, W/ .281 HOLE, VINYL COATED
22	590048	12	U-BOLT SS 1/4 X 1"
23	590264	2	BOLT, HH 5/16-18 X 3/4 SS
24	596101M	2	BOLT, HH 1/4-20X3/4 GR5 MAGNI
25	596108M	4	BOLT, HH 1/4-20X4 GR5 MAGNI
26	596236M	2	NUT, CENTERLOCK, 5/16-18 MAGNI
27	596256M	6	WASHER, FLAT 1/4 USS MAGNI
28	596257M	2	WASHER, FLAT 5/16 USS MAGNI
29	596767M	24	NUT, HEX FLANGE 1/4-20 MAGNI

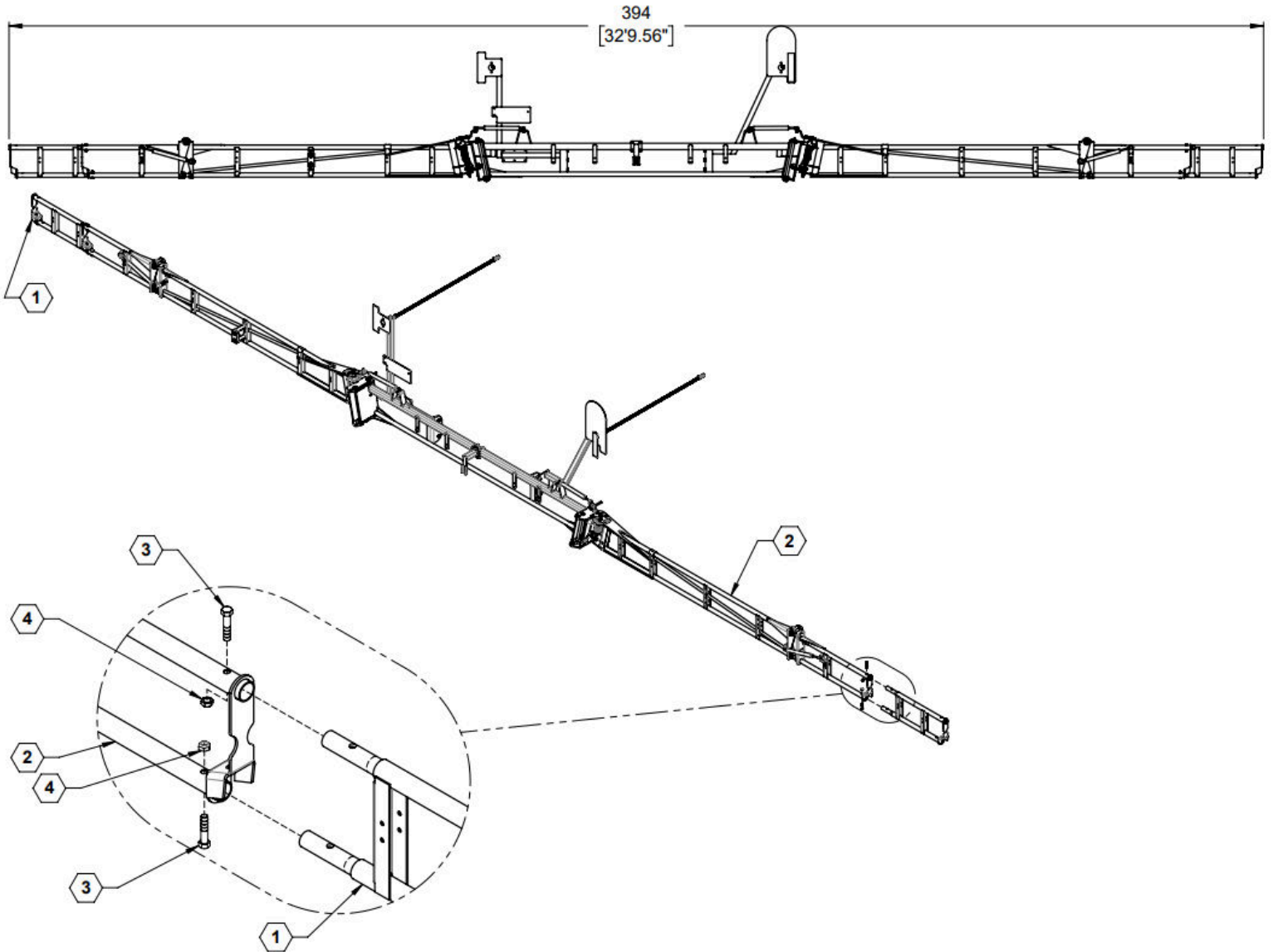
20 Inch Off-Center, Triple Nozzle Bodies X 18 (CONT.)



Parts List: 20 Inch Off-Center, Triple Nozzle Bodies X 18 (CONT.)

ITEM	PART NO.	QTY.	DESCRIPTION
1	14312	4	TUBE, 2 PORT 20" WB
2	14314	2	TUBE, 4 PORT 20" WB
3	16271	2	BRACKET, WET BOOM
4	510016	2	HOSE, 1" EPDM X 2FT
5	510016	4	HOSE, 1" EPDM X 3IN
6	510016	1	HOSE, 1" EPDM X 4FT
7	510016	1	HOSE, 1" EPDM X 4FT
8	510016	1	HOSE, 1" EPDM X 4FT
9	510016	1	HOSE, 1" EPDM X 8FT
10	510016	1	HOSE, 1" EPDM X 8FT
11	520084	16	NOZZLE BODY, TRIPLE 25mm
12	520091	2	NOZZLE BODY, TRIPLE, 3/4"
13	530056	1	FITTING, TEE, 1.00 HB, POLY
14	530227	2	WASHER, 1.00 OD X .750 ID, BLACK VINYL
15	530245	2	CAP, .750 FGT, BLACK POLY
16	530275	2	FITTING, 1.00 MNPT X 1.00 HB, POLY
17	530359	2	NOZZLE, HOSE BARB, 1.00 SINGLE, FOR QJ360
18	540014	19	HOSE CLAMP, SS 1.00 #16
19	540017	2	CLAMP, HOSE, 2.00 #32, SS
20	540029	16	CLAMP BODY, 1.00 DIA PIPE, POLY GREEN
21	540048	2	CLAMP, LOOP, 1.50, .50 WIDE, W/ .281 HOLE, VINYL COATED
22	590048	12	U-BOLT SS 1/4 X 1"
23	590264	2	BOLT, HH 5/16-18 X 3/4 SS
24	596101M	2	BOLT, HH 1/4-20X3/4 GR5 MAGNI
25	596108M	4	BOLT, HH 1/4-20X4 GR5 MAGNI
26	596236M	2	NUT, CENTERLOCK, 5/16-18 MAGNI
27	596256M	6	WASHER, FLAT 1/4 USS MAGNI
28	596257M	2	WASHER, FLAT 5/16 USS MAGNI
29	596767M	24	NUT, HEX FLANGE 1/4-20 MAGNI

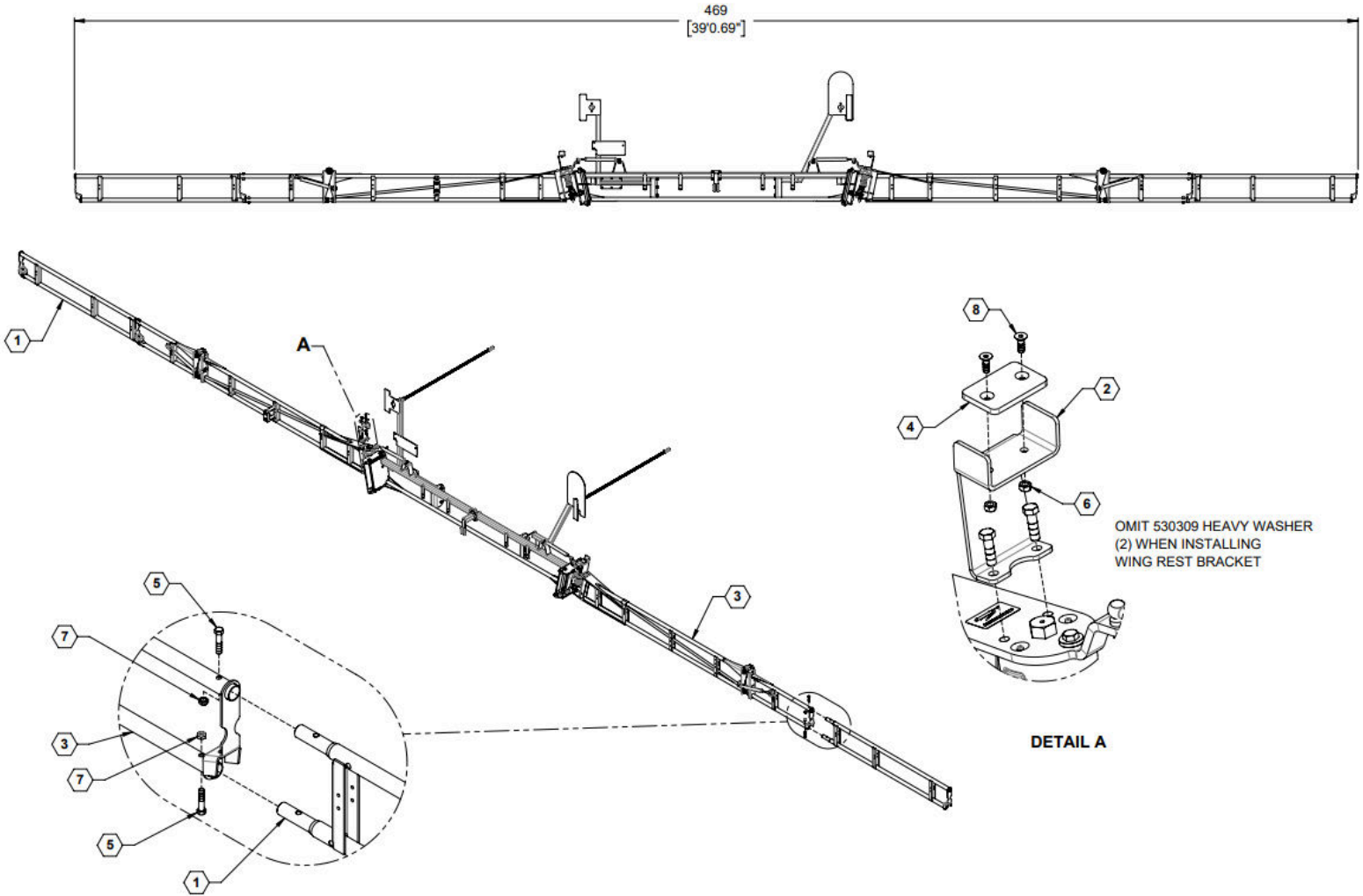
33 Foot Boom



Parts List: 33 Foot Boom

ITEM	PART NO.	QTY.	DESCRIPTION
1	16883	2	WELDMENT, 22" EXTENSION
2	27011	1	OPTION, 30FT BOOM
3	596142M	4	BOLT, HH 7/16 X 2 GR5 MAGNI
4	596625M	4	NUT, TOPLOCK 7/16-14 MAGNI

40 Foot Boom

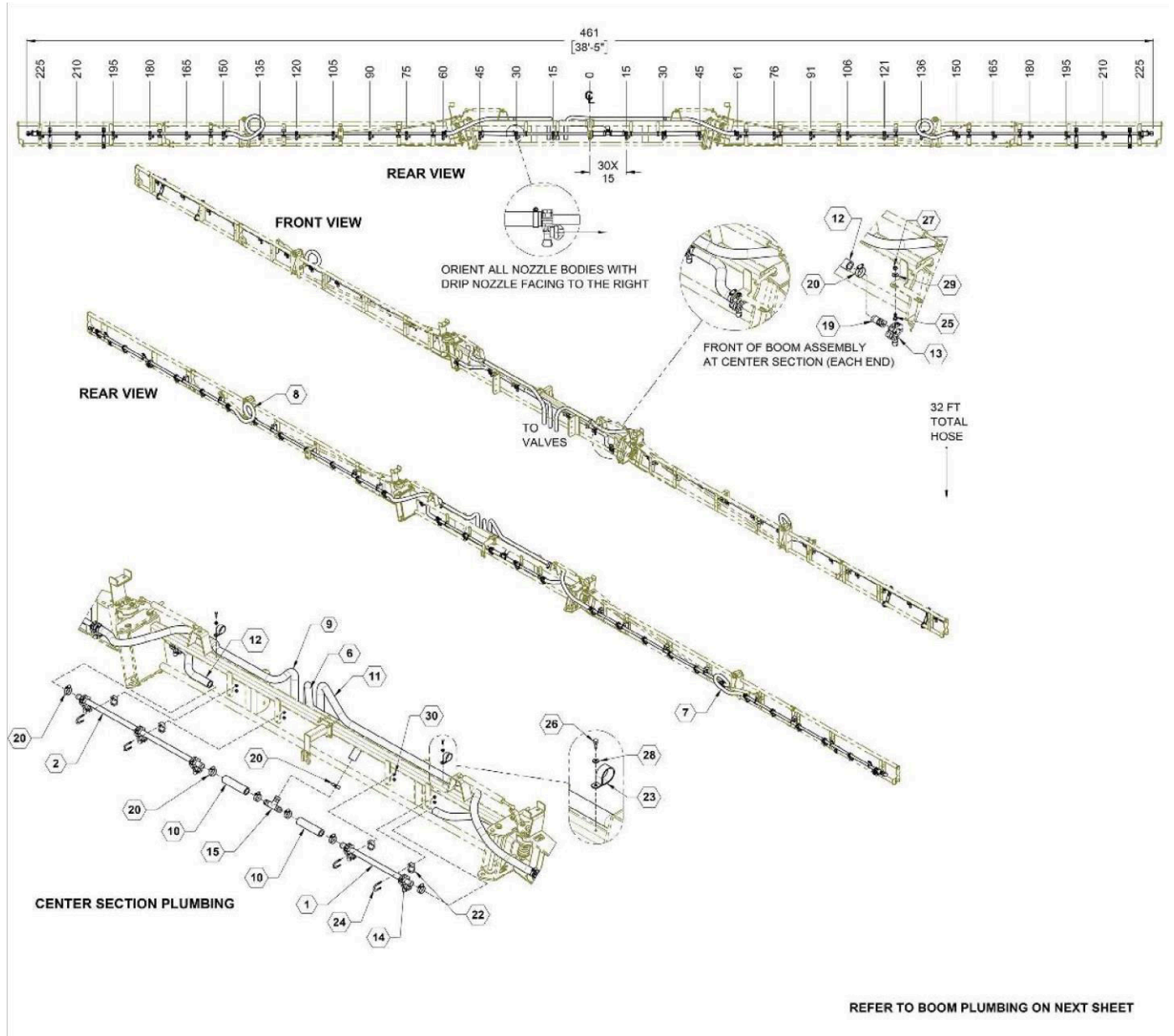


Parts List 27013: 40 Foot Boom

ITEM	PART NO.	QTY.	DESCRIPTION
1	14620	2	ALUMINUM EXTENSION, 5'
2	18479	2	OUTER WING REST
3	27011	1	OPTION, 30FT BOOM
4	590106	1	PAD, TRANSPORT
5	596142M	4	BOLT, HH 7/16 X 2 GR5 MAGNI
6	596235M	4	NUT, CENTERLOCK, 1/4-20 MAGNI
7	596625M	4	NUT, TOPLOCK 7/16-14 MAGNI
8	596629M	4	FHSCS 1/4-20 X 3/4 MAGNI

40 Foot Plumbing, Single Nozzle Bodies

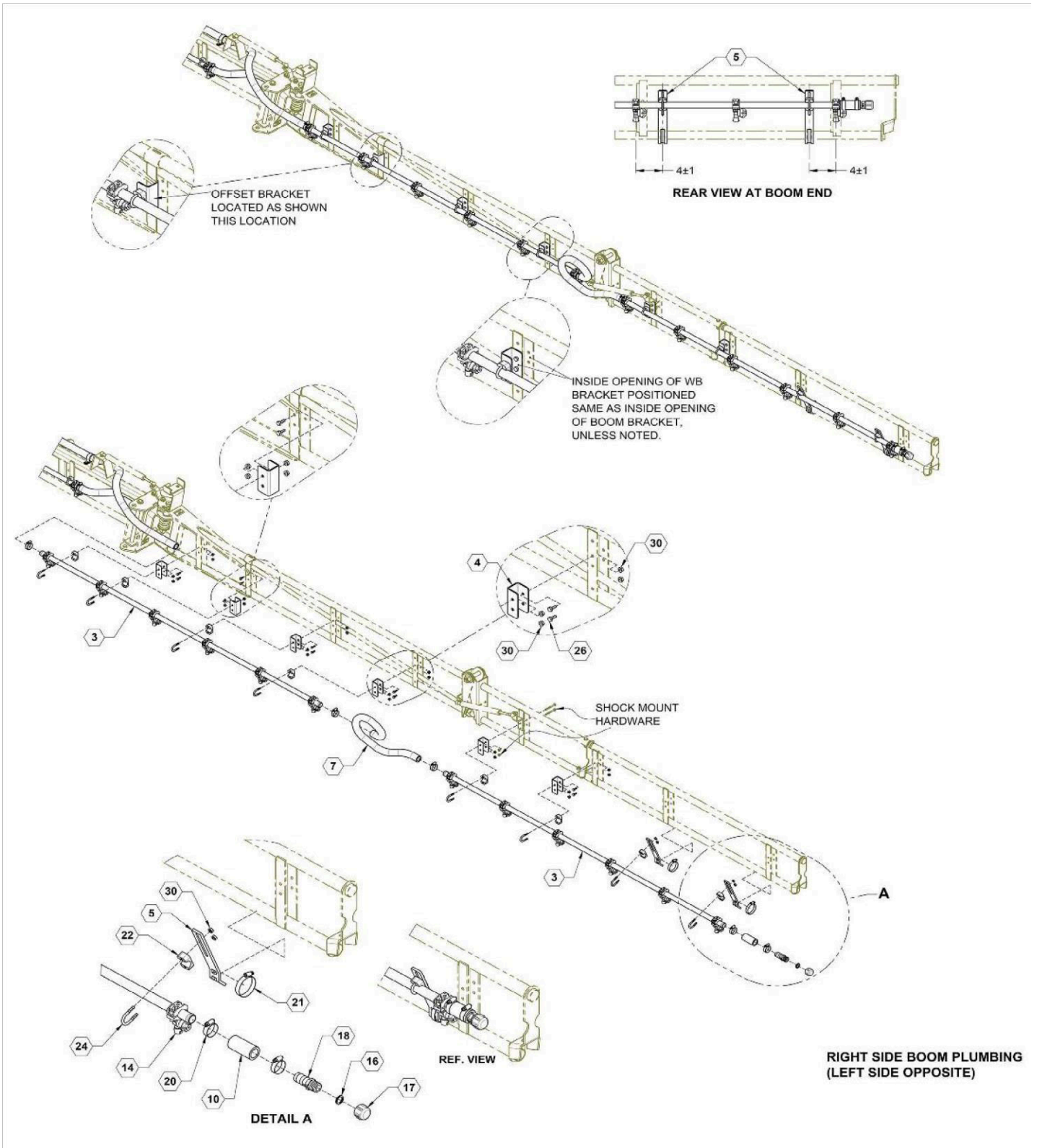
15 Inch On-Center, Single Nozzle Bodies X 31



Parts List 27023: 15 Inch On-Center, Single Nozzle Bodies X 31

ITEM	PART NO.	QTY.	DESCRIPTION
1	14302	1	TUBE, 2 PORT 15" WB
2	14303	1	TUBE, 3 PORT 15" WB
6	510016	1	HOSE, 1" EPDM X 3FT
7	510016	1	HOSE, 1" EPDM X 4FT
8	510016	1	HOSE, 1" EPDM X 4FT
9	510016	1	HOSE, 1" EPDM X 6FT
11	510016	1	HOSE, 1" EPDM X 8FT
12	510016	2	HOSE, 1" EPDM X 18IN
13	520020	2	NOZZLE BODY, SINGLE 3/4"
14	520030	29	NOZZLE BODY, SINGLE 25mm
15	530056	1	HOSE BARB, 1" TEE
19	530359	2	SHANK, SINGLE 1" HB
20	540014	19	CLAMP, HOSE SS 1" #16
22	540029	20	TUBE CLAMP, 1" GREEN
23	540048	2	P-CLAMP, 1-1/2" X 1/4" HOLE
24	590048	20	U-BOLT SS 1/4 X 1"
25	590264	2	BOLT, HH 5/16-18 X 3/4 SS
26	596101M	22	BOLT, HH 1/4-20X3/4 GR5 MAGNI
27	596236M	2	NUT, CENTERLOCK, 5/16-18 MAGNI
28	596256M	2	WASHER, FLAT 1/4 USS MAGNI
29	596257M	2	WASHER, FLAT 5/16 USS MAGNI
30	596767M	60	NUT, HEX FLANGE 1/4-20 MAGNI

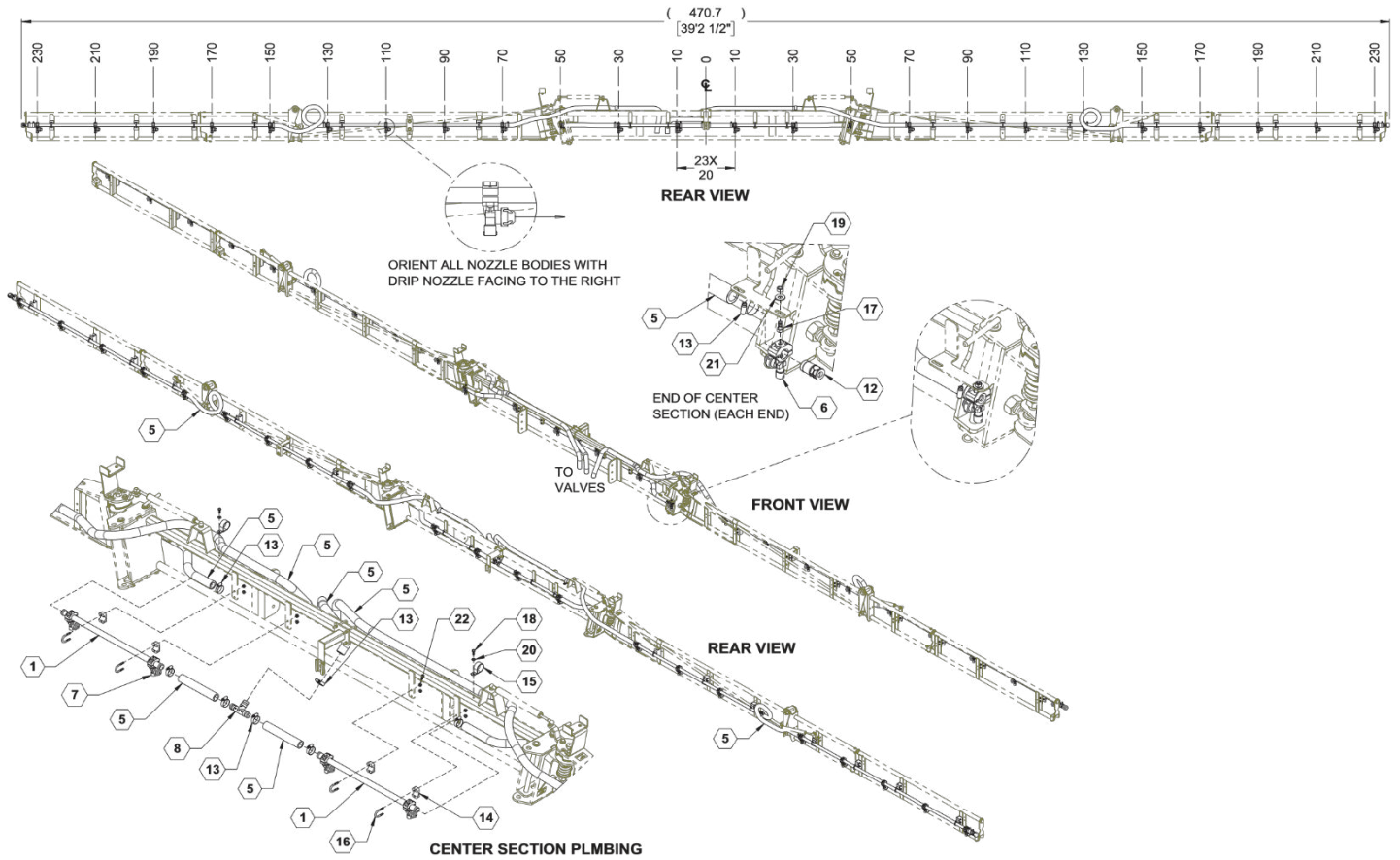
15 Inch On-Center, Single Nozzle Bodies X 31 (CONT.)



Parts List: 15 Inch On-Center, Single Nozzle Bodies X 31 (CONT.)

ITEM	PART NO.	QTY.	DESCRIPTION
3	14306	4	TUBE, 6 PORT 15" WB
4	14452	12	BRACKET, WB OFFSET
5	16271	4	BRACKET, WET BOOM
7	510016	1	HOSE, 1" EPDM X 4FT
10	510016	4	HOSE, 1" EPDM X 6IN
14	520030	29	NOZZLE BODY, SINGLE 25mm
16	530227	2	GASKET, VINYL BLACK 3/4IDX1
17	530245	2	CAP, BLK, 3/4" NYLON
18	530275	2	FITTING, 1" MPT X 1" HB
21	540017	4	CLAMP, HOSE SS 2" #32
22	540029	20	TUBE CLAMP, 1" GREEN
24	590048	20	U-BOLT SS 1/4 X 1"
26	596101M	22	BOLT, HH 1/4-20X3/4 GR5 MAGNI
30	596767M	60	NUT, HEX FLANGE 1/4-20 MAGNI

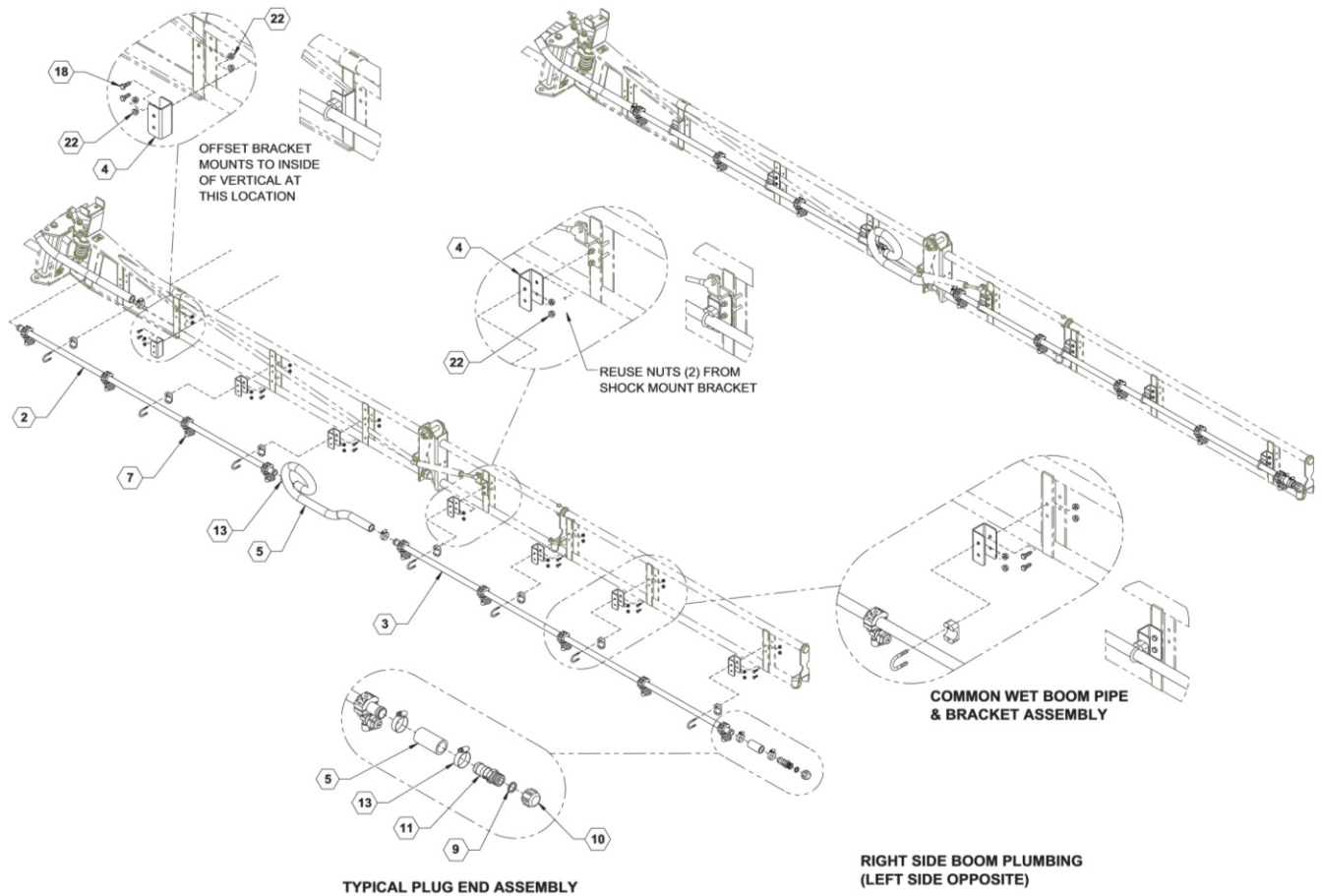
20 Inch Off-Center, Single Nozzle Bodies X 24



Parts List 27025: 20 Inch Off-Center, Single Nozzle Bodies X 24

ITEM	PART NO.	QTY.	DESCRIPTION
1	14312	2	TUBE, 2 PORT 20" WB
5	510016	AR	HOSE, 1" EPDM
6	520020	2	NOZZLE BODY, 3/4 SINGLE
7	520030	22	NOZZLE BODY, 25MM SINGLE
8	530056	1	HOSE BARB, 1" TEE
12	530359	2	SHANK, SINGLE 1" HB
13	540014	19	CLAMP, HOSE SS 1" #16
14	540029	18	TUBE CLAMP, 1" GREEN
15	540048	2	P-CLAMP, 1-1/2" X 1/4" HOLE
16	590048	18	U-BOLT SS 1/4 X 1"
17	590264	2	BOLT, HH 5/16-18 X 3/4 SS
18	596101M	26	BOLT, HH 1/4-20X3/4 GR5 MAGNI
19	596236M	2	NUT, CENTERLOCK, 5/16-18 MAGNI
20	596256M	2	WASHER, FLAT 1/4 USS MAGNI
21	596257M	2	WASHER, FLAT 5/16 USS MAGNI
22	596767M	60	NUT, HEX FLANGE 1/4-20 MAGNI

20 Inch Off-Center, Single Nozzle Bodies X 24 (CONT.)



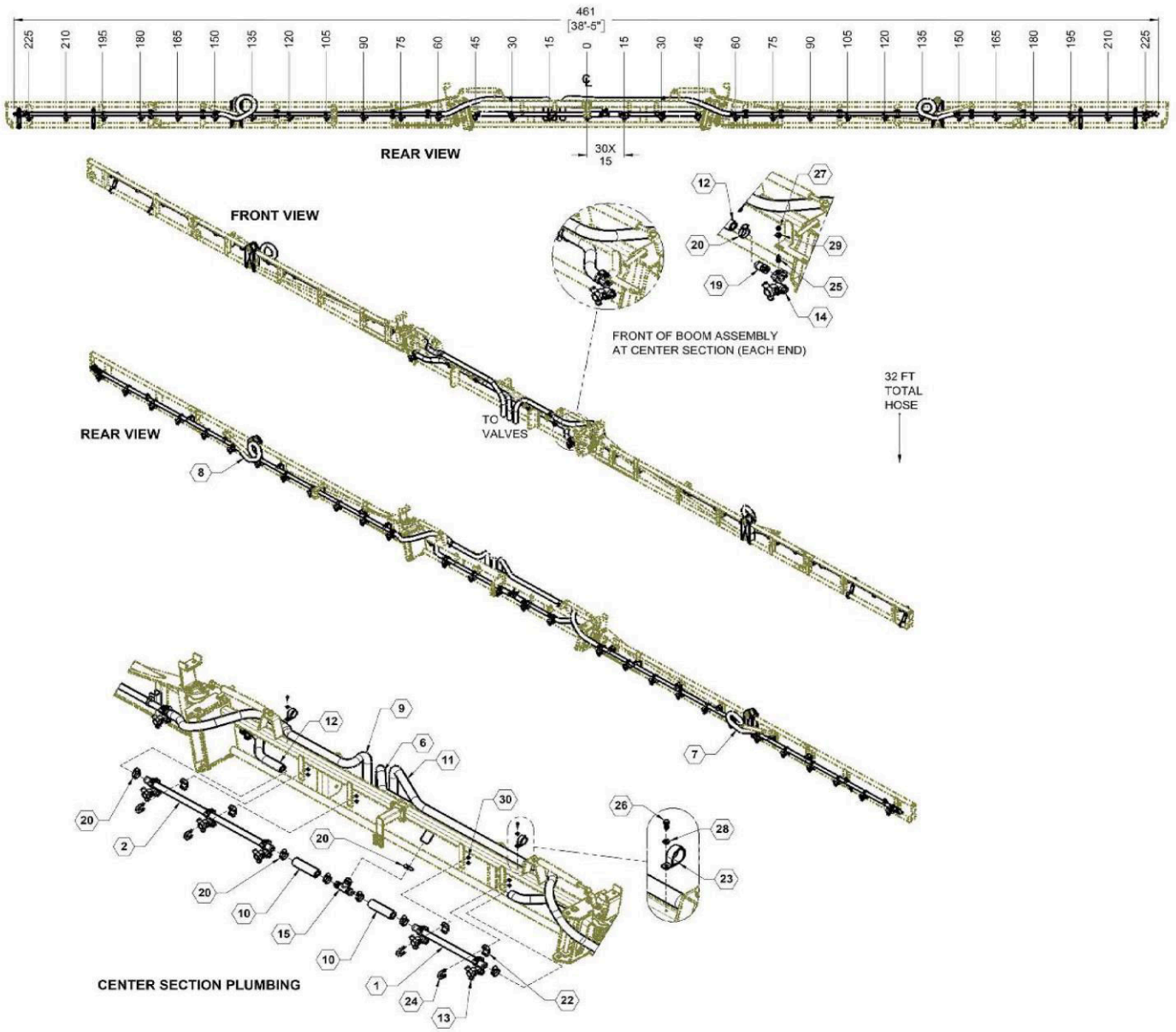
Parts List: 20 Inch Off-Center, Single Nozzle Bodies X 24 (CONT.)

ITEM	PART NO.	QTY.	DESCRIPTION
2	14314	2	TUBE, 4 PORT 20" WB
3	14315	2	TUBE, 5 PORT 20" WB
4	14452	14	BRACKET, WB OFFSET
5	510016	AR	HOSE, 1" EPDM
7	520030	22	NOZZLE BODY, 25MM SINGLE
9	530227	2	GASKET, VINYL BLACK 3/4IDX1
10	530245	2	CAP, BLK, 3/4" NYLON
11	530275	2	FITTING, 1" MPT X 1" HB
13	540014	19	CLAMP, HOSE SS 1" #16
18	596101M	26	BOLT, HH 1/4-20X3/4 GR5 MAGNI
22	596767M	60	NUT, HEX FLANGE 1/4-20 MAGNI



40 Foot Plumbing, Triple Nozzle Bodies

15 Inch On-Center, Triple Nozzle Bodies X 31

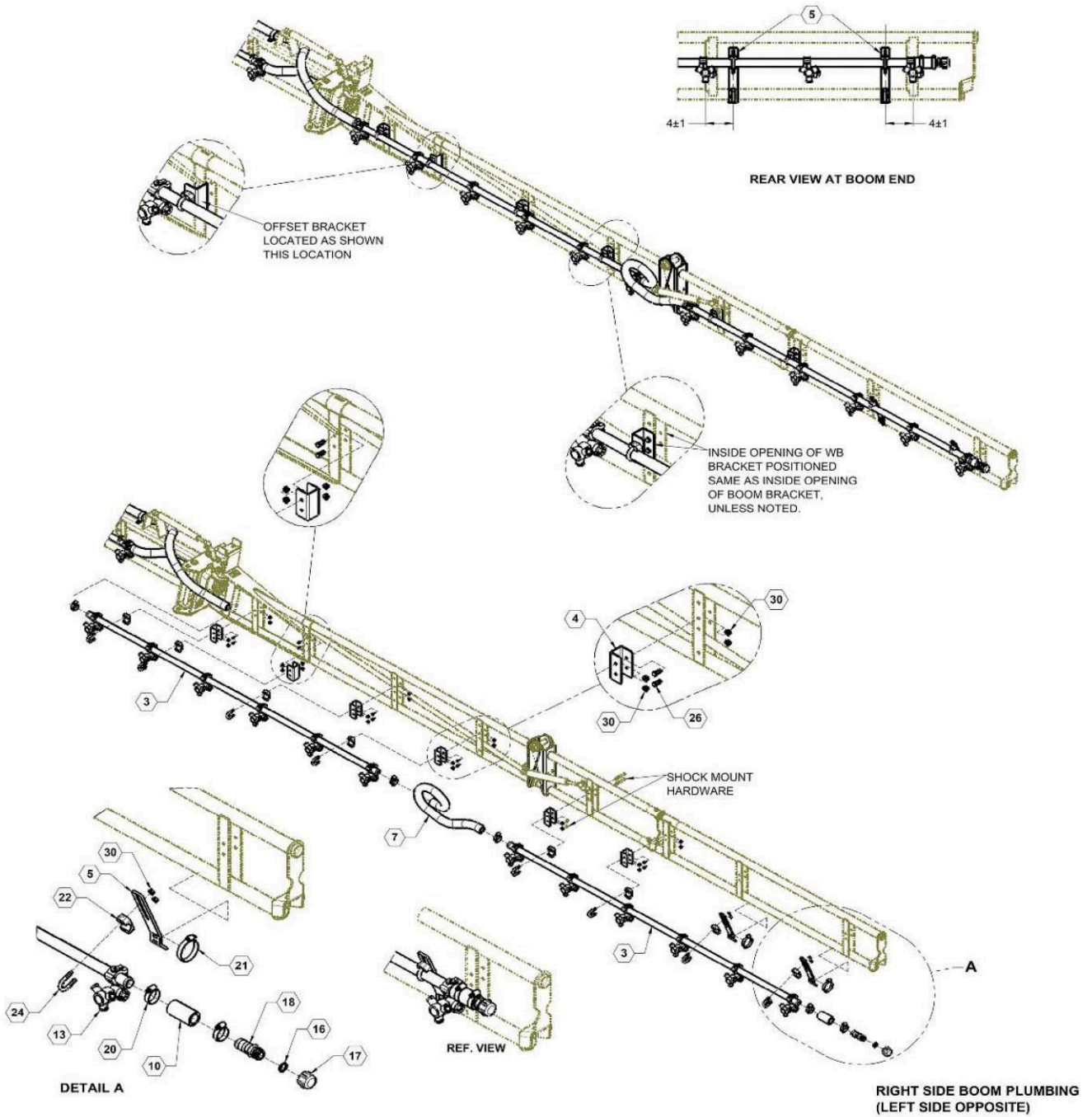


REFER TO BOOM PLUMBING ON NEXT SHEET

Parts List 27024: 15 Inch On-Center, Triple Nozzle Bodies X 31

ITEM	PART NO.	QTY.	DESCRIPTION
1	14302	1	TUBE, 2 PORT 15" WB
2	14303	1	TUBE, 3 PORT 15" WB
6	510016	1	HOSE, 1" EPDM X 3FT
7	510016	1	HOSE, 1" EPDM X 4FT
8	510016	1	HOSE, 1" EPDM X 4FT
9	510016	1	HOSE, 1" EPDM X 6FT
10	510016	4	HOSE, 1" EPDM X 6IN
11	510016	1	HOSE, 1" EPDM X 8FT
12	510016	2	HOSE, 1" EPDM X 18IN
13	520084	29	NOZZLE BODY, TRIPLE 25mm
14	520091	2	NOZZLE BODY, TRIPLE 3/4"
15	530056	1	HOSE BARB, 1" TEE
19	530359	2	SHANK, SINGLE 1" HB
20	540014	19	CLAMP, HOSE SS 1" #16
23	540048	2	P-CLAMP, 1-1/2" X 1/4" HOLE
24	590048	20	U-BOLT SS 1/4 X 1"
25	590264	2	BOLT, HH 5/16-18 X 3/4 SS
27	596236M	2	NUT, CENTERLOCK, 5/16-18 MAGNI
28	596256M	2	WASHER, FLAT 1/4 USS MAGNI
29	596257M	2	WASHER, FLAT 5/16 USS MAGNI
30	596767M	60	NUT, HEX FLANGE 1/4-20 MAGNI

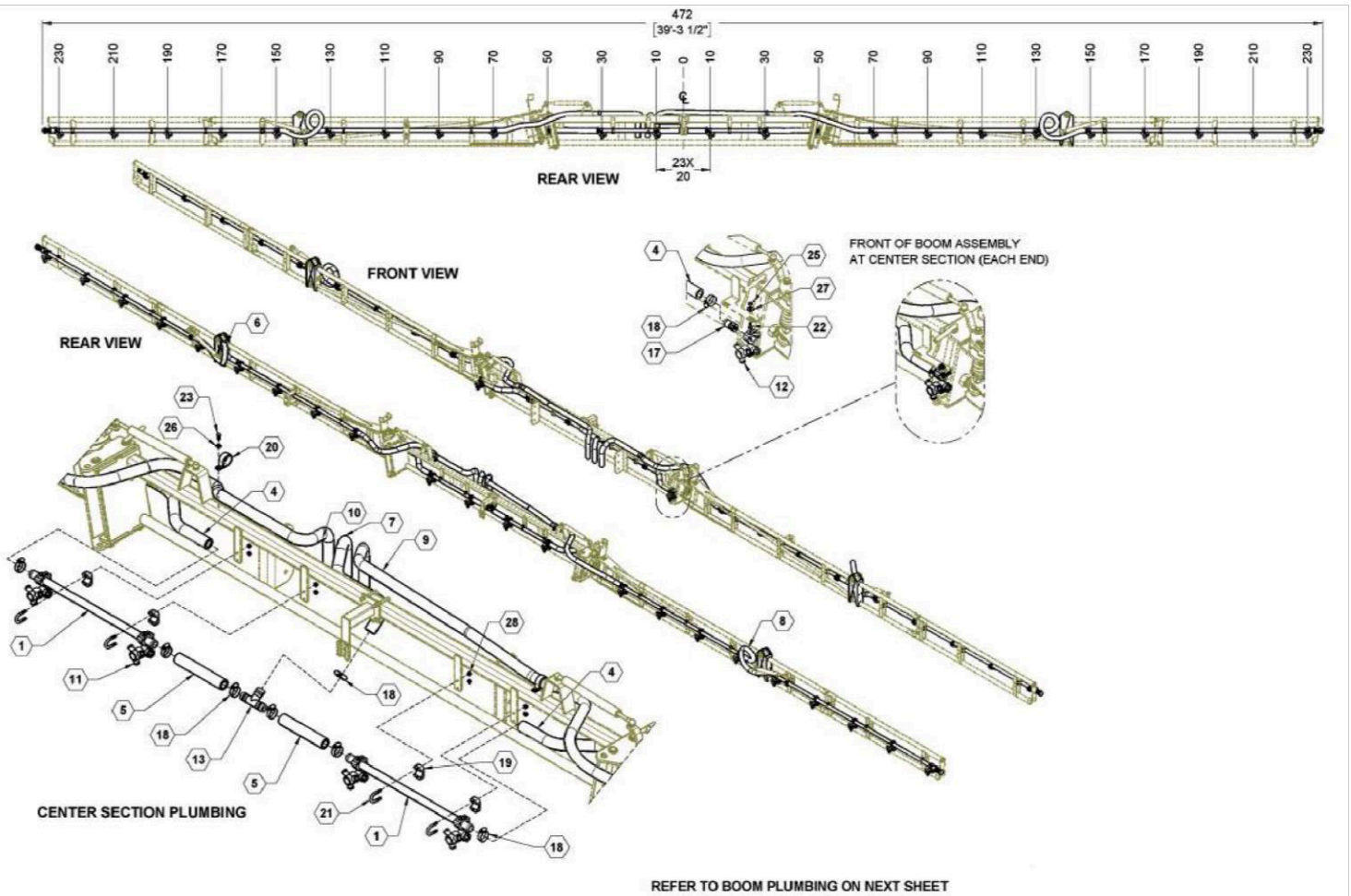
15 Inch On-Center, Triple Nozzle Bodies X 31 (CONT.)



Parts List: 15 inch On-Center, Triple Nozzle Bodies X 31 (CONT.)

ITEM	PART NO.	QTY.	DESCRIPTION
3	14306	4	TUBE, 6 PORT 15" WB
4	14452	12	BRACKET, WB OFFSET
5	16271	4	BRACKET, WET BOOM
7	510016	1	HOSE, 1" EPDM X 4FT
10	510016	4	HOSE, 1" EPDM X 6IN
13	520084	29	NOZZLE BODY, TRIPLE 25mm
16	530227	2	GASKET, VINYL BLACK 3/4IDX1
17	530245	2	CAP, BLK, 3/4" NYLON
18	530275	2	FITTING, 1" MPT X 1" HB
20	540014	19	CLAMP, HOSE SS 1" #16
21	540017	4	CLAMP, HOSE SS 2" #32
22	540029	20	TUBE CLAMP, 1" GREEN
24	590048	20	U-BOLT SS 1/4 X 1"
26	596101M	22	BOLT, HH 1/4-20X3/4 GR5 MAGNI
30	596767M	60	NUT, HEX FLANGE 1/4-20 MAGNI

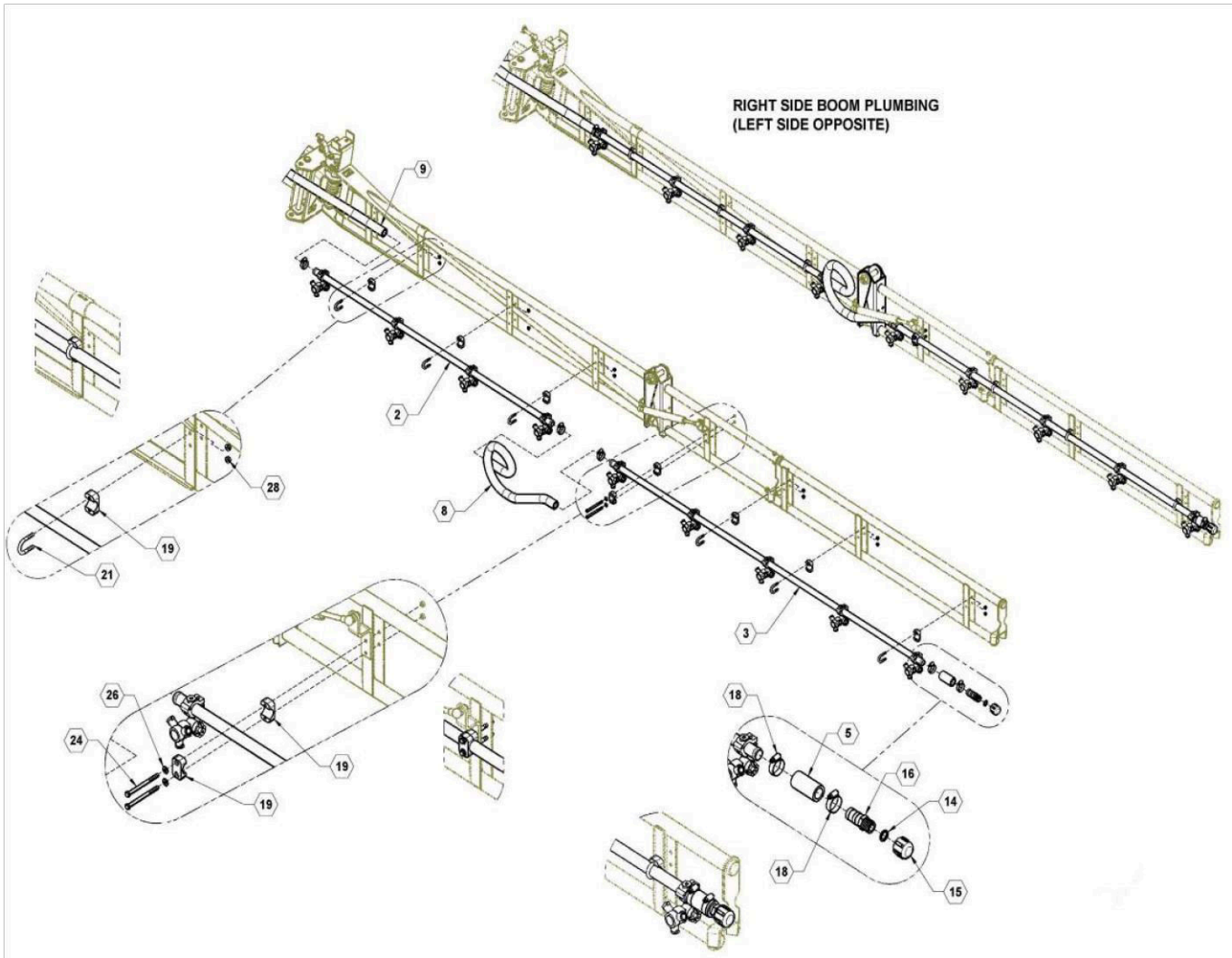
20 Inch Off-Center, Triple Nozzle Bodies X 24



Parts List 27026: 20 Inch Off-Center, Triple Nozzle Bodies X 24

ITEM	PART NO.	QTY.	DESCRIPTION
1	14312	2	TUBE, 2 PORT 20" WB
4	510016	2	HOSE, 1" EPDM X 2FT
5	510016	4	HOSE, 1" EPDM X 3IN
6	510016	1	HOSE, 1" EPDM X 4FT
7	510016	1	HOSE, 1" EPDM X 4FT
8	510016	1	HOSE, 1" EPDM X 4FT
9	510016	1	HOSE, 1" EPDM X 8FT
10	510016	1	HOSE, 1" EPDM X 8FT
11	520084	22	NOZZLE BODY, TRIPLE 25mm
12	520091	2	NOZZLE BODY, TRIPLE 3/4"
13	530056	1	HOSE BARB, 1" TEE
17	530359	2	SHANK, SINGLE 1" HB
18	540014	19	CLAMP, HOSE SS 1" #16
19	540029	20	TUBE CLAMP, 1" GREEN
20	540048	2	P-CLAMP, 1-1/2" X 1/4" HOLE
21	590048	16	U-BOLT SS 1/4 X 1"
22	590264	2	BOLT, HH 5/16-18 X 3/4 SS
23	596101M	2	BOLT, HH 1/4-20X3/4 GR5 MAGNI
25	596236M	2	NUT, CENTERLOCK, 5/16-18 MAGNI
26	596256M	6	WASHER, FLAT 1/4 USS MAGNI
27	596257M	2	WASHER, FLAT 5/16 USS MAGNI
28	596767M	32	NUT, HEX FLANGE 1/4-20 MAGNI

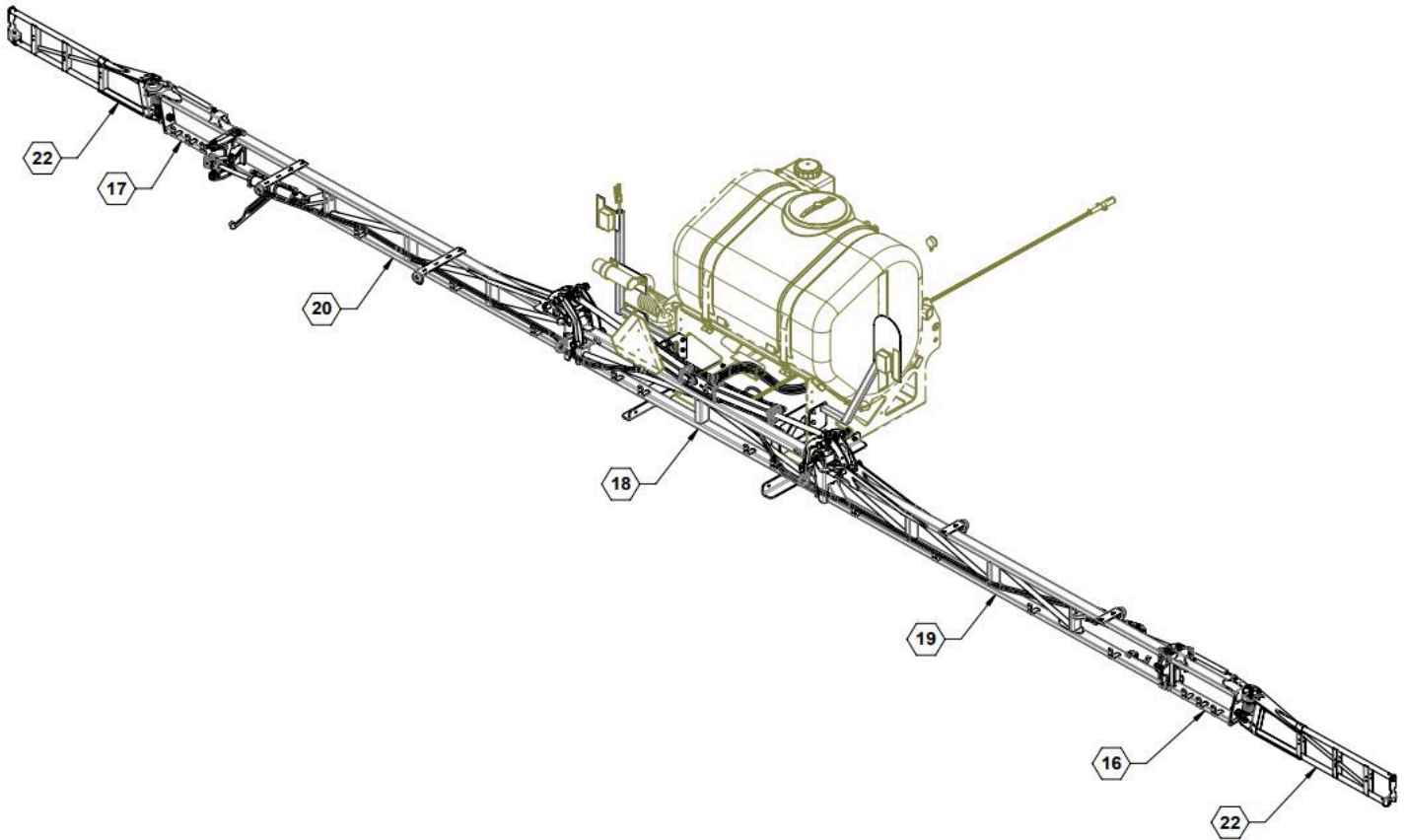
20 Inch Off-Center, Triple Nozzle Bodies X 24 (CONT.)



Parts List: 20 Inch Off-Center, Triple Nozzle Bodies X 24 (CONT.)

ITEM	PART NO.	QTY.	DESCRIPTION
2	14314	2	TUBE, 4 PORT 20" WB
3	14315	2	TUBE, 5 PORT 20" WB
5	510016	4	HOSE, 1" EPDM X 3IN
8	510016	1	HOSE, 1" EPDM X 4FT
9	510016	1	HOSE, 1" EPDM X 8FT
14	530227	2	GASKET, VINYL BLACK 3/4IDX1
15	530245	2	CAP, 3/4 BLACK NYLON
16	530275	2	FITTING, 1" MPT X 1" HB
18	540014	19	CLAMP, HOSE SS 1" #16
19	540029	20	TUBE CLAMP, 1" GREEN
21	590048	16	U-BOLT SS 1/4 X 1"
24	596108M	4	BOLT, HH 1/4-20X4 GR5 MAGNI
26	596256M	6	WASHER, FLAT 1/4 USS MAGNI
28	596767M	32	NUT, HEX FLANGE 1/4-20 MAGNI

40 Foot Boom Hydraulic Fold

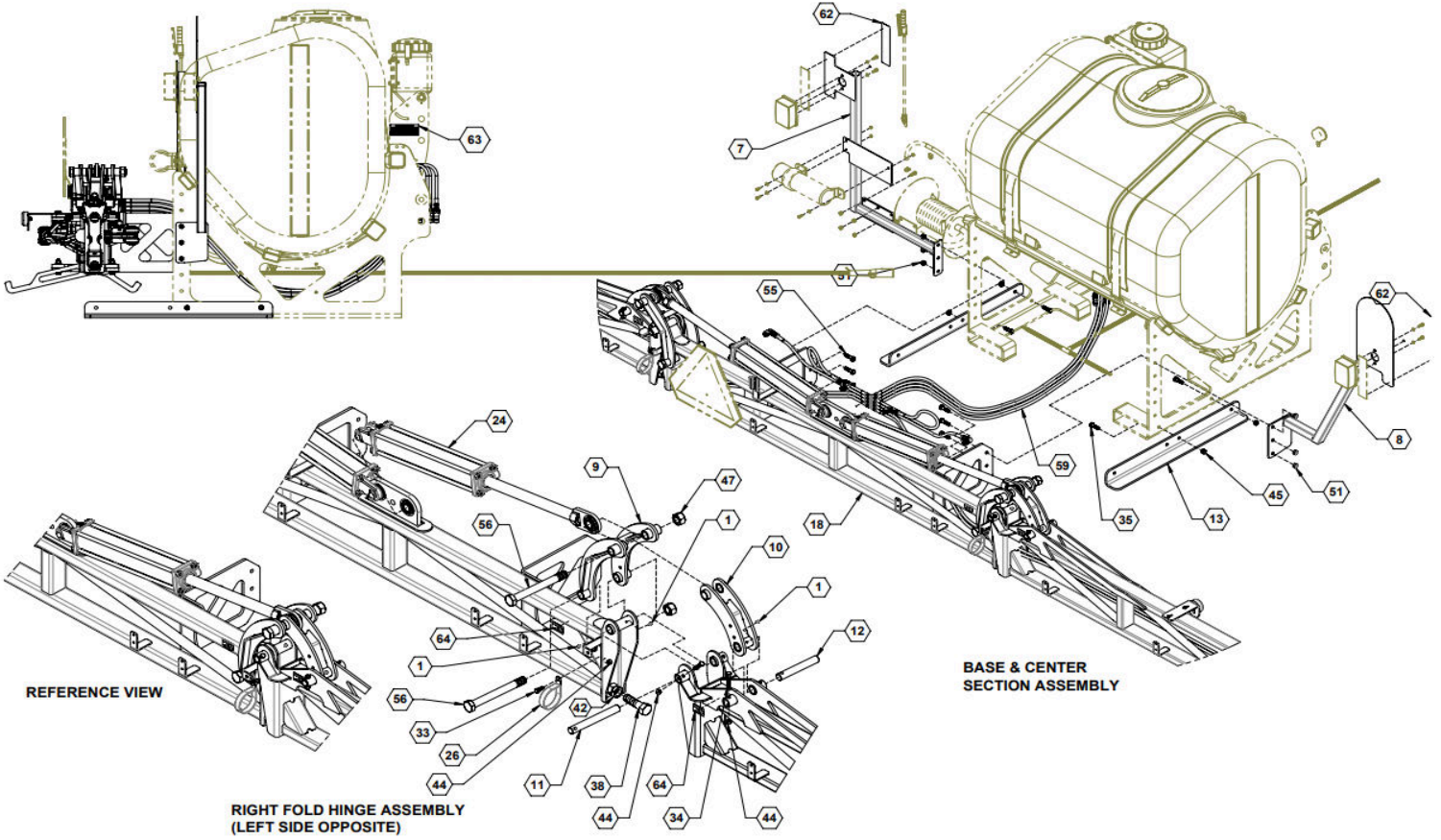


Parts List 27043: 40 Foot Boom Hydraulic Fold

ITEM	PART NO.	QTY.	DESCRIPTION
16	23904	1	SWING WING WLDMT, LH
17	23905	1	SWING WING WLDMT, RH
18	23913	1	CENTER SECTION WLDMT
19	23915	1	MAIN WING WLDMT, RH
20	23916	1	WELDMENT, MAIN WING, LH
22	25051	2	WELDMENT 48.5" BREAKAWAY



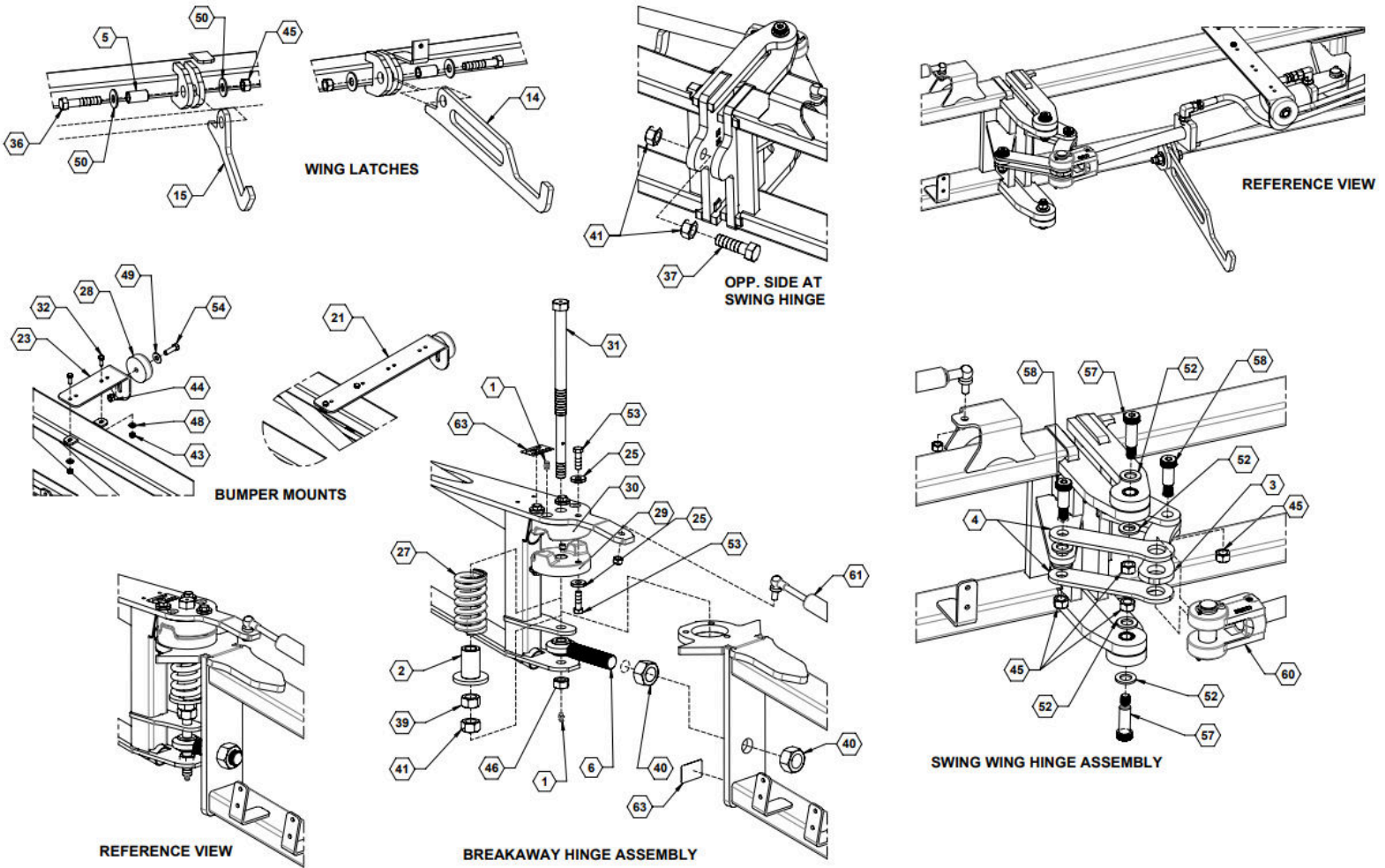
40 Foot Boom Hydraulic Fold (CONT.)



Parts List: 40 Foot Boom Hydraulic Fold (CONT.)

ITEM	PART NO.	QTY.	DESCRIPTION
1	759	12	ZERK, 1/4-28 STRAIGHT PUPE THREAD
8	21492	1	LIGHT MOUNT WLDMT
9	23707	2	LINKAGE WLDMT, CS
10	23708	2	LINKAGE WLDMT, MAIN WING
11	23753	2	PIN, MAIN WING PIVOT
12	23754	2	PIN, MAIN WING LINKAGE
13	23758	2	BRACKET, FOOD
18	23913	1	CENTER SECTION WLDMT
24	27233	2	ASSEMBLY, 3X16 CYLINDER W/ BALL JOINT CLEVIS
26	540052	2	P-CLAMP, 3" WITH 3/8" HOLE
33	596128M	2	BOLT, HH 3/8-16 X 1 GR5 MAGNI
34	596130M	4	BOLT, HH 3/8-16 X 2 GR5 MAGNI
35	596153M	4	BOLT, HH 1/2-13 X 1-1/2 GR5 MAGNI
38	596201M	2	BOLT, HEX 1-8 X 3-1/2 GR5 MAGNI
42	596226M	2	NUT, HEX JAM 1-8 MAGNI
44	596237M	10	NUT, CENTERLOCK 3/8-16 MAGNI
45	596239M	14	NUT, CENTERLOCK, 1/2-13 MAGNI
47	596242M	4	NUT, CENTERLOCK, 1" MAGNI
51	596619M	6	NUT, TOPLOCK 1/2-13 MAGNI
55	596639M	6	BOLT, HH 1/2 X 1-3/4 GR5 MAGNI
56	596733M	4	BOLT, HH 1-8 X 9-1/4 GR8 MAGNI
59	600093	1	HYDRAULIC HOSE KIT
62	80110	2	DECAL, AMBER, REFLECTOR
63	800208	1	DECAL. SPRAYER HYD HOSE KEY
64	800287	8	DECAL, GREASE PIVOT POINTS

40 Foot Boom Hydraulic Fold (CONT.)





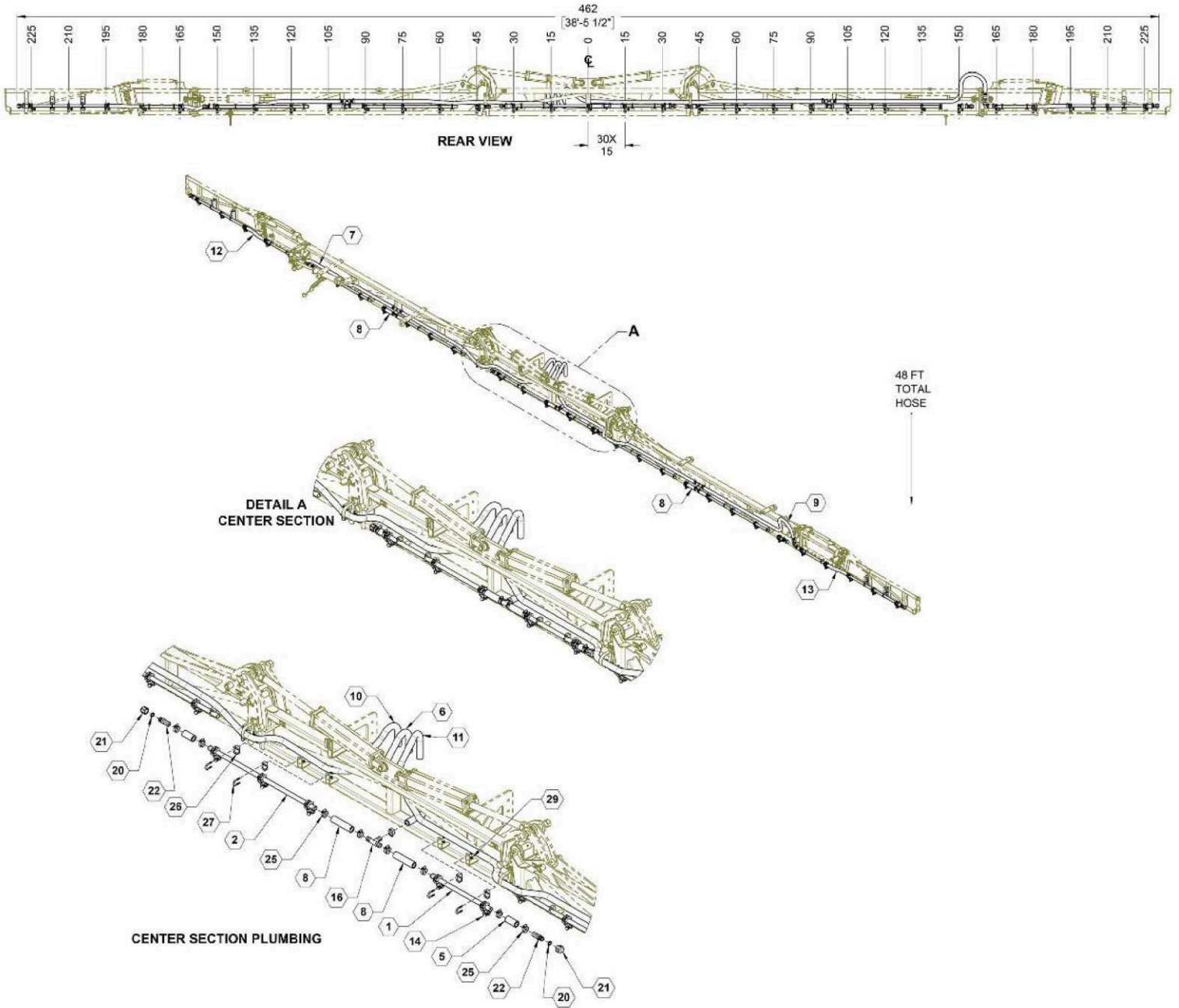
ILLUSTRATED PARTS LIST

Parts List: 40 Foot Boom Hydraulic Fold (CONT.)

ITEM	PART NO.	QTY.	DESCRIPTION
1	759	12	ZERK, 1/4-28 STRAIGHT PIPE THREAD
2	14013	2	SPRING GUIDE
3	27865	2	LINK, MIDDLE SCISSORS
4	14643	4	LINK, OUTSIDE SANDWHICH
5	14747	2	SWING WING BUMP BUSHING
6	18070	2	HINGE ADJ BALL JOINT
7	18490L	1	REEL/LIGHT MOUNT WLDMT, LH
8	21492	1	LIGHT MOUNT WLDMT
9	23707	2	LINKAGE WLDMT, CS
10	23708	2	LINKAGE WLDMT, MAIN WING
11	23753	2	PIN, MAIN WING PIVOT
12	23754	2	PIN, MAIN WING LINKAGE
13	23758	2	BRACKET, FOOT
14	23901	1	PLATE, WING LATCH XTRA LONG
15	23902	1	PLATE, SHORT WING LATCH
18	23913	1	CENTER SECTION WLDMT
21	23920	2	BRACKET, BUMPER MOUNT
23	27042	2	BRACKET, BUMPER MOUNT
24	27233	2	ASSEMBLY, 3 X 16 CYLINDER W/ BALL JOINT CLEVIS
25	530309	12	WASHER, 1.00 X .406 ID X 1.88, MAGNI
26	540052	2	P-CLAMP, 3" WITH 3/8" HOLE
27	590006	2	SPRING COMPRESSION
28	590026	4	BUMPER, 1 X 2-1/2 RUBBER ROUND
29	590073	2	CLUTCH, MALE 20°
30	590074	2	CLUTCH, FEMALE 20°
31	590112	2	BOLT, BREAKAWAY
32	596101M	8	BOLT, HH 1/4-20 X 3/4 GR5 MAGNI
33	596128M	2	BOLT, HH 3/8-16 X 1 GR5 MAGNI
34	596130M	4	BOLT, HH 3/8-16 X 2 GR5 MAGNI
35	596153M	4	BOLT, HH 1/2-13 X 1-1/2 GR5 MAGNI
36	596155M	2	BOLT, HH 1/2-13 X 2-1/2 GR5 MAGNI
37	596185M	2	BOLT, HH 3/4-10 X 2-1/2 GR5 MAGNI
38	596201M	2	BOLT, HEX 1-8 X 3-1/2 GR5 MAGNI
39	596217M	2	NUT, HEX 3/4-10 G5 MAGNI
40	596218M	4	NUT, HEX 1-8 MAGNI
41	596225M	6	NUT, HEX JAM 3/4-10 GR8 MAGNI
42	596226M	2	NUT, HEX JAM 1-8 MAGNI
43	596235M	8	NUT, CENTERLOCK, 1/4-20 MAGNI
44	596237M	10	NUT, CENTERLOCK 3/8-16 MAGNI
45	596239M	2	NUT, CENTERLOCK, 1/2-13 MAGNI
46	596232M	2	NUT, HEX NYLOCK 5/8-11 MAGNI
47	596242M	4	NUT, CENTERLOCK, 1" MAGNI
48	596256M	8	WASHER, FLAT 1/4 USS MAGNI
49	596258M	4	WASHER, FLAT 3/8 MAGNI
50	596260M	4	WASHER, FLAT 1/2 MAGNI
51	596619M	6	NUT, TOPLOCK 1/2-13 MAGNI
52	596627M	12	WASHER, FLAT, 16MM, MAGNI
53	596633M	12	BOLT, HH 3/8-24 X 1-1/4 GR5 MAGNI
54	596635M	4	BOLT, HH 3/8-16 X 1-1/4 MAGNI
55	596639M	6	BOLT, HH 1/2 X 1-3/4 GR5 MAGNI
56	596733M	4	BOLT, HH 1-8 X 9-14 GR8 MAGNI
57	596845M	4	BOLT, SHOULDER, 5/8 X 1.63" MAGNI
58	596846M	4	BOLT, SHOULDER, 5/8 X 1.25" MANGI
59	600093	1	HYDRAULIC HOSE KIT
60	620034	2	CYLINDER, 20TD10.00-112
61	790028	2	SHOCK, BREAKAWAY, HEAVY
62	800110	2	DECAL, AMBE, REFLECTOR
63	800208	1	DECAL, SPRAYER HYD HOSE KEY
64	800287	8	DECAL, GREASE PIVOT POINTS

Hydraulic 40 Foot Plumbing, Single Nozzle Bodies

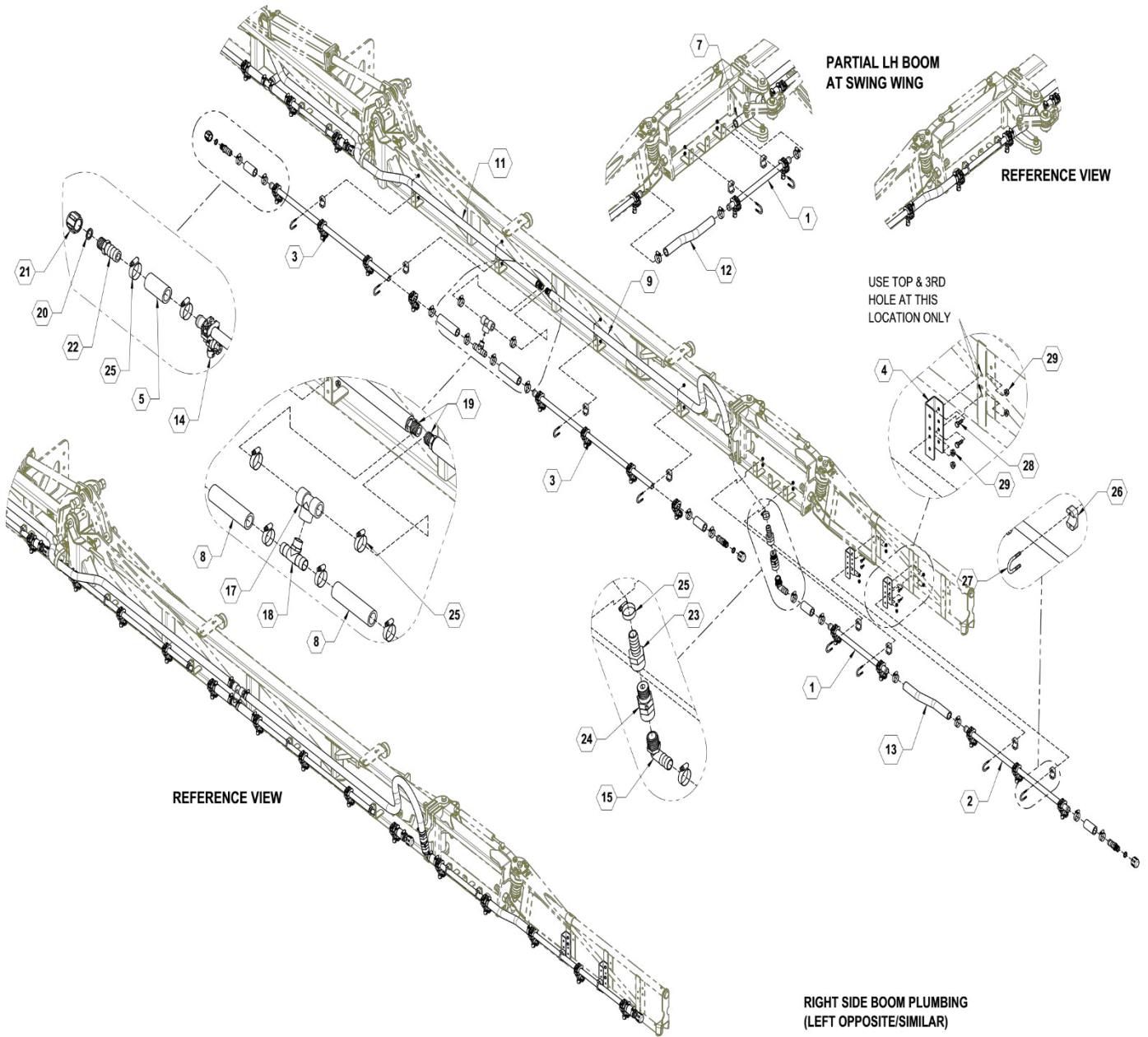
15 Inch On-Center, Single Nozzle Bodies X 31



Parts List 27044: 15 Inch On-Center, Single Nozzle Bodies X 31

ITEM	PART NO.	QTY.	DESCRIPTION
6	510016	1	HOSE, 1" EPDM X 4FT
7	510016	1	HOSE, 1" EPDM X 6FT
8	510016	6	HOSE, 1" EPDM X 6IN
9	510016	1	HOSE, 1" EPDM X 7FT
10	510016	1	HOSE, 1" EPDM X 10FT
11	510016	1	HOSE, 1" EPDM X 12FT
12	510016	1	HOSE, 1" EPDM X 15IN
13	510016	1	HOSE, 1" EPDM X 15IN
14	520030	31	NOZZLE BODY, SINGLE 25mm
16	530056	1	HOSE BARB, 1" TEE
20	530227	8	GASKET, VINYL BLACK 3/4 ID X 1
21	530245	8	CAP, 3/4 BLACK NYLON
22	530275	8	FITTING, 1" MPT X 1" HB
25	540014	41	CLAMP, HOSE SS 1" #16
26	540029	20	TUBE CLAMP, 1" GREEN
27	590048	20	U-BOLT SS 1/4 X 1"
29	596767M	46	NUT, HEX FLANGE 1/4-20 MAGNI

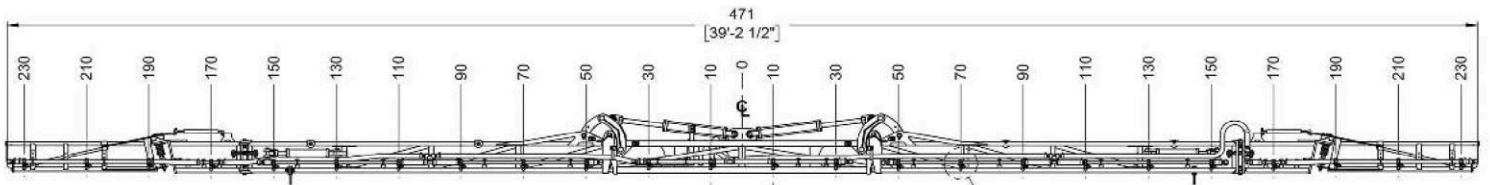
15 Inch On-Center, Single Nozzle Bodies X 31 (CONT.)



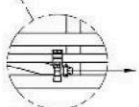
Parts List: 15 Inch On-Center, Single Nozzle Bodies X 31 (CONT.)

ITEM	PART NO.	QTY.	DESCRIPTION
1	14302	3	TUBE, 2 PORT 15" WB
2	14303	3	TUBE, 3 PORT 15" WB
3	14304	4	TUBE, 4 PORT 15" WB
4	23752	4	BRACKET, OFFSET WB MOUNT
5	510016	9	HOSE, 1" EPDM X 3IN
7	510016	1	HOSE, 1" EPDM X 6FT
8	510016	6	HOSE, 1" EPDM X 6IN
9	510016	1	HOSE, 1" EPDM X 7FT
11	510016	1	HOSE, 1" EPDM X 12FT
12	510016	1	HOSE, 1" EPDM X 15IN
13	510016	1	HOSE, 1" EPDM X 15IN
14	520030	31	NOZZLE BODY, SINGLE 25mm
15	530044	1	HOSE SHANK 1" MPT X 1" HB 90~
17	530156	2	TEE, 3/4" POLY PIPE
18	530181	2	HOSE BARB, 3/4" MPT X 1" TEE
19	530203	4	HOSE BARB, 3/4" MPT X 1" HB
20	530227	8	GASKET, VINYL BLACK 3/4IDX1
21	530245	8	CAP, 3/4 BLACK NYLON
22	530275	8	FITTING, 1" MPT X 1" HB
23	530325	1	HOSE SHANK, 1" FT X 1" HB
24	530326	1	SWIVEL, 1" MPT X 1" FEM THRD
25	540014	41	CLAMP, HOSE SS 1" #16
26	540029	20	TUBE CLAMP, 1" GREEN
27	590048	20	U-BOLT SS 1/4 X 1"
28	596101M	8	BOLT, HH 1/4-20X3/4 GR5 MAGNI
29	596767M	46	NUT, HEX FLANGE 1/4-20 MAGNI

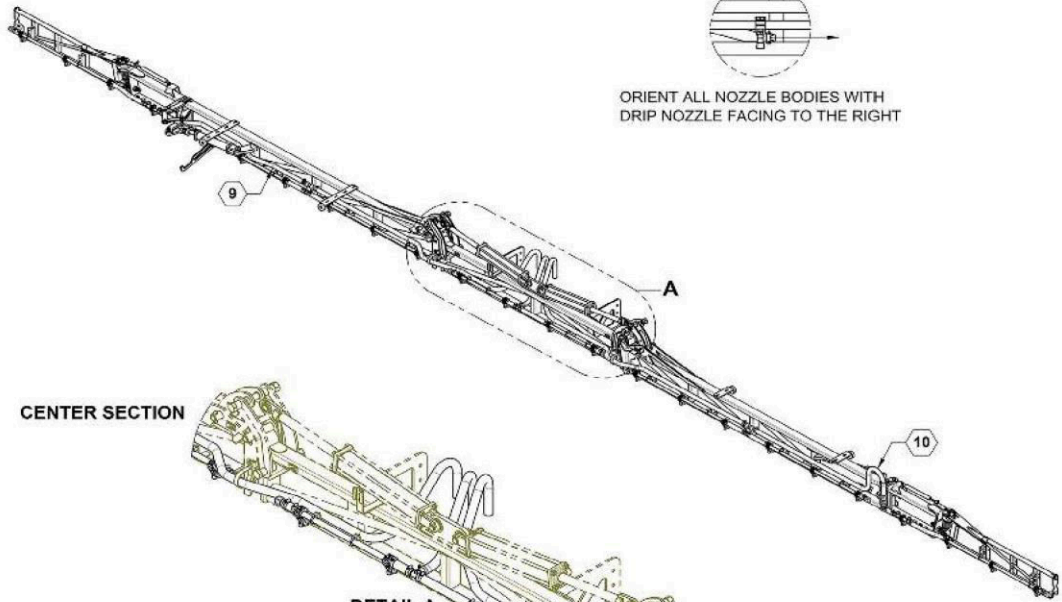
20 Inch Off-Center, Single Nozzle Bodies X 24



REAR VIEW



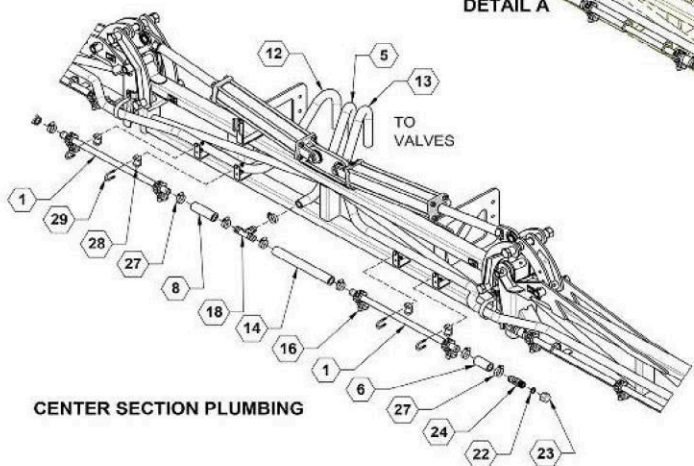
ORIENT ALL NOZZLE BODIES WITH DRIP NOZZLE FACING TO THE RIGHT



CENTER SECTION

48 FT TOTAL HOSE

DETAIL A



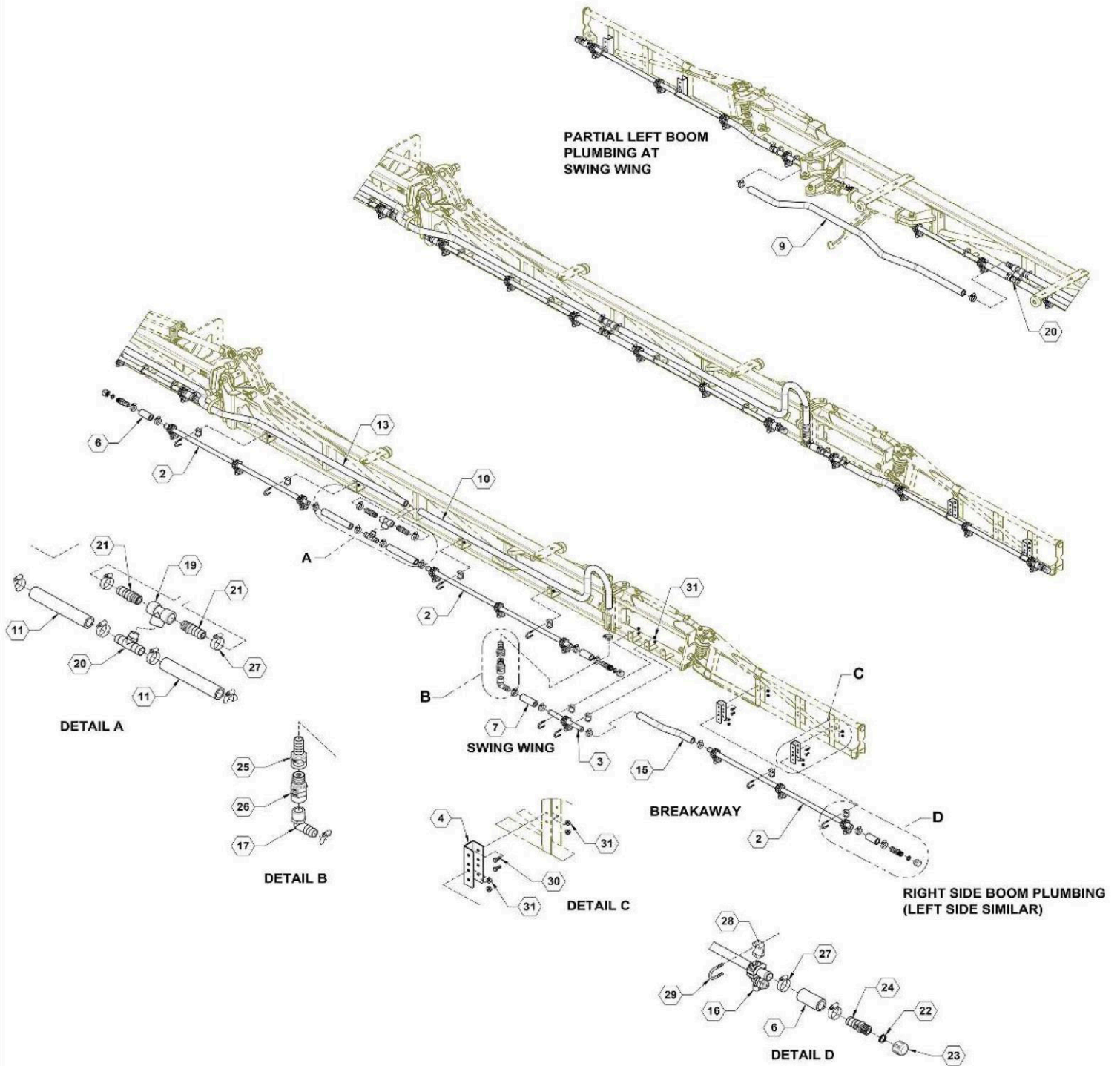
CENTER SECTION PLUMBING

REFER TO NEXT SHEET FOR BOOM PLUMBING

Parts List 27046: 20 Inch Off-Center, Single Nozzle Bodies X 24

ITEM	PART NO.	QTY.	DESCRIPTION
1	14312	2	TUBE, 2 PORT 20" WB
5	510016	1	HOSE, 1" EPDM X 3FT
6	510016	8	HOSE, 1" EPDM X 3IN
8	510016	1	HOSE, 1" EPDM X 5IN
9	510016	1	HOSE, 1" EPDM X 6FT
10	510016	1	HOSE, 1" EPDM X 7FT
12	510016	1	HOSE, 1" EPDM X 10FT
13	510016	1	HOSE, 1" EPDM X 11FT
14	510016	1	HOSE, 1" EPDM X 13IN
16	520030	24	NOZZLE BODY, 25MM SINGLE
18	530056	1	HOSE BARB, 1" TEE
22	530227	8	GASKET, VINYL BLACK 3/4IDX1
23	530245	8	CAP, BLK, 3/4" NYLON
24	530275	8	FITTING, 1" MPT X 1" HB
27	540014	41	CLAMP, HOSE SS 1" #16
28	540029	20	TUBE CLAMP, 1" GREEN
29	590048	20	U-BOLT SS 1/4 X 1"

20 Inch Off-Center, Single Nozzle Bodies X 24 (CONT.)

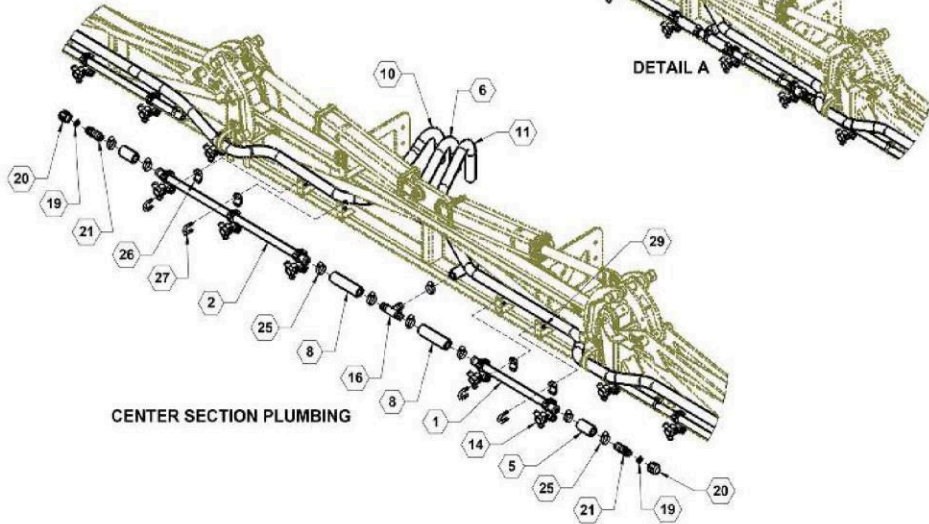
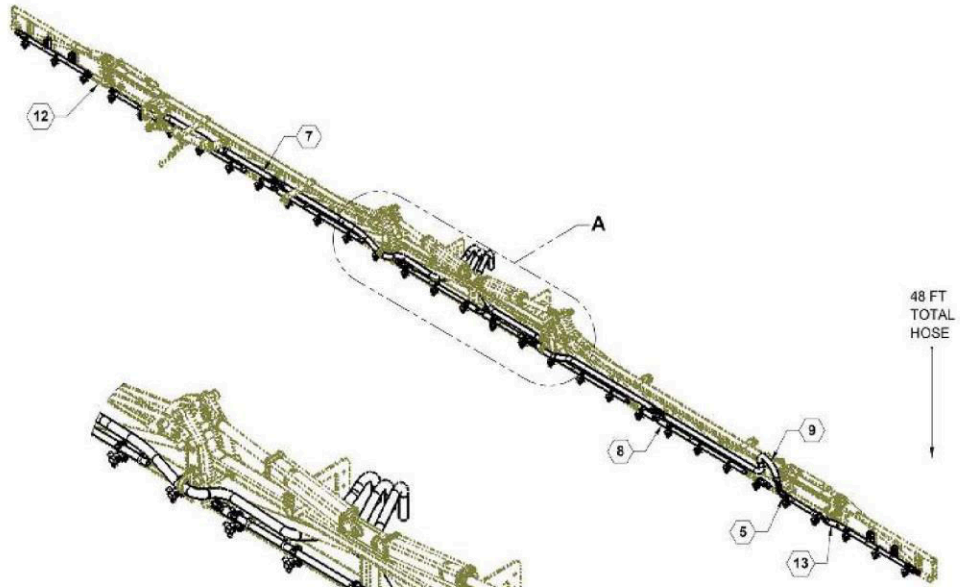
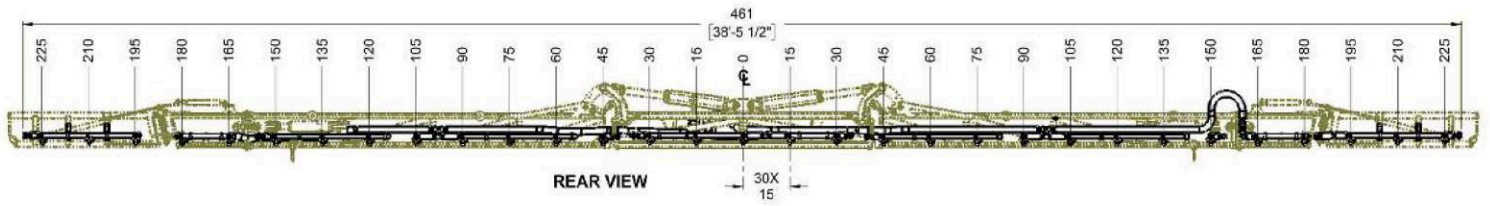


Parts List: 20 Inch Off-Center, Single Nozzle Bodies X 24 (CONT.)

ITEM	PART NO.	QTY.	DESCRIPTION
2	14313	6	TUBE, 3 PORT 20" WB
3	14356	2	TUBE, 1 PORT X 10" LONG WB
4	23752	4	BRACKET, OFFSET WB MOUNT
6	510016	8	HOSE, 1" EPDM X 3IN
7	510016	1	HOSE, 1" EPDM X 4IN
9	510016	1	HOSE, 1" EPDM X 6FT
10	510016	1	HOSE, 1" EPDM X 7FT
11	510016	4	HOSE, 1" EPDM X 9IN
13	510016	1	HOSE, 1" EPDM X 11FT
15	510016	2	HOSE, 1" EPDM X 16IN
16	520030	24	NOZZLE BODY, 25MM SINGLE
17	530044	1	HOSE SHANK, 1IN MPT X 1IN 90~
19	530156	2	TEE, 3/4" POLY PIPE
20	530181	2	HOSE BARB, 3/4" MPT X 1" TEE
21	530203	4	HOSE BARB STRAIGHT 3/4" MPTX1"
22	530227	8	GASKET, VINYL BLACK 3/4IDX1
23	530245	8	CAP, BLK, 3/4" NYLON
24	530275	8	FITTING, 1" MPT X 1" HB
25	530325	1	HOSE SHANK, 1IN FEM THRD X 1IN
26	530326	1	SWIVEL MPT 1 X 1 FEM THRD
27	540014	41	CLAMP, HOSE SS 1" #16
28	540029	20	TUBE CLAMP, 1" GREEN
29	590048	20	U-BOLT SS 1/4 X 1"
30	596101M	8	BOLT, HH 1/4-20X3/4 GR5 MAGNI
31	596767M	48	NUT, HEX FLANGE 1/4-20 MAGNI

Hydraulic 40 Foot Plumbing, Triple Nozzle Bodies

15 Inch On-Center, Triple Nozzle Bodies X 31

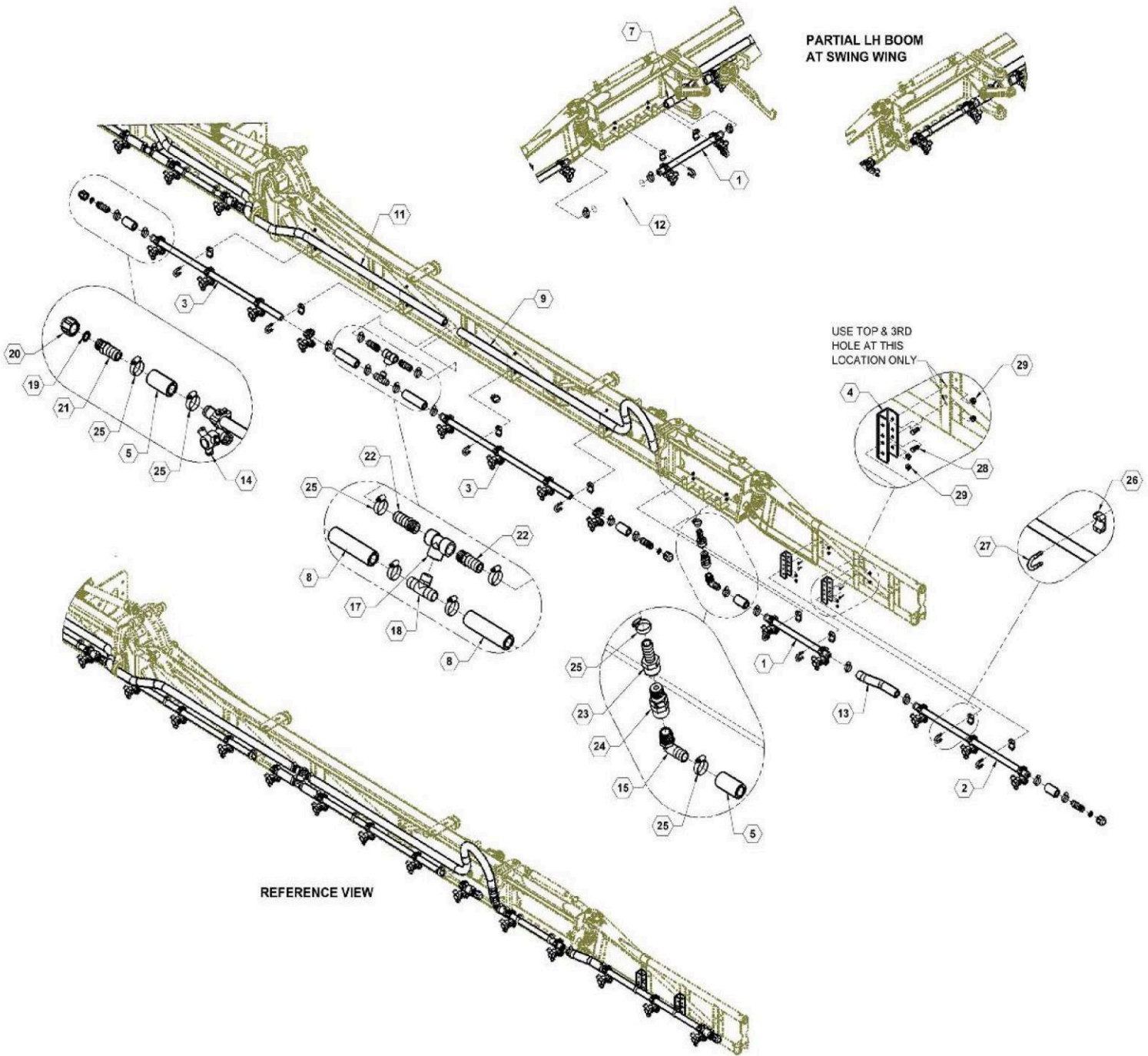


REFER TO NEXT SHEET FOR BOOM PLUMBING

Parts List 27045: 15 Inch On-Center, Triple Nozzle Bodies X 31

ITEM	PART NO.	QTY.	DESCRIPTION
1	14302	3	TUBE, 2 PORT 15" WB
2	14303	3	TUBE, 3 PORT 15" WB
5	510016	9	HOSE, 1" EPDM X 3IN
6	510016	1	HOSE, 1" EPDM X 4FT
7	510016	1	HOSE, 1" EPDM X 6FT
8	510016	6	HOSE, 1" EPDM X 6IN
9	510016	1	HOSE, 1" EPDM X 7FT
10	510016	1	HOSE, 1" EPDM X 10FT
11	510016	1	HOSE, 1" EPDM X 12FT
12	510016	1	HOSE, 1" EPDM X 15IN
13	510016	1	HOSE, 1" EPDM X 15IN
14	520084	31	NOZZLE BODY, TRIPLE 25mm
16	530056	1	HOSE BARB, 1" TEE
19	530227	8	GASKET, VINYL BLACK 3/4IDX1
20	530245	8	CAP, 3/4 BLACK NYLON
21	530275	8	FITTING, 1" MPT X 1" HB
25	540014	42	CLAMP, HOSE SS 1" #16
26	540029	20	TUBE CLAMP, 1" GREEN
27	590048	20	U-BOLT SS 1/4 X 1"
29	596767M	46	NUT, HEX FLANGE 1/4-20 MAGNI

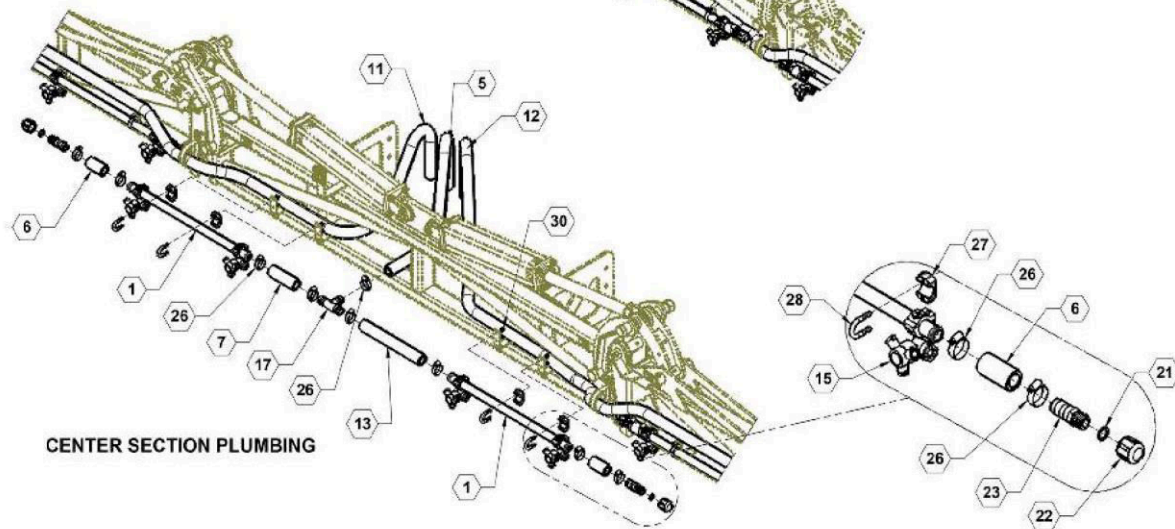
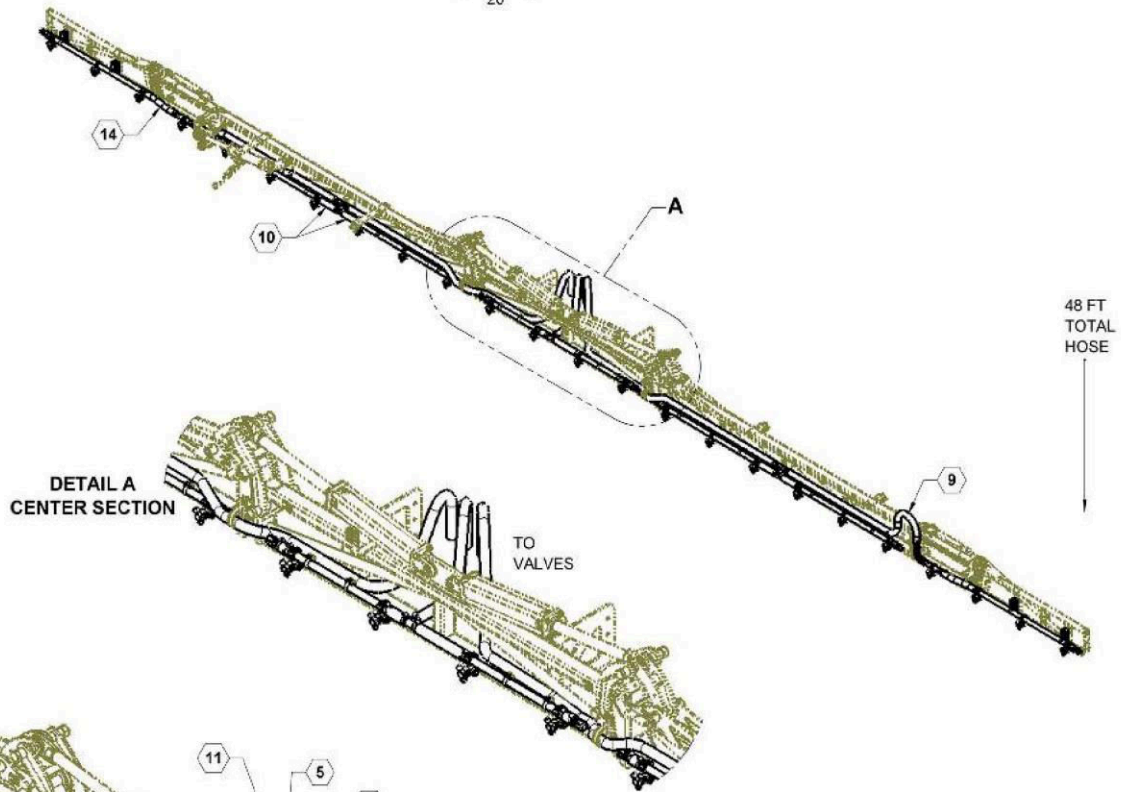
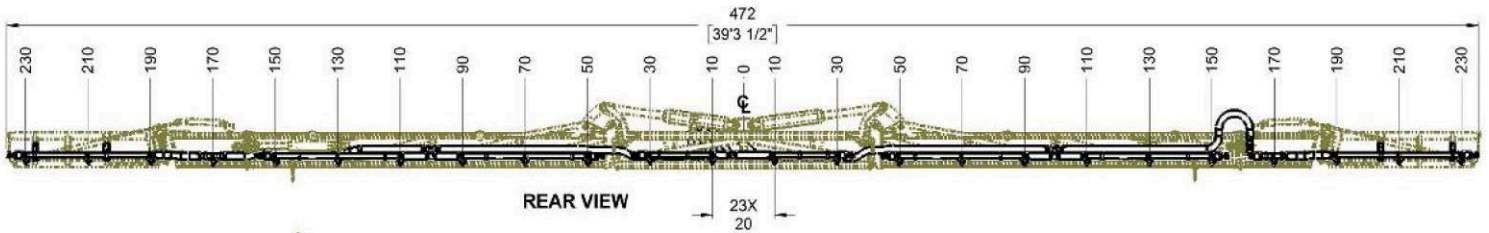
15 Inch On-Center, Triple Nozzle Bodies X 31 (CONT.)



Parts List: 15 Inch On-Center, Triple Nozzle Bodies X 31 (CONT.)

ITEM	PART NO.	QTY.	DESCRIPTION
1	14302	3	TUBE, 2 PORT 15" WB
2	14303	3	TUBE, 3 PORT 15" WB
3	14304	4	TUBE, 4 PORT 15" WB
4	23752	4	BRACKET, OFFSET WB MOUNT
5	510016	9	HOSE, 1" EPDM X 3IN
7	510016	1	HOSE, 1" EPDM X 6FT
8	510016	6	HOSE, 1" EPDM X 6IN
9	510016	1	HOSE, 1" EPDM X 7FT
11	510016	1	HOSE, 1" EPDM X 12FT
12	510016	1	HOSE, 1" EPDM X 15IN
13	510016	1	HOSE, 1" EPDM X 15IN
14	520084	31	NOZZLE BODY, TRIPLE 25mm
15	530044	1	HOSE SHANK 1" MPT X 1" HB 90~
17	530156	2	TEE, 3/4" POLY PIPE
18	530181	2	HOSE BARB, 3/4" MPT X 1" TEE
19	530227	8	GASKET, VINYL BLACK 3/4IDX1
20	530245	8	CAP, 3/4 BLACK NYLON
21	530275	8	FITTING, 1" MPT X 1" HB
22	530203	4	HOSE BARB, 3/4" MPT X 1" HB
23	530325	1	HOSE SHANK, 1" FT X 1" HB
24	530326	1	SWIVEL, 1" MPT X 1" FEM THRD
25	540014	42	CLAMP, HOSE SS 1" #16
26	540029	20	TUBE CLAMP, 1" GREEN
27	590048	20	U-BOLT SS 1/4 X 1"
28	596101M	8	BOLT, HH 1/4-20X3/4 GR5 MAGNI
29	596767M	46	NUT, HEX FLANGE 1/4-20 MAGNI

20 Inch Off-Center, Triple Nozzle Bodies X 24

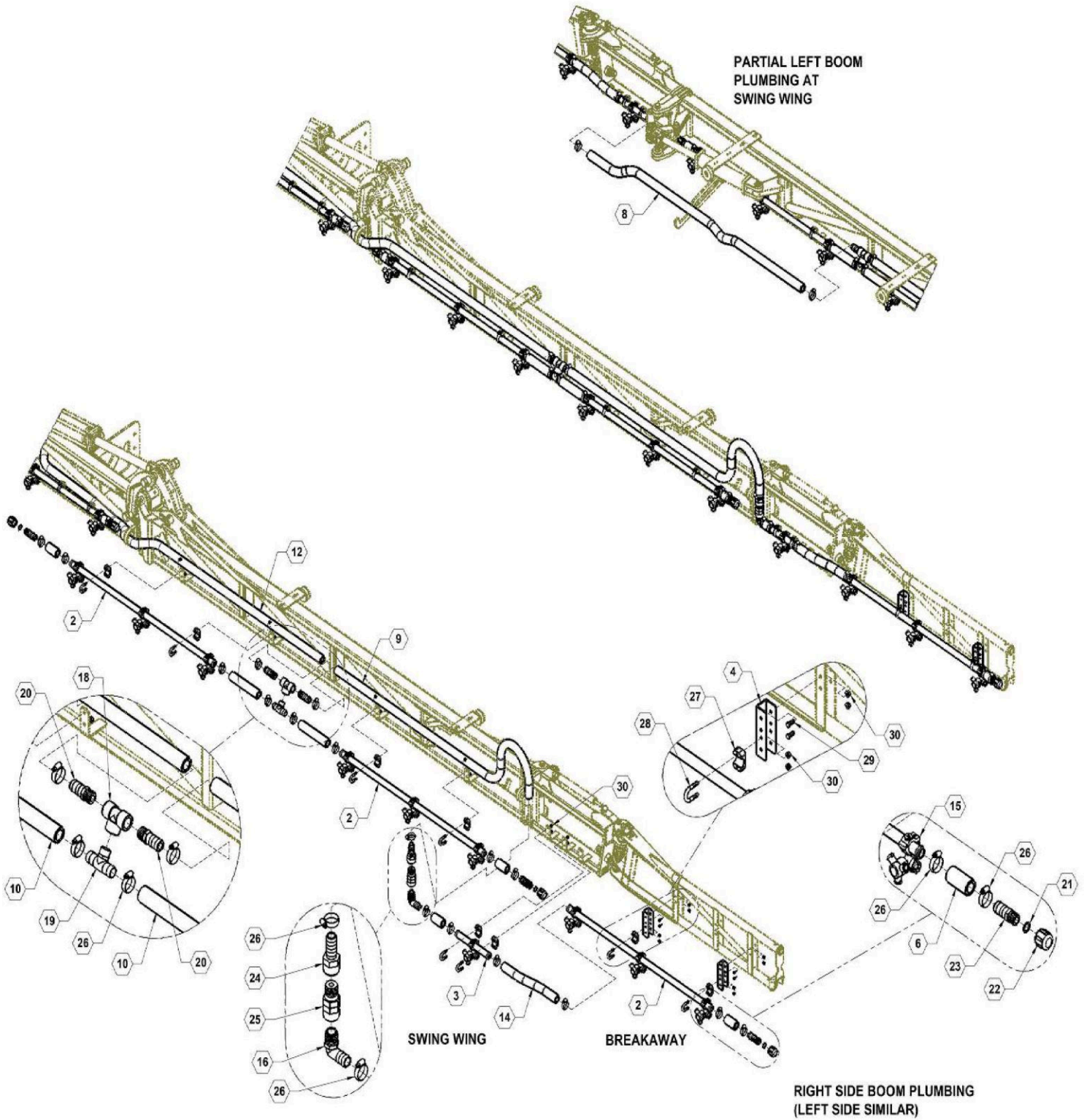


REFER TO NEXT SHEET FOR BOOM PLUMBING

Parts List 27047: 20 Inch Off-Center, Triple Nozzle Bodies X 24

ITEM	PART NO.	QTY.	DESCRIPTION
1	14312	2	TUBE, 2 PORT 20" WB
5	510016	1	HOSE, 1" EPDM X 3FT
6	510016	9	HOSE, 1" EPDM X 3IN
7	510016	1	HOSE, 1" EPDM X 5IN
9	510016	1	HOSE, 1" EPDM X 7FT
10	510016	4	HOSE, 1" EPDM X 9IN
11	510016	1	HOSE, 1" EPDM X 10FT
12	510016	1	HOSE, 1" EPDM X 11FT
13	510016	1	HOSE, 1" EPDM X 12IN
14	510016	2	HOSE, 1" EPDM X 16IN
15	520084	24	NOZZLE BODY, TRIPLE 25mm
17	530056	1	HOSE BARB, 1" TEE
26	540014	41	CLAMP, HOSE SS 1" #16
27	540029	20	TUBE CLAMP, 1" GREEN
28	590048	20	U-BOLT SS 1/4 X 1"
30	596767M	48	NUT, HEX FLANGE 1/4-20 MAGNI

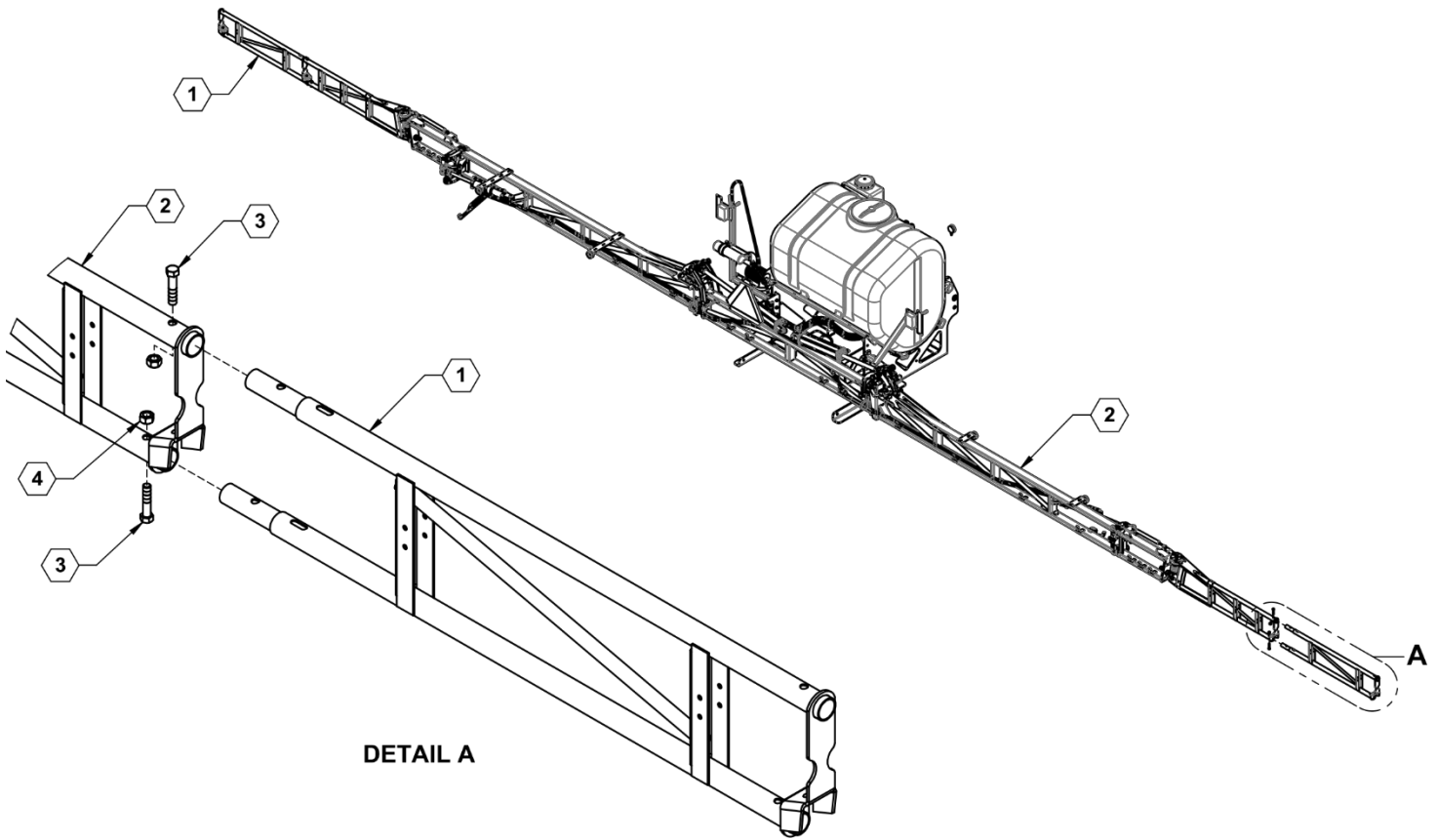
20 Inch Off-Center, Triple Nozzle Bodies X 24 (CONT.)



Parts List: 20 Inch Off-Center, Triple Nozzle Bodies X 24 (CONT.)

ITEM	PART NO.	QTY.	DESCRIPTION
2	14313	6	TUBE, 3 PORT 20" WB
3	14356	2	TUBE, 1 PORT X 10" LONG WB
4	23752	4	BRACKET, OFFSET WB MOUNT
6	510016	9	HOSE, 1" EPDM X 3IN
8	510016	1	HOSE, 1" EPDM X 6FT
9	510016	1	HOSE, 1" EPDM X 7FT
10	510016	4	HOSE, 1" EPDM X 9IN
12	510016	1	HOSE, 1" EPDM X 11FT
14	510016	2	HOSE, 1" EPDM X 16IN
15	520084	24	NOZZLE BODY, TRIPLE 25mm
16	530044	1	HOSE SHANK 1" MPT X 1" HB 90~
18	530156	2	TEE, 3/4" POLY PIPE
19	530181	2	HOSE BARB, 3/4" MPT X 1" TEE
20	530203	4	HOSE BARB, 3/4" MPT X 1" HB
21	530227	8	GASKET, VINYL BLACK 3/4IDX1
22	530245	8	CAP, 3/4 BLACK NYLON
23	530275	8	FITTING, 1" MPT X 1" HB
24	530325	1	HOSE SHANK, 1" FT X 1" HB
25	530326	1	SWIVEL, 1" MPT X 1" FEM THRD
26	540014	41	CLAMP, HOSE SS 1" #16
27	540029	20	TUBE CLAMP, 1" GREEN
28	590048	20	U-BOLT SS 1/4 X 1"
29	596101M	8	BOLT, HH 1/4-20X3/4 GR5 MAGNI
30	596767M	48	NUT, HEX FLANGE 1/4-20 MAGNI

45 Foot Hydraulic Boom



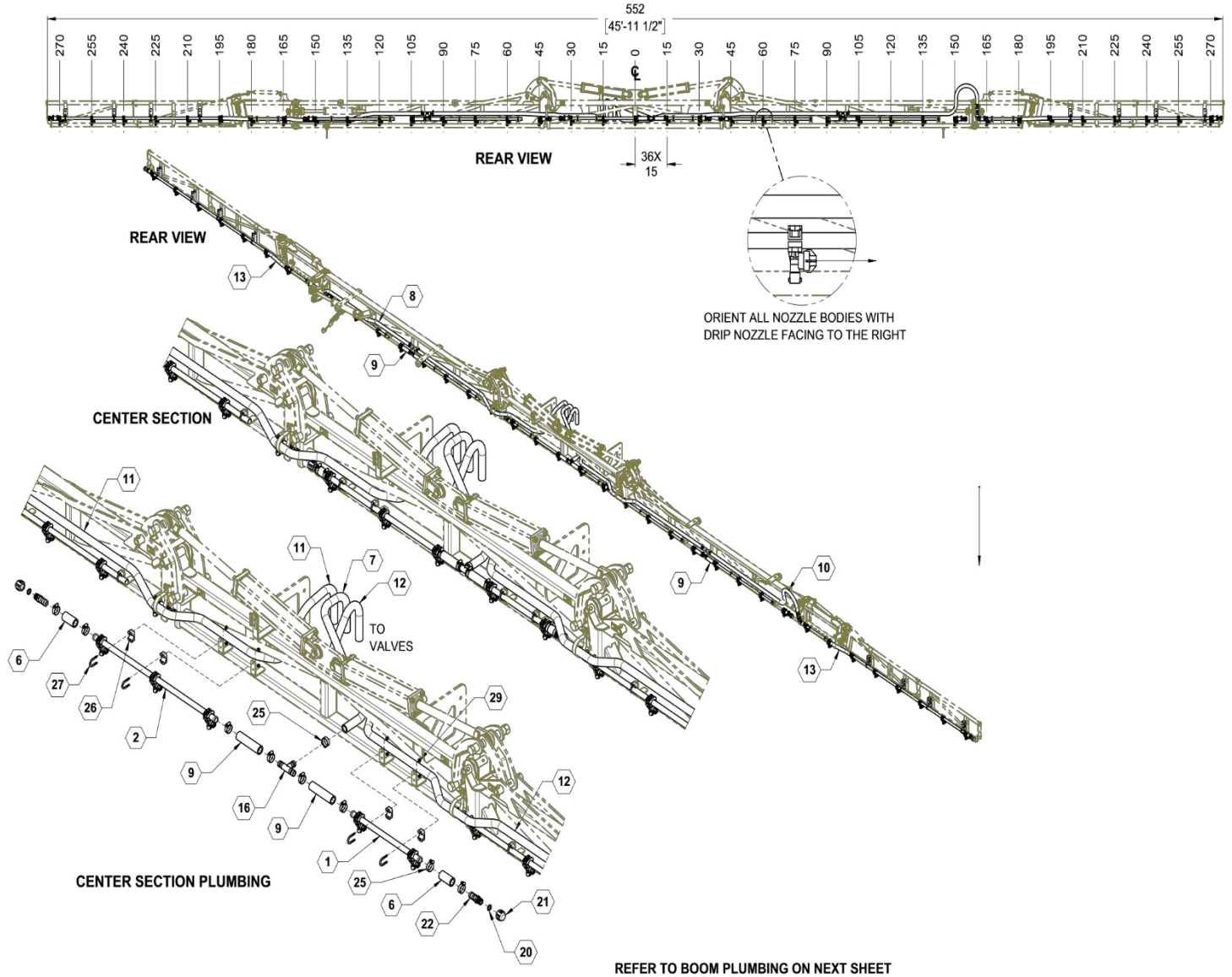
Parts List 27014: 45 Foot Hydraulic Boom

ITEM	PART NO.	QTY.	DESCRIPTION
1	25052	2	WELDMENT, 38.5" EXTENSION
2	27043	1	OPTION, 40' BOOM HYD FOLD
3	596142M	4	BOLT, HH 7/16 X 2 GR5 MAGNI
4	596625M	4	NUT, TOPLOCK 7/16-14 MAGNI



45 Foot Plumbing, Single Nozzle Bodies

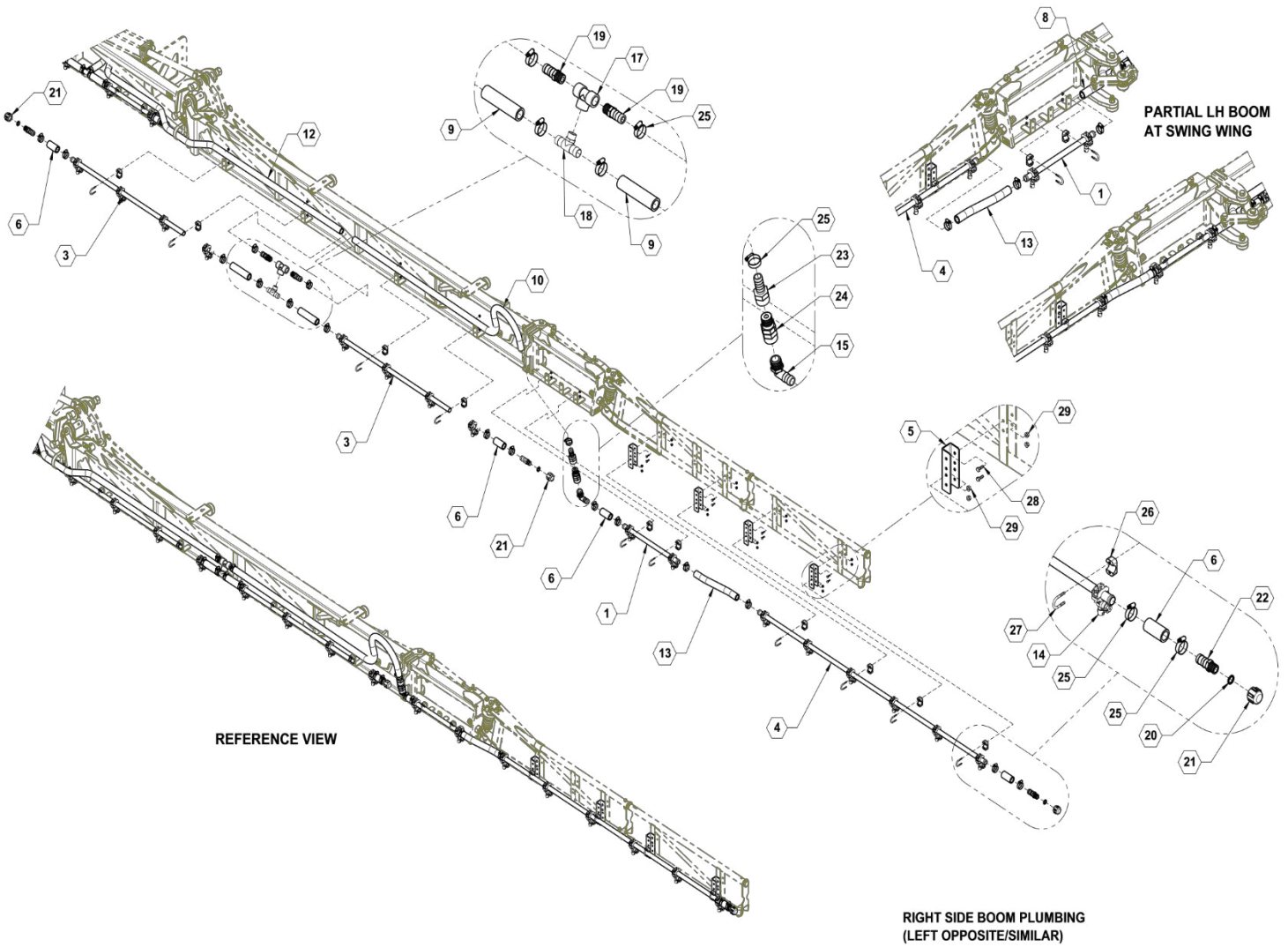
15 Inch On-Center, Single Nozzle Bodies



Parts List 27027: 15 Inch On-Center, Single Nozzle Bodies

ITEM	PART NO.	QTY.	DESCRIPTION
1	14302	3	TUBE, 2 PORT 15" WB
2	14303	1	TUBE, 3 PORT 15" WB
6	510016	9	HOSE, 1" EPDM X 3IN
7	510016	1	HOSE, 1" EPDM X 4FT
8	510016	1	HOSE, 1" EPDM X 6FT
9	510016	6	HOSE, 1" EPDM X 6IN
10	510016	1	HOSE, 1" EPDM X 7FT
11	510016	1	HOSE, 1" EPDM X 10FT
12	510016	1	HOSE, 1" EPDM X 12FT
13	510016	2	HOSE, 1" EPDM X 15IN
16	530056	1	HOSE BARB, 1" TEE
20	530227	8	GASKET, VINYL BLACK 3/4IDX1
21	530245	8	CAP, 3/4 BLACK NYLON
22	530275	8	FITTING, 1" MPT X 1" HB
25	540014	41	CLAMP, HOSE SS 1" #16
26	540029	24	TUBE CLAMP, 1" GREEN
27	590048	24	U-BOLT SS 1/4 X 1"
29	596767M	64	NUT, HEX FLANGE 1/4-20 MAGNI

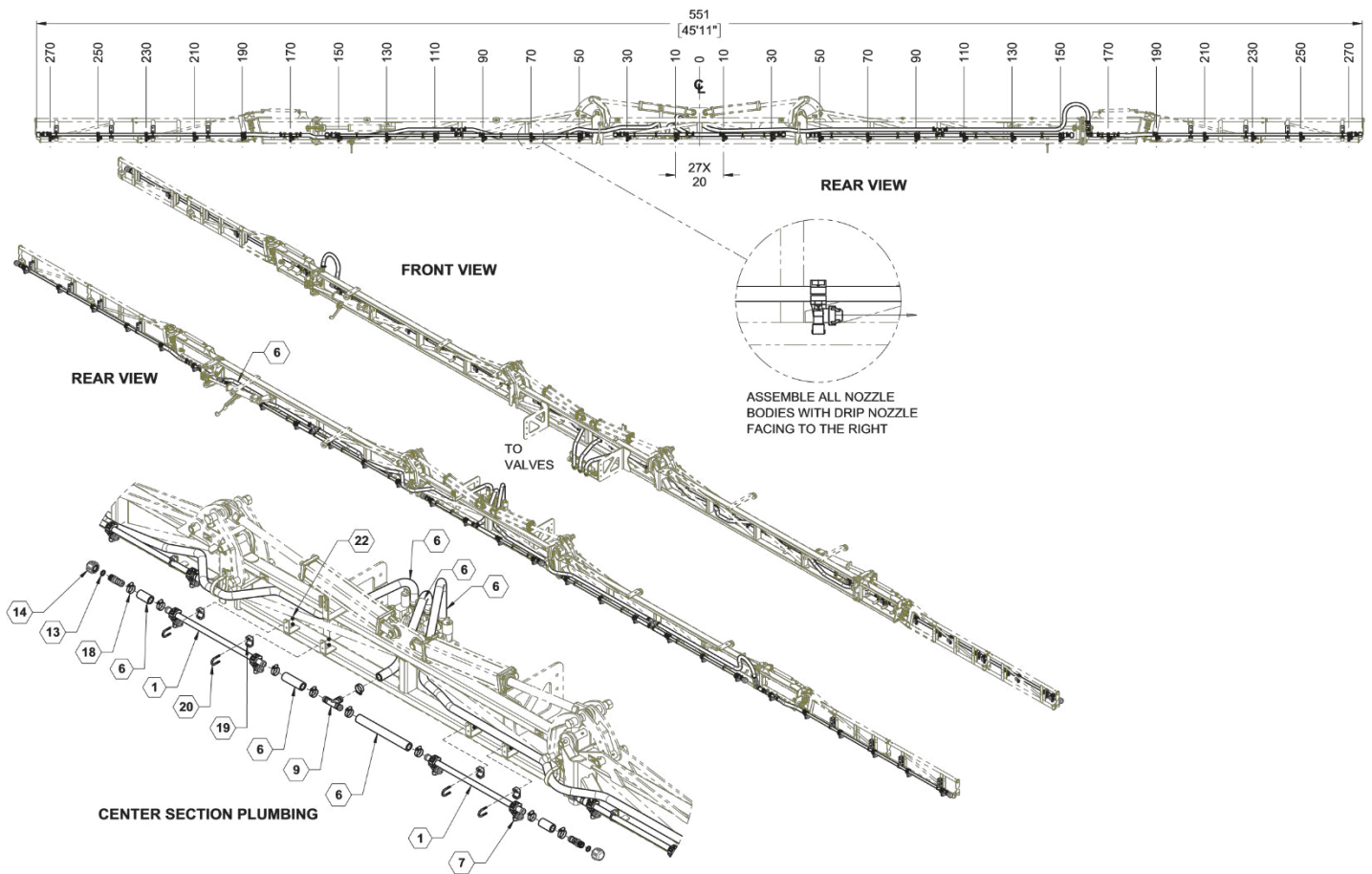
15 Inch On-Center, Single Nozzle Bodies (CONT.)



Parts List: 15 Inch On-Center, Single Nozzle Bodies (CONT.)

ITEM	PART NO.	QTY.	DESCRIPTION
1	14302	3	TUBE, 2 PORT 15" WB
3	14304	4	TUBE, 4 PORT 15" WB
4	14306	2	TUBE, 6 PORT 15" WB
5	23752	8	BRACKET, OFFSET WB MOUNT
6	510016	9	HOSE, 1" EPDM X 3IN
8	510016	1	HOSE, 1" EPDM X 6FT
9	510016	6	HOSE, 1" EPDM X 6IN
10	510016	1	HOSE, 1" EPDM X 7FT
12	510016	1	HOSE, 1" EPDM X 12FT
13	510016	2	HOSE, 1" EPDM X 15IN
15	530044	1	HOSE SHANK 1" MPT X 1" HB 90°
17	530156	2	TEE, 3/4" POLY PIPE
18	530181	2	HOSE BARB, 3/4" MPT X 1" TEE
19	530203	4	HOSE BARB, 3/4" MPT X 1" HB
20	530227	8	GASKET, VINYL BLACK 3/4IDX1
21	530245	8	CAP, 3/4 BLACK NYLON
22	530275	8	FITTING, 1" MPT X 1" HB
23	530325	1	HOSE SHANK, 1" FT X 1" HB
24	530326	1	SWIVEL, 1" MPT X 1" FEM THRD
25	540014	41	CLAMP, HOSE SS 1" #16
26	540029	24	TUBE CLAMP, 1" GREEN
27	590048	24	U-BOLT SS 1/4 X 1"
28	596101M	16	BOLT, HH 1/4-20X3/4 GR5 MAGNI
29	596767M	64	NUT, HEX FLANGE 1/4-20 MAGNI

20 Inch Off-Center, Single Nozzle Bodies X 28

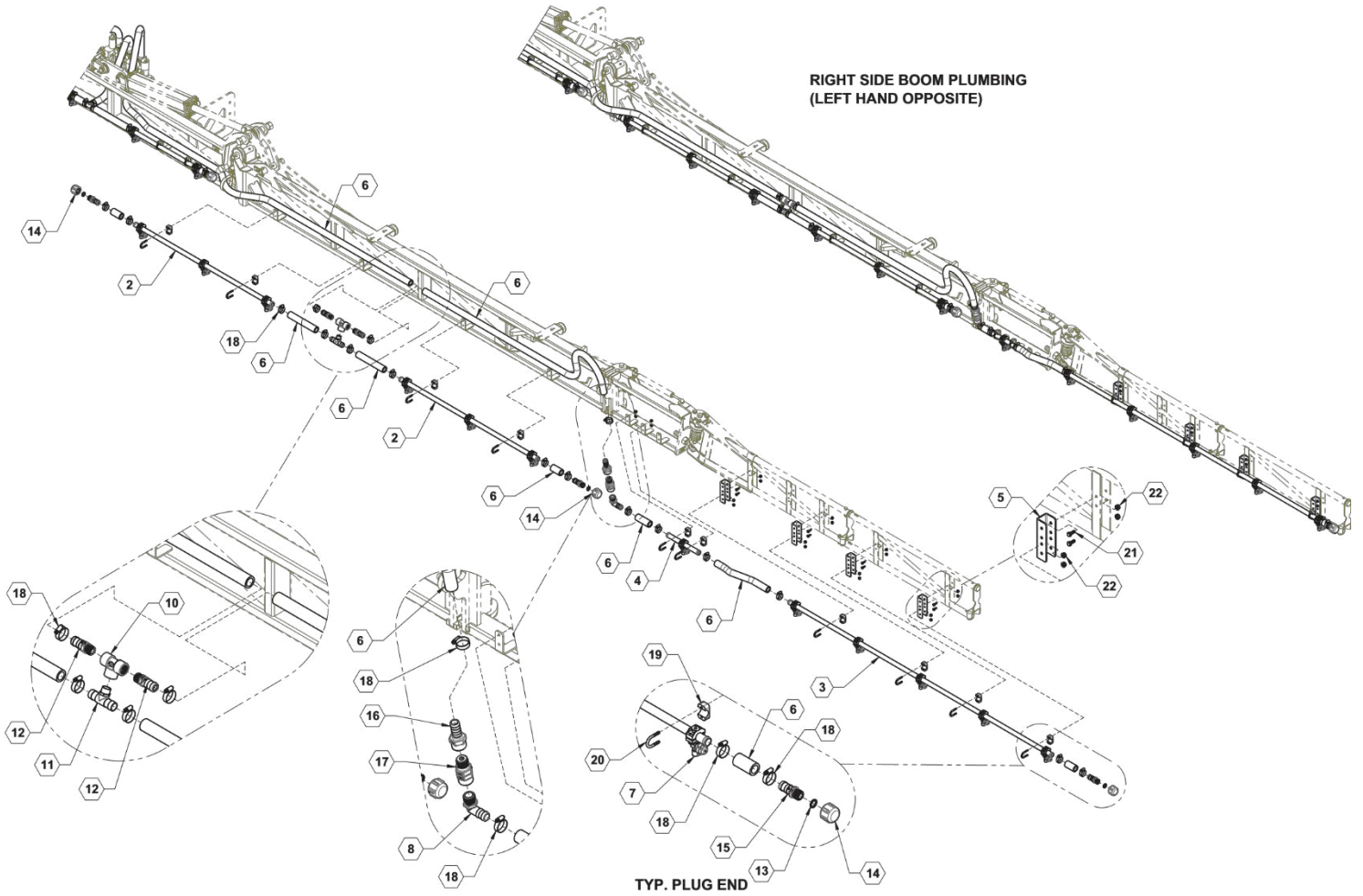


Parts List 27029: 20 Inch Off-Center, Single Nozzle Bodies X 28

ITEM	PART NO.	QTY.	DESCRIPTION
1	14312	2	TUBE, 2 PORT 20" WB
6	510016	AR	HOSE, 1" EPDM
7	520030	28	NOZZLE BODY, 25MM SINGLE
9	530056	1	HOSE BARB, 1" TEE
13	530227	8	GASKET, VINYL BLACK 3/4IDX1
14	530245	8	CAP, BLK, 3/4" NYLON
18	540014	41	CLAMP, HOSE SS 1" #16
19	540029	24	TUBE CLAMP, 1" GREEN
20	590048	24	U-BOLT SS 1/4 X 1"
22	596767M	64	NUT, HEX FLANGE 1/4-20 MAGNI



20 Inch Off-Center, Single Nozzle Bodies X 28 (CONT.)

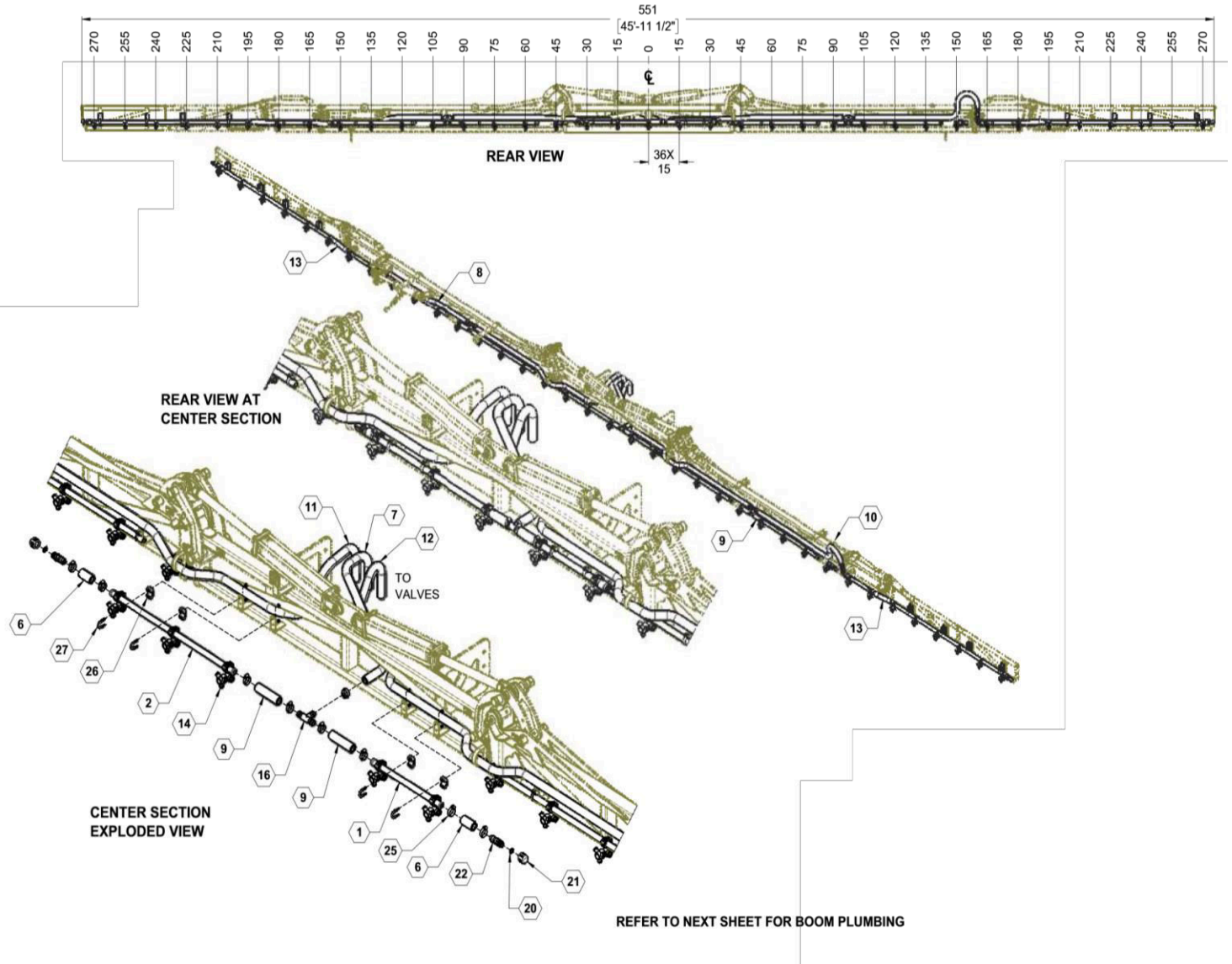


Parts List: 20 Inch Off-Center, Single Nozzle Bodies X 28 (CONT.)

ITEM	PART NO.	QTY.	DESCRIPTION
2	14313	4	TUBE, 3 PORT 20" WB
3	14315	2	TUBE, 5 PORT 20" WB
4	14356	2	TUBE, 1 PORT X 10" LONG WB
5	23752	8	BRACKET, OFFSET WB MOUNT
6	510016	AR	HOSE, 1" EPDM
7	520030	28	NOZZLE BODY, 25MM SINGLE
8	530044	1	HOSE SHANK, 1IN MPT X 1IN 90~
10	530156	2	TEE, 3/4" POLY PIPE
11	530181	2	HOSE BARB, 3/4" MPT X 1" TEE
12	530203	4	HOSE BARB STRAIGHT 3/4" MPTX1"
13	530227	8	GASKET, VINYL BLACK 3/4IDX1
14	530245	8	CAP, BLK, 3/4" NYLON
15	530275	8	FITTING, 1" MPT X 1" HB
16	530325	1	HOSE SHANK, 1IN FEM THRD X 1IN
17	530326	1	SWIVEL MPT 1 X 1 FEM THRD
18	540014	41	CLAMP, HOSE SS 1" #16
19	540029	24	TUBE CLAMP, 1" GREEN
20	590048	24	U-BOLT SS 1/4 X 1"
21	596101M	16	BOLT, HH 1/4-20X3/4 GR5 MAGNI
22	596767M	64	NUT, HEX FLANGE 1/4-20 MAGNI

45 Foot Plumbing, Triple Nozzle Bodies

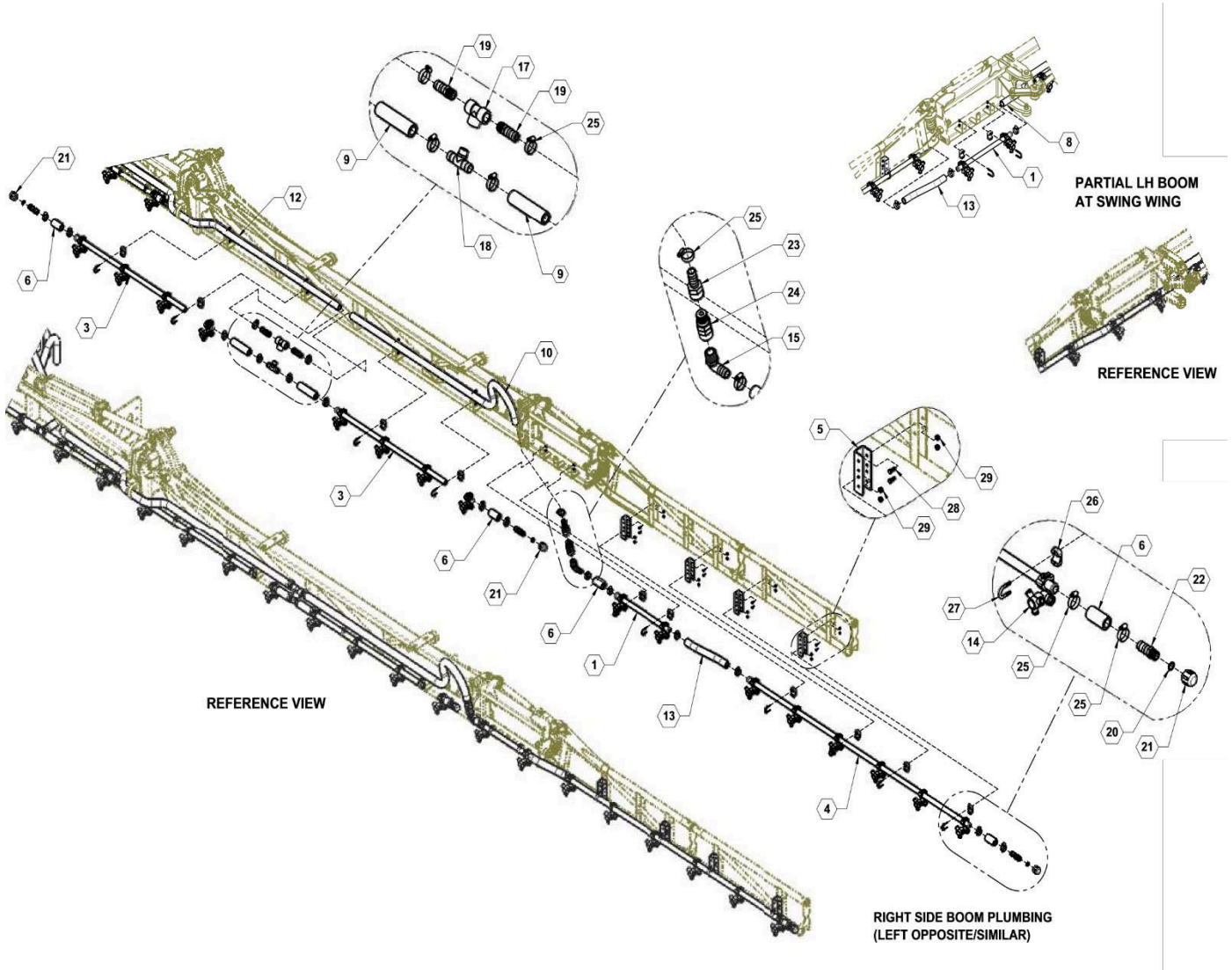
15 Inch On-Center, Triple Nozzle Bodies



Parts List 27028: 15 Inch On-Center, Triple Nozzle Bodies

ITEM	PART NO.	QTY.	DESCRIPTION
1	14302	3	TUBE, 2 PORT 15" WB
2	14303	1	TUBE, 3 PORT 15" WB
6	510016	9	HOSE, 1" EPDM X 3IN
7	510016	1	HOSE, 1" EPDM X 4FT
8	510016	1	HOSE, 1" EPDM X 6FT
9	510016	6	HOSE, 1" EPDM X 6IN
10	510016	1	HOSE, 1" EPDM X 7FT
11	510016	1	HOSE, 1" EPDM X 10FT
12	510016	1	HOSE, 1" EPDM X 12FT
13	510016	2	HOSE, 1" EPDM X 15IN
14	520084	37	NOZZLE BODY, TRIPLE 25mm
16	530056	1	HOSE BARB, 1" TEE
20	530227	8	GASKET, VINYL BLACK 3/4IDX1
21	530245	8	CAP, 3/4 BLACK NYLON
22	530275	8	FITTING, 1" MPT X 1" HB
25	540014	41	CLAMP, HOSE SS 1" #16
26	540029	24	TUBE CLAMP, 1" GREEN
27	590048	24	U-BOLT SS 1/4 X 1"

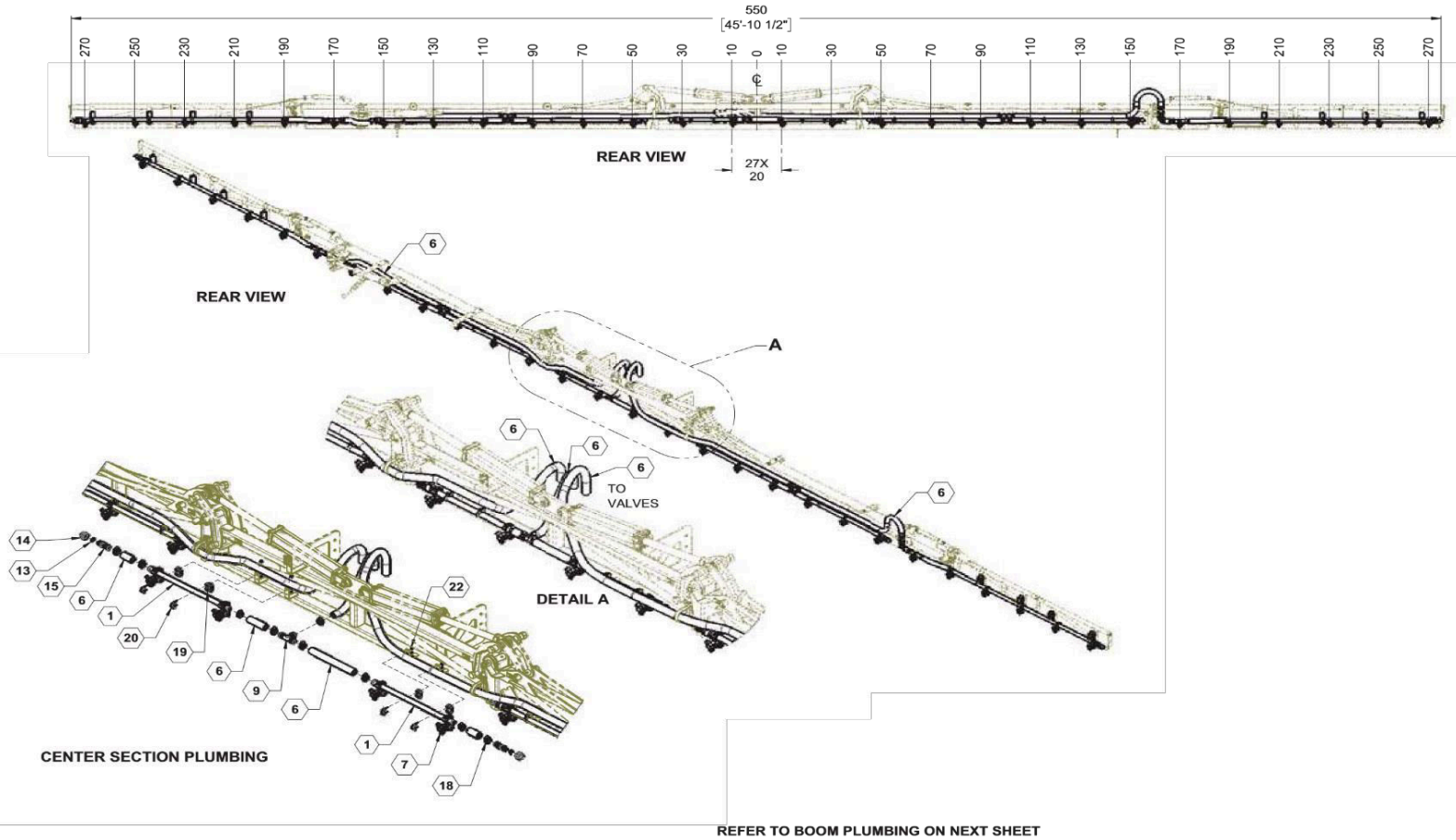
15 Inch On-Center, Triple Nozzle Bodies (CONT.)



Parts List: 15 Inch On-Center, Triple Nozzle Bodies (CONT.)

ITEM	PART NO.	QTY.	DESCRIPTION
1	14302	3	TUBE, 2 PORT 15" WB
3	14304	4	TUBE, 4 PORT 15" WB
4	14306	2	TUBE, 6 PORT 15" WB
5	23752	8	BRACKET, OFFSET WB MOUNT
6	510016	9	HOSE, 1" EPDM X 3IN
8	510016	1	HOSE, 1" EPDM X 6FT
9	510016	6	HOSE, 1" EPDM X 6IN
10	510016	1	HOSE, 1" EPDM X 7FT
12	510016	1	HOSE, 1" EPDM X 12FT
13	510016	2	HOSE, 1" EPDM X 15IN
14	520084	37	NOZZLE BODY, TRIPLE 25mm
15	530044	1	HOSE SHANK, 1IN MPT X 1IN 90°
17	530156	2	TEE, 3/4" POLY PIPE
18	530181	2	HOSE BARB, 3/4" MPT X 1" TEE
19	530203	4	HOSE BARB, 3/4" MPT X 1" HB
20	530227	8	GASKET, VINYL BLACK 3/4IDX1
21	530245	8	CAP, 3/4 BLACK NYLON
22	530275	8	FITTING, 1" MPT X 1" HB
23	530325	1	HOSE SHANK, 1" FT X 1" HB
24	530326	1	SWIVEL, 1" MPT X 1" FEM THRD
25	540014	41	CLAMP, HOSE SS 1" #16
26	540029	24	TUBE CLAMP, 1" GREEN
27	590048	24	U-BOLT SS 1/4 X 1"
28	596101M	16	BOLT, HH 1/4-20X3/4 GR5 MAGNI
29	596767M	64	NUT, HEX FLANGE 1/4-20 MAGNI

20 Inch Off-Center, Triple Nozzle Bodies X 28

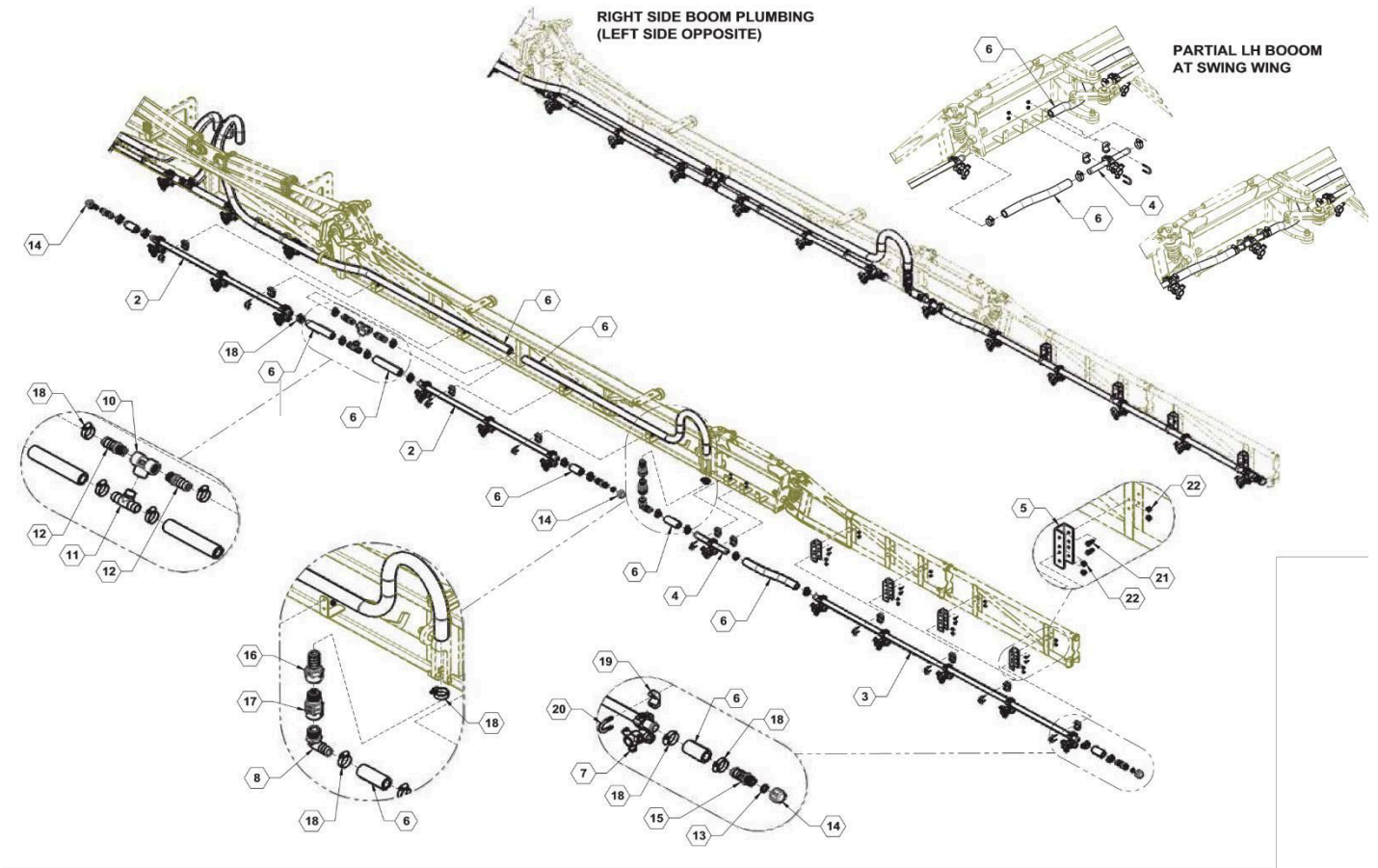


Parts List 27030: 20 Inch Off-Center, Triple Nozzle Bodies X 28

ITEM	PART NO.	QTY.	DESCRIPTION
1	14312	2	TUBE, 2 PORT 20" WB
6	510016	AR	HOSE, 1" EPDM
7	520084	28	NOZZLE BODY, TRIPLE 25mm
9	530056	1	HOSE BARB, 1" TEE
13	530227	8	GASKET, VINYL BLACK 3/4IDX1
14	530245	8	CAP, BLK, 3/4" NYLON
15	530275	8	FITTING, 1" MPT X 1" HB
18	540014	41	CLAMP, HOSE SS 1" #16
19	540029	24	TUBE CLAMP, 1" GREEN
20	590048	24	U-BOLT SS 1/4 X 1"
22	596767M	64	NUT, HEX FLANGE 1/4-20 MAGNI



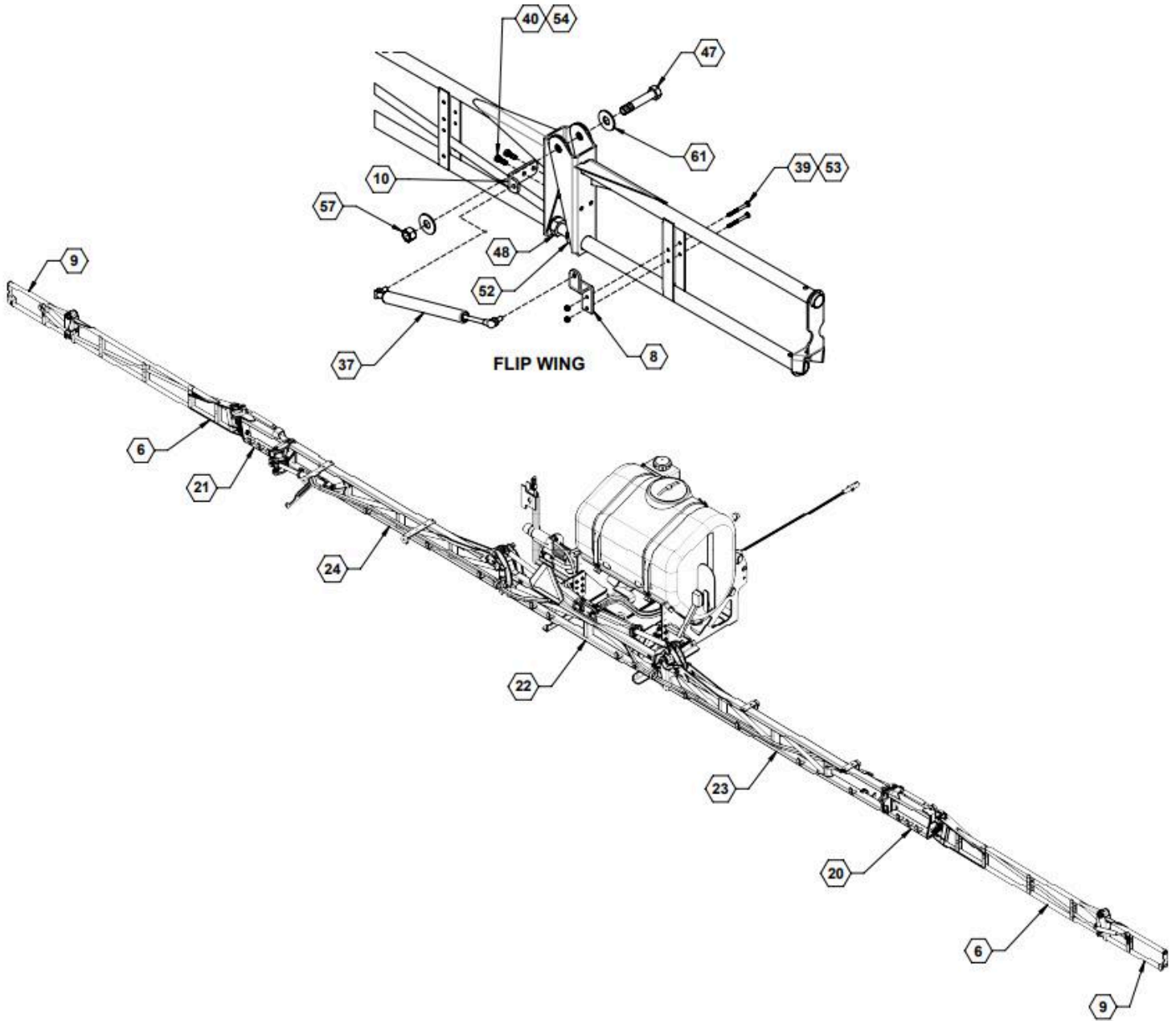
20 Inch Off-Center, Triple Nozzle Bodies X 28 (CONT.)



Parts List: 20 Inch Off-Center, Triple Nozzle Bodies X 28 (CONT.)

ITEM	PART NO.	QTY.	DESCRIPTION
2	14313	4	TUBE, 3 PORT 20" WB
3	14315	2	TUBE, 5 PORT 20" WB
4	14356	2	TUBE, 1 PORT X 10" LONG WB
6	510016	AR	HOSE, 1" EPDM
8	530044	1	HOSE SHANK, 1IN MPT X 1IN 90~
10	530156	2	TEE, 3/4" POLY PIPE
11	530181	2	HOSE BARB, 3/4" MPT X 1" TEE
12	530203	4	HOSE BARB STRAIGHT 3/4" MPTX1"
13	530227	8	GASKET, VINYL BLACK 3/4IDX1
14	530245	8	CAP, BLK, 3/4" NYLON
15	530275	8	FITTING, 1" MPT X 1" HB
16	530325	1	HOSE SHANK, 1IN FEM THRD X 1IN
17	530326	1	SWIVEL MPT 1 X 1 FEM THRD
18	540014	41	CLAMP, HOSE SS 1" #16
19	540029	24	TUBE CLAMP, 1" GREEN
20	590048	24	U-BOLT SS 1/4 X 1"
21	596101M	16	BOLT, HH 1/4-20X3/4 GR5 MAGNI
22	596767M	64	NUT, HEX FLANGE 1/4-20 MAGNI

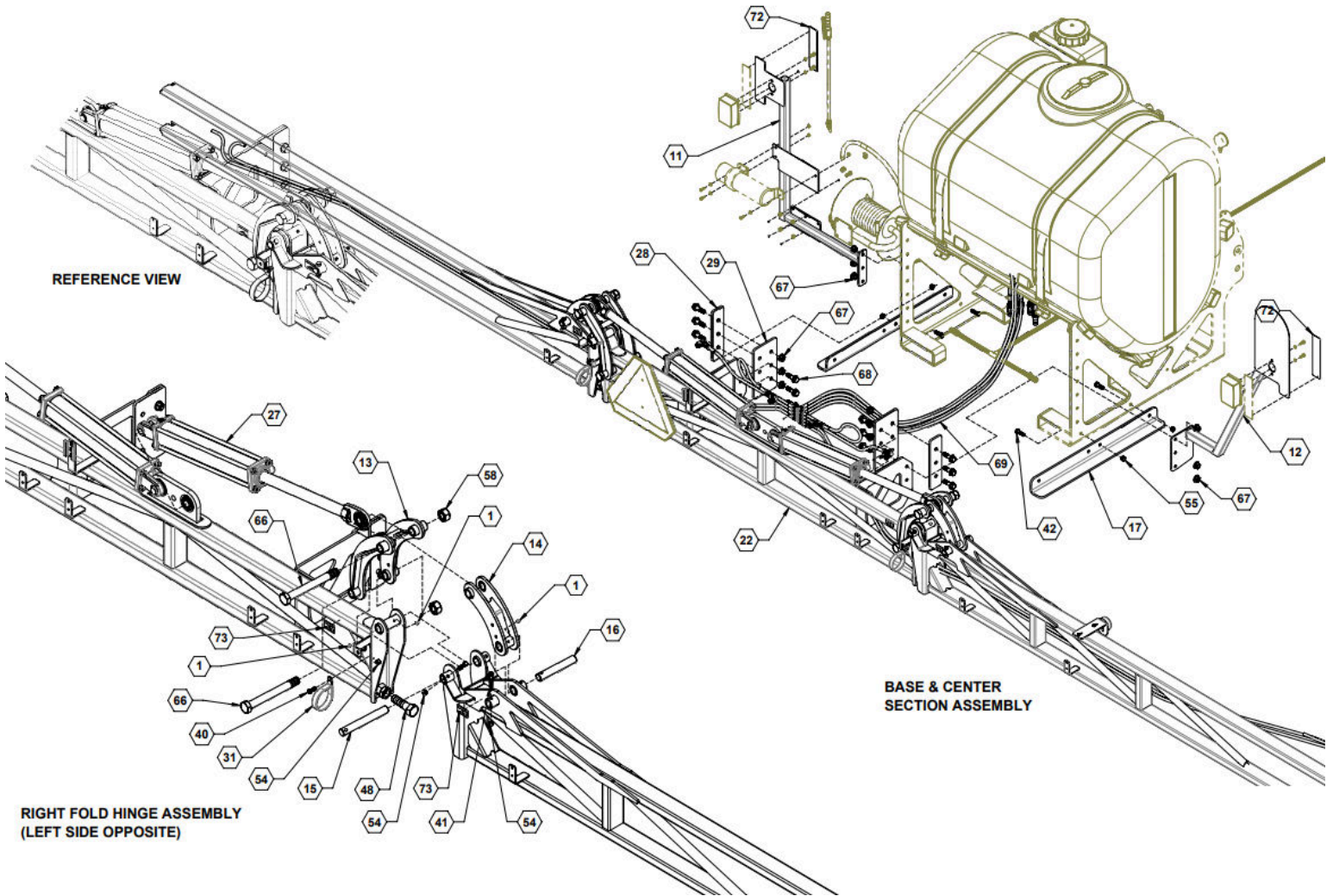
51 Foot Boom Hydraulic Fold



Parts List: 51 Foot Boom Hydraulic Fold

ITEM	PART NO.	QTY.	DESCRIPTION
6	18056	2	WLDMT, WING, MAIN
8	18094	2	BRACKET, SHOCK MOUNT
9	18095	2	WLDMT, WING, FLIP
10	18098	2	BRACKET, SHOCK MOUNT
20	23904	1	SWING WING WLDMT, RH
21	23905	1	SWING WING WLDMT, LH
22	23913	1	CENTER SECTION WLDMT
23	23915	1	MAIN WING WLDMT, RH
24	23916	1	WELDMENT, MAIN WING, LH
37	590202	2	SPRING, GAS, TENSION, PRELOAD 125LBS, BALL STUDS
39	596105M	4	BOLT, HH 1/4-20 X 2-1/2 GR5 MAGNI
40	596128M	6	BOLT, HH 3/8-16 X 1 GR5 MAGNI
47	596189M	2	BOLT, HH 3/4-10 X 4 X 1 GR5 MAGNI
48	596201M	4	BOLT, HEX 1-8 X 3-1/2 G5 MAGNI
52	596226M	4	NUT, HEX JAM 1-8 MAGNI
53	596235M	12	NUT, CENTERLOCK, 1/4-20 MAGNI
54	596237M	14	NUT, CENTERLOCK 3/8-16 MAGNI
57	596241M	2	NUT, CENTERLOCK 3/4-10 MAGNI
61	596259	4	WASHER, FLAT 3/4 MAGNI

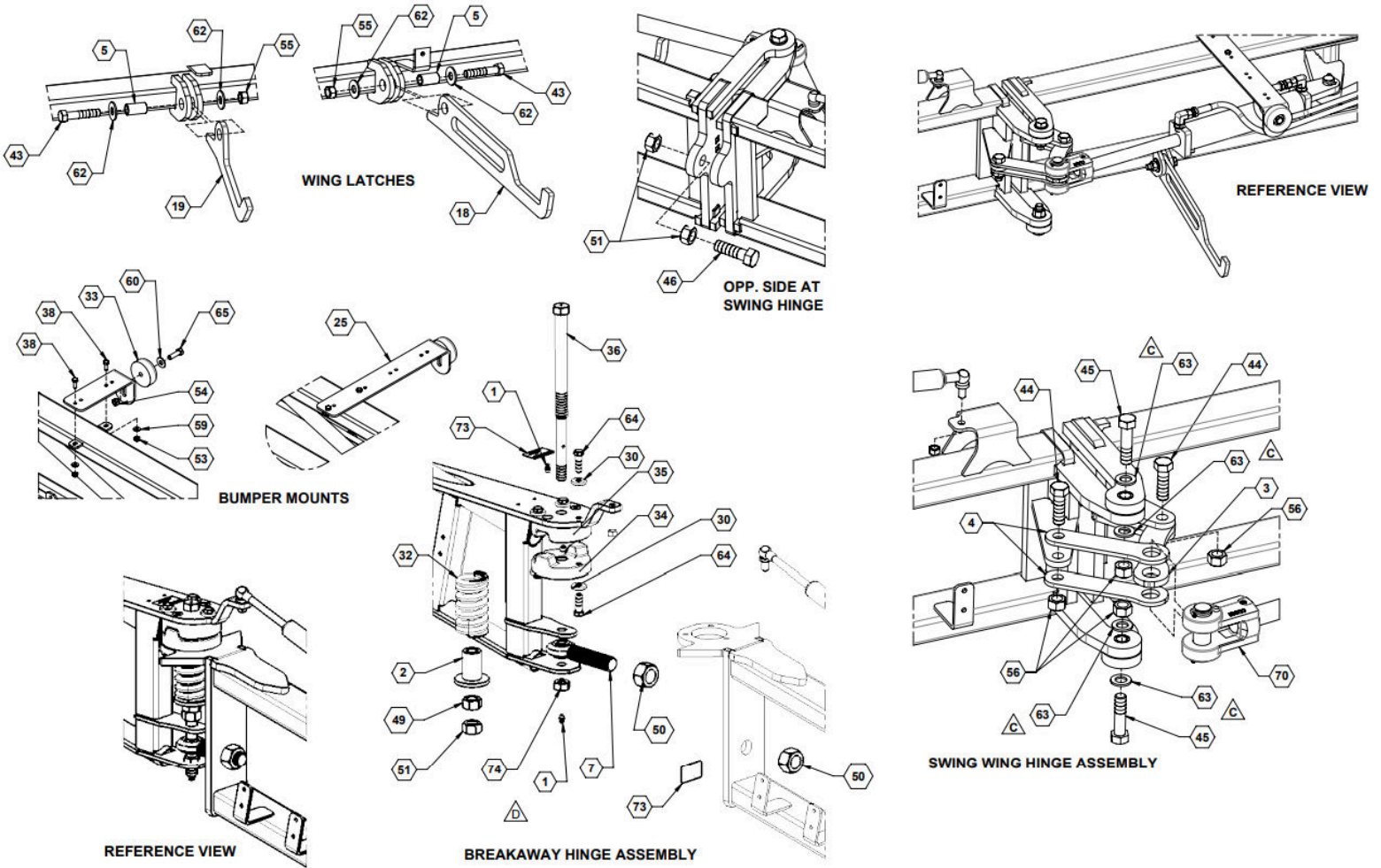
51 Foot Boom Hydraulic Fold (CONT.)



Parts List: 51 Foot Boom Hydraulic Fold (CONT.)

ITEM	PART NO.	QTY.	DESCRIPTION
1	759	12	ZERK, 1/4-28 STRAIGHT PIPE THREAD
11	18490L	1	REEL/LIGHT MOUNT WLDMT, LH
12	21492	1	LIGHT MOUNT WLDMT
13	23707	2	LINKAGE WLDMT, CS
14	23708	2	LINKAGE WLDMT, MAIN WING
15	23753	2	PIN, MAIN WING PIVOT
16	23754	2	PIN, MAIN WING LINKAGE
17	23758	2	BRACKET, FOOT
27	27233	2	ASSEMBLY, 3 X 16 CYLINDER W/ BALL JOINT CLEVIS
28	23788	2	PLATE, MOUNT
29	23789	2	PLATE, MOUNT BOOM
31	540052	2	P-CLAMP, 3" WITH 3/8" HOLE
40	596128M	6	BOLT, HH 3/8-16 X 1 GR5 MAGNI
41	596130M	4	BOLT, HH 3/8-16 X 2 GR5 MAGNI
42	596153M	4	BOLT, HH 1/2-13X1-1/2 GR5 MAGNI
48	596201M	4	BOLT, HEX 1-8X3-1/2 GR5 MAGNI
54	596240M	14	NUT, CENTERLOCK 3/8-16 MAGNI
55	596239M	6	NUT, CENTERLOCK, 1/2-13 MAGNI
58	596242M	4	NUT, CENTERLOCK, 1" MAGNI
66	596733M	4	BOLT, HH 1-8X9-1/4 GR8 MAGNI
67	596742M	12	NUT, TOP LOCK FLANGE 5/8-11 MAGNI
68	596831M	12	BOLT, HH 1/2X1-3/4 GR5 MAGNI
69	600093	1	HYDRAULIC HOSE KIT
72	800110	2	DECAL, AMBER REFLECTOR
73	800287	8	DECAL, GREASE PIVOT POINTS

51 Foot Boom Hydraulic Fold (CONT.)



Parts List: 51 Foot Boom Hydraulic Fold (CONT.)

ITEM	PART NO.	QTY.	DESCRIPTION
1	759	12	ZERK, 1/4-28 STRAIGHT PIPE THREAD
2	14013	2	SPRING GUIDE
3	14642	2	LINK, MIDDLE SCISSORS
4	14643	4	LINK, OUTSIDE SANDWICH
5	14747	2	SWING WING BUMP BUSHING
7	18070	2	HINGE ADJ BALL JOINT
18	23901	1	PLATE, WING LATCH XTRA LONG
19	23902	1	PLATE, SHORT WING LATCH
25	23920	2	BRACKET, BUMPER MOUNT
26	27042	2	BRACKET, BUMPER MOUNT
30	530309	12	WASHER, 1.00 OD X .406 ID X .188, MAGNI
32	590006	2	SPRING, COMPRESSION
33	590026	4	BUMPER, 1 X 2-1/2 RUBBER ROUND
34	590073	2	CLUTCH, MALE 20°
35	590074	2	CLUTCH FEMALE 20°
36	590112	2	BOLT, BREAKAWAY
38	596101M	8	BOLT, HH 1/4-20 X 3/4 GR5 MAGNI
43	596155M	2	BOLT, HH 1/2-13 X 2-1/2 GR5 MAGNI
44	596170M	4	BOLT, HH 5/8-11 X 2 GR5 MAGNI
45	596171M	4	BOLT, HH 5/8-11 X 2.5 GR5 MAGNI
46	596185M	2	BOLT, HH 3/4-10 X 2-1/2 MAGNI
49	596217M	2	NUT, HEX 3/4-10 G5 MAGNI
50	596218M	4	NUT, HEX 1-8 MAGNI
51	596225M	6	NUT, HEX JAM 3/4-10 GR8 MAGNI
53	596235M	12	NUT, CENTERLOCK, 1/4-20 MAGNI
54	596237M	14	NUT, CENTERLOCK 3/8-16 MAGNI
55	596239M	6	NUT, CENTERLOCK, 1/2-13 MAGNI
56	596240M	8	NUT, CENTERLOCK, 5/8-11 MAGNI
59	596256M	8	WASHER, FLAT 1/4 USS MAGNI
60	596258M	4	WASHER, FLAT 3/8 MAGNI
62	596260M	4	WASHER, FLAT 1/2 MAGNI
63	596627M	8	WASHER, FLAT, 16MM, MAGNI
64	596633M	12	BOLT, HH 3/8-24 X 1-1/4 GR5 MAGNI
65	596635M	4	BOLT, HH 3/8-16 x 1-1/4 MAGNI
70	620034	2	CYLINDER, 20TD10.00-112
71	790028	2	SHOCK, BREAKAWAY, HEAVY
73	800278	8	DECAL, GREASE PIVOT POINTS
74	596232M	2	NUT, HEX HYLOCK 5/8-11

HYDRAULIC HOSES

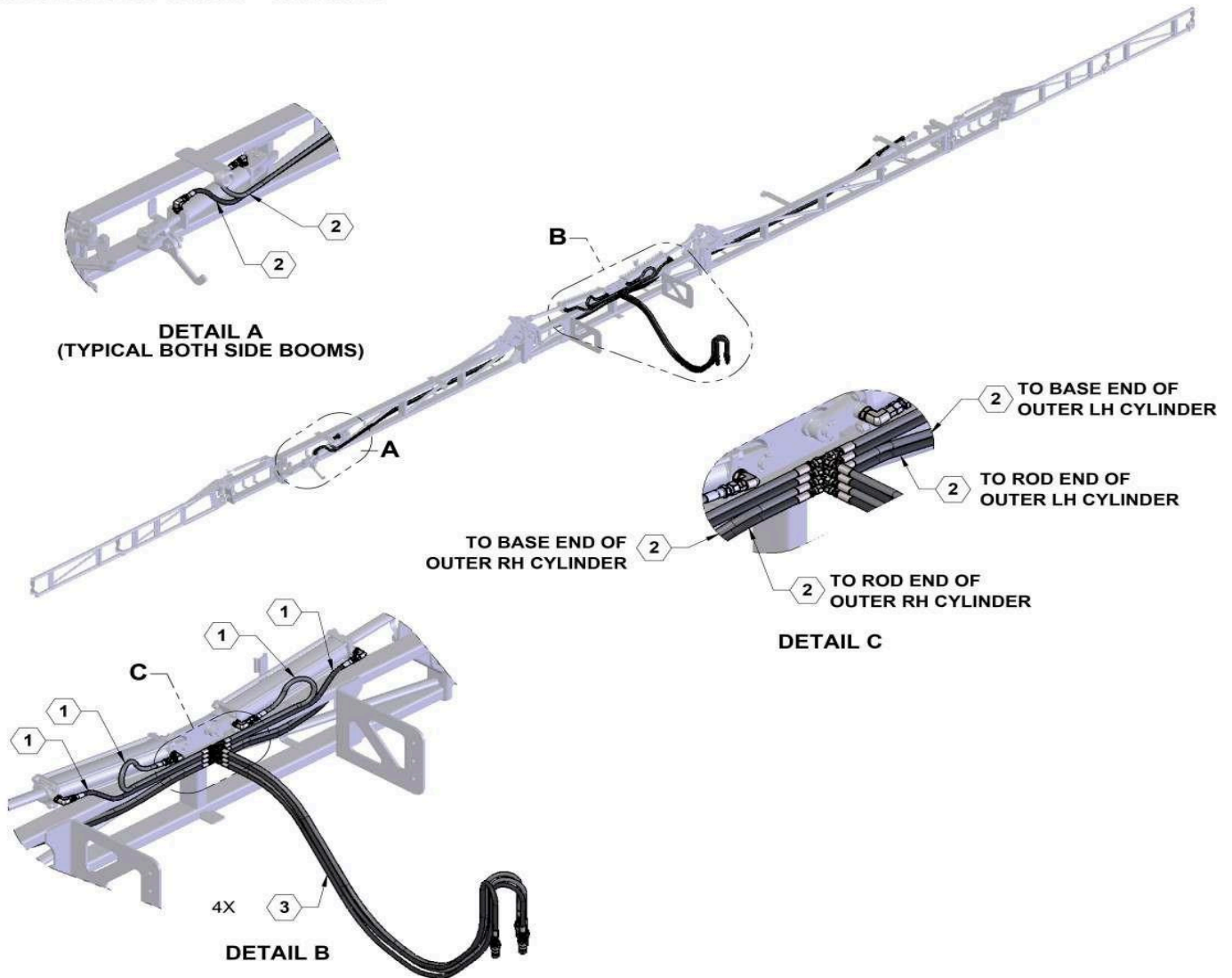
Hydraulic Hose Kit

FOR USE WITH HYDRAULIC FOLD ONLY.

HYDRAULIC FOLD PRESSURE = BLACK HOSE

HYDRAULIC FOLD RETURN = GRAY HOSE

HYDRAULIC HOSE ROUTINGS

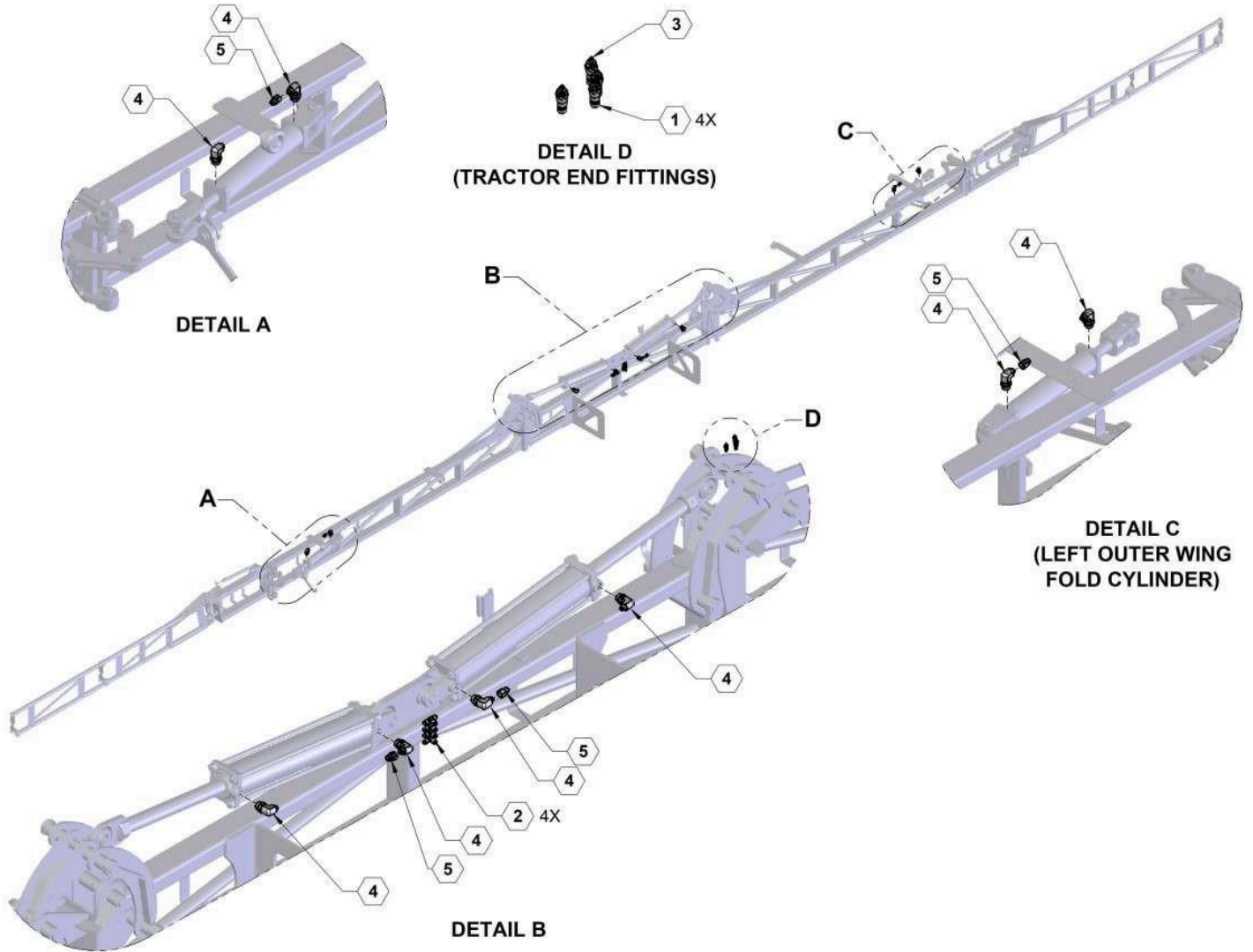


Parts List 600093: Hydraulic Hose Kit

ITEM	PART NO.	QTY.	DESCRIPTION
1	600093-2	4	HOSE ASSY, 04-4FJX-6FJX-31
2	600093-3	4	HOSE ASSY, 04-4FJX-6FJX-160
3	600093-4	4	HOSE ASSY, 04-4FJX-4FJX-120

Hydraulic Hose Kit (CONT.)

FITTING LOCATIONS



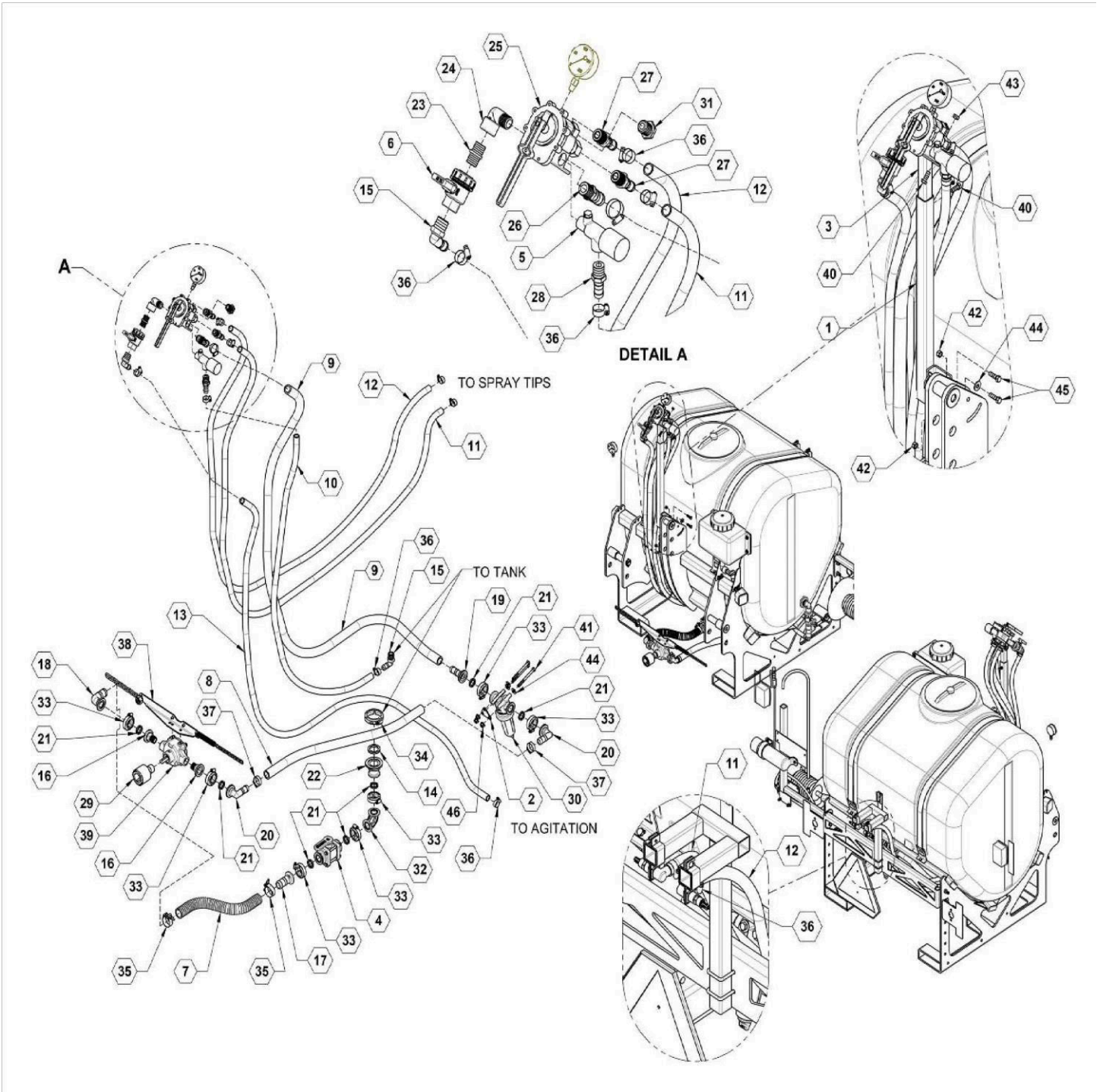
Parts List: Hydraulic Hose Kit (CONT.)

ITEM	PART NO.	QTY.	DESCRIPTION
1	520048	4	PIONEER COUPLER #8 FORB
2	610003	4	JIC #4 MALE UNION TEE
3	610009	4	JIC #4 TO ORING #8
4	610030	8	JIC #6 TO ORING #8 90 DEG
5	610140	4	JIC #6 TO FJIC #6 X .031"

SECTION CONTROL VALVE OPTIONS

Manual Section Valve, 2-Section

For use with 30-foot boomless option. PTO Pump only (included).





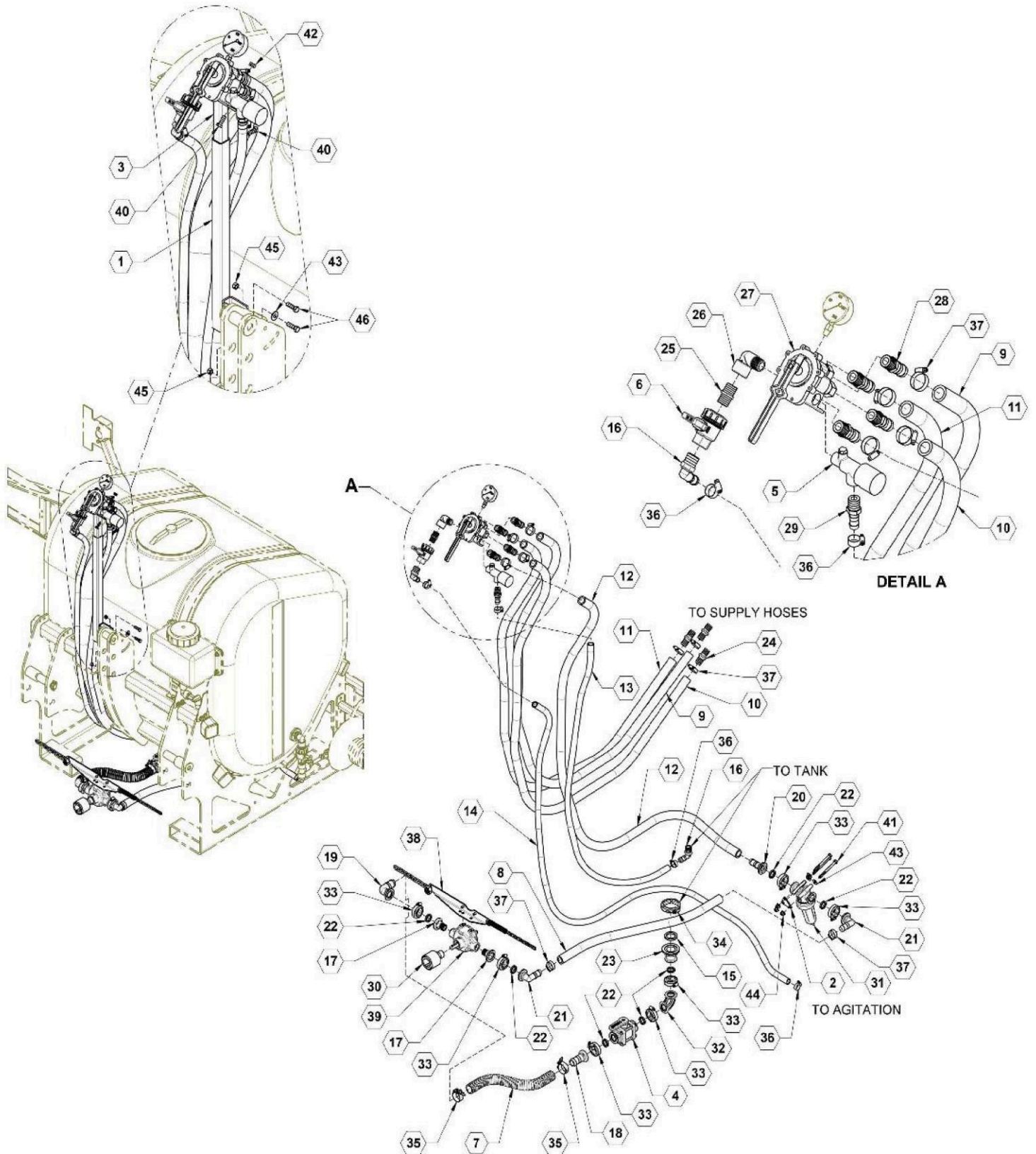
ILLUSTRATED PARTS LIST

Parts List 27048: Manual Section Valve, 2-Section

ITEM	PART NO.	QTY.	DESCRIPTION
1	18460	1	HAND CONTROL MOUNT
2	18474	1	PLATE, T STRAINER MOUNT
3	18475	1	ROTARY VALVE MOUNT
4	500005	1	VALVE, 1" FP WITH C-FLANGE
5	500020	1	PRESSURE RELIEF VALVE
6	500043	1	VALVE, 3/4" SINGLE UNION POLY
7	510001	1	HOSE, 1-1/4" FERT X 18 IN
8	510016	1	HOSE, 1" EPDM X 4FT
9	510016	1	HOSE, 1" EPDM X 10FT
10	510019	1	HOSE, 3/4" EPDM X 8 FT
11	510019	1	HOSE, 3/4" EPDM X 10FT
12	510019	1	HOSE, 3/4" EPDM X 10FT
13	510019	1	HOSE, 3/4" EPDM X 10FT
14	530014	1	GASKET, 1-1/2" EPDM
15	530040	2	HOSE SHANK, 3/4" MPT X 3/4" HB 90~
16	530062	2	FLANGE, 1" X 3/4" MALE THREAD
17	530064	1	FITTING, HB 1" X 1-1/4" FLANGE
18	530065	1	FITTING, 1" FLANGE X 1-1/4" HB
19	530066	1	MANIFOLD FITTING, 1" X 1" HB
20	530067	2	FITTING, 1" MANIFOLD X 1" HB 90°
21	530068	7	GASKET, 1" EPDM
22	530074	1	COUPLING, REDUCER, 2" X 1"
23	530131	1	NIPPLE, POLY PIPE 3/4" SHORT
24	530151	1	ELBOW, STREET 3/4" 90~
25	530192	1	TEE VALVE ASSEMBLY
26	530203	1	HOSE BARB, 3/4" MPT X 1" HB
27	530230	2	FITTING, 3/4" MPT X 3/4" HB
28	530230	1	HOSE SHANK, 3/4" MPT X 3/4" HB
29	530258	1	COUPLER, 540 PTO
30	530349	1	MANIFOLD T-STRAINER-50 MESH 1"
31	530392	1	PLUG, 3/4" POLY PIPE
32	530424	1	MANIFOLD SWEEP, 1" FLANGE
33	540000	7	CLAMP, WORM SCREW 1"
34	540001	1	CLAMP, 2" STD WORM SCREW
35	540005	2	CLAMP, HOSE T-BOLT 1.25"
36	540013	8	CLAMP, HOSE SS 3/4" #12
37	540014	3	CLAMP, HOSE SS 1" #16
38	550007	1	TORQUE ARM KIT
39	550016	1	PUMP, PTO HY6500C
40	596128M	3	BOLT, HH 3/8-16 X 1 GR5 MAGNI
41	596134M	3	BOLT, HH 3/8-16 X 4 GR5 MAGNI
42	596213M	2	NUT, HEX 3/8-16 MAGNI
43	596237M	2	NUT, CENTERLOCK 3/8-16 MAGNI
44	596258M	4	WASHER, FLAT 3/8 MAGNI
45	596635M	2	BOLT, HH 3/8-16 x 1-1/4 MAGNI
46	596769M	3	NUT, HEX FLANGE 3/8-16 MAGNI

Manual Section Valve, 3-Section

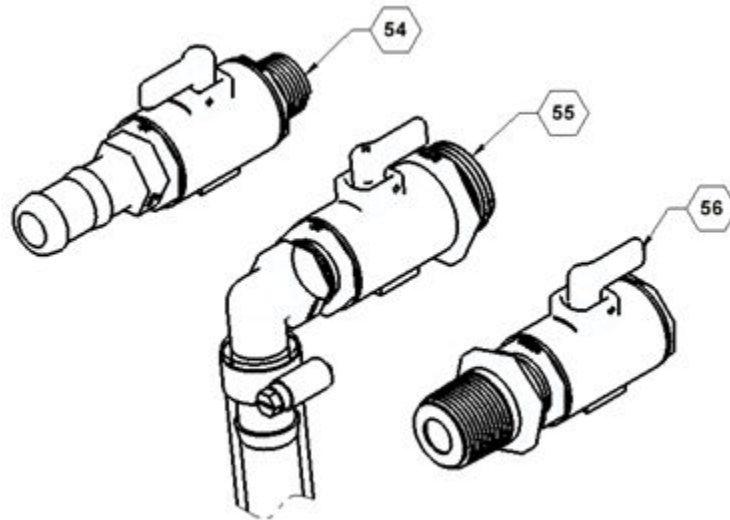
For use with 25, 30, 40, 45-foot boom option. PTO Pump only (included).



Parts List 27049: Manual Section Valve, 3-Section

ITEM	PART NO.	QTY.	DESCRIPTION
1	18460	1	HAND CONTROL MOUNT
2	18474	1	PLATE, T STRAINER MOUNT
3	18475	1	ROTARY VALVE MOUNT
4	500005	1	VALVE, 1" FP WITH C-FLANGE
5	500020	1	PRESSURE RELIEF VALVE
6	500043	1	VALVE, 3/4" SINGLE UNION POLY
7	510001	1	HOSE, 1-1/4" FERT X 18 IN
8	510016	1	HOSE, 1" EPDM X 4FT
9	510016	1	HOSE, 1" EPDM X 9FT
10	510016	1	HOSE, 1" EPDM X 9FT
11	510016	1	HOSE, 1" EPDM X 9FT
12	510016	1	HOSE, 1" EPDM X 10FT
13	510019	1	HOSE, 3/4" EPDM X 8 FT
14	510019	1	HOSE, 3/4" EPDM X 10FT
15	530014	1	GASKET, 1-1/2" EPDM
16	530040	2	HOSE SHANK, 3/4" MPT X 3/4" HB 90~
17	530062	2	FLANGE, 1" X 3/4" MALE THREAD
18	530064	1	FITTING, HB 1" X 1-1/4" FLANGE
19	530065	1	FITTING, 1" FLANGE X 1-1/4" HB
20	530066	1	MANIFOLD FITTING, 1" X 1" HB
21	530067	2	FITTING, 1" MANIFOLD X 1" HB 90°
22	530068	7	GASKET, 1" EPDM
23	530074	1	COUPLING, REDUCER, 2" X 1"
24	530121	3	HOSE MENDER, 1"
25	530131	1	NIPPLE, POLY PIPE 3/4" SHORT
26	530151	1	ELBOW, STREET 3/4" 90~
27	530192	1	TEE VALVE ASSEMBLY
28	530203	4	HOSE BARB, 3/4" MPT X 1" HB
29	530230	1	HOSE SHANK, 3/4" MPT X 3/4" HB
30	530258	1	COUPLER, 540 PTO
31	530349	1	MANIFOLD T-STRAINER-50 MESH 1"
32	530424	1	MANIFOLD SWEEP, 1" FLANGE
33	540000	7	CLAMP, WORM SCREW 1"
34	540001	1	CLAMP, 2" STD WORM SCREW
35	540005	2	CLAMP, HOSE T-BOLT 1.25"
36	540013	4	CLAMP, HOSE SS 3/4" #12
37	540014	9	CLAMP, HOSE SS 1" #16
38	550007	1	TORQUE ARM KIT
39	550016	1	PUMP, PTO HY6500C
40	596128M	3	BOLT, HH 3/8-16 X 1 GR5 MAGNI
41	596134M	3	BOLT, HH 3/8-16 X 4 GR5 MAGNI
42	596237M	2	NUT, CENTERLOCK 3/8-16 MAGNI
43	596258M	4	WASHER, FLAT 3/8 MAGNI
44	596769M	3	NUT, HEX FLANGE 3/8-16 MAGNI
45	596213M	2	NUT, HEX 3/8-16 MAGNI
46	596635M	2	BOLT, HH 3/8-16 x 1-1/4 MAGNI

Boom Plumbing Cleanout options

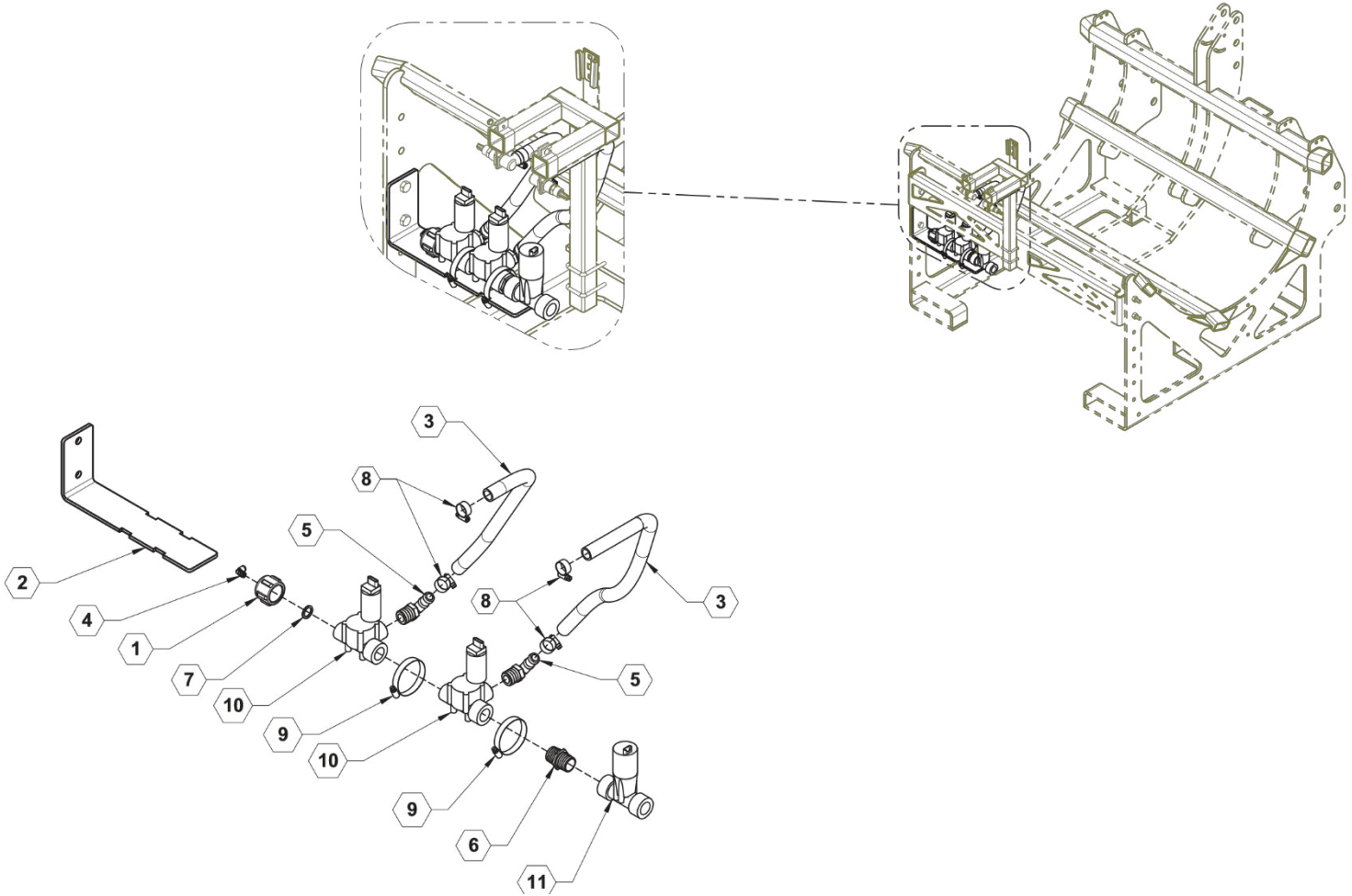


Parts List: Boom Plumbing Cleanout options

ITEM	PART NO.	QTY.	DESCRIPTION
54	90SASC1	AR	ASSEMBLY, STRAINER DRAIN 1"
55	90SASC2	AR	ASSEMBLY, STRAINER DRAIN 2"
56	90SASC3	AR	ASSEMBLY, STRAINER DRAIN 3"

TIR Valves 2-Section

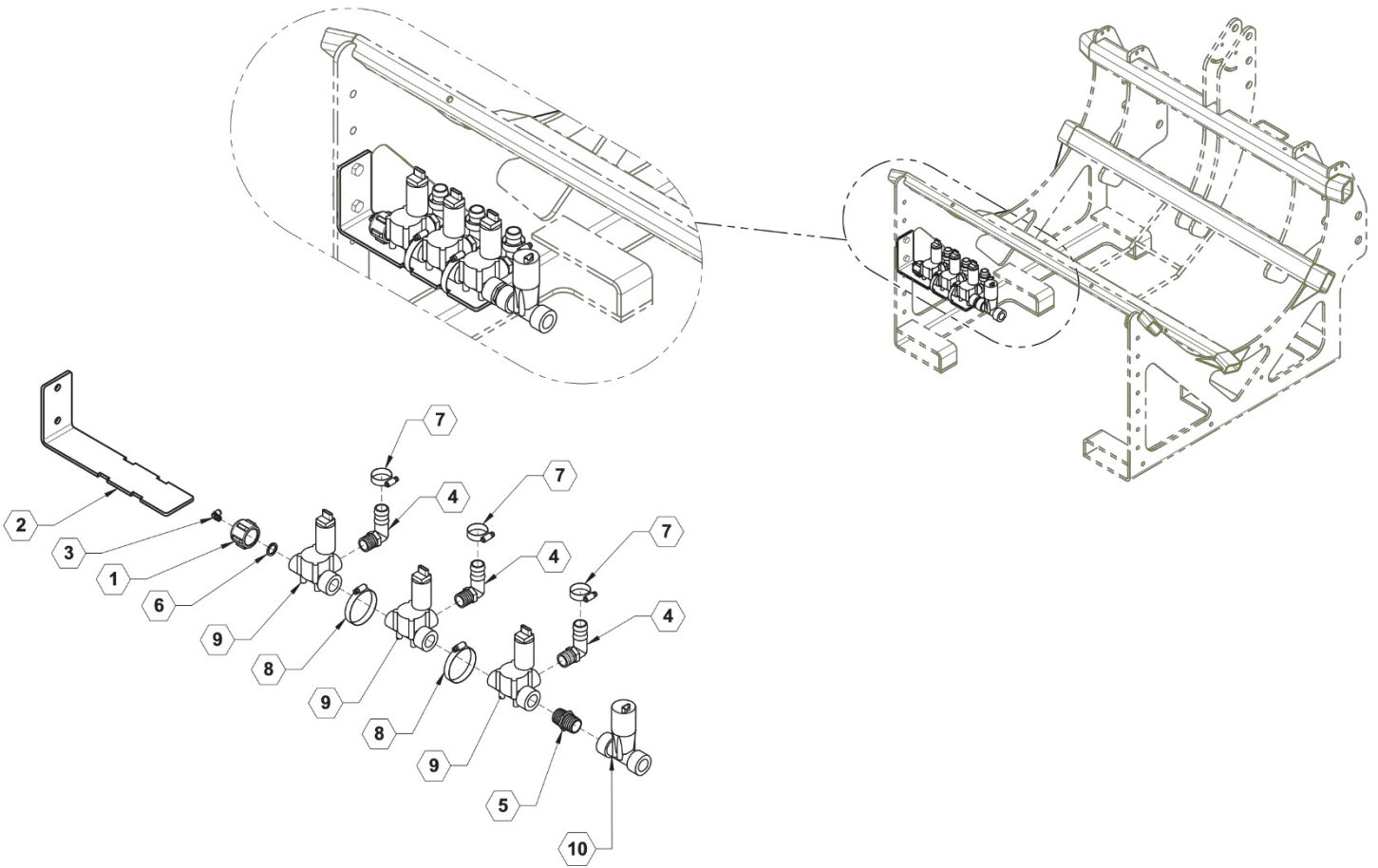
For use with 30-foot boomless option.



Parts List 27039: TIR Valves 2-Section

ITEM	PART NO.	QTY.	DESCRIPTION
1	18128	1	CAP, 1" WITH TAPPED HOLE
2	18472	1	PLATE, VALVE MOUNT
3	510019	AR	HOSE, 3/4" EPDM
4	530004	1	CONNECTOR, 90° 1/4" TUBE X 1/4" NPT
5	530040	2	HOSE SHANK, 3/4" MPT X 3/4" HB 90n
6	530133	1	NIPPLE, SHORT POLY X 1 IN
7	530227	1	GASKET, VINYL BLACK 3/4IDX1
8	540013	4	CLAMP, HOSE SS 3/4" #12
9	540019	2	CLAMP, HOSE 3" SS #48
10	632008	2 (REF)	SOLENOID VALVE FROM 632005
11	632009	1 (REF)	REGULATOR, ELECT. PRESS. FROM 632005

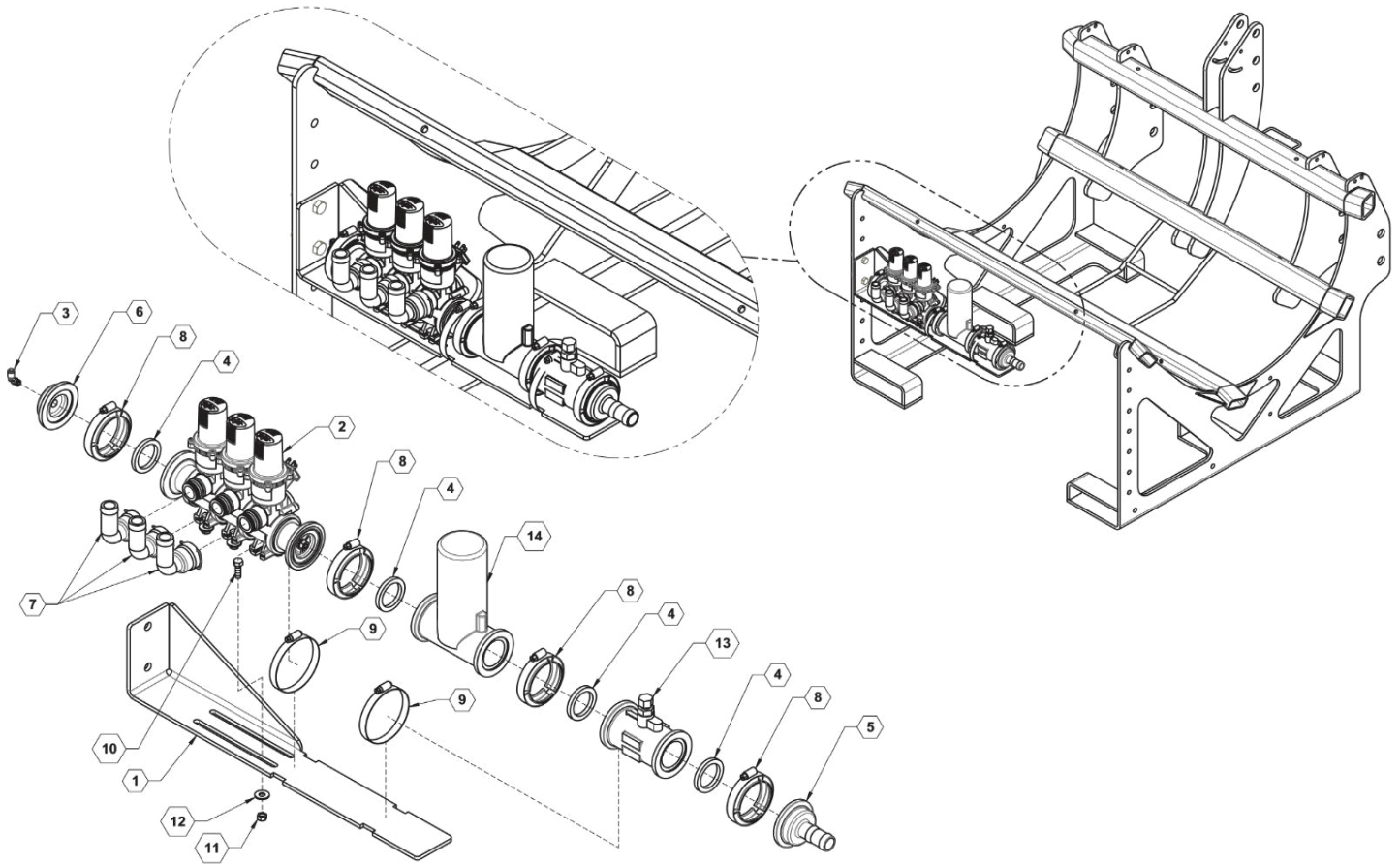
TIR Valves 3-Section



Parts List 27040: TIR Valves 3-Section

ITEM	PART NO.	QTY.	DESCRIPTION
1	18128	1	CAP, 1" WITH TAPPED HOLE
2	18472	1	PLATE, VALVE MOUNT
3	530004	1	CONNECTOR, 90° 1/4" TUBE X 1/4" NPT
4	530036	3	HOSE SHANK, 3/4" MPT X 1" 90~
5	530133	1	NIPPLE, SHORT POLY X 1 IN
6	530227	1	GASKET, VINYL BLACK 3/4IDX1
7	540014	3	CLAMP, HOSE SS 1" #16
8	540019	2	CLAMP, HOSE 3" SS #48
9	632008	3 (REF)	SOLENOID VALVE FROM 632005
10	632009	1 (REF)	REGULATOR, ELECT. PRESS. FROM 632005

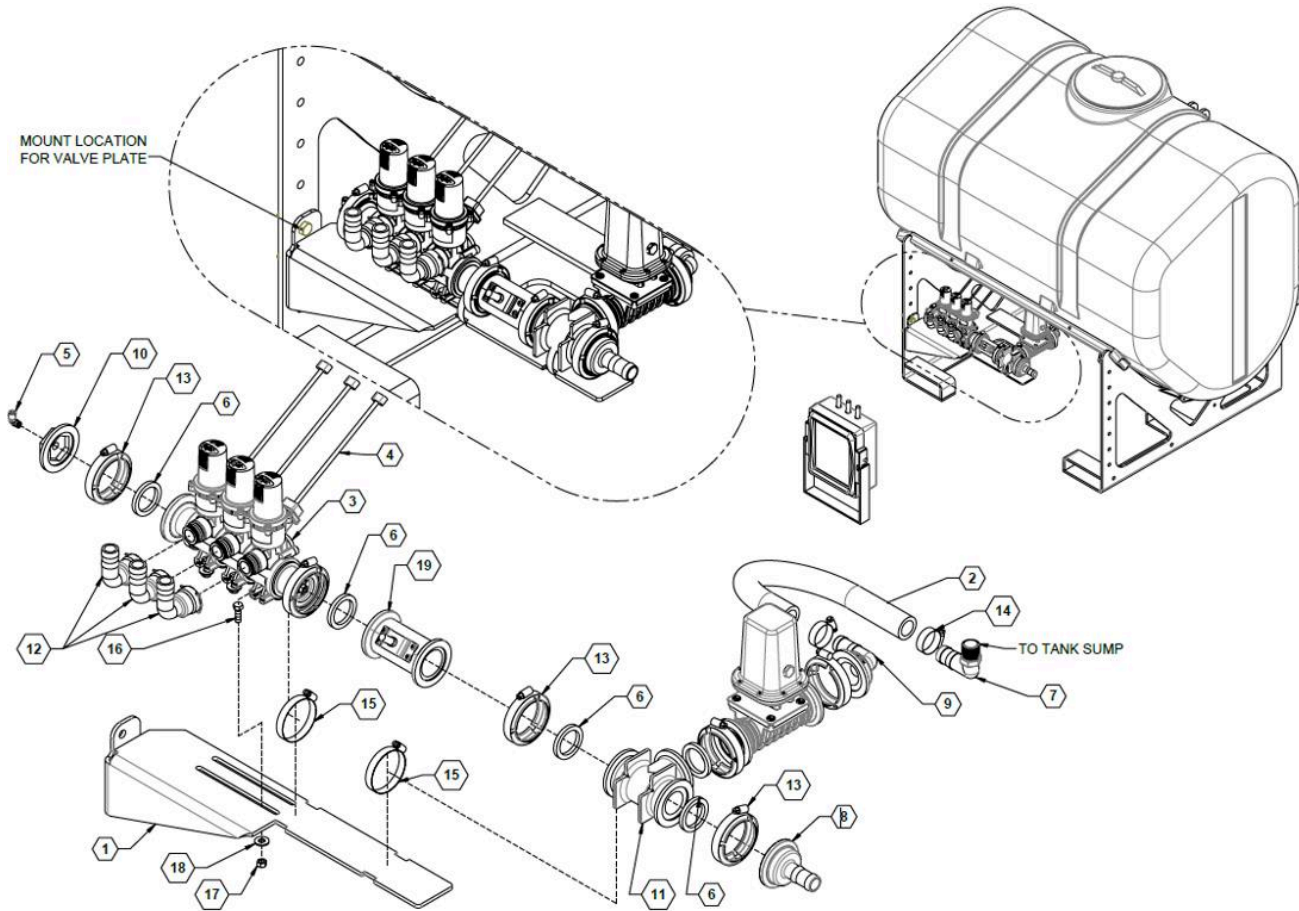
TeeJet 430 Valves 3-Section



Parts List 27041: TeeJet 430 Valves 3-Section

ITEM	PART NO.	QTY.	DESCRIPTION
1	21621	1	MOUNT, 430 VALVE, 3 SECTION
2	520068	1	TEEJET 430 3 SECTION VALVE
3	530004	1	CONNECTOR, 90° 1/4" TUBE X 1/4" NPT
4	530014	4	GASKET, 1-1/2" EPDM
5	530072	1	FITTING, 2" FLANGE X 1" HB
6	530094	1	PLUG, 2" MANIFOLD W/ HOLE
7	530190	3	QUICK CONNECT 1" HB 90
8	540001	4	CLAMP, 2" STD WORM SCREW
9	540019	2	CLAMP, HOSE 3" SS #48
10	596115M	6	BOLT, HH 5/16-18X1 GR5 MAGNI
11	596228M	6	NUT, HEX NYLOCK 5/16-18 MAGNI
12	596257M	6	WASHER, FLAT 5/16 USS MAGNI
13	520059	1	FLOW METER, 60P
14	631805	1	CONTROL VALVE, 1-1/2"

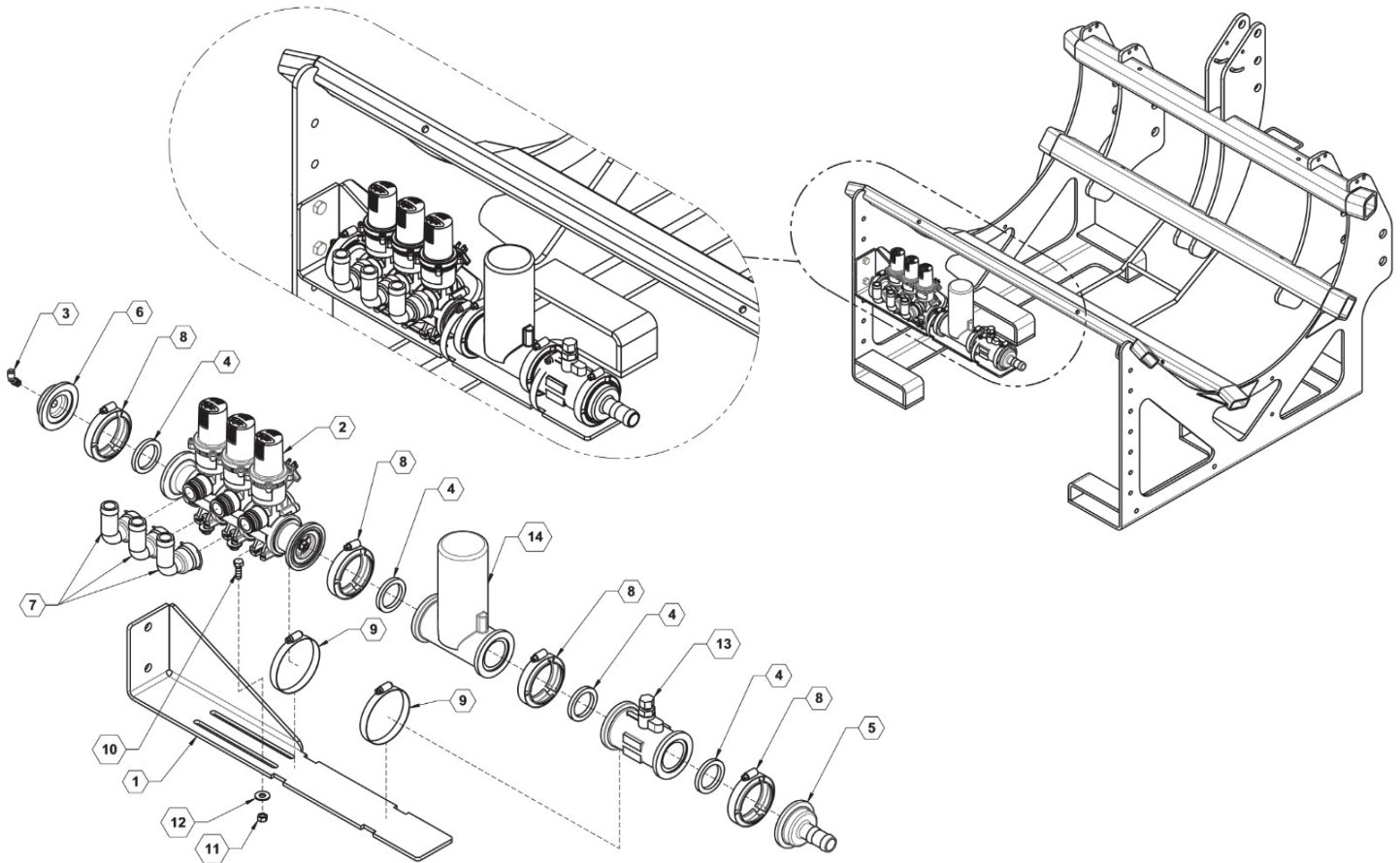
TeeJet 430 Valves 3-Section with Micro-Trak



Parts List 27020: TeeJet 430 Valves 3-Section with Micro-Trak

ITEM	PART NO.	QTY.	DESCRIPTION
1	21621	1	MOUNT, 430 VALVE, 3 SECTION
2	510016	2'	HOSE, 1" EPDM
3	520068	1	VALVE, MANIFOLD, 430, ELEC BALL, 3 SECTION, 75 SERIES FLANGE
4	520069	3	430 VALVE CONTROL CABLE
5	530004	1	FITTING, ELBOW, .250 QC X .250 MST, 90D
6	530014	6	GASKET, 1.500 EPDM
7	530036	1	ELBOW, .75 MPT X 1.00 HB, 90~
8	530072	1	FITTING, 2.00 FLANGE X 1.00 HB, POLY
9	530073	1	FITTING, ELBOW, 90D, 2.00 FLANGE X 1.00 HB, POLY
10	530094	1	PLUG, MANIFOLD 2.00 W/ HOLE
11	530097	1	MANIFOLD TEE, 2"
12	530190	3	QUICK CONNECT, 1.00 HB ELBOW 90
13	540001	6	CLAMP, 2.00 STD WORM SCREW
14	540014	2	HOSE CLAMP, SS 1.00 #16
15	540019	2	CLAMP, HOSE 3" SS #48
16	596115M	6	BOLT, HH 5/16-18 X 1 GR5 MAGNI
17	596228M	6	NUT, HEX NYLOCK 5/16-18 MAGNI
18	596257M	6	WASHER, FLAT 5/16 USS MAGNI
19	632165	1	KIT, MICROTRAK SPRAYMATE II

TeeJet 430 Valves 5-Section



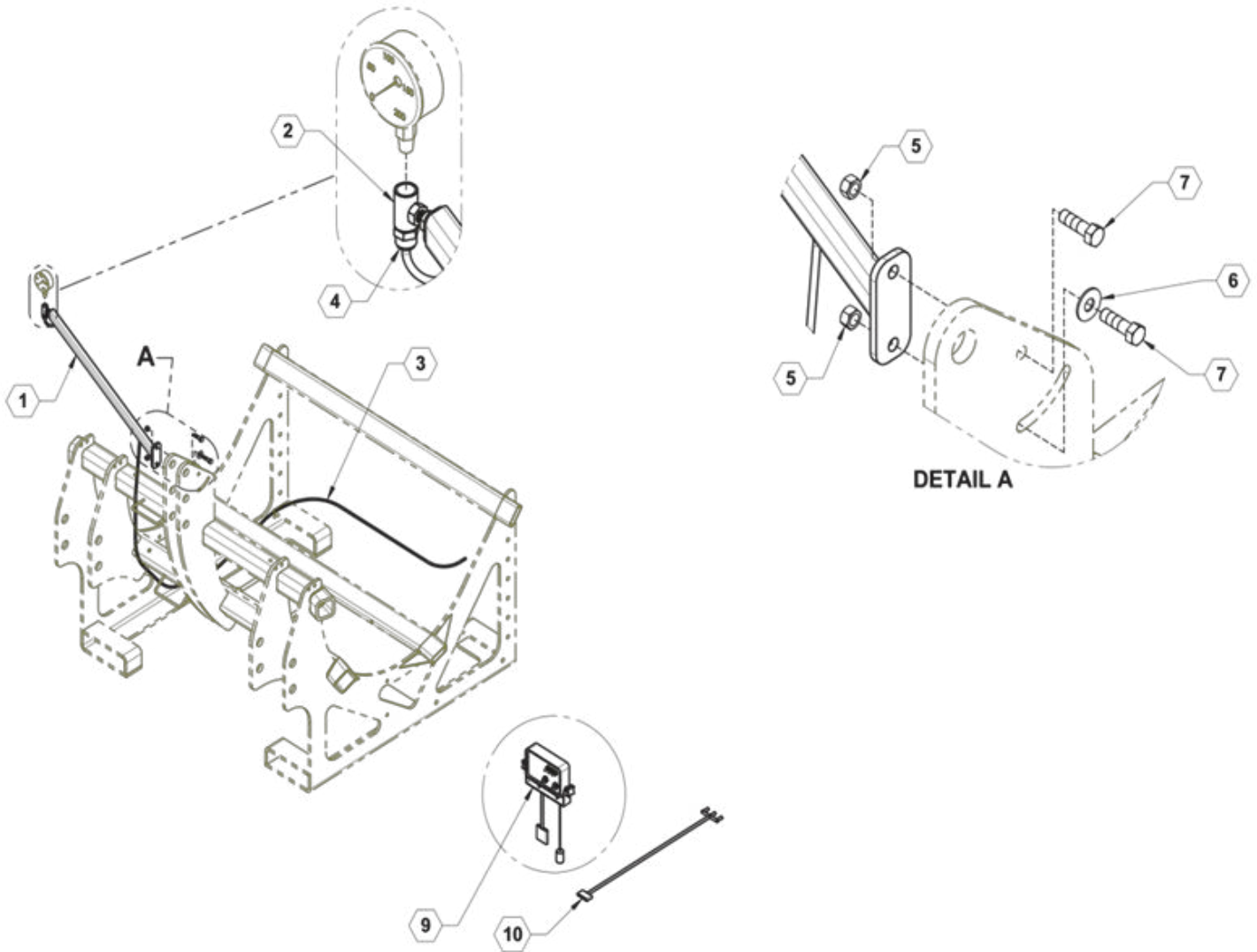
Parts List 27397: TeeJet 430 Valve 5-Section

ITEM	PART NO.	QTY.	DESCRIPTION
1	34905	1	MOUNT, 430 VALVE, 5 SECTION
2	520059	1	FLOWMETER, TEEJET 802
3	520069	5	430 VALVE CONTROL CABLE
4	520098	1	5 VALVE 430 MANIFOLD
5	530004	1	FITTING, ELBOW, .250 QC X .250 MST, 90D
6	530014	4	GASKET, 1.500 EPDM
7	530072	1	FITTING, 2.00 FLANGE X 1.00 HB, POLY
8	530094	1	PLUG, MANIFOLD 2.00 W/ HOLE
9	530190	5	QUICK CONNECT, 1.00 HB ELBOW 90
10	540001	4	CLAMP, 2.00 STD WORM SCREW
11	540020	2	CLAMP, 3-1/2" SS
12	596115M	10	BOLT, HH 5/16-18X1 GR5 MAGNI
13	596228M	10	NUT, HEX NYLOCK 5/16-18 MAGNI
14	596257M	10	WASHER, FLAT 5/16 USS MAGNI
15	631805	1	CONTROL VALVE, 1-1/2"

CONTROLLER OPTIONS

Texas Remcor Controller

For use with TIR Section Control Valve option.

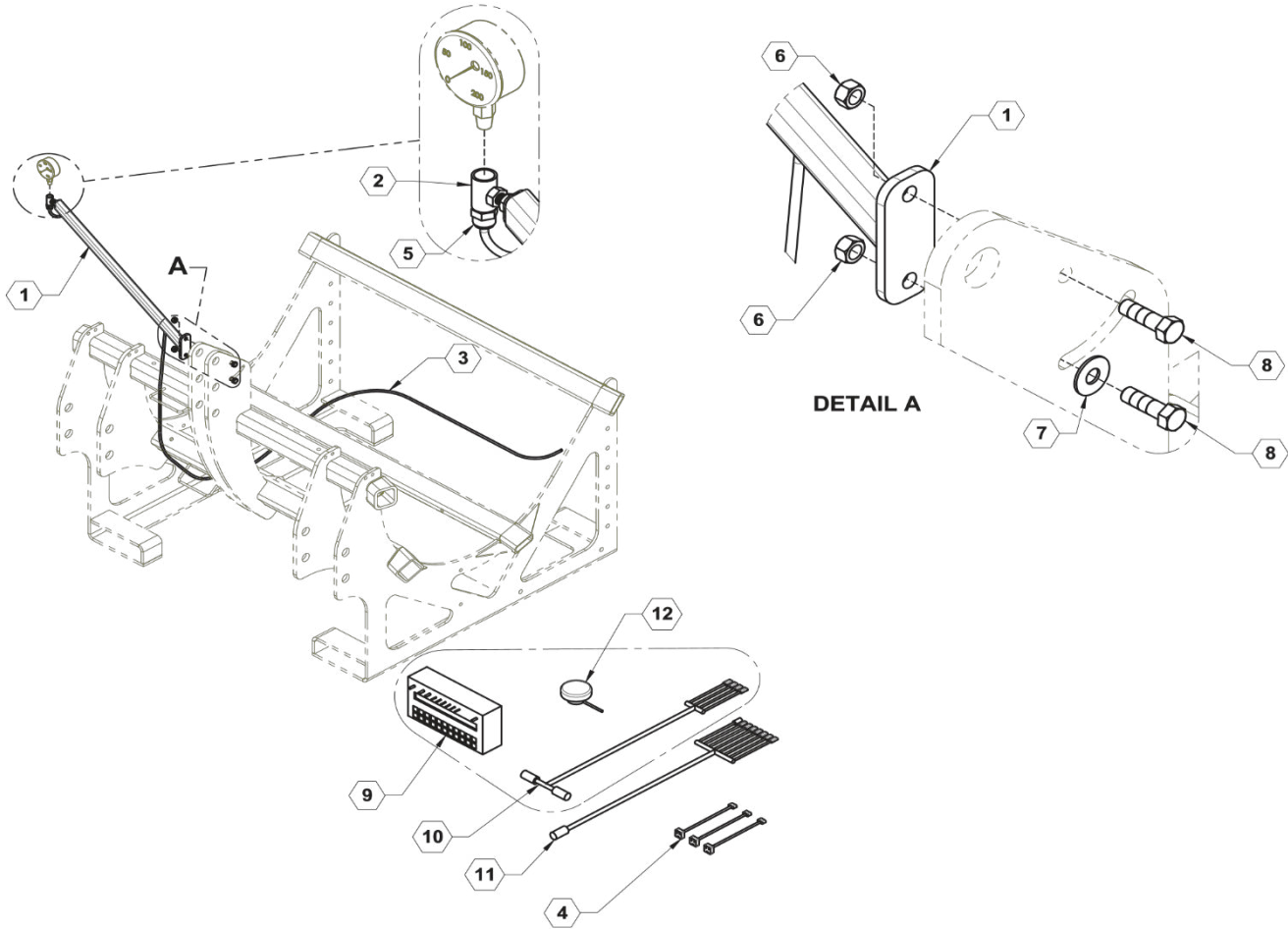


Parts List 27009: Texas Remcor Controller

ITEM	PART NO.	QTY.	DESCRIPTION
1	18494	1	MOUNT, PRESSURE GAUGE TUBE
2	18495	1	MOUNT, PRESSURE GAUGE BOLT
3	510023	AR	HOSE, 1/4" POLY BLACK
4	530001	1	MALE CONNECTOR, 1/4" X 1/4"
5	596213M	2	NUT, HEX 3/8-16 MAGNI
6	596258M	1	WASHER, FLAT 3/8 MAGNI
7	596635M	2	BOLT, HH 3/8-16 x 1-1/4 MAGNI
8	632005	1 (N/S)	OPTION, RC2 WP 3 BOOM W/ 10' CABLE
9	632006	1 (REF)	CONTROL PANEL FROM 632005
10	632007	1 (REF)	8' VALVE HARNESS FROM 632005

Raven SCS 450 Controller

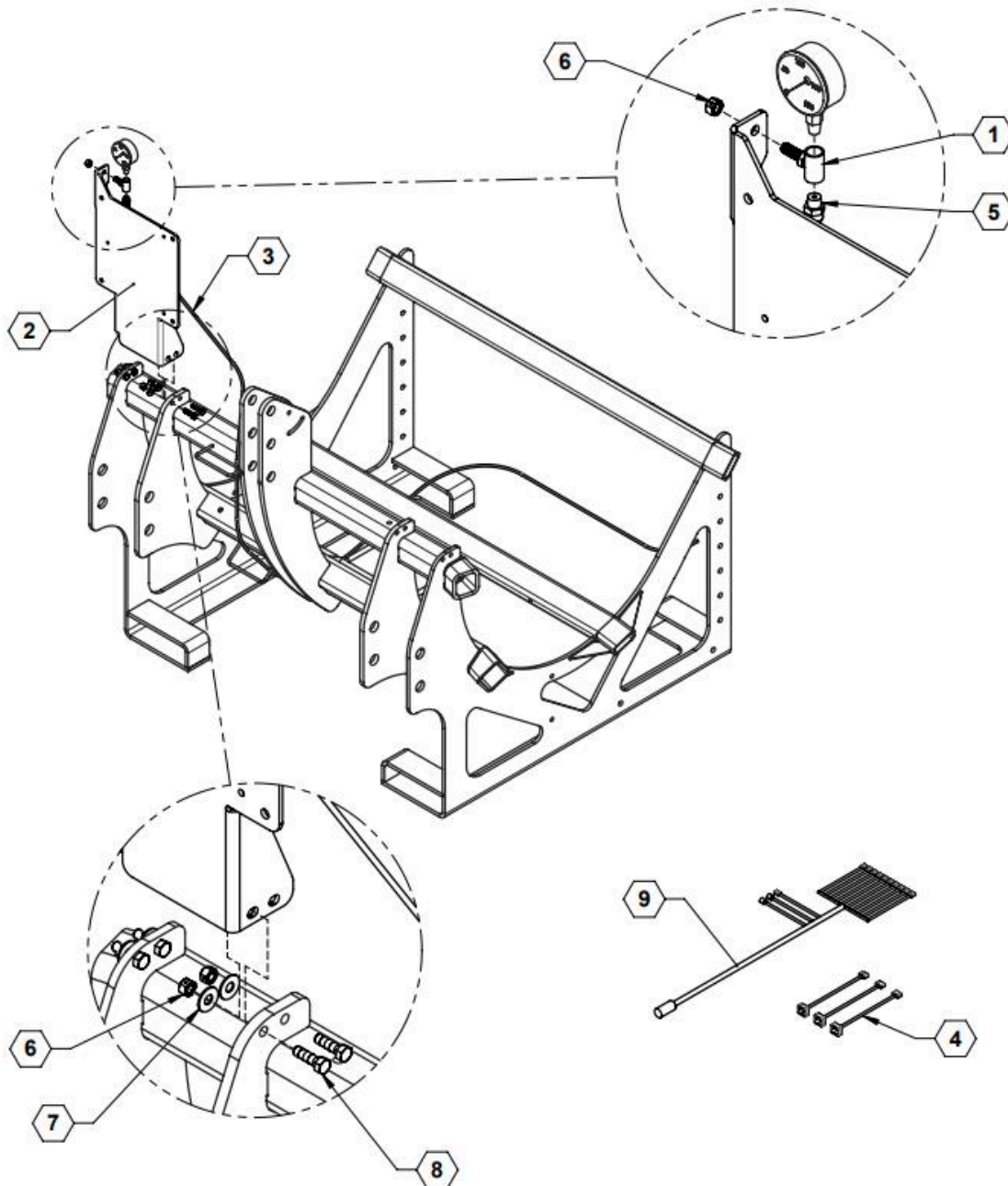
For use with TeeJet Section Control Valve option. Not available with PTO Pump.



Parts List 27038: Raven SCS 450 Controller

ITEM	PART NO.	QTY.	DESCRIPTION
1	18494	1	MOUNT, PRESSURE GAUGE TUBE
2	18495	1	MOUNT, PRESSURE GAUGE BOLT
3	510023	AR	HOSE, 1/4" POLY BLACK
4	520069	3	430 VALVE CONTROL CABLE
5	530001	1	MALE CONNECTOR, 1/4" X 1/4"
6	596213M	2	NUT, HEX 3/8-16 MAGNI
7	596258M	1	WASHER, FLAT 3/8 MAGNI
8	596635M	2	BOLT, HH 3/8-16 x 1-1/4 MAGNI
9	631803	1	RAVEN SCS450
10	631818	1	CABLE 10 FT CONS 7BM SCS 440/4
11	631819	1	CABLE, 6' 6 BOOM CONTROL
12	631832	1	SKYTRAK GPS SPEED SENSOR

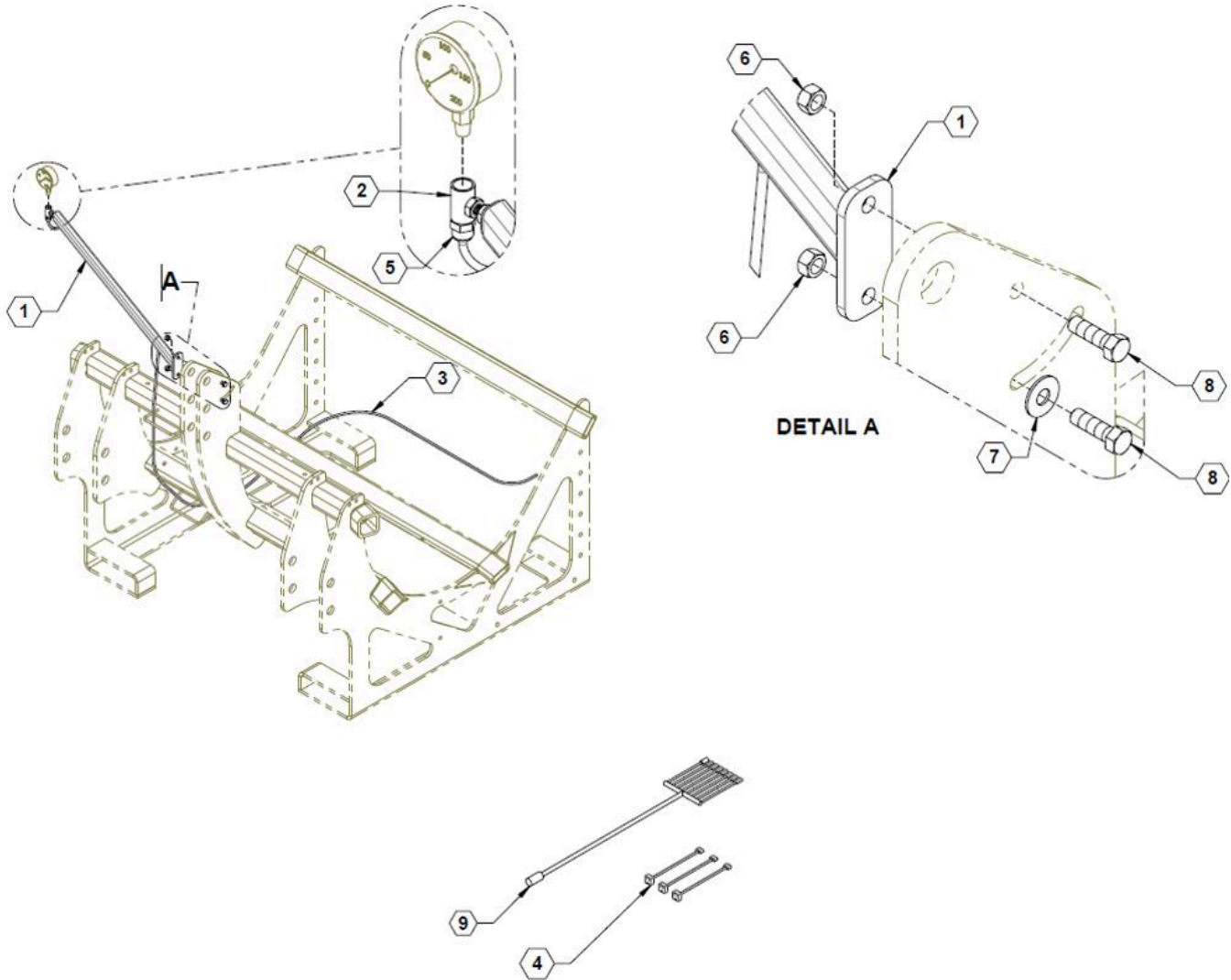
Customer-Supplied Rate Controller



Parts List 28387: Customer-Supplied Rate Controller

ITEM	PART NO.	QTY.	DESCRIPTION
1	18495	1	MOUNT, PRESSURE GAUGE BOLT
2	28982	1	PLATE, RATE CONTROLLER MNT
3	510023	1	HOSE, 1/4" POLY BLACK
4	520069	3	430 VALVE CONTROL CABLE
5	530001	1	MALE CONNECTOR, 1/4" X 1/4"
6	596237M	5	NUT, CENTERLOCK 3/8-16 MAGNI
7	596258M	4	WASHER, FLAT 3/8 MAGNI
8	596635M	4	BOLT, HH 3/8-16 X 1-1/4 MAGNI
9	631899	1	CABLE, 37 PIN 12' 10 BOOM CONTROL

No Rate Controller



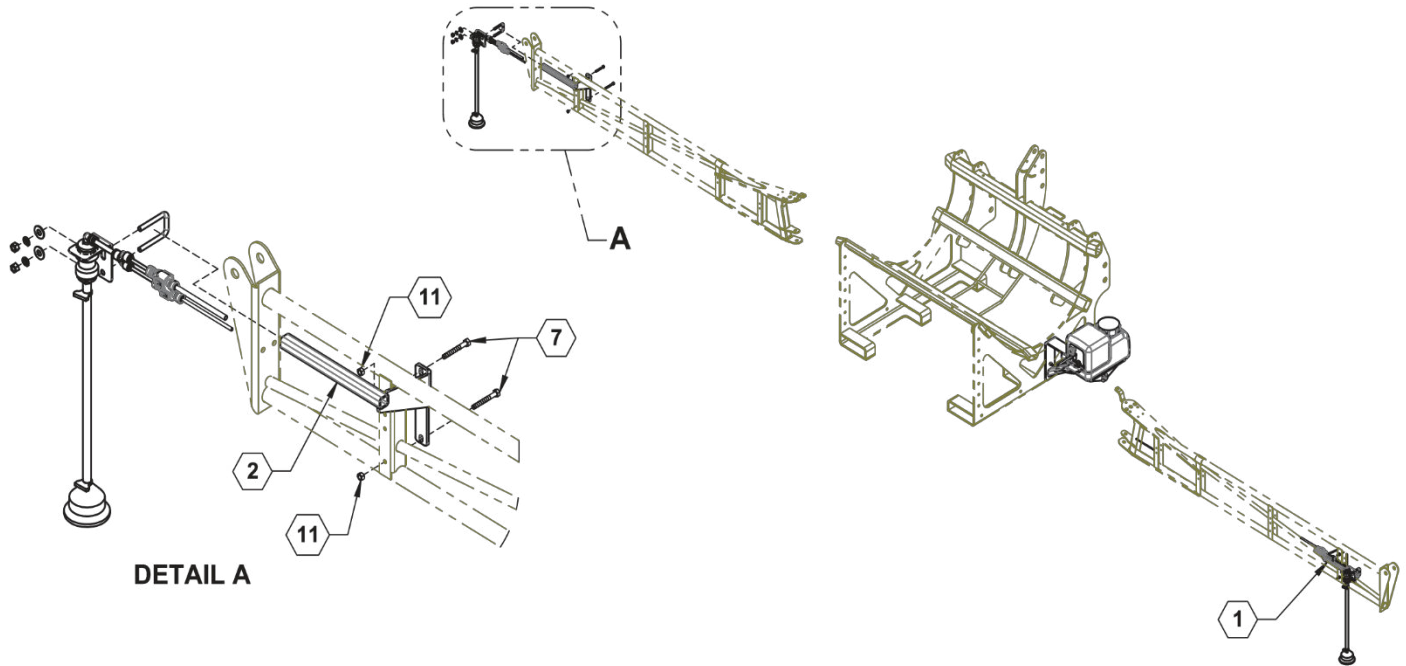
Parts List 27058: No Rate Controller

ITEM	PART NO.	QTY.	DESCRIPTION
1	18494	1	MOUNT, PRESSURE GAUGE TUBE
2	18495	1	MOUNT, PRESSURE GAUGE BOLT
3	510023	1	HOSE, 1/4" POLY BLACK
4	520069	3	430 VALVE CONTROL CABLE
5	530001	1	MALE CONNECTOR, 1/4" X 1/4"
6	596213M	2	NUT, HEX 3/8-16 MAGNI
7	596258M	1	WASHER, FLAT 3/8 MAGNI
8	596635M	2	BOLT, HH 3/8-16 x 1-1/4 MAGNI
9	631819	1	CABLE, 6' 6 BOOM CONTROL

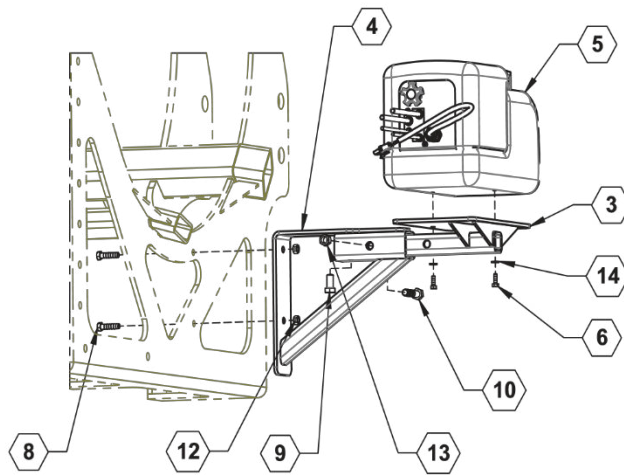
FOAM MARKER OPTIONS

Foam Marker – 25 FT Boom Only

For use with 25-foot boom option only.



DETAIL A

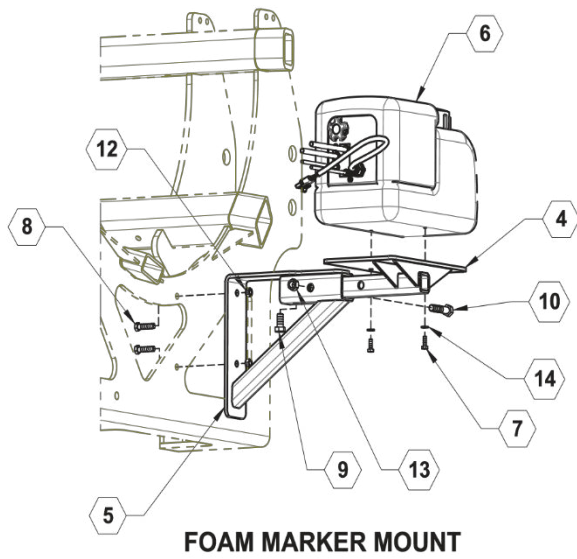
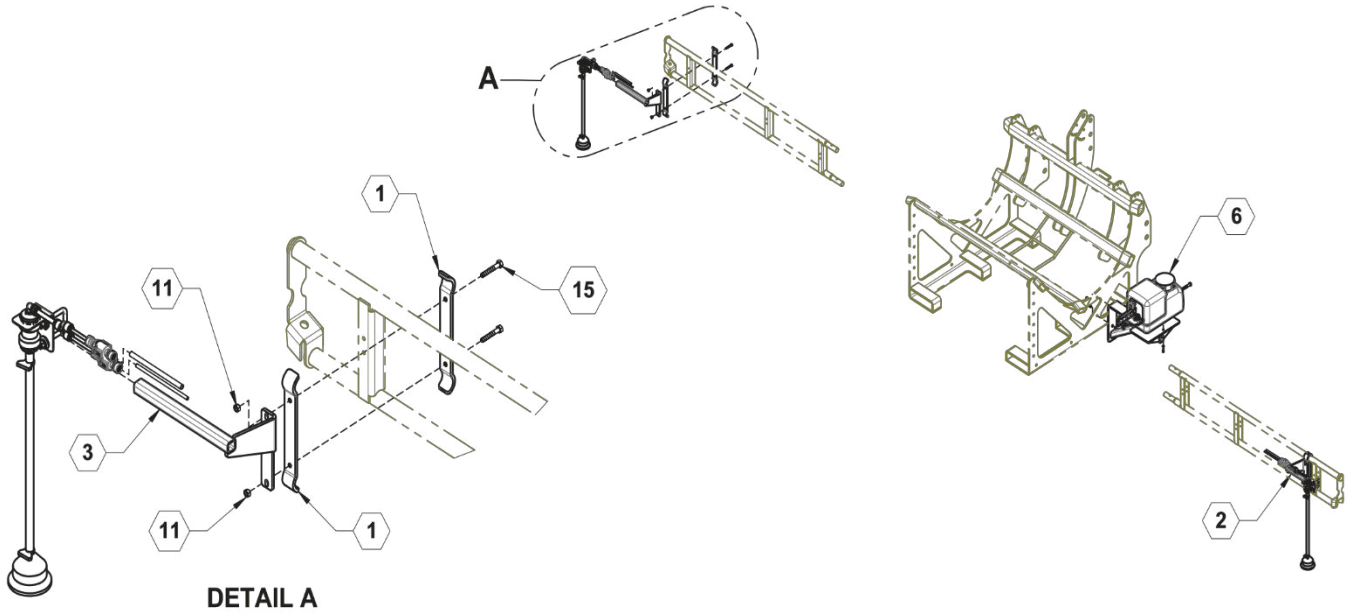


FOAMER MOUNT

Parts List 27008: Foam Marker – 25 FT Boom Only

ITEM	PART NO.	QTY.	DESCRIPTION
1	26446	1	WLDMNT, RH FOAM HEAD MNT
2	26447	1	WLDMNT, LH FOAM HEAD MNT
3	26451	1	WLDMNT, FOAMER MOUNT
4	26452	1	WLDMNT, FOAMER BASE MOUNT
5	520081	1	UT3P FOAMER
6	596101M	2	BOLT, HH 1/4-20X3/4 GR5 MAGNI
7	596118M	4	BOLT, HH 5/16-18X2-1/2 GR5 MAGNI
8	596129M	2	BOLT, HH 3/8-16X1-1/2 GR5 MAGNI
9	596152M	1	BOLT, HH 1/2X1 GR5 MAGNI
10	596155M	1	BOLT, HH 1/2-13X2-1/2 GR5 MAGNI
11	596236M	4	NUT, CENTERLOCK, 5/16-18 MAGNI
12	596237M	2	NUT, CENTERLOCK 3/8 MAGNI
13	596239M	1	NUT, CENTERLOCK, 1/2-13 MAGNI
14	596249M	2	LOCKWASHER 5/16 MAGNI
NS	520071	AR	FOAMHEAD W/ BRACKET
NS	520072	AR	3/8" CHECK VALVE
NS	520073	AR	1/4" CHECK VALVE
NS	520074	AR	FOAM COLLECTOR HEAD
NS	520076	AR	POWER & SWITCH CABLE
NS	520077	AR	LIQUID PUMP
NS	520078	AR	DIAPHRAGM COMPRESSOR
NS	520079	AR	CONTROL MODULE ASSEMBLY
NS	520080	AR	3-WAY ACTUATOR

Foam Marker 30-45 Foot Booms



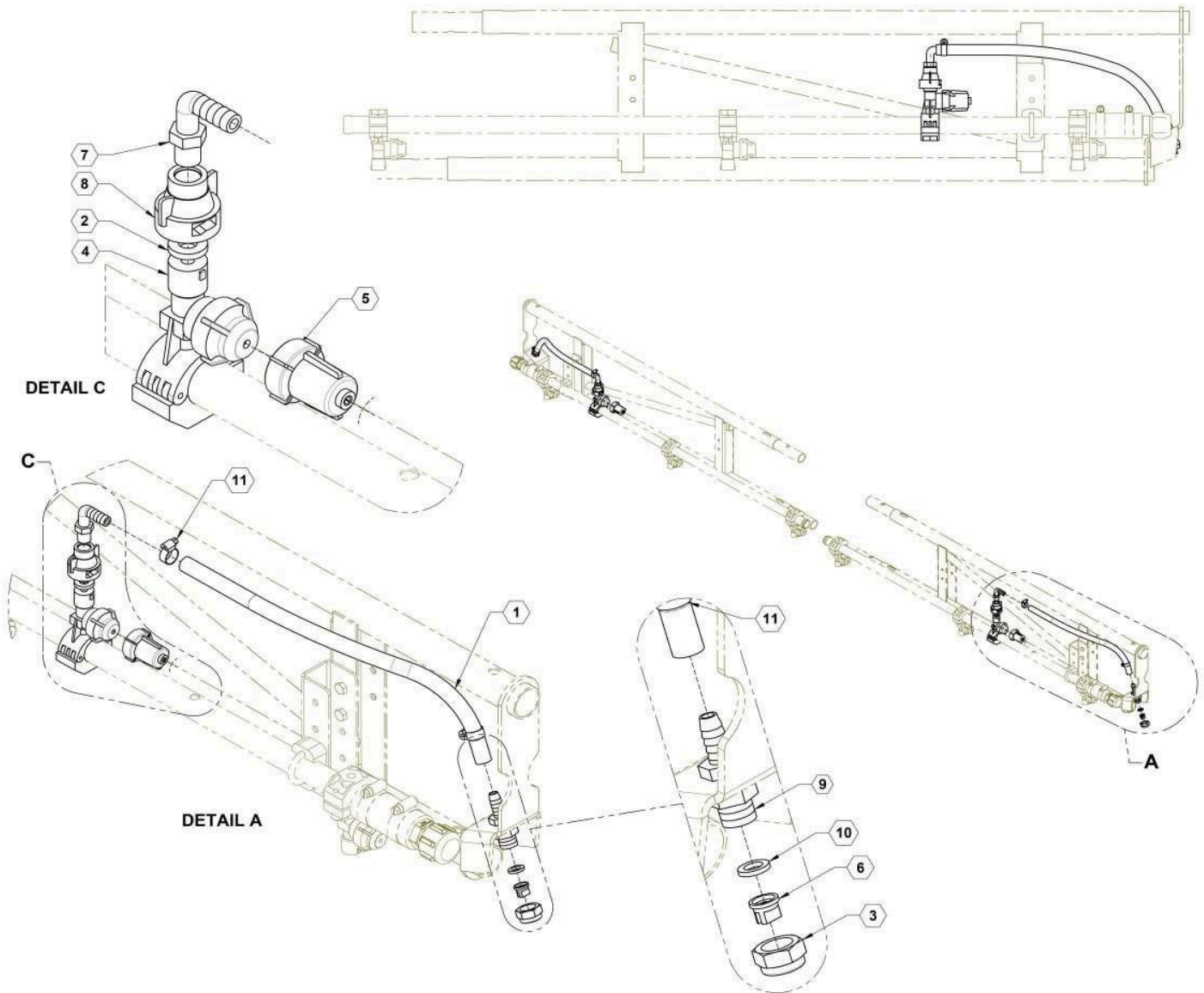
Parts List 27051: Foam Marker 30-45 Foot Boom

ITEM	PART NO.	QTY.	DESCRIPTION
1	18315	4	CLAMP, FORMED, 1 3/8
2	26446	1	WLDMNT, RH FOAM HEAD MNT
3	26447	1	WLDMNT, LH FOAM HEAD MNT
4	26451	1	WLDMNT, FOAMER MOUNT
5	26452	1	WLDMNT, FOAMER BASE MOUNT
6	520081	1	UT3P FOAMER
7	596101M	2	BOLT, HH 1/4-20X3/4 GR5 MAGNI
8	596129M	2	BOLT, HH 3/8-16X1-1/2 GR5 MAGNI
9	596152M	1	BOLT, HH 1/2X1 GR5 MAGNI
10	596155M	1	BOLT, HH 1/2-13X2-1/2 GR5 MAGNI
11	596236M	4	NUT, CENTERLOCK, 5/16-18 MAGNI
12	596237M	2	NUT, CENTERLOCK 3/8 MAGNI
13	596239M	1	NUT, CENTERLOCK, 1/2-13 MAGNI
14	596249M	2	LOCKWASHER 5/16 MAGNI
15	596117M	4	BOLT, HH 5/16-18X2 GR5 MAGNI
NS	520071	AR	FOAMHEAD W/ BRACKET
NS	520072	AR	3/8" CHECK VALVE
NS	520073	AR	1/4" CHECK VALVE
NS	520074	AR	FOAM COLLECTOR HEAD
NS	520076	AR	POWER & SWITCH CABLE
NS	520077	AR	LIQUID PUMP
NS	520078	AR	DIAPHRAGM COMPRESSOR
NS	520079	AR	CONTROL MODULE ASSEMBLY
NS	520080	AR	3-WAY ACTUATOR

OTHER OPTIONS

Manual Fenceline Nozzle

For use with 30-foot boom and larger booms only.

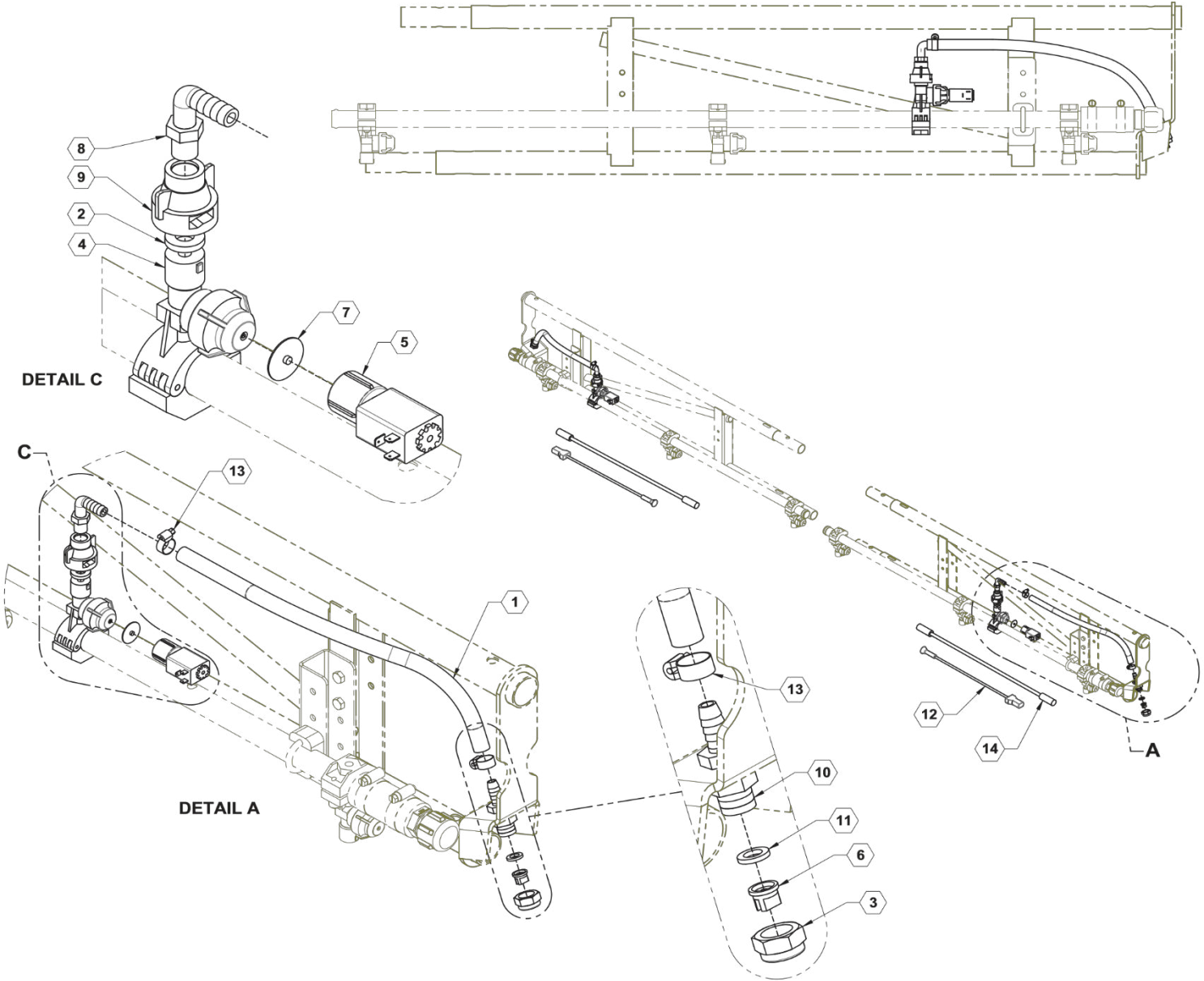


Parts List 27016: Manual Fenceline Nozzle

ITEM	PART NO.	QTY.	DESCRIPTION
1	510020	2	HOSE, 3/8" EPDM - 2'
2	520016	2	WASHER, RUBBER NOZZLE SEAT
3	520019	2	NOZZLE CAP, BLACK NYB
4	520030	2	NOZZLE BODY, 25MM SINGLE
5	520037	2	VALVE, MANUAL CHEM SAVER
6	520050	2	TIP, TEEJET TIP POLYMER
7	530209	2	HOSE BARB, 3/8 NPT X 3/8 90°
8	530248	2	QUICKJET ADAPTER, NYLON
9	530306	2	FITTING, FENCELINE WITH NUT
10	530356	2	GASKET, RUBBER QJT
11	540032	4	CLAMP, HOSE 5/16"

Electric Fenceline Nozzle

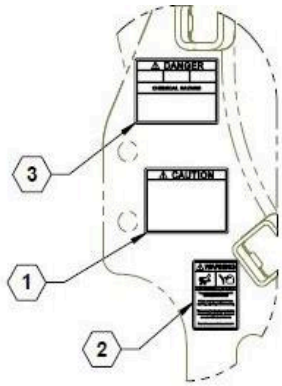
For use with 30 foot and larger booms with Raven SCS 450 Controller option only.



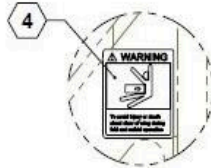
Parts List 27059: Electric Fenceline Nozzle

ITEM	PART NO.	QTY.	DESCRIPTION
1	510020	AR	HOSE, 3/8" EPDM
2	520016	2	WASHER, RUBBER NOZZLE SEAT
3	520019	2	NOZZLE CAP, BLACK NYB
4	520030	2	NOZZLE BODY, 25MM SINGLE
5	520038	2	NOZZLE, ELEC. CHEMSAVER
6	520050	2	TIP, TEEJET TIP POLYMER
7	520070	2	DIAPHRAGM, EPDM
8	530209	2	HOSE BARB, 3/8 NPT X 3/8 90~
9	530248	2	QUICKJET ADAPTER NY
10	530306	2	FITTING, FENCELINE W/ NUT
11	530356	2	GASKET, RUBBER QJT
12	530429	2	ELECTRIC CABLE
13	540032	4	CLAMP, HOSE 5/16"
14	631932	2	CABLE, FENCELINE EXTENSION

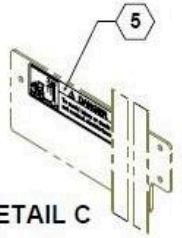
Decals



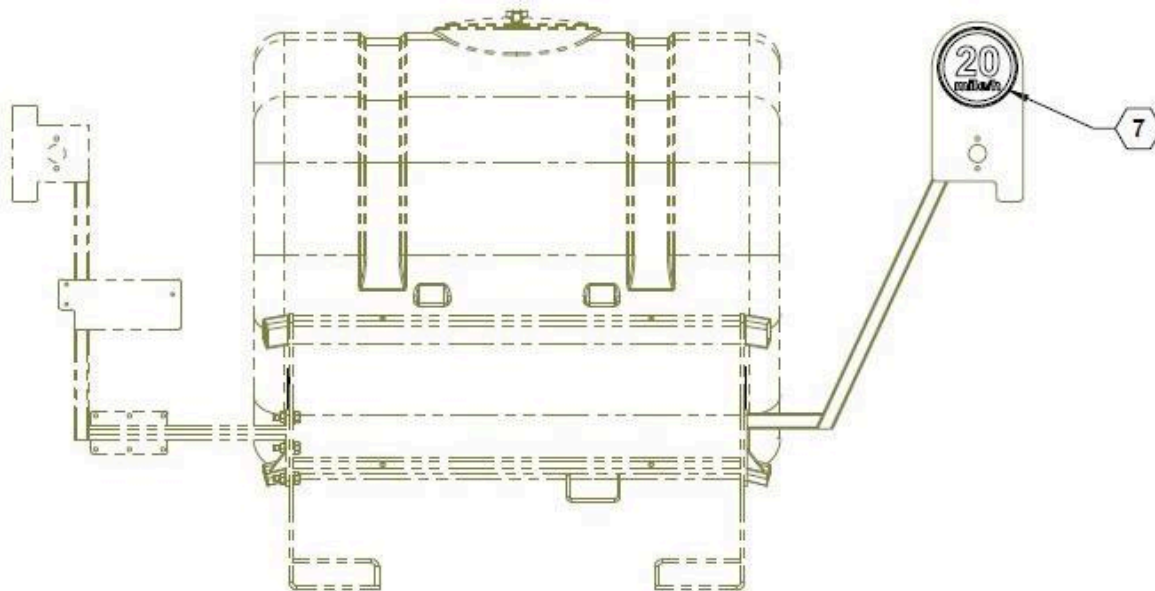
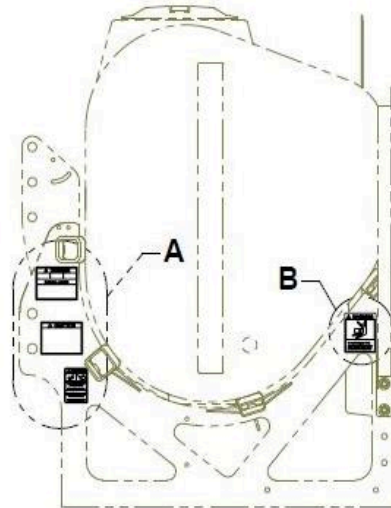
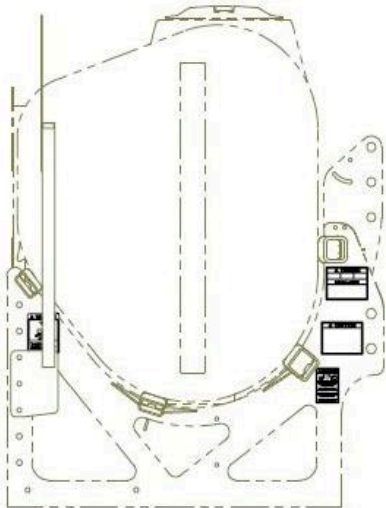
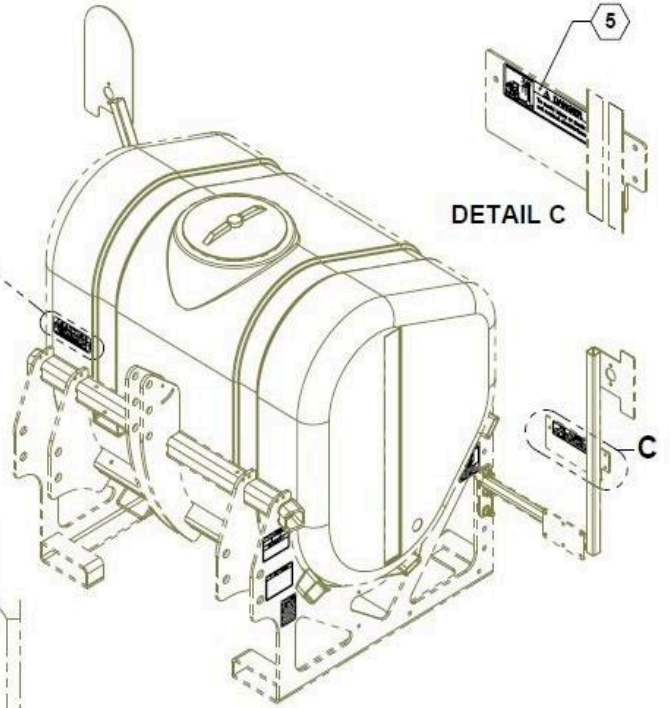
DETAIL A (2X)



DETAIL B (2X)



DETAIL C

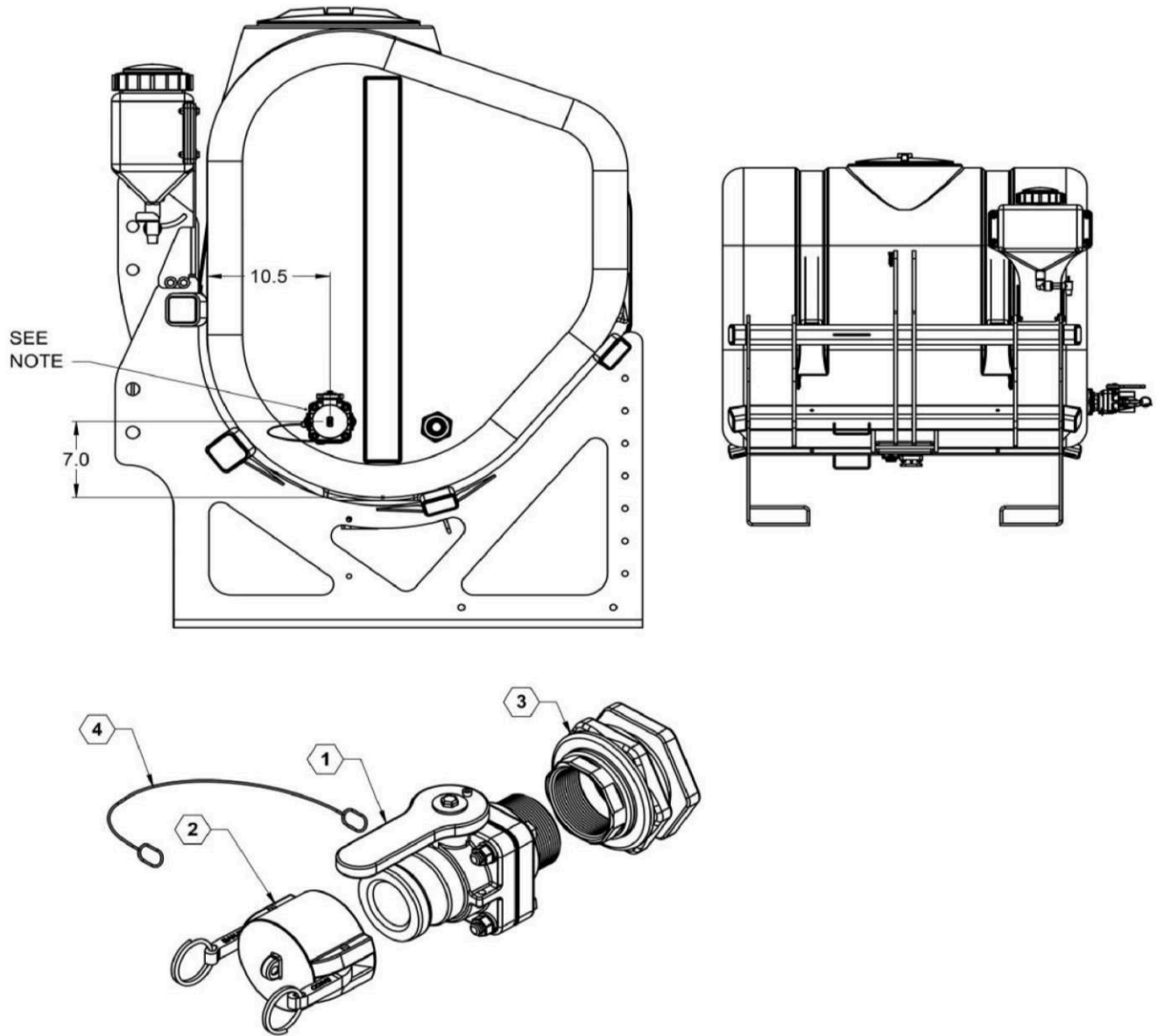


Parts List 27005/27006/27007: Decals

ITEM	PART NO.	QTY.	DESCRIPTION
1	800002	2	DECAL, CAUTION YELLOW - ENGLISH
1	800225	2	DECAL, CAUTION YELLOW - SPANISH
1	800234	2	DECAL, CAUTION YELLOW - FRENCH
2	800004	2	DECAL, WARNING-HIGH PRESSURE - ENGLISH
2	800239	2	DECAL, WARNING-HIGH PRESSURE - SPANISH
2	800235	2	DECAL, WARNING-HIGH PRESSURE - FRENCH
3	800007	2	DECAL, DANGER-CHEMICAL HAZARD - ENGLISH
3	800226	2	DECAL, DANGER-CHEMICAL HAZARD - SPANISH
3	800236	2	DECAL, DANGER-CHEMICAL HAZARD - FRENCH
4	800105	2	DECAL, WARNING-STAND CLEAR - ENGLISH
4	800227	2	DECAL, WARNING-STAND CLEAR - SPANISH
4	800237	2	DECAL, WARNING-STAND CLEAR - FRENCH
5	800112	1	DECAL, DANGER-ELECTRIC LINES - ENGLISH
5	800228	1	DECAL, DANGER-ELECTRIC LINES - SPANISH
5	800238	1	DECAL, DANGER-ELECTRIC LINES - FRENCH
6	800282	1	DECAL, DO NOT RUN PUMP DRY - ENGLISH
6	800285	1	DECAL, DO NOT RUN PUMP DRY - SPANISH
6	800305	1	DECAL, DO NOT RUN PUMP DRY - FRENCH
7	800306	1	DECAL, SIS, 20 MPH
7	800307	1	DECAL, SIS, 30 KPH

2" Reload Option

NOTE: DRILL 2.8" HOLE IN TANK AND INSTALL FITTINGS



Parts List 27232: 2" Reload Option

ITEM	PART NO.	QTY.	DESCRIPTION
1	500046	1	VALVE, 2" MALE ADAPTER TO 2" MALE NPT
2	530017	1	CAP, 2" QUICK FILL
3	530163	1	TANK FLANGE ASSEMBLY, 2" POLY
4	530179	1	CABLE LANYARD



FAST Ag Solutions
4130 Commerce Boulevard
Windom, MN 56101

1-800-772-9279 Toll Free
1-507-427-3861 Voice
1-507-427-3030 Fax

www.fastagsolutions.com