



BW500 / BW750 TRAILER SPRAYER PARTS MANUAL





ILLUSTRATED PARTS LIST

Limited Warranty

FAST AG Solutions warrants to the buyer that the new machinery is free from defects in material and workmanship.

This warranty is only effective as to any new machinery which has not been altered, changed, repaired or treated since its delivery to the buyer, other than by FAST AG Solutions or its authorized dealers or employees, and does not apply to accessories, attachments, tools or parts, sold or operated with the new machinery, if they have not been manufactured by FAST AG Solutions.

FAST AG Solutions shall only be liable for defects in the materials or workmanship attributable to faulty material or bad workmanship that can be proved by the buyer, and specifically excludes liability for repairs arising as a result of normal wear and tear of the new machinery or in any other manner whatsoever, and without limiting the generality of the foregoing, excludes application or installation of parts not completed in accordance with this operator's manual, specifications, or printed instructions.

Written notice shall be given by registered mail, to the Manufacturer within seven (7) days after the defect shall have become apparent or the repairs shall have become necessary, addressed as follows:

FAST AG Solutions
4130 Commerce Boulevard
Windom, MN 56101

This warranty shall expire one (1) year after the date of delivery of the new machinery.

If these conditions are fulfilled, FAST AG Solutions shall at its own cost and at its own option either repair or replace any defective parts provided that the buyer shall be responsible for all expenses incurred as a result of repairs, labor, parts, transportation or any other work, unless FAST AG Solutions has authorized such expenses in advance.

The warranty shall not extend to any repairs, changes, alterations, or replacements made to the new equipment other than by FAST AG Solutions or its authorized dealers or employees.

This warranty extends only to the original owner of the new equipment. Rubber parts (including tires, hoses, grommets) are not warranted.

This warranty is limited to the terms stated herein and is in lieu of any other warranties whether express or implied, and without limiting the generality of the foregoing, excluded all warranties, express or implied or conditions whether statutory or otherwise as to quality and fitness for any purpose of the new equipment. the Manufacturer disclaims all liability for incidental or consequential damages.

This Applicator is subject to design changes and FAST AG Solutions shall not be required to retrofit or exchange items on previously sold units except at its own option.

Warranty void if not registered.



ILLUSTRATED PARTS LIST

FAST BW500 / BW750 Trailer Sprayer

Warranty Registration Form & Inspection Report

Warranty Registration

This form must be filled out by the dealer and signed by both the dealer and the customer at the time of delivery.

Customer Name				
Address				
City		State		Zip
Phone				
Dealer Name				
Address				
City		State		Zip
Applicator Model				
Serial Number				
Delivery Date				

DEALER INSPECTION REPORT

- All Fasteners Tight
- Wheel Bolts Torqued
- Hydraulic Hoses and Fittings Free and Tight
- Fertilizer Hoses and Fittings Free and Tight
- Wheel Drive Turns Freely
- Lubricate Machine
- Check Tire Pressure
- Frame and Wings Level
- Monitors and Controllers Function
- Wiring Harness Connected

SAFETY

- Safety Chain Installed
- All Guards Installed
- All Safety Signs Installed
- Reflectors, SMV and Lights Clean
- Review Operating and Safety Instructions

I have thoroughly instructed the buyer on the above described equipment which review included the Operator's Manual content, equipment care, adjustments, safe operation and applicable warranty policy.

Date _____

Dealer's Rep. Signature _____

The above equipment and Operator's Manual have been received by me and I have been thoroughly instructed as to care, adjustments, safe operation and applicable warranty policy.

Date _____

Owner's Signature _____

- White - FAST
- Yellow - Dealer
- Pink - Customer



FAST BW500 / BW750 TRAILER SPRAYER

APPLICATOR SERIAL NUMBER _____

DATE PURCHASED _____/_____/_____

TANK SIZE _____

BOOM LENGTH _____

PUMP MANUFACTURER:

(CIRCLE ONE)

ACE 150 Belt Driven

ACE FMC150



ILLUSTRATED PARTS LIST



General Information

All rights, especially copying and distribution rights are reserved. No part of this publication may be reproduced in any form or by any means, electronic or mechanical, including photocopying, without express written permission from FAST AG Solutions.

Parts information in this manual represents components installed when product was manufactured based upon the best available information. Modifications made subsequent to initial delivery are not included. Always verify the parts and color required when ordering parts.

If you have any questions, please contact your FAST AG Solutions Parts and Service Department.

Explanation of Parts Lists

The parts lists are broken down sub-assemblies and listed in 4 columns:

- ITEM - These numbers are found on the illustration associated with the parts list.
 - NS- This item is NOT SHOWN, included for reference.
- QTY. - This is the quantity of parts needed in an assembly.
 - AR- The quantity of this item is AS REQUIRED for the location.
- PART NO.- These are the part numbers associated with the ITEM.
- DESCRIPTION - This is the description of the part.



Table of Contents

Section Page
Limited Warranty 3
Warranty Registration Form & Inspection Report 2
General Information 5
Explanation of Parts Lists 5
Table of Contents 6
Safety Signs & Decals 9
Safety Signs & Decals Parts List 10
Frame & Jackstand 11
Frame & Jackstand Parts List 12
Boom Rest Assembly 13
Boom Rest Assembly Parts List 14
Axle, Tire & Wheel Assembly 15
Axle, Tire & Wheel Assembly Parts List 16
Spindle & Hub Assembly 17
Spindle & Hub Assembly Parts List 18
Lift Arm Assembly (EF & EFT Boom) 19
Lift Arm Assembly (EF & EFT Boom) Parts List 20
Center Section (EF Boom) 21
Center Section (EF Boom) Parts List 22
Boom Assembly Right Side (EF Boom) 23
Boom Assembly Right Side (EF Boom) Parts List 24
Boom Assembly Left Side (EF Boom) 25
Boom Assembly Left Side (EF Boom) Parts List 26
Boom Assembly Right Side (EFT Boom) 27
Boom Assembly Right Side (EFT Boom) Parts List 28
Boom Assembly Left Side (EFT Boom) 29
Boom Assembly Left Side (EFT Boom) Parts List 30
Boom Wing Fold & Breakaway (EF & EFT Boom) 31
Boom Wing Fold & Breakaway (EF & EFT Boom) Parts List 32
Hydraulic Hose Chart 33
Hydraulic Hose Chart Parts List 34
Hydraulic Lift & Wing Fold (EF Boom) 35
Hydraulic Lift & Wing Fold (EF Boom) Parts List 36
Hydraulic Lift & Wing Fold (EFT Boom) 37
Hydraulic Lift & Wing Fold (EFT Boom) Parts List 38
Hydraulic Lift & Wing Fold (EFT Boom) 39
Hydraulic Lift & Wing Fold (EFT Boom) Parts List 40
Hydraulic Tower Assembly (HC Boom) 41
Hydraulic Tower Assembly (HC Boom) Parts List 42
Center Section Assembly 43
Center Section Assembly Parts List 44
Center Section Assembly 45
Center Section Assembly Parts List 46
Boom Assembly Right Side (HC Boom) 47
Boom Assembly Right Side (HC Boom) Parts List 48
Boom Assembly Right Side (HC Boom) 49
Boom Assembly Right Side (HC Boom) Parts List 50
Boom Assembly Left Side (HC Boom) 51
Boom Assembly Left Side (HC Boom) Parts List 52
Boom Assembly Left Side (HC Boom) 53
Boom Assembly Left Side (HC Boom) Parts List 54



ILLUSTRATED PARTS LIST

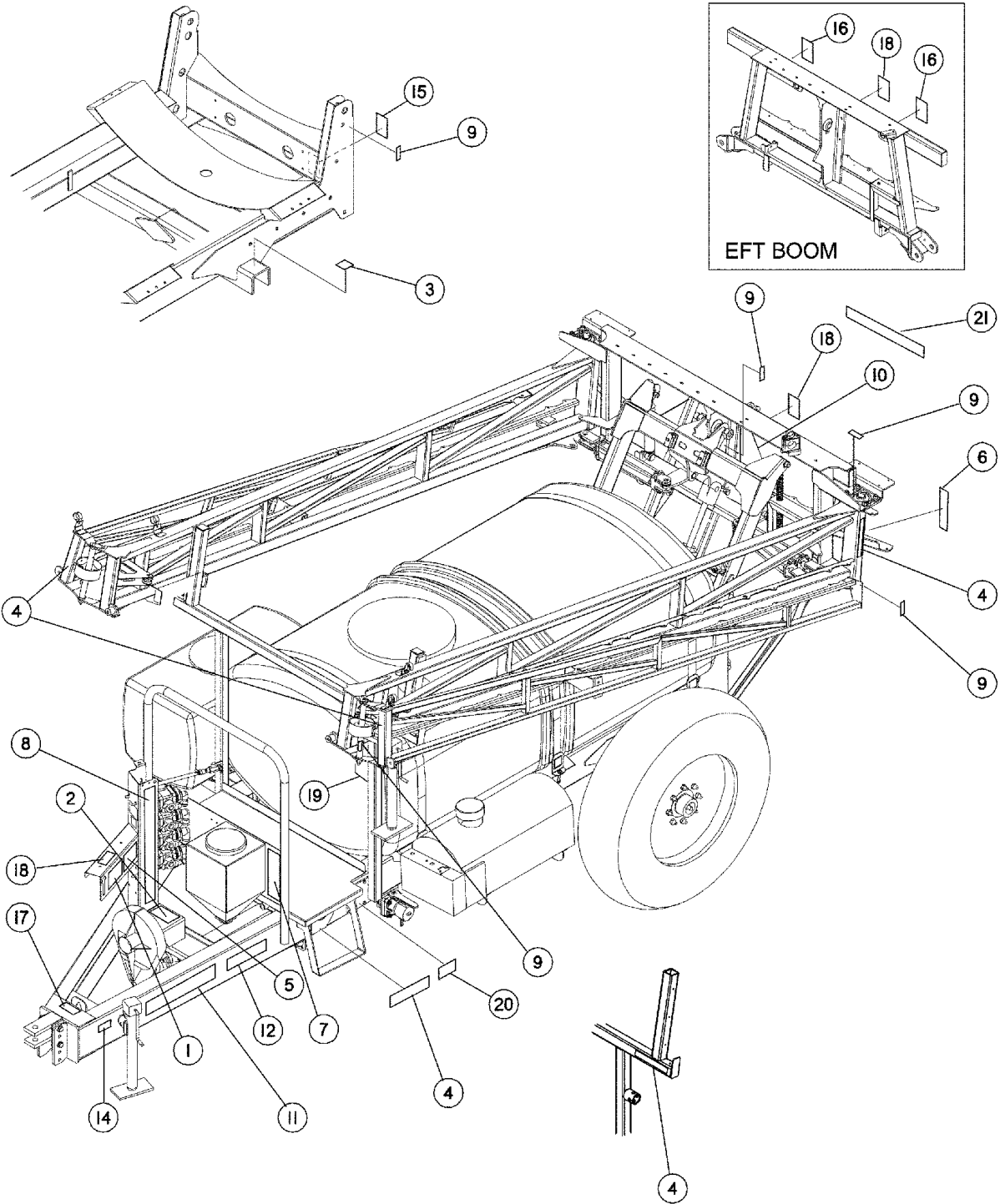
Product Tank & Hold Down Straps	55
Product Tank & Hold Down Straps Parts List	56
Optional 50 Gallon Rinse Tank & Mounting	57
Optional 50 Gallon Rinse Tank & Mounting Parts List	58
PTO Shaft	59
PTO Shaft Parts List	60
Product Pump & Fittings	61
Product Pump & Fittings Parts List.....	62
ACE 150 Series Belt Driven Pump	63
ACE 150 Series Belt Driven Pump Parts List.....	64
ACE 150 Series Belt Driven Pump	65
ACE 150 Series Belt Driven Pump Parts List.....	66
Pump Option - ACE Hydraulic Drive	67
Pump Option - ACE Hydraulic Drive Parts List	68
ACE FMC 150 - Hydraulic 206 Pump Option	69
ACE FMC 150 - Hydraulic 206 Pump Option Parts List.....	70
Transport Lights & Wiring	71
Transport Lights & Wiring Parts List.....	72
Boom Plumbing Delivery Tubes	73
Boom Plumbing Delivery Tubes Parts List.....	74
Boom Plumbing - Rubber Hose (EF & EFT Boom)	75
Boom Plumbing - Rubber Hose (EF & EFT Boom) Parts List.....	76
Boom Plumbing - Rubber Hose (EF & EFT Boom)	78
Boom Plumbing - Rubber Hose (EF & EFT Boom) Parts List.....	79
Boom Plumbing, 45' EF Boom, 15 & 20" Nozzle Spacing (stainless steel)	80
Boom Plumbing, 45' EF Boom, 15 & 20" Nozzle Spacing (stainless steel) Parts List	81
Boom Plumbing - Rubber Hose (HC Boom)	82
Boom Plumbing - Rubber Hose (HC Boom) Parts List	83
Boom Plumbing, HC Boom, 15 & 20 " Nozzle Spacing (stainless steel)	84
Parts List: Boom Plumbing, HC Boom, 15 & 20 " Nozzle Spacing (stainless steel).....	85
Boom Plumbing, HC Boom, 15 & 20 " Nozzle Spacing (stainless steel)	86
Parts List: Boom Plumbing, HC Boom, 15 & 20 " Nozzle Spacing (stainless steel).....	87
Product Tank Sump Plumbing	88
Product Tank Sump Plumbing Parts List	89
Primary Product Circuit Plumbing (Standard)	90
Primary Product Circuit Plumbing (Standard) Parts List	91
Agitation System - Product Tank	92
Agitation System - Product Tank Parts List.....	93
Fast Fill Plumbing (Group A Option)	94
Fast Fill Plumbing (Group A Option) Parts List	95
Sight Gauge - Product Tank (Group C Option)	96
Sight Gauge - Product Tank (Group C Option) Parts List.....	97
Primary Product Circuit Plumbing (Group A Option)	98
Primary Product Circuit Plumbing (Group A Option) Parts List.....	99
Self-Cleaning Filter (Group A Option)	100
Self-Cleaning Filter (Group A Option) Parts List	101
Agitation System - Self Cleaning Filter Option (Group A Option)	102
Agitation System - Self Cleaning Filter Option (Group A Option) Parts List.....	103
Agitation System - Control Tower Plumbing (Group A Option)	104
Agitation System - Control Tower Plumbing (Group A Option) Parts List	105
Chemical Inductor (Group A Option)	106
Chemical Inductor (Group A Option) Parts List.....	107
Spray Gun (Group A Option)(Included with Chemical Inductor)	108
Spray Gun (Group A Option)(Included with Chemical Inductor) Parts List	109



ILLUSTRATED PARTS LIST

Foam Marker Option	110
Foam Marker Option Parts List	111
Foam Marker Pump & Wiring Components	112
Foam Marker Pump & Wiring Components Parts List.....	113
Fence Line Kit - Manual Option	114
Fence Line Kit - Manual Option Parts List.....	115
Fence Line Kit - Manual - Independent of Boom	116
Fence Line Kit - Manual- Independent of Boom Parts List.....	117
Fence Line Kit - Electric 144a Option	118
Fence Line Kit - Electric 144a Option Parts List.....	119
Fence Line Kit - Electric 450 Option	120
Fence Line Kit - Electric 450 Option Parts List.....	121
Pump Kit - Chemical Eductor, 12v Electric (Optional)	122
Pump Kit - Chemical Eductor, 12v Electric (Optional) Parts List.....	123
Filter Kit - Inline (Optional)	124
Filter Kit - Inline (Optional) Parts List	125
Spray Gun with 25' Hose and Tips (Optional)	126
Spray Gun with 25' Hose and Tips (Optional) Parts List.....	127
Controls - Rinse In-Cab Electric (Optional)	128
Controls - Rinse In-Cab Electric (Optional) Parts List	129
Rinse Tank Suction Assembly (Group C Option)	130
Rinse Tank Suction Assembly (Group C Option) Parts List.....	131
Rinse Ball Assembly (Group C Option)	132
Rinse Ball Assembly (Group C Option) Parts List.....	133
Rinse Tank Fill Assembly (Group C Option)	134
Rinse Tank Fill Assembly (Group C Option) Parts List	135
Fast Fill Assembly Via Sprayer Pump (Group C Option)	136
Fast Fill Assembly Via Sprayer Pump (Group C Option) Parts List	137
Control Group - TeeJet 744	138
Control Group - TeeJet 744 Parts List.....	139
Valve Assembly - Boom 3 Section Ball	140
Valve Assembly - Boom 3 Section Ball Parts List.....	141
Raven 440 Control Option	142
Raven 440 Control Option Parts List.....	143
Kit - Raven Flow Max 220	144
Kit - Raven Flow Max 220 Parts List	145
Kit - Raven Pressure Transducer	146
Kit - Raven Pressure Transducer Parts List.....	147
Electric Control Ball Valve	148
Electric Control Ball Valve Parts List.....	149
FASSE Block Assembly	150
FASSE Block Assembly Parts List	151
FASSE Hydraulic Block	152
FASSE Hydraulic Block Parts List.....	153
FASSE Block Harness	154
FASSE Block Harness Parts List	155
Switch Box Assembly	156
Switch Box Assembly Parts List.....	157
Switch Box Assembly	158
Switch Box Assembly Parts List.....	159
9 Pin Switch Box Harness	160
9 Pin Switch Box Harness Parts List.....	161
Switch Box Functions	162

Safety Signs & Decals



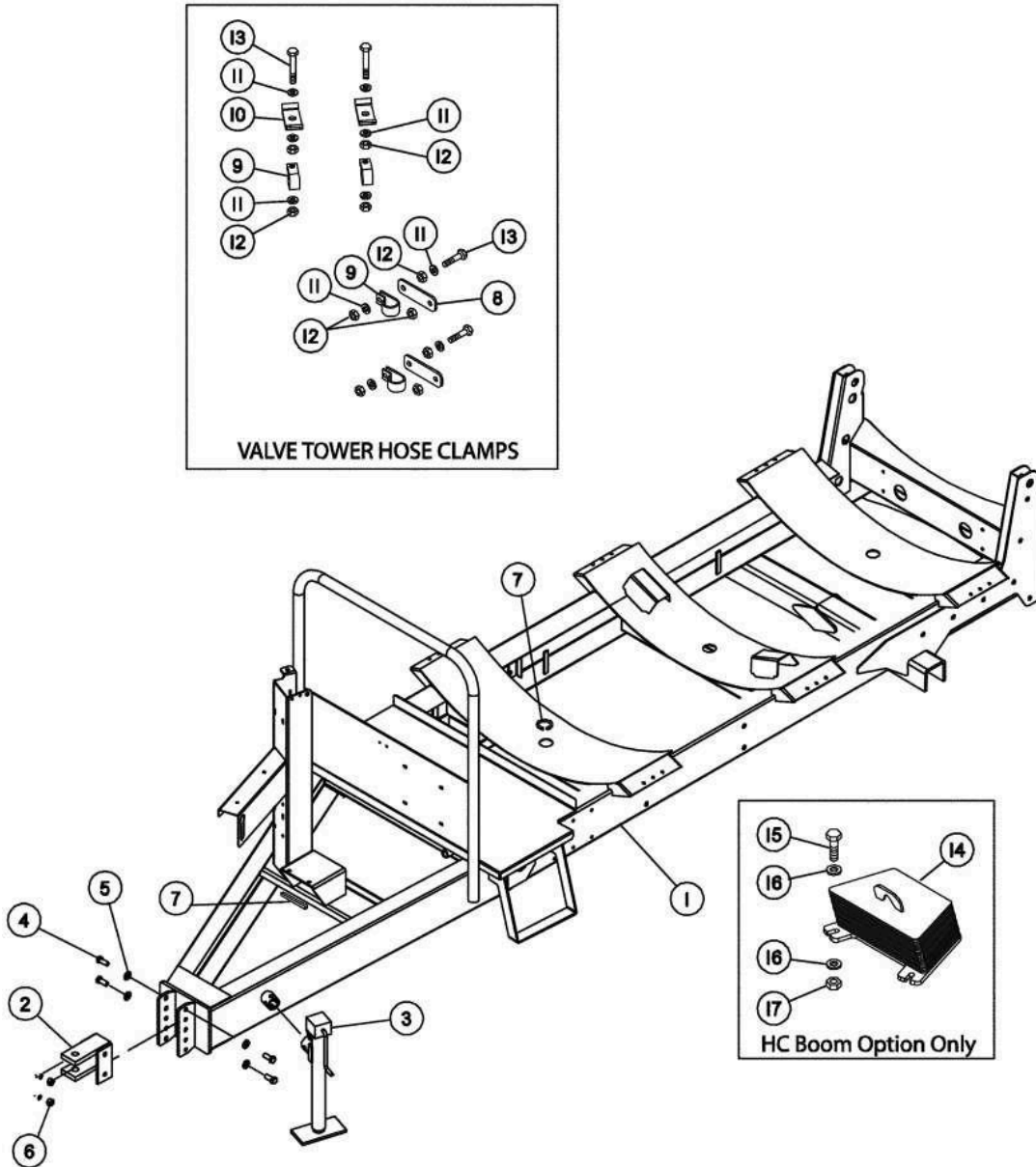


ILLUSTRATED PARTS LIST

Safety Signs & Decals Parts List

ITEM	PART NO.	QUANTITY	DESCRIPTION
1	ZM0705527	1	SAFETY SIGN - WARNING, CHEMICAL
2	ZM1620177	1	SAFETY SIGN - DANGER, ROTATING DRIVELINE
3	ZM0717908	1	SAFETY SIGN - WARNING, WHEEL SPACING
4	800111	7	DECAL - YELLOW, 2" X 9", RETROREFLECTIVE
5	ZM1620178	1	SAFETY SIGN - BEFORE OPERATING
6	800109	2	DECAL - RED, 2" X 9", RETROREFLECTIVE
7	ZM0709306	1	DECAL - VALVE INSTRUCTION
8	ZM0709307	1	DECAL - VALVE TOWER
9	800287	9	DECAL - GREASE (EF BOOM)
9	800287	11	DECAL - GREASE (EFT BOOM)
10	90SASMV	1	EMBLEM, SMV WITH METAL BACKING
10	101	2	BOLT, HEX, 1/4-20 X 3/4" GR 5
10	256	2	WASHER, FLAT, 1/4" SAE
10	227	2	NUT, HEX LOCK, 1/4-20 NYLOCK
11	N/A	2	DECAL, BRANDING
12	ZM0726878	2	DECAL - 500
12	800043	2	DECAL - 750
14	ZM1701155	1	SAFETY SIGN - WARNING, FOOT CRUSHING
15	ZM2109024	1	SAFETY SIGN - WARNING, ACCUMULATOR PRESSURE
16	ZM2109025	2	SAFETY SIGN - DANGER, PINCH POINT (EFT BOOM ONLY)
17	ZM340248B1	1	SAFETY SIGN - CAUTION, 540 RPM
18	ZM2109024	2	SAFETY SIGN - WARNING, HYDRAULIC FLUID PRESSURE
19	ZM0709573	1	SAFETY SIGN - WARNING FRESH WATER
20	ZM0706362	1	DECAL, VALVE INFORMATION
21	800021	1	DECAL, FAST LOGO & ADDRESS
0	800208	1	DECAL, HYDRAULIC HOSE KEY

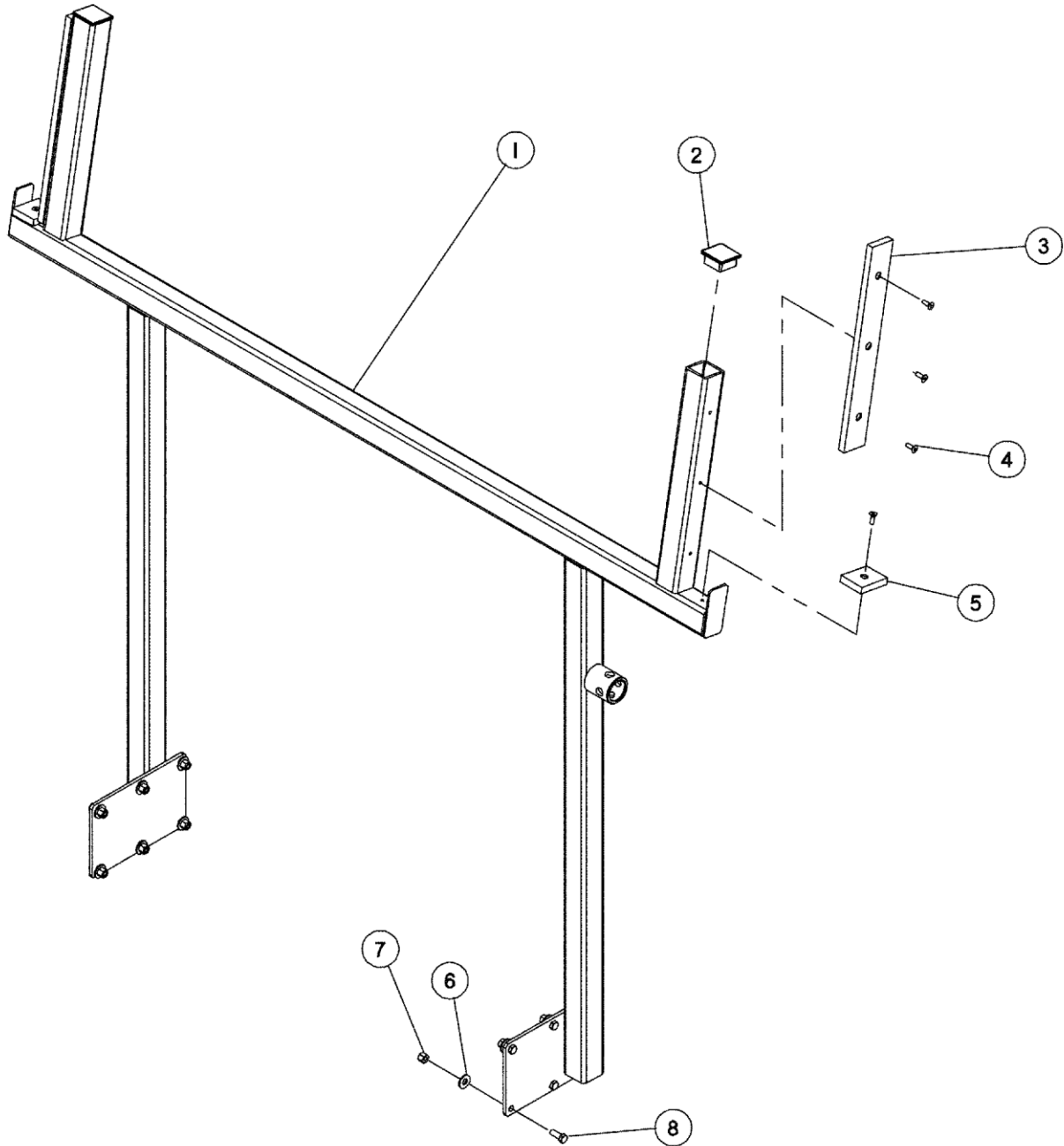
Frame & Jackstand



Frame & Jackstand Parts List

ITEM	PART NO.	QTY.	DESCRIPTION
1	ZM0708378	1	FRAME ASSEMBLY
2	ZM0702795	1	CLEVIS, 1989, TRAILER
3	790051	1	JACK, 2000 LB, 15" SIDE CRANK
4	ZM904115	4	BOLT, HEX, 5/8-11 X 1-1/2" GR 8
5	261	4	WASHER, FLAT, 5/8" HT
6	232	4	NUT, HEX LOCK, 5/8-11 NYLOCK
7	ZM1180534	9'	TRIM, BLACK VINYL, .250 - .500 (ORDER PER FOOT)
8	ZM0709106	2	BAR, HOSE CLAMP
9	540035	4	CLAMP, VINYL, 1.125" DIAMETER
10	ZM322848B17	2	CLIP, HYDRAULIC LINE
11	H001008	10	WASHER, FLAT, SAE 3/8"
12	H001010	10	NUT, HEX LOCK, 3/8-16 NYLOCK
13	615	6	BOLT, HEX, 3/8-16 X 1-3/4" GR 5 TAP
14	ZM0709109	1	COUNTERWEIGHT ASSEMBLY (HC BOOM ONLY)
15	153	2	BOLT, HEX, 1/2-13 X 1-1/2" GR 5 (HC BOOM ONLY)
16	260	4	WASHER, FLAT, 1/2" STANDARD (HC BOOM ONLY)
17	231	2	NUT, HEX LOCK, 1/2-13 NYLOCK

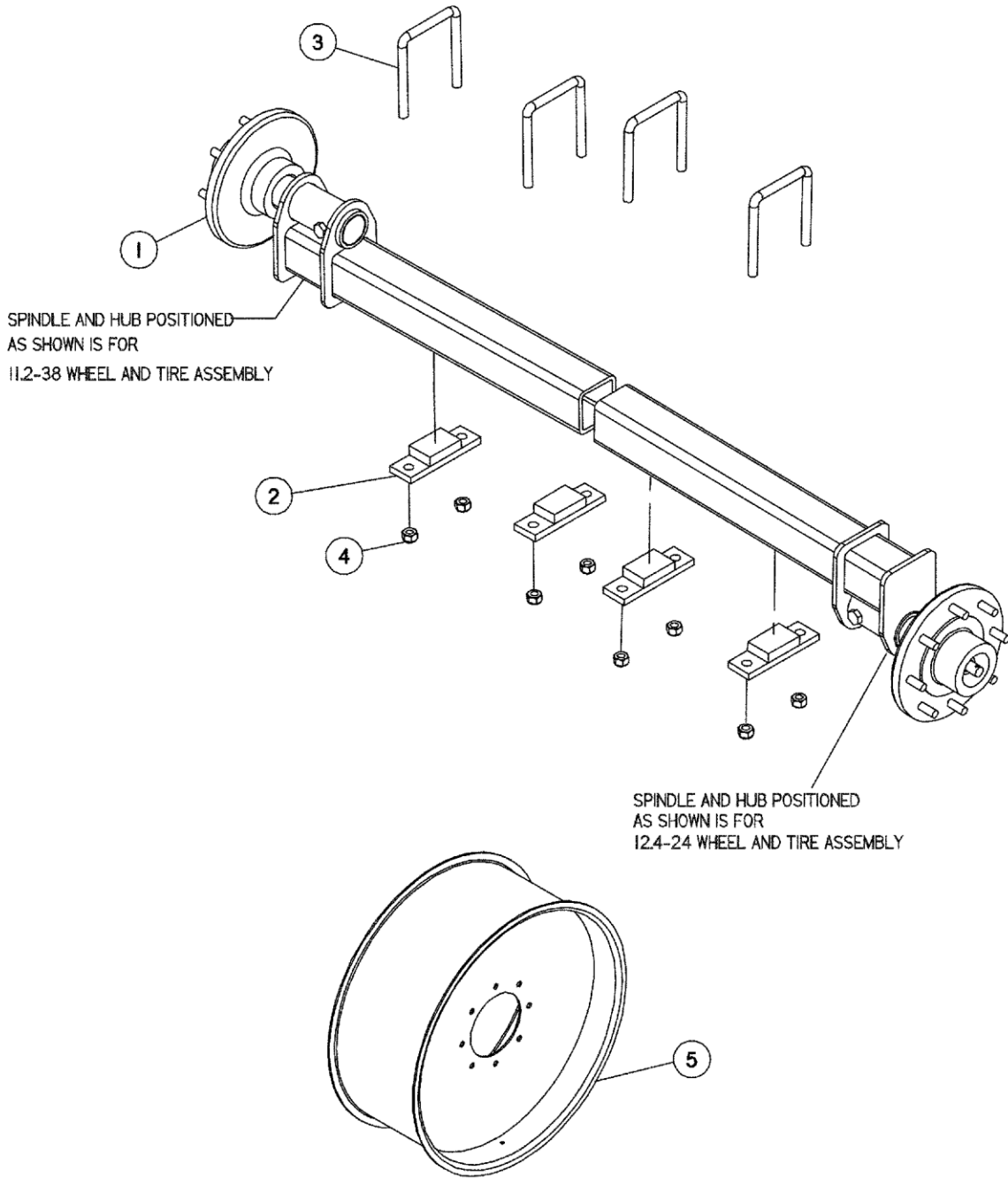
Boom Rest Assembly



Boom Rest Assembly Parts List

ITEM	PART NO.	QUANTITY	DESCRIPTION
1	ZM0708755	1	BOOM REST (EF & EFT BOOM)
1	ZM0708848	1	BOOM REST (HC BOOM)
2	ZM0706406	2	PLUG, 2" SQUARE RIBBED
3	ZM3203138	2	PAD, ADV BOOM, INNER UHMW
4	H003130	8	SCREW, FLAT HEAD, 1/4-20 X 1"
5	ZM0709111	2	PAD, EF BOOM FRONT UHMW
6	H001008	12	WASHER, FLAT, 3/8"
7	H001010	12	NUT, HEX LOCK, 3/8-16 NYLOCK
8	128	12	BOLT, HEX, 3/8-16 X 1" GR 5

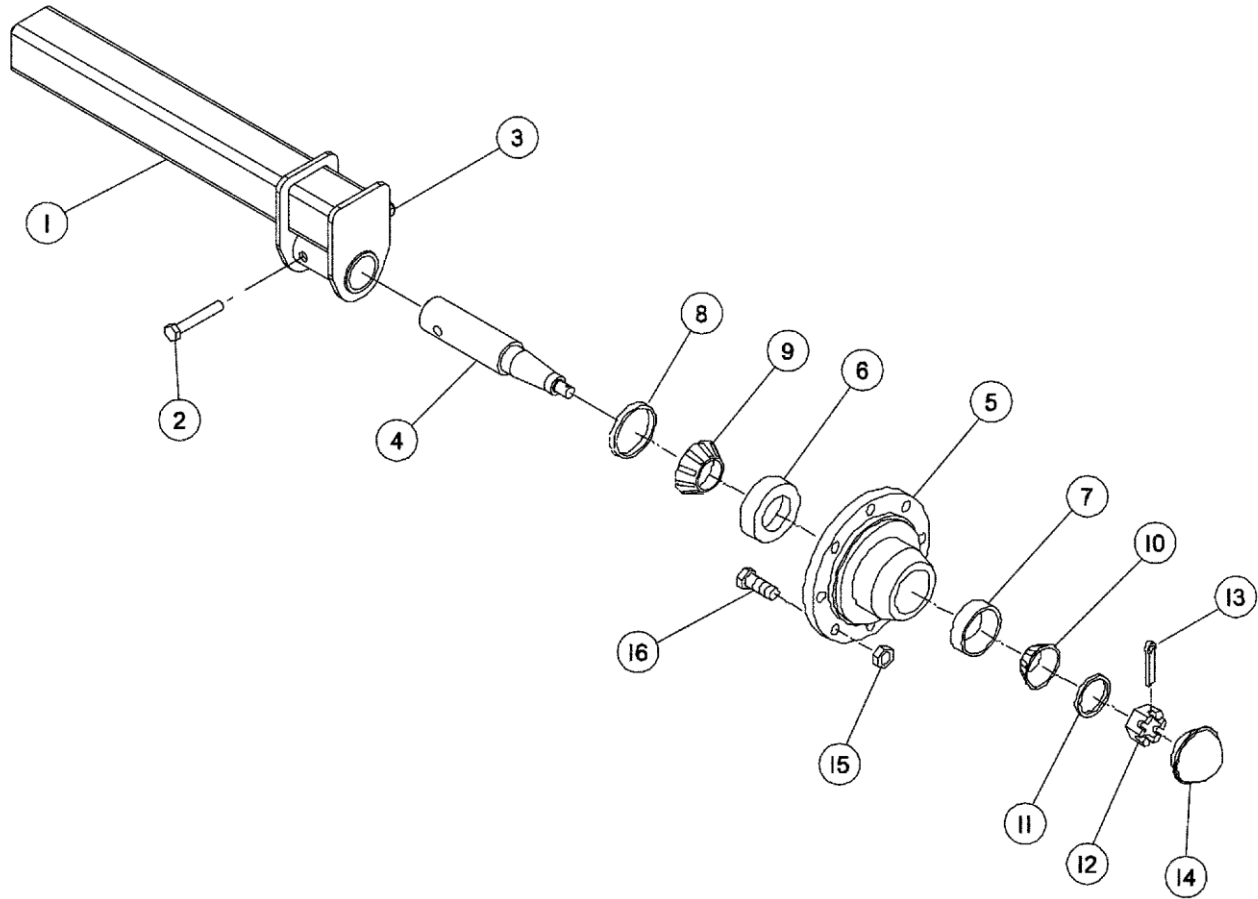
Axle, Tire & Wheel Assembly



Axle, Tire & Wheel Assembly Parts List

ITEM	PART NO.	QUANTITY	DESCRIPTION
1	99AXLEBW7/5K	2	AXLE ASSEMBLY
2	ZM0700133	4	BOTTOM AXLE WELDMENT
3	ZM0717643	4	U-BOLT, 5/8 X 5-1/8 X 6"
4	232	8	NUT, HEX LOCK, 5/8-11 NYLOCK
5	ZM0708337	2	WHEEL, 24" X W10, 8 BOLT
5	ZM0708342	2	WHEEL, 38" X W10, 8 BOLT
5	ZM0708336	2	TIRE, 12.4 - 24, 6 PLY (NOT SHOWN)
5	ZM0708341	2	TIRE, 11.2 - 38, 4 PLY (NOT SHOWN)
5	ZM0708808	2	WHEEL/TIRE, 12.4 X 24 (NOT SHOWN) BW500
5	ZM0708809	2	WHEEL/TIRE, 11.2 X 38 (NOT SHOWN) BW500
5	9913638SLVR	2	WHEEL/TIRE, 13.6 X 38 (NOT SHOWN) BW750

Spindle & Hub Assembly



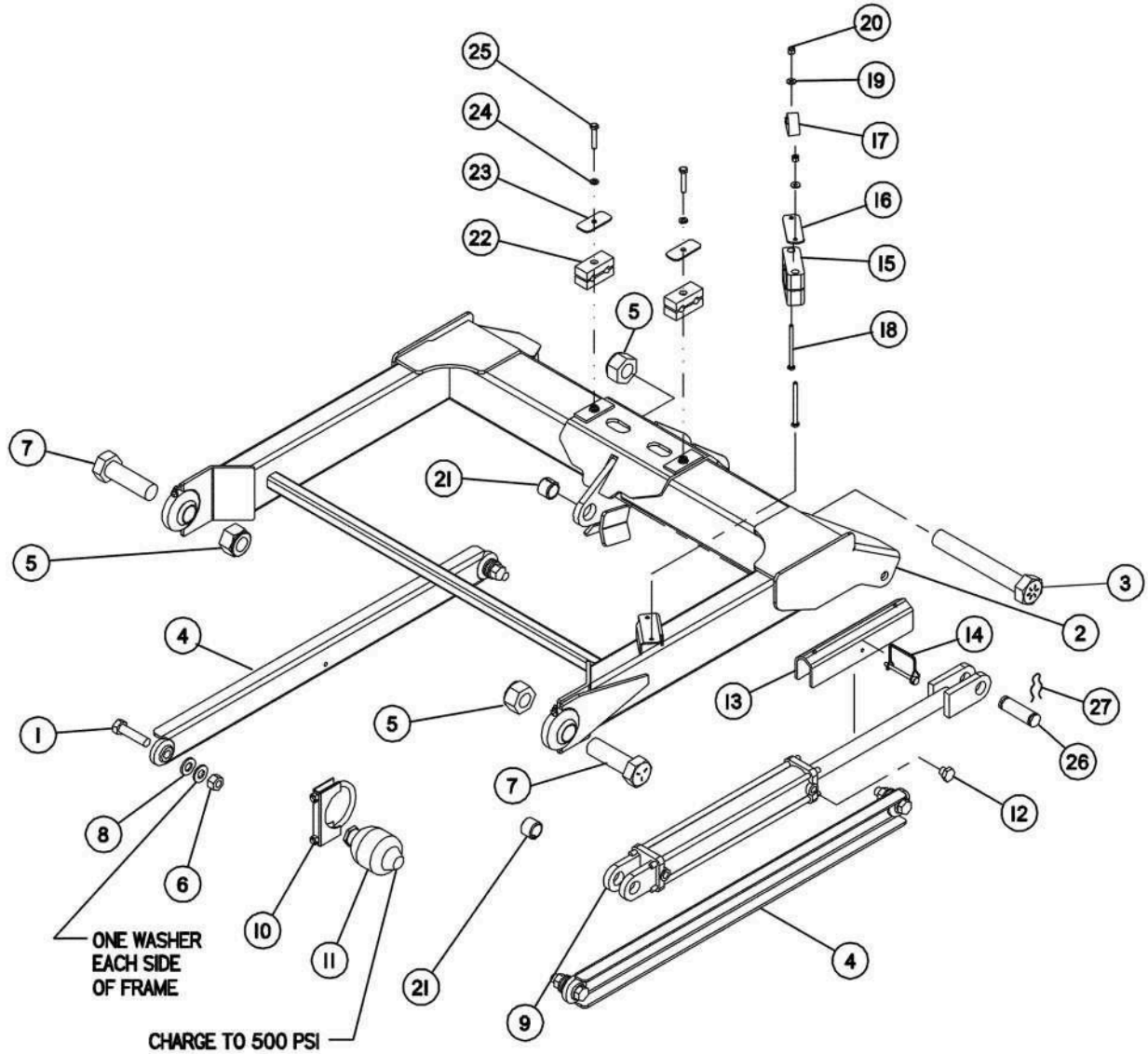


ILLUSTRATED PARTS LIST

Spindle & Hub Assembly Parts List

ITEM	PART NO.	QUANTITY	DESCRIPTION
1	ZM0708458	2	TUBE ASSEMBLY, FLIP AXLE
2	174	2	BOLT, HEX, 5/8-11 X 4" GR 5
3	232	2	NUT, HEX LOCK, 5/8-11 NYLOCK
4	ZM0708400	2	SPINDLE, 2.25" X 12.00"
5	730059	2	HUB ASSEMBLY WITH CUPS (INCLUDES ITEMS 6, 7 & 16)
6	730038	2	BEARING CUP - INNER
7	730051	2	BEARING CUP - OUTER
8	730053	2	SEAL, OIL, 2.250"
9	730020	2	BEARING CONE - INNER
10	730021	2	BEARING CONE - OUTER
11	262	2	WASHER, FLAT, 3/4"
12	913559	2	NUT, SLOTTED, 3/4-16
13	905936	2	PIN, COTTER, 5/32" X 1-3/4"
14	730019	2	CAP, HUB
15	730024	16	NUT, WHEEL
16	943541	16	STUD, WHEEL (INCLUDED WITH ITEM 5)

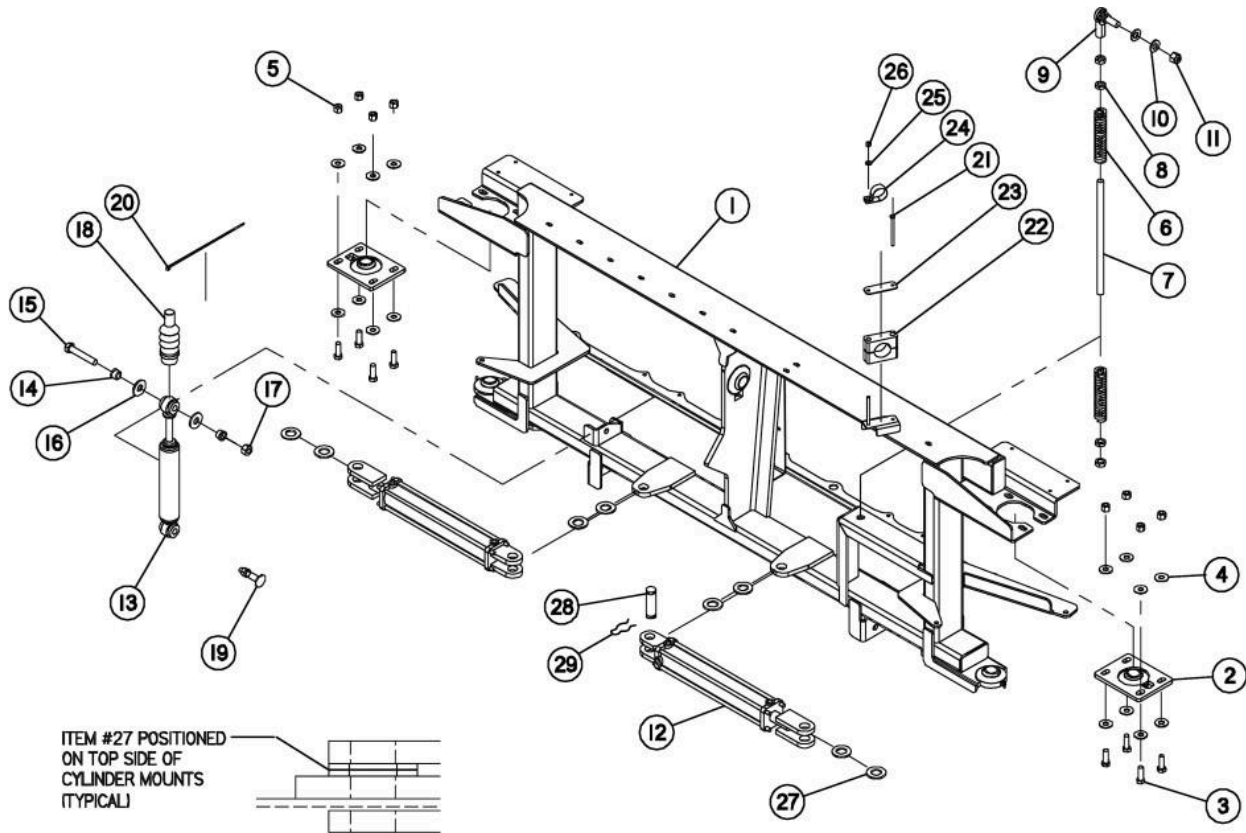
Lift Arm Assembly (EF & EFT Boom)



Lift Arm Assembly (EF & EFT Boom) Parts List

ITEM	PART NO .	QUANTITY	DESCRIPTION
1	169	4	BOLT , HEX , 5/8-11 X 2-1/2" GR 5
2	ZM0708391	1	LIFT ARM ASSEMBLY
2	760	2	GREASE FITTING, 45°, 1/4-28
3	ZM907257	1	BOLT , HEX , 1-1/4-7 X 8-1/2" GR 8
4	ZM0708463	2	LINK , LOWER
5	ZM907249	3	NUT , HEX LOCK , 1-1/4-7 NYLOCK
6	232	4	NUT , HEX LOCK , 5/8-11 NYLOCK
7	ZM907564	2	BOLT , HEX , 1-1/4-7 X 4" GR 5
8	261	8	WASHER, FLAT, 5/8" HT
9	620011	1	CYLINDER, HYDRAULIC , 2" X 12" NITROSTEEL W/PINS & CLIPS
9	639572	1	SEAL KIT, CYLINDER, 2"
10	ZM907542	1	CLAMP , 3" MUFFLER, STAINLESS STEEL
11	630000	1	ACCUMULATOR, 10 CU IN
12	ZM0708751	1	BREATHER, 06 ORB , 50 MESH
13	ZM0709156	1	TRANSPORT STOP
14	ZM1700779	1	PIN, LOCK, 1/4 X 2-1/2"
15	540030	1	CLAMP , HOSE, 1.75"
16	ZM3201597	1	PLATE, COVER
17	540048	1	CLAMP , 1-1/2" VINYL
18	ZM903698	2	BOLT , HEX , 1/4-20 X 3-1/2" GR 5
19	256	2	WASHER, FLAT, 1/4" SAE
20	227	2	NUT , HEX LOCK , 1/4-20 NYLOCK
21	520083	2	BUSHING, HARDENED TENSION
22	ZM3201932	2	TUBE CLAMP , 1/2" TWIN
23	ZM3202002	2	CLAMP PLATE, TUBE
24	257	2	LOCKWASHER, 5/16"
25	BJ17029	2	BOLT , HEX , 5/16-18 X 1-3/4" STAINLESS STEEL
26	ZM0973603	2	PIN, CLEVIS, 1" X 2-3/8" ZNC HT (INCLUDED WITH ITEM 9)
27	ZM0973502	4	PIN, HAIR, 1" (INCLUDED WITH ITEM 9)

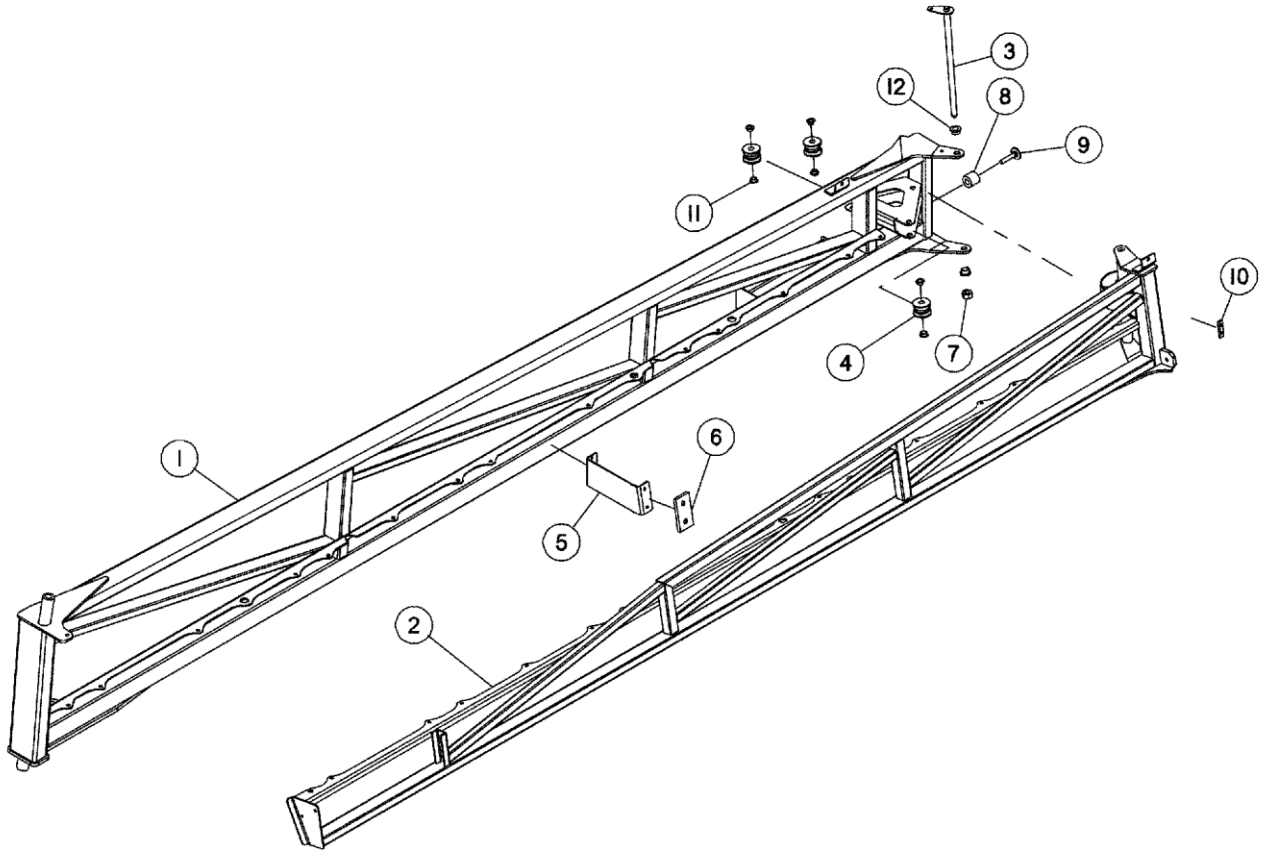
Center Section (EF Boom)



Center Section (EF Boom) Parts List

ITEM	PART NO.	QUANTITY	DESCRIPTION
1	ZM0708465	1	BOOM, CENTER SECTION - EF
	761	3	GREASE FITTING, 90°, 1/4-28
2	ZM0708717	2	PIVOT MOUNT ASSEMBLY
	761	2	GREASE FITTING, 90°, 1/4-28
3	153	8	BOLT, HEX, 1/2-13 X 1-1/2" GR 5
4	260	16	WASHER, FLAT, 1/2"
5	231	8	NUT, HEX LOCK, 1/2-13 NYLOCK
6	ZM907657	2	SPRING, DIE, 1.25 X 6"
7	ZM0709098	1	ROD, THREADED, 5/8-18 X 14"
8	224	4	NUT, HEX JAM, 5/8-18
9	710004	1	ROD END, BALL JOINT LINKAGE
10	261	2	WASHER, FLAT, 5/8" HT
11	232	1	NUT, HEX LOCK, 5/8-18 NYLOCK
12	620011	2	CYLINDER, HYDRAULIC, 2" X 12" NITROSTEEL W/PINS & CLIPS
	ZM6510083	1	SEAL KIT, CYLINDER, 2"
13	ZM0708843	1	SHOCK ABSORBER, BOOM
14	ZM907661	2	BUSHING, FLANGE, 5/8" SINTERED BRONZE
15	173	1	BOLT, HEX, 5/8-11 X 3-1/2" GR 5
16	261	2	WASHER, FLAT, 5/8"
17	232	1	NUT, HEX LOCK, 5/8-11 NYLOCK
18	ZM0708844	1	BOOT, SHOCK ABSORBER
19	ZM0709154	1	KIT, SHOCK MOUNT HARDWARE
20	WA21045	1	TIE, CABLE, 11" BLACK
21	ZM903698	2	BOLT, HEX, 1/4-20 X 3-1/2" GR 5
22	540030	1	CLAMP, 1.75"
23	ZM3201597	1	PLATE, COVER
24	540048	1	CLAMP, 1-1/2" VINYL
25	256	1	WASHER, FLAT, 1/4" SAE
26	227	2	NUT, HEX LOCK, 1/4-20 NYLOCK
27	590146	8	WASHER, FLAT, 1"
28	ZM0973603	4	PIN, CLEVIS, 1" X 2-3/8" ZNC HT (INCLUDED WITH ITEM 12)
29	ZM0973502	8	PIN, HAIR, 1" (INCLUDED WITH ITEM 12)

Boom Assembly Right Side (EF Boom)



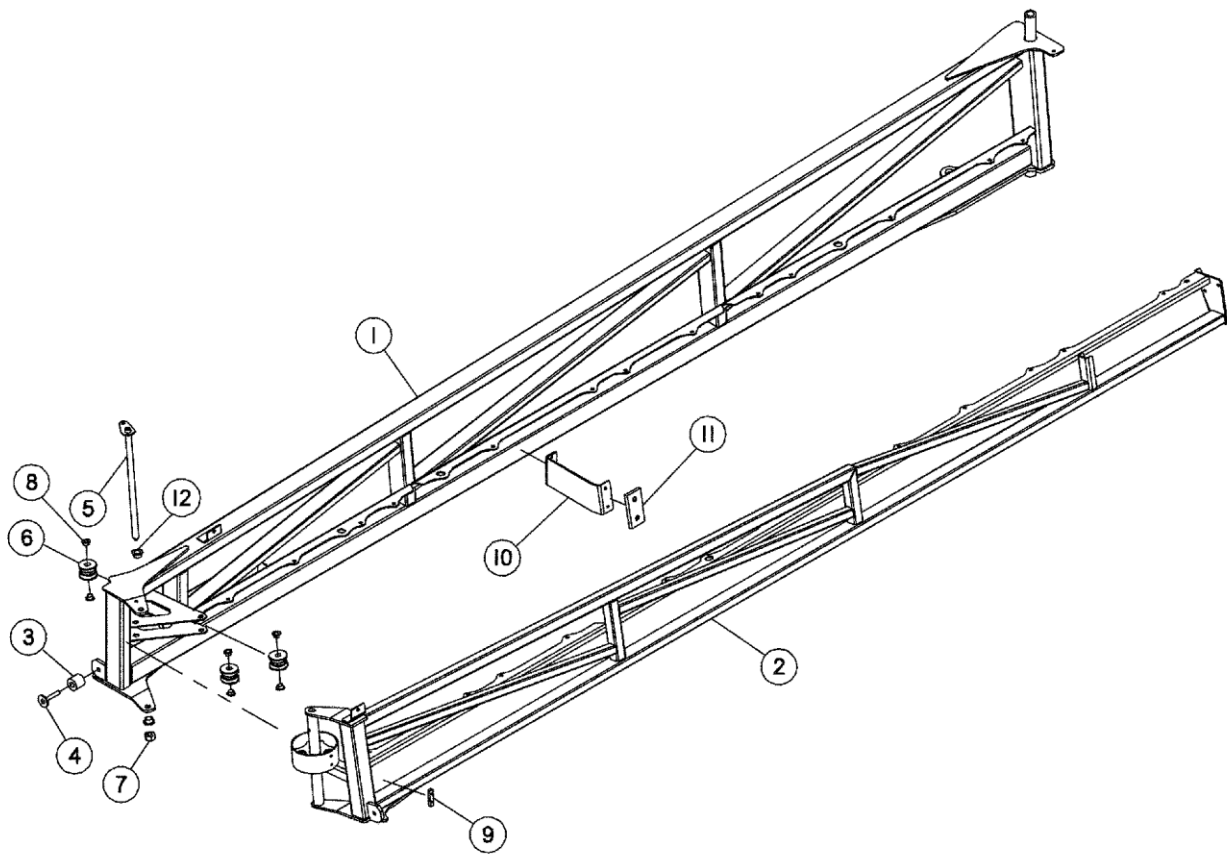


ILLUSTRATED PARTS LIST

Boom Assembly Right Side (EF Boom) Parts List

ITEM	PART NO.	QTY.	DESCRIPTION
1	ZM0709011	1	BOOM, RIGHT HAND PRIMARY, EF
2	ZM0709028	1	BOOM, RIGHT HAND SECONDARY, 51' (20" NOZZLE SPACING)
	759	1	GREASE FITTING, 1/4-28, TAPER
	ZM0709115	1	BOOM, RIGHT HAND SECONDARY, 48' (20" NOZZLE SPACING)
	759	1	GREASE FITTING, 1/4-28, TAPER
	ZM0709237	1	BOOM, RIGHT HAND SECONDARY, 45' (15" NOZZLE SPACING)
	759	1	GREASE FITTING, 1/4-28, TAPER
	ZM0709237	1	BOOM, RIGHT HAND SECONDARY, 45' (20" NOZZLE SPACING)
	759	1	GREASE FITTING, 1/4-28, TAPER
3	ZM0708501	1	SECONDARY FOLD PIN
	101	1	BOLT, HEX, 1/4-20 X 3/4" GR 5
	227	1	NUT, HEX LOCK, 1/4-20 NYLOCK
4	ZM0709127	3	ROLLER, TRANSITION
	157	3	BOLT, HEX, 1/2-13 X 3-1/4" GR 5
	H001421	6	WASHER, FLAT, 1/2" SAE
	231	3	NUT, HEX LOCK, 1/2-13 NYLOCK
5	ZM0709133	1	REST, SECONDARY BOOM
	ZM0709134	1	PLATE, SECONDARY BOOM REST
	ZM903698	2	BOLT, HEX, 1/4-20 X 3-1/2" GR 5
	256	4	WASHER, FLAT, 1/4" SAE
	227	2	NUT, HEX LOCK, 1/4-20 NYLOCK
6	ZM0705487	1	INSERT, TILT ARM, UHMW PLASTIC
	H003130	2	BOLT, FLAT HEAD, 1/4-20 X 3/4"
	256	2	WASHER, FLAT, 1/4" SAE
	227	2	NUT, HEX LOCK, 1/4-20 NYLOCK
7	232	1	NUT, HEX LOCK, 5/8-11 NYLOCK
8	ZM0709152	1	BUMPER, SECONDARY
9	ZM0705468	1	RETAINER, WING BUMPER
	H004778	1	WASHER, FLAT, 3/8" FENDER
	H001010	1	NUT, HEX LOCK, 3/8-16 NYLOCK
10	ZM0709077	1	BAR, CABLE HOLD
	102	2	BOLT, HEX, 1/4-20 X 1" GR 5
	227	2	NUT, HEX LOCK, 1/4-20 NYLOCK
11	ZM3203014	6	BUSHING, 1/2" NYLON
12	ZM907651	2	BUSHING, FLANGED, 5/8" NYLON

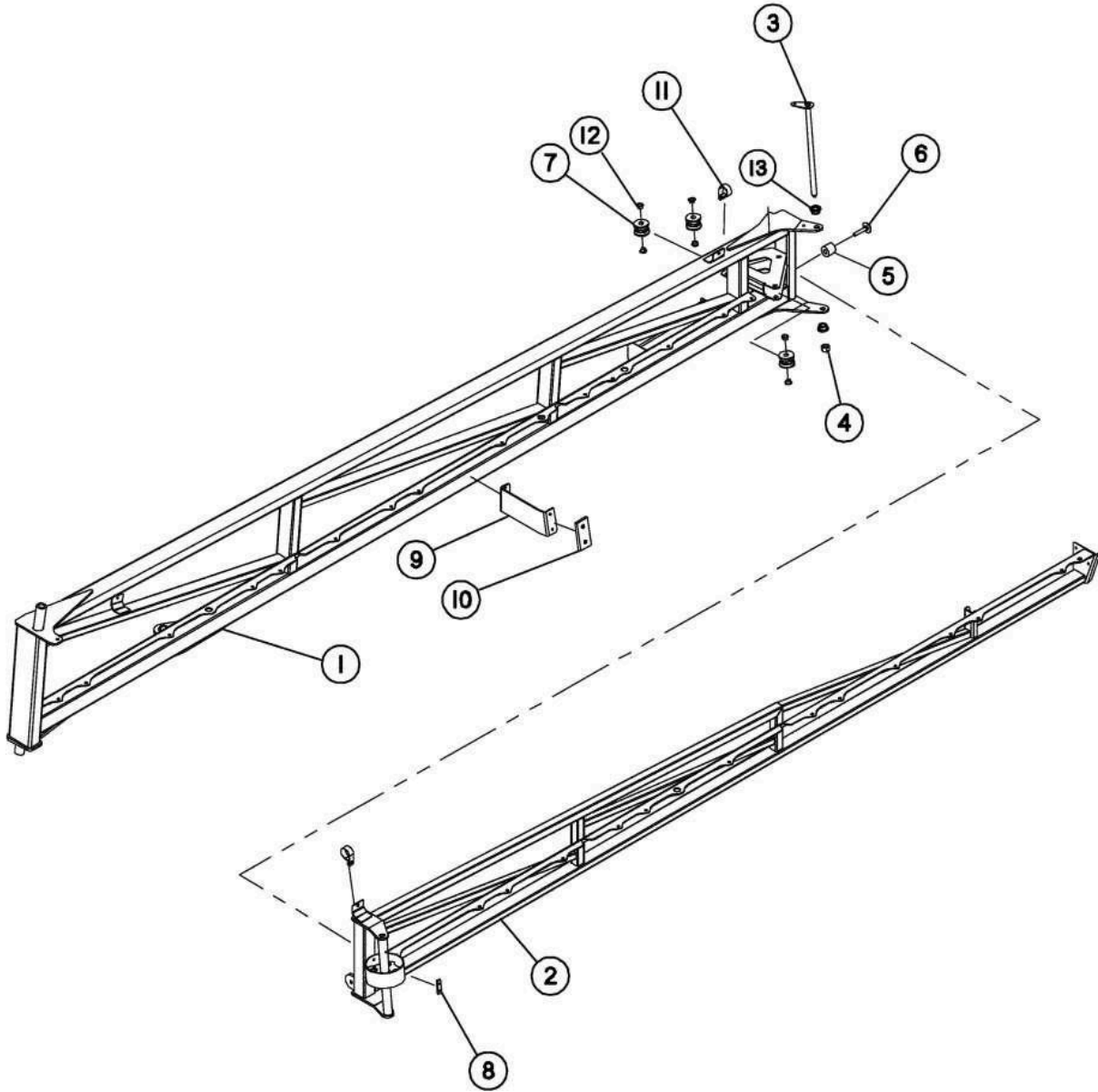
Boom Assembly Left Side (EF Boom)



Boom Assembly Left Side (EF Boom) Parts List

ITEM	PART NO.	QTY.	DESCRIPTION
1	ZM0709010	1	BOOM, LEFT HAND PRIMARY EF
2	ZM0709027	1	BOOM, LEFT HAND SECONDARY, 51' (20" NOZZLE SPACING)
	759	1	GREASE FITTING, 1/4-28, TAPER
	ZM0709114	1	BOOM, LEFT HAND SECONDARY, 48' (20" NOZZLE SPACING)
	759	1	GREASE FITTING, 1/4-28, TAPER
	ZM0709236	1	BOOM, LEFT HAND SECONDARY, 45' (15" NOZZLE SPACING)
	759	1	GREASE FITTING, 1/4-28, TAPER
	ZM0709236	1	BOOM, LEFT HAND SECONDARY, 45' (20" NOZZLE SPACING)
	759	1	GREASE FITTING, 1/4-28, TAPER
3	ZM0709152	1	BUMPER, SECONDARY
4	ZM0705468	1	RETAINER, WING BUMPER
	H004778	1	WASHER, FLAT, 3/8 FENDER
	H001010	1	NUT, HEX LOCK, 3/8-16 NYLOCK
5	ZM0708501	1	SECONDARY FOLD PIN
	101	1	BOLT, HEX, 1/4-20 X 3/4" GR 5
	227	1	NUT, HEX LOCK, 1/4-20 NYLOCK
6	ZM0709127	3	ROLLER, TRANSITION
	157	3	BOLT, HEX, 1/2-13 X 3-1/4" GR 5
	H001421	6	WASHER, FLAT, 1/2" SAE
	231	3	NUT, HEX LOCK, 1/2-13 NYLOCK
7	232	1	NUT, HEX LOCK, 5/8-11 NYLOCK
8	ZM3203014	6	BUSHING, 1/2" NYLON
9	ZM0709077	1	BAR, CABLE HOLD
	102	2	BOLT, HEX, 1/4-20 X 1" GR 5
	227	2	NUT, HEX LOCK, 1/4-20 NYLOCK
10	ZM0709133	1	REST, SECONDARY BOOM
	ZM0709134	1	PLATE, SECONDARY BOOM REST
	ZM903698	2	BOLT, HEX, 1/4-20 X 3-1/2" GR 5
	256	4	WASHER, FLAT, 1/4" SAE
	227	2	NUT, HEX LOCK, 1/4-20 NYLOCK
11	ZM0705487	1	INSERT, TILT ARM, UHMW PLASTIC
	H003130	2	BOLT, FLAT HEAD, 1/4-20 X 3/4"
	256	2	WASHER, FLAT, 1/4" SAE
	227	2	NUT, HEX LOCK, 1/4-20 NYLOCK
12	ZM907651	2	BUSHING, FLANGED, 5/8" NYLON

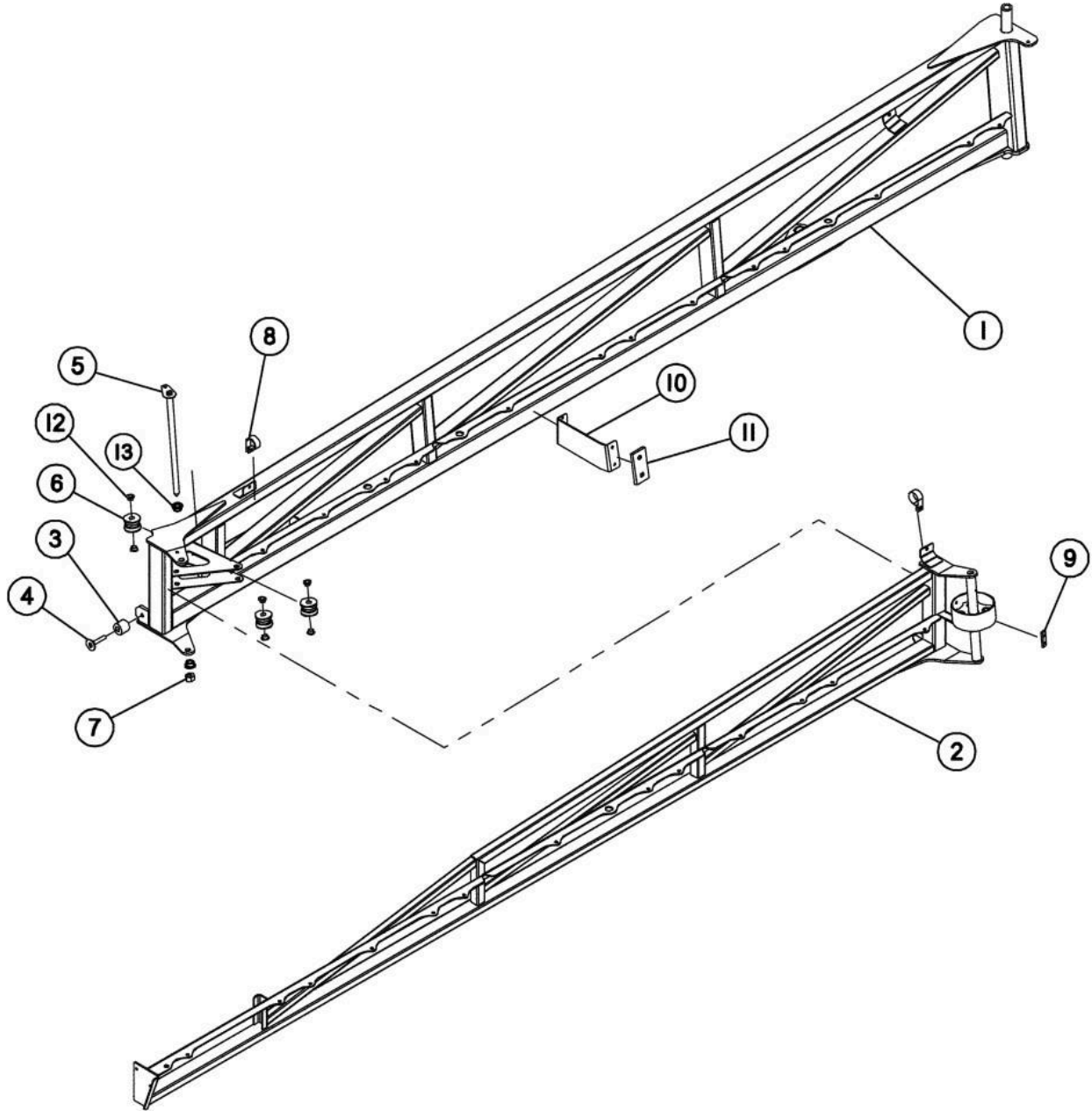
Boom Assembly Right Side (EFT Boom)



Boom Assembly Right Side (EFT Boom) Parts List

ITEM	PART NO.	QTY.	DESCRIPTION
1	ZM0709340	1	BOOM, RIGHT HAND PRIMARY, WITH TILT EF
2	ZM0709028	1	BOOM, RIGHT HAND SECONDARY, 51'
	759	1	GREASE FITTING, 1/4-28, TAPER
3	ZM0708501	1	SECONDARY FOLD PIN
	101	1	BOLT, HEX, 1/4-20 X 3/4" GR 5
	227	1	NUT, HEX LOCK, 1/4-20 NYLOCK
4	232	1	NUT, HEX LOCK, 5/8-11 NYLOCK
5	ZM0709152	1	BUMPER, SECONDARY
6	ZM0705468	1	RETAINER, WING BUMPER
	H004778	1	WASHER, FLAT, 3/8 FENDER
	H001010	1	NUT, HEX LOCK, 3/8-16 NYLOCK
7	ZM0709127	3	ROLLER, TRANSITION
	157	3	BOLT, HEX, 1/2-13 X 3-1/4" GR 5
	H001421	6	WASHER, FLAT, 1/2" SAE
	231	3	NUT, HEX LOCK, 1/2-13 NYLOCK
8	ZM0709077	1	BAR, CABLE HOLD
	102	2	BOLT, HEX, 1/4-20 X 1" GR 5
	227	2	NUT, HEX LOCK, 1/4-20 NYLOCK
9	ZM0709133	1	REST, SECONDARY BOOM
	ZM0709134	1	PLATE, SECONDARY BOOM REST
	ZM903698	2	BOLT, HEX, 1/4-20 X 3-1/2" GR 5
	256	4	WASHER, FLAT, 1/4" SAE
	227	2	NUT, HEX LOCK, 1/4-20 NYLOCK
10	ZM0705487	1	INSERT, TILT ARM, UHMW PLASTIC
	H003130	2	BOLT, FLAT HEAD, 1/4-20 X 3/4"
	256	2	WASHER, FLAT, 1/4" SAE
	227	2	NUT, HEX LOCK, 1/4-20 NYLOCK
11	540048	2	CLAMP, 1-1/2" VINYL
12	ZM3203014	6	BUSHING, 1/2" NYLON
13	ZM907651	2	BUSHING, FLANGED, 5/8" NYLON

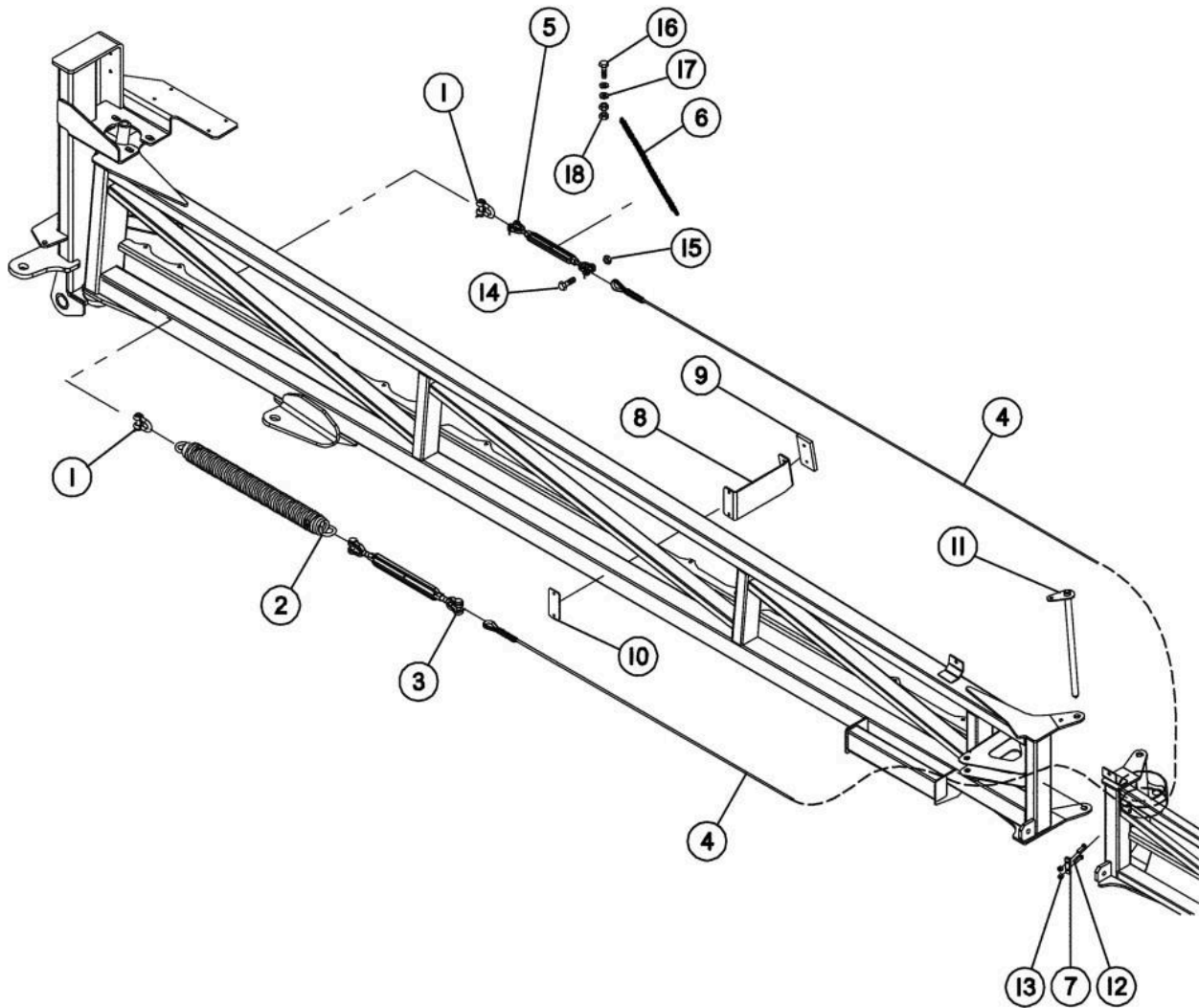
Boom Assembly Left Side (EFT Boom)



Boom Assembly Left Side (EFT Boom) Parts List

ITEM	PART NO.	QTY.	DESCRIPTION
1	ZM0709339	1	BOOM, LEFT HAND PRIMARY, WITH TILT EF
2	ZM0709027	1	BOOM, LEFT HAND SECONDARY, 51'
	759	1	GREASE FITTING, 1/4-28, TAPER
3	ZM0709152	1	BUMPER, SECONDARY
4	ZM0705468	1	RETAINER, WING BUMPER
	H004778	1	WASHER, FLAT, 3/8 FENDER
	H001010	1	NUT, HEX LOCK, 3/8-16 NYLOCK
5	ZM0708501	1	SECONDARY FOLD PIN
	101	1	BOLT, HEX, 1/4-20 X 3/4" GR 5
	227	1	NUT, HEX LOCK, 1/4-20 NYLOCK
6	ZM0709127	3	ROLLER, TRANSITION
	157	3	BOLT, HEX, 1/2-13 X 3-1/4" GR 5
	H001421	6	WASHER, FLAT, 1/2" SAE
	231	3	NUT, HEX LOCK, 1/2-13 NYLOCK
7	232	1	NUT, HEX LOCK, 5/8-11 NYLOCK
8	540048	2	CLAMP, 1-1/2" VINYL
9	ZM0709077	1	BAR, CABLE HOLD
	102	2	BOLT, HEX, 1/4-20 X 1" GR 5
	227	2	NUT, HEX LOCK, 1/4-20 NYLOCK
10	ZM0709133	1	REST, SECONDARY BOOM
	ZM0709134	1	PLATE, SECONDARY BOOM REST
	ZM903698	2	BOLT, HEX, 1/4-20 X 3-1/2" GR 5
	256	4	WASHER, FLAT, 1/4" SAE
	227	2	NUT, HEX LOCK, 1/4-20 NYLOCK
11	ZM0705487	1	INSERT, TILT ARM, UHMW PLASTIC
	H003130	2	BOLT, FLAT HEAD, 1/4-20 X 3/4"
	256	2	WASHER, FLAT, 1/4" SAE
	227	2	NUT, HEX LOCK, 1/4-20 NYLOCK
12	ZM3203014	6	BUSHING, 1/2" NYLON
13	ZM907651	2	BUSHING, FLANGED, 5/8" NYLON

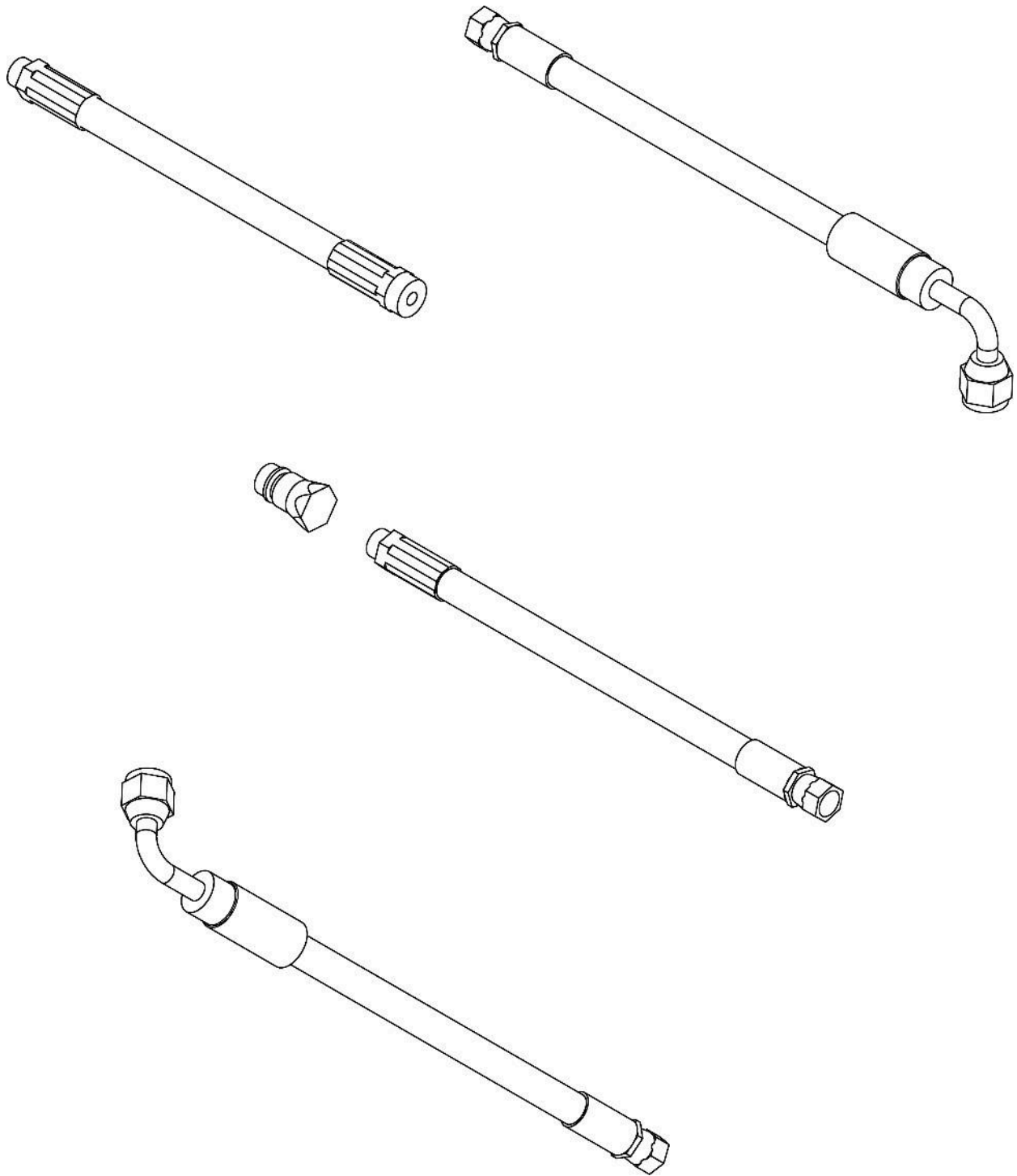
Boom Wing Fold & Breakaway (EF & EFT Boom)



Boom Wing Fold & Breakaway (EF & EFT Boom) Parts List

ITEM	PART NO.	QTY.	DESCRIPTION
1	ZM907666	2	SHACKLE, 3/8"
2	ZM0708920	1	SPRING, EXTENSION 24"
3	ZM907668	1	TURNBUCKLE, 1/2 X 9" WITH NUTS
4	ZM0708506	1	CABLE ASSEMBLY, SECONDARY FOLD
5	ZM907667	1	TURNBUCKLE, 3/8 X 6" WITH NUTS
6	ZM907656	1	SPRING, EXTENSION, 1/2 X 12 X .065"
7	ZM0709077	1	BAR, CABLE HOLD
8	ZM0709133	1	REST, SECONDARY BOOM
9	ZM0705487	1	INSERT, TILT ARM, UHMW PLASTIC
	H003130	2	BOLT, FLAT HEAD, 1/4-20 X 3/4"
	256	2	WASHER, FLAT, 1/4 SAE
	227	2	NUT, HEX LOCK, 1/4-20 NYLOCK
10	ZM0709134	1	PLATE, SECONDARY BOOM REST
	ZM903698	2	BOLT, HEX, 1/4-20 X 3-1/2" GR 5
	256	4	WASHER, FLAT, 1/4" SAE
	227	2	NUT, HEX LOCK, 1/4-20 NYLOCK
11	ZM0708501	1	SECONDARY FOLD PIN
	101	1	BOLT, HEX, 1/4-20 X 3/4" GR 5
	227	1	NUT, HEX LOCK, 1/4-20 NYLOCK
	232	1	NUT, HEX LOCK, 5/8-11 NYLOCK
12	102	2	BOLT, HEX, 1/4-20 X 1" GR 5
13	227	2	NUT, HEX LOCK, 1/4-20 NYLOCK
14	BJ17029	1	BOLT, HEX, 5/16-18 X 1-3/4" STAINLESS STEEL
15	656	1	NUT, HEX LOCK, 5/16-18 NYLOCK STAINLESS STEEL
16	102	1	BOLT, HEX, 1/4-20 X 1-1/4" GR 5
17	256	2	WASHER, FLAT, 1/4" SAE
18	227	2	NUT, HEX LOCK, 1/4-20 NYLOCK

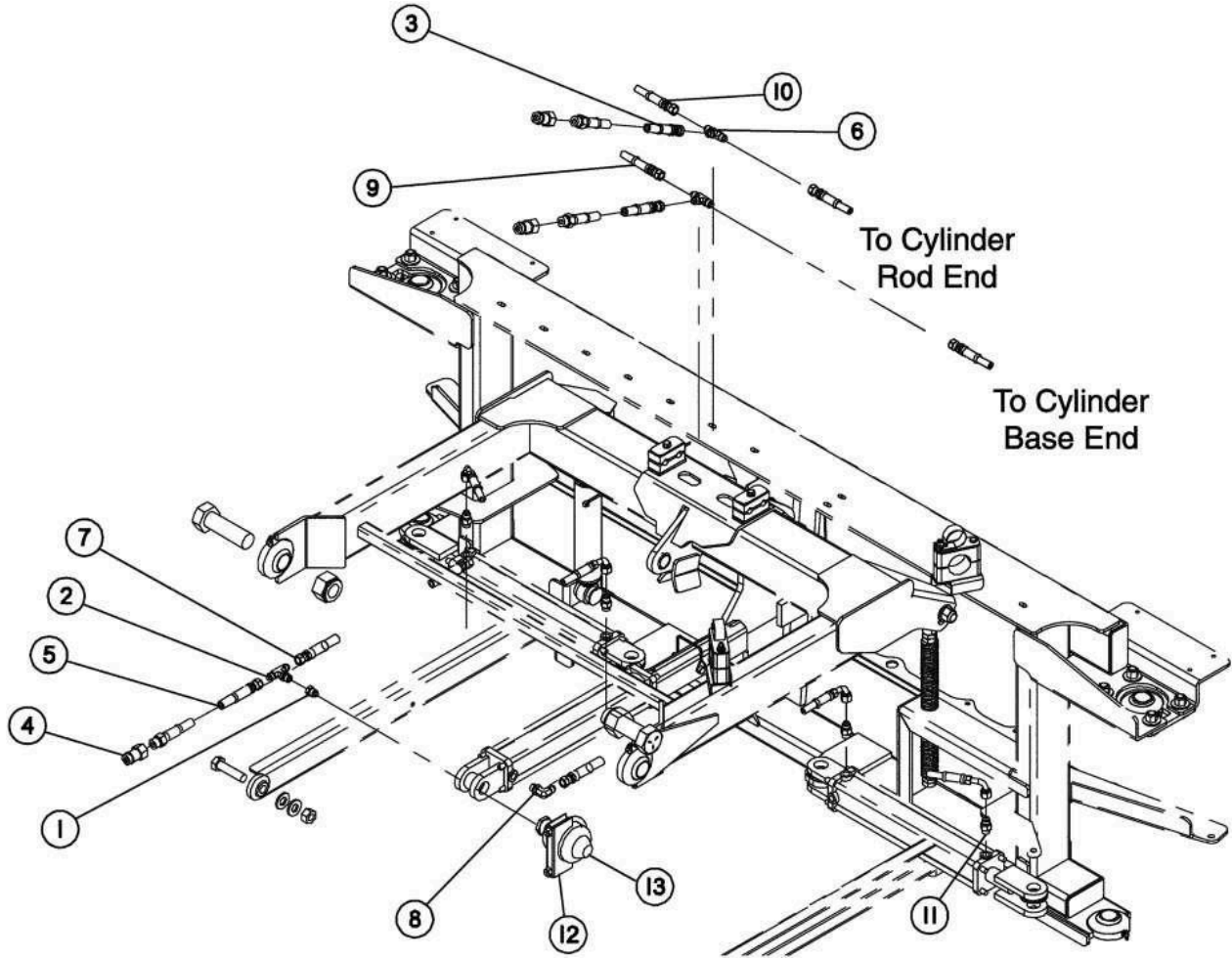
Hydraulic Hose Chart



Hydraulic Hose Chart Parts List

ITEM	PART NO.	QTY.	DESCRIPTION
BW500 EF BOOM - 45 FOOT WINGS			
0	520048	3	Hydraulic Quick Coupler, 2-NV12-12SAE-M
0	ZM0709099	1	Hose, Hydraulic, FDM6R17-8MBO-6FJX, 3/8" From Tractor
0	ZM0709100	1	Hose, Hydraulic, FDM6R17-8MBO-6FJX, 3/8" From Tractor to Flip and Main Wings
0	ZM0708423	1	Hose, Hydraulic, FDM6R17-6FJX-6FJX, Lift Cylinder Accumulator
0	ZM0709102	2	Hose, Hydraulic, FDM4R17-6FJX-6FJX90M, Rod End Swing
0	ZM0709101	1	Hose, Hydraulic, FDM4R17-6FJX-6FJX90M, Base End Swing
BW500 ETF BOOM - 45 FOOT WINGS			
0	520048	3	Hydraulic Quick Coupler, 2-NV12-12SAE-M
0	ZM0709432	1	Hose, Hydraulic, 1/4" x 53", RH TILT CYLINDER ROD
0	ZM3201586	1	Hose, Hydraulic, 1/4" x 60", RH TILT CYLINDER BASE
0	ZM0709431	1	Hose, Hydraulic, 1/4" x 70", LH TILT CYLINDER BASE
0	ZM0709414	1	Hose, Hydraulic, 1/4" x 63", LH TILT CYLINDER ROD
0	ZM0709411	3	Hose, Hydraulic, 3/8" x 304", PRESSURE
0	ZM0709412	2	Hose, Hydraulic, 1/4" x 41", LH & RH SWING CYLINDER
0	ZM0709413	1	Hose, Hydraulic, 1/4" x 44", ACCUMULATOR
0	ZM0708423	1	Hose, Hydraulic, 3/8" LIFT CYLINDER
BW750 - 60 FOOT WINGS			
0	520048	4	Hydraulic Quick Coupler, 2-NV12-12SAE-M
0	ZM0709432	2	Hose, Hydraulic, FDM4R17-6FJX-6FJX90M-53, Tip Cylinder Rod End, L&R
0	600043-9	1	Hose, Hydraulic, FDM4R17-4FJX-6FJX-58. Hydraulic Block to LH Swing Cylinder Base End
0	600066-2	1	Hose, Hydraulic, FDM4R17-4FJX90M-6FJX-58, Hydraulic Block to RH Swing Cylinder Base End
0	600066-4	1	Hose, Hydraulic, FDM4R17-4FLX90M-6FJX-70, Hydraulic Block to RH Swing Cylinder Rod End
0	600066-5	1	Hose, Hydraulic, FDM4R17-4FJX-6FJX-70, Hydraulic Block to LH Swing Cylinder Rod End
0	600066-6	1	Hose, Hydraulic, FDM4R17-4FJX-4FJX90M-69, Boom Tree Lift Cylinder
0	600066-7	2	Hose, Hydraulic, FDM6R17-8ORB-8JICF-351, Hydraulic Block to Quick Coupler, Pressure and Return Lines
0	600066-8	1	Hose, Hydraulic, FDM8R17-8ORB-10ORB-83, Hydraulic Quick Coupler to Pump - Pressure
0	600066-9	1	Hose, Hydraulic, FDM10R17-8ORB-10ORB-83, Hydraulic Quick Coupler to Pump - Return

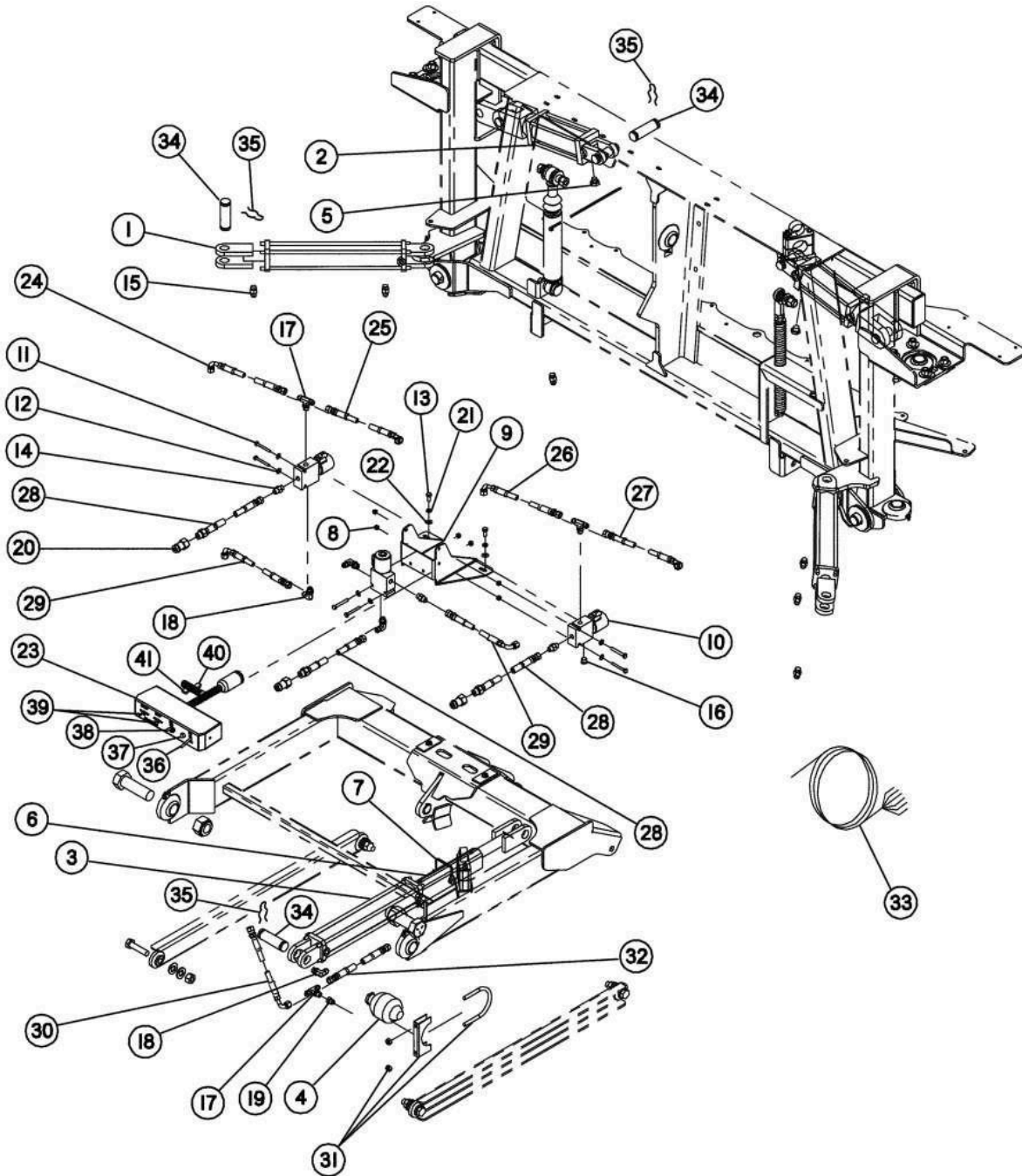
Hydraulic Lift & Wing Fold (EF Boom)



Hydraulic Lift & Wing Fold (EF Boom) Parts List

ITEM	PART NO.	QUANTITY	DESCRIPTION
1	ZM3201954	1	ORIFICE, 3/8" JIC, .040"
2	610033	1	TEE, 06 ORB X JIC
3	ZM0709100	2	HOSE, HYDRAULIC, 3/8" X 292"
4	520048	3	COUPLER, QUICK MALE, 08 ORB
5	ZM0709099	1	HOSE, HYDRAULIC, 3/8" X 258"
6	610005	2	TEE, UNION, JIC 3/8"
7	ZM0708423	1	HOSE, HYDRAULIC, 3/8" X 18"
8	610078	1	ELBOW, 06 ORB X MJIC
9	ZM0709102	2	HOSE, HYDRAULIC, 1/4" X 35"
10	ZM0709101	2	HOSE, HYDRAULIC, 1/4" X 49.50"
11	610118	4	RESTRICTOR, .031"
12	ZM907542	1	CLAMP, 3" MUFFLER, STAINLESS STEEL
13	630000	1	ACCUMULATOR, 10 CU IN

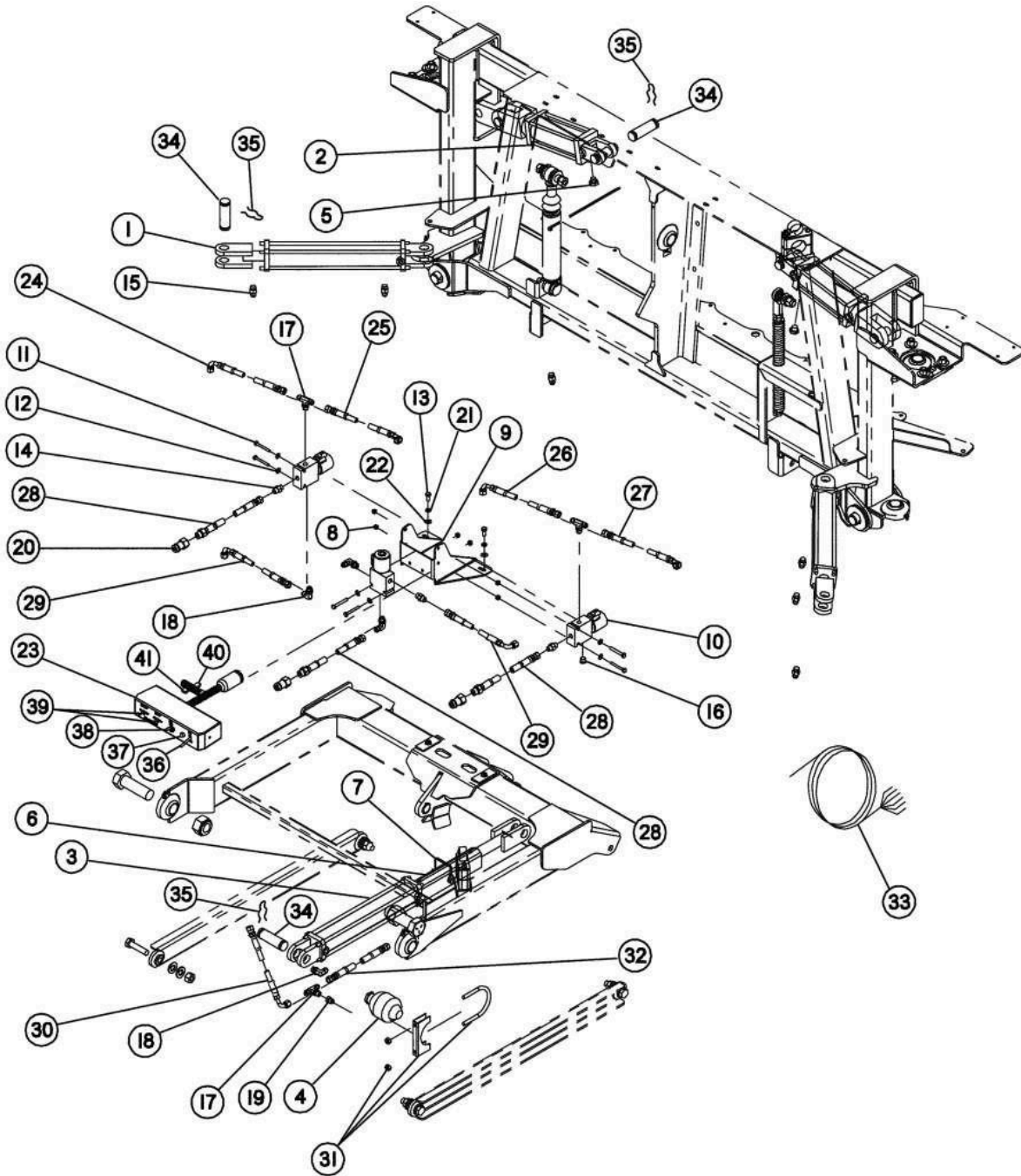
Hydraulic Lift & Wing Fold (EFT Boom)



Hydraulic Lift & Wing Fold (EFT Boom) Parts List

ITEM	PART NO.	QUANTITY	DESCRIPTION
1	620011	2	CYLINDER, HYDRAULIC, 2" X 12" NITROSTEEL WITH PINS & CLIPS
	639572	1	SEAL KIT, CYLINDER, 2"
2	648020	2	CYLINDER, HYDRAULIC, 2" X 5" NITROSTEEL WITH PINS & CLIPS
	639572	1	SEAL KIT, CYLINDER, 2"
3	620011	1	CYLINDER, HYDRAULIC, 2" X 12" NITROSTEEL WITH PINS & CLIPS
	639572	1	SEAL KIT, CYLINDER, 2"
4	630000	1	ACCUMULATOR, 10 CU. IN.
5	110563	3	BREATHER, 06 ORB
6	ZM0709156	1	TRANSPORT STOP, 500 BW
7	ZM1700779	1	PIN, LOCK, 1/4" X 2-1/2"
8	655	6	NUT, HEX LOCK, 1/4-20 STAINLESS STEEL NYLOCK
9	ZM0709409	1	BRACKET, EFT VALVE SUPPORT
10	ZM0709408	3	VALVE, EFT, 3-WAY HYDRAULIC
11	104	6	BOLT, HEX, 1/4-20 X 2"
12	663	6	WASHER, FLAT 1/4"
13	114	2	BOLT, HEX, 5/16-18 X 3/4"
14	610010	3	ADAPTER, 06 ORB X 3/8" MJIC
15	610118	6	RESTRICTOR, .031"
16	610020	1	PLUG, 06 ORB SOCKET
17	610033	3	TEE, 06 ORB X JIC
18	610078	4	ELBOW, 06 ORB X MJIC
19	ZM3201954	1	ORIFICE, 3/8" JIC, .040"
20	520048	3	COUPLER, QUIK MALE, 08 ORB
21	257	2	LOCKWASHER, 5/16"
22	ZM907379	2	WASHER, FLAT, 5/16"

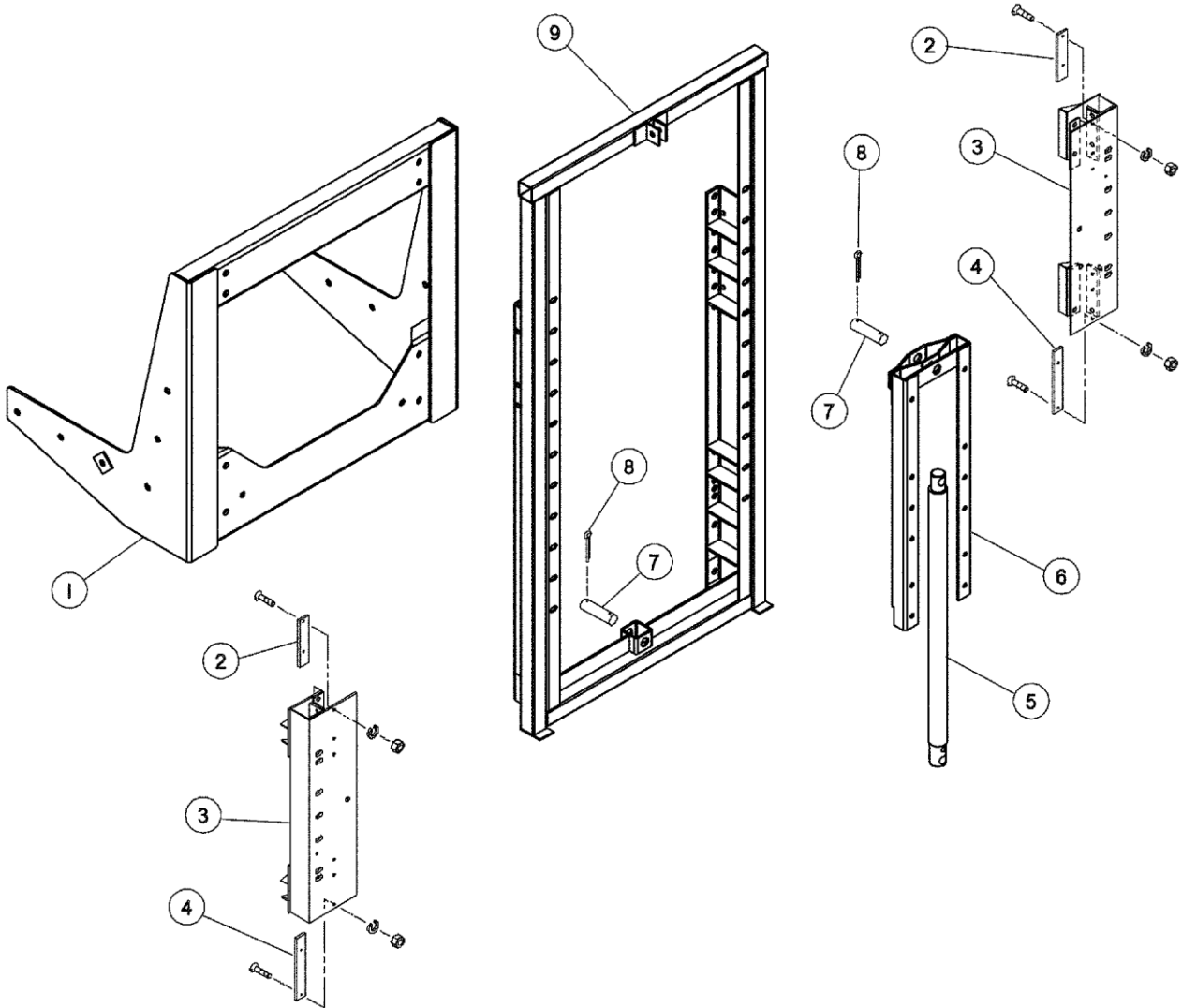
Hydraulic Lift & Wing Fold (EFT Boom)



Hydraulic Lift & Wing Fold (EFT Boom) Parts List

ITEM	PART NO.	QUANTITY	DESCRIPTION
23	631806	1	CONTROL BOX, EFT/HT
			(INCLUDES ITEMS 36 - 41) AND MOUNTING KNOBS, MOUNTING STRAPS AND BRACKET.
	106-0159-437	1	MOUNTING BRACKET
	106-0159-438	2	MOUNTING KNOB
	NS	2	MOUNTING STRAP (INCLUDED WITH ITEM 23)
24	ZM0709432	1	HOSE, HYDRAULIC, 1/4" X 53"
25	ZM3201586	1	HOSE, HYDRAULIC, 1/4" X 60"
26	ZM0709431	1	HOSE, HYDRAULIC, 1/4" X 70"
27	ZM0709414	1	HOSE, HYDRAULIC, 1/4" X 63"
28	ZM0709411	3	HOSE, HYDRAULIC, 3/8" X 304"
29	ZM0709412	2	HOSE, HYDRAULIC, 1/4" X 41"
30	ZM0709413	1	HOSE, HYDRAULIC, 1/4" X 44"
31	ZM907542	1	CLAMP, MUFFLER, 3" STAINLESS STEEL
32	ZM0708423	1	HOSE, HYDRAULIC, 3/8" LIFT CYLINDER
33	ZM0709434	1	HARNESS, SPRAYER HALF, EFT/HT
34	134953	10	PIN, CLEVIS, 1" X 2-3/8" ZNC HT (INCLUDED WITH ITEMS 1, 2 & 3)
35	134952	20	PIN, HAIR, 1" (INCLUDED WITH ITEMS 1, 2 & 3)
36	NS	1	SWITCH, SPST (INCLUDED WITH ITEM 23)
37	513-3001-004	1	LAMP, INDICATOR (INCLUDED WITH ITEM 23)
38	NS	1	SWITCH, DPDT (INCLUDED WITH ITEM 23)
39	412-2011-069	2	SWITCH, DPDT (INCLUDED WITH ITEM 23)
40	WA46110	1	FUSE, SPADE, 10 AMP (INCLUDED WITH ITEM 23)
41	WA47419	1	FUSE, SPADE, 20 AMP (INCLUDED WITH ITEM 23)

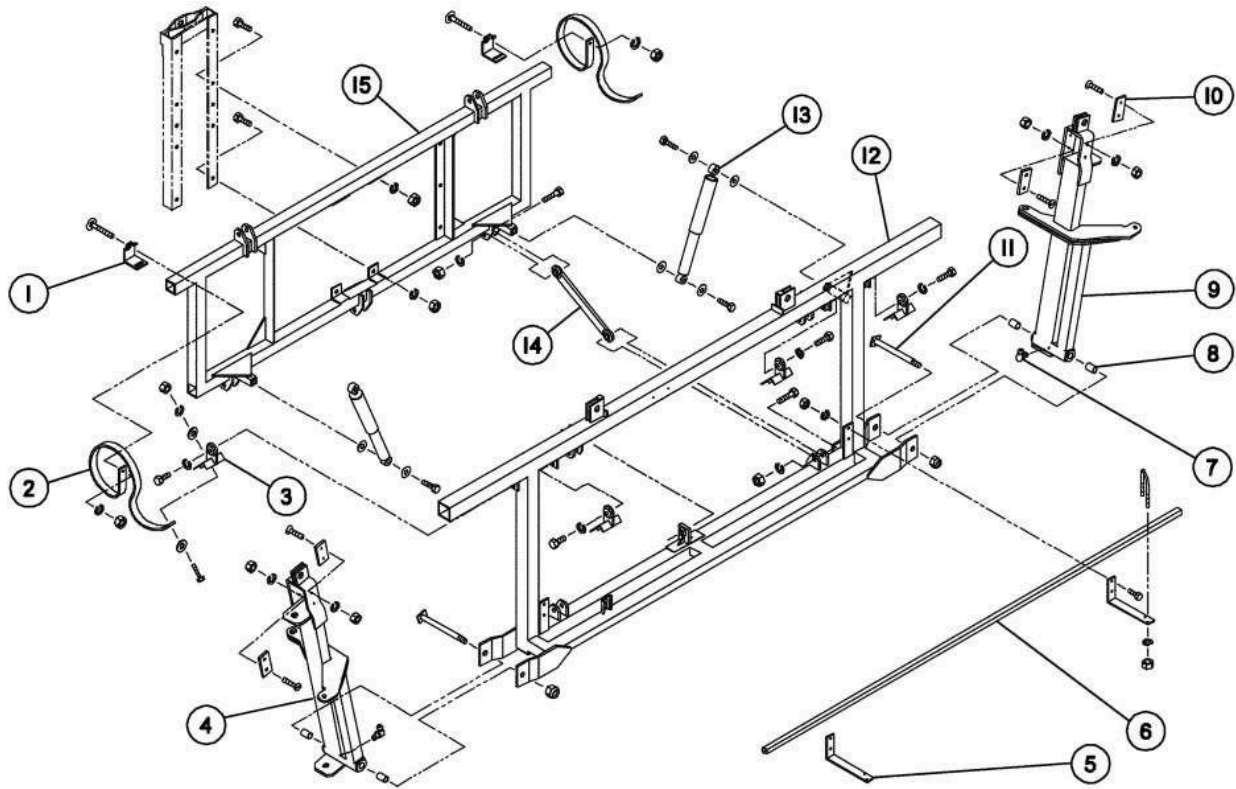
Hydraulic Tower Assembly (HC Boom)



Hydraulic Tower Assembly (HC Boom) Parts List

ITEM	PART NO.	QTY.	DESCRIPTION
1	ZM0708822	1	ADAPTER, TOWER MOUNT
	169	10	BOLT, HEX, 5/8-11 X 1-1/2" GR 5
	170	2	BOLT, HEX, 5/8-11 X 2" GR 5
	261	12	WASHER, FLAT, 5/8" STD
	232	12	NUT, HEX LOCK, 5/8-11 NYLOCK
2	ZM0703075	10	INSERTS, PLASTIC, 1-3/8" X 6" UHMW
	H003130	20	SCREW, MACHINE, 1/4-20 X 3/4"
	H001632	20	LOCKWASHER, 1/4" MED
	H001659	20	NUT, HEX, 1/4-20
3	ZM0705028	2	SLIDE, ULTRA, WELDMENT
4	ZM0703076	2	INSERTS, PLASTIC, 1-3/8 X 8" UHMW
	H003130	4	SCREW, MACHINE, 1/4-20 X 3/4"
	H001632	4	LOCKWASHER, 1/4" MED
	H001659	4	NUT, HEX, 1/4-20
5	ZM0707734	1	CYLINDER, HYDRAULIC, ONE WAY, CS150 X 29, MOUNTAIN POWER
5	ZM0707735	1	CYLINDER, HYDRAULIC, ONE WAY, CS150 X 29, BEST METAL PRODUCTS
	ZM0719123	1	SEAL KIT, LIFT CYLINDER, BEST METAL PRODUCTS
	FD10015	1	SEAL KIT, LIFT CYLINDER, MOUNTAIN POWER
6	ZM0703250	1	MOUNT, CYLINDER, MID SECTION LIFT
7	ZM0717905	2	PIN, HEADLESS, 1" X 3.75" PL
8	H001148	4	PIN, COTTER, 3/16" X 1-1/2"
9	23265	1	TOWER, ULTRA SLIDE, WIDE
	169	6	BOLT, HEX, 5/8-11 X 1-1/2" GR 5
	170	2	BOLT, HEX, 5/8-11 X 2" GR 5
	261	8	WASHER, FLAT, 5/8" STD
	232	8	NUT, HEX LOCK, 5/8-11 NYLOCK

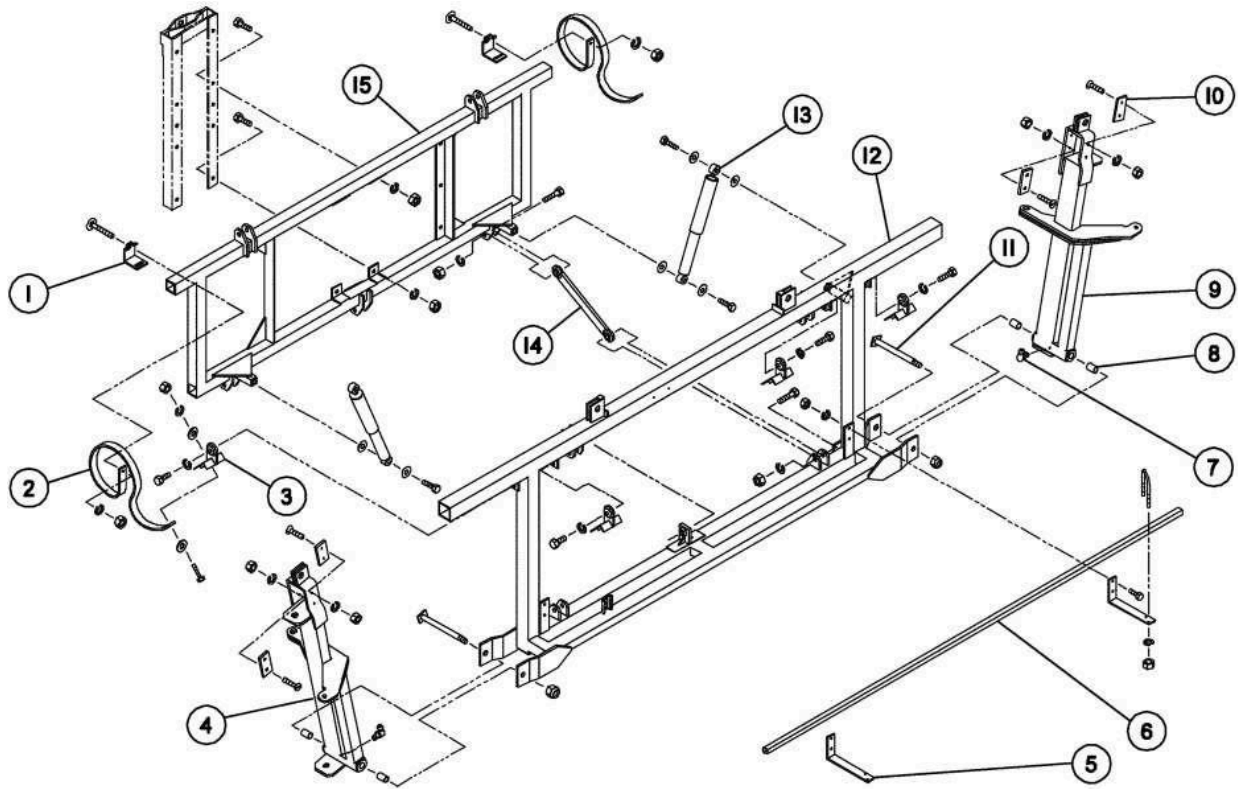
Center Section Assembly



Center Section Assembly Parts List

ITEM	PART NO.	QTY.	DESCRIPTION
1	ZM0706063	8	CLAMP, 2", HD
	590280	8	BOLT, CARRIAGE, 1/2-13 X 3-1/2" GR 5 YELLOW ZINC
	252	8	LOCKWASHER, 1/2" MED
	H001116	8	NUT, HEX, 1/2-13
2	ZM0706062	8	TINE, HD
	726	8	BOLT, HEX, 3/8-16 X 1-1/4"
	H001008	16	WASHER, FLAT, 3/8"
	250	8	LOCKWASHER, 3/8"
	213	8	NUT, HEX, 3/8-16
3	ZM0700471	4	BRACKET, S-TINE
	170	4	BOLT, HEX, 5/8-11 X 2" GR 5
	253	4	LOCKWASHER, 5/8"
4	ZM0705200	1	TILT ARM, LEFT SIDE
5	ZM0705463	2	BRACKET, STANDARD, MID-SECTION
	BJ18036	4	BOLT, HEX, 5/16-18 X 1-1/4"
	249	4	LOCKWASHER, 5/16"
	H002577	4	NUT, HEX, 5/16-18
6	ZM0705263	1	TUBE, MID CLAMP MOUNT
	530168	2	U-BOLT, 1/4 X 1-1/4 X 2"
	H001632	4	LOCKWASHER, 1/4"
	H001659	4	NUT, HEX, 1/4-20

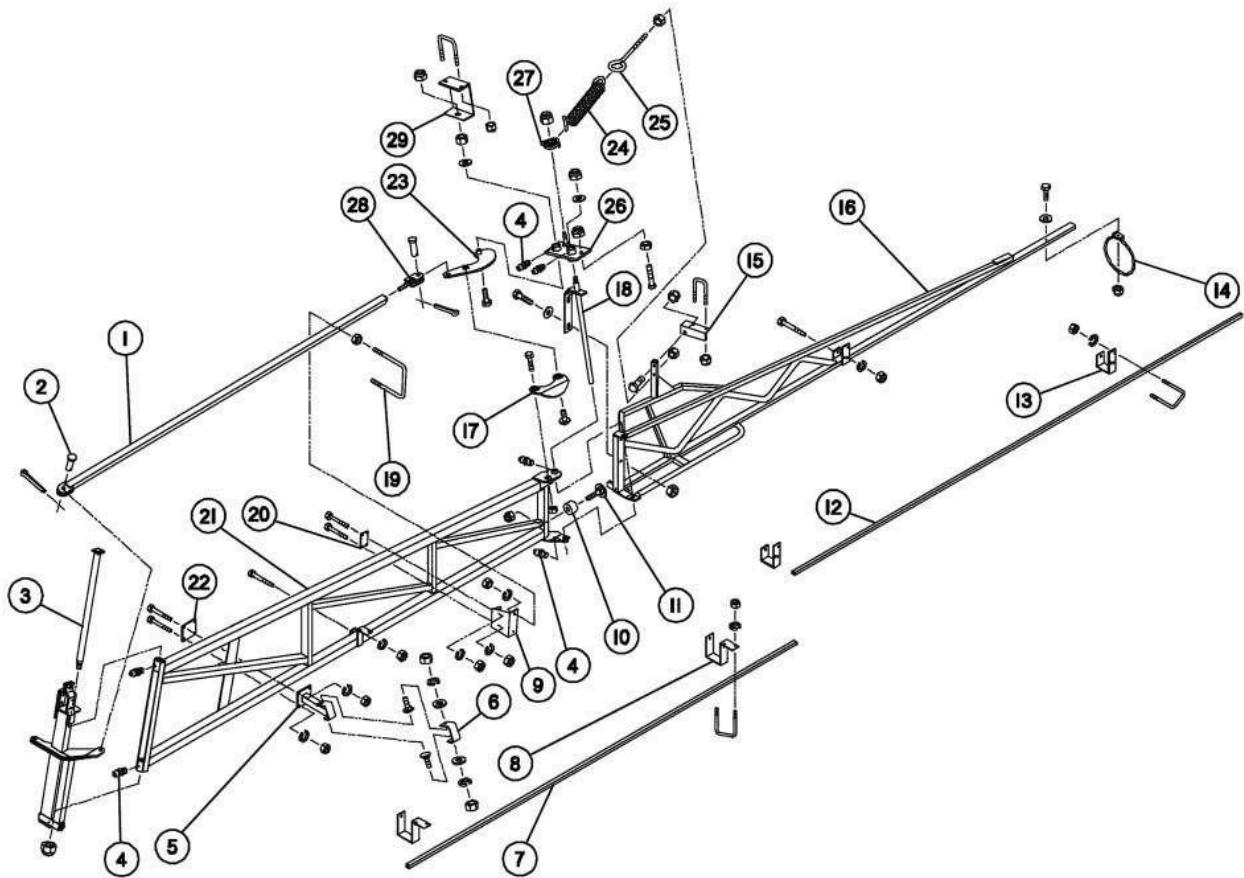
Center Section Assembly



Center Section Assembly Parts List

ITEM	PART NO.	QTY.	DESCRIPTION
7	761	2	FITTING, GREASE, 1/4-28, 90°
8	ZM1210026	4	BUSHING, .875 X 1.00 X 1.5"
9	ZM0705199	1	TILT ARM, RIGHT SIDE
10	ZM0705487	4	INSERT, PLASTIC, UHMW, TILT ARM
	H011421	8	SCREW, FLAT HEAD, 1/4-20 X 1"
	H001632	8	LOCKWASHER, 1/4"
	H001659	8	NUT, HEX, 1/4-20
11	ZM0705278	2	PIN, TILT
	233	2	NUT, HEX LOCK, 3/4-10 NYLOCK
12	ZM0705895	1	MID SECTION
13	ZM0715768	2	SHOCK ABSORBER, HD GAS
	172	4	BOLT, HEX, 5/8-11 X 3" GR 5
	261	8	WASHER, FLAT, 5/8"
14	ZM0705316	4	LINK, LOWER
	172	8	BOLT, HEX, 5/8-11 X 3" GR 5
	252	8	LOCKWASHER, 5/8"
	216	8	NUT, HEX, 5/8-11
15	ZM0705893	1	CARRIER
	153	4	BOLT, HEX, 1/2-13 X 1-1/2" GR 5
	252	4	LOCKWASHER, 1/2" MED
	H001116	4	NUT, HEX, 1/2-13

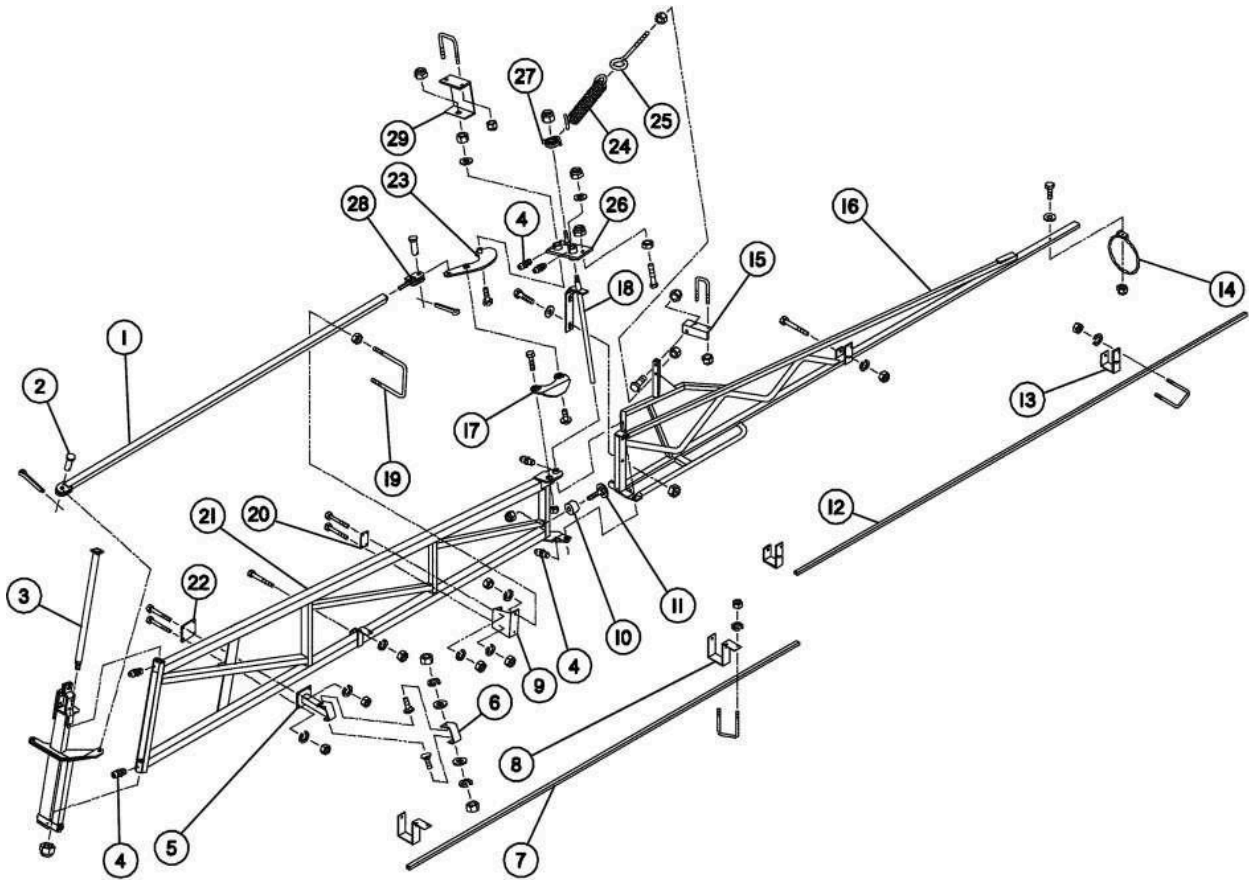
Boom Assembly Right Side (HC Boom)



Boom Assembly Right Side (HC Boom) Parts List

ITEM	PART NO.	QUANTITY	DESCRIPTION
1	ZM0705387	1	LINK
2	ZM1800098	2	PIN, CLEVIS, 5/8" X 2" ZINC
	ZM901292	2	PIN, COTTER, 5/32" X 1-1/4"
	H001631	2	BOLT, 5/8 X 2-1/2
	H001064	2	NUT, NYLOCK, 5/8
	ZM0705275	1	PIN, SWING
3	233	1	NUT, HEX LOCK, 3/4-10 NYLOCK
	759	6	FITTING, GREASE, 1/4-28
5	ZM0705502	1	REST, OUTER WING
	ZM903698	4	BOLT, HEX, 1/4-20 X 3-1/2"
	H001632	4	LOCKWASHER, 1/4"
	H001659	4	NUT, HEX, 1/4-20
6	ZM0705505	1	PAD, WING REST
	582	2	BOLT, CARRIAGE, 5/16-18 X 1"
	257	2	WASHER, FLAT, 5/16"
	249	2	LOCKWASHER, 5/16"
	H002577	2	NUT, HEX, 5/16-18
7	ZM0705265	1	TUBE, INNER WING CLAMP MOUNT
	530168	3	U-BOLT, 1/4 X 1-1/4 X 2"
	H001632	6	LOCKWASHER, 1/4"
	H001659	6	NUT, HEX, 1/4-20
8	ZM0705464	3	BRACKET, STANDARD, INNER WING
	ZM903698	3	BOLT, HEX, 1/4-20 X 3-1/2"
	H001632	3	LOCKWASHER, 1/4"
	H001659	3	NUT, HEX, 1/4-20
9	ZM0705385	1	BRACKET, GUIDE
	ZM903698	4	BOLT, HEX, 1/4-20 X 3-1/2"
	H001632	4	LOCKWASHER, 1/4"
	H001659	4	NUT, HEX, 1/4-20
10	ZM0709152	1	BUMPER, HD
11	ZM0705468	1	RETAINER, WING BUMPER
	H001010	1	NUT, HEX LOCK, 3/8-16 NYLOCK
12	ZM0705308	1	TUBE, OUTER WING CLAMP MOUNTING, 45'
	530168	1	U-BOLT, 1/4 X 1-1/4 X 2"
	H001632	3	LOCKWASHER, 1/4"
	H001659	6	NUT, HEX, 1/4-20
13	ZM0705465	6	BRACKET, STANDARD, OUTER WING
	106	3	BOLT, HEX, 1/4-20 X 3"
	H001632	3	LOCKWASHER, 1/4"
	H001659	3	NUT, HEX, 1/4-20
14	ZM0701203	1	SHOE, BOOM SKID
	130	1	BOLT, HEX, 3/8-16 X 2"
	H004778	1	WASHER, FLAT, 3/8" FENDER
	H001010	1	NUT, HEX LOCK, 3/8-16 NYLOCK

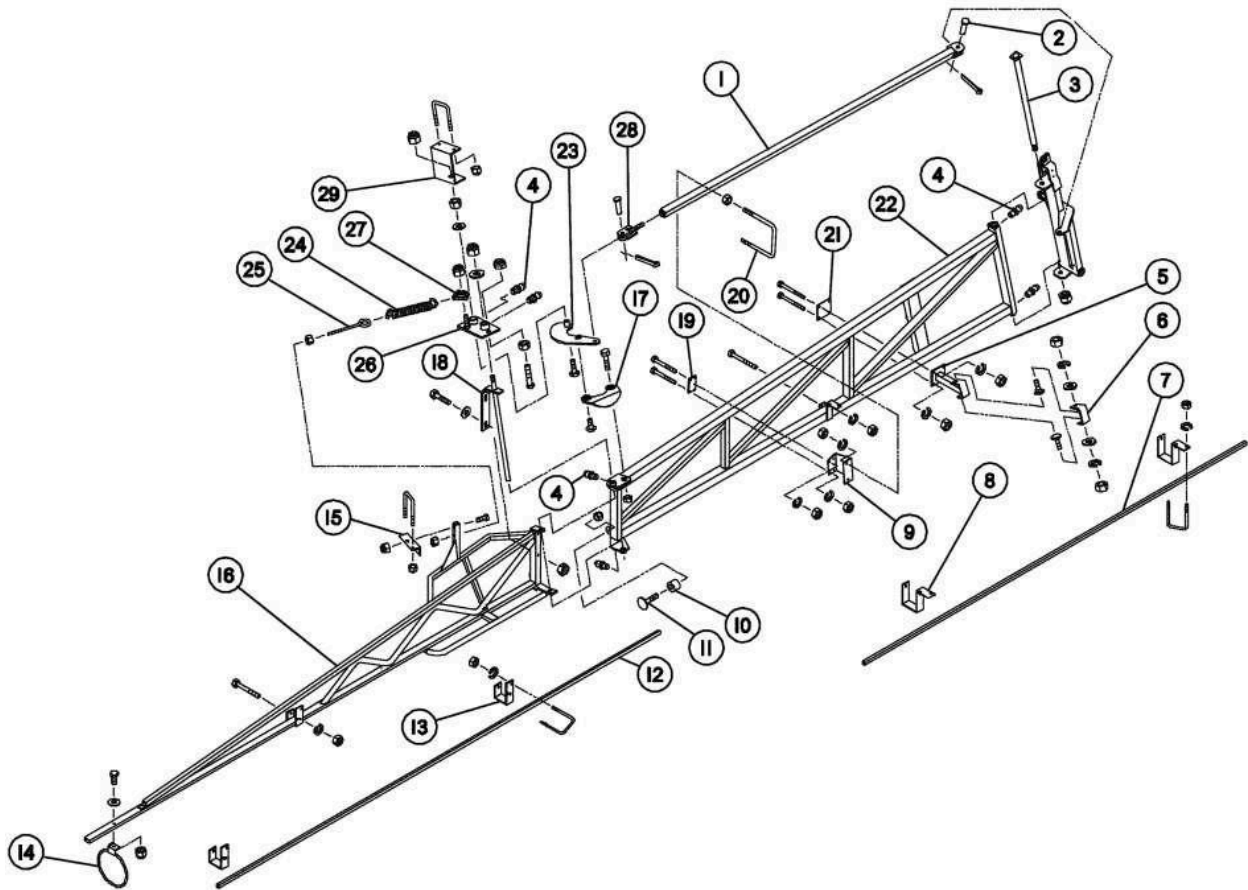
Boom Assembly Right Side (HC Boom)



Boom Assembly Right Side (HC Boom) Parts List

ITEM	PART NO.	QTY	DESCRIPTION
15	ZM0706323	1	BRACKET, HOSE GUIDE
	155	1	BOLT, HEX, 1/2-13 X 2-1/2"
	231	1	NUT, HEX LOCK, 1/2-13 NYLOCK
	ZM0974204	1	U-BOLT, 5/16 X 2-1/2 X 3"
	228	2	NUT, HEX LOCK, 5/16-18 NYLOCK
16	ZM0705947	1	WING, OUTER, RIGHT SIDE, 45'
17	ZM0705293	1	PIVOT LINK
	169	1	BOLT, HEX, 5/8-11 X 2-1/2"
	216	1	NUT, HEX, 5/8-11
	H001931	1	CAPSCREW, BUTTON SOCKET HEAD, 5/8-11 X 1-1/2"
18	ZM0706060	2	MOUNT, PIVOT INDEX
	156	2	BOLT, HEX, 1/2-13 X 3"
	260	2	WASHER, FLAT, 1/2"
	596239M	1	NUT, HEX LOCK, 1/2-13 C-LOCK
	262	1	WASHER, FLAT, 3/4"
	233	1	NUT, HEX LOCK, 3/4-10 NYLOCK
19	ZM0705492	1	U-BOLT, 3/8 X 4 X 4" SQUARED
	250	2	LOCKWASHER, 3/8"
	213	4	NUT, HEX, 3/8-16
20	ZM0705386	1	PLATE, GUIDE
21	ZM0705191	1	WING, MID RIGHT SIDE
22	ZM0705539	1	PLATE, REST, BACK
23	ZM0706069	1	PIVOT LEVER, RIGHT SIDE
24	ZM0705945	1	SPRING
25	ZM0719034	2	EYEBOLT, 1/2-13 X 9"
	H001116	1	NUT, HEX, 1/2-13
26	ZM0705944	1	PLATE, PIVOT, RIGHT SIDE
	172	1	BOLT, HEX, 5/8-11 X 3"
	261	1	WASHER, FLAT, 5/8"
	216	1	NUT, HEX, 5/8-11
	169	1	BOLT, HEX, 5/8-11 X 2-1/2"
	224	1	NUT, HEX JAM, 5/8-11
	H002716	1	NUT, HEX JAM LOCK, 5/8-11 NYLOCK
27	ZM0702975	1	BALL JOINT, SPRING ANCHOR
	232	1	NUT, HEX LOCK, 5/8-11 NYLOCK
28	ZM0705390	1	LINK END
29	ZM0706322	1	STRAP, HOSE GUIDE
	H002716	1	NUT, HEX JAM LOCK, 5/8-11 NYLOCK
	ZM0974204	1	U-BOLT, 5/16 X 2-1/2 X 3"
	228	2	NUT, HEX LOCK, 5/16-18 NYLOCK

Boom Assembly Left Side (HC Boom)



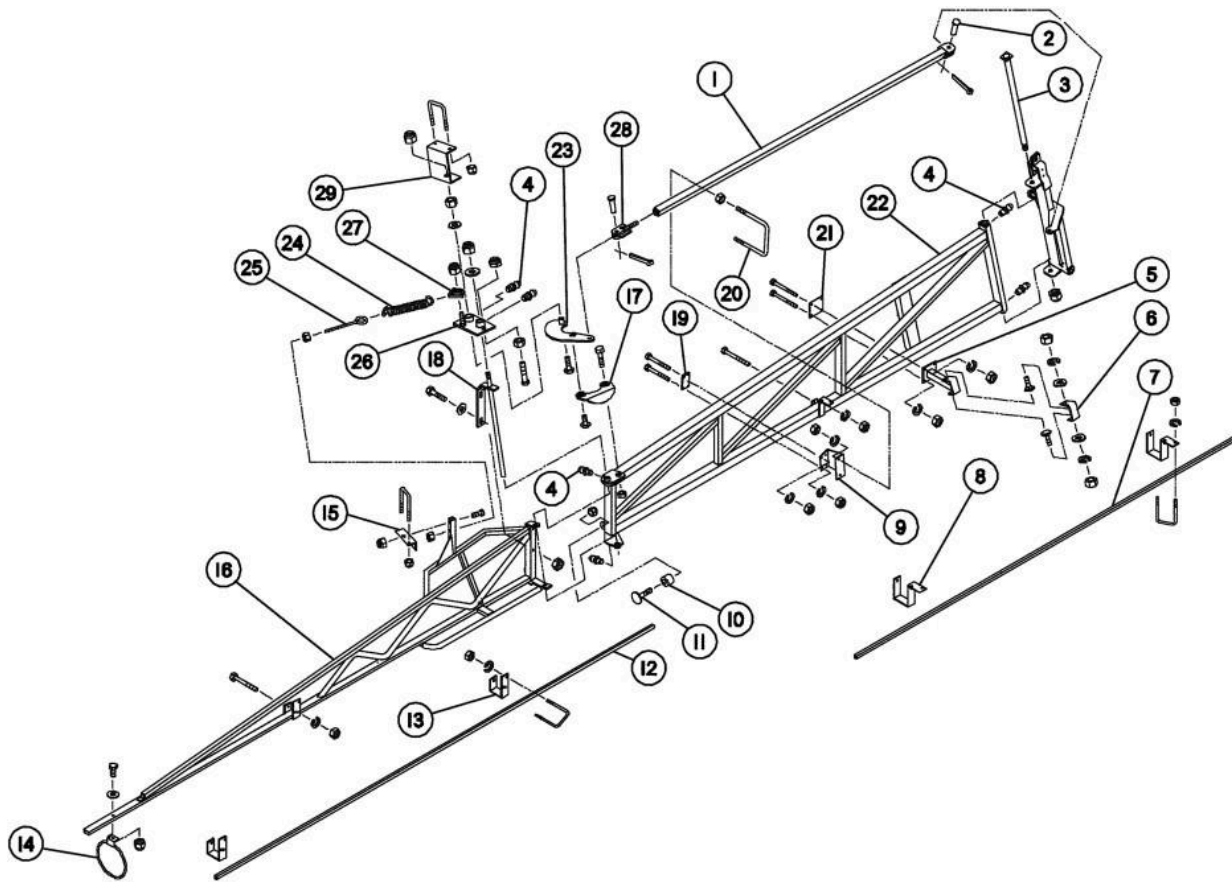


ILLUSTRATED PARTS LIST

Boom Assembly Left Side (HC Boom) Parts List

ITEM	PART NO.	QTY.	DESCRIPTION
1	ZM0705387	1	LINK
2	ZM1800098	2	PIN, CLEVIS, 5/8" X 2" ZINC
	ZM901292	2	PIN, COTTER, 5/32" X 1-1/4"
	H001631	2	BOLT, 5/8 X 2-1/2
	H001064	2	NUT, NYLOCK, 5/8
3	ZM0705275	1	PIN, SWING
	233	1	NUT, HEX LOCK, 3/4-10 NYLOCK
4	759	6	FITTING, GREASE, 1/4-28
5	ZM0705502	1	REST, OUTER WING
	ZM903698	4	BOLT, HEX, 1/4-20 X 3-1/2"
	H001632	4	LOCKWASHER, 1/4"
	H001659	4	NUT, HEX, 1/4-20
6	ZM0705505	1	PAD, WING REST
	582	2	BOLT, CARRIAGE, 5/16-18 X 1"
	257	2	WASHER, FLAT, 5/16"
	249	2	LOCKWASHER, 5/16"
	H002577	2	NUT, HEX, 5/16-18
7	ZM0705265	1	TUBE, INNER WING CLAMP MOUNT
	530168	3	U-BOLT, 1/4 X 1-1/4 X 2"
	H001632	6	LOCKWASHER, 1/4"
	H001659	6	NUT, HEX, 1/4-20
8	ZM0705464	3	BRACKET, STANDARD, INNER WING
	ZM903698	3	BOLT, HEX, 1/4-20 X 3-1/2"
	H001632	3	LOCKWASHER, 1/4"
	H001659	3	NUT, HEX, 1/4-20
9	ZM0705385	1	BRACKET, GUIDE
	ZM903698	4	BOLT, HEX, 1/4-20 X 3-1/2"
	H001632	4	LOCKWASHER, 1/4"
	H001659	4	NUT, HEX, 1/4-20
10	ZM0709152	1	BUMPER, HD
11	ZM0705468	1	RETAINER, WING BUMPER
	H001010	1	NUT, HEX LOCK, 3/8-16 NYLOCK
12	ZM0705308	1	TUBE, OUTER WING CLAMP MOUNTING, 45'
	530168	1	U-BOLT, 1/4 X 1-1/4 X 2"
	H001632	3	LOCKWASHER, 1/4"
	H001659	6	NUT, HEX, 1/4-20
13	ZM0705465	6	BRACKET, STANDARD, OUTER WING
	106	3	BOLT, HEX, 1/4-20 X 3"
	H001632	3	LOCKWASHER, 1/4
	H001659	3	NUT, HEX, 1/4-20
14	ZM0701203	1	SHOE, BOOM SKID
	130	1	BOLT, HEX, 3/8-16 X 2"
	ZM907057	1	WASHER, FLAT, 3/8" FENDER
	H001010	1	NUT, HEX LOCK, 3/8-16 NYLOCK

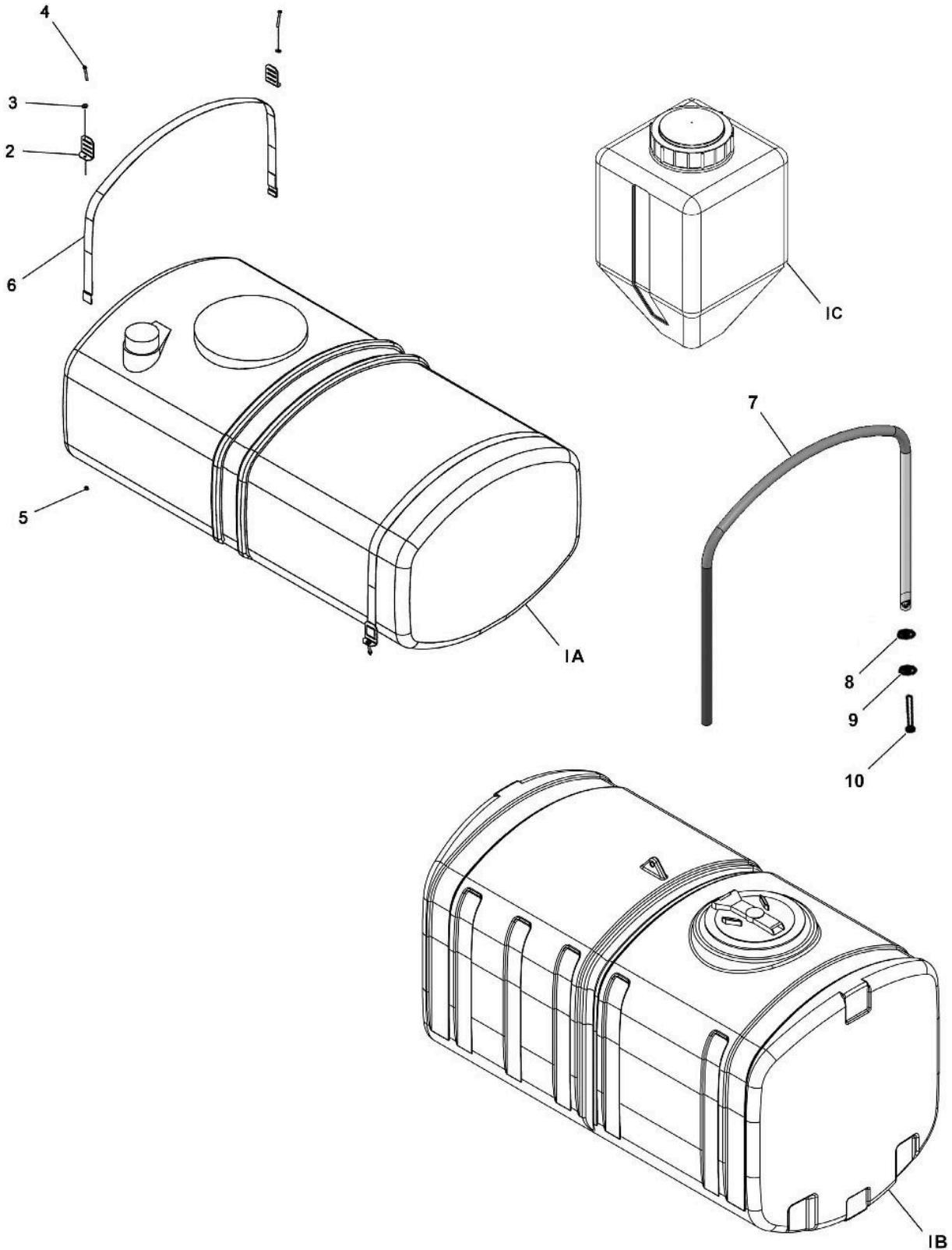
Boom Assembly Left Side (HC Boom)



Boom Assembly Left Side (HC Boom) Parts List

ITEM	PART NO.	QTY.	DESCRIPTION
15	ZM0706323	1	BRACKET, HOSE GUIDE
	155	1	BOLT, HEX, 1/2-13 X 2-1/2"
	231	1	NUT, HEX LOCK, 1/2-13 NYLOCK
	ZM0974204	1	U-BOLT, 5/16 X 2-1/2 X 3"
	228	2	NUT, HEX LOCK, 5/16-18 NYLOCK
16	ZM0705948	1	WING, OUTER, LEFT SIDE, 45'
17	ZM0705293	1	LINK, PIVOT
	169	1	BOLT, HEX, 5/8-11 X 2-1/2"
	216	1	NUT, HEX, 5/8-11
	H001931	1	CAPSCREW, BUTTON SOCKET HEAD, 5/8-11 X 1-1/2"
18	ZM0706060	2	MOUNT, PIVOT INDEX
	156	2	BOLT, HEX, 1/2-13 X 3"
	260	2	WASHER, FLAT, 1/2"
	596239M	1	NUT, HEX LOCK, 1/2-13 C-LOCK
	262	1	WASHER, FLAT, 3/4
	233	1	NUT, HEX LOCK, 3/4-10 NYLOCK
19	ZM0705386	1	PLATE, GUIDE
20	ZM0705492	1	U-BOLT, 3/8 X 4 X 4" SQUARED
	250	2	LOCKWASHER, 3/8"
	213	4	NUT, HEX, 3/8-16
21	ZM0705539	1	PLATE, REST, BACK
22	ZM0705192	1	WING, MID LEFT SIDE
23	ZM0706068	1	PIVOT LEVER, LEFT SIDE
24	ZM0705945	1	SPRING
25	ZM0719034	2	EYEBOLT, 1/2-13 X 9"
	ZM900369	1	NUT, HEX, 1/2-13
26	ZM0705943	1	PLATE, PIVOT, LEFT SIDE
	172	1	BOLT, HEX, 5/8-11 X 3"
	261	1	WASHER, FLAT, 5/8"
	216	1	NUT, HEX, 5/8-11
	169	1	BOLT, HEX, 5/8-11 X 2-1/2"
	224	1	NUT, HEX JAM, 5/8-11
	H002716	1	NUT, HEX JAM LOCK, 5/8-11 NYLOCK
27	ZM0702975	1	BALL JOINT, SPRING ANCHOR
	232	1	NUT, HEX LOCK, 5/8-11 NYLOCK
28	ZM0705390	1	LINK END WELDMENT
29	ZM0706322	1	STRAP, HOSE GUIDE
	H002716	1	NUT, HEX JAM LOCK, 5/8-11 NYLOCK
	ZM0974204	1	U-BOLT, 5/16 X 2-1/2 X 3"
	228	2	NUT, HEX LOCK, 5/16-18 NYLOCK

Product Tank & Hold Down Straps



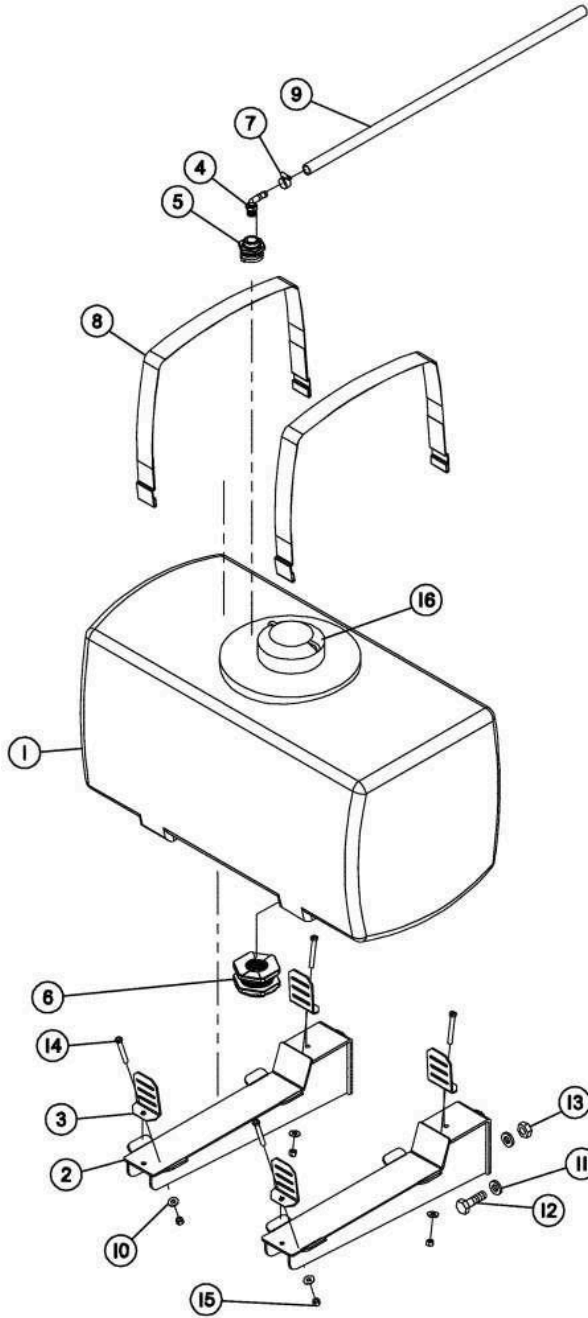


ILLUSTRATED PARTS LIST

Product Tank & Hold Down Straps Parts List

ITEM	PART NO.	QTY.	DESCRIPTION
1A	570043	1	TANK, 500 GALLON, CROP CARE
1B	570101	1	TANK, 750 GALLON, CROP CARE, WHITE
	570070	1	LID, 16"
	ZM0715495	1	CAP, BREATHER, 4"
1C	570094	1	TANK, CLEAN WATER, 5 GALLON
	AR12110	1	LID, CLEAN WATER TANK, 5"
	510022	1	VALVE, 5 GALLON CLEAN WATER TANK
2	3071	6	BRACKET, BELT
3	H001008	6	WASHER, FLAT 3/8"
4	590200	6	BOLT, HEX, 3/8-16 X 3" FULL THREAD GR 5
5	H001010	6	NUT, HEX LOCK, 3/8-16 NYLOCK
6	580004	25'	WEBBING, 2" BLACK (ORDER PER FOOT)
7	14144	1	HOOP, TANK MOUNT, 750 GALLON TANK ONLY
8	596261M	2	WASHER, FLAT, 5/8 MAGNI
9	596253M	2	WASHER, LOCK, 5/8, MAGNI
10	596332M	2	BOLT, 5/8 X 2.25, MAGNI

Optional 50 Gallon Rinse Tank & Mounting



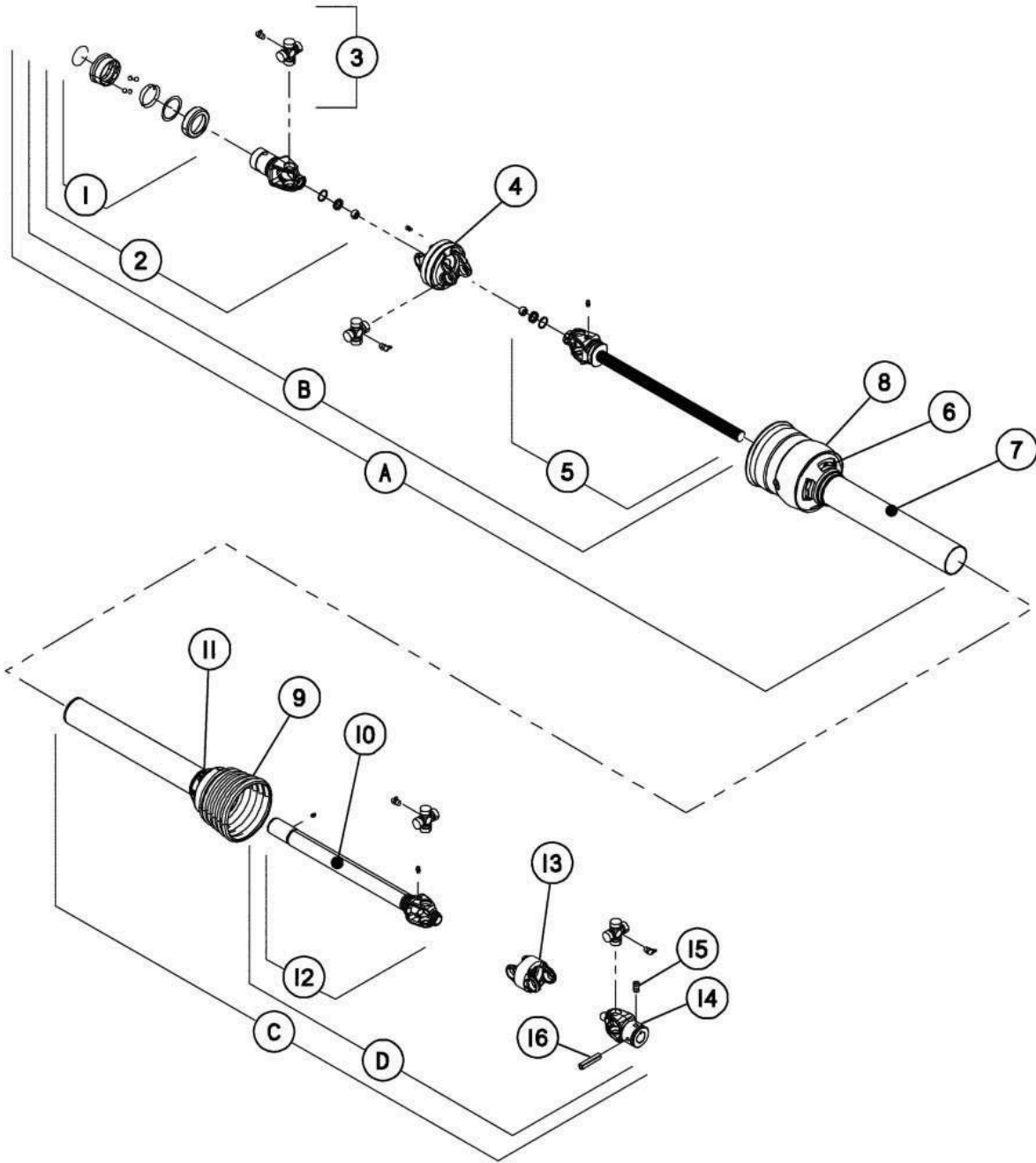


ILLUSTRATED PARTS LIST

Optional 50 Gallon Rinse Tank & Mounting Parts List

ITEM	PART NO.	QTY.	DESCRIPTION
1	570031	1	TANK, RECTANGULAR, 50 GALLON, WHITE (INCLUDES ITEM 16)
2	ZM0708760	2	TANK MOUNT, 50 GALLON RINSE
3	3071	4	BRACKET, BELT
4	530040	1	ELBOW, 90°, 3/4" MPT X 3/4" HOSE BARB
5	530160	1	FITTING, BULKHEAD, 3/4" FPT
6	TF150	1	FITTING, BULKHEAD, 1-1/2" FPT
7	540015	1	CLAMP, .56" - 1.25" HOSE
8	580004	10'	WEBBING, 2" BLACK (ORDER PER FOOT)
9	510019	3'	HOSE, EPDM, .75" (ORDER PER FOOT)
10	H001008	4	WASHER, FLAT, 3/8"
11	261	8	WASHER, FLAT, 5/8"
12	170	4	BOLT, HEX, 5/8-11 X 2" GR 5
13	232	4	NUT, HEX LOCK, 5/8-11 NYLOCK
14	590200	4	BOLT, HEX, 3/8-16 X 3" FULL THREAD GR 5
15	H001010	4	NUT, HEX LOCK, 3/8-16 NYLOCK
16	ZM2122640	1	LID, 5" (INCLUDED WITH ITEM 1)
16	ZM0717334	1	LID, 8" (INCLUDED WITH ITEM 1)

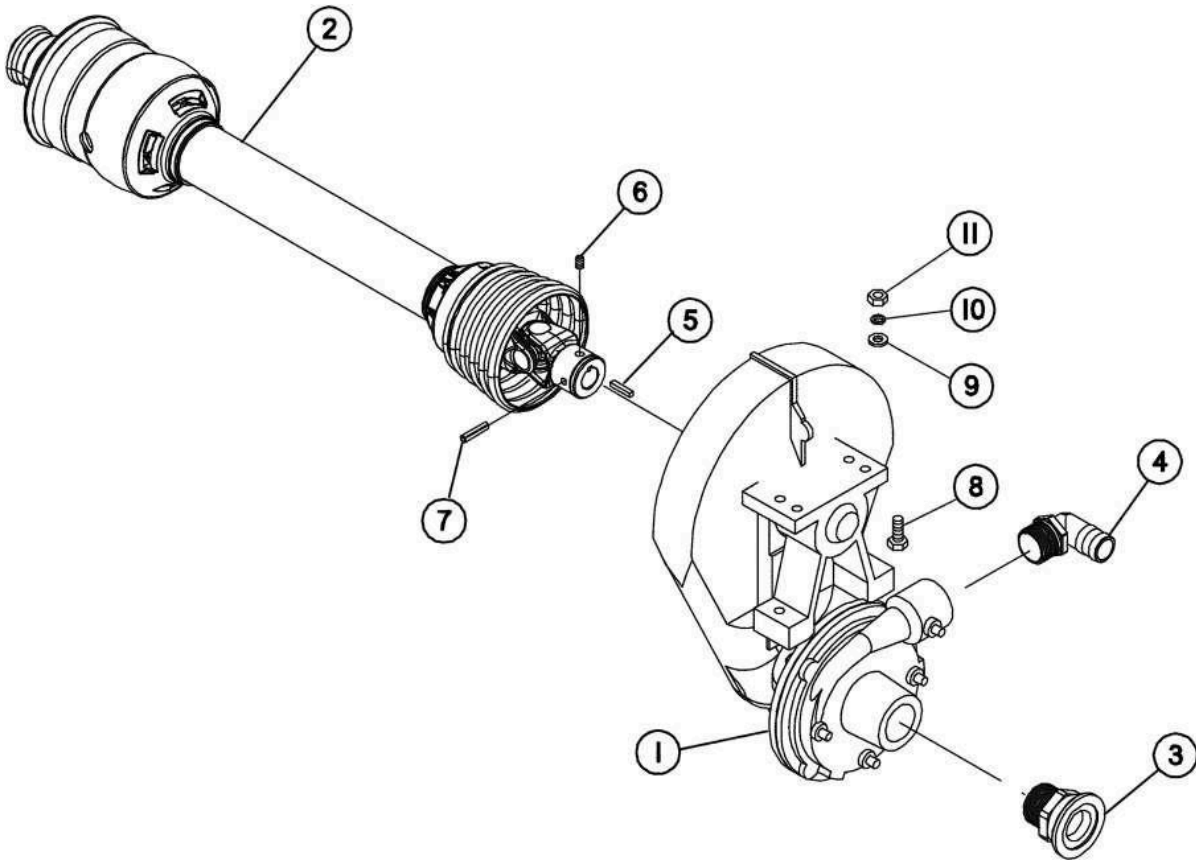
PTO Shaft



PTO Shaft Parts List

ITEM	PART NO.	QTY.	DESCRIPTION
A	90-22324	1	JOINT & SHAFT HALF ASSEMBLY WITH GUARD
B	NS	1	JOINT & SHAFT HALF ASSEMBLY (ORDER ITEM A)
C	90-22324	1	JOINT & TUBE HALF ASSEMBLY WITH GUARD
D	NS	1	JOINT & TUBE HALF ASSEMBLY (ORDER ITEM C)
1	26-10070	1	SPRING - LOK REPAIR KIT
2	06371-1010	1	SPRING - LOK YOKE ASSEMBLY
3	03-10002	4	6R CROSS & BEARING KIT
4	26-15145	1	C.V. CENTER HOUSING
5	99-22324	1	YOKE & SHAFT (1.00 - 15 SPLINE)
6	09-15126	1	NYLON REPAIR KIT (NOT SHOWN)
7	13-10021	1	SAFETY SIGN
8	97-22324	1	OUTER GUARD
9	96-22324	1	INNER GUARD
10	33-10022	1	SAFETY SIGN - GUARD IS OFF (NOT SHOWN)
11	19-15152	1	NYLON REPAIR KIT (NOT SHOWN)
12	98-22324	1	YOKE, TUBE & SLIP SLEEVE
13	06361-1071	1	C.V. CENTER HOUSING
14	06771-1020	1	YOKE
15	750018	1	SET SCREW, 3/8-16 X 3/8" YELLOW ZINC
16	ZM0174170	1	PIN, SPIROL, 5/16" X 2-1/2" HD
16	596632M	1	BOLT, 5/16 X 2-1/4
16	596236M	1	NUT, C-LOCK, 5/16
	550015	1	PTO SHAFT ASSEMBLY, COMPLETE

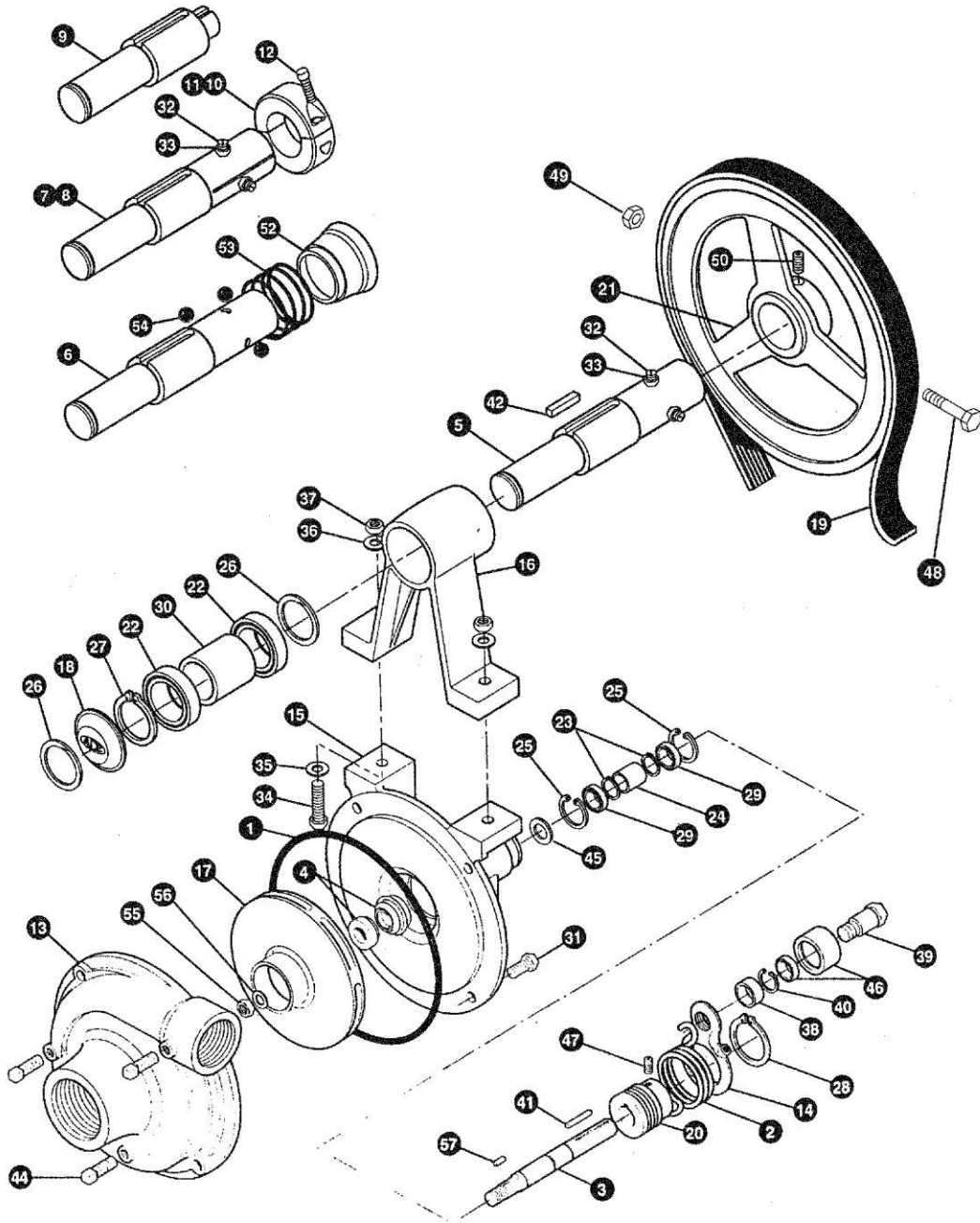
Product Pump & Fittings



Product Pump & Fittings Parts List

ITEM	PART NO.	QTY.	DESCRIPTION
1	550005	1	PUMP, ACE, 540 RPM, FRAME MOUNT
2	550015	1	DRIVELINE, 540 RPM
3	530081	1	FITTING, 2" FLANGE X 1-1/2" MPT
4	530047	1	ELBOW, 90°, 1-1/4" MPT X 1-1/4" HOSE BARB
5	P031232A	1	KEY, SQUARE, 1/4" X 1"
6	750018	1	SET SCREW, 3/8-16 X 3/8" YELLOW ZINC
7	ZM0174170	1	PIN, SPIROL, 5/16" X 2-1/2" HD
7	596632M	1	BOLT, 5/16 X 2-1/4
7	596236M	1	NUT, C-LOCK, 5/16
8	141	2	BOLT, HEX, 7/16-14 X 1-1/2" GR 5
9	259	2	WASHER, FLAT, 7/16"
10	251	2	WASHER, LOCK, 7/16"
11	900367	2	NUT, HEX, 7/16-14

ACE 150 Series Belt Driven Pump



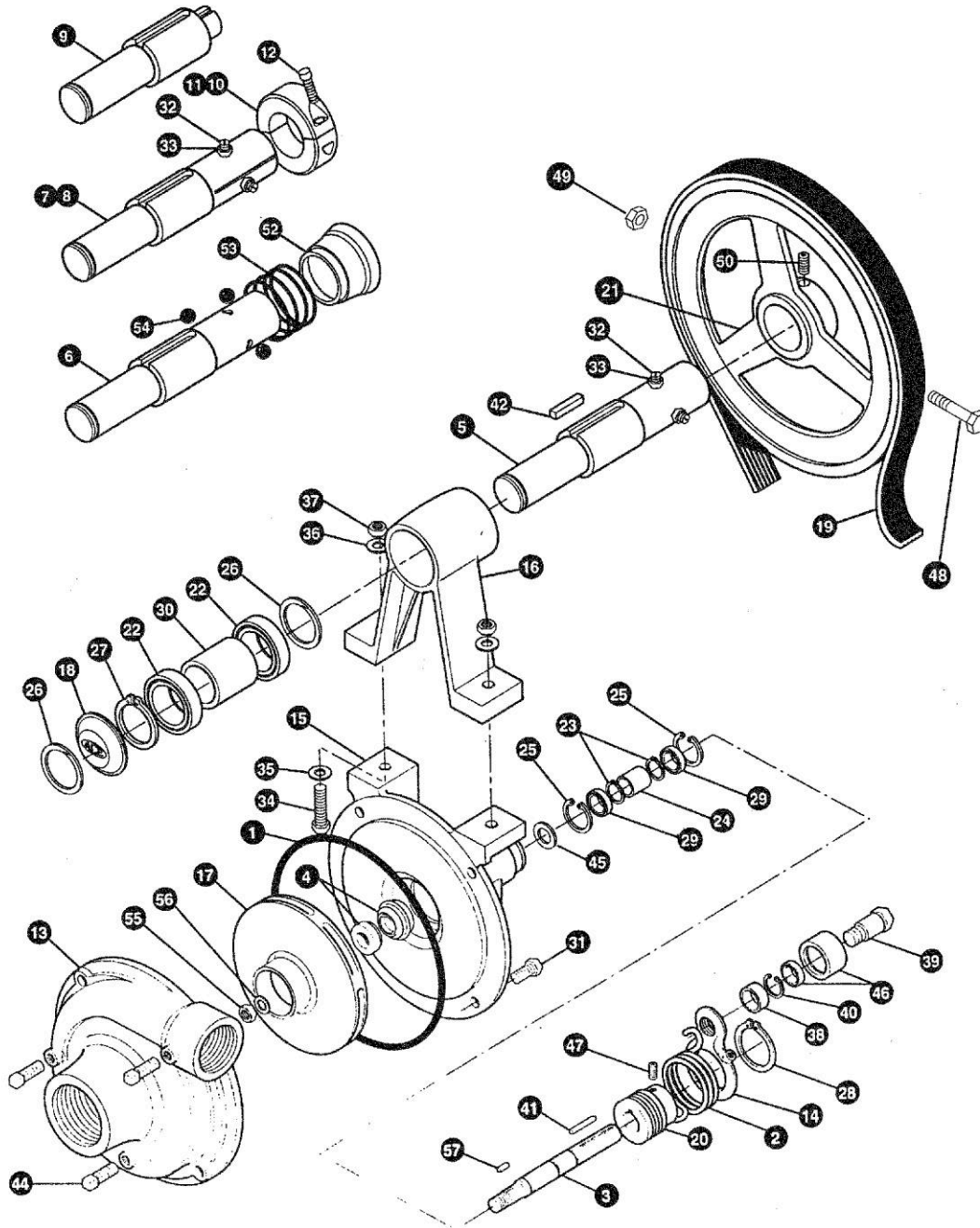


ILLUSTRATED PARTS LIST

ACE 150 Series Belt Driven Pump Parts List

ITEM	PART NO.	EDP #	QTY	DESCRIPTION
1	BAC-4-150	40015	1	O-RING, VOLUTE SEAL
2	BAC-5-150	40035	1	TORSION SPRING, 150
3	BAC-6-150/200		1	5/8" DRIVEN SHAFT
	BAC-6-150/200-SS	40056	1	5/8" DRIVEN SHAFT - STAINLESS (OPTIONAL)
4	BAC-7V	40151	1	SEAL, VITON
	BAC-7SC	40152	1	SEAL, SILICON CARBIDE
	40160	40160	1	SHAFT O-RING (INCLUDED WITH SEAL)
5	BAC-10-6SP	40200	1	6 SPLINE DRIVE SHAFT
6	BAC-10-6SP-QC	40210	1	6 SPLINE DRIVE SHAFT - QUICK COUPLER
7	BAC-10-175-20SP	40180	1	20 SPLINE, 1-3/4" DRIVE SHAFT WITH COLLAR
8	BAC-10-21SP	40220	1	21 SPLINE, 1-3/8" DRIVE SHAFT WITH COLLAR
9	BAC-10-S	40190	1	1" TUMBLE ROD DRIVE SHAFT
10	BAC-83-QC	41470	1	LOCKING COLLAR, 1-3/8" SHAFT
11	BAC-11-175	40236	1	LOCKING COLLAR, 1-3/4" SHAFT
12	BAC-11-1	40237	1	SET SCREW
13	BAC-12-150	40255	1	VOLUTE, 1-1/2 X 1-1/4
14	BAC-13	40270	1	IDLER ARM
15	BAC-14-150-MIA	40308	1	MOUNTING FRAME
16	BAC-15	40340	1	BEARING HOUSING, PTO DRIVE - 3 QT. SPRAYER
	BAC-15-B	40370	1	BEARING HOUSING, TUMBLE ROD DRIVE SHAFT (PULL TYPE SPRAYER)
				INCLUDES FLAT CASTING ON TOP FOR MOUNTING TO SPRAYER)
17	BAC-26-150-CI	40445	1	IMPELLER - CAST IRON
18	BAC-28	40250	1	NAME PLATE
19	BAC-28-10-150	40611	1	BELT
20	BAC-29-10-1.35	40675	1	DRIVEN PULLEY
21	BAC-30-10-150	40741	1	DRIVE PULLEY
22	BAC-31-1	40781	2	BEARING
23	BAC-32	40790	2	SNAP RING
24	BAC-32-S	40795	1	SPACER
25	BAC-33	40810	2	SNAP RING
26	BAC-34	40830	2	SNAP RING
27	BAC-35	40840	1	SNAP RING
28	BAC-36	40850	1	SNAP RING
29	BAC-37	40870	2	BEARING, PUMP SHAFT
30	BAC-38-1	40905	1	BEARING SPACER
31	40950	40950	4	3/8" X 3/4" BOLT
	40930	40930	4	3/8" X 3/4" BOLT - STAINLESS (OPTIONAL)
32	BAC-40	40940	3	SET SCREW
33	40960	40960	3	JAM NUT
34	BAC-42	40970	2	3/8" X 1-3/4" BOLT
35	BAC-43	40980	2	3/8" FLAT WASHER
36	BAC-44	40990	2	3/8" LOCKWASHER
37	BAC-45	41010	4	3/8" HEX NUT
38	BAC-46	41020	1	SPACER
39	BAC-47	41040	1	IDLER BOLT
40	41070	41070	1	SNAP RING
41	BAC-50	41080	1	KEY
42	BAC-51	41090	1	KEY

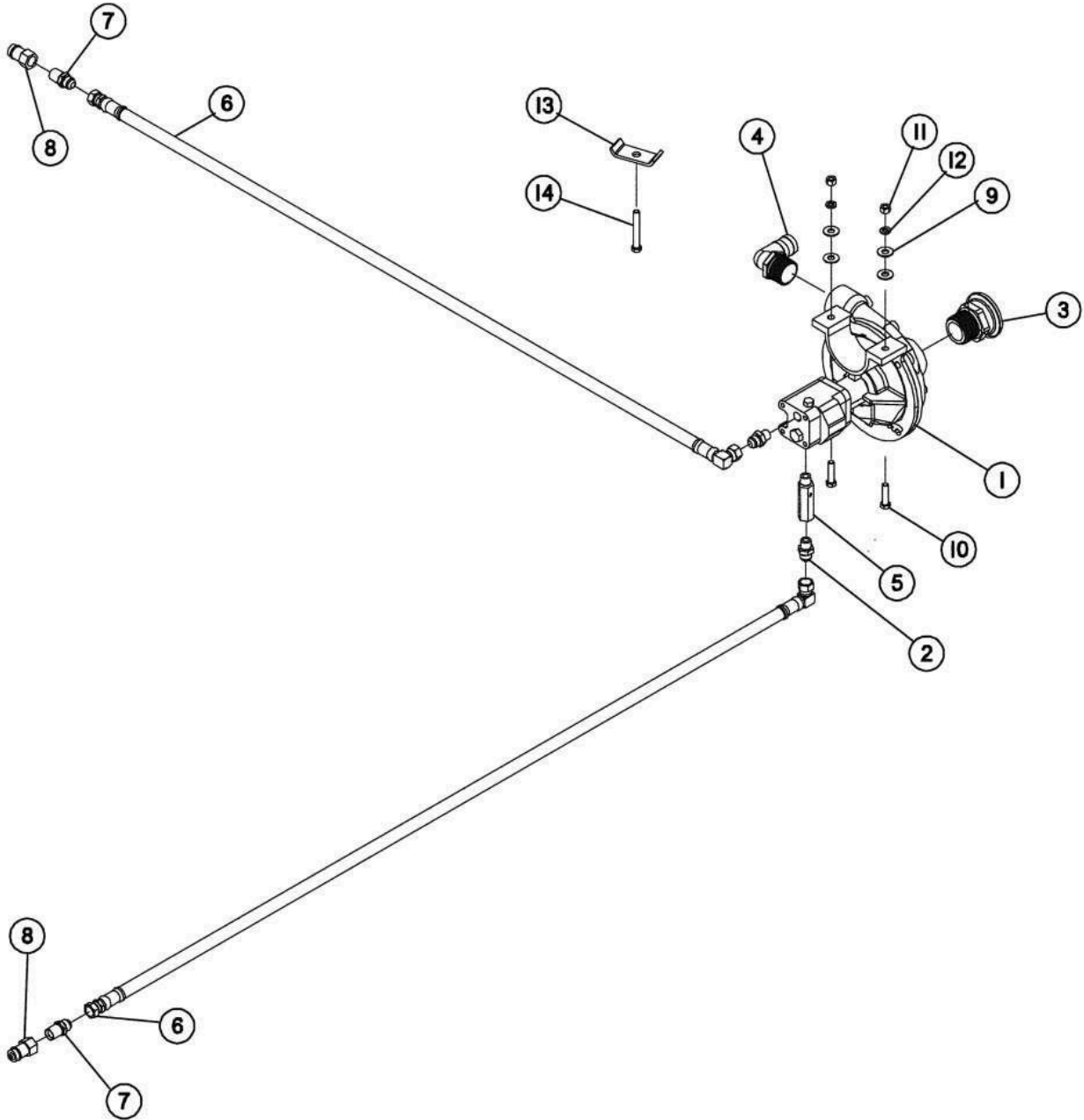
ACE 150 Series Belt Driven Pump



ACE 150 Series Belt Driven Pump Parts List

ITEM	PART NO.	EDP #	QTY.	DESCRIPTION
44	BAC-53	41110	3	1/8" PIPE PLUG
	41120	41120	3	1/8" PIPE PLUG - STAINLESS (OPTIONAL)
45	BAC-54	41130	1	SLINGER
46	BAC-55	41140	1	IDLER ROLLER WITH BEARING
47	BAC-57	41180	2	ALLEN HEAD BOLT
	BAC-58	41190	1	GREASE ZERK
48	41250	41250	1	5/16" X 3-1/4" BOLT
49	BAC-63	41260	1	5/16" LOCK NUT
50	41300	41300	2	ALLEN HEAD BOLT
52	BAC-81-QC	41450	1	QUICK COUPLER SLEEVE
53	BAC-82-QC	41460	1	SPRING
54	BAC-83-QC	41470	3	BALL
55	BAC-23-B-SS	40393	1	NUT, STAINLESS
56	BAC-24-HYD-SS	40400	1	WASHER, STAINLESS
57	BACH-25	40420	1	KEY
	FMC-150-MIA	47008	1	PUMP ASSEMBLY, LESS PULLEY AND IDLER ASSEMBLY
	BGKB	52610	1	BELT GUARD
	RK-PTOX-150-600	51155	1	REPAIR KIT, FOR 600 RPM, INCLUDES BELT, SEAL & O-RING
	RK-FMC-150	52710	1	REPAIR KIT, PUMP ONLY, INCLUDES SEAL & O-RING
	RK-FMCSC-150	52711	1	REPAIR KIT, PUMP ONLY, INCLUDES SILICON CARBIDE SEAL & O-RING

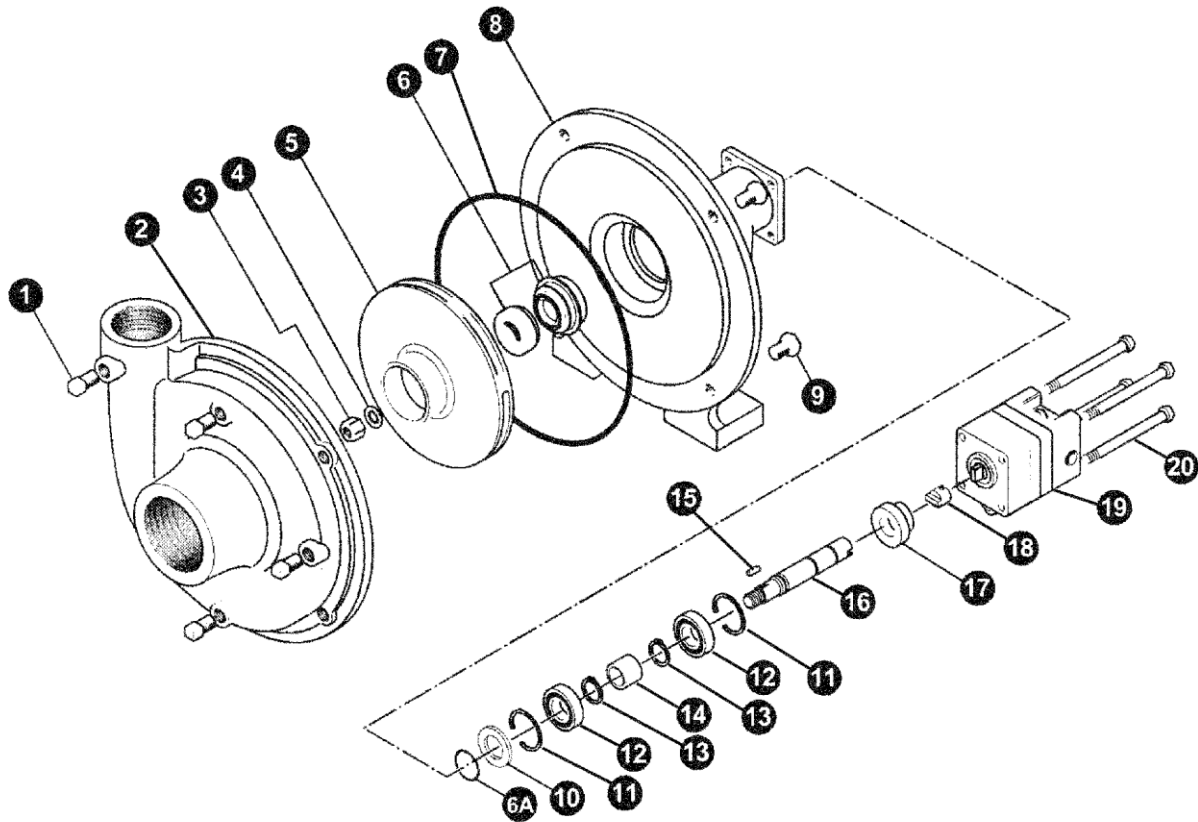
Pump Option - ACE Hydraulic Drive



Pump Option - ACE Hydraulic Drive Parts List

ITEM	PART NO.	QTY.	DESCRIPTION
1	550001	1	PUMP, ACE, 150 HYDRAULIC DRIVE PUMP - 206 WITH VALOX
2	2404-08-06	2	CONNECTOR, MALE, 1/2" JIC - 3/8" NPTF
3	530081	1	FITTING, 2" FLANGE X 1-1/2" MPT
4	530047	1	ELBOW, 90° 1-1/4" MPT X 1-1/4" HOSE BARB
5	LS206	1	LIMITER, FLOW LS206
6	ZM0706695	2	HOSE, HYDRAULIC, 1/2" X 72" JIC F SW
7	8-8-FTX-S	2	ADAPTER, 1/2" M JIC TO 1/2" MPT
8	8010-4P	2	COUPLER, QUICK MALE, 1/2" NPT
9	H001008	4	WASHER, FLAT, 3/8"
10	129	2	BOLT, HEX, 3/8-16 X 1-1/2"
11	213	2	NUT, HEX, 3/8-16
12	250	2	WASHER, LOCK, 3/8"
13	ZM322848B1	1	CLIP, HYDRAULIC LINE
14	127	1	BOLT, HEX, 3/8-16 X 2-3/4"

ACE FMC 150 - Hydraulic 206 Pump Option



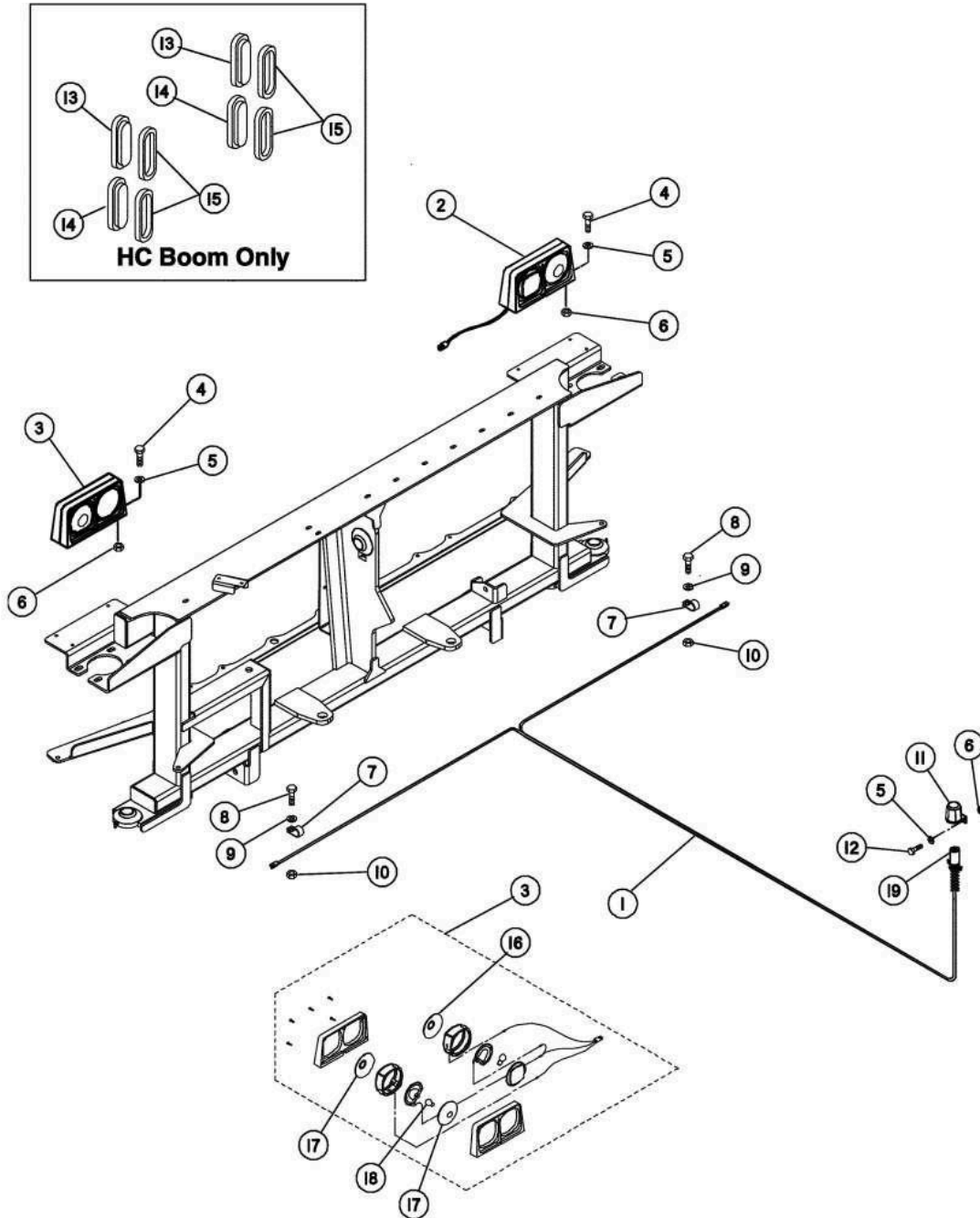


ILLUSTRATED PARTS LIST

ACE FMC 150 - Hydraulic 206 Pump Option Parts List

ITEM	PART NO.	EDP #	QTY.	DESCRIPTION
1	BAC-53	41110	4	PIPE PLUG
2	BAC-12-150	40255	1	VOLUTE, 1-1/2" X 1-1/4"
3	BAC-23-B-SS	40393	1	NUT, 3/8" NF, STAINLESS STEEL
4	BAC-24-HYD-SS	40400	1	WASHER, LOCK, STAINLESS STEEL
5	BAC-26-150-P	40446	1	IMPELLER, VALOX, KEYED
5	BAC-26-150-CI	40445	1	IMPELLER, CAST IRON, KEYED
6	BAC-7V	40151	1	SEAL, MECHANICAL, VITON
6	BAC-7SC	40152	1	SEAL, MECHANICAL, SILICON CARBIDE
6A	40160	40160	1	O-RING, SHAFT SEAL
7	BAC-4-150	40015	1	O-RING, HOUSING
8	BAC-14-150-HYD	40305	1	MOUNTING FRAME, 200 SERIES
9	40950	40950	4	HHD BOLT, 3/8" X 3/4"
10	BAC-54	41130	1	SLINGER, RUBBER
11	BAC-33	40810	2	INTERNAL SNAP RING
12	BAC-37	40870	2	BALL BEARING, SEALED
13	BAC-32	40790	2	EXTERNAL SNAP RING
14	BAC-32-S	40795	1	SPACER, BEARING
15	40420	40420	1	KEY, IMPELLER
16	BAC-6-HYD-ST	40061	1	SHAFT, 5/8", STAINLESS
17	40161	40161	1	SPACER – SEAL SUPPORT
18	BAC-76-HYD	41380	1	COUPLING
19	BAC-75-HYD-206	41372	1	HYDRAULIC MOTOR, 206, 7 GPM
20	41258	41258	4	HHD BOLT, 5/16" X 3-3/4"
	ZM0712536			PUMP ASSEMBLY LESS HYDRAULIC MOTOR
	RK-FMC-150	52710		PUMP REPAIR KIT
	RK-BAC-75-HYD	41371		HYDRAULIC MOTOR REPAIR KIT

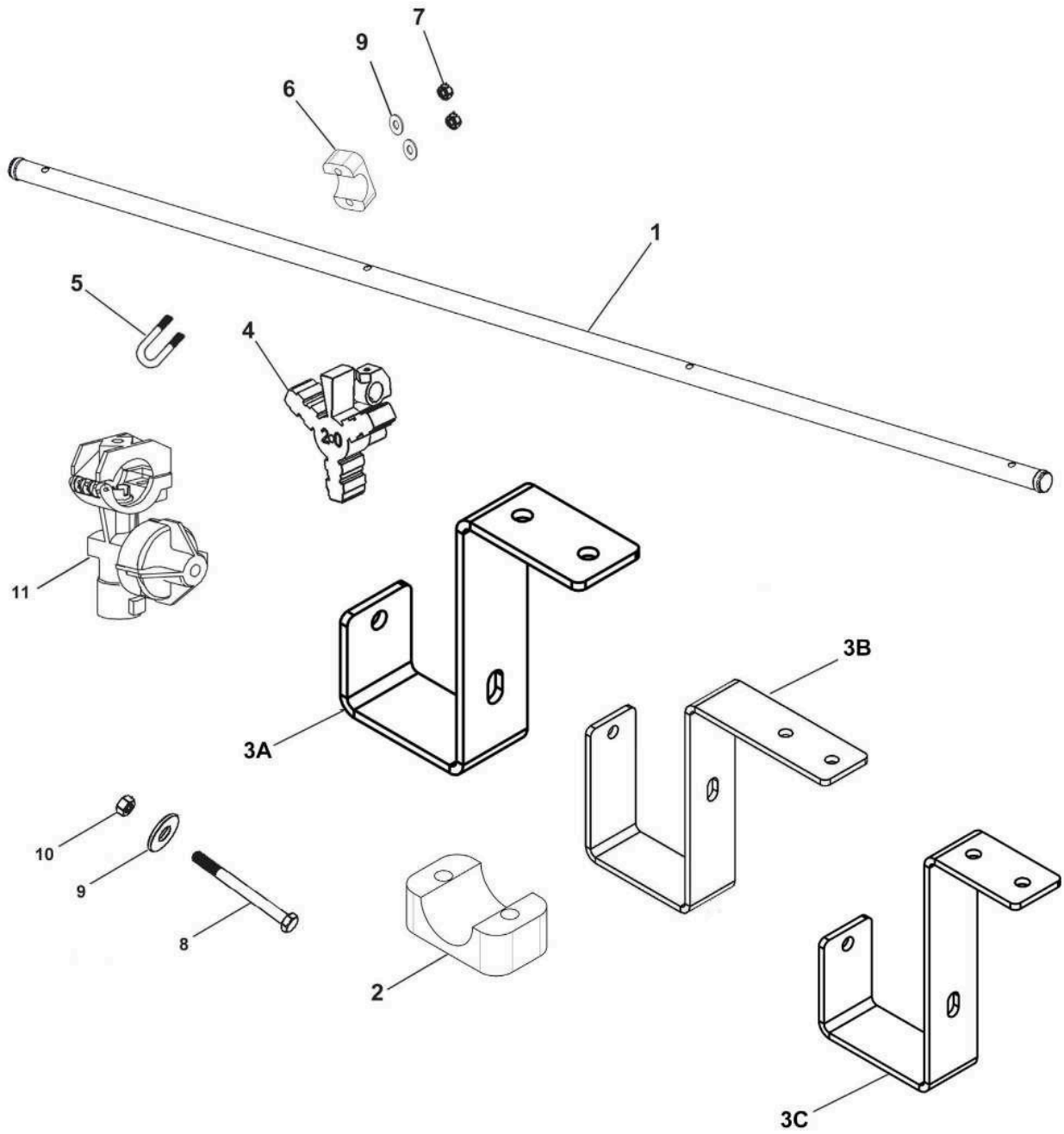
Transport Lights & Wiring



Transport Lights & Wiring Parts List

ITEM	PART NO.	QTY.	DESCRIPTION
1	740035	1	HARNES, LIGHTS, 7' WISHBONE (EF & EFT BOOM ONLY)
	ZM0706455	1	WIRING HARNES (HC BOOM ONLY)
2	740001	1	LIGHT, DUAL LAMP, AMBER/RED - LEFT HAND (EF & EFT BOOM ONLY)
3	740002	1	LIGHT, DUAL LAMP, AMBER/RED - RIGHT HAND (EF & EFT BOOM ONLY)
4	102	8	BOLT, HEX, 1/4-20 X 1-1/4" GR 5 (EF & EFT BOOM ONLY)
5	256	10	WASHER, FLAT, 1/4" SAE (EF & EFT BOOM ONLY)
	256	2	WASHER, FLAT, 1/4" SAE (HC BOOM ONLY)
6	227	10	NUT, HEX LOCK, 1/4-20 NYLOCK (EF & EFT BOOM ONLY)
	227	2	NUT, HEX LOCK, 1/4-20 NYLOCK (HC BOOM ONLY)
7	540049	2	CLAMP, SINGLE, .625" ID (EF & EFT BOOM ONLY)
8	115	2	BOLT, HEX, 5/16-18 X 1" GR 5 (EF & EFT BOOM ONLY)
9	257	4	WASHER, FLAT, 5/16" (EF & EFT BOOM ONLY)
10	228	2	NUT, HEX LOCK, 5/16-18 NYLOCK (EF & EFT BOOM ONLY)
11	740018	1	HOLDER, PLUG STORAGE
12	101	2	BOLT, HEX, 1/4-20 X 3/4" GR 5
13	740024	2	LIGHT, AMBER, M421-A (HC BOOM ONLY)
14	740025	2	LIGHT, RED, M421-R (HC BOOM ONLY)
15	5328A	4	GROMMET, LIGHT, B421-1B (HC BOOM ONLY)
16	89-272R	2	LENS, RED (EF & EFT BOOM ONLY)
16	140-53	2	GASKET
17	89-272A	4	LENS, AMBER (EF & EFT BOOM ONLY)
17	140-53	4	GASKET
18	NS	4	BULB, #1157
19	12082	1	PLUG, 7 PIN LIGHT CORD (INCLUDED WITH ITEM 1)

Boom Plumbing Delivery Tubes

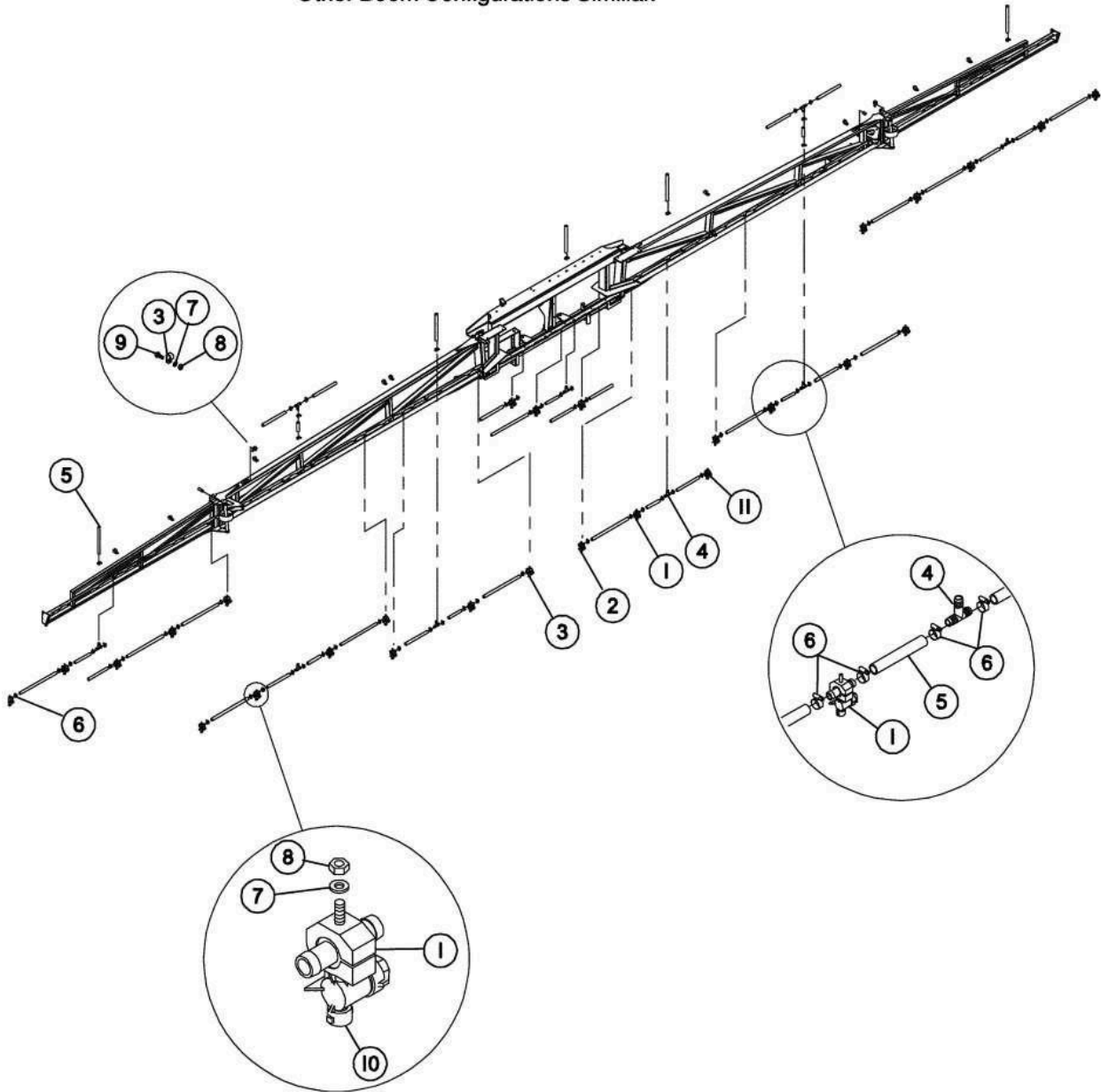


Boom Plumbing Delivery Tubes Parts List

ITEM	PART NO.	QTY.	DESCRIPTION
1	14301	AR	Tube, 6 Port 15 Inch Spacing + Fenceline Valve
1	14302	AR	Tube, 2 Port 15 Inch Spacing
1	14303	AR	Tube, 3 Port 15 Inch Spacing
1	14304	AR	Tube, 4 Port 15 Inch Spacing
1	14305	AR	Tube, 5 Port 15 Inch Spacing
1	14306	AR	Tube, 6 Port 15 Inch Spacing
1	14307	AR	Tube, 7 Port 15 Inch Spacing
1	14308	AR	Tube, 8 Port 15 Inch Spacing
1	14309	AR	Tube, 9 Port 15 Inch Spacing
1	14310	AR	Tube, 10 Port 15 Inch Spacing
1	14311	AR	Tube, 7 Port 20 Inch Spacing + Fenceline Valve
1	14312	AR	Tube, 2 Port 20 Inch Spacing
1	14313	AR	Tube, 3 Port 20 Inch Spacing
1	14314	AR	Tube, 4 Port 20 Inch Spacing
1	14315	AR	Tube, 5 Port 20 Inch Spacing
1	14316	AR	Tube, 6 Port 20 Inch Spacing
1	14317	AR	Tube, 7 Port 20 Inch Spacing
1	14318	AR	Tube, 8 Port 20 Inch Spacing
1	14319	AR	Tube, 9 Port 20 Inch Spacing
1	14320	AR	Tube, 5 Port 20 Inch Spacing + Fenceline Valve
1	14321	AR	Tube, 6 Port 20 Inch Spacing + Fenceline Valve
1	14322	AR	Tube, 2 Port 22 Inch Spacing
1	14323	AR	Tube, 3 Port 22 Inch Spacing
1	14324	AR	Tube, 4 Port 22 Inch Spacing
1	14325	AR	Tube, 5 Port 22 Inch Spacing
1	14326	AR	Tube, 6 Port 22 Inch Spacing
1	14327	AR	Tube, 7 Port 22 Inch Spacing
1	14329	AR	Tube, 6 Port 22 Inch Spacing + Fenceline Valve
1	14330	AR	Tube, 5 Port 22 Inch Spacing + Fenceline Valve
1	14331	AR	Tube, 6 Port 15 Inch Spacing + Fenceline Valve
1	14332	AR	Tube Assembly, 2 Port 15 Inch Spacing, Inc Nozzles
1	14333	AR	Tube Assembly, 3 Port 15 Inch Spacing, Inc Nozzles
1	14334	AR	Tube Assembly, 4 Port 15 Inch Spacing, Inc Nozzles
1	14335	AR	Tube Assembly, 5 Port 15 Inch Spacing, Inc Nozzles
1	14336	AR	Tube Assembly, 6 Port 15 Inch Spacing, Inc Nozzles
1	14337	AR	Tube Assembly, 7 Port 15 Inch Spacing, Inc Nozzles
1	14338	AR	Tube Assembly, 8 Port 15 Inch Spacing, Inc Nozzles
1	14339	AR	Tube Assembly, 9 Port 15 Inch Spacing, Inc Nozzles
1	14340	AR	Tube Assembly, 10 Port 15 Inch Spacing, Inc Nozzles
2	540029	AR	Tube Clamp Base
3A	18382	AR	Clamp, Wet Boom, Outer Wings
3B	18391	AR	Clamp, Wet Boom, Main Boom
3C	18381	AR	Clamp, Wet Boom, Center Section
4	520039	AR	Nozzle Body Triple Wet Boom
5	590048	AR	U-Bolt Stainless Steel
6	540029	AR	Tube Clamp Base
7	655	AR	Nut HH
8	596107M	AR	Bolt HH 1/4 x 3-1/2
8	596110M	AR	Bolt HH 1/4 x 3.00, Outer Wings
9	685	AR	Washer 1/4" Stainless Steel
10	655	AR	Nut 1/4" Nylock Stainless Steel
11	520030	AR	Nozzle Body Single Wet Boom

Boom Plumbing - Rubber Hose (EF & EFT Boom)

45 Foot Boom with 20" Nozzle Spacing Shown.
Other Boom Configurations Similiar.



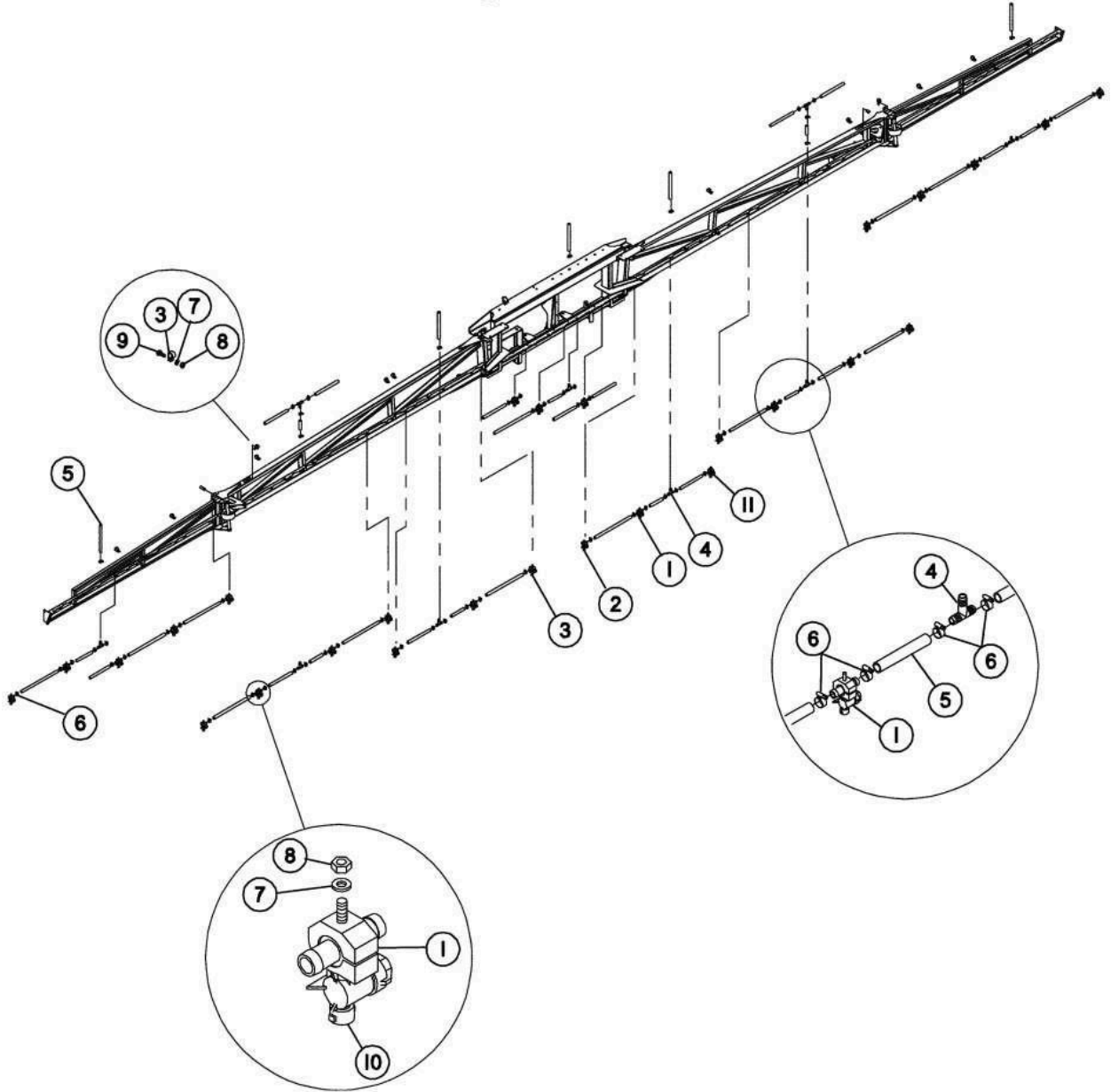
Boom Plumbing - Rubber Hose (EF & EFT Boom) Parts List

ITEM	PART NO.	QTY.	DESCRIPTION
1	520010	15	NOZZLE ASSY, SINGLE, 3/4" DOUBLE HOSE BARB (45' - 20" SPACING)
	520010	23	NOZZLE ASSY, SINGLE, 3/4" DOUBLE HOSE BARB (45' - 15" SPACING)
	520010	15	NOZZLE ASSY, SINGLE, 3/4" DOUBLE HOSE BARB (48' - 20" SPACING)
	520010	17	NOZZLE ASSY, SINGLE, 3/4" DOUBLE HOSE BARB (51' - 20" SPACING)
	520023	15	NOZZLE ASSY, TRIPLET, 3/4" DOUBLE HOSE BARB (45' - 20" SPACING)
	520023	23	NOZZLE ASSY, TRIPLET, 3/4" DOUBLE HOSE BARB (45' - 15" SPACING)
	520023	15	NOZZLE ASSY, TRIPLET, 3/4" DOUBLE HOSE BARB (48' - 20" SPACING)
	520023	17	NOZZLE ASSY, TRIPLET, 3/4" DOUBLE HOSE BARB (51' - 20" SPACING)
2	520018	12	NOZZLE ASSY, SINGLE, 3/4" SINGLE HOSE BARB (45' - 20" SPACING)
	520018	14	NOZZLE ASSY, SINGLE, 3/4" SINGLE HOSE BARB (45' - 15" SPACING)
	520018	14	NOZZLE ASSY, SINGLE, 3/4" SINGLE HOSE BARB (48' - 20" SPACING)
	520018	14	NOZZLE ASSY, SINGLE, 3/4" SINGLE HOSE BARB (51' - 20" SPACING)
	520022	6	NOZZLE ASSY, TRIPLET, 3/4" SINGLE HOSE BARB L.H. (45' - 20" SPACING)
	520022	7	NOZZLE ASSY, TRIPLET, 3/4" SINGLE HOSE BARB L.H. (45' - 15" SPACING)
	520022	7	NOZZLE ASSY, TRIPLET, 3/4" SINGLE HOSE BARB L.H. (48' - 20" SPACING)
	520022	7	NOZZLE ASSY, TRIPLET, 3/4" SINGLE HOSE BARB L.H. (51' - 20" SPACING)
3	540035	14	CLAMP, 1-1/4" VINYL (45' - 20" SPACING)
	540035	16	CLAMP, 1-1/4" VINYL (45' - 15" SPACING)
	540035	18	CLAMP, 1-1/4" VINYL (48' - 20" SPACING)
	540035	20	CLAMP, 1-1/4" VINYL (51' - 20" SPACING)
4	530219	9	TEE, HOSE BARB, 3/4" POLYPRO
5	510019	90'	HOSE, EPDM, 3/4" BLK (ORDER PER FOOT) (45' - 20" SPACING)
	510019	92'	HOSE, EPDM, 3/4" BLK (ORDER PER FOOT) (45' - 15" SPACING)

	510019	94'	HOSE, EPDM, 3/4" BLK (ORDER PER FOOT) (48' - 20" SPACING)
	510019	99'	HOSE, EPDM, 3/4" BLK (ORDER PER FOOT) (51' - 20" SPACING)
6	540012	69	CLAMP, .56" - 1.25" HOSE (45' - 20" SPACING)
	540012	91	CLAMP, .56" - 1.25" HOSE (45' - 15" SPACING)
	540012	71	CLAMP, .56" - 1.25" HOSE (48' - 20" SPACING)
	540012	75	CLAMP, .56" - 1.25" HOSE (51' - 20" SPACING)
7	ZM907379	31	WASHER, FLAT, 5/16" STAINLESS STEEL (45' - 20" SPACING)
	ZM907379	41	WASHER, FLAT, 5/16" STAINLESS STEEL (45' - 15" SPACING)
	ZM907379	33	WASHER, FLAT, 5/16" STAINLESS STEEL (48' - 20" SPACING)
	ZM907379	35	WASHER, FLAT, 5/16" STAINLESS STEEL (51' - 20" SPACING)
8	656	31	NUT, HEX LOCK, 5/16-18 NYLOCK STAINLESS STEEL (45' - 20" SPACING)
	656	41	NUT, HEX LOCK, 5/16-18 NYLOCK STAINLESS STEEL (45' - 15" SPACING)
	656	33	NUT, HEX LOCK, 5/16-18 NYLOCK STAINLESS STEEL (48' - 20" SPACING)
	656	35	NUT, HEX LOCK, 5/16-18 NYLOCK STAINLESS STEEL (51' - 20" SPACING)
9	590332	4	BOLT, HEX, 5/16-18 X 3/4" STAINLESS STEEL
10	XRC11004-VK	27	TIP, WITH CAP & GASKET XRC11004-VK (45' - 20" SPACING)
	XRC11004-VK	37	TIP, WITH CAP & GASKET XRC11004-VK (45' - 15" SPACING)
	XRC11004-VK	29	TIP, WITH CAP & GASKET XRC11004-VK (48' - 20" SPACING)
	XRC11004-VK	31	TIP, WITH CAP & GASKET XRC11004-VK (51' - 20" SPACING)

Boom Plumbing - Rubber Hose (EF & EFT Boom)

45 Foot Boom with 20" Nozzle Spacing Shown.
Other Boom Configurations Similar.



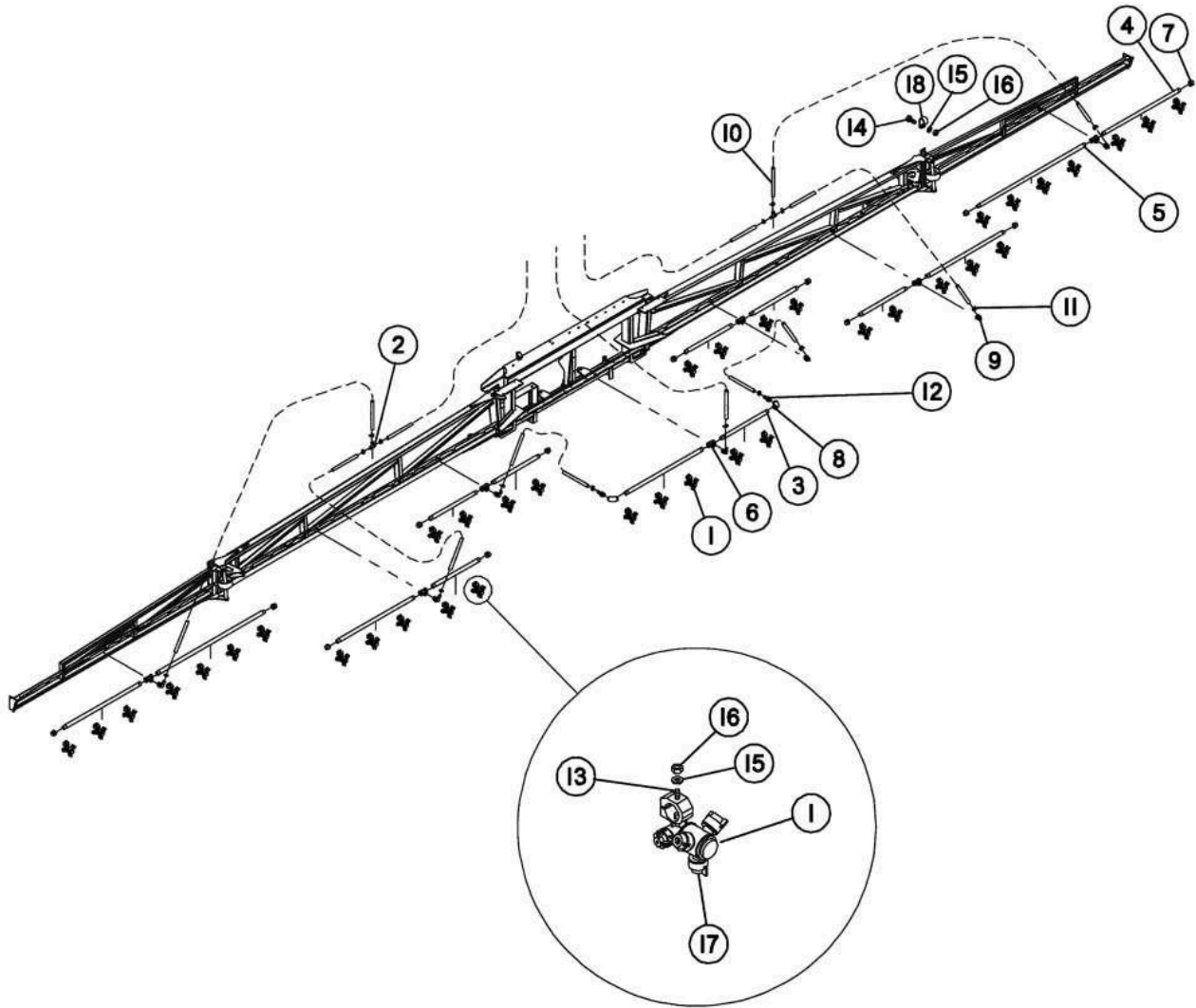


ILLUSTRATED PARTS LIST

Boom Plumbing - Rubber Hose (EF & EFT Boom) Parts List

ITEM	PART NO.	QUANTITY	DESCRIPTION
11	520022	6	NOZZLE ASSEMBLY, TRIPLET, 3/4" SINGLE HOSE BARB R.H. (45' - 20" SPACING)
	520022	7	NOZZLE ASSEMBLY, TRIPLET, 3/4" SINGLE HOSE BARB R.H. (45' - 15" SPACING)
	520022	7	NOZZLE ASSEMBLY, TRIPLET, 3/4" SINGLE HOSE BARB R.H. (48' - 20" SPACING)
	520022	7	NOZZLE ASSEMBLY, TRIPLET, 3/4" SINGLE HOSE BARB R.H. (51' - 20" SPACING)
			NOZZLE ASSEMBLIES
	520010	AR	NOZZLE ASSEMBLY, SINGLE, 3/4" DOUBLE HOSE BARB
	TJ8079-PP-50	AR	STRAINER, NOZZLE, 50 MESH RED
	TJCP256113NY	AR	CAP, RED, CP25611-3-NY
	CP19438-EPR	AR	GASKET, CAP, EPDM, CP19438-EPR
	520018	AR	NOZZLE ASSEMBLY, SINGLE, 3/4" SINGLE HOSE BARB
	TJ8079-PP-50	AR	STRAINER, NOZZLE, 50 MESH RED
	TJCP256113NY	AR	CAP, RED, CP25611-3-NY
	CP19438-EPR	AR	GASKET, CAP, EPDM, CP19438-EPR
	520023	AR	NOZZLE ASSEMBLY, TRIPLET, 3/4" DOUBLE HOSE BARB
	TJ8079-PP-50	AR	STRAINER, NOZZLE, 50 MESH RED
	TJCP256113NY	AR	CAP, RED, CP25611-3-NY
	TJCP256112NY	AR	CAP, WHITE, CP25611-2-NY
	TJCP256114NY	AR	CAP, BLUE, CP25611-4-NY
	CP19438-EPR	AR	GASKET, CAP, EPDM, CP19438-EPR
	520022	AR	NOZZLE ASSEMBLY, TRIPLET, 3/4" SINGLE HOSE BARB L.H.
	TJ8079-PP-50	AR	STRAINER, NOZZLE, 50 MESH RED
	TJCP256113NY	AR	CAP, RED, CP25611-3-NY
	TJCP256112NY	AR	CAP, WHITE, CP25611-2-NY
	TJCP256114NY	AR	CAP, BLUE, CP25611-4-NY
	CP19438-EPR	AR	GASKET, CAP, EPDM, CP19438-EPR
	520022	AR	NOZZLE ASSEMBLY, TRIPLET, 3/4" SINGLE HOSE BARB R.H.
	TJ8079-PP-50	AR	STRAINER, NOZZLE, 50 MESH RED
	TJCP256113NY	AR	CAP, RED, CP25611-3-NY
	TJCP256112NY	AR	CAP, WHITE, CP25611-2-NY
	TJCP256114NY	AR	CAP, BLUE, CP25611-4-NY
	CP19438-EPR	AR	GASKET, CAP, EPDM, CP19438-EPR

Boom Plumbing, 45' EF Boom, 15 & 20" Nozzle Spacing (stainless steel)



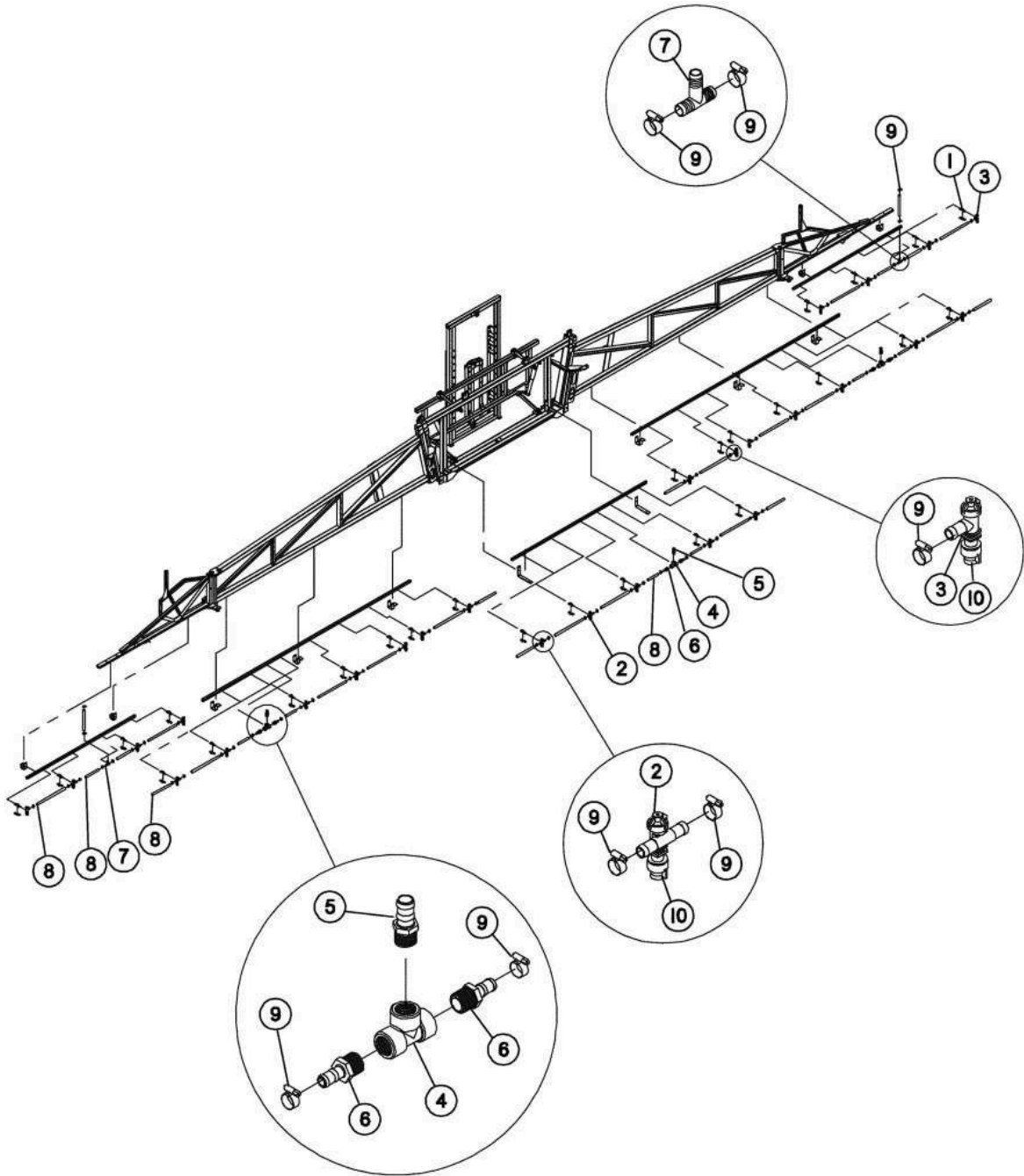


ILLUSTRATED PARTS LIST

Boom Plumbing, 45' EF Boom, 15 & 20" Nozzle Spacing (stainless steel) Parts List

ITEM	PART NO.	QTY.	DESCRIPTION
1	520030	37	NOZZLE ASSEMBLY, 1" SINGLE (WET BOOM) - 15" CENTERS
	TJ8079-PP-50	37	STRAINER, NOZZLE, 50 MESH RED - 15" CENTERS
	TJCP256113NY	37	CAP, RED, CP25611-3-NY - 15" CENTERS
	CP19438-EPR	37	GASKET, CAP, EPDM, CP19438-EPR - 15" CENTERS
1	520039	37	NOZZLE ASSEMBLY, 1" TRIPLET (WET BOOM) - 15" CENTERS
	TJ8079-PP-50	111	STRAINER, NOZZLE, 50 MESH RED - 15" CENTERS
	TJCP256113NY	37	CAP, RED, CP25611-3-NY - 15" CENTERS
	TJCP256112NY	37	CAP, WHITE, CP25611-2-NY - 15" CENTERS
	TJCP256114NY	37	CAP, BLUE, CP25611-4-NY - 15" CENTERS
	CP19438-EPR	111	GASKET, CAP, EPDM, CP19438-EPR - 15" CENTERS
1	520030	27	NOZZLE ASSEMBLY, 1" SINGLE (WET BOOM) - 20" CENTERS
	TJ8079-PP-50	27	STRAINER, NOZZLE, 50 MESH RED - 20" CENTERS
	TJCP256113NY	27	CAP, RED, CP25611-3-NY - 20" CENTERS
	CP19438-EPR	27	GASKET, CAP, EPDM, CP19438-EPR - 20" CENTERS
1	520039	27	NOZZLE ASSEMBLY, 1" TRIPLET (WET BOOM) - 20" CENTERS
	TJ8079-PP-50	81	STRAINER, NOZZLE, 50 MESH RED - 20" CENTERS
	TJCP256113NY	27	CAP, RED, CP25611-3-NY - 20" CENTERS
	TJCP256112NY	27	CAP, WHITE, CP25611-2-NY - 20" CENTERS
	TJCP256114NY	27	CAP, BLUE, CP25611-4-NY - 20" CENTERS
	CP19438-EPR	81	GASKET, CAP, EPDM, CP19438-EPR - 20" CENTERS
2	530219	2	TEE, HOSE BARB, 3/4" POLY
3	ZM2100504	7	BOOM LINE, STAINLESS STEEL, 23" 2 HOLE 15" CENTERS
	ZM2100505	6	BOOM LINE, STAINLESS STEEL, 30.5" 2 HOLE 20" CENTERS
4	ZM2100503	5	BOOM LINE, STAINLESS STEEL, 38" 3 HOLE 15" CENTERS
	ZM2100507	5	BOOM LINE, STAINLESS STEEL, 50.5" 3 HOLE 20" CENTERS
5	ZM2100502	2	BOOM LINE, STAINLESS STEEL, 53" 4 HOLE 15" CENTERS
6	TT100 SS	7	TEE, 1" FNPT, 304 STAINLESS STEEL
7	CP100 SS	12	CAP, 1" NPT, 304 STAINLESS STEEL
8	LL100 SS	2	ELBOW, 90°, 1" MPT, 304 STAINLESS STEEL
9	530042	7	ELBOW, 90°, 1" MPT X 3/4" HOSE BARB
10	510019	50'	HOSE, EPDM, .75" BLK (ORDER PER FOOT)
11	540012	15	CLAMP, .56" - 1.25" HOSE
12	530043	2	STRAIGHT, 1" PT X 3/4" HOSE BARB, NYLON
13	717	37	BOLT, HEX, 5/16-18 X 1" STAINLESS STEEL
14	590322	4	BOLT, HEX, 5/16-18 X 3/4" STAINLESS STEEL
15	ZM907379	41	WASHER, FLAT, 5/16" STAINLESS STEEL
16	656	41	NUT, HEX LOCK, 5/16-18 NYLOCK STAINLESS STEEL
17	XRC11004-VK	37	TIP, WITH CAP & GASKET XRC11004-VK
18	540035	4	CLAMP, VINYL, 1.125"

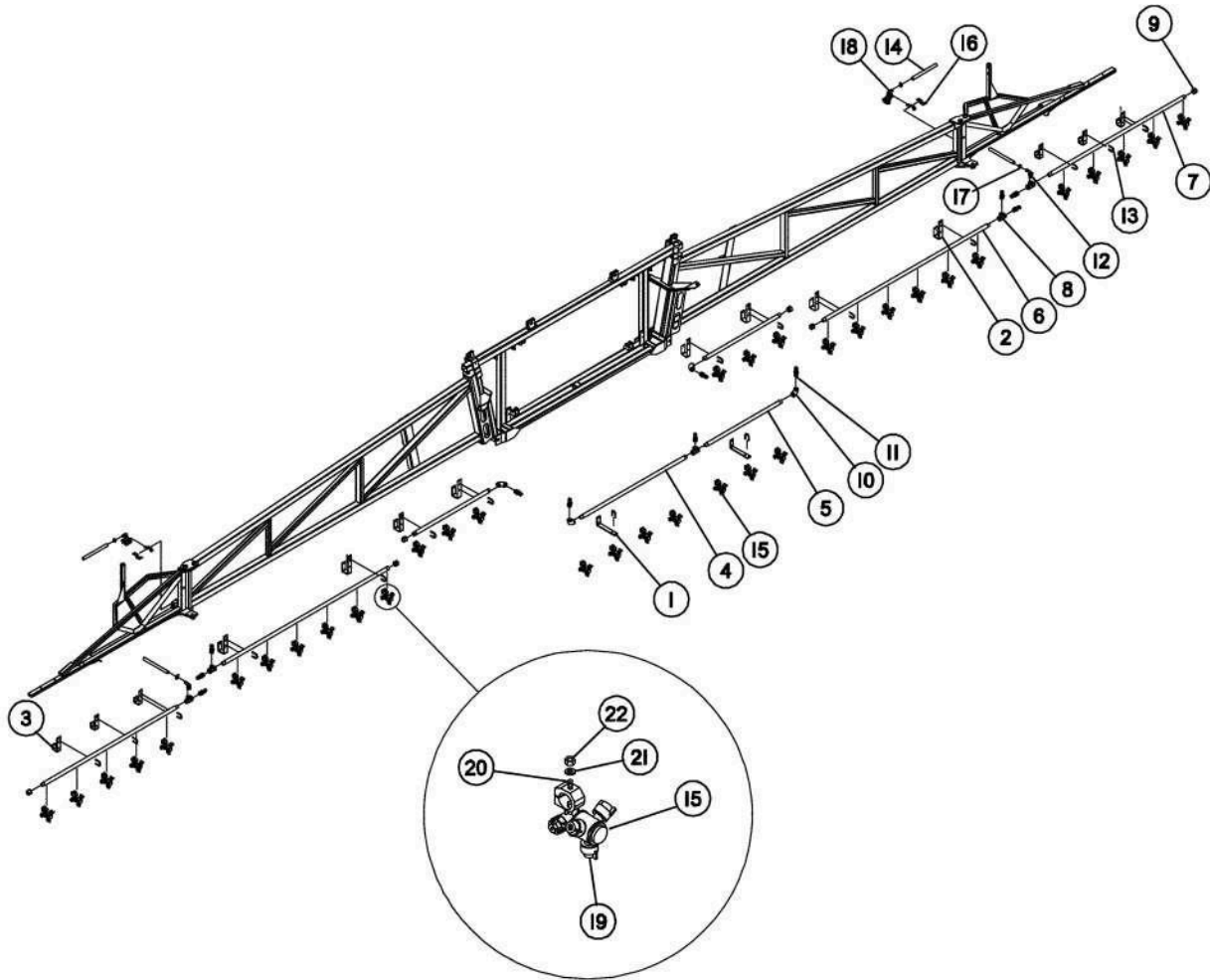
Boom Plumbing - Rubber Hose (HC Boom)



Boom Plumbing - Rubber Hose (HC Boom) Parts List

ITEM	PART NO.	QTY.	DESCRIPTION
1	QJ111SQ-1	27	CLAMP, SQUARE 1" TUBE
2	520010	19	NOZZLE ASSEMBLY, SINGLE, 3/4" DOUBLE HOSE BARB
	TJ8079-PP-50	19	STRAINER, NOZZLE, 50 MESH RED
	TJCP256113NY	19	CAP, RED, CP25611-3-NY
	CP19438-EPR	19	GASKET, CAP, EPDM, CP19438-EPR
2	520023	19	NOZZLE ASSEMBLY, TRIPLET, 3/4" DOUBLE HOSE BARB
	TJ8079-PP-50	57	STRAINER, NOZZLE, 50 MESH RED
	TJCP256113NY	19	CAP, RED, CP25611-3-NY
	TJCP256116NY	19	CAP, YELLOW, CP25611-6-NY
	TJCP255991NY	19	CAP, BLACK, CP25599-1-NY
	CP19438-EPR	57	GASKET, CAP, EPDM, CP19438-EPR
3	520018	8	NOZZLE ASSEMBLY, SINGLE, 3/4" SINGLE HOSE BARB
	TJ8079-PP-50	19	STRAINER, NOZZLE, 50 MESH RED
	TJCP256113NY	19	CAP, RED, CP25611-3-NY
	CP19438-EPR	19	GASKET, CAP, EPDM, CP19438-EPR
3	520022	8	NOZZLE ASSEMBLY, TRIPLET, 3/4" SINGLE HOSE BARB
	TJ8079-PP-50	24	STRAINER, NOZZLE, 50 MESH RED
	TJCP256113NY	8	CAP, RED, CP25611-3-NY
	TJCP256116NY	8	CAP, YELLOW, CP25611-6-NY
	TJCP255991NY	8	CAP, BLACK, CP25599-1-NY
	CP19438-EPR	24	GASKET, CAP, EPDM, CP19438-EPR
4	530157	3	TEE, 1" FPT
5	530041	3	STRAIGHT, 1" PT X 1" HOSE BARB NYLON
6	530043	6	STRAIGHT, 1" PT X 3/4" HOSE BARB NYLON
7	530219	2	TEE, HOSE BARB, 3/4" POLYPRO
8	510019	50'	HOSE, EPDM, .75" BULK (ORDER PER FOOT)
9	540012	60	CLAMP, HOSE, .56" - 1.25" HOSE
10	XRC11004-VK	27	TIP, WITH CAP & GASKET, XRC11004-VK

Boom Plumbing, HC Boom, 15 & 20 " Nozzle Spacing (stainless steel)



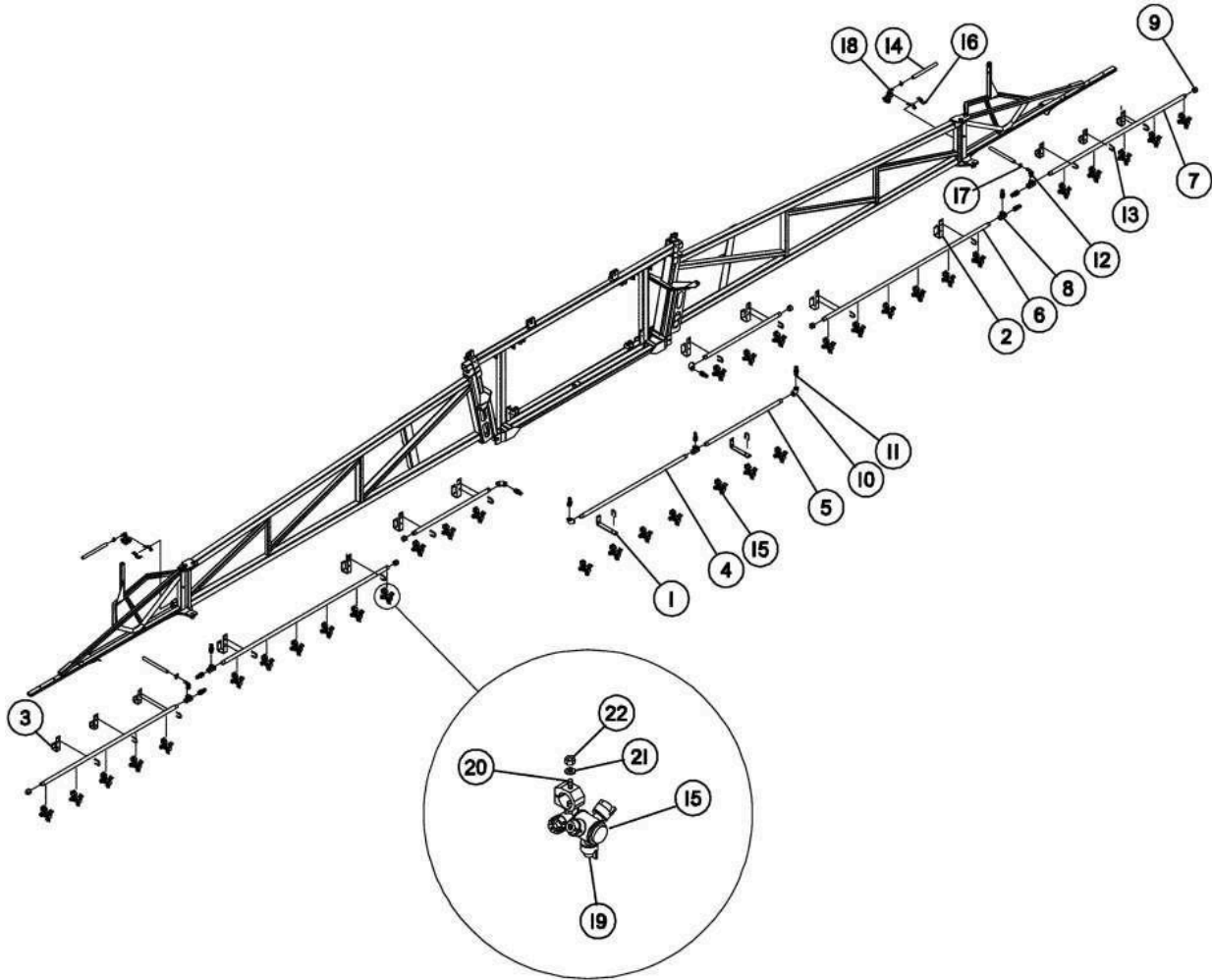


ILLUSTRATED PARTS LIST

Parts List: Boom Plumbing, HC Boom, 15 & 20 " Nozzle Spacing (stainless steel)

ITEM	PART NO.	QTY.	DESCRIPTION
1	ZM 0707037	2	BRACKET, STAINLESS STEEL MOUNT, MID SECTION
2	ZM 0707038	8	BRACKET, INNER WING, MOUNT
3	ZM 0707039	6	BRACKET, OUTER WING, MOUNT
4	ZM 2100502	1	BOOM LINE, STAINLESS STEEL, 53" 4 HOLE, 15" CENTERS
5	ZM 2100503	3	BOOM LINE, STAINLESS STEEL, 38" 3 HOLE, 15" CENTERS
6	ZM 2100511	2	BOOM LINE, STAINLESS STEEL, 83" 6 HOLE, 15" CENTERS
7	ZM 2100512	2	BOOM LINE, STAINLESS STEEL, 68" 5 HOLE, 15" CENTERS
8	TT100 SS	5	TEE, 1" FNPT, 304 STAINLESS STEEL
9	CP100 SS	6	CAP, 1" NPT, 304 STAINLESS STEEL
10	LL100 SS	6	ELBOW, 90°, 1" NPT, 304 STAINLESS STEEL
11	530041	11	STRAIGHT, 1" PT X 1" HOSE BARB, NYLON
12	530042	2	ELBOW, 90°, 1" MPT X 3/4" HOSE BARB
13	590118	16	U-BOLT, 5/16 X 1.37 X 1.5" ROUND, STAINLESS STEEL
14	510019	4'	HOSE, EPDM, .75" BULK (ORDER PER FOOT)
15	520039	35	NOZZLE ASSEMBLY, 1" TRIPLET (WET BOOM) - 15" CENTERS
	TJ8079-PP-50	105	STRAINER, NOZZLE, 50 MESH RED - 15" CENTERS
	TJCP 256113NY	35	CAP, RED, CP25611-3-NY - 15" CENTERS
	TJCP 256113NY	35	CAP, WHITE, CP25611-2-NY - 15" CENTERS
	TJCP 256114NY	35	CAP, BLUE, CP25611-4-NY - 15" CENTERS
	CP19438-EPR	105	GASKET, CAP, EPDM, CP19438-EPR - 15" CENTERS
15	520030	37	NOZZLE ASSEMBLY, 1" SINGLE (WET BOOM) - 15" CENTERS
	TJ8079-PP-50	37	STRAINER, NOZZLE, 50 MESH RED - 15" CENTERS
	TJCP 256113NY	37	CAP, RED, CP25611-3-NY - 15" CENTERS
	CP19438-EPR	37	GASKET, CAP, EPDM, CP19438-EPR - 15" CENTERS
15	520039	27	NOZZLE ASSEMBLY, 1" TRIPLET (WET BOOM) - 20" CENTERS
	TJ8079-PP-50	81	STRAINER, NOZZLE, 50 MESH RED - 20" CENTERS
	TJCP 256113NY	27	CAP, RED, CP25611-3-NY - 20" CENTERS
	TJCP 256113NY	27	CAP, WHITE, CP25611-2-NY - 20" CENTERS
	TJCP 256114NY	27	CAP, BLUE, CP25611-4-NY - 20" CENTERS
	CP19438-EPR	81	GASKET, CAP, EPDM, CP19438-EPR - 20" CENTERS
15	520030	27	NOZZLE ASSEMBLY, 1" SINGLE (WET BOOM) - 20" CENTERS
	TJ8079-PP-50	27	STRAINER, NOZZLE, 50 MESH RED - 20" CENTERS
	TJCP 256113NY	27	CAP, RED, CP25611-3-NY - 20" CENTERS
	CP19438-EPR	27	GASKET, CAP, EPDM, CP19438-EPR - 20" CENTERS
16	540034	2	CLAMP, STAINLESS STEEL, SQUARE, 1-1/2" TUBE
17	540013	4	CLAMP, .56" - 1.25" HOSE
18	520022	2	TURRET, 3/4" HOSE BARB - 15" CENTERS
	TJ8079-PP-50	6	STRAINER, NOZZLE, 50 MESH RED - 15" CENTERS
	TJCP 256113NY	2	CAP, RED, CP25611-3-NY - 15" CENTERS
	TJCP 256113NY	2	CAP, WHITE, CP25611-2-NY - 15" CENTERS
	TJCP 256114NY	2	CAP, BLUE, CP25611-4-NY - 15" CENTERS
	CP19438-EPR	6	GASKET, CAP, EPDM, CP19438-EPR - 15" CENTERS

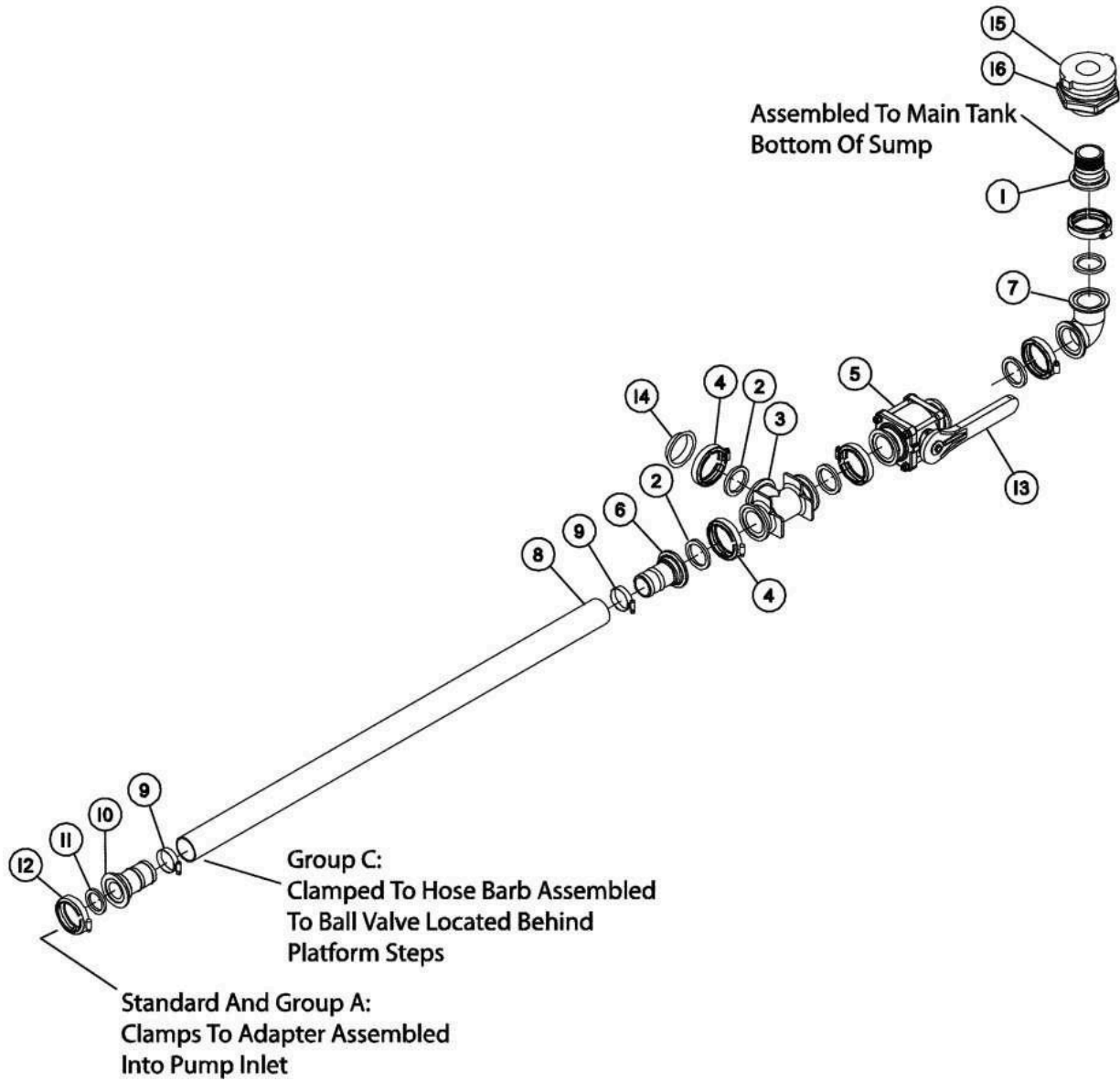
Boom Plumbing, HC Boom, 15 & 20 " Nozzle Spacing (stainless steel)



Parts List: Boom Plumbing, HC Boom, 15 & 20 " Nozzle Spacing (stainless steel)

ITEM	PART NO.	QTY.	DESCRIPTION
19	XRC11004-VK	37	TIP, WITH CAP & GASKET, XRC11004-VK - 15" CENTERS
	XRC11004-VK	27	TIP, WITH CAP & GASKET, XRC11004-VK - 20" CENTERS
20	717	37	BOLT, HEX, 5/16-18 X 1" STAINLESS STEEL - 15" CENTERS
	717	27	BOLT, HEX, 5/16-18 X 1" STAINLESS STEEL - 20" CENTERS
21	ZM907379	37	WASHER, FLAT, 5/16" STAINLESS STEEL - 15" CENTERS
	ZM907379	27	WASHER, FLAT, 5/16" STAINLESS STEEL - 20" CENTERS
22	656	37	NUT, HEX LOCK, 5/16-18 NYLOCK STAINLESS STEEL - 15" CENTERS
	656	27	NUT, HEX LOCK, 5/16-18 NYLOCK STAINLESS STEEL - 20" CENTERS
			20" CENTER STAINLESS STEEL BOOM LINES
	ZM2100505	5	BOOM LINE, STAINLESS STEEL, 30.5" 2 HOLE 20" CENTERS
	ZM2100507	3	BOOM LINE, STAINLESS STEEL, 50.5" 3 HOLE 20" CENTERS
	ZM2100510	2	BOOM LINE, STAINLESS STEEL, 70.5" 4 HOLE 20" CENTERS

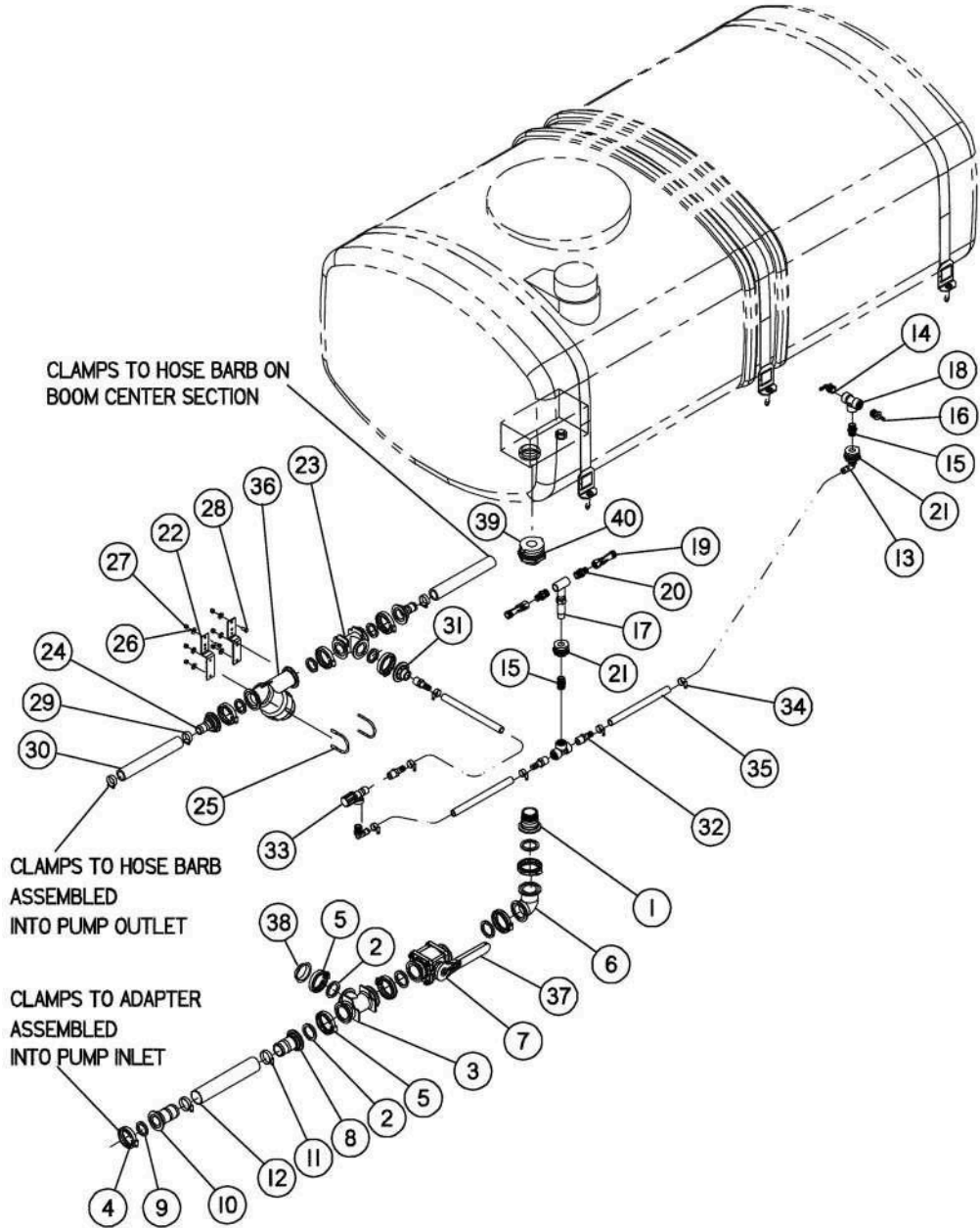
Product Tank Sump Plumbing



Product Tank Sump Plumbing Parts List

ITEM	PART NO.	QTY.	DESCRIPTION
1	530108	1	FITTING, 2" FP FLANGE X 2" MPT
2	530019	5	GASKET, EDPM, 2" FULL PORT
3	530110	1	TEE, FLANGED, 2" FULL PORT
4	540002	5	CLAMP, WORM 220 FULL PORT
5	500006	1	VALVE, BALL, 2" X 2" FULL PORT FLANGE (INCLUDES ITEM 14)
6	530103	1	FLANGE, 2" FULL PORT X 2" HOSE BARB
7	530106	1	ELBOW, 90°, 2" FULL PORT FLANGE
8	510003	4'	HOSE, FERTILIZER, 2" (ORDER PER FOOT)
9	540017	2	CLAMP, 1.562" - 2.500" HOSE
10	530082	1	FITTING, FLANGE, 2" STD X 2" HOSE BARB
11	530019	1	GASKET, 2" EPDM
12	540001	1	CLAMP, WORM SCREW, 2"
13	V25153	1	HANDLE (INCLUDED WITH ITEM 5)
14	530109	1	PLUG, FLANGE, 2" FULL PORT (STANDARD CONFIGURATION ONLY)
15	530163	1	FITTING, BULKHEAD, 2" WITH GASKET
16	ZM0707914	1	GASKET, 2"

Primary Product Circuit Plumbing (Standard)



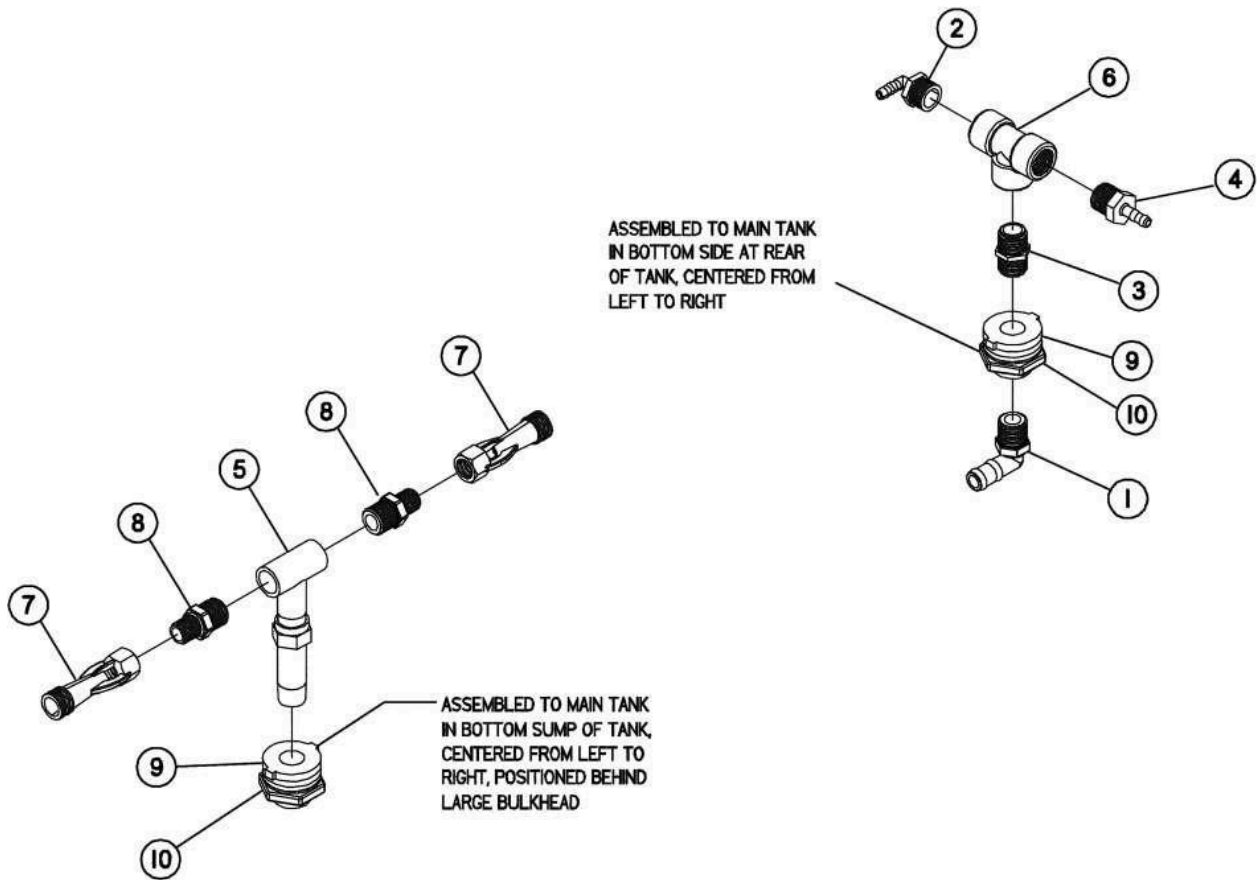


ILLUSTRATED PARTS LIST

Primary Product Circuit Plumbing (Standard) Parts List

ITEM	PART NO.	QTY.	DESCRIPTION
1	530108	1	FITTING, 2" FP FLANGE X 2" MPT
2	530019	5	GASKET, EDPM, 2" FULL PORT
3	530110	1	TEE, FLANGED, 2" FULL PORT
4	540001	5	CLAMP, WORM SCREW, 2"
5	540002	5	CLAMP, WORM 220 FULL PORT
6	530106	1	ELBOW, 90°, 2" FULL PORT FLANGE
7	500006	1	VALVE, BALL, 2" X 2" FULL PORT FLANGE (INCLUDES ITEM 37)
8	530103	1	FLANGE, 2" FULL PORT X 2" HOSE BARB
9	530019	5	GASKET, 2" EPDM
10	530082	1	FITTING, FLANGE, 2" STD X 2" HOSE BARB
11	540018	2	CLAMP, 1.562" - 2.500" HOSE
12	510003	4'	HOSE, FERTILIZER, 2" (ORDER PER FOOT)
13	530040	2	ELBOW, 90°, 3/4" MPT X 3/4" HOSE BARB
14	530212	1	ELBOW, 90°, 3/4" MPT X 3/8" HOSE BARB
15	530101	2	NIPPLE, 3/4" X CLOSE POLY
16	530037	1	STRAIGHT, 3/4" PT X 3/8" HOSE BARB NYLON
17	T34TESPP & T34TEXPP	1	TEE, AGITATOR, 3/4" T34 TE EXTERNAL
18	530156	2	TEE, 3/4" FPT
19	3371	2	AGITATOR, HYPRO
20	530147	2	NIPPLE, REDUCER, 3/4" X 1/2"
21	530160	2	FITTING, BULKHEAD, 3/4" FPT
22	ZM0705882	2	BRACKET, MOUNT
23	530097	1	2" STANDARD PORT FLANGE TEE
24	530076	2	FITTING, FLANGE, 2" STANDARD X 1-1/4" HOSE BARB
25	ZM0974204	2	U-BOLT, 5/16 X 2-1/2 X 3-3/16"
26	257	6	WASHER, FLAT, 5/16"
27	228	6	NUT, HEX LOCK, 5/16-18 NYLOCK
28	114	2	BOLT, HEX, 5/16-18 X 3/4" GR 5
29	540015	3	CLAMP, 1.062" - 2.000" HOSE
30	510015	19'	HOSE, EPDM 1.25" X 2 BRAID, 200 PSI (ORDER PER FOOT)
31	530096	1	PLUG, FLANGE, 2" STD X 3/4" FPT
32	530230	4	STRAIGHT, 3/4" NPT X 3/4" HOSE BARB NYLON
33	500021	1	VALVE, THROTTLING, 23520, 3/4"
34	540012	6	CLAMP, .56" - 1.25" HOSE
35	510019	14'	HOSE, EPDM, .75" BLACK (ORDER PER FOOT)
36	MLS 200B/C	1	STRAINER, "Y" 2" STD PORT, 50 MESH
	LS250	1	50 MESH SCREEN
	LS 150G	1	GASKET, EPDM
	LS 150C	1	CAP
	LSQ200-R	1	O-RING FOR PLUG
	LS10694	1	PLUG
37	V25153	1	HANDLE (INCLUDED WITH ITEM 7)
38	530109	1	PLUG, FLANGE, 2" FULL PORT
39	530163	1	FITTING, BULKHEAD, 2" WITH GASKET
40	ZM0707914	1	GASKET, 2"

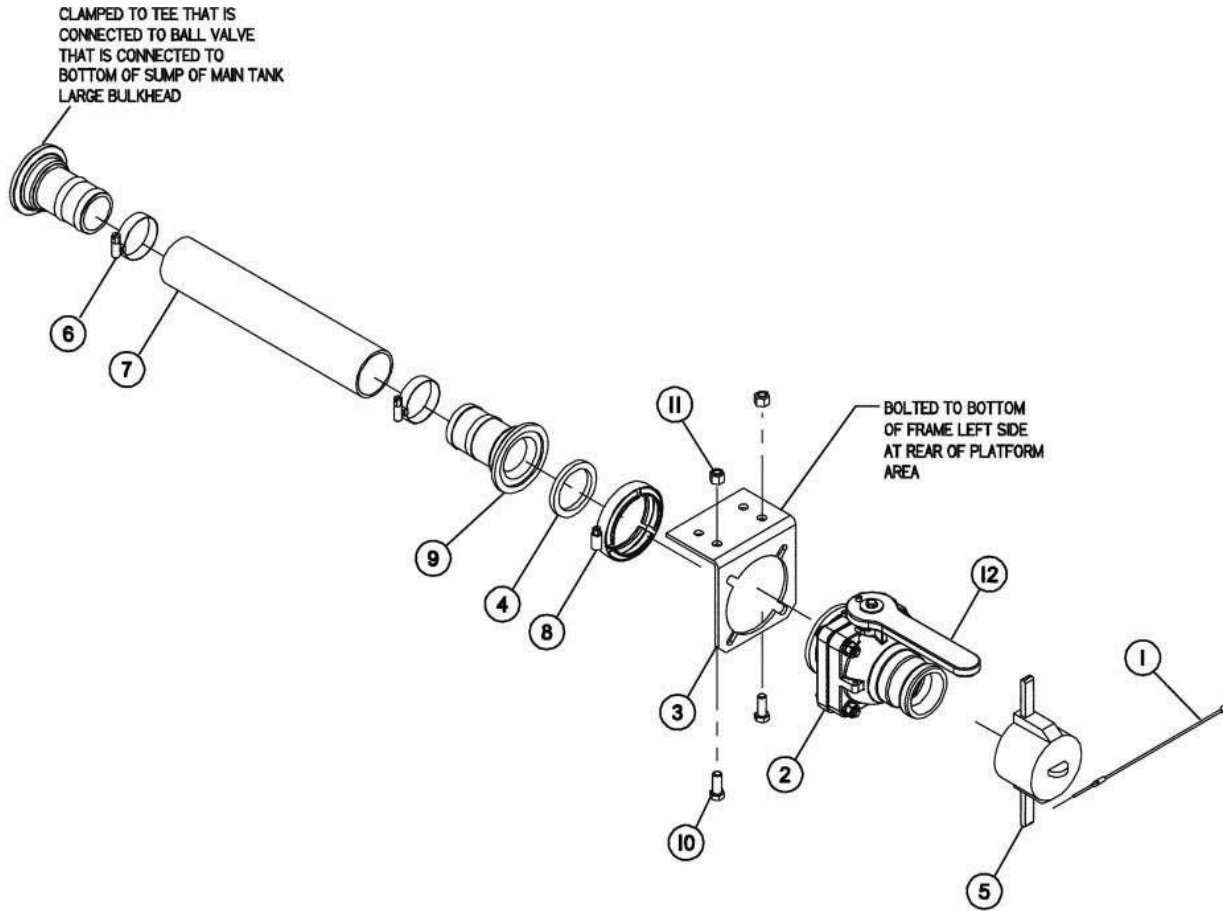
Agitation System - Product Tank



Agitation System - Product Tank Parts List

ITEM	PART NO.	QTY	DESCRIPTION
1	530040	1	ELBOW, 90°, 3/4" MPT X 3/4" HOSE BARB
2	530212	1	ELBOW, 90°, 3/4" MPT X 3/8" HOSE BARB
3	530131	1	NIPPLE, 3/4" X CLOSE POLY
4	530037	1	STRAIGHT, 3/4" PT X 3/8" HOSE BARB NYLON
5	T34TESPP & T34TEXPP	1	TEE, AGITATOR, 3/4" T34 TE EXTERNAL
6	530156	1	TEE, 3/4" FPT
7	3371	2	AGITATOR, HYPRO
8	530147	2	NIPPLE, REDUCER, 3/4" X 1/2"
9	530160	2	FITTING, BULKHEAD, 3/4" FPT WITH GASKET
10	530014	2	GASKET

Fast Fill Plumbing (Group A Option)



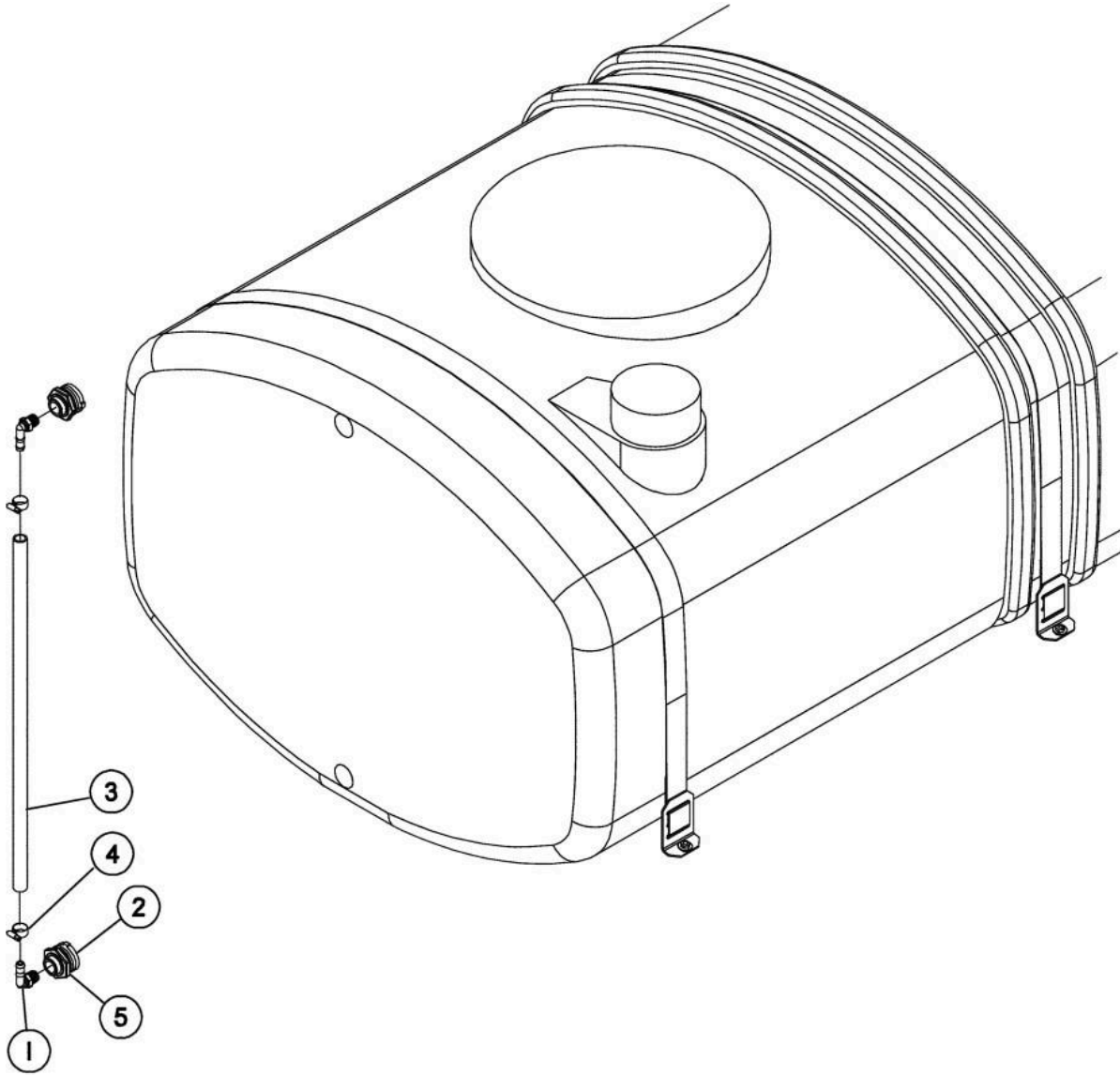


ILLUSTRATED PARTS LIST

Fast Fill Plumbing (Group A Option) Parts List

ITEM	PART NO.	QTY.	DESCRIPTION
1	530179	1	LANYARD, 11" POLY RUBBER
2	500035	1	BALL VALVE, STUBBY 2" X 2" FLANGE (INCLUDES ITEM 12)
3	ZM0709126	1	BRACKET, SHORT, 2" BALL VALVE
4	530019	2	GASKET, EPDM, 2" FULL PORT
5	530017	1	DUST CAP, 2" CAMLOCK
6	540018	2	CLAMP, WORM, 1.562" - 2.500" DIAMETER
7	510003	2'	HOSE, FERTILIZER, 2" (ORDER PER FOOT)
8	540002	2	CLAMP, WORM, 220 FULL PORT
9	530103	2	FLANGE, 2" FULL PORT X 2" HOSE BARB
10	128	2	BOLT, HEX, 3/8-16 X 1" GR 5
11	H001010	2	NUT, HEX LOCK, 3/8-16 NYLOCK
12	VS20152SH	1	HANDLE, SHORT (INCLUDED WITH ITEM 2)

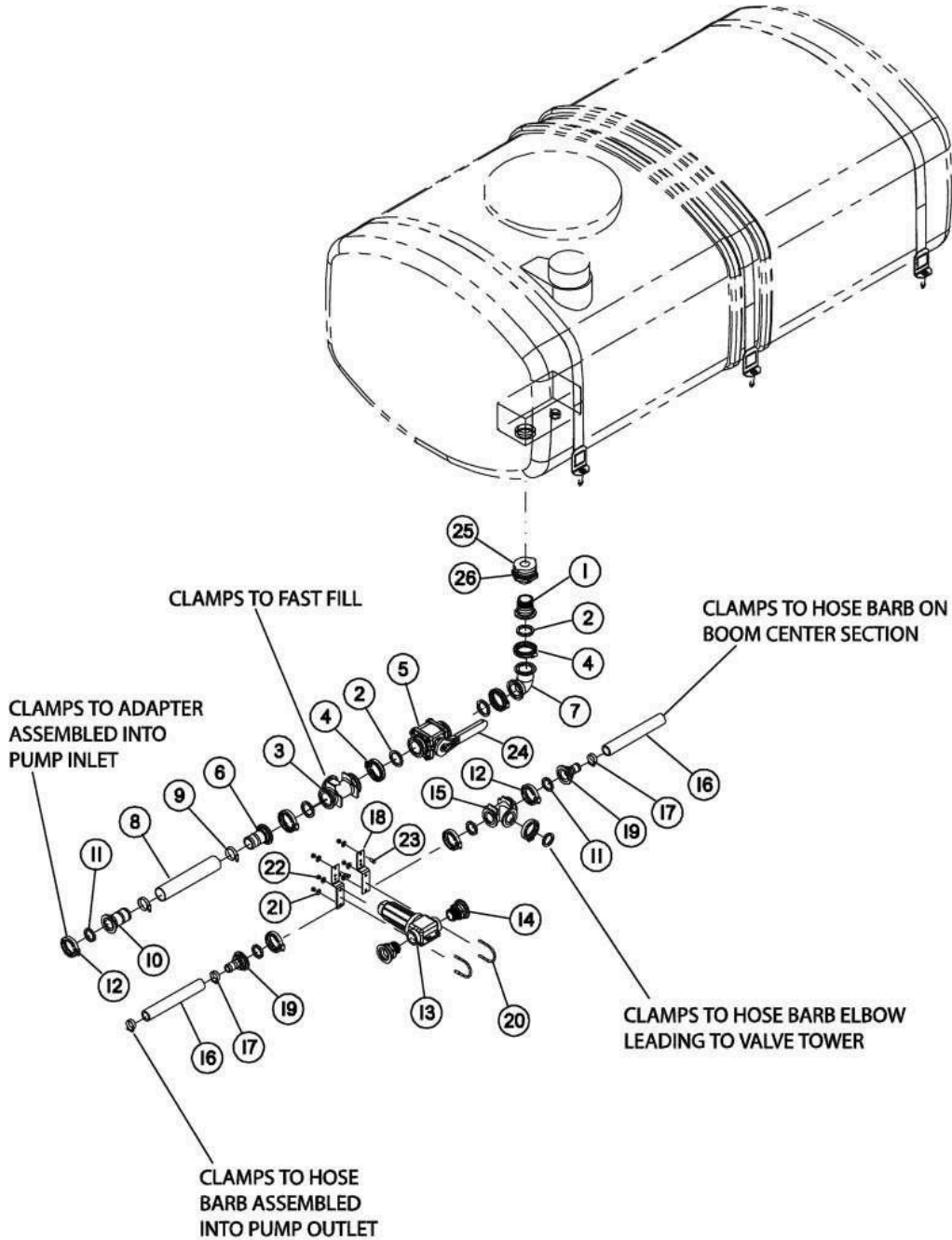
Sight Gauge - Product Tank (Group C Option)



Sight Gauge - Product Tank (Group C Option) Parts List

ITEM	PART #	QTY	DESCRIPTION
1	530040	2	ELBOW, 90°, 3/4" MPT X 3/4" HOSE BARB
2	530160	2	FITTING, BULKHEAD, 3/4" FPT WITH GASKET (INCLUDES ITEM 5)
3	510006	2.5'	TUBING, CLEAR VINYL, .75" ID (ORDER PER FOOT)
4	540015	2	CLAMP, .56" - 1.25" HOSE
5	530014	2	GASKET (INCLUDED WITH ITEM 2)

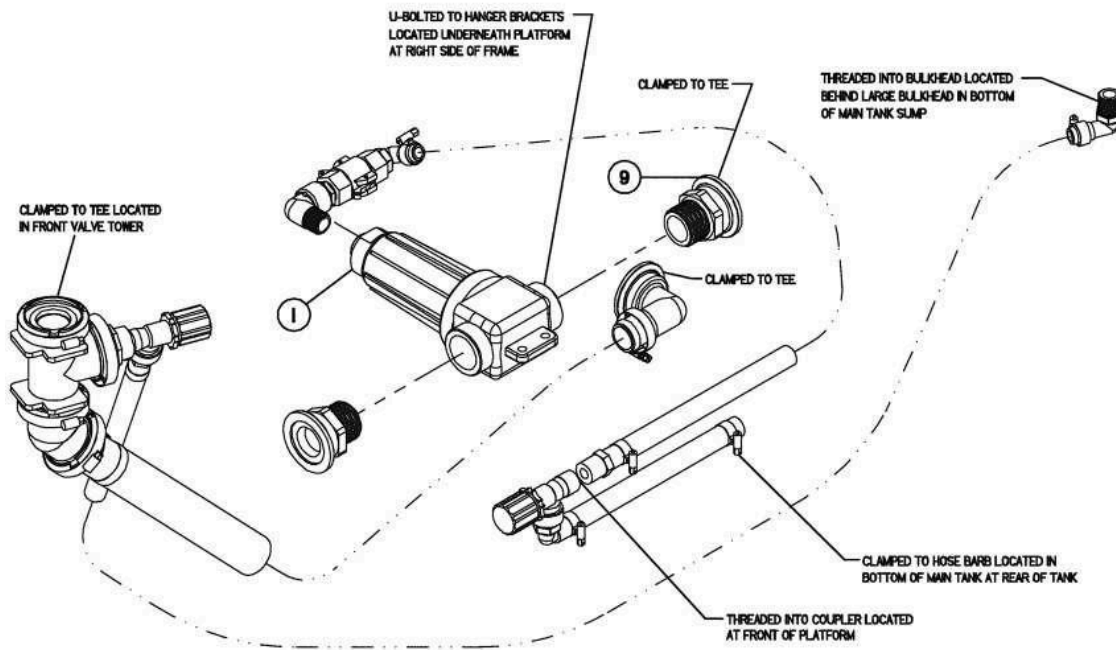
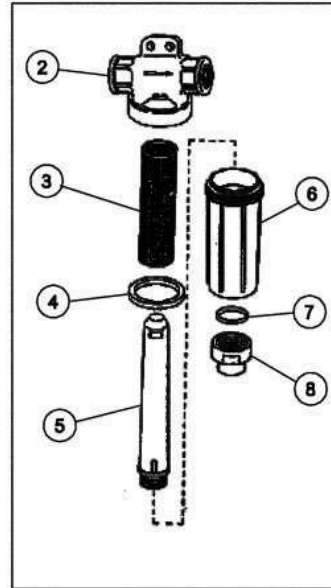
Primary Product Circuit Plumbing (Group A Option)



Primary Product Circuit Plumbing (Group A Option) Parts List

ITEM	PART NO.	QTY.	DESCRIPTION
1	530108	1	FITTING, 2" FP FLANGE X 2" MPT
2	530019	4	GASKET, EDPM, 2" FULL PORT
3	530110	1	TEE, FLANGED, 2" FULL PORT
4	540002	4	CLAMP, WORM 220 FULL PORT
5	540006	1	VALVE, BALL, 2" X 2" FULL PORT FLANGE (INCLUDES ITEM 24)
6	530103	1	FLANGE, 2" FULL PORT X 2" HOSE BARB
7	530106	1	ELBOW, 90°, 2" FULL PORT FLANGE
8	510003	4'	HOSE, FERTILIZER, 2" (ORDER PER FOOT)
9	540018	2	CLAMP, 1.562" - 2.500" HOSE
10	530082	1	FITTING, FLANGE, 2" STANDARD X 2" HOSE BARB
11	530019	5	GASKET, 2" EPDM
12	540001	5	CLAMP, WORM SCREW, 2"
13	520064	1	STRAINER, 124, 1-1/2" SELF CLEANING, AL 50
14	530081	2	FITTING, 2" FLANGE X 1-1/2" MPT
15	530097	1	2" STANDARD PORT FLANGE TEE
16	510015	19'	HOSE, EPDM 1.25" X 2 BRAID, 200 PSI (ORDER PER FOOT)
17	540015	3	CLAMP, 1.062" - 2.000" HOSE
18	ZM0705882	2	BRACKET, MOUNT
19	530076	2	FITTING, FLANGE, 2" STANDARD X 1-1/4" HOSE BARB
20	ZM0974204	2	U-BOLT, 5/16 X 2-1/2 X 3-3/16"
21	257	6	WASHER, FLAT, 5/16"
22	228	6	NUT, HEX LOCK, 5/16-18 NYLOCK
23	114	2	BOLT, HEX, 5/16-18 X 3/4" GR 5
24	07.12312	1	HANDLE (INCLUDED WITH ITEM 5)
25	530163	1	FITTING, BULKHEAD, 2" WITH GASKET
26	ZM0707914	1	GASKET, 2"

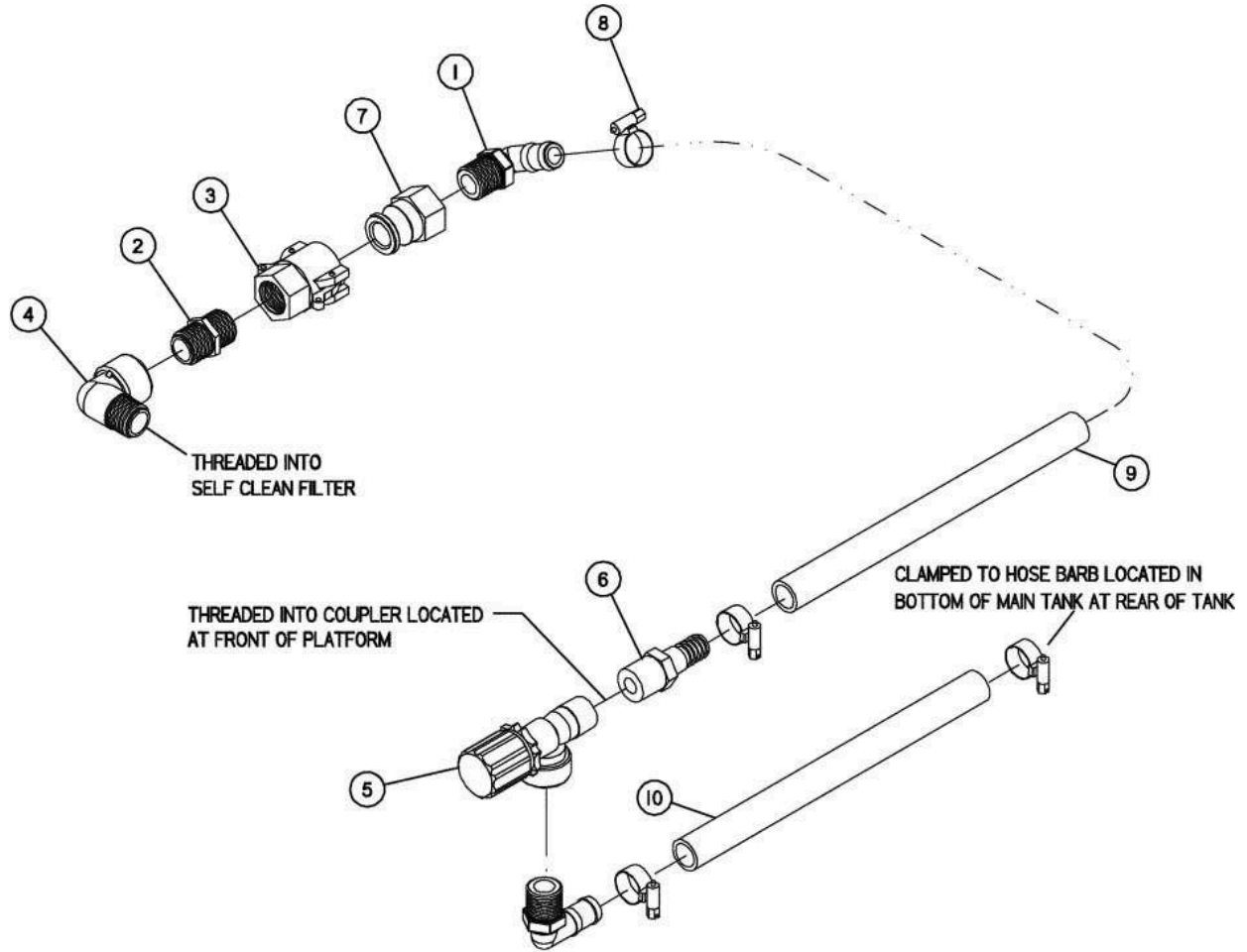
Self-Cleaning Filter (Group A Option)



Self-Cleaning Filter (Group A Option) Parts List

ITEM	PART NO.	QTY.	DESCRIPTION
1	520064	1	1-1/2" SELF CLEANING FILTER ASSEMBLY 50 MESH
2	NS	1	1-1/2" FILTER HEAD ONLY
3	CP12290-3-SSPP	1	50 MESH SCREEN
4	CP122291-VI	1	GASKET, VITON
5	NS	1	INNER CYLINDER
6	NS	1	BOWL
7	NS	1	O-RING
8	NS	1	BYPASS ADAPTOR
9	530081	2	FITTING, 2" FLANGE X 1-1/2" MPT

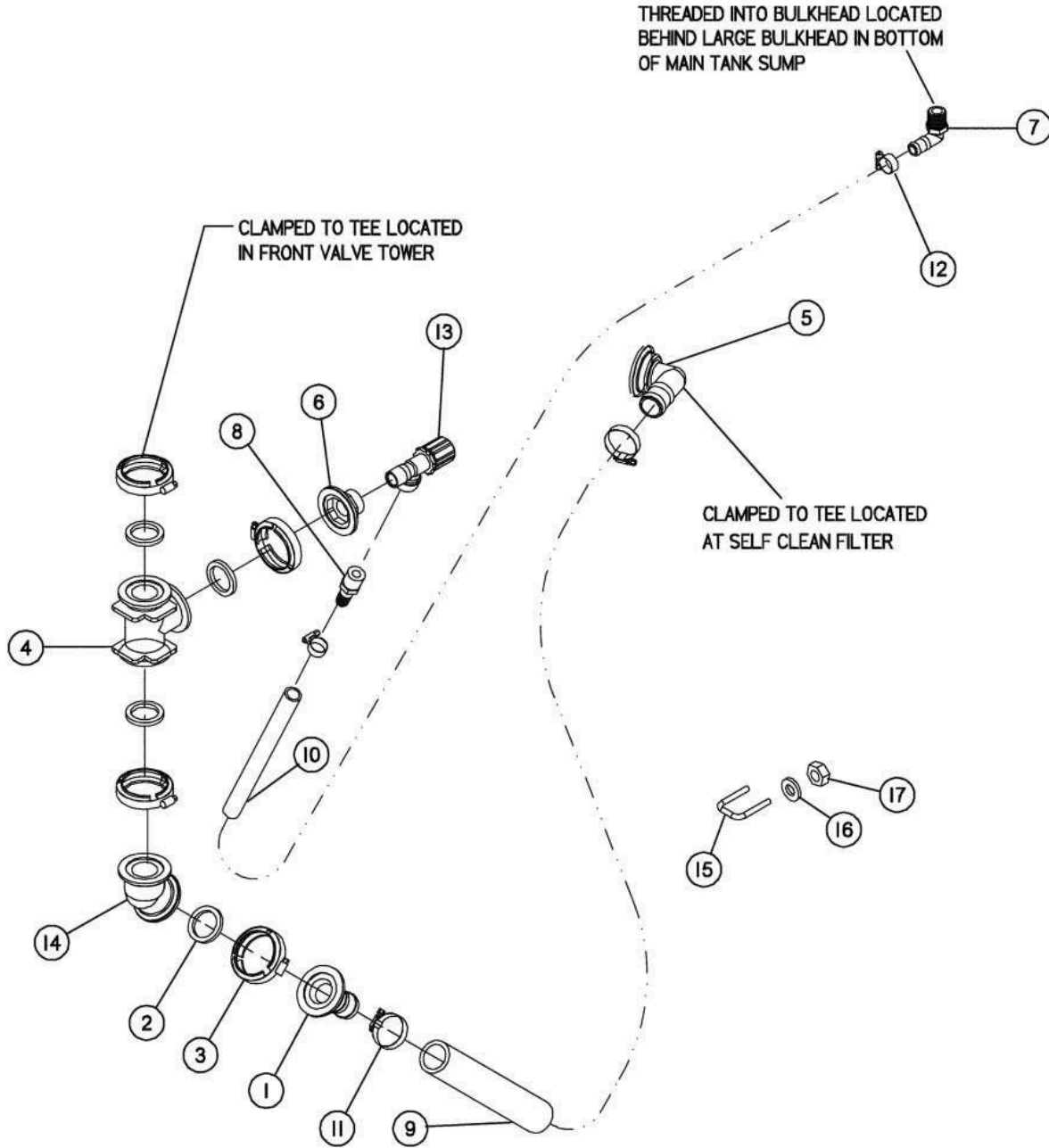
Agitation System - Self Cleaning Filter Option (Group A Option)



Agitation System - Self Cleaning Filter Option (Group A Option) Parts List

ITEM	PART NO.	QTY.	DESCRIPTION
1	530040	2	ELBOW, 90°, 3/4" MPT X 3/4" HOSE BARB
2	530131	1	NIPPLE, 3/4" X CLOSE POLY
3	530010	1	COUPLER, FEMALE / FEMALE .75" THREAD
4	530151	1	ELBOW, STREET, 90°, 3/4"
5	530021	1	VALVE, THROTTLING, 23520, 3/4"
6	530230	1	STRAIGHT, 3/4" NPT X 3/4" HOSE BARB, NYLON
7	75A 3/4	1	ADAPTER, MALE / FEMALE .75" THREAD
8	540012	4	CLAMP, .56" - 1.25" HOSE
9	510019	5'	HOSE, EPDM, .75" BULK (ORDER PER FOOT)
10	510019	10'	HOSE, EPDM, .75" BULK (ORDER PER FOOT)

Agitation System - Control Tower Plumbing (Group A Option)



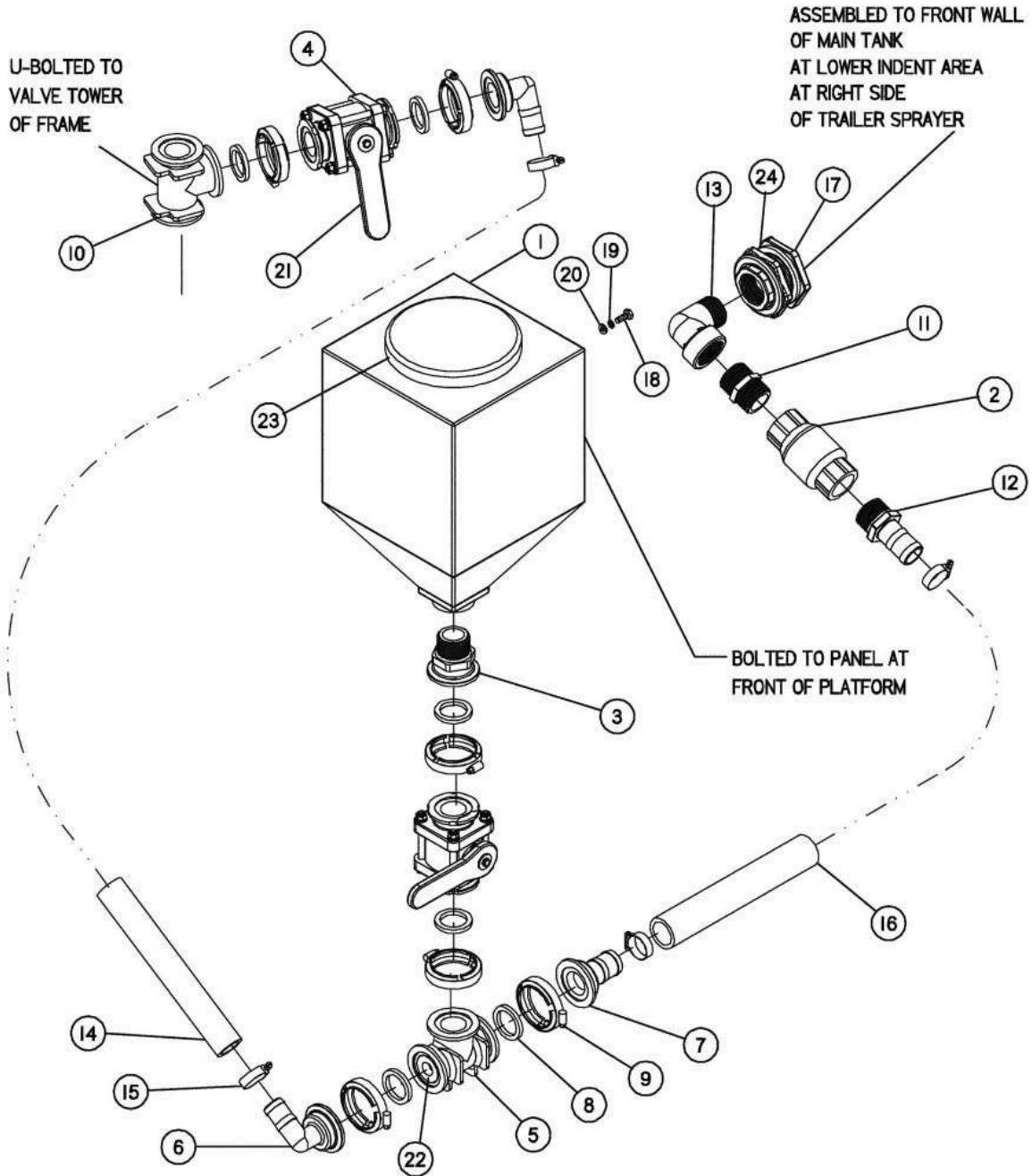


ILLUSTRATED PARTS LIST

Agitation System - Control Tower Plumbing (Group A Option) Parts List

ITEM	PART NO.	QTY	DESCRIPTION
1	530079	1	FITTING, 2" FLANGE X 1-1/2" HOSE BARB
2	530019	4	GASKET, EPDM 2"
3	540001	4	CLAMP, WORM SCREW 2"
4	530097	1	2" STANDARD PORT FLANGE TEE
5	530080	1	FITTING, 2" S FLANGE X 1-1/2" HOSE BARB, 90°
6	530096	1	PLUG, FLANGE, 2" STANDARD X 3/4" FPT
7	530040	1	ELBOW, 90°, 3/4" MPT X 3/4" HOSE BARB
8	530230	1	STRAIGHT, 3/4" NPT X 3/4" HOSE BARB NYLON
9	510014	4'	HOSE, EPDM, 1.50" X 2 BRAID 200 PSI (ORDER PER FOOT)
10	510019	6'	HOSE, EPDM, .75" BULK (ORDER PER FOOT)
11	540013	2	CLAMP, WORM, 1.312" - 2.250" DIAMETER
12	540012	2	CLAMP, .56" - 1.25" HOSE
13	540021	1	VALVE, THROTTLING, 23520, 3/4"
14	530087	1	ELBOW, 45°, FLANGED, 2" STANDARD
15	ZM 907 663	2	U-BOLT, 3/8" X 2.5"
16	H001008	4	WASHER, FLAT, 3/8" SAE
17	H001010	4	NUT, HEX LOCK, 3/8-16 NYLOCK

Chemical Inductor (Group A Option)



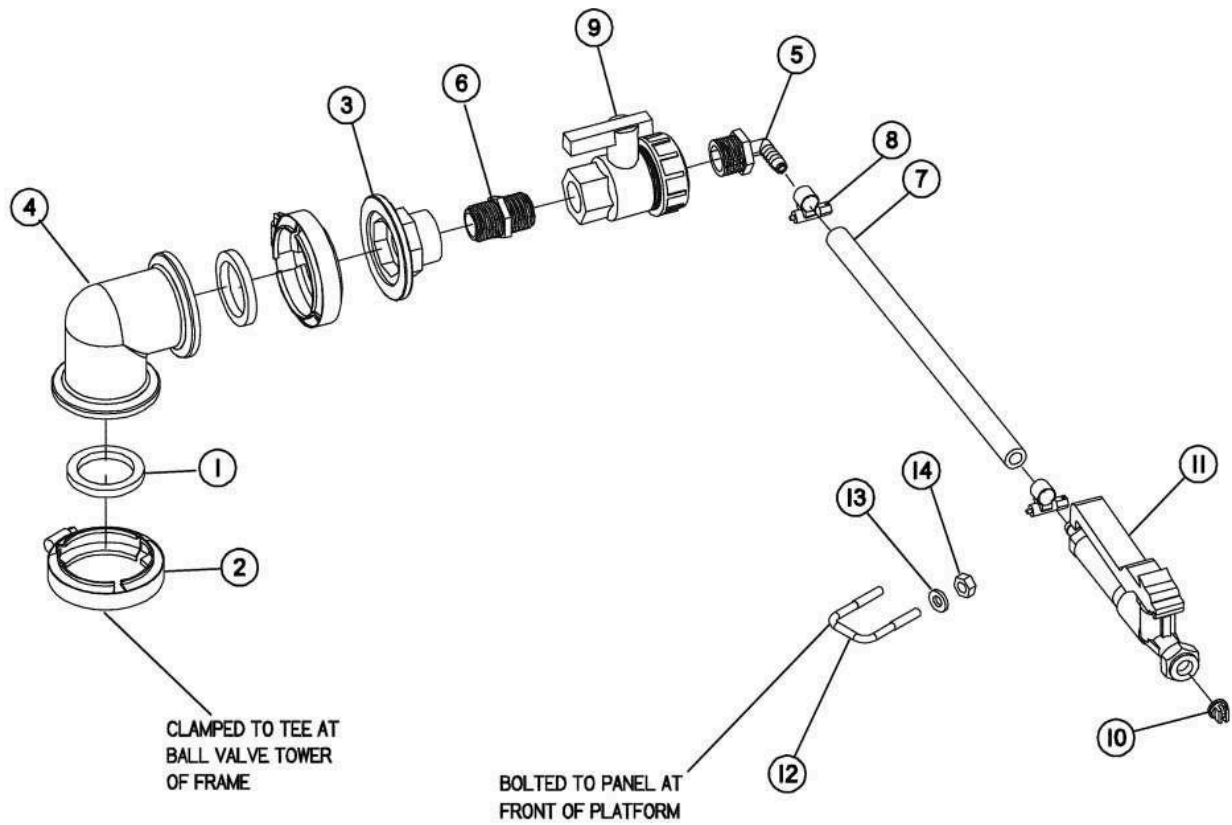


ILLUSTRATED PARTS LIST

Chemical Inductor (Group A Option) Parts List

ITEM	PART NO.	QTY	DESCRIPTION
1	570094	1	TANK, CHEMICAL INDUCTOR, 5 GALLON (INCLUDES ITEM 23)
2	570040	1	VALVE, CHECK, 1/2# SPRING, 1.50
3	530081	1	FITTING, 2" FLANGE X 1-1/2" MPT
4	530081	2	VALVE, BALL, 2" FLANGE X 2" FLANGE PORT (INCLUDES ITEM 21)
5	530080	1	TEE, MANIFOLD, 2" WITH 3/4" INDUCTOR
6	530077	2	ELBOW, 90°, 2" FLANGE X 1-1/4" HOSE BARB
7	530079	1	FITTING, 2" FLANGE X 1-1/2" HOSE BARB
8	530019	6	GASKET, EPDM 2"
9	540001	6	CLAMP, WORM SCREW 2"
10	530097	1	2" STANDARD PORT FLANGE TEE
11	530135	1	NIPPLE, 1-1/2" X CLOSE POLY
12	530048	1	STRAIGHT, 1-1/2" PT X 1-1/2" HOSE BARB, NYLON
13	530153	1	ELBOW, STREET, 90°, 1-1/2"
14	510015	2'	HOSE, EPDM, 1.25" X 2 BRAID 200 PSI (ORDER PER FOOT)
15	540015	4	CLAMP, 1.062" - 2.000" HOSE
16	510002	4'	HOSE, FERTILIZER SOL 1.50" (ORDER PER FOOT)
17	TF150	1	FITTING, BULKHEAD, 1-1/2" FPT WITH GASKET (INCLUDES ITEM 24)
18	114	4	BOLT, HEX, 5/16-18 X 3/4" GR 5
19	249	4	LOCKWASHER, 5/16"
20	257	4	WASHER, FLAT, 5/16"
21	V20153	1	HANDLE (INCLUDED WITH ITEM 4)
22	M100/075BRB	1	VENTURI CONE
23	570070	1	LID, 5" (INCLUDED WITH ITEM 1)
24	300G	1	GASKET, 1-1/2" (INCLUDED WITH ITEM 17)

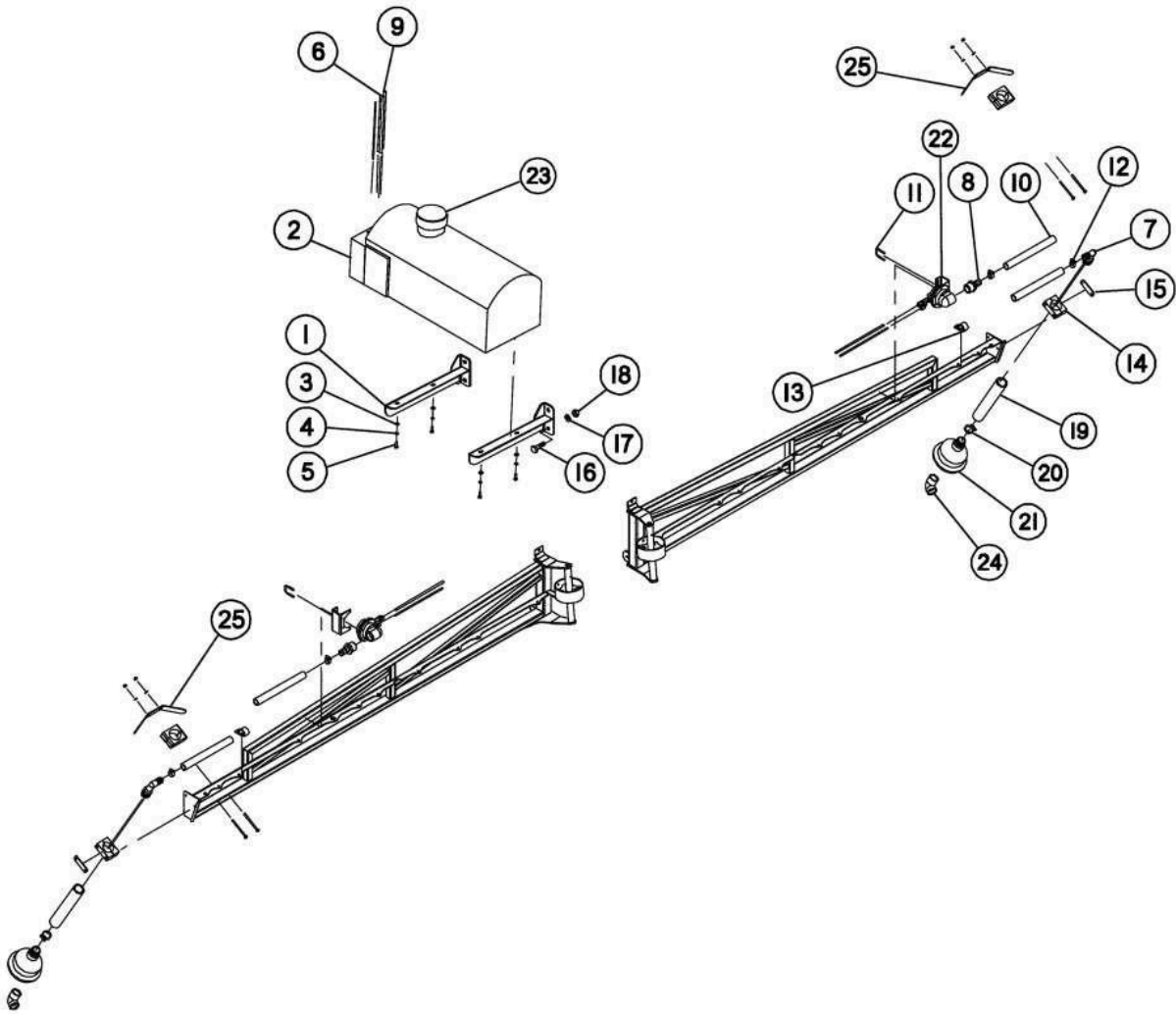
Spray Gun (Group A Option)(Included with Chemical Inductor)



Spray Gun (Group A Option)(Included with Chemical Inductor) Parts List

ITEM	PART NO.	QTY	DESCRIPTION
1	530019	2	GASKET, EPDM 2"
2	540001	2	CLAMP, WORM SCREW 2"
3	M200PLG075	1	PLUG, FLANGE, 2" STANDARD X 3/4" PT
4	530089	1	ELBOW, 90°, 2" X 2" STANDARD PORT, SHORT
5	530212	1	ELBOW, 90°, 3/4" MPT X 3/8" HOSE BARB
6	530131	1	NIPPLE, 3/4" X CLOSE POLY
7	510020	5'	HOSE, EPDM, .375" X 1 BRAID BULK (ORDER PER FOOT)
8	540032	2	CLAMP, .375" - .875" HOSE
9	500043	1	VALVE, BALL, 3/4" SINGLE UNION
10	ZM0717275	1	TIP, XR8008VS WHITE 50 MESH
11	520052	1	SPRAY GUN, 22650-PP
12	530168	1	U-BOLT, 1/4" SQUARE
13	256	2	WASHER, FLAT, 1/4" SAE
14	235	4	NUT, HEX LOCK, 1/4-20

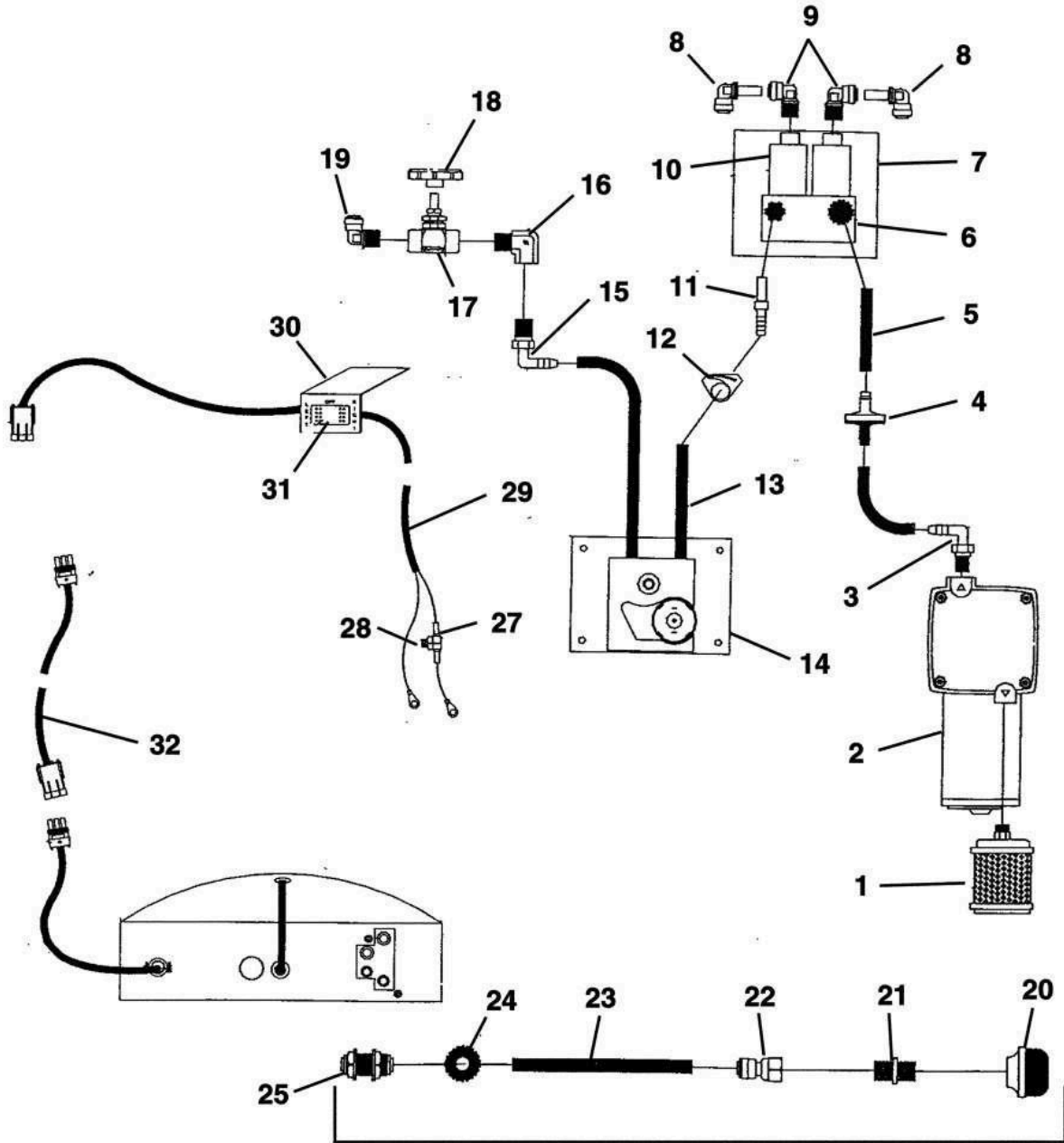
Foam Marker Option



Foam Marker Option Parts List

ITEM	PART NO.	QTY	DESCRIPTION
1	ZM0708840	2	MOUNT, 17 GALLON FOAM TANK
2	TRD-2170	1	FOAM ASSEMBLY, TRAC RITE 17 GALLON (INCLUDES ITEM 23)
3	ZM907379	4	WASHER, FLAT, 5/16" STAINLESS STEEL
4	257	4	LOCKWASHER, 5/16" STAINLESS STEEL
5	717	4	BOLT, HEX, 5/16-18 X 1" STAINLESS STEEL
6	510023	4	TUBING, 1/4" NYLON AIR
7	530153	2	ELBOW, BOOM END, 1-1/2"
8	530046	2	STRAIGHT, 1-1/4" PT X 1" HOSE BARB, NYLON
9	510024	4	TUBING, 3/8" NYLON AIR
10	510005	4	HOSE, PVC SUCTION, 1" CLEAR
11	530168	2	U-BOLT, 1/4 X 1-1/4 ID X 2" YELLOW ZINC
12	540014	4	CLAMP, .687" - 1.500" HOSE
13	540035	2	CLAMP, 1.25" ID VINYL COATED
14	540031	2	CLAMP, PLASTIC 2" TUBE
15	ZM3201597	2	PLATE, COVER
16	170	4	BOLT, HEX, 5/8-11 X 2" GR 5
17	261	4	WASHER, FLAT, 5/8"
18	232	4	NUT, HEX LOCK, 5/8-11 NYLOCK
19	E-0013	AR	DROP HOSE, 1-1/2" (ORDER PER FOOT)
20	540015	2	HOSE CLAMP
21	CD-150-ND	2	COLLECTOR HEAD ASSEMBLY, ORANGE
22	E-1072	2	CHAMBER, FOAMER HEAD ASSEMBLY
23	E-1705	1	COVER, TANK, 17 GALLON (INCLUDED WITH ITEM 2)
24	CHFS-150	2	STREAMER, ORANGE
25	18334	2	PLATE, DEFLECTOR (USED WITH 45' BOOM 20" NOZZLE SPACING ONLY)

Foam Marker Pump & Wiring Components

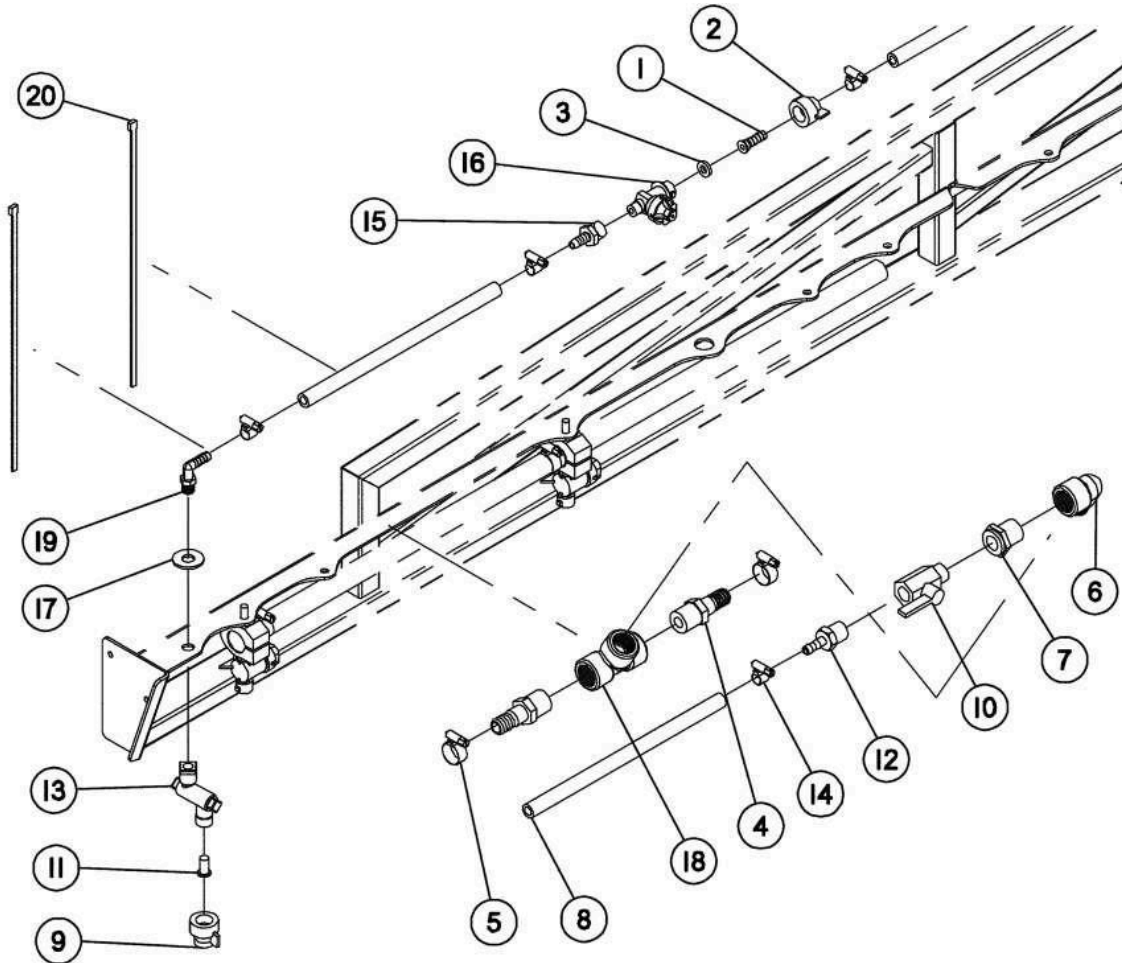


Tank Components

Foam Marker Pump & Wiring Components Parts List

ITEM	PART NO.	QTY.	DESCRIPTION
1	E -00 50	1	FILTER COMPRESSOR
2	E -00 24	1	COMPRESSOR
3	3E L1814	1	ELBOW, 90° 1/7" M X 1/4" HOSE BARB
4	E -06 75	1	3/8" OD DISK CHECK VALVE
5	5100 24	A R	3/8" OD NYLON TUBING (ORDER PER FOOT)
6	E -17 21	1	CONTROL MODULE, BLOCK ONLY
7	E -17 22	1	CONTROL MODULE ASSEMBLY WITH 2 ACTUATORS
8	E -17 28	2	ELBOW, 90° 1/4" STEM X 1/4" T (QUICK CONNECT)
9	E -09 69	2	ELBOW, 90° 1/8" M X 1/4" T (QUICK CONNECT)
10	E -17 07	2	3-WAY ACTUATOR ONLY
11	E -13 48	1	STEM, 1/4" X 1/4" HOSE BARB
12	E -13 47	1	CLAMP, SPEED
13	E -03 48	1	LIQUID PUMP TUBING (18" LENGTH)
14	E -13 57	1	PUMP, LIQUID
15	HB 025-90	1	ELBOW, 90° 1/4" X 1/4" HOSE BARB
16	E -03 95	1	ELBOW, STREET 90° 1/4"
17	E -02 50	1	CONTROL VALVE
18	NS	1	KNOW, FLOW CONTROL VALVE
19	E -03 95	1	ELBOW, 90° 1/4" M X 1/4" T (QUICK CONNECT)
20	E -03 98	1	SCREEN, STRAINER
21	5303 98	1	1/4" NIPPLE, MALE
22	E -10 14	1	CONNECTOR, QUICK, 1/4" TUBE X 1/4" FPT
23	5100 23	AR	1/4" OD POLY TUBING (ORDER PER FOOD)
24	E -17 66	1	O-RING, LIQUID BULKHEAD
25	E -04 01	1	BULKHEAD, 1/4" TUBE QUICK CONNECT
27	E -09 31	1	FUSE HOLDER, IN LINE
28	E -09 32	1	FUSE, 20 AMP (SPADE)
29	E -03 89	1	2 WIRE BATTERY CABLE (8 FOOT)
30	E -12 99	1	CONTROL BOX, ROCKER SWITCH
			BOW STYLER MAY APPEAR DIFFERENT THAN SHOWN IN ILLUSTRATION
31	E -13 18	1	SWITCH, ROCKER
32	EC -9015	1	10' EXTENSION CABLE WITH MALE & FEMALE PLUGS

Fence Line Kit - Manual Option



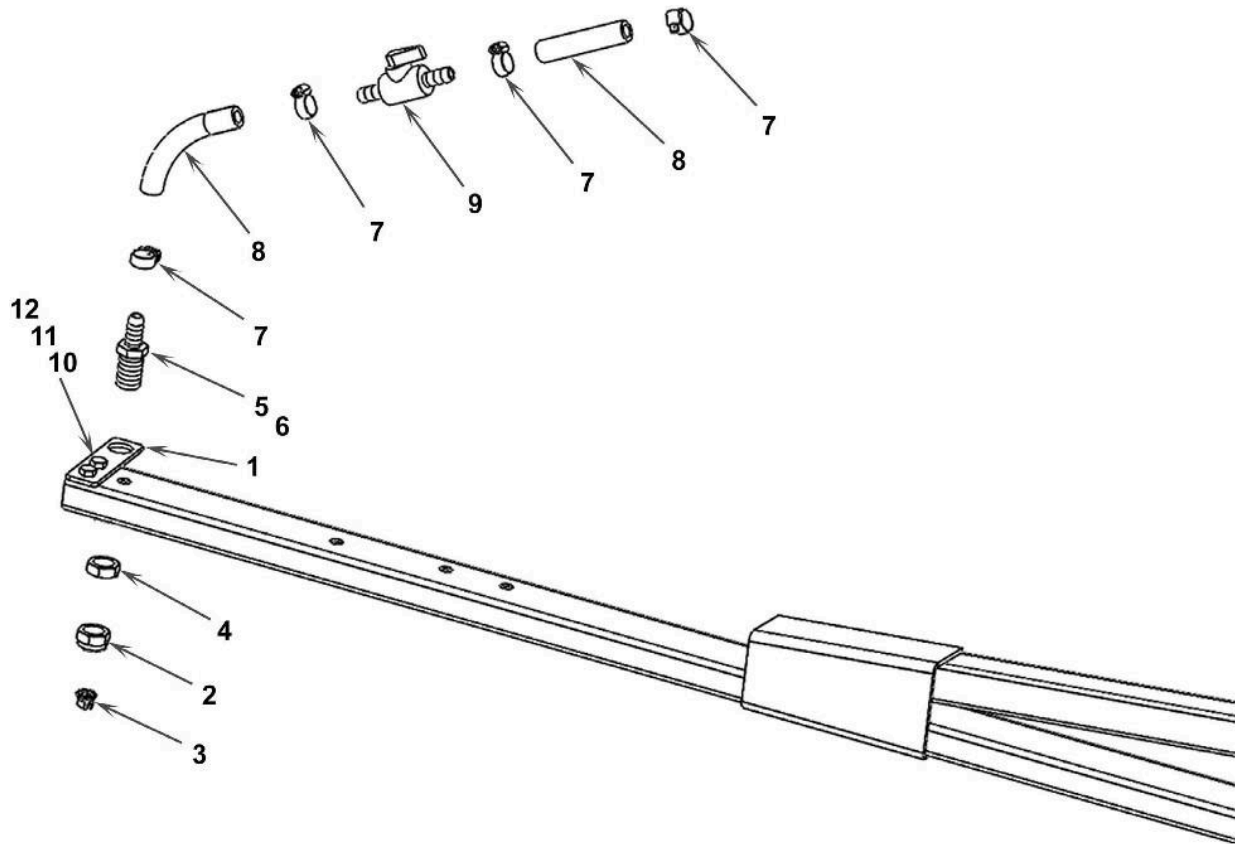


ILLUSTRATED PARTS LIST

Fence Line Kit - Manual Option Parts List

ITEM	PART NO.	QTY.	DESCRIPTION
1	8400-406-NYB	1	HOSE SHANK, TEEJET, 3/8" NYLON
2	TJCP256071NY	1	CAP, CP25607-1-NYLON BLACK
3	CP19438-EPR	1	GASKET, CAP, EPDM CP19438-EPR
4	530230	2	STRAIGHT, 3/4" NPT X 3/4" HOSE BARB NYLON
5	540013	2	CLAMP, .56" - 1.25" HOSE
6	530151	1	ELBOW, STREET 90°, 3/4"
7	RB075-50	1	BUSHING, 3/4" X 1/2" POLY
8	510020	3	HOSE, EPDM, .375" X 1 BRAID, BULK
9	XRC11004-VK	1	TIP, WITH CAP & GASKET, XRC11004-VK
	CP19438-EPR	1	GASKET
10	VIS34DZ0	1	BALL VALVE, 1/2" LEVER HANDLE
11	TJ8079-PP-50	1	STRAINER, NOZZLE, 50 MESH, RED
12	HB050-38	1	STRAIGHT, 1/2" PT X 3/8" HOSE BARB NYLON
13	QJ8600-1/4-NYB	1	SWIVEL, HOSE DROP, QJ SINGLE
14	540032	4	CLAMP, .375" - .875" HOSE
15	530336	1	SLIP-ON, 1/4" FPT X 3/8" HOSE BARB NYLON
16	QJ8360-NYB	1	ADAPTER, QJ8360 - NYB
	CP21953-EPR	1	DIAPHRAM
	21950-NYB	1	CAP
17	260	1	WASHER, FLAT, 1/2"
18	530156	1	TEE, 3/4" FPT
19	530209	1	ELBOW, 90°, 1/4" MPT X 3/8" HOSE BARB
20	WA21047	2	TIE, CABLE 14" BLACK

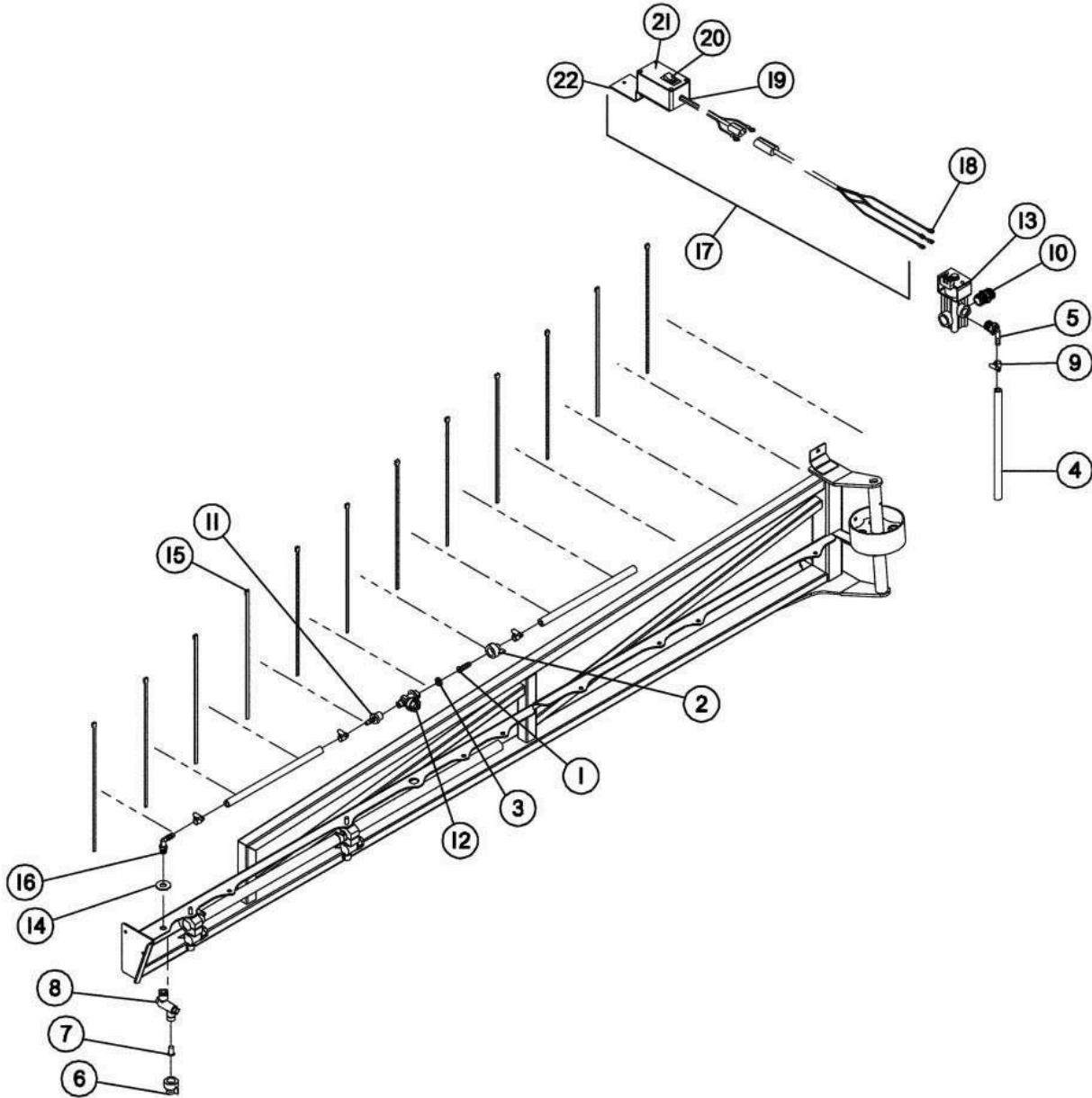
Fence Line Kit - Manual - Independent of Boom



Fence Line Kit - Manual- Independent of Boom Parts List

ITEM	PART NO.	QTY.	DESCRIPTION
1	18125	1	PLATE, FENCELINE MOUNT
2	520019	1	NOZZLE CAP, BLACK NYB
3	520050	1	TIP, TEEJET TIP, POLYMER
4	530206	1	NUT, NOZZLE 11/16"
5	530306	1	NOZZLE, POLY FENCELINE WITH HOSE BARB
6	530356	1	GASKET, RUBBER QJT
7	540032	4	CLAMP, HOSE 5/16"
8	510020	1	HOSE, 3/8", EPDM
9	500017	1	VALVE, 3/8" HOSE BARB
10	596256M	2	WASHER, FLAT 1/4 USS MAGNI
11	596235M	2	NUT, CENTERLOCK, 1/4-20 MAGNI
12	596101M	2	BOLT, HH 1/4-20X3/4 GR5 MAGNI

Fence Line Kit - Electric 144a Option



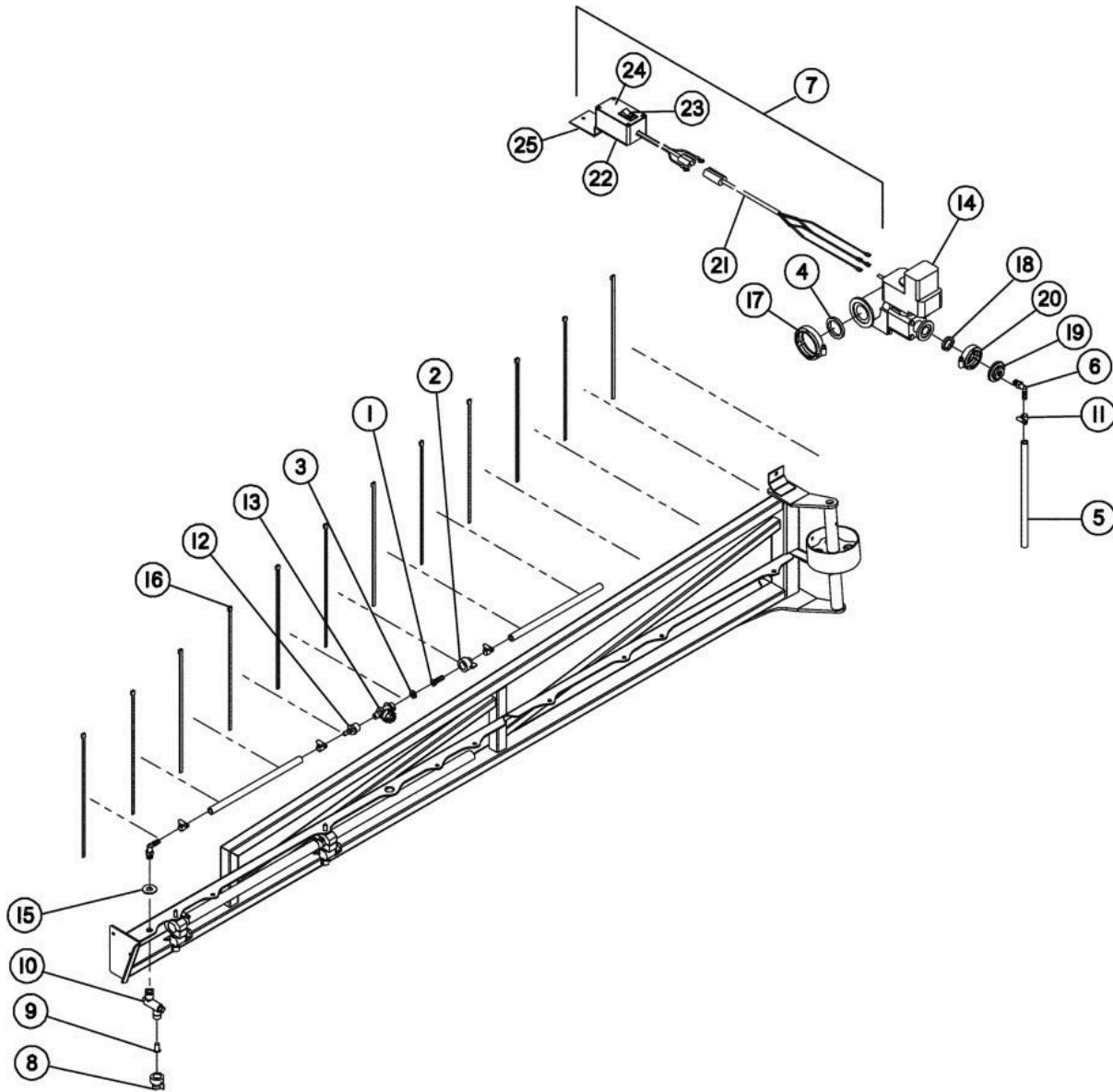


ILLUSTRATED PARTS LIST

Fence Line Kit - Electric 144a Option Parts List

ITEM	PART NO.	QTY	DESCRIPTION
1	8400-406-NYB	1	HOSE SHANK, TEEJET, 3/8" NYLON
2	TJCP256071NY	1	CAP, CP25607-1-NYLON BLACK
3	CP19438-EPR	1	GASKET, CAP, EPDM CP19438-EPR
4	510020	26'	HOSE, EPDM, .375" X 1 BRAID, BULK (ORDER PER FOOT)
5	HB050/075-90	1	ELBOW, 90°, 1/2" MPT X 3/8" HOSE BARB
6	XRC11004-VK	1	TIP, WITH CAP & GASKET, XRC11004-VK
	CP19438-EPR	1	GASKET
7	TJ8079-PP-50	1	STRAINER, NOZZLE, 50 MESH, RED
8	QJ8600-1/4-NYB	1	SWIVEL, HOSE DROP, QJ SINGLE
9	540032	4	CLAMP, .375" - .875" HOSE
10	530131	1	NIPPLE, 3/4" X CLOSE POLY
11	530336	1	SLIP-ON, 1/4" FPT X 3/8" HOSE BARB NYLON
12	QJ8360-NYB	1	ADAPTER, QJ8360 - NYB
	CP21953-EPR	1	DIAPHRAM
	21950-NYB	1	CAP
13	AA144A-1	1	VALVE, DIRECTO SINGLE, AA144A-1
14	260	1	WASHER, FLAT, 1/2"
15	WA21047	12	TIE, CABLE 14" BLACK
16	530209	1	ELBOW, 90°, 1/4" MPT X 3/8" HOSE BARB
17	ZM0705932	1	CONTROL BOX WITH HARNESS HT
18	ZM0706888	1	WIRE HARNESS, SPRAYER HALF
19	ZM0706887	1	CONTROL BOX WITH WIRE HARNESS, TRACTOR HALF (INCLUDES ITEMS 20 - 22)
20	030-0748	1	SWITCH
21	ZM0706566	1	DECAL
22	ZM0706334	1	BRACKET, CONTROL BOX

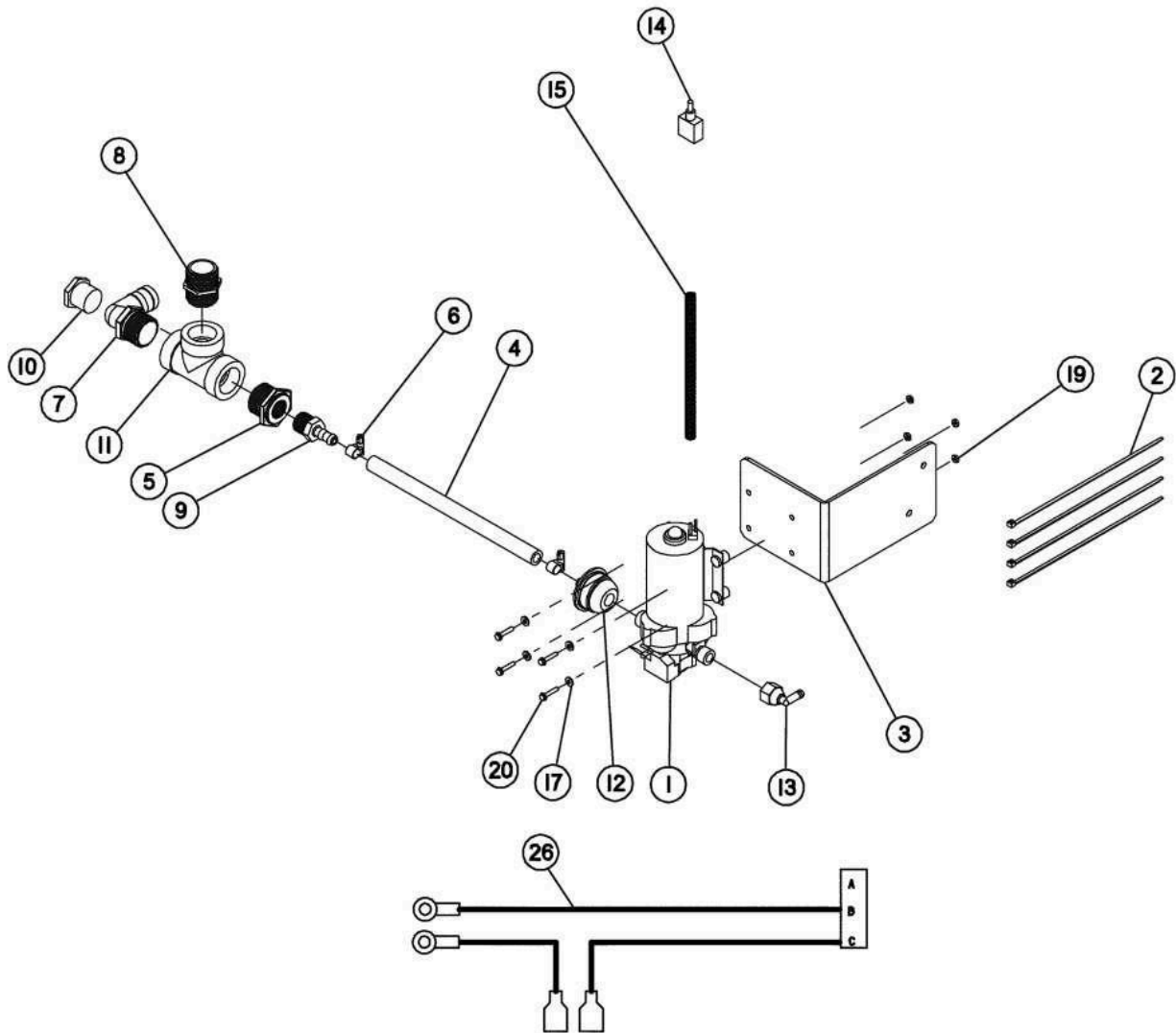
Fence Line Kit - Electric 450 Option



Fence Line Kit - Electric 450 Option Parts List

ITEM	PART NO.	QTY	DESCRIPTION
1	8400-406-NYB	1	HOSE SHANK, TEEJET, 3/8" NYLON
2	TJCP2560711NY	1	CAP, CP25607-1-NYLON BLACK
3	CP 19438-EPR	1	GASKET, CAP, EPDM CP19438-EPR
4	530019	1	GASKET, EPDM 2"
5	510020	26'	HOSE, EPDM, .375" X 1 BRAID, BULK (ORDER PER FOOT)
6	530209	2	ELBOW, 90°, 1/4" MPT X 3/8" HOSE BARB
7	07.05932	1	CONTROL, BOX WITH HARNESS HT (INCLUDES ITEM 21 - 25)
8	XRC11004-VK	1	TIP, WITH CAP & GASKET, XRC11004-VK
	CP 19438-EPR	1	GASKET
9	TJ8079-PP-50	1	STRAINER, NOZZLE, 50 MESH, RED
10	QJ8600-1/4-NYB	1	SWIVEL, HOSE DROP, QJ SINGLE
11	540032	4	CLAMP, .375" - .875" HOSE
12	520336	1	SLIP-ON, 1/4" FPT X 3/8" HOSE BARB NYLON
13	QJ8360-NYB	1	ADAPTER, QJ8360 - NYB
	CP 21953-EPR	1	DIAPHRAM
	21950-NYB	1	CAP
14	56608-12-451BEC	1	MANIFOLD, 1 SECTION ELECTRIC VALVE
15	260	1	WASHER, FLAT, 1/2"
16	WA21047	12	TIE, CABLE 14" BLACK
17	540001	1	CLAMP, WORM SCREW 2"
18	530068	1	GASKET, EPDM 1"
19	530253	1	PLUG, FLANGE 1" W/1/4" FPT
20	540000	1	CLAMP, WORM, 100 SERIES
21	ZM0706888	1	WIRE HARNESS, SPRAYER HALF
22	ZM0706887	1	CONTROL BOX WITH WIRE HARNESS, TRACTOR HALF (INCLUDES ITEMS 23 - 25)
23	ZM0706340	1	SWITCH
24	ZM0706566	1	DECAL
25	ZM0706334	1	BRACKET, CONTROL BOX

Pump Kit - Chemical Eductor, 12v Electric (Optional)



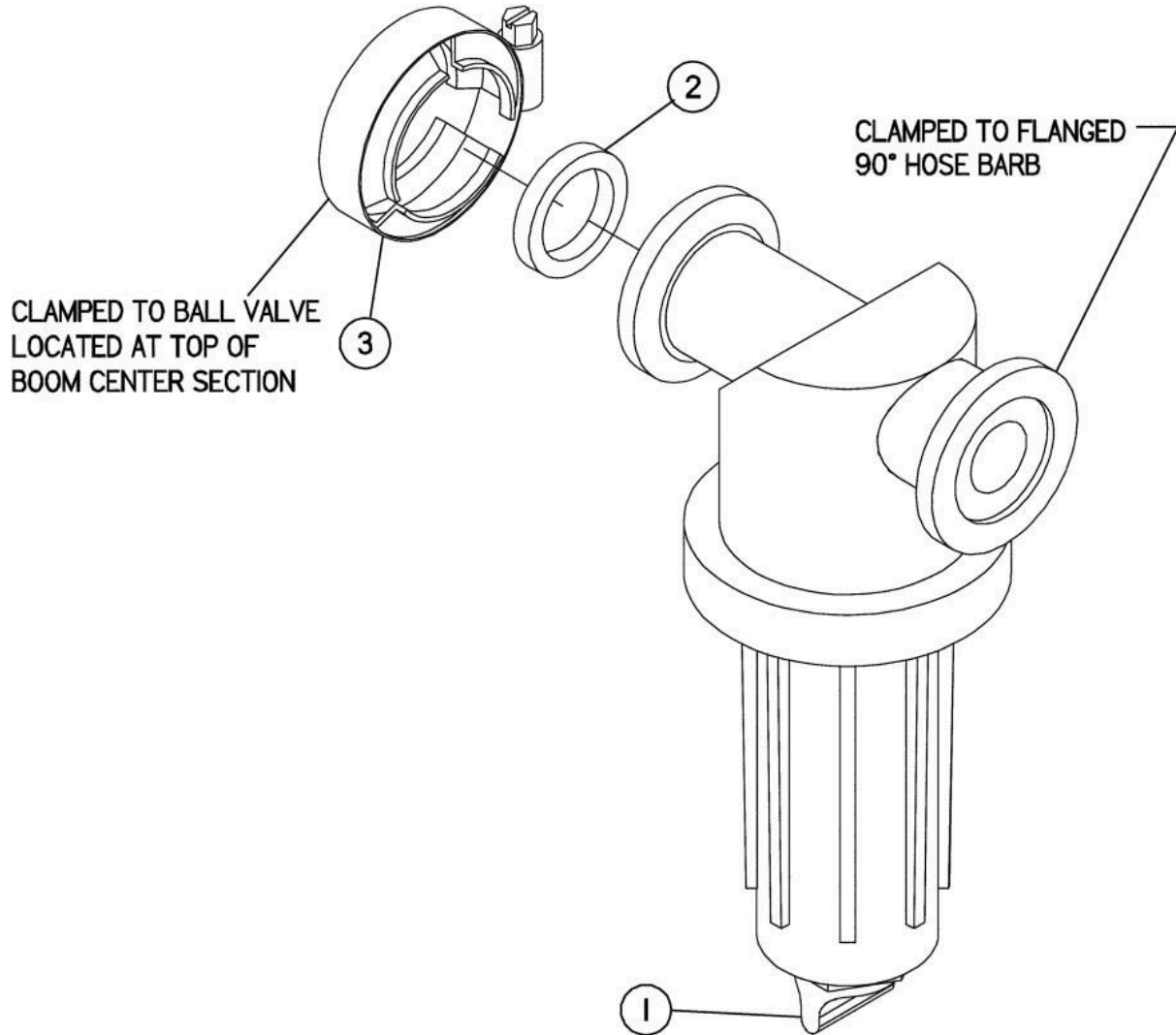


ILLUSTRATED PARTS LIST

Pump Kit - Chemical Educator, 12v Electric (Optional) Parts List

ITEM	PART NO.	QTY	DESCRIPTION
1	550014	1	PUMP, SHURFLO, 3.0 GPM
2	WA21045	4	TIE, CABLE, 11" BLACK
3	ZM0707320	1	BRACKET, 12 VOLT PUMP (NOT REQUIRED ON ALL MODELS)
4	510015	1	HOSE, EPDM, .50" X 2 BRAID BLACK
5	520143	1	BUSHING, 1-1/4" MPT X 3/4" FPT
6	540032	2	CLAMP, .375" - .875" HOSE
7	530047	1	ELBOW, 90° 1-1/4" MPT X 1-1/4" HOSE BARB
8	530014	1	NIPPLE, 1-1/4" X CLOSE POLY
9	530038	1	STRAIGHT, 3/4" PT X 1/2" HOSE BARB NYLON
10	530084	1	HEX PLUG, 1" MPT
11	530158	1	TEE, 1-1/4" FPT
12	530184	1	FILTER, TWIST ON, 1/2" FPT, 1/2" HOSE BARB
13	530183	1	ELBOW, 90° SWIVEL, 1/2" FPT, 3/8" HOSE BARB
14	560055	1	SWITCH, SPST TOGGLE
15	H001273	1	TUBING, 3/8" ID SPLIT FLEX
17	ZM903834	4	WASHER, FLAT SAE #10
19	H002709	4	NUT, HEX, #10-24
20	H003411	4	SCREW, #10-24 X 1" GR 2
26	ZM0709499	1	WIRE HARNESS

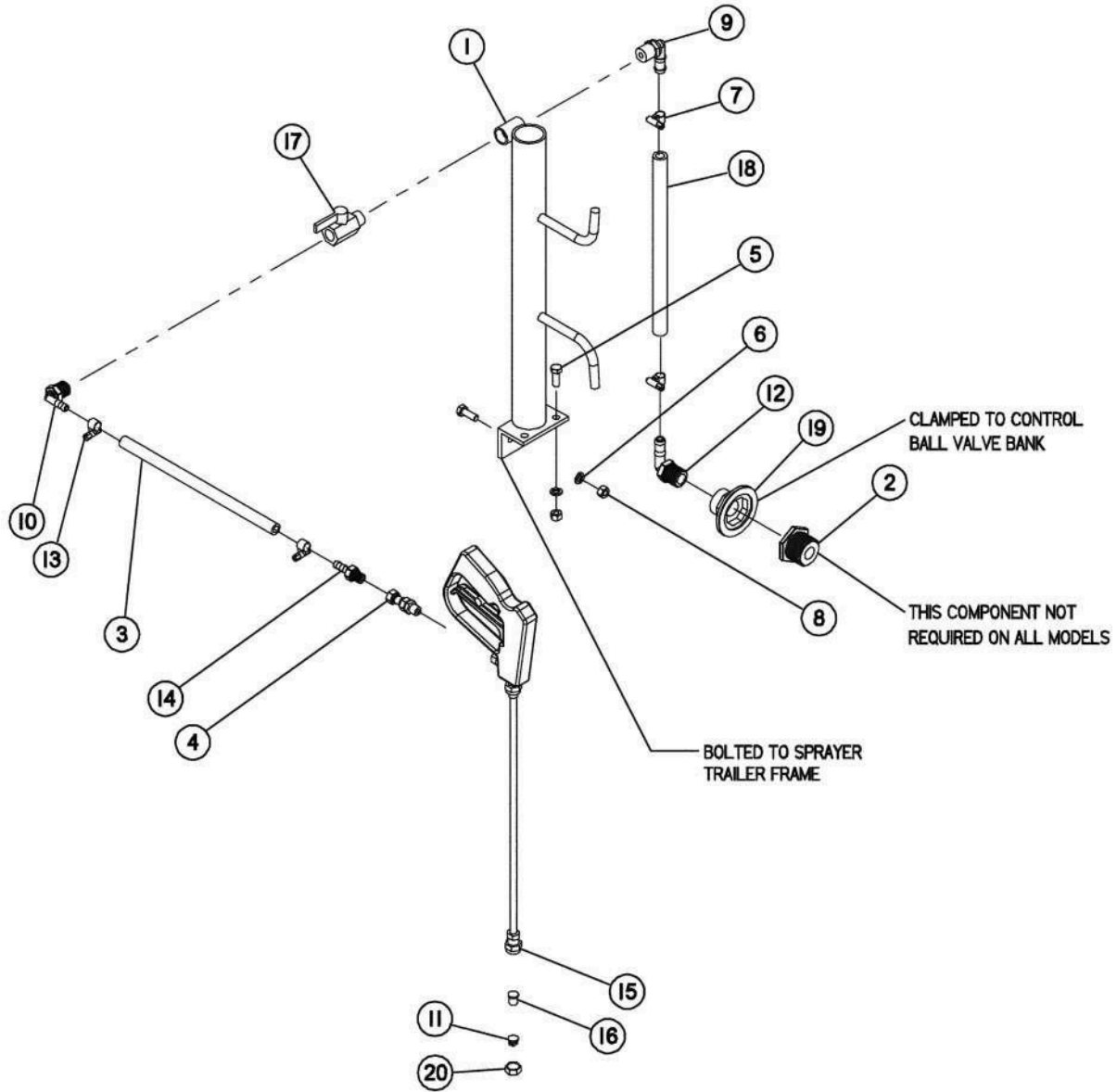
Filter Kit - Inline (Optional)



Filter Kit - Inline (Optional) Parts List

ITEM	PART NO.	QTY	DESCRIPTION
1	MLST100-50	1	STRAINER, "T" 1" FLANGED, 50 MESH
	LST150	1	50 MESH SCREEN
	LST100-G	1	UPPER BOWL GASKET
	LST100-B	1	BOWL
	12777	1	CLEAN OUT PLUG
	UV15163	1	O-RING, PLUG
2	530068	1	1" EPDM GASKET
3	540000	1	CLAMP, WORM, 100 SERIES

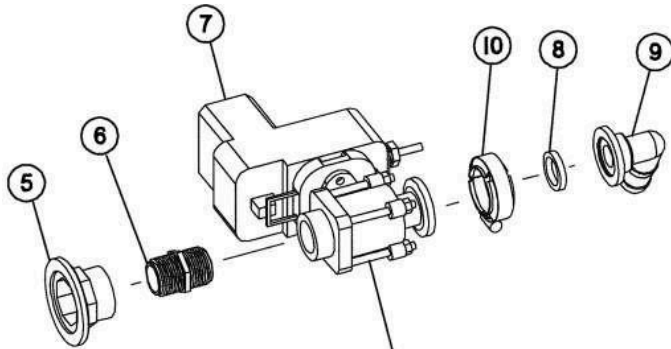
Spray Gun with 25' Hose and Tips (Optional)



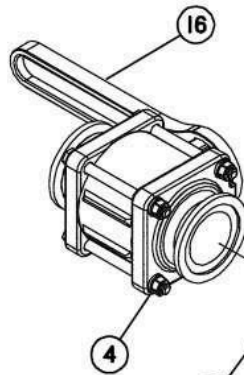
Spray Gun with 25' Hose and Tips (Optional) Parts List

ITEM	PART NO.	QTY	DESCRIPTION
1	ZM0705482	1	STAND, HANDGUN
2	530143	1	BUSHING, 1-1/4" MPT X 3/4" FPT
3	510020	25'	HOSE, EPDM, .375" X 1 BRAID (ORDER PER FOOT)
4	ZM0715582	1	CONNECTOR, SWIVEL, 1/4" M X 1/4" F
5	128	2	BOLT, HEX, 3/8-16 X 1" SPECIAL
6	250	2	WASHER, LOCK, 3/8"
7	540032	2	CLAMP, .375" - .875" HOSE
8	213	2	NUT, HEX, 3/8-16
9	BJHB05090	1	ELBOW, 90° 1/2" MPT X 1/2" HOSE BARB
10	HB050/075-90	1	ELBOW, 90° 1/2" MPT X 3/8" HOSE BARB
11	TJCP8006ECS	1	TIP, TP8006, STAINLESS STEEL 80°
12	530263	1	ELBOW, 90° 3/4" MPT X 1/2" HOSE BARB
13	540012	2	CLAMP, .218" - .625" HOSE
14	530201	1	STRAIGHT, 1/4" PT X 3/8" HOSE BARB NYLON
15	1130L-22425-18	1	SPRAY GUN, 30L WITH 18" EXTENSION
	AB30L-KIT	1	REPAIR KIT, HAND GUN
16	ZM0717541	1	FULL JET - FL - 6.5VS GRAY STAINLESS STEEL
17	VIS34DZ0	1	BALL VALVE, 1/2" LEVER HANDLE
18	510012	6'	HOSE, EPDM, .50" X 2 BRAID BLACK (ORDER PER FOOT)
19	530096	1	PLUG, FLANGE, 2" STANDARD X 3/4" FPT
20	N/A	1	NUT, HAND GUN, INCLUDED IN REPAIR KIT

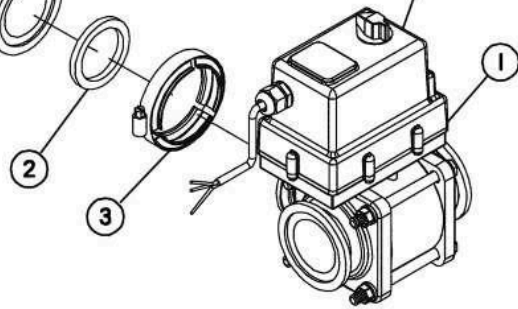
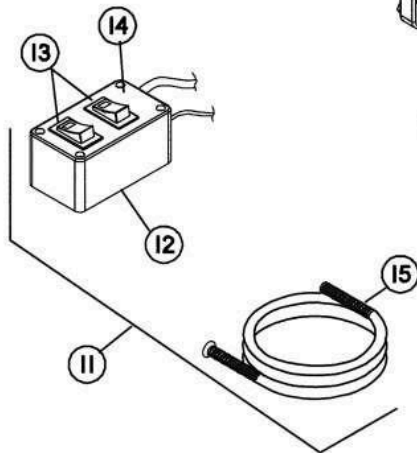
Controls - Rinse In-Cab Electric (Optional)



THIS ELECTRIC CONTROLLED BALL VALVE REPLACES MANUAL BALL VALVE LOCATED AT FRONT BALL VALVE TOWER POSITION 'B' LABELED 'PRODUCT RINSE TANK'



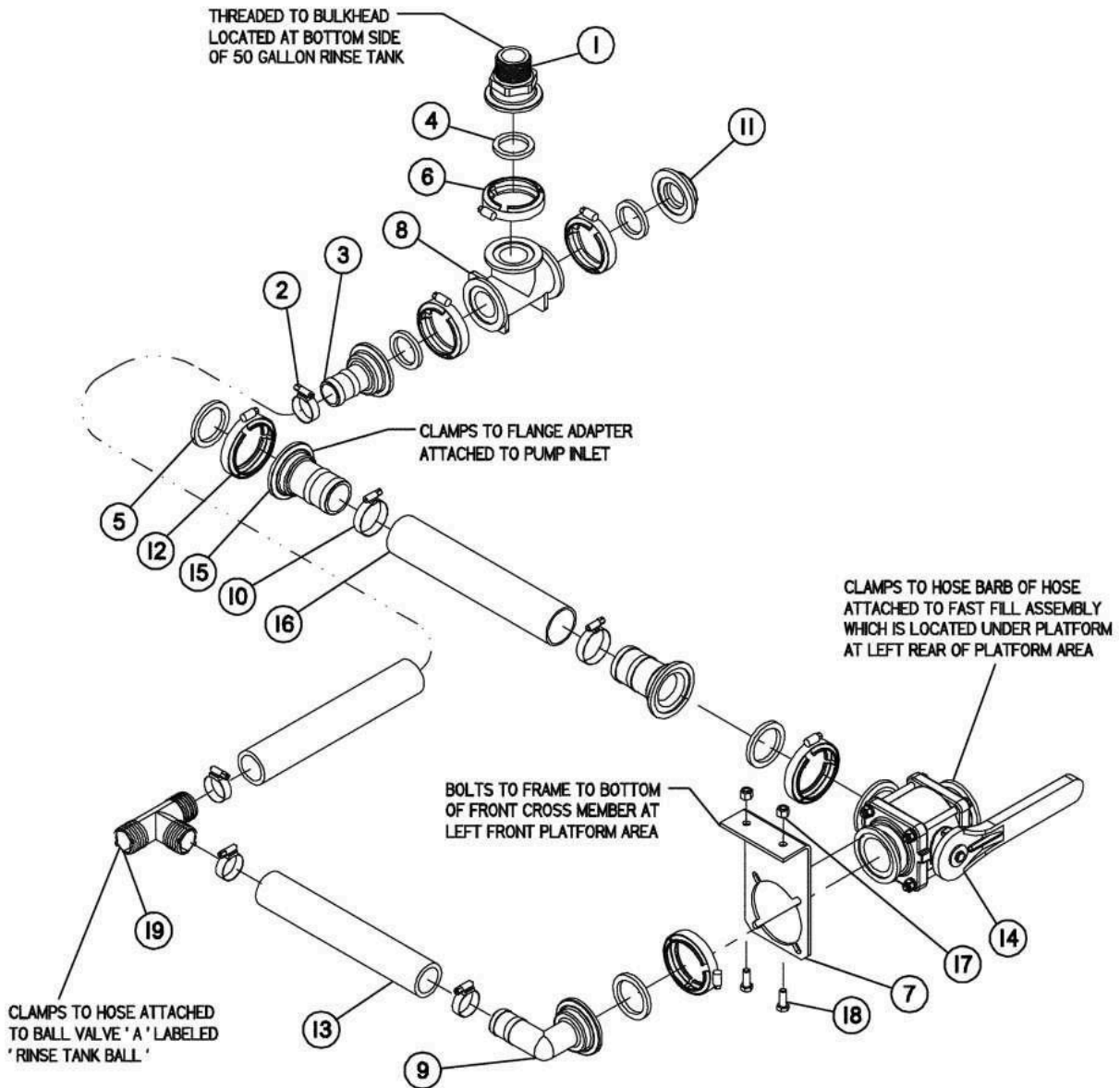
THIS ELECTRIC CONTROLLED BALL VALVE REPLACES MANUAL BALL VALVE LOCATED AT PLATFORM STEPS



Controls - Rinse In-Cab Electric (Optional) Parts List

ITEM	PART NO.	QTY.	DESCRIPTION
1	500032	1	VALVE, 3-WAY ELECTRIC FLANGE 2" FP
2	530019	1	GASKET, EPDM, 200 FULL PORT
3	540002	1	CLAMP, WORM, 220 FULL PORT
4	500006	1	VALVE, BALL, 2" X 2" FULL PORT FLANGE (INCLUDES ITEM 12)
5	M200PLG100	1	PLUG, FLANGED, 2" STANDARD X 1" FPT
6	530133	1	NIPPLE, 1" X CLOSE NYLON
7	1/3 OF 520026	1	VALVE, BALL, 1" NPT "IN"/1" FLANGE "OUT"
8	530068	1	GASKET, EPDM, 1"
9	530067	1	ELBOW, 90° 1" FLANGE X 1" HOSE BARB
10	540000	1	CLAMP, WORM, 100 SERIES
11	07.06570	1	CONTROL BOX ASSEMBLY (INCLUDES ITEMS 12 - 15)
12	07.06885	1	ELECTRIC CONTROL BOX WITH HARNESS (TRACTOR HALF)
13	030-0748	2	SWITCH
14	07.06562	1	DECAL, SWITCH BOX
15	ZM0706886	1	WIRING HARNESS (SPRAYER HALF)
16	V25153	1	HANDLE, VALVE (INCLUDED WITH ITEM 4)

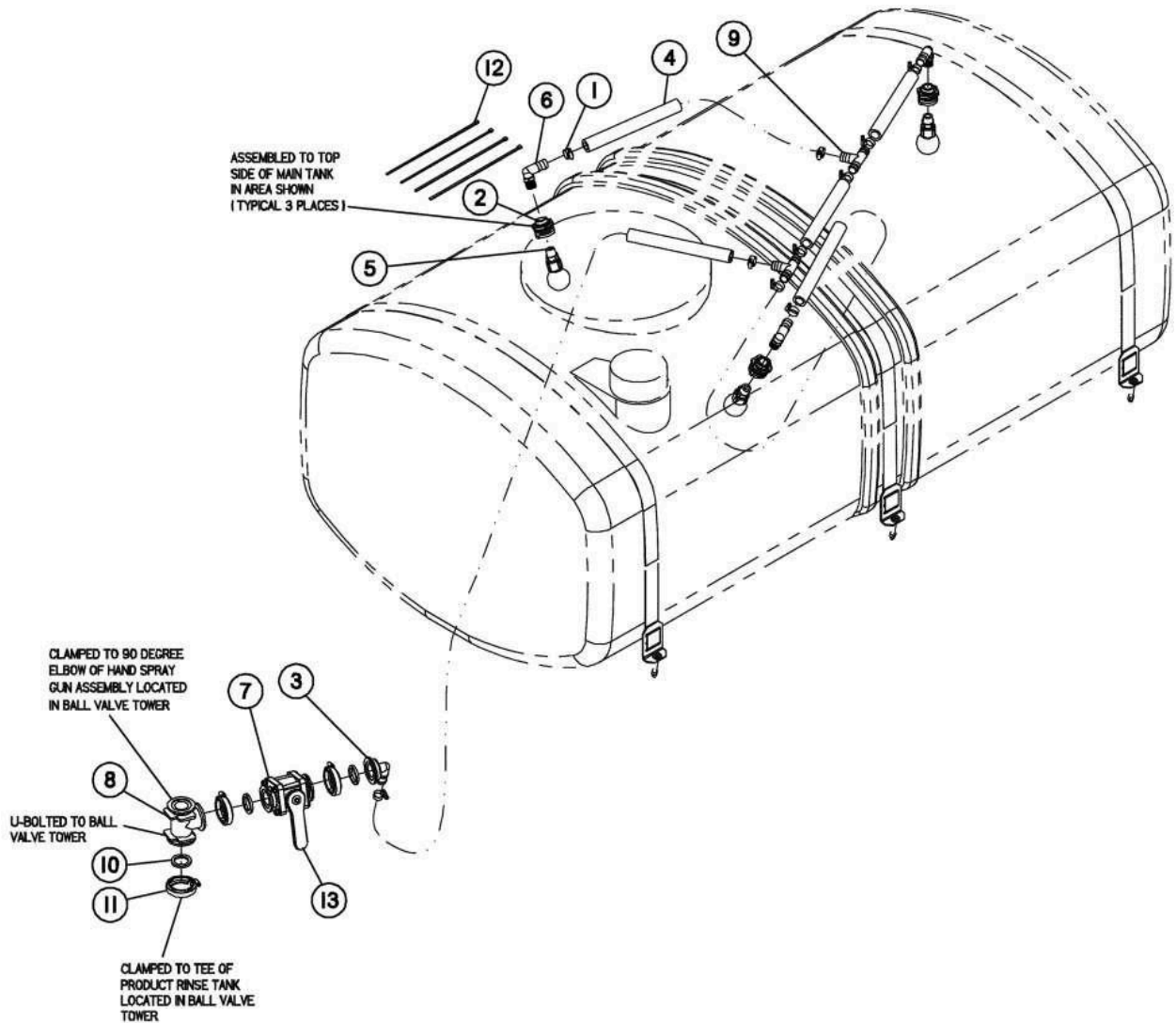
Rinse Tank Suction Assembly (Group C Option)



Rinse Tank Suction Assembly (Group C Option) Parts List

ITEM	PART NO.	QTY	DESCRIPTION
1	530081	1	FITTING, 2" FLANGE X 1-1/2" MPT
2	540015	4	CLAMP, 1.062" - 2.000" HOSE
3	530079	1	FITTING, 2" FLANGE X 1-1/2" HOSE BARB
4	M201G	3	GASKET, EPDM 2"
5	530019	3	GASKET, EPDM, 200 FULL PORT
6	540001	3	CLAMP, WORM SCREW, 2"
7	ZM0708933	1	BRACKET, LONG, 2" BALL VALVE
8	530097	1	2" STANDARD PORT FLANGE TEE
9	530101	1	ELBOW, 90° FLANGE, 2" FP X 1-1/2" HOSE BARB
10	540018	2	CLAMP, 1.562" - 2.500" HOSE
11	530093	1	PLUG, FLANGED, 2" STANDARD PORT
12	540002	3	CLAMP, WORM, 220 FULL PORT
13	510002	6'	HOSE, FERTILIZER SOL 1.50" (ORDER PER FOOT)
14	540004	1	VALVE, 3 WAY FLANGE, 2" FP X 2" FPT
15	530103	2	FLANGE, 2" FULL PORT X 2" HOSE BARB
16	510003	1.5'	HOSE, 2" FERTILIZER (ORDER PER FOOT)
17	H001010	2	NUT, HEX LOCK, 3/8-16 NYLOCK
18	128	2	BOLT, HEX, 3/8-16 X 1" GR 5 YELLOW ZINC
19	530222	1	TEE, HOSE BARB, 1.5" POLYPRO

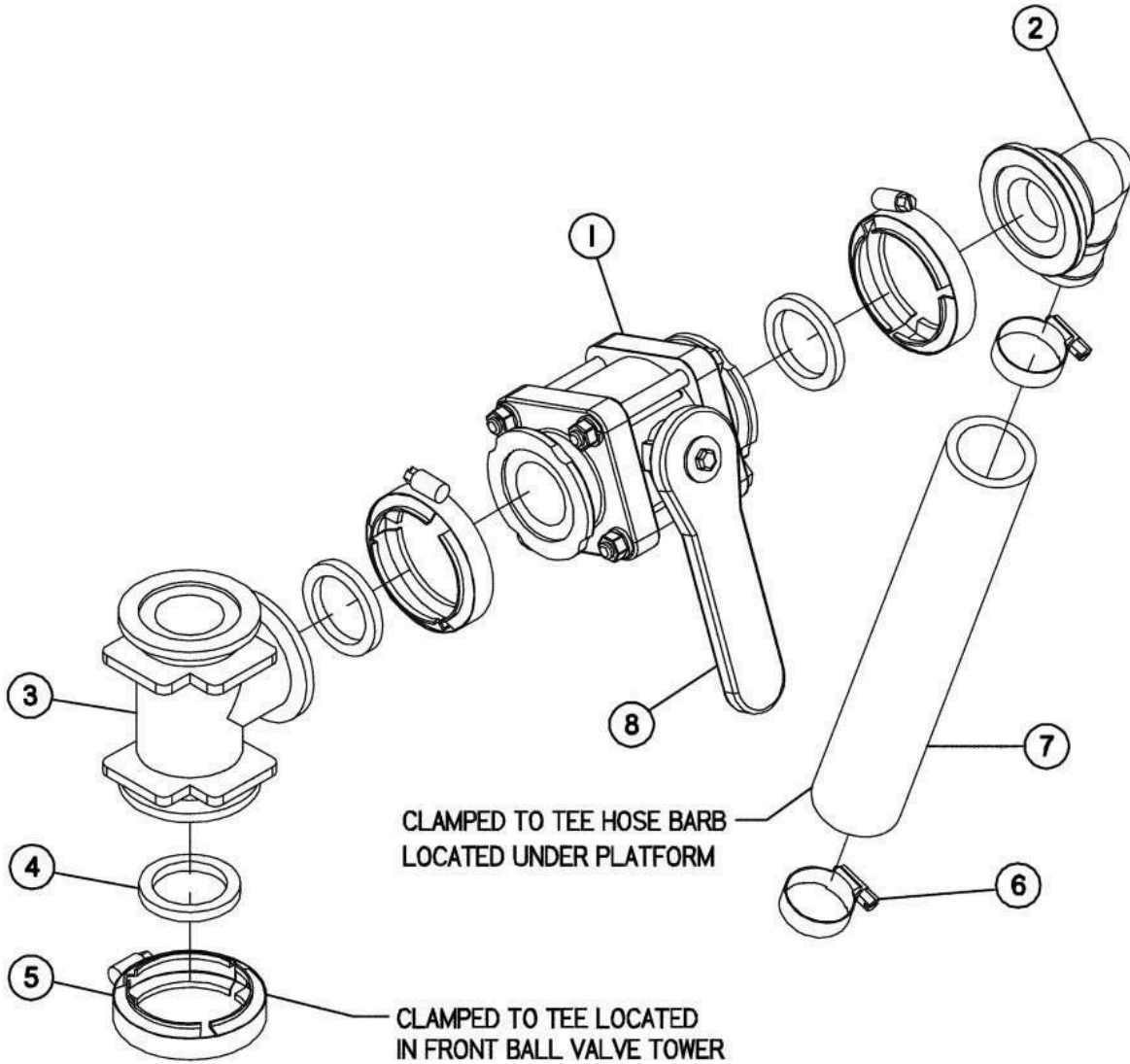
Rinse Ball Assembly (Group C Option)



Rinse Ball Assembly (Group C Option) Parts List

ITEM	PART NO.	QTY.	DESCRIPTION
1	540014	10	CLAMP, .687" - 1.500" HOSE
2	530160	3	FITTING, BULKHEAD, 3/4" FPT
3	530073	1	ELBOW, 90° 2" FLANGE X 1" HOSE BARB
4	510016	18'	HOSE, EPDM, 1.0" X 2 BRAID BLACK (ORDER PER FOOT)
5	SB-100	3	SPRAY BALL, 1" FPT, 360° 20"
6	530036	3	ELBOW, 90° 3/4" MPT X 1" HOSE BARB
7	500039	1	VALVE, BALL, 2" FLANGE X 2" FLANGE PORT (INCLUDES ITEM 13)
8	530097	1	2" STANDARD PORT FLANGE TEE
9	T114P	2	TEE, HOSE BARB, 1" NYLON
10	M201G	3	GASKET, EPDM 2"
11	540001	3	CLAMP, WORM SCREW 2"
12	WA21047	4	TIE, CABLE, 14" BLACK
13	V20153	1	HANDLE, VALVE (INCLUDED WITH ITEM 7)

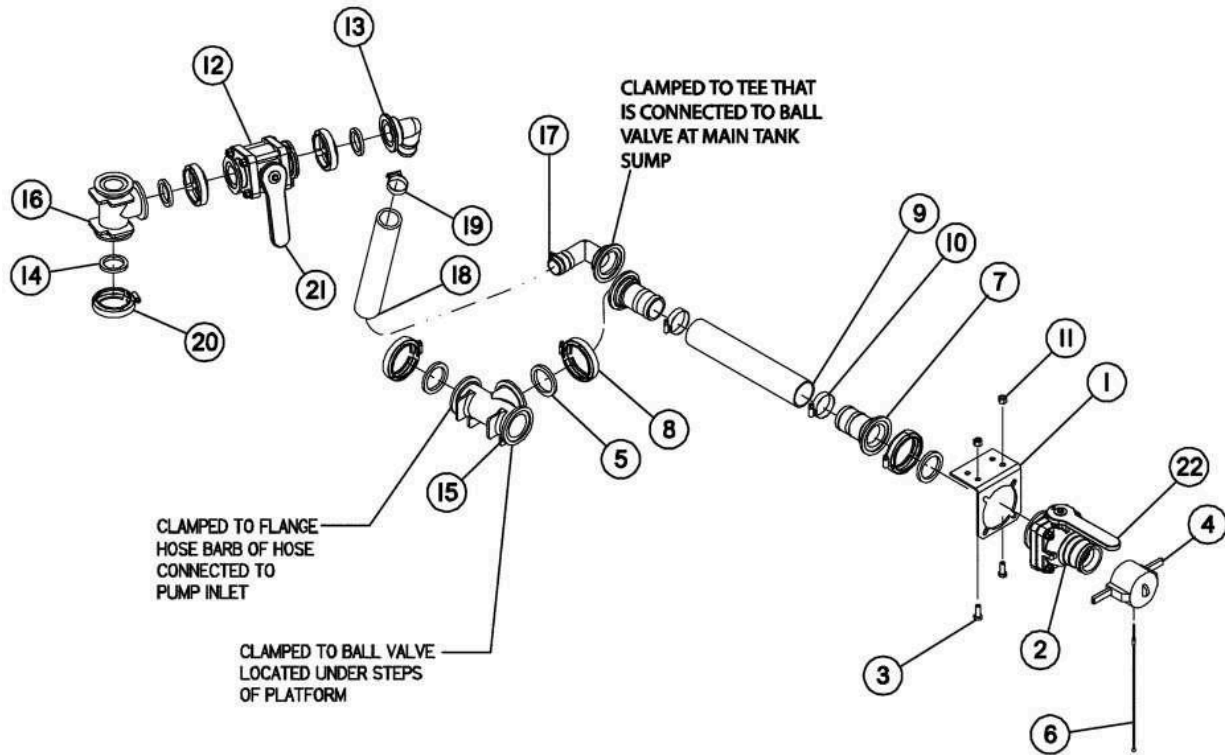
Rinse Tank Fill Assembly (Group C Option)



Rinse Tank Fill Assembly (Group C Option) Parts List

ITEM	PART NO.	QTY	DESCRIPTION
1	500039	1	VALVE, BALL, 2" FLANGE X 2" FLANGE PORT (INCLUDES ITEM 8)
2	530080	1	FITTING, 2" STANDARD FLANGE X 1-1/2" HOSE BARB, 90°
3	530097	1	2" STANDARD PORT FLANGE TEE
4	M201G	3	GASKET, EPDM 2"
5	540001	3	CLAMP, WORM SCREW 2"
6	540015	2	CLAMP, 1.062" - 2.000" HOSE
7	510002	3'	HOSE, FERTILIZER, SOL 1.50" (ORDER PER FOOT)
8	V20153	1	HANDLE, VALVE (INCLUDED WITH ITEM 1)

Fast Fill Assembly Via Sprayer Pump (Group C Option)



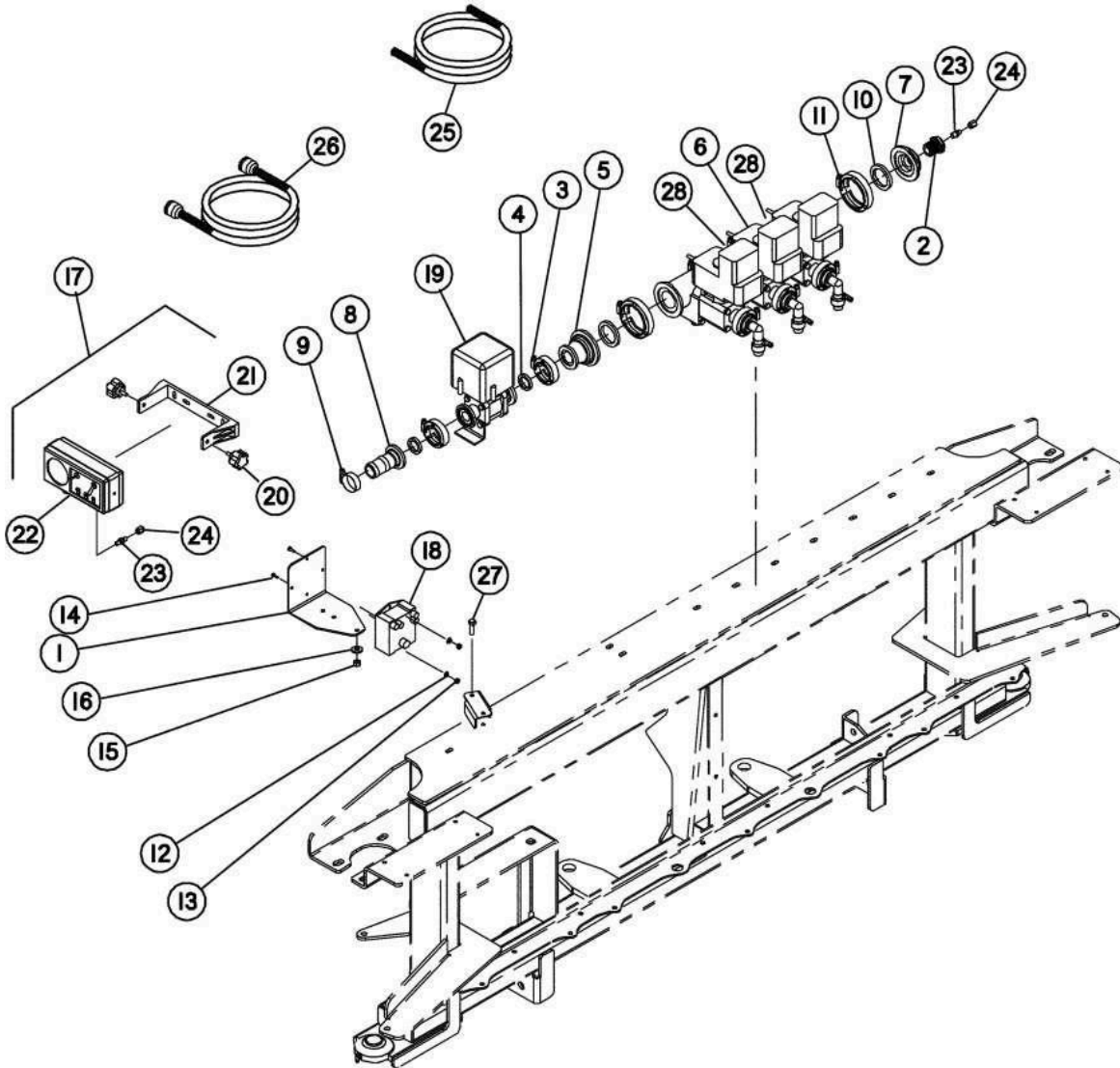


ILLUSTRATED PARTS LIST

Fast Fill Assembly Via Sprayer Pump (Group C Option) Parts List

ITEM	PART NO.	QTY	DESCRIPTION
1	ZM0709126	1	BRACKET, SHORT 2" BALL VALVE
2	500035	1	VALVE, STUBBY BALL, 2" FULL PORT X 2" ADAPTER (INCLUDES ITEM 22)
3	128	2	BOLT, HEX, 3/8-16 X 1" GR5 YELLOW ZINC
4	530017	1	DUST CAP, 2" CAMLOCK
5	530019	3	GASKET, EPDM 200 FULL PORT
6	530179	1	LANYARD, 11" POLY RUBBER
7	530103	2	FLANGE, 2" FULL PORT X 2" HOSE BARB
8	540002	3	CLAMP, WORM, 220 FULL PORT
9	510003	2'	HOSE, 2" FERTILIZER (ORDER PER FOOT)
10	540018	2	CLAMP, 1.562" – 2.500" HOSE
11	H 001010	2	NUT, HEX LOCK, 3/8-16
12	500039	1	VALVE, BALL, 2" FLANGE X 2" FLANGE PORT (INCLUDES ITEM 21)
13	530097	1	FITTING, 2" STANDARD FLANGE X 1-1/2" HOSE BARB
14	M 201G	3	GASKET, EPDM 2"
15	530110	1	TEE, FLANGED, 2" FULL PORT
16	530097	1	2" STANDARD PORT FLANGE TEE
17	530101	1	ELBOW, 90° FLANGE, 2" FULL PORT X 1-1/2" HOSE BARB
18	510002	7'	HOSE, FERTILIZER, SOL 1.50" (ORDER PER FOOT)
19	540015	2	CLAMP, 1.062" – 2.000" HOSE
20	540001	3	CLAMP, WORM, SCREW 2"
21	V 20153	1	HANDLE VALVE (INCLUDED WITH ITEM 12)
22	V S 20152S H	1	HANDLE, VALVE (INCLUDE WITH ITEM 2)

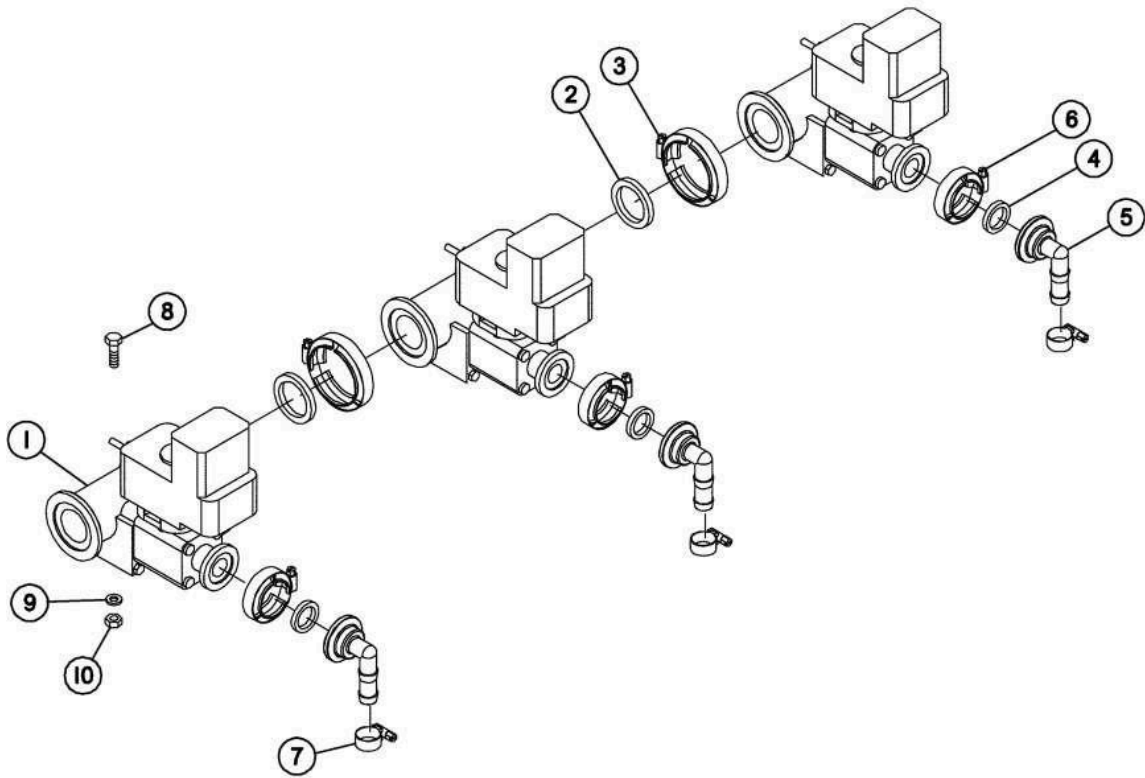
Control Group - TeeJet 744



Control Group - TeeJet 744 Parts List

ITEM	PART NO.	QTY	DESCRIPTION
1	ZM0709076	1	BRACKET, CONTROL HARNESS
2	3RB3418	1	BUSHING, 3/4" MPT X 1/8" FPT
3	540000	2	CLAMP, WORM 100 SERIES
4	530068	2	1" EPDM GASKET
5	530074	1	REDUCER, 2" FLANGE X 1" FLANGE
6	530026	1	VALVE ASSEMBLY, BOOM 3 SECTION BALL
7	530096	1	PLUG, FLANGE, 2" STANDARD X 3/4" FPT
8	530064	1	FITTING, FLANGED, 1" X 1-1/4" HOSE BARB
9	540015	1	CLAMP, 1.062" - 2.000" HOSE
10	M201G	2	GASKET, EPDM 2"
11	540001	2	CLAMP, WORM SCREW 2"
12	H219449	2	WASHER, MACHINE, #8
13	ZM907206	2	NUT, HEX, #8-32 KEPS
14	H012564	2	SCREW, #8-32 X 1/2" RD HD
15	228	1	NUT, HEX LOCK, 5/16-18 NYLOCK
16	257	1	WASHER, FLAT, 5/16"
17	45-10073	1	CONTROL KIT, SPRAYER WITH VALVE HARNESS CONNECTOR (INCLUDES: 18 - 26)
18	07.09005	1	CABLE, VALVE 24'
19	32-02058	1	VALVE ASSEMBLY
20	60-10026	2	KNOB
21	64-50023	1	BRACKET, CONTROL MOUNTING
22	75-50033	1	CONTROL BOX WITH WIRING
23	67-20003	2	CONNECTOR, MALE NYLON
24	67-20002	2	NUT, TUBING
25	45-05385	1	CABLE, POWER - SPRAYER
26	45-10072	1	CABLE, CONTROL BOX EXTENSION, 12 FT
27	115	1	BOLT, HEX, 5/16-18 X 1" GR 5
28	M201G	2	O-RING (BETWEEN VALVE SECTIONS)

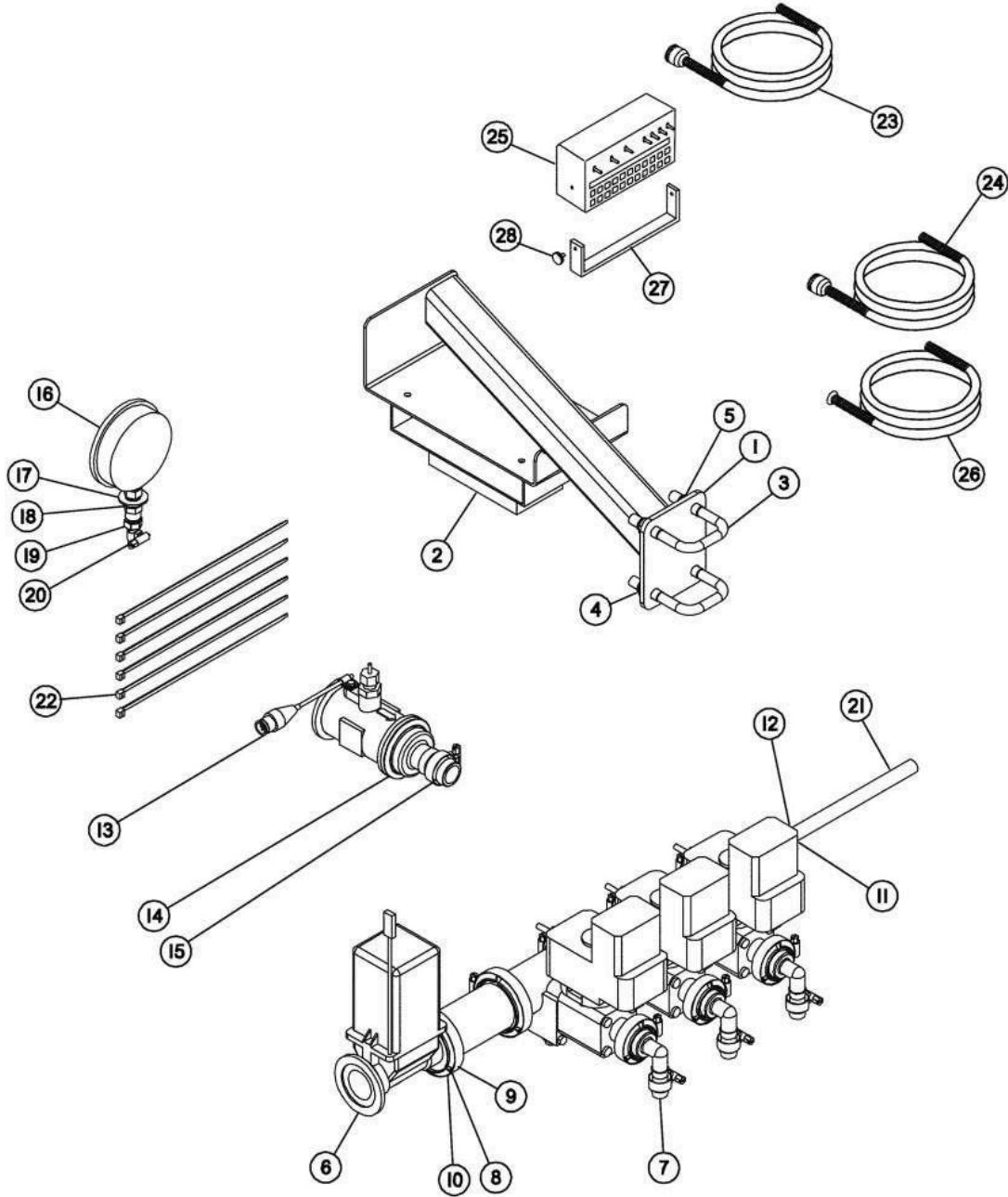
Valve Assembly - Boom 3 Section Ball



Valve Assembly - Boom 3 Section Ball Parts List

ITEM	PART NO.	QTY	DESCRIPTION
1	500026	1	MANIFOLD, 3 SECTION ELECTRIC VALVE
	1/3 OF 500026	3	VALVE, SINGLE
2	M201G	2	GASKET, EPDM 2"
3	540001	2	CLAMP, WORM SCREW 2"
4	530068	3	1" EPDM GASKET
5	530060	3	ELBOW, 90° 1" FLANGE X 3/4" HOSE BARB
6	540000	3	CLAMP, WORM 100 SERIES
7	540013	3	CLAMP, .56" - 1.25" HOSE
8	115	2	BOLT, HEX, 5/16-18 X 1" GR 5
9	257	2	WASHER, FLAT, 5/16"
10	228	2	NUT, HEX LOCK, 5/16-18 NYLOCK

Raven 440 Control Option



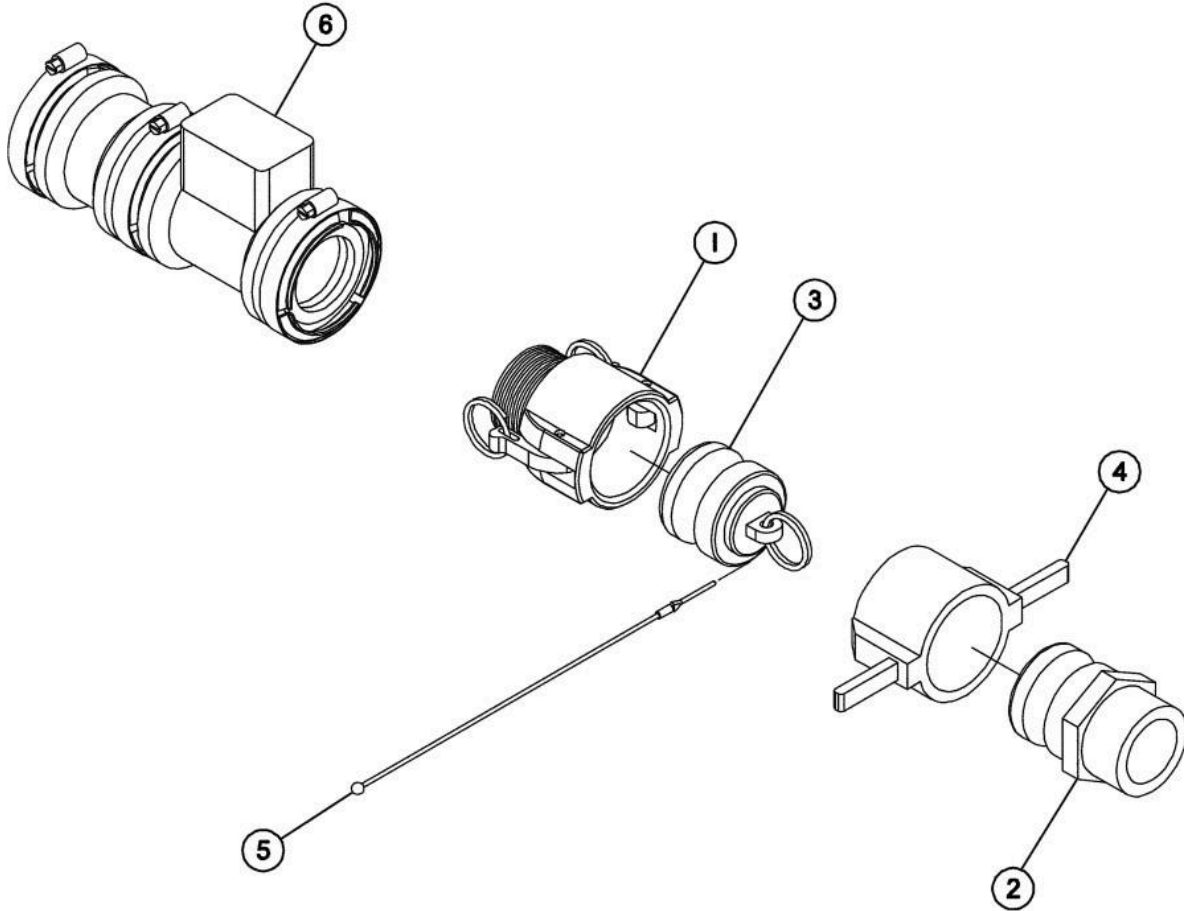


ILLUSTRATED PARTS LIST

Raven 440 Control Option Parts List

ITEM	PART NO.	QTY	DESCRIPTION
1	ZM0709085	1	MOUNT, RADAR GUN
2	631825	1	RADAR, WITH POWER CABLE
3	ZM0710209	2	U-BOLT, BOOM REST
4	H001421	4	WASHER, FLAT, 1/2"
5	231	4	NUT, HEX LOCK, 1/2-13 NYLOCK
6	631808	1	VALVE, CONTROL, 1" POLY NPT/FLG
7	500026	1	VALVE ASSEMBLY, BOOM 3 SECTION BALL
8	530084	1	FLANGE, STANDARD PORT 2" X 2"
9	M201G	3	GASKET, EPDM 2"
10	540001	3	CLAMP, WORM SCREW 2"
11	530082	1	PLUG, FLANGE, 2" STANDARD X 3/4" FPT
12	530037	1	STRAIGHT, 3/4" PT X 3/8" HOSE BARB POLY
13	631804	1	FLOWMETER, RFM60P, 1-60 GPM
14	530076	1	FITTING, FLANGE, 2" STANDARD X 1-1/4" HOSE BARB
15	540015	1	CLAMP, 1.062" - 2.000" HOSE
16	SG1004	1	GAUGE, 100 PSI DRY 4"
17	260	1	WASHER, FLAT, 1/2" STANDARD
18	530313	1	COUPLING, 1/4" NPTF
19	530201	1	STRAIGHT, 1/4" PT X 3/8" HOSE BARB NYLON
20	540032	2	CLAMP, .375" - .875" HOSE
21	510020	25'	HOSE, EPDM .375" 1 BRAID BLACK (ORDER PER FOOT)
22	WA21045	6	TIE, CABLE, 11" BLACK
23	631818	1	CABLE, CONSOLE CONTROL, 10 FT
24	631820	1	CABLE, FLOW 12 FT WITH WEATHER PAK (SPRAYER HALF)
25	631802	1	CONSOLE, SCS440P WITH SERIAL PORT
26	631804	1	CABLE, 12' EXTENSION, 6BM SCS440
27	106-0159-437	1	MOUNTING BRACKET
28	106-0159-438	2	MOUNTING KNOB

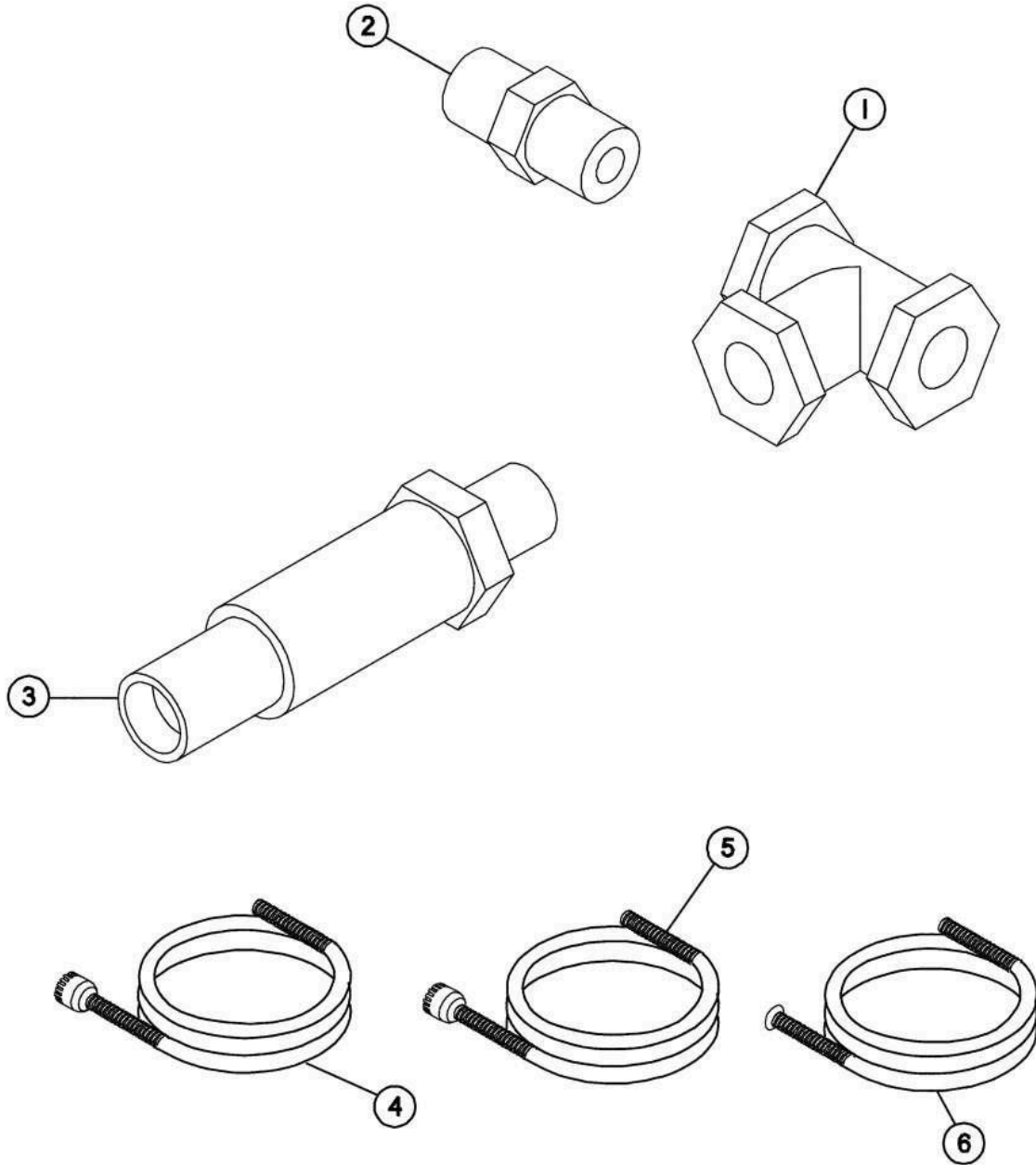
Kit - Raven Flow Max 220



Kit - Raven Flow Max 220 Parts List

ITEM	PART NO.	QTY.	DESCRIPTION
1	530015	1	COUPLER, FEMALE / MALE 2" THREAD
2	530018	1	ADAPTER, MALE / MALE 2" CAM LOCK
3	530020	1	DUST CAP, 2" CAMLOCK
4	530017	1	DUST CAP, 2" CAMLOCK
5	530179	1	LANYARD, 11" POLY RUBBER
6	631807	1	FLOW MAX 220 FLOWMETER

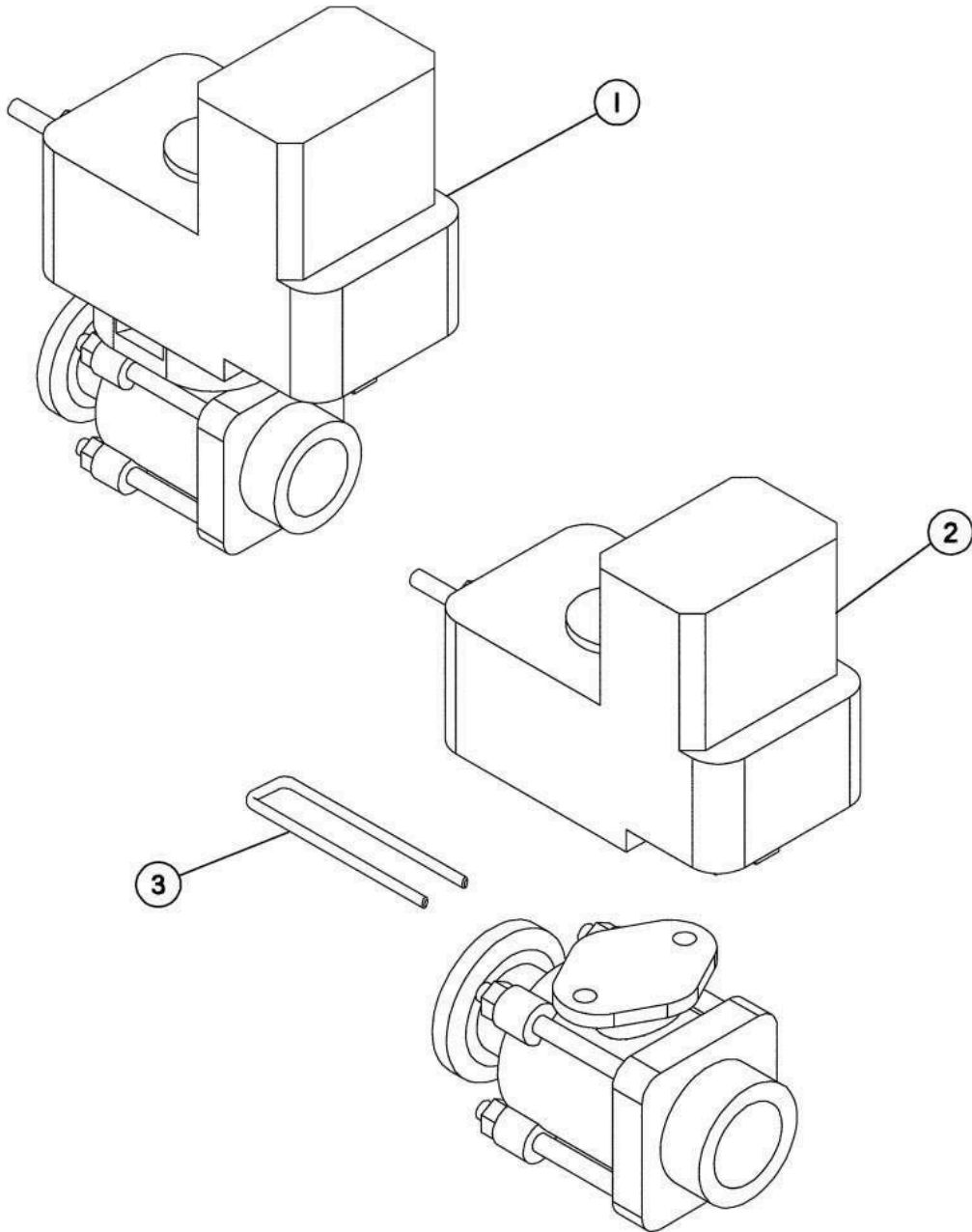
Kit - Raven Pressure Transducer



Kit - Raven Pressure Transducer Parts List

ITEM	PART NO.	QTY.	DESCRIPTION
1	530040	1	TEE, 1/4" FPT POLYPRO
2	530398	1	NIPPLE, 1/4" X CLOSE POLYPRO
3	422-0000-059	1	SENSOR, PRESSURE
4	115-0230-008	1	CABLE, EXTENSION, 12'
5	631818	1	CABLE, CONSOLE, 10'
6	115-0171-151	1	CABLE, SENSOR, 12'

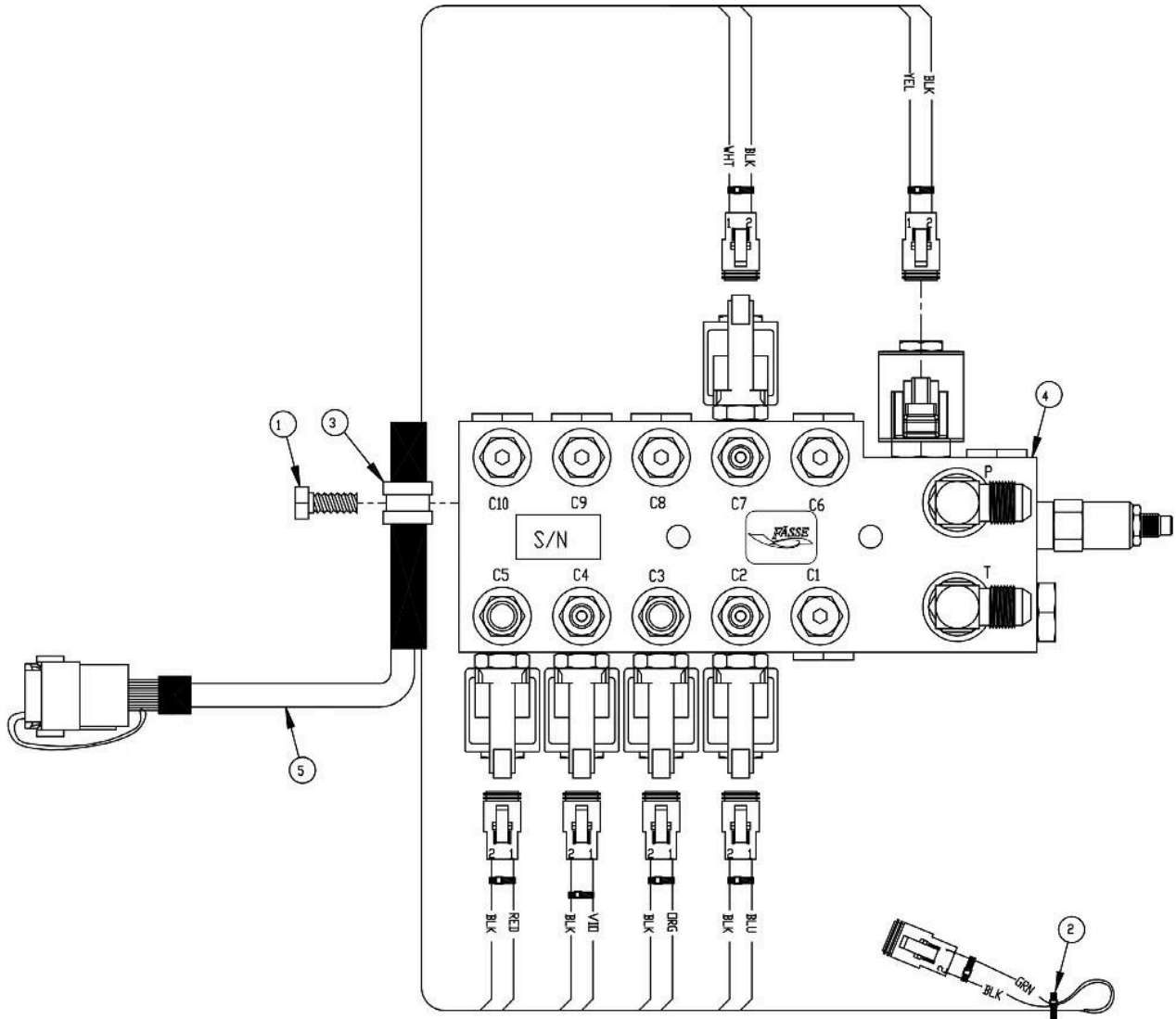
Electric Control Ball Valve



Electric Control Ball Valve Parts List

ITEM	PART NO.	QTY.	DESCRIPTION
1	1/3 OF 500026	1	ELECTRIC CONTROL BALL VALVE
			COMPLETE WITH WEATHER PACK CONNECTOR
2	50515-3	1	MOTOR
3	CP50517-SSPV	1	CLIP
	AB 344AE	1	SEAL KIT

FASSE Block Assembly



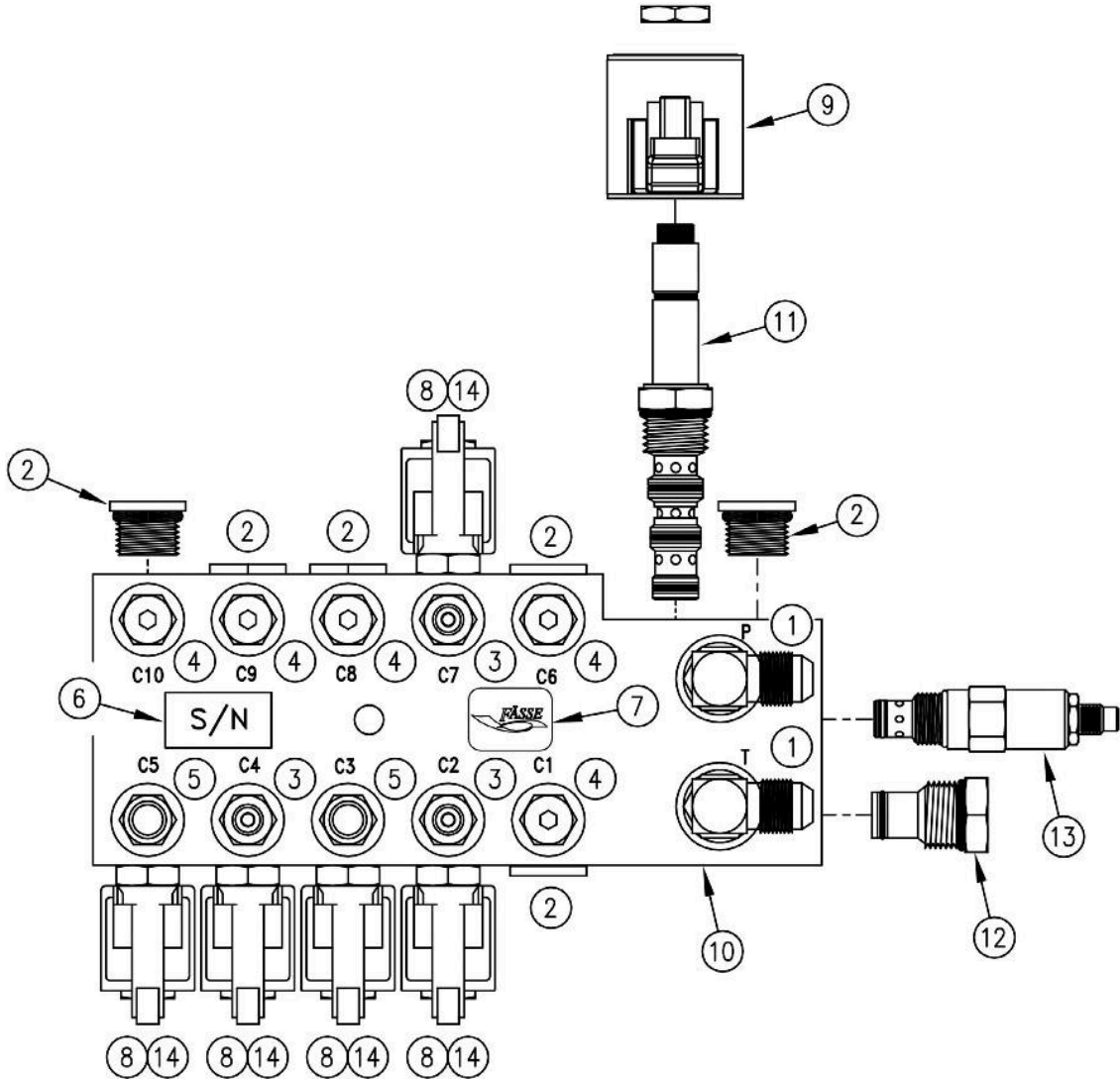


ILLUSTRATED PARTS LIST

FASSE Block Assembly Parts List

ITEM	VENDOR PART NO.	QTY.	DESCRIPTION
0	303-761	1	FASSE HYDRAULIC BLOCK ASSEMBLY (ITEMS 1-5)
1	212-025	1	BOLT 5/16-18 X 0.75
2	214-002	14	CABLE TIE, BLACK 7"
3	255-026	1	LOOM CLAMP .5" ID METAL/RUBBER
4	302-776	1	MANIFOLD ASSEMBLY 0804 1DA 3SA CLSD INTG DTR 12V WP6400-4 PT6801-8
5	319-568	1	HARNESS ASSEMBLY 9 CONNECTOR DTR KEY A 12P(9)-7DTP2P(2) - 26'

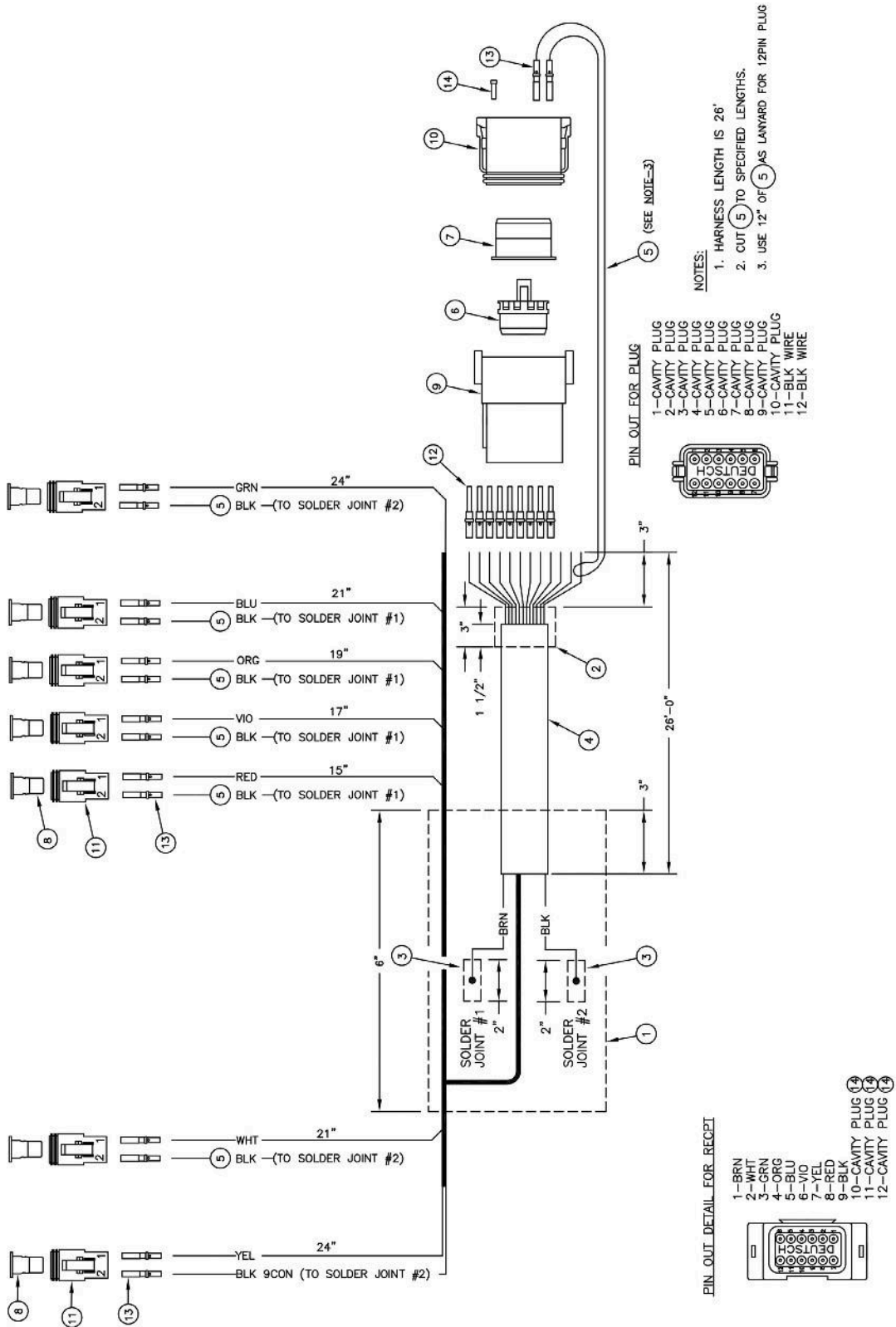
FASSE Hydraulic Block



FASSE Hydraulic Block Parts List

ITEM	VENDOR PART NO.	QTY.	DESCRIPTION
0	302-776	1	FASSE HYDRAULIC BLOCK (ITEMS 1-14)
1	210-017	2	FITTING 6801-8-8/E-MJ-MO
2	210-038	6	FITTING 6408-HHP-8/HOLL HEX PLUG MO
3	210-113	3	FITTING 6400-4-6/S-MJ-MO
4	210-127	5	FITTING 6408-HHP-6/HOLL HEX PLUG MO
5	210-188	2	FITTING 6400-6-6 R.047/S-MJ-MO
6	232-050	2	DECAL S/N (SILVER)
7	232-058	1	DECAL FASSE BLACK/GOLD 1"X.75"
8	253-046	5	COIL HYDAC 0312600 DL DEUTCH CONNECTOR
9	253-593	1	COIL H/F 4304112E-10 INTG DTR 12V ZENER DIODE
10	270-093	1	MANIFOLD S14153-4 5SCIR AL RV
11	273-008	1	CARTRIDGE SV10-40-0-N-00
12	273-012	1	CARTRIDGE CP10-20
13	273-058	1	CARTRIDGE H/F RV10-22A-0-N-NC-35-30
14	273-077	5	CARTRIDGE HYDAC WS 08W-01-C-N-0

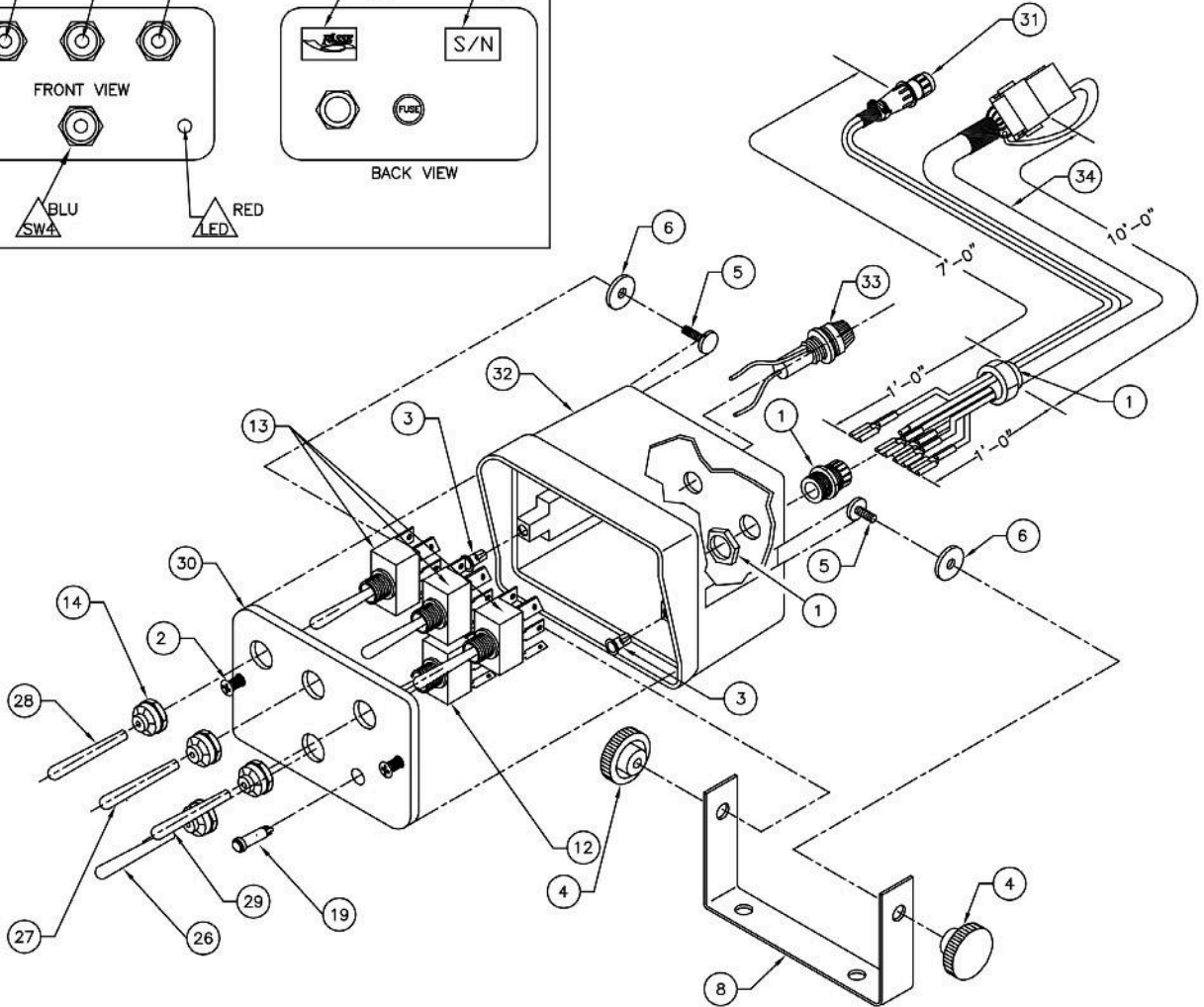
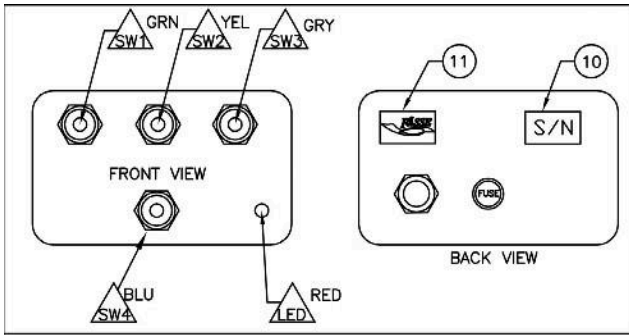
FASSE Block Harness



FASSE Block Harness Parts List

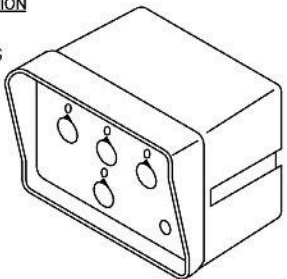
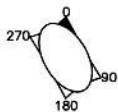
ITEM	VENDOR PART NO.	QTY.	DESCRIPTION
0	319-568	1	FASSE BLOCK HARNESS (ITEMS 1-14)
1	231-008	6"	SHRINK TUBING .750
2	231-009	3"	SHRINK TUBING .5
3	231-250	4"	SHRINK TUBING .250
4	252-025	28'	CABLE 9CON 18GA PVC GRAY
5	252-058	153"	WIRE 18GA BLACK
6	255-214	1	CONNECTOR DEUTSCH LOCK WEDGE 12 PIN DTR
7	255-215	1	CONNECTOR DEUTSCH LOCK WEDGE 12 PIN DTP
8	255-505	7	CONNECTOR DEUTSCH LOCK WEDGE 2 PIN DTP
9	255-755	1	CONNECTOR DEUTSCH DT RECEPTICLE 12 PIN KEY A
10	255-756	1	CONNECTOR DEUTSCH DT PLUG 12 PIN KEY A
11	255-801	7	CONNECTOR DEUTSCH DT 2 PIN PLUG DT
12	255-977	9	TERMINAL PIN DEUTSCH 16/18GA
13	255-978	16	TERMINAL SOCKET DEUTSCH 16/18GA
14	255-979	13	CONNECTOR DEUTSCH CAVITY PLUG

Switch Box Assembly



SWITCH NOTCH ORIENTATION

- ORIENT SWITCH NOTCHES AS SHOWN IN GRAPHIC
- USE THE ANGLE VALUES SHOWN AS REFERENCE

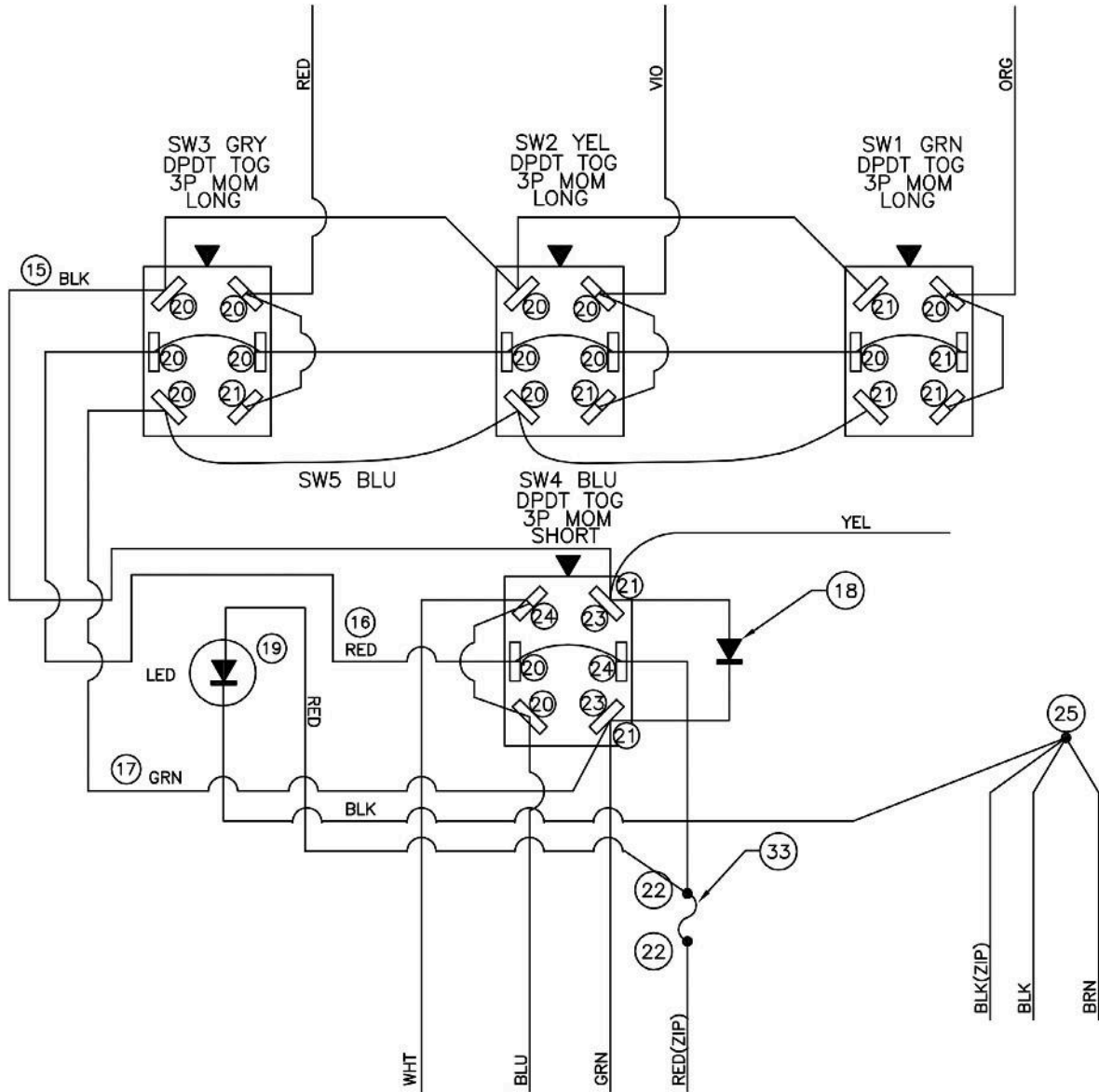


Switch Box Assembly Parts List

ITEM	VENDOR PART NO.	QTY.	DESCRIPTION
0	312-505	1	SWITCH BOX ASSEMBLY (ITEMS 1-34)
1	210-710	1	STRAIN RELIEF HEYCO .23-.53ID, HOLE DIAMETER .86
2	212-184	2	SCREW 6-32 X 3/8 OVAL HEAD BLACK
3	212-202	2	INSERT 6-32 X 3/8 BRASS
4	212-215	2	KNOB 1/4-20 X .500
5	212-231	2	SCREW WELDED 1/4-20 X .500
6	213-335	2	WASHER NYLON .257 X .875 X .060
8	219-300	1	BRACKET, MONITOR HOUSING
10	232-050	2	DECAL S/N SILVER
11	232-059	1	DECAL GOLD/BLACK 1.5 X .5
12	250-007	1	SWITCH TOGGLE DPDT 3P MOM SHORT
13	250-013	2	SWITCH TOGGLE DPDT 3P MOM LONG
14	250-023	4	SWITCH TOGGLE BOOT OPEN GRAY
19	254-350	1	LED RED T-1 3/4 12V LEADS PANEL MOUNT
26	259-015	1	SWITCH TOGGLE GRIP VINYL BLUE .187"
27	259-022	1	SWITCH TOGGLE GRIP VINYL YELLOW .187"
28	259-023	1	SWITCH TOGGLE GRIP VINYL GREEN .187"
29	259-027	1	GRIP TOGGLE VINYL GRAY .187"
30	304-503	1	ENCLOSED DRILL FP MONITOR SW4 LED 1 F00204
31	314-217	1	HARNESS R/B WIRE SERIES 3 P/8'
32	319-725	1	ENCLOSED DRILL MONITOR BOX FH-7/8" STRAIN RELIEF
33	319-769	1	FUSE HOLDER PM ASSEMBLY 10A / .5
34	320-336	1	HARNESS 9CON 18GA DTP KEY A 12P(9) 11' END CAP

Switch Box Assembly

SWITCH WIRING DIAGRAM

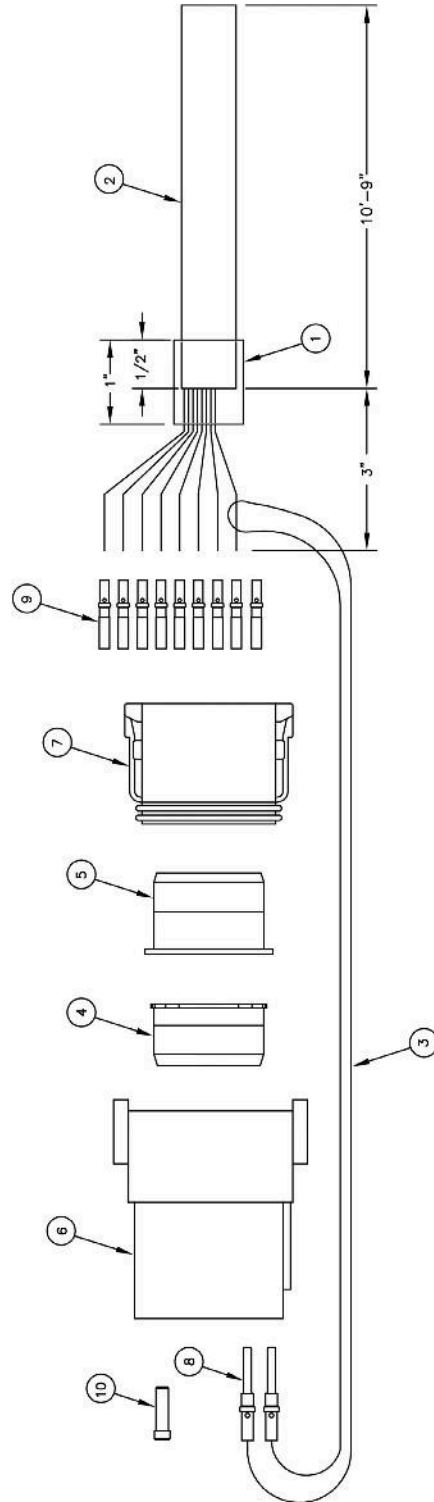


▲ = NOTCH LOCATION

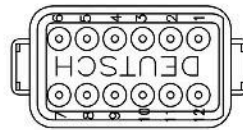
Switch Box Assembly Parts List

ITEM	VENDOR PART NO.	QTY.	DESCRIPTION
0	312-505	1	SWITCH BOX ASSEMBLY (ITEMS 1-34)
15	252-058	12"	WIRE 18GA BLACK
16	252-059	12"	WIRE 18GA RED
17	252-060	12"	WIRE 18GA GREEN
18	254-001	1	DIODE D116A2 6 AMP
19	254-350	1	LED RED T-1 3/4 12V LEADS PANEL MOUNT
22	255-030	2	TERMINAL SPLICE CLOSES END 16-18GA
25	255-285	1	TERMINAL SPLICE CLOSES END LARGE
33	319-769	1	FUSE HOLDER PM ASSEMBLY 10A / .5

9 Pin Switch Box Harness

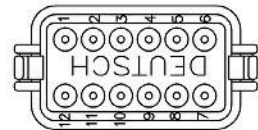


PIN OUT DETAIL FOR RECEPT



- 1-CAVITY PLUG
- 2-CAVITY PLUG
- 3-CAVITY PLUG
- 4-CAVITY PLUG
- 5-CAVITY PLUG
- 6-CAVITY PLUG
- 7-CAVITY PLUG
- 8-CAVITY PLUG
- 9-CAVITY PLUG
- 10-CAVITY PLUG
- 11-BLK WIRE
- 12-BLK WIRE

PIN OUT DETAIL FOR PLUG



- 1-BRN
- 2-WHT
- 3-GRN
- 4-ORG
- 5-BLU
- 6-VIO
- 7-YEL
- 8-RED
- 9-BLK
- 10-CAVITY PLUG 10
- 11-CAVITY PLUG 10
- 12-CAVITY PLUG 10

9 Pin Switch Box Harness Parts List

ITEM	VENDOR PART NO.	QTY.	DESCRIPTION
0	320-336	1	9 PIN SWITCH BOX HARNESS (ITEMS 1-9)
1	231-009	1"	SHRINK TUBING .500" BLACK
2	252-025	28'	CABLE 9 CONNECTOR 18GA PVC GRAY
3	252-058	12"	WIRE 18GA BLACK
4	255-214	1	CONNECTOR DEUTSCH LOCK WEDGE 12 PIN DTR
5	255-215	1	CONNECTOR LOCK WEDGE 12 PIN DTP
6	255-755	1	CONNECTOR DEUTSCH DT RECEPTICLE 12P KEY A
7	255-756	1	CONNECOTR DEUTSCH DT PLUG 12P KEY A
8	255-977	2	CONNECTOR DEUTSCH PIN 16/18GA
9	255-978	9	CONNECTOR DEUTSCH SOCKET 16/18GA
10	255-979	13	CONNECTOR DEUTSCH CAVITY PLUG



ILLUSTRATED PARTS LIST

Switch Box Functions

Control box to control valve operation and pin out location						
		Fasse P/N	700-0804-4002	Hydraulic Valve Circuits		
Switch #	Boot Color	Switch Positions	Signal Wires	Pressure Port	Tank Port	Function
1	Green	Up	Orange, Green	C 3	C 8	Left Tilt Up
		Center	----	----	----	Off
		Down	Orange, Yellow, Green	C 8	C 3	Left Tilt Down
2	Yellow	Up	Violet, Green	C 4	C 9	Main Lift Up
		Center	----	----	----	Off
		Down	Violet, Yellow, Green	C9	C4	Main Lift Down
3	Grey	Up	Red, Green	C 5	C 10	Right Tilt Up
		Center	----	----	----	Off
		Down	Red, Yellow, Green	C 10	C 5	Right Tilt Down
4	Blue	Up	White, Blue, Green	C 2	C 7	Transport
		Center	----	----	----	Off
		Down	White, Blue, Yellow, Green	C 7	C 2	Field Wing Fold
----	----	----	Black	----	----	Ground
----	----	----	Brown	----	----	Ground





FAST AG SOLUTIONS

4130 Commerce Boulevard
Windom, MN 56101

1-800-772-9279 Toll Free

1-507-427-3861 Voice

1-507-427-3030 Fax

www.fastsprayers.com