



**9600N/TF SPRAYER  
PARTS MANUAL**







## Limited Warranty

FAST AG Solutions warrants to the buyer that the new machinery is free from defects in material and workmanship.

This warranty is only effective as to any new machinery which has not been altered, changed, repaired or treated since its delivery to the buyer, other than by FAST AG Solutions or its authorized dealers or employees, and does not apply to accessories, attachments, tools or parts, sold or operated with the new machinery, if they have not been manufactured by FAST AG Solutions.

FAST AG Solutions shall only be liable for defects in the materials or workmanship attributable to faulty material or bad workmanship that can be proved by the buyer, and specifically excludes liability for repairs arising as a result of normal wear and tear of the new machinery or in any other manner whatsoever, and without limiting the generality of the foregoing, excludes application or installation of parts not completed in accordance with this operator's manual, specifications, or printed instructions.

Written notice shall be given by registered mail, to the Manufacturer within seven (7) days after the defect shall have become apparent or the repairs shall have become necessary, addressed as follows:

FAST AG Solutions  
4130 Commerce Boulevard  
Windom, MN 56101

This warranty shall expire one (1) year after the date of delivery of the new machinery.

If these conditions are fulfilled, FAST AG Solutions shall at its own cost and at its own option either repair or replace any defective parts provided that the buyer shall be responsible for all expenses incurred as a result of repairs, labor, parts, transportation or any other work, unless FAST AG Solutions has authorized such expenses in advance.

The warranty shall not extend to any repairs, changes, alterations, or replacements made to the new equipment other than by FAST AG Solutions or its authorized dealers or employees.

This warranty extends only to the original owner of the new equipment.

Rubber parts (including tires, hoses, grommets) are not warranted.

This warranty is limited to the terms stated herein and is in lieu of any other warranties whether express or implied, and without limiting the generality of the foregoing, excluded all warranties, express or implied or conditions whether statutory or otherwise as to quality and fitness for any purpose of the new equipment. the Manufacturer disclaims all liability for incidental or consequential damages.

This Applicator is subject to design changes and FAST AG Solutions shall not be required to retrofit or exchange items on previously sold units except at its own option.

Warranty void if not registered.

# FAST 9600N/TF SPRAYER

## Warranty Registration Form & Inspection Report

### Warranty Registration

This form must be filled out by the dealer and signed by both the dealer and the customer at the time of delivery.

Customer Name				
Address				
City		State		Zip
Phone				
Dealer Name				
Address				
City		State		Zip
Applicator Model				
Serial Number				
Delivery Date				

#### DEALER INSPECTION REPORT

#### SAFETY

- All Fasteners Tight
- Wheel Bolts Torqued
- Hydraulic Hoses and Fittings Free and Tight
- Fertilizer Hoses and Fittings Free and Tight
- Wheel Drive Turns Freely
- Lubricate Machine
- Check Tire Pressure
- Frame and Wings Level
- Monitors and Controllers Function
- Wiring Harness Connected

- Safety Chain Installed
- All Guards Installed
- All Safety Signs Installed
- Reflectors, SMV and Lights Clean
- Review Operating and Safety Instructions

I have thoroughly instructed the buyer on the above described equipment which review included the Operator's Manual content, equipment care, adjustments, safe operation and applicable warranty policy.

Date \_\_\_\_\_

Dealer's Rep. Signature \_\_\_\_\_

The above equipment and Operator's Manual have been received by me and I have been thoroughly instructed as to care, adjustments, safe operation and applicable warranty policy.

Date \_\_\_\_\_

Owner's Signature \_\_\_\_\_

- White - FAST
- Yellow - Dealer
- Pink - Customer

**FAST 9600N/TF SPRAYER**

**APPLICATOR SERIAL NUMBER** \_\_\_\_\_

**DATE PURCHASED** \_\_\_\_\_ / \_\_\_\_\_ / \_\_\_\_\_

**TANK SIZE** \_\_\_\_\_

**BOOM LENGTH** \_\_\_\_\_

**PUMP MANUFACTURER: (CIRCLE ONE)**

**ACE FMC-150-HYD-206**

**ACE FMCSC-205F-HYD-304**

**ACE FMCSC-205F-HYD-304 PWM**

**ACE 255F-304 WET SEAL**

**ACE 255F-304 PWM WET SEAL**

**ACE FMC-750-HYD OASIS**

**ACE FMC-750 OASIS PWM**

**HYPRO 9306C-HM1C**



## General Information

All rights, especially copying and distribution rights are reserved. No part of this publication may be reproduced in any form or by any means, electronic or mechanical, including photocopying, without express written permission from FAST AG Solutions.

Parts information in this manual represents components installed when product was manufactured based upon the best available information. Modifications made subsequent to initial delivery are not included. Always verify the parts and color required when ordering parts.

If you have any questions, please contact your FAST AG Solutions Parts and Service Department.

## Parts Ordering Guide

1. Provide the Serial Number of your Chassis or System when ordering.
2. Use the Part Number and Description when ordering parts.
3. Provide the Page Title and Page Number if required.

## Parts Searching Guide

To search this PDF by keyword, name, description, or part number, use **ctrl + f** for simple searches or **ctrl + shift + f** for advanced searches.

## Explanation of Parts Lists

The parts lists are broken down sub-assemblies and listed in 4 columns:

- **ITEM** - These numbers are found on the illustration associated with the parts list.
  - o **NS** - This item is NOT SHOWN, included for reference.
- **QTY** - This is the quantity of parts needed in an assembly.
  - o **AR** - The quantity of this item is AS REQUIRED for the location.
- **PART NO** - These are the part numbers associated to the ITEM.
- **DESCRIPTION** - This is the description of the part.



## Table of Contents

<b>Section</b>	<b>Page</b>
<b>Table of Contents</b> .....	<b>5</b>
<b>Trailer - 9600</b> .....	<b>12</b>
Trailer - 9600 Parts List 14475 .....	13
<b>Trailer - 9600</b> .....	<b>14</b>
Trailer - 9600 Parts List 20124TA.....	15
<b>Trailer - 9600N</b> .....	<b>16</b>
Trailer - 9600N Parts List 20124TAN .....	17
<b>Steerable Trailer - 9600N</b> .....	<b>18</b>
Steerable Trailer - 9600N Parts List 20126TASH .....	19
<b>Axles</b> .....	<b>20</b>
Axles Parts List .....	21
<b>Tires</b> .....	<b>22</b>
Tires Parts List .....	23
<b>Parallel Link Assembly</b> .....	<b>24</b>
Parallel Link Assembly .....	25
<b>10' Center Section (Narrow)</b> .....	<b>26</b>
10' Center Section (Narrow) Parts List .....	27
<b>10' Center Section (Narrow)</b> .....	<b>28</b>
10' Center Section (Narrow) Parts List .....	29
<b>12' Center Section (Dry Boom)</b> .....	<b>30</b>
12' Center Section (Dry Boom) Parts List.....	31
<b>12' Center Section, 80 - 100' Boom</b> .....	<b>32</b>
12' Center Section, 80 - 100' Boom Parts List.....	33
<b>12' Center Section, 80 - 100' Boom</b> .....	<b>34</b>
12' Center Section, 80 - 100' Boom Parts List.....	35
<b>Wings - 60 &amp; 66 Foot Boom - Standard</b> .....	<b>36</b>
Wings - 60 & 66 Foot Boom - Standard Parts List.....	37
<b>Wings - 60 &amp; 66 Foot Boom</b> .....	<b>38</b>
Wings - 60 & 66 Boom Parts List .....	39
<b>Wings - 60 &amp; 66 Foot Boom</b> .....	<b>40</b>
Wings - 60 & 66 Boom Parts List .....	41
<b>Wings - 80, 90 &amp; 100 Foot Boom - Standard</b> .....	<b>42</b>
Wings - 80, 90 & 100 Foot Boom - Standard Parts List.....	43
<b>Wings - Tri-Fold 40/80 Foot Boom</b> .....	<b>44</b>
Wings - Tri-Fold 40/80 Foot Boom Parts List.....	45
<b>Wings - Tri-Fold 40/80 Foot Boom</b> .....	<b>46</b>
Wings - Tri-Fold 40/80 Foot Boom Parts List.....	46

<b>Wings - Tri-Fold 60/88 Foot Boom</b> .....	<b>48</b>
Wings - Tri-Fold 60/88 Boom Parts List.....	49
<b>Wings - Tri-Fold 60/88 Foot Boom</b> .....	<b>50</b>
Wings - Tri-Fold 60/88 Boom Parts List.....	51
<b>Wings - Narrow Tri-Fold 60/88 Foot Boom</b> .....	<b>52</b>
Wings - Narrow Tri-Fold 60/88 Boom Parts List .....	53
<b>Wings - Narrow Tri-Fold 60/88 Foot Boom</b> .....	<b>54</b>
Wings - Narrow Tri-Fold 60/88 Boom Parts List .....	55
<b>Wings - Tri-Fold 60/90 Foot Boom</b> .....	<b>56</b>
Wings - Tri-Fold 60/90 Boom Parts List.....	57
<b>Wings - Tri-Fold 60/90 Foot Boom</b> .....	<b>58</b>
Wings - Tri-Fold 60/90 Boom Parts List.....	59
<b>Wings - Narrow Tri-Fold 60/90 Foot Boom</b> .....	<b>60</b>
Wings - Narrow Tri-Fold 60/90 Boom Parts List .....	61
<b>Wings - Narrow Tri-Fold 60/90 Foot Boom</b> .....	<b>62</b>
Wings - Narrow Tri-Fold 60/90 Boom Parts List .....	63
<b>Wings - Tri-Fold 100 Foot Boom</b> .....	<b>64</b>
Wings - Tri-Fold 100 Boom Parts List.....	65
<b>Wings - Tri-Fold 100 Foot Boom</b> .....	<b>66</b>
Wings - Tri-Fold 100 Boom Parts List.....	67
<b>Breakaway Pivot</b> .....	<b>68</b>
Breakaway Pivot Parts List.....	69
<b>Tank Assembly</b> .....	<b>70</b>
Tank Assembly Parts List.....	71
<b>Tank Assembly (continued)</b> .....	<b>72</b>
Tank Assembly Parts List.....	72
<b>Rinse Tank, Plumbing &amp; Sight Gauge</b> .....	<b>73</b>
Rinse Tank, Plumbing & Sight Gauge Parts List .....	74
<b>9600N Trailer Decals and Misc</b> .....	<b>76</b>
9600N Trailer Decals and Misc Parts List.....	76
<b>Quick Fill &amp; Pump Feed - 60-66 Ft Boom With ACE 150-206 Pump</b> .....	<b>78</b>
Quick Fill & Pump Feed - 60-66 Ft Boom With ACE 150-206 Pump Parts List.....	79
<b>Pump Option - 60' - 66' Boom With ACE 105-206 Pump</b> .....	<b>80</b>
Pump Option - 60' & 66' Boom With ACE 105-206 Pump Parts List.....	81
<b>Pump Option - 60' - 100' Boom With ACE 205-304 Pump</b> .....	<b>82</b>
Pump Option - 60' - 100' Boom With ACE 205-304 Pump Parts List .....	83
<b>Pump Option - 80, 90 &amp; 100' Boom With ACE 205-304 PWM Pump</b> .....	<b>84</b>
Pump Option - 80, 90 & 100' Boom With ACE 205-304 PWM Pump Parts List .....	85
<b>Pump Option - 60' - 100' Boom With HYPRO Pump</b> .....	<b>86</b>
Pump Option - 60' - 100' Boom With HYPRO Pump Parts List .....	87



<b>Quick Fill &amp; Pump Feed - 80,90&amp;100 Ft Boom With HYPRO Pump</b> .....	<b>88</b>
Quick Fill & Pump Feed - 80,90&100 Ft Boom With HYPRO Pump Parts List .....	89
<b>Y Strainer</b> .....	<b>90</b>
Y Strainer Parts List 530125 .....	91
<b>Electrical Valving Option</b> .....	<b>92</b>
Electrical Valving Option 99FSEVO Parts List.....	93
<b>Pump Electric Valve Option</b> .....	<b>94</b>
Electric Valve 500080 .....	94
Pump Electric Valve Option.....	95
<b>ACE 150-206 Pump 550000, 60 &amp; 66 Foot Boom</b> .....	<b>96</b>
ACE 150-206 Pump Hydraulic Motor, 60 & 66 Foot Boom .....	97
<b>ACE 205-304 Pump 550025</b> .....	<b>98</b>
ACE 205-304 Pump 550025 Parts List.....	99
<b>ACE 205-304 PWM Pump 550035</b> .....	<b>100</b>
ACE 205-304 PWM Pump 550035 Parts List .....	101
<b>ACE 255F -304 (PWM) Pump 550055 (550056)</b> .....	<b>102</b>
ACE 255F -304 (PWM) Pump 550055 (550056) Parts List .....	102
<b>ACE 750 Pump 550050</b> .....	<b>104</b>
ACE 750 Pump 550050 Parts List.....	104
<b>ACE 750 PWM Pump 550044</b> .....	<b>106</b>
ACE 750 PWM Pump 550044 Parts List .....	106
<b>HYPRO 9306 Pump 550045</b> .....	<b>108</b>
<b>Quick Fill - Optional 3 Inch</b> .....	<b>109</b>
Quick Fill - Optional 3 Inch Parts List .....	109
<b>Raven Flow Controls</b> .....	<b>110</b>
Raven Flow Controls Parts List .....	111
<b>Agitation &amp; Rinse Control</b> .....	<b>112</b>
Agitation & Rinse Control Parts List .....	113
<b>Agitation Shut-Off, Electric Option</b> .....	<b>114</b>
Agitation Shut-Off, Electric Option Parts List .....	114
<b>Boom Plumbing</b> .....	<b>115</b>
Boom Plumbing Parts List.....	116
<b>Fence Line Option</b> .....	<b>118</b>
Fence Line Option Parts List.....	119
<b>Single Fence Line, Display Control</b> .....	<b>120</b>
Single Fence Line, Display Control Parts List 27360.....	120
<b>Dual Fence Line, Display Control</b> .....	<b>121</b>
Dual Fence Line, Display Control Parts List 27361 .....	121
<b>Single Fence Line, Toggle Switch Control</b> .....	<b>122</b>
Single Fence Line, Toggle Switch Control Parts List 27362 .....	122

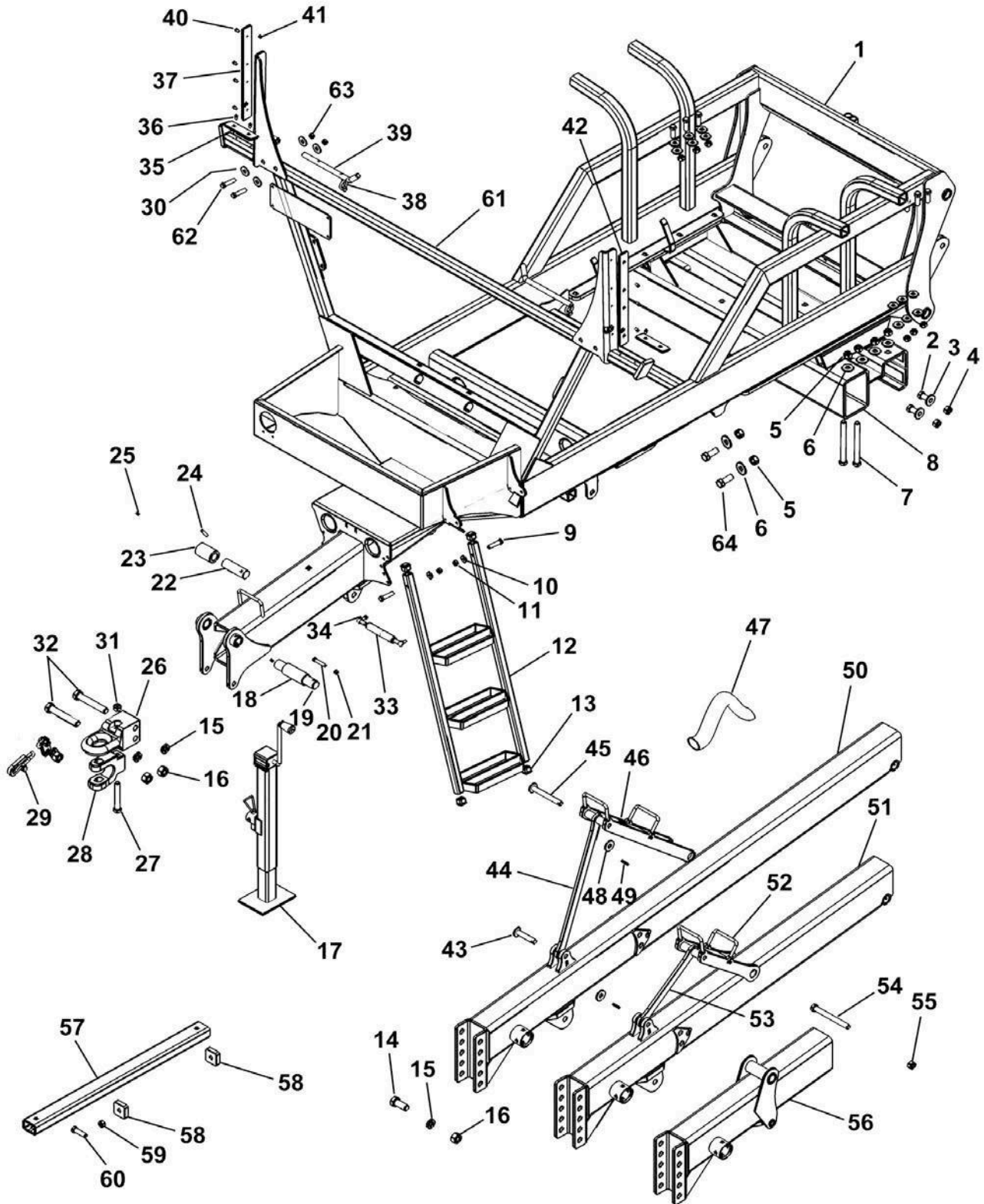
<b>Dual Fence Line, Toggle Switch Control .....</b>	<b>123</b>
Dual Fence Line, Toggle Switch Control Parts List 27363.....	123
<b>Plumbing Valves .....</b>	<b>124</b>
Plumbing Valves Parts List.....	125
<b>Nozzle Bodies.....</b>	<b>126</b>
<b>Delivery Tubes.....</b>	<b>128</b>
Delivery Tubes Parts List .....	129
<b>60 - 80' Side Fold Fitting .....</b>	<b>130</b>
60 - 80' Side Fold Fitting Parts List 90SA6080SF.....	130
<b>Hydraulic System .....</b>	<b>132</b>
Hydraulic System Parts List .....	133
<b>Hydraulic Control Valve Harness - 60 - 66 Foot Boom .....</b>	<b>134</b>
Hydraulic Control Valve Harness - 60 - 66 Foot Boom Parts List .....	135
<b>Hydraulic Control Valve - 60 - 66 Foot Boom .....</b>	<b>136</b>
Hydraulic Control Valve - 60 - 66 Foot Boom Parts List.....	137
<b>Hydraulic Control Valve Harness - 60 - 66 Foot Boom .....</b>	<b>138</b>
Hydraulic Control Valve Harness - 60 - 66 Foot Boom Parts List .....	139
<b>Control Console - 60 - 66 Foot Boom .....</b>	<b>140</b>
<b>Wiring Harness - 60 - 66 Foot Boom .....</b>	<b>142</b>
<b>Control Console Decal - 60 - 66 Foot Boom .....</b>	<b>143</b>
<b>Hydraulic Control Valve Wiring Harness - 80, 90 &amp; 100 Foot Boom .....</b>	<b>145</b>
<b>Hydraulic Control Valve - 80, 90 &amp; 100 Foot Boom - 9600.....</b>	<b>146</b>
Hydraulic Control Valve - 80, 90 & 100 Foot Boom Parts List.....	147
<b>Hydraulic Control Valve - 9600N .....</b>	<b>148</b>
Hydraulic Control Valve - 9600N Parts List .....	149
<b>Hydraulic Control Valve Wiring Harness .....</b>	<b>150</b>
<b>Control Console - 80, 90 &amp; 100 Foot Boom .....</b>	<b>151</b>
<b>Control Console Switch Diagram.....</b>	<b>152</b>
<b>Wiring Harness - 80, 90 &amp; 100 Foot Boom.....</b>	<b>153</b>
Wiring Harness - 80, 90 & 100 Foot Boom Parts List .....	153
<b>Control Console Decal - 80, 90 &amp; 100 Foot Boom.....</b>	<b>154</b>
<b>Cab Box for Electric Valving Option .....</b>	<b>155</b>
Cab Box for Electric Valving Option 632155.....	156
<b>9613TF-80 Hydraulic Fitting Locations .....</b>	<b>158</b>
9613TF-80 Hydraulic Fitting Locations Parts List .....	159
<b>9613TF-80 Hydraulic Fitting Locations .....</b>	<b>160</b>
9613TF-80 Hydraulic Fitting Locations Parts List .....	161
<b>Fold Block Hydraulic Hose Routing.....</b>	<b>162</b>
Fold Block Hydraulic Hose Routing Parts List .....	162
<b>Main Lift Hydraulic Hose Routing .....</b>	<b>163</b>
Main Lift Hydraulic Hose Routing Parts List .....	163
<b>Tilt Cylinder Hydraulic Hose Routing .....</b>	<b>164</b>

Tilt Cylinder Hydraulic Hose Routing Parts List .....	164
<b>Main Hydraulic Hose Routing</b> .....	<b>166</b>
Main Hydraulic Hose Routing Parts List .....	167
<b>Flip Wing Hydraulic Hose Routing</b> .....	<b>168</b>
Flip Wing Hydraulic Parts List .....	169
<b>Breakaway Wing Hydraulic Hose Routing</b> .....	<b>170</b>
Breakaway Wing Hydraulic Hose Routing Parts List .....	171
<b>Breakaway Wing Hydraulic Hose Routing</b> .....	<b>172</b>
Breakaway Wing Hydraulic Hose Routing Parts List .....	173
<b>Hydraulic Pump Hose Routing</b> .....	<b>174</b>
Hydraulic Pump Hose Routing Parts List.....	175
<b>Raven 450 Controller Kit With Skytrak, Up To 6 Sections</b> .....	<b>176</b>
<b>Raven ISO Rate Control Module, Cables To Tractor, ISO Hookup, No VT Console</b> .....	<b>176</b>
<b>Deere JDRC 2000 ISO Rate Controller, Cables To Tractor, ISO Hookup, No VT Console</b> .....	<b>177</b>
<b>47 Pin Product Control Cable - Customer Supplied JDRC2000 Rate Controller / Raven RCM</b> .....	<b>177</b>
<b>47 Pin To 37 Pin Product Control Cable - Customer Supplied GreenStar Rate Controller</b> .....	<b>178</b>
<b>47 Pin To 16 Pin Product Control Cable - Customer Supplied Raven 450</b> .....	<b>178</b>
<b>47 Pin Product Control Cable - Customer Supplied Rate Controller</b> .....	<b>178</b>
<b>Raven CR7 ISO Display With Deere Harness (Deere ISO Controller)</b> .....	<b>178</b>
<b>Raven CR7 ISO Display With Harness (Non-Deere ISO Controller)</b> .....	<b>179</b>
<b>Raven CR7 ISO Display With Complete ISO Harness (Non-ISO Tractor)</b> .....	<b>179</b>
<b>Flow-Back Ball Valve Line Rinse - Electric Valve With Toggle Switch</b> .....	<b>179</b>
<b>Control Console Wiring Harness</b> .....	<b>180</b>
<b>Adapter Cable, 16 Pin Console To 47 Pin Product Port (632028)</b> .....	<b>182</b>
<b>Cable, 81 Pin ECU, 47 Pin Rate Control Interface (632029)</b> .....	<b>183</b>
<b>Cable, 81 Pin ECU, 47 Pin Rate Control Interface (632029)</b> .....	<b>184</b>
<b>Cable, Pull Type Sprayer Frame, 14' 47 Pin To 47 Pin (632035)</b> .....	<b>185</b>
<b>Adapter Cable, 17', 9 Pin IBIC / 3 Pin Master to Gen 1 Isobus (632031)</b> .....	<b>186</b>
<b>Cable, Foot Switch, 12' (632061)</b> .....	<b>187</b>
<b>Cable, Raven ISO/Power With IBBC Connector (632064)</b> .....	<b>188</b>
<b>Cable, Raven ISO/Power With IBBC Connector (632064)</b> .....	<b>189</b>
<b>CAN/Power Cable, OEM ISO To Raven ISO Bulkhead (632065)</b> .....	<b>190</b>
<b>Cable, CR7, ISO VT Only (632066)</b> .....	<b>191</b>
<b>Cable, Display Port, Y Adapter (632067)</b> .....	<b>192</b>
<b>Adapter Cable, 37 Pin Console To 47 Pin Product Port (632070)</b> .....	<b>193</b>
<b>Product Cable, 47 Pin, 6 Section, Liquid, FAST, Center Mount (632077)</b> .....	<b>194</b>
<b>Product Cable, 47 Pin, 6 Section, Liquid, FAST, Center Mount (632077)</b> .....	<b>195</b>
<b>Product Cable, 47 Pin, 10 Section, Liquid, FAST 6'(632078)</b> .....	<b>196</b>
<b>Product Cable, 47 Pin, 10 Section, Liquid, FAST 6'(632078)</b> .....	<b>197</b>
<b>9613TF Harness Identification &amp; Location</b> .....	<b>198</b>
9613TF Harness Identification & Location Parts List .....	199
<b>Lighting Harness Routing</b> .....	<b>200</b>
Lighting Harness Routing Parts List .....	201
<b>Blue Lights</b> .....	<b>202</b>
Blue Lights Parts List 28959 .....	202
<b>Product Control Harness Routing</b> .....	<b>204</b>

Product Control Harness Routing Parts List .....	205
<b>Fold Harness Routing .....</b>	<b>206</b>
Fold Harness Routing Parts List.....	207
<b>Pressure Transducer Kit.....</b>	<b>208</b>
Pressure Transducer Kit Parts List.....	208
<b>Powerglide Wiring Schematic .....</b>	<b>209</b>
<b>Powerglide Plus Wiring Schematic.....</b>	<b>210</b>
<b>Powerglide Wiring Schematic .....</b>	<b>211</b>
<b>Powerglide Hydraulic Block .....</b>	<b>212</b>
<b>Powerglide Solid Axle.....</b>	<b>213</b>
<b>Powerglide &amp; Powerglide Plus Mounting Brackets .....</b>	<b>214</b>
Powerglide & Powerglide Plus Mounting Brackets Parts List.....	215
<b>Powerglide Plus Hydraulic Block.....</b>	<b>216</b>
<b>Powerglide Plus Cushioned Axle.....</b>	<b>217</b>
<b>Raven Sensor Mounts.....</b>	<b>218</b>
Raven Sensor Mounts Parts List.....	219
<b>Raven UltraGlide Gen I Wiring .....</b>	<b>226</b>
<b>Raven UltraGlide Gen II Wiring .....</b>	<b>227</b>
<b>Raven XRT Wiring .....</b>	<b>228</b>
<b>Wing Tilt Options .....</b>	<b>231</b>
Wing Tilt Options Parts List.....	231
<b>Raven Hawkeye.....</b>	<b>232</b>
Raven Hawkeye Parts List.....	233
<b>Electronic Sight Gauge.....</b>	<b>234</b>
Electronic Sight Gauge Parts List.....	235
<b>Electronic Sight Gauge - Sensor Tube .....</b>	<b>236</b>
<b>Electronic Sight Gauge - Power Cable .....</b>	<b>237</b>
<b>HYPRO Cleanload Eductor &amp; Mounting, 7.5 Gallon.....</b>	<b>238</b>
HYPRO Cleanload Eductor & Mounting, 7.5 Gallon Parts List .....	239
<b>HYPRO Cleanload Eductor, 7.5 Gallon .....</b>	<b>240</b>
HYPRO Cleanload Eductor, 7.5 Gallon Parts List 570119 .....	241
<b>Richway Direct Injection Foamer &amp; Mounting.....</b>	<b>242</b>
Richway Direct Injection Foamer & Mounting Parts List .....	243
<b>Richway Foam Marker 1 Gallon Tank &amp; Switchbox .....</b>	<b>244</b>
<b>Richway Foam Marker Liquid Flow.....</b>	<b>245</b>
<b>Richway Foam Marker Compressor.....</b>	<b>246</b>
<b>Richway Foam Marker Foamhead.....</b>	<b>247</b>
<b>Richway Foam Marker Foam Head Assembly.....</b>	<b>248</b>
<b>Richway Foam Marker Collector Deflector.....</b>	<b>249</b>
<b>Richway Foam Marker Wiring Harness.....</b>	<b>250</b>
<b>Remote Boom Shut Off Kit (6 Section Shown).....</b>	<b>251</b>



## Trailer - 9600



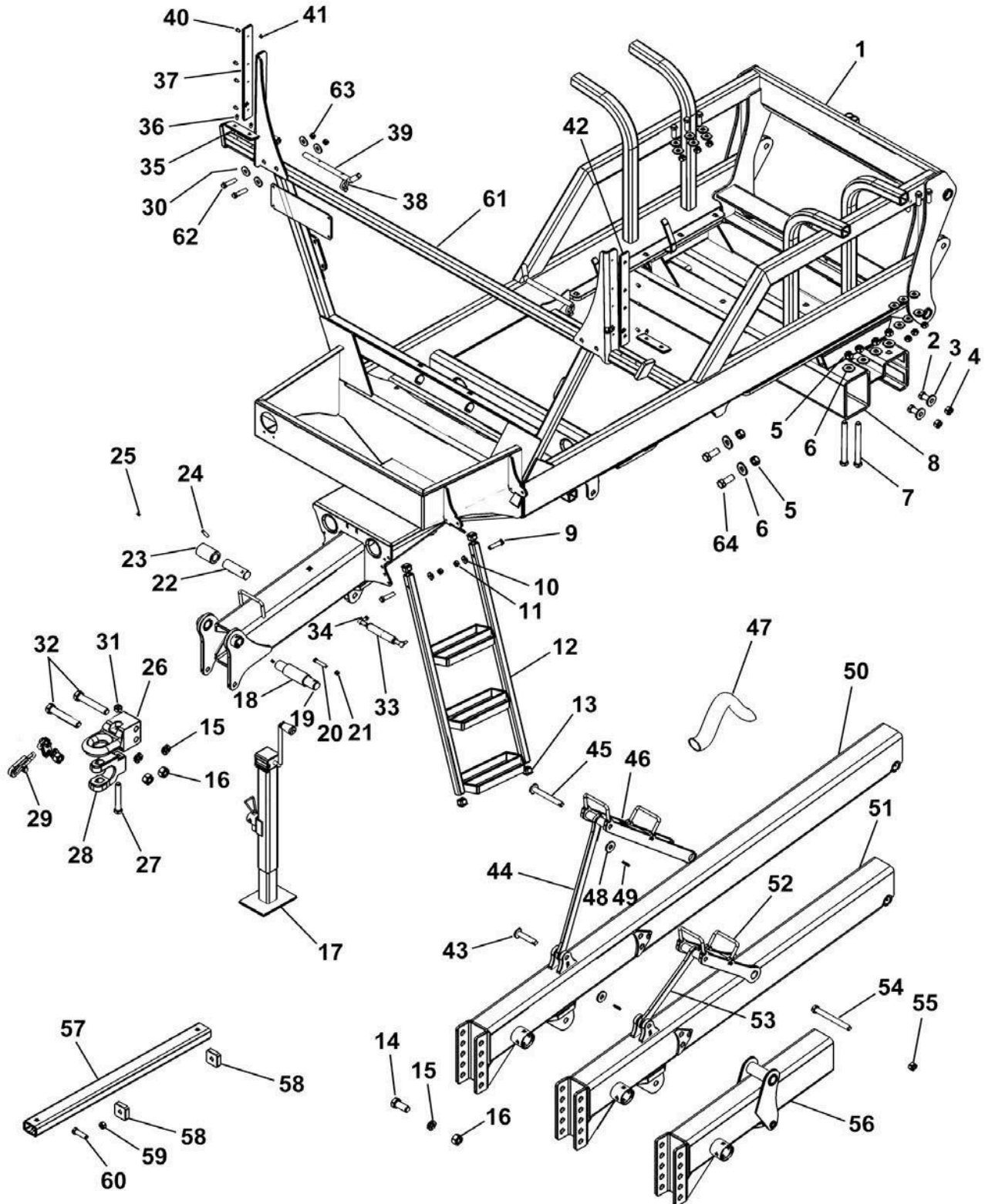


# ILLUSTRATED PARTS LIST

## Trailer - 9600 Parts List 14475

ITEM	VENDOR PART #	FAST PART #	DESCRIPTION	QTY.	60'	80 - 90'	100'
1		13501	FAST TRAILER 9600 SERIES	1			
2		170	BOLT HH 5/8 X 2.5 GR5 ZP	6			
3		261	WASHER FLAT 5/8 ZP	12			
4		240	NUT HH 5/8 CENTERLOCK ZP	6			
5		241	NUT HH 3/4 CENTERLOCK ZP	4			
6		262	WASHER FLAT 3/4 ZP	4			
7		488	BOLT HH 3/4 X 8.5 GR5 ZP	2			
8		13512	AXLE HOUSING RECEIVER	1			
9		155	BOLT HH 1/2 X 2-1/2 GR5 ZP	2			
10		260	WASHER FLAT 1/2"	2			
11		231	NUT HH 1/2" CENTERLOCK ZP	2			
12		10620	LADDER 3 STEP	1			
13		4191	CAP BLACK DRIVE-IN	4			
14		199	BOLT HH 1 X 2-1/2 GR5 ZP (ATTACH ITEM 29 TO HITCH)	1			
15		255	WASHER LOCK 1" ZP (ATTACH ITEM 29 TO HITCH)	1			
16		218	NUT HH 1" ZP (ATTACH ITEM 29 TO HITCH)	1			
17	FASTHD800	790005	JACK 8000# SIDE WIND FAST HD800	1			
NS	P800-001		BLACK HANDLE (PART OF FASTHD700)	AR			
NS	P700-020		9" HANDLE KIT (PART OF FASTHD700)	AR			
NS	P700-040		HD700 SIDE WIND GEAR KIT (PART OF FASTHD700)	AR			
NS	P700-080		HD700 BEARING KIT (PART OF FASTHD700)	AR			
NS	P800-060		5/8" PIN WITH CHAIN AND CLIP (PART OF FASTHD700)	AR			
18		10713	ROLLER EXTERNAL	1			
19		8933	PIN ROLLER EXTERNAL	1			
20		131	BOLT HEX HEAD 3/8 X 2-1/2 GR5 ZP	1			
21		237	NUT HEX HEAD 3/8" CENTERLOCK ZP	1			
22		10710	PIN INTERNAL ROLLER	1			
23		10709	ROLLER INTERNAL	1			
24		707	PIN SPRING 3/8 X 2	1			
25		759	ZERK 1/4-28 TPI	2			
26	PPI-301V3-10	790003	HITCH CAT 3	1			
27		390	BOLT HH 3/4 X 5-1/2 GR8 ZP	1			
28	PPI-208-VR-10	790002	CLEVIS FOR HITCH	1			
29	PPSC21A	790015	SAFETY CHAIN 20,200#	1			
30		260	WASHER FLAT 1/2 ZP	8			
31		233	NUT HH 3/4" NYLOCK ZP	1			
32		564	BOLT HH SPECIAL 1 X 6-1/2 GR 5 ZP	2			
33	22011A3	590010	EASYLIFT CYLINDER (FOR USE WITH LADDER ITEM 12)	1			

## Trailer - 9600





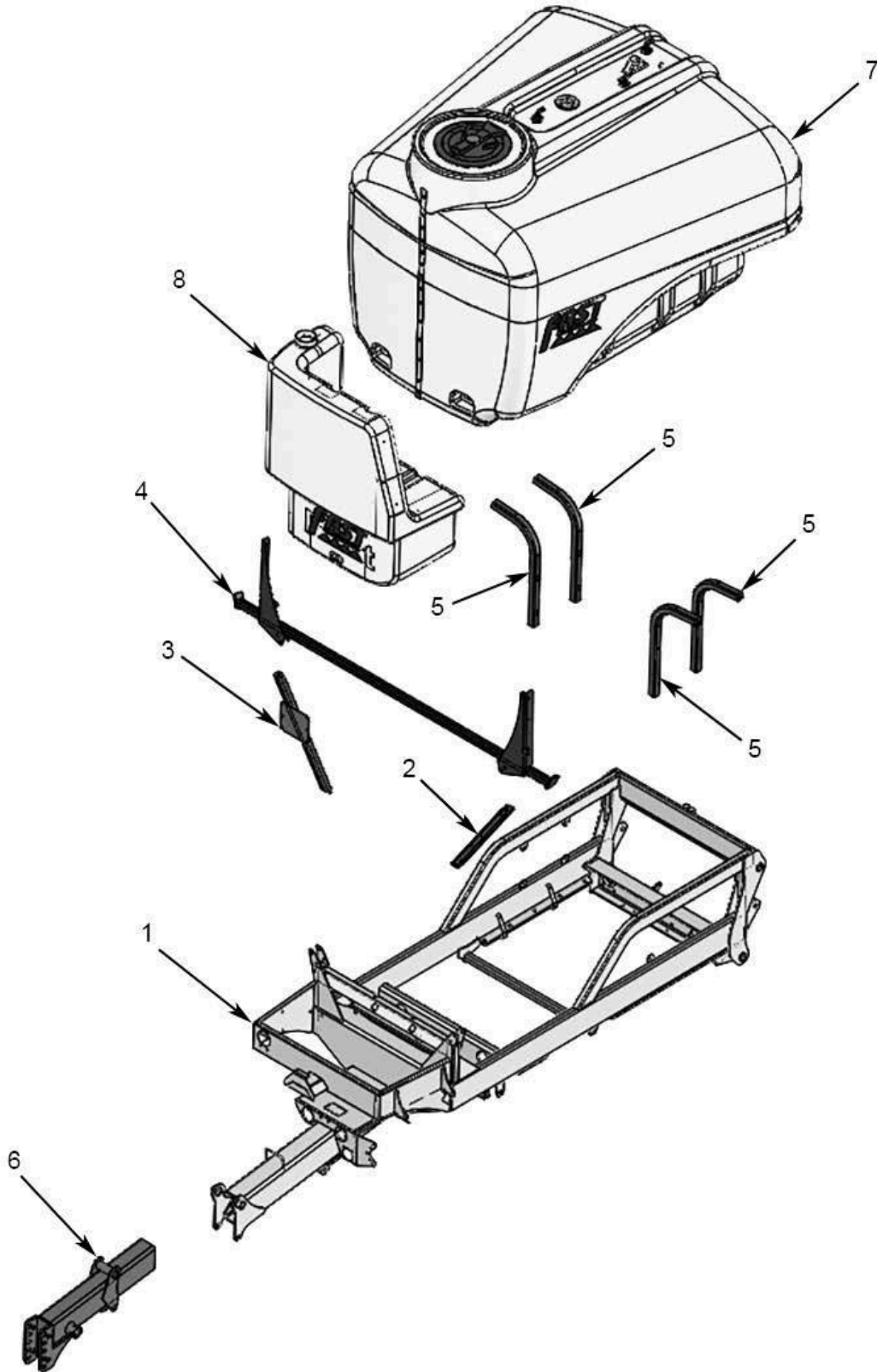


# ILLUSTRATED PARTS LIST

## Trailer - 9600 Parts List 20124TA

ITEM	VENDOR PART #	FAST PART #	DESCRIPTION	QTY.	60'	80-90'	100'
34		855	NUT HH M8 ZP (FOR USE WITH LADDER 10620 ITEM 12)	1			
35		7781	WEAR PAD PLASTIC TRANSPORT SADDLE BASE	2			
36		581	RIVET 1/4" DRIVE IN	4			
37		11050R	VERTICAL STOP CHAM FERED PLASTIC RIGHT	1			
38	715300927	720001	KWIK CLIP PIN	2			
39		7618	SAFETY LATCH PIN	2			
40		671	FLAT HEAD SOCKET CAP SCREW 1/4X 7/8"	8			
41		235	NUT HEXHEAD 1/4" CENTERLOCK ZP	8			
42		11050L	VERTICAL STOP CHAMFERED PLASTIC LEFT	1			
43		10779	PIN PIVOT			2	2
44		13511	LINK FRONT 100' TONGUE				1
45		8341	PIN PIVOT			1	1
46		13510	LINK REAR 100' TONGUE				1
47	NHS-FS334	790018	NYLON SLEEVING 7'	1			
48		262	WASHER FLAT 3/4 ZP	1			
49		683	PIN SPRING 1/4 X 1-1/2	1			
50		13507	TONGUE RETRACTABLE 100'				1
51		13503	TONGUE RETRACTABLE 80'			1	
52		13505	LINK REAR 80' TONGUE			1	
53		13506	LINK FRONT 80' TONGUE			1	
54		487	BOLT HEX HEAD 3/4 X 8 GR5 ZP		1		
55		241	NUT HEX HEAD 3/4" ZP		1		
56		13504	TONGUE FIX ED 60', N ON W EIGHTED	1	1		
56		13730	TONGUE WEIGHTED, SHORT, 80', 90' & 100' (SEE NOTE )	1	1	1	1
			NOTE: required on 9600N/TF 60' & 66' boom with axle in forward position and with all booms larger than 66'.				
57		13594	TUBE TANK SUPPORT	AR			
58		13590	SPACER TUBE TANK SUPPORT	AR			
59		250	NUT HEX HEAD 5/8" ZP	AR			
60		171	BOLT HEX HEAD 5/8 X 2-1/2" G R 5 ZP	AR			
61		13246	WING REST, TOP	1			
62		157	BOLT HEX HEAD 1/2 X 3-1/2 G R 5 ZP	4			
63		239	NUT HEX HEAD 1/2 CENTER LOCK ZP	4			
64		174	BOLT HEX HEAD 3/4 X 2 GR5 ZP	2			

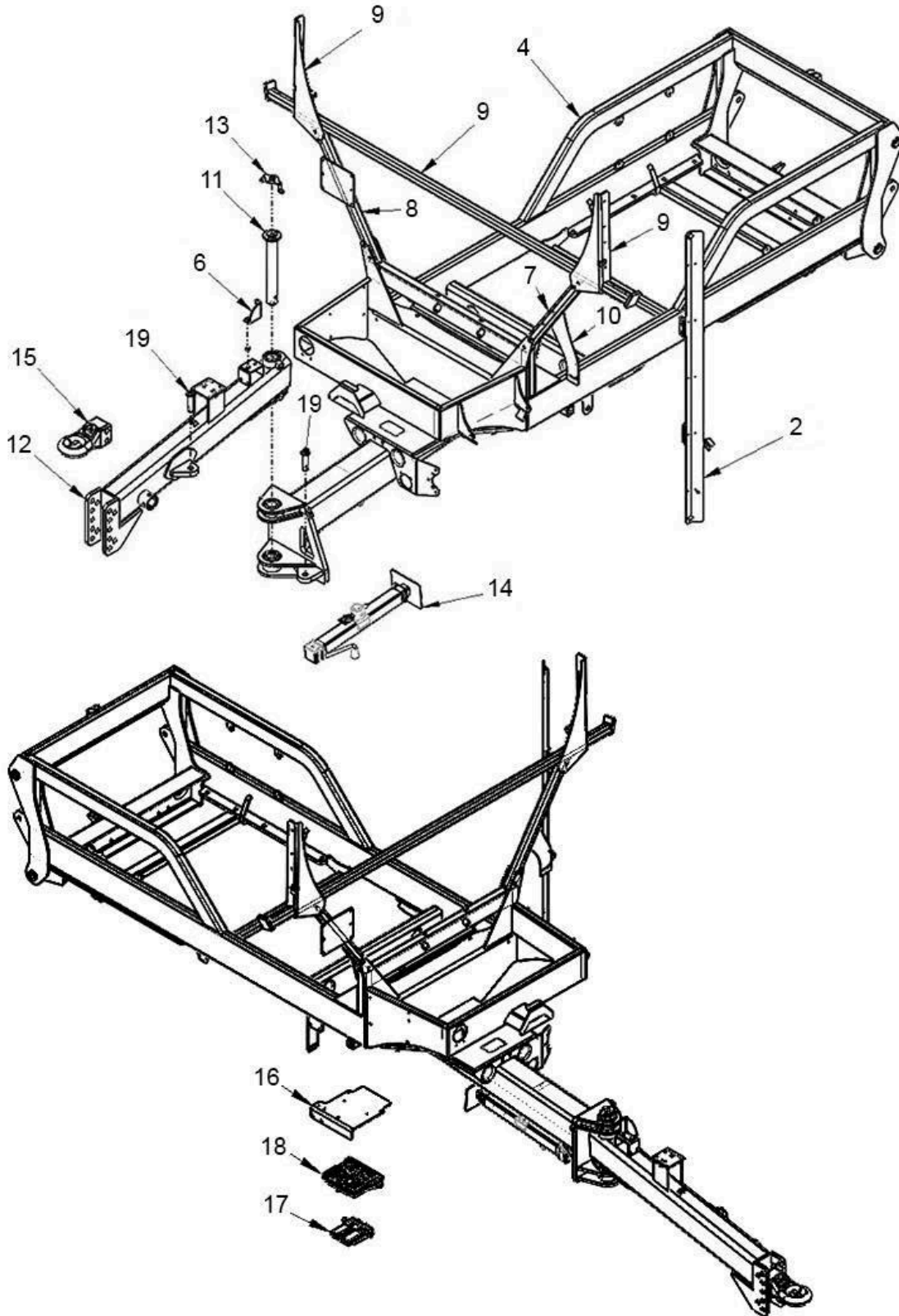
Trailer - 9600N



## Trailer - 9600N Parts List 20124TAN

ITEM	PART NO.	QTY.	DESCRIPTION
1	21250	1	1050 & 1350 TRAILER, 9600N, NON-STEERABLE
1	21261	1	1050 & 1350 TRAILER, 9600N, STEERABLE
2	21182	1	TUBE, BRACE
3	21255	1	TUBE WITH HANDWASH
4	21198	1	WING REST, TOP, 80-90 STYLE
5	18187	4	TANK SUPPORT
6	13504	1	TONGUE, BOLT ON, NON-WEIGHTED, FIXED 60'
6	13730	1	TONGUE, BOLT ON, WEIGHTED, 80', 90' & 100' (SEE NOTE)
			NOTE: Required on 9600N/TF 60' & 66' boom with axle in forward position and with all booms larger than 66'.
7	570054*	1	TANK, 1050, AG WHITE, Complete With Fittings and Lid
7	570055*	1	TANK, 1050, AG YELLOW, Complete With Fittings and Lid
7	570058*	1	TANK, 1350, AG WHITE, Complete With Fittings and Lid
7	570059*	1	TANK, 1350, AG YELLOW, Complete With Fittings and Lid
8	570003TNK	1	RINSE TANK, 100 GALLON WHITE
8	570004TNK	1	RINSE TANK, 100 GALLON YELLOW
8	10918	1	ACE Tank Fitting
			* SEE TANK ASSEMBLY PAGE

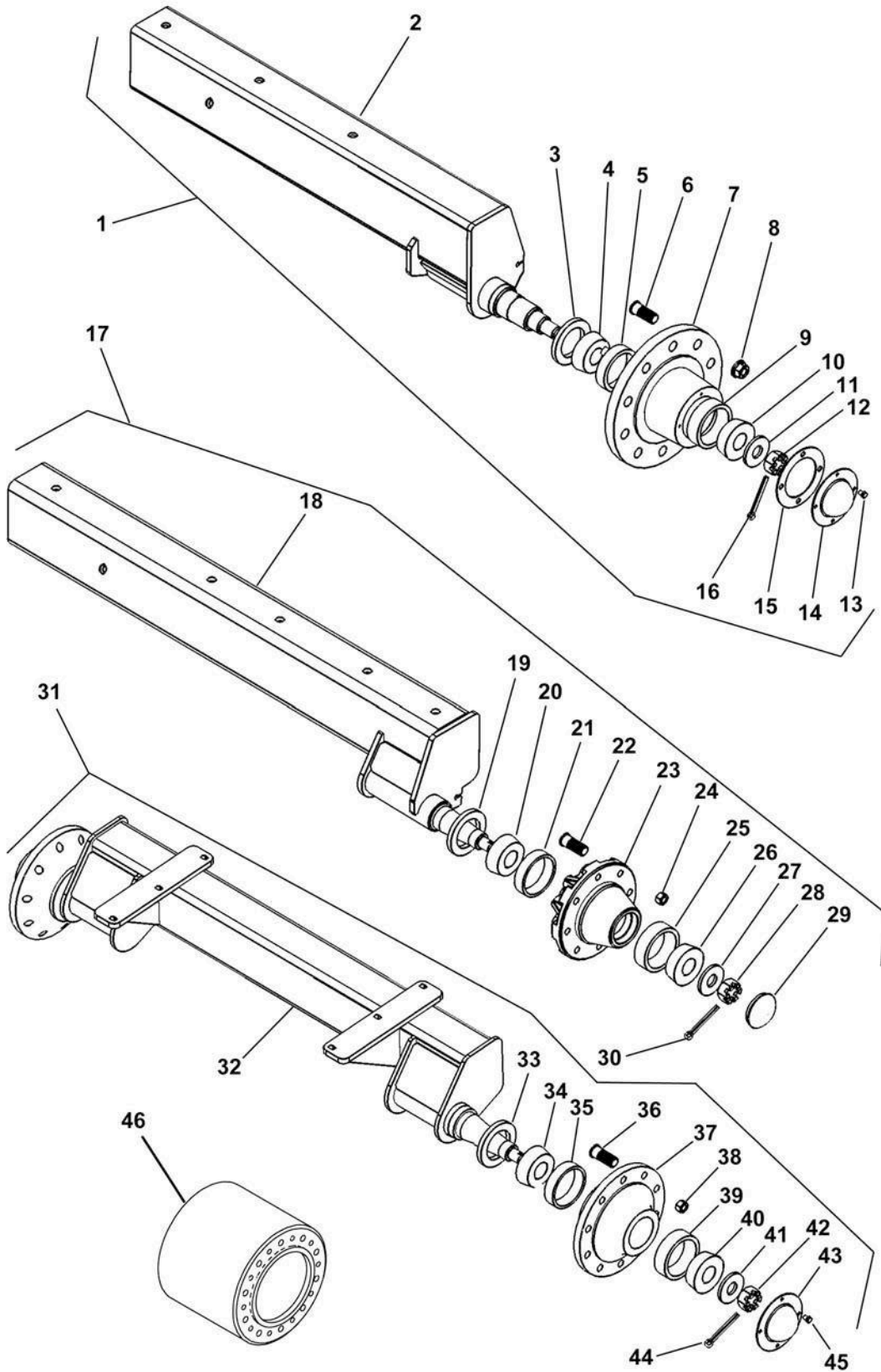
**Steerable Trailer - 9600N**



## Steerable Trailer - 9600N Parts List 20126TASH

ITEM	PART NO.	QTY.	DESCRIPTION
1	2284	1	3/16 x 1 1/4 HRFLAT
2	10921	1	FORMED SIGHT GAGE
3	13594	1	TUBE, SUMP SUPPORT
4	21261	1	9600N STEERABLE HITCH TRAILER
5	15277	2	WASHER, STAINLESS STEEL
6	21273	1	INDICATOR, STEERABLE HITCH
7	21182	1	TUBE, BRACE
8	21255	1	TUBE WITH HANDWASH
9	21198	1	WING REST, TOP, 80-90 STYLE
10	21205	1	BRACKET, SIGHT GAUGE
11	26056	1	PIN, STEERABLE HITCH
12	26060	1	TONGUE
13	26190	1	MOUNT, SENSOR
14	790005	1	JACK STAND
15	PPI401	1	HITCH
16	26327	1	MOUNT, RAVEN NODE
17	Node Assembly	1	NODE ASSEMBLY
18	063-0173-752	1	RAVEN CONTROL MODULE
19	21207	2	STEERABLE HITCH CYLINDER PIN
NS	620028	1	CYLINDER, STEERABLE HITCH - SINGLE CYLINDER VERSION
NS	21207	2	PINS, STEERABLE HITCH CYLINDER - SINGLE CYLINDER VERSION
NS	21199	1	ANGLE LOCK, STEERABLE HITCH - SINGLE CYLINDER VERSION
NS	620103	2	CYLINDER, STEERABLE HITCH - DUAL CYLINDER VERSION
NS	28927	1	PINS, STEERABLE HITCH CYLINDER - DUAL CYLINDER VERSION
NS	28926	2	CYLINDER STOP - STEERABLE HITCH
NS	720001	4	QUICK CLIP PIN FOR CYLINDER STOP
NS	600116	1	HOSE KIT, STEERABLE HITCH, DUAL CYLINDER UPDATE
NS	800208	1	DECAL, HYDRAULIC HOSE KEY

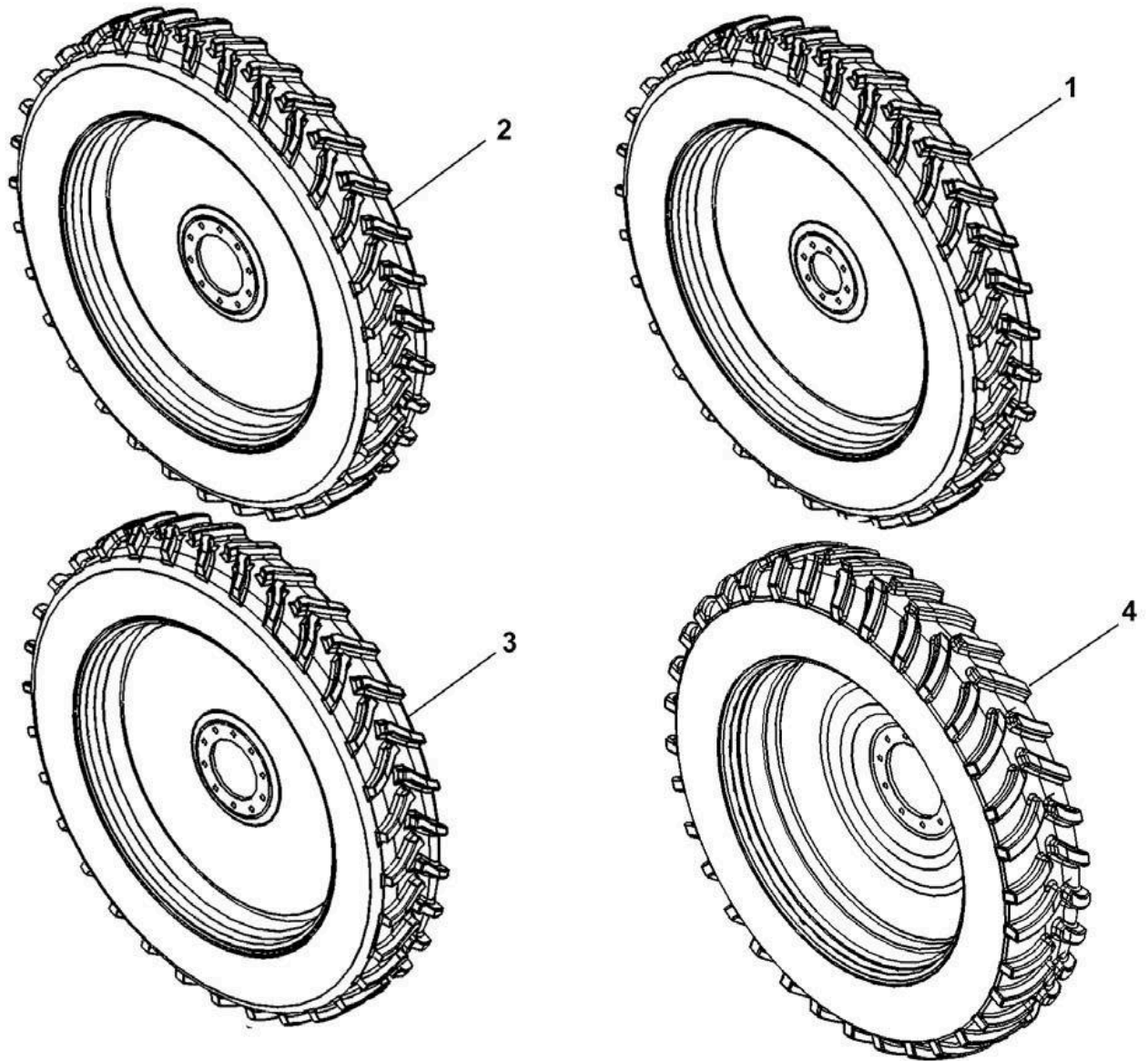
**Axles**



## Axles Parts List

ITEM	VENDOR PART NO.	PART NO.	QTY.	DESCRIPTION
1		13586	2	AXLE ASS EM BLY 10 BOLT (INC 2 - 16)
2		13518	2	TRAILER NARROW AXLE SUB WELD 3-3/8" SPINDLE
3	946275	730013	2	SEAL 873 SERIES HUB
4	NI-910398/332752	730011	2	CONE INNER 873 SERIES HUB
5	NI-910397/133462		2	CUP INNER 873 SERIES HUB
6	NI-953033	1683	20	STUD WHEEL
7	NI-289121	730002	2	HUB 10 BOLT WITH CUPS 873 SERIES HUBS, 15.000#
8	NI-913571	730051	20	NUT WHEEL
9	NI-910332/453A	1679	2	CUP OUTER
10	NI-910334/460	1681	2	CONE OUTER
11	NI-913632	1688	2	WAS HER SPINDLE
12	NI-912969	1689	2	NUT SPINDLE 1.25-12 TPI
13	NI-9052148	113	8	BOLT HH 5/16 X 1/2 GR5 ZP
14	1682	730072	2	HUB CAP Q-871 HUB
15	1686	730016	2	GASKET HUB CAP
16	NI-905944	1690	2	COTTER PIN
17		13588	2	AXLE ASSEMBLY 9600 8-BOLT Q758 HUB, 7500# (INC 18 - 30)
18		13587	2	TRAILER NARROW AXLE SUB WELD
19	NI-946486 CR29968	1669	2	SEAL 8 BOLT
20	NI-910359/387AS	730020	2	CONE INNER
21	NI-910358/382A	730058	2	CUP INNER
22	NI-943527	1667	16	STUD WHEEL
23	NI-281189	730059	2	HUB 8 BOLT 7500# WITH CUPS
24	NI-913557	730024	16	NUT WHEEL
25	NI-910272/LM501310	730051	2	CUP OUTER
26	NI-910273/LM501349	730021	2	CONE OUTER
27	NI-913624	730022	2	WAS HER SPINDLE
28	NI-912959	730023	2	NUT SPINDLE 1-14 TPI
29	NI-909912	730019	2	HUB CAP Q75-8
30	NI-905941	730025	2	COTTER PIN
31		10913	1	AXLE ASSEMBLY 10 BOLT DUALS 60"-120" TW (INC 32 - 45)
31	NOT ILLUSTRATED	10907	1	AXLE ASSEMBLY 10 BOLT DUALS 88"-132" TW (INC 32 - 45)
31	NOT ILLUSTRATED	10910	1	AXLE ASSEMBLY 10 BOLT DUALS 80"-120" TW (INC 32 - 45)
32		10917	1	TRAILER AXLE 30" ROW
32	NOT ILLUSTRATED	10908	1	TRAILER AXLE 22" ROW
32	NOT ILLUSTRATED	10911	1	TRAILER AXLE 20" ROW
33	NI-906979	730041	2	SEAL
34	NI-910346	730043	2	CONE INNER
35	NI-910334	730012	2	CUP INNER
36	NI-953035		20	STUD WHEEL
37	NI-281171	730060	2	HUB 10 BOLT, 20,000#
38	NI-913571	730051	20	NUT WHEEL
39	NI-910384	1679	2	CUP OUTER
40	NI-910347	730037	2	CONE OUTER
41	NI-913632	730040	2	WAS HER SPINDLE
42	NI-913571	730051	2	NUT
43	NI-909921	730039	2	HUB CAP
43		730061	2	HUB CAP GASKET
44	NI-905944	730042	2	COTTER PIN
45	NI-9052148	113	8	BOLT HH 5/16 X 1/2 GR5 ZP
46		710030	2	SPACER 30" ROW 13.75" OAL
46	NOT ILLUSTRATED	710032	2	SPACER 22" ROW 7" OAL

Tires

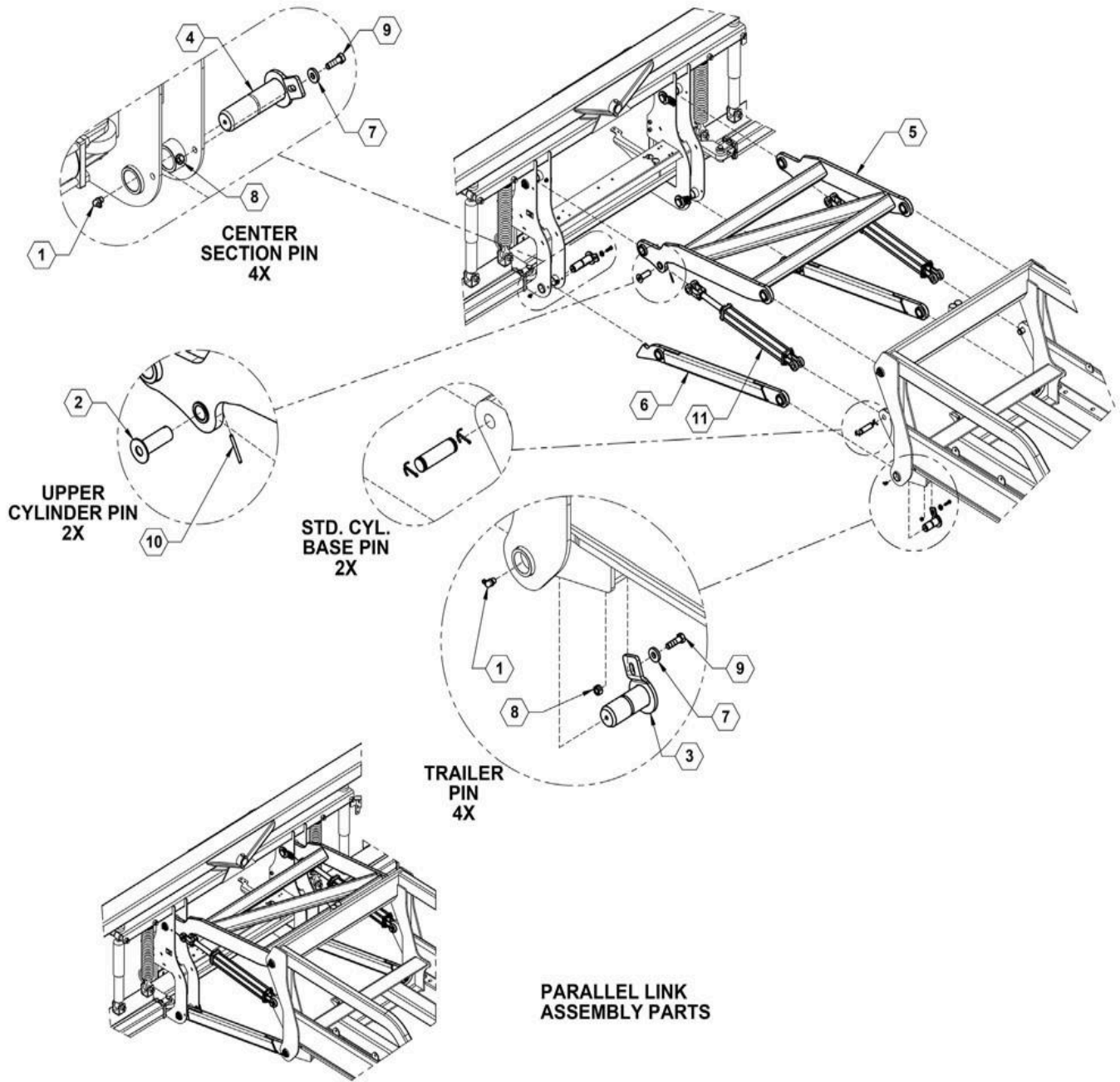




## Tires Parts List

ITEM	VENDOR PART NO.	PART NO.	9600	9610/9613	DESCRIPTION
1	TT-508260000057212L	700026	1		13.6 X 38 YELLOW LH
1	TT-508260000057212R	700027	1		13.6 X38 YELLOW RH
1	TT-508260000040712L	700024	1 OPT/RED		13.6 X 38 SILVER LH
1	TT-508260000040712R	700025	1 OPT/RED		13.6 X38 SILVER RH
2	TT-51578800572011L	700010		1	320/90R46 YELLOW LH
2	TT-5157880057201R	700011		1	320/90R46 YELLOW RH
2	TT-5157880040701R	700009		1 OPT/RED	320/90R46 SILVER RH
2	TT-5157880040701L	700008		1 OPT/RED	320/90R46 SILVER LH
3	TT-512318057201R	700002		1 OPT	380/90R46 YELLOW RH
3	TT-512318057201L	700003		1 OPT	380/90R46 YELLOW LH
3	TT-5123180040701L	700001		1 OPT/RED	380/90R46 SILVER LH
3	TT-5123180040701R	700000		1 OPT/RED	380/90R46 SILVER RH
4	TT-05193450040701L	700032		2 OPT.	320/90R46 YELLOW LH DUAL
4	TT-05193450040701R	700033		2 OPT.	320/90R46 YELLOW RH DUAL
4	TT-05193450057201L	700040		2 OPT/RED	320/90R46 SILVER LH DUAL
4	TT-05193450057201R	700041		2 OPT/RED	320/90RR6 SILVER RH DUAL
4	TT-5193450057201L	700020		2 OPT.	380/90R46 YELLOW LH DUAL
4	TT-5193450057201R	700021		2 OPT.	380/90R46 YELLOW RH DUAL
4	TT-519345004071L	700034		2 OPT/RED	380/90R46 SILVER LH DUAL
4	TT-5193450040701R	700035		2 OPT/RED	380/90R46 SILVER RH DUAL

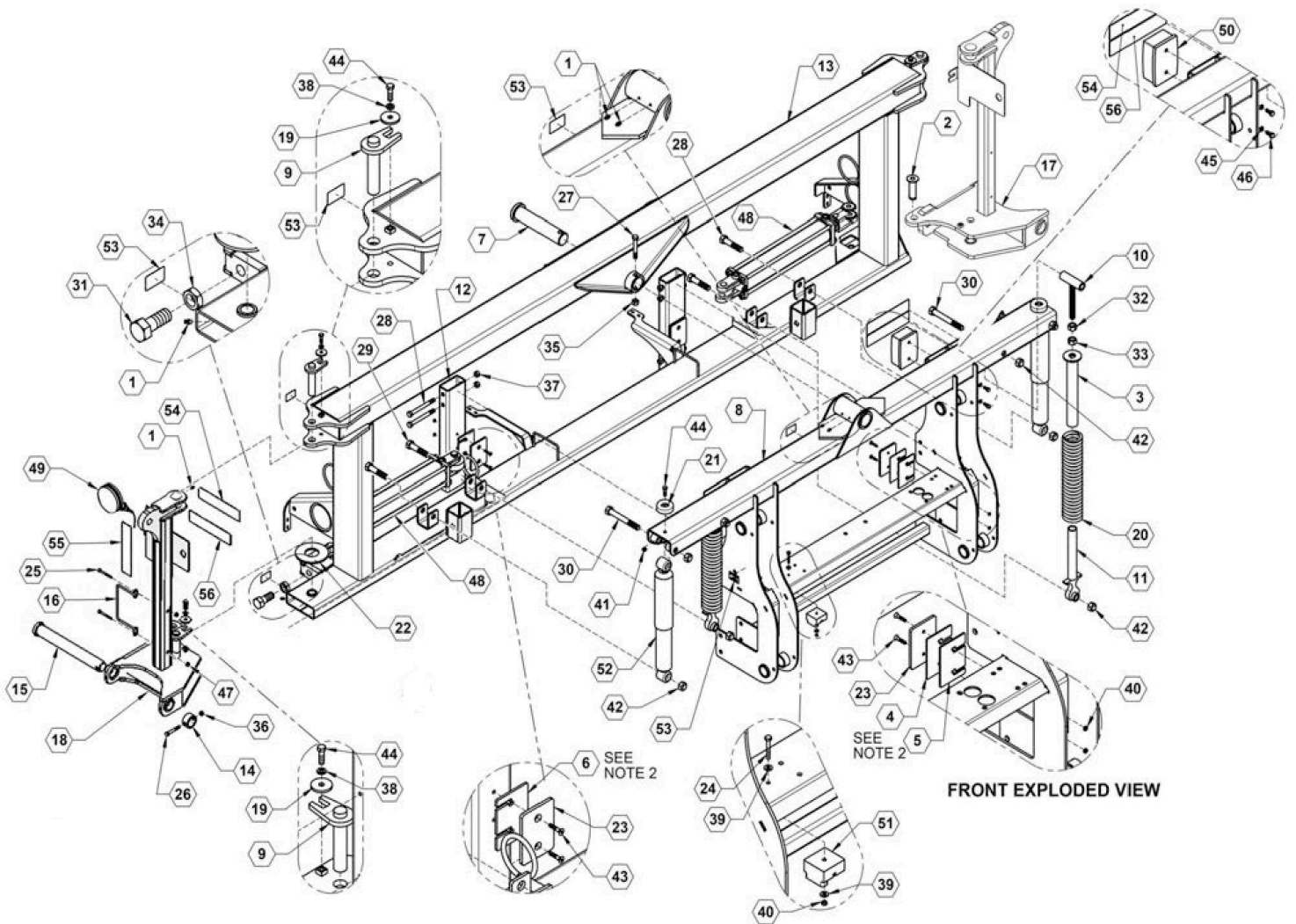
**Parallel Link Assembly**



**Parallel Link Assembly**

ITEM	PART NO.	QTY.	DESCRIPTION
1	761	8	ZERK, 90, 1/4" STRAIGHT PIPE
2	11629	2	CRADLE CYLINDER PIN
3	13871	4	PIN
4	13872	4	PIN
5	14790	1	LITE MACHO UPPER LINK
6	14795	2	LITE LINK, LOWER
7	530309	8	WASHER, FLAT HEAVY 13/32 X 1
8	596237M	8	NUT, CENTERLOCK 3/8 M A G N I
9	596635M	8	BOLT, HH 3/8-16 x 1-1/4 M A G N I
10	596746M	2	SPRING PIN 5X50m m M A G N I
11	620019	2	CYLINDER 20TD 16-112 MAIN LIFT

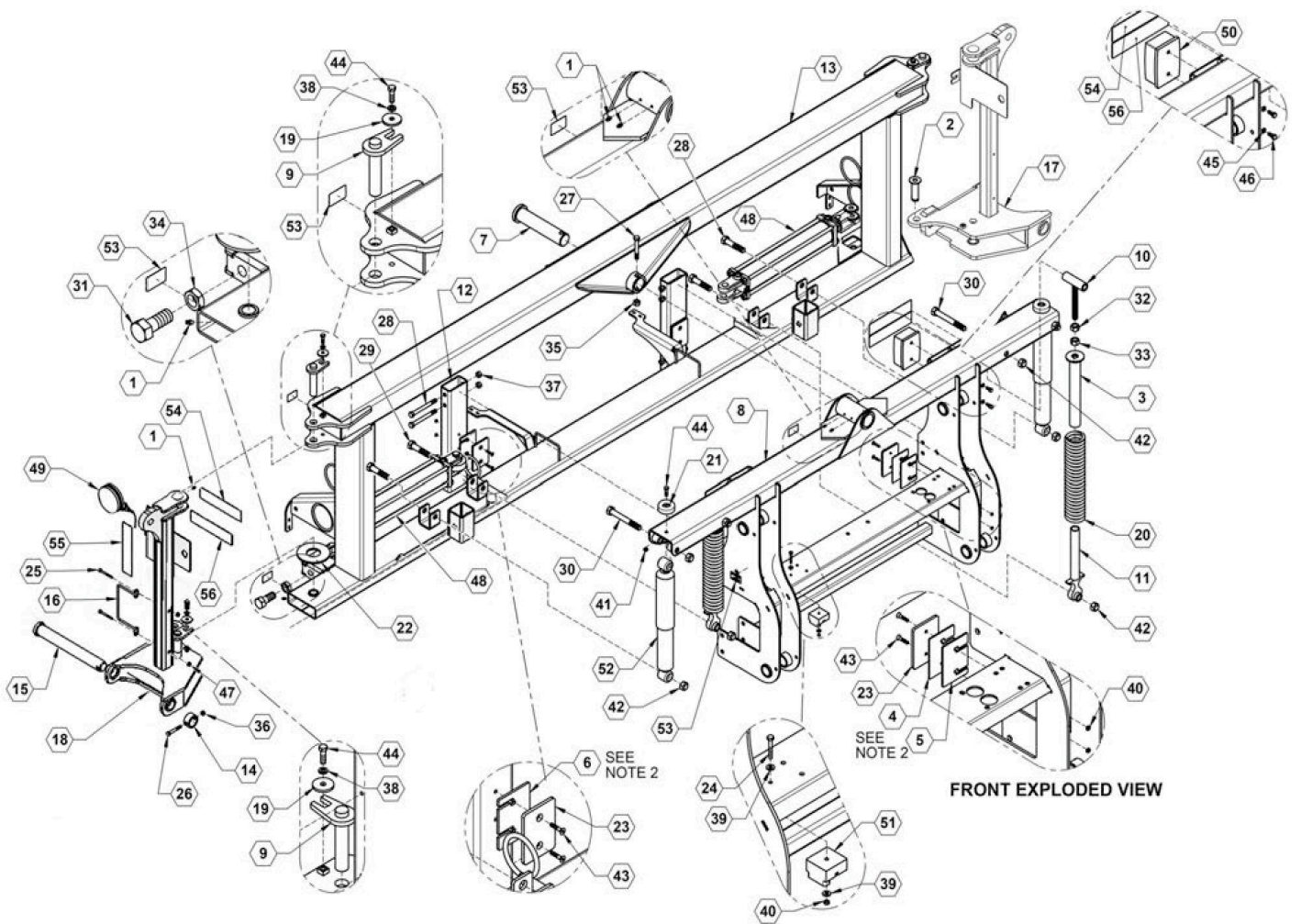
## 10' Center Section (Narrow)



## 10' Center Section (Narrow) Parts List

ITEM	PART NO.	QTY.	DESCRIPTION
1	759	6	ZERK, 1/4-28 STRAIGHT
2	28111	2	1" CYLINDER PIN
3	7442	2	OUTER SPRING GUIDE
4	11265	2	SHIM, RUB PLATE 12 Ga
5	11266	2	SHIM, RUB PLATE 10 Ga
6	11267	2	SHIM, RUB PLATE 7Ga
7	13304	1	PIN, CENTER PIVOT
8	13806	1	CRADLE, WELDMENT
9	13874	4	PIN, WING PIVOT
10	13875	2	ADJUSTER, SPRING
11	13876	2	BASE, SPRING MT
12	13883	2	TUBE, CRADLE LOCK
13	14700	1	CENTER SECTION, 10', NARROW
14	14296	2	BUSHING WITH HOLE
15	14300	2	PIN, MAIN WING
16	18267	2	BOLT ON HOSE HOLDER
17	21356L	1	PIVOT, WING LH, 9600N
18	21356R	1	PIVOT, WING, RH, 9600N
19	530308	4	WASHER, HEAVY 13/32 X 1 5/8
20	590011	2	CENTER SECTION SPRING
21	590026	2	BUMPER, 1X2-1/2 RUBBER ROUND
22	590042	2	WASHER, 2 1/8" ID THRUST
23	590097	4	RUB PLATE
24	596104M	1	BOLT, HH 1/4-20X1-3/4 GR5 MAGNI
25	596105M	4	BOLT, HH 1/4-20X2-1/2 GR5 MAGNI
26	596131M	2	BOLT, HH 3/8-16X2-1/2 GR5 MAGNI
27	596157M	1	BOLT, HH 1/2X3-1/2 GR5 MAGNI
28	596160M	8	BOLT, HH 1/2X5 GR5 MAGNI

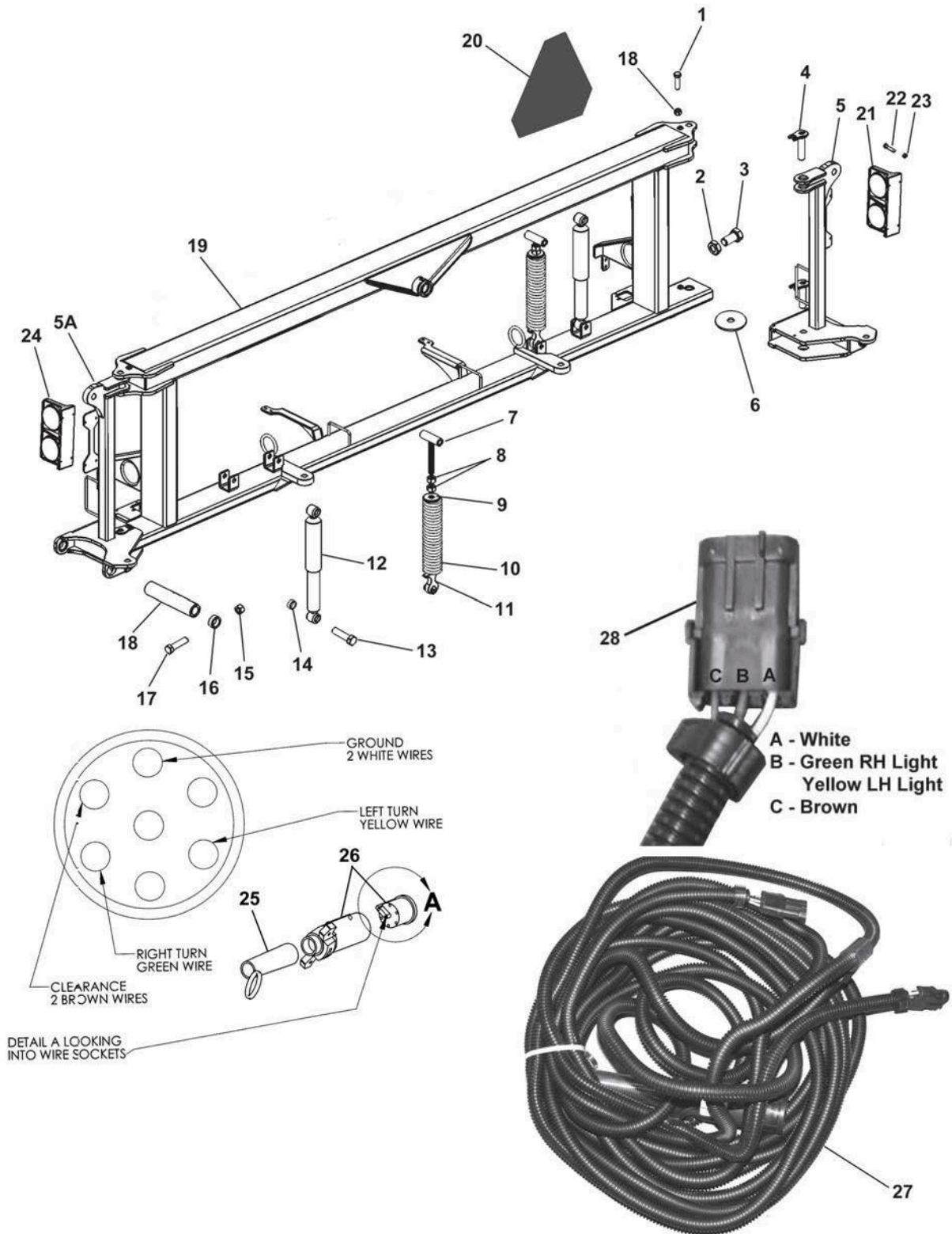
## 10' Center Section (Narrow)



## 10' Center Section (Narrow) Parts List

ITEM	PART NO.	QTY.	DESCRIPTION
29	596187M	4	BOLT, HH 3/4-10X3-1/2 GR5 MAGNI
30	596192M	4	BOLT, HH 3/4-10X6 GR5 MAGNI
31	596199M	2	BOLT, HH 1-8X2-1/2 GR5 MAGNI
32	596217M	2	NUT, HEX 3/4-10 G5 MAGNI
33	596225M	2	NUT, HEX JAM 3/4-10 GR8 MAGNI
34	596226M	2	NUT, HEX JAM 1-8 MAGNI
35	596231M	1	NUT, HEX NYLOCK 1/2-13 MAGNI
36	596237M	2	NUT, CENTERLOCK 3/8-16 MAGNI
37	596239M	8	NUT, CENTERLOCK, 1/2-13 MAGNI
38	596250M	4	LOCKWASHER 3/8 MAGNI
39	596256M	2	WASHER, FLAT 1/4 USS MAGNI
40	596622M	9	NUT, TOPLOCK 1/4-20 MAGNI
41	596624M	2	NUT, TOPLOCK 3/8-16 MAGNI
42	596626M	8	NUT, TOPLOCK 3/4-10 G5 MAGNI
43	596631M	8	FHSCS 1/4-20X1-1/4 MAGNI
44	596634M	6	BOLT, HH 3/8-16X1-1/4 GR8 MAGNI
45	596728M	4	LOCKWASHER 8MM MAGNI
46	596737M	4	BOLT, HH 8-1.25 X 20MM 8.8 MAGNI
47	596767M	4	NUT, HEX FLANGE 1/4-20 MAGNI
48	620017	2	CYLINDER, 25TD12-112 DOUBLE ACTING
49	740024	2	LIGHT, AMBER, PEDESTAL. MOUNT
50	740025	2	LIGHT, RED SURFACE MOUNT ASSEMBLY
51	740031	1	LIGHT MODULE
52	790010	2	SHOCK, YELLOW 7400 120' CENTER
53	800014	7	DECAL, GREASE PIVOT POINTS
54	800109	4	DECAL, RED REFLECTOR
55	800110	2	DECAL, AMBER REFLECTOR
56	800111	2	DECAL, ORANGE REFLECTOR

## 12' Center Section (Dry Boom)

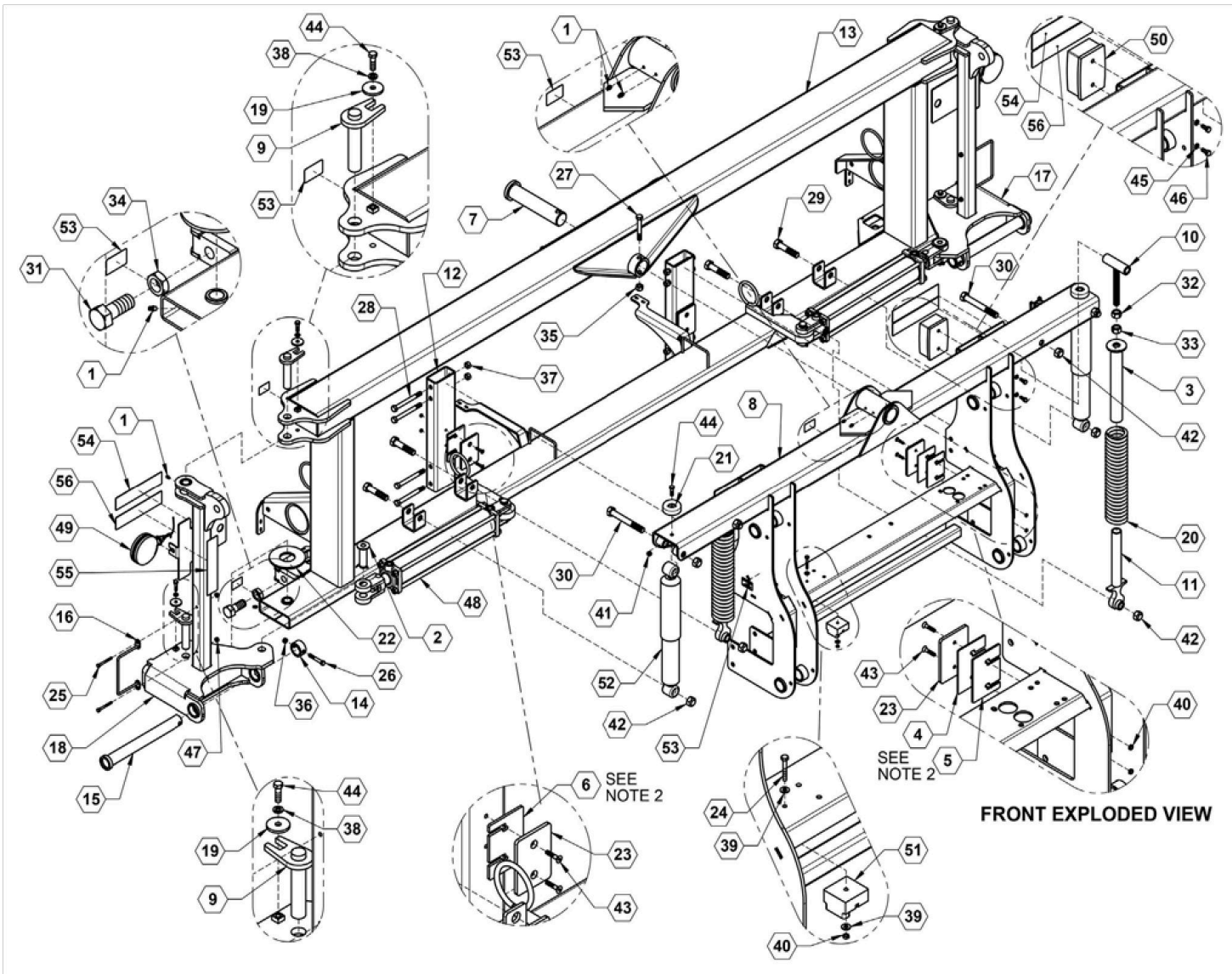




## 12' Center Section (Dry Boom) Parts List

ITEM	VENDOR PART NO.	PART NO.	QTY.	DESCRIPTION
1		128	4	BOLT HH 3/8 X 1 GR5 ZP
2		226	2	NUT HEX HEAD JAM 1" ZP
3		198	2	BOLT HEX HEAD 1 X 2 GR5 ZP
4		13886	4	WING PIVOT PIN
5		21353L	1	WING PIVOT LEFT
5A		21353R	1	WING PIVOT RIGHT
6		13891	2	WASHER UHMW POLY
7		13875	2	SPRING ADJUSTMENT EYEBOLT
8		217	4	NUT HH 3/4" ZP
9		7442	2	OUTER SPRING MOUNT
10	FX-FV0006656	590011	2	SPRING CENTER SECTION
11		13876	2	INNER SPRING MOUNT
12	66833	790011	2	SHOCK CENTER SECTION
13		187	8	BOLT HH 3/4 X 3-1/2" GR5 ZP
14		241	8	NUT HH 3/4" CENTERLOCK ZP
15		237	2	NUT 3/8 CENTER LOCK ZP
16		14296	2	COLLAR, PIN RETAINER
17		131	2	BOLT HH 3/8 X 2-1/2" GR5 ZP
18		14300	2	MAIN WING PIVOT PIN
19		13801	1	CENTER SECTION, 12' WIDE, DRY BOOM
20		790017	1	SMV
21		740001	1	LIGHTS LEFT SIDE
22		102	8	BOLT HH 1/4 X 1" GR5 ZP
23		767	8	NUT HH 1/4" WHIZLOCK
24		740002	1	LIGHTS RIGHT SIDE
NS		256	8	1/4" FLAT WASHER USED ON #22
25	WA-37678		1	SPRING CABLE GUIDE
26	WA-37673		1	7-PIN ELECTRICAL CONNECTOR
27	DA-1528	740007	1	WARNING LIGHT HARNESS
28	WA-38044		2	WEATHER PACK 3-PIN SHROUD

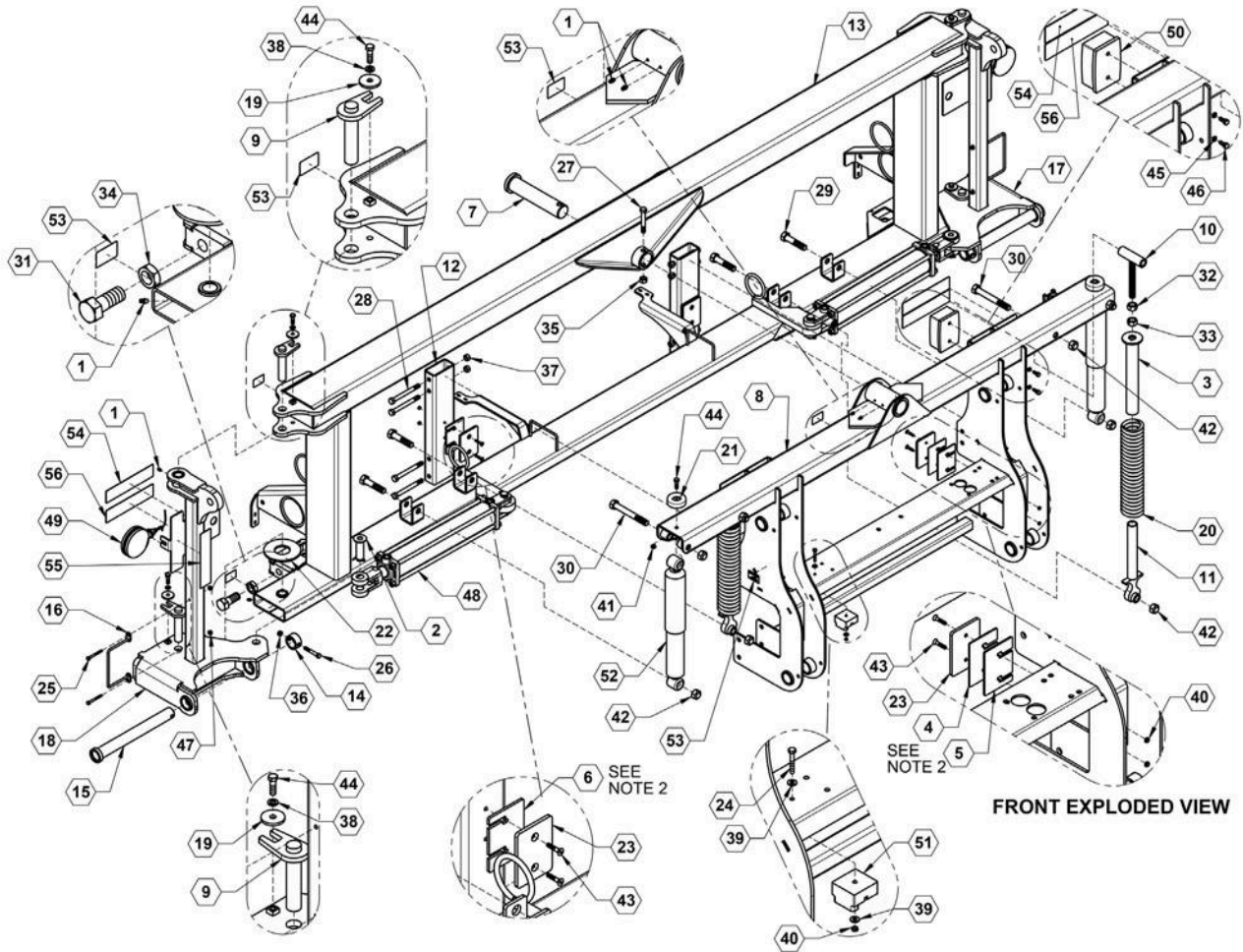
**12' Center Section, 80 - 100' Boom**



## 12' Center Section, 80 - 100' Boom Parts List

ITEM	PART NO.	QTY.	DESCRIPTION
1	759	6	ZERK, 1/4-28 STRAIGHT
2	28111	2	1" CYLINDER PIN
3	7442	2	OUTER SPRING GUIDE
4	11265	2	SHIM, RUB PLATE 12 Ga
5	11266	2	SHIM, RUB PLATE 10 Ga
6	11267	2	SHIM, RUB PLATE 7Ga
7	13304	1	PIN, CENTER PIVOT
8	13806	1	CRADLE, WELDMENT
9	13874	4	PIN, WING PIVOT
10	13875	2	ADJUSTER, SPRING
11	13876	2	BASE, SPRING MT
12	13883	2	TUBE, CRADLE LOCK
13	14200	1	CENTER SECTION, 12' WIDE, STANDARD WET BOOM
14	14296	2	BUSHING WITH HOLE
15	14300	2	PIN, MAIN WING
16	18267	2	BOLT ON HOSE HOLDER
17	21353L	1	PIVOT, WING LH
18	21353R	1	PIVOT, WING, RH
19	530308	4	WASHER, HEAVY 13/32 X 1 5/8
20	590011	2	CENTER SECTION SPRING
21	590026	2	BUMPER, 1X2-1/2 RUBBER ROUND
22	590042	2	WASHER, 2 1/8" ID THRUST
23	590097	4	RUB PLATE
24	596104M	1	BOLT, HH 1/4-20X1-3/4 GR5 MAGNI
25	596105M	4	BOLT, HH 1/4-20X2-1/2 GR5 MAGNI
26	596131M	2	BOLT, HH 3/8-16X2-1/2 GR5 MAGNI
27	596157M	1	BOLT, HH 1/2X3-1/2 GR5 MAGNI
28	596160M	8	BOLT, HH 1/2X5 GR5 MAGNI

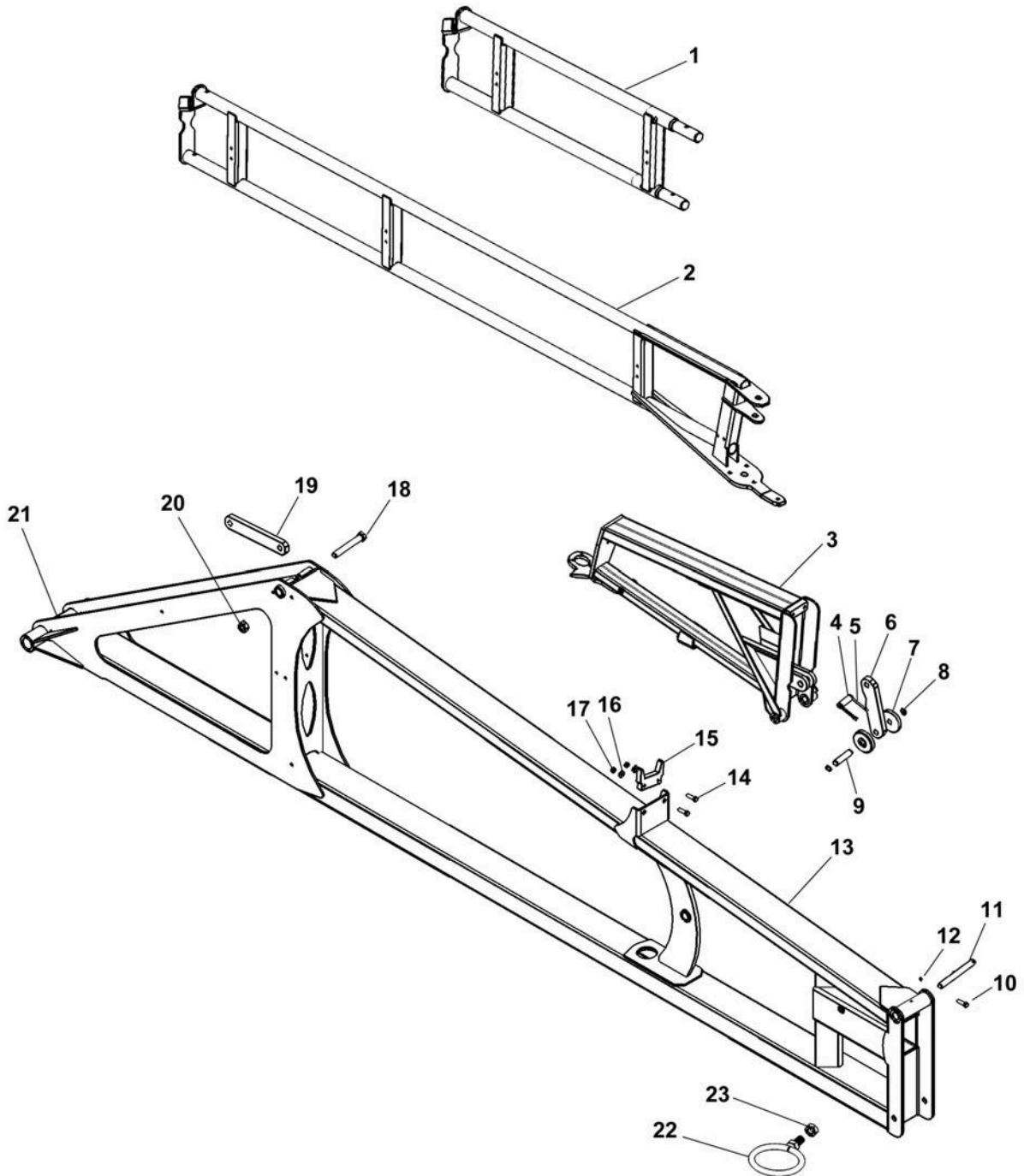
**12' Center Section, 80 - 100' Boom**



## 12' Center Section, 80 - 100' Boom Parts List

ITEM	PART NO.	QTY.	DESCRIPTION
29	596187M	4	BOLT, HH 3/4-10X3-1/2 GR5 MAGNI
30	596192M	4	BOLT, HH 3/4-10X6 GR5 MAGNI
31	596199M	2	BOLT, HH 1-8X2-1/2 GR5 MAGNI
32	596217M	2	NUT, HEX 3/4-10 G5 MAGNI
33	596225M	2	NUT, HEX JAM 3/4-10 GR8 MAGNI
34	596226M	2	NUT, HEX JAM 1-8 MAGNI
35	596231M	1	NUT, HEX NYLOCK 1/2-13 MAGNI
36	596237M	2	NUT, CENTERLOCK 3/8-16 MAGNI
37	596239M	8	NUT, CENTERLOCK, 1/2-13 MAGNI
38	596250M	4	LOCKWASHER 3/8 MAGNI
39	596256M	2	WASHER, FLAT 1/4 USS MAGNI
40	596622M	9	NUT, TOPLOCK 1/4-20 MAGNI
41	596624M	2	NUT, TOPLOCK 3/8-16 MAGNI
42	596626M	8	NUT, TOPLOCK 3/4-10 G5 MAGNI
43	596631M	8	FHSCS 1/4-20X1-1/4 MAGNI
44	596634M	6	BOLT, HH 3/8-16X1-1/4 GR8 MAGNI
45	596728M	4	LOCKWASHER 8MM MAGNI
46	596737M	4	BOLT, HH 8-1.25 X 20MM 8.8 MAGNI
47	596767M	4	NUT, HEX FLANGE 1/4-20 MAGNI
48	620057	2	CYLINDER, 30THC16.00-150
49	740024	2	LIGHT, AMBER, PEDESTAL. MOUNT
50	740025	2	LIGHT, RED SURFACE MOUNT ASSEMBLY
51	740031	1	LIGHT MODULE
52	790010	2	SHOCK, YELLOW 7400 120' CENTER
53	800014	7	DECAL, GREASE PIVOT POINTS
54	800109	4	DECAL, RED REFLECTOR
55	800110	2	DECAL, AMBER REFLECTOR
56	800111	2	DECAL, ORANGE REFLECTOR

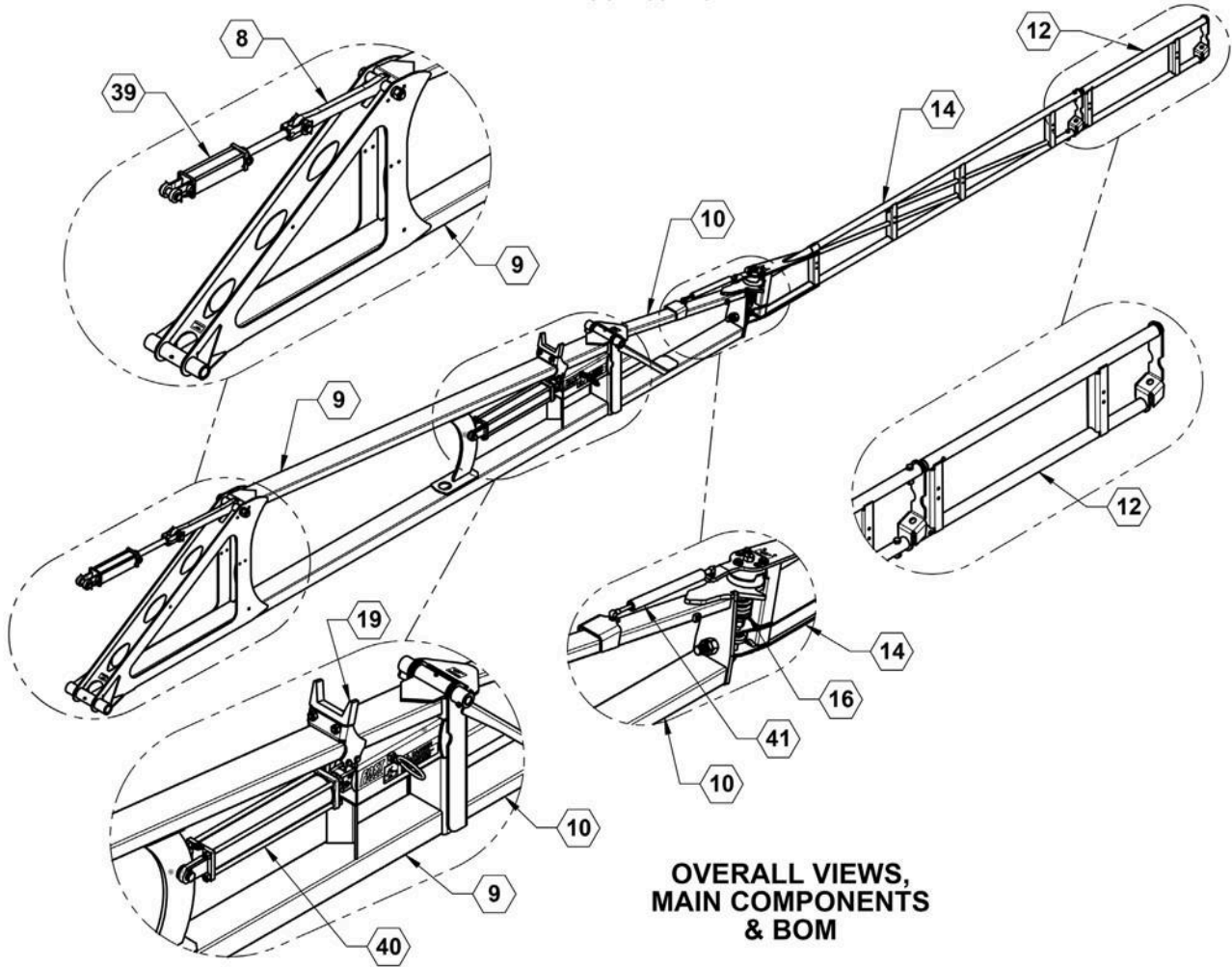
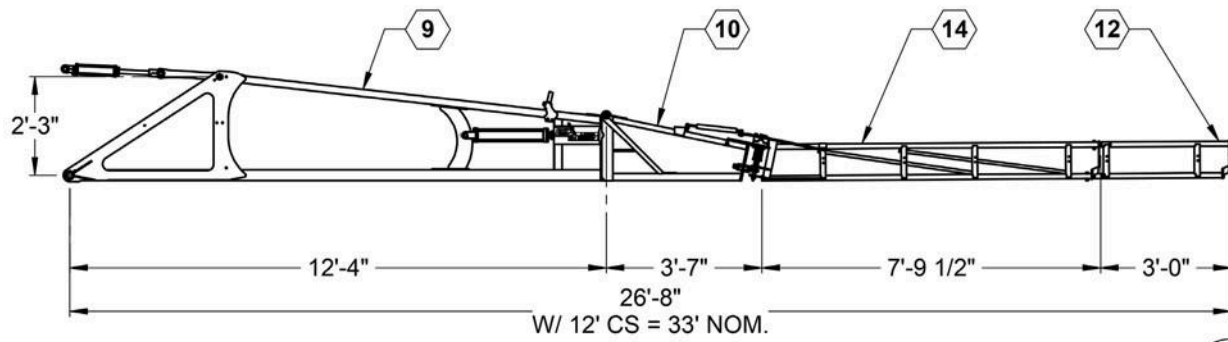
## Wings - 60 & 66 Foot Boom - Standard



## Wings - 60 & 66 Foot Boom - Standard Parts List

ITEM	PART NO.	60 & 66' BOOM	66' BOOM	DESCRIPTION
1	14627		2	BREAKAWAY EXTENSION 3' ALUMINUM
2	18300	2		BREAKAWAY WING 93"
3	14215	2		60' & 66' FLIP WING
3	14660	2		60' FLIP WING
3	14666	2		66' FLIP WING
4	11127	2		PIN
5	135995	4		COTTER PIN 3/16 X 2 ZP
6	9514	2		FLIP WING ARM
7	7668	4		WING ROLLER MACHINED
8	534	4		SNAP RING EXTERNAL 1"
9	7669	2		ROLLER PIN 1"
10	117	2		BOLT HH 5/16 X 2" GR5 ZP
11	9468	2		FLIP WING PIN
12	236	2		NUT HH 5/16" CENTERLOCK ZP
13	14205	2		MAIN WING
14	154	4		BOLT HH 1/2 X 2 GR5 ZP
15	9674	2		WING REST 1" UHMW
16	260	4		WASHER FLAT 1/2" ZP
17	231	4		NUT HH 1/2" CENTERLOCK ZP
18	209	2		BOLT HH 1 X 7-1/2" GR5 ZP
19	14149	2		LINK LEVEL BOOM
20	242	2		NUT HH 1" CENTERLOCK ZP
21	759	2		ZERK 1/4-28
22	14146	2		RING HOSE HOLDER
23	223	2		NUT JAM

## Wings - 60 & 66 Foot Boom

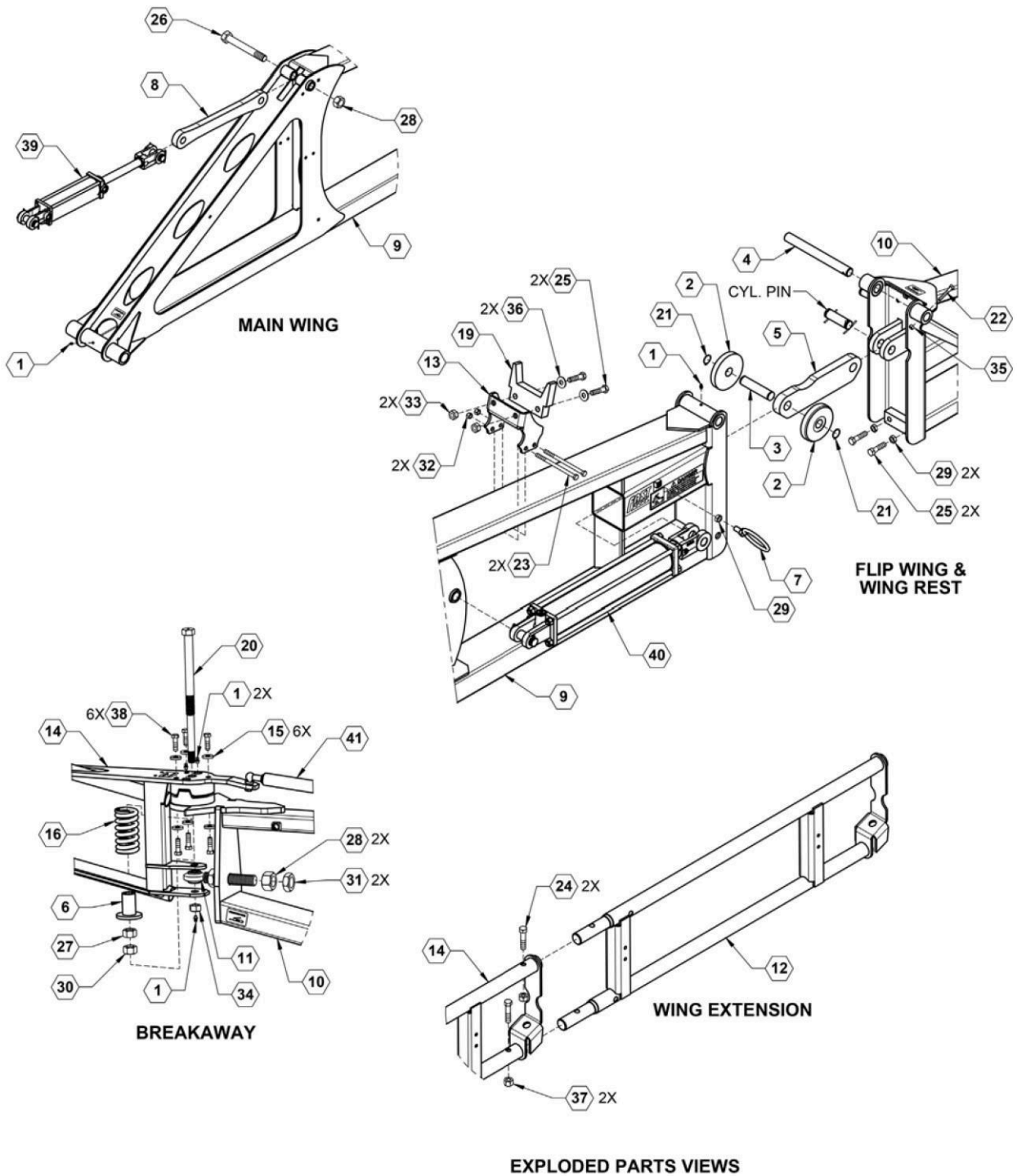




## Wings - 60 & 66 Boom Parts List

ITEM	PART NO.	QTY.	DESCRIPTION
8	14149	1	LINK, WING TILT
9	14205	1	WING, MAIN 60'
10	14215	1	60' & 66' WING, FLIP
10	14660	1	60' WING, FLIP, 9600N
10	14666	1	66' WING, FLIP, 9600N
12	14627	1	3' ALUMINUM EXTENSION FOR 66' BOOM
14	18300	1	WELDMENT, 93" BREAKAWAY
16	590006	1	SPRING, COMPRESSION
19	590099	1	REST, WING
39	620023	1	CYLINDER, 25TD08-112 WING TILT
40	620057	1	CYLINDER, 30THC16.00-150 FLIP WING
41	790028	1	SHOCK, BREAKAWAY, HEAVY
	800014	4	DECAL, GREASE PIVOT POINTS
	800020	1	DECAL, FAST LOGO BLACK/GRAY
	800106	2	DECAL, DANGER-STAND CLEAR
	800110	3	DECAL, AMBER REFLECTOR

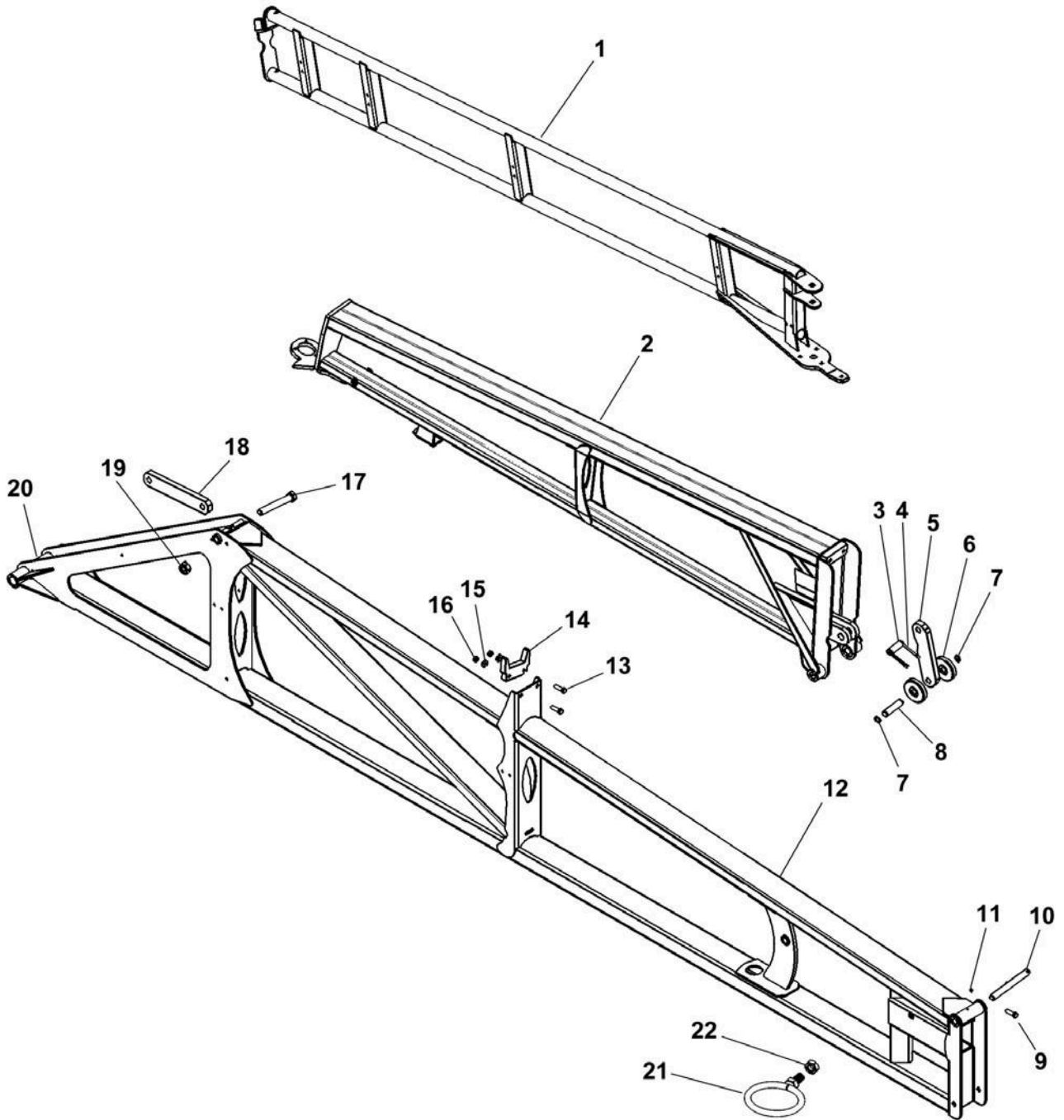
## Wings - 60 & 66 Foot Boom



## Wings - 60 & 66 Boom Parts List

ITEM	PART NO.	QTY.	DESCRIPTION
1	759	5	ZERK, 1/4-28 STRAIGHT
2	7668	2	ROLLER, WING, MACHINED
3	7669	1	PIN, ROLLER, 1"
4	9468	1	PIN, FLIP WING
5	9514	1	ARM, FLIP WING
6	14013	1	SPRING GUIDE
7	14146	1	BRACKET, HOSE RING
8	14149	1	LINK, WING TILT
9	14205	1	WING, MAIN 60'
10	14215	1	60' & 66' WING, FLIP
10	14660	1	60' WING, FLIP, 9600N
10	14666	1	66' WING, FLIP, 9600N
11	14575	1	BALL JOINT, ADJUSTMENT
12	14627	1	3' ALUMINUM EXTENSION
13	14725	1	FLIP WING STOP MOUNT
14	18300	1	WLDMNT, 93" BREAKAWAY
15	530309	6	WASHER, FLAT HEAVY 13/32 X 1
16	590006	1	SPRING, COMPRESSION
19	590099	1	REST, WING
20	590112	1	BOLT, BREAKAWAY
21	590180	2	SNAP RING 1" EXTERNAL
22	596117M	1	BOLT, HH 5/16-18X2 GR5 MAGNI
24	596142M	2	BOLT, HH 7/16X2 GR5 MAGNI
25	596154M	4	BOLT, HH 1/2-13X2 GR5 MAGNI
26	596209M	1	BOLT, HH 1-8X7-1/2 GR5 MAGNI
27	596217M	1	NUT, HEX 3/4-10 G5 MAGNI
28	596218M	3	NUT, HEX 1-8 MAGNI
29	596223M	3	NUT, HEX JAM 1/2-13 MAGNI
30	596225M	1	NUT, HEX JAM 3/4-10 GR8 MAGNI
31	596226M	2	NUT, HEX JAM 1-8 MAGNI
32	596229M	2	NUT, HEX NYLOCK 3/8-16 MAGNI
33	596231M	2	NUT, HEX NYLOCK 1/2-13 MAGNI
34	596232M	1	NUT, HEX NYLOCK 5/8-11 MAGNI
35	596236M	1	NUT, CENTERLOCK, 5/16-18 MAGNI
36	596260M	2	WASHER, FLAT 1/2 MAGNI
37	596625M	2	NUT, TOPLOCK 7/16-14 MAGNI
38	596633M	6	BOLT, HH 3/8-24X1-1/4 GR8 MAGNI
39	620023	1	CYLINDER, 25TD08-112 WING TILT
40	620057	1	CYLINDER, 30THC16.00-150 FLIP WING
41	790028	1	SHOCK, BREAKAWAY, HEAVY

**Wings - 80, 90 & 100 Foot Boom - Standard**



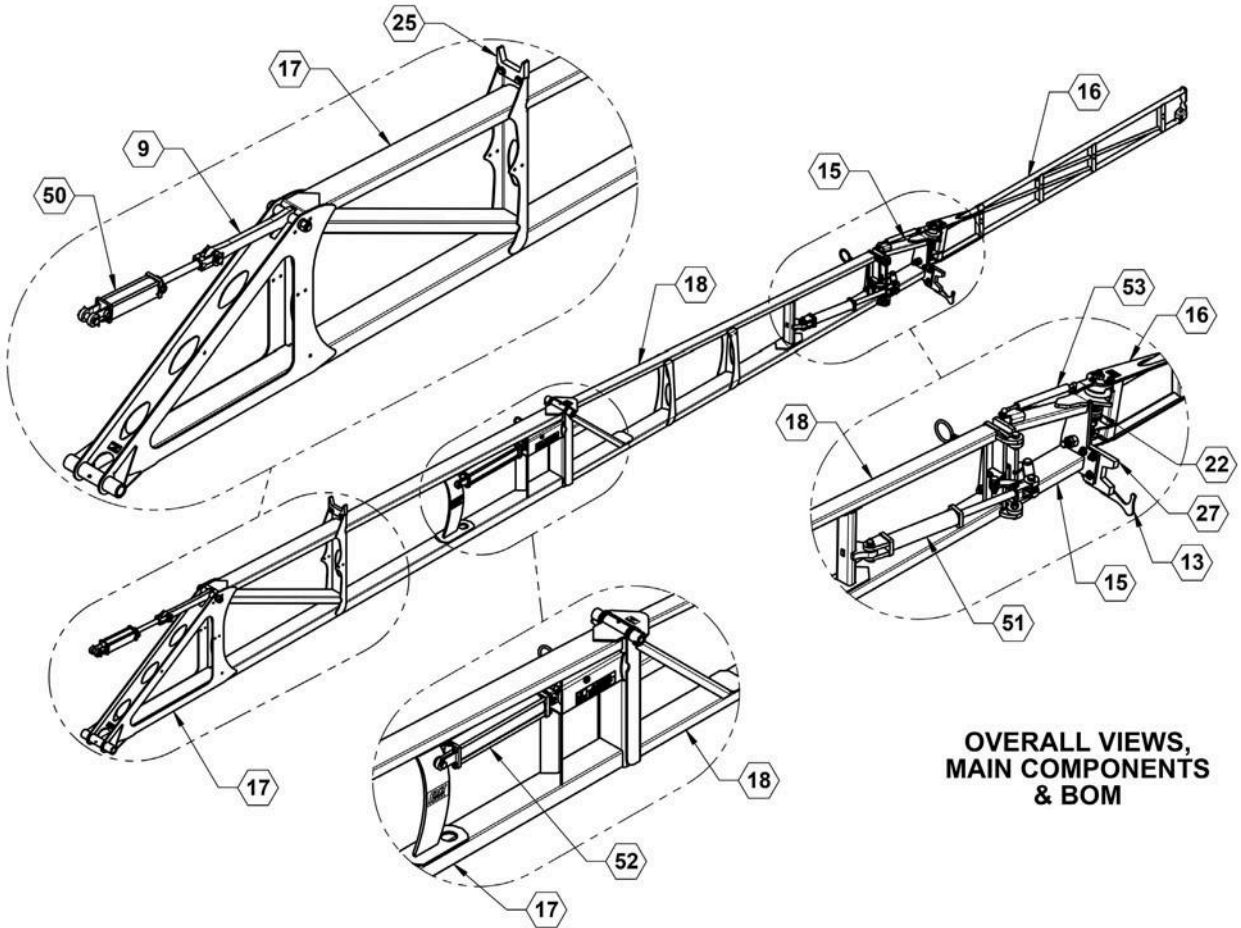
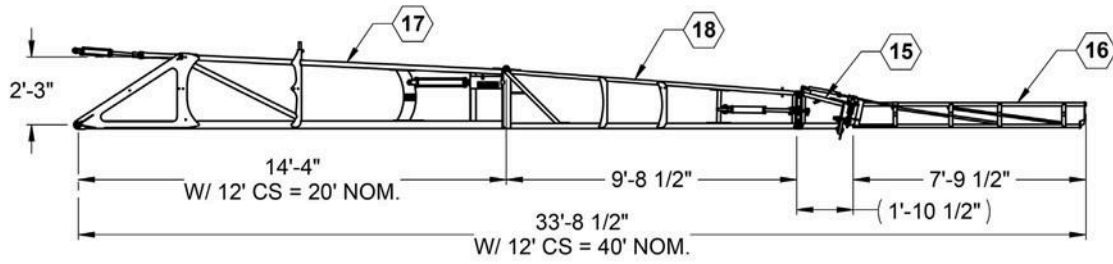


# ILLUSTRATED PARTS LIST

## Wings - 80, 90 & 100 Foot Boom - Standard Parts List

ITEM	PART NO.	DESCRIPTION	80, 90 & 100' BOOM	80' BOOM	90' BOOM	100' BOOM
1	18300	BREAKAWAY WING 93"				2
1	18320	BREAKAWAY WING 111"		2	2	
2	14150	FLIP WING 80'	2	2		
2	14160	FLIP WING 90'	2		2	
2	14175	FLIP WING 100'	2			2
3	11127	PIN	2			
4	135995	COTTER PIN 3/16 X 2 ZP	4			
5	9514	FLIP WING ARM	2			
6	7668	WING ROLLER MACHINED	4			
7	534	SNAP RING EXTERNAL 1"	4			
8	7669	ROLLER PIN 1"	2			
9	117	BOLT HH 5/16 X 2" GR5 ZP	2			
10	9468	FLIP WING PIN	2			
11	236	NUT HH 5/16" CENTERLOCK ZP	2			
12	14130	MAIN WING 80' & 90'	2			
12	14165	MAIN WING 100'	2			
13	154	BOLT HH 1/2 X 2 GR5 ZP	4			
14	9674	WING REST 1" UHMW	2			
15	260	WASHER FLAT 1/2" ZP	4			
16	231	NUT HH 1/2" CENTERLOCK ZP	4			
17	209	BOLT HH 1 X 7-1/2" GR5 ZP	2			
18	14149	LINK LEVEL BOOM	2			
19	242	NUT HH 1" CENTERLOCK ZP	2			
20	759	ZERK 1/4-28	2			
21	14146	RING HOSE HOLDER	2			
22	223	NUT JAM	2			

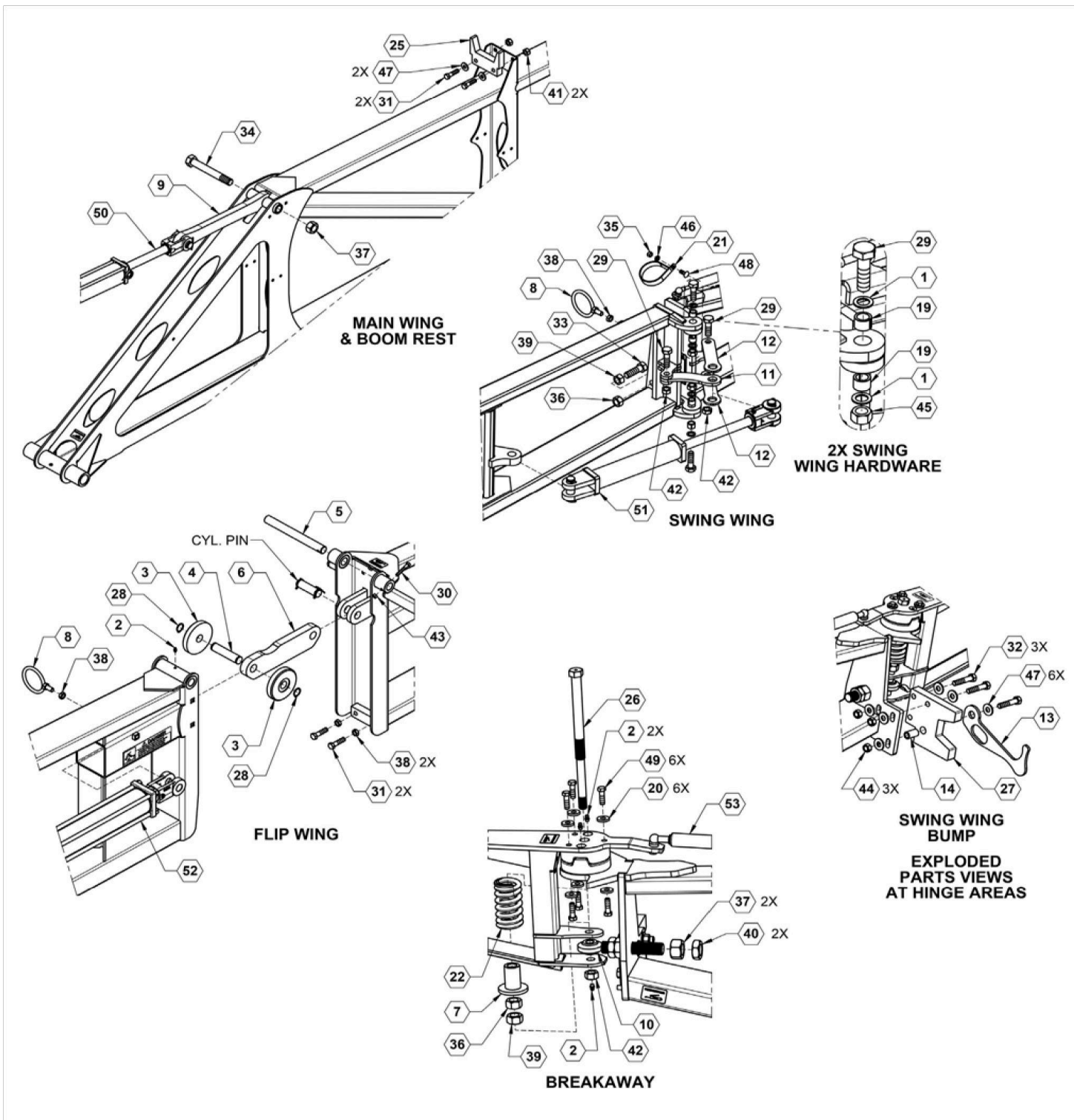
## Wings - Tri-Fold 40/80 Foot Boom



## Wings - Tri-Fold 40/80 Foot Boom Parts List

ITEM	PART NO.	QTY.	DESCRIPTION
9	14149	1	LINK, WING TILT
13	14746	1	LOCK, SWING WING
15	14825L	1	LH SWING WING, 80', 9600N
15	14825R	1	RH SWING WING, 80', 9600N
16	18300	1	WELDMENT, 93" BREAKAWAY
17	22970	1	WING, MAIN, 80' & 100' BOOM
18	22972L	1	WING, FLIP, LH, 80/40 FT BOOM
18	22972R	1	WING, FLIP, RH, 80/40 FT BOOM
22	590006	1	SPRING, COMPRESSION
25	590099	1	REST, WING
27	590405	1	BUMP, SWING WING
50	620023	1	CYLINDER, 25TD08-112 WING TILT
51	620034	1	CYLINDER, 20TD10.00-112
52	620057	1	CYLINDER, 30THC16.00-150 FLIP WING
53	790028	1	SHOCK, BREAKAWAY, HEAVY
	800014	4	DECAL, GREASE PIVOT POINTS
	800020	1	DECAL, FAST LOGO BLACK/GRAY
	800105	1	DECAL, WARNING-STAND CLEAR
	800106	2	DECAL, DANGER-STAND CLEAR
	800110	3	DECAL, AMBER REFLECTOR

## Wings - Tri-Fold 40/80 Foot Boom



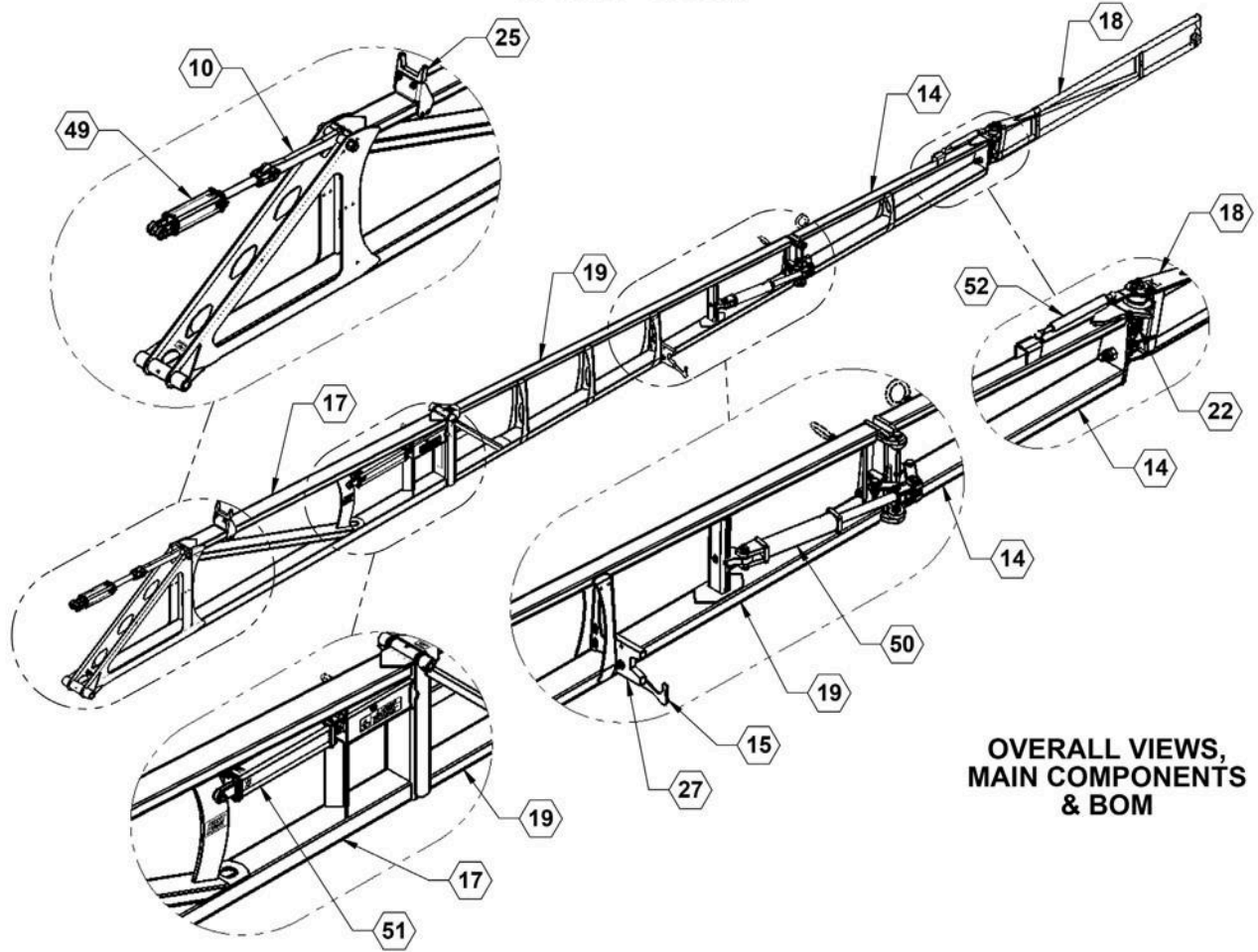
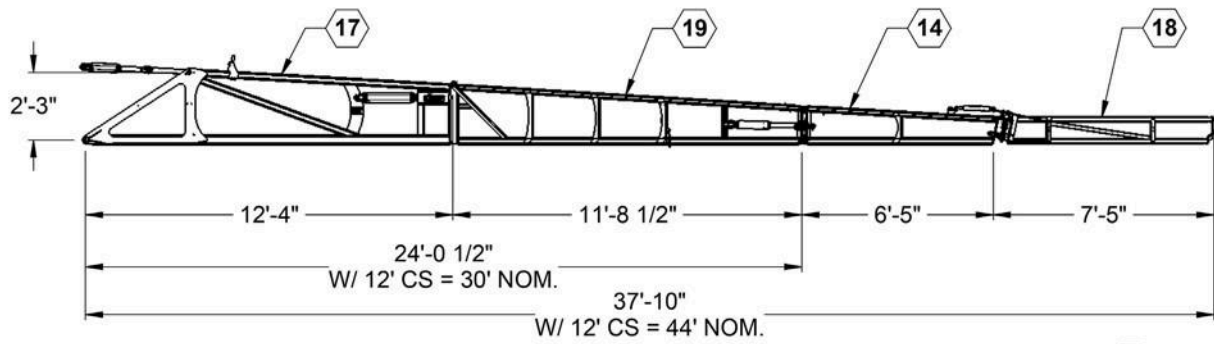
## Wings - Tri-Fold 40/80 Foot Boom Parts List

ITEM	PART NO.	QTY.	DESCRIPTION
------	----------	------	-------------



1	568	4	BUSHING, MACHINED
2	759	5	ZERK, 1/4-28 STRAIGHT
3	7668	2	ROLLER, WING, MACHINED
4	7669	1	PIN, ROLLER, 1"
5	9468	1	PIN, FLIP WING
6	9514	1	ARM, FLIP WING
7	14013	1	SPRING GUIDE
8	14146	2	BRACKET, HOSE RING
9	14149	1	LINK, WING TILT
10	14575	1	BALL JOINT, ADJUSTMENT
11	14642	1	LINK, MIDDLE SCISSORS
12	14643	2	LINK, OUTSIDE SANDWICH
13	14746	1	LOCK, SWING WING
14	14747	1	SWING WING BUMP BUSHING
19	530307	4	BUSHING, CONEX
20	530309	6	WASHER, FLAT HEAVY 13/32 X 1
21	540052	1	P-CLAMP, 3" W/3/8" HOLE
22	590006	1	SPRING, COMPRESSION
25	590099	1	REST, WING
26	590112	1	BOLT, BREAKAWAY
27	590405	1	BUMP, SWING WING
28	590180	2	SNAP RING 1" EXTERNAL
29	596846M	4	BOLT, SHOULDER, 5/8 X 1.25" MAGNI
29	596845M	4	BOLT, SHOULDER, 5/8 X 1.63" MAGNI
30	596117M	1	BOLT, HH 5/16-18X2 GR5 MAGNI
31	596154M	4	BOLT, HH 1/2-13X2 GR5 MAGNI
32	596155M	3	BOLT, HH 1/2-13X2-1/2 GR5 MAGNI
33	596185M	1	BOLT, HH 3/4-10X2-1/2 MAGNI
34	596209M	1	BOLT, HH 1-8X7-1/2 GR5 MAGNI
35	596213M	1	NUT, HEX 3/8-16 MAGNI
36	596217M	2	NUT, HEX 3/4-10 G5 MAGNI
37	596218M	3	NUT, HEX 1-8 MAGNI
38	596223M	4	NUT, HEX JAM 1/2-13 MAGNI
39	596225M	2	NUT, HEX JAM 3/4-10 GR8 MAGNI
40	596226M	2	NUT, HEX JAM 1-8 MAGNI
41	596231M	2	NUT, HEX NYLOCK 1/2-13 MAGNI
42	596232M	3	NUT, HEX NYLOCK 5/8-11 MAGNI
43	596236M	1	NUT, CENTERLOCK, 5/16-18 MAGNI
44	596239M	3	NUT, CENTERLOCK, 1/2-13 MAGNI
45	596240M	2	NUT, CENTERLOCK, 5/8-11 MAGNI
46	596250M	1	LOCKWASHER 3/8 MAGNI
47	596260M	8	WASHER, FLAT 1/2 MAGNI
48	596592M	1	BOLT, CARRIAGE 3/8-16 X 1 MAGNI
49	596633M	6	BOLT, HH 3/8-24X1-1/4 GR8 MAGNI
50	620023	1	CYLINDER, 25TD08-112 WING TILT
51	620034	1	CYLINDER, 20TD10.00-112
52	620057	1	CYLINDER, 30THC16.00-150 FLIP WING

**Wings - Tri-Fold 60/88 Foot Boom**

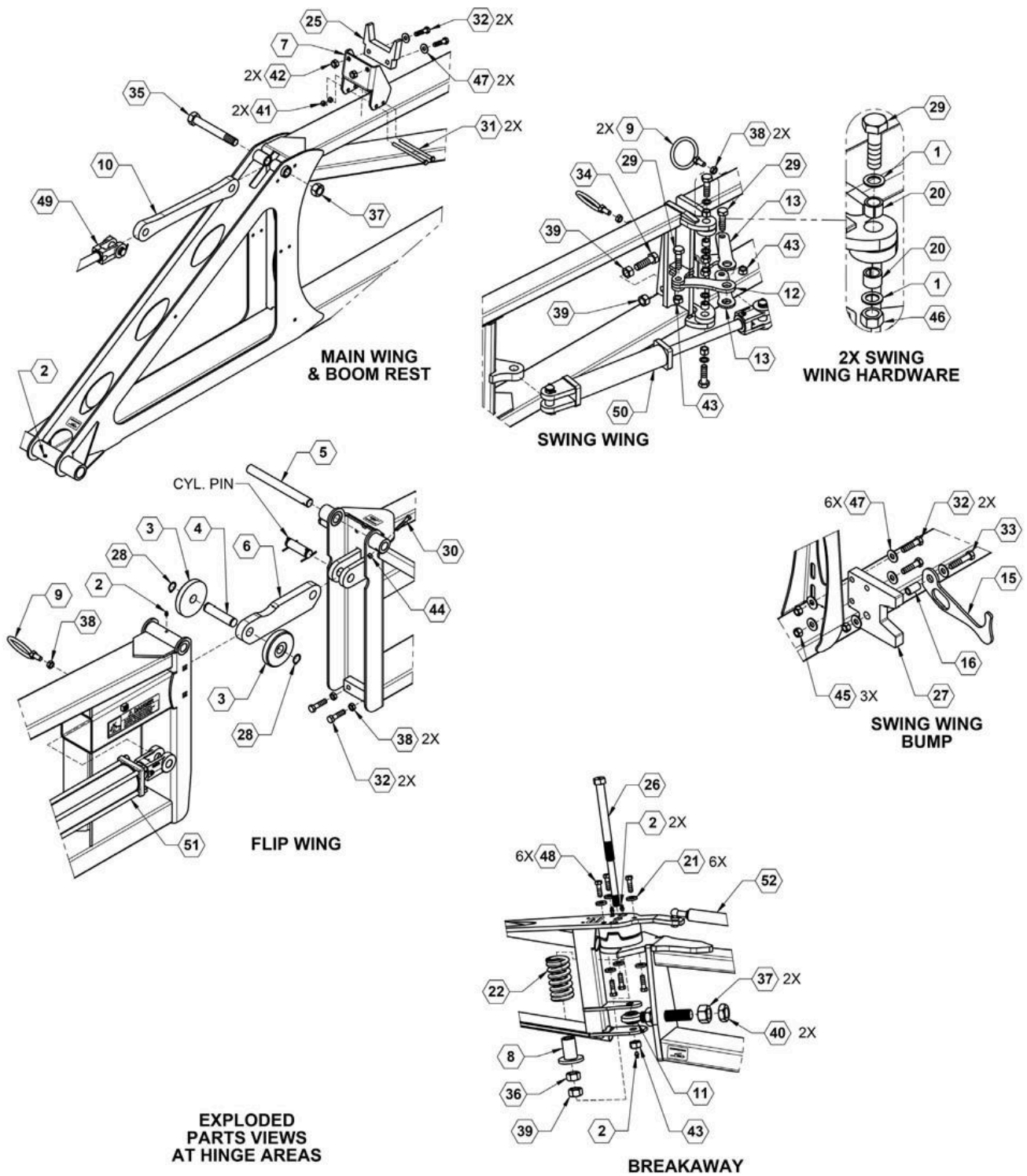


**OVERALL VIEWS,  
MAIN COMPONENTS  
& BOM**

## Wings - Tri-Fold 60/88 Boom Parts List

ITEM	PART NO.	QTY.	DESCRIPTION
10	14149	1	LINK, WING TILT
14	14715L	1	WING, LH SWING
14	14715R	1	WING, RH SWING
15	14746	1	LOCK, SWING WING
17	14750	1	MAIN WING, 9600N
18	14850	1	BREAKAWAY 83", WELDMENT
19	22969L	1	WING, FLIP, LH, 90FT BOOM
19	22969R	1	WING, FLIP, RH, 90FT BOOM
22	590006	1	SPRING, COMPRESSION
25	590099	1	REST, WING
27	590405	1	BUMP, SWING WING
49	620023	1	CYLINDER, 25TD08-112
50	620034	1	CYLINDER, 20TD10.00-112
51	620057	1	CYLINDER, 30THC16.00-150
52	790028	1	SHOCK, BREAKAWAY, HEAVY
	800014	4	DECAL, GREASE PIVOT POINTS
	800020	1	DECAL, FAST LOGO BLACK/GRAY
	800105	1	DECAL, WARNING-STAND CLEAR
	800106	2	DECAL, DANGER-STAND CLEAR
	800110	3	DECAL, AMBER REFLECTOR

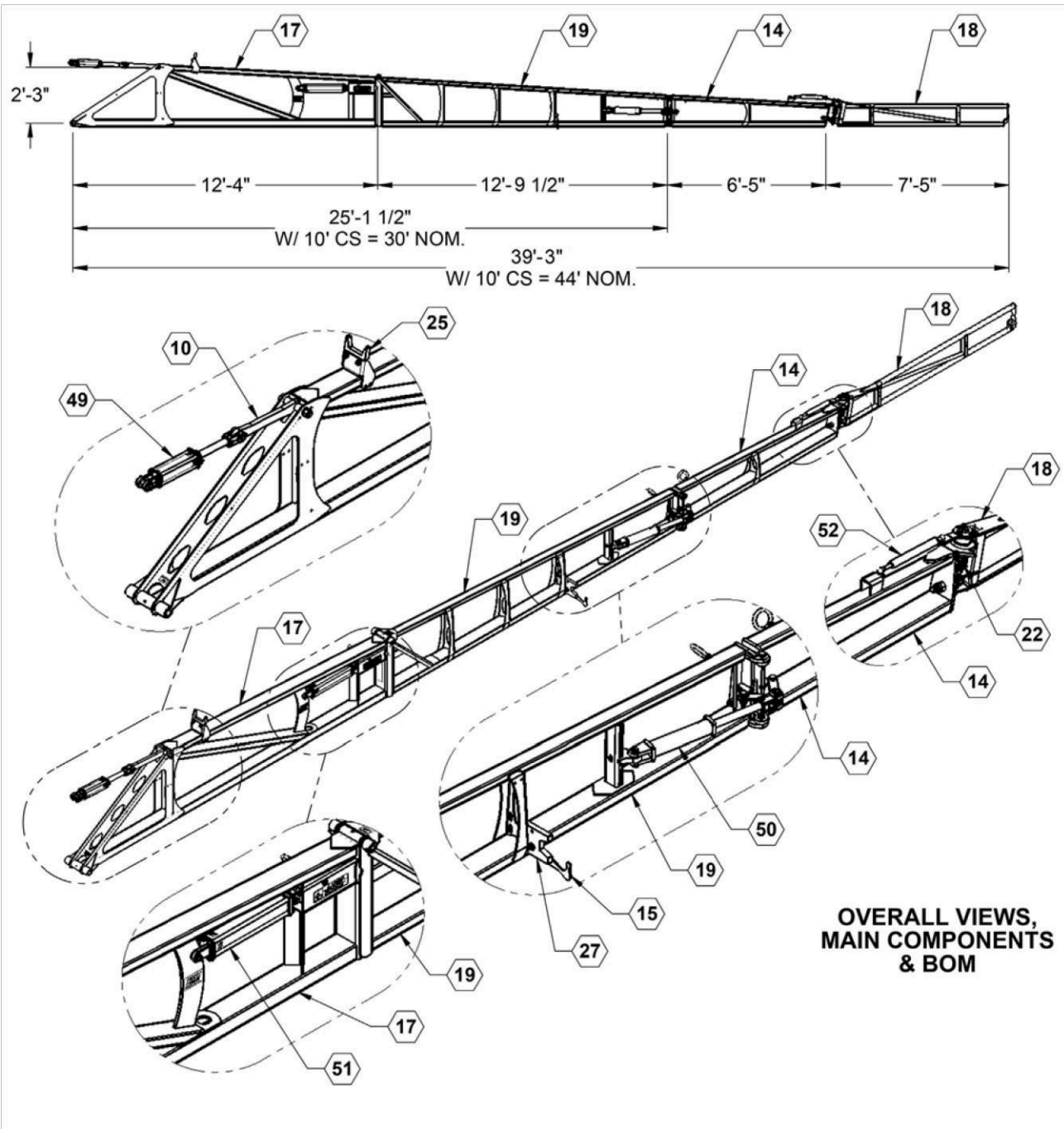
## Wings - Tri-Fold 60/88 Foot Boom



## Wings - Tri-Fold 60/88 Boom Parts List

ITEM	PART NO.	QTY.	DESCRIPTION
1	568	4	BUSHING, MACHINED
2	759	5	ZERK, 1/4-28 STRAIGHT
3	7668	2	ROLLER, WING, MACHINED
4	7669	1	PIN, ROLLER, 1"
5	9468	1	PIN, FLIP WING
6	9514	1	ARM, FLIP WING
7	12206	1	BRACKET, BOLT ON WING REST
8	14013	1	SPRING GUIDE
9	14146	3	BRACKET, HOSE RING
10	14149	1	LINK, WING TILT
11	14575	1	BALL JOINT, ADJUSTMENT
12	14642	1	LINK, MIDDLE SCISSORS
13	14643	2	LINK, OUTSIDE SANDWICH
15	14746	1	LOCK, SWING WING
16	14747	1	SWING WING BUMP BUSHING
20	530307	4	BUSHING, CONEX
21	530309	6	WASHER, FLAT HEAVY 13/32 X 1
22	590006	1	SPRING, COMPRESSION
25	590099	1	REST, WING
26	590112	1	BOLT, BREAKAWAY
27	590405	1	BUMP, SWING WING
28	590180	2	SNAP RING 1" EXTERNAL
29	596846M	4	BOLT, SHOULDER, 5/8 X 1.25" MAGNI
29	596845M	4	BOLT, SHOULDER, 5/8 X 1.63" MAGNI
30	596117M	1	BOLT, HH 5/16-18X2 GR5 MAGNI
31	596138M	2	BOLT, HH 3/8-16X6 GR5 MAGNI
32	596154M	6	BOLT, HH 1/2-13X2 GR5 MAGNI
33	596155M	1	BOLT, HH 1/2-13X2-1/2 GR5 MAGNI
34	596185M	1	BOLT, HH 3/4-10X2-1/2 MAGNI
35	596209M	1	BOLT, HH 1-8X7-1/2 GR5 MAGNI
36	596217M	1	NUT, HEX 3/4-10 G5 MAGNI
37	596218M	3	NUT, HEX 1-8 MAGNI
38	596223M	5	NUT, HEX JAM 1/2-13 MAGNI
39	596225M	3	NUT, HEX JAM 3/4-10 GR8 MAGNI
40	596226M	2	NUT, HEX JAM 1-8 MAGNI
41	596229M	2	NUT, HEX NYLOCK 3/8-16 MAGNI
42	596231M	2	NUT, HEX NYLOCK 1/2-13 MAGNI
43	596232M	3	NUT, HEX NYLOCK 5/8-11 MAGNI
44	596236M	1	NUT, CENTERLOCK, 5/16-18 MAGNI
45	596239M	3	NUT, CENTERLOCK, 1/2-13 MAGNI
46	596240M	2	NUT, CENTERLOCK, 5/8-11 MAGNI
47	596260M	8	WASHER, FLAT 1/2 MAGNI
48	596633M	6	BOLT, HH 3/8-24X1-1/4 GR8 MAGNI
49	620023	1	CYLINDER, 25TD08-112
50	620034	1	CYLINDER, 20TD10.00-112
51	620057	1	CYLINDER, 30THC16.00-150

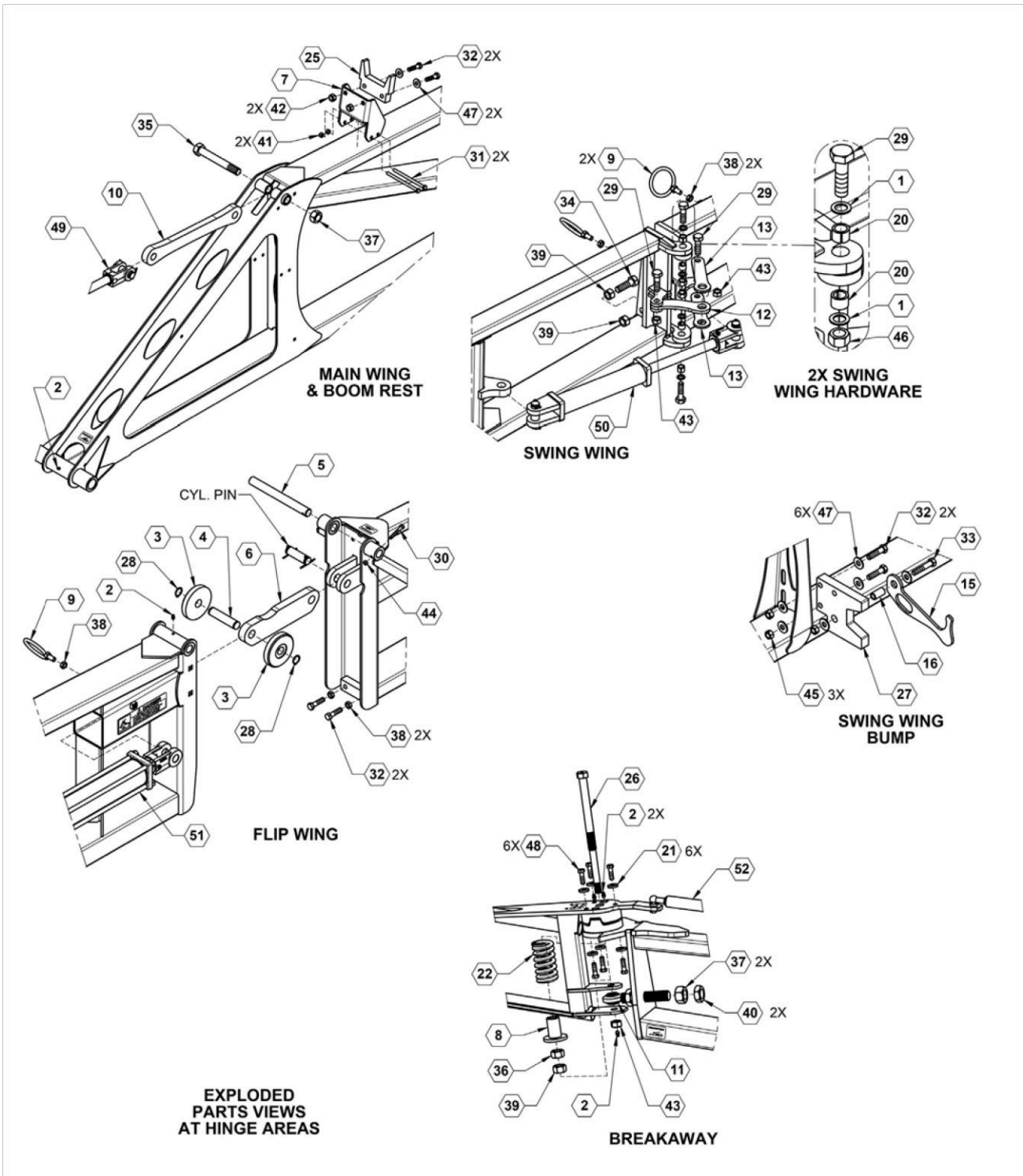
## Wings - Narrow Tri-Fold 60/88 Foot Boom



## Wings - Narrow Tri-Fold 60/88 Boom Parts List

ITEM	PART NO.	QTY.	DESCRIPTION
10	14149	1	LINK, WING TILT
14	14715L	1	WING, LH SWING
14	14715R	1	WING, RH SWING
15	14746	1	LOCK, SWING WING
17	14750	1	MAIN WING, 9600N
18	14850	1	BREAKAWAY 83", WELDMENT
19	14705L	1	WING, FLIP, LH, 90FT BOOM, 9600N
19	14705R	1	WING, FLIP, RH, 90FT BOOM, 9600N
22	590006	1	SPRING, COMPRESSION
25	590099	1	REST, WING
27	590405	1	BUMP, SWING WING
49	620023	1	CYLINDER, 25TD08-112
50	620034	1	CYLINDER, 20TD10.00-112
51	620057	1	CYLINDER, 30THC16.00-150
52	790028	1	SHOCK, BREAKAWAY, HEAVY
	800014	4	DECAL, GREASE PIVOT POINTS
	800020	1	DECAL, FAST LOGO BLACK/GRAY
	800105	1	DECAL, WARNING-STAND CLEAR
	800106	2	DECAL, DANGER-STAND CLEAR
	800110	3	DECAL, AMBER REFLECTOR

## Wings - Narrow Tri-Fold 60/88 Foot Boom

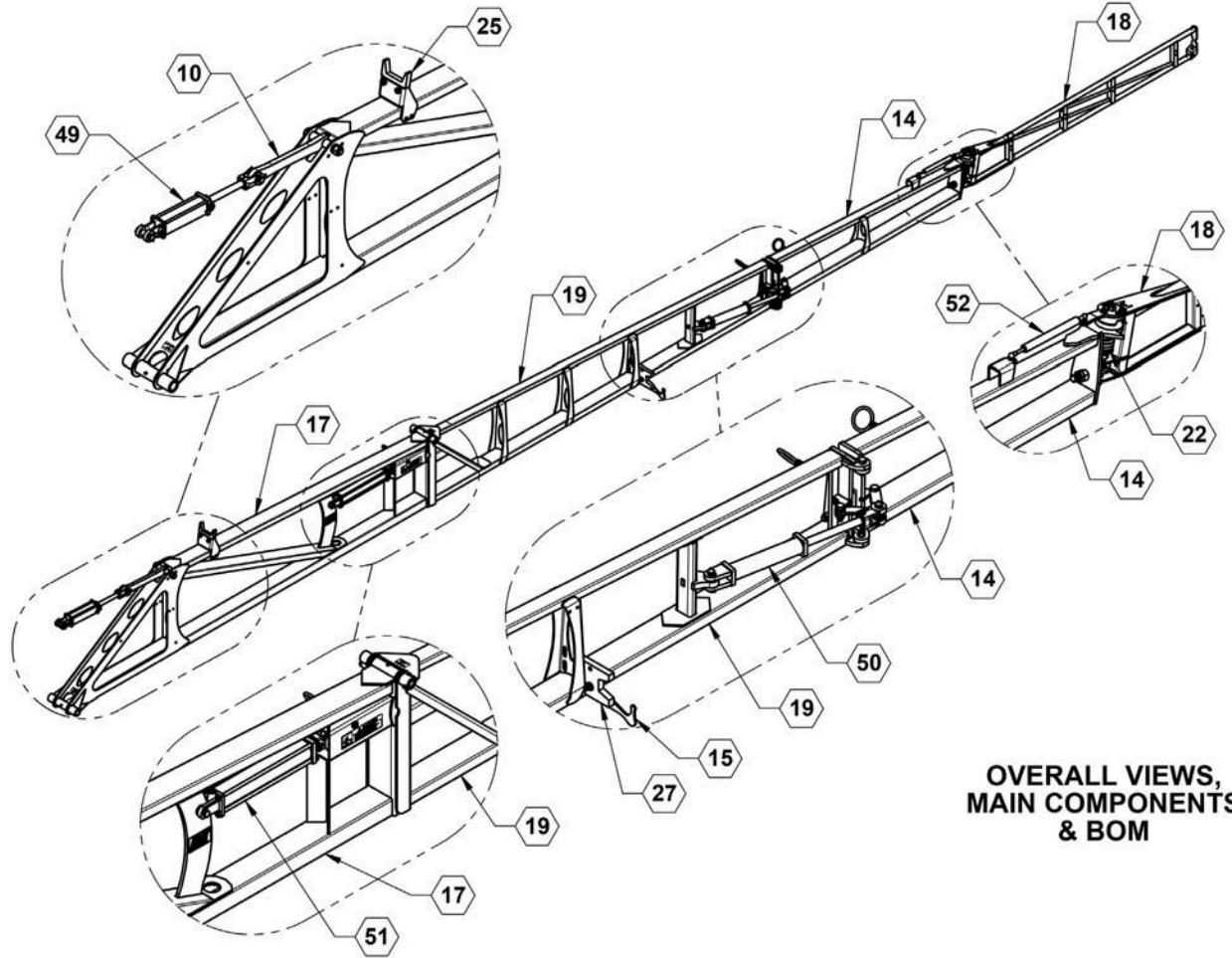
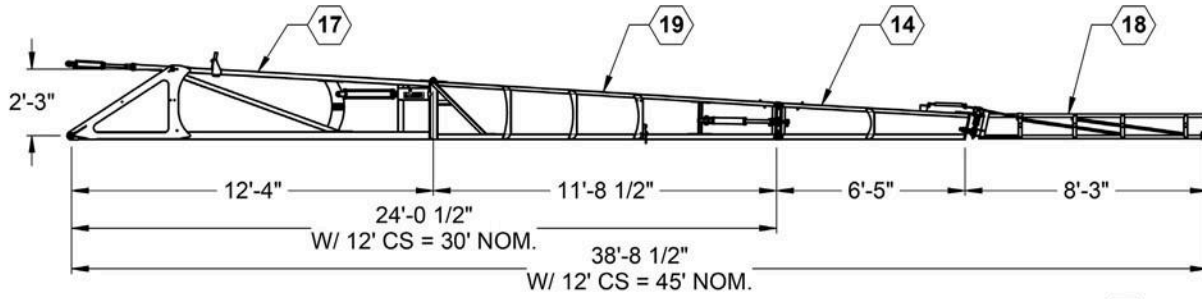




## Wings - Narrow Tri-Fold 60/88 Boom Parts List

ITEM	PART NO.	QTY.	DESCRIPTION
1	568	4	BUSHING, MACHINED
2	759	5	ZERK, 1/4-28 STRAIGHT
3	7668	2	ROLLER, WING, MACHINED
4	7669	1	PIN, ROLLER, 1"
5	9468	1	PIN, FLIP WING
6	9514	1	ARM, FLIP WING
7	12206	1	BRACKET, BOLT ON WING REST
8	14013	1	SPRING GUIDE
9	14146	3	BRACKET, HOSE RING
10	14149	1	LINK, WING TILT
11	14575	1	BALL JOINT, ADJUSTMENT
12	14642	1	LINK, MIDDLE SCISSORS
13	14643	2	LINK, OUTSIDE SANDWICH
15	14746	1	LOCK, SWING WING
16	14747	1	SWING WING BUMP BUSHING
20	530307	4	BUSHING, CONEX
21	530309	6	WASHER, FLAT HEAVY 13/32 X 1
22	590006	1	SPRING, COMPRESSION
25	590099	1	REST, WING
26	590112	1	BOLT, BREAKAWAY
27	590405	1	BUMP, SWING WING
28	590180	2	SNAP RING 1" EXTERNAL
29	596846M	4	BOLT, SHOULDER, 5/8 X 1.25" MAGNI
29	596845M	4	BOLT, SHOULDER, 5/8 X 1.63" MAGNI
30	596117M	1	BOLT, HH 5/16-18X2 GR5 MAGNI
31	596138M	2	BOLT, HH 3/8-16X6 GR5 MAGNI
32	596154M	6	BOLT, HH 1/2-13X2 GR5 MAGNI
33	596155M	1	BOLT, HH 1/2-13X2-1/2 GR5 MAGNI
34	596185M	1	BOLT, HH 3/4-10X2-1/2 MAGNI
35	596209M	1	BOLT, HH 1-8X7-1/2 GR5 MAGNI
36	596217M	1	NUT, HEX 3/4-10 G5 MAGNI
37	596218M	3	NUT, HEX 1-8 MAGNI
38	596223M	5	NUT, HEX JAM 1/2-13 MAGNI
39	596225M	3	NUT, HEX JAM 3/4-10 GR8 MAGNI
40	596226M	2	NUT, HEX JAM 1-8 MAGNI
41	596229M	2	NUT, HEX NYLOCK 3/8-16 MAGNI
42	596231M	2	NUT, HEX NYLOCK 1/2-13 MAGNI
43	596232M	3	NUT, HEX NYLOCK 5/8-11 MAGNI
44	596236M	1	NUT, CENTERLOCK, 5/16-18 MAGNI
45	596239M	3	NUT, CENTERLOCK, 1/2-13 MAGNI
46	596240M	2	NUT, CENTERLOCK, 5/8-11 MAGNI
47	596260M	8	WASHER, FLAT 1/2 MAGNI
48	596633M	6	BOLT, HH 3/8-24X1-1/4 GR8 MAGNI
49	620023	1	CYLINDER, 25TD08-112
50	620034	1	CYLINDER, 20TD10.00-112
51	620057	1	CYLINDER, 30THC16.00-150

**Wings - Tri-Fold 60/90 Foot Boom**

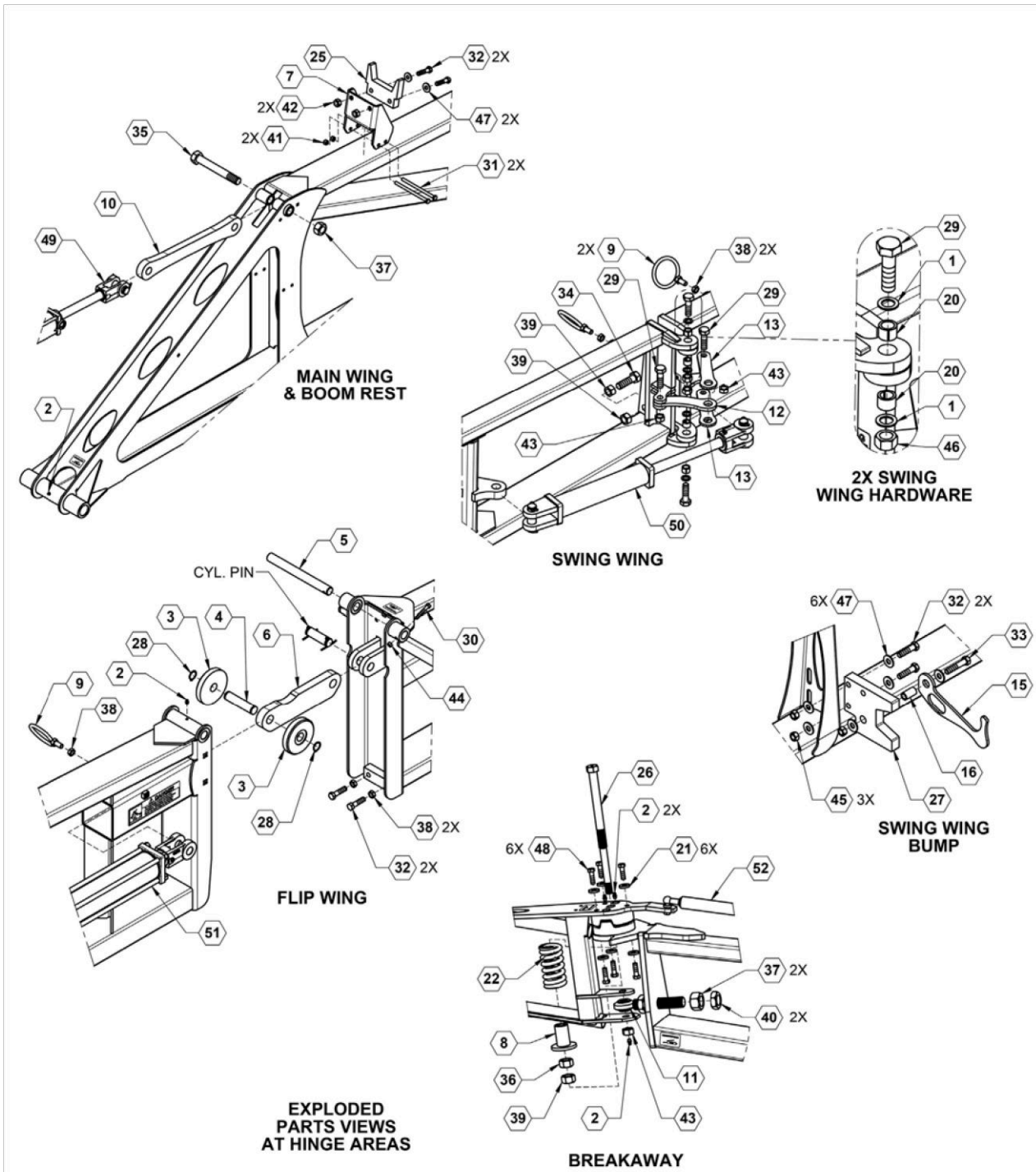


**OVERALL VIEWS,  
MAIN COMPONENTS  
& BOM**

## Wings - Tri-Fold 60/90 Boom Parts List

ITEM	PART NO.	QTY.	DESCRIPTION
10	14149	1	LINK, WING TILT
14	14715L	1	WING, LH SWING
14	14715R	1	WING, RH SWING
15	14746	1	LOCK, SWING WING
17	14750	1	MAIN WING, 9600N
18	18300	1	WLDMNT, 93" BREAKAWAY
19	22969L	1	WING, FLIP, LH, 90FT BOOM
19	22969R	1	WING, FLIP, RH, 90FT BOOM
22	590006	1	SPRING, COMPRESSION
25	590099	1	REST, WING
27	590405	1	BUMP, SWING WING
49	620023	1	CYLINDER, 25TD08-112
50	620034	1	CYLINDER, 20TD10.00-112
51	620057	1	CYLINDER, 30THC16.00-150
52	790028	1	SHOCK, BREAKAWAY, HEAVY
	800014	4	DECAL, GREASE PIVOT POINTS
	800020	1	DECAL, FAST LOGO BLACK/GRAY
	800105	1	DECAL, WARNING-STAND CLEAR
	800106	2	DECAL, DANGER-STAND CLEAR
	800110	3	DECAL, AMBER REFLECTOR

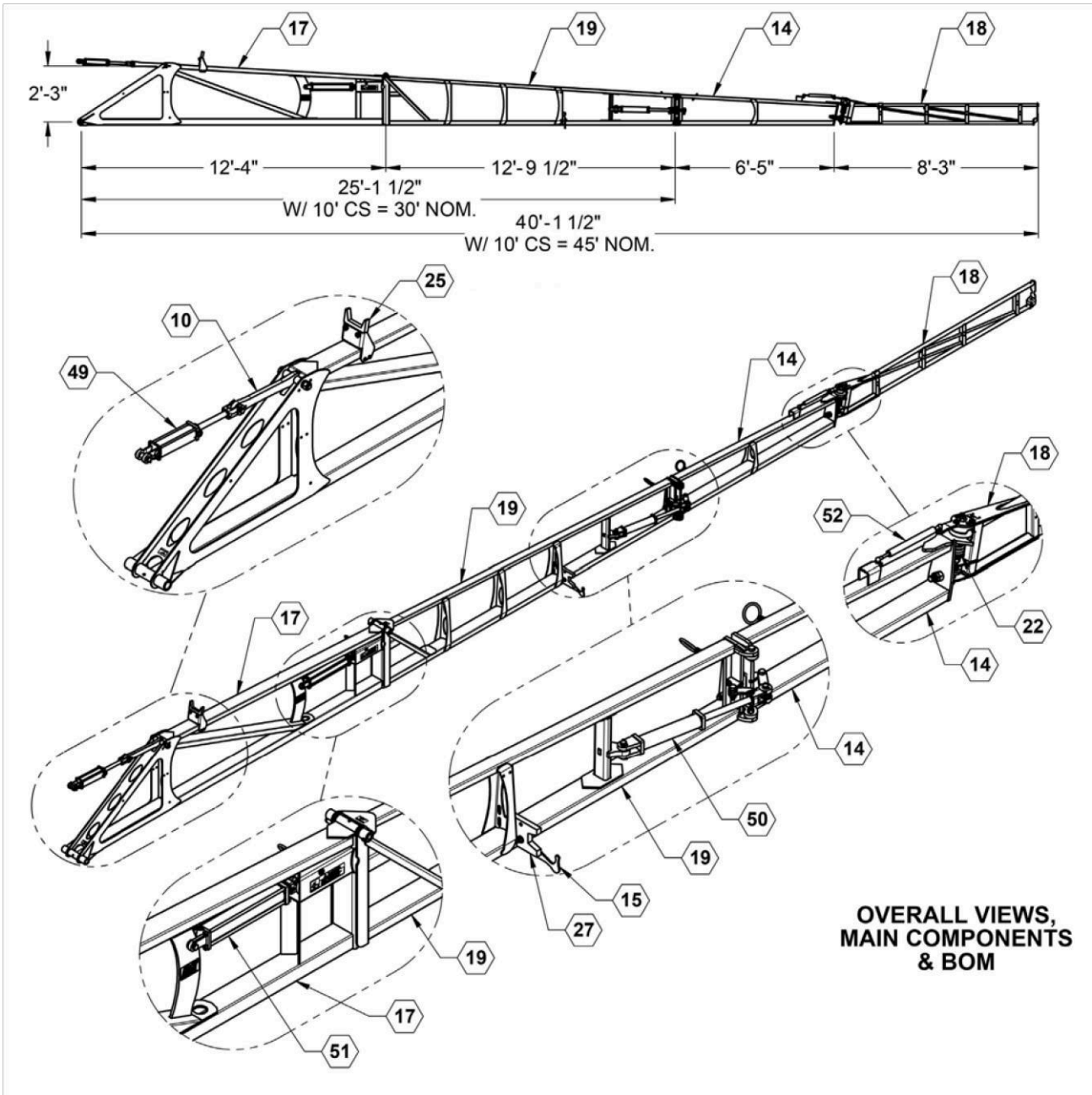
## Wings - Tri-Fold 60/90 Foot Boom



## Wings - Tri-Fold 60/90 Boom Parts List

ITEM	PART NO.	QTY.	DESCRIPTION
1	568	4	BUSHING, MACHINED
2	759	5	ZERK, 1/4-28 STRAIGHT
3	7668	2	ROLLER, WING, MACHINED
4	7669	1	PIN, ROLLER, 1"
5	9468	1	PIN, FLIP WING
6	9514	1	ARM, FLIP WING
7	12206	1	BRACKET, BOLT ON WING REST
8	14013	1	GUIDE, SPRING WELDMENT
9	14146	3	BRACKET, HOSE RING
10	14149	1	LINK, WING TILT
11	14575	1	BALL JOINT, ADJUSTMENT
12	14642	1	LINK, MIDDLE SCISSORS
13	14643	2	LINK, OUTSIDE SANDWICH
15	14746	1	LOCK, SWING WING
16	14747	1	SWING WING BUMP BUSHING
20	530307	4	BUSHING, CONEX
21	530309	6	WASHER, FLAT HEAVY 13/32 X 1
22	590006	1	SPRING, COMPRESSION
25	590099	1	REST, WING
26	590112	1	BOLT, BREAKAWAY
27	590405	1	BUMP, SWING WING
28	590180	2	SNAP RING, 1" EXTERNAL
29	596846M	4	BOLT, SHOULDER, 5/8 X 1.25" MAGNI
29	596845M	4	BOLT, SHOULDER, 5/8 X 1.63" MAGNI
30	596117M	1	BOLT, HH 5/16-18X2 GR5 MAGNI
31	596138M	2	BOLT, HH 3/8-16X6 GR5 MAGNI
32	596154M	6	BOLT, HH 1/2-13X2 GR5 MAGNI
33	596155M	1	BOLT, HH 1/2-13X2-1/2 GR5 MAGNI
34	596185M	1	BOLT, HH 3/4-10X2-1/2 MAGNI
35	596209M	1	BOLT, HH 1-8X7-1/2 GR5 MAGNI
36	596217M	1	NUT, HEX 3/4-10 MAGNI
37	596218M	3	NUT, HEX 1-8 MAGNI
38	596223M	5	NUT, HEX JAM 1/2-13 MAGNI
39	596225M	3	NUT, HEX JAM 3/4-10 GR8 MAGNI
40	596226M	2	NUT, HEX JAM 1-8 MAGNI
41	596229M	2	NUT, HEX NYLOCK 3/8-16 MAGNI
42	596231M	2	NUT, HEX NYLOCK 1/2-13 MAGNI
43	596232M	3	NUT, HEX NYLOCK 5/8-11 MAGNI
44	596236M	1	NUT, CENTERLOCK, 5/16-18 MAGNI
45	596239M	3	NUT, CENTERLOCK, 1/2-13 MAGNI
46	596240M	2	NUT, CENTERLOCK, 5/8-11 MAGNI
47	596260M	8	WASHER, FLAT 1/2 MAGNI
48	596633M	6	BOLT, HH 3/8-24X1-1/4 GR8 MAGNI
49	620023	1	CYLINDER, 25TD08-112
50	620034	1	CYLINDER, 20TD10.00-112
51	620057	1	CYLINDER, 30THC16.00-150

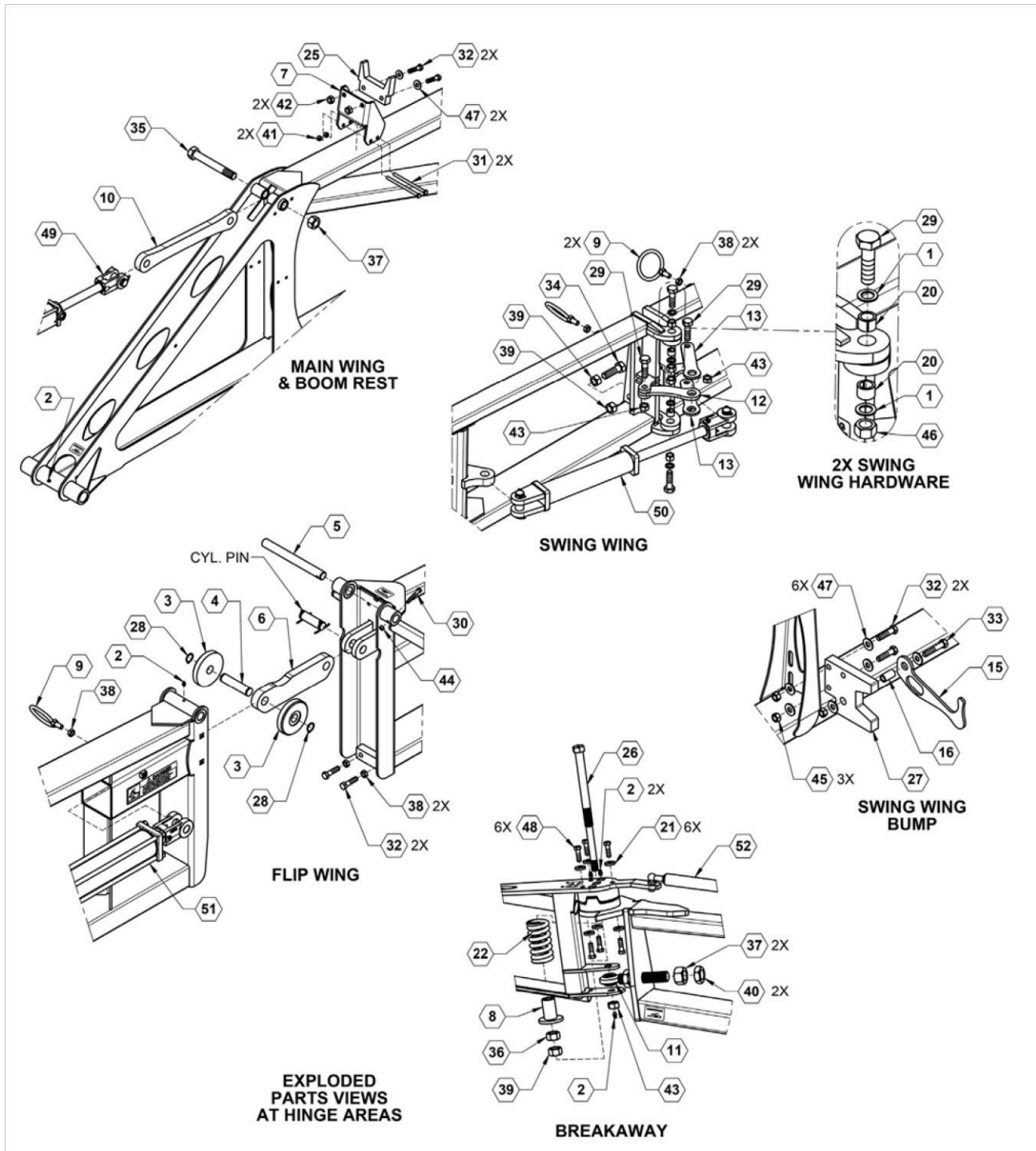
**Wings - Narrow Tri-Fold 60/90 Foot Boom**



## Wings - Narrow Tri-Fold 60/90 Boom Parts List

ITEM	PART NO.	QTY.	DESCRIPTION
10	14149	1	LINK, WING TILT
14	14715L	1	WING, LH SWING
14	14715R	1	WING, RH SWING
15	14746	1	LOCK, SWING WING
17	14750	1	MAIN WING, 9600N
18	18300	1	WLDMNT, 93" BREAKAWAY
19	14705L	1	WING, FLIP, LH, 90FT BOOM, 9600N
19	14705R	1	WING, FLIP, RH, 90FT BOOM, 9600N
22	590006	1	SPRING, COMPRESSION
25	590099	1	REST, WING
27	590405	1	BUMP, SWING WING
49	620023	1	CYLINDER, 25TD08-112
50	620034	1	CYLINDER, 20TD10.00-112
51	620057	1	CYLINDER, 30THC16.00-150
52	790028	1	SHOCK, BREAKAWAY, HEAVY
	800014	4	DECAL, GREASE PIVOT POINTS
	800020	1	DECAL, FAST LOGO BLACK/GRAY
	800105	1	DECAL, WARNING-STAND CLEAR
	800106	2	DECAL, DANGER-STAND CLEAR
	800110	3	DECAL, AMBER REFLECTOR

## Wings - Narrow Tri-Fold 60/90 Foot Boom

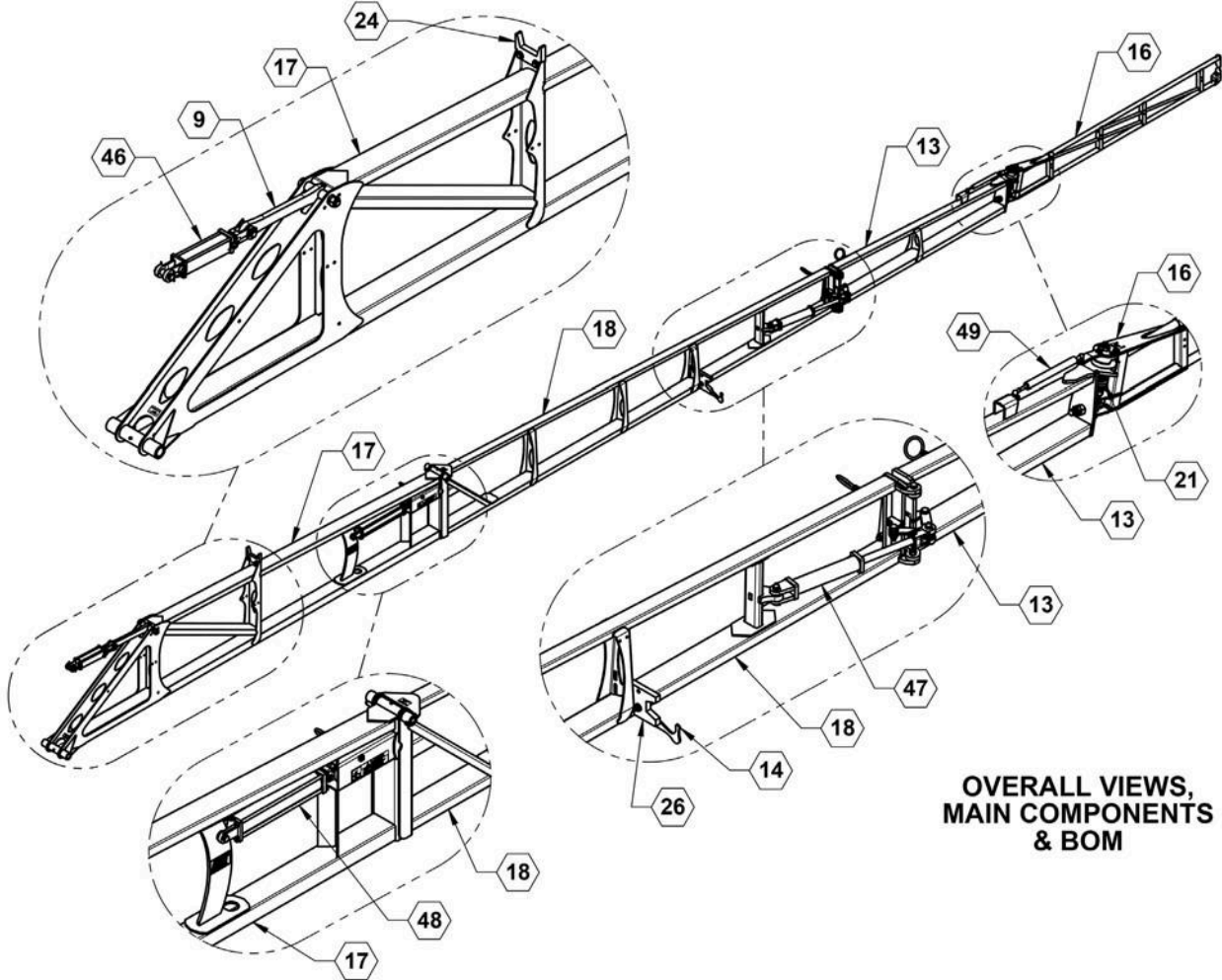
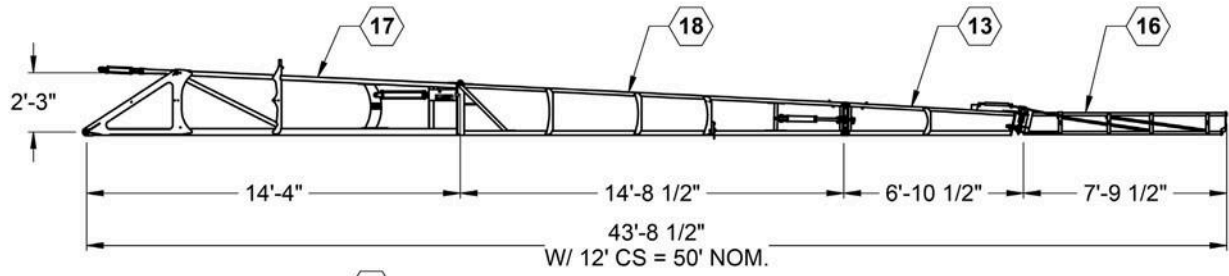




## Wings - Narrow Tri-Fold 60/90 Boom Parts List

ITEM	PART NO.	QTY.	DESCRIPTION
1	568	4	BUSHING, MACHINED
2	759	5	ZERK, 1/4-28 STRAIGHT
3	7668	2	ROLLER, WING, MACHINED
4	7669	1	PIN, ROLLER, 1"
5	9468	1	PIN, FLIP WING
6	9514	1	ARM, FLIP WING
7	12206	1	BRACKET, BOLT ON WING REST
8	14013	1	GUIDE, SPRING WELDMENT
9	14146	3	BRACKET, HOSE RING
10	14149	1	LINK, WING TILT
11	14575	1	BALL JOINT, ADJUSTMENT
12	14642	1	LINK, MIDDLE SCISSORS
13	14643	2	LINK, OUTSIDE SANDWICH
15	14746	1	LOCK, SWING WING
16	14747	1	SWING WING BUMP BUSHING
20	530307	4	BUSHING, CONEX
21	530309	6	WASHER, FLAT HEAVY 13/32 X 1
22	590006	1	SPRING, COMPRESSION
25	590099	1	REST, WING
26	590112	1	BOLT, BREAKAWAY
27	590405	1	BUMP, SWING WING
28	590180	2	SNAP RING, 1" EXTERNAL
29	596846M	4	BOLT, SHOULDER, 5/8 X 1.25" MAGNI
29	596845M	4	BOLT, SHOULDER, 5/8 X 1.63" MAGNI
30	596117M	1	BOLT, HH 5/16-18X2 GR5 MAGNI
31	596138M	2	BOLT, HH 3/8-16X6 GR5 MAGNI
32	596154M	6	BOLT, HH 1/2-13X2 GR5 MAGNI
33	596155M	1	BOLT, HH 1/2-13X2-1/2 GR5 MAGNI
34	596185M	1	BOLT, HH 3/4-10X2-1/2 MAGNI
35	596209M	1	BOLT, HH 1-8X7-1/2 GR5 MAGNI
36	596217M	1	NUT, HEX 3/4-10 MAGNI
37	596218M	3	NUT, HEX 1-8 MAGNI
38	596223M	5	NUT, HEX JAM 1/2-13 MAGNI
39	596225M	3	NUT, HEX JAM 3/4-10 GR8 MAGNI
40	596226M	2	NUT, HEX JAM 1-8 MAGNI
41	596229M	2	NUT, HEX NYLOCK 3/8-16 MAGNI
42	596231M	2	NUT, HEX NYLOCK 1/2-13 MAGNI
43	596232M	3	NUT, HEX NYLOCK 5/8-11 MAGNI
44	596236M	1	NUT, CENTERLOCK, 5/16-18 MAGNI
45	596239M	3	NUT, CENTERLOCK, 1/2-13 MAGNI
46	596240M	2	NUT, CENTERLOCK, 5/8-11 MAGNI
47	596260M	8	WASHER, FLAT 1/2 MAGNI
48	596633M	6	BOLT, HH 3/8-24X1-1/4 GR8 MAGNI
49	620023	1	CYLINDER, 25TD08-112
50	620034	1	CYLINDER, 20TD10.00-112
51	620057	1	CYLINDER, 30THC16.00-150

**Wings - Tri-Fold 100 Foot Boom**

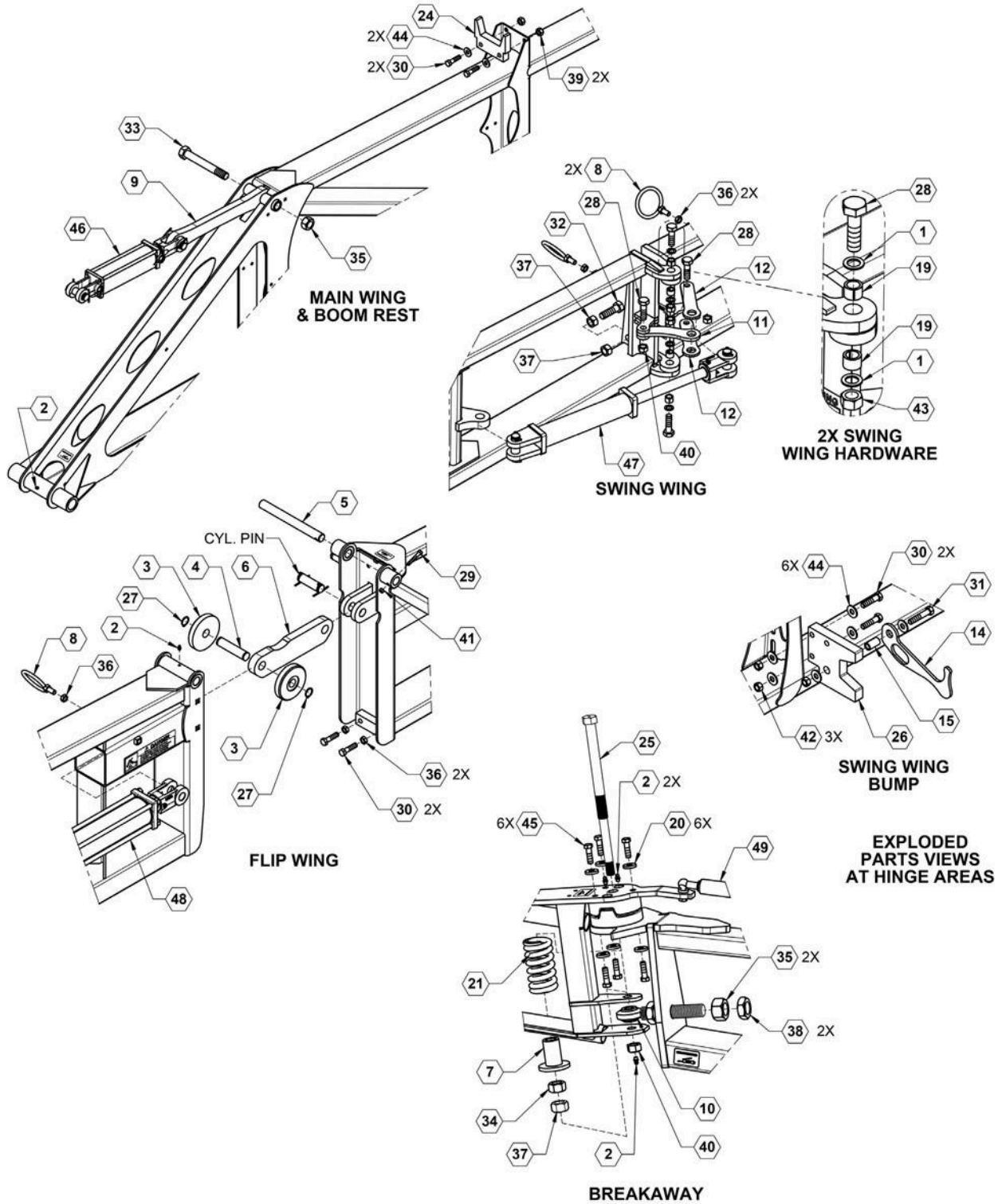


**OVERALL VIEWS,  
MAIN COMPONENTS  
& BOM**

## Wings - Tri-Fold 100 Boom Parts List

ITEM	PART NO.	QTY.	DESCRIPTION
9	14149	1	LINK, WING TILT
13	14715L	1	WING, LH SWING
13	14715R	1	WING, RH SWING
14	14746	1	LOCK, SWING WING
16	18300	1	WELDMENT, 93" BREAKAWAY
17	22970	1	WING, MAIN, 80' & 100' BOOM
18	22971L	1	WING, FLIP, LH, 100' BOOM
18	22971R	1	WING, FLIP, RH, 100' BOOM
21	590006	1	SPRING, COMPRESSION
24	590099	1	REST, WING
26	509405	1	BUMP, SWING WING
46	620023	1	CYLINDER, 25TD08-112 WING TILT
47	620034	1	CYLINDER, 20TD10.00-112
48	620057	1	CYLINDER, 30THC16.00-150 FLIP WING
49	790028	1	SHOCK, BREAKAWAY, HEAVY
	800014	4	DECAL, GREASE PIVOT POINTS
	800020	1	DECAL, FAST LOGO BLACK/GRAY
	800105	1	DECAL, WARNING-STAND CLEAR
	800106	2	DECAL, DANGER-STAND CLEAR
	800110	3	DECAL, AMBER REFLECTOR

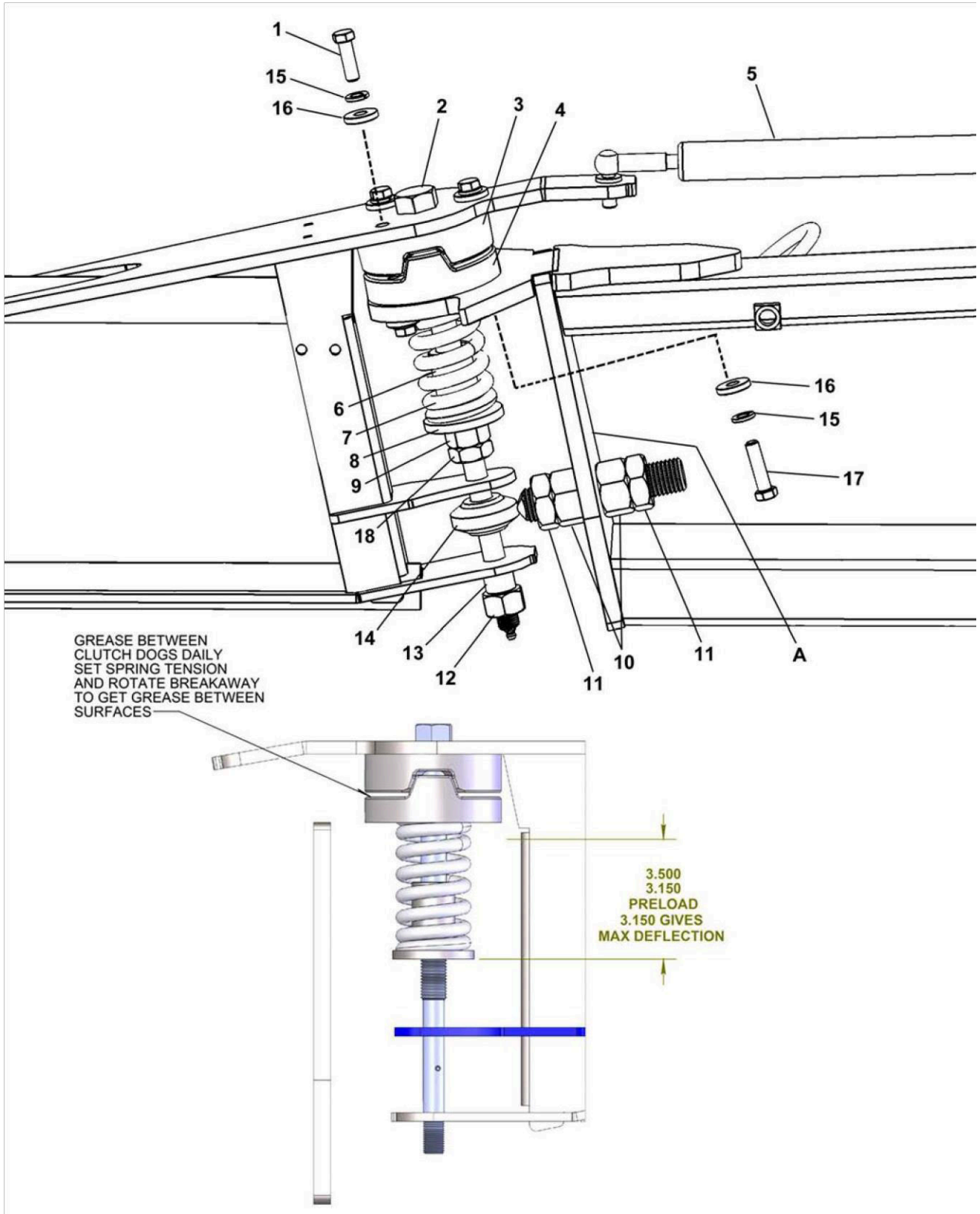
## Wings - Tri-Fold 100 Foot Boom



## Wings - Tri-Fold 100 Boom Parts List

ITEM	PART NO .	QTY.	DESCRIPTION
1	568	4	BUSHING, MACHINED
2	759	5	ZERK, 1/4-28 STRAIGHT
3	7668	2	ROLLER, WING, MACHINED
4	7669	1	PIN, ROLLER, 1"
5	9468	1	PIN, FLIP WING
6	9514	1	ARM, FLIP WING
7	14013	1	SPRING GUIDE
8	14146	3	BRACKET, HOSE RING
9	14149	1	LINK, WING TILT
10	14575	1	BALL JOINT, ADJUSTMENT
11	14642	1	LINK, MIDDLE SCISSORS
12	14643	2	LINK, OUTSIDE SANDWICH
14	14746	1	LOCK, SWING WING
15	14747	1	SWING WING BUMP BUSHING
19	530307	4	BUSHING, CONEX
20	530309	6	WASHER, FLAT HEAVY 13/32 X 1
21	590006	1	SPRING, COMPRESSION
24	590099	1	REST, WING
25	590112	1	BOLT, BREAKAWAY
26	590405	1	BUMP, SWING WING
27	590180	2	SNAP RING 1" EXTERNAL
28	596846M	4	BOLT, SHOULDER, 5/8 X 1.25" MAGNI
28	596845M	4	BOLT, SHOULDER, 5/8 X 1.63" MAGNI
29	596117M	1	BOLT, HH 5/16-18 X 2 GR5 MAGNI
30	596154M	6	BOLT, 1/2-13 X 2 GR5 MAGNI
31	596155M	1	BOLT, 1/2-13 X 2-1/2 GR5 MAGNI
32	596185M	1	BOLT, HH 3/4-10 X 2-1/2
33	596209M	1	BOLT, HH 1-8 X 7-1/2 GR5 MAGNI
34	596217M	1	NUT, HEX 3/4-10 G5 MAGNI
35	596218M	3	NUT, HEX
36	596223M	5	
37	596225M	3	
38	596226M	2	
40	596232M	3	
41	596236M	1	
42	596239M	3	
43	596240M	2	
44	596260M	8	
45	596633M	6	
46	620023	1	
47	620034	1	
48	620057	1	

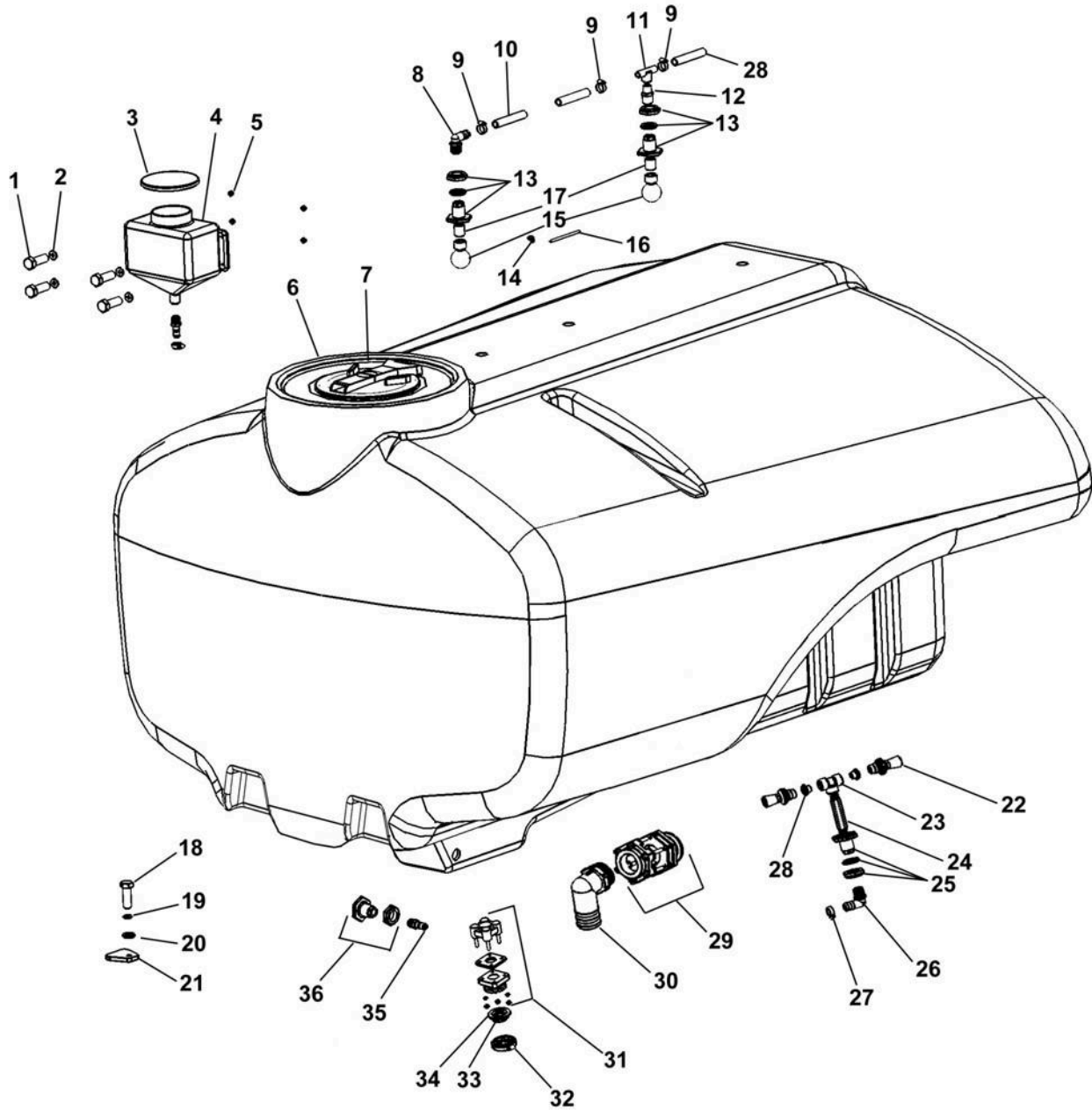
## Breakaway Pivot



## Breakaway Pivot Parts List

ITEM	VENDOR PART NO.	PART NO.	QTY.	DESCRIPTION
1		596633M	6	BOLT HEX HEAD 3/8-24 X 1-1/4 GR8 MAGNI
2		590112	1	BOLT HEX HEAD BREAKAWAY PIVOT
3	14457	590074	1	20° CLUTCH MALE HALF
4	14458	590073	1	20° CLUTCH FEMALE HALF
5	EL-2X3X2-046	790028	1	SHOCK BREAKAWAY, HEAVY
6		14013	1	GUIDE, SPRING BREAKAWAY
7		590006	1	SPRING, BREAKAWAY
8		14013	1	GUIDE, SPRING BREAKAWAY
9		217	1	NUT HEX HEAD 3/4" ZP
10		799	2	NUT HEX HEAD 1" ZP
11		226	2	NUT HEX HEAD JAM 1" ZP
12		216	1	NUT HEX HEAD 5/8 ZP
13		14268	1	COLLAR
14		14575	1	BREAKAWAY ADJUSTMENT BOLT
15		250	6	LOCK WASHER 3/8 ZP
16		530309	6	FLAT WASHER HEAVY 3/8
17		368	3	BOLT HEX HEAD 3/8 X 1-1/2 GR8 ZP
18		225	1	NUT HEX HEAD JAM 3/4" ZP
19		12388	1	EARLY UNIT UPDATE - REPLACES 3/4" #14 WHEN PLATE (A) HAS A 3/4 X 1-1/2" SLOT

**Tank Assembly**





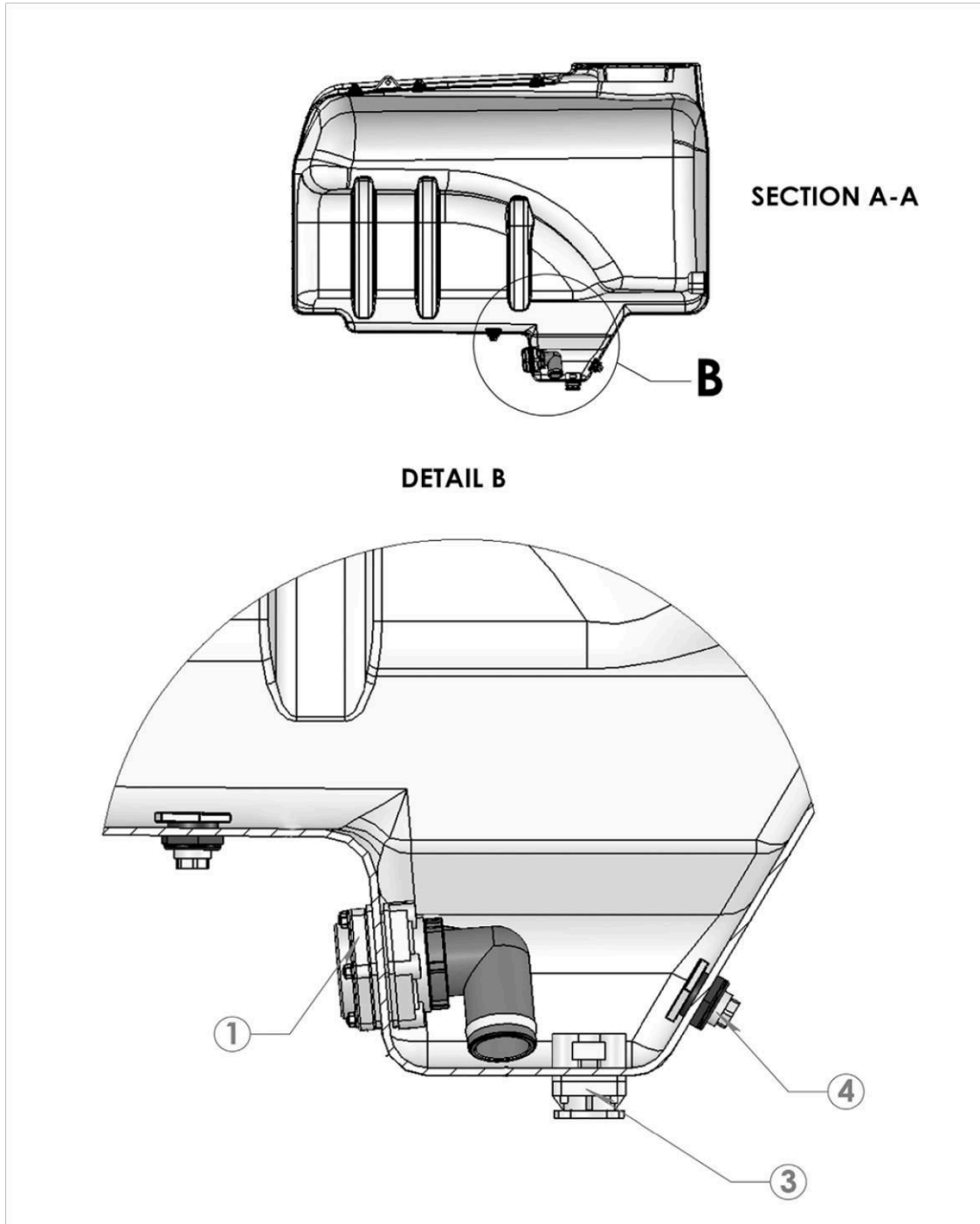


# ILLUSTRATED PARTS LIST

## Tank Assembly Parts List

ITEM	VENDOR PART NO.	PART NO.	QTY.	DESCRIPTION
1		129	4	BOLT HH 3/8 X 1-1/2 GR5 ZP
2		258	4	WASHER FLAT 3/8 ZP
3		10522	1	5" VENTED LID
4		570038	1	RINSE TANK 2.5 GALLON, YELLOW
4	SP002-5SYLS	570044	1	RINSE TANK 2.5 GALLON, WHITE
4	SP0005-SQ5	570125	1	RINSE TANK 5 GALLON, YELLOW, 5" SCREW ON LID
5		169	4	NUT HH 3/8 WHIZLOCK ZP
6		570063	1	TANK, 1800, AG YELLOW, WITH FITTINGS AND LID
		570062	1	TANK, 1800, AG WHITE, WITH FITTINGS AND LID
		570066	1	TANK, 2400, AG WHITE, WITH FITTINGS AND LID
		570067	1	TANK, 2400, AG YELLOW, WITH FITTINGS AND LID
7	14761	570157	1	LID, VENTED
8	-	530040	1	HOSE BARB 3/4" MPT X 3/4" HB X 90°
9	64012H	540013	4	CLAMP, HOSE 3/4" SS
10	3/4BH200	510012	36"	HOSE 3/4" EDPM
11	-	530221	1	3/4" TEE HB X 3/4" MPT
12	-	-	-	N/A
13-17		90SARNSEBALL	2	SUB ASSEMBLY, RINSE BALL
13	67172	530160	2	BULKHEAD FITTING 3/4"
14	44103211	530004	2	CONNECTOR 90° 1/4 TUBE X 1/4 NPT
15	TJ-55270-3.4-18-POM	520012	2	TANK RINSE BALL
17	-	530130	2	NIPPLE, 3/4" X 6"
18		170	2	BOLT HH 5/8 X 2 GR5 ZP
19		253	2	WASHER LOCK 5/8" ZP
20		261	2	WASHER FLAT 5/8" ZP
21	10244	590023	2	HOLDDOWN TAB POLY
22-25		90SALTRUMPET	1	SUB ASSEMBLY, AGITATION
22	-	520029	2	AGITATION NOZZLE
23	-	530156	1	TEE, 3/4" POLY PIPE
24	NIP075-6	530130	1	NIPPLE 3/4" X 6"
25	TF075	530160	1	BULKHEAD FITTING 3/4" BANJO
26	HB075-90	530040	1	HOSE BARB 3/4" X 90°
27	64012H	540013	1	CLAMP HOSE 3/4" SS
28	-	-	-	N/A
29-30		90SASUMP95	1	SUB ASSEMBLY, SUMP FITTING
29	BJMF300	530120	1	BOTTOM DRAIN 3"
NS	-	530155	1	3" STREET ELBOW
30	HB300-90	530053	1	HOSE BARB ELBOW 3" 90°
31	MBF200BD	530118	1	BOTTOM DRAIN 2" STANDARD PORT
32	FC200	540001	1	FLANGE CLAMP 2" STANDARD PORT
33	M200PLG	530093	1	PLUG 2" STANDARD PORT
34	150G	530014	1	GASKET 2" STANDARD PORT
35	HB075	530230	1	HOSE BARB 3/4"
36	TF075	530160	1	BULKHEAD FITTING 3/4" BANJO

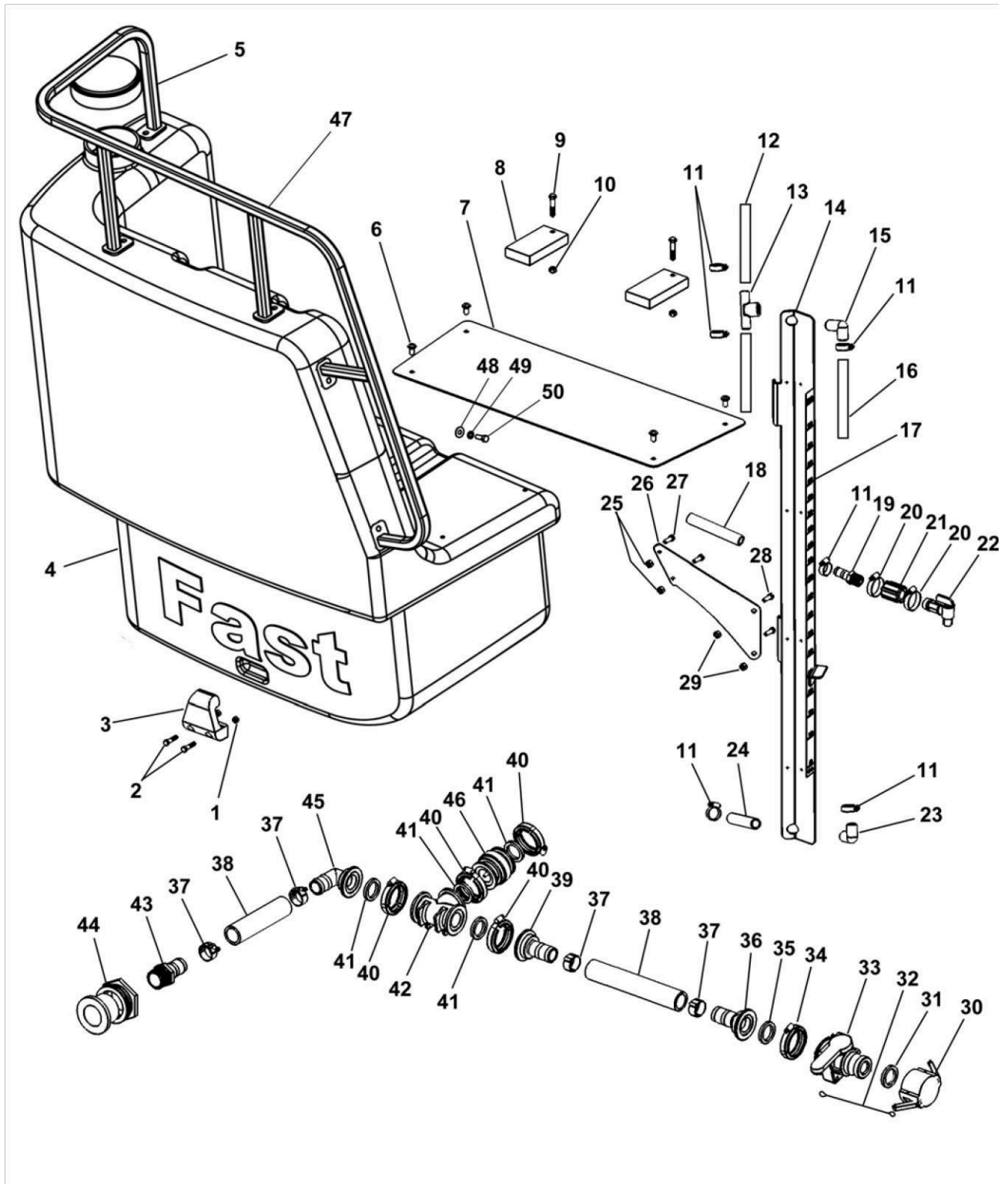
## Tank Assembly (continued)



## Tank Assembly Parts List

ITEM	VENDOR PART NO.	QTY.	DESCRIPTION
1	13791	1	SUMP ASSEMBLY
3	MBF15020 BD	1	FITTING, 1-1/2" BULKHEAD
4	TF075 .75 BULKHEAD FITTING	1	3/4" BULKHEAD FITTING

## Rinse Tank, Plumbing & Sight Gauge



## Rinse Tank, Plumbing & Sight Gauge Parts List

ITEM	VENDOR PART NO.	PART NO.	QTY.	DESCRIPTION
1		228	2	NUT HH5/16" NYLOCK ZP
2		116	2	BOLT HH5/16X1-1/2 GR5 ZP
3	10643	590022	2	POLYRINSE TANK HOLD DOWN
4	10602W	570003	1	TANK RINSE 100 GALLON WHITE
	10602Y	570004	1	TANK RINSE 100 GALLON YELLOW
	10918		1	ACE FITTING
5	AR-10522		1	5" VENTED LID
6		607	4	BOLT TRUSS HEAD 3/8 X 3/4 ZP
7		10612	1	PLATFORM TOP SAFETY PLATE
8		10669	2	POLYRINSE TANK HOLD DOWN
9		130	2	BOLT HH3/8 X 2 GR5 ZP
10		769	2	NUT HH3/8" WHIZ LOCK ZP
11	64012	540013	5	CLAMP HOSE 3/4"
12	15017503	510008	6"	HOSE EVA 3/4"
13	3T34F	530220	1	TEE HOSE BARB X 3/4 NPT F
14		10921	1	FORMED SIGHT GAUGE SUPPORT 1000 GALLON
		10919	1	FORMED SIGHT GAUGE SUPPORT 1250 GALLON
15	3EL34	530210	1	HOSE BARB ELBOW 3/4" HB X 3/4" NPT M
16	15007008	510006	66.5"	HOSE VINYL CLEAR 3/4" 1000 GALLON
17	13595	800040	1	DECAL GALLON 1000 GALLON TANK
NS	13596	800041	1	DECAL GALLON 1250 GALLON TANK
18	15007008	510006	40"	HOSE VINYL CLEAR 3/4"
19	HB075	530230	1	HOSE BARB 3/4"
20	64020H	540015	2	CLAMP HOSE 1-1/2"
21	CPLG075	530235	1	COUPLING 3/4" NPT
22	DF-103	510022	1	FLO-RITE FAUCET
23	3EL34HB	530214	1	HOSE BARB 90°
24	15007008	510006	58"	HOSE VINYL CLEAR 3/4"
25		768	2	NUT HH5/16 WHIZ LOCK ZP
26		10818	1	SIGHT GAUGE SUPPORT BRACKET
27		115	2	BOLT HH5/16X1 GR5 ZP
28		152	2	BOLT HH1/2X1 GR5 ZP
29		771	2	NUT HH1/2" WHIZ LOCK
30	200CAP	530017	1	2" CAM LOCK CAP W/530019 GASKET
31	200G	530019	7	GASKET 2" STANDARD THICKNESS
	200GXT		SP	GASKET 2" EXTRA THICK
32	HN-79.12	530179	1	LYNARD 12"
33	VSF200CF	500037	1	VALVE MANIFOLD X 2" MALE ADAPTER
34	FC200	540001	6	CLAMP MANIFOLD 2" STANDARD PORT
35	150G	530014	1	GASKET 2"
36	M150BRB	530079	2	MANIFOLD 1-1/2" HOSE BARB
37	TC-181	540006	4	CLAMP T-BOLT 1-1/2"
38	12012800	510002	27"	FERTILIZER SOLUTION HOSE 1-1/2"
39	M220150BRB	530100	1	MANIFOLD 2" FULL PORT X 1-1/2 HOSE BARB
40	FC220	540002	4	CLAMP MANIFOLD 2" FULL PORT
41	200G	530019	4	GASKET 2" FULL PORT
42	M220TEE	530097	1	MANIFOLD TEE 2" FULL PORT

43	HB125-125	530045	1	HOSEBARB1-1/2NPTX1-1/2HOSEBARB
44	AR10918	570071	1	BULKHEAD1/14"
45	M220150BRB90	530100	1	MANIFOLDHOSEBARBELBOW90°
46	CV220	500003	1	MANIFOLDCHECKVALVE
47		10638	1	HANDRAILRISETANK
48		258	5	WASHERFLAT3/8"
49		250	5	WASHERLOCK3.8"
50		128	5	BOLTHH3/8X1"

## 9600N Trailer Decals and Misc

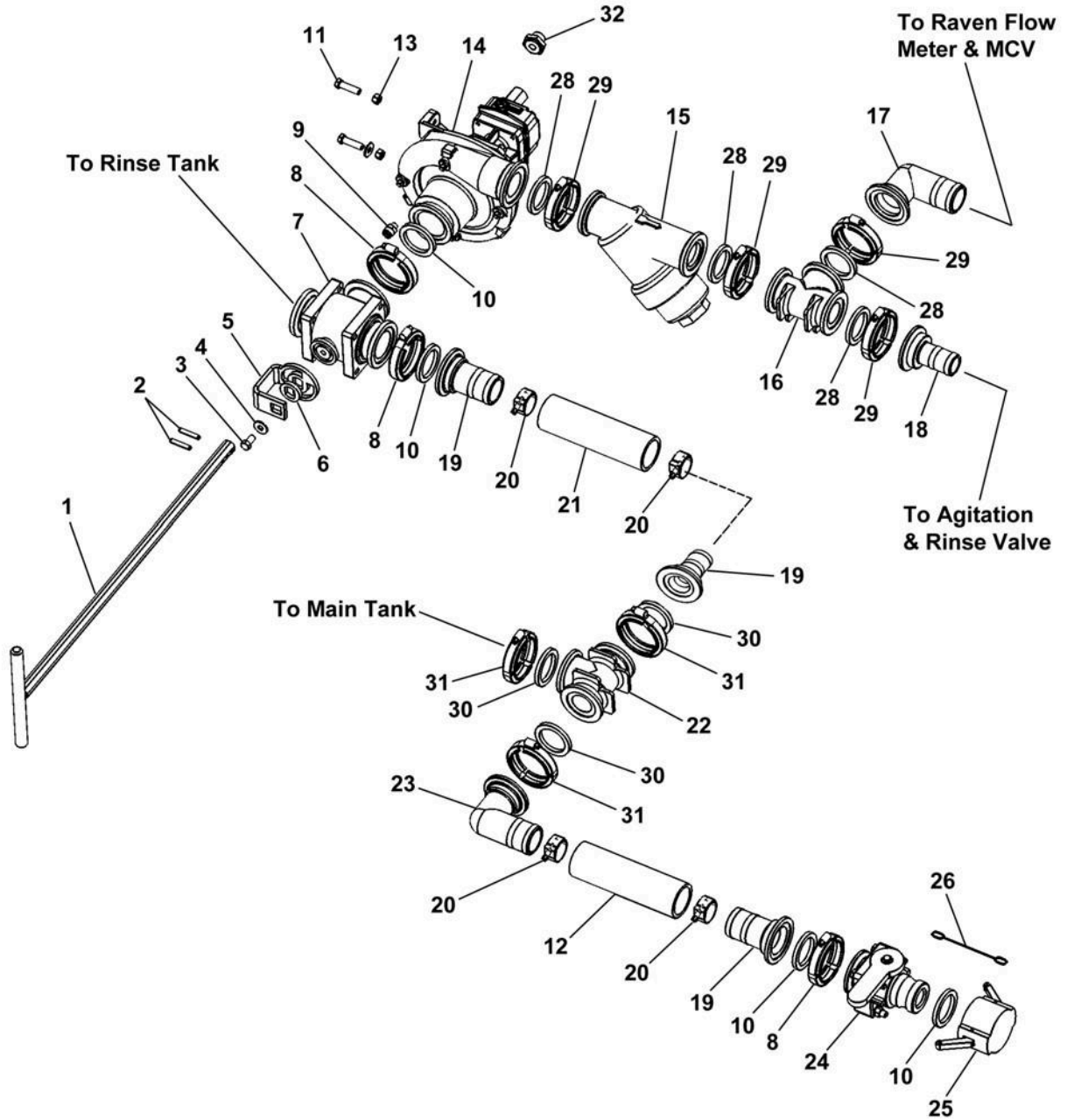


## 9600N Trailer Decals and Misc Parts List

ITEM	PART NO.	QTY.	DESCRIPTION
0	13508	1	VALVE EXTENSION HANDLE ARROW
0	15829	1	WASHER, SAFETY CHAIN
0	15835	1	DOM, SAFETY CHAIN SPACER
0	21188L	1	PLATE, FORMED, STEP MOUNT
0	21188R	1	PLATE, FORMED, STEP MOUNT
0	530026	1	1" EPDM BOLTED FLANGE GASKET
0	530036	1	3/4" MPT X 1" HOSE SHANK-90°
0	530050	1	2" MPT X 1-1/2" HOSE SHANK
0	530101	2	2" FP FLANGE X 1-1/2" HOSE BARB-90°
0	530110	2	2" MANIFOLD TEE - 220 SERIES
0	530221	1	TEE, 3/4" X 3/4" MPT BY HOSE BARB
0	530256	1	1-1/4" MPT X 1-1/2" HOSE BARB
0	530358	1	QUICK CONNECT, 3/4" HOSE BARB, 90°
0	540020	2	CLAMP, STAINLESS 3-1/2" #56
0	590001	4	3/8 X 3/4 PHILLIPS PAN HEAD SMS
0	590024	2	SADDLE BASE PAD
0	590113	1	BUMP PLATE LH
0	590114	1	BUMP PLATE RH
0	590127	4	PLUG 1-1/4" PLASTIC SQUARE TUBE
0	590137	3	NUT HH CENTERLOCK 1" NC ZP
0	590153	2	BOLT 1 X 6-3/4, 1-1/4 THREAD, MAGNI
0	590156	1	U-BOLT 2 X 3 X 1/4" SS
0	590226	1	BOLT HH 1 X 3-1/4 GR5 ZP
0	720001	2	PIN, SNAP
0	750048	1	MANUAL HOLDER
0	790008	3	WASHER, THRUST 1-5/8" I.D.
0	790049	1	CHAIN, SAFETY 20,000 LB
0	800003	1	DECAL, WARNING FALLING HAZARD
0	800004	1	DECAL, WARNING HIGH PRESSURE
0	800005	1	DECAL, UPENDING HAZARD

0	800006	1	DECAL DANGER ELECTROCUTION HAZARD
0	800007	1	DECAL, DANGER CHEMICAL HAZARD
0	800008	1	DECAL, WARNING TOXIC CHEMICAL
0	800009	2	DECAL, WARNING OVERHEAD HAZARD
0	800010	2	DECAL, WARNING INSTALL PIN
0	800013	1	DECAL, DANGER CRUSHING HAZARD
0	800014	2	DECAL, GREASE PIVOT POINTS
0	800017	1	DECAL MAIN TANK VALVE OPERATION
0	800018	1	DECAL RINSE TANK OPERATION SUC
0	800016	1	DECAL, ELECTRIC AGITATION
0	800021	2	DECAL FAST SPRAYERS LOGO BLACK/GREEN
0	800023	2	DECAL POWDER COAT /WHITE BACKGROUND
0	800024	1	DECAL REAR LIFT CYLINDER VALVE
0	800026	1	DECAL VALVE OPERATION FOR HYPRO
0	800029	2	DECAL 62" WHEEL TRACK LUG NUT TORQUE
0	800031	1	DECAL, AXLE POSITION
0	800057	1	DECAL US PATENT 7585000
0	800061	2	DECAL 9610N
0	800282	1	DECAL, DO NOT RUN PUMP DRY, ENGLISH
0	800208	1	DECAL, HYDRAULIC HOSE KEY

## Quick Fill & Pump Feed - 60-66 Ft Boom With ACE 150-206 Pump

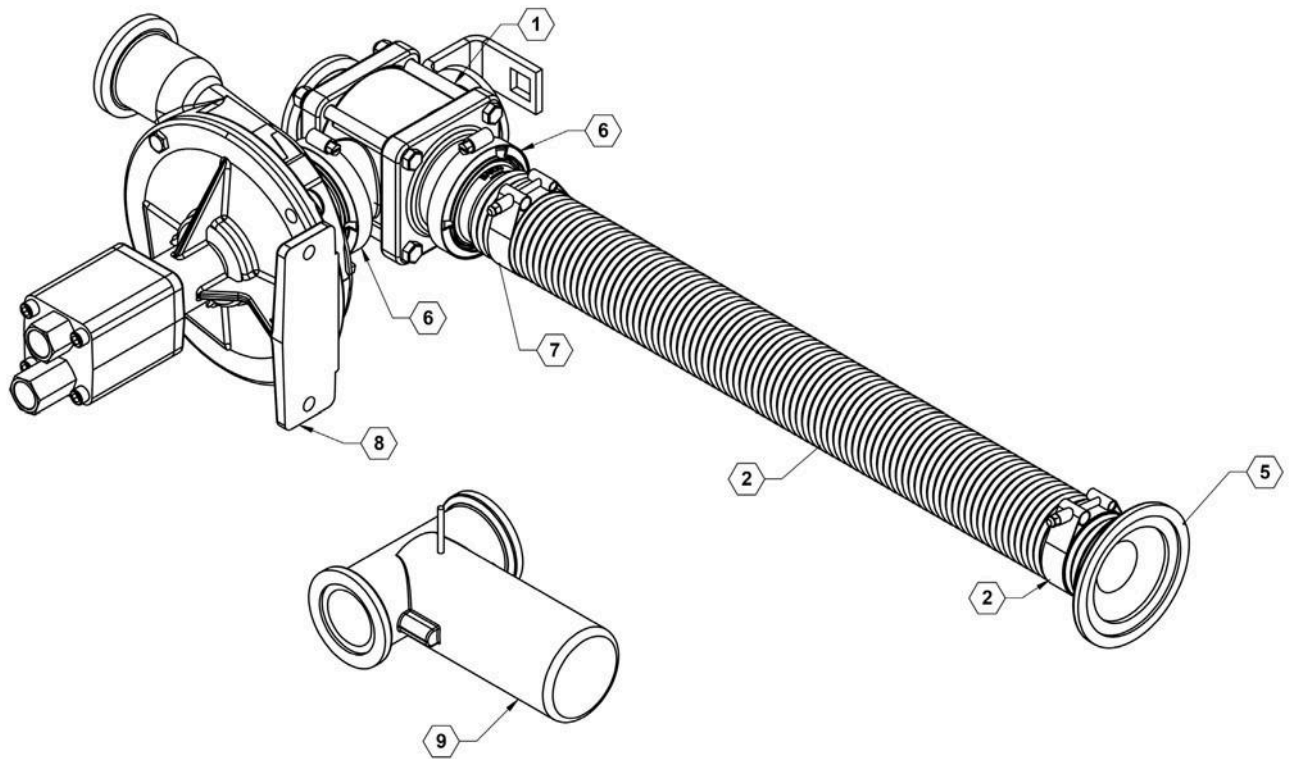




## Quick Fill & Pump Feed - 60-66 Ft Boom With ACE 150-206 Pump Parts List

ITEM	VENDOR PART NO.	PART NO.	QTY.	DESCRIPTION
1		7236	1	VALVE HANDLE EXTENSION
2		683	2	PIN, SPRING 1/4 X 2
3		127	1	BOLT HH 3/8 X 3/4 GR5 ZP
4		258	1	WASHER, FLAT 3/8" ZP
5		7232	1	VALVE HANDLE ADAPTER
6		7233	1	VALVE HANDLE COLLAR
7	MV220BL	500034	1	MANIFOLD VALVE 2" FULL PORT BOTTOM LOAD
8	FC220	530002	3	MANIFOLD CLAMP 2" FULL PORT
9	44103220	530005	1	ADAPTER 1/8 MPT X 1/4 QUICK LOCK
10	200G	530019	4	GASKET 2" FULL PORT
11		129	2	BOLT HH 3/8 X 1-1/2 GR5 ZP
12	12012800	510002	1	FERTILIZER SOLUTION HOSE
13		769	2	NUT HH 3/8" WHIZLOCK ZP
14	AC-FMC-150F-HYD-206	550000	1	PUMP, ACE 150-260F
15	MLS200-30	530123	1	MANIFOLD Y STRAINER 30 MESH SCREEN
16	M200TEE	530097	1	MANIFOLD TEE 2" PORT
17	M200150BRB90	530080	1	MANIFOLD ELBOW 2" PORT X 1-1/2 HOSE BARB
18	M200150BRB	530100	1	MANIFOLD HOSE BARB 2 X 1-1/2 HOSE BARB
19	M220200BRB	530103	2	MANIFOLD 2" FULL PORT X 2" HOSE BARB
20	TC-231	540007	4	T-BOLT CLAMP 2" HOSE
21	12012800	510002	1	FERTILIZER SOLUTION HOSE
22	M300TEE	530115	1	MANIFOLD TEE 3"
23	M300200BRB90	530112	1	MANIFOLD 3 X 2 HOSE BARB 90°
24	MVSF220FP	530128	1	MANIFOLD VALVE 2" FULL PORT X MALE ADAPTER
25	200CAP	530017	1	CAP 2" QUICK CAM
26	HN-79-12	530179	1	LANYARD
27	200GXT		AR	GASKET 2" EXTRA THICK
28	150G	530014	4	GASKET 2"
29	FC200	540001	4	CLAMP 2" STD
30	300G	530024	3	GASKET 3"
31	FC300	540003	3	CLAMP 3" STD
32	6404-10-08	610019	1	ADAPTER 1/2 NPT X 10 ORD

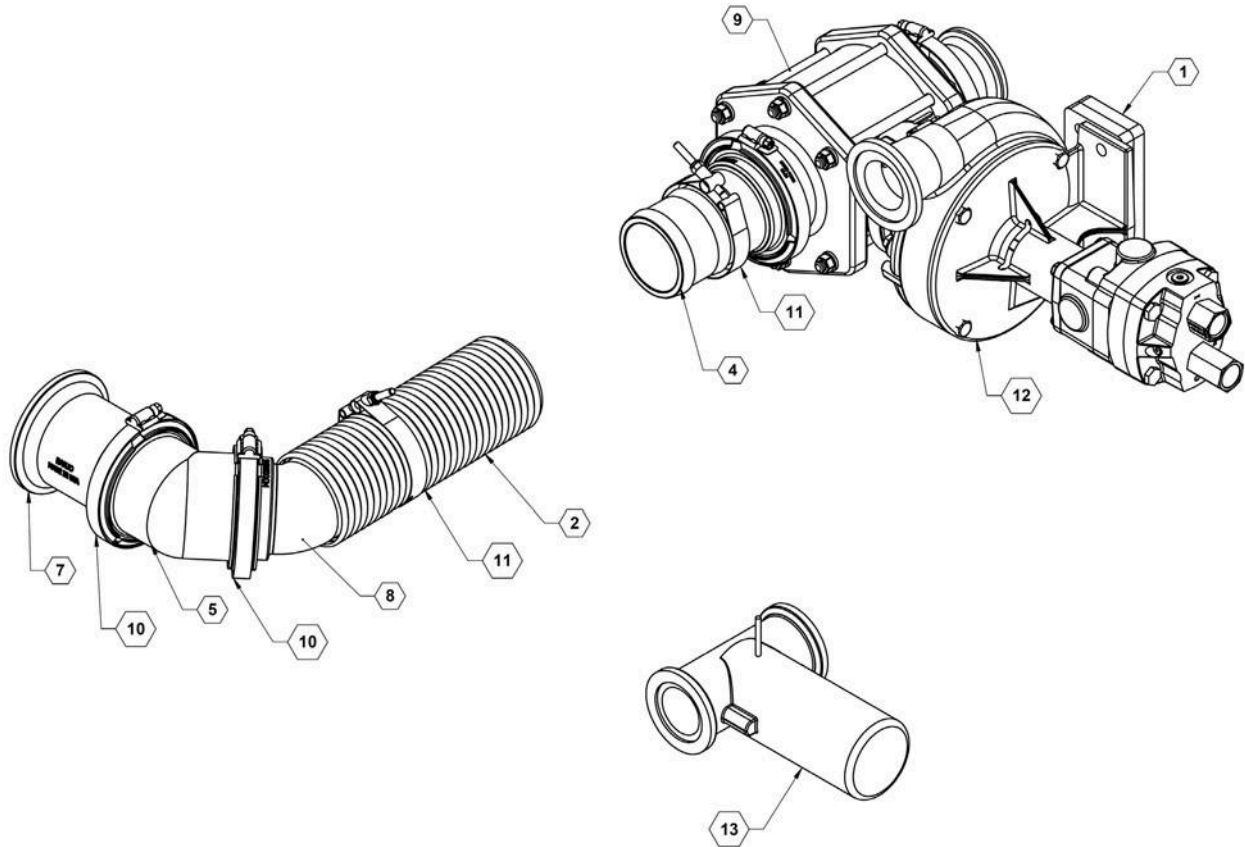
**Pump Option - 60' - 66' Boom With ACE 105-206 Pump**



**Pump Option - 60' & 66' Boom With ACE 150-206 Pump Parts List**

ITEM	PART NO.	QTY.	DESCRIPTION
1	500034	1	VALVE, 2" BOTTOM LOAD FPF
2	510003	1	BUMBLEBEE HOSE, 2"
3	530019	2	GASKET, 2" EPDM
4	530103	1	MANIFOLD FLANGE 2" FP X 2" HB
5	530111	1	MANIFOLD, 3" X 2" HB
6	540002	2	CLAMP, WORM SCREW 2"
7	540007	2	CLAMP, HOSE 2" T-BOLT
8	550000	1	PUMP, 150-206 FLANGED, ACE
9	632079	1	VALVE, BUTTERFLY, 1.5", Deutsch Connector

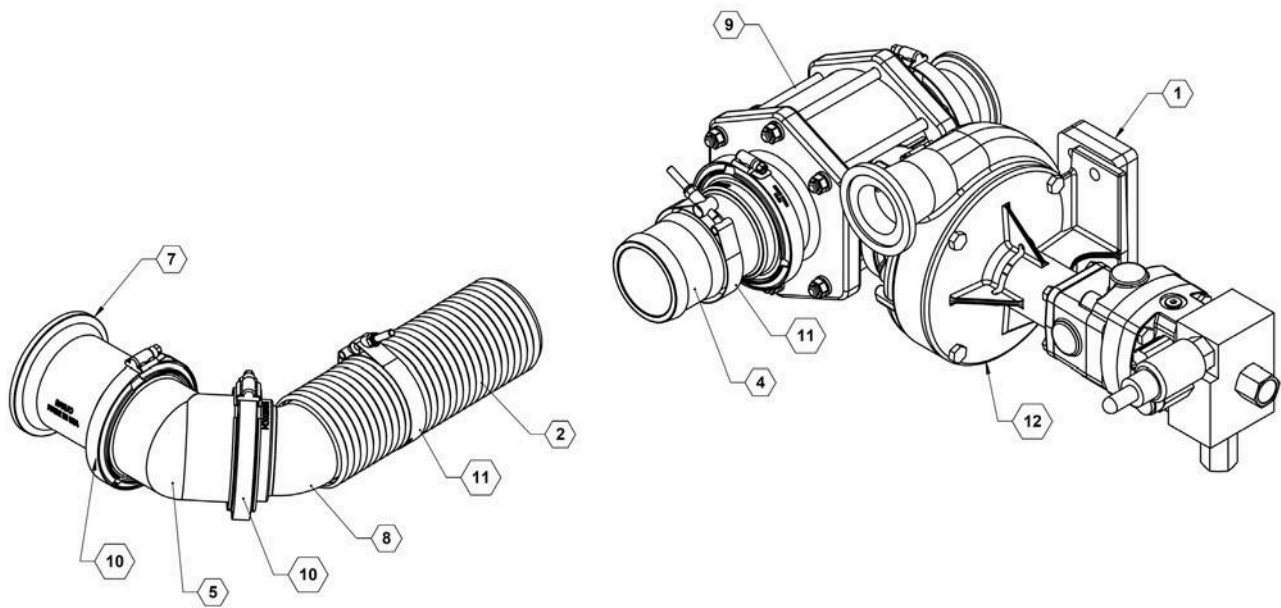
**Pump Option - 60' - 100' Boom With ACE 205-304 Pump**



## Pump Option - 60' - 100' Boom With ACE 205-304 Pump Parts List

ITEM	PART NO.	QTY.	DESCRIPTION
1	18339	2	PLATE, PUMP SPACER
2	510004	2'	HOSE, 3" FERTILIZER
3	530024	5	GASKET, 3" EPDM
4	530113	1	Flanged 3 Inch Hose Barb
5	530234	1	3" COUPLER, 45°
6	530316	1	MANIFOLD REDUCER 3" X 2" COUPLER
7	530448	1	3" FLANGE X 3" FLANGE
8	530449	1	3" MANIFOLD TO HOSE BARB 45
9	530450	1	3" MANIFOLD 3 W AY VALVE
10	540003	5	CLAMP, W ORM SCREW 3"
11	540009	2	CLAMP, 3" T BOLT
12	550025	1	PUMP, ACE 205F 304 ASSEMBLY
13	632079	1	VALVE, BUTTERFLY, 1.5", Deutsch Connector

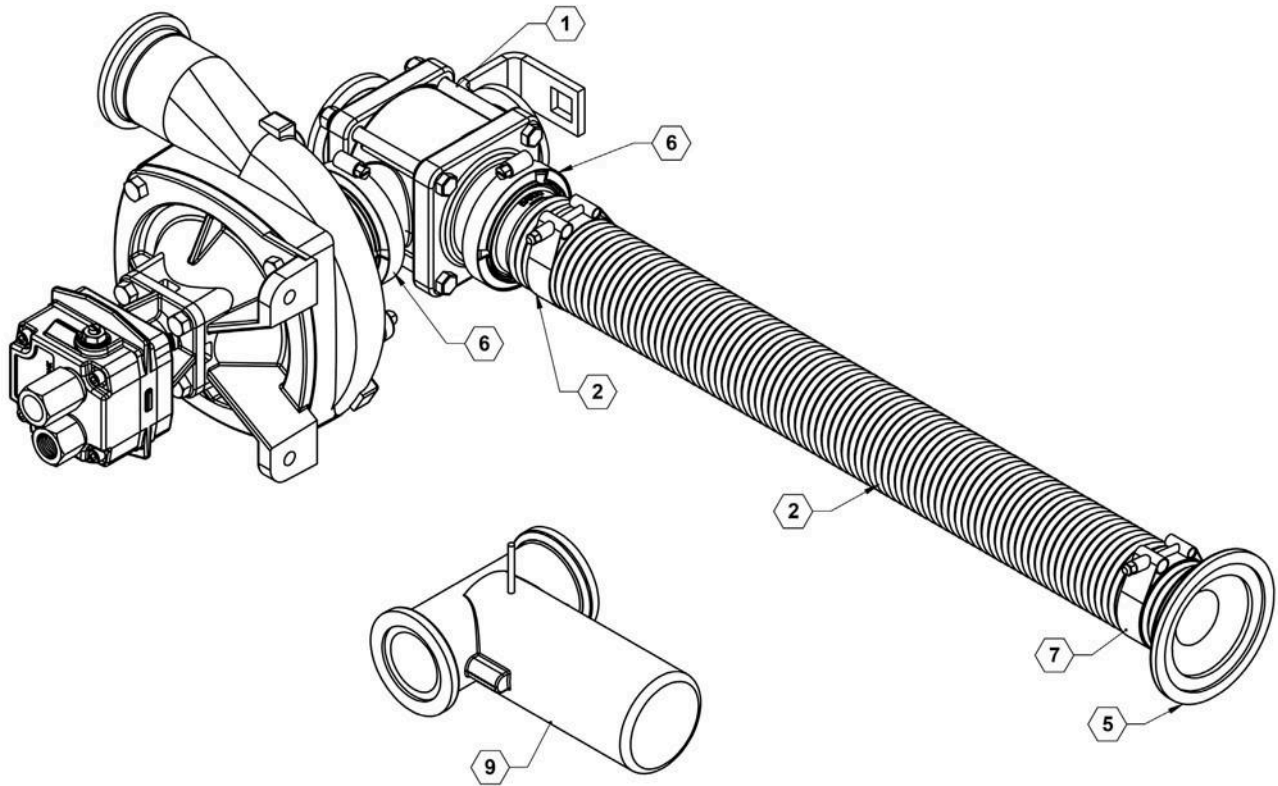
**Pump Option - 80, 90 & 100' Boom With ACE 205-304 PWM Pump**



## Pump Option - 80, 90 & 100' Boom With ACE 205-304 PWM Pump Parts List

ITEM	PART NO.	QTY.	DESCRIPTION
1	18339	2	PLATE, PUMP SPACER
2	510004	2'	HOSE, 3" FERTILIZER
3	530024	5	GASKET, 3" EPDM
4	530113	1	Flanged 3 Inch Hose Barb
5	530234	1	3" COUPLER, 45°
6	530316	1	MANIFOLD REDUCER 3" X 2" COUPLER
7	530448	1	3" FLANGE X 3" FLANGE
8	530449	1	3" MANIFOLD TO HOSE BARB 45
9	530450	1	3" MANIFOLD 3 W AY VALVE
10	540003	5	CLAMP, W ORM SCREW 3"
11	540009	2	CLAMP, 3" T BOLT
12	550035	1	PUMP, ACE 205F W ITH 304 PW M

**Pump Option - 60' - 100' Boom With HYPRO Pump**

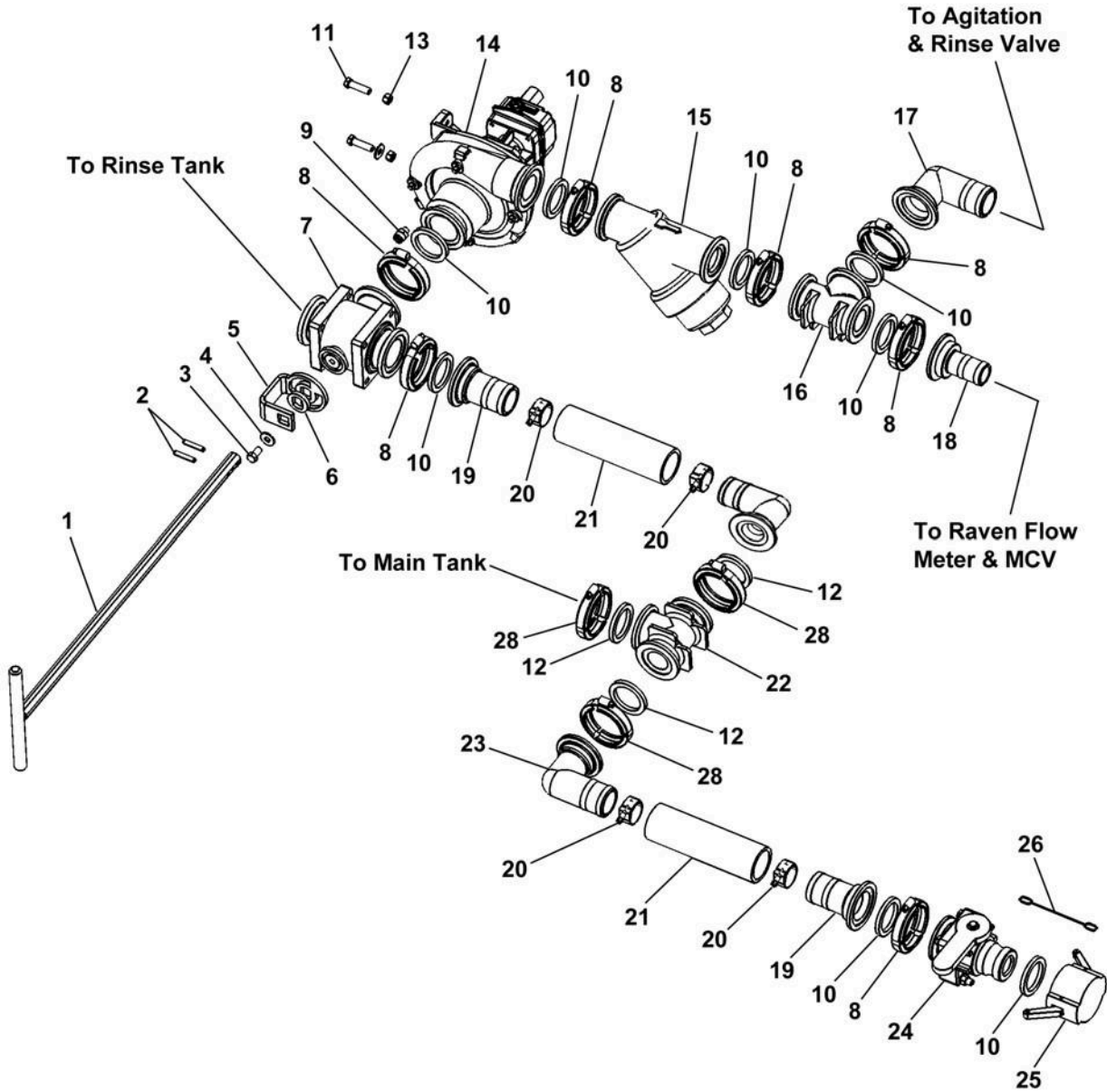




## Pump Option - 60' - 100' Boom With HYPRO Pump Pump Parts List

ITEM	PART NO.	QTY.	DESCRIPTION
1	500034	1	VALVE, 2" BOTTOM LOAD FPF
2	510003	1	BUMBLEBEE HOSE, 2"
3	530019	2	GASKET, 2" EPDM
4	530103	1	MANIFOLD FLANGE 2" FP X 2" HB
5	530111	1	MANIFOLD, 3" X 2" HB
6	540002	2	CLAMP, WORM SCREW 2"
7	540007	2	CLAMP, HOSE 2" T-BOLT
8	550011	1	PUMP, HYPRO
9	632079	1	VALVE, BUTTERFLY, 1.5", Deutsch Connector

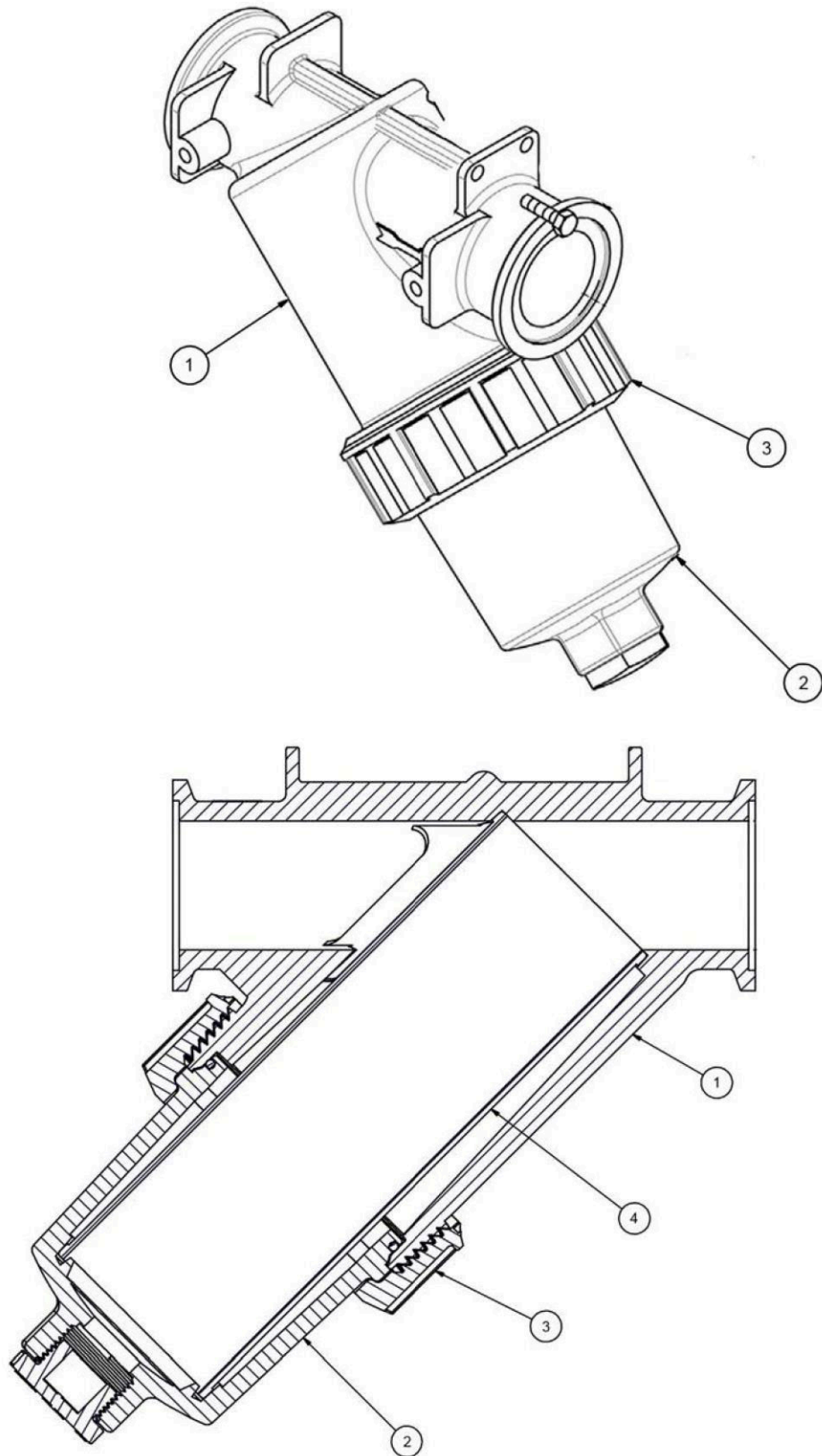
## Quick Fill & Pump Feed - 80,90&100 Ft Boom With HYPRO Pump



## Quick Fill & Pump Feed - 80,90&100 Ft Boom With HYPRO Pump Parts List

ITEM	VENDOR PART NO.	PART NO.	QTY.	DESCRIPTION
1		7236	1	VALVE HANDLE EXTENSION
2		683	2	PIN, SPRING 1/4 X 2
3		127	1	BOLT HH 3/8 X 3/4 GR5 ZP
4		258	1	WASHER, FLAT 3/8" ZP
5		7232	1	VALVE HANDLE ADAPTER
6		7233	1	VALVE HANDLE COLLAR
7	MV220BL	500034	1	MANIFOLD VALVE 2" FULL PORT BOTTOM LOAD
8	FC220	530002	7	MANIFOLD CLAMP 2" FULL PORT
9	44103220	530005	1	ADAPTER 1/8 MPT X 1/4 QUICK LOCK
10	200G	530019	8	GASKET 2" FULL PORT
11		129	2	BOLT HH 3/8 X 1-1/2 GR5 ZP
12	300G	530024	3	GASKET 3"
13		769	2	NUT HH 3/8" WHIZLOCK ZP
14	93079	550011	1	PUMP, HYPRO 9306C-HM1C-UB
15	MLS220-30	530125	1	MANIFOLD Y STRAINER 30 MESH SCREEN 2" FULL PORT
16	M220TEE	530097	1	MANIFOLD TEE 2" PORT
17	M220150BRB90	530080	1	MANIFOLD ELBOW 2" PORT X 1-1/2 HOSE BARB
18	M200150BRB	530100	1	MANIFOLD HOSE BARB 2 X 1-1/2 HOSE BARB
19	M220200BRB	530103	2	MANIFOLD 2" FULL PORT X 2" HOSE BARB
20	TC-231	540007	4	T-BOLT CLAMP 2" HOSE
21	12012800	510002	1	FERTILIZER SOLUTION HOSE
22	M300TEE	530115	1	MANIFOLD TEE 3"
23	M300200BRB90	530112	2	MANIFOLD 3 X 2 HOSE BARB 90°
24	MVSF220FP	530128	1	MANIFOLD VALVE 2" FULL PORT X MALE ADAPTER
25	200CAP	530017	1	CAP 2" QUICK CAM
26	HN-79-12	530179	1	LANYARD
27	200GXT		AR	GASKET 2" EXTRA THICK
28	FC300	540003	3	MANIFOLD CLAMP 3"

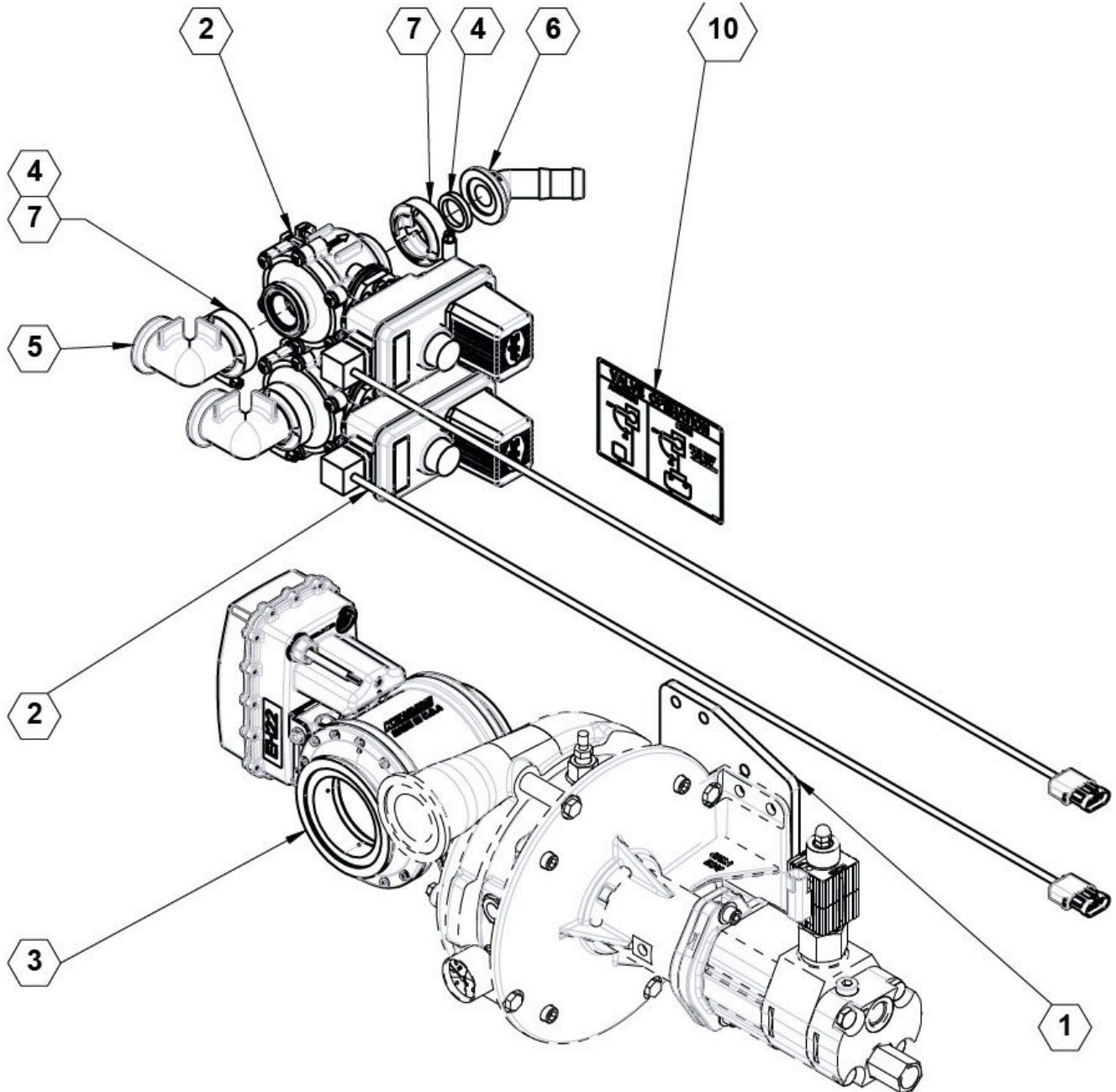
**Y Strainer**



## Y Strainer Parts List 530125

ITEM	PART NO.	VENDOR PART NO.	QTY.	DESCRIPTION
	530125		1	COMPLETE STRAINER
1		M LS222B	1	2" FP LINE STRAINER BODY
2		M LS220C1	1	M LS220 CAP ASSEMBLY
3		M LS220R1	1	2" FP LS RETAINING RING
4		LST204SS	1	4 SS M ESH SCREEN
4		LST206SS	1	6 SS M ESH SCREEN
4		LST208SS	1	8 SS M ESH SCREEN
4		LST210SS	1	10 SS M ESH SCREEN
4		LST216SS	1	16 SS M ESH SCREEN
4		LST230SS	1	30H SS M ESH SCREEN
4		LST250SS	1	50 SS M ESH SCREEN
4		M LS250SS	1	50 SS M ESH PERFORATED SCREEN
4		LST280SS	1	80 SS M ESH SCREEN
4		M LS280SS	1	80 SS M ESH PERFORATED SCREEN
4		LST2100SS	1	100 SS M ESH SCREEN
4		M LS2100SS	1	100 SS M ESH PERFORATED SCREEN

**Electrical Valving Option**



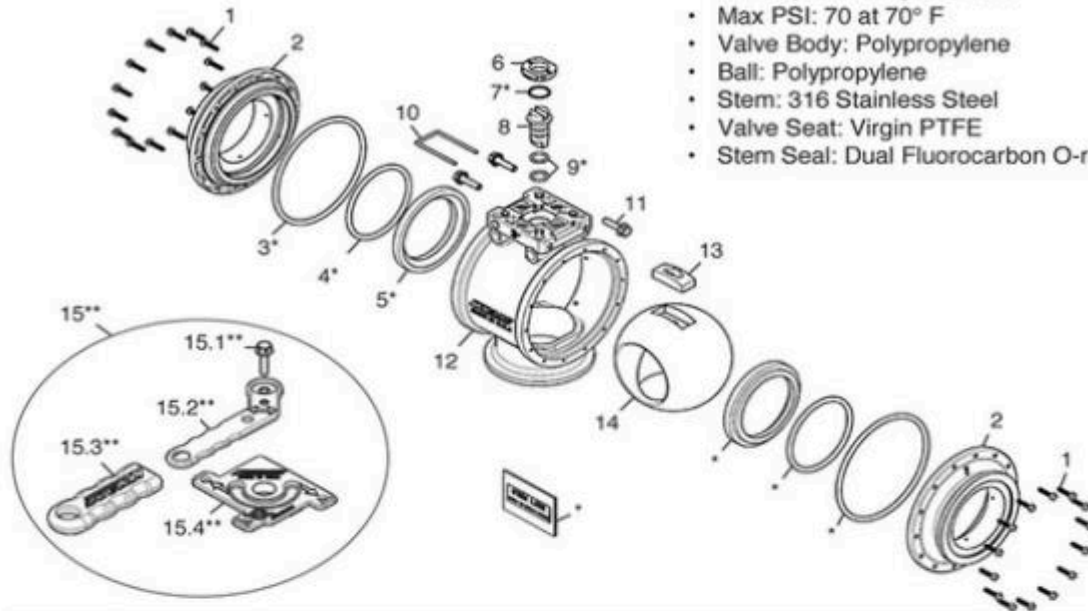
**Electrical Valving Option 99FSEVO Parts List**

<b>ITEM</b>	<b>PART NO.</b>	<b>QTY.</b>	<b>DESCRIPTION</b>
1	<b>18305</b>	1	PLATE, ADAPTER, ACE OASIS PUMP
2	<b>500064</b>	2	VALVE, 356 SERIES ON/OFF ELEC. AGITATION
3	<b>500080</b>	1	VALVE, 3" 3-WAY ACTUATED
4	<b>530068</b>	4	GASKET, 1.00 EPDM
5	<b>530362</b>	2	FITTING, 1" MANIFOLD 90 ELBOW
6	<b>530426</b>	2	ELBOW 45, 1.00 FLANGE X 1.00 HB
7	<b>540000</b>	4	CLAMP, WORM SCREW, 1.00
8	<b>632155</b>	1	CAB BOX, ELECTRIC RINSE & AGITATE
9	<b>632156</b>	1	HARNESS, ELECTRIC RINSE & AGITATE
10	<b>800016</b>	1	DECAL, MAIN TANK VALVE OPERATION

## Pump Electric Valve Option

### Electric Valve 500080

#### MX12 3-way



#### Design Features:

- 3" Full port 3-Way ball valve
- Max PSI: 70 at 70° F
- Valve Body: Polypropylene
- Ball: Polypropylene
- Stem: 316 Stainless Steel
- Valve Seat: Virgin PTFE
- Stem Seal: Dual Fluorocarbon O-rings

No.	Part Number	Description	Qty
1	100-0002	screw, #8, 3/4, stainless steel, 18-8	28
2	202-0080	endcap, M300, 3" full port flange	2
3*	205-0030	o-ring, EPDM	2
4*	205-0040	o-ring, EPDM	2
5*	206-0025	seat, 3" full port	2
6	QX4-121-3	stem retainer bushing, polypropylene	1
7*	QC3-170	thrust washer, PTFE	1
8	207-0001	stem, stainless steel inline	1
	207-0009**	stem, stainless steel inline, tapped for manual valve	
9*	QC3-130	o-ring, #113, VITON	2
10	QX-103	hairpin, stainless steel	1
11	100340	bolt, serrated flange, 1/4 - 20 x 1	3
12	201-0115	valve body, 3-way, bottom load, M300, 3" polypropylene full port	1
13	250-0050	shoe, ball/stem engagement	1
14	204-0030	valve ball, 3-way, 2" diverter	1
	204-0057	valve ball, 3" polypropylene full port	
15**		Manual Valve	
15.1**	100340	bolt, serrated flange, 1/4 - 20 x 1	1
15.2**	212-0010	handle	1
15.3**	212-0015	handle cover	1
15.4**	250-0040-P	retainer, stop plate	1
*	210-0026	valve repair kit, MX - 3" (M4K)	

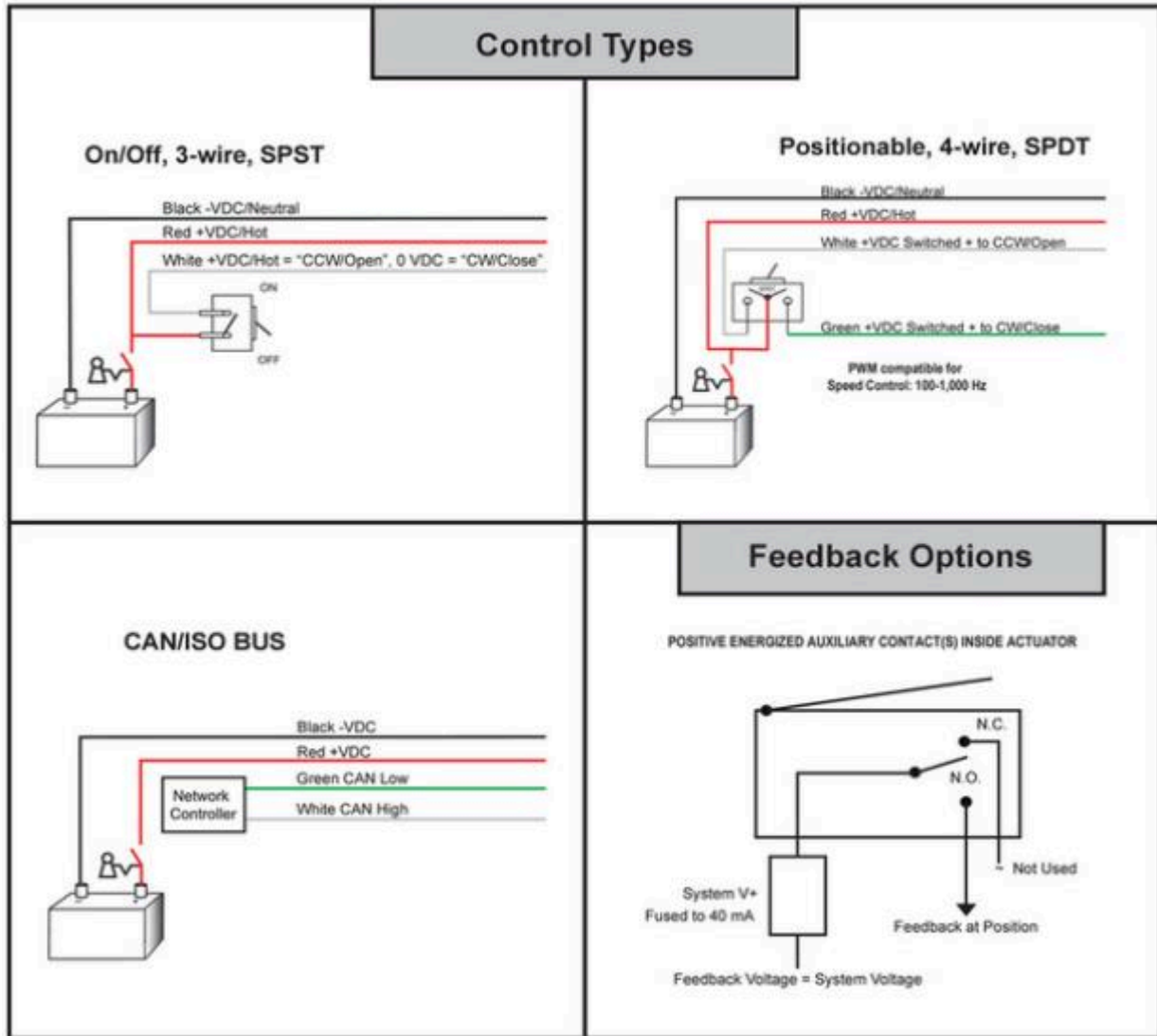
\*Items included in valve repair kits

\*\*Manual valve only

See [https://view.publitas.com/kzvalve/kzvalve\\_catalog](https://view.publitas.com/kzvalve/kzvalve_catalog)



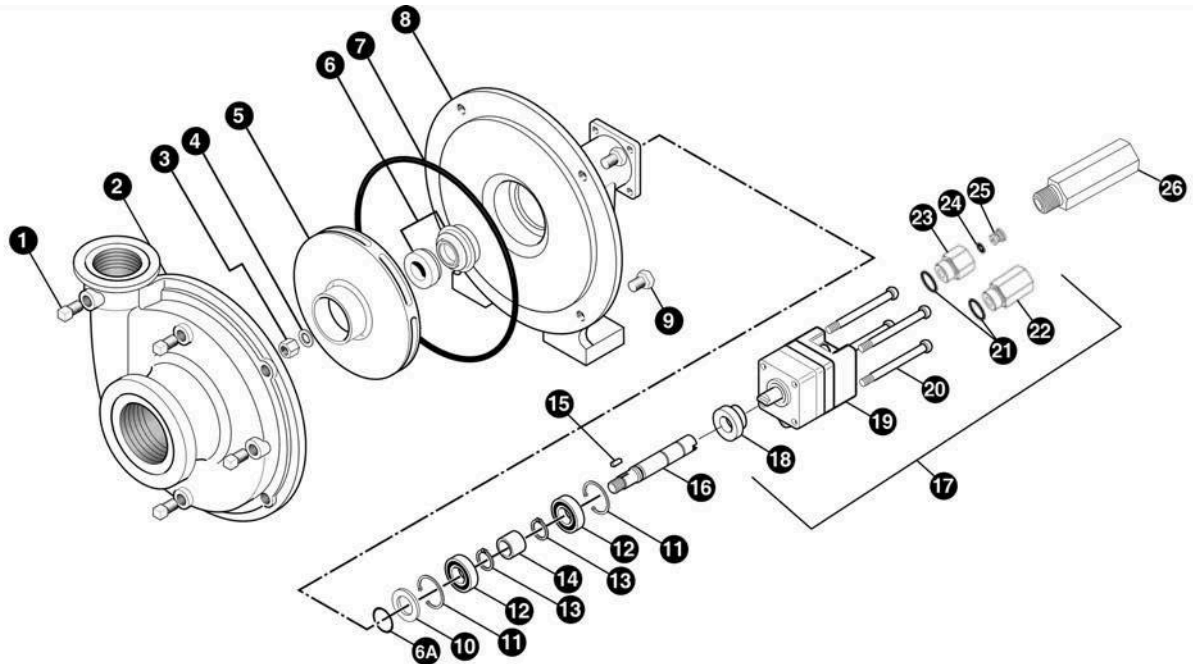
## Pump Electric Valve Option



See [https://view.publitas.com/kzvalve/kzvalve\\_catalog](https://view.publitas.com/kzvalve/kzvalve_catalog)

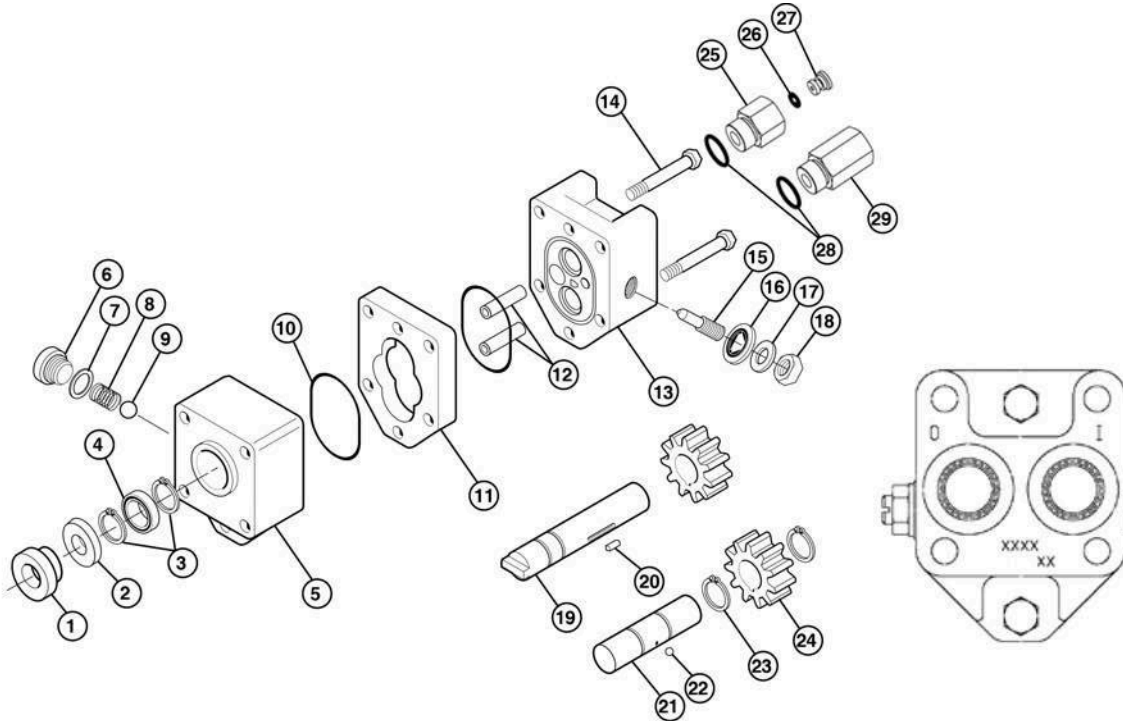


## ACE 150-206 Pump 550000, 60 & 66 Foot Boom



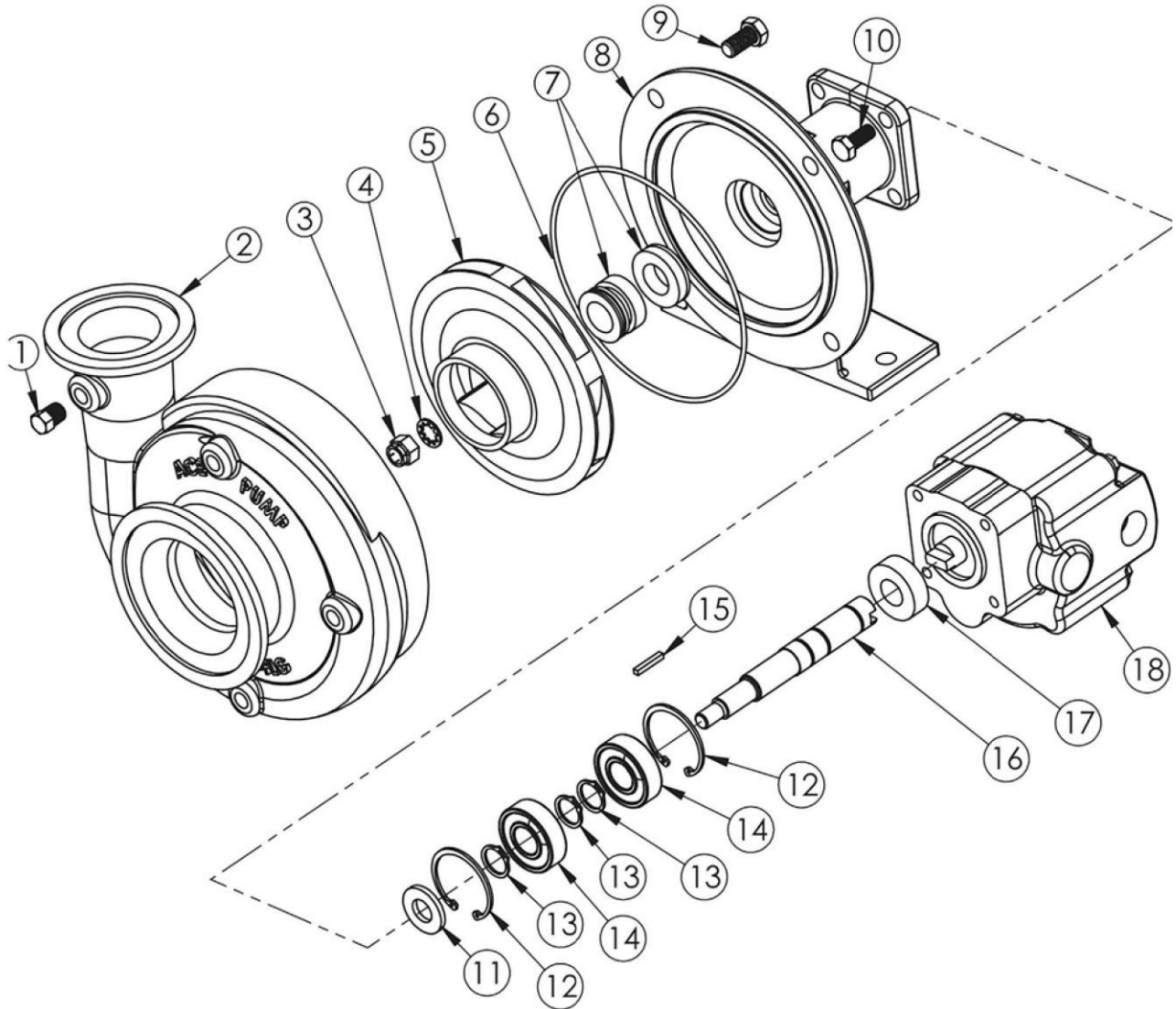
REF. #	PART NUMBER	EDP #	DESCRIPTION	REQ.
1	BAC-53	41110	Pipe plug	4
1	41120	41120	Pipe plug, stainless steel (optional)	4
2	BAC-12-150-FLG	40257	Volute, cast iron, NPT & flanged (for 150F models)	1
2	BAC-12-150-SS	40249	Volute, 316 stainless steel, NPT & flanged (for 150FS models)	1
3	BAC-23-A	40391	Nut, 3/8" NF, cad plated	1
3	BAC-23-A-SS	40392	Nut, 3/8" NF, stainless steel (optional)	1
4 <sup>Ⓞ</sup>	BAC-24-HYD-SS	40400	Washer, 3/8" star, stainless steel	1
5	BAC-26-150-P	40446	Impeller, Valox, keyway	1
5	BAC-26-150-CI	40445	Impeller, cast iron, keyway (optional)	1
6 <sup>Ⓞ</sup>	BAC-7V	40151	Seal, carbon/ceramic/Viton (includes 40160 O-Ring)	1
6 <sup>Ⓢ</sup>	BAC-7SC	40152	Seal, silicon carbide/Viton (includes 40160 O-Ring) (optional)	1
6A <sup>Ⓞ</sup>	40160	40160	O-ring, shaft seal	1
7 <sup>Ⓞ</sup>	BAC-4-150	40015	O-ring, body seal	1
8	BAC-14-150-HYD	40305	Mounting frame, cast iron (for 150F models)	1
8	BAC-14-150-HYD-SS	40319	Mounting frame, 316 stainless steel (for 150FS models)	1
9	40950	40950	Cap screw, 3/8" NC x 3/4" hex head	4
9	40930	40930	Cap screw, 3/8" NC x 3/4" hex head, stainless steel (optional)	4
10	BAC-54	41130	Slinger	1
11	BAC-33	40810	Snap ring, internal, BAC-14 mounting frame	2
12	BAC-37	40870	Ball Bearing, sealed, BAC-6 shaft	2
13	BAC-32	40790	Snap ring, external, BAC-6 shaft	2
14	BAC-32-S	40795	Spacer for BAC-6 shaft	1
15	BACH-25	40420	Key, 1/8" x 1/8" x 1/2"	1
16	BAC-6-HYD-SS	40061	Shaft, 5/8" diameter, keyway and tang slot, stainless steel	1
17	BAC-75-HYD-206	41372	Hydraulic motor, 7 GPM (includes parts 18 - 25)	1
18	S200	40161	Seal support spacer for 200 Series HYD motor	1
19	BAC-75-HYD-206N	41397	Hydraulic motor, 7 GPM (motor only - no external fittings)	1
20	41255	41255	Cap screw, 5/16" N. C. x 3-3/4" socket head (for 206N motor)	4
21	41875	41875	O-ring, #8 SAE fitting	2
22	BAC-78-8SAE	41441	Reverse check valve, #8 SAE male x 1/2" NPT female	1
23	BAC-80-8SAE	41455	Adapter, restrictor body, #8 SAE male x 1/2" NPT female	1
24	41448	41448	O-ring, orifice insert	1
25	BAC-79-7	41456	Orifice, restrictor insert, .109 (206N)	1
26	LS-206N	41418	Flow limiting valve (206N), #8 SAE male x 1/2" NPT female	1
Ⓞ	RK-FMC-150	52710	Repair kit for FMC-150 series pump	-
Ⓢ	RK-FMCSC-150	52711	Repair kit for FMC-150 series with silicon carbide shaft seal	-
#	RK-BAC-75-HYD-L	41374	Repair kit for 200-L Series motor	-

## ACE 150-206 Pump Hydraulic Motor, 60 & 66 Foot Boom



REF. #	MODEL 204N	MODEL 206N	MODEL 210N	DESCRIPTION	REQUIRED
1*	S200	S200	S200	Seal support spacer	1
2*	40153	40153	40153	Seal cartridge	1
3	41941	41941	41941	Snap ring, bearing	2
4	41961	41961	41961	Ball bearing, 7/16" I.D.	1
5	41731	41731	41731	Drive plate	1
6	42041	42041	42041	Valve cap, coasting check	1
7*	42044	42044	42044	"O" ring, coasting check	1
8	42042	42042	42042	Spring, coasting check	1
9	42043	42043	42043	Ball, coasting check	1
10*	41850	41850	41850	"O" ring, housing seal	2
11	41720	41721	41725	Gear housing	1
12	41800	41801	41805	Dowel pin, housing	2
13	41742	41742	41742	End plate	1
14	41900	41900	41905	Cap screw, 1/4" N.C. hex head	2
15	42010	42010	42010	Adjusting screw, needle valve	1
16*	42030	42030	42030	Thread seal, 3/8", needle valve	1
17	42040	42040	42040	Washer, flat steel, needle valve	1
18	40960	40960	40960	Nut, 3/8" N.C. jam, needle valve	1
19	41761	41764	41766	Drive shaft	1
20	41920	41921	41925	Dowel pin, drive shaft	1
21	41970	41971	41975	Idler shaft	1
22	41990	41990	41990	Ball, idler shaft	1
23	41980	41980	41980	Retaining ring, idler gear	2
24	41750	41751	41755	Gear	2
25	41455	41455	41455	Adapter body, #8 SAE male x 1/2" NPT	1
26	41448	41448	41448	"O" ring, orifice insert (use with 41456 insert)	1
27	41457	41456	41456	Insert, restrictor orifice (use with 41455 body)	1
28	41875	41875	41875	"O" ring, #8 SAE male fitting	2
29	41441	41441	41441	Reverse check, #8 SAE male x 1/2" NPT	1
#	41374	41374	41374	Repair Kit, RK-BAC-75-HYD-L	--

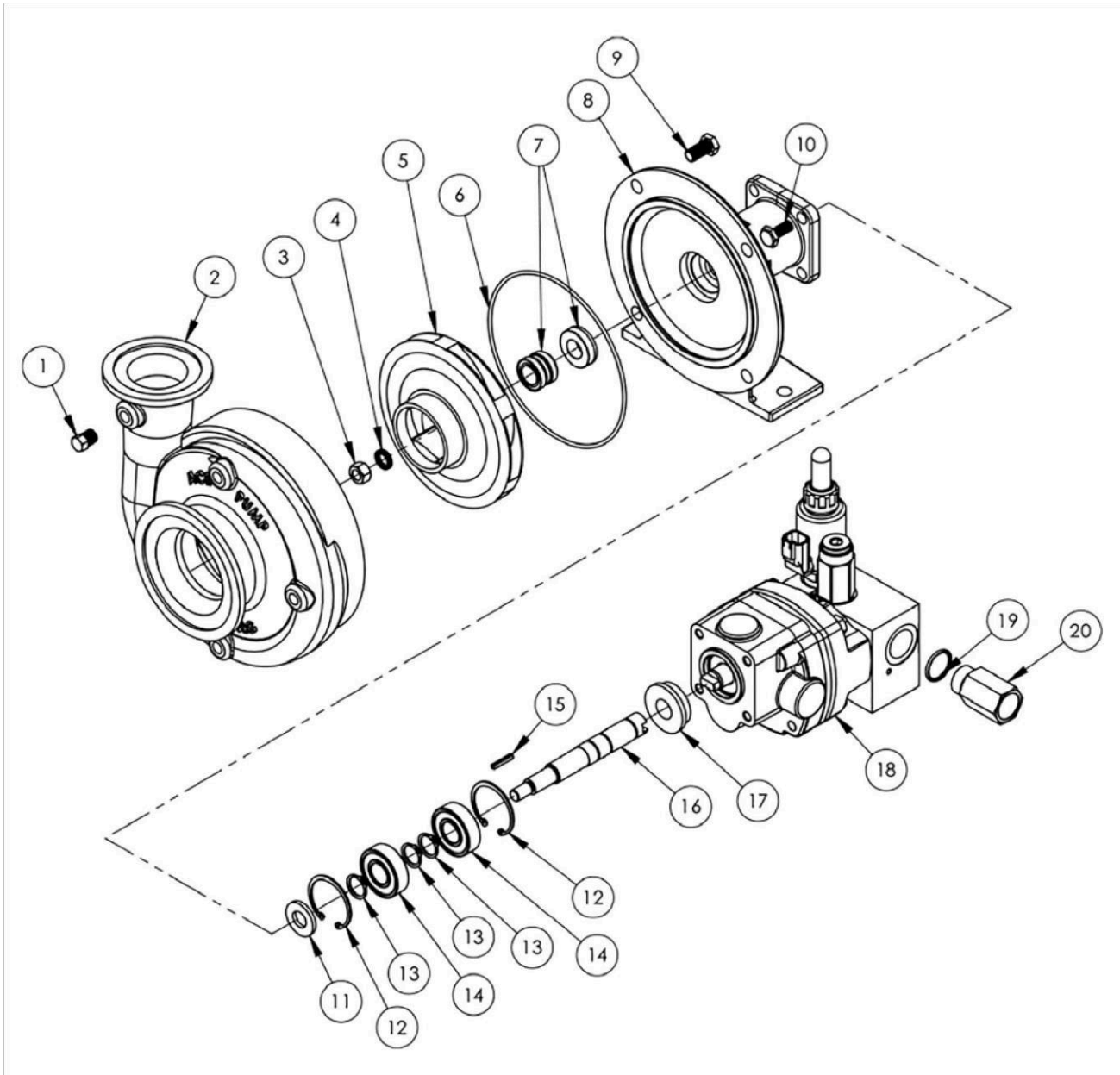
**ACE 205-304 Pump 550025**



## ACE 205-304 Pump 550025 Parts List

ITEM	PART NO.	QTY.	DESCRIPTION
0	550025	1	PUMP, 205-304 FLANGED, COMPLETE PUMP
1	BAC-53	1	PIPE PLUG
1	41120	1	PIPE PLUG, STAINLESS STEEL (OPTIONAL)
2	7AC-14-FLG	1	VOLUTE, 300 STANDARD FLANGE X 220 FULL PORT FLANGE
3	BAC-23-A	1	NUT, 3/8" NF, CAD PLATED
3	BAC-23-A-SS	1	NUT, 3/8" NF, STAINLESS STEEL (OPTIONAL)
4J	BAC-24-HYD-SS	1	WASHER, 3/8" STAR, STAINLESS STEEL
5	BAC-26-200-P	1	IMPELLER, WITH EXTENDED KEYWAY, THERMOPLASTIC
5	BAC-26-200-CI	1	IMPELLER, WITH EXTENDED KEYWAY, CAST IRON (OPTIONAL)
5	BAC-26-200-SS	1	IMPELLER, WITH EXTENDED KEYWAY, 316 STAINLESS STEEL (OPTIONAL)
6J	BAC-4A	1	O-RING, BODY SEAL
7J	BAC-7SC-205V	1	SEAL, SILICON CARBIDE
8	BAC-14-205-HYD	1	MOUNTING FRAME FOR 205 PUMP
9	40950	4	CAP SCREW, 3/8" NC X 3/4" HEX HEAD
10	41330	4	CAP SCREW, 5/16" NC X 3/4" HEX HEAD, MOTOR TO PUMP
11	BAC-54	1	SLINGER
12	BACH-33	1	SNAP RING, INTERNAL, BAC-14-205 MOUNTING FRAME
13	BACH-32-HD	3	SNAP RING, EXTERNAL, BAC-6-205 SHAFT
14	40880	1	BALL BEARING, SEALED, BAC-6-205 SHAFT
15	BAC-25	1	KEY, 1/8" X 1/8" X 13/16", EXTENDED KEYWAY
16	BAC-6-205-HYD-SS	1	SHAFT, EXTENDED KEYWAY, TANG, STAINLESS STEEL
17	S305	1	SEAL SUPPORT SPACER FOR 205 SERIES PUMP
18	BAC-75-HYD-304A	1	HYDRAULIC MOTOR, 13 GPM, 1/2" NPT PORTS
18	BAC-75-HYD-304A-12SAE	1	HYDRAULIC MOTOR, 13 GPM, #12 SAE END PORTS (OPTIONAL)
J	RK-FMCS-205	1	REPAIR KIT FOR FMC-205 PUMP WITH SILICON CARBIDE SHAFT SEAL
#	RK-BAC-75-HYD-300-L	1	REPAIR KIT FOR 300 SERIES HYDRAULIC MOTOR

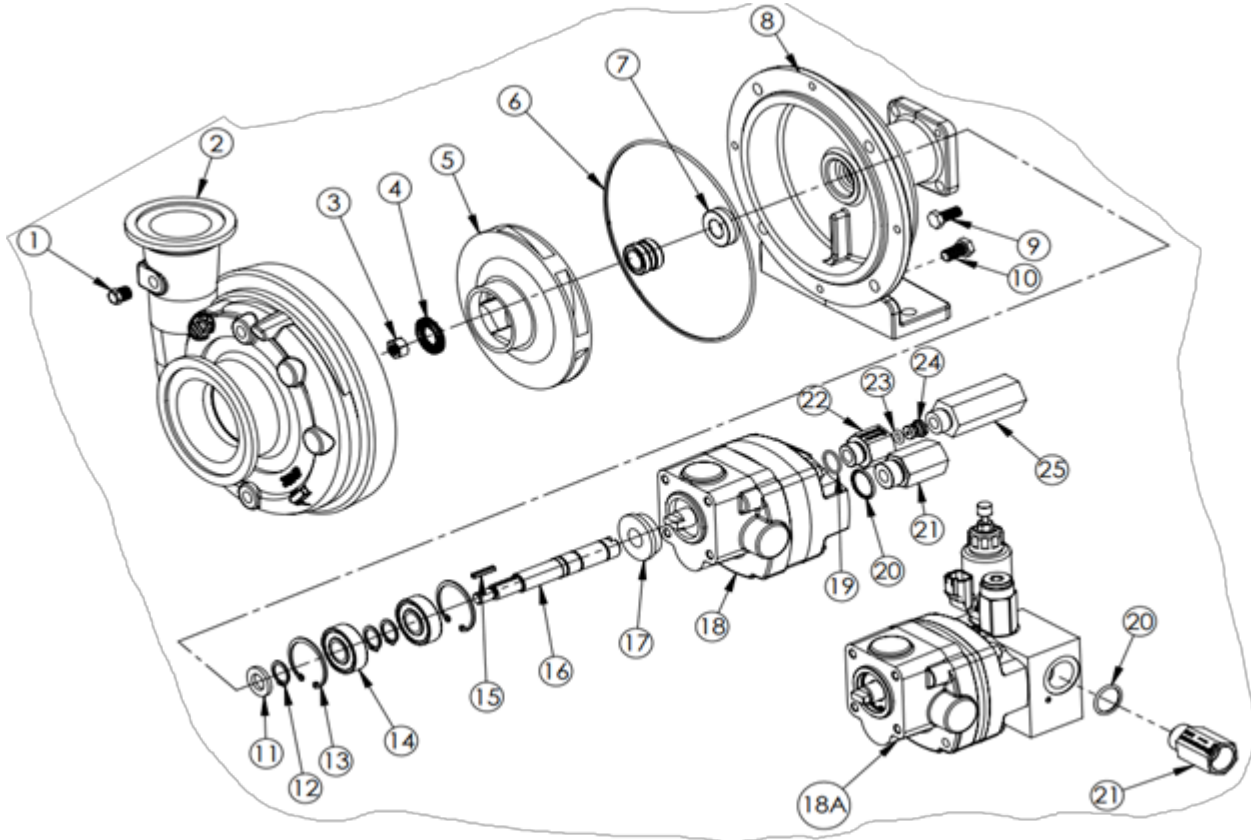
**ACE 205-304 PWM Pump 550035**



## ACE 205-304 PWM Pump 550035 Parts List

ITEM	PART NO.	QTY.	EDP #	DESCRIPTION
0	550035	1		PUMP, 205-304 FLANGED, PWM, COMPLETE PUMP
1	BAC-53	4	41110	PIPE PLUG
1	41120	4	41120	PIPE PLUG, STAINLESS STEEL (-FS MODEL) (OPTIONAL)
2	7AC-14-FLG	1	41530	VOLUTE, 300 STANDARD FLANGE X 220 FULL PORT FLANGE, CAST IRON
2	7AC-14-FLG-SS	1	41532	VOLUTE. 300 FLANGE X 220 FLANGE, 316 STAINLESS STEEL (-FS MODEL)
3	BAC-23-B-SS	1	40393	NUT, 3/8" NF, STAINLESS STEEL
4	BAC-24-B-SS	1	42702	WASHER, 3/8", STAINLESS STEEL, SELF-LOCKING
5	BAC-26-200-P	1	40434	IMPELLER, THERMOPLASTIC
5	BAC-26-200-CI	1	40433	IMPELLER, CAST IRON (OPTIONAL)
5	BAC-26-200-SS	1	40436	IMPELLER, 316 STAINLESS STEEL (-FS MODEL) (OPTIONAL)
6	BAC-4A	1	40005	O-RING, BODY SEAL
7	BAC-7SC-205V	1	40149	SEAL, SILICON CARBIDE
8	BAC-14-205-HYD	1	40338	MOUNTING FRAME FOR 205 PUMP
8	BAC-14-205-HYD-SS	1	40346	MOUNTING FRAME FOR 205 PUMP, 316 STAINLESS STEEL (-FS MODEL)
9	40950	4	40950	CAP SCREW, 3/8" NC X 3/4" HEX HEAD
9	40930	4	40930	CAP SCREW, 3/8" NC X 3/4" HEX HEAD, STAINLESS STEEL (-FS MODEL)
10	41330	4	41330	CAP SCREW, 5/16" NC X 3/4" HEX HEAD, MOTOR TO PUMP
11	BAC-54	1	41130	SLINGER
12	BACH-33	2	40820	SNAP RING, INTERNAL, BAC-14-205 MOUNTING FRAME
13	BACH-32-HD	3	40385	SNAP RING, EXTERNAL, BAC-6-205 SHAFT
14	40880	2	40880	BALL BEARING, SEALED, BAC-6-205 SHAFT
15	BAC-25	1	40425	KEY, 1/8" X 1/8" X 13/16", EXTENDED KEYWAY
16	BAC-6-205-HYD-SS	1	40068	SHAFT, EXTENDED KEYWAY, TANG, STAINLESS STEEL
17	S305	1	40163	SEAL SUPPORT SPACER FOR 205 SERIES PUMP
18	BAC-75-HYD-304-PWM	1	41348	HYDRAULIC MOTOR, 11 GPM, PWM
19	41445	1	41445	O-RING, #10 SAE FITTING
20	BAC-78-10X10SAE	1	41467	REVERSE CHECK ASSEMBLY, #10 SAE X #10 SAE
NS	RK-FMCSC-205	-	52705	REPAIR KIT FOR FMC-205 PUMP WITH SILICON CARBIDE SHAFT SEAL
NS	RK-BAC-75-HYD-300-L	-	41362	REPAIR KIT FOR 300 SERIES HYDRAULIC MOTOR

## ACE 255F -304 (PWM) Pump 550055 (550056)



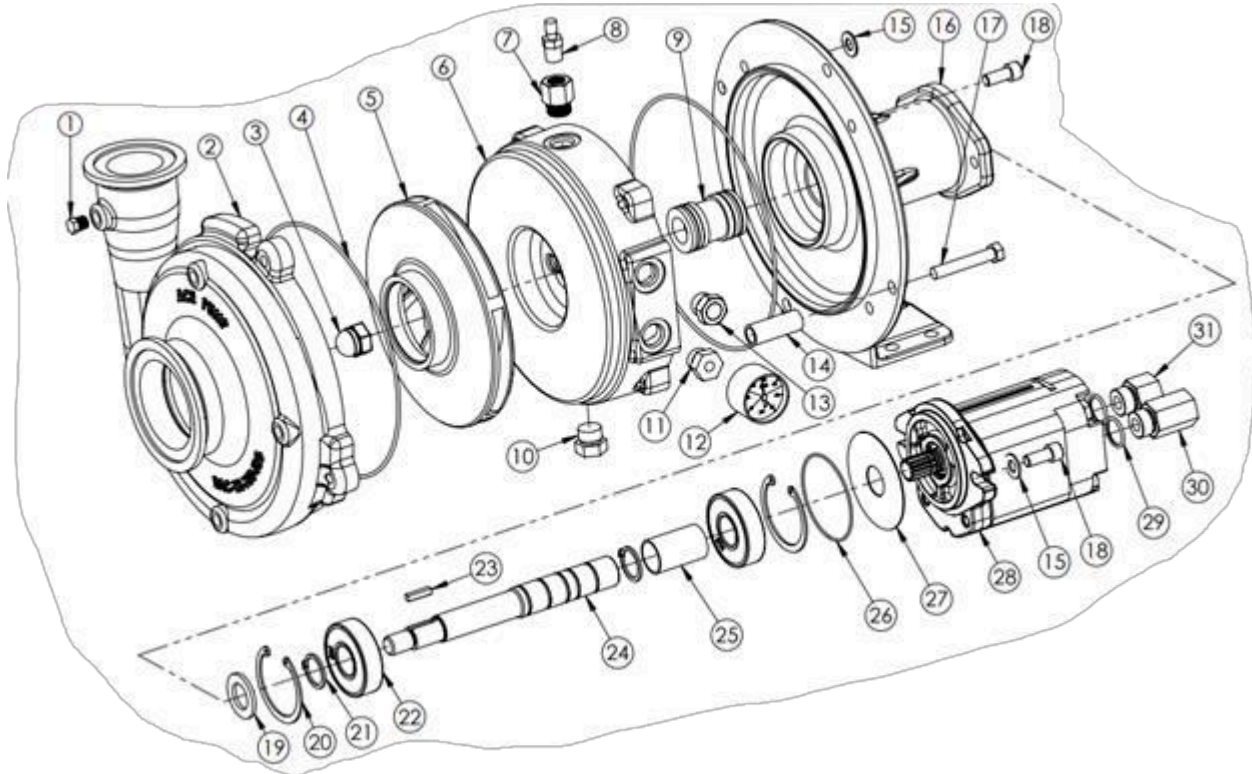
### ACE 255F -304 (PWM) Pump 550055 (550056) Parts List

ITEM	EDP NO.	VENDOR NO.	QTY.	DESCRIPTION
0	-	550055 (550056)	1	PUMP, 255-304 WET SEAL (PWM)
1	41100	BAC-53	4	PIPE PLUG
1	41120	41120	4	PIPE PLUG, STAINLESS STEEL (OPTIONAL)
2	30149	BAC-12-255-FLG	1	VOLUTE, CAST IRON, 300 X 220 FLANGED, E-COATED
3	40393	BAC-23-B-SS	1	NUT, 3/8" NF, SS
4	42702	BAC-24-B-SS	1	WASHER, 3/8" SS, VIBRATION PROOF
5	40434	BAC-26-200-P	1	IMPELLER, THERMOPLASTIC, KEYWAY
5	40433	BAC-26-200-CI	1	IMPELLER, CAST IRON, KEYWAY (OPTIONAL)
5	40436	BAC-26-200-SS	1	IMPELLER, STAINLESS STEEL, KEYWAY (OPTIONAL)
6	40015	BAC-4-150	1	O-RING, BODY SEAL
7	40149	BAC-7SC-205V	1	SEAL, TYPE 2106 SILICON CARBIDE MECHANICAL SEAL
8	40288	BAC-14-5-HYD	1	MOUNTING FRAME, CAST IRON, E-COATED
9	41330	41330	2	CAP SCREW, 5/16" NC X 3/4"



10	40950	40950	4	CAP SCREW, 3/8"NC X 3/4" HEX HEAD
10	40930	40930	4	CAP SCREW, 3/8"NC X 3/4" HEX HEAD, STAINLESS STEEL (OPTIONAL)
11	41130	BAC-54	1	SLINGER
12	40385	BACH-32-HD	3	SNAP RING, EXTERNAL, SHAFT
13	40820	BACH-33	2	SNAP RING, INTERNAL, MOUNTING FRAME
14	40880	40880	2	BEARING
15	40425	BAC-25	1	KEY, 1/8" X 1/8" X 13/16" SS
16	41584	BAC-6-255-HYD-SS	1	SHAFT, .625 DIA, 255, SS
17	40163	S305	1	SEAL SUPPORT SPACER (304N)
18	41343	BAC-75-HYD-304	1	HYDRAULIC MOTOR, 9 GPM (INCLUDES 17,18, 19,20,21,22,23, 24)
18	41312	BAC-75-HYD-306	1	HYDRAULIC MOTOR, 16.5 GPM (INCLUDES 17,18B, 19,20,21,22,23, 24A)
18A	41348	BAC-75-HYD-304-PWM	1	HYDRAULIC MOTOR, INTEGRATED PWM VALVE, 9 GPM (INCLUDES 17,18A,20,21A)
19	41875	41875	1	O-RING, #8 SAE FITTING
20	41445	41445	1	O-RING, #10 SAE FITTING
21	41442	BAC-78-10SAE	1	REVERSE CHECK ASSEMBLY, #10 SAE X 1/2" NPT, W/ O-RING
21A	41467	BAC-78-10X10SAE	1	REVERSE CHECK ASSEMBLY, #10 SAE X #10 SAE, W/ O-RING (OPTIONAL)
22	41455	BAC-80-8SAE	1	BODY, RESTRICTOR ORIFICE, #8 SAE X 1/2" NPT, W/ O-RING
23	41448	41448	1	O-RING, RESTRICTOR
24	41447	BAC-79-8	1	ORIFICE INSERT, RESTRICTOR, W/ O-RING (304) (DO NOT USE WITH 304-PWM)
24A	41449	BAC-79-9	1	ORIFICE INSERT, RESTRICTOR, W/ O-RING (306)
25	41429	LS-304N	1	FLOW LIMITING VALVE, #8 MSAE X 1/2" FNPT (304) (OPTIONAL)
*	52717	RK-FMCSC-PRO5	-	REPAIR KIT, INCLUDES ITEMS 6 AND 7
*	41362	RK-BAC-75-HYD-300-L	-	REPAIR KIT; 300 SERIES HYD MOTOR WITH HIGH PRESSURE LIP SEAL

## ACE 750 Pump 550050

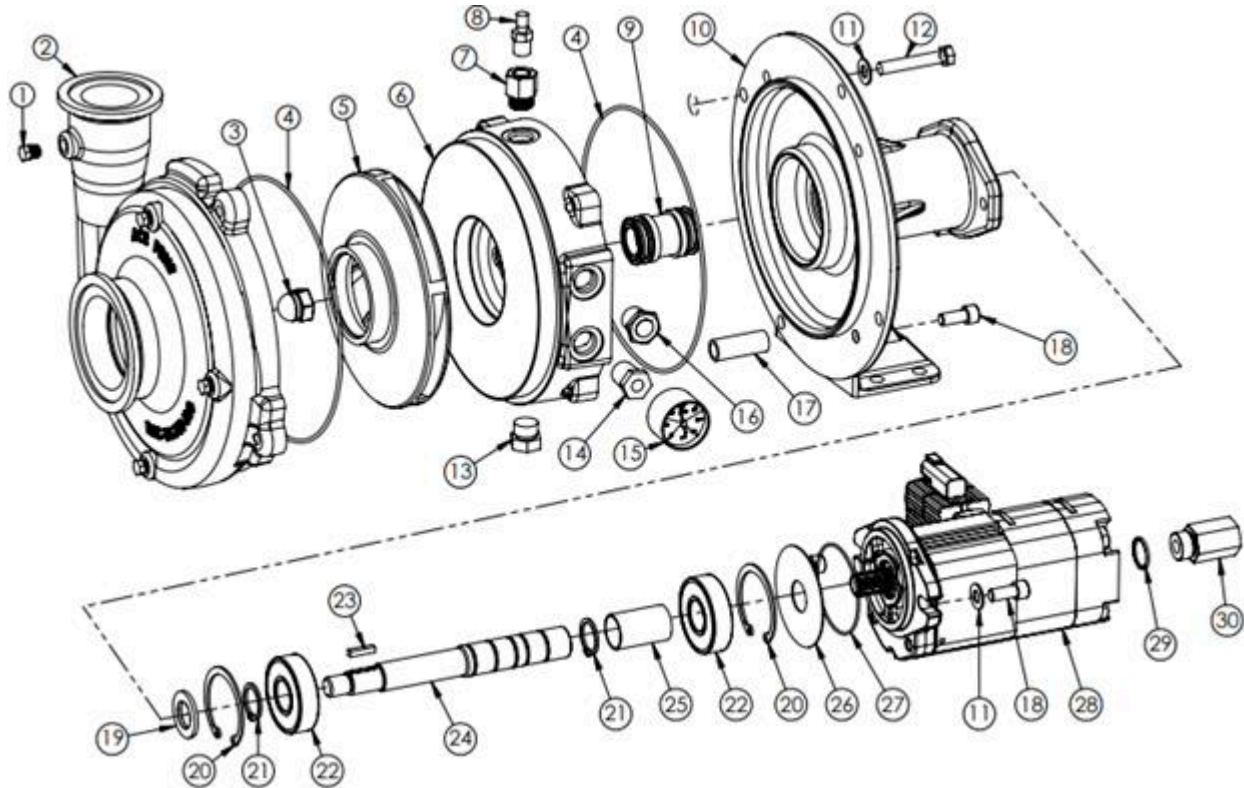


## ACE 750 Pump 550050 Parts List

ITEM	EDP NO.	VENDOR NO.	QTY.	DESCRIPTION
0	-	<b>550018 (550050)</b>	1	PUMP 750 OASIS ACE (STAINLESS), COMPLETE
1	<b>41110</b>	<b>BAC-53</b>	4	PIPE PLUG, 1/8" NPT
2	<b>30158</b>	<b>BAC-12-750-FLG</b>	1	VOLUTE, 300 X 220 FLANGE, CAST IRON, E-COATED
3	<b>40397</b>	<b>40397</b>	1	ACORN NUT, 5/8"-11 STAINLESS STEEL
4	<b>30009</b>	<b>ACAL-4</b>	2	O-RING, VOLUTE SEAL
5	<b>30182</b>	<b>BAC-26-750-CI</b>	1	IMPELLER, CAST IRON, E-COATED
5	<b>30189</b>	<b>BAC-26-750-SS</b>	1	IMPELLER, 316 STAINLESS STEEL (OPTIONAL)
6	<b>45264</b>	<b>BAC-16-750</b>	1	SEAL PLATE, CAST IRON, E-COATED
7	<b>41107</b>	<b>41107</b>	1	PLUG, #8 SAE X 1/4" FNPT, HEX HEAD, WITH O-RING
8	<b>41316</b>	<b>41316</b>	1	AIR VALVE, 1/4" NPT
9	<b>40147</b>	<b>BAC-7-750V</b>	1	DUAL SEAL ASSEMBLY, TYPE 21, .875 SHAFT
10	<b>41108</b>	<b>41108</b>	1	PLUG, SAE #8, HEX HEAD, WITH O-RING
11	<b>44039</b>	<b>44039</b>	1	BUSHING, #8 SAE X 1/8" FNPT
11	<b>44038</b>	<b>44038</b>	1	BUSHING, 1/2" MNPT X 1/8" FNPT (PRIOR TO 11/11)
12	<b>50150</b>	<b>50150</b>	1	PRESSURE GAUGE, 0-60 PSI, 1/8" NPT

13	55851	55851	1	SITE GAUGE, #8 SAE, STEEL
13	55850	55850	1	SITE GAUGE, BRASS 1/2" NPT
14	45267	45267	4	SPACER, SEAL PLATE
15	42701	42701	3	WASHER, 3/8", VOLUTE AND MOTOR MOUNT
16	40333	BAC-14-750-HYD	1	MOUNTING FRAME, CAST IRON, E-COATED
17	40952	40952	4	CAP SCREW, 3/8" NC X 2-1/2", HEX HEAD (VOLUTE)
18	41907	41907	4	CAP SCREW, 3/8" NC X 1", SOCKET HEAD (SEAL PLATE, MOTOR MOUNT)
19	41132	BAC-54-650	1	SLINGER, 7/8" SHAFT
20	41943	41943	2	SNAP RING, INTERNAL, FRAME
21	30174	ACAL-32	2	SNAP RING, EXTERNAL, SHAFT
22	40875	40875	2	BALL BEARING, SEALED
23	41085	41085	1	KEY, .188 X .188 X .875
24	40066	BAC-6-750-HYD-SS-WS	1	SHAFT, 11T FEMALE SPLINE, STAINLESS STEEL
25	40793	BAC-32-750	1	SPACER, SHAFT
26	43419	43419	1	O-RING, FLANGE, M SERIES MOTOR (EFFECTIVE 6/15)
27	43414	43414	1	PAD, ABSORBENT, M SERIES MOTOR (EFFECTIVE 6/15)
28	41355	BAC-75-HYD-M22	1	HYDRAULIC MOTOR, PRESSURE PLATED GEAR TYPE, 18 GPM
28	41356	BAC-75-HYD-M25	1	HYDRAULIC MOTOR, PRESSURE PLATED GEAR TYPE, 20 GPM
29	41445	41445	2	O-RING, #10 SAE FITTING
30	41442	BAC-78-10SAE	1	REVERSE CHECK, #10 SAE MALE X 1/2" NPT FEMALE
31	41446	BAC-80-10SAE	1	BODY, ADAPTER/RESTRICTOR, #10 SAE MALE X 1/2" NPT FEMALE
NS	55032	55032	1.32	BARRIER FLUID, ROYAL PURPLE, QUART
NS	52724	RK-FMC-750	-	REPAIR KIT, INCLUDES ITEMS 4 (2 PCS.), 9, AND 32 (2 QTS.)

## ACE 750 PWM Pump 550044



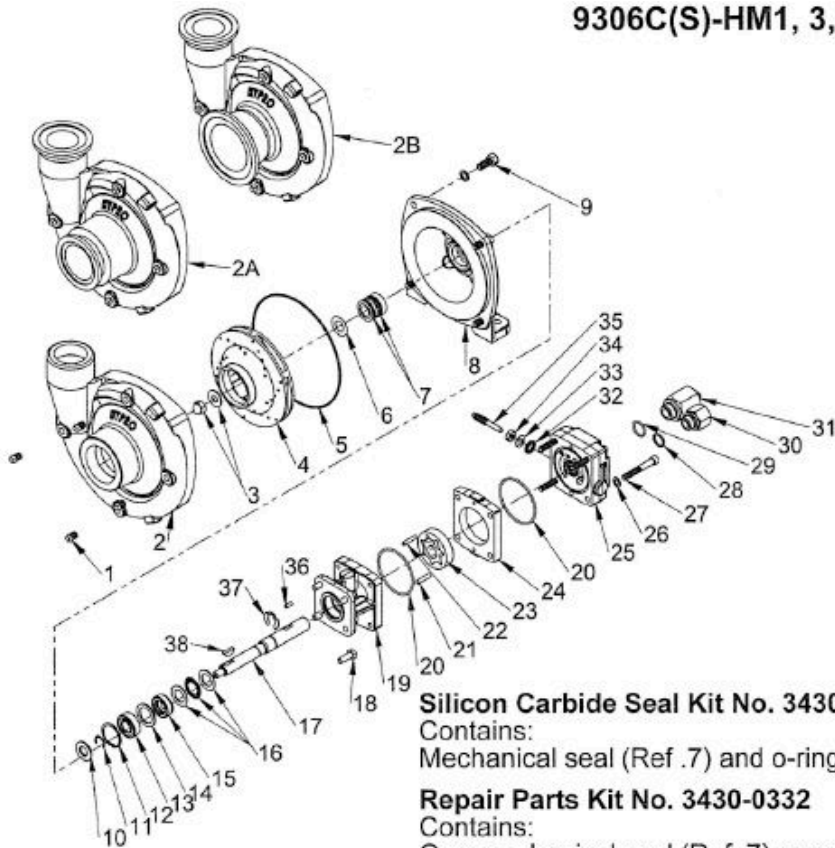
## ACE 750 PWM Pump 550044 Parts List

ITEM	EDP NO.	VENDOR NO.	QTY	DESCRIPTION
0	-	550044	1	PUMP ACE OASIS 750, PWM, COMPLETE
1	41110	BAC-53	4	PIPE PLUG, 1/8" NPT
2	30158	BAC-12-750-FLG	1	VOLUTE, 300 X 220 FLANGE, CAST IRON, E-COATED
3	40397	40397	1	ACORN NUT, 5/8"-11 STAINLESS STEEL
4	30009	ACAL-4	2	O-RING, VOLUTE SEAL
5	30182	BAC-26-750-CI	1	IMPELLER, CAST IRON, E-COATED
5	30189	BAC-26-750-SS	1	IMPELLER, 316 STAINLESS STEEL (OPTIONAL)
6	45264	BAC-16-750	1	SEAL PLATE, CAST IRON, E-COATED
7	41107	41107	1	PLUG, #8 SAE X 1/4" FNPT, HEX HEAD, WITH O-RING
8	41316	41316	1	AIR VALVE, 1/4" NPT
9	40147	BAC-7-750V	1	DUAL SEAL ASSEMBLY
10	40333	BAC-14-750-HYD	1	MOUNTING FRAME, CAST IRON, E-COATED
11	42701	42701	3	WASHER, 3/8", VOLUTE DISCHARGE AND MOTOR MOUNT
12	40952	40952	4	CAP SCREW, 3/8" NC X 2-1/2", HEX HEAD (VOLUTE)

13	<b>41108</b>	<b>41108</b>	1	PLUG, SAE #8, HEX HEAD, WITH O-RING
14	<b>44039</b>	<b>44039</b>	1	BUSHING, #8 SAE X 1/8" FNPT
15	<b>50150</b>	<b>50150</b>	1	PRESSURE GAUGE, 0-60 PSI, 1/8" NPT
16	<b>55851</b>	<b>55851</b>	1	SITE GAUGE, #8 SAE, STEEL
17	<b>45267</b>	<b>45267</b>	4	SPACER, SEAL PLATE
18	<b>41907</b>	<b>41907</b>	1	CAP SCREW, 3/8" NC X 1", SOCKET HEAD (SEAL PLATE, MOTOR MOUNT) 6 19 BAC-54-650 41132 SLINGER, 7/8" SHAFT
20	<b>41943</b>	<b>41943</b>	2	SNAP RING, INTERNAL, FRAME
21	<b>30174</b>	<b>ACAL-32</b>	2	SNAP RING, EXTERNAL, SHAFT
22	<b>40875</b>	<b>40875</b>	2	BALL BEARING, SEALED
23	<b>41085</b>	<b>41085</b>	1	KEY, .188 X .188 X .875
24	<b>40066</b>	<b>BAC-6-750-HYD-SS-WS</b>	1	SHAFT, 11T FEMALE SPLINE, STAINLESS STEEL
25	<b>40793</b>	<b>BAC-32-750</b>	1	SPACER, SHAFT
26	<b>43414</b>	<b>43414</b>	1	PAD, ABSORBENT, M SERIES MOTOR
27	<b>43419</b>	<b>43419</b>	1	O-RING, FLANGE, M SERIES MOTOR
28	<b>41336</b>	<b>BAC-75-HYD-M22-PWM</b>	1	HYDRAULIC MOTOR, 18 GPM (65.9 LPM), WITH INTEGRATED VALVE
29	<b>41445</b>	<b>41445</b>	2	O-RING, #10 SAE FITTING
30	<b>41442</b>	<b>BAC-78-10X10SAE</b>	1	REVERSE CHECK, #10 SAE MALE X #10 SAE FEMALE
31	<b>55032</b>	<b>55032</b>	1.32	55032 BARRIER FLUID, QUART 1.32 J RK-FMC-750
NS	<b>52724</b>		-	REPAIR KIT, INCLUDES ITEMS 4 (2 PCS.), 9, AND 31 (2 QTS.)

## HYPRO 9306 Pump 550045

### 9306C(S)-HM1, 3, 5C and 9306C(S)-HM1, 3, 5C-3U



**NOTE:** When ordering parts, give QUANTITY, PART NUMBER, DESCRIPTION, and COMPLETE MODEL NUMBER. Reference number are used ONLY to identify part in the drawing and are NOT to be used as order numbers.

**Silicon Carbide Seal Kit No. 3430-0589**

Contains:  
Mechanical seal (Ref. 7) and o-ring (Ref. 5).

**Repair Parts Kit No. 3430-0332**

Contains:  
One mechanical seal (Ref. 7), one o-ring (Ref. 5) and one rubber gasket (Ref. 6).

**Parts Kit No. 3430-0881**

Contains: One each ball bearing (Ref. 13), motor shaft seal (Ref. 15), thread seal gasket (Ref. 32), and washer (Ref. 33); two spacer O-rings (Ref. 20), and port adapter o-rings (Ref. 28 & 29).

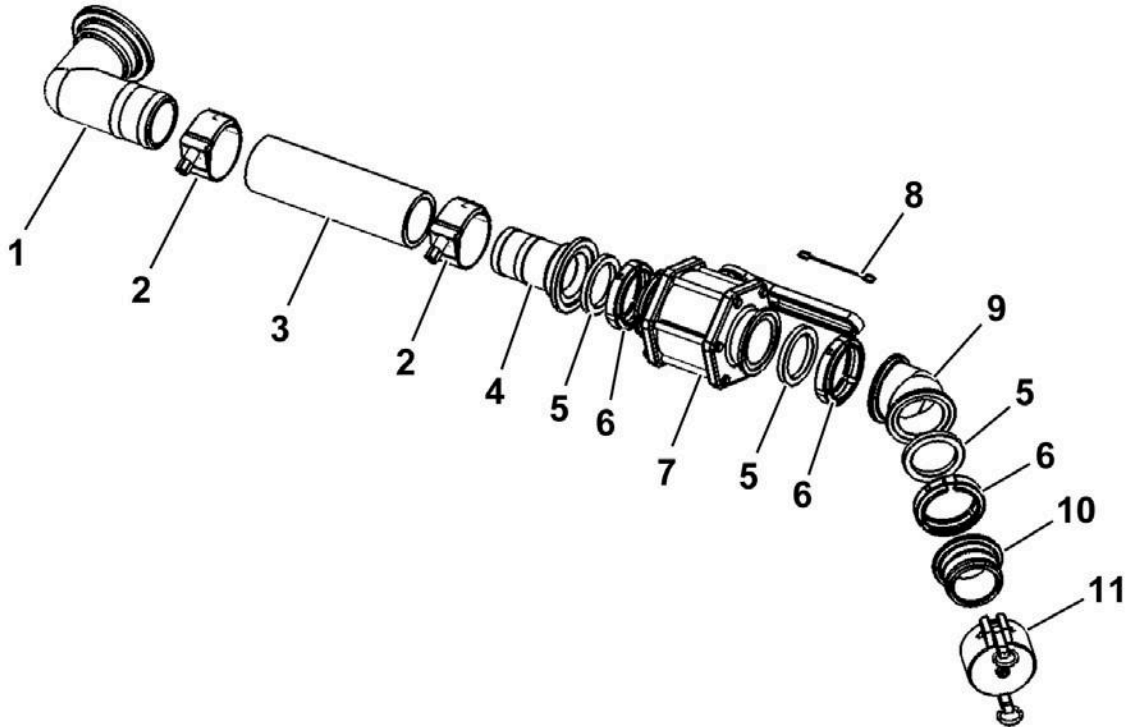
**Hydraulic Motor Part Nos.**

2540-0806C (HM1C Models)  
2540-1606C (HM3C Models)  
2540-1006C (HM5C Models)

Ref. No.	Qty. Req'd.	Part No.	Description
1	4	2406-0016	Drain/Vent Plug
2	1	0154-9200C1	Pump Casing (9306C)
2	1	0154-9200S1	Pump Casing (9306S)
2A	1	0157-9200C	Pump Casing (Universal Flange 2" X 2" Cast )
2A	1	0157-9200S	Pump Casing (Universal Flange 2" X 2" S.S)
2B	1	0158-9200C	Pump Casing (Universal Flange 3" X 2" Cast)
2B	1	0158-9200S	Pump Casing (Universal Flange 3" X 2" S.S.)
3	1	3430-0825	Impeller Nut (9306C and 9306S)
4	1	0401-9200P2	Impeller (Nylon Std. 9306C)
4	1	0405-9100P2	Impeller (Polypropylene Optional) (Std. 9306S)
4	1	0407-9306P	Impeller (GTX Optional)
5	1	3430-0332	O-ring
6	1	3430-0332	Gasket
7	1	3430-0332	Mechanical Seal (Viton/Cermaic) (Std. 9306C)
7	1	3430-0589	Mechanical Seal (Silicon Carbide) (Std. 9306S)
8	1	0750-9300C2	Mounting Flange (9306C)
8	1	0756-9300S	Mounting Flange (9306S)
9	4	2210-0020	Hex Head Cap Screw (9306C)
9	4	2210-0125	Hex Head Cap Screw (9306S)
10	1	1410-0056	Slinger Ring
11	1	1810-0014	Snap Ring
12	1	1820-0013	Retaining Ring
13	1	3430-0881	Ball Bearing
14	1	1410-0154	Spacer
15	1	3430-0881	Lip Seal
16	1	2029-0014	Thrust Bearing Assembly
17	1	3430-0852	Shaft (HM1C/HM5C)
17	1	3430-0855	Shaft (HM3C)
18	4	2210-0005	Hex Head Cap Screw
19	1	0150-2540C	Motor Body (Includes needle bearing)
19	1	0150-2542C	Motor Body Case Drain SAE -4 (Includes needle bearing)

Ref. No.	Qty. Req'd.	Part No.	Description
20	1	3430-0881	O-ring
21	1	1600-0095	Dowel Pin (HM1C/HM5C)
21	1	1600-0096	Dowel Pin (HM3C)
22	1	1600-0084	Dowel Pin (HM1C/HM5C)
22	1	1600-0085	Dowel Pin (HM3C)
23	1	3900-0022	Gerotor (HM1C)
23	1	3900-0024	Gerotor (HM3C)
23	1	3900-0048	Gerotor (HM5C)
24	1	0720-2803	Gerotor Housing (HM1C Models) 1/2" wide
24	1	0720-2806	Gerotor Housing (HM3C Models) 1" wide
24	1	0720-2804	Gerotor Housing (HM5C Models) 5/8" wide
25	1	0254-2500C2	Motor End Plate (includes needle bearing)
25	1	0254-2500C3	Motor End Plate -8, -10 SAE, No Bypass (Includes needle bearing)
26	4	2270-0039	Washer
27	4	2220-0021	Cap Screw (HM1C Models)
27	4	2220-0044	Cap Screw (HM3C Models)
27	4	2220-0032	Cap Screw (HM5C Models)
28	1	3430-0881	O-ring
29	1	3430-0881	O-ring
30	1	3360-0021A	Pressure Port Adapter (includes o-ring)
31	1	3320-0051A	Tank Port Adapter (includes o-ring)
32	1	3430-0881	Gasket
33	1	3430-0881	Washer
34	1	2250-0038	Lock Nut
35	1	3220-0029	Bypass Adjusting Screw
36	1	1610-0031	Gerotor Key (HM1C/HM5C)
36	1	1610-0055	Gerotor Key (HM3C)
37	1	1810-0026	Snap Ring
38	1	1610-0012	Woodruff Key (9306C)
38	1	04432-SHW	Woodruff Key (9306S)

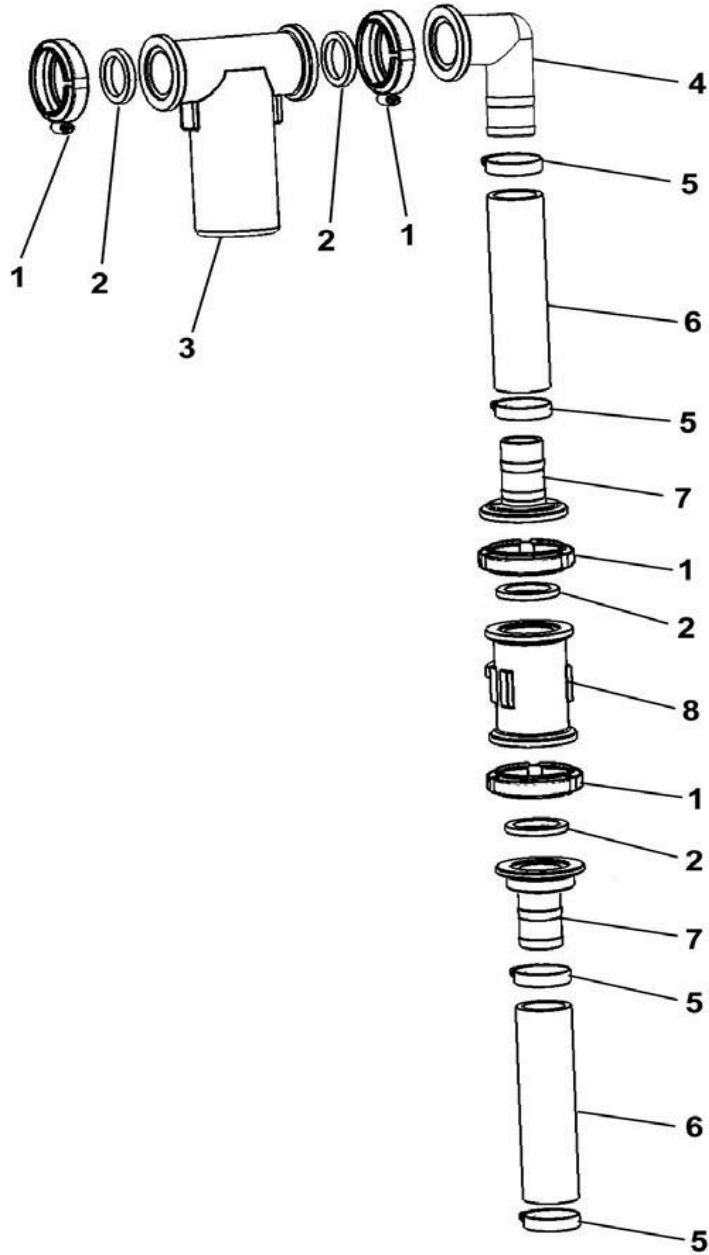
## Quick Fill - Optional 3 Inch



## Quick Fill - Optional 3 Inch Parts List

ITEM	VENDOR PART NO.	PART NO.	QTY.	DESCRIPTION
1	M300BRB90	530114	1	3" FLANGE X 3" HB-90 DEG
2	TC-343	540009	2	CLAMP 3" T-BOLT HOSE 3.43 MM
3	12012810	510004	1	HOSE 3" FERTILIZER
4	M300BRR	530113	1	3" FLANGE X 3" HOSE BARB
5	300G	530024	3	3" EPDM GASKET
6	FC300	540003	3	CLAMP 3" WORM SCREW
7	M300FP	500012	1	VALVE 3" FPT X 3" PORT POLY
8	79-12	530179	1	CABLE LANYARD
9	M300CPG45	530234	1	3" MANIFOLD CPIG X 45 DEG
10	M300A	530233	1	ADAPTER, 3" MALE X 3" MALE THD
11	300CAP	530023	1	3" CAP

**Raven Flow Controls**

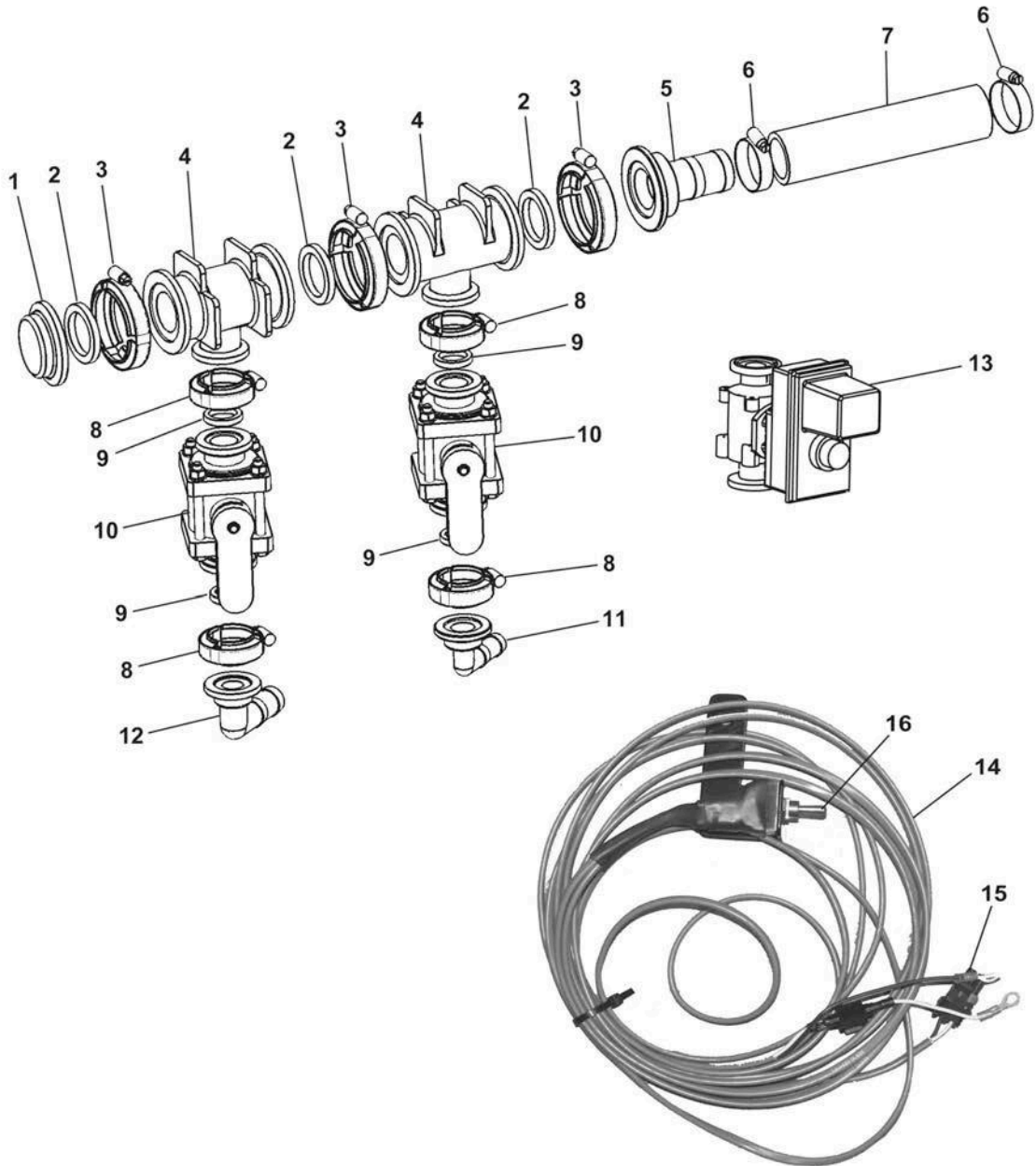




**Raven Flow Controls Parts List**

<b>ITEM</b>	<b>VENDOR PART NO.</b>	<b>PART NO.</b>	<b>QTY.</b>	<b>DESCRIPTION</b>
1	FC220	540002	4	MANIFOLD CLAMP 2" FULL PORT
2	150G	530014	4	GASKET 2" PORT
3	063-0171-894	631805	1	RAVEN MOTORIZED CONTROL, 2-WAY MOLDED CONNECTOR
4	M200150BRB90	530080	1	MANIFOLD ELBOW 2" FULL PORT X 1.5" HOSE BARB
5	64024H	540016	4	CLAMP STAINLESS STEEL 1-1/2"
6	BS-1-1/2BH200	510014	AR	HOSE EDPM 1-1/2"
7	M200150BRB	530100	2	MANIFOLD HOSE BARB 2" X 1.5" HOSE BARB
8	063-0171-0793	631804	1	RAVEN FLOW METER

**Agitation & Rinse Control**



## Agitation & Rinse Control Parts List

ITEM	VENDOR PART NO.	PART NO.	QTY.	DESCRIPTION
1	M200PLG	530093	1	MANIFOLD PLUG 2"
2	150G	530014	3	1.5" EPDM GASKET
3	FC200	540001	3	MANIFOLD CLAMP
4	M200100TEE	530075	2	MANIFOLD TEE 2 X 1"
5	M200150BRB	530079	1	MANIFOLD HOSE BARB 1-1/2"
6	64024H	540016	2	CLAMP HOSE 1-1/2
7	1-1/2 EDPM	510014	4'	HOSE SPRAY 1-1/2 GOODYEAR
8	FC100	540000	4	MANIFOLD CLAMP 1"
9	M100G	530068	4	GASKET 1"
10	MV100CF	500005	2	MANIFOLD VALVE 1"
11	M100075BRB90	530060	1	MANIFOLD ELBOW 1" X 3/4" HB TO RINSE BALLS
12	M100BRB90	530061	1	MANIFOLD ELBOW 1" HB TO AGITATION
13	PL344BR-24-CEC	500001	2	VALVE BALL ELECTRIC AGITATION (OPTIONAL)
14		90SAEASA	1	CONTROL HARNESS ELECTRIC AGITATION
15		560021	1	FUSE 15 AMP
16		560043	1	SWITCH

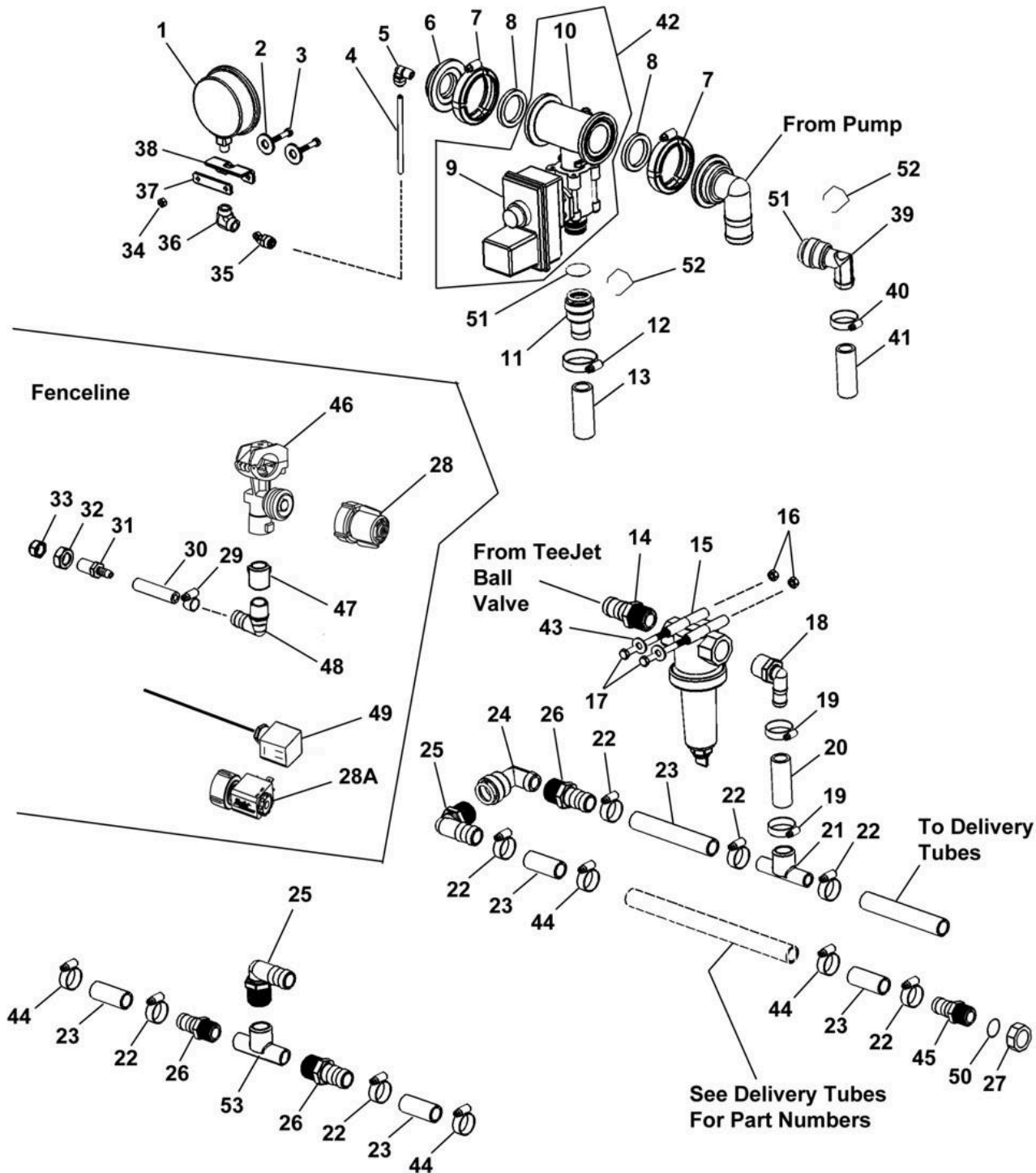
## Agitation Shut-Off, Electric Option



### Agitation Shut-Off, Electric Option Parts List

ITEM	PART NO.	QTY.	DESCRIPTION
1	11145BLK	1	SWITCH BRACKET
2	500064	1	VALVE 356 Ser ON/OFF ELECTRIC AGITATION
3	530066	1	1" MANIFOLD X 1" HOSE BARB
4	530068	2	1" EPDM GASKET FOR MANIFOLD
5	530362	1	1" MANIFOLD COUPLING, 90°
6	540000	2	CLAMP, 1" WORM SCREW
7	631970	1	CABLE, ELECTRIC AGITATION ON/OFF
8	800016	1	DECAL, ELECTRIC AGITATION

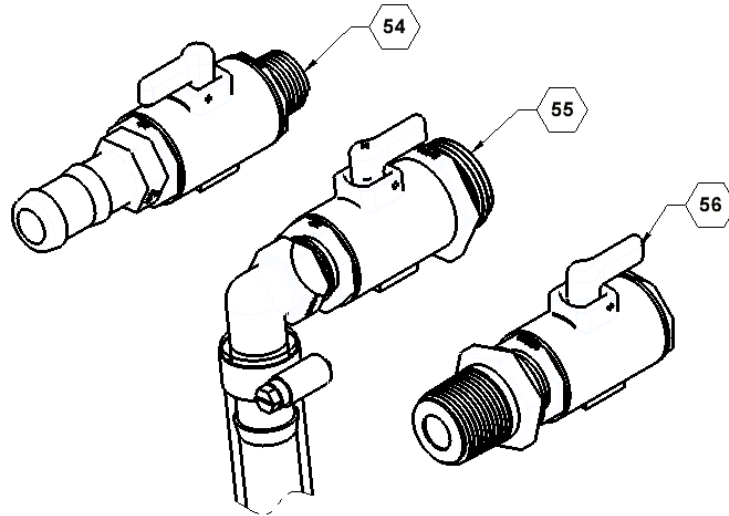
## Boom Plumbing



## Boom Plumbing Parts List

ITEM	VENDOR PART NO.	PART NO.	QTY.	DESCRIPTION
1	4154-GXX-160	790020	1	PRESSURE GUAGE 0-160 PSI
2		256	2	WASHER FLAT 1/4" ZP
3		103	2	BOLT HH 1/4 X 1-1/2 GR5 ZP
4	2T20-003	510023	AR	TUBING POLY 1/4" OD
5	44103211	530004	1	Q-LOCK CONNECTOR ELBOW 1/4" MPT X 1/4" HOSE
6	M200PLG025	530094	1	MANIFOLD PLUG 2" X 1/4" PORT
7	FC200	540001	AR	MANIFOLD CLAMP 2" STANDARD
8	150G	530014	AR	MANIFOLD GASKET 2"
9		500027	AR	VALVE 450BEC MANIFOLD (NARROW) (NON-FLOWBACK)
9		500028	AR	VALVE 450BEC MANIFOLD (WIDE) (NON-FLOWBACK)
9	50516-6	500029	AR	VALVE 450BEC MANIFOLD (WIDE) (FLOWBACK)
10	56609-2-F		AR	VALVE SUB-ASSEMBLY
11	45529-1"	530190	AR	QUICK CONNECTOR SUB-ASSEMBLY
12	64016H	540014	AR	HOSE CLAMP 1"
13	1BH200	510016	AR	HOSE SPRAY EDPM 1" ID
14	HB100	530041	AR	HOSE BARB 1" MPT X 1" HB
15	LST100-80	530474	AR	STRAINER LINE 80 MESH SCREEN (LST180 SCREEN)
16		236	AR	NUT HH 5/16" CL ZP
17		120	AR	BOLT HH 5/16 X 3-1/2 GR5 ZP
18	HB100-90	530044	AR	HOSE BARB ELBOW 1" MPT X 1" HOSE
19	64016H	540014	AR	HOSE CLAMP 1"
20	1BH100	510016	AR	HOSE SPRAY EDPM 1" ID
21	HB100	530056	AR	HOSE BARB 1" X 1" TEE
22	64016H	540014	AR	HOSE CLAMP 1"
23	1BH200	510016	AR	HOSE SPRAY EDPM 1" ID
24	EL100-90	530310	AR	ELBOW 1" FPT
25	HB100-90	530044	AR	HOSE BARB ELBOW 1" MPT X 1" HOSE
26	HB100	530041	AR	HOSE BARB 1" MPT X 1" HB
27	V13N34	530245	AR	CAP 1" FPT
28	58140	520037	AR	FENCELINE NOZZLE BODY, MANUALLY CONTROLLED
28A	55280-1	520038	AR	FENCELINE NOZZLE BODY, ELECTRICALLY CONTROLLED
29	345-005	540032	2	HOSE CLAMP 3/8"
30	3/8BH200	510020	AR	HOSE SPRAY EDPM 3/8"
31	1338D	530306	2	FENCELINE NOZZLE BODY
32	3B12	530206	2	NOZZLE BODY NUT
33	CP8027-NYB	520019	2	NOZZLE TIP NUT
34		227	2	NUT HH 1/4" NYLOCK ZP
35	44103206	530001	1	Q-LOCK CONNECTOR 1/4" MPT X 1/4" HOSE
36	5504-04-04-SS	610006	1	ELBOW 1/4" NPT STAINLESS STEEL
37		11758	1	GUAGE BRACKET
38		11786	1	GUAGE STRAP
39	45529-90-1	530190	1	ELBOW 3/4" RETURN TO TANK
40	64012H	540013	1	CLAMP 3/4"
41	BS-3/4 BH200	510019	1	HOSE 3/4"
42		500027	AR	VALVE 450BEC MANIFOLD (NARROW) (NON-FLOWBACK) (ITEMS 9 & 10)
42		500028	AR	VALVE 450BEC MANIFOLD (WIDE) (NON-FLOWBACK) (ITEMS 9 & 10)
42	54608-15-450BEC3	500029	AR	VALVE 450BEC MANIFOLD (WIDE) (FLOWBACK) (ITEMS 9 & 10)
43		257	AR	5/16" WASHER
44	TC-130	540037	AR	T-BOLT CLAMP
45	3D34100	530275	AR	HOSE BARB
46	QJ17560A-25M	520030	AR	BODY SINGLE
47	Q54676-1/4-NYR	530248	AR	ADAPTER
48	3EL14628	530209	AR	1/4 X 3/8" BARB 90°
49	58480-2	530429	AR	CABLE, CHEM SAVER ELECTRIC OPTION

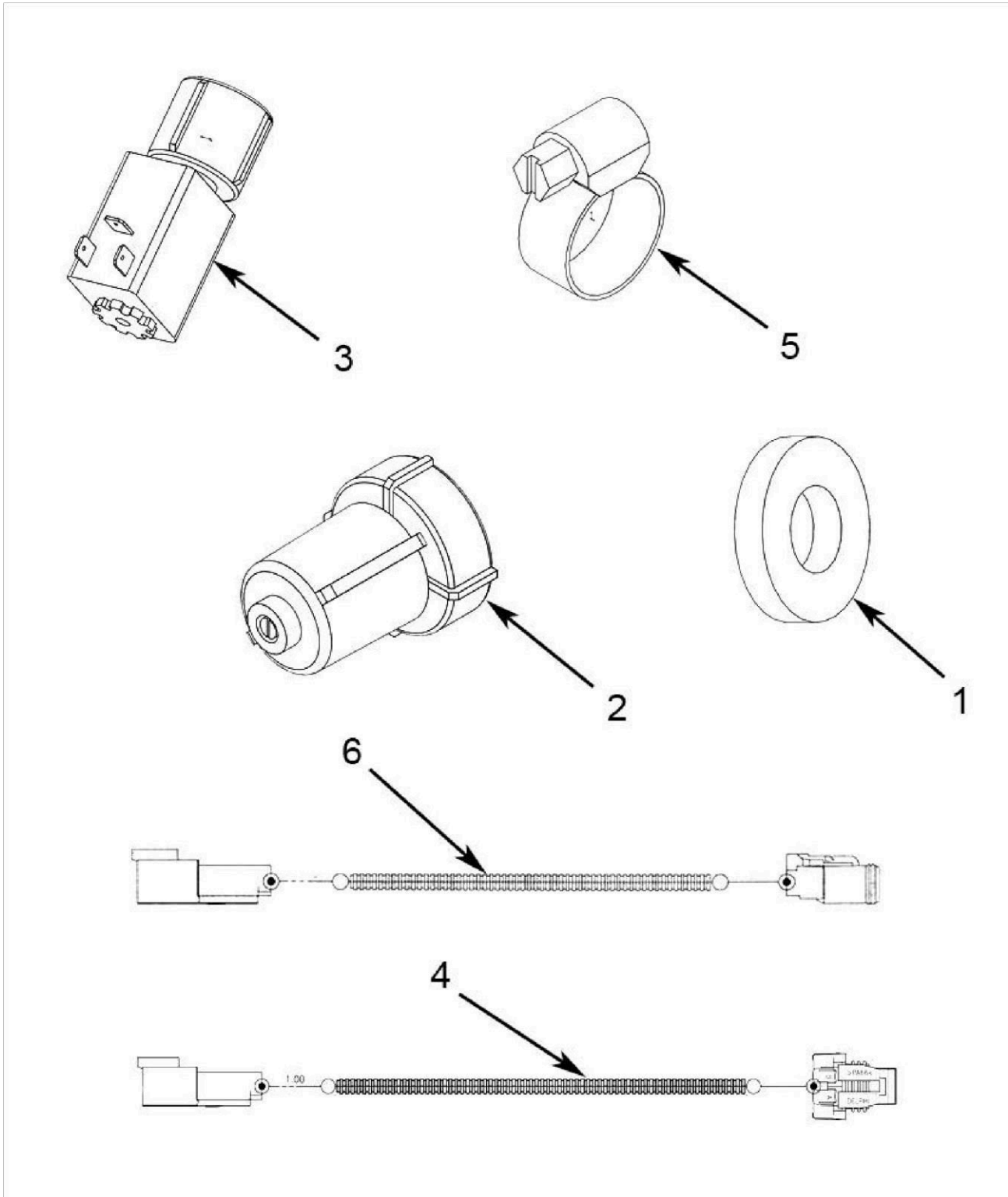
## Boom Plumbing (continued)



## Parts List: Boom Plumbing (continued)

ITEM	PART NO.	QTY.	DESCRIPTION
50	530227	AR	CAPGASKET
51	530198	AR	O-RING
52	530193	AR	RETAINING CLIP
53	530147	AR	TEE 1" NPT
54	90SASC1	AR	ASSEMBLY, STRAINER DRAIN 1"
55	90SASC2	AR	ASSEMBLY, STRAINER DRAIN 2"
56	90SASC3	AR	ASSEMBLY, STRAINER DRAIN 3"

**Fence Line Option**



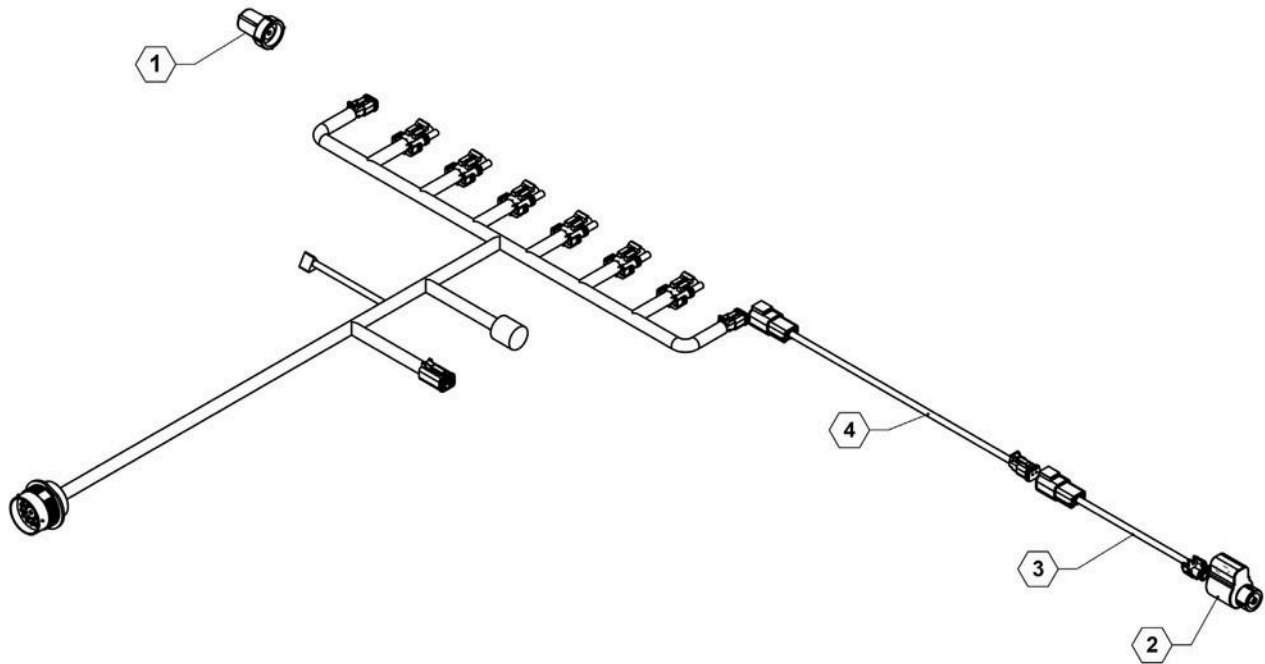


**Fence Line Option Parts List**

<b>ITEM</b>	<b>PART NO.</b>	<b>QTY.</b>	<b>DESCRIPTION</b>
1	520016	2	NOZZLE SEAT WASHER, RUBBER
2	520037	2	NOZZLE MANUAL CHEM SAVER
3	520038	2	NOZZLE ELECTRIC CHEM SAVER
4	632044	2	CABLE ADAPTER 2P DT TO 2P 6"
5	540032	4	CLAMP, HOSE 5/16"
6	632054	2	55' FENCE ROW CABLE

## Single Fence Line, Display Control

NOTE:  
1. FOR USE WITH RAVEN RCM AND JD RC2000

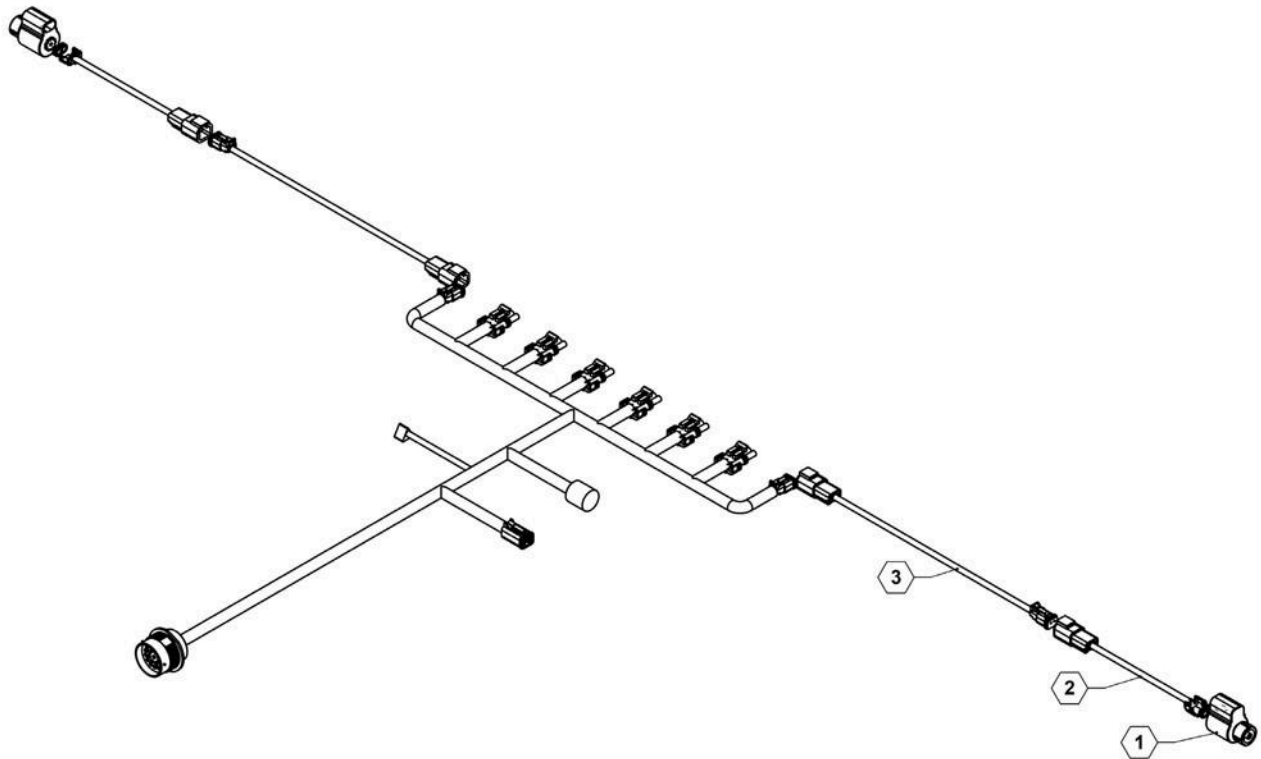


### Single Fence Line, Display Control Parts List 27360

ITEM	PART NO.	QTY.	DESCRIPTION
1	520037	1	VALVE, MANUAL CHEMSAVER
2	520038	1	VALVE, ELECTRIC CHEMSAVER
3	632044	1	FENCEROW ADAPTER CABLE, 6"
4	632054	1	FENCEROW CABLE, 55'

## Dual Fence Line, Display Control

NOTE:  
1. FOR USE WITH RAVEN RCM AND JD RC2000

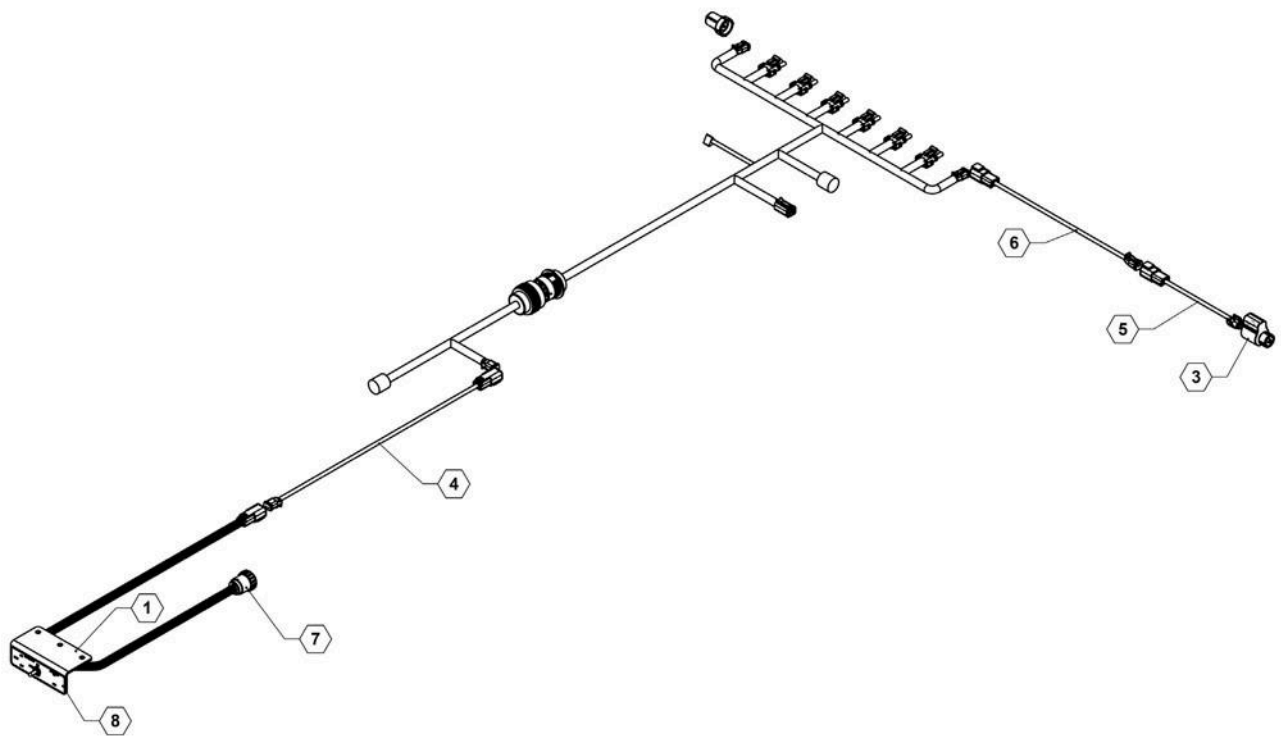


### Dual Fence Line, Display Control Parts List 27361

ITEM	PART NO.	QTY.	DESCRIPTION
1	520038	2	VALVE, ELECTRIC CHEMSAVER
2	632044	2	FENCEROW ADAPTER CABLE, 6"
3	632054	2	FENCEROW CABLE, 55'

## Single Fence Line, Toggle Switch Control

NOTE:  
1. FOR USE WITH RAVEN 450, JD GREENSTAR & OTHER 16 & 37 PIN CABLING CONTROLLERS

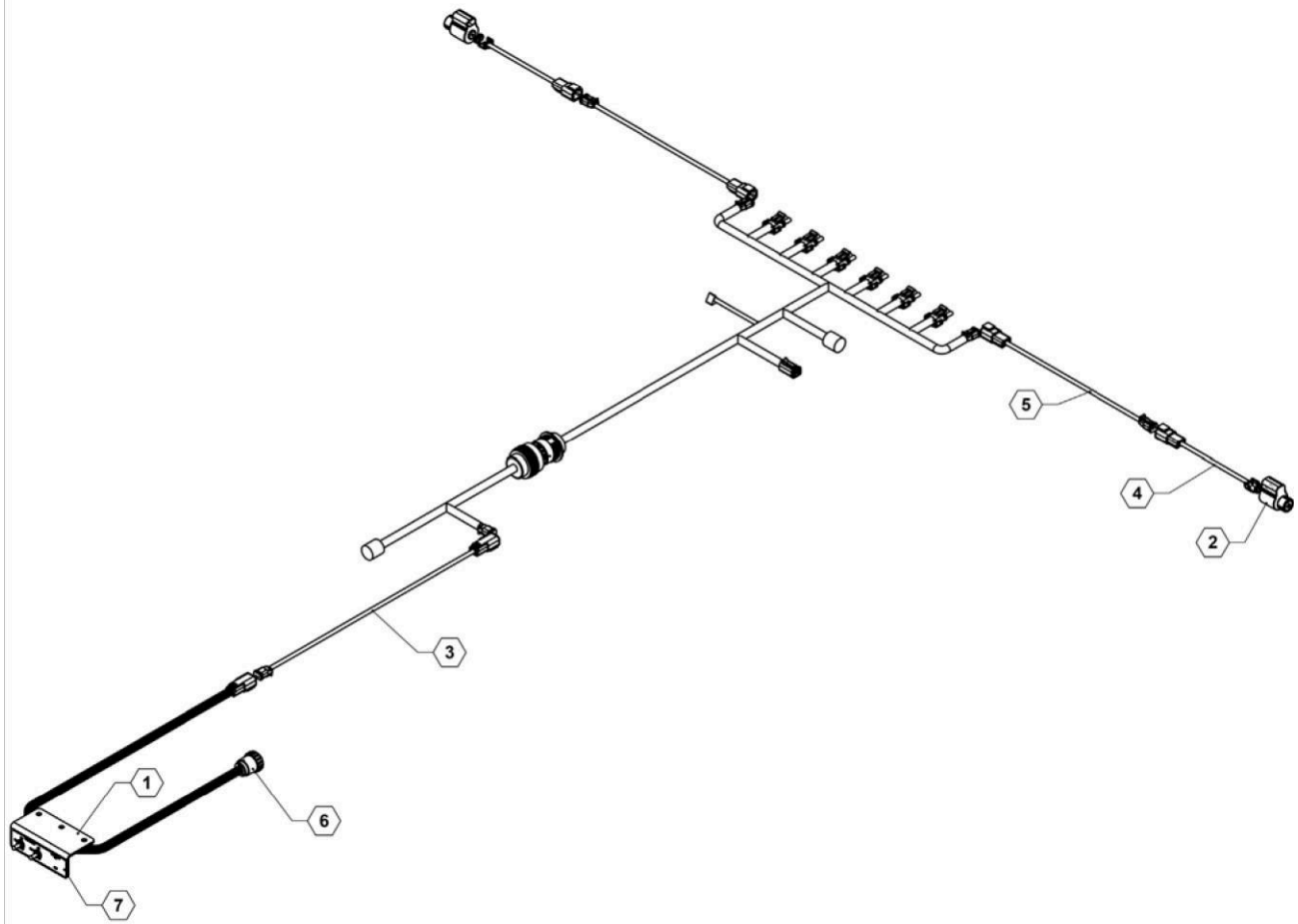


### Single Fence Line, Toggle Switch Control Parts List 27362

ITEM	PART NO.	QTY.	DESCRIPTION
1	18437	1	PLATE, M OUNT
2	520037	1	VALVE, M ANUAL CHEM SAVER
3	520038	1	VALVE, ELECTRIC CHEM SAVER
4	632042	1	2 PIN DT 40' CABLE EXTENSION
5	632044	1	FENCEROW ADAPTER CABLE, 6"
6	632054	1	FENCEROW CABLE, 55'
7	632089	1	CABLE, SINGLE ELECTRIC FENCELINE NOZZLE
8	800261	1	DECAL, FENCELINE & AGITATION

## Dual Fence Line, Toggle Switch Control

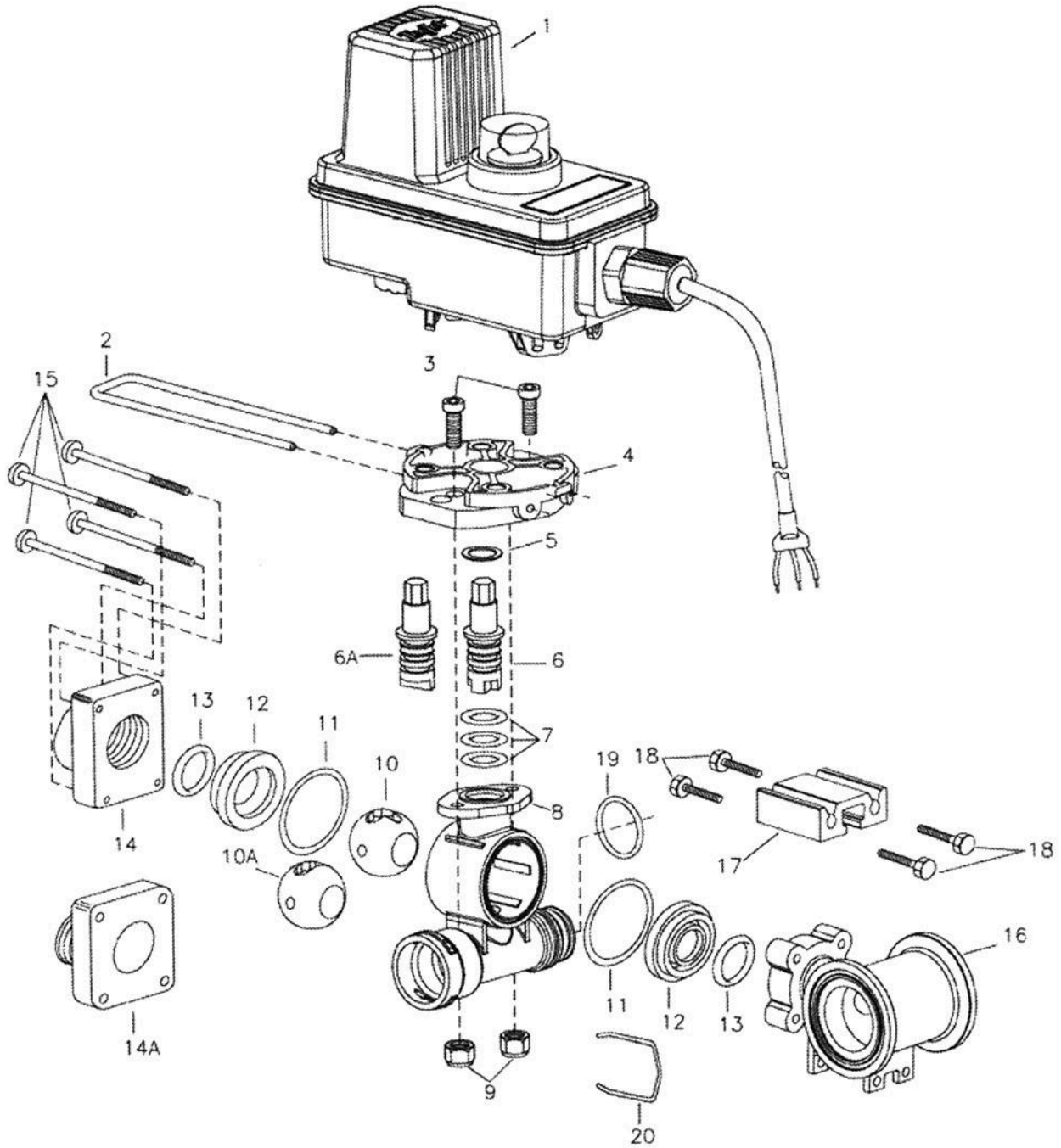
NOTE:  
1. FOR USE WITH RAVEN 450, JD GREENSTAR & OTHER 16 & 37 PIN CABLING CONTROLLERS



### Dual Fence Line, Toggle Switch Control Parts List 27363

ITEM	P ART NO.	QTY.	DES CRIP TION
1	18437	1	PLATE, MOUNT
2	520038	2	VALVE ELECTRIC CHEM-SAVER
3	632042	1	2 PINDT 40' CABLE EXTENSION
4	632044	2	FENCE ROW ADAPTER CABLE, 6"
5	632054	2	FENCE ROW CABLE, 55'
6	632088	1	CABLE, DUAL ELETRIC FENCE LINE NOZZLES
7	800261	1	DECAL, FENCELINE & AGITATION

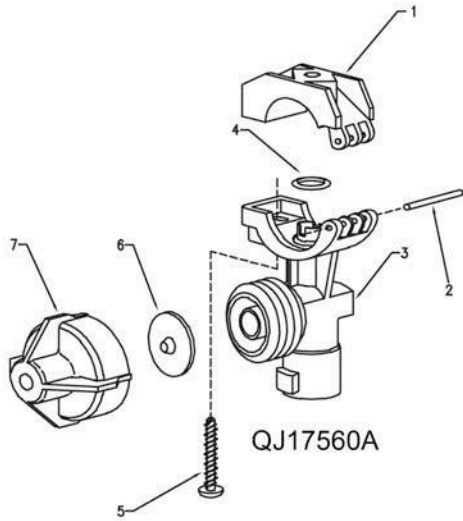
**Plumbing Valves**



## Plumbing Valves Parts List

ITEM	VENDOR PART NO.	QTY.	DESCRIPTION
0	PL450BEC-FB	1	SHUT-OFF VALVE
1	TJ505156	1	BEC MOTOR, 22 RPM (.07 SEC)
2	CP50517-SSPV	1	RETAINING CLIP, 304 STAINLESS
3	CP26197-PP	2	SCREW, 1/4"-20 X 7/8", STAINLESS
4	CP50514-PP	1	MOTOR ADAPTER, POLY BLACK
5	CP20125-TEF	1	THRUST WASHER, TEFLON
6	CP56613-SS	1	STEM, 303 STAINLESS (FOR POLY BALL)
7	CP7717-M12X2.5-V1	3	O-RING, VITON
8	CP55233-NYB	1	FLOW BACK BODY, NYLON BLACK
9	CP38435-1/4-SSNY	2	ELASTIC LOCKNUT, 1/4-20, STAINLESS
10	CP20106-2-PP	1	FLOW BACK BALL, POLY, WHITE
10A	CP19926-2-SS	1	FLOW BACK BALL, 303 STAINLESS
11	CP20564	2	GASKET, VITON
12	CP20103-TEF	2	SEAL, TEFLON
13	CP7717-2-2132VI	2	O-RING, VITON
14A	CP45514-NYB	1	END CAP, NYLON, BLACK, QUICK CONNECT
15	CP45252-2-3/4-SSPV	4	SCREW, 1/4-12 X 2-3/4 PAN HEAD, SS
16	CP55224-PP	1	#75 NARROW TEE BODY, POLY, BLACK
17	CP45216-AL	1	MOUNTING RAIL, ALUMINUM
18	CP45259-SS	4	SCREW, M6 X 1 X 16MM HEX, SS
19	CP7717-3-912-VI	2	O-RING, VITON
20	CP37166-1-302SS	2	QUICK CONNECT RETAINING CLIP, 302 SS
	56609-3FB-_-_-	1	VALVE BODY SUB ASSEMBLY, SPECIFY OUTLET SIZE & BALL MATERIAL (INCLUDES ITEMS 1-3)
	AB344AE-KIT	1	SPARE PARTS KIT

## Nozzle Bodies



**QJ17560A**

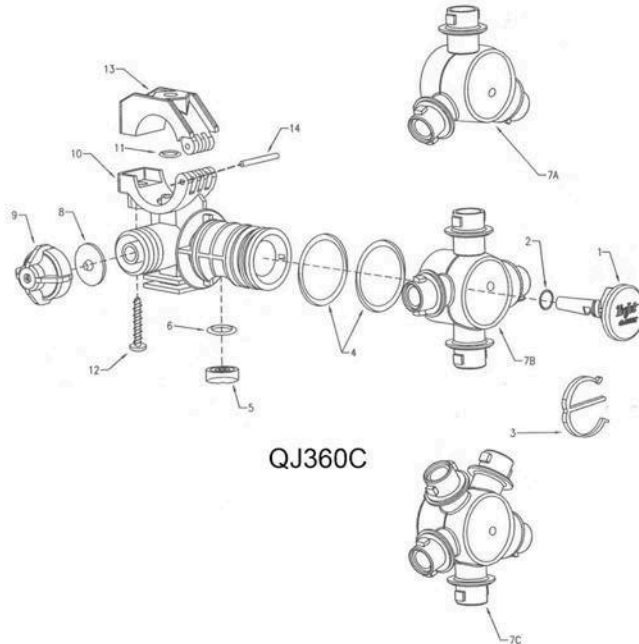
ITEM	PART NO.	DESCRIPTION
1		
	CP48224-NYB	Upper Clamp, 25mm, Nylon (Black)
2	CP48256-SS	Pivot Pin, Stainless Steel
3	CP48498-NYB	Body, 3/4", Nylon (Black) (for 3/4" and 25mm versions)
4	CP7717-2/110-BU	O-Ring, Buna-N
	CP7717-2/110-VI	O-Ring, Viton (Optional)
5	CP48255-1 1/4-302SS	Screw, Stainless Steel
6	CP21953-EPR	Diaphragm, EPDM
	CP21953-VI	Diaphragm, Viton (Optional)
7	21950-10-NYB	End Cap Sub-Ass'y, Nylon (Black)
No. QJ17560A-25mm-NYB(-VI) - Hinged Nozzle Body Assembly		

ITEM	PART NO.	DESCRIPTION
1	CP38930-8-NYB	Plug, Nylon (Black)
	CP7717-2-13-EPR	O-Ring, EPDM
2	CP7717-2-13-VI	O-Ring, Viton (Optional)
3	CP38931-NYB	E-Clip, Nylon (Black)
4	CP7717-M28x3-EPRTFE	O-Ring, EPR-Teflon Filled (2 Req'd.)
	CP7717-M28x3-VITFE	O-Ring, Viton-Teflon Filled (2 Req'd.) (Optional)
5	CP56726-VITFE	Seal, Viton-Teflon Filled
6	CP7717-2-111-VI	O-Ring, Viton
7A	CP38921-2-NYB	Turret, Nylon (Black) (3 Outlet)
7B	CP38922-2-NYB	Turret, Nylon (Black) (4 Outlet)
7C	CP38923-2-NYB	Turret, Nylon (Black) (5 Outlet)
8	CP21953-EPR	Diaphragm, EPDM
	CP21953-VI	Diaphragm, Viton (Optional)
9	21950-10-NYB	End Cap Sub-assembly, Nylon (Black)
10	CP38925-2-NYB	3/4" & 25mm Body, Nylon (Black)
11	CP7717-2-110-BU	O-Ring, Buna-N
	CP7717-2-110-VI	O-Ring, Viton (Optional)
12	CP48255-1-1/4-302SS	Screw, Stainless Steel
13		
	CP48224-NYB	25mm Upper Clamp, Nylon (Black)
14	CP48256-SS	Pivot Pin, Stainless Steel
No. QJ36_C-25MM-NYB(-VI) - 25mm Wet Boom Nozzle Body*		
*Notes: Specify Either 3, 4, or 5 in Part Number For Number of Outlets Desired, -VI in Part Number Specifies Viton O-Ring Option		

**DESCRIPTION:**  
 QJ17560A HINGED CLAMP  
 WET BOOM DIAPHRAGM  
 CHECK VALVE QUICK TEEJET®  
 NOZZLE BODY ASSEMBLY  
 (1/2", 3/4", 1", 20mm, & 25mm)

**Spraying Systems Co.**  
 Spray Nozzles and Accessories  
 P.O. Box 7900 - Wheaton, IL 60189-7900

Rev. No.	Parts List No.
Ref.	PL QJ17560A
SHEET OF	



**QJ360C**

**DESCRIPTION:**  
 QJ360C WET BOOM  
 DIAPHRAGM CHECK VALVE  
 QUICK TEEJET® HINGED  
 NOZZLE BODY ASSEMBLY

**Spraying Systems Co.**  
 Spray Nozzles and Accessories  
 P.O. Box 7900 - Wheaton, IL 60189-7900

Rev. No. 1	PARTS LIST
Ref.	PL QJ360C-WB
SHEET OF	



**QJ375**

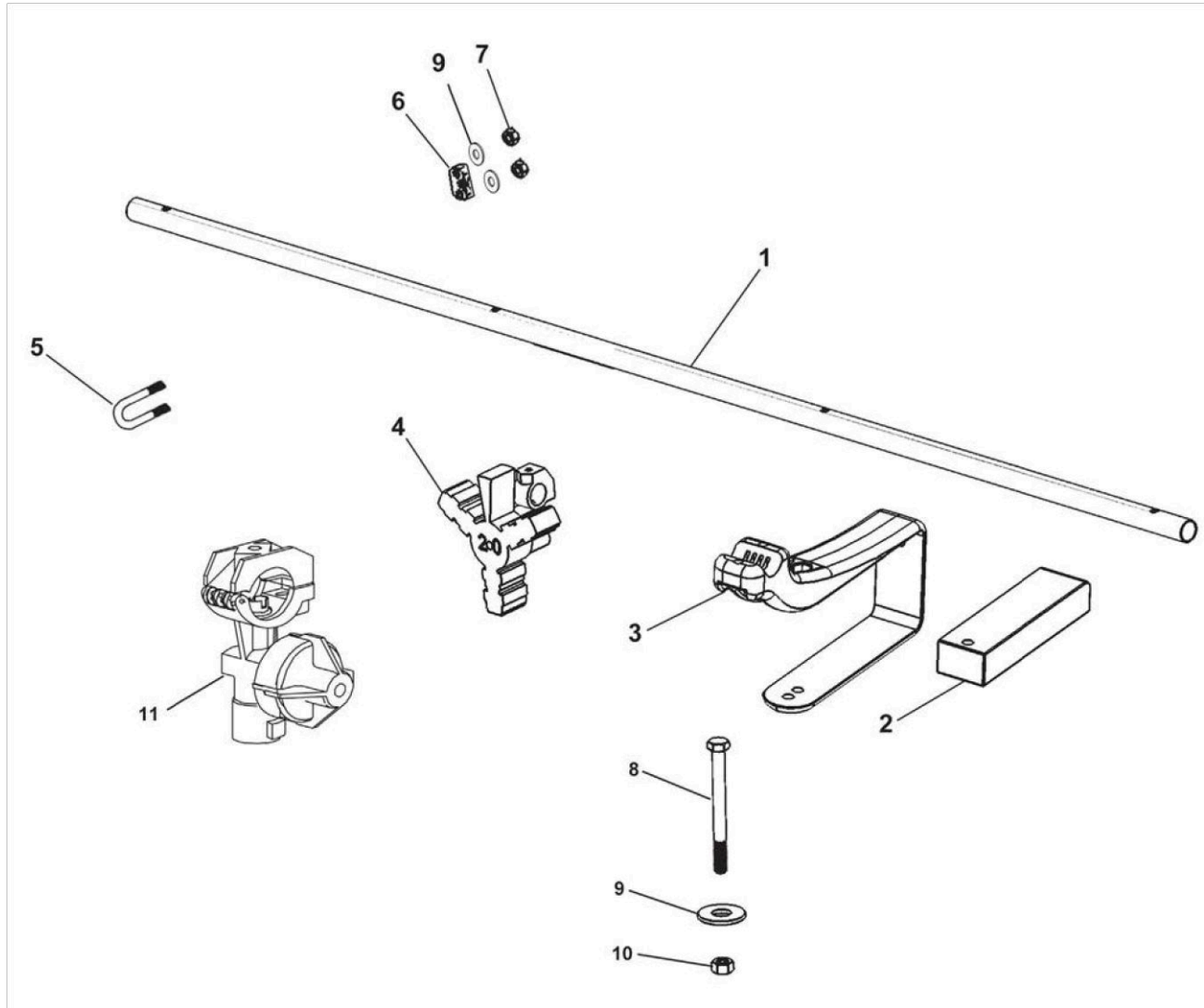


**QJ373**





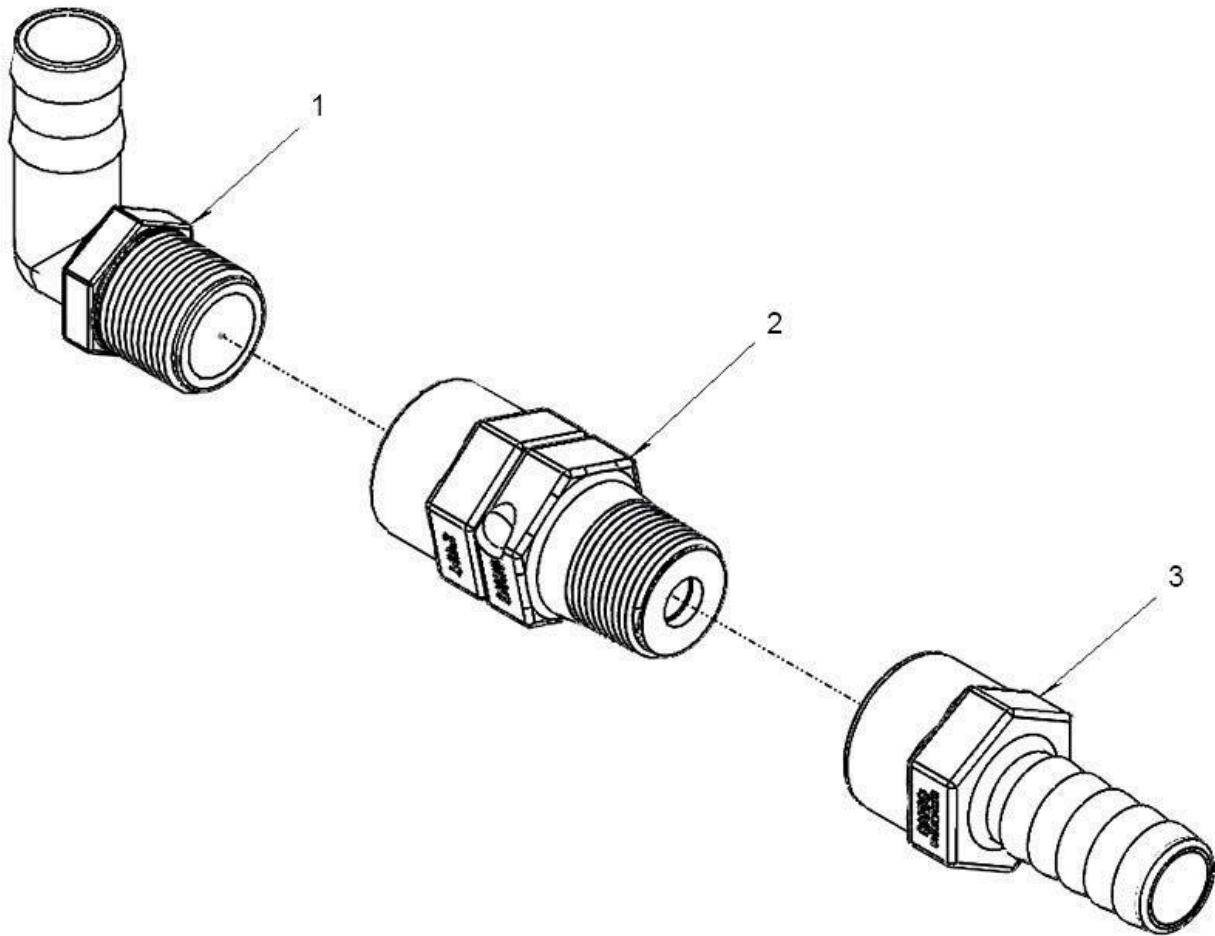
**Delivery Tubes**



## Delivery Tubes Parts List

ITEM	PART NO.	QTY.	DESCRIPTION
1	14301	A R	TUBE, 6 P ORT 15 INCH S PACING + FENCELINE V ALVE
1	14302	A R	TUBE, 2 P ORT 15 INCH S PACING
1	14303	A R	TUBE, 3 P ORT 15 INCH S PACING
1	14304	A R	TUBE, 4 P ORT 15 INCH S PACING
1	14305	A R	TUBE, 5 P ORT 15 INCH S PACING
1	14306	A R	TUBE, 6 P ORT 15 INCH S PACING
1	14307	A R	TUBE, 7 P ORT 15 INCH S PACING
1	14308	A R	TUBE, 8 P ORT 15 INCH S PACING
1	14309	A R	TUBE, 9 P ORT 15 INCH S PACING
1	14310	A R	TUBE, 10 P ORT 15 INCH S PACING
1	14311	A R	TUBE, 7 P ORT 20 INCH S PACING + FENCELINE V ALVE
1	14312	A R	TUBE, 2 P ORT 20 INCH S PACING
1	14313	A R	TUBE, 3 P ORT 20 INCH S PACING
1	14314	A R	TUBE, 4 P ORT 20 INCH S PACING
1	14315	A R	TUBE, 5 P ORT 20 INCH S PACING
1	14316	A R	TUBE, 6 P ORT 20 INCH S PACING
1	14317	A R	TUBE, 7 P ORT 20 INCH S PACING
1	14318	A R	TUBE, 8 P ORT 20 INCH S PACING
1	14319	A R	TUBE, 9 P ORT 20 INCH S PACING
1	14320	A R	TUBE, 5 P ORT 20 INCH S PACING + FENCELINE V ALVE
1	14321	A R	TUBE, 6 P ORT 20 INCH S PACING + FENCELINE V ALVE
1	14322	A R	TUBE, 2 P ORT 22 INCH S PACING
1	14323	A R	TUBE, 3 P ORT 22 INCH S PACING
1	14324	A R	TUBE, 4 P ORT 22 INCH S PACING
1	14325	A R	TUBE, 5 P ORT 22 INCH S PACING
1	14326	A R	TUBE, 6 P ORT 22 INCH S PACING
1	14327	A R	TUBE, 7 P ORT 22 INCH S PACING
1	14329	A R	TUBE, 6 P ORT 22 INCH S PACING + FENCELINE V ALVE
1	14330	A R	TUBE, 5 P ORT 22 INCH S PACING + FENCELINE V ALVE
1	14331	A R	TUBE, 6 P ORT 15 INCH S PACING + FENCELINE V ALVE
1	14332	A R	TUBE A SSEM BLY, 2 P ORT 15 INCH S PACING, INC NOZZLES
1	14333	A R	TUBE A SSEM BLY, 3 P ORT 15 INCH S PACING, INC NOZZLES
1	14334	A R	TUBE A SSEM BLY, 4 P ORT 15 INCH S PACING, INC NOZZLES
1	14335	A R	TUBE A SSEM BLY, 5 P ORT 15 INCH S PACING, INC NOZZLES
1	14336	A R	TUBE A SSEM BLY, 6 P ORT 15 INCH S PACING, INC NOZZLES
1	14337	A R	TUBE A SSEM BLY, 7 P ORT 15 INCH S PACING, INC NOZZLES
1	14338	A R	TUBE A SSEM BLY, 8 P ORT 15 INCH S PACING, INC NOZZLES
1	14339	A R	TUBE A SSEM BLY, 9 P ORT 15 INCH S PACING, INC NOZZLES
1	14340	A R	TUBE A SSEM BLY, 10 P ORT 15 INCH S PACING, INC NOZZLES
2	590054	A R	S PACER, W ET B OOM
3	540040	A R	CLAM P, W ET B OOM
4	520039	A R	NOZZLE B ODY TRIPLE W ET B OOM
5	590048	A R	U-B OLT S TAINLESS S TEEL
6	540029	A R	TUBE CLAM P B ASE
7	655	A R	NUT HH
8	590078	A R	B OLT HH 1/4 X 4-1/2 GR5 S TAINLESS S TEEL
9	685	A R	W ASHER 1/4" S TAINLESS S TEEL
10	655	A R	NUT 1/4" NYLOCK S TAINLESS S TEEL
11	520030	A R	NOZZLE B ODY S INGLE W ET B OOM

## 60 - 80' Side Fold Fitting

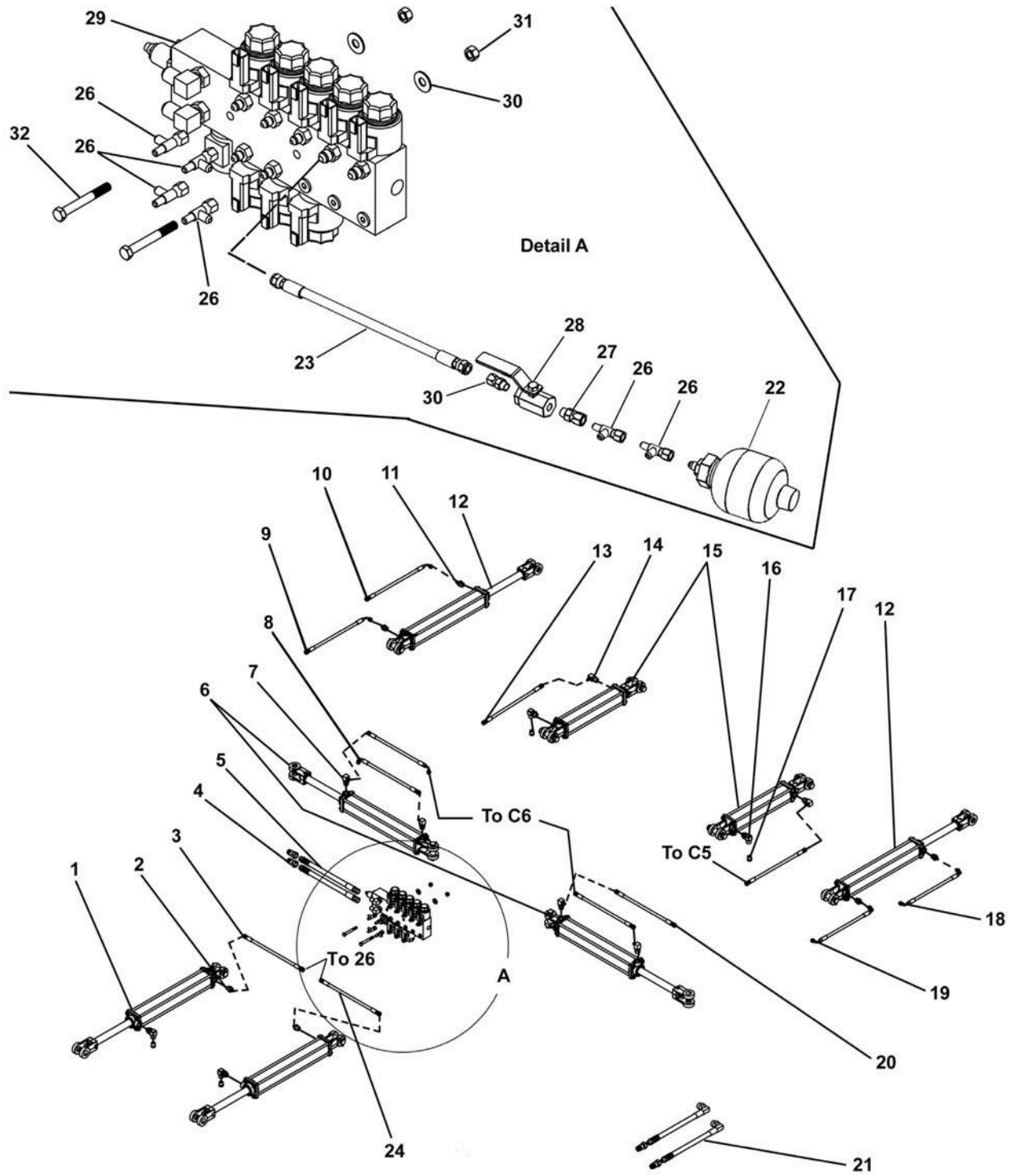


### 60 - 80' Side Fold Fitting Parts List 90SA6080SF

ITEM	PART NO.	QTY	DESCRIPTION
1	530044	1	1 " MPT X 1 " HOSE SHANK -9 0°
2	530326	1	1 ' MALE X 1 " FEMALE SWIVEL
3	530325	1	1 ' FEMALE THREAD X 1 " HOSESHANK



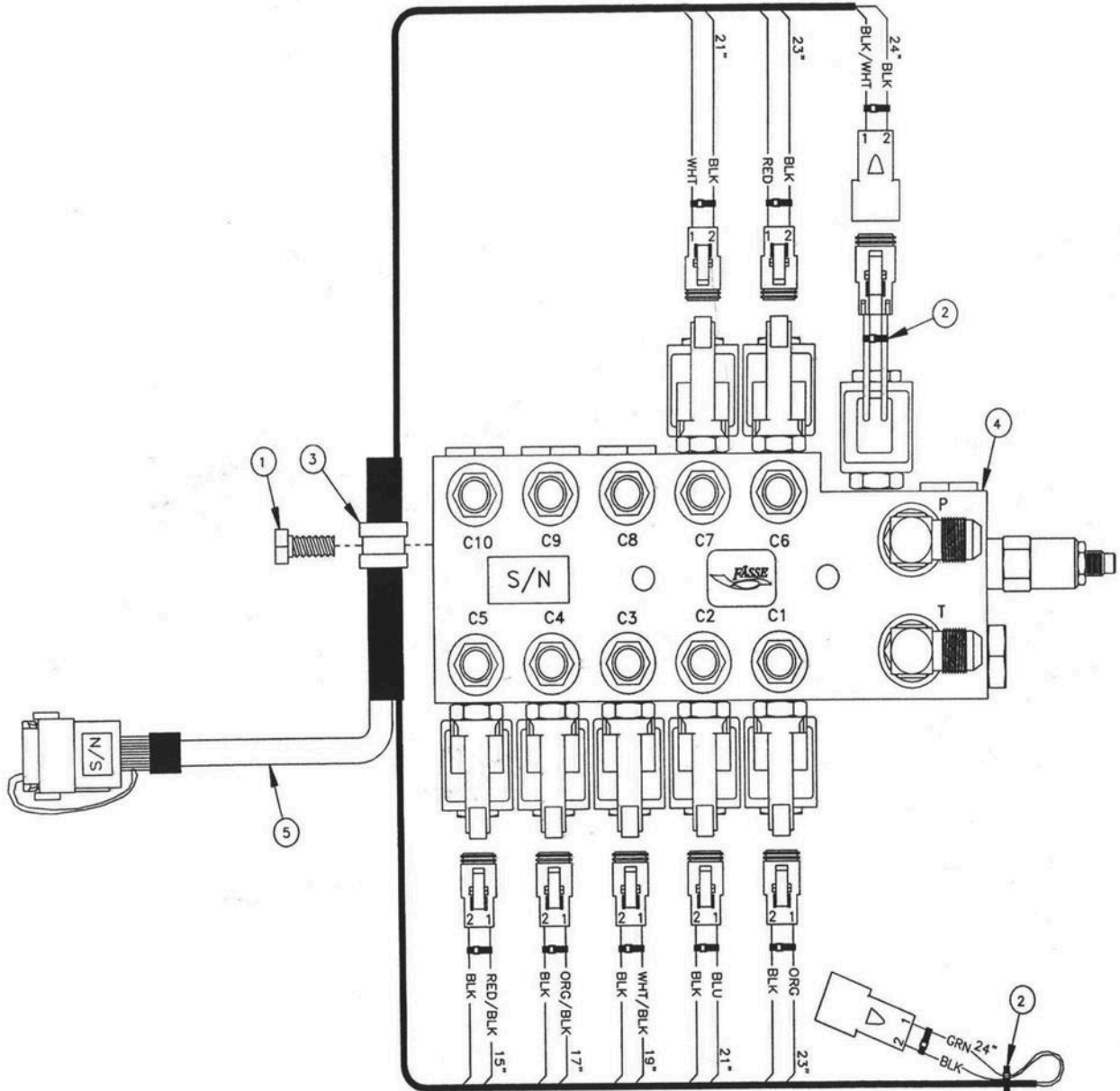
**Hydraulic System**



## Hydraulic System Parts List

ITEM	VENDOR PART NO.	PART NO.	DESCRIPTION	QTY.	60'	80, 90 & 100'
1	648124	620019	CYLINDER, 20TD16-150 SA PUSH, MAIN LIFT	2		
2	6400-4-8-047	610038	8ORB X 4JIX RESTRICTED ADAPTER, .047	2		
3	FDM4R17-4FJX	600008	HOSE 4JIC STRAIGHT	1		
4	2-NV12-12SAE-M	530182	HYDRAULIC TIP X 8ORB	4		
5	FDM8R17-8FJX-8MBO-288		HOSE HYDRAULIC BLOCK FEED	2		
6	645710	620006	CYLINDER, 30TD16-150 DOUBLE ACTING, FOLD	2		
7	6801-4-8-R.045	610039	8ORB X 4JIX 90° RESTRICTED ADAPTER, .032 (9600N)	4		
7	6801-4-8-R.045	610040	8ORB X 4JIX 90° RESTRICTED ADAPTER, .045 (9600)	4		
8	FDM4R17-4FJX-4FJX-104		HOSE 4JIC STRAIGHT	2		
9	FDM4R17-4FJX90M-4FJX-302		HOSE 4JIC STRAIGHT X 4JIC 90°	1		
10	FDM4R17-4FJX90M-4FJX-302		HOSE 4JIC STRAIGHT X 4JIC 90°	1		
11		610039	8ORB X 4JIX 90° RESTRICTED ADAPTER, .032 (9600N)	4		
11	6801-4-8-R.045	610040	8ORB X 4JIX 90° RESTRICTED ADAPTER, .045 (9600)	4		
12	645710	620006	CYLINDER, 30TD16-150 DOUBLE ACTING, D13, WING	2		
13	FDM6R17-6FJX-156		HOSE 6JIC STRAIGHT	2		
14	6801-6-8	610030	8ORB X 6JIX ADAPTER	2		
15	648422	620023	CYLINDER, 25TD08-112 SA PULL, WING TILT	2		
15			FOR NORAC/RAVEN BOOM HEIGHT CONTROL SYSTEMS		OPT.	
15	648402 OPT. NORAC/RAVEN	620022	CYLINDER, 25TD10-112 SA PULL, WING TILT		OPT.	
16	6805-6-8	610035	8ORB X 3/8" FPT 90° ADAPTER	4		
17	BV3	610036	BREATHER 3/8" MPT	4		
18	FDM4R17-4FJX90M-SAME-302		HOSE HYDRAULIC 4JIC 90° X 4JIC 90°	1		
19	FDM4R17-4FJX90M-4FJX-322		HOSE HYDRAULIC 4JIC 90° X 4JIC 90°	1		
20	FDM4R17-4FJX-4FJX-104		HOSE HYDRAULIC 4JIC STRAIGHT	2		
21	FDM8R17-8MBO-10MBX090-204		HOSE HYDRAULIC PUMP FEED	2		
22	0531-601-500/100	630002	ACCUMULATOR	1		
23	FDM4R17-4FJX-4FJX90M-15		HOSE HYDRAULIC 4JIC STRAIGHT	1		
24	FDM4R17-4FJX-4FJX-25.3		HOSE HYDRAULIC 4JIC STRAIGHT	1		
25	N/A					
26		610026	RUN TEE ADAPTER 4JIC, ZN	6		
26	6602-4	610028	RUN TEE ADAPTER 4JIC	6		
27	6402-04-04	610018	ADAPTER SWIVEL 4JIC X 4ORB	1		
28	MPV-14-SAE	500000	VALVE 1/4 TURN HYDRAULIC	1		
29	700-0805-4103	630008	HYDRAULIC BLOCK - 5 STATION		1	
NS	700-0806-4103	630011	HYDRAULIC BLOCK - 6-STATION			1
30	6400-04	610007	4 ORB X 4 JIC	1		
31	237	237	NUT HH 3/8" NYLOCK ZP CENTERLOCK	2		
32	132	132	BOLT HH 3/8 X 3" GR5 ZP	2		
	SEAL KITS					
	648126		648124 20TD16-150 SA PUSH			
	645752		648422 25TD-08-112 SA PULL			
	645752		648402 25TD10-112 SA PULL			
	639559		645710 30TD16-150 DA			

## Hydraulic Control Valve Harness - 60 - 66 Foot Boom

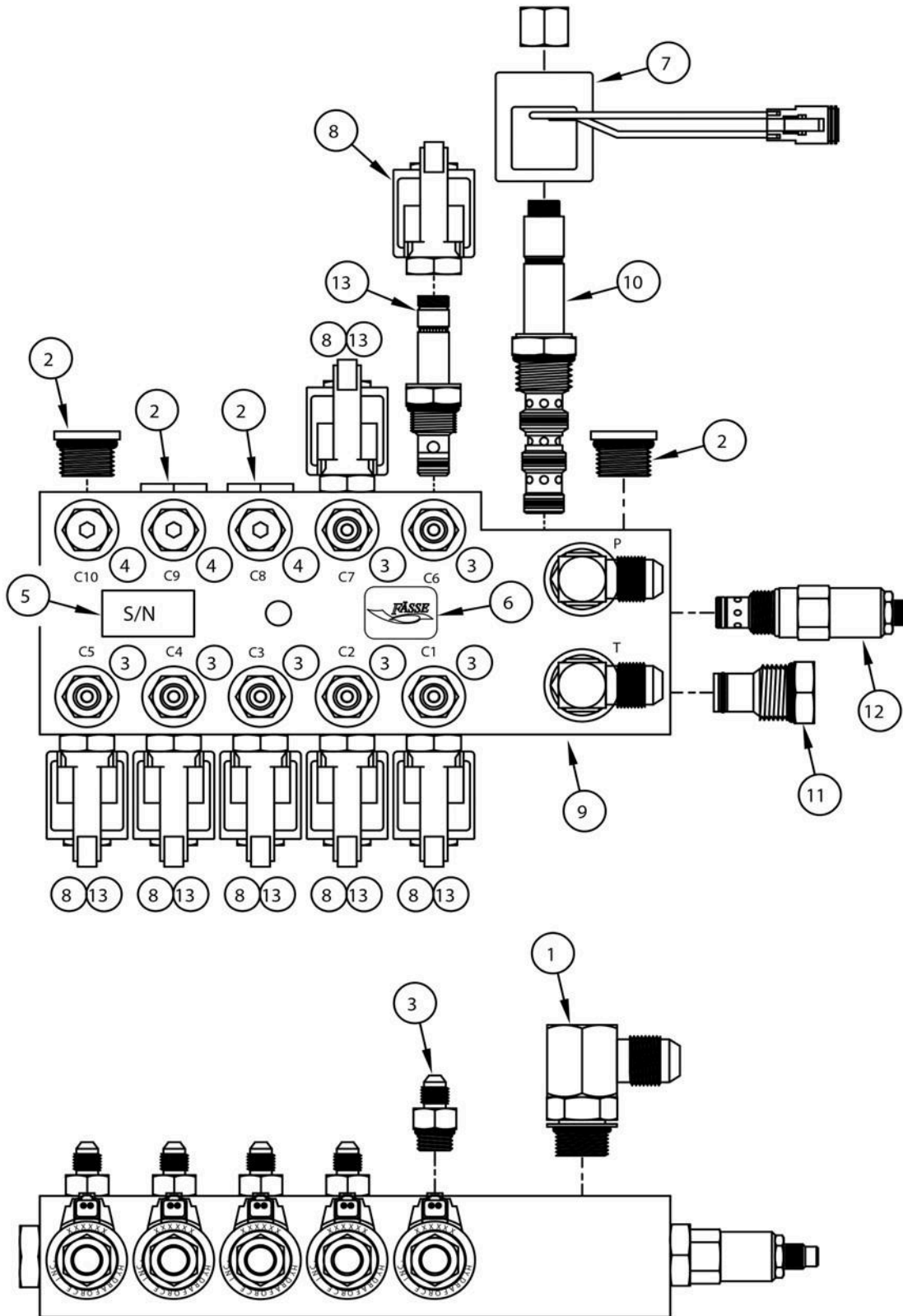




## Hydraulic Control Valve Harness - 60 - 66 Foot Boom Parts List

ITEM	VENTOR PART NO.	QTY.	DESCRIPTION
1	212-025	1	BOLT, 5/16-18 X 0.75
2	214-002	14	CABLE TIE, BLACK, 7"
3	255-026	1	LOOM CLAMP, .5" ID METAL/RUBBER
4	302-374	1	MANIFOLD ASSEMBLY, 0805 2DA 3SA 0CLOSED INTG DTR 12V WP 6400-4 P T6801-8
5	319-668	1	HARNESS ASSEMBLY, 12 CON 18GAD TR KEY A 12P (12)-2D TR2P (2) 33'

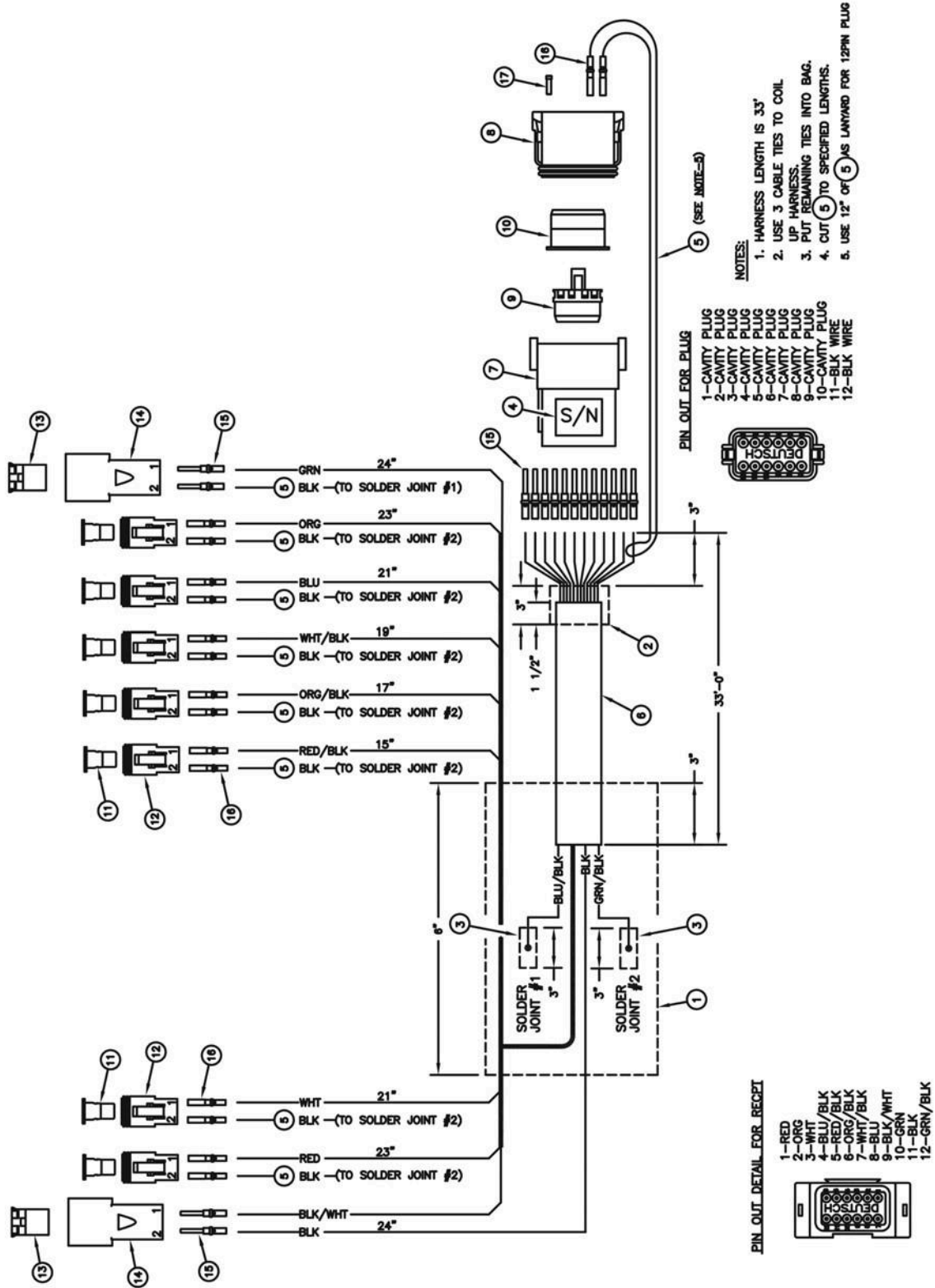
## Hydraulic Control Valve - 60 - 66 Foot Boom



## Hydraulic Control Valve - 60 - 66 Foot Boom Parts List

ITEM	VENDOR PART NO.	QTY.	DESCRIPTION
1	210-017	2	FITTING 6801-8-8/E-MJ-MO
2	210-038	4	FITTING 6408-HHP-8/HOLL HEX PLUG MO
3	210-113	7	FITTING 6400-4-6/S-MJ-MO
4	210-127	3	FITTING 6408-HHP-6/HOLL HEX PLUG MO
5	232-050	2	DECAL S/N (SILVER)
6	232-058	1	DECAL FASSE BLACK/GOLD 1" X .75" ROUND CORNER
7	253-037	1	COIL H/F 6359774 DT
8	253-046	7	COIL HYDAC 0312600 DL DSTCH RECPT.
9	270-093	1	MANIFOLD S14153-4 5CIR AL RV
10	273-008	1	CARTRIDGE SV10-40-0-N-00 (Seal Kit Part Number 274-001)
11	273-012	1	CARTRIDGE CP10-20 (Seal Kit Part Number 274-019)
12	273-058	1	CARTRIDGE H/F RV10-22A-0-N-NC-35-30 (Seal Kit Part Number 274-009)
13	273-077	7	CARTRIDGE HYDAC WS 08W-01-C-N-0 (Seal Kit Part Number 274-028)

## Hydraulic Control Valve Harness - 60 - 66 Foot Boom

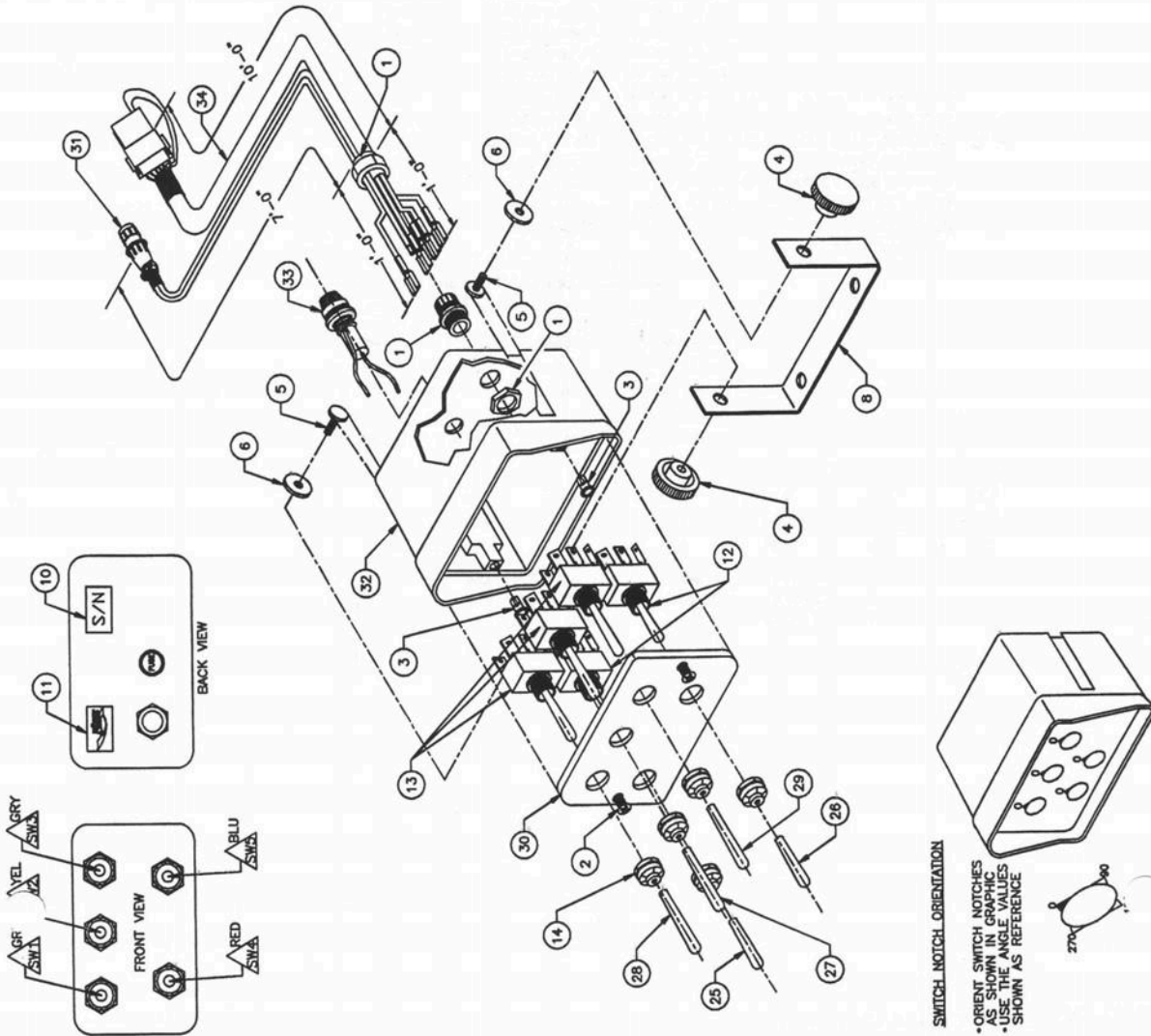


## Hydraulic Control Valve Harness - 60 - 66 Foot Boom Parts List

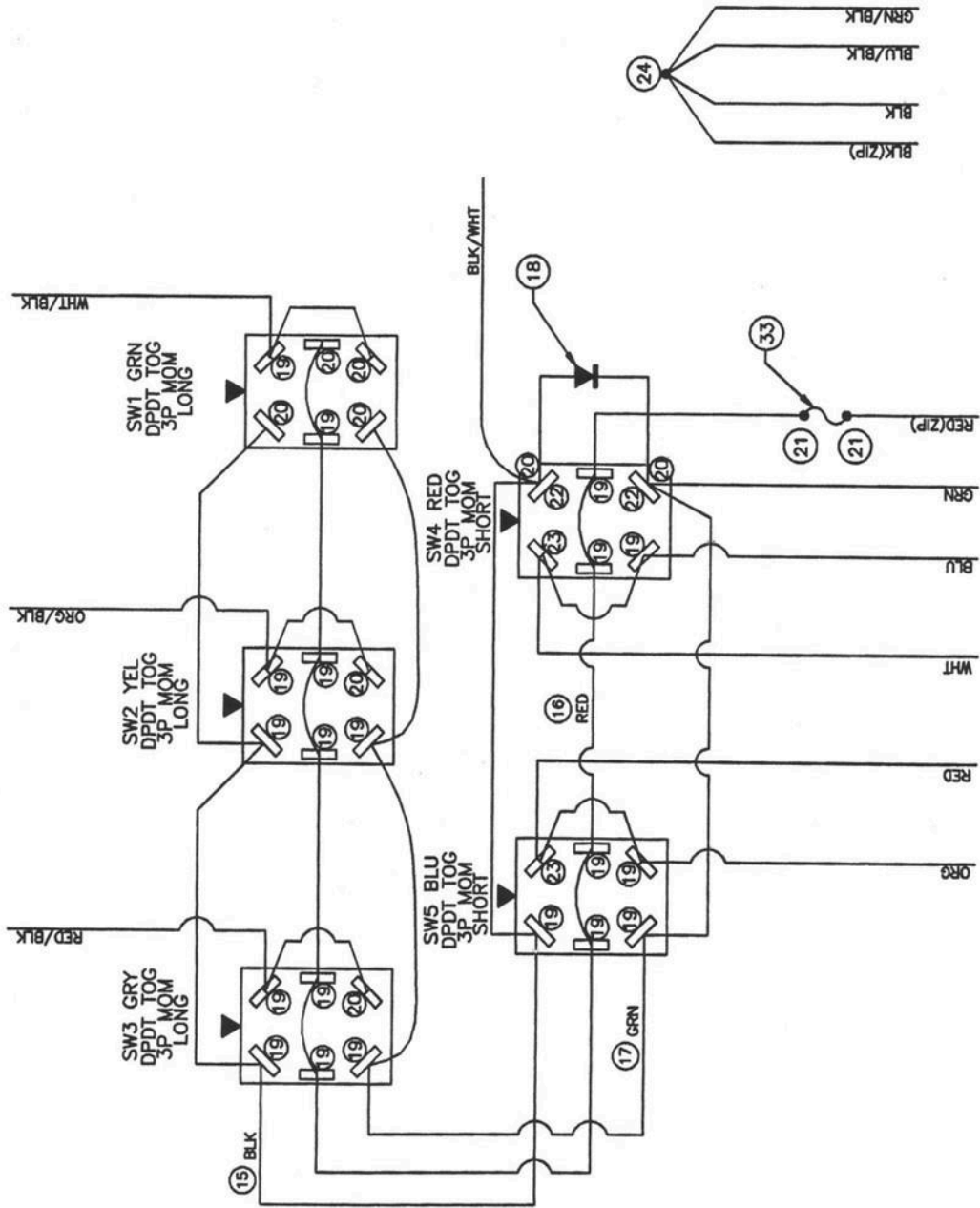
ITEM	VENDOR PART NO.	QTY.	DESCRIPTION
1	231-008	6"	SHRINK TUBING .750
2	231-009	3"	SHRINK TUBING .5
3	231-250	6"	SHRINK TUBING .250 BLACK
4	232-050	2	DECAL S/N (SILVER)
5	252-058	159"	WIRE 18GA BLACK
6	252-064	35'	CABLE 12CON GRAY 18GA
7	255-212	1	CONNECTOR DEUTSCH 12 PIN RECEPTICLE DT
8	255-213	1	CONNECTOR DEUTSCH DT PLUG 12 PIN
9	255-214	1	CONNECTOR DEUTSCH LOCK WEDGE 12 PIN DTR
10	255-215	1	CONNECTOR DEUTSCH LOCK WEDGE 12 PIN DTP
11	255-505	7	CONNECTOR DEUTSCH LOCK WEDGE 2 PIN DTP
12	255-801	7	CONNECTOR DEUTSCH 2 PIN PLUG DT
13	255-969	2	CONNECTOR DEUTSCH LOCK WEDGE 2 PIN DTR
14	255-971	2	CONNECTOR DEUTSCH 2 PIN RECEPTICLE DT
15	255-977	16	TERMINAL PIN DEUTSCH 16/18GA
16	255-978	16	TERMINAL SOCKET DEUTSCH 16/18GA
17	255-979	10	CONNECTOR DEUTSCH

## Control Console - 60 - 66 Foot Boom

PARTS LIST			
№	PART NUMBER	QTY	PART DESCRIPTION
1	210-710	1	STR RLF HEYCO .23"-33TID. HOLE DA. .886"
2	212-184	2	SCREW 6-32 X 3/8 ONAL HD BLK
3	212-202	2	INSERT 6-32X3/8 BRASS
4	212-215	2	KNOB 1/4-20 FEMALE
5	212-231	2	SCREW WELDED 1/4-20 X .500
6	213-335	2	WASHER NYLON .2574.875X.060
7	214-002	3	CABLE TIE BLACK 7"
8	219-300	1	BRKT HSG MONITOR
9	230-087	1	BAG POLY CLR 14 X 18 2MIL W/LOGO
10	232-060	2	DECL S/N (SILVER)
11	232-059	1	DECL GOLD/BLK 1.5 X .5
12	250-007	2	SW TOG DPDT 3P MOM SHORT
13	250-013	3	SW TOG DPDT 3P MOM LONG
14	250-023	5	SW TOG BOOT OPN GRY
15	252-058	18*	WIRE 18GA BLK
16	252-069	24*	WIRE 18GA RED
17	252-060	18*	WIRE 18GA GRN
18	254-001	1	DIODE D119A2 6AMP
19	255-002	20	TRM T-TAP F PO BLU
20	255-006	8	TRM PG F NON INS 20/18GA
21	255-030	2	TRM SPLICE CLOSED END 16-18GA
22	255-070	2	TRM PG M/F 14-16GA
23	255-119	2	TRM PG F INS 16-14GA
24	255-285	1	TRM SPLICE CLOSED END LRG
25	259-005	1	SW TOG GRIP VNTL RED .187
26	259-015	1	SW TOG GRIP VNTL BLU .187
27	259-022	1	SW TOG GRIP VNTL YEL .187
28	259-023	1	SW TOG GRIP VNTL GRN .187
29	259-027	1	SW TOG GRIP VNTL GRY .187
30	311-083	1	ENCL FP DRL MNTB/FO DECL-SX15/32 .35A
31	314-217	1	HARNESS R/B WIRE SERIES 3 P/B
32	319-725	1	ENCL DRILL MNTBFX FH-7/8" STR RLF
33	319-769	1	FUSEHOLDER PM ASSY 10A /.5"
34	320-184	1	HRN 12CON 18GA OTP KEY A 12PK(12) 11" END CAP



SWITCH WIRING DIAGRAM

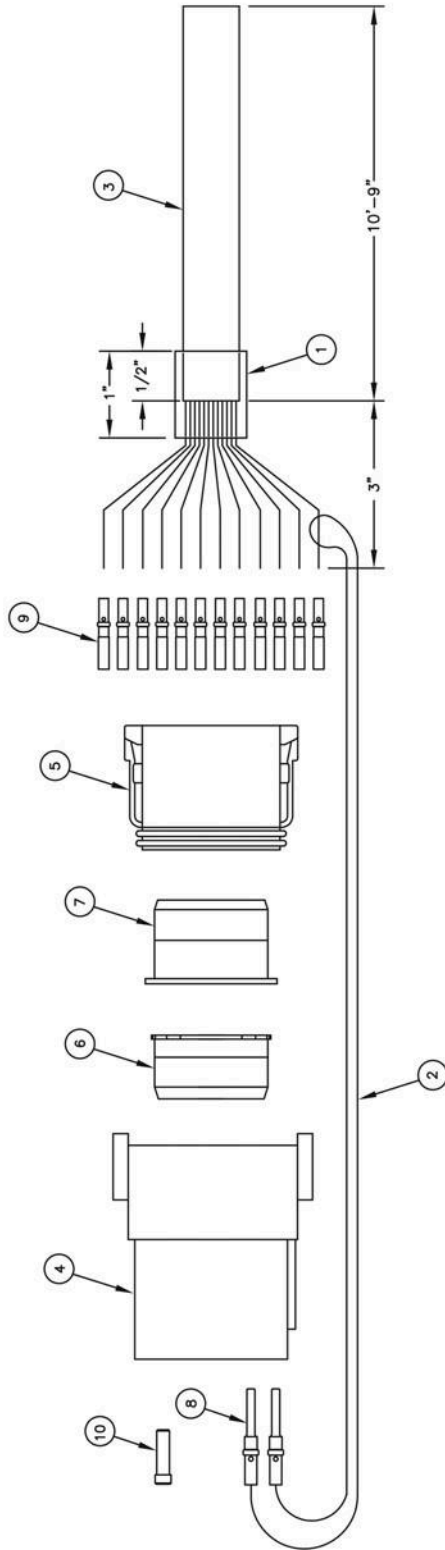


▲ = NOTCH LOCATION

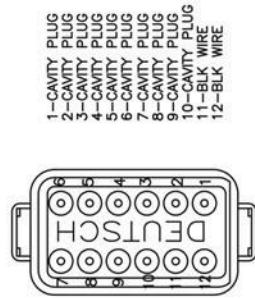
## Wiring Harness - 60 - 66 Foot Boom

### PARTS LIST

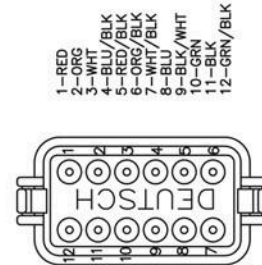
N#	PART NUMBER	QTY	PART DESCRIPTION
1	231-009	1*	SHRINKTUBING .500" BLK
2	252-058	12*	WIRE 18GA BLK
3	252-064	11'	CABLE 12CON 18GA PVC GRN
4	255-212	1	CONN DEUT DT RECPT 12PIN
5	255-213	1	CNTR DEUTSCH 12PIN PLUG DT
6	255-214	1	CONN DEUT LOCKWEDGE 12PIN DTR
7	255-215	1	CNTR LOCK WEDGE 12PIN DTP
8	255-977	2	CONT DEUT PIN 16-18GA
9	255-978	12	CNTR DEUTSCH SOCKET 16/18GA
10	255-979	10	CONT DEUT CAVITY PLUG



PIN OUT DETAIL FOR RECEIPT



PIN OUT DETAIL FOR PLUG

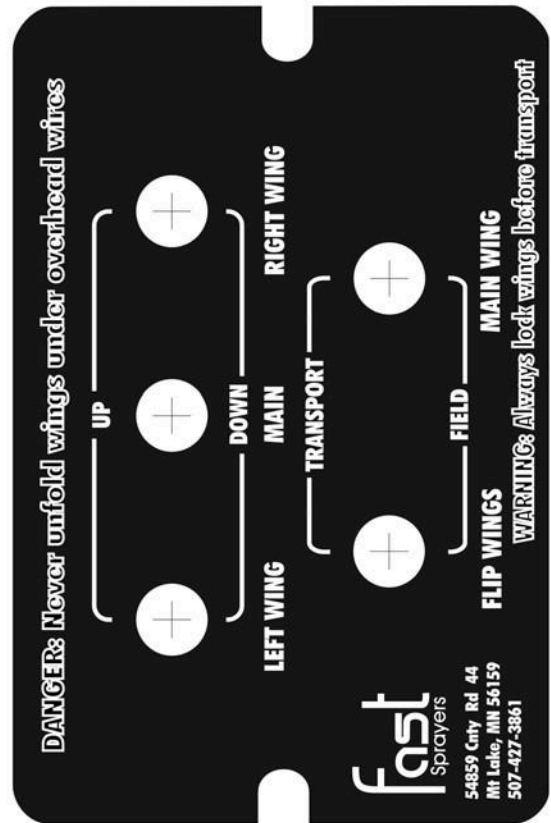




## Control Console Decal - 60 - 66 Foot Boom

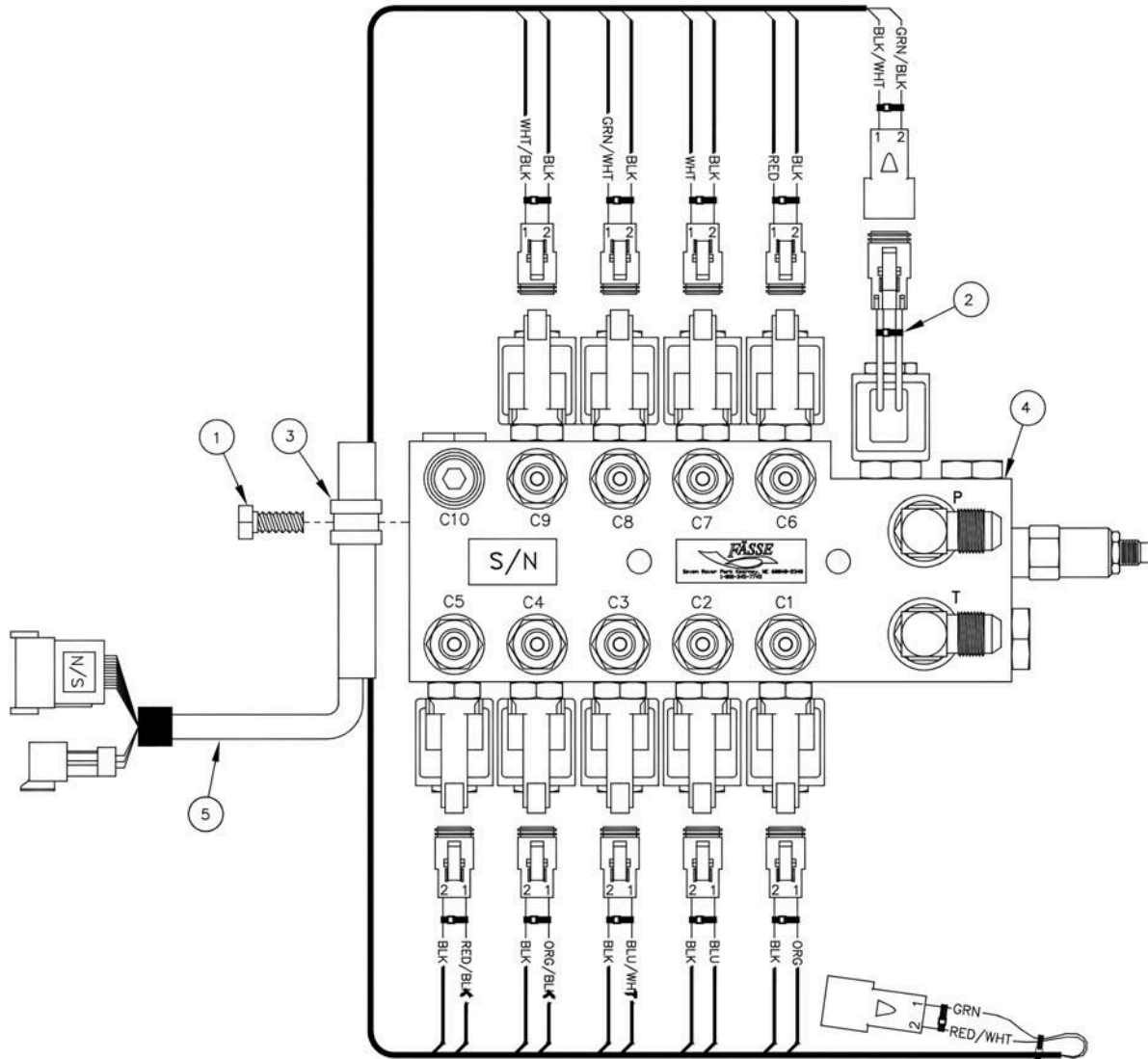
700-0805-4103 & 700-0805-4104

Switch No.	Boot Color	Switch Position	Hot Wires	Pin Out Location	Pressure Ports	Tank Ports	Function
1 Long	Green	Up (mom)	Wht/Blk & Grn	7 & 10	C3	-----	Lt. Wing Up
		Center (stat)	-----	-----	-----	-----	Off
		Down (mom)	Wht/Blk & Grn & Blk/Wht	7 & 10 & 9	-----	C3	-----
2 Long	Yellow	Up (mom)	Org/Blk & Grn	6 & 10	C4	-----	Main Up
		Center (stat)	-----	-----	-----	-----	Off
		Down (mom)	Org/Blk & Grn & Blk/Wht	6 & 10 & 9	-----	C4	-----
3 Long	Gray	Up (mom)	Red/Blk & Grn	5 & 10	C5	-----	Rt. Wing Up
		Center (stat)	-----	-----	-----	-----	Off
		Down (mom)	Red/Blk & Grn & Blk/Wht	5 & 10 & 9	-----	C5	-----
4 Short	Red	Up (mom)	Wht & Blu & Grn	3 & 8 & 10	C2	C7	Flip Wings Transport
		Center (stat)	-----	-----	-----	-----	Off
		Down (mom)	Wht & Blu & Grn & Blk/Wht	3 & 8 & 10 & 9	C7	C2	-----
5 Short	Blue	Up (mom)	Red & Org & Grn	1 & 2 & 10	C1	C6	Main Wing Transport
		Center (stat)	-----	-----	-----	-----	Off
		Down (mom)	Red & Org & Grn & Blk/Wht	1 & 2 & 10 & 9	C6	C1	-----
-----	-----	-----	Blk	11	-----	-----	Ground
-----	-----	-----	Blu/Blk	4	-----	-----	Ground
-----	-----	-----	Grn/Blk	12	-----	-----	Ground



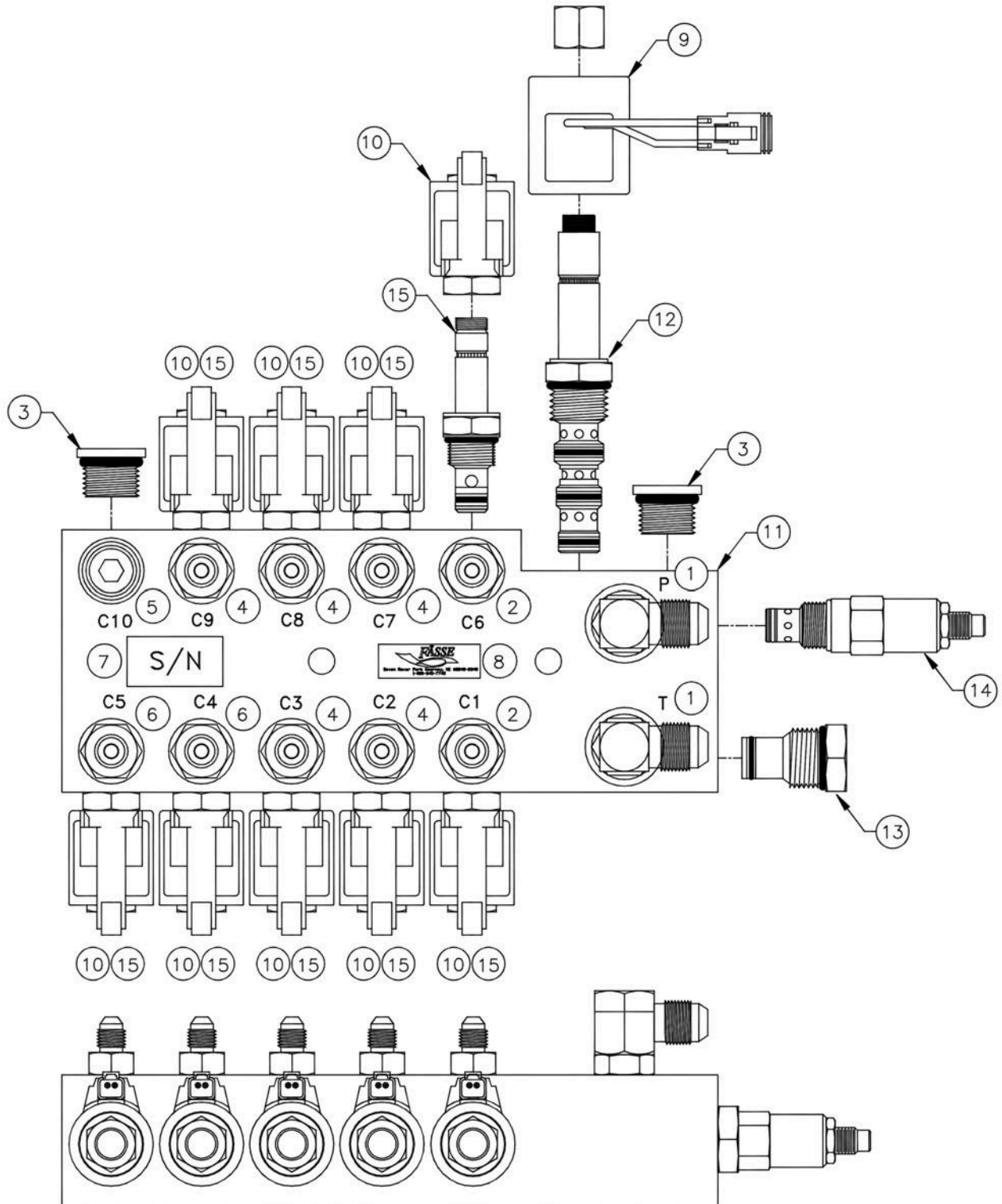


## Hydraulic Control Valve Wiring Harness - 80, 90 & 100 Foot Boom



PARTS LIST			
N#	PART NUMBER	QTY	PART DESCRIPTION
1	212-025	1	BOLT 5/16-18 X .75
2	214-002	13	CABLE TIE BLACK 7"
3	255-026	1	LOOM CLAMP .5"ID METAL/RUBB
4	302-780	1	MANI ASSY 0806 4DA 1SA CLSD DTR 12V WP6400-4(7)+6(2)R.047 P6801-8
5	319-724	1	HRN ASSY 15CON 18GA DTR KEY A 12P(12)-DTR3P(3)-9DTP2P(2) 2DTR2P(2) 33"

## Hydraulic Control Valve - 80, 90 & 100 Foot Boom - 9600

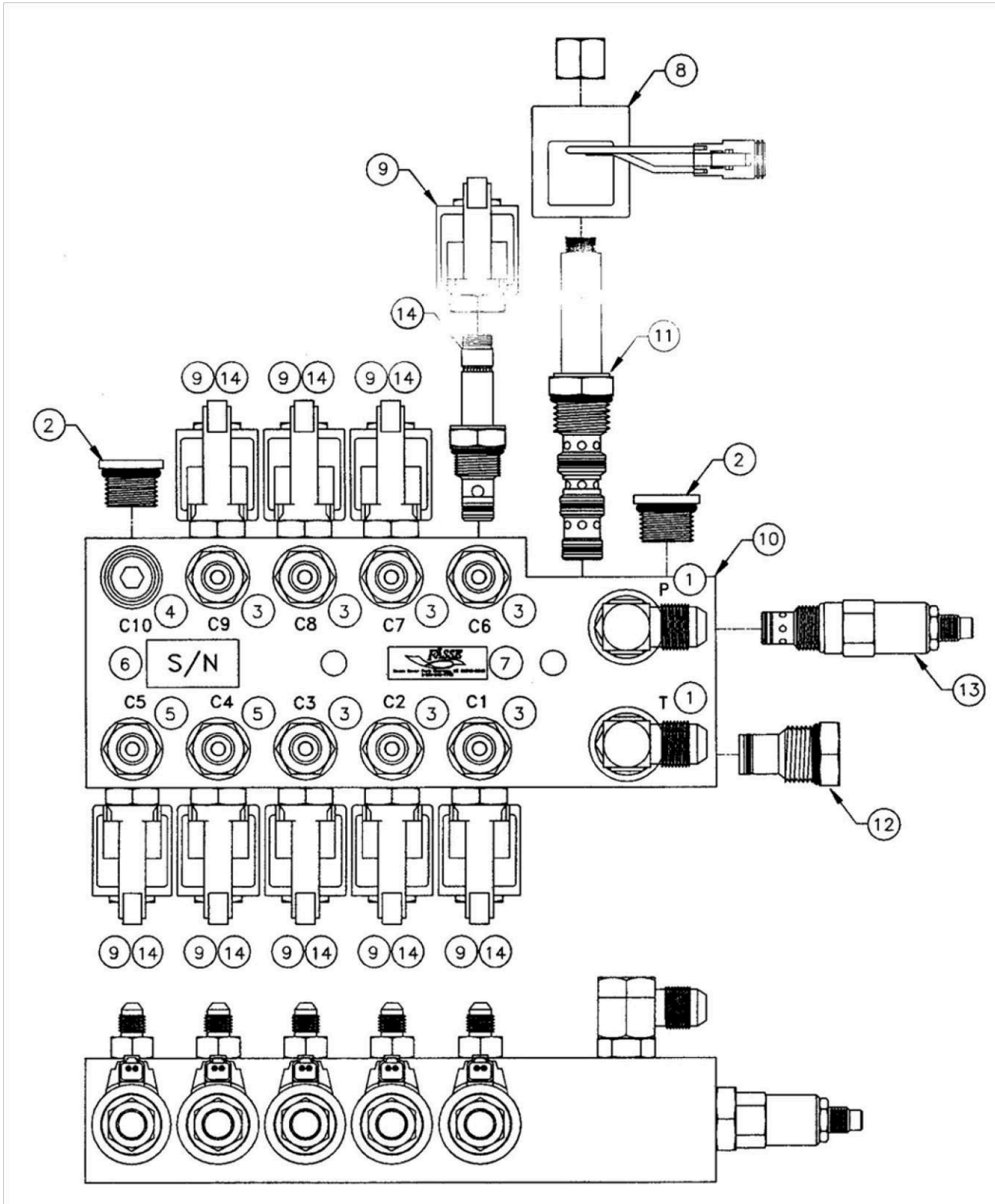


## Hydraulic Control Valve - 80, 90 & 100 Foot Boom Parts List

ITEM	VENDOR PART NO.	QTY.	DESCRIPTION
1	210-017	2	FITTING 6801-8-8/E-MJ-MO
2	273-023	2	FITTING 6400-6-6/S-MJ-MO
3	210-038	4	FITTING 6408-HHP-8/HOLL HEX PLUG MO
4	210-113	7	FITTING 6400-4-6/S-MJ-MO
5	210-127	3	FITTING 6408-HHP-6/HOLL HEX PLUG MO
6	210-188	2	FITTING 6400-6-6 R.047/S-MJ-MO
7	232-050	2	DECAL S/N (SILVER)
8	232-058	1	DECAL FASSE BLACK/GOLD 1" X .75" ROUND CORNER
9	253-037	1	COIL H/F 6359774 DT
10	253-046	7	COIL HYDAC 0312600 DL DSTCH RECPT.
11	270-093	1	MANIFOLD S14153-4 5CIR AL RV
12	273-008	1	CARTRIDGE SV10-40-0-N-00 (Seal Kit Part Number 274-001)
13	273-012	1	CARTRIDGE CP10-20 (Seal Kit Part Number 274-019)
14	273-058	1	CARTRIDGE H/F RV10-22A-0-N-NC-35-30 (Seal Kit Part Number 274-009)
15	273-077	7	CARTRIDGE HYDAC WS 08W-01-C-N-0 (Seal Kit Part Number 274-028)

Hydraulic Control Valve - 80, 90 & 100 Foot Boom - 9600

**Hydraulic Control Valve - 9600N**

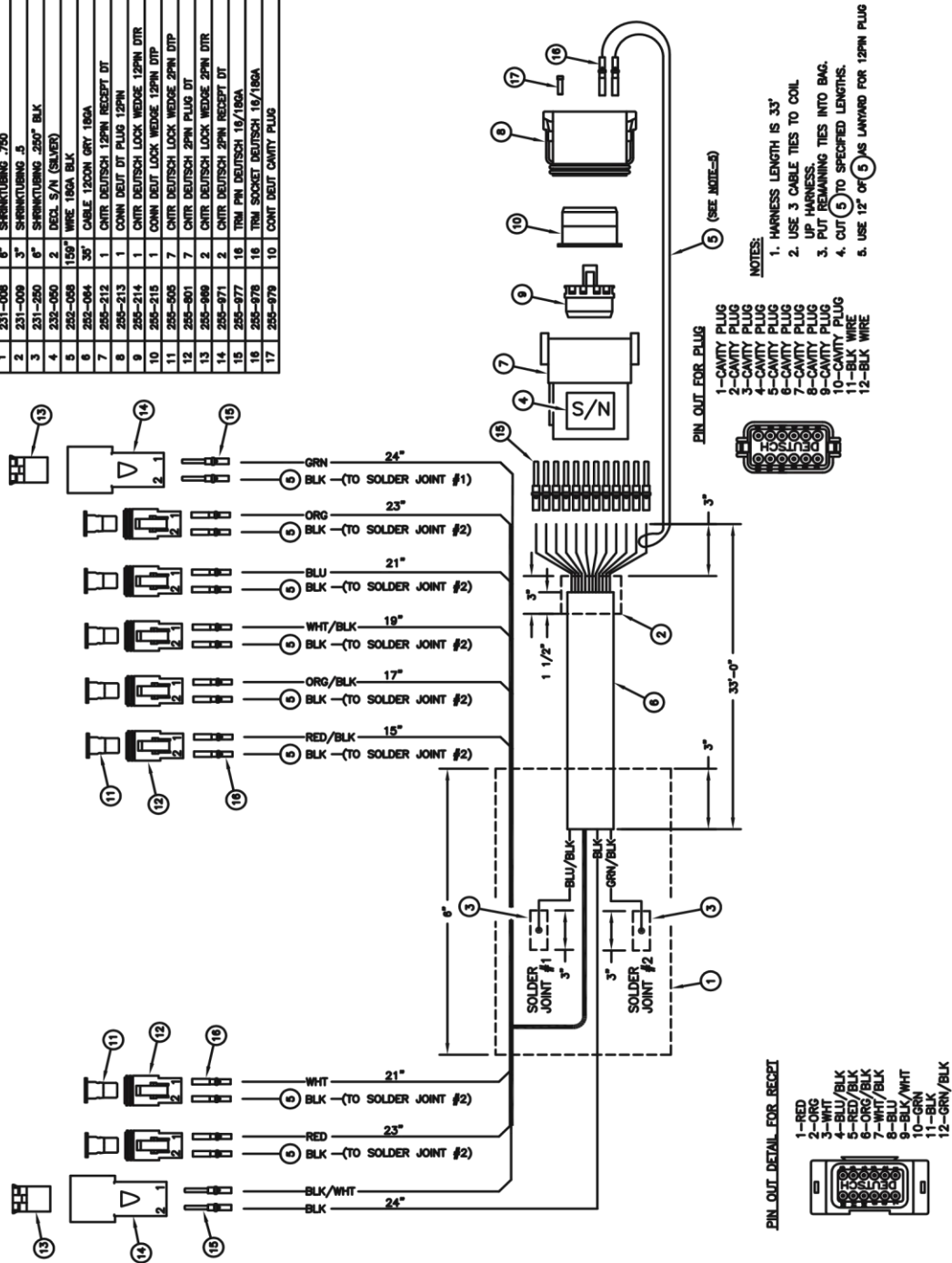


## Hydraulic Control Valve - 9600N Parts List

ITEM	PART NO.	QTY.	DESCRIPTION
1	210-017	2	FITTING 6801--8-/E-MJ-MO
2	210-038	2	FITTING 6408-HHP-8/HOLL HEX PLUG MO
3	210-113	7	FITTING 6400-4-6/S-MJ-MO
4	210-127	1	FITTING 6408-HHP-6/HOLL HEX PLUG MO
5	210-188	2	FITTING 6400-6-6 R.047/S-MJ-MO
6	232-050	2	DECAL S/N (SILVER)
7	232-058	1	DECAL FASSE BLACK/GOLD 1" X .75" ROUND CORNER
8	253-037	1	COIL H/F 6359774 DT
9	253-046	9	COIL HYDAK 0312600 DL DEUTSC RECEPICLE
10	270-093	1	MANIFOLD S14153-4 5CIR AL RV
11	273-008	1	CARTRIDGE SV10-40-1-N-00 (Seal Kit Part Number 274-001)
12	273-012	1	CARTRIDGE CP10-20 (Seal Kit Part Number 274-019)
13	273-058	1	CARTRIDGE H/F RV10-22A-0-N-NC-35-30 (Seal Kit Part Number 274-009)
14	273-077	9	CARTRIDGE HYDAC WS 08W-01-C-N-0 (Seal Kit Part Number 274-028)

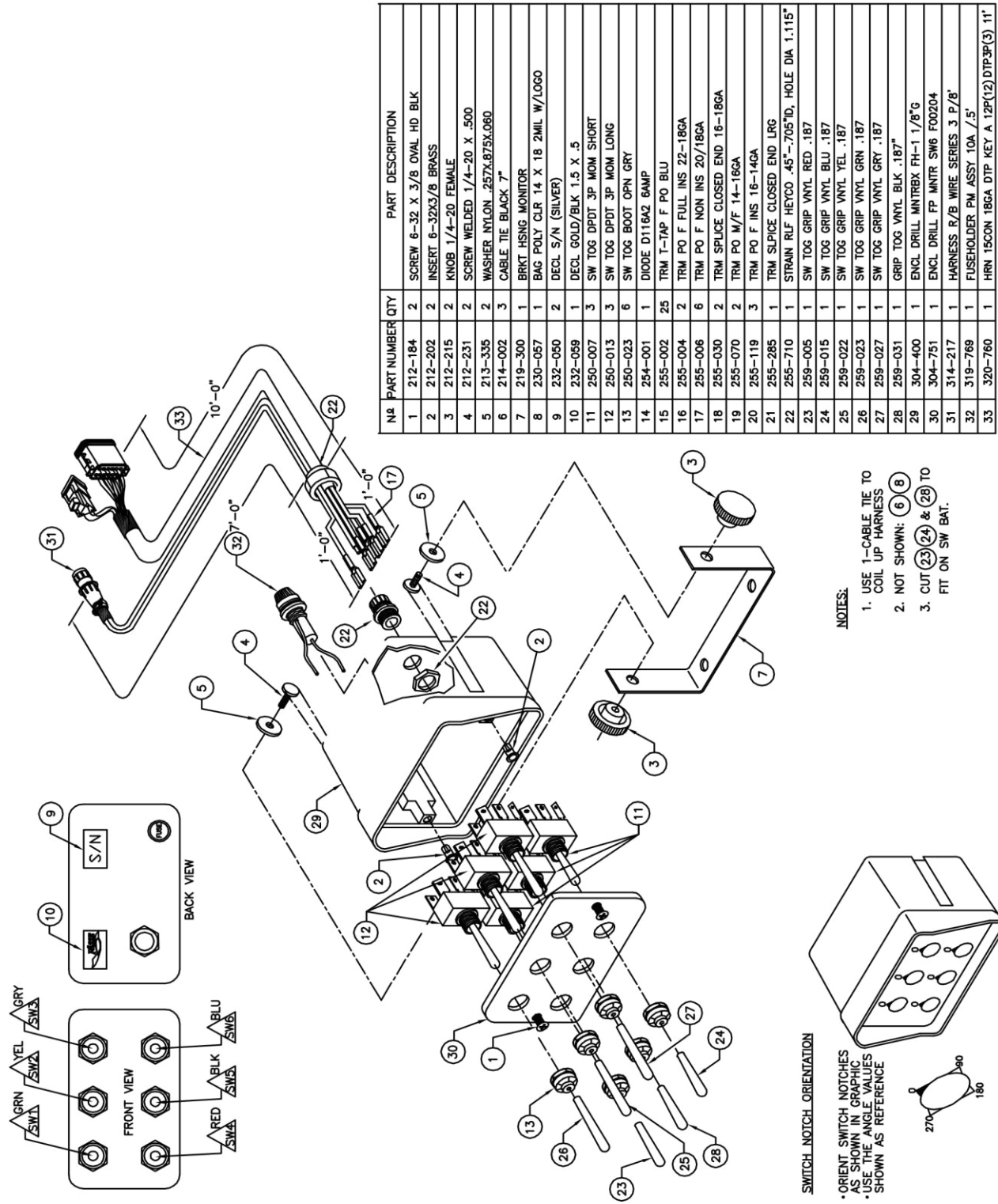
## Hydraulic Control Valve Wiring Harness

PARTS LIST		
NA PART NUMBER	QTY	PART DESCRIPTION
231-008	6"	SHRINKTUBING .750
231-009	3"	SHRINKTUBING .5
231-260	6"	SHRINKTUBING .260" BLK
232-050	2	DEG. S/N (SILVER)
252-056	159"	WIRE 16GA BLK
252-064	35"	CABLE 1200N CRT 16GA
255-212	1	CNTR DEUTSCH 12PIN RECEIPT DT
255-213	1	CNTR DEUTSCH 12PIN PLUG DT
255-214	1	CNTR DEUTSCH LOCK WEDGE 12PIN DTR
255-215	1	CNTR DEUTSCH LOCK WEDGE 12PIN DTP
255-505	7	CNTR DEUTSCH LOCK WEDGE 2PIN DTP
255-801	7	CNTR DEUTSCH 2PIN PLUG DT
255-809	2	CNTR DEUTSCH LOCK WEDGE 2PIN DTR
255-871	2	CNTR DEUTSCH 2PIN RECEIPT DT
255-877	16	TRM PIN DEUTSCH 16/18GA
255-878	16	TRM SOCKET DEUTSCH 16/18GA
255-879	10	CNTR DEUT CAVITY PLUG



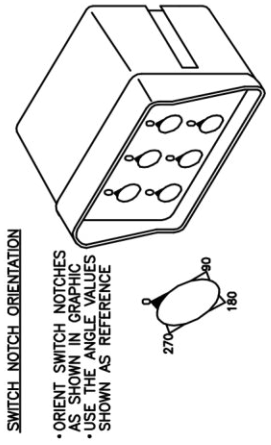


## Control Console - 80, 90 & 100 Foot Boom



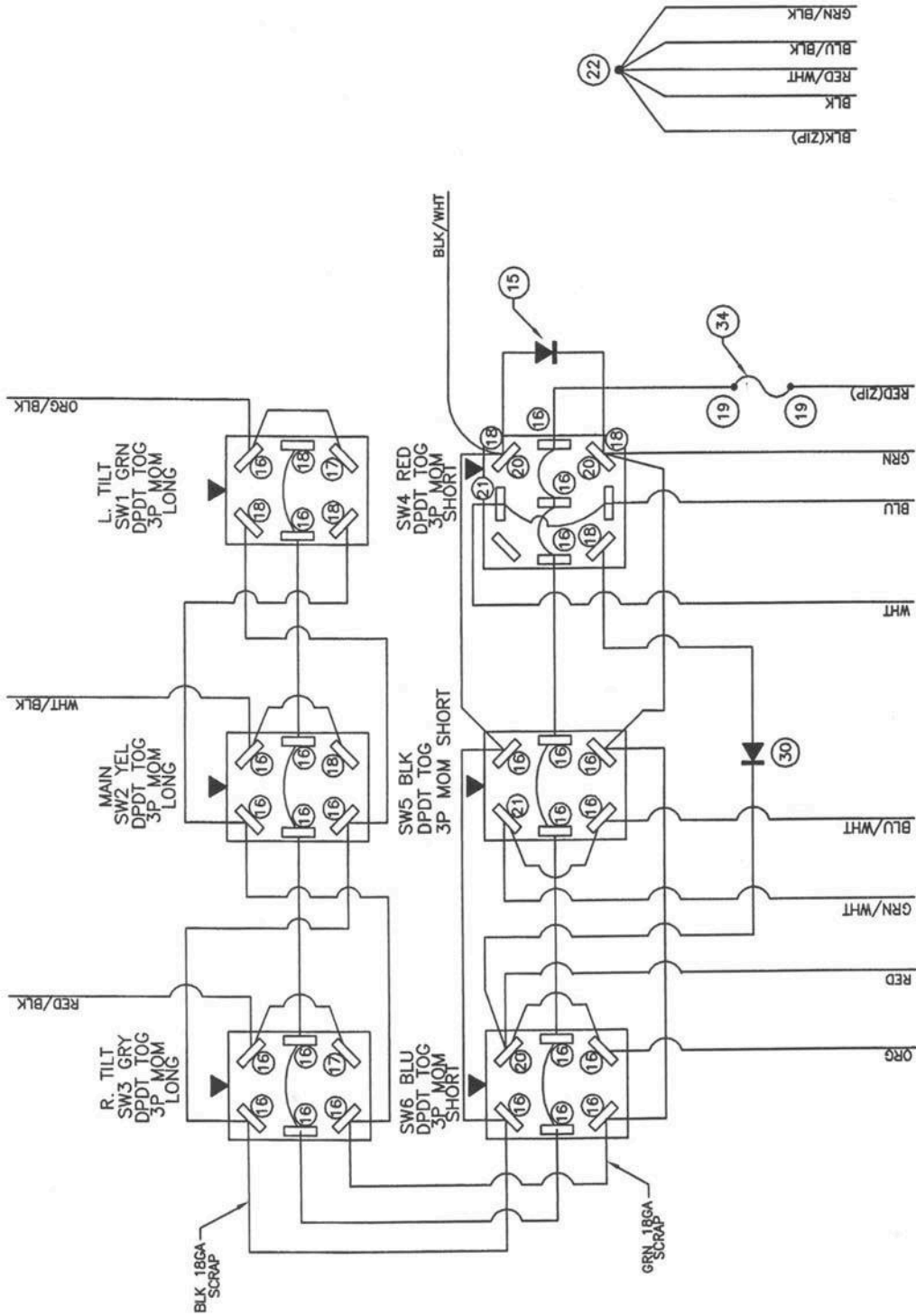
PN#	PART NUMBER	QTY	PART DESCRIPTION
1	212-184	2	SCREW 6-32 X 3/8 OVAL HD BLK
2	212-202	2	INSERT 6-32X3/8 BRASS
3	212-215	2	KNOB 1/4-20 FEMALE
4	212-231	2	SCREW WELDED 1/4-20 X .500
5	213-335	2	WASHER NYLON .257X.875X.080
6	214-002	3	CABLE TIE BLACK 7"
7	219-300	1	BRKT HSG MONITOR
8	230-057	1	BAG POLY CLR 14 X 18 2MIL W/LOGO
9	232-050	2	DECL S/N (SILVER)
10	232-059	1	DECL GOLD/BLK 1.5 X 5
11	250-007	3	SW TOG DPDT 3P MOM SHORT
12	250-013	3	SW TOG DPDT 3P MOM LONG
13	250-023	6	SW TOG BOOT OPN GRY
14	254-001	1	DIODE D116A2 BAMP
15	255-002	25	TRM T-TAP F PO BLU
16	255-004	2	TRM PO F FULL INS 22-18GA
17	255-006	6	TRM PO F NON INS 20/18GA
18	255-030	2	TRM SPLICE CLOSED END 16-18GA
19	255-070	2	TRM PO M/F 14-16GA
20	255-119	3	TRM PO F INS 16-14GA
21	255-285	1	TRM SPLICE CLOSED END LRG
22	255-710	1	STRAIN RLF HEYCO .45"-.705"ID, HOLE DIA 1.115"
23	259-005	1	SW TOG GRIP VNTL RED .187
24	259-015	1	SW TOG GRIP VNTL BLU .187
25	259-022	1	SW TOG GRIP VNTL YEL .187
26	259-023	1	SW TOG GRIP VNTL GRN .187
27	259-027	1	SW TOG GRIP VNTL GRY .187
28	259-031	1	GRIP TOG VNTL BLK .187"
29	304-400	1	ENCL DRILL MNTBRX FH-1 1/8"Ø
30	304-751	1	ENCL DRILL FP MNTR SW6 F00204
31	314-217	1	HARNESS R/B WIRE SERIES 3 P/8'
32	319-769	1	FUSEHOLDER PM ASSY 10A /.5'
33	320-760	1	HRN 15CON 18GA DTP KEY A 12P(12)DTP3P(3) 11'

- NOTES:
1. USE 1-CABLE TIE TO COIL UP HARNESS
  2. NOT SHOWN: (6) (8)
  3. CUT (23) (24) & (28) TO FIT ON SW BAT.

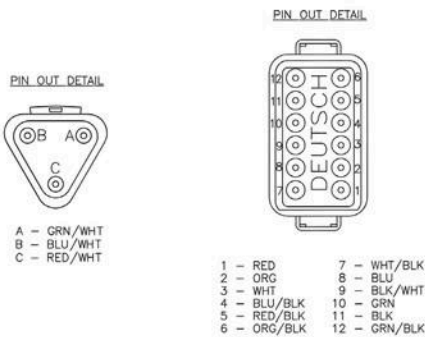
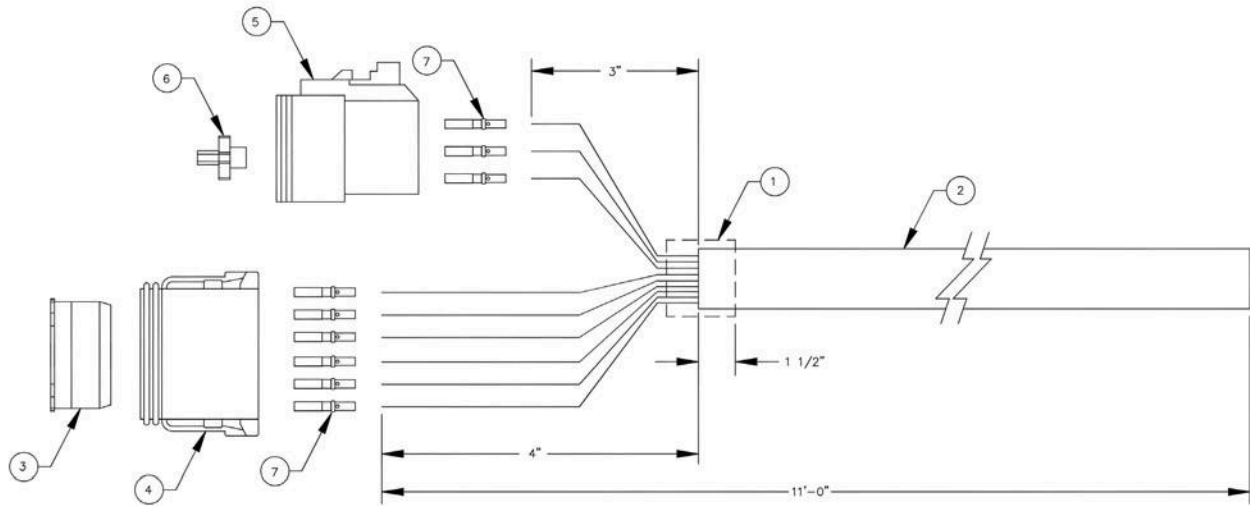


## Control Console Switch Diagram

### SWITCH WIRING DIAGRAM



## Wiring Harness - 80, 90 & 100 Foot Boom



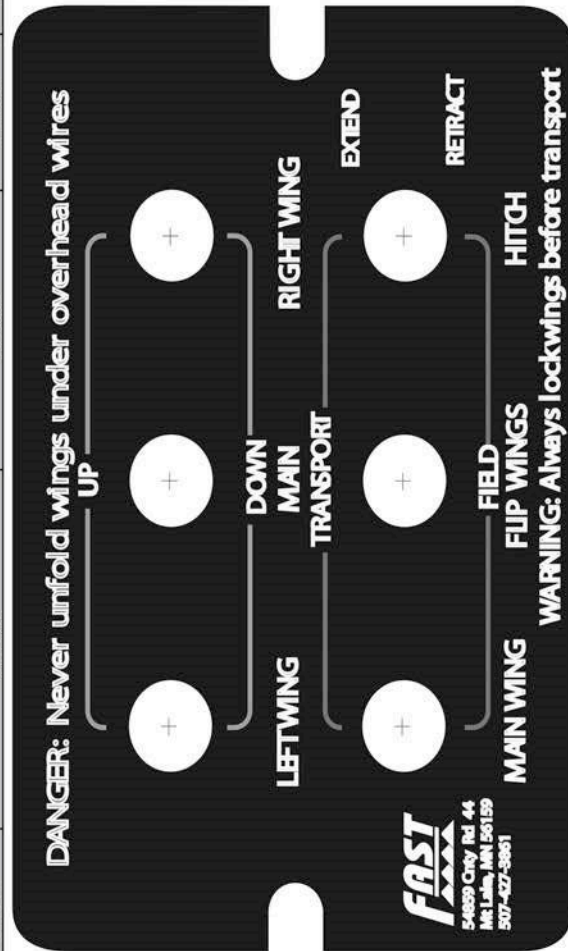
## Wiring Harness - 80, 90 & 100 Foot Boom Parts List

ITEM	PART NO.	QTY.	DESCRIPTION
1	231-007	3"	S HRINK TUBING .625
2	252-020	11'	CABLE 15CON 18 GAUGE
3	255-215	1	CENTERLOCK WEDGE 12 P IN DTP
4	255-756	1	CONNECTOR DEUTSCHDT PLUG 12 PIN KEY A
5	255-813	1	CONNECTOR DEUTSCH 3 PIN PLUG DTD T PLUG 12 PIN KEY A
6	255-817	1	CONNECTOR DEITSCH LOCK W EDGE 3 PIN DTP
7	255-978	15	CONNECTOR DEUTSCH SOCKET 16/18 GAUG E

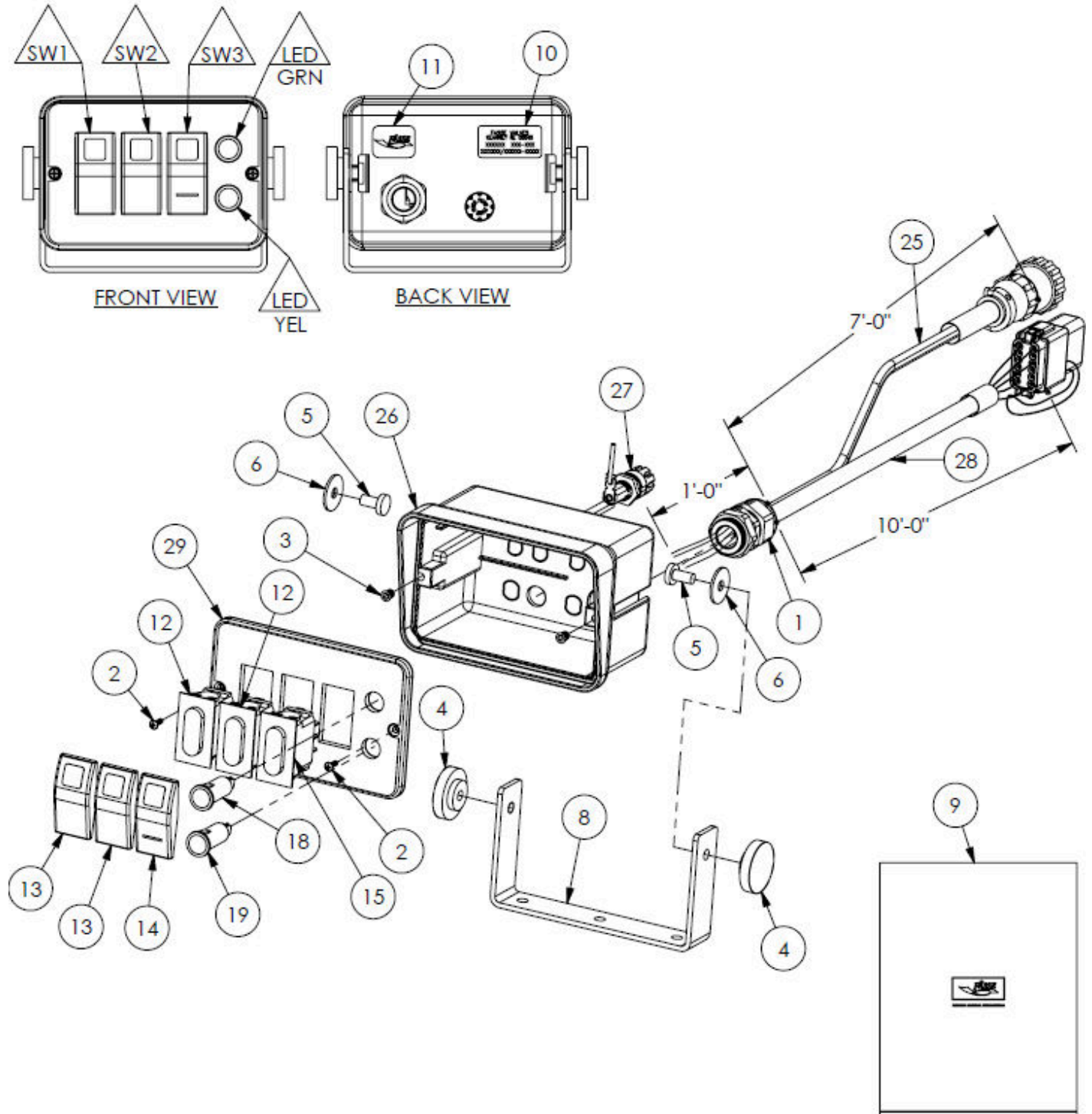
## Control Console Decal - 80, 90 & 100 Foot Boom

700-0806-4105 120' Fixed Tongue

Switch No.	Boot Color	Switch Position	Hot Wires	Pin Out Location	Pressure Ports	Tank Ports	Function
1 Long	Green	Up (mom)	Org/Blk & Grn	6-12P, 10-12P	C4		Lt. Wing Up
		Center (stat)					Off
		Down (mom)	Org/Blk & Grn & Blk/Wht	6-12P, 10-12P, 9-12P		C4	Lt. Wing Down
2 Long	Yellow	Up (mom)	Wht/Blk & Grn & Blk/Wht	7-12P, 10-12P, 9-12P	C9		Main Up
		Center (stat)					Off
		Down (mom)	Wht/Blk & Grn	7-12P, 10-12P		C9	Main Down
3 Long	Gray	Up (mom)	Red/Blk & Grn	5-12P, 10-12P	C5		Rt. Wing Up
		Center (stat)					Off
		Down (mom)	Red/Blk & Grn & Blk/Wht	5-12P, 10-12P, 9-12P		C5	Rt. Wing Down
4 Short	Red	Up (mom)	Wht & Blu & Grn	3-12P, 8-12P, 10-12P	C2		Main Wing Transport
		Center (stat)					Off
		Down (mom)	Wht & Blu & Grn & Blk/Wht	3-12P, 8-12P, 10-12P, 9-12P		C2	Main Wing Field
5 Short	Black	Up (mom)	Grn/Wht & Blu/Wht & Grn	1-3P, 2-3P, 10-12P	C3		Flip Wings Transport
		Center (stat)					Off
		Down (mom)	Grn/Wht & Blu/Wht & Grn & Blk/Wht	1-3P, 2-3P, 10-12P, 9-12P		C3	Flip Wings Field
6 Short	Blue	Up (mom)	Red & Org & Grn	1-12P, 2-12P, 10-12P	C1		Hitch Transport
		Center (stat)					Off
		Down (mom)	Red & Org & Grn & Blk/Wht	1-12P, 2-12P, 10-12P, 9-12P		C1	Hitch Field
			Blk	11-12P			Ground
			Red/Wht	3-3P			Ground
			Blu/Blk	4-12P			Ground
			Grn/Blk	12-12P			Ground



## Cab Box for Electric Valving Option



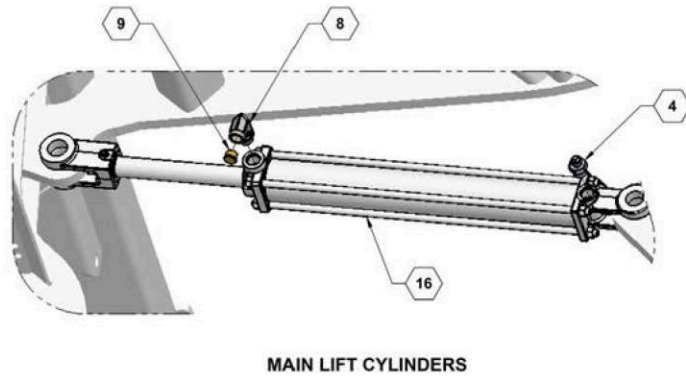
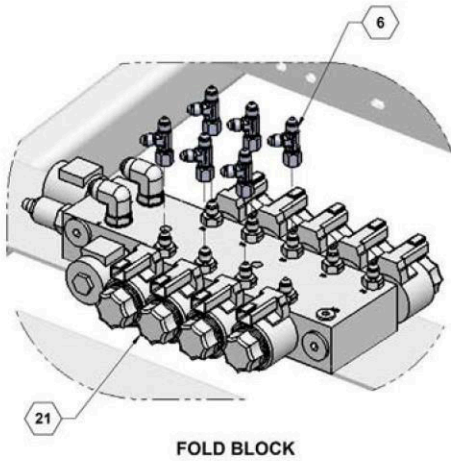
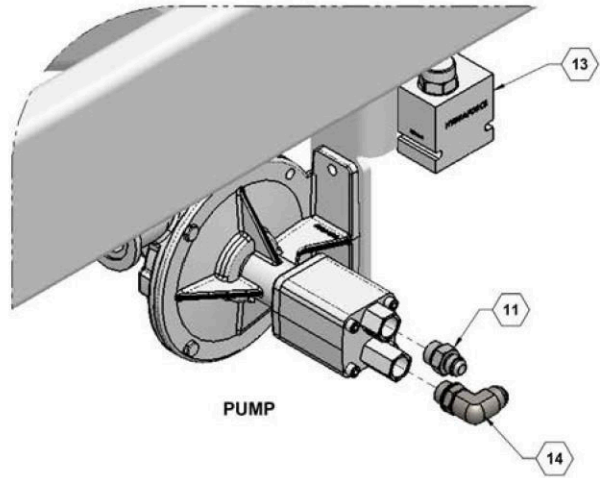
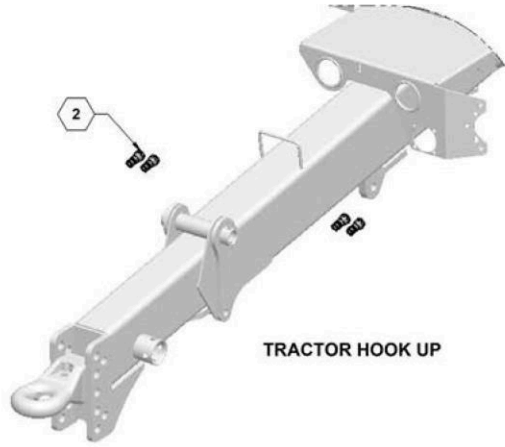
## Cab Box for Electric Valving Option 632155

ITEM	PART NO.	QTY.	DESCRIPTION
1	210-710	1	STR RLF HEYCO .23"-.54"ID, HOLE DIA .886"
2	212-184	2	SCREW PHIL PAN #6-32X3/8" BLK
3	212-202	2	SCREW INSERT BRASS #6-32X3/8"
4	212-215	2	KNOB FEMALE 1/4"-20
5	212-231	2	SCREW WELDED 1/4"-20X.625"
6	213-335	2	WASHER NYLON FLAT 1/4"-20
7	214-002	3	CABLE TIE BLK 8.5"
8	219-300	1	BRKT MNTR BLK AL
9	230-057	1	BAG POLY 14X 18 2MIL LOGO
10	232-050	1	DECL S/N SILVER
11	232-058	1	DECAL FASSE BLK/GOLD 1"X.75" RND CRNR
12	250-242	2	SW RCK CONTURA BODY ONLY SPST 2P STAT CLEAR LED 12V
13	250-243	2	SW RCK CONTURA II ACTUATOR ONLY RED LENS BLK
14	250-244	1	SW RCK CONTURA II ACTUATOR ONLY RED/RED LENS BLK
15	250-245	1	SW RCK CONTURA BODY ONLY SPST 3P STAT CLEAR/CLEAR LEDS 12V
16	252-058	14"	WIRE 18GA BLK
17	252-059	14"	WIRE 18GA RED
18	254-179	1	LED GRN 12V 5/8"DIA SNAP FLUSH 1/4" MALE TRM
19	254-182	1	LED YEL 12V 5/8"DIA SNAP FLUSH 1/4" MALE TRM
20	255-002	6	TRM PO T-TAP F 18-14GA
21	255-006	7	TRM PO F INS 22-18GA
22	255-030	3	TRM SPLICE CLOSED END 16-18GA
23	255-119	1	TRM PO FINS 16-14GA
24	255-285	1	TRM SPLICE CLOSED END LRG 14-16GA
25	314-001	1	HRN 2CON 14GA AMP PLUG 3P(2) 8"
26	319-725	1	ENCL MNTR BOX 4.75"X3"X2"
27	320-529	1	FUSE HOLDER PM ASSY 7.5A .5'
28	320-607	1	HRN 12CON 18GA DTP KEY B 12P(12) 11' END CAP
29	320-609	1	ENCL DRILL FP MNTR RCK3 LED2 500204



**9613TF-80 Hydraulic Fitting Locations**

9613TF-80 FITTING I.D. & LOCATION



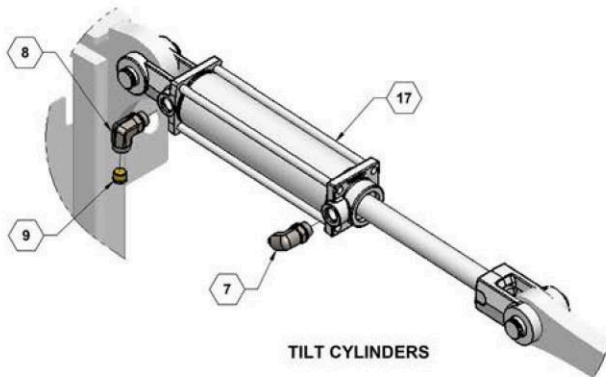


**9613TF-80 Hydraulic Fitting Locations Parts List**

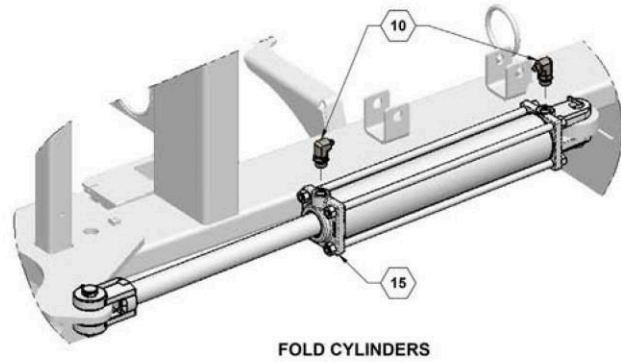
ITEM	PART NO.	QTY.	DESCRIPTION
2	520048	4	PIONEER COUPLER #8 FORB
4	610011	3	JIC #6 TO ORING #8
6	610028	6	#4 SWIVEL RUN TEE
8	610035	4	ORING #8 TO 3/8" PIPE 90 DEG
9	610036	4	PLUG 3/8-18 BREATHER VENT
11	610060	1	JIC #8 TO ORING #10
13	610099	1	VALVE, FLOW CONTROL, P.C.
14	610102	1	JIC #10 TO O-RING #10 ELBOW 90°
16	620019	2	CYLINDER, 20TD16-112 MAIN LIFT
21	630011	1	HYDRAULIC BLOCK 6-STA. 9610E-9612E

**9613TF-80 Hydraulic Fitting Locations**

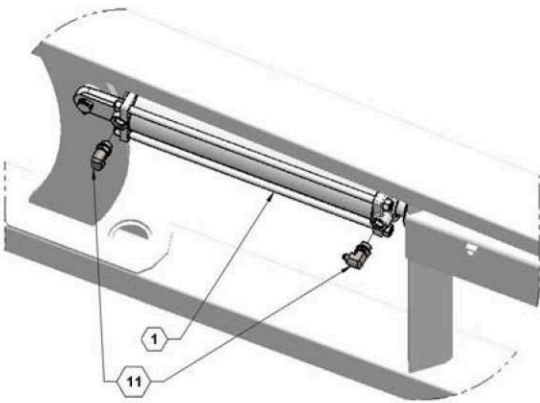
9613TF-80 FITTING I.D. & LOCATION CONTINUED



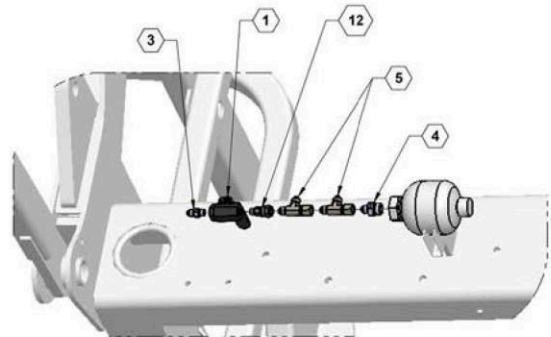
**TILT CYLINDERS**



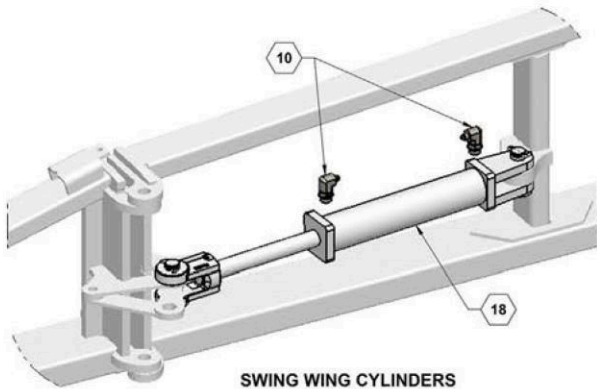
**FOLD CYLINDERS**



**FLIP WING CYLINDERS**



**ACCUMULATOR**



**SWING WING CYLINDERS**

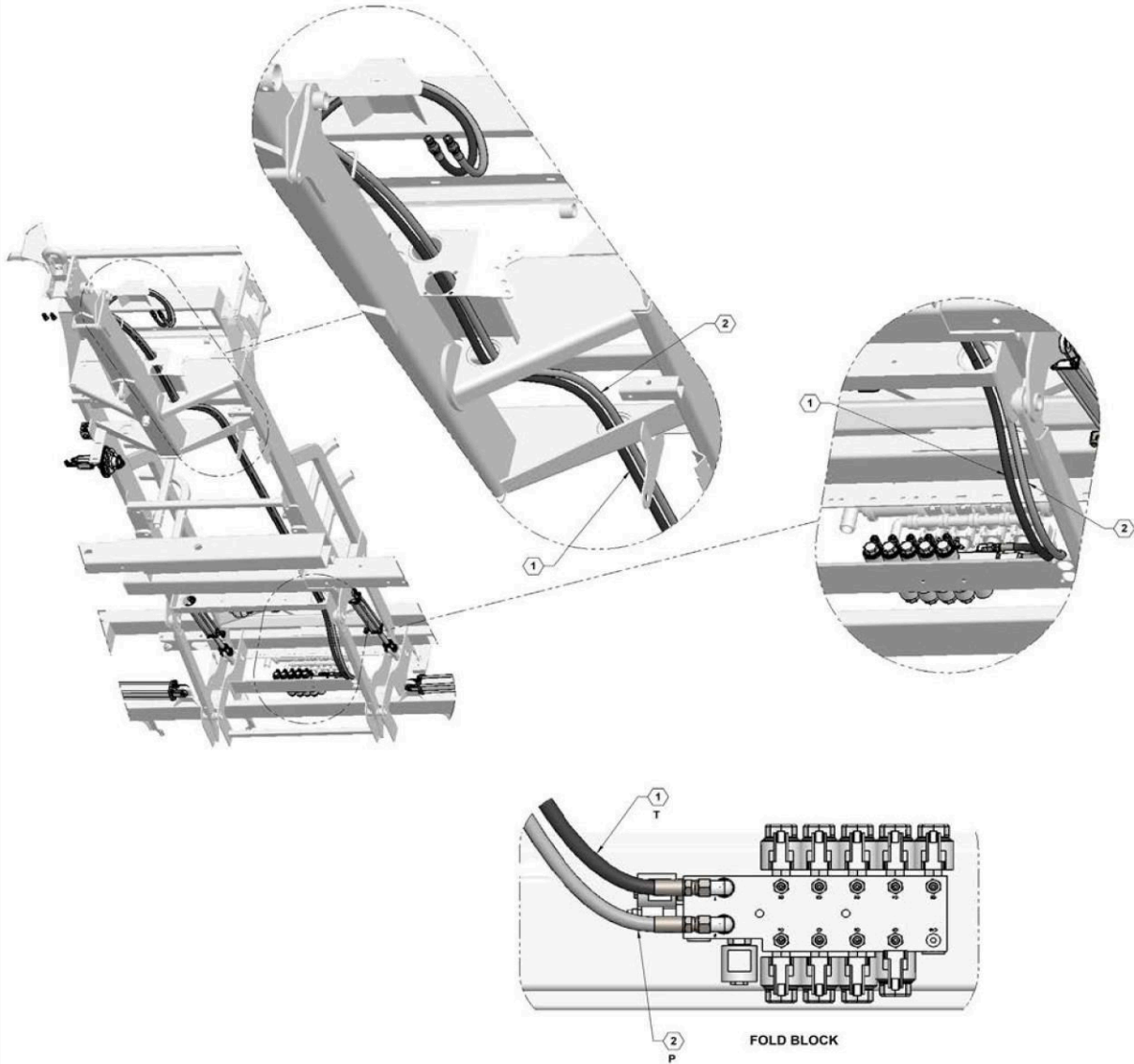
## 9613TF-80 Hydraulic Fitting Locations Parts List

ITEM	PART NO.	QTY.	DESCRIPTION
1	500000	1	VALVE, BALLSAE#4FEMALEPORT
3	610007	1	JIC#4TOORING#4
4	610011	3	JIC#6TOORING#8
5	610027	2	JIC#6RUNTEE
7	610030	2	JIC#6TOORING#890DEG
8	610035	4	ORING#8TO3/8"PIPE90DEG
9	610036	4	PLUG3/8-18BREATHERVEENT
10	610039	8	JICRESTRICTED.032#4XO-R#890DEG(9600N)
10	610040	12	JICRESTRICTED.045#4XO-R#890DEG(9600)
11	610040	12	JICRESTRICTED.045#4XO-R#890DEG(9600&9600N)
12	610079	1	CONNECTOR#4ORBX#6JIC
15	620006	2	CYLINDER,30TD16-150FOLD
17	620023	2	CYLINDER,25TD08-112WINGTILT

## Fold Block Hydraulic Hose Routing

FOLD BLOCK PRESSURE = BLACK HOSE  
 FOLD BLOCK RETURN = GRAY HOSE

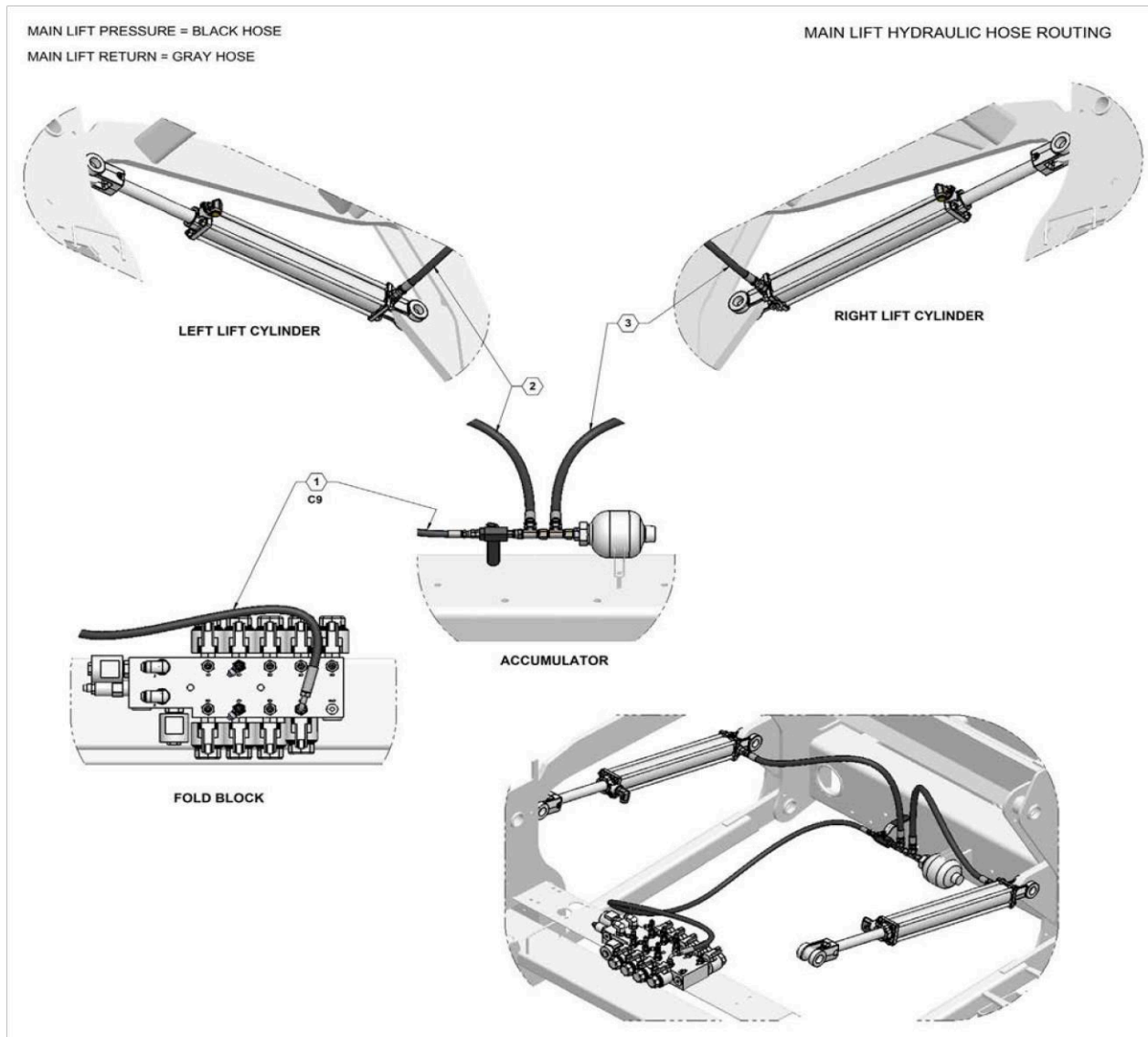
FOLD BLOCK HYDRAULIC HOSE ROUTING



### Fold Block Hydraulic Hose Routing Parts List

ITEM	PART NO.	QTY.	DESCRIPTION
1	600040-1-ZN	1	HYDRAULIC HOSE, 08-8MOR-8FJX-302
2	600040-3-ZN	1	HYDRAULIC HOSE, 08-8MOR-8FJX-304

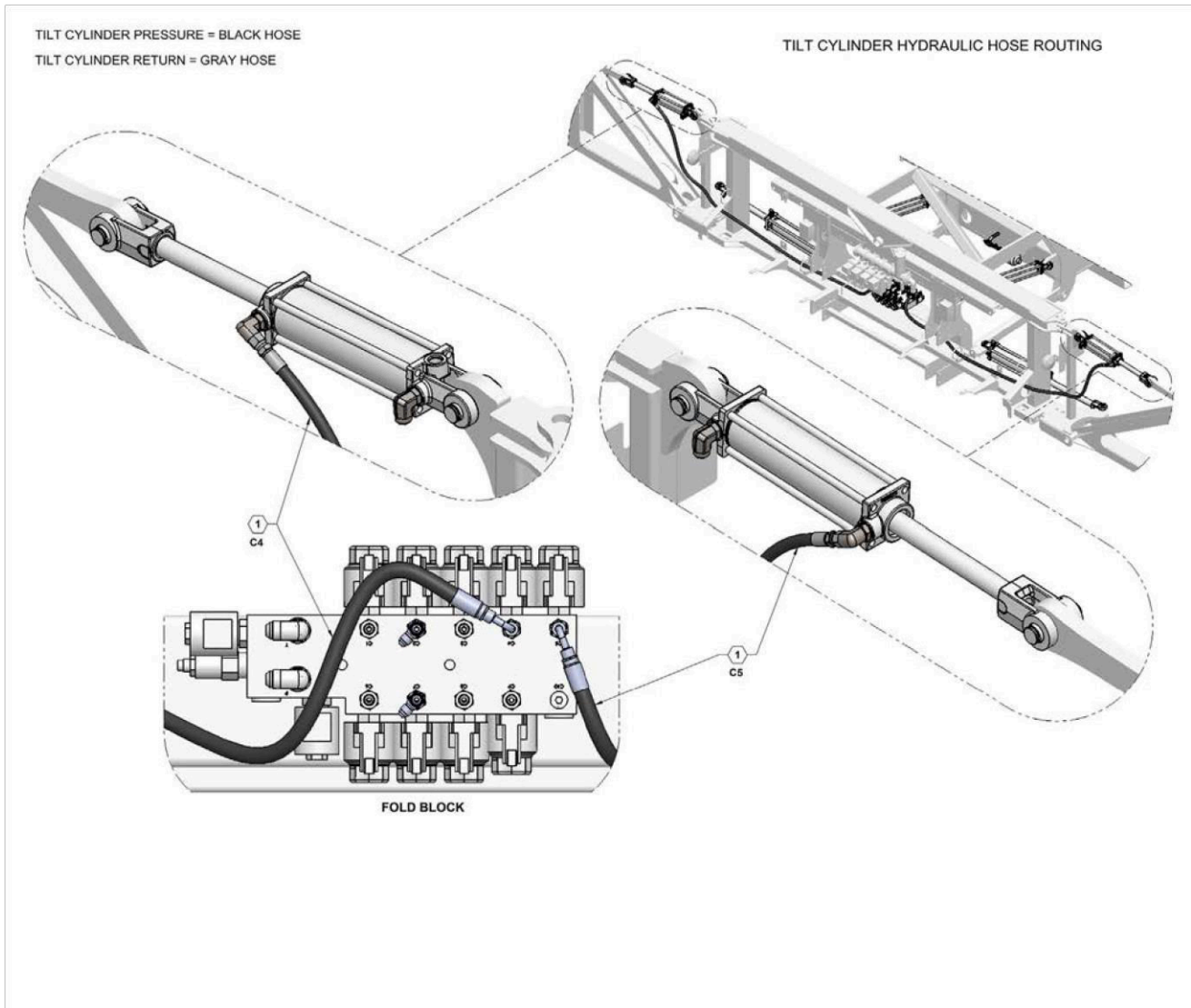
## Main Lift Hydraulic Hose Routing



## Main Lift Hydraulic Hose Routing Parts List

ITEM	PART NO.	QTY.	DESCRIPTION
1	FDM0048-ZN	1	HYDRAULIC HOSE , 04 - 4 F J X 90 - 4 F J X - 85
2	600040-12-ZN	1	HYDRAULIC HOSE, 06 - 6 F J X - 6 F J X - 28
3	600040-13-ZN	1	HYDRAULIC HOSE, 06 - 6 F J X - 6 F J X - 30

## Tilt Cylinder Hydraulic Hose Routing

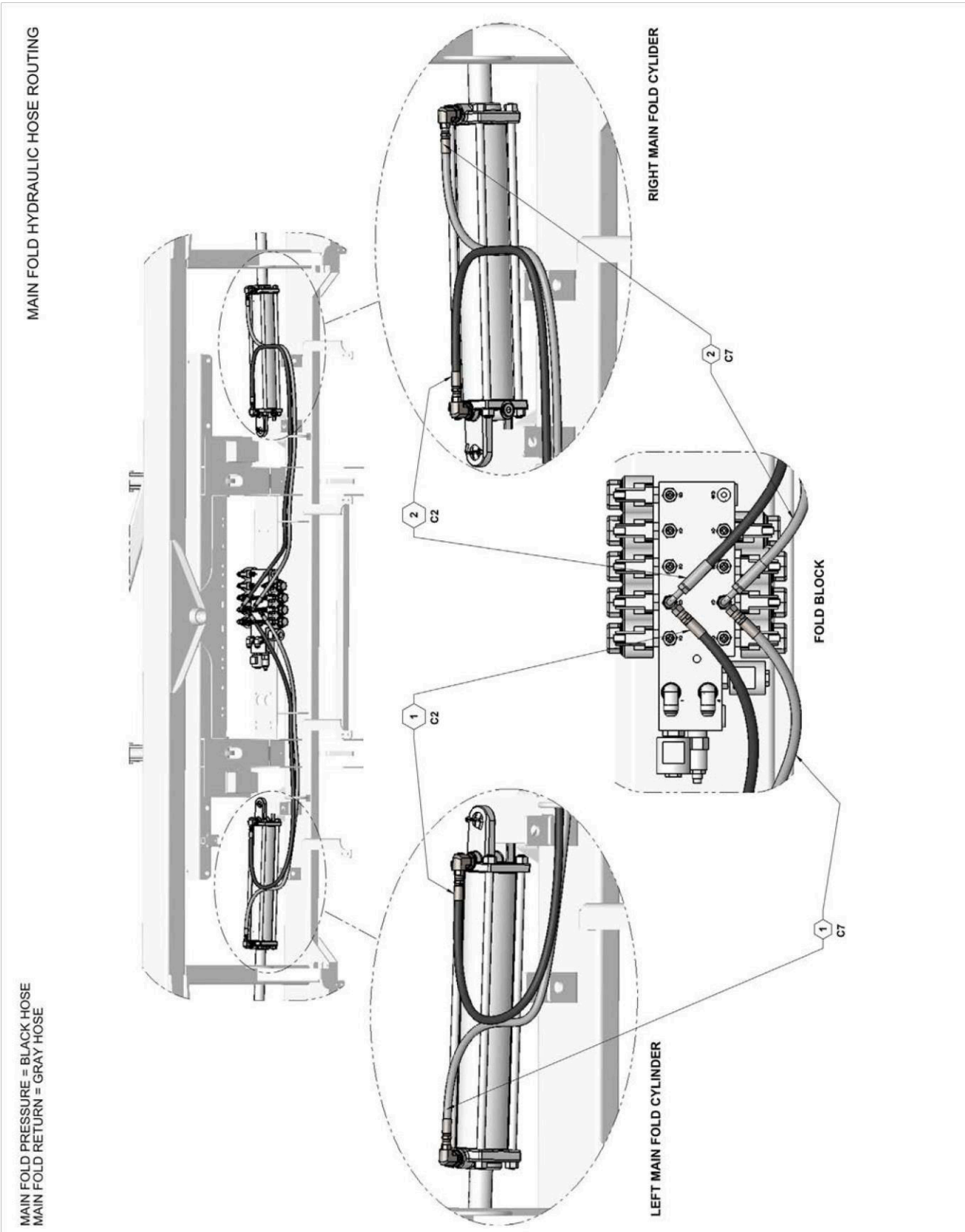


### Tilt Cylinder Hydraulic Hose Routing Parts List

ITEM	PART NO.	QTY.	DESCRIPTION
1	600040-19-ZN	2	HYDRAULIC HOSE, 06-4FJX90-6FJX-100



## Main Hydraulic Hose Routing

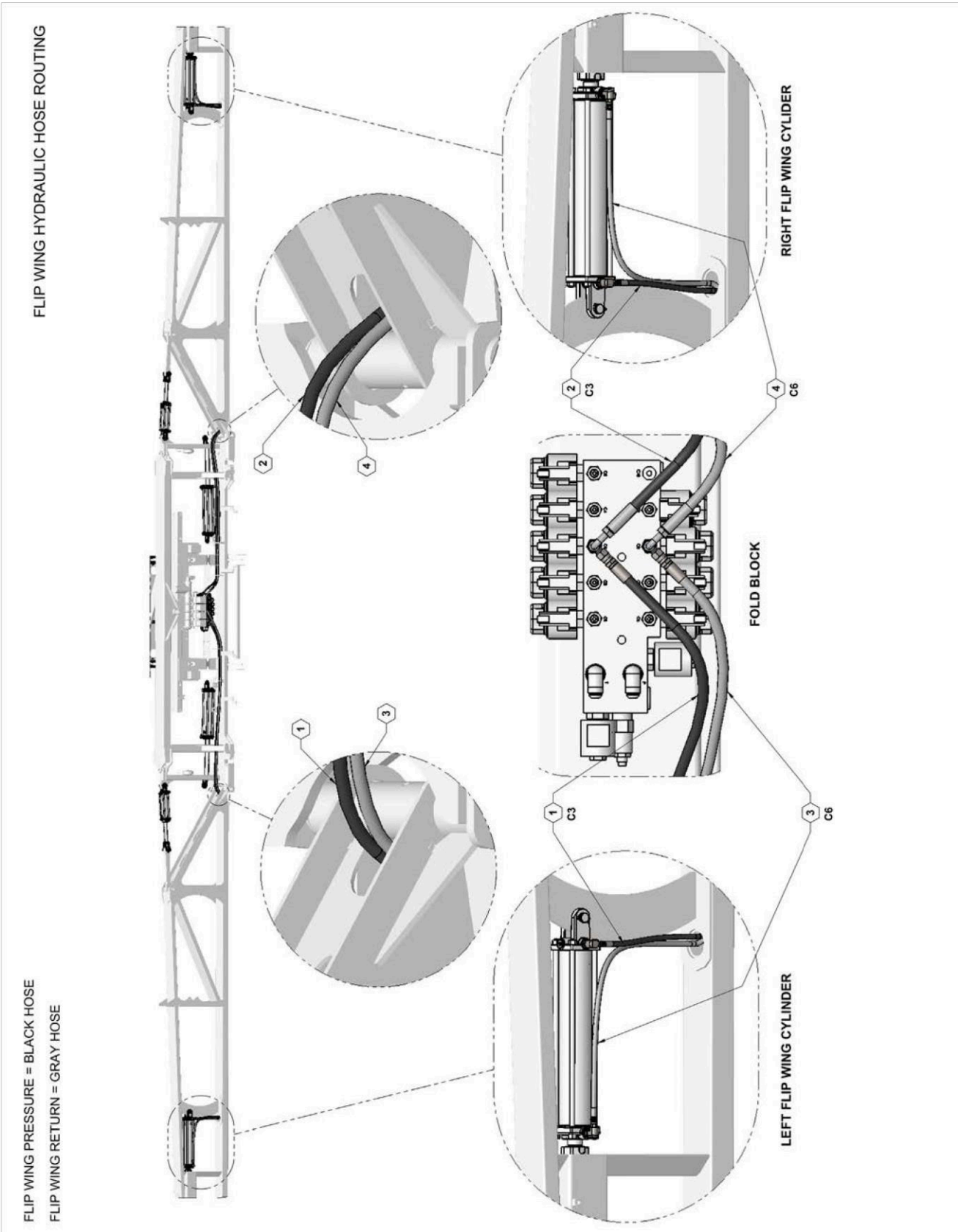




## Main Hydraulic Hose Routing Parts List

ITEM	PART NO.	QTY.	DESCRIPTION
1	600040-14-ZN	2	HYDRAULIC HOSE, 04-4FJX-4FJX-54
2	600040-9-ZN	2	HYDRAULIC HOSE, 04-4FJX-4FJX-54

**Flip Wing Hydraulic Hose Routing**



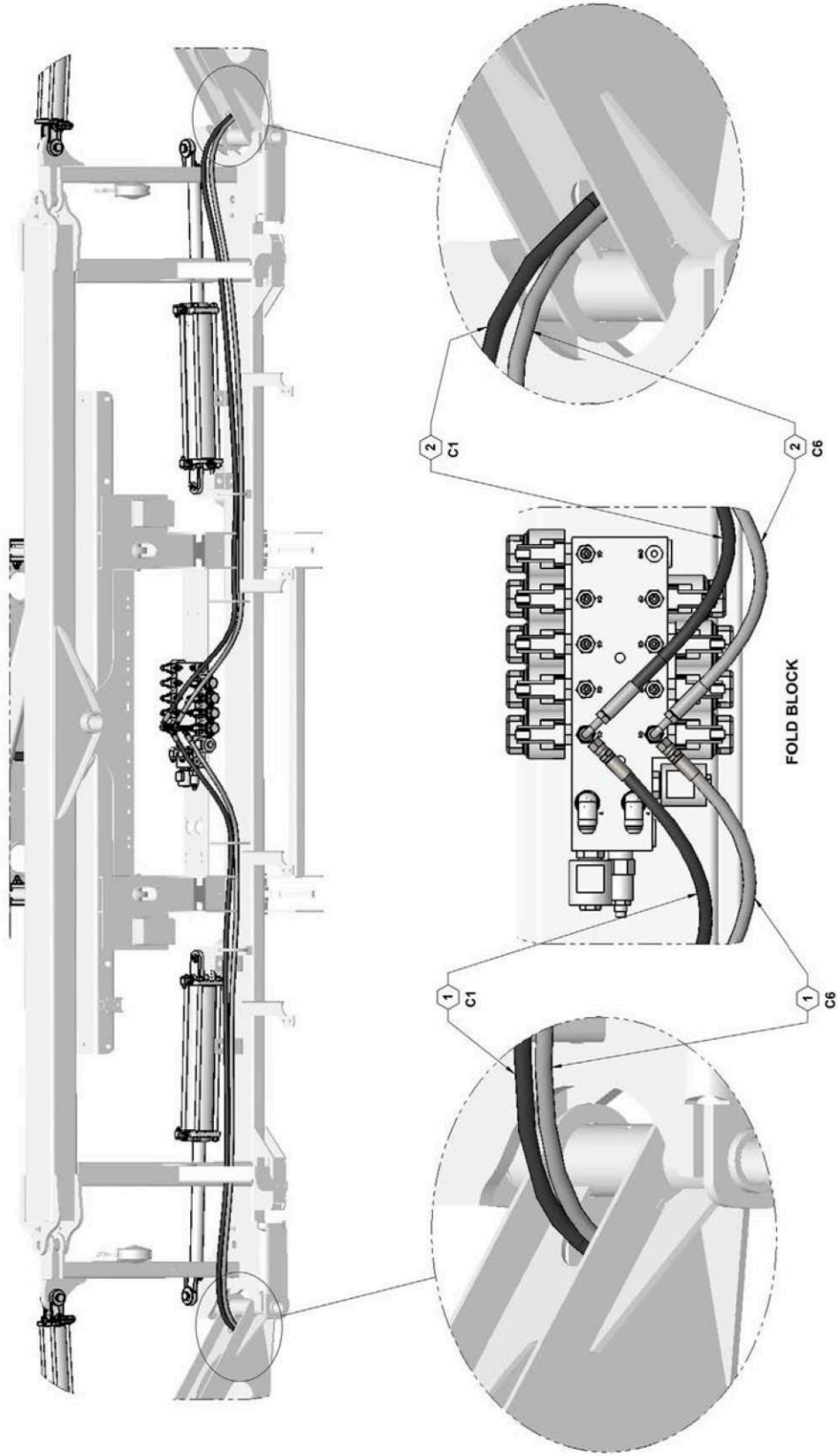
## Flip Wing Hydraulic Parts List

ITEM	PART NO.	QTY.	DESCRIPTION
1	600040-16-ZN	1	HYDRAULIC HOSE , 04-4F JX-4F JX-202
2	600040-11A -ZN	1	HYDRAULIC HOSE, 04-4F JX90-4F JX-215
3	600040-17A -ZN	1	HYDRAULIC HOSE, 04-4F JX-4F JX-220
4	600045-6-ZN	1	HYDRAULIC HOSE , 04-4F JX90-4F JX-200

**Breakaway Wing Hydraulic Hose Routing**

BREAKAWAY WING HYDRAULIC HOSE ROUTING

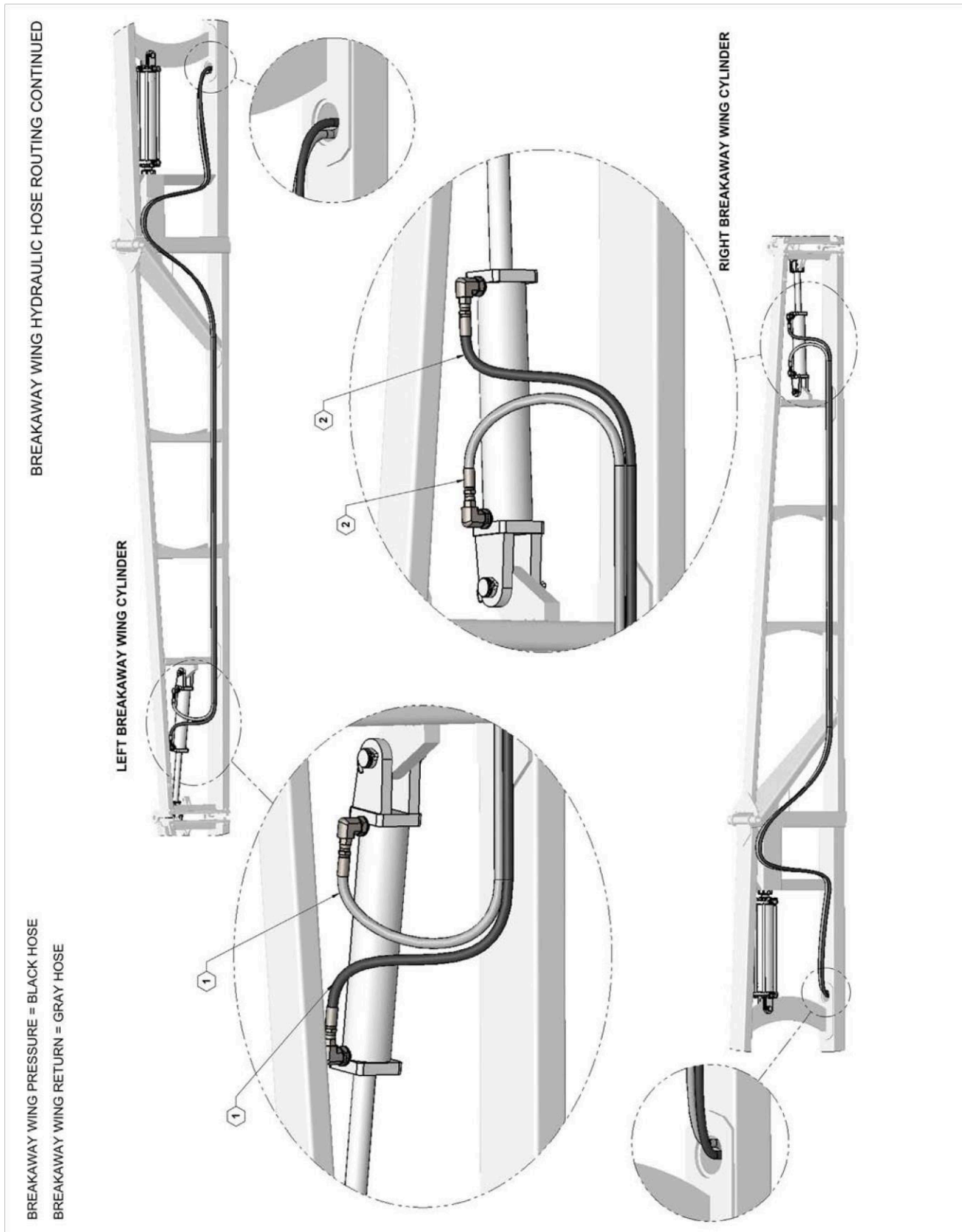
BREAKAWAY WING PRESSURE = BLACK HOSE  
BREAKAWAY WING RETURN = GRAY HOSE



## Breakaway Wing Hydraulic Hose Routing Parts List

ITEM	PART NO.	QTY.	DESCRIPTION
1	600040-7-ZN	2	HYDRAULIC HOSE, 04-4FJX-4FJX-384
2	600040-8-ZN	2	HYDRAULIC HOSE, 04-4FJX90-4FJX-384

**Breakaway Wing Hydraulic Hose Routing**



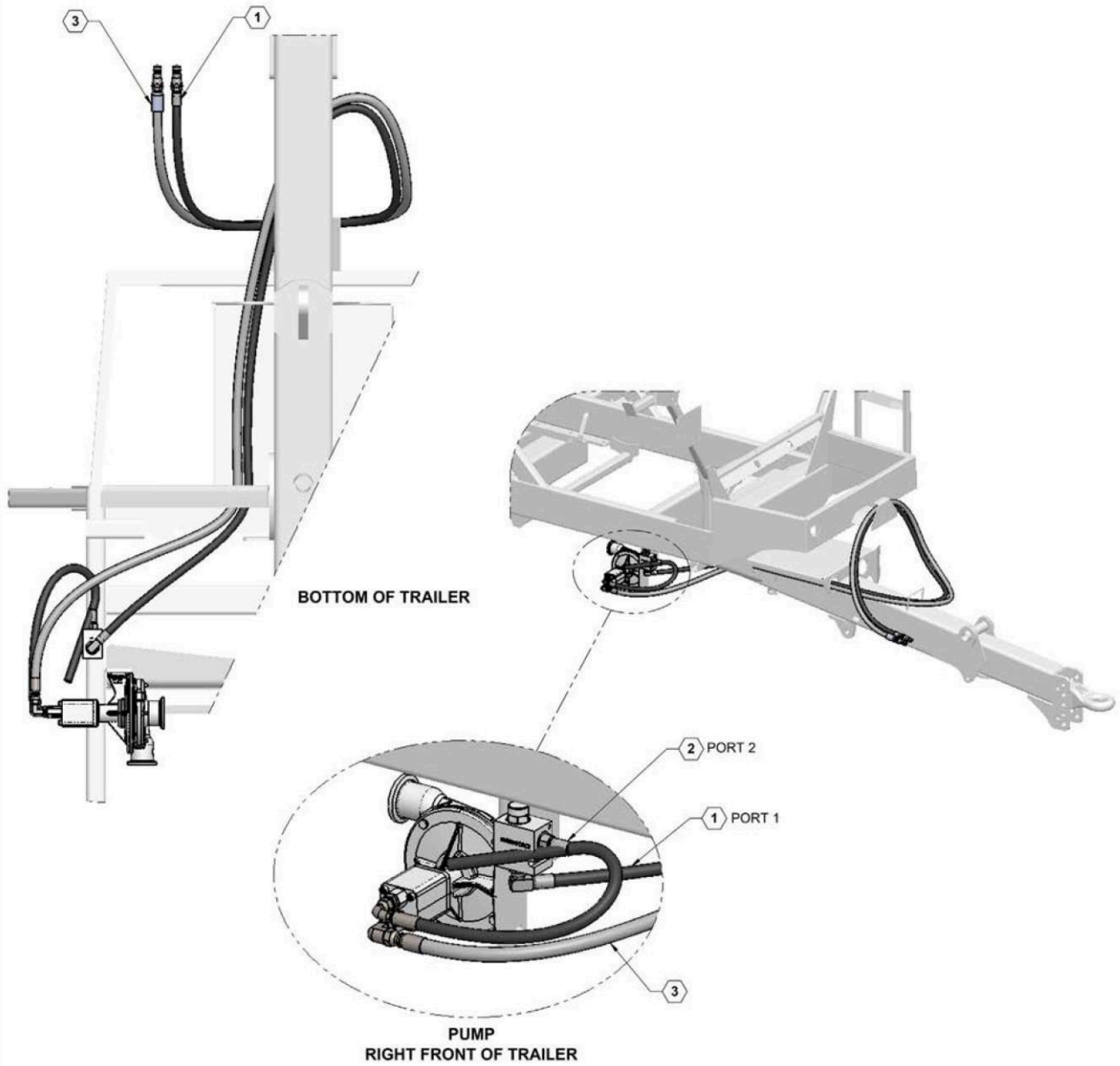
**Breakaway Wing Hydraulic Hose Routing Parts List**

ITEM	PART NO.	QTY.	DESCRIPTION
1	600040-7-ZN	2	HYDRAULIC HOSE, 04-4FJX-4FJX-384
2	600040-8-ZN	2	HYDRAULIC HOSE, 04-4FJX90-4FJX-384

**Hydraulic Pump Hose Routing**

PUMP PRESSURE = BLACK HOSE  
PUMP RETURN = GRAY HOSE

PUMP HYDRAULIC HOSE ROUTING





## Hydraulic Pump Hose Routing Parts List

ITEM	PART NO.	QTY.	DESCRIPTION
1	600040-18A-ZN	1	HYDRAULIC HOSE, 08-10MOR90-8MOR-168
2	600040-20A-ZN	1	HYDRAULIC HOSE, 08-8FJX90-10MOR-25
3	600040-2C-ZN	1	HYDRAULIC HOSE, 10-10MOR-8MOR-180

## Raven 450 Controller Kit With Skytrak, Up To 6 Sections

ITEM	PART NO.	QTY.	DESCRIPTION
	631803	1	CONSOLE, SCS450 (6-BOOM)
	631815	1	CABLE, 24' EXT 6BM SCS450
	631818	1	CABLE 10' CONSOLE 7BM SCS 440/450
	631832	1	SENSOR, GPS SPEED, RAVEN
	632028	1	47 PIN TO 16 PIN ADAPTER CABLE
	632077	1	CABLE PRODUCT 47 PIN 6 SECTION

## Raven ISO Rate Control Module, Cables To Tractor, ISO Hookup, No VT Console

ITEM	PART NO.	QTY.	DESCRIPTION
	15813BLK	1	PLATE, MOUNT, RATE CONTROLLER
	596105M	1	HEX HEAD G5 1/4-20 X 2-1/2 MAG
	596110M	1	BOLT, HH 1/4-20 X 3 MAGNI
	596128M	2	HH G5 3/8 X 1 MAGNI
	596235M	3	HEX NUT CENTER LOCK 1/4 MAGNI
	596237M	2	HEX NUT 3/8 CENTER LOCK MAGNI
	631856	1	SWITCH ASSEMBLY FOOT ISO PRODUCT CONTROL
	632010	1	RAVEN RATE CONTROL MODULE, SPRAYER
	632029	1	47 PIN RCM CABLE
	632035	1	14' 47 PIN TO 47 PIN PLUG
	632078	1	CABLE PRODUCT 47 PIN 10SEC
	632031	1	CABLE, ADAPTER 17' 9 PIN
	632061	1	CABLE, FOOT SWITCH 12'

## Deere JDRC 2000 ISO Rate Controller, Cables To Tractor, ISO Hookup, No VT Console

ITEM	PART NO.	QTY.	DESCRIPTION
	15813BLK	1	PLATE, MOUNT, RATE CONTROLLER
	596105M	1	HEX HEAD G5 1/4-20 X 2-1/2 MAG
	596110M	2	BOLT, HH 1/4-20 X 3 MAGNI
	596128M	2	HH G5 3/8 X 1 MAGNI
	596235M	3	HEX NUT CENTER LOCK 1/4 MAGNI
	596237M	2	HEX NUT 3/8 CENTER LOCK MAGNI
	632035	1	14' 47 PIN TO 47 PIN PLUG
	632078	1	CABLE PRODUCT 47 PIN 10SEC
	632031	1	CABLE, ADAPTER 17' 9 PIN
	632045	1	JD RC2000 CONTROL MODULE
	632061	1	CABLE, FOOT SWITCH 12'

## 47 Pin Product Control Cable - Customer Supplied JDRC2000 Rate Controller / Raven RCM

ITEM	PART NO.	QTY.	DESCRIPTION
	15813BLK	1	PLATE, MOUNT, RATE CONTROLLER
	596105M	1	HEX HEAD G5 1/4-20 X 2-1/2 MAG
	596110M	2	BOLT, HH 1/4-20 X 3 MAGNI
	596128M	2	HH G5 3/8 X 1 MAGNI
	596235M	3	HEX NUT CENTER LOCK 1/4 MAGNI
	596237M	2	HEX NUT 3/8 CENTER LOCK MAGNI
	632035	1	14' 47 PIN TO 47 PIN PLUG
	632078	1	CABLE PRODUCT 47 PIN 10SEC

## 47 Pin To 37 Pin Product Control Cable - Customer Supplied GreenStar Rate Controller

ITEM	PART NO.	QTY.	DESCRIPTION
	15813BLK	1	PLATE, MOUNT, RATE CONTROLLER
	596105M	1	HEX HEAD G5 1/4-20 X 2-1/2 MAG
	596110M	2	BOLT, HH 1/4-20 X 3 MAGNI
	596128M	2	HH G5 3/8 X 1 MAGNI
	596235M	3	HEX NUT CENTER LOCK 1/4 MAGNI
	596237M	2	HEX NUT 3/8 CENTER LOCK MAGNI
	632035	1	14' 47 PIN TO 47 PIN PLUG
	632078	1	CABLE PRODUCT 47 PIN 10SEC
	632070	1	37 TO 47 PIN ADAPTER

## 47 Pin To 16 Pin Product Control Cable - Customer Supplied Raven 450

ITEM	PART NO.	QTY.	DESCRIPTION
	631814	1	CABLE, 12' EXTENSION 6BM SCS440, 16 PIN
	632028	1	47 PIN TO 16 PIN ADAPTER CABLE
	632035	1	14' 47 PIN TO 47 PIN PLUG
	632077	1	CABLE PRODUCT 47 PIN 6SEC

## 47 Pin Product Control Cable - Customer Supplied Rate Controller

ITEM	PART NO.	QTY.	DESCRIPTION
	632035	1	14' 47 PIN TO 47 PIN PLUG
	632078	1	CABLE PRODUCT 47 PIN 10SEC

## Raven CR7 ISO Display With Deere Harness (Deere ISO Controller)

ITEM	PART NO.	QTY.	DESCRIPTION
	632063	1	RAVEN PRECISION CR7 DISPLAY
	632066	1	CABLE, CR7 ISO VT ONLY
	632067	1	CABLE, DISPLAY PORT, Y ADAPTER

## Raven CR7 ISO Display With Harness (Non-Deere ISO Controller)

ITEM	PART NO.	QTY.	DESCRIPTION
	632063	1	RAVEN PRECISION CR7 DISPLAY
	632065	1	CABLE, CAN/POWER OEM ISO
	632066	1	CABLE, CR7 ISO VT ONLY

## Raven CR7 ISO Display With Complete ISO Harness (Non-ISO Tractor)

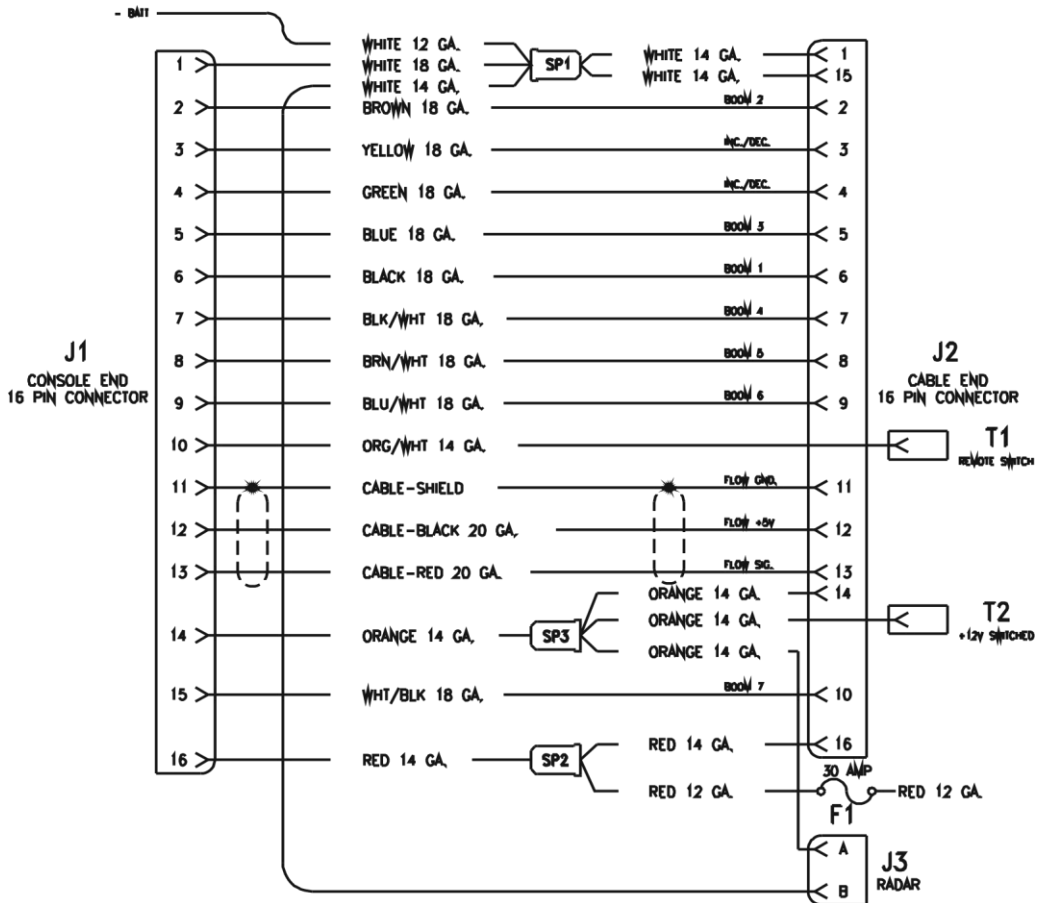
ITEM	PART NO.	QTY.	DESCRIPTION
	632063	1	RAVEN PRECISION CR7 DISPLAY
	632064	1	CABLE, RAVEN ISO/POWER
	632066	1	CABLE, CR7 ISO VT ONLY

## Flow-Back Ball Valve Line Rinse - Electric Valve With Toggle Switch

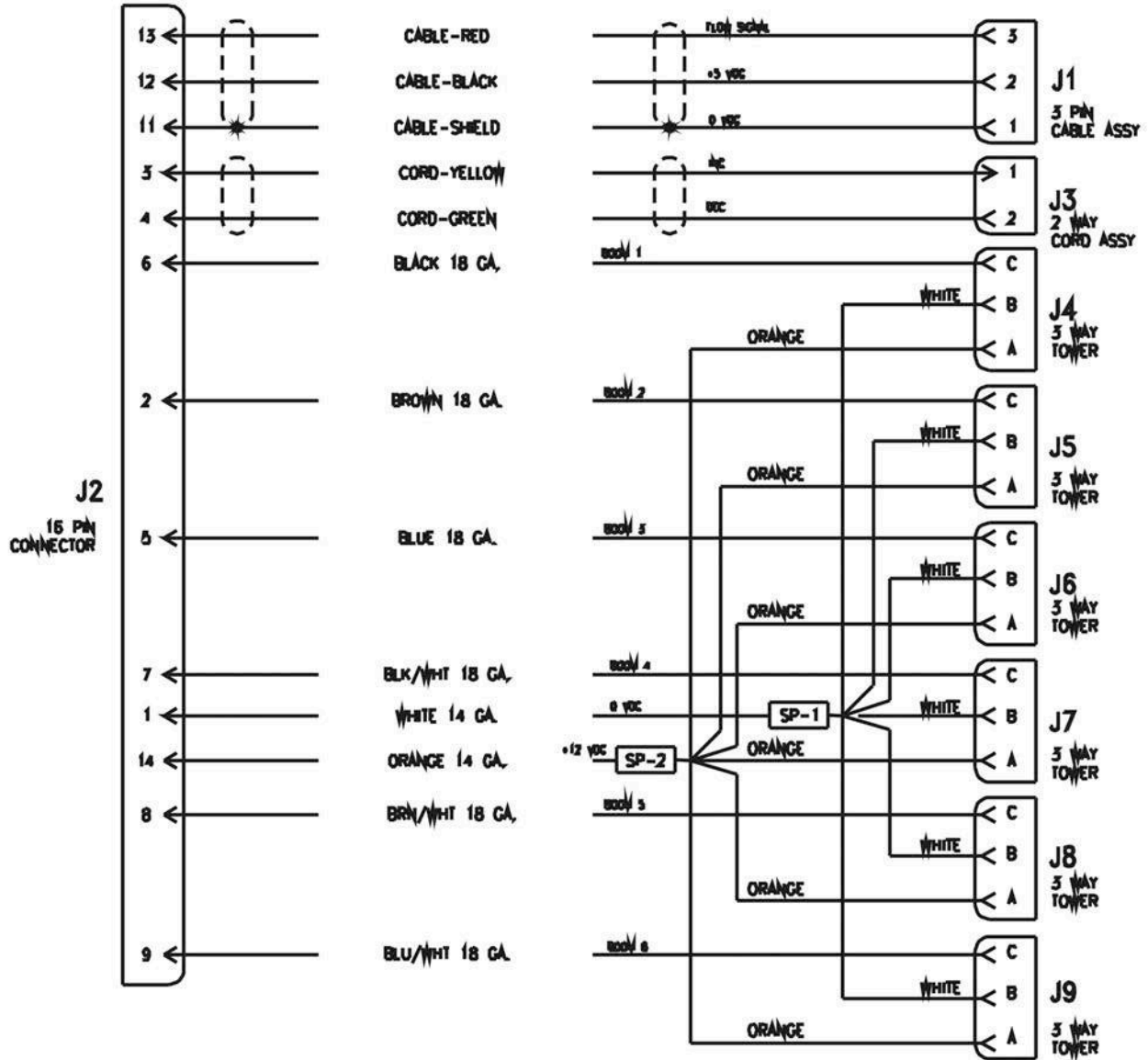
ITEM	PART NO.	QTY.	DESCRIPTION
	11145BLK	1	SWITCH BRACKET
	500027	0.25	VALVE 450BEC MANIFOLD (NARROW) (NON-FLOWBACK)
	500028	0.25	VALVE 450BEC MANIFOLD (WIDE) (NON-FLOWBACK)
	500029	0.25	VALVE 450BEC MANIFOLD (WIDE) (FLOWBACK)
	510016	2.5	HOSE, 1" EPDM
	510019	3	HOSE, 3/4" EPDM
	530189	1	QUICK CONNECT 1" STRAIGHT BARB
	530434	1	1" HB OUTLET X M QC
	540013	2	CLAMP, STAINLESS 3/4" #12
	540014	2	CLAMP, STAINLESS 1" #16
	560055	1	ELECTRICAL SWITCH SEALED SPST
	560071	1	TOGGLE SWITCH BOOT

## Control Console Wiring Harness

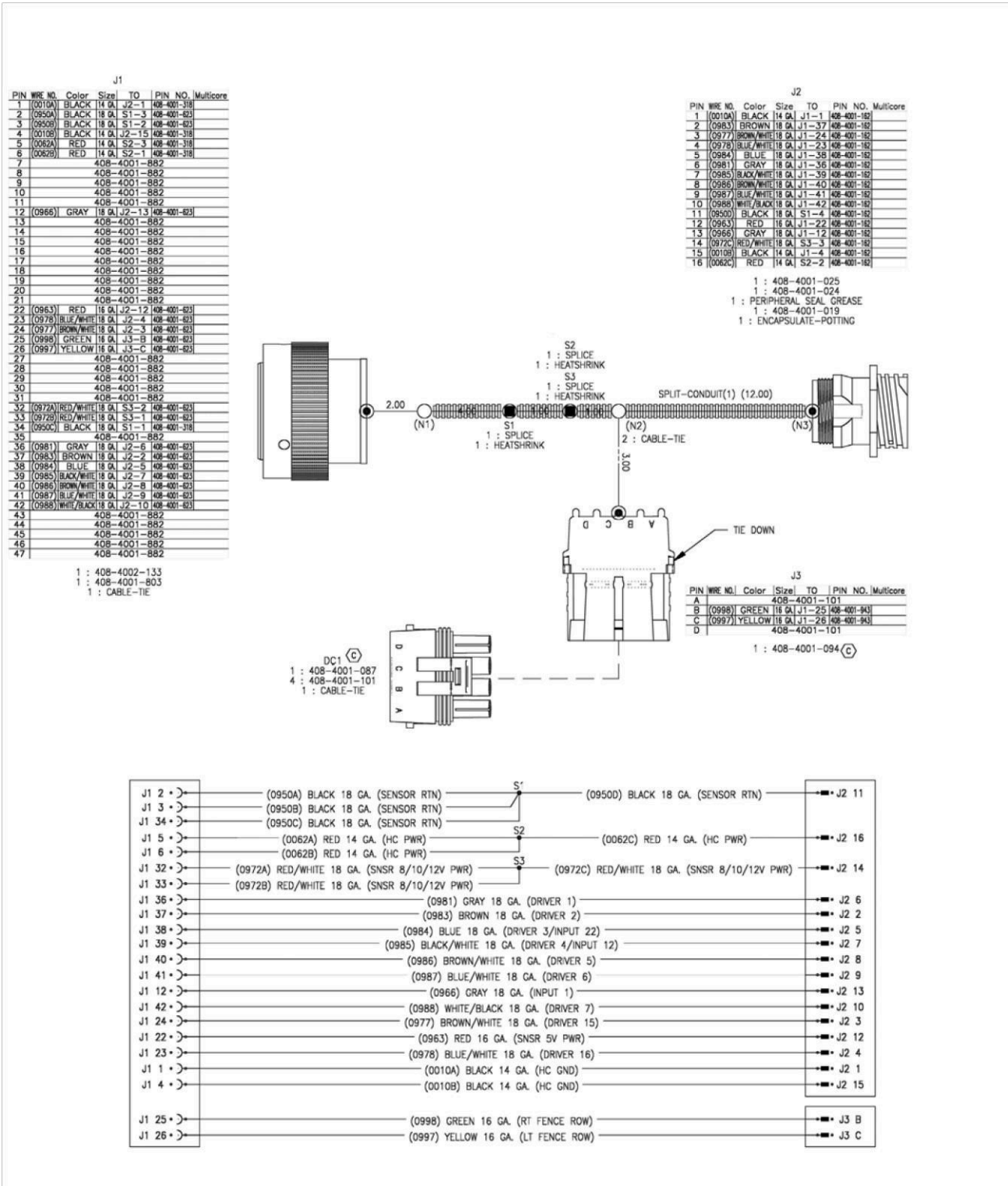
CABLE,  
CONSOLE, SCS 460, 6 BOOM, 10'  
115-0171-085 (Rev. A)



## CABLE, 12' PRODUCT, 6 BOOM WITH 3 PIN TOWERS 115-0171-129 (Rev. A)



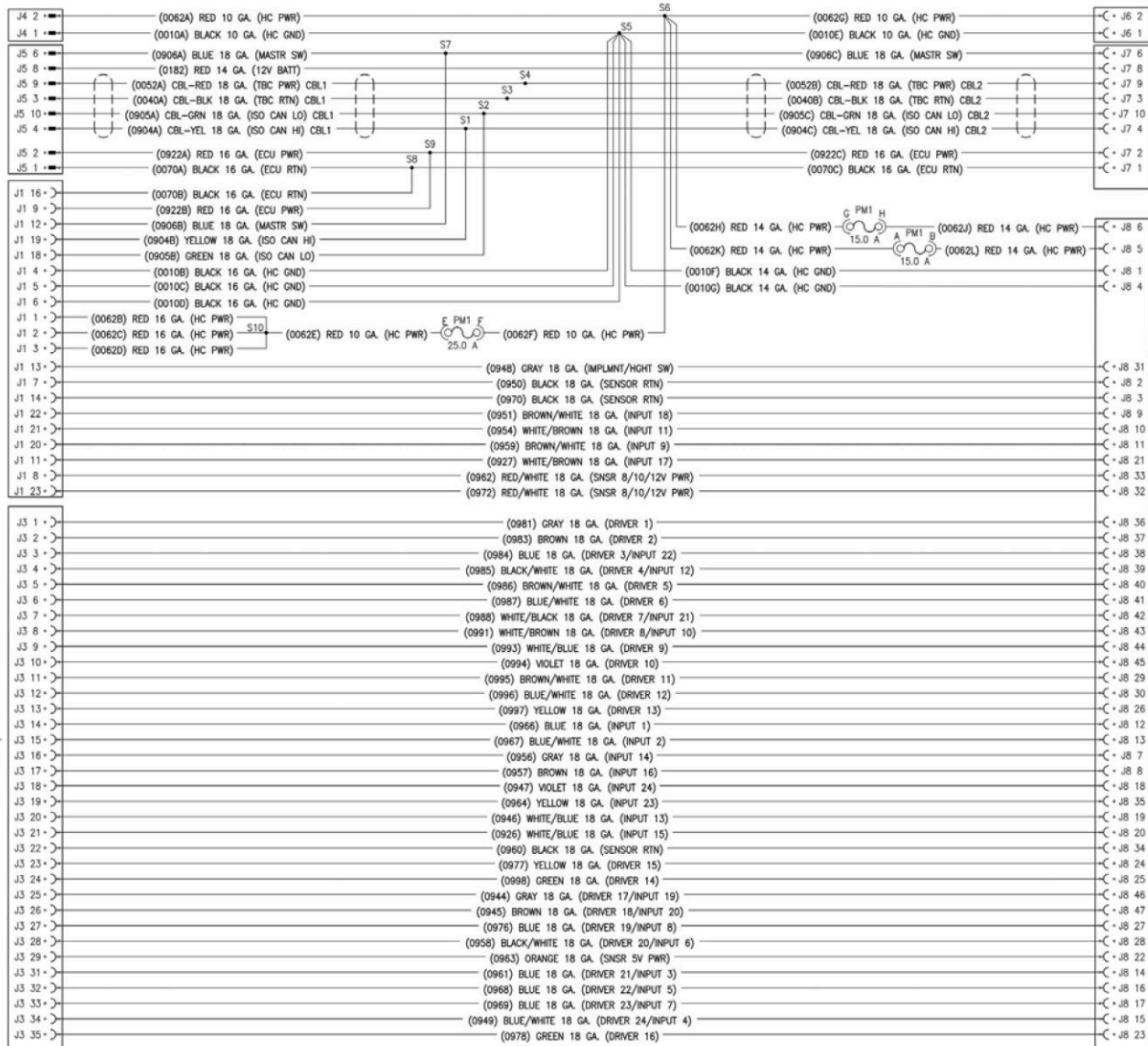
## Adapter Cable, 16 Pin Console To 47 Pin Product Port (632028)



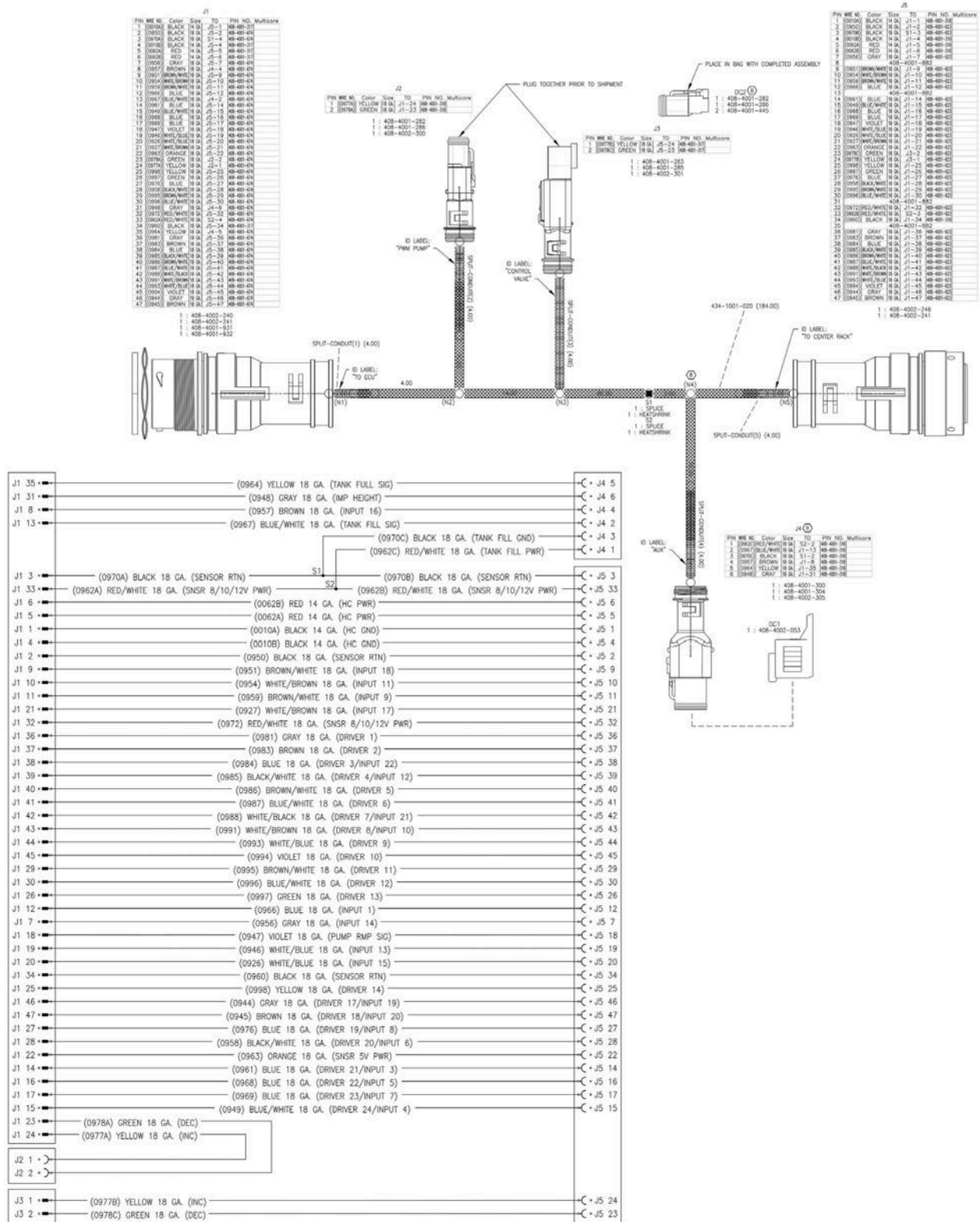




## Cable, 81 Pin ECU, 47 Pin Rate Control Interface (632029)

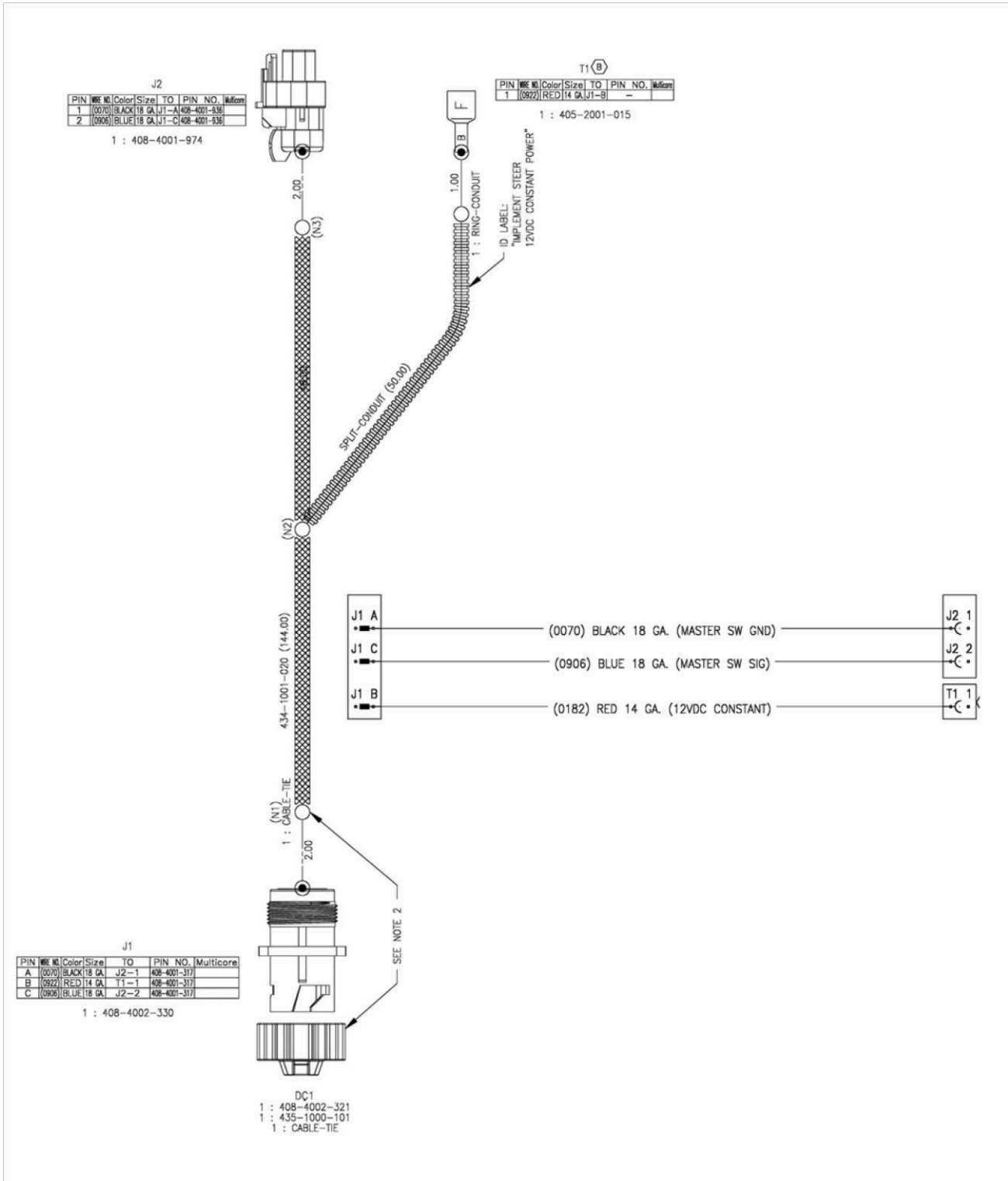


## Cable, Pull Type Sprayer Frame, 14' 47 Pin To 47 Pin (632035)



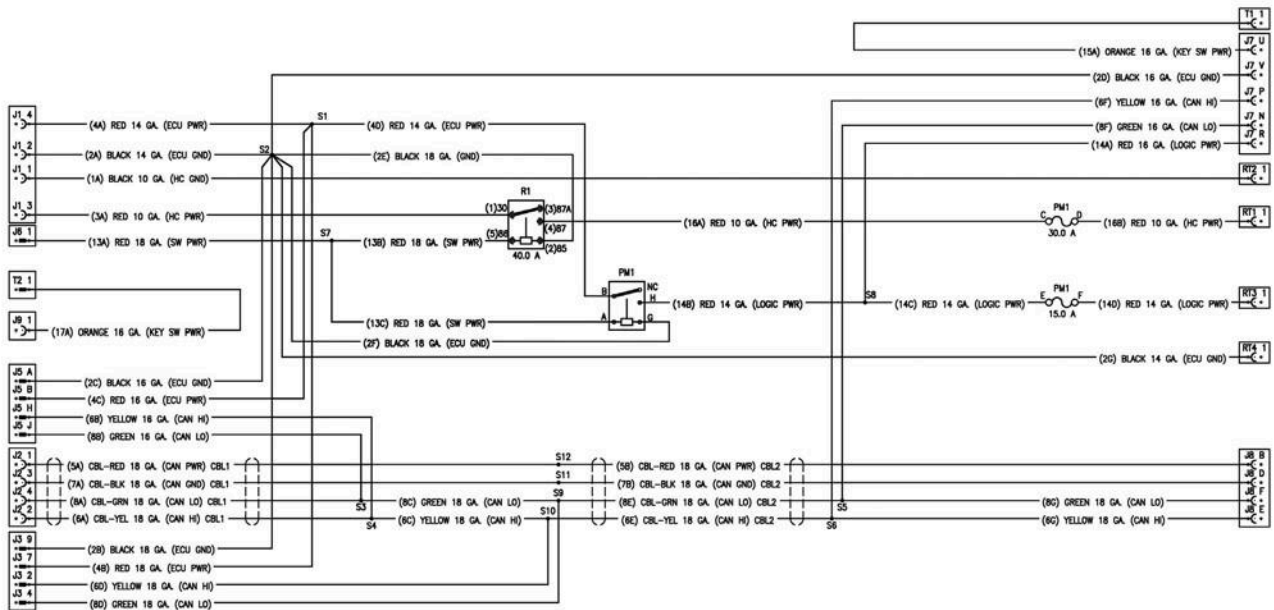


## Cable, Foot Switch, 12' (632061)





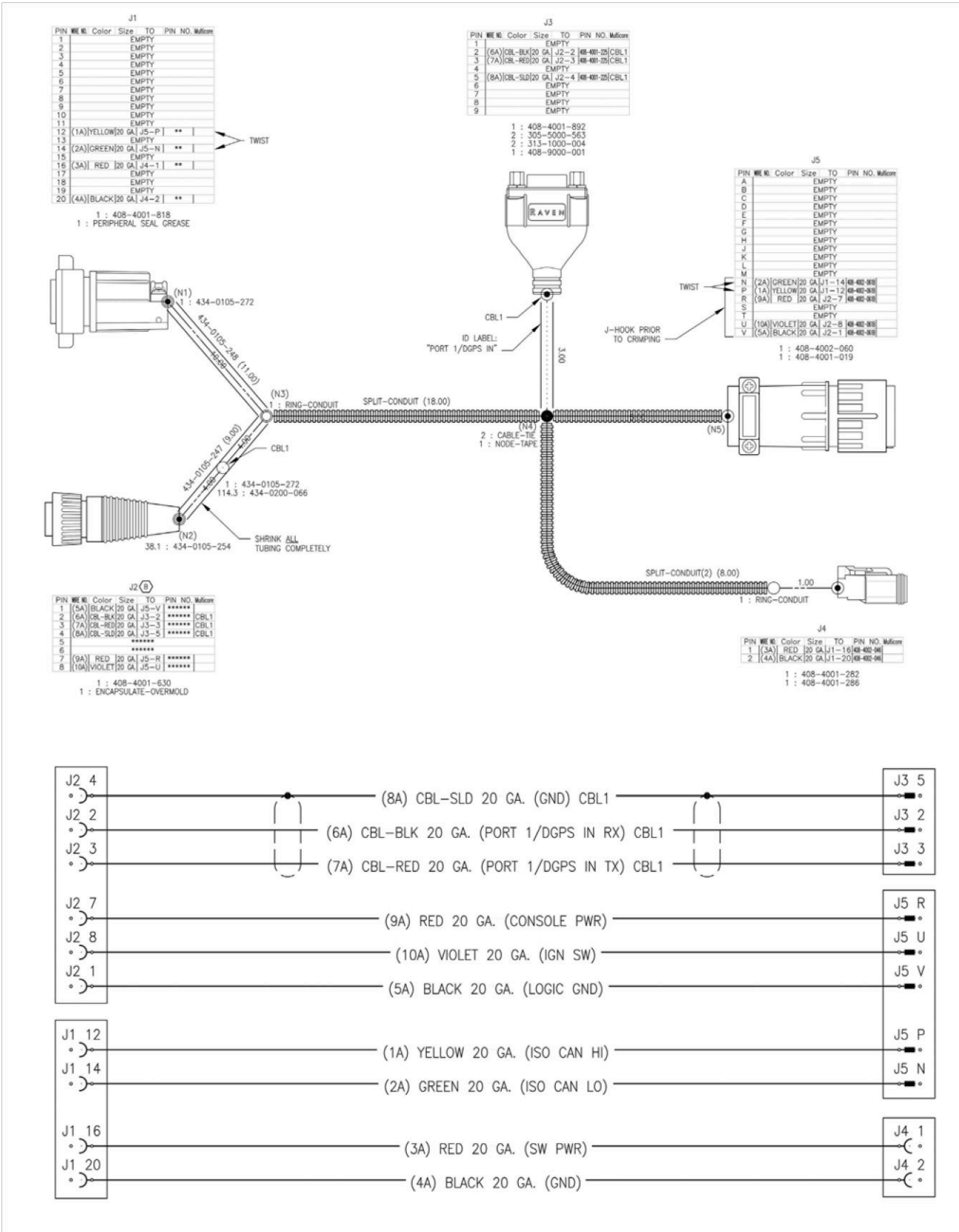
## Cable, Raven ISO/Power With IBC Connector (632064)







## Cable, CR7, ISO VT Only (632066)



## Cable, Display Port, Y Adapter (632067)

J1(B)

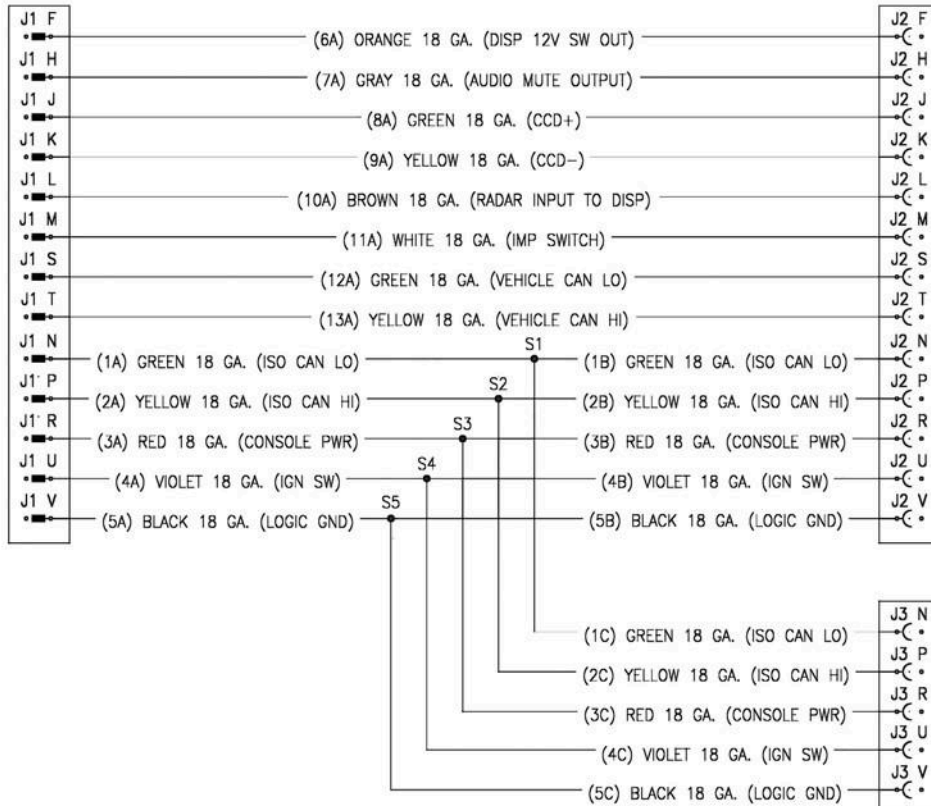
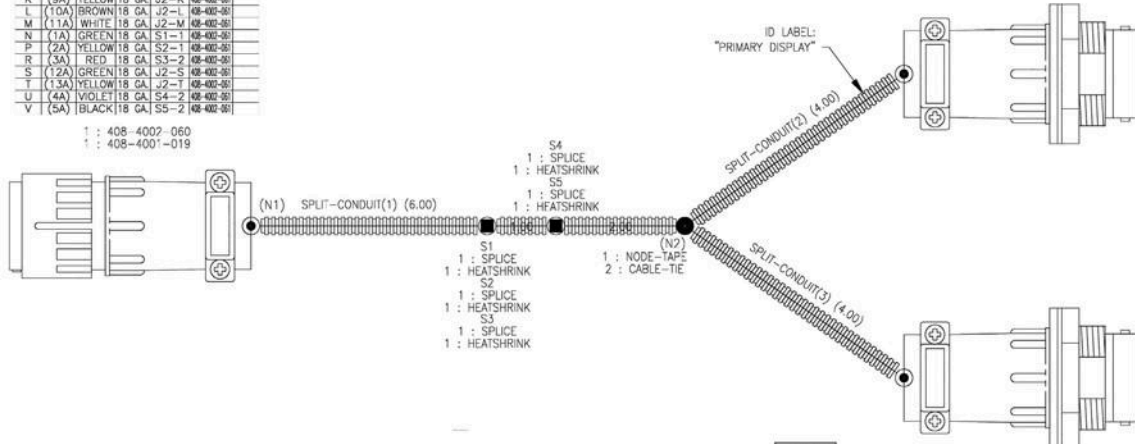
PIN	WIRE NO.	Color	Size	TO	PIN NO.	Notes
A		EMPTY				
B		EMPTY				
C		EMPTY				
D		EMPTY				
E		EMPTY				
F	(6A)	ORANGE	18 GA.	J2-F		408-400-060
G		EMPTY				
H	(7A)	GRAY	18 GA.	J2-H		408-400-060
J	(8A)	GREEN	18 GA.	J2-J		408-400-060
K	(9A)	YELLOW	18 GA.	J2-K		408-400-060
L	(10A)	BROWN	18 GA.	J2-L		408-400-060
M	(11A)	WHITE	18 GA.	J2-M		408-400-060
N	(1A)	GREEN	18 GA.	S1-1		408-400-060
P	(2A)	YELLOW	18 GA.	S2-1		408-400-060
R	(3A)	RED	18 GA.	S3-1		408-400-060
S	(12A)	GREEN	18 GA.	J2-S		408-400-060
T	(13A)	YELLOW	18 GA.	J2-T		408-400-060
U	(4A)	VIOLET	18 GA.	S4-1		408-400-060
V	(5A)	BLACK	18 GA.	S5-1		408-400-060

1 : 408-4002-060  
1 : 408-4001-019

J2(B)

PIN	WIRE NO.	Color	Size	TO	PIN NO.	Notes
A		EMPTY				
B		EMPTY				
C		EMPTY				
D		EMPTY				
E		EMPTY				
F	(6A)	ORANGE	18 GA.	J1-F		408-400-060
G		EMPTY				
H	(7A)	GRAY	18 GA.	J1-H		408-400-060
J	(8A)	GREEN	18 GA.	J1-J		408-400-060
K	(9A)	YELLOW	18 GA.	J1-K		408-400-060
L	(10A)	BROWN	18 GA.	J1-L		408-400-060
M	(11A)	WHITE	18 GA.	J1-M		408-400-060
N	(1B)	GREEN	18 GA.	S1-2		408-400-060
P	(2B)	YELLOW	18 GA.	S2-2		408-400-060
R	(3B)	RED	18 GA.	S3-1		408-400-060
S	(12A)	GREEN	18 GA.	J1-S		408-400-060
T	(13A)	YELLOW	18 GA.	J1-T		408-400-060
U	(4B)	VIOLET	18 GA.	S4-1		408-400-060
V	(5B)	BLACK	18 GA.	S5-1		408-400-060

1 : 408-4002-058  
1 : 408-4001-019



J3

PIN	WIRE NO.	Color	Size	TO	PIN NO.	Notes
A		EMPTY				
B		EMPTY				
C		EMPTY				
D		EMPTY				
E		EMPTY				
F		EMPTY				
G		EMPTY				
H		EMPTY				
J		EMPTY				
K		EMPTY				
L		EMPTY				
M		EMPTY				
N	(1C)	GREEN	18 GA.	S1-3		408-400-060
P	(2C)	YELLOW	18 GA.	S2-3		408-400-060
R	(3C)	RED	18 GA.	S3-3		408-400-060
S		EMPTY				
T		EMPTY				
U	(4C)	VIOLET	18 GA.	S4-3		408-400-060
V	(5C)	BLACK	18 GA.	S5-3		408-400-060

1 : 408-4002-058  
1 : 408-4001-019

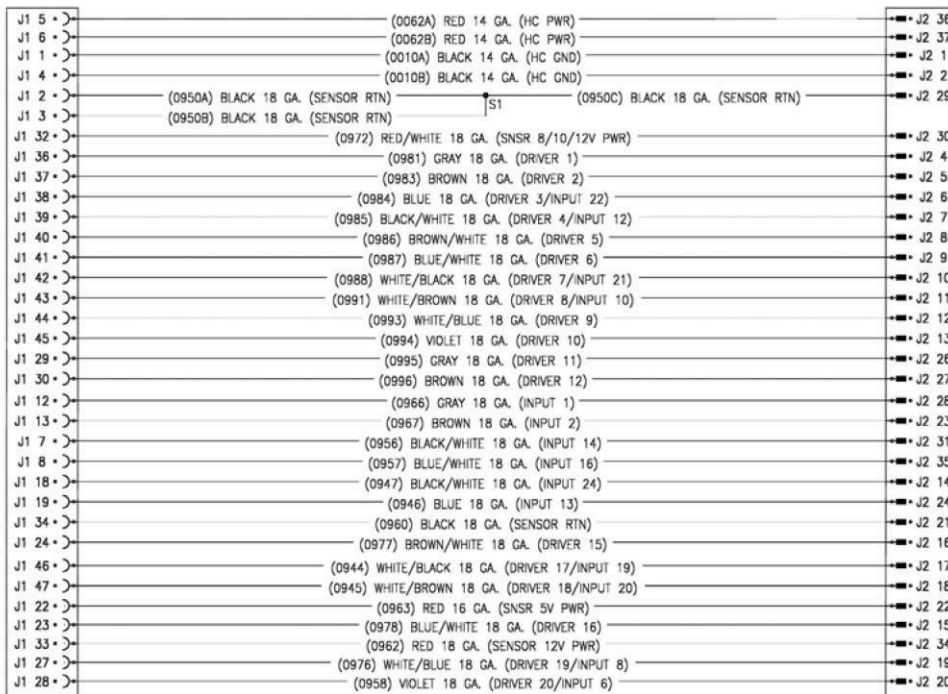
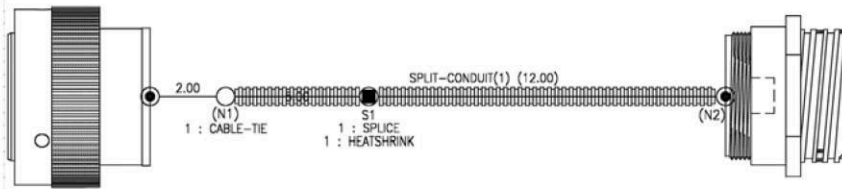
## Adapter Cable, 37 Pin Console To 47 Pin Product Port (632070)

PIN	WIRE NO.	Color	Size	TO	PIN NO.	Multicore
1	(0010A)	BLACK	14 GA.	J2-1	408-400-318	
2	(0950A)	BLACK	18 GA.	S1-2	408-400-623	
3	(0950B)	BLACK	18 GA.	S1-1	408-400-623	
4	(0010B)	BLACK	14 GA.	J2-2	408-400-318	
5	(0062A)	RED	14 GA.	J2-36	408-400-318	
6	(0062B)	RED	14 GA.	J2-37	408-400-318	
7	(0956)	BLACK/WHITE	18 GA.	J2-37	408-400-623	
8	(0957)	BLUE/WHITE	18 GA.	J2-35	408-400-623	
9				408-4001-882		
10				408-4001-882		
11				408-4001-882		
12	(0966)	GRAY	18 GA.	J2-28	408-400-623	
13	(0967)	BROWN	18 GA.	J2-23	408-400-623	
14				408-4001-882		
15				408-4001-882		
16				408-4001-882		
17				408-4001-882		
18	(0947)	BLACK/WHITE	18 GA.	J2-14	408-400-623	
19	(0946)	BLUE	18 GA.	J2-24	408-400-623	
20				408-4001-882		
21				408-4001-882		
22	(0963)	RED	18 GA.	J2-22	408-400-623	
23	(0978)	BLUE/WHITE	18 GA.	J2-15	408-400-623	
24	(0977)	BROWN/WHITE	18 GA.	J2-16	408-400-623	
25				408-4001-882		
26				408-4001-882		
27	(0976)	WHITE/BLUE	18 GA.	J2-19	408-400-623	
28	(0958)	VIOLET	18 GA.	J2-20	408-400-623	
29	(0995)	GRAY	18 GA.	J2-26	408-400-623	
30	(0996)	BROWN	18 GA.	J2-27	408-400-623	
31				408-4001-882		
32	(0972)	RED/WHITE	18 GA.	J2-30	408-400-623	
33	(0962)	RED	18 GA.	J2-34	408-400-623	
34	(0960)	BLACK	18 GA.	J2-21	408-400-318	
35				408-4001-882		
36	(0981)	GRAY	18 GA.	J2-4	408-400-623	
37	(0983)	BROWN	18 GA.	J2-5	408-400-623	
38	(0984)	BLUE	18 GA.	J2-6	408-400-623	
39	(0985)	BLACK/WHITE	18 GA.	J2-7	408-400-623	
40	(0986)	BROWN/WHITE	18 GA.	J2-8	408-400-623	
41	(0987)	BLUE/WHITE	18 GA.	J2-9	408-400-623	
42	(0988)	WHITE/BLACK	18 GA.	J2-10	408-400-623	
43	(0991)	WHITE/BROWN	18 GA.	J2-11	408-400-623	
44	(0993)	WHITE/BLUE	18 GA.	J2-12	408-400-623	
45	(0994)	VIOLET	18 GA.	J2-13	408-400-623	
46	(0944)	WHITE/BLACK	18 GA.	J2-17	408-400-623	
47	(0945)	WHITE/BROWN	18 GA.	J2-18	408-400-623	

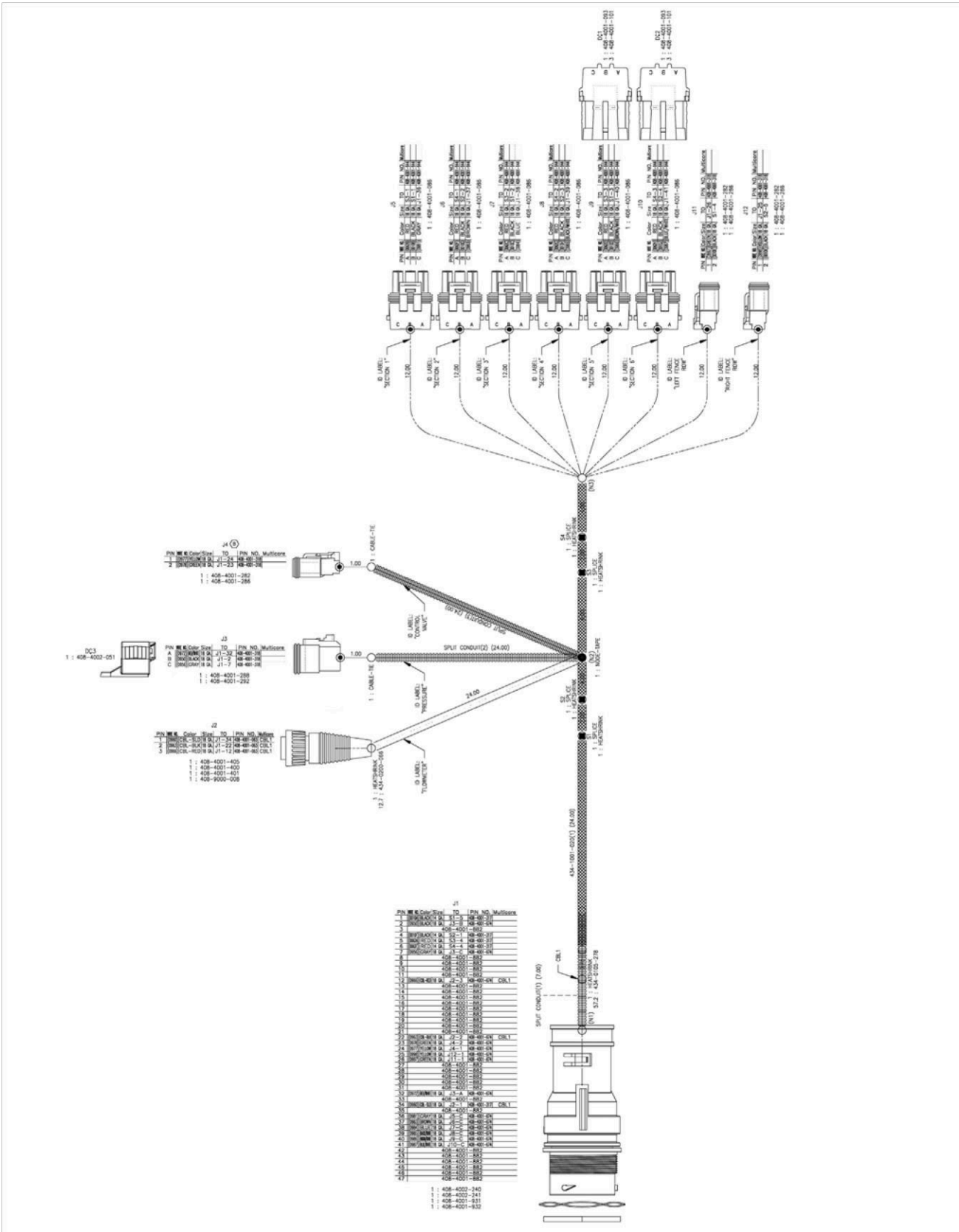
1 : 408-4002-133  
 1 : 408-4001-803  
 1 : CABLE-TIE

PIN	WIRE NO.	Color	Size	TO	PIN NO.	Multicore
1	(0010A)	BLACK	14 GA.	J1-1	408-400-182	
2	(0010B)	BLACK	14 GA.	J1-4	408-400-182	
3						
4	(0981)	GRAY	18 GA.	J1-36	408-400-182	
5	(0983)	BROWN	18 GA.	J1-37	408-400-182	
6	(0984)	BLUE	18 GA.	J1-38	408-400-182	
7	(0985)	BLACK/WHITE	18 GA.	J1-39	408-400-182	
8	(0986)	BROWN/WHITE	18 GA.	J1-40	408-400-182	
9	(0987)	BLUE/WHITE	18 GA.	J1-41	408-400-182	
10	(0988)	WHITE/BLACK	18 GA.	J1-42	408-400-182	
11	(0991)	WHITE/BROWN	18 GA.	J1-43	408-400-182	
12	(0993)	WHITE/BLUE	18 GA.	J1-44	408-400-182	
13	(0994)	VIOLET	18 GA.	J1-45	408-400-182	
14	(0947)	BLACK/WHITE	18 GA.	J1-18	408-400-182	
15	(0978)	BLUE/WHITE	18 GA.	J1-23	408-400-182	
16	(0977)	BROWN/WHITE	18 GA.	J1-24	408-400-182	
17	(0944)	WHITE/BLACK	18 GA.	J1-46	408-400-182	
18	(0945)	WHITE/BROWN	18 GA.	J1-47	408-400-182	
19	(0976)	WHITE/BLUE	18 GA.	J1-27	408-400-182	
20	(0958)	VIOLET	18 GA.	J1-28	408-400-182	
21	(0960)	BLACK	18 GA.	J1-34	408-400-182	
22	(0963)	RED	18 GA.	J1-22	408-400-182	
23	(0967)	BROWN	18 GA.	J1-13	408-400-182	
24	(0946)	BLUE	18 GA.	J1-19	408-400-182	
25						
26	(0995)	GRAY	18 GA.	J1-29	408-400-182	
27	(0996)	BROWN	18 GA.	J1-30	408-400-182	
28	(0966)	GRAY	18 GA.	J1-12	408-400-182	
29	(0900C)	BLACK	18 GA.	S1-3	408-400-182	
30	(0972)	RED/WHITE	18 GA.	J1-32	408-400-182	
31	(0956)	BLACK/WHITE	18 GA.	J1-7	408-400-182	
32						
33						
34	(0962)	RED	18 GA.	J1-33	408-400-182	
35	(0957)	BLUE/WHITE	18 GA.	J1-8	408-400-182	
36	(0062A)	RED	14 GA.	J1-5	408-400-182	
37	(0062B)	RED	14 GA.	J1-6	408-400-182	

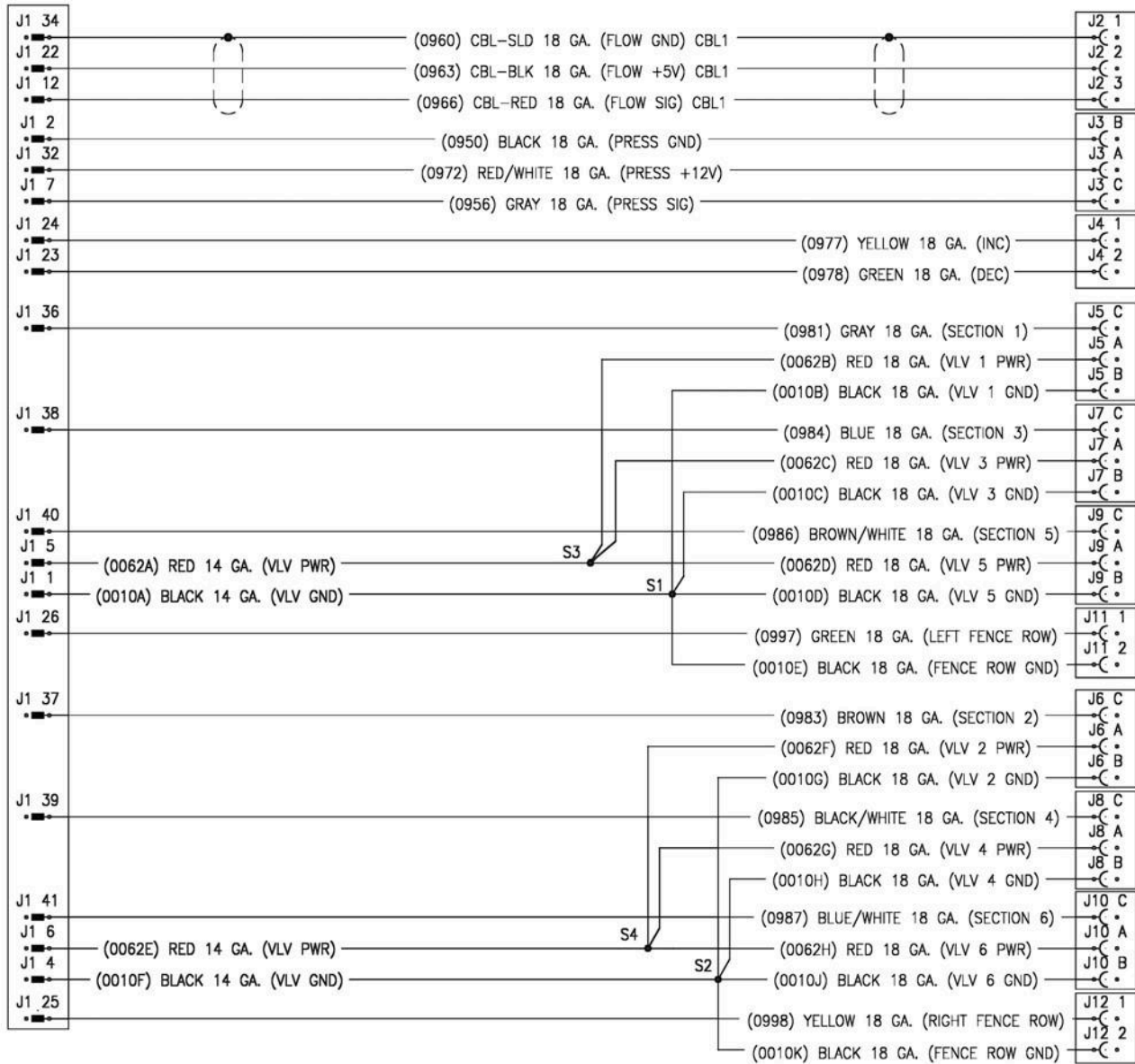
1 : 408-4001-563  
 1 : 408-4001-037  
 1 : PERIPHERAL SEAL CREASE  
 1 : 408-4001-036  
 1 : ENCAPSULATE-POTTING



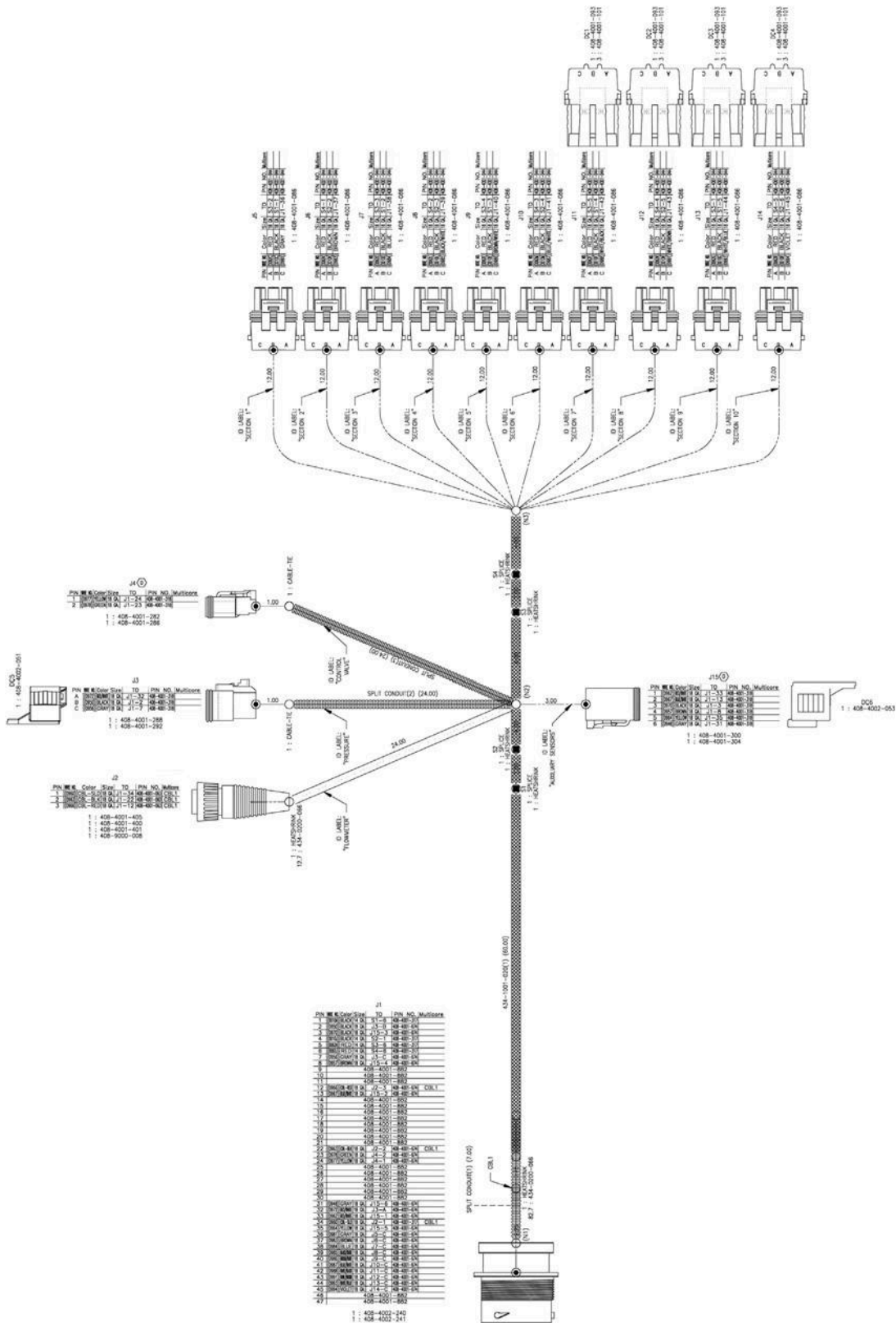
## Product Cable, 47 Pin, 6 Section, Liquid, FAST, Center Mount (632077)



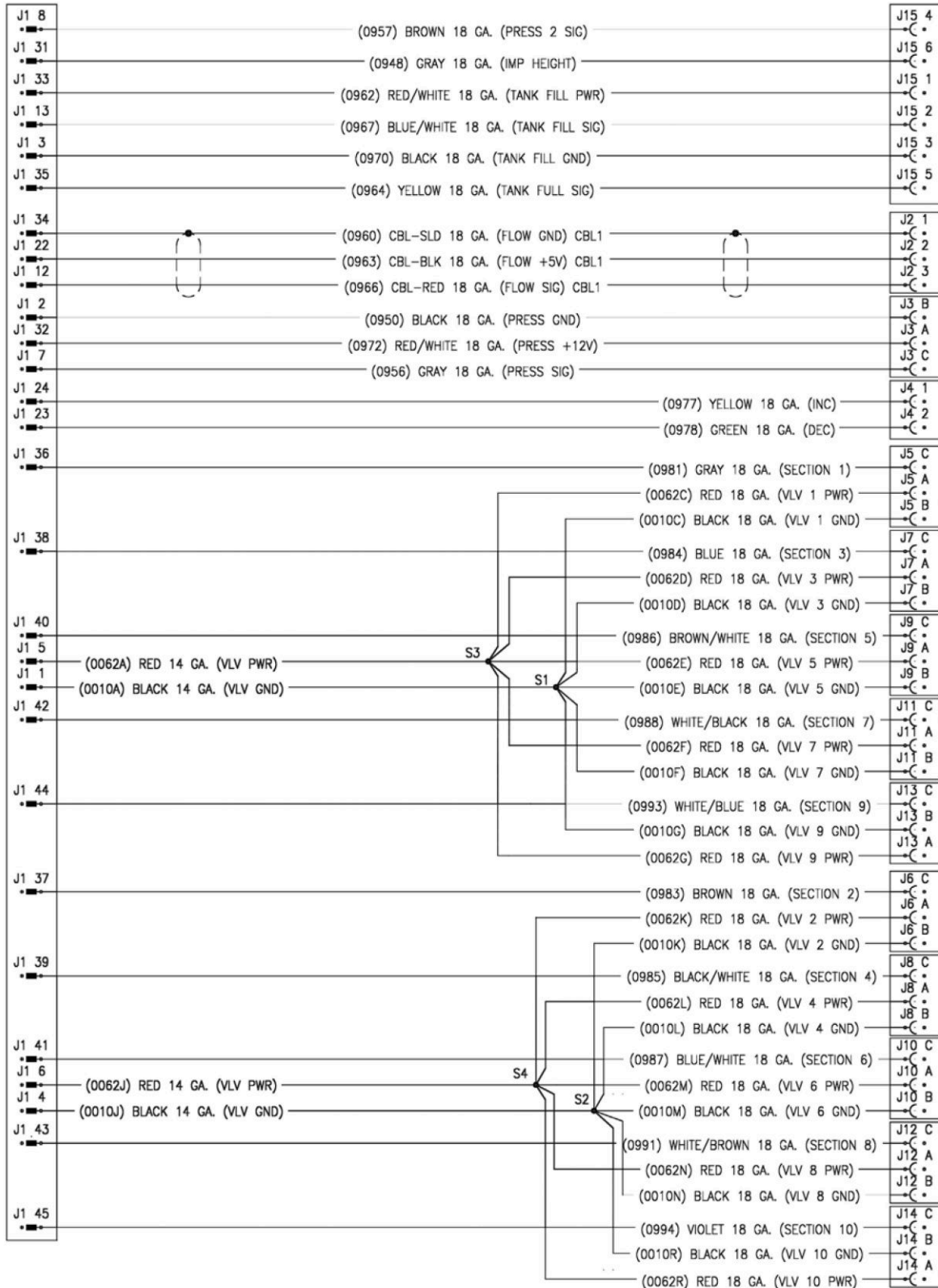
## Product Cable, 47 Pin, 6 Section, Liquid, FAST, Center Mount (632077)



## Product Cable, 47 Pin, 10 Section, Liquid, FAST 6'(632078)

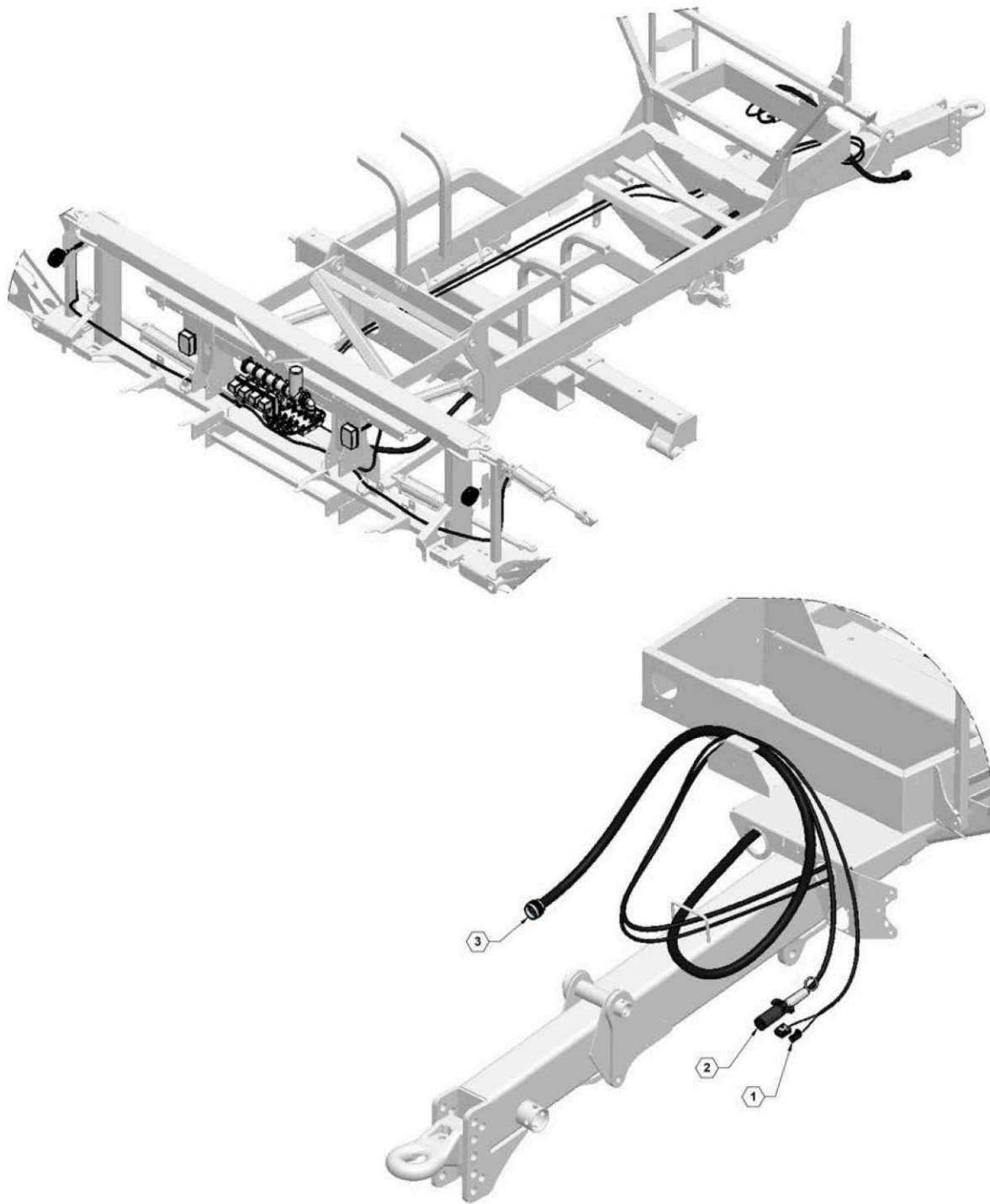


## Product Cable, 47 Pin, 10 Section, Liquid, FAST 6'(632078)



**9613TF Harness Identification & Location**

9613TF-80 HARNESS I.D. & LOCATION

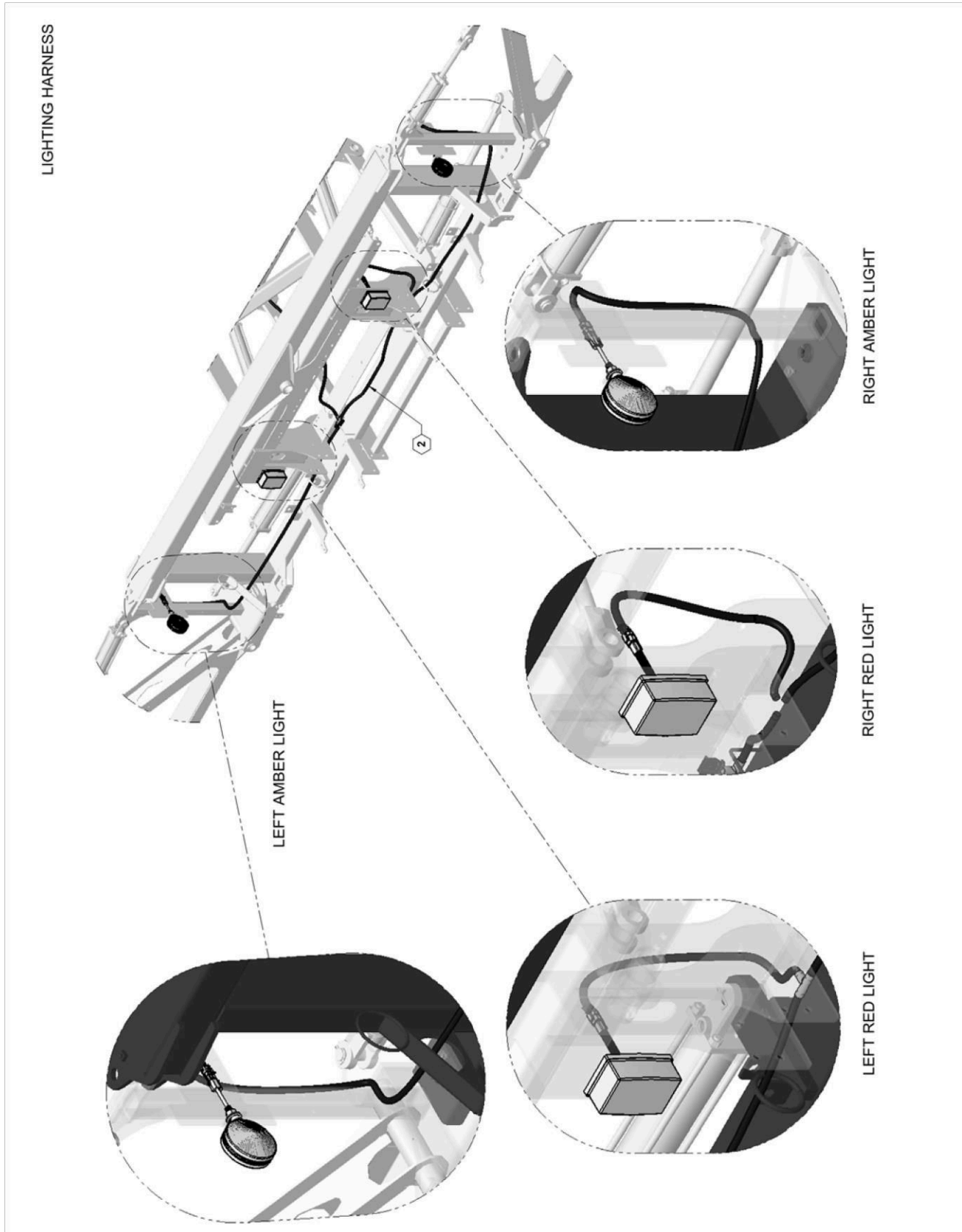




## 9613TF Harness Identification & Location Parts List

ITEM	PART NO.	QTY.	DESCRIPTION
1	319-668	1	FOLD HARNESS, 60' - 66' BOOMS
1	319-724	1	FOLD HARNESS, 80', 90' & 100' BOOMS
2	740035	1	LIGHTING HARNESS
3	632077	1	PRODUCT CONTROL HARNESS, 6 SECTION
3	632078	1	PRODUCT CONTROL HARNESS, 10 SECTION

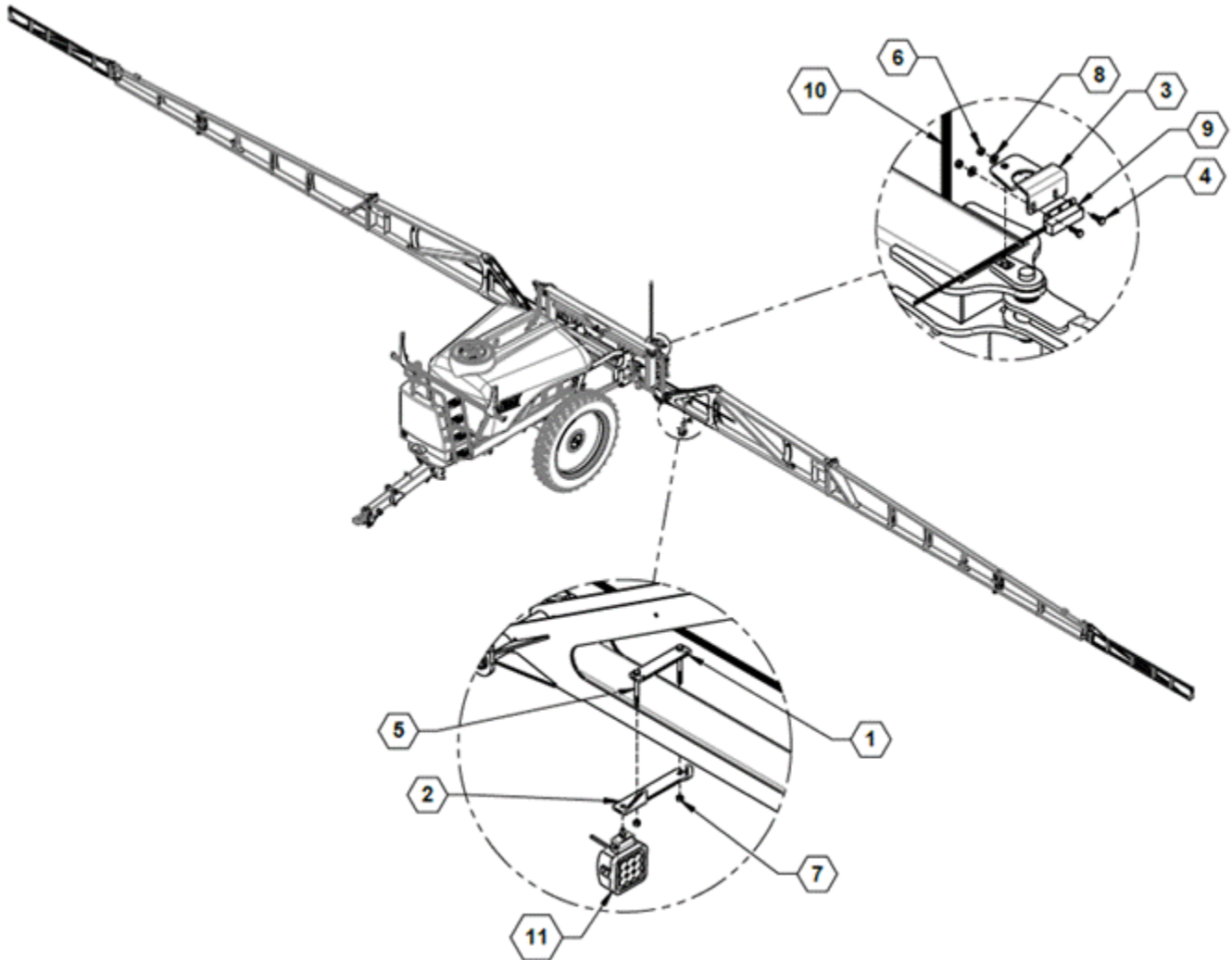
**Lighting Harness Routing**



**Lighting Harness Routing Parts List**

<b>ITEM</b>	<b>PART NO.</b>	<b>QTY.</b>	<b>DESCRIPTION</b>
1	319-668	1	FOLD HARNESS, 60' - 66' BOOMS
1	319-724	1	FOLD HARNESS, 80', 90' & 100' BOOMS
2	740035	1	LIGHTING HARNESS
3	632077	1	PRODUCT CONTROL HARNESS, 6 SECTION
3	632078	1	PRODUCT CONTROL HARNESS, 10 SECTION

## Blue Lights



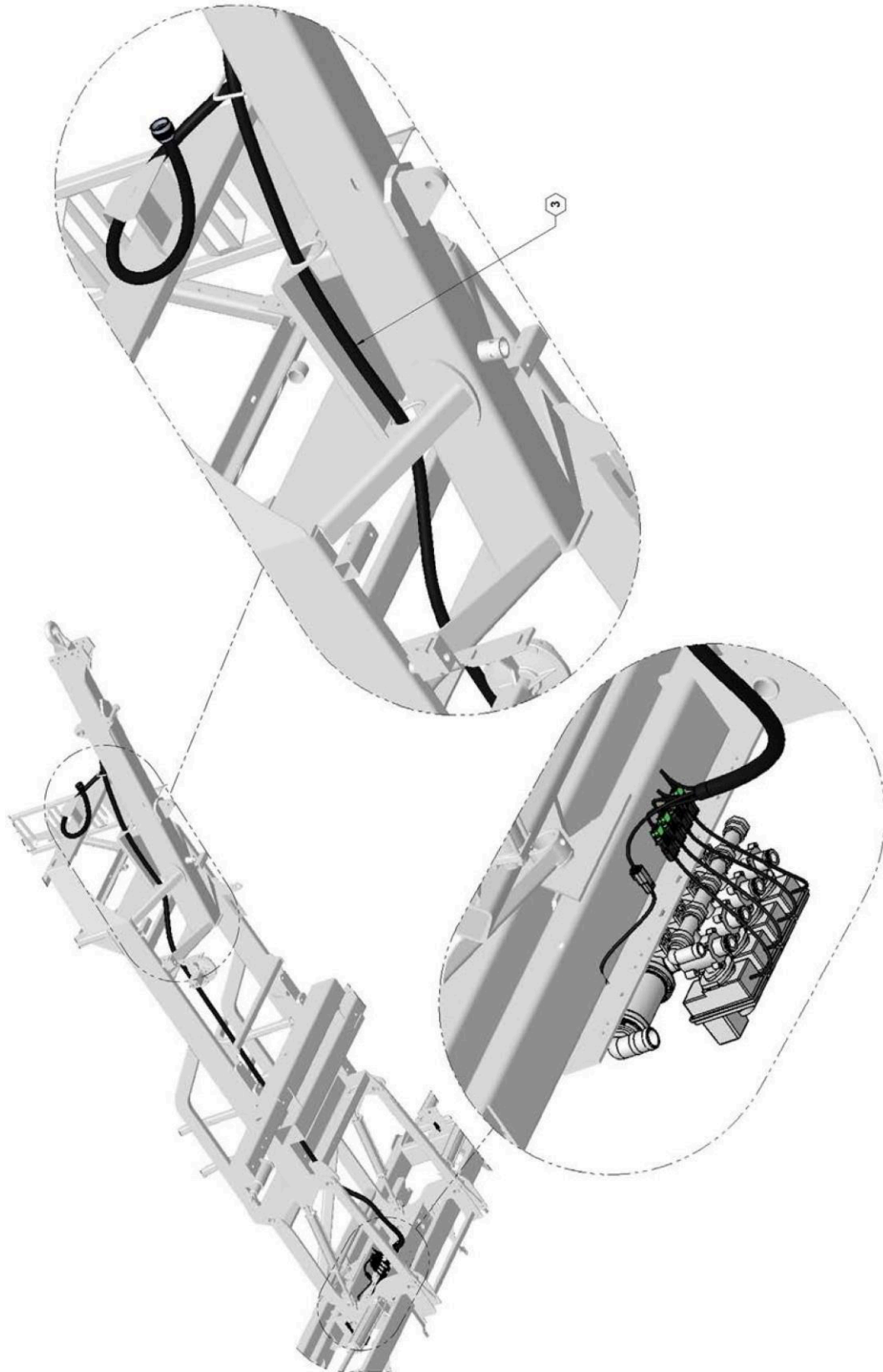
### Blue Lights Parts List 28959

ITEM	PART NO.	QTY.	DESCRIPTION
1	<b>28747</b>	2	PLATE, LIGHT MOUNT TOP
2	<b>28748</b>	2	PLATE, TF LIGHT MOUNT
3	<b>28970</b>	1	PLATE, PROX SWITCH MOUNT
4	<b>596101M</b>	2	BOLT, HH 1/4-20X3/4 GR5 MAGNI
5	<b>596134M</b>	4	BOLT, HH 3/8-16 X 4 GR5 MAGNI
6	<b>596235M</b>	2	NUT, CENTERLOCK, 1/4-20 MAGNI
7	<b>596237M</b>	4	NUT, CENTERLOCK 3/8-16 MAGNI
8	<b>596256M</b>	2	WASHER, FLAT 1/4 USS MAGNI
9	<b>632121</b>	1	PROX SWITCH, PARKER
10	<b>740057</b>	1	HARNESS, BLUE SPRAY LIGHTS
11	<b>740058</b>	2	LARSEN BLUE LED SPRAY LIGHT



**Product Control Harness Routing**

PRODUCT CONTROL HARNESS

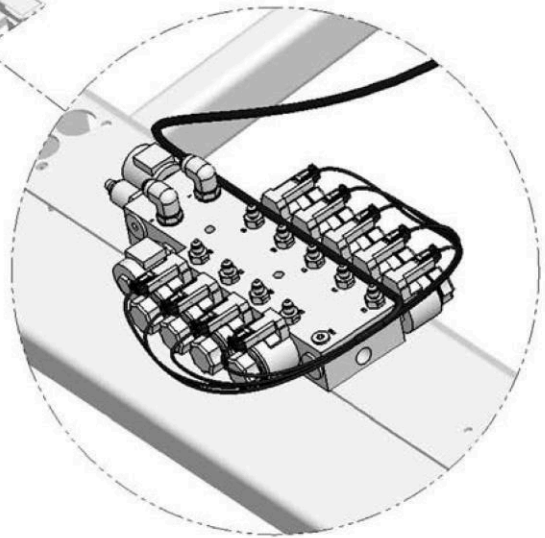
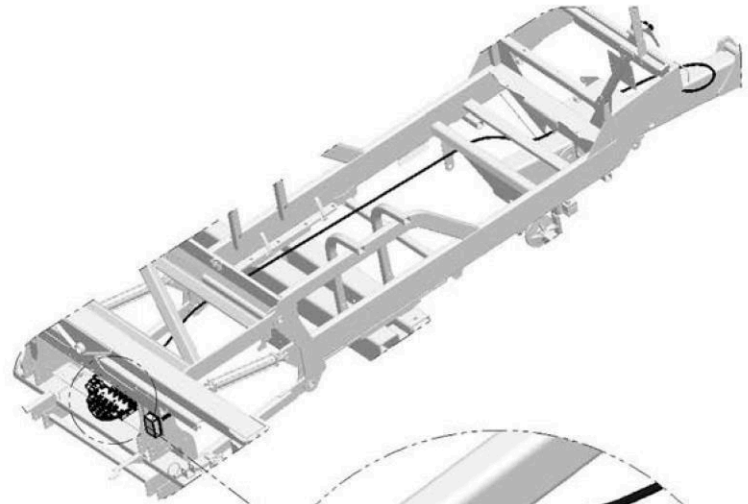


## Product Control Harness Routing Parts List

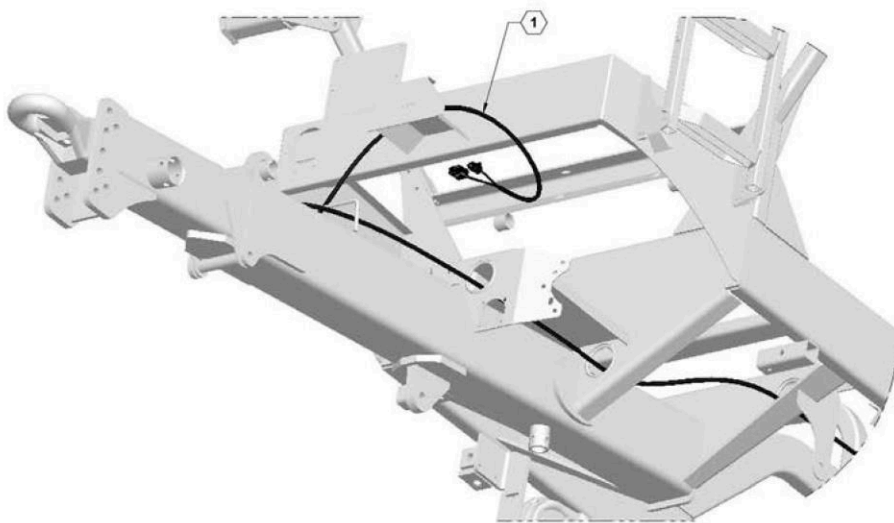
ITEM	PART NO.	QTY.	DESCRIPTION
1	319-668	1	FOLD HARNESS, 60' - 66' BOOMS
1	319-724	1	FOLD HARNESS, 80', 90' & 100' BOOMS
2	740035	1	LIGHTING HARNESS
3	632077	1	PRODUCT CONTROL HARNESS, 6 SECTION
3	632078	1	PRODUCT CONTROL HARNESS, 10 SECTION

**Fold Harness Routing**

FOLD HARNESS



FOLD BLOCK

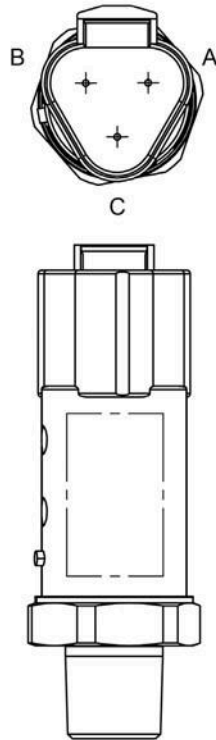




**Fold Harness Routing Parts List**

<b>ITEM</b>	<b>PART NO.</b>	<b>QTY.</b>	<b>DESCRIPTION</b>
1	319-668	1	FOLD HARNESS, 60' - 66' BOOMS
1	319-724	1	FOLD HARNESS, 80', 90' & 100' BOOMS
2	740035	1	LIGHTING HARNESS
3	632077	1	PRODUCT CONTROL HARNESS, 6 SECTION
3	632078	1	PRODUCT CONTROL HARNESS, 10 SECTION

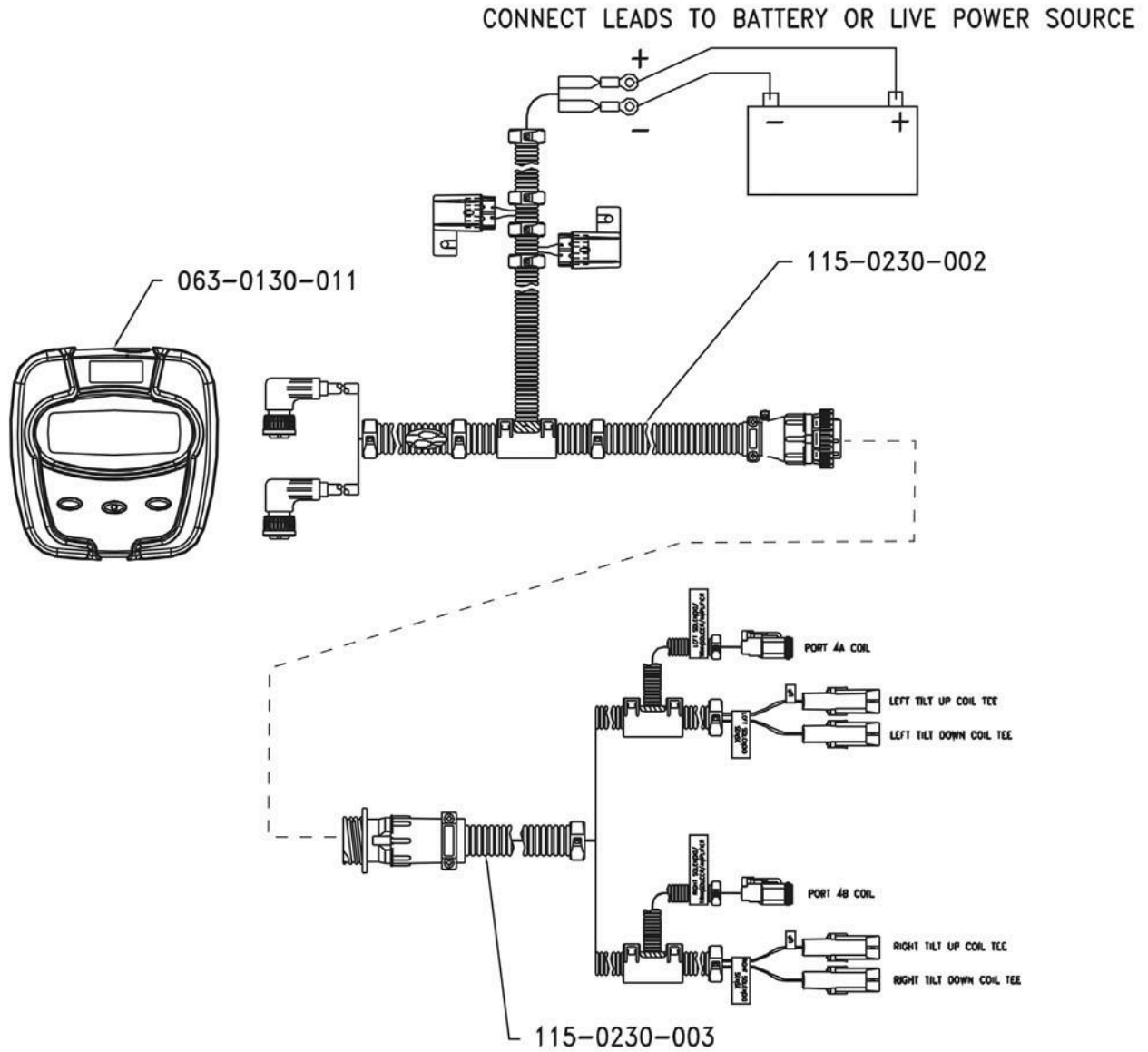
## Pressure Transducer Kit



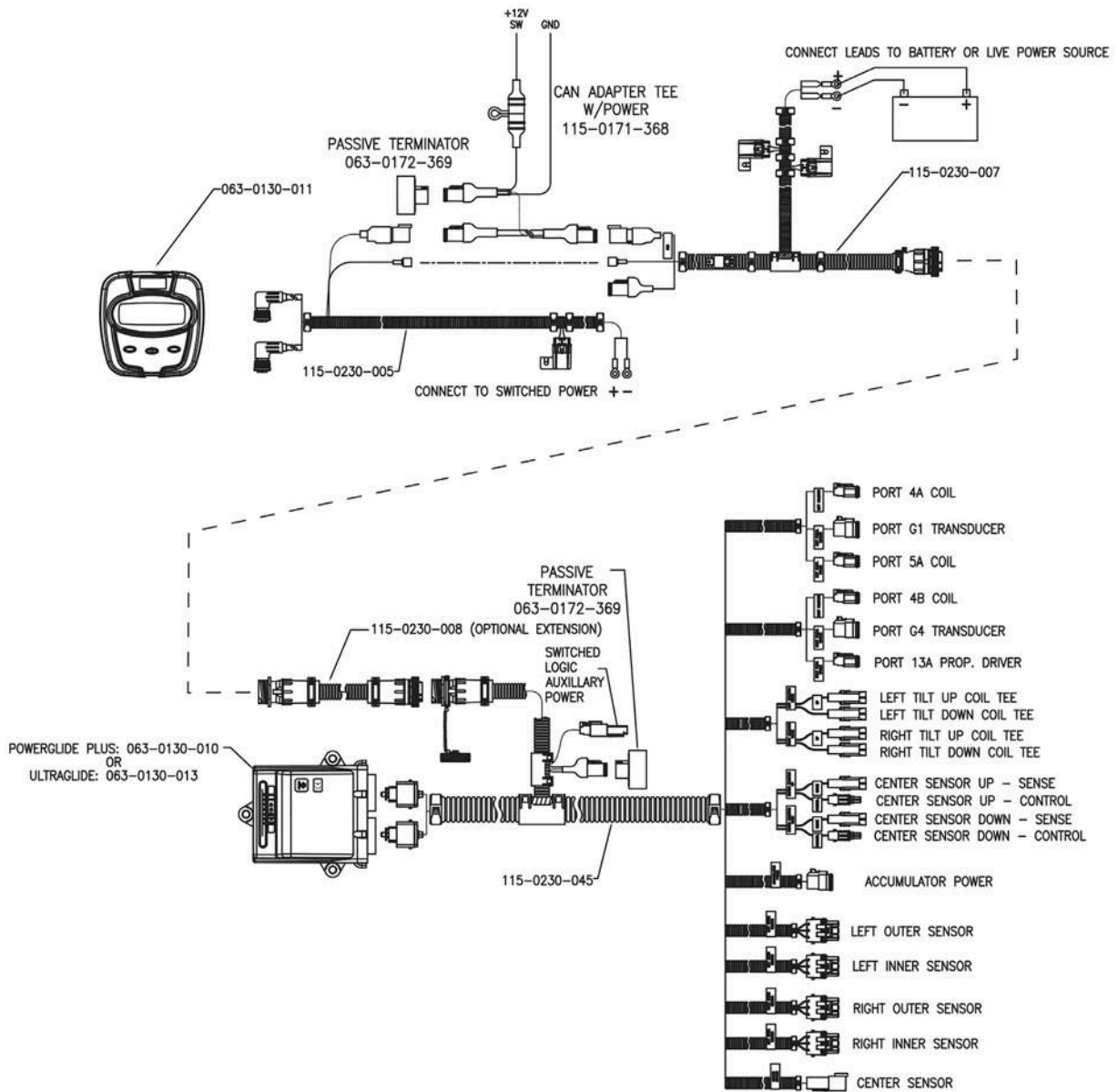
## Pressure Transducer Kit Parts List

ITEM	PART NO.	QTY.	DESCRIPTION
	530400	1	TEE: 1/4" FPT, POLY
	530401	1	NIPPLE: 1/4 X 1/4" MPT, POLY
	632036	1	PRESSURE TRANSDUCER 1-5V 0-250

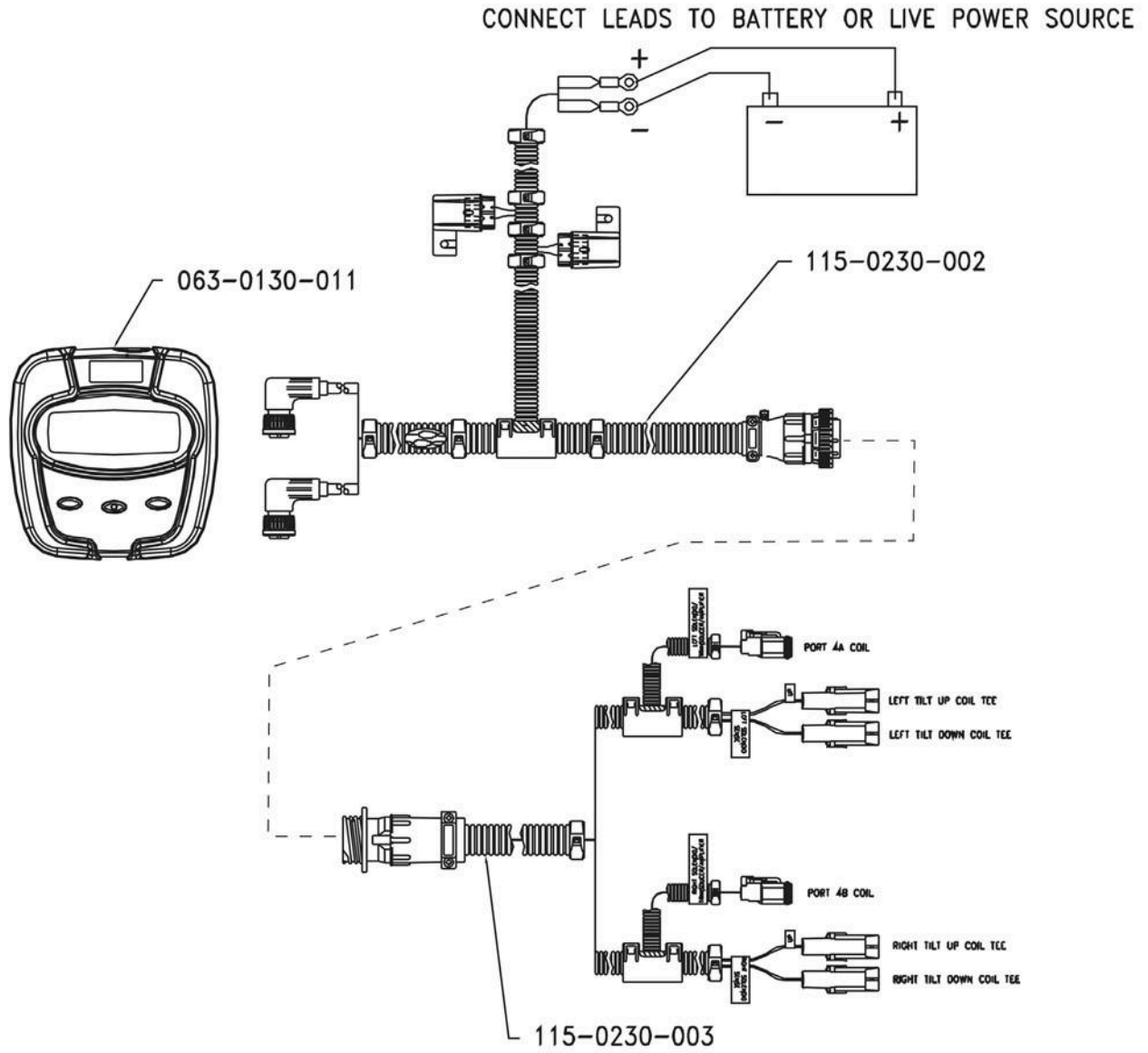
## Powerglide Wiring Schematic



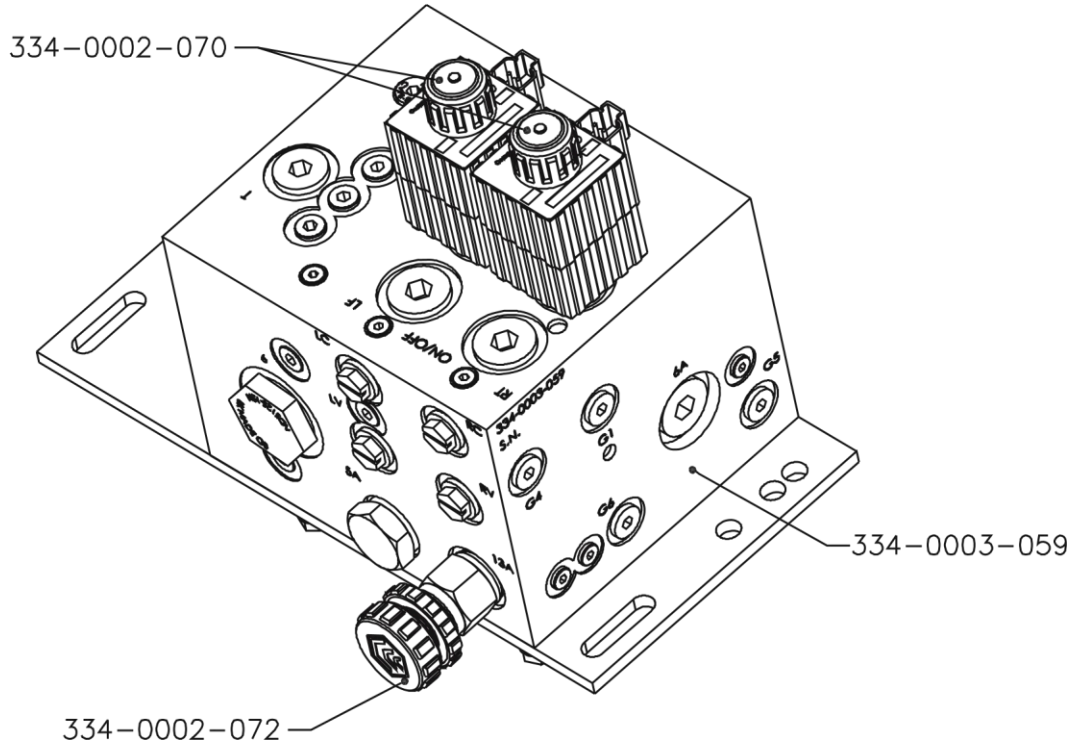
## Powerglide Plus Wiring Schematic



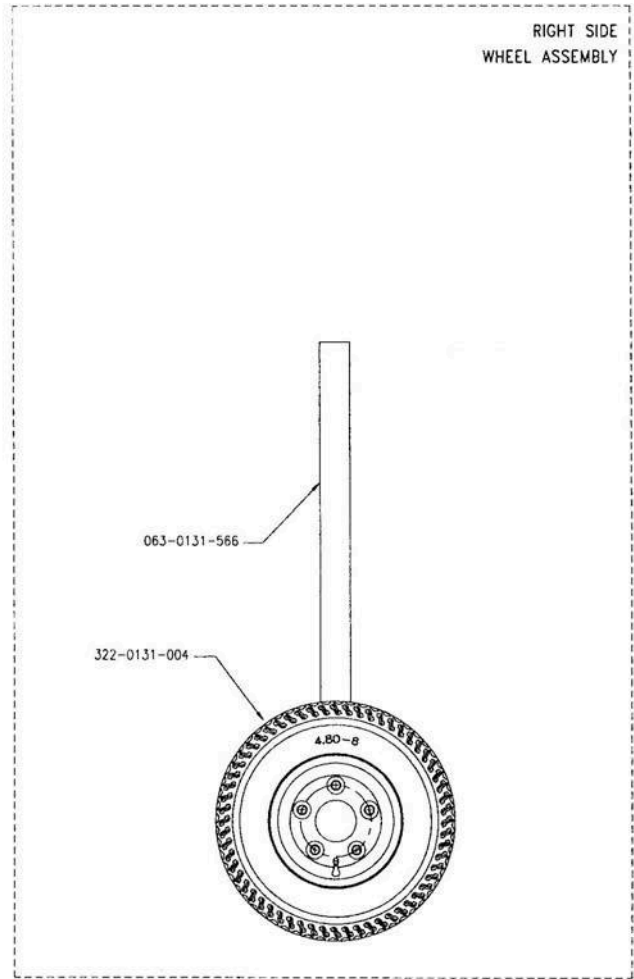
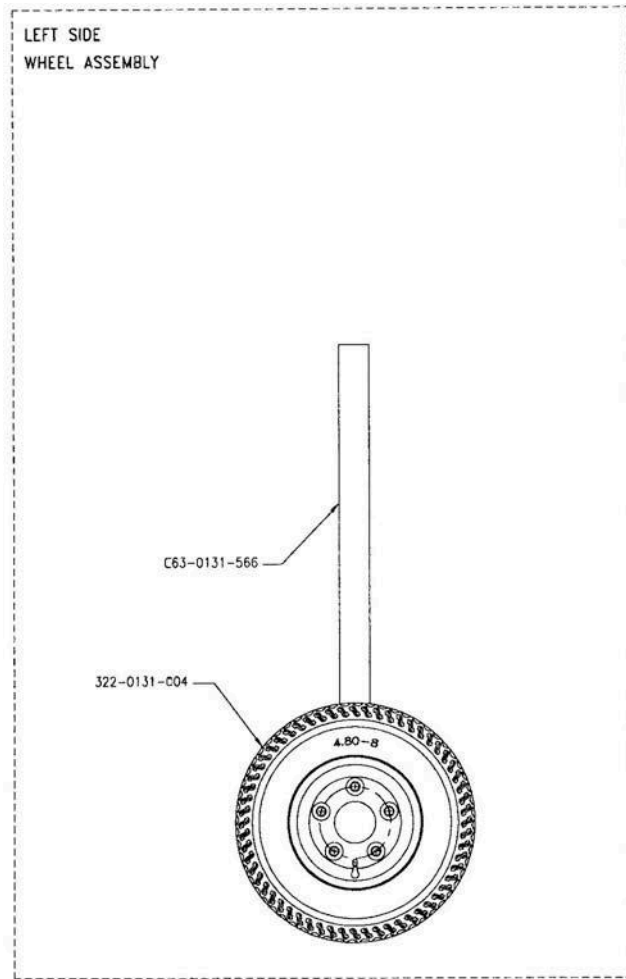
## Powerglide Wiring Schematic



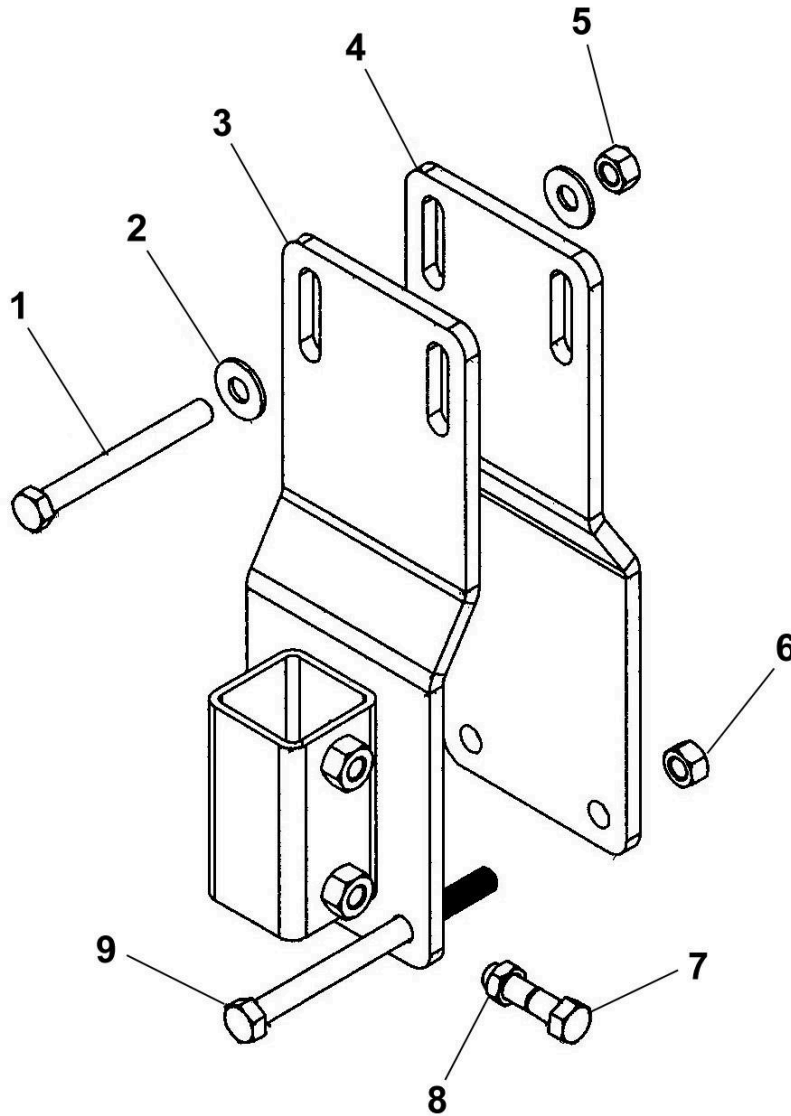
**Powerglide Hydraulic Block**



## Powerglide Solid Axle



**Powerglide & Powerglide Plus Mounting Brackets**

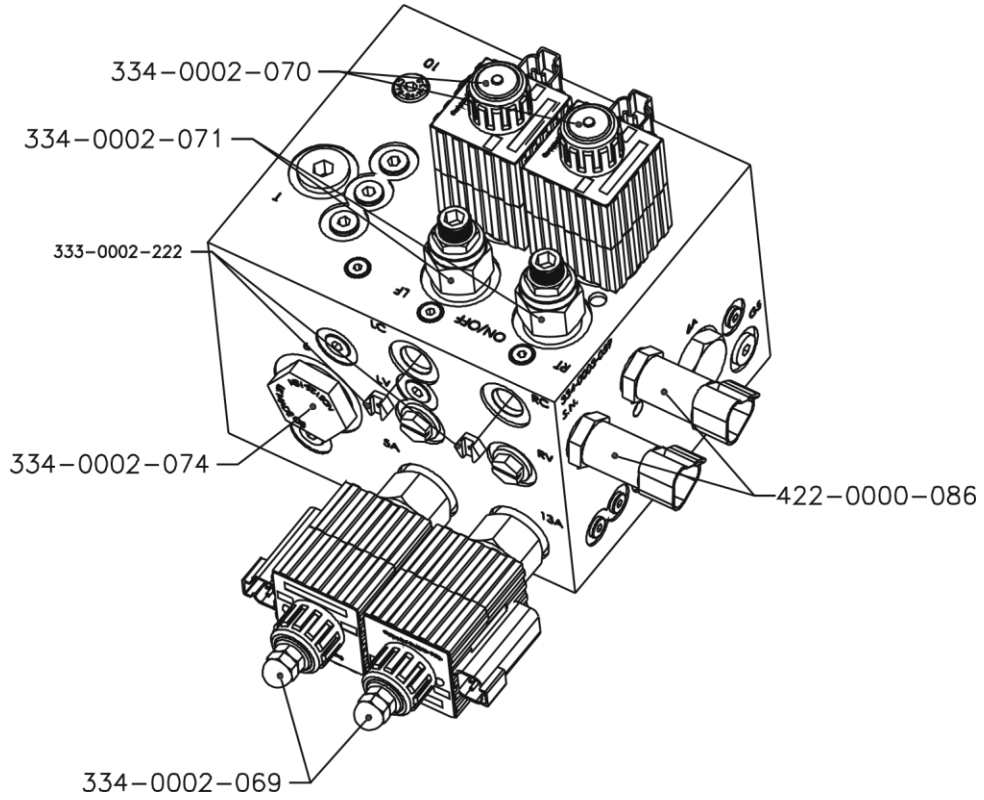




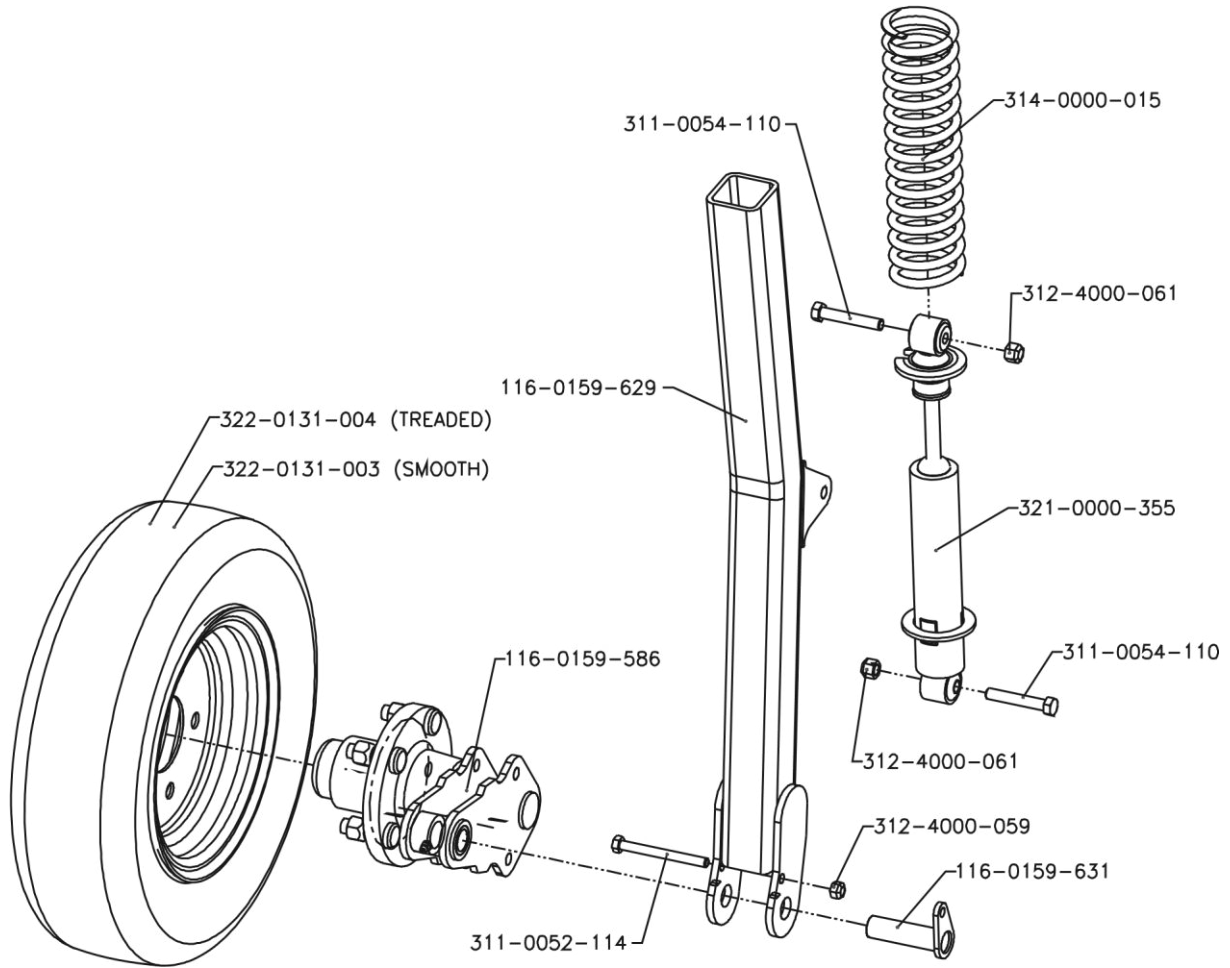
**Powerglide & Powerglide Plus Mounting Brackets Parts List**

<b>ITEM</b>	<b>PART NO.</b>	<b>QTY.</b>	<b>DESCRIPTION</b>
1	159	2	BOLT HEX, 1/2 X 4-1/2" GR5 ZP
2	260	2	WASHER FLAT 1/2" ZP
3	14670BLK	1	RAVEN TOUCH WHEEL MOUNT
4	14668BLK	1	RAVEN BACK TOUCH PLATE
5	215	2	NUT HEX HEAVY 1/2"
6	239	2	NUT NUT 1/2" CENTERLOCK
7	154	1	BOLT HEX, 1/2 X 2" GR5 ZP
8	223	1	NUT HEX JAM 1/2"
9	163	2	BOLT HEX, 1/2 X 6-1/2" GR5 ZP

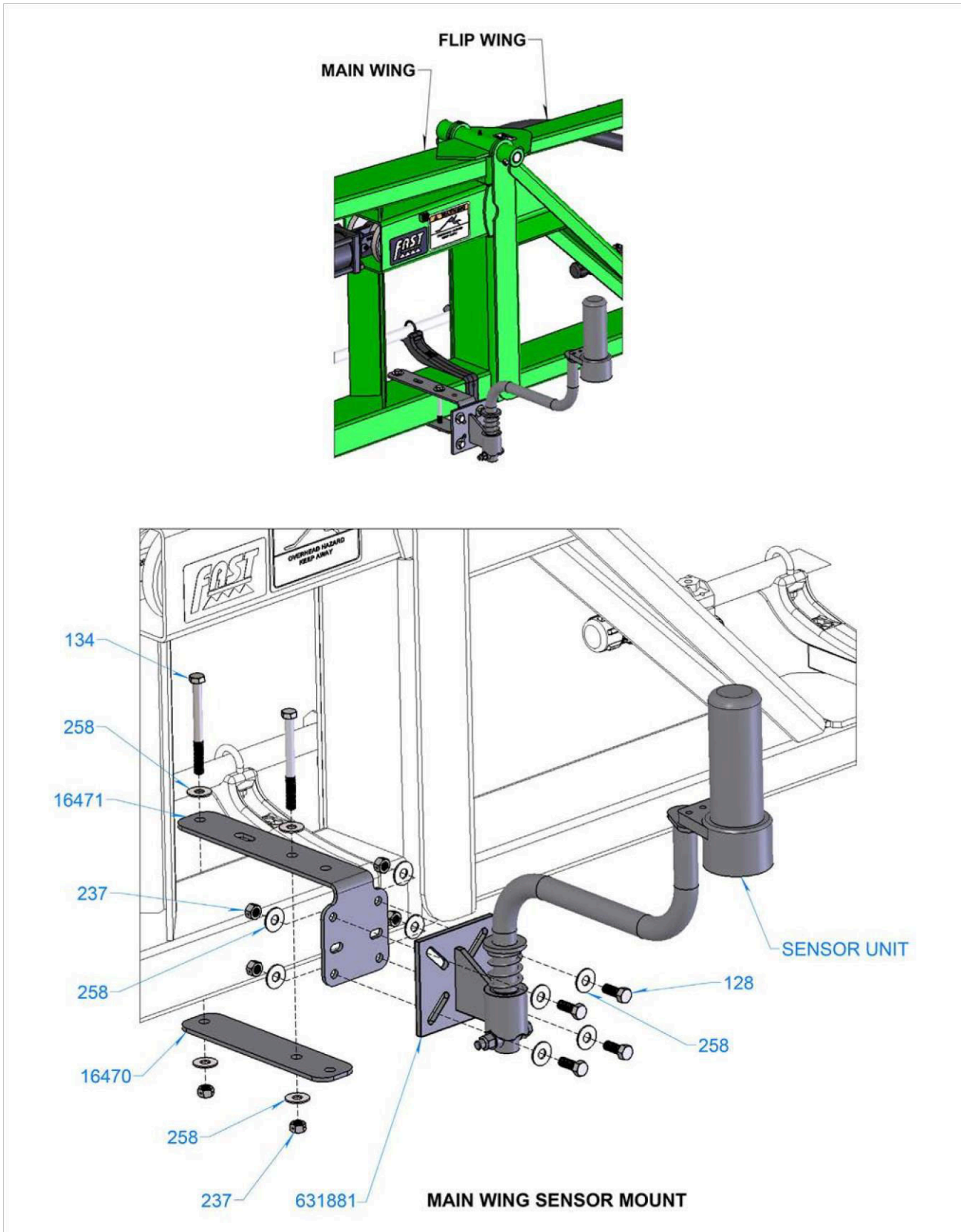
**Powerglide Plus Hydraulic Block**



**Powerglide Plus Cushioned Axle**

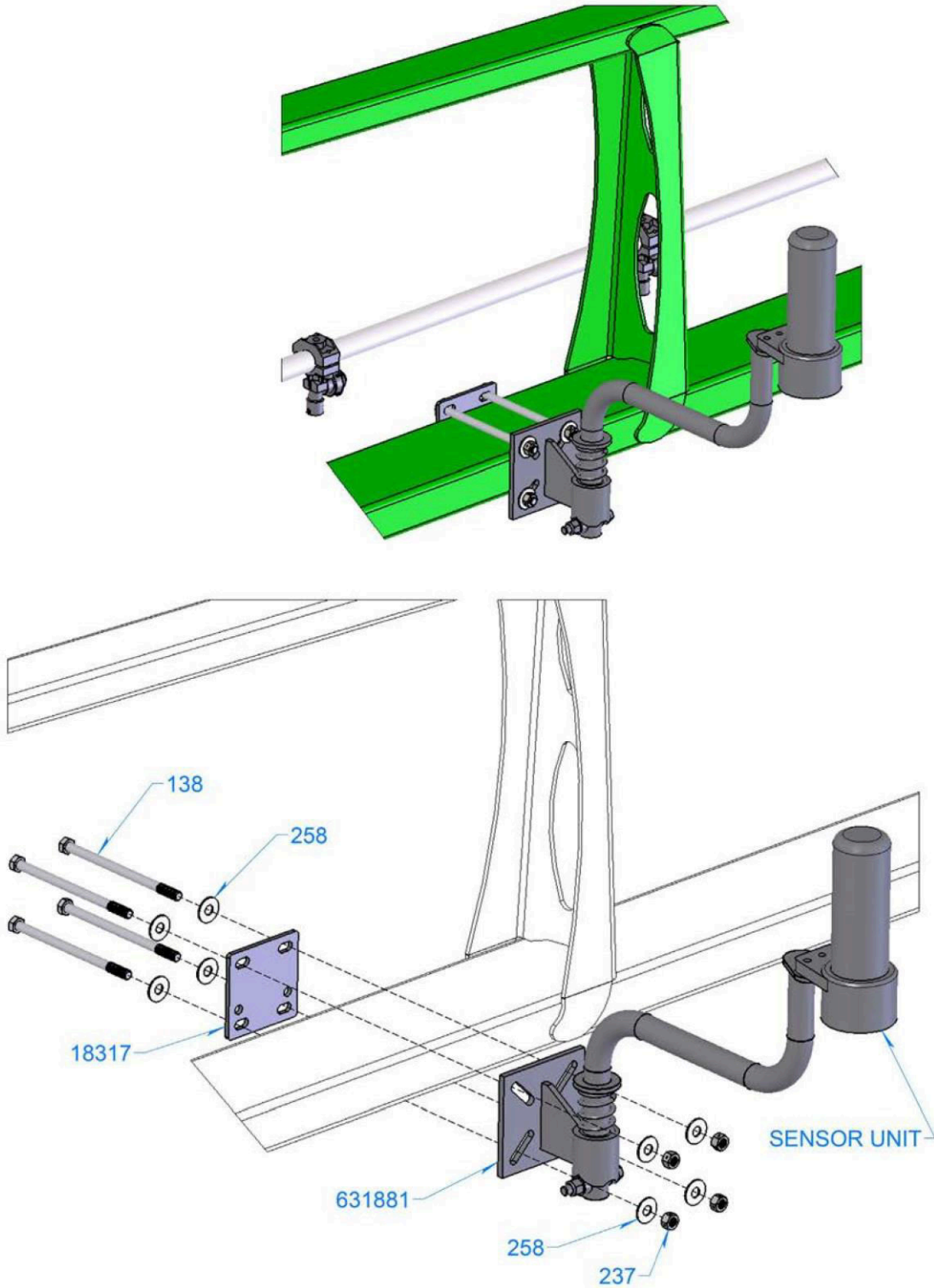


## Raven Sensor Mounts



**Raven Sensor Mounts Parts List**

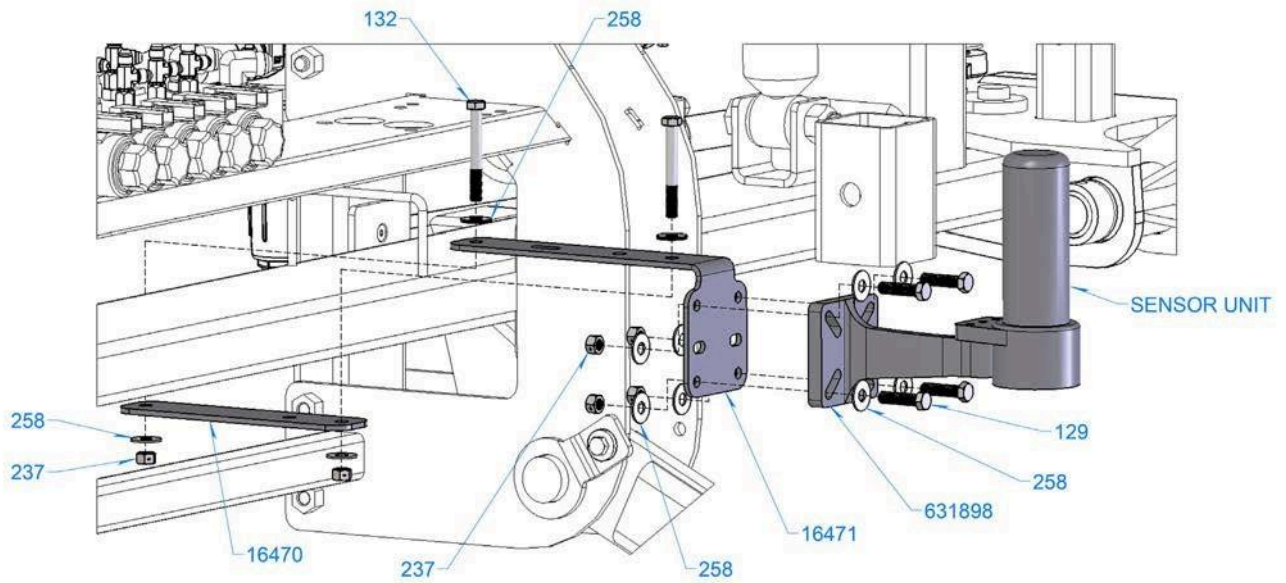
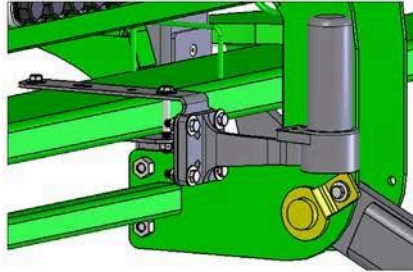
ITEM	VENDOR PART NO.	PART NO.	QTY.	DESCRIPTION
		128	4	BOLT, HH 3/8-16 X 1 GR5 ZP
		134	2	BOLT, HH 3/8-16 X 4 GR5 ZP
		237	6	NUT, 3/8-16 CENTERLOCK
		258	12	3/8" FLAT WASHER
		16470	1	PLATE, BACKING, MOUNT
		16471	1	MOUNT, AUTO BOOM, RAVEN
		631881	1	RAVEN BRACKET SENSOR MOUNT
	RA0630130026		1	AUTO HEIGHT SENSOR



WET BOOM ASSEMBLY NOT SHOWN FOR CLARITY

**FLIP WING SENSOR MOUNT**

ITEM	VENDOR PART NO.	PART NO.	QTY.	DESCRIPTION
		138	4	BOLT, HH 3/8-16 X6 GR5 ZP
		237	4	NUT, 3/8-16 CENTERLOCK
		258	8	3/8" FLAT WASHER
		18317	1	PLATE, BACKING
		631881	1	RAVEN BRACKET SENSOR MOUNT
	RA0630130026		1	AUTO HEIGHT SENSOR

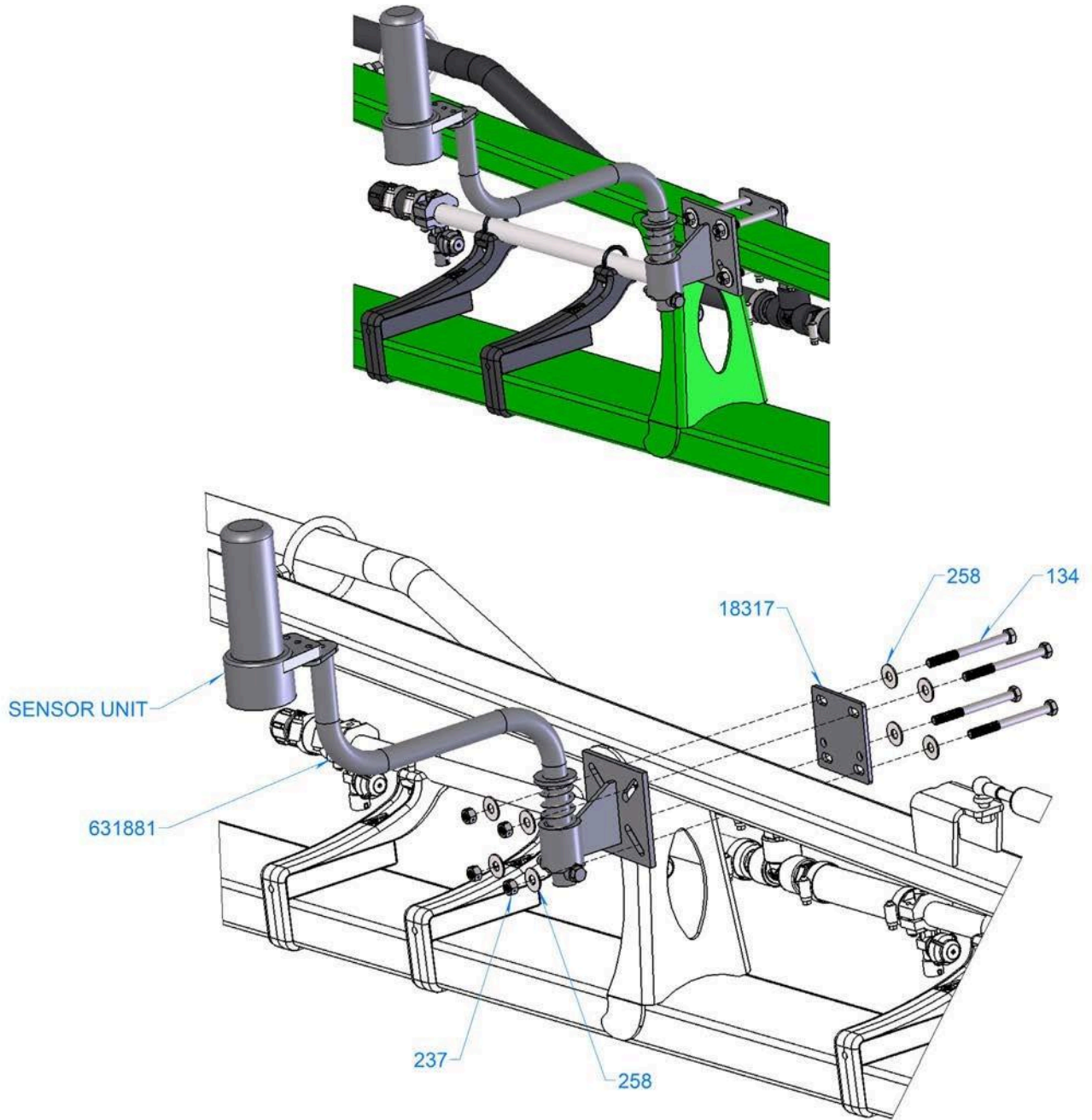


PARTIAL REAR VIEW AT CENTER SECTION

**CENTER SECTION  
SENSOR MOUNT**



ITEM	VENDOR PART NO.	PART NO.	QTY.	DESCRIPTION
		129	4	BOLT, HH 3/8-16 X 1-1/2 GR5 ZP
		132	2	BOLT, HH 3/8-16 X 3 GR5 ZP
		237	6	NUT, 3/8-16 CENTERLOCK
		258	12	3/8" FLAT WASHER
		16470	1	PLATE, BACKING, MOUNT
		16471	1	MOUNT, AUTO BOOM, RAVEN
		631898	1	ARM ULTRASONIC SENSOR
	RA0630130026		1	AUTO HEIGHT SENSOR



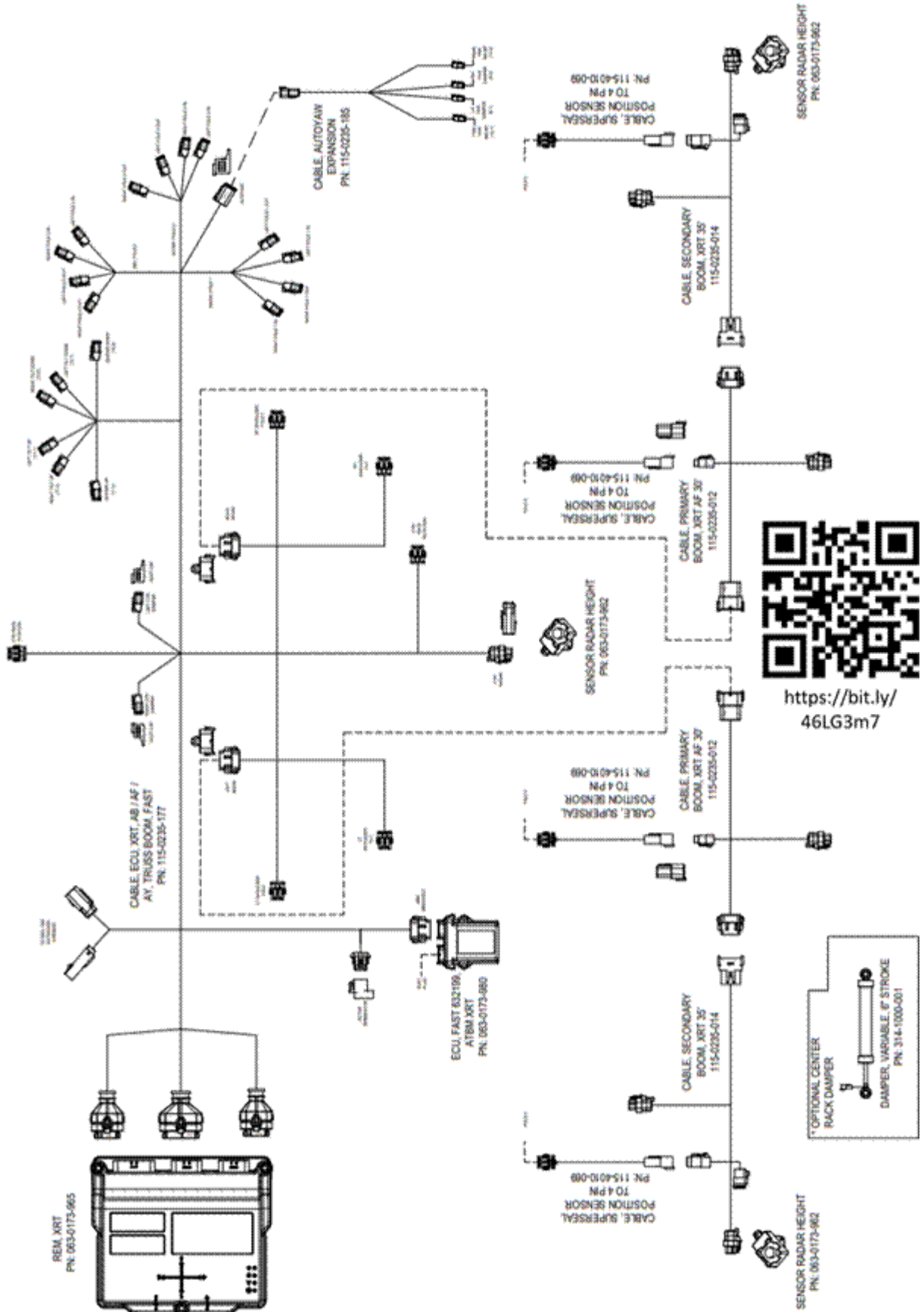
**SWING WING  
SENSOR MOUNT**

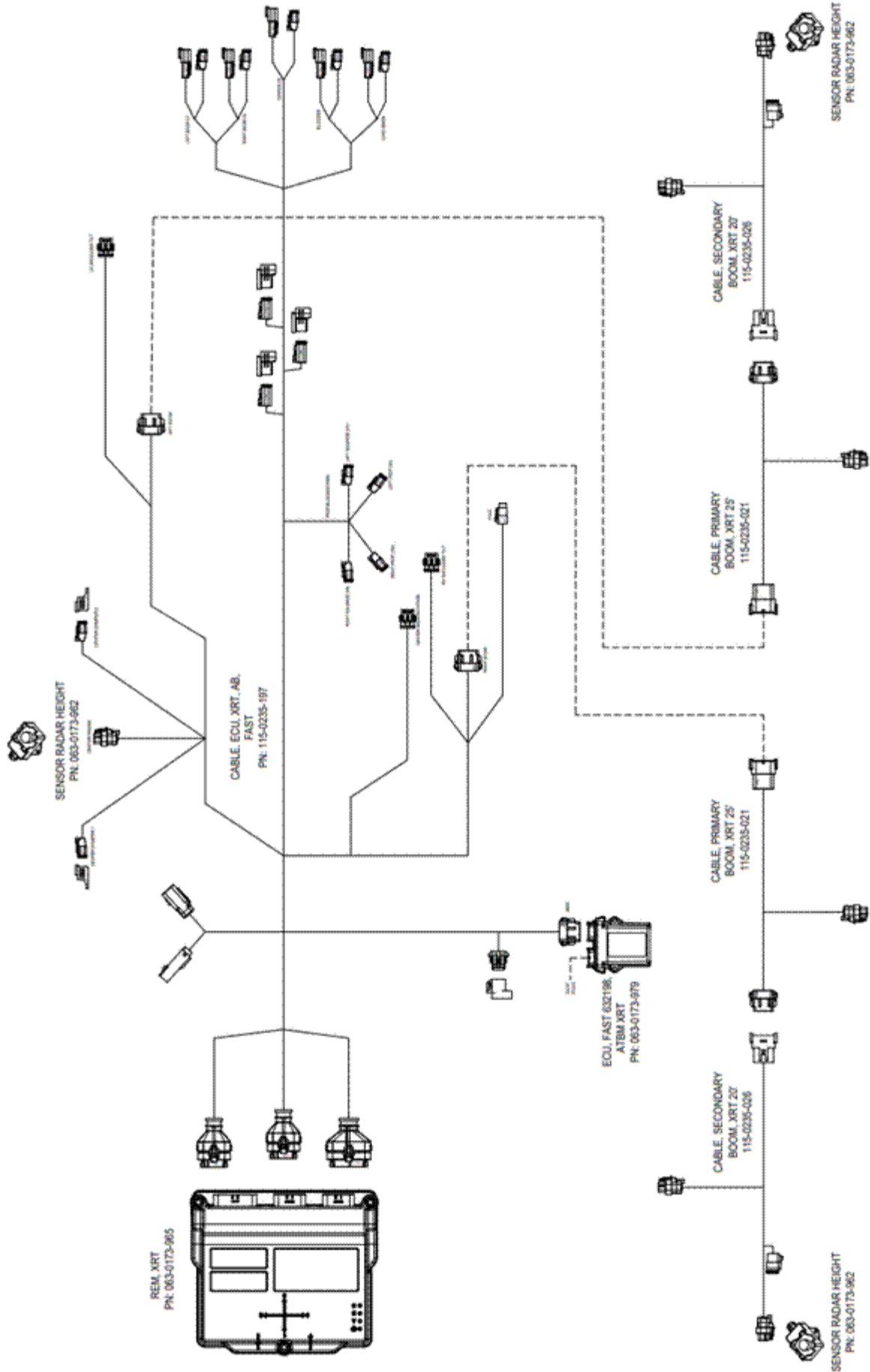
ITEM	VENDOR PART NO.	PART NO.	QTY.	DESCRIPTION
		134	4	BOLT, HH 3/8-16 X 4 GR5 ZP
		237	4	NUT, 3/8-16 CENTERLOCK
		258	8	3/8" FLAT WASHER
		18317	1	PLATE, BACKING
		631881	1	RAVEN BRACKET SENSOR MOUNT
	RA0630130026		1	AUTO HEIGHT SENSOR

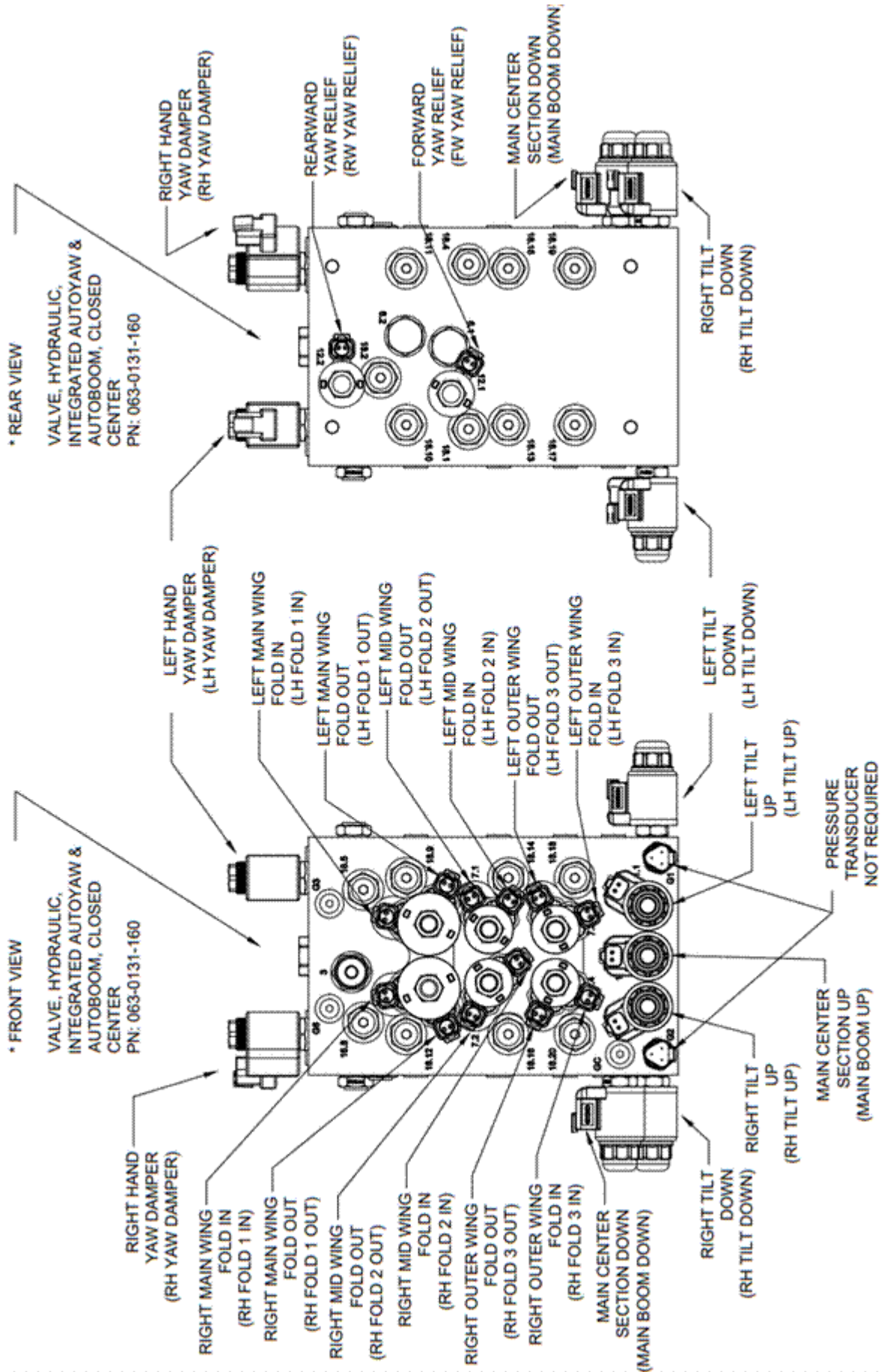




## Raven XRT Wiring

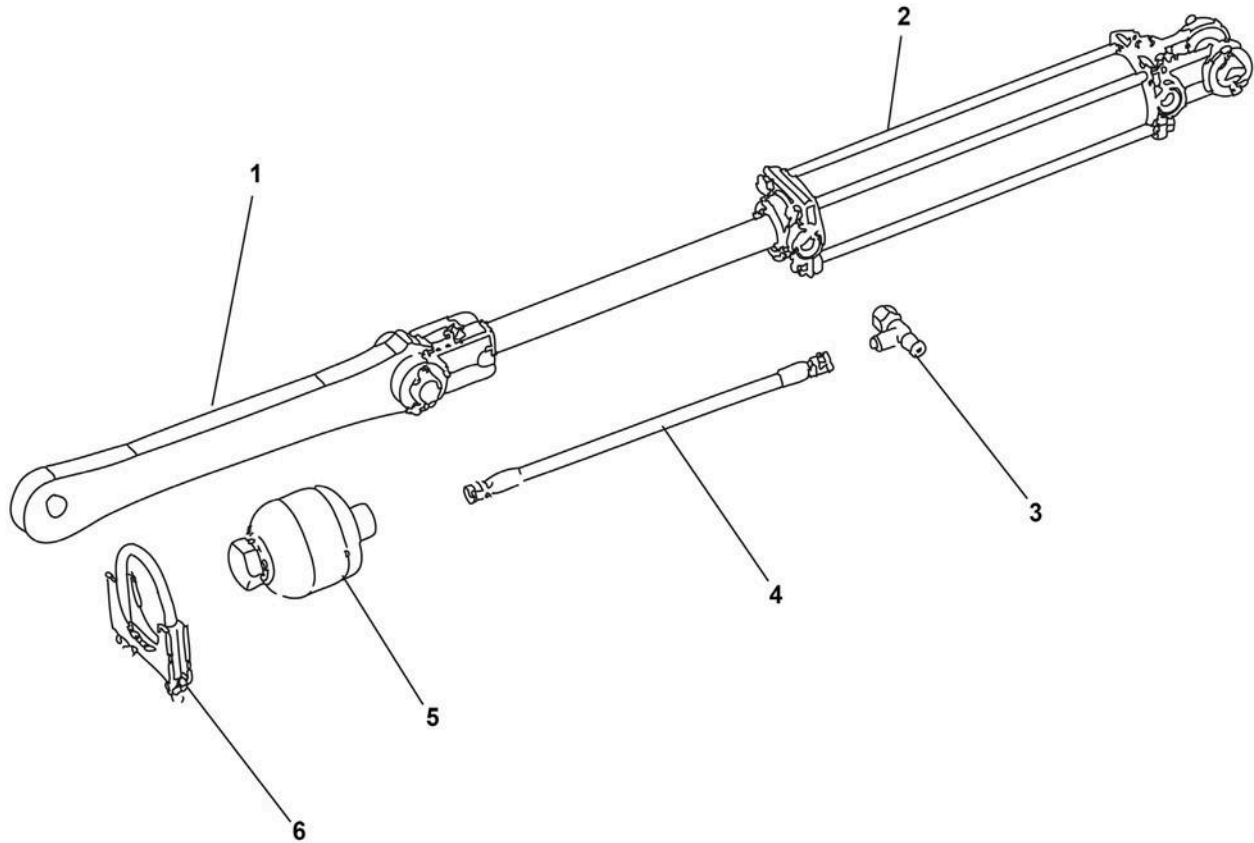








## Wing Tilt Options



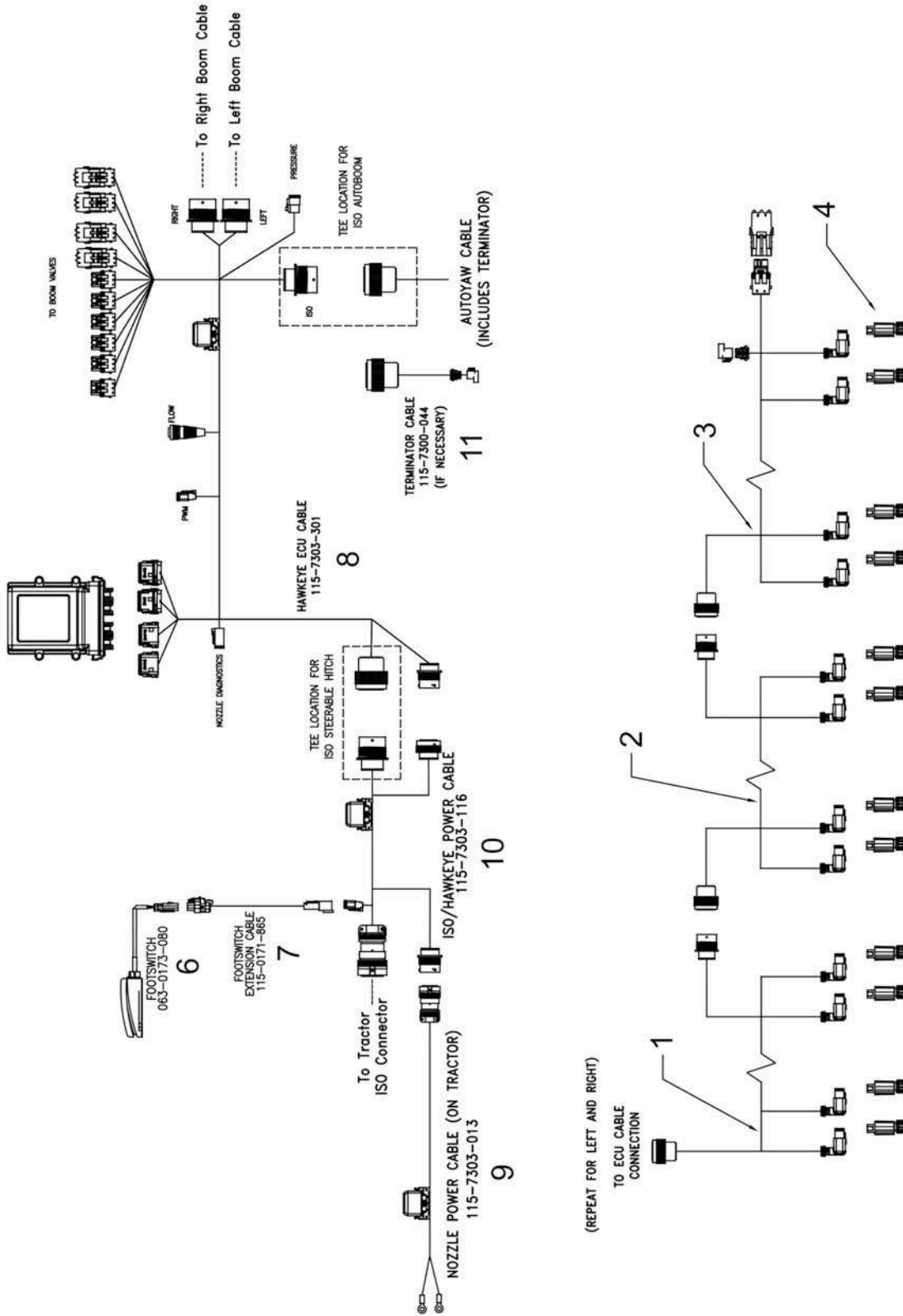
## Wing Tilt Options Parts List

ITEM	PART NO.	DESCRIPTION	QTY.	60' BOOM	80' - 90' BOOM	100' BOOM
	CUSHIONED TILT					
1	14088	LINK, NORAC	1			
2	620022	CYLINDER 25TD10-112 60' - 90' WINGS	1	1	1	
2	620020	CYLINDER 30TD10-125 100' WINGS				1
3	610027	TEE JIC #6	1			
4	600018	HOSE, HYDRAULIC 3/8 X #6 JIC	1			
5	630002	ACCUMULATOR 21 CU"	1			
6	540033	CLAMP 3.5 ACCUMULATOR	1			
	NON-CUSHIONED TILT					
1	14088	LINK, NORAC	1			
2	620022	CYLINDER 25TD10-112 60' - 90' WINGS		1	1	
2	620020	CYLINDER 30TD10-125 100' WINGS				1

## Raven Hawkeye

### HAWKEYE ON FAST SPRAYERS

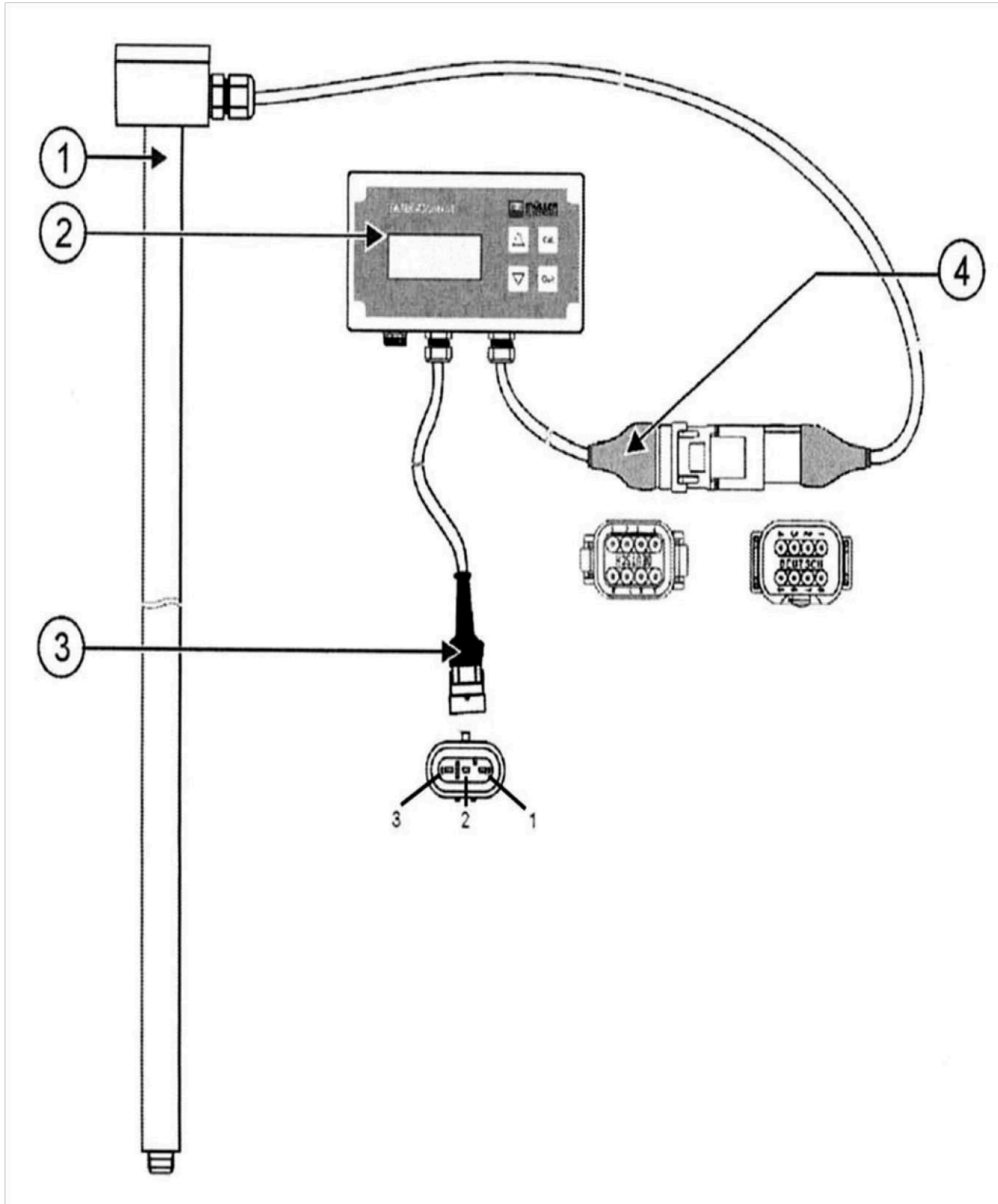
HAWKEYE ECU 5  
063-0173-704



## Raven Hawkeye Parts List

ITEM	VENDOR PART NO.	PART NO.	QTY.	DESCRIPTION
1	RA115-7303-105	RA1157303105	2	CABLE, PRIMARY BOOM, 90' BOOM, 20" SPACING & 120' BOOM, 20" SPACING
1	RA115-7303-336	632002	2	CABLE, PRIMARY BOOM, 120' BOOM, 15" SPACING
1	RA115-7303-333	RA1157303333	2	CABLE, PRIMARY BOOM, 132' BOOM, 22" SPACING
2	RA115-7303-340	RA1157303340	2	CABLE, MID BOOM, 90' BOOM, 20" SPACING
2	RA115-7303-337	632003	2	CABLE, MID BOOM, 120' BOOM, 15" SPACING
2	RA115-7303-106	RA1157303106	2	CABLE, MID BOOM, 120' BOOM, 20" SPACING
2	RA115-7303-334	RA1157303334	2	CABLE, MID BOOM, 132' BOOM, 22" SPACING
3	RA115-7303-338	632004	2	CABLE, OUTER BOOM, 120' BOOM, 15" SPACING
3	RA115-7303-341	RA1157303341	2	CABLE, OUTER BOOM, 90' BOOM, 20" SPACING
3	RA115-7303-122	RA1157303122	2	CABLE, OUTER BOOM, 120' BOOM, 20" SPACING
3	RA115-7303-335	RA1157303335	2	CABLE, OUTER BOOM, 132' BOOM, 22" SPACING
4	RA06-30173-673	RA0630173673	*	VALVE, HAWKEYE NOZZLE, ARAG/HYPRO
4	RA06-30173-672	631984	*	VALVE, HAWKEYE NOZZLE, TEE JET
4	RA063-0173-674	RA0630173674	*	VALVE, HAWKEYE NOZZLE, WILGER
4			*	90' 20" (QTY 54), 120' 15" (QTY 96), 120' 20" (QTY 72), 132' 22" (QTY 72)
5	RA063-0173-704	631983	1	ISO PRODUCT CONTROLLER II ECU
6	RA063-0173-080	631856	1	SWITCH ASSEMBY FOOT ISO PRODUCT CONTROL
7	RA115-0171-865	631857	1	CABLE, FOOT SWITCH ISO PRODUCT CONTROL
8	RA115-7303-301	632001	1	CABLE, HAWKEYE ECU
9	RA115-7303-013	632000	1	CABLE, NOZZLE POWER
10	RA115-7303-116	631992	1	CABLE, 17' ISO/HAWKEYE POWER
11	RA115-7300-044	631996	1	CABLE, GEN 3 TO ACTIVE TERMINAL, TERMINATOR INCLUDED
11	RA063-0172-964	RA0630172964	1	TERMINATOR, FOR 631996 (RA1157300044)
N/S	RA115-7303-168	RA1157303168	1	CABLE, 2' ECU POWER
N/S	RA115-7303-148	RA1157303148	4	CABLE, 6' EXTENSION
N/S	RA115-0171-810	632047	1	CABLE, 10' 2P EXTENSION
N/S	RA115-7303-260	RA1157303260	1	CABLE, 15' ECU NOZZLE
N/S	RA115-7303-159	RA1157303159	1	CABLE, 4 NOZZLE HAWKEYE
N/S	RA115-7305-160	RA1157305160	1	CABLE, 5 NOZZLE HAWKEYE
N/S	RA115-7305-161	RA1157305161	4	CABLE, 10 NOZZLE HAWKEYE
N/S	RA115-7303-156	RA1157303156	2	CABLE, FENCE ROW
N/S	RA117-6020-005	631962	1	KIT, FOLD SWITCH BOX, ISO, 132' TRUSS BOOM, 22" SPACING
N/S	RA117-1005-114	632014	1	KIT, HAWKEYE FAST 9500T, 120' TRUSS BOOM, 20" SPACING
N/S	RA117-1005-056	631985	1	KIT, HAWKEYE SYSTEM SERVICE TEE JET
N/S	RA117-1005-112	632081	1	KIT, HAWKEYE, 90' BOOM, 20" SPACING
N/S	RA117-1005-113	RA1171005113	1	KIT, HAWKEYE, 120' TRUSS BOOM, 15" SPACING
N/S	RA117-1005-115	632108	1	KIT, HAWKEYE, 132' TRUSS BOOM, 22" SPACING
N/S	RA117-0138-066	631955	1	KIT, INSTALLATION, ISO ULTRAGLIDE
N/S		530401	1	NIPPLE, 1/4 X 1/4" MPT, POLY
N/S	RA115-7305-139	RA1157305139	1	NOZZLE JUMPER
N/S	RA422-0000-119P	632036	1	PRESSURE TRANSDUCER, 1-5V 0-250
N/S		530400	1	TEE, 1/4" FPT, POLY

**Electronic Sight Gauge**

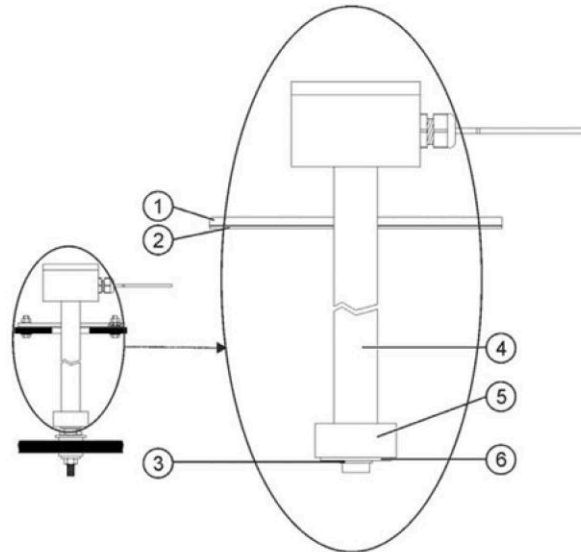


**Electronic Sight Gauge Parts List**

ITEM	PART NO.	QTY.	DESCRIPTION
1		1	Sensor
2		1	Display
3		1	Power Lead
4		1	Sensor Plug
NS	632147		Complete Kit - 1350 Gallon
NS	931933		Complete Kit - 1800 Gallon
NS	931935		Complete Kit - 2400 Gallon
NS	931936		Sight Gauge Flange Kit

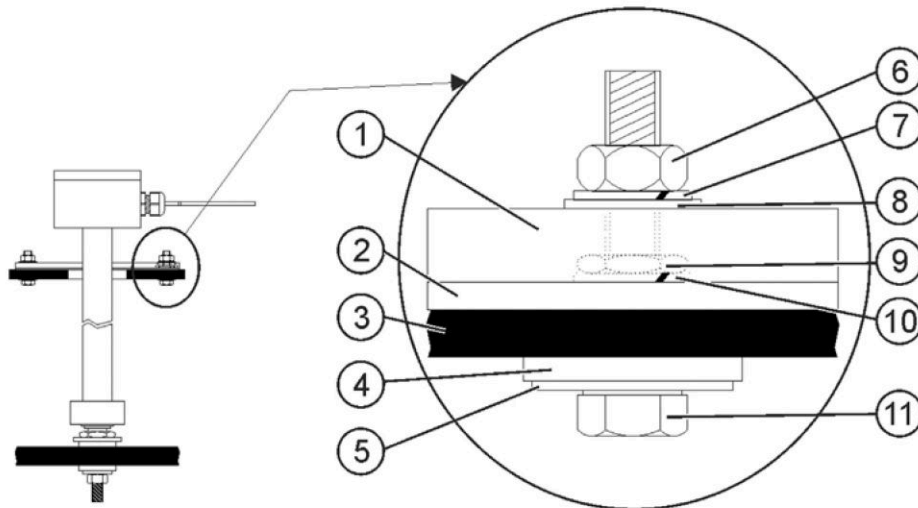
## Electronic Sight Gauge - Sensor Tube

### PREPARE THE SENSOR TUBE



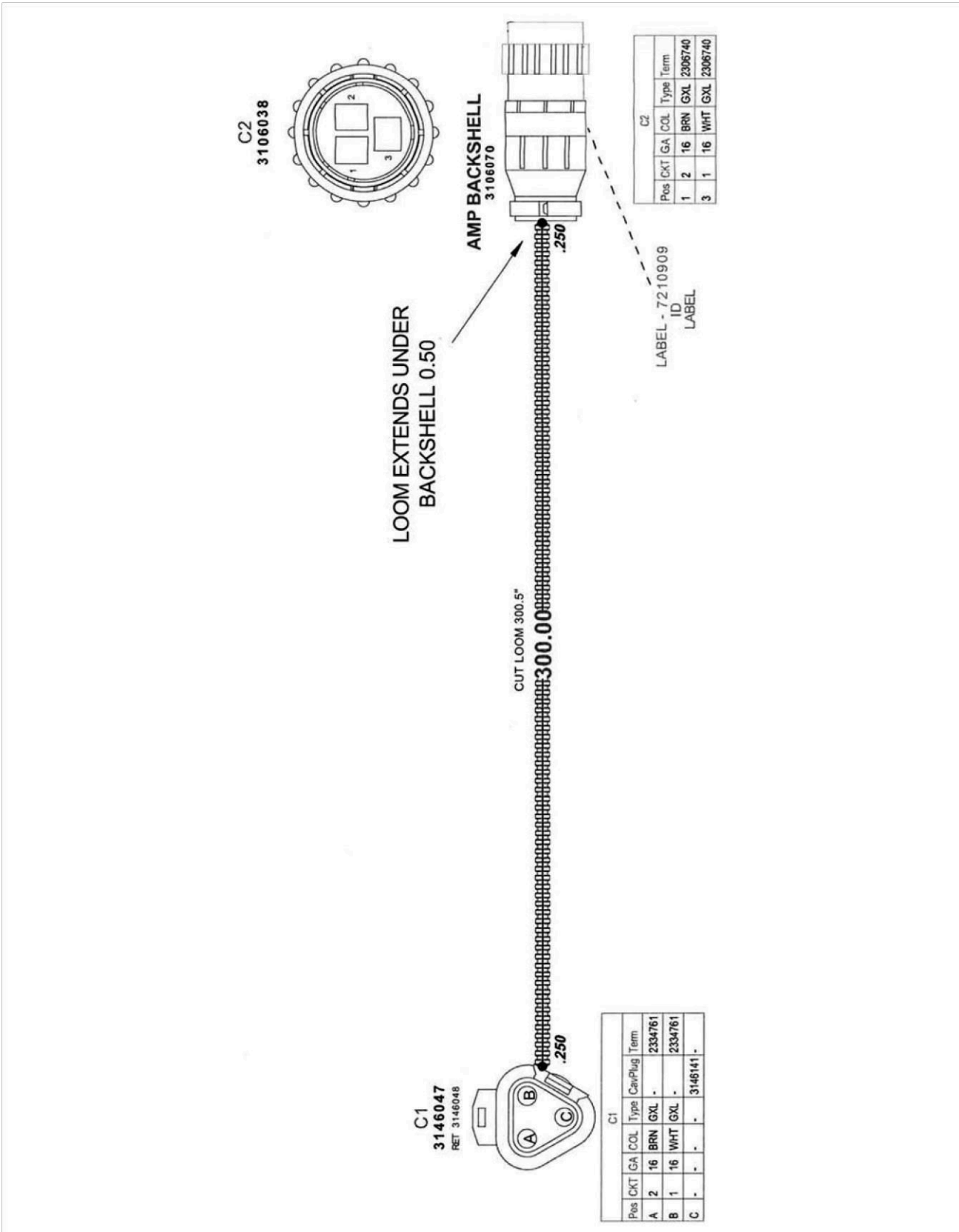
Item	Vendor Part #	Fast Part #	Description	Qty.
1			Flange	1
2			Viton Gasket	1
3			Locking Ring	1
4			Sensor Tube	1
5			Float	1
6			Washer 24.2 x 12.2	1

### INSTALL THE SENSOR TUBE

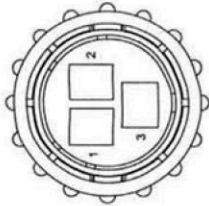


Item	Vendor Part #	Fast Part #	Description	Qty.
1			Tube Socket	1
2			Viton Gasket 25 x 6	1
3			Base of Tank	1
4			Viton Gasket 25 x 6	1
5			Wahser A6.4	1
6			Nut M6	1

## Electronic Sight Gauge - Power Cable



C2  
3106038



AMP BACKSHELL  
3106070

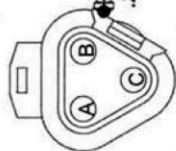
LOOM EXTENDS UNDER  
BACKSHELL 0.50

CUT LOOM 300.5"

300.00

.250

C1  
3146047  
RET 3146048



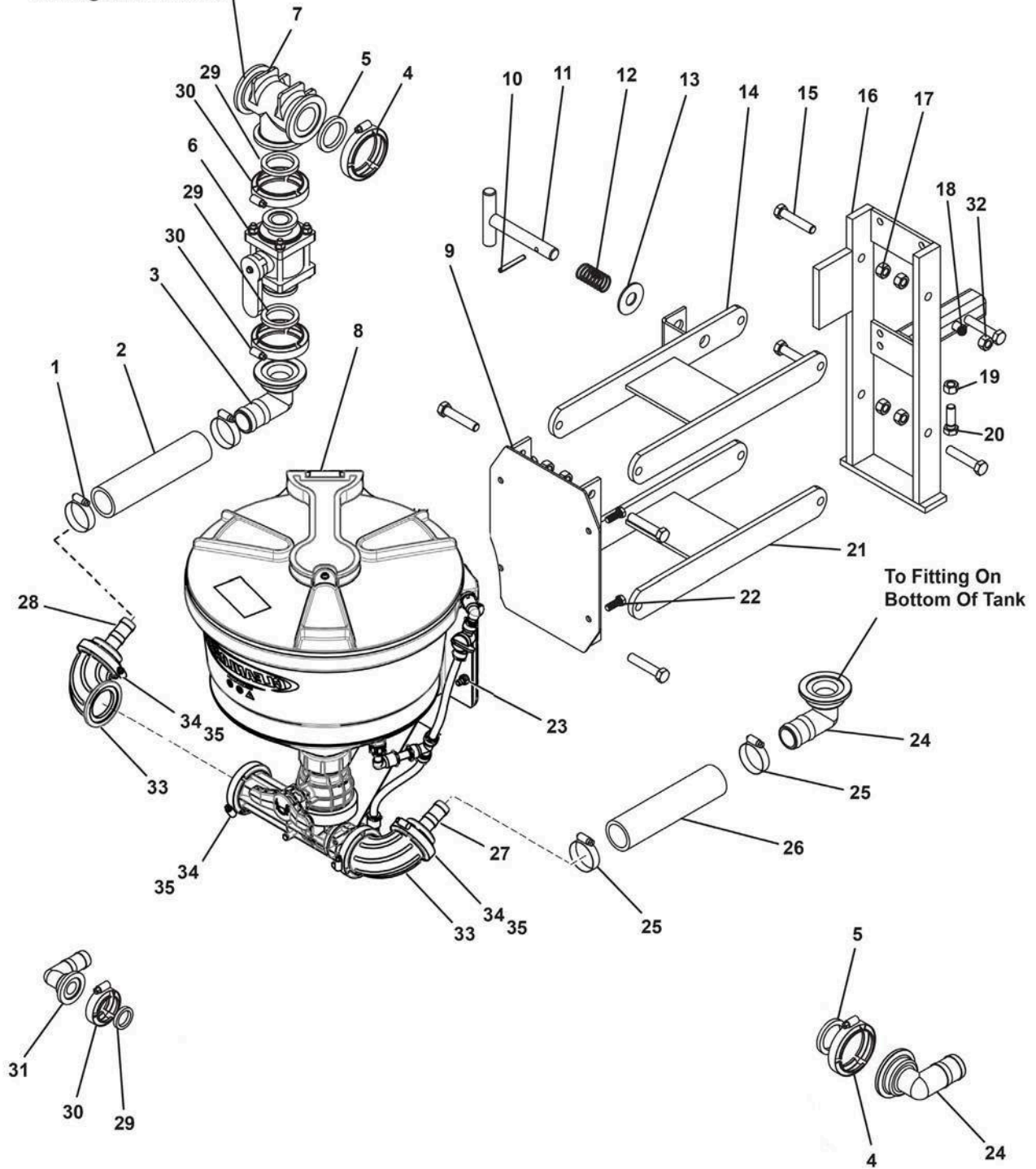
C2				
Pos	CKT	GA	COL	Type Term
1	2	16	BRN	GXL 2306740
3	1	16	WHT	GXL 2306740

LABEL - 7210909  
ID  
LABEL

C1				
Pos	CKT	GA	COL	Type CarPlug Term
A	2	16	BRN	GXL - 2334761
B	1	16	WHT	GXL - 2334761
C	-	-	-	- 3146141 -

## HYPRO Cleanload Eductor & Mounting, 7.5 Gallon

Installs In Line With Rinse  
And Agitation Valves

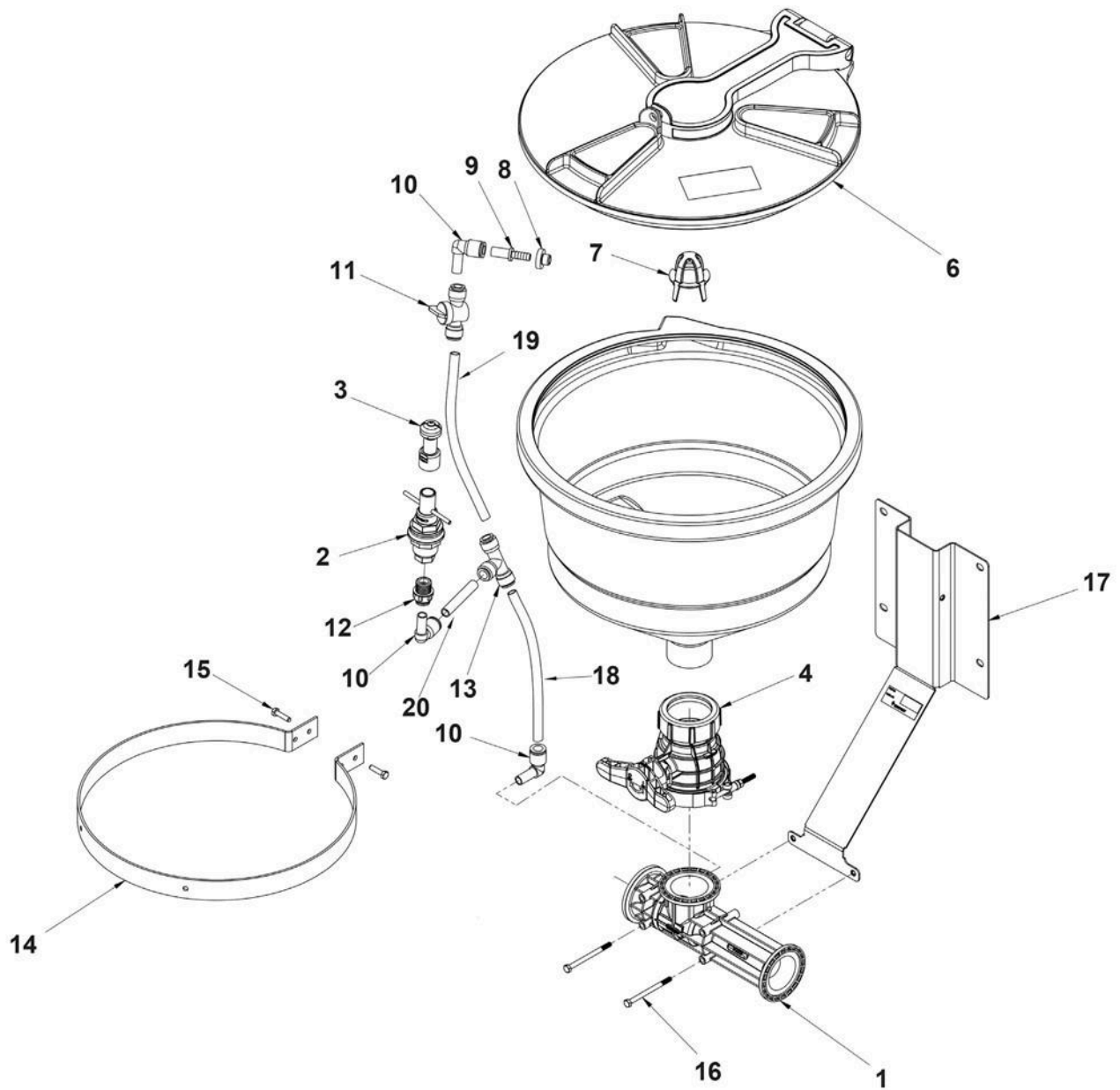




## HYPRO Cleanload Eductor & Mounting, 7.5 Gallon Parts List

ITEM	PART NO.	QTY.	DESCRIPTION
NS	800015	1	DECAL, INDUCTOR
NS	540051	2	P CLAMP, 2" HOSE 2"
1	540015	2	CLAMP, STAINLESS 1-1/4" #20
2	510015	6	HOSE, 1-1/4" EPDM
4	540001	3	CLAMP, 2" STANDARD WORM SCREW
5	530014	3	1-1/2" EPDM GASKET
6	500005	1	VALVE, 1" FULL PORT WITH C-F
7	530075	1	2" STANDARD PORT X 1" FLANGED
8	570119	1	TANK CLEANLOAD EDUCTOR 7.5 GALLON
9	16560BLK	1	MOUNT, HYPRO EDUCTOR
10	687	1	PIN, SPRING 1.25 X 2" ZP
11	7981BLK	1	HANDLE, T SHAPED
12	790001	1	SPRING, INDUCTOR LATCH
13	262	1	WASHER, FLAT 3/4" ZIP
14	7928BLK	1	LINK, EDUCTOR, UPPER
15	153	8	BOLT, HH 1/2 X 1.5 GR5 ZP
16	11632BLK	1	MOUNT PLATE, BACK 9500 TRAILER
17	231	8	NUT, HH 1/2" NYLOCK ZP
18	154	1	BOLT, HH 1/2 X 2.5 GR5 ZP
19	223	1	NUT, HH 1/2" JAM ZP
20	152	1	BOLT, HH 1/2 X 1" GR5 ZP
21	7925BLK	1	LINK, EDUCTOR, LOWER
22	128	4	BOLT, HH 3/8 X 1" GR5 ZP
23	769	4	NUT, HH 3/8 " WHIZLOCK ZP
24	530080	1	2" SP FLANGE X 1-1/2" HOSE BARB - 90°
25	540016	2	CLAMP, STAINLESS 1-1/2" #24
26	510014	5	HOSE, 1-1/2" EPDM
27	530079	1	2" MANIFOLD X 1-1/2" HOSE BARB
28	530076	1	2" MANIFOLD X 1-1/4" HOSE BARB
29	530068	2	1" EPDM GASKET FOR MANIFOLD
30	540000	2	CLAMP, 1" WORM SCREW
31	530065	1	1" FLANGE X 1-1/4" HOSE BARB - 90°
32	771	8	1/2" WIZLOCK NUT
33	530388	2	2" FP FLANGE X 2" STANDARD FLANGE SWP
34	540002	2	CLAMP, 2" FULL WORM SCREW
35	530019	2	2" EPDM GASKET

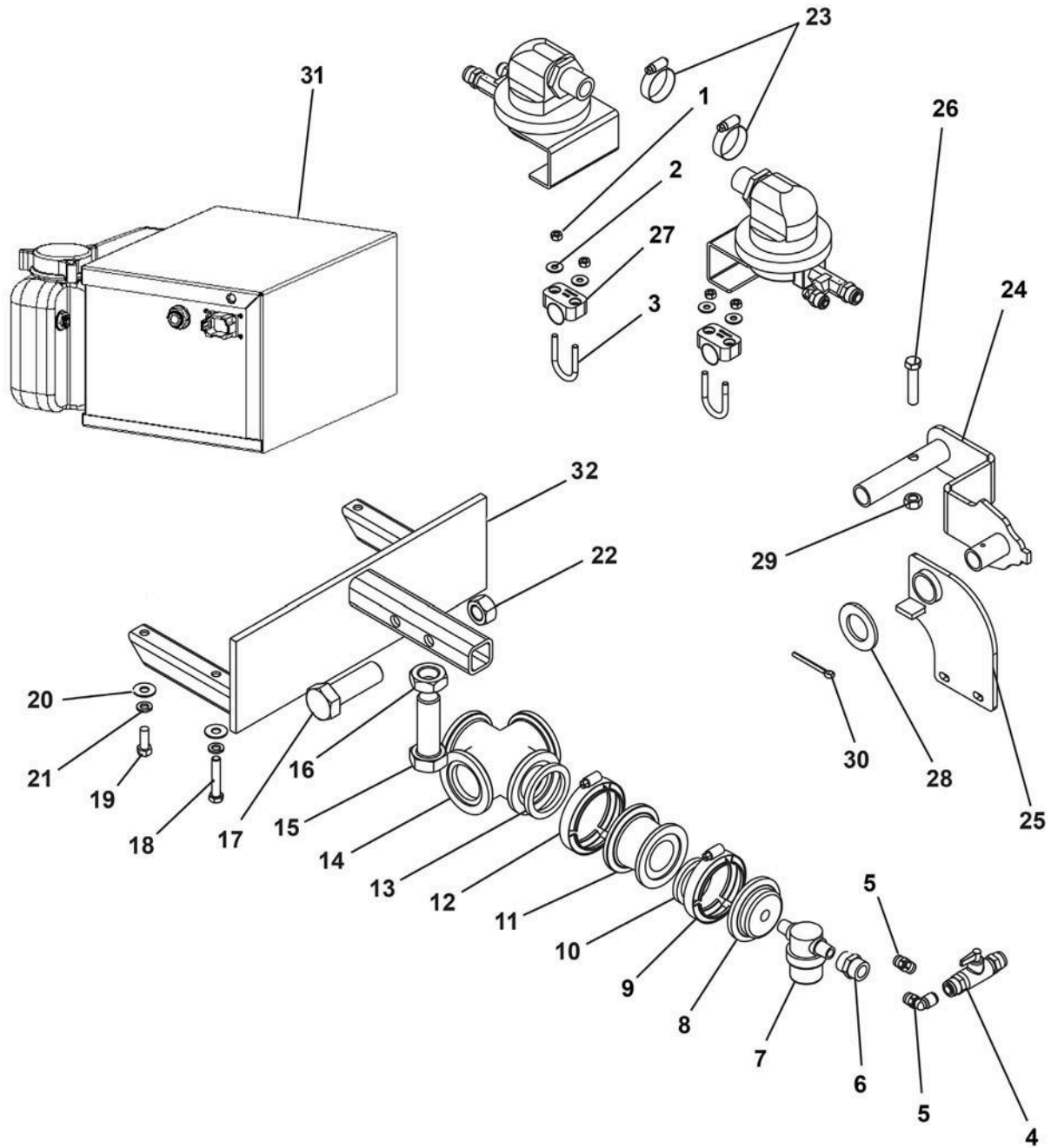
**HYPRO Cleanload Eductor, 7.5 Gallon**



## HYPRO Cleanload Eductor, 7.5 Gallon Parts List 570119

ITEM	VENDOR PART NO.	PART NO.	QTY.	DESCRIPTION
0		570119	1	EDUCTOR COMPLETE
1	3371-0038R		1	EDUCTOR
2	PV1/2F1/2M-MA		1	PROCLEAN CONTAINER RINSE
3	PC1/2F-36075		1	NOZZLE, PROCLEAN CONTAINER RINSE
4	7250-5000		1	TANK VALVE
6	TL16-0006		1	LID KIT
7	3350-0180		1	STRAINER
8	1700-0253		1	GROMMET
9	2404-0413		1	HOSE BARB FITTING
10	2404-0414		1	ELBOW FITTING (1/2")
11	3305-0113		1	TWO-WAY VALVE (1/2")
12	2404-0386		1	FITTING
13	2404-0415		1	TEE FITTING (1/2")
14	1510-0128		1	MOUNTING RING
15	2210-0201		2	HEX BOLT, M6X1X25
16	2210-0200		2	HEX BOLT, M6X1X80
17	1510-0127		1	BRACKET
18	3430-0833		1	TUBE KIT (INCLUDES ITEMS 18 - 20, SCREW AND CLAMP)
19	3430-0833		1	TUBE KIT (INCLUDES ITEMS 18 - 20, SCREW AND CLAMP)
20	3430-0833		1	TUBE KIT (INCLUDES ITEMS 18 - 20, SCREW AND CLAMP)

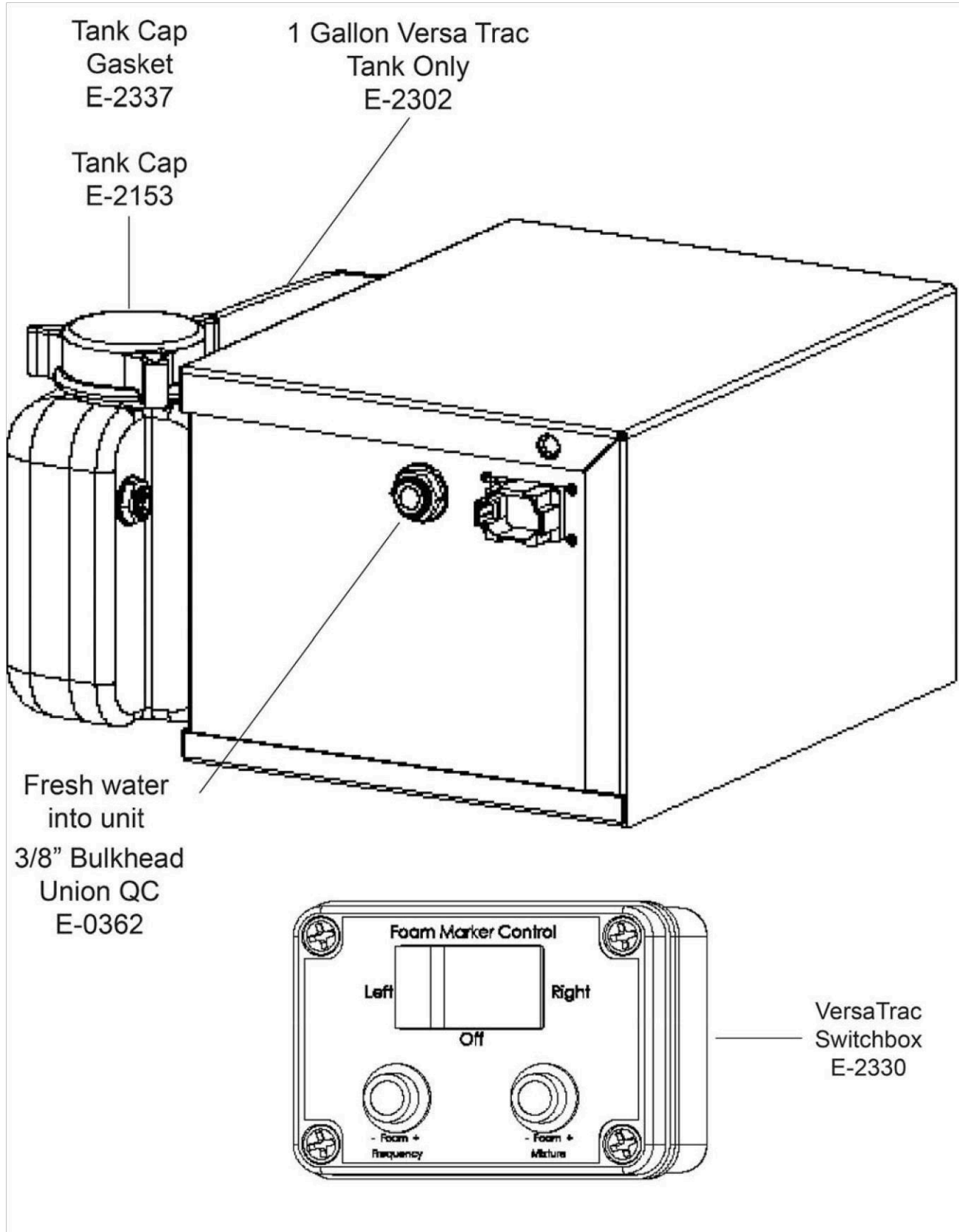
**Richway Direct Injection Foamer & Mounting**



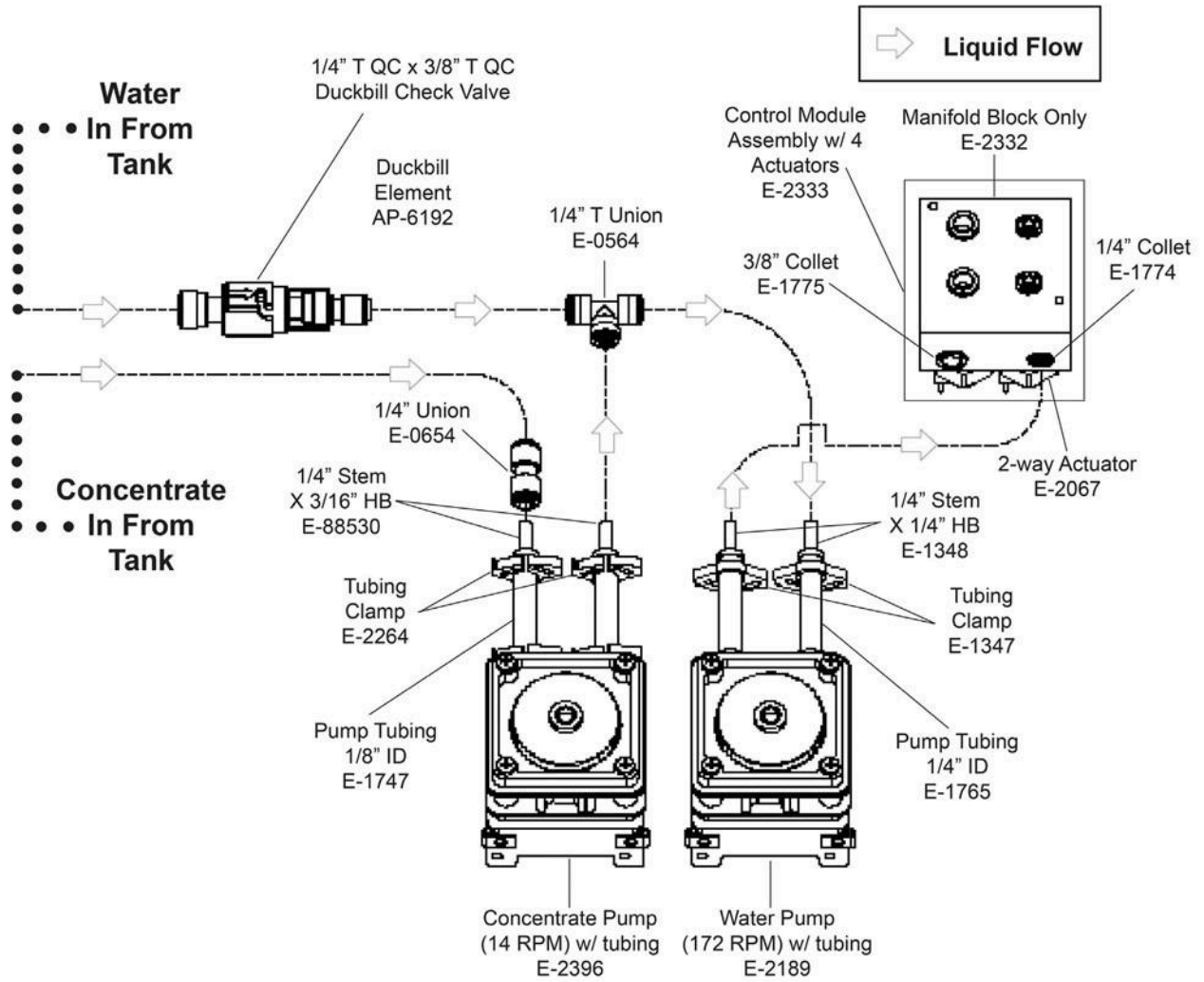
## Richway Direct Injection Foamer & Mounting Parts List

ITEM	VENDOR PART NO.	PART NO.	QTY.	DESCRIPTION
1		647	8	NUT, HH 1/4" NYLOCK SS
2		663	8	WASHER, FLAT 1/4" SS
3	2M1473140	590048	4	U-BOLT 1/4 X 1.5 SS
4	44103289	530007	1	VALVE, SHUT OFF 3/8 Q-LOCK
5	44103231	530006	1	Q-LOCK ADAPTER FITTING 3/8" 90°
5		530002	1	3/8"X3/8" MALE CONNECTOR
6	3FC38	530217	1	COUPLER, 3/8" FPT
7	RVM66NE40C	530000	1	STRAINER 40 MESH 3/8" MPT
8	M200PLG038	530095	1	MANIFOLD PLUG X 3/8" FPT
9	FC200	540001	1	MANIFOLD CLAMP 2" STANDARD PORT
10	150G	530014	1	GASKET 2" STANDARD PORT
11	M220200CPG	530102	1	MANIFOLD COUPLING 2" FULL PORT X 2" STANDARD PORT
12	FC220	540002	1	MANIFOLD CLAMP 2" FULL PORT
13	200G	530019	1	GASKET 2" FULL PORT
14		530107	1	MANIFOLD CROSS, 2" FULL PORT
15		152	1	BOLT, HH 1/2 X 1 GR5 ZP
16		223	1	NUT, HH 1/2" JAM ZP
17		156	1	NUT, HH 1/2 X 3" GR5 ZP
18		130	2	BOLT, HH 3/8 X 2" GR5 ZP
19		128	2	BOLT, HH 3/8 X 1" GR5 ZP
20		250	4	WASHER, LOCK 3/8 ZP
21		258	4	WASHER, FLAT 3/8 ZP
22		771	1	NUT, HH 1/2" WHIZLOCK ZP
23	64016A	540014	2	CLAMP, HOSE 1"
24		14619	2	FOAMER INSERT
25		14279	2	FOAMER FLIPPER
26		142	2	BOLT HH 7/16 X 2" GR5 ZP
27	3254PP	540029	2	TUBE CLAMP
28		789	AR	WASHER, NR 1-1/4 X 14 CP
28		590159	AR	1-1/8" FLAT WASHER, 2" MAX OD
29		597	2	NUT, HH 7/16" TOPLOCK
30		576	2	COTTER PIN, 3/16 X 2 ZP
31		590111	1	VERSA TRAC FOAM INJECTOR BLACK
32		10792	1	FOAMER MOUNT
NS		596744M	AR	WASHER, NP 1-1/4 X 14 GA
NS	2T20-003	510023	AR	1/4" LINEAR LOW DENSITY POLY TUBING
NS	2T20-604	510024	AR	3/8" LINEAR LOW DENSITY POLY TUBING
NS	12015003	510005	20'	PVC WATER SUCTION HOSE 1"
NS		630050	1	EXTENSION CABLE 20'

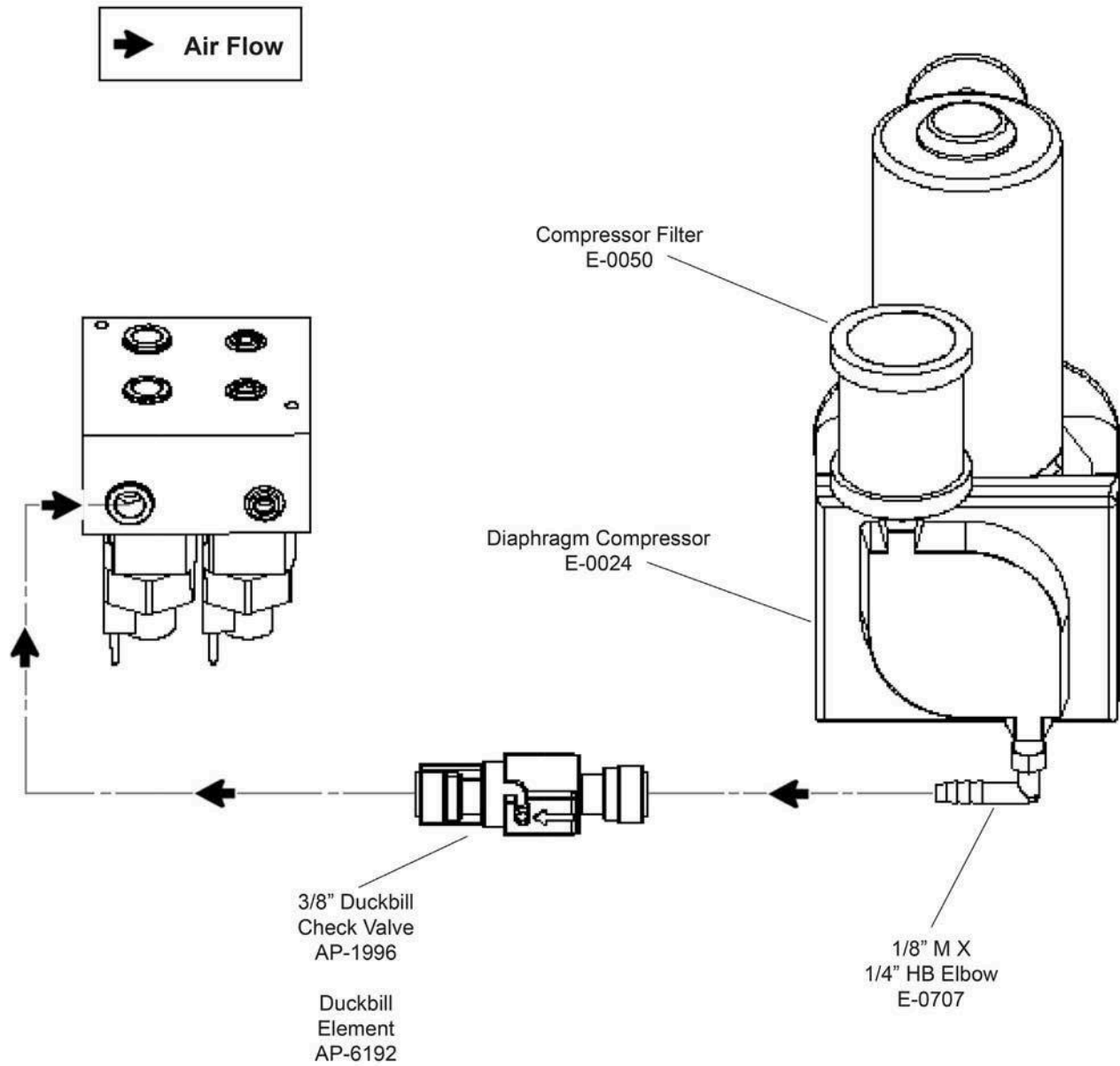
**Richway Foam Marker 1 Gallon Tank & Switchbox**



## Richway Foam Marker Liquid Flow

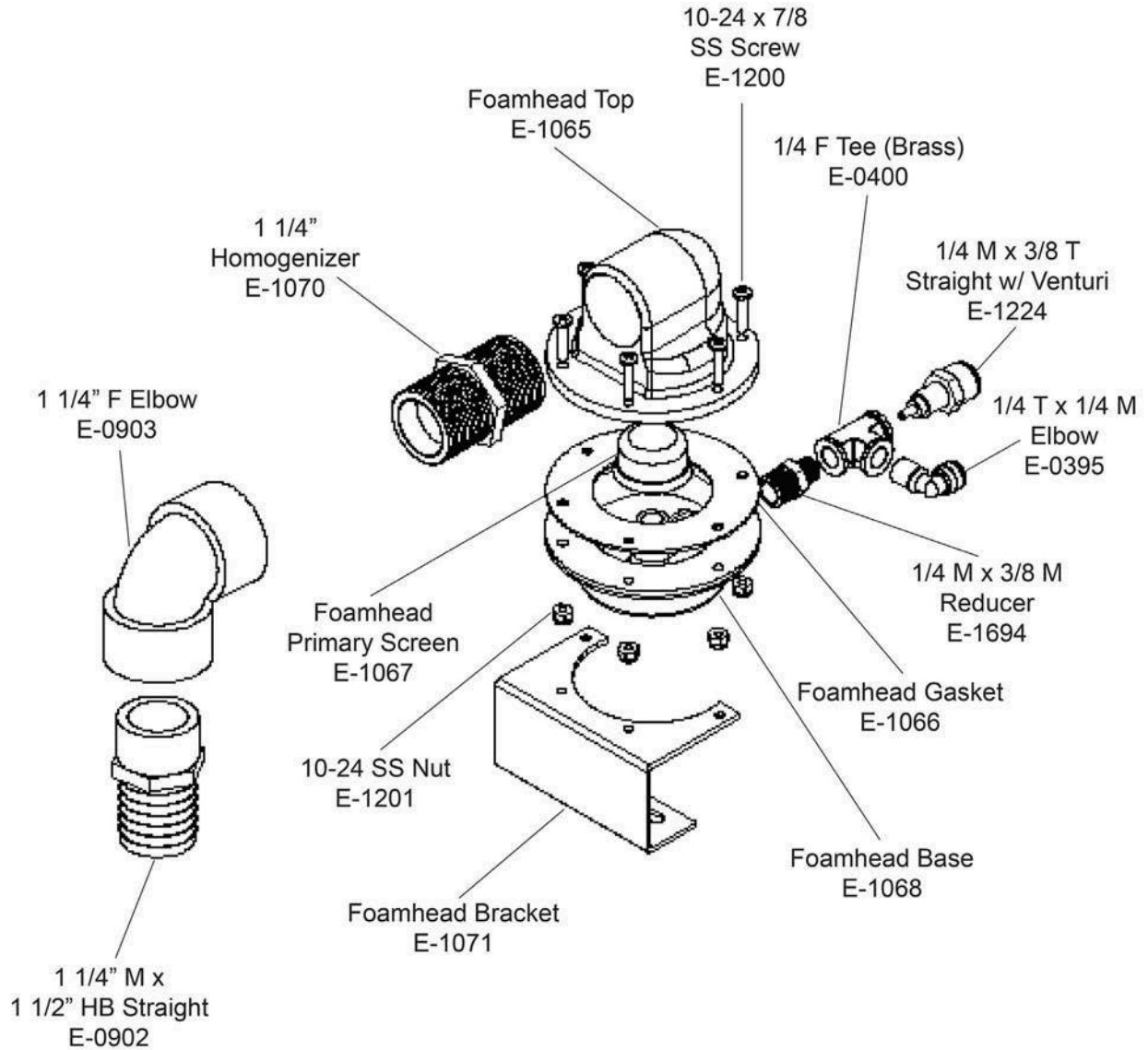


**Richway Foam Marker Compressor**

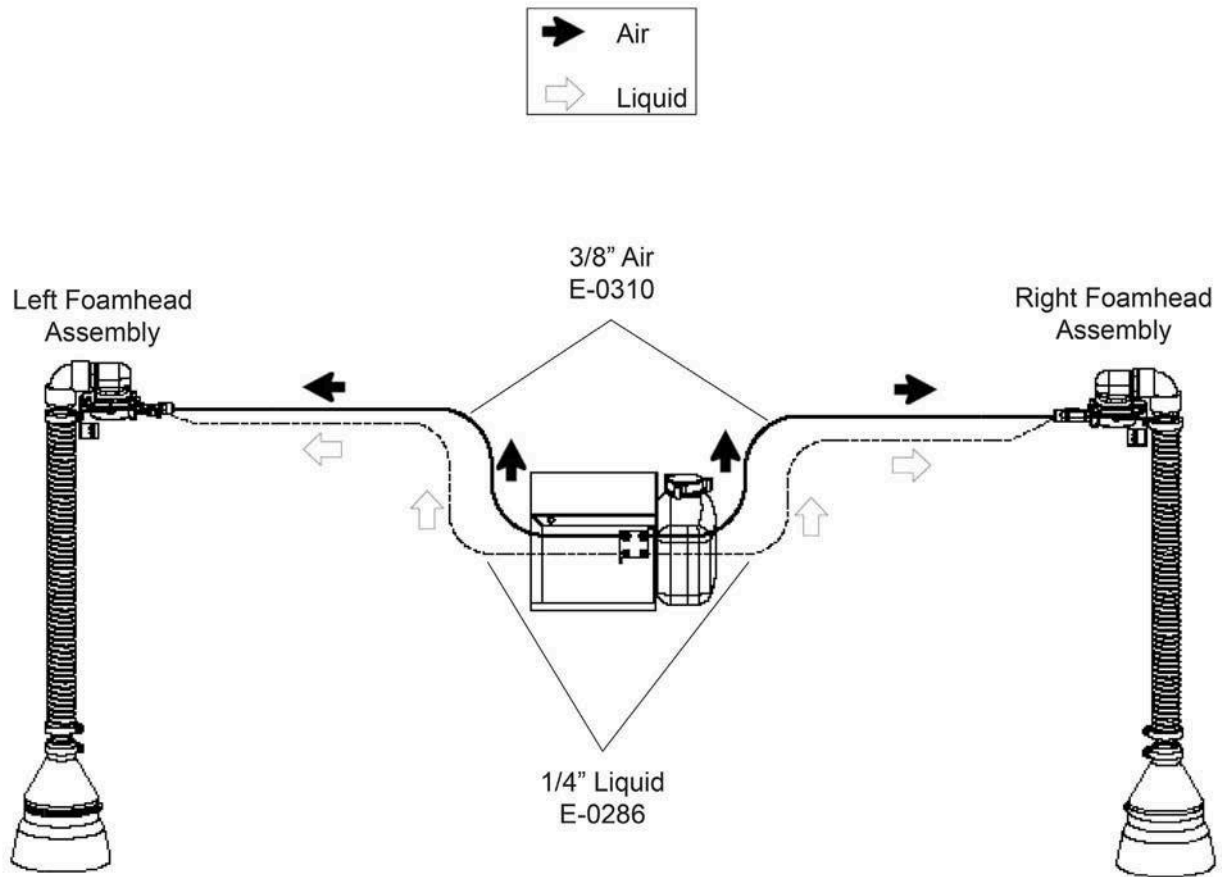




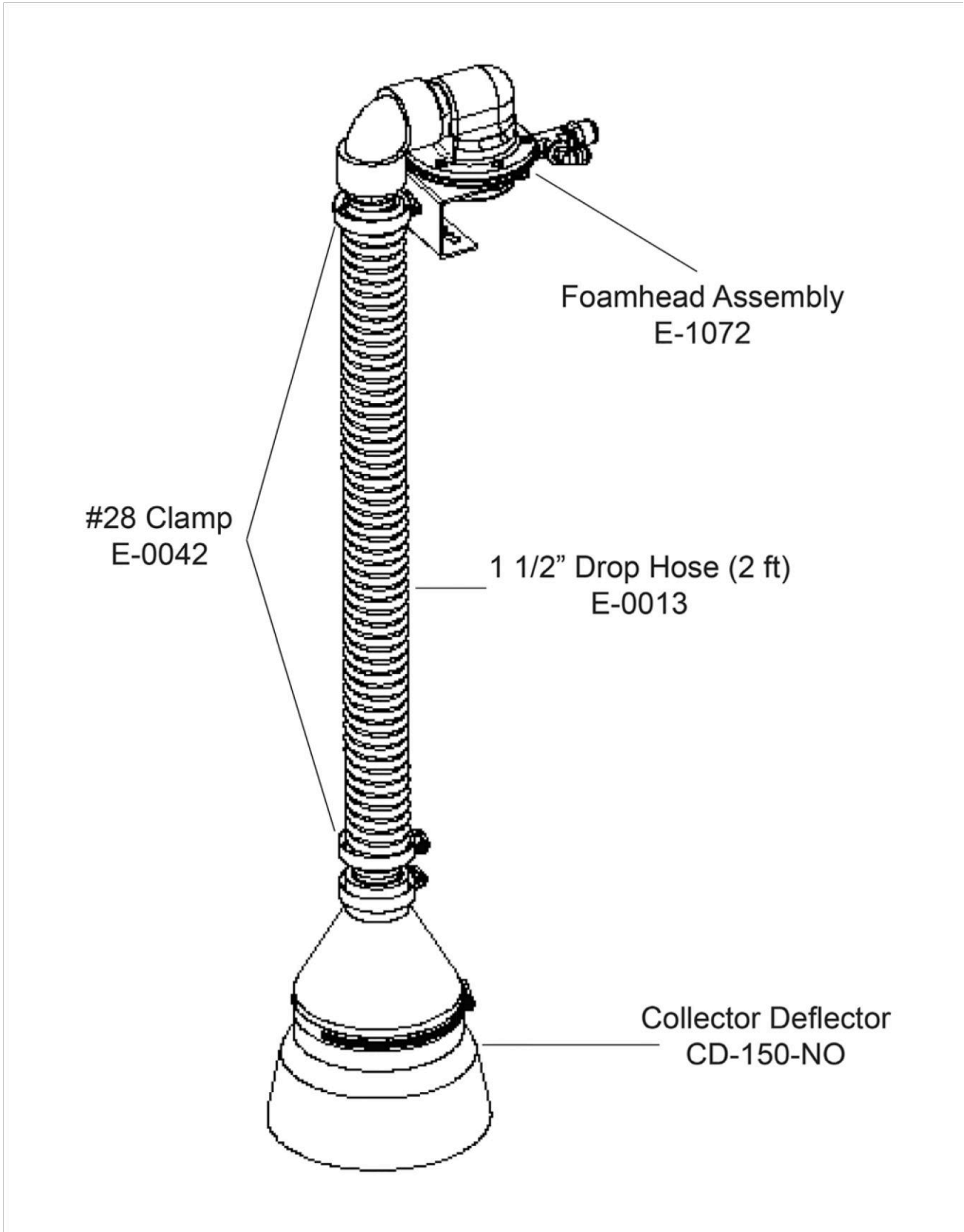
## Richway Foam Marker Foamhead



Richway Foam Marker Foam Head Assembly



**Richway Foam Marker Collector Deflector**



## Richway Foam Marker Wiring Harness

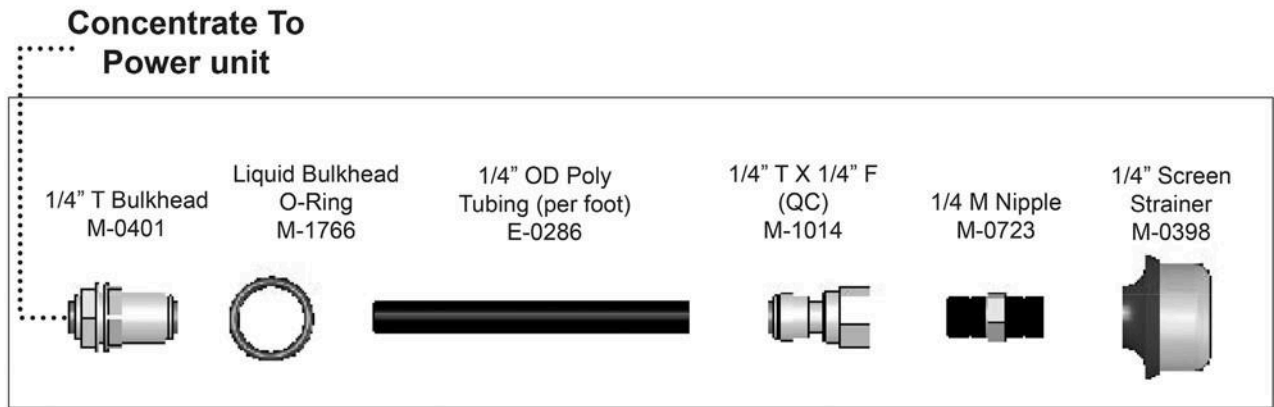
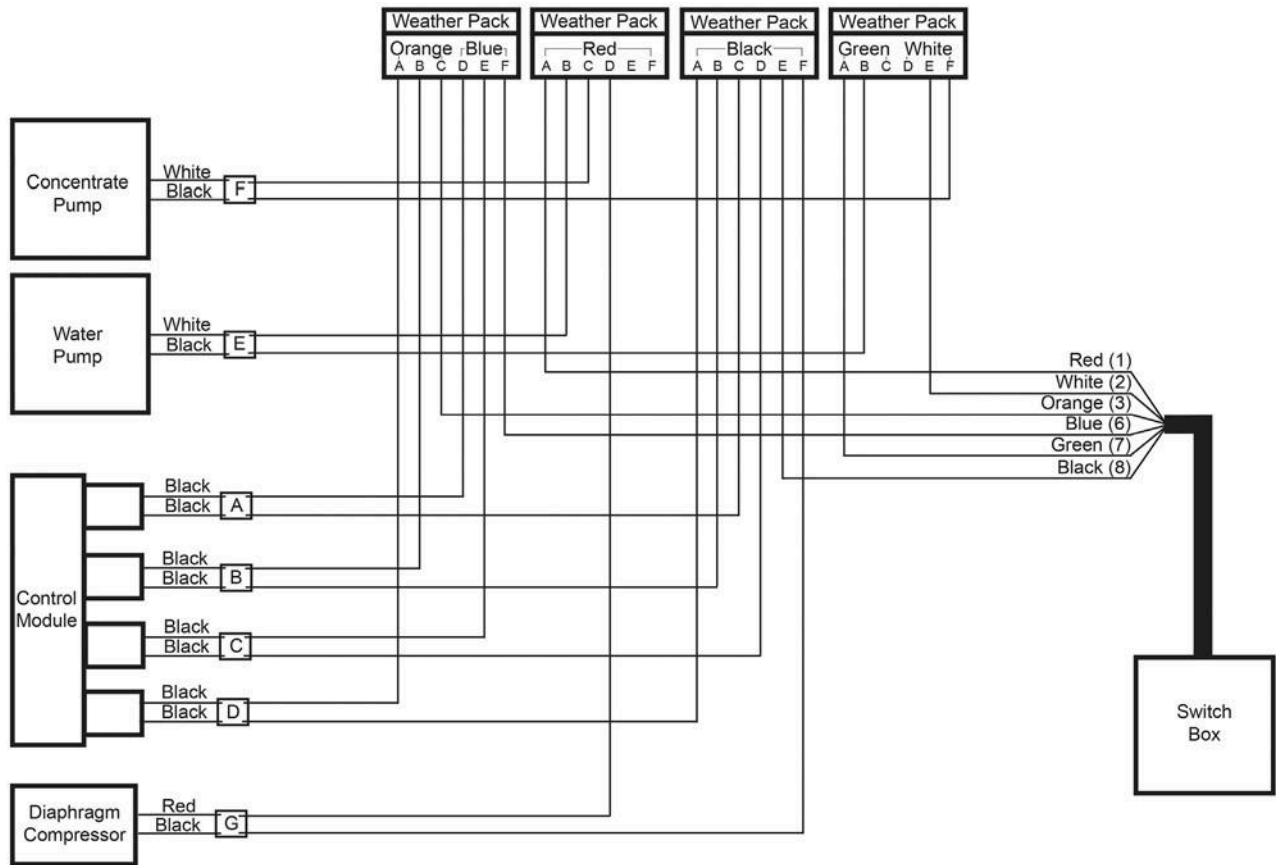
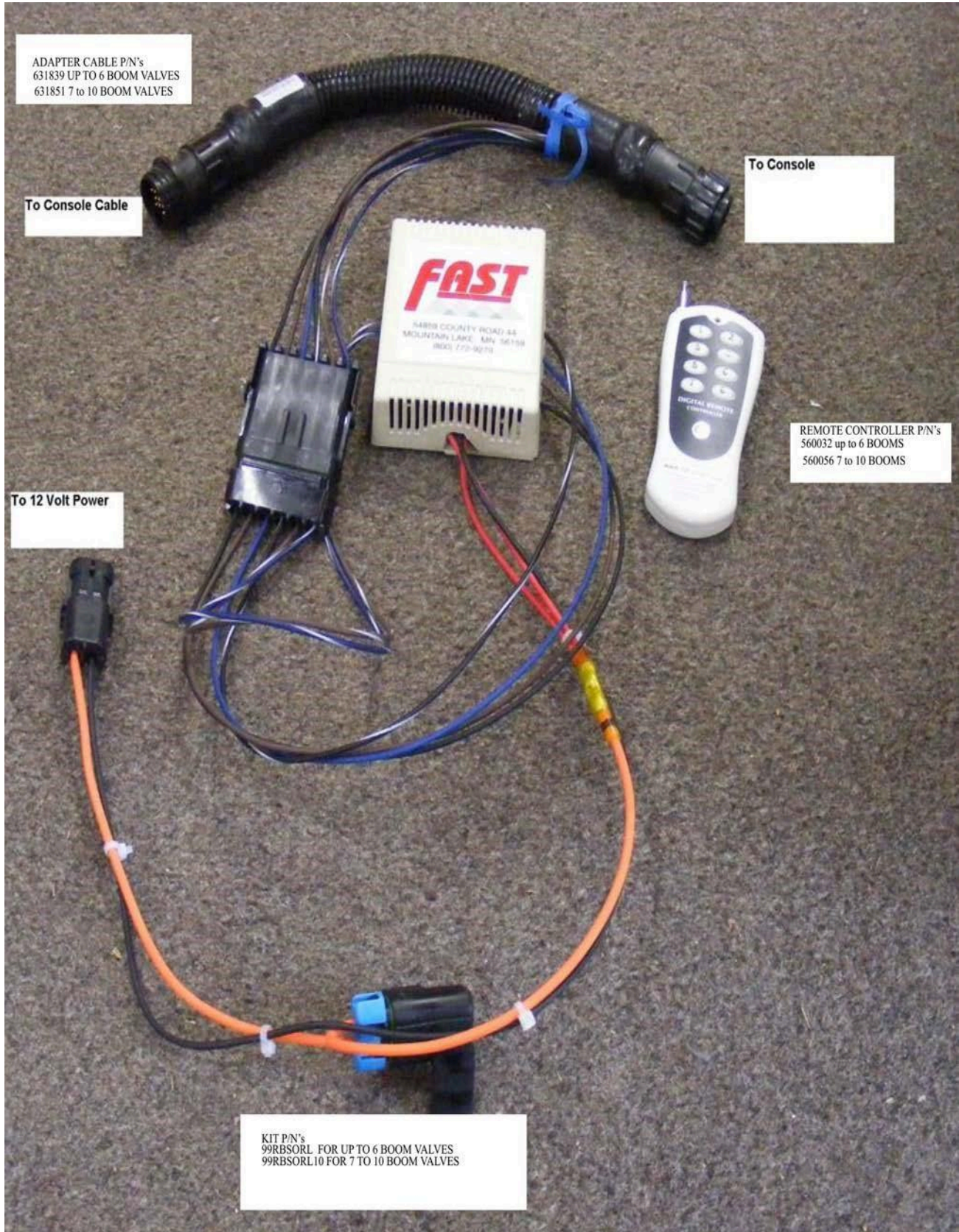


FIGURE 10 - Versa Trac Tank Components

### APPENDIX 4



**Remote Boom Shut Off Kit (6 Section Shown)**





FAST Ag Solutions  
4130 Commerce Boulevard  
Windom, MN 56101  
1-800-772-9279 Toll Free  
1-507-427-3861 Voice  
1-507-427-3030 Fax  
[www.fastsprayers.com](http://www.fastsprayers.com)