



963PTF SPRAYER PARTS MANUAL





ILLUSTRATED PARTS LIST

Limited Warranty

FAST AG Solutions warrants to the buyer that the new machinery is free from defects in material and workmanship.

This warranty is only effective as to any new machinery which has not been altered, changed, repaired or treated since its delivery to the buyer, other than by FAST AG Solutions or its authorized dealers or employees, and does not apply to accessories, attachments, tools or parts, sold or operated with the new machinery if they have not been manufactured by FAST AG Solutions.

FAST AG Solutions shall only be liable for defects in the materials or workmanship attributable to faulty material or bad workmanship that can be proved by the buyer, and specifically excludes liability for repairs arising as a result of normal wear and tear of the new machinery or in any other manner whatsoever, and without limiting the generality of the foregoing, excludes application or installation of parts not completed in accordance with this operator's manual, specifications, or printed instructions.

Written notice shall be given by registered mail, to the Manufacturer within seven (7) days after the defect shall have become apparent or the repairs shall have become necessary, addressed as follows:

FAST AG Solutions
4130 Commerce Boulevard
Windom, MN 56101

This warranty shall expire one (1) year after the date of delivery of the new machinery.

If these conditions are fulfilled, FAST AG Solutions shall at its own cost and at its own option either repair or replace any defective parts provided that the buyer shall be responsible for all expenses incurred as a result of repairs, labor, parts, transportation or any other work, unless FAST AG Solutions has authorized such expenses in advance.

The warranty shall not extend to any repairs, changes, alterations, or replacements made to the new equipment other than by FAST AG Solutions or its authorized dealers or employees.

This warranty extends only to the original owner of the new equipment.

Rubber parts (including tires, hoses, grommets) are not warranted.

This warranty is limited to the terms stated herein and is in lieu of any other warranties whether express or implied, and without limiting the generality of the foregoing, excluded all warranties, express or implied or conditions whether statutory or otherwise as to quality and fitness for any purpose of the new equipment. the Manufacturer disclaims all liability for incidental or consequential damages.

This Applicator is subject to design changes and FAST AG Solutions shall not be required to retrofit or exchange items on previously sold units except at its own option.

Warranty void if not registered.



ILLUSTRATED PARTS LIST

FAST 963PTF SPRAYER

Warranty Registration Form & Inspection Report

Warranty Registration

This form must be filled out by the dealer and signed by both the dealer and the customer at the time of delivery.

Customer Name					
Address					
City		State		Zip	
Phone					
Dealer Name					
Address					
City		State		Zip	
Applicator Model					
Serial Number					
Delivery Date					

DEALER INSPECTION REPORT

- All Fasteners Tight
- Wheel Bolts Torqued
- Hydraulic Hoses and Fittings Free and Tight
- Fertilizer Hoses and Fittings Free and Tight
- Wheel Drive Turns Freely
- Lubricate Machine
- Check Tire Pressure
- Frame and Wings Level
- Monitors and Controllers Function
- Wiring Harness Connected

SAFETY

- Safety Chain Installed
- All Guards Installed
- All Safety Signs Installed
- Reflectors, SMV and Lights Clean
- Review Operating and Safety Instructions

I have thoroughly instructed the buyer on the above described equipment, which review included the Operator's Manual content, equipment care, adjustments, safe operation and applicable warranty policy.

Date _____

Dealer's Rep. Signature _____

The above equipment and Operator's Manual have been received by me and I have been thoroughly instructed as to care, adjustments, safe operation and applicable warranty policy.

Date _____

Owner's Signature _____

White - FAST
Yellow - Dealer
Pink - Customer



FAST 963PTF SPRAYER

APPLICATOR SERIAL NUMBER _____

DATE PURCHASED _____/_____/_____

TANK SIZE _____

BOOM LENGTH _____

PUMP MANUFACTURER:

(CIRCLE ONE)

ACE 150 - 206

ACE 205 - 304F

HYPRO 9306C



ILLUSTRATED PARTS LIST





General Information

All rights, especially copying and distribution rights are reserved. No part of this publication may be reproduced in any form or by any means, electronic or mechanical, including photocopying, without express written permission from FAST AG Solutions.

Parts information in this manual represents components installed when product was manufactured based upon the best available information. Modifications made subsequent to initial delivery are not included. Always verify the parts and color required when ordering parts.

If you have any questions, please contact your FAST AG Solutions Parts and Service Department.

Explanation of Parts Lists

The parts lists are broken down sub-assemblies and listed in 4 columns:

- **ITEM** - These numbers are found on the illustration associated with the parts list.
 - NS**- This item is NOT SHOWN, included for reference.
- **QTY.** - This is the quantity of parts needed in an assembly.
 - AR**- The quantity of this item is AS REQUIRED for the location.
- **PART NO.**- These are the part numbers associated to the ITEM.
- **DESCRIPTION** - This is the description of the part.



ILLUSTRATED PARTS LIST

Table of Contents

Section

Page

Explanation of Parts Lists	7
Table of Contents	8
Boom Tree Assembly, 963P	14
Parts List 20131WB/20132: Boom Tree Assembly, 963P.....	15
963P Hand Wash, SMV & Decals	16
Parts List: 963P Hand Wash, SMV & Decals.....	17
Center Section	18
Parts List: Center Section.....	19
Parallel Link Assembly	22
Parts List: Parallel Link Assembly.....	23
10' Center Section (Narrow).....	24
10' Center Section (Narrow) Parts List.....	25
12' Center Section (Dry Boom)	28
12' Center Section (Dry Boom) Parts List.....	29
12' Center Section, 80 - 100' Boom	30
12' Center Section, 80 - 100' Boom Parts List.....	31
Carrier Assembly, Extended	34
Parts List 35868: Carrier Assembly, Extended.....	35
Wet Boom Brackets	38
Wet Boom Brackets Parts List.....	39
Wings - 60 & 66 Foot Boom - Standard	40
Wings - 60 & 66 Foot Boom - Standard Parts List	41
Wings - 60 & 66 Foot Boom	42
Wings - 60 & 66 Boom Parts List.....	43
Wings - 80, 90 & 100 Foot Boom - Standard	46
Wings - 80, 90 & 100 Foot Boom - Standard Parts List	47
Wings - Tri-Fold 40/80 Foot Boom.....	48
Wings - Tri-Fold 40/80 Foot Boom Parts List	49
Wings - Tri-Fold 60/88 Foot Boom.....	52
Wings - Tri-Fold 60/88 Boom Parts List.....	53
Wings - Narrow Tri-Fold 60/88 Foot Boom.....	56
Wings - Narrow Tri-Fold 60/88 Boom Parts List.....	57
Wings - Tri-Fold 60/90 Foot Boom.....	60
Wings - Tri-Fold 60/90 Boom Parts List.....	61
Wings - Narrow Tri-Fold 60/90 Foot Boom.....	64
Wings - Narrow Tri-Fold 60/90 Boom Parts List.....	65
Wings - Tri-Fold 100 Foot Boom.....	68



ILLUSTRATED PARTS LIST

Wings - Tri-Fold 100 Boom Parts List	69
Breakaway Pivot.....	72
Breakaway Pivot Parts List	73
Touchdown Wheels Kit.....	74
Touchdown Wheels Kit Parts List 34922	74
Touchdown Wheels	75
Touchdown Wheels Parts List 34921	75
Auto-Height Sensor – Short	76
Auto-Height Sensor – Short Parts List.....	76
Auto-Height Sensor – Tall	77
Auto-Height Sensor – Tall Parts List	77
Blue Lights	78
Blue Lights Parts List 28959	78
Pump Option - 60’ - 66’ Boom With ACE 105-206 Pump	80
Pump Option - 60’ & 66’ Boom With ACE 150-206 Pump Parts List	81
Pump Option - 60’ - 100’ Boom With ACE 205-304 Pump	82
Pump Option - 60’ - 100’ Boom With ACE 205-304 Pump Parts List.....	83
Pump Option - 80, 90 & 100’ Boom With ACE 205-304 PWM Pump	84
Pump Option - 80, 90 & 100’ Boom With ACE 205-304 PWM Pump Parts List	85
Pump Option - 60’ - 100’ Boom With HYPRO Pump	86
Pump Option - 60’ - 100’ Boom With HYPRO Pump Parts List.....	87
963P Pump Assembly	88
963P Pump Assembly Parts List	89
Y Strainer.....	90
Y Strainer Parts List 530125.....	91
ACE 150-206 Pump, 60 & 66 Foot Boom (550000)	92
ACE 150-206 Pump Hydraulic Motor, 60 & 66 Foot Boom (550000).....	93
ACE 205-304 Pump, 80, 90 & 100 Foot Boom	94
ACE 205-304 Pump, 80, 90 & 100 Foot Boom Parts List 550025	95
ACE 205-304 PWM Pump, 80, 90 & 100 Foot Boom.....	96
ACE 205-304 PWM Pump, 80, 90 & 100 Foot Boom Parts List 550035.....	97
HYPRO Pump, 80, 90 & 100 Foot Boom (550011)	98
Raven Flow Controls.....	100
Raven Flow Controls Parts List.....	101
Boom Plumbing	102
Boom Plumbing Parts List	103
Rinse Tank Option	105
Rinse Tank Option Parts List 99RT50963P:.....	106
Fence Line Option.....	107
Fence Line Option Parts List.....	108
Single Fence Line, Display Control.....	109



ILLUSTRATED PARTS LIST

Single Fence Line, Display Control Parts List 27360	110
Dual Fence Line, Display Control.....	111
Dual Fence Line, Display Control Parts List 27361.....	112
Single Fence Line, Toggle Switch Control.....	113
Single Fence Line, Toggle Switch Control Parts List 27362.....	114
Dual Fence Line, Toggle Switch Control	115
Dual Fence Line, Toggle Switch Control Parts List 27363.....	116
Plumbing Valves	117
Plumbing Valves Parts List	118
Nozzle Bodies.....	119
Delivery Tubes.....	121
Delivery Tubes Parts List.....	122
60 - 80' Side Fold Fitting	123
Capstan Boom Recirculation Option for Fast Track Tanks	124
Parts List 36271: Capstan Boom Recirculation Option for Fast Track Tanks.....	125
Hydraulic System	127
Hydraulic System Parts List	128
Hydraulic Control Valve Harness - 60 - 66 Foot Boom.....	130
Hydraulic Control Valve - 60 - 66 Foot Boom.....	131
Hydraulic Control Valve - 60 - 66 Foot Boom Parts List	132
Hydraulic Control Valve Harness - 60 - 66 Foot Boom.....	133
Hydraulic Control Valve Harness - 60 - 66 Foot Boom Parts List.....	134
Control Console - 60 - 66 Foot Boom.....	135
Wiring Harness - 60 - 66 Foot Boom	137
Control Console Decal - 60 - 66 Foot Boom	138
Hydraulic Control Valve Wiring Harness - 80, 90 & 100 Foot Boom.....	139
Hydraulic Control Valve - 80, 90 & 100 Foot Boom	122
Hydraulic Control Valve - 80, 90 & 100 Foot Boom Parts List.....	123
Hydraulic Control Valve - 9600N.....	124
Hydraulic Control Valve - 9600N Parts List	125
Hydraulic Control Valve Wiring Harness	126
Control Console - 80, 90 & 100 Foot Boom.....	127
Control Console Switch Diagram	128
Wiring Harness - 80, 90 & 100 Foot Boom	129
Control Console Decal - 80, 90 & 100 Foot Boom	130
9613TF-80 Hydraulic Fitting Locations	132
9613TF-80 Hydraulic Fitting Locations Parts List	133
9613TF-80 Hydraulic Fitting Locations	134
9613TF-80 Hydraulic Fitting Locations Parts List	135
Fold Block Hydraulic Hose Routing.....	136
Fold Block Hydraulic Hose Routing Parts List.....	136



ILLUSTRATED PARTS LIST

Main Lift Hydraulic Hose Routing	137
Main Lift Hydraulic Hose Routing Parts List	137
Tilt Cylinder Hydraulic Hose Routing.....	138
Tilt Cylinder Hydraulic Hose Routing Parts List	138
Main Hydraulic Hose Routing	139
Main Hydraulic Hose Routing Parts List	140
Flip Wing Hydraulic Hose Routing	141
Flip Wing Hydraulic Parts List.....	142
Breakaway Wing Hydraulic Hose Routing	143
Breakaway Wing Hydraulic Hose Routing Parts List	146
Hydraulic Hoses, 80,90,100' Base Hose Kit	147
Hydraulic Hoses, 100' Standard	148
Hydraulic Hoses, 100' Tri Fold.....	149
Hydraulic Hoses, 3PT Pump Drive	150
Accumulator Fittings / Shutoff Valve	151
Raven 450 Controller Kit With Skytrak, Up To 6 Sections	152
Raven ISO Rate Control Module, Cables to Tractor, ISO Hookup, No VT Console	152
Deere JDRC 2000 ISO Rate Controller, Cables to Tractor, ISO Hookup, No VT Console	153
47 Pin Product Control Cable - Customer Supplied JDRC2000 Rate Controller / Raven RCM .	153
47 Pin To 37 Pin Product Control Cable - Customer Supplied GreenStar Rate Controller	154
47 Pin To 16 Pin Product Control Cable - Customer Supplied Raven 450.....	154
47 Pin Product Control Cable - Customer Supplied Rate Controller.....	154
Raven CR7 ISO Display With Deere Harness (Deere ISO Controller).....	154
Raven CR7 ISO Display With Harness (Non-Deere ISO Controller)	155
Raven CR7 ISO Display With Complete ISO Harness (Non-ISO Tractor).....	155
Flow-Back Ball Valve Line Rinse - Electric Valve With Toggle Switch.....	155
Control Console Wiring Harness.....	160
Control Console Wiring Harness.....	161
Adapter Cable, 16 Pin Console To 47 Pin Product Port (632028)	162
Cable, Pull Type Sprayer Frame, 14' 47 Pin To 47 Pin (632035)	165
Adapter Cable, 17', 9 Pin IBIC / 3 Pin Master to Gen 1 Isobus (632043).....	166
Cable, Foot Switch, 12' (632061)	167
Cable, Raven ISO/Power With IBBC Connector (632064)	168
CAN/Power Cable, OEM ISO To Raven ISO Bulkhead (632065)	170
Cable, CR7, ISO VT Only (632066).....	171
Cable, Display Port, Y Adapter (632067)	172
Adapter Cable, 37 Pin Console To 47 Pin Product Port (632070)	173
Product Cable, 47 Pin, 6 Section, Liquid, FAST, Center Mount (632077)	174
Product Cable, 47 Pin, 10 Section, Liquid, FAST 6'(632078).....	176
Fold, Lighting & Product Control Harnesses.....	178
Pressure Transducer Kit.....	179
Powerglide Wiring Schematic	180
Powerglide Plus Wiring Schematic	181
Powerglide & Powerglide Plus Hydraulic Block	182
Powerglide Solid Axle.....	183
Powerglide & Powerglide Plus Mounting Brackets.....	184

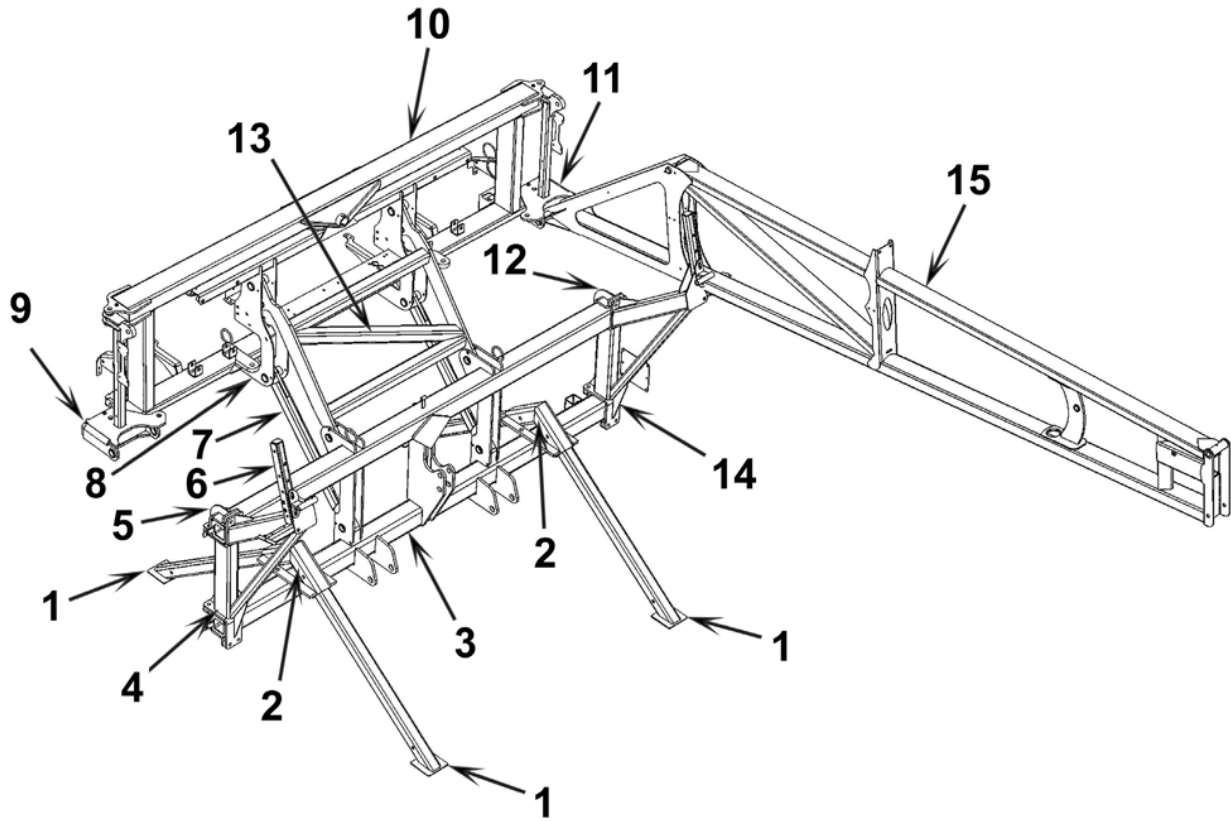


ILLUSTRATED PARTS LIST

Powerglide Plus Cushioned Axle	185
Raven Sensor Mounts	186
Raven Sensor Mounts Parts List.....	193
Raven UltraGlide Gen I Wiring	194
Raven UltraGlide Gen II Wiring	195
Raven XRT Wiring	196
Wing Tilt Options	199
Richway Direct Injection Foamer & Mounting	200
Richway Direct Injection Foamer & Mounting Parts List	201
Richway Foam Marker 1 Gallon Tank & Switchbox	202
Richway Foam Marker Liquid Flow	203
Richway Foam Marker Compressor	204
Richway Foam Marker Foamhead	205
Richway Foam Marker Foam Head Assembly	206
Richway Foam Marker Collector Deflector	207
Richway Foam Marker Wiring Harness	208
Remote Boom Shut Off Kit (6 Section Shown)	209



Boom Tree Assembly, 963P



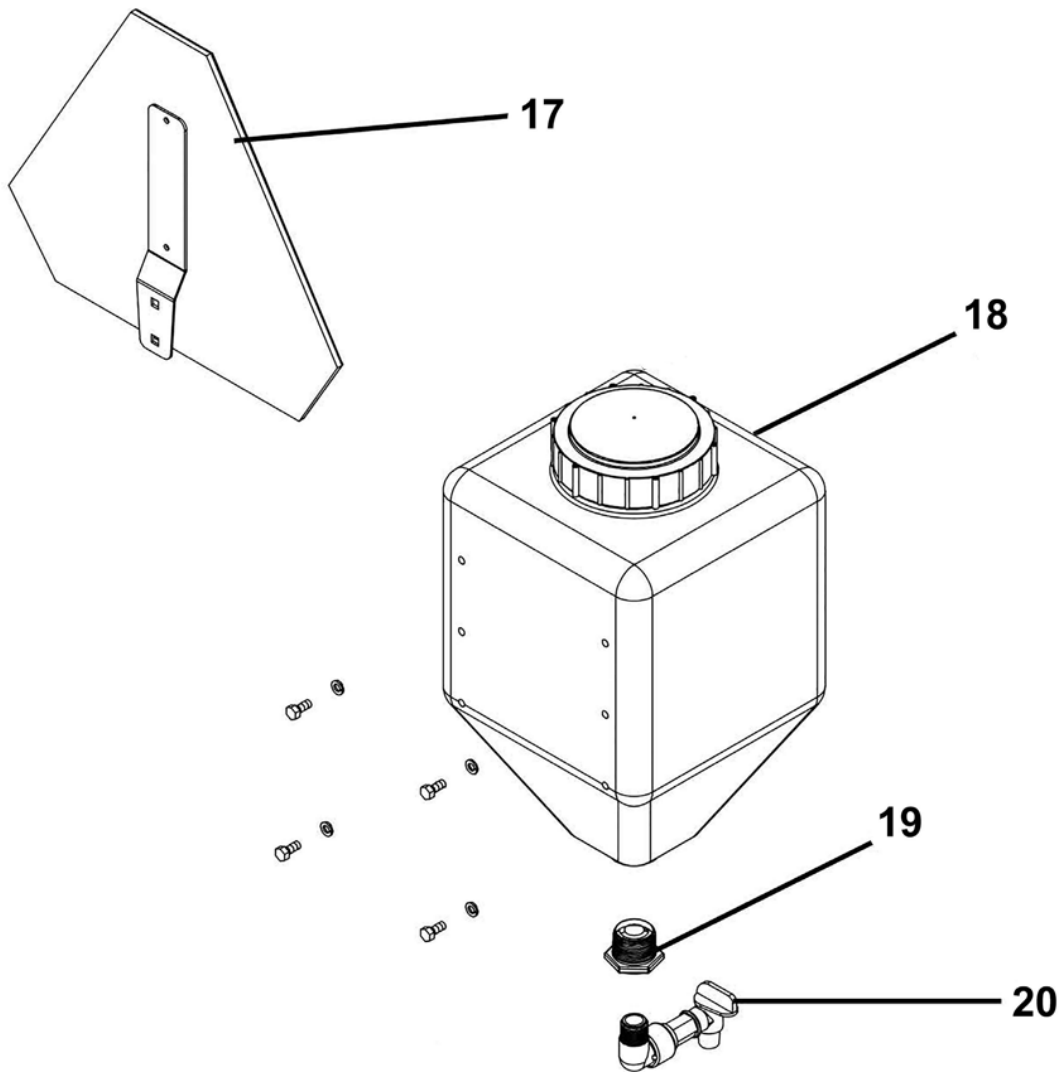


ILLUSTRATED PARTS LIST

Parts List 20131WB/20132: Boom Tree Assembly, 963P

ITEM	PART NO.	QTY.	DESCRIPTION
1	36258	4	PARKING STAND (7272 before 2024)
1	1056	4	PIN, JACK STAND
1	590017	4	CLIP, HAIR PIN
2	36257	2	PARKING STAND RECEIVER (14078 before 2024)
3	14052	2	963P CARRIER
3	1225	1	PIN, 3 POINT, UPPER
3	1226	2	PIN, 3 POINT, LOWER
4	14055	1	WING REST, MOVABLE, RH
5	14056	4	WRAP WELDMENT, 3P
6	14058	2	WING REST, 3P
7	14795	2	LINK, LITE, LOWER ASSEMBLY
7	13871	4	PIN
8	13806	1	CRADLE, WELDMENT
9	13820R	1	WING PIVOT, LITE DUTY, LH
10	14200	1	CENTER SECTION, 12' WIDE, STANDARD WET BOOM
11	13820L	1	WING PIVOT, LITE DUTY, RH
12	14056	4	WRAP WELDMENT, 3P
13	14790	1	UPPER LINK, LITE, MACHO
13	13872	4	PIN
13	11629	2	PIN, CYLINDER
14	21352	1	WING REST, MOVABLE, LH
14	7618	2	SAFETY LATCH PIN
14	720001	2	PIN, SNAP
15	NS	1	SEE BOOM PAGES
NS	710005	3	PIN, LYNCH, 1/4 X 1-3/4 - 20025
NS	710015	4	VERTICAL STOP

963P Hand Wash, SMV & Decals



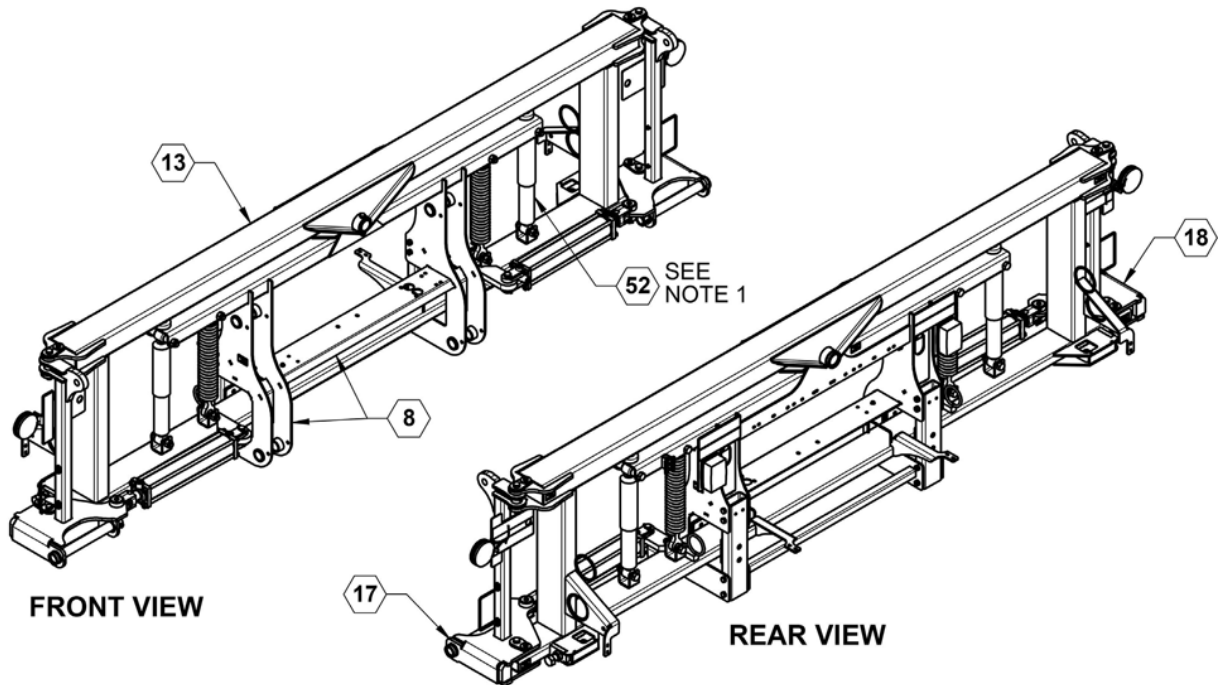
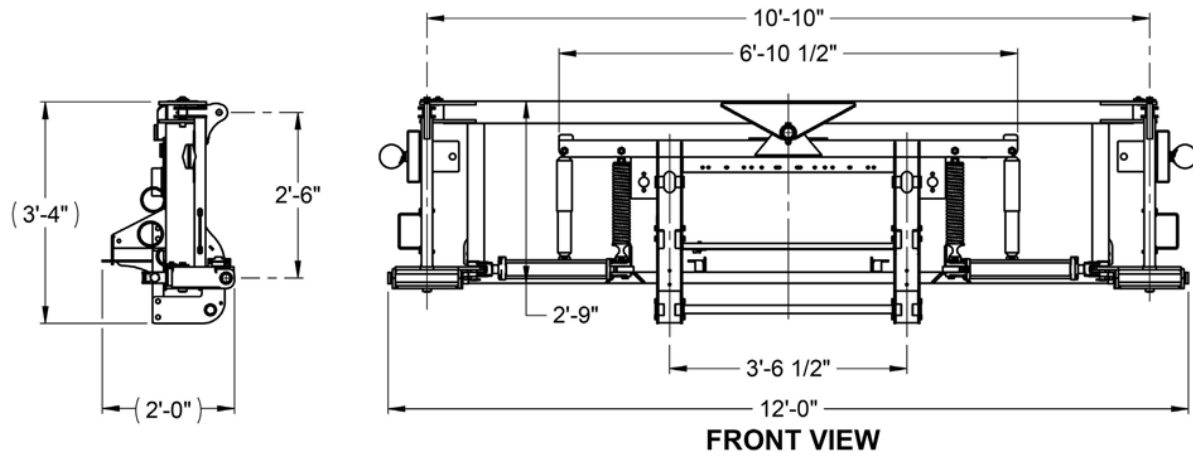


ILLUSTRATED PARTS LIST

Parts List: 963P Hand Wash, SMV & Decals

ITEM	PART NO.	QTY.	DESCRIPTION
1	962	1	OPERATOR MANUAL, 963P
2	964	1	AGRICULTURAL SPRAYER SAFETY MANUAL
3	800002	1	DECAL, CAUTION W/ YELLOW STRIP
4	800004	1	DECAL, WARNING HIGH PRESSURE
5	800006	1	DECAL, DANGER ELECTROCUTION HAZARD
6	800007	1	DECAL, DANGER CHEMICAL HAZARD
7	800009	1	DECAL, WARNING OVERHEAD HAZARD
8	800010	2	DECAL, WARNING INSTALL PIN
9	800012	1	DECAL, DANGER ELECTRIC LINES
10	800013	1	DECAL, DANGER CRUSHING HAZARD
11	800287	2	DECAL, GREASE PIVOT POINTS
12	800020	2	DECAL, FAST SPRAYERS LOGO BLACK/GRAY
13	800021	2	DECAL, FAST SPRAYERS LOGO BLACK/GREEN
14	800024	1	DECAL, REAR LIFT CYLINDER VALVE
15	800128	2	DECAL, 963P MODEL SILVER
16	800208	1	HYDRAULIC HOSE KEY SPRAYER
17	90SASMV	1	SUB-ASSY, SMV SIGN
18	570125	1	5 GALLON SQUARE TANK, YELLOW
19	530143	1	1-1/4" MPT X 3/4" FPT REDUCER BUSHING
20	90SASMV	1	SUB-ASSY, SMV SIGN

Center Section



NOTE:

1. SHOCK 790011 USED IN LIEU OF 790010 W/ BOOMS 20278/20279WANWB60 & 20278/20279WAWB60
2. SHIM PLATES 11265, 11266 & 11267 ARE USED AS NEEDED FOR FIT.

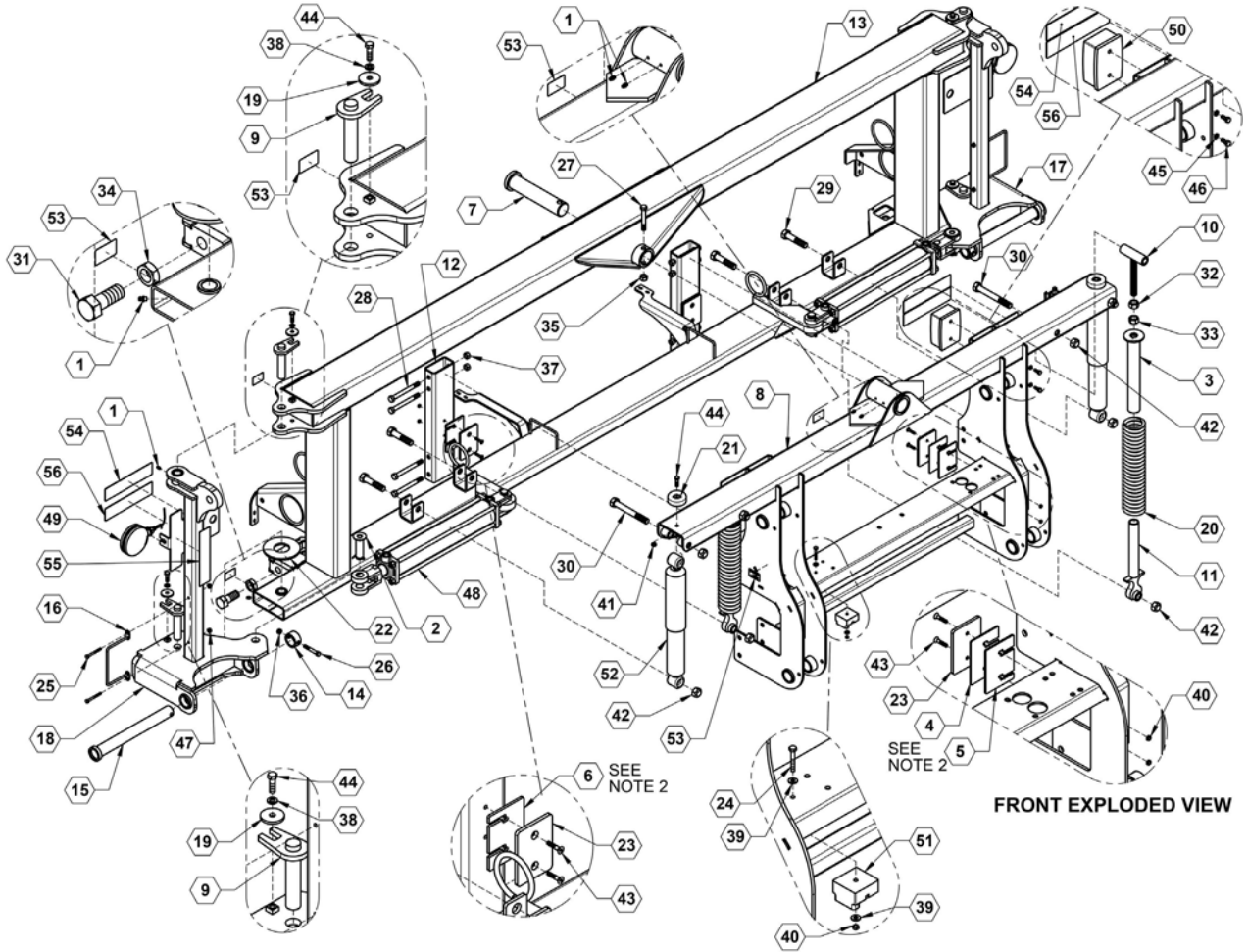


ILLUSTRATED PARTS LIST

Parts List: Center Section

ITEM	PART NO.	QTY.	DESCRIPTION
1	759	6	ZERK, 1/4-28 STRAIGHT
2	28111	2	1" CYLINDER PIN
3	7442	2	OUTER SPRING GUIDE
4	11265	2	SHIM, RUB PLATE 12 Ga
5	11266	2	SHIM, RUB PLATE 10 Ga
6	11267	2	SHIM, RUB PLATE 7Ga
7	13304	1	PIN, CENTER PIVOT
8	13806	1	CRADLE, WELDMENT
9	13874	4	PIN, WING PIVOT
10	13875	2	ADJUSTER, SPRING
11	13876	2	BASE, SPRING MT
12	13883	2	TUBE, CRADLE LOCK
13	14200	1	CENTER SECTION, 12' WIDE, STANDARD WET BOOM
14	14296	2	BUSHING WITH HOLE
15	14300	2	PIN, MAIN WING
16	18267	2	BOLT ON HOSE HOLDER
17	21353L	1	PIVOT, WING LH
18	21353R	1	PIVOT, WING, RH
19	530308	4	WASHER, HEAVY 13/32 X 1 5/8
20	590011	2	CENTER SECTION SPRING
21	590026	2	BUMPER, 1X2-1/2 RUBBER ROUND
22	590042	2	WASHER, 2 1/8" ID THRUST
23	590097	4	RUB PLATE
24	596104M	1	BOLT, HH 1/4-20X1-3/4 GR5 MAGNI
25	596105M	4	BOLT, HH 1/4-20X2-1/2 GR5 MAGNI
26	596131M	2	BOLT, HH 3/8-16X2-1/2 GR5 MAGNI
27	596157M	1	BOLT, HH 1/2X3-1/2 GR5 MAGNI
28	596160M	8	BOLT, HH 1/2X5 GR5 MAGNI

Center Section

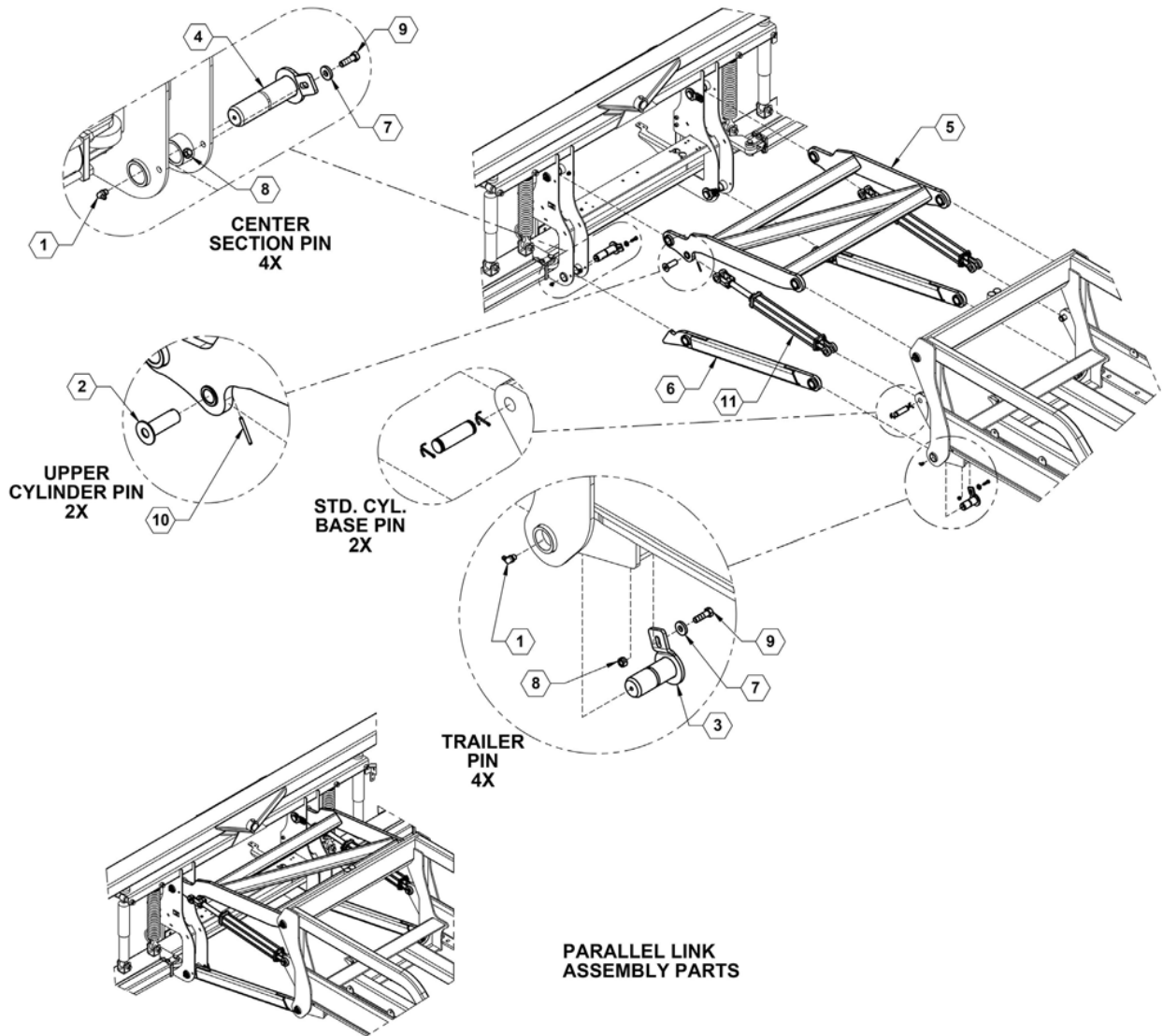




ILLUSTRATED PARTS LIST

ITEM	PART NO.	QTY.	DESCRIPTION
29	596187M	4	BOLT, HH 3/4-10X3-1/2 GR5 MAGNI
30	596192M	4	BOLT, HH 3/4-10X6 GR5 MAGNI
31	596199M	2	BOLT, HH 1-8X2-1/2 GR5 MAGNI
32	596217M	2	NUT, HEX 3/4-10 G5 MAGNI
33	596225M	2	NUT, HEX JAM 3/4-10 GR8 MAGNI
34	596226M	2	NUT, HEX JAM 1-8 MAGNI
35	596231M	1	NUT, HEX NYLOCK 1/2-13 MAGNI
36	596237M	2	NUT, CENTERLOCK 3/8-16 MAGNI
37	596239M	8	NUT, CENTERLOCK, 1/2-13 MAGNI
38	596250M	4	LOCKWASHER 3/8 MAGNI
39	596256M	2	WASHER, FLAT 1/4 USS MAGNI
40	596622M	9	NUT, TOPLOCK 1/4-20 MAGNI
41	596624M	2	NUT, TOPLOCK 3/8-16 MAGNI
42	596626M	8	NUT, TOPLOCK 3/4-10 G5 MAGNI
43	596631M	8	FHSCS 1/4-20X1-1/4 MAGNI
44	596634M	6	BOLT, HH 3/8-16X1-1/4 GR8 MAGNI
45	596728M	4	LOCKWASHER 8MM MAGNI
46	596737M	4	BOLT, HH 8-1.25 X 20MM 8.8 MAGNI
47	596767M	4	NUT, HEX FLANGE 1/4-20 MAGNI
48	620057	2	CYLINDER, 30THC16.00-150
49	740024	2	LIGHT, AMBER, PEDESTAL. MOUNT
50	740025	2	LIGHT, RED SURFACE MOUNT ASSEMBLY
51	740031	1	LIGHT MODULE
52	790010	2	SHOCK, YELLOW 7400 120' CENTER
53	800014	7	DECAL, GREASE PIVOT POINTS
54	800109	4	DECAL, RED REFLECTOR
55	800110	2	DECAL, AMBER REFLECTOR
56	800111	2	DECAL, ORANGE REFLECTOR

Parallel Link Assembly



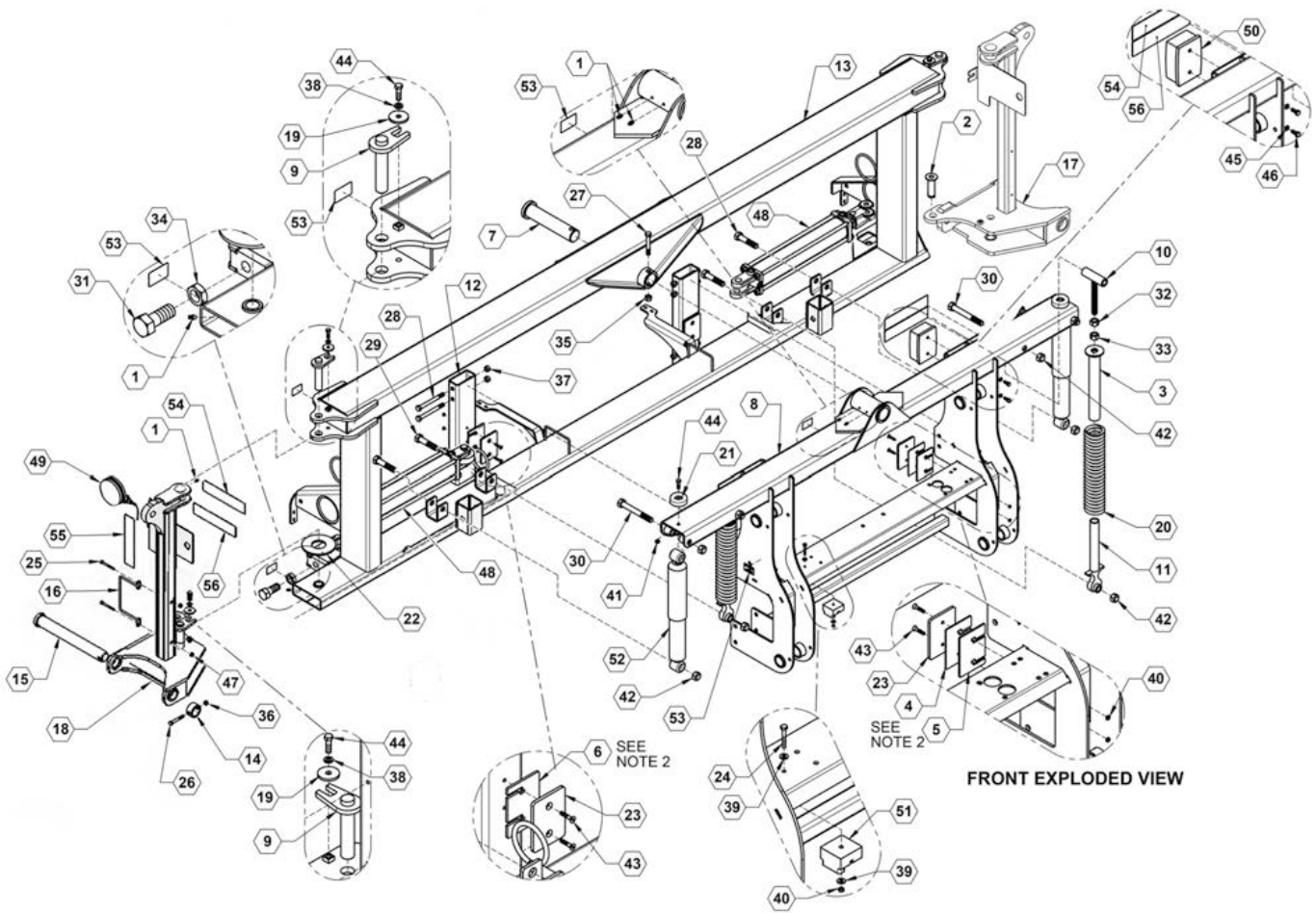


ILLUSTRATED PARTS LIST

Parts List: Parallel Link Assembly

ITEM	PART NO.	QTY.	DESCRIPTION
1	761	9	ZERK, 90°, 1/4" STRAIGHT PIPE
2	11629	2	CRADLE CYLINDER PIN
3	13871	4	PIN
4	13872	4	PIN
5	14790	1	LITE MACHO UPPER LINK
6	14795	2	LITE LINK, LOWER
7	530309	8	WASHER, FLET HEAVY 13/32 X 1
8	596237M	8	NUT, CENTERLOCK 3/4 MAGNI
9	596635M	8	BOLT, HH 3/8-16 X 1-1/4 MAGNI
10	596746M	2	SPRING PIN 5X50mm MAGNI
11	620019	2	CYLINDER 20TD16-112 MAIN LIFT

10' Center Section (Narrow)



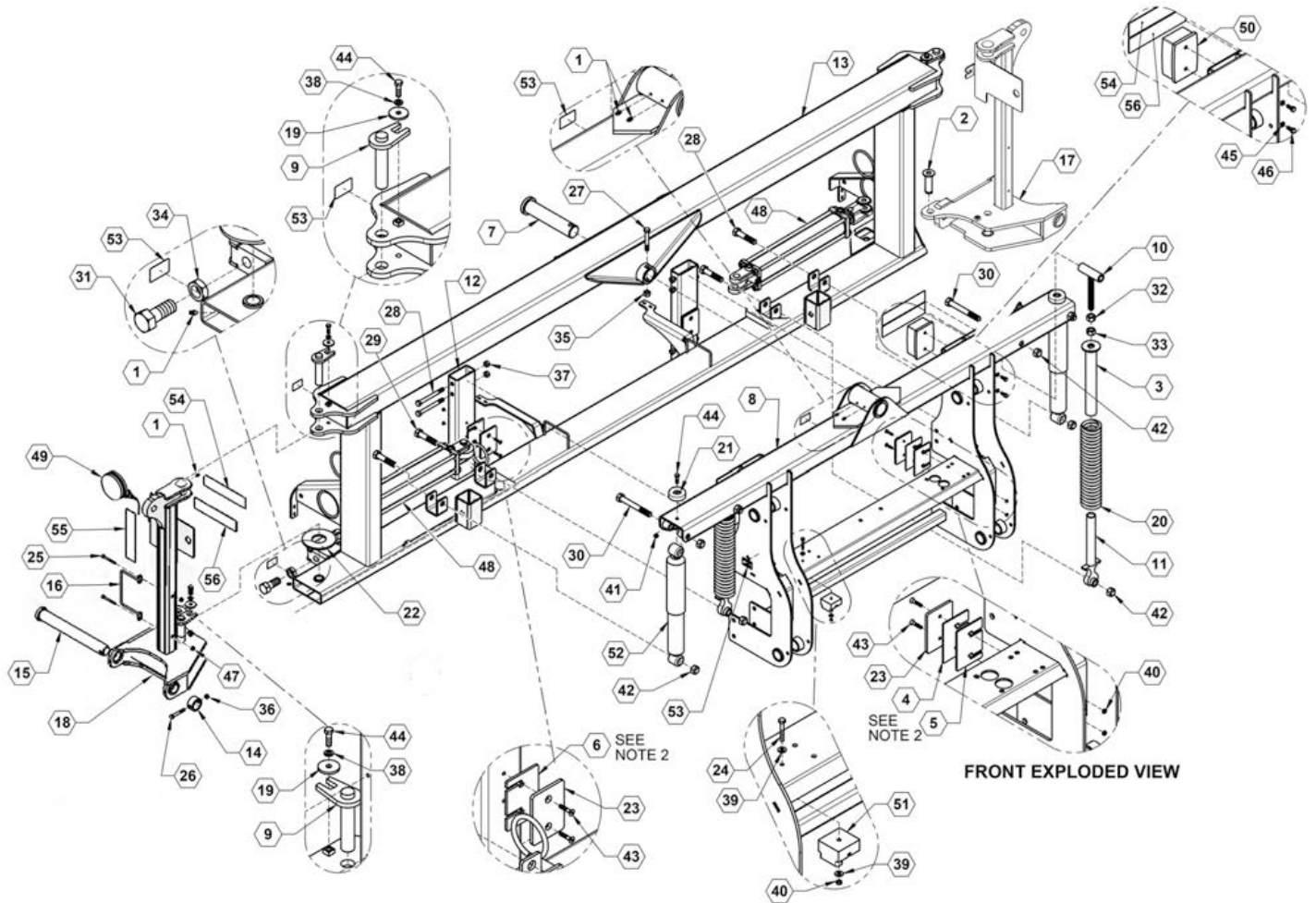


ILLUSTRATED PARTS LIST

10' Center Section (Narrow) Parts List

ITEM	PART NO.	QTY.	DESCRIPTION
1	759	6	ZERK, 1/4-28 STRAIGHT
2	28111	2	1" CYLINDER PIN
3	7442	2	OUTER SPRING GUIDE
4	11265	2	SHIM, RUB PLATE 12 Ga
5	11266	2	SHIM, RUB PLATE 10 Ga
6	11267	2	SHIM, RUB PLATE 7Ga
7	13304	1	PIN, CENTER PIVOT
8	13806	1	CRADLE, WELDMENT
9	13874	4	PIN, WING PIVOT
10	13875	2	ADJUSTER, SPRING
11	13876	2	BASE, SPRING MT
12	13883	2	TUBE, CRADLE LOCK
13	14700	1	CENTER SECTION, 10', NARROW
14	14296	2	BUSHING WITH HOLE
15	14300	2	PIN, MAIN WING
16	18267	2	BOLT ON HOSE HOLDER
17	21356L	1	PIVOT, WING LH, 9600N
18	21356R	1	PIVOT, WING, RH, 9600N
19	530308	4	WASHER, HEAVY 13/32 X 1 5/8
20	590011	2	CENTER SECTION SPRING
21	590026	2	BUMPER, 1X2-1/2 RUBBER ROUND
22	590042	2	WASHER, 2 1/8" ID THRUST
23	590097	4	RUB PLATE
24	596104M	1	BOLT, HH 1/4-20X1-3/4 GR5 MAGNI
25	596105M	4	BOLT, HH 1/4-20X2-1/2 GR5 MAGNI
26	596131M	2	BOLT, HH 3/8-16X2-1/2 GR5 MAGNI
27	596157M	1	BOLT, HH 1/2X3-1/2 GR5 MAGNI
28	596160M	8	BOLT, HH 1/2X5 GR5 MAGNI

10' Center Section (Narrow)



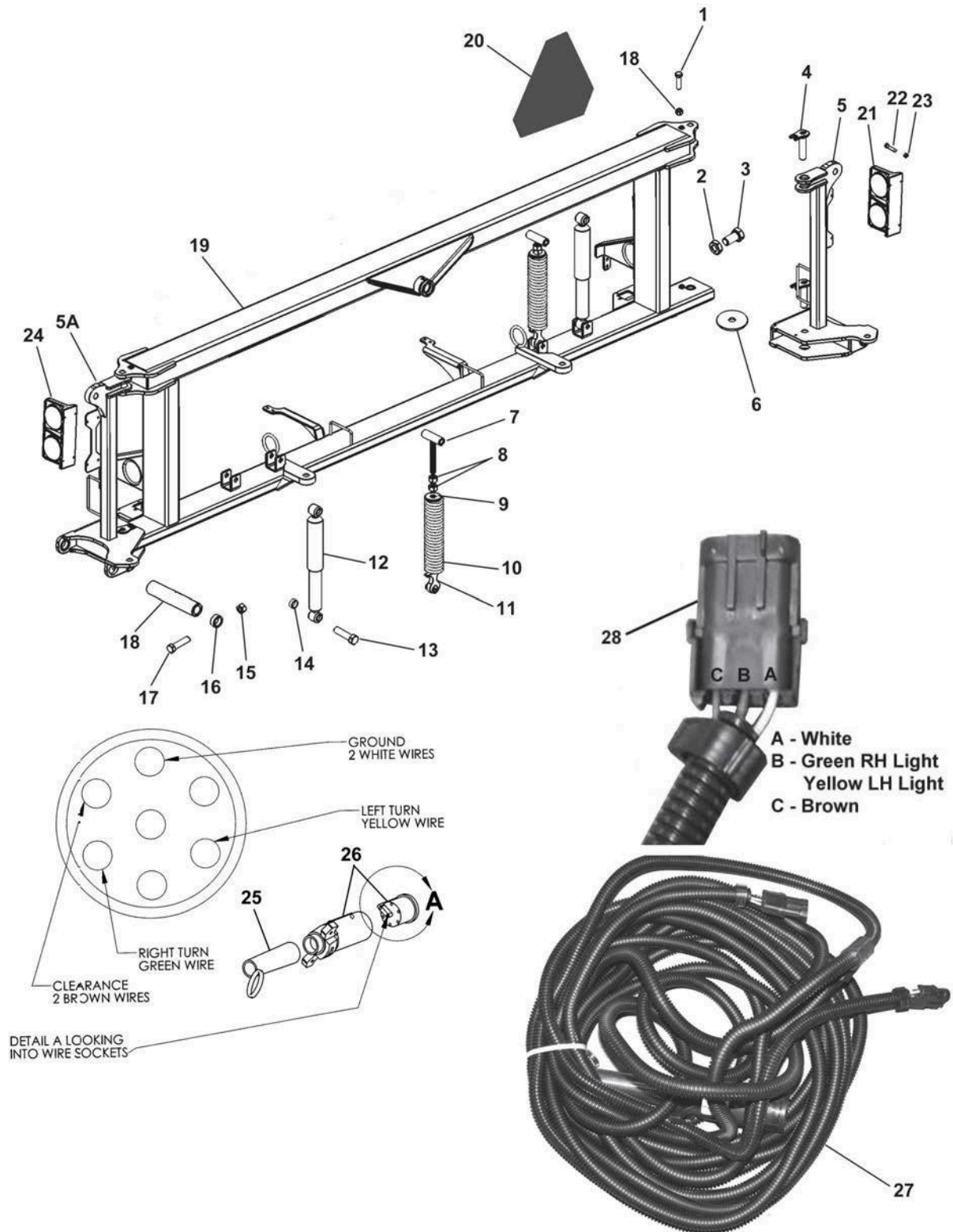


ILLUSTRATED PARTS LIST

10' Center Section (Narrow) Parts List

ITEM	PART NO.	QTY.	DESCRIPTION
29	596187M	4	BOLT, HH 3/4-10X3-1/2 GR5 MAGNI
30	596192M	4	BOLT, HH 3/4-10X6 GR5 MAGNI
31	596199M	2	BOLT, HH 1-8X2-1/2 GR5 MAGNI
32	596217M	2	NUT, HEX 3/4-10 G5 MAGNI
33	596225M	2	NUT, HEX JAM 3/4-10 GR8 MAGNI
34	596226M	2	NUT, HEX JAM 1-8 MAGNI
35	596231M	1	NUT, HEX NYLOCK 1/2-13 MAGNI
36	596237M	2	NUT, CENTERLOCK 3/8-16 MAGNI
37	596239M	8	NUT, CENTERLOCK, 1/2-13 MAGNI
38	596250M	4	LOCKWASHER 3/8 MAGNI
39	596256M	2	WASHER, FLAT 1/4 USS MAGNI
40	596622M	9	NUT, TOPLOCK 1/4-20 MAGNI
41	596624M	2	NUT, TOPLOCK 3/8-16 MAGNI
42	596626M	8	NUT, TOPLOCK 3/4-10 G5 MAGNI
43	596631M	8	FHSCS 1/4-20X1-1/4 MAGNI
44	596634M	6	BOLT, HH 3/8-16X1-1/4 GR8 MAGNI
45	596728M	4	LOCKWASHER 8MM MAGNI
46	596737M	4	BOLT, HH 8-1.25 X 20MM 8.8 MAGNI
47	596767M	4	NUT, HEX FLANGE 1/4-20 MAGNI
48	620017	2	CYLINDER, 25TD12-112 DOUBLE ACTING
49	740024	2	LIGHT, AMBER, PEDESTAL. MOUNT
50	740025	2	LIGHT, RED SURFACE MOUNT ASSEMBLY
51	740031	1	LIGHT MODULE
52	790010	2	SHOCK, YELLOW 7400 120' CENTER
53	800014	7	DECAL, GREASE PIVOT POINTS
54	800109	4	DECAL, RED REFLECTOR
55	800110	2	DECAL, AMBER REFLECTOR
56	800111	2	DECAL, ORANGE REFLECTOR

12' Center Section (Dry Boom)



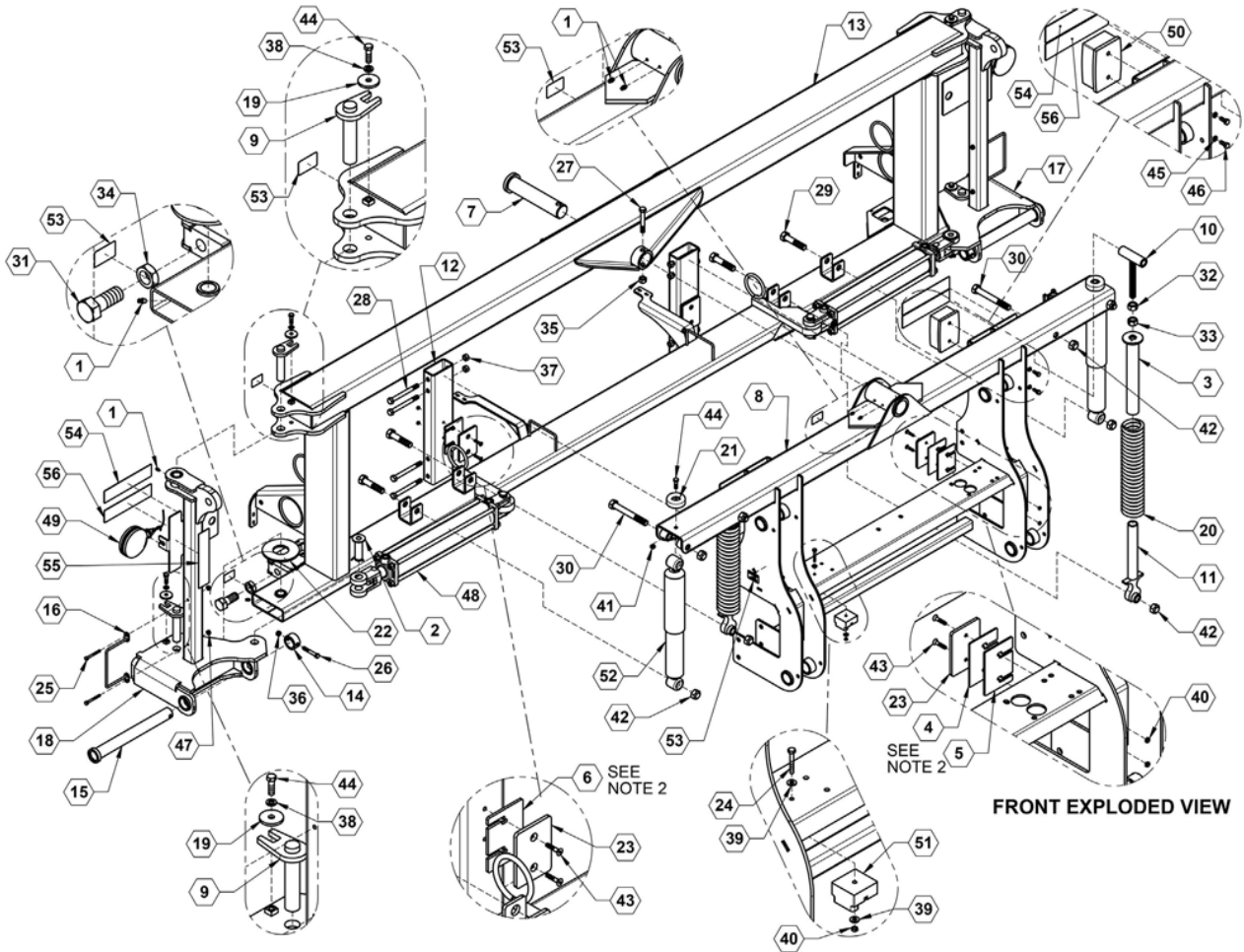


ILLUSTRATED PARTS LIST

12' Center Section (Dry Boom) Parts List

ITEM	VENDOR PART NO.	PART NO.	QTY.	DESCRIPTION
1		128	4	BOLT HH 3/8 X 1 GR5 ZP
2		226	2	NUT HEX HEAD JAM 1" ZP
3		198	2	BOLT HEX HEAD 1 X 2 GR5 ZP
4		13886	4	WING PIVOT PIN
5		21353L	1	WING PIVOT LEFT
5A		21353R	1	WING PIVOT RIGHT
6		13891	2	WASHER UHMW POLY
7		13875	2	SPRING ADJUSTMENT EYEBOLT
8		217	4	NUT HH 3/4" ZP
9		7442	2	OUTER SPRING MOUNT
10	FX-FV0006656	590011	2	SPRING CENTER SECTION
11		13876	2	INNER SPRING MOUNT
12	66833	790011	2	SHOCK CENTER SECTION
13		187	8	BOLT HH 3/4 X 3-1/2" GR5 ZP
14		241	8	NUT HH 3/4" CENTERLOCK ZP
15		237	2	NUT 3/8 CENTER LOCK ZP
16		14296	2	COLLAR, PIN RETAINER
17		131	2	BOLT HH 3/8 X 2-1/2" GR5 ZP
18		14300	2	MAIN WING PIVOT PIN
19		13801	1	CENTER SECTION, 12' WIDE, DRY BOOM
20		790017	1	SMV
21		740001	1	LIGHTS LEFT SIDE
22		102	8	BOLT HH 1/4 X 1" GR5 ZP
23		767	8	NUT HH 1/4" WHIZLOCK
24		740002	1	LIGHTS RIGHT SIDE
NS		256	8	1/4" FLAT WASHER USED ON #22
25	WA-37678		1	SPRING CABLE GUIDE
26	WA-37673		1	7-PIN ELECTRICAL CONNECTOR
27	DA-1528	740007	1	WARNING LIGHT HARNESS
28	WA-38044		2	WEATHER PACK 3-PIN SHROUD

12' Center Section, 80 - 100' Boom



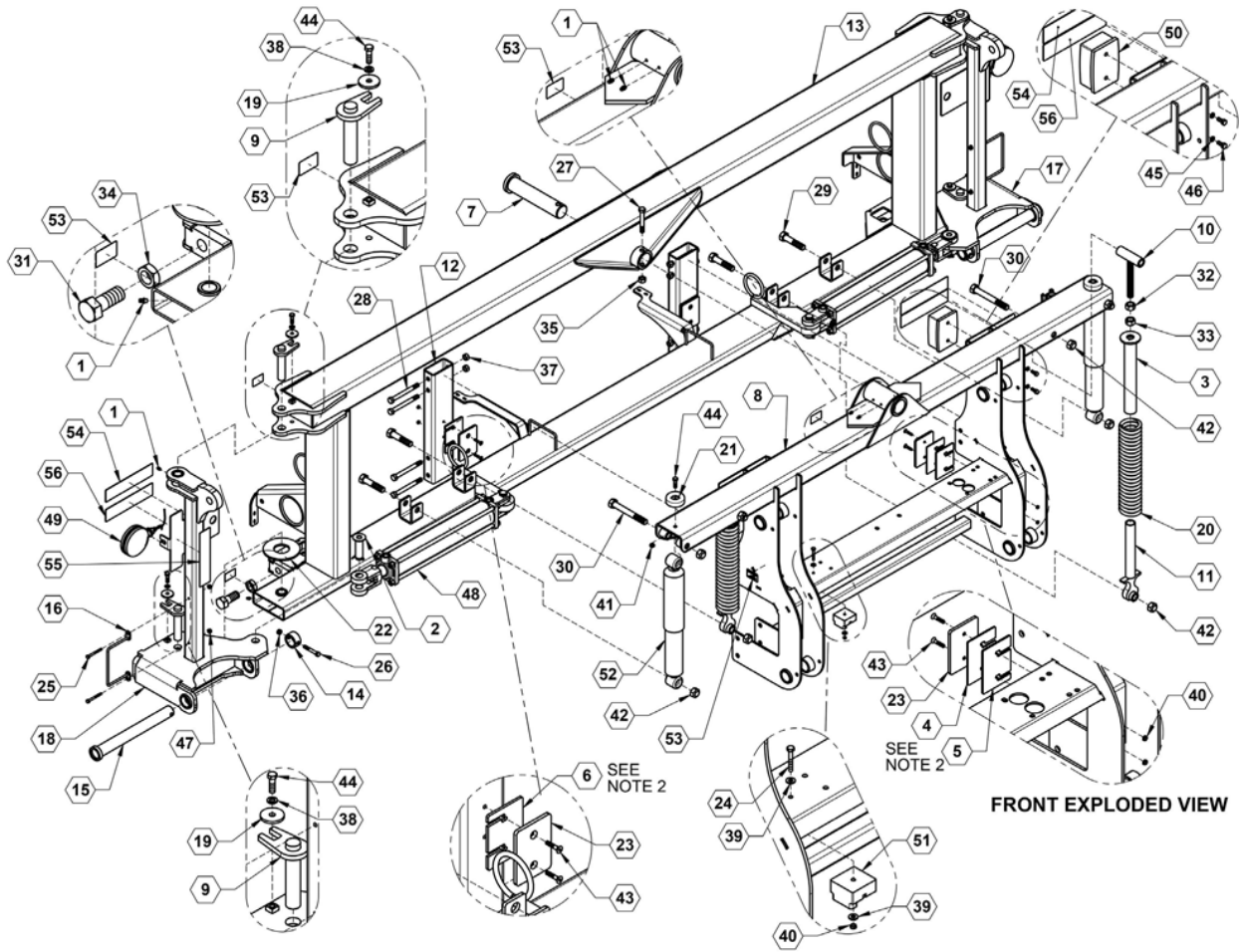


ILLUSTRATED PARTS LIST

12' Center Section, 80 - 100' Boom Parts List

ITEM	PART NO.	QTY.	DESCRIPTION
1	759	6	ZERK, 1/4-28 STRAIGHT
2	28111	2	1" CYLINDER PIN
3	7442	2	OUTER SPRING GUIDE
4	11265	2	SHIM, RUB PLATE 12 Ga
5	11266	2	SHIM, RUB PLATE 10 Ga
6	11267	2	SHIM, RUB PLATE 7Ga
7	13304	1	PIN, CENTER PIVOT
8	13806	1	CRADLE, WELDMENT
9	13874	4	PIN, WING PIVOT
10	13875	2	ADJUSTER, SPRING
11	13876	2	BASE, SPRING MT
12	13883	2	TUBE, CRADLE LOCK
13	14200	1	CENTER SECTION, 12' WIDE, STANDARD WET BOOM
14	14296	2	BUSHING WITH HOLE
15	14300	2	PIN, MAIN WING
16	18267	2	BOLT ON HOSE HOLDER
17	21353L	1	PIVOT, WING LH
18	21353R	1	PIVOT, WING, RH
19	530308	4	WASHER, HEAVY 13/32 X 1 5/8
20	590011	2	CENTER SECTION SPRING
21	590026	2	BUMPER, 1X2-1/2 RUBBER ROUND
22	590042	2	WASHER, 2 1/8" ID THRUST
23	590097	4	RUB PLATE
24	596104M	1	BOLT, HH 1/4-20X1-3/4 GR5 MAGNI
25	596105M	4	BOLT, HH 1/4-20X2-1/2 GR5 MAGNI
26	596131M	2	BOLT, HH 3/8-16X2-1/2 GR5 MAGNI
27	596157M	1	BOLT, HH 1/2X3-1/2 GR5 MAGNI
28	596160M	8	BOLT, HH 1/2X5 GR5 MAGNI

12' Center Section, 80 - 100' Boom



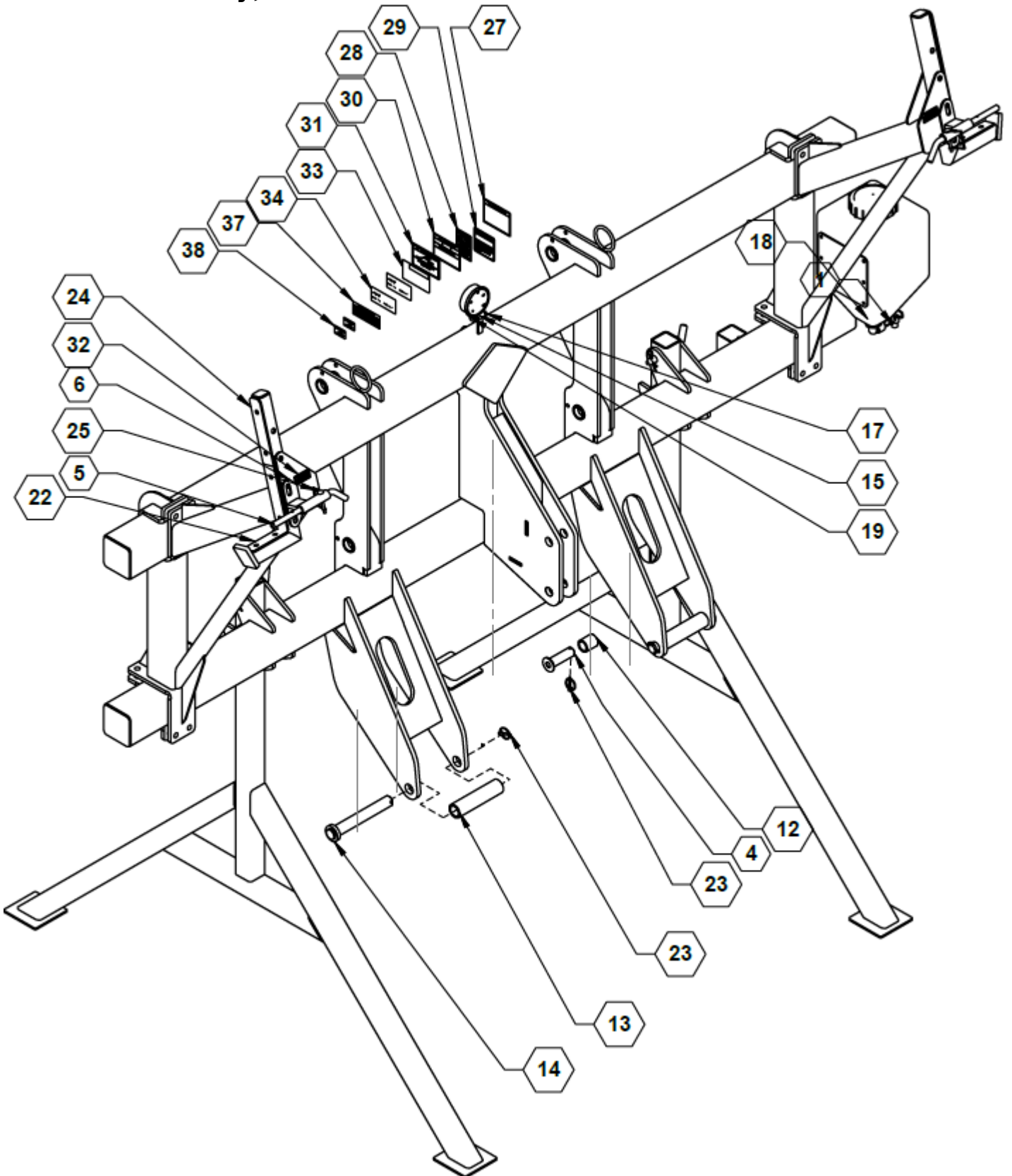


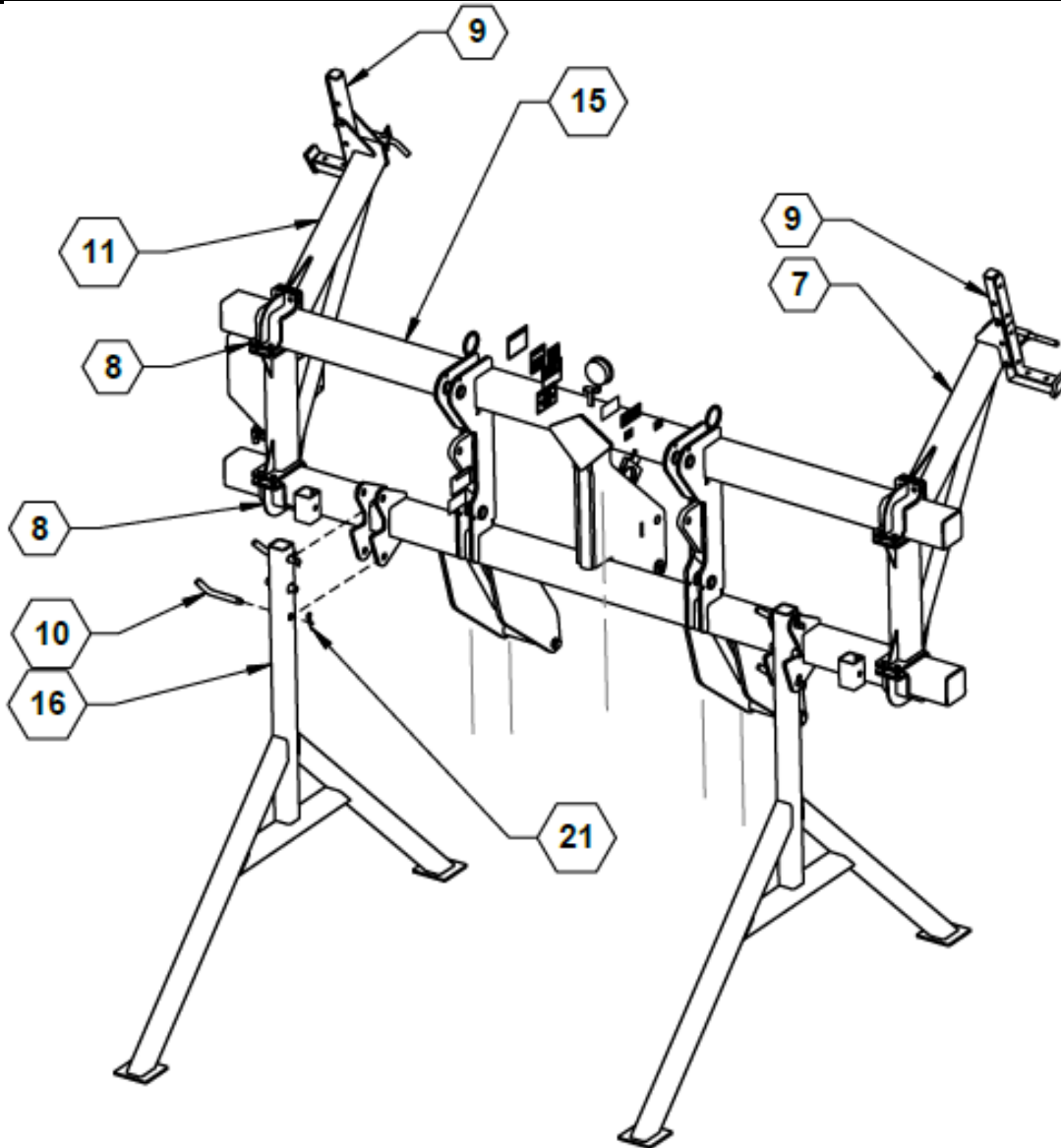
ILLUSTRATED PARTS LIST

12' Center Section, 80 - 100' Boom Parts List

ITEM	PART NO.	QTY.	DESCRIPTION
29	596187M	4	BOLT, HH 3/4-10X3-1/2 GR5 MAGNI
30	596192M	4	BOLT, HH 3/4-10X6 GR5 MAGNI
31	596199M	2	BOLT, HH 1-8X2-1/2 GR5 MAGNI
32	596217M	2	NUT, HEX 3/4-10 G5 MAGNI
33	596225M	2	NUT, HEX JAM 3/4-10 GR8 MAGNI
34	596226M	2	NUT, HEX JAM 1-8 MAGNI
35	596231M	1	NUT, HEX NYLOCK 1/2-13 MAGNI
36	596237M	2	NUT, CENTERLOCK 3/8-16 MAGNI
37	596239M	8	NUT, CENTERLOCK, 1/2-13 MAGNI
38	596250M	4	LOCKWASHER 3/8 MAGNI
39	596256M	2	WASHER, FLAT 1/4 USS MAGNI
40	596622M	9	NUT, TOPLOCK 1/4-20 MAGNI
41	596624M	2	NUT, TOPLOCK 3/8-16 MAGNI
42	596626M	8	NUT, TOPLOCK 3/4-10 G5 MAGNI
43	596631M	8	FHSCS 1/4-20X1-1/4 MAGNI
44	596634M	6	BOLT, HH 3/8-16X1-1/4 GR8 MAGNI
45	596728M	4	LOCKWASHER 8MM MAGNI
46	596737M	4	BOLT, HH 8-1.25 X 20MM 8.8 MAGNI
47	596767M	4	NUT, HEX FLANGE 1/4-20 MAGNI
48	620057	2	CYLINDER, 30THC16.00-150
49	740024	2	LIGHT, AMBER, PEDESTAL. MOUNT
50	740025	2	LIGHT, RED SURFACE MOUNT ASSEMBLY
51	740031	1	LIGHT MODULE
52	790010	2	SHOCK, YELLOW 7400 120' CENTER
53	800014	7	DECAL, GREASE PIVOT POINTS
54	800109	4	DECAL, RED REFLECTOR
55	800110	2	DECAL, AMBER REFLECTOR
56	800111	2	DECAL, ORANGE REFLECTOR

Carrier Assembly, Extended





Parts List 35868: Carrier Assembly, Extended

ITEM	PART NO.	QTY.	DESCRIPTION
1	90SAFCHWF	1	FC HAND WASH FAUCET ASSY
2	962	1	OPERATOR MANUAL, 963P
3	964	1	AGRICULTURAL SPRAYER SAFETY MA
4	1225	1	SEE B.O.M.
5	7618	2	3/4" CRR 1018, 14" LG
6	12046	2	BOLT-ON WING REST LOCK
7	14055	1	REST, WING MOVABLE
8	14056	4	WRAP, 3P WELDMENT
9	14058	2	WELDMENT, REST, 963P WING
10	19061	4	PIN, GAUGE WHEEL MOUNT
11	21352	1	WING, REST MOVABLE
12	28211	1	BUSHING, CAT 3 TO CAT 4 UPPER QUICK HITCH

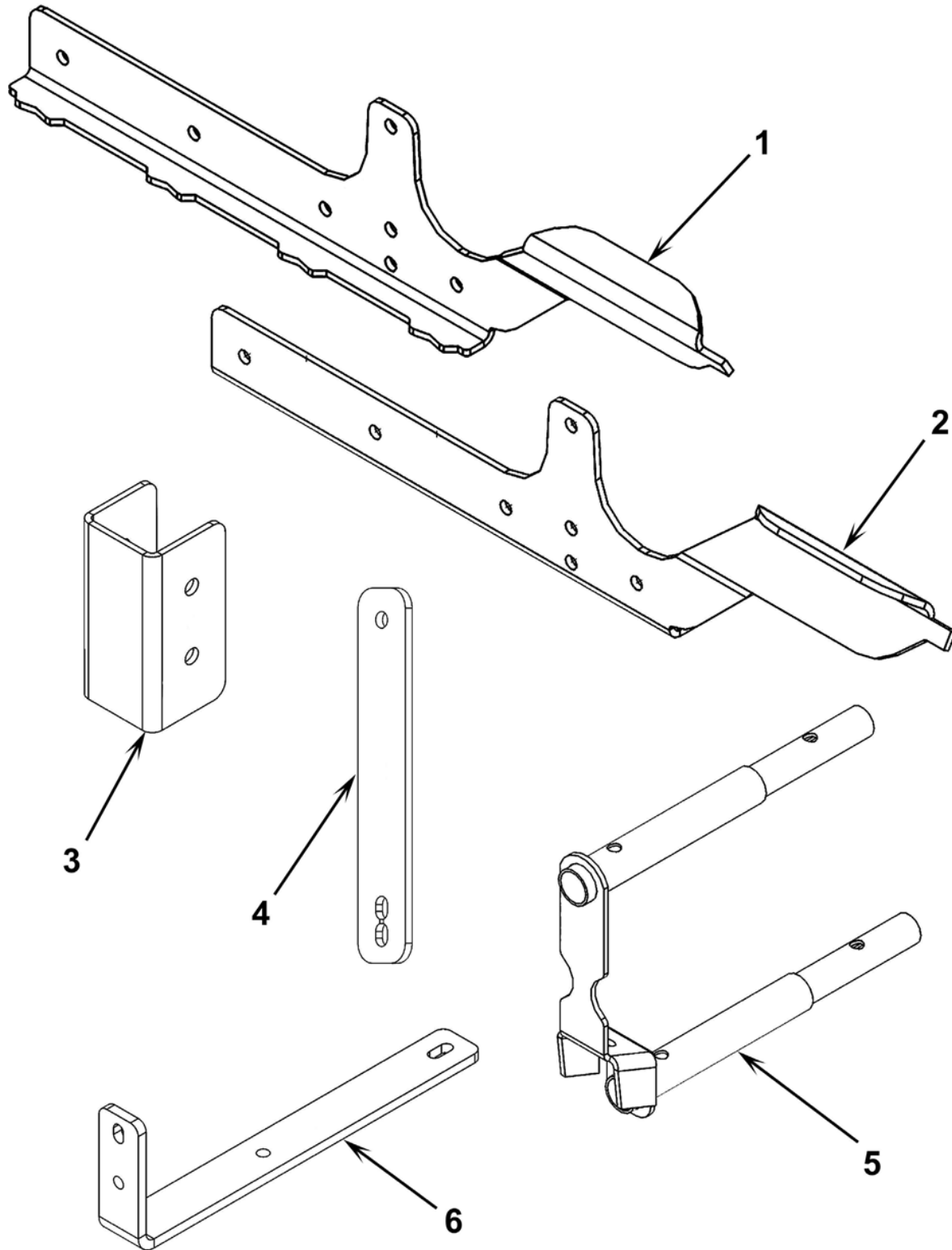


ILLUSTRATED PARTS LIST

13	35853	2	BUSHING, CAT 3 TO CAT 4 LOWER QUICK HITCH, 963P
14	35855	2	PIN, LOWER 3PT
15	35860	1	CARRIER, WELDMENT
16	35870	2	WLDMNT, 963P STORAGE
17	530004	1	FITTING, ELBOW, .250 QC X .250 MST, 90D
18	530143	1	REDUCER, 1-1/4" MPT X3 /4" FPT
19	530246	1	ELBOW, 90~ STREET 1/4 NPT SS
20	570125	1	5 GAL RINSE TANK YELLOW
21	590017	4	PIN, HAIR CLIP, 1/8 X 3-1/8" ZP
22	590024	2	PLASTIC TRANSPORT
23	710005	3	LYNCH PIN, 1/4 X 1-3/4" ZP
24	710015	4	PLATE, RUB
25	720001	2	SNAP PIN, 5/16
26	790020	1	GAUGE, FAST LOGO 160PSI
27	800002	1	DECAL, CAUTION, STD SAFETY WARNINGS
28	800004	1	DECAL, WARNING-HIGH PRESSURE
29	800006	1	DECAL, DANGER ELECTROCUTION HAZARD
30	800007	1	DECAL, DANGER-CHEMICAL HAZARD
31	800009	1	DECAL, OVERHEAD WARNING
32	800010	2	DECAL, SAFETY PIN
33	800013	1	DECAL, DANGER CRUSHING HAZARD
34	800021	2	FAST LOCATION DECAL
35	800024	1	DECAL, REAR LIFT CYLINDER VALVE
36	800128	2	DECAL, 963P MODEL SILVER
37	800208	1	DECAL, SPRAYER HYD HOSE KEY
38	800287	2	DECAL, GREASE PIVOT POINTS



Wet Boom Brackets



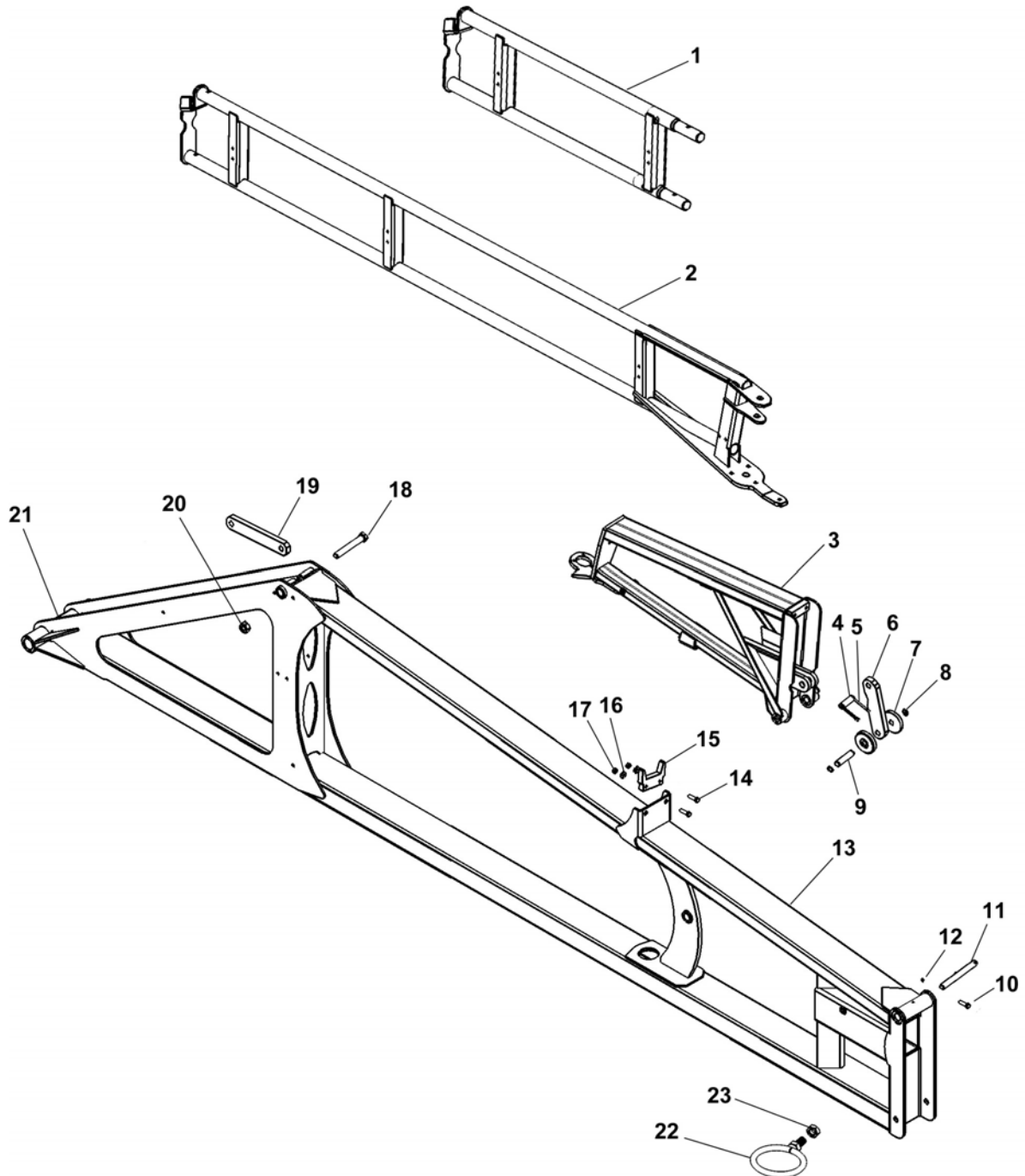


ILLUSTRATED PARTS LIST

Wet Boom Brackets Parts List

ITEM	PART NO.	QTY.	DESCRIPTION
1	11269L	1	BRACKET, 4 VALVE, WITH STRAINER, LEFT
2	11269R	1	BRACKET, 4 VALVE, WITH STRAINER, RIGHT
3	14452	6	BRACKET, OFFSET, 3.25" LONG
4	14089	4	PLATE, LOCKING, CONDOR, FLAT
5	14295	2	EXTENSION, FOAMER, BREAKAWAY, 15" FAST
6	14299	4	BRACKET, WET BOOM, 11" LONG

Wings - 60 & 66 Foot Boom - Standard



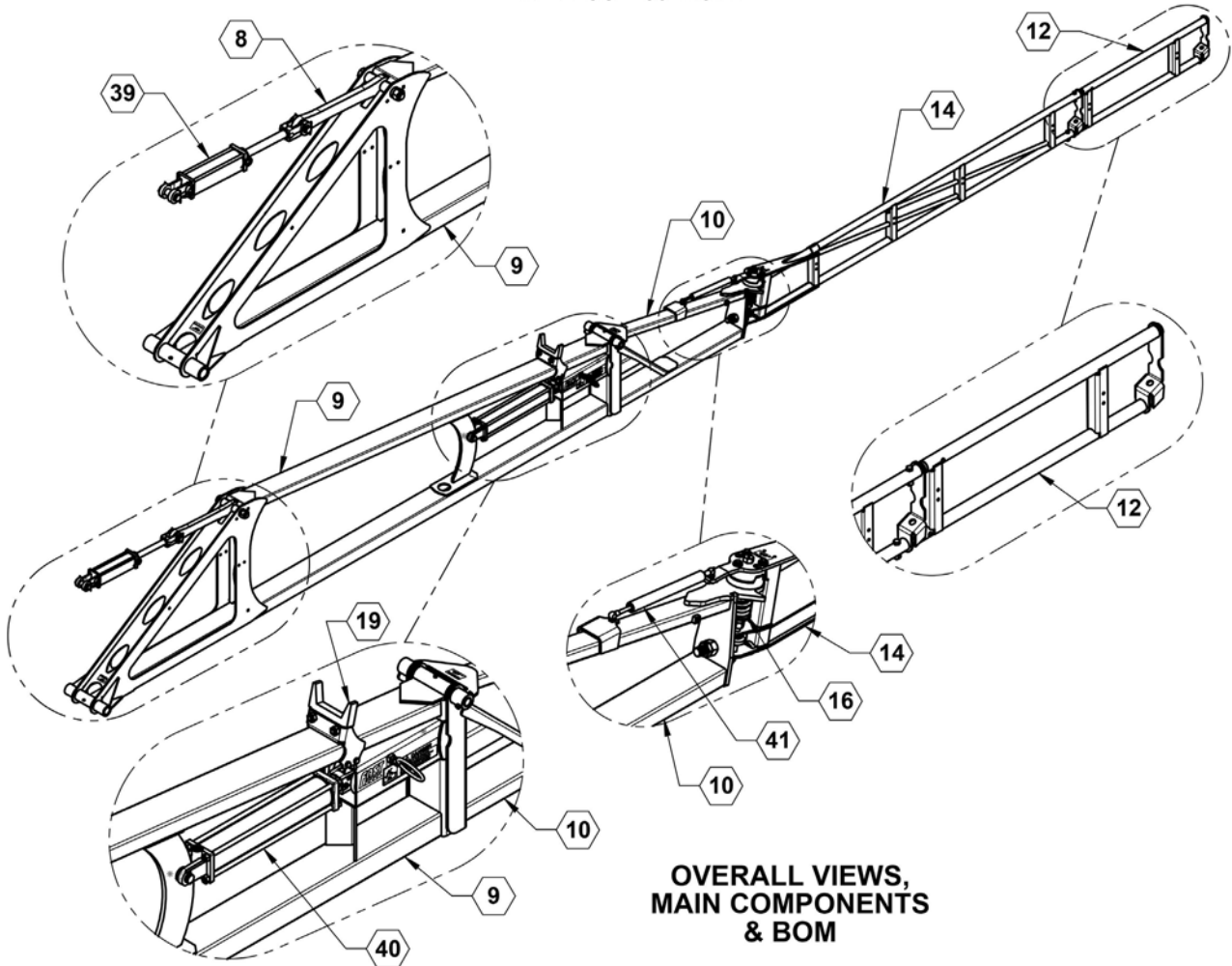
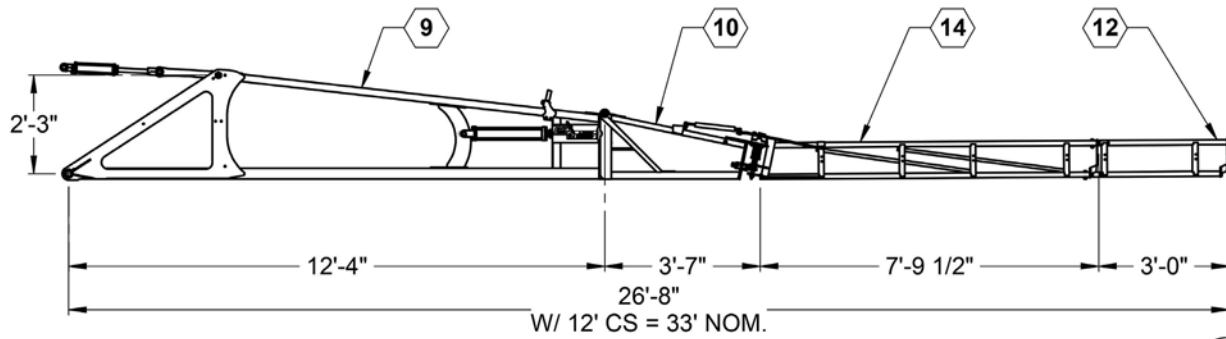


ILLUSTRATED PARTS LIST

Wings - 60 & 66 Foot Boom - Standard Parts List

ITEM	PART NO.	60 & 66' BOOM	66' BOOM	DESCRIPTION
1	14627		2	BREAKAWAY EXTENSION 3' ALUMINUM
2	18300	2		BREAKAWAY WING 93"
3	14215	2		60' & 66' FLIP WING
3	14660	2		60' FLIP WING
3	14666	2		66' FLIP WING
4	11127	2		PIN
5	135995	4		COTTER PIN 3/16 X 2 ZP
6	9514	2		FLIP WING ARM
7	7668	4		WING ROLLER MACHINED
8	534	4		SNAP RING EXTERNAL 1"
9	7669	2		ROLLER PIN 1"
10	117	2		BOLT HH 5/16 X 2" GR5 ZP
11	9468	2		FLIP WING PIN
12	236	2		NUT HH 5/16" CENTERLOCK ZP
13	14205	2		MAIN WING
14	154	4		BOLT HH 1/2 X 2 GR5 ZP
15	9674	2		WING REST 1" UHMW
16	260	4		WASHER FLAT 1/2" ZP
17	231	4		NUT HH 1/2" CENTERLOCK ZP
18	209	2		BOLT HH 1 X 7-1/2" GR5 ZP
19	14149	2		LINK LEVEL BOOM
20	242	2		NUT HH 1" CENTERLOCK ZP
21	759	2		ZERK 1/4-28
22	14146	2		RING HOSE HOLDER
23	223	2		NUT JAM

Wings - 60 & 66 Foot Boom



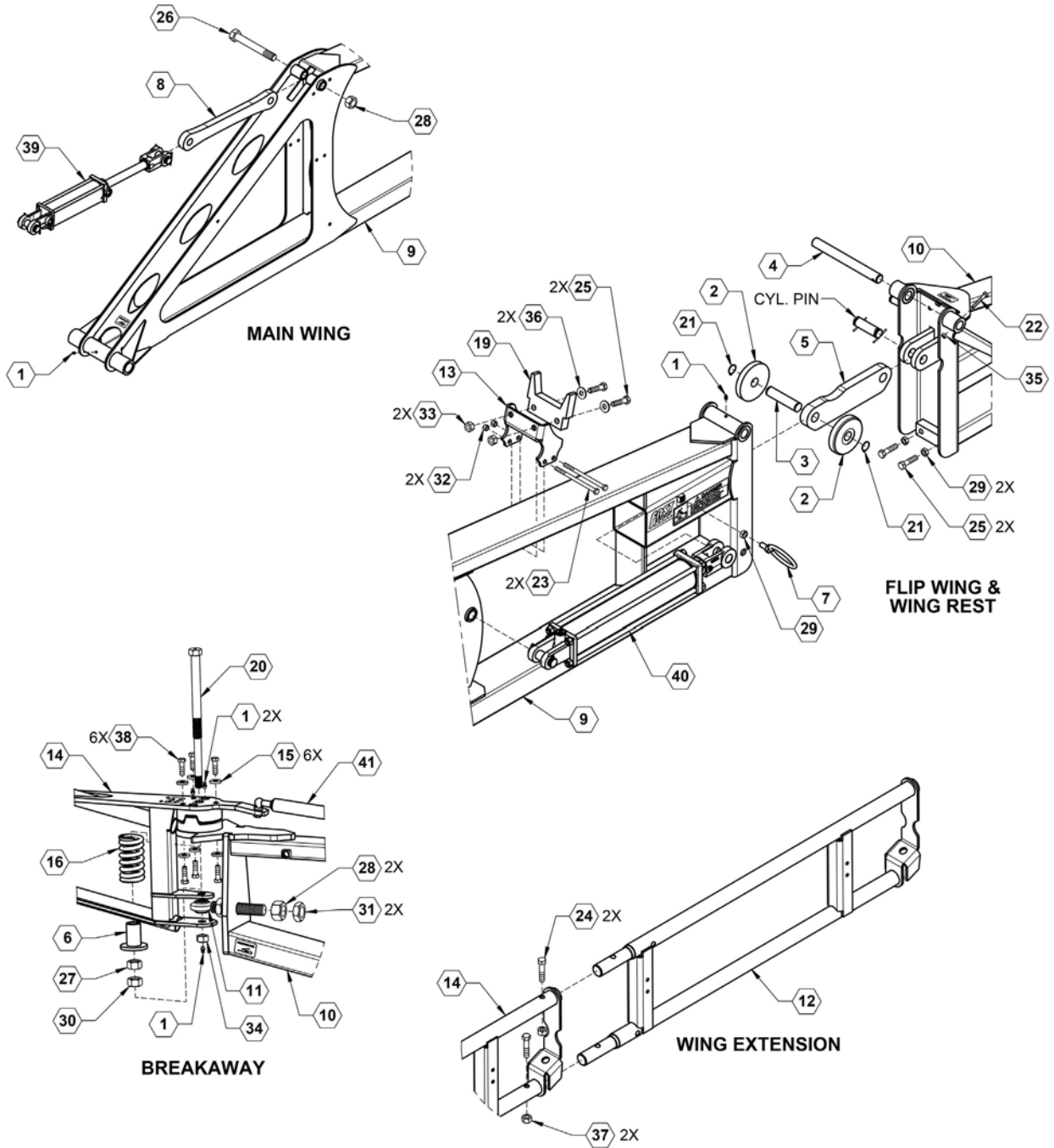


ILLUSTRATED PARTS LIST

Wings - 60 & 66 Boom Parts List

ITEM	PART NO.	QTY.	DESCRIPTION
8	14149	1	LINK, WING TILT
9	14205	1	WING, MAIN 60'
10	14215	1	60' & 66' WING, FLIP
10	14660	1	60' WING, FLIP, 9600N
10	14666	1	66' WING, FLIP, 9600N
12	14627	1	3' ALUMINUM EXTENSION FOR 66' BOOM
14	18300	1	WELDMENT, 93" BREAKAWAY
16	590006	1	SPRING, COMPRESSION
19	590099	1	REST, WING
39	620023	1	CYLINDER, 25TD08-112 WING TILT
40	620057	1	CYLINDER, 30THC16.00-150 FLIP WING
41	790028	1	SHOCK, BREAKAWAY, HEAVY
	800014	4	DECAL, GREASE PIVOT POINTS
	800020	1	DECAL, FAST LOGO BLACK/GRAY
	800106	2	DECAL, DANGER-STAND CLEAR
	800110	3	DECAL, AMBER REFLECTOR

Wings - 60 & 66 Foot Boom



EXPLODED PARTS VIEWS

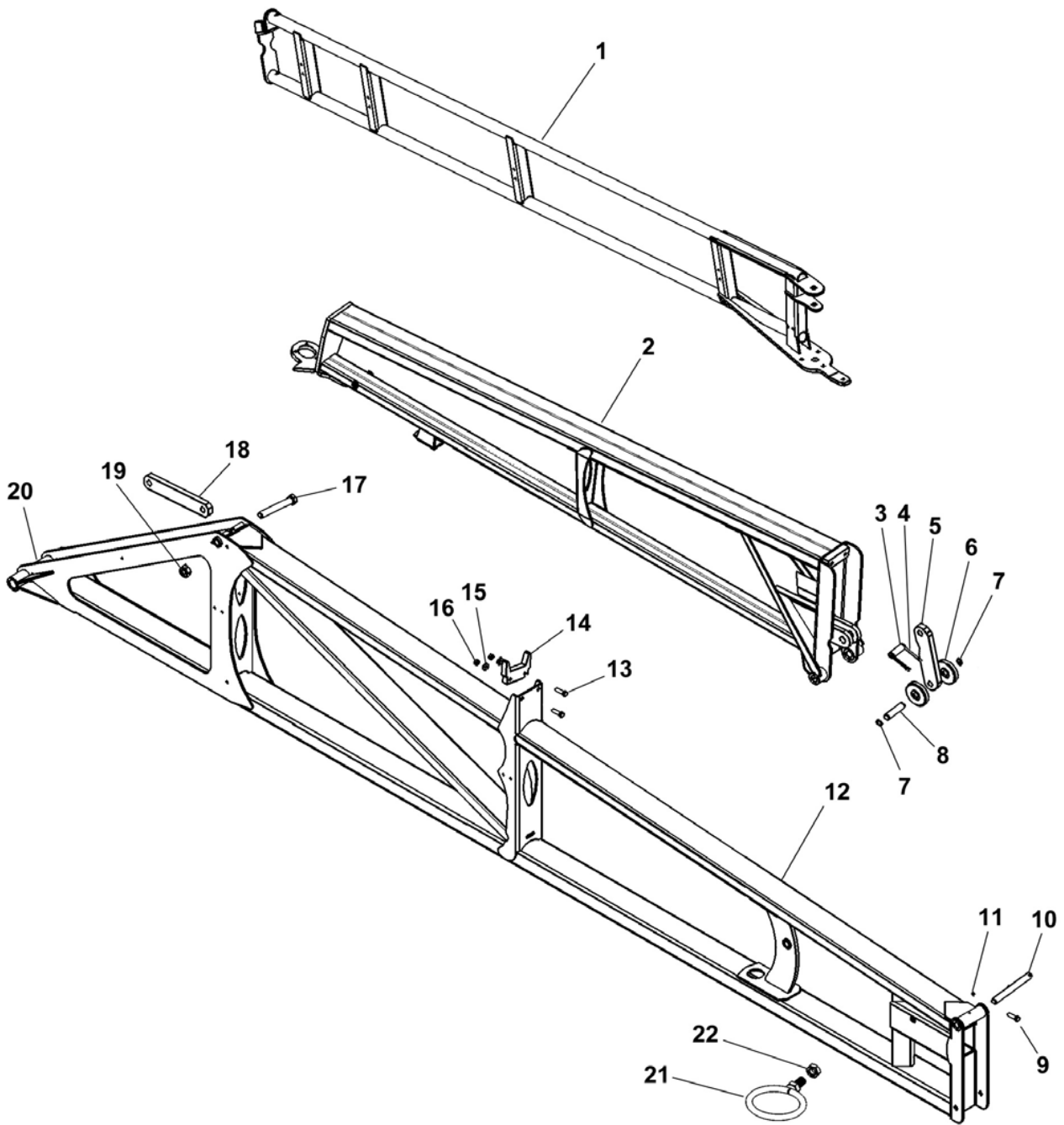


ILLUSTRATED PARTS LIST

Wings - 60 & 66 Boom Parts List

ITEM	PART NO.	QTY.	DESCRIPTION
1	759	5	ZERK, 1/4-28 STRAIGHT
2	7668	2	ROLLER, WING, MACHINED
3	7669	1	PIN, ROLLER, 1"
4	9468	1	PIN, FLIP WING
5	9514	1	ARM, FLIP WING
6	14013	1	SPRING GUIDE
7	14146	1	BRACKET, HOSE RING
8	14149	1	LINK, WING TILT
9	14205	1	WING, MAIN 60'
10	14215	1	60' & 66' WING, FLIP
10	14660	1	60' WING, FLIP, 9600N
10	14666	1	66' WING, FLIP, 9600N
11	14575	1	BALL JOINT, ADJUSTMENT
12	14627	1	3' ALUMINUM EXTENSION
13	14725	1	FLIP WING STOP MOUNT
14	18300	1	WLDMNT, 93" BREAKAWAY
15	530309	6	WASHER, FLAT HEAVY 13/32 X 1
16	590006	1	SPRING, COMPRESSION
19	590099	1	REST, WING
20	590112	1	BOLT, BREAKAWAY
21	590180	2	SNAP RING 1" EXTERNAL
22	596117M	1	BOLT, HH 5/16-18X2 GR5 MAGNI
24	596142M	2	BOLT, HH 7/16X2 GR5 MAGNI
25	596154M	4	BOLT, HH 1/2-13X2 GR5 MAGNI
26	596209M	1	BOLT, HH 1-8X7-1/2 GR5 MAGNI
27	596217M	1	NUT, HEX 3/4-10 G5 MAGNI
28	596218M	3	NUT, HEX 1-8 MAGNI
29	596223M	3	NUT, HEX JAM 1/2-13 MAGNI
30	596225M	1	NUT, HEX JAM 3/4-10 GR8 MAGNI
31	596226M	2	NUT, HEX JAM 1-8 MAGNI
32	596229M	2	NUT, HEX NYLOCK 3/8-16 MAGNI
33	596231M	2	NUT, HEX NYLOCK 1/2-13 MAGNI
34	596232M	1	NUT, HEX NYLOCK 5/8-11 MAGNI
35	596236M	1	NUT, CENTERLOCK, 5/16-18 MAGNI
36	596260M	2	WASHER, FLAT 1/2 MAGNI
37	596625M	2	NUT, TOPLOCK 7/16-14 MAGNI
38	596633M	6	BOLT, HH 3/8-24X1-1/4 GR8 MAGNI
39	620023	1	CYLINDER, 25TD08-112 WING TILT
40	620057	1	CYLINDER, 30THC16.00-150 FLIP WING
41	790028	1	SHOCK, BREAKAWAY, HEAVY

Wings - 80, 90 & 100 Foot Boom - Standard



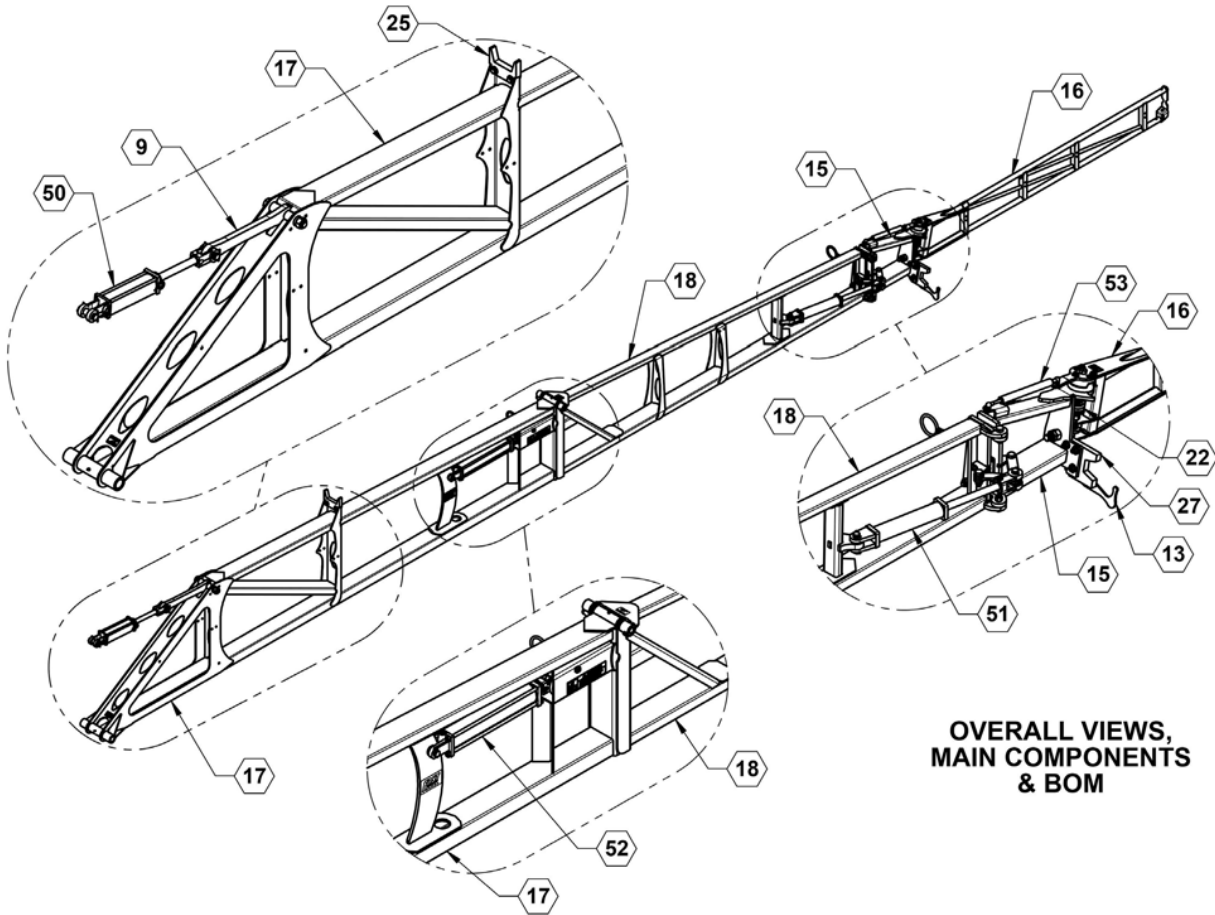
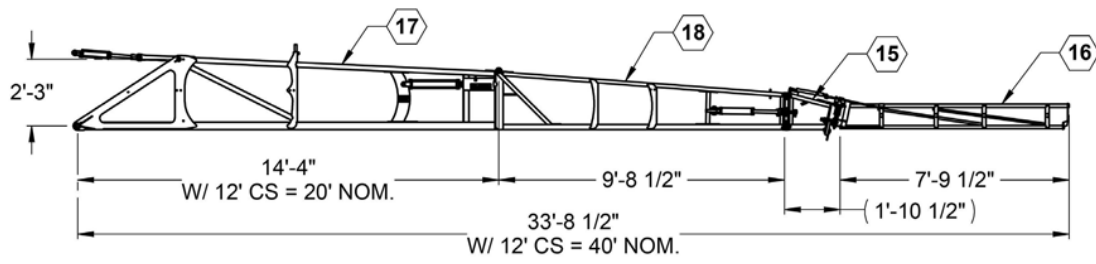


ILLUSTRATED PARTS LIST

Wings - 80, 90 & 100 Foot Boom - Standard Parts List

ITEM	PART NO.	DESCRIPTION	80, 90 & 100' BOOM	80' BOOM	90' BOOM	100' BOOM
1	18300	BREAKAWAY WING 93"				2
1	18320	BREAKAWAY WING 111"		2	2	
2	14150	FLIP WING 80'	2	2		
2	14160	FLIP WING 90'	2		2	
2	14175	FLIP WING 100'	2			2
3	11127	PIN	2			
4	135995	COTTER PIN 3/16 X 2 ZP	4			
5	9514	FLIP WING ARM	2			
6	7668	WING ROLLER MACHINED	4			
7	534	SNAP RING EXTERNAL 1"	4			
8	7669	ROLLER PIN 1"	2			
9	117	BOLT HH 5/16 X 2" GR5 ZP	2			
10	9468	FLIP WING PIN	2			
11	236	NUT HH 5/16" CENTERLOCK ZP	2			
12	14130	MAIN WING 80' & 90'	2			
12	14165	MAIN WING 100'	2			
13	154	BOLT HH 1/2 X 2 GR5 ZP	4			
14	9674	WING REST 1" UHMW	2			
15	260	WASHER FLAT 1/2" ZP	4			
16	231	NUT HH 1/2" CENTERLOCK ZP	4			
17	209	BOLT HH 1 X 7-1/2" GR5 ZP	2			
18	14149	LINK LEVEL BOOM	2			
19	242	NUT HH 1" CENTERLOCK ZP	2			
20	759	ZERK 1/4-28	2			
21	14146	RING HOSE HOLDER	2			
22	223	NUT JAM	2			

Wings - Tri-Fold 40/80 Foot Boom



**OVERALL VIEWS,
MAIN COMPONENTS
& BOM**

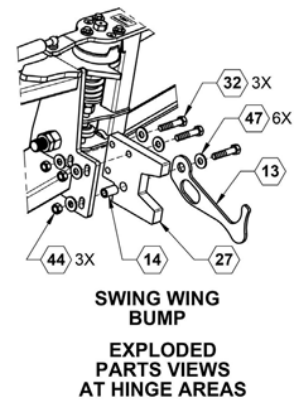
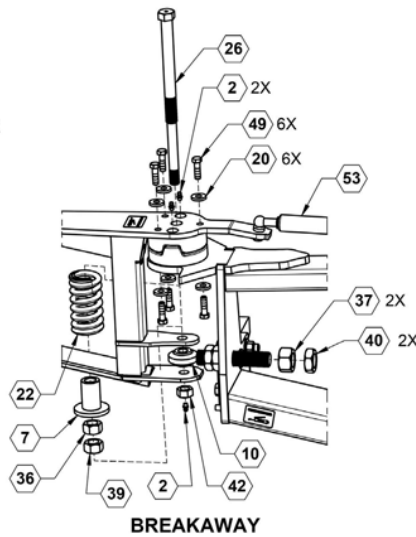
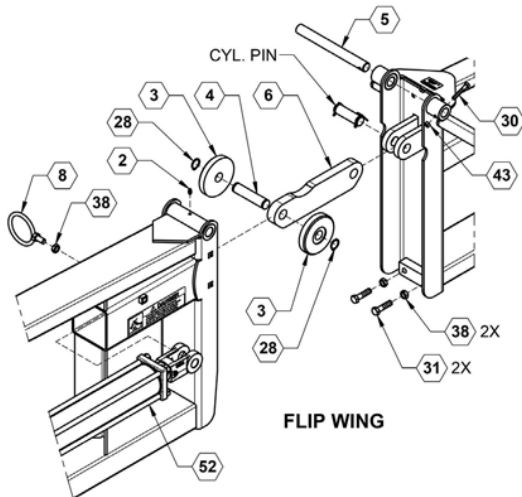
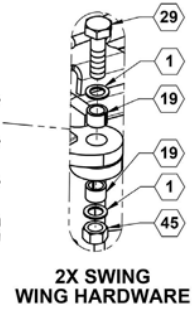
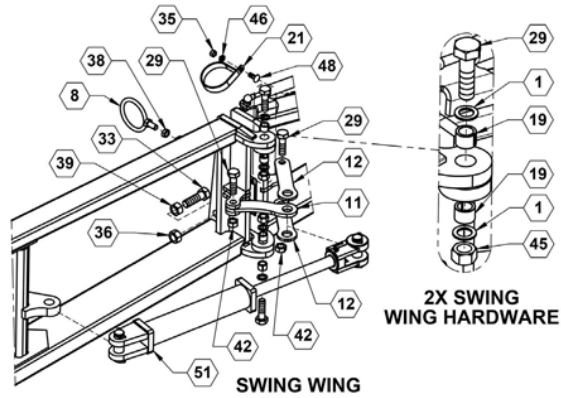
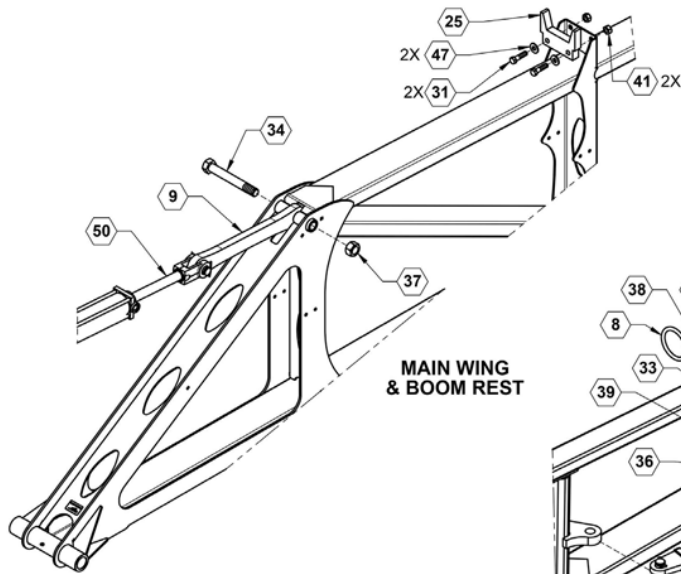


ILLUSTRATED PARTS LIST

Wings - Tri-Fold 40/80 Foot Boom Parts List

ITEM	PART NO.	QTY.	DESCRIPTION
9	14149	1	LINK, WING TILT
13	14746	1	LOCK, SWING WING
15	14825L	1	LH SWING WING, 80', 9600N
15	14825R	1	RH SWING WING, 80', 9600N
16	18300	1	WELDMENT, 93" BREAKAWAY
17	22970	1	WING, MAIN, 80' & 100' BOOM
18	22972L	1	WING, FLIP, LH, 80/40 FT BOOM
18	22972R	1	WING, FLIP, RH, 80/40 FT BOOM
22	590006	1	SPRING, COMPRESSION
25	590099	1	REST, WING
27	590405	1	BUMP, SWING WING
50	620023	1	CYLINDER, 25TD08-112 WING TILT
51	620034	1	CYLINDER, 20TD10.00-112
52	620057	1	CYLINDER, 30THC16.00-150 FLIP WING
53	790028	1	SHOCK, BREAKAWAY, HEAVY
	800014	4	DECAL, GREASE PIVOT POINTS
	800020	1	DECAL, FAST LOGO BLACK/GRAY
	800105	1	DECAL, WARNING-STAND CLEAR
	800106	2	DECAL, DANGER-STAND CLEAR
	800110	3	DECAL, AMBER REFLECTOR
	800174	2	DECAL, TF

Wings - Tri-Fold 40/80 Foot Boom



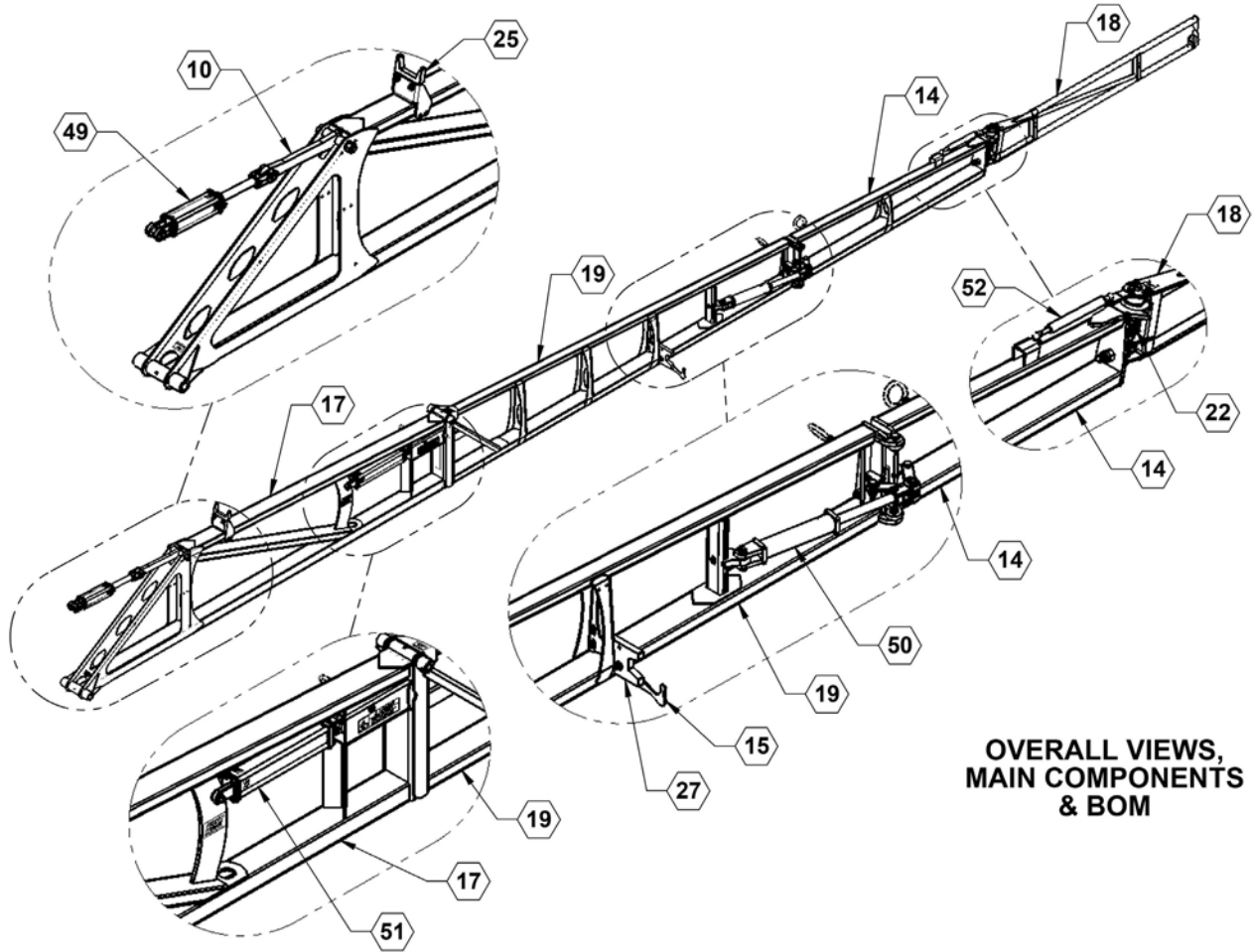
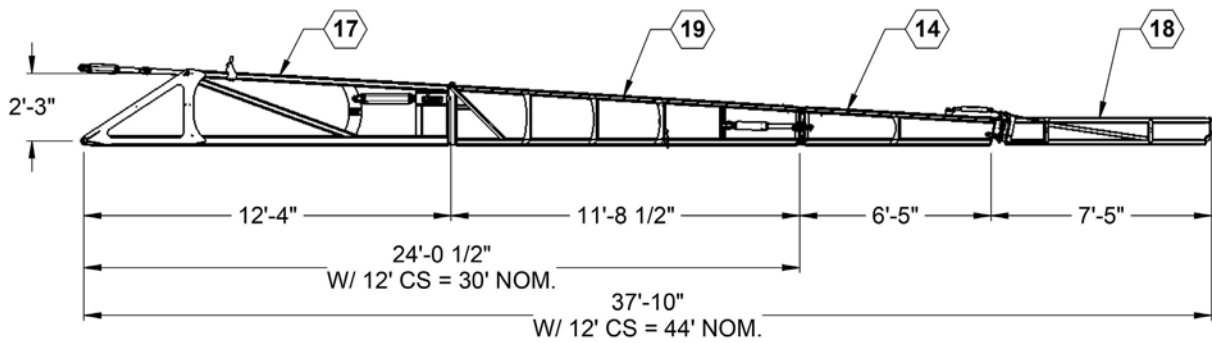


ILLUSTRATED PARTS LIST

Wings - Tri-Fold 40/80 Foot Boom Parts List

ITEM	PART NO.	QTY.	DESCRIPTION
1	568	4	BUSHING, MACHINED
2	759	5	ZERK, 1/4-28 STRAIGHT
3	7668	2	ROLLER, WING, MACHINED
4	7669	1	PIN, ROLLER, 1"
5	9468	1	PIN, FLIP WING
6	9514	1	ARM, FLIP WING
7	14013	1	SPRING GUIDE
8	14146	2	BRACKET, HOSE RING
9	14149	1	LINK, WING TILT
10	14575	1	BALL JOINT, ADJUSTMENT
11	14642	1	LINK, MIDDLE SCISSORS
12	14643	2	LINK, OUTSIDE SANDWICH
13	14746	1	LOCK, SWING WING
14	14747	1	SWING WING BUMP BUSHING
19	530307	4	BUSHING, CONEX
20	530309	6	WASHER, FLAT HEAVY 13/32 X 1
21	540052	1	P-CLAMP, 3" W/3/8" HOLE
22	590006	1	SPRING, COMPRESSION
25	590099	1	REST, WING
26	590112	1	BOLT, BREAKAWAY
27	590405	1	BUMP, SWING WING
28	590180	2	SNAP RING 1" EXTERNAL
29	596846M	4	BOLT, SHOULDER, 5/8 X 1.25" MAGNI
29	596845M	4	BOLT, SHOULDER, 5/8 X 1.63" MAGNI
30	596117M	1	BOLT, HH 5/16-18X2 GR5 MAGNI
31	596154M	4	BOLT, HH 1/2-13X2 GR5 MAGNI
32	596155M	3	BOLT, HH 1/2-13X2-1/2 GR5 MAGNI
33	596185M	1	BOLT, HH 3/4-10X2-1/2 MAGNI
34	596209M	1	BOLT, HH 1-8X7-1/2 GR5 MAGNI
35	596213M	1	NUT, HEX 3/8-16 MAGNI
36	596217M	2	NUT, HEX 3/4-10 G5 MAGNI
37	596218M	3	NUT, HEX 1-8 MAGNI
38	596223M	4	NUT, HEX JAM 1/2-13 MAGNI
39	596225M	2	NUT, HEX JAM 3/4-10 GR8 MAGNI
40	596226M	2	NUT, HEX JAM 1-8 MAGNI
41	596231M	2	NUT, HEX NYLOCK 1/2-13 MAGNI
42	596232M	3	NUT, HEX NYLOCK 5/8-11 MAGNI
43	596236M	1	NUT, CENTERLOCK, 5/16-18 MAGNI
44	596239M	3	NUT, CENTERLOCK, 1/2-13 MAGNI
45	596240M	2	NUT, CENTERLOCK, 5/8-11 MAGNI
46	596250M	1	LOCKWASHER 3/8 MAGNI
47	596260M	8	WASHER, FLAT 1/2 MAGNI
48	596592M	1	BOLT, CARRIAGE 3/8-16 X 1 MAGNI
49	596633M	6	BOLT, HH 3/8-24X1-1/4 GR8 MAGNI
50	620023	1	CYLINDER, 25TD08-112 WING TILT
51	620034	1	CYLINDER, 20TD10.00-112
52	620057	1	CYLINDER, 30THC16.00-150 FLIP WING
53	790028	1	SHOCK, BREAKAWAY, HEAVY

Wings - Tri-Fold 60/88 Foot Boom





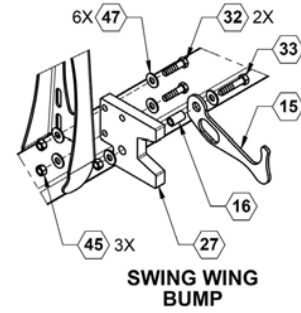
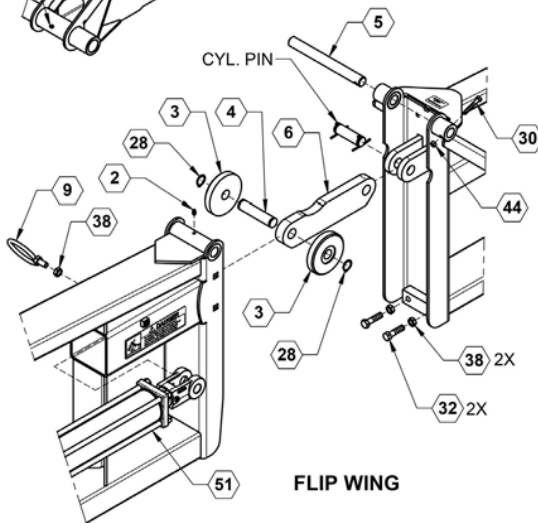
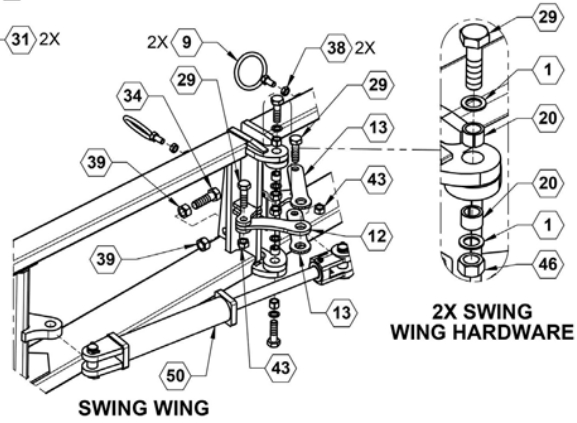
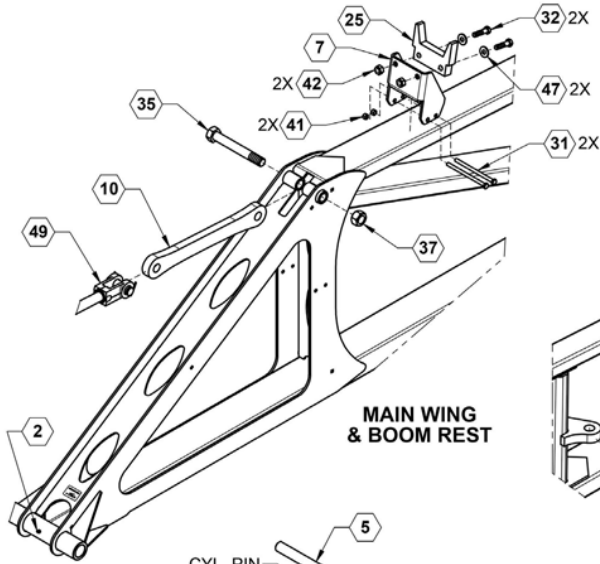
ILLUSTRATED PARTS LIST

Wings - Tri-Fold 60/88 Boom Parts List

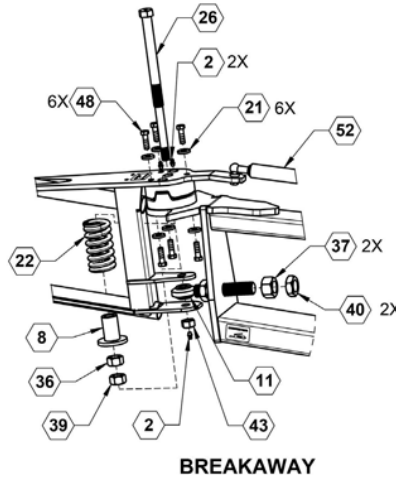
ITEM	PART NO.	QTY.	DESCRIPTION
10	14149	1	LINK, WING TILT
14	14715L	1	WING, LH SWING
14	14715R	1	WING, RH SWING
15	14746	1	LOCK, SWING WING
17	14750	1	MAIN WING, 9600N
18	14850	1	BREAKAWAY 83", WELDMENT
19	22969L	1	WING, FLIP, LH, 90FT BOOM
19	22969R	1	WING, FLIP, RH, 90FT BOOM
22	590006	1	SPRING, COMPRESSION
25	590099	1	REST, WING
27	590405	1	BUMP, SWING WING
49	620023	1	CYLINDER, 25TD08-112
50	620034	1	CYLINDER, 20TD10.00-112
51	620057	1	CYLINDER, 30THC16.00-150
52	790028	1	SHOCK, BREAKAWAY, HEAVY
	800014	4	DECAL, GREASE PIVOT POINTS
	800020	1	DECAL, FAST LOGO BLACK/GRAY
	800105	1	DECAL, WARNING-STAND CLEAR
	800106	2	DECAL, DANGER-STAND CLEAR
	800110	3	DECAL, AMBER REFLECTOR
	800174	2	DECAL, TF

ILLUSTRATED PARTS LIST

Wings - Tri-Fold 60/88 Foot Boom



EXPLODED PARTS VIEWS AT HINGE AREAS



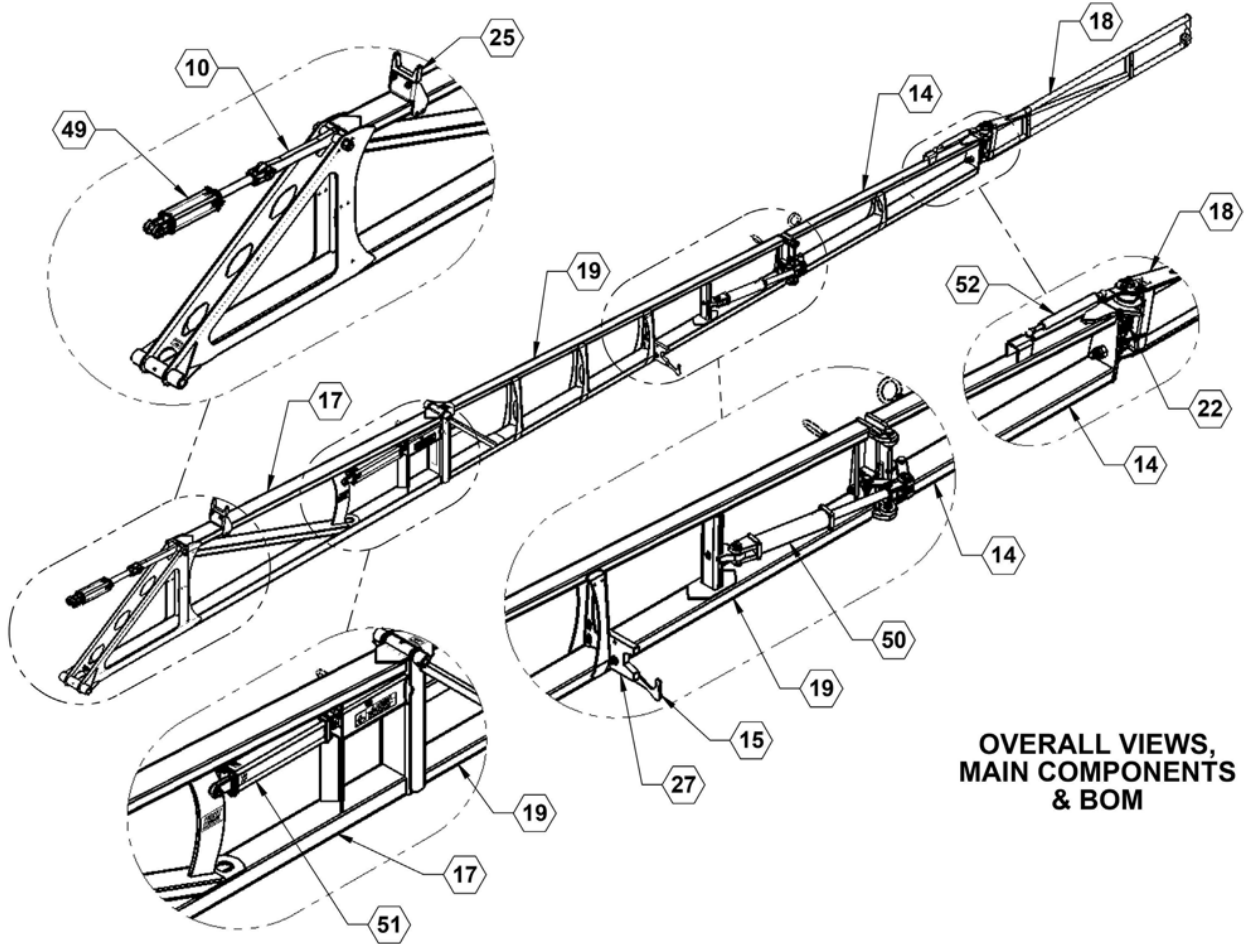
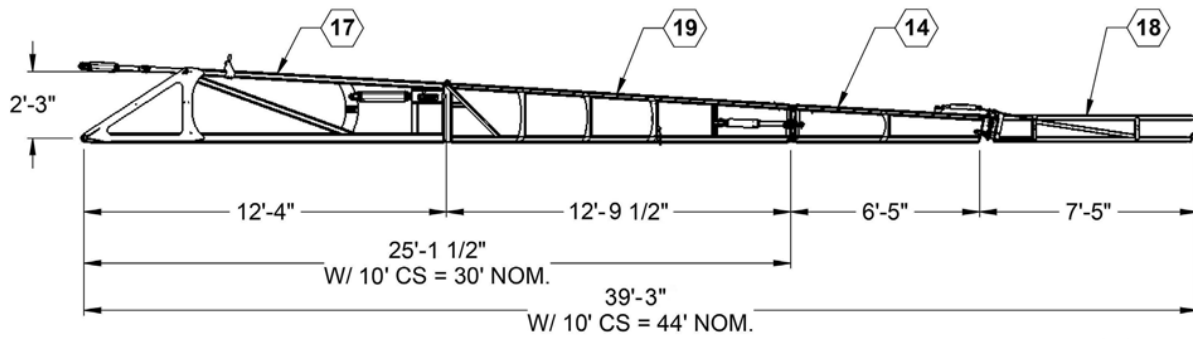


ILLUSTRATED PARTS LIST

Wings - Tri-Fold 60/88 Boom Parts List

ITEM	PART NO.	QTY.	DESCRIPTION
1	568	4	BUSHING, MACHINED
2	759	5	ZERK, 1/4-28 STRAIGHT
3	7668	2	ROLLER, WING, MACHINED
4	7669	1	PIN, ROLLER, 1"
5	9468	1	PIN, FLIP WING
6	9514	1	ARM, FLIP WING
7	12206	1	BRACKET, BOLT ON WING REST
8	14013	1	SPRING GUIDE
9	14146	3	BRACKET, HOSE RING
10	14149	1	LINK, WING TILT
11	14575	1	BALL JOINT, ADJUSTMENT
12	14642	1	LINK, MIDDLE SCISSORS
13	14643	2	LINK, OUTSIDE SANDWICH
15	14746	1	LOCK, SWING WING
16	14747	1	SWING WING BUMP BUSHING
20	530307	4	BUSHING, CONEX
21	530309	6	WASHER, FLAT HEAVY 13/32 X 1
22	590006	1	SPRING, COMPRESSION
25	590099	1	REST, WING
26	590112	1	BOLT, BREAKAWAY
27	590405	1	BUMP, SWING WING
28	590180	2	SNAP RING 1" EXTERNAL
29	596846M	4	BOLT, SHOULDER, 5/8 X 1.25" MAGNI
29	596845M	4	BOLT, SHOULDER, 5/8 X 1.63" MAGNI
30	596117M	1	BOLT, HH 5/16-18X2 GR5 MAGNI
31	596138M	2	BOLT, HH 3/8-16X6 GR5 MAGNI
32	596154M	6	BOLT, HH 1/2-13X2 GR5 MAGNI
33	596155M	1	BOLT, HH 1/2-13X2-1/2 GR5 MAGNI
34	596185M	1	BOLT, HH 3/4-10X2-1/2 MAGNI
35	596209M	1	BOLT, HH 1-8X7-1/2 GR5 MAGNI
36	596217M	1	NUT, HEX 3/4-10 G5 MAGNI
37	596218M	3	NUT, HEX 1-8 MAGNI
38	596223M	5	NUT, HEX JAM 1/2-13 MAGNI
39	596225M	3	NUT, HEX JAM 3/4-10 GR8 MAGNI
40	596226M	2	NUT, HEX JAM 1-8 MAGNI
41	596229M	2	NUT, HEX NYLOCK 3/8-16 MAGNI
42	596231M	2	NUT, HEX NYLOCK 1/2-13 MAGNI
43	596232M	3	NUT, HEX NYLOCK 5/8-11 MAGNI
44	596236M	1	NUT, CENTERLOCK, 5/16-18 MAGNI
45	596239M	3	NUT, CENTERLOCK, 1/2-13 MAGNI
46	596240M	2	NUT, CENTERLOCK, 5/8-11 MAGNI
47	596260M	8	WASHER, FLAT 1/2 MAGNI
48	596633M	6	BOLT, HH 3/8-24X1-1/4 GR8 MAGNI
49	620023	1	CYLINDER, 25TD08-112
50	620034	1	CYLINDER, 20TD10.00-112
51	620057	1	CYLINDER, 30THC16.00-150
52	790028	1	SHOCK, BREAKAWAY, HEAVY

Wings - Narrow Tri-Fold 60/88 Foot Boom



**OVERALL VIEWS,
MAIN COMPONENTS
& BOM**

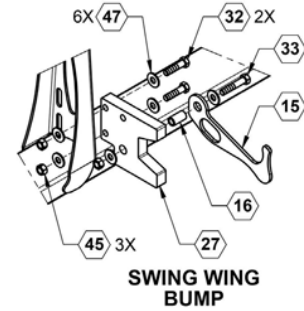
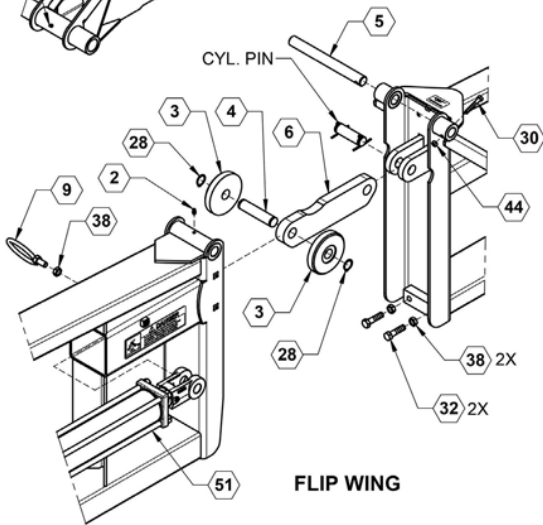
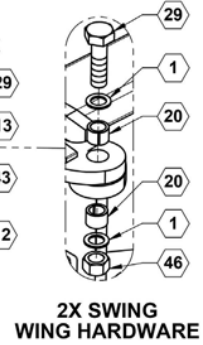
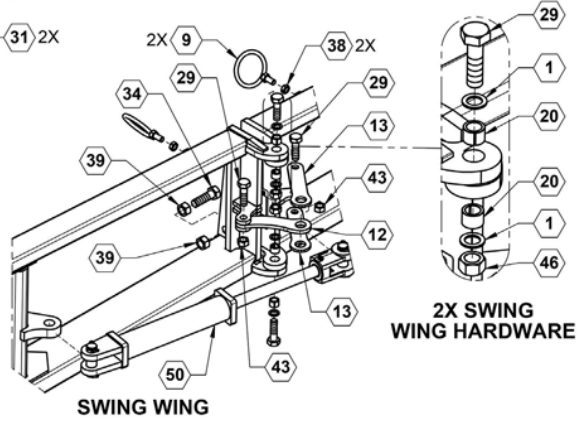
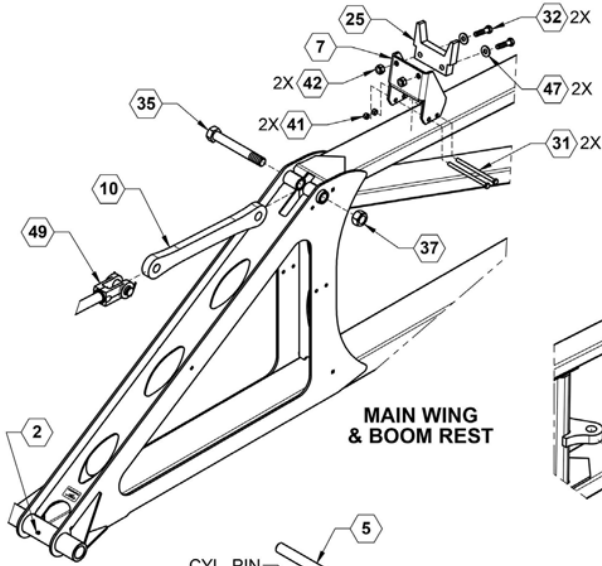


ILLUSTRATED PARTS LIST

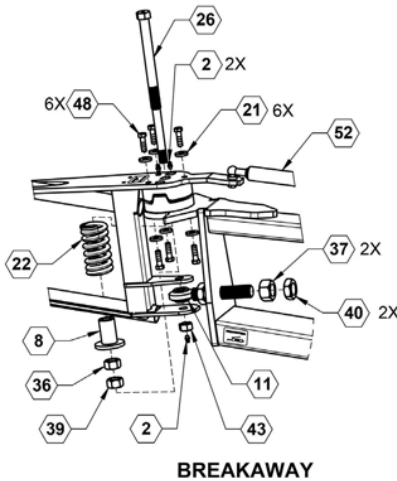
Wings - Narrow Tri-Fold 60/88 Boom Parts List

ITEM	PART NO.	QTY.	DESCRIPTION
10	14149	1	LINK, WING TILT
14	14715L	1	WING, LH SWING
14	14715R	1	WING, RH SWING
15	14746	1	LOCK, SWING WING
17	14750	1	MAIN WING, 9600N
18	14850	1	BREAKAWAY 83", WELDMENT
19	14705L	1	WING, FLIP, LH, 90FT BOOM, 9600N
19	14705R	1	WING, FLIP, RH, 90FT BOOM, 9600N
22	590006	1	SPRING, COMPRESSION
25	590099	1	REST, WING
27	590405	1	BUMP, SWING WING
49	620023	1	CYLINDER, 25TD08-112
50	620034	1	CYLINDER, 20TD10.00-112
51	620057	1	CYLINDER, 30THC16.00-150
52	790028	1	SHOCK, BREAKAWAY, HEAVY
	800014	4	DECAL, GREASE PIVOT POINTS
	800020	1	DECAL, FAST LOGO BLACK/GRAY
	800105	1	DECAL, WARNING-STAND CLEAR
	800106	2	DECAL, DANGER-STAND CLEAR
	800110	3	DECAL, AMBER REFLECTOR
	800174	2	DECAL, TF

Wings - Narrow Tri-Fold 60/88 Foot Boom



EXPLODED PARTS VIEWS AT HINGE AREAS



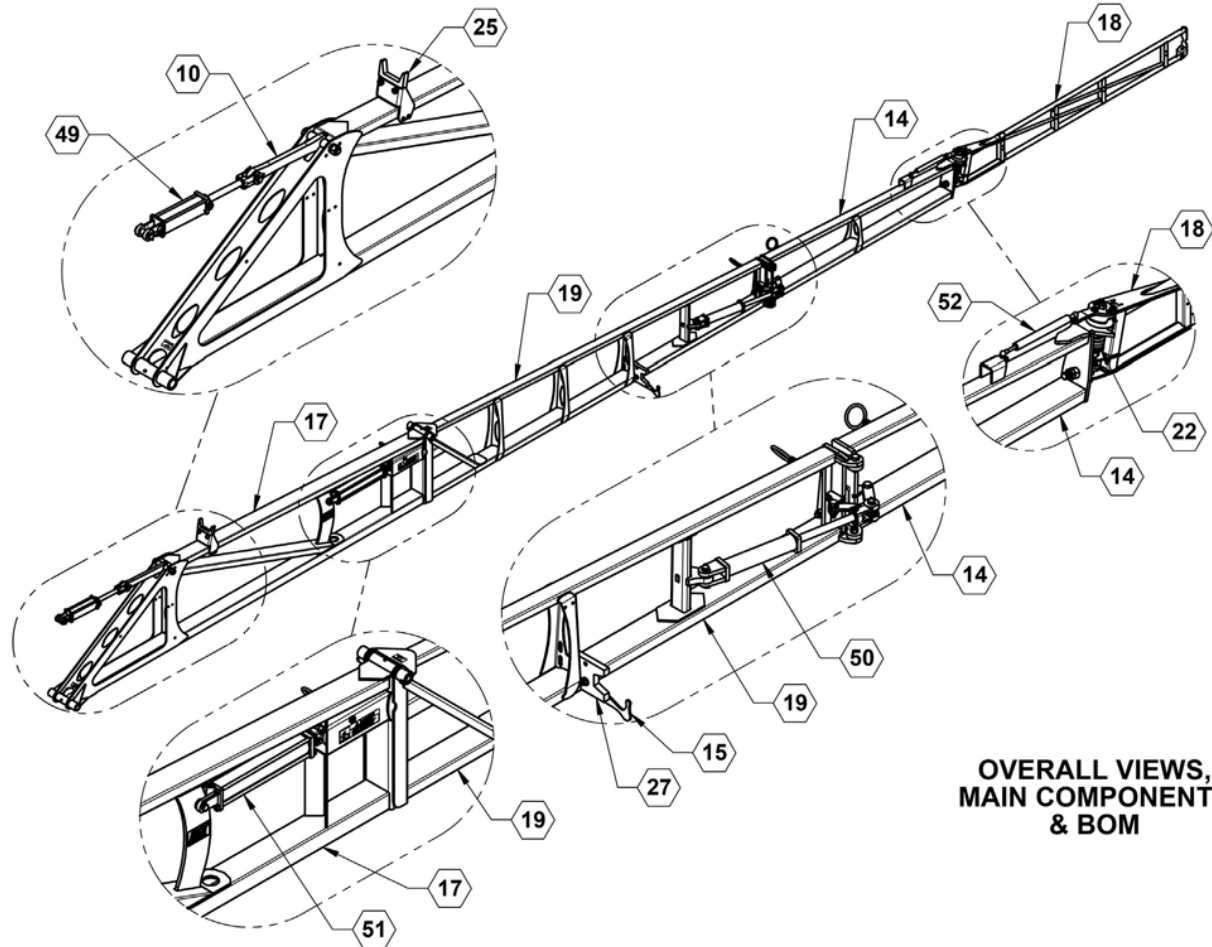
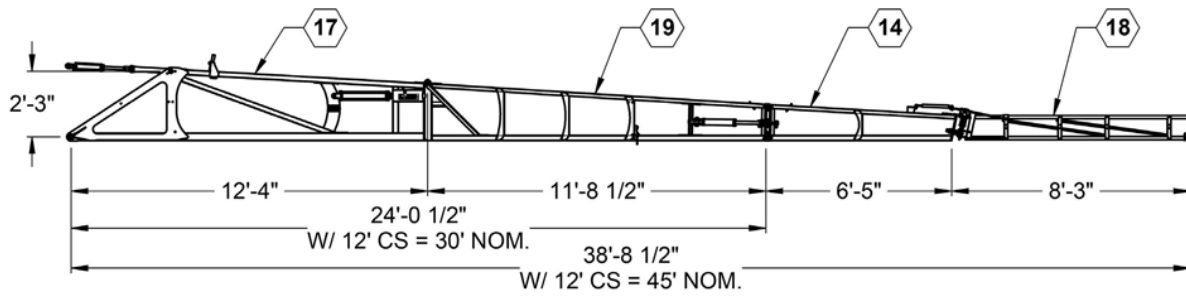


ILLUSTRATED PARTS LIST

Wings - Narrow Tri-Fold 60/88 Boom Parts List

ITEM	PART NO.	QTY.	DESCRIPTION
1	568	4	BUSHING, MACHINED
2	759	5	ZERK, 1/4-28 STRAIGHT
3	7668	2	ROLLER, WING, MACHINED
4	7669	1	PIN, ROLLER, 1"
5	9468	1	PIN, FLIP WING
6	9514	1	ARM, FLIP WING
7	12206	1	BRACKET, BOLT ON WING REST
8	14013	1	SPRING GUIDE
9	14146	3	BRACKET, HOSE RING
10	14149	1	LINK, WING TILT
11	14575	1	BALL JOINT, ADJUSTMENT
12	14642	1	LINK, MIDDLE SCISSORS
13	14643	2	LINK, OUTSIDE SANDWICH
15	14746	1	LOCK, SWING WING
16	14747	1	SWING WING BUMP BUSHING
20	530307	4	BUSHING, CONEX
21	530309	6	WASHER, FLAT HEAVY 13/32 X 1
22	590006	1	SPRING, COMPRESSION
25	590099	1	REST, WING
26	590112	1	BOLT, BREAKAWAY
27	590405	1	BUMP, SWING WING
28	590180	2	SNAP RING 1" EXTERNAL
29	596846M	4	BOLT, SHOULDER, 5/8 X 1.25" MAGNI
29	596845M	4	BOLT, SHOULDER, 5/8 X 1.63" MAGNI
30	596117M	1	BOLT, HH 5/16-18X2 GR5 MAGNI
31	596138M	2	BOLT, HH 3/8-16X6 GR5 MAGNI
32	596154M	6	BOLT, HH 1/2-13X2 GR5 MAGNI
33	596155M	1	BOLT, HH 1/2-13X2-1/2 GR5 MAGNI
34	596185M	1	BOLT, HH 3/4-10X2-1/2 MAGNI
35	596209M	1	BOLT, HH 1-8X7-1/2 GR5 MAGNI
36	596217M	1	NUT, HEX 3/4-10 G5 MAGNI
37	596218M	3	NUT, HEX 1-8 MAGNI
38	596223M	5	NUT, HEX JAM 1/2-13 MAGNI
39	596225M	3	NUT, HEX JAM 3/4-10 GR8 MAGNI
40	596226M	2	NUT, HEX JAM 1-8 MAGNI
41	596229M	2	NUT, HEX NYLOCK 3/8-16 MAGNI
42	596231M	2	NUT, HEX NYLOCK 1/2-13 MAGNI
43	596232M	3	NUT, HEX NYLOCK 5/8-11 MAGNI
44	596236M	1	NUT, CENTERLOCK, 5/16-18 MAGNI
45	596239M	3	NUT, CENTERLOCK, 1/2-13 MAGNI
46	596240M	2	NUT, CENTERLOCK, 5/8-11 MAGNI
47	596260M	8	WASHER, FLAT 1/2 MAGNI
48	596633M	6	BOLT, HH 3/8-24X1-1/4 GR8 MAGNI
49	620023	1	CYLINDER, 25TD08-112
50	620034	1	CYLINDER, 20TD10.00-112
51	620057	1	CYLINDER, 30THC16.00-150
52	790028	1	SHOCK, BREAKAWAY, HEAVY

Wings - Tri-Fold 60/90 Foot Boom



**OVERALL VIEWS,
MAIN COMPONENTS
& BOM**

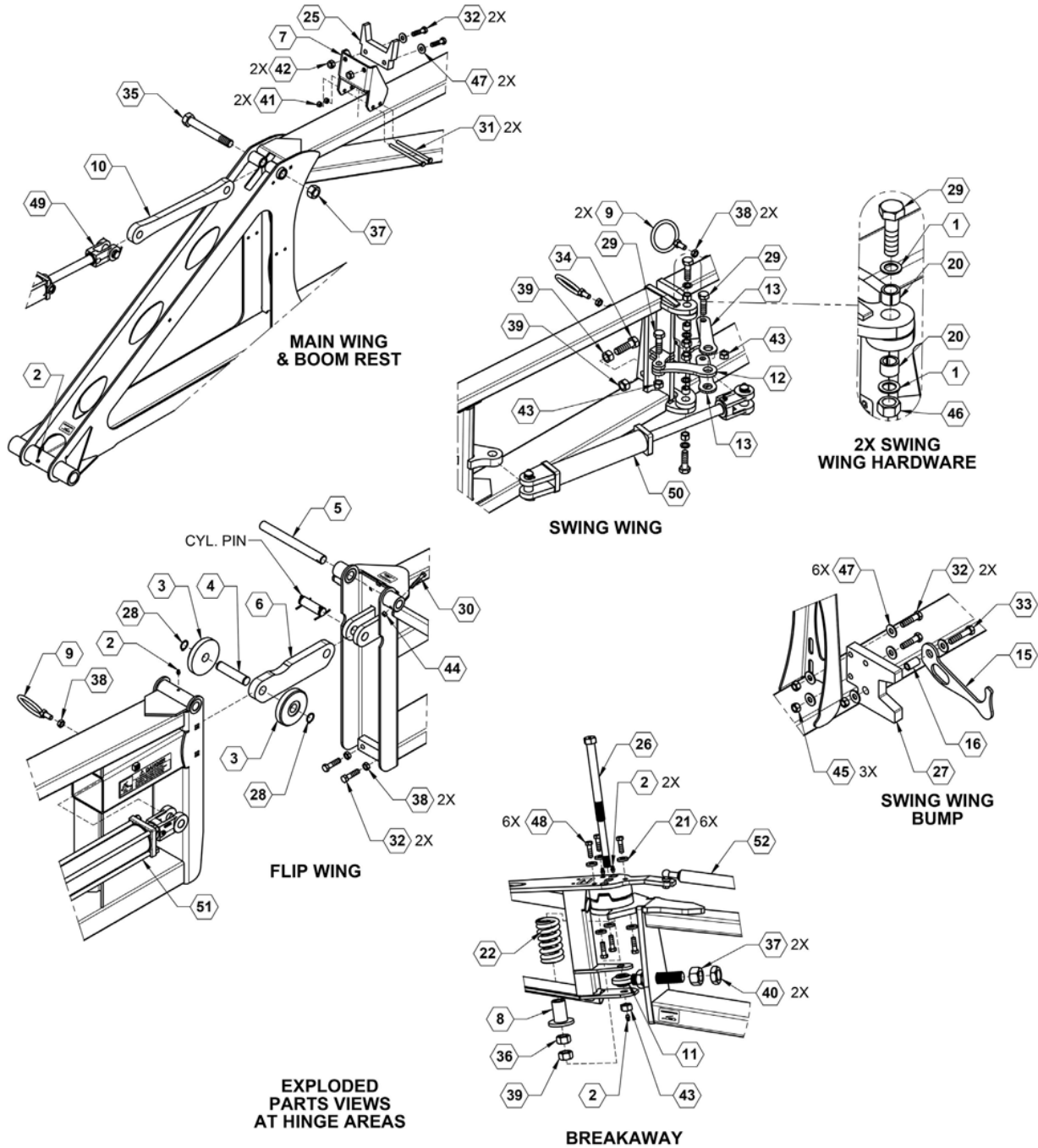


ILLUSTRATED PARTS LIST

Wings - Tri-Fold 60/90 Boom Parts List

ITEM	PART NO.	QTY.	DESCRIPTION
10	14149	1	LINK, WING TILT
14	14715L	1	WING, LH SWING
14	14715R	1	WING, RH SWING
15	14746	1	LOCK, SWING WING
17	14750	1	MAIN WING, 9600N
18	18300	1	WLDMNT, 93" BREAKAWAY
19	22969L	1	WING, FLIP, LH, 90FT BOOM
19	22969R	1	WING, FLIP, RH, 90FT BOOM
22	590006	1	SPRING, COMPRESSION
25	590099	1	REST, WING
27	590405	1	BUMP, SWING WING
49	620023	1	CYLINDER, 25TD08-112
50	620034	1	CYLINDER, 20TD10.00-112
51	620057	1	CYLINDER, 30THC16.00-150
52	790028	1	SHOCK, BREAKAWAY, HEAVY
	800014	4	DECAL, GREASE PIVOT POINTS
	800020	1	DECAL, FAST LOGO BLACK/GRAY
	800105	1	DECAL, WARNING-STAND CLEAR
	800106	2	DECAL, DANGER-STAND CLEAR
	800110	3	DECAL, AMBER REFLECTOR
	800174	2	DECAL, TF

Wings - Tri-Fold 60/90 Foot Boom



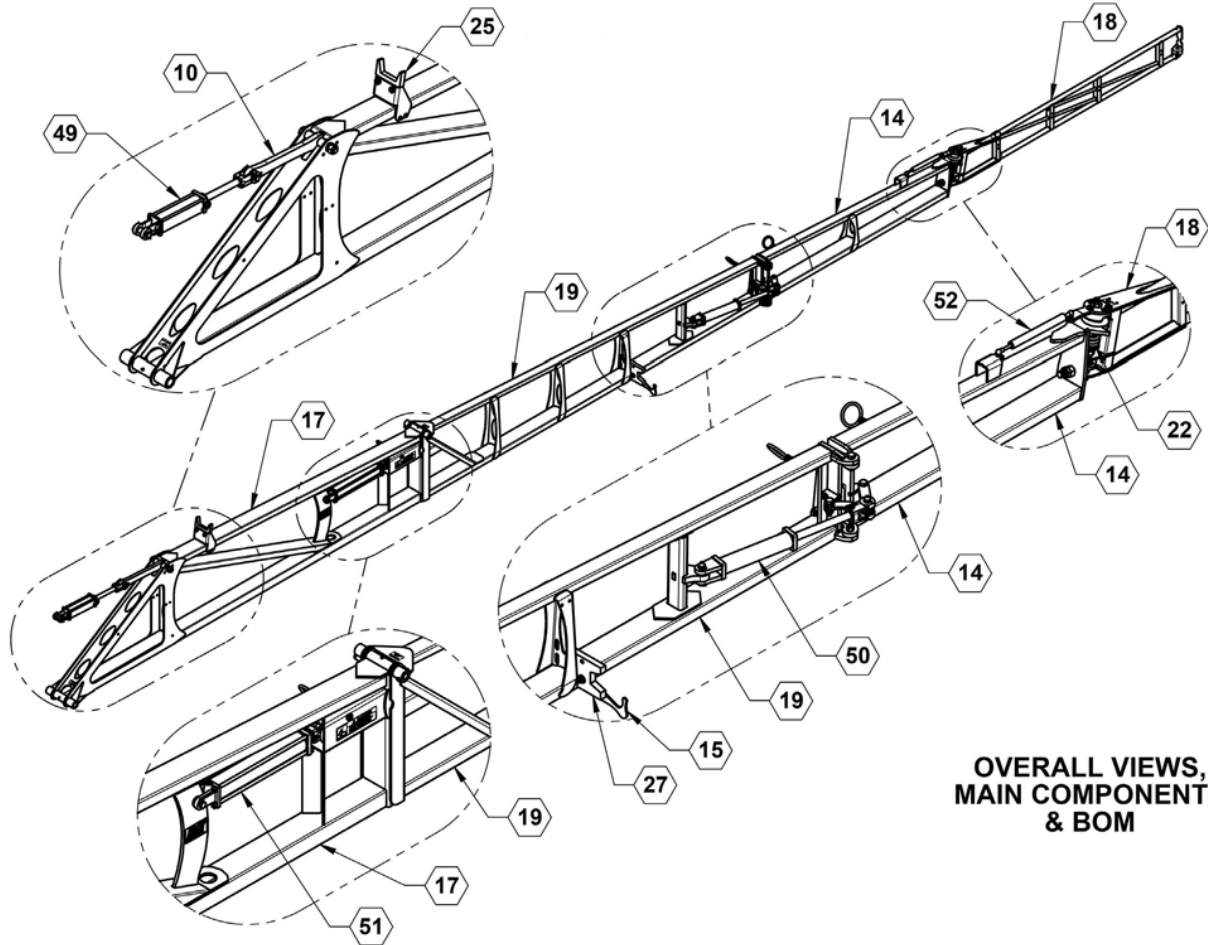
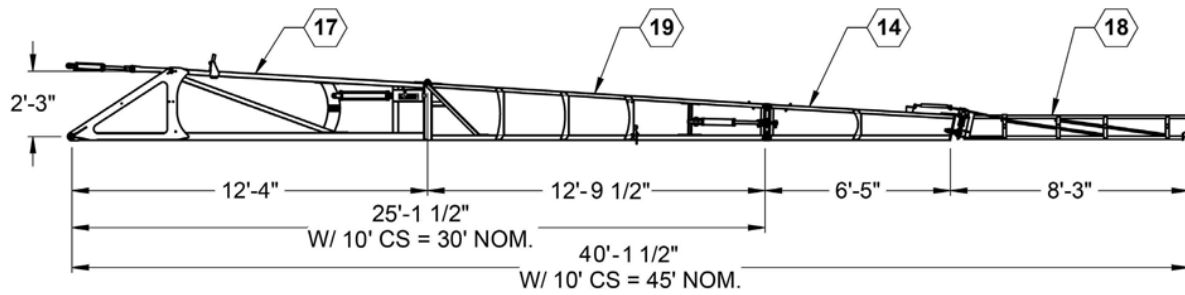


ILLUSTRATED PARTS LIST

Wings - Tri-Fold 60/90 Boom Parts List

ITEM	PART NO.	QTY.	DESCRIPTION
1	568	4	BUSHING, MACHINED
2	759	5	ZERK, 1/4-28 STRAIGHT
3	7668	2	ROLLER, WING, MACHINED
4	7669	1	PIN, ROLLER, 1"
5	9468	1	PIN, FLIP WING
6	9514	1	ARM, FLIP WING
7	12206	1	BRACKET, BOLT ON WING REST
8	14013	1	GUIDE, SPRING WELDMENT
9	14146	3	BRACKET, HOSE RING
10	14149	1	LINK, WING TILT
11	14575	1	BALL JOINT, ADJUSTMENT
12	14642	1	LINK, MIDDLE SCISSORS
13	14643	2	LINK, OUTSIDE SANDWICH
15	14746	1	LOCK, SWING WING
16	14747	1	SWING WING BUMP BUSHING
20	530307	4	BUSHING, CONEX
21	530309	6	WASHER, FLAT HEAVY 13/32 X 1
22	590006	1	SPRING, COMPRESSION
25	590099	1	REST, WING
26	590112	1	BOLT, BREAKAWAY
27	590405	1	BUMP, SWING WING
28	590180	2	SNAP RING, 1" EXTERNAL
29	596846M	4	BOLT, SHOULDER, 5/8 X 1.25" MAGNI
29	596845M	4	BOLT, SHOULDER, 5/8 X 1.63" MAGNI
30	596117M	1	BOLT, HH 5/16-18X2 GR5 MAGNI
31	596138M	2	BOLT, HH 3/8-16X6 GR5 MAGNI
32	596154M	6	BOLT, HH 1/2-13X2 GR5 MAGNI
33	596155M	1	BOLT, HH 1/2-13X2-1/2 GR5 MAGNI
34	596185M	1	BOLT, HH 3/4-10X2-1/2 MAGNI
35	596209M	1	BOLT, HH 1-8X7-1/2 GR5 MAGNI
36	596217M	1	NUT, HEX 3/4-10 MAGNI
37	596218M	3	NUT, HEX 1-8 MAGNI
38	596223M	5	NUT, HEX JAM 1/2-13 MAGNI
39	596225M	3	NUT, HEX JAM 3/4-10 GR8 MAGNI
40	596226M	2	NUT, HEX JAM 1-8 MAGNI
41	596229M	2	NUT, HEX NYLOCK 3/8-16 MAGNI
42	596231M	2	NUT, HEX NYLOCK 1/2-13 MAGNI
43	596232M	3	NUT, HEX NYLOCK 5/8-11 MAGNI
44	596236M	1	NUT, CENTERLOCK, 5/16-18 MAGNI
45	596239M	3	NUT, CENTERLOCK, 1/2-13 MAGNI
46	596240M	2	NUT, CENTERLOCK, 5/8-11 MAGNI
47	596260M	8	WASHER, FLAT 1/2 MAGNI
48	596633M	6	BOLT, HH 3/8-24X1-1/4 GR8 MAGNI
49	620023	1	CYLINDER, 25TD08-112
50	620034	1	CYLINDER, 20TD10.00-112
51	620057	1	CYLINDER, 30THC16.00-150
52	790028	1	SHOCK, BREAKAWAY, HEAVY

Wings - Narrow Tri-Fold 60/90 Foot Boom



**OVERALL VIEWS,
MAIN COMPONENTS
& BOM**

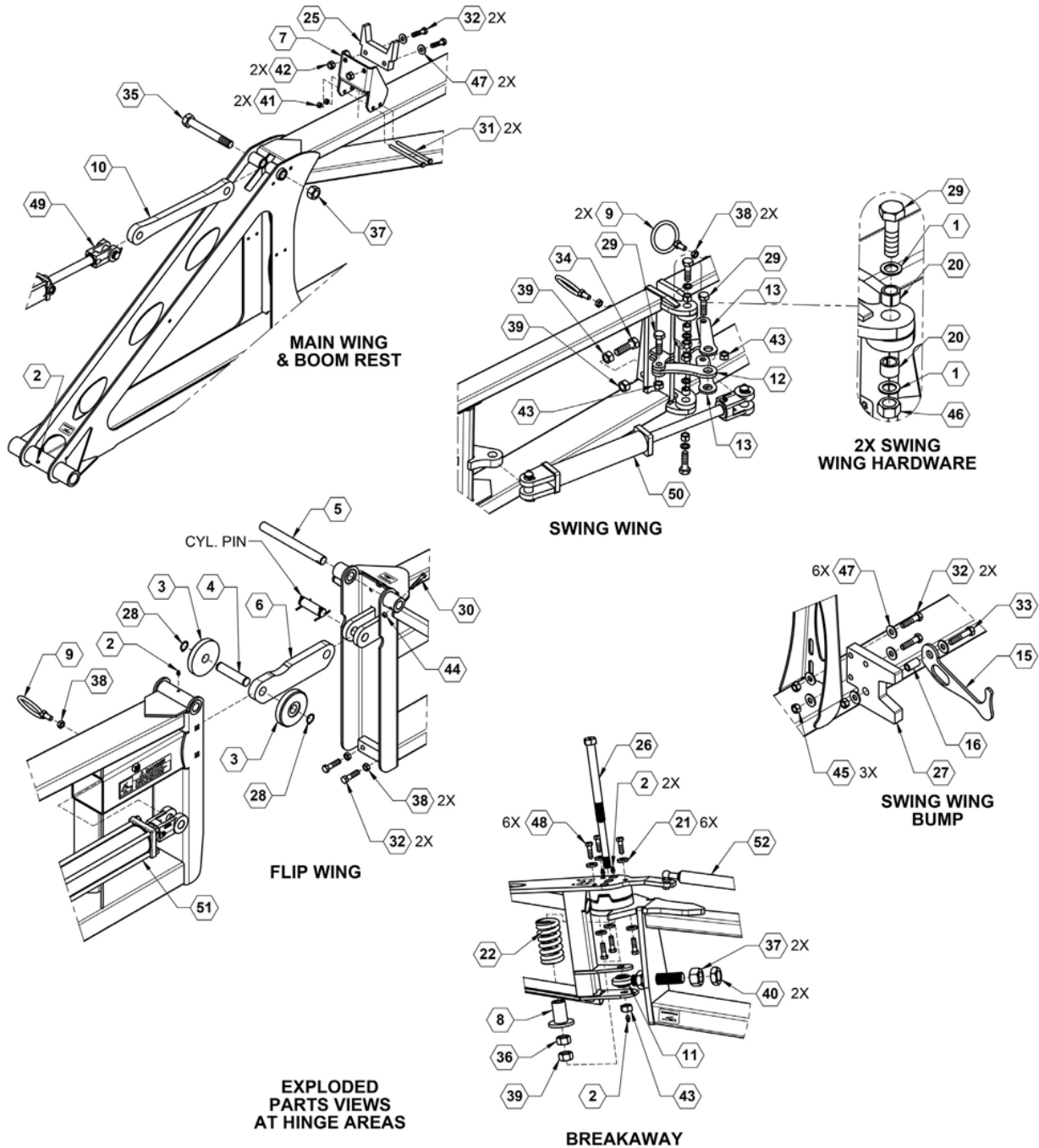


ILLUSTRATED PARTS LIST

Wings - Narrow Tri-Fold 60/90 Boom Parts List

ITEM	PART NO.	QTY.	DESCRIPTION
10	14149	1	LINK, WING TILT
14	14715L	1	WING, LH SWING
14	14715R	1	WING, RH SWING
15	14746	1	LOCK, SWING WING
17	14750	1	MAIN WING, 9600N
18	18300	1	WLDMNT, 93" BREAKAWAY
19	14705L	1	WING, FLIP, LH, 90FT BOOM, 9600N
19	14705R	1	WING, FLIP, RH, 90FT BOOM, 9600N
22	590006	1	SPRING, COMPRESSION
25	590099	1	REST, WING
27	590405	1	BUMP, SWING WING
49	620023	1	CYLINDER, 25TD08-112
50	620034	1	CYLINDER, 20TD10.00-112
51	620057	1	CYLINDER, 30THC16.00-150
52	790028	1	SHOCK, BREAKAWAY, HEAVY
	800014	4	DECAL, GREASE PIVOT POINTS
	800020	1	DECAL, FAST LOGO BLACK/GRAY
	800105	1	DECAL, WARNING-STAND CLEAR
	800106	2	DECAL, DANGER-STAND CLEAR
	800110	3	DECAL, AMBER REFLECTOR
	800174	2	DECAL, TF

Wings - Narrow Tri-Fold 60/90 Foot Boom



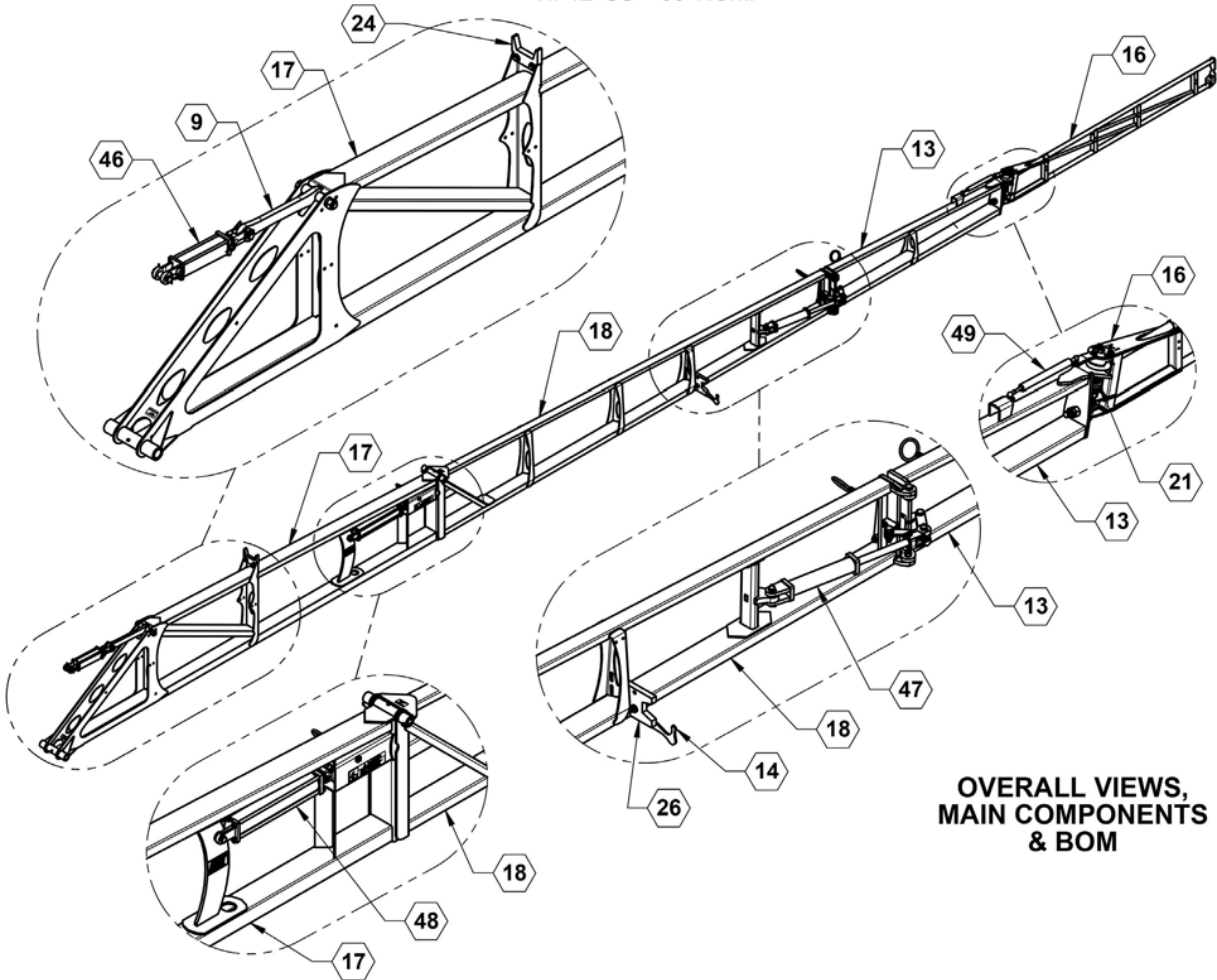
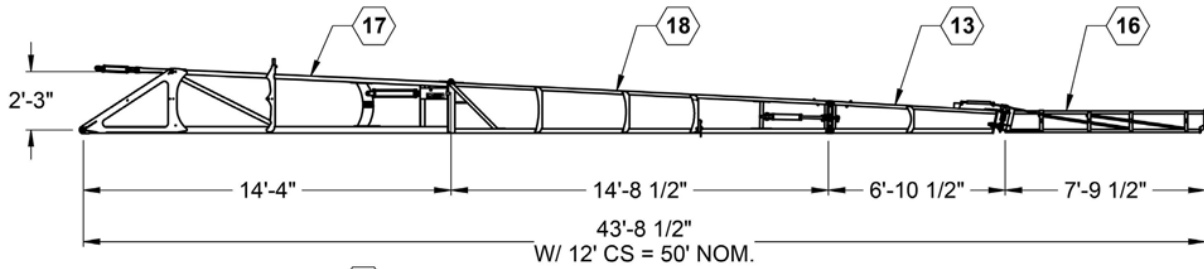


ILLUSTRATED PARTS LIST

Wings - Narrow Tri-Fold 60/90 Boom Parts List

ITEM	PART NO.	QTY.	DESCRIPTION
1	568	4	BUSHING, MACHINED
2	759	5	ZERK, 1/4-28 STRAIGHT
3	7668	2	ROLLER, WING, MACHINED
4	7669	1	PIN, ROLLER, 1"
5	9468	1	PIN, FLIP WING
6	9514	1	ARM, FLIP WING
7	12206	1	BRACKET, BOLT ON WING REST
8	14013	1	GUIDE, SPRING WELDMENT
9	14146	3	BRACKET, HOSE RING
10	14149	1	LINK, WING TILT
11	14575	1	BALL JOINT, ADJUSTMENT
12	14642	1	LINK, MIDDLE SCISSORS
13	14643	2	LINK, OUTSIDE SANDWICH
15	14746	1	LOCK, SWING WING
16	14747	1	SWING WING BUMP BUSHING
20	530307	4	BUSHING, CONEX
21	530309	6	WASHER, FLAT HEAVY 13/32 X 1
22	590006	1	SPRING, COMPRESSION
25	590099	1	REST, WING
26	590112	1	BOLT, BREAKAWAY
27	590405	1	BUMP, SWING WING
28	590180	2	SNAP RING, 1" EXTERNAL
29	596846M	4	BOLT, SHOULDER, 5/8 X 1.25" MAGNI
29	596845M	4	BOLT, SHOULDER, 5/8 X 1.63" MAGNI
30	596117M	1	BOLT, HH 5/16-18X2 GR5 MAGNI
31	596138M	2	BOLT, HH 3/8-16X6 GR5 MAGNI
32	596154M	6	BOLT, HH 1/2-13X2 GR5 MAGNI
33	596155M	1	BOLT, HH 1/2-13X2-1/2 GR5 MAGNI
34	596185M	1	BOLT, HH 3/4-10X2-1/2 MAGNI
35	596209M	1	BOLT, HH 1-8X7-1/2 GR5 MAGNI
36	596217M	1	NUT, HEX 3/4-10 MAGNI
37	596218M	3	NUT, HEX 1-8 MAGNI
38	596223M	5	NUT, HEX JAM 1/2-13 MAGNI
39	596225M	3	NUT, HEX JAM 3/4-10 GR8 MAGNI
40	596226M	2	NUT, HEX JAM 1-8 MAGNI
41	596229M	2	NUT, HEX NYLOCK 3/8-16 MAGNI
42	596231M	2	NUT, HEX NYLOCK 1/2-13 MAGNI
43	596232M	3	NUT, HEX NYLOCK 5/8-11 MAGNI
44	596236M	1	NUT, CENTERLOCK, 5/16-18 MAGNI
45	596239M	3	NUT, CENTERLOCK, 1/2-13 MAGNI
46	596240M	2	NUT, CENTERLOCK, 5/8-11 MAGNI
47	596260M	8	WASHER, FLAT 1/2 MAGNI
48	596633M	6	BOLT, HH 3/8-24X1-1/4 GR8 MAGNI
49	620023	1	CYLINDER, 25TD08-112
50	620034	1	CYLINDER, 20TD10.00-112
51	620057	1	CYLINDER, 30THC16.00-150
52	790028	1	SHOCK, BREAKAWAY, HEAVY

Wings - Tri-Fold 100 Foot Boom



**OVERALL VIEWS,
MAIN COMPONENTS
& BOM**

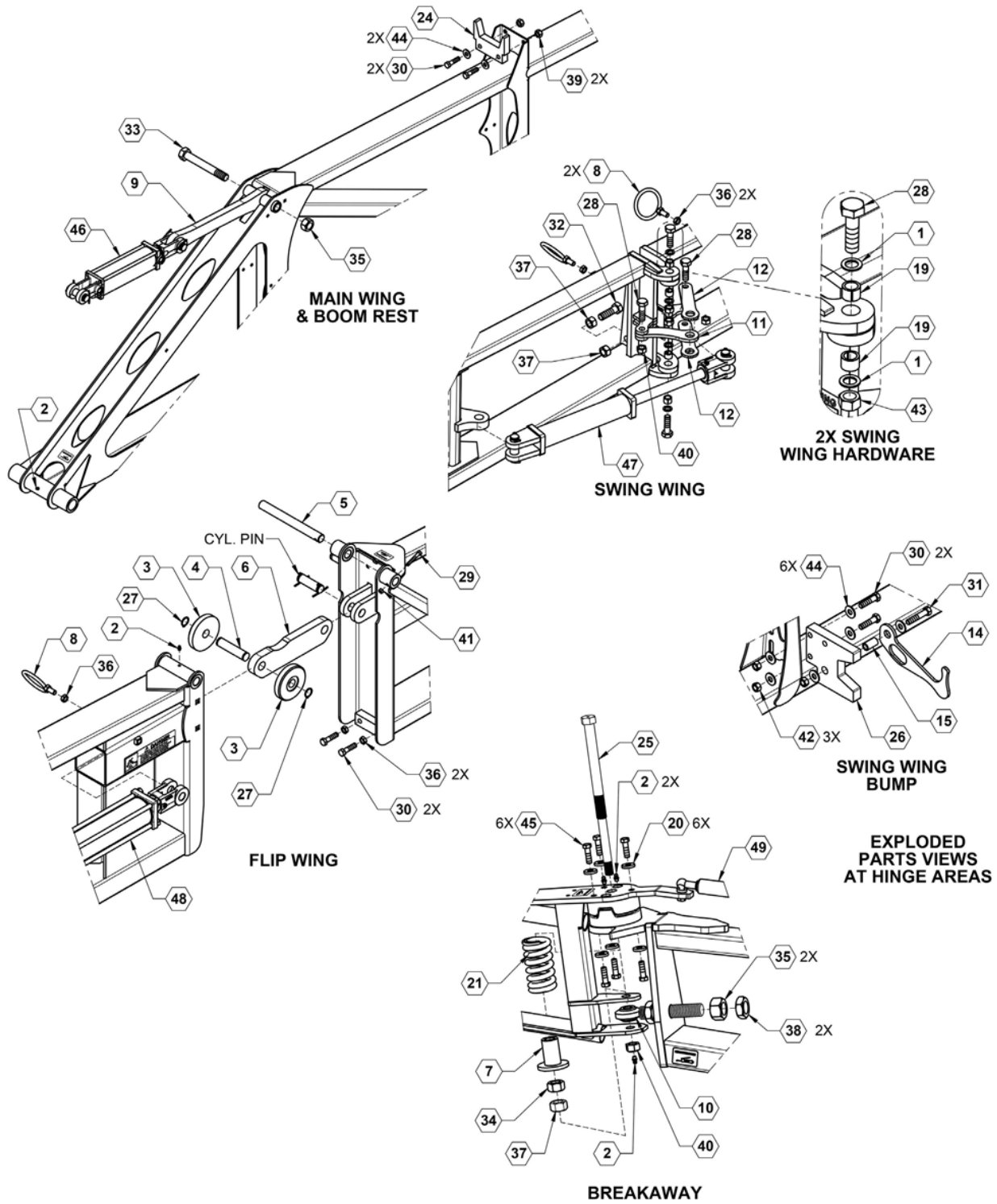


ILLUSTRATED PARTS LIST

Wings - Tri-Fold 100 Boom Parts List

ITEM	PART NO.	QTY.	DESCRIPTION
9	14149	1	LINK, WING TILT
13	14715L	1	WING, LH SWING
13	14715R	1	WING, RH SWING
14	14746	1	LOCK, SWING WING
16	18300	1	WELDMENT, 93" BREAKAWAY
17	22970	1	WING, MAIN, 80' & 100' BOOM
18	22971L	1	WING, FLIP, LH, 100' BOOM
18	22971R	1	WING, FLIP, RH, 100' BOOM
21	590006	1	SPRING, COMPRESSION
24	590099	1	REST, WING
26	509405	1	BUMP, SWING WING
46	620023	1	CYLINDER, 25TD08-112 WING TILT
47	620034	1	CYLINDER, 20TD10.00-112
48	620057	1	CYLINDER, 30THC16.00-150 FLIP WING
49	790028	1	SHOCK, BREAKAWAY, HEAVY
	800014	4	DECAL, GREASE PIVOT POINTS
	800020	1	DECAL, FAST LOGO BLACK/GRAY
	800105	1	DECAL, WARNING-STAND CLEAR
	800106	2	DECAL, DANGER-STAND CLEAR
	800110	3	DECAL, AMBER REFLECTOR
	800174	2	DECAL, TF

Wings - Tri-Fold 100 Foot Boom



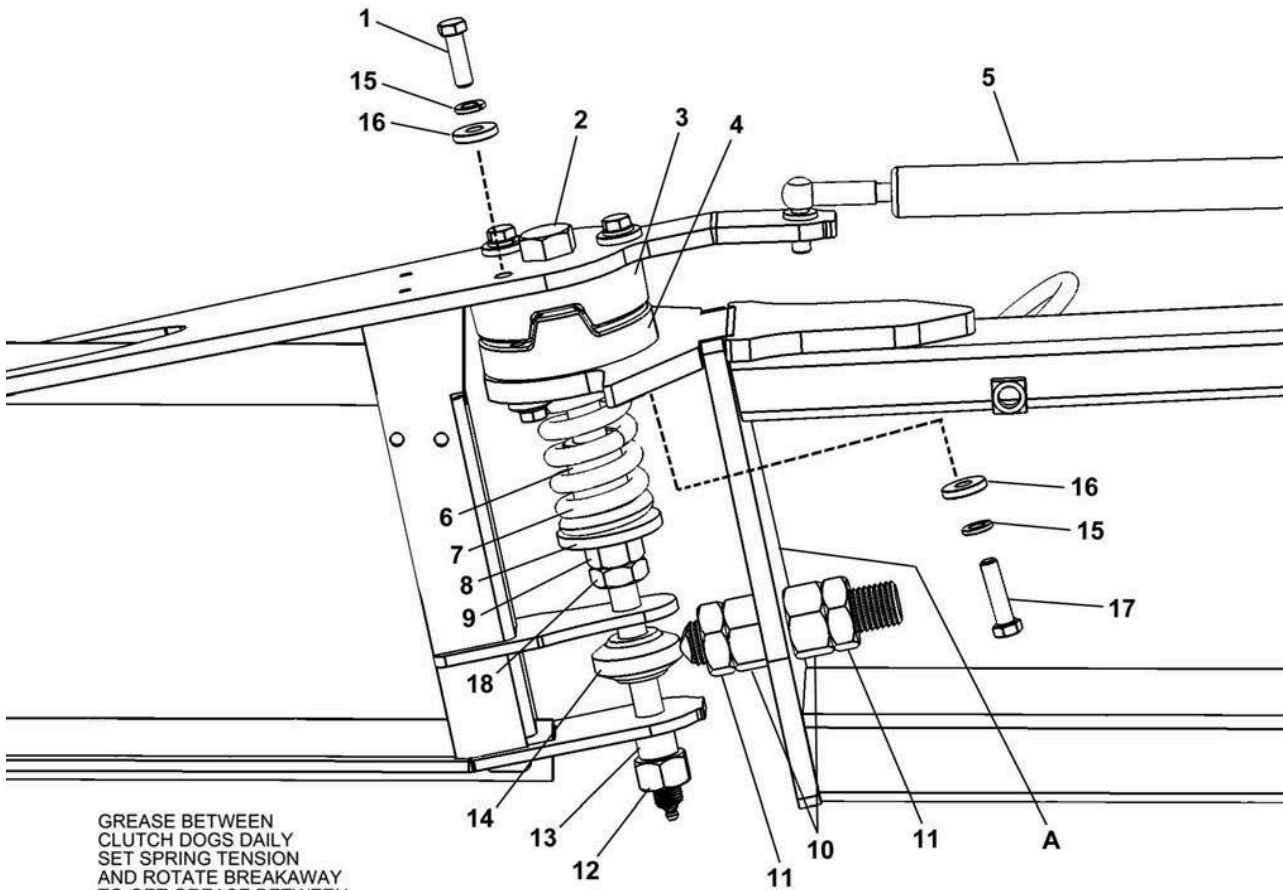


ILLUSTRATED PARTS LIST

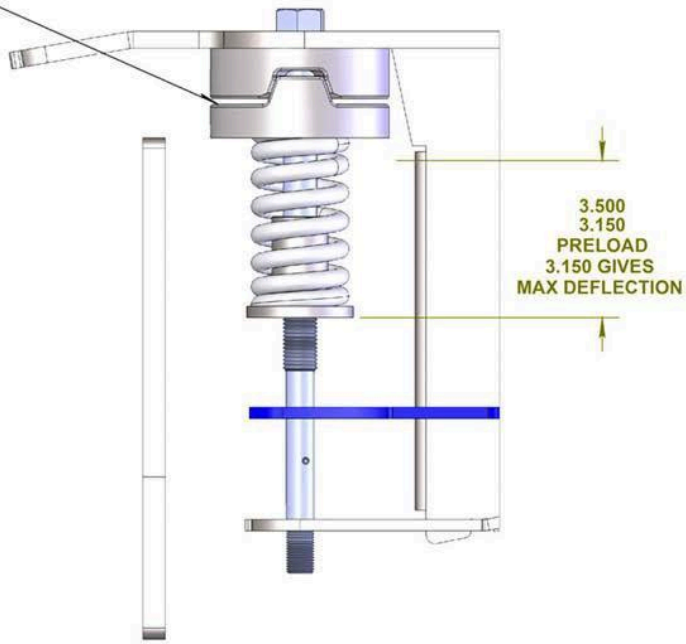
Wings - Tri-Fold 100 Boom Parts List

ITEM	PART NO.	QTY.	DESCRIPTION
1	568	4	BUSHING, MACHINED
2	759	5	ZERK, 1/4-28 STRAIGHT
3	7668	2	ROLLER, WING, MACHINED
4	7669	1	PIN, ROLLER, 1"
5	9468	1	PIN, FLIP WING
6	9514	1	ARM, FLIP WING
7	14013	1	SPRING GUIDE
8	14146	3	BRACKET, HOSE RING
9	14149	1	LINK, WING TILT
10	14575	1	BALL JOINT, ADJUSTMENT
11	14642	1	LINK, MIDDLE SCISSORS
12	14643	2	LINK, OUTSIDE SANDWICH
14	14746	1	LOCK, SWING WING
15	14747	1	SWING WING BUMP BUSHING
19	530307	4	BUSHING, CONEX
20	530309	6	WASHER, FLAT HEAVY 13/32 X 1
21	590006	1	SPRING, COMPRESSION
24	590099	1	REST, WING
25	590112	1	BOLT, BREAKAWAY
26	590405	1	BUMP, SWING WING
27	590180	2	SNAP RING 1" EXTERNAL
28	596846M	4	BOLT, SHOULDER, 5/8 X 1.25" MAGNI
28	596845M	4	BOLT, SHOULDER, 5/8 X 1.63" MAGNI
29	596117M	1	BOLT, HH 5/16-18X2 GR5 MAGNI
30	596154M	6	BOLT, HH 1/2-13X2 GR5 MAGNI
31	596155M	1	BOLT, HH 1/2-13X2-1/2 GR5 MAGNI
32	596185M	1	BOLT, HH 3/4-10X2-1/2 MAGNI
33	596209M	1	BOLT, HH 1-8X7-1/2 GR5 MAGNI
34	596217M	1	NUT, HEX 3/4-10 G5 MAGNI
35	596218M	3	NUT, HEX 1-8 MAGNI
36	596223M	5	NUT, HEX JAM 1/2-13 MAGNI
37	596225M	3	NUT, HEX JAM 3/4-10 GR8 MAGNI
38	596226M	2	NUT, HEX JAM 1-8 MAGNI
40	596232M	3	NUT, HEX NYLOCK 5/8-11 MAGNI
41	596236M	1	NUT, CENTERLOCK, 5/16-18 MAGNI
42	596239M	3	NUT, CENTERLOCK, 1/2-13 MAGNI
43	596240M	2	NUT, CENTERLOCK, 5/8-11 MAGNI
44	596260M	8	WASHER, FLAT 1/2 MAGNI
45	596633M	6	BOLT, HH 3/8-24X1-1/4 GR8 MAGNI
46	620023	1	CYLINDER, 25TD08-112 WING TILT
47	620034	1	CYLINDER, 20TD10.00-112
48	620057	1	CYLINDER, 30THC16.00-150 FLIP WING
49	790028	1	SHOCK, BREAKAWAY, HEAVY

Breakaway Pivot



GREASE BETWEEN CLUTCH DOGS DAILY SET SPRING TENSION AND ROTATE BREAKAWAY TO GET GREASE BETWEEN SURFACES



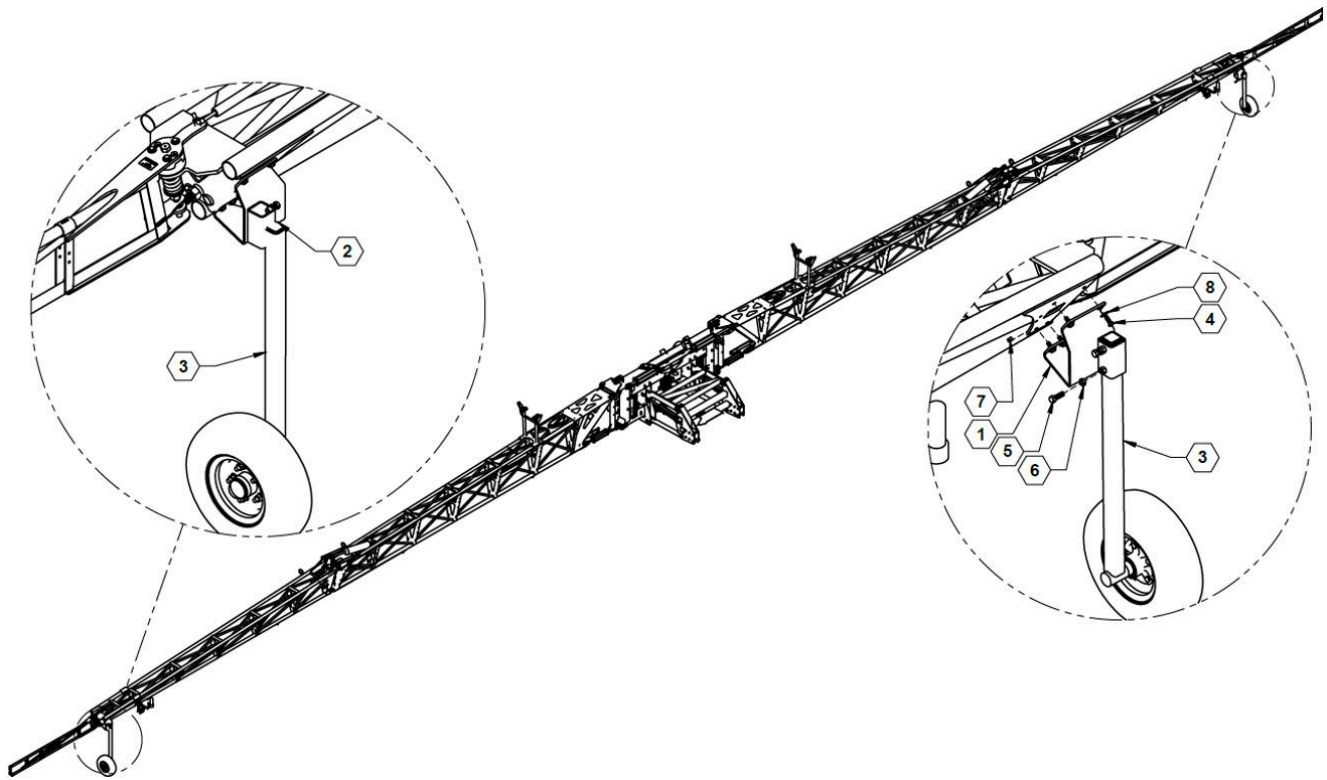


ILLUSTRATED PARTS LIST

Breakaway Pivot Parts List

ITEM	VENDOR PART NO.	PART NO.	QTY.	DESCRIPTION
1		596633M	6	BOLT HEX HEAD 3/8-24 X 1-1/4 GR8 MAGNI
2		590112	1	BOLT HEX HEAD BREAKAWAY PIVOT
3	14457	590074	1	20° CLUTCH MALE HALF
4	14458	590073	1	20° CLUTCH FEMALE HALF
5	EL-2X3X2-046	790028	1	SHOCK BREAKAWAY, HEAVY
6		14013	1	GUIDE, SPRING BREAKAWAY
7		590006	1	SPRING, BREAKAWAY
8		14013	1	GUIDE, SPRING BREAKAWAY
9		217	1	NUT HEX HEAD 3/4" ZP
10		799	2	NUT HEX HEAD 1" ZP
11		226	2	NUT HEX HEAD JAM 1" ZP
12		216	1	NUT HEX HEAD 5/8 ZP
13		14268	1	COLLAR
14		14575	1	BREAKAWAY ADJUSTMENT BOLT
15		250	6	LOCK WASHER 3/8 ZP
16		530309	6	FLAT WASHER HEAVY 3/8
17		368	3	BOLT HEX HEAD 3/8 X 1-1/2 GR8 ZP
18		225	1	NUT HEX HEAD JAM 3/4" ZP
19		12388	1	EARLY UNIT UPDATE - REPLACES 3/4" #14 WHEN PLATE (A) HAS A 3/4 X 1-1/2" SLOT

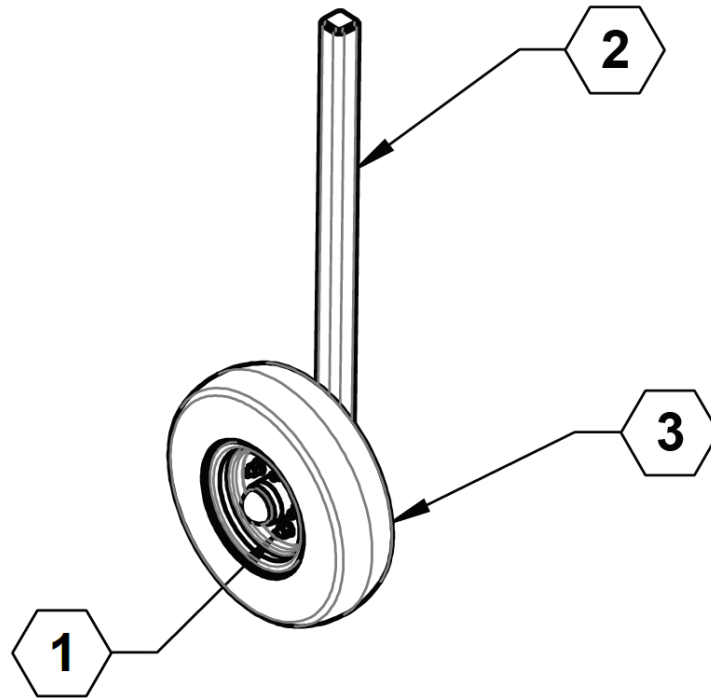
Touchdown Wheels Kit



Touchdown Wheels Kit Parts List 34922

ITEM	PART NO.	QTY.	DESCRIPTION
1	16908L	1	BRACKET, RAVEN AUTOBOOM
2	16908R	1	BRACKET, RAVEN AUTOBOOM
3	34921	1	TOUCHDOWN WHEEL ASSEMBLY
4	596128M	8	BOLT, HH 3/8-16 X 1 GR5 MAGNI
5	596153M	4	BOLT, HH 1/2-13X1-1/2 GR5 MAGNI
6	596223M	4	NUT, HEX JAM 1/2-13 MAGNI
7	596237M	8	NUT, CENTERLOCK 3/8-16 MAGNI
8	596258M	8	WASHER, FLAT 3/8 MAGNI
N.S.	10283	2	WELDMENT, AUTOBOOM SENSOR MOUNT
N.S.	10284	2	BRACKET, MOUNTING AUTOBOOM PLATE

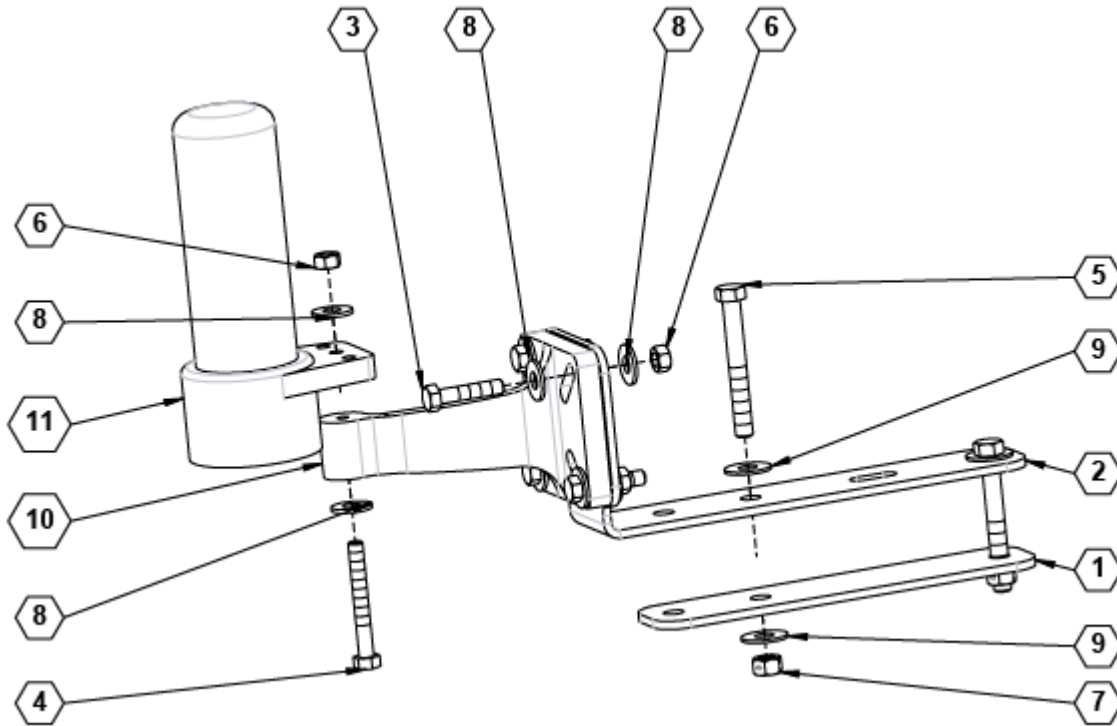
Touchdown Wheels



Touchdown Wheels Parts List 34921

ITEM	PART NO.	QTY.	DESCRIPTION
1	730125	2	HUB, N545 - 5 BOLT 4.5IN B.C.
2	34920	2	WELDMENT, TD WHEEL MOUNT
3	700215	2	WHEEL, 4.80-8, CARLISLE

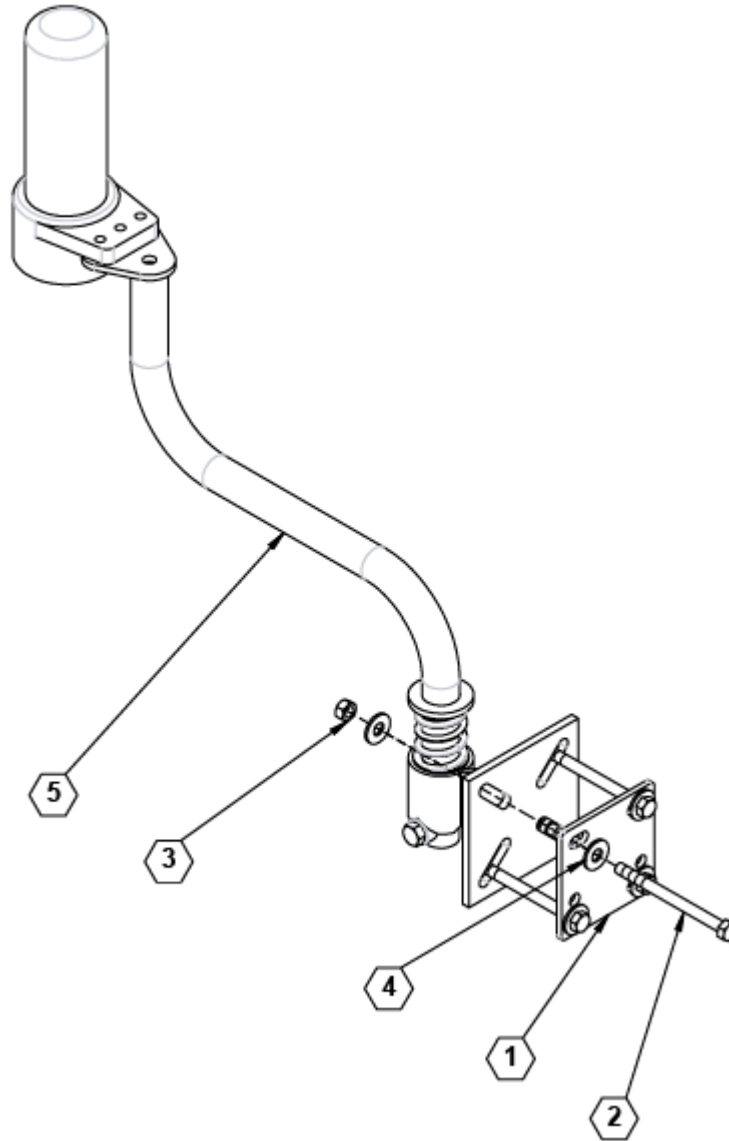
Auto-Height Sensor – Short



Auto-Height Sensor – Short Parts List

ITEM	PART NO.	QTY.	DESCRIPTION
1	16470	1	PLATE, BACKING, MOUNT
2	16471	1	MOUNT, AUTO BOOM, RAVEN
3	596116M	4	BOLT, HH 5/16-18 X 1-1/2 GR5 MAGNI
4	596118M	1	BOLT, HH 5/16-18 X 2-1/2 GR5 MAGNI
5	596132M	2	BOLT, HH 3/8-16 X 3 GR5 MAGNI
6	596236M	5	NUT, CENTERLOCK, 5/16-18 MAGNI
7	596237M	2	NUT, CENTERLOCK 3/8-16 MAGNI
8	596257M	10	WASHER, FLAT 5/16 USS MAGNI
9	596258M	4	WASHER, FLAT 3/8 MAGNI
10	631898	1	ARM ULTRASONIC SENSOR
11	632056	1	ULTRAGLIDE KIT, 60' - 100' BOOMS
	632057		ULTRAGLIDE KIT, 120'+ BOOMS

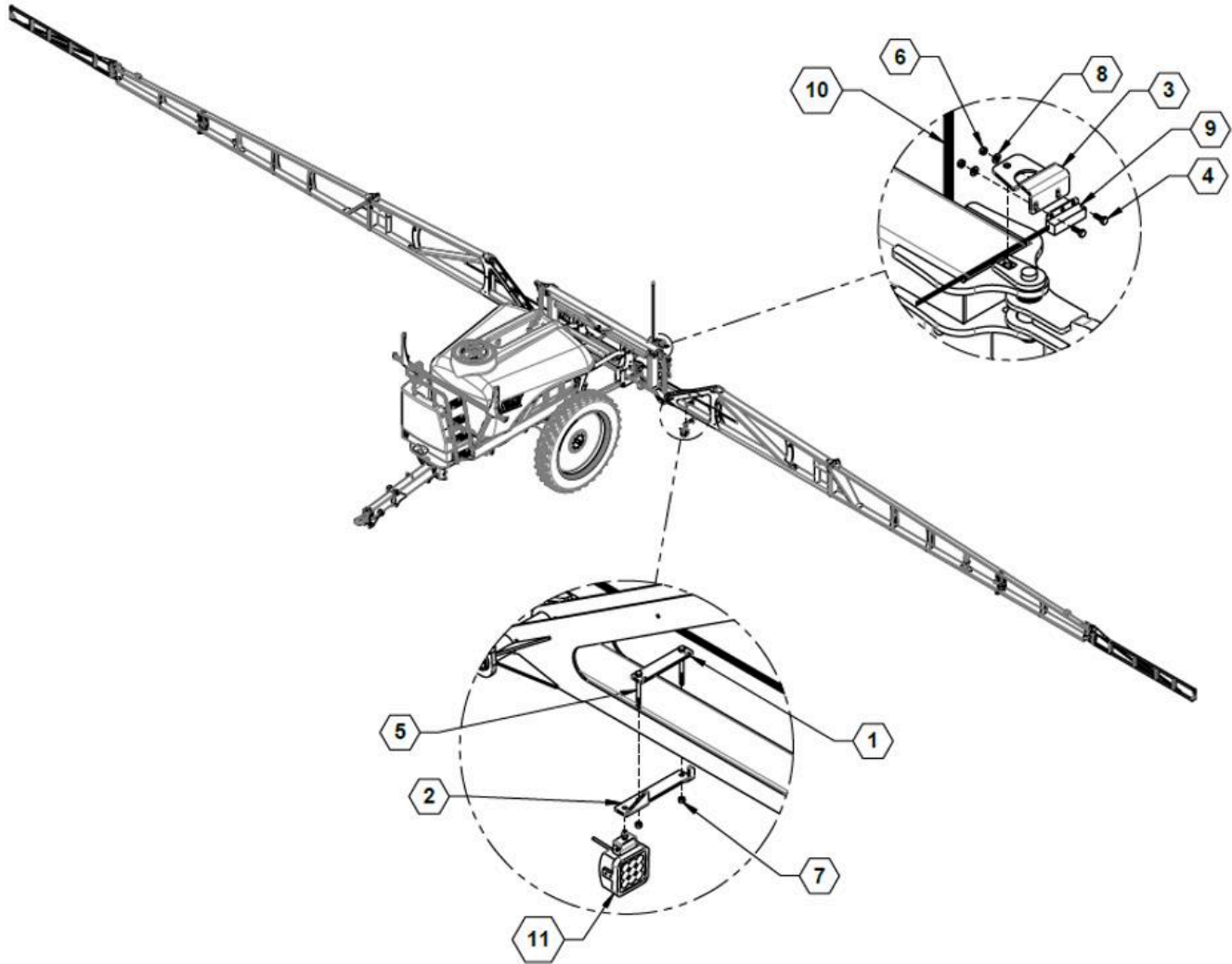
Auto-Height Sensor – Tall



Auto-Height Sensor – Tall Parts List

ITEM	PART NO.	QTY.	DESCRIPTION
1	18317	1	PLATE, BACKING
2	596121M	4	BOLT, HEX 5/16 X 4-1/2" GR5 MAGNI
3	596236M	4	NUT, CENTERLOCK, 5/16-18 MAGNI
4	596257M	8	WASHER, FLAT 5/16 USS MAGNI
5	631881	1	RAVEN BRACKET SENSOR MOUNT

Blue Lights

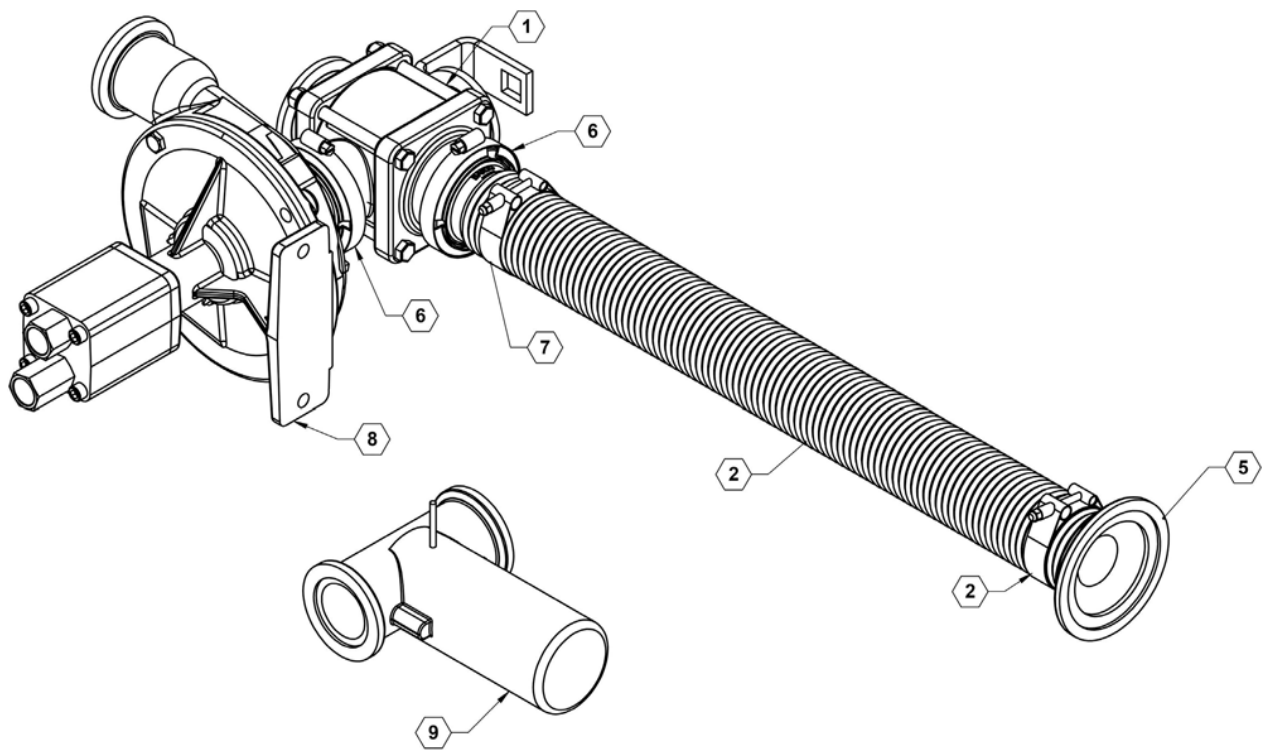


Blue Lights Parts List 28959

ITEM	PART NO.	QTY.	DESCRIPTION
1	28747	2	PLATE, LIGHT MOUNT TOP
2	28748	2	PLATE, TF LIGHT MOUNT
3	28970	1	PLATE, PROX SWITCH MOUNT
4	596101M	2	BOLT, HH 1/4-20X3/4 GR5 MAGNI
5	596134M	4	BOLT, HH 3/8-16 X 4 GR5 MAGNI
6	596235M	2	NUT, CENTERLOCK, 1/4-20 MAGNI
7	596237M	4	NUT, CENTERLOCK 3/8-16 MAGNI
8	596256M	2	WASHER, FLAT 1/4 USS MAGNI
9	632121	1	PROX SWITCH, PARKER
10	740057	1	HARNESS, BLUE SPRAY LIGHTS
11	740058	2	LARSEN BLUE LED SPRAY LIGHT



Pump Option - 60' - 66' Boom With ACE 105-206 Pump



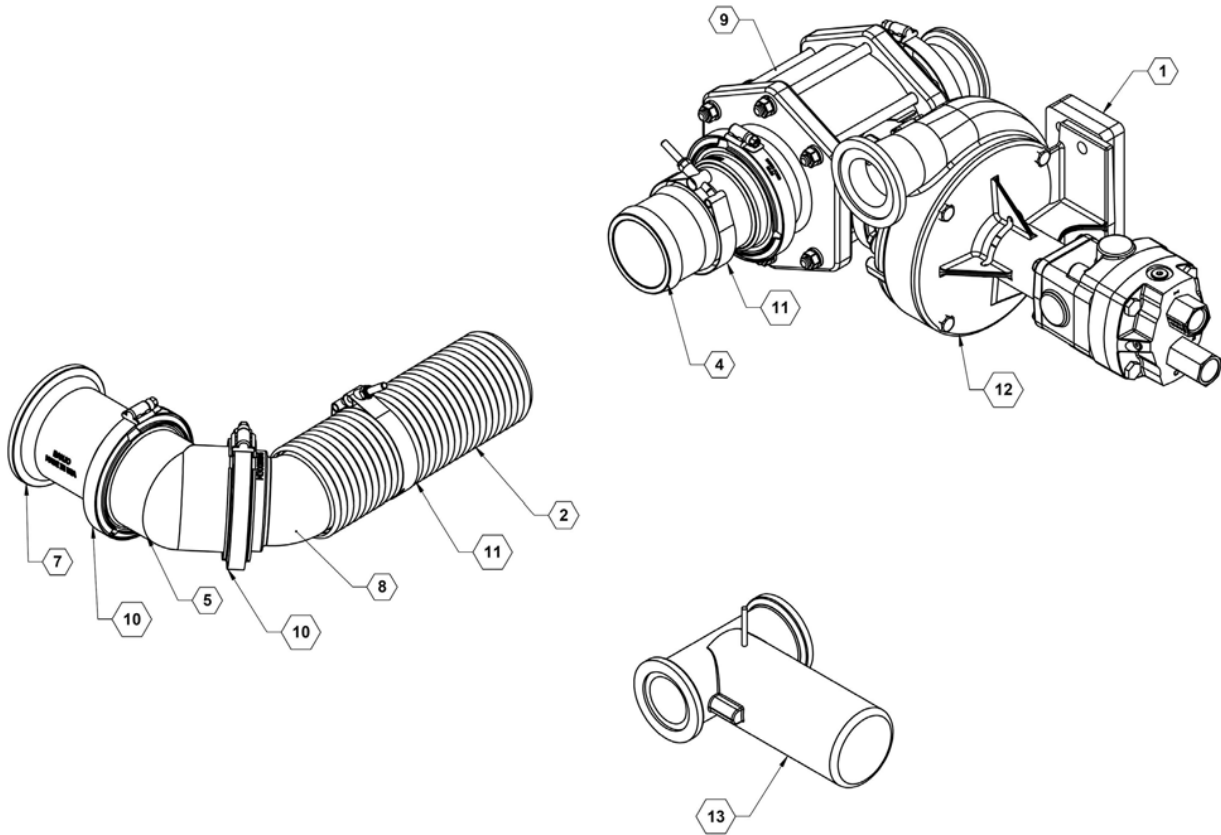


ILLUSTRATED PARTS LIST

Pump Option - 60' & 66' Boom With ACE 150-206 Pump Parts List

ITEM	PART NO.	QTY.	DESCRIPTION
1	500034	1	VALVE, 2" BOTTOM LOAD FPF
2	510003	1	BUMBLEBEE HOSE, 2"
3	530019	2	GASKET, 2" EPDM
4	530103	1	MANIFOLD FLANGE 2" FP X 2" HB
5	530111	1	MANIFOLD, 3" X 2" HB
6	540002	2	CLAMP, WORM SCREW 2"
7	540007	2	CLAMP, HOSE 2" T-BOLT
8	550000	1	PUMP, 150-206 FLANGED, ACE
9	632079	1	VALVE, BUTTERFLY, 1.5", Deutsch Connector

Pump Option - 60' - 100' Boom With ACE 205-304 Pump



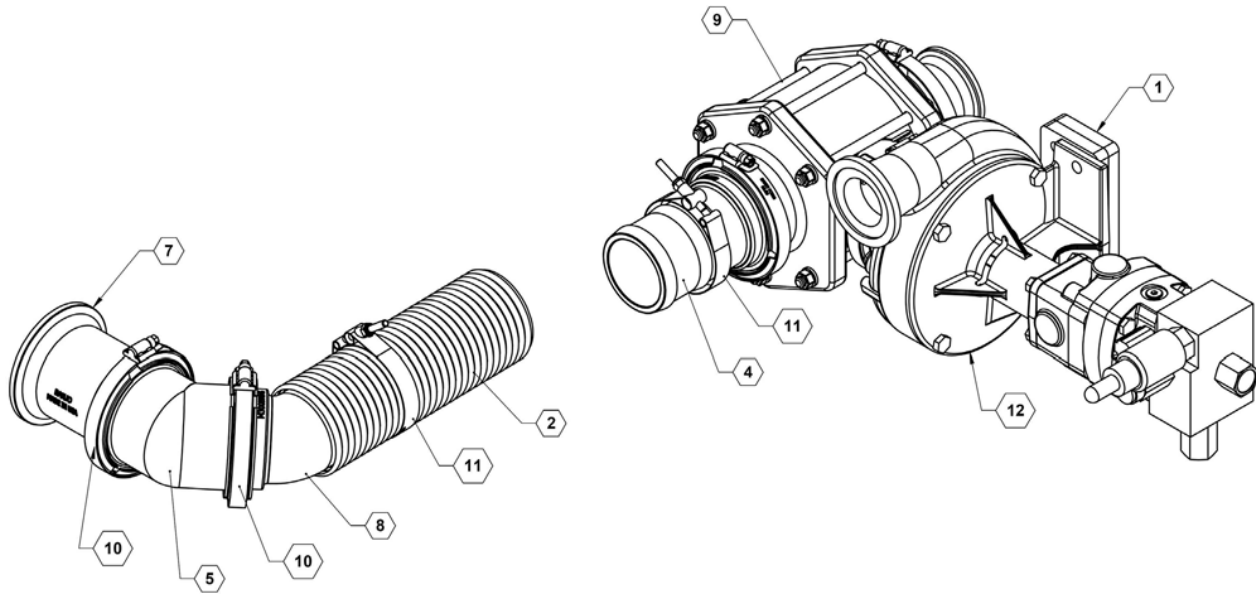


ILLUSTRATED PARTS LIST

Pump Option - 60' - 100' Boom With ACE 205-304 Pump Parts List

ITEM	PART NO.	QTY.	DESCRIPTION
1	18339	2	PLATE, PUMP SPACER
2	510004	2'	HOSE, 3" FERTILIZER
3	530024	5	GASKET, 3" EPDM
4	530113	1	FLANGED 3 INCH HOSE BARB
5	530234	1	3" COUPLER, 45°
6	530316	1	MANIFOLD REDUCER 3" X 2" COUPLER
7	530448	1	3" FLANGE X 3" FLANGE
8	530449	1	3" MANIFOLD TO HOSE BARB 45
9	530450	1	3" MANIFOLD 3 WAY VALVE
10	540003	5	CLAMP, WORM SCREW 3"
11	540009	2	CLAMP, 3" T BOLT
12	550025	1	PUMP, ACE 205F 304 ASSEMBLY
13	632079	1	VALVE, BUTTERFLY, 1.5", DEUTSCH CONNECTOR

Pump Option - 80, 90 & 100' Boom With ACE 205-304 PWM Pump



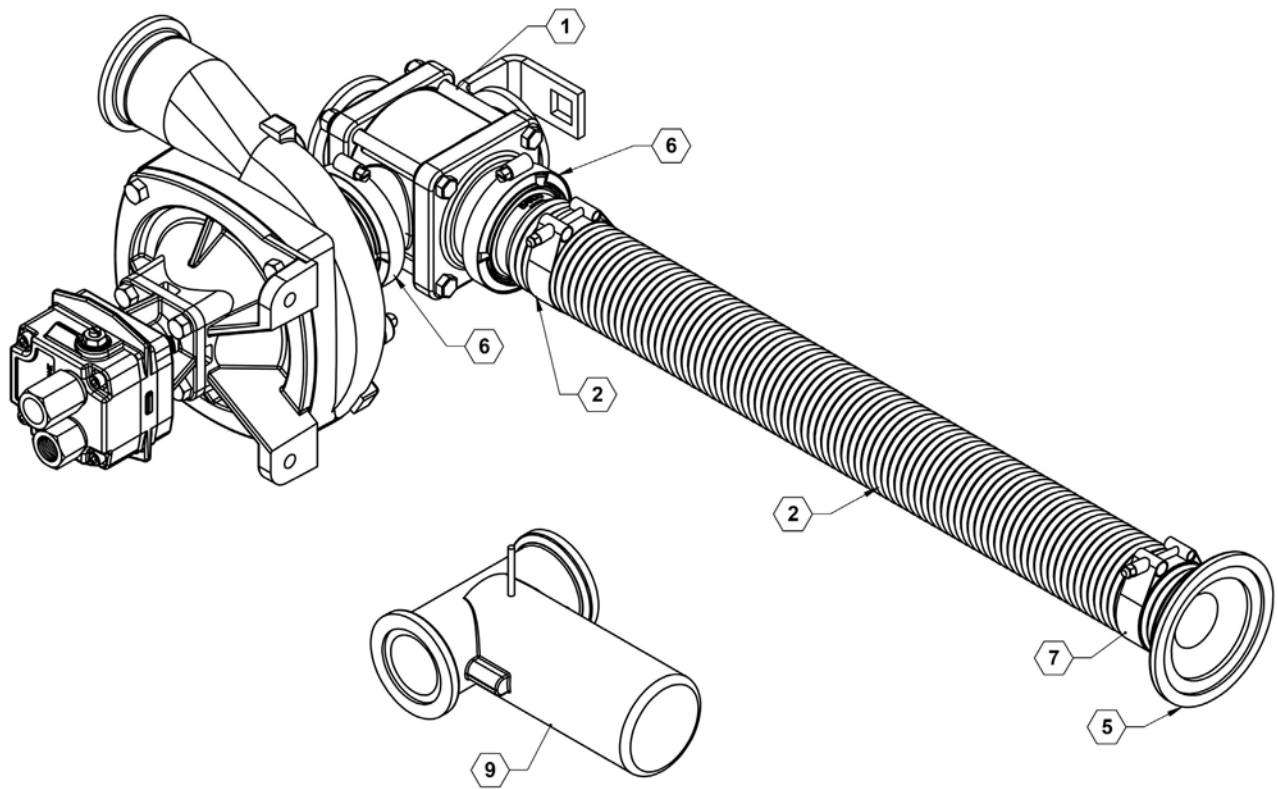


ILLUSTRATED PARTS LIST

Pump Option - 80, 90 & 100' Boom With ACE 205-304 PWM Pump Parts List

ITEM	PART NO.	QTY.	DESCRIPTION
1	18339	2	PLATE, PUMP SPACE R
2	510004	2'	HOSE, 3" FERTILIZER
3	530024	5	GASKET, 3" EPDM
4	530113	1	FLANGED 3 INCH HOSE BARB
5	530234	1	3" COUPLER, 45°
6	530316	1	MANIFOLD REDUCER 3" X 2" COUPLER
7	530448	1	3" FLANGE X 3" FLANGE
8	530449	1	3" MANIFOLD TO HOSE BARB 45
9	530450	1	3" MANIFOLD 3 WAY VALVE
10	540003	5	CLAMP, WORM SCREW 3"
11	540009	2	CLAMP, 3" T BOLT
12	550035	1	PUMP, ACE 205F WITH 304 PWM

Pump Option - 60' - 100' Boom With HYPRO Pump



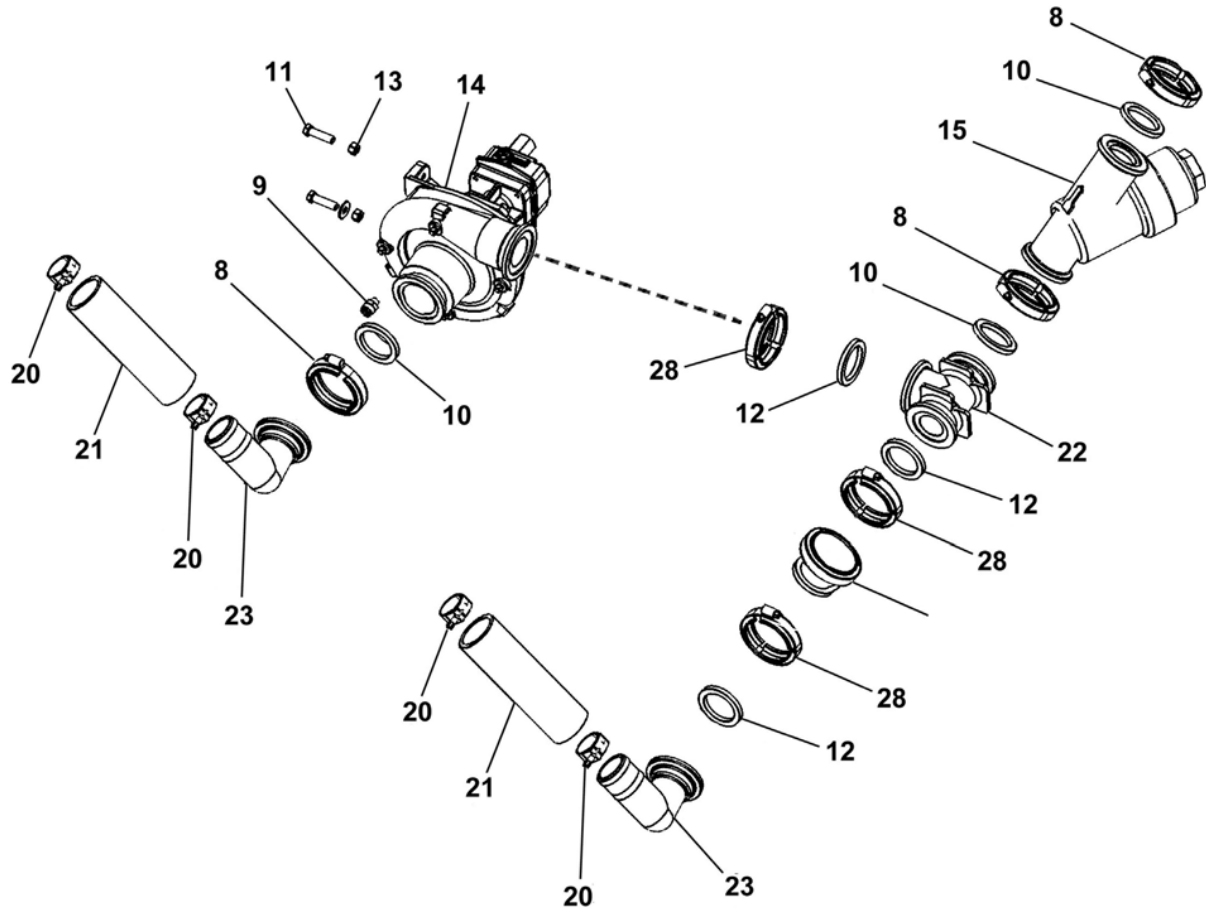


ILLUSTRATED PARTS LIST

Pump Option - 60' - 100' Boom With HYPRO Pump Parts List

ITEM	PART NO.	QTY.	DESCRIPTION
1	500034	1	VALVE, 2" BOTTOM LOAD FPF
2	510003	1	BUMBLEBEE HOSE, 2"
3	530019	2	GASKET, 2" EPDM
4	530103	1	MANIFOLD FLANGE 2" FP X 2" HB
5	530111	1	MANIFOLD, 3" X 2" HB
6	540002	2	CLAMP, WORM SCREW 2"
7	540007	2	CLAMP, HOSE 2" T-BOLT
8	550011	1	PUMP, HYPRO
9	632079	1	VALVE, BUTTERFLY, 1.5", Deutsch Connector

963P Pump Assembly



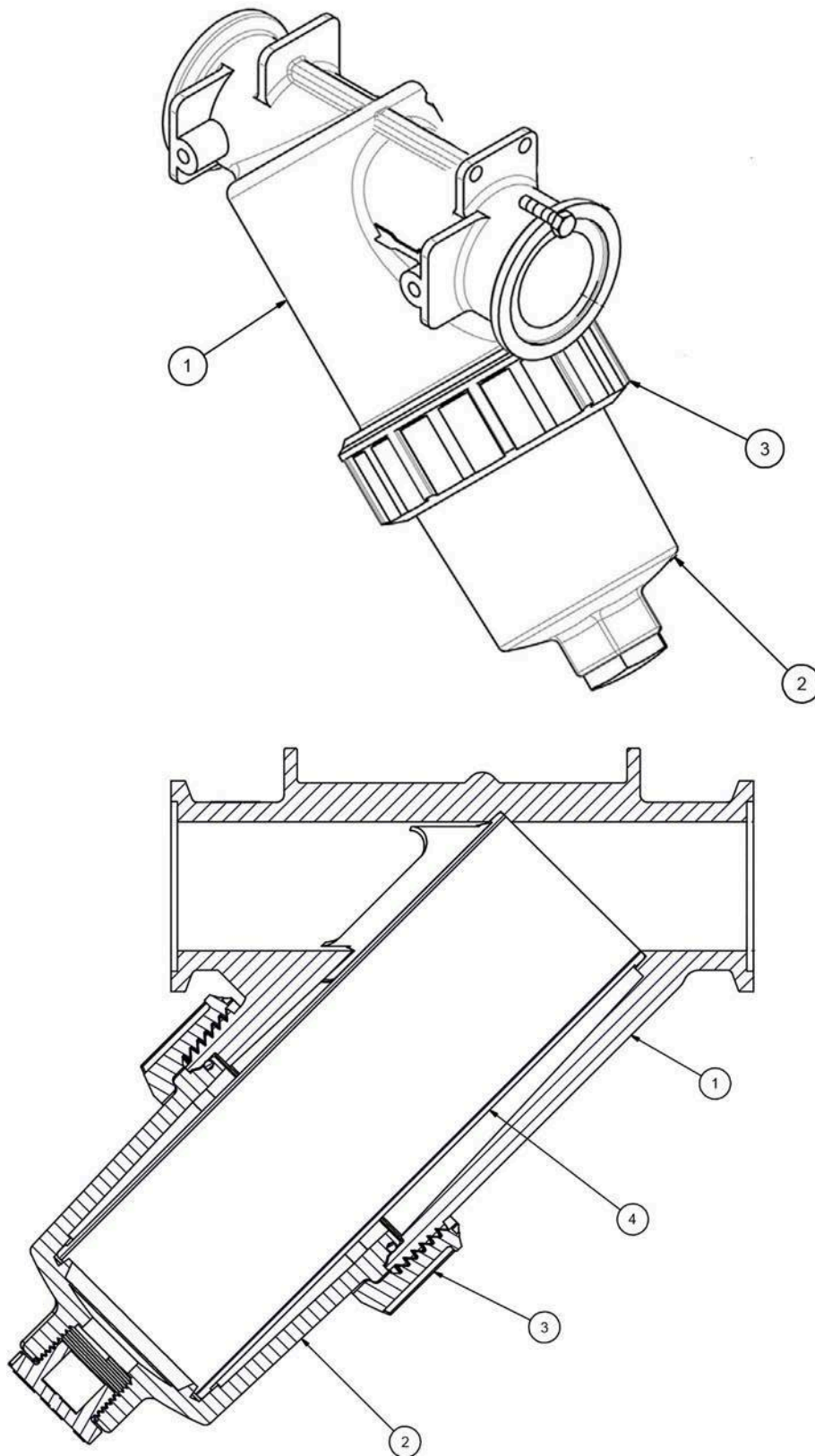


ILLUSTRATED PARTS LIST

963P Pump Assembly Parts List

ITEM	PART NO.	QTY.	DESCRIPTION
8	530002	7	MANIFOLD CLAMP 2" FULL PORT
9	530005	1	ADAPTER 1/8 MPT X 1/4 QUICK LOCK
10	530019	8	GASKET 2" FULL PORT
11	129	2	BOLT HH 3/8 X 1-1/2 GR5 ZP
12	530024	3	GASKET 3"
13	769	2	NUT HH 3/8" WHIZLOCK ZP
14		1	SEE PUMP PAGES
15	530125	1	MANIFOLD Y STRAINER 30 MESH SCREEN 2" FULL PORT
20	540007	4	T-BOLT CLAMP 2" HOSE
21	510002	1	FERTILIZER SOLUTION HOSE
22	530115	1	MANIFOLD TEE 3"
23	530112	2	MANIFOLD 3 X 2 HOSE BARB 90°
28	540003	3	MANIFOLD CLAMP 3"

Y Strainer



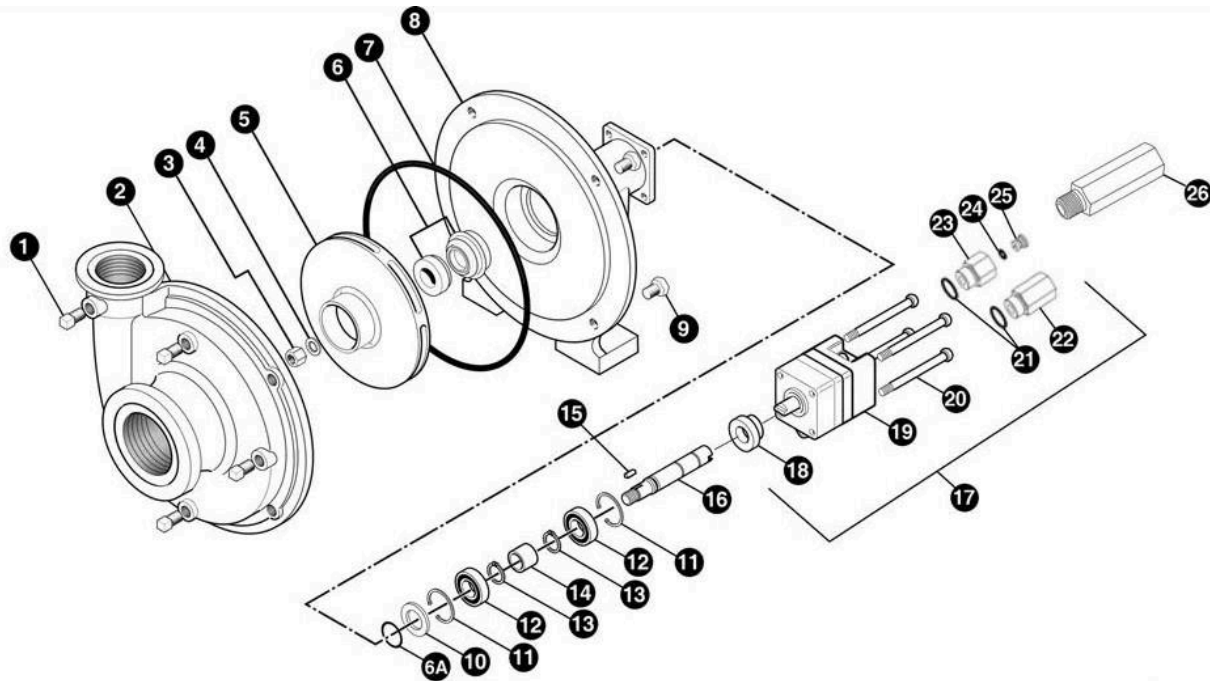


ILLUSTRATED PARTS LIST

Y Strainer Parts List 530125

ITEM	PART NO.	VENDOR PART NO.	QTY.	DESCRIPTION
	530125		1	COMPLETE STRAINER
1		MLS222B	1	2" FP LINE STRAINER BODY
2		MLS220C1	1	MLS220 CAP ASSEMBLY
3		MLS220R1	1	2" FPLS RETAINING RING
4		LS T2 04 SS	1	4 SS MESH SCREEN
4		LS T2 06 SS	1	6 SS MESH SCREEN
4		LS T2 08 SS	1	8 SS MESH SCREEN
4		LS T2 10 SS	1	10 SS MESH SCREEN
4		LS T2 16 SS	1	16 SS MESH SCREEN
4		LS T2 30 SS	1	30H SS MESH SCREEN
4		LS T2 50 SS	1	50 SS MESH SCREEN
4		MLS250SS	1	50 SS MESH PERFORATED SCREEN
4		LS T2 80 SS	1	80 SS MESH SCREEN
4		MLS280SS	1	80 SS MESH PERFORATED SCREEN
4		LS T2100SS	1	100 SS MESH SCREEN
4		MLS2100SS	1	100 SS MESH PERFORATED SCREEN

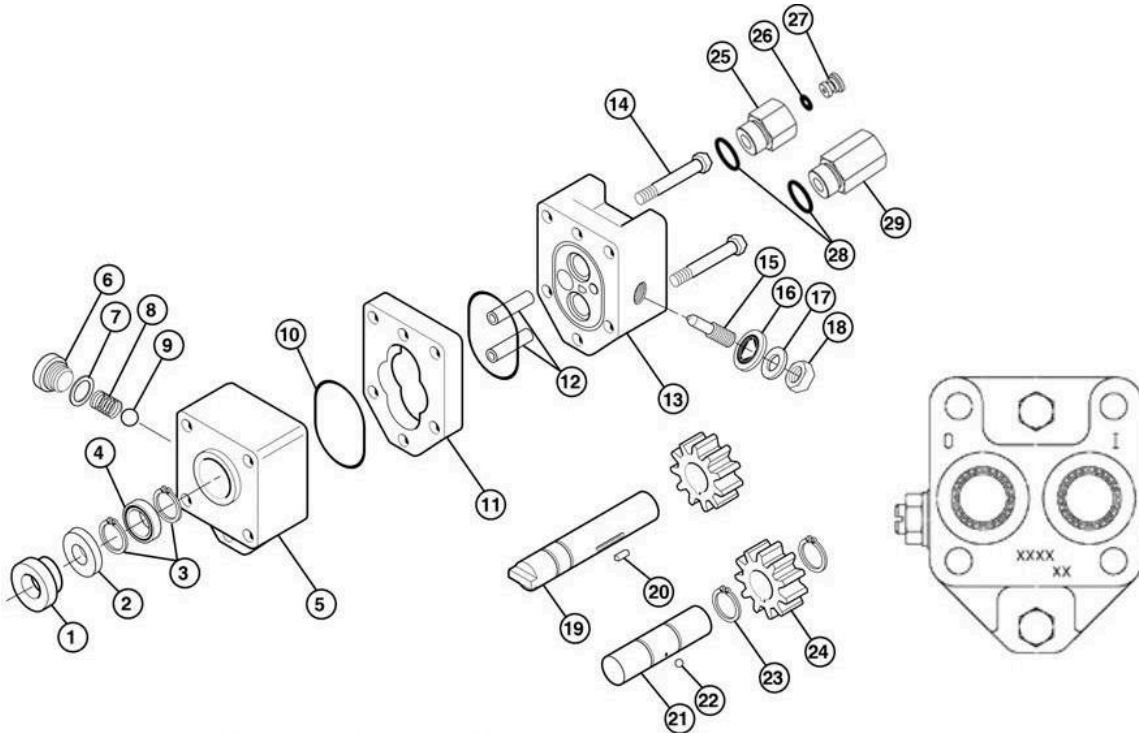
ACE 150-206 Pump, 60 & 66 Foot Boom (550000)



REF. #	PART NUMBER	EDP #	DESCRIPTION	REQ.
1	BAC-53	41110	Pipe plug	4
1	41120	41120	Pipe plug, stainless steel (optional)	4
2	BAC-12-150-FLG	40257	Volute, cast iron, NPT & flanged (for 150F models)	1
2	BAC-12-150-SS	40249	Volute, 316 stainless steel, NPT & flanged (for 150FS models)	1
3	BAC-23-A	40391	Nut, 3/8" NF, cad plated	1
3	BAC-23-A-SS	40392	Nut, 3/8" NF, stainless steel (optional)	1
4 ^{①②}	BAC-24-HYD-SS	40400	Washer, 3/8" star, stainless steel	1
5	BAC-26-150-P	40446	Impeller, Valox, keyway	1
5	BAC-26-150-CI	40445	Impeller, cast iron, keyway (optional)	1
6 ^①	BAC-7V	40151	Seal, carbon/ceramic/Viton (includes 40160 O-Ring)	1
6 ^②	BAC-7SC	40152	Seal, silicon carbide/Viton (includes 40160 O-Ring) (optional)	1
6A ^{①②}	40160	40160	O-ring, shaft seal	1
7 ^{①②}	BAC-4-150	40015	O-ring, body seal	1
8	BAC-14-150-HYD	40305	Mounting frame, cast iron (for 150F models)	1
8	BAC-14-150-HYD-SS	40319	Mounting frame, 316 stainless steel (for 150FS models)	1
9	40950	40950	Cap screw, 3/8" NC x 3/4" hex head	4
9	40930	40930	Cap screw, 3/8" NC x 3/4" hex head, stainless steel (optional)	4
10	BAC-54	41130	Slinger	1
11	BAC-33	40810	Snap ring, internal, BAC-14 mounting frame	2
12	BAC-37	40870	Ball Bearing, sealed, BAC-6 shaft	2
13	BAC-32	40790	Snap ring, external, BAC-6 shaft	2
14	BAC-32-S	40795	Spacer for BAC-6 shaft	1
15	BACH-25	40420	Key, 1/8" x 1/8" x 1/2"	1
16	BAC-6-HYD-SS	40061	Shaft, 5/8" diameter, keyway and tang slot, stainless steel	1
17	BAC-75-HYD-206	41372	Hydraulic motor, 7 GPM (includes parts 18 - 25)	1
18	S200	40161	Seal support spacer for 200 Series HYD motor	1
19	BAC-75-HYD-206N	41397	Hydraulic motor, 7 GPM (motor only - no external fittings)	1
20	41255	41255	Cap screw, 5/16" N. C. x 3-3/4" socket head (for 206N motor)	4
21	41875	41875	O-ring, #8 SAE fitting	2
22	BAC-78-8SAE	41441	Reverse check valve, #8 SAE male x 1/2" NPT female	1
23	BAC-80-8SAE	41455	Adapter, restrictor body, #8 SAE male x 1/2" NPT female	1
24	41448	41448	O-ring, orifice insert	1
25	BAC-79-7	41456	Orifice, restrictor insert, .109 (206N)	1
26	LS-206N	41418	Flow limiting valve (206N), #8 SAE male x 1/2" NPT female	1
①	RK-FMC-150	52710	Repair kit for FMC-150 series pump	-
②	RK-FMCSC-150	52711	Repair kit for FMC-150 series with silicon carbide shaft seal	-
#	RK-BAC-75-HYD-L	41374	Repair kit for 200-L Series motor	-

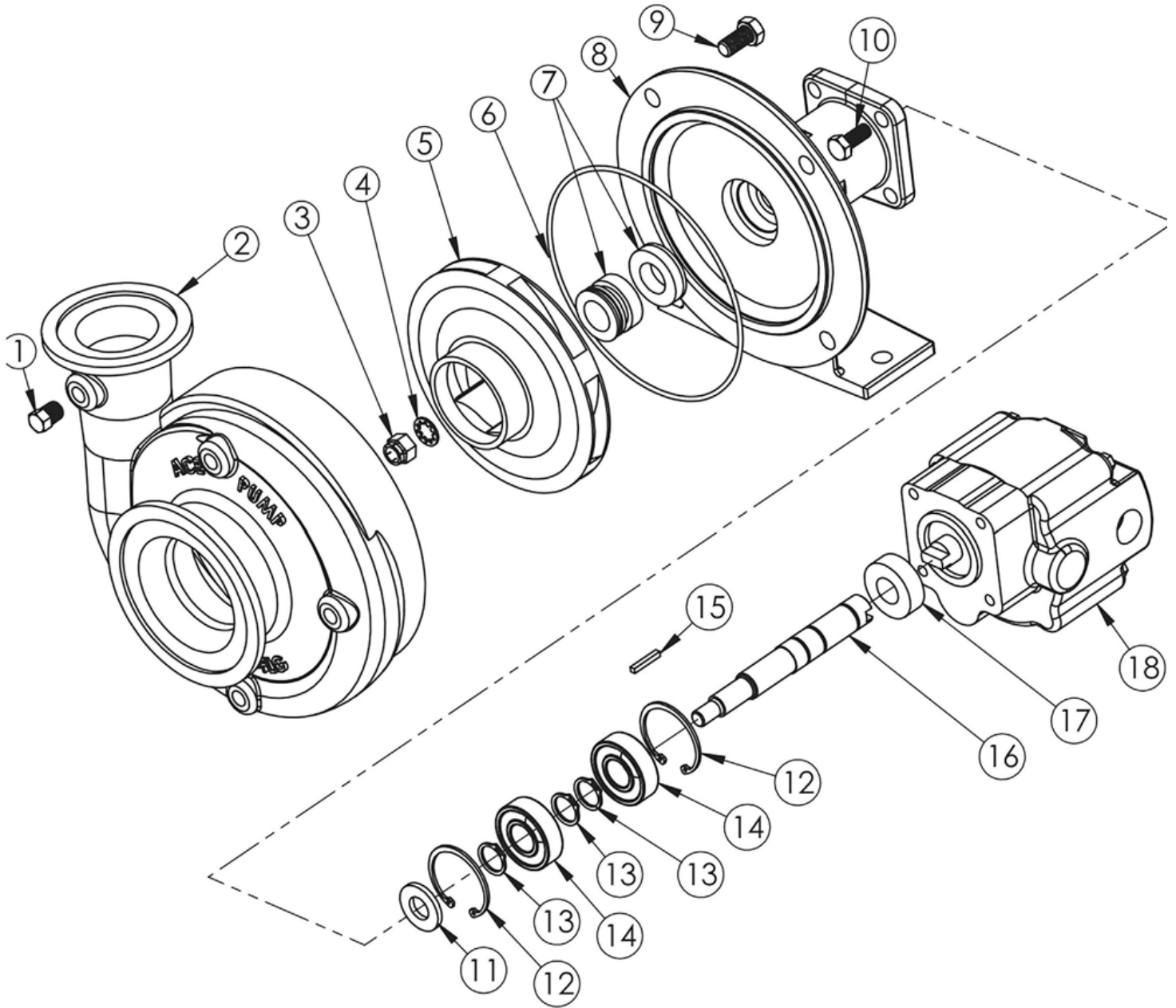
ILLUSTRATED PARTS LIST

ACE 150-206 Pump Hydraulic Motor, 60 & 66 Foot Boom (550000)



REF. #	MODEL 204N	MODEL 206N	MODEL 210N	DESCRIPTION	REQUIRED
1*	S200	S200	S200	Seal support spacer	1
2*	40153	40153	40153	Seal cartridge	1
3	41941	41941	41941	Snap ring, bearing	2
4	41961	41961	41961	Ball bearing, 7/16" I.D.	1
5	41731	41731	41731	Drive plate	1
6	42041	42041	42041	Valve cap, coasting check	1
7*	42044	42044	42044	"O" ring, coasting check	1
8	42042	42042	42042	Spring, coasting check	1
9	42043	42043	42043	Ball, coasting check	1
10*	41850	41850	41850	"O" ring, housing seal	2
11	41720	41721	41725	Gear housing	1
12	41800	41801	41805	Dowel pin, housing	2
13	41742	41742	41742	End plate	1
14	41900	41900	41905	Cap screw, 1/4" N.C. hex head	2
15	42010	42010	42010	Adjusting screw, needle valve	1
16*	42030	42030	42030	Thread seal, 3/8", needle valve	1
17	42040	42040	42040	Washer, flat steel, needle valve	1
18	40960	40960	40960	Nut, 3/8" N.C. jam, needle valve	1
19	41761	41764	41766	Drive shaft	1
20	41920	41921	41925	Dowel pin, drive shaft	1
21	41970	41971	41975	Idler shaft	1
22	41990	41990	41990	Ball, idler shaft	1
23	41980	41980	41980	Retaining ring, idler gear	2
24	41750	41751	41755	Gear	2
25	41455	41455	41455	Adapter body, #8 SAE male x 1/2" NPT	1
26	41448	41448	41448	"O" ring, orifice insert (use with 41456 insert)	1
27	41457	41456	41456	Insert, restrictor orifice (use with 41455 body)	1
28	41875	41875	41875	"O" ring, #8 SAE male fitting	2
29	41441	41441	41441	Reverse check, #8 SAE male x 1/2" NPT	1
#	41374	41374	41374	Repair Kit, RK-BAC-75-HYD-L	--

ACE 205-304 Pump, 80, 90 & 100 Foot Boom



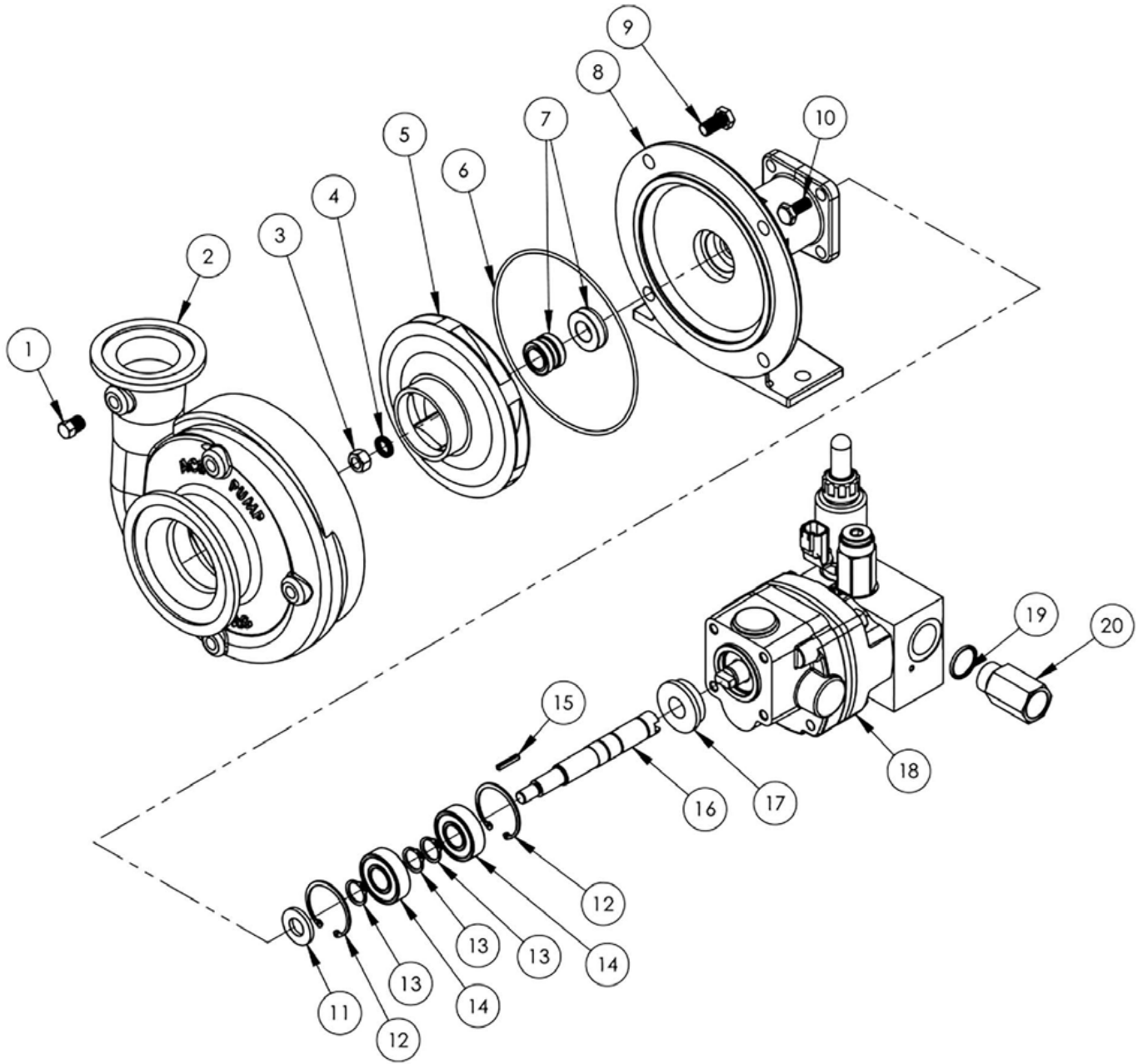


ILLUSTRATED PARTS LIST

ACE 205-304 Pump, 80, 90 & 100 Foot Boom Parts List 550025

ITEM	PART NO.	QTY.	DESCRIPTION
0	550025	1	PUMP, 205-304 FLANGED, COMPLETE PUMP
1	BAC-53	1	PIPE PLUG
1	41120	1	PIPE PLUG, STAINLESS STEEL (OPTIONAL)
2	7AC-14-FLG	1	VOLUTE, 300 STANDARD FLANGE X 220 FULL PORT FLANGE
3	BAC-23-A	1	NUT, 3/8" NF, CAD PLATED
3	BAC-23-A-SS	1	NUT, 3/8" NF, STAINLESS STEEL (OPTIONAL)
4J	BAC-24-HYD-SS	1	WASHER, 3/8" STAR, STAINLESS STEEL
5	BAC-26-200-P	1	IMPELLER, WITH EXTENDED KEYWAY, THERMOPLASTIC
5	BAC-26-200-CI	1	IMPELLER, WITH EXTENDED KEYWAY, CAST IRON (OPTIONAL)
5	BAC-26-200-SS	1	IMPELLER, WITH EXTENDED KEYWAY, 316 STAINLESS STEEL (OPTIONAL)
6J	BAC-4A	1	O-RING, BODY SEAL
7J	BAC-7SC-205V	1	SEAL, SILICON CARBIDE
8	BAC-14-205-HYD	1	MOUNTING FRAME FOR 205 PUMP
9	40950	4	CAP SCREW, 3/8" NC X 3/4" HEX HEAD
10	41330	4	CAP SCREW, 5/16" NC X 3/4" HEX HEAD, MOTOR TO PUMP
11	BAC-54	1	SLINGER
12	BACH-33	1	SNAP RING, INTERNAL, BAC-14-205 MOUNTING FRAME
13	BACH-32-HD	3	SNAP RING, EXTERNAL, BAC-6-205 SHAFT
14	40880	1	BALL BEARING, SEALED, BAC-6-205 SHAFT
15	BAC-25	1	KEY, 1/8" X 1/8" X 13/16", EXTENDED KEYWAY
16	BAC-6-205-HYD-SS	1	SHAFT, EXTENDED KEYWAY, TANG, STAINLESS STEEL
17	S305	1	SEAL SUPPORT SPACER FOR 205 SERIES PUMP
18	BAC-75-HYD-304A	1	HYDRAULIC MOTOR, 13 GPM, 1/2" NPT PORTS
18	BAC-75-HYD-304A-12SAE	1	HYDRAULIC MOTOR, 13 GPM, #12 SAE END PORTS (OPTIONAL)
J	RK-FMCSC-205	1	REPAIR KIT FOR FMC-205 PUMP WITH SILICON CARBIDE SHAFT SEAL
#	RK-BAC-75-HYD-300-L	1	REPAIR KIT FOR 300 SERIES HYDRAULIC MOTOR

ACE 205-304 PWM Pump, 80, 90 & 100 Foot Boom



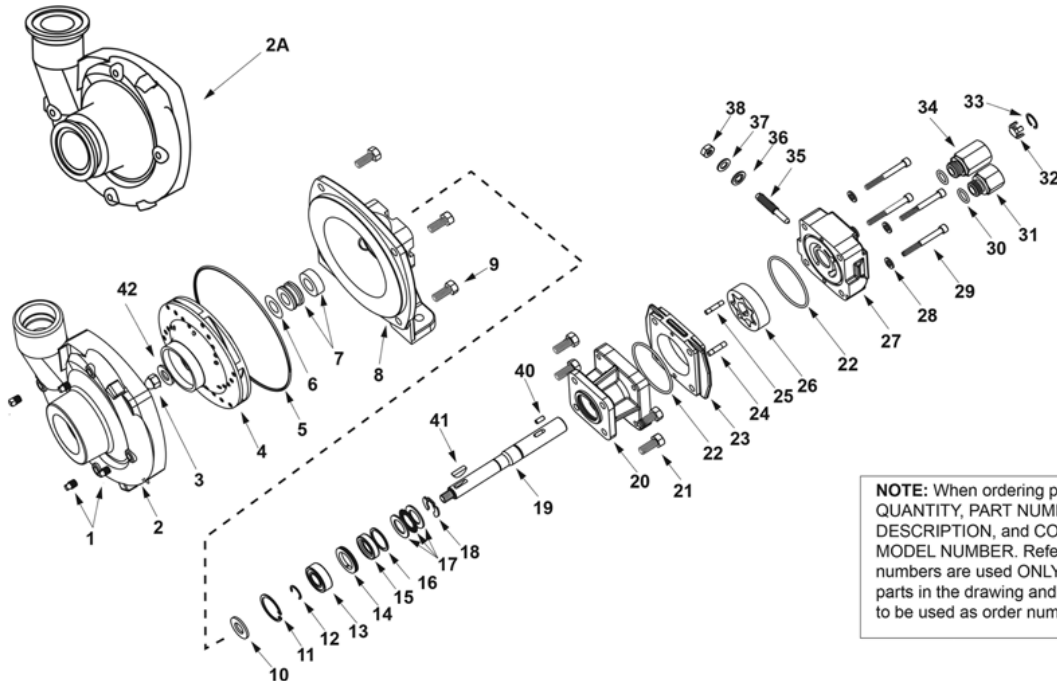


ILLUSTRATED PARTS LIST

ACE 205-304 PWM Pump, 80, 90 & 100 Foot Boom Parts List 550035

ITEM	PART NO.	QTY.	EDP #	DESCRIPTION
0	550035	1		PUMP, 205-304 FLANGED, PWM, COMPLETE PUMP
1	BAC-53	4	41110	PIPE PLUG
1	41120	4	41120	PIPE PLUG, STAINLESS STEEL (-FS MODEL) (OPTIONAL)
2	7AC-14-FLG	1	41530	VOLUTE, 300 STANDARD FLANGE X 220 FULL PORT FLANGE, CAST IRON
2	7AC-14-FLG-SS	1	41532	VOLUTE. 300 FLANGE X 220 FLANGE, 316 STAINLESS STEEL (-FS MODEL)
3	BAC-23-B-SS	1	40393	NUT, 3/8" NF, STAINLESS STEEL
4	BAC-24-B-SS	1	42702	WASHER, 3/8", STAINLESS STEEL, SELF-LOCKING
5	BAC-26-200-P	1	40434	IMPELLER, THERMOPLASTIC
5	BAC-26-200-CI	1	40433	IMPELLER, CAST IRON (OPTIONAL)
5	BAC-26-200-SS	1	40436	IMPELLER, 316 STAINLESS STEEL (-FS MODEL) (OPTIONAL)
6	BAC-4A	1	40005	O-RING, BODY SEAL
7	BAC-7SC-205V	1	40149	SEAL, SILICON CARBIDE
8	BAC-14-205-HYD	1	40338	MOUNTING FRAME FOR 205 PUMP
8	BAC-14-205-HYD-SS	1	40346	MOUNTING FRAME FOR 205 PUMP, 316 STAINLESS STEEL (-FS MODEL)
9	40950	4	40950	CAP SCREW, 3/8" NC X 3/4" HEX HEAD
9	40930	4	40930	CAP SCREW, 3/8" NC X 3/4" HEX HEAD, STAINLESS STEEL (-FS MODEL)
10	41330	4	41330	CAP SCREW, 5/16" NC X 3/4" HEX HEAD, MOTOR TO PUMP
11	BAC-54	1	41130	SLINGER
12	BACH-33	2	40820	SNAP RING, INTERNAL, BAC-14-205 MOUNTING FRAME
13	BACH-32-HD	3	40385	SNAP RING, EXTERNAL, BAC-6-205 SHAFT
14	40880	2	40880	BALL BEARING, SEALED, BAC-6-205 SHAFT
15	BAC-25	1	40425	KEY, 1/8" X 1/8" X 13/16", EXTENDED KEYWAY
16	BAC-6-205-HYD-SS	1	40068	SHAFT, EXTENDED KEYWAY, TANG, STAINLESS STEEL
17	S305	1	40163	SEAL SUPPORT SPACER FOR 205 SERIES PUMP
18	BAC-75-HYD-304-PWM	1	41348	HYDRAULIC MOTOR, 11 GPM, PWM
19	41445	1	41445	O-RING, #10 SAE FITTING
20	BAC-78-10X10SAE	1	41467	REVERSE CHECK ASSEMBLY, #10 SAE X #10 SAE
NS	RK-FMCSC-205	-	52705	REPAIR KIT FOR FMC-205 PUMP WITH SILICON CARBIDE SHAFT SEAL
NS	RK-BAC-75-HYD-300-L	-	41362	REPAIR KIT FOR 300 SERIES HYDRAULIC MOTOR

HYPRO Pump, 80, 90 & 100 Foot Boom (550011)



NOTE: When ordering parts, give QUANTITY, PART NUMBER, DESCRIPTION, and COMPLETE MODEL NUMBER. Reference numbers are used ONLY to identify parts in the drawing and are NOT to be used as order numbers.

Repair Parts Kit No. 3430-0332

Contains: One mechanical seal (Ref. 7), one o-ring (Ref. 5) and one rubber gasket (Ref. 6).

Silicon Carbide Seal Kit

No. 3430-0589
Contains one each: mechanical seal (Ref. 7) and o-ring (Ref. 5).

Hydraulic Motor Part Nos.

2500-0009C (HM1C Models)
2500-0011C (HM3C Models)
2500-0018C (HM5C Models)

Parts Kit No. 3430-0178

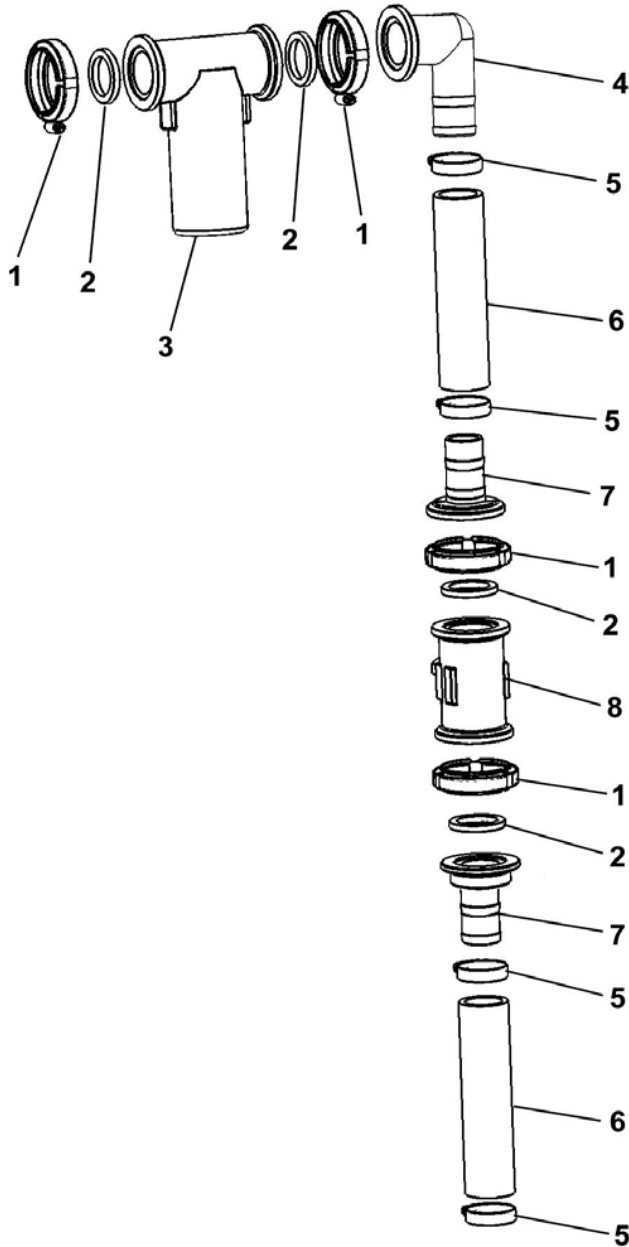
Contains: One each ball bearing (Ref. 13), motor shaft seal (Ref. 15), thread seal gasket (Ref. 36), and washer (Ref. 37); two each motor housing o-rings (Ref. 22), and port adapter o-rings (Ref. 30).

Ref. No.	Qty. Req'd.	Part No.	Description
1	4	2406-0007	Drain/Vent Plug
2	1	0154-9200C1	Pump Casing (Volute) (Includes stainless steel wear ring)
2	1	0151-9200C	Pump Casing (Volute) (Includes stainless steel wear ring) (9304C)
2A	1	0157-9200C	Pump Casing (Universal Flange)
3	1	2253-0002	Impeller Nut
4	1	0401-9200P2	Impeller (Nylon)
5	1	1720-0083	O-ring
6	1	1700-0100	Rubber Gasket
7	1	2120-0009	Mechanical Seal (Viton/Ceramic) (Std)
7	1	3430-0589	Mechanical Seal (Silicon Carbide) (Optional)
8	1	0750-9300C2	Mounting Flange
8	1	0750-9300C	Mounting Flange (9304C)
9	4	2210-0020	Hex Head Cap Screw
10	1	1410-0056	Slinger Ring
11	1	1820-0013	Retaining Ring
12	1	1810-0014	Snap Ring
13	1	2000-0010	Ball Bearing
14	1	1410-0073	Spacer
15	1	2104-0005	Shaft Seal
16	1	1410-0074	Seal Spacer
17	1	2029-0014	Thrust Bearing Assembly - Consists of: (1) Thrust Bearing & (2) Thrust Brg. Races
18	1	1810-0026	Snap Ring
19	1	0510-2500	Shaft (HM3C Model) 7-1/2" long
19	1	0511-2501	Shaft (HM1C & HM5C Models) 7" long
20	1	0151-2500C	Motor Body (Includes Main Bearing)
21	4	2210-0005	Hex Head Cap Screw

Ref. No.	Qty. Req'd.	Part No.	Description
22	2	1720-0110	O-ring
23	1	0700-2500C1	Gerotor Housing (HM1C Model) 1/2" wide
23	1	0702-2500C1	Gerotor Housing (HM3C Model) 1" wide
23	1	0704-2500C1	Gerotor Housing (HM5C Model) 5/8" wide
24	1	1600-0052	Dowel Pin (HM3C Models)
24	1	1600-0044	Dowel Pin (HM1C and HM5C Models)
25	1	1600-0068	Dowel Pin (HM3C Model)
25	1	1600-0037	Dowel Pin (HM1C and HM5C Models)
26	1	3900-0022	Gerotor (HM1C Model)
26	1	3900-0024	Gerotor (HM3C Model)
26	1	3900-0048	Gerotor (HM5C Model)
27	1	0251-2500C2	Motor End Plate (Includes Main Bearing)
28	4	2270-0039	Washer
29	4	2220-0044	Cap Screw (HM3C)
29	4	2220-0021	Cap Screw (HM1C)
29	4	2220-0032	Cap Screw (HM5C)
30	2	1720-0108	O-ring
31	1	3360-0021	Pressure Port Adapter
32	1	3260-0068	Poppet
33	1	1820-0038	Retaining Ring
34	1	3320-0049	Tank Port Adapter
35	1	3220-0029	Bypass Adjusting Screw
36	1	1700-0047	Gasket
37	1	2270-0027	Washer
38	1	2250-0038	Lock Nut
40	1	1610-0055	Roll Pin (HM3C Models)
40	1	1610-0031	Roll Pin (HM1C and HM5C Models)
41	1	1610-0012	Woodruff Key
42	1	2270-0071	Washer



Raven Flow Controls



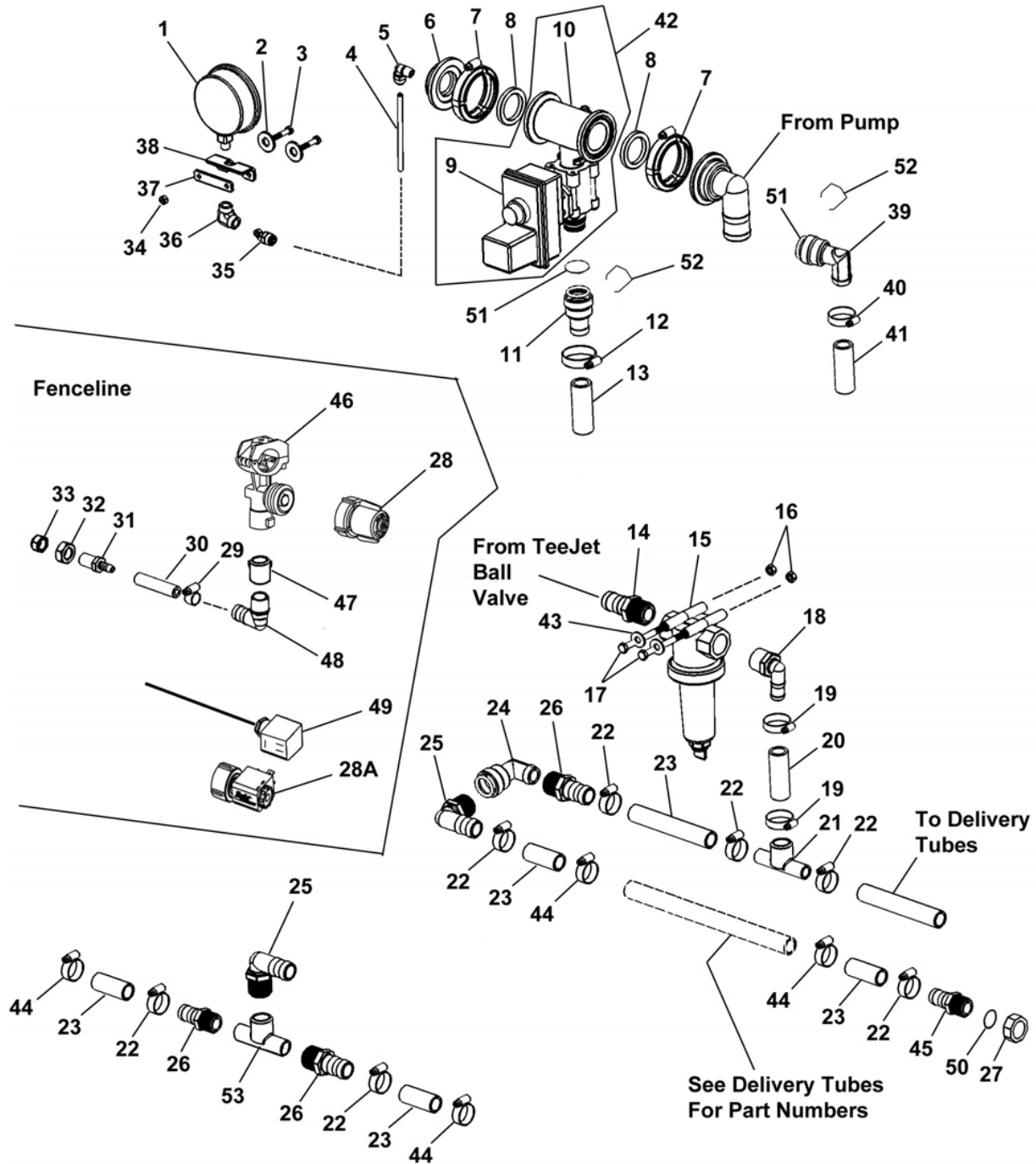


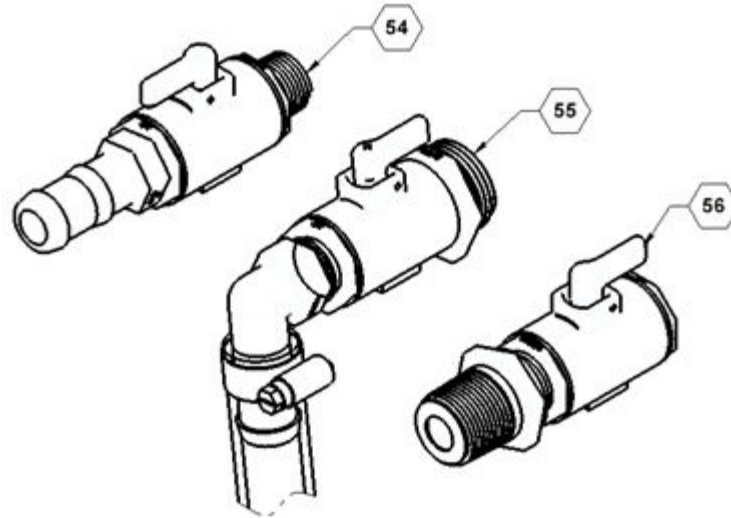
ILLUSTRATED PARTS LIST

Raven Flow Controls Parts List

ITEM	VENDOR PART NO.	PART NO.	QTY.	DESCRIPTION
1	FC220	540002	4	MANIFOLD CLAMP 2" FULL PORT
2	150G	530014	4	GASKET 2" PORT
3	063-0171-894	631805	1	RAVEN MOTORIZED CONTROL, 2-WAY MOLDED CONNECTOR
4	M200150BRB90	530080	1	MANIFOLD ELBOW 2" FULL PORT X 1.5" HOSE BARB
5	64024H	540016	4	CLAMP STAINLESS STEEL 1-1/2"
6	BS-1-1/2BH200	510014	AR	HOSE EDPM 1-1/2"
7	M200150BRB	530100	2	MANIFOLD HOSE BARB 2" X 1.5" HOSE BARB
8	063-0171-0793	631804	1	RAVEN FLOW METER

Boom Plumbing





Boom Plumbing Parts List

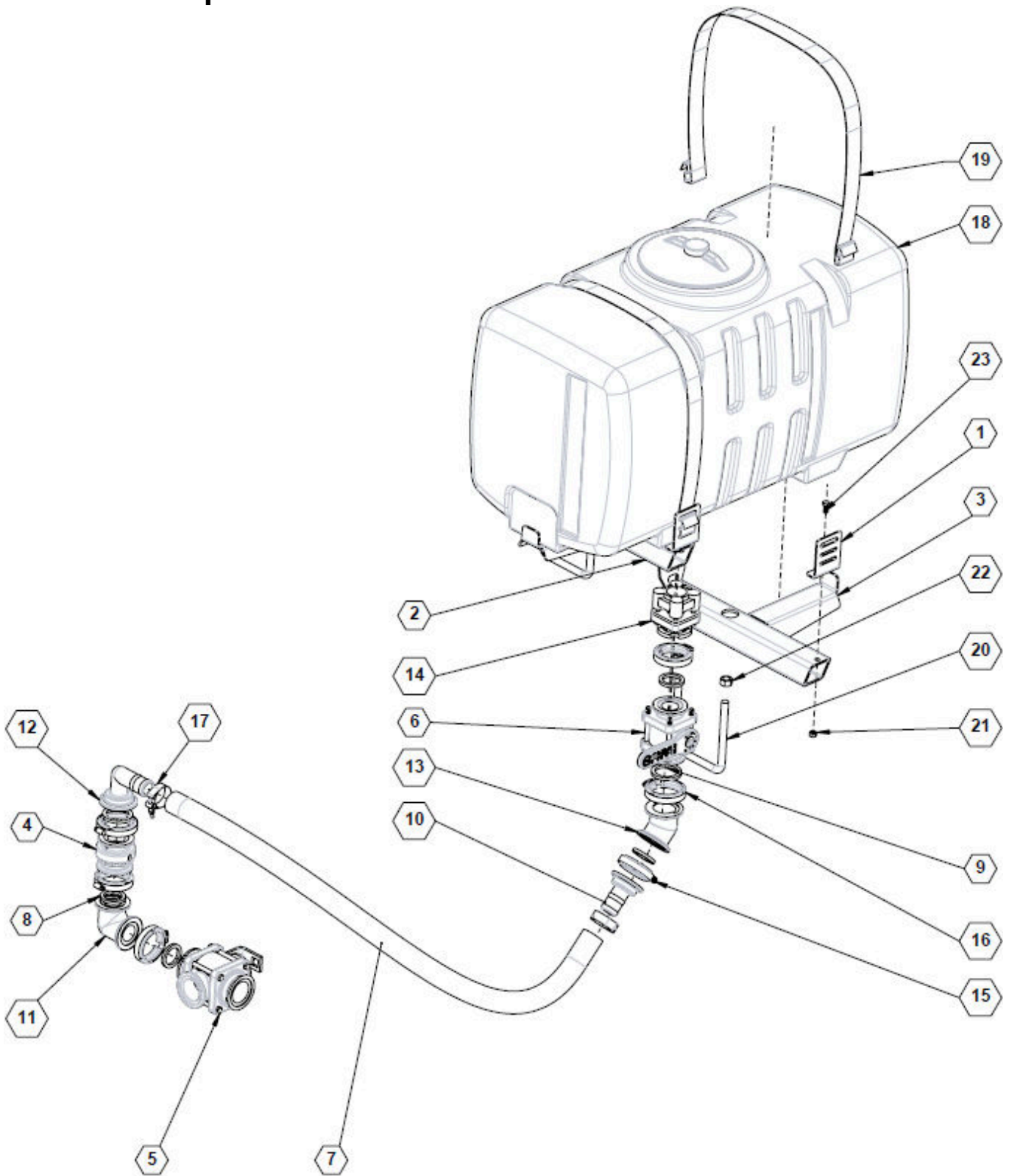
ITEM	VENDOR PART NO.	PART NO.	QTY	DESCRIPTION
1	4154-GXX-160	790020	1	PRESSURE GAUGE 0-160 PSI
2		256	2	WASHER FLAT 1/4" ZP
3		103	2	BOLT HH 1/4 X 1-1/2 GR5 ZP
4	2T20-003	510023	AR	TUBING POLY 1/4" OD
5	44103211	530004	1	Q-LOCK CONNECTOR ELBOW 1/4" MPT X 1/4" HOSE
6	M200PLG025	530094	1	MANIFOLD PLUG 2" X 1/4" PORT
7	FC200	540001	AR	MANIFOLD CLAMP 2" STANDARD
8	150G	530014	AR	MANIFOLD GASKET 2"
9		500027	AR	VALVE 450BEC MANIFOLD (NARROW) (NON-FLOWBACK)
9		500028	AR	VALVE 450BEC MANIFOLD (WIDE) (NON-FLOWBACK)
9	50516-6	500029	AR	VALVE 450BEC MANIFOLD (WIDE) (FLOWBACK)
10	56609-2-F		AR	VALVE SUB-ASSEMBLY
11	45529-1"	530190	AR	QUICK CONNECTOR SUB-ASSEMBLY
12	64016H	540014	AR	HOSE CLAMP 1"
13	1BH200	510016	AR	HOSE SPRAY EDPM 1" ID
14	HB100	530041	AR	HOSE BARB 1" MPT X 1" HB
15	LST100-80	530474	AR	STRAINER LINE 80 MESH SCREEN (LST180 SCREEN)
16		236	AR	NUT HH 5/16" CL ZP
17		120	AR	BOLT HH 5/16 X 3-1/2 GR5 ZP
18	HB100-90	530044	AR	HOSE BARB ELBOW 1" MPT X 1" HOSE
19	64016H	540014	AR	HOSE CLAMP 1"
20	1BH100	510016	AR	HOSE SPRAY EDPM 1" ID
21	HB100	530056	AR	HOSE BARB 1" X 1" TEE
22	64016H	540014	AR	HOSE CLAMP 1"
23	1BH200	510016	AR	HOSE SPRAY EDPM 1" ID
24	EL100-90	530310	AR	ELBOW 1" FPT
25	HB100-90	530044	AR	HOSE BARB ELBOW 1" MPT X 1" HOSE
26	HB100	530041	AR	HOSE BARB 1" MPT X 1" HB
27	V13N34	530245	AR	CAP 1" FPT
28	58140	520037	AR	FENCELINE NOZZLE BODY, MANUALLY CONTROLLED
28A	55280-1	520038	AR	FENCELINE NOZZLE BODY, ELECTRICALLY CONTROLLED



ILLUSTRATED PARTS LIST

29	345-005	540032	2	HOSE CLAMP 3/8"
30	3/8BH200	510020	AR	HOSE SPRAY EDPM 3/8"
31	1338D	530306	2	FENCELINE NOZZLE BODY
32	3B12	530206	2	NOZZLE BODY NUT
33	CP8027-NYB	520019	2	NOZZLE TIP NUT
34		227	2	NUT HH 1/4" NYLOCK ZP
35	44103206	530001	1	Q-LOCK CONNECTOR 1/4" MPT X 1/4" HOSE
36	5504-04-04-SS	610006	1	ELBOW 1/4" NPT STAINLESS STEEL
37		11758	1	GUAGE BRACKET
38		11786	1	GUAGE STRAP
39	45529-90-1	530190	1	ELBOW 3/4" RETURN TO TANK
40	64012H	540013	1	CLAMP 3/4"
41	BS-3/4 BH200	510019	1	HOSE 3/4"
42		500027	AR	VALVE 450BEC MANIFOLD (NARROW) (NON-FLOWBACK) (ITEMS 9 & 10)
42		500028	AR	VALVE 450BEC MANIFOLD (WIDE) (NON-FLOWBACK) (ITEMS 9 & 10)
42	54608-15-450BEC3	500029	AR	VALVE 450BEC MANIFOLD (WIDE) (FLOWBACK) (ITEMS 9 & 10)
43		257	AR	5/16" WASHER
44	TC-130	540037	AR	T-BOLT CLAMP
45	3D34100	530275	AR	HOSE BARB
46	QJ17560A-25M	520030	AR	BODY SINGLE
47	Q54676-1/4-NYR	530248	AR	ADAPTER
48	3EL14628	530209	AR	1/4 X 3/8" BARB 90°
49	58480-2	530429	AR	CABLE, CHEM SAVER ELECTRIC OPTION
50	W806V	530227	AR	CAPGASKET
51	CP7717-3-912-VI	530198	AR	O-RING
52	CP37166-1-302SS	530193	AR	RETAINING CLIP
53	BJTEE100FP	530147	AR	TEE 1" NPT
54	-	90SASC1	AR	ASSEMBLY, STRAINER DRAIN 1"
55	-	90SASC2	AR	ASSEMBLY, STRAINER DRAIN 2"

Rinse Tank Option



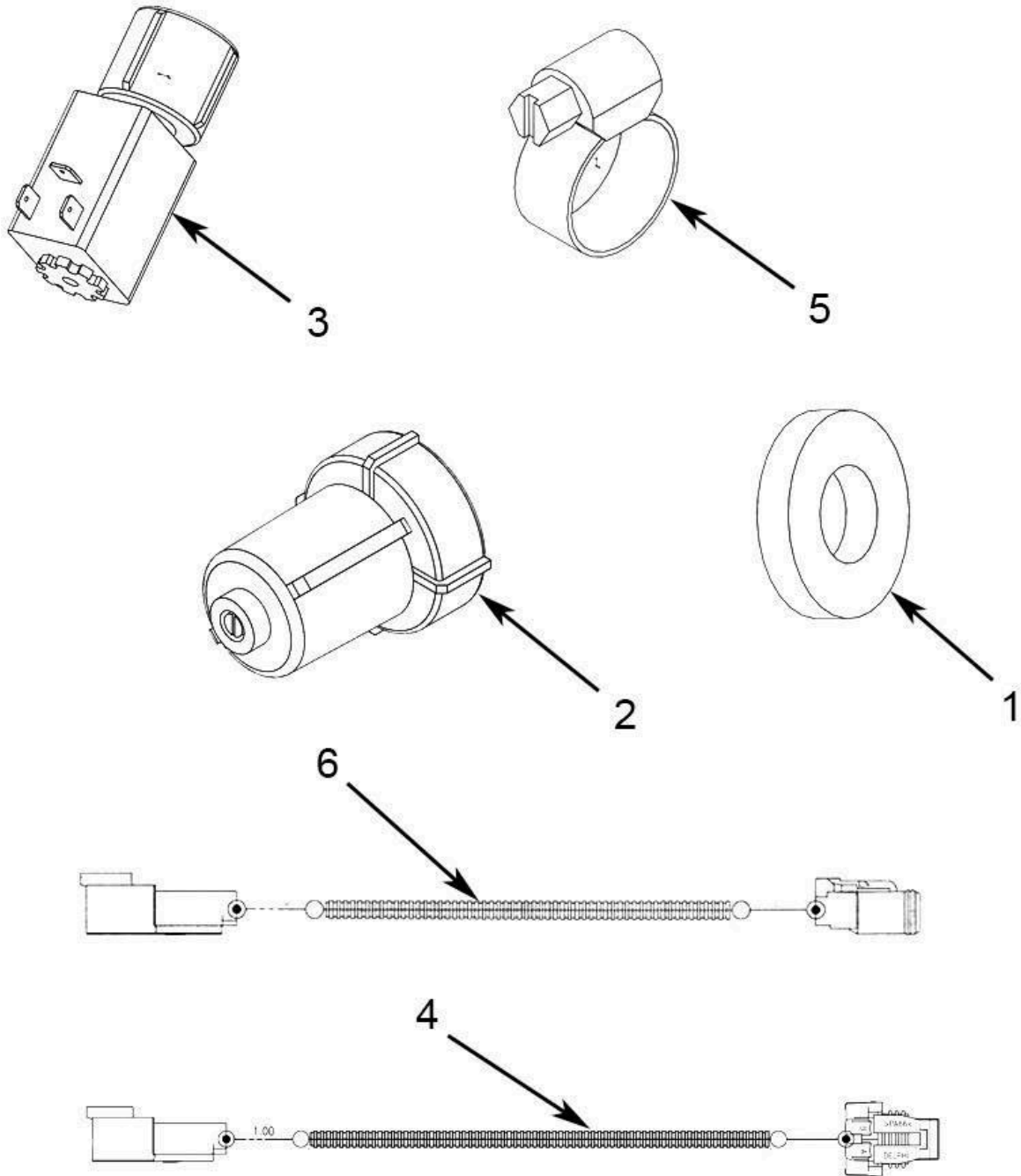


ILLUSTRATED PARTS LIST

Rinse Tank Option Parts List 99RT50963P:

ITEM	PART NO.	QTY.	DESCRIPTION
1	3071	2	BUCKLE, 2" STRAP
2	16878L	1	50GAL TANK MOUNT WLDMNT
3	16878R	1	50GAL TANK MOUNT WLDMNT
4	500002	1	VALVE 2 IN MANIFOLD CHECK ASSY
5	500034	1	VALVE, 2" BOTTOM LOAD FPF
6	500039	1	VALVE, MANIFOLD, 2.00 STD. PORT, 4 BOLT, POLY
7	510002	5	(FT) HOSE, 1.5IN EPDM
8	530014	4	GASKET, 1.500 EPDM
9	530019	2	GASKET, 2.00 EPDM
10	530079	1	MANIFOLD FLANGE, 2" X 1-1/2" HB
11	530089	1	MANIFOLD COUPLER, 2" X 90~ SHORT
12	530101	1	2INCHFP FLANGE X 1-1/2INCHHB-90
13	530105	1	MANIFOLD, 2" FP X 2" FP CPLG 45 DEG
14	530118	1	FLANGE, 2" STD PORT BOTTOM DRAIN
15	540001	4	CLAMP, 2.00 STD WORM SCREW
16	540002	2	CLAMP, FP WORM SCREW, 2.00
17	540006	2	T-Bolt Hose Clamp 1.25" 1.81" Min
18	570034	1	TANK, PCO 50 GAL YELLOW
19	580004	10	(FT) WEBBING, NYLON, 1.75" WIDE
20	590287	2	U-BOLT 5 X 5 X 5/8 ZP
21	596237M	2	NUT, CENTERLOCK 3/8-16 MAGNI
22	596240M	4	NUT, CENTERLOCK, 5/8-11 MAGNI
23	596818M	2	BOLT, HH 3/8-16 X 3/4 GR5 MAGNI

Fence Line Option





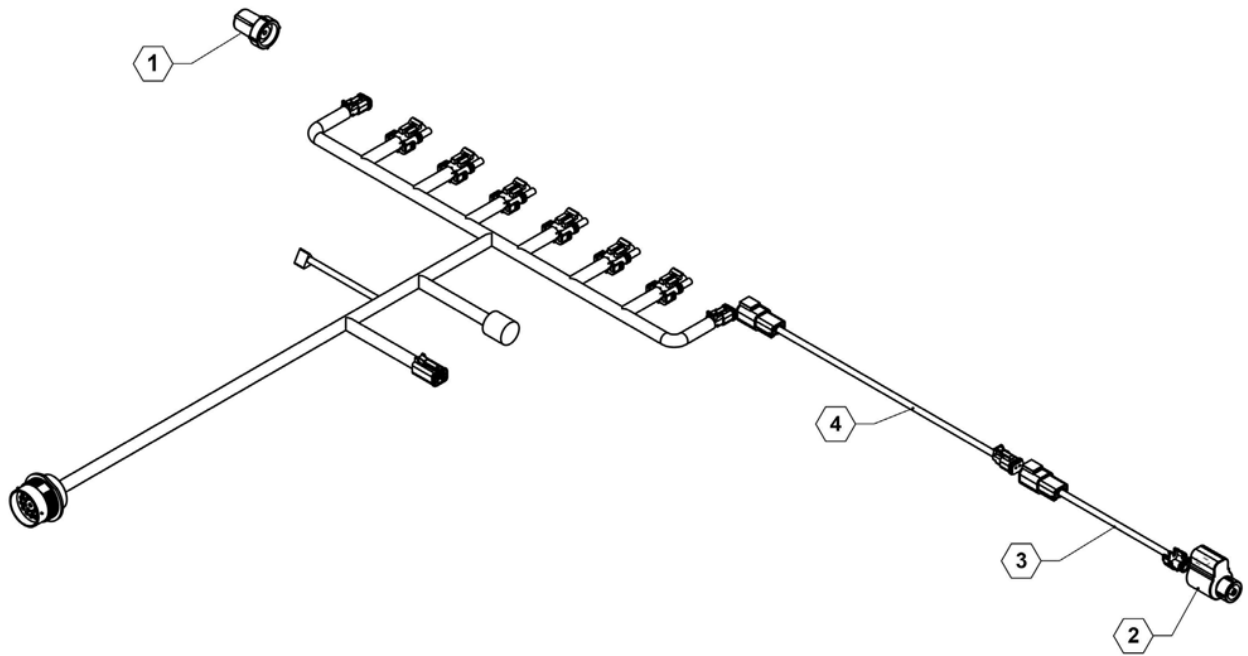
ILLUSTRATED PARTS LIST

Fence Line Option Parts List

ITEM	PART NO.	QTY.	DESCRIPTION
1	520016	2	NOZZLE SEAT WASHER, RUBBER
2	520037	2	NOZZLE MANUAL CHEM SAVER
3	520038	2	NOZZLE ELECTRIC CHEM SAVER
4	632044	2	CABLE ADAPTER 2P DT TO 2P 6"
5	540032	4	CLAMP, HOSE 5/16"
6	632054	2	55' FENCE ROW CABLE

Single Fence Line, Display Control

NOTE:
1. FOR USE WITH RAVEN RCM AND JD RC2000





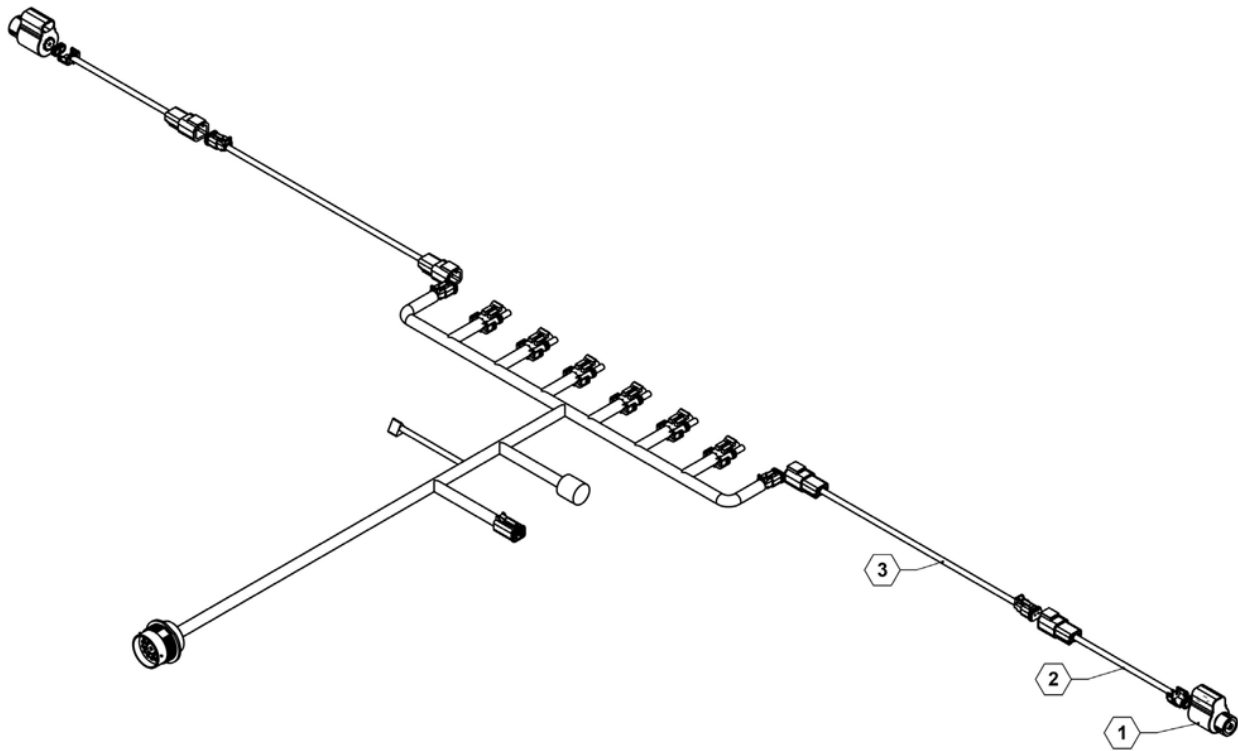
ILLUSTRATED PARTS LIST

Single Fence Line, Display Control Parts List 27360

ITEM	PART NO.	QTY.	DESCRIPTION
1	520037	1	VALVE, MANUAL CHEMSAVER
2	520038	1	VALVE, ELECTRIC CHEMSAVER
3	632044	1	FENCEROW ADAPTER CABLE, 6"
4	632054	1	FENCEROW CABLE, 55'

Dual Fence Line, Display Control

NOTE:
1. FOR USE WITH RAVEN RCM AND JD RC2000





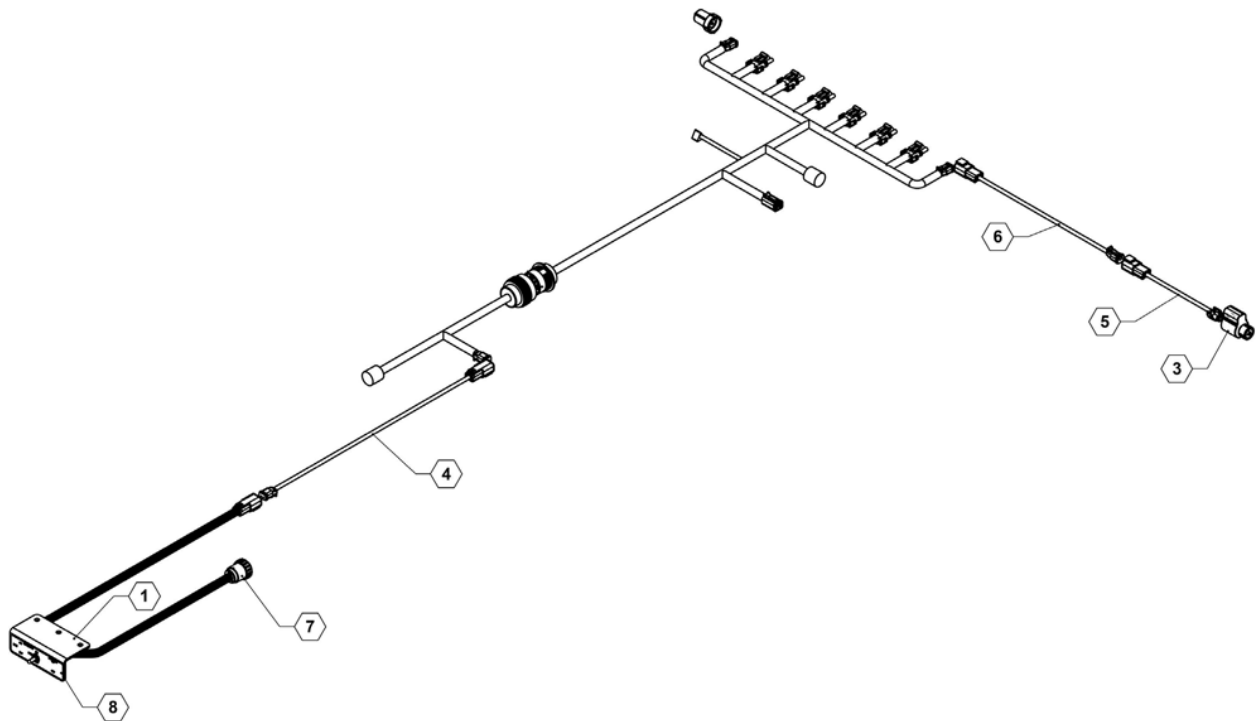
ILLUSTRATED PARTS LIST

Dual Fence Line, Display Control Parts List 27361

ITEM	PART NO.	QTY.	DESCRIPTION
1	520038	2	VALVE, ELECTRIC CHEMSAVER
2	632044	2	FENCEROW ADAPTER CABLE, 6"
3	632054	2	FENCEROW CABLE, 55'

Single Fence Line, Toggle Switch Control

NOTE:
1. FOR USE WITH RAVEN 450, JD GREENSTAR & OTHER 16 & 37 PIN CABLING CONTROLLERS





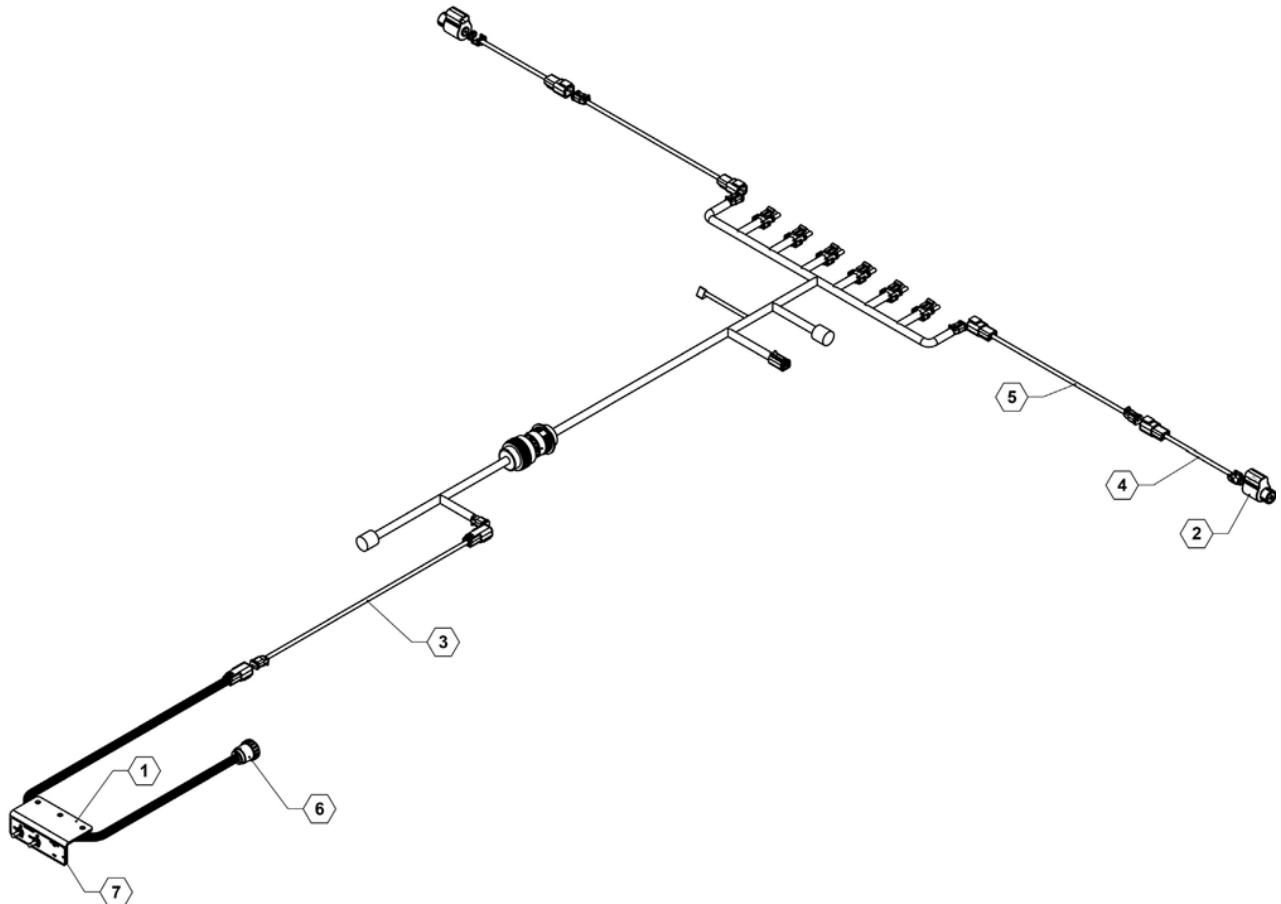
ILLUSTRATED PARTS LIST

Single Fence Line, Toggle Switch Control Parts List 27362

ITEM	PART NO.	QTY.	DESCRIPTION
1	18437	1	PLATE, MOUNT
2	520037	1	VALVE, MANAL CHEMSAVER
3	520038	1	VALVE, ELECTRIC CHEMSAVER
4	632042	1	2 PIN DT 40' CABLE EXTENSION
5	632044	1	FENCEROW ADAPTER CABLE, 6"
6	632054	1	FENCEROW CABLE, 55'
7	632089	1	CABLE, SINGLE ELECTRIC FENCELINE NOZZLE
8	800261	1	DECAL, FENCELINE & AGITATION

Dual Fence Line, Toggle Switch Control

NOTE:
1. FOR USE WITH RAVEN 450, JD GREENSTAR & OTHER 16 & 37 PIN CABLING CONTROLLERS



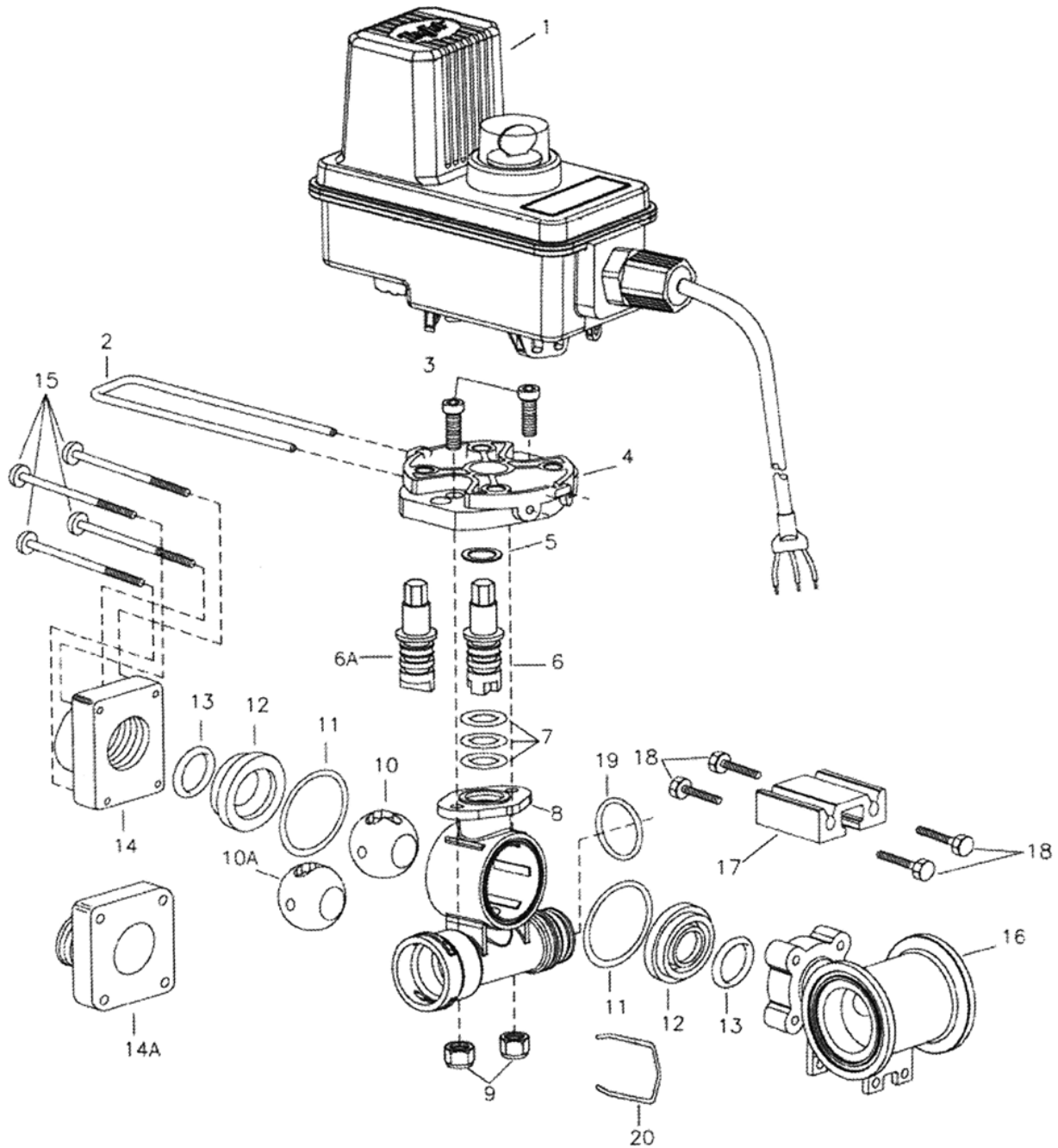


ILLUSTRATED PARTS LIST

Dual Fence Line, Toggle Switch Control Parts List 27363

ITEM	PART NO.	QTY.	DESCRIPTION
1	18437	1	PLATE, MOUNT
2	520038	2	VALVE, ELECTRIC CHEMSAVER
3	632042	1	2 PIN DT 40' CABLE EXTENSION
4	632044	2	FENCEROW ADAPTER CABLE, 6"
5	632054	2	FENCEROW CABLE, 55'
6	632088	1	CABLE, DUAL ELECTRIC FENCELINE NOZZLES
7	800261	1	DEAL, FENCELINE & AGITATION

Plumbing Valves



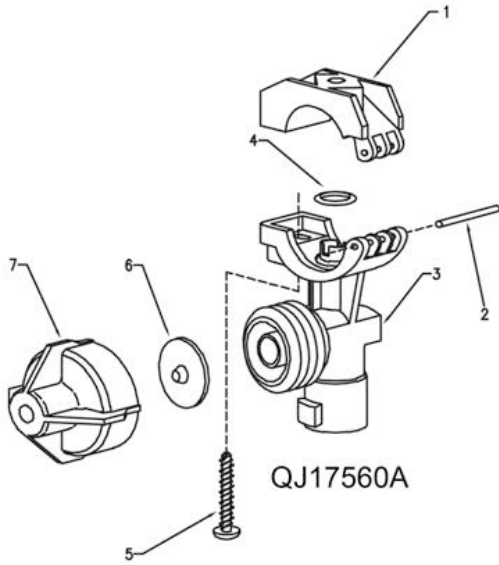


ILLUSTRATED PARTS LIST

Plumbing Valves Parts List

ITEM	VENDOR PART NO.	QTY.	DESCRIPTION
0	PL450BEC-FB	1	SHUT-OFF VALVE
1	TJ505156	1	BEC MOTOR, 22 RPM (.07 SEC)
2	CP50517-SSPV	1	RETAINING CLIP, 304 STAINLESS
3	CP26197-PP	2	SCREW, 1/4"-20 X 7/8", STAINLESS
4	CP50514-PP	1	MOTOR ADAPTER, POLY BLACK
5	CP20125-TEF	1	THRUST WASHER, TEFLON
6	CP56613-SS	1	STEM, 303 STAINLESS (FOR POLY BALL)
7	CP7717-M12X2.5-V1	3	O-RING, VITON
8	CP55233-NYB	1	FLOW BACK BODY, NYLON BLACK
9	CP38435-1/4-SSNY	2	ELASTIC LOCKNUT, 1/4-20, STAINLESS
10	CP20106-2-PP	1	FLOW BACK BALL, POLY, WHITE
10A	CP19926-2-SS	1	FLOW BACK BALL, 303 STAINLESS
11	CP20564	2	GASKET, VITON
12	CP20103-TEF	2	SEAL, TEFLON
13	CP7717-2-2132VI	2	O-RING, VITON
14A	CP45514-NYB	1	END CAP, NYLON, BLACK, QUICK CONNECT
15	CP45252-2-3/4-SSPV	4	SCREW, 1/4-12 X 2-3/4 PAN HEAD, SS
16	CP55224-PP	1	#75 NARROW TEE BODY, POLY, BLACK
17	CP45216-AL	1	MOUNTING RAIL, ALUMINUM
18	CP45259-SS	4	SCREW, M6 X 1 X 16MM HEX, SS
19	CP7717-3-912-VI	2	O-RING, VITON
20	CP37166-1-302SS	2	QUICK CONNECT RETAINING CLIP, 302 SS
	56609-3FB-__-__	1	VALVE BODY SUB ASSEMBLY, SPECIFY OUTLET SIZE & BALL MATERIAL (INCLUDES ITEMS 1-3)
	AB344AE-KIT	1	SPARE PARTS KIT

Nozzle Bodies



QJ17560A

ITEM	PART NO.	DESCRIPTION
1	CP48224-NYB	Upper Clamp, 25mm, Nylon (Black)
2	CP48256-SS	Pivot Pin, Stainless Steel
3	CP48498-NYB	Body, 3/4", Nylon (Black) (for 3/4" and 25mm versions)
4	CP7717-2/110-BU	O-Ring, Buna-N
4	CP7717-2/110-VI	O-Ring, Viton (Optional)
5	CP48255-1 1/4-302SS	Screw, Stainless Steel
6	CP21953-EPR	Diaphragm, EPDM
6	CP21953-VI	Diaphragm, Viton (Optional)
7	21950-10-NYB	End Cap Sub-Ass'y, Nylon (Black)
No. QJ17560A-25mm-NYB(-VI) - Hinged Nozzle Body Assembly		

ITEM	PART NO.	DESCRIPTION
1	CP38930-8-NYB	Plug, Nylon (Black)
2	CP7717-2-13-EPR	O-Ring, EPDM
2	CP7717-2-13-VI	O-Ring, Viton (Optional)
3	CP38931-NYB	E-Clip, Nylon (Black)
4	CP7717-M28x3-EPRTFE	O-Ring, EPR-Teflon Filled (2 Req'd.)
4	CP7717-M28x3-VITFE	O-Ring, Viton-Teflon Filled (2 Req'd.) (Optional)
5	CP56726-VITFE	Seal, Viton-Teflon Filled
6	CP7717-2-111-VI	O-Ring, Viton
7A	CP38921-2-NYB	Turret, Nylon (Black) (3 Outlet)
7B	CP38922-2-NYB	Turret, Nylon (Black) (4 Outlet)
7C	CP38923-2-NYB	Turret, Nylon (Black) (5 Outlet)
8	CP21953-EPR	Diaphragm, EPDM
8	CP21953-VI	Diaphragm, Viton (Optional)
9	21950-10-NYB	End Cap Sub-assembly, Nylon (Black)
10	CP38925-2-NYB	3/4" & 25mm Body, Nylon (Black)
11	CP7717-2-110-BU	O-Ring, Buna-N
11	CP7717-2-110-VI	O-Ring, Viton (Optional)
12	CP48255-1-1/4-302SS	Screw, Stainless Steel
13	CP48224-NYB	25mm Upper Clamp, Nylon (Black)
14	CP48256-SS	Pivot Pin, Stainless Steel
No. QJ36_C-25MM-NYB(-VI) - 25mm Wet Boom Nozzle Body*		
*Notes: Specify Either 3, 4, or 5 In Part Number For Number of Outlets Desired, -VI In Part Number Specifies Viton O-Ring Option		

DESCRIPTION:
 QJ17560A HINGED CLAMP
 WET BOOM DIAPHRAGM
 CHECK VALVE QUICK TEEJET®
 NOZZLE BODY ASSEMBLY
 (1/2", 3/4", 1", 20mm, & 25mm)



Spraying Systems Co.

Spray Nozzles and Accessories
 P.O. Box 7900 - Wheaton, IL 60189-7900

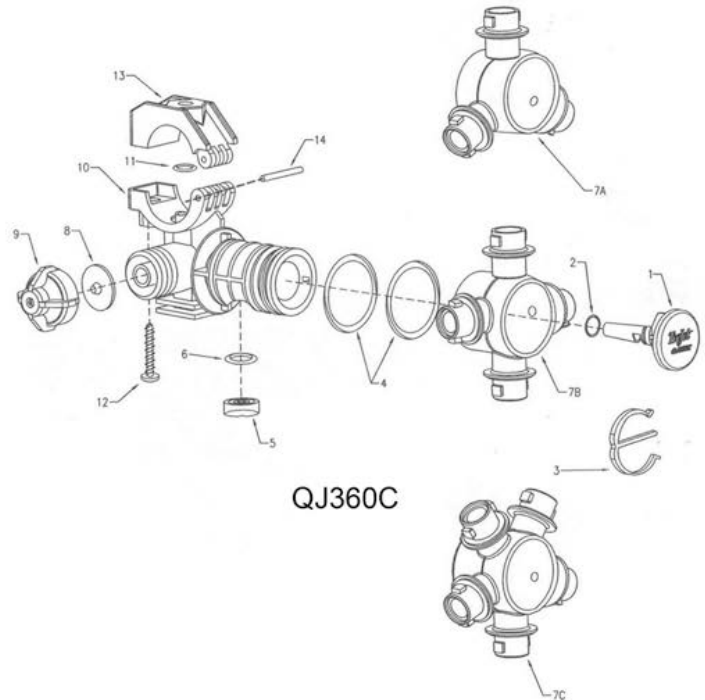
Rev. No.

Ref.

Parts List No.

PL QJ17560A

SHEET OF



QJ360C

DESCRIPTION:

QJ360C WET BOOM
 DIAPHRAGM CHECK VALVE
 QUICK TEEJET® HINGED
 NOZZLE BODY ASSEMBLY



Spraying Systems Co.

Spray Nozzles and Accessories
 P.O. Box 7900 - Wheaton, IL 60189-7900

Rev. No. 1

Ref.

PARTS LIST

PL QJ360C-WB

SHEET OF



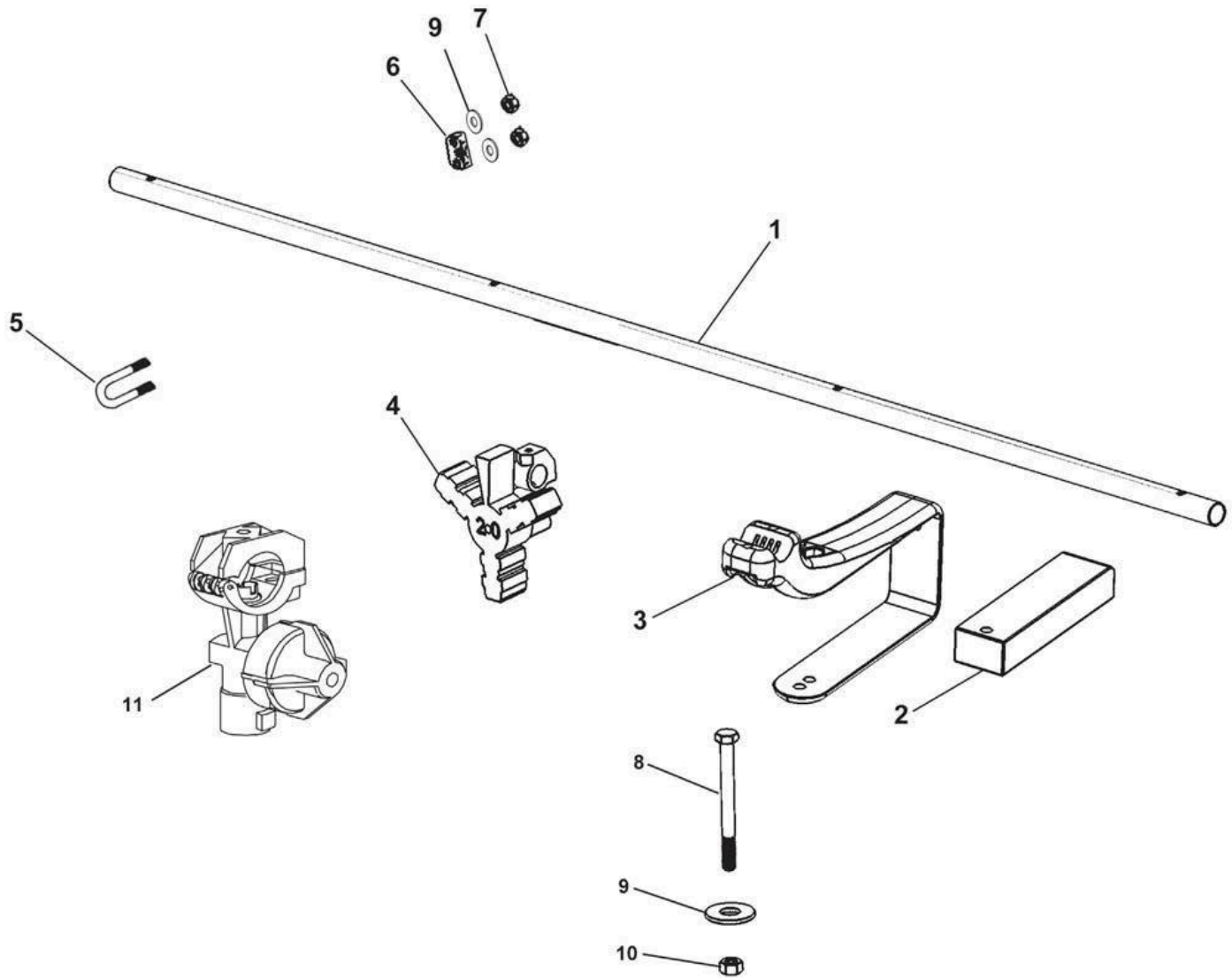
QJ375



QJ373



Delivery Tubes



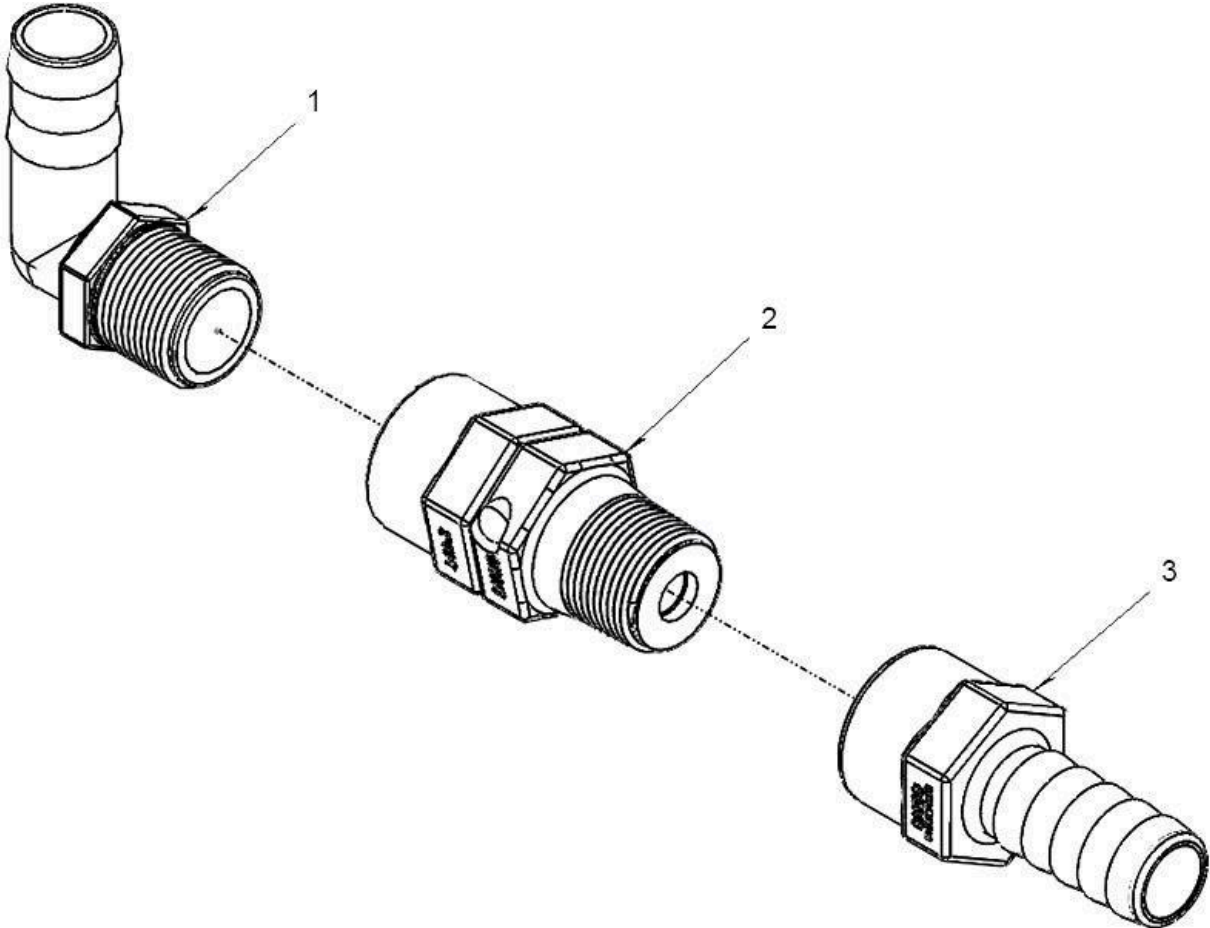


ILLUSTRATED PARTS LIST

Delivery Tubes Parts List

ITEM	PART NO.	QTY.	DESCRIPTION
1	14301	AR	TUBE, 6 PORT 15 INCH SPACING + FENCELINE VALVE
1	14302	AR	TUBE, 2 PORT 15 INCH SPACING
1	14303	AR	TUBE, 3 PORT 15 INCH SPACING
1	14304	AR	TUBE, 4 PORT 15 INCH SPACING
1	14305	AR	TUBE, 5 PORT 15 INCH SPACING
1	14306	AR	TUBE, 6 PORT 15 INCH SPACING
1	14307	AR	TUBE, 7 PORT 15 INCH SPACING
1	14308	AR	TUBE, 8 PORT 15 INCH SPACING
1	14309	AR	TUBE, 9 PORT 15 INCH SPACING
1	14310	AR	TUBE, 10 PORT 15 INCH SPACING
1	14311	AR	TUBE, 7 PORT 20 INCH SPACING + FENCELINE VALVE
1	14312	AR	TUBE, 2 PORT 20 INCH SPACING
1	14313	AR	TUBE, 3 PORT 20 INCH SPACING
1	14314	AR	TUBE, 4 PORT 20 INCH SPACING
1	14315	AR	TUBE, 5 PORT 20 INCH SPACING
1	14316	AR	TUBE, 6 PORT 20 INCH SPACING
1	14317	AR	TUBE, 7 PORT 20 INCH SPACING
1	14318	AR	TUBE, 8 PORT 20 INCH SPACING
1	14319	AR	TUBE, 9 PORT 20 INCH SPACING
1	14320	AR	TUBE, 5 PORT 20 INCH SPACING + FENCELINE VALVE
1	14321	AR	TUBE, 6 PORT 20 INCH SPACING + FENCELINE VALVE
1	14322	AR	TUBE, 2 PORT 22 INCH SPACING
1	14323	AR	TUBE, 3 PORT 22 INCH SPACING
1	14324	AR	TUBE, 4 PORT 22 INCH SPACING
1	14325	AR	TUBE, 5 PORT 22 INCH SPACING
1	14326	AR	TUBE, 6 PORT 22 INCH SPACING
1	14327	AR	TUBE, 7 PORT 22 INCH SPACING
1	14329	AR	TUBE, 6 PORT 22 INCH SPACING + FENCELINE VALVE
1	14330	AR	TUBE, 5 PORT 22 INCH SPACING + FENCELINE VALVE
1	14331	AR	TUBE, 6 PORT 15 INCH SPACING + FENCELINE VALVE
1	14332	AR	TUBE ASSEMBLY, 2 PORT 15 INCH SPACING, INC NOZZLES
1	14333	AR	TUBE ASSEMBLY, 3 PORT 15 INCH SPACING, INC NOZZLES
1	14334	AR	TUBE ASSEMBLY, 4 PORT 15 INCH SPACING, INC NOZZLES
1	14335	AR	TUBE ASSEMBLY, 5 PORT 15 INCH SPACING, INC NOZZLES
1	14336	AR	TUBE ASSEMBLY, 6 PORT 15 INCH SPACING, INC NOZZLES
1	14337	AR	TUBE ASSEMBLY, 7 PORT 15 INCH SPACING, INC NOZZLES
1	14338	AR	TUBE ASSEMBLY, 8 PORT 15 INCH SPACING, INC NOZZLES
1	14339	AR	TUBE ASSEMBLY, 9 PORT 15 INCH SPACING, INC NOZZLES
1	14340	AR	TUBE ASSEMBLY, 10 PORT 15 INCH SPACING, INC NOZZLES
2	590054	AR	SPACER, WET BOOM
3	540040	AR	CLAMP, WET BOOM
4	520039	AR	NOZZLE BODY TRIPLE WET BOOM
5	590048	AR	U-BOLT STAINLESS STEEL
6	540029	AR	TUBE CLAMP BASE
7	655	AR	NUT HH
8	590078	AR	BOLT HH 1/4 X 4-1/2 GR5 STAINLESS STEEL
9	685	AR	WASHER 1/4" STAINLESS STEEL
10	655	AR	NUT 1/4" NYLOCK STAINLESS STEEL
11	520030	AR	NOZZLE BODY SINGLE WET BOOM

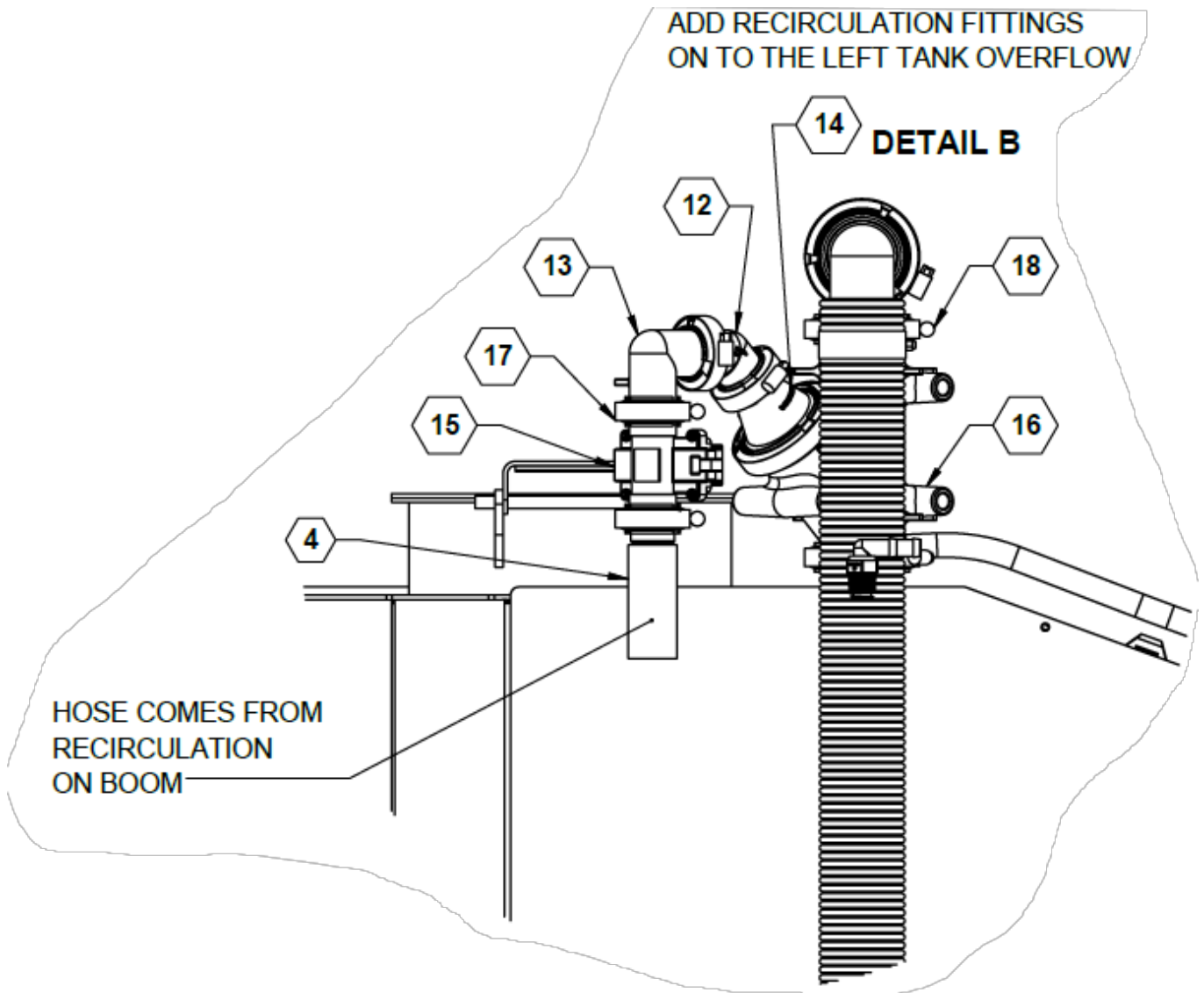
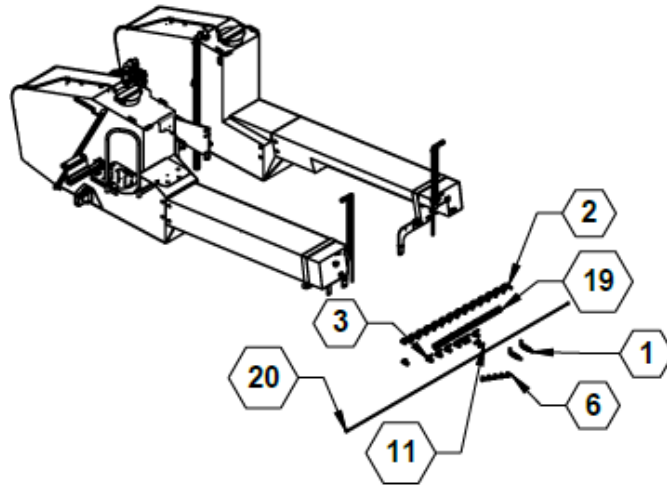
60 - 80' Side Fold Fitting



60 - 80' Side Fold Fitting Parts List

ITEM	PART NO.	QTY.	DESCRIPTION
1	530044	1	1" MPT X 1" HOSE SHANK-90°
2	530326	1	1' MALE X 1" FEMALE SWIVEL
3	530325	1	1' FEMALE THREAD X 1" HOSE SHANK

Capstan Boom Recirculation Option for Fast Track Tanks





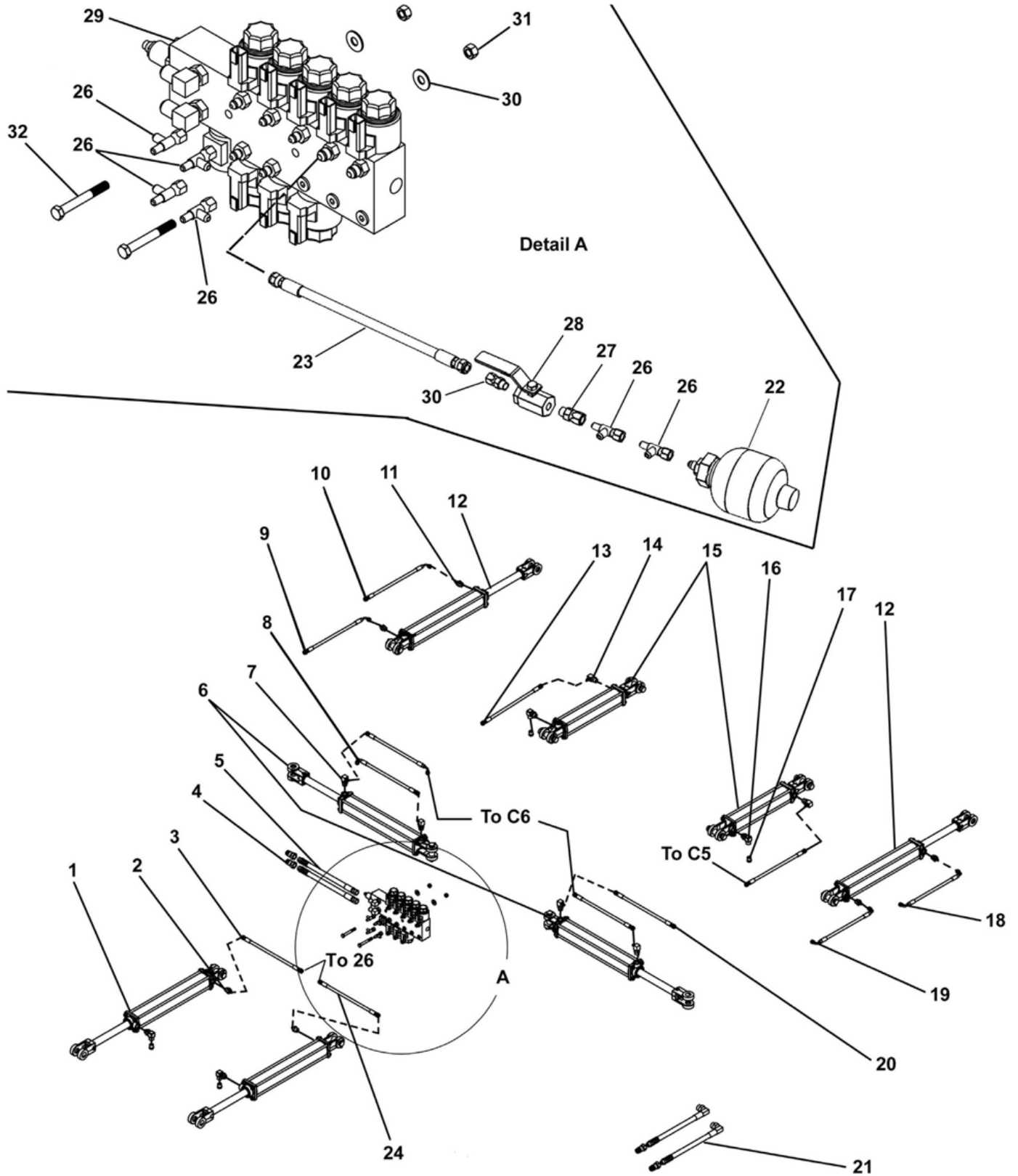
ILLUSTRATED PARTS LIST

Parts List 36271: Capstan Boom Recirculation Option for Fast Track Tanks

ITEM	PART NO.	QTY.	DESCRIPTION
1	90SA6080SF	2	SUB-ASSY 60-80' SIDE FOLD FTNG
2	90SAU	14	SUB ASSY U-FITTING
3	500043	6	VALVE, 3/4" UNION
4	510016	170	(FT) HOSE, 1.00" EPDM
5	530019	2	GASKET, 2.00 EPDM
6	530036	5	ELBOW, .75 MPT X 1.00 HB, 90
7	530066	1	FITTING, 1.00 MANIFOLD X 1.00 HB
8	530068	4	GASKET, 1.00 EPDM
9	530156	2	TEE, 3/4" POLY PIPE
10	530181	4	TEE, .75 MPT X 1.00 HB X 1.00 HB
11	530203	2	FITTING, .750 MNPT X 1.00 HB, POLY
12	530324	1	1" MANIFOLD CPLNG-45°
13	530362	1	Coupling 90° 1" Flanged
14	530447	1	MANIFOLD, 2 IN FP X 1 IN COUPLING
15	530530	1	ELECTRONIC MANIFOLD VALVE
16	530532	1	FITTING, 2" FULL PORT 45° Y FLANGE
17	540000	4	CLAMP, WORM SCREW, 1.00
18	540002	2	CLAMP, FP WORM SCREW, 2.00
19	540014	44	HOSE CLAMP, SS 1.00 #16
20	632205	1	3 PIN DEUTSCH EXTENSION 12"



Hydraulic System





ILLUSTRATED PARTS LIST

Hydraulic System Parts List

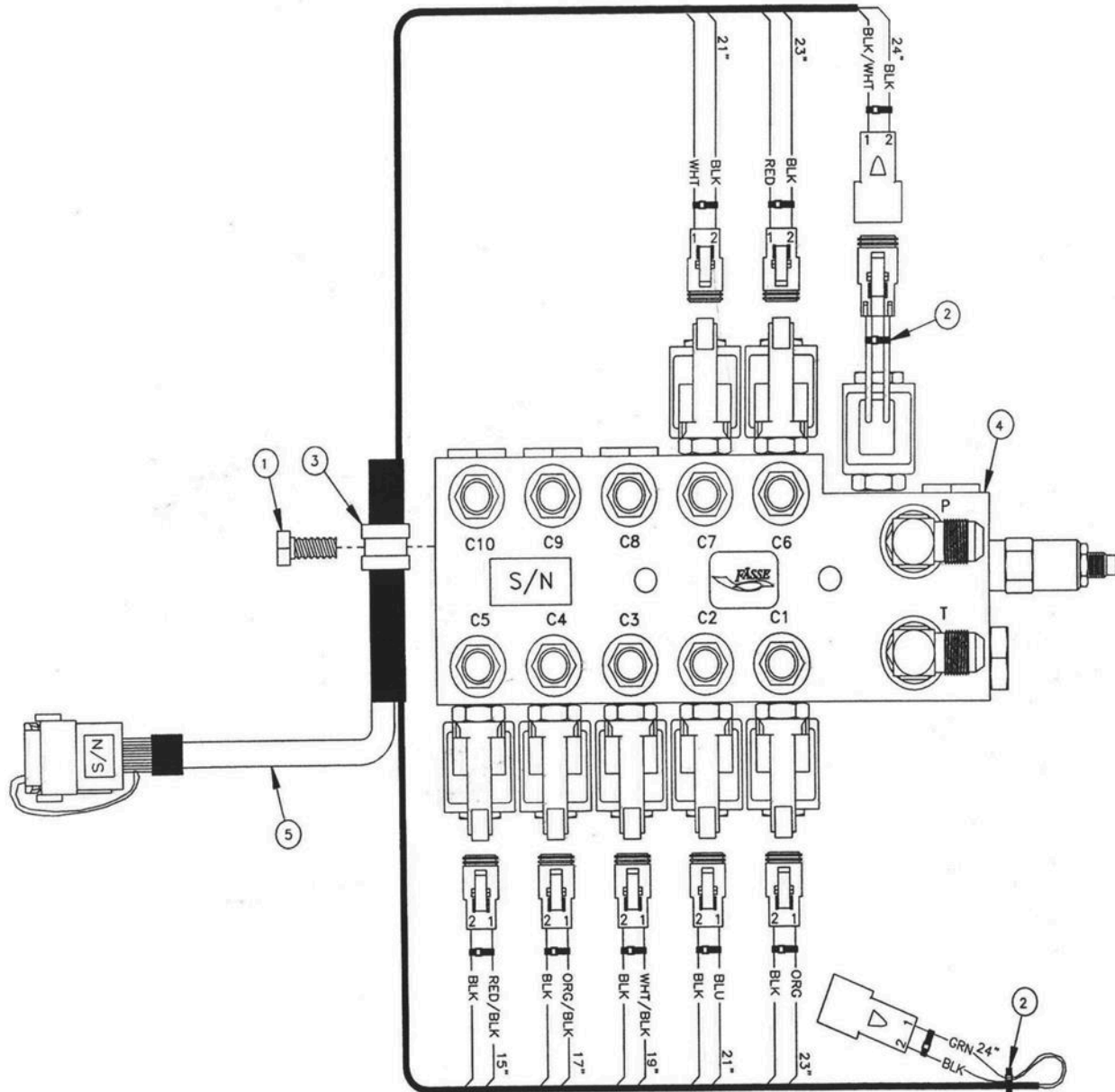
ITEM	VENDOR PART NO.	PART NO.	QTY.	60'	80, 90 & 100'	DESCRIPTION
1	648124	620019	2			CYLINDER, 20TD16-150 SA PUSH, MAIN LIFT
2	6400-4-8-047	610038	2			8ORB X 4JIX RESTRICTED ADAPTER, .047
3	FDM4R17-4FJX	600008	1			HOSE 4JIC STRAIGHT
4	2-NV12-12SAE-M	530182	4			HYDRAULIC TIP X 8ORB
5	FDM8R17-8FJX-8MBO-288		2			HOSE HYDRAULIC BLOCK FEED
6	645710	620006	2			CYLINDER, 30TD16-150 DOUBLE ACTING, FOLD
7	6801-4-8-R.045	610039	4			8ORB X 4JIX 90° RESTRICTED ADAPTER, .032 (9600N)
7	6801-4-8-R.045	610040	4			8ORB X 4JIX 90° RESTRICTED ADAPTER, .045 (9600)
8	FDM4R17-4FJX-4FJX-104		2			HOSE 4JIC STRAIGHT
9	FDM4R17-4FJX90M-4FJX-302		1			HOSE 4JIC STRAIGHT X 4JIC 90°
10	FDM4R17-4FJX90M-4FJX-302		1			HOSE 4JIC STRAIGHT X 4JIC 90°
11		610039	4			8ORB X 4JIX 90° RESTRICTED ADAPTER, .032 (9600N)
11	6801-4-8-R.045	610040	4			8ORB X 4JIX 90° RESTRICTED ADAPTER, .045 (9600)
12	645710	620006	2			CYLINDER, 30TD16-150 DOUBLE ACTING, D13, WING
13	FDM6R17-6FJX-156		2			HOSE 6JIC STRAIGHT
14	6801-6-8	610030	2			8ORB X 6JIX ADAPTER
15	648422	620023	2			CYLINDER, 25TD08-112 SA PULL, WING TILT
15				OPT.		FOR NORAC/RAVEN BOOM HEIGHT CONTROL SYSTEMS
15	648402 OPT. NORAC/RAVEN	620022		OPT.		CYLINDER, 25TD10-112 SA PULL, WING TILT
16	6805-6-8	610035	4			8ORB X 3/8" FPT 90° ADAPTER
17	BV3	610036	4			BREATHER 3/8" MPT



ILLUSTRATED PARTS LIST

18	FDM4R17-4FJX90M-SAME-302		1			HOSE HYDRAULIC 4JIC 90° X 4JIC 90°
19	FDM4R17-4FJX90M-4FJX-322		1			HOSE HYDRAULIC 4JIC 90° X 4JIC 90°
20	FDM4R17-4FJX-4FJX-104		2			HOSE HYDRAULIC 4JIC STRAIGHT
21	FDM8R17-8MBO-10MBX090-204		2			HOSE HYDRAULIC PUMP FEED
22	0531-601-500/100	630002	1			ACCUMULATOR
23	FDM4R17-4FJX-4FJX90M-15		1			HOSE HYDRAULIC 4JIC STRAIGHT
24	FDM4R17-4FJX-4FJX-25.3		1			HOSE HYDRAULIC 4JIC STRAIGHT
25	N/A					
26		610026	6			RUN TEE ADAPTER 4JIC, ZN
26	6602-4	610028	6			RUN TEE ADAPTER 4JIC
27	6402-04-04	610018	1			ADAPTER SWIVEL 4JIC X 4ORB
28	MPV-14-SAE	500000	1			VALVE 1/4 TURN HYDRAULIC
29	700-0805-4103	630008		1		HYDRAULIC BLOCK - 5 STATION
NS	700-0806-4103	630011			1	HYDRAULIC BLOCK - 6-STATION
30	6400-04	610007	1			4 ORB X 4 JIC
31	237	237	2			NUT HH 3/8" NYLOCK ZP CENTERLOCK
32	132	132	2			BOLT HH 3/8 X 3" GR5 ZP
	SEAL KITS					
	648126					648124 20TD16-150 SA PUSH
	645752					648422 25TD-08-112 SA PULL
	645752					648402 25TD10-112 SA PULL
	639559					645710 30TD16-150 DA

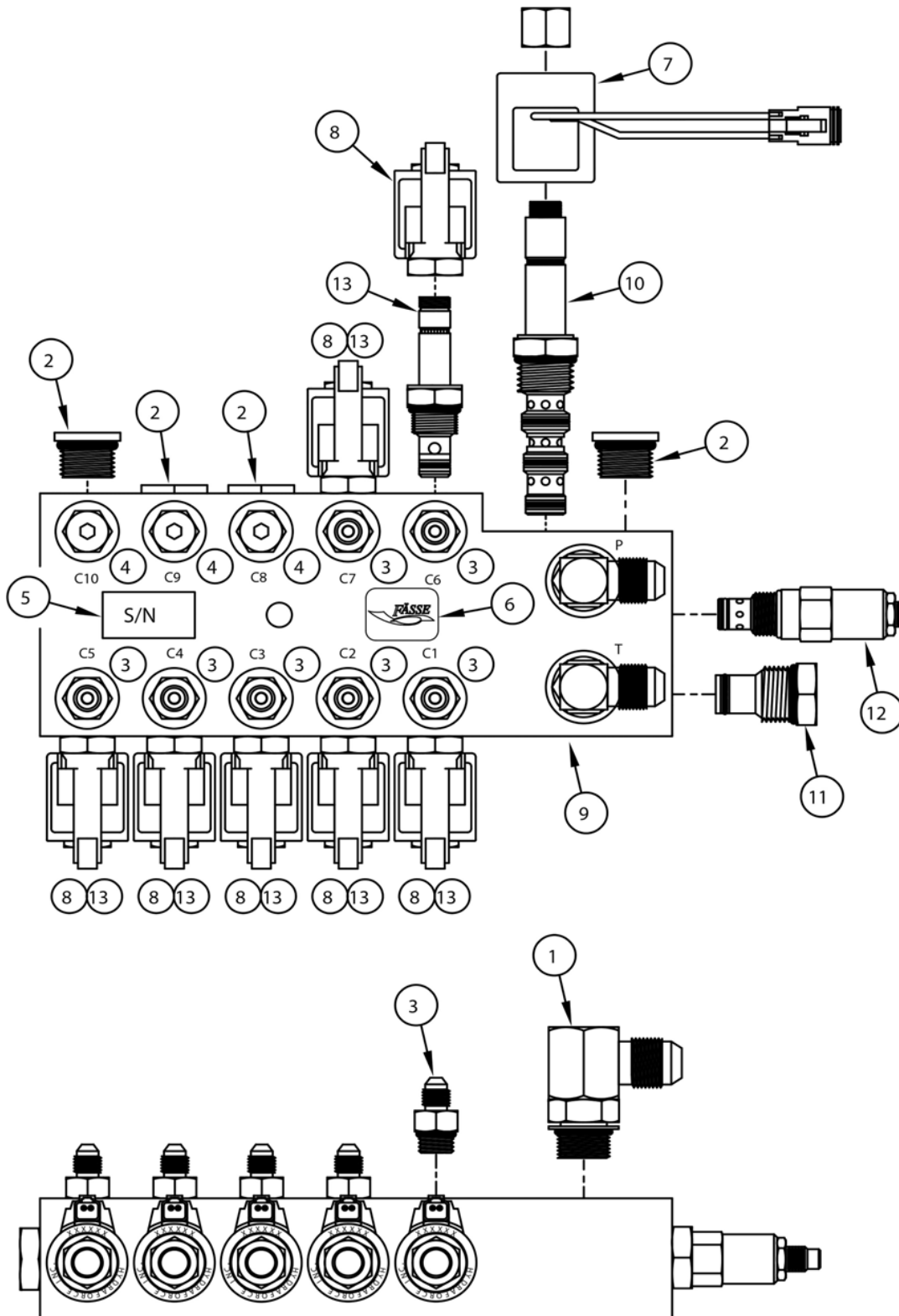
Hydraulic Control Valve Harness - 60 - 66 Foot Boom



Hydraulic Control Valve Harness - 60 - 66 Foot Boom Parts List

ITEM	PART NO.	QTY.	DESCRIPTION
1	212-025	1	BOLT, 5/16-18 x 0.75
2	214-002	14	CABLE TIE, BLACK, 7"
3	255-026	1	LOOM CLAMP, 0.5" ID METAL/RUBBER
4	302-374	1	MANIFOLD ASSEMBLY, 0805 2DA 3SA0 CLOSED INTG DTR 12V WP6400-4 PT 6801-8
5	319-668	1	HARNESS ASSY, 12 CON 18GA DTR KEY A 12P(12)-2DTR2P(2) 33'

Hydraulic Control Valve - 60 - 66 Foot Boom



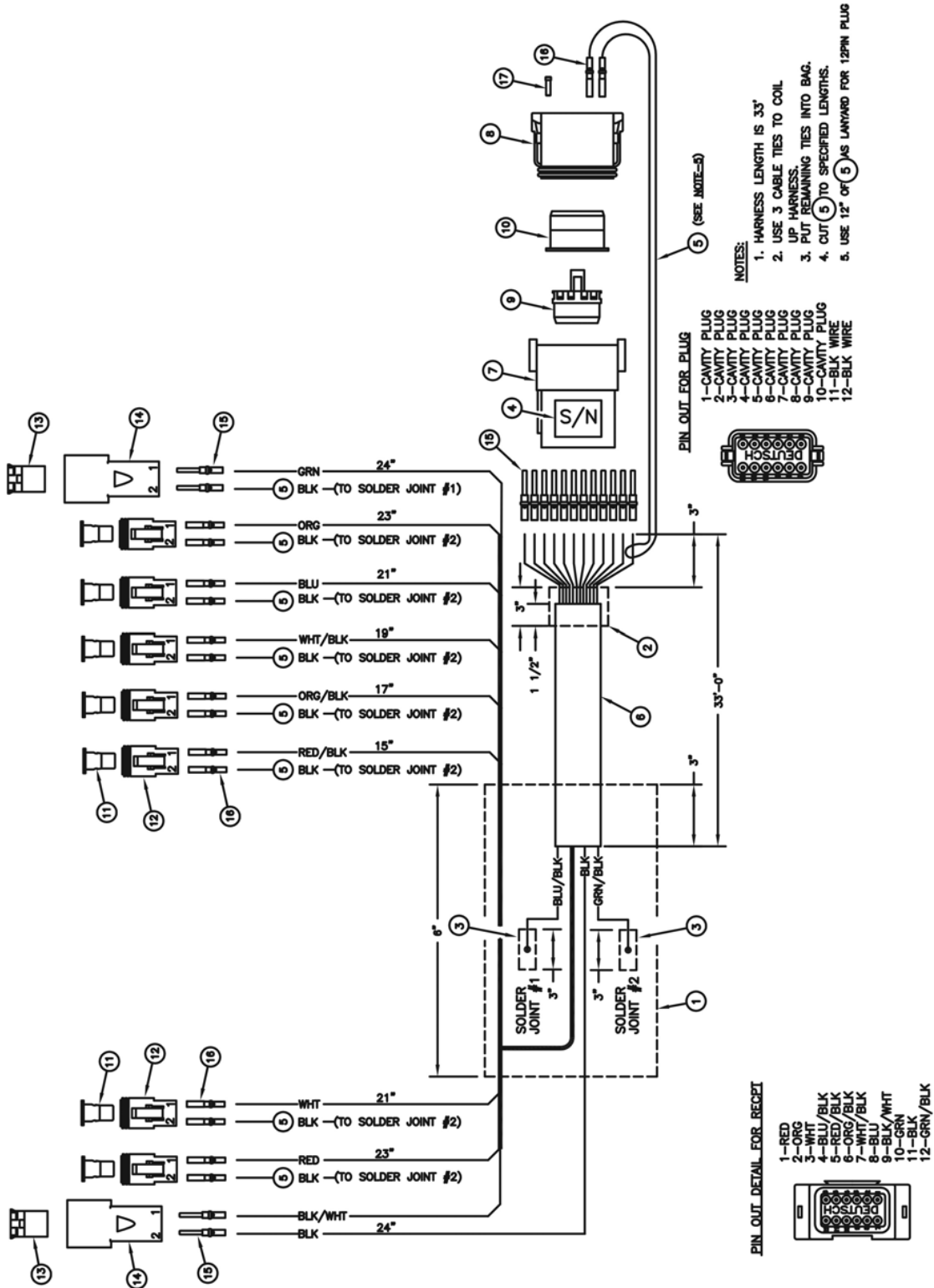


ILLUSTRATED PARTS LIST

Hydraulic Control Valve - 60 - 66 Foot Boom Parts List

ITEM	VENDOR PART NO.	QTY.	DESCRIPTION
1	210-017	2	FITTING 6801-8-8/E-MJ-MO
2	210-038	4	FITTING 6408-HHP-8/HOLL HEX PLUG MO
3	210-113	7	FITTING 6400-4-6/S-MJ-MO
4	210-127	3	FITTING 6408-HHP-6/HOLL HEX PLUG MO
5	232-050	2	DECAL S/N (SILVER)
6	232-058	1	DECAL FASSE BLACK/GOLD 1" X .75" ROUND CORNER
7	253-037	1	COIL H/F 6359774 DT
8	253-046	7	COIL HYDAC 0312600 DL DSTCH RECPT.
9	270-093	1	MANIFOLD S14153-4 5CIR AL RV
10	273-008	1	CARTRIDGE SV10-40-0-N-00 (SEAL KIT PART NUMBER 274-001)
11	273-012	1	CARTRIDGE CP10-20 (SEAL KIT PART NUMBER 274-019)
12	273-058	1	CARTRIDGE H/F RV10-22A-0-N-NC-35-30 (SEAL KIT PART NUMBER 274-009)
13	273-077	7	CARTRIDGE HYDAC WS 08W-01-C-N-0 (SEAL KIT PART NUMBER 274-028)

Hydraulic Control Valve Harness - 60 - 66 Foot Boom





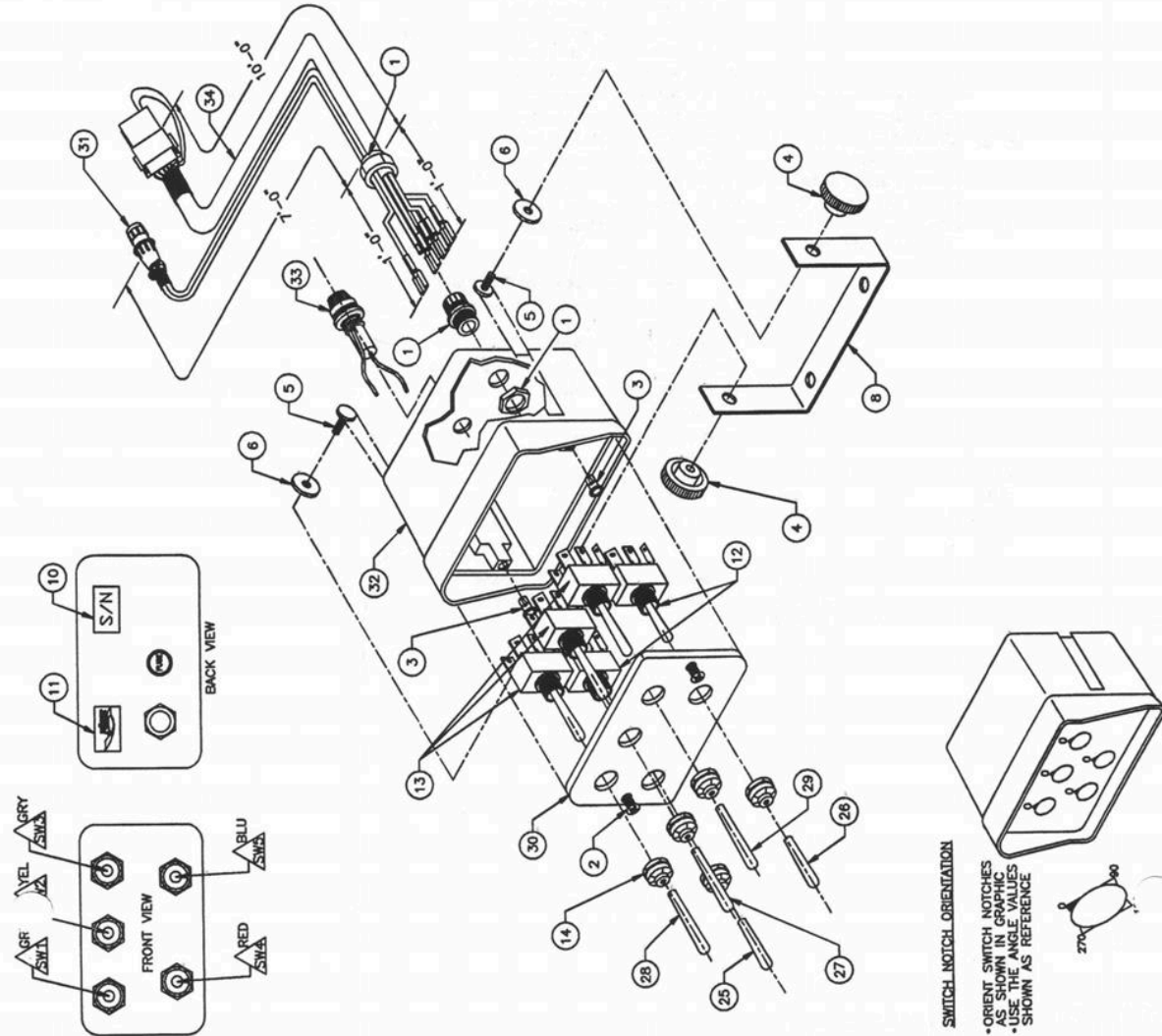
ILLUSTRATED PARTS LIST

Hydraulic Control Valve Harness - 60 - 66 Foot Boom Parts List

ITEM	VENDOR PART NO.	QTY.	DESCRIPTION
1	231-008	6"	SHRINK TUBING .750
2	231-009	3"	SHRINK TUBING .5
3	231-250	6"	SHRINK TUBING .250 BLACK
4	232-050	2	DECAL S/N (SILVER)
5	252-058	159"	WIRE 18GA BLACK
6	252-064	35'	CABLE 12CON GRAY 18GA
7	255-212	1	CONNECTOR DEUTSCH 12 PIN RECEPTICLE DT
8	255-213	1	CONNECTOR DEUTSCH DT PLUG 12 PIN
9	255-214	1	CONNECTOR DEUTSCH LOCK WEDGE 12 PIN DTR
10	255-215	1	CONNECTOR DEUTSCH LOCK WEDGE 12 PIN DTP
11	255-505	7	CONNECTOR DEUTSCH LOCK WEDGE 2 PIN DTP
12	255-801	7	CONNECTOR DEUTSCH 2 PIN PLUG DT
13	255-969	2	CONNECTOR DEUTSCH LOCK WEDGE 2 PIN DTR
14	255-971	2	CONNECTOR DEUTSCH 2 PIN RECEPTICLE DT
15	255-977	16	TERMINAL PIN DEUTSCH 16/18GA
16	255-978	16	TERMINAL SOCKET DEUTSCH 16/18GA
17	255-979	10	CONNECTOR DEUTSCH

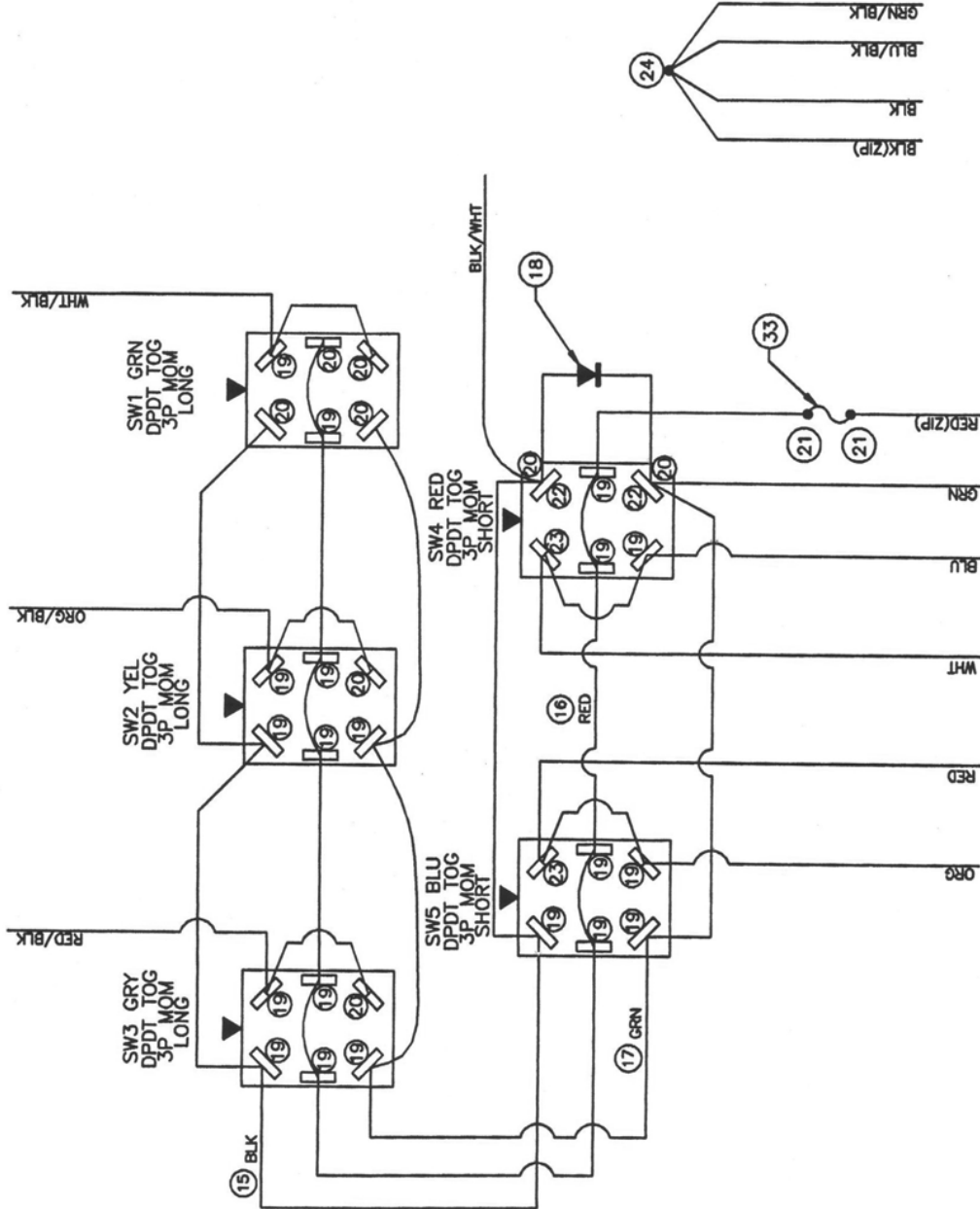
Control Console - 60 - 66 Foot Boom

PARTS LIST			
PN#	PART NUMBER	QTY	PART DESCRIPTION
1	210-710	1	STR RLF HEYCO .23"- .537ID. HOLE DA. .886"
2	212-184	2	SCREW 6-32 X 3/8 OVAL HD BLK
3	212-202	2	INSERT 6-32X3/8 BRASS
4	212-215	2	KNOB 1/4-20 FEMALE
5	212-231	2	SCREW WELDED 1/4-20 X .500
6	213-335	2	WASHER INCON .257X.675X.060
7	214-002	3	CABLE TIE BLACK 7"
8	219-300	1	BRKT HSNQ MONITOR
9	230-057	1	BAG POLY CLR 14 X 18 2MIL W/LOGO
10	232-060	2	DECL S/N (SILVER)
11	232-059	1	DECL GOLD/BLK 1.5 X .5
12	250-007	2	SW TOG DPDT 3P MOM SHORT
13	250-013	3	SW TOG DPDT 3P MOM LONG
14	250-023	5	SW TOG BOOT OPN GRN
15	252-058	18*	WIRE 18GA BLK
16	252-059	24*	WIRE 18GA RED
17	252-060	18*	WIRE 18GA GRN
18	254-001	1	DIODE D116AZ GAMP
19	255-002	20	TRM T-TAP F PO BLU
20	255-006	8	TRM PO F MOM INS 20/18GA
21	255-030	2	TRM SPLICE CLOSED END 16-18GA
22	255-070	2	TRM PO M/F 14-16GA
23	255-118	2	TRM PO F INS 16-14GA
24	255-285	1	TRM SPLICE CLOSED END LRG
25	259-005	1	SW TOG GRIP VNTL RED .187
26	259-015	1	SW TOG GRIP VNTL BLU .187
27	259-022	1	SW TOG GRIP VNTL YEL .187
28	259-023	1	SW TOG GRIP VNTL GRN .187
29	259-027	1	SW TOG GRIP VNTL GRY .187
30	311-083	1	ENCL FP DRL MATR/FTD DECL-SX15/32 3SA
31	314-217	1	HARNSS R/B WIRE SERIES 3 P/8"
32	319-725	1	ENCL DRILL MATR BX PH-7/8" STR RLF
33	319-769	1	FUSEHOLDER FM ASSY 10A /.5"
34	320-184	1	HRN 12CON 18GA DTP KEY A 12P(12) 11" END CMP



Control Console - 60 - 66 Foot Boom

SWITCH WIRING DIAGRAM

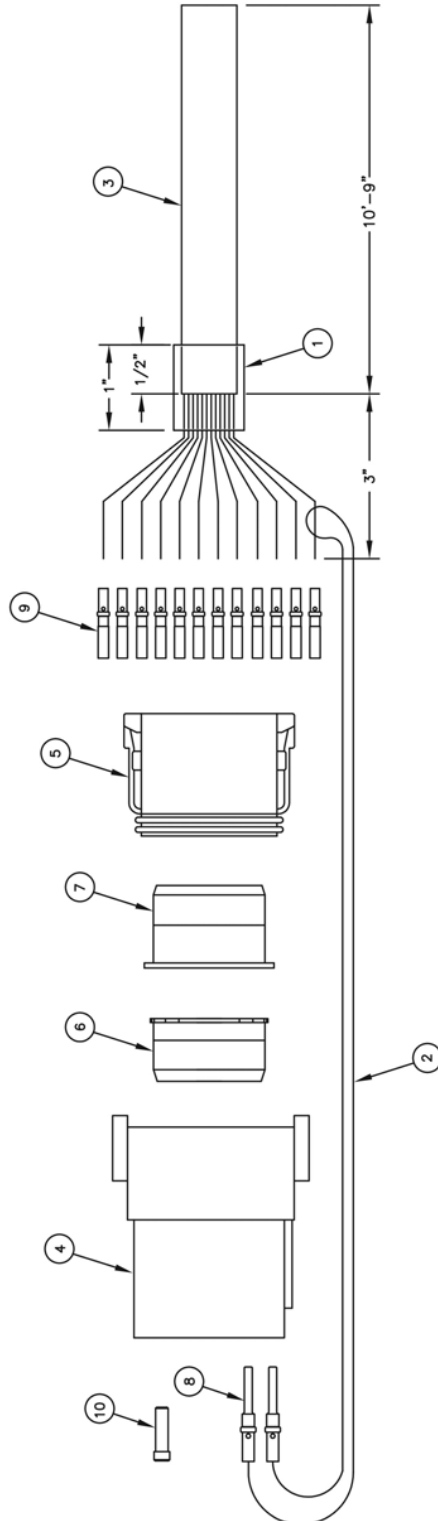


▲ = NOTCH LOCATION

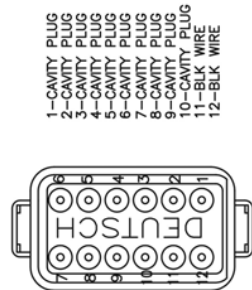
Wiring Harness - 60 - 66 Foot Boom

PARTS LIST

№	PART NUMBER	QTY	PART DESCRIPTION
1	231-009	1*	SHRINKTUBING .500" BLK
2	252-058	12*	WIRE 18GA BLK
3	252-064	11*	CABLE 12CON 18GA PVC GRN
4	255-212	1	CONN DEUT DT RECP 12PIN
5	255-213	1	CNTR DEUTSCH 12PIN PLUG DT
6	255-214	1	CONN DEUT LOCKWEDGE 12PIN DTR
7	255-215	1	CNTR LOCK WEDGE 12PIN DTP
8	255-977	2	CONT DEUT PIN 16-18GA
9	255-978	12	CNTR DEUTSCH SOCKET 16/18GA
10	255-979	10	CONT DEUT CAVITY PLUG

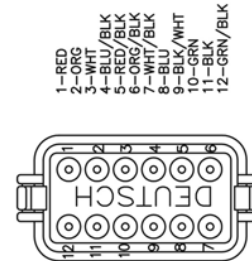


PIN OUT DETAIL FOR RECEIPT



- 1-CAVITY PLUG
- 2-CAVITY PLUG
- 3-CAVITY PLUG
- 4-CAVITY PLUG
- 5-CAVITY PLUG
- 6-CAVITY PLUG
- 7-CAVITY PLUG
- 8-CAVITY PLUG
- 9-CAVITY PLUG
- 10-CAVITY PLUG
- 11-BLK WIRE
- 12-BLK WIRE

PIN OUT DETAIL FOR PLUG

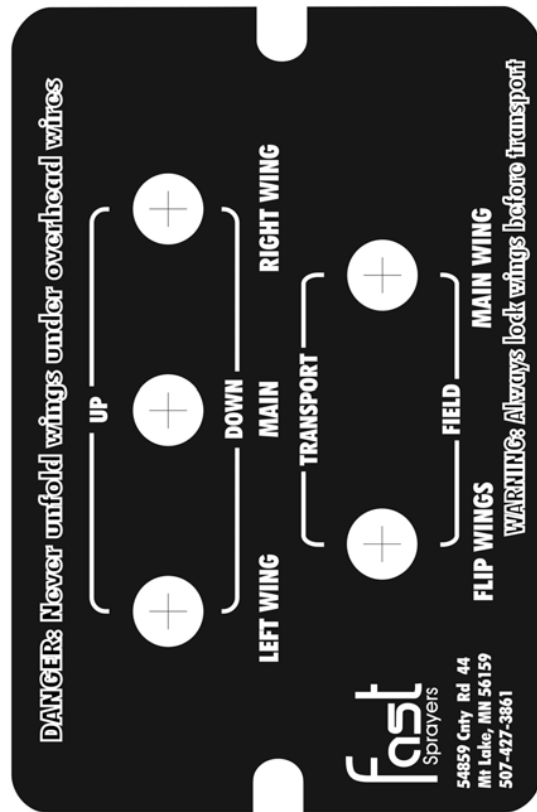


- 1-RED
- 2-ORG
- 3-WHT/BLK
- 4-RED/BLK
- 5-ORG/BLK
- 6-ORG/BLK
- 7-WHT/BLK
- 8-BLU
- 9-BLK/WHT
- 10-GRN
- 11-BLK
- 12-GRN/BLK

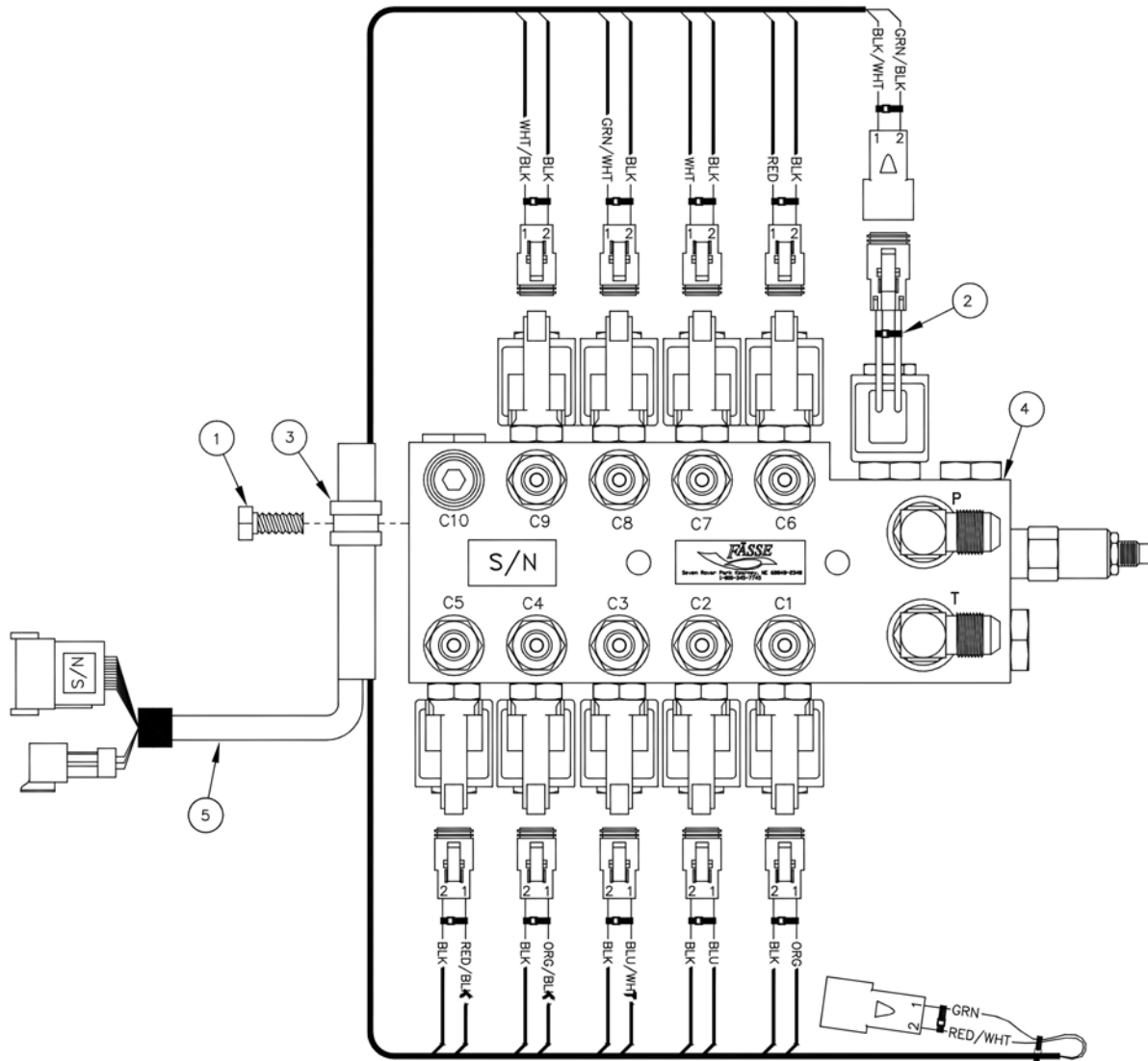
Control Console Decal - 60 - 66 Foot Boom

700-0805-4103 & 700-0805-4104

Switch No.	Boot Color	Switch Position	Hot Wires	Pin Out Location	Pressure Ports	Tank Ports	Function
1 Long	Green	Up (mom)	Wht/Blk & Grn	7 & 10	C3	-----	Lt. Wing Up
		Center (stat)	-----	-----	-----	-----	Off
		Down (mom)	Wht/Blk & Grm & Blk/Wht	7 & 10 & 9	C3	-----	Lt. Wing Down
2 Long	Yellow	Up (mom)	Org/Blk & Grn	6 & 10	C4	-----	Main Up
		Center (stat)	-----	-----	-----	-----	Off
		Down (mom)	Org/Blk & Grm & Blk/Wht	6 & 10 & 9	C4	-----	Main Down
3 Long	Gray	Up (mom)	Red/Blk & Grn	5 & 10	C5	-----	Rt. Wing Up
		Center (stat)	-----	-----	-----	-----	Off
		Down (mom)	Red/Blk & Grm & Blk/Wht	5 & 10 & 9	C5	-----	Rt. Wing Down
4 Short	Red	Up (mom)	Wht & Blu & Grn	3 & 8 & 10	C2	C7	Flip Wings Transport
		Center (stat)	-----	-----	-----	-----	Off
		Down (mom)	Wht & Blu & Grm & Blk/Wht	3 & 8 & 10 & 9	C7	C2	Flip Wings Field
5 Short	Blue	Up (mom)	Red & Org & Grn	1 & 2 & 10	C1	C6	Main Wing Transport
		Center (stat)	-----	-----	-----	-----	Off
		Down (mom)	Red & Org & Grm & Blk/Wht	1 & 2 & 10 & 9	C6	C1	Main Wing Field
-----	-----	-----	Blk	11	-----	-----	Ground
-----	-----	-----	Blu/Blk	4	-----	-----	Ground
-----	-----	-----	Grn/Blk	12	-----	-----	Ground

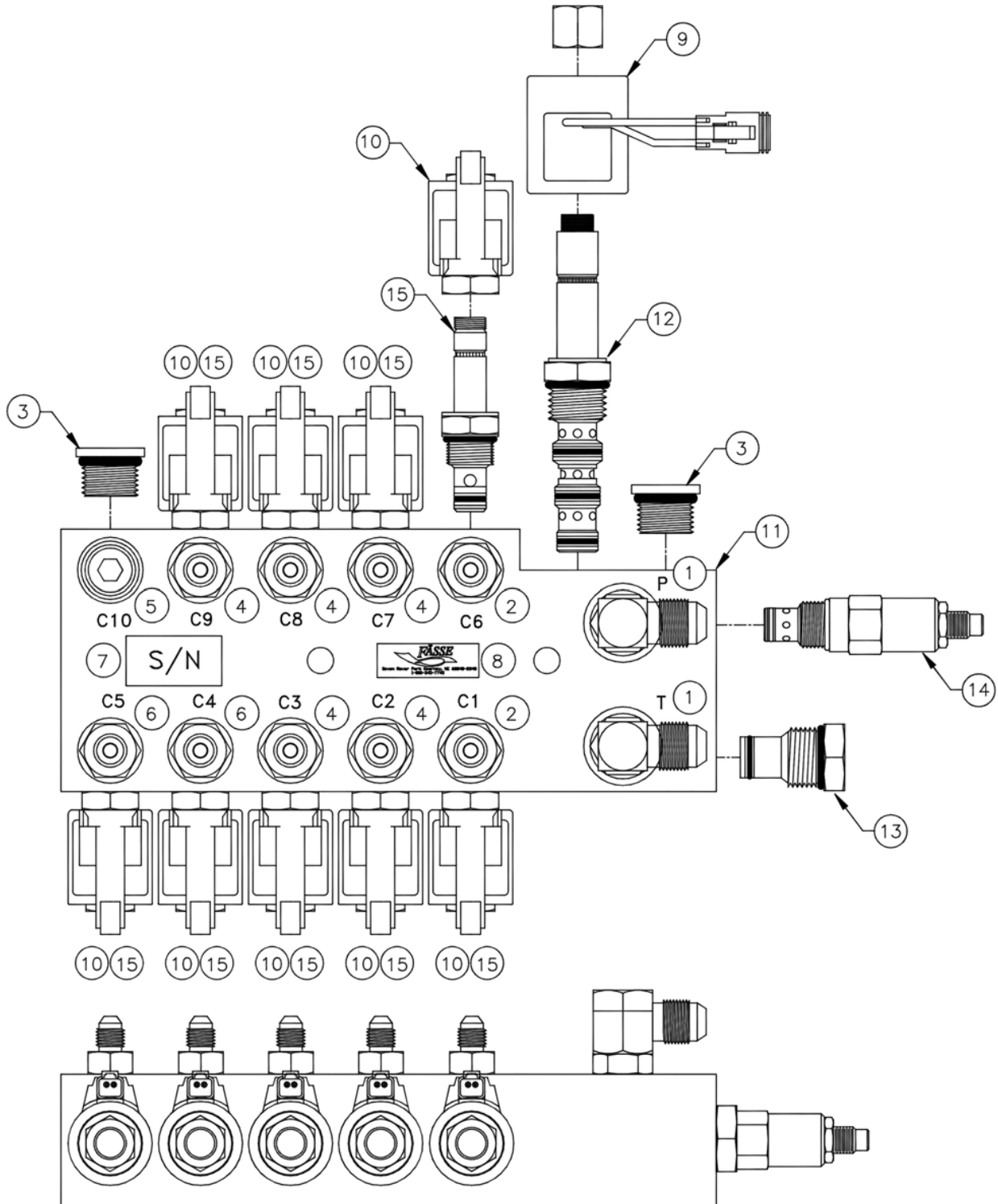


Hydraulic Control Valve Wiring Harness - 80, 90 & 100 Foot Boom



PARTS LIST			
N ^o	PART NUMBER	QTY	PART DESCRIPTION
1	212-025	1	BOLT 5/16-18 X .75
2	214-002	13	CABLE TIE BLACK 7"
3	255-026	1	LOOM CLAMP .5"ID METAL/RUBB
4	302-780	1	MANI ASSY 0806 4DA 1SA CLSD DTR 12V WP6400-4(7)+6(2)R.047 P6801-8
5	319-724	1	HRN ASSY 15CON 18GA DTR KEY A 12P(12)-DTR3P(3)-90TP2P(2) 2DTR2P(2) 33'

Hydraulic Control Valve - 80, 90 & 100 Foot Boom



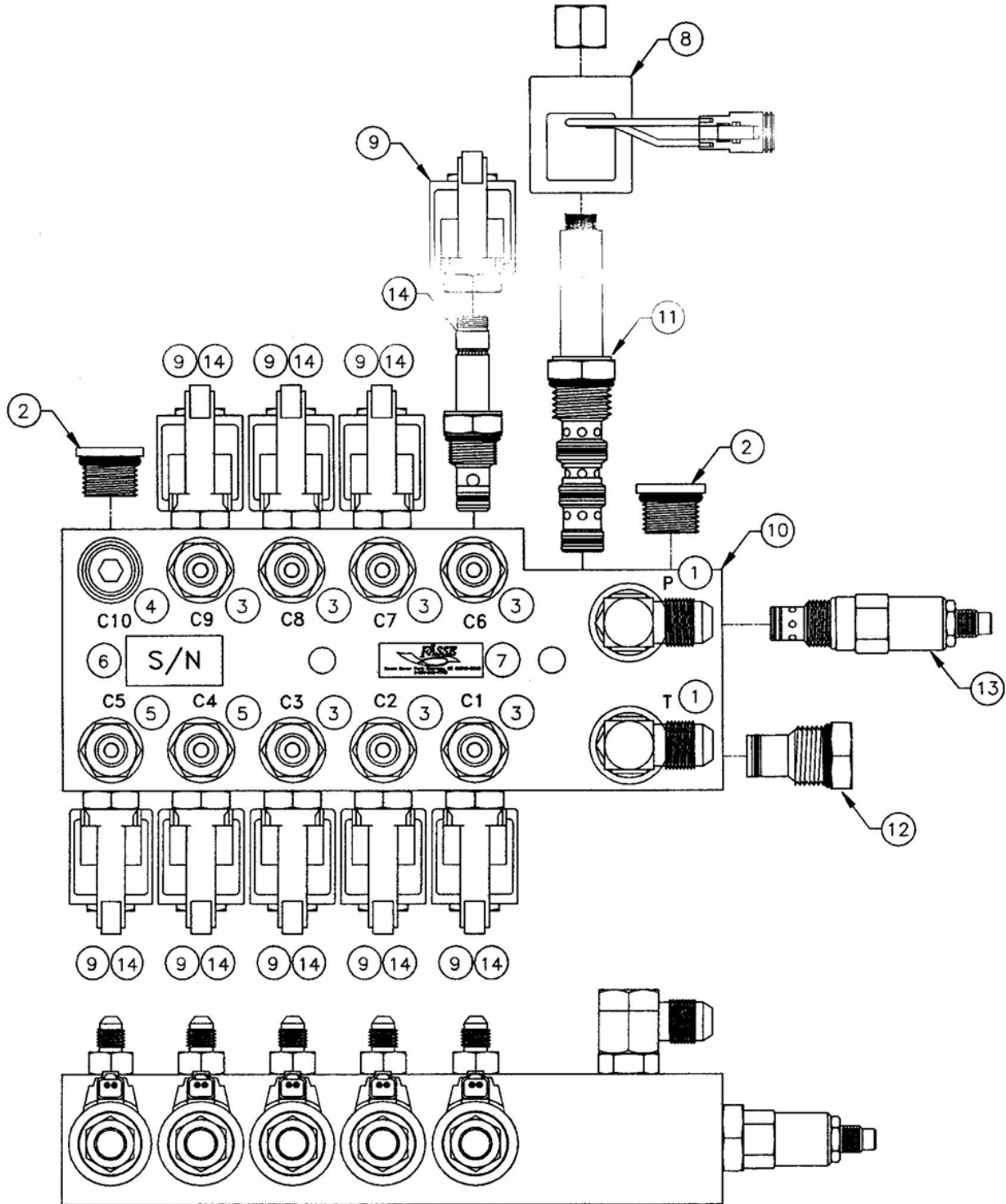


ILLUSTRATED PARTS LIST

Hydraulic Control Valve - 80, 90 & 100 Foot Boom Parts List

ITEM	VENDOR PART NO.	QTY	DESCRIPTION
1	210-017	2	FITTING 6801-8-8/E-MJ-MO
2	273-023	2	FITTING 6400-6-6/S-MJ-MO
3	210-038	4	FITTING 6408-HHP-8/HOLL HEX PLUG MO
4	210-113	7	FITTING 6400-4-6/S-MJ-MO
5	210-127	3	FITTING 6408-HHP-6/HOLL HEX PLUG MO
6	210-188	2	FITTING 6400-6-6 R.047/S-MJ-MO
7	232-050	2	DECAL S/N (SILVER)
8	232-058	1	DECAL FASSE BLACK/GOLD 1" X .75" ROUND CORNER
9	253-037	1	COIL H/F 6359774 DT
10	253-046	7	COIL HYDAC 0312600 DL DSTCH RECPT.
11	270-093	1	MANIFOLD S14153-4 5CIR AL RV
12	273-008	1	CARTRIDGE SV10-40-0-N-00 (Seal Kit Part Number 274-001)
13	273-012	1	CARTRIDGE CP10-20 (Seal Kit Part Number 274-019)
14	273-058	1	CARTRIDGE H/F RV10-22A-0-N-NC-35-30 (Seal Kit Part Number 274-009)
15	273-077	7	CARTRIDGE HYDAC WS 08W-01-C-N-0 (Seal Kit Part Number 274-028)

Hydraulic Control Valve - 9600N





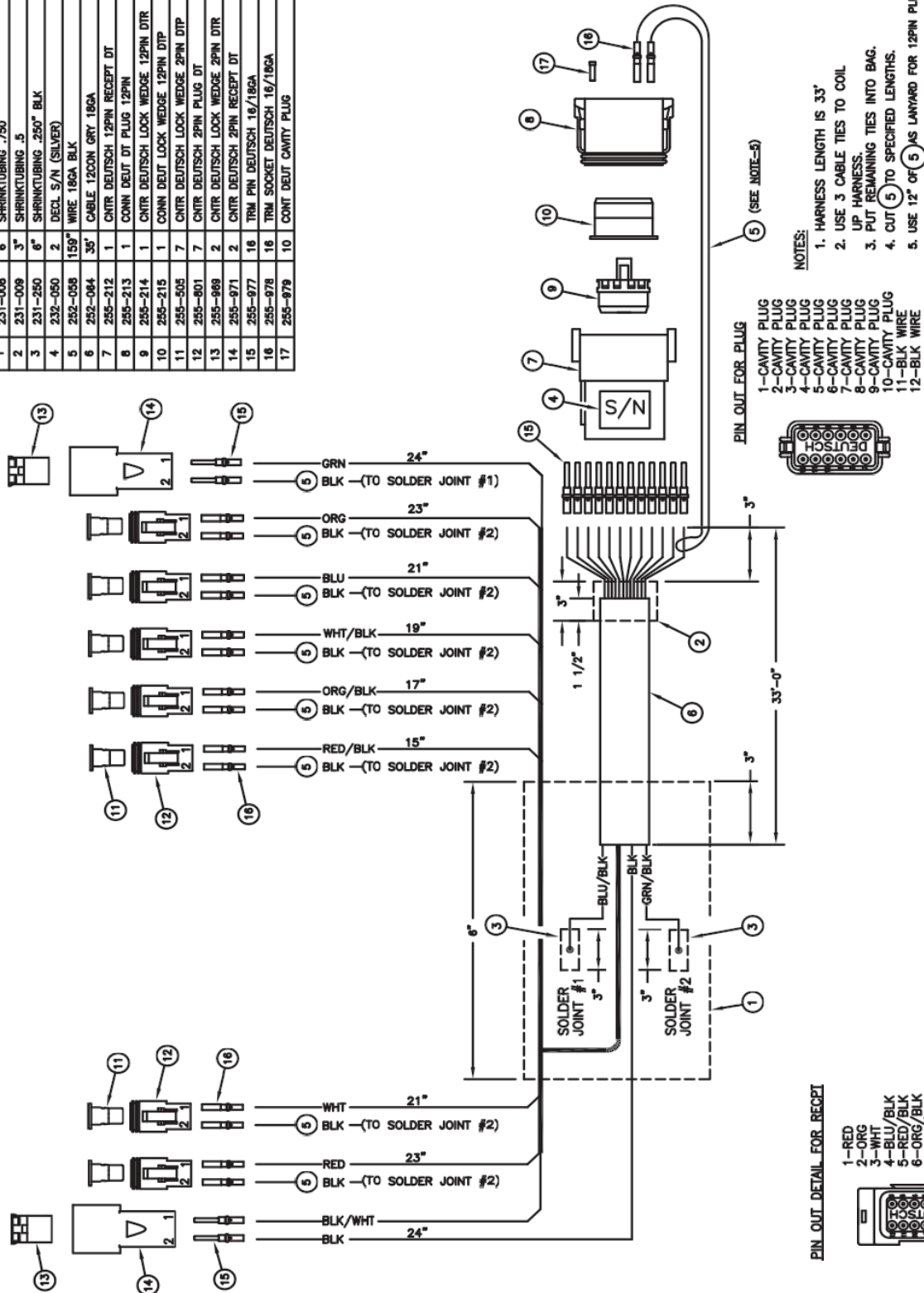
ILLUSTRATED PARTS LIST

Hydraulic Control Valve - 9600N Parts List

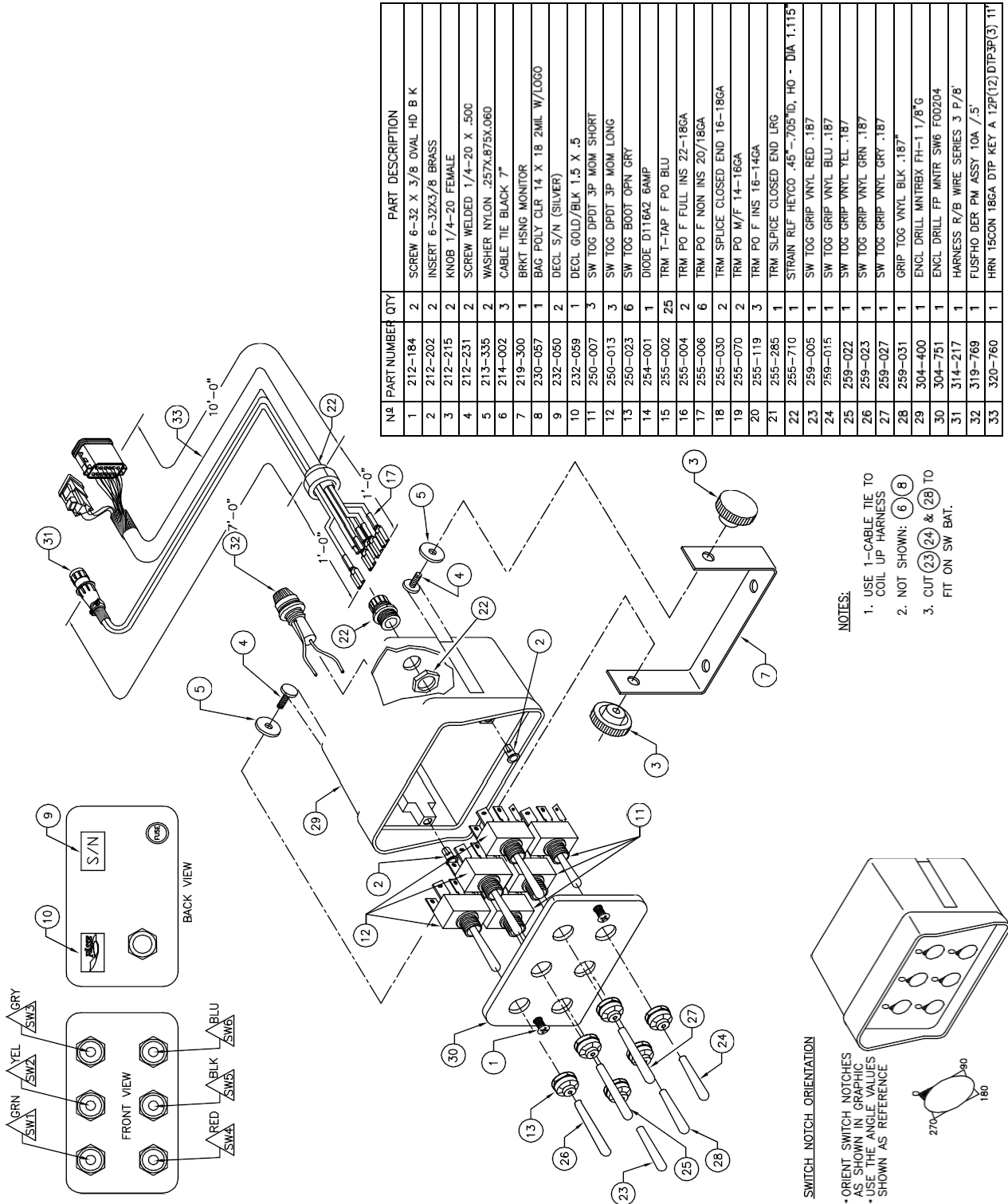
ITEM	PART NO.	QTY.	DESCRIPTION
1	210-017	2	FITTING 6801--8-/E-MJ-MO
2	210-038	2	FITTING 6408-HHP-8/HOLL HEX PLUG MO
3	210-113	7	FITTING 6400-4-6/S-MJ-MO
4	210-127	1	FITTING 6408-HHP-6/HOLL HEX PLUG MO
5	210-188	2	FITTING 6400-6-6 R.047/S-MJ-MO
6	232-050	2	DECAL S/N (SILVER)
7	232-058	1	DECAL FASSE BLACK/GOLD 1" X .75" ROUND CORNER
8	253-037	1	COIL H/F 6359774 DT
9	253-046	9	COIL HYDAK 0312600 DL DEUTSC RECEPTICLE
10	270-093	1	MANIFOLD S14153-4 5CIR AL RV
11	273-008	1	CARTRIDGE SV10-40-1-N-00 (Seal Kit Part Number 274-001)
12	273-012	1	CARTRIDGE CP10-20 (Seal Kit Part Number 274-019)
13	273-058	1	CARTRIDGE H/F RV10-22A-0-N-NC-35-30 (Seal Kit Part Number 274-009)
14	273-077	9	CARTRIDGE HYDAC WS 08W-01-C-N-0 (Seal Kit Part Number 274-028)

Hydraulic Control Valve Wiring Harness

PARTS LIST		
N#	QTY	PART DESCRIPTION
1	6"	SHRINKTUBING .750
2	3"	SHRINKTUBING .5
3	6"	SHRINKTUBING .250" BLK
4	2	DECL S/N (SILVER)
5	150'	WIRE 18GA BLK
6	35'	CABLE 12CON GRN 18GA
7	1	CNTR DEUTSCH 12PIN RECEPT DT
8	1	CONN DEUT DT PLUG 12PIN
9	1	CNTR DEUTSCH LOCK WEDGE 12PIN DTR
10	1	CONN DEUT LOCK WEDGE 12PIN DTP
11	7	CNTR DEUTSCH LOCK WEDGE 2PIN DTP
12	7	CNTR DEUTSCH 2PIN PLUG DT
13	2	CNTR DEUTSCH LOCK WEDGE 2PIN DTR
14	2	CNTR DEUTSCH 2PIN RECEPT DT
15	16	TRM PIN DEUTSCH 16/18GA
16	16	TRM SOCKET DEUTSCH 16/18GA
17	10	CONN DEUT CAVITY PLUG



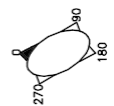
Control Console - 80, 90 & 100 Foot Boom



NO	PART NUMBER	QTY	PART DESCRIPTION
1	212-184	2	SCREW 6-32 X 3/8 OVAL HD B K
2	212-202	2	INSERT 6-32X3/8 BRASS
3	212-215	2	KNOB 1/4-20 FEMALE
4	212-231	2	SCREW WELDED 1/4-20 X .500
5	213-335	2	WASHER NYLON .257X.875X.060
6	214-002	3	CABLE TIE BLACK 7"
7	219-300	1	BRKT HSG MONITOR
8	230-057	1	BAG POLY CLR 14 X 18 2ML W/LOGO
9	232-050	2	DECL S/N (SILVER)
10	232-059	1	DECL GOLD/BLK 1.5 X .5
11	250-007	3	SW TOG DPDT 3P MOM SHORT
12	250-013	3	SW TOG DPDT 3P MOM LONG
13	250-023	6	SW TOG BOOT OPN GRN
14	254-001	1	DIODE D116A2 6AMP
15	255-002	25	TRM T-TAP F PO BLU
16	255-004	2	TRM PO F FULL INS 22-18GA
17	255-006	6	TRM PO F NON INS 20/18GA
18	255-030	2	TRM SPLICE CLOSED END 16-18GA
19	255-070	2	TRM PO M/F 14-16GA
20	255-119	3	TRM PO F INS 16-14GA
21	255-285	1	TRM SPLICE CLOSED END LRG
22	255-710	1	STRAIN RLF HEXCO .45-.705"ID, HO - DIA 1.115
23	259-005	1	SW TOG GRIP VINYL RED .187
24	259-015	1	SW TOG GRIP VINYL BLU .187
25	259-022	1	SW TOG GRIP VINYL YEL .187
26	259-023	1	SW TOG GRIP VINYL GRN .187
27	259-027	1	SW TOG GRIP VINYL GRY .187
28	259-031	1	GRIP TOG VINYL BLK .187"
29	304-400	1	ENCL DRILL MNTRBX FH-1 1/8" G
30	304-751	1	ENCL DRILL FP MNTR SW6 F00204
31	314-217	1	HARNES R/B WIRE SERIES 3 P/8
32	319-769	1	FUSHO DER PM ASSY 10A /.5
33	320-760	1	HRN 15CON 18GA DTP KEY A 12P(12)DTP3P(3) 11"

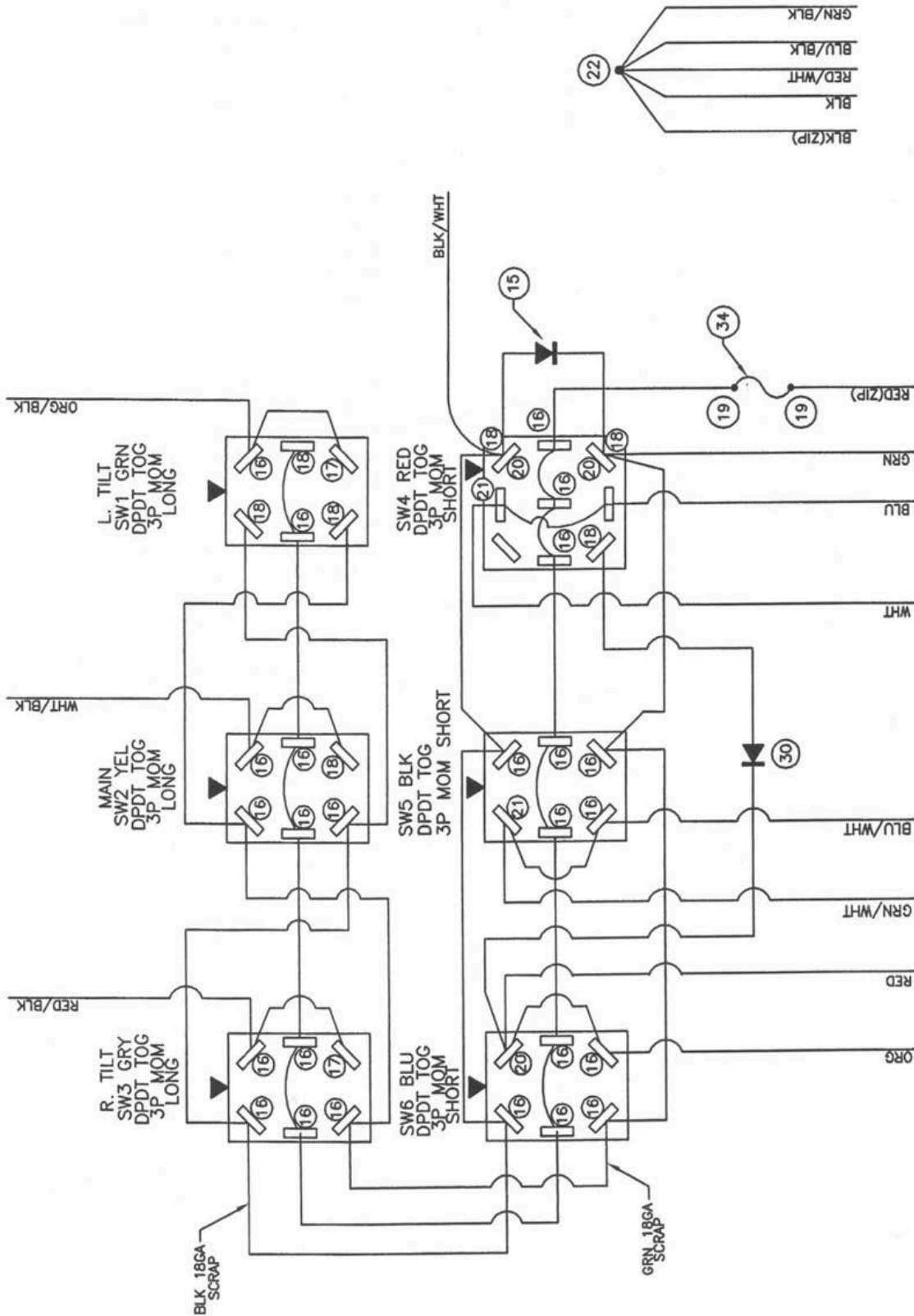
NOTES:
 1. USE 1-CABLE TIE TO COIL UP HARNES.
 2. NOT SHOWN: (6) (8)
 3. CUT (23) (24) & (28) TO FIT ON SW BMT.

SWITCH NOTCH ORIENTATION
 - ORIENT SWITCH NOTCHES AS SHOWN IN DRAWING.
 - SW WITH ANGLE VALUES SHOWN AS REFERENCE.

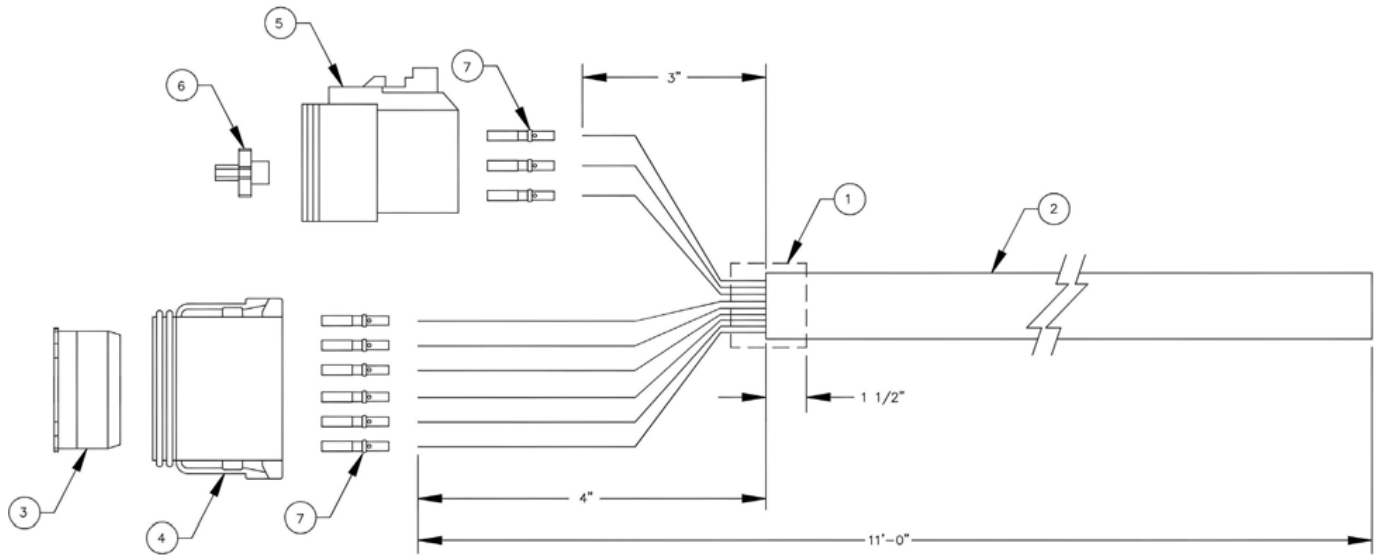


Control Console Switch Diagram

SWITCH WIRING DIAGRAM



Wiring Harness - 80, 90 & 100 Foot Boom

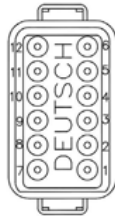


PIN_OUT_DETAIL



A - GRN/WHT
B - BLU/WHT
C - RED/WHT

PIN_OUT_DETAIL



1 - RED 7 - WHT/BLK
2 - ORG 8 - BLU
3 - WHT 9 - BLK/WHT
4 - BLU/BLK 10 - GRN
5 - RED/BLK 11 - BLK
6 - ORG/BLK 12 - GRN/BLK

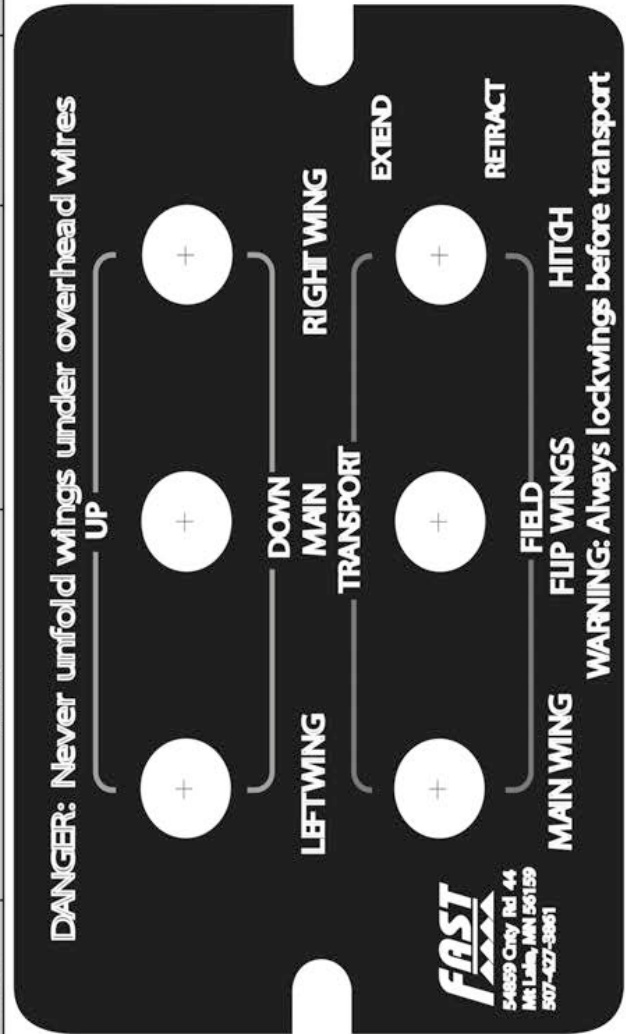
Wiring Harness - 80, 90 & 100 Foot Boom Parts List

ITEM	PART NO.	QTY.	DESCRIPTION
1	231-007	3"	SHRINK TUBING 0.625
2	252-020	11'	CABLE 15CON 18 GAUGE
3	255-215	1	CENTERLOCK WEDGE 12 PIN DPT
4	255-765	1	CONNECTOR DEUTSCH DT PLUG 12 PIN KEY A
5	255-813	1	CONNECTOR DEUTSCH 3 PIN PLUG DTD DTD PLUG 12 PIN KEY A
6	255-817	1	CONNECTOR DEUTSCH LOCK WEDGE 3 PIN DTD
7	255-978	15	CONNECTOR DEUTSCH SOCKET 16/18 GAUGE

Control Console Decal - 80, 90 & 100 Foot Boom

700-0806-4105 120' Fixed Tongue

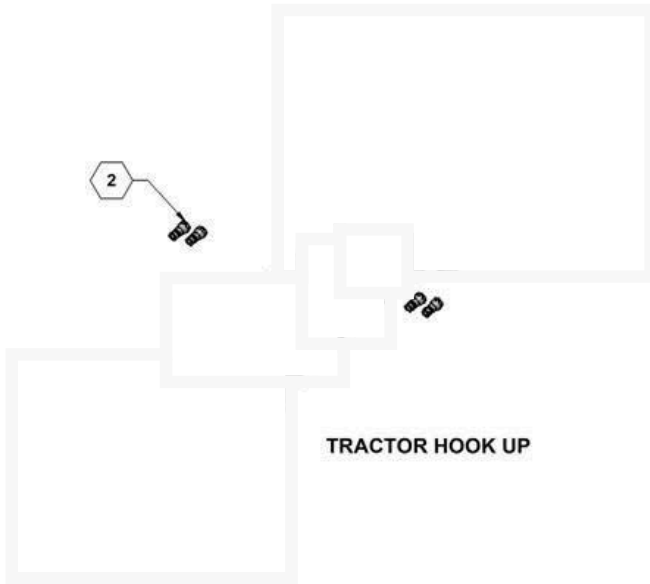
Switch No.	Boot Color	Switch Position	Hot Wires	Pin Out Location	Pressure Ports	Tank Ports	Function
1 Long	Green	Up (mom)	Org/Blk & Grn	6-12P, 10-12P	C4		Lt. Wing Up
		Center (stat)					Off
		Down (mom)	Org/Blk & Grm & Blk/Wht	6-12P, 10-12P, 9-12P	C4		Lt. Wing Down
2 Long	Yellow	Up (mom)	Wht/Blk & Grm & Blk/Wht	7-12P, 10-12P, 9-12P	C9		Main Up
		Center (stat)					Off
		Down (mom)	Wht/Blk & Grm	7-12P, 10-12P	C9		Main Down
3 Long	Gray	Up (mom)	Red/Blk & Grn	5-12P, 10-12P	C5		Rt. Wing Up
		Center (stat)					Off
		Down (mom)	Red/Blk & Grm & Blk/Wht	5-12P, 10-12P, 9-12P	C5		Rt. Wing Down
4 Short	Red	Up (mom)	Wht & Blu & Grn	3-12P, 8-12P, 10-12P	C2	C7	Main Wing Transport
		Center (stat)					Off
		Down (mom)	Wht & Blu & Grn & Blk/Wht	3-12P, 8-12P, 10-12P, 9-12P	C7	C2	Main Wing Field
5 Short	Black	Up (mom)	Grn/Wht & Blu/Wht & Grn	1-3P, 2-3P, 10-12P	C3	C8	Flip Wings Transport
		Center (stat)					Off
		Down (mom)	Grn/Wht & Blu/Wht & Grm & Blk/Wht	1-3P, 2-3P, 10-12P, 9-12P	C8	C3	Flip Wings Field
6 Short	Blue	Up (mom)	Red & Org & Grn	1-12P, 2-12P, 10-12P	C1	C6	Hitch Transport
		Center (stat)					Off
		Down (mom)	Red & Org & Grm & Blk/Wht	1-12P, 2-12P, 10-12P, 9-12P	C6	C1	Hitch Field
			Blk	11-12P			Ground
			Red/Wht	3-3P			Ground
			Blu/Blk	4-12P			Ground
			Grn/Blk	12-12P			Ground



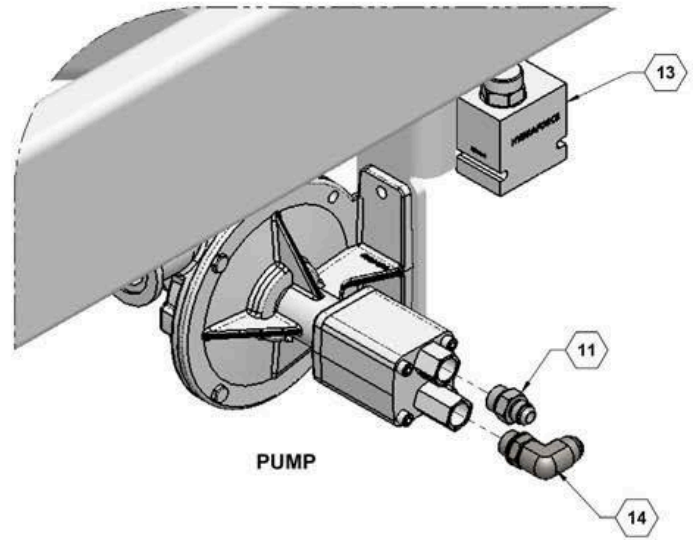


9613TF-80 Hydraulic Fitting Locations

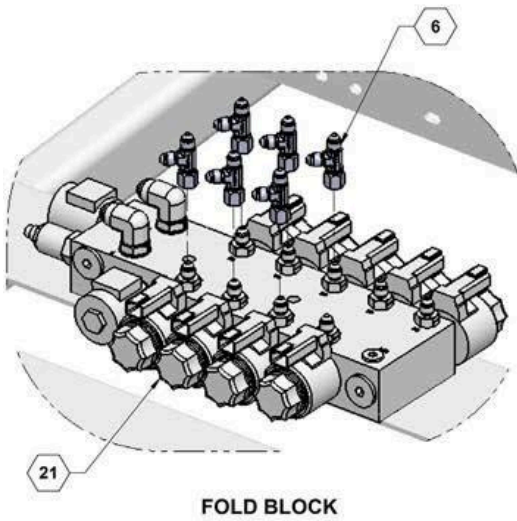
9613TF-80 FITTING I.D. & LOCATION



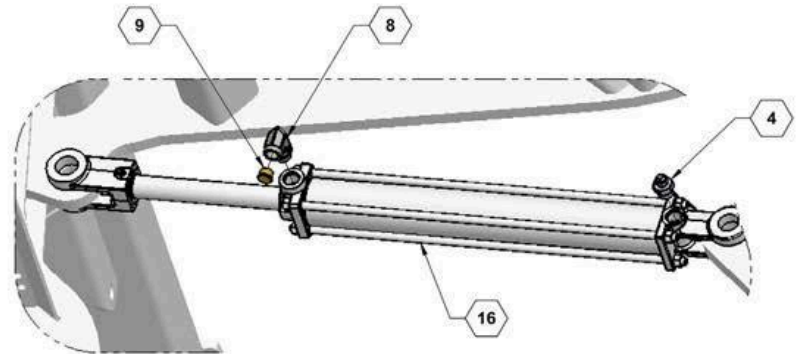
TRACTOR HOOK UP



PUMP



FOLD BLOCK



MAIN LIFT CYLINDERS



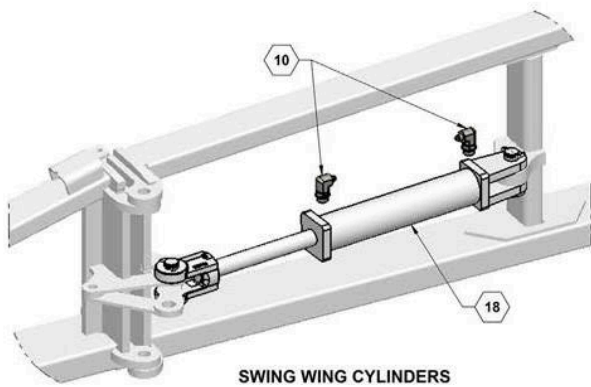
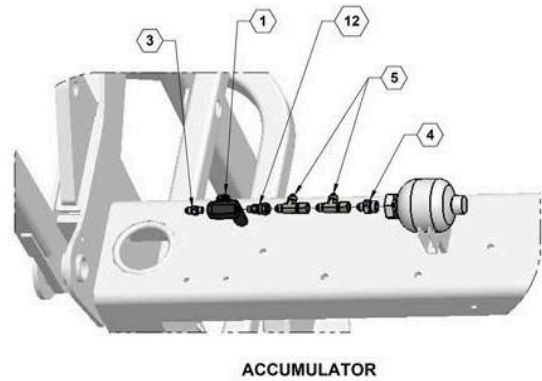
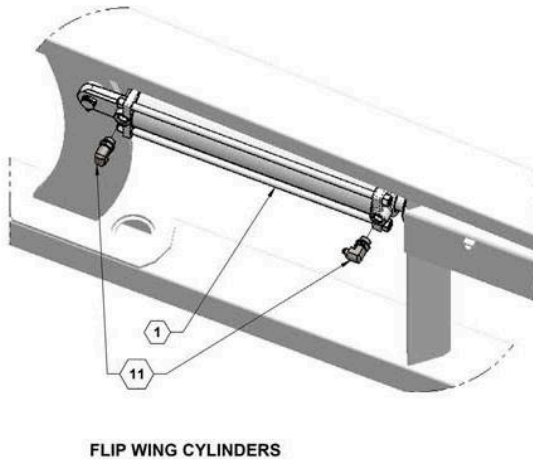
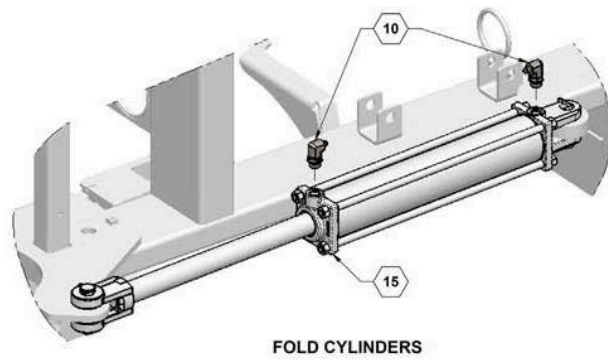
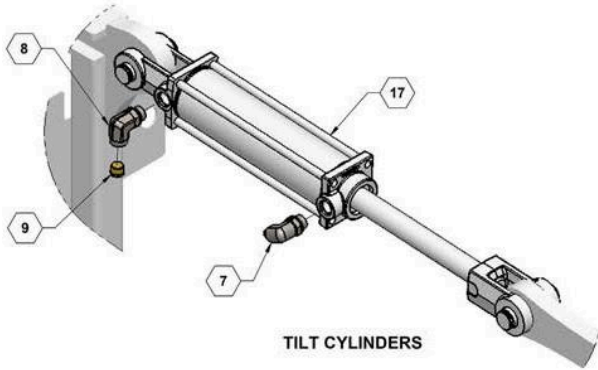
ILLUSTRATED PARTS LIST

9613TF-80 Hydraulic Fitting Locations Parts List

ITEM	PART NO.	QTY.	DESCRIPTION
2	520048	4	PIONEER COUPLER #8 FORB
4	610011	3	JIC #6 TO ORING #8
6	610028	6	#4 SWIVEL RUN TEE
8	610035	4	ORING #8 TO 3/8" PIPE 90 DEG
9	610036	4	PLUG 3/8-18 BREATHER VENT
11	610060	1	JIC #8 TO ORING #10
13	610099	1	VALVE, FLOW CONTROL, P.C.
14	610102	1	JIC #10 TO O-RING #10 ELBOW 90°
16	620019	2	CYLINDER, 20TD16-112 MAIN LIFT
21	630011	1	HYDRAULIC BLOCK 6-STA. 9610E-9612E

9613TF-80 Hydraulic Fitting Locations

9613TF-80 FITTING I.D. & LOCATION CONTINUED





ILLUSTRATED PARTS LIST

9613TF-80 Hydraulic Fitting Locations Parts List

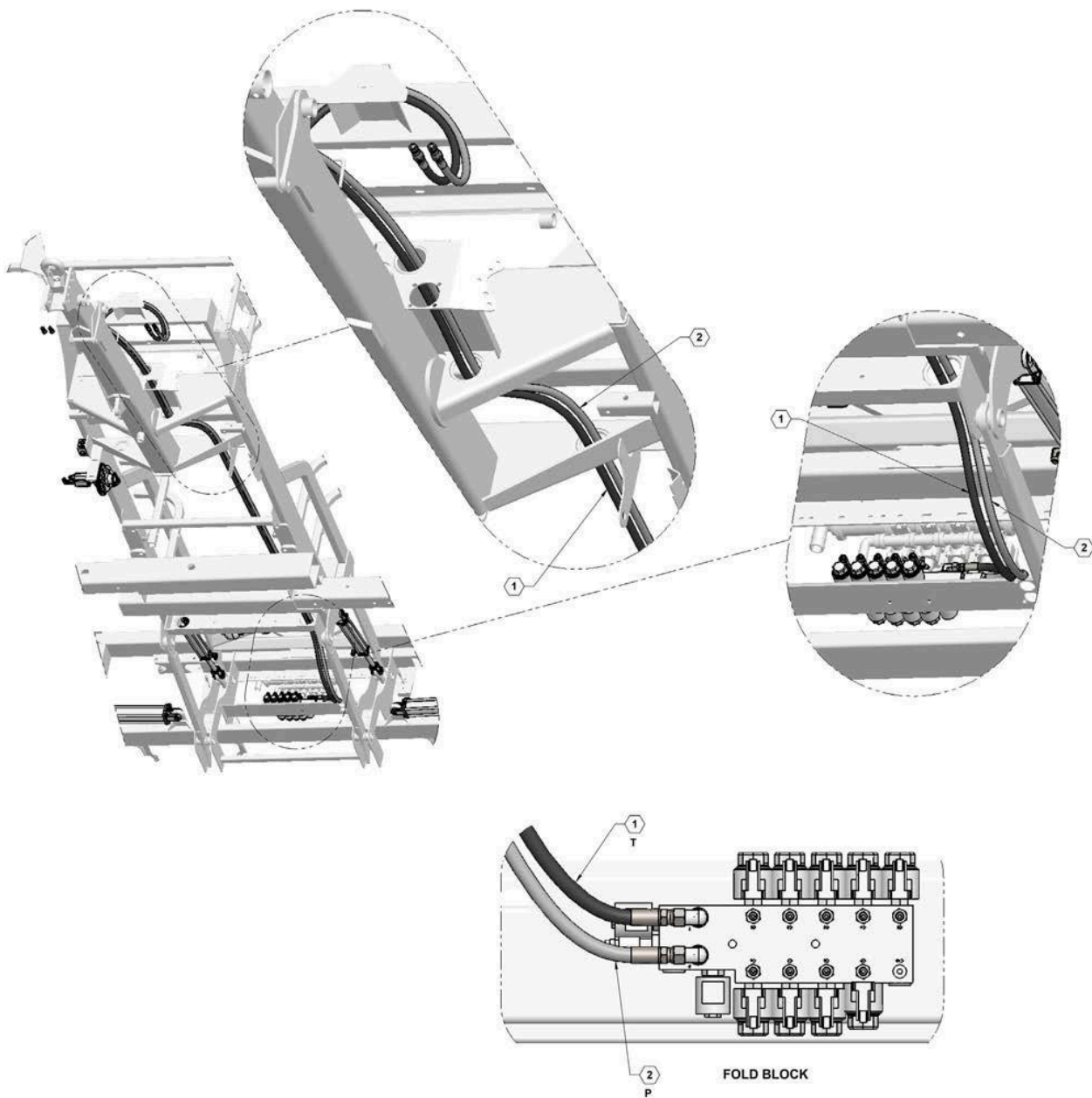
ITEM	PART NO.	QTY.	DESCRIPTION
1	500000	1	VALVE, BALL SAE #4 FEMALE PORT
3	610007	1	JIC #4 TO ORING #4
4	610011	3	JIC #6 TO ORING #8
5	610027	2	JIC #6 RUN TEE
7	610030	2	JIC #6 TO ORING #8 90°
8	610035	4	ORING #8 TO 3/8" PIPE 90°
9	610036	4	PLUG 3/8-18 BREATHER VENT
10	610039	8	JIC RESCTRICTED 0.032 #4 X O-R #8 90° (9600N)
	610040	12	JIC RESCTRICTED 0.045 #4 X O-R #8 90° (9600)
11	610040	12	JIC RESCTRICTED 0.045 #4 X O-R #8 90° (9600 & 9600N)
12	610079	1	CONNECTOR #4 ORB X #6 JIC
15	620006	2	CYLINDER, 30TD 16-150 FOLD
17	620023	2	CYLINDER, 25TD 08-112 WING TILT

Fold Block Hydraulic Hose Routing

FOLD BLOCK PRESSURE = BLACK HOSE

FOLD BLOCK RETURN = GRAY HOSE

FOLD BLOCK HYDRAULIC HOSE ROUTING



Fold Block Hydraulic Hose Routing Parts List

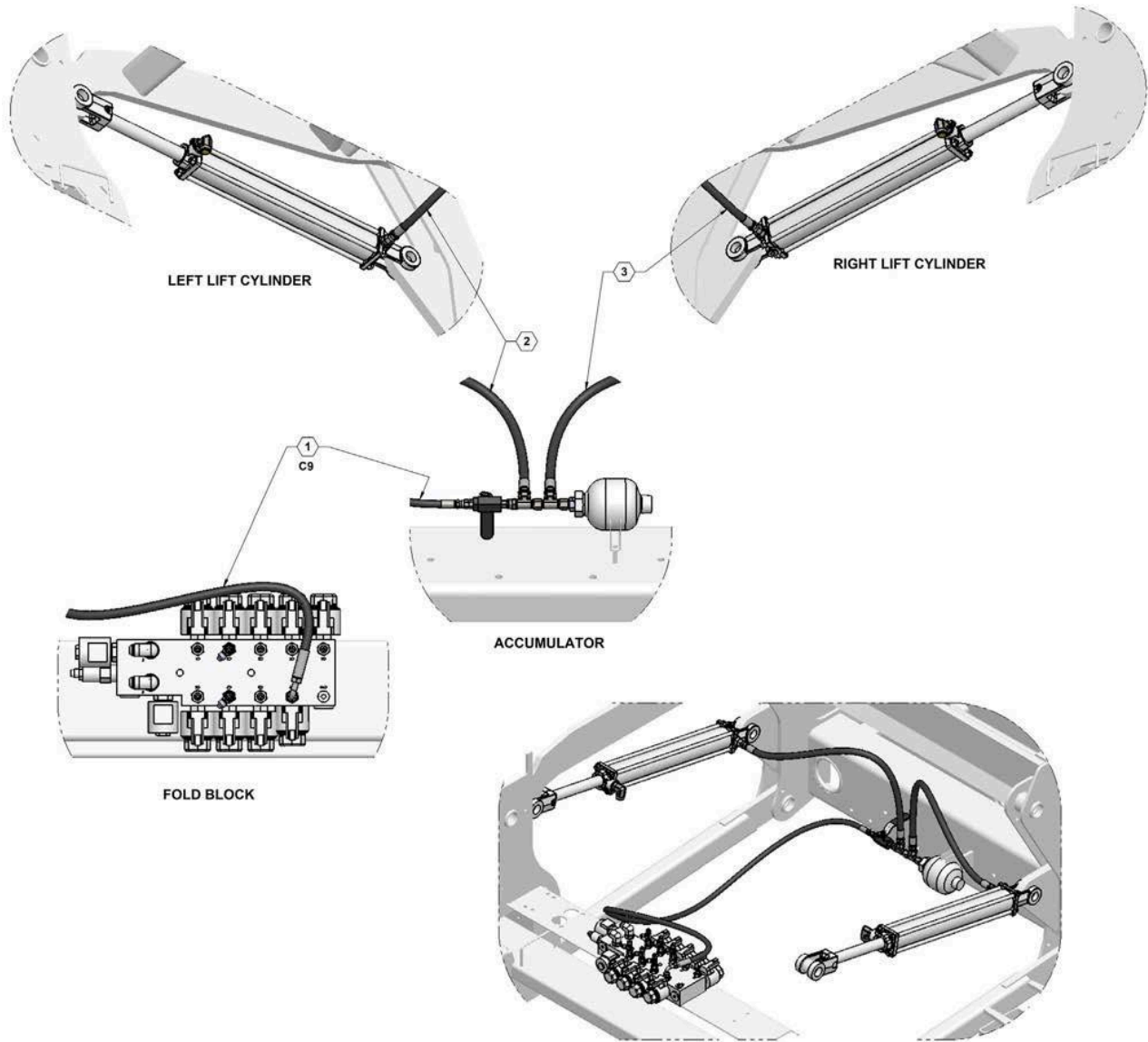
ITEM	PART NO.	QTY.	DESCRIPTION
1	600040-1-ZN	1	HYDRAULIC HOSE, 08-8MOR-8FJX-302
2	600040-3-ZN	1	HYDRAULIC HOSE, 08-8MOR-8FJX-304

Main Lift Hydraulic Hose Routing

MAIN LIFT PRESSURE = BLACK HOSE

MAIN LIFT RETURN = GRAY HOSE

MAIN LIFT HYDRAULIC HOSE ROUTING



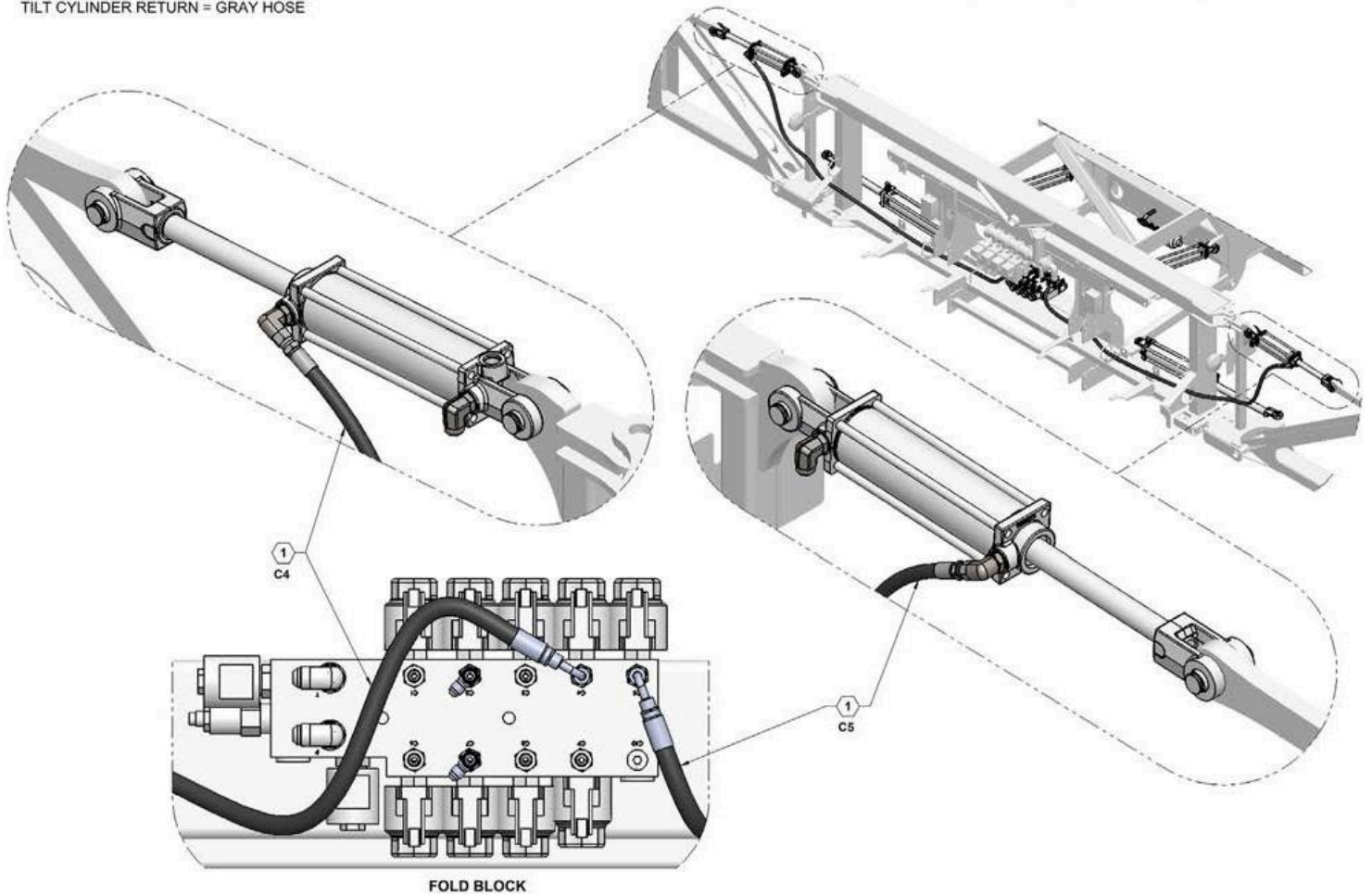
Main Lift Hydraulic Hose Routing Parts List

ITEM	PART NO.	QTY.	DESCRIPTION
1	FDM 0048-ZN	1	HYDRAULIC HOSE, 04-4F-JX90-4FJX-85
2	600040-12-ZN	1	HYDRAULIC HOSE, 06-6FJX-6FJX-28
3	600040-13-ZN	1	HYDRAULIC HOSE, 06-6FJX-6FJX-30

Tilt Cylinder Hydraulic Hose Routing

TILT CYLINDER PRESSURE = BLACK HOSE
 TILT CYLINDER RETURN = GRAY HOSE

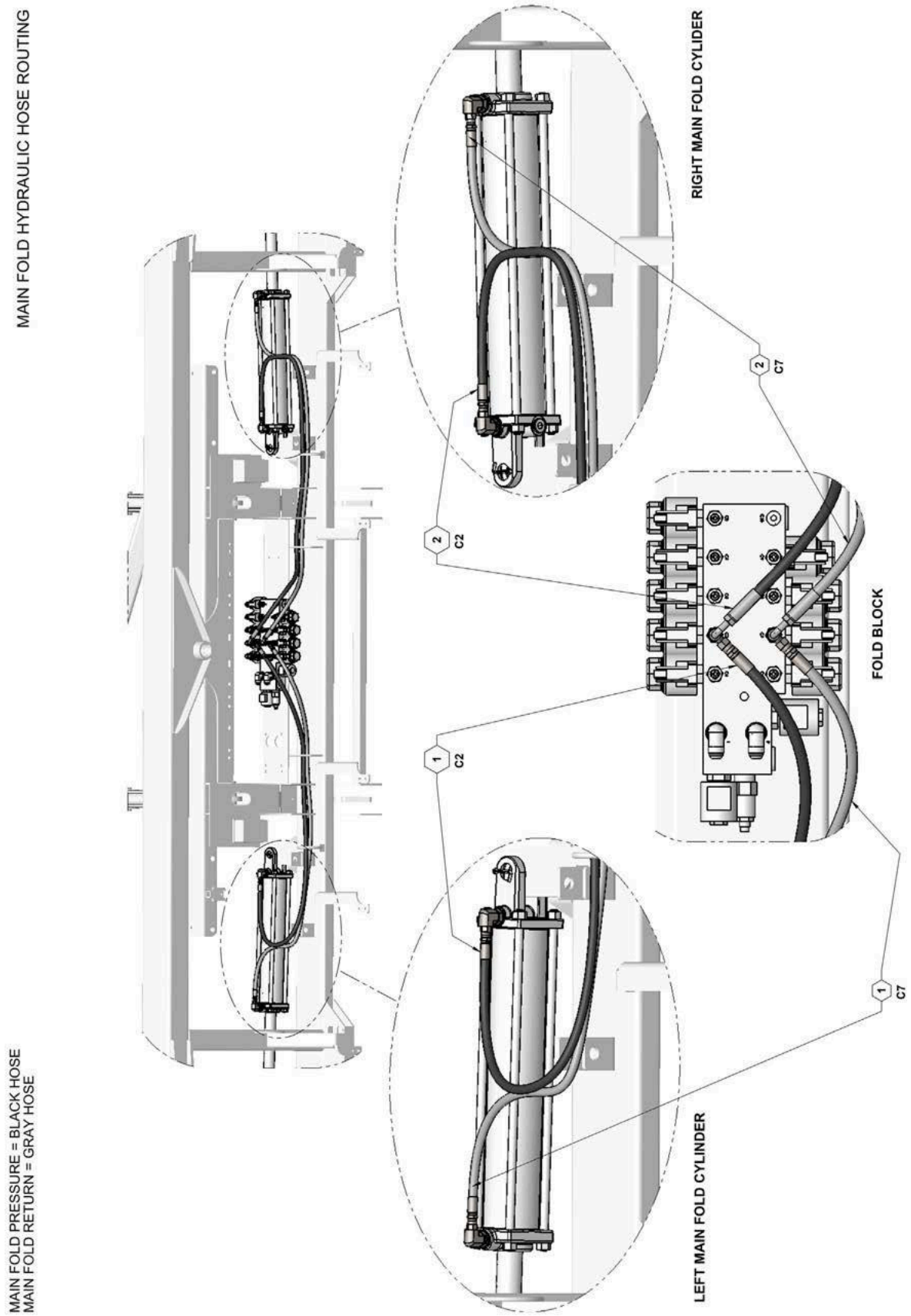
TILT CYLINDER HYDRAULIC HOSE ROUTING



Tilt Cylinder Hydraulic Hose Routing Parts List

ITEM	PART NO.	QTY.	DESCRIPTION
1	600040-19-ZN	2	HYDRAULIC HOSE, 06-4FJX90-6FJX-100

Main Hydraulic Hose Routing



MAIN FOLD HYDRAULIC HOSE ROUTING

MAIN FOLD PRESSURE = BLACK HOSE
 MAIN FOLD RETURN = GRAY HOSE



ILLUSTRATED PARTS LIST

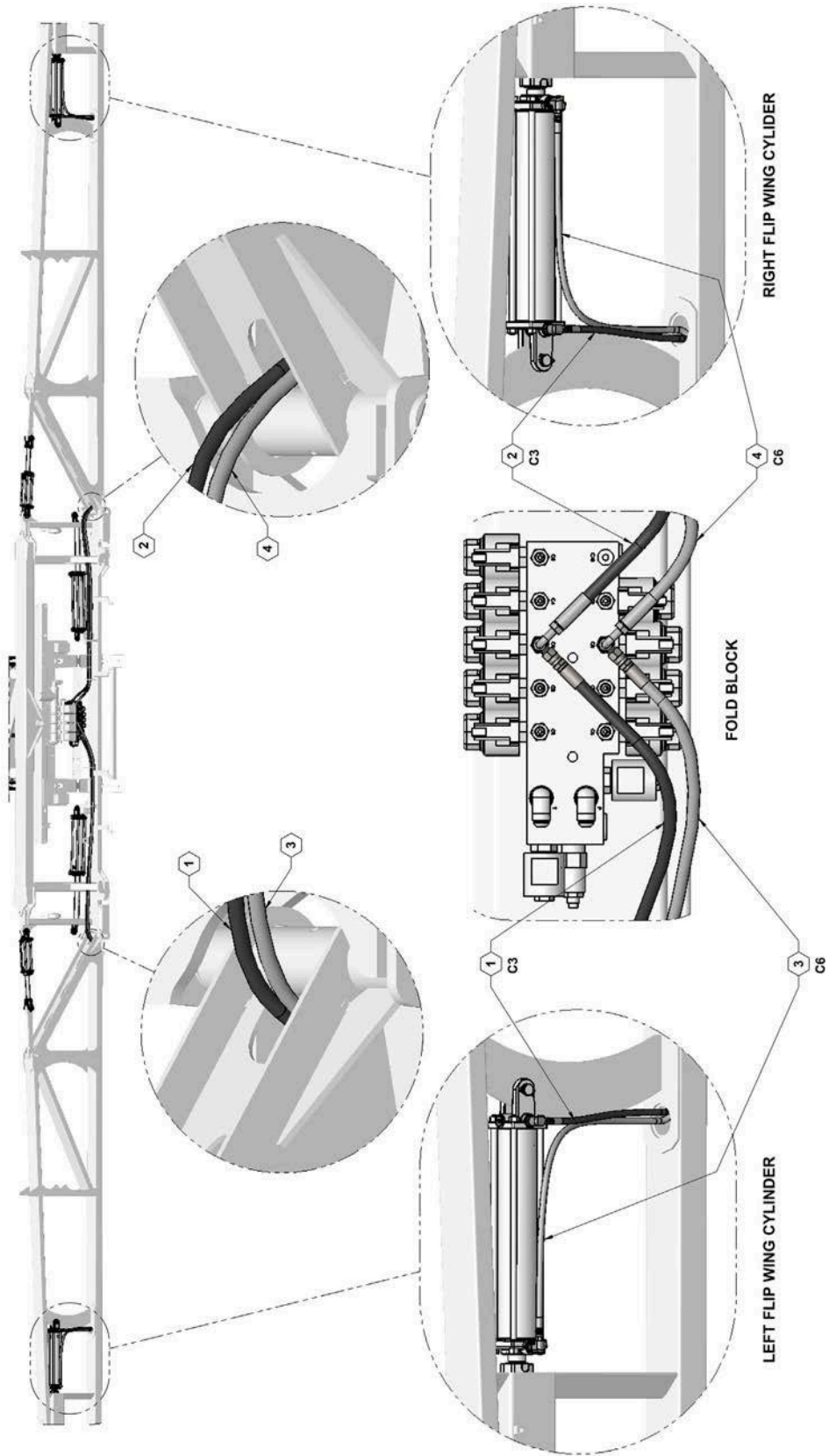
Main Hydraulic Hose Routing Parts List

ITEM	PART NO.	QTY.	DESCRIPTION
1	600040-14-ZN	2	HYDRAULIC HOSE, 04-4FJX-4FJX-54
2	600040-9-ZN	2	HYDRAULIC HOSE, 04-4FJX-4FJX-54

Flip Wing Hydraulic Hose Routing

FLIP WING HYDRAULIC HOSE ROUTING

FLIP WING PRESSURE = BLACK HOSE
 FLIP WING RETURN = GRAY HOSE





ILLUSTRATED PARTS LIST

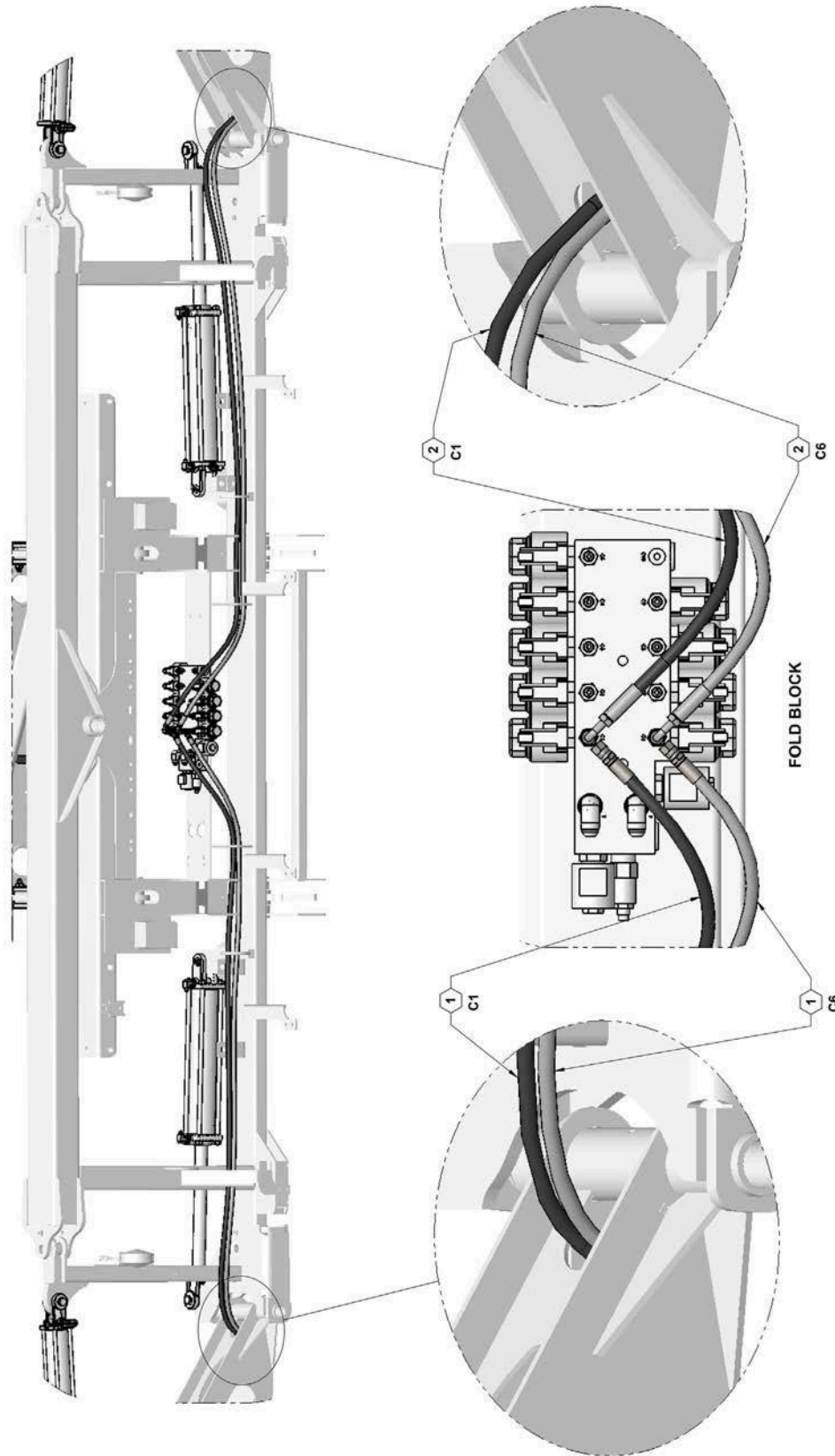
Flip Wing Hydraulic Parts List

ITEM	PART NO.	QTY.	DESCRIPTION
1	600040-16-ZN	1	HYDRAULIC HOSE, 04-4FJX-4FJX-202
2	600040-11A-ZN	1	HYDRAULIC HOSE, 04-4FJX90-4FJX-215
3	600040-17A-ZN	1	HYDRAULIC HOSE, 04-4FJX-4FJX-220
4	600045-6-ZN	1	HYDRAULIC HOSE, 04-4FJX90-4FJX-200

Breakaway Wing Hydraulic Hose Routing

BREAKAWAY WING HYDRAULIC HOSE ROUTING

BREAKAWAY WING PRESSURE = BLACK HOSE
 BREAKAWAY WING RETURN = GRAY HOSE





ILLUSTRATED PARTS LIST

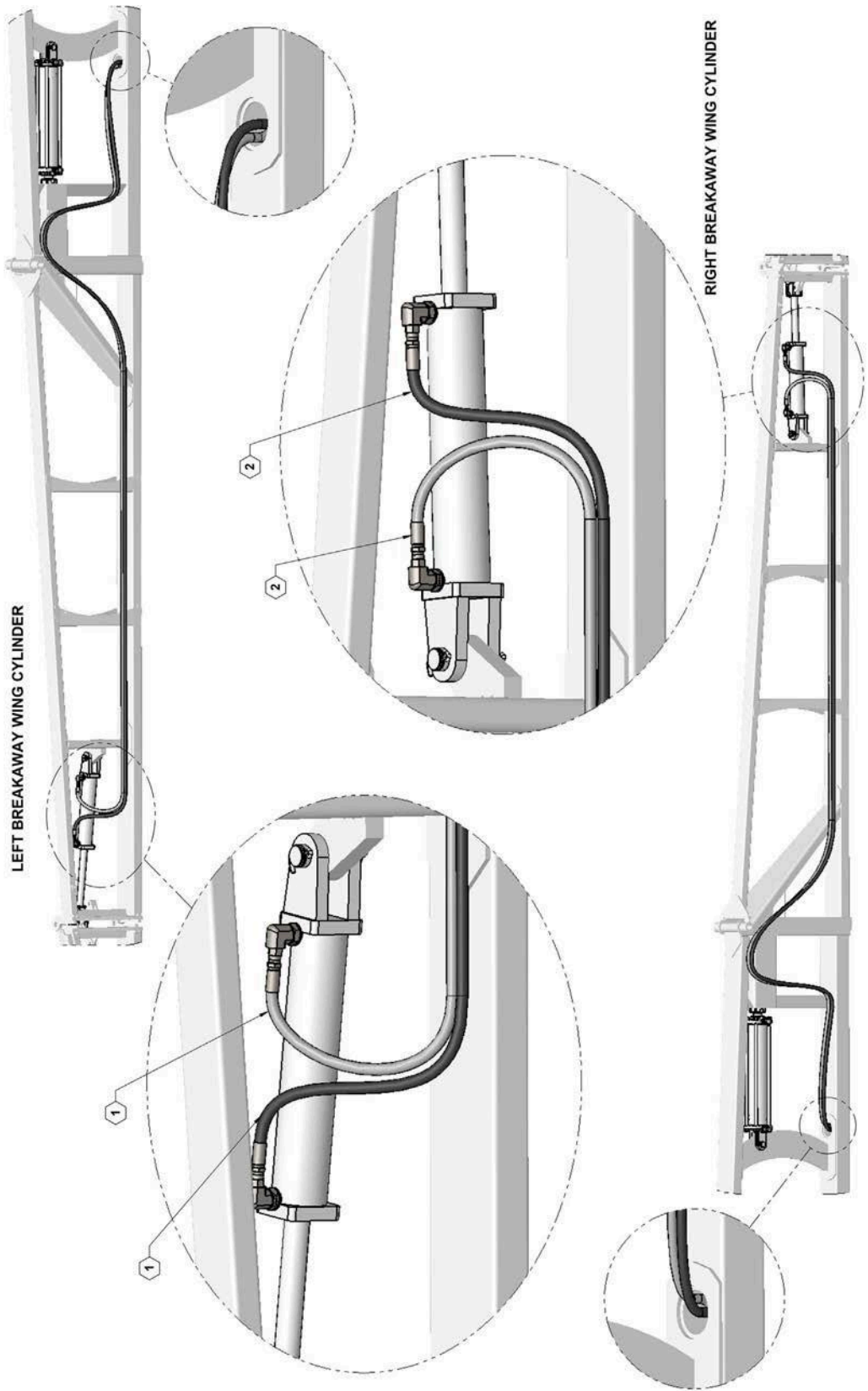
Breakaway Wing Hydraulic Hose Routing Parts List

ITEM	PART NO.	QTY.	DESCRIPTION
1	600040-7-ZN	2	HYDRAULIC HOSE, 04-4FJX-4FJX-384
2	600040-8-ZN	2	HYDRAULIC HOSE, 04-4FJX90-4FJX-384

Breakaway Wing Hydraulic Hose Routing

BREAKAWAY WING HYDRAULIC HOSE ROUTING CONTINUED

BREAKAWAY WING PRESSURE = BLACK HOSE
 BREAKAWAY WING RETURN = GRAY HOSE





ILLUSTRATED PARTS LIST

Breakaway Wing Hydraulic Hose Routing Parts List

ITEM	PART NO.	QTY.	DESCRIPTION
1	600040-7-ZN	2	HYDRAULIC HOSE, 04-4FJX-4FJX-384
2	600040-8-ZN	2	HYDRAULIC HOSE, 04-4FJX90-4FJX-384



ILLUSTRATED PARTS LIST

Hydraulic Hoses, 80,90,100' Base Hose Kit

ITEM	PART NO.	QTY	DESCRIPTION
1	520048	2	HYDRAULIC TIP, 2-NV12-12SAE-M
2	600014-2-ZN	2	HOSE, HYDRAULIC, FDM4R17-4FJXZ-4FJXZ-65.3 (TRANSPORT SWING CYLINDER)
3	600014-3-NZ	2	HOSE, HYDRAULIC, FDM4R17-4FJXZ-4FJX90MZ-65.6,(TRANSPORT SWING CYLINDER)
4	600014-4-ZN	2	HOSE, HYDRAULIC, FDM6R17-6FJXZ-6FJX90MZ-113, (TILT CYLINDER)
5	600031-2-ZN	1	HOSE, HYDRAULIC, FDM4R17-4FJXZ-4FJXZ-34.3, (CENTER LIFT CYLINDER LH)
6	600032-1-ZN	1	HOSE, HYDRAULIC, FDM4R17-4FJXZ-4FJXZ-26.6, (CENTER LIFT CYLINDER RH)
7	600032-5-ZN	2	HOSE, HYDRAULIC, FDM8R17-8FJXZ-8MBOZ-120, (TRACTOR TO HYDRAULIC BLOCK)
8	600040-7-ZN	2	HOSE, HYDRAULIC, FDM4R17-4FJXZ-4FJXZ-384, (LEFT/RIGHT SWING WING)
9	600040-8-ZN	2	HOSE, HYDRAULIC, FDM4R17-4FJXZ-4FJX90MZ-386, (LEFT/RIGHT SWING WING)
10	600079-2-ZN	1	HOSE, HYDRAULIC, FDM4R17-4FJXZ-4FJXZ-232, (LEFT FLIP)
11	600079-3-ZN	1	HOSE, HYDRAULIC, FDM4R17-4FJXZ-4FJX90MZ-212, (RIGHT FLIP)
12	600079-4-ZN	1	HOSE, HYDRAULIC, FDM4R17-4FJXZ-4FJX90MZ-232, (RIGHT FLIP)
13	600084-7-ZN	1	HOSE, HYDRAULIC, FDM4R17-4FJXZ-4FJXZ-217, (LEFT FLIP)
14	600089-1-ZN	1	HOSE, HYDRAULIC, FDM4R17-4FJXZ-4FJX90MZ-112, (BLOCK TO ACCUMULATOR)



ILLUSTRATED PARTS LIST

Hydraulic Hoses, 100' Standard

ITEM	PART NO.	QTY	DESCRIPTION
1	520048	4	HYDRAULIC TIP, 2-NV12-12SAE-M
2	610102	1	FITTING, ELBOW, 6801-10-10-NWO-TCT
3	610060	1	FITTING, STRAIGHT, 6400-8-10-0-TCT
4	600014-1-ZN	2	HOSE, HYDRAULIC, FDM6R17-6FJXZ-6FJXZ-26, (CENTER LIFT TO CYLINDERS)
5	FDM0048-ZN	1	HOSE, HYDRAULIC, FDM4R17-4FJXZ-4FJX90MZ-85, (CENTER LIFT TO ACCUMULATOR)
6	600014-2-ZN	2	HOSE, HYDRAULIC, FDM4R17-4FJXZ-4FJXZ-65.3, (LEFT SWING CYLINDER)
7	600014-3-NZ	2	HOSE, HYDRAULIC, FDM4R17-4FJXZ-4FJX90MZ-65.6, (RIGHT SWING CYLINDER)
8	600014-4-ZN	2	HOSE, HYDRAULIC, FDM6R17-6FJXZ-6FJX90MZ-113, (TILT CYLINDER)
9	600088-2-ZN	1	HOSE, HYDRAULIC, FDM8R17-8FJXZ-18FJX90MZ-25, (PC TO PUMP)
10	600039-18-ZN	1	HOSE, HYDRAULIC, FDM10R17-8MBOZ-10FJXZ-216, (PUMP RETURN)
11	600021-2-ZN	1	HOSE, HYDRAULIC, FDM4R17-4FJXZ-4FJXZ-289, (LEFT FLIP)
12	600021-3-ZN	1	HOSE, HYDRAULIC, FDM4R17-4FJXZ-4FJXZ-304, (LEFT FLIP)
13	600021-4-ZN	1	HOSE, HYDRAULIC, FDM4R17-4FJXZ-4FJX90MZ-284, (RIGHT FLIP)
14	600021-5-ZN	1	HOSE, HYDRAULIC, FDM4R17-4FJXZ-4FJX90MZ-304, (RIGHT FLIP)
15	600021-1-ZN	2	HOSE, HYDRAULIC, FDM8R17-8FJXZ-8MBOZ-362, (PRESSURE/RETURN TO BLOCK)
16	600014-12-ZN	1	HOSE, HYDRAULIC, FDM8R17-8MBOZ-10MBX090Z-207, (PUMP PRESSURE)



ILLUSTRATED PARTS LIST

Hydraulic Hoses, 100' Tri Fold

ITEM	PART NO.	QTY	DESCRIPTION
1	520048	4	HYDRAULIC TIP, 2-NV12-12SAE-M
2	610102	1	FITTING, ELBOW, 6801-10-10-NWO-TCT
3	610060	1	FITTING, STRAIGHT, 6400-8-10-0-TCT
4	600014-1-ZN	2	HOSE, HYDRAULIC, FDM6R17-6FJXZ-6FJXZ-26, (CENTER LIFT TO CYLINDERS)
5	FDM0048-ZN	1	HOSE, HYDRAULIC, FDM4R17-4FJXZ-4FJX90MZ-85, (CENTER LIFT TO ACCUMULATOR)
6	600014-2-ZN	2	HOSE, HYDRAULIC, FDM4R17-4FJXZ-4FJXZ-65.3, (LEFT SWING CYLINDER)
7	600014-3-NZ	2	HOSE, HYDRAULIC, FDM4R17-4FJXZ-4FJX90MZ-65.6, (RIGHT SWING CYLINDER)
8	600014-4-ZN	2	HOSE, HYDRAULIC, FDM6R17-6FJXZ-6FJX90MZ-113, (TILT CYLINDER)
9	600080-1-ZN	1	HOSE, HYDRAULIC, FDM4R17-4FJXZ-4FJXZ-236, (LEFT FLIP)
10	600080-2-ZN	1	HOSE, HYDRAULIC, FDM4R17-4FJXZ-4FJXZ-256, (LEFT FLIP)
11	600080-3-ZN	1	HOSE, HYDRAULIC, FDM4R17-4FJXZ-4FJX90MZ-236, (RIGHT FLIP)
12	600080-4-ZN	1	HOSE, HYDRAULIC, FDM4R17-4FJXZ-4FJX90MZ-256, (RIGHT FLIP)
13	600014-9-ZN	2	HOSE, HYDRAULIC, FDM8R17-8FJXZ-8MBOZ-338.6, (PRESSURE/RETURN TO BLOCK)
14	600079-5-ZN	1	HOSE, HYDRAULIC, FDM8R17-8MBOZ-10MBX090Z-196, (PUMP PRESSURE)
15	600088-2-ZN	1	HOSE, HYDRAULIC, FDM8R17-8FJXZ-18FJX90MZ-25, (PC TO PUMP)
16	600039-18-ZN	1	HOSE, HYDRAULIC, FDM10R17-8MBOZ-10FJXZ-216, (PUMP RETURN)
17	600081-1-ZN	2	HOSE, HYDRAULIC, FDM4R17-4FJXZ-4FJXZ 444, (LEFT SWING WING)
18	600081-2-ZN	2	HOSE, HYDRAULIC, FDM4R17-4FJXZ-4FJX90MZ 446, (LEFT SWING WING)

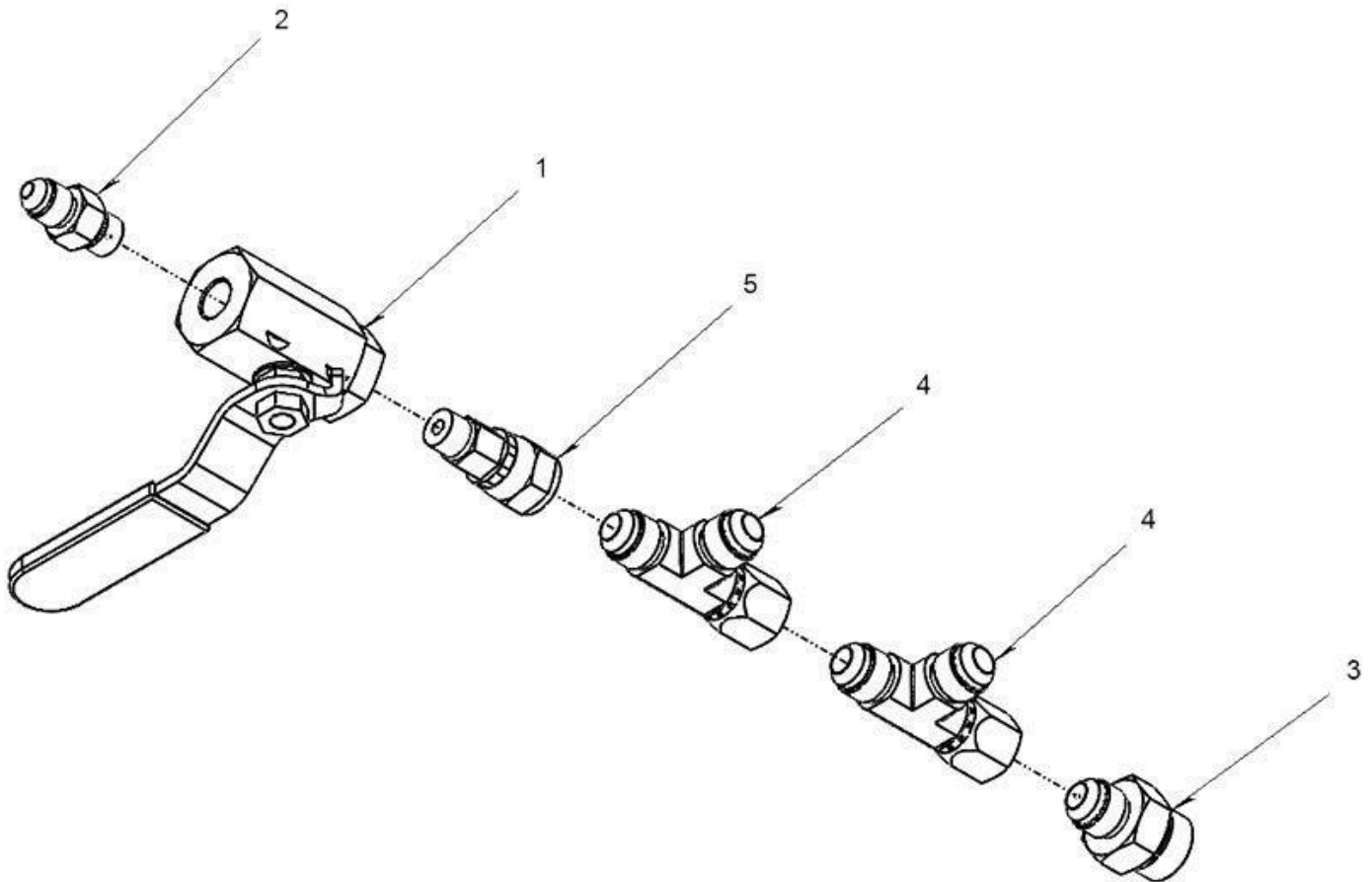


ILLUSTRATED PARTS LIST

Hydraulic Hoses, 3PT Pump Drive

ITEM	PART NO.	QTY.	DESCRIPTION
1	N/A	2	DNVZ12-MS-08S
2	600030-2A	1	HOSE, HYDRAULIC, FDM8R17-8MBO-10MBXO90-75
3	600030-1	1	HOSE, HYDRAULIC, FDM10R17-8MBO-10MBXO90-74.5

Accumulator Fittings / Shutoff Valve



Accumulator Fittings / Shutoff Valve Parts List

ITEM	PART NO.	QTY.	DESCRIPTION
1	500000	1	VALVE, BALL SAE #4 FEMALE PORT
2	610007	1	JIC #4 TO ORING #4
3	610011	1	JIC #6 TO ORING #8
4	610027	2	JIC #6 RUN TEE
5	610079	1	CONNECTOR #4ORB X #6JIC



ILLUSTRATED PARTS LIST

Raven 450 Controller Kit With Skytrak, Up To 6 Sections

ITEM	PART NO.	QTY.	DESCRIPTION
	631803	1	CONSOLE, SCS450 (6-BOOM)
	631815	1	CABLE, 24' EXT 6BM SCS450
	631818	1	CABLE 10' CONSOLE 7BM SCS 440/450
	631832	1	SENSOR, GPS SPEED, RAVEN
	632028	1	47 PIN TO 16 PIN ADAPTER CABLE
	632077	1	CABLE PRODUCT 47 PIN 6 SECTION

Raven ISO Rate Control Module, Cables to Tractor, ISO Hookup, No VT Console

ITEM	PART NO.	QTY.	DESCRIPTION
	15813BLK	1	PLATE, MOUNT, RATE CONTROLLER
	596105M	1	HEX HEAD G5 1/4-20 X 2-1/2 MAG
	596110M	1	BOLT, HH 1/4-20 X 3 MAGNI
	596128M	2	HH G5 3/8 X 1 MAGNI
	596235M	3	HEX NUT CENTER LOCK 1/4 MAGNI
	596237M	2	HEX NUT 3/8 CENTER LOCK MAGNI
	631856	1	SWITCH ASSEMBLY FOOT ISO PRODUCT CONTROL
	632010	1	RAVEN RATE CONTROL MODULE
	632029	1	47 PIN RCM CABLE
	632035	1	14' 47 PIN TO 47 PIN PLUG
	632078	1	CABLE PRODUCT 47 PIN 10SEC
	632043	1	CABLE, ADAPTER 17' 9 PIN
	632061	1	CABLE, FOOT SWITCH 12'



ILLUSTRATED PARTS LIST

Deere JDRC 2000 ISO Rate Controller, Cables to Tractor, ISO Hookup, No VT Console

ITEM	PART NO.	QTY.	DESCRIPTION
	15813BLK	1	PLATE, MOUNT, RATE CONTROLLER
	596105M	1	HEX HEAD G5 1/4-20 X 2-1/2 MAG
	596110M	2	BOLT, HH 1/4-20 X 3 MAGNI
	596128M	2	HH G5 3/8 X 1 MAGNI
	596235M	3	HEX NUT CENTER LOCK 1/4 MAGNI
	596237M	2	HEX NUT 3/8 CENTER LOCK MAGNI
	632035	1	14' 47 PIN TO 47 PIN PLUG
	632078	1	CABLE PRODUCT 47 PIN 10SEC
	632043	1	CABLE, ADAPTER 17' 9 PIN
	632045	1	JD RC2000 CONTROL MODULE
	632061	1	CABLE, FOOT SWITCH 12'

47 Pin Product Control Cable - Customer Supplied JDRC2000 Rate Controller / Raven RCM

ITEM	PART NO.	QTY.	DESCRIPTION
	15813BLK	1	PLATE, MOUNT, RATE CONTROLLER
	596105M	1	HEX HEAD G5 1/4-20 X 2-1/2 MAG
	596110M	2	BOLT, HH 1/4-20 X 3 MAGNI
	596128M	2	HH G5 3/8 X 1 MAGNI
	596235M	3	HEX NUT CENTER LOCK 1/4 MAGNI
	596237M	2	HEX NUT 3/8 CENTER LOCK MAGNI
	632035	1	14' 47 PIN TO 47 PIN PLUG
	632078	1	CABLE PRODUCT 47 PIN 10SEC



ILLUSTRATED PARTS LIST

47 Pin To 37 Pin Product Control Cable - Customer Supplied GreenStar Rate Controller

ITEM	PART NO.	QTY.	DESCRIPTION
	15813BLK	1	PLATE, MOUNT, RATE CONTROLLER
	596105M	1	HEX HEAD G5 1/4-20 X 2-1/2 MAG
	596110M	2	BOLT, HH 1/4-20 X 3 MAGNI
	596128M	2	HH G5 3/8 X 1 MAGNI
	596235M	3	HEX NUT CENTER LOCK 1/4 MAGNI
	596237M	2	HEX NUT 3/8 CENTER LOCK MAGNI
	632035	1	14' 47 PIN TO 47 PIN PLUG
	632078	1	CABLE PRODUCT 47 PIN 10SEC
	632070	1	37 TO 47 PIN ADAPTER

47 Pin To 16 Pin Product Control Cable - Customer Supplied Raven 450

ITEM	PART NO.	QTY.	DESCRIPTION
	631814	1	CABLE, 12' EXTENSION 6BM SCS440, 16 PIN
	632028	1	47 PIN TO 16 PIN ADAPTER CABLE
	632035	1	14' 47 PIN TO 47 PIN PLUG
	632077	1	CABLE PRODUCT 47 PIN 6SEC

47 Pin Product Control Cable - Customer Supplied Rate Controller

ITEM	PART NO.	QTY.	DESCRIPTION
	632035	1	14' 47 PIN TO 47 PIN PLUG
	632078	1	CABLE PRODUCT 47 PIN 10SEC

Raven CR7 ISO Display With Deere Harness (Deere ISO Controller)

ITEM	PART NO.	QTY.	DESCRIPTION
	632063	1	RAVEN PRECISION CR7 DISPLAY
	632066	1	CABLE, CR7 ISO VT ONLY
	632067	1	CABLE, DISPLAY PORT, Y ADAPTER



ILLUSTRATED PARTS LIST

Raven CR7 ISO Display With Harness (Non-Deere ISO Controller)

ITEM	PART NO.	QTY.	DESCRIPTION
	632063	1	RAVEN PRECISION CR7 DISPLAY
	632065	1	CABLE, CAN/POWER OEM ISO
	632066	1	CABLE, CR7 ISO VT ONLY

Raven CR7 ISO Display With Complete ISO Harness (Non-ISO Tractor)

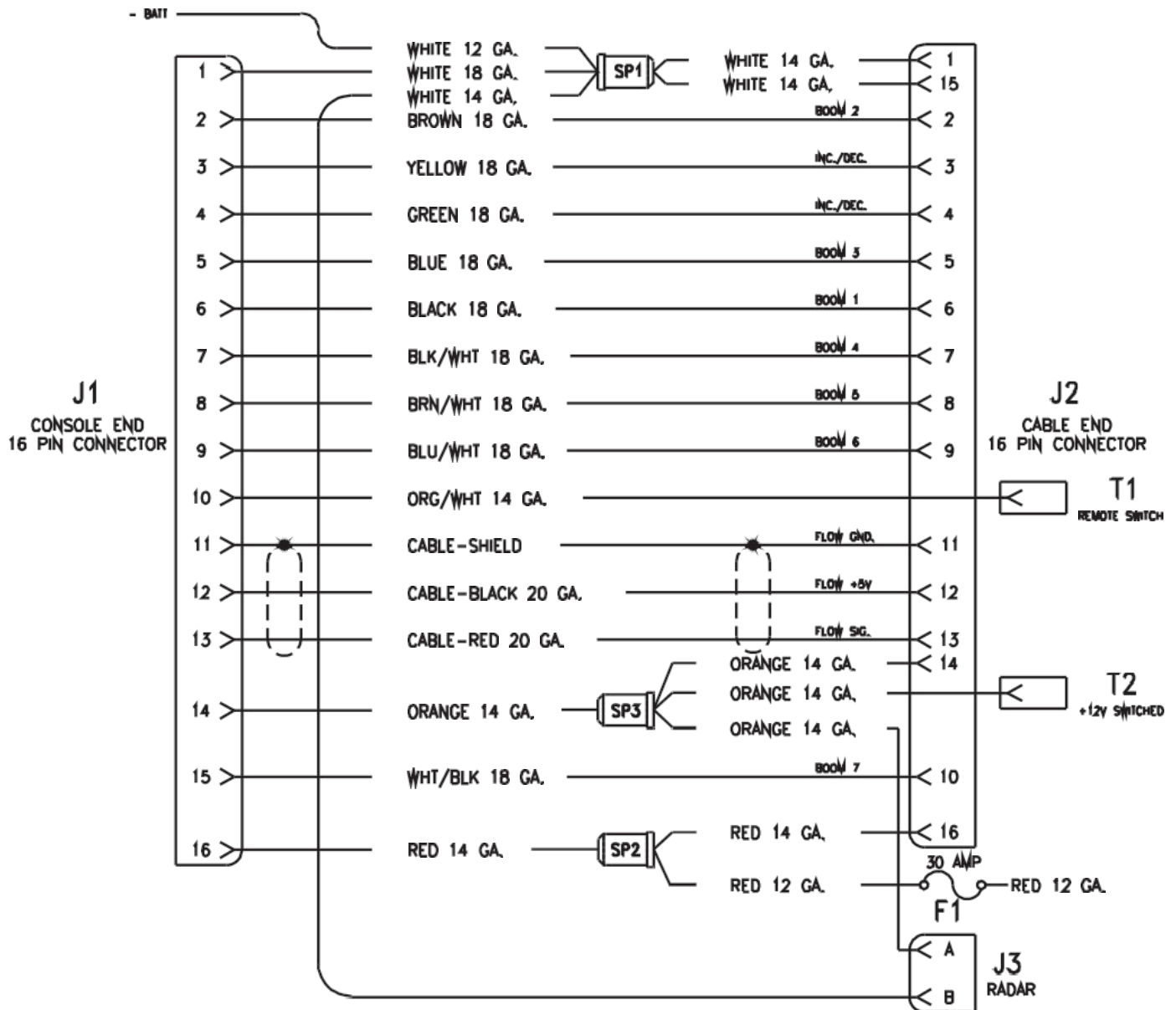
ITEM	PART NO.	QTY.	DESCRIPTION
	632063	1	RAVEN PRECISION CR7 DISPLAY
	632064	1	CABLE, RAVEN ISO/POWER
	632066	1	CABLE, CR7 ISO VT ONLY

Flow-Back Ball Valve Line Rinse - Electric Valve With Toggle Switch

ITEM	PART NO.	QTY.	DESCRIPTION
	11145BLK	1	SWITCH BRACKET
	500027	0.25	VALVE 450BEC MANIFOLD (NARROW) (NON-FLOWBACK)
	500028	0.25	VALVE 450BEC MANIFOLD (WIDE) (NON-FLOWBACK)
	500029	0.25	VALVE 450BEC MANIFOLD (WIDE) (FLOWBACK)
	510016	2.5	HOSE, 1" EPDM
	510019	3	HOSE, 3/4" EPDM
	530189	1	QUICK CONNECT 1" STRAIGHT BARB
	530434	1	1" HB OUTLET X M QC
	540013	2	CLAMP, STAINLESS 3/4" #12
	540014	2	CLAMP, STAINLESS 1" #16
	560055	1	ELECTRICAL SWITCH SEALED SPST
	560071	1	TOGGLE SWITCH BOOT

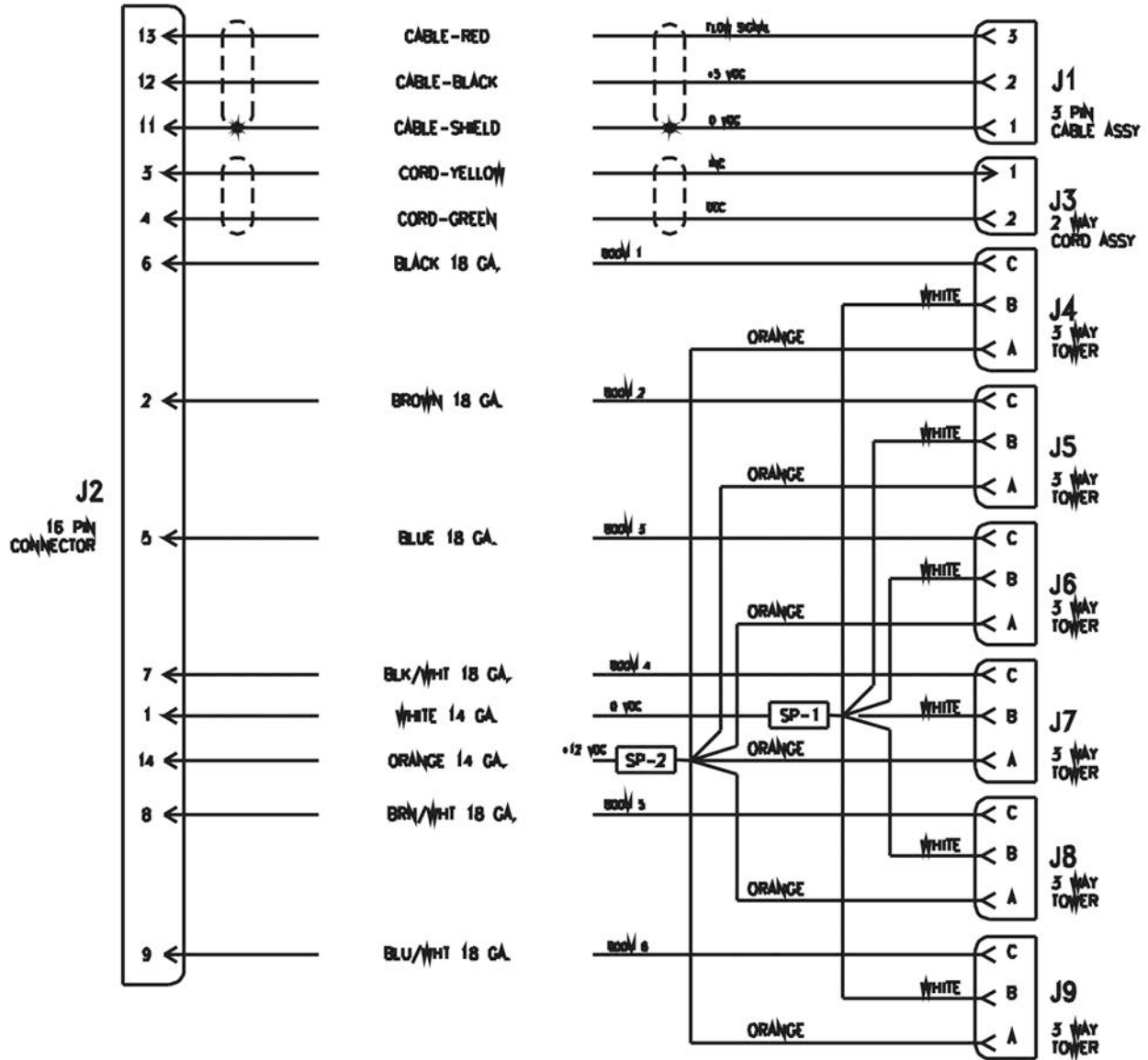
Control Console Wiring Harness

CABLE,
 CONSOLE, SCS 460, 6 BOOM, 10'
 115-0171-085 (Rev. A)



Control Console Wiring Harness

CABLE, 12' PRODUCT, 6 BOOM WITH 3 PIN TOWERS 115-0171-129 (Rev. A)



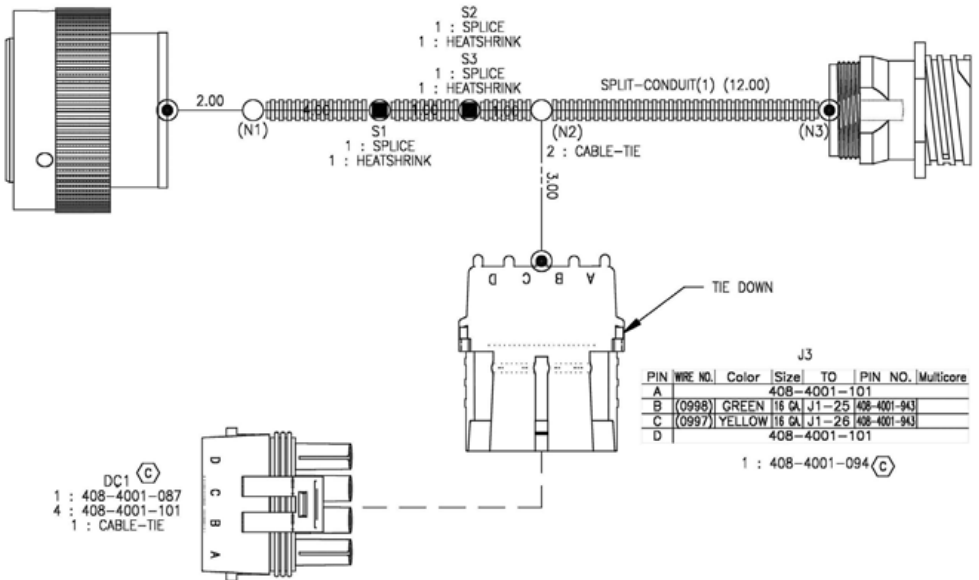
Adapter Cable, 16 Pin Console To 47 Pin Product Port (632028)

J1						
PIN	WIRE NO.	Color	Size	TO	PIN NO.	Multicore
1	(0010A)	BLACK	14 GA.	J2-1	408-4001-318	
2	(0950A)	BLACK	18 GA.	S1-3	408-4001-623	
3	(0950B)	BLACK	18 GA.	S1-2	408-4001-623	
4	(0010B)	BLACK	14 GA.	J2-15	408-4001-318	
5	(0062A)	RED	14 GA.	S2-3	408-4001-318	
6	(0062B)	RED	14 GA.	S2-1	408-4001-318	
7					408-4001-882	
8					408-4001-882	
9					408-4001-882	
10					408-4001-882	
11					408-4001-882	
12	(0966)	GRAY	18 GA.	J2-13	408-4001-623	
13					408-4001-882	
14					408-4001-882	
15					408-4001-882	
16					408-4001-882	
17					408-4001-882	
18					408-4001-882	
19					408-4001-882	
20					408-4001-882	
21					408-4001-882	
22	(0963)	RED	16 GA.	J2-12	408-4001-623	
23	(0978)	BLUE/WHITE	18 GA.	J2-4	408-4001-623	
24	(0977)	BROWN/WHITE	18 GA.	J2-3	408-4001-623	
25	(0988)	GREEN	16 GA.	J3-B	408-4001-623	
26	(0997)	YELLOW	16 GA.	J3-C	408-4001-623	
27					408-4001-882	
28					408-4001-882	
29					408-4001-882	
30					408-4001-882	
31					408-4001-882	
32	(0972A)	RED/WHITE	18 GA.	S3-2	408-4001-623	
33	(0972B)	RED/WHITE	18 GA.	S3-1	408-4001-623	
34	(0950C)	BLACK	18 GA.	S1-1	408-4001-318	
35					408-4001-882	
36	(0981)	GRAY	18 GA.	J2-6	408-4001-623	
37	(0983)	BROWN	18 GA.	J2-2	408-4001-623	
38	(0984)	BLUE	18 GA.	J2-5	408-4001-623	
39	(0985)	BLACK/WHITE	18 GA.	J2-7	408-4001-623	
40	(0986)	BROWN/WHITE	18 GA.	J2-8	408-4001-623	
41	(0987)	BLUE/WHITE	18 GA.	J2-9	408-4001-623	
42	(0988)	WHITE/BLACK	18 GA.	J2-10	408-4001-623	
43					408-4001-882	
44					408-4001-882	
45					408-4001-882	
46					408-4001-882	
47					408-4001-882	

1 : 408-4002-133
 1 : 408-4001-803
 1 : CABLE-TIE

J2						
PIN	WIRE NO.	Color	Size	TO	PIN NO.	Multicore
1	(0010A)	BLACK	14 GA.	J1-1	408-4001-162	
2	(0983)	BROWN	18 GA.	J1-37	408-4001-162	
3	(0977)	BROWN/WHITE	18 GA.	J1-24	408-4001-162	
4	(0978)	BLUE/WHITE	18 GA.	J1-23	408-4001-162	
5	(0984)	BLUE	18 GA.	J1-38	408-4001-162	
6	(0981)	GRAY	18 GA.	J1-36	408-4001-162	
7	(0985)	BLACK/WHITE	18 GA.	J1-39	408-4001-162	
8	(0986)	BROWN/WHITE	18 GA.	J1-40	408-4001-162	
9	(0987)	BLUE/WHITE	18 GA.	J1-41	408-4001-162	
10	(0988)	WHITE/BLACK	18 GA.	J1-42	408-4001-162	
11	(0950D)	BLACK	18 GA.	S1-4	408-4001-162	
12	(0963)	RED	16 GA.	J1-22	408-4001-162	
13	(0966)	GRAY	18 GA.	J1-12	408-4001-162	
14	(0972C)	RED/WHITE	18 GA.	S3-3	408-4001-162	
15	(0010B)	BLACK	14 GA.	J1-4	408-4001-162	
16	(0062C)	RED	14 GA.	S2-2	408-4001-162	

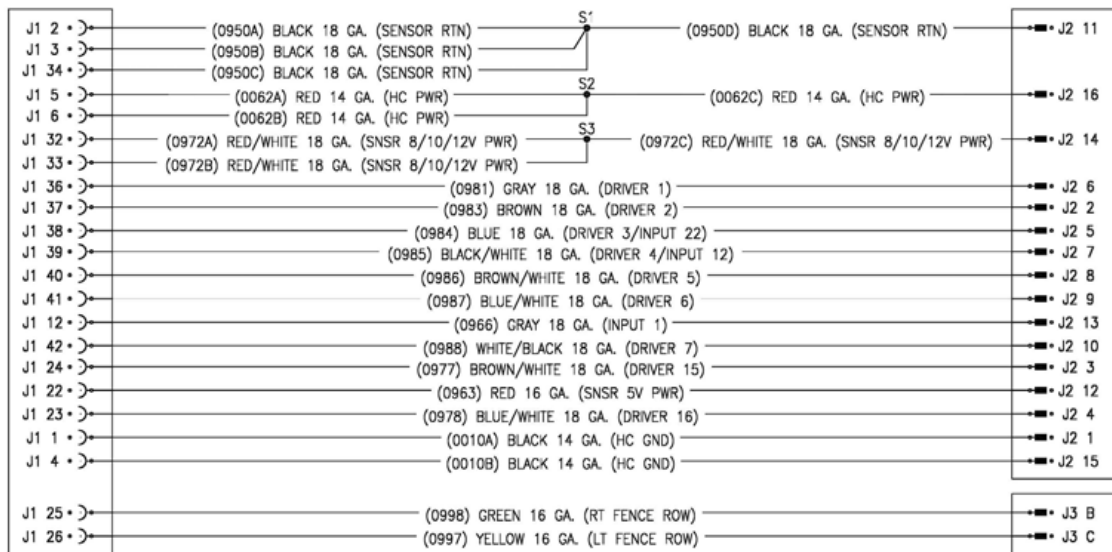
1 : 408-4001-025
 1 : 408-4001-024
 1 : PERIPHERAL SEAL GREASE
 1 : 408-4001-019
 1 : ENCAPSULATE-POTTING



DC1 (C)
 1 : 408-4001-087
 4 : 408-4001-101
 1 : CABLE-TIE

J3						
PIN	WIRE NO.	Color	Size	TO	PIN NO.	Multicore
A					408-4001-101	
B	(0998)	GREEN	16 GA.	J1-25	408-4001-943	
C	(0997)	YELLOW	16 GA.	J1-26	408-4001-943	
D					408-4001-101	

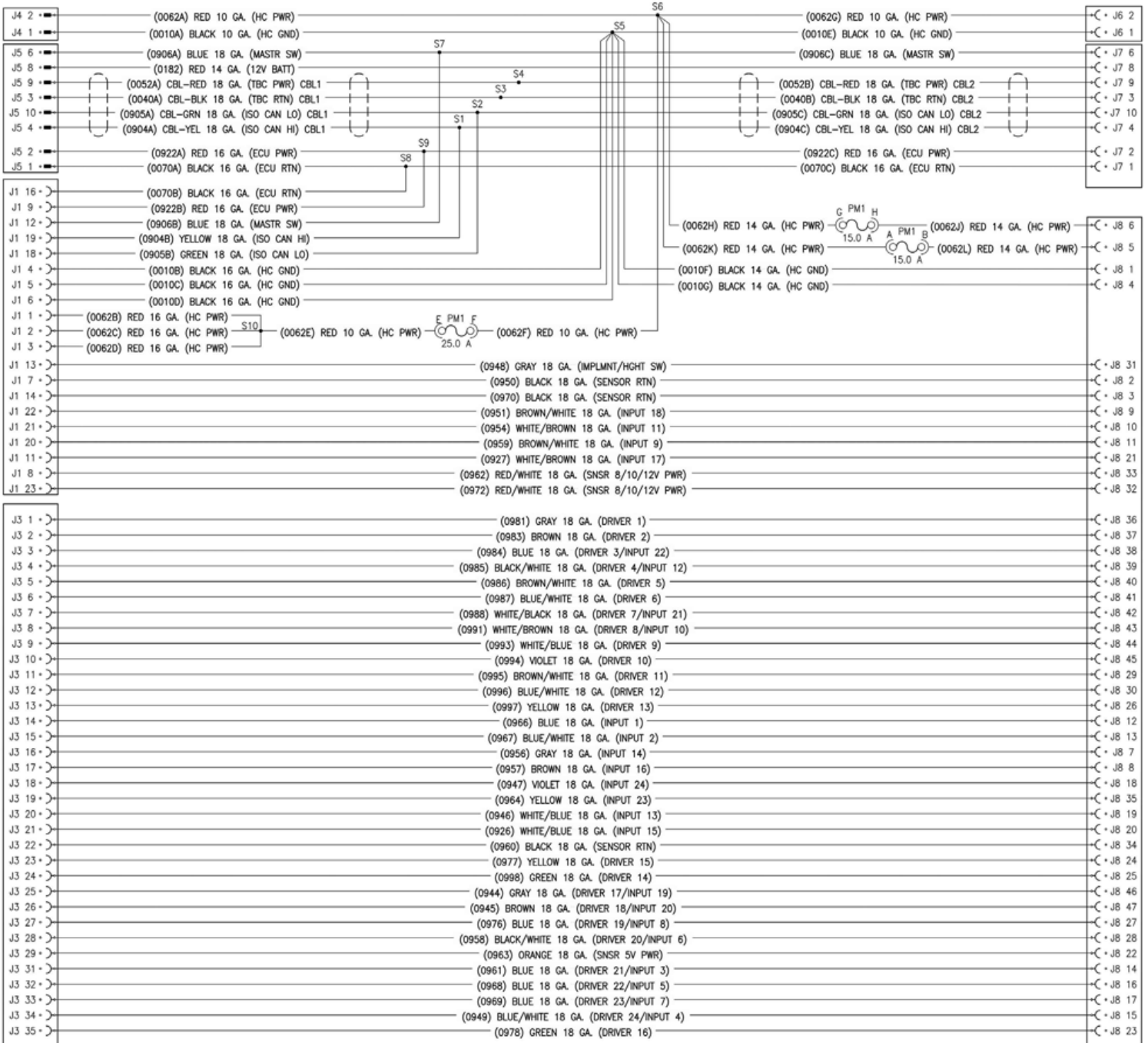
1 : 408-4001-094 (C)





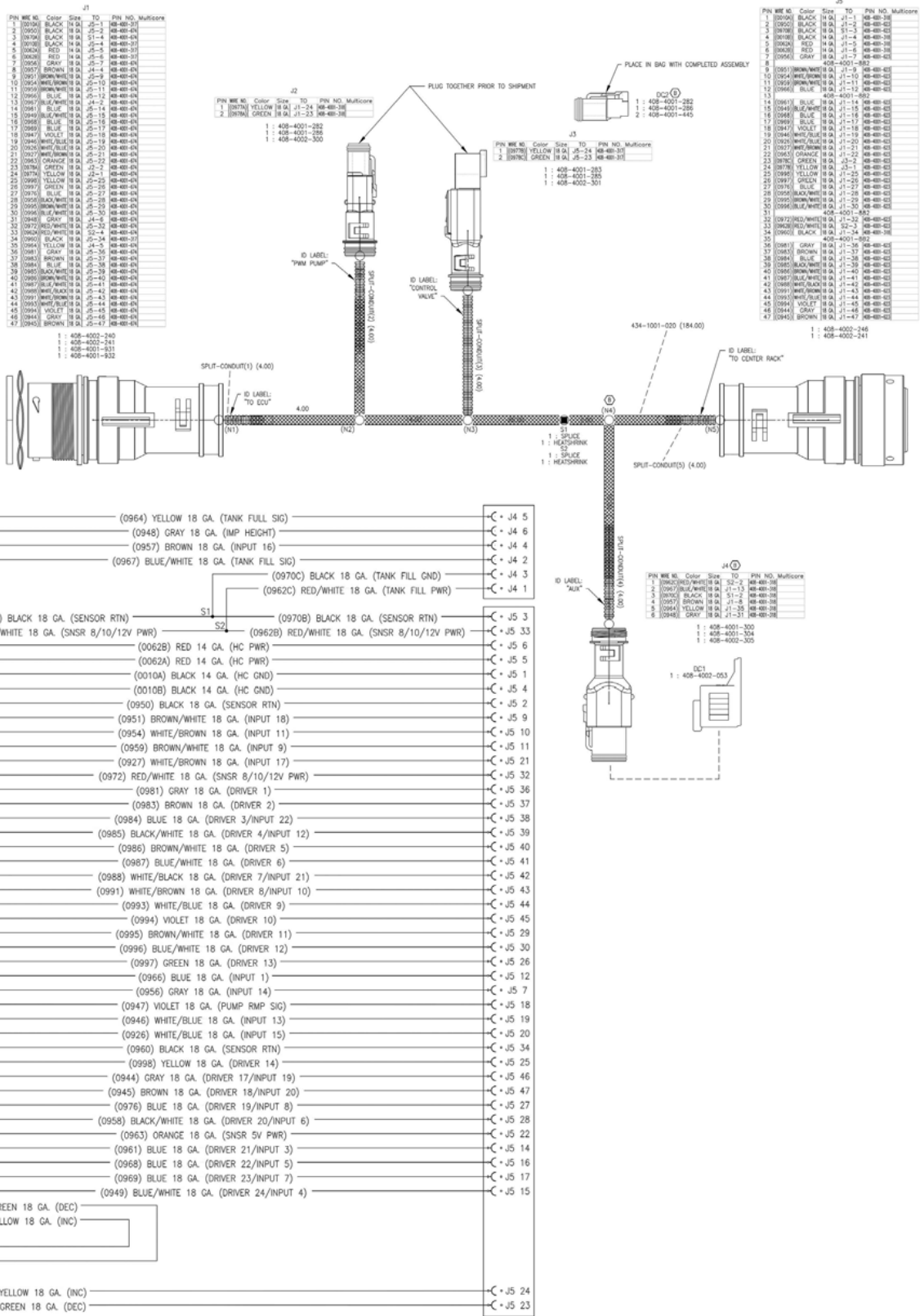
ILLUSTRATED PARTS LIST

Cable, 81 Pin ECU, 47 Pin Rate Control Interface (632029)



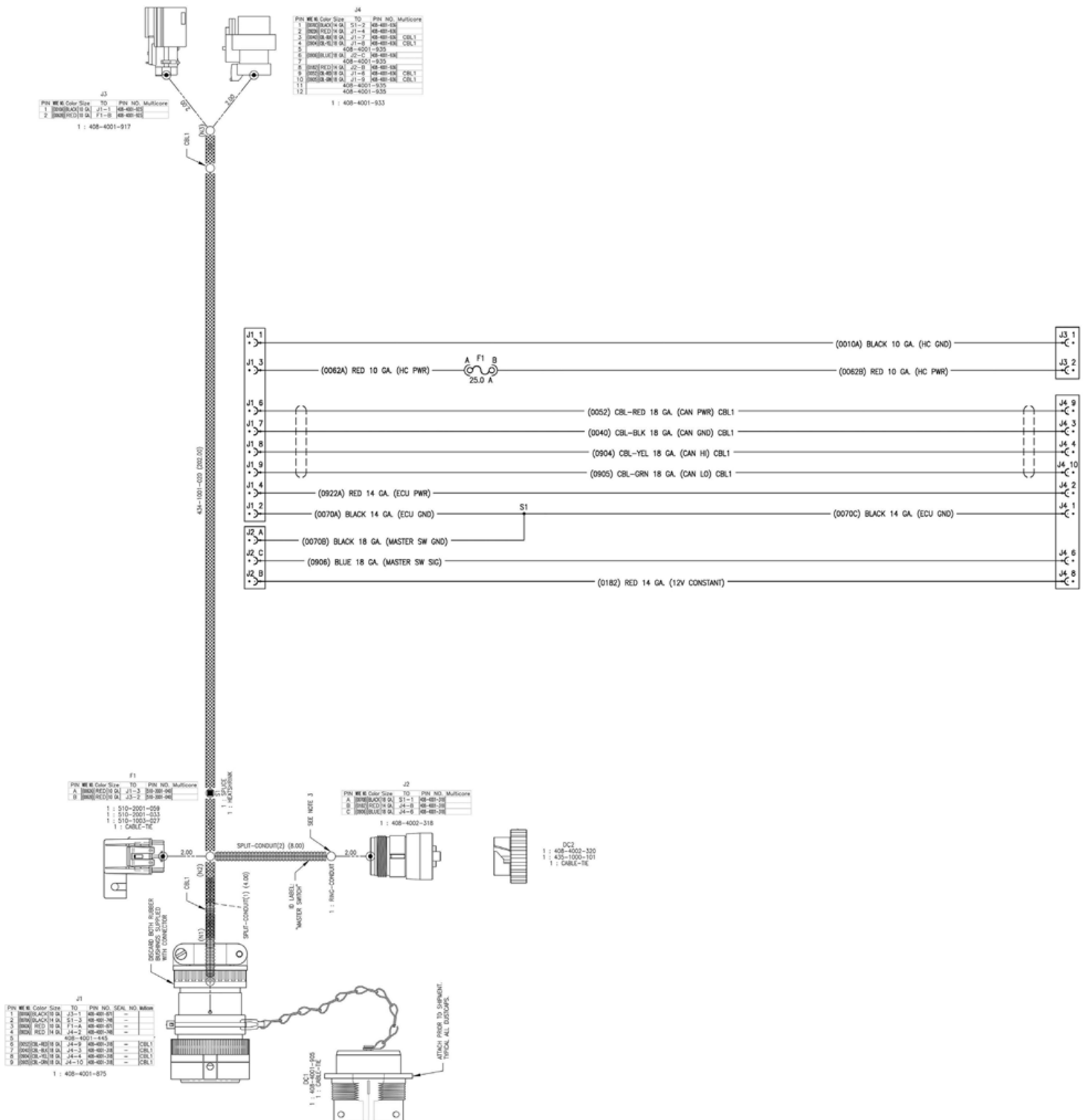
ILLUSTRATED PARTS LIST

Cable, Pull Type Sprayer Frame, 14' 47 Pin To 47 Pin (632035)

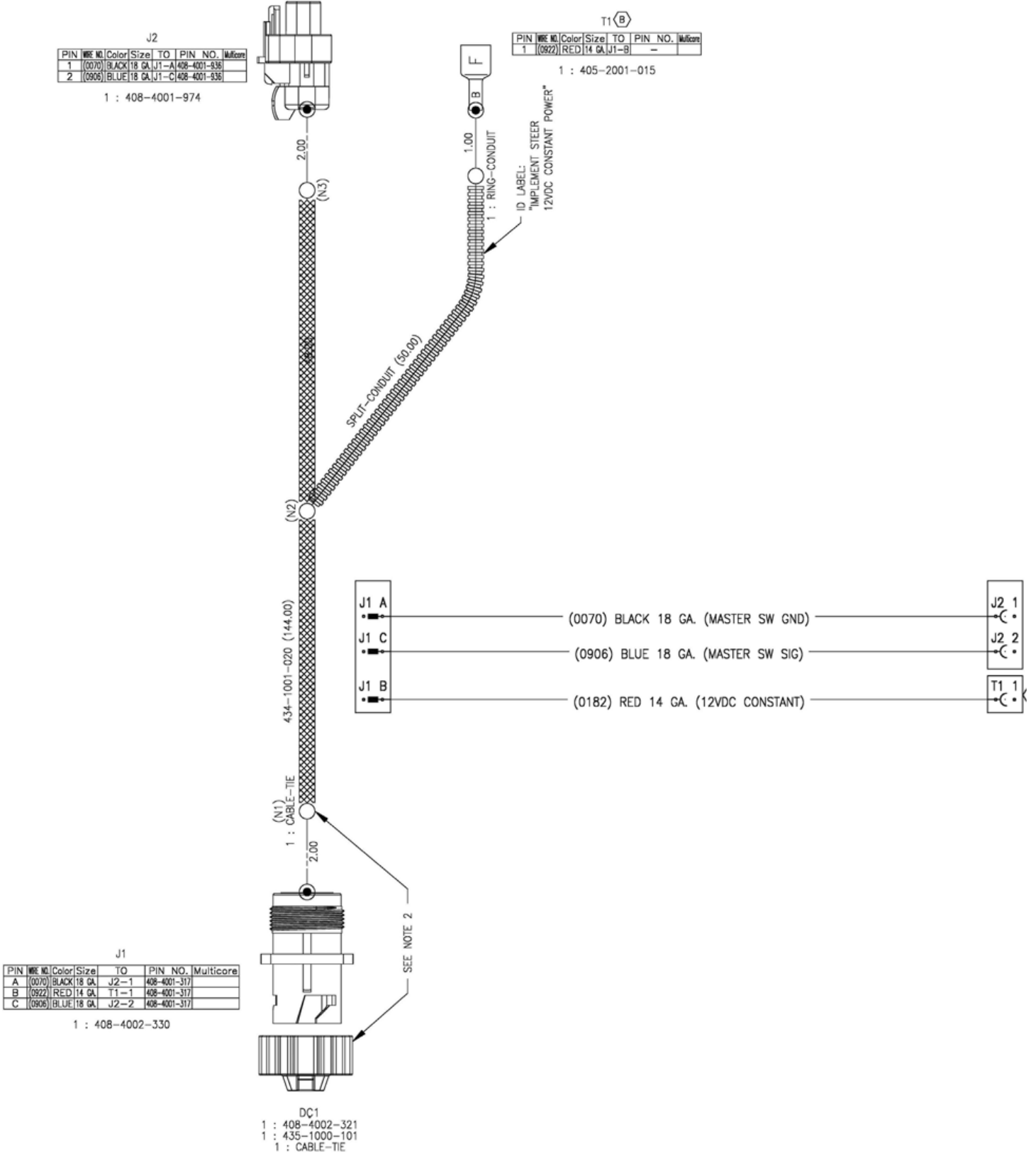


ILLUSTRATED PARTS LIST

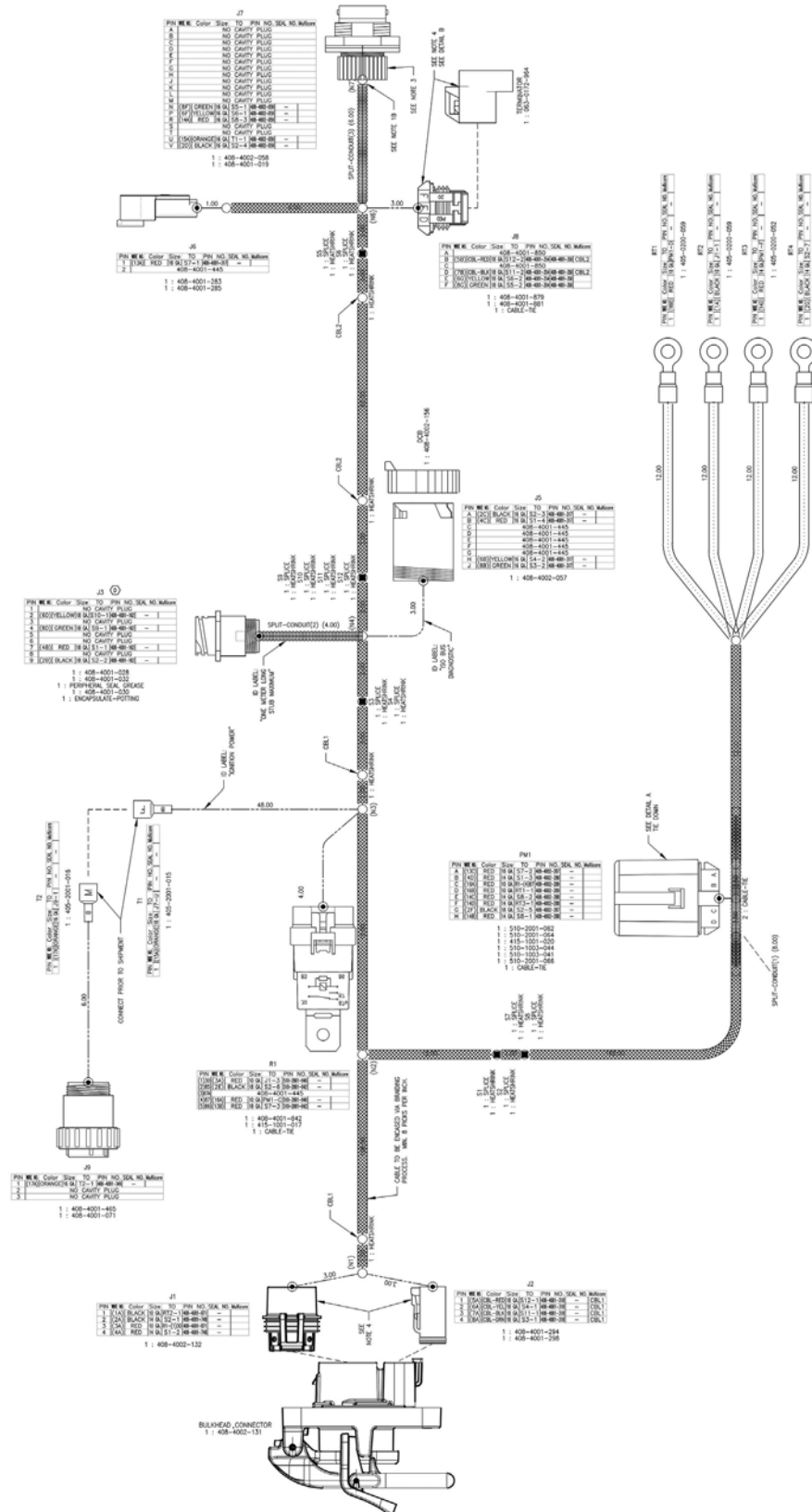
Adapter Cable, 17', 9 Pin IBIC / 3 Pin Master to Gen 1 Isobus (632043)

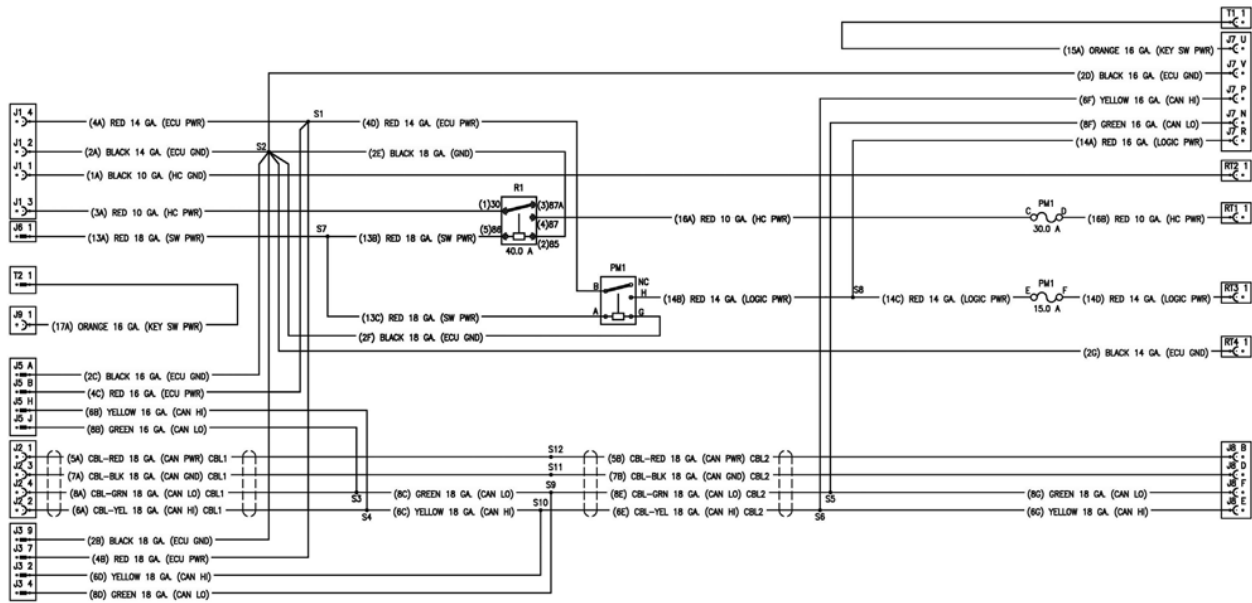


Cable, Foot Switch, 12' (632061)

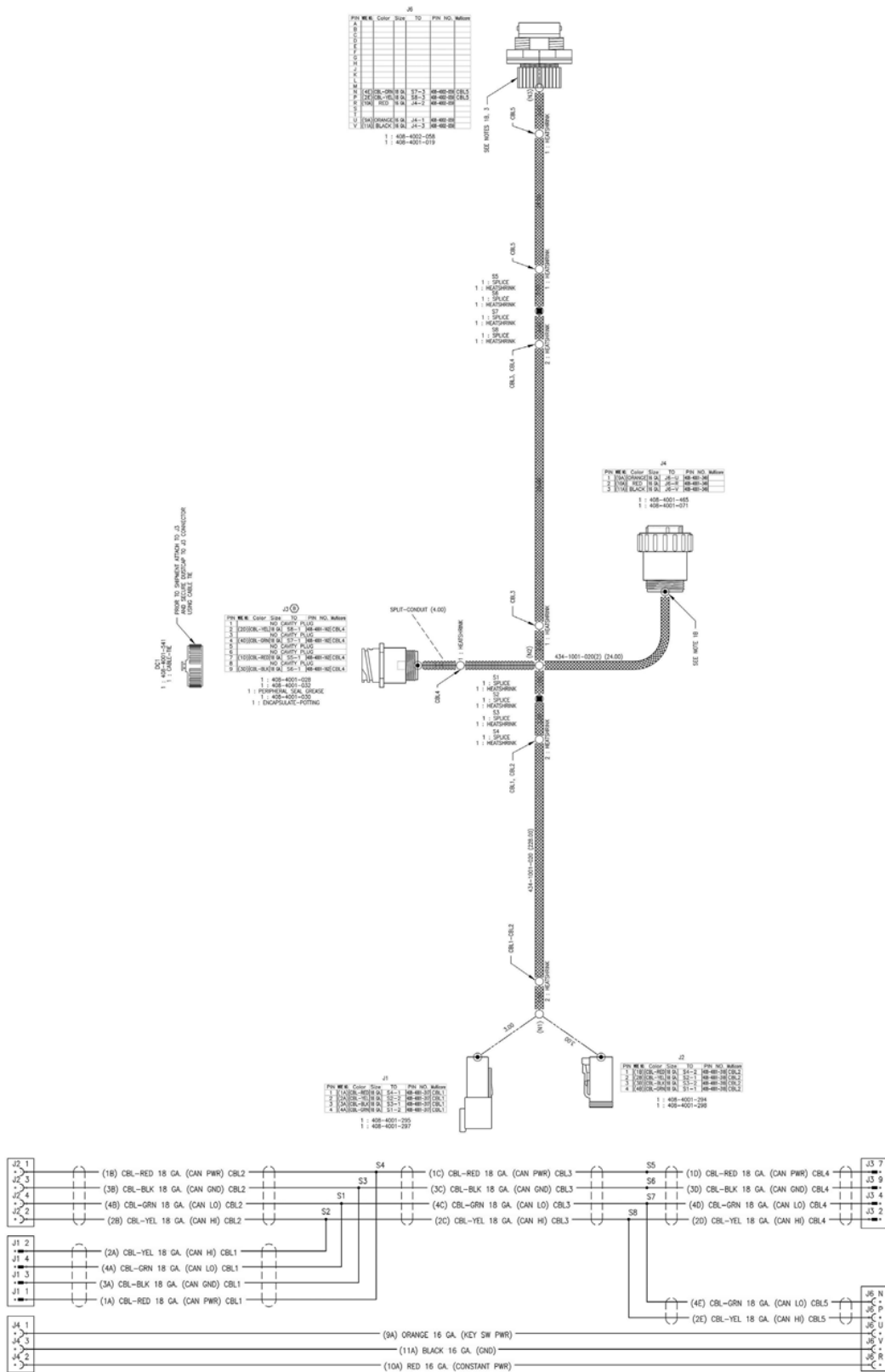


Cable, Raven ISO/Power With IBC Connector (632064)

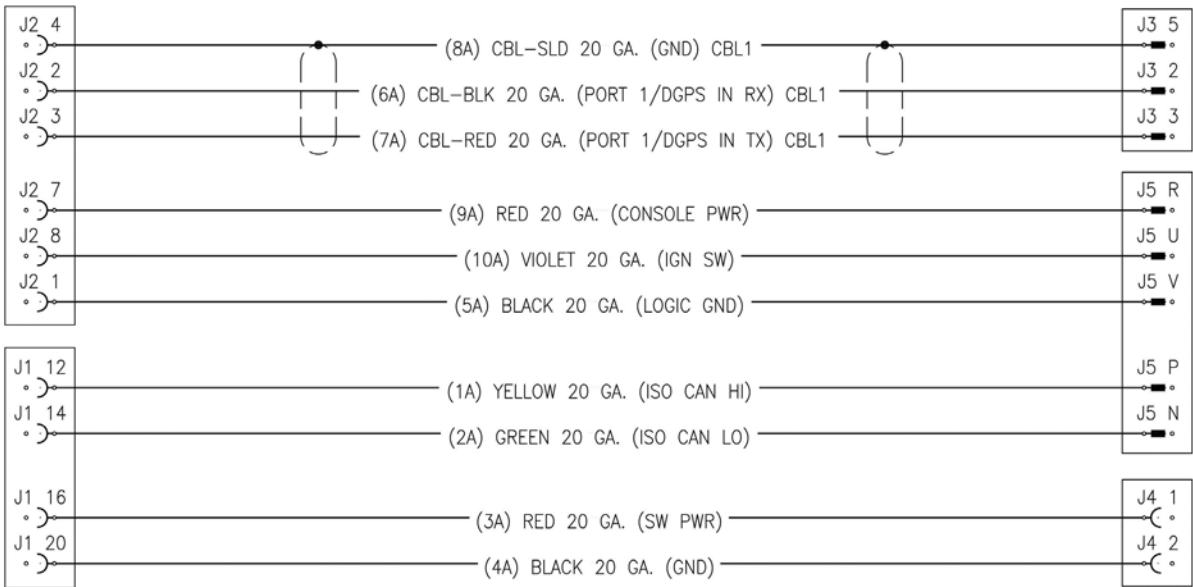
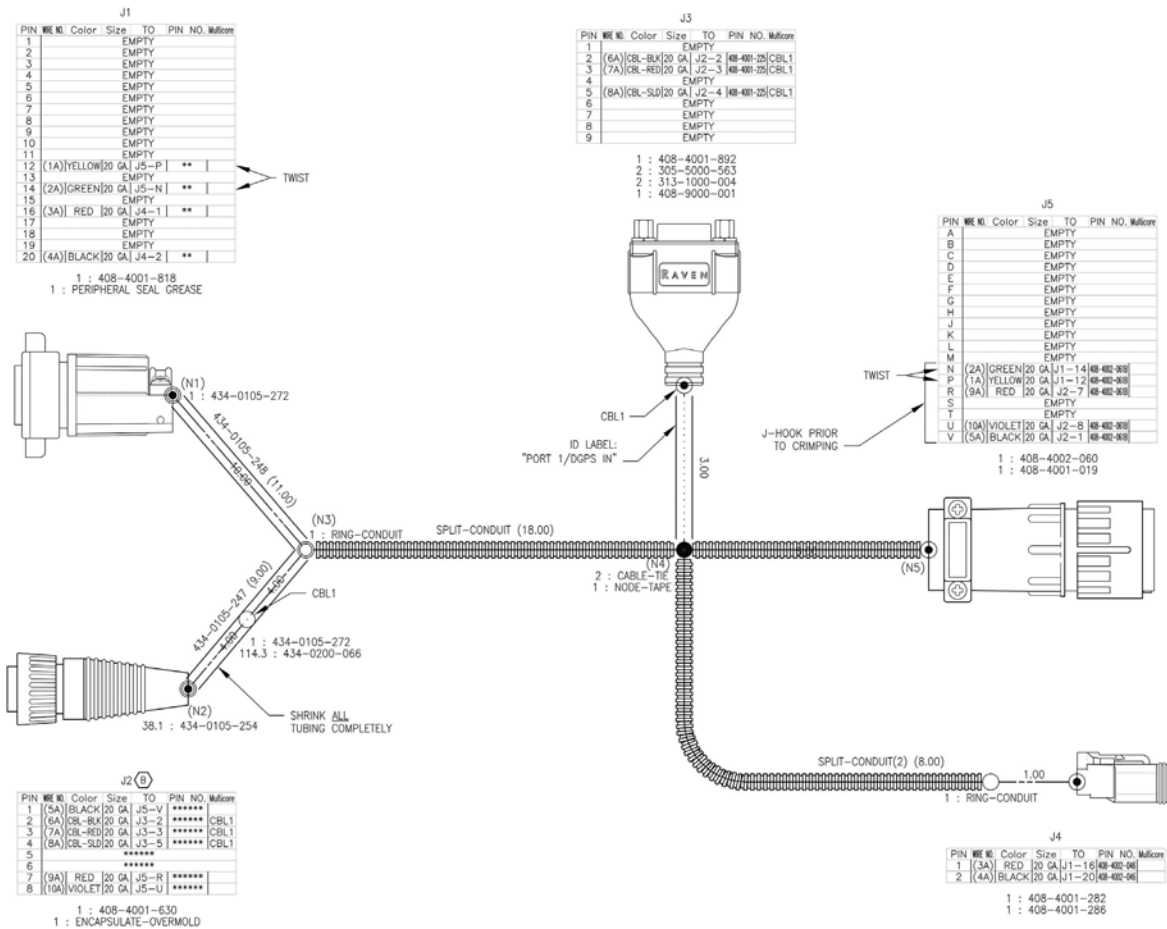




CAN/Power Cable, OEM ISO To Raven ISO Bulkhead (632065)



Cable, CR7, ISO VT Only (632066)



Cable, Display Port, Y Adapter (632067)

J1 (B)

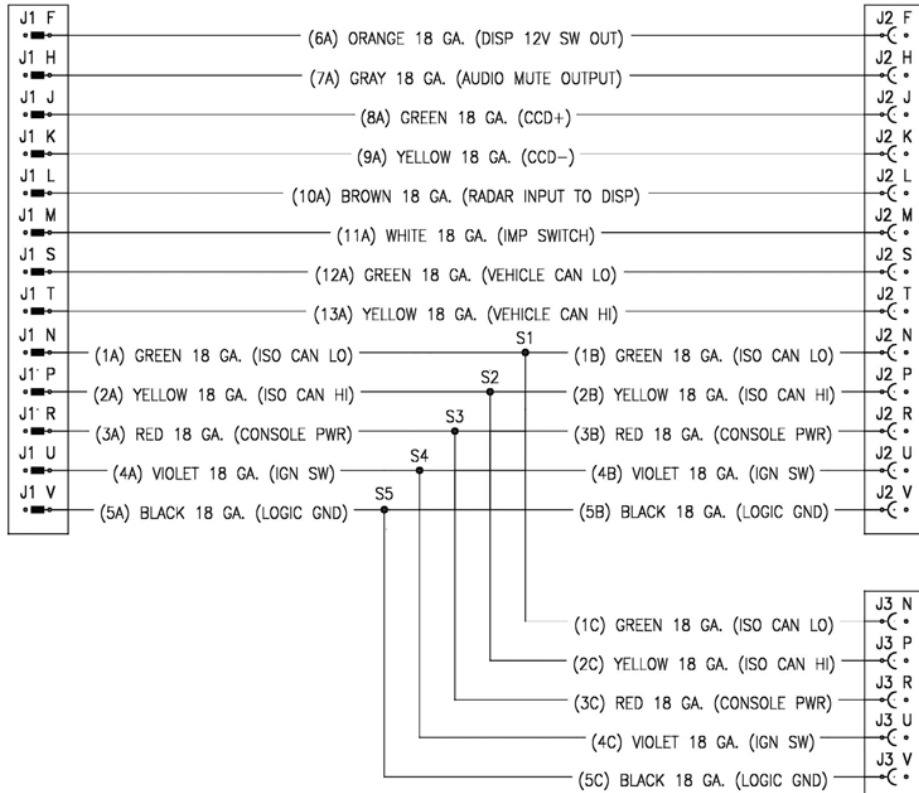
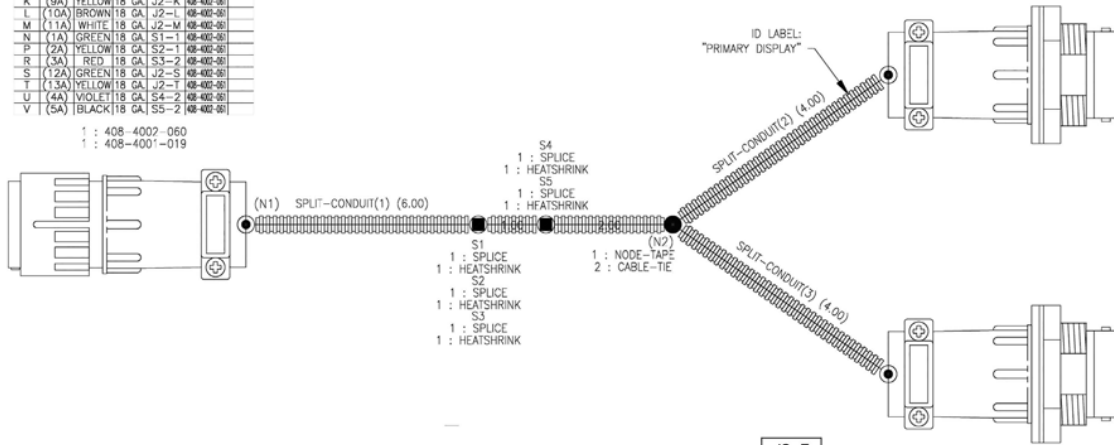
PIN	WIRE NO.	Color	Size	TO	PIN NO.	Wire
A						EMPTY
B						EMPTY
C						EMPTY
D						EMPTY
E						EMPTY
F	(6A)	ORANGE	18 GA	J2-F	F	408-4002-060
G						EMPTY
H	(7A)	GRAY	18 GA	J2-H	H	408-4002-060
J	(8A)	GREEN	18 GA	J2-J	J	408-4002-060
K	(9A)	YELLOW	18 GA	J2-K	K	408-4002-060
L	(10A)	BROWN	18 GA	J2-L	L	408-4002-060
M	(11A)	WHITE	18 GA	J2-M	M	408-4002-060
N	(1A)	GREEN	18 GA	S1-1		408-4002-060
P	(2A)	YELLOW	18 GA	S2-1		408-4002-060
R	(3A)	RED	18 GA	S3-2		408-4002-060
S	(12A)	GREEN	18 GA	J2-S	S	408-4002-060
T	(13A)	YELLOW	18 GA	J2-T	T	408-4002-060
U	(4A)	VIOLET	18 GA	S4-2		408-4002-060
V	(5A)	BLACK	18 GA	S5-2		408-4002-060

1 : 408-4002-060
1 : 408-4001-019

J2 (B)

PIN	WIRE NO.	Color	Size	TO	PIN NO.	Wire
A						EMPTY
B						EMPTY
C						EMPTY
D						EMPTY
E						EMPTY
F	(6A)	ORANGE	18 GA	J1-F	F	408-4002-060
G						EMPTY
H	(7A)	GRAY	18 GA	J1-H	H	408-4002-060
J	(8A)	GREEN	18 GA	J1-J	J	408-4002-060
K	(9A)	YELLOW	18 GA	J1-K	K	408-4002-060
L	(10A)	BROWN	18 GA	J1-L	L	408-4002-060
M	(11A)	WHITE	18 GA	J1-M	M	408-4002-060
N	(1B)	GREEN	18 GA	S1-2		408-4002-060
P	(2B)	YELLOW	18 GA	S2-2		408-4002-060
R	(3B)	RED	18 GA	S3-1		408-4002-060
S	(12A)	GREEN	18 GA	J1-S	S	408-4002-060
T	(13A)	YELLOW	18 GA	J1-T	T	408-4002-060
U	(4B)	VIOLET	18 GA	S4-1		408-4002-060
V	(5B)	BLACK	18 GA	S5-1		408-4002-060

1 : 408-4002-058
1 : 408-4001-019



J3

PIN	WIRE NO.	Color	Size	TO	PIN NO.	Wire
A						EMPTY
B						EMPTY
C						EMPTY
D						EMPTY
E						EMPTY
F						EMPTY
G						EMPTY
H						EMPTY
J						EMPTY
K						EMPTY
L						EMPTY
M						EMPTY
N	(1C)	GREEN	18 GA	S1-3		408-4002-060
P	(2C)	YELLOW	18 GA	S2-3		408-4002-060
R	(3C)	RED	18 GA	S3-3		408-4002-060
S						EMPTY
T						EMPTY
U	(4C)	VIOLET	18 GA	S4-3		408-4002-060
V	(5C)	BLACK	18 GA	S5-3		408-4002-060

1 : 408-4002-058
1 : 408-4001-019

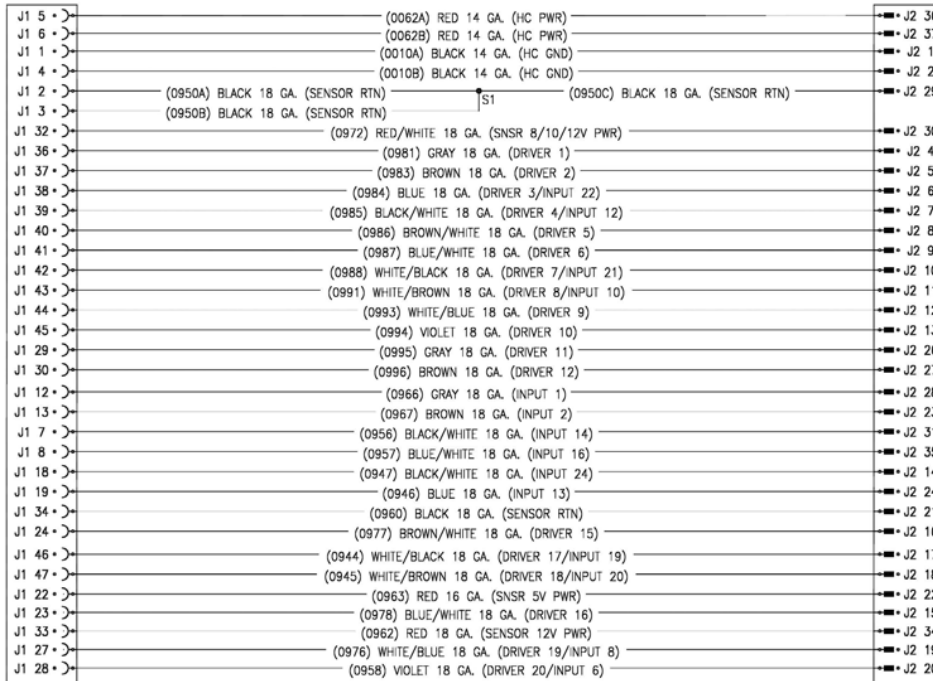
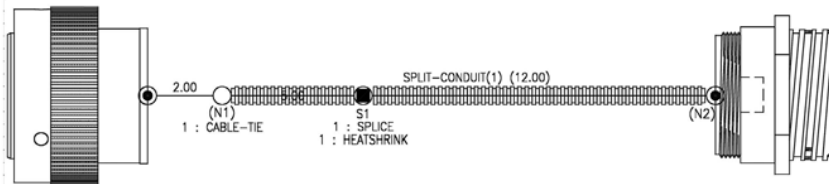
Adapter Cable, 37 Pin Console To 47 Pin Product Port (632070)

J1						
PIN	WIRE NO.	Color	Size	TO	PIN NO.	Multicore
1	(0010A)	BLACK	14 GA.	J2-1	408-4001-318	
2	(0950A)	BLACK	18 GA.	S1-2	408-4001-623	
3	(0950B)	BLACK	18 GA.	S1-1	408-4001-623	
4	(0010B)	BLACK	14 GA.	J2-2	408-4001-318	
5	(0062A)	RED	14 GA.	J2-36	408-4001-318	
6	(0062B)	RED	14 GA.	J2-37	408-4001-318	
7	(0956)	BLACK/WHITE	18 GA.	J2-31	408-4001-623	
8	(0957)	BLUE/WHITE	18 GA.	J2-35	408-4001-623	
9				408-4001-882		
10				408-4001-882		
11				408-4001-882		
12	(0966)	GRAY	18 GA.	J2-28	408-4001-623	
13	(0967)	BROWN	18 GA.	J2-23	408-4001-623	
14				408-4001-882		
15				408-4001-882		
16				408-4001-882		
17				408-4001-882		
18	(0947)	BLACK/WHITE	18 GA.	J2-14	408-4001-623	
19	(0946)	BLUE	18 GA.	J2-24	408-4001-623	
20				408-4001-882		
21				408-4001-882		
22	(0963)	RED	16 GA.	J2-22	408-4001-623	
23	(0978)	BLUE/WHITE	18 GA.	J2-15	408-4001-623	
24	(0977)	BROWN/WHITE	18 GA.	J2-16	408-4001-623	
25				408-4001-882		
26				408-4001-882		
27	(0976)	WHITE/BLUE	18 GA.	J2-19	408-4001-623	
28	(0958)	VIOLET	18 GA.	J2-20	408-4001-623	
29	(0995)	GRAY	18 GA.	J2-26	408-4001-623	
30	(0996)	BROWN	18 GA.	J2-27	408-4001-623	
31				408-4001-882		
32	(0972)	RED/WHITE	18 GA.	J2-30	408-4001-623	
33	(0962)	RED	18 GA.	J2-34	408-4001-623	
34	(0960)	BLACK	18 GA.	J2-21	408-4001-318	
35				408-4001-882		
36	(0981)	GRAY	18 GA.	J2-4	408-4001-623	
37	(0983)	BROWN	18 GA.	J2-5	408-4001-623	
38	(0984)	BLUE	18 GA.	J2-6	408-4001-623	
39	(0985)	BLACK/WHITE	18 GA.	J2-7	408-4001-623	
40	(0986)	BROWN/WHITE	18 GA.	J2-8	408-4001-623	
41	(0987)	BLUE/WHITE	18 GA.	J2-9	408-4001-623	
42	(0988)	WHITE/BLACK	18 GA.	J2-10	408-4001-623	
43	(0991)	WHITE/BROWN	18 GA.	J2-11	408-4001-623	
44	(0993)	WHITE/BLUE	18 GA.	J2-12	408-4001-623	
45	(0994)	VIOLET	18 GA.	J2-13	408-4001-623	
46	(0944)	WHITE/BLACK	18 GA.	J2-17	408-4001-623	
47	(0945)	WHITE/BROWN	18 GA.	J2-18	408-4001-623	

1 : 408-4002-133
 1 : 408-4001-803
 1 : CABLE-TIE

J2						
PIN	WIRE NO.	Color	Size	TO	PIN NO.	Multicore
1	(0010A)	BLACK	14 GA.	J1-1	408-4001-162	
2	(0010B)	BLACK	14 GA.	J1-4	408-4001-162	
3						
4	(0981)	GRAY	18 GA.	J1-36	408-4001-162	
5	(0983)	BROWN	18 GA.	J1-37	408-4001-162	
6	(0984)	BLUE	18 GA.	J1-38	408-4001-162	
7	(0985)	BLACK/WHITE	18 GA.	J1-39	408-4001-162	
8	(0986)	BROWN/WHITE	18 GA.	J1-40	408-4001-162	
9	(0987)	BLUE/WHITE	18 GA.	J1-41	408-4001-162	
10	(0988)	WHITE/BLACK	18 GA.	J1-42	408-4001-162	
11	(0991)	WHITE/BROWN	18 GA.	J1-43	408-4001-162	
12	(0993)	WHITE/BLUE	18 GA.	J1-44	408-4001-162	
13	(0994)	VIOLET	18 GA.	J1-45	408-4001-162	
14	(0947)	BLACK/WHITE	18 GA.	J1-18	408-4001-162	
15	(0978)	BLUE/WHITE	18 GA.	J1-23	408-4001-162	
16	(0977)	BROWN/WHITE	18 GA.	J1-24	408-4001-162	
17	(0944)	WHITE/BLACK	18 GA.	J1-46	408-4001-162	
18	(0945)	WHITE/BROWN	18 GA.	J1-47	408-4001-162	
19	(0976)	WHITE/BLUE	18 GA.	J1-27	408-4001-162	
20	(0958)	VIOLET	18 GA.	J1-28	408-4001-162	
21	(0960)	BLACK	18 GA.	J1-34	408-4001-162	
22	(0963)	RED	16 GA.	J1-22	408-4001-162	
23	(0967)	BROWN	18 GA.	J1-13	408-4001-162	
24	(0946)	BLUE	18 GA.	J1-19	408-4001-162	
25						
26	(0995)	GRAY	18 GA.	J1-29	408-4001-162	
27	(0996)	BROWN	18 GA.	J1-30	408-4001-162	
28	(0986)	GRAY	18 GA.	J1-12	408-4001-162	
29	(0950C)	BLACK	18 GA.	S1-3	408-4001-162	
30	(0972)	RED/WHITE	18 GA.	J1-32	408-4001-162	
31	(0956)	BLACK/WHITE	18 GA.	J1-7	408-4001-162	
32						
33						
34	(0962)	RED	18 GA.	J1-33	408-4001-162	
35	(0957)	BLUE/WHITE	18 GA.	J1-8	408-4001-162	
36	(0962A)	RED	14 GA.	J1-5	408-4001-162	
37	(0062B)	RED	14 GA.	J1-6	408-4001-162	

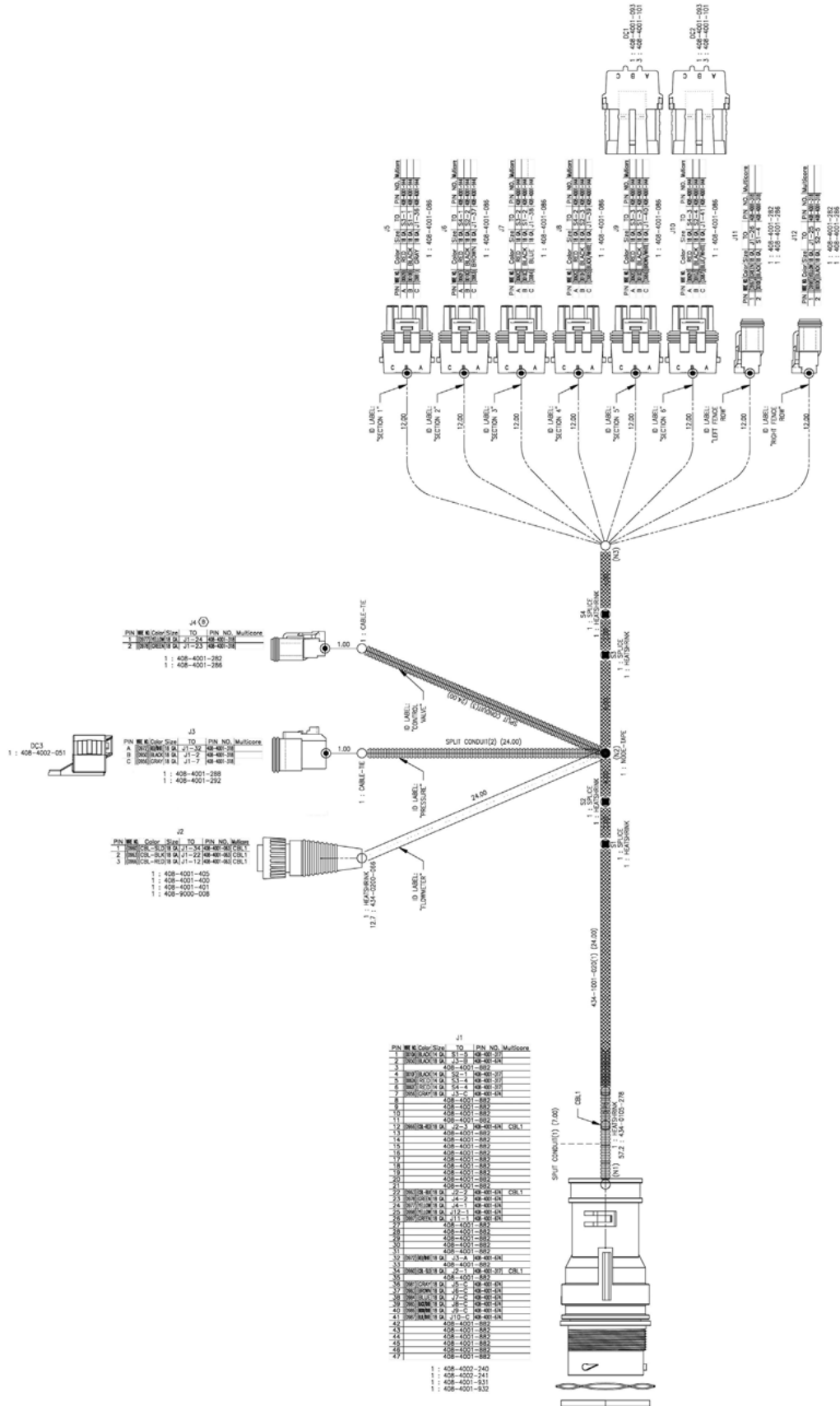
1 : 408-4001-563
 1 : 408-4001-037
 1 : PERIPHERAL SEAL GREASE
 1 : 408-4001-036
 1 : ENCAPSULATE-POTTING

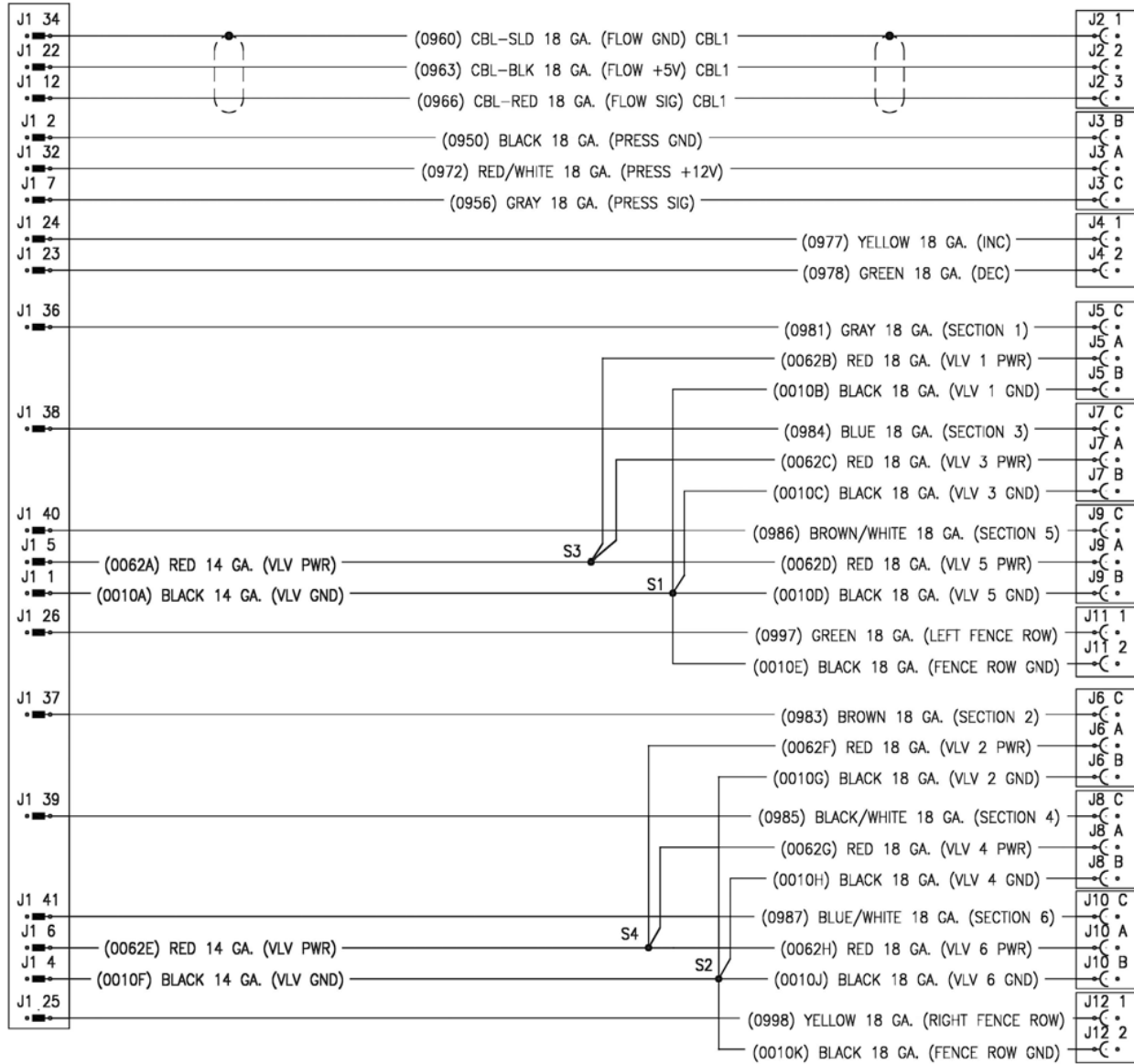


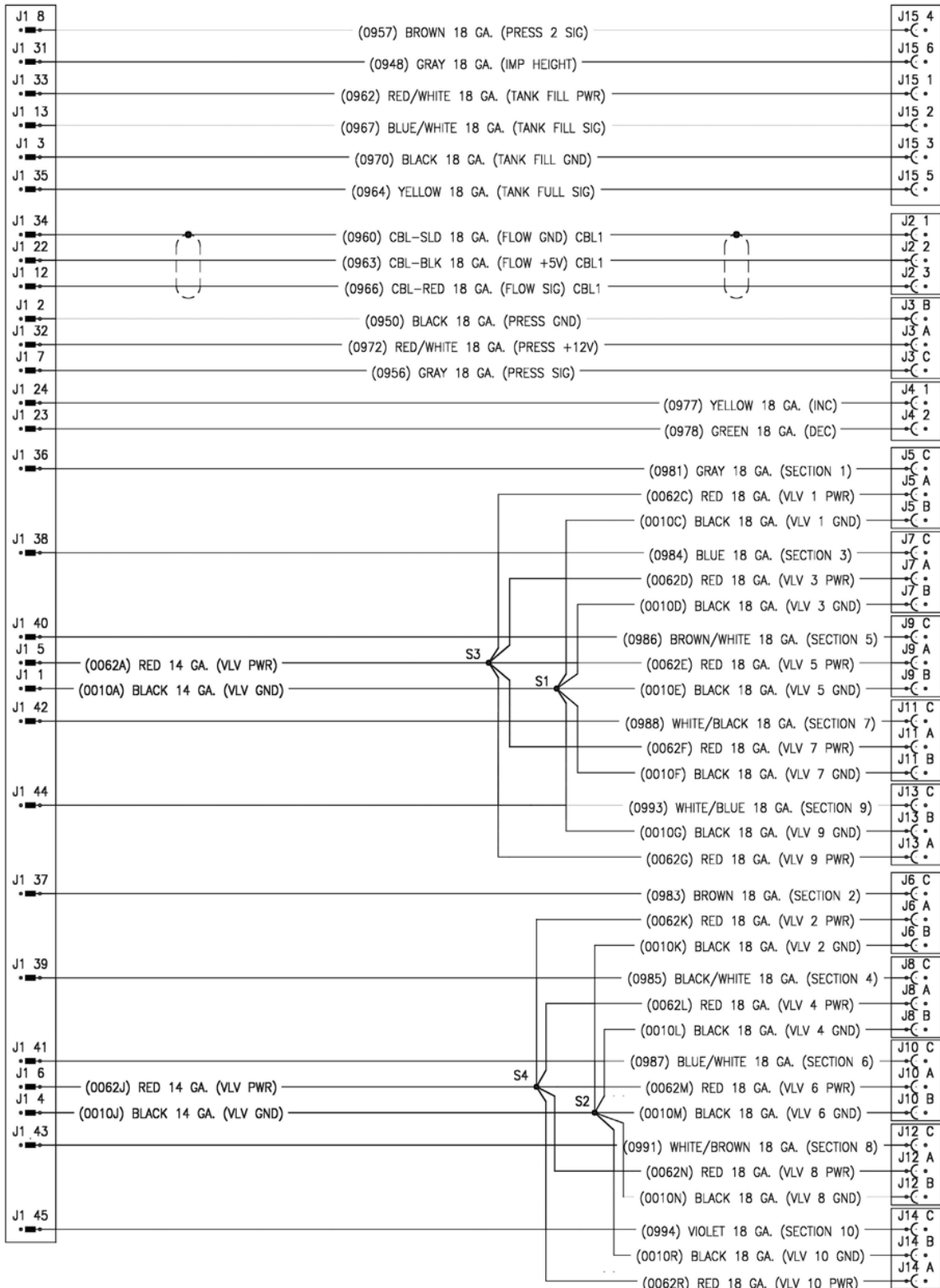


ILLUSTRATED PARTS LIST

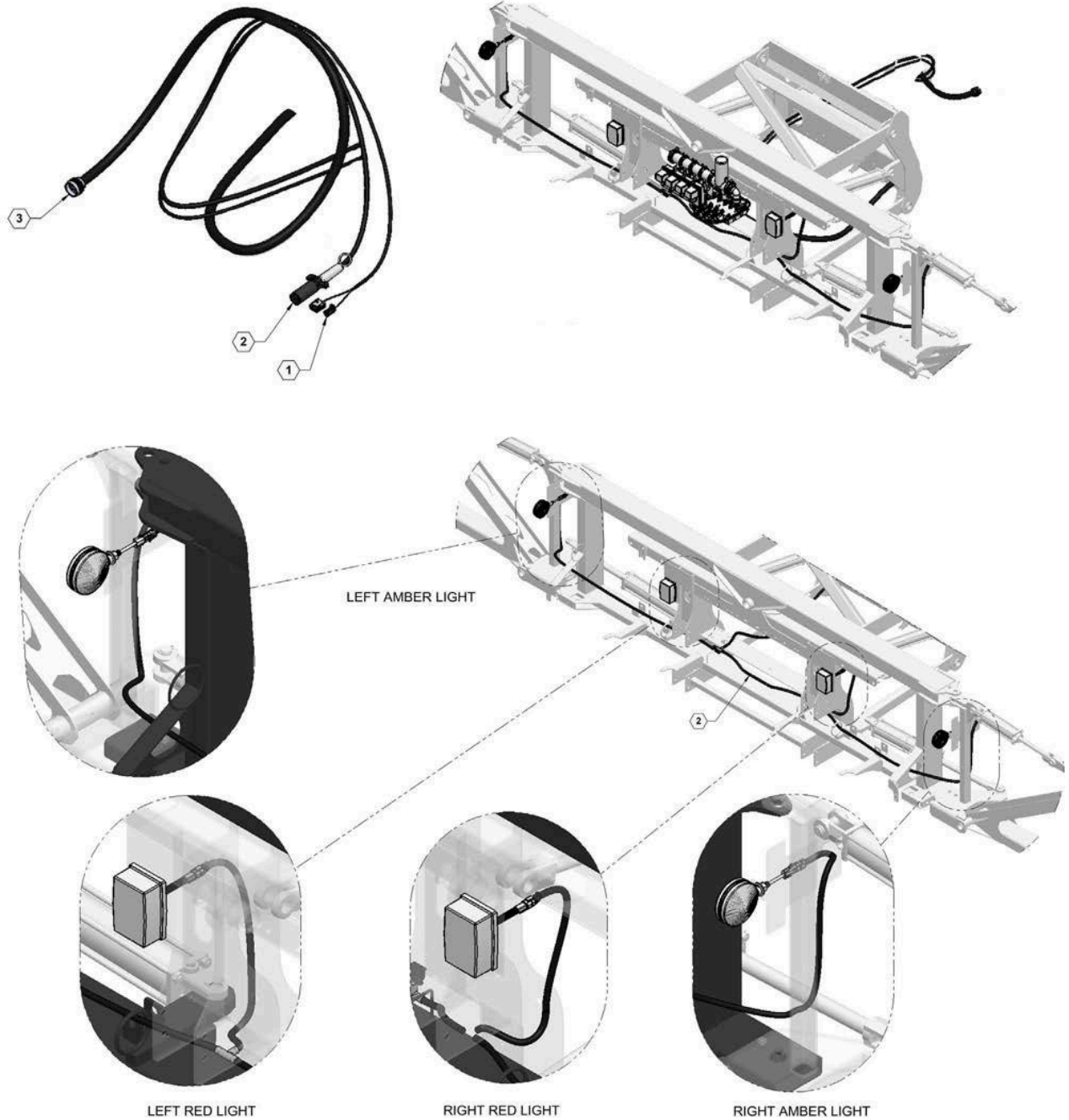
Product Cable, 47 Pin, 6 Section, Liquid, FAST, Center Mount (632077)







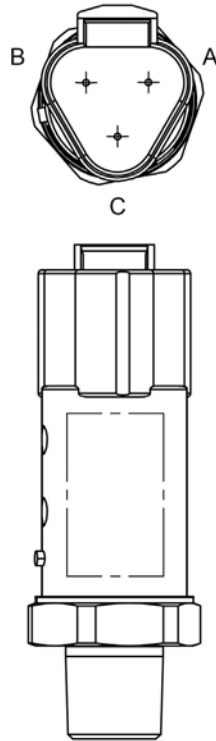
Fold, Lighting & Product Control Harnesses



Fold, Lighting & Product Control Harnesses Parts List 20131

ITEM	PART NO.	QTY.	DESCRIPTION
1	319-668	1	FOLD HARNESS, 60' - 66' BOOMS
1	319-724	1	FOLD HARNESS, 80', 90' & 100' BOOMS
2	740003	1	LIGHTING HARNESS
3	632077	1	PRODUCT CONTROL HARNESS, 6 SECTION
3	632078	1	PRODUCT CONTROL HARNESS, 10 SECTION

Pressure Transducer Kit

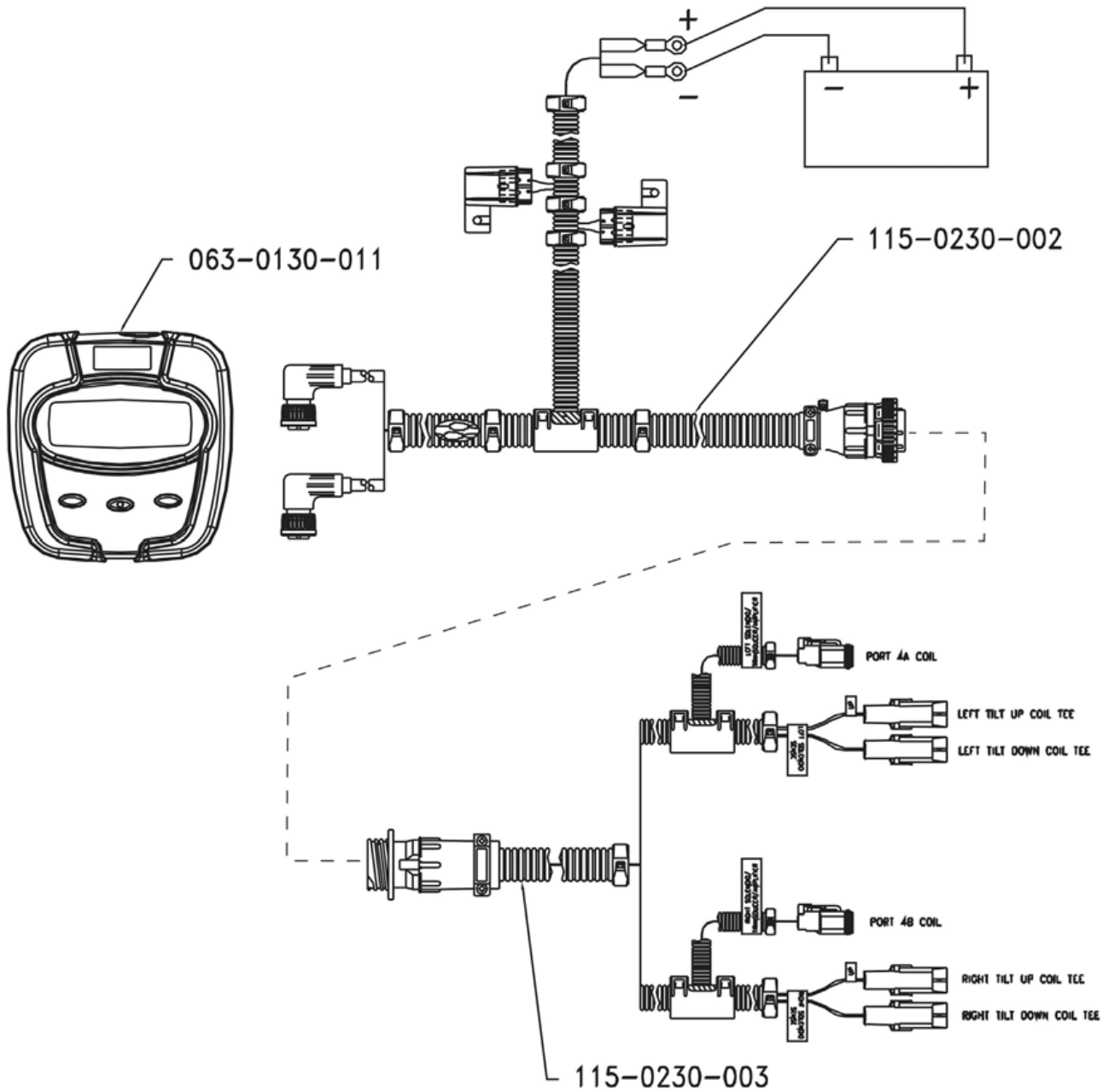


Pressure Transducer Kit Parts List

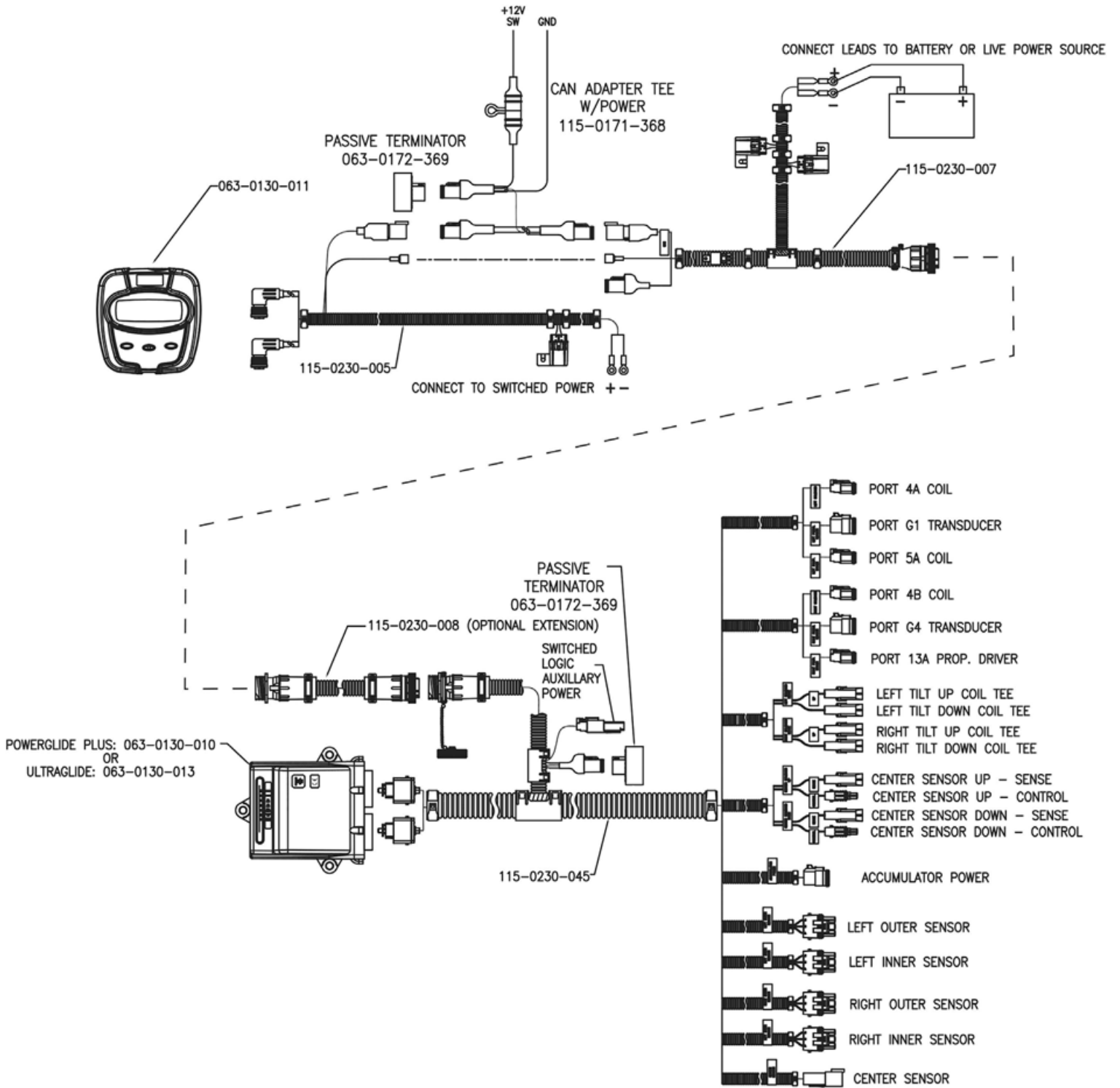
ITEM	PART NO.	QTY.	DESCRIPTION
	530400	1	TEE: 1/4" FPT, POLY
	530401	1	NIPPLE: 1/4 X 1/4" MPT, POLY
	632036	1	PRESSURE TRANSDUCER 1-5V 0-250

Powerglide Wiring Schematic

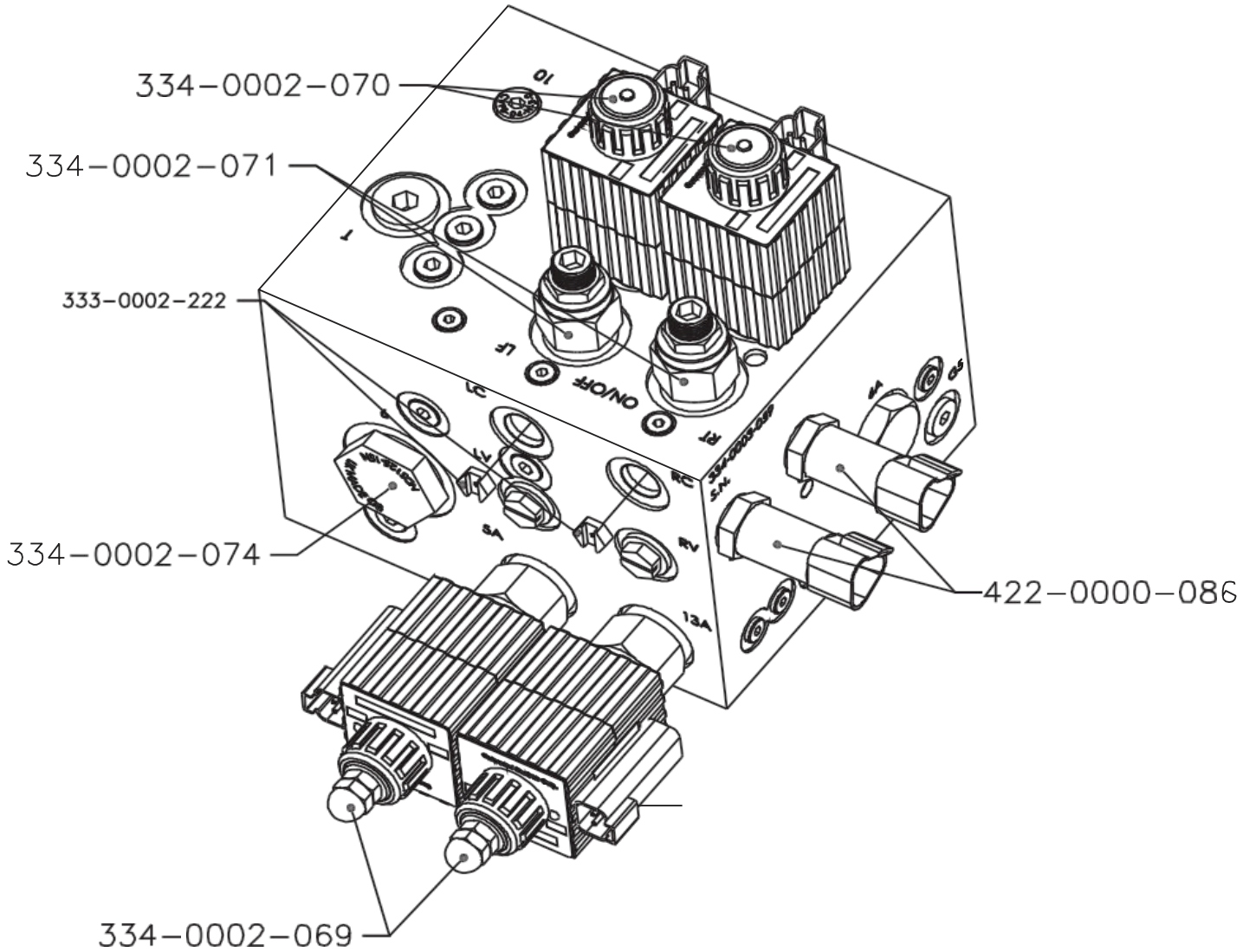
CONNECT LEADS TO BATTERY OR LIVE POWER SOURCE



Powerglide Plus Wiring Schematic

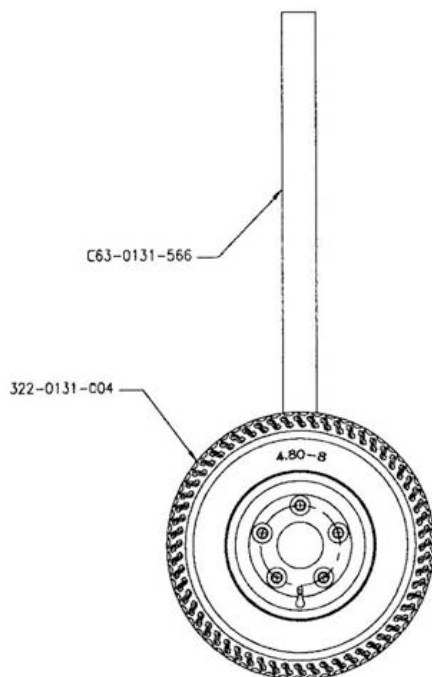


Powerglide & Powerglide Plus Hydraulic Block

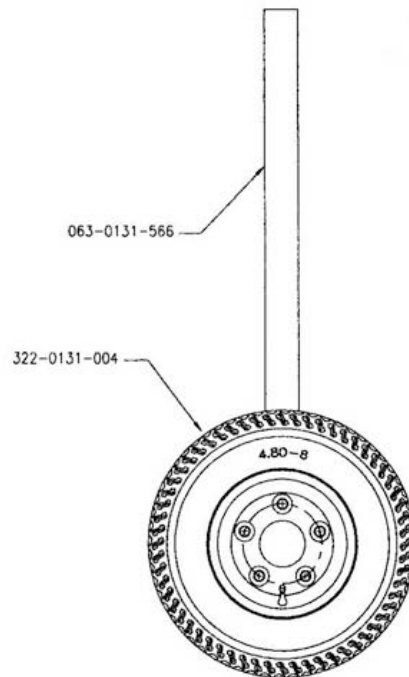


Powerglide Solid Axle

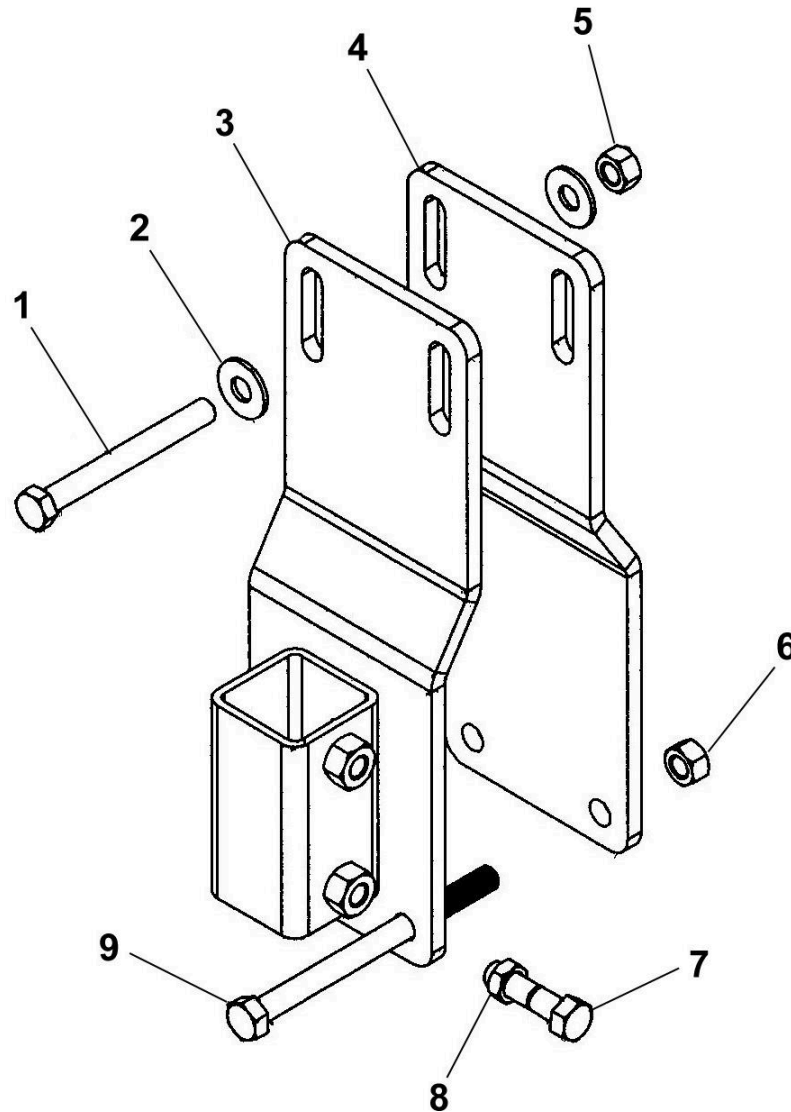
LEFT SIDE
WHEEL ASSEMBLY



RIGHT SIDE
WHEEL ASSEMBLY



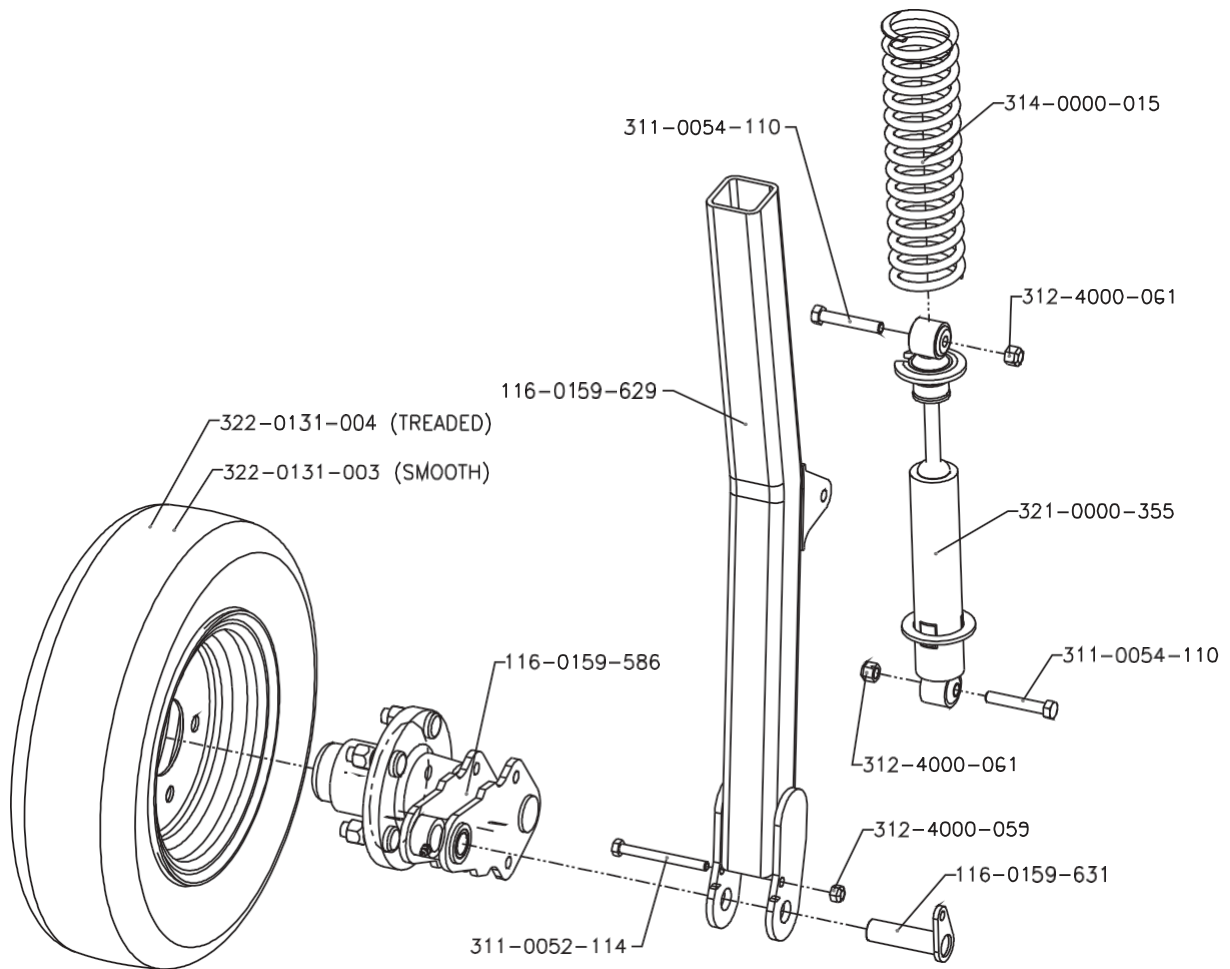
Powerglide & Powerglide Plus Mounting Brackets



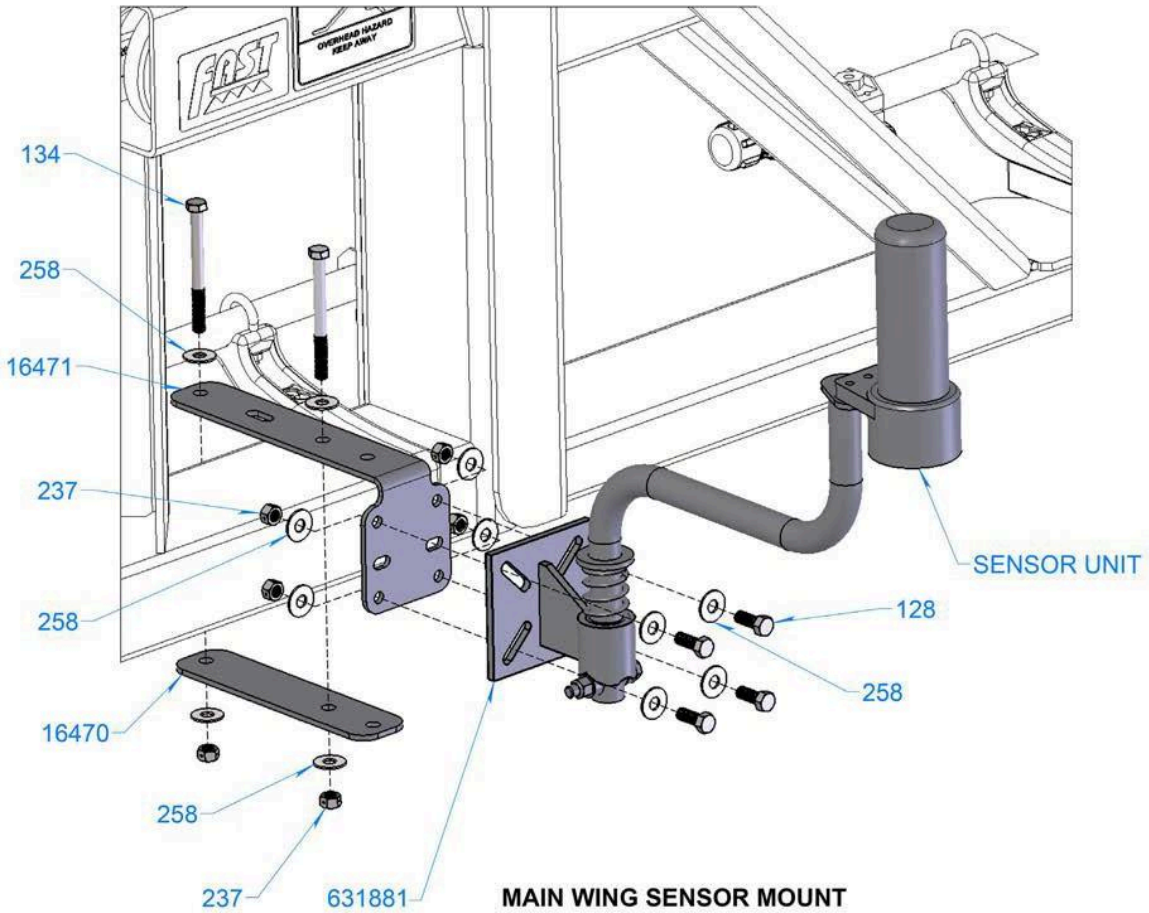
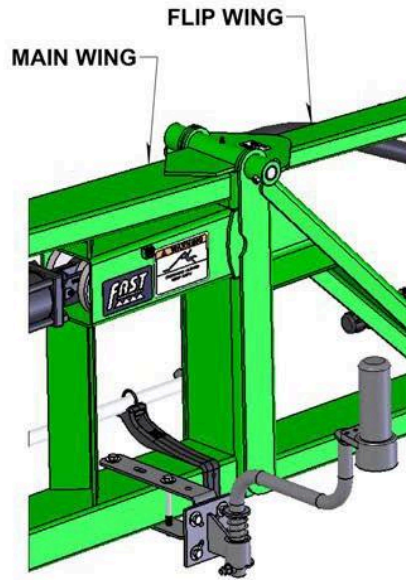
Powerglide & Powerglide Plus Mounting Brackets Parts List

ITEM	PART NO.	QTY.	DESCRIPTION
1	159	2	BOLT HEX, 1/2 X 4-1/2" GR5 ZP
2	260	2	WASHER FLAT 1/2" ZP
3	14670BLK	1	RAVEN TOUCH WHEEL MOUNT
4	14668BLK	1	RAVEN BACK TOUCH PLATE
5	215	2	NUT HEX HEAVY 1/2"
6	239	2	NUT 1/2" CENTERLOCK
7	154	1	BOLT HEX, 1/2 X 2" GR5 ZP
8	223	1	NUT HEX JAM 1/2"
9	163	2	BOLT HEX, 1/2 X 6-1/2" GR5 ZP

Powerglide Plus Cushioned Axle



Raven Sensor Mounts



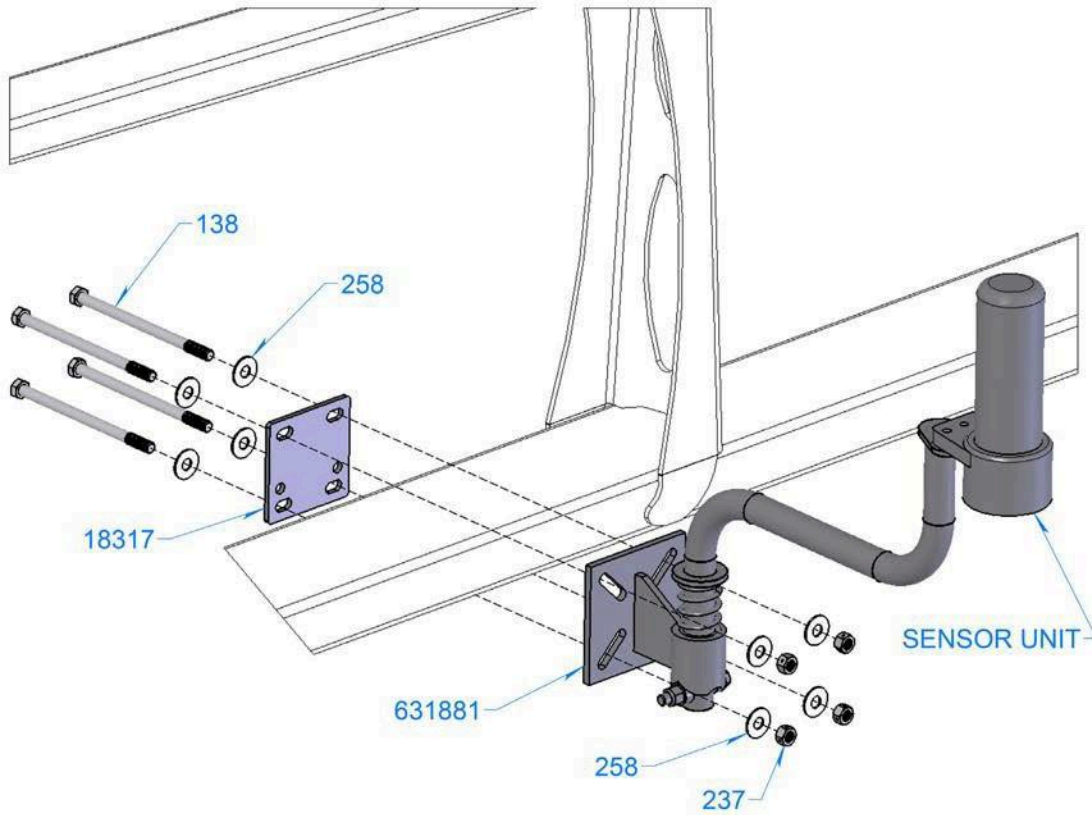
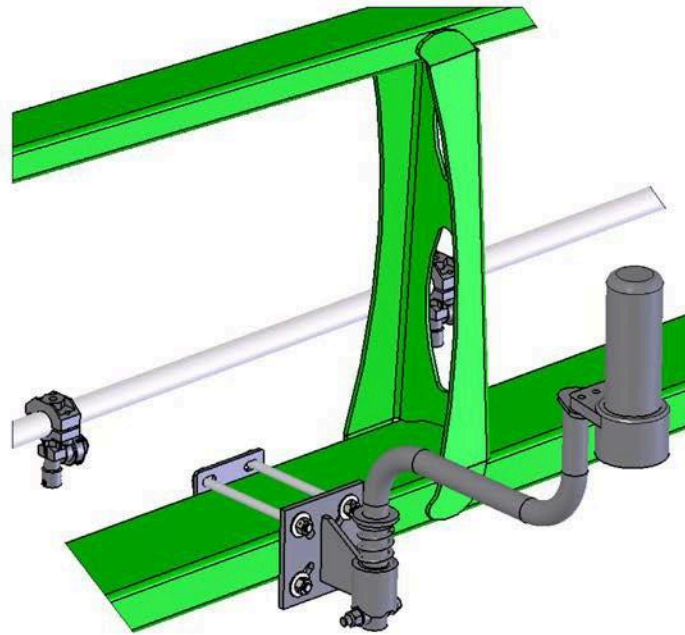


ILLUSTRATED PARTS LIST

Raven Sensor Mounts Parts List

ITEM	VENDOR PART NO.	PART NO.	QTY.	DESCRIPTION
		128	4	BOLT, HH 3/8-16 X 1 GR5 ZP
		134	2	BOLT, HH 3/8-16 X 4 GR5 ZP
		237	6	NUT, 3/8-16 CENTERLOCK
		258	12	3/8" FLAT WASHER
		16470	1	PLATE, BACKING, MOUNT
		16471	1	MOUNT, AUTO BOOM, RAVEN
		631881	1	RAVEN BRACKET SENSOR MOUNT
	RA0630130026		1	AUTO HEIGHT SENSOR

Raven Sensor Mounts



WET BOOM ASSEMBLY NOT SHOWN FOR CLARITY

FLIP WING SENSOR MOUNT

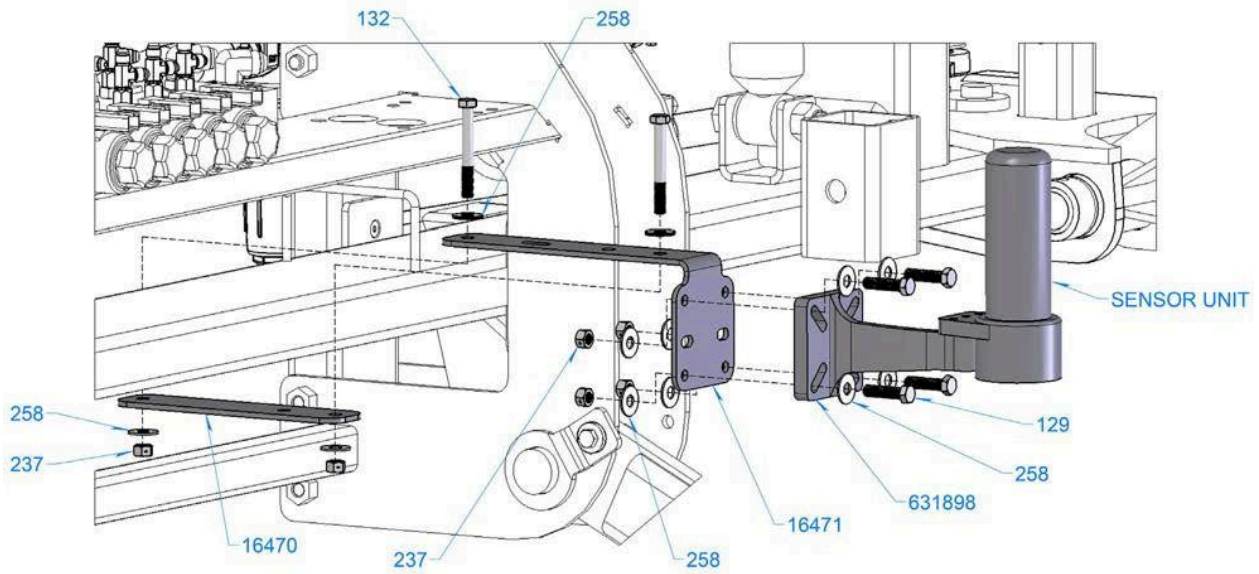
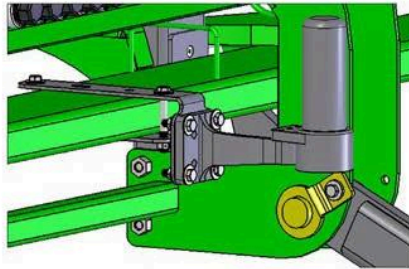


ILLUSTRATED PARTS LIST

Raven Sensor Mounts Parts List

ITEM	VENDOR PART NO.	PART NO.	QTY.	DESCRIPTION
		138	4	BOLT, HH 3/8-16 X6 GR5 ZP
		237	4	NUT, 3/8-16 CENTERLOCK
		258	8	3/8" FLAT WASHER
		18317	1	PLATE, BACKING
		631881	1	RAVEN BRACKET SENSOR MOUNT
	RA0630130026		1	AUTO HEIGHT SENSOR

Raven Sensor Mounts



PARTIAL REAR VIEW AT CENTER SECTION

**CENTER SECTION
SENSOR MOUNT**

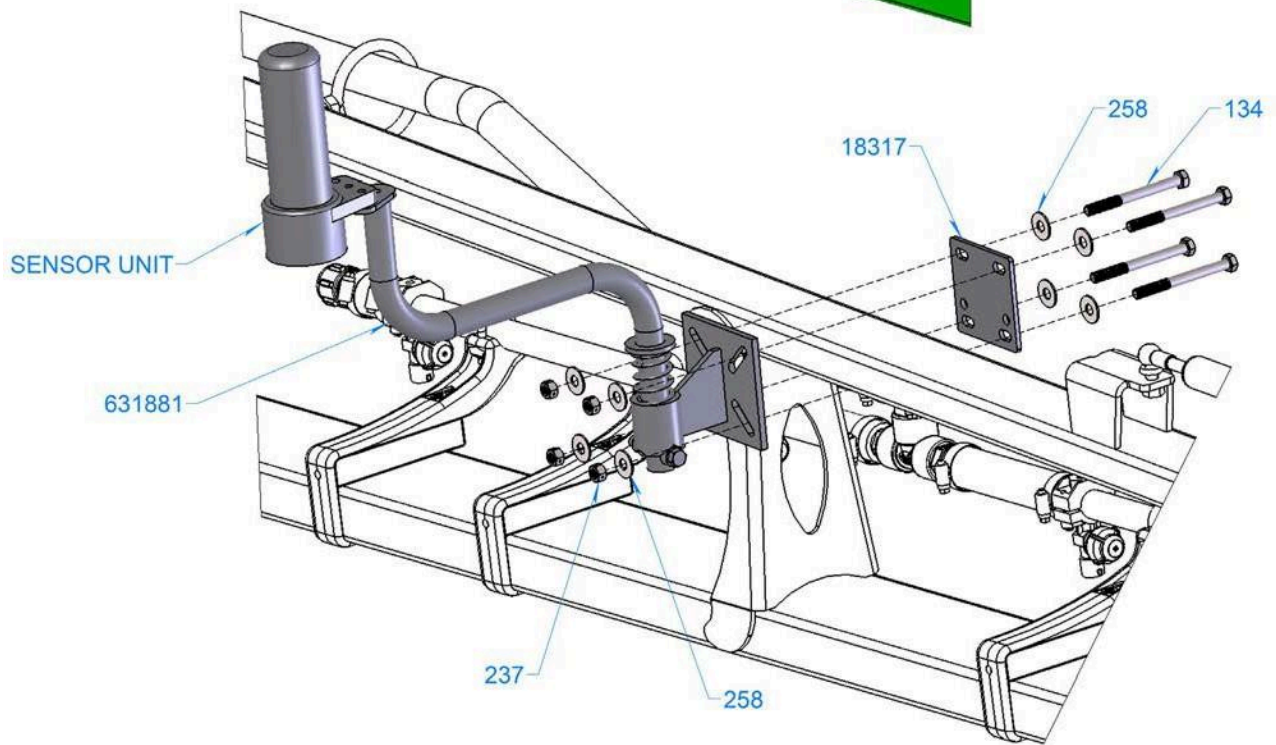
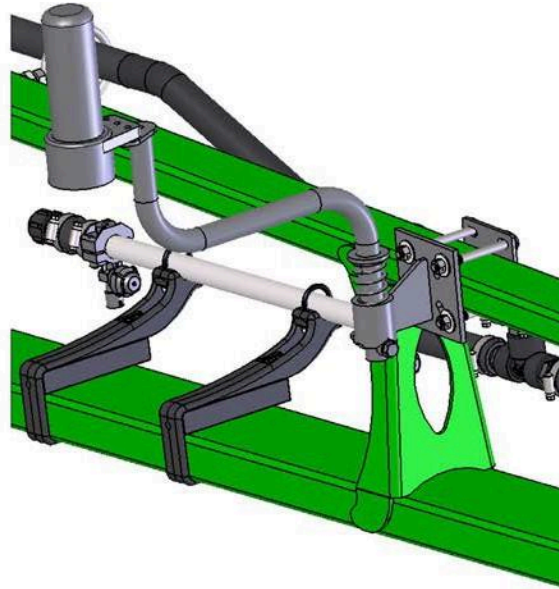


ILLUSTRATED PARTS LIST

Raven Sensor Mounts Parts List

ITEM	VENDOR PART NO.	PART NO.	QTY.	DESCRIPTION
		129	4	BOLT, HH 3/8-16 X 1-1/2 GR5 ZP
		132	2	BOLT, HH 3/8-16 X 3 GR5 ZP
		237	6	NUT, 3/8-16 CENTERLOCK
		258	12	3/8" FLAT WASHER
		16470	1	PLATE, BACKING, MOUNT
		16471	1	MOUNT, AUTO BOOM, RAVEN
		631898	1	ARM ULTRASONIC SENSOR
	RA0630130026		1	AUTO HEIGHT SENSOR

Raven Sensor Mounts



**SWING WING
SENSOR MOUNT**

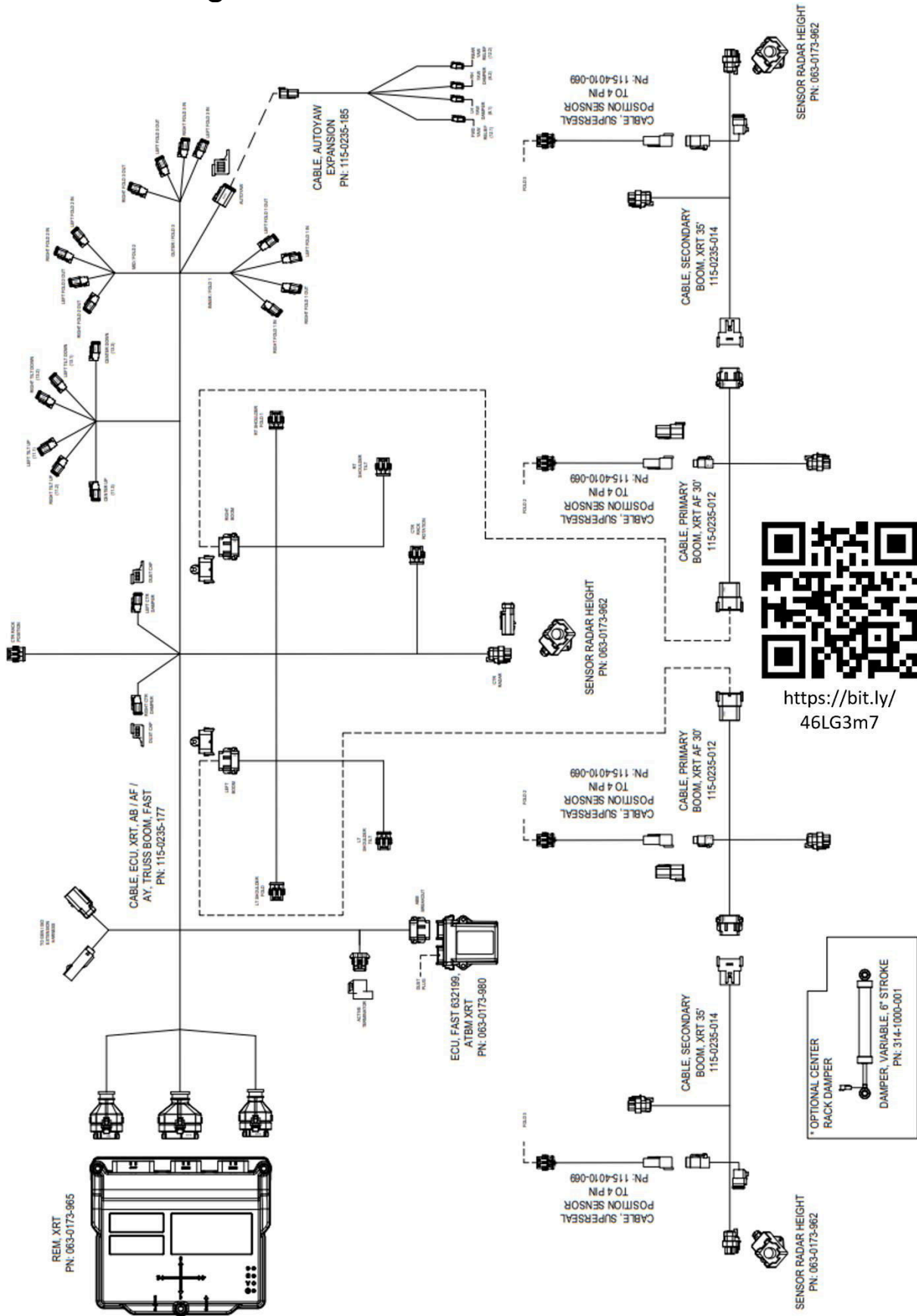


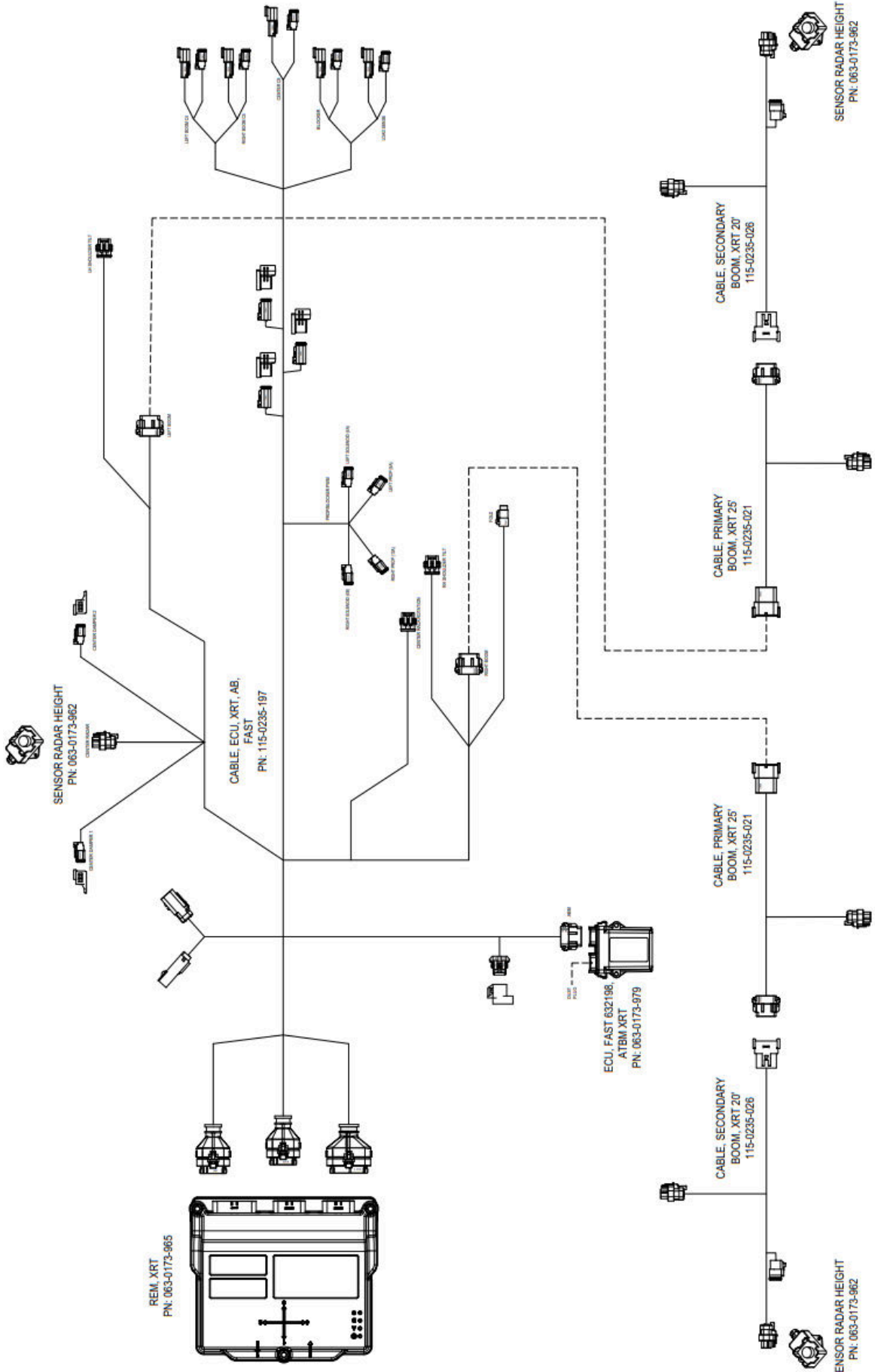
ILLUSTRATED PARTS LIST

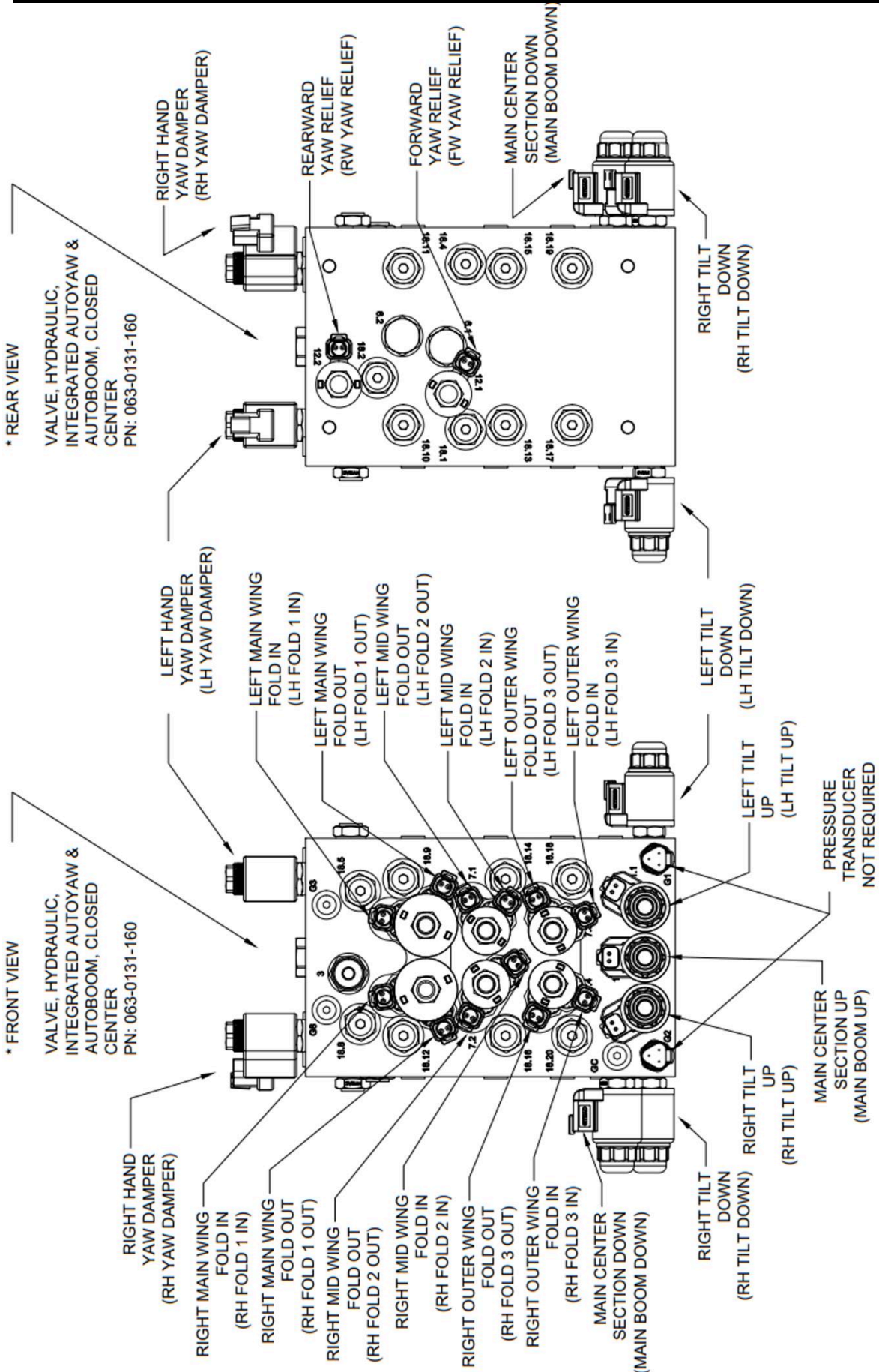
Raven Sensor Mounts Parts List

ITEM	VENDOR PART NO.	PART NO.	QTY.	DESCRIPTION
		134	4	BOLT, HH 3/8-16 X 4 GR5 ZP
		237	4	NUT, 3/8-16 CENTERLOCK
		258	8	3/8" FLAT WASHER
		18317	1	PLATE, BACKING
		631881	1	RAVEN BRACKET SENSOR MOUNT
	RA0630130026		1	AUTO HEIGHT SENSOR

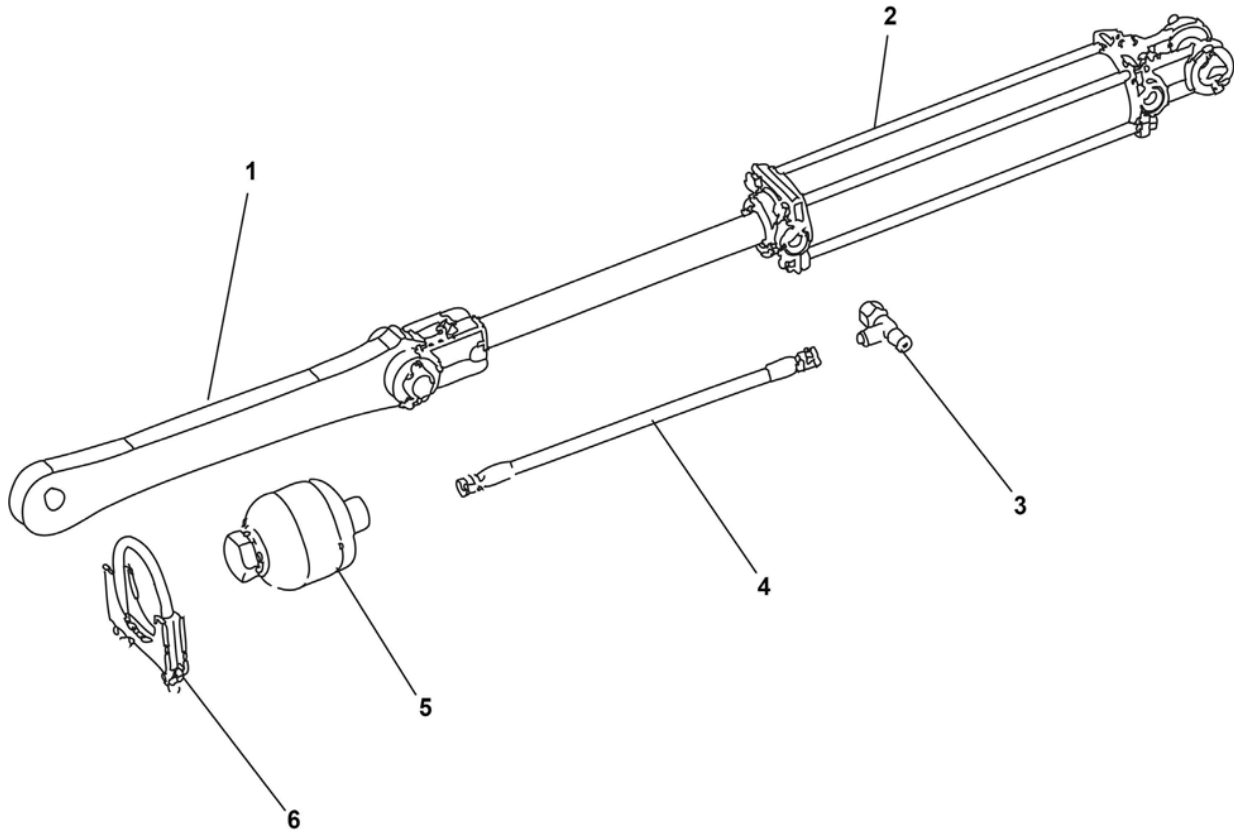
Raven XRT Wiring







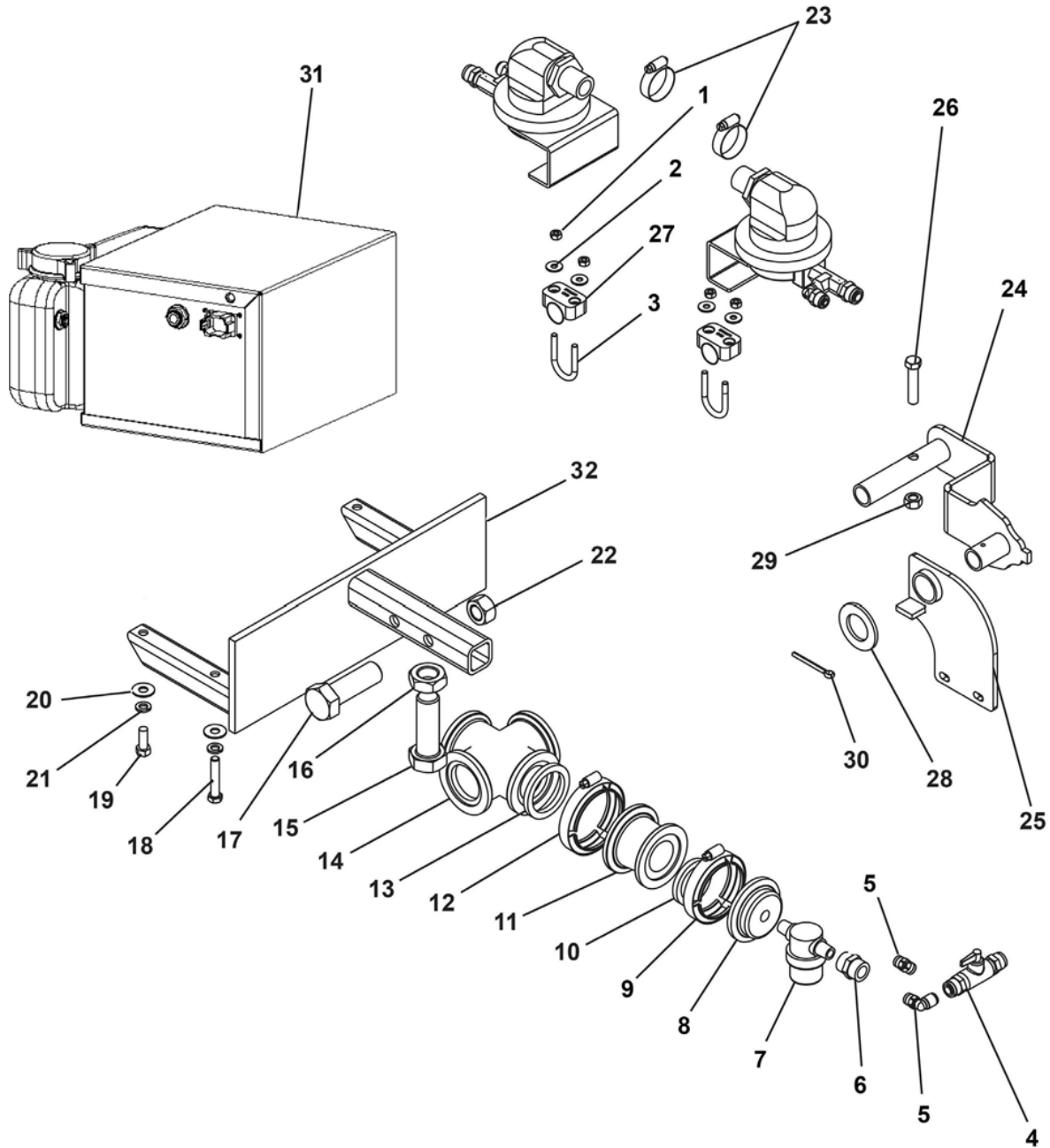
Wing Tilt Options



Wing Tilt Options Parts List

ITEM	PART NO.	DESCRIPTION	QTY.	60' BOOM	80' - 90' BOOM	100' BOOM
	CUSHIONED TILT					
1	14088	LINK, NORAC	1			
2	620022	CYLINDER 25TD10-112 60' - 90' WINGS	1	1	1	
2	620020	CYLINDER 30TD10-125 100' WINGS				1
3	610027	TEE JIC #6	1			
4	600018	HOSE, HYDRAULIC 3/8 X #6 JIC	1			
5	630002	ACCUMULATOR 21 CU"	1			
6	540033	CLAMP 3.5 ACCUMULATOR	1			
	NON-CUSHIONED TILT					
1	14088	LINK, NORAC	1			
2	620022	CYLINDER 25TD10-112 60' - 90' WINGS		1	1	
2	620020	CYLINDER 30TD10-125 100' WINGS				1

Richway Direct Injection Foamer & Mounting



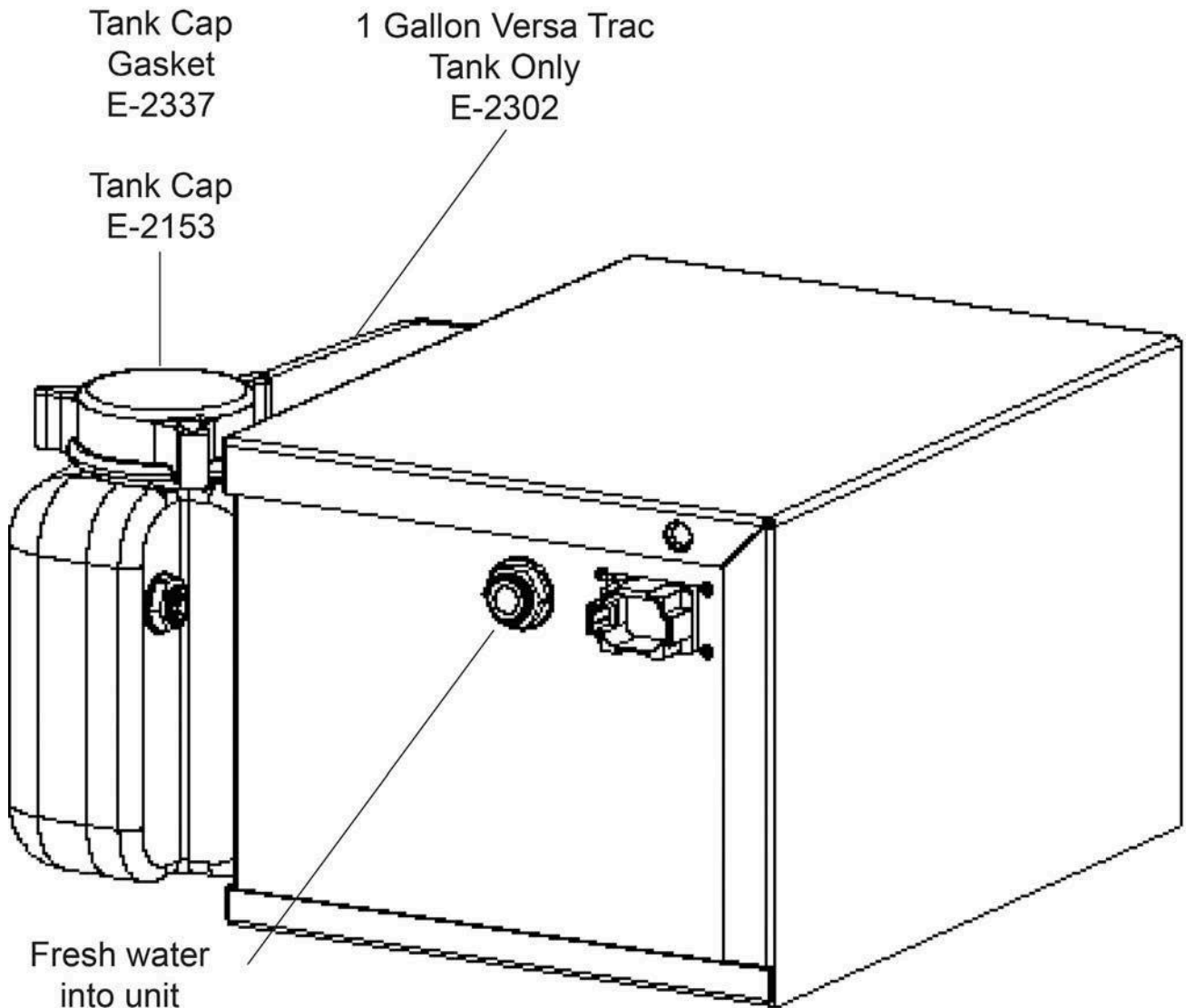


ILLUSTRATED PARTS LIST

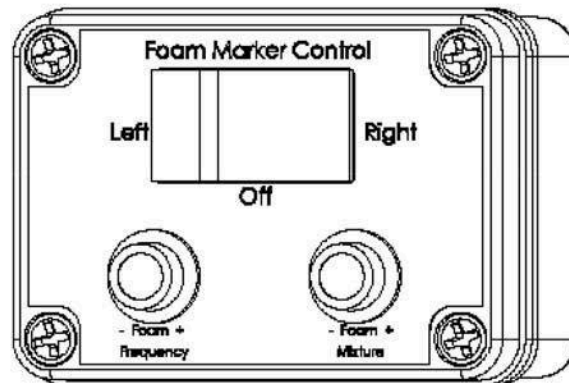
Richway Direct Injection Foamer & Mounting Parts List

ITEM	VENDOR PART NO.	PART NO.	QTY.	DESCRIPTION
1		647	8	NUT, HH 1/4" NYLOCK SS
2		663	8	WASHER, FLAT 1/4" SS
3	2M1473140	590048	4	U-BOLT 1/4 X 1.5 SS
4	44103289	530007	1	VALVE, SHUT OFF 3/8 Q-LOCK
5	44103231	530006	1	Q-LOCK ADAPTER FITTING 3/8" 90°
5		530002	1	3/8"X3/8" MALE CONNECTOR
6	3FC38	530217	1	COUPLER, 3/8" FPT
7	RVM66NE40C	530000	1	STRAINER 40 MESH 3/8" MPT
8	M200PLG038	530095	1	MANIFOLD PLUG X 3/8" FPT
9	FC200	540001	1	MANIFOLD CLAMP 2" STANDARD PORT
10	150G	530014	1	GASKET 2" STANDARD PORT
11	M220200CPG	530102	1	MANIFOLD COUPLING 2" FULL PORT X 2" STANDARD PORT
12	FC220	540002	1	MANIFOLD CLAMP 2" FULL PORT
13	200G	530019	1	GASKET 2" FULL PORT
14		530107	1	MANIFOLD CROSS, 2" FULL PORT
15		152	1	BOLT, HH 1/2 X 1 GR5 ZP
16		223	1	NUT, HH 1/2" JAM ZP
17		156	1	NUT, HH 1/2 X 3" GR5 ZP
18		130	2	BOLT, HH 3/8 X 2" GR5 ZP
19		128	2	BOLT, HH 3/8 X 1" GR5 ZP
20		250	4	WASHER, LOCK 3/8 ZP
21		258	4	WASHER, FLAT 3/8 ZP
22		771	1	NUT, HH 1/2" WHIZLOCK ZP
23	64016A	540014	2	CLAMP, HOSE 1"
24		14619	2	FOAMER INSERT
25		14279	2	FOAMER FLIPPER
26		142	2	BOLT HH 7/16 X 2" GR5 ZP
27	3254PP	540029	2	TUBE CLAMP
28		789	AR	WASHER, NR 1-1/4 X 14 CP
28		590159	AR	1-1/8" FLAT WASHER, 2" MAX OD
29		597	2	NUT, HH 7/16" TOPLOCK
30		576	2	COTTER PIN, 3/16 X 2 ZP
31		590111	1	VERSA TRAC FOAM INJECTOR BLACK
32		10792	1	FOAMER MOUNT
NS		596744M	AR	WASHER, NP 1-1/4 X 14 GA
NS	2T20-003	510023	AR	1/4" LINEAR LOW DENSITY POLY TUBING
NS	2T20-604	510024	AR	3/8" LINEAR LOW DENSITY POLY TUBING
NS	12015003	510005	20'	PVC WATER SUCTION HOSE 1"
NS		630050	1	EXTENSION CABLE 20'

Richway Foam Marker 1 Gallon Tank & Switchbox

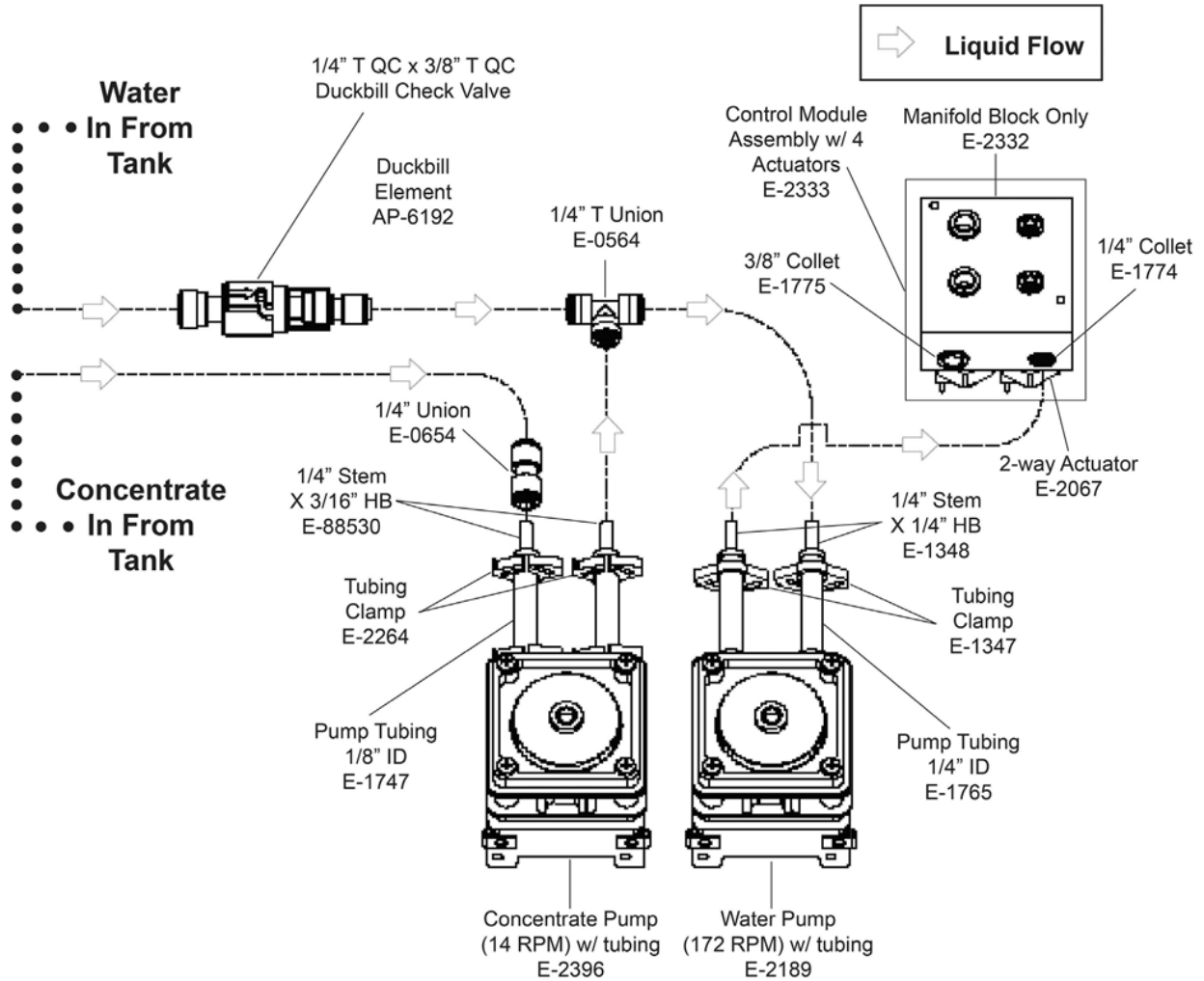


Fresh water
into unit
3/8" Bulkhead
Union QC
E-0362

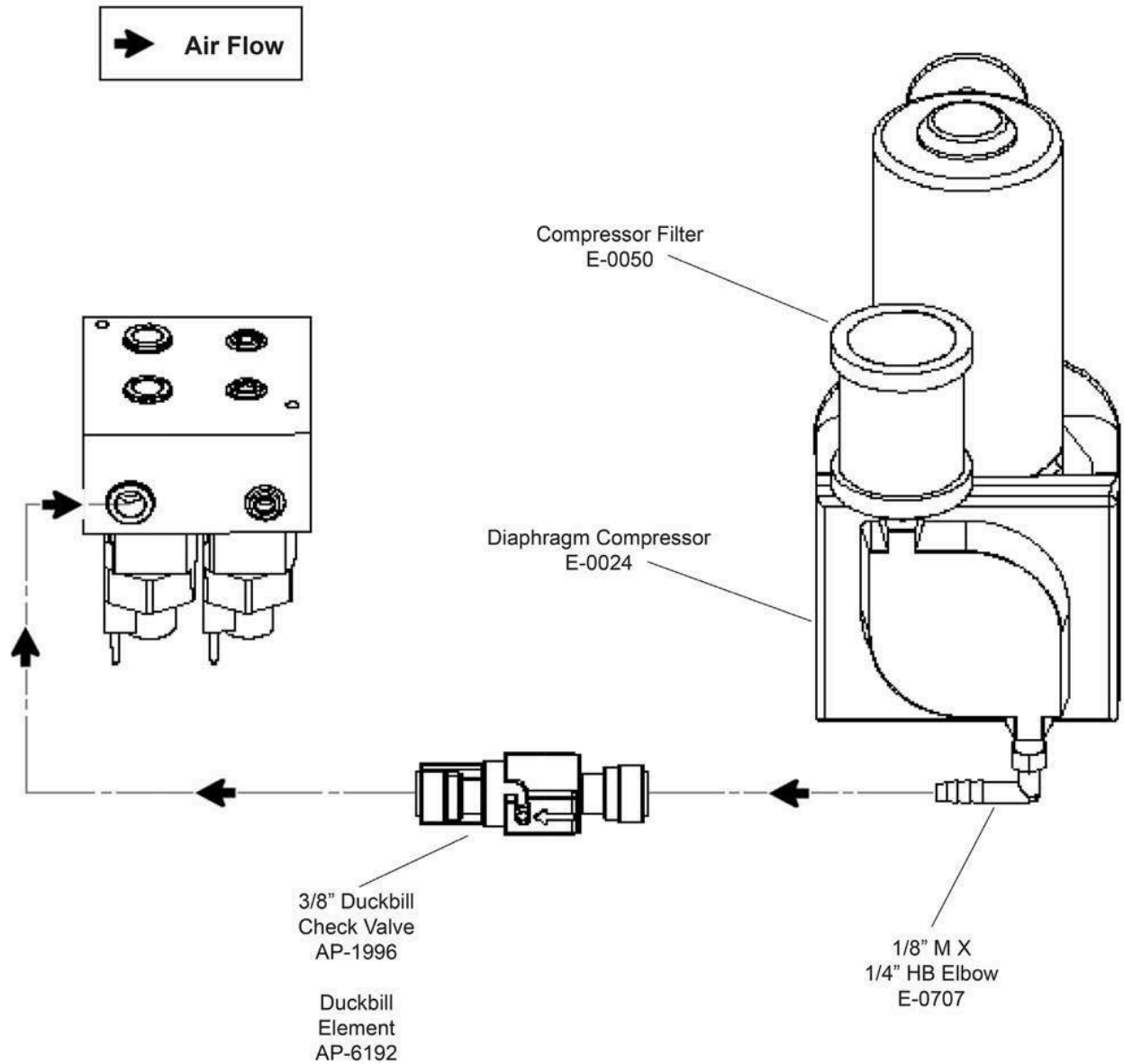


VersaTrac
Switchbox
E-2330

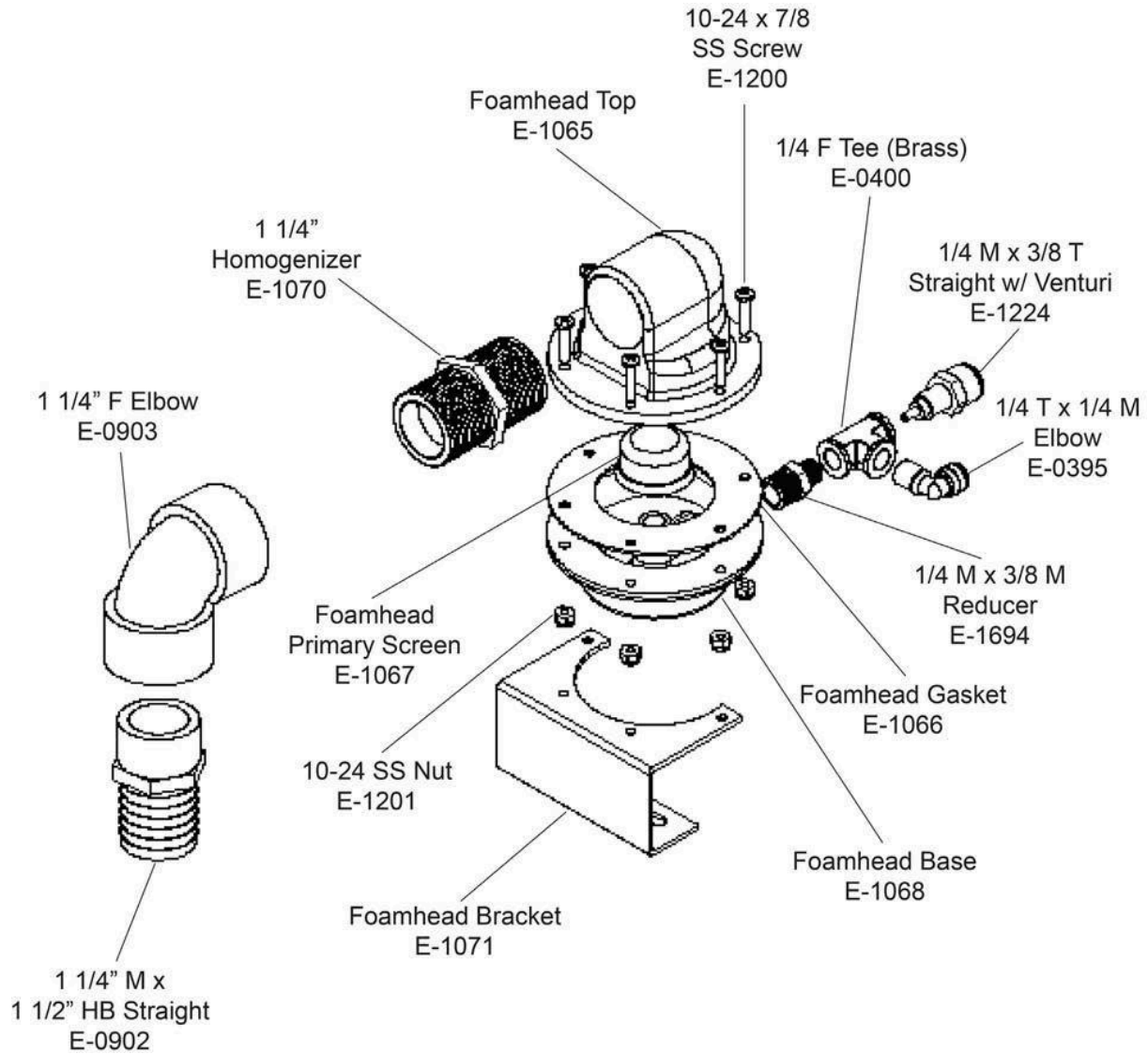
Richway Foam Marker Liquid Flow



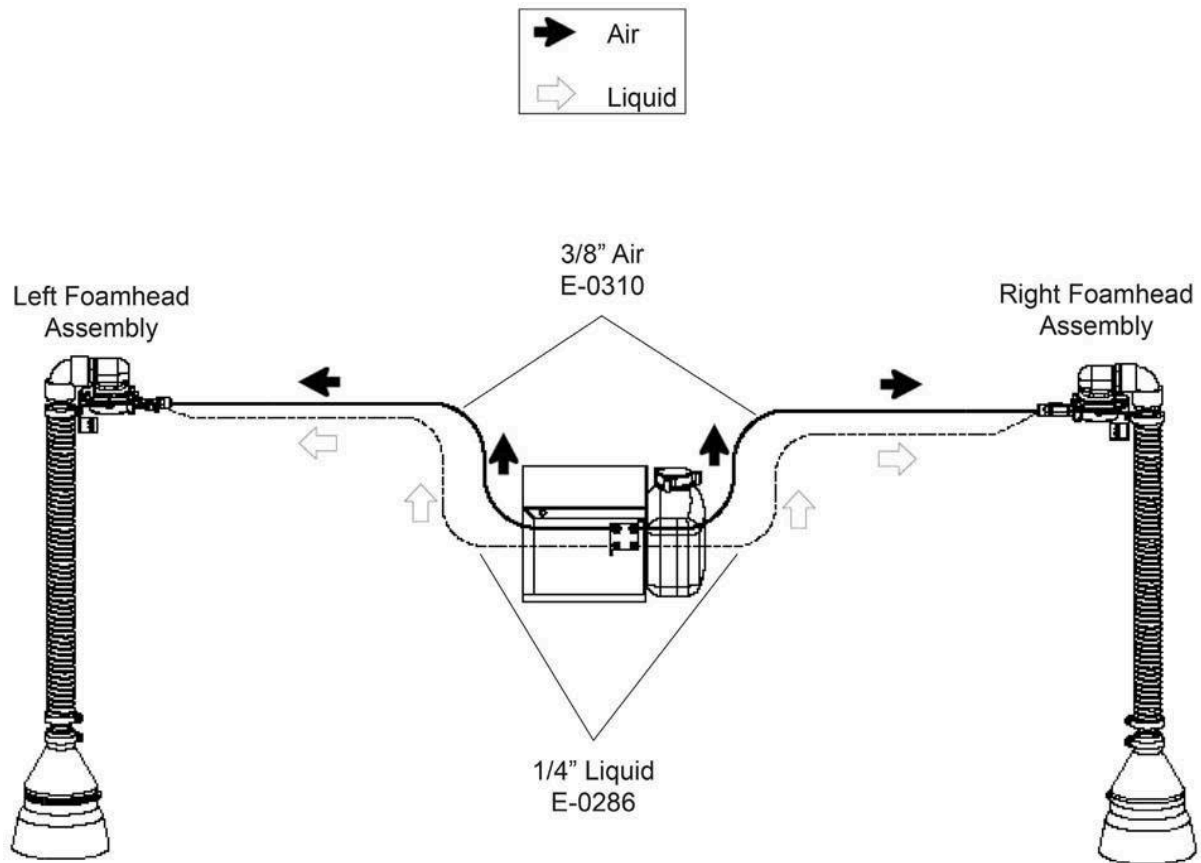
Richway Foam Marker Compressor



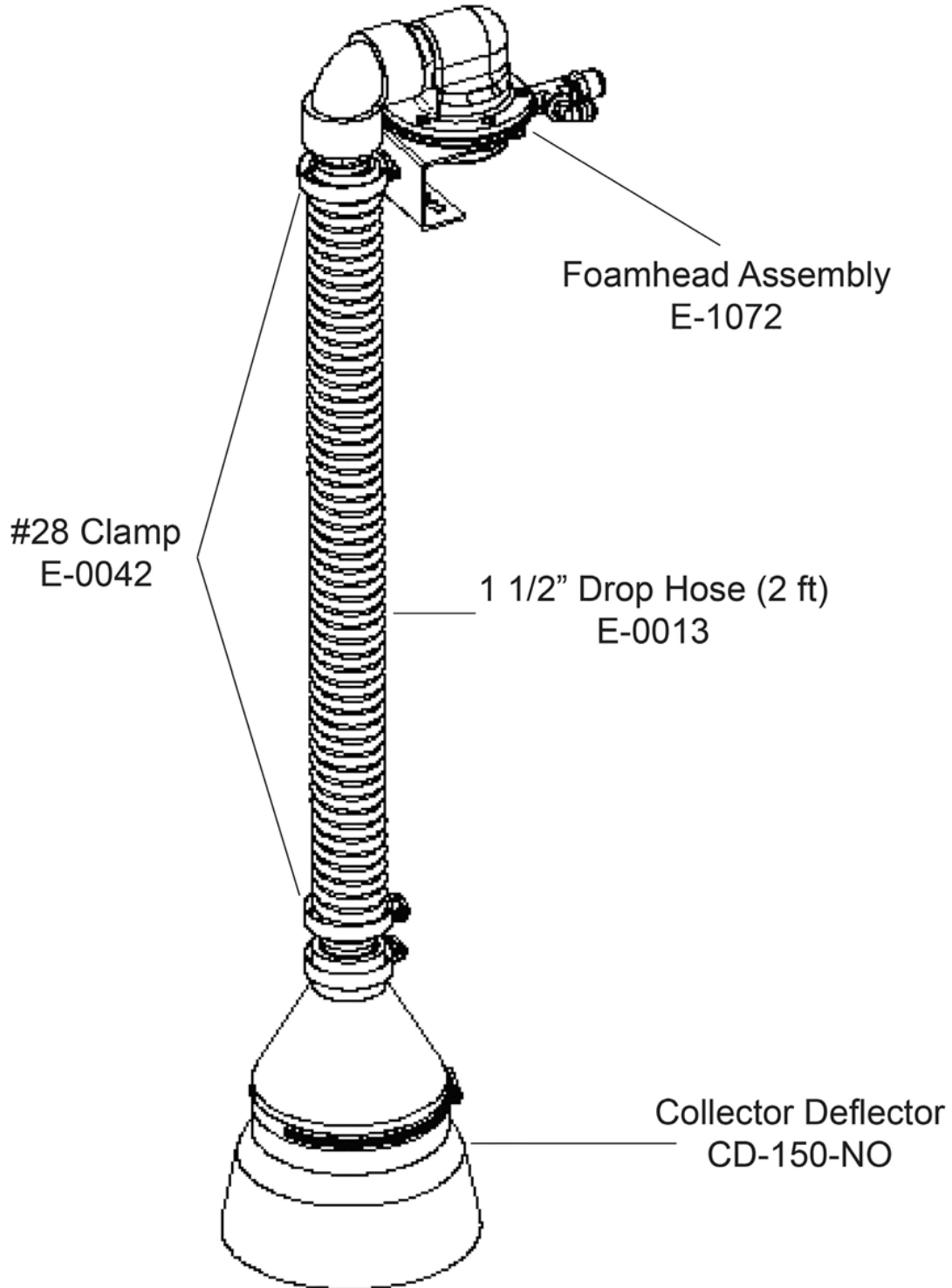
Richway Foam Marker Foamhead



Richway Foam Marker Foam Head Assembly



Richway Foam Marker Collector Deflector



Richway Foam Marker Wiring Harness

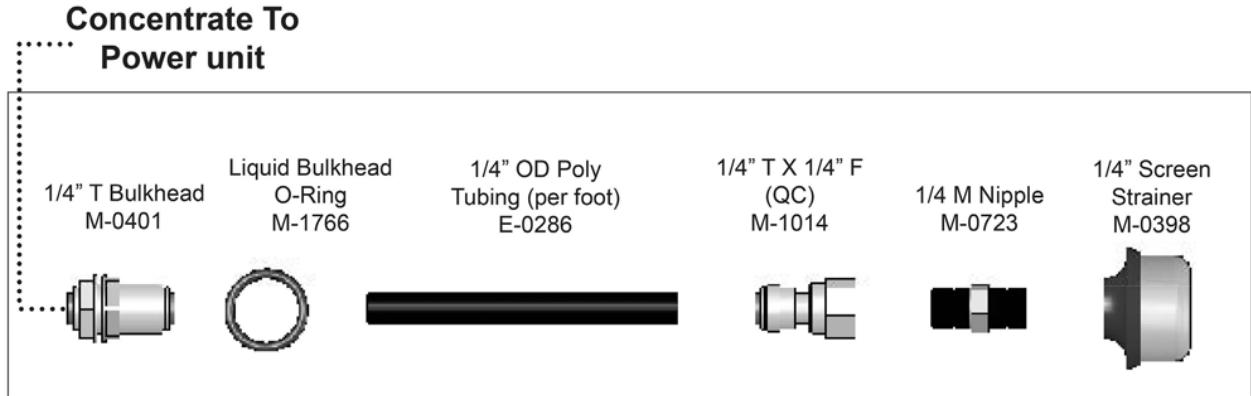
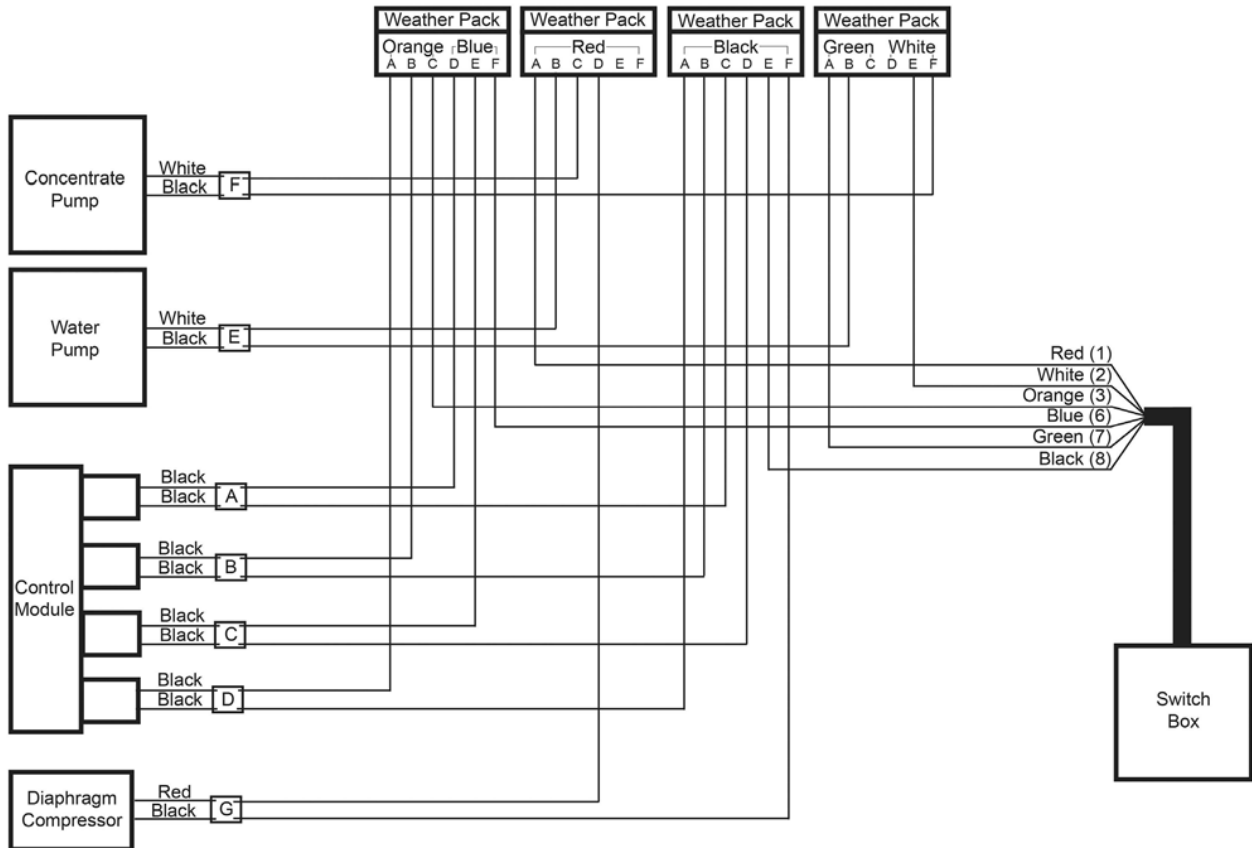
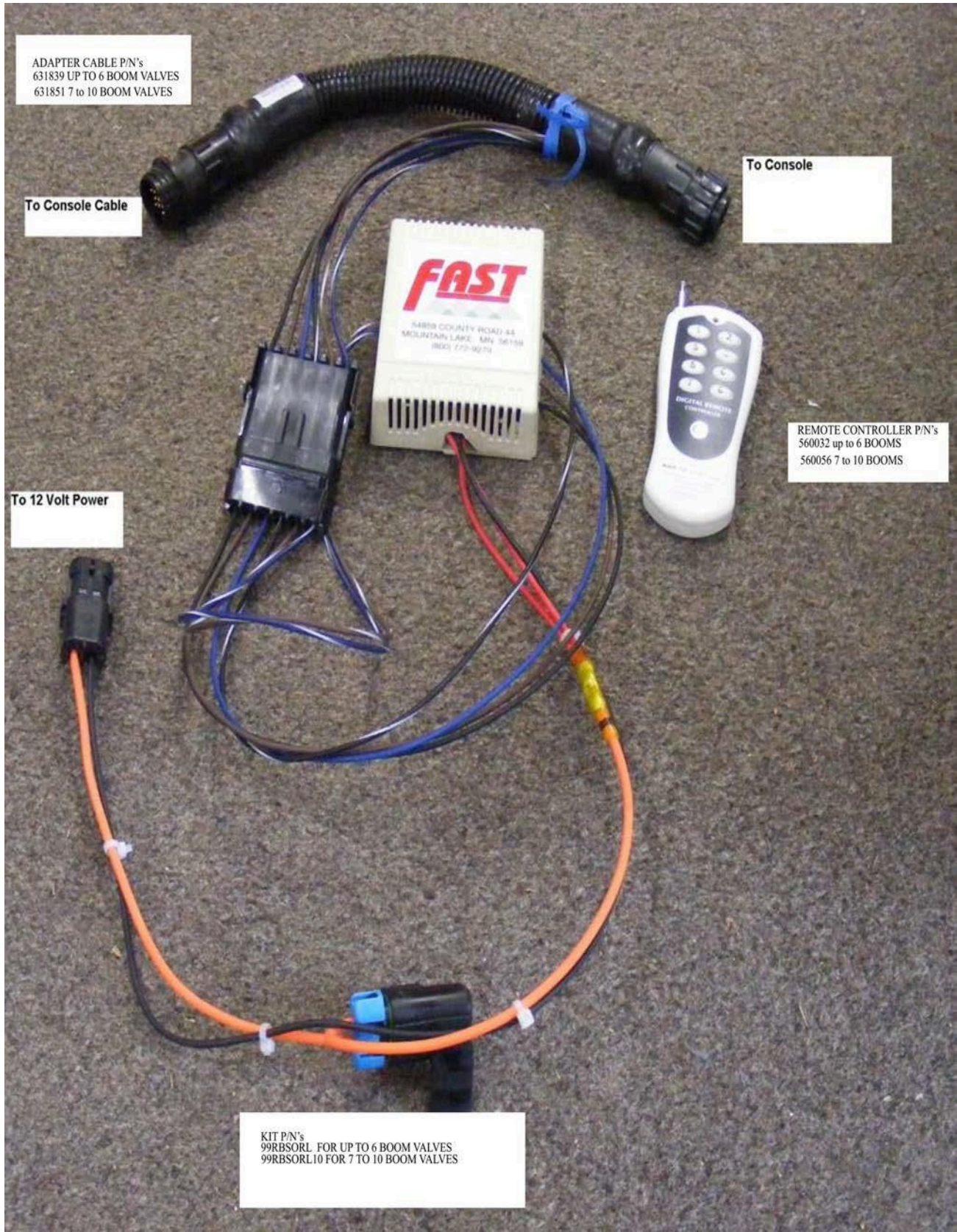


FIGURE 10 - Versa Trac Tank Components

APPENDIX 4



Remote Boom Shut Off Kit (6 Section Shown)





FAST Ag Solutions

4130 Commerce Boulevard
Windom, MN 56101

1-800-772-9279 Toll Free

1-507-427-3861 Voice

1-507-427-3030 Fax

www.fastsprayers.com