



**DP18L / DP24L - 40' / 60'  
LIQUID DURAPLACER  
PARTS MANUAL - 2024**



# ILLUSTRATED PARTS LIST

---





## Limited Warranty

Fast Ag Solutions warrants to the buyer that the new machinery is free from defects in material and workmanship.

This warranty is only effective as to any new machinery which has not been altered, changed, repaired or treated since its delivery to the buyer, other than by Fast Ag Solutions or its authorized dealers or employees, and does not apply to accessories, attachments, tools or parts, sold or operated with the new machinery, if they have not been manufactured by Fast Ag Solutions.

Fast Ag Solutions shall only be liable for defects in the materials or workmanship attributable to faulty material or bad workmanship that can be proved by the buyer, and specifically excludes liability for repairs arising as a result of normal wear and tear of the new machinery or in any other manner whatsoever, and without limiting the generality of the foregoing, excludes application or installation of parts not completed in accordance with this operator's manual, specifications, or printed instructions.

Written notice shall be given by registered mail, to the Manufacturer within seven (7) days after the defect shall have become apparent or the repairs shall have become necessary, addressed as follows:

Fast Ag Solutions  
4130 Commerce Boulevard  
Windom, MN 56101

This warranty shall expire one (1) year after the date of delivery of the new machinery.

If these conditions are fulfilled, Fast Ag Solutions shall at its own cost and at its own option either repair or replace any defective parts provided that the buyer shall be responsible for all expenses incurred as a result of repairs, labor, parts, transportation or any other work, unless Fast Ag Solutions has authorized such expenses in advance.

The warranty shall not extend to any repairs, changes, alterations, or replacements made to the new equipment other than by Fast Ag Solutions or its authorized dealers or employees.

This warranty extends only to the original owner of the new equipment.

Rubber parts (including tires, hoses, grommets) are not warranted.

This warranty is limited to the terms stated herein and is in lieu of any other warranties whether express or implied, and without limiting the generality of the foregoing, excluded all warranties, express or implied or conditions whether statutory or otherwise as to quality and fitness for any purpose of the new equipment. The Manufacturer disclaims all liability for incidental or consequential damages.

This Liquid DuraPlacer is subject to design changes and Fast Ag Solutions shall not be required to retrofit or exchange items on previously sold units except at its own option.

Warranty void if not registered.



FAST LIQUID DURAPLACER

Warranty Registration

This form must be filled out by the dealer and signed by both the dealer and the customer at the time of delivery.

Customer Name, Address, City, State, Zip, Phone

Dealer Name, Address, City, State, Zip

DuraPlacer Model, Serial Number, Delivery Date

Warranty Inspection Report

DEALER INSPECTION REPORT

- All Fasteners Tight, Wheel Bolts Torqued, Hydraulic Hoses and Fittings Free and Tight, Fertilizer Hoses and Fittings Free and Tight, Wheel Drive Turns Freely, Lubricate Machine, Check Tire Pressure, Frame and Wings Level, Monitors and Controllers Function, Wiring Harness Connected

SAFETY

- Safety Chain Installed, All Guards Installed, All Safety Signs Installed, Reflectors, SMV, and Lights Clean, Review Operating and Safety Instructions

I have thoroughly instructed the buyer on the above-described equipment which review included the Operator's Manual content, equipment care, adjustments, safe operation, and applicable warranty policy.

Date, Dealer's Rep. Signature

The above equipment and Operator's Manual have been received by me, and I have been thoroughly instructed as to care, adjustments, safe operation, and applicable warranty policy.

Date, Owner's Signature

White - FAST, Yellow - Dealer, Pink - Customer



# ILLUSTRATED PARTS LIST

---

**FAST DP18L / DP24L Series DuraPlacer**

**DURAPLACER SERIAL NUMBER** \_\_\_\_\_

**DATE PURCHASED** \_\_\_\_\_ / \_\_\_\_\_ / \_\_\_\_\_

**TANK SIZE (CIRCLE ONE)**            **1800 Gal.**            **2400 Gal.**

**NUMBER OF ROW UNITS** \_\_\_\_\_

**PUMP MANUFACTURER:**

(CIRCLE ONE)

**ACE 255F-304 WET SEAL**

**ACE FMC-750-HYD OASIS**

**ACE 255F-304 PWM WET SEAL**

**ACE FMC-750 OASIS PWM**



## General Information

All rights, especially copying and distribution rights are reserved. No part of this publication may be reproduced in any form or by any means, electronic or mechanical, including photocopying, without express written permission from Fast Ag Solutions.

Parts information in this manual represents components installed when product was manufactured based upon the best available information. Modifications made subsequent to initial delivery are not included. Always verify the parts and color required when ordering parts.

If you have any questions, please contact your Fast Ag Solutions Parts and Service Department.

## Explanation of Parts Lists

*The parts list is organized as follows:*

Table of Contents

TRAILER & FRAME

TOOLBAR & GAUGE WHEELS

ROW UNITS

ROW UNIT CAB CONTROL

TANK & PUMP

PRODUCT PLUMBING on TOOLBAR

PRODUCT PLUMBING on FRAME

PRODUCT ELECTRICAL COMP.S

HYDRAULICS

FOLD BOX ELECTRICAL

TRAILER AXLES, TIRES, & TRACKS

LIGHTS, DECALS, & TAGS

The parts lists are broken down into sub-assemblies and listed in four (4) columns:

- **ITEM** - These numbers are found on the illustration associated with the parts list.
  - NS - This item is NOT SHOWN, included for reference.
- **QTY.** - This is the quantity of parts needed in an assembly.
  - AR - The quantity of this item is applied AS REQUIRED for the location.
- **PART NO.** - These are the part numbers associated with the ITEM.
- **DESCRIPTION** - This is the description of the part.



## Table of Contents

| Section   | Page      |
|---|-----------|
| <i>Warranty Registration</i> .....  | 4         |
| <i>Warranty Inspection Report</i> .....   | 4         |
| <i>General Information</i> .....  | 6         |
| <b>Table of Contents</b> .....  | <b>7</b>  |
| <b>TRAILER &amp; FRAME</b> .....  | <b>14</b> |
| <i>Hitch</i> .....  | 14        |
| Parts List 35600: Hitch .....   | 15        |
| <i>Trailer Base</i> .....   | 16        |
| Parts List 35330: Trailer Base .....  | 20        |
| <b>TOOLBAR &amp; GAUGE WHEELS</b> .....   | <b>22</b> |
| <i>40' Toolbar (Base)</i> .....   | 22        |
| Parts List 35201: 40' Toolbar (Base) .....  | 27        |
| <i>60' Toolbar</i> .....  | 30        |
| Parts List 35580: 60' Toolbar .....   | 32        |
| <i>Gauge Wheel Assembly</i> .....   | 34        |
| Parts List 34995/34996/37010/37011: Gauge Wheel Assembly .....  | 34        |
| <i>Hub Assembly, 5-Bolt Q736</i> .....  | 36        |
| Parts List 730003ASSY: Hub Assembly, 5-Bolt Q736 .....  | 37        |
| <i>Strut Linkage Assembly</i> .....   | 38        |
| Parts List 34865: Strut Linkage Assembly .....  | 39        |
| <i>Manual Holder Assembly</i> .....   | 40        |
| Parts List 34752: Manual Holder Assembly .....  | 40        |
| <b>ROW UNITS</b> .....  | <b>41</b> |
| <i>Strip Freshener Mount, Non-Cab Control</i> .....   | 51        |
| Parts List 35644: Strip Freshener Mount, Non-Cab Control .....  | 51        |
| <i>16-Row Strip Freshener with Row Cleaner</i> .....  | 52        |
| Parts List 35649: 16-Row Strip Freshener with Row Cleaner .....   | 52        |
| <i>16-Row Strip Freshener with Row Cleaner, Cab Control, Ripple, and Shark Berming or Wave Berming</i> .....                  | 53        |
| Parts List 35645/35694: 16-Row Strip Freshener with Row Cleaner, Cab Control, Ripple, and Shark Berming or Wave Berming ..... | 53        |
| <i>24-Row Strip Freshener with Row Cleaner</i> .....  | 54        |
| Parts List 35650: 24-Row Strip Freshener with Row Cleaner .....   | 54        |
| <i>24-Row Strip Freshener with Row Cleaner, Cab Control, Ripple, and Shark Berming or Wave Berming</i> .....                  | 55        |
| Parts List 35293/35693: 24-Row Strip Freshener with Row Cleaner, Cab Control, Ripple, and Shark Berming or Wave Berming ..... | 55        |



# ILLUSTRATED PARTS LIST

|   |           |
|---|-----------|
| <b>ROW UNIT CAB CONTROL .....</b>                             | <b>56</b> |
| <i>Row Freshener Supply .....</i>                             | <i>56</i> |
| Parts List 35645: Row Freshener Supply .....                  | 56        |
| <i>Row Freshener Supply Hoses &amp; Fittings.....</i>         | <i>57</i> |
| Parts List 35293: Row Freshener Supply Hoses & Fittings ..... | 57        |
| <b>TANK &amp; PUMP.....</b>                                   | <b>58</b> |
| <i>1800 Gal. Tank.....</i>                                    | <i>58</i> |
| Parts List 35400/35402: 1800 Gal. Tank.....                   | 58        |
| <i>2400 Gal. Tank.....</i>                                    | <i>59</i> |
| Parts List 35401/35403: 2400 Gal. Tank.....                   | 59        |
| <i>Tank with Fittings .....</i>                               | <i>60</i> |
| Parts List 570184TNK – 570187TNK: Tank with Fittings.....     | 61        |
| <i>Tank Vented Overflow Fittings.....</i>                     | <i>62</i> |
| Parts List 90SAFCOV: Tank Vented Overflow Fittings .....      | 62        |
| <i>Hand Wash Faucet Fittings.....</i>                         | <i>62</i> |
| Parts List 90SAFCHWF: Hand Wash Faucet Fittings.....          | 62        |
| <i>Tank Agitation Fittings.....</i>                           | <i>63</i> |
| Parts List 90SALTRUMPET: Tank Agitation Fittings .....        | 63        |
| <i>Pump ACE 255F-304 WET SEAL .....</i>                       | <i>64</i> |
| Parts List 34715: Pump ACE 255F-304 WET SEAL .....            | 64        |
| <i>Pump ACE 255F-304 PWM WET SEAL .....</i>                   | <i>65</i> |
| Parts List 34718: Pump ACE 255F-304 PWM WET SEAL.....         | 65        |
| <i>Pump ACE FMC-750-HYD OASIS .....</i>                       | <i>66</i> |
| Parts List 35286: Pump ACE FMC-750-HYD OASIS .....            | 66        |
| <i>Pump ACE FMC-750-HYD PWM OASIS .....</i>                   | <i>67</i> |
| Parts List 35287: Pump ACE FMC-750-HYD PWM OASIS .....        | 67        |
| <b>PRODUCT PLUMBING on TOOLBAR.....</b>                       | <b>68</b> |
| <i>Base Liquid Plumbing .....</i>                             | <i>68</i> |
| Parts List 35675: Base Liquid Plumbing.....                   | 70        |
| <i>16-Row (40') 5-Section Plumbing .....</i>                  | <i>72</i> |
| Parts List 35682: 16-Row (40') 5-Section Plumbing .....       | 73        |
| <i>24-Row (60') 5-Section Plumbing .....</i>                  | <i>74</i> |
| Parts List 35408: 24-Row (60') 5-Section Plumbing .....       | 74        |
| <i>Liquid Tube, Center Only.....</i>                          | <i>75</i> |
| Parts List 35719: Liquid Tube, Center Only .....              | 75        |
| <i>Liquid Tube, Left Only .....</i>                           | <i>76</i> |
| Parts List 35718: Liquid Tube, Left Only .....                | 76        |
| <i>Liquid Tube, Right Only.....</i>                           | <i>77</i> |
| Parts List 35716: Liquid Tube, Right Only .....               | 77        |
| <i>Liquid Tube, Left &amp; Right .....</i>                    | <i>78</i> |





# ILLUSTRATED PARTS LIST

|  |           |
|--|-----------|
| Parts List 35715: Liquid Tube, Left & Right.....           | 78        |
| <i>Standard Nozzles</i> .....                              | 79        |
| Parts List 35730: Standard Nozzles .....                   | 79        |
| Parts List 37038: Option, 1/2" Plumb Mount.....            | 79        |
| <i>VariTarget Nozzles 1.0 Rate</i> .....                   | 80        |
| Parts List 35410: VariTarget Nozzles 1.0 Rate.....         | 80        |
| <b>PRODUCT PLUMBING on FRAME</b> .....                     | <b>82</b> |
| <i>Standard Plumbing</i> .....                             | 82        |
| Parts List 35318: Standard Plumbing .....                  | 83        |
| <i>Quick Fill, 3"</i> .....                                | 84        |
| Parts List 34296: Quick Fill, 3" .....                     | 84        |
| <i>Quick Fill Valve, 3"</i> .....                          | 84        |
| Parts List 90SA3QF: Quick Fill Valve, 3" .....             | 84        |
| <i>Manual Agitation</i> .....                              | 85        |
| Parts List 35319: Manual Agitation .....                   | 85        |
| <i>No Agitation</i> .....                                  | 86        |
| Parts List 27811: No Agitation.....                        | 86        |
| <i>Eductor for Applicator</i> .....                        | 88        |
| Parts List 99HYPIND07FC18/24: Eductor for Applicator ..... | 89        |
| <b>PRODUCT ELECTRICAL COMP.S</b> .....                     | <b>90</b> |
| <i>Pressure Transducer</i> .....                           | 90        |
| Parts List 28027: Pressure Transducer .....                | 90        |
| <i>No Pressure Transducer</i> .....                        | 91        |
| Parts List: No Pressure Transducer.....                    | 91        |
| <i>Raven Harnesses &amp; Components</i> .....              | 92        |
| Parts List: Raven Harnesses & Components.....              | 93        |
| <i>Control Harness 115-0171-085</i> .....                  | 94        |
| <i>Control Harness 115-0159-856</i> .....                  | 95        |
| <i>Control Harness 115-0171-086</i> .....                  | 96        |
| <i>Raven 450 Rate Controller</i> .....                     | 97        |
| Parts List 35742: Raven 450 Rate Controller .....          | 97        |
| <i>Raven RCM Rate Controller</i> .....                     | 98        |
| Parts List 35678: Raven RCM Rate Controller .....          | 98        |
| <i>Greenstar Rate Controller</i> .....                     | 99        |
| Parts List 35679: Greenstar Rate Controller .....          | 99        |
| <i>Customer Supplied RCM/RC2000</i> .....                  | 100       |
| Parts List 35741: Customer Supplied RCM/RC2000 .....       | 100       |
| <i>Customer Supplied Raven 450</i> .....                   | 101       |
| Parts List 35743: Customer Supplied Raven 450.....         | 101       |



# ILLUSTRATED PARTS LIST

|  |            |
|--|------------|
| <i>Customer Supplied JD Greenstar</i> .....                                    | 102        |
| Parts List 35404/35744: Customer Supplied JD Greenstar .....                   | 102        |
| <b>HYDRAULICS</b> .....  | <b>103</b> |
| <i>Hydraulic Diagram</i> .....   | 103        |
| <i>Product Pump Hydraulic Hose &amp; Fittings</i> .....                        | 104        |
| Parts List 600129: Product Pump Hydraulic Hose & Fittings .....                | 104        |
| <i>Down Pressure (Kick) Cylinder</i> .....                                     | 105        |
| Parts List 35202 (34997): Down Pressure (Kick) Cylinder .....                  | 105        |
| Parts List 600125: Down Pressure (Kick) Cylinder Hoses & Fittings .....        | 107        |
| <i>Down Pressure Comp Flow Control</i> .....                                   | 108        |
| Parts List 35202: Down Pressure Comp Flow Control .....                        | 108        |
| <i>Lift Cylinder &amp; Counterbalance Valve</i> .....                          | 109        |
| Parts List 35202: Lift Cylinder & Counterbalance Valve .....                   | 111        |
| Parts List 600125: Lift Cylinder & Counterbalance Valve, Hoses & Fittings..... | 111        |
| <i>Fold Cylinder &amp; Flow Divider</i> .....                                  | 112        |
| Parts List 35202: Fold Cylinder & Flow Divider .....                           | 112        |
| Parts List 600125: Fold Cylinder & Flow Divider Hoses & Fittings.....          | 112        |
| <i>Latch Cylinder</i> .....  | 113        |
| Parts List 35202 (620105): Latch Cylinder .....                                | 113        |
| <i>Latch Cylinder Hoses &amp; Fittings</i> .....                               | 113        |
| Parts List 600125: Latch Cylinder Hoses & Fittings .....                       | 113        |
| <i>Flip Wing Connection Caps (40' option)</i> .....                            | 114        |
| Parts List 35581: Flip Wing Connection Caps (40' option) .....                 | 114        |
| <i>Flip Wing Cylinder</i> .....  | 115        |
| Parts List 35580: Flip Wing Cylinder.....                                      | 115        |
| Parts List 600132: Flip Wing Cylinder Hoses & Fittings .....                   | 118        |
| <i>Row Unit Cab Control Hoses &amp; Fittings</i> .....                         | 119        |
| Parts List 600128: Row Unit Cab Control Hoses & Fittings.....                  | 119        |
| <i>Tongue Cylinder</i> .....   | 120        |
| Parts List 35600 Front: Tongue Cylinder.....                                   | 120        |
| <i>Tongue Cylinder Hoses &amp; Fittings</i> .....                              | 121        |
| Parts List 600130: Tongue Cylinder Hoses & Fittings .....                      | 121        |
| <i>Fasse Block</i> .....   | 122        |
| Parts List 35202: Fasse Block.....   | 122        |
| <i>Fasse Hydraulic Controls</i> .....  | 124        |
| Parts List 630056: Fasse Hydraulic Controls.....                               | 125        |
| <i>Fasse Block 12-Pin Electrical Harness</i> .....                             | 126        |
| Parts List: Fasse Block 12-Pin Electrical Harness .....                        | 127        |
| <b>FOLD BOX ELECTRICAL</b> .....   | <b>128</b> |
| <i>Cab Fold Box</i> .....  | 128        |
| Parts List: Cab Fold Box .....   | 129        |



# ILLUSTRATED PARTS LIST

|   |            |
|---|------------|
| <i>Cab Fold Box Power Harness</i> .....                         | 130        |
| Parts List: Cab Fold Box Power Harness .....                    | 130        |
| <i>Cab Fold Box Electrical Harness</i> .....                    | 132        |
| Parts List: Cab Fold Box Electrical Harness .....               | 133        |
| <i>Cab Fold Box Electrical Wiring Diagram</i> .....             | 134        |
| Parts List: Cab Fold Box Electrical Wiring Diagram.....         | 134        |
| <i>Cab Fold Box Operation &amp; Pinout</i> .....                | 136        |
| Parts List: Cab Fold Box Operation & Pinout .....               | 137        |
| <b>TRAILER AXLES, TIRES, &amp; TRACKS</b> .....                 | <b>138</b> |
| <i>Axle Spacer 4"</i> .....                                     | 138        |
| Parts List 26756: Axle Spacer 4" .....                          | 138        |
| <i>Adjustable Single Axle 20k, 72"-144"</i> .....               | 139        |
| Parts List 26758: Adjustable Single Axle 20k, 72"-144" .....    | 139        |
| <i>Adjustable Single Axle 25k, 80"-120"</i> .....               | 140        |
| Parts List 35683: Adjustable Single Axle 25k, 80"-120" .....    | 141        |
| <i>Adjustable Track Axle, 80"-132"</i> .....                    | 142        |
| Parts List 26742: Adjustable Track Axle, 80"-132" .....         | 143        |
| <i>Hub Assembly, 20k, 10-Bolt Q881</i> .....                    | 144        |
| Parts List 730029: Hub Assembly, 20k, 10-Bolt Q881 .....        | 144        |
| <i>Hub Assembly, 25k, 10-Bolt Q981</i> .....                    | 145        |
| Parts List 730086: Hub Assembly, 25k, 10-Bolt Q981 .....        | 145        |
| <i>480/80R50 Singles</i> .....                                  | 146        |
| Parts List 26749/26876: 480/80R50 Singles.....                  | 146        |
| <i>580/85R42 Singles</i> .....                                  | 147        |
| Parts List 35684/35685: 580/85R42 Singles.....                  | 147        |
| <i>380/90R46 Duals</i> .....                                    | 148        |
| Parts List 26750/26877: 380/90R46 Duals.....                    | 148        |
| <i>380/90R54 Duals</i> .....                                    | 149        |
| Parts List 26751/26878: 380/90R54 Duals.....                    | 149        |
| <i>18" Camso Tracks</i> .....                                   | 150        |
| Parts List: 18" Camso Tracks.....                               | 150        |
| <b>LIGHTS, DECALS, &amp; TAGS</b> .....                         | <b>152</b> |
| <i>Standard Decals</i> .....                                    | 152        |
| Parts List 35746: Standard Decals .....                         | 153        |
| <i>Tongue Decals</i> .....                                      | 154        |
| Parts List 35315, 35400-35403, 35408/35682: Tongue Decals ..... | 154        |
| <i>Frame &amp; Toolbar Decals</i> .....                         | 155        |
| Parts List 35330/35580: Frame & Toolbar Decals .....            | 155        |
| <i>Manual Agitation Instruction</i> .....                       | 156        |
| Parts List 35319: Manual Agitation Instruction.....             | 156        |



## ILLUSTRATED PARTS LIST

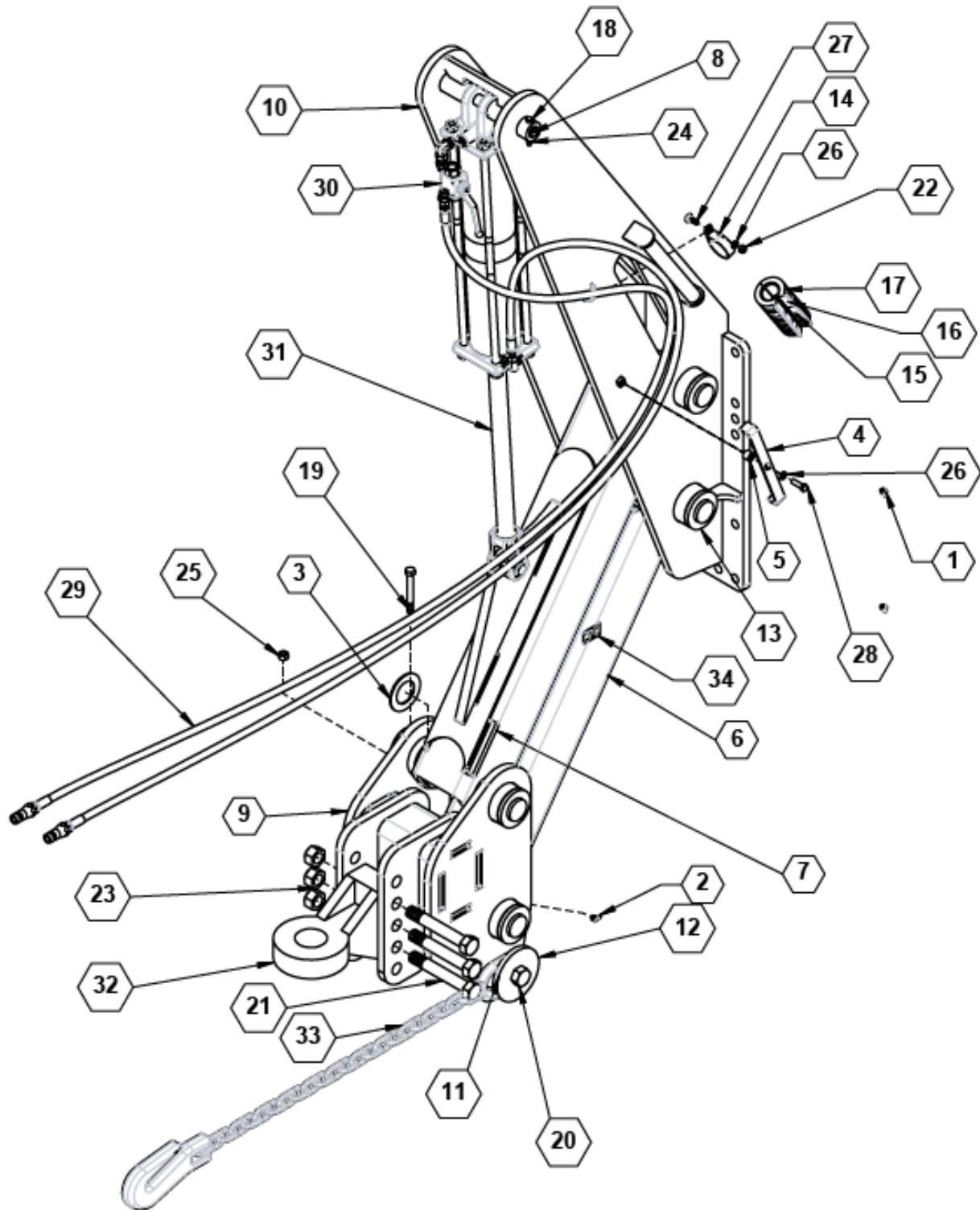
---

|  |     |
|--|-----|
| <i>Lighting and Marking</i> .....                                | 157 |
| Parts List 35315: Lighting and Marking .....                     | 159 |
| <i>Slow-Moving-Vehicle Sign Assembly</i> .....                   | 160 |
| Parts List 90SASMVWOSIS: Slow-Moving-Vehicle Sign Assembly ..... | 160 |
| <i>Speed Decal</i> .....   | 161 |
| Parts List: Speed Decal .....                                    | 161 |



## TRAILER & FRAME

### Hitch



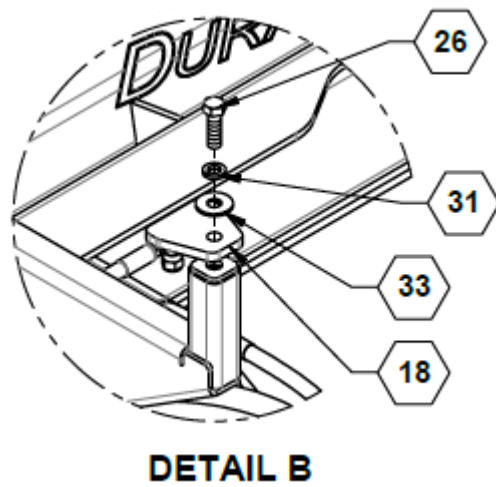
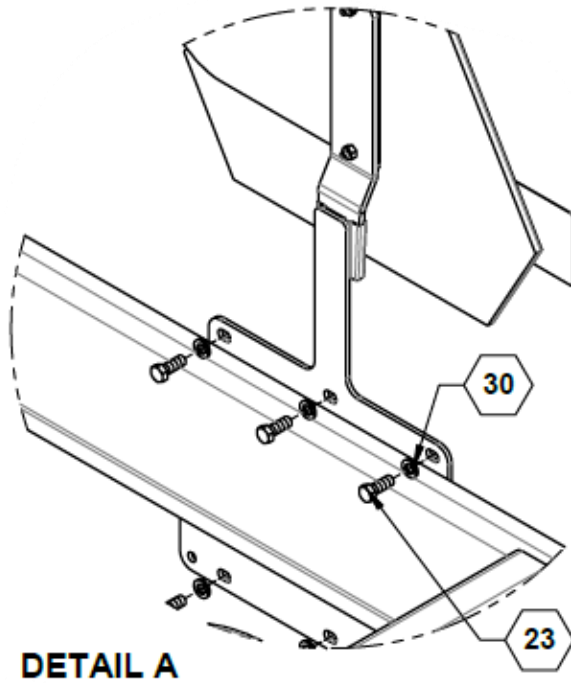
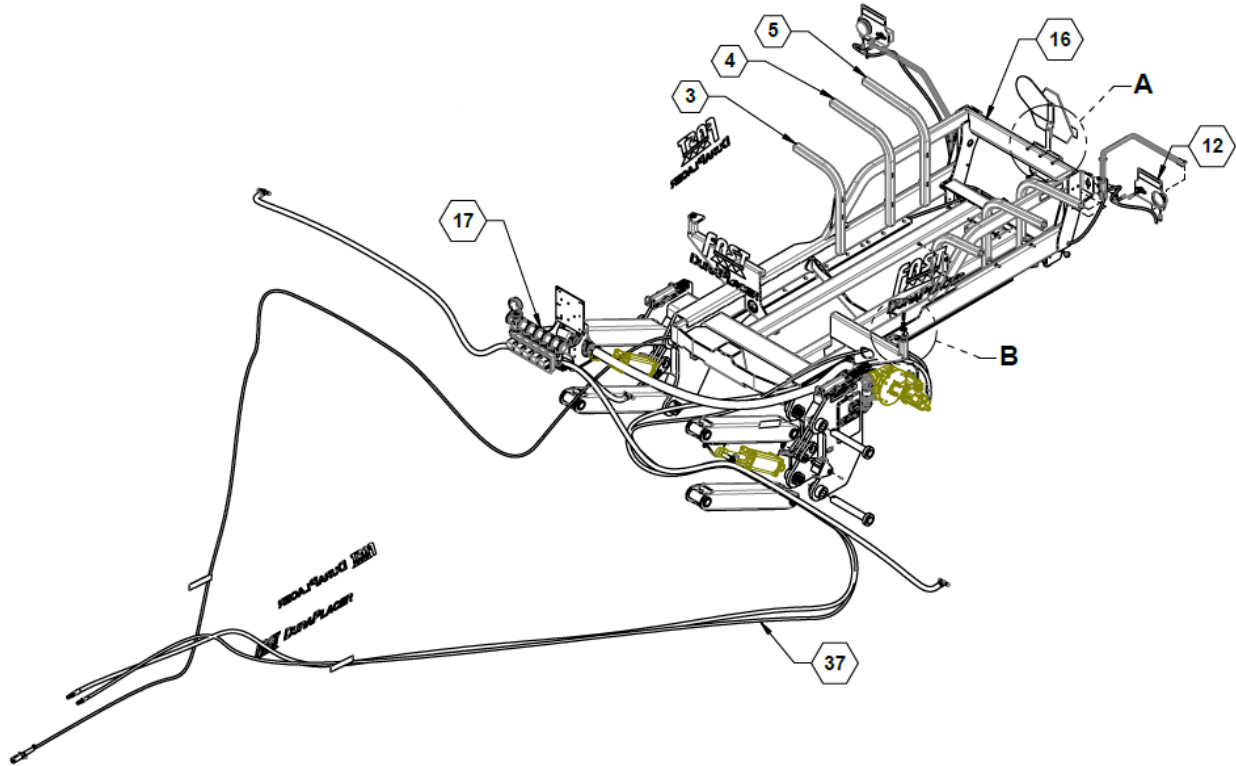


# ILLUSTRATED PARTS LIST

## Parts List 35600: Hitch

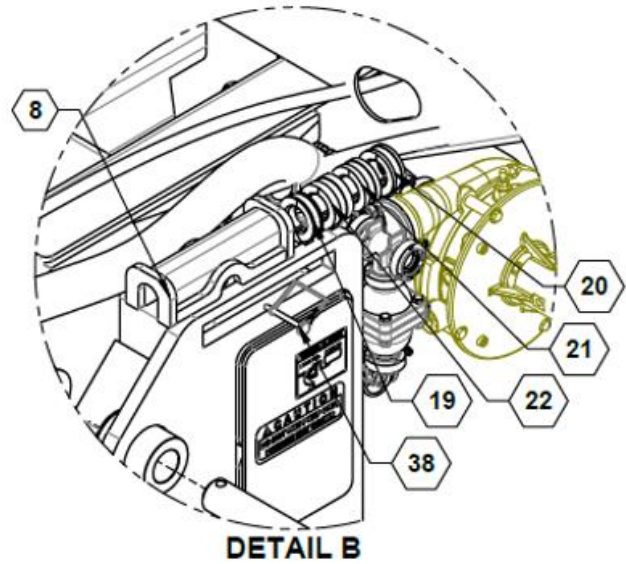
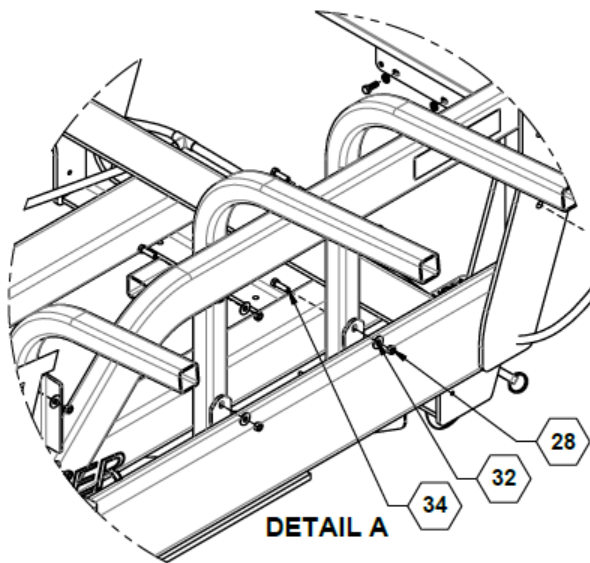
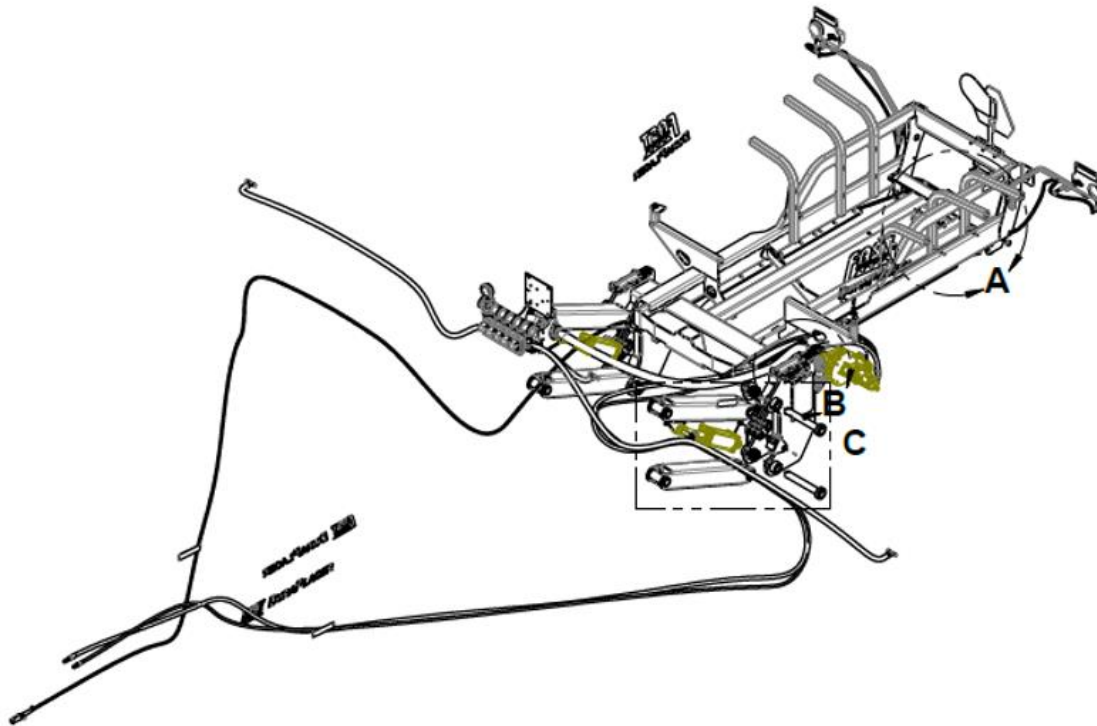
| ITEM | PART NO. | QTY. | DESCRIPTION                            |
|------|----------|------|--|
| 1    | 760      | 2    | ZERK, GREASE 1/4-28 45~                |
| 2    | 761      | 2    | ZERK, 90~, 1/4-28 STRAIGHT PIPE THREAD |
| 3    | 15277    | 8    | WASHER, STAINLESS STEEL                |
| 4    | 15558    | 2    | BRACKET, HOSE                          |
| 5    | 15566    | 2    | SPACER, HOSE BRACKET                   |
| 6    | 35346    | 1    | WELDMENT, LIFTARM                      |
| 7    | 35348    | 1    | LIFT ARM WLDMT, UPPER                  |
| 8    | 35353    | 1    | PIN, PARKING STAND/UPPER HITCH         |
| 9    | 35420    | 1    | HITCH MOUNT                            |
| 10   | 35614    | 1    | WELDMENT, HYDRAULIC HITCH              |
| 11   | 35949    | 1    | BUSHING, SAFETY CHAIN SPACER           |
| 12   | 35963    | 1    | WASHER PLATE, SAFETY CHAIN             |
| 13   | 35985    | 4    | PIN, LIFTARM PIVOT WLDMNT              |
| 14   | 540051   | 1    | P-CLAMP, 2" W/3/8" HOLE                |
| 15   | 590451   | 2    | CYLINDER STOP, 1"                      |
| 16   | 590452   | 1    | CYLINDER STOP, 1-1/2"                  |
| 17   | 590453   | 1    | CYLINDER STOP, 2"                      |
| 18   | 596118M  | 1    | BOLT, HH 5/16-18 X 2-1/2 GR5 MAGNI     |
| 19   | 596158M  | 4    | BOLT, HH 1/2 X 4 GR5 MAGNI             |
| 20   | 596201M  | 1    | BOLT, HEX 1-8 X 3-1/2 GR5 MAGNI        |
| 21   | 596208M  | 3    | BOLT, HH 1-8X6-3/4 GR5 MAGNI           |
| 22   | 596213M  | 1    | NUT, HEX 3/8-16 MAGNI                  |
| 23   | 596234M  | 4    | NUT, HEX NYLOCK 1-8 MAGNI              |
| 24   | 596236M  | 1    | NUT, CENTERLOCK, 5/16-18 MAGNI         |
| 25   | 596239   | 4    | NUT, 1/2-13 CENTERLOCK ZP              |
| 26   | 596250M  | 3    | LOCKWASHER, 3/8 MAGNI                  |
| 27   | 596592M  | 1    | BOLT, CARRIAGE 3/8-16 X 1 MAGNI        |
| 28   | 596635M  | 2    | BOLT, HH 3/8-16 x 1-1/4 MAGNI          |
| 29   | 600130   | 1    | HOSE KIT, HYD HITCH                    |
| 30   | 610153   | 1    | VALVE, MANUAL SHUT OFF                 |
| 31   | 620099   | 1    | CYLINDER 4 X 20" 1.75" ROD 3000PSI     |
| 32   | 790082   | 1    | HITCH CAT 5 BLACK ARTICULATING         |
| 33   | 790083   | 1    | SAFETY CHAIN, 80,000 LB                |
| 34   | 800287   | 2    | DECAL, GREASE PIVOT POINTS             |

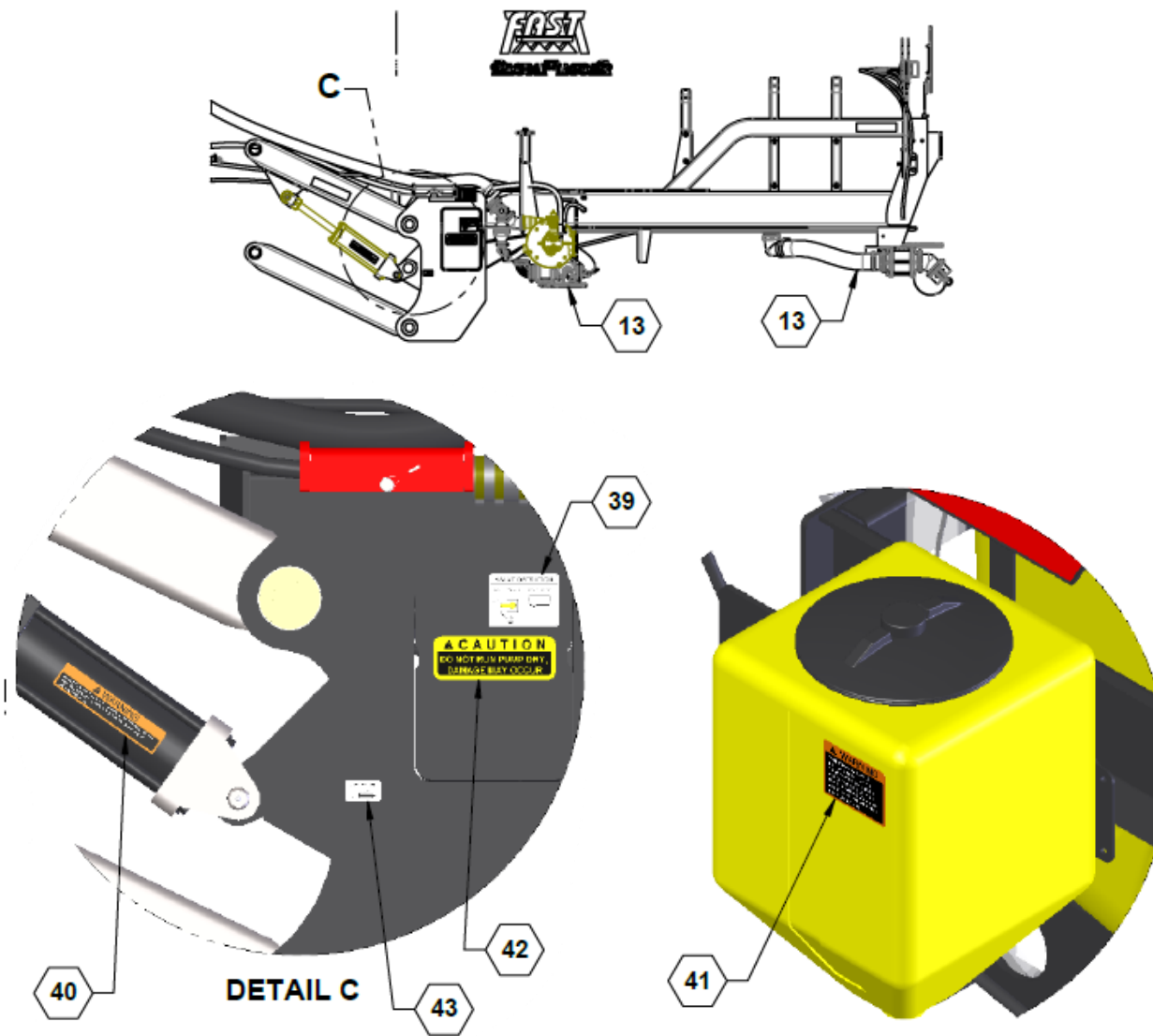
**Trailer Base**

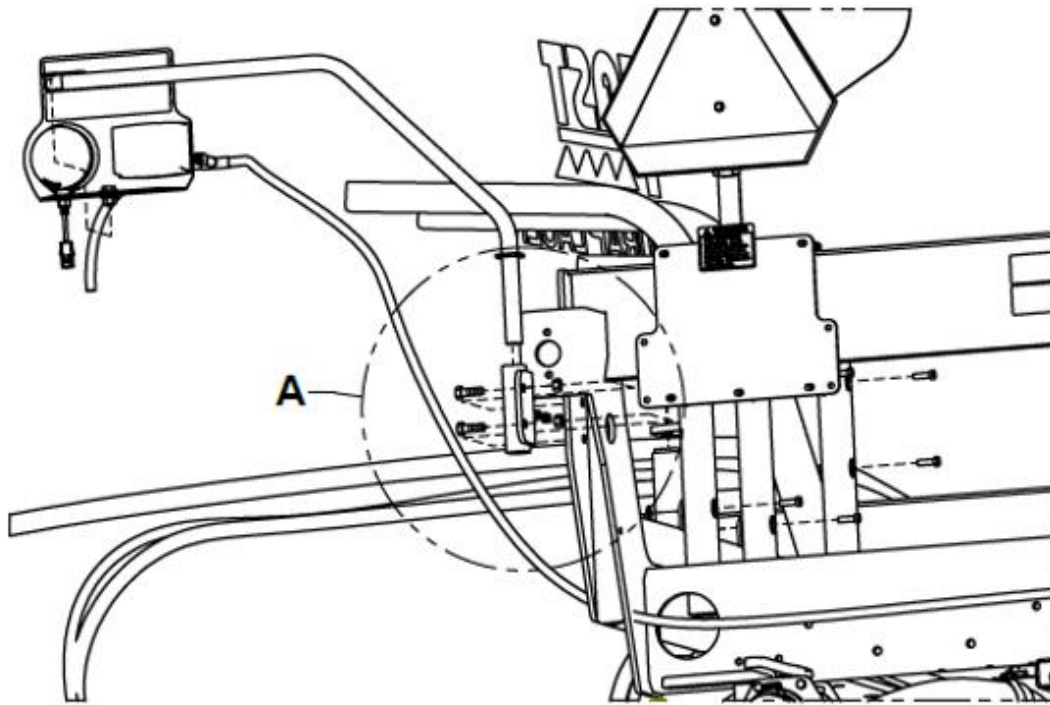




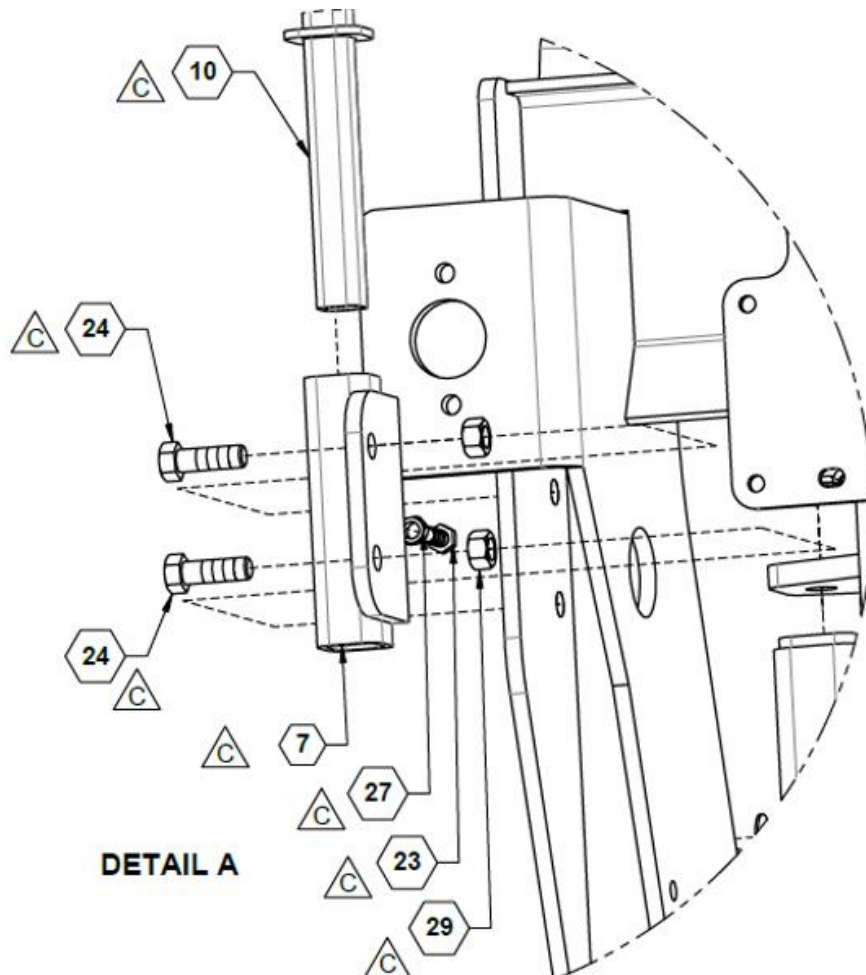
## Trailer Base (cont.)



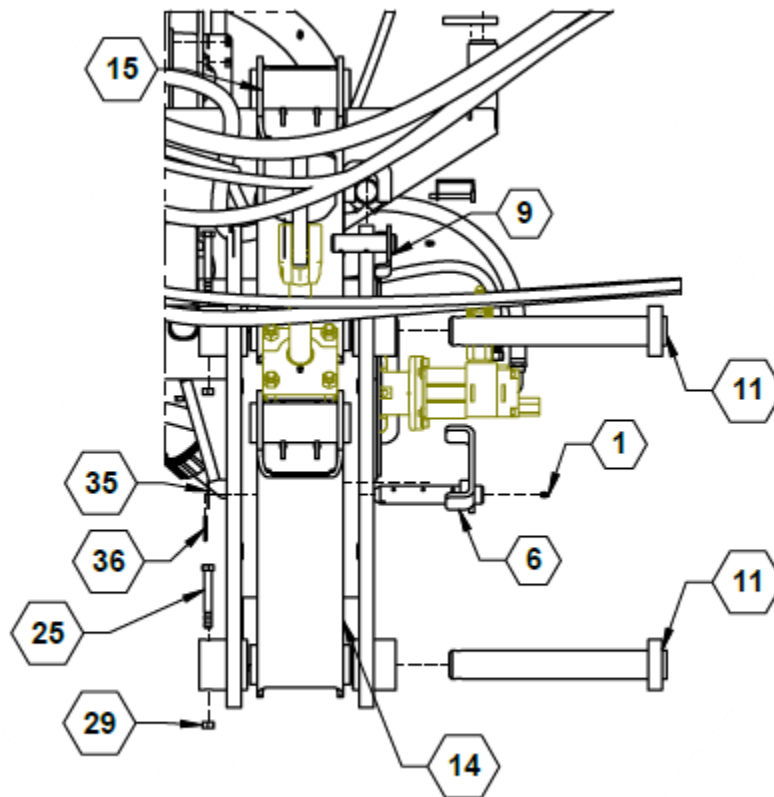
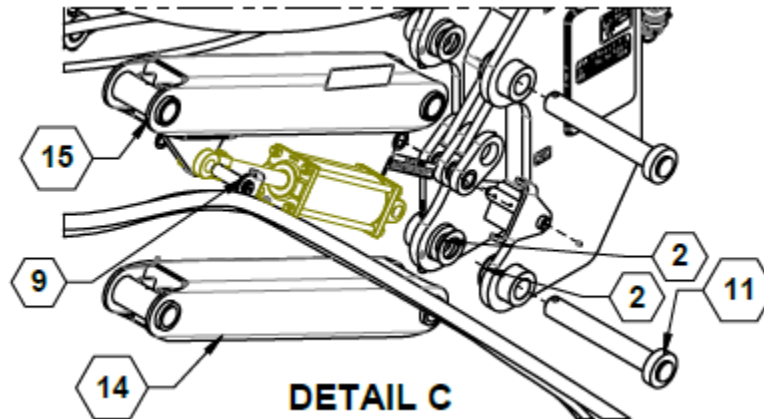




**BACK LIGHT MOUNTING BRACKET**



**DETAIL A**



FRONT VIEW OF DETAIL C

## Parts List 35330: Trailer Base

| ITEM | PART NO. | QTY. | DESCRIPTION                       |
|------|----------|------|-----------------------------------|
| 1    | 759      | 12   | ZERK, 1/4-28 STRAIGHT PIPE THREAD |
| 2    | 15277    | 8    | WASHER, STAINLESS STEEL           |
| 3    | 18183    | 2    | TUBE, SUPPORT, FENDER             |
| 4    | 18184    | 2    | TUBE, SUPPORT, FENDER             |
| 5    | 18185    | 2    | TUBE, SUPPORT, FENDER             |
| 6    | 23385    | 2    | PIN WLDMT, MAIN LIFT              |
| 7    | 27680    | 2    | WLDMNT, REAR LIGHT BRCKT MNT      |

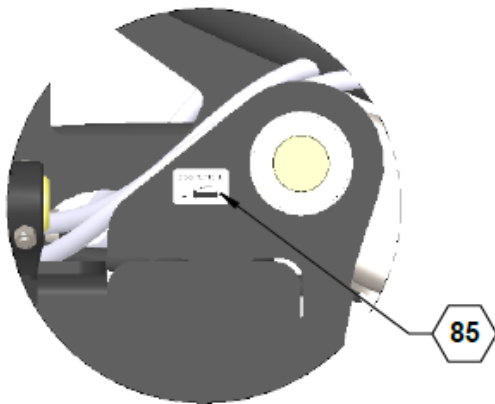
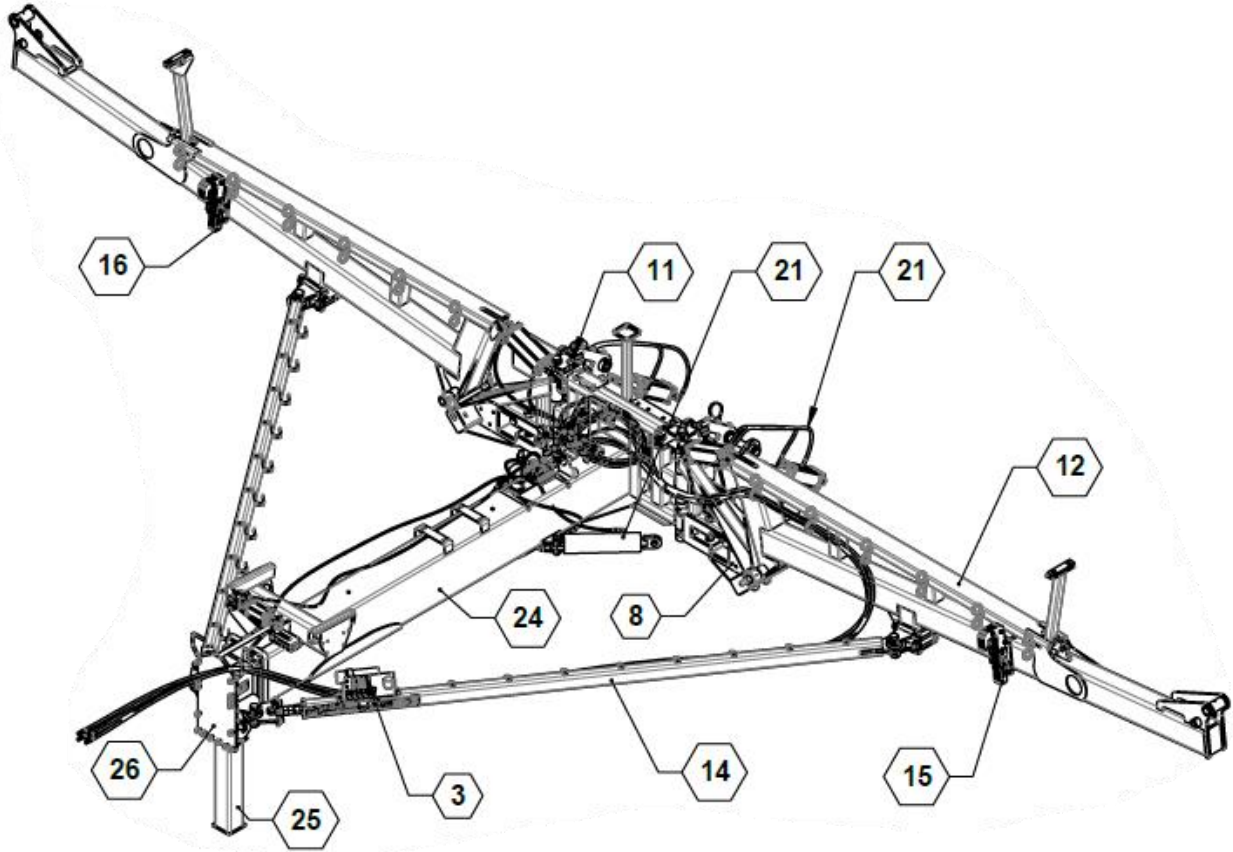


## ILLUSTRATED PARTS LIST

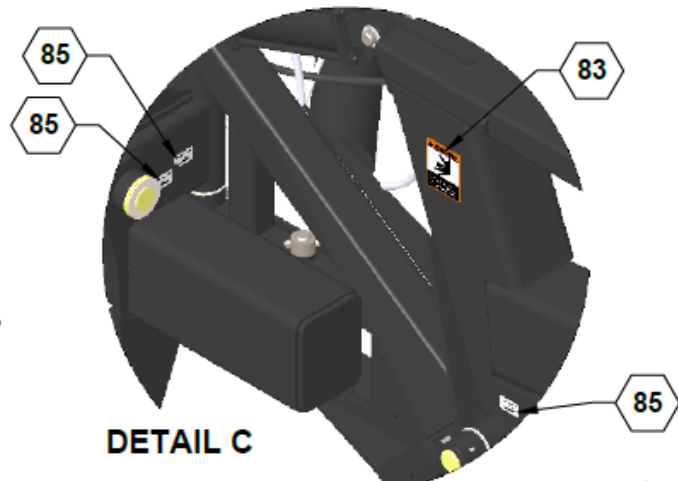
|    |                |    |  |
|----|----------------|----|--|
| 8  | <b>28166</b>   | 2  | WLDMNT, RED CYLINDER STOP  |
| 9  | <b>28915</b>   | 2  | PIN WLDMT, ROD END MAIN LIFT (see also <a href="#">Lift Cylinder &amp; Counterbalance Valve, 620091</a> )  |
| 10 | <b>35834</b>   | 2  | WLDMNT, LIGHT ARM  |
| 11 | <b>35036</b>   | 4  | PIN, LIFTARM PIVOT WLDMNT  |
| 12 | <b>35315</b>   | 1  | ASSY, LIGHTING AND MARKING   |
| 13 | <b>35318</b>   | 1  | ASSY, STANDARD PLUMBING  |
| 14 | <b>35346</b>   | 2  | WELDMNT, LIFTARM   |
| 15 | <b>35399</b>   | 2  | WLDMNT, DP UPPER LIFTARM   |
| 16 | <b>35530</b>   | 1  | WELDMNT, TRAILER   |
| 17 | <b>35675</b>   | 1  | ASSY, BASE LIQUID PLUMBING   |
| 18 | <b>590023</b>  | 2  | TAB, HOLD DOWN   |
| 19 | <b>590205</b>  | 2  | CYLINDER STOP, 3/4"  |
| 20 | <b>590206</b>  | 2  | CYLINDER STOP, 1"  |
| 21 | <b>590207</b>  | 2  | CYLINDER STOP, 1-1/4"  |
| 22 | <b>590208</b>  | 2  | CYLINDER STOP, 1-1/2"  |
| 23 | <b>596128M</b> | 8  | BOLT, HH 3/8-16 X 1 GR5 MAGNI  |
| 24 | <b>596153M</b> | 4  | BOLT, HH 1/2-13X1-1/2 GR5 MAGNI  |
| 25 | <b>596158M</b> | 4  | BOLT, HH 1/2X4 GR5 MAGNI   |
| 26 | <b>596170M</b> | 2  | BOLT, HH 5/8-11X2 GR5 MAGNI  |
| 27 | <b>596213M</b> | 2  | NUT, HEX 3/8-16 MAGNI  |
| 28 | <b>596237M</b> | 12 | NUT, CENTERLOCK 3/8-16 MAGNI   |
| 29 | <b>596239M</b> | 8  | NUT, CENTERLOCK, 1/2-13 MAGNI  |
| 30 | <b>596250M</b> | 6  | LOCKWASHER, 3/8 MAGNI  |
| 31 | <b>596253M</b> | 2  | LOCKWASHER 5/8 MAGNI   |
| 32 | <b>596258M</b> | 12 | WASHER, FLAT 3/8 MAGNI   |
| 33 | <b>596261M</b> | 2  | WASHER, FLAT 5/8 MAGNI   |
| 34 | <b>596635M</b> | 12 | BOLT, HH 3/8-16 x 1-1/4 MAGNI  |
| 35 | <b>596744M</b> | 4  | BUSHING, MACHINE, 1-1/4 x 14 GA MAGNI  |
| 36 | <b>596746M</b> | 4  | SPRING PIN 5X50mm MAGNI  |
| 37 | <b>600129</b>  | 1  | HOSE KIT, LIQUID DP PUMP   |
| 38 | <b>720001</b>  | 2  | SNAP PIN, 5/16   |
| 39 | <b>800017</b>  | 1  | DECAL, MAIN TANK VALVE OPERATION   |
| 40 | <b>800107</b>  | 2  | DECAL, WARNING-AVOID CRUSHING (see also <a href="#">Lift Cylinder &amp; Counterbalance Valve, 620091</a> ) |
| 41 | <b>800108</b>  | 1  | DECAL, WARNING-RINSE TANK  |
| 42 | <b>800282</b>  | 1  | DECAL, DO NOT RUN PUMP DRY. ENGLISH  |
| 43 | <b>800287</b>  | 2  | DECAL, GREASE PIVOT POINTS   |

## TOOLBAR & GAUGE WHEELS

### 40' Toolbar (Base)

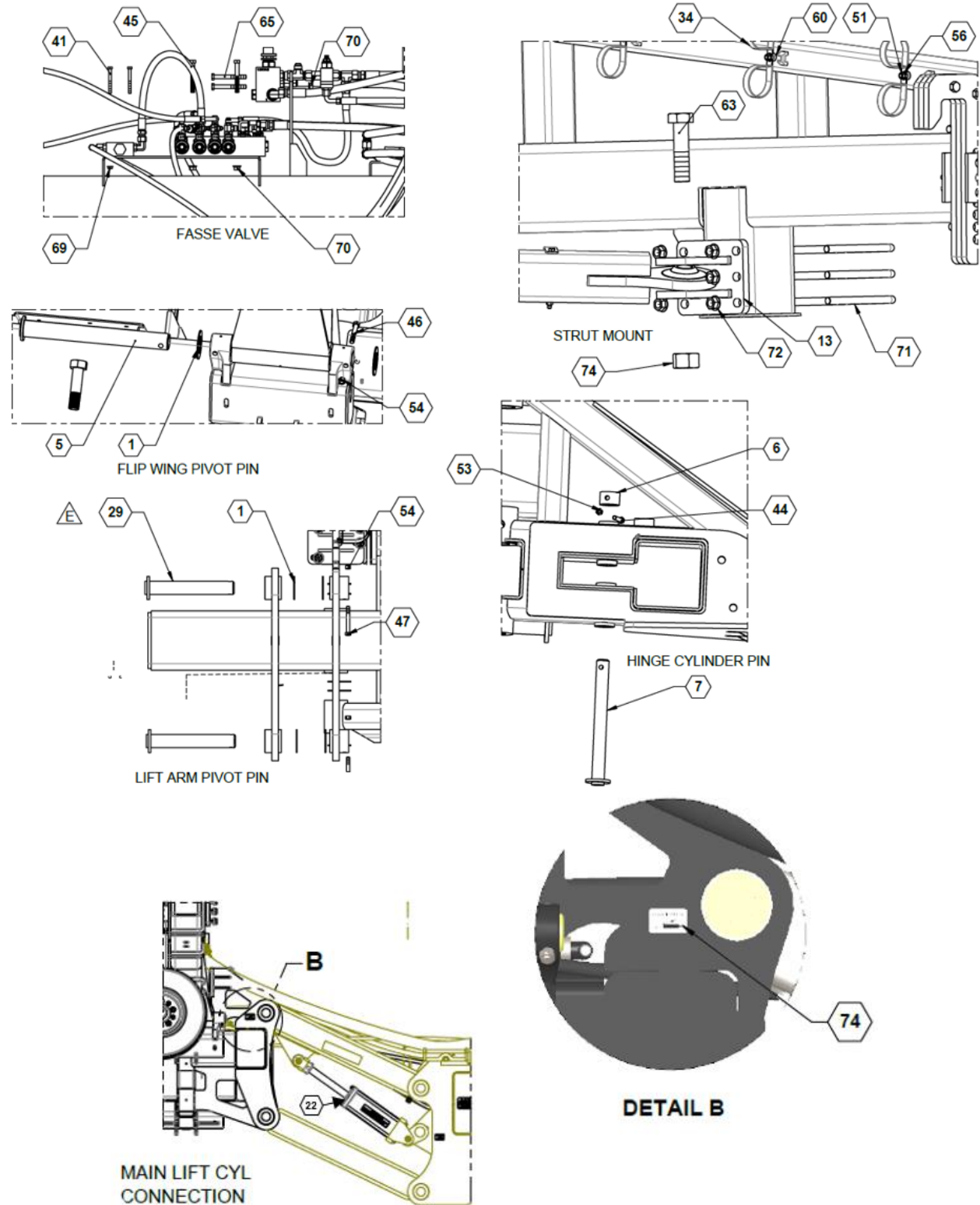


**DETAIL B**

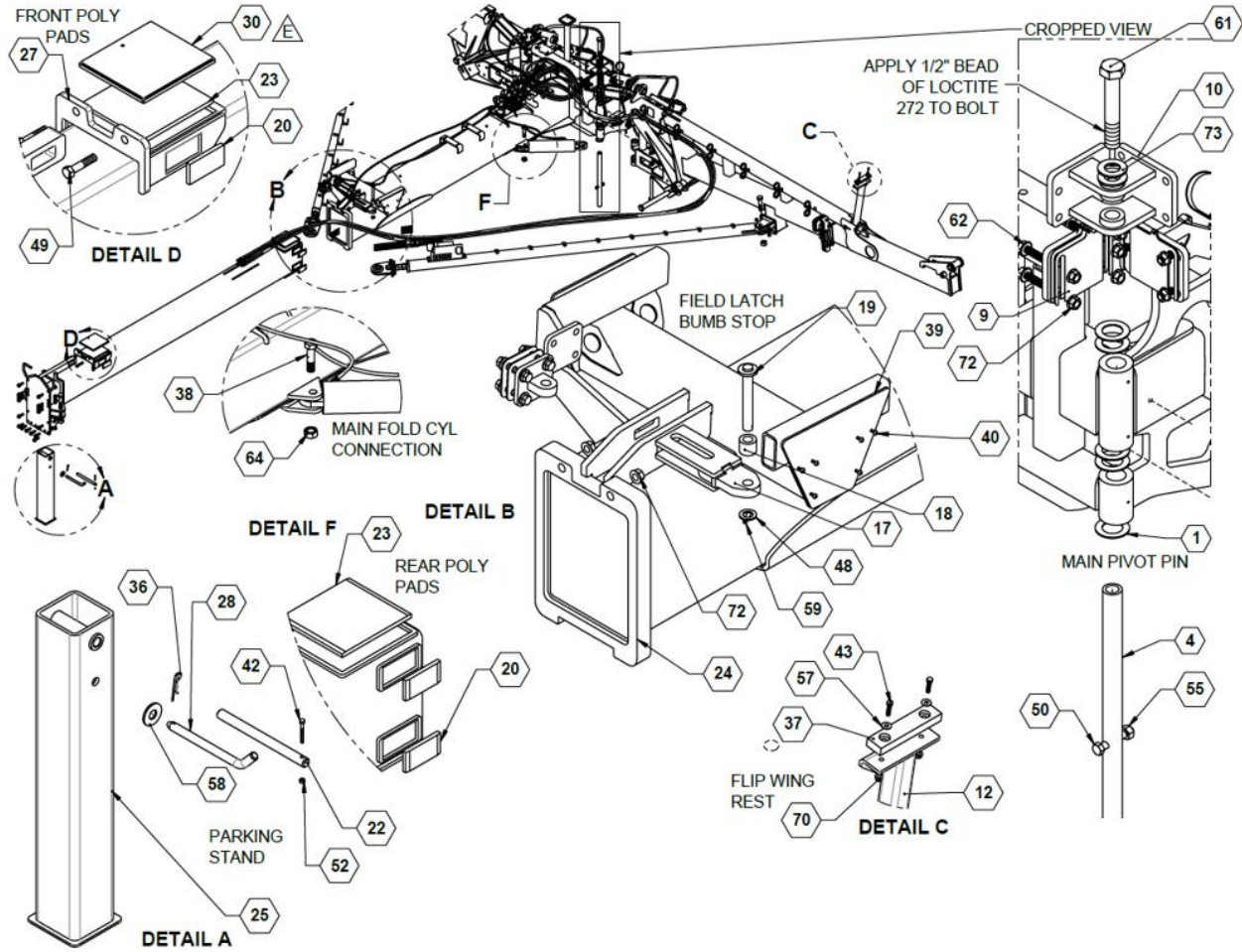


**DETAIL C**

## 40' Toolbar (Base) (cont.)

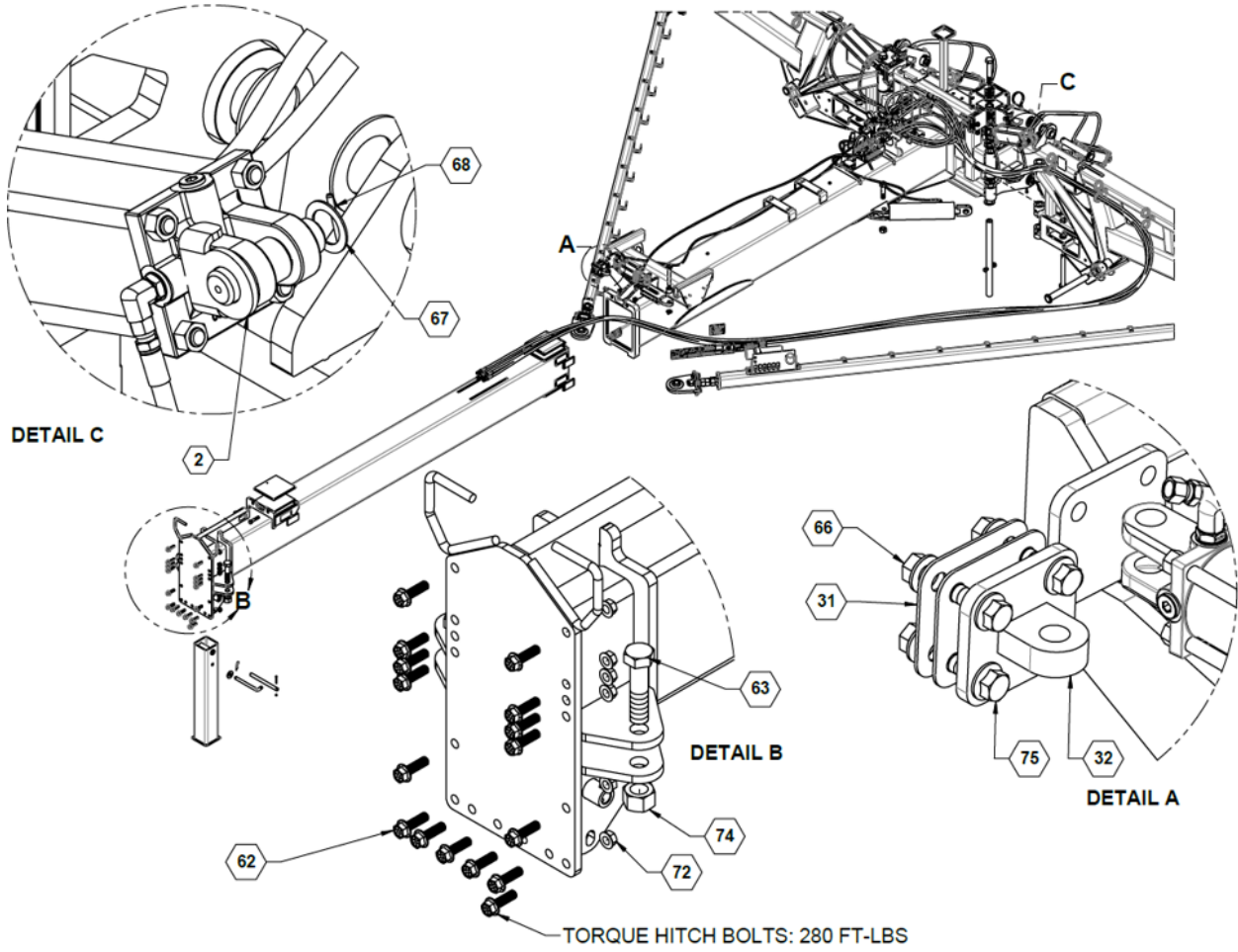


## 40' Toolbar (Base) (cont.)

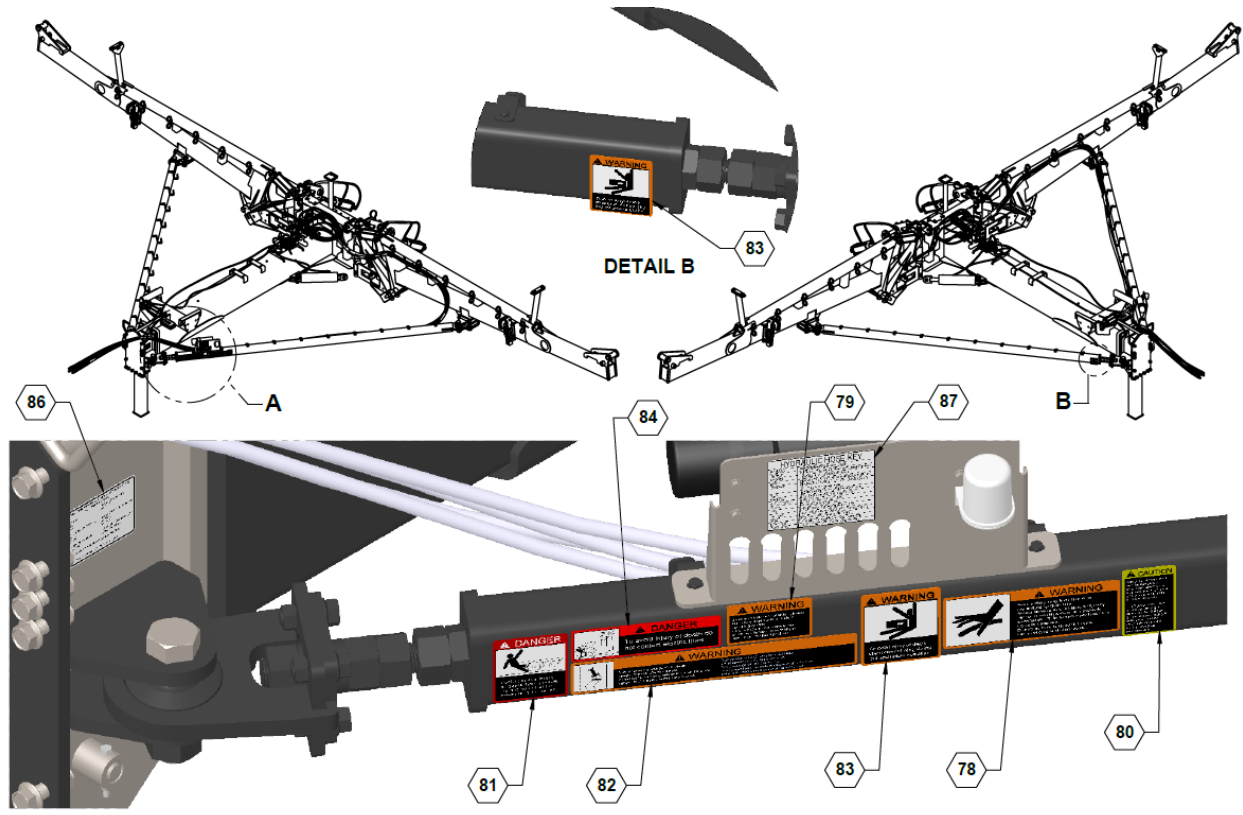




## 40' Toolbar (Base) (cont.)



**40' Toolbar (Base) (cont.)**



## Parts List 35201: 40' Toolbar (Base)

| ITEM | PART NO. | QTY. | DESCRIPTION  |
|------|----------|------|--|
| 1    | 15277    | 22   | WASHER, STAINLESS STEEL  |
| 2    | 28915    | 2    | PIN WLDMT, ROD END MAIN LIFT   |
| 3    | 34752    | 1    | ASSY, MANUAL HOLDER  |
| 4    | 34767    | 2    | PIN, MAIN PIVOT  |
| 5    | 34769    | 2    | WLDMNT, WING PIVOT PIN   |
| 6    | 34770    | 2    | BUSHING, PIN COLLAR  |
| 7    | 34771    | 2    | PIN, HINGE CYL WELDMENT  |
| 8    | 34780    | 2    | WLDMNT, FLEX HINGE   |
| 9    | 34786    | 12   | PLATE, KICK CYL SHIM   |
| 10   | 34821    | 1    | WLDMNT, LH TOP CYL MNT   |
| 11   | 34822    | 1    | WLDMNT, RH CYL TOP MNT   |
| 12   | 34840    | 2    | WLDMNT, MAIN WING  |
| 13   | 34860    | 2    | WLDMNT, STRUT MOUNT  |
| 14   | 34865    | 2    | ASSY, STRUT LINKAGE  |
| 15   | 34980    | 1    | ASSY, LH TRANSPORT LATCH   |
| 16   | 34985    | 1    | ASSY, RH TRANSPORT LOCK  |
| 17   | 34989    | 1    | PLATE, FIELD LATCH   |
| 18   | 34990    | 1    | SPACER, LATCH  |
| 19   | 34991    | 1    | PIN, LATCH WLDMNT  |
| 20   | 35023    | 6    | POLY PAD, SMALL TONGUE   |
| 21   | 35202    | 1    | ASSY, BASE BANDER HYDS (see also 620046 in <a href="#">Parts List 35202: Fold Cylinder &amp; Flow Divider</a> )            |
| 22   | 35353    | 1    | PIN, PARKING STAND/UPPER HITCH   |
| 23   | 35577    | 3    | POLY PAD, LARGE TONGUE   |
| 24   | 35590    | 1    | WELDMENT, REAR TONGUE  |
| 25   | 35617    | 1    | PARKING STAND WELDMENT   |
| 26   | 35620    | 1    | TONGUE WELDMENT  |
| 27   | 35635    | 1    | WLDMNT, POLY TOP ANCHR   |
| 28   | 35638    | 1    | PIN, PARKING STAND   |
| 29   | 35985    | 4    | PIN, LIFTARM PIVOT WLDMNT (see also 620091 in <a href="#">Parts List 35202: Lift Cylinder &amp; Counterbalance Valve</a> ) |
| 30   | 37001    | 1    | WLDMNT, TOP POLY CRADLE  |
| 31   | 37060    | 2    | PLATE, LATCH SPACER  |



# ILLUSTRATED PARTS LIST

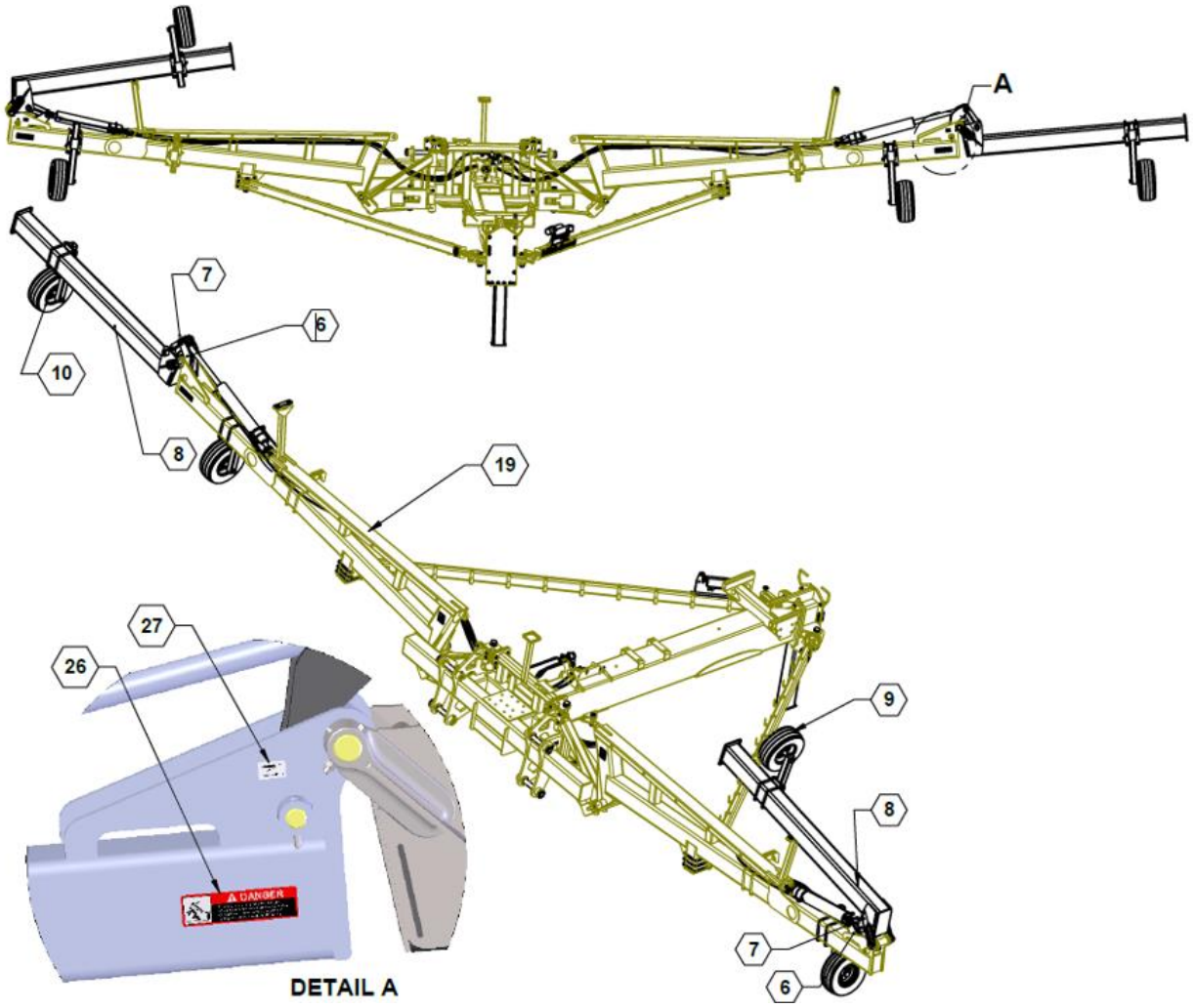
| ITEM | PART NO. | QTY. | DESCRIPTION                             |
|------|----------|------|---|
| 32   | 37061    | 1    | WELDMENT, CYL LUG                       |
| 33   | 530291   | 2    | BUSHING, 1-1/4" I.D. x 1" LG            |
| 34   | 540052   | 24   | P-CLAMP, 3" WITH 3/8" HOLE              |
| 35   | 540053   | 1    | P-CLAMP, 4" W/3/8" HOLE                 |
| 36   | 590017   | 1    | PIN, HAIR CLIP, 1/8 X 3-1/8" ZP         |
| 37   | 590065   | 2    | BUMPER PAD, WING REST                   |
| 38   | 590183   | 2    | BOLT, 1-1/4" X 5" MACHINED              |
| 39   | 590450   | 2    | POLY PAD, REST RUB                      |
| 40   | 590581   | 12   | RIVET, POUND IN, 1/4 X 7/16             |
| 41   | 596105M  | 2    | BOLT, HH 1/4-20X2-1/2 GR5 MAGNI         |
| 42   | 596118M  | 1    | BOLT, HH 5/16-18 X 2-1/2 GR5 MAGNI      |
| 43   | 596129M  | 4    | BOLT, HH 3/8-16X1-1/2 GR5 MAGNI         |
| 44   | 596131M  | 2    | BOLT, HH 3/8-16 X 2-1/2 GR5 MAGNI       |
| 45   | 596132M  | 2    | BOLT, HH 3/8-16 X 3 GR5 MAGNI           |
| 46   | 596157M  | 2    | BOLT, HH 1/2 X 3-1/2 GR5 MAGNI          |
| 47   | 596158M  | 4    | BOLT, HH 1/2 X 4 GR5 MAGNI              |
| 48   | 596179M  | 2    | BUSHING, MACHINED 1" X 14GA MAGNI       |
| 49   | 596187M  | 2    | BOLT, HH 3/4-10 X 3-1/2 GR5 MAGNI       |
| 50   | 596189M  | 2    | BOLT, HH 3/4-10 X 4-1/2 GR5 MAGNI       |
| 51   | 596213M  | 13   | NUT, HEX 3/8-16 MAGNI                   |
| 52   | 596236M  | 1    | NUT, CENTERLOCK, 5/16-18 MAGNI          |
| 53   | 596237M  | 2    | NUT, CENTERLOCK 3/8-16 MAGNI            |
| 54   | 596239M  | 6    | NUT, CENTERLOCK, 1/2-13 MAGNI           |
| 55   | 596241M  | 2    | NUT, CENTERLOCK 3/4-10 MAGNI            |
| 56   | 596250M  | 13   | LOCKWASHER, 3/8 MAGNI                   |
| 57   | 596258M  | 4    | WASHER, FLAT 3/8 MAGNI                  |
| 58   | 596276M  | 1    | WASHER, FLAT 1" MAGNI                   |
| 59   | 596300M  | 1    | SPRING PIN, 3/8 X 2 MAGNI               |
| 60   | 596592M  | 13   | BOLT, CARRIAGE 3/8-16 X 1 MAGNI         |
| 61   | 596593M  | 2    | BOLT, HH G8 1-1/2-6 X 9 MAGNI           |
| 62   | 596603M  | 32   | BOLT, FLANGE 3/4"-10 X 2.5" GR. 8 MAGNI |
| 63   | 596604M  | 4    | BOLT, HH G8 1-1/2-6 X 6 MAGNI           |
| 64   | 596724M  | 2    | NUT, CENTERLOCK, 1-1/4" MAGNI           |



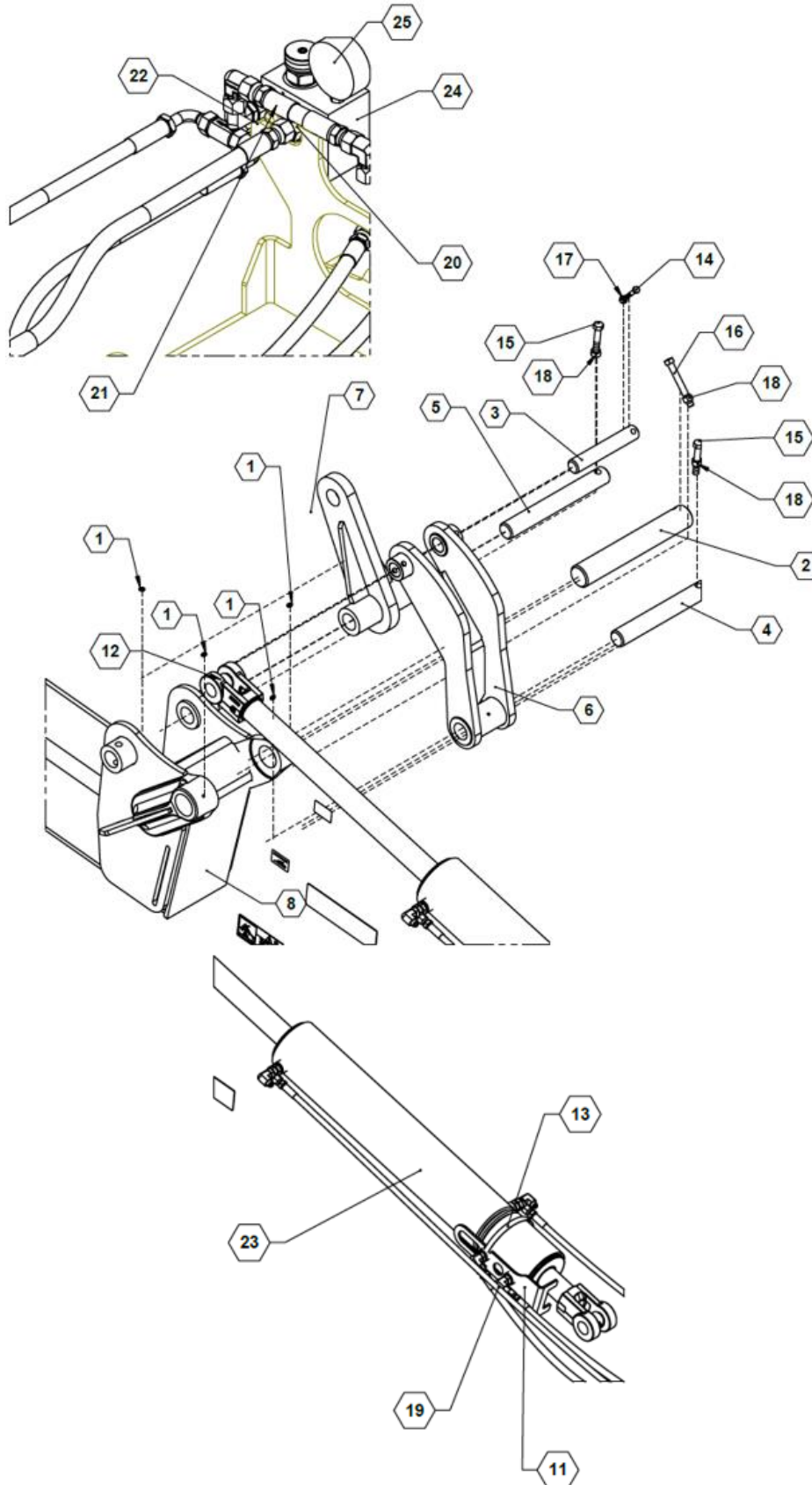
## ILLUSTRATED PARTS LIST

| ITEM | PART NO.       | QTY. | DESCRIPTION                           |
|------|----------------|------|---------------------------------------|
| 65   | <b>596741M</b> | 2    | BOLT, HH 3/8 X 3-1/4 GR5 MAGNI        |
| 66   | <b>596742M</b> | 4    | NUT, TOP LOCK FLANGE 5/8-11 MAGNI     |
| 67   | <b>596744M</b> | 2    | BUSHING, MACHINE, 1-1/4 x 14 GA MAGNI |
| 68   | <b>596746M</b> | 2    | SPRING PIN 5X50mm MAGNI               |
| 69   | <b>596767M</b> | 2    | NUT, HEX FLANGE 1/4-20 MAGNI          |
| 70   | <b>596769M</b> | 8    | NUT, HEX FLANGE 3/8-16 MAGNI          |
| 71   | <b>596774M</b> | 6    | U-BOLT, 3/4 X 7 X 7 G5 MAGNI          |
| 72   | <b>596775M</b> | 46   | NUT, HEX FLANGE 3/4-10 GR8 MAGNI      |
| 73   | <b>596811M</b> | 4    | WASHER, FLAT 1-1/2 MAGNI              |
| 74   | <b>596813M</b> | 4    | NUT, HEX 1-1/2-6 GR8 MAGNI            |
| 75   | <b>596831M</b> | 4    | BOLT, FLANGED 5/8-11 X 2" GR8 MAGNI   |
| 76   | <b>630071</b>  | 1    | HARNESS, 10' EXT-DEUTSCH 16P          |
| 77   | <b>759</b>     | 4    | ZERK, 1/4-28 STRAIGHT PIPE THREAD     |
| 78   | <b>800098</b>  | 1    | DECAL, WARNING-HYDRAULIC FLUID        |
| 79   | <b>800099</b>  | 1    | DECAL, WARNING-CHARGE WITH OIL        |
| 80   | <b>800101</b>  | 1    | DECAL, CAUTION-AG CHEMICAL            |
| 81   | <b>800103</b>  | 1    | DECAL, DANGER-RUNOVER                 |
| 82   | <b>800104</b>  | 1    | DECAL, WARNING-DO NOT SPEED           |
| 83   | <b>800105</b>  | 4    | DECAL, WARNING-STAND CLEAR            |
| 84   | <b>800112</b>  | 1    | DECAL, DANGER, ELECTRIC LINES         |
| 85   | <b>800287</b>  | 6    | DECAL, GREASE PIVOT POINTS            |
| 86   | <b>800338</b>  | 1    | DECAL, FAST PATENTS                   |
| 87   | <b>800368</b>  | 1    | DECAL, HOSE KEY EXTENDED              |

**60' Toolbar**



## 60' Toolbar (cont.)



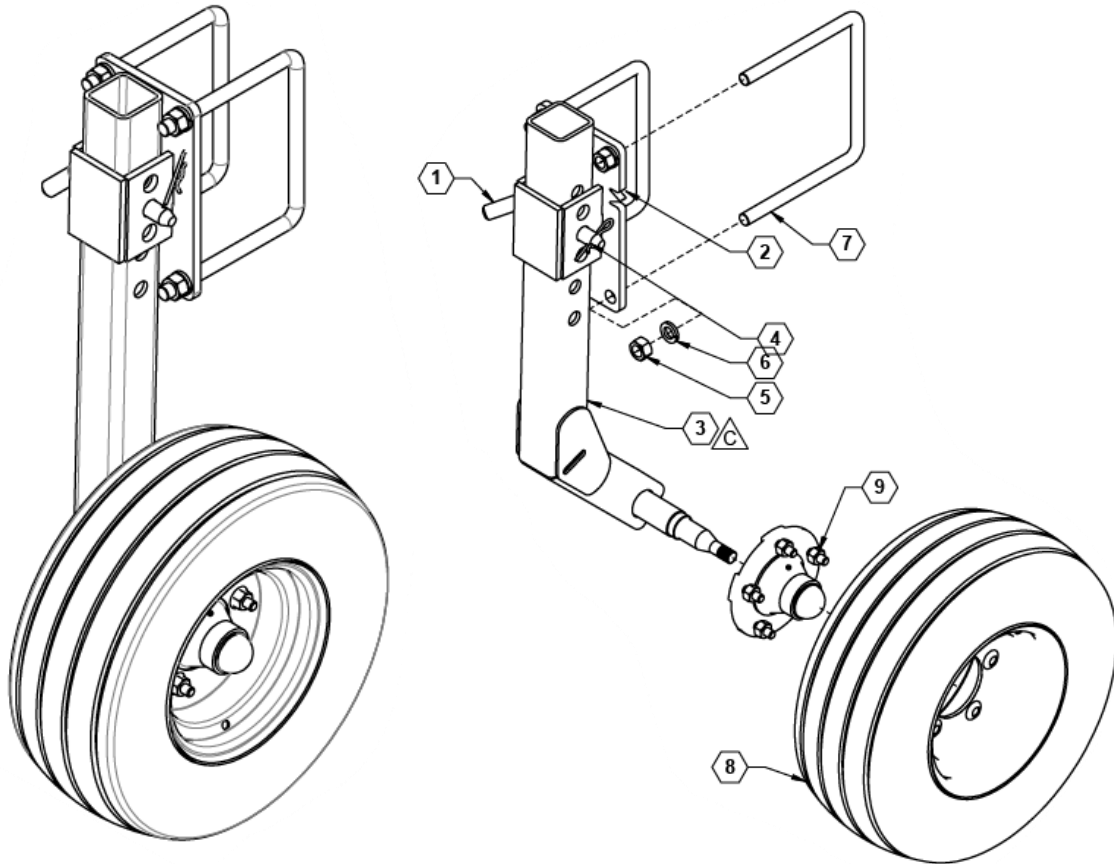
## Parts List 35580: 60' Toolbar

| ITEM | PART NO. | QTY. | DESCRIPTION  |
|------|----------|------|--|
| 1    | 759      | 8    | ZERK, 1/4-28 STRAIGHT PIPE THREAD  |
| 2    | 17063    | 2    | PIN, MAIN WING   |
| 3    | 34764    | 2    | PIN, CYLINDER  |
| 4    | 34765    | 2    | PIN, FLIP LINKAGE  |
| 5    | 34766    | 2    | PIN, FLIP HINGE  |
| 6    | 34790    | 2    | WLDMT, INNER LINKAGE   |
| 7    | 34794    | 2    | WLDMT, OUTER FLIP LINKAGE  |
| 8    | 34830    | 2    | WLDMT, FLIP WING   |
| 9    | 34995    | 1    | ASSY, RH GAUGE WHL   |
| 10   | 34996    | 1    | ASSY, LH GAUGE WHEEL   |
| 11   | 35407    | 2    | PLATE, CYLINDER ANTI ROTATE  |
| 12   | 530291   | 4    | BUSHING, 1-1/4" I.D. x 1" LG   |
| 13   | 540021   | 2    | CLAMP, 4 1/8 - 7"  |
| 14   | 596118M  | 2    | BOLT, HH 5/16-18X2-1/2 GR5 MAGNI   |
| 15   | 596156M  | 4    | BOLT, HH 1/2 X 3 GR5 MAGNI   |
| 16   | 596158M  | 2    | BOLT, HH 1/2X4 GR5 MAGNI   |
| 17   | 596237M  | 2    | NUT, CENTERLOCK 3/8-16 MAGNI   |
| 18   | 596239M  | 6    | NUT, CENTERLOCK, 1/2-13 MAGNI  |
| 19   | 600132   | 1    | HOSE KIT, DURAPLACER 60FT OPTN   |
| 20   | 610013   | 1    | ADAPTER, -8MJIC X -8MORB   |
| 21   | 610083   | 1    | ADAPTER, -8MORB X -8FJX  |
| 22   | 610097   | 1    | ADAPTER, -8MJIC X -8MORB90   |
| 23   | 620027   | 2    | CYLINDER, 4.5"X22.5 & 1.81 STROKE (see also <a href="#">Flip Wing Cylinder</a> ) |
| 24   | 630041   | 1    | MANIFOLD, HYDRAULIC DOWN PRESSURE  |
| 25   | 790052   | 1    | PRESSURE GAUGE, 3000 PSI   |
| 26   | 800106   | 4    | DECAL, DANGER-STAND CLEAR  |
| 27   | 800287   | 4    | DECAL, GREASE PIVOT POINTS   |





## Gauge Wheel Assembly

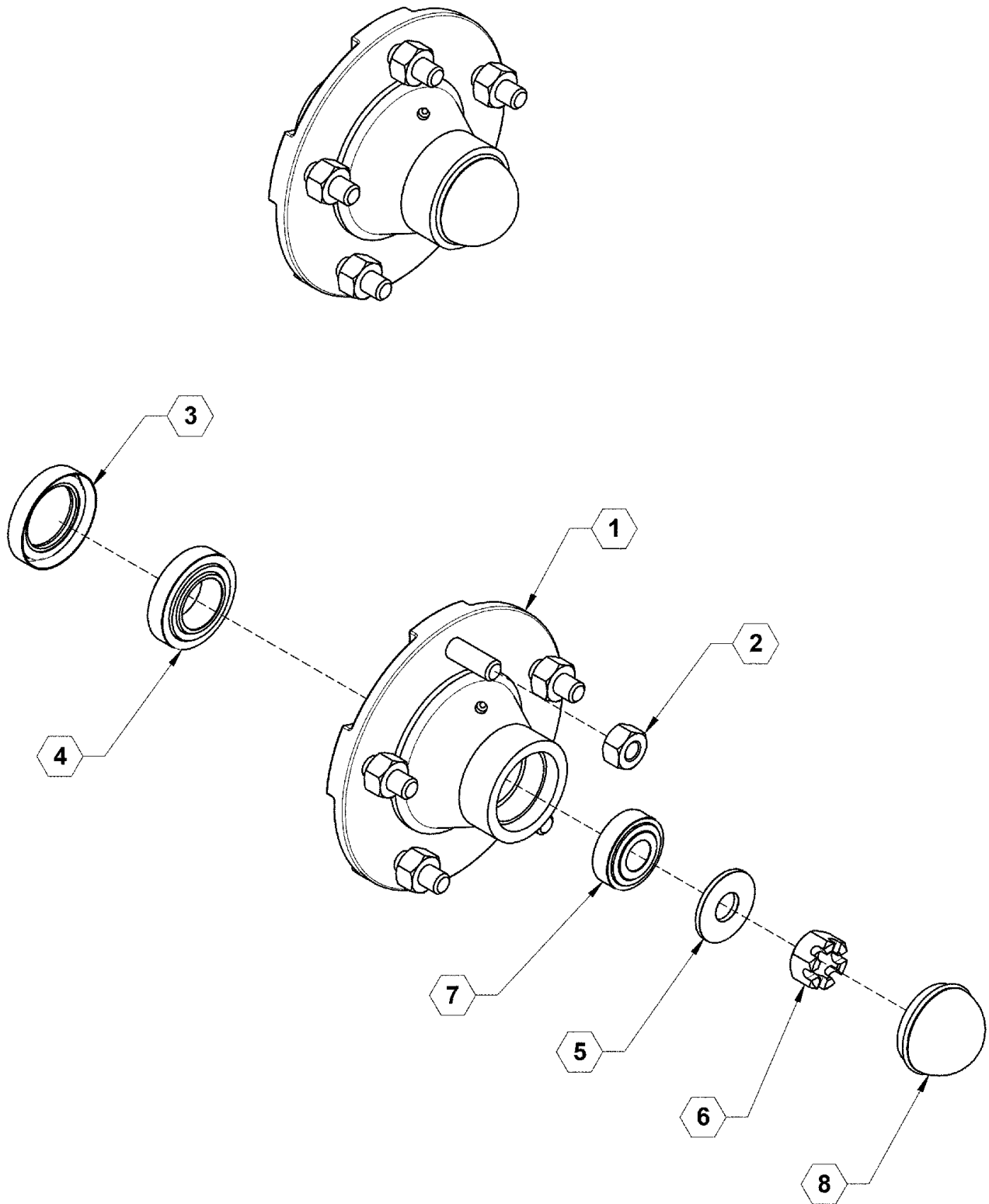


### Parts List 34995/34996/37010/37011: Gauge Wheel Assembly

| ITEM | PART NO.   | QTY. | DESCRIPTION                     |
|------|------------|------|---------------------------------|
| 1    | 19061      | 1    | PIN, GAUGE WHEEL MOUNT          |
| 2    | 34981      | 1    | WLDMNT, LH GAUGE WHL MNT        |
|      | 34984      |      | WLDMNT, RH GAUGE WHL MNT        |
| 3    | 35991      | 1    | WLDMNT, LH GAUGE WHL MNT        |
|      | 35990      |      | WLDMNT, RH GAUGE WHL MNT        |
| 4    | 590017     | 1    | PIN, HAIR CLIP, 1/8 X 3-1/8" ZP |
| 5    | 596217M    | 4    | NUT, HEX 3/4-10 G5 MAGNI        |
| 6    | 596254M    | 4    | LOCKWASHER, 3/4 MAGNI           |
| 7    | 596777M    | 2    | U-BOLT, 3/4 X 9 X 7 G5 MAGNI    |
| 8    | 700023     | 1    | TIRE, 20.5 X 8 X 10", YELLOW    |
|      | 700030     |      | TIRE W-20.5X8.0X10 SILVER RIM   |
| 9    | 730003ASSY | 1    | HUB COMPLETE (736) 5 BOLT ASSY  |



**Hub Assembly, 5-Bolt Q736**



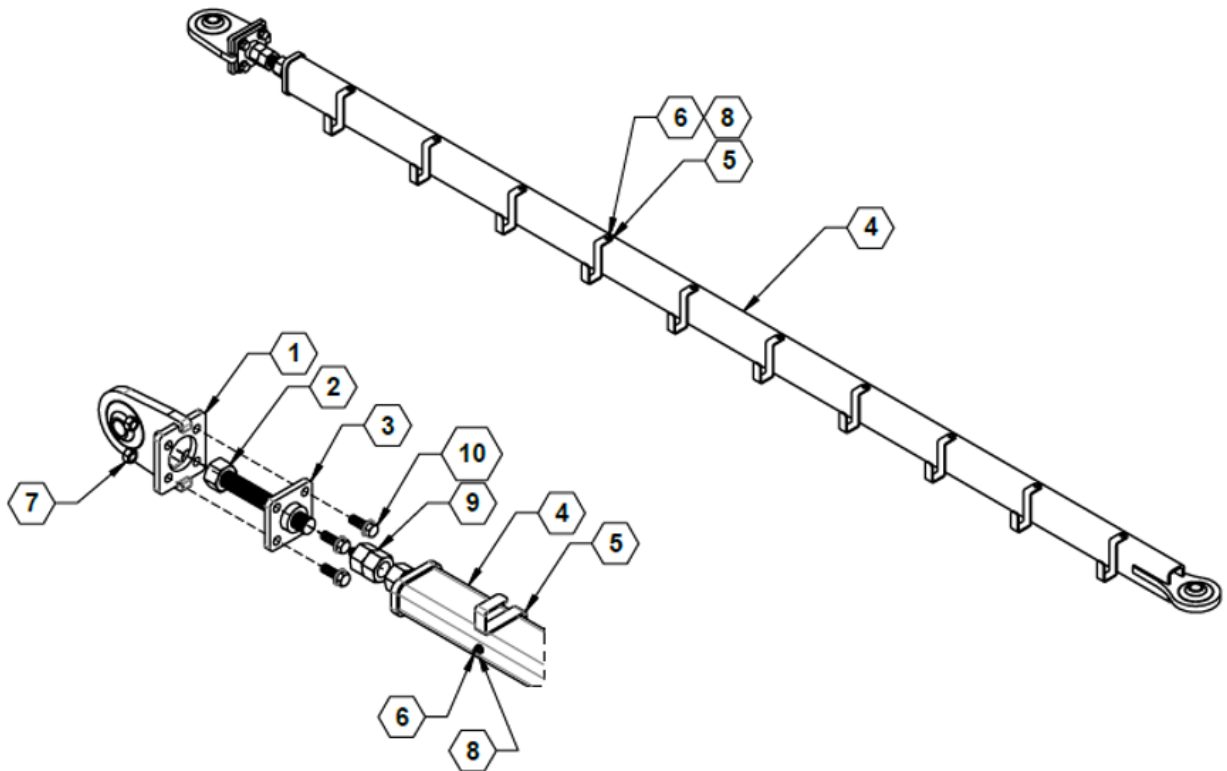
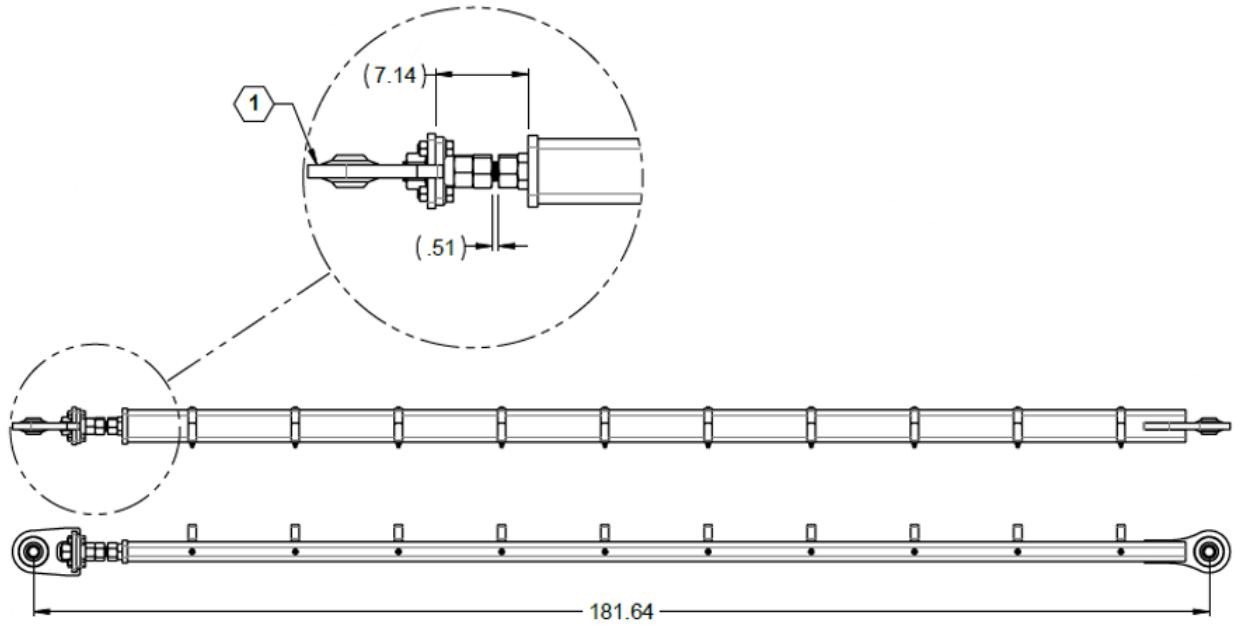


# ILLUSTRATED PARTS LIST

## Parts List 730003ASSY: Hub Assembly, 5-Bolt Q736

| ITEM | PART NO.      | QTY. | DESCRIPTION                   |
|------|---------------|------|-------------------------------|
| 1    | <b>730003</b> | 1    | Q736 HUB ASSEMBLY (ITEMS 1-7) |
| 2    | <b>1724</b>   | 5    | WHEEL STUD BOLT, 913576       |
| 2    | <b>1725</b>   | 5    | WHEEL LUG NUT, 912919         |
| 3    | <b>1716</b>   | 1    | SEAL QDS 906296               |
| 4    | <b>1710</b>   | 1    | INNER CUP (LM67010)           |
| 4    | <b>1712</b>   | 1    | INNER CONE (LM67048)          |
| 5    | <b>730034</b> | 1    | HUB WASHER                    |
| 6    | <b>730035</b> | 1    | CASTLE NUT N669               |
| 7    | <b>1711</b>   | 1    | OUTER CUP (LM11910)           |
| 7    | <b>1713</b>   | 1    | OUTER CONE (LM11949)          |
| 8    | <b>1714</b>   | 1    | HUB CAP QDS 909931            |

## Strut Linkage Assembly



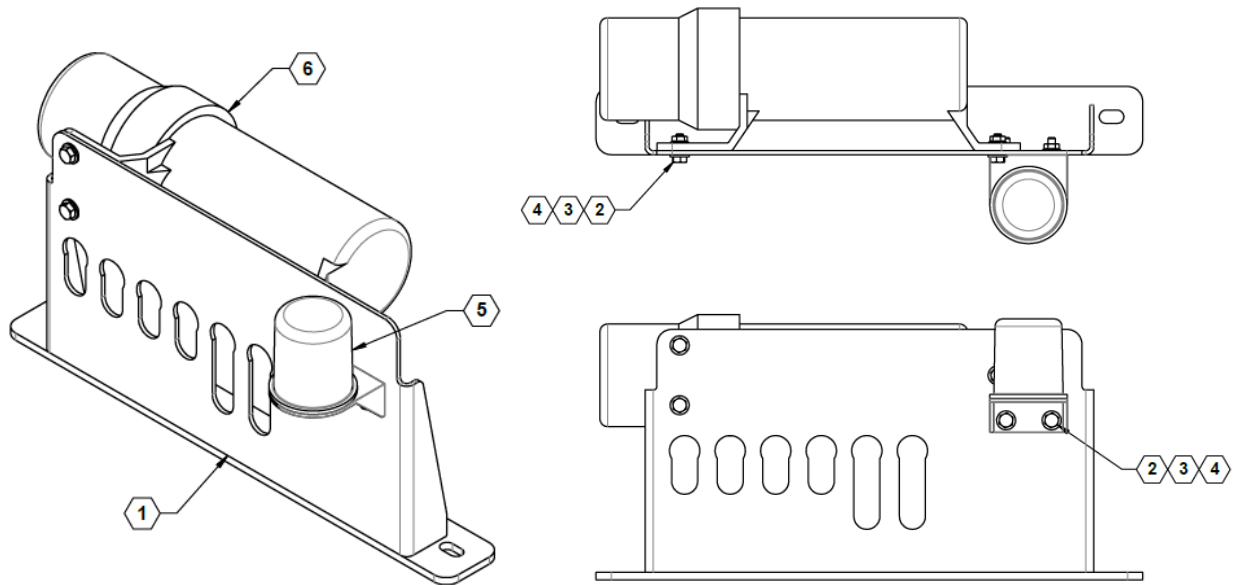


## ILLUSTRATED PARTS LIST

### Parts List 34865: Strut Linkage Assembly

| ITEM | PART NO. | QTY. | DESCRIPTION                            |
|------|----------|------|--|
| 1    | 34857    | 1    | WLDMNT, STRUT END                      |
| 2    | 34863    | 1    | WLDMNT, STRUT ADJUST                   |
| 3    | 34864    | 1    | WLDMNT, STRUT PIVOT                    |
| 4    | 34870    | 1    | WLDMNT, STRUT BASE                     |
| 5    | 34873    | 10   | PLATE, HOSE SUPPORT                    |
| 6    | 596138M  | 10   | BOLT, HH 3/8-16X6 GR5 MAGNI            |
| 7    | 596217M  | 4    | NUT, HEX 3/4-10 G5 MAGNI               |
| 8    | 596769M  | 10   | NUT, HEX FLANGE 3/8-16 MAGNI           |
| 9    | 596813M  | 3    | NUT, HEX 1-1/2-6 GR8 MAGNI             |
| 10   | 596814M  | 4    | BOLT, HEX FLANGE 3/4-10 X 2 GR 8 MAGNI |

## Manual Holder Assembly



### Parts List 34752: Manual Holder Assembly

| ITEM | PART NO. | QTY. | DESCRIPTION                   |
|------|----------|------|-------------------------------|
| 1    | 34753    | 1    | WLDMNT, MANUAL HOLDER         |
| 2    | 596101M  | 5    | BOLT, HH 1/4-20X3/4 GR5 MAGNI |
| 3    | 596256M  | 5    | WASHER, FLAT 1/4 USS MAGNI    |
| 4    | 596767M  | 5    | NUT, HEX FLANGE 1/4-20 MAGNI  |
| 5    | 740018   | 1    | LIGHT HARNESS HOLDER          |
| 6    | 750048   | 1    | MANUAL HOLDER                 |



**ROW UNITS**

See Yetter [2984-150A Strip Freshener Manual](#). Copies of some relevant pages have been included below for convenience



**2984-150A**

**STRIP FRESHENER™**

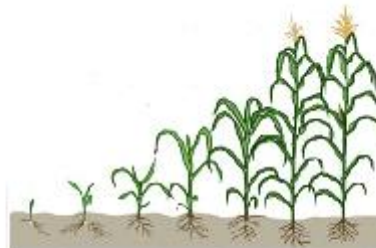
OPERATOR MANUAL  
PARTS IDENTIFICATION  
2565-963\_REV\_D 12/2022



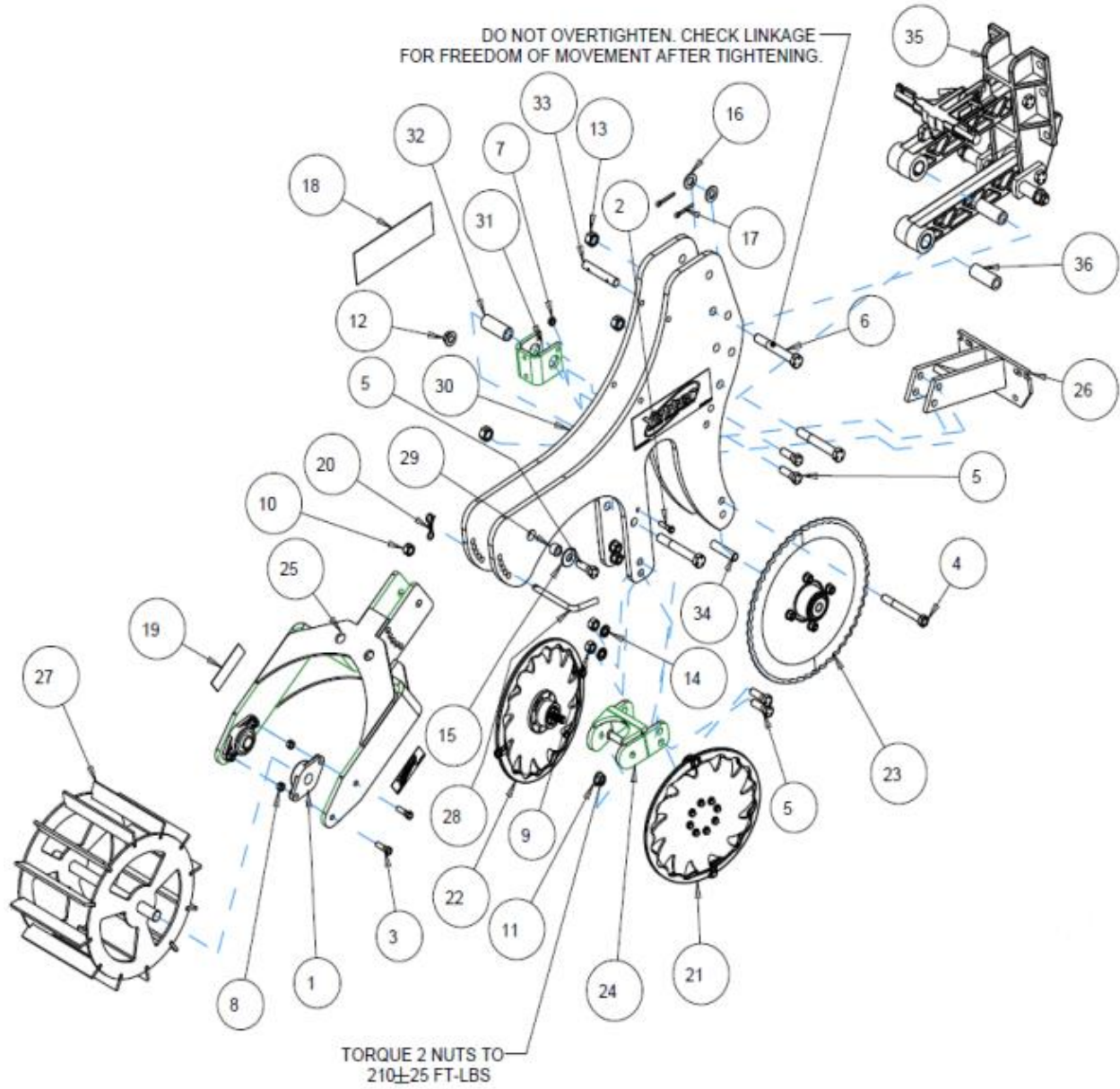
**YETTER MANUFACTURING CO.**  
*FOUNDED 1930*

Colchester, IL 62326-0358  
Toll free: 800/447-5777  
309/776-3222 (Fax)  
Website: [www.yetterco.com](http://www.yetterco.com)  
E-mail: [info@yetterco.com](mailto:info@yetterco.com)

**GERMINATE UNIFORMITY™**



## PARTS IDENTIFICATION 2984-150A-R



**MANUFACTURED 11/2014-05/2022**

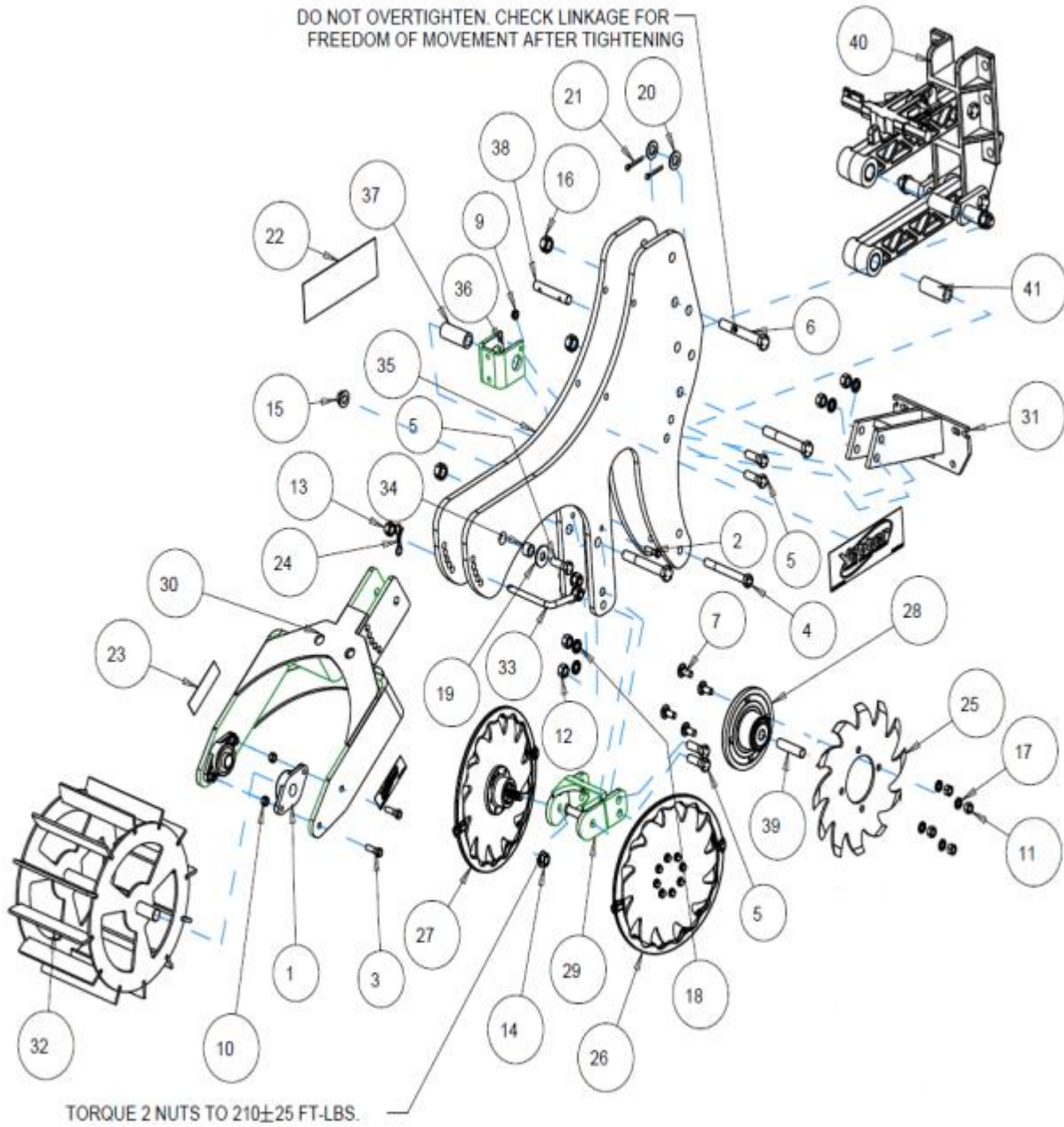


# ILLUSTRATED PARTS LIST

## PARTS IDENTIFICATION 2984-150A-R

| ITEM | PART NO.    | DESCRIPTION                       | QTY |
|------|-------------|-----------------------------------|-----|
| 1    | 1310-333    | FLANG MOUNT BEARING               | 2   |
| 2    | 2502-232    | 3/8-16 X 1 1/2 HHCS GR 5 ZYD      | 1   |
| 3    | 2502-266    | 7/16-14 X 1-1/2 HHCS GR 5 ZP      | 4   |
| 4    | 2502-384    | 5/8-11 X 5.5 HHCS GR8 ZP          | 1   |
| 5    | 2502-391    | 5/8-11 X 2 HHCS GR 5 ZP           | 10  |
| 6    | 2502-508    | 3/4-10 X 5-1/2 HHCS GR5ZYD        | 3   |
| 7    | 2520-258    | 3/8-16HEX FLANGE LCK NUT ZP       | 1   |
| 8    | 2520-267    | 7/16-14 LCK HX NT ZP              | 4   |
| 9    | 2520-452    | 5/8-11 HEX NUT GR 8 ZP            | 8   |
| 10   | 2520-459    | 5/8-11 LOCK HEX NUT, GR B, ZP     | 2   |
| 11   | 2520-464    | 5/8-11 WHIZLOCK HEX NUT, GR 2, ZP | 2   |
| 12   | 2520-476    | 5/8-11 HEX FLANGE NUT             | 1   |
| 13   | 2520-515    | 3/4-10 LOCK HEX NUT, GR A, ZP     | 3   |
| 14   | 2525-451    | 5/8 MED. LOCKWASHER ZP.           | 8   |
| 15   | 2526-451    | 5/8 STD FLATWASHER ZP             | 2   |
| 16   | 2526-504    | 3/4 SAE FLATWASHER, ZP            | 2   |
| 17   | 2531-125    | 1/4 X 1-3/4 COTTER PIN ZP         | 2   |
| 18   | 2565-058    | YET FRM EQUI DE 3-7/16X10-5/16    | 2   |
| 19   | 2565-162    | YETTER DECAL                      | 2   |
| 20   | 2570-448    | .120 BOWTIE LOCKING COTTER ZP     | 1   |
| 21   | 2966-140-ST | SHARKTOOTH ASSY,RH,3" D-BOLT      | 1   |
| 22   | 2966-141-ST | SHARKTOOTH ASSY,LH,3" D-BOLT      | 1   |
| 23   | 2984-143    | RIPPLE BLADE ASSEMBLY             | 1   |
| 24   | 2984-234    | WHEEL MOUNT W.A.                  | 1   |
| 25   | 2984-235    | BASKET MOUNT W.A.                 | 1   |
| 26   | 2984-236    | FACEPLATE W.A.                    | 1   |
| 27   | 2984-237    | ROLLING BASKET W.A.               | 1   |
| 28   | 2984-320    | PIN, SKID ADJUSTMENT ZYD          | 1   |
| 29   | 2984-401    | REAR PIVOT BUSHING,FLT LNK,ZYD    | 2   |
| 30   | 2984-432    | BODY PLATE                        | 2   |
| 31   | 2984-442    | FERTILIZER MOUNT BRACKET          | 1   |
| 32   | 2984-443    | INJ. MOUNT SPACER                 | 1   |
| 33   | 2984-454    | DOWNSTOP PIN, ZP                  | 1   |
| 34   | 2984-455    | BEARING BORE ADAPTER, ZP          | 1   |
| 35   | 3000-149    | PARALLEL ARM ASSEMBLY '09         | 1   |
| 36   | 3000-408    | INNER BUSHING,MAV LINKAGE ZYD.    | 2   |

## PARTS IDENTIFICATION 2984-150A-ST



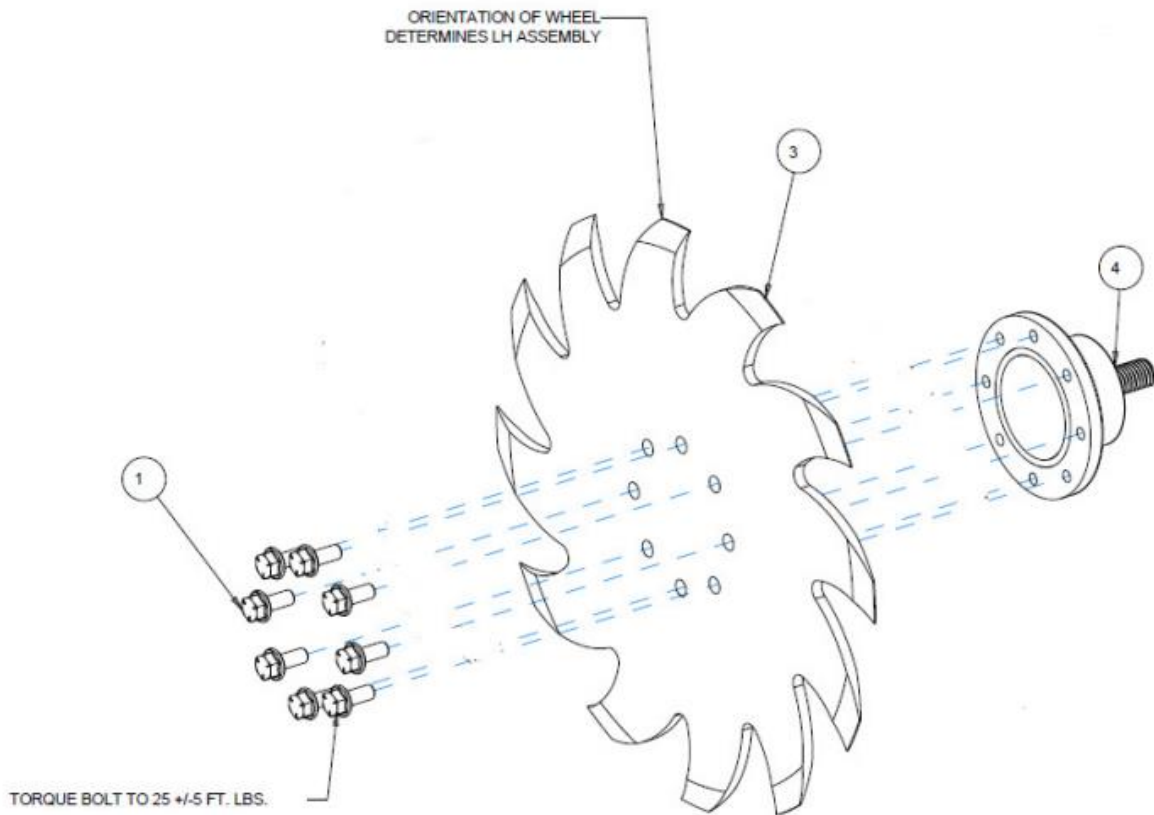
**MANUFACTURED 11/2014-05/2022**

## PARTS IDENTIFICATION 2984-150A-ST

| ITEM | PART NO.    | DESCRIPTION                       | QTY |
|------|-------------|-----------------------------------|-----|
| 1    | 1310-333    | FLANG MOUNT BEARING               | 2   |
| 2    | 2502-232    | 3/8-16 X 1 1/2 HHCS GR 5 ZYD      | 1   |
| 3    | 2502-266    | 7/16-14 X 1-1/2 HHCS GR 5 ZP      | 4   |
| 4    | 2502-384    | 5/8-11 X 5.5 HHCS GR8 ZP          | 1   |
| 5    | 2502-391    | 5/8-11 X 2 HHCS GR 5 ZP           | 10  |
| 6    | 2502-508    | 3/4-10 X 5-1/2 HHCS GR5ZYD        | 3   |
| 7    | 2505-337    | 1/2-13 X 1 1/4 CARBLT G5ZP        | 4   |
| 8    | 2515-562    | 13" WHEEL COVER, BLACK            | 2   |
| 9    | 2520-258    | 3/8-16HEX FLANGE LCK NUT ZP       | 1   |
| 10   | 2520-267    | 7/16-14 LCK HX NT ZP              | 4   |
| 11   | 2520-352    | 1/2-13 HEX NUT ZP                 | 4   |
| 12   | 2520-452    | 5/8-11 HEX NUT GR 8 ZP            | 8   |
| 13   | 2520-459    | 5/8-11 LOCK HEX NUT, GR B, ZP     | 2   |
| 14   | 2520-464    | 5/8-11 WHIZLOCK HEX NUT, GR 2, ZP | 2   |
| 15   | 2520-476    | 5/8-11 HEX FLANGE NUT             | 1   |
| 16   | 2520-515    | 3/4-10 LOCK HEX NUT, GR A, ZP     | 3   |
| 17   | 2525-352    | 1/2 MED LOCKWASHER ZP.            | 4   |
| 18   | 2525-451    | 5/8 MED. LOCKWASHER ZP.           | 8   |
| 19   | 2526-451    | 5/8 STD FLATWASHER ZP             | 2   |
| 20   | 2526-504    | 3/4 SAE FLATWASHER, ZP            | 2   |
| 21   | 2531-125    | 1/4 X 1-3/4 COTTER PIN ZP         | 2   |
| 22   | 2565-058    | YET FRM EQUI DE 3-7/16X10-5/16    | 2   |
| 23   | 2565-162    | YETTER DECAL                      | 2   |
| 24   | 2570-448    | .120 BOWTIE LOCKING COTTER ZP     | 1   |
| 25   | 2920-352    | 13" SHARK TOOTH WHEEL             | 1   |
| 26   | 2966-140-ST | SHARKTOOTH ASSY,RH,3" D-BOLT      | 1   |
| 27   | 2966-141-ST | SHARKTOOTH ASSY,LH,3" D-BOLT      | 1   |
| 28   | 2984-152    | HUB ASSEMBLY                      | 1   |
| 29   | 2984-234    | WHEEL MOUNT W.A.                  | 1   |
| 30   | 2984-235    | BASKET MOUNT W.A.                 | 1   |
| 31   | 2984-236    | FACEPLATE W.A.                    | 1   |
| 32   | 2984-237    | ROLLING BASKET W.A.               | 1   |
| 33   | 2984-320    | PIN, SKID ADJUSTMENT ZYD          | 1   |
| 34   | 2984-401    | REAR PIVOT BUSHING,FLT LNK,ZYD    | 2   |
| 35   | 2984-432    | BODY PLATE                        | 2   |
| 36   | 2984-442    | FERTILIZER MOUNT BRACKET          | 1   |
| 37   | 2984-443    | INJ. MOUNT SPACER                 | 1   |
| 38   | 2984-454    | DOWNSTOP PIN, ZP                  | 1   |
| 39   | 2984-455    | BEARING BORE ADAPTER, ZP          | 1   |
| 40   | 3000-149    | PARALLEL ARM ASSEMBLY '09         | 1   |
| 41   | 3000-408    | INNER BUSHING,MAV LINKAGE ZYD.    | 2   |

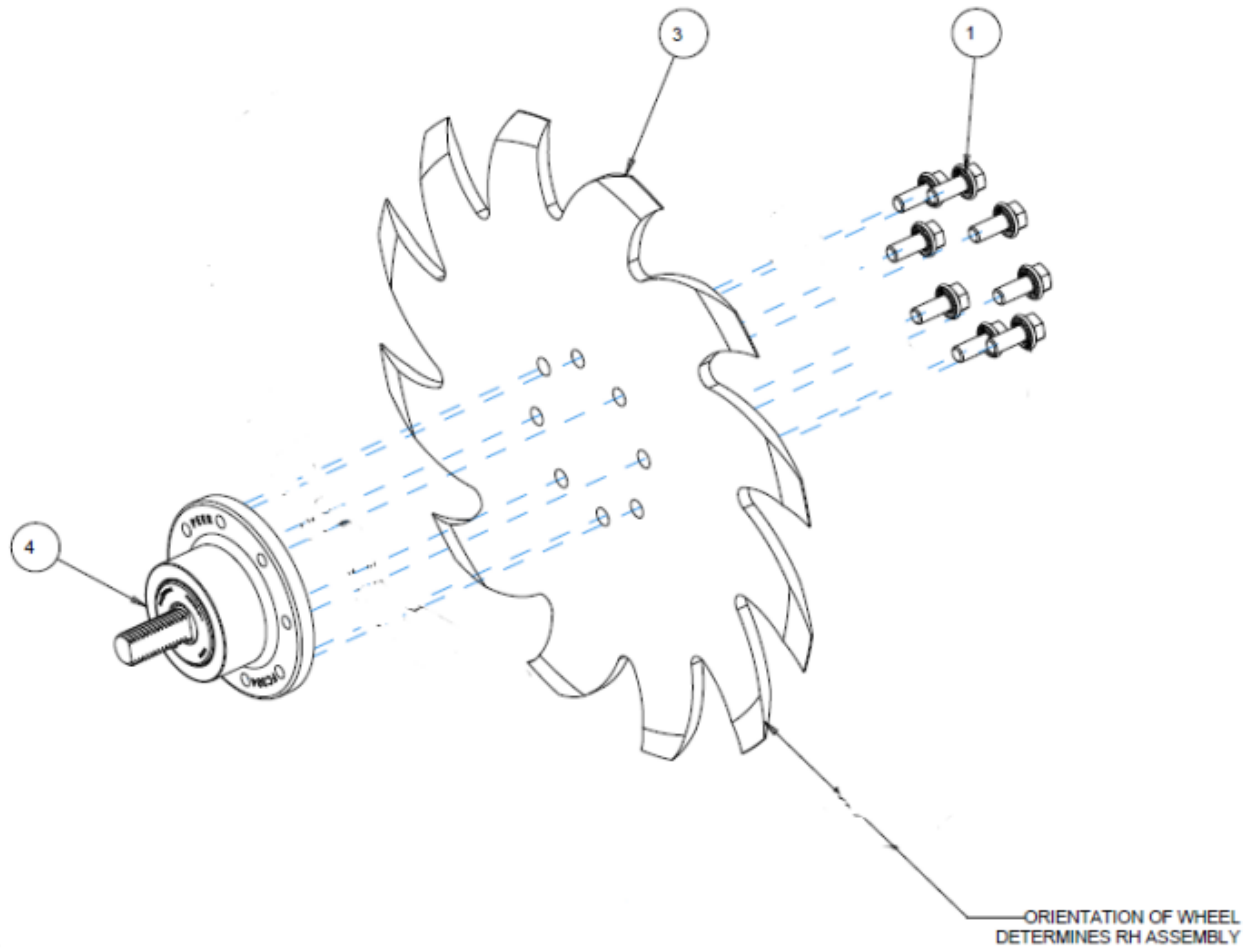
**MANUFACTURED 11/2014-05/2022**

## PARTS IDENTIFICATION 2966-141-ST



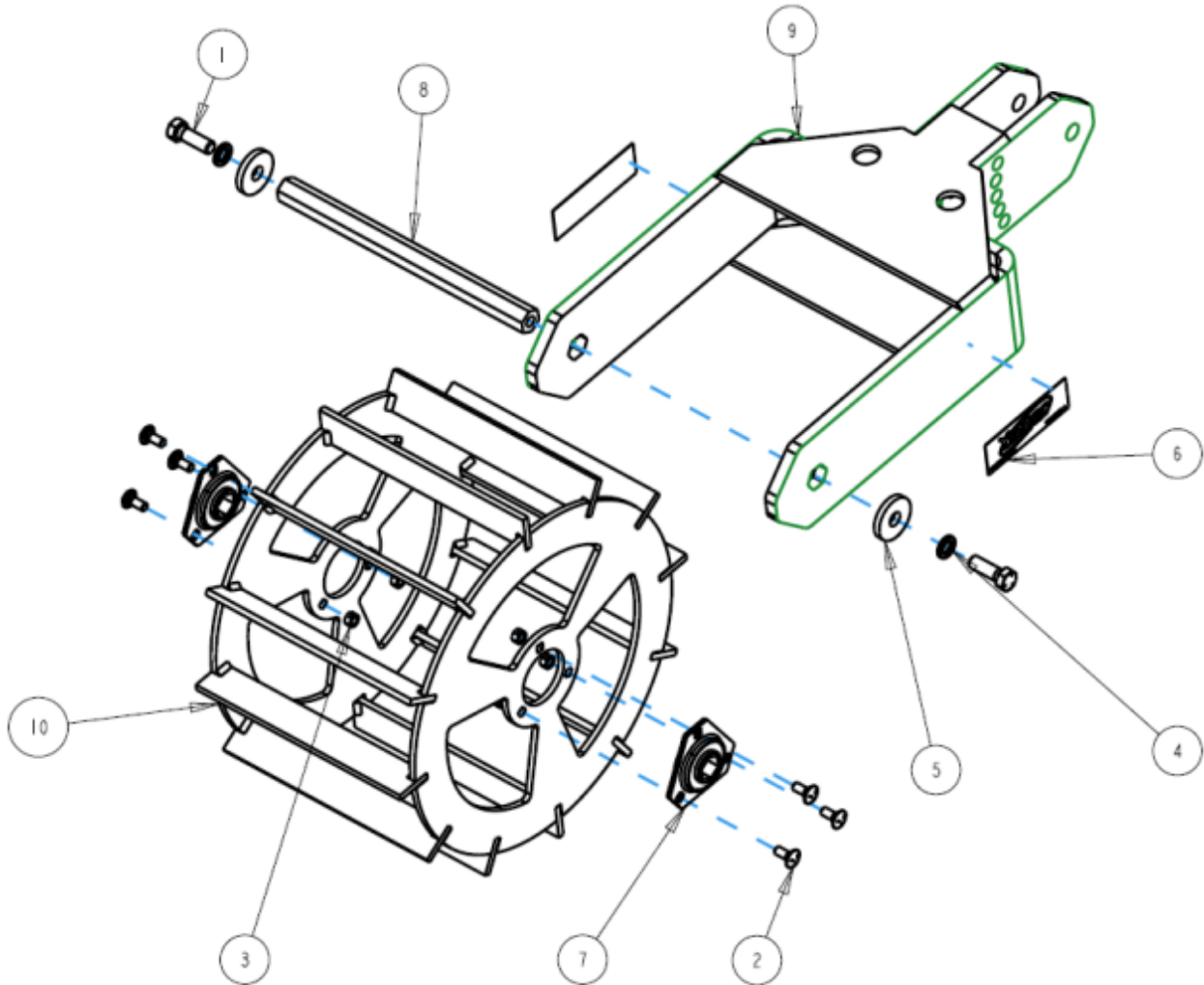
| ITEM | PART NO. | DESCRIPTION                 | QTY |
|------|----------|-----------------------------|-----|
| 1    | 2502-220 | 5/16-18 X 3/4 HHFS GR5 ZP   | 8   |
| 2    | 2515-562 | 13" WHEEL COVER, BLACK      | 2   |
| 3    | 2571-286 | SHARKTOOTH WHEEL, 8 BOLT    | 1   |
| 4    | 2965-500 | HUB ASSEMBLY, 1.406 SPINDLE | 1   |

## PARTS IDENTIFICATION 2966-140-ST



| ITEM | PART NO. | DESCRIPTION                 | QTY |
|------|----------|-----------------------------|-----|
| 1    | 2502-220 | 5/16-18 X 3/4 HHFS GR5 ZP   | 8   |
| 2    | 2515-562 | 13" WHEEL COVER, BLACK      | 2   |
| 3    | 2571-286 | SHARKTOOTH WHEEL, 8 BOLT    | 1   |
| 4    | 2965-500 | HUB ASSEMBLY, 1.406 SPINDLE | 1   |

## PARTS IDENTIFICATION 2984-145

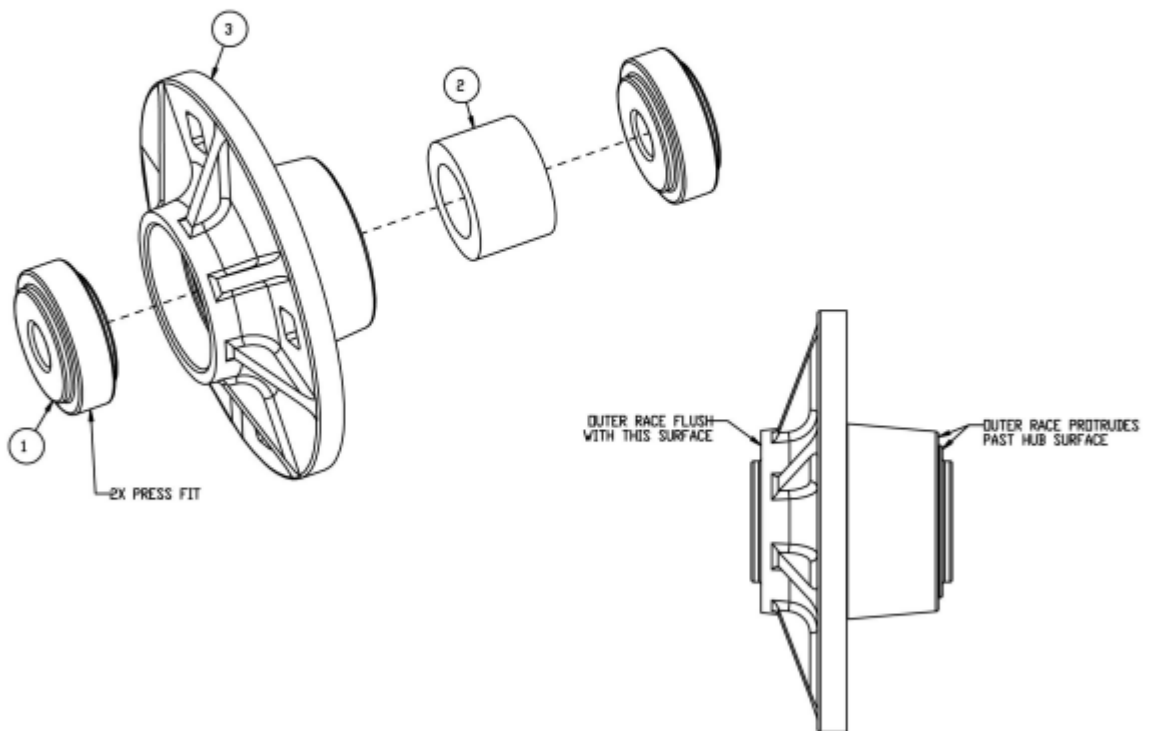


| ITEM | PART NO. | DESCRIPTION                           | QTY |
|------|----------|---------------------------------------|-----|
| 1    | 2502-294 | 1/2-13 X 1-1/2 HHCS GR5 ZP            | 2   |
| 2    | 2505-205 | 5/16-18 X 3/4 CARBOLT G5 ZP           | 6   |
| 3    | 2520-205 | 5/16-18 LOCK HEX NUT, GR A, ZP        | 6   |
| 4    | 2525-352 | 1/2 MED LOCKWASHER ZP.                | 2   |
| 5    | 2526-402 | 9/16ID X 1-3/4 OD X 1/4MBZP           | 2   |
| 6    | 2565-162 | YETTER DECAL, 1-1/2 X 4-1/2           | 2   |
| 7    | 2570-787 | FLANGED BEARING ASSEMBLY, 7/8" HEX ID | 2   |
| 8    | 2940-634 | HEX SHAFT                             | 1   |
| 9    | 2984-235 | BASKET MOUNT W.A.                     | 1   |
| 10   | 2984-251 | ROLLING BASKET W.A.                   | 1   |

**MANUFACTURED 07/2022-PRESENT**



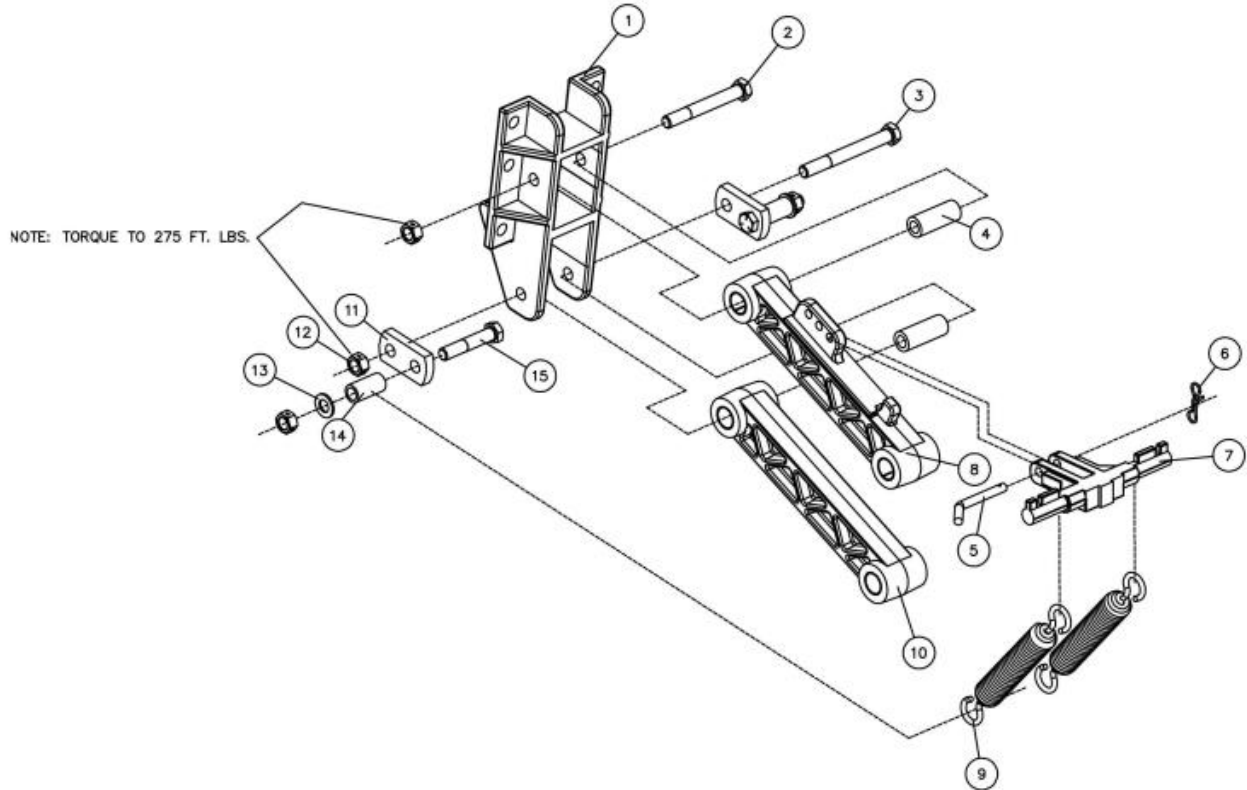
## PARTS IDENTIFICATION 2984-152



| ITEM | PART NO. | DESCRIPTION                   | QTY |
|------|----------|-------------------------------|-----|
| 1    | 2570-575 | BEARING, MARKER DISC          | 2   |
| 2    | 2984-456 | BEARING SPACER                | 1   |
| 3    | 2984-457 | STRIP FRESHENER HUB, MACHINED | 1   |

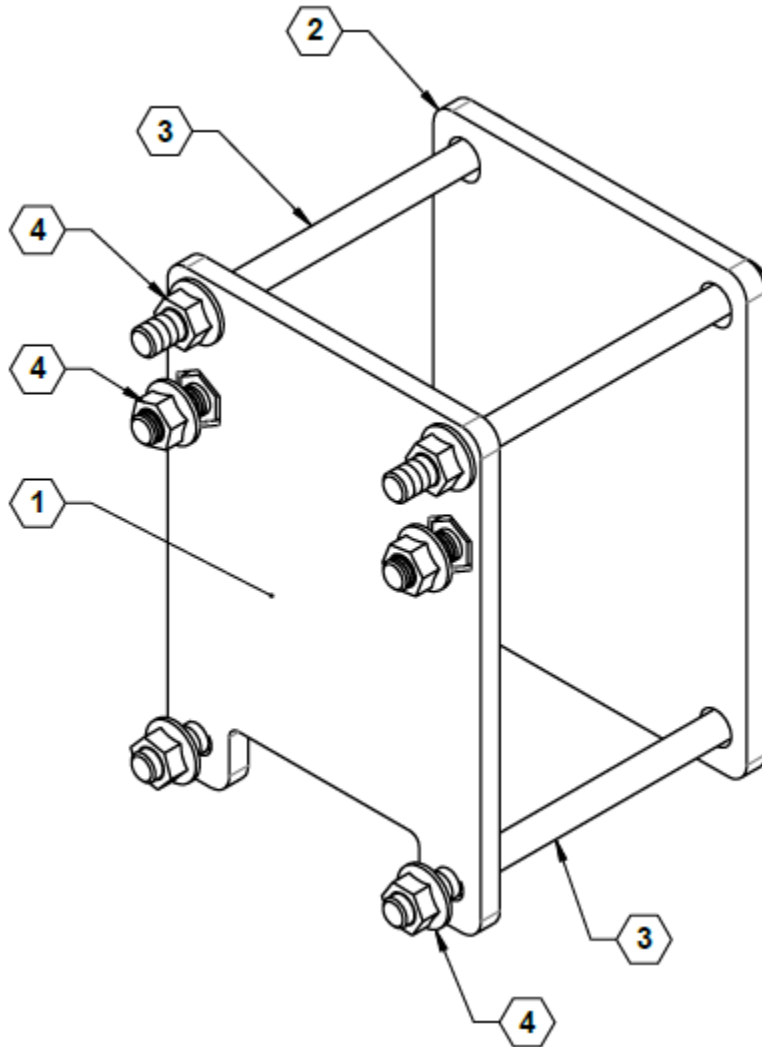
## PARTS IDENTIFICATION

3000-149



|     |     |          |                                      |
|-----|-----|----------|--------------------------------------|
| 15  | 2   | 2502-404 | 3/4-10 X 4 HHCS GR 5 ZYD             |
| 14  | 2   | 2984-305 | SPACER, SPRING ANCHOR                |
| 13  | 2   | 2526-504 | 3/4 SAE FLATWASHER                   |
| 12  | 4   | 2520-515 | 3/4-10 LOCK HEX NUT ZP               |
| 11  | 2   | 2984-304 | SPRING ANCHOR TAB                    |
| 10  | 1   | 3000-148 | LOWER PARALLEL ARM ASSEMBLY          |
|     | 4   | 2528-367 | PTFE BSHG 1.4190DX1.263IDX1.25       |
| 9   | 2   | 2550-754 | 1 5/8OD X .262 WIRE EXT SPRING       |
| 8   | 1   | 3000-147 | UPPER PARALLEL ARM ASSEMBLY          |
|     | 4   | 2528-367 | PTFE BSHG 1.4190DX1.263IDX1.25       |
| 7   | 1   | 2555-174 | UPPER SPRING BAR CASTING             |
| 6   | 1   | 2570-448 | 1/8 BOWTIE LOCKING COTTER ZYD        |
| 5   | 1   | 2965-305 | PIN, FURROWING ATTACHMENT ZYD        |
| 4   | 2   | 3000-408 | INNER BUSHING, MAVERICK LINKAGE, ZYD |
| 3   | 1   | 2502-509 | 3/4-10 X 7 HHCS GR. 5 ZYD            |
| 2   | 1   | 2502-510 | 3/4-10 X 6 HHCS GR. 5 ZYD            |
| 1   | 1   | 3000-409 | CLAMP BRACKET (MACHINED)             |
| DET | QTY | PART NO. | DESCRIPTION                          |

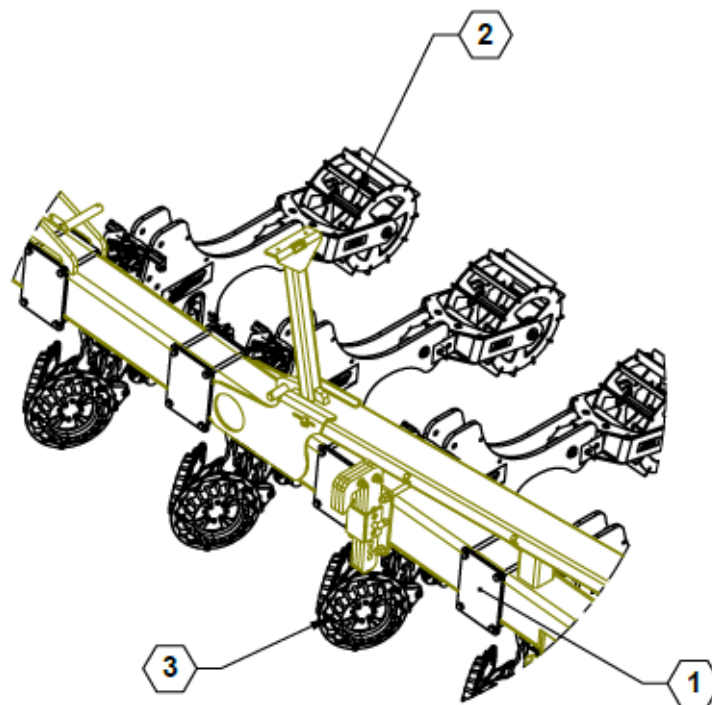
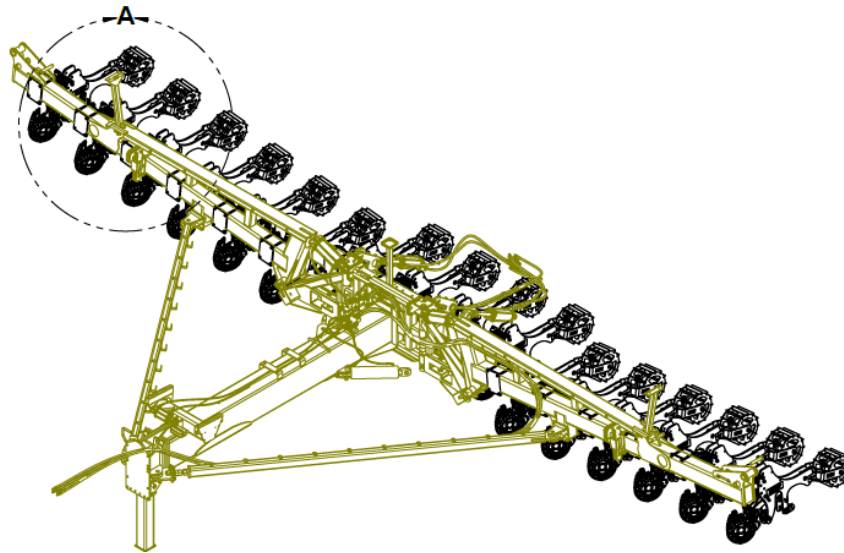
## Strip Freshener Mount, Non-Cab Control



### Parts List 35644: Strip Freshener Mount, Non-Cab Control

| ITEM | PART NO. | QTY. | DESCRIPTION                       |
|------|----------|------|-----------------------------------|
| 1    | 35392    | 1    | STRIP FRESHNER BACKING            |
| 2    | 35394    | 1    | PLATE, STRIP FRESHNER BACKING     |
| 3    | 596477M  | 4    | BOLT, HH 5/8 X 9 GR5 MAGNI        |
| 4    | 596742M  | 6    | NUT, TOP LOCK FLANGE 5/8-11 MAGNI |

## 16-Row Strip Freshener with Row Cleaner

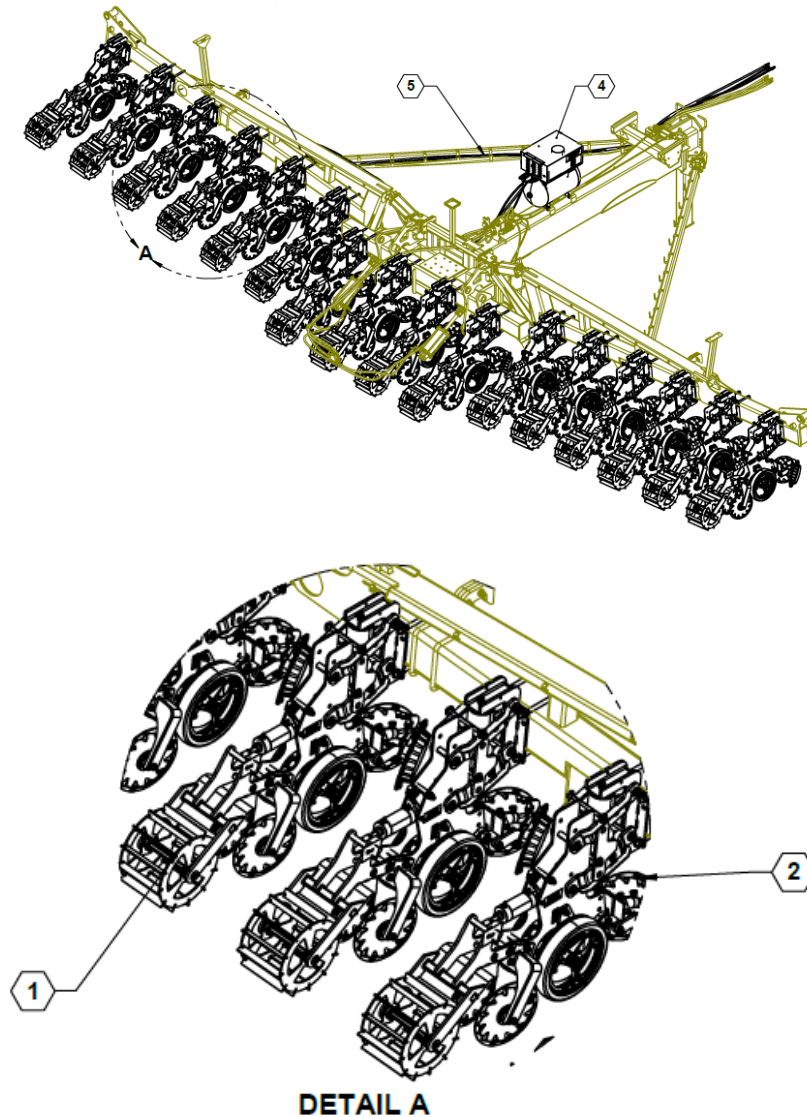


**DETAIL A**

### Parts List 35649: 16-Row Strip Freshener with Row Cleaner

| ITEM | PART NO. | QTY. | DESCRIPTION             |
|------|----------|------|-------------------------|
| 1    | 35644    | 16   | ASSY, NON-CC MOUNT      |
| 2    | 790098   | 16   | STRIP FRESHENER, NON-CC |
| 3    | 790100   | 16   | OPTN, 2967 ROW CLEANERS |

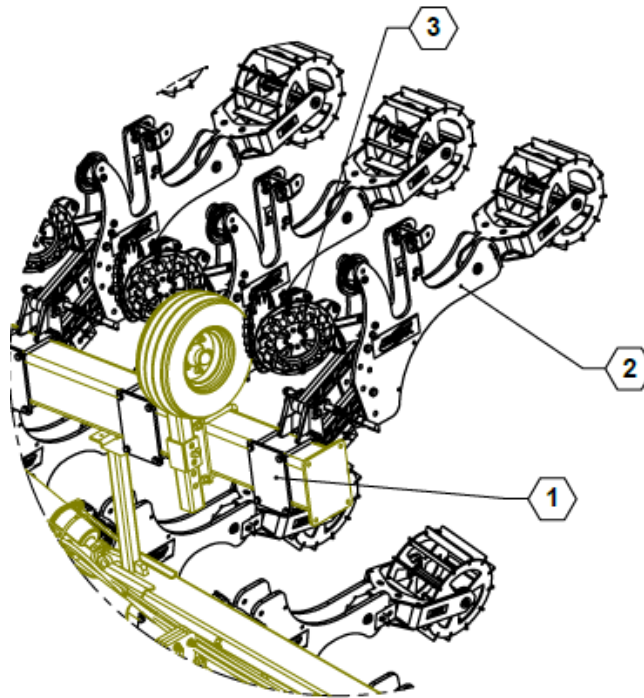
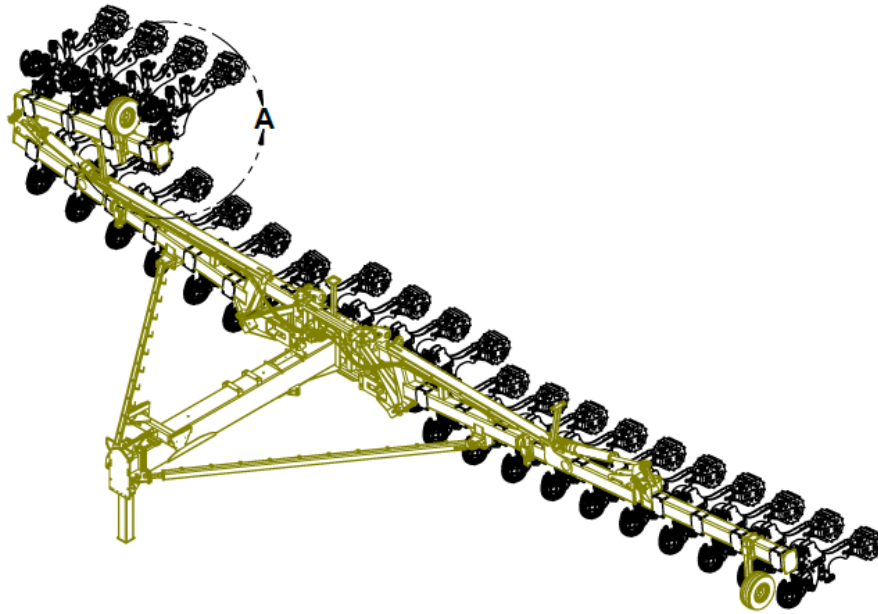
## 16-Row Strip Freshener with Row Cleaner, Cab Control, Ripple, and Shark Berming or Wave Berming



### Parts List 35645/35694: 16-Row Strip Freshener with Row Cleaner, Cab Control, Ripple, and Shark Berming or Wave Berming

| ITEM | PART NO. | QTY. | DESCRIPTION                            |
|------|----------|------|--|
| 1    | 790087   | 16   | OPTN, STRIP FRESH WITH CC & SHARK BERM |
|      | 790110   | 16   | OPTN, STRIP FRESH WITH CC & SHALL BERM |
| 2    | 790088   | 16   | OPTN, 2984-090 AIR ROW CLNR            |
| 3    | 790092   | 1    | STRIP FRESHENER CC CNTRL KIT           |
| 4    | 790094   | 1    | AIR COMPRESSOR KIT, HYD                |
| 5    | 790095   | 1    | HOSE KIT, DP STRIP FRESHENERS          |
| 6    | 790097   | 1    | FRESHENER 16 ROW AIR PLUMB KIT         |
| NS   | 600128   | 1    | HYD. HOSE KIT, DP STRIP FRESHENERS     |

## 24-Row Strip Freshener with Row Cleaner

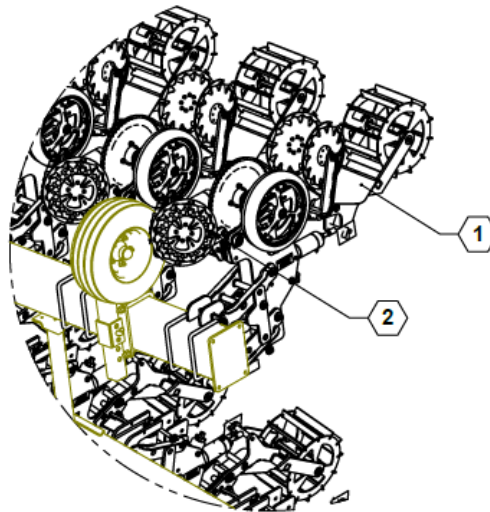
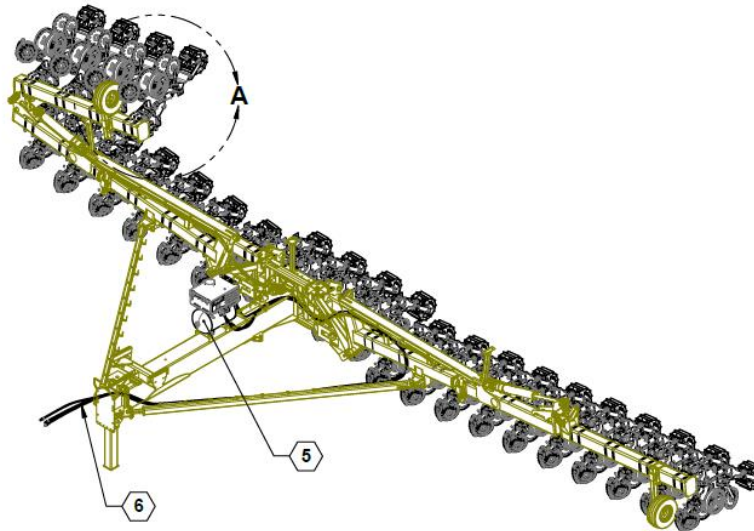


**DETAIL A**

### Parts List 35650: 24-Row Strip Freshener with Row Cleaner

| ITEM | PART NO. | QTY. | DESCRIPTION             |
|------|----------|------|-------------------------|
| 1    | 35644    | 24   | ASSY, NON-CC MOUNT      |
| 2    | 790098   | 24   | STRIP FRESHENER, NON-CC |
| 3    | 790100   | 24   | OPTN, 2967 ROW CLEANERS |

## 24-Row Strip Freshener with Row Cleaner, Cab Control, Ripple, and Shark Berming or Wave Berming



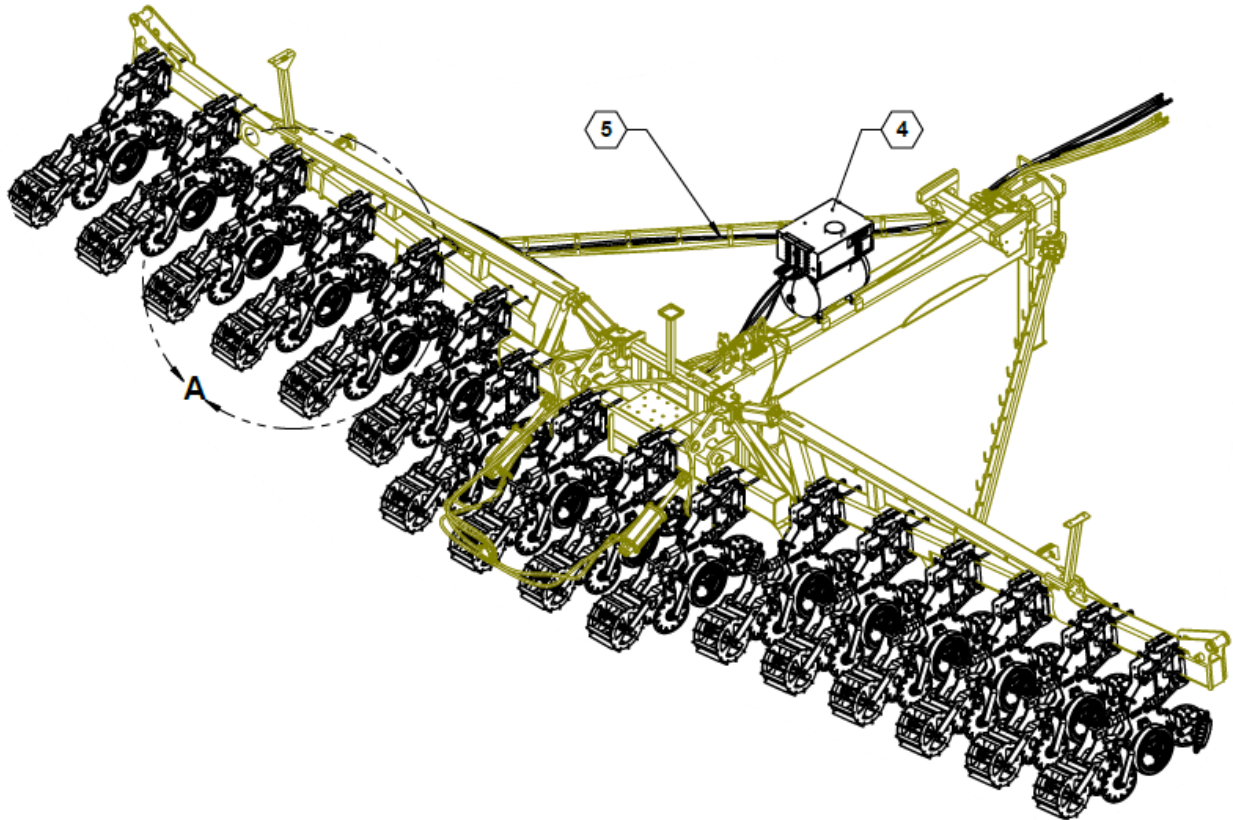
DETAIL A

### Parts List 35293/35693: 24-Row Strip Freshener with Row Cleaner, Cab Control, Ripple, and Shark Berming or Wave Berming

| ITEM | PART NO. | QTY. | DESCRIPTION                            |
|------|----------|------|--|
| 1    | 790087   | 24   | OPTN, STRIP FRESH WITH CC & SHARK BERM |
|      | 790110   | 24   | OPTN, STRIP FRESH WITH CC & SHALL BERM |
| 2    | 790088   | 24   | OPTN, 2984-090 AIR ROW CLNR            |
| 3    | 790092   | 1    | STRIP FRESHENER CC CNTRL KIT           |
| 4    | 790093   | 1    | FRESHENER 24 ROW AIR PLUMB KIT         |
| 5    | 790094   | 1    | AIR COMPRESSOR KIT, HYD                |
| 6    | 790095   | 1    | HOSE KIT, DP STRIP FRESHENERS          |
| NS   | 600128   | 1    | HYD. HOSE KIT, DP STRIP FRESHENERS     |

## ROW UNIT CAB CONTROL

### Row Freshener Supply

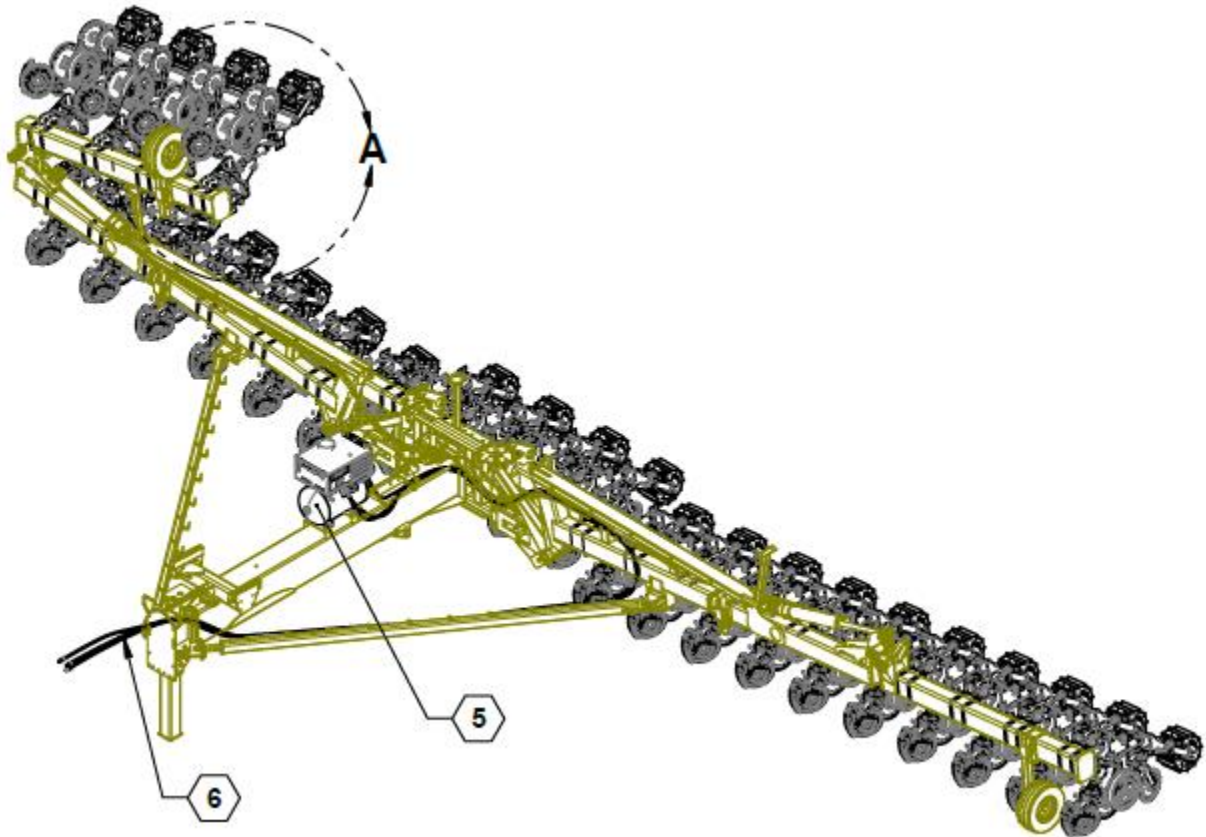


### Parts List 35645: Row Freshener Supply

| ITEM | PART NO. | QTY. | DESCRIPTION                    |
|------|----------|------|--------------------------------|
| 4    | 790094   | 1    | AIR COMPRESSOR KIT, HYD        |
| 5    | 790095   | 1    | HOSE KIT, DP STRIP FRESHENERS  |
| NS   | 790097   | 1    | FRESHENER 16 ROW AIR PLUMB KIT |



## Row Freshener Supply Hoses & Fittings

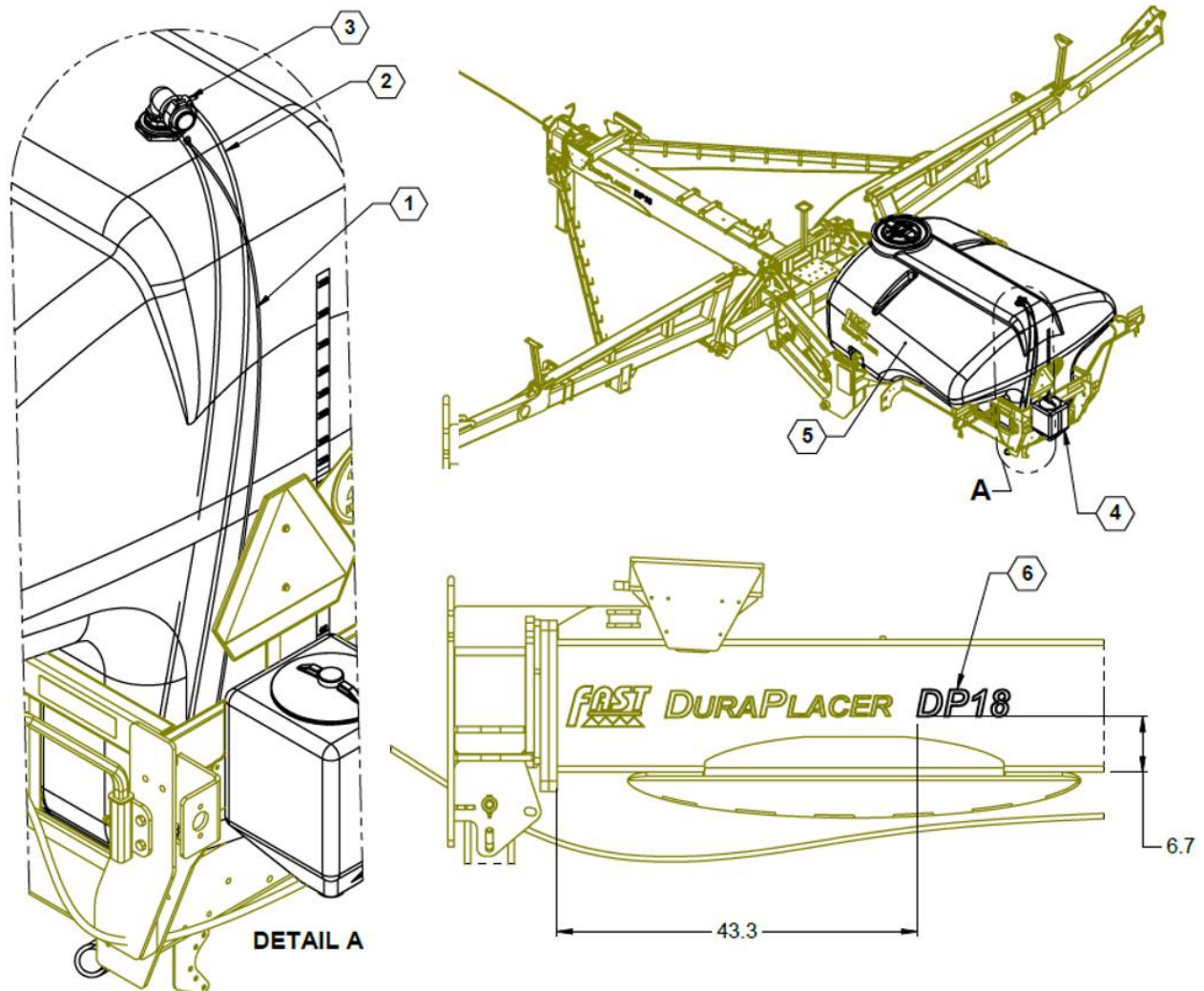


### Parts List 35293: Row Freshener Supply Hoses & Fittings

| ITEM | PART NO. | QTY. | DESCRIPTION                   |
|------|----------|------|-------------------------------|
| 5    | 790094   | 1    | AIR COMPRESSOR KIT, HYD       |
| 6    | 790095   | 1    | HOSE KIT, DP STRIP FRESHENERS |

## TANK & PUMP

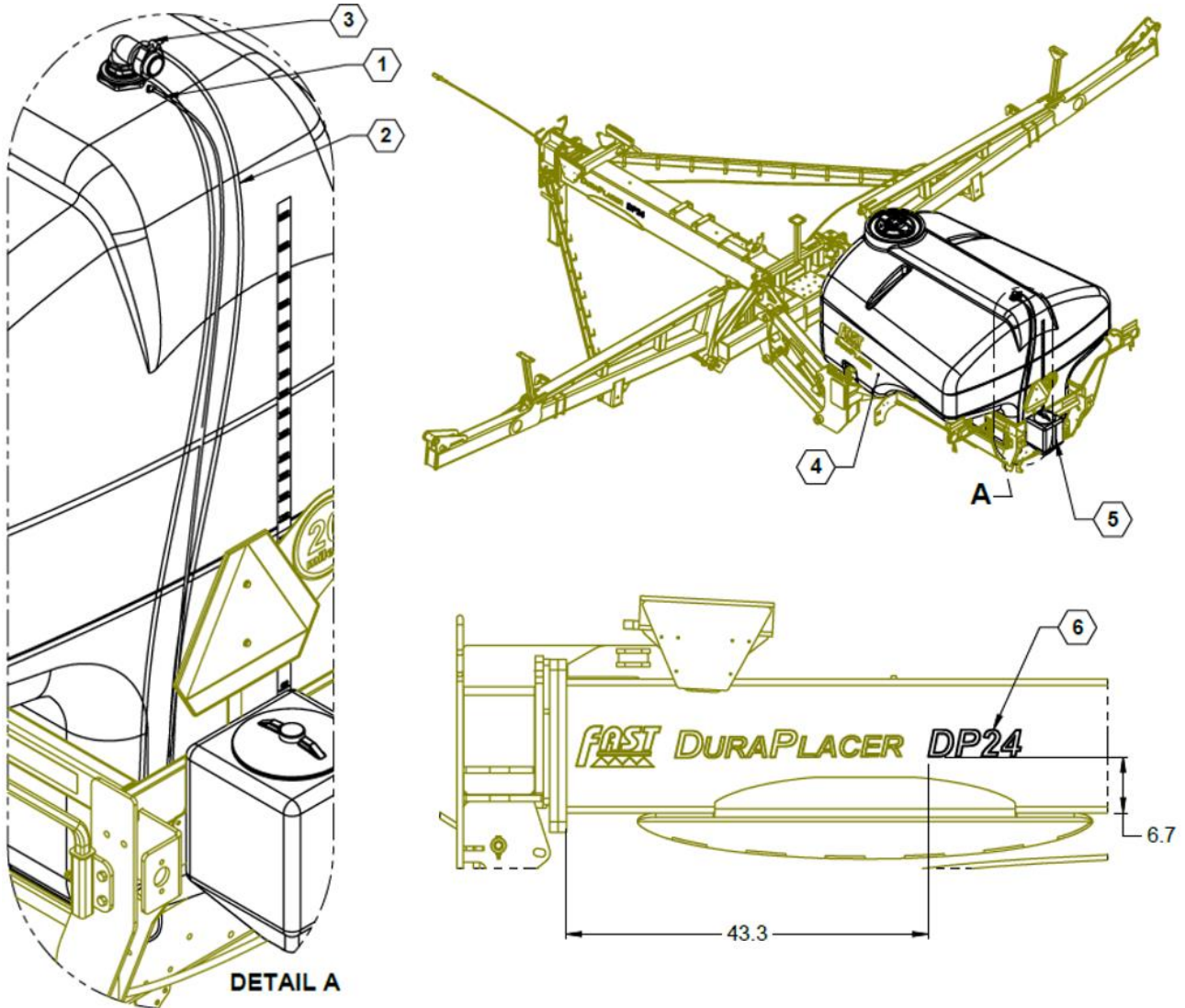
### 1800 Gal. Tank



### Parts List 35400/35402: 1800 Gal. Tank

| ITEM | PART NO.  | QTY.  | DESCRIPTION                   |
|------|-----------|-------|-------------------------------|
| 1    | 510023    | 16 FT | HOSE, 1/4" POLY BLACK         |
| 2    | 510025    | 9 FT  | HOSE, 2" CLEAR PVC SUCTION 60 |
| 3    | 540069    | 1     | HOSE CLAMP, 2.00 T-BOLT       |
| 4    | 570092    | 1     | TANK 10 GAL, WHITE            |
|      | 570097    |       | TANK 10 GAL, YELLOW           |
| 5    | 570184TNK | 1     | TANK, 1800 WHITE, APPLICATOR  |
|      | 570185TNK |       | TANK, 1800 YELLOW, APPLICATOR |
| 6    | 800358    | 2     | DECAL, DP18                   |

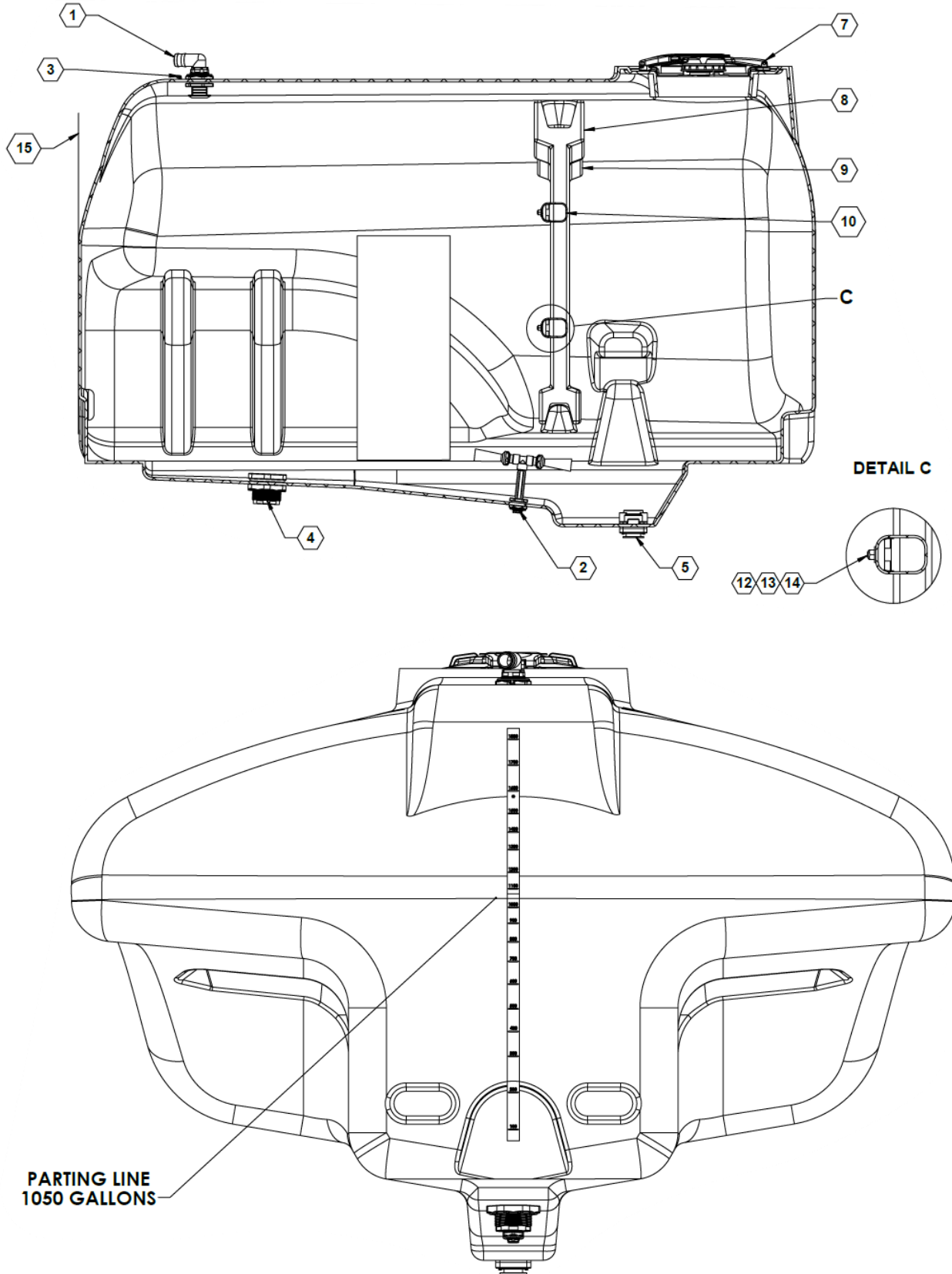
## 2400 Gal. Tank



### Parts List 35401/35403: 2400 Gal. Tank

| ITEM | PART NO.  | QTY.  | DESCRIPTION                   |
|------|-----------|-------|-------------------------------|
| 1    | 510023    | 16 FT | HOSE, 1/4" POLY BLACK         |
| 2    | 510025    | 9 FT  | HOSE, 2" CLEAR PVC SUCTION 60 |
| 3    | 540069    | 1     | HOSE CLAMP, 2.00 T-BOLT       |
| 4    | 570186TNK | 1     | TANK, 2400 WHITE, APPLICATOR  |
|      | 570187TNK |       | TANK, 2400 YELLOW, APPLICATOR |
| 5    | 570092    | 1     | TANK 10 GAL, WHITE            |
|      | 570097    |       | TANK 10 GAL, YELLOW           |
| 6    | 800359    | 2     | DECAL, DP24                   |

## Tank with Fittings



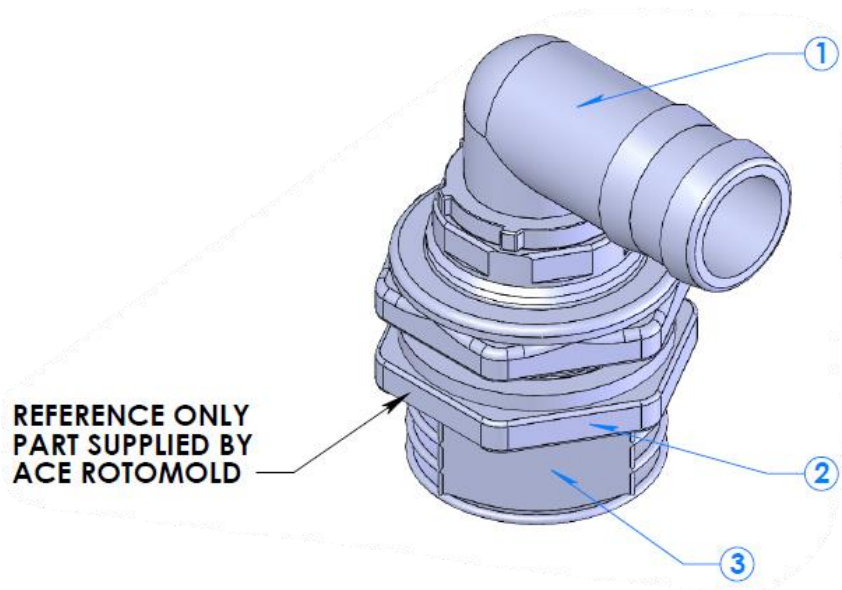


# ILLUSTRATED PARTS LIST

## Parts List 570184TNK – 570187TNK: Tank with Fittings

| ITEM | PART NO.     | QTY. | DESCRIPTION                             |
|------|--------------|------|---|
| 1    | 90SAFCOV     | 1    | FERT TANK VENTED OVERFLOW               |
| 2    | 90SALTRUMPET | 1    | AGITATION ASSEMBLY                      |
| 3    | 530004       | 1    | FITTING, ELBOW, 0.25 QC X 0.25 MST, 90D |
| 4    | 530164       | 1    | 3" TANK FITTING                         |
| 5    | 530350       | 1    | 2" FLANGE BOTTOM DRAIN                  |
| 6    | 570121       | 1    | FLAT GASKET                             |
| 7    | 570158       | 1    | LID, NONVENTED, DEN HARTOG 14762        |
| 8    | 570162       | 2    | 1800 STEALTH IN SPRT BAFFLE             |
|      | 570165       | 2    | 2400 STEALTH IN SPRT BAFFLE             |
| 9    | 570163       | 2    | 1800 STEALTH OUT SPRT BAFFLE            |
|      | 570166       | 2    | 2400 STEALTH OUT SPRT BAFFLE            |
| 10   | 570164       | 2    | 18/2400 STEALTH CROSS BAFFLE            |
| 11   | 570172       | 1    | TANK, 1800-GAL WHITE STEALTH            |
|      | 570171       | 1    | TANK, 1800-GAL YELLOW STEALTH           |
|      | 570174       | 1    | TANK, 2400-GAL WHITE STEALTH            |
|      | 570173       | 1    | TANK, 2400-GAL YELLOW STEALTH           |
| 12   | 590854       | 8    | WASHER, FLAT 1/2 SS                     |
| 13   | 590862       | 4    | NUT, NYLOCK 1/2-13 SS                   |
| 14   | 590869       | 4    | BOLT, HH 1/2X4 SS                       |
| 15   | 800347       | 1    | DECAL, 1800 SIGHT GAUGE                 |
|      | 800348       |      | DECAL, 2400 SIGHT GAUGE                 |

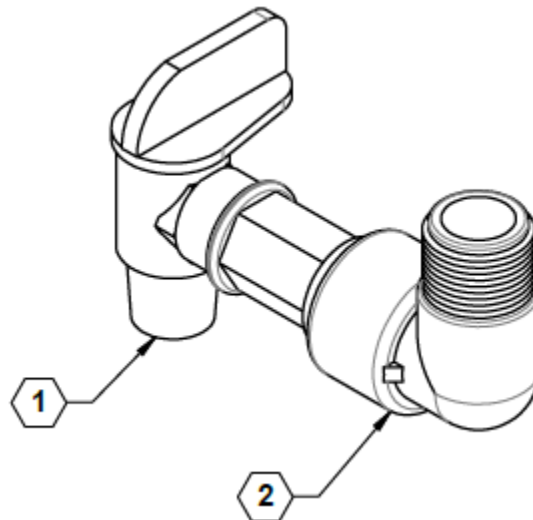
## Tank Vented Overflow Fittings



### Parts List 90SAFCOV: Tank Vented Overflow Fittings

| ITEM | PART NO. | QTY. | DESCRIPTION        |
|------|----------|------|--------------------|
| 1    | 530051   | 1    | 2" MPT X 2" HB 90° |
| 2    | 530163   | 1    | 2" TANK FITTING    |
| 3    | 530331   | 1    | 2" VENTED CAP      |

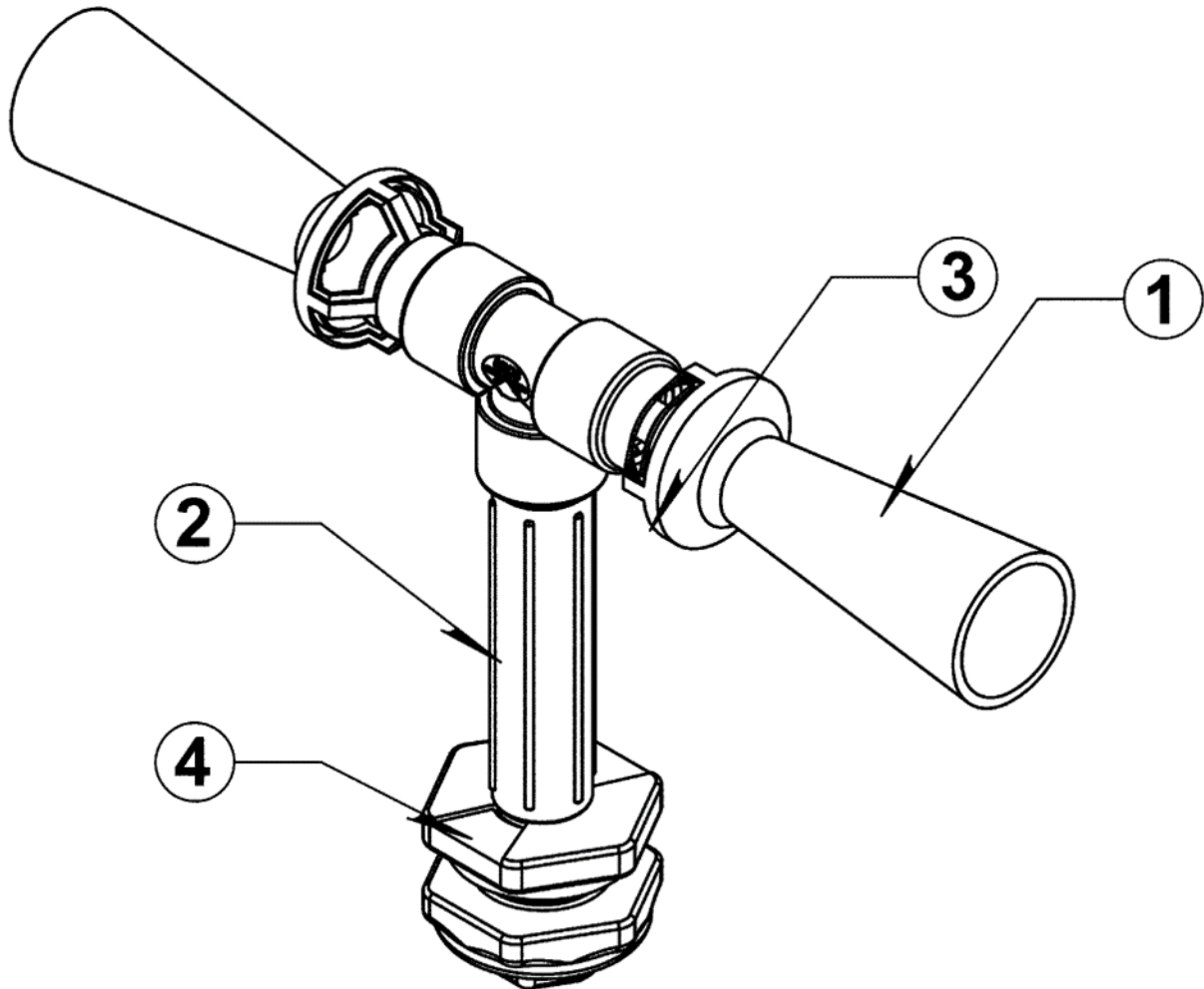
## Hand Wash Faucet Fittings



### Parts List 90SAFCHWF: Hand Wash Faucet Fittings

| ITEM | PART NO. | QTY. | DESCRIPTION                  |
|------|----------|------|------------------------------|
| 1    | 510022   | 1    | FAUCET, 3/4" FLO-RITE, CLEAR |
| 2    | 530151   | 1    | ELBOW, STREET 3/4" 90        |

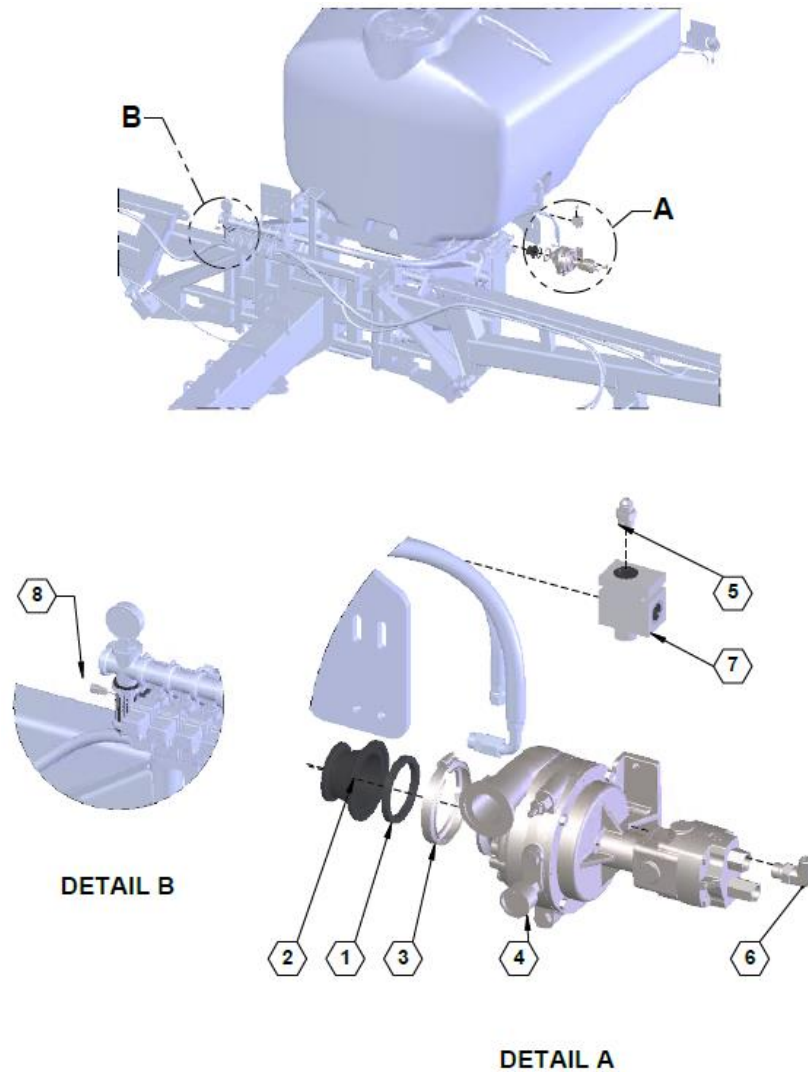
## Tank Agitation Fittings



### Parts List 90SALTRUMPET: Tank Agitation Fittings

| ITEM | PART NO. | QTY. | DESCRIPTION           |
|------|----------|------|-----------------------|
| 1    | 520029   | 2    | AGITATION NOZZLE      |
| 2    | 530130   | 1    | NIPPLE, 3/4" X 6"     |
| 3    | 530156   | 1    | TEE, 3/4" NPT         |
| 4    | 530160   | 1    | 3/4" BULKHEAD FITTING |

## Pump ACE 255F-304 WET SEAL

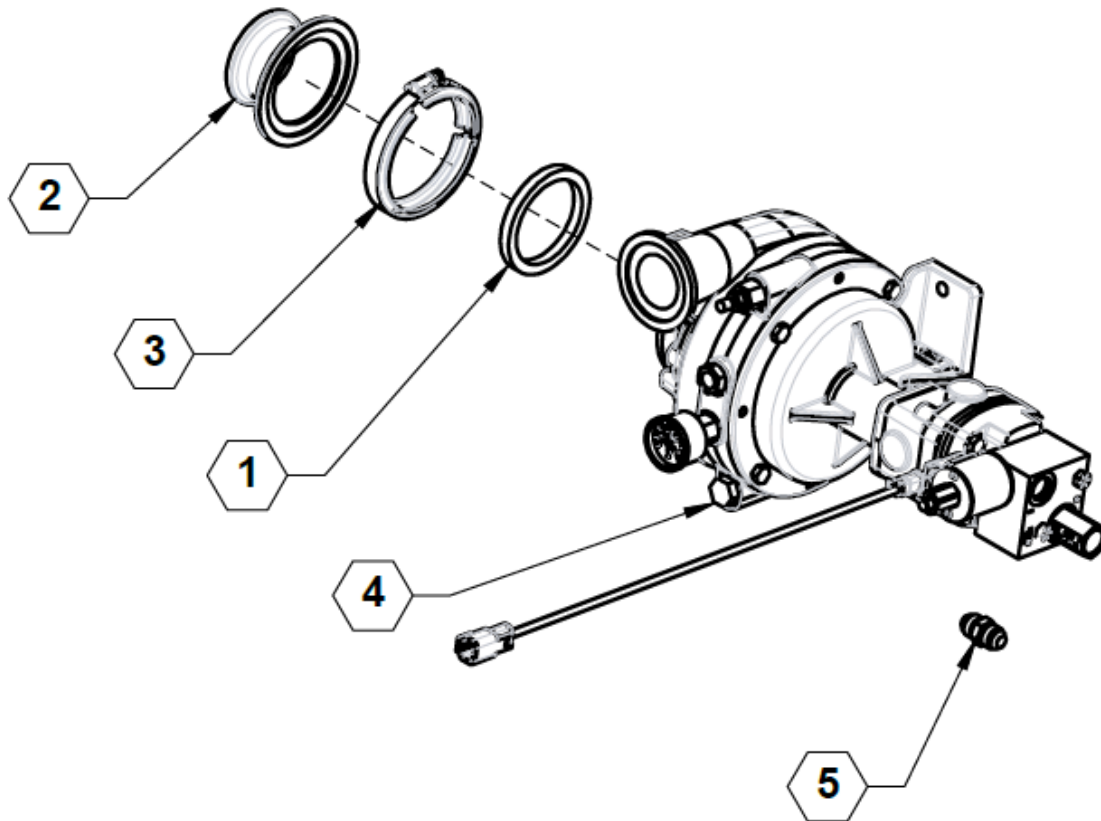


### Parts List 34715: Pump ACE 255F-304 WET SEAL

| ITEM | PART NO.      | QTY. | DESCRIPTION                    |
|------|---------------|------|--------------------------------|
| NS   | <b>530014</b> | 1    | GASKET, 1.500 EPDM             |
| 1    | <b>530024</b> | 1    | GASKET, 3" EPDM                |
| 2    | <b>530316</b> | 1    | MANIFOLD REDUCER 3" X 2" CPLR  |
| NS   | <b>540001</b> | 1    | CLAMP, 2.00 STD WORM SCREW     |
| 3    | <b>540003</b> | 1    | CLAMP, WORM SCREW 3"           |
| 4    | <b>550055</b> | 1    | PUMP, ACE 255F-304 WET SEAL    |
| 5    | <b>610060</b> | 1    | JIC #8 TO ORING #10            |
| 6    | <b>610086</b> | 1    | JIC #8 TO O-RING #10 ELBOW 90° |
| 7    | <b>610099</b> | 1    | VALVE, FLOW CONTROL, P.C.      |
| 8    | <b>632079</b> | 1    | VALVE, BUTTERFLY, 1.5"         |



## Pump ACE 255F-304 PWM WET SEAL

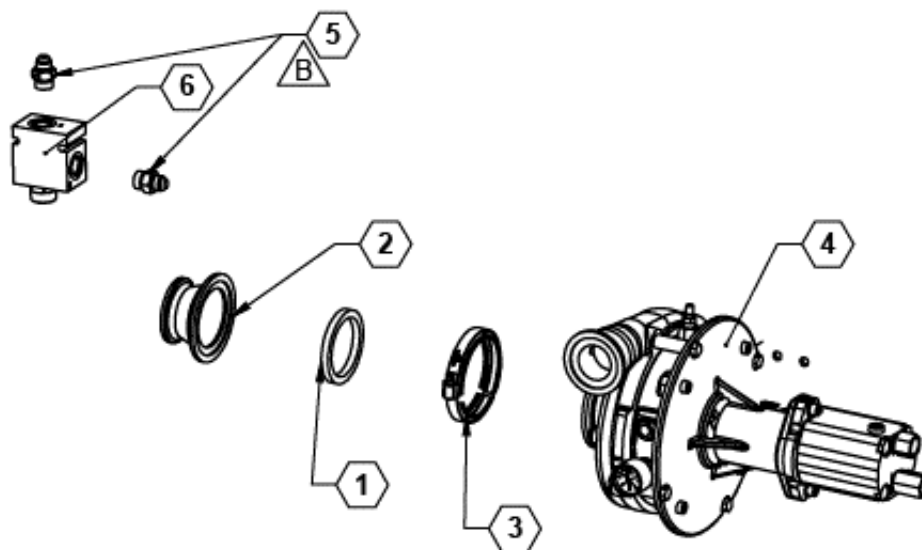
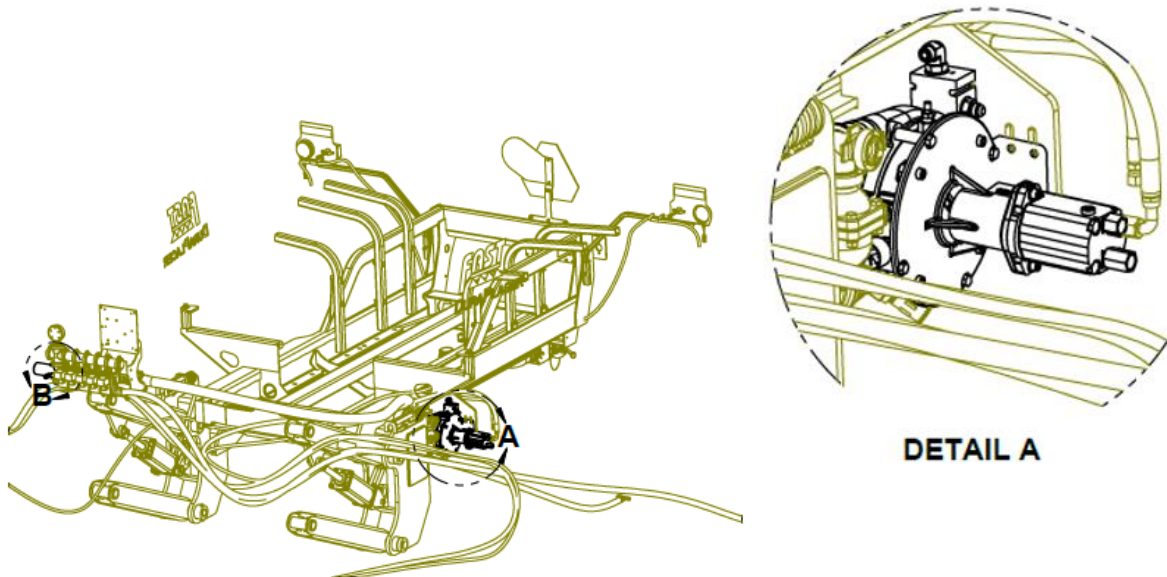


INSTALL BETWEEN HYDRAULIC HOSES THAT NORMALLY GO TO OVERSPEED VALVE

### Parts List 34718: Pump ACE 255F-304 PWM WET SEAL

| ITEM | PART NO. | QTY. | DESCRIPTION                     |
|------|----------|------|---------------------------------|
| 1    | 530024   | 1    | GASKET, 3" EPDM                 |
| 2    | 530316   | 1    | MANIFOLD REDUCER 3" X 2" CPLR   |
| 3    | 540003   | 1    | CLAMP, WORM SCREW 3"            |
| 4    | 550056   | 1    | PUMP, ACE 255F-304 PWM WET SEAL |
| 5    | 610147   | 1    | FITTING, #8 JIC UNION           |
| 6    | 632042   | 1    | 2 PIN DT 40' CABLE EXTENSION    |

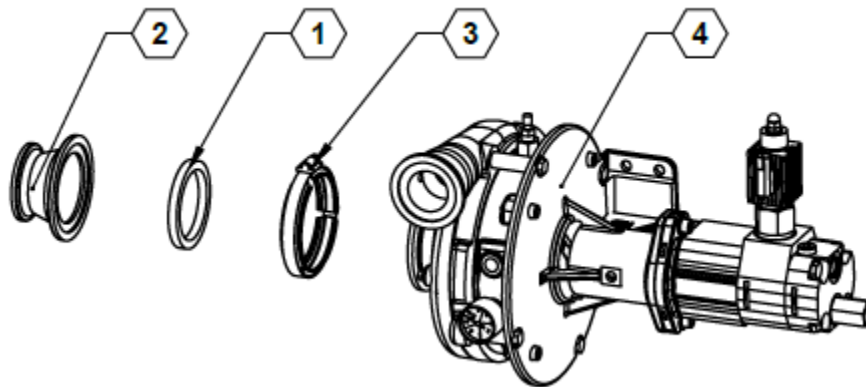
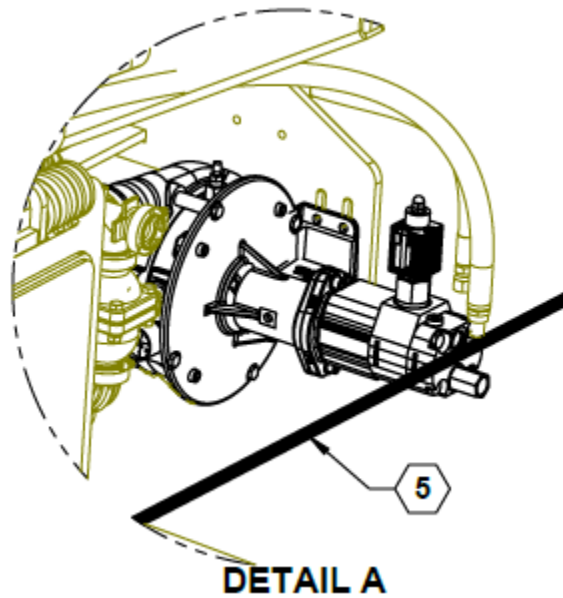
## Pump ACE FMC-750-HYD OASIS



### Parts List 35286: Pump ACE FMC-750-HYD OASIS

| ITEM | PART NO. | QTY. | DESCRIPTION                            |
|------|----------|------|--|
| 1    | 530024   | 1    | GASKET, 3" EPDM                        |
| 2    | 530316   | 1    | MANIFOLD REDUCER 3" X 2" CPLR          |
| 3    | 540003   | 1    | CLAMP, WORM SCREW 3"                   |
| 4    | 550018   | 1    | PUMP, ACE FMC-750F-HYD-M22, B, A, B, A |
| 5    | 610060   | 1    | JIC #8 TO ORING #10                    |
| 6    | 630057   | 1    | FLOW REGULATOR, 16 GPM                 |
| 7    | 632079   | 1    | VALVE, BUTTERFLY, 1.5"                 |

## Pump ACE FMC-750-HYD PWM OASIS

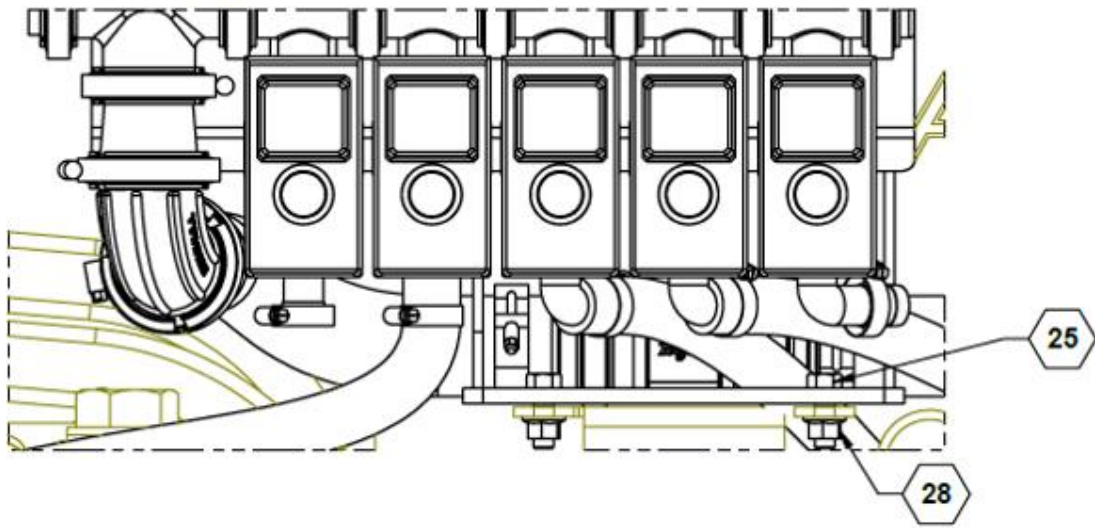
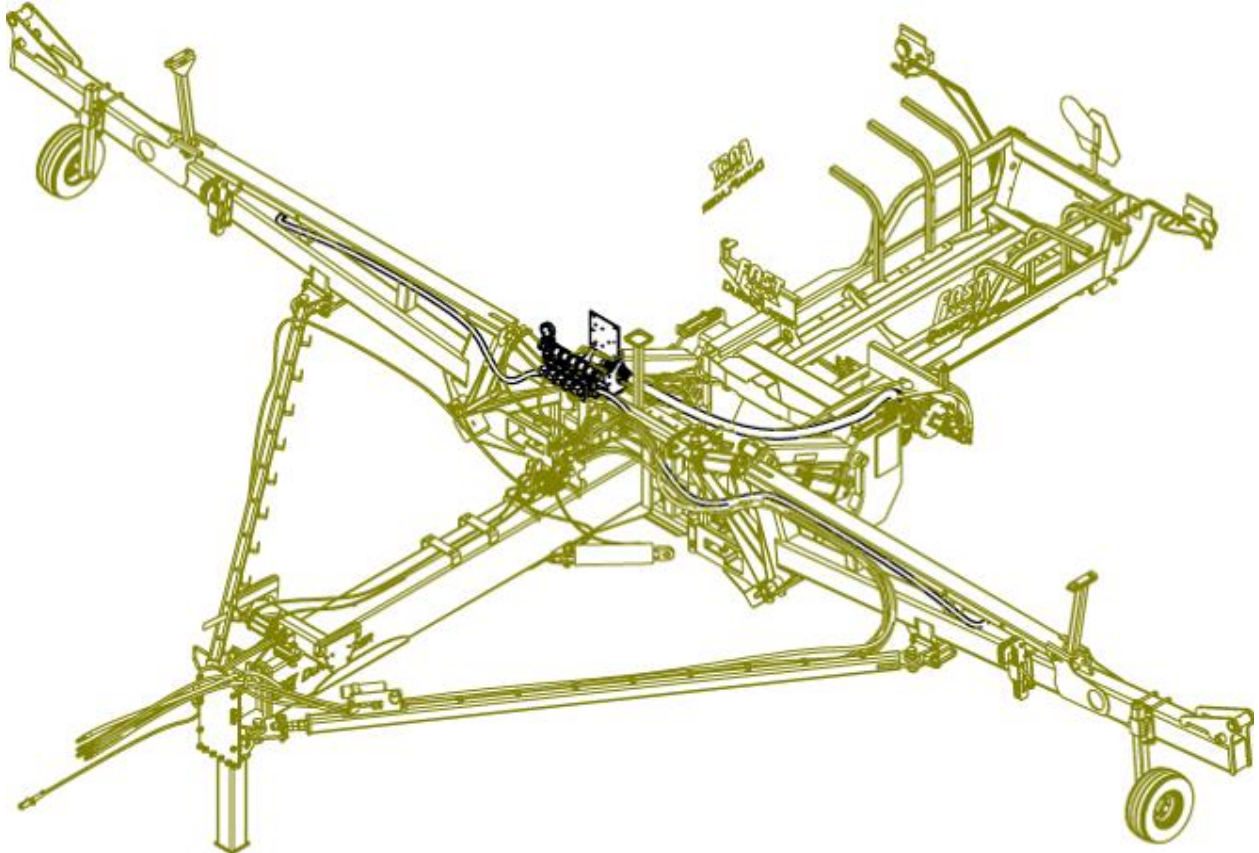


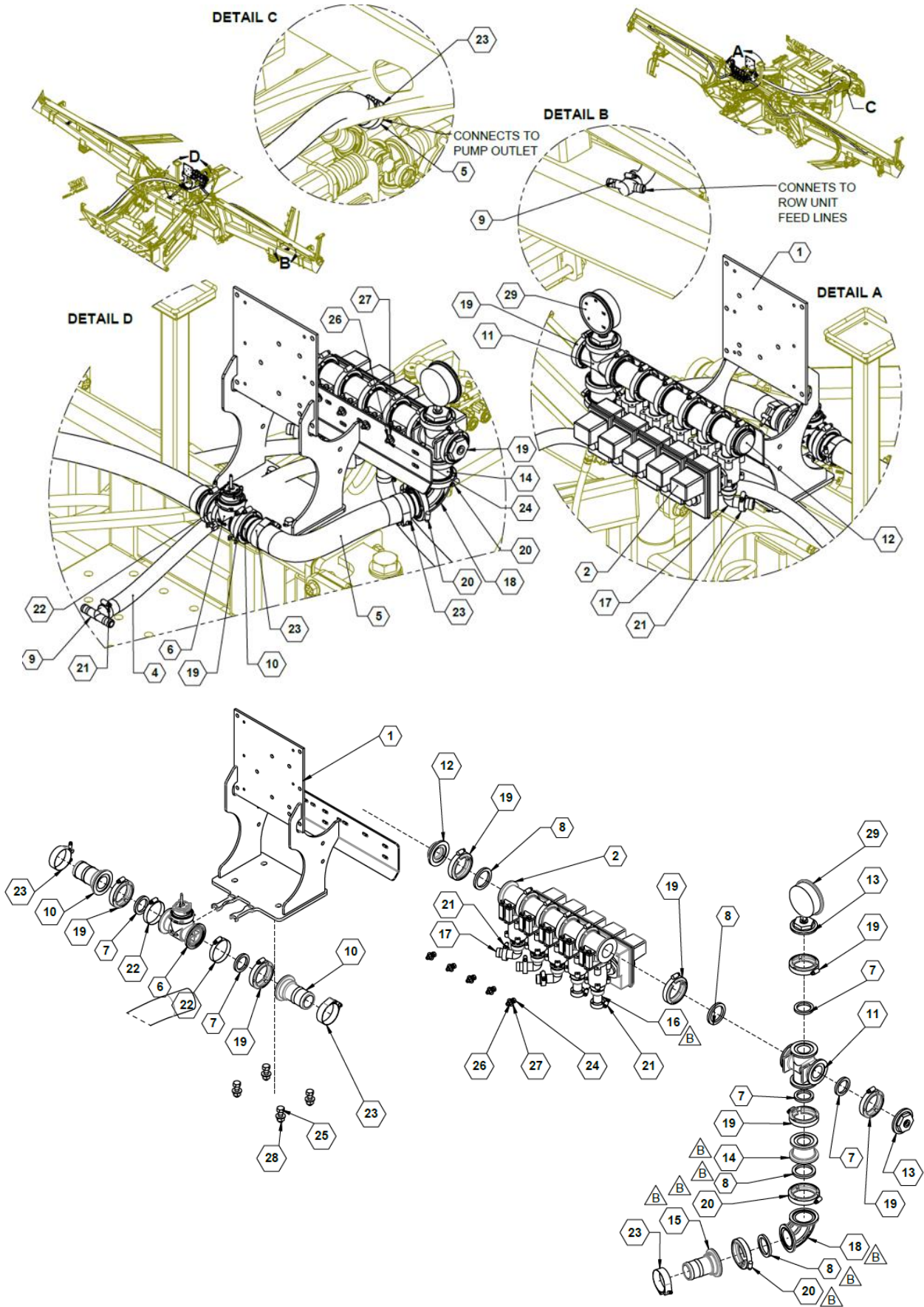
### Parts List 35287: Pump ACE FMC-750-HYD PWM OASIS

| ITEM | PART NO. | QTY. | DESCRIPTION                   |
|------|----------|------|-------------------------------|
| 1    | 530024   | 1    | GASKET, 3" EPDM               |
| 2    | 530316   | 1    | MANIFOLD REDUCER 3" X 2" CPLR |
| 3    | 540003   | 1    | CLAMP, WORM SCREW 3"          |
| 4    | 550044   | 1    | PUMP, 750 OASIS W/ PWM        |
| 5    | 632204   | 1    | 2 PIN DEUTSCH EXTENSION 20'   |

## PRODUCT PLUMBING on TOOLBAR

### Base Liquid Plumbing







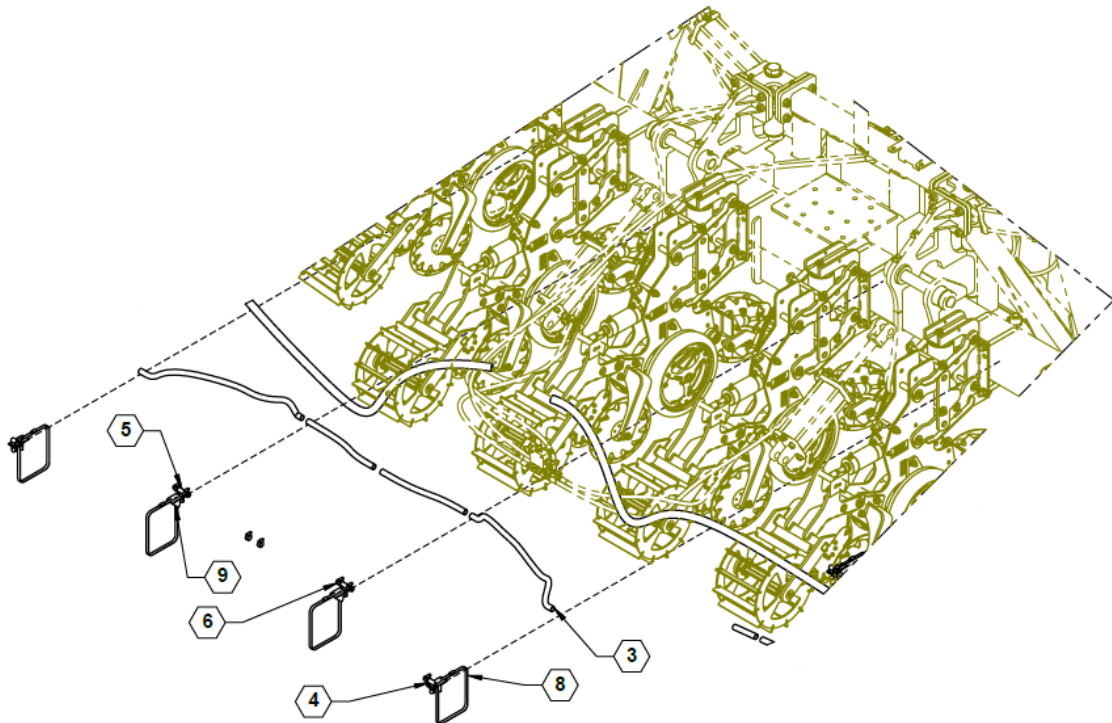
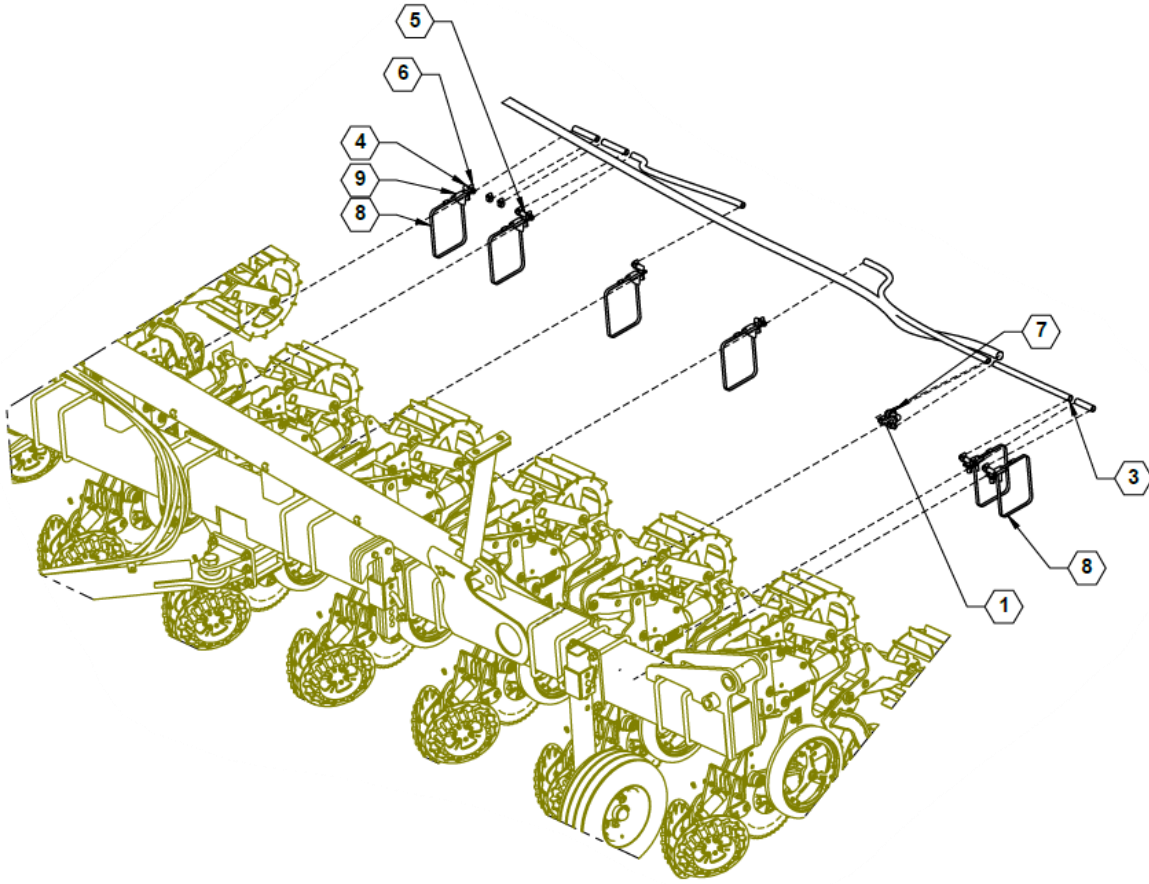
# ILLUSTRATED PARTS LIST

## Parts List 35675: Base Liquid Plumbing

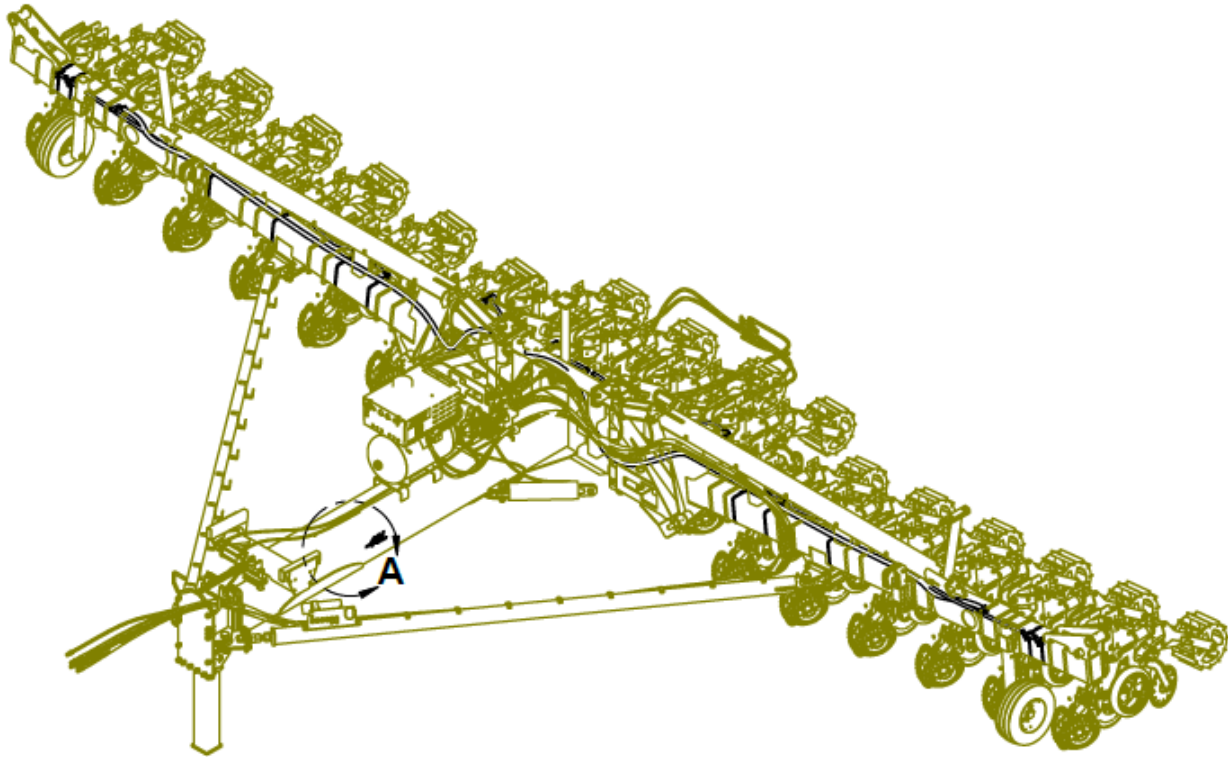
| ITEM | PART NO. | QTY. | DESCRIPTION                                 |
|------|----------|------|---|
| 1    | 35518    | 1    | WLDMNT, SECTION VALVE MNT                   |
| 2    | 500027   | 1.25 | VALVE, 450 4-BANK, NON-FLOWBACK, NARROW TEE |
| 4    | 510016   | 1    | HOSE, 1" EPDM                               |
| 5    | 510017   | 1    | HOSE 2 IN HORIZON EPDM                      |
| 6    | 520059   | 1    | FLOWMETER, TEEJET 802                       |
| 7    | 530014   | 5    | GASKET, 1.500 EPDM                          |
| 8    | 530019   | 5    | GASKET, 2.00 EPDM                           |
| 9    | 530055   | 3    | TEE, 1.00 HB X .75 HB X .75 HB              |
| 10   | 530073   | 2    | FITTING, 2.00 FLANGE X 2.00 HB, POLY        |
| 11   | 530090   | 1    | CROSS, MANIFOLD 2.00                        |
| 12   | 530093   | 1    | PLUG, MANIFOLD, 2.00                        |
| 13   | 530094   | 2    | PLUG, MANIFOLD 2.00 W/ HOLE                 |
| 14   | 530102   | 1    | FLANGE, 2" FP X 2" REDUCER                  |
| 15   | 530103   | 1    | FITTING, 2.00 FP FLANGE X 2.00 HB           |
| 16   | 530189   | 2    | QUICK CONNECT 1" STRAIGHT BARB              |
| 17   | 530190   | 3    | QUICK CONNECT, 1.00 HB ELBOW 90             |
| 18   | 530386   | 1    | MANIFOLD SWEEP, 2" FP FLANGE                |
| 19   | 540001   | 8    | CLAMP, 2.00 STD WORM SCREW                  |
| 20   | 540002   | 2    | CLAMP, FP WORM SCREW, 2.00                  |
| 21   | 540014   | 8    | HOSE CLAMP, SS 1.00 #16                     |
| 22   | 540019   | 2    | CLAMP, HOSE 3" SS #48                       |
| 23   | 540069   | 4    | HOSE CLAMP, 2.00 T-BOLT                     |
| 24   | 596115M  | 5    | BOLT, HH 5/16-18X1 GR5 MAGNI                |
| 25   | 596153M  | 4    | BOLT, HH 1/2-13X1-1/2 GR5 MAGNI             |
| 26   | 596236M  | 5    | NUT, CENTERLOCK, 5/16-18 MAGNI              |
| 27   | 596257M  | 5    | WASHER, FLAT 5/16 USS MAGNI                 |
| 28   | 596771M  | 4    | NUT, HEX FLANGE 1/2-13 MAGNI                |
| 29   | 790020   | 1    | GAUGE, FAST LOGO 160PSI                     |



## 16-Row (40') 5-Section Plumbing



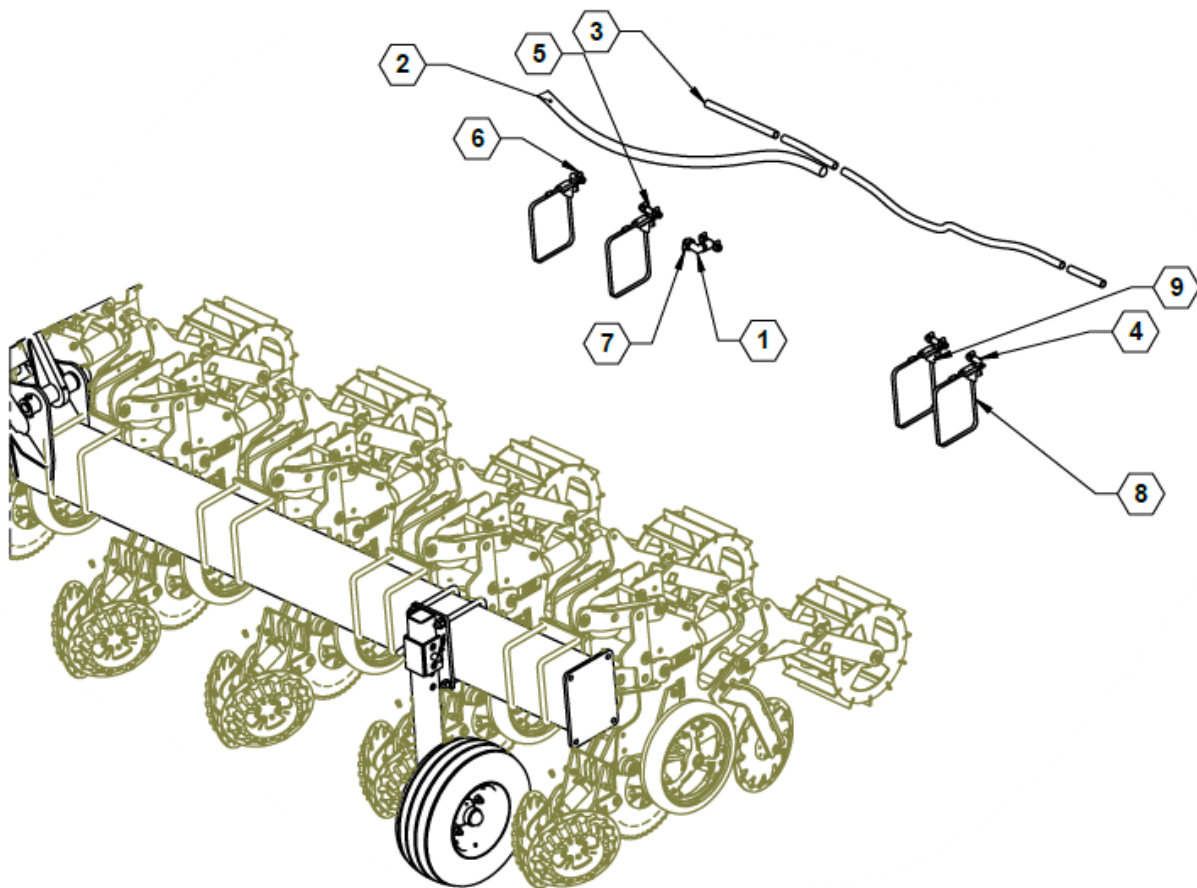




## Parts List 35682: 16-Row (40') 5-Section Plumbing

| ITEM | PART NO.         | QTY.  | DESCRIPTION  |
|------|------------------|-------|--|
| 1    | 90SAFTG075T10090 | 2     | FITTING ASSY, TEE .75 FPT X .75 HB W/ ELBOW .75MPT X 1.00 HB |
| 2    | 510016           | 35 FT | HOSE, 1" EPDM  |
| 3    | 510019           | 34 FT | HOSE, 3/4" EPDM  |
| 4    | 520003           | 10    | NOZZLE, SINGLE HOSE SHANK                                    |
| 5    | 520004           | 6     | NOZZLE, DOUBLE HOSE SHANK                                    |
| 6    | 540013           | 32    | HOSE CLAMP, SS .75 #12                                       |
| 7    | 540014           | 2     | HOSE CLAMP, SS 1.00 #16                                      |
| 8    | 540010           | 16    | CLAMP, HOSE SS- 5 1/2" - 8 1/2"                              |
| 9    | 590187           | 16    | MOUNT, PLUMBING  |
| NS   | 800360           | 2     | DECAL, 40L   |

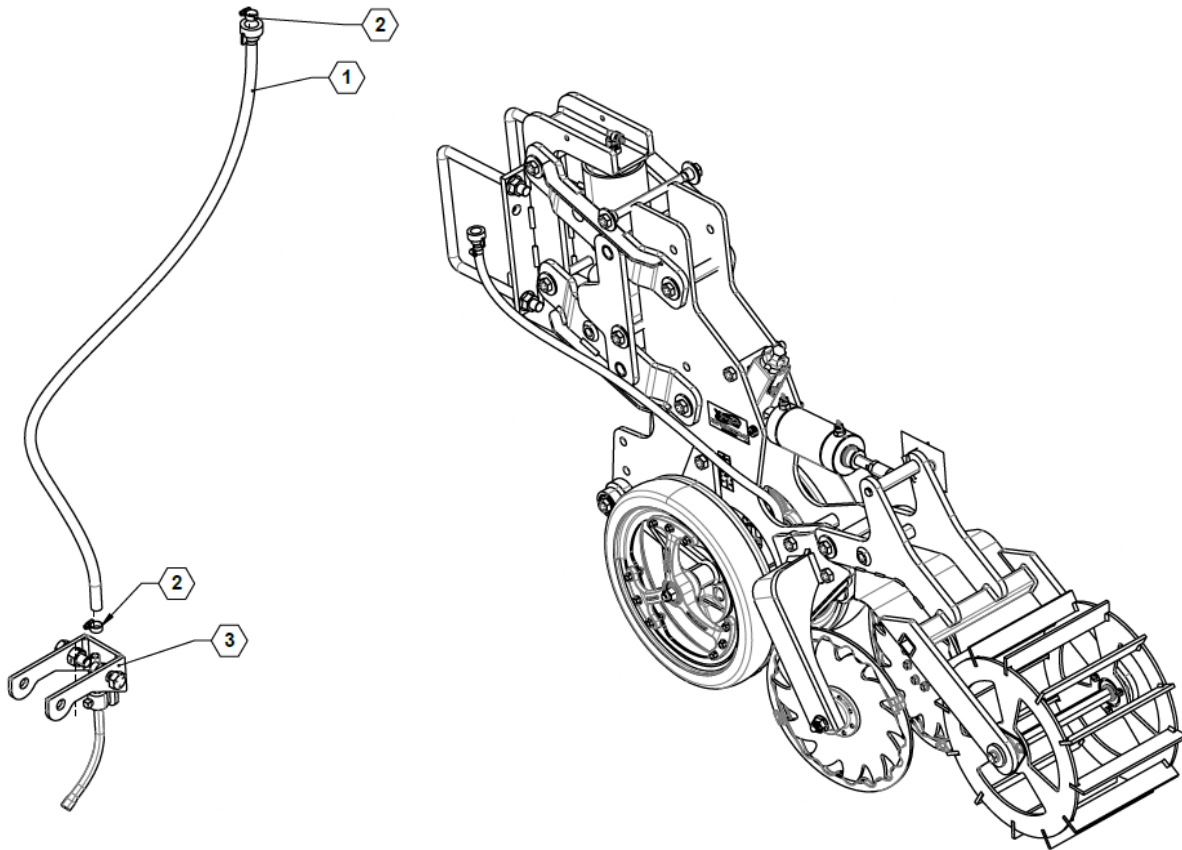
## 24-Row (60') 5-Section Plumbing



### Parts List 35408: 24-Row (60') 5-Section Plumbing

| ITEM | PART NO.         | QTY. | DESCRIPTION   |
|------|------------------|------|---|
| 1    | 90SAFTG075T10090 | 2    | FITTING ASSY, TEE .75 FPT X .75 HB W/ ELBOW .75 MPT X 1.00 HB |
| 2    | 510016           | 1    | HOSE, 1" EPDM   |
| 3    | 510019           | 1    | HOSE, 3/4", EPDM 3FT  |
| 4    | 520003           | 10   | NOZZLE, SINGLE HOSE SHANK                                     |
| 5    | 520004           | 14   | NOZZLE, DOUBLE HOSE SHANK                                     |
| 6    | 540013           | 48   | HOSE CLAMP, SS .75 #12  |
| 7    | 540014           | 2    | HOSE CLAMP, SS 1.00 #16                                       |
| 8    | 540010           | 24   | CLAMP, HOSE SS 5 1/2" - 8 1/2"                                |
| 9    | 590187           | 24   | MOUNT, PLUMBING   |
| 10   | 800361           | 2    | DECAL, -60L   |

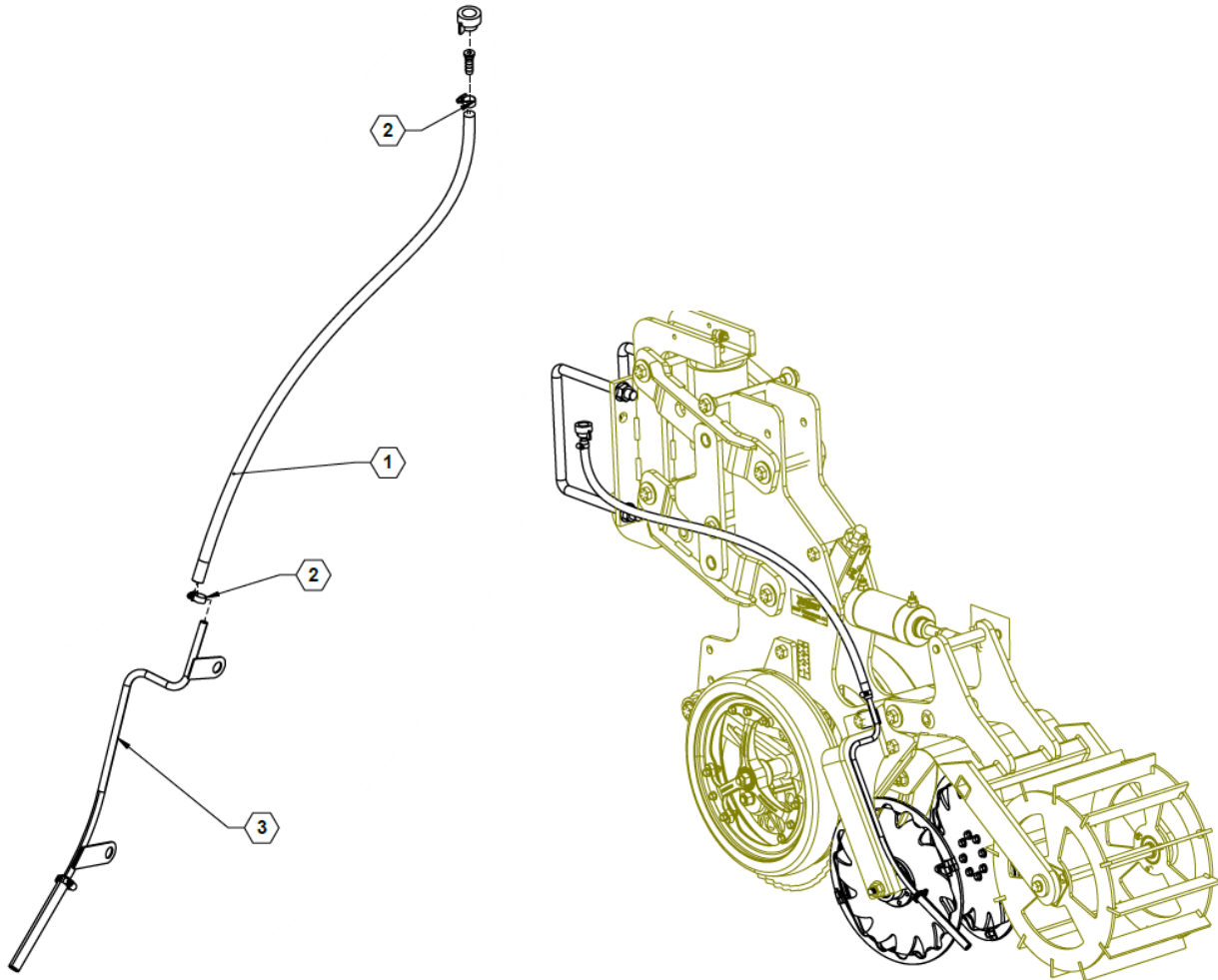
## Liquid Tube, Center Only



### Parts List 35719: Liquid Tube, Center Only

| ITEM | PART NO. | QTY. | DESCRIPTION            |
|------|----------|------|------------------------|
| 1    | 510020   | 4 FT | HOSE, 3/8" EPDM        |
| 2    | 540032   | 2    | HOSE CLAMP, 5/16 #5 SS |
| 3    | 790109   | 1    | CENTER LIQUID FERT KIT |

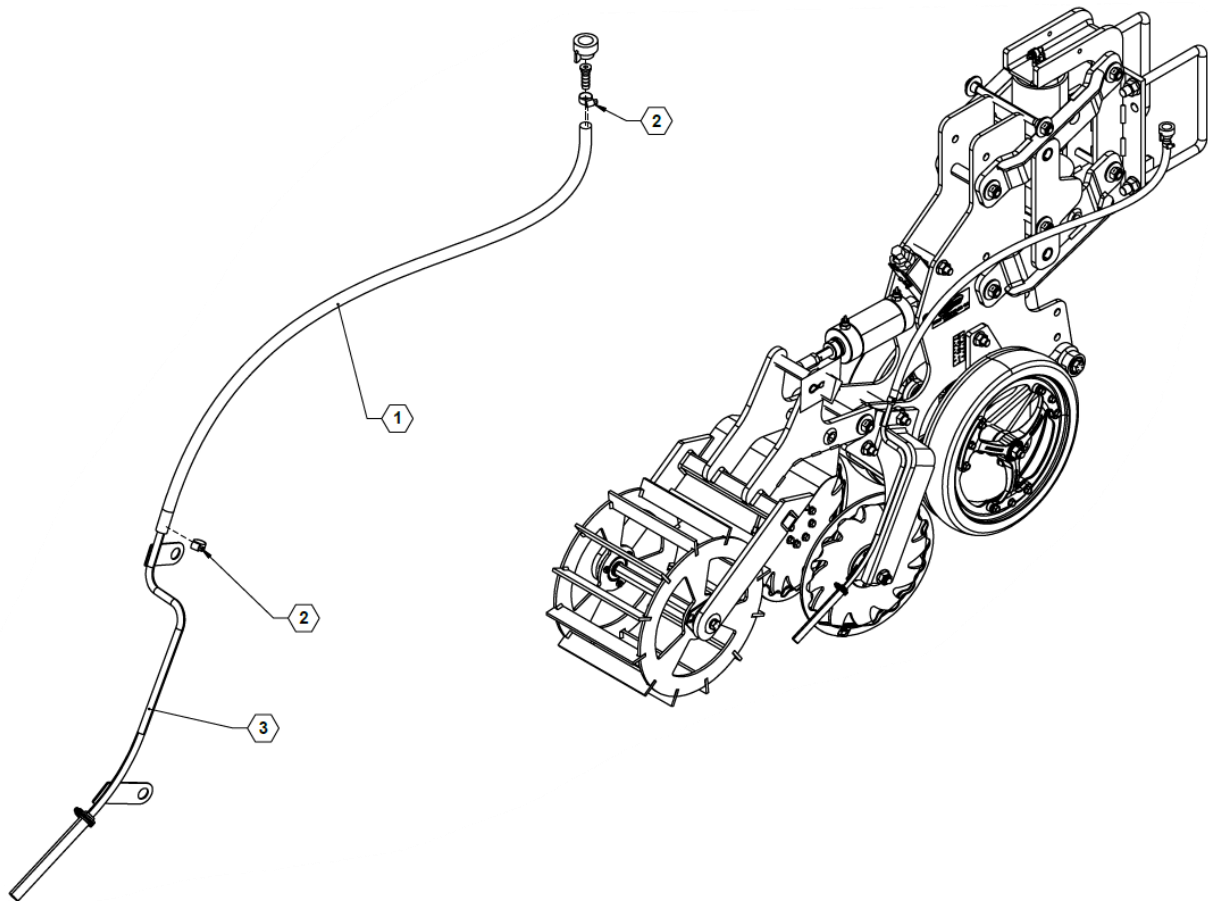
## Liquid Tube, Left Only



### Parts List 35718: Liquid Tube, Left Only

| ITEM | PART NO. | QTY.   | DESCRIPTION            |
|------|----------|--------|------------------------|
| 1    | 510020   | 3.5 FT | HOSE, 3/8" EPDM        |
| 2    | 540032   | 2      | HOSE CLAMP, 5/16 #5 SS |
| 3    | 790108   | 1      | LH LIQUID FERT KIT     |

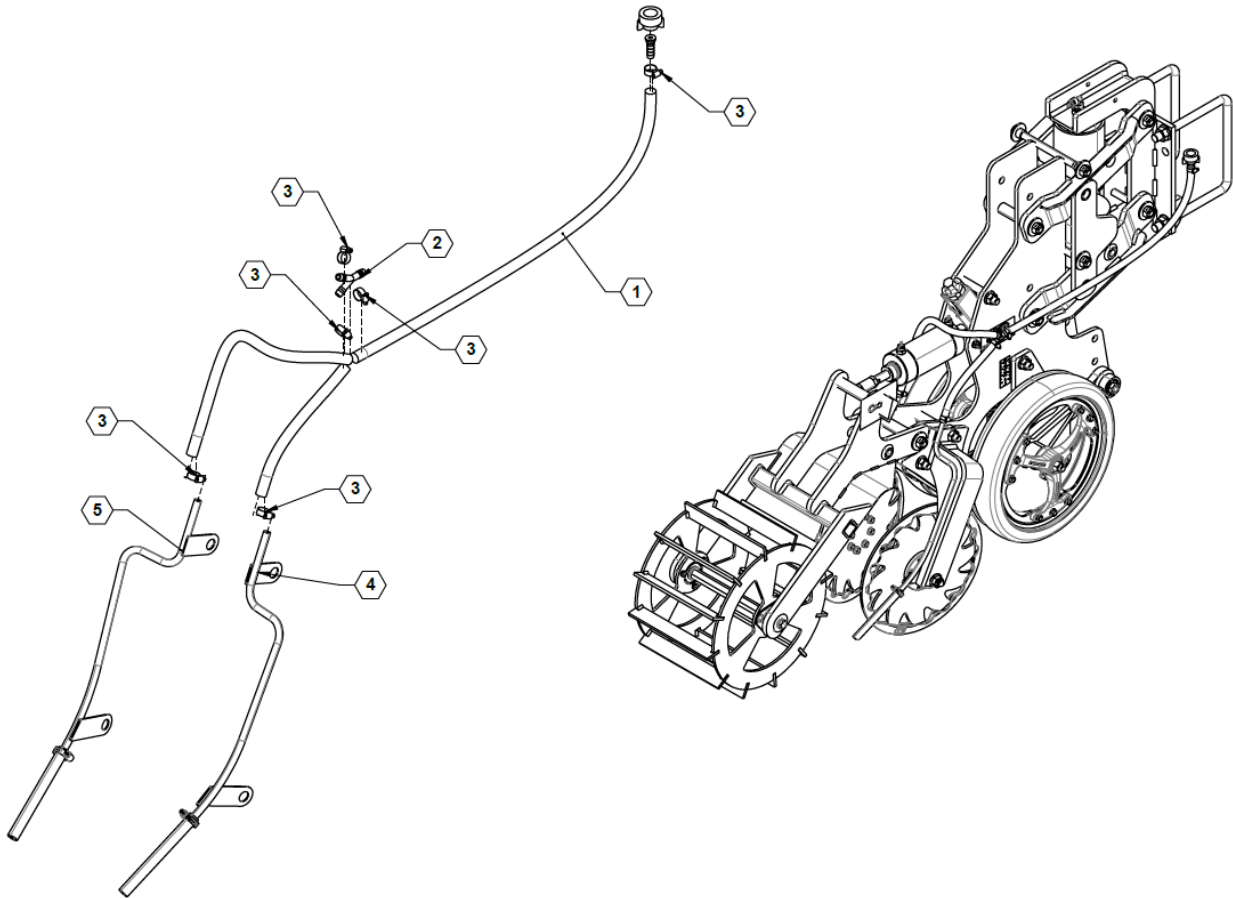
## Liquid Tube, Right Only



### Parts List 35716: Liquid Tube, Right Only

| ITEM | PART NO. | QTY.   | DESCRIPTION            |
|------|----------|--------|------------------------|
| 1    | 510020   | 3.5 FT | HOSE, 3/8" EPDM        |
| 2    | 540032   | 2      | HOSE CLAMP, 5/16 #5 SS |
| 3    | 790107   | 1      | RH LIQUID FERT KIT     |

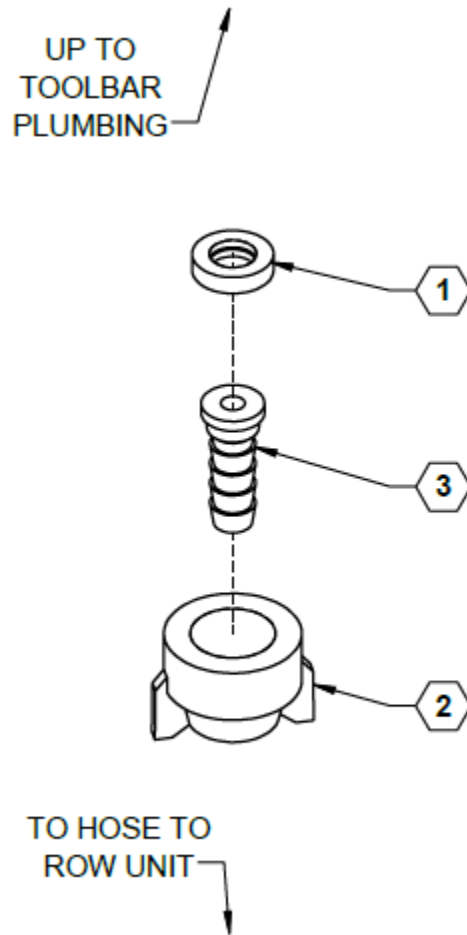
## Liquid Tube, Left & Right



### Parts List 35715: Liquid Tube, Left & Right

| ITEM | PART NO. | QTY.   | DESCRIPTION            |
|------|----------|--------|------------------------|
| 1    | 510020   | 4.5 FT | HOSE, 3/8" EPDM        |
| 2    | 530372   | 1      | 3/8" HOSE BARB Y FTTNG |
| 3    | 540032   | 6      | HOSE CLAMP, 5/16 #5 SS |
| 4    | 790107   | 1      | RH LIQUID FERT KIT     |
| 5    | 790108   | 1      | LH LIQUID FERT KIT     |

## Standard Nozzles



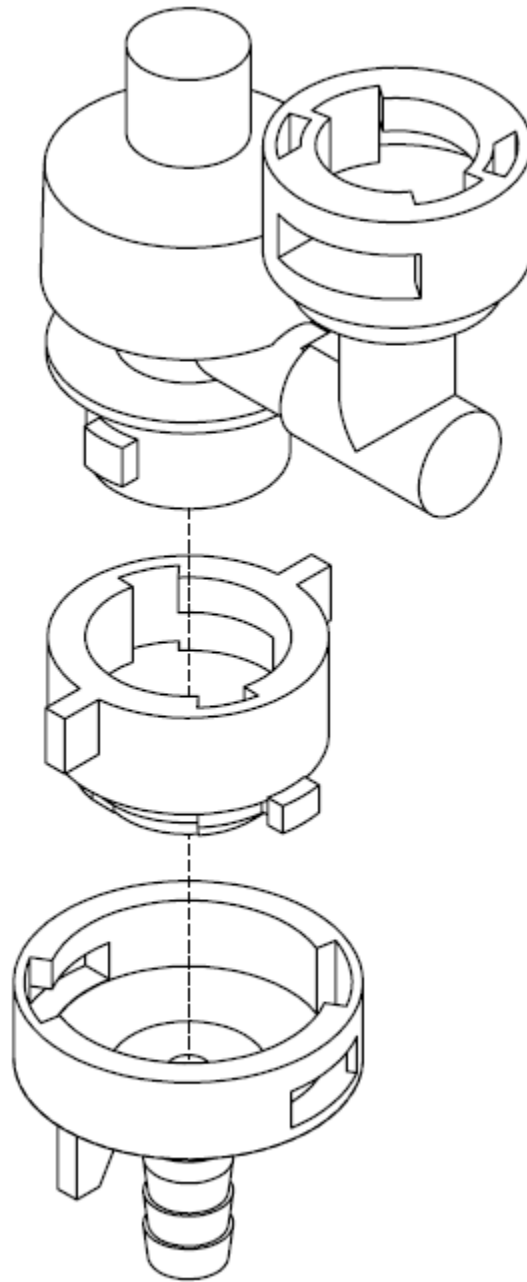
### Parts List 35730: Standard Nozzles

| ITEM | PART NO. | QTY. | DESCRIPTION          |
|------|----------|------|----------------------|
| 1    | 590029   | 1    | SEAL, EPDM           |
| 2    | 590076   | 1    | CAP, QT NYLON BLACK  |
| 3    | 590077   | 1    | CONNECTOR, HOSE BARB |

### Parts List 37038: Option, 1/2" Plumb Mount

| ITEM | PART NO. | QTY. | DESCRIPTION          |
|------|----------|------|----------------------|
| 1    | 590029   | 1    | SEAL, EPDM           |
| 2    | 590076   | 1    | CAP, QT NYLON BLACK  |
| 3    | 530526   | 1    | CONNECTOR, HOSE BARB |

## VariTarget Nozzles 1.0 Rate



### Parts List 35410: VariTarget Nozzles 1.0 Rate

| ITEM | PART NO. | QTY. | DESCRIPTION            |
|------|----------|------|------------------------|
| 1    | 520054   | 24   | HI VERIFLOW YELLOW TIP |





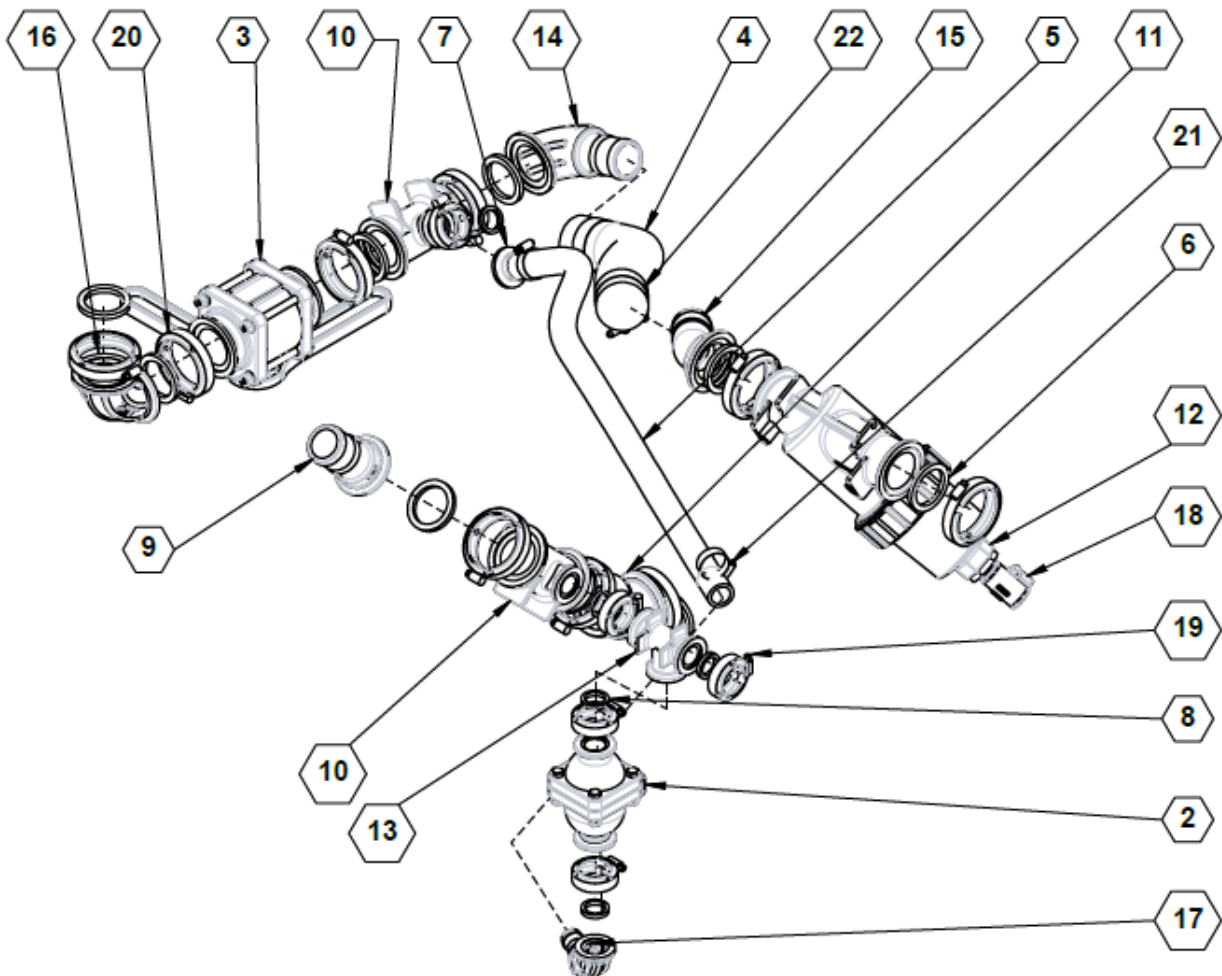
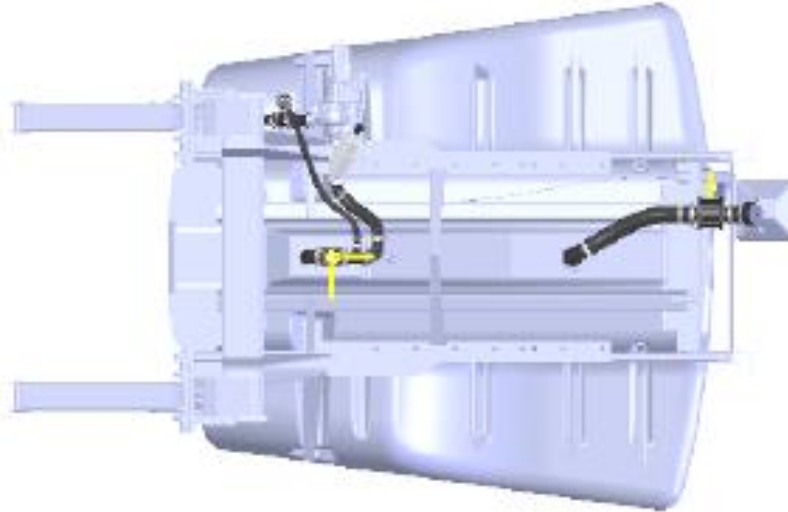
# ILLUSTRATED PARTS LIST

---



## PRODUCT PLUMBING on FRAME

### Standard Plumbing



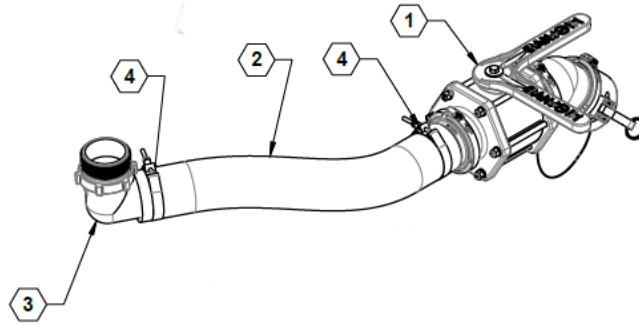


## ILLUSTRATED PARTS LIST

### Parts List 35318: Standard Plumbing

| ITEM | PART NO. | QTY. | DESCRIPTION                         |
|------|----------|------|-------------------------------------|
| 2    | 500004   | 1    | VALVE, 100 PSI RELIEF               |
| 3    | 500006   | 1    | VALVE, 2" FULL PORT MANIFOLD        |
| 4    | 510003   | 2 FT | HOSE, 2" FERTILIZER                 |
| 5    | 510016   | 4 FT | HOSE, 1" EPDM                       |
| 6    | 530019   | 9    | GASKET, 2.00 EPDM                   |
| 7    | 530066   | 1    | FITTING, 1.00 MANIFOLD X 1.00 HB    |
| 8    | 530068   | 5    | GASKET, 1.00 EPDM                   |
| 9    | 530082   | 1    | FITTING, 2.00 FLANGE X 2.00 HB      |
| 10   | 530099   | 2    | MANIFOLD, 2" FP X 1" FLANGE TEE     |
| 11   | 530105   | 1    | MANIFOLD, 2" FP X 2" FP CPLG 45 DEG |
| 12   | 530125   | 1    | STRAINER, 2" FULL PORT LINE         |
| 13   | 530298   | 1    | MANIFOLD TEE, 1"                    |
| 14   | 530334   | 1    | 2" FP PLANGE X HOSE SHK SWEEP       |
| 15   | 530354   | 1    | ELBOW 45, 2.00 MANIFOLD X 2.00 HB   |
| 16   | 530386   | 1    | MANIFOLD SWEEP, 2" FP FLANGE        |
| 17   | 530445   | 1    | FLANGE SWEEP X 1 IN HB              |
| 18   | 530515   | 1    | VALVE, 1/2" FPT X 1/2" MPT MICRO    |
| 19   | 540000   | 5    | CLAMP, WORM SCREW, 1.00             |
| 20   | 540002   | 9    | CLAMP, FP WORM SCREW, 2.00          |
| 21   | 540014   | 2    | HOSE CLAMP, SS 1.00 #16             |
| 22   | 540069   | 2    | HOSE CLAMP, 2.00 T-BOLT             |

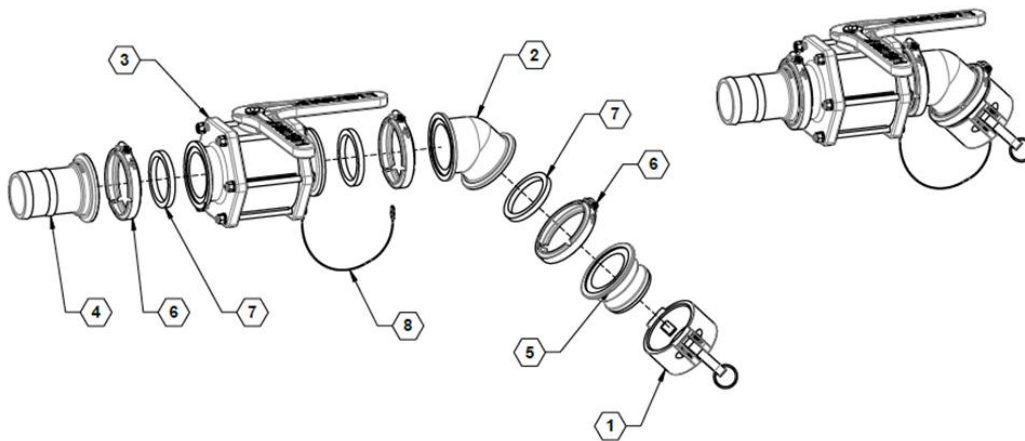
## Quick Fill, 3"



### Parts List 34296: Quick Fill, 3"

| ITEM | PART NO. | QTY. | DESCRIPTION                     |
|------|----------|------|---------------------------------|
| 1    | 90SA3QF  | 1    | SUB ASSY, 3" QUICK FILL         |
| 2    | 510038   | 4    | (FT) HOSE, 3" FERTILIZER, BLACK |
| 3    | 530053   | 1    | 3" HOSE BARB ELBOW 90°          |
| 4    | 540009   | 2    | CLAMP, 3" T BOLT                |

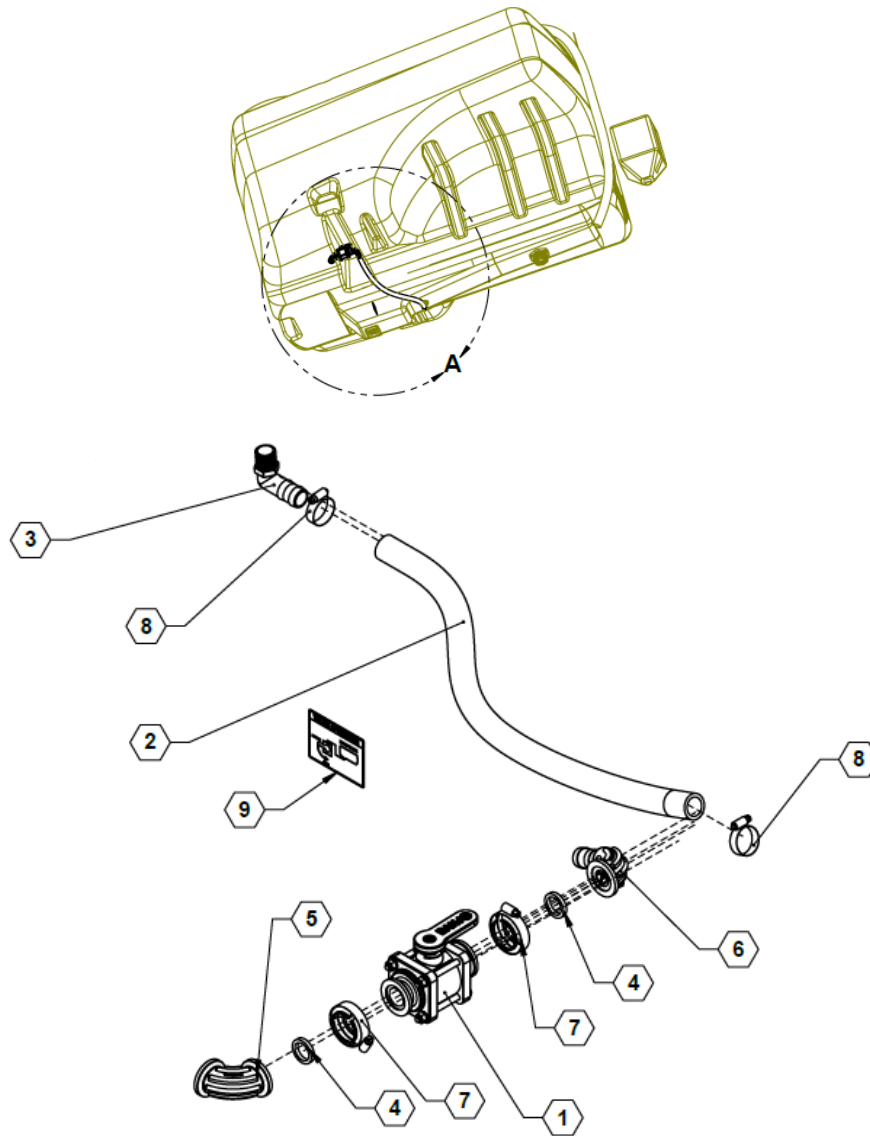
## Quick Fill Valve, 3"



### Parts List 90SA3QF: Quick Fill Valve, 3"

| ITEM | PART NO. | QTY. | DESCRIPTION                   |
|------|----------|------|-------------------------------|
| 1    | 500042   | 1    | MV300CF                       |
| 2    | 530023   | 1    | CAP, 3"                       |
| 3    | 530024   | 3    | GASKET, 3" EPDM               |
| 4    | 530113   | 1    | Flanged 3" Hose Barb          |
| 5    | 530179   | 1    | CABLE LANYARD                 |
| 6    | 530233   | 1    | 3" MANIFOLD X 3" MALE ADAPTER |
| 7    | 530234   | 1    | 3" COUPLER, 45 DEGREE         |
| 8    | 540003   | 3    | CLAMP, WORM SCREW 3"          |

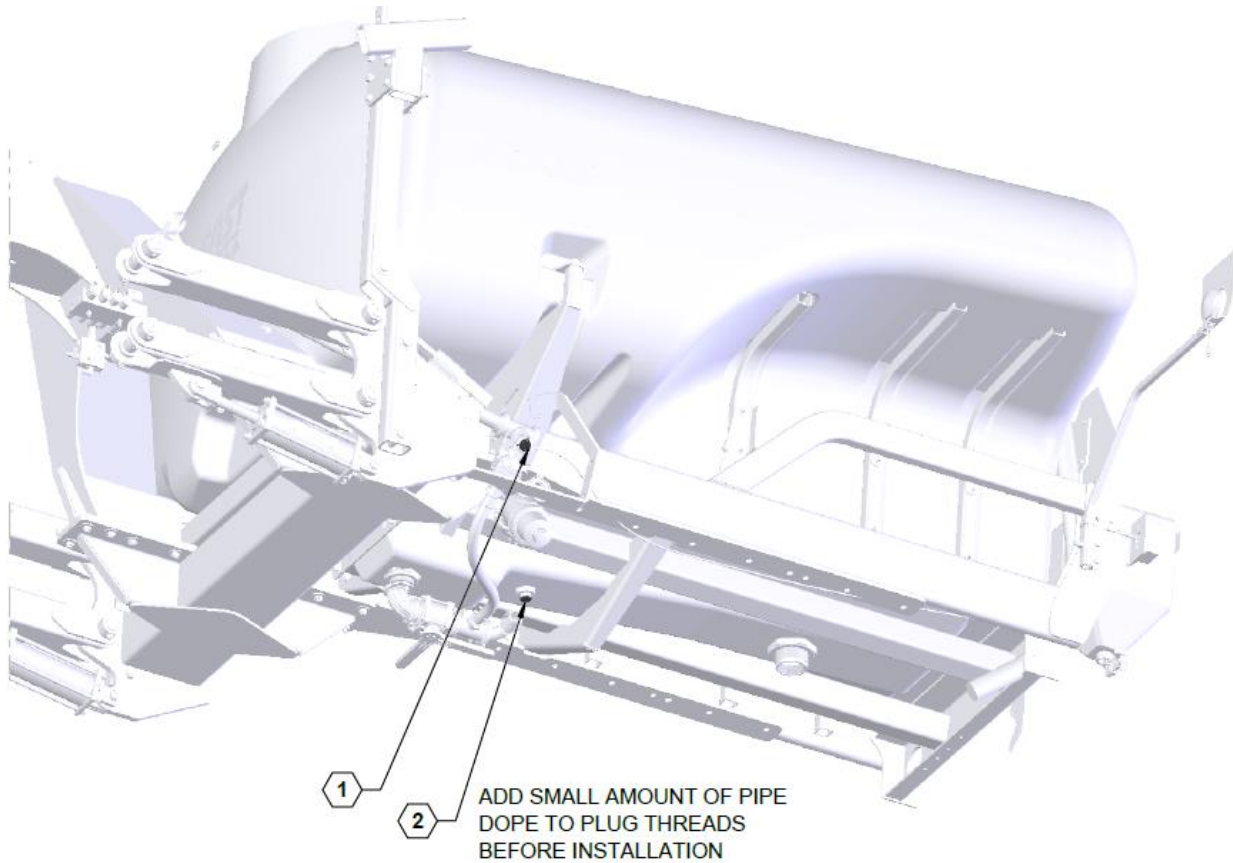
## Manual Agitation



### Parts List 35319: Manual Agitation

| ITEM | PART NO. | QTY. | DESCRIPTION                |
|------|----------|------|----------------------------|
| 1    | 500005   | 1    | VALVE, 1" FP WITH C-FLANGE |
| 2    | 510016   | 4 FT | HOSE, 1" EPDM              |
| 3    | 530036   | 1    | ELBOW, .75 MPT X 1.00 90~  |
| 4    | 530068   | 2    | GASKET, 1.00 EPDM          |
| 5    | 530424   | 1    | MANIFOLD SWEEP, 1" FLANGE  |
| 6    | 530445   | 1    | FLANGE SWEEP X 1 IN HB     |
| 7    | 540000   | 2    | CLAMP, WORM SCREW, 1.00    |
| 8    | 540014   | 2    | HOSE CLAMP, SS 1.00 #16    |
| 9    | 800092   | 1    | DECAL, AGITATION           |

## No Agitation



### Parts List 27811: No Agitation

| ITEM | PART NO. | QTY. | DESCRIPTION                    |
|------|----------|------|--------------------------------|
| 1    | 530070   | 1    | PLUG, MANIFOLD, 1.00           |
| 2    | 530392   | 1    | FITTING, PLUG, .750 MNPT, POLY |



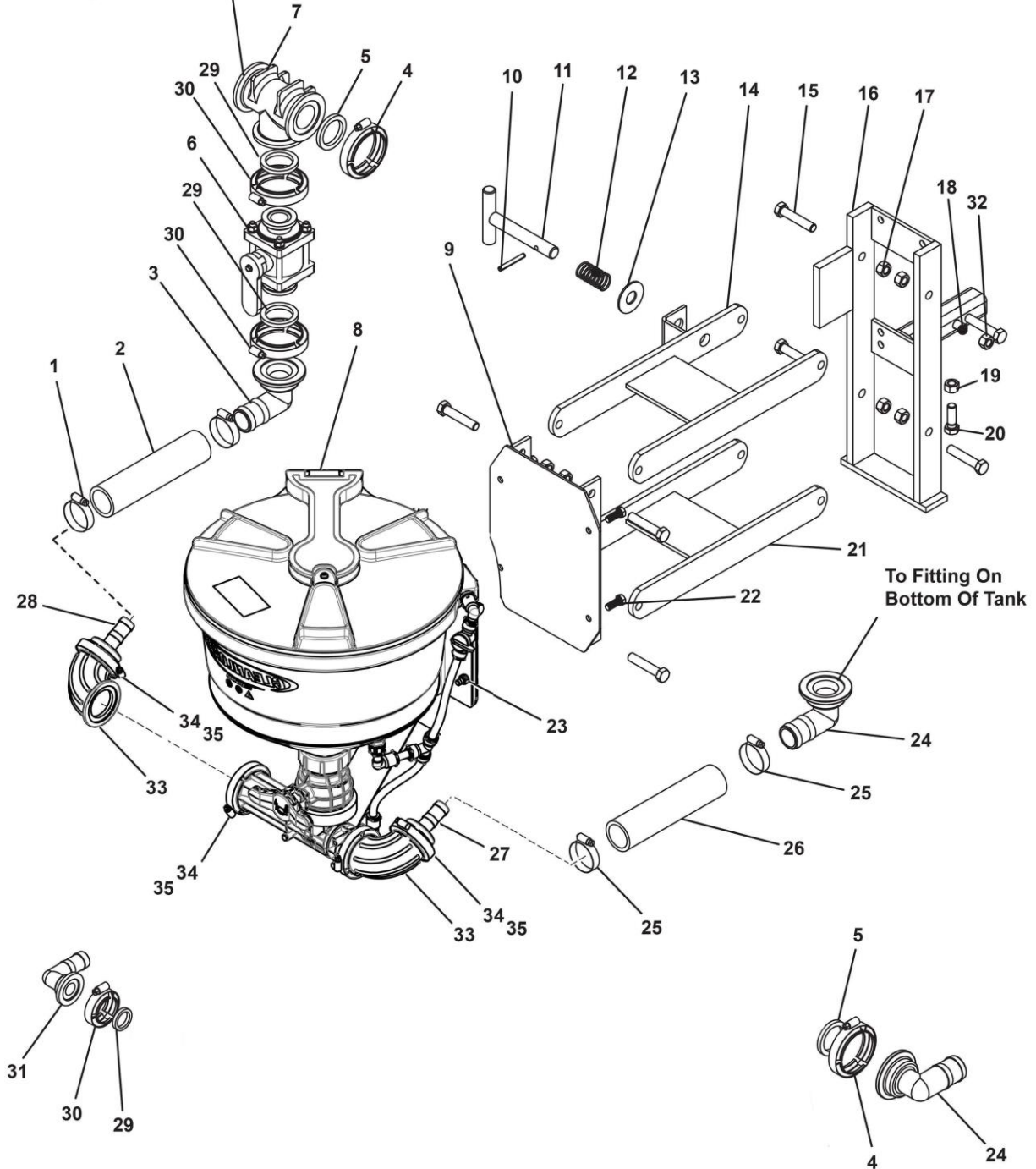
## ILLUSTRATED PARTS LIST

---



## Eductor for Applicator

Installs In Line With Rinse  
And Agitation Valves







# ILLUSTRATED PARTS LIST

## Parts List 99HYPIND07FC18/24: Eductor for Applicator

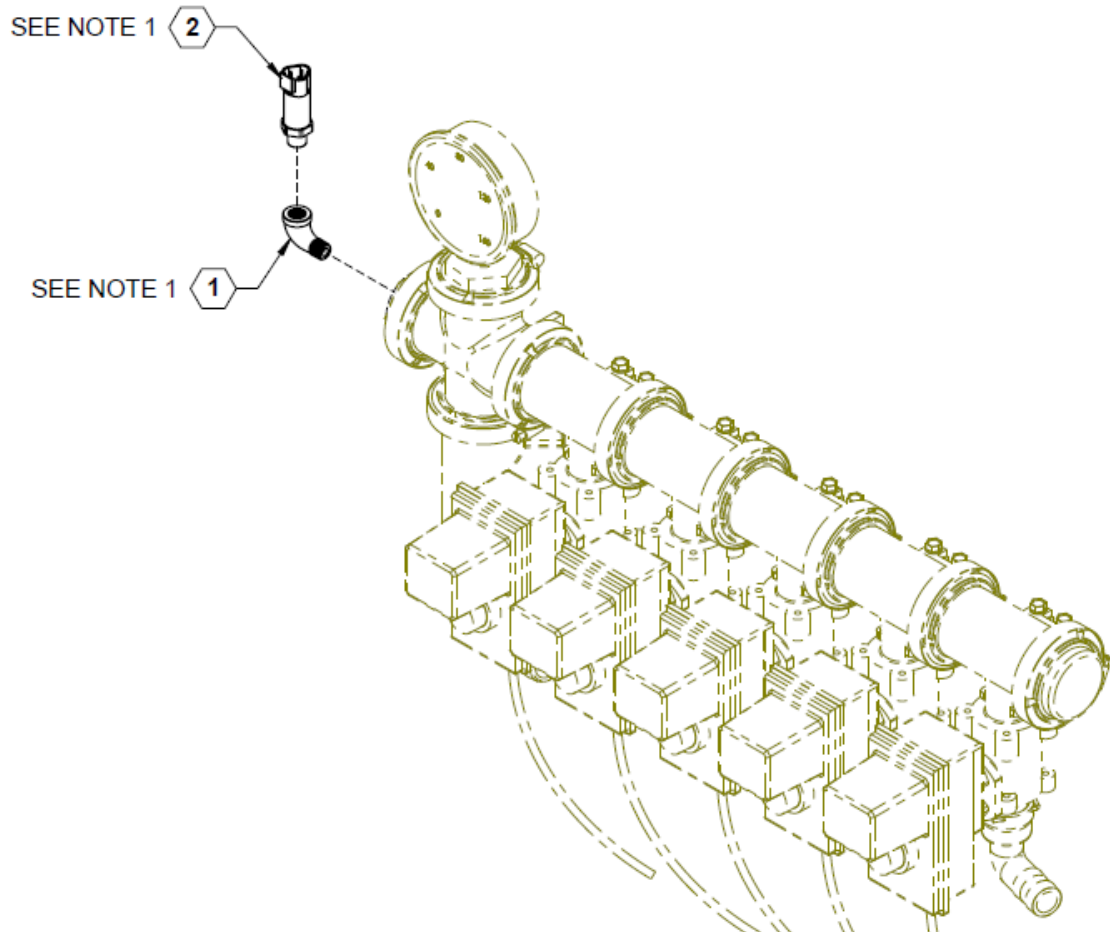
| ITEM | PART NO. | QTY. | DESCRIPTION                           |
|------|----------|------|---------------------------------------|
| NS   | 800015   | 1    | DECAL, INDUCTOR                       |
| NS   | 540051   | 2    | P CLAMP, 2" HOSE 2"                   |
| 1    | 540015   | 2    | CLAMP, STAINLESS 1-1/4" #20           |
| 2    | 510015   | 6    | HOSE, 1-1/4" EPDM                     |
| 4    | 540001   | 3    | CLAMP, 2" STANDARD WORM SCREW         |
| 5    | 530014   | 3    | 1-1/2" EPDM GASKET                    |
| 6    | 500005   | 1    | VALVE, 1" FULL PORT WITH C-F          |
| 7    | 530075   | 1    | 2" STANDARD PORT X 1" FLANGED         |
| 8    | 570119   | 1    | TANK CLEANLOAD EDUCTOR 7.5 GALLON     |
| 9    | 16560BLK | 1    | MOUNT, HYPRO EDUCTOR                  |
| 10   | 687      | 1    | Pin, Spring 1.25 x 2" ZP              |
| 11   | 7981BLK  | 1    | HANDLE, T SHAPED                      |
| 12   | 790001   | 1    | SPRING, INDUCTOR LATCH                |
| 13   | 262      | 1    | WASHER, FLAT 3/4" ZIP                 |
| 14   | 7928BLK  | 1    | LINK, EDUCTOR, UPPER                  |
| 15   | 153      | 8    | Bolt, HH 1/2 x 1.5 GR5 ZP             |
| 16   | 11632BLK | 1    | MOUNT PLATE, BACK 9500 TRAILER        |
| 17   | 231      | 8    | Nut, HH 1/2" Nylock ZP                |
| 18   | 154      | 1    | Bolt, HH 1/2 x 2.5 GR5 ZP             |
| 19   | 223      | 1    | Nut, HH 1/2" Jam ZP                   |
| 20   | 152      | 1    | Bolt, HH 1/2 x 1" GR5 ZP              |
| 21   | 7925BLK  | 1    | LINK, EDUCTOR, LOWER                  |
| 22   | 128      | 4    | Bolt, HH 3/8 x 1" GR5 ZP              |
| 23   | 769      | 4    | Nut, HH 3/8" Whizlock ZP              |
| 24   | 530080   | 1    | 2" SP FLANGE X 1-1/2" HOSE BARB - 90° |
| 25   | 540016   | 2    | CLAMP, STAINLESS 1-1/2" #24           |
| 26   | 510014   | 5    | HOSE, 1-1/2" EPDM                     |
| 27   | 530079   | 1    | 2" MANIFOLD X 1-1/2" HOSE BARB        |
| 28   | 530076   | 1    | 2" MANIFOLD X 1-1/4" HOSE BARB        |
| 29   | 530068   | 2    | 1" EPDM GASKET FOR MANIFOLD           |
| 30   | 540000   | 2    | CLAMP, 1" WORM SCREW                  |
| 31   | 530065   | 1    | 1" FLANGE X 1-1/4" HOSE BARB - 90°    |
| 32   | 771      | 8    | 1/2" Wizlock Nut                      |
| 33   | 530388   | 2    | 2" FP FLANGE X 2" STANDARD FLANGE SWP |
| 34   | 540002   | 2    | CLAMP, 2" FULL WORM SCREW             |
| 35   | 530019   | 2    | 2" EPDM GASKET                        |

## PRODUCT ELECTRICAL COMP.S

### Pressure Transducer

NOTES:

1. APPLY A SMALL AMOUNT OF THREAD SEALANT BEFORE INSTALLING
2. INSTALL WITH TRANSDUCER ELECTRICAL CONNECTION FACING UPWARD



### Parts List 28027: Pressure Transducer

| ITEM | PART NO. | QTY. | DESCRIPTION                |
|------|----------|------|----------------------------|
| 1    | 530246   | 1    | ELBOW, 90° STREET ¼ NPT SS |
| 2    | 632036   | 1    | TRANSDUCER, PRESSURE       |

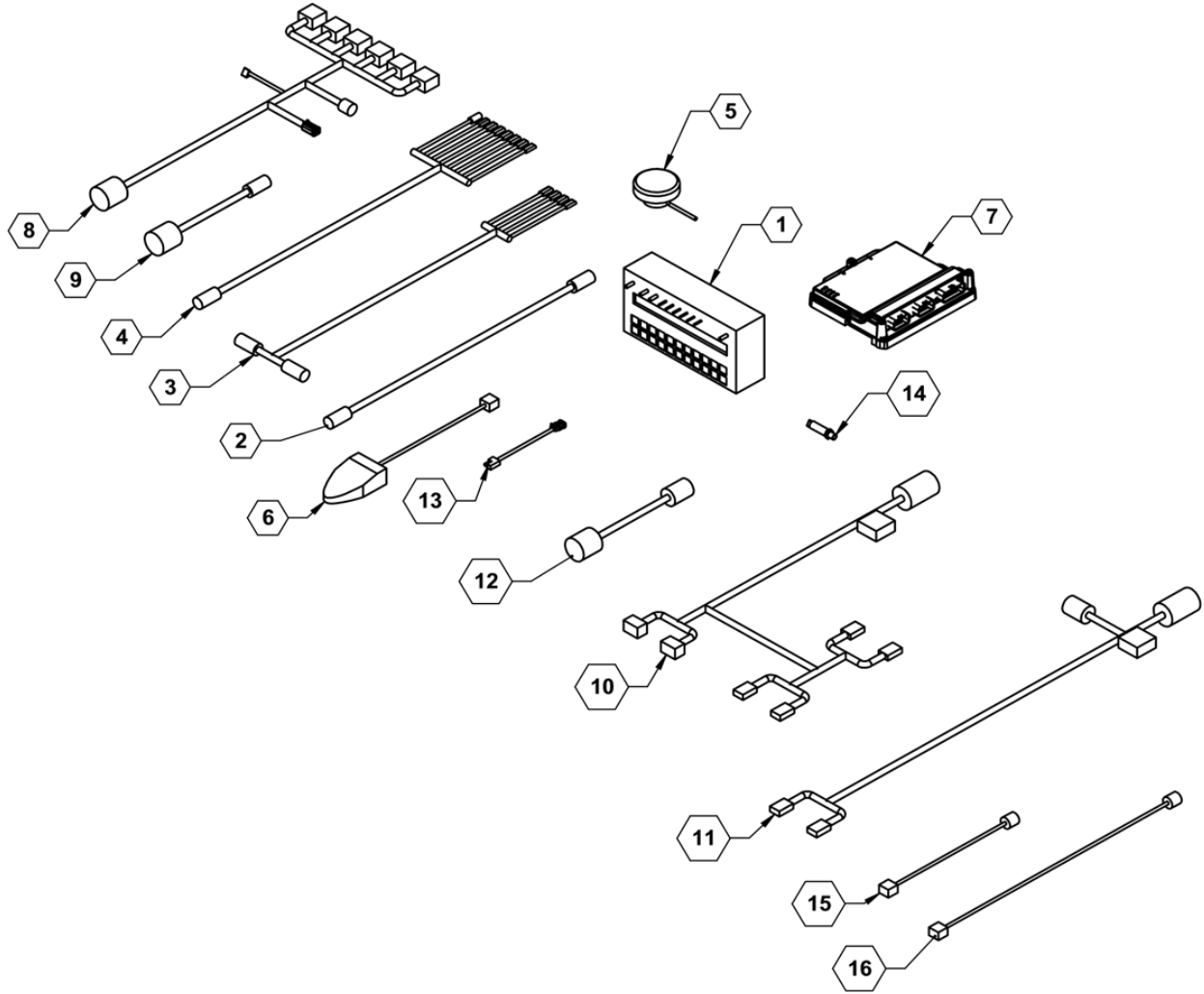
## No Pressure Transducer

### Parts List: No Pressure Transducer

| ITEM | PART NO. | QTY. | DESCRIPTION         |
|------|----------|------|---------------------|
| 1    | 530446   | 1    | PLUG, .25 MPT, POLY |



## Raven Harnesses & Components



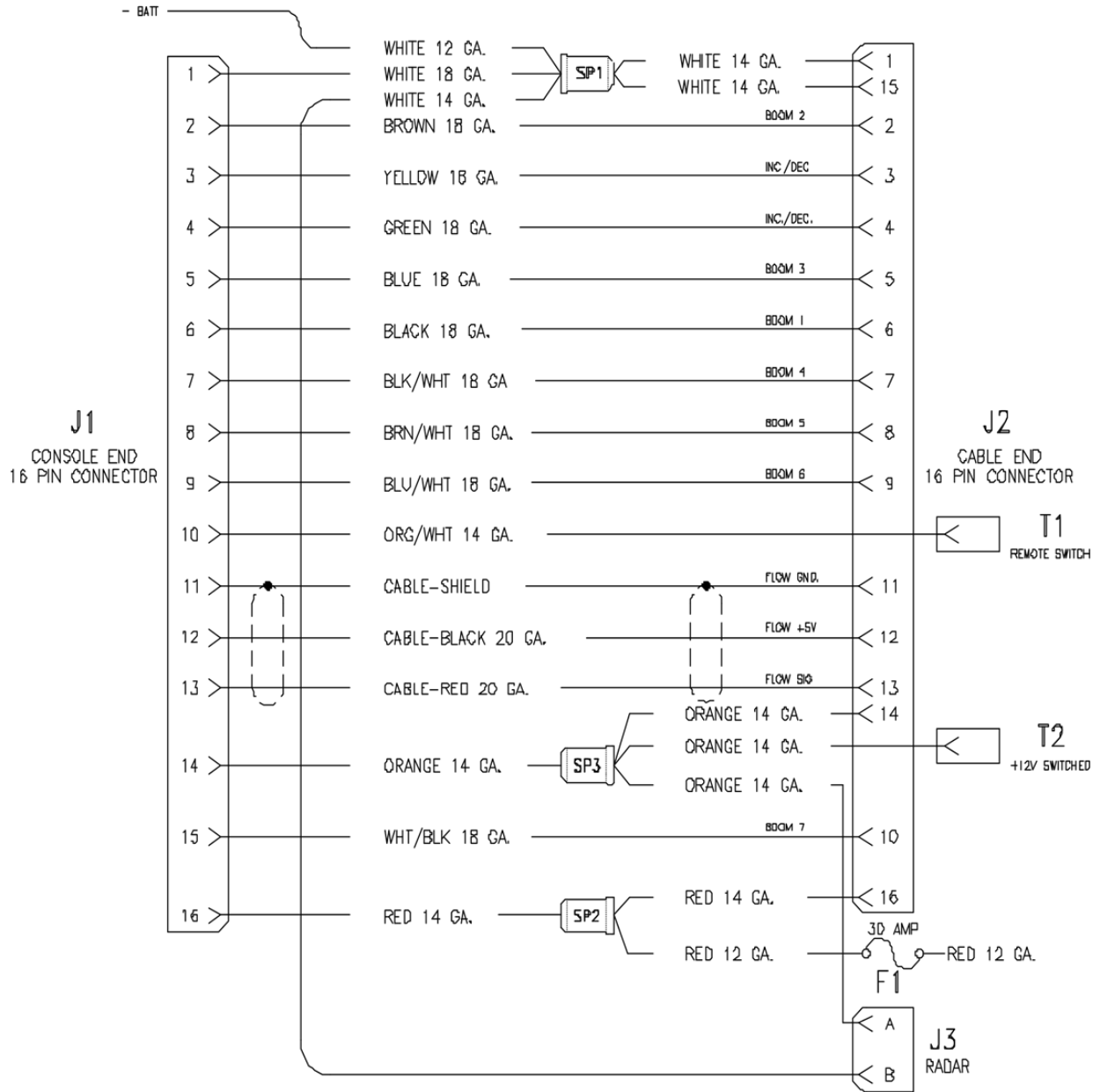


# ILLUSTRATED PARTS LIST

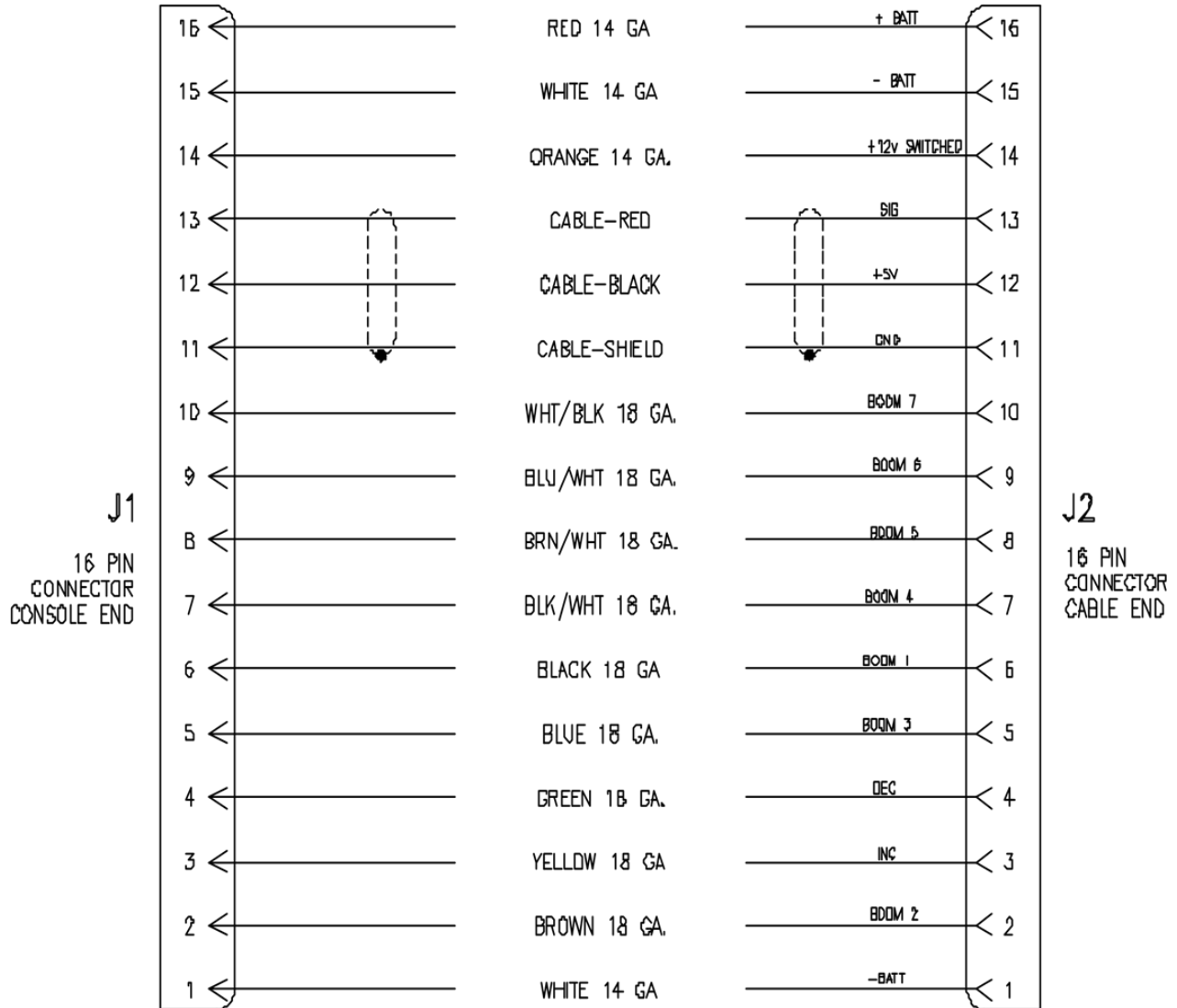
## Parts List: Raven Harnesses & Components

| ITEM | PART NO. | QTY. | DESCRIPTION                           |
|------|----------|------|---------------------------------------|
| 1    | 631803   | AR   | 6 SECTION 450 CONSOLE                 |
| 2    | 631814   | AR   | 12' 16 PIN EXTENSION CABLE            |
| 3    | 631818   | AR   | 10' 440/450 CONSOLE CABLE             |
| 4    | 631819   | AR   | 16 PIN 6 SECTION CABLE                |
| 5    | 631832   | AR   | GPS SPEED SENSOR                      |
| 6    | 631856   | AR   | FOOTSWITCH                            |
| 7    | 632010   | AR   | RCM                                   |
| 8    | 632080   | AR   | 47 PIN 6 SECTION CABLE                |
| 9    | 632028   | AR   | 47 PIN TO 16 PIN ADAPTER              |
| 10   | 632029   | AR   | 47 PIN RCM Y-CABLE                    |
| 11   | 632031   | AR   | 12' ISO TO IBIC CABLE                 |
| 12   | 632033   | AR   | 47 PIN TO 37 PIN ADAPTER              |
| 13   | 632034   | AR   | TRAILER TO DEUTSCH PLUG ADAPTER CABLE |
| 14   | 632036   | AR   | PRESSURE TRANSDUCER                   |
| 15   | 632061   | AR   | CABLE, FOOTSWITCH, 12'                |
| 16   | 632062   | AR   | CABLE, FOOTSWITCH, 23'                |
| NS   | 631802   | AR   | 3 SECTION 440 CONSOLE                 |

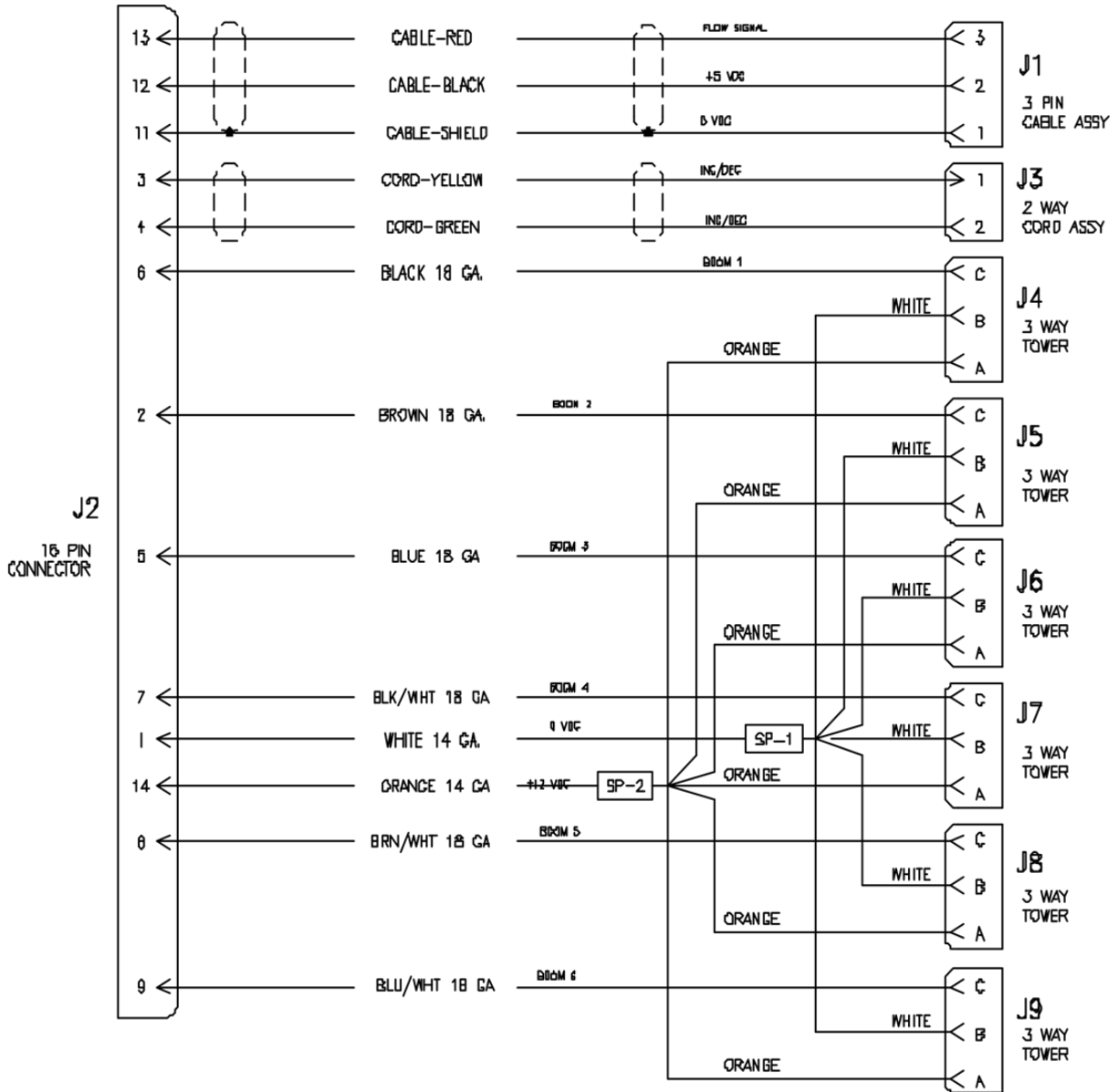
## Control Harness 115-0171-085



## Control Harness 115-0159-856

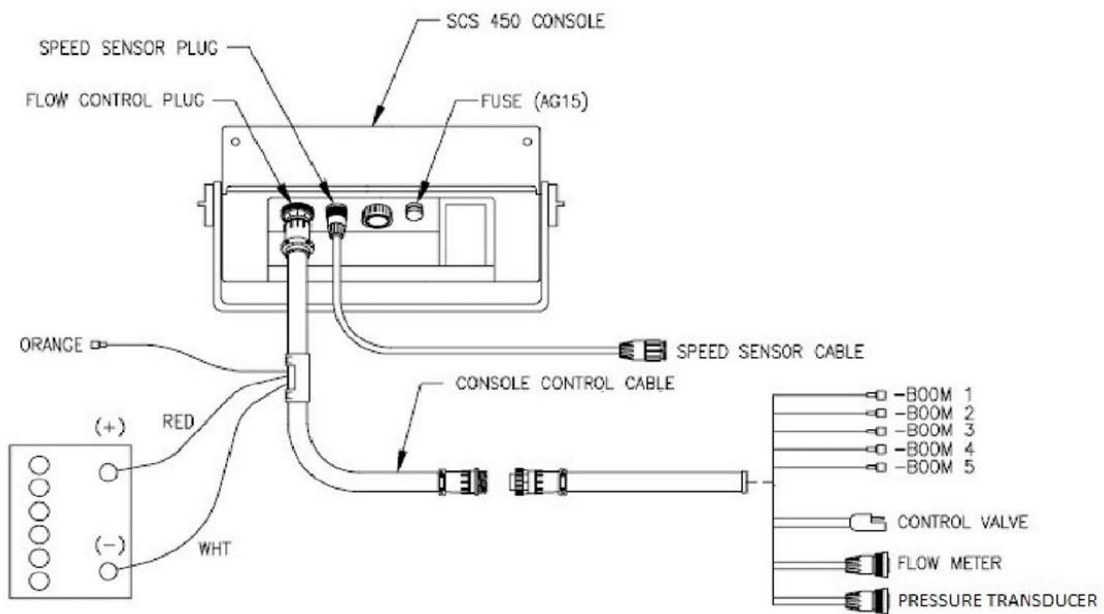
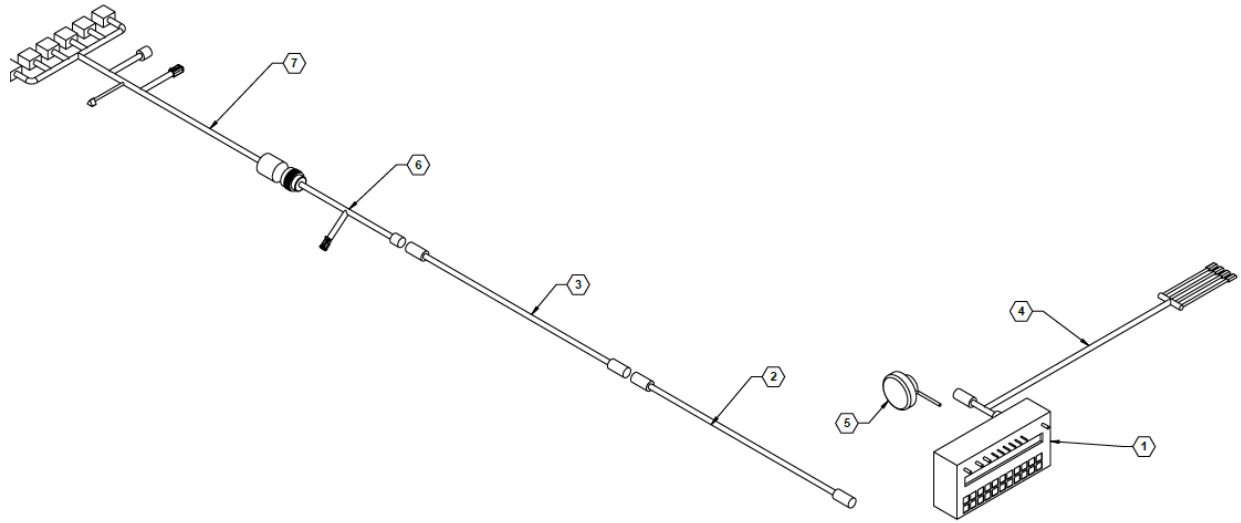


## Control Harness 115-0171-086





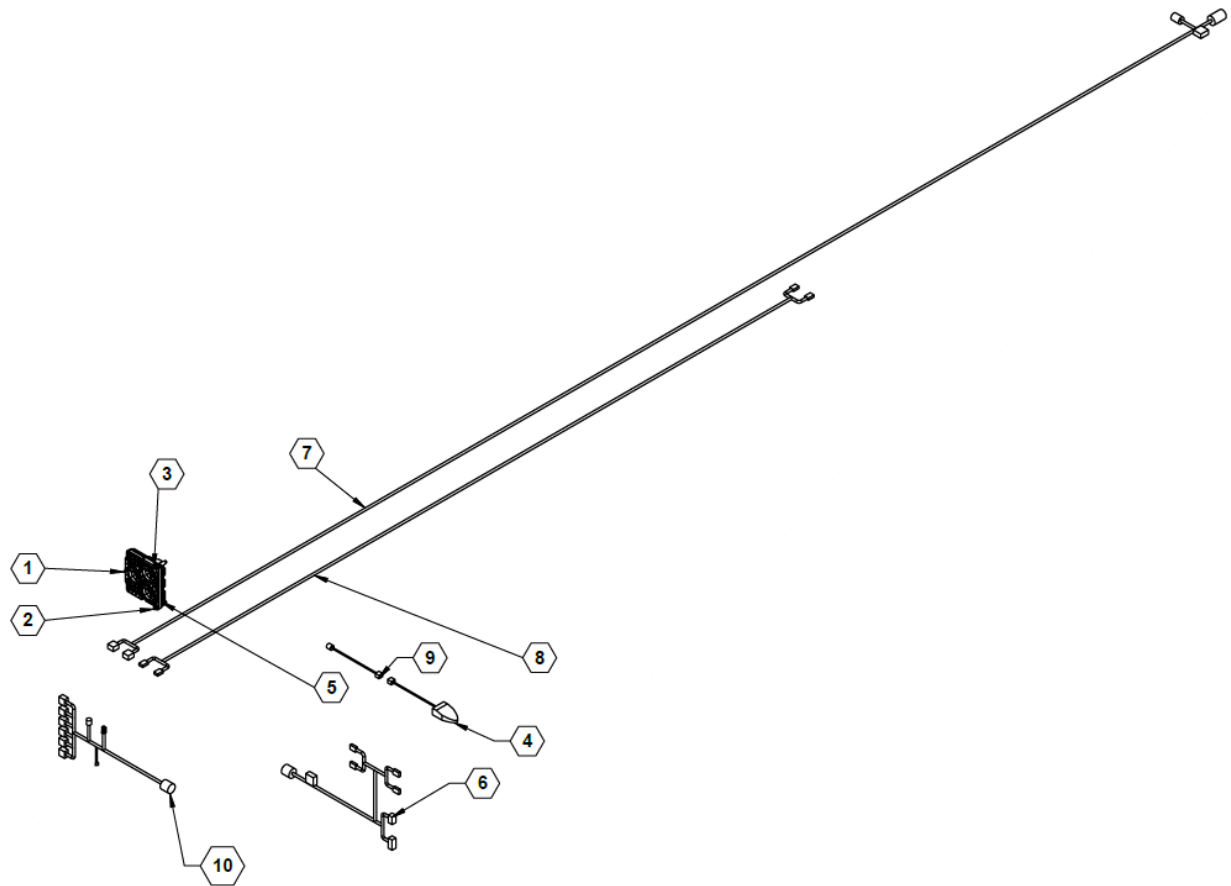
## Raven 450 Rate Controller



### Parts List 35742: Raven 450 Rate Controller

| ITEM | PART NO. | QTY. | DESCRIPTION                        |
|------|----------|------|------------------------------------|
| 1    | 631803   | 1    | RAVEN SCS450 CONTROLLER            |
| 2    | 631814   | 1    | CABLE, 6 BOOM 12' EXTENSION        |
| 3    | 631815   | 1    | CABLE, 6 BOOM 24' EXTENSION        |
| 4    | 631818   | 1    | CABLE 10' CONSOLE 7 BOOM SCS 440/4 |
| 5    | 631832   | 1    | SKYTRAK GPS SPEED SENSOR           |
| 6    | 632080   | 1    | 6 SECTION 6' FINAL CABLE           |
| 6    | 632028   | 1    | 47 PIN TO 16 PIN ADAPTER           |
| 7    | 632080   | 1    | 6 SECTION APP FINAL HARNESS        |

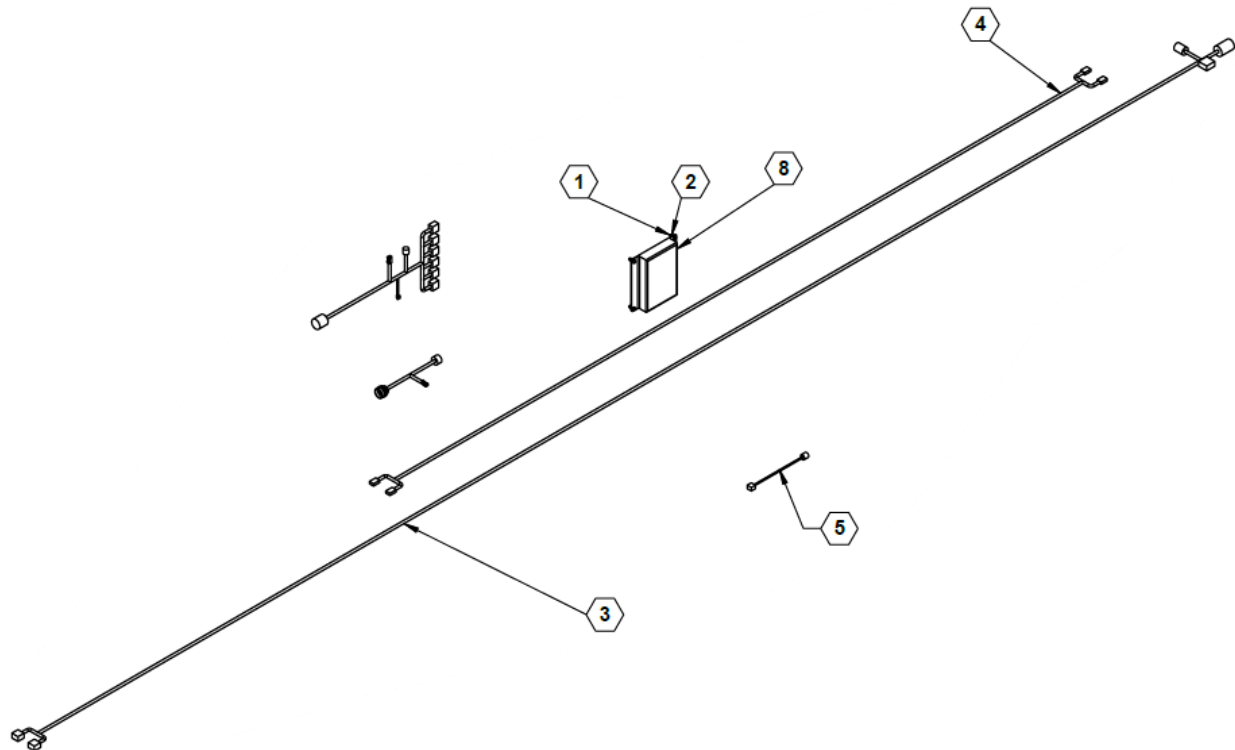
## Raven RCM Rate Controller



### Parts List 35678: Raven RCM Rate Controller

| ITEM | PART NO. | QTY. | DESCRIPTION                             |
|------|----------|------|---|
| 1    | 596105M  | 1    | BOLT, HH 1/4-20X2-1/2 GR5 MAGNI         |
| 2    | 596110M  | 2    | BOLT, HH 1/4-20 X 3 MAGNI               |
| 3    | 596235M  | 3    | NUT, CENTERLOCK, 1/4-20 MAGNI           |
| 4    | 631856   | 1    | FOOTSWITCH, ISO PRODUCT CONTROL         |
| 5    | 632010   | 1    | RAVEN RCM                               |
| 6    | 632029   | 1    | 47 PIN RATE CTRL INTERFACE CABLE        |
| 7    | 632051   | 1    | IBIC TO GEN 1 ISO 24'                   |
| 8    | 632055   | 1    | CABLE, 17' EXTENSION GEN 1 ISO          |
| 9    | 632061   | 1    | CABLE, FOOTSWITCH, 12' ROW CROP TRACTOR |
| 10   | 632080   | 1    | 6 SECTION 6' FINAL CABLE                |

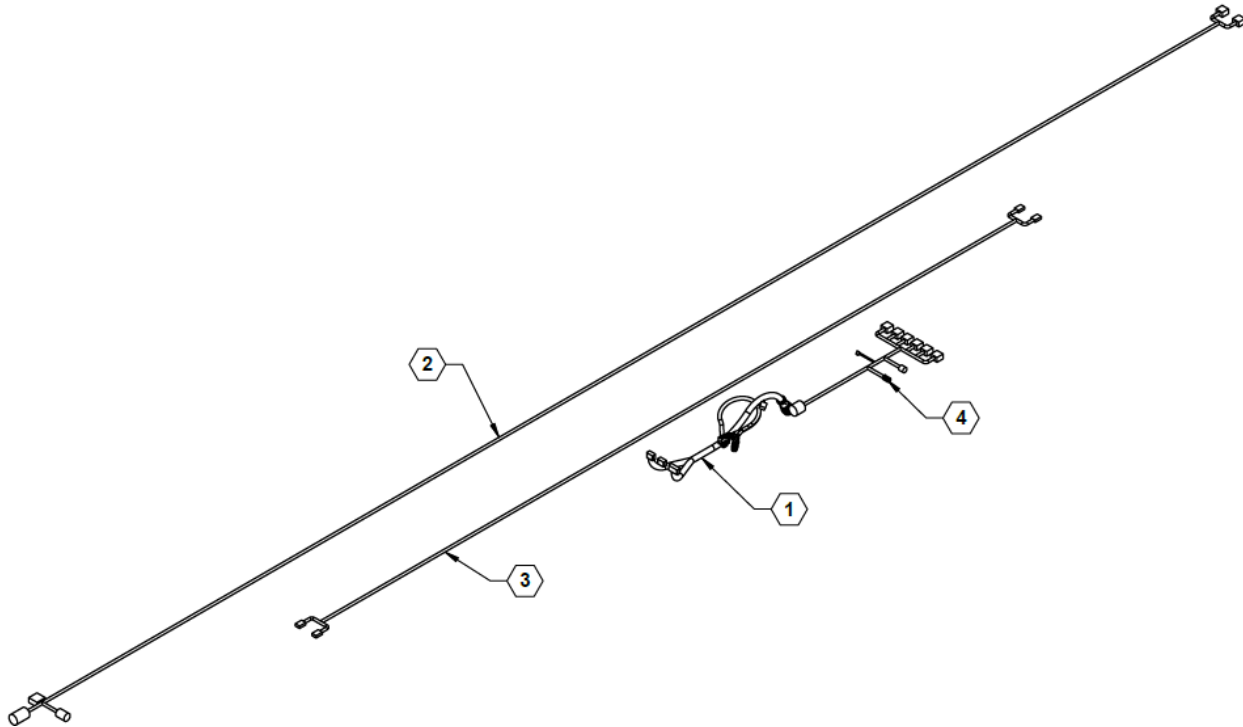
## Greenstar Rate Controller



### Parts List 35679: Greenstar Rate Controller

| ITEM | PART NO. | QTY. | DESCRIPTION                         |
|------|----------|------|-------------------------------------|
| 1    | 596128M  | 4    | BOLT, HH 3/8-16 X 1 GR5 MAGNI       |
| 2    | 596237M  | 6    | NUT, CENTERLOCK 3/8-16 MAGNI        |
| 3    | 632051   | 1    | IBIC TO GEN 1 ISO 24'               |
| 4    | 632055   | 1    | CABLE, 17' EXTENSION GEN 1 ISO      |
| 5    | 632061   | 1    | CABLE, FOOTSWITCH, 12' CROP TRACTOR |
| 6    | 632070   | 1    | 37 TO 47 PIN ADAPTER CABLE          |
| 7    | 632080   | 1    | 6 SECTION 6' FINAL CABLE            |
| 8    | 632145   | 1    | JD GREENSTAR RATE CONTROLLER        |

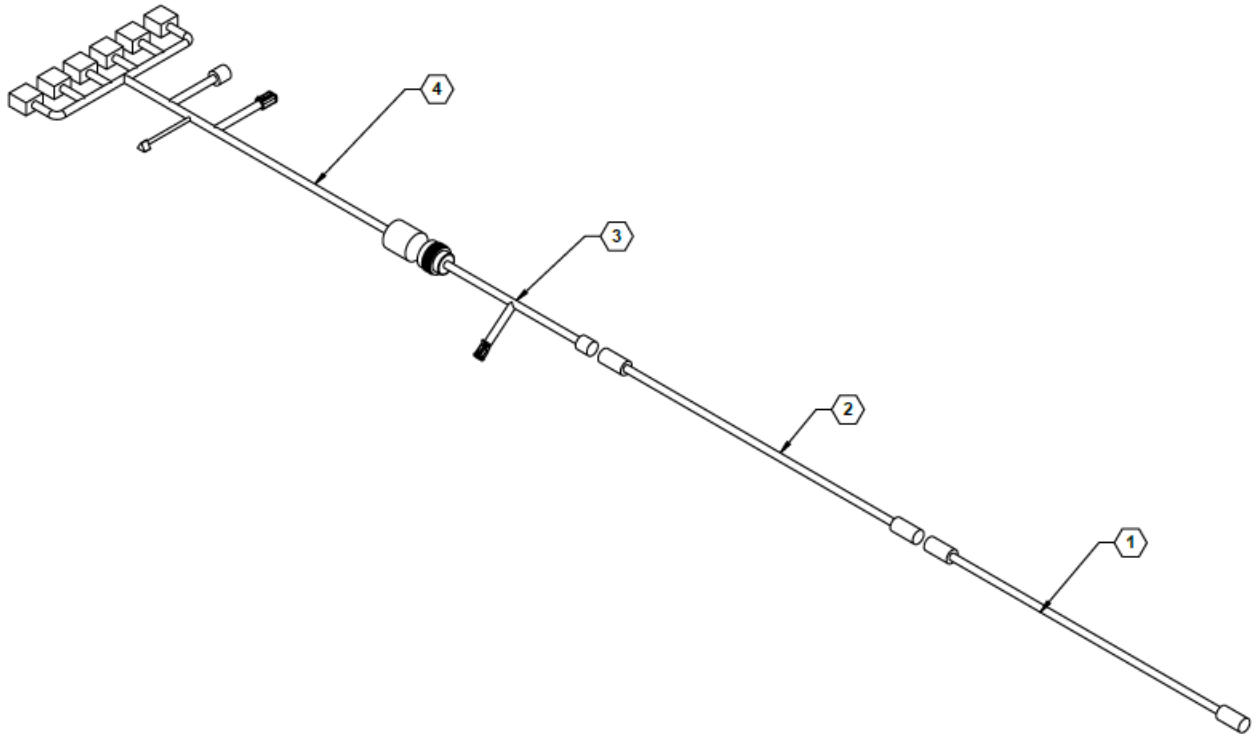
## Customer Supplied RCM/RC2000



### Parts List 35741: Customer Supplied RCM/RC2000

| ITEM | PART NO. | QTY. | DESCRIPTION                      |
|------|----------|------|----------------------------------|
| 1    | 632029   | 1    | 47 PIN RATE CTRL INTERFACE CABLE |
| 2    | 632051   | 1    | IBIC TO GEN 1 ISO 24'            |
| 3    | 632055   | 1    | CABLE, 17' EXTENSION GEN 1 ISO   |
| 4    | 632080   | 1    | 6 SECTION APP FINAL HARNESS      |

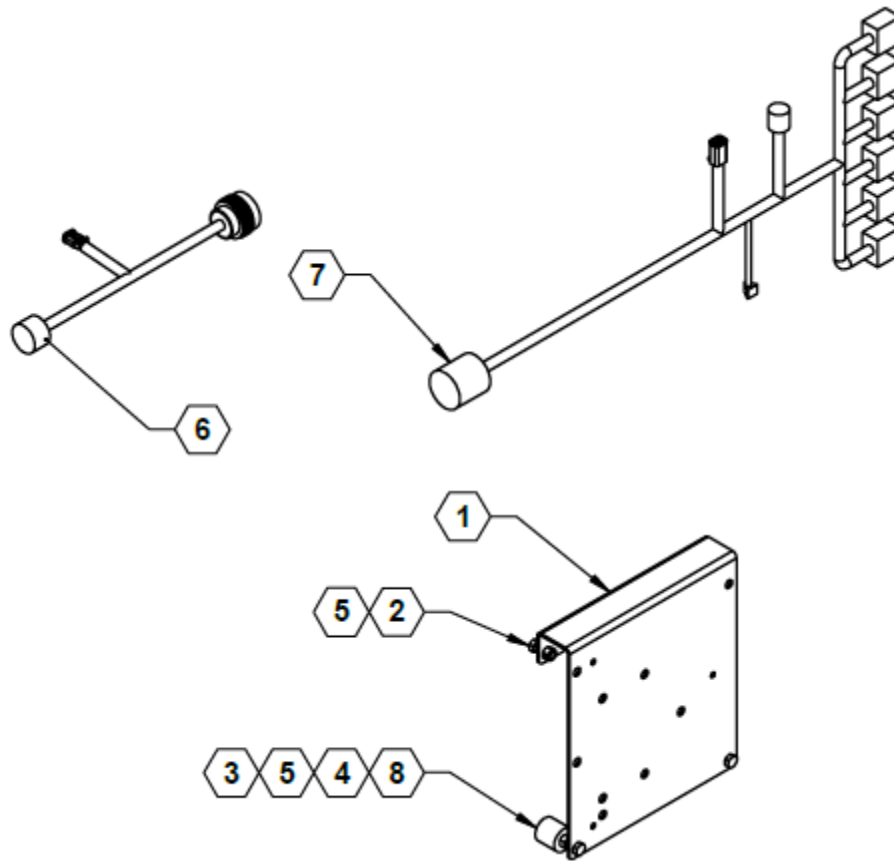
## Customer Supplied Raven 450



### Parts List 35743: Customer Supplied Raven 450

| ITEM | PART NO.      | QTY. | DESCRIPTION                 |
|------|---------------|------|-----------------------------|
| 1    | <b>631814</b> | 1    | CABLE, 6 BOOM 12' EXTENSION |
| 2    | <b>631815</b> | 1    | CABLE, 6 BOOM 24' EXTENSION |
| 3    | <b>632028</b> | 1    | 47 PIN TO 16 PIN ADAPTER    |
| 4    | <b>632080</b> | 1    | 6 SECTION APP FINAL HARNESS |

## Customer Supplied JD Greenstar

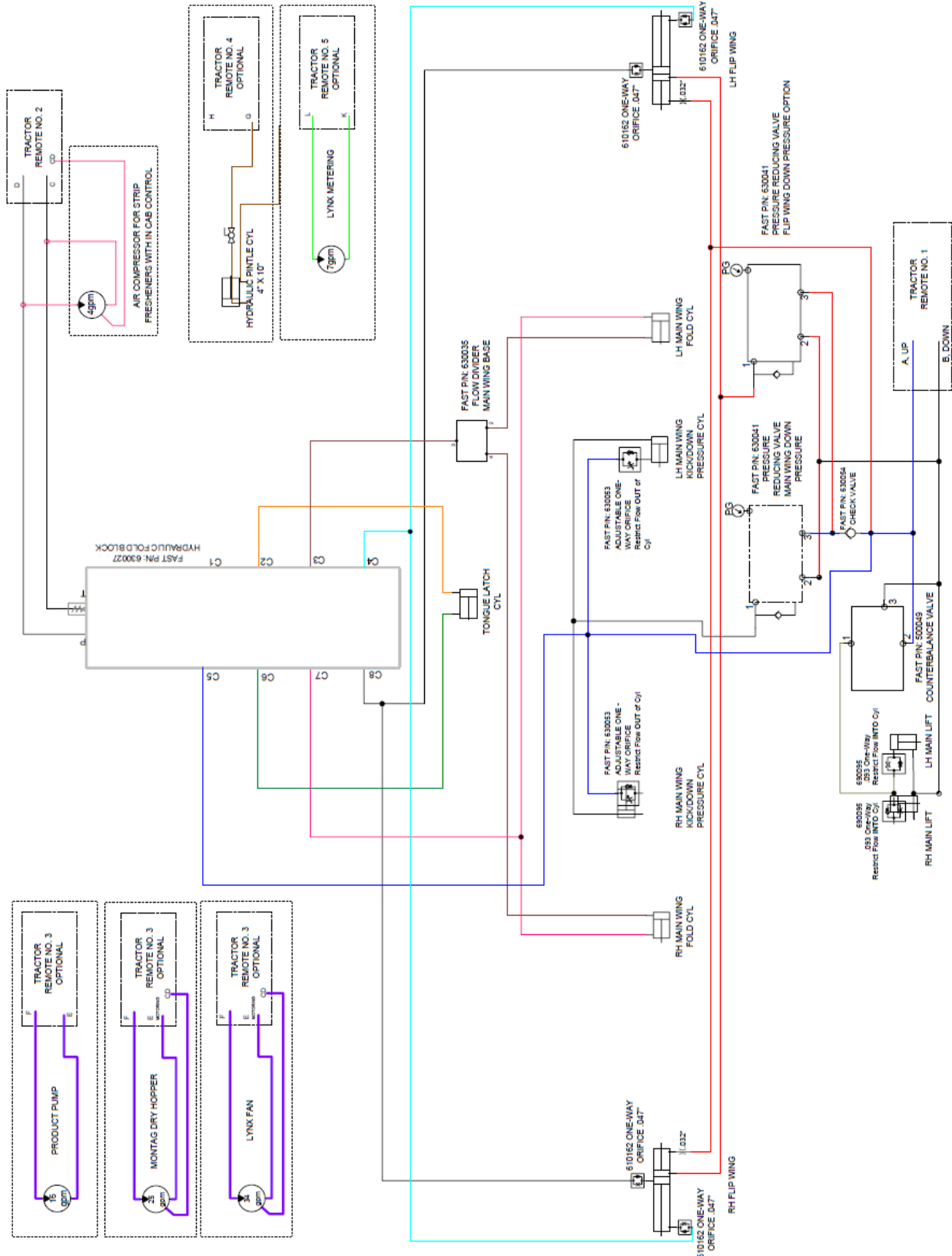


### Parts List 35404/35744: Customer Supplied JD Greenstar

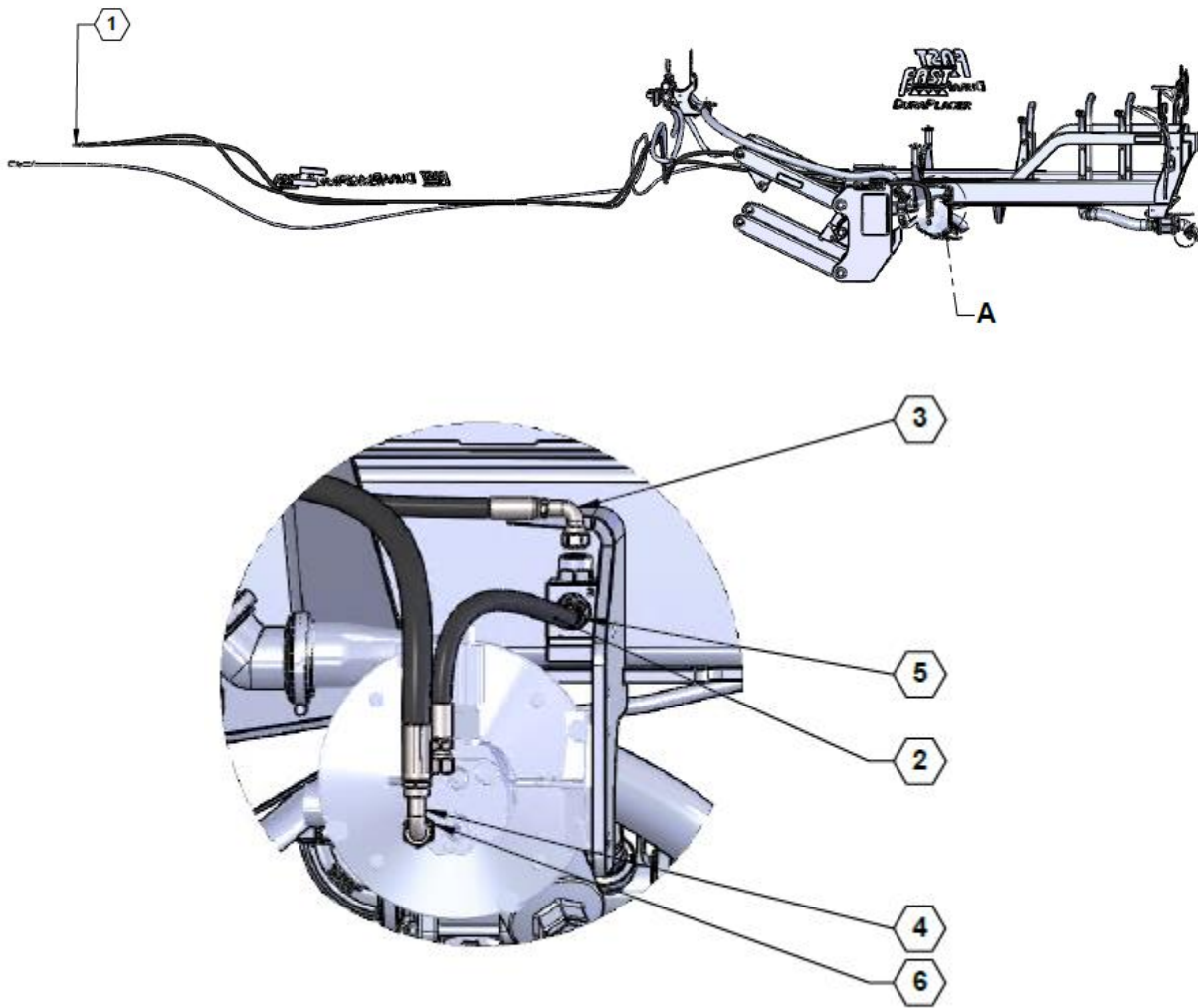
| ITEM | PART NO. | QTY. | DESCRIPTION                       |
|------|----------|------|-----------------------------------|
| 1    | 15813    | 1    | PLATE, FORMED MOUNT               |
| 2    | 596128M  | 2    | BOLT, HH 3/8-16 X 1 GR5 MAGNI     |
| 3    | 596129M  | 2    | BOLT, HH 3/8-16 X 1-1/2 GR5 MAGNI |
| 4    | 596213M  | 2    | NUT HEX 3/8-16 MAGNI              |
| 5    | 596237M  | 4    | NUT, CENTERLOCK 3/8-16 MAGNI      |
| NS   | 632051   | 1    | IBIC TO GEN 1 ISO 24'             |
| NS   | 632055   | 1    | CABLE, 17' EXTENSION GEN 1 ISO    |
| 6    | 632070   | 1    | 37 TO 47 PIN ADAPTER CABLE        |
| 7    | 632080   | 1    | 6 SECTION 6' FINAL CABLE          |
| 8    | 750050   | 2    | BUMPER, EBCO                      |

## HYDRAULICS

### Hydraulic Diagram



## Product Pump Hydraulic Hose & Fittings



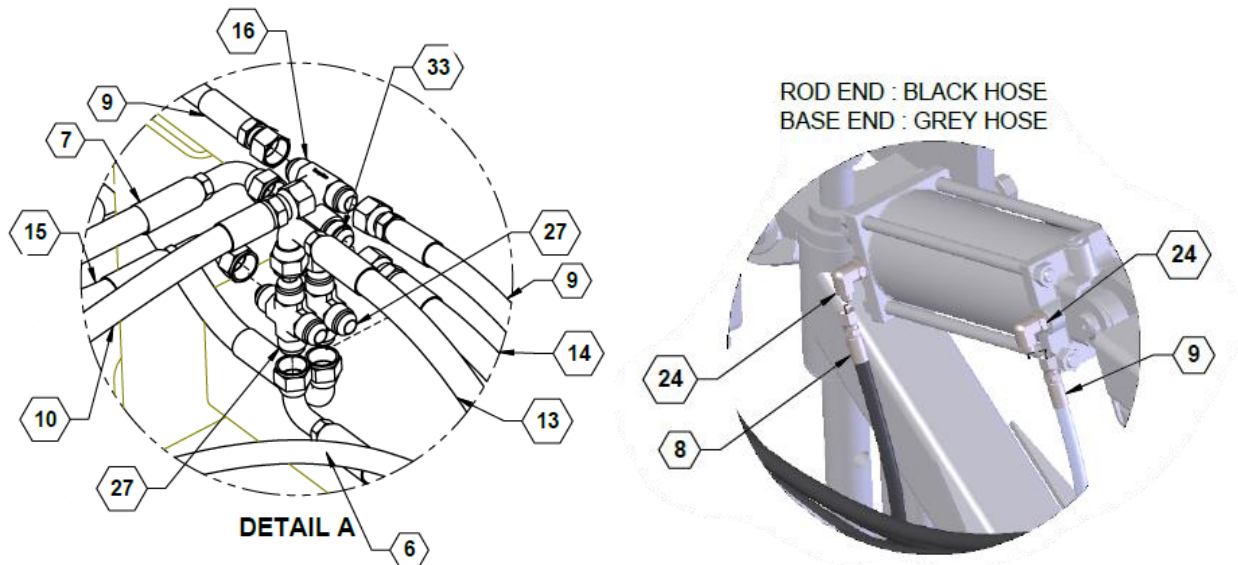
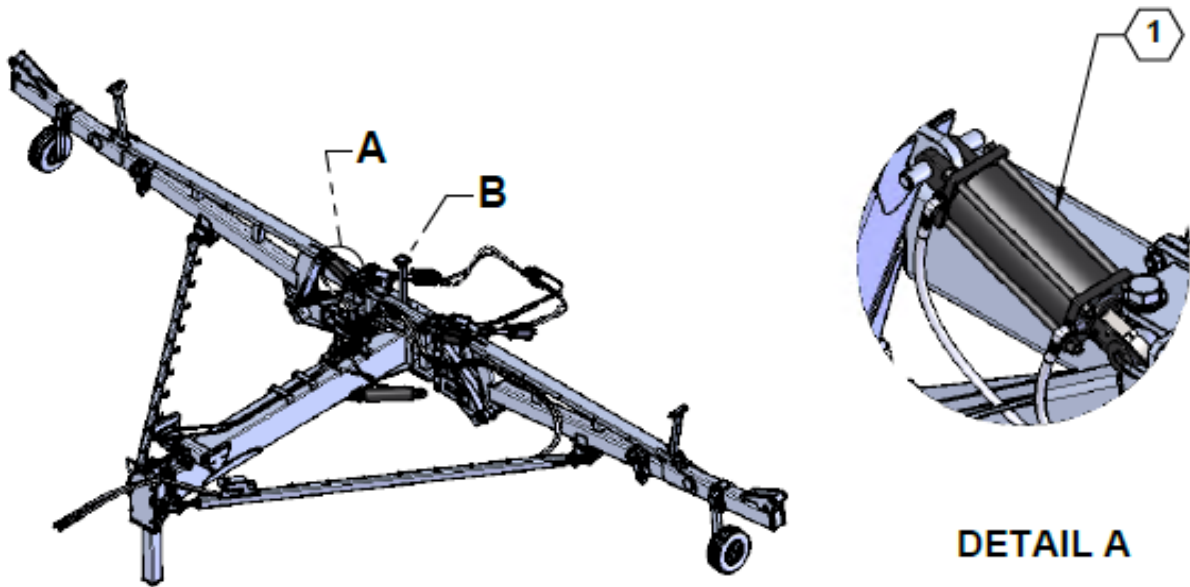
**DETAIL A**

### Parts List 600129: Product Pump Hydraulic Hose & Fittings

| ITEM | PART NO. | QTY. | DESCRIPTION                      |
|------|----------|------|----------------------------------|
| 1    | 520048   | 2    | PIONEER COUPLER #8 FORB          |
| 2    | 600129-1 | 1    | HOSE ASSY, 08-8FJX-8FJX-25       |
| 3    | 600129-2 | 1    | HOSE ASSY, 08-8MORB-8FJX90-513   |
| 4    | 600129-3 | 1    | HOSE ASSY, 10-8MORB-10FJX90- 513 |
| 5    | 610060   | 1    | JIC #8 TO ORING #10              |
| 6    | 610106   | 1    | ADAPTER, -10MJIC X -10MORB       |

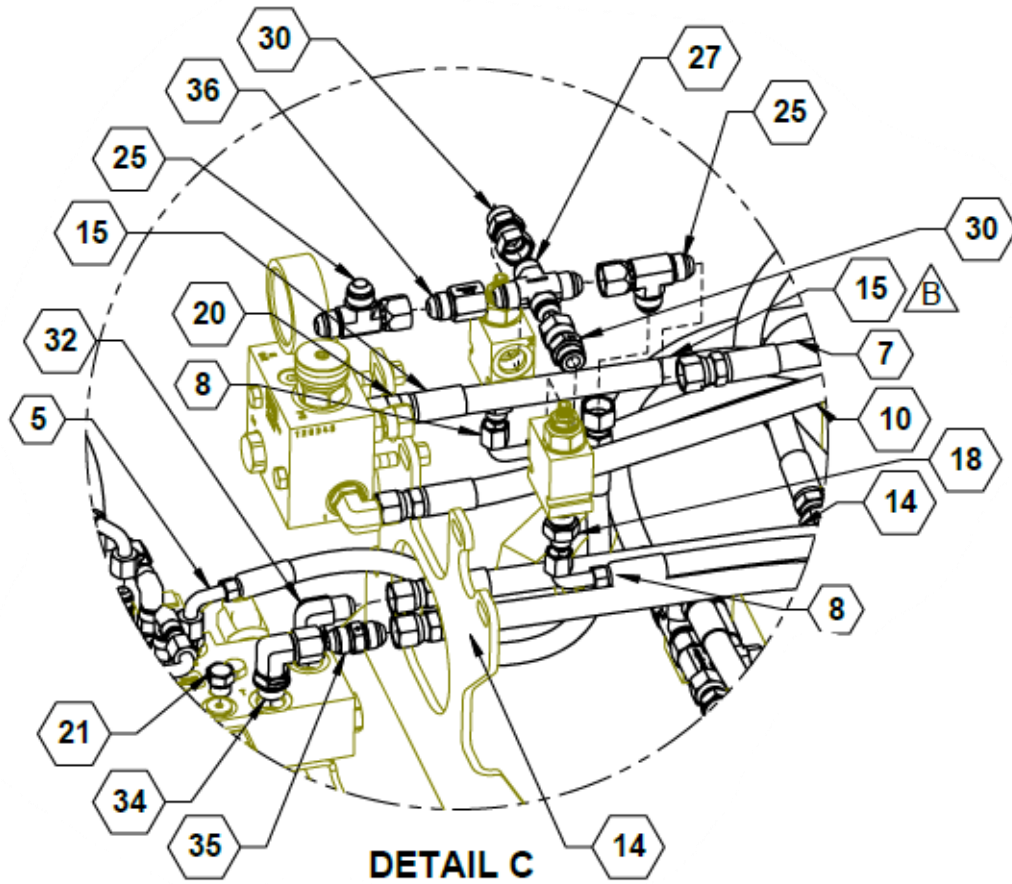
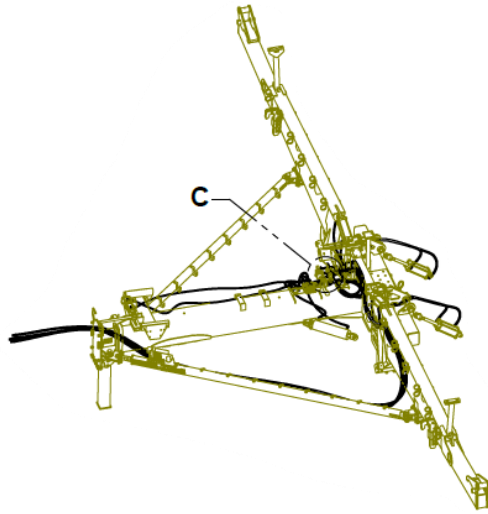


## Down Pressure (Kick) Cylinder



### Parts List 35202 (34997): Down Pressure (Kick) Cylinder

| ITEM | PART NO. | QTY. | DESCRIPTION   |
|------|----------|------|---|
| 1    | 34997    | 2    | ASSY, KICK CYLINDER (see also 28195 & 596593M in <a href="#">Parts List 35201: 40' Toolbar (Base)</a> ) |
| 1.1  | 36315    | 1    | WELDMENT, TOP SPH BALL  |
| 1.2  | 620091   | 1    | CYLINDER, HYD 45TD10-150  |
| 1.3  | 761      | 1    | ZERK, 90°, 1/4-28 STRAIGHT PIPE THREAD  |





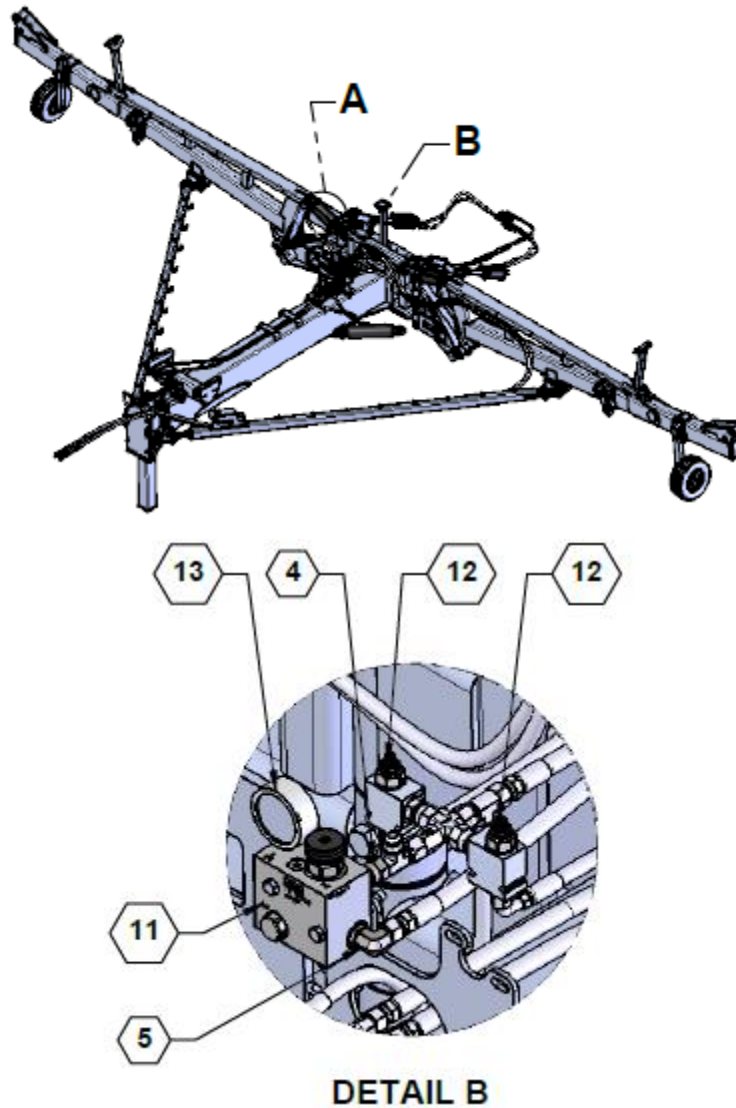
# ILLUSTRATED PARTS LIST

Down Pressure (Kick) Cylinder (cont.)

## Parts List 600125: Down Pressure (Kick) Cylinder Hoses & Fittings

| ITEM | PART NO.  | QTY. | DESCRIPTION                           |
|------|-----------|------|---------------------------------------|
| 5    | 600125-5  | 1    | HOSE ASSY, 06-8FJX-6FJX90-21.4        |
| 6    | 600125-7  | 2    | HOSE ASSY, 08-8FJX-8FJX90-40          |
| 7    | 600125-8  | 1    | HOSE ASSY, 08-8FJX-8FJX90-8.1         |
| 8    | 600125-9  | 2    | HOSE ASSY, 06-6FJX-6FJX90-69          |
| 9    | 600125-10 | 2    | HOSE ASSY, 06-6FJX-8FJX-76            |
| 10   | 600125-11 | 1    | HOSE ASSY, 08-8FJX-8FJX-16            |
| 15   | 600132-20 | 1    | HOSE ASSY, 08-8FJX-8FJX90-21          |
| 16   | 610004    | 1    | JIC #8 UNION TEE                      |
| 18   | 610011    | 3    | JIC #6 TO ORING #8                    |
| 20   | 610013    | 3    | ADAPTER, -8MJIC X -8MORB              |
| 24   | 610030    | 9    | ADAPTER, -6MJIC X -8MORB90            |
| 27   | 610071    | 3    | ADAPTER, -8 MJIC UNION CROSS          |
| 30   | 610083    | 2    | ADAPTER, -8MORB X -8FJX               |
| 35   | 630043    | 1    | INLINE CHECK VALVE, -08MJIC x -08MJIC |
| 36   | 630054    | 1    | CHECK VALVE, -8MJIC x -8FJIC          |

## Down Pressure Comp Flow Control

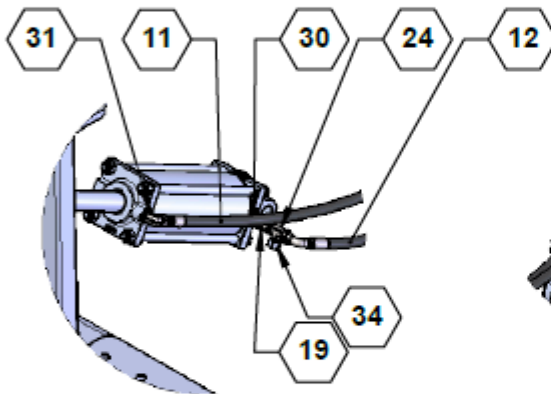
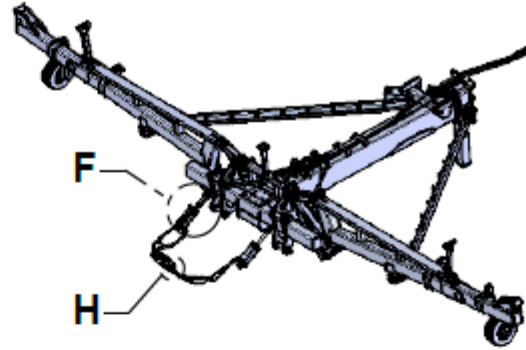
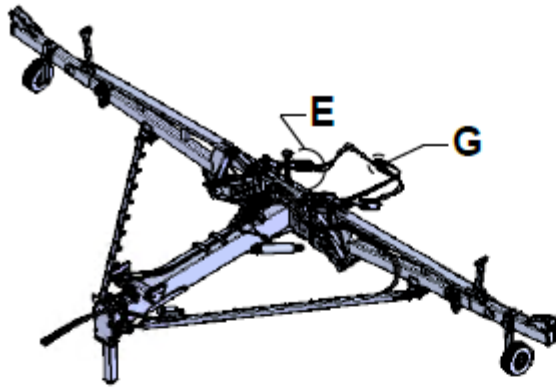


### Parts List 35202: Down Pressure Comp Flow Control

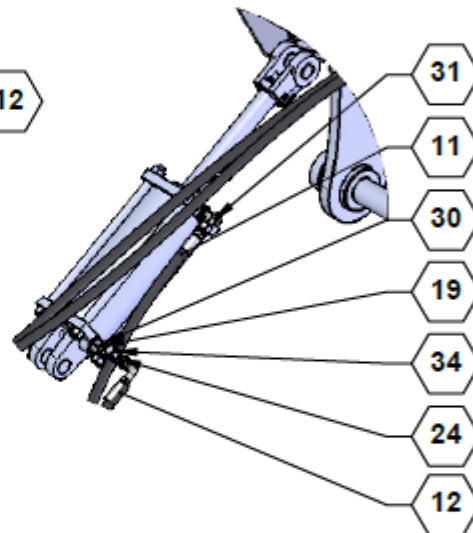
| ITEM | PART NO. | QTY. | DESCRIPTION                                       |
|------|----------|------|---|
| 4    | 610083   | 1    | ADAPTER, -8MORB X -8FJX                           |
| 5    | 610097   | 1    | ADAPTER, -8MJIC X -8MORB90                        |
| 11   | 630041   | 1    | MANIFOLD, HYDRAULIC DOWN PRESSURE                 |
| 12   | 630053   | 2    | VALVE ASSEMBLY, FA101, PRESSURE COMP FLOW CONTROL |
| 13   | 790052   | 1    | PRESSURE GAUGE, 3000 PSI                          |

## Lift Cylinder & Counterbalance Valve

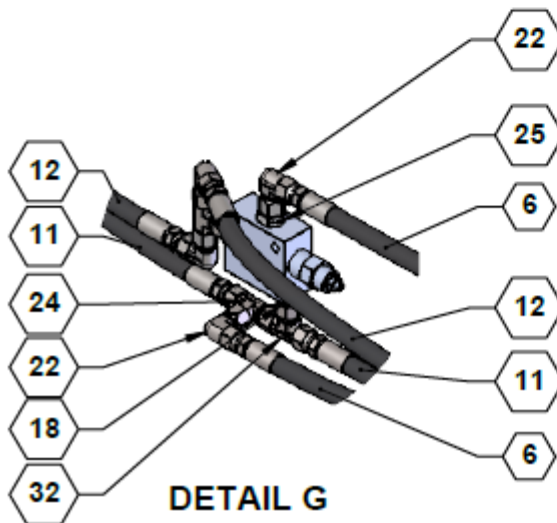
*Trailer hidden for clarity.*



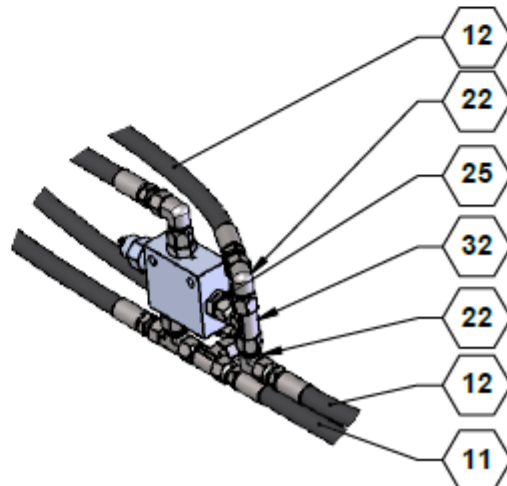
**DETAIL E, RIGHT**



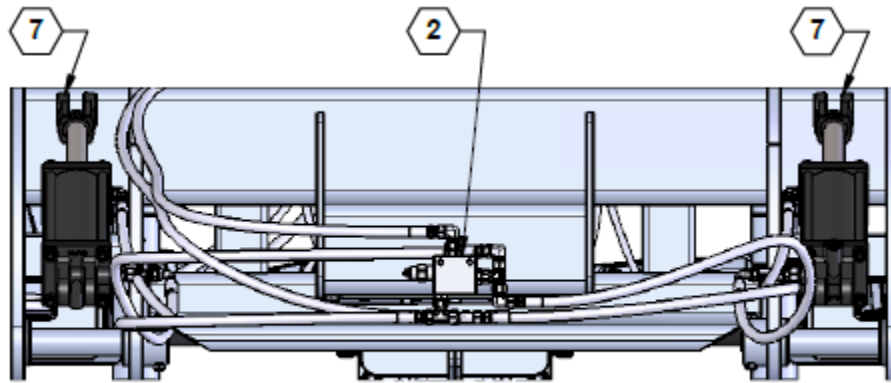
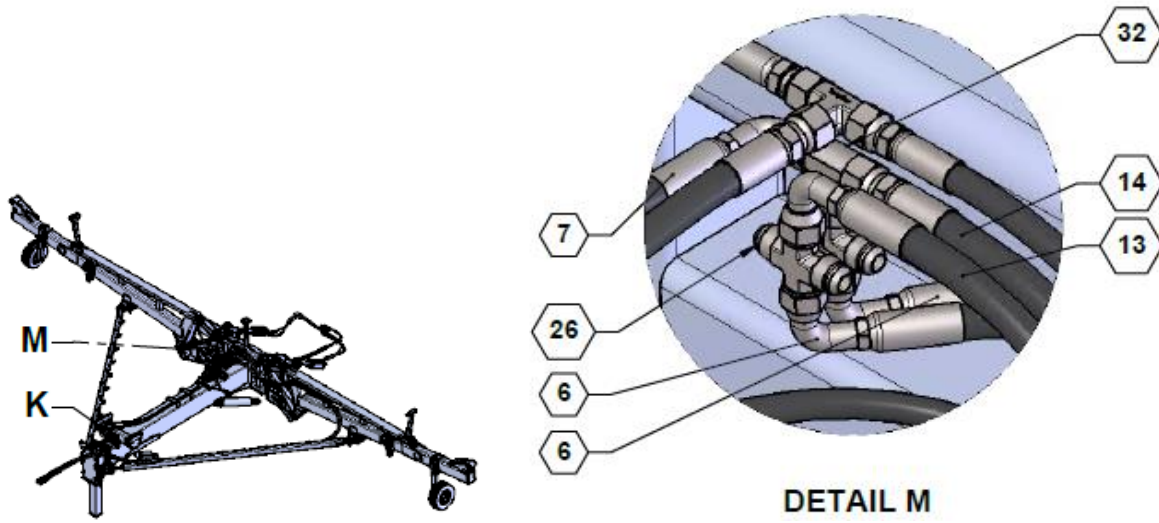
**DETAIL F, LEFT**



**DETAIL G**



**DETAIL H**



**BACK VIEW, TRAILER NOT SHOWN**

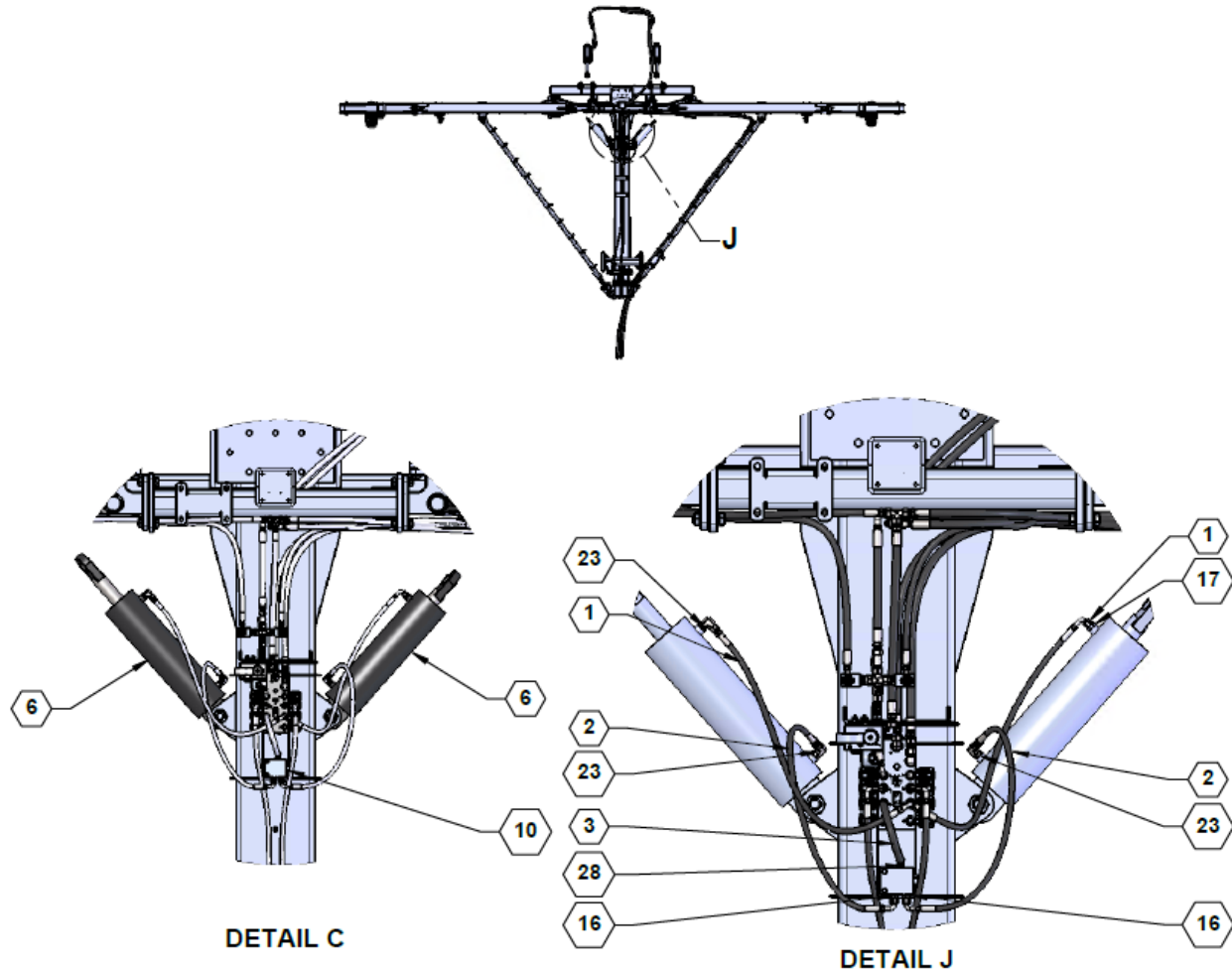
## Parts List 35202: Lift Cylinder & Counterbalance Valve

| ITEM | PART NO. | QTY. | DESCRIPTION  |
|------|----------|------|--|
| 2    | 500049   | 1    | VALVE, COUNTERBALANCE  |
| 7    | 620091   | 2    | CYLINDER, HYD 45TD10-150 (see also 23385 & 28915 in <a href="#">Parts List 35330: Trailer Base</a> ) |

## Parts List 600125: Lift Cylinder & Counterbalance Valve, Hoses & Fittings

| ITEM | PART NO.  | QTY. | DESCRIPTION                    |
|------|-----------|------|--------------------------------|
| 6    | 600125-7  | 2    | HOSE ASSY, 08-8FJX-8FJX90-126  |
| 11   | 600125-16 | 2    | HOSE ASSY, 08-8FJX-8FJX-75.5   |
| 12   | 600125-17 | 2    | HOSE ASSY, 08-8FJX-8FJX90-65   |
| 13   | 600125-18 | 1    | HOSE ASSY, 08-8FJX90-8MORB-403 |
| 14   | 600125-19 | 1    | HOSE ASSY, 08-8FJX-8MORB-410   |
| N/S  | 600125-20 | 1    | HOSE ASSY, 08-8FJX-8FJX90-21   |
| 18   | 610012    | 1    | JIC #8 TO ORING #6             |
| 19   | 610013    | 2    | ADAPTER, -8MJIC X -8MORB       |
| 22   | 610024    | 4    | JIC #8 90 DEG                  |
| 24   | 610053    | 3    | JIC #8 SWIVEL RUN TEE          |
| 25   | 610060    | 2    | JIC #8 TO ORING #10            |
| 26   | 610071    | 2    | ADAPTER, -8 MJIC UNION CROSS   |
| 30   | 610095    | 2    | .093 ORIFICE FITTING           |
| 31   | 610097    | 2    | ADAPTER, -8MJIC X -8MORB90     |
| 32   | 610107    | 3    | #8 JIC SWIVEL BRANCH TEE       |
| 34   | 610144    | 2    | FJIC #8 CAP                    |

## Fold Cylinder & Flow Divider



### Parts List 35202: Fold Cylinder & Flow Divider

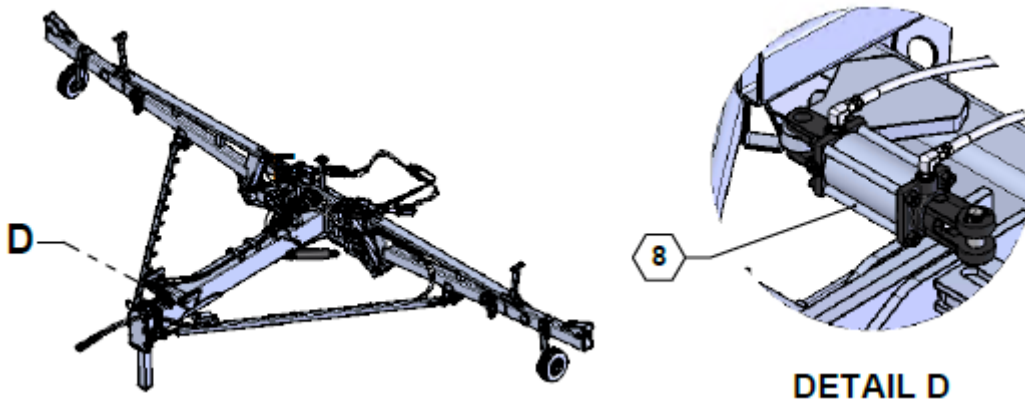
| ITEM | PART NO. | QTY. | DESCRIPTION  |
|------|----------|------|--|
| 6    | 620046   | 2    | FOLD CYLINDER (see also 34771 & 590183 in <a href="#">Parts List 35201: 40' Toolbar (Base)</a> ) |
| 10   | 630035   | 1    | FLOW DIVIDER   |

### Parts List 600125: Fold Cylinder & Flow Divider Hoses & Fittings

| ITEM | PART NO. | QTY. | DESCRIPTION                  |
|------|----------|------|------------------------------|
| 1    | 600125-1 | 2    | HOSE ASSY, 04-6FJX-6FJX90-44 |
| 2    | 600125-2 | 2    | HOSE ASSY, 04-6FJX-6FJX90-35 |
| 3    | 600125-3 | 1    | HOSE ASSY, 06-6FJX-6FJX-19.7 |
| 16   | 610010   | 2    | ADAPTER, -6MJIC X -6MORB     |
| 17   | 610011   | 1    | JIC #6 TO ORING #8           |
| 23   | 610030   | 3    | ADAPTER, -6MJIC X -8MORB90   |
| 28   | 610078   | 1    | JIC #6 TO #6 ORING 90°       |



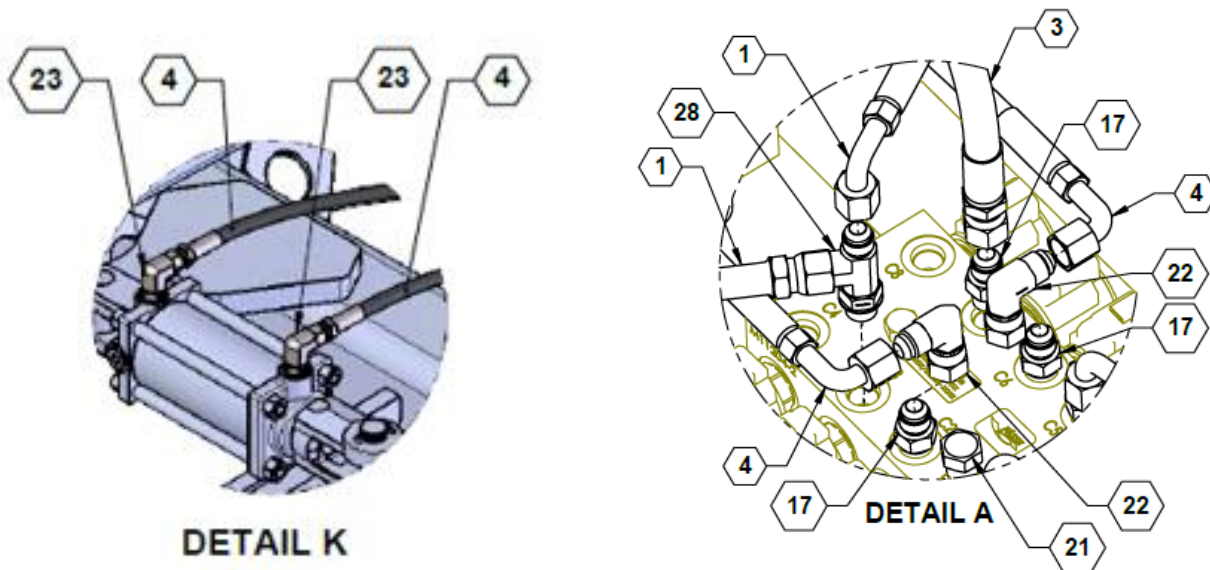
## Latch Cylinder



### Parts List 35202 (620105): Latch Cylinder

| ITEM | PART NO. | QTY. | DESCRIPTION  |
|------|----------|------|--|
| 8    | 620105   | 1    | CYLINDER, 3" X 4" X 1.25 ROD TIE ROD (see also 34991 in <a href="#">Parts List 35201: 40' Toolbar (Base)</a> ) |

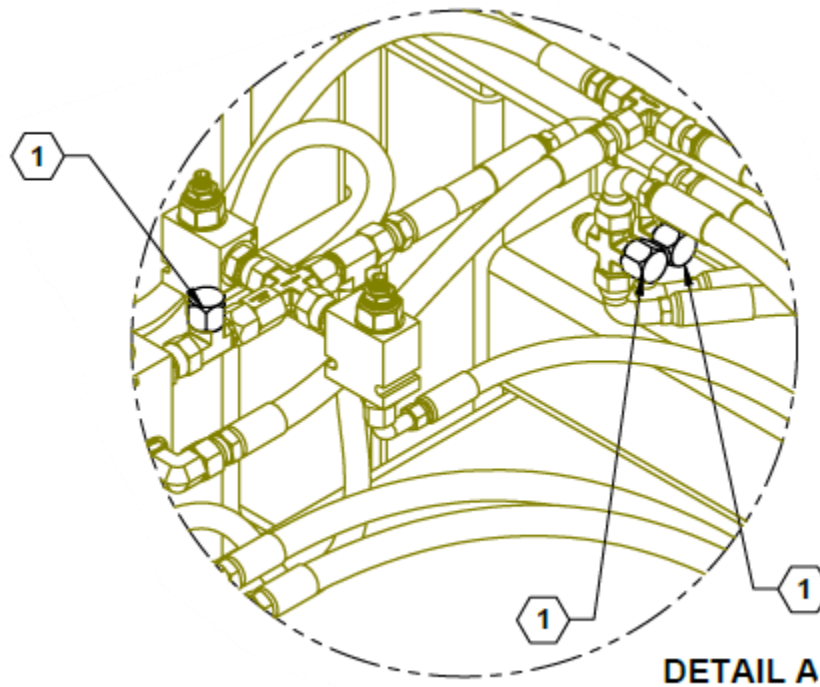
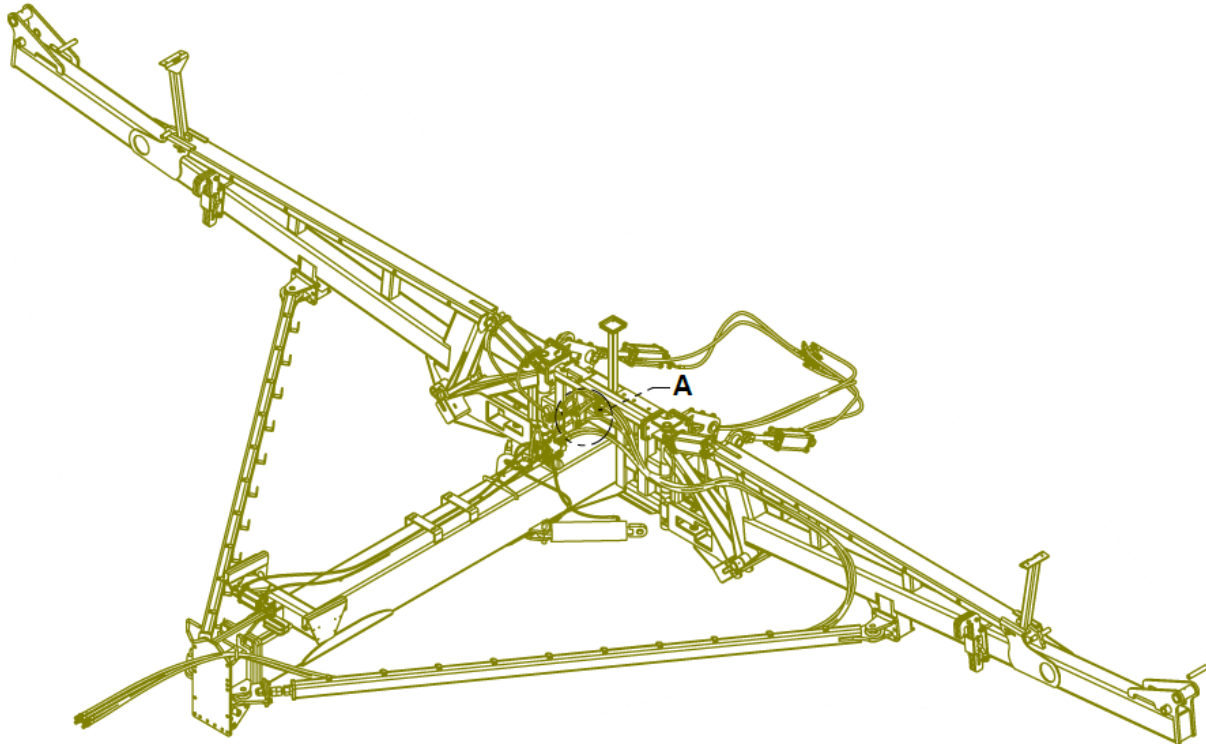
## Latch Cylinder Hoses & Fittings



### Parts List 600125: Latch Cylinder Hoses & Fittings

| ITEM | PART NO. | QTY. | DESCRIPTION                   |
|------|----------|------|-------------------------------|
| 4    | 600125-4 | 2    | HOSE ASSY, 04-6FJX-6FJX90-123 |
| 17   | 610010   | 6    | ADAPTER, -6MJIC X -6MORB      |
| 22   | 610023   | 2    | ADAPTER, -6MJIC X -6FJX 90    |
| 23   | 610030   | 2    | ADAPTER, -6MJIC X -8MORB90    |

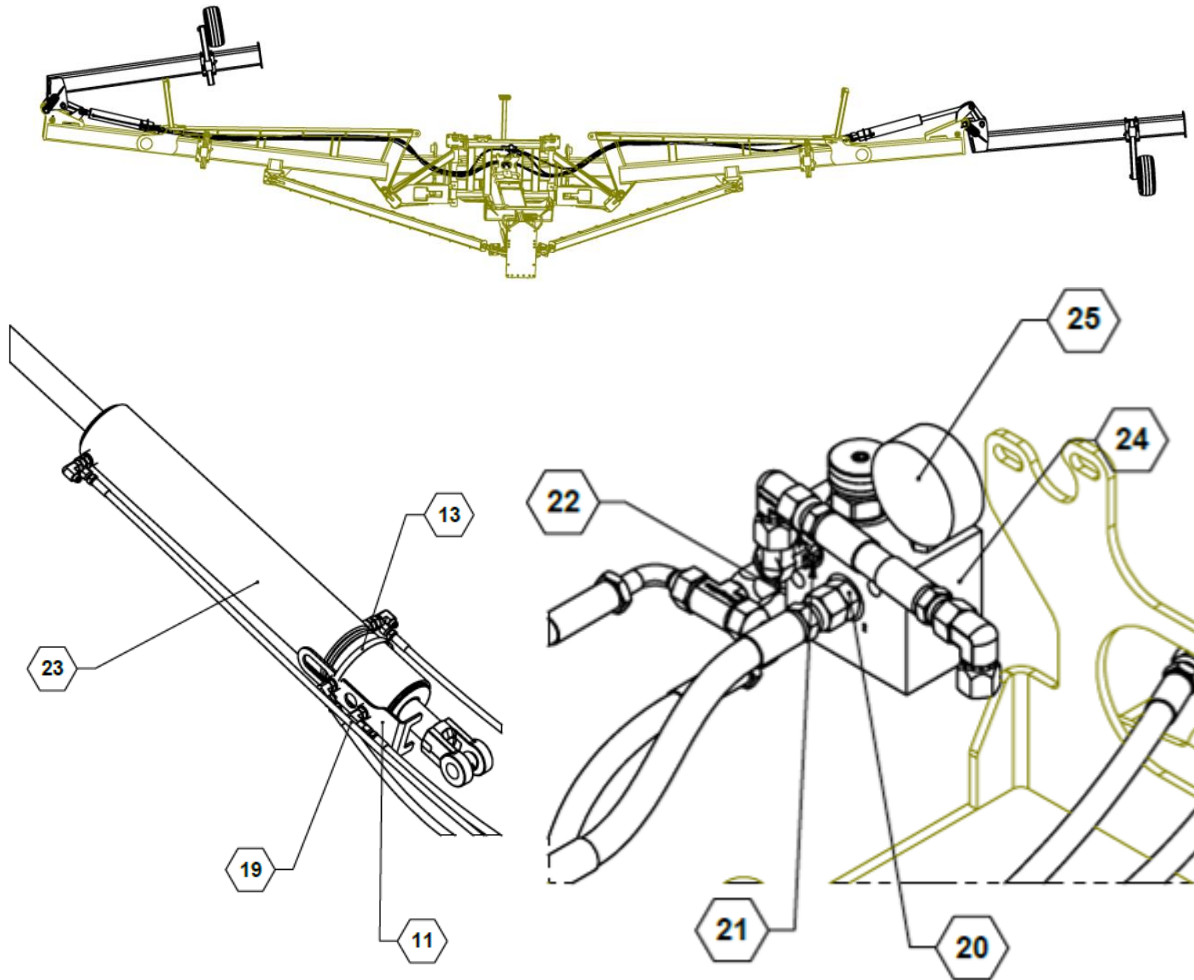
## Flip Wing Connection Caps (40' option)



### Parts List 35581: Flip Wing Connection Caps (40' option)

| ITEM | PART NO. | QTY. | DESCRIPTION |
|------|----------|------|-------------|
| 1    | 610144   | 3    | FJIC #8 CAP |

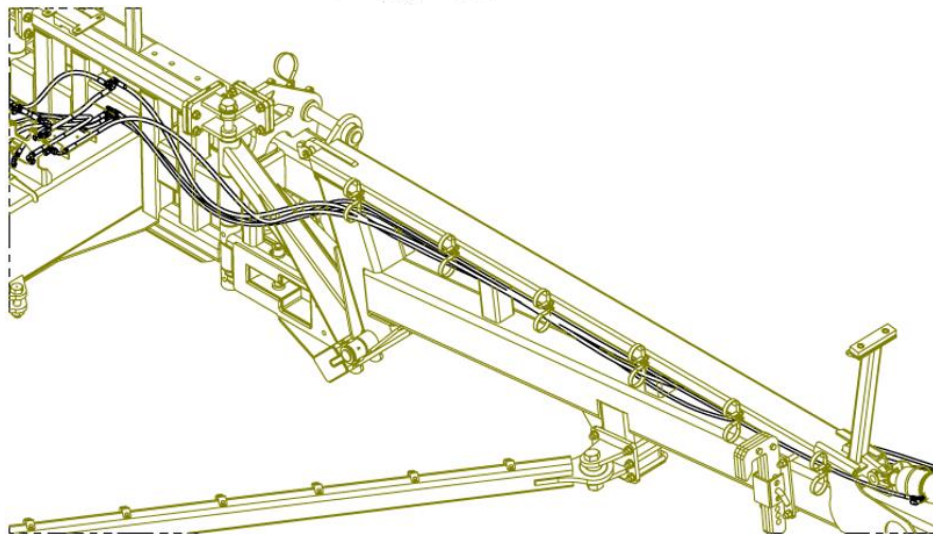
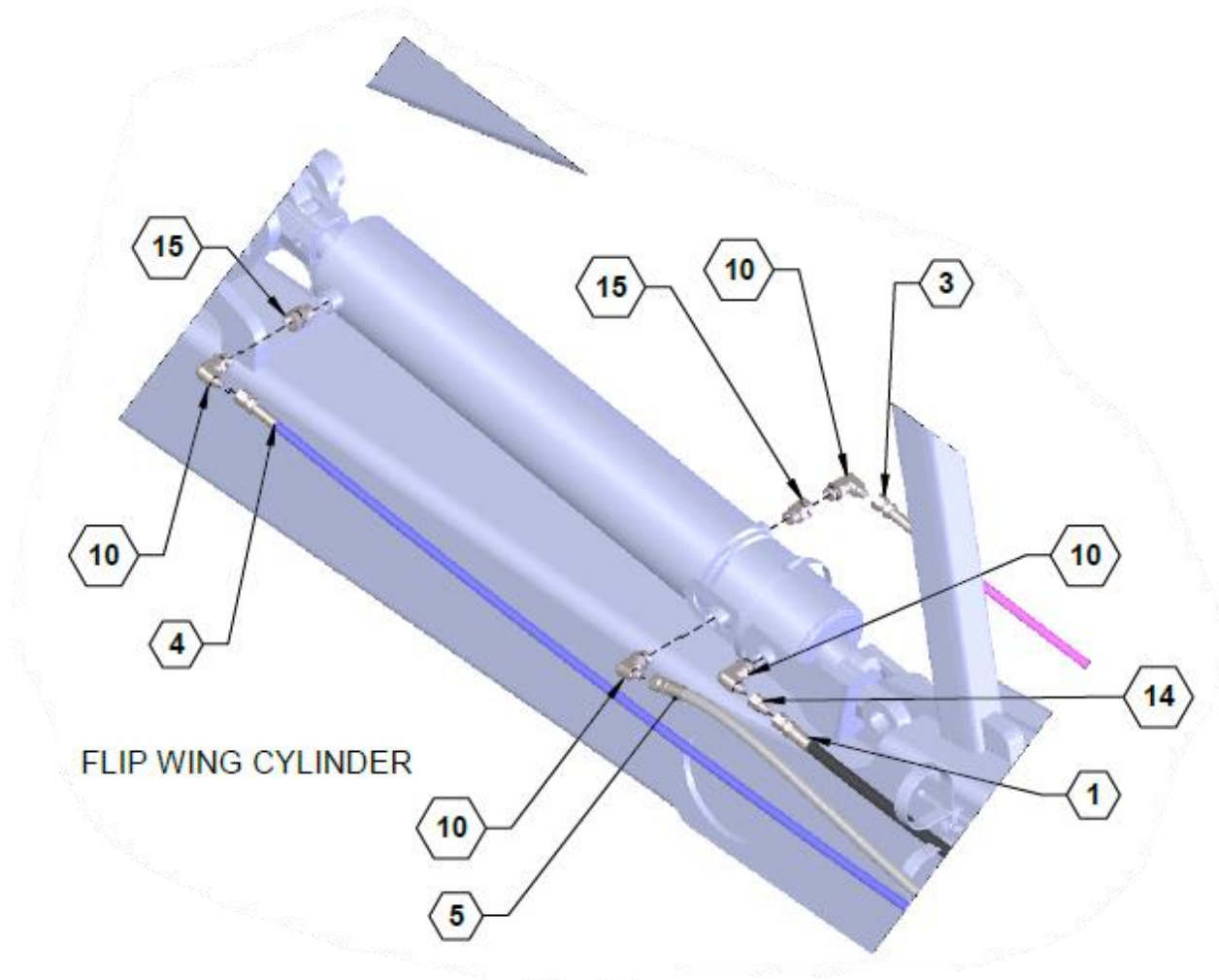
## Flip Wing Cylinder

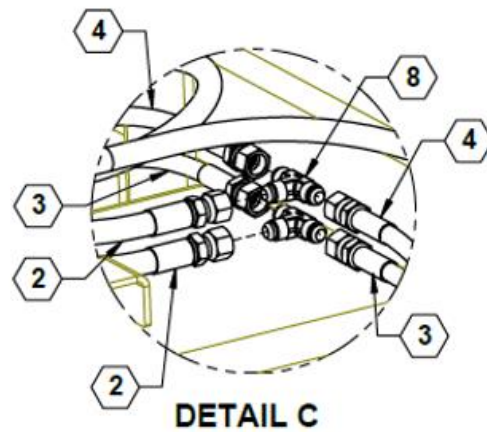
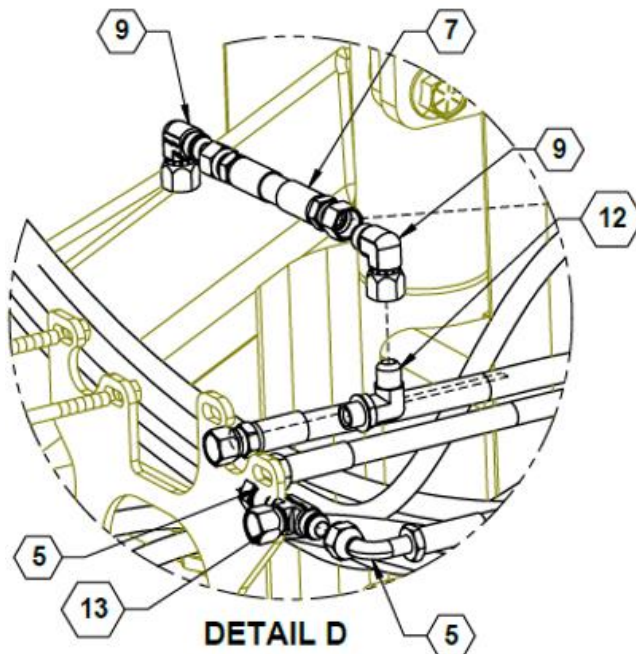
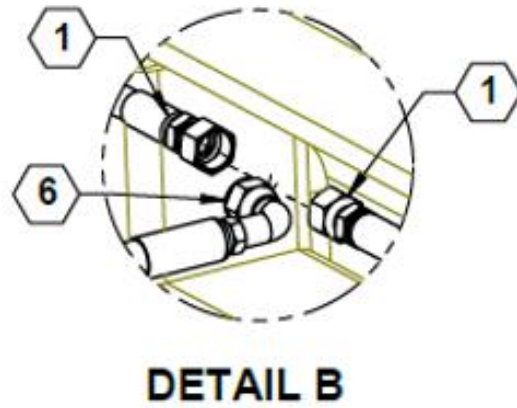
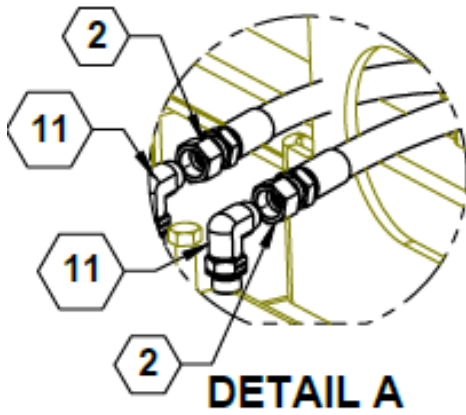
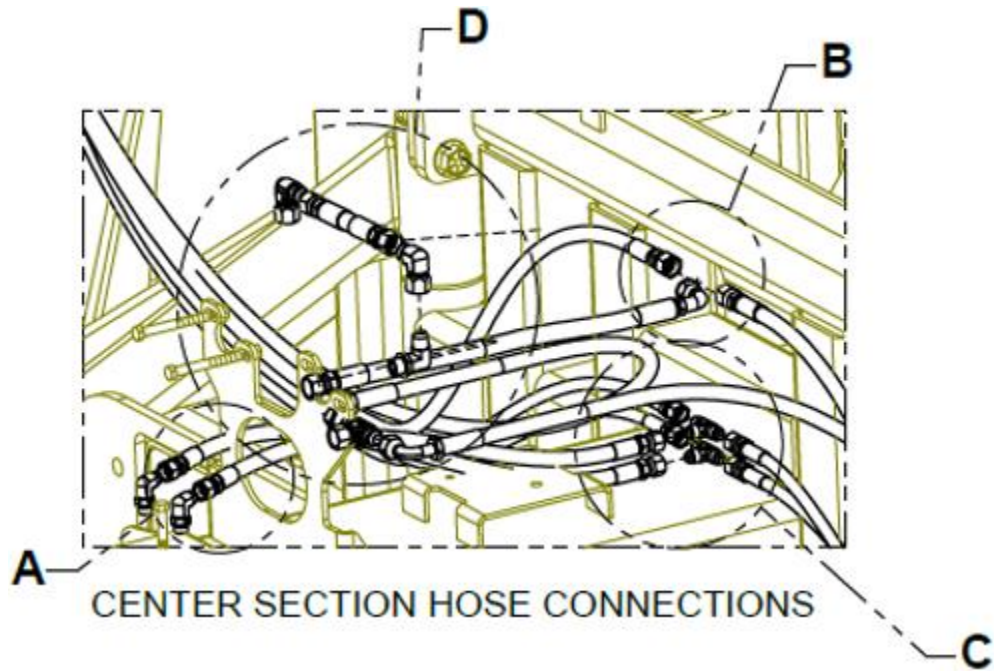


### Parts List 35580: Flip Wing Cylinder

| ITEM | PART NO. | QTY. | DESCRIPTION  |
|------|----------|------|--|
| 11   | 35407    | 2    | PLATE, CYLINDER ANTI ROTATE  |
| 13   | 540021   | 2    | CLAMP, 4 1/8 - 7"  |
| 19   | 600132   | 1    | HOSE KIT, DURAPLACER 60FT OPTN   |
| 20   | 610013   | 1    | ADAPTER, -8MJIC X -8MORB   |
| 21   | 610083   | 1    | ADAPTER, -8MORB X -8FJX  |
| 22   | 610097   | 1    | ADAPTER, -8MJIC X -8MORB90   |
| 23   | 620027   | 2    | CYLINDER, 4.5"X22.5 & 1.81 STROKE (see also 34764 in <a href="#">Parts List 35580: 60' Toolbar</a> ) |
| 24   | 630041   | 1    | MANIFOLD, HYDRAULIC DOWN PRESSURE  |
| 25   | 790052   | 1    | PRESSURE GAUGE, 3000 PSI   |

## Flip Wing Cylinder (continued)

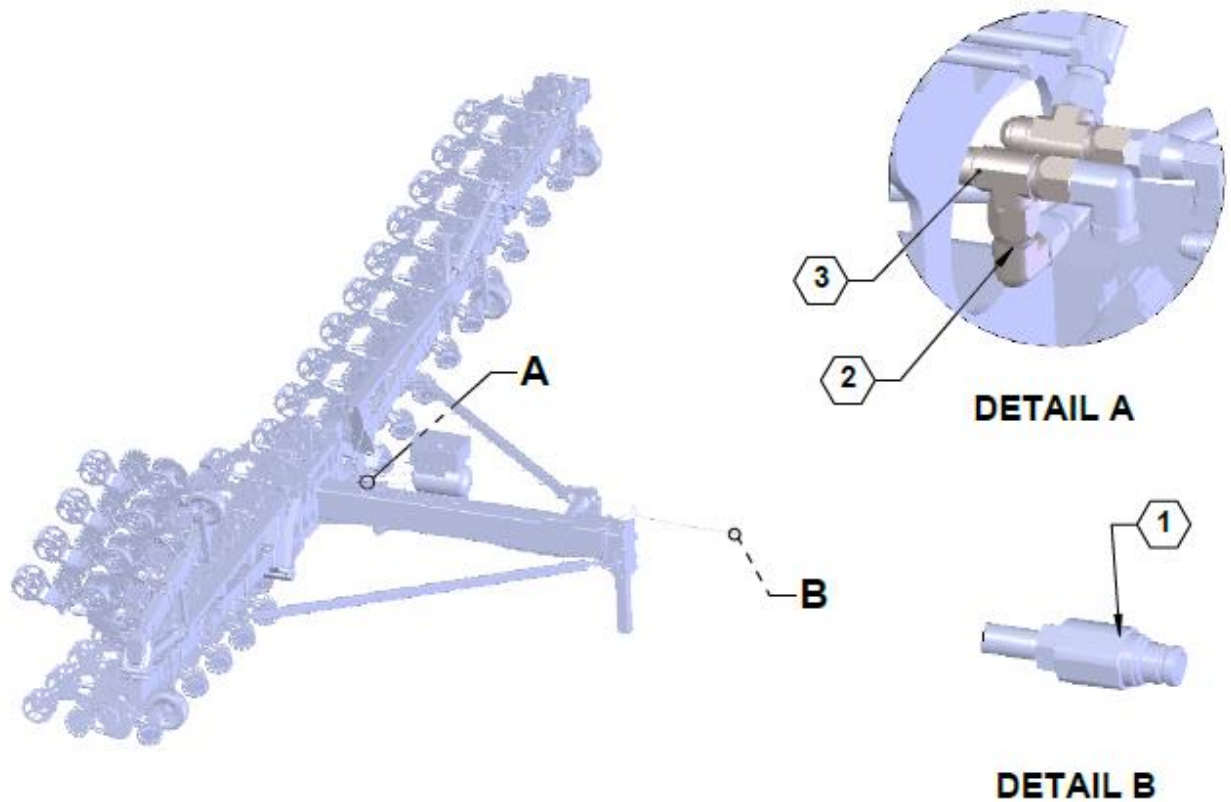




## Parts List 600132: Flip Wing Cylinder Hoses & Fittings

| ITEM | PART NO.  | QTY. | DESCRIPTION  |
|------|-----------|------|--|
| 1    | 600132-6  | 2    | HOSE ASSY, 06-6FJX-8FJX-205                          |
| 2    | 600132-12 | 2    | HOSE ASSY, 06-6FJX-6FJX-25.2                         |
| 3    | 600132-13 | 2    | HOSE ASSY, 04-6FJX-6FJX-211                          |
| 4    | 600132-14 | 2    | HOSE ASSY, 04-6FJX-6FJX-235                          |
| 5    | 600132-15 | 2    | HOSE ASSY, 06-6FJX-8FJX90-220                        |
| 6    | 600132-20 | 1    | HOSE ASSY, 08-8FJX-8FJX90-21                         |
| 7    | 600132-21 | 1    | HOSE ASSY, 08-8FJX-8FJX-6.4                          |
| 8    | 610005    | 2    | JIC UNION TEE #6                                     |
| 9    | 610024    | 2    | JIC #8 90 DEG  |
| 10   | 610030    | 8    | ADAPTER, -6MJIC X -8MORB90                           |
| 11   | 610078    | 2    | JIC #6 TO #6 ORING 90~                               |
| 12   | 610097    | 1    | ADAPTER, -8MJIC X -8MORB90                           |
| 13   | 610107    | 1    | #8 JIC SWIVEL BRANCH TEE                             |
| 14   | 610140    | 2    | JIC #6 TO FJIC #6 X .031"                            |
| 15   | 610162    | 4    | FITTING, 0.047 VONBERG 1 WAY ORIFICE, FA 19373-0.047 |

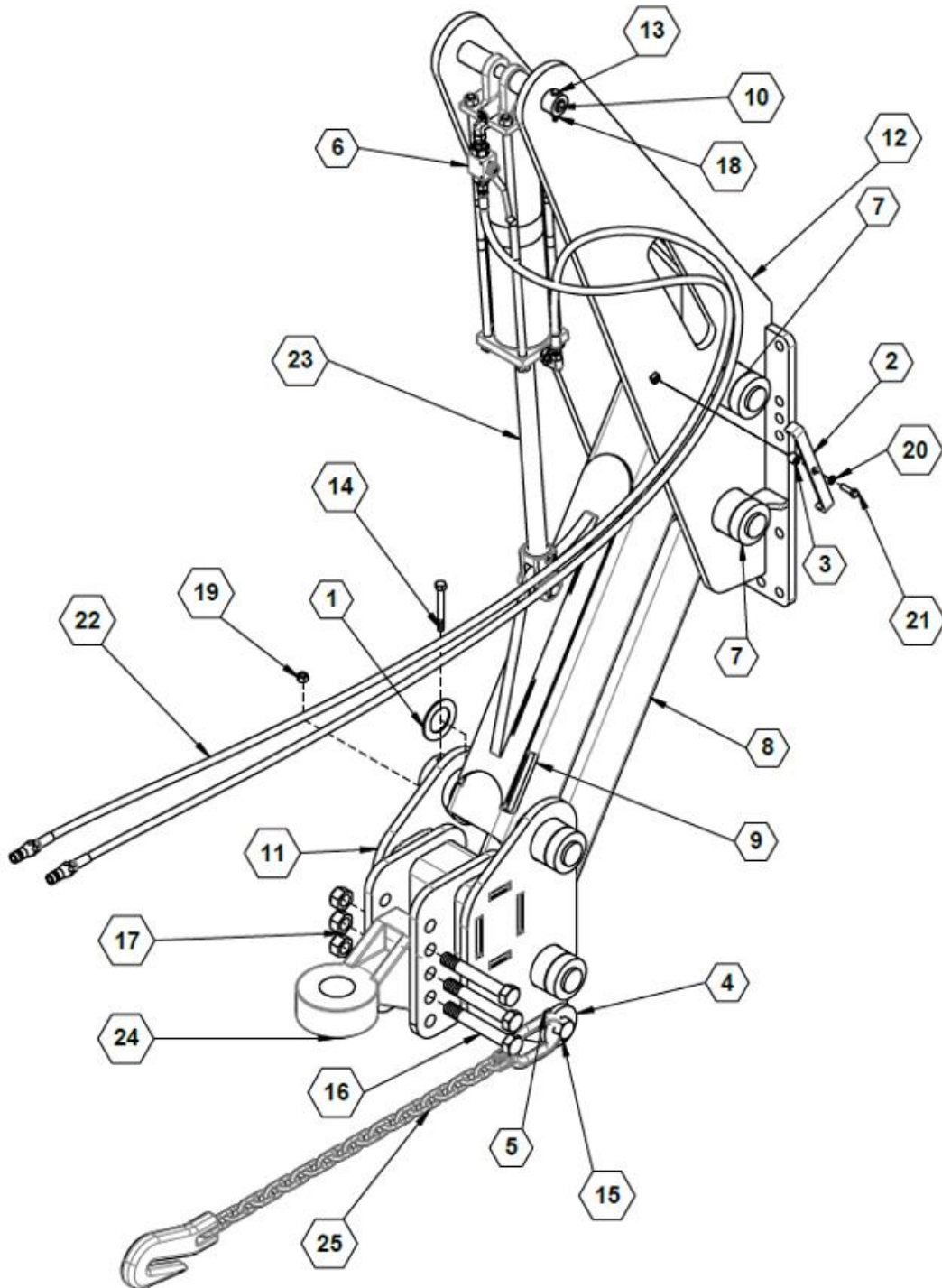
## Row Unit Cab Control Hoses & Fittings



### Parts List 600128: Row Unit Cab Control Hoses & Fittings

| ITEM | PART NO. | QTY. | DESCRIPTION                    |
|------|----------|------|--------------------------------|
| 1    | 610172   | 1    | QUICK COUPLER, ISO 16028 -8SAE |
| 2    | 610024   | 1    | JIC #8 90 DEG                  |
| 3    | 610053   | 2    | JIC #8 SWIVEL RUN TEE          |

## Tongue Cylinder

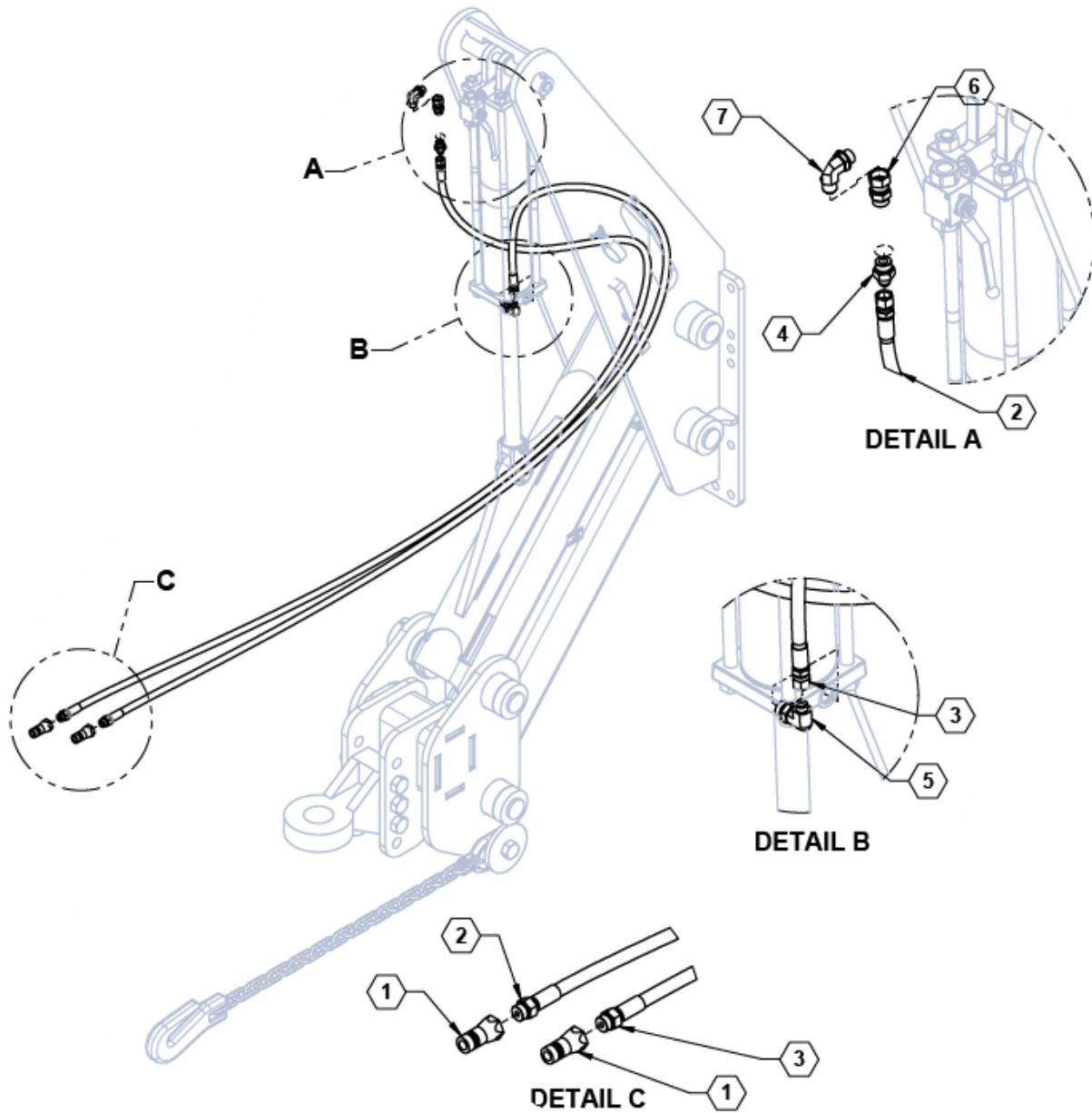


### Parts List 35600 Front: Tongue Cylinder

| ITEM | PART NO. | QTY. | DESCRIPTION   |
|------|----------|------|---|
| 6    | 610153   | 1    | BLOCKING VALVE WITH MOUNTING HOLES  |
| 22   | 600130   | 1    | HOSE KIT, HYD HITCH   |
| 23   | 620099   | 1    | CYLINDER 4 X 20" 1.75" ROD 3000PSI (see also 35353 in <a href="#">Parts List 35600: Hitch</a> ) |



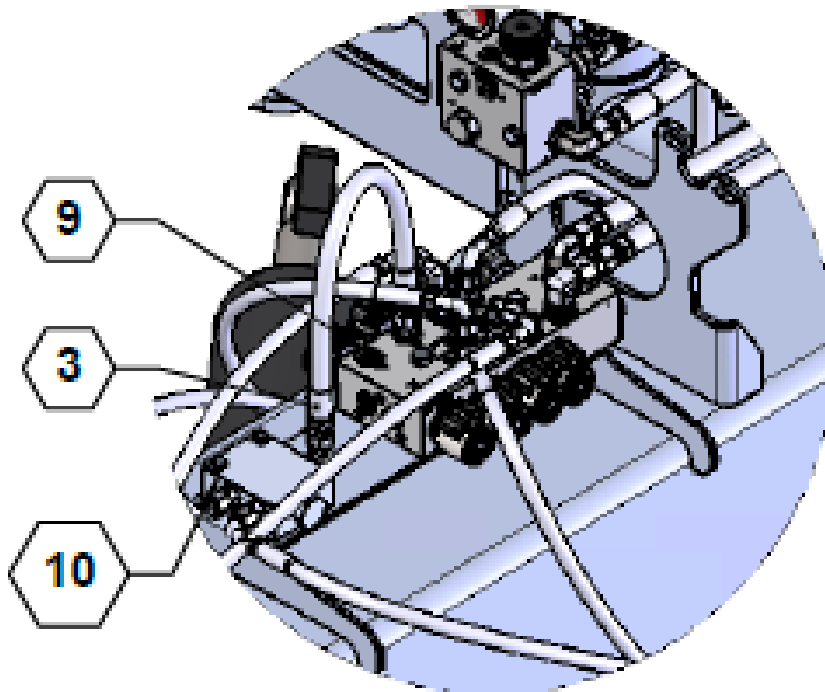
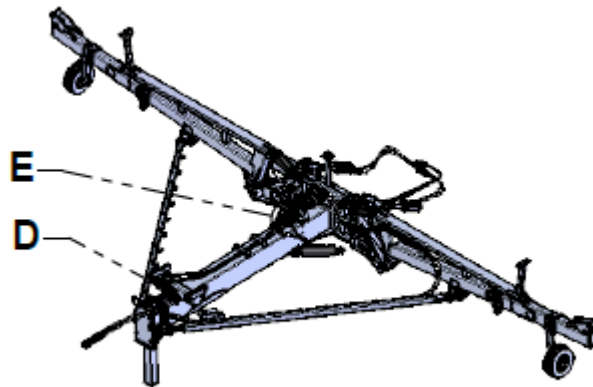
## Tongue Cylinder Hoses & Fittings



### Parts List 600130: Tongue Cylinder Hoses & Fittings

| ITEM | PART NO. | QTY. | DESCRIPTION                  |
|------|----------|------|------------------------------|
| 1    | 520048   | 2    | PIONEER COUPLER #8 FORB      |
| 2    | 600130-1 | 2    | HOSE ASSY, 06-6FJX-8MORB-120 |
| 3    | 600130-2 | 1    | HOSE ASSY, 06-6FJX-8MORB-107 |
| 4    | 610011   | 1    | JIC #6 TO ORING #8           |
| 5    | 610030   | 1    | ADAPTER, -6MJIC X -8MORB90   |
| 6    | 610083   | 1    | ADAPTER, -8MORB X -8FJX      |
| 7    | 610097   | 1    | ADAPTER, -8MJIC X -8MORB90   |

## Fasse Block



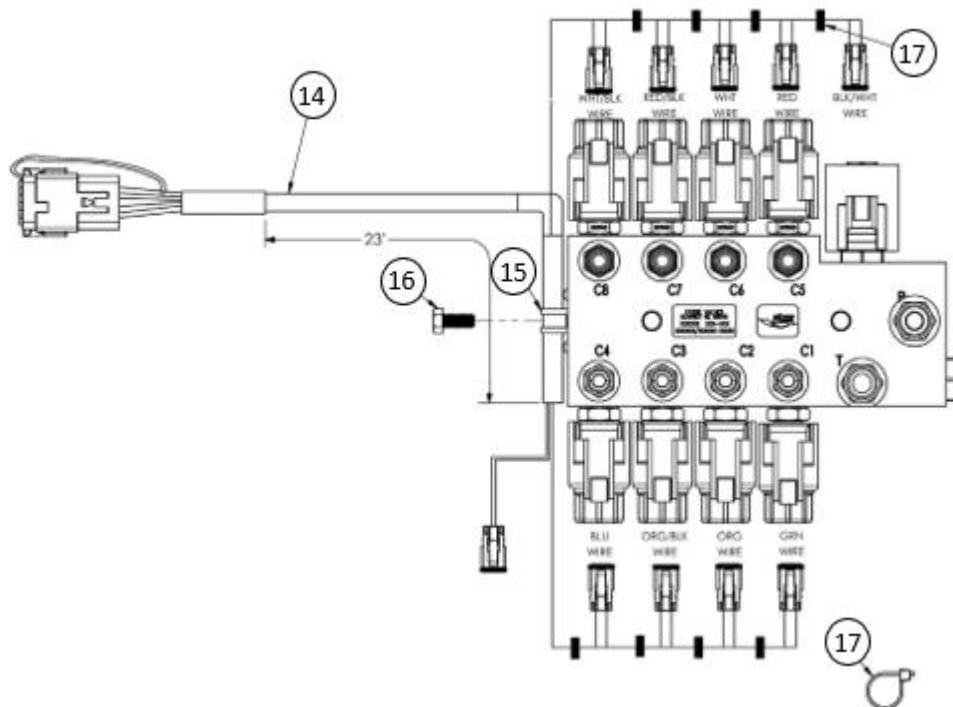
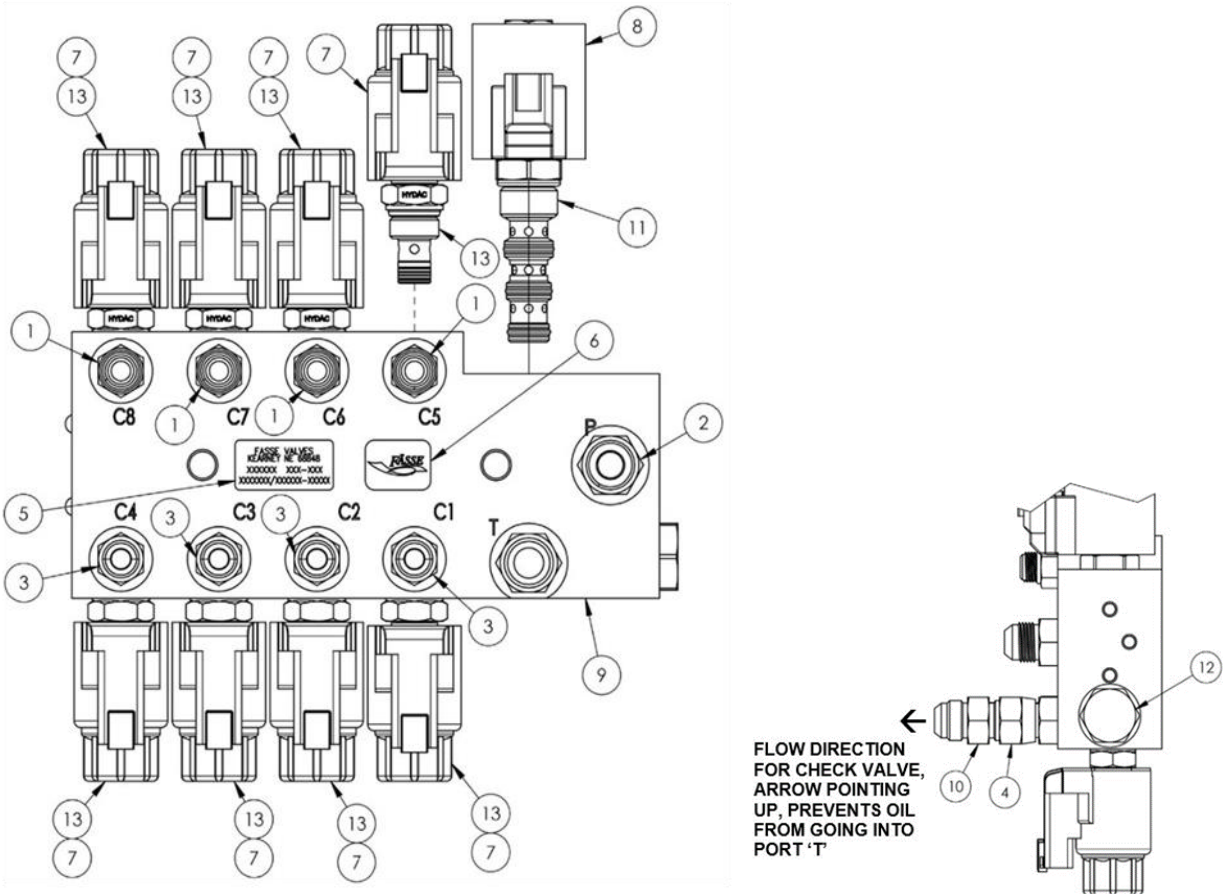
### DETAIL E

#### Parts List 35202: Fasse Block

| ITEM | PART NO. | QTY. | DESCRIPTION               |
|------|----------|------|---------------------------|
| 3    | 600125   | -    | HOSE KIT, DURAPLACER BASE |
| 9    | 630027   | 1    | FASSE HYDRAULIC BLOCK     |
| 10   | 630035   | -    | FLOW DIVIDER              |



## Fasse Hydraulic Controls



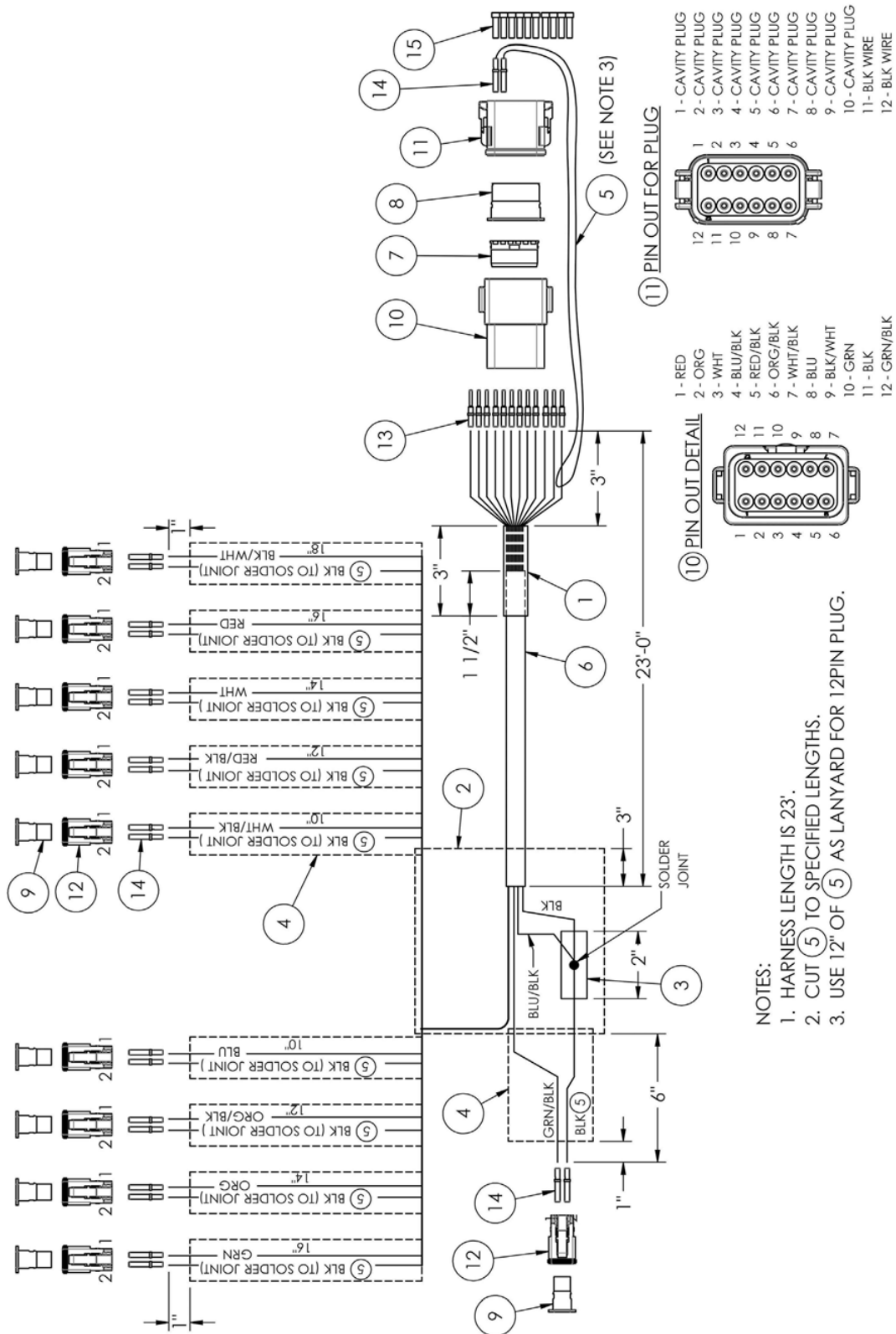


# ILLUSTRATED PARTS LIST

## Parts List 630056: Fasse Hydraulic Controls

| ITEM | PART NO. | VENDOR NO.     | QTY. | DESCRIPTION   |
|------|----------|----------------|------|---|
| 0    | 630056   |                | 1    | ASSY, HYDRAULIC VALVE CAB FOLD BOX KIT  |
|      |          |                |      | <b>NOTE:</b> INCLUDES BLOCK, CAB FOLD BOX AND FOLD BOX 12-PIN ELECTRICAL HARNESS. |
|      |          |                |      | <b>NOTE:</b> SEE HYDRAULIC BLOCK ASSEMBLY.  |
|      |          |                |      | <b>NOTE:</b> SEE CAB FOLD BOX.  |
| 0    |          | <b>302-822</b> | 1    | HYDRAULIC BLOCK (ITEMS 1-13)  |
| 1    | 610010   | <b>210-393</b> | 4    | FITTING 6400-6-6/S-MJ-MO ZINC NICKEL PLATED                                       |
| 2    | 610013   | <b>210-398</b> | 1    | FITTING 6400-8-8/S-MJ-MO ZINC NICKEL PLATED                                       |
| 3    | 610103   | <b>210-440</b> | 4    | FITTING 6400L-6-6/S-MJ-MO ZINC NICKEL PLATED                                      |
| 4    | 610083   | <b>210-441</b> | 1    | FITTING 6402-8-8/S-MO-FJSW  |
| 5    |          | <b>232-050</b> | 1    | DECAL S/N SILVER  |
| 6    |          | <b>232-058</b> | 1    | DECAL FASSE BLACK/GOLD 1"X.75"  |
| 7    |          | <b>253-046</b> | 8    | COIL HY 03012600 INTG DUET RCPT 12V 1.5A  |
| 8    |          | <b>253-421</b> | 1    | COIL H/F 4301892 D-10 INTG DEUT DTR 12V 1.67A DIODE                               |
| 9    |          | <b>270-092</b> | 1    | HYDRAULIC BLOCK S11204-2 4CIR AL BYPASS 804                                       |
| 10   | 630043   | <b>271-040</b> | 1    | CHECK VALVE VON 1908-8-8/S-MJ-MJ ZINC NICKEL                                      |
| 11   |          | <b>273-008</b> | 1    | CARTRIDGE H/F SV10-40-0-N-00 SPL 4W 2P  |
| 12   |          | <b>273-012</b> | 1    | CARTRIDGE H/F CP10-20-N CAVITY PLUG 2W  |
| 13   |          | <b>273-077</b> | 8    | CARTRIDGE HY WS08W-01-C-N-0 BI DIR POP 2/2 NC                                     |
| 14   | FV304143 | <b>304-143</b> | 1    | 12-PIN FASSE BLOCK ELECTRICAL HARNESS   |
| 15   |          | <b>255-026</b> | 1    | LOOM CLAMP .50"ID   |
| 16   |          | <b>212-025</b> | 1    | BOLT 5/16"-18X.75"  |
| 17   |          | <b>214-002</b> | 11   | CABLE TIE BLACK 8.5"  |

## Fasse Block 12-Pin Electrical Harness





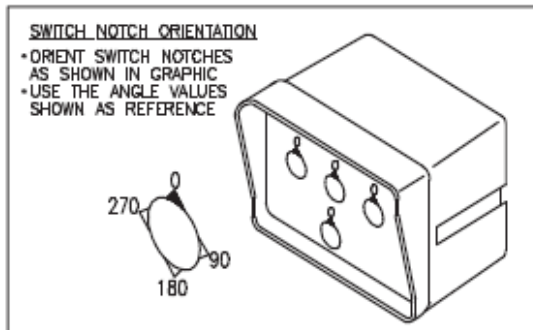
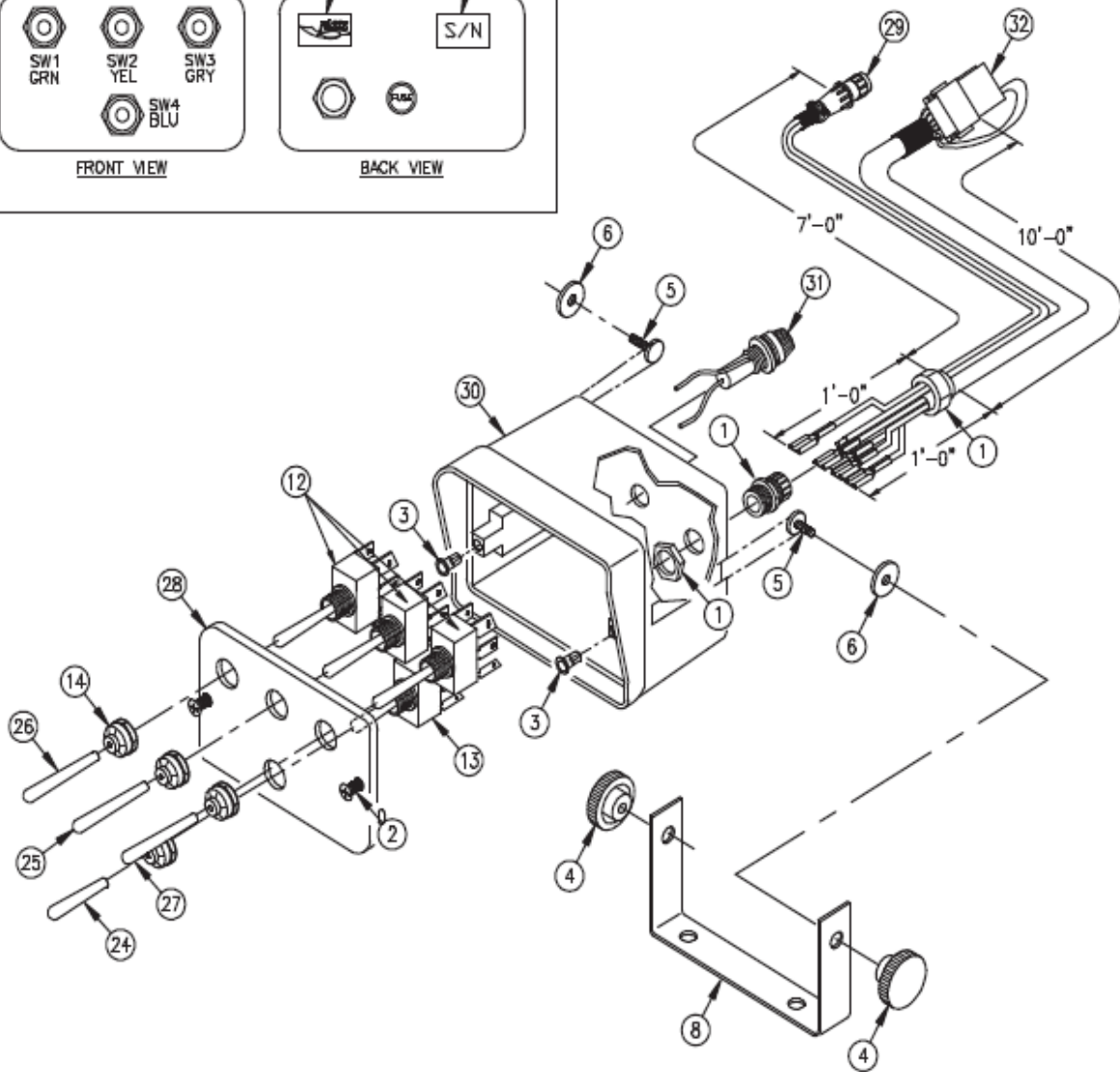
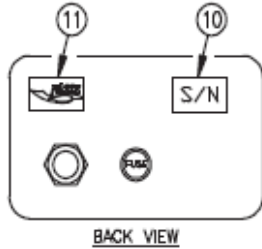
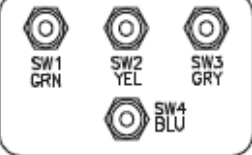
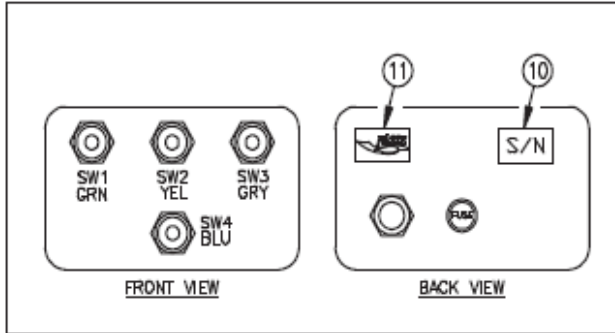
# ILLUSTRATED PARTS LIST

## Parts List: Fasse Block 12-Pin Electrical Harness

| ITEM | VENDOR NO. | QTY. | DESCRIPTION                                    |
|------|------------|------|--|
| 0    | 304-143    | 1    | FASSE VALVE HARNESS                            |
| 1    | 231-009    | 3"   | SHRINK TUBING .500" BLACK                      |
| 2    | 231-011    | 6"   | SHRINK TUBING .750" BLACK DUAL WALL            |
| 3    | 231-013    | 1"   | SHRINK TUBING .250" BLACK DUAL WALL            |
| 4    | 231-187    | 128" | SHRINK TUBING .187" BLACK                      |
| 5    | 252-058    | 14'  | WIRE 18GA BLACK                                |
| 6    | 252-064    | 25'  | CABLE 12CONNECTOR 18GA PVC GRAY                |
| 7    | 255-214    | 1    | CONNECTOR DEUTSCH LOCK WEDGE 12 PIN DTR GREEN  |
| 8    | 255-215    | 1    | CONNECTOR DEUTSCH LOCK WEDGE 12 PIN DTP ORANGE |
| 9    | 255-505    | 10   | CONNECTOR DEUTSCH LOCK WEDGE 2 PIN DTP ORANGE  |
| 10   | 255-755    | 1    | CONNECTOR DEUTSCH DT RCPT 12 PIN KEY A         |
| 11   | 255-756    | 1    | CONNECTOR DEUTSCH DT PLUG 12 PIN KEY A         |
| 12   | 255-801    | 10   | CONNECTOR DEUTSCH DT PLUG 2 PIN                |
| 13   | 255-977    | 12   | CONNECTOR DEUTSCH PIN 16-18GA                  |
| 14   | 255-978    | 22   | CONNECTOR DEUTSCH SOCKET 16-18GA               |
| 15   | 255-979    | 10   | CONNECTOR DEUTSCH CAVITY PLUG                  |

## FOLD BOX ELECTRICAL

### Cab Fold Box





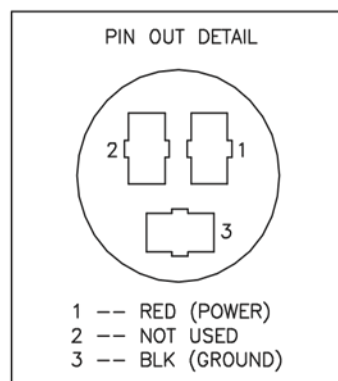
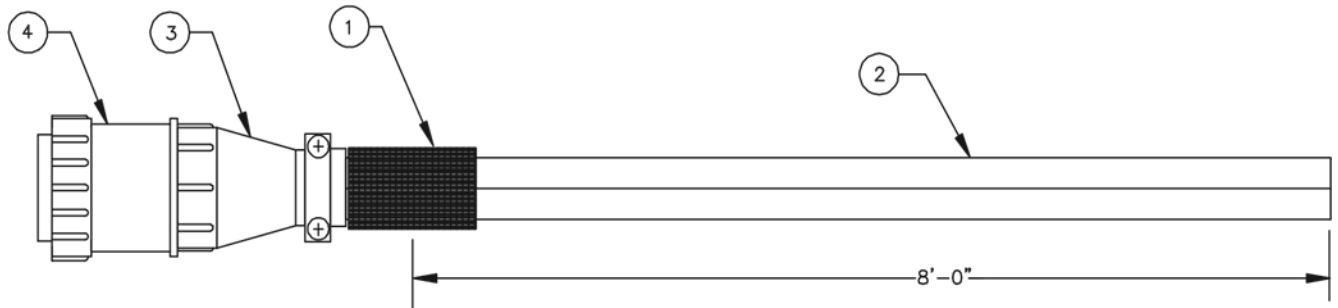


# ILLUSTRATED PARTS LIST

## Parts List: Cab Fold Box

| ITEM | VENDOR NO. | QTY. | DESCRIPTION                                     |
|------|------------|------|---|
| 0    | 304-038    | -    | COMPLETE MONITOR BOX (ITEMS 1-32)               |
| 1    | 210-710    | 1    | STR RLF HEYCO .23 - .53 ID HOLE DIA .886        |
| 2    | 212-184    | 2    | SCREW 6-32 X 3/8 OVAL HD BLK                    |
| 3    | 212-202    | 2    | INSERT 6-32 X 3/8 BRASS                         |
| 4    | 212-215    | 2    | KNOB 1/4-20 FEMALE                              |
| 5    | 212-231    | 2    | SCREW, WELDED 1/4-20 X .500                     |
| 6    | 213-335    | 2    | WASHER NYLON .257 X .875 X .060                 |
| 7    | 214-002    | 3    | CABLE TIE BLACK                                 |
| 8    | 219-300    | 1    | BRACKET HOUSING MONITOR                         |
| 9    | 230-057    | 1    | BAG POLY CLEAR 14 X 18 2 M IL W/LOGO            |
| 10   | 232-050    | 2    | DECAL S /N S ILVER                              |
| 11   | 232-059    | 1    | DECAL GOLD/BLACK 1.5 X .5                       |
| 12   | 250-013    | 3    | SW TOG DPDT 3P MOM LONG                         |
| 13   | 250-015    | 1    | SW TOG DPDT 2P MOM SHORT                        |
| 14   | 250-023    | 4    | SW TOG BOOT OPN GREY                            |
| 15   | 252-058    | 18"  | WIRE BLACK 18 GA                                |
| 16   | 252-059    | 24"  | WIRE 18 GA BLACK                                |
| 17   | 252-060    | 18"  | WIRE 18 GA BLACK                                |
| 18   | 252-001    | 1    | DIODE D116A2 6 AMP                              |
| 19   | 255-002    | 10   | TRM T-TAP F PO BLUE                             |
| 20   | 255-006    | 5    | TRM PO F NON-INS 20/18 GA                       |
| 21   | 255-070    | 2    | TRM PO MF 14-16 GA                              |
| 22   | 255-119    | 5    | TRM PO F INS 16-14 GA                           |
| 23   | 255-285    | 1    | TRM SPLICE CLOSED END LARGE                     |
| 24   | 259-015    | 1    | SW TOG GRIP V INYL BLUE .187                    |
| 25   | 259-022    | 1    | SW TOG GRIP V INYL YELLOW .187                  |
| 26   | 259-023    | 1    | SW TOG GRIP V INYL GREEN .187                   |
| 27   | 259-027    | 1    | SW TOG GRIP VINYL GREY .187                     |
| 28   | 304-037    | 1    | ENCL DRILL FP MONITOR SW4 F00204                |
| 29   | 314-217    | 1    | HARNESS R/B W IRE SERIES 3 P /8                 |
| 30   | 319-725    | 1    | ENCL DRILL MNTRBX FH-7/8" STR RLF               |
| 31   | 319-769    | 1    | FUSEHOLDER PM ASSM. 10A /5'                     |
| 32   | 320-184    | 1    | HRN 12 CON 16 GA DTP KEY A 12P (12) 11' END CAP |

## Cab Fold Box Power Harness

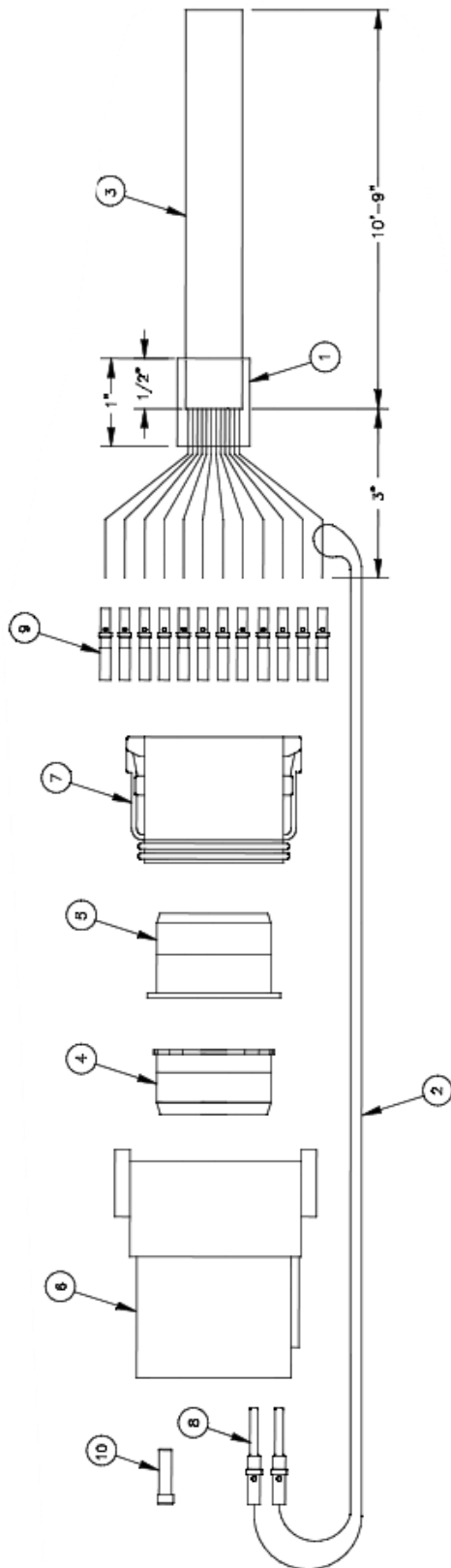


### Parts List: Cab Fold Box Power Harness

| ITEM | VENDOR NO. | QTY. | DESCRIPTION               |
|------|------------|------|---------------------------|
| 1    | 230-250    | 2"   | SHRINK TUBING .250 BLACK  |
| 2    | 252-021    | 8'   | WIRE RED/BLACK 16 GA ZIP  |
| 3    | 255-043    | 1    | CENTER 16 PIN SHELL #17   |
| 4    | 255-233    | 1    | CENTER AMP SOCKET         |
| 5    | 255-549    | 1    | CENTER SERIES 3 17-3 PLUG |

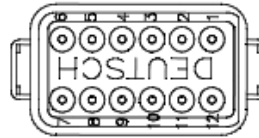


## Cab Fold Box Electrical Harness



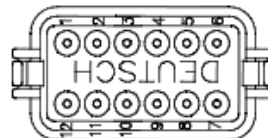
PIN\_OUT\_DETAIL\_FOR\_RECEIPT

- 1-CAVITY PLUG
- 2-CAVITY PLUG
- 3-CAVITY PLUG
- 4-CAVITY PLUG
- 5-CAVITY PLUG
- 6-CAVITY PLUG
- 7-CAVITY PLUG
- 8-CAVITY PLUG
- 9-CAVITY PLUG
- 10-CAVITY PLUG
- 11-BLK WIRE
- 12-BLK WIRE



PIN\_OUT\_DETAIL\_FOR\_PLUG

- 1-RED
- 2-ORG
- 3-WHT
- 4-BLU/BLK
- 5-RED/BLK
- 6-ORG/BLK
- 7-WHT/BLK
- 8-BLU
- 9-BLK/WHT
- 10-GRN
- 11-BLK
- 12-GRN/BLK





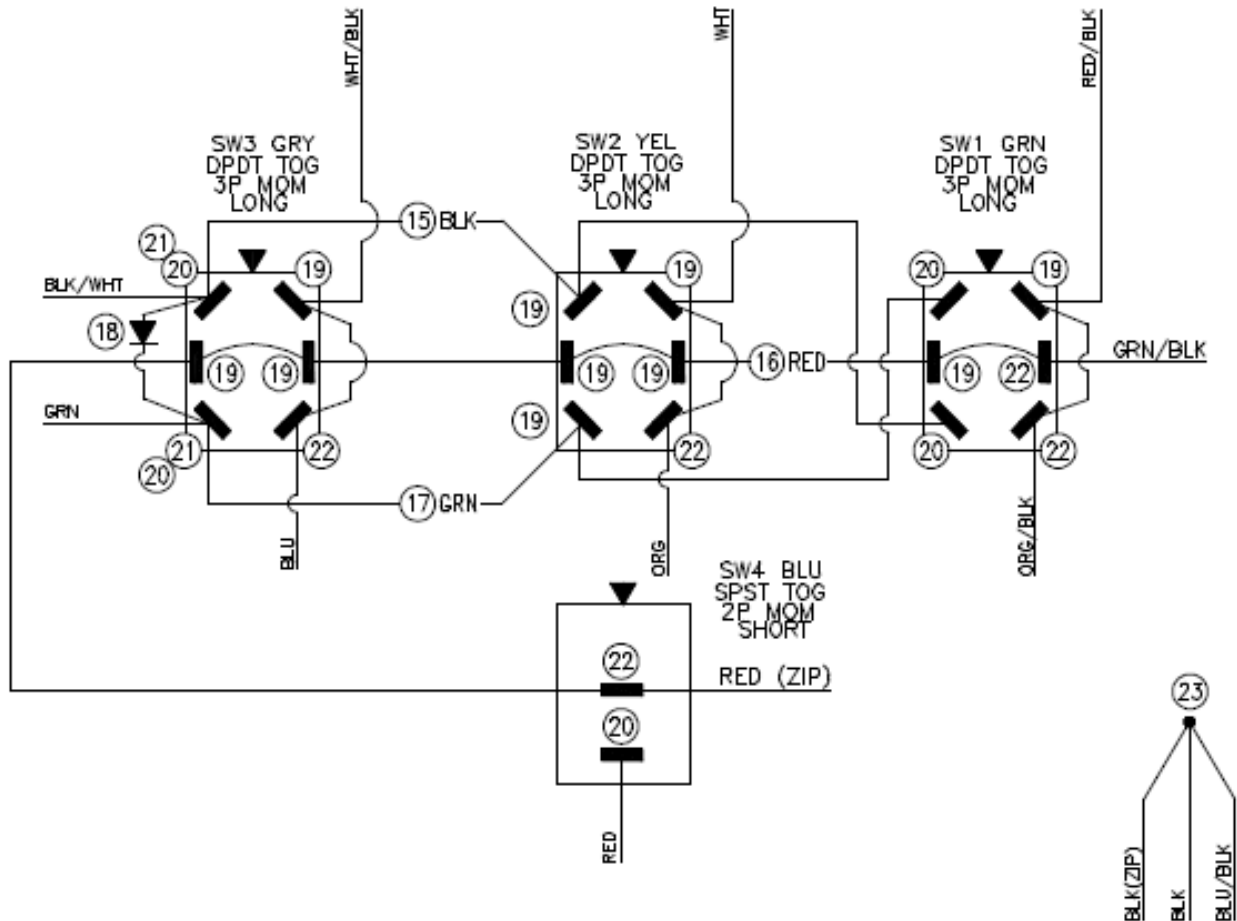
# ILLUSTRATED PARTS LIST

## Parts List: Cab Fold Box Electrical Harness

| ITEM | VENDOR NO. | QTY. | DESCRIPTION                                    |
|------|------------|------|--|
| 0    | 320-184    | 1    | COMPLETE HARNESS (ITEMS 1-10)                  |
| 1    | 231-009    | 1"   | SHRINK TUBING .500" BLACK                      |
| 2    | 252-058    | 12"  | WIRE 18GA BLACK                                |
| 3    | 252-064    | 11'  | CABLE 12CONNECTOR 18GA PVC GRAY                |
| 4    | 255-214    | 1    | CONNECTOR DEUTSCH LOCK WEDGE 12 PIN DTR GREEN  |
| 5    | 255-215    | 1    | CONNECTOR DEUTSCH LOCK WEDGE 12 PIN DTP ORANGE |
| 6    | 255-755    | 1    | CONNECTOR DEUTSCH DT RCPT 12 PIN KEY A         |
| 7    | 255-756    | 1    | DT PLUG 12P KEY A                              |
| 8    | 255-977    | 2    | PIN 16-18GA                                    |
| 9    | 255-978    | 12   | SOCKET 16/18GA                                 |
| 10   | 255-979    | 10   | CAVITY PLUG                                    |

## Cab Fold Box Electrical Wiring Diagram

▲ = NOTCH LOCATION



### Parts List: Cab Fold Box Electrical Wiring Diagram

| ITEM | VENDOR NO. | QTY. | DESCRIPTION                 |
|------|------------|------|-----------------------------|
| 15   | 252-058    | 18"  | WIRE BLACK 18 GA            |
| 16   | 252-059    | 24"  | WIRE 18 GA BLACK            |
| 17   | 252-060    | 18"  | WIRE 18 GA BLACK            |
| 18   | 252-001    | 1    | DIADE D116A2 6 AMP          |
| 19   | 255-002    | 10   | TRM T-TAP F PO BLUE         |
| 20   | 255-006    | 5    | TRM PO F NON INS 20/18 GA   |
| 21   | 255-070    | 2    | TRM PO MF 14-16 GA          |
| 22   | 255-119    | 5    | TRM PO F INS 16-14 GA       |
| 23   | 255-285    | 1    | TRM SPLICE CLOSED END LARGE |

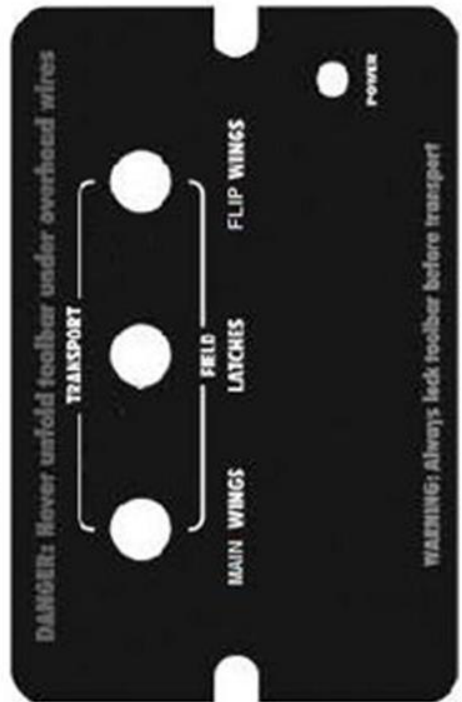


## Cab Fold Box Operation & Pinout

| Pinout Table - A Series Fold Block (Correlates to Fasse 304-141 and 303-228, FAST p/n 630051) |                  | 700-0804-4004                                    |                  |
|---|------------------|--|------------------|
| Switch No.  | Switch Positions | Signal Wires                                     | Pin-Out Location |
| 1 - Green   | Up               | Red, Red/Black, Orange/Black, Green              | 1, 5, 6, 10      |
|   | Center           | Off  |                  |
|   | Down             | Red, Red/Black, Orange/Black, Green, Black/White | 1, 5, 6, 10, 9   |
| 2 - Yellow  | Up               | White, Orange                                    | 3, 2             |
|   | Center           | Off  |                  |
|   | Down             | White, Orange, Black/White                       | 3, 2, 9          |
| 3 - Grey  | Up               | Blue, White/Black                                | 8, 7             |
|   | Center           | Off  |                  |
|   | Down             | Blue, White/Black, Black/White                   | 8, 7, 9          |

| Hydraulic Valve Circuit | Pressure Port | Function                      |
|-------------------------|---------------|-------------------------------|
| C1, C3                  | C5, C7        | Main Wings - Transport<br>Off |
| C7                      | C3            | Main Wings - Field            |
| C2                      | C6            | Latches - Transport<br>Off    |
| C6                      | C2            | Latches - Field               |
| C4                      | C8            | Flip Wings - Transport<br>Off |
| C8                      | C4            | Flip Wings - Field            |

|                       |    |
|-----------------------|----|
| <b>Ground Wires</b>   |    |
| Black                 | 11 |
| Blue/Black            | 4  |
| <b>Constant Power</b> |    |
| Green/Black           | 12 |







# ILLUSTRATED PARTS LIST

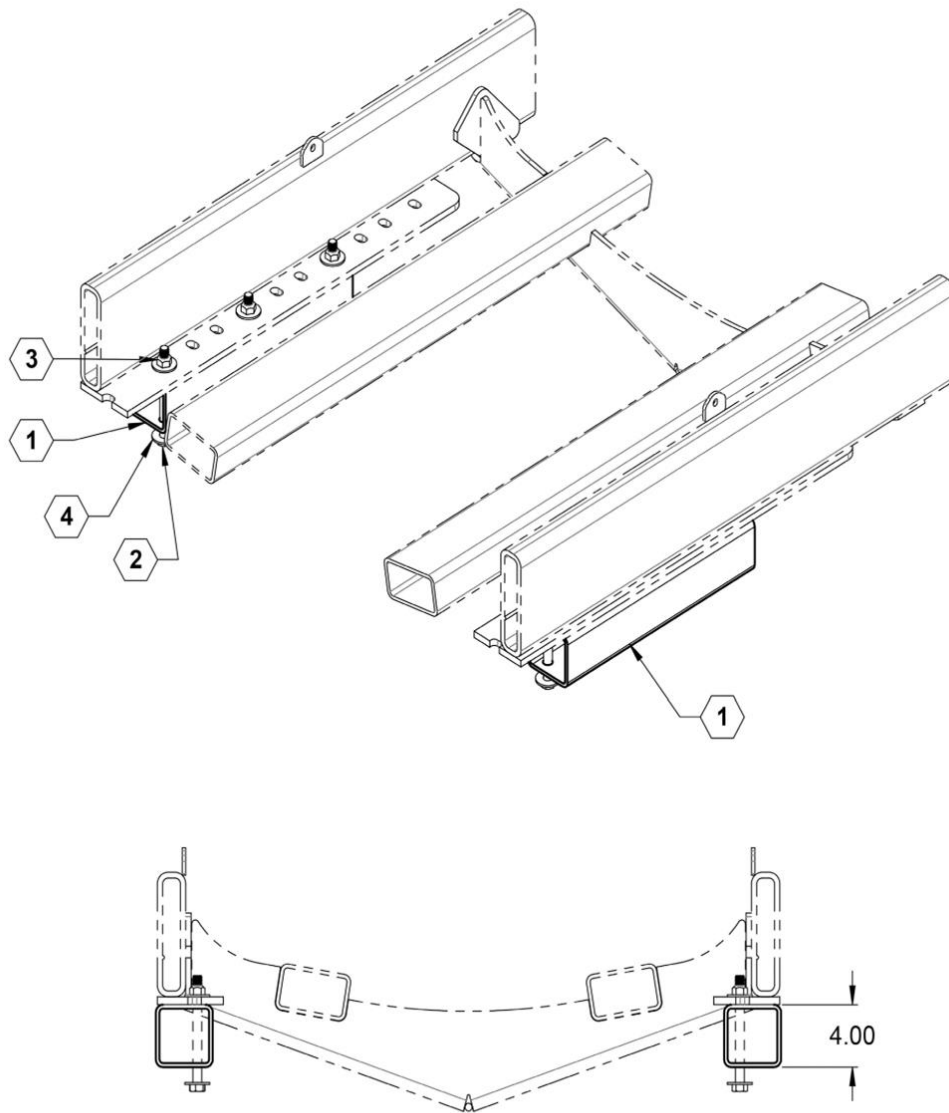
## Parts List: Cab Fold Box Operation & Pinout

| ITEM | VENDOR NO. | QTY. | DESCRIPTION                       |
|------|------------|------|-----------------------------------|
| 1    | 610024     | 3    | JIC #8 90 DEG                     |
| 2    | 610053     | 2    | JIC #8 SWIVEL RUN TEE             |
| 3    | 610083     | 2    | FITTING #8 ORB X #8 JICF          |
| 4    | 610097     | 1    | #8 JIC TO #8 O-RING 90            |
| 5    | 630041     | 1    | MANIFOLD, HYDRAULIC DOWN PRESSURE |
| 5    | PRH121K20  | 1    | PRESSURE REDUCING VALVE           |
| 5    | CVH103P    | 1    | CHECK VALVE C10                   |
| 5    | 11441-015  | 1    | .015 ORIFICE                      |
| 6    | 790052     | 1    | PRESSURE GAUGE, 3000 PSI          |
| 7    | 596133M    | 2    | BOLT, HH 3/8 X 3-1/2 GR5 MAGNI    |
| 8    | 596258M    | 2    | WASHER, FLAT 3/8 MAGNI            |
| 9    | 596237M    | 2    | NUT, CENTERLOCK 3/8-16 MAGNI      |
| 10   | 26813      | 1    | PLATE, HOSE HOLD DOWN             |
| 11   | 596130M    | 1    | BOLT, HH 3/8-16 X 2 GR5 MAGNI     |

## TRAILER AXLES, TIRES, & TRACKS

### Axle Spacer 4"

NOTE:  
1. MOUNTS BETWEEN AXLE WELDMENT AND FRAME



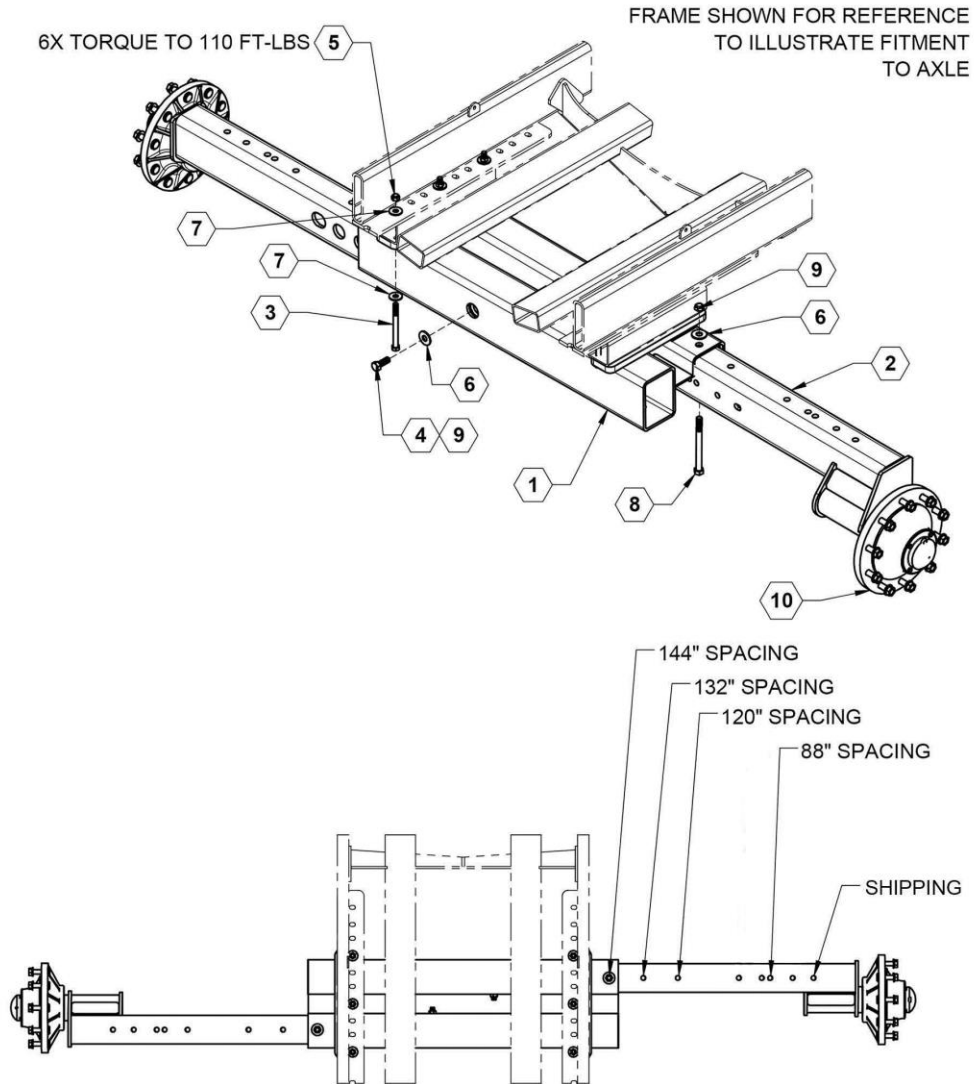
### Parts List 26756: Axle Spacer 4"

| ITEM | PART NO. | QTY. | DESCRIPTION                  |
|------|----------|------|------------------------------|
| 1    | 16457    | 2    | TUBE, 4" AXLE RISER          |
| 2    | 596174M  | 6    | BOLT, HH 5/8-11 X 7 G5 MAGNI |
| 3    | 596243M  | 6    | NUT, TOPLOCK 5/8-11 G8 MAGNI |
| 4    | 596261M  | 12   | WASHER, FLAT 5/8 MAGNI       |

## Adjustable Single Axle 20k, 72"-144"

**NOTES:**

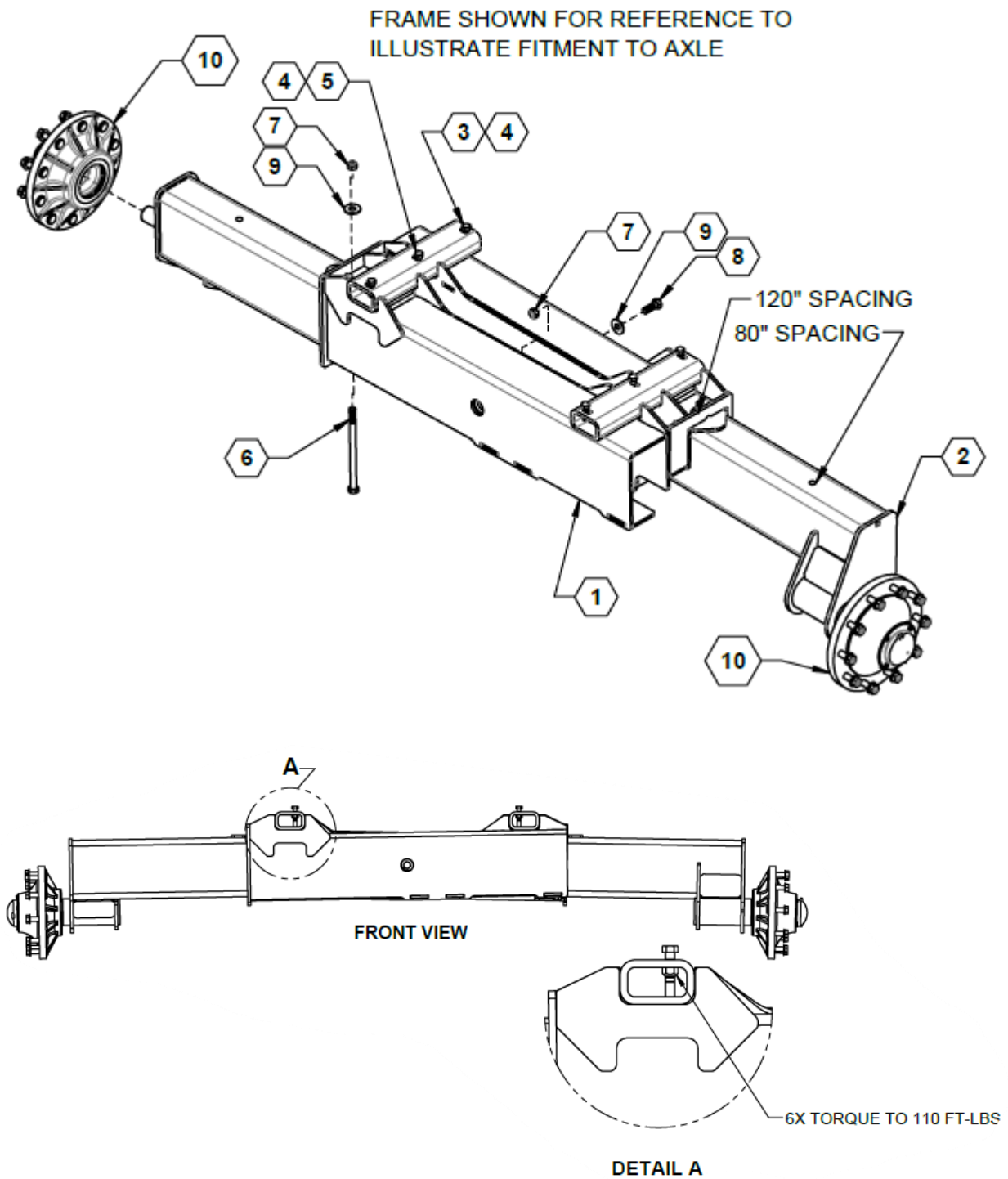
1. BOLTS TO BE INSTALLED IN ORIENTATION SHOWN
2. BOLTS TO BE TIGHTENED WITH 1/2" IMPACT



### Parts List 26758: Adjustable Single Axle 20k, 72"-144"

| ITEM | PART NO. | QTY. | DESCRIPTION                      |
|------|----------|------|----------------------------------|
| 1    | 13512    | 1    | RECEIVER, AXLE WELDMENT          |
| 2    | 18386    | 2    | AXLE, 20K ADJUSTABLE             |
| 3    | 596184M  | 2    | BOLT, HH 3/4X2 GR5 MAGNI         |
| 4    | 596259M  | 4    | WASHER, FLAT 3/4 MAGNI           |
| 5    | 596488M  | 2    | BOLT, HH 3/4-10 X 8-1/2 G5 MAGNI |
| 6    | 596626M  | 4    | NUT, TOPLOCK 3/4-10 G5 MAGNI     |
| 7    | 730029   | 2    | Q881 HUB PKG W-LONG STUDS 20K    |

## Adjustable Single Axle 25k, 80"-120"





## ILLUSTRATED PARTS LIST

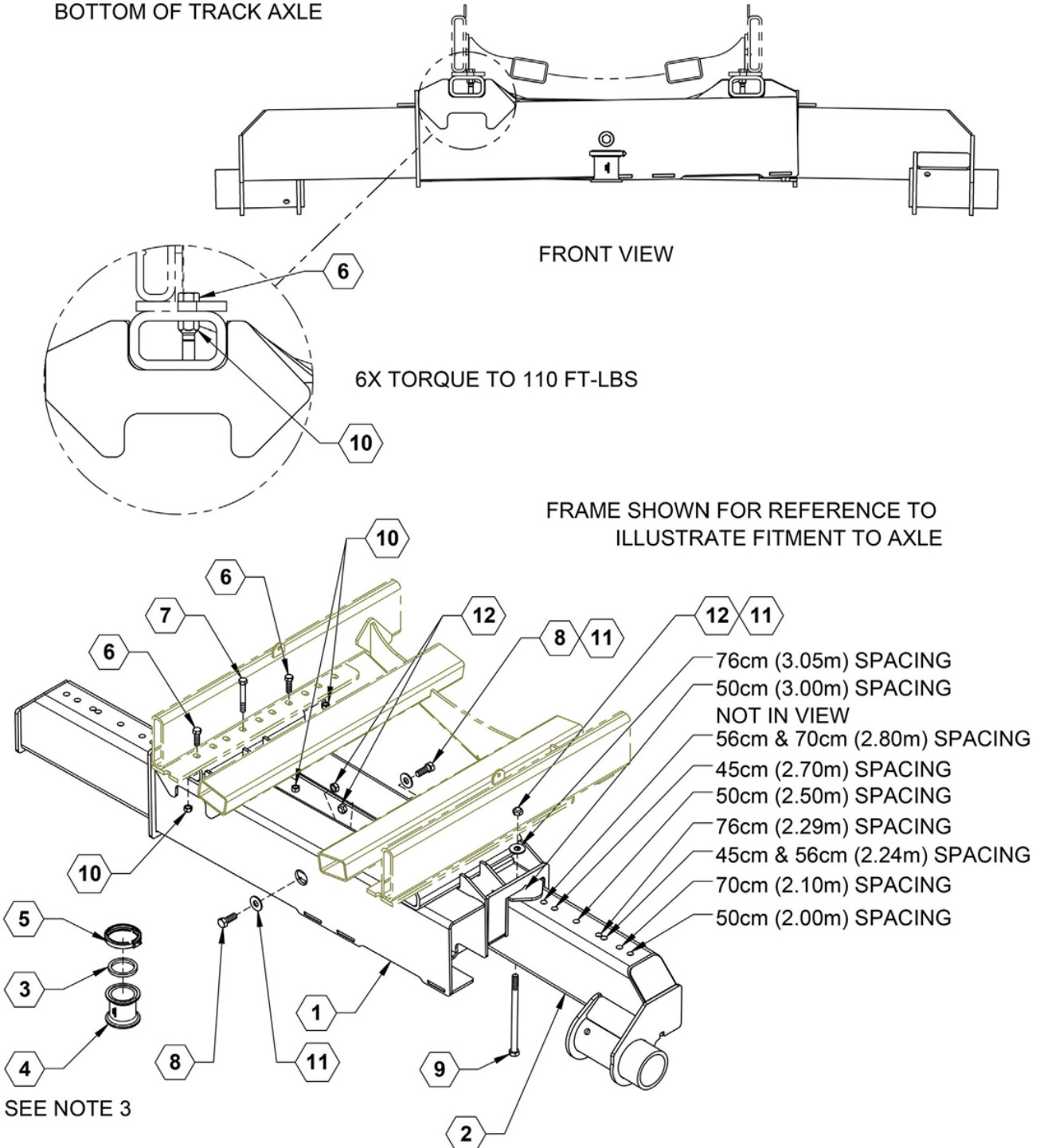
### Parts List 35683: Adjustable Single Axle 25k, 80"-120"

| ITEM | PART NO. | QTY. | DESCRIPTION                    |
|------|----------|------|--------------------------------|
| 1    | 23955    | 1    | WLDMT, AXLE RECEIVER           |
| 2    | 35099    | 2    | AXLE, INNER WLDMNT 80"-160"    |
| 3    | 596170M  | 4    | BOLT, HH 5/8-11X2 GR5 MAGNI    |
| 4    | 596243M  | 6    | NUT, TOPLOCK 5/8-11 G8 MAGNI   |
| 5    | 596177M  | 2    | BOLT, HH 5/8-11X4.5 GR5 MAGNI  |
| 6    | 596210M  | 2    | BOLT, HH 3/4-10 X 12 GR5 MAGNI |
| 7    | 596626M  | 4    | NUT, TOPLOCK 3/4-10 G5 MAGNI   |
| 8    | 596184M  | 2    | BOLT, HH 3/4X2 GR5 MAGNI       |
| 9    | 596259M  | 4    | WASHER, FLAT 3/4 MAGNI         |
| 10   | 730086   | 2    | HUB COMPLETE Q981 25K BIG 10 B |

## Adjustable Track Axle, 80" -132"

**NOTES:**

1. BOLTS TO BE INSTALLED IN ORIENTATION SHOWN
2. BOLTS TO BE TIGHTENED WITH 1/2" IMPACT
3. ADD 3" FLANGE COUPLING TO BOTTOM OF SUMP ON TANK ABOVE THE 3" FLANGE SWEEP MANIFOLD TO CLEAR THE BOTTOM OF TRACK AXLE



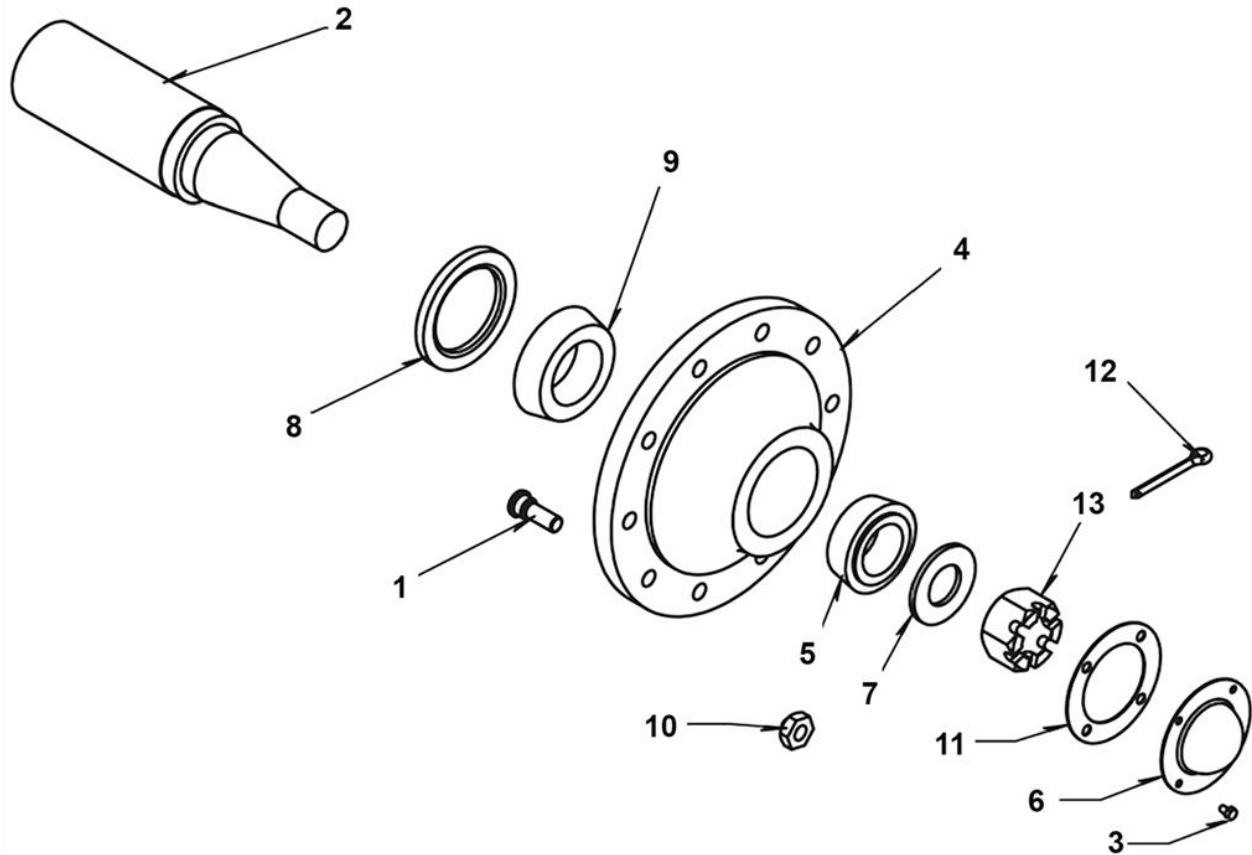


## ILLUSTRATED PARTS LIST

### Parts List 26742: Adjustable Track Axle, 80"-132"

| ITEM | PART NO. | QTY. | DESCRIPTION                       |
|------|----------|------|-----------------------------------|
| 1    | 23955    | 1    | AXLE RECEIVER                     |
| 2    | 23958    | 2    | ADJUSTABLE TRACK AXLE, 80" - 132" |
| 2    | 26312    | 2    | ADJUSTABLE TRACK AXLE, 84" - 144" |
| 2    | 27948    | 2    | ADJUSTABLE TRACK AXLE, 45-76cm    |
| 3    | 530024   | 1    | GASKET, 3" EPDM                   |
| 4    | 530443   | 1    | FLANGE COUPLING 3"                |
| 5    | 540003   | 1    | CLAMP, WORM SCREW 3"              |
| 6    | 596170M  | 4    | BOLT, HH 5/8-11X2 GR5 MAGNI       |
| 7    | 596177M  | 2    | BOLT, HH 5/8-11X4.5 GR5 MAGNI     |
| 8    | 596184M  | 2    | BOLT, HH 3/4X2 GR5 MAGNI          |
| 9    | 596210M  | 2    | BOLT, HH 3/4-10 X 12 GR5 MAGNI    |
| 10   | 596243M  | 6    | NUT, TOPLOCK 5/8-11 G8 MAGNI      |
| 11   | 596259M  | 4    | WASHER, FLAT 3/4 MAGNI            |
| 12   | 596626M  | 4    | NUT, TOPLOCK 3/4-10 G5 MAGNI      |
| 13   | 800259   | 1    | DECAL, CAUTION - TRACK FIRE       |

## Hub Assembly, 20k, 10-Bolt Q881

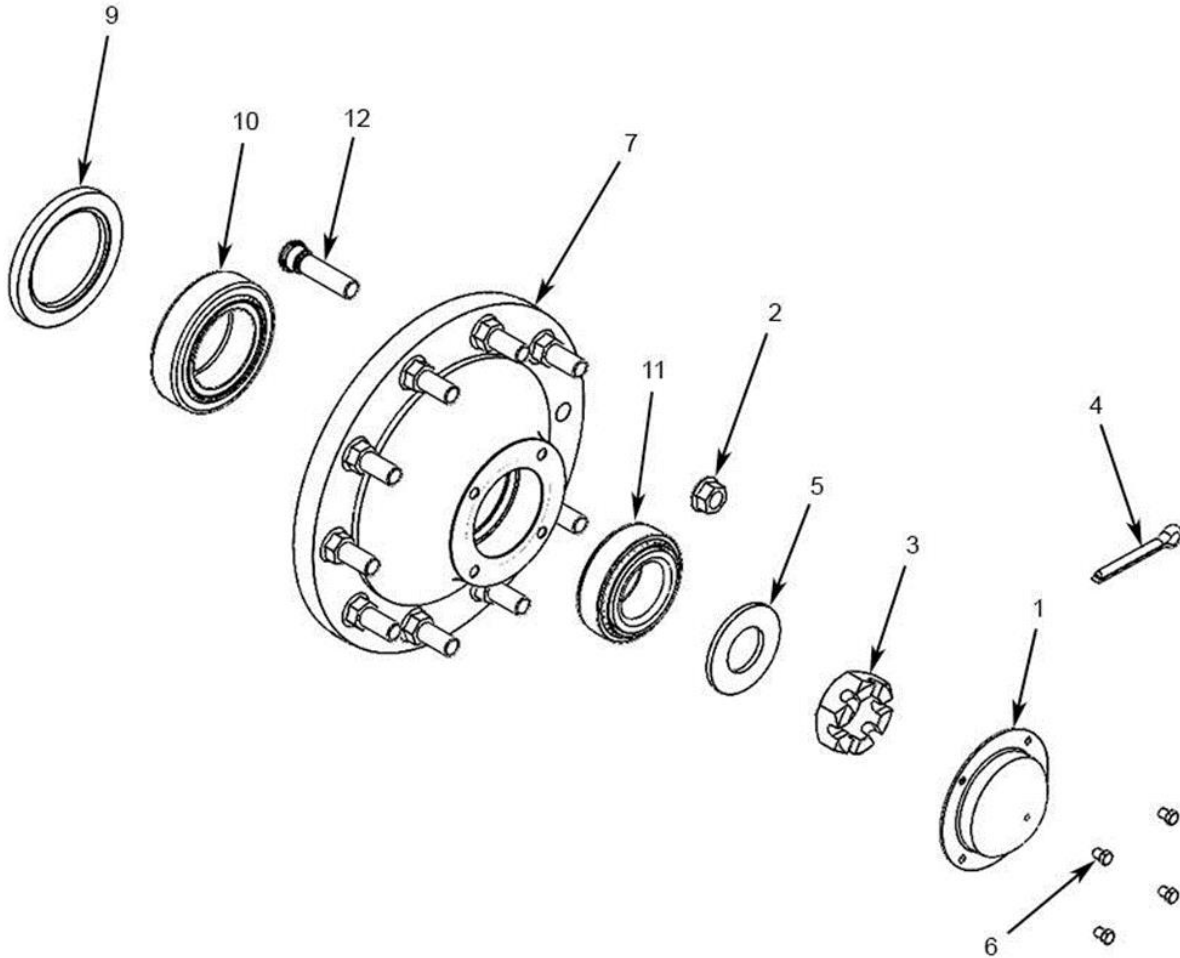


### Parts List 730029: Hub Assembly, 20k, 10-Bolt Q881

| ITEM | PART NO.             | QTY. | DESCRIPTION                                 |
|------|----------------------|------|---|
|      | <b>730029</b>        | 1    | Q881 20K HUB ASSEMBLY COMPLETE (ITEMS 1-13) |
| 1    | <b>NI953035</b>      | 10   | WHEEL STUD                                  |
| 2    | <b>730007</b>        | 1    | SPINDLE, 20000 LB                           |
| 3    | <b>730017</b>        | 4    | 5/16 x 1/2" BOLT                            |
| 4    | <b>730029</b>        | 1    | Q881 Hub Package, 20k                       |
| 5    | <b>730037</b>        | 1    | FRONT BEARING                               |
| 6    | <b>730039</b>        | 1    | HUB CAP                                     |
| 7    | <b>730040</b>        | 1    | WASHER                                      |
| 8    | <b>730041</b>        | 1    | SEAL  |
| 9    | <b>730043</b>        | 1    | REAR BEARING                                |
| 10   | <b>730051</b>        | 10   | LUG NUT                                     |
| 11   | <b>730061</b>        | 1    | HUB CAP SEAL                                |
| 12   | <b>COTTER PIN</b>    | 1    | COTTER PIN                                  |
| 13   | <b>2"SPINDLE NUT</b> | 1    | 2" CASTLE NUT                               |



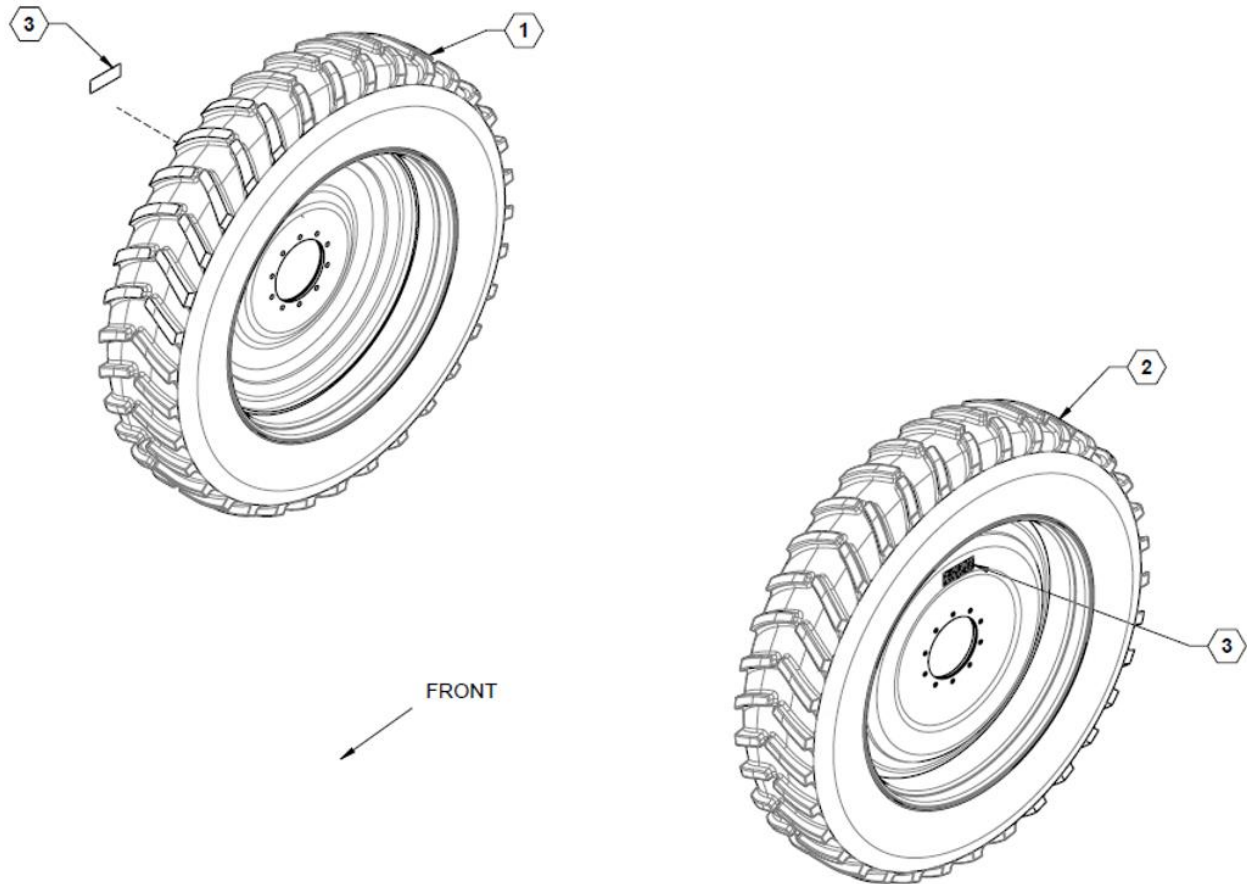
## Hub Assembly, 25k, 10-Bolt Q981



### Parts List 730086: Hub Assembly, 25k, 10-Bolt Q981

| ITEM | PART NO.       | QTY. | DESCRIPTION                    |
|------|----------------|------|--------------------------------|
|      | <b>730086</b>  | 1    | Q981 25K HUB ASSEMBLY COMPLETE |
| 1    | <b>730039</b>  | 1    | HUB CAP                        |
| 2    | <b>730051</b>  | 10   | LUG NUT                        |
| 3    | <b>730056</b>  | 1    | CASTLE NUT                     |
| 4    | <b>730042</b>  | 1    | COTTER PIN                     |
| 5    | <b>730040</b>  | 1    | WASHER                         |
| 6    | <b>730017</b>  | 4    | BOLT                           |
| 7    | <b>730029</b>  | 1    | HUB                            |
| 8    | <b>730061</b>  | 1    | PLATE                          |
| 9    | <b>730041</b>  | 1    | SEAL                           |
| 10   | <b>730043</b>  | 1    | INNER BEARING                  |
| 11   | <b>730037</b>  | 1    | OUTER BEARING                  |
| 12   | <b>5410216</b> | 10   | WHEEL STUD                     |

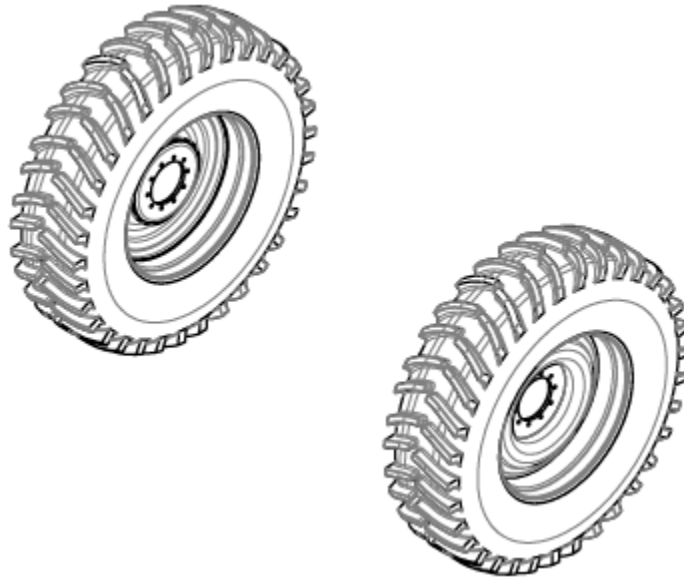
## 480/80R50 Singles



### Parts List 26749/26876: 480/80R50 Singles

| ITEM | PART NO. | QTY. | DESCRIPTION                        |
|------|----------|------|------------------------------------|
| 1    | 700174   | 1    | WHEEL 480/80R50 176A8 YELLOW RIGHT |
|      | 700177   |      | WHEEL 480/80R50 176A8 SILVER RIGHT |
| 2    | 700175   | 1    | WHEEL 480/80R50 176A8 YELLOW LEFT  |
|      | 700176   |      | WHEEL 480/80R50 176A8 SILVER LEFT  |
| 3    | 800253   | 2    | DECAL, WHL LUG NUT TORQ            |

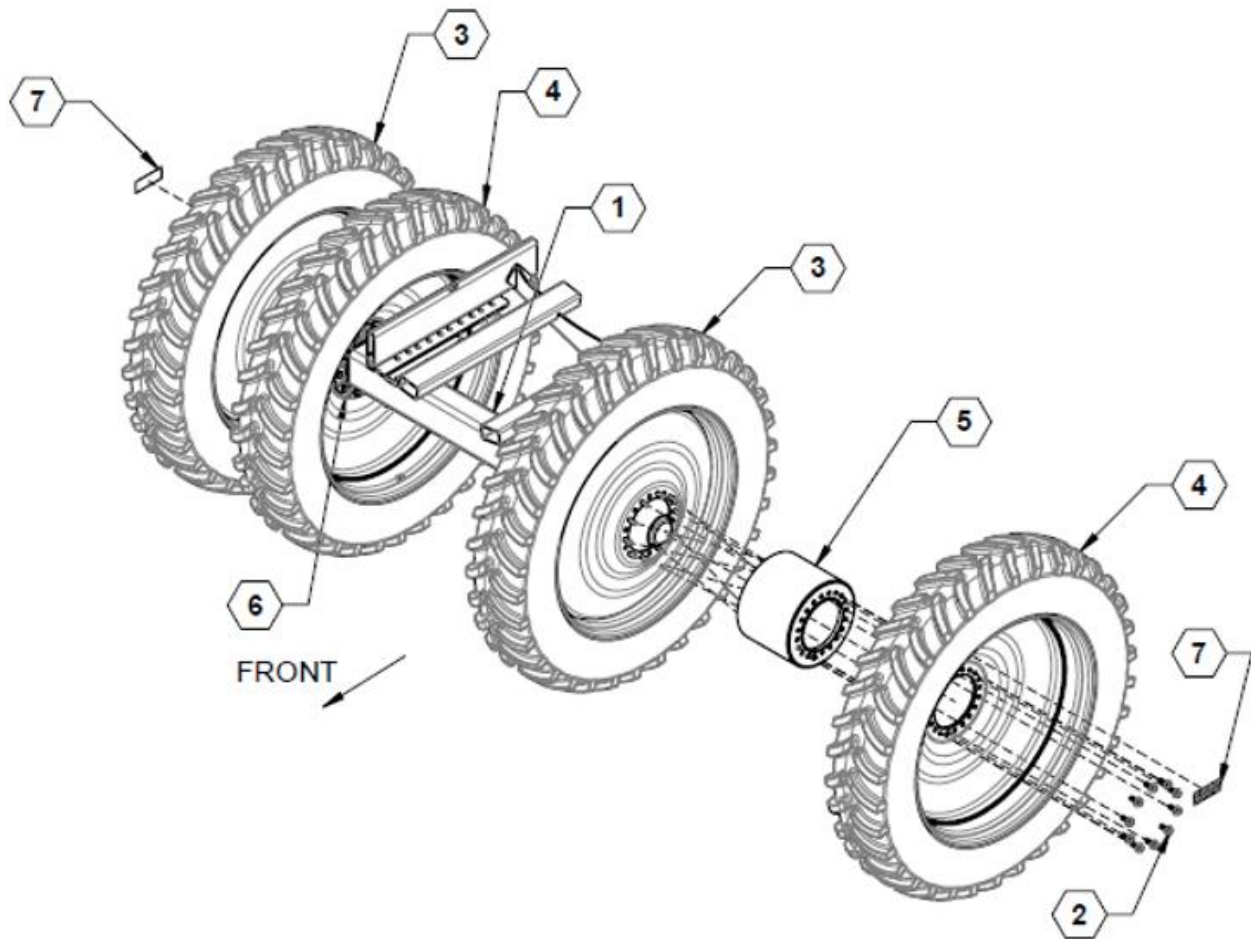
## 580/85R42 Singles



### Parts List 35684/35685: 580/85R42 Singles

| ITEM | PART NO. | QTY. | DESCRIPTION                  |
|------|----------|------|------------------------------|
| 1    | 700216   | 1    | WHL, 580/85R42 LR183 LH YLW  |
|      | 700218   |      | WHL, 580/85R42 LR183 LH SLVR |
| 2    | 700217   | 1    | WHL, 580/85R42 LR183 RH YLW  |
|      | 700219   |      | WHL, 580/85R42 LR183 RH SLVR |

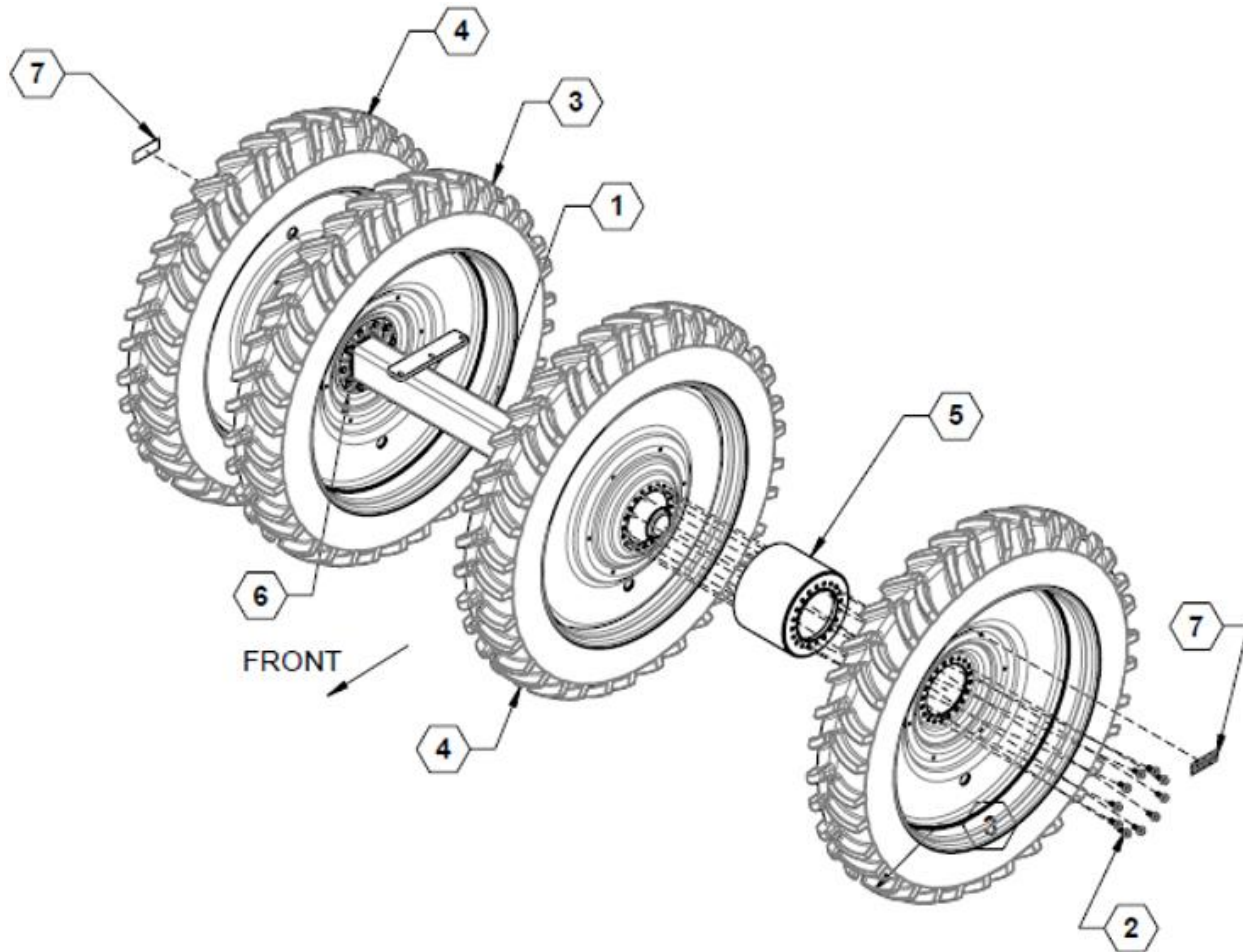
## 380/90R46 Duals



### Parts List 26750/26877: 380/90R46 Duals

| ITEM | PART NO. | QTY. | DESCRIPTION                   |
|------|----------|------|-------------------------------|
| 1    | 10917    | 1    | AXLE, SPACER DUAL             |
| 2    | 590258   | 20   | BOLT 3/4-16 X 1-1/2 YZ        |
| 3    | 700135   | 2    | TIRE L 380/90R46 DUAL YW 20H  |
|      | 700140   |      | TIRE L 380/90R46 DUAL SL 20H  |
| 4    | 700136   | 2    | TIRE R 380/90R46 DUAL YW 20H  |
|      | 700139   |      | TIRE R 380/90R46 DUAL SL 20H  |
| 5    | 710030   | 2    | SPACER, DUAL, 13 3/4"         |
| 6    | 730029   | 2    | Q881 HUB PACKAGE W-LONG STUDS |
| 7    | 800253   | 2    | DECAL, WHL LUG NUT TORQ       |

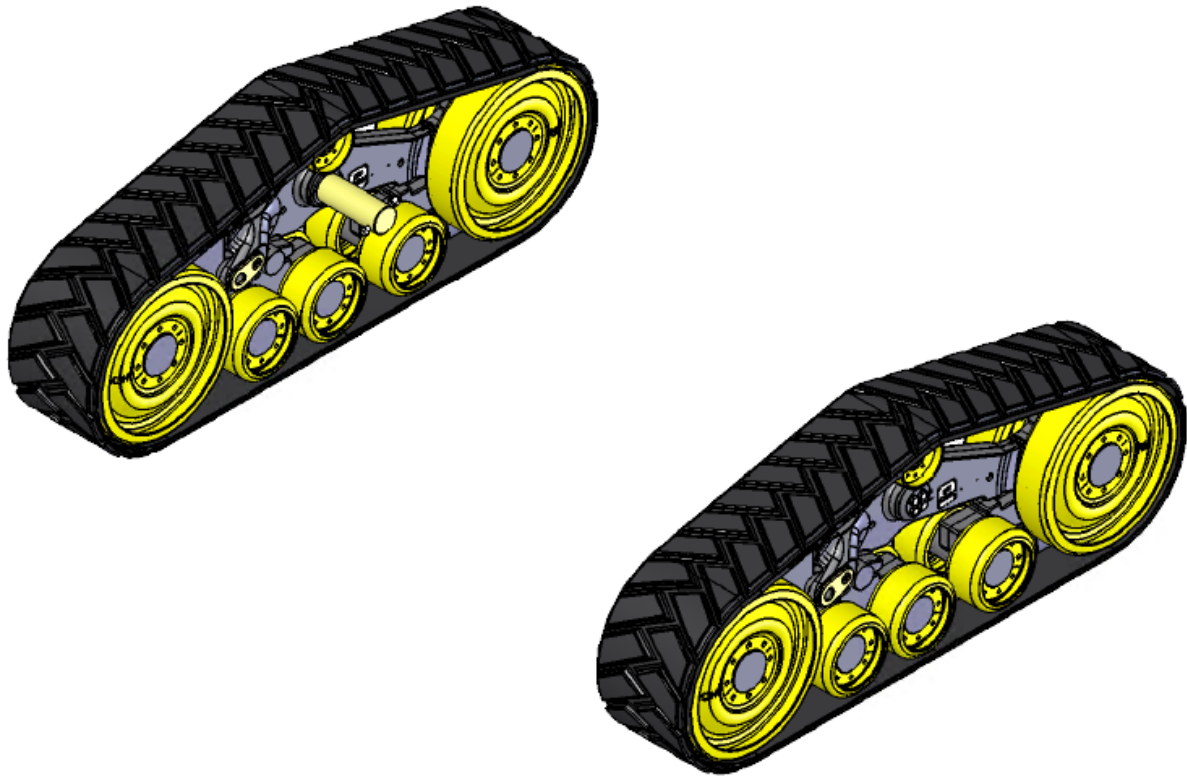
## 380/90R54 Duals



### Parts List 26751/26878: 380/90R54 Duals

| ITEM | PART NO. | QTY. | DESCRIPTION                         |
|------|----------|------|-------------------------------------|
| 1    | 10917    | 1    | AXLE, SPACER DUAL                   |
| 2    | 590258   | 20   | BOLT 3/4-16 X 1-1/2 YZ              |
| 3    | 700138   | 2    | TIRE/WHEEL R 380/90R54 DUAL 20 H    |
|      | 700141   |      | TIRE/WHEEL R 380/90R54 DUAL SL 20 H |
| 4    | 700137   | 2    | TIRE/WHEEL L 380/90R54 DUAL 20 H    |
|      | 700142   |      | TIRE/WHEEL L 380/90R54 DUAL SL 20 H |
| 5    | 710030   | 2    | SPACER, DUAL, 13 3/4"               |
| 6    | 730029   | 2    | Q881 HUB PACKAGE W-LONG STUDS       |
| 7    | 800253   | 2    | DECAL, WHL LUG NUT TORQ             |

## 18" Camso Tracks



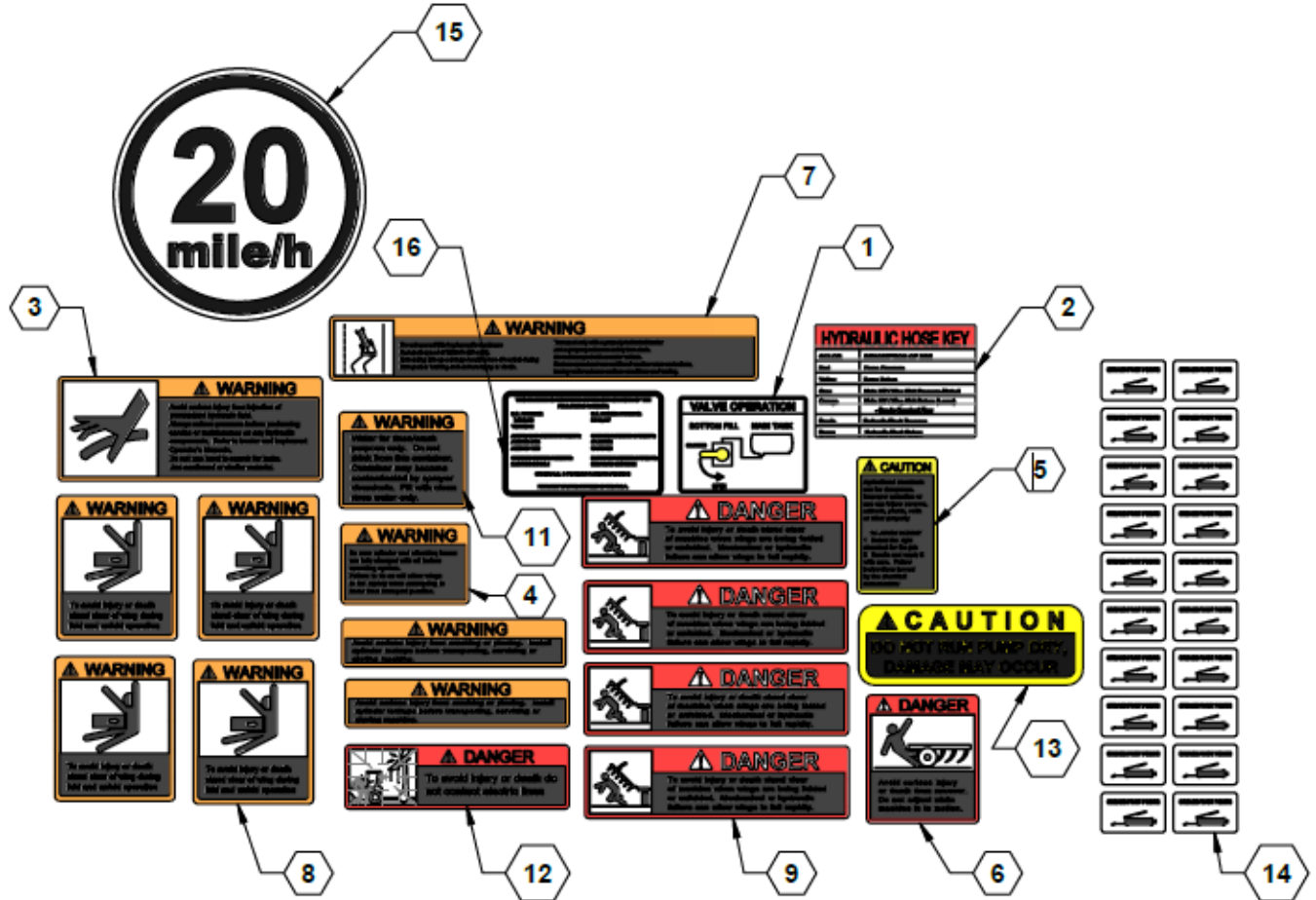
### Parts List: 18" Camso Tracks

| ITEM | PART NO.        | QTY. | DESCRIPTION           |
|------|-----------------|------|-----------------------|
| -    | 45-1816YL2-0077 | 1    | CAMSO TTS 18", YELLOW |



## LIGHTS, DECALS, & TAGS

### Standard Decals

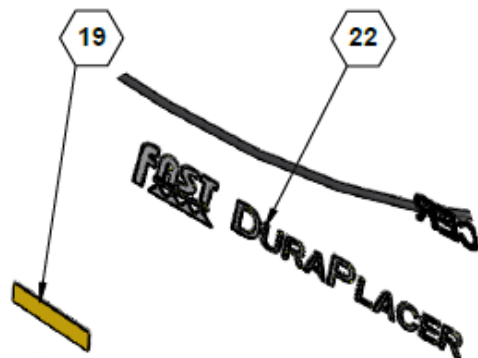




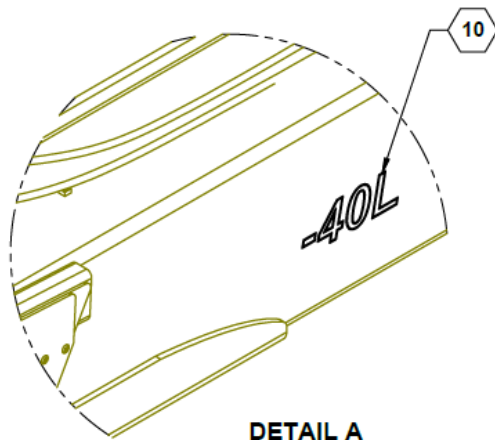
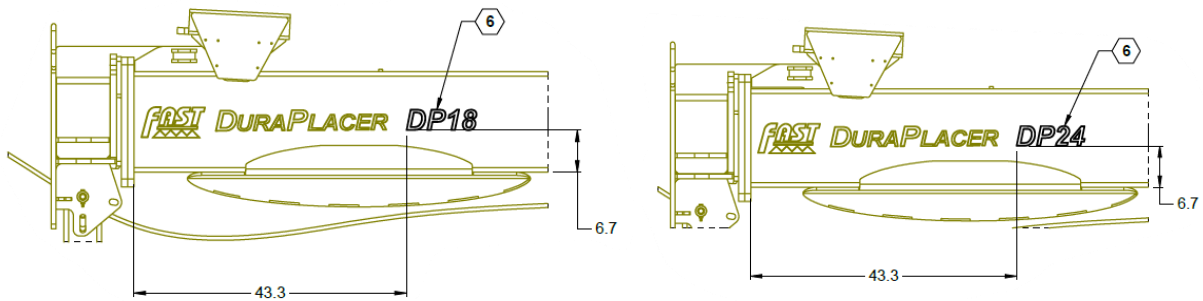
## Parts List 35746: Standard Decals

| ITEM | PART NO. | QTY. | DESCRIPTION                         |
|------|----------|------|-------------------------------------|
| 1    | 800017   | 1    | DECAL, MAIN TANK VALVE OPERATION    |
| 2    | 800087   | 1    | DECAL, HOSE KEY                     |
| 3    | 800098   | 1    | DECAL, WARNING-HYDRAULIC FLUID      |
| 4    | 800099   | 1    | DECAL, WARNING-CHARGE WITH OIL      |
| 5    | 800101   | 1    | DECAL, CAUTION-AG CHEMICAL          |
| 6    | 800103   | 1    | DECAL, DANGER-RUNOVER               |
| 7    | 800104   | 1    | DECAL, WARNING-DO NOT SPEED         |
| 8    | 800105   | 4    | DECAL, WARNING-STAND CLEAR          |
| 9    | 800106   | 4    | DECAL, DANGER-STAND CLEAR           |
| 10   | 800107   | 2    | DECAL, WARNING-AVOID CRUSHING       |
| 11   | 800108   | 1    | DECAL, WARNING-RINSE TANK           |
| 12   | 800112   | 1    | DECAL, DANGER, ELECTRIC LINES       |
| 13   | 800282   | 1    | DECAL, DO NOT RUN PUMP DRY. ENGLISH |
| 14   | 800287   | 20   | DECAL, GREASE PIVOT POINTS          |
| 15   | 800306   | 1    | DECAL, SIS, 20 mile/h               |
| 16   | 800338   | 1    | DECAL, FAST PATENTS                 |

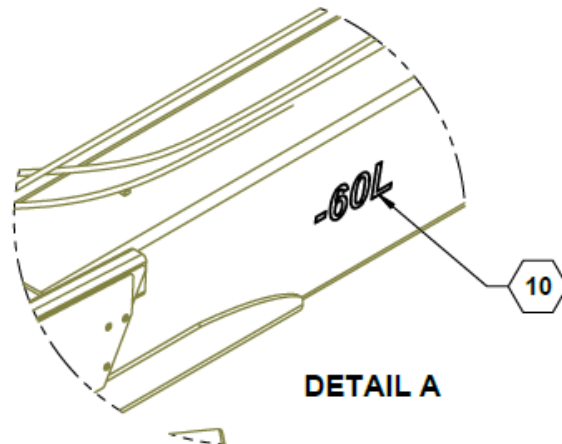
## Tongue Decals



DETAIL A



DETAIL A

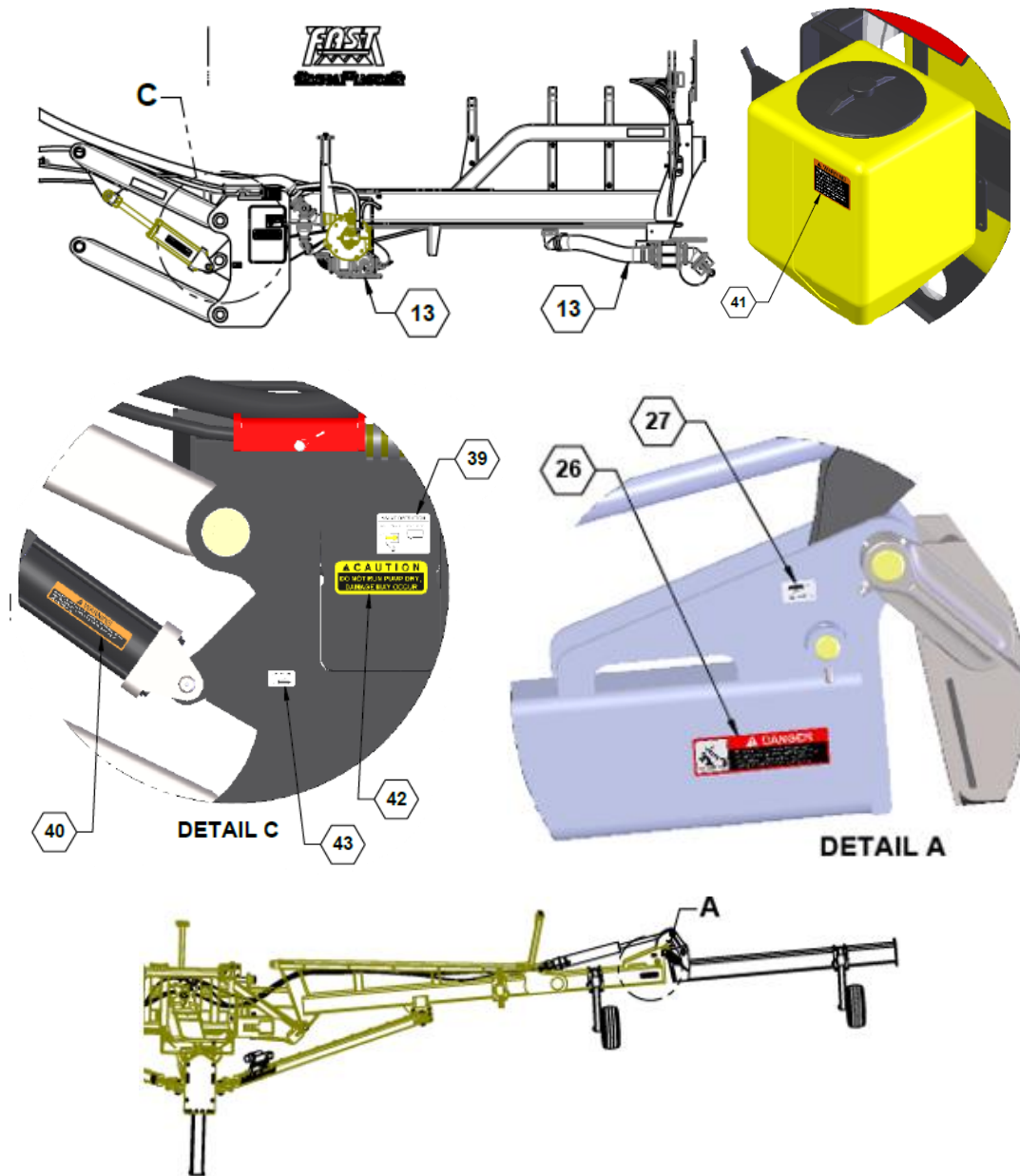


DETAIL A

### Parts List 35315, 35400-35403, 35408/35682: Tongue Decals

| ITEM | PART NO. | QTY. | DESCRIPTION             |
|------|----------|------|-------------------------|
| 6    | 800358   | 2    | (1800 Gal.) DECAL, DP18 |
|      | 800359   |      | (2400 Gal.) DECAL, DP24 |
| 10   | 800360   | 2    | (40') DECAL, 40L        |
|      | 800361   |      | (60') DECAL, 40L        |
| 19   | 800110   | 2    | DECAL, AMBER, REFLECTOR |
| 22   | 800354   | 2    | DECAL, FAST DuraPlacer  |

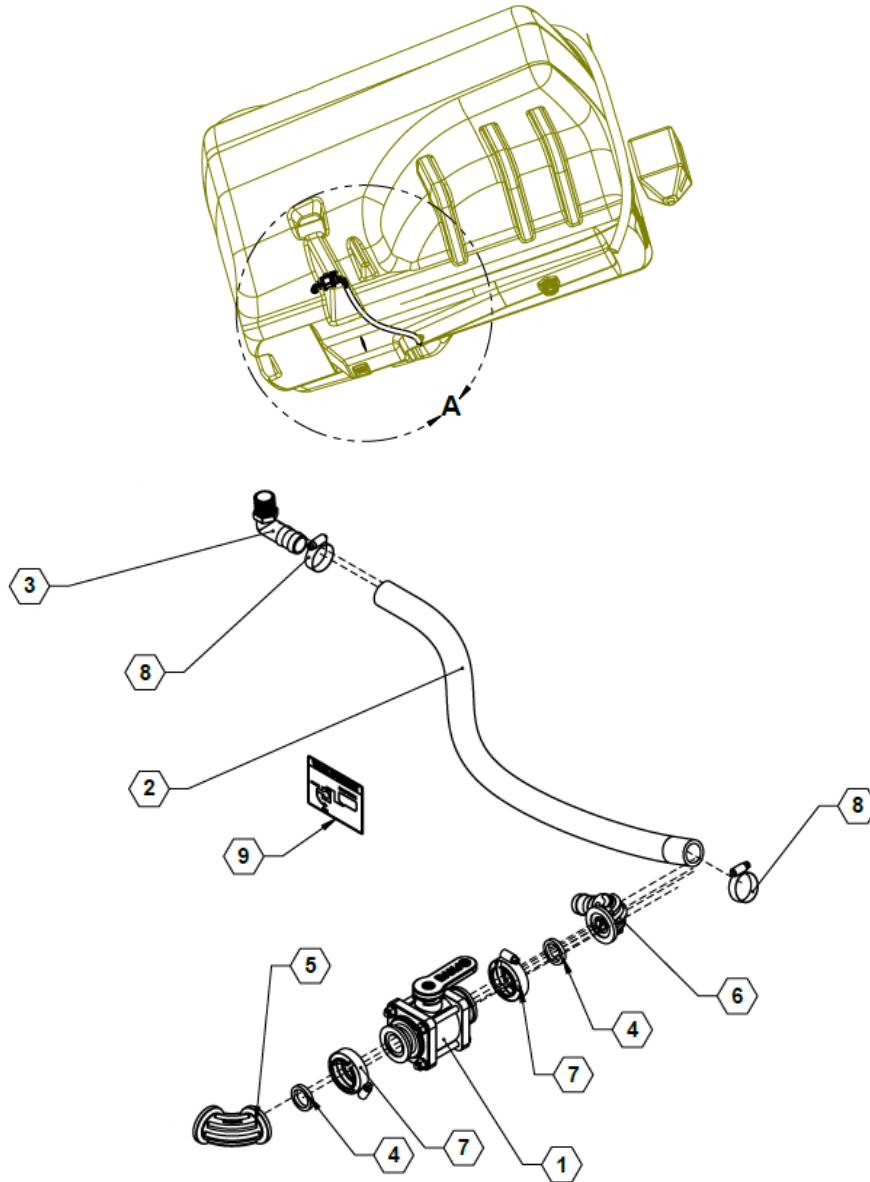
## Frame & Toolbar Decals



### Parts List 35330/35580: Frame & Toolbar Decals

| ITEM | PART NO. | QTY. | DESCRIPTION                         |
|------|----------|------|-------------------------------------|
| 26   | 800106   | 4    | (60') DECAL, DANGER-STAND CLEAR     |
| 27   | 800287   | 4    | (60') DECAL, GREASE PIVOT POINTS    |
| 39   | 800017   | 1    | DECAL, MAIN TANK VALVE OPERATION    |
| 40   | 800107   | 2    | DECAL, WARNING-AVOID CRUSHING       |
| 41   | 800108   | 1    | DECAL, WARNING-RINSE TANK           |
| 42   | 800282   | 1    | DECAL, DO NOT RUN PUMP DRY. ENGLISH |
| 43   | 800287   | 2    | DECAL, GREASE PIVOT POINTS          |

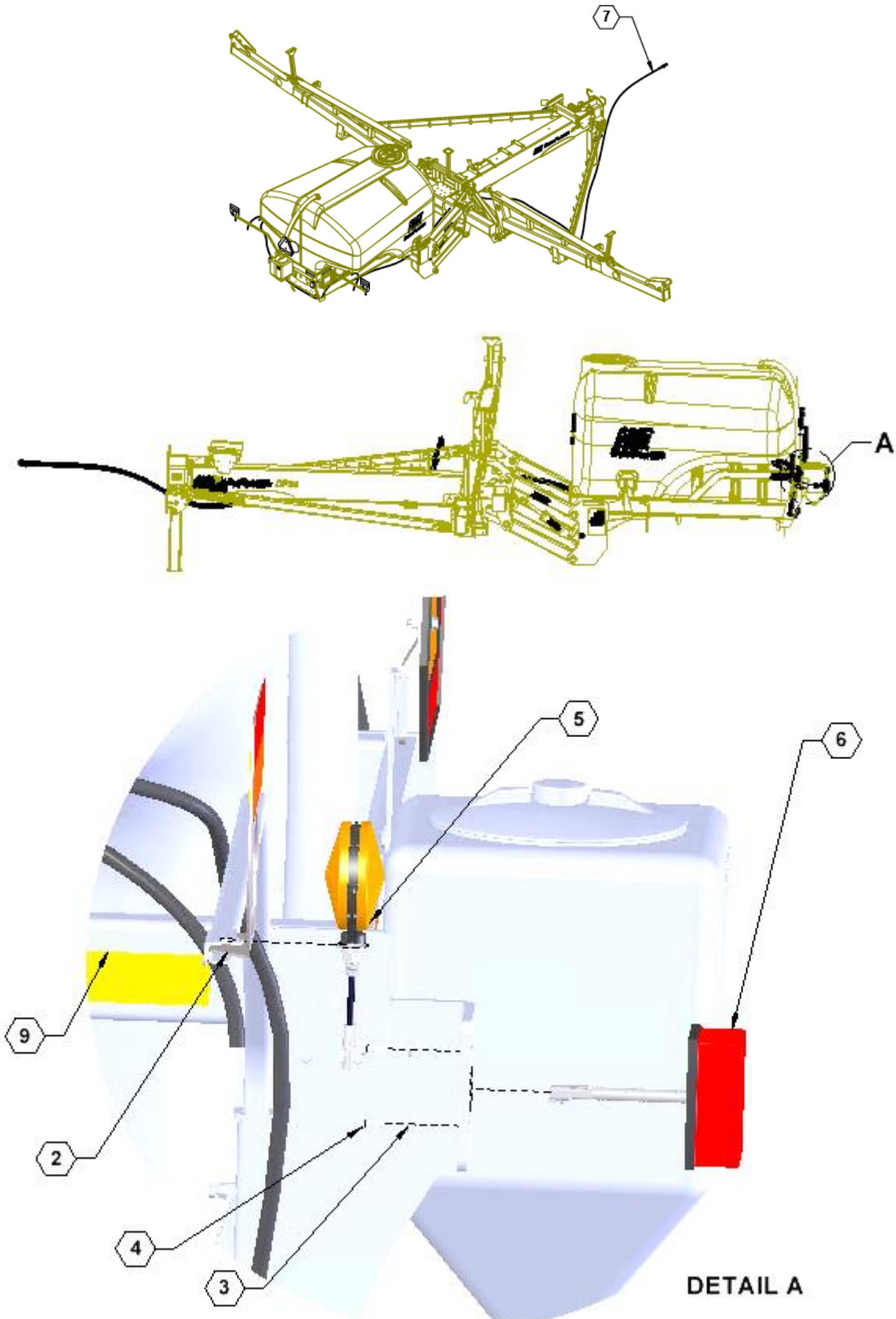
## Manual Agitation Instruction

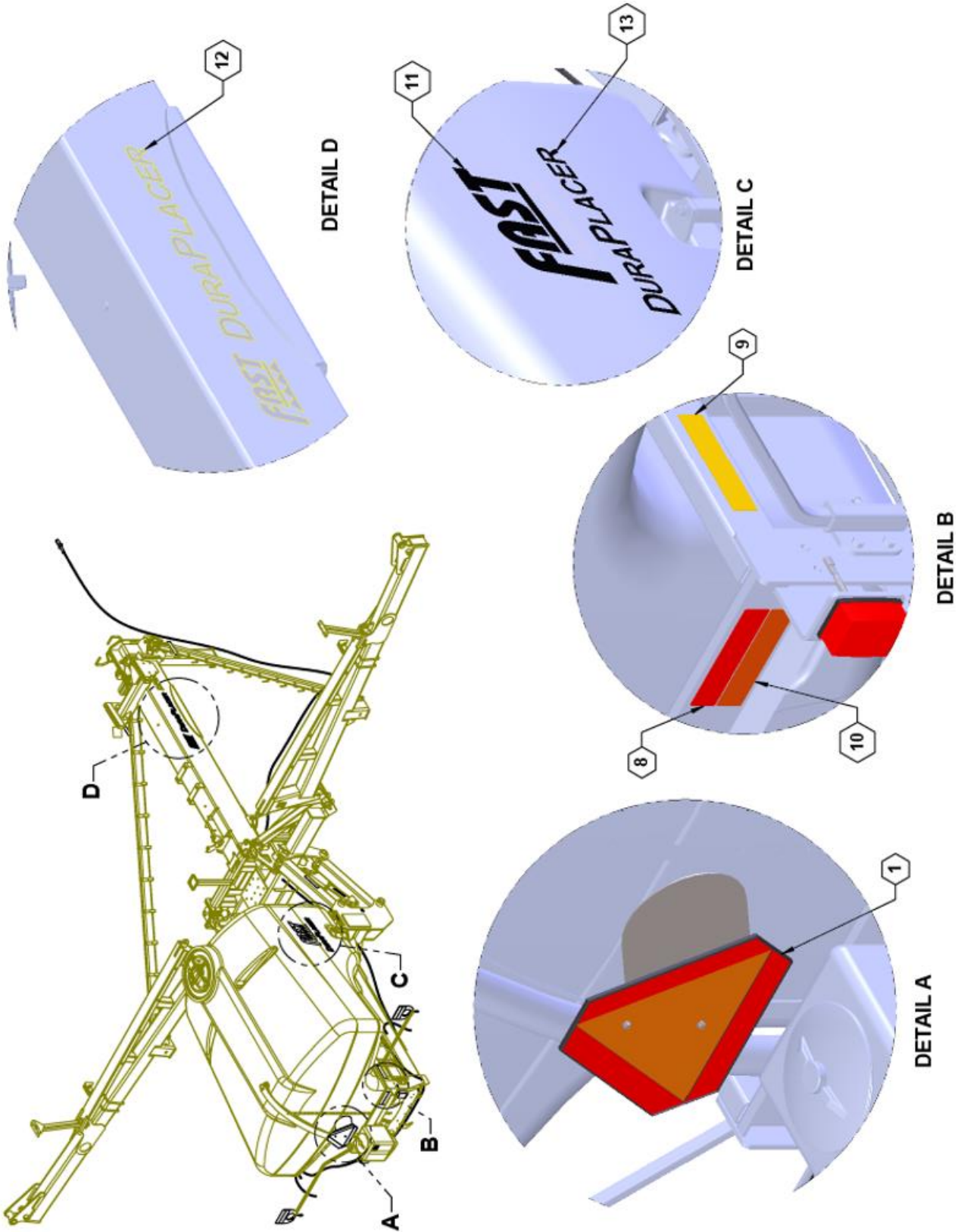


### Parts List 35319: Manual Agitation Instruction

| ITEM | PART NO. | QTY. | DESCRIPTION      |
|------|----------|------|------------------|
| 9    | 800092   | 1    | DECAL, AGITATION |

**Lighting and Marking**





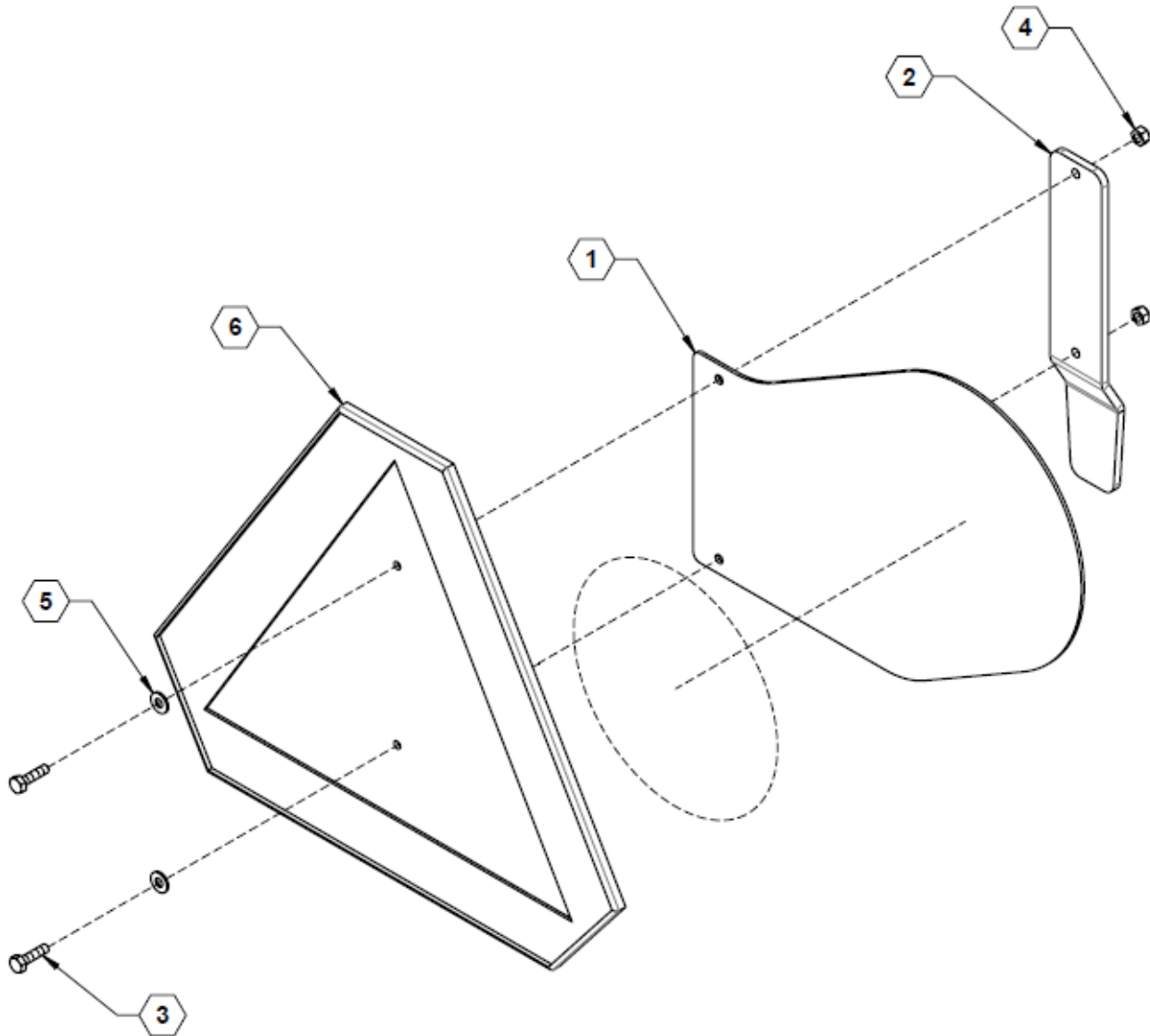


## ILLUSTRATED PARTS LIST

### Parts List 35315: Lighting and Marking

| ITEM | PART NO.     | QTY. | DESCRIPTION                      |
|------|--------------|------|----------------------------------|
| 1    | 90SASMVWOSIS | 1    | SMV ASSEMBLY W/O SIS DECAL       |
| 2    | 26902        | 2    | PLATE, LIGHT BRACKET             |
| 3    | 596249M      | 4    | LOCKWASHER 5/16 MAGNI            |
| 4    | 596737M      | 4    | BOLT, HH 8-1.25 X 20MM 8.8 MAGNI |
| 5    | 740024       | 2    | LIGHT, AMBER WARNING             |
| 6    | 740025       | 2    | TAILLIGHT, RED                   |
| 7    | 740061       | 1    | HARNESS, BANDER LIGHT            |
| 8    | 800109       | 3    | DECAL, RED REFLECTOR             |
| 9    | 800110       | 8    | DECAL, AMBER, REFLECTOR          |
| 10   | 800111       | 3    | DECAL, NON-REFLECTIVE, ORANGE    |
| 11   | 800181       | 3    | FAST TANK LOGO                   |
| 12   | 800354       | 2    | DECAL, FAST DuraPlacer           |
| 13   | 800365       | 3    | DECAL, DuraPlacer                |

## Slow-Moving-Vehicle Sign Assembly

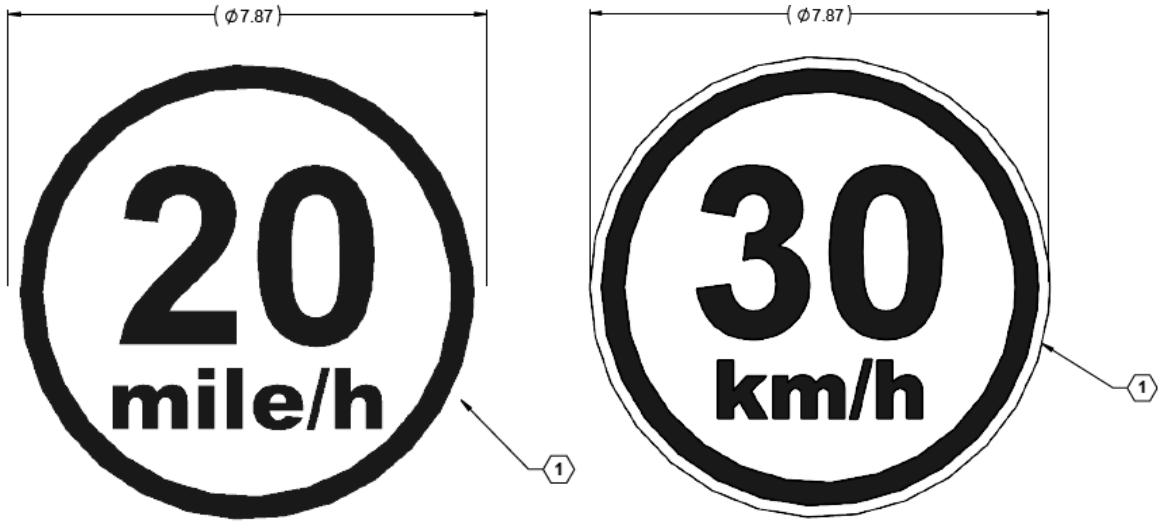


### Parts List 90SASMVWOSIS: Slow-Moving-Vehicle Sign Assembly

| ITEM | PART NO. | QTY. | DESCRIPTION                   |
|------|----------|------|-------------------------------|
| 1    | 28251    | 1    | PLATE, SIS MOUNT              |
| 2    | 28252    | 1    | PLATE, SMV MOUNT              |
| 3    | 596102M  | 2    | BOLT, HH 1/4-20 X 1 GR5 MAGNI |
| 4    | 596227M  | 2    | NUT, HEX NYLOCK 1/4-20 MAGNI  |
| 5    | 596256M  | 2    | WASHER, FLAT 1/4 USS MAGNI    |
| 6    | 790017   | 1    | SIGN, SMV PLASTIC MOLDED      |



## Speed Decal



### Parts List: Speed Decal

| ITEM | PART NO. | QTY. | DESCRIPTION             |
|------|----------|------|-------------------------|
| 1    | 35832    | 1    | OPTION, 20 MILE/H DECAL |
|      | 35833    | 1    | OPTION, 30 KM/H DECAL   |



Fast Ag Solutions  
4130 Commerce Boulevard  
Windom, MN 56101

1-800-772-9279 Toll Free

1-507-427-3861 Voice

1-507-427-3030 Fax

<https://fastagsolutions.com/>