



**DP18L / DP24L - 40' / 60'  
LIQUID DURAPLACER  
PARTS MANUAL - 2024**



# ILLUSTRATED PARTS LIST

---





## Limited Warranty

Fast Ag Solutions warrants to the buyer that the new machinery is free from defects in material and workmanship.

This warranty is only effective as to any new machinery which has not been altered, changed, repaired or treated since its delivery to the buyer, other than by Fast Ag Solutions or its authorized dealers or employees, and does not apply to accessories, attachments, tools or parts, sold or operated with the new machinery, if they have not been manufactured by Fast Ag Solutions.

Fast Ag Solutions shall only be liable for defects in the materials or workmanship attributable to faulty material or bad workmanship that can be proved by the buyer, and specifically excludes liability for repairs arising as a result of normal wear and tear of the new machinery or in any other manner whatsoever, and without limiting the generality of the foregoing, excludes application or installation of parts not completed in accordance with this operator's manual, specifications, or printed instructions.

Written notice shall be given by registered mail, to the Manufacturer within seven (7) days after the defect shall have become apparent or the repairs shall have become necessary, addressed as follows:

Fast Ag Solutions  
4130 Commerce Boulevard  
Windom, MN 56101

This warranty shall expire one (1) year after the date of delivery of the new machinery.

If these conditions are fulfilled, Fast Ag Solutions shall at its own cost and at its own option either repair or replace any defective parts provided that the buyer shall be responsible for all expenses incurred as a result of repairs, labor, parts, transportation or any other work, unless Fast Ag Solutions has authorized such expenses in advance.

The warranty shall not extend to any repairs, changes, alterations, or replacements made to the new equipment other than by Fast Ag Solutions or its authorized dealers or employees.

This warranty extends only to the original owner of the new equipment.

Rubber parts (including tires, hoses, grommets) are not warranted.

This warranty is limited to the terms stated herein and is in lieu of any other warranties whether express or implied, and without limiting the generality of the foregoing, excluded all warranties, express or implied or conditions whether statutory or otherwise as to quality and fitness for any purpose of the new equipment. The Manufacturer disclaims all liability for incidental or consequential damages.

This Liquid DuraPlacer is subject to design changes and Fast Ag Solutions shall not be required to retrofit or exchange items on previously sold units except at its own option.

Warranty void if not registered.



# ILLUSTRATED PARTS LIST

## FAST LIQUID DURAPLACER

### Warranty Registration

This form must be filled out by the dealer and signed by both the dealer and the customer at the time of delivery.

Customer Name					
Address					
City		State		Zip	
Phone					

Dealer Name					
Address					
City		State		Zip	

DuraPlacer Model					
Serial Number					
Delivery Date					

### Warranty Inspection Report

#### DEALER INSPECTION REPORT

- All Fasteners Tight
- Wheel Bolts Torqued
- Hydraulic Hoses and Fittings Free and Tight
- Fertilizer Hoses and Fittings Free and Tight
- Wheel Drive Turns Freely
- Lubricate Machine
- Check Tire Pressure
- Frame and Wings Level
- Monitors and Controllers Function
- Wiring Harness Connected

#### SAFETY

- Safety Chain Installed
- All Guards Installed
- All Safety Signs Installed
- Reflectors, SMV, and Lights Clean
- Review Operating and
- Safety Instructions

I have thoroughly instructed the buyer on the above-described equipment which review included the Operator's Manual content, equipment care, adjustments, safe operation, and applicable warranty policy.

Date \_\_\_\_\_

Dealer's Rep. Signature \_\_\_\_\_

The above equipment and Operator's Manual have been received by me, and I have been thoroughly instructed as to care, adjustments, safe operation, and applicable warranty policy.

Date \_\_\_\_\_

Owner's Signature \_\_\_\_\_

White - FAST  
Yellow - Dealer  
Pink - Customer



# ILLUSTRATED PARTS LIST

---

**FAST DP18L / DP24L Series DuraPlacer**

**DURAPLACER SERIAL NUMBER** \_\_\_\_\_

**DATE PURCHASED** \_\_\_\_\_ / \_\_\_\_\_ / \_\_\_\_\_

**TANK SIZE (CIRCLE ONE)**            **1800 Gal.**            **2400 Gal.**

**NUMBER OF ROW UNITS** \_\_\_\_\_

**PUMP MANUFACTURER:**

(CIRCLE ONE)

**ACE 255F-304 WET SEAL**

**ACE FMC-750-HYD OASIS**

**ACE 255F-304 PWM WET SEAL**

**ACE FMC-750 OASIS PWM**

## General Information

All rights, especially copying and distribution rights are reserved. No part of this publication may be reproduced in any form or by any means, electronic or mechanical, including photocopying, without express written permission from Fast Ag Solutions.

Parts information in this manual represents components installed when product was manufactured based upon the best available information. Modifications made subsequent to initial delivery are not included. Always verify the parts and color required when ordering parts.

If you have any questions, please contact your Fast Ag Solutions Parts and Service Department.

## Explanation of Parts Lists

*The parts list is organized as follows:*

Table of Contents

TRAILER & FRAME

TOOLBAR & GAUGE WHEELS

ROW UNITS

ROW UNIT CAB CONTROL

TANK & PUMP

PRODUCT PLUMBING on TOOLBAR

PRODUCT PLUMBING on FRAME

PRODUCT ELECTRICAL COMP.S

HYDRAULICS

FOLD BOX ELECTRICAL

TRAILER AXLES, TIRES, & TRACKS

LIGHTS, DECALS, & TAGS

The parts lists are broken down into sub-assemblies and listed in four (4) columns:

- **ITEM** - These numbers are found on the illustration associated with the parts list.
  - NS - This item is NOT SHOWN, included for reference.
- **QTY.** - This is the quantity of parts needed in an assembly.
  - AR - The quantity of this item is applied AS REQUIRED for the location.
- **PART NO.** - These are the part numbers associated with the ITEM.
- **DESCRIPTION** - This is the description of the part.



## Table of Contents

Section	Page
<i>Warranty Registration</i> .....	4
<i>Warranty Inspection Report</i> .....	4
<i>General Information</i> .....	6
<b>Table of Contents</b> .....	<b>7</b>
<b>TRAILER &amp; FRAME</b> .....	<b>14</b>
<i>Hitch</i> .....	14
Parts List 35600: Hitch .....	15
<i>Trailer Base</i> .....	16
Parts List 35330: Trailer Base .....	20
<b>TOOLBAR &amp; GAUGE WHEELS</b> .....	<b>22</b>
<i>40' Toolbar (Base)</i> .....	22
Parts List 35201: 40' Toolbar (Base) .....	27
<i>60' Toolbar</i> .....	30
Parts List 35580: 60' Toolbar .....	32
<i>Gauge Wheel Assembly</i> .....	34
Parts List 34995/34996/37010/37011: Gauge Wheel Assembly .....	34
<i>Hub Assembly, 5-Bolt Q736</i> .....	36
Parts List 730003ASSY: Hub Assembly, 5-Bolt Q736 .....	37
<i>Strut Linkage Assembly</i> .....	38
Parts List 34865: Strut Linkage Assembly .....	39
<i>Manual Holder Assembly</i> .....	40
Parts List 34752: Manual Holder Assembly .....	40
<b>ROW UNITS</b> .....	<b>41</b>
<i>Strip Freshener Mount, Non-Cab Control</i> .....	51
Parts List 35644: Strip Freshener Mount, Non-Cab Control .....	51
<i>16-Row Strip Freshener with Row Cleaner</i> .....	52
Parts List 35649: 16-Row Strip Freshener with Row Cleaner .....	52
<i>16-Row Strip Freshener with Row Cleaner, Cab Control, Ripple, and Shark Berming or Wave Berming</i> .....	53
Parts List 35645/35694: 16-Row Strip Freshener with Row Cleaner, Cab Control, Ripple, and Shark Berming or Wave Berming .....	53
<i>24-Row Strip Freshener with Row Cleaner</i> .....	54
Parts List 35650: 24-Row Strip Freshener with Row Cleaner .....	54
<i>24-Row Strip Freshener with Row Cleaner, Cab Control, Ripple, and Shark Berming or Wave Berming</i> .....	55
Parts List 35293/35693: 24-Row Strip Freshener with Row Cleaner, Cab Control, Ripple, and Shark Berming or Wave Berming .....	55



# ILLUSTRATED PARTS LIST

<b>ROW UNIT CAB CONTROL .....</b>	<b>56</b>
<i>Row Freshener Supply .....</i>	<i>56</i>
Parts List 35645: Row Freshener Supply .....	56
<i>Row Freshener Supply Hoses &amp; Fittings.....</i>	<i>57</i>
Parts List 35293: Row Freshener Supply Hoses & Fittings .....	57
<b>TANK &amp; PUMP.....</b>	<b>58</b>
<i>1800 Gal. Tank.....</i>	<i>58</i>
Parts List 35400/35402: 1800 Gal. Tank.....	58
<i>2400 Gal. Tank.....</i>	<i>59</i>
Parts List 35401/35403: 2400 Gal. Tank.....	59
<i>Tank with Fittings .....</i>	<i>60</i>
Parts List 570184TNK – 570187TNK: Tank with Fittings.....	61
<i>Tank Vented Overflow Fittings.....</i>	<i>62</i>
Parts List 90SAFCOV: Tank Vented Overflow Fittings .....	62
<i>Hand Wash Faucet Fittings.....</i>	<i>62</i>
Parts List 90SAFCHWF: Hand Wash Faucet Fittings.....	62
<i>Tank Agitation Fittings.....</i>	<i>63</i>
Parts List 90SALTRUMPET: Tank Agitation Fittings .....	63
<i>Pump ACE 255F-304 WET SEAL .....</i>	<i>64</i>
Parts List 34715: Pump ACE 255F-304 WET SEAL .....	64
<i>Pump ACE 255F-304 PWM WET SEAL .....</i>	<i>65</i>
Parts List 34718: Pump ACE 255F-304 PWM WET SEAL.....	65
<i>Pump ACE FMC-750-HYD OASIS .....</i>	<i>66</i>
Parts List 35286: Pump ACE FMC-750-HYD OASIS .....	66
<i>Pump ACE FMC-750-HYD PWM OASIS .....</i>	<i>67</i>
Parts List 35287: Pump ACE FMC-750-HYD PWM OASIS .....	67
<b>PRODUCT PLUMBING on TOOLBAR.....</b>	<b>68</b>
<i>Base Liquid Plumbing .....</i>	<i>68</i>
Parts List 35675: Base Liquid Plumbing.....	70
<i>16-Row (40') 5-Section Plumbing .....</i>	<i>72</i>
Parts List 35682: 16-Row (40') 5-Section Plumbing .....	73
<i>24-Row (60') 5-Section Plumbing .....</i>	<i>74</i>
Parts List 35408: 24-Row (60') 5-Section Plumbing .....	74
<i>Liquid Tube, Center Only.....</i>	<i>75</i>
Parts List 35719: Liquid Tube, Center Only .....	75
<i>Liquid Tube, Left Only .....</i>	<i>76</i>
Parts List 35718: Liquid Tube, Left Only .....	76
<i>Liquid Tube, Right Only.....</i>	<i>77</i>
Parts List 35716: Liquid Tube, Right Only .....	77
<i>Liquid Tube, Left &amp; Right .....</i>	<i>78</i>





# ILLUSTRATED PARTS LIST

Parts List 35715: Liquid Tube, Left & Right.....	78
<i>Standard Nozzles</i> .....	79
Parts List 35730: Standard Nozzles .....	79
Parts List 37038: Option, 1/2" Plumb Mount.....	79
<i>VariTarget Nozzles 1.0 Rate</i> .....	80
Parts List 35410: VariTarget Nozzles 1.0 Rate.....	80
<b>PRODUCT PLUMBING on FRAME</b> .....	<b>82</b>
<i>Standard Plumbing</i> .....	82
Parts List 35318: Standard Plumbing .....	83
<i>Quick Fill, 3"</i> .....	84
Parts List 34296: Quick Fill, 3" .....	84
<i>Quick Fill Valve, 3"</i> .....	84
Parts List 90SA3QF: Quick Fill Valve, 3" .....	84
<i>Manual Agitation</i> .....	85
Parts List 35319: Manual Agitation .....	85
<i>No Agitation</i> .....	86
Parts List 27811: No Agitation.....	86
<i>Eductor for Applicator</i> .....	88
Parts List 99HYPIND07FC18/24: Eductor for Applicator .....	89
<b>PRODUCT ELECTRICAL COMP.S</b> .....	<b>90</b>
<i>Pressure Transducer</i> .....	90
Parts List 28027: Pressure Transducer .....	90
<i>No Pressure Transducer</i> .....	91
Parts List: No Pressure Transducer.....	91
<i>Raven Harnesses &amp; Components</i> .....	92
Parts List: Raven Harnesses & Components.....	93
<i>Control Harness 115-0171-085</i> .....	94
<i>Control Harness 115-0159-856</i> .....	95
<i>Control Harness 115-0171-086</i> .....	96
<i>Raven 450 Rate Controller</i> .....	97
Parts List 35742: Raven 450 Rate Controller .....	97
<i>Raven RCM Rate Controller</i> .....	98
Parts List 35678: Raven RCM Rate Controller .....	98
<i>Greenstar Rate Controller</i> .....	99
Parts List 35679: Greenstar Rate Controller .....	99
<i>Customer Supplied RCM/RC2000</i> .....	100
Parts List 35741: Customer Supplied RCM/RC2000 .....	100
<i>Customer Supplied Raven 450</i> .....	101
Parts List 35743: Customer Supplied Raven 450.....	101



# ILLUSTRATED PARTS LIST

<i>Customer Supplied JD Greenstar</i> .....	102
Parts List 35404/35744: Customer Supplied JD Greenstar .....	102
<b>HYDRAULICS</b> .....	<b>103</b>
<i>Hydraulic Diagram</i> .....	103
<i>Product Pump Hydraulic Hose &amp; Fittings</i> .....	104
Parts List 600129: Product Pump Hydraulic Hose & Fittings .....	104
<i>Down Pressure (Kick) Cylinder</i> .....	105
Parts List 35202 (34997): Down Pressure (Kick) Cylinder .....	105
Parts List 600125: Down Pressure (Kick) Cylinder Hoses & Fittings .....	107
<i>Down Pressure Comp Flow Control</i> .....	108
Parts List 35202: Down Pressure Comp Flow Control .....	108
<i>Lift Cylinder &amp; Counterbalance Valve</i> .....	109
Parts List 35202: Lift Cylinder & Counterbalance Valve .....	111
Parts List 600125: Lift Cylinder & Counterbalance Valve, Hoses & Fittings.....	111
<i>Fold Cylinder &amp; Flow Divider</i> .....	112
Parts List 35202: Fold Cylinder & Flow Divider .....	112
Parts List 600125: Fold Cylinder & Flow Divider Hoses & Fittings.....	112
<i>Latch Cylinder</i> .....	113
Parts List 35202 (620105): Latch Cylinder .....	113
<i>Latch Cylinder Hoses &amp; Fittings</i> .....	113
Parts List 600125: Latch Cylinder Hoses & Fittings .....	113
<i>Flip Wing Connection Caps (40' option)</i> .....	114
Parts List 35581: Flip Wing Connection Caps (40' option) .....	114
<i>Flip Wing Cylinder</i> .....	115
Parts List 35580: Flip Wing Cylinder.....	115
Parts List 600132: Flip Wing Cylinder Hoses & Fittings .....	118
<i>Row Unit Cab Control Hoses &amp; Fittings</i> .....	119
Parts List 600128: Row Unit Cab Control Hoses & Fittings.....	119
<i>Tongue Cylinder</i> .....	120
Parts List 35600 Front: Tongue Cylinder.....	120
<i>Tongue Cylinder Hoses &amp; Fittings</i> .....	121
Parts List 600130: Tongue Cylinder Hoses & Fittings .....	121
<i>Fasse Block</i> .....	122
Parts List 35202: Fasse Block.....	122
<i>Fasse Hydraulic Controls</i> .....	124
Parts List 630056: Fasse Hydraulic Controls.....	125
<i>Fasse Block 12-Pin Electrical Harness</i> .....	126
Parts List: Fasse Block 12-Pin Electrical Harness .....	127
<b>FOLD BOX ELECTRICAL</b> .....	<b>128</b>
<i>Cab Fold Box</i> .....	128
Parts List: Cab Fold Box .....	129



# ILLUSTRATED PARTS LIST

<i>Cab Fold Box Power Harness</i> .....	130
Parts List: Cab Fold Box Power Harness .....	130
<i>Cab Fold Box Electrical Harness</i> .....	132
Parts List: Cab Fold Box Electrical Harness .....	133
<i>Cab Fold Box Electrical Wiring Diagram</i> .....	134
Parts List: Cab Fold Box Electrical Wiring Diagram.....	134
<i>Cab Fold Box Operation &amp; Pinout</i> .....	136
Parts List: Cab Fold Box Operation & Pinout .....	137
<b>TRAILER AXLES, TIRES, &amp; TRACKS</b> .....	<b>138</b>
<i>Axle Spacer 4"</i> .....	138
Parts List 26756: Axle Spacer 4" .....	138
<i>Adjustable Single Axle 20k, 72"-144"</i> .....	139
Parts List 26758: Adjustable Single Axle 20k, 72"-144" .....	139
<i>Adjustable Single Axle 25k, 80"-120"</i> .....	140
Parts List 35683: Adjustable Single Axle 25k, 80"-120" .....	141
<i>Adjustable Track Axle, 80"-132"</i> .....	142
Parts List 26742: Adjustable Track Axle, 80"-132" .....	143
<i>Hub Assembly, 20k, 10-Bolt Q881</i> .....	144
Parts List 730029: Hub Assembly, 20k, 10-Bolt Q881 .....	144
<i>Hub Assembly, 25k, 10-Bolt Q981</i> .....	145
Parts List 730086: Hub Assembly, 25k, 10-Bolt Q981 .....	145
<i>480/80R50 Singles</i> .....	146
Parts List 26749/26876: 480/80R50 Singles.....	146
<i>580/85R42 Singles</i> .....	147
Parts List 35684/35685: 580/85R42 Singles.....	147
<i>380/90R46 Duals</i> .....	148
Parts List 26750/26877: 380/90R46 Duals.....	148
<i>380/90R54 Duals</i> .....	149
Parts List 26751/26878: 380/90R54 Duals.....	149
<i>18" Camso Tracks</i> .....	150
Parts List: 18" Camso Tracks.....	150
<b>LIGHTS, DECALS, &amp; TAGS</b> .....	<b>152</b>
<i>Standard Decals</i> .....	152
Parts List 35746: Standard Decals .....	153
<i>Tongue Decals</i> .....	154
Parts List 35315, 35400-35403, 35408/35682: Tongue Decals .....	154
<i>Frame &amp; Toolbar Decals</i> .....	155
Parts List 35330/35580: Frame & Toolbar Decals .....	155
<i>Manual Agitation Instruction</i> .....	156
Parts List 35319: Manual Agitation Instruction.....	156



# ILLUSTRATED PARTS LIST

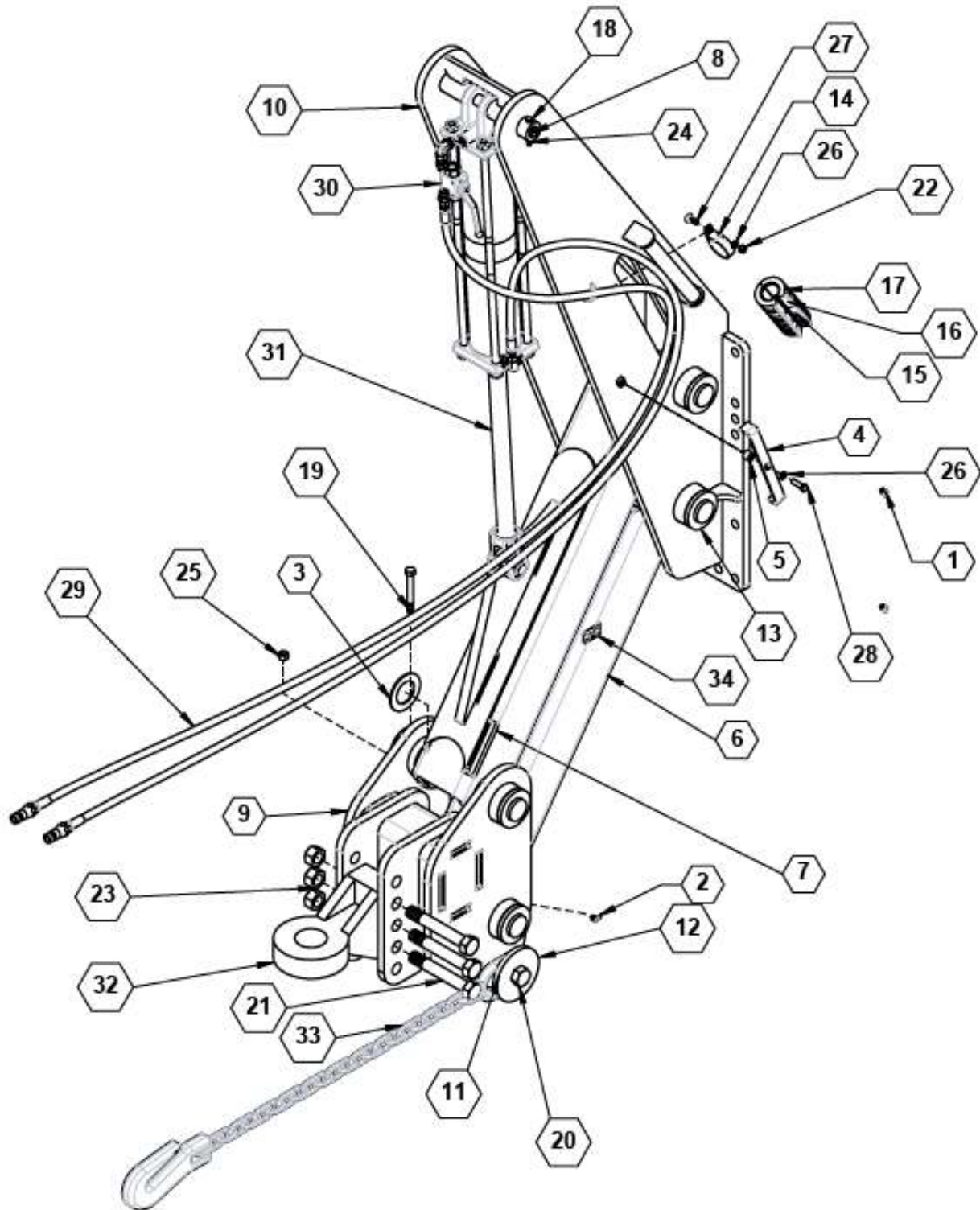
---

<i>Lighting and Marking</i> .....	157
Parts List 35315: Lighting and Marking .....	159
<i>Slow-Moving-Vehicle Sign Assembly</i> .....	160
Parts List 90SASMVWOSIS: Slow-Moving-Vehicle Sign Assembly .....	160
<i>Speed Decal</i> .....	161
Parts List: Speed Decal .....	161



## TRAILER & FRAME

### Hitch



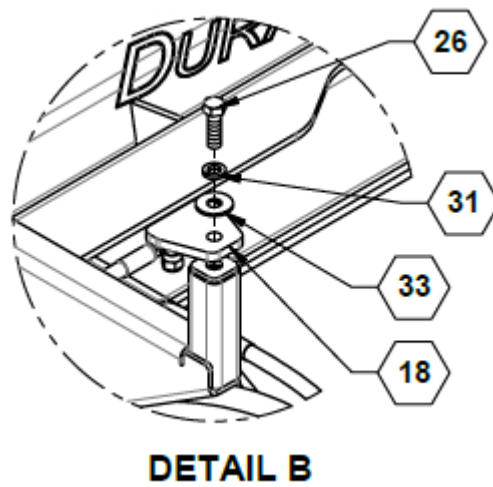
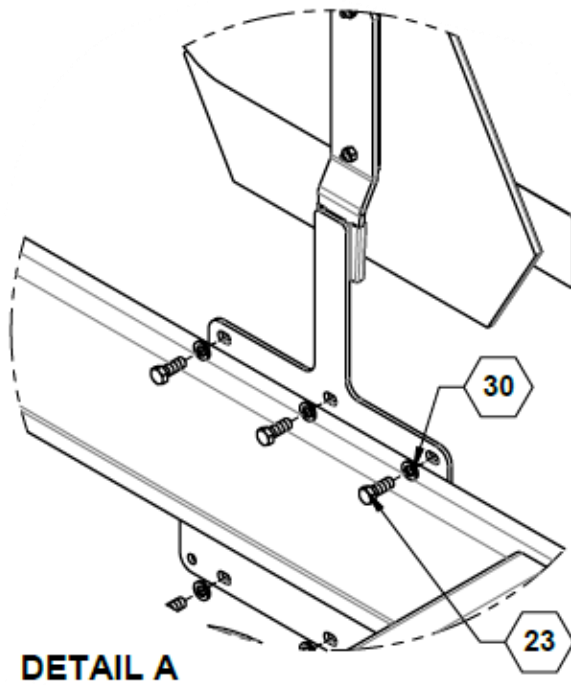
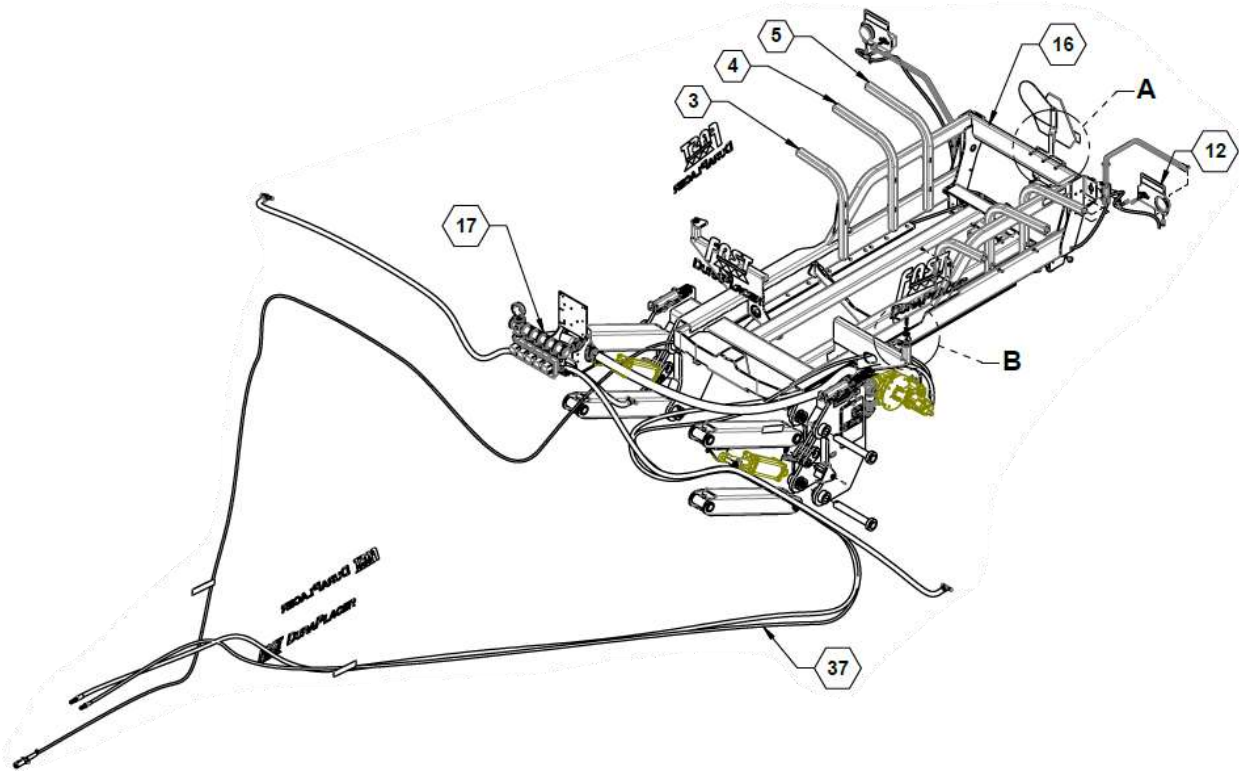


# ILLUSTRATED PARTS LIST

## Parts List 35600: Hitch

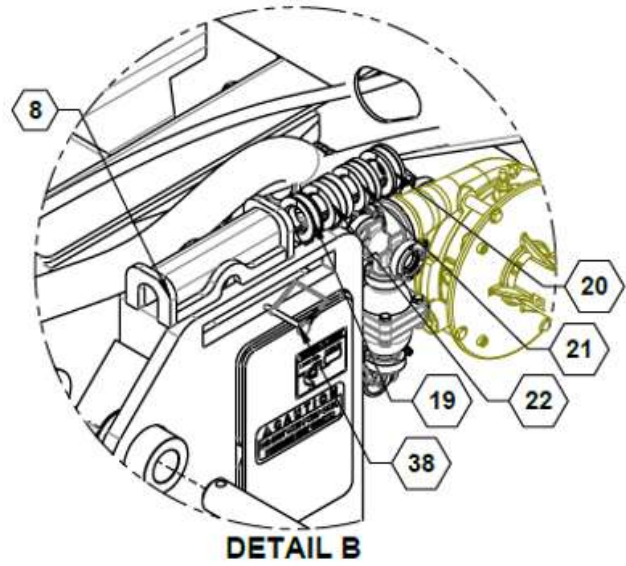
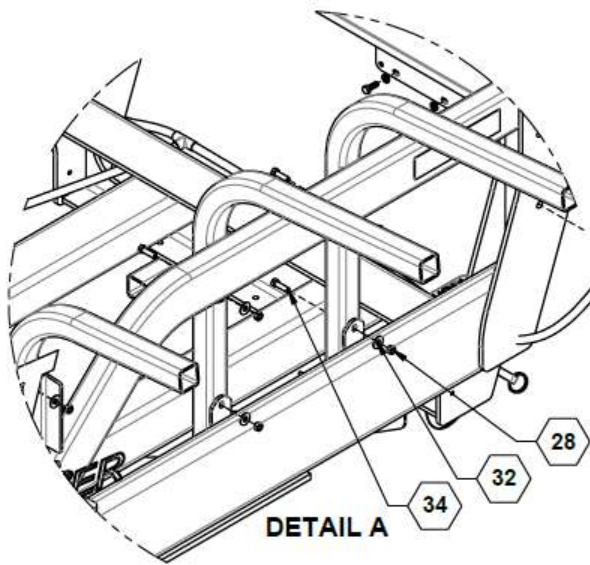
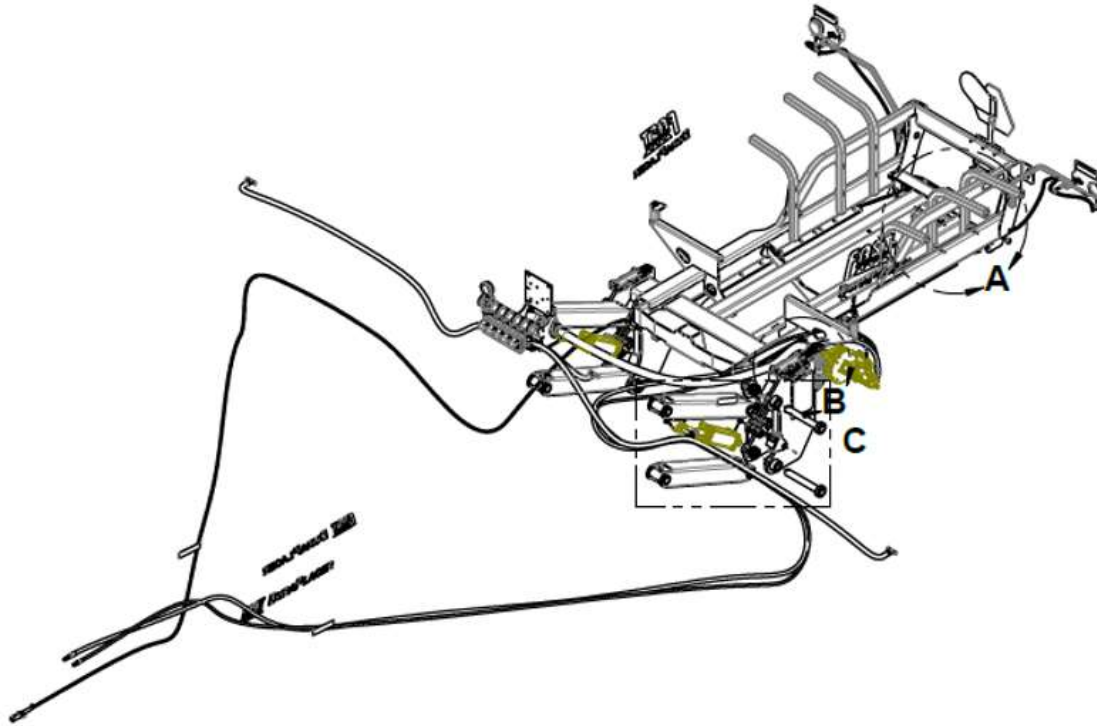
ITEM	PART NO.	QTY.	DESCRIPTION
1	760	2	ZERK, GREASE 1/4-28 45~
2	761	2	ZERK, 90~, 1/4-28 STRAIGHT PIPE THREAD
3	15277	8	WASHER, STAINLESS STEEL
4	15558	2	BRACKET, HOSE
5	15566	2	SPACER, HOSE BRACKET
6	35346	1	WELDMENT, LIFTARM
7	35348	1	LIFT ARM WLDMT, UPPER
8	35353	1	PIN, PARKING STAND/UPPER HITCH
9	35420	1	HITCH MOUNT
10	35614	1	WELDMENT, HYDRAULIC HITCH
11	35949	1	BUSHING, SAFETY CHAIN SPACER
12	35963	1	WASHER PLATE, SAFETY CHAIN
13	35985	4	PIN, LIFTARM PIVOT WLDMNT
14	540051	1	P-CLAMP, 2" W/3/8" HOLE
15	590451	2	CYLINDER STOP, 1"
16	590452	1	CYLINDER STOP, 1-1/2"
17	590453	1	CYLINDER STOP, 2"
18	596118M	1	BOLT, HH 5/16-18 X 2-1/2 GR5 MAGNI
19	596158M	4	BOLT, HH 1/2 X 4 GR5 MAGNI
20	596201M	1	BOLT, HEX 1-8 X 3-1/2 GR5 MAGNI
21	596208M	3	BOLT, HH 1-8X6-3/4 GR5 MAGNI
22	596213M	1	NUT, HEX 3/8-16 MAGNI
23	596234M	4	NUT, HEX NYLOCK 1-8 MAGNI
24	596236M	1	NUT, CENTERLOCK, 5/16-18 MAGNI
25	596239	4	NUT, 1/2-13 CENTERLOCK ZP
26	596250M	3	LOCKWASHER, 3/8 MAGNI
27	596592M	1	BOLT, CARRIAGE 3/8-16 X 1 MAGNI
28	596635M	2	BOLT, HH 3/8-16 x 1-1/4 MAGNI
29	600130	1	HOSE KIT, HYD HITCH
30	610153	1	VALVE, MANUAL SHUT OFF
31	620099	1	CYLINDER 4 X 20" 1.75" ROD 3000PSI
32	790082	1	HITCH CAT 5 BLACK ARTICULATING
33	790083	1	SAFETY CHAIN, 80,000 LB
34	800287	2	DECAL, GREASE PIVOT POINTS

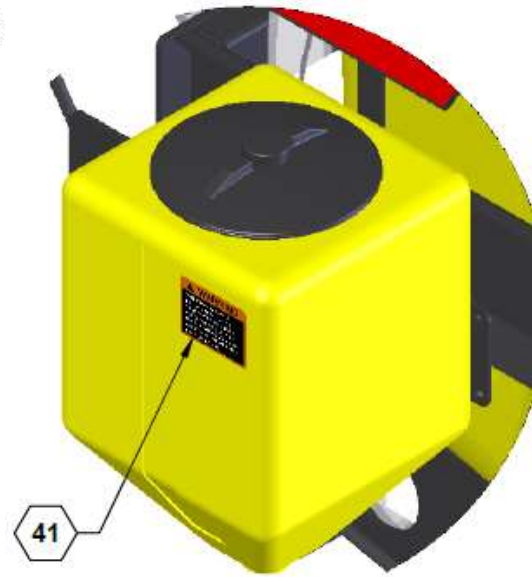
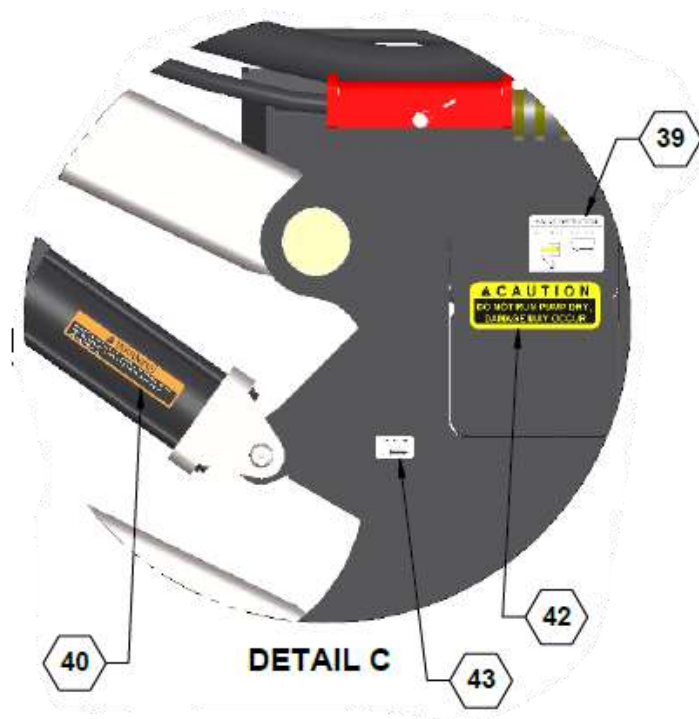
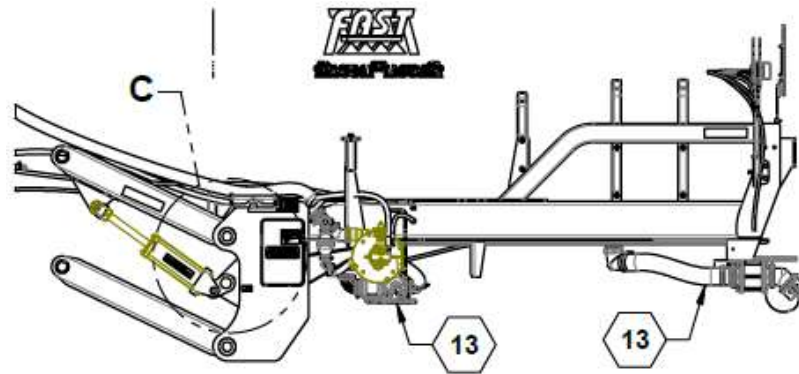
**Trailer Base**

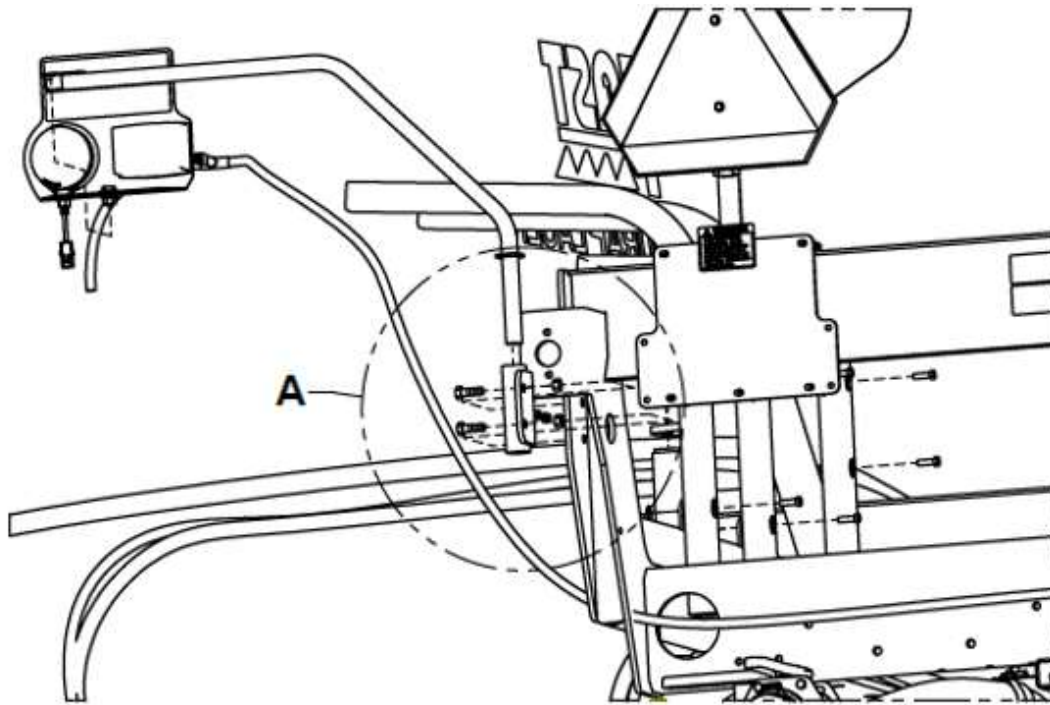




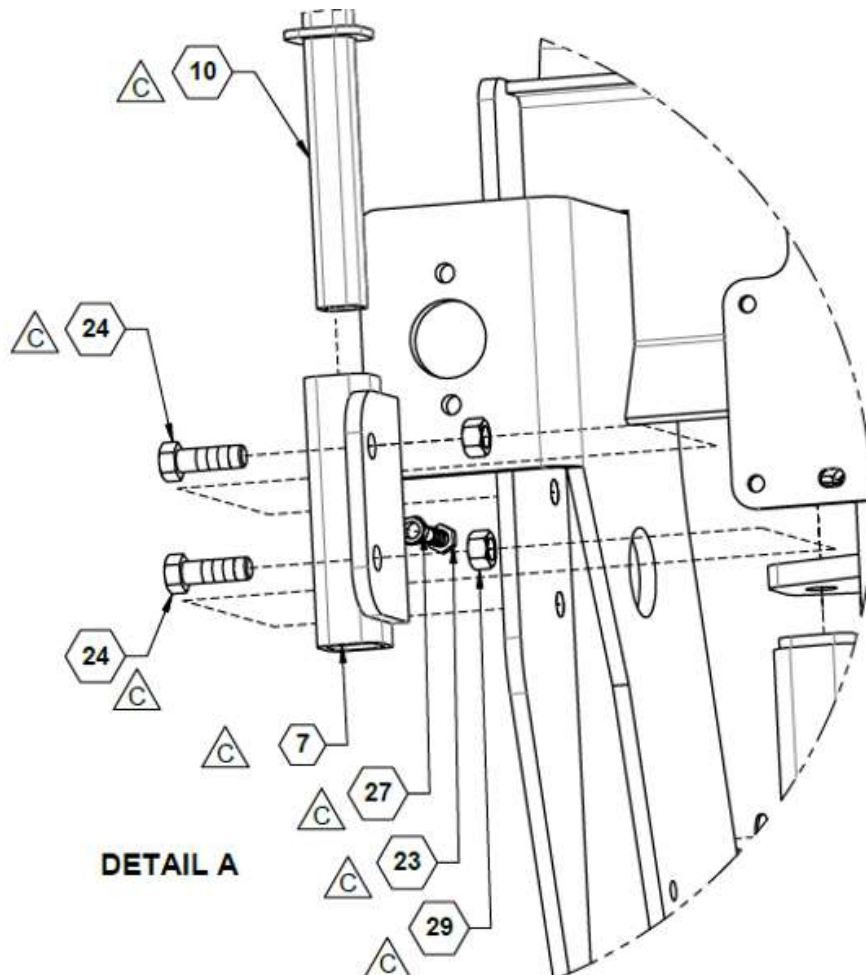
Trailer Base (cont.)



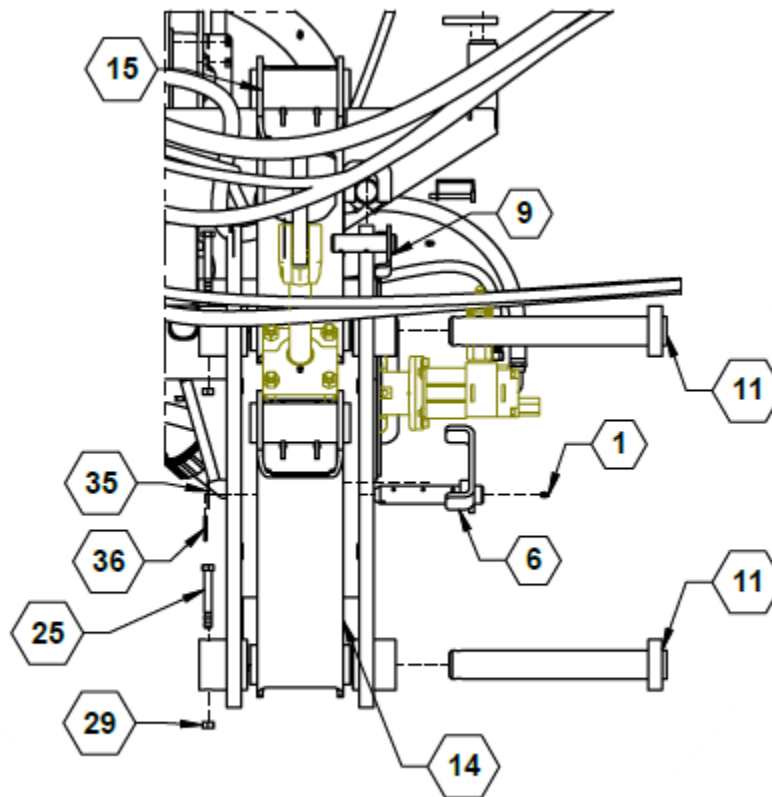
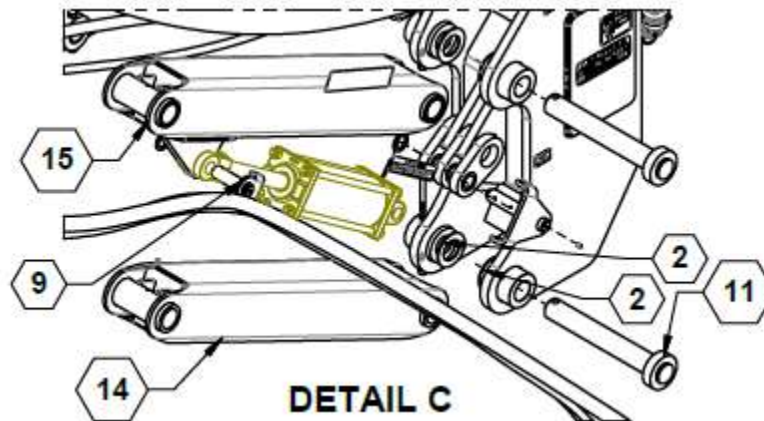




**BACK LIGHT MOUNTING BRACKET**



**DETAIL A**



### Parts List 35330: Trailer Base

ITEM	PART NO.	QTY.	DESCRIPTION
1	759	12	ZERK, 1/4-28 STRAIGHT PIPE THREAD
2	15277	8	WASHER, STAINLESS STEEL
3	18183	2	TUBE, SUPPORT, FENDER
4	18184	2	TUBE, SUPPORT, FENDER
5	18185	2	TUBE, SUPPORT, FENDER
6	23385	2	PIN WLDMT, MAIN LIFT
7	27680	2	WLDMNT, REAR LIGHT BRCKT MNT

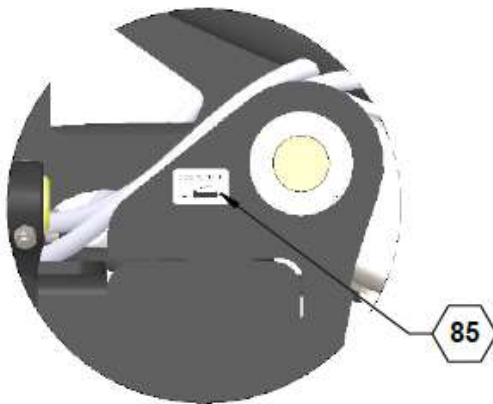
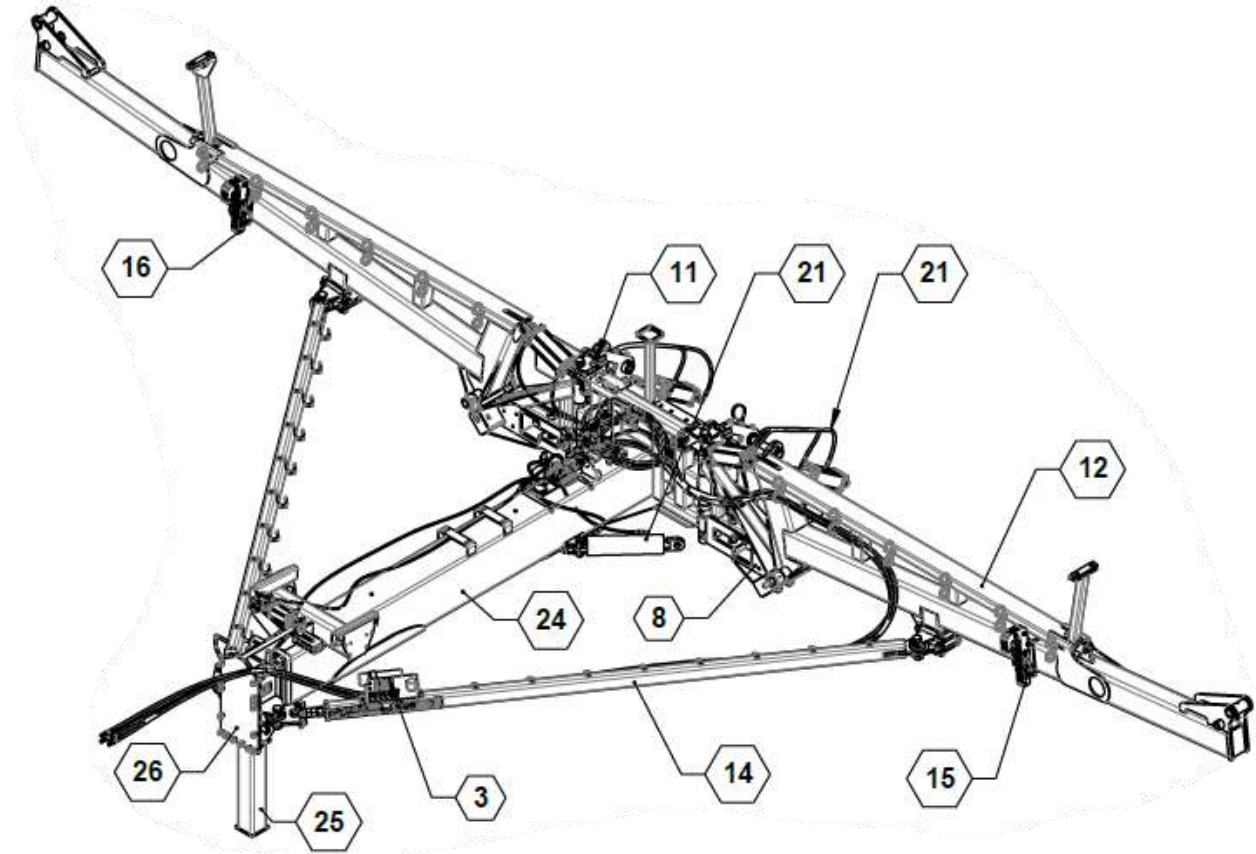


## ILLUSTRATED PARTS LIST

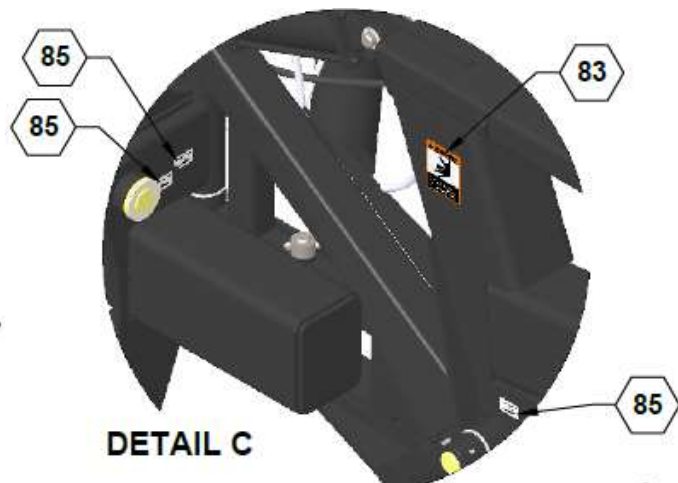
8	<b>28166</b>	2	WLDMNT, RED CYLINDER STOP
9	<b>28915</b>	2	PIN WLDMT, ROD END MAIN LIFT (see also <a href="#">Lift Cylinder &amp; Counterbalance Valve, 620091</a> )
10	<b>35834</b>	2	WLDMNT, LIGHT ARM
11	<b>35036</b>	4	PIN, LIFTARM PIVOT WLDMNT
12	<b>35315</b>	1	ASSY, LIGHTING AND MARKING
13	<b>35318</b>	1	ASSY, STANDARD PLUMBING
14	<b>35346</b>	2	WELDMNT, LIFTARM
15	<b>35399</b>	2	WLDMNT, DP UPPER LIFTARM
16	<b>35530</b>	1	WELDMNT, TRAILER
17	<b>35675</b>	1	ASSY, BASE LIQUID PLUMBING
18	<b>590023</b>	2	TAB, HOLD DOWN
19	<b>590205</b>	2	CYLINDER STOP, 3/4"
20	<b>590206</b>	2	CYLINDER STOP, 1"
21	<b>590207</b>	2	CYLINDER STOP, 1-1/4"
22	<b>590208</b>	2	CYLINDER STOP, 1-1/2"
23	<b>596128M</b>	8	BOLT, HH 3/8-16 X 1 GR5 MAGNI
24	<b>596153M</b>	4	BOLT, HH 1/2-13X1-1/2 GR5 MAGNI
25	<b>596158M</b>	4	BOLT, HH 1/2X4 GR5 MAGNI
26	<b>596170M</b>	2	BOLT, HH 5/8-11X2 GR5 MAGNI
27	<b>596213M</b>	2	NUT, HEX 3/8-16 MAGNI
28	<b>596237M</b>	12	NUT, CENTERLOCK 3/8-16 MAGNI
29	<b>596239M</b>	8	NUT, CENTERLOCK, 1/2-13 MAGNI
30	<b>596250M</b>	6	LOCKWASHER, 3/8 MAGNI
31	<b>596253M</b>	2	LOCKWASHER 5/8 MAGNI
32	<b>596258M</b>	12	WASHER, FLAT 3/8 MAGNI
33	<b>596261M</b>	2	WASHER, FLAT 5/8 MAGNI
34	<b>596635M</b>	12	BOLT, HH 3/8-16 x 1-1/4 MAGNI
35	<b>596744M</b>	4	BUSHING, MACHINE, 1-1/4 x 14 GA MAGNI
36	<b>596746M</b>	4	SPRING PIN 5X50mm MAGNI
37	<b>600129</b>	1	HOSE KIT, LIQUID DP PUMP
38	<b>720001</b>	2	SNAP PIN, 5/16
39	<b>800017</b>	1	DECAL, MAIN TANK VALVE OPERATION
40	<b>800107</b>	2	DECAL, WARNING-AVOID CRUSHING (see also <a href="#">Lift Cylinder &amp; Counterbalance Valve, 620091</a> )
41	<b>800108</b>	1	DECAL, WARNING-RINSE TANK
42	<b>800282</b>	1	DECAL, DO NOT RUN PUMP DRY. ENGLISH
43	<b>800287</b>	2	DECAL, GREASE PIVOT POINTS

## TOOLBAR & GAUGE WHEELS

### 40' Toolbar (Base)

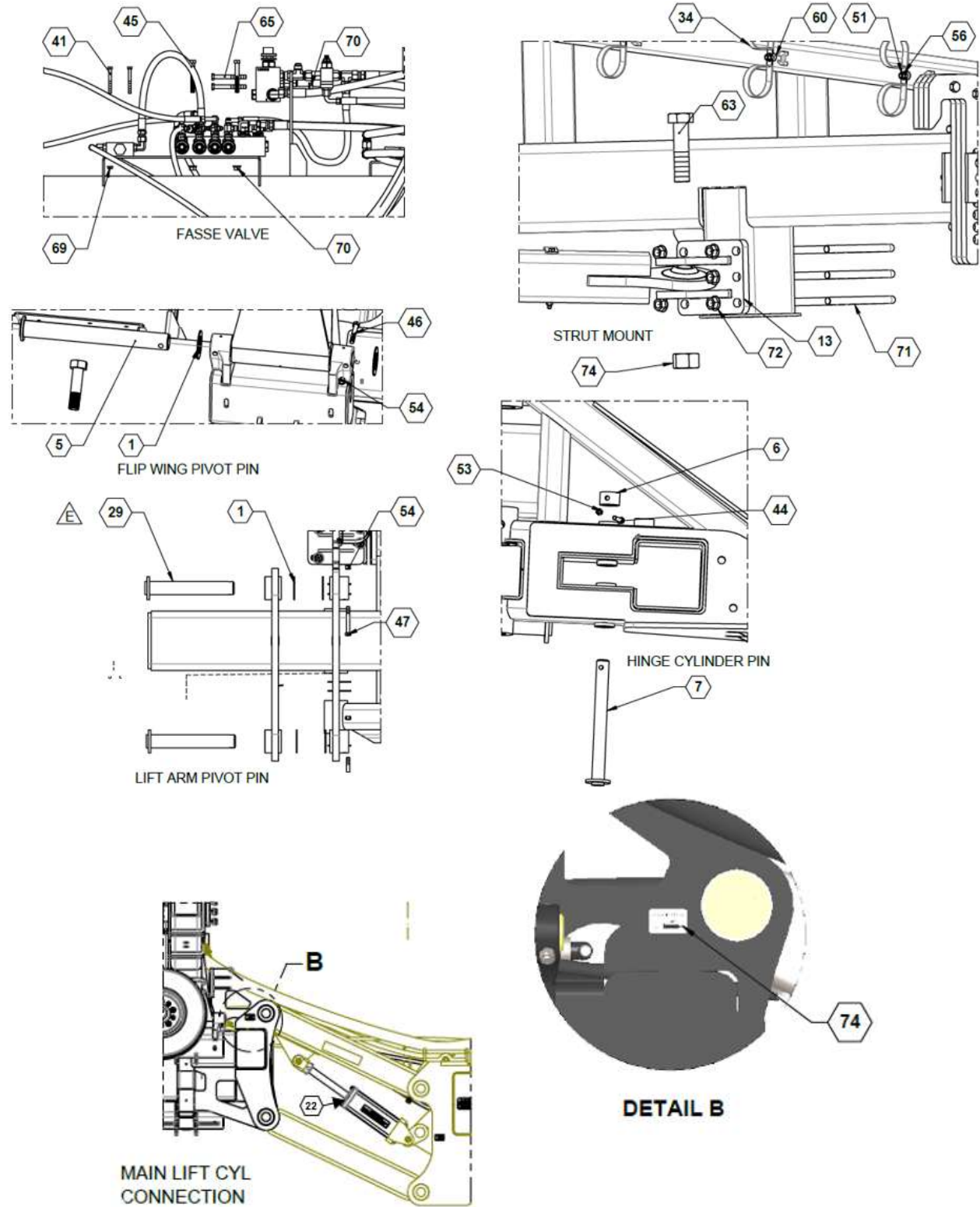


**DETAIL B**

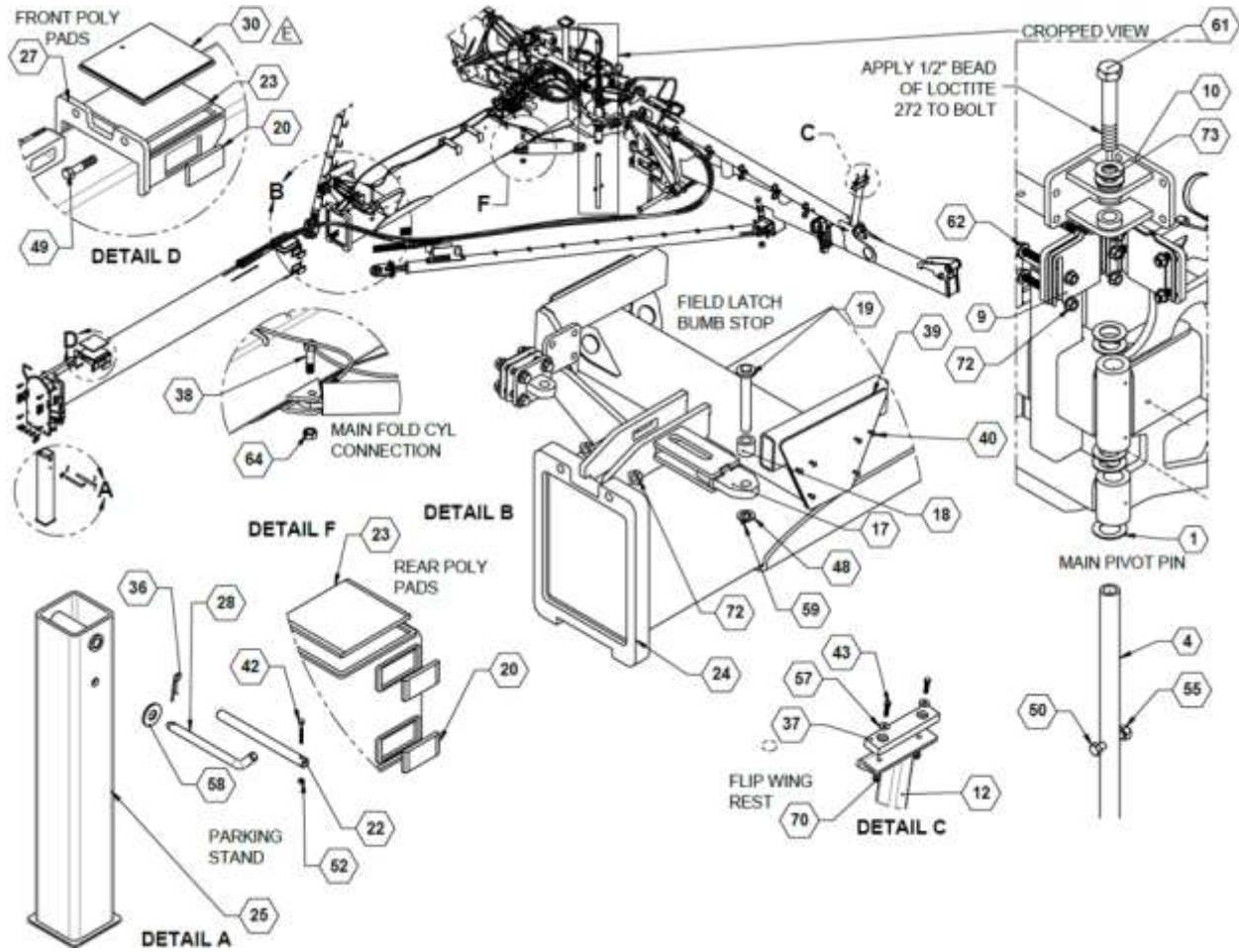


**DETAIL C**

## 40' Toolbar (Base) (cont.)

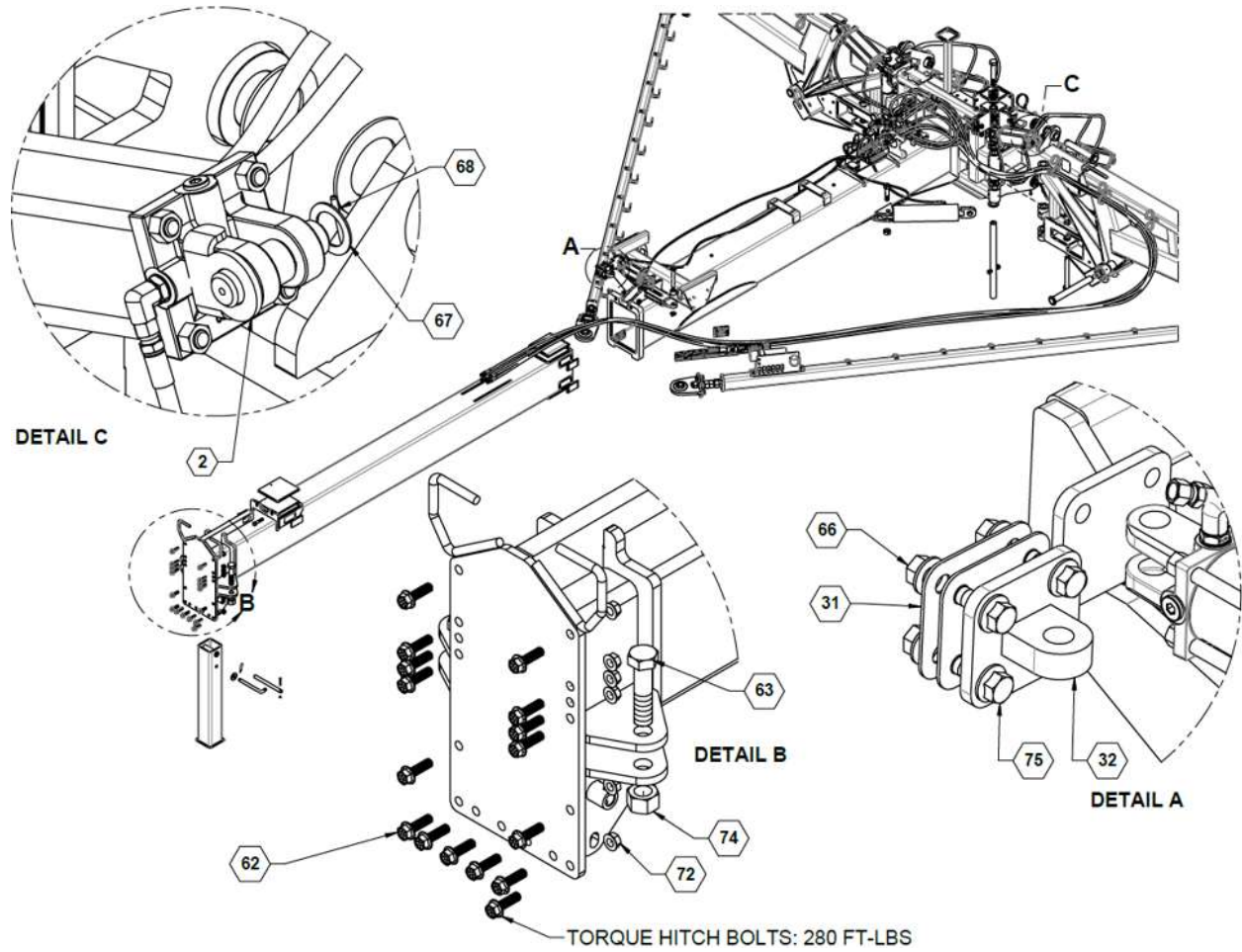


## 40' Toolbar (Base) (cont.)

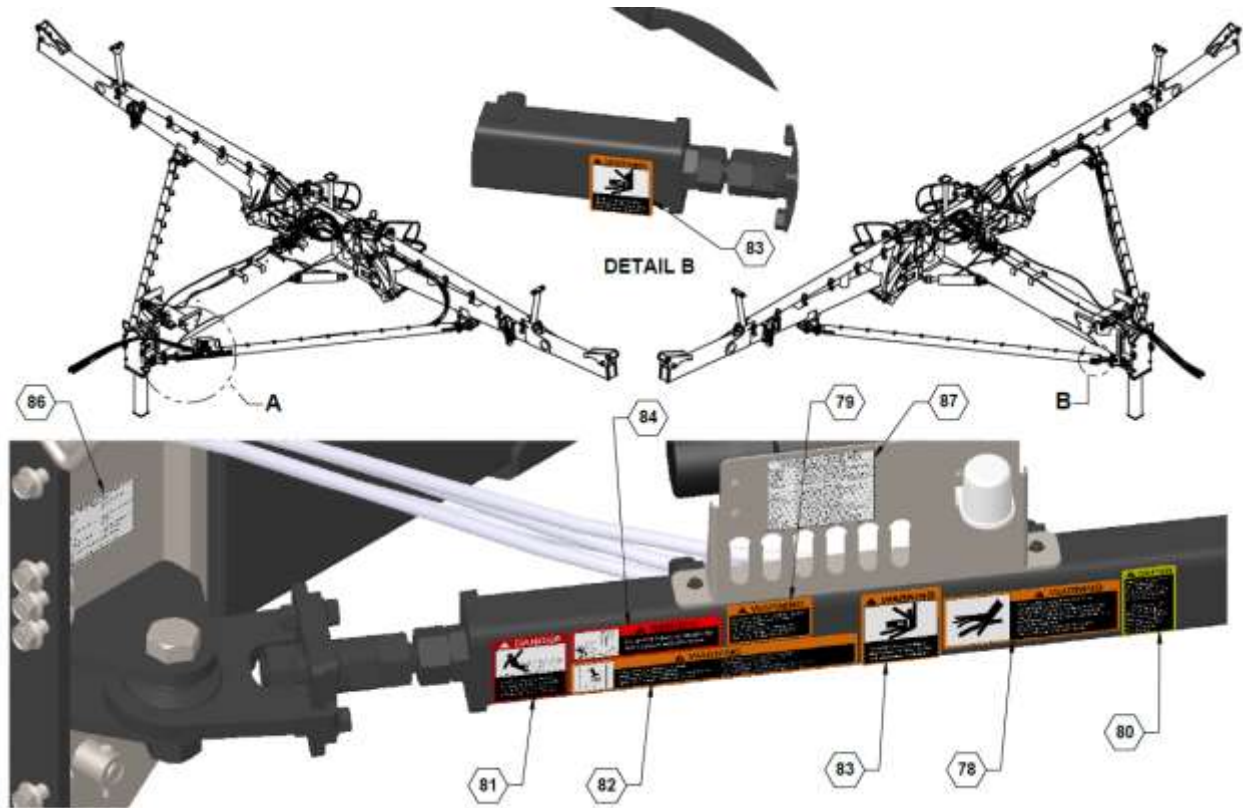




**40' Toolbar (Base) (cont.)**



## 40' Toolbar (Base) (cont.)



## Parts List 35201: 40' Toolbar (Base)

ITEM	PART NO.	QTY.	DESCRIPTION
1	15277	22	WASHER, STAINLESS STEEL
2	28915	2	PIN WLDMT, ROD END MAIN LIFT
3	34752	1	ASSY, MANUAL HOLDER
4	34767	2	PIN, MAIN PIVOT
5	34769	2	WLDMNT, WING PIVOT PIN
6	34770	2	BUSHING, PIN COLLAR
7	34771	2	PIN, HINGE CYL WELDMENT
8	34780	2	WLDMNT, FLEX HINGE
9	34786	12	PLATE, KICK CYL SHIM
10	34821	1	WLDMNT, LH TOP CYL MNT
11	34822	1	WLDMNT, RH CYL TOP MNT
12	34840	2	WLDMNT, MAIN WING
13	34860	2	WLDMNT, STRUT MOUNT
14	34865	2	ASSY, STRUT LINKAGE
15	34980	1	ASSY, LH TRANSPORT LATCH
16	34985	1	ASSY, RH TRANSPORT LOCK
17	34989	1	PLATE, FIELD LATCH
18	34990	1	SPACER, LATCH
19	34991	1	PIN, LATCH WLDMNT
20	35023	6	POLY PAD, SMALL TONGUE
21	35202	1	ASSY, BASE BANDER HYDS (see also 620046 in <a href="#">Parts List 35202: Fold Cylinder &amp; Flow Divider</a> )
22	35353	1	PIN, PARKING STAND/UPPER HITCH
23	35577	3	POLY PAD, LARGE TONGUE
24	35590	1	WELDMENT, REAR TONGUE
25	35617	1	PARKING STAND WELDMENT
26	35620	1	TONGUE WELDMENT
27	35635	1	WLDMNT, POLY TOP ANCHR
28	35638	1	PIN, PARKING STAND
29	35985	4	PIN, LIFTARM PIVOT WLDMNT (see also 620091 in <a href="#">Parts List 35202: Lift Cylinder &amp; Counterbalance Valve</a> )
30	37001	1	WLDMNT, TOP POLY CRADLE
31	37060	2	PLATE, LATCH SPACER



# ILLUSTRATED PARTS LIST

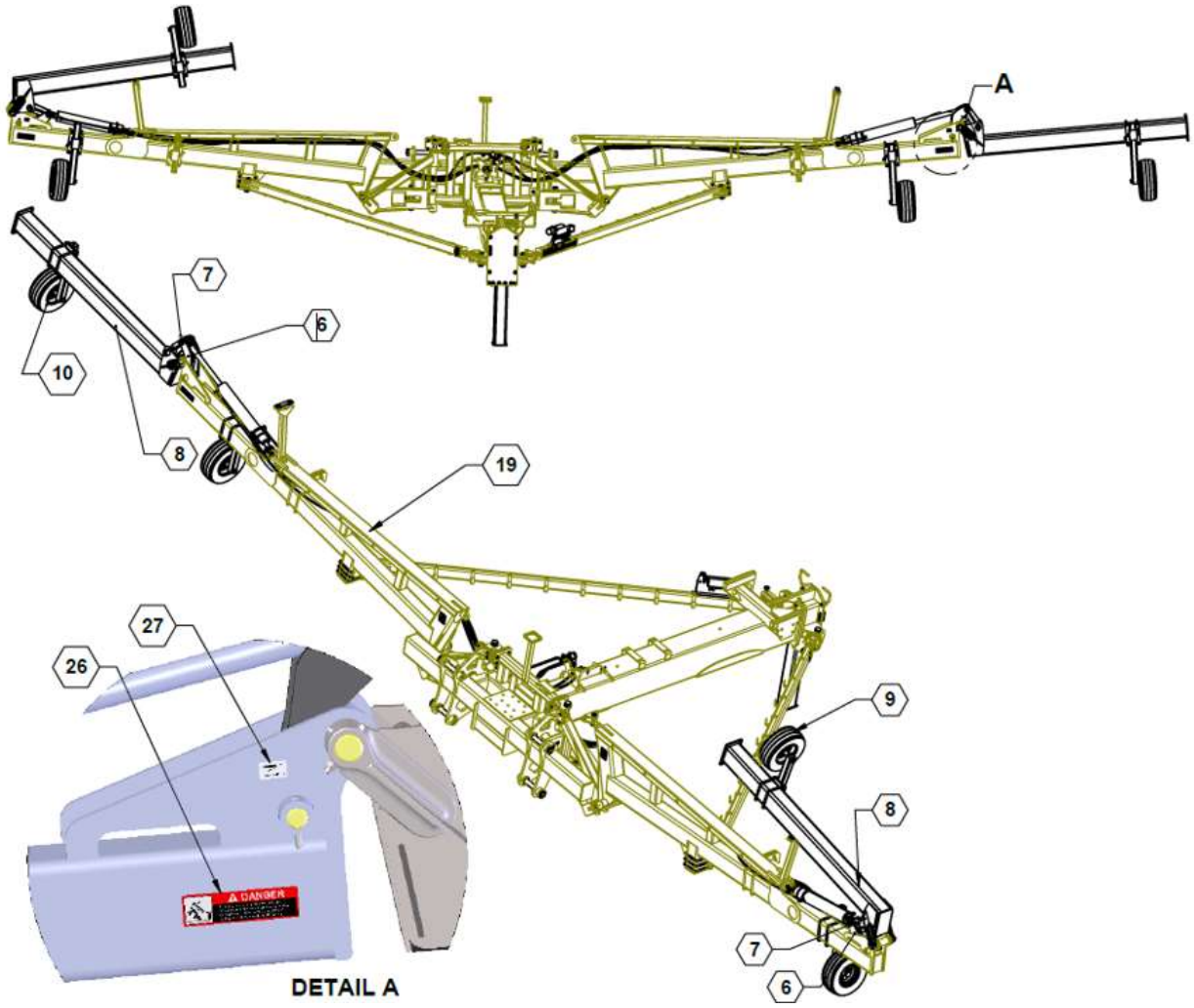
ITEM	PART NO.	QTY.	DESCRIPTION
32	37061	1	WELDMENT, CYL LUG
33	530291	2	BUSHING, 1-1/4" I.D. x 1" LG
34	540052	24	P-CLAMP, 3" WITH 3/8" HOLE
35	540053	1	P-CLAMP, 4" W/3/8" HOLE
36	590017	1	PIN, HAIR CLIP, 1/8 X 3-1/8" ZP
37	590065	2	BUMPER PAD, WING REST
38	590183	2	BOLT, 1-1/4" X 5" MACHINED
39	590450	2	POLY PAD, REST RUB
40	590581	12	RIVET, POUND IN, 1/4 X 7/16
41	596105M	2	BOLT, HH 1/4-20X2-1/2 GR5 MAGNI
42	596118M	1	BOLT, HH 5/16-18 X 2-1/2 GR5 MAGNI
43	596129M	4	BOLT, HH 3/8-16X1-1/2 GR5 MAGNI
44	596131M	2	BOLT, HH 3/8-16 X 2-1/2 GR5 MAGNI
45	596132M	2	BOLT, HH 3/8-16 X 3 GR5 MAGNI
46	596157M	2	BOLT, HH 1/2 X 3-1/2 GR5 MAGNI
47	596158M	4	BOLT, HH 1/2 X 4 GR5 MAGNI
48	596179M	2	BUSHING, MACHINED 1" X 14GA MAGNI
49	596187M	2	BOLT, HH 3/4-10 X 3-1/2 GR5 MAGNI
50	596189M	2	BOLT, HH 3/4-10 X 4-1/2 GR5 MAGNI
51	596213M	13	NUT, HEX 3/8-16 MAGNI
52	596236M	1	NUT, CENTERLOCK, 5/16-18 MAGNI
53	596237M	2	NUT, CENTERLOCK 3/8-16 MAGNI
54	596239M	6	NUT, CENTERLOCK, 1/2-13 MAGNI
55	596241M	2	NUT, CENTERLOCK 3/4-10 MAGNI
56	596250M	13	LOCKWASHER, 3/8 MAGNI
57	596258M	4	WASHER, FLAT 3/8 MAGNI
58	596276M	1	WASHER, FLAT 1" MAGNI
59	596300M	1	SPRING PIN, 3/8 X 2 MAGNI
60	596592M	13	BOLT, CARRIAGE 3/8-16 X 1 MAGNI
61	596593M	2	BOLT, HH G8 1-1/2-6 X 9 MAGNI
62	596603M	32	BOLT, FLANGE 3/4"-10 X 2.5" GR. 8 MAGNI
63	596604M	4	BOLT, HH G8 1-1/2-6 X 6 MAGNI
64	596724M	2	NUT, CENTERLOCK, 1-1/4" MAGNI



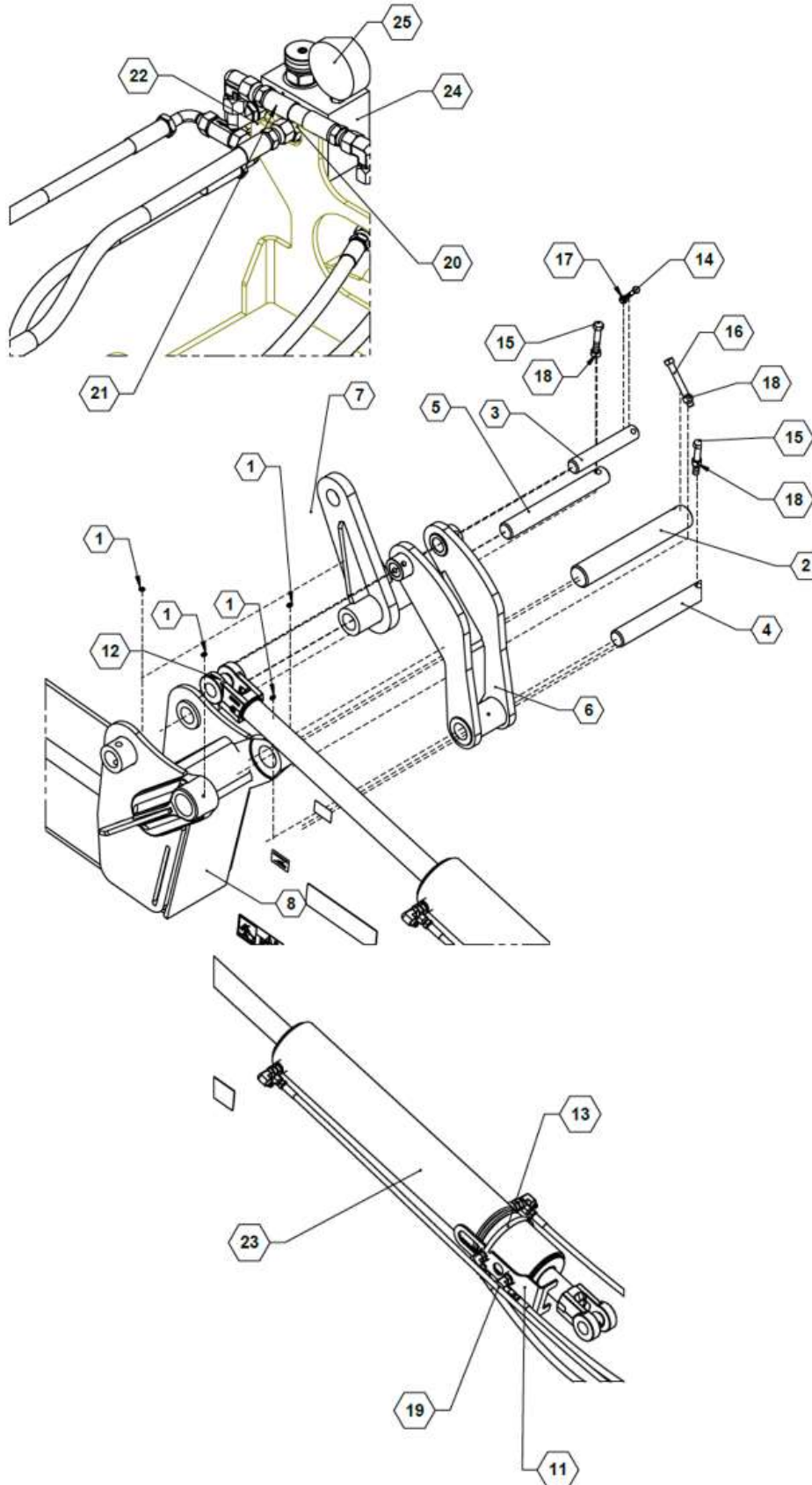
## ILLUSTRATED PARTS LIST

ITEM	PART NO.	QTY.	DESCRIPTION
65	<b>596741M</b>	2	BOLT, HH 3/8 X 3-1/4 GR5 MAGNI
66	<b>596742M</b>	4	NUT, TOP LOCK FLANGE 5/8-11 MAGNI
67	<b>596744M</b>	2	BUSHING, MACHINE, 1-1/4 x 14 GA MAGNI
68	<b>596746M</b>	2	SPRING PIN 5X50mm MAGNI
69	<b>596767M</b>	2	NUT, HEX FLANGE 1/4-20 MAGNI
70	<b>596769M</b>	8	NUT, HEX FLANGE 3/8-16 MAGNI
71	<b>596774M</b>	6	U-BOLT, 3/4 X 7 X 7 G5 MAGNI
72	<b>596775M</b>	46	NUT, HEX FLANGE 3/4-10 GR8 MAGNI
73	<b>596811M</b>	4	WASHER, FLAT 1-1/2 MAGNI
74	<b>596813M</b>	4	NUT, HEX 1-1/2-6 GR8 MAGNI
75	<b>596831M</b>	4	BOLT, FLANGED 5/8-11 X 2" GR8 MAGNI
76	<b>630071</b>	1	HARNESS, 10' EXT-DEUTSCH 16P
77	<b>759</b>	4	ZERK, 1/4-28 STRAIGHT PIPE THREAD
78	<b>800098</b>	1	DECAL, WARNING-HYDRAULIC FLUID
79	<b>800099</b>	1	DECAL, WARNING-CHARGE WITH OIL
80	<b>800101</b>	1	DECAL, CAUTION-AG CHEMICAL
81	<b>800103</b>	1	DECAL, DANGER-RUNOVER
82	<b>800104</b>	1	DECAL, WARNING-DO NOT SPEED
83	<b>800105</b>	4	DECAL, WARNING-STAND CLEAR
84	<b>800112</b>	1	DECAL, DANGER, ELECTRIC LINES
85	<b>800287</b>	6	DECAL, GREASE PIVOT POINTS
86	<b>800338</b>	1	DECAL, FAST PATENTS
87	<b>800368</b>	1	DECAL, HOSE KEY EXTENDED

**60' Toolbar**



## 60' Toolbar (cont.)



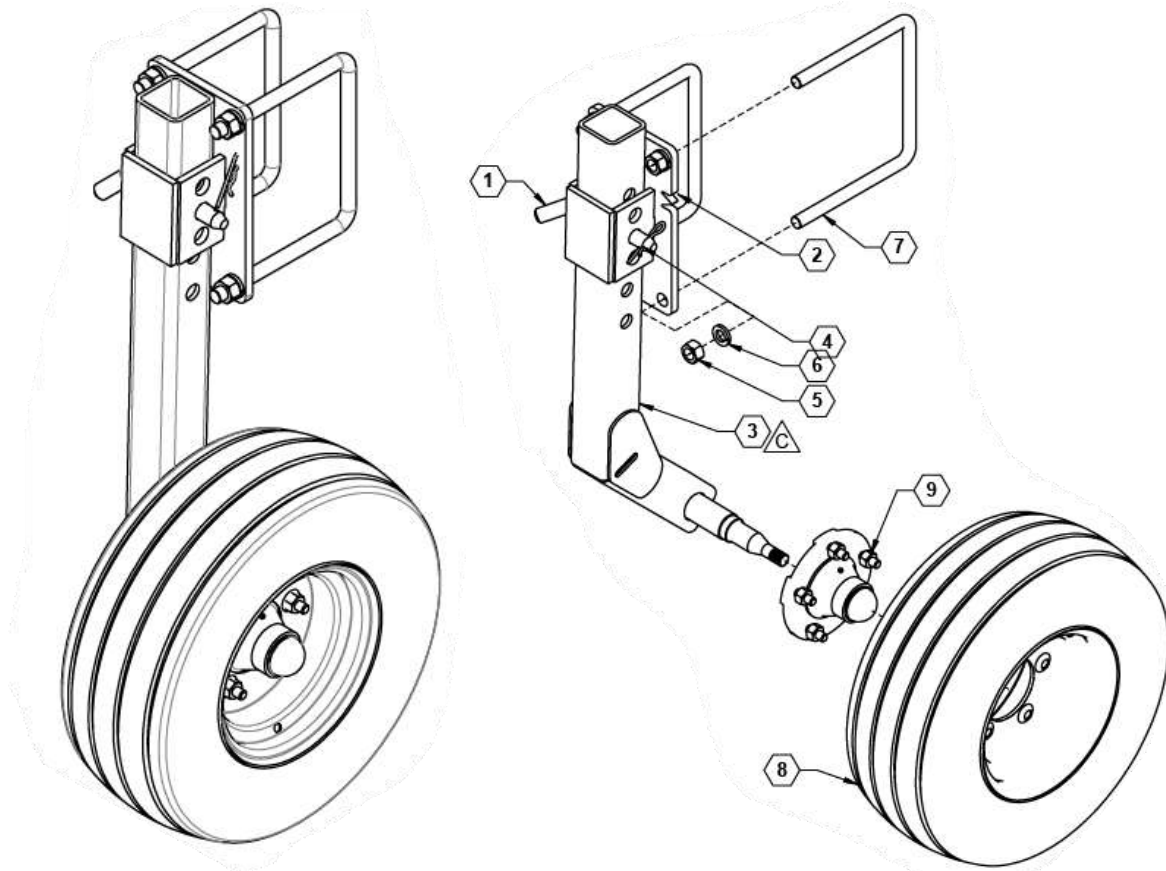
## Parts List 35580: 60' Toolbar

ITEM	PART NO.	QTY.	DESCRIPTION
1	759	8	ZERK, 1/4-28 STRAIGHT PIPE THREAD
2	17063	2	PIN, MAIN WING
3	34764	2	PIN, CYLINDER
4	34765	2	PIN, FLIP LINKAGE
5	34766	2	PIN, FLIP HINGE
6	34790	2	WLDMT, INNER LINKAGE
7	34794	2	WLDMT, OUTER FLIP LINKAGE
8	34830	2	WLDMT, FLIP WING
9	34995	1	ASSY, RH GAUGE WHL
10	34996	1	ASSY, LH GAUGE WHEEL
11	35407	2	PLATE, CYLINDER ANTI ROTATE
12	530291	4	BUSHING, 1-1/4" I.D. x 1" LG
13	540021	2	CLAMP, 4 1/8 - 7"
14	596118M	2	BOLT, HH 5/16-18X2-1/2 GR5 MAGNI
15	596156M	4	BOLT, HH 1/2 X 3 GR5 MAGNI
16	596158M	2	BOLT, HH 1/2X4 GR5 MAGNI
17	596237M	2	NUT, CENTERLOCK 3/8-16 MAGNI
18	596239M	6	NUT, CENTERLOCK, 1/2-13 MAGNI
19	600132	1	HOSE KIT, DURAPLACER 60FT OPTN
20	610013	1	ADAPTER, -8MJIC X -8MORB
21	610083	1	ADAPTER, -8MORB X -8FJX
22	610097	1	ADAPTER, -8MJIC X -8MORB90
23	620027	2	CYLINDER, 4.5"X22.5 & 1.81 STROKE (see also <a href="#">Flip Wing Cylinder</a> )
24	630041	1	MANIFOLD, HYDRAULIC DOWN PRESSURE
25	790052	1	PRESSURE GAUGE, 3000 PSI
26	800106	4	DECAL, DANGER-STAND CLEAR
27	800287	4	DECAL, GREASE PIVOT POINTS





## Gauge Wheel Assembly

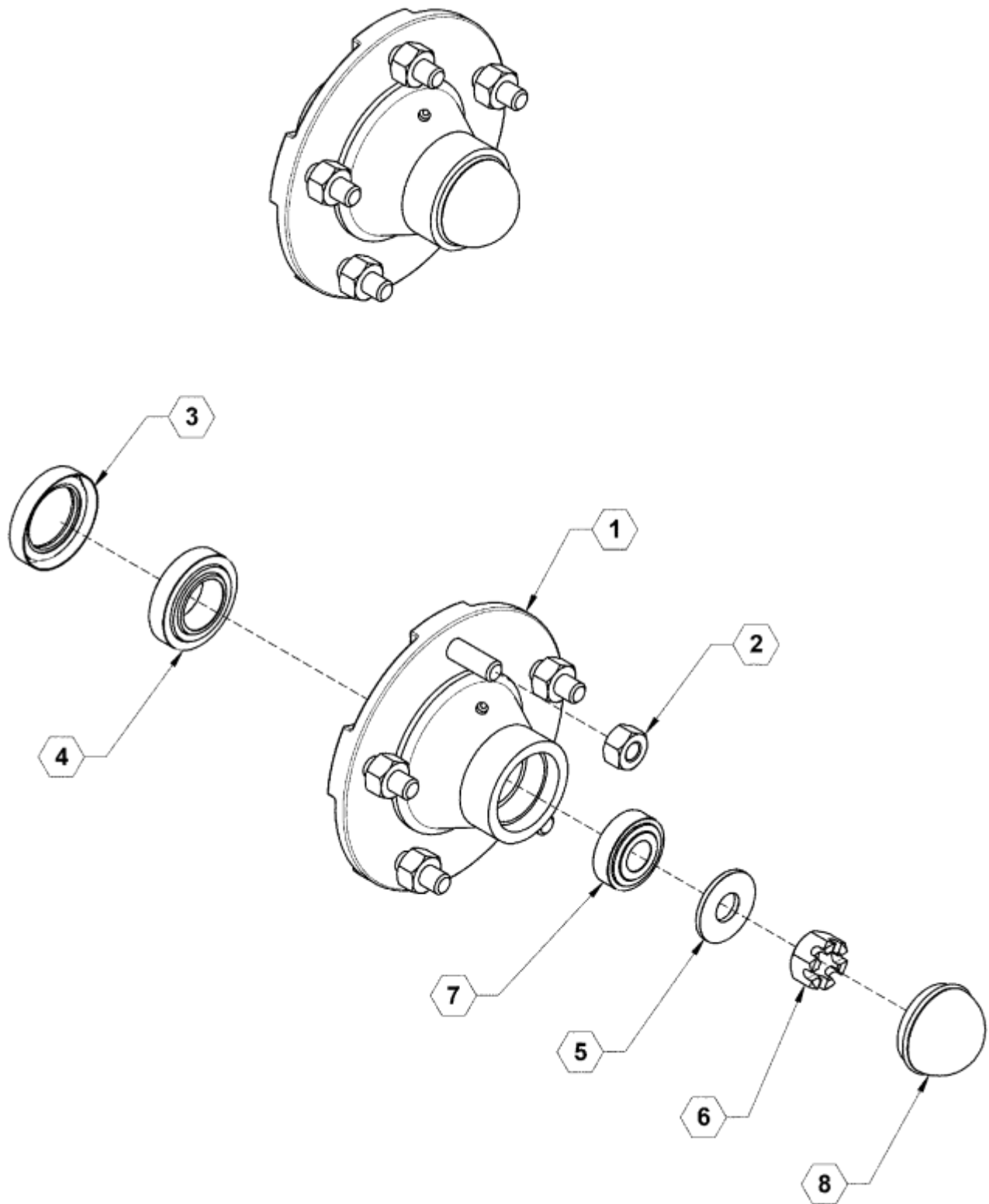


### Parts List 34995/34996/37010/37011: Gauge Wheel Assembly

ITEM	PART NO.	QTY.	DESCRIPTION
1	19061	1	PIN, GAUGE WHEEL MOUNT
2	34981	1	WLDMNT, LH GAUGE WHL MNT
	34984		WLDMNT, RH GAUGE WHL MNT
3	35991	1	WLDMNT, LH GAUGE WHL MNT
	35990		WLDMNT, RH GAUGE WHL MNT
4	590017	1	PIN, HAIR CLIP, 1/8 X 3-1/8" ZP
5	596217M	4	NUT, HEX 3/4-10 G5 MAGNI
6	596254M	4	LOCKWASHER, 3/4 MAGNI
7	596777M	2	U-BOLT, 3/4 X 9 X 7 G5 MAGNI
8	700023	1	TIRE, 20.5 X 8 X 10", YELLOW
	700030		TIRE W-20.5X8.0X10 SILVER RIM
9	730003ASSY	1	HUB COMPLETE (736) 5 BOLT ASSY



**Hub Assembly, 5-Bolt Q736**



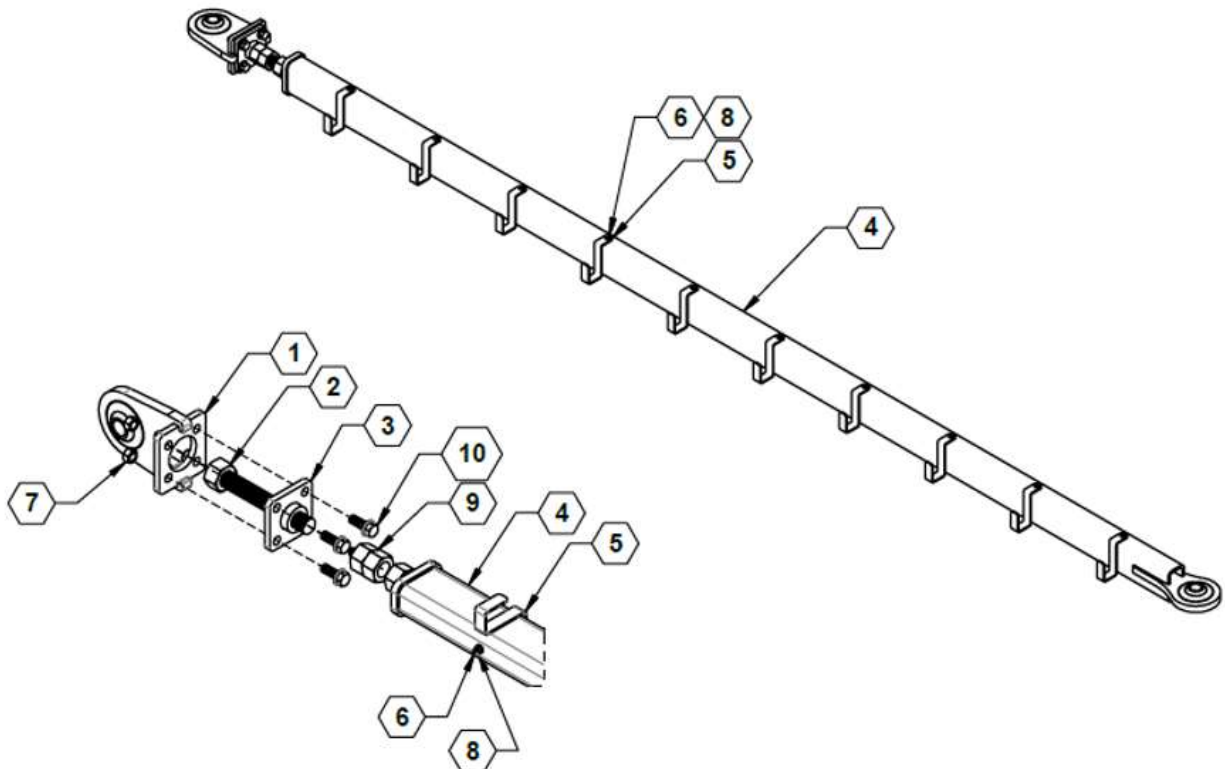
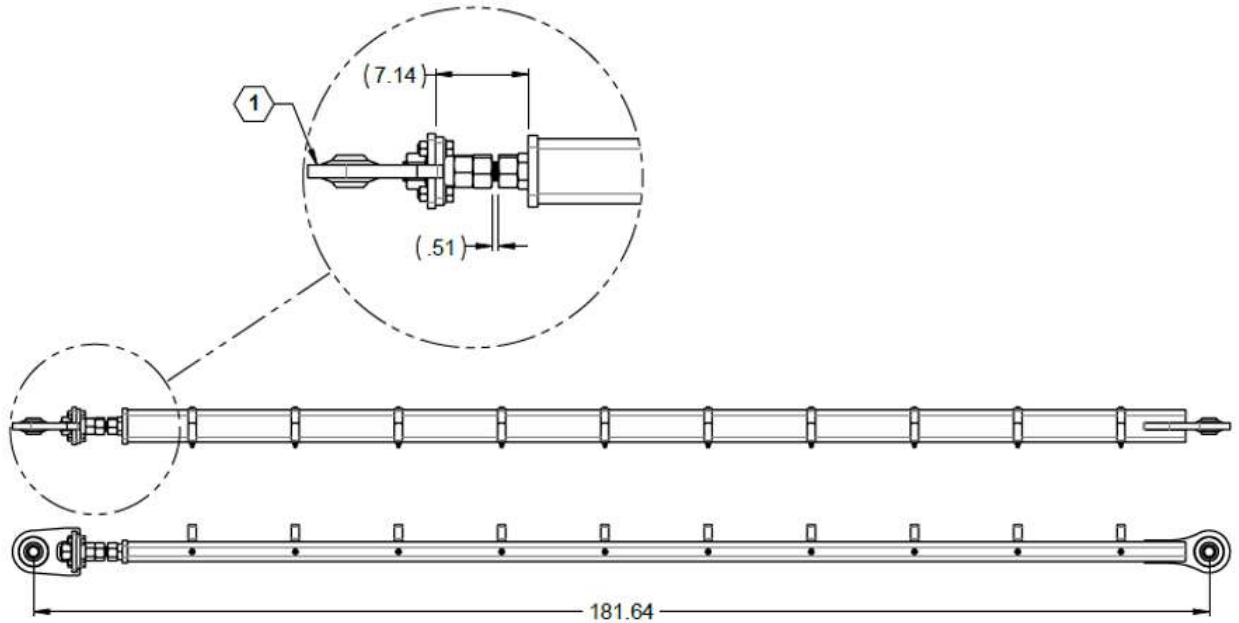


# ILLUSTRATED PARTS LIST

## Parts List 730003ASSY: Hub Assembly, 5-Bolt Q736

ITEM	PART NO.	QTY.	DESCRIPTION
1	<b>730003</b>	1	Q736 HUB ASSEMBLY (ITEMS 1-7)
2	<b>1724</b>	5	WHEEL STUD BOLT, 913576
2	<b>1725</b>	5	WHEEL LUG NUT, 912919
3	<b>1716</b>	1	SEAL QDS 906296
4	<b>1710</b>	1	INNER CUP (LM67010)
4	<b>1712</b>	1	INNER CONE (LM67048)
5	<b>730034</b>	1	HUB WASHER
6	<b>730035</b>	1	CASTLE NUT N669
7	<b>1711</b>	1	OUTER CUP (LM11910)
7	<b>1713</b>	1	OUTER CONE (LM11949)
8	<b>1714</b>	1	HUB CAP QDS 909931

## Strut Linkage Assembly



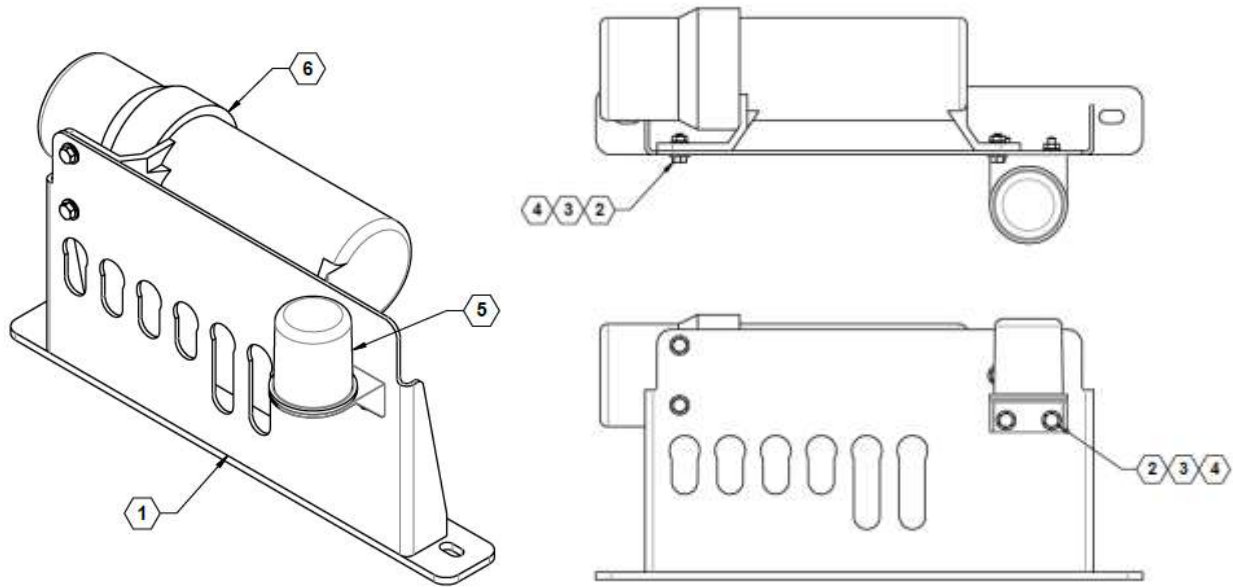


## ILLUSTRATED PARTS LIST

### Parts List 34865: Strut Linkage Assembly

ITEM	PART NO.	QTY.	DESCRIPTION
1	34857	1	WLDMNT, STRUT END
2	34863	1	WLDMNT, STRUT ADJUST
3	34864	1	WLDMNT, STRUT PIVOT
4	34870	1	WLDMNT, STRUT BASE
5	34873	10	PLATE, HOSE SUPPORT
6	596138M	10	BOLT, HH 3/8-16X6 GR5 MAGNI
7	596217M	4	NUT, HEX 3/4-10 G5 MAGNI
8	596769M	10	NUT, HEX FLANGE 3/8-16 MAGNI
9	596813M	3	NUT, HEX 1-1/2-6 GR8 MAGNI
10	596814M	4	BOLT, HEX FLANGE 3/4-10 X 2 GR 8 MAGNI

## Manual Holder Assembly



### Parts List 34752: Manual Holder Assembly

ITEM	PART NO.	QTY.	DESCRIPTION
1	34753	1	WLDMNT, MANUAL HOLDER
2	596101M	5	BOLT, HH 1/4-20X3/4 GR5 MAGNI
3	596256M	5	WASHER, FLAT 1/4 USS MAGNI
4	596767M	5	NUT, HEX FLANGE 1/4-20 MAGNI
5	740018	1	LIGHT HARNESS HOLDER
6	750048	1	MANUAL HOLDER



**ROW UNITS**

See Yetter [2984-150A Strip Freshener Manual](#). Copies of some relevant pages have been included below for convenience



**2984-150A**

**STRIP FRESHENER™**

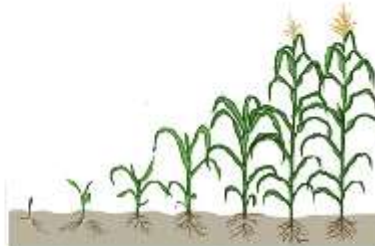
OPERATOR MANUAL  
PARTS IDENTIFICATION  
2565-963\_REV\_D 12/2022



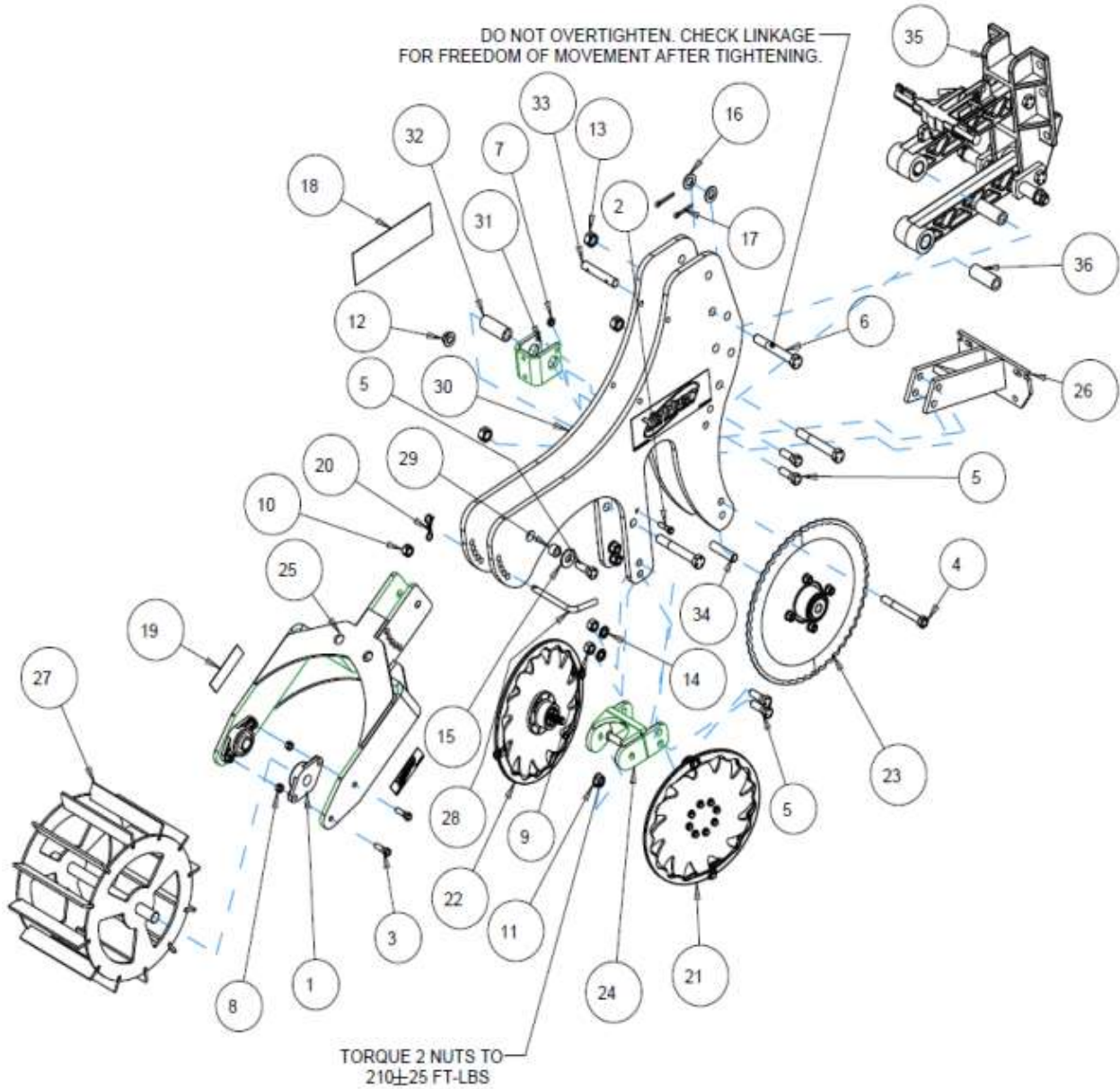
**YETTER MANUFACTURING CO.**  
*FOUNDED 1930*

Colchester, IL 62326-0358  
Toll free: 800/447-5777  
309/776-3222 (Fax)  
Website: [www.yetterco.com](http://www.yetterco.com)  
E-mail: [info@yetterco.com](mailto:info@yetterco.com)

**GERMINATE UNIFORMITY™**



## PARTS IDENTIFICATION 2984-150A-R

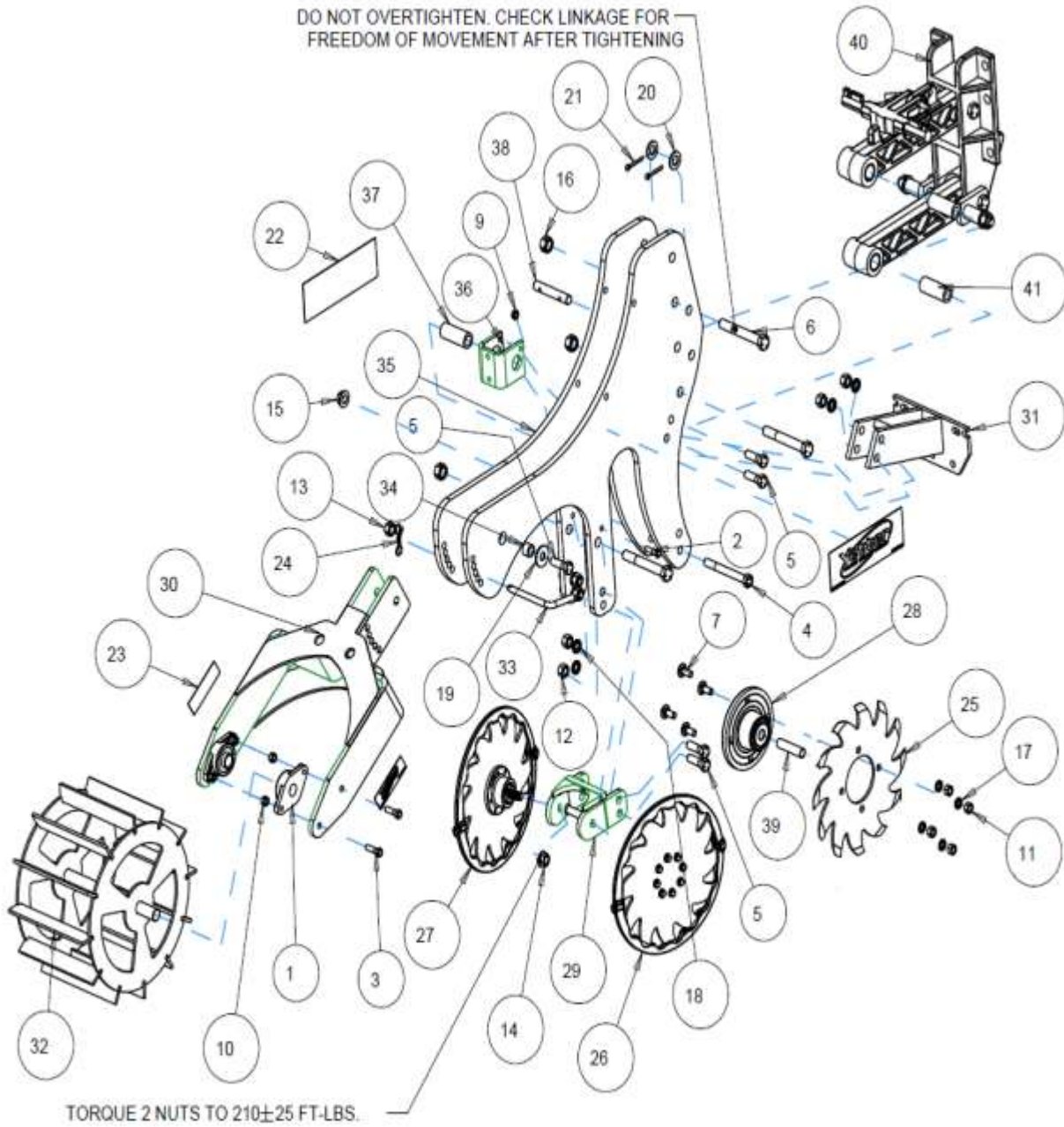


**MANUFACTURED 11/2014-05/2022**

## PARTS IDENTIFICATION 2984-150A-R

ITEM	PART NO.	DESCRIPTION	QTY
1	1310-333	FLANG MOUNT BEARING	2
2	2502-232	3/8-16 X 1 1/2 HHCS GR 5 ZYD	1
3	2502-266	7/16-14 X 1-1/2 HHCS GR 5 ZP	4
4	2502-384	5/8-11 X 5.5 HHCS GR8 ZP	1
5	2502-391	5/8-11 X 2 HHCS GR 5 ZP	10
6	2502-508	3/4-10 X 5-1/2 HHCS GR5ZYD	3
7	2520-258	3/8-16HEX FLANGE LCK NUT ZP	1
8	2520-267	7/16-14 LCK HX NT ZP	4
9	2520-452	5/8-11 HEX NUT GR 8 ZP	8
10	2520-459	5/8-11 LOCK HEX NUT, GR B, ZP	2
11	2520-464	5/8-11 WHIZLOCK HEX NUT, GR 2, ZP	2
12	2520-476	5/8-11 HEX FLANGE NUT	1
13	2520-515	3/4-10 LOCK HEX NUT, GR A, ZP	3
14	2525-451	5/8 MED. LOCKWASHER ZP.	8
15	2526-451	5/8 STD FLATWASHER ZP	2
16	2526-504	3/4 SAE FLATWASHER, ZP	2
17	2531-125	1/4 X 1-3/4 COTTER PIN ZP	2
18	2565-058	YET FRM EQUI DE 3-7/16X10-5/16	2
19	2565-162	YETTER DECAL	2
20	2570-448	.120 BOWTIE LOCKING COTTER ZP	1
21	2966-140-ST	SHARKTOOTH ASSY,RH,3" D-BOLT	1
22	2966-141-ST	SHARKTOOTH ASSY,LH,3" D-BOLT	1
23	2984-143	RIPPLE BLADE ASSEMBLY	1
24	2984-234	WHEEL MOUNT W.A.	1
25	2984-235	BASKET MOUNT W.A.	1
26	2984-236	FACEPLATE W.A.	1
27	2984-237	ROLLING BASKET W.A.	1
28	2984-320	PIN, SKID ADJUSTMENT ZYD	1
29	2984-401	REAR PIVOT BUSHING,FLT LNK,ZYD	2
30	2984-432	BODY PLATE	2
31	2984-442	FERTILIZER MOUNT BRACKET	1
32	2984-443	INJ. MOUNT SPACER	1
33	2984-454	DOWNSTOP PIN, ZP	1
34	2984-455	BEARING BORE ADAPTER, ZP	1
35	3000-149	PARALLEL ARM ASSEMBLY '09	1
36	3000-408	INNER BUSHING,MAV LINKAGE ZYD.	2

## PARTS IDENTIFICATION 2984-150A-ST



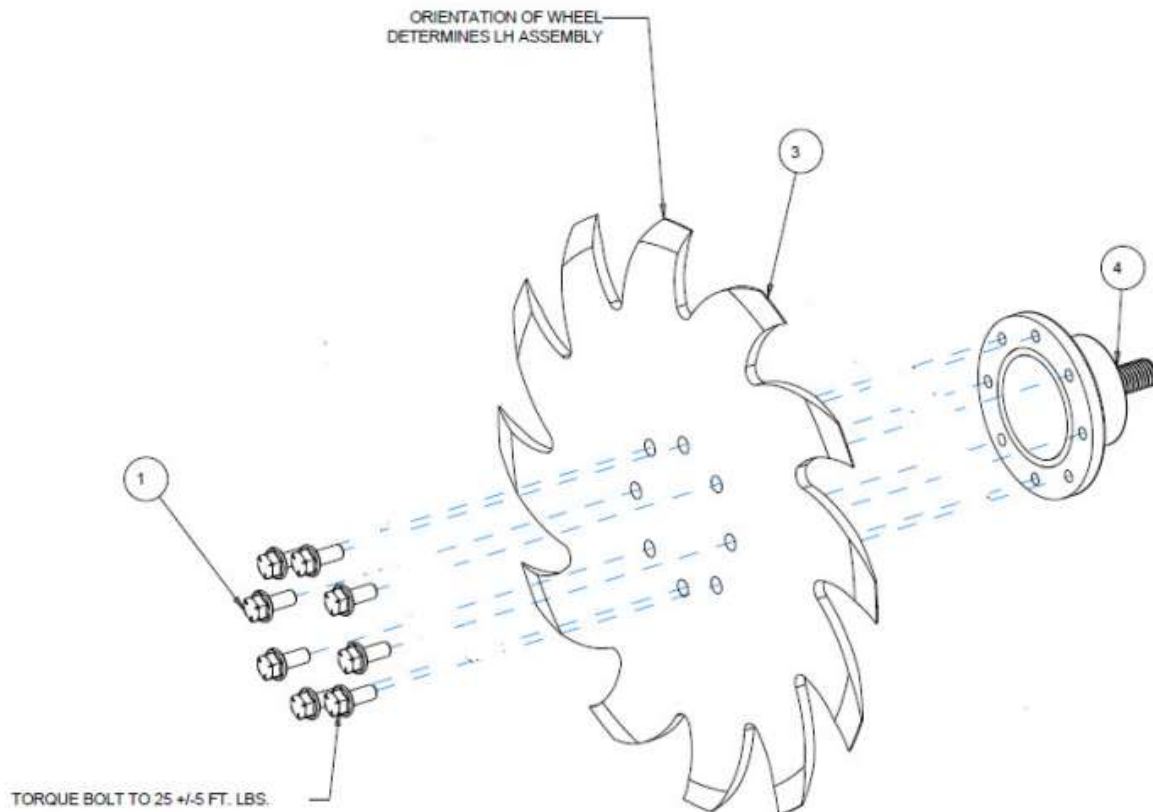
**MANUFACTURED 11/2014-05/2022**

## PARTS IDENTIFICATION 2984-150A-ST

ITEM	PART NO.	DESCRIPTION	QTY
1	1310-333	FLANG MOUNT BEARING	2
2	2502-232	3/8-16 X 1 1/2 HHCS GR 5 ZYD	1
3	2502-266	7/16-14 X 1-1/2 HHCS GR 5 ZP	4
4	2502-384	5/8-11 X 5.5 HHCS GR8 ZP	1
5	2502-391	5/8-11 X 2 HHCS GR 5 ZP	10
6	2502-508	3/4-10 X 5-1/2 HHCS GR5ZYD	3
7	2505-337	1/2-13 X 1 1/4 CARBLT G5ZP	4
8	2515-562	13" WHEEL COVER, BLACK	2
9	2520-258	3/8-16HEX FLANGE LCK NUT ZP	1
10	2520-267	7/16-14 LCK HX NT ZP	4
11	2520-352	1/2-13 HEX NUT ZP	4
12	2520-452	5/8-11 HEX NUT GR 8 ZP	8
13	2520-459	5/8-11 LOCK HEX NUT, GR B, ZP	2
14	2520-464	5/8-11 WHIZLOCK HEX NUT, GR 2, ZP	2
15	2520-476	5/8-11 HEX FLANGE NUT	1
16	2520-515	3/4-10 LOCK HEX NUT, GR A, ZP	3
17	2525-352	1/2 MED LOCKWASHER ZP.	4
18	2525-451	5/8 MED. LOCKWASHER ZP.	8
19	2526-451	5/8 STD FLATWASHER ZP	2
20	2526-504	3/4 SAE FLATWASHER, ZP	2
21	2531-125	1/4 X 1-3/4 COTTER PIN ZP	2
22	2565-058	YET FRM EQUI DE 3-7/16X10-5/16	2
23	2565-162	YETTER DECAL	2
24	2570-448	.120 BOWTIE LOCKING COTTER ZP	1
25	2620-352	13" SHARK TOOTH WHEEL	1
26	2986-140-ST	SHARKTOOTH ASSY,RH,3" D-BOLT	1
27	2986-141-ST	SHARKTOOTH ASSY,LH,3" D-BOLT	1
28	2984-152	HUB ASSEMBLY	1
29	2984-234	WHEEL MOUNT W.A.	1
30	2984-235	BASKET MOUNT W.A.	1
31	2984-236	FACEPLATE W.A.	1
32	2984-237	ROLLING BASKET W.A.	1
33	2984-320	PIN, SKID ADJUSTMENT ZYD	1
34	2984-401	REAR PIVOT BUSHING,FLT LNK,ZYD	2
35	2984-432	BODY PLATE	2
36	2984-442	FERTILIZER MOUNT BRACKET	1
37	2984-443	INJ. MOUNT SPACER	1
38	2984-454	DOWNSTOP PIN, ZP	1
39	2984-455	BEARING BORE ADAPTER, ZP	1
40	3000-149	PARALLEL ARM ASSEMBLY '09	1
41	3000-408	INNER BUSHING,MAV LINKAGE ZYD.	2

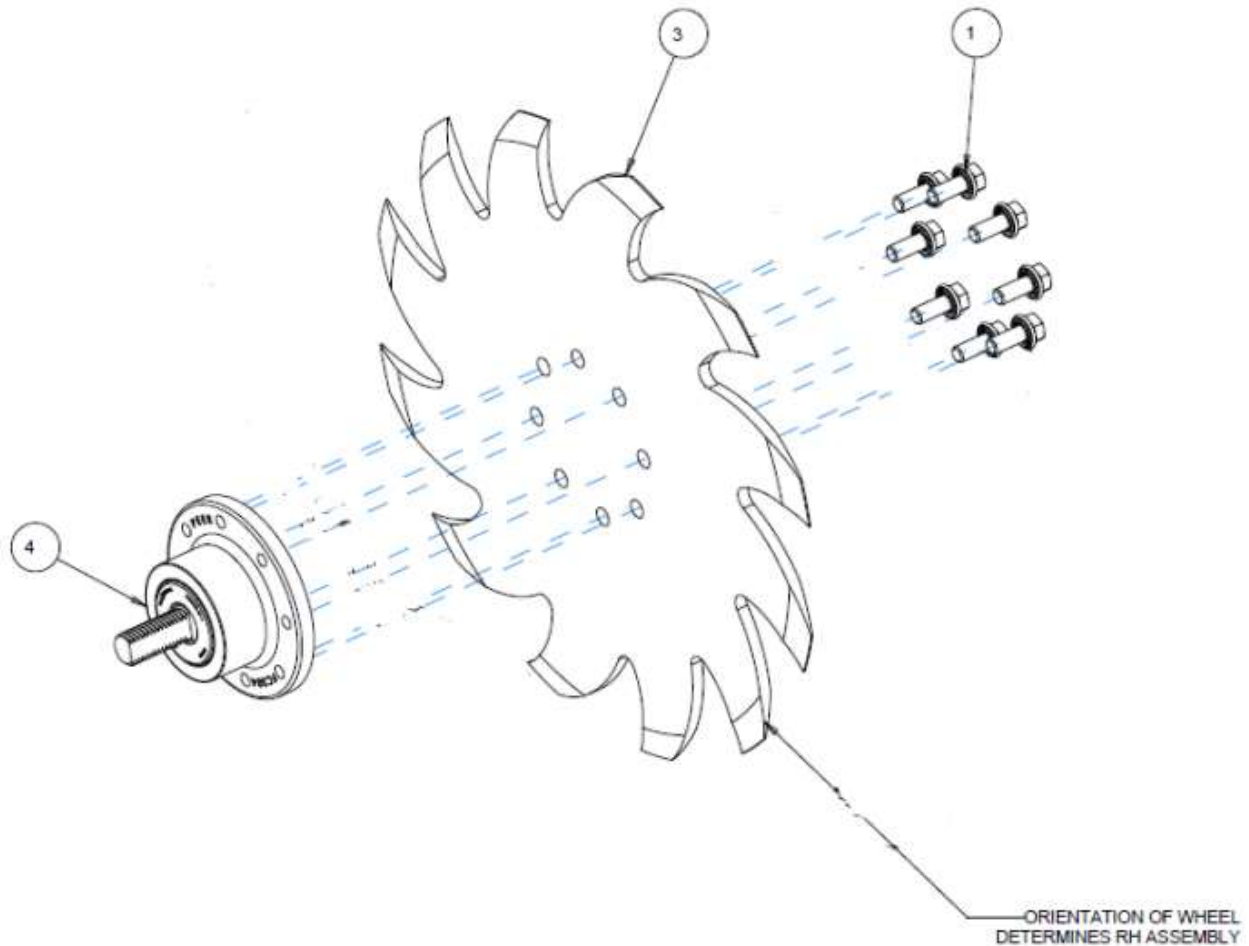
**MANUFACTURED 11/2014-05/2022**

## PARTS IDENTIFICATION 2966-141-ST



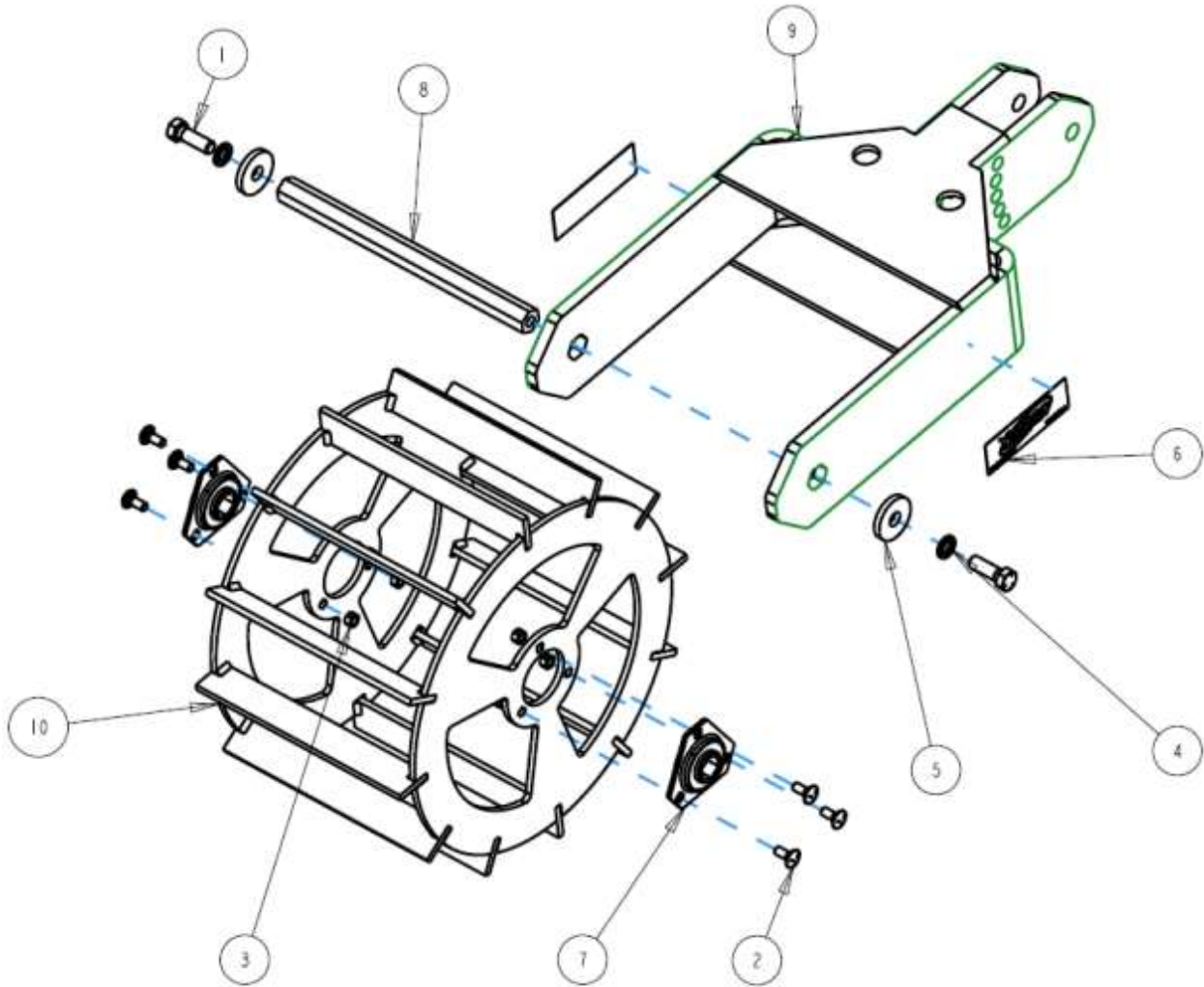
ITEM	PART NO.	DESCRIPTION	QTY
1	2502-220	5/16-18 X 3/4 HHFS GR5 ZP	8
2	2515-562	13" WHEEL COVER, BLACK	2
3	2571-286	SHARKTOOTH WHEEL, 8 BOLT	1
4	2965-500	HUB ASSEMBLY, 1.406 SPINDLE	1

## PARTS IDENTIFICATION 2966-140-ST



ITEM	PART NO.	DESCRIPTION	QTY
1	2502-220	5/16-18 X 3/4 HHFS GR5 ZP	8
2	2515-562	13" WHEEL COVER, BLACK	2
3	2571-286	SHARKTOOTH WHEEL, 8 BOLT	1
4	2965-500	HUB ASSEMBLY, 1.406 SPINDLE	1

## PARTS IDENTIFICATION 2984-145

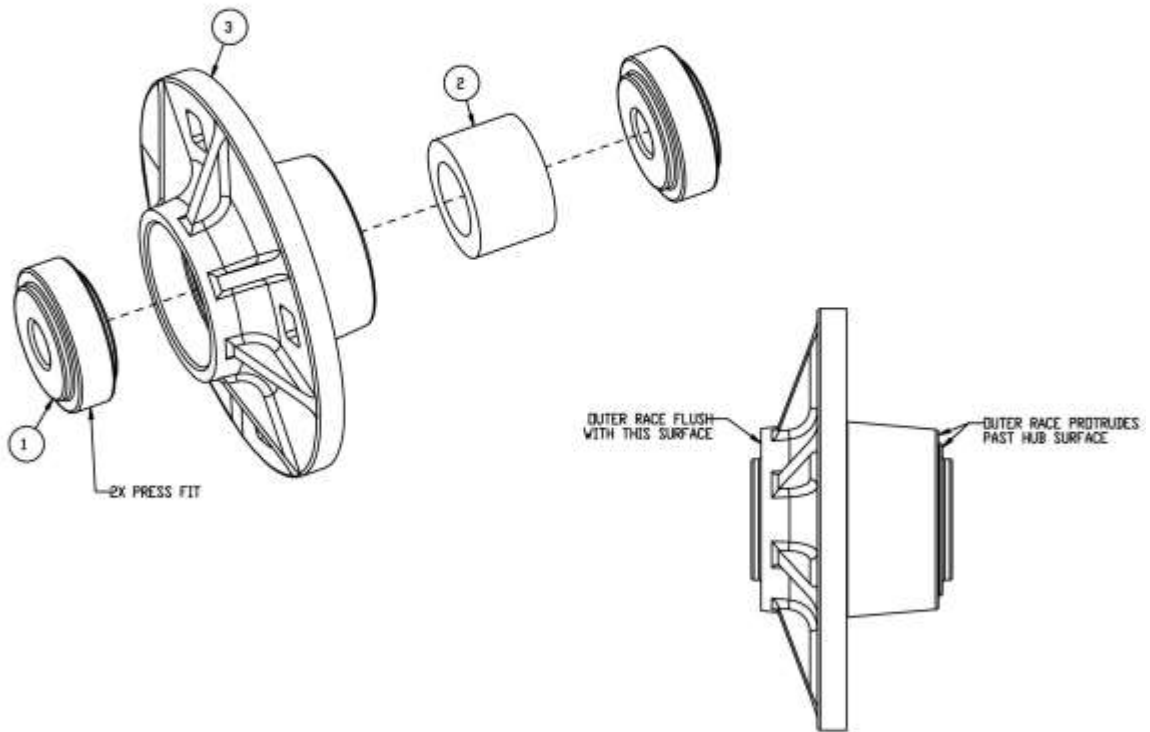


ITEM	PART NO.	DESCRIPTION	QTY
1	2502-294	1/2-13 X 1-1/2 HHCS GR5 ZP	2
2	2505-205	5/16-18 X 3/4 CARBOLT G5 ZP	6
3	2520-205	5/16-18 LOCK HEX NUT, GR A, ZP	6
4	2525-352	1/2 MED LOCKWASHER ZP.	2
5	2526-402	9/16ID X 1-3/4 OD X 1/4MBZP	2
6	2565-162	YETTER DECAL, 1-1/2 X 4-1/2	2
7	2570-787	FLANGED BEARING ASSEMBLY, 7/8" HEX ID	2
8	2940-634	HEX SHAFT	1
9	2984-235	BASKET MOUNT W.A.	1
10	2984-251	ROLLING BASKET W.A.	1

**MANUFACTURED 07/2022-PRESENT**



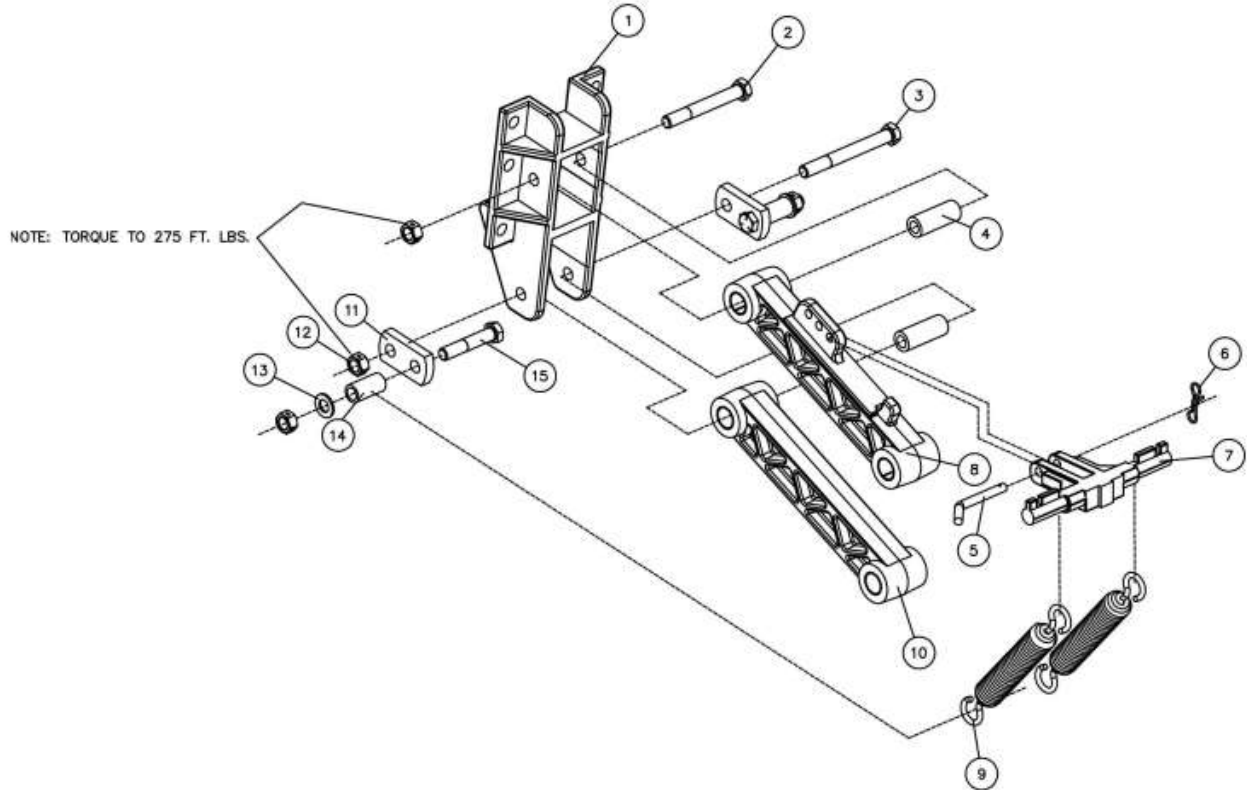
## PARTS IDENTIFICATION 2984-152



ITEM	PART NO.	DESCRIPTION	QTY
1	2570-575	BEARING, MARKER DISC	2
2	2984-456	BEARING SPACER	1
3	2984-457	STRIP FRESHENER HUB, MACHINED	1

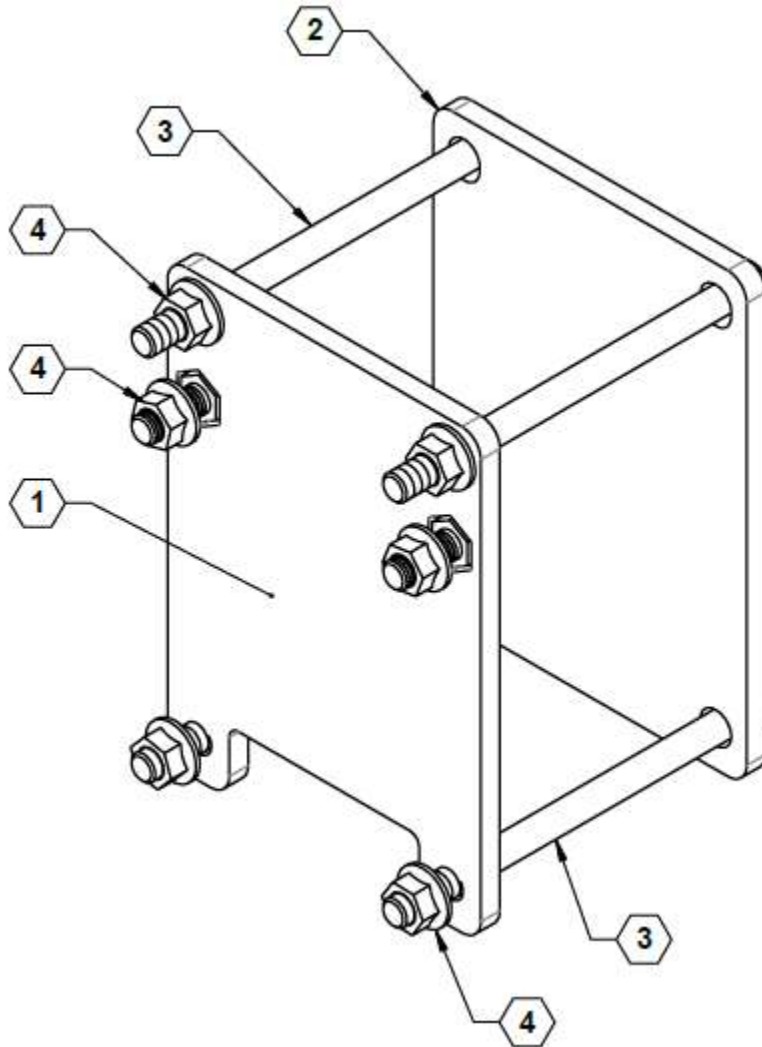
## PARTS IDENTIFICATION

3000-149



15	2	2502-404	3/4-10 X 4 HHCS GR 5 ZYD
14	2	2984-305	SPACER, SPRING ANCHOR
13	2	2526-504	3/4 SAE FLATWASHER
12	4	2520-515	3/4-10 LOCK HEX NUT ZP
11	2	2984-304	SPRING ANCHOR TAB
10	1	3000-148	LOWER PARALLEL ARM ASSEMBLY
	4	2528-367	PTFE BSHG 1.4190DX1.263IDX1.25
9	2	2550-754	1 5/8OD X .262 WIRE EXT SPRING
8	1	3000-147	UPPER PARALLEL ARM ASSEMBLY
	4	2528-367	PTFE BSHG 1.4190DX1.263IDX1.25
7	1	2555-174	UPPER SPRING BAR CASTING
6	1	2570-448	1/8 BOWTIE LOCKING COTTER ZYD
5	1	2965-305	PIN, FURROWING ATTACHMENT ZYD
4	2	3000-408	INNER BUSHING, MAVERICK LINKAGE, ZYD
3	1	2502-509	3/4-10 X 7 HHCS GR. 5 ZYD
2	1	2502-510	3/4-10 X 6 HHCS GR. 5 ZYD
1	1	3000-409	CLAMP BRACKET (MACHINED)
DET	QTY	PART NO.	DESCRIPTION

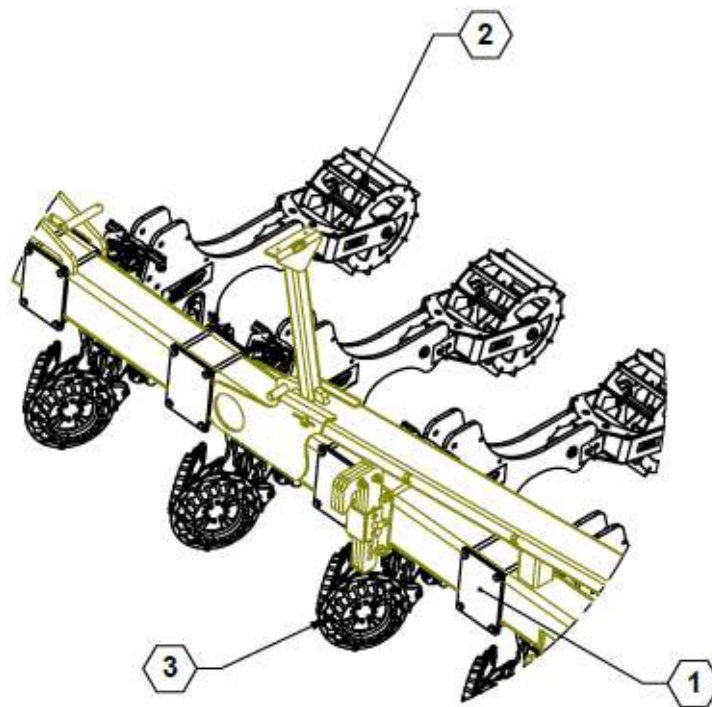
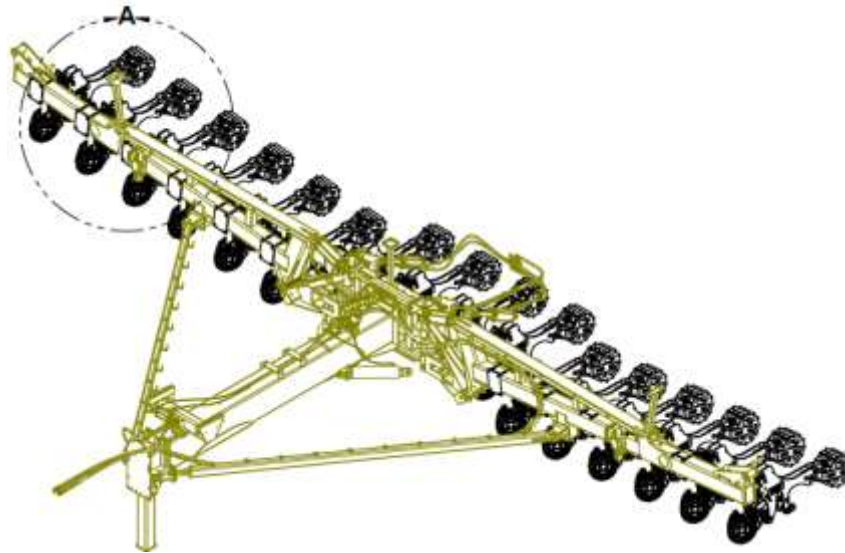
## Strip Freshener Mount, Non-Cab Control



### Parts List 35644: Strip Freshener Mount, Non-Cab Control

ITEM	PART NO.	QTY.	DESCRIPTION
1	35392	1	STRIP FRESHNER BACKING
2	35394	1	PLATE, STRIP FRESHNER BACKING
3	596477M	4	BOLT, HH 5/8 X 9 GR5 MAGNI
4	596742M	6	NUT, TOP LOCK FLANGE 5/8-11 MAGNI

## 16-Row Strip Freshener with Row Cleaner

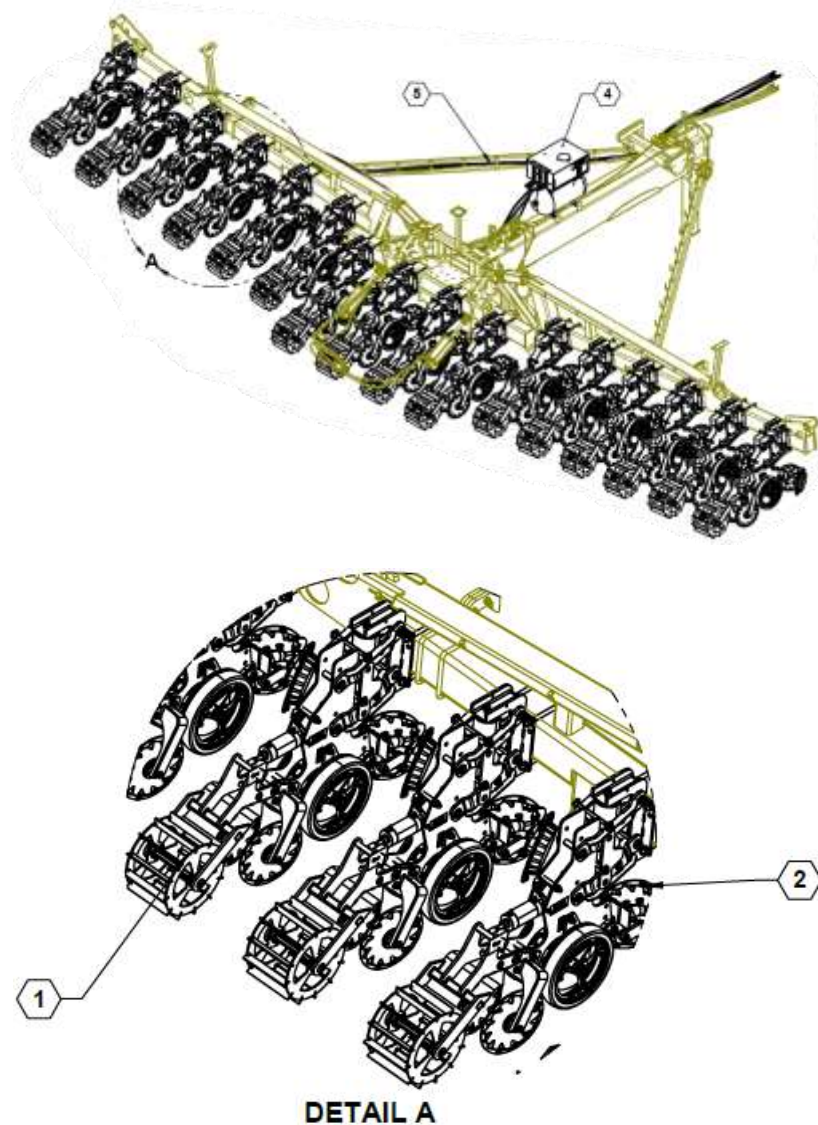


**DETAIL A**

### Parts List 35649: 16-Row Strip Freshener with Row Cleaner

ITEM	PART NO.	QTY.	DESCRIPTION
1	35644	16	ASSY, NON-CC MOUNT
2	790098	16	STRIP FRESHENER, NON-CC
3	790100	16	OPTN, 2967 ROW CLEANERS

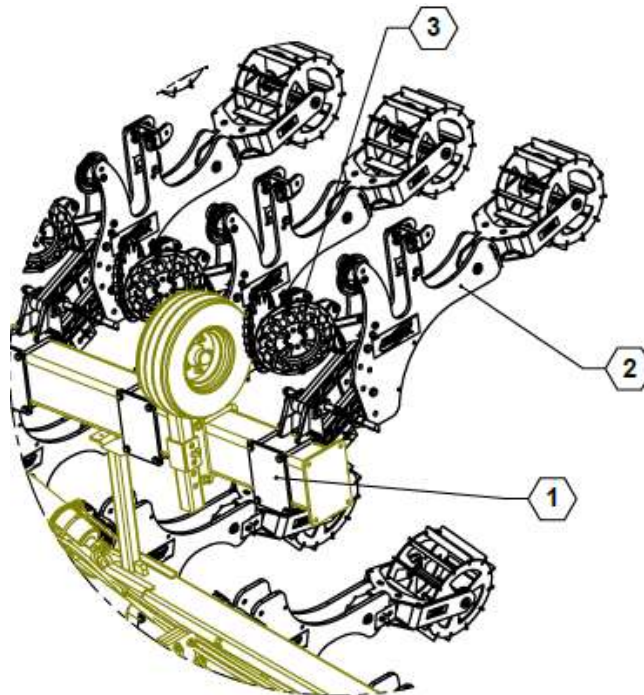
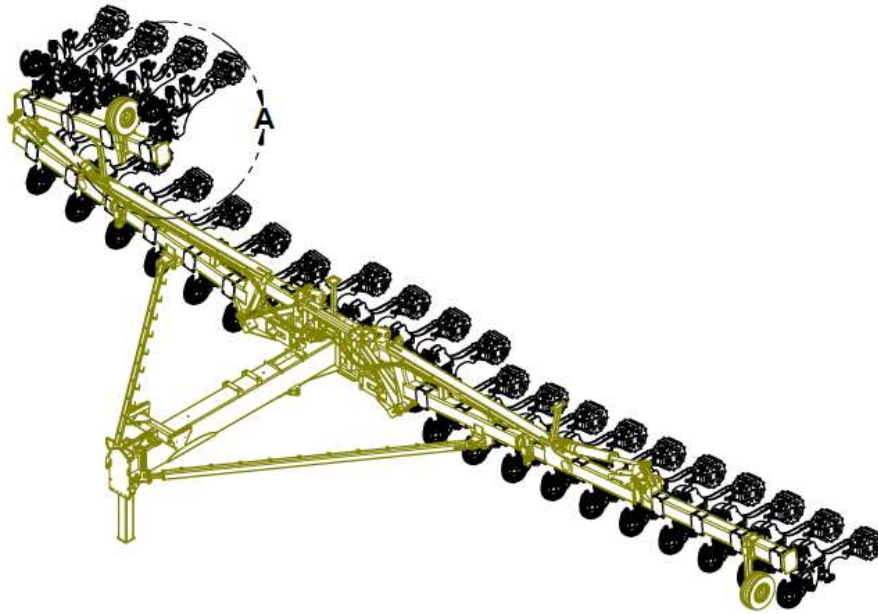
## 16-Row Strip Freshener with Row Cleaner, Cab Control, Ripple, and Shark Berming or Wave Berming



### Parts List 35645/35694: 16-Row Strip Freshener with Row Cleaner, Cab Control, Ripple, and Shark Berming or Wave Berming

ITEM	PART NO.	QTY.	DESCRIPTION
1	790087	16	OPTN, STRIP FRESH WITH CC & SHARK BERM
	790110	16	OPTN, STRIP FRESH WITH CC & SHALL BERM
2	790088	16	OPTN, 2984-090 AIR ROW CLNR
3	790092	1	STRIP FRESHENER CC CNTRL KIT
4	790094	1	AIR COMPRESSOR KIT, HYD
5	790095	1	HOSE KIT, DP STRIP FRESHENERS
6	790097	1	FRESHENER 16 ROW AIR PLUMB KIT
NS	600128	1	HYD. HOSE KIT, DP STRIP FRESHENERS

## 24-Row Strip Freshener with Row Cleaner

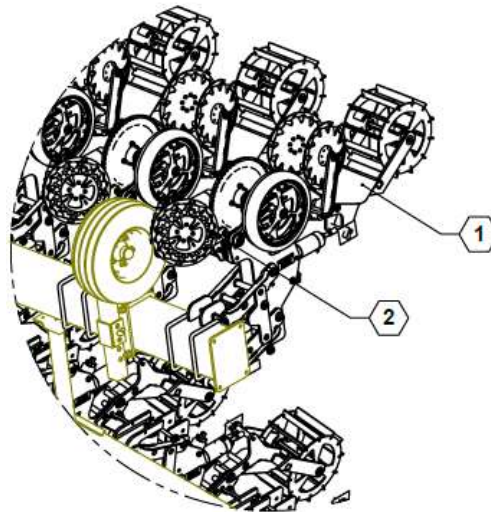
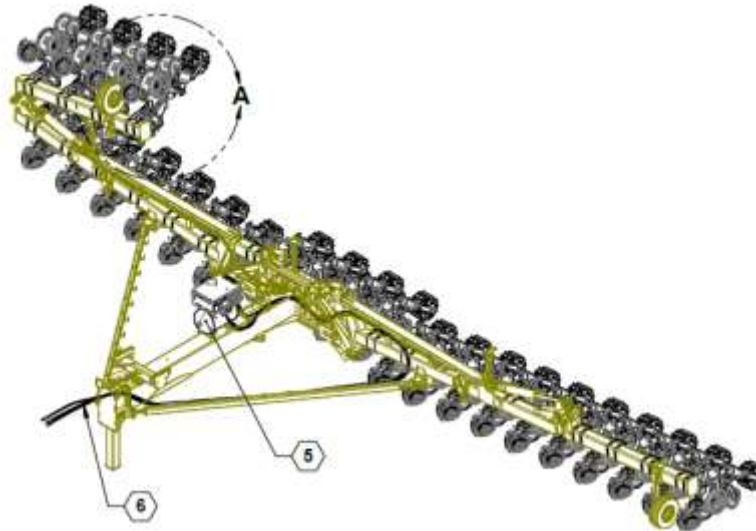


**DETAIL A**

### Parts List 35650: 24-Row Strip Freshener with Row Cleaner

ITEM	PART NO.	QTY.	DESCRIPTION
1	35644	24	ASSY, NON-CC MOUNT
2	790098	24	STRIP FRESHENER, NON-CC
3	790100	24	OPTN, 2967 ROW CLEANERS

## 24-Row Strip Freshener with Row Cleaner, Cab Control, Ripple, and Shark Berming or Wave Berming



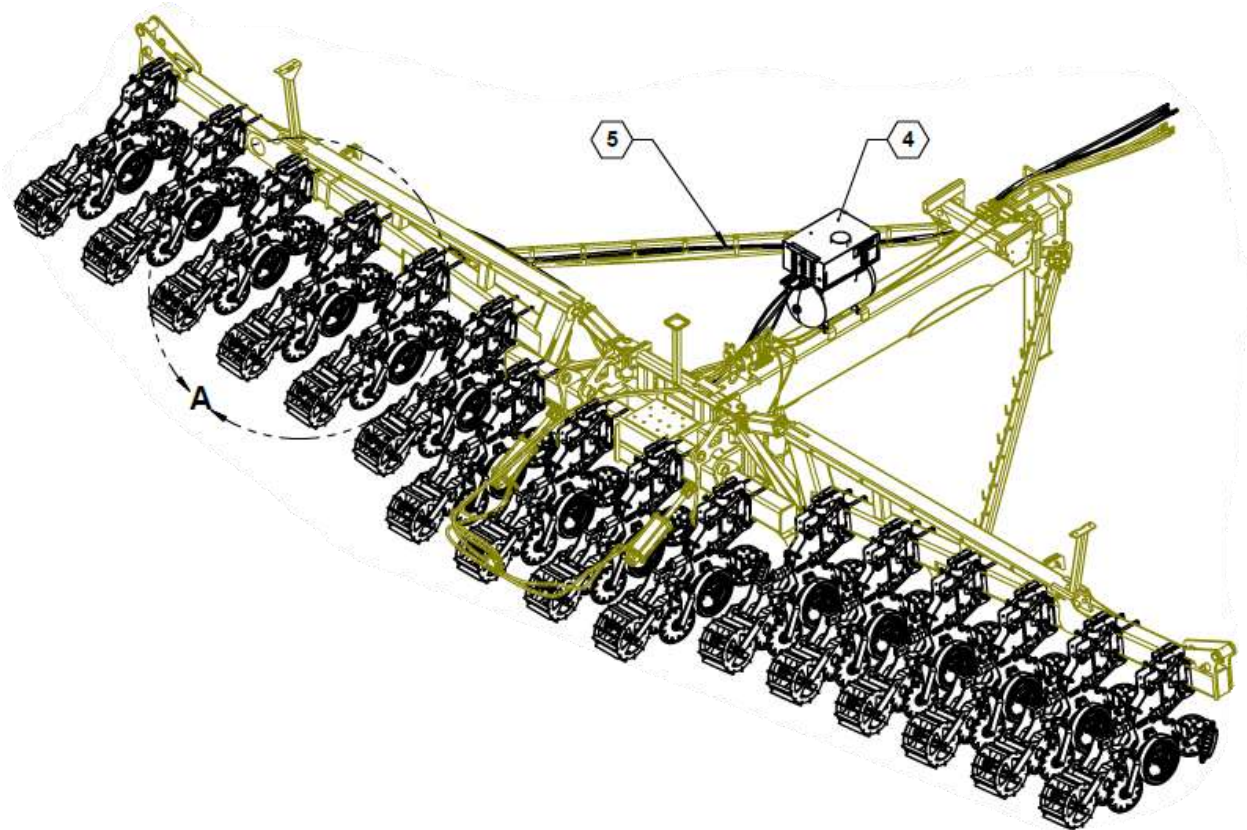
DETAIL A

### Parts List 35293/35693: 24-Row Strip Freshener with Row Cleaner, Cab Control, Ripple, and Shark Berming or Wave Berming

ITEM	PART NO.	QTY.	DESCRIPTION
1	790087	24	OPTN, STRIP FRESH WITH CC & SHARK BERM
	790110	24	OPTN, STRIP FRESH WITH CC & SHALL BERM
2	790088	24	OPTN, 2984-090 AIR ROW CLNR
3	790092	1	STRIP FRESHENER CC CNTRL KIT
4	790093	1	FRESHENER 24 ROW AIR PLUMB KIT
5	790094	1	AIR COMPRESSOR KIT, HYD
6	790095	1	HOSE KIT, DP STRIP FRESHENERS
NS	600128	1	HYD. HOSE KIT, DP STRIP FRESHENERS

## ROW UNIT CAB CONTROL

### Row Freshener Supply

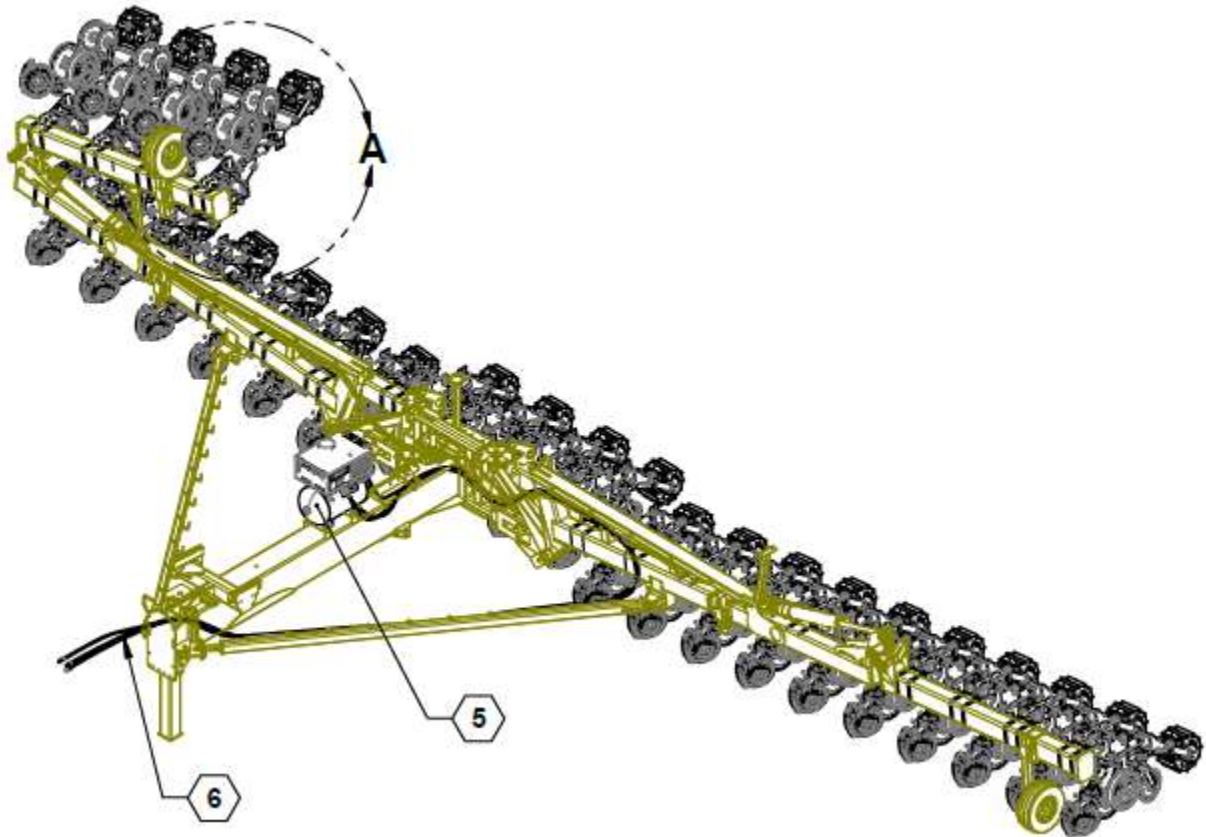


### Parts List 35645: Row Freshener Supply

ITEM	PART NO.	QTY.	DESCRIPTION
4	790094	1	AIR COMPRESSOR KIT, HYD
5	790095	1	HOSE KIT, DP STRIP FRESHENERS
NS	790097	1	FRESHENER 16 ROW AIR PLUMB KIT



## Row Freshener Supply Hoses & Fittings

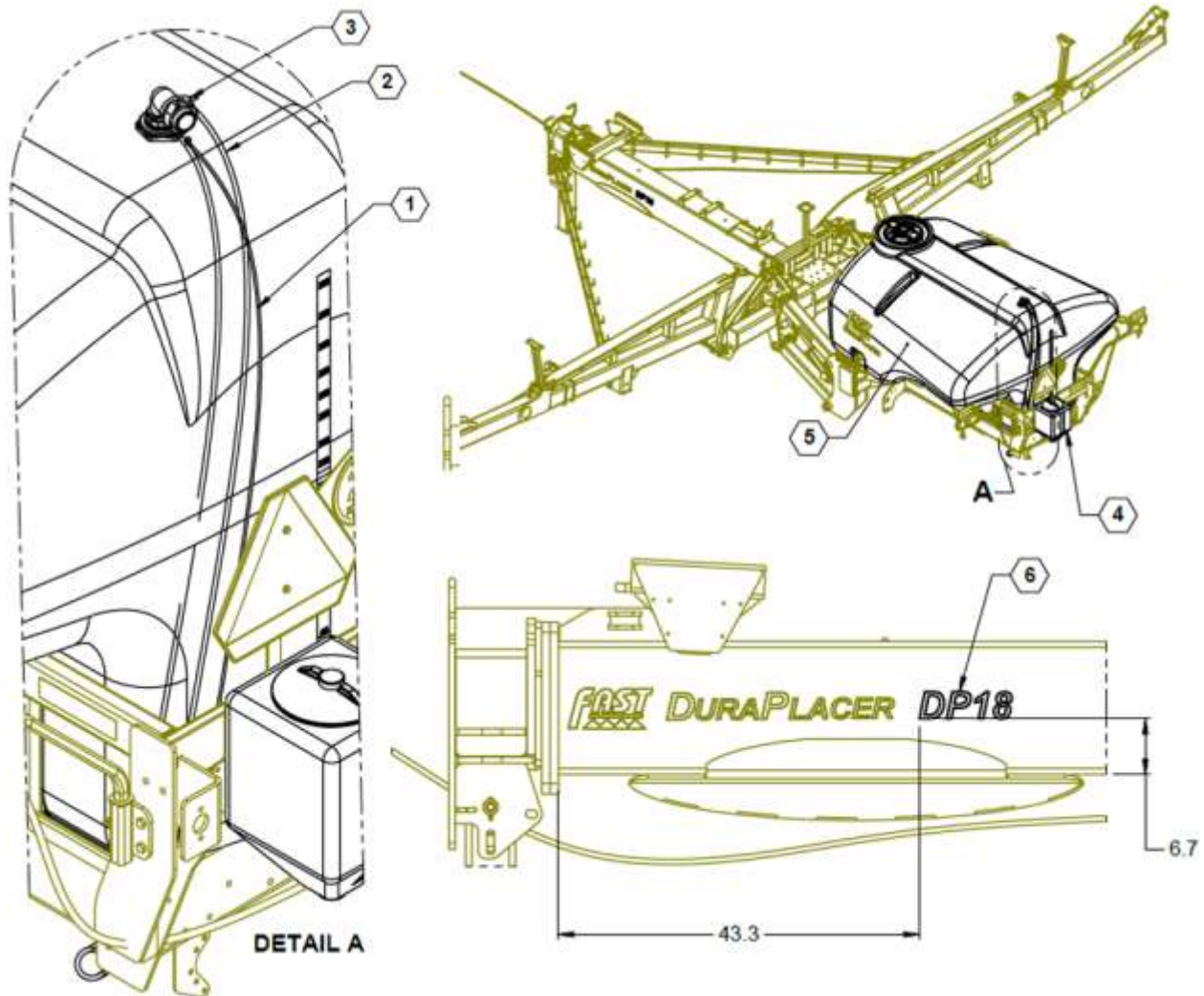


### Parts List 35293: Row Freshener Supply Hoses & Fittings

ITEM	PART NO.	QTY.	DESCRIPTION
5	790094	1	AIR COMPRESSOR KIT, HYD
6	790095	1	HOSE KIT, DP STRIP FRESHENERS

## TANK & PUMP

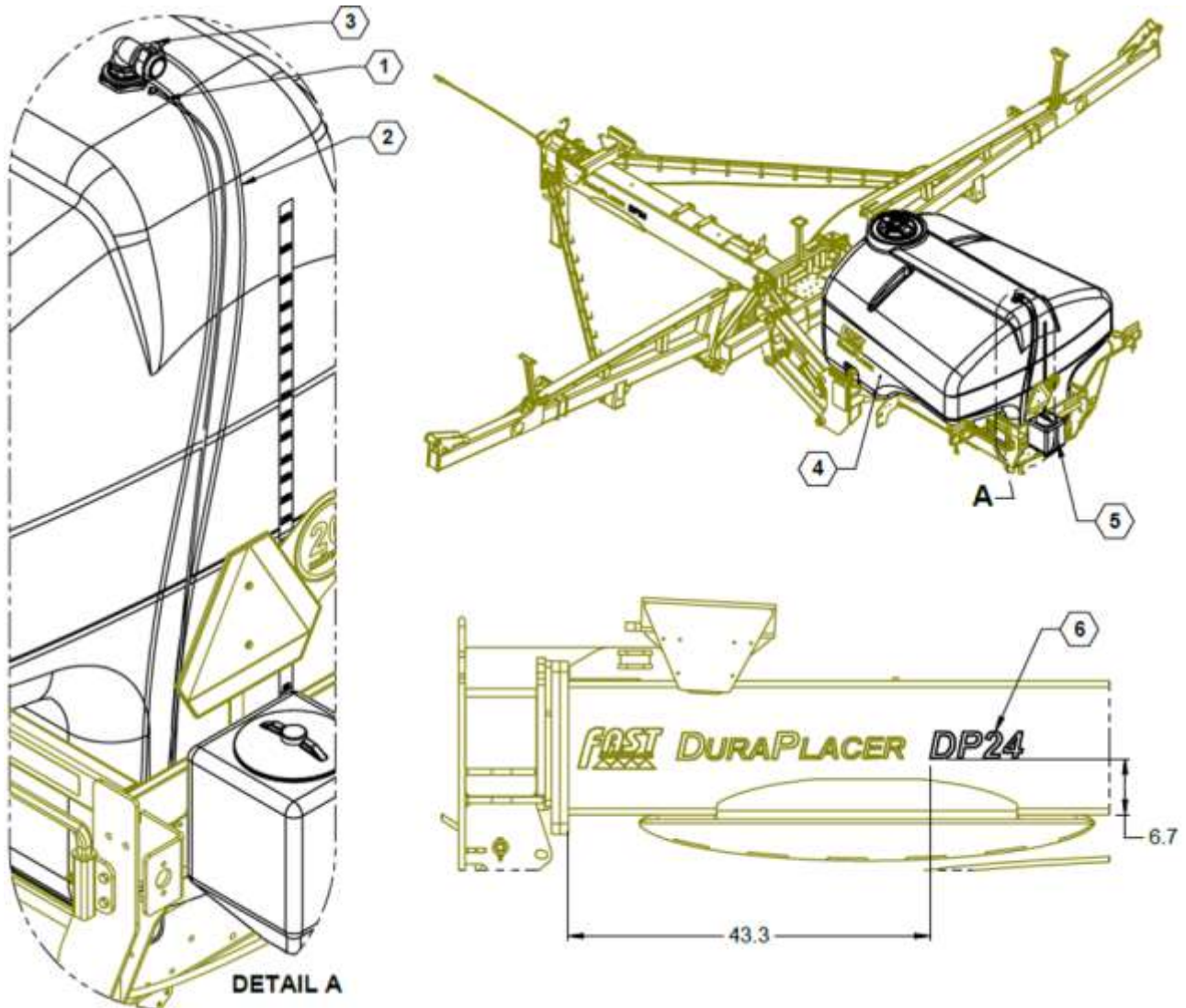
### 1800 Gal. Tank



### Parts List 35400/35402: 1800 Gal. Tank

ITEM	PART NO.	QTY.	DESCRIPTION
1	510023	16 FT	HOSE, 1/4" POLY BLACK
2	510025	9 FT	HOSE, 2" CLEAR PVC SUCTION 60
3	540069	1	HOSE CLAMP, 2.00 T-BOLT
4	570092	1	TANK 10 GAL, WHITE
	570097		TANK 10 GAL, YELLOW
5	570184TNK	1	TANK, 1800 WHITE, APPLICATOR
	570185TNK		TANK, 1800 YELLOW, APPLICATOR
6	800358	2	DECAL, DP18

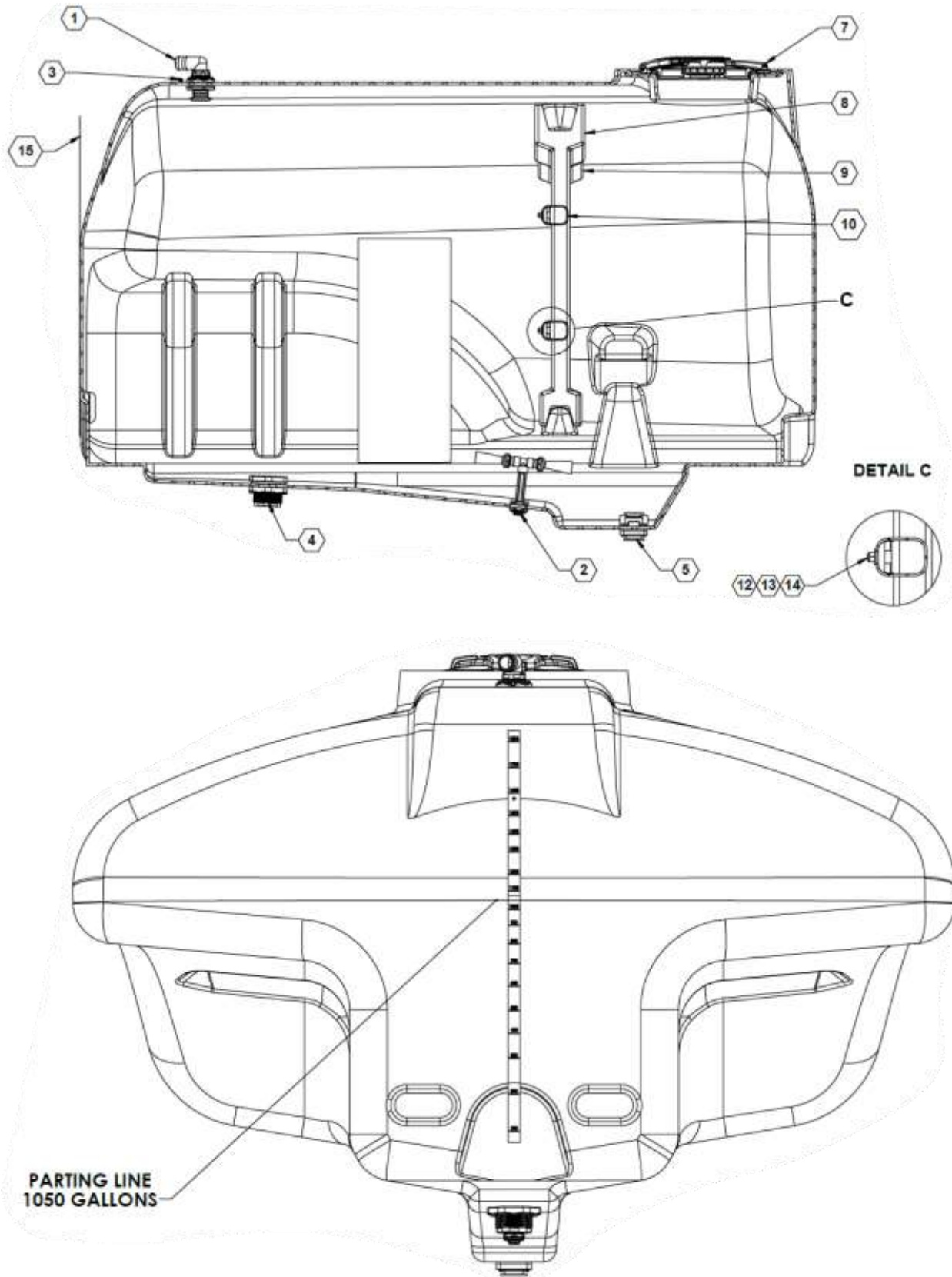
## 2400 Gal. Tank



### Parts List 35401/35403: 2400 Gal. Tank

ITEM	PART NO.	QTY.	DESCRIPTION
1	510023	16 FT	HOSE, 1/4" POLY BLACK
2	510025	9 FT	HOSE, 2" CLEAR PVC SUCTION 60
3	540069	1	HOSE CLAMP, 2.00 T-BOLT
4	570186TNK	1	TANK, 2400 WHITE, APPLICATOR
	570187TNK		TANK, 2400 YELLOW, APPLICATOR
5	570092	1	TANK 10 GAL, WHITE
	570097		TANK 10 GAL, YELLOW
6	800359	2	DECAL, DP24

## Tank with Fittings



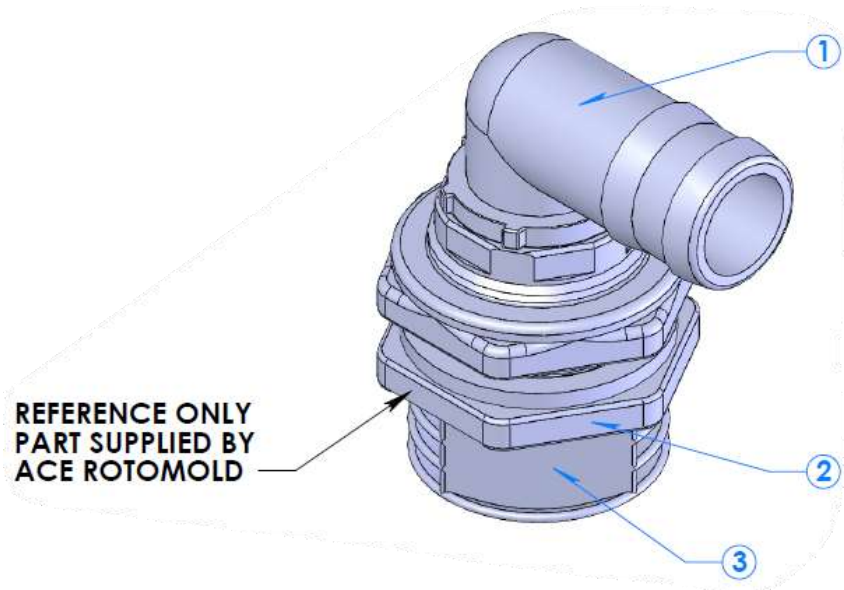


# ILLUSTRATED PARTS LIST

## Parts List 570184TNK – 570187TNK: Tank with Fittings

ITEM	PART NO.	QTY.	DESCRIPTION
1	90SAFCOV	1	FERT TANK VENTED OVERFLOW
2	90SALTRUMPET	1	AGITATION ASSEMBLY
3	530004	1	FITTING, ELBOW, 0.25 QC X 0.25 MST, 90D
4	530164	1	3" TANK FITTING
5	530350	1	2" FLANGE BOTTOM DRAIN
6	570121	1	FLAT GASKET
7	570158	1	LID, NONVENTED, DEN HARTOG 14762
8	570162	2	1800 STEALTH IN SPRT BAFFLE
	570165	2	2400 STEALTH IN SPRT BAFFLE
9	570163	2	1800 STEALTH OUT SPRT BAFFLE
	570166	2	2400 STEALTH OUT SPRT BAFFLE
10	570164	2	18/2400 STEALTH CROSS BAFFLE
11	570172	1	TANK, 1800-GAL WHITE STEALTH
	570171	1	TANK, 1800-GAL YELLOW STEALTH
	570174	1	TANK, 2400-GAL WHITE STEALTH
	570173	1	TANK, 2400-GAL YELLOW STEALTH
12	590854	8	WASHER, FLAT 1/2 SS
13	590862	4	NUT, NYLOCK 1/2-13 SS
14	590869	4	BOLT, HH 1/2X4 SS
15	800347	1	DECAL, 1800 SIGHT GAUGE
	800348		DECAL, 2400 SIGHT GAUGE

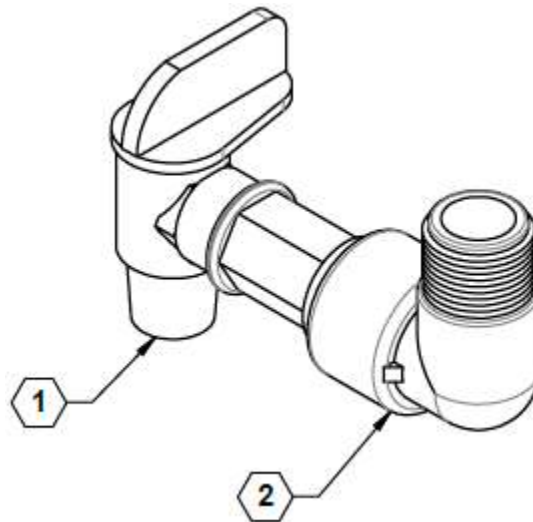
## Tank Vented Overflow Fittings



### Parts List 90SAFCOV: Tank Vented Overflow Fittings

ITEM	PART NO.	QTY.	DESCRIPTION
1	530051	1	2" MPT X 2" HB 90°
2	530163	1	2" TANK FITTING
3	530331	1	2" VENTED CAP

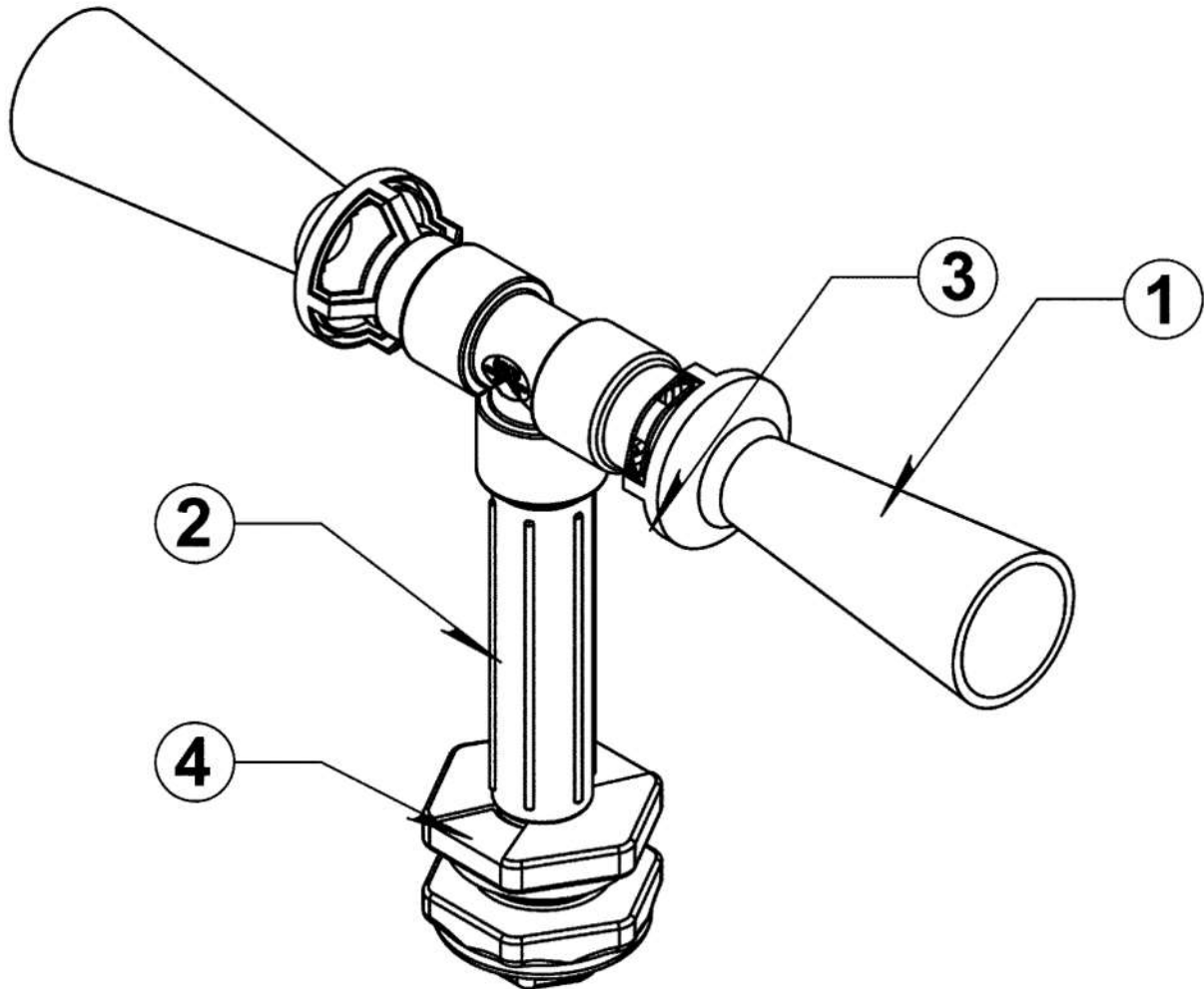
## Hand Wash Faucet Fittings



### Parts List 90SAFCHWF: Hand Wash Faucet Fittings

ITEM	PART NO.	QTY.	DESCRIPTION
1	510022	1	FAUCET, 3/4" FLO-RITE, CLEAR
2	530151	1	ELBOW, STREET 3/4" 90

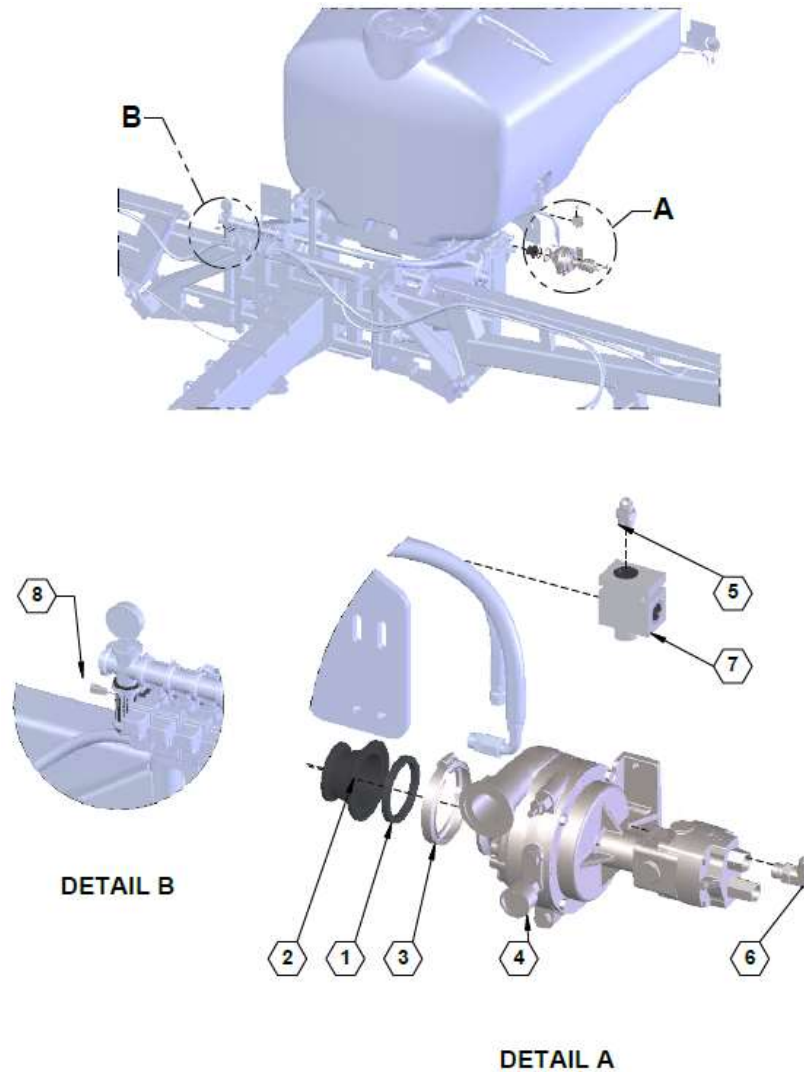
## Tank Agitation Fittings



### Parts List 90SALTRUMPET: Tank Agitation Fittings

ITEM	PART NO.	QTY.	DESCRIPTION
1	520029	2	AGITATION NOZZLE
2	530130	1	NIPPLE, 3/4" X 6"
3	530156	1	TEE, 3/4" NPT
4	530160	1	3/4" BULKHEAD FITTING

## Pump ACE 255F-304 WET SEAL

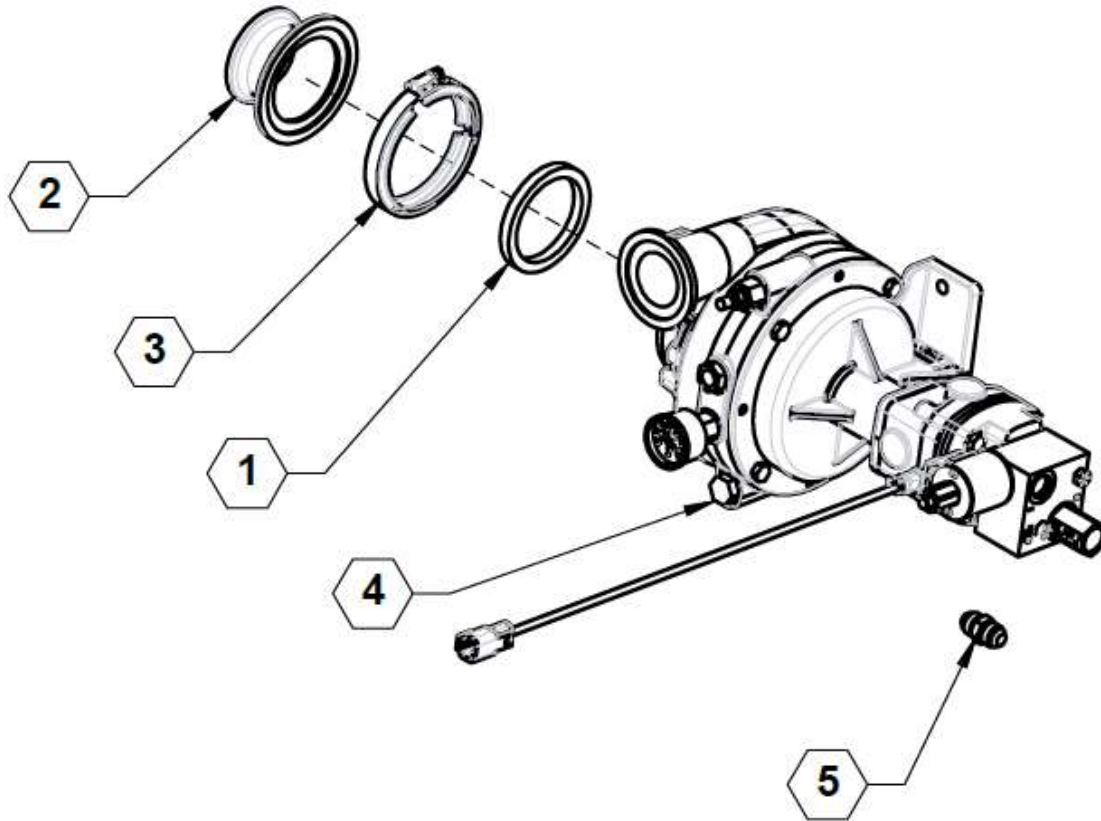


### Parts List 34715: Pump ACE 255F-304 WET SEAL

ITEM	PART NO.	QTY.	DESCRIPTION
NS	<b>530014</b>	1	GASKET, 1.500 EPDM
1	<b>530024</b>	1	GASKET, 3" EPDM
2	<b>530316</b>	1	MANIFOLD REDUCER 3" X 2" CPLR
NS	<b>540001</b>	1	CLAMP, 2.00 STD WORM SCREW
3	<b>540003</b>	1	CLAMP, WORM SCREW 3"
4	<b>550055</b>	1	PUMP, ACE 255F-304 WET SEAL
5	<b>610060</b>	1	JIC #8 TO ORING #10
6	<b>610086</b>	1	JIC #8 TO O-RING #10 ELBOW 90°
7	<b>610099</b>	1	VALVE, FLOW CONTROL, P.C.
8	<b>632079</b>	1	VALVE, BUTTERFLY, 1.5"



## Pump ACE 255F-304 PWM WET SEAL

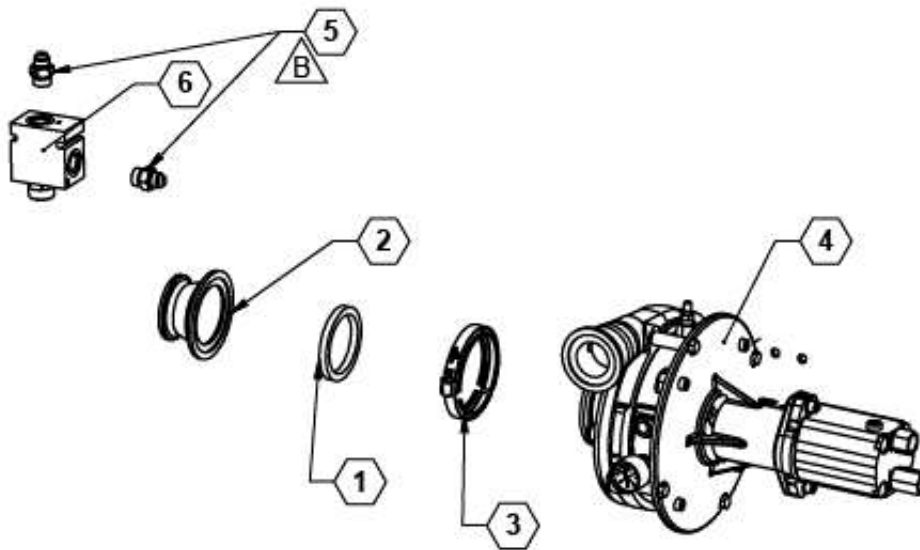
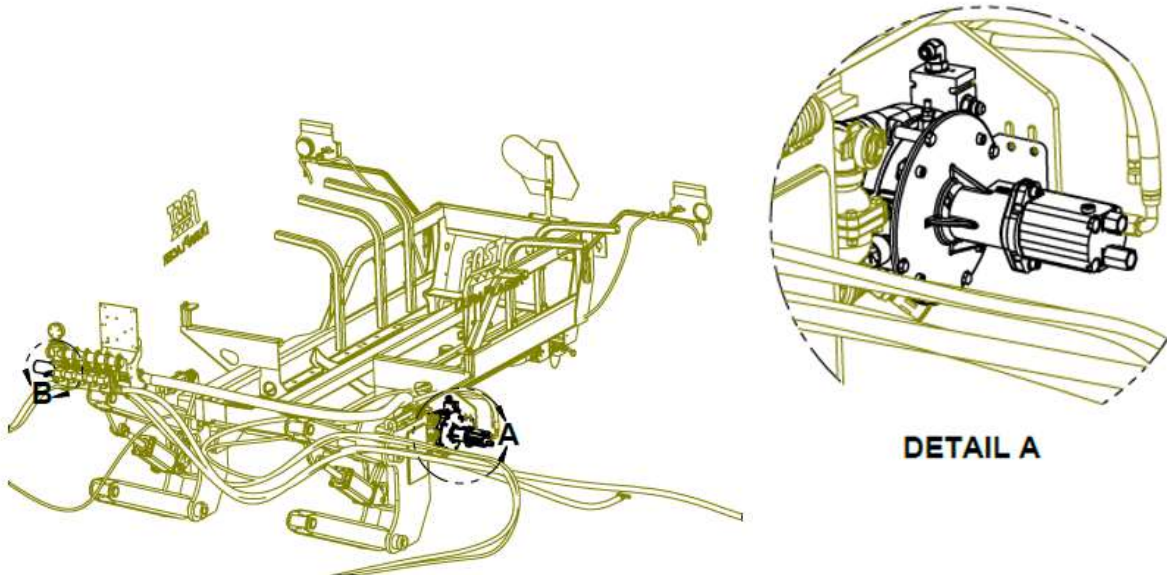


INSTALL BETWEEN HYDRAULIC HOSES THAT NORMALLY GO TO OVERSPEED VALVE

### Parts List 34718: Pump ACE 255F-304 PWM WET SEAL

ITEM	PART NO.	QTY.	DESCRIPTION
1	530024	1	GASKET, 3" EPDM
2	530316	1	MANIFOLD REDUCER 3" X 2" CPLR
3	540003	1	CLAMP, WORM SCREW 3"
4	550056	1	PUMP, ACE 255F-304 PWM WET SEAL
5	610147	1	FITTING, #8 JIC UNION
6	632042	1	2 PIN DT 40' CABLE EXTENSION

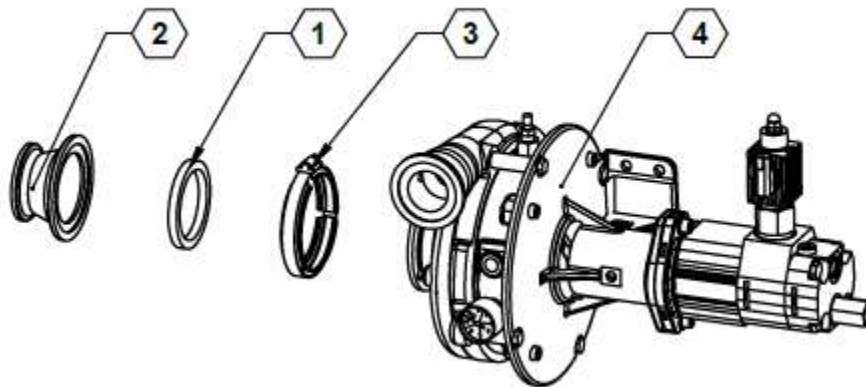
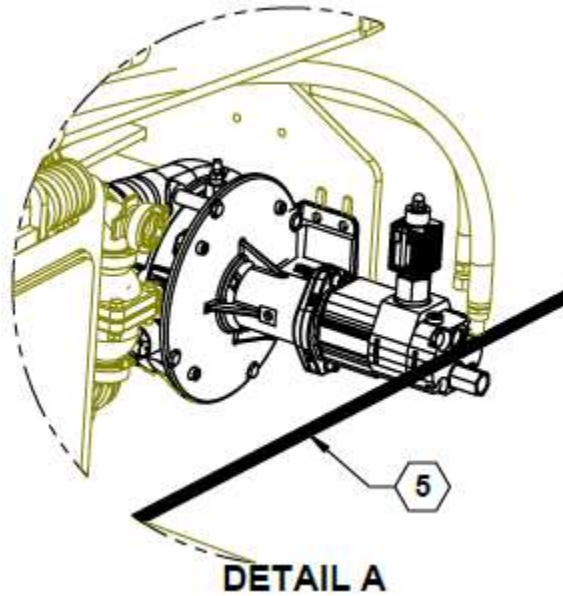
## Pump ACE FMC-750-HYD OASIS



### Parts List 35286: Pump ACE FMC-750-HYD OASIS

ITEM	PART NO.	QTY.	DESCRIPTION
1	530024	1	GASKET, 3" EPDM
2	530316	1	MANIFOLD REDUCER 3" X 2" CPLR
3	540003	1	CLAMP, WORM SCREW 3"
4	550018	1	PUMP, ACE FMC-750F-HYD-M22, B, A, B, A
5	610060	1	JIC #8 TO ORING #10
6	630057	1	FLOW REGULATOR, 16 GPM
7	632079	1	VALVE, BUTTERFLY, 1.5"

## Pump ACE FMC-750-HYD PWM OASIS

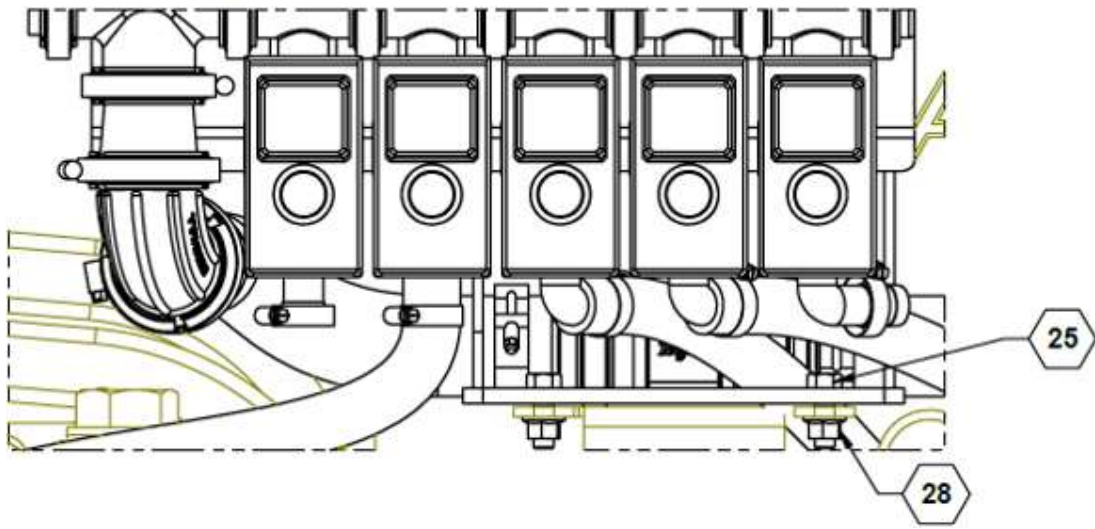
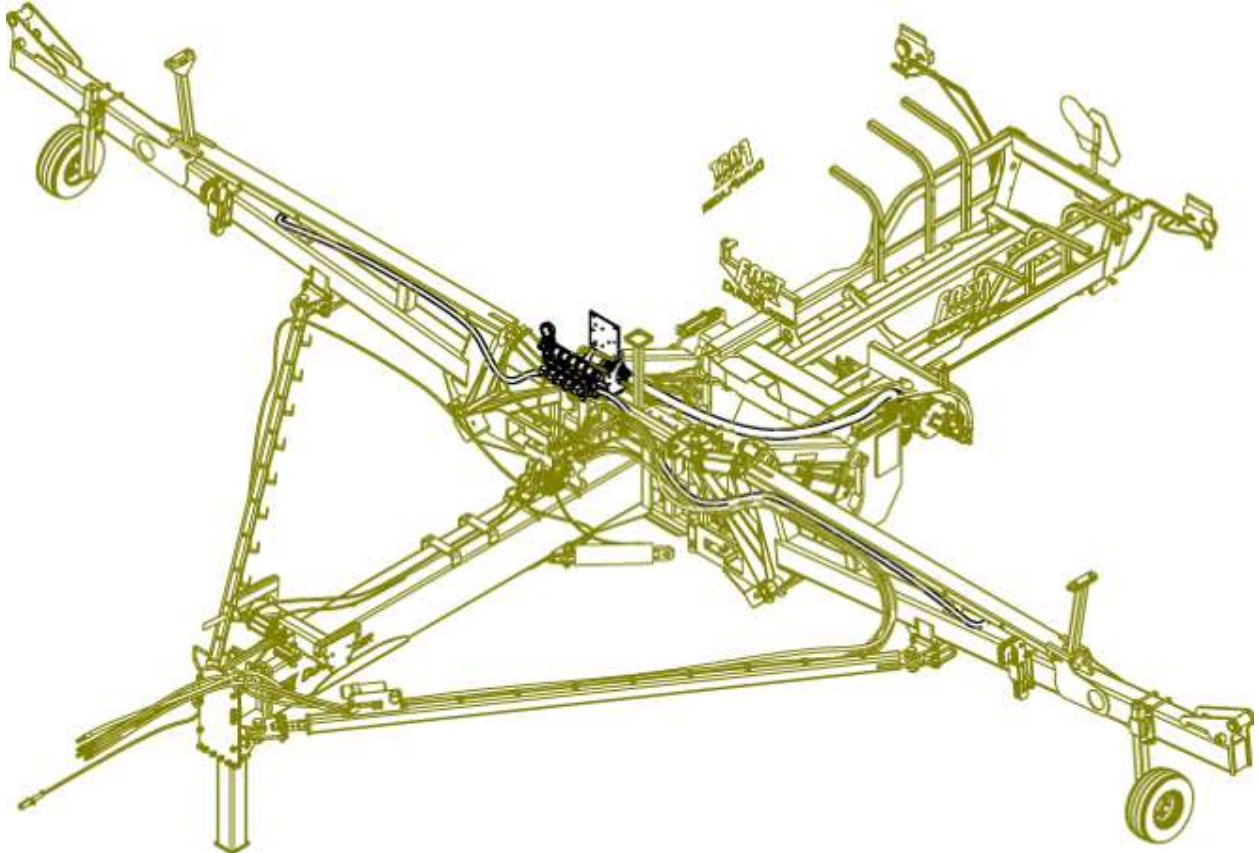


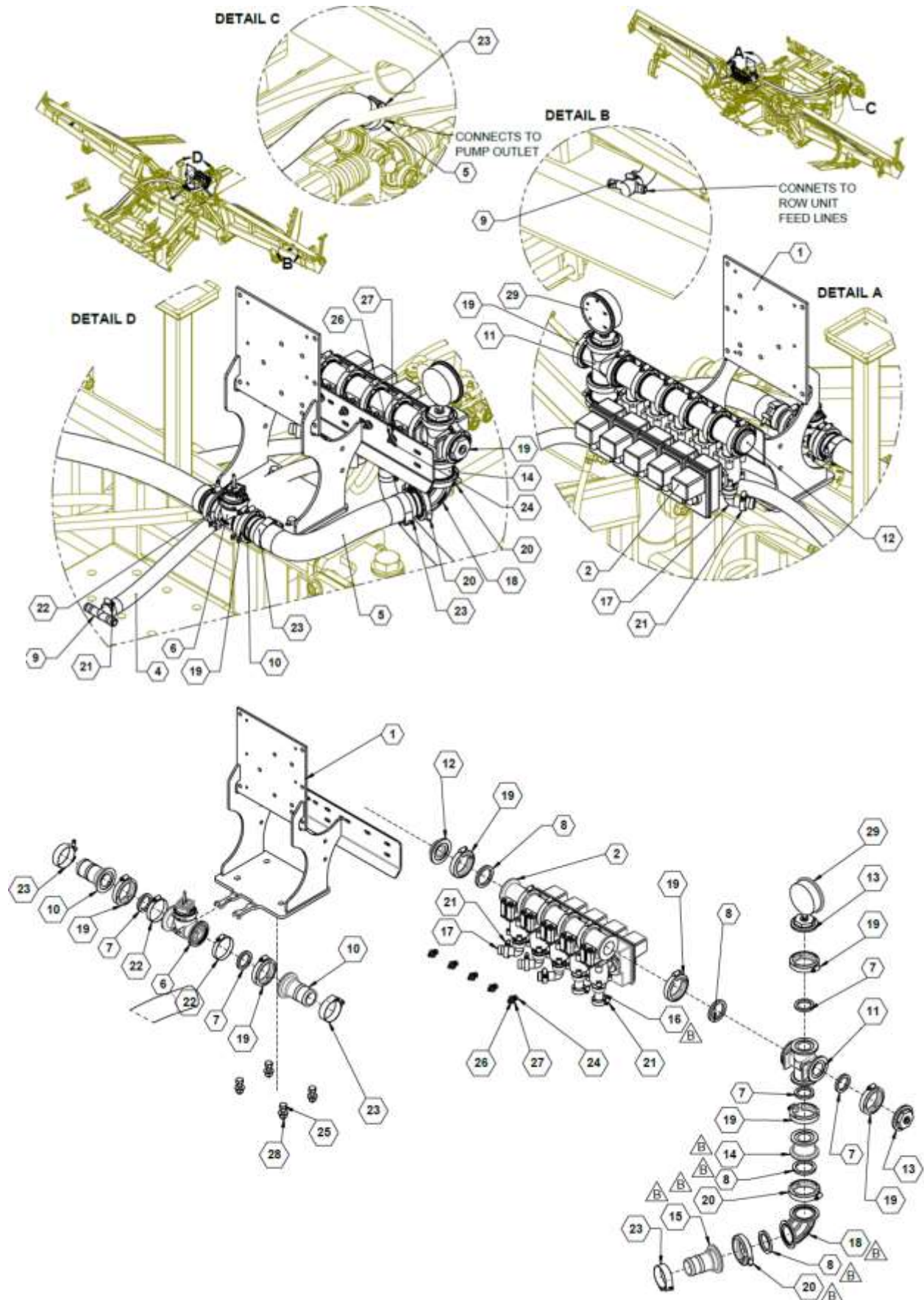
### Parts List 35287: Pump ACE FMC-750-HYD PWM OASIS

ITEM	PART NO.	QTY.	DESCRIPTION
1	530024	1	GASKET, 3" EPDM
2	530316	1	MANIFOLD REDUCER 3" X 2" CPLR
3	540003	1	CLAMP, WORM SCREW 3"
4	550044	1	PUMP, 750 OASIS W/ PWM
5	632204	1	2 PIN DEUTSCH EXTENSION 20'

**PRODUCT PLUMBING on TOOLBAR**

**Base Liquid Plumbing**







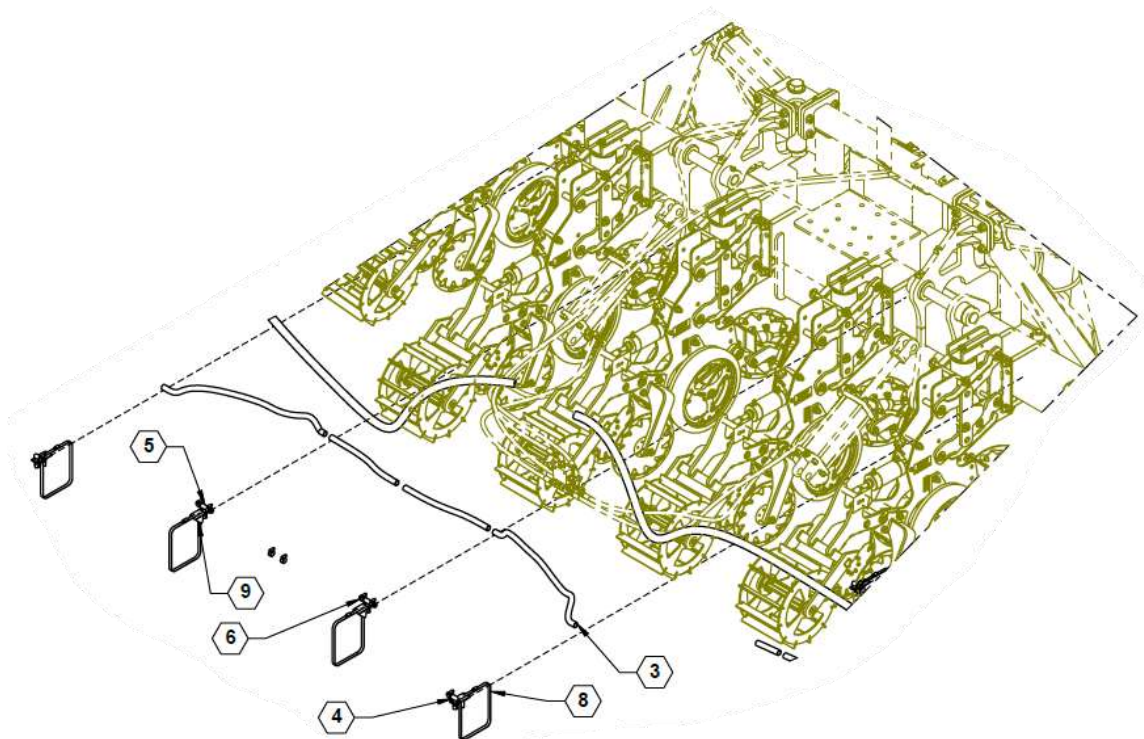
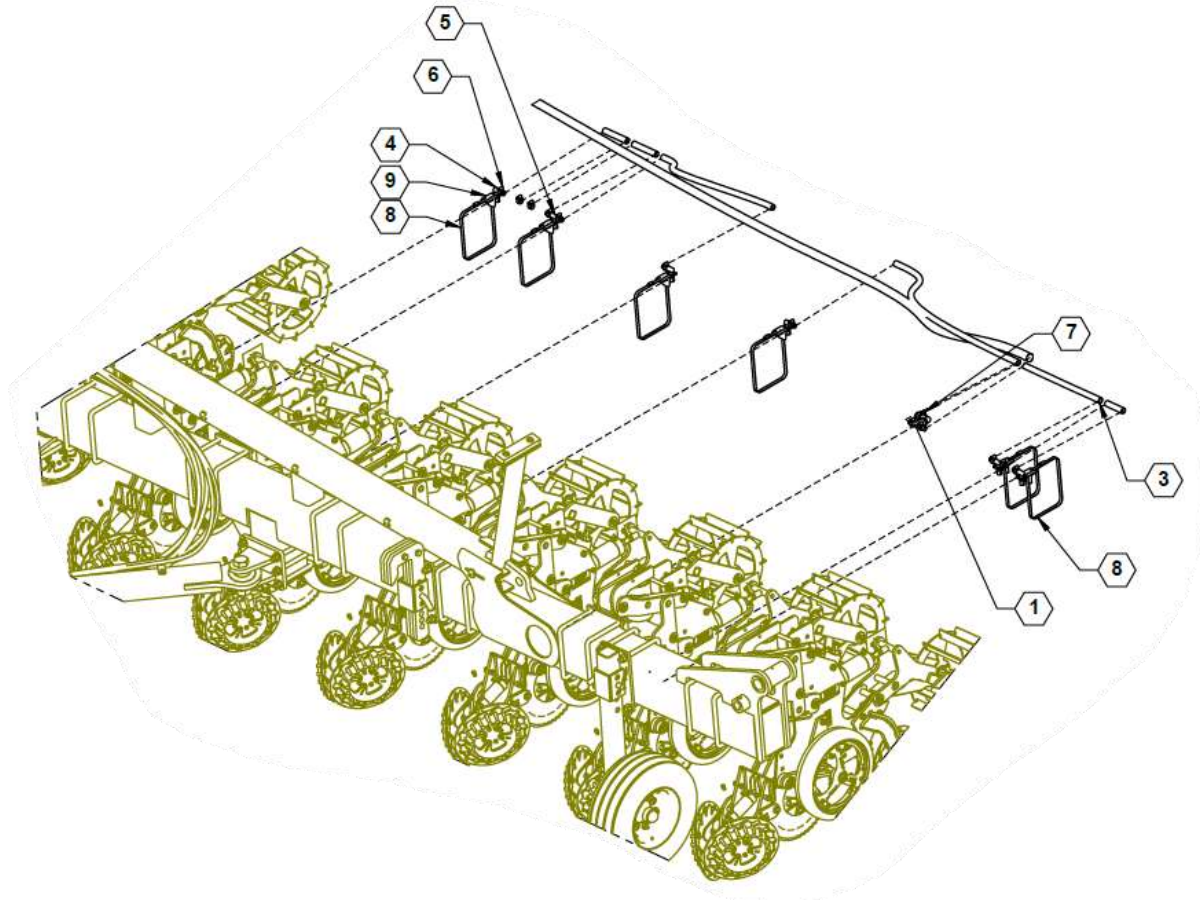
# ILLUSTRATED PARTS LIST

## Parts List 35675: Base Liquid Plumbing

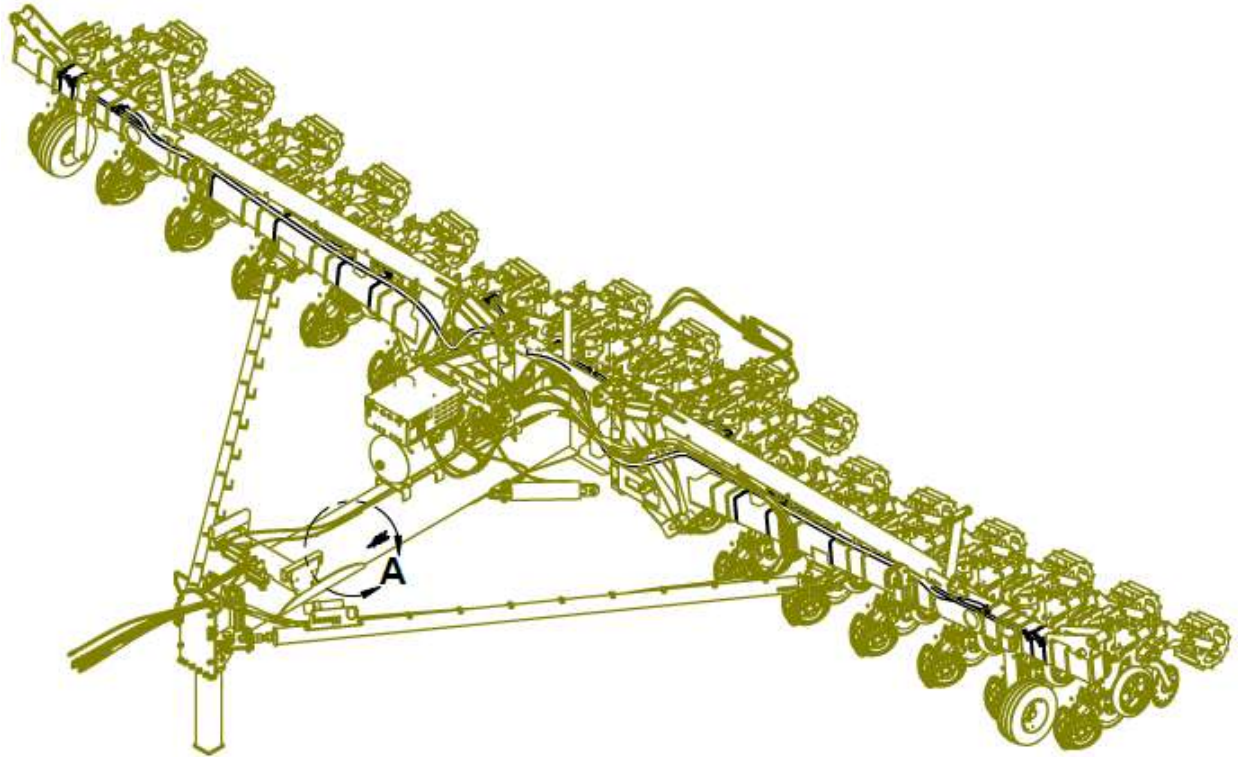
ITEM	PART NO.	QTY.	DESCRIPTION
1	35518	1	WLDMNT, SECTION VALVE MNT
2	500027	1.25	VALVE, 450 4-BANK, NON-FLOWBACK, NARROW TEE
4	510016	1	HOSE, 1" EPDM
5	510017	1	HOSE 2 IN HORIZON EPDM
6	520059	1	FLOWMETER, TEEJET 802
7	530014	5	GASKET, 1.500 EPDM
8	530019	5	GASKET, 2.00 EPDM
9	530055	3	TEE, 1.00 HB X .75 HB X .75 HB
10	530073	2	FITTING, 2.00 FLANGE X 2.00 HB, POLY
11	530090	1	CROSS, MANIFOLD 2.00
12	530093	1	PLUG, MANIFOLD, 2.00
13	530094	2	PLUG, MANIFOLD 2.00 W/ HOLE
14	530102	1	FLANGE, 2" FP X 2" REDUCER
15	530103	1	FITTING, 2.00 FP FLANGE X 2.00 HB
16	530189	2	QUICK CONNECT 1" STRAIGHT BARB
17	530190	3	QUICK CONNECT, 1.00 HB ELBOW 90
18	530386	1	MANIFOLD SWEEP, 2" FP FLANGE
19	540001	8	CLAMP, 2.00 STD WORM SCREW
20	540002	2	CLAMP, FP WORM SCREW, 2.00
21	540014	8	HOSE CLAMP, SS 1.00 #16
22	540019	2	CLAMP, HOSE 3" SS #48
23	540069	4	HOSE CLAMP, 2.00 T-BOLT
24	596115M	5	BOLT, HH 5/16-18X1 GR5 MAGNI
25	596153M	4	BOLT, HH 1/2-13X1-1/2 GR5 MAGNI
26	596236M	5	NUT, CENTERLOCK, 5/16-18 MAGNI
27	596257M	5	WASHER, FLAT 5/16 USS MAGNI
28	596771M	4	NUT, HEX FLANGE 1/2-13 MAGNI
29	790020	1	GAUGE, FAST LOGO 160PSI



## 16-Row (40') 5-Section Plumbing



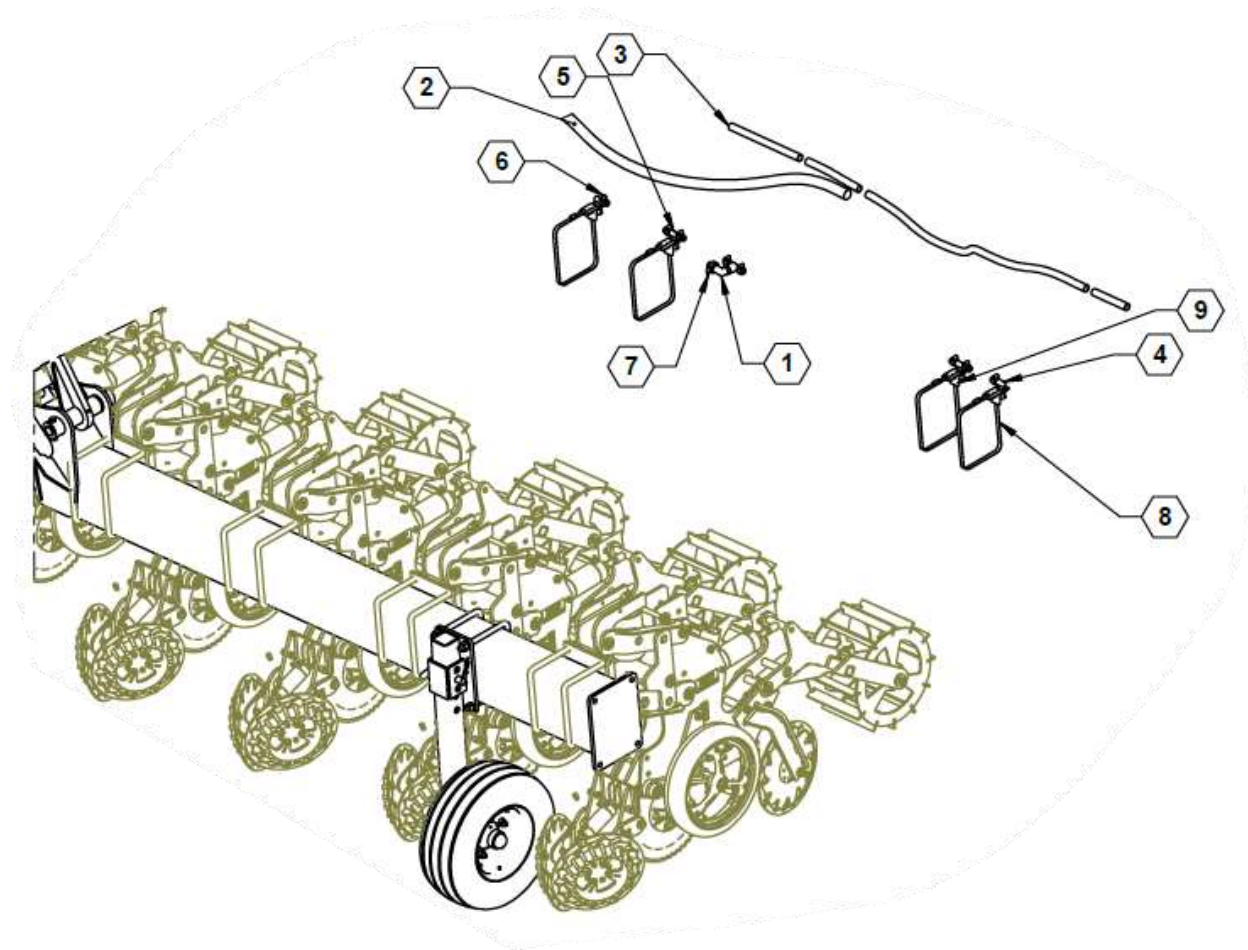




## Parts List 35682: 16-Row (40') 5-Section Plumbing

ITEM	PART NO.	QTY.	DESCRIPTION
1	90SAFTG075T10090	2	FITTING ASSY, TEE .75 FPT X .75 HB W/ ELBOW .75MPT X 1.00 HB
2	510016	35 FT	HOSE, 1" EPDM
3	510019	34 FT	HOSE, 3/4" EPDM
4	520003	10	NOZZLE, SINGLE HOSE SHANK
5	520004	6	NOZZLE, DOUBLE HOSE SHANK
6	540013	32	HOSE CLAMP, SS .75 #12
7	540014	2	HOSE CLAMP, SS 1.00 #16
8	540010	16	CLAMP, HOSE SS- 5 1/2" - 8 1/2"
9	590187	16	MOUNT, PLUMBING
NS	800360	2	DECAL, 40L

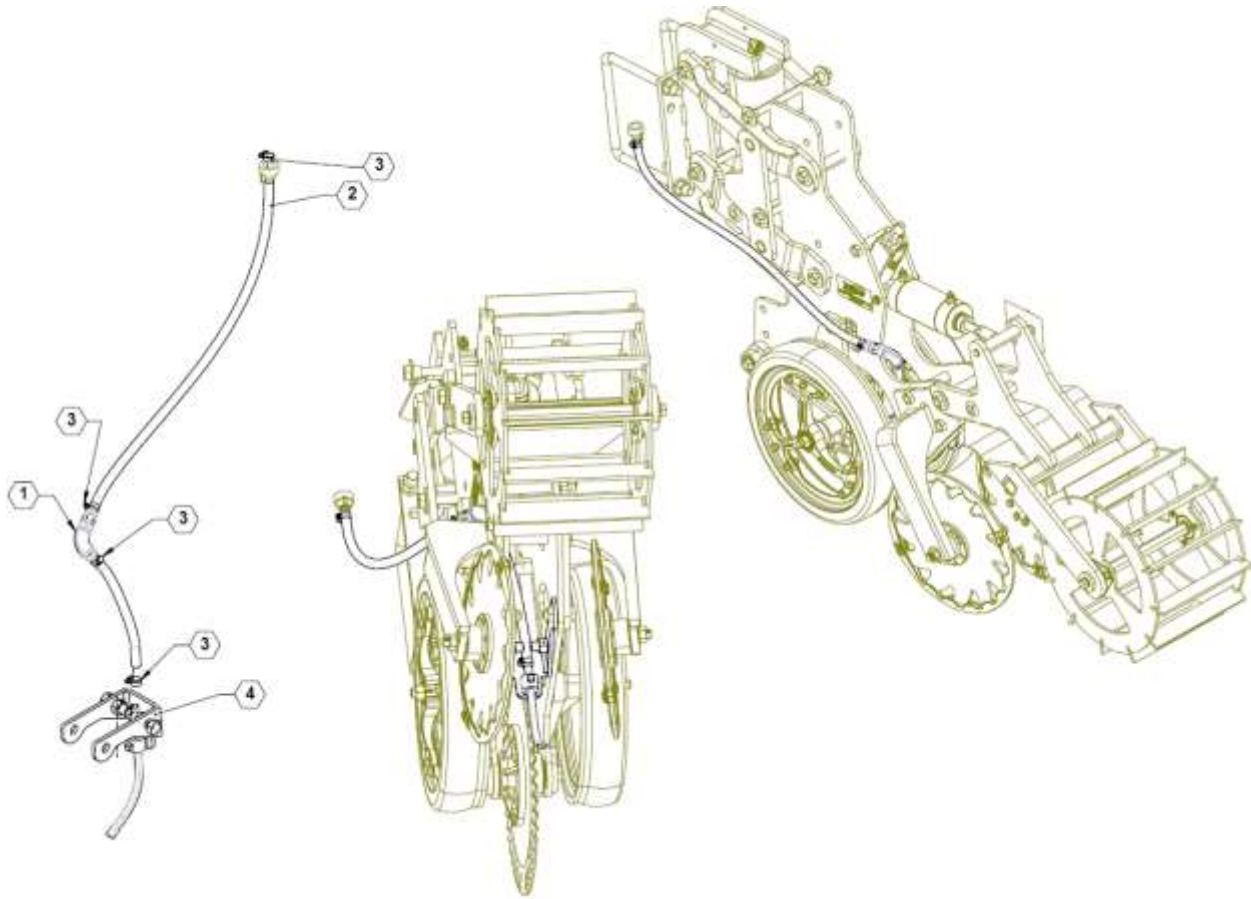
## 24-Row (60') 5-Section Plumbing



### Parts List 35408: 24-Row (60') 5-Section Plumbing

ITEM	PART NO.	QTY.	DESCRIPTION
1	90SAFTG075T10090	2	FITTING ASSY, TEE .75 FPT X .75 HB W/ ELBOW .75 MPT X 1.00 HB
2	510016	1	HOSE, 1" EPDM
3	510019	1	HOSE, 3/4", EPDM 3FT
4	520003	10	NOZZLE, SINGLE HOSE SHANK
5	520004	14	NOZZLE, DOUBLE HOSE SHANK
6	540013	48	HOSE CLAMP, SS .75 #12
7	540014	2	HOSE CLAMP, SS 1.00 #16
8	540010	24	CLAMP, HOSE SS 5 1/2" - 8 1/2"
9	590187	24	MOUNT, PLUMBING
10	800361	2	DECAL, -60L

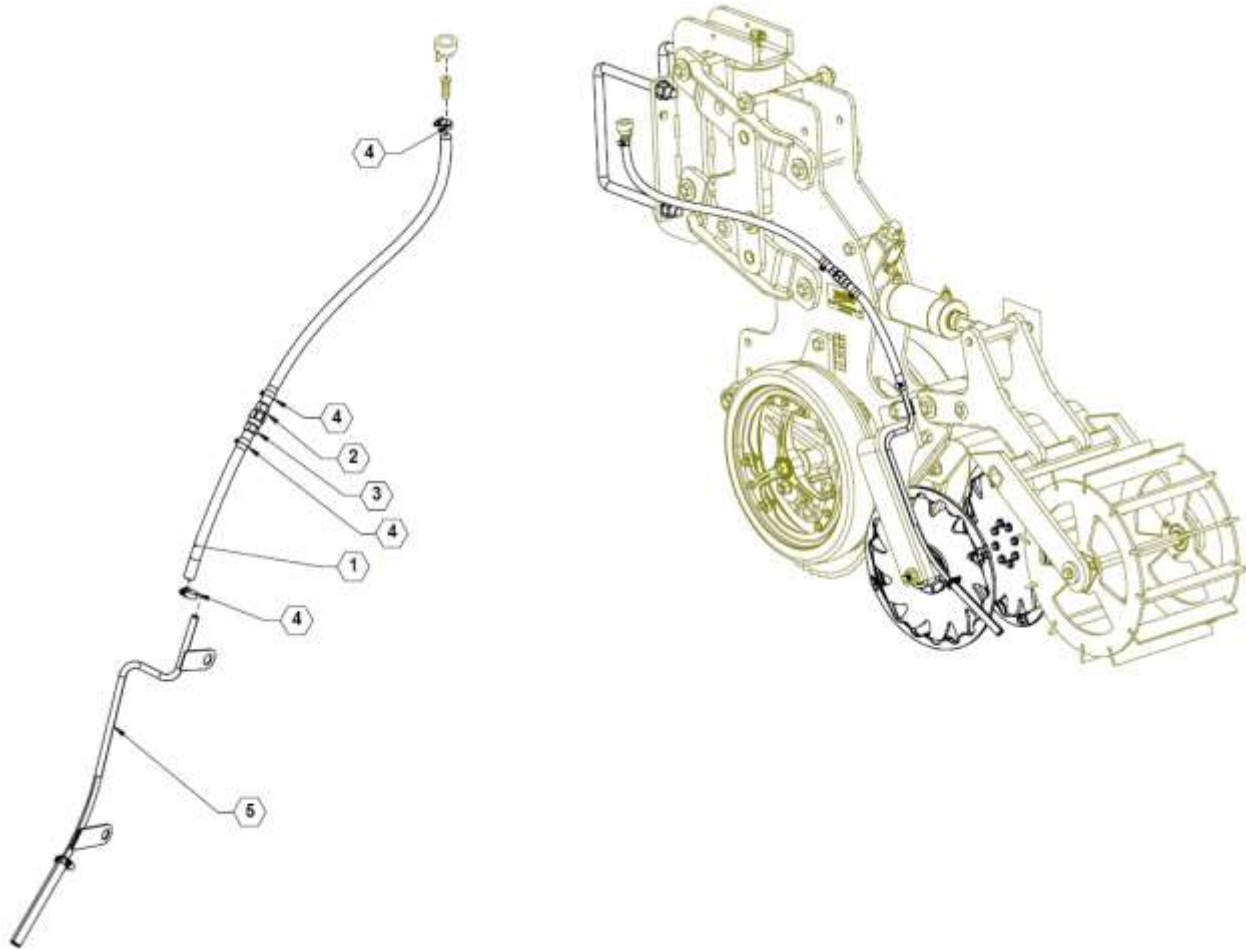
## Liquid Tube, Center Only



### Parts List 35719: Liquid Tube, Center Only

ITEM	PART NO.	QTY.	DESCRIPTION
1	37138	1	HIGH FLOW CHECK ASS, KNIFE
2	510012	4 FT	HOSE, 1/2" EPDM
3	540032	4	HOSE CLAMP, 5/16 #5 SS
4	790109	1	CENTER LIQUID FERT KIT

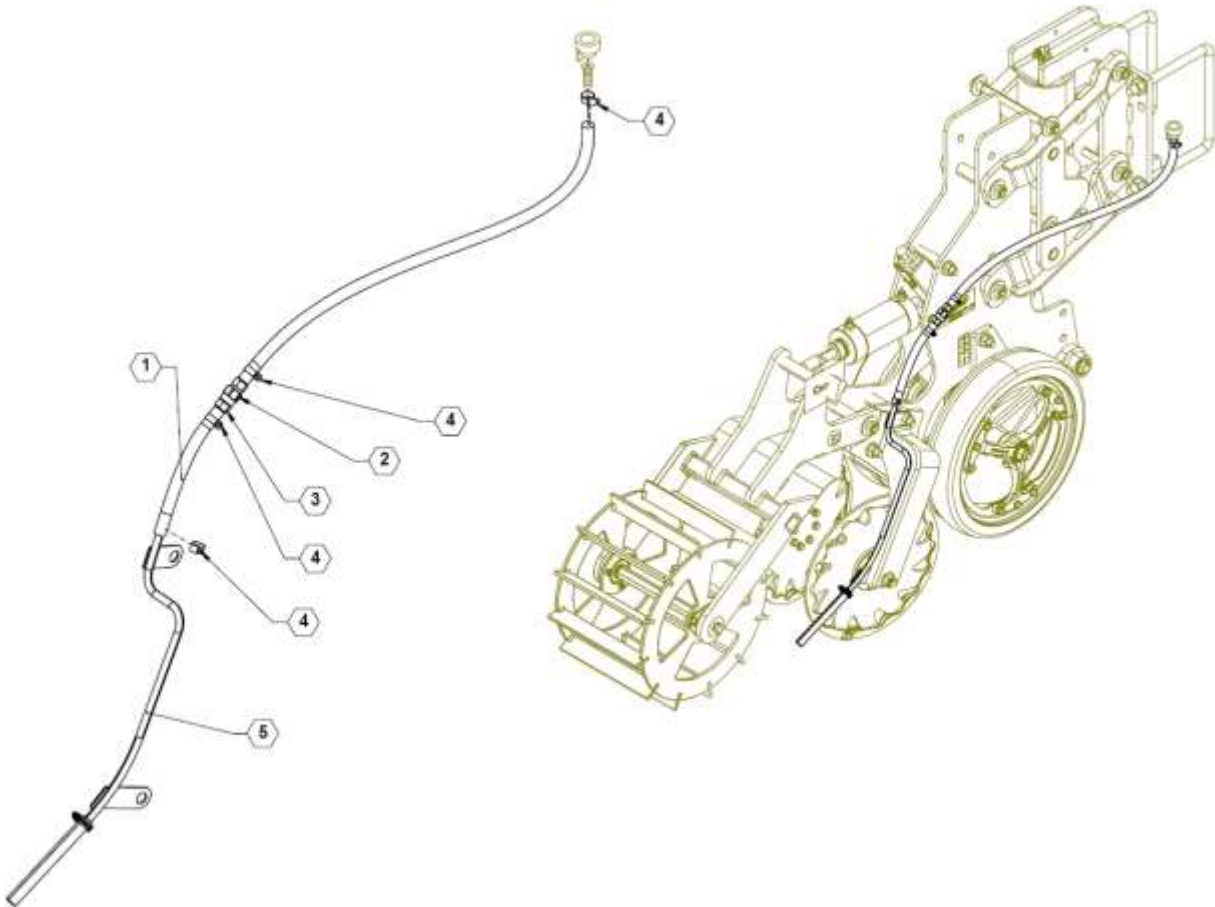
## Liquid Tube, Left Only



### Parts List 35718: Liquid Tube, Left Only

ITEM	PART NO.	QTY.	DESCRIPTION
1	510020	1	HOSE, 3/8" EPDM X 3.5 FT
2	530188	1	CHECK VALVE ASSEMBLY
3	530247	1	FITTING, 1/4" PIPE TO 3/8" HOSE, SS
4	540032	4	HOSE CLAMP, 5/16 #5 SS
5	790108	1	LH LIQUID FERT KIT

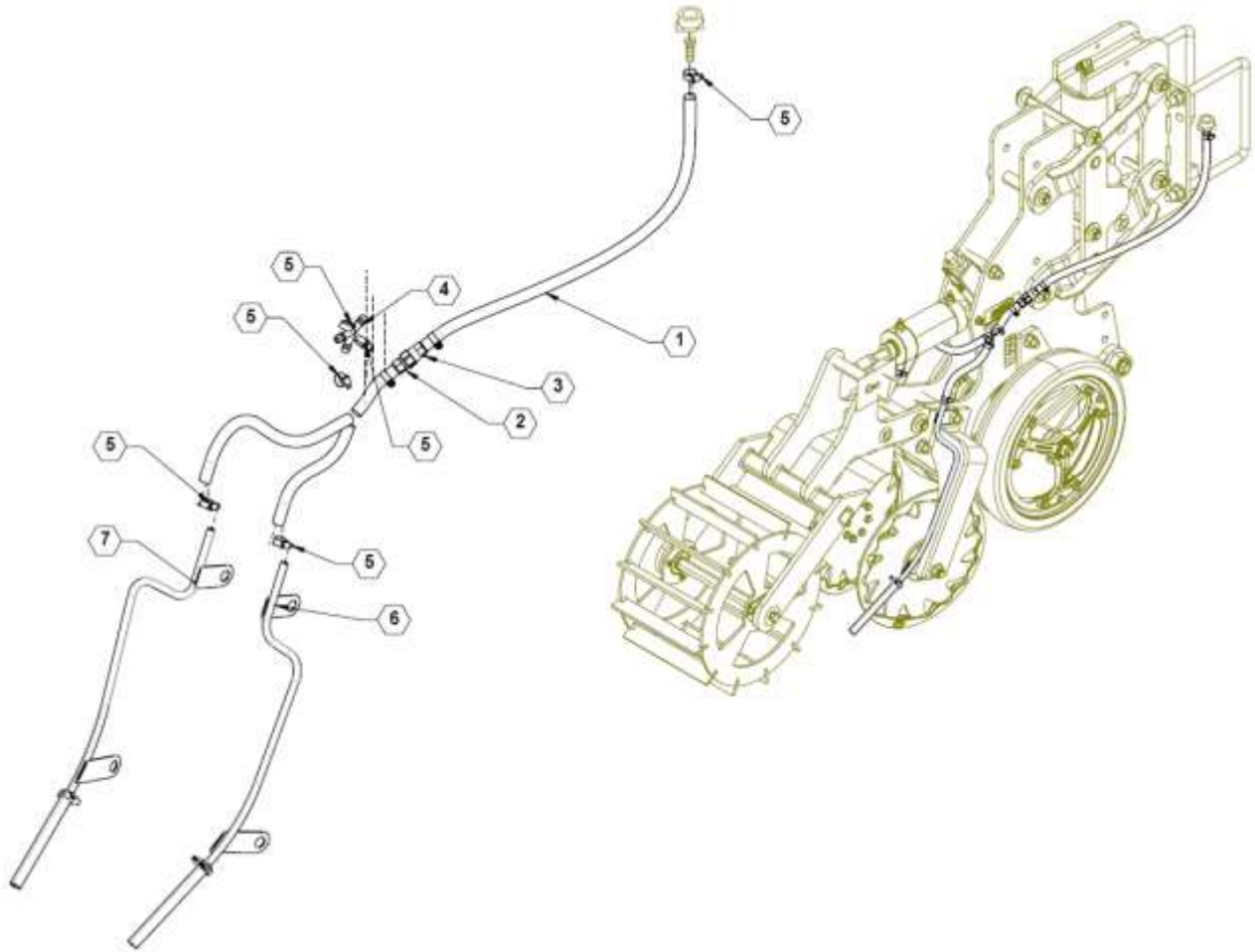
## Liquid Tube, Right Only



### Parts List 35716: Liquid Tube, Right Only

ITEM	PART NO.	QTY.	DESCRIPTION
1	510020	1	HOSE, 3/8" EPDM X 3.5 FT
2	530188	1	CHECK VALVE ASSEMBLY
3	530247	1	FITTING, 1/4" PIPE TO 3/8" HOSE, SS
4	540032	4	HOSE CLAMP, 5/16 #5 SS
5	790107	1	RH LIQUID FERT KIT

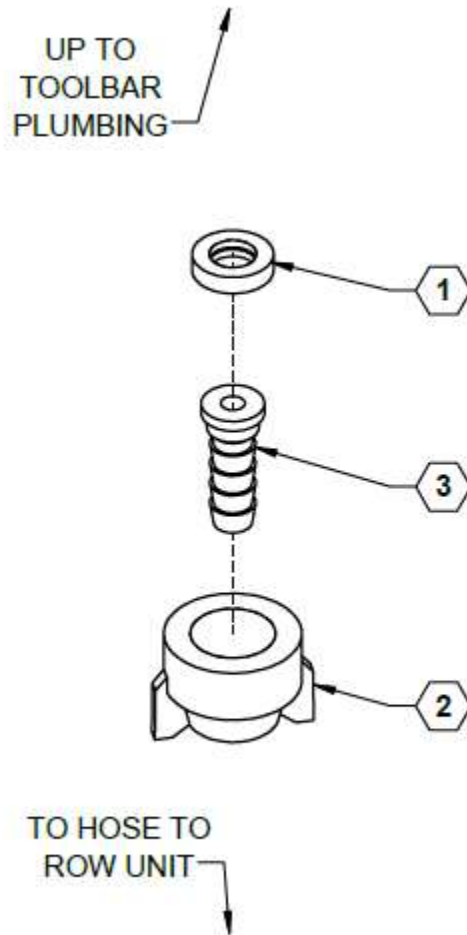
## Liquid Tube, Left & Right



### Parts List 35715: Liquid Tube, Left & Right

ITEM	PART NO.	QTY.	DESCRIPTION
1	510020	1	HOSE, 3/8" EPDM X 4.5 FT
2	530188	1	CHECK VALVE ASSEMBLY
3	530247	1	FITTING, 1/4" PIPE TO 3/8" HOSE, SS
4	530372	1	3/8" HOSE BARB Y FTTNG
5	540032	8	HOSE CLAMP, 5/16 #5 SS
6	790107	1	RH LIQUID FERT KIT
7	790108	1	LH LIQUID FERT KIT

## Standard Nozzles



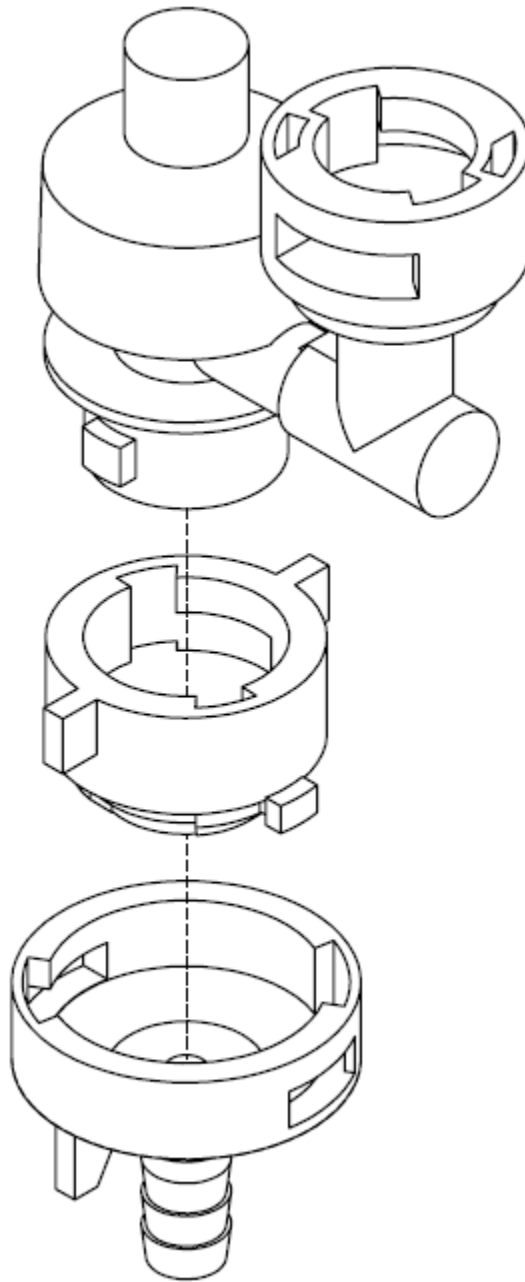
### Parts List 35730: Standard Nozzles

ITEM	PART NO.	QTY.	DESCRIPTION
1	590029	1	SEAL, EPDM
2	590076	1	CAP, QT NYLON BLACK
3	590077	1	CONNECTOR, HOSE BARB

### Parts List 37038: Option, 1/2" Plumb Mount

ITEM	PART NO.	QTY.	DESCRIPTION
1	590029	1	SEAL, EPDM
2	590076	1	CAP, QT NYLON BLACK
3	530526	1	CONNECTOR, HOSE BARB

## VariTarget Nozzles 1.0 Rate



### Parts List 35410: VariTarget Nozzles 1.0 Rate

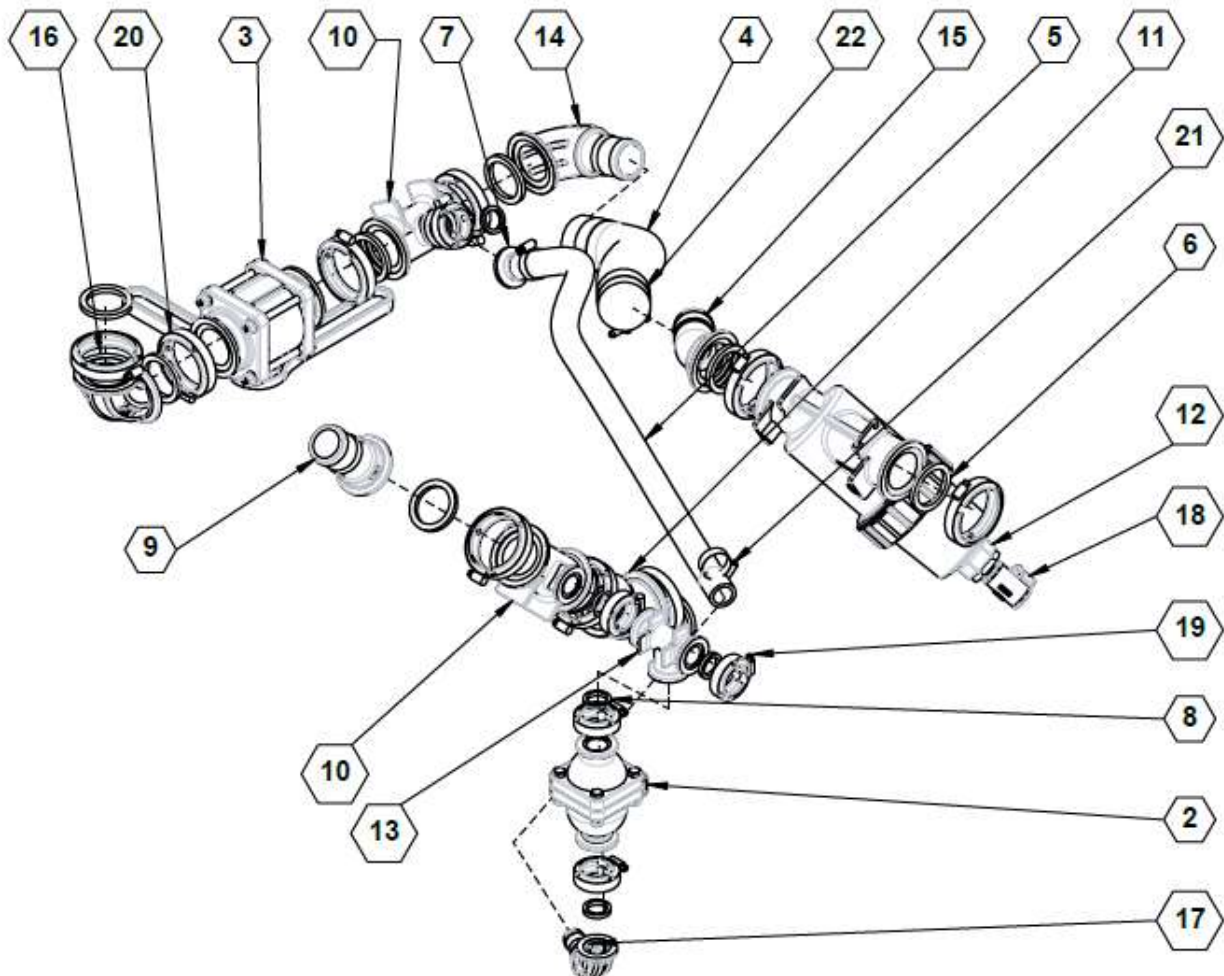
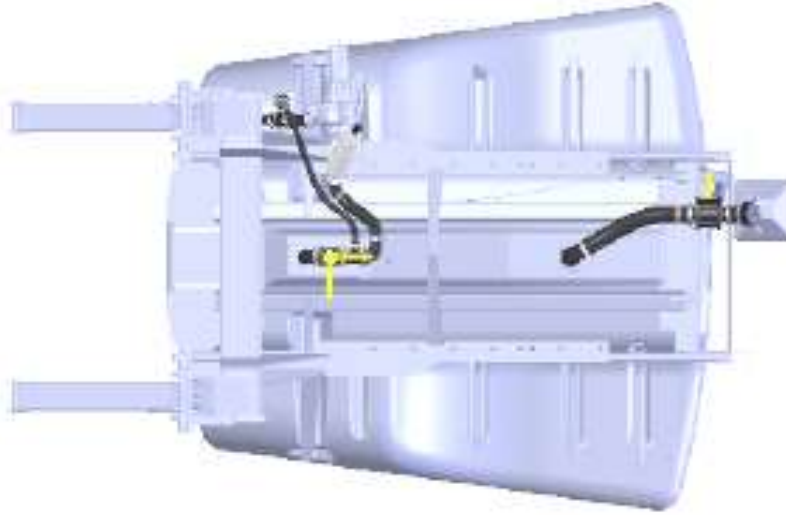
ITEM	PART NO.	QTY.	DESCRIPTION
1	520054	24	HI VERIFLOW YELLOW TIP





## PRODUCT PLUMBING on FRAME

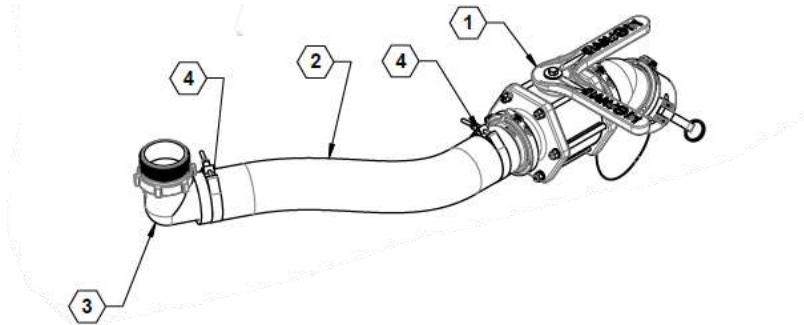
### Standard Plumbing



## Parts List 35318: Standard Plumbing

ITEM	PART NO.	QTY.	DESCRIPTION
2	500004	1	VALVE, 100 PSI RELIEF
3	500006	1	VALVE, 2" FULL PORT MANIFOLD
4	510003	2 FT	HOSE, 2" FERTILIZER
5	510016	4 FT	HOSE, 1" EPDM
6	530019	9	GASKET, 2.00 EPDM
7	530066	1	FITTING, 1.00 MANIFOLD X 1.00 HB
8	530068	5	GASKET, 1.00 EPDM
9	530082	1	FITTING, 2.00 FLANGE X 2.00 HB
10	530099	2	MANIFOLD, 2" FP X 1" FLANGE TEE
11	530105	1	MANIFOLD, 2" FP X 2" FP CPLG 45 DEG
12	530125	1	STRAINER, 2" FULL PORT LINE
13	530298	1	MANIFOLD TEE, 1"
14	530334	1	2" FP PLANGE X HOSE SHK SWEEP
15	530354	1	ELBOW 45, 2.00 MANIFOLD X 2.00 HB
16	530386	1	MANIFOLD SWEEP, 2" FP FLANGE
17	530445	1	FLANGE SWEEP X 1 IN HB
18	530515	1	VALVE, 1/2" FPT X 1/2" MPT MICRO
19	540000	5	CLAMP, WORM SCREW, 1.00
20	540002	9	CLAMP, FP WORM SCREW, 2.00
21	540014	2	HOSE CLAMP, SS 1.00 #16
22	540069	2	HOSE CLAMP, 2.00 T-BOLT

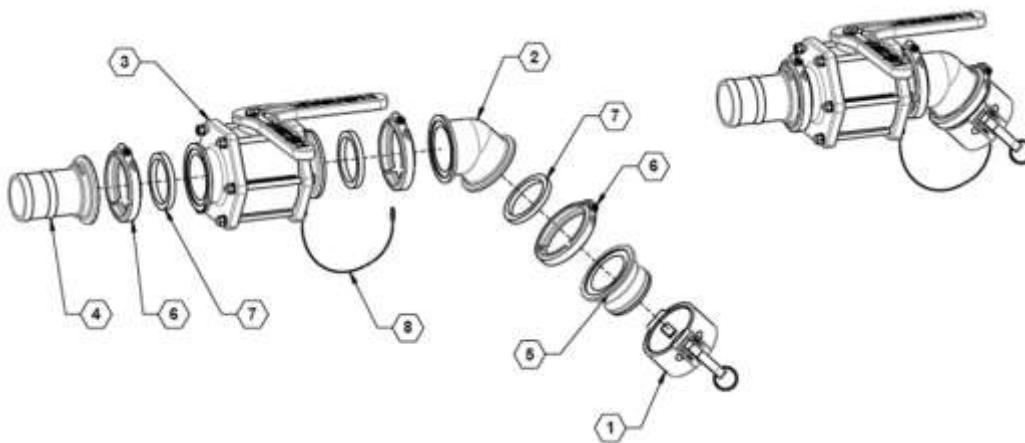
## Quick Fill, 3"



### Parts List 34296: Quick Fill, 3"

ITEM	PART NO.	QTY.	DESCRIPTION
1	90SA3QF	1	SUB ASSY, 3" QUICK FILL
2	510038	4	(FT) HOSE, 3" FERTILIZER, BLACK
3	530053	1	3" HOSE BARB ELBOW 90°
4	540009	2	CLAMP, 3" T BOLT

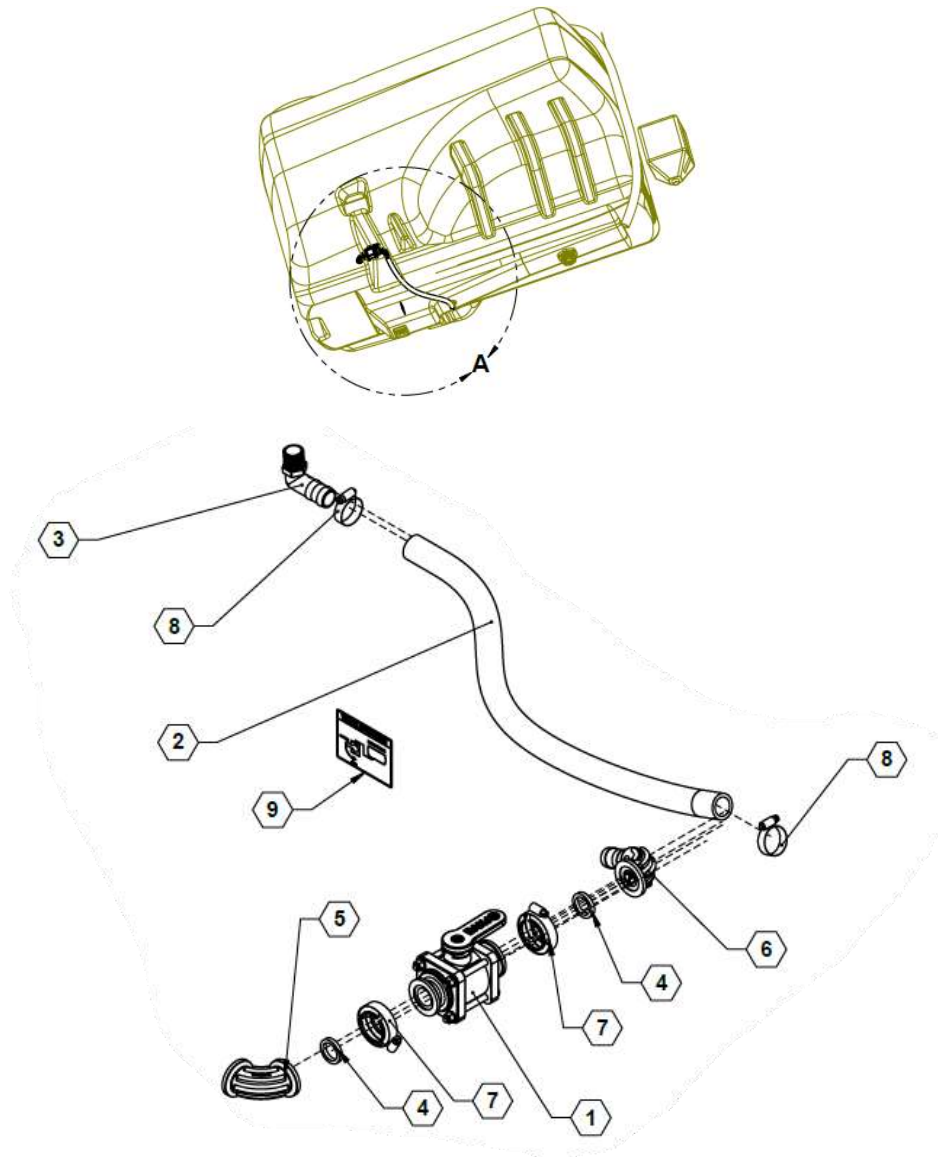
## Quick Fill Valve, 3"



### Parts List 90SA3QF: Quick Fill Valve, 3"

ITEM	PART NO.	QTY.	DESCRIPTION
1	500042	1	MV300CF
2	530023	1	CAP, 3"
3	530024	3	GASKET, 3" EPDM
4	530113	1	Flanged 3" Hose Barb
5	530179	1	CABLE LANYARD
6	530233	1	3" MANIFOLD X 3" MALE ADAPTER
7	530234	1	3" COUPLER, 45 DEGREE
8	540003	3	CLAMP, WORM SCREW 3"

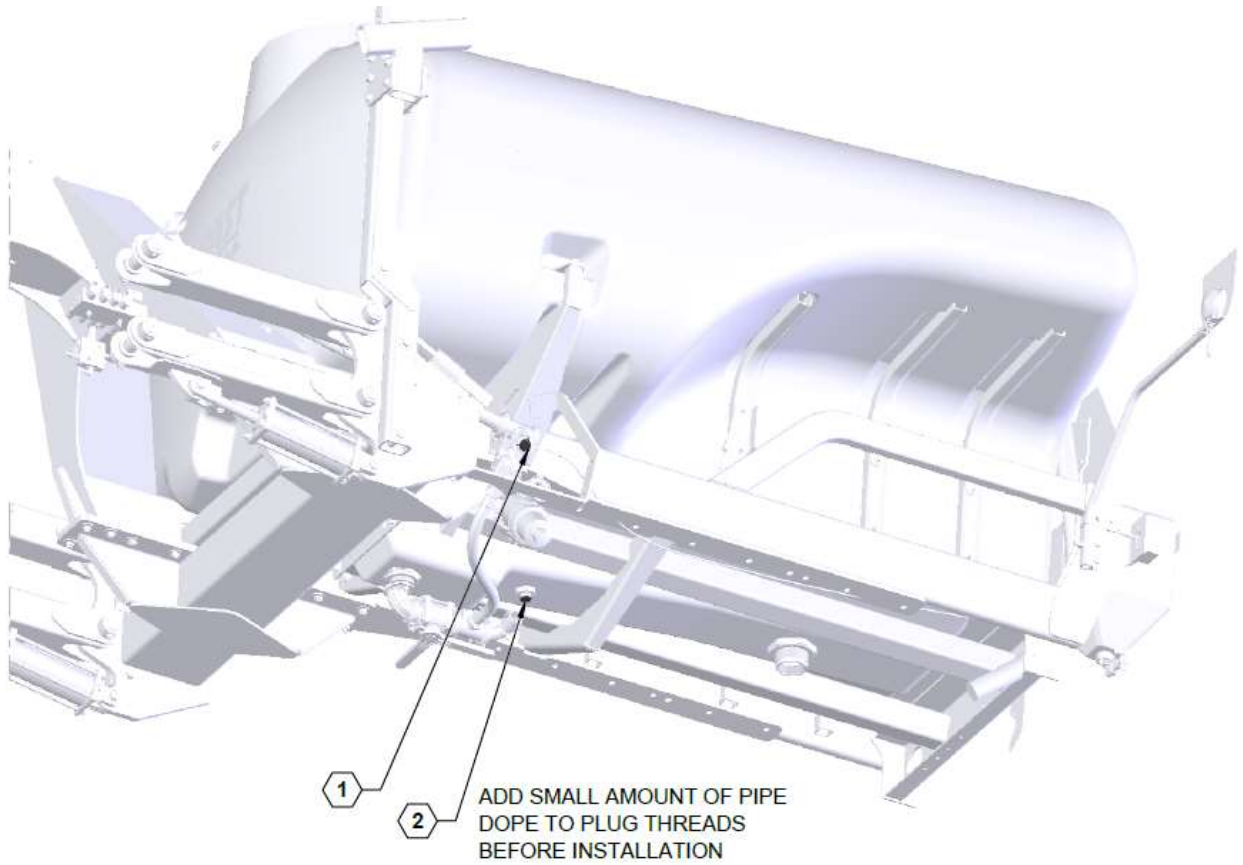
## Manual Agitation



### Parts List 35319: Manual Agitation

ITEM	PART NO.	QTY.	DESCRIPTION
1	500005	1	VALVE, 1" FP WITH C-FLANGE
2	510016	4 FT	HOSE, 1" EPDM
3	530036	1	ELBOW, .75 MPT X 1.00 90~
4	530068	2	GASKET, 1.00 EPDM
5	530424	1	MANIFOLD SWEEP, 1" FLANGE
6	530445	1	FLANGE SWEEP X 1 IN HB
7	540000	2	CLAMP, WORM SCREW, 1.00
8	540014	2	HOSE CLAMP, SS 1.00 #16
9	800092	1	DECAL, AGITATION

## No Agitation

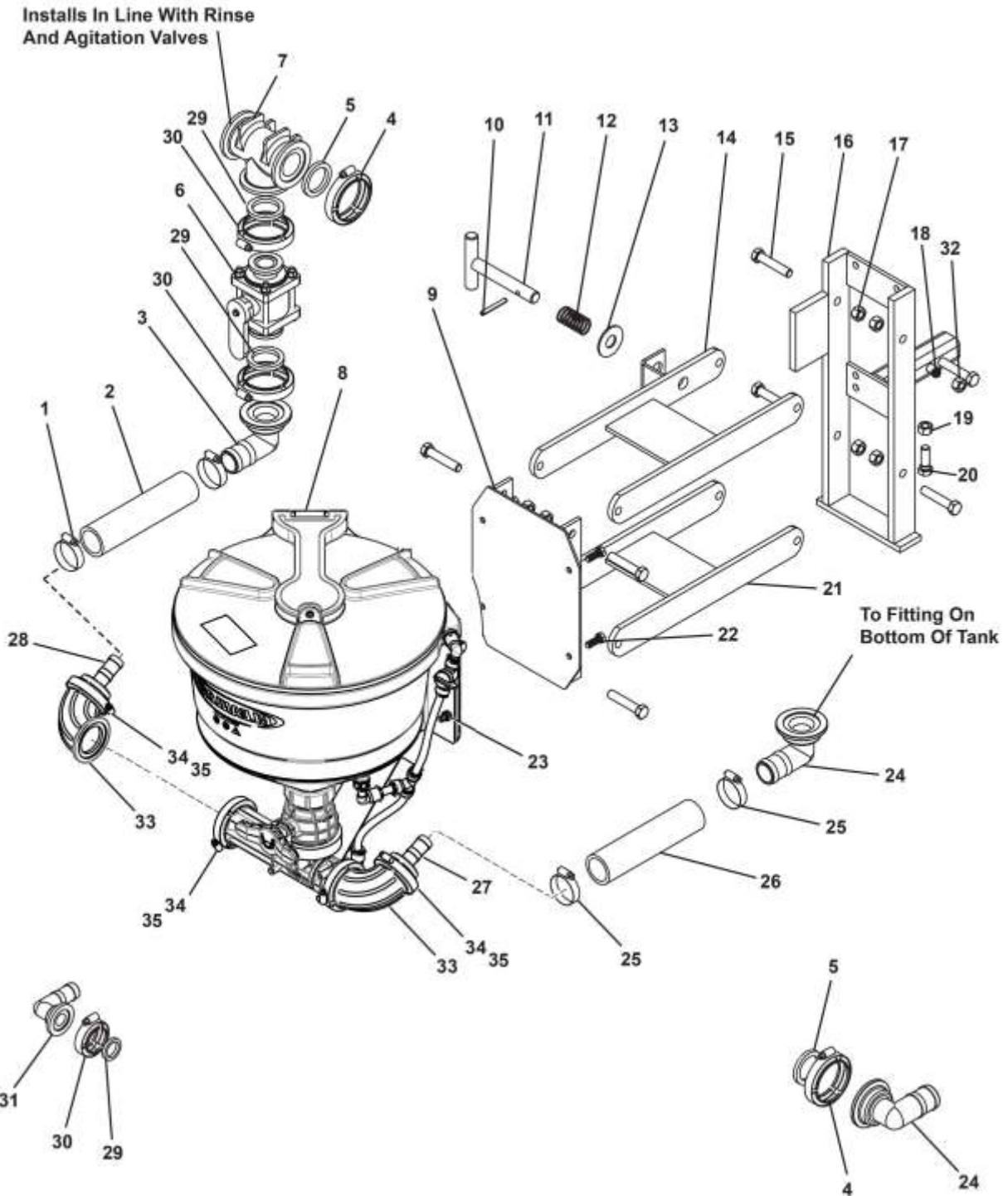


### Parts List 27811: No Agitation

ITEM	PART NO.	QTY.	DESCRIPTION
1	530070	1	PLUG, MANIFOLD, 1.00
2	530392	1	FITTING, PLUG, .750 MNPT, POLY



## Eductor for Applicator







# ILLUSTRATED PARTS LIST

## Parts List 99HYPIND07FC18/24: Eductor for Applicator

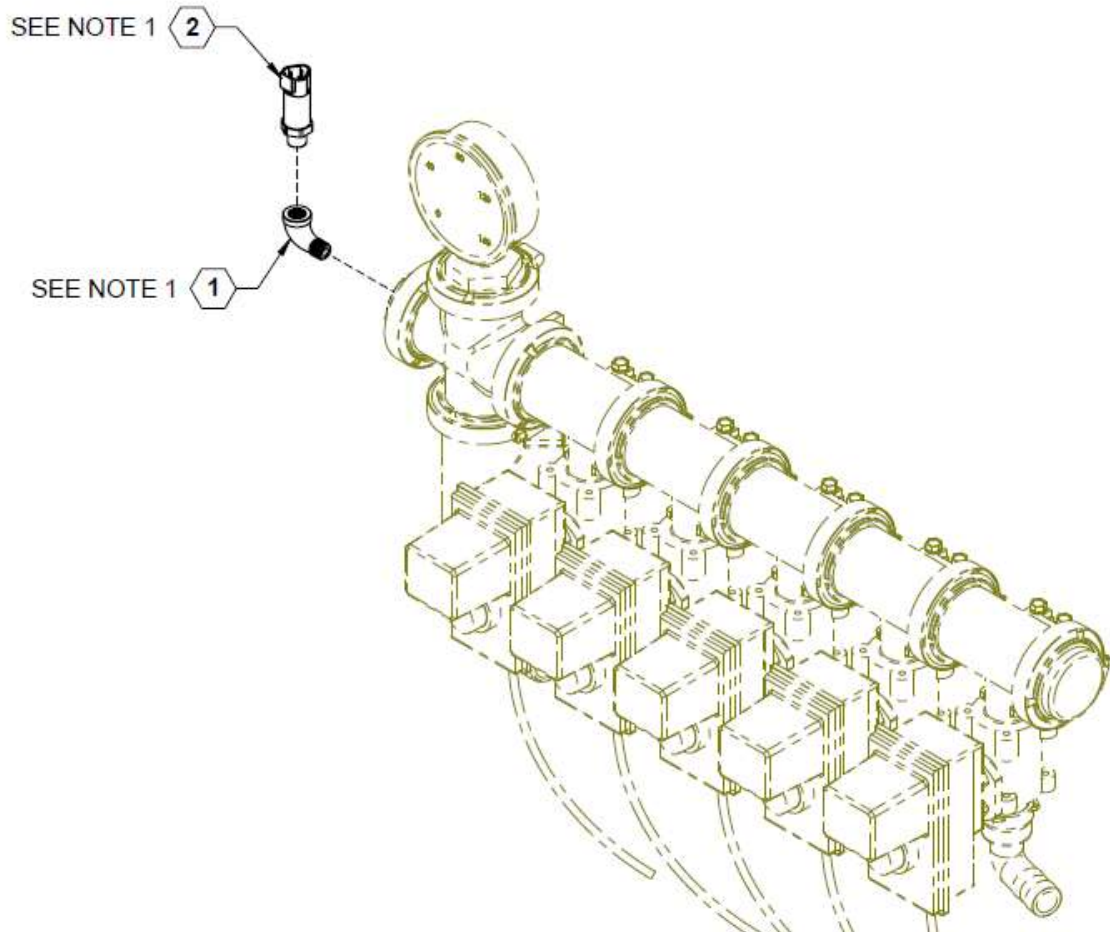
ITEM	PART NO.	QTY.	DESCRIPTION
NS	800015	1	DECAL, INDUCTOR
NS	540051	2	P CLAMP, 2" HOSE 2"
1	540015	2	CLAMP, STAINLESS 1-1/4" #20
2	510015	6	HOSE, 1-1/4" EPDM
4	540001	3	CLAMP, 2" STANDARD WORM SCREW
5	530014	3	1-1/2" EPDM GASKET
6	500005	1	VALVE, 1" FULL PORT WITH C-F
7	530075	1	2" STANDARD PORT X 1" FLANGED
8	570119	1	TANK CLEANLOAD EDUCTOR 7.5 GALLON
9	16560BLK	1	MOUNT, HYPRO EDUCTOR
10	687	1	Pin, Spring 1.25 x 2" ZP
11	7981BLK	1	HANDLE, T SHAPED
12	790001	1	SPRING, INDUCTOR LATCH
13	262	1	WASHER, FLAT 3/4" ZIP
14	7928BLK	1	LINK, EDUCTOR, UPPER
15	153	8	Bolt, HH 1/2 x 1.5 GR5 ZP
16	11632BLK	1	MOUNT PLATE, BACK 9500 TRAILER
17	231	8	Nut, HH 1/2" Nylock ZP
18	154	1	Bolt, HH 1/2 x 2.5 GR5 ZP
19	223	1	Nut, HH 1/2" Jam ZP
20	152	1	Bolt, HH 1/2 x 1" GR5 ZP
21	7925BLK	1	LINK, EDUCTOR, LOWER
22	128	4	Bolt, HH 3/8 x 1" GR5 ZP
23	769	4	Nut, HH 3/8" Whizlock ZP
24	530080	1	2" SP FLANGE X 1-1/2" HOSE BARB - 90°
25	540016	2	CLAMP, STAINLESS 1-1/2" #24
26	510014	5	HOSE, 1-1/2" EPDM
27	530079	1	2" MANIFOLD X 1-1/2" HOSE BARB
28	530076	1	2" MANIFOLD X 1-1/4" HOSE BARB
29	530068	2	1" EPDM GASKET FOR MANIFOLD
30	540000	2	CLAMP, 1" WORM SCREW
31	530065	1	1" FLANGE X 1-1/4" HOSE BARB - 90°
32	771	8	1/2" Wizlock Nut
33	530388	2	2" FP FLANGE X 2" STANDARD FLANGE SWP
34	540002	2	CLAMP, 2" FULL WORM SCREW
35	530019	2	2" EPDM GASKET

## PRODUCT ELECTRICAL COMP.S

### Pressure Transducer

NOTES:

1. APPLY A SMALL AMOUNT OF THREAD SEALANT BEFORE INSTALLING
2. INSTALL WITH TRANSDUCER ELECTRICAL CONNECTION FACING UPWARD



### Parts List 28027: Pressure Transducer

ITEM	PART NO.	QTY.	DESCRIPTION
1	530246	1	ELBOW, 90° STREET ¼ NPT SS
2	632036	1	TRANSDUCER, PRESSURE

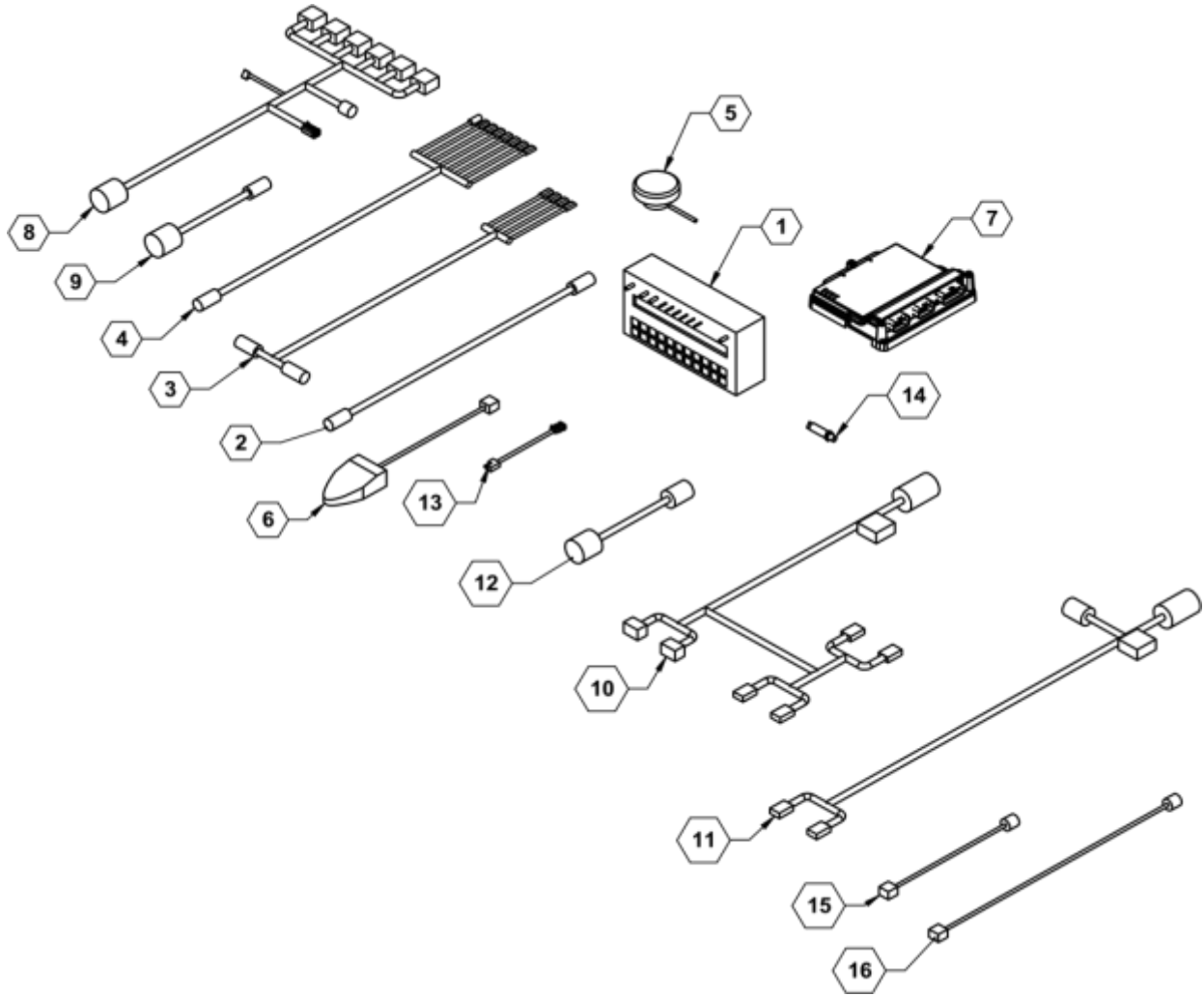
## No Pressure Transducer

### Parts List: No Pressure Transducer

ITEM	PART NO.	QTY.	DESCRIPTION
1	530446	1	PLUG, .25 MPT, POLY



**Raven Harnesses & Components**



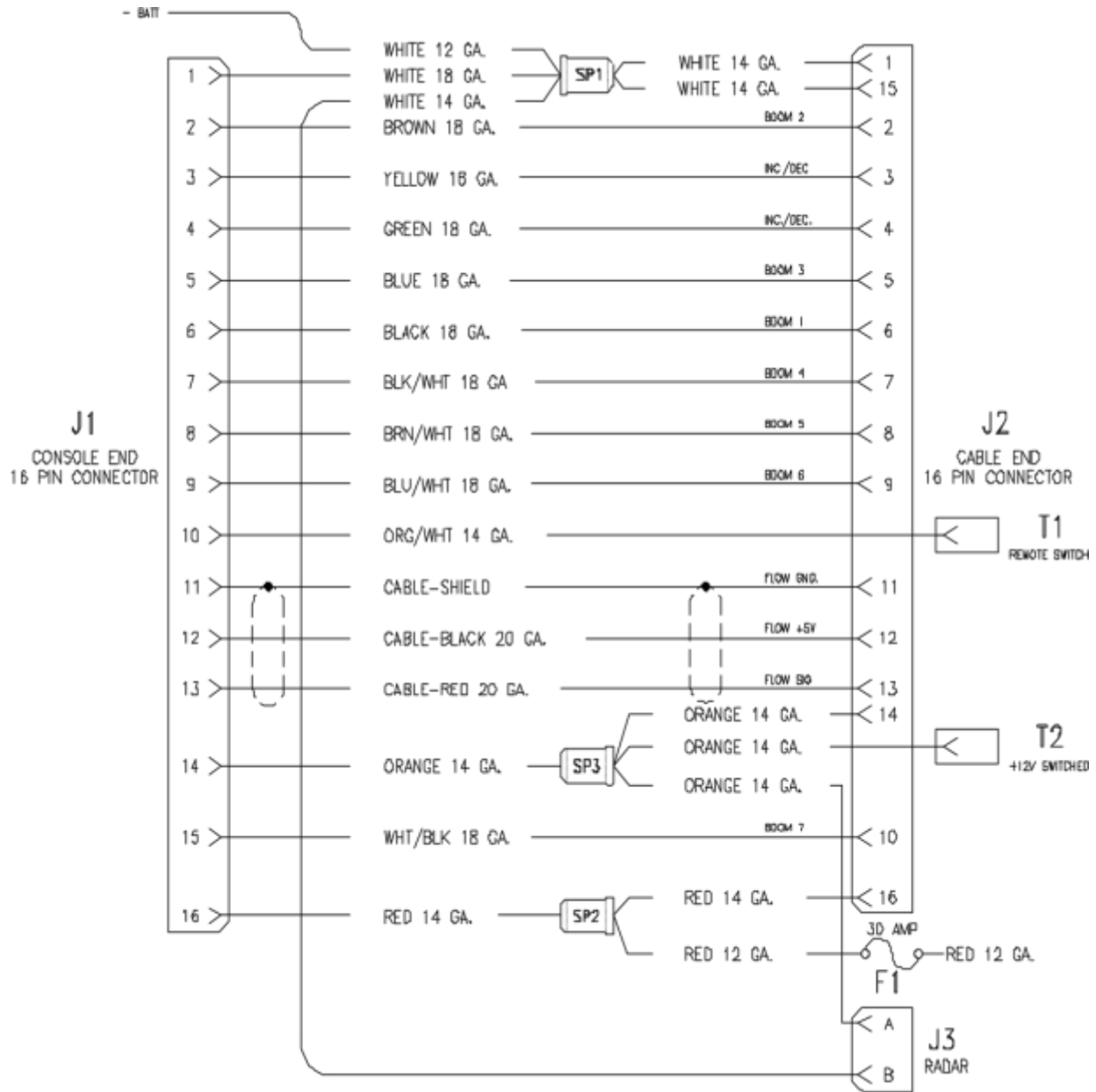


# ILLUSTRATED PARTS LIST

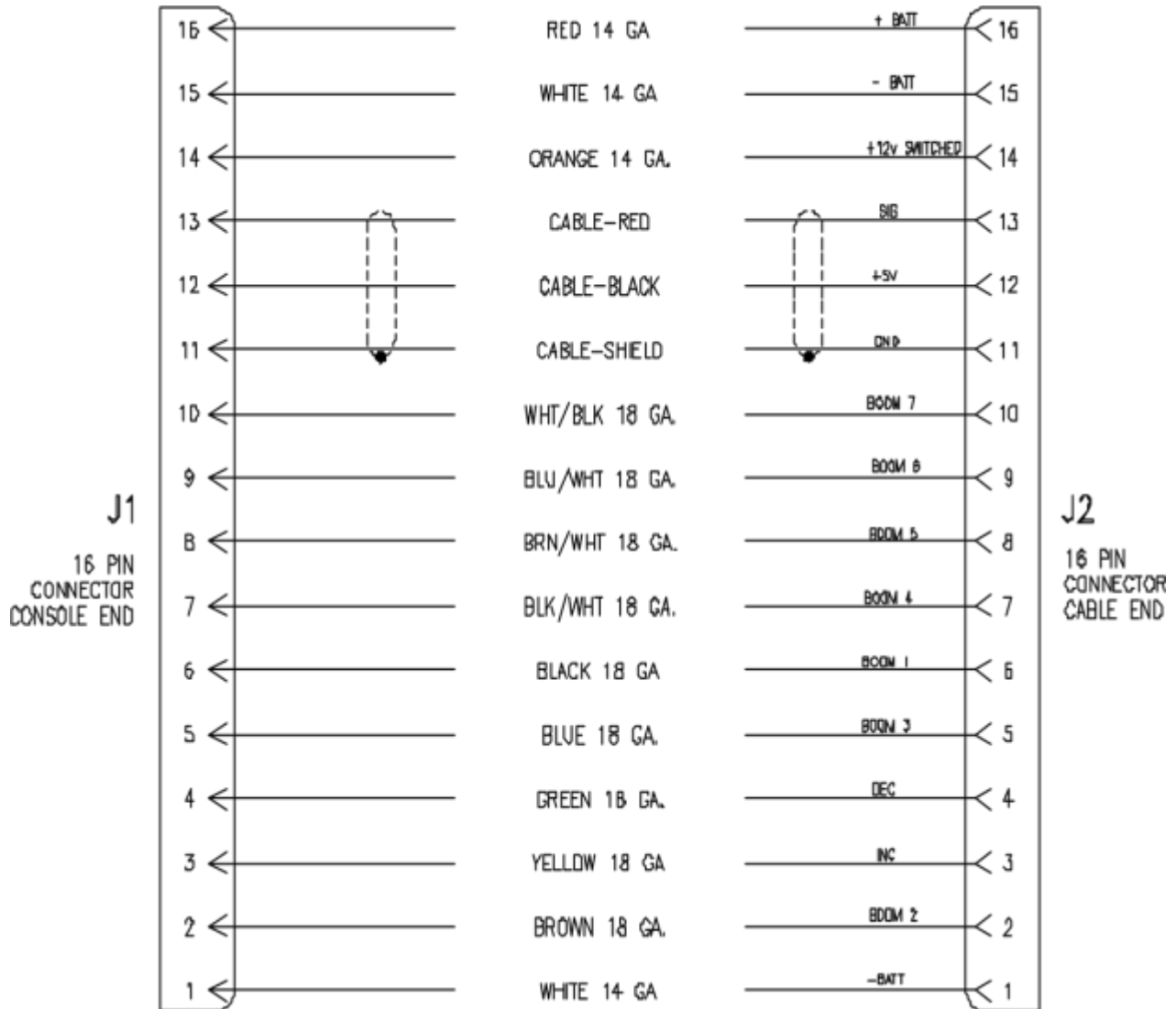
## Parts List: Raven Harnesses & Components

ITEM	PART NO.	QTY.	DESCRIPTION
1	631803	AR	6 SECTION 450 CONSOLE
2	631814	AR	12' 16 PIN EXTENSION CABLE
3	631818	AR	10' 440/450 CONSOLE CABLE
4	631819	AR	16 PIN 6 SECTION CABLE
5	631832	AR	GPS SPEED SENSOR
6	631856	AR	FOOTSWITCH
7	632010	AR	RCM
8	632080	AR	47 PIN 6 SECTION CABLE
9	632028	AR	47 PIN TO 16 PIN ADAPTER
10	632029	AR	47 PIN RCM Y-CABLE
11	632031	AR	12' ISO TO IBIC CABLE
12	632033	AR	47 PIN TO 37 PIN ADAPTER
13	632034	AR	TRAILER TO DEUTSCH PLUG ADAPTER CABLE
14	632036	AR	PRESSURE TRANSDUCER
15	632061	AR	CABLE, FOOTSWITCH, 12'
16	632062	AR	CABLE, FOOTSWITCH, 23'
NS	631802	AR	3 SECTION 440 CONSOLE

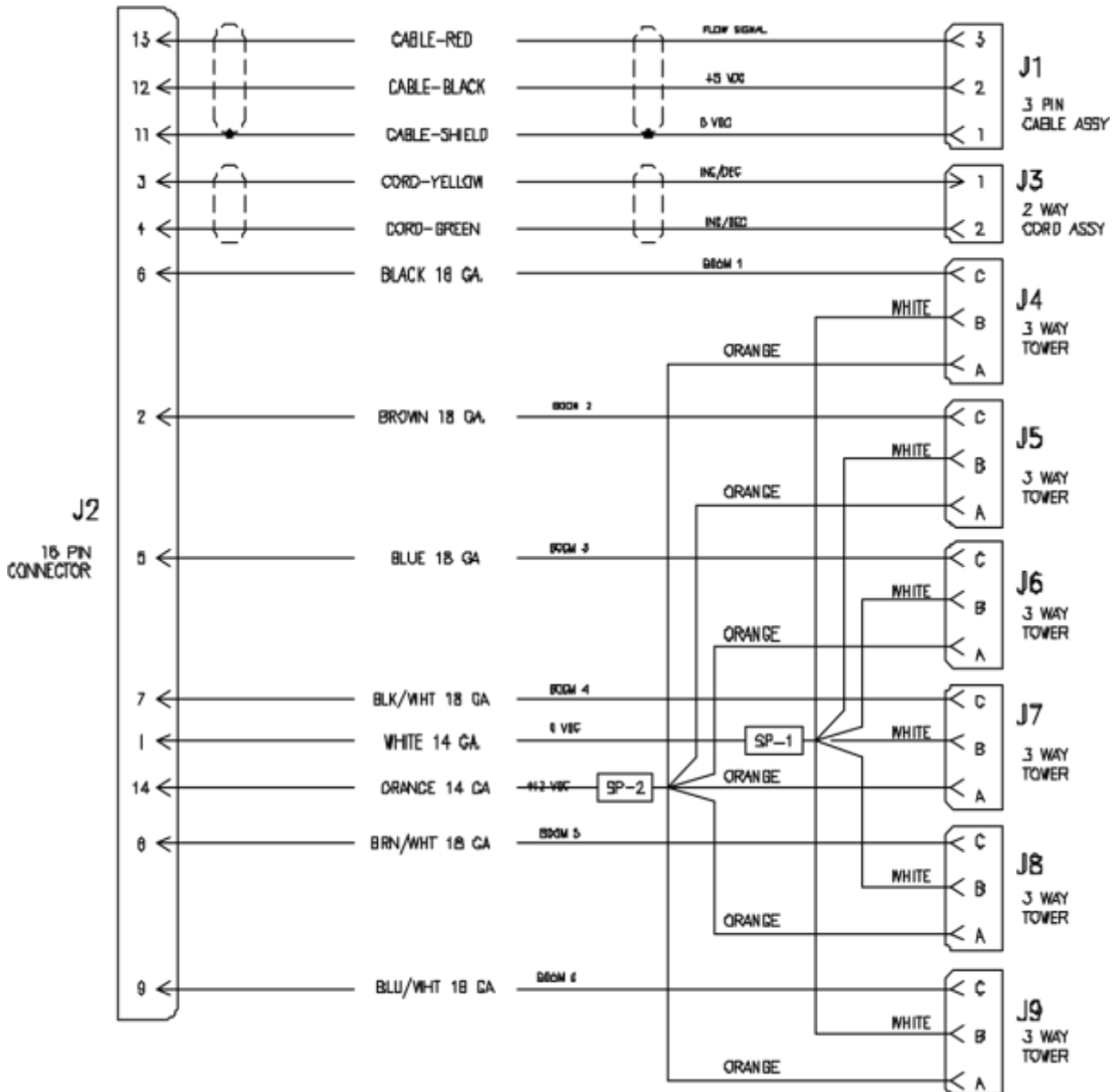
## Control Harness 115-0171-085



## Control Harness 115-0159-856

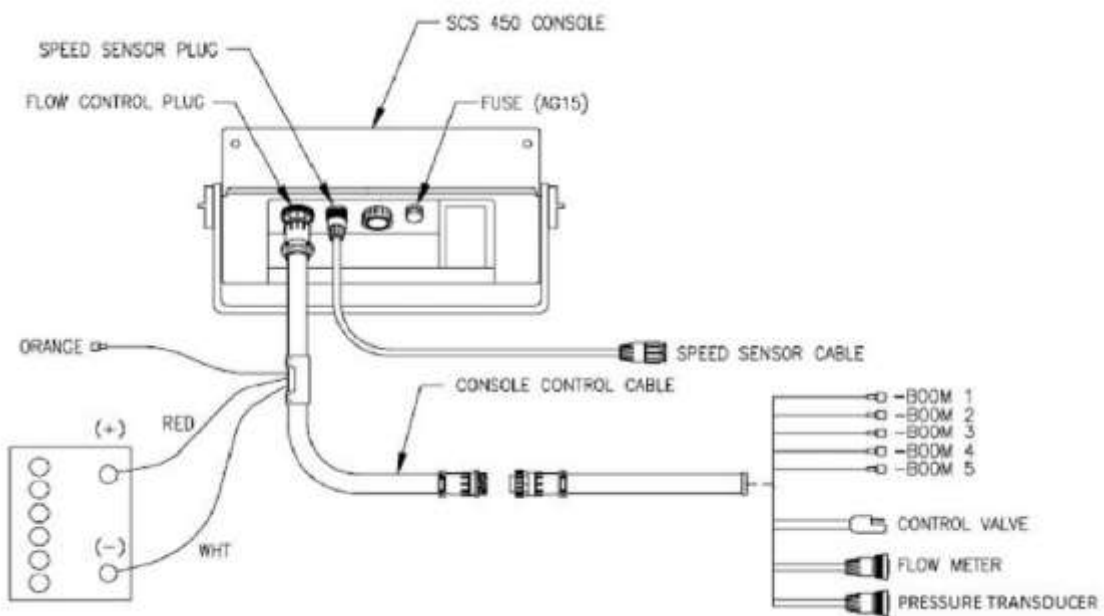
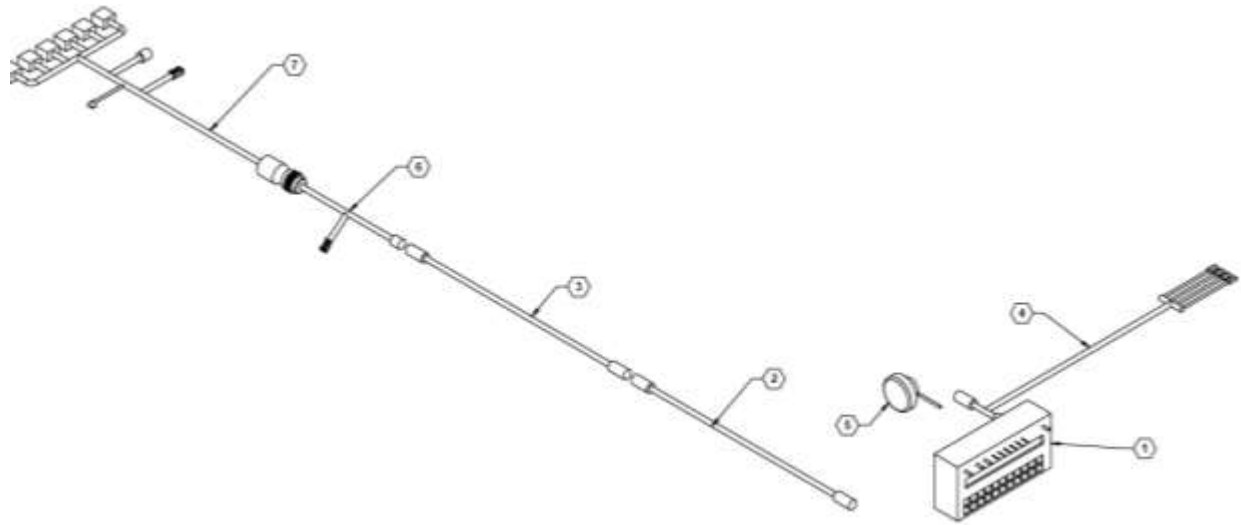


## Control Harness 115-0171-086





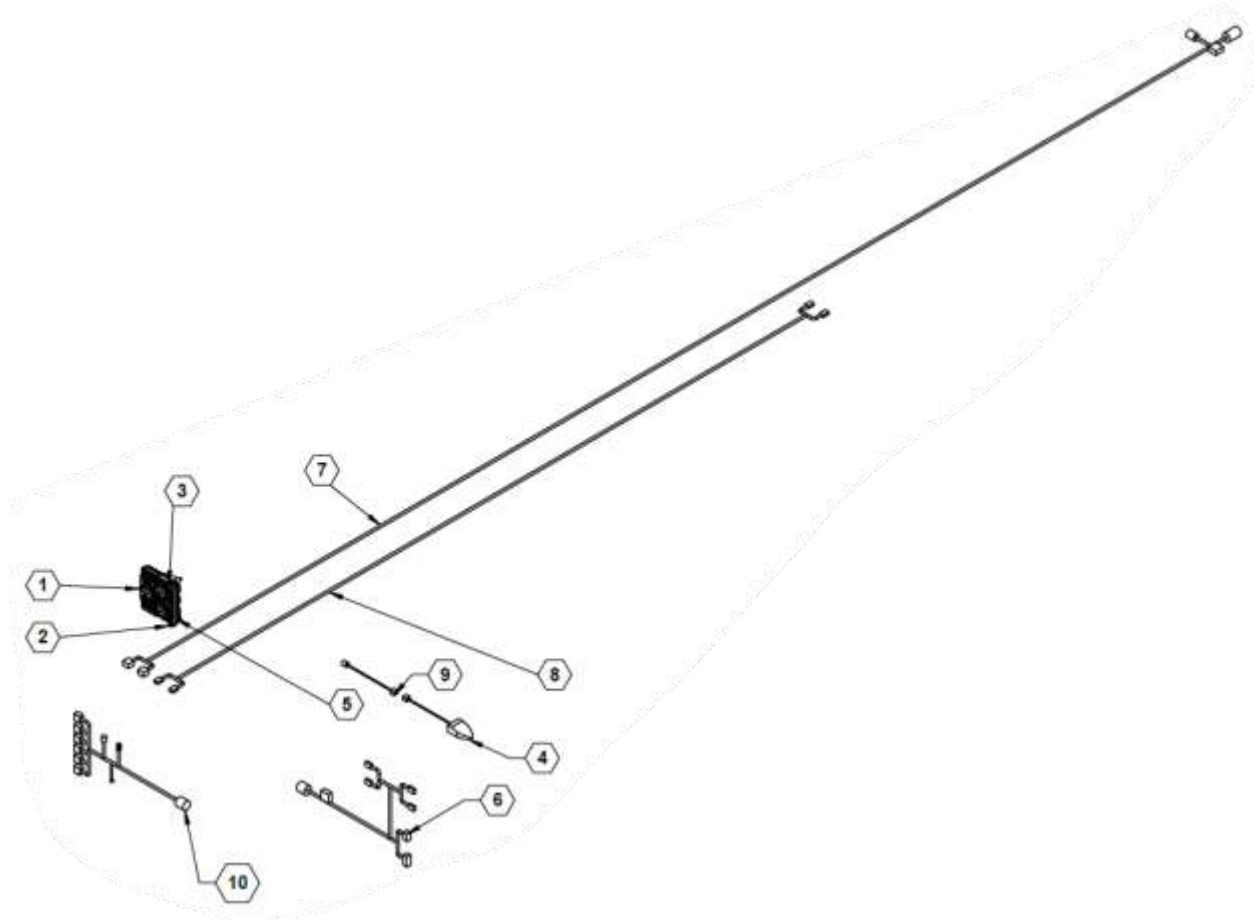
## Raven 450 Rate Controller



### Parts List 35742: Raven 450 Rate Controller

ITEM	PART NO.	QTY.	DESCRIPTION
1	631803	1	RAVEN SCS450 CONTROLLER
2	631814	1	CABLE, 6 BOOM 12' EXTENSION
3	631815	1	CABLE, 6 BOOM 24' EXTENSION
4	631818	1	CABLE 10' CONSOLE 7 BOOM SCS 440/4
5	631832	1	SKYTRAK GPS SPEED SENSOR
6	632080	1	6 SECTION 6' FINAL CABLE
6	632028	1	47 PIN TO 16 PIN ADAPTER
7	632080	1	6 SECTION APP FINAL HARNESS

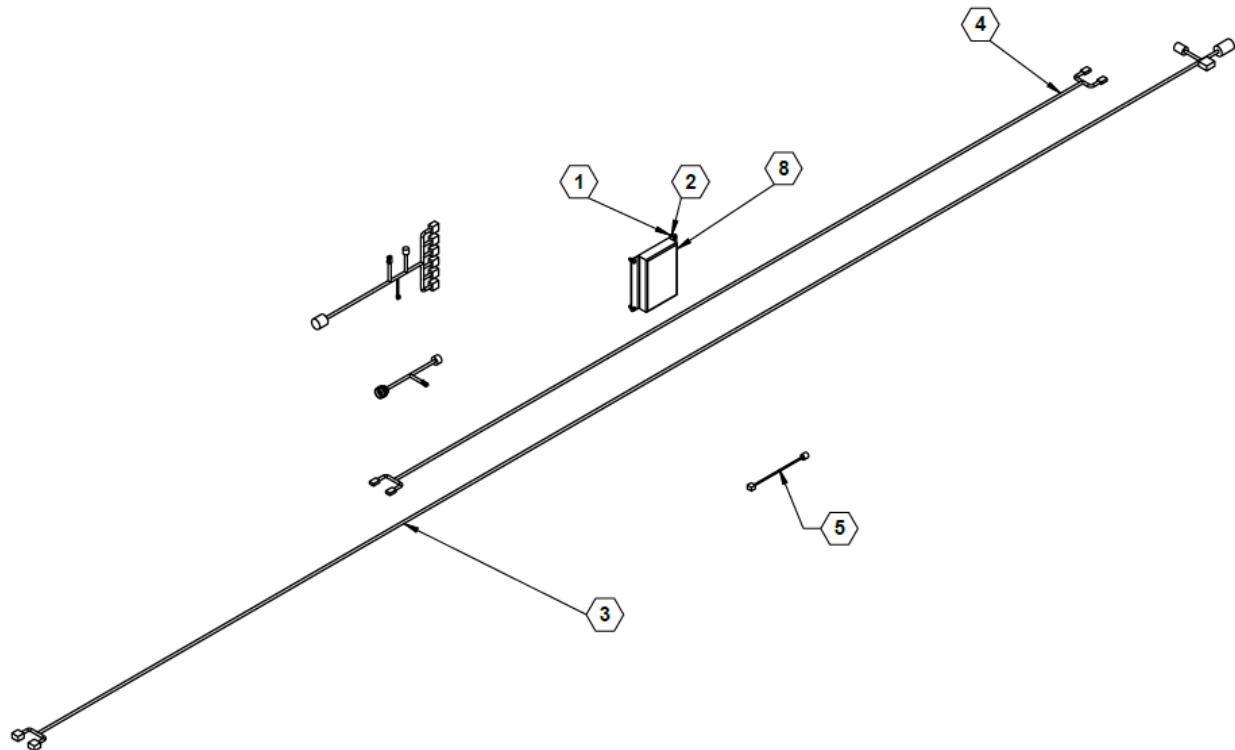
## Raven RCM Rate Controller



### Parts List 35678: Raven RCM Rate Controller

ITEM	PART NO.	QTY.	DESCRIPTION
1	596105M	1	BOLT, HH 1/4-20X2-1/2 GR5 MAGNI
2	596110M	2	BOLT, HH 1/4-20 X 3 MAGNI
3	596235M	3	NUT, CENTERLOCK, 1/4-20 MAGNI
4	631856	1	FOOTSWITCH, ISO PRODUCT CONTROL
5	632010	1	RAVEN RCM
6	632029	1	47 PIN RATE CTRL INTERFACE CABLE
7	632051	1	IBIC TO GEN 1 ISO 24'
8	632055	1	CABLE, 17' EXTENSION GEN 1 ISO
9	632061	1	CABLE, FOOTSWITCH, 12' ROW CROP TRACTOR
10	632080	1	6 SECTION 6' FINAL CABLE

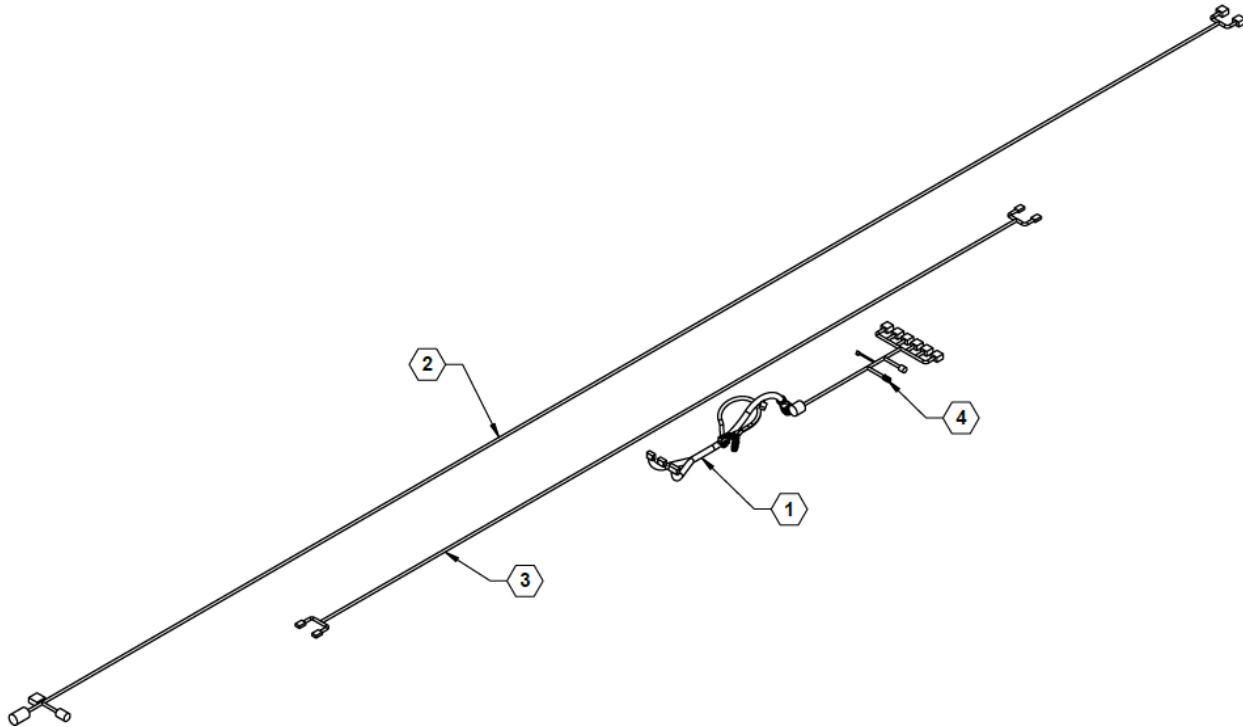
## Greenstar Rate Controller



### Parts List 35679: Greenstar Rate Controller

ITEM	PART NO.	QTY.	DESCRIPTION
1	596128M	4	BOLT, HH 3/8-16 X 1 GR5 MAGNI
2	596237M	6	NUT, CENTERLOCK 3/8-16 MAGNI
3	632051	1	IBIC TO GEN 1 ISO 24'
4	632055	1	CABLE, 17' EXTENSION GEN 1 ISO
5	632061	1	CABLE, FOOTSWITCH, 12' CROP TRACTOR
6	632070	1	37 TO 47 PIN ADAPTER CABLE
7	632080	1	6 SECTION 6' FINAL CABLE
8	632145	1	JD GREENSTAR RATE CONTROLLER

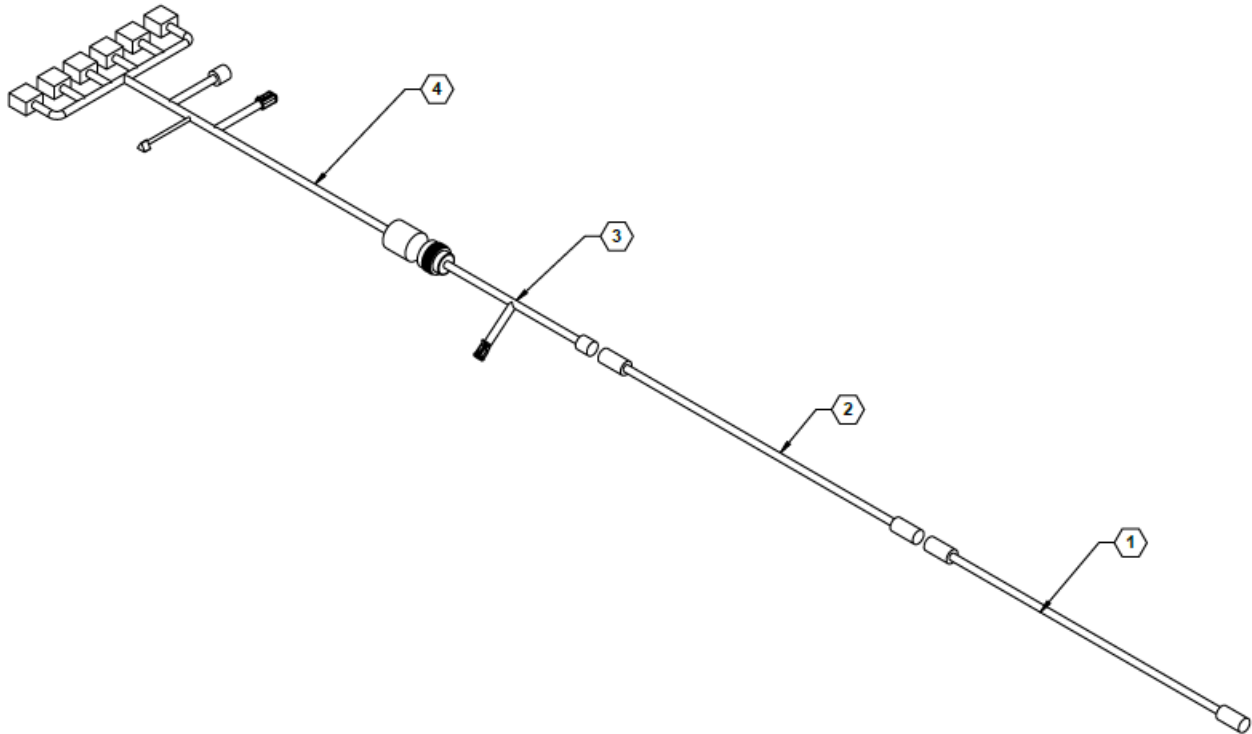
## Customer Supplied RCM/RC2000



### Parts List 35741: Customer Supplied RCM/RC2000

ITEM	PART NO.	QTY.	DESCRIPTION
1	632029	1	47 PIN RATE CTRL INTERFACE CABLE
2	632051	1	IBIC TO GEN 1 ISO 24'
3	632055	1	CABLE, 17' EXTENSION GEN 1 ISO
4	632080	1	6 SECTION APP FINAL HARNESS

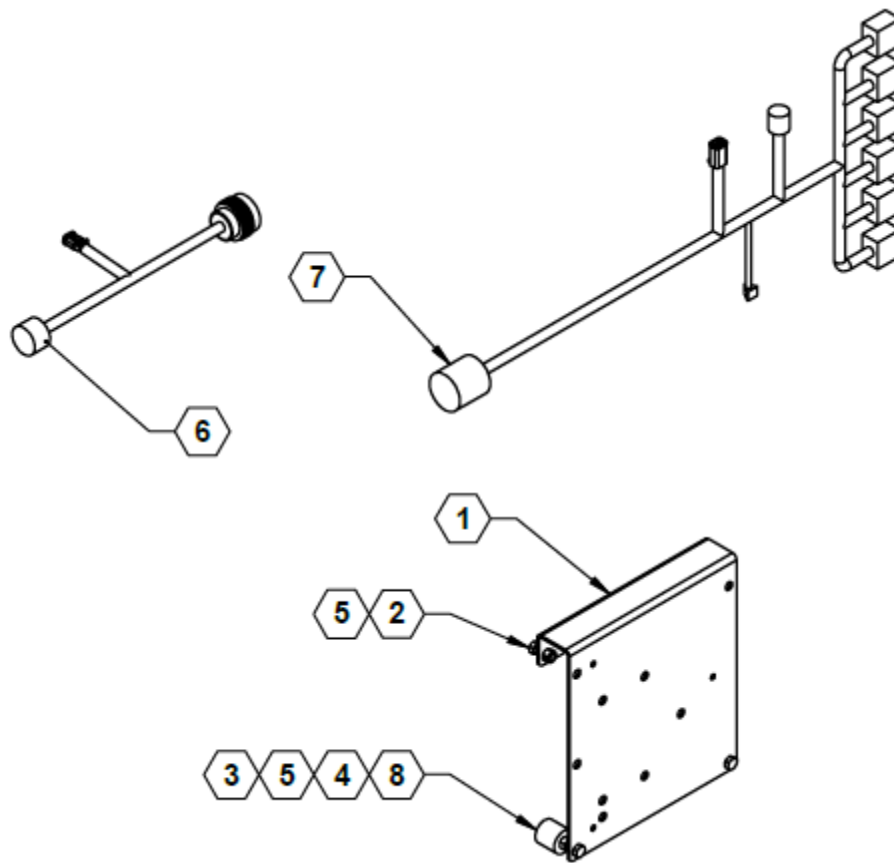
## Customer Supplied Raven 450



### Parts List 35743: Customer Supplied Raven 450

ITEM	PART NO.	QTY.	DESCRIPTION
1	<b>631814</b>	1	CABLE, 6 BOOM 12' EXTENSION
2	<b>631815</b>	1	CABLE, 6 BOOM 24' EXTENSION
3	<b>632028</b>	1	47 PIN TO 16 PIN ADAPTER
4	<b>632080</b>	1	6 SECTION APP FINAL HARNESS

## Customer Supplied JD Greenstar

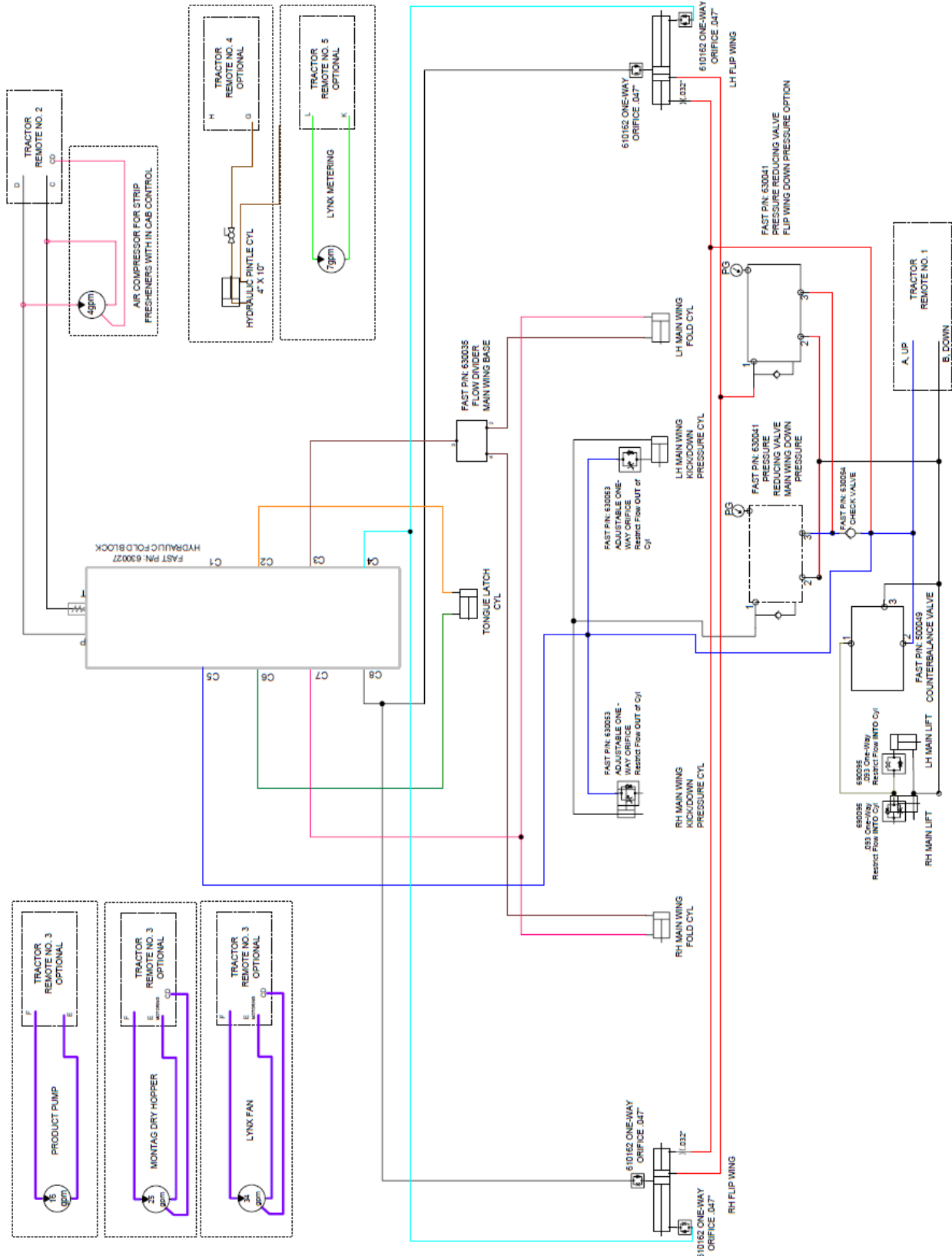


### Parts List 35404/35744: Customer Supplied JD Greenstar

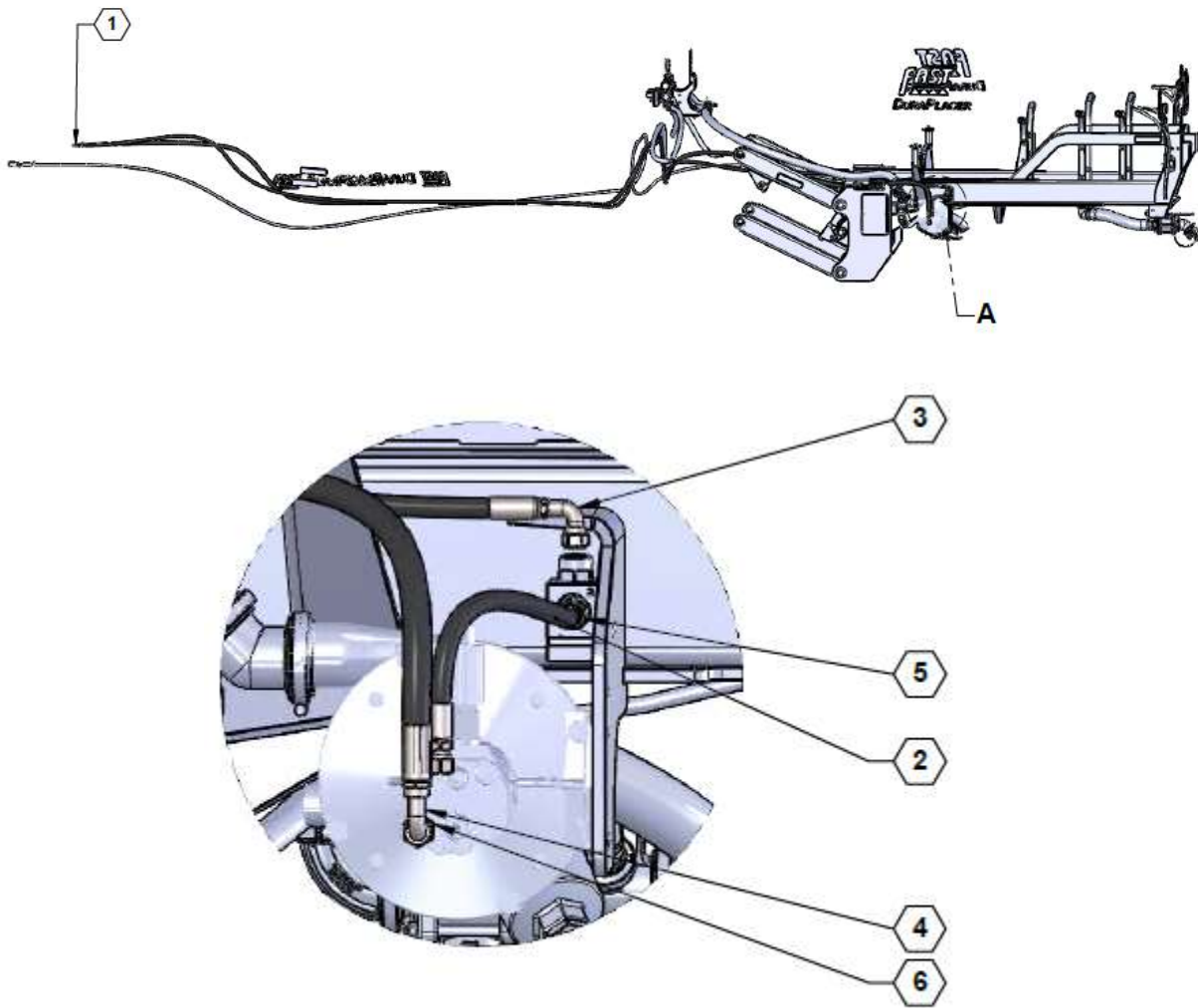
ITEM	PART NO.	QTY.	DESCRIPTION
1	15813	1	PLATE, FORMED MOUNT
2	596128M	2	BOLT, HH 3/8-16 X 1 GR5 MAGNI
3	596129M	2	BOLT, HH 3/8-16 X 1-1/2 GR5 MAGNI
4	596213M	2	NUT HEX 3/8-16 MAGNI
5	596237M	4	NUT, CENTERLOCK 3/8-16 MAGNI
NS	632051	1	IBIC TO GEN 1 ISO 24'
NS	632055	1	CABLE, 17' EXTENSION GEN 1 ISO
6	632070	1	37 TO 47 PIN ADAPTER CABLE
7	632080	1	6 SECTION 6' FINAL CABLE
8	750050	2	BUMPER, EBCO

## HYDRAULICS

### Hydraulic Diagram



## Product Pump Hydraulic Hose & Fittings



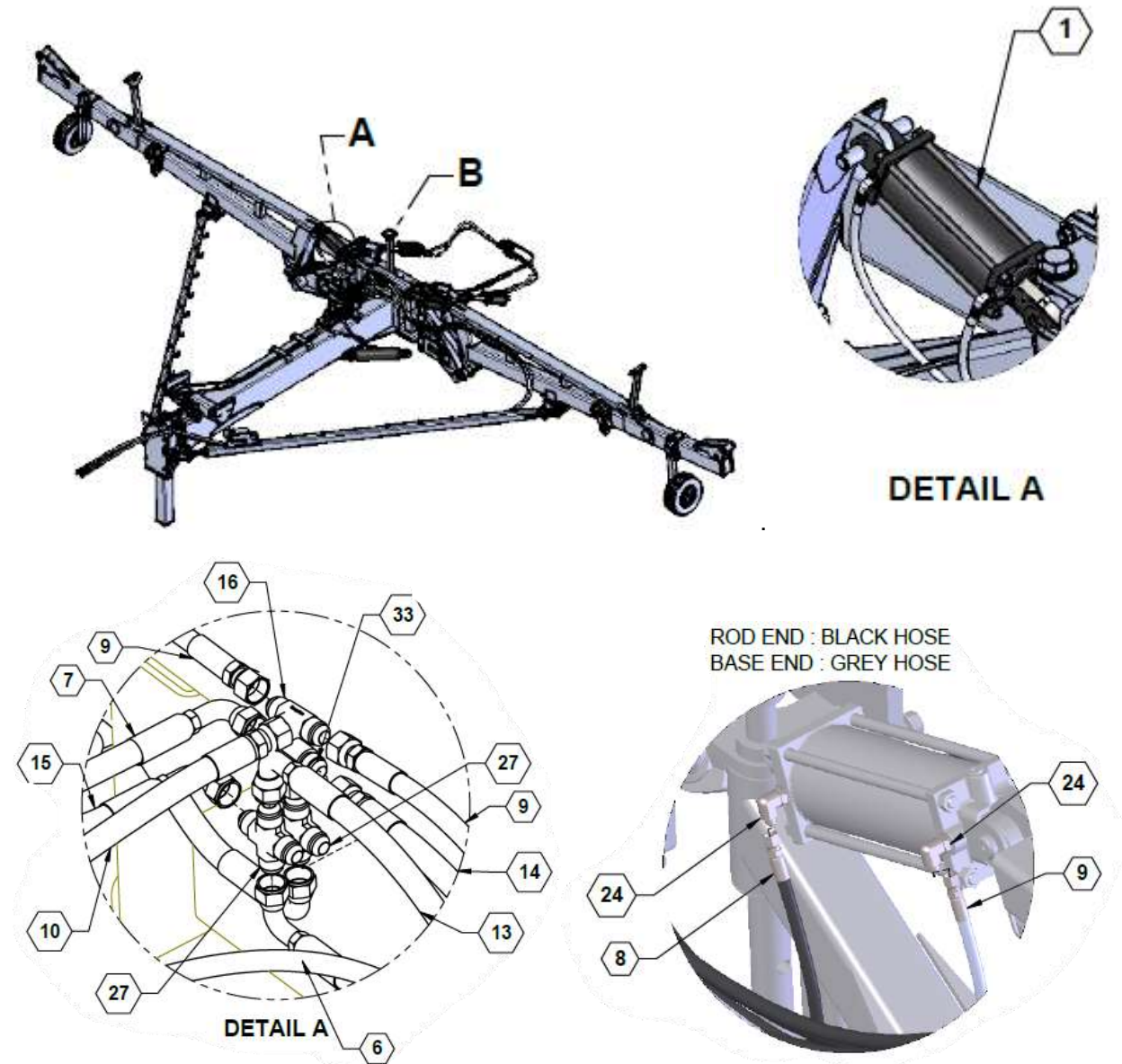
**DETAIL A**

### Parts List 600129: Product Pump Hydraulic Hose & Fittings

ITEM	PART NO.	QTY.	DESCRIPTION
1	520048	2	PIONEER COUPLER #8 FORB
2	600129-1	1	HOSE ASSY, 08-8FJX-8FJX-25
3	600129-2	1	HOSE ASSY, 08-8MORB-8FJX90-513
4	600129-3	1	HOSE ASSY, 10-8MORB-10FJX90- 513
5	610060	1	JIC #8 TO ORING #10
6	610106	1	ADAPTER, -10MJIC X -10MORB

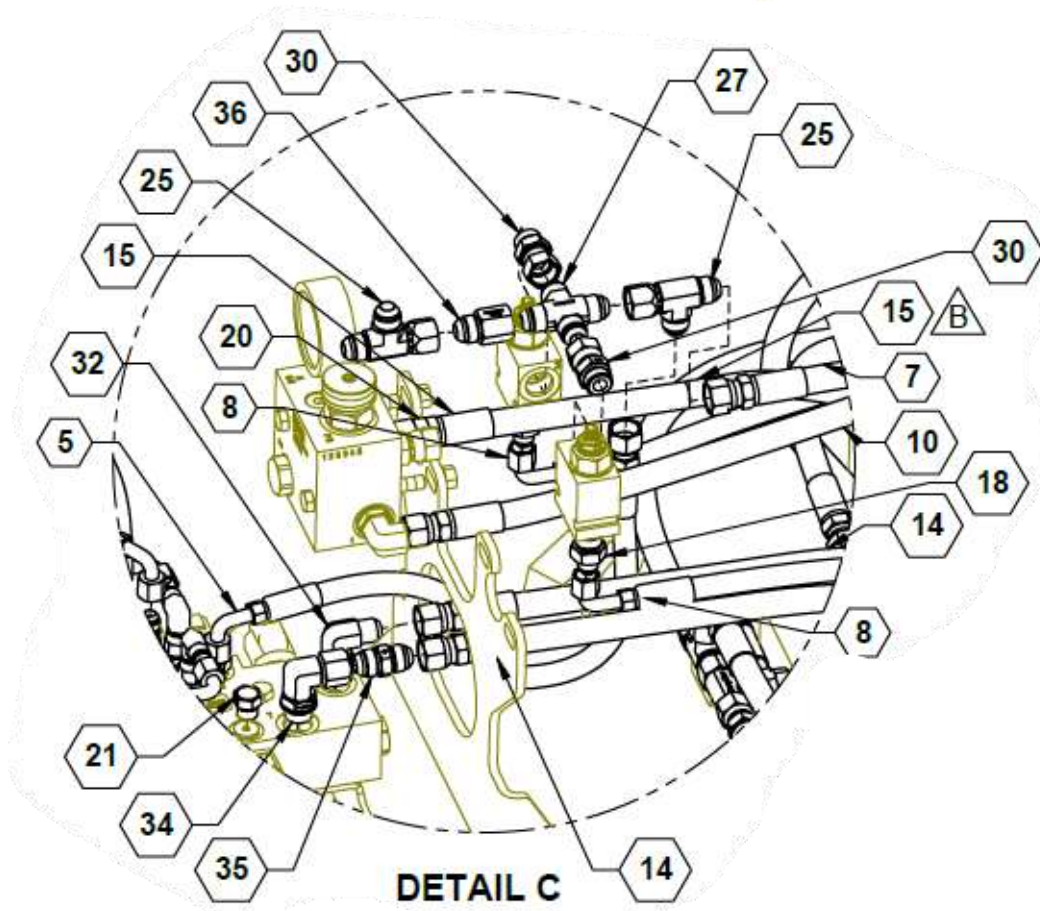
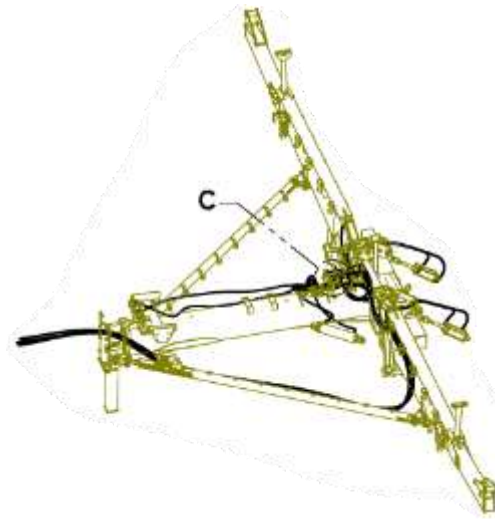


## Down Pressure (Kick) Cylinder



### Parts List 35202 (34997): Down Pressure (Kick) Cylinder

ITEM	PART NO.	QTY.	DESCRIPTION
1	34997	2	ASSY, KICK CYLINDER (see also 28195 & 596593M in <a href="#">Parts List 35201: 40' Toolbar (Base)</a> )
1.1	36315	1	WELDMENT, TOP SPH BALL
1.2	620091	1	CYLINDER, HYD 45TD10-150
1.3	761	1	ZERK, 90°, 1/4-28 STRAIGHT PIPE THREAD





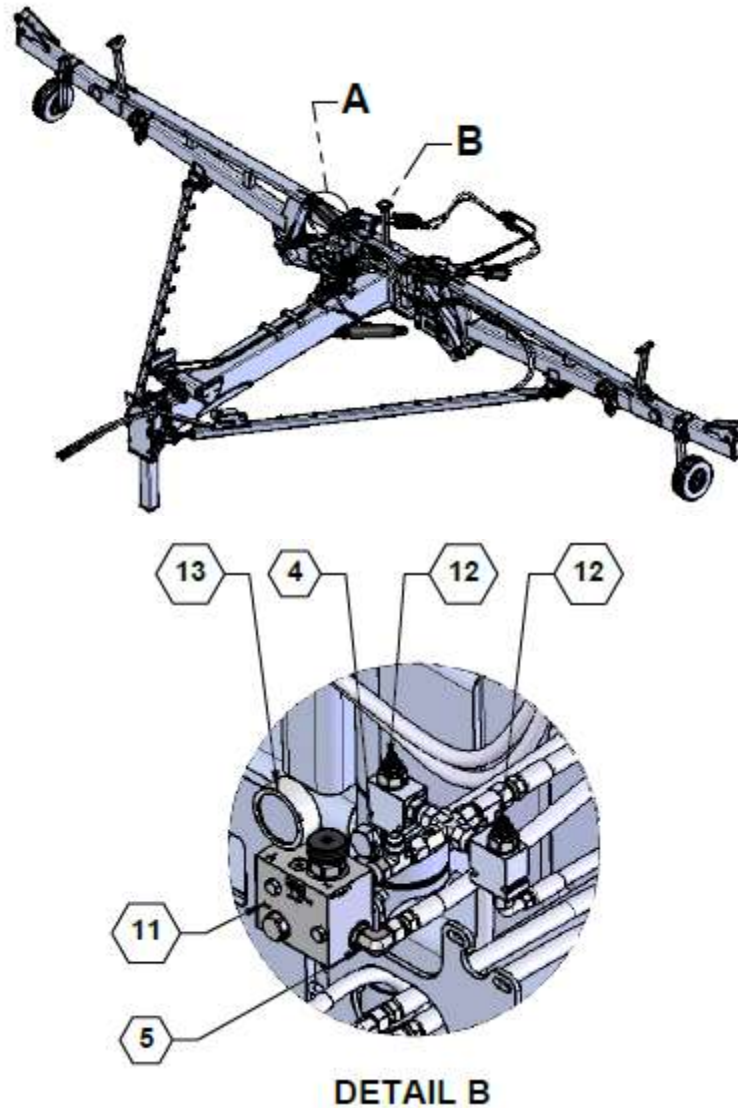
# ILLUSTRATED PARTS LIST

Down Pressure (Kick) Cylinder (cont.)

## Parts List 600125: Down Pressure (Kick) Cylinder Hoses & Fittings

ITEM	PART NO.	QTY.	DESCRIPTION
5	<b>600125-5</b>	1	HOSE ASSY, 06-8FJX-6FJX90-21.4
6	<b>600125-7</b>	2	HOSE ASSY, 08-8FJX-8FJX90-40
7	<b>600125-8</b>	1	HOSE ASSY, 08-8FJX-8FJX90-8.1
8	<b>600125-9</b>	2	HOSE ASSY, 06-6FJX-6FJX90-69
9	<b>600125-10</b>	2	HOSE ASSY, 06-6FJX-8FJX-76
10	<b>600125-11</b>	1	HOSE ASSY, 08-8FJX-8FJX-16
15	<b>600132-20</b>	1	HOSE ASSY, 08-8FJX-8FJX90-21
16	<b>610004</b>	1	JIC #8 UNION TEE
18	<b>610011</b>	3	JIC #6 TO ORING #8
20	<b>610013</b>	3	ADAPTER, -8MJIC X -8MORB
24	<b>610030</b>	9	ADAPTER, -6MJIC X -8MORB90
27	<b>610071</b>	3	ADAPTER, -8 MJIC UNION CROSS
30	<b>610083</b>	2	ADAPTER, -8MORB X -8FJX
35	<b>630043</b>	1	INLINE CHECK VALVE, -08MJIC x -08MJIC
36	<b>630054</b>	1	CHECK VALVE, -8MJIC x -8FJIC

## Down Pressure Comp Flow Control

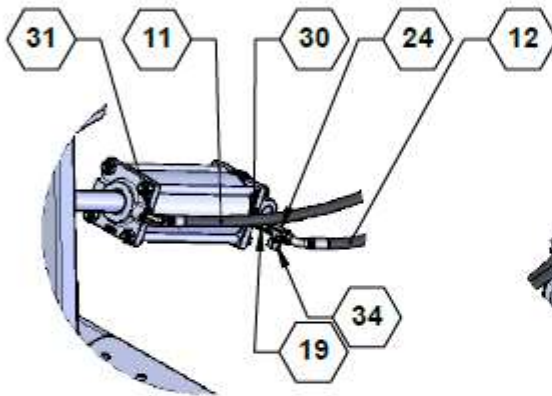
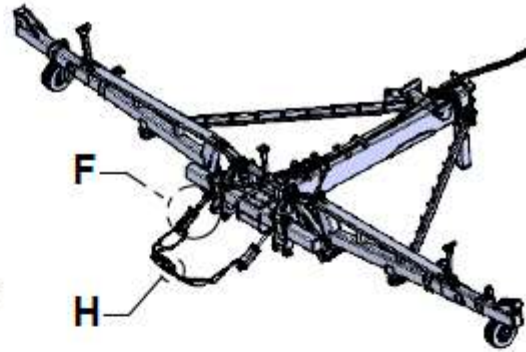
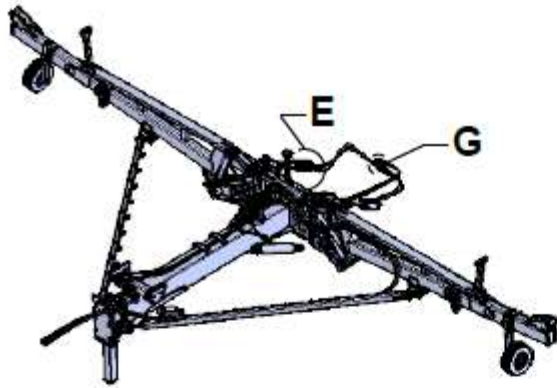


### Parts List 35202: Down Pressure Comp Flow Control

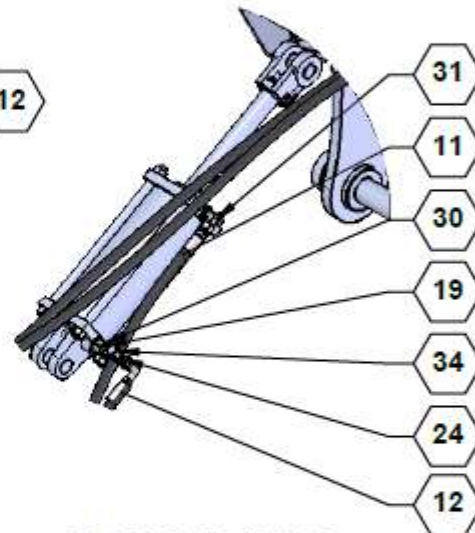
ITEM	PART NO.	QTY.	DESCRIPTION
4	610083	1	ADAPTER, -8MORB X -8FJX
5	610097	1	ADAPTER, -8MJIC X -8MORB90
11	630041	1	MANIFOLD, HYDRAULIC DOWN PRESSURE
12	630053	2	VALVE ASSEMBLY, FA101, PRESSURE COMP FLOW CONTROL
13	790052	1	PRESSURE GAUGE, 3000 PSI

## Lift Cylinder & Counterbalance Valve

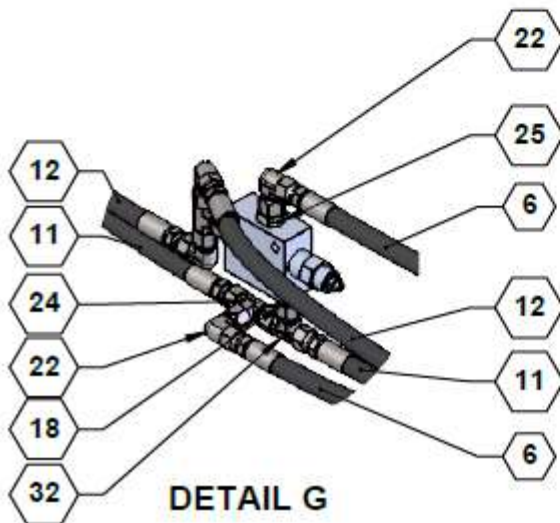
*Trailer hidden for clarity.*



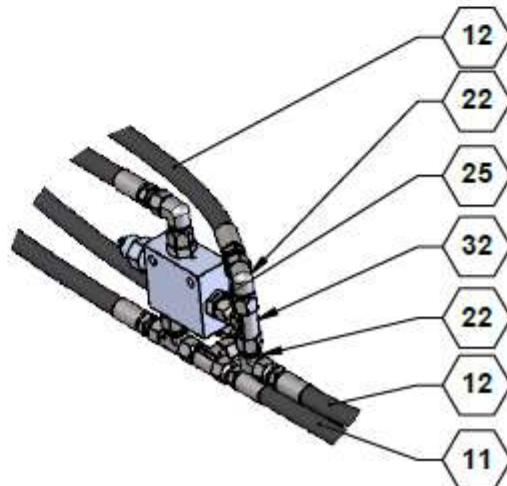
**DETAIL E, RIGHT**



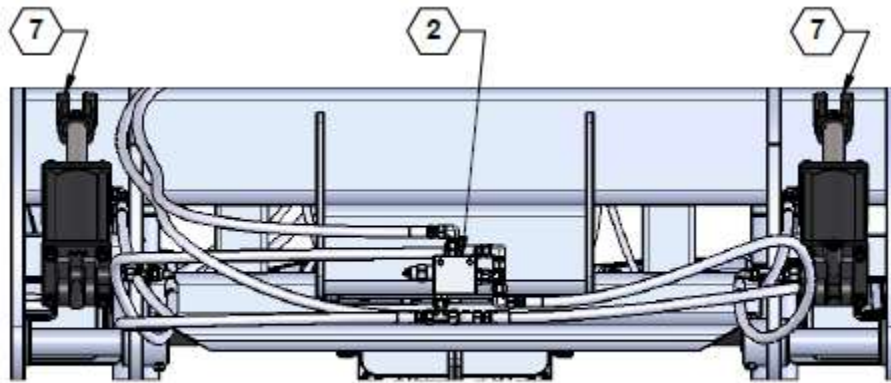
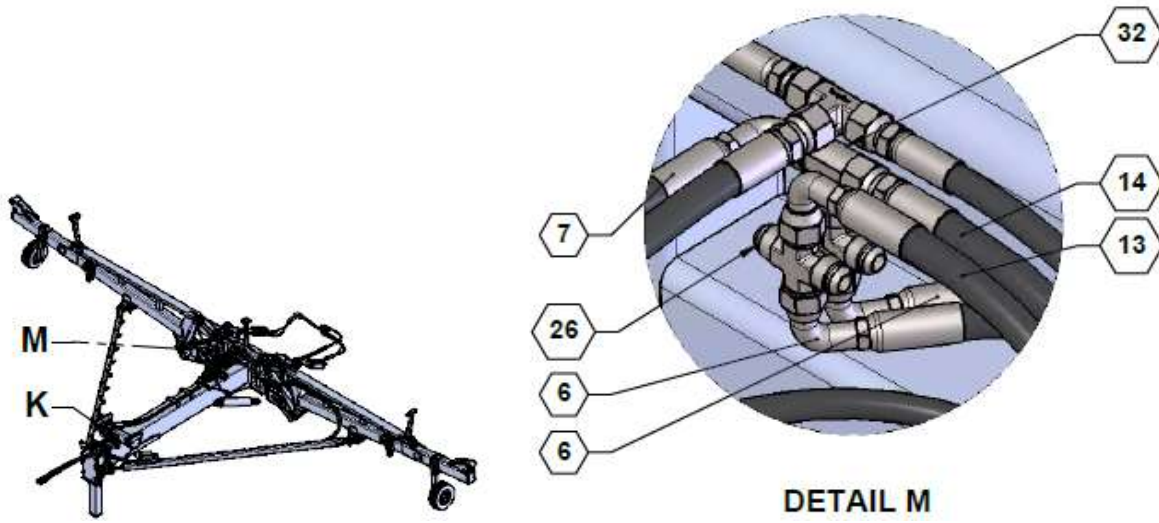
**DETAIL F, LEFT**



**DETAIL G**



**DETAIL H**



**BACK VIEW, TRAILER NOT SHOWN**

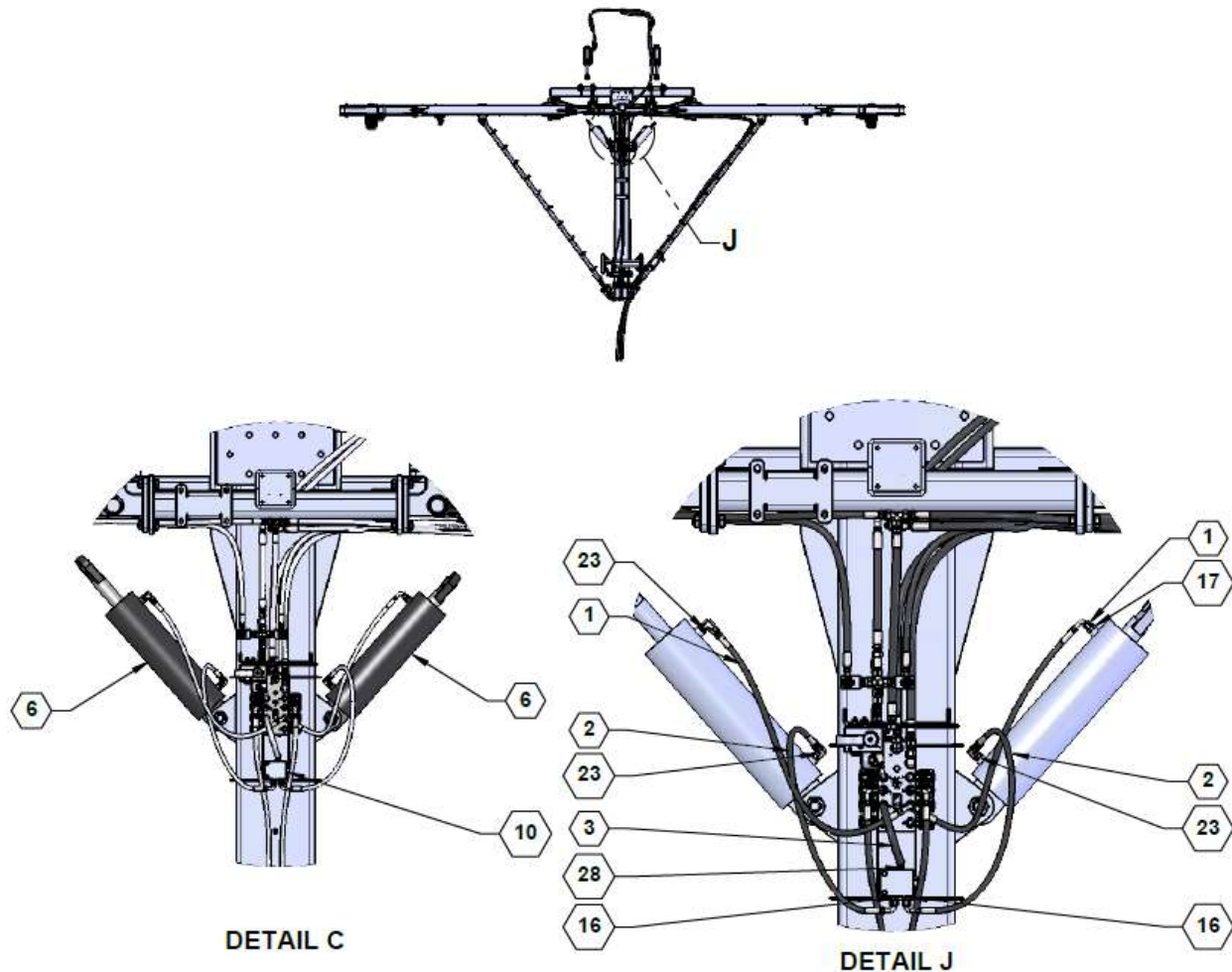
## Parts List 35202: Lift Cylinder & Counterbalance Valve

ITEM	PART NO.	QTY.	DESCRIPTION
2	500049	1	VALVE, COUNTERBALANCE
7	620091	2	CYLINDER, HYD 45TD10-150 (see also 23385 & 28915 in <a href="#">Parts List 35330: Trailer Base</a> )

## Parts List 600125: Lift Cylinder & Counterbalance Valve, Hoses & Fittings

ITEM	PART NO.	QTY.	DESCRIPTION
6	600125-7	2	HOSE ASSY, 08-8FJX-8FJX90-126
11	600125-16	2	HOSE ASSY, 08-8FJX-8FJX-75.5
12	600125-17	2	HOSE ASSY, 08-8FJX-8FJX90-65
13	600125-18	1	HOSE ASSY, 08-8FJX90-8MORB-403
14	600125-19	1	HOSE ASSY, 08-8FJX-8MORB-410
N/S	600125-20	1	HOSE ASSY, 08-8FJX-8FJX90-21
18	610012	1	JIC #8 TO ORING #6
19	610013	2	ADAPTER, -8MJIC X -8MORB
22	610024	4	JIC #8 90 DEG
24	610053	3	JIC #8 SWIVEL RUN TEE
25	610060	2	JIC #8 TO ORING #10
26	610071	2	ADAPTER, -8 MJIC UNION CROSS
30	610095	2	.093 ORIFICE FITTING
31	610097	2	ADAPTER, -8MJIC X -8MORB90
32	610107	3	#8 JIC SWIVEL BRANCH TEE
34	610144	2	FJIC #8 CAP

## Fold Cylinder & Flow Divider



### Parts List 35202: Fold Cylinder & Flow Divider

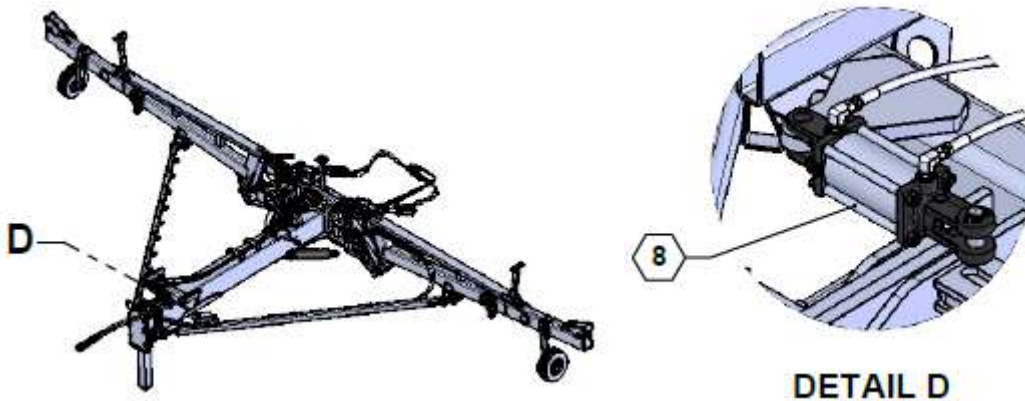
ITEM	PART NO.	QTY.	DESCRIPTION
6	620046	2	FOLD CYLINDER (see also 34771 & 590183 in <a href="#">Parts List 35201: 40' Toolbar (Base)</a> )
10	630035	1	FLOW DIVIDER

### Parts List 600125: Fold Cylinder & Flow Divider Hoses & Fittings

ITEM	PART NO.	QTY.	DESCRIPTION
1	600125-1	2	HOSE ASSY, 04-6FJX-6FJX90-44
2	600125-2	2	HOSE ASSY, 04-6FJX-6FJX90-35
3	600125-3	1	HOSE ASSY, 06-6FJX-6FJX-19.7
16	610010	2	ADAPTER, -6MJIC X -6MORB
17	610011	1	JIC #6 TO ORING #8
23	610030	3	ADAPTER, -6MJIC X -8MORB90
28	610078	1	JIC #6 TO #6 ORING 90°



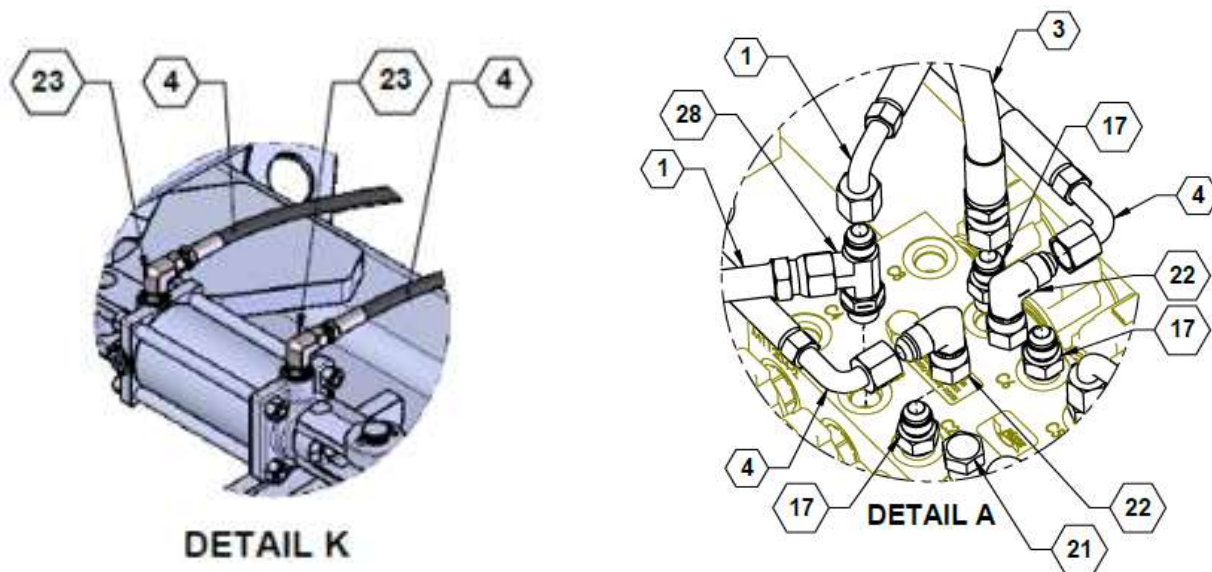
## Latch Cylinder



### Parts List 35202 (620105): Latch Cylinder

ITEM	PART NO.	QTY.	DESCRIPTION
8	620105	1	CYLINDER, 3" X 4" X 1.25 ROD TIE ROD (see also 34991 in <a href="#">Parts List 35201: 40' Toolbar (Base)</a> )

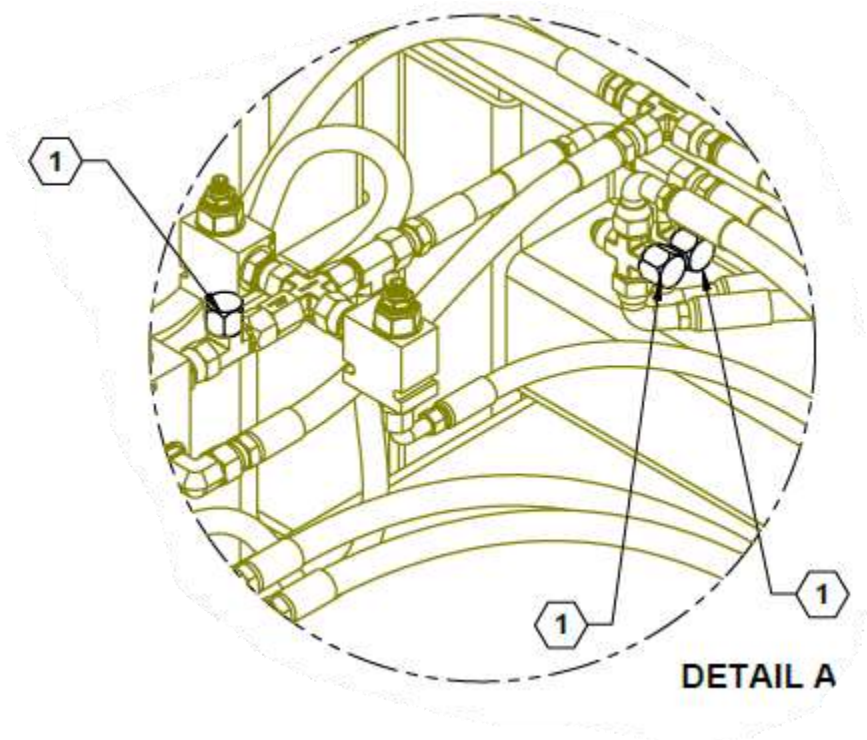
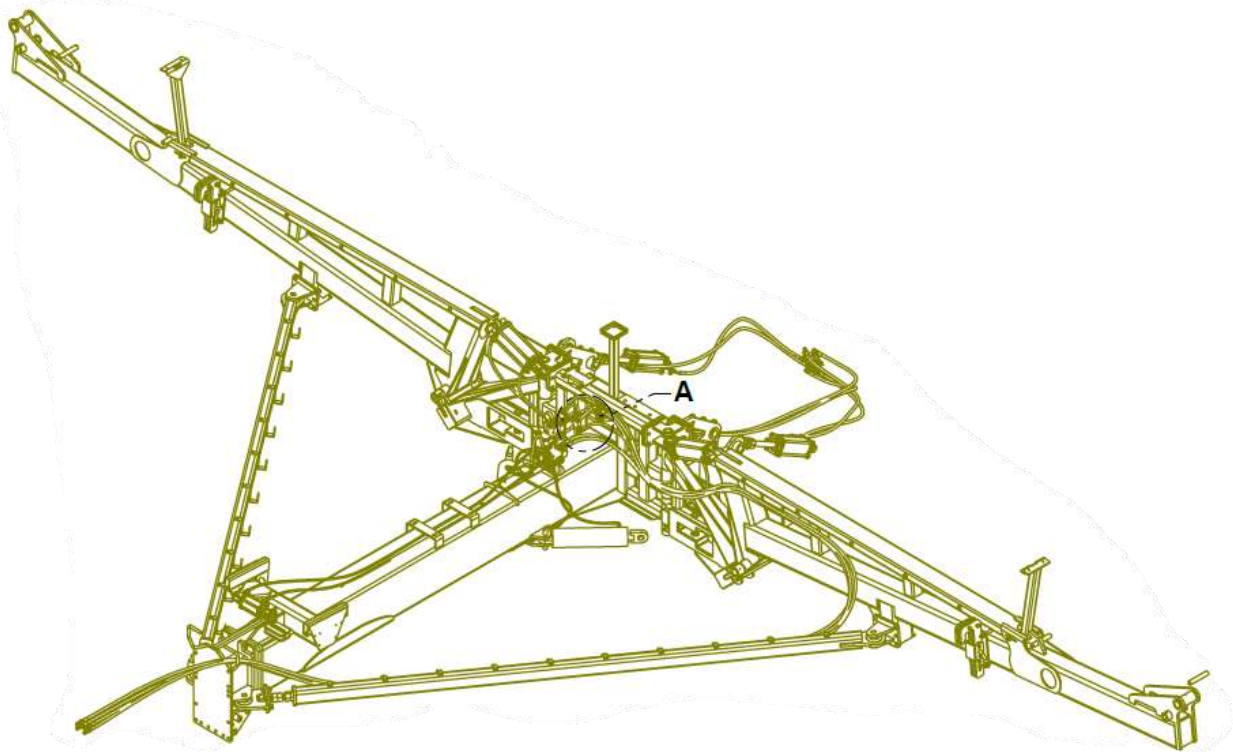
## Latch Cylinder Hoses & Fittings



### Parts List 600125: Latch Cylinder Hoses & Fittings

ITEM	PART NO.	QTY.	DESCRIPTION
4	600125-4	2	HOSE ASSY, 04-6FJX-6FJX90-123
17	610010	6	ADAPTER, -6MJIC X -6MORB
22	610023	2	ADAPTER, -6MJIC X -6FJX 90
23	610030	2	ADAPTER, -6MJIC X -8MORB90

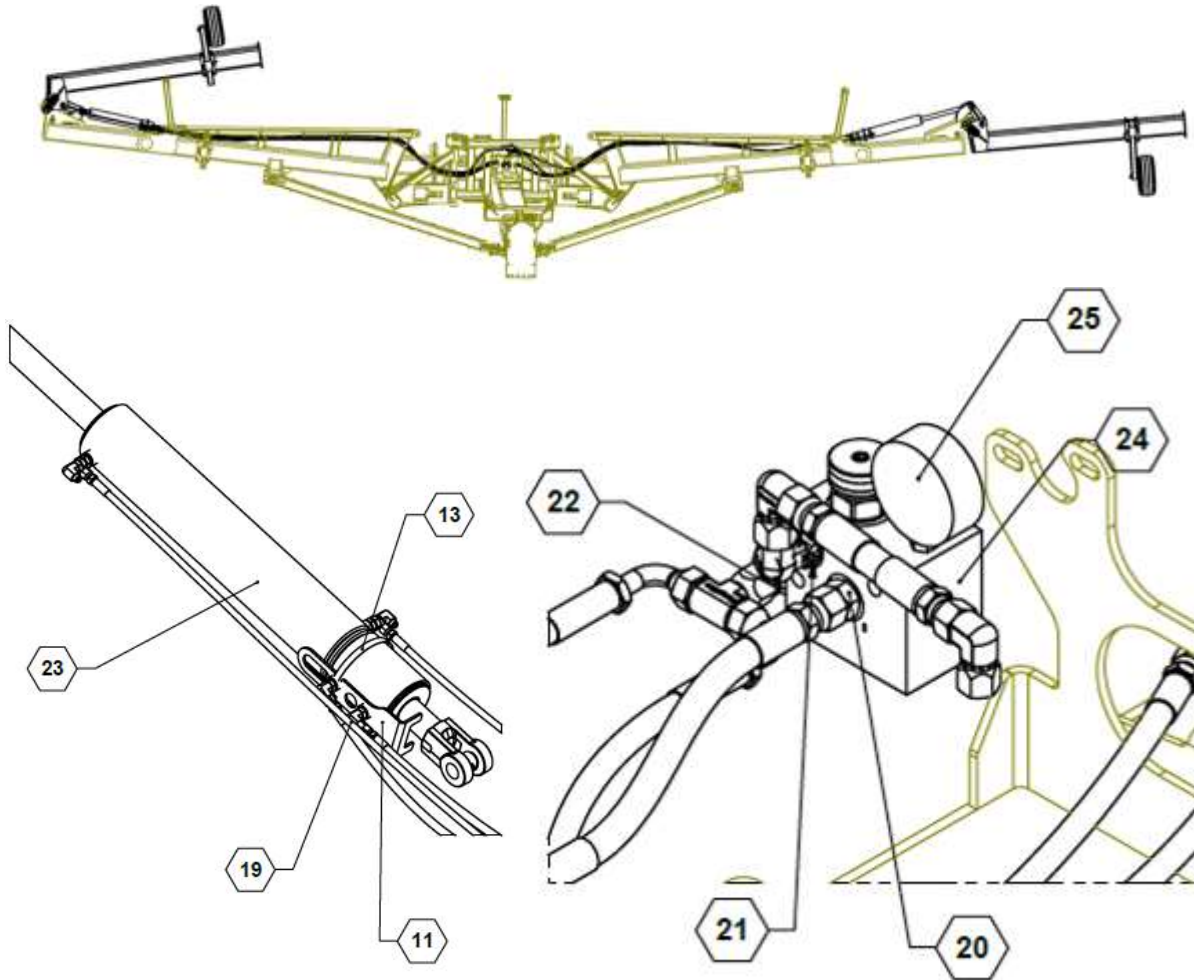
## Flip Wing Connection Caps (40' option)



### Parts List 35581: Flip Wing Connection Caps (40' option)

ITEM	PART NO.	QTY.	DESCRIPTION
1	610144	3	FJIC #8 CAP

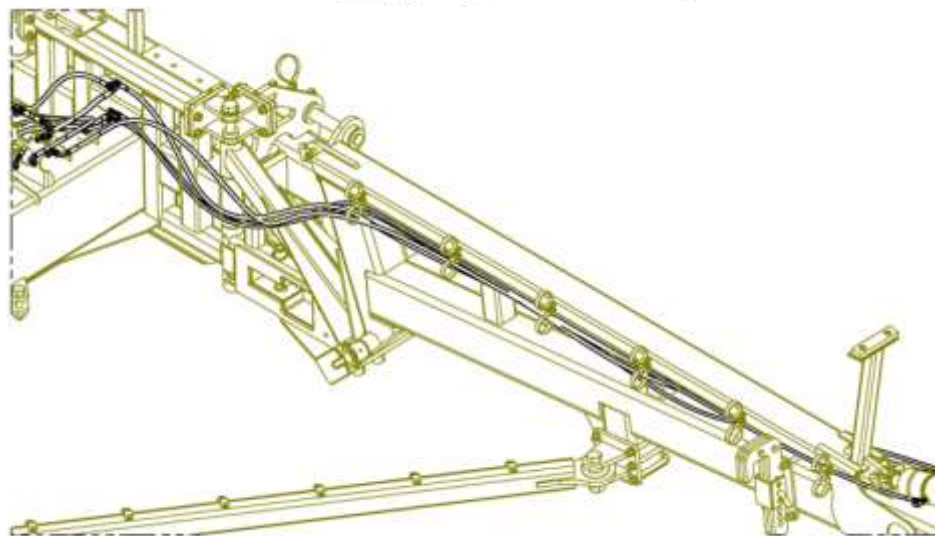
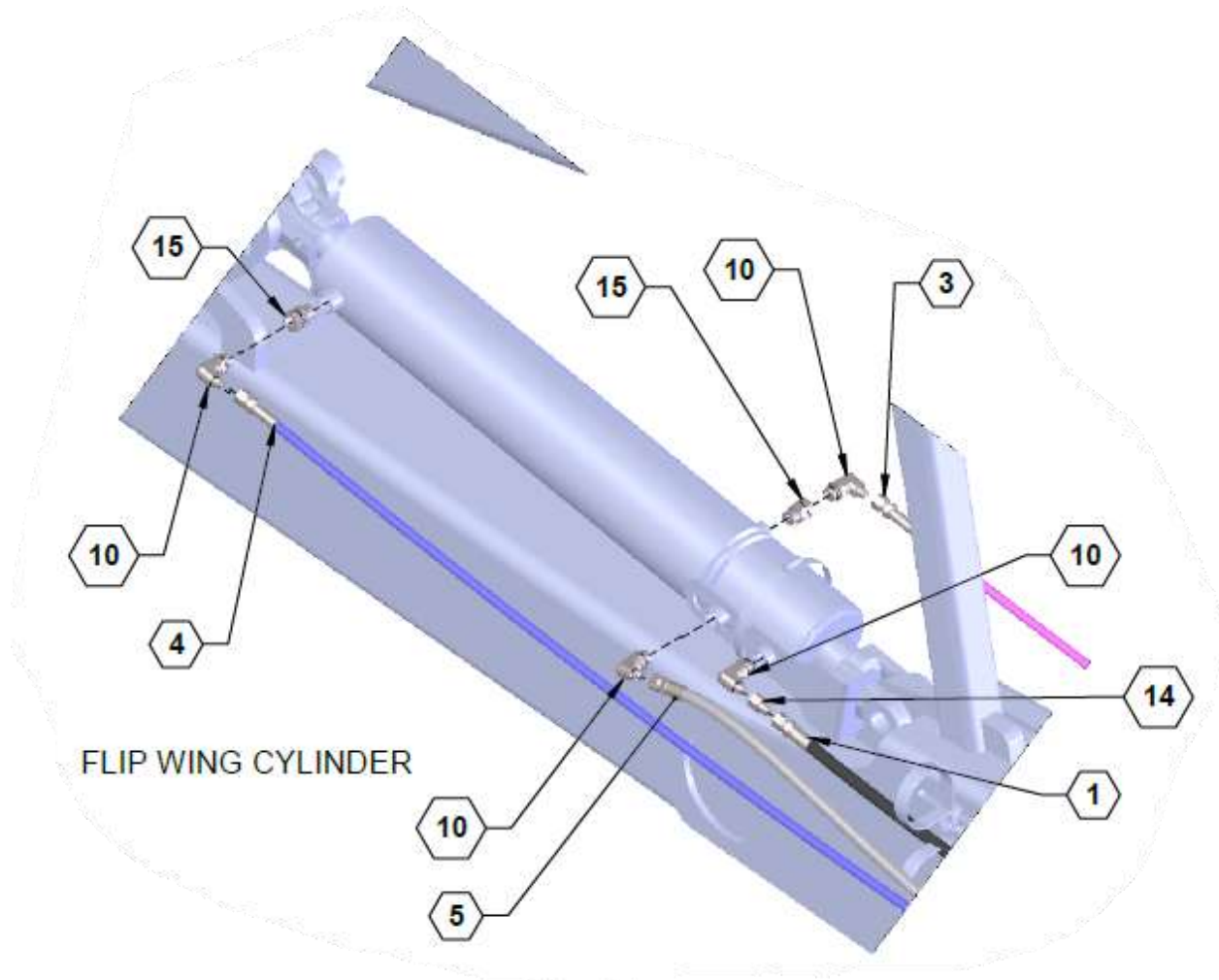
## Flip Wing Cylinder

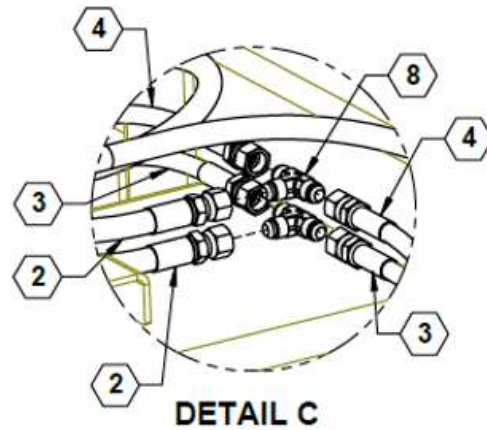
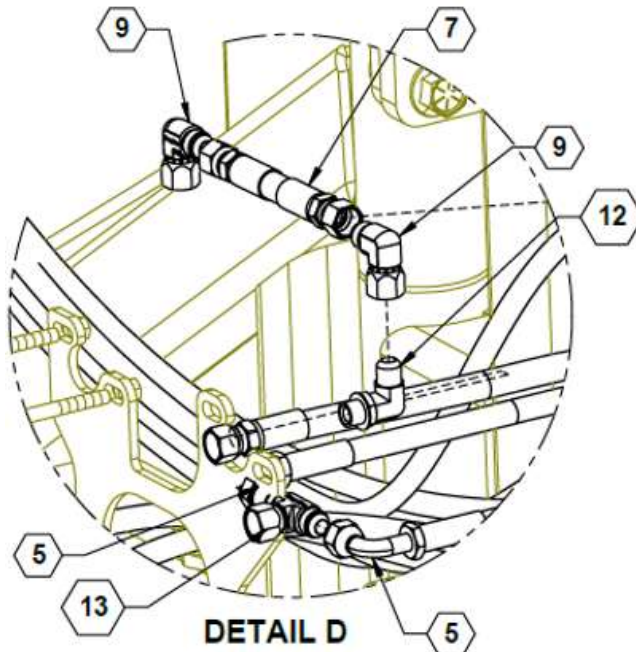
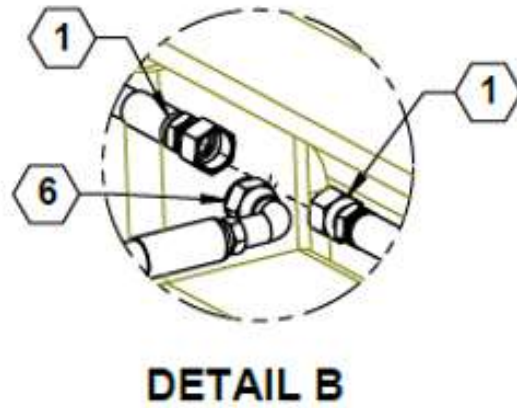
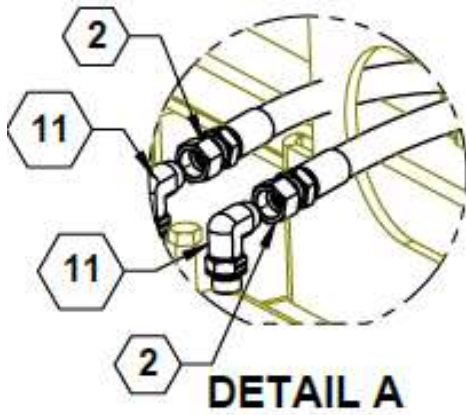
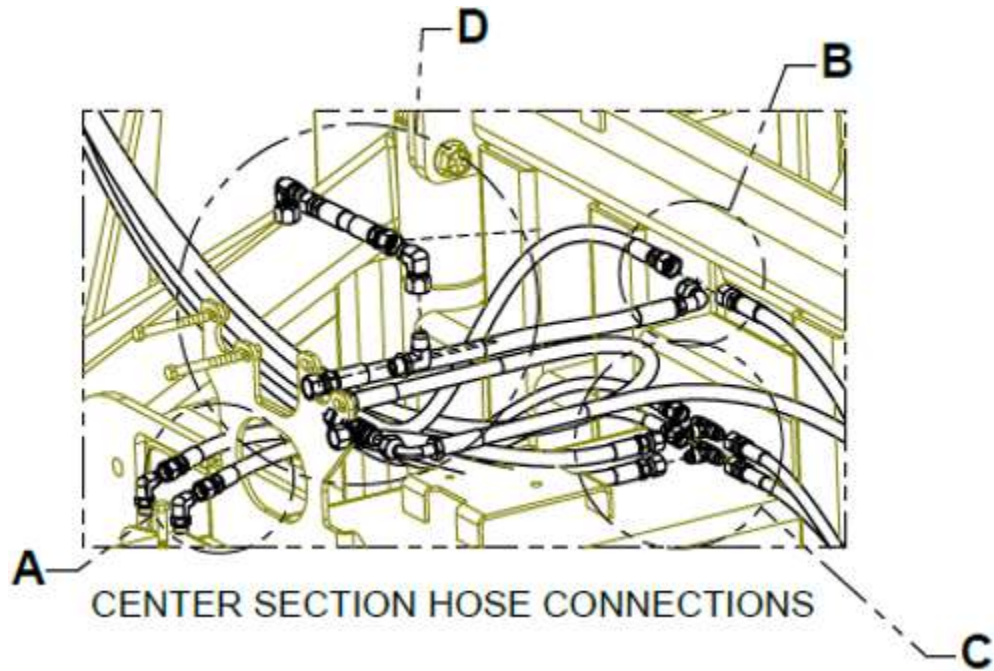


### Parts List 35580: Flip Wing Cylinder

ITEM	PART NO.	QTY.	DESCRIPTION
11	35407	2	PLATE, CYLINDER ANTI ROTATE
13	540021	2	CLAMP, 4 1/8 - 7"
19	600132	1	HOSE KIT, DURAPLACER 60FT OPTN
20	610013	1	ADAPTER, -8MJIC X -8MORB
21	610083	1	ADAPTER, -8MORB X -8FJX
22	610097	1	ADAPTER, -8MJIC X -8MORB90
23	620027	2	CYLINDER, 4.5"X22.5 & 1.81 STROKE (see also 34764 in <a href="#">Parts List 35580: 60' Toolbar</a> )
24	630041	1	MANIFOLD, HYDRAULIC DOWN PRESSURE
25	790052	1	PRESSURE GAUGE, 3000 PSI

## Flip Wing Cylinder (continued)

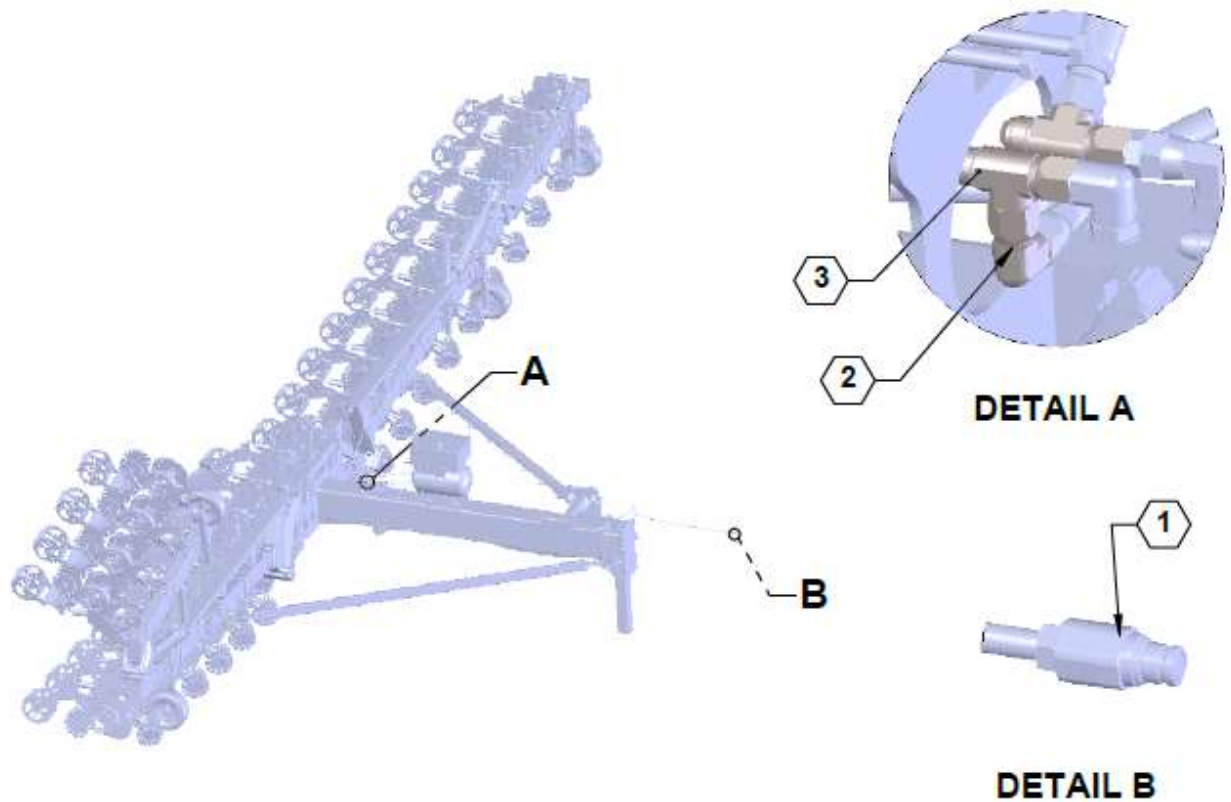




## Parts List 600132: Flip Wing Cylinder Hoses & Fittings

ITEM	PART NO.	QTY.	DESCRIPTION
1	600132-6	2	HOSE ASSY, 06-6FJX-8FJX-205
2	600132-12	2	HOSE ASSY, 06-6FJX-6FJX-25.2
3	600132-13	2	HOSE ASSY, 04-6FJX-6FJX-211
4	600132-14	2	HOSE ASSY, 04-6FJX-6FJX-235
5	600132-15	2	HOSE ASSY, 06-6FJX-8FJX90-220
6	600132-20	1	HOSE ASSY, 08-8FJX-8FJX90-21
7	600132-21	1	HOSE ASSY, 08-8FJX-8FJX-6.4
8	610005	2	JIC UNION TEE #6
9	610024	2	JIC #8 90 DEG
10	610030	8	ADAPTER, -6MJIC X -8MORB90
11	610078	2	JIC #6 TO #6 ORING 90~
12	610097	1	ADAPTER, -8MJIC X -8MORB90
13	610107	1	#8 JIC SWIVEL BRANCH TEE
14	610140	2	JIC #6 TO FJIC #6 X .031"
15	610162	4	FITTING, 0.047 VONBERG 1 WAY ORIFICE, FA 19373-0.047

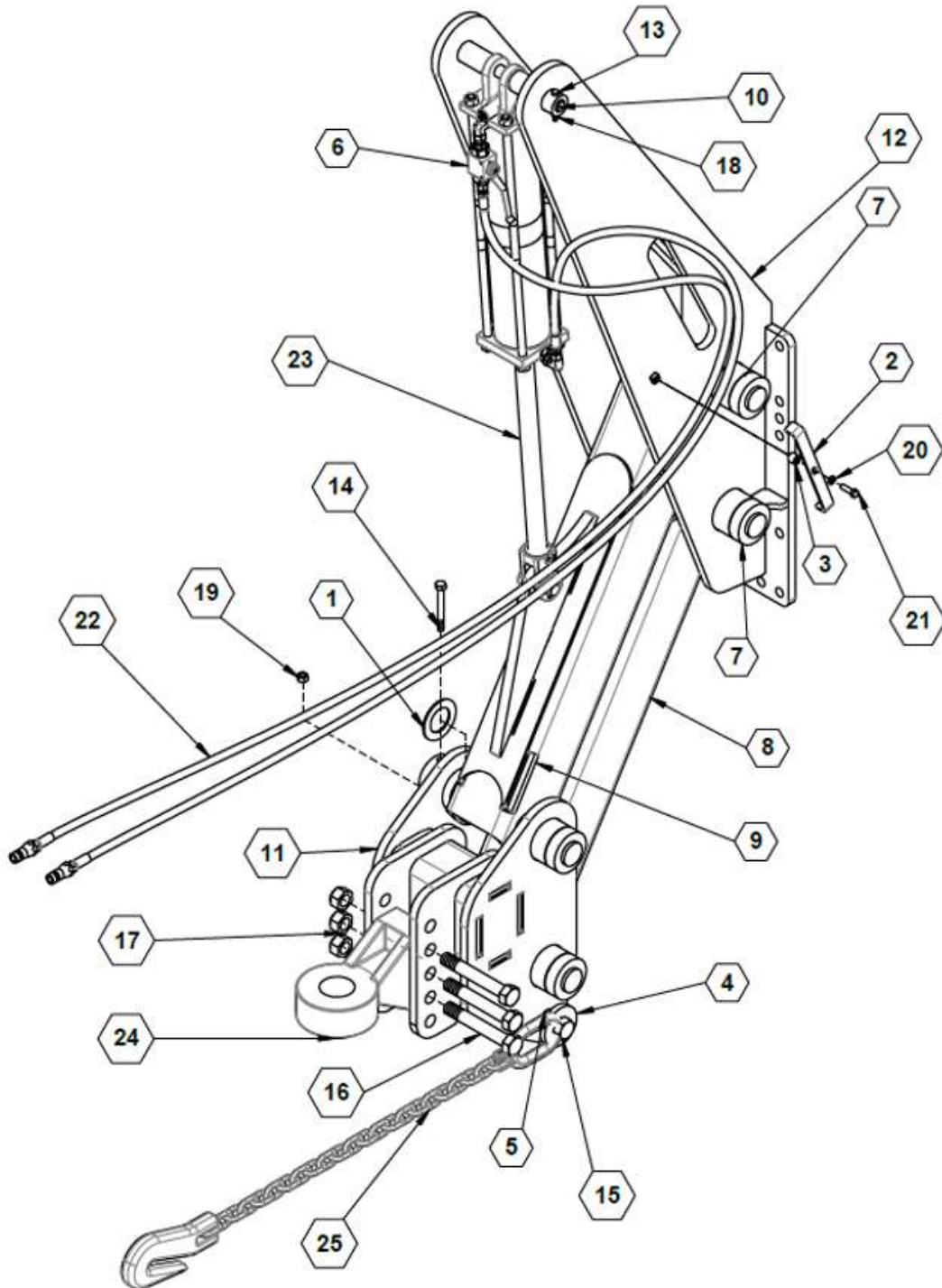
## Row Unit Cab Control Hoses & Fittings



### Parts List 600128: Row Unit Cab Control Hoses & Fittings

ITEM	PART NO.	QTY.	DESCRIPTION
1	610172	1	QUICK COUPLER, ISO 16028 -8SAE
2	610024	1	JIC #8 90 DEG
3	610053	2	JIC #8 SWIVEL RUN TEE

## Tongue Cylinder

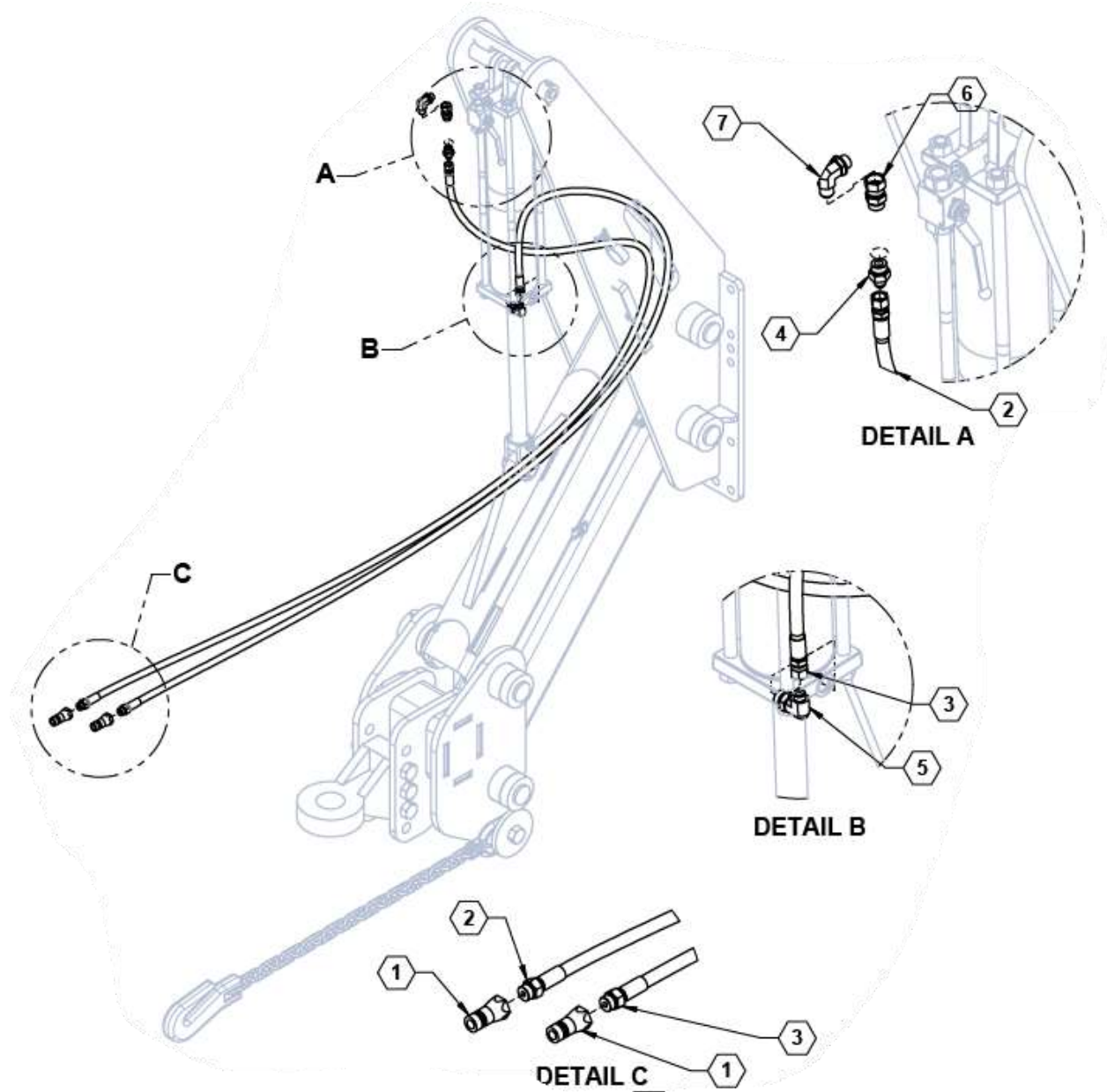


### Parts List 35600 Front: Tongue Cylinder

ITEM	PART NO.	QTY.	DESCRIPTION
6	610153	1	BLOCKING VALVE WITH MOUNTING HOLES
22	600130	1	HOSE KIT, HYD HITCH
23	620099	1	CYLINDER 4 X 20" 1.75" ROD 3000PSI (see also 35353 in <a href="#">Parts List 35600: Hitch</a> )



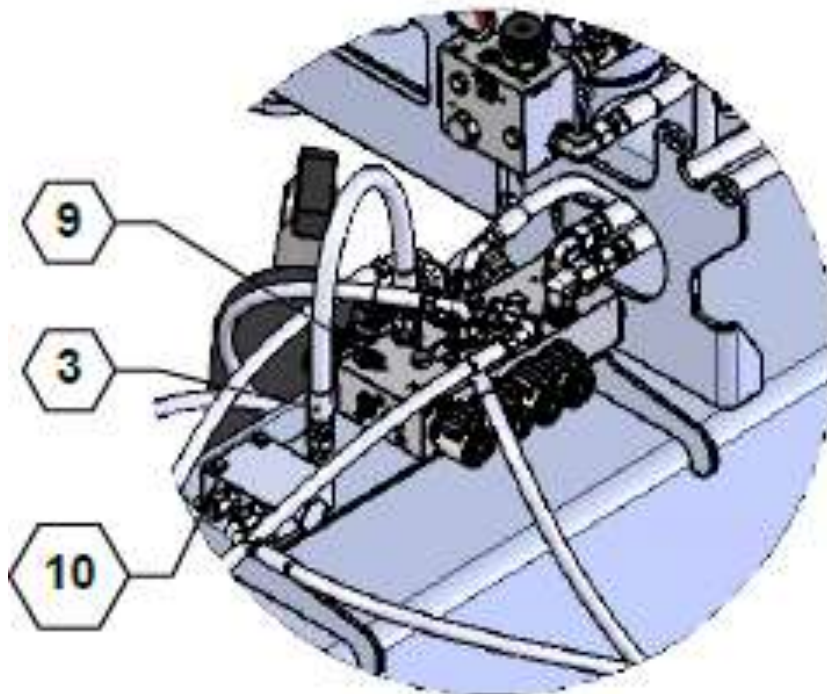
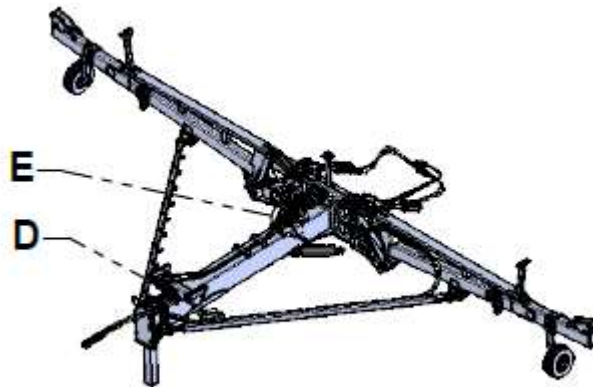
## Tongue Cylinder Hoses & Fittings



### Parts List 600130: Tongue Cylinder Hoses & Fittings

ITEM	PART NO.	QTY.	DESCRIPTION
1	520048	2	PIONEER COUPLER #8 FORB
2	600130-1	2	HOSE ASSY, 06-6FJX-8MORB-120
3	600130-2	1	HOSE ASSY, 06-6FJX-8MORB-107
4	610011	1	JIC #6 TO ORING #8
5	610030	1	ADAPTER, -6MJIC X -8MORB90
6	610083	1	ADAPTER, -8MORB X -8FJX
7	610097	1	ADAPTER, -8MJIC X -8MORB90

## Fasse Block



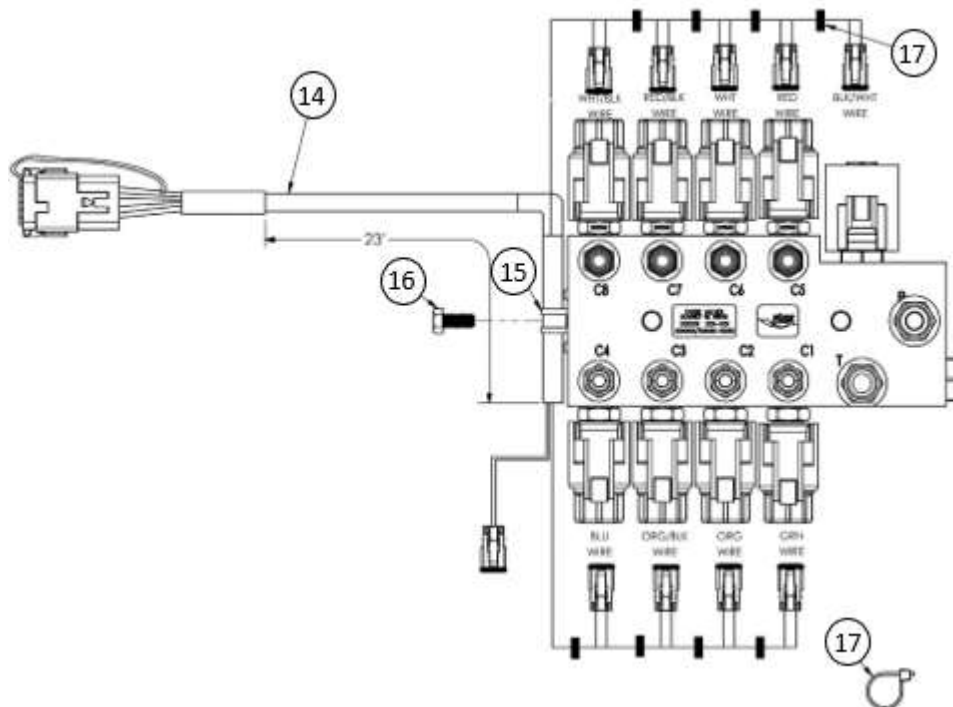
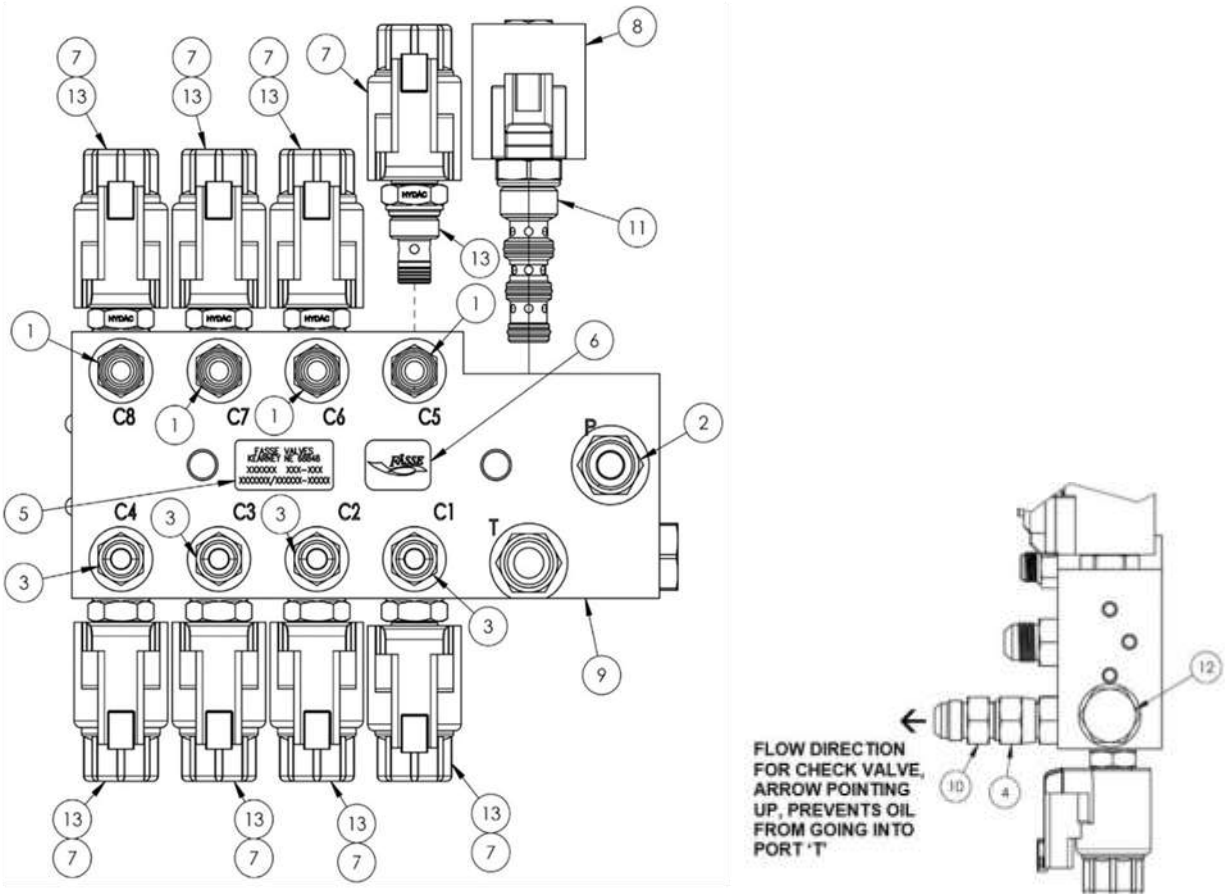
**DETAIL E**

### Parts List 35202: Fasse Block

ITEM	PART NO.	QTY.	DESCRIPTION
3	600125	-	HOSE KIT, DURAPLACER BASE
9	630027	1	FASSE HYDRAULIC BLOCK
10	630035	-	FLOW DIVIDER



## Fasse Hydraulic Controls



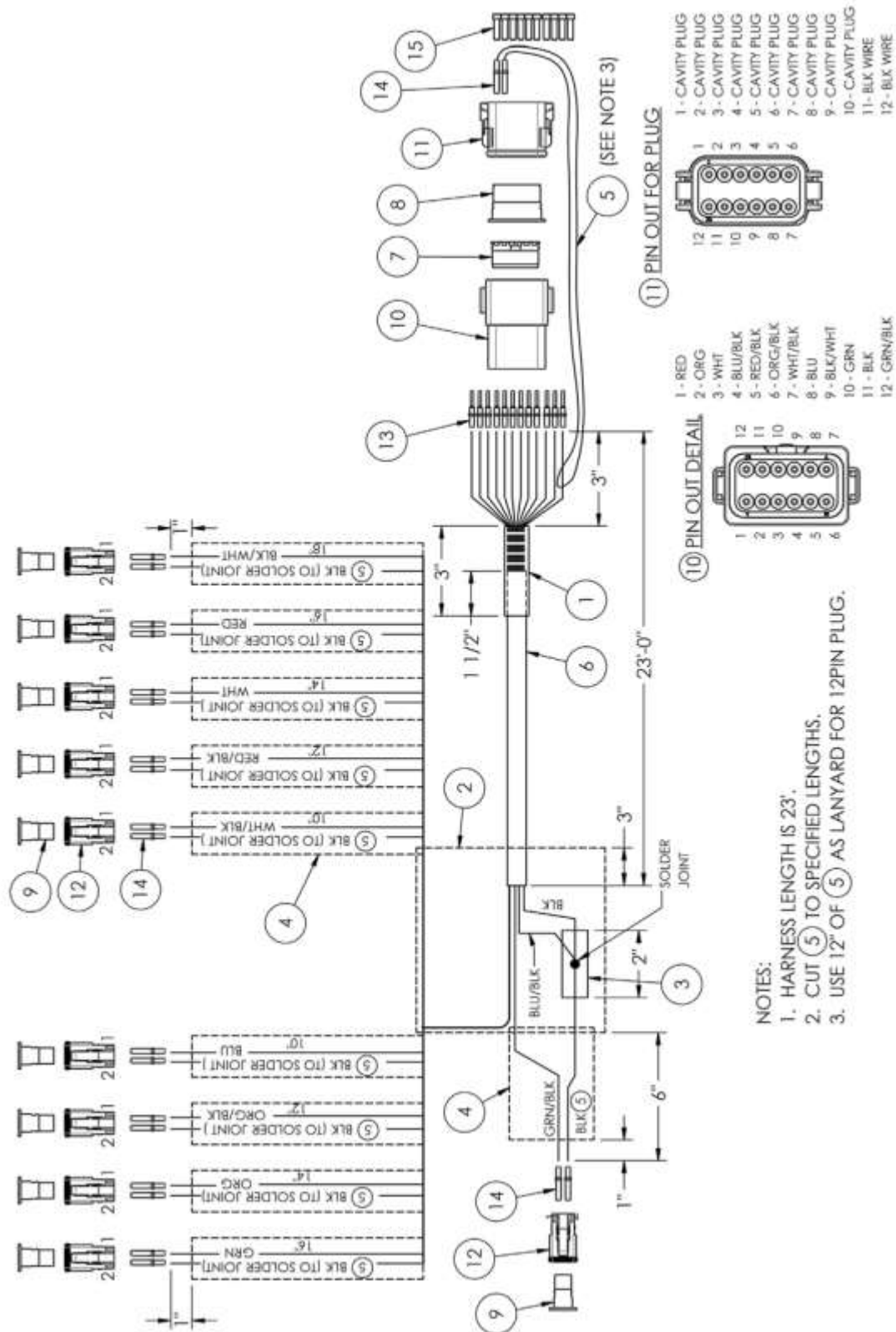


# ILLUSTRATED PARTS LIST

## Parts List 630056: Fasse Hydraulic Controls

ITEM	PART NO.	VENDOR NO.	QTY.	DESCRIPTION
0	630056		1	ASSY, HYDRAULIC VALVE CAB FOLD BOX KIT
				<b>NOTE:</b> INCLUDES BLOCK, CAB FOLD BOX AND FOLD BOX 12-PIN ELECTRICAL HARNESS.
				<b>NOTE:</b> SEE HYDRAULIC BLOCK ASSEMBLY.
				<b>NOTE:</b> SEE CAB FOLD BOX.
0		<b>302-822</b>	1	HYDRAULIC BLOCK (ITEMS 1-13)
1	610010	<b>210-393</b>	4	FITTING 6400-6-6/S-MJ-MO ZINC NICKEL PLATED
2	610013	<b>210-398</b>	1	FITTING 6400-8-8/S-MJ-MO ZINC NICKEL PLATED
3	610103	<b>210-440</b>	4	FITTING 6400L-6-6/S-MJ-MO ZINC NICKEL PLATED
4	610083	<b>210-441</b>	1	FITTING 6402-8-8/S-MO-FJSW
5		<b>232-050</b>	1	DECAL S/N SILVER
6		<b>232-058</b>	1	DECAL FASSE BLACK/GOLD 1"X.75"
7		<b>253-046</b>	8	COIL HY 03012600 INTG DUET RCPT 12V 1.5A
8		<b>253-421</b>	1	COIL H/F 4301892 D-10 INTG DEUT DTR 12V 1.67A DIODE
9		<b>270-092</b>	1	HYDRAULIC BLOCK S11204-2 4CIR AL BYPASS 804
10	630043	<b>271-040</b>	1	CHECK VALVE VON 1908-8-8/S-MJ-MJ ZINC NICKEL
11		<b>273-008</b>	1	CARTRIDGE H/F SV10-40-0-N-00 SPL 4W 2P
12		<b>273-012</b>	1	CARTRIDGE H/F CP10-20-N CAVITY PLUG 2W
13		<b>273-077</b>	8	CARTRIDGE HY WS08W-01-C-N-0 BI DIR POP 2/2 NC
14	FV304143	<b>304-143</b>	1	12-PIN FASSE BLOCK ELECTRICAL HARNESS
15		<b>255-026</b>	1	LOOM CLAMP .50"ID
16		<b>212-025</b>	1	BOLT 5/16"-18X.75"
17		<b>214-002</b>	11	CABLE TIE BLACK 8.5"

## Fasse Block 12-Pin Electrical Harness





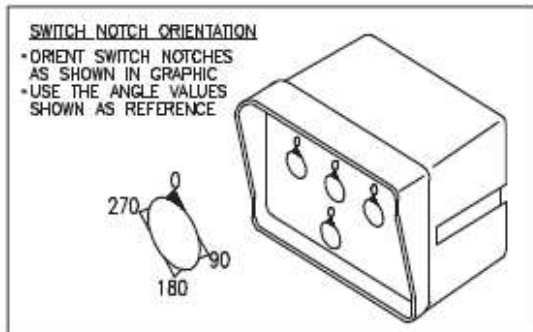
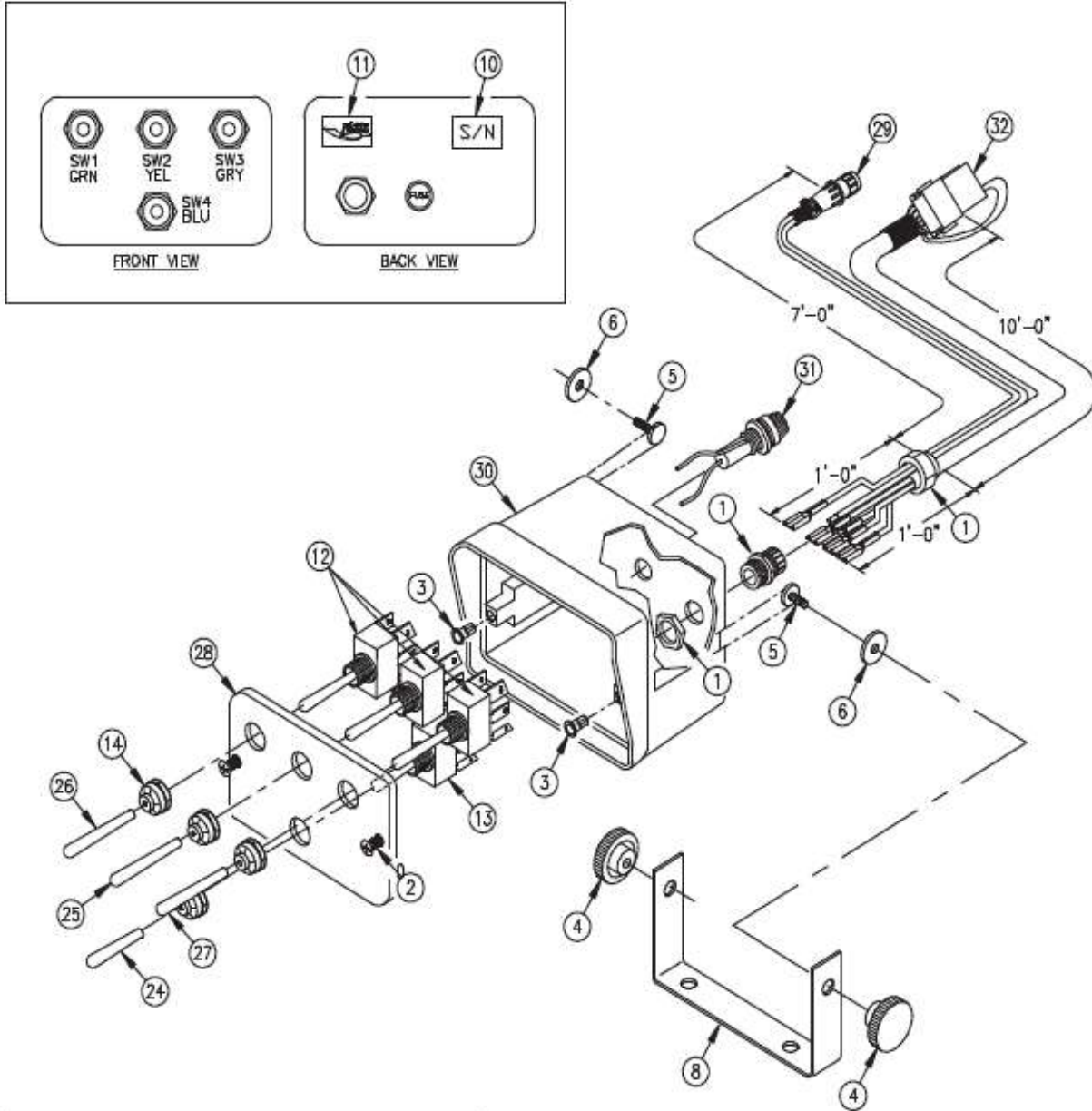
# ILLUSTRATED PARTS LIST

## Parts List: Fasse Block 12-Pin Electrical Harness

ITEM	VENDOR NO.	QTY.	DESCRIPTION
0	304-143	1	FASSE VALVE HARNESS
1	231-009	3"	SHRINK TUBING .500" BLACK
2	231-011	6"	SHRINK TUBING .750" BLACK DUAL WALL
3	231-013	1"	SHRINK TUBING .250" BLACK DUAL WALL
4	231-187	128"	SHRINK TUBING .187" BLACK
5	252-058	14'	WIRE 18GA BLACK
6	252-064	25'	CABLE 12CONNECTOR 18GA PVC GRAY
7	255-214	1	CONNECTOR DEUTSCH LOCK WEDGE 12 PIN DTR GREEN
8	255-215	1	CONNECTOR DEUTSCH LOCK WEDGE 12 PIN DTP ORANGE
9	255-505	10	CONNECTOR DEUTSCH LOCK WEDGE 2 PIN DTP ORANGE
10	255-755	1	CONNECTOR DEUTSCH DT RCPT 12 PIN KEY A
11	255-756	1	CONNECTOR DEUTSCH DT PLUG 12 PIN KEY A
12	255-801	10	CONNECTOR DEUTSCH DT PLUG 2 PIN
13	255-977	12	CONNECTOR DEUTSCH PIN 16-18GA
14	255-978	22	CONNECTOR DEUTSCH SOCKET 16-18GA
15	255-979	10	CONNECTOR DEUTSCH CAVITY PLUG

## FOLD BOX ELECTRICAL

### Cab Fold Box





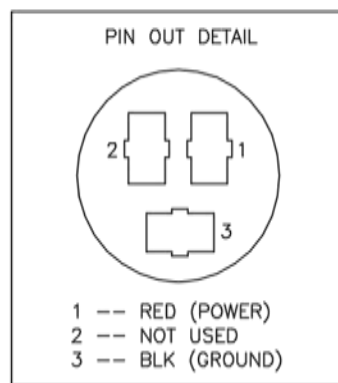
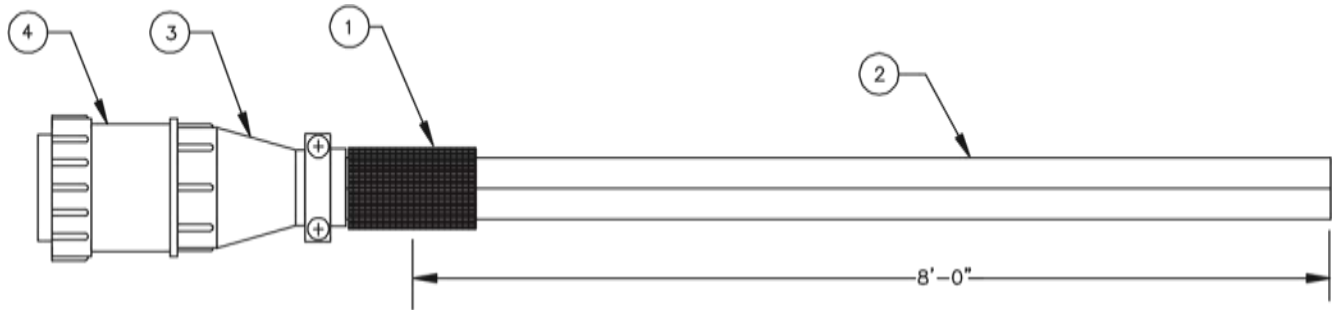


# ILLUSTRATED PARTS LIST

## Parts List: Cab Fold Box

ITEM	VENDOR NO.	QTY.	DESCRIPTION
0	304-038	-	COMPLETE MONITOR BOX (ITEMS 1-32)
1	210-710	1	STR RLF HEYCO .23 - .53 ID HOLE DIA .886
2	212-184	2	SCREW 6-32 X 3/8 OVAL HD BLK
3	212-202	2	INSERT 6-32 X 3/8 BRASS
4	212-215	2	KNOB 1/4-20 FEMALE
5	212-231	2	SCREW, WELDED 1/4-20 X .500
6	213-335	2	WASHER NYLON .257 X .875 X .060
7	214-002	3	CABLE TIE BLACK
8	219-300	1	BRACKET HOUSING MONITOR
9	230-057	1	BAG POLY CLEAR 14 X 18 2 M IL W/LOGO
10	232-050	2	DECAL S /N S ILVER
11	232-059	1	DECAL GOLD/BLACK 1.5 X .5
12	250-013	3	SW TOG DPDT 3P MOM LONG
13	250-015	1	SW TOG DPDT 2P MOM SHORT
14	250-023	4	SW TOG BOOT OPN GREY
15	252-058	18"	WIRE BLACK 18 GA
16	252-059	24"	WIRE 18 GA BLACK
17	252-060	18"	WIRE 18 GA BLACK
18	252-001	1	DIODE D116A2 6 AMP
19	255-002	10	TRM T-TAP F PO BLUE
20	255-006	5	TRM PO F NON-INS 20/18 GA
21	255-070	2	TRM PO MF 14-16 GA
22	255-119	5	TRM PO F INS 16-14 GA
23	255-285	1	TRM SPLICE CLOSED END LARGE
24	259-015	1	SW TOG GRIP V INYL BLUE .187
25	259-022	1	SW TOG GRIP V INYL YELLOW .187
26	259-023	1	SW TOG GRIP V INYL GREEN .187
27	259-027	1	SW TOG GRIP VINYL GREY .187
28	304-037	1	ENCL DRILL FP MONITOR SW4 F00204
29	314-217	1	HARNESS R/B W IRE SERIES 3 P /8
30	319-725	1	ENCL DRILL MNTRBX FH-7/8" STR RLF
31	319-769	1	FUSEHOLDER PM ASSM. 10A /.5'
32	320-184	1	HRN 12 CON 16 GA DTP KEY A 12P (12) 11' END CAP

## Cab Fold Box Power Harness

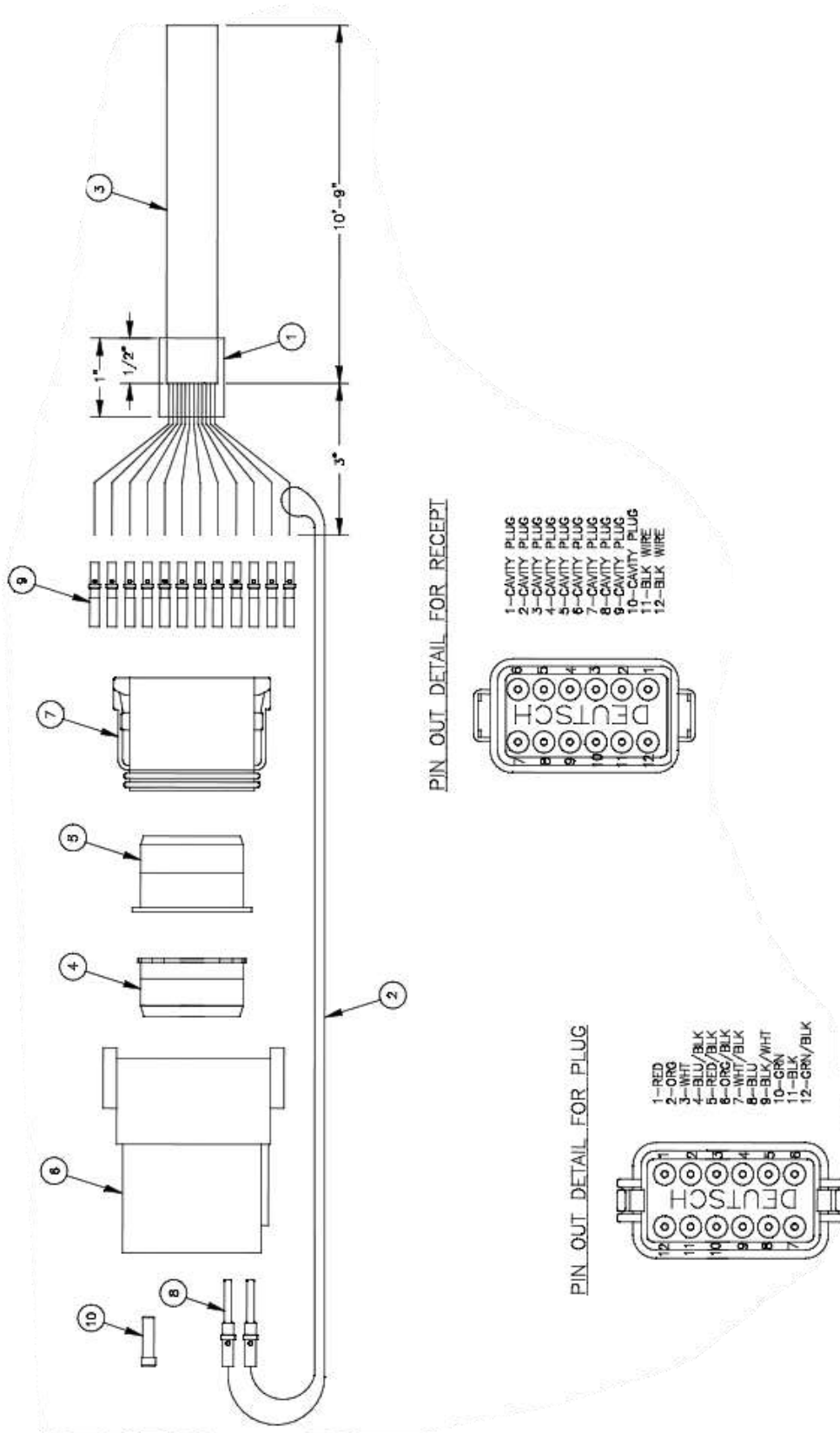


### Parts List: Cab Fold Box Power Harness

ITEM	VENDOR NO.	QTY.	DESCRIPTION
1	230-250	2"	SHRINK TUBING .250 BLACK
2	252-021	8'	WIRE RED/BLACK 16 GA ZIP
3	255-043	1	CENTER 16 PIN SHELL #17
4	255-233	1	CENTER AMP SOCKET
5	255-549	1	CENTER SERIES 3 17-3 PLUG



## Cab Fold Box Electrical Harness





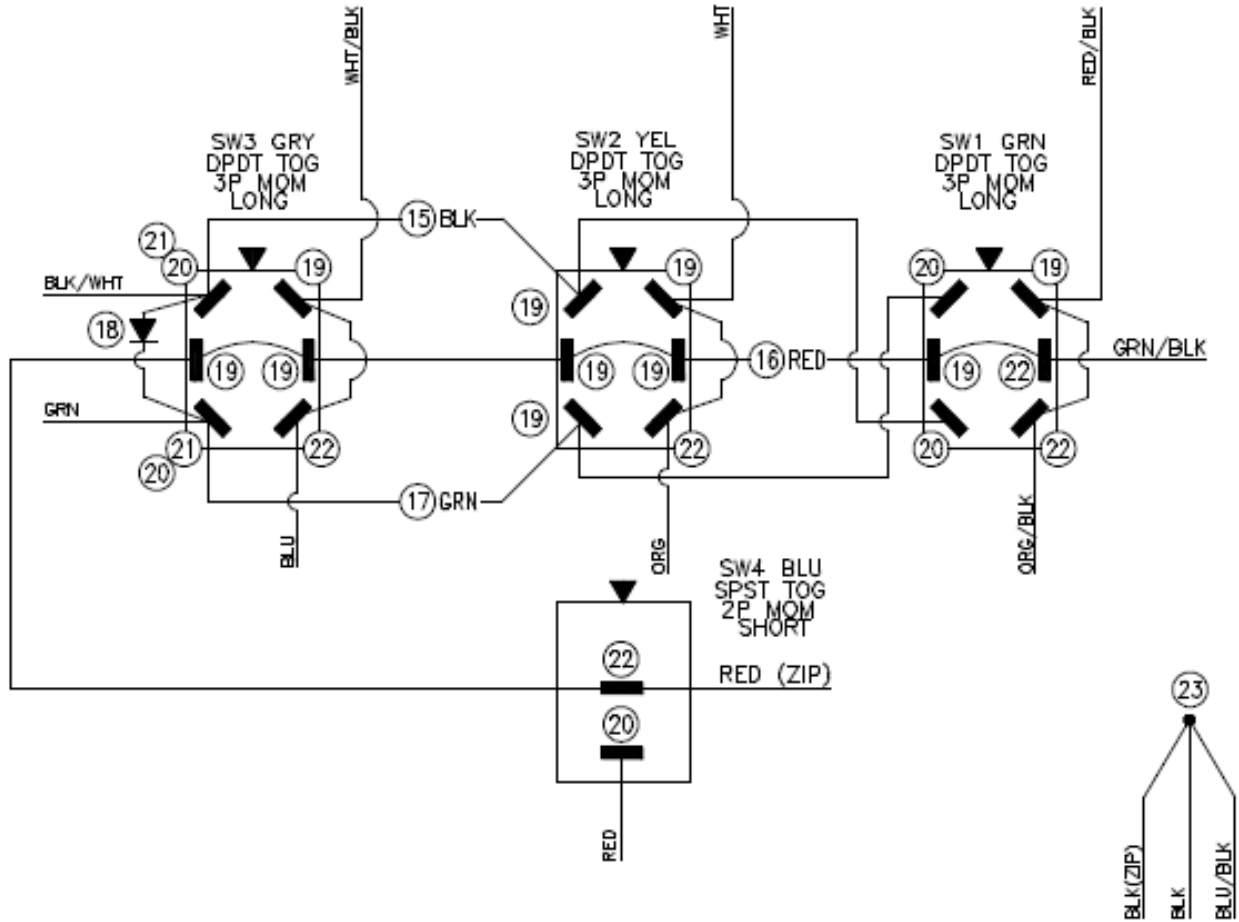
## ILLUSTRATED PARTS LIST

### Parts List: Cab Fold Box Electrical Harness

ITEM	VENDOR NO.	QTY.	DESCRIPTION
0	320-184	1	COMPLETE HARNESS (ITEMS 1-10)
1	231-009	1"	SHRINK TUBING .500" BLACK
2	252-058	12"	WIRE 18GA BLACK
3	252-064	11'	CABLE 12CONNECTOR 18GA PVC GRAY
4	255-214	1	CONNECTOR DEUTSCH LOCK WEDGE 12 PIN DTR GREEN
5	255-215	1	CONNECTOR DEUTSCH LOCK WEDGE 12 PIN DTP ORANGE
6	255-755	1	CONNECTOR DEUTSCH DT RCPT 12 PIN KEY A
7	255-756	1	DT PLUG 12P KEY A
8	255-977	2	PIN 16-18GA
9	255-978	12	SOCKET 16/18GA
10	255-979	10	CAVITY PLUG

## Cab Fold Box Electrical Wiring Diagram

▲ = NOTCH LOCATION



### Parts List: Cab Fold Box Electrical Wiring Diagram

ITEM	VENDOR NO.	QTY.	DESCRIPTION
15	252-058	18"	WIRE BLACK 18 GA
16	252-059	24"	WIRE 18 GA BLACK
17	252-060	18"	WIRE 18 GA BLACK
18	252-001	1	DIADE D116A2 6 AMP
19	255-002	10	TRM T-TAP F PO BLUE
20	255-006	5	TRM PO F NON INS 20/18 GA
21	255-070	2	TRM PO MF 14-16 GA
22	255-119	5	TRM PO F INS 16-14 GA
23	255-285	1	TRM SPLICE CLOSED END LARGE



## Cab Fold Box Operation & Pinout

Pinout Table - A Series Fold Block (Correlates to Fasse 304-141 and 303-228, FAST p/n 630051)		700-0804-4004	
Switch No.	Switch Positions	Signal Wires	Pin-Out Location
1 - Green	Up	Red, Red/Black, Orange/Black, Green	1, 5, 6, 10
	Center	Off	
	Down	Red, Red/Black, Orange/Black, Green, Black/White	1, 5, 6, 10, 9
2 - Yellow	Up	White, Orange	3, 2
	Center	Off	
	Down	White, Orange, Black/White	3, 2, 9
3 - Grey	Up	Blue, White/Black	8, 7
	Center	Off	
	Down	Blue, White/Black, Black/White	8, 7, 9

Hydraulic Valve Circuit	Pressure Port	Function
C1, C3	C5, C7	Main Wings - Transport Off
C7	C3	Main Wings - Field
C2	C6	Latches - Transport Off
C6	C2	Latches - Field
C4	C8	Flip Wings - Transport Off
C8	C4	Flip Wings - Field

<b>Ground Wires</b>	
Black	11
Blue/Black	4
<b>Constant Power</b>	
Green/Black	12





## ILLUSTRATED PARTS LIST

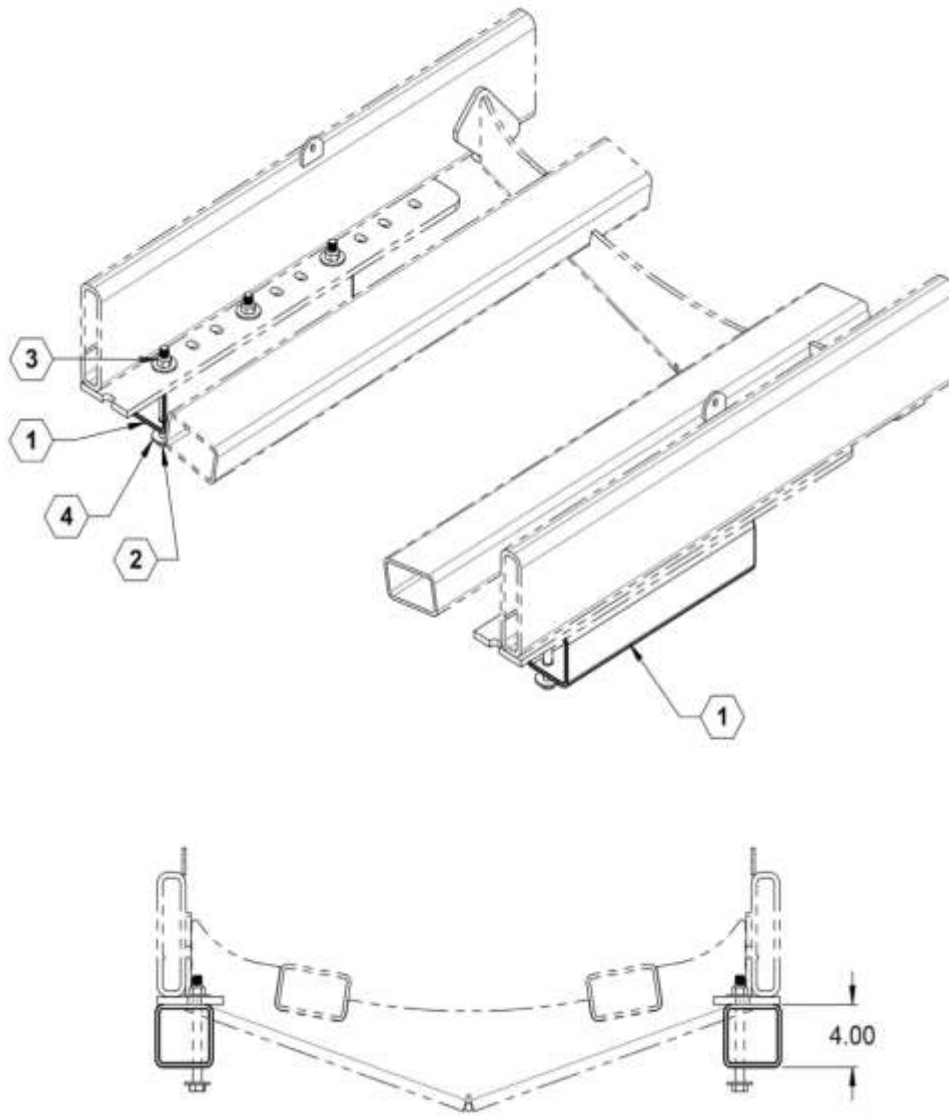
### Parts List: Cab Fold Box Operation & Pinout

ITEM	VENDOR NO.	QTY.	DESCRIPTION
1	610024	3	JIC #8 90 DEG
2	610053	2	JIC #8 SWIVEL RUN TEE
3	610083	2	FITTING #8 ORB X #8 JICF
4	610097	1	#8 JIC TO #8 O-RING 90
5	630041	1	MANIFOLD, HYDRAULIC DOWN PRESSURE
5	PRH121K20	1	PRESSURE REDUCING VALVE
5	CVH103P	1	CHECK VALVE C10
5	11441-015	1	.015 ORIFICE
6	790052	1	PRESSURE GAUGE, 3000 PSI
7	596133M	2	BOLT, HH 3/8 X 3-1/2 GR5 MAGNI
8	596258M	2	WASHER, FLAT 3/8 MAGNI
9	596237M	2	NUT, CENTERLOCK 3/8-16 MAGNI
10	26813	1	PLATE, HOSE HOLD DOWN
11	596130M	1	BOLT, HH 3/8-16 X 2 GR5 MAGNI

## TRAILER AXLES, TIRES, & TRACKS

### Axle Spacer 4"

NOTE:  
1. MOUNTS BETWEEN AXLE WELDMENT AND FRAME



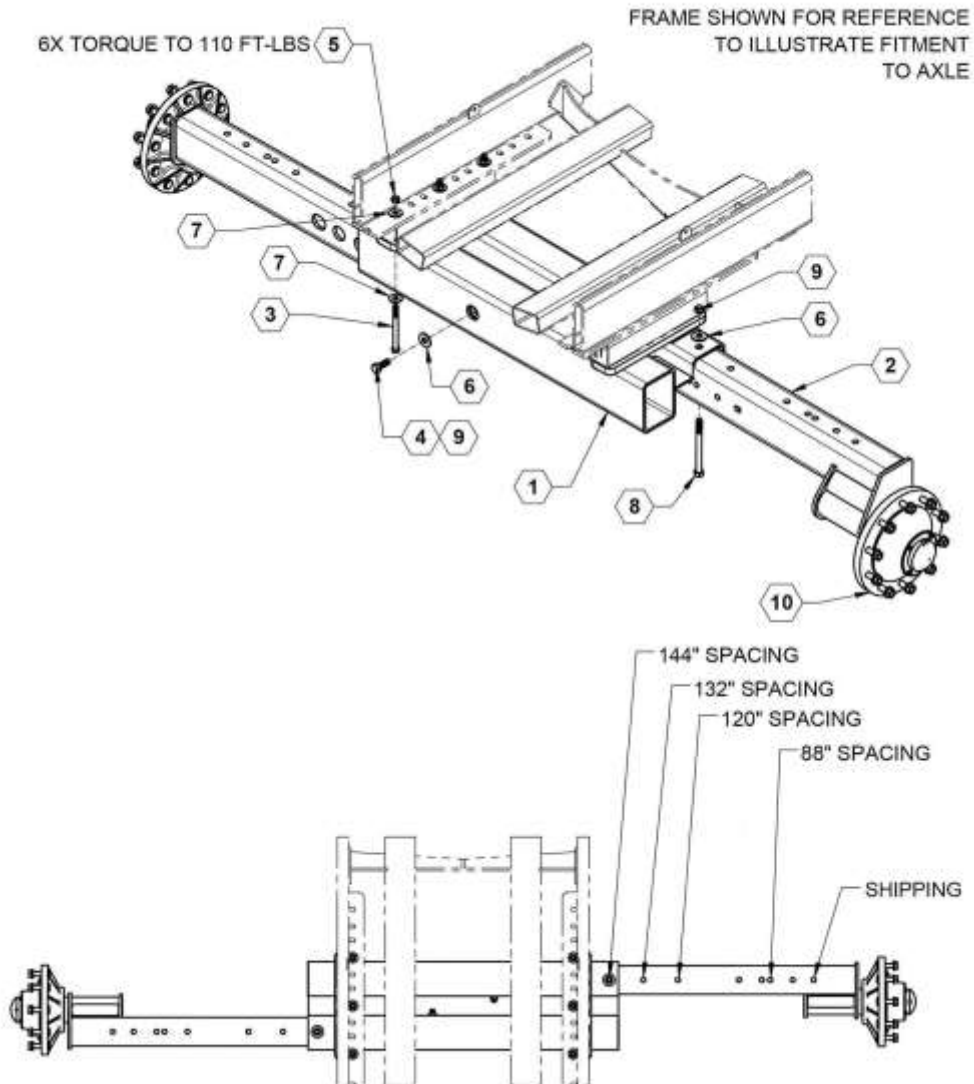
### Parts List 26756: Axle Spacer 4"

ITEM	PART NO.	QTY.	DESCRIPTION
1	16457	2	TUBE, 4" AXLE RISER
2	596174M	6	BOLT, HH 5/8-11 X 7 G5 MAGNI
3	596243M	6	NUT, TOPLOCK 5/8-11 G8 MAGNI
4	596261M	12	WASHER, FLAT 5/8 MAGNI

## Adjustable Single Axle 20k, 72"-144"

**NOTES:**

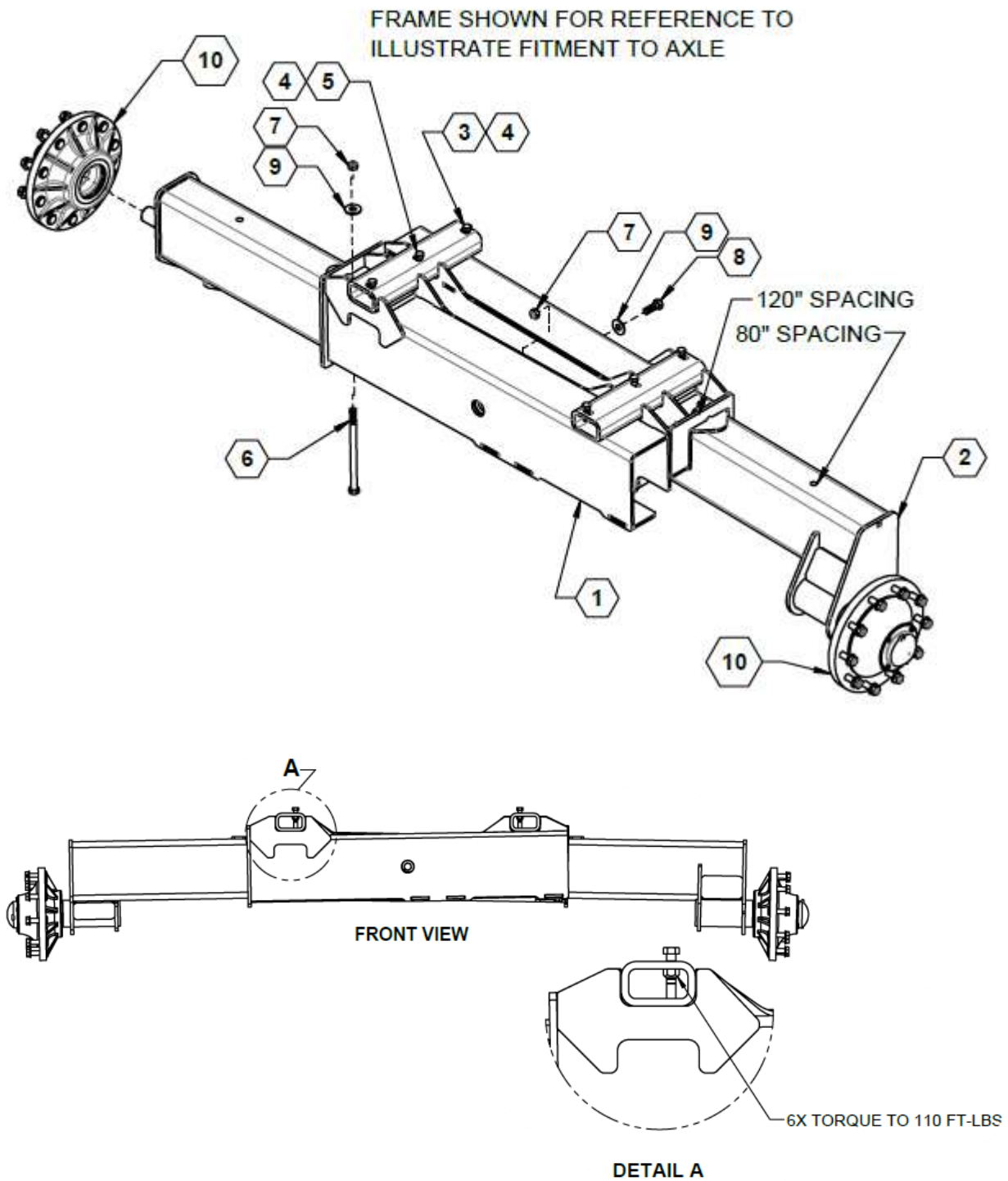
1. BOLTS TO BE INSTALLED IN ORIENTATION SHOWN
2. BOLTS TO BE TIGHTENED WITH 1/2" IMPACT



### Parts List 26758: Adjustable Single Axle 20k, 72"-144"

ITEM	PART NO.	QTY.	DESCRIPTION
1	13512	1	RECEIVER, AXLE WELDMENT
2	18386	2	AXLE, 20K ADJUSTABLE
3	596184M	2	BOLT, HH 3/4X2 GR5 MAGNI
4	596259M	4	WASHER, FLAT 3/4 MAGNI
5	596488M	2	BOLT, HH 3/4-10 X 8-1/2 G5 MAGNI
6	596626M	4	NUT, TOPLOCK 3/4-10 G5 MAGNI
7	730029	2	Q881 HUB PKG W-LONG STUDS 20K

## Adjustable Single Axle 25k, 80"-120"





## ILLUSTRATED PARTS LIST

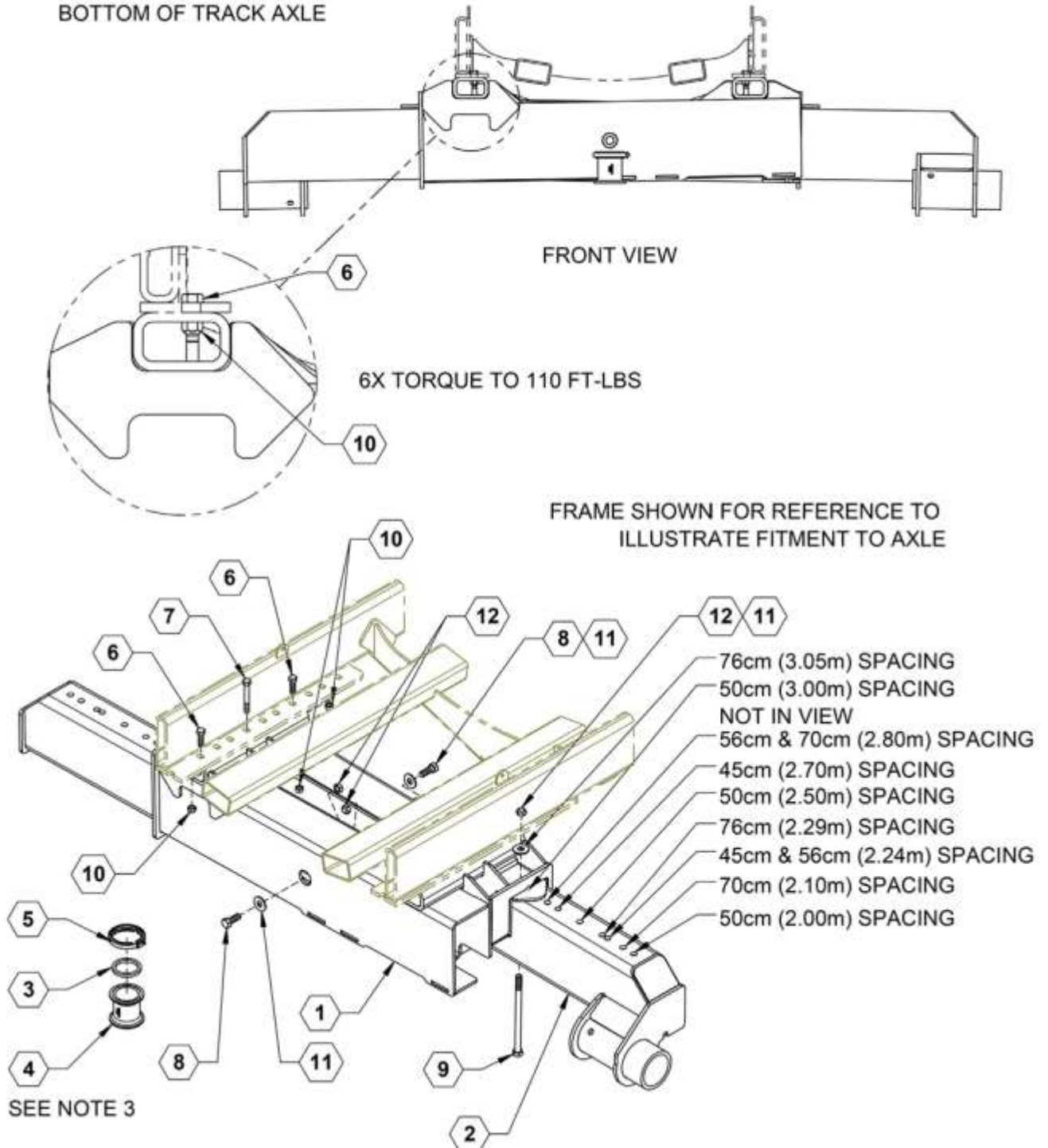
### Parts List 35683: Adjustable Single Axle 25k, 80"-120"

ITEM	PART NO.	QTY.	DESCRIPTION
1	23955	1	WLDMT, AXLE RECEIVER
2	35099	2	AXLE, INNER WLDMNT 80"-160"
3	596170M	4	BOLT, HH 5/8-11X2 GR5 MAGNI
4	596243M	6	NUT, TOPLOCK 5/8-11 G8 MAGNI
5	596177M	2	BOLT, HH 5/8-11X4.5 GR5 MAGNI
6	596210M	2	BOLT, HH 3/4-10 X 12 GR5 MAGNI
7	596626M	4	NUT, TOPLOCK 3/4-10 G5 MAGNI
8	596184M	2	BOLT, HH 3/4X2 GR5 MAGNI
9	596259M	4	WASHER, FLAT 3/4 MAGNI
10	730086	2	HUB COMPLETE Q981 25K BIG 10 B

## Adjustable Track Axle, 80"-132"

**NOTES:**

1. BOLTS TO BE INSTALLED IN ORIENTATION SHOWN
2. BOLTS TO BE TIGHTENED WITH 1/2" IMPACT
3. ADD 3" FLANGE COUPLING TO BOTTOM OF SUMP ON TANK ABOVE THE 3" FLANGE SWEEP MANIFOLD TO CLEAR THE BOTTOM OF TRACK AXLE



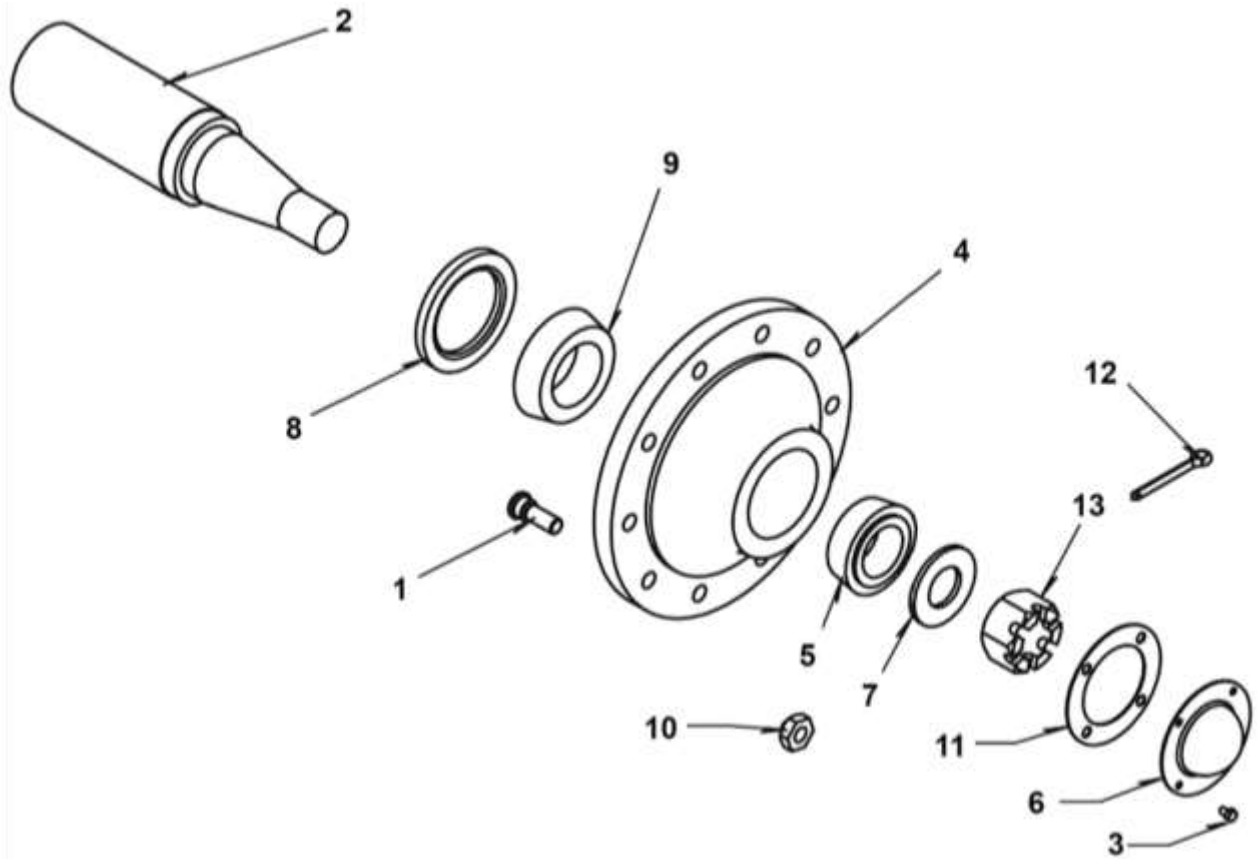


## ILLUSTRATED PARTS LIST

### Parts List 26742: Adjustable Track Axle, 80"-132"

ITEM	PART NO.	QTY.	DESCRIPTION
1	23955	1	AXLE RECEIVER
2	23958	2	ADJUSTABLE TRACK AXLE, 80" - 132"
2	26312	2	ADJUSTABLE TRACK AXLE, 84" - 144"
2	27948	2	ADJUSTABLE TRACK AXLE, 45-76cm
3	530024	1	GASKET, 3" EPDM
4	530443	1	FLANGE COUPLING 3"
5	540003	1	CLAMP, WORM SCREW 3"
6	596170M	4	BOLT, HH 5/8-11X2 GR5 MAGNI
7	596177M	2	BOLT, HH 5/8-11X4.5 GR5 MAGNI
8	596184M	2	BOLT, HH 3/4X2 GR5 MAGNI
9	596210M	2	BOLT, HH 3/4-10 X 12 GR5 MAGNI
10	596243M	6	NUT, TOPLOCK 5/8-11 G8 MAGNI
11	596259M	4	WASHER, FLAT 3/4 MAGNI
12	596626M	4	NUT, TOPLOCK 3/4-10 G5 MAGNI
13	800259	1	DECAL, CAUTION - TRACK FIRE

## Hub Assembly, 20k, 10-Bolt Q881

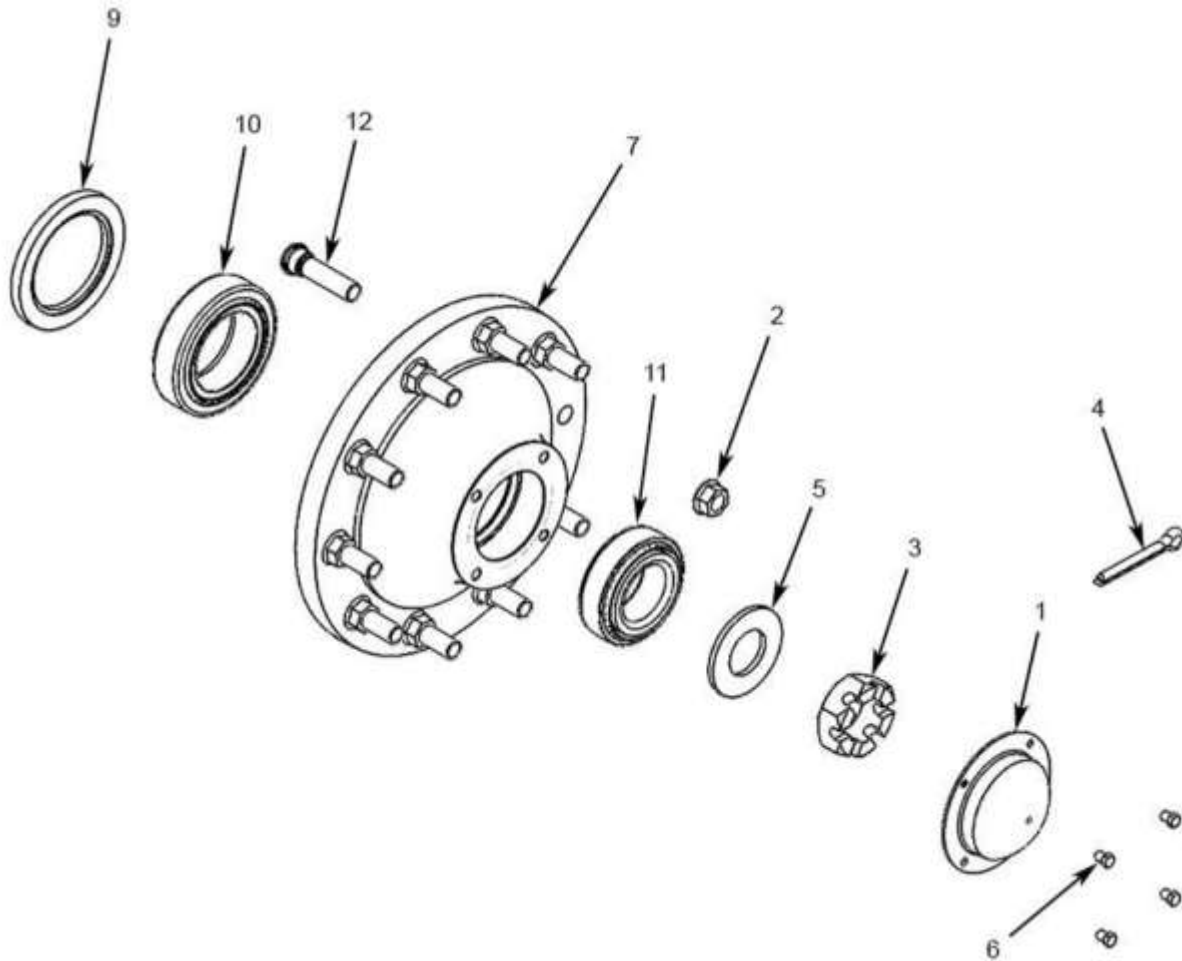


### Parts List 730029: Hub Assembly, 20k, 10-Bolt Q881

ITEM	PART NO.	QTY.	DESCRIPTION
	<b>730029</b>	1	Q881 20K HUB ASSEMBLY COMPLETE (ITEMS 1-13)
1	<b>NI953035</b>	10	WHEEL STUD
2	<b>730007</b>	1	SPINDLE, 20000 LB
3	<b>730017</b>	4	5/16 x 1/2" BOLT
4	<b>730029</b>	1	Q881 Hub Package, 20k
5	<b>730037</b>	1	FRONT BEARING
6	<b>730039</b>	1	HUB CAP
7	<b>730040</b>	1	WASHER
8	<b>730041</b>	1	SEAL
9	<b>730043</b>	1	REAR BEARING
10	<b>730051</b>	10	LUG NUT
11	<b>730061</b>	1	HUB CAP SEAL
12	<b>COTTER PIN</b>	1	COTTER PIN
13	<b>2"SPINDLE NUT</b>	1	2" CASTLE NUT



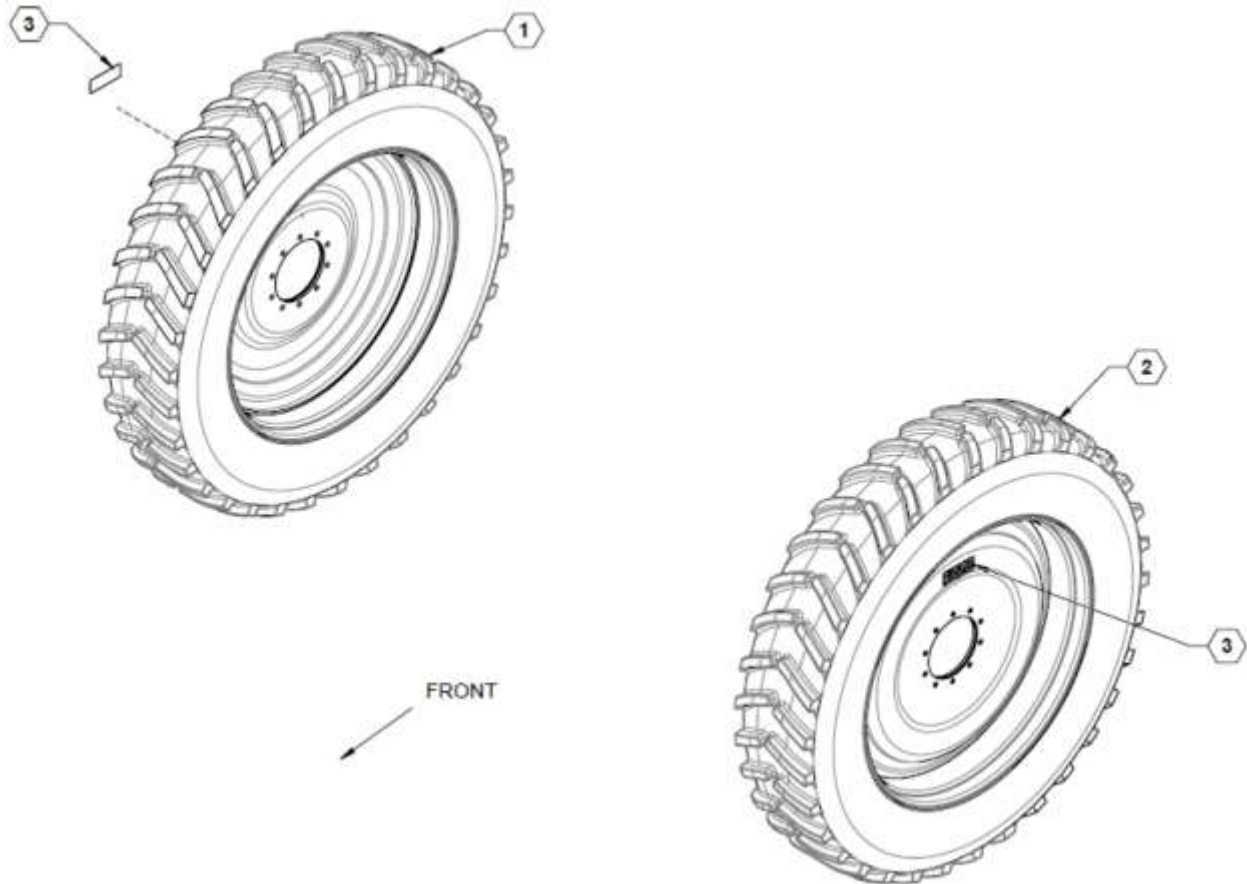
## Hub Assembly, 25k, 10-Bolt Q981



### Parts List 730086: Hub Assembly, 25k, 10-Bolt Q981

ITEM	PART NO.	QTY.	DESCRIPTION
	<b>730086</b>	1	Q981 25K HUB ASSEMBLY COMPLETE
1	<b>730039</b>	1	HUB CAP
2	<b>730051</b>	10	LUG NUT
3	<b>730056</b>	1	CASTLE NUT
4	<b>730042</b>	1	COTTER PIN
5	<b>730040</b>	1	WASHER
6	<b>730017</b>	4	BOLT
7	<b>730029</b>	1	HUB
8	<b>730061</b>	1	PLATE
9	<b>730041</b>	1	SEAL
10	<b>730043</b>	1	INNER BEARING
11	<b>730037</b>	1	OUTER BEARING
12	<b>5410216</b>	10	WHEEL STUD

## 480/80R50 Singles



### Parts List 26749/26876: 480/80R50 Singles

ITEM	PART NO.	QTY.	DESCRIPTION
1	700174	1	WHEEL 480/80R50 176A8 YELLOW RIGHT
	700177		WHEEL 480/80R50 176A8 SILVER RIGHT
2	700175	1	WHEEL 480/80R50 176A8 YELLOW LEFT
	700176		WHEEL 480/80R50 176A8 SILVER LEFT
3	800253	2	DECAL, WHL LUG NUT TORQ

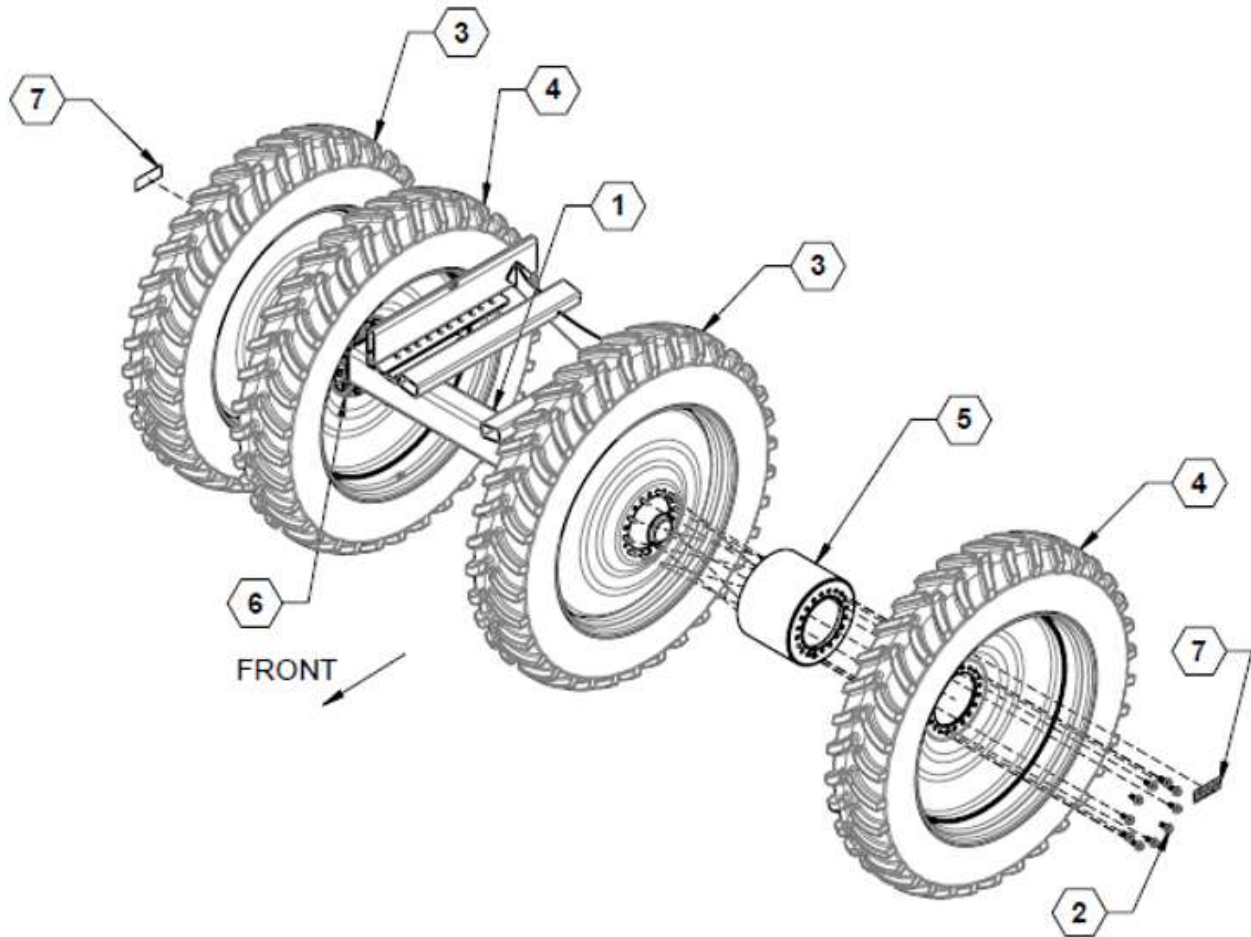
## 580/85R42 Singles



### Parts List 35684/35685: 580/85R42 Singles

ITEM	PART NO.	QTY.	DESCRIPTION
1	700216	1	WHL, 580/85R42 LR183 LH YLW
	700218		WHL, 580/85R42 LR183 LH SLVR
2	700217	1	WHL, 580/85R42 LR183 RH YLW
	700219		WHL, 580/85R42 LR183 RH SLVR

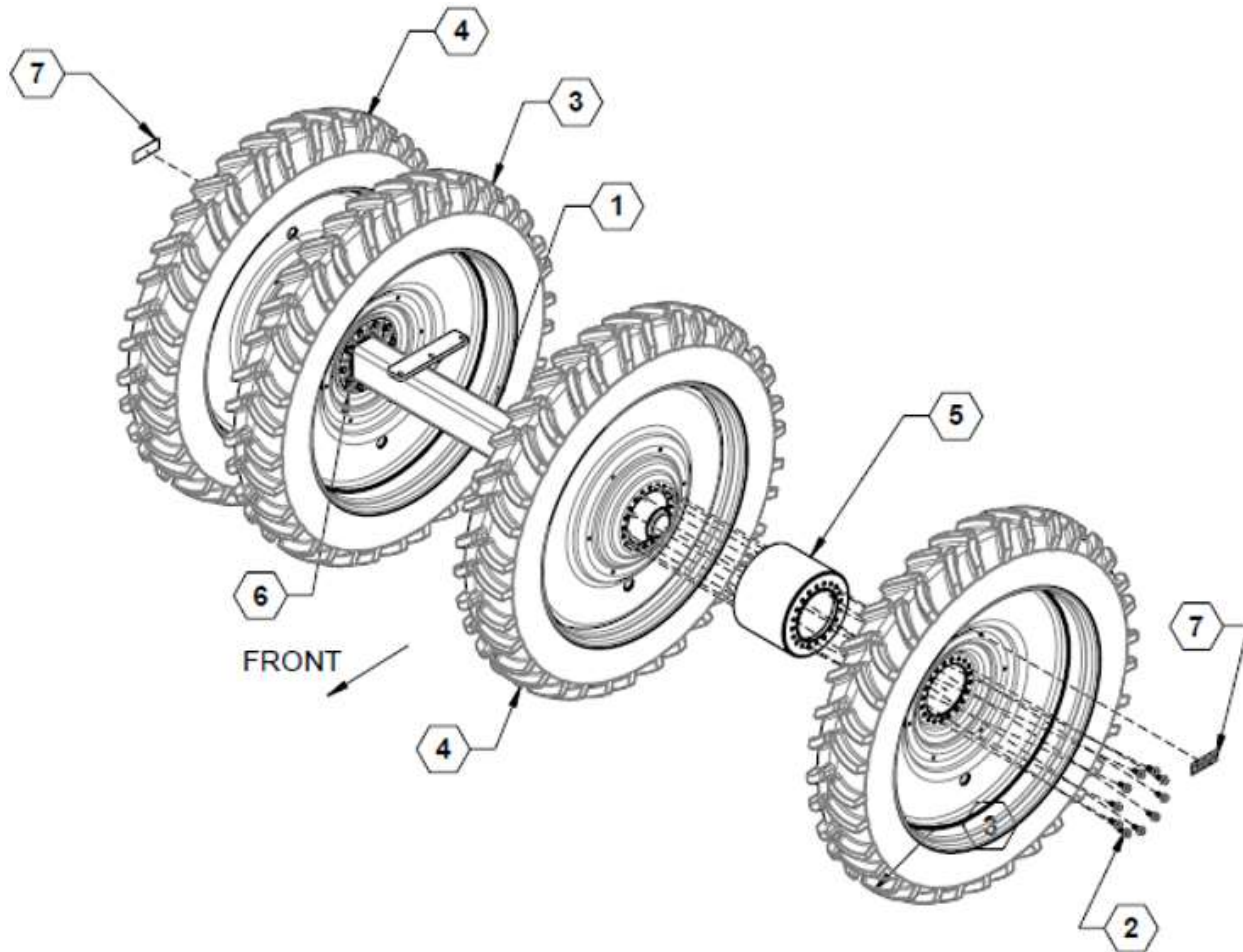
## 380/90R46 Duals



### Parts List 26750/26877: 380/90R46 Duals

ITEM	PART NO.	QTY.	DESCRIPTION
1	10917	1	AXLE, SPACER DUAL
2	590258	20	BOLT 3/4-16 X 1-1/2 YZ
3	700135	2	TIRE L 380/90R46 DUAL YW 20H
	700140		TIRE L 380/90R46 DUAL SL 20H
4	700136	2	TIRE R 380/90R46 DUAL YW 20H
	700139		TIRE R 380/90R46 DUAL SL 20H
5	710030	2	SPACER, DUAL, 13 3/4"
6	730029	2	Q881 HUB PACKAGE W-LONG STUDS
7	800253	2	DECAL, WHL LUG NUT TORQ

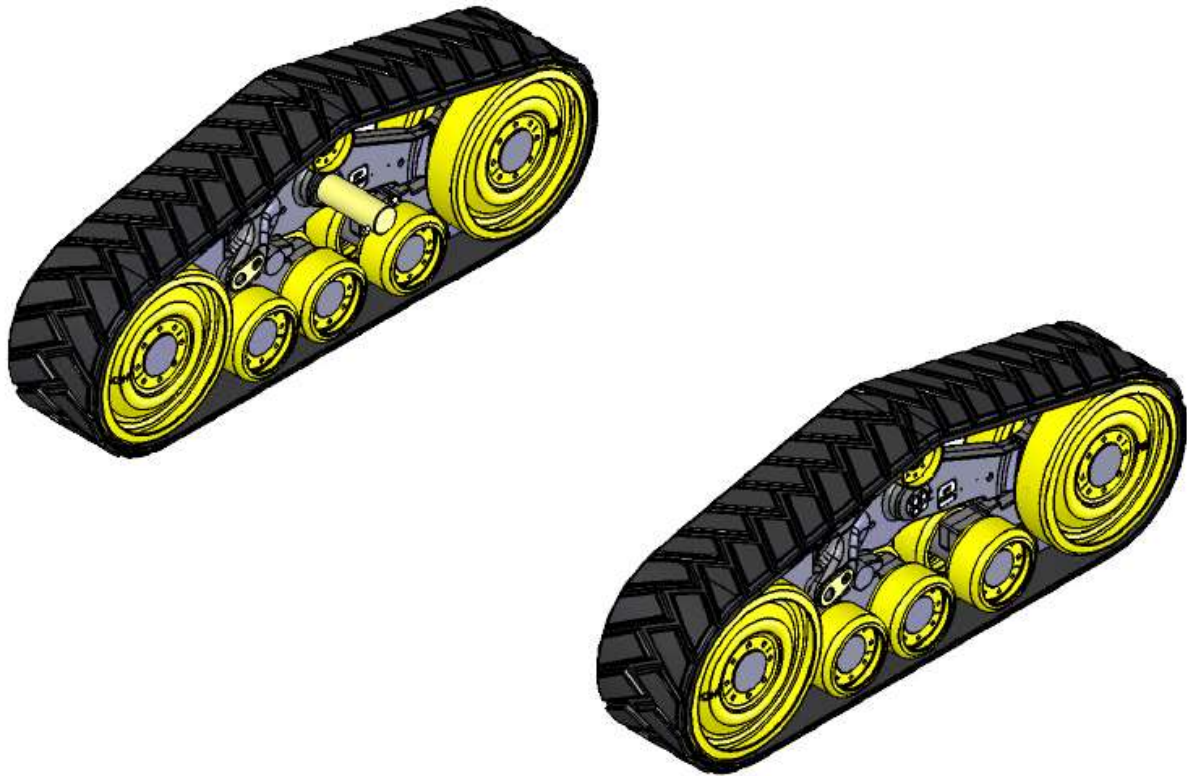
## 380/90R54 Duals



### Parts List 26751/26878: 380/90R54 Duals

ITEM	PART NO.	QTY.	DESCRIPTION
1	10917	1	AXLE, SPACER DUAL
2	590258	20	BOLT 3/4-16 X 1-1/2 YZ
3	700138	2	TIRE/WHEEL R 380/90R54 DUAL 20 H
	700141		TIRE/WHEEL R 380/90R54 DUAL SL 20 H
4	700137	2	TIRE/WHEEL L 380/90R54 DUAL 20 H
	700142		TIRE/WHEEL L 380/90R54 DUAL SL 20 H
5	710030	2	SPACER, DUAL, 13 3/4"
6	730029	2	Q881 HUB PACKAGE W-LONG STUDS
7	800253	2	DECAL, WHL LUG NUT TORQ

## 18" Camso Tracks



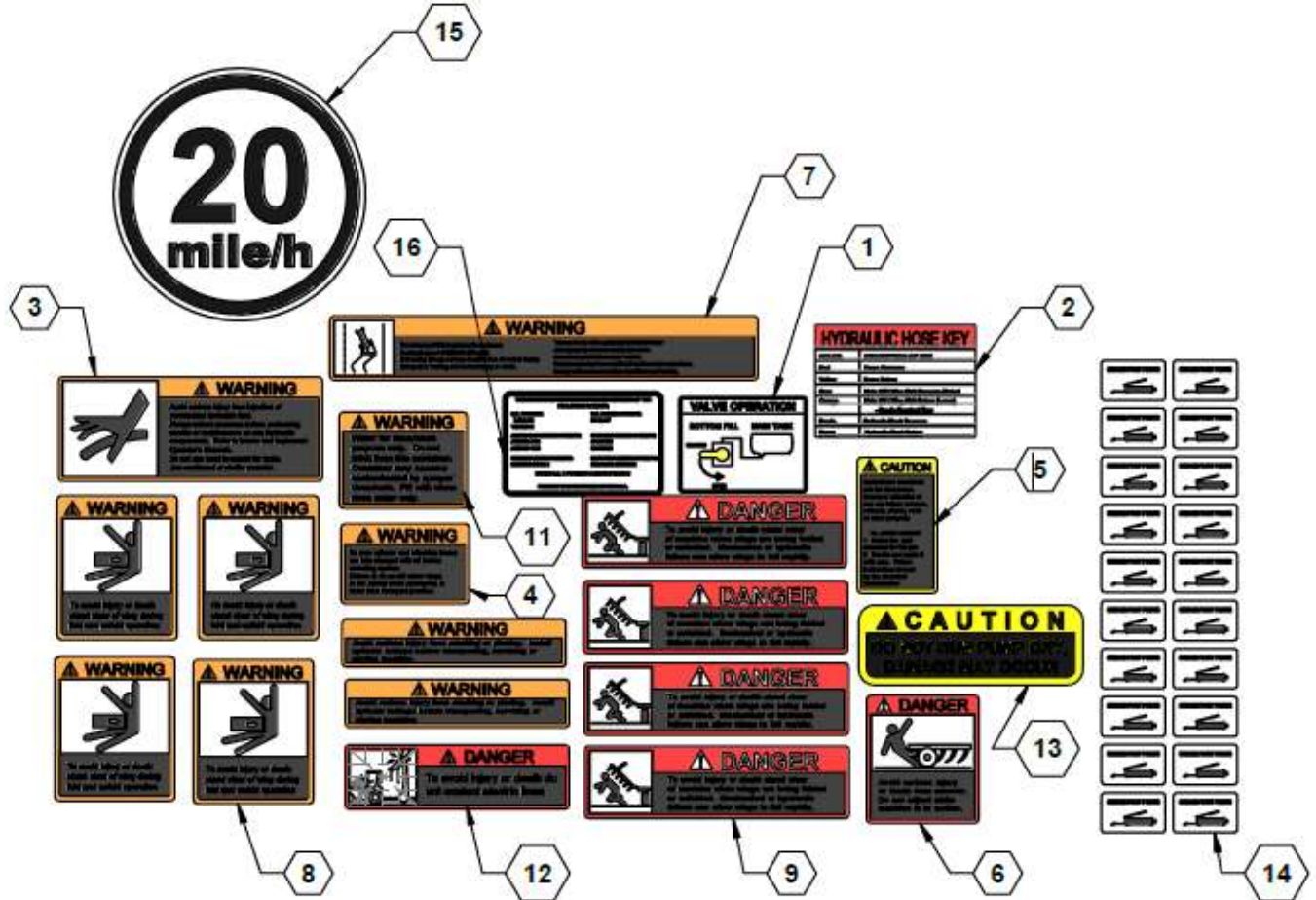
### Parts List: 18" Camso Tracks

ITEM	PART NO.	QTY.	DESCRIPTION
-	45-1816YL2-0077	1	CAMSO TTS 18", YELLOW



## LIGHTS, DECALS, & TAGS

### Standard Decals

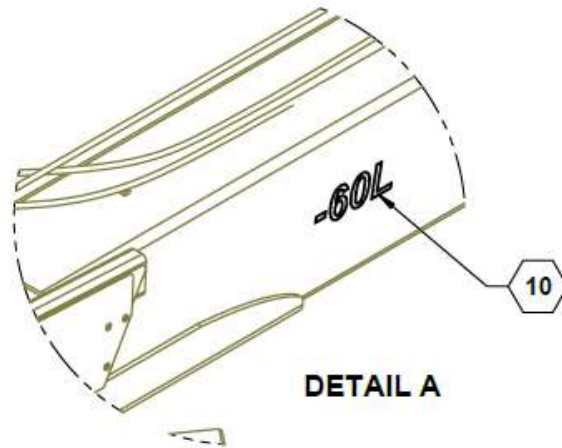
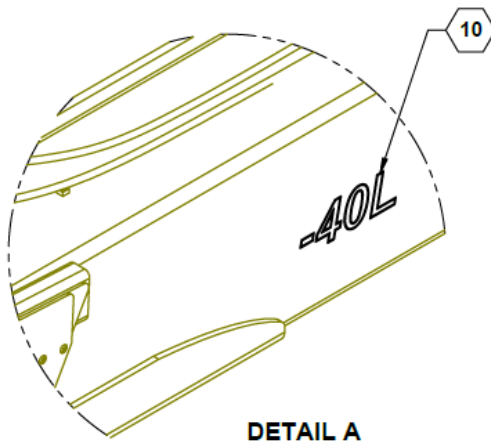
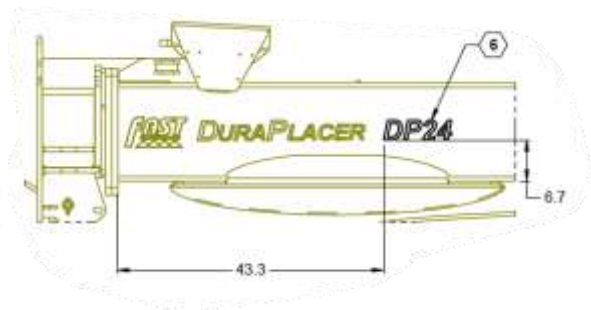
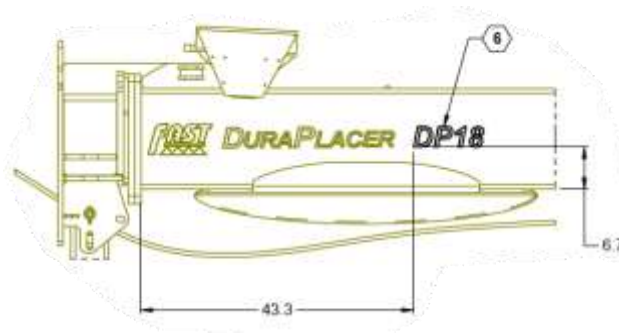
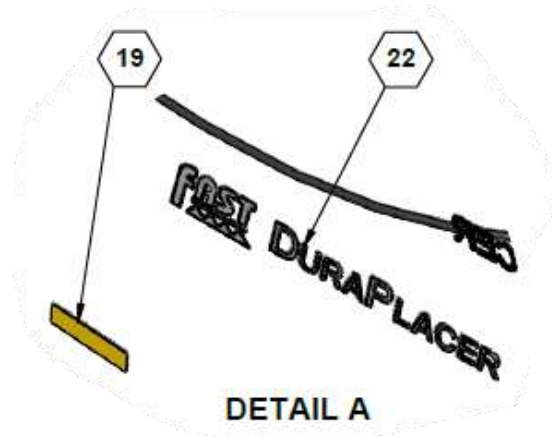




## Parts List 35746: Standard Decals

ITEM	PART NO.	QTY.	DESCRIPTION
1	800017	1	DECAL, MAIN TANK VALVE OPERATION
2	800087	1	DECAL, HOSE KEY
3	800098	1	DECAL, WARNING-HYDRAULIC FLUID
4	800099	1	DECAL, WARNING-CHARGE WITH OIL
5	800101	1	DECAL, CAUTION-AG CHEMICAL
6	800103	1	DECAL, DANGER-RUNOVER
7	800104	1	DECAL, WARNING-DO NOT SPEED
8	800105	4	DECAL, WARNING-STAND CLEAR
9	800106	4	DECAL, DANGER-STAND CLEAR
10	800107	2	DECAL, WARNING-AVOID CRUSHING
11	800108	1	DECAL, WARNING-RINSE TANK
12	800112	1	DECAL, DANGER, ELECTRIC LINES
13	800282	1	DECAL, DO NOT RUN PUMP DRY. ENGLISH
14	800287	20	DECAL, GREASE PIVOT POINTS
15	800306	1	DECAL, SIS, 20 mile/h
16	800338	1	DECAL, FAST PATENTS

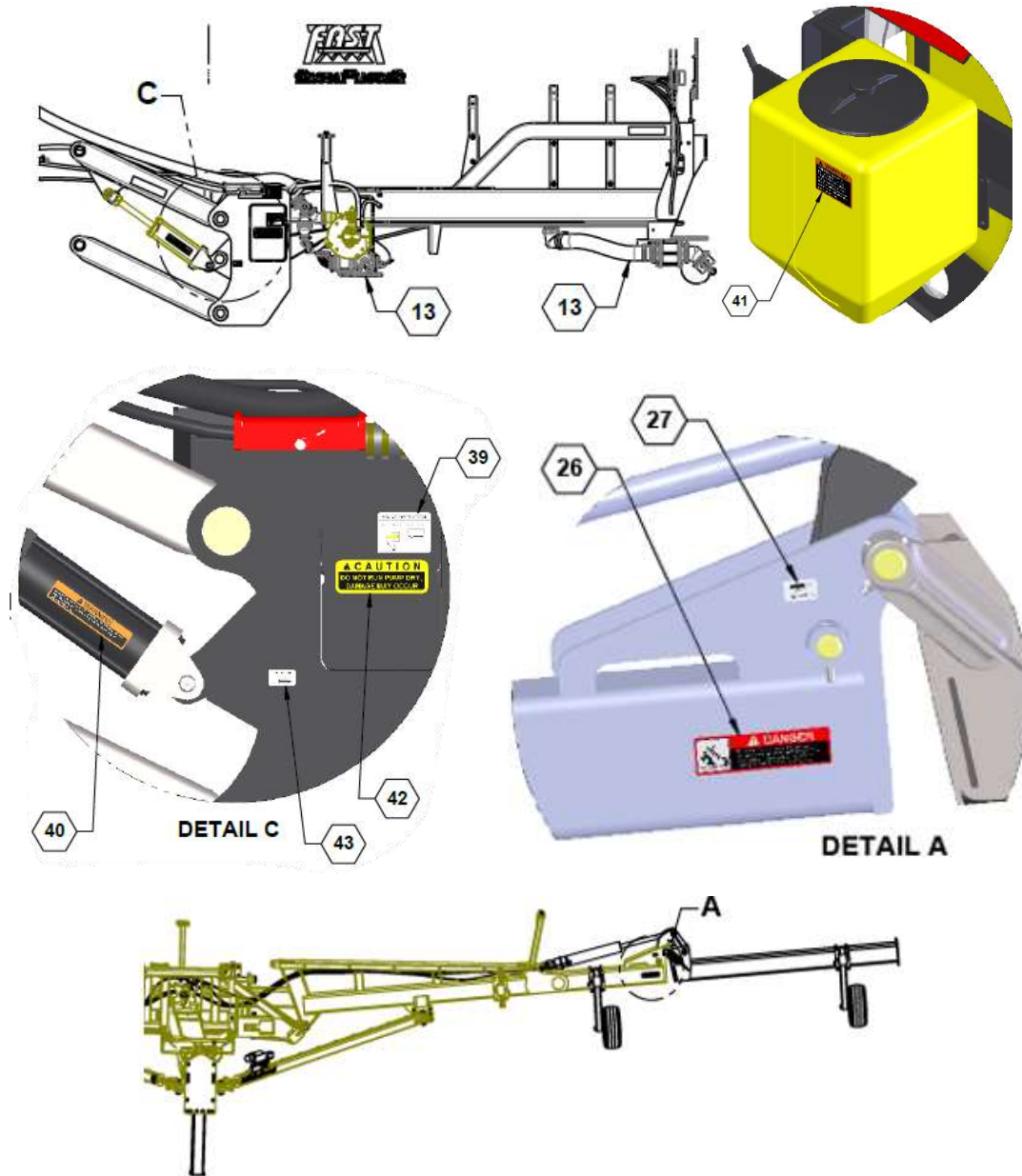
## Tongue Decals



### Parts List 35315, 35400-35403, 35408/35682: Tongue Decals

ITEM	PART NO.	QTY.	DESCRIPTION
6	800358	2	(1800 Gal.) DECAL, DP18
	800359		(2400 Gal.) DECAL, DP24
10	800360	2	(40') DECAL, 40L
	800361		(60') DECAL, 40L
19	800110	2	DECAL, AMBER, REFLECTOR
22	800354	2	DECAL, FAST DuraPlacer

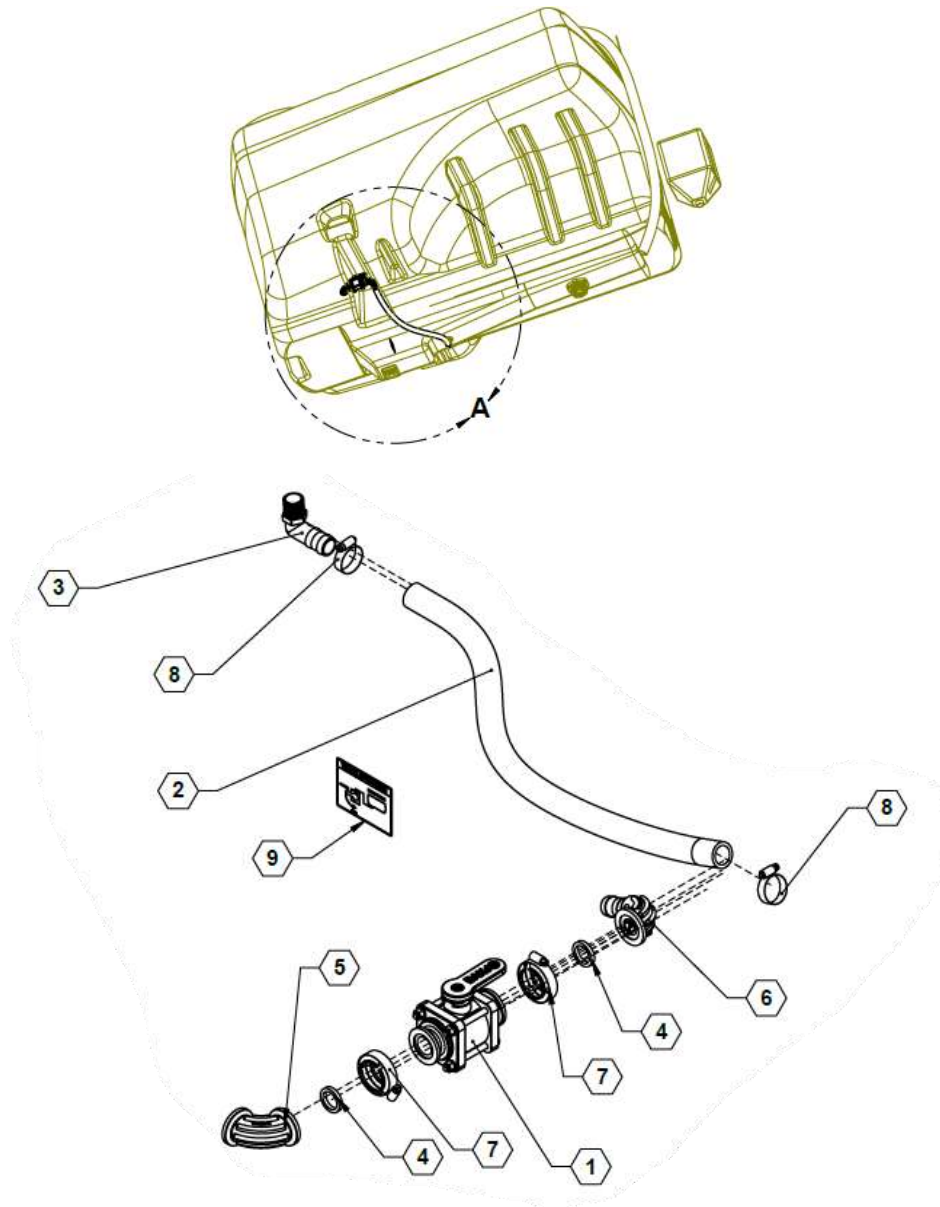
## Frame & Toolbar Decals



### Parts List 35330/35580: Frame & Toolbar Decals

ITEM	PART NO.	QTY.	DESCRIPTION
26	800106	4	(60') DECAL, DANGER-STAND CLEAR
27	800287	4	(60') DECAL, GREASE PIVOT POINTS
39	800017	1	DECAL, MAIN TANK VALVE OPERATION
40	800107	2	DECAL, WARNING-AVOID CRUSHING
41	800108	1	DECAL, WARNING-RINSE TANK
42	800282	1	DECAL, DO NOT RUN PUMP DRY. ENGLISH
43	800287	2	DECAL, GREASE PIVOT POINTS

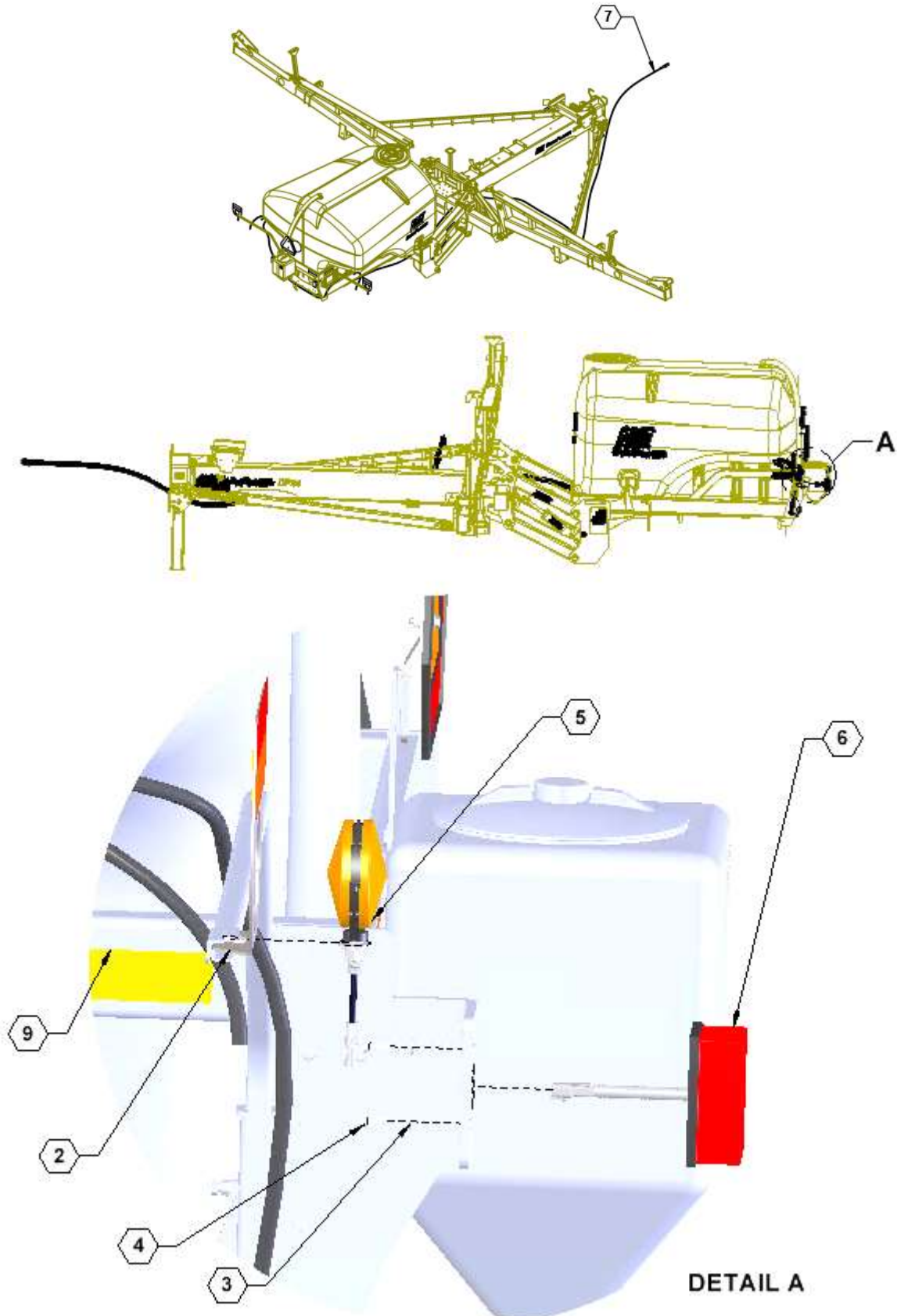
## Manual Agitation Instruction

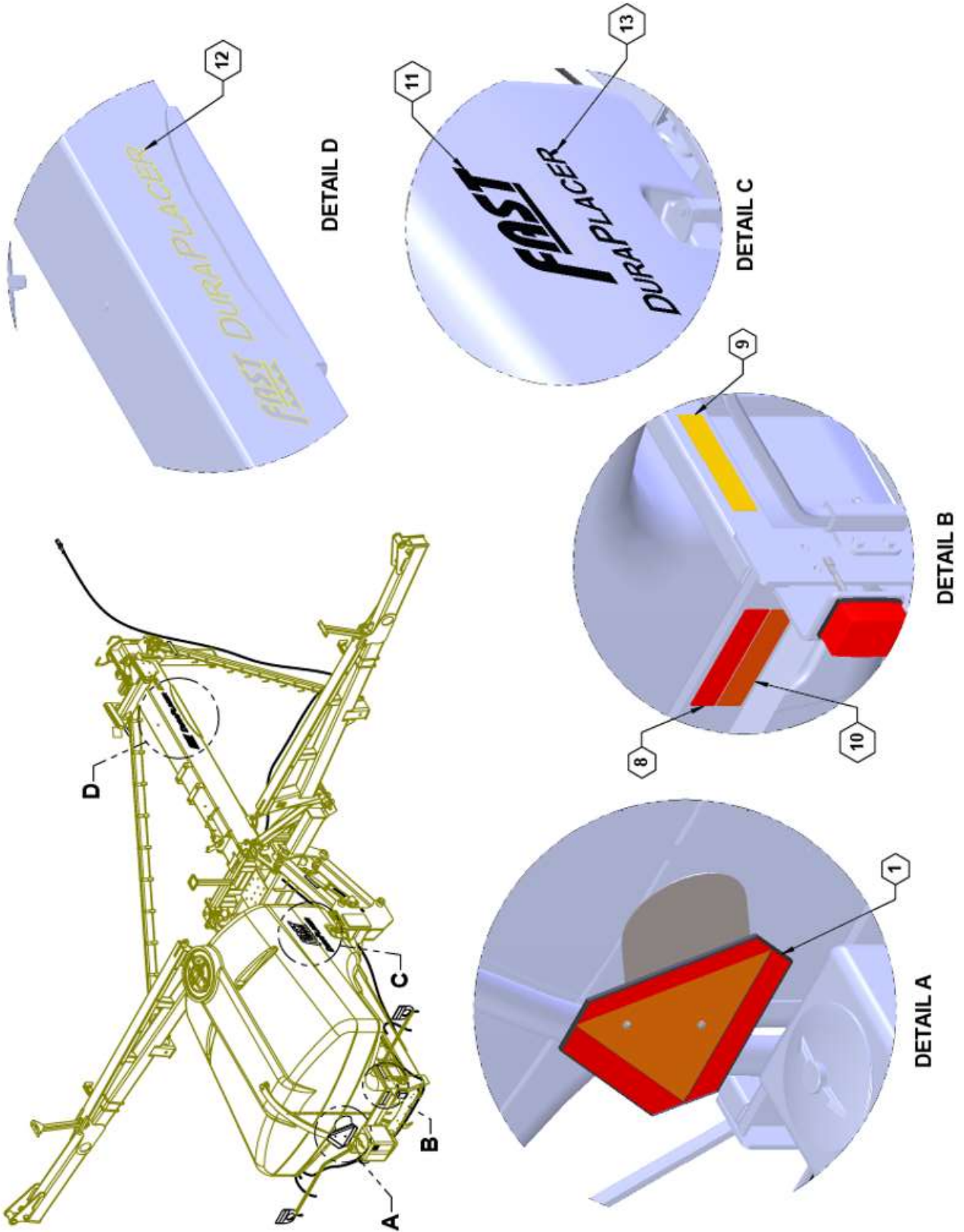


### Parts List 35319: Manual Agitation Instruction

ITEM	PART NO.	QTY.	DESCRIPTION
9	800092	1	DECAL, AGITATION

**Lighting and Marking**





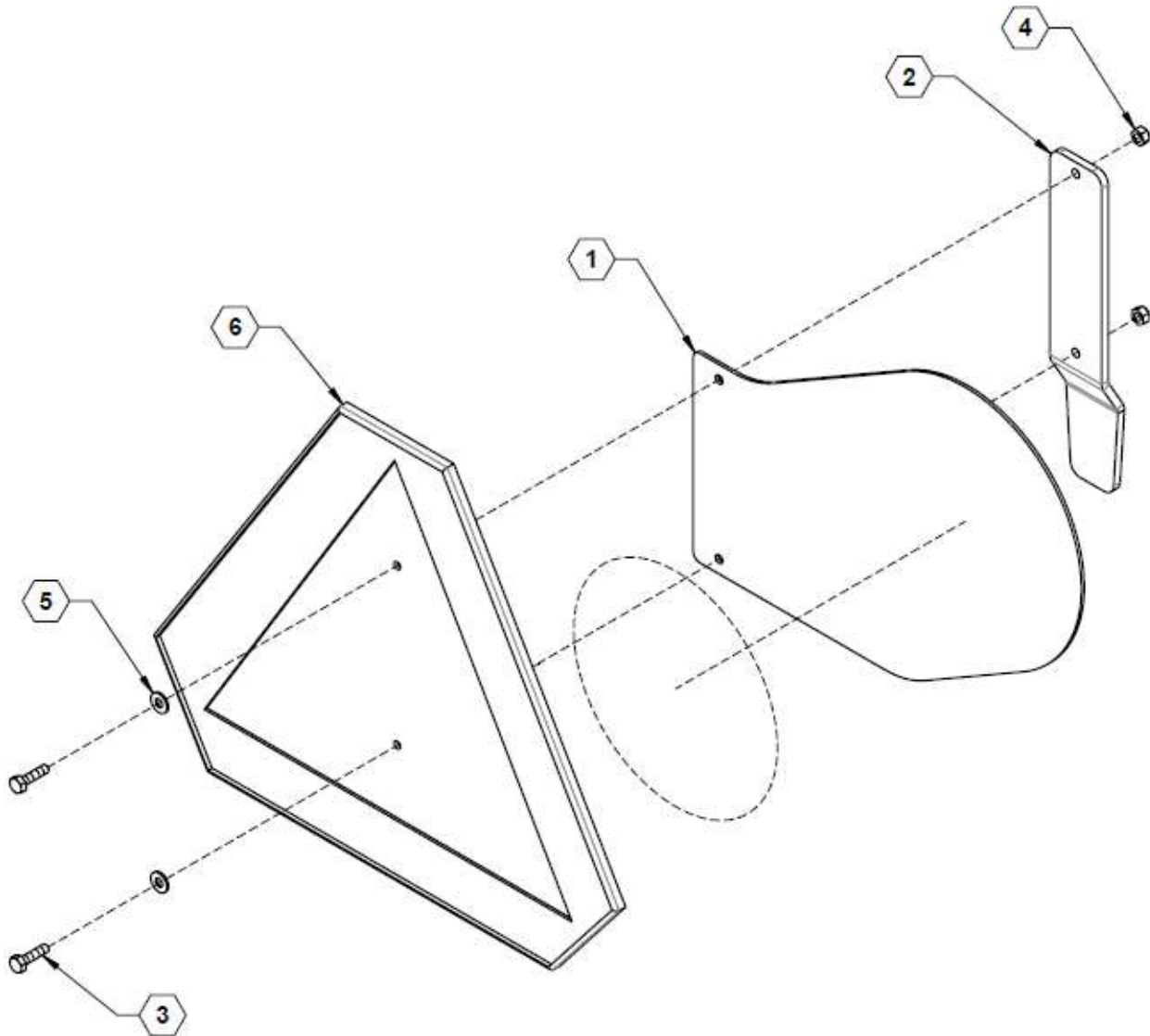


## ILLUSTRATED PARTS LIST

### Parts List 35315: Lighting and Marking

ITEM	PART NO.	QTY.	DESCRIPTION
1	90SASMVWOSIS	1	SMV ASSEMBLY W/O SIS DECAL
2	26902	2	PLATE, LIGHT BRACKET
3	596249M	4	LOCKWASHER 5/16 MAGNI
4	596737M	4	BOLT, HH 8-1.25 X 20MM 8.8 MAGNI
5	740024	2	LIGHT, AMBER WARNING
6	740025	2	TAILLIGHT, RED
7	740061	1	HARNESS, BANDER LIGHT
8	800109	3	DECAL, RED REFLECTOR
9	800110	8	DECAL, AMBER, REFLECTOR
10	800111	3	DECAL, NON-REFLECTIVE, ORANGE
11	800181	3	FAST TANK LOGO
12	800354	2	DECAL, FAST DuraPlacer
13	800365	3	DECAL, DuraPlacer

## Slow-Moving-Vehicle Sign Assembly

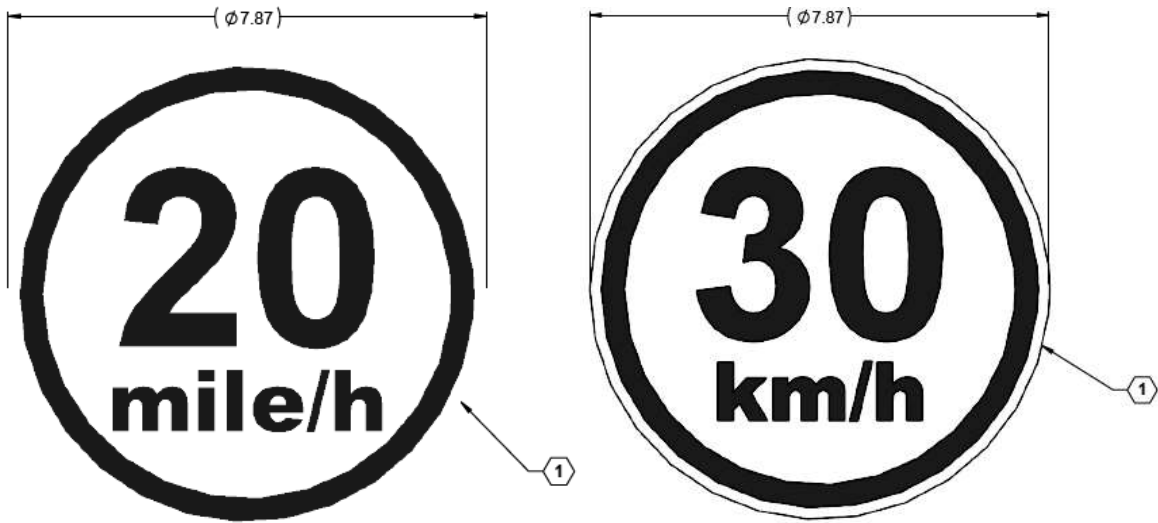


### Parts List 90SASMVWOSIS: Slow-Moving-Vehicle Sign Assembly

ITEM	PART NO.	QTY.	DESCRIPTION
1	28251	1	PLATE, SIS MOUNT
2	28252	1	PLATE, SMV MOUNT
3	596102M	2	BOLT, HH 1/4-20 X 1 GR5 MAGNI
4	596227M	2	NUT, HEX NYLOCK 1/4-20 MAGNI
5	596256M	2	WASHER, FLAT 1/4 USS MAGNI
6	790017	1	SIGN, SMV PLASTIC MOLDED



**Speed Decal**



**Parts List: Speed Decal**

ITEM	PART NO.	QTY.	DESCRIPTION
1	35832	1	OPTION, 20 MILE/H DECAL
	35833	1	OPTION, 30 KM/H DECAL



Fast Ag Solutions  
4130 Commerce Boulevard  
Windom, MN 56101

1-800-772-9279 Toll Free

1-507-427-3861 Voice

1-507-427-3030 Fax

<https://fastagsolutions.com/>