



9518T & 9524T TRUSS BOOM 120'/132' PARTS MANUAL







Limited Warranty

Fast Ag Solutions warrants to the buyer that the new machinery is free from defects in material and workmanship.

This warranty is only effective as to any new machinery which has not been altered, changed, repaired or treated since its delivery to the buyer, other than by Fast Ag Solutions or its authorized dealers or employees, and does not apply to accessories, attachments, tools or parts, sold or operated with the new machinery, if they have not been manufactured by Fast Ag Solutions.

Fast Ag Solutions shall only be liable for defects in the materials or workmanship attributable to faulty material or bad workmanship that can be proved by the buyer, and specifically excludes liability for repairs arising as a result of normal wear and tear of the new machinery or in any other manner whatsoever, and without limiting the generality of the foregoing, excludes application or installation of parts not completed in accordance with this operator's manual, specifications, or printed instructions.

Written notice shall be given by registered mail, to the Manufacturer within seven (7) days after the defect shall have become apparent or the repairs shall have become necessary, addressed as follows:

Fast Ag Solutions
4130 Commerce Boulevard
Windom, MN 56101

This warranty shall expire one (1) year after the date of delivery of the new machinery.

If these conditions are fulfilled, Fast Ag Solutions shall at its own cost and at its own option either repair or replace any defective parts provided that the buyer shall be responsible for all expenses incurred as a result of repairs, labor, parts, transportation or any other work, unless Fast Ag Solutions has authorized such expenses in advance.

The warranty shall not extend to any repairs, changes, alterations, or replacements made to the new equipment other than by Fast Ag Solutions or its authorized dealers or employees.

This warranty extends only to the original owner of the new equipment.

Rubber parts (including tires, hoses, grommets) are not warranted.

This warranty is limited to the terms stated herein and is in lieu of any other warranties whether express or implied, and without limiting the generality of the foregoing, excluded all warranties, express or implied or conditions whether statutory or otherwise as to quality and fitness for any purpose of the new equipment. the Manufacturer disclaims all liability for incidental or consequential damages.

This Applicator is subject to design changes and Fast Ag Solutions shall not be required to retrofit or exchange items on previously sold units except at its own option.

Warranty void if not registered.



FAST 9518T & 9524T TRUSS BOOM

Warranty Registration Form & Inspection Report

Warranty Registration

This form must be filled out by the dealer and signed by both the dealer and the customer at the time of delivery.

Customer Name				
Address				
City		State		Zip
Phone				
Dealer Name				
Address				
City		State		Zip
Applicator Model				
Serial Number				
Delivery Date				

DEALER INSPECTION REPORT

- All Fasteners Tight
- Wheel Bolts Torqued
- Hydraulic Hoses and Fittings Free and Tight
- Fertilizer Hoses and Fittings Free and Tight
- Wheel Drive Turns Freely
- Lubricate Machine
- Check Tire Pressure
- Frame and Wings Level
- Monitors and Controllers Function
- Wiring Harness Connected

SAFETY

- Safety Chain Installed
- All Guards Installed
- All Safety Signs Installed
- Reflectors, SMV, and Lights Clean
- Review Operating and Safety Instructions

I have thoroughly instructed the buyer on the above-described equipment which review included the Operator's Manual content, equipment care, adjustments, safe operation, and applicable warranty policy.

Date _____

Dealer's Rep. Signature _____

The above equipment and Operator's Manual have been received by me and I have been thoroughly instructed as to care, adjustments, safe operation, and applicable warranty policy.

Date _____

Owner's Signature _____

- White - FAST
- Yellow - Dealer
- Pink - Customer



FAST 9518T & 9524T Truss Boom 120-132'

APPLICATOR SERIAL NUMBER _____

DATE PURCHASED _____ / _____ / _____

TANK SIZE _____

BOOM WIDTH **120'** **132'**

NOZZLE SPACING **15"** **20"** **22"**

PUMP MANUFACTURER: (CIRCLE ONE)

ACE FMCSC-205F-HYD-304

ACE FMCSC-205F-HYD-304 PWM

ACE 255F-304 WET SEAL

ACE 255F-304 PWM WET SEAL

ACE FMC-750-HYD OASIS

ACE FMC-750 OASIS PWM

HYPRO 9306C-HM1C



ILLUSTRATED PARTS LIST

General Information

All rights, especially copying and distribution rights are reserved. No part of this publication may be reproduced in any form or by any means, electronic or mechanical, including photocopying, without express written permission from Fast Ag Solutions.

Parts information in this manual represents components installed when product was manufactured based upon the best available information. Modifications made subsequent to initial delivery are not included. Always verify the parts and color required when ordering parts.

If you have any questions, please contact your Fast Ag Solutions Parts and Service Department.

Explanation of Parts Lists

The parts lists are broken down into sub-assemblies and listed in 4 columns:

- **ITEM** - These numbers are found on the illustration associated with the parts list.
 - NS- This item is NOT SHOWN, included for reference.
- **QTY.** - This is the quantity of parts needed in an assembly.
 - AR- The quantity of this item is AS REQUIRED for the location.
- **PART NO.**- These are the part numbers associated to the ITEM.
- **DESCRIPTION** - This is the description of the part.



ILLUSTRATED PARTS LIST

Table of Contents

Section	Page
Table of Contents	7
Trailer Frame, Hitch and Axle Receiver	15
Parts List 14476: Trailer Frame, Hitch and Axle Receiver	16
Bolt-Together Trailer	18
Parts List: Bolt-Together Trailer.....	19
Steerable Trailer 9500T	20
Parts List: Steerable Trailer 9500T.....	21
Steerable Hitch Components	22
Parts List 35761: Steerable Hitch Components.....	26
Axles	28
Parts List: Axles.....	29
Tires/Wheel Assemblies	31
Parts List: Tires/Wheel Assemblies.....	31
Interior Pivot, Parallel Links	32
Parts List: Interior Pivot, Parallel Links	33
Center Section – Puck Yaw	34
Parts List: Center Section – Puck Yaw.....	35
ISO Yaw Center	38
Parts List: ISO Yaw Center	39
Optional Greaseable Center	40
Parts List 35570: Optional Greaseable Center	41
Optional Greaseable Center Hose Kit	42
Parts List: Optional Greaseable Center Hose Kit	43
Main Wing	44
Parts List: Main Wing.....	45
Flip Wing	48
Parts List: Flip Wing	49
Breakaway Wing & Breakaway Parts	50



ILLUSTRATED PARTS LIST

Parts List: Breakaway Wing & Breakaway Parts.....	51
Optional 60/66' Spray Wing	54
Parts List: Optional 60/66' Spray Wing.....	55
Main Product Tank	58
Parts List: Main Product Tank.....	59
Rinse Tank.....	60
Parts List: Rinse Tank.....	61
Manual Sight Gauge.....	62
Parts List: Manual Sight Gauge.....	63
Pump, Plumbing & 3" Quick Fill HYPRO Pump.....	64
Parts List: Pump, Plumbing & 3" Quick Fill HYPRO Pump.....	65
Pump, Plumbing & 3" Quick Fill Ace 205F 304 Pump.....	66
Parts List: Pump, Plumbing & 3" Quick Fil Ace 205F 304 Pump.....	67
HYPRO 9306 Pump.....	69
Parts List 550045: HYPRO 9306 Pump.....	70
Optional Ace 304 Pump	73
Parts List 550025: Optional Ace 304 Pump	74
Optional Ace 205 Pump Motor.....	75
Parts List 550025: Optional Ace 205 Pump Motor.....	76
Optional ACE 255F-304 (PWM) Pump	77
Parts List 550055 (550056): Optional ACE 255F-304 (PWM) Pump.....	77
Optional ACE 750 Pump.....	79
Parts List 550050: Optional ACE 750 Pump.....	79
Optional ACE 750 PWM Pump.....	81
Parts List 550044: Optional ACE 750 PWM Pump.....	81
Raven Flow Meter & MCV.....	83
Parts List: Raven Flow Meter & MCV	84
RFM-100 Poly Flow Meter	85
Parts List 631801: RFM-100 Poly Flow Meter	86
Raven Poly Control Valve, 1 1/2".....	87



ILLUSTRATED PARTS LIST

Parts List: Raven Poly Control Valve, 1 1/2"	88
Agitation & Rinse Ball Manifold.....	89
Parts List: Agitation & Rinse Manifold.....	90
Optional Electric Agitation Shut Off.....	91
Parts List: Optional Electric Agitation Shut Off.....	91
Electric Agitation Valve.....	92
Parts List: Electric Agitation Valve	93
Electric Agitation Cable 631970 (2015) Yellow Indicator	94
Electric Agitation Cable – 631938.....	95
(2014 & Prior) Red Indicator	95
Electrical Valving Option	96
Parts List 99FSEVO: Electrical Valving Option	97
Electronic Sight Gauge	98
Parts List: Electronic Sight Gauge	98
Prepare The Sensor Tube	99
Install The Sensor Tube	100
Power Cable – Electronic Sight Gauge.....	101
Option, Dual Pressure Transducers.....	102
Parts List 36280: Option, Dual Pressure Transducers	102
Boom Shutoff, Gauge Plumbing.....	103
Parts List: Boom Shutoff, Gauge Plumbing.....	104
Harness 3 Ball Valve Control – 631930	105
Electric Shut-Off Flow Back Ball Valve	106
(2014 & Prior) Red Indicator	106
Parts List: Electric Shut-Off Flow Back Ball Valve (2014 & Prior) Red Indicator	107
Optional High Pressure Bypass Plumbing	108
Parts List: Optional High Pressure Bypass Plumbing	108
Optional High Pressure Bypass Plumbing Cleanout options	109
Parts List: Optional High Pressure Bypass Plumbing Cleanout options	109
Optional Boom Cleanout with Pressure Gauge	110
Parts List 90SABCPG: Optional Boom Cleanout with Pressure Gauge	110



ILLUSTRATED PARTS LIST

Optional Boom U-Fitting with Pressure Line	111
Parts List 90SAUPG: Optional Boom U-Fitting with Pressure Line	111
Wet Boom & Bracket	112
Parts List: Wet Boom & Bracket	113
Wet Boom Diaphragm Check Valve Quick TeeJet Hinged Nozzle Body – 520039	114
Parts List: Wet Boom Diaphragm Check Valve Quick TeeJet Hinged Nozzle Body – 520039.....	115
Fence Row Option	116
Parts List: Fence Row Option.....	116
Single Fence Line, Display Control	117
Parts List 27360: Single Fence Line, Display Control	117
Dual Fence Line, Display Control	118
Parts List 27361: Dual Fence Line, Display Control	118
Single Fence Row, Toggle Switch Control	119
Parts List 27362: Single Fence Row, Toggle Switch Control	119
Dual Fence Row, Toggle Switch Control	120
Parts List 27363: Dual Fence Row, Toggle Switch Control	120
Hydraulic Control Valve Wiring Harness	121
Parts List: Hydraulic Control Valve Wiring Harness.....	121
Hydraulic Control Valve	122
Parts List: Hydraulic Control Valve	122
Hydraulic Control Valve Wiring Harness	123
Parts List: Hydraulic Control Valve Wiring Harness.....	123
Control Console	124
Wiring Harness	125
Console Control Wiring Harness	126
Control Console Switch Diagram	127
Cylinder & Fittings	128
Parts List: Cylinder & Fittings.....	129
Hydraulic System for Pump	131



ILLUSTRATED PARTS LIST

Parts List: Hydraulic System for Pump.....	131
Trailer Manifold Connections – ISO YAW631943	132
YAW Block	133
ISO AutoYAW / Fold, AutoBoom, & Raven Rate Control	134
ISO AutoYAW / Fold, AutoBoom, & JD Rate Control	135
HYPRO Cleanload Eductor & Mounting – 5 Gallon	136
Parts List: HYPRO Cleanload Eductor & Mounting – 5 Gallon	137
HYPRO Cleanload Eductor – 5 Gallon	138
Parts List 99HYPIND05: HYPRO Cleanload Eductor – 5 Gallon	139
HYPRO Cleanload Eductor & Mounting – 7 Gallon	140
Parts List 99HYPIND07: HYPRO Cleanload Eductor & Mounting – 7 Gallon	141
HYPRO 7 Gallon Eductor	142
Parts List 570073: HYPRO 7 Gallon Eductor	142
Raven SCS450 Console	143
Parts List: Raven SCS450 Console	143
Control Console Harness – 115-0171-085.....	144
Harness Extension - 115-0159-856 12'	145
Harness Extension - 115-0159-857 24'	145
Control Harness - 115-0171-086 6'	146
Control Harness - 115-0171-129 12'	146
Cable 10 Boom, 115-0171-314, 24'.....	147
Cable, Adapter 6 Boom To 10 Boom, 631889	148
Cab Box for Electric Valving Option	149
Parts List 632155: Cab Box for Electric Valving Option	150
Lighting	151
Blue Light Kit.....	152
Parts List 28750: Blue Light Kit	152
Foamer, 1 Gallon Tank.....	153



ILLUSTRATED PARTS LIST

Richway Foam Marker 3 Gallon Tank	154
Richway Foam Marker Liquid Flow	155
Richway Foam Marker Compressor	156
Richway Foam Marker Wiring Harness	157
Richway Foam Marker Foamhead	158
Richway Foam Marker Boom End	159
NORAC Auto Height Boom Control UC4+	160
Parts List: NORAC Auto Height Boom Control UC4+	161
NORAC Hydraulic Valve Block	162
Parts List: NORAC Hydraulic Valve Block	162
NORAC Auto Height Boom Control Hydraulic Schematic UC4+ & UCS	163
Parts List: NORAC Auto Height Boom Control Hydraulic Schematic UC4+ & UCS	163
NORAC Auto Height Sensor Brackets	164
Parts List: NORAC Auto Height Sensor Bracket	164
NORAC Auto Height Boom Control Harness	165
NORAC Auto Height Boom Control Extension Harness – No. 4465103	166
NORAC Auto Height Boom Control Sensor Cables	167
Item C02: 44668 – Sensor Branch Cable	167
Item C02B: 44668 – Cable UC4 CAN Node Dual.....	167
NORAC Auto Height Boom Control Valve Cable	168
Item C03: 44656 – Valve Cable (Variable Rate).....	168
NORAC Auto Height Boom Control Main Interface Cable	169
Item C13: 4465819 – Main Interface Cable.....	169
NORAC Auto Height Boom Control Wing Interface Cable	170
Item C12: 44658-20 – Wing Interface Cable	170
Severe Terrain Kit UC4/UC5	171
Parts List: Severe Terrain UC4/UC5	171
UC5 NORAC Kit Layout	172
Item C01: 43220-10A – Cable UC5 Network 14 AWG – 10M	173
Item C02: 43220-01A – Cable UC5 Network 14 AWG – 1M.....	173



ILLUSTRATED PARTS LIST

Item C03: 43210-03A – Cable UC5 Network 18 AWG – 3M.....	174
Item C04: 43210-01A – Cable UC5 Network 18 AWG – 1M.....	174
Item C05: 43210-20A – Cable UC5 Network 18 AWG – 20M.....	175
Item C10: 43230-04A – Cable UC5 Valve DT to DT.....	175
Item C20: 43240-01B – Cable UC5 Interface Tilt DT.....	176
Item C21: 43240-07B – Cable UC5 Interface Main DT (With Aux 1 & 2).....	177
PowerGlide Wiring Schematic.....	178
PowerGlide Hydraulic Block.....	179
PowerGlide Solid Axle.....	180
Hub Breakout.....	180
PowerGlide, PowerGlide Plus, UltraGlide Touch Down Bracket.....	181
PowerGlide Plus Wiring Schematic.....	182
PowerGlide Plus Hydraulic Block.....	183
UltraGlide Mounting Parts.....	184
Parts List: UltraGlide Mounting Parts.....	185
ISO AutoBoom Without ISO Product Control.....	186
Raven ISO AutoBoom With John Deere Product Control.....	187
UltraGlide Hydraulic Schematic.....	188
PowerGlide Plus and UltraGlide Valve Replacement Parts.....	189
Wheels.....	189
Sensors.....	190
Raven ISO AutoBoom With Raven ISO Rate Control.....	191
Raven XRT Components, Tri-Fold.....	192
Raven XRT Components, Tri-Fold Parts List 35900.....	193
Raven XRT Components, Truss.....	194
Raven XRT Components, Truss Parts List 99RAYAWTABXRT.....	196
Raven XRT Wiring.....	198
Toolbox Carrier.....	201
Parts List: Toolbox Carrier.....	201
Kit Contents.....	202
RAVEN Hawkeye.....	203

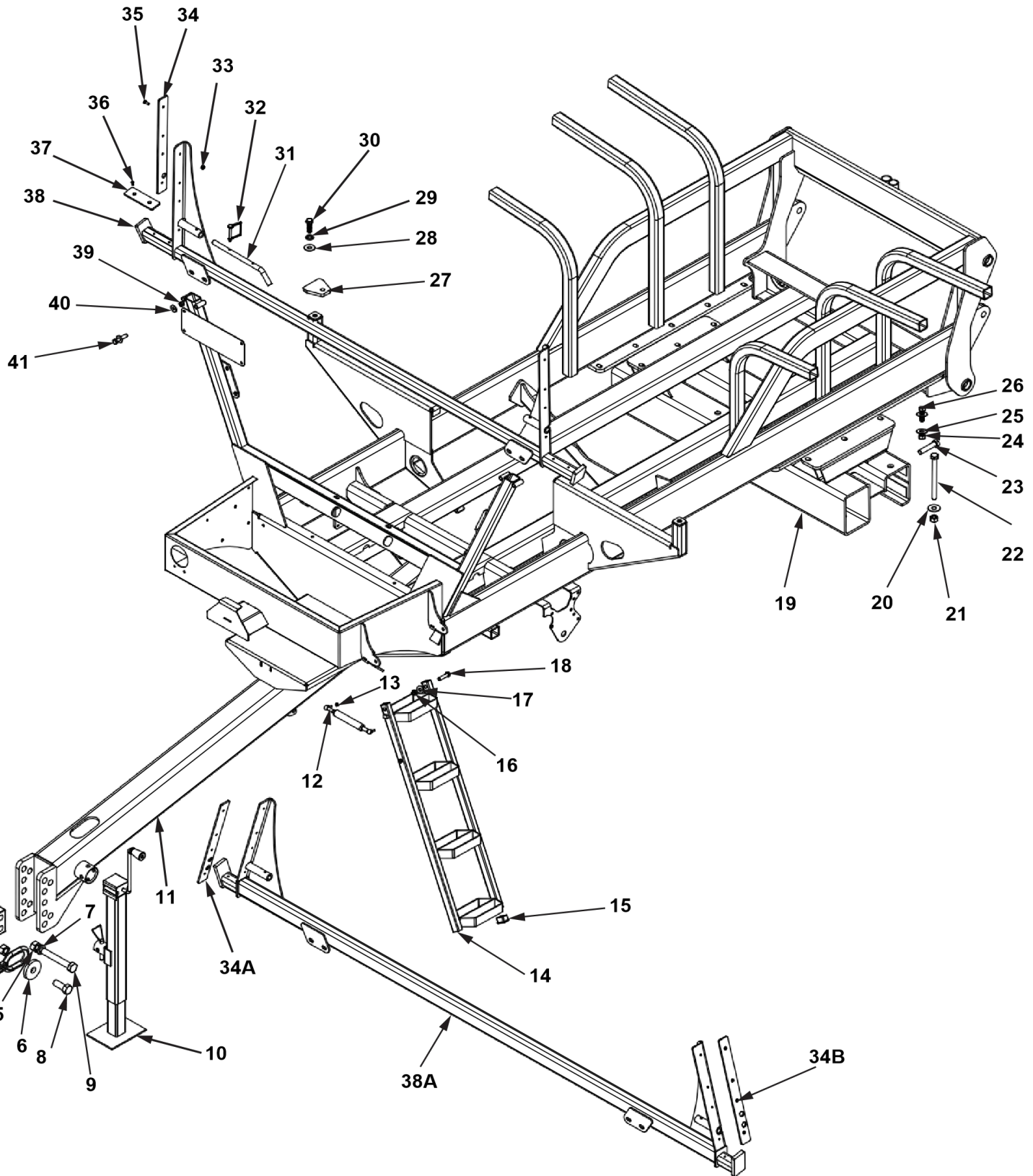


ILLUSTRATED PARTS LIST

Parts List: RAVEN Hawkeye204



Trailer Frame, Hitch and Axle Receiver





ILLUSTRATED PARTS LIST

Parts List 14476: Trailer Frame, Hitch and Axle Receiver

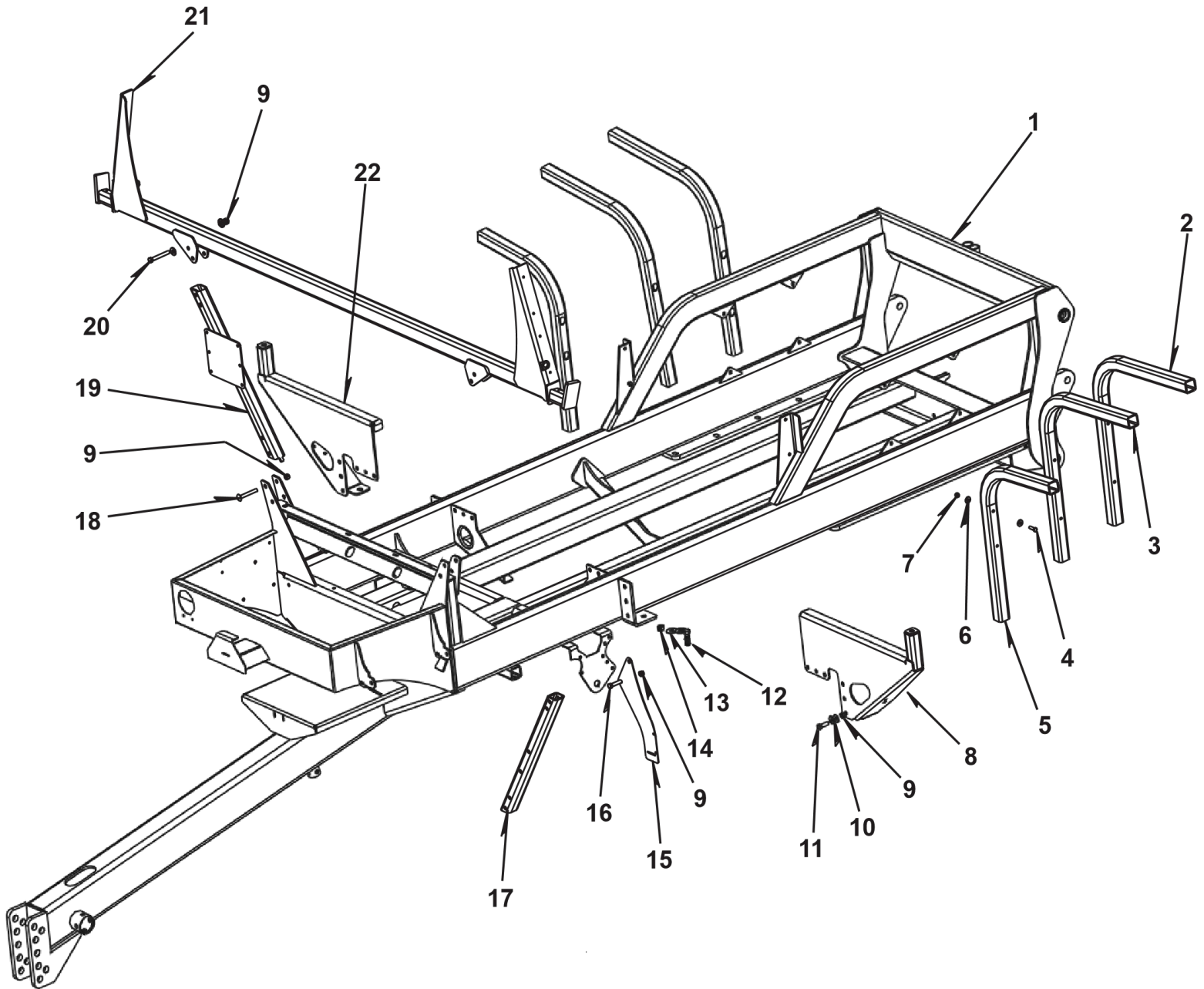
ITEM	VENDOR PART NO.	PART NO.	DESCRIPTION	QTY.
1		790040-INSERT	INSERT 2 TO 1.5 PIN BORE	
2		790040	HITCH CAT. IV BLACK ACE UNITS BUILTAFTER 11/1/2010	1
NS	PPI-301V3-10	790003	HITCH CAT 3 FOR UNIT BUILT PRIOR TO11/1/10	
NS	PPI-208-VR-10	790002	CLEVIS FOR HITCH FOR UNIT BUILT PRIOR TO11/1/10	
3		242	NUT HH 1" ZPCENTERLOCK	1
4		790050	SAFETY CHAIN 30,300# UNITS BUILT AFTER9/1/2013	1
NS	PPSC21A	790015	SAFETY CHAIN 20,200# UNITS BUILT PRIOR TO9/1/2013	
5		218	NUT HH 1"ZP	2
6		15829	WASHER SAFETY CHAIN UNITS BUILT AFTER9/1/2013	1
7		255	WASHER 1" LOCK	2
8		199	BOLT HH 1 X 2-1/2 GR5ZP	1
9		564	BOLT HH SPECIAL 1 X 6-1/2 GR5 ZP	2
10	FASTHD800	790005	JACK 8000# SIDEWIND	1
11		10575	FAST TRAILER 9500SERIES	
12	22011A3	590010	EASYLIFT CYLINDER (FOR USE WITH LADDER 10620 ITEM 11)	1
13		855	NUT HH M8 ZP (FOR USE WITH LADDER 10620 ITEM 11)	1
14		10620	LADDER 3 STEP S/N 9430-3026-77 TO CURRENT	1
15		4192	PLASTIC PLUG 1.5" TUBE	4
17		231	NUT HH 1/2" CENTERLOCKZP	2
18		260	WASHER FLAT1/2"	2
19		13512	AXLE HOUSINGRECEIVER	1
20		262	WASHER FLAT 3/4 ZP	4
22		241	NUT HH 3/4 CENTERLOCKZP	4
23		488	BOLT HH 3/4 X 8.5 GR5ZP	4
24		240	NUT HH 5/8 CENTERLOCKZP	6
25		261	WASHER FLAT 5/8 ZP	12



ILLUSTRATED PARTS LIST

26		170	BOLT HH 5/8 X 2.5 GR5ZP	6
27		10244	POLY HOLDDOWNTAB	2
28		261	WASHER FLAT 5/8" ZP	2
29		253	WASHER LOCK 5/8" ZP	2
30		170	BOLT HH 5/8 X 2 GR5 ZP	2
31		7618	SAFETY LATCHPIN	2
32	715300927	720001	KWIK CLIPPIN	2
33		227	NUT HH 1/4"NYLOCK	8
34	16662R	590116	VERTICAL STOP CHAMFERED PLASTIC RIGHT (PRIOR TO 0913 DATE CODE)	1
NS	16662L	590115	VERTICAL STOP CHAMFERED PLASTIC RIGHT (PRIOR TO 0913 DATE CODE)	1
34A		590113	VERTICAL STOP CHAMFERED PLASTIC RIGHT (1013 DATE CODE AND LATER)	1
34B		590114	VERTICAL STOP CHAMFERED PLASTIC LEFT (1013 DATE CODE AND LATER)	1
35		671	BOLT 1/4 X 5/8" BLACKOXIDE	8
36		581	RIVET 1/4" DRIVEIN	4
37		590106	WEAR PAD PLASTIC TRANSPORT SADDLEBASE	2
38		13638	BOLT-ON TRANSPORT SUPPORT (PRIOR TO 0913 DATE CODE)	1
38A		18370	BOLT-ON TRANSPORT SUPPORT (1013 DATE CODE ANDLATER)	1
39		239	NUT 1/2"CENTERLOCK	2
40		260	WASHER FLAT1/2"	4
41		155	BOLT HEX HEAD 1/2 X2-1/2"	2

Bolt-Together Trailer



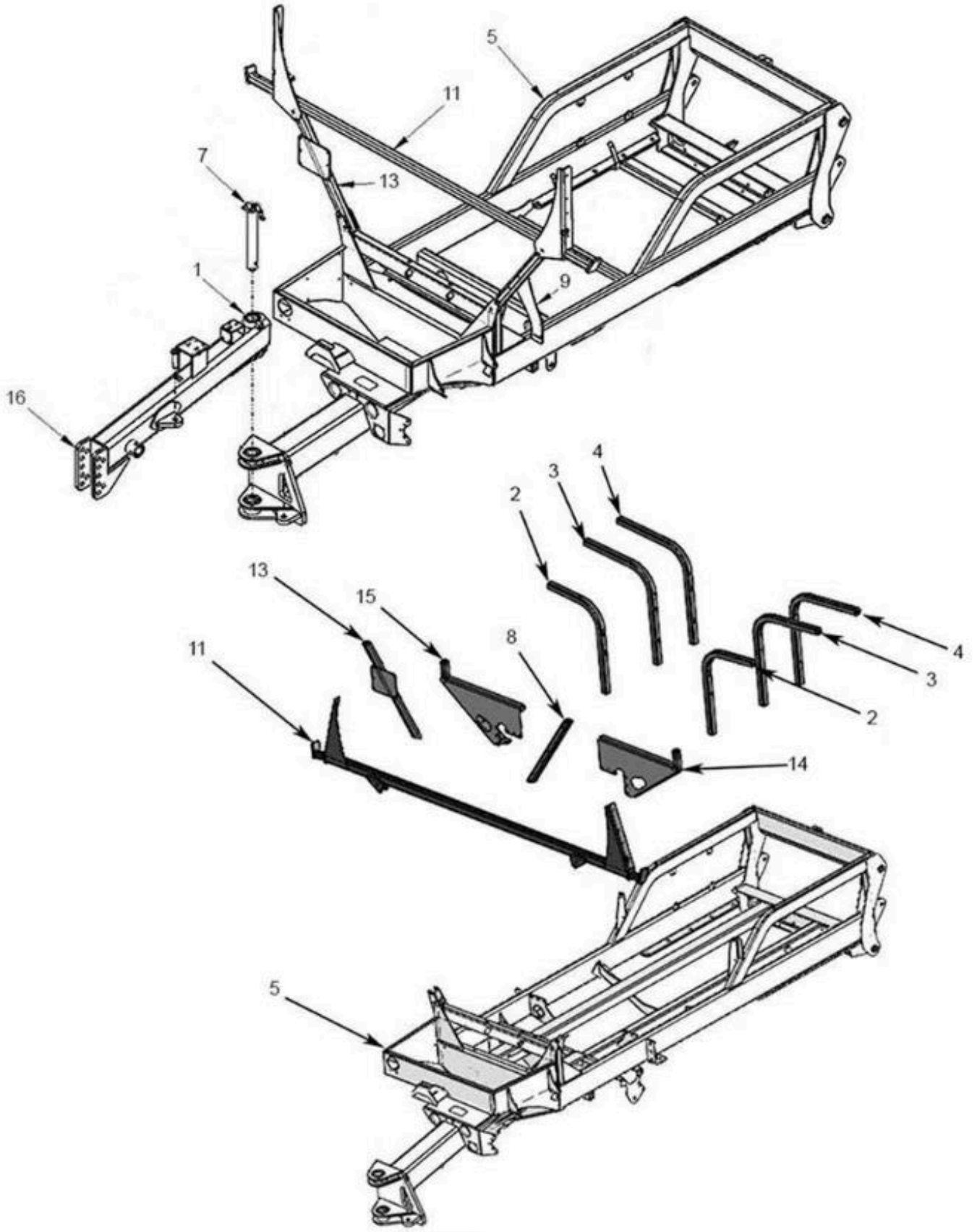


ILLUSTRATED PARTS LIST

Parts List: Bolt-Together Trailer

ITEM	FAST PART NO.	DESCRIPTION	QTY.
1	21251	TRAILER BOLT TOGETHER	1
2	18185	TUBE FENDER SUPPORT REAR	2
3	18184	TUBE FENDER SUPPORT MIDDLE	2
4	616	BOLT HEX HEAD 3/8 X 1-1/4 GR5ZP	12
5	18183	TUBE FENDER SUPPORT FRONT	2
6	250	WASHER FLAT 3/8" ZP	24
7	237	NUT HEX 3/8 CENTER LOCKZP	12
8	22242L	BRACE BOLT ON TANK LEFT	1
9	239	NUT HEX 1/2 CENTER LOCKZP	22
10	260	WASHER FLAT 1/2" ZP	44
11	153	BOLT HEX HEAD 1/2 X 1-1/2 GR5ZP	12
12	170	BOLT HEX HEAD 5/8 X 1-1/2 GR5ZP	2
13	261	WASHER FLAT 5/8" ZP	4
14	240	NUT HEX 5/8 CENTER LOCKZP	2
15	21205	PLATE SIGHT GAUGE BRACKET	1
16	156	BOLT HEX HEAD 1/2 X 3 GR5 ZP	2
17	21182	TUBE BRACE	1
18	590280	BOLT CARRIAGE 1/2 X 3-1/2 ZP	4
19	21255	LEG TRANSPORT RACK WITH WASH TANK BRACKET	1
20	157	BOLT HEX HEAD 1/2 X 3-1/2 GR5ZP	4
21	18350	TRUSS WING REST, BOLT-ON	1
22	22242R	BRACE BOLT ON TANK RIGHT	1
NS	800208	DECAL HYDRAULIC HOSE KEY	

Steerable Trailer 9500T



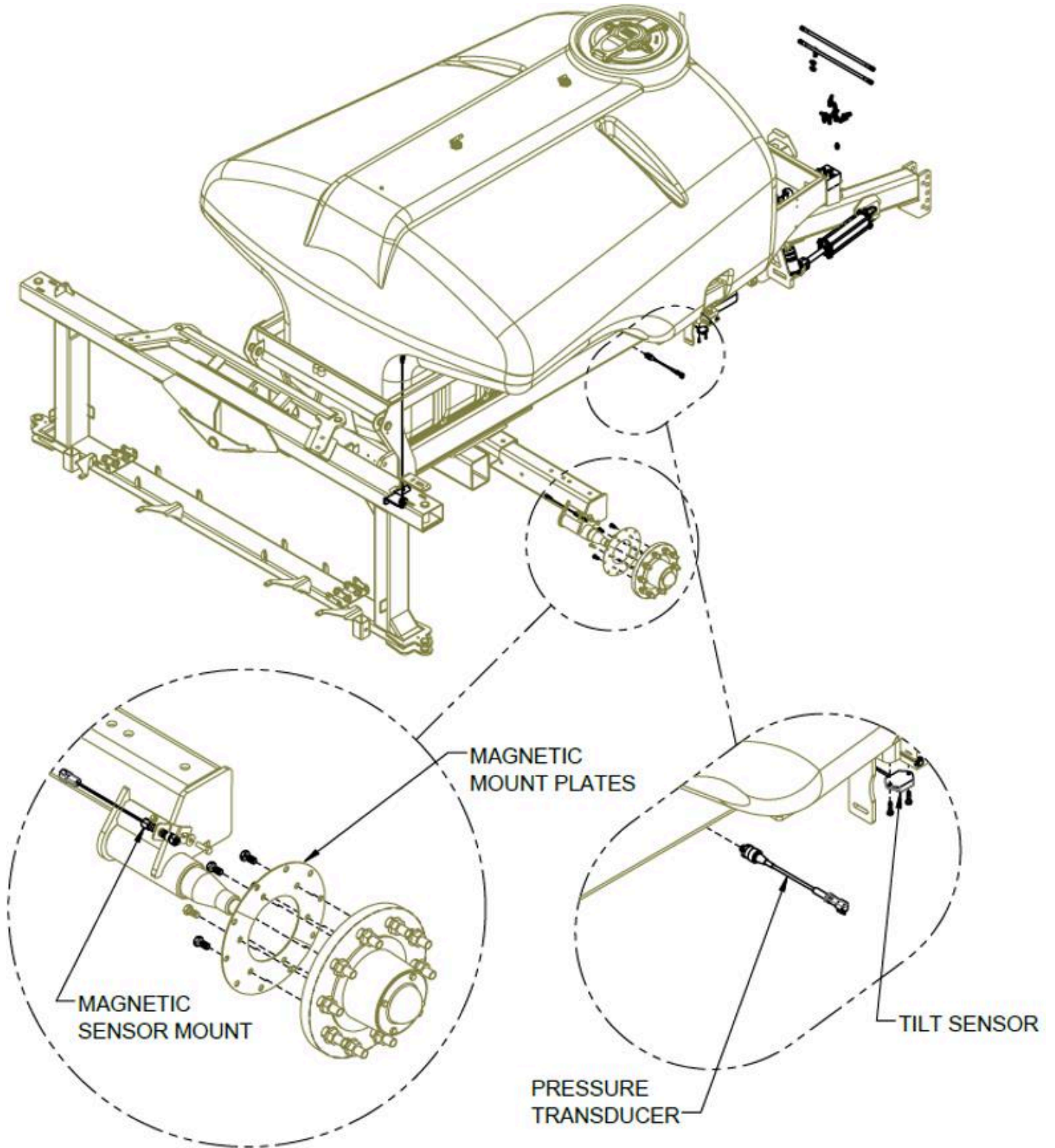


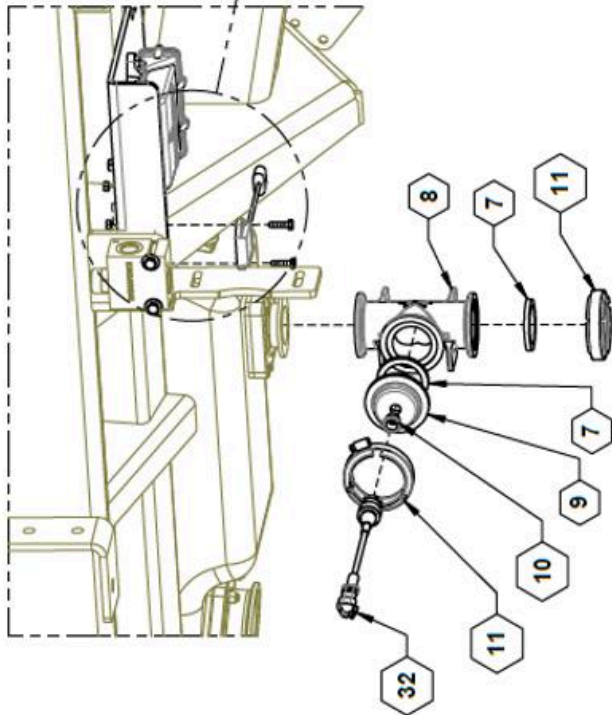
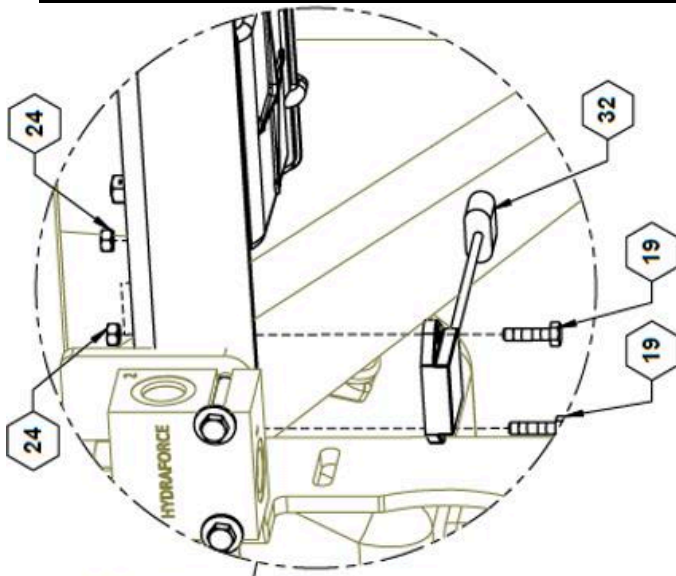
ILLUSTRATED PARTS LIST

Parts List: Steerable Trailer 9500T

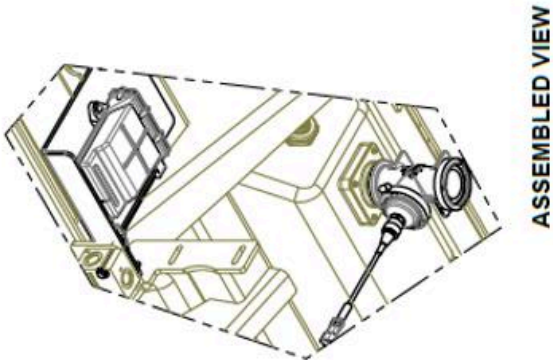
ITEM	FAST PART#	DESCRIPTION	QTY.
1	15277	STAINLESS WASHER	2
2	18183	TUBE, FENDER SUPPORT, FRONT	2
3	18184	TUBE, FENDER SUPPORT, MIDDLE	2
4	18185	TUBE, FENDER SUPPORT, REAR	2
5	21152	9500 STEERABLE TRAILER	1
6	21172	PLATE, PIN CAP	1
7	21270	PIN, PIVOT	1
8	21182	TUBE, BRACE	1
9	21205	PLATE, SIGHT GAUGE BRACKET BLACK	1
10	21193	MOUNT, SENSOR	1
11	18350	TRUSS WING REST, BOLT ON	1
12	21199	ANGLE, LOCK	1
13	21255	LEG, TRANSPORT RACK	1
14	22242L	LH TANK SUPPORT	1
15	22242R	RH TANK SUPPORT	1
16	26060	STEERABLE HITCH TONGUE	1
17	631920	ROTARY SENSOR, RAVEN	1
NS	620028	CYLINDER, STEERABLE HITCH - SINGLE CYLINDER VERSION	1
NS	21207	PINS, STEERABLE HITCH CYLINDER - SINGLE CYLINDER VERSION	2
NS	21199	ANGLE LOCK, STEERABLE HITCH - SINGLE CYLINDER VERSION	1
NS	620103	CYLINDER, STEERABLE HITCH - DUAL CYLINDER VERSION	1
NS	28927	PINS, STEERABLE HITCH CYLINDER - DUAL CYLINDER VERSION	2
NS	28926	CYLINDER STOP - STEERABLE HITCH	4
NS	720001	QUICK CLIP PIN FOR CYLINDER STOP	2
NS	600116	HOSE KIT, STEERABLE HITCH, DUAL CYLINDER UPDATE	4

Steerable Hitch Components

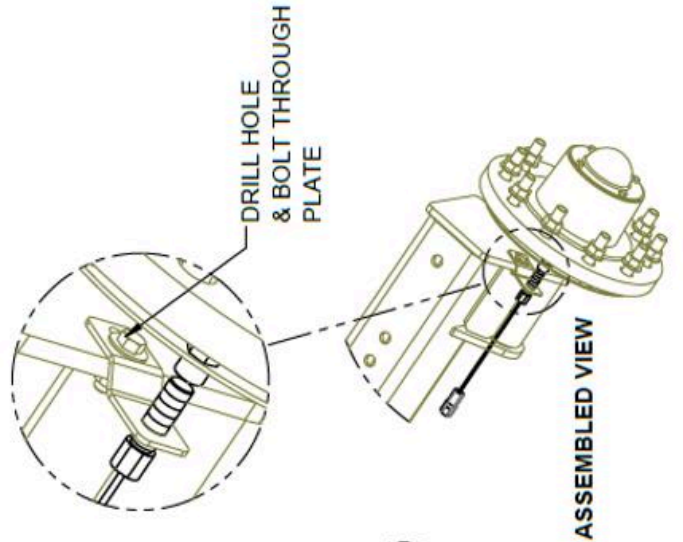




EXPLODED VIEW

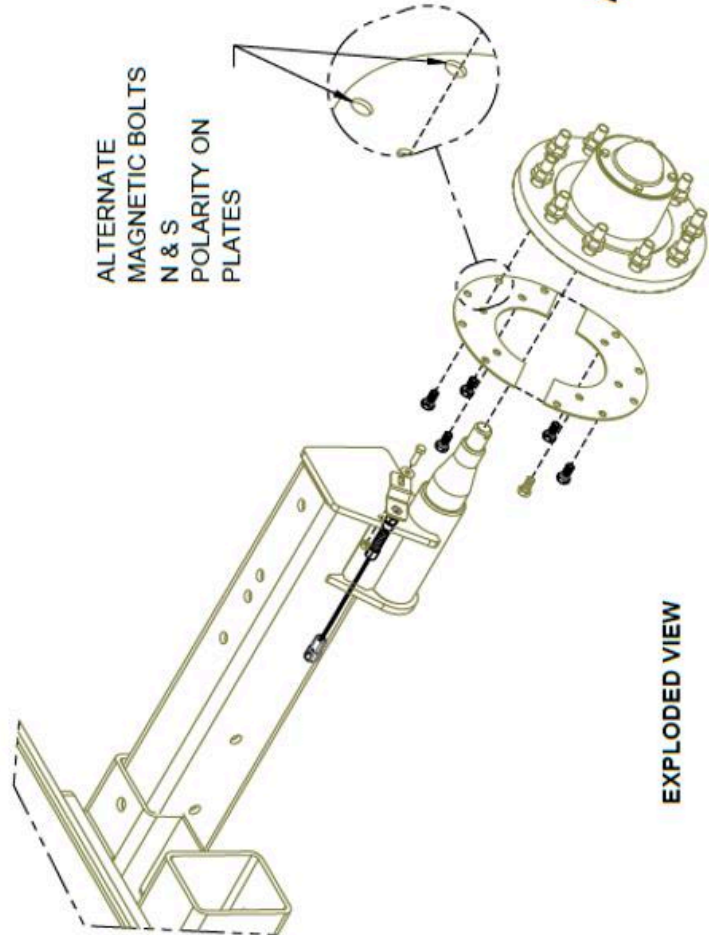


ASSEMBLED VIEW

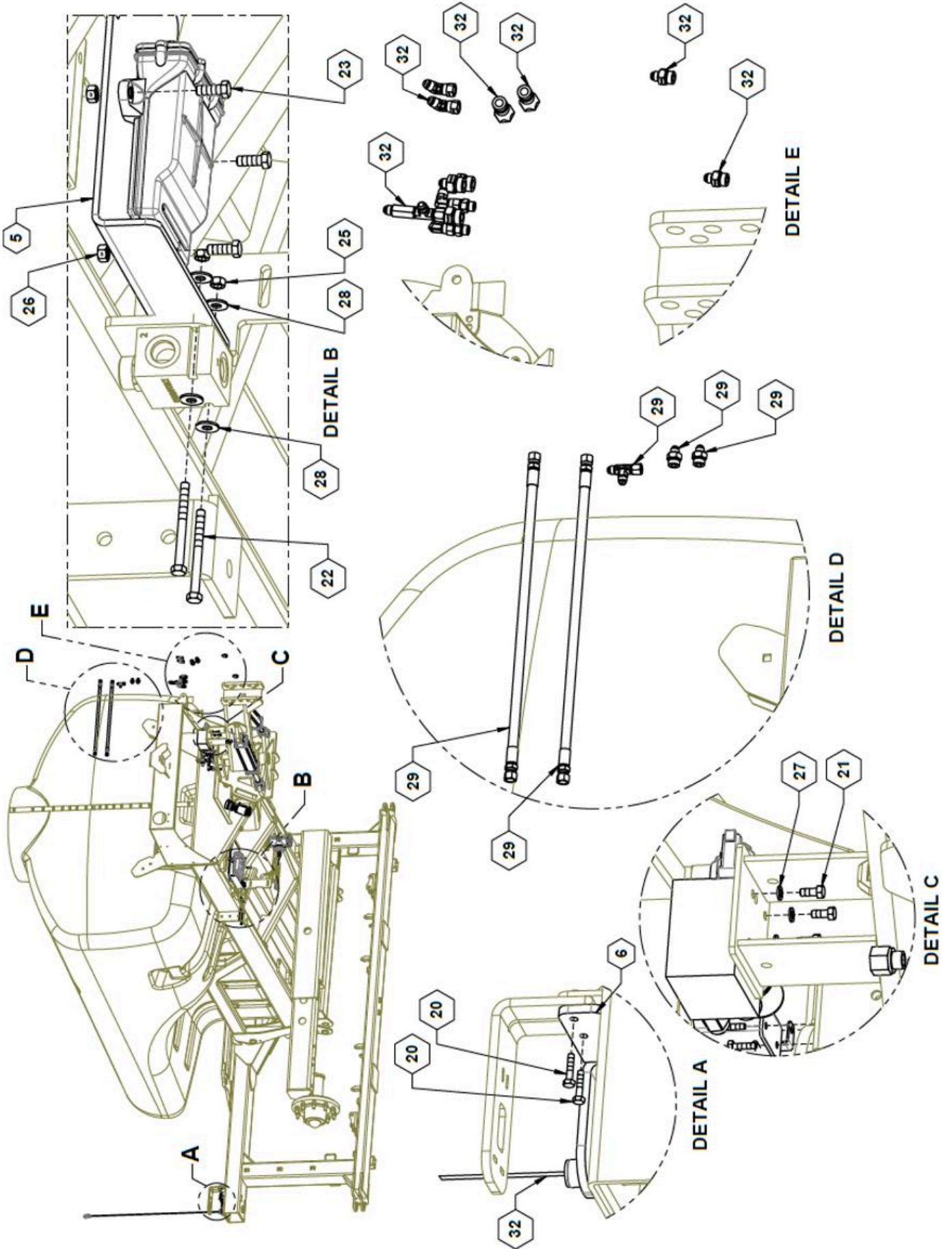


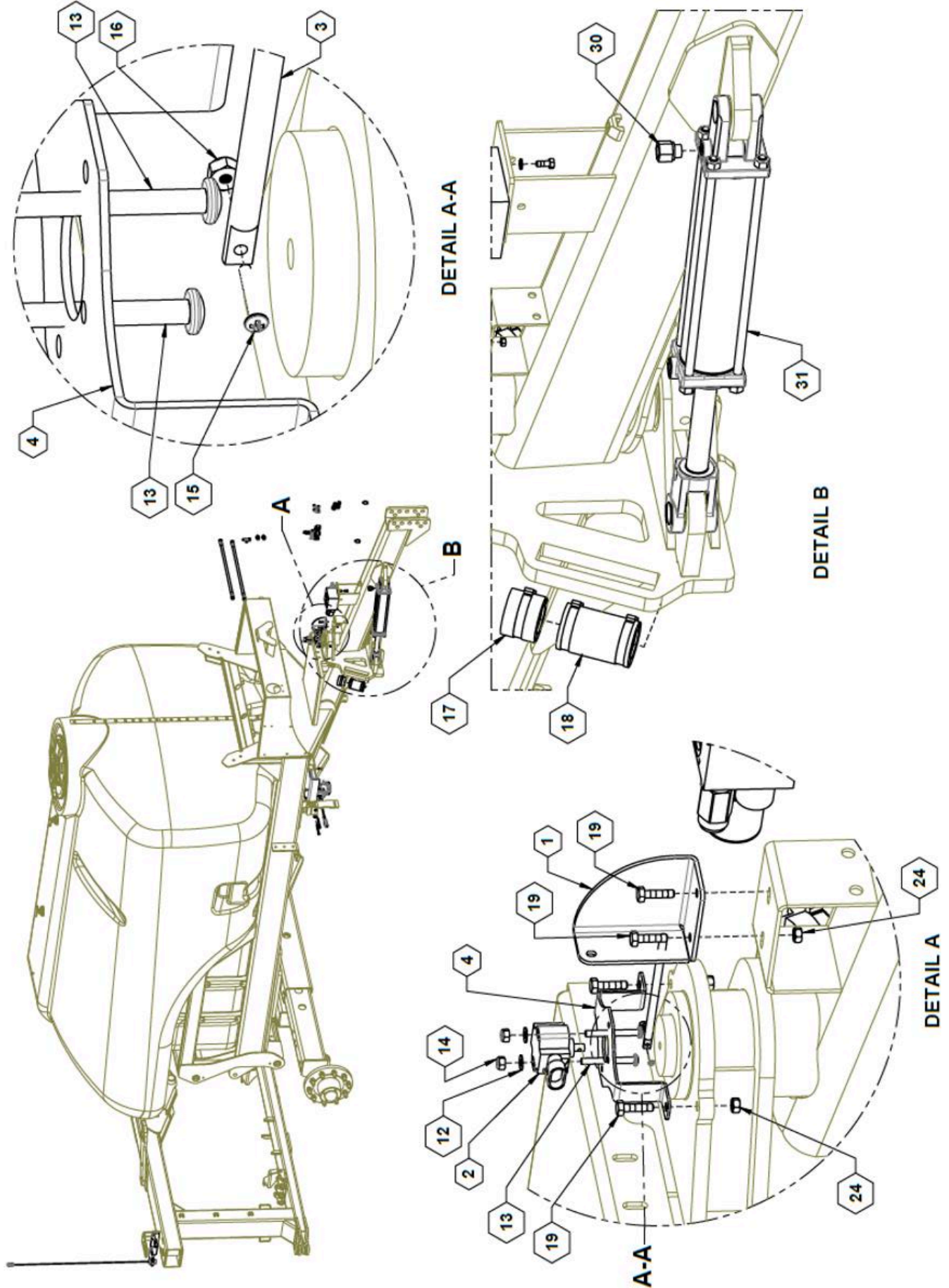
ASSEMBLED VIEW

ALTERNATE
MAGNETIC BOLTS
N & S
POLARITY ON
PLATES



EXPLODED VIEW







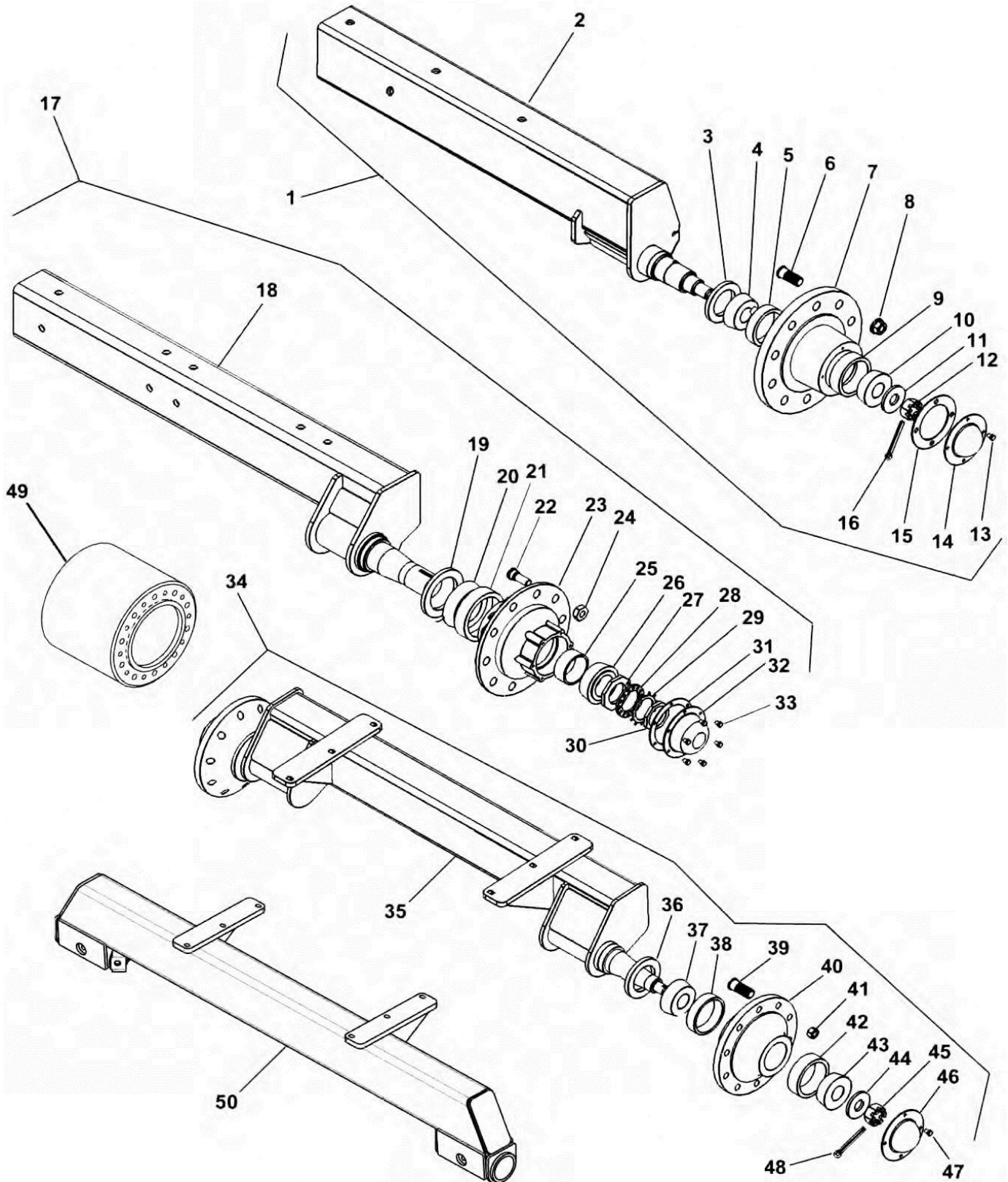
ILLUSTRATED PARTS LIST

Parts List 35761: Steerable Hitch Components

ITEM	PART NO.	DESCRIPTION	QTY.
1	21273	INDICATOR, STEERABLE HITCH	1
2	21495	180 ROTARY SENSOR	1
3	22906	ROD, ROTARY SENSOR LEVER	1
4	26190	MOUNT, SENSOR	1
5	26327	MOUNT, RAVEN NODE	1
6	26344	PLATE, PROX MOUNT	1
7	530019	GASKET, 2 EPDM	2
8	530110	MANIFOLD TEE, 2"	1
9	530451	2" MANIFOLD PLUG W/ 3/8" PORT	1
10	530460	FITTING. 3/8INCHMPT X 1/4INCHFPT REDUCER	1
11	540002	CLAMP, FP WORM SCREW, 2	2
12	590272	WASHER SAE #10 SS18-8	2
13	590273	SCREW PHIL 10-24 X 1.75 SS18-8	2
14	590274	NUT NYLON 10-24 SS18-8	2
15	590275	SCREW PHIL 3-48 X 0.625 SS18-8	1
16	590276	NUT NYLON 3-48 SS18-8	1
17	590414	CYLINDER STOP, 2"	2
18	590415	CYLINDER STOP, 4.25"	2
19	596102M	BOLT, HH 1/4-20 X 1 GR5 MAGNI	6
20	596103M	BOLT, HH 1/4-20 X1-1/4 GR5 MAGNI	2
21	596114M	BOLT, HH 5/16-18X3/4 GR5 MAGNI	4
22	596120M	BOLT, HH 5/16-18X3.5 GR5 MAGNI	2
23	596128M	BOLT, HH 3/8-16 X 1 GR5 MAGNI	3
24	596235M	NUT, CENTERLOCK, 1/4-20 MAGNI	6
25	596236M	NUT, CENTERLOCK, 5/16-18 MAGNI	2
26	596237M	NUT, CENTERLOCK 3/8-16 MAGNI	3
27	596249M	LOCKWASHER 5/16 MAGNI	4
28	596257M	WASHER, FLAT 5/16 USS MAGNI	4
29	600116	HOSE KIT, STEERABLE HITCH DUAL CYL UPDATE	1
30	610095	0.093 ORIFICE FITTING	2
31	620103	CYLINDER 3X12X1.25 W 1.25 CLEV	2
32	632091	KIT, STEERABLE HITCH SPRAYER, GEN 1 ISO	1



Axles





ILLUSTRATED PARTS LIST

Parts List: Axles

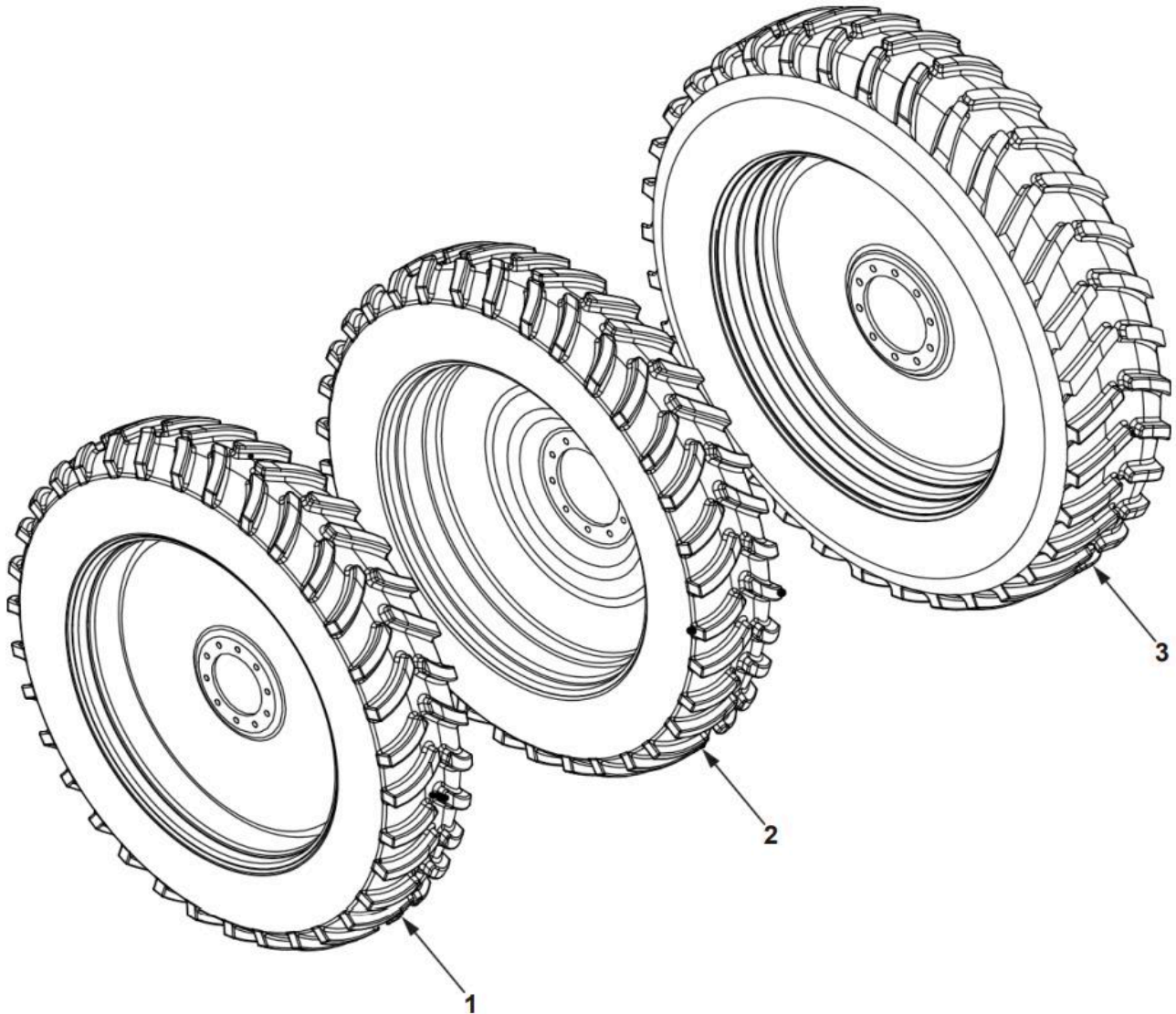
ITEM	VENDOR PART #	FAST PART#	DESCRIPTION	QTY.
1		13586	AXLE ASSEMBLY 10 BOLT (INC 2 - 16)15,000#	2
2		13518	TRAILER NARROW AXLE SUB WELD 3-3/8"SPINDLE	2
3	946275	730013	SEAL 873 SERIES HUB 15,000#	2
4	NI-910398/332752	730011	CONE INNER 873 SERIES HUB	2
5	NI-910397/133462		CUP INNER 873 SERIES HUB	2
6	NI-953033	1683	STUDWHEEL	20
7	NI-289121	730002	HUB 10 BOLT W/CUPS 873 SERIES HUBS 15,000#	2
8	NI-913571	730051	NUTWHEEL	20
9	NI-910332/453A	1679	CUPOUTER	2
10	NI-910334/460	1681	CONEOUTER	2
11	NI-913632	1688	WASHERSPINDLE	2
12	NI-912969	730014	NUT SPINDLE 1.25-12TPI	2
13	NI-9052148	113	BOLT HH 5/16 X 1/2 GR5 ZP	8
14	1682	730072	HUB CAP Q-871 HUB	2
15	1686	730016	GASKET HUBCAP	2
16	NI-905944	1690	COTTERPIN	2
17		10900	AXLE ASSEMBLY 2400 GALLON TANK (INC 18 - 33)19,000#	2
18		10901	AXLE, SINGLE 2400 GALLONTANK	2
19	513-0541	730051	SEAL GREASE CR40108	2
20	501-0663	730047	BEARING, INNER663	2
21	511-0653		CUP, INNER653	2
22	54101216		WHEELSTUD	20
23	51001900	730071	HUB 10 BOLT 19,000 LB	2
24	55001216	730049	WHEELNUT	20
25	511-2011		CUP, OUTERHM212011	2
26	512-2049	730064	BEARING, OUTER HM212049	2
27	515-1918	730063	INNER LOCKNUT	2
28	514-1900	730062	INNER LOCKWASHER	2



ILLUSTRATED PARTS LIST

29	514-1884		OUTER LOCKWASHER	2
30	515-1892		OUTER LOCKNUT	2
31	563-3600-HG		GASKET, HUBCAP	2
32		113	BOLT HH 5/16 X 1/2 GR5 ZP	12
33	563-3600	730046	HUBCAP	2
34		10913	AXLE ASSEMBLY 10 BOLT DUALS 60"-120" TW (INC 33 - 45)20,000#	1
34	NOTILLUSTRATED	10907	AXLE ASSEMBLY 10 BOLT DUALS 88"-132" TW (INC 33 - 45)20,000#	1
34	NOTILLUSTRATED	10910	AXLE ASSEMBLY 10 BOLT DUALS 80"-120" TW (INC 33 - 45)20,000#	1
35		10917	TRAILER AXLE 30"ROW	1
35	NOTILLUSTRATED	10908	TRAILER AXLE 22"ROW	1
35	NOTILLUSTRATED	10911	TRAILER AXLE 20"ROW	1
36	NI-906979	730041	SEAL	2
37	NI-910346	730043	CONEINNER	2
38	NI-910334	730012	CUPINNER	2
39	NI-953035		STUDWHEEL	20
40	NI-281171	730060	HUB 10 BOLT20,0003	2
41	NI-913571	730051	NUTWHEEL	20
42	NI-910384	1679	CUPOUTER	2
43	NI-910347	730037	CONEOUTER	2
44	NI-913632	730040	WASHERSPINDLE	2
45	NI-913571	730051	NUT	2
46	NI-909921	730038	HUBCAP	2
47	NI-9052148	113	BOLT HH 5/16 X 1/2 GR5 ZP	8
48	NI-905944	730042	COTTERPIN	2
49		710030	SPACER 30" ROW 13.75"OAL	2
49	NOTILLUSTRATED	710032	SPACER 22" ROW 7"OAL	2
49	NOTILLUSTRATED	710031	SPACER 20" ROW 5"OAL	2
50		21370	AXLE,TRACKS	1

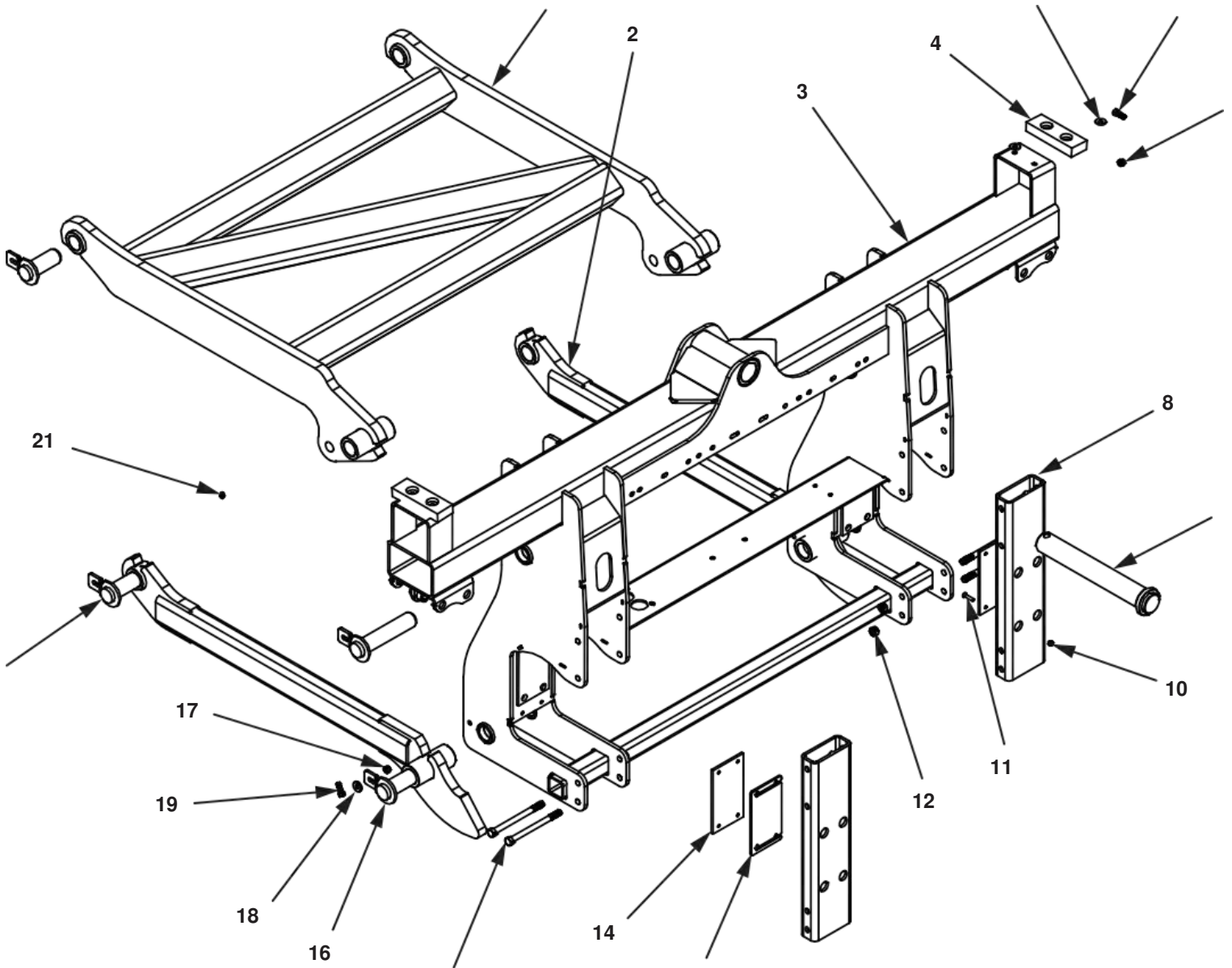
Tires/Wheel Assemblies



Parts List: Tires/Wheel Assemblies

ITEM	VENDOR PART#	FAST PART#	DESCRIPTION	9518	9524
1	TT-512318057201R	700002	380/90R46 YELLOWRH	1	
1	TT-512318057201L	700003	380/90R46 YELLOWLH	1	
1	TT-5123180040701R	700001	380/90R46 SILVER RH	1OPT/RED	
1	TT-5123180040701L	700000	380/90R46 SILVER LH	1OPT/RED	
3	TT-05201140057201R	700088	480/80R50 YELLOWRH	1OPT.	1
3	TT-05201140057201L	700087	480/80R50 YELLOWLH	1OPT.	1
3	TT-05201140040701R	700086	480/80R50 SILVER RH	1OPT/RED	1OPT/RED
3	TT-05201140040701L	700085	480/80R50 SILVER LH	1OPT/RED	1OPT/RED
2	TT-5193450057201R	700021	380/90R46 YELLOW RH DUAL	2OPT.	2OPT.
2	TT-5193450057201L	700020	380/90R46 YELLOW LH DUAL	2OPT.	2OPT.
2	TT-5193450040701R	700035	380/90R46 SILVER RH DUAL	2OPT/RED	2OPT/RED
2	TT-5193450040701L	700034	380/90R46 SILVER LH DUAL	2OPT/RED	2OPT/RED

Interior Pivot, Parallel Links



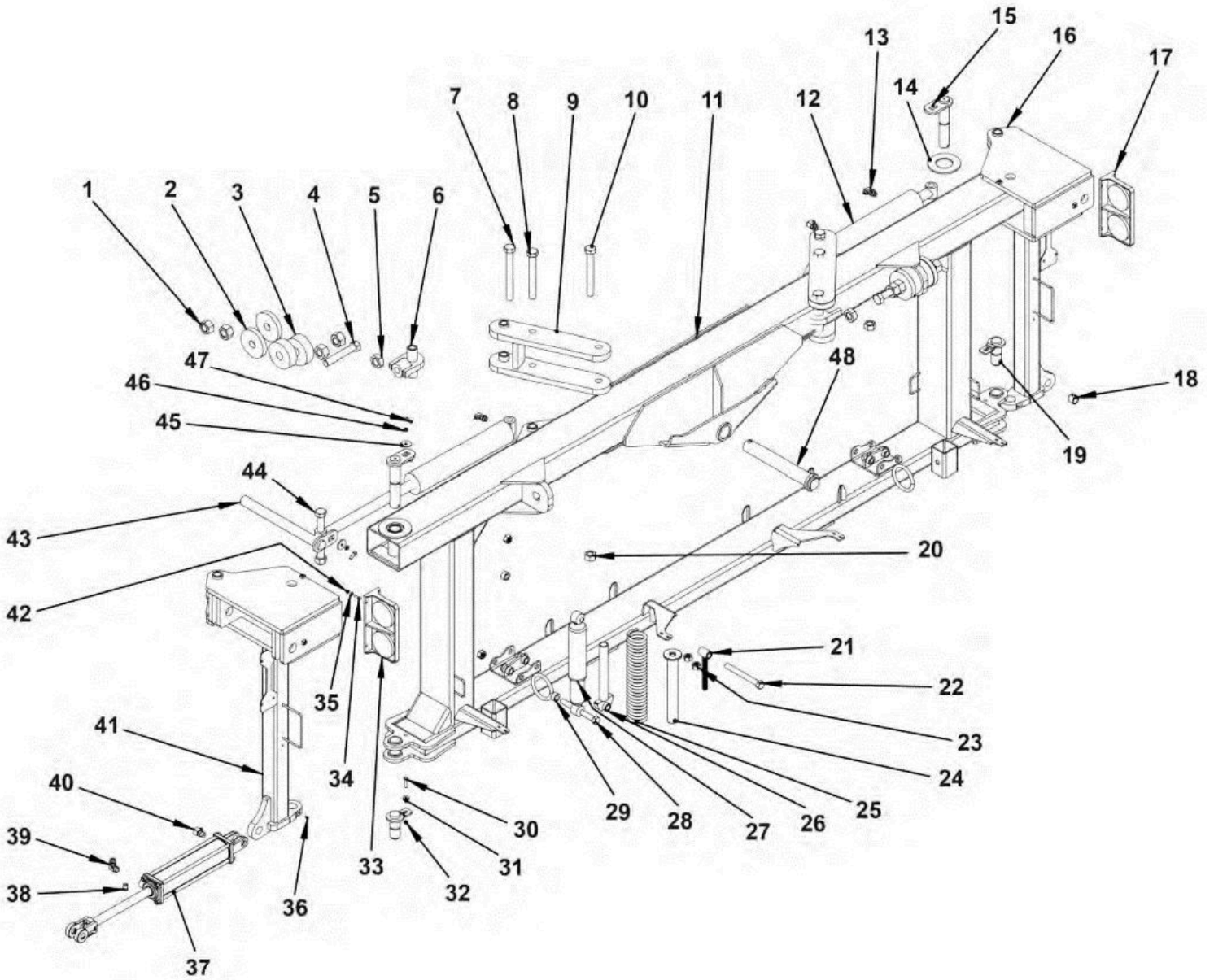


ILLUSTRATED PARTS LIST

Parts List: Interior Pivot, Parallel Links

ITEM	VENDOR PART NO.	FAST PART NO.	DESCRIPTION	QTY.
1		14770	LINK PARALLEL UPPER (REPLACE ITEMS 16 & 20 ALSO)	1
2		14771	LINK PARALLEL LOWER	2
3		16515	INTERIOR PIVOT TRUSSBOOM	1
4	10488	590094	BUMPER PAD, RUBBER1IN	2
5		258	WASHER FLAT 3/8" ZP	4
6		128	BOLT HH GR5ZP	4
7		237	NUT HEX 3/8" ZPCENTERLOCK	4
8		16518	TRUSS BOOM STRAPTUBE	2
9		11515	PIN CENTER SECTIONPIVOT	1
10		227	NUT NYLOCK 1/4ZP	8
11		719	BOLT FLAT HEAD 1/4 X 1" BLACKOXIDE	8
12		239	NUT HEX HEAD 1/2" CENTERLOCKZP	4
13		16216	PLATE SPACER 7GA	AR
13		16217	PLATE SPACER 10GA	AR
13		16218	PLATE SPACER 12GA	AR
13		16219	PLATE SPACER 14GA	AR
14		590079	TRUSS BOOM POLY RUBPLATE	4
15		163	BOLT HH 1/2 X 6-1/2" GR5ZP	4
16		13877	PIN PARALLEL LINK INTERIOR	4
17		237	NUT HH 3/8" CENTERLOCKZP	8
18		530309	WASHER HEAVY 3/8" ZP	8
19		128	BOLT HH 3/8 X 1" GR5 ZP	8
20		13871	PIN PARALLEL LINKTRAILER	4
21		759	ZERK 1/4-28TPI	10

Center Section – Puck Yaw





ILLUSTRATED PARTS LIST

Parts List: Center Section – Puck Yaw

ITEM	VENDOR PART #	PART #	DESCRIPTION	QTY	120'	132'
1		617	NUT HEX HEAD 1-1/4" ZP	8		
2		16017	MECHANICAL YAW WASHER PLATE	4		
3		790037	POLY PUCK YAW DAMPNER	4		
4		16016	THREADED ROD MECHANICAL YAW	2		
5		558	NUT HEX JAM 1-1/4" ZP	2		
6		16008	MECHANICAL YAW LUG MOUNT	2		
7		590125	BOLT HEX HEAD 1 X 10 GR8 ZP	2		
8		590135	BOLT HEX HEAD 1 X 8-1/2 GR8 ZP	2		
9		18362	MECHANICAL YAW MULTIPLIER	2		
10		590136	BOLT HEX HEAD 1 X 8-1/2 GR8 ZP	2		
11		16525	CENTER SECTION 120' TRUSS BOOM PUCK YAW	1		
NS		22005	CENTER SECTION 120' TRUSS BOOM ISO YAW			
12	MI675418	620079	CYLINDER 3 X16 WELED 1.75" ROD (2014-)	2		
NS	649209 (RK 30WR-175 TSS)		SEAL KIT FOR 620079			
12		620031	CYLINDER 3X16 WELED 1.5" ROD (2010-2013)			
NS	RKWP-3015-3B-WP-1		SEAL KIT FOR 620031			
13	RST6801-4-8-0.032	610039	FITTING HYDRAULIC 8ORB-4JIC RST 0.032	4		
14		590038	WASHER POLY PIVOT 1-5/8" OD	4		
15		16155	PIN WING PIVOT UPPER	2		
16		16105R	RIGHT HAND WING PIVOT 120' TRUSS BOOM PUC YAW	1		
17		740002	SAFETY LIGHT RIGHT HAND	1		
18		530281	BUSHING 1" ID X 1" LONG	2		
19		13871	PIN WING PIVOT LOWER	2		
20		242	NUT HEX 1" CENTERLOCK ZP	8		
21		7444	SPRING ADJUSTMENT EYEBOLT	4		6
NS		194	BOLT HEX HEAD 3/4 X 7 GR5 ZP		4	2
22		489	BOLT HEX HEAD 3/4 X 9 GR5 ZP			2

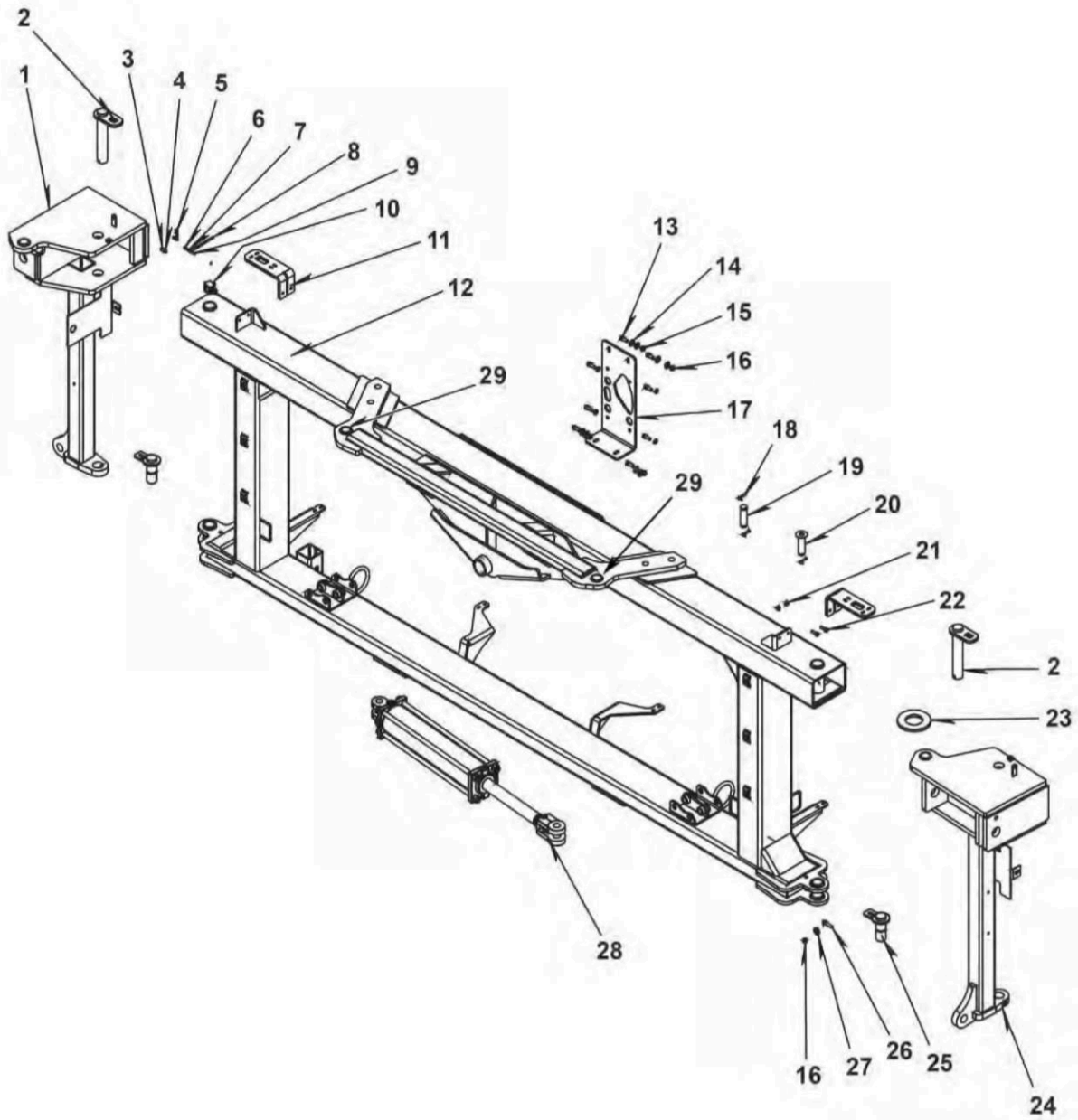


ILLUSTRATED PARTS LIST

23		217	NUT HEX HEAD 3/4" ZP	8		
24		7442	OUTER SPRING MOUNT	4		
25		590011	SPRING COMPRESSION	4		
26		11620	LOWER SPRING MOUNT	4		6
27	PI-65421	790010	SHOCK		4	12
NS		194	BOLT HH 3/4 X 7 GR5 ZP		4	2
28		489	BOLT HEX HEAD 3/4 X 9 GR5 ZP			2
29		14461	SPACER DOM		8	
30		129	BOLT HEX HEAD 3/8 X 1-1/2 GR5 ZP			
31		530309	WASHER THICK 1" OD	2		
32		237	NUT HEX 3/8" CENTERLOCK ZP	2		
33		740001	SAFETY LIGHT LEFT HAND	1		
34		102	BOLT HEX HEAD 1/4 X 1 GR5 ZP	8		
35		256	WASHER FLAT 1/4" ZP	8		
36		759	ZERK 1/4-28 TPI	6		
37	671378	620028	CYLINDER 30TD12-125	2		
NS	648992	620032	CYLINDER 30TD12-125 SA PUSH SUPER CEDED BY 620028 AFTER 4/15/2013			
38	BV3	610035	BREATHER 3/8" NPT	2		
39	6500-8-6	610036	FITTING HYDRAULIC 8ORB-3/8" NPT	2		
40	6801-6-8	610030	FITTING HYDRAULIC 8ORB-6JIC	2		
41		16105L	LEFT HAND WING PIVOT 120' TRUSS BOOM	1		
42		767	NUT HEX WHIZLOCK ZP	8		
43		16145	PIN MAIN WING PIVOT	2		
44		528	BOLT HEX HEAD 1 X 10 GR8 ZP	2		
45		530308	WASHER THICK 1-5/8" OD	2		
46		250	WASHER LOCK 3/8" ZP	4		
47		128	BOLT HEX HEAD 3/8 X 1 GR5 ZP	2		
48		11515	MAIN CENTER PIVOT PIN	1		



ISO Yaw Center



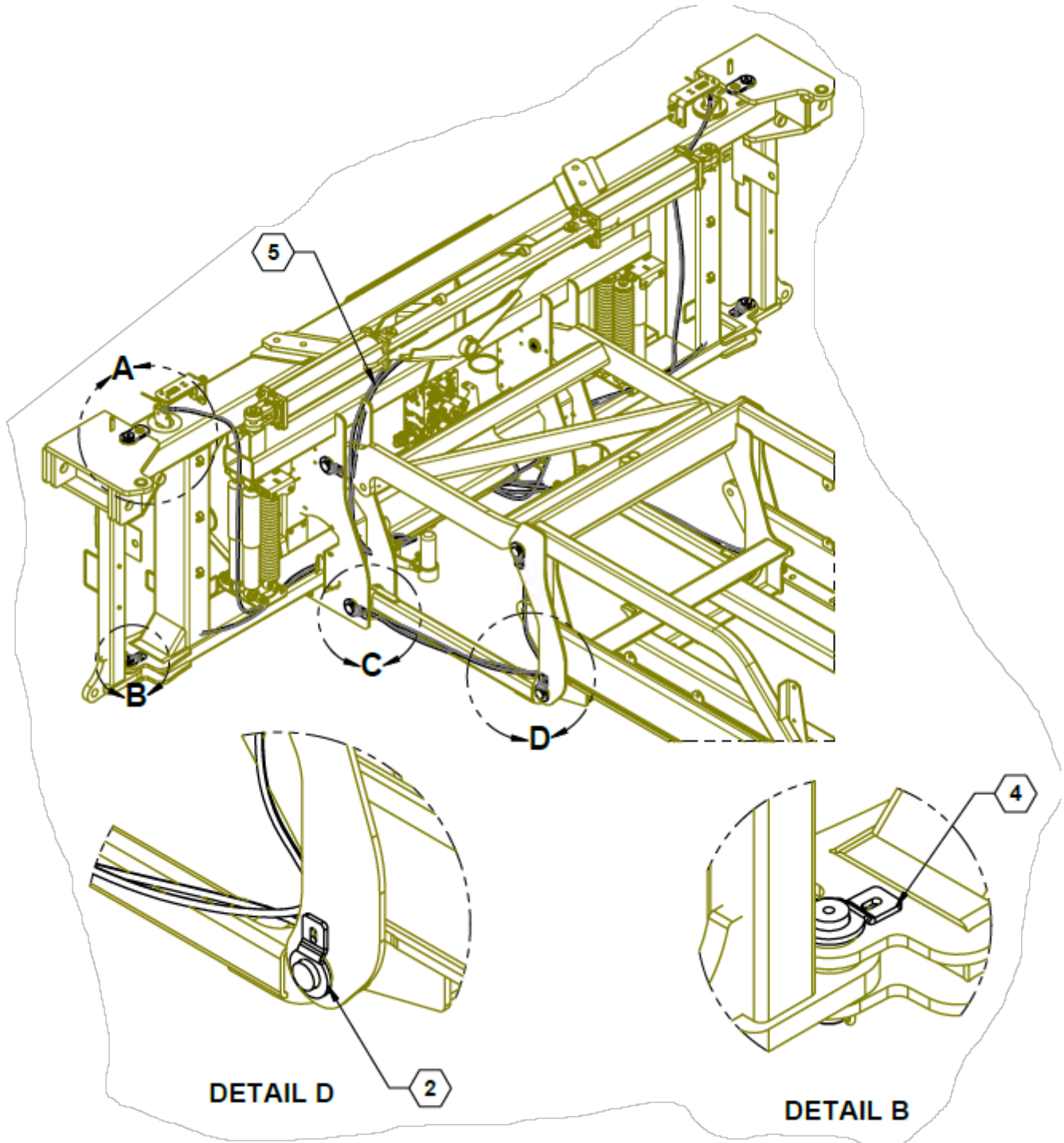


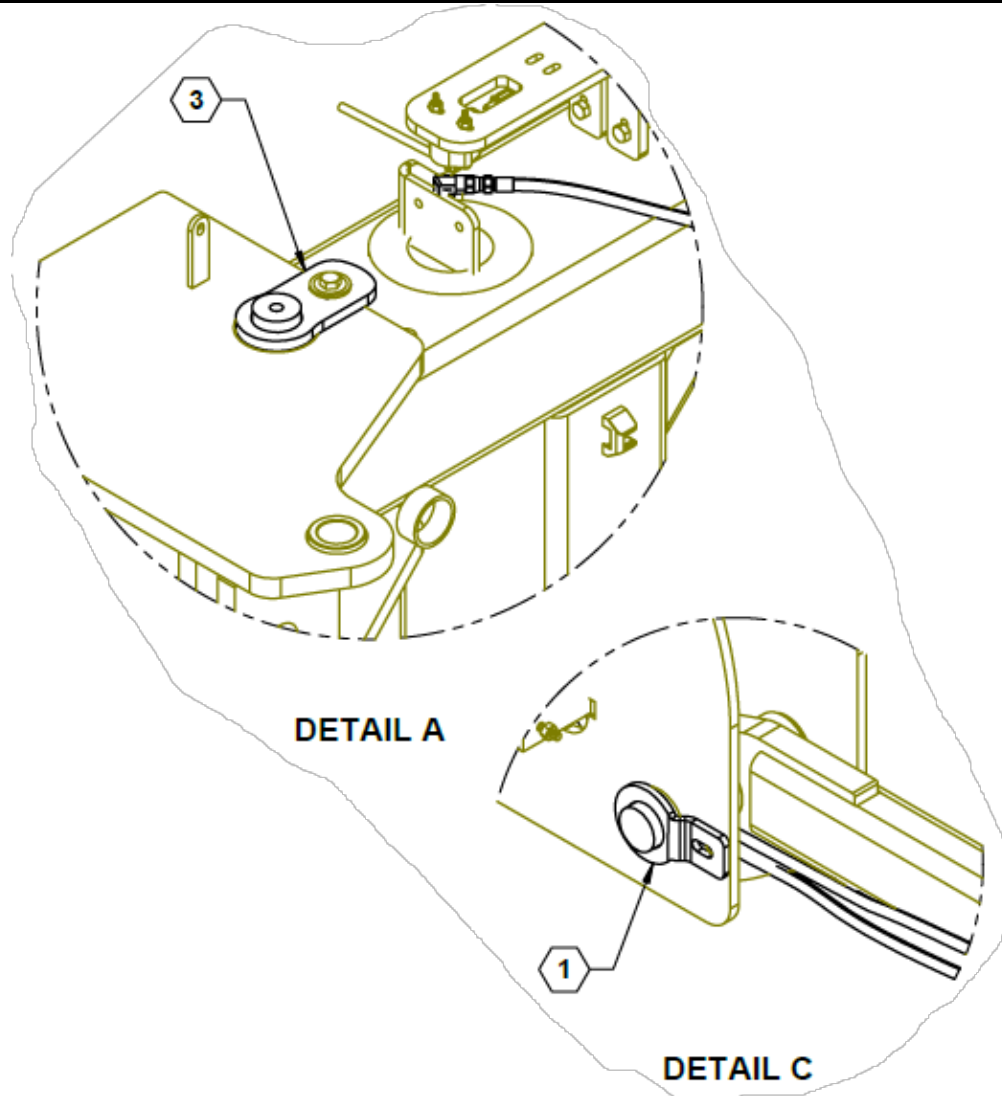
ILLUSTRATED PARTS LIST

Parts List: ISO Yaw Center

ITEM	VENDOR PART#	FAST PART#	DESCRIPTION	QTY.
1		22204R	WING PIVOT YAW RIGHTHAND	1
2		22020	PIN WING PIVOTTOPTOP	2
3		590274	NUT NYLON 10-24SS18-8	4
4		590272	WASHER SAE #10SS18-8	4
5		590273	SCREW PAN HEAD #2 PHILIPS 10-24 X 1.75 SS	4
6		590275	SCREW PAN HEAD #2 PHILIPS 3-48 X .625 SS	2
7		590277	WASHER #3 SS	4
8		590276	NUT NYLOCK 3-48SS	4
9		22906	SHAFT SENSOR POSITIONYAW	2
10		22955	SENSOR POSITIONYAW	2
11		22904	SENSOR MOUNTBRACKET	2
12		22005	CENTER SECTION TRUSS ISOYAW	1
13		128	BOLT HEX HEAD 3/8 X 1GR5 ZP	8
14		258	WASHER FLAT 3/8 ZP	8
15		252	WASHER LOCK 3/8 ZP	4
16		237	NUT CENTER LOCK 3/8"ZP	4
17		18389	BRACKET ISO YAWBLOCK	1
18	MI135995		PIN COTTER 3/16 X 1.5ZP	8
19	MI134963		PIN CYLINDER	6
20		28111	PIN CYLINDERW/HEAD	2
21		236	NUT HEX 5/16" CENTERLOCKZP	4
22		115	BOLT HEX 5/16 X 1 GR5ZP	4
23	22036	750073	WASHER NYLON 2.625 ID X 3/8" THICK	2
24		22204L	WING PIVOT YAW LEFT HAND	1
25		13871	TRAILER QUICK LOCK PIN 3 5/8"LG	2
26		129	BOLT HEX HEAD 3/8 X 1-1/2 GR5ZP	2
27		530309	WASHER HEAVY 13/32 X 1"	2
28		620077	CYLINDER 40THC18-175	2
29		590248	BUSHING	2

Optional Greaseable Center

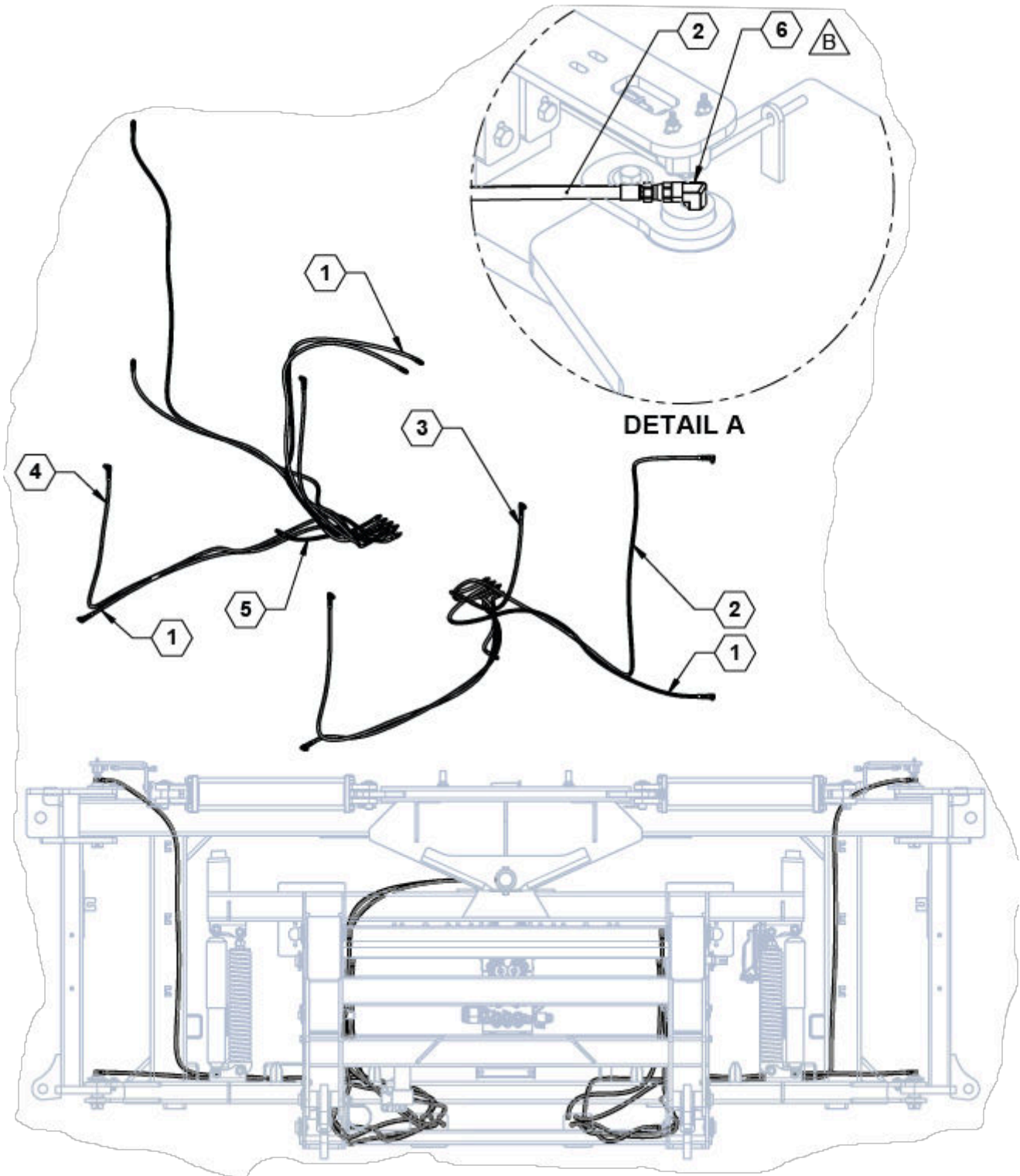


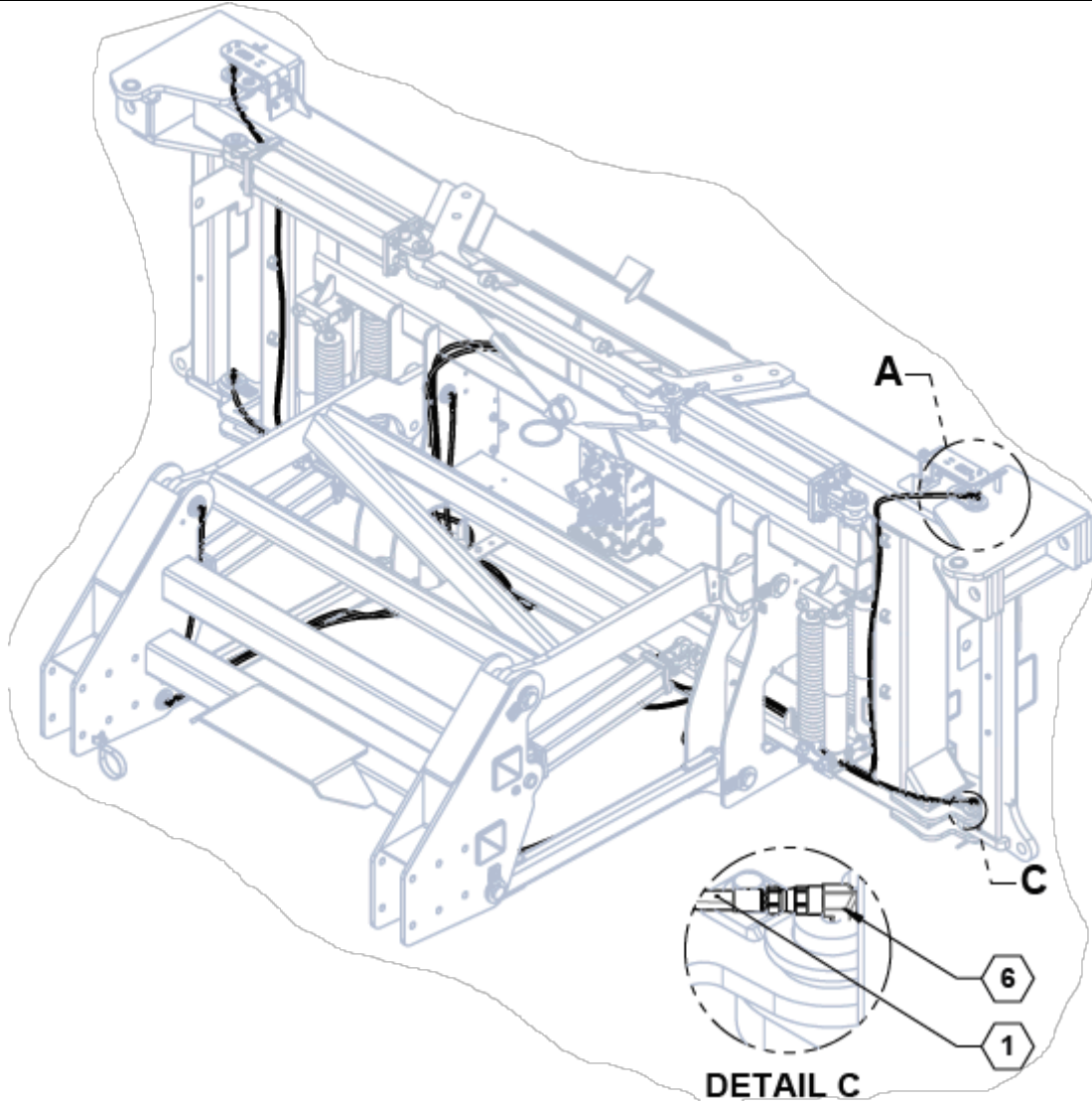


Parts List 35570: Optional Greaseable Center

ITEM	VENDOR PART#	FAST PART#	DESCRIPTION	QTY.
1		35561	PIN, TRUSS CRADLE	4
2		35563	PIN, WELDMENT	4
3		35566	WLDMT, SENSOR PIN LEVER	2
4		35568	WLDMNT, LOWER PIVOT PIN	2
5		600131	HOSE KIT, TRUSS BOOM CENTER	1

Optional Greaseable Center Hose Kit

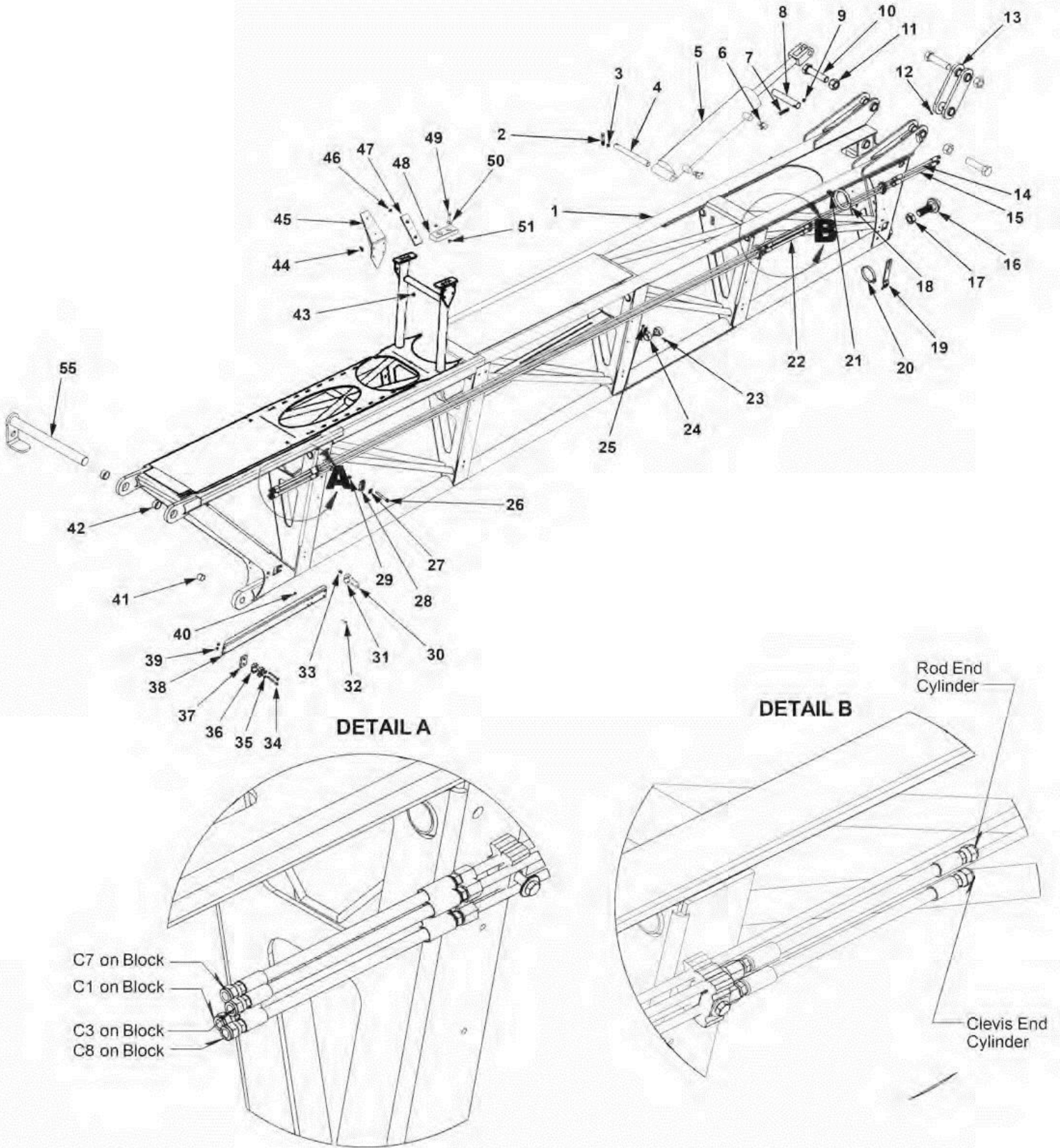




Parts List: Optional Greaseable Center Hose Kit

ITEM	VENDOR PART#	FAST PART#	DESCRIPTION	QTY.
1		600131-100	HOSE ASSY, 02-2NPTX-2GREASE-72	6
2		600131-200	HOSE ASSY, 02-2NPTX-2GREASE-110	2
3		600131-300	HOSE ASSY, 02-2NPTX-2GREASE-42	2
4		600131-400	HOSE ASSY, 02-2NPTX-2GREASE-88	2
5		600131-500	HOSE ASSY, 02-2NPTX-2GREASE-28	2
6		610184	FITTING, -2MPT X -2FPT 90	10

Main Wing





ILLUSTRATED PARTS LIST

Parts List: Main Wing

ITEM	VENDOR PART#	FAST PART#	DESCRIPTION	QTY
1		28920	WING MAIN TRUSS (FOR UNITS BUILT PRIOR TO 1/1/2014, WINGS MUST BE REPLACED IN PAIRS DUE TO WEIGHT OF WING WELDMENT)	2
2		131	BOLT HH 3/8 X 2.5 GR5ZP	2
3		237	NUT HEX 3/8" CENTER LOCKZP	2
4		16268	PIN CYLINDERMOUNT	2
5	MHFD10013	620043	CYLINDER CUSHION 5 X 16 9518T-3394-0111 & UP	2
	MHFDI0013		SEAL KIT FOR 620043	
6	TO6801-4-8	610029	FITTING HYDRAULIC 8ORB X 4JIC90°	4
7		130	BOLT HH 3/8 X 2 GR5 ZP	2
8		16149	PIN CYLINDERMOUNT	2
9		237	NUT HH 3/8" CENTER LOCKZP	2
10		590183	BOLT HH (REWORK) 1.25 X 5 GR5ZP	4
11		790072	NUT HH 1.25" CENTER LOCKZP	4
12		759	ZERK 1/4"STRAIGHT	2
13		16197	LINK,SCISSOR	2
14	600039-3A		HOSE HYDRAULIC 29.5"OAL	2
15	600039-4A		HOSE HYDRAULIC 33" OAL	2
16		16185	CONE, LINEUP	2
17		558	NUT HH JAM 1.25ZP	2
18		8877	RING BOLTASSEMBLY	2
19		16271	BRACKET WETBOOM	AR
20	BR64044H	540018	HOSE CLAMP SIZE 44	AR
21		223	NUT HH 1/2" JANZP	2
22	600039-5A		HOSE HYDRAULIC TO BASE CYLINDER PORT	2
22	600039-6A		HOSE HYDRAULIC TO ROD CYLINDER PORT	2
23		101	BOLT HH 1/4 X 3/4" GR5ZP	4
24		540048	HOLDER SPRAY HOSE	4
25		227	NUT HH 1/4" NYLOCKZP	4
26		636	BOLT HH 3/8 X 2-3/4" GR5 STAINLESS	8

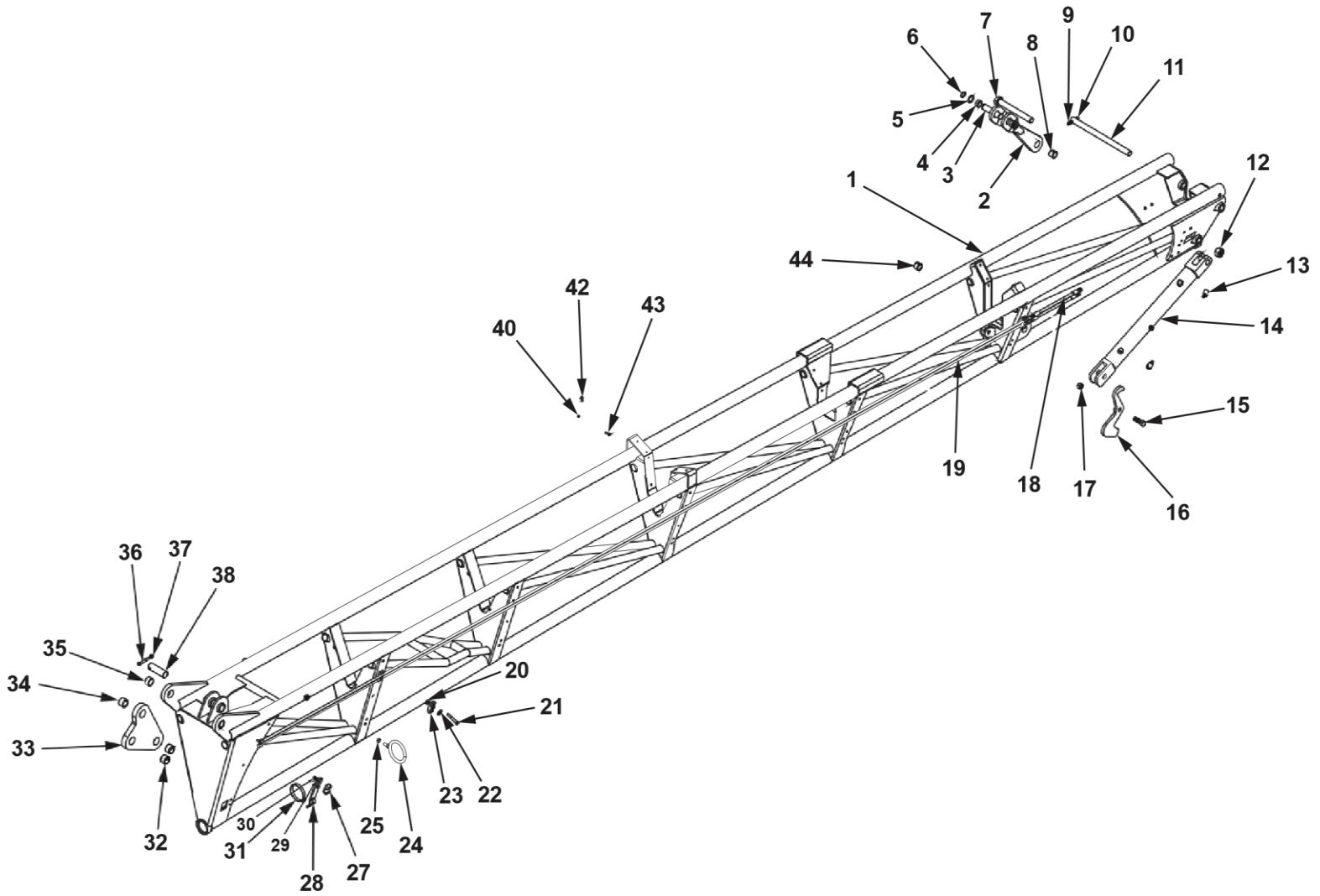


ILLUSTRATED PARTS LIST

27		665	WASHER 3/8"STAINLESS	8
28	AG-2		STEEL TUBEHOLDER	28
29		657	NUT HH 3/8"STAINLESS	8
30		590048	U-BOLT 1/4 X 1STAINLESS	AR
31		540029	TUBE CLAMP FOR 1" SS TUBE	AR
32		655	NUT HH 1/4" CENTERLOCKSS	AR
33		637	BOLT HH 1/4 X 3/4" GR5SS	8
34		638	BOLT HH 1/4 X 2-1/2" GR5SS	4
35		685	WASHER 1/4" STAINLESS	4
36		540029	TUBE CLAMP FOR 1" SS TUBE	4
37		11494	SPACER WETBOOM	2
38		16378	BRACKET WET BOOMSUPPORT	2
39		655	NUT HH 1/4" CENTERLOCKSS	4
40		685	WASHER 1/4" STAINLESS	AR
41		530281	BUSHING SPRING 1"ID	2
42		530280	BUSHING SPRING 1-1/2"ID	4
43		237	HUT HH 3/8" CENTERLOCK GR5ZP	8
44		128	BOLT HH 3/8 X 1 GR5 ZP	8
45		16794	GUIDE, WING REST,BOLT-ON	2
46		581	RIVET DRIVE1/4"	4
47	7781	590024	SADDLEBASE	4
48		590094	BUMPER PAD, 6"LG	4
49		129	BOLT HH 3/8 X 1-1/2" GR5ZP	4
50		258	WASHER 3/8" ZP	4
51		237	HUT HH 3/8" CENTERLOCK GR5ZP	4
52	600039-1A		HOSE HYDRAULIC BLOCK TO HYDRAULIC TUBE LH	4
NS	600039-2A		HOSE HYDRAULIC BLOCK TO HYDRAULIC TUBE RH	4
53	FDMP603		HYDRAULIC TUBE 3/8" X124"	4
54	FDMP604		HYDRAULIC TUBE 3/8" X162"	4
55		18265	PIN, TRUSS BOOM 16" LONG	2



Flip Wing



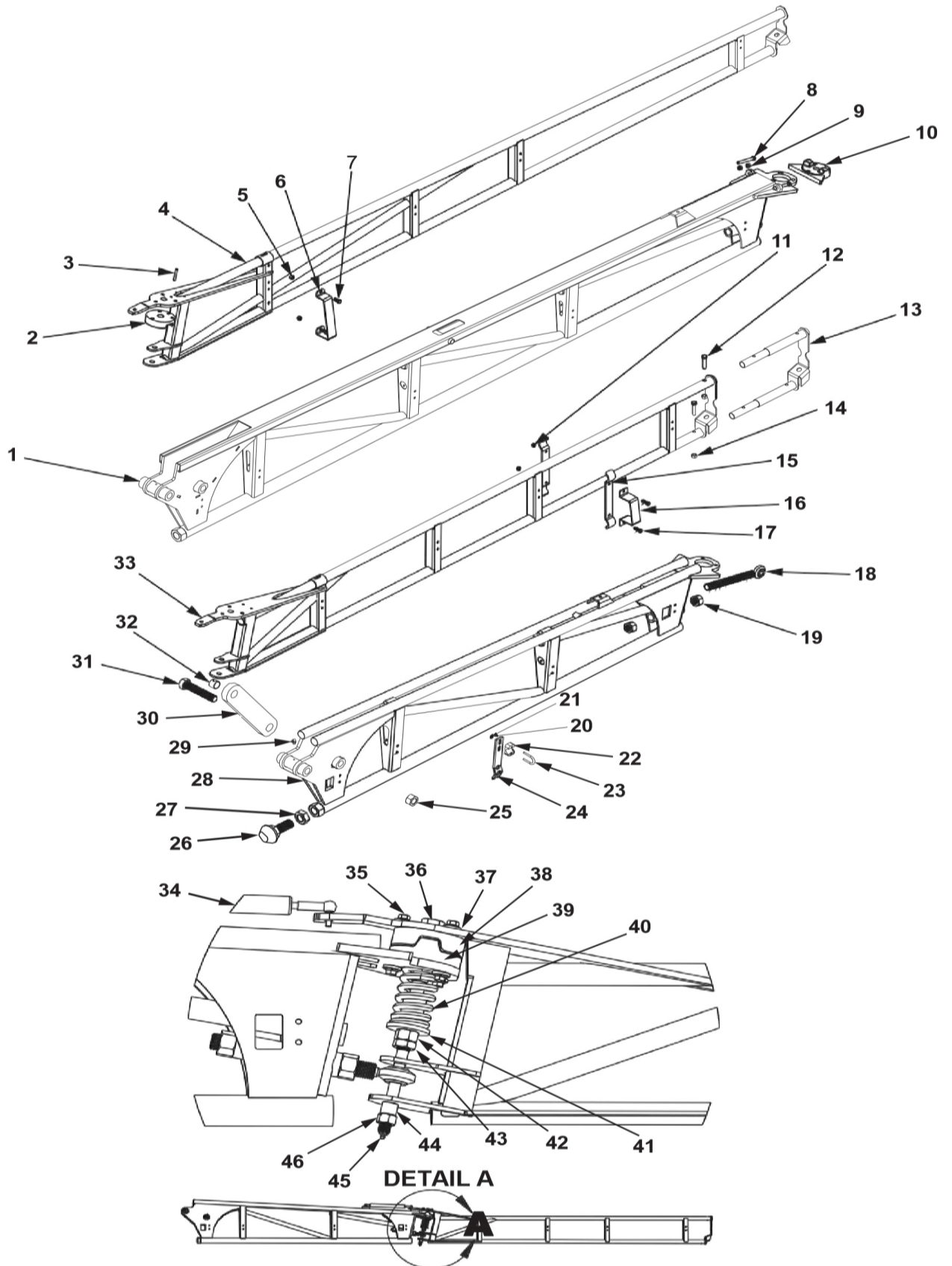


ILLUSTRATED PARTS LIST

Parts List: Flip Wing

ITEM	VENDOR PART#	FAST PART#	DESCRIPTION	QTY	120'	132'
1		18276	FLIP WING TRUSS BOOM GEN3	2		
2		16298	LINK SCISSOR BREAKAWAYWING	2		
3		7669	PIN, MACHINED ROLLER	2		
4		530284	BUSHING 1.25 OD X 1.0 ID X 1/2" LONG	4		
5		787	BUSHING, MACHINERY 1" ID X 10GA	4		
6		774	SNAP RING 1" SHAFT	4		
7		525	BOLT HH 1 X 8-1/2" GR5 ZP	2		
8		530281	BUSHING 1.25 OD X 1.0 ID X 1" LONG	2		
9		237	NUT HH 3/8" CENTERLOCKZP	2		
10		131	BOLT HH 3/8 X 2-1/2 GR5 ZP	2		
11		16151	PIN BREAKAWAY WING 1" X 15-15/16"LONG	2		
12		242	NUT HH 1" CENTERLOCKZP	2		
13	RST6801-4-8	610029	FITTING ADAPTER ORB TOJIC	4		
14	MHFDI0011	620036	CYLINDER 2.5 X 16 X 1.25	2		
15		172	BOLT HH 5/8 X 1-1/2 GR5 ZP	2		
16		16143	LATCH, OVER CENTER 120'		2	
NS		13634	LATCH, OVER CENTER 132'			2
17		240	NUT HH 5/8" CENTERLOCKZP	2		
18	600039-5A		HOSE HYDRAULIC TO BASE CYLINDER PORT	2		
	600039-6A		HOSE HYDRAULIC TO ROD CYLINDER PORT	2		
19	FDMP605		TUBE HYDRAULIC LINE203"	4		
20		657	NUT HH 3/8" CENTERLOCK STAINLESSSTEEL	12		
21		635	BOLT HH 3/8 X GR5 STAINLESSSTEEL	12		
22		665	WASHER FLAT 3/8" STAINLESSSTEEL	12		
23	AG-2		STEEL TUBEHOLDER	24		
24		8877	RING BOLTASSEMBLY	2		
25		223	NUT HH JAM 1/2"ZP	2		
26		590048	U-BOLT 1/4" X 1" TUBE STAINLESSSTEEL	AR		
27	NT-3254PP	540029	1" TUBECLAMP	AR		
28		16271	CLAMP WET BOOM HOLDER	AR		
29		685	WASHER 1/4" STAINLESSSTEEL	AR		
30		655	HUT HH 1/4" STAINLESSSTEEL	AR		
31	BR64032H	540017	CLAMP STAINLESSSTEEL	AR		
32		530291	BUSHING 1.5 OD X 1.25 ID X 1" LONG	4		
33		16198	LINK, SCISSOR TRUSSBOOM	2		
34		530312	BUSHING 1.5 OD X 1.0 ID X 1" LONG	2		
35		530282	BUSHING 1.5 OD X 1.25 ID X 3/4" LONG	4		
36		131	BOLT HH 3/8 X 2-1/2" GR5 ZP	2		
37		237	NUT HH 3/8" CENTERLOCKZP	2		
38		21076	PIN, WING PIVOT 1-1/4" X 4"LONG	2		
39		590110	RUB PAD SHORT 2" X 4" X 1/4"	AR		
40		235	NUT HH 1/4" CENTERLOCKZP	AR		
41		590109	RUB PAD LONG 2" X 7" X 1/4"	AR		
42		581	RIVERTDRIVE-IN	AR		
43		671	BOLT FLAT HEAD 1/4 X 5/8" BLACKOXIDE	AR		
44		530281	BUSHING 1.25 OD X 1.0 ID X 1" LONG	2		

Breakaway Wing & Breakaway Parts





ILLUSTRATED PARTS LIST

Parts List: Breakaway Wing & Breakaway Parts

ITEM	VENDOR PART#	FAST PART#	DESCRIPTION	QTY	120'	132'
1		16290	BREAKAWAY WING132'			2
2		18409	BREAKAWAY CLUTCHTOP			2
3		687	PIN SPRING 1/4 X2			2
4		14000	BREAKAWAY132'			2
5		237	NUT HEX CENTER LOCK 3/8ZP			4
6		16180	BREAKAWAYGUIDE			2
7		127	BOLT HH 3/8 X 3/4 GR5 ZP			4
8		590200	BOLT HH 3/8 X 3 GR5 MAGNICOATED FULLTHREAD			4
9		213	NUT HEX 3/8ZP			4
10		18400	BREAKAWAY CLUTCH WITHSTOP			2
11		236	NUT HEX CENTER LOCK 5/16ZP		4	
			PARTS 12,13 AND 14 ARE USED WITH 15 " PLUMB ON120'			
12		142	BOLT HH 7/16 X 2 GR5ZP		4	
13		14295	BREAKAWAY EXTENSION 15" PLUMBING 120' BOOM		2	
14		238	NUT HEX CENTER LOCK 7/16ZP		4	
15		18315	BREAKAWAYCLAMP		4	
16		16671	BREAKAWAYGUIDE		2	
17		115	BOLT HH 5/16 X 1 GR5ZP		4	
18		16176	ADJUSTABLE BREAKAWAYSUPPORT	2		
19		218	NUT HH 1"ZP	4		
20		655	NUT HH 1/4" STAINLESSSTEEL	AR		
21		685	WASHER 1/4" STAINLESSSTEEL	AR		
22		540029	TUBE CLAMPBASE	AR		
23		590048	U-BOLT STAINLESSSTEEL	AR		
24		16271	CLAMP WET BOOM HOLDER	AR		
25		242	NUT HH CENTERLOCK 1"ZP	2		
26		16185	CONE,LINEUP	2		
27		558	NUT HH JAM 1"ZP	2		

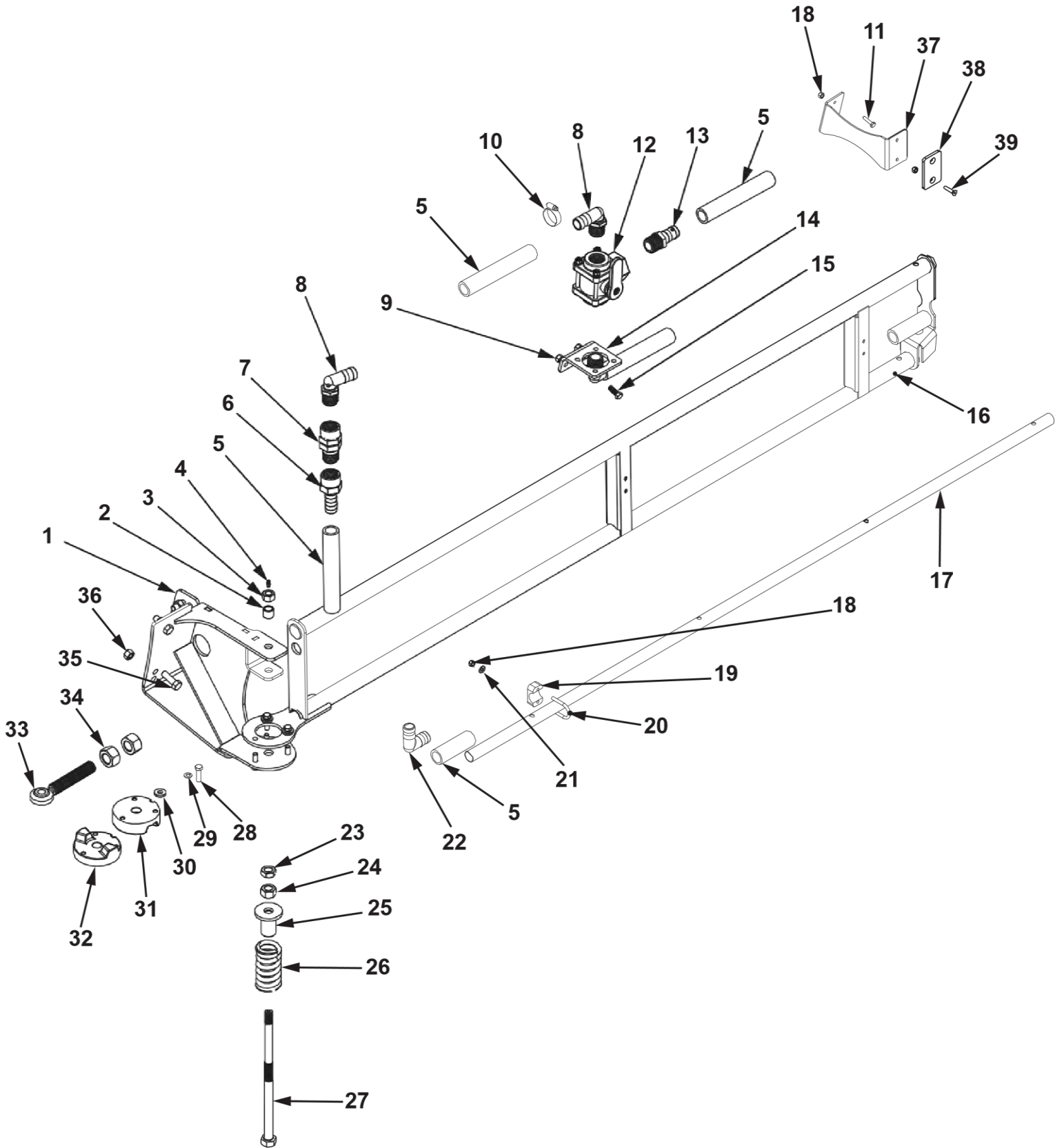


ILLUSTRATED PARTS LIST

28		16280	WING BREAKAWAY120'		2	
29		762	ZERK 1/4-28 TPI 90DEGREE	2		
30		16297	SCISSOR LINK BREAKAWAYWING	2		
31		205	BOLT HH 1 X 5-1/2 GR5ZP	2		
32		530281	BUSHING CONNEX 1-1/4 X 1 X 1	4		
33		18300	BREAKAWAY 93"		2	
34		790028	SHOCK BREAKAWAYHEAVY	2		
35		616	BOLT HH 3/8 X 1-1/4 GR8ZP	6		
36		590112	BOLT HH BREAKAWAYPIVOT	2		
37		530309	FLAT WASHER HEAVY 3/8"	6		
38	14458	590074	BREAKAWAY CLUTCH FEMALE120'		2	
39	14457	590073	BREAKAWAY CLUTCH MALE120'		2	
40		590006	SPRING,BREAKAWAY	2		
41		14013	GUIDE SPRINGBREAKAWAY	2		
42		217	NUT HH 3/4"ZP	2		
43		225	NUT HH JAM3/4"	2		
44		14268	COLLAR	2		
45		759	ZERK 1/4-28STRAIGHT	2		
46		216	NUT HH 5/8"ZP	2		



Optional 60/66' Spray Wing





ILLUSTRATED PARTS LIST

Parts List: Optional 60/66' Spray Wing

ITEM	VENDOR PART#	FAST PART#	DESCRIPTION	QTY	120'	132'
1		16705R	RH BOLT ON WINGMOUNT		1	
		16705L	LH BOLT ON WINGMOUNT		1	
2		14268	BREAKAWAY BOLTSPACER	2		
3		216	NUT HEX HEAD 5/8"ZP	2		
4		759	ZERK 1/4-28ZP	2		
5	1BH200	510016	HOSE SPRAY 1" IDEDPM	AR		
6	HBF100	530325	HOSE BARBFEMALE	2		
7	SW100	530326	SWIVEL1"	2		
8	HB100-90	530044	HOSE BARB1"	6		
9		237	HUT HEX HEAD 3/8" CENTER LOCKZP	4		
10	64016H	540014	HOSE CLAMP 1"	20		
11		101	BOLT HH 1/4 X 3/4 GR5ZP	4		
12	V100SL	500050	VALVE3-WAY	2		
13	HB100	530041	HOSE BARB1"	2		
14		16511	MOUNT 3 WAYVALVE	2		
15		128	BOLT HEX HEAD 3/8 X 1 GR5 ZP	4		
16		16700	MANUAL WING 60' SPRAY WIDTH		2	
NS		16750	MANUAL WING 66' SPRAY WIDTH			2
17		16871	TUBE, 4 PORT, 20", 60' SWING WING		2	
NS		16812	TUBE, 6 PORT, 15", 60' SWING WING		2opt	
NS		16809	TUBE, 5 PORT, 22", 66' SWING WING			2
18		655	NUT HEX HEAD 1/4" STAINLESSSTEEL		12	12
19		540029	TUBE CLAMPBASE		6	6
20	ZM1473140	590048	U-BOLT 1/4" STAINLESSSTEEL		6	6
21		685	WASHER 1/4" STAINLESSSTEEL		12	12

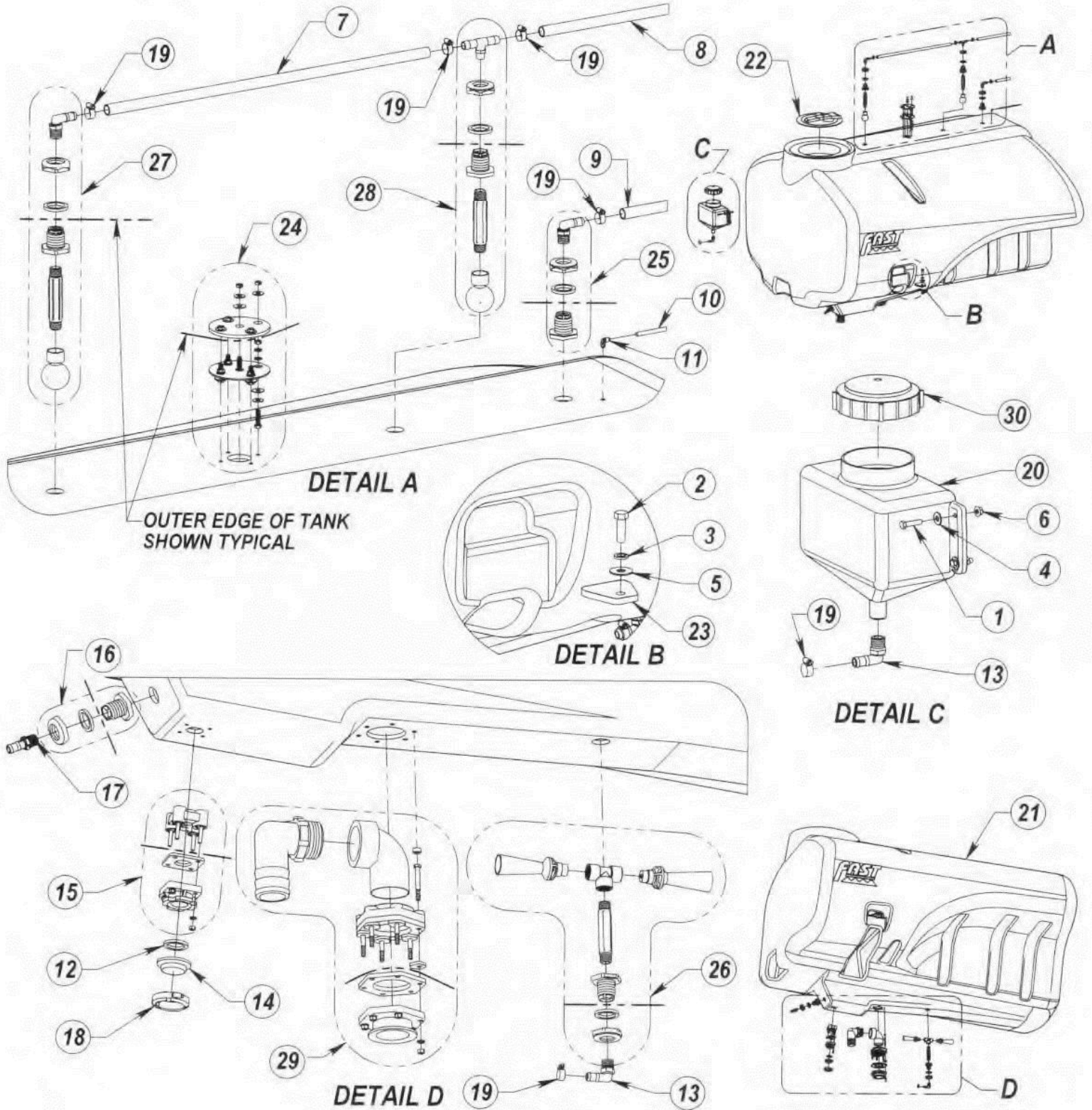


ILLUSTRATED PARTS LIST

22	HBEL100-90	530237	HOSE BARB ELBOW 1" HOSE	2		
23		225	NUT HEX HEAD 3/4" JANZP	2		
24		217	NUT HEX HEAD 3/4"ZP	2		
25		14013	SPRINGGUIDE	2		
26		590006	SPRING COMPRESSIONBREAKAWAY	2		
27		590112	BOLT HEX HEAD BREAKAWAYPIVOT	2		
28		616	BOLT HEX HEAD 3/8 X 1-1/4 GR8ZP	6		
29		250	WASHER LOCK 3/8" ZP	6		
30		530309	WASHER HEAVY 3/8" ZP	6		
31		590074	20° CLUTCH MALEHALF	2		
32		590073	20° CLUTCH FEMALEHALF	2		
33		14575	BREAKAWAY PIVOT ADJUSTMENTBOLT	2		
34		218	NUT HEX HEAD 1"ZP	4		
35		153	BOLT HEX HEAD 1/2 X 1-1/2 GR5ZP	8		
36		239	HUT HEX HEAD 1/2" CENTER LOCKZP	8		
37		16950	BRACKET WINGSTOP	2		
38		590106	SADDLE BASEPLASTIC	2		
39		719	BOLT FLAT HEAD 1/4 X 1 BLACK OXIDE	4		



Main Product Tank



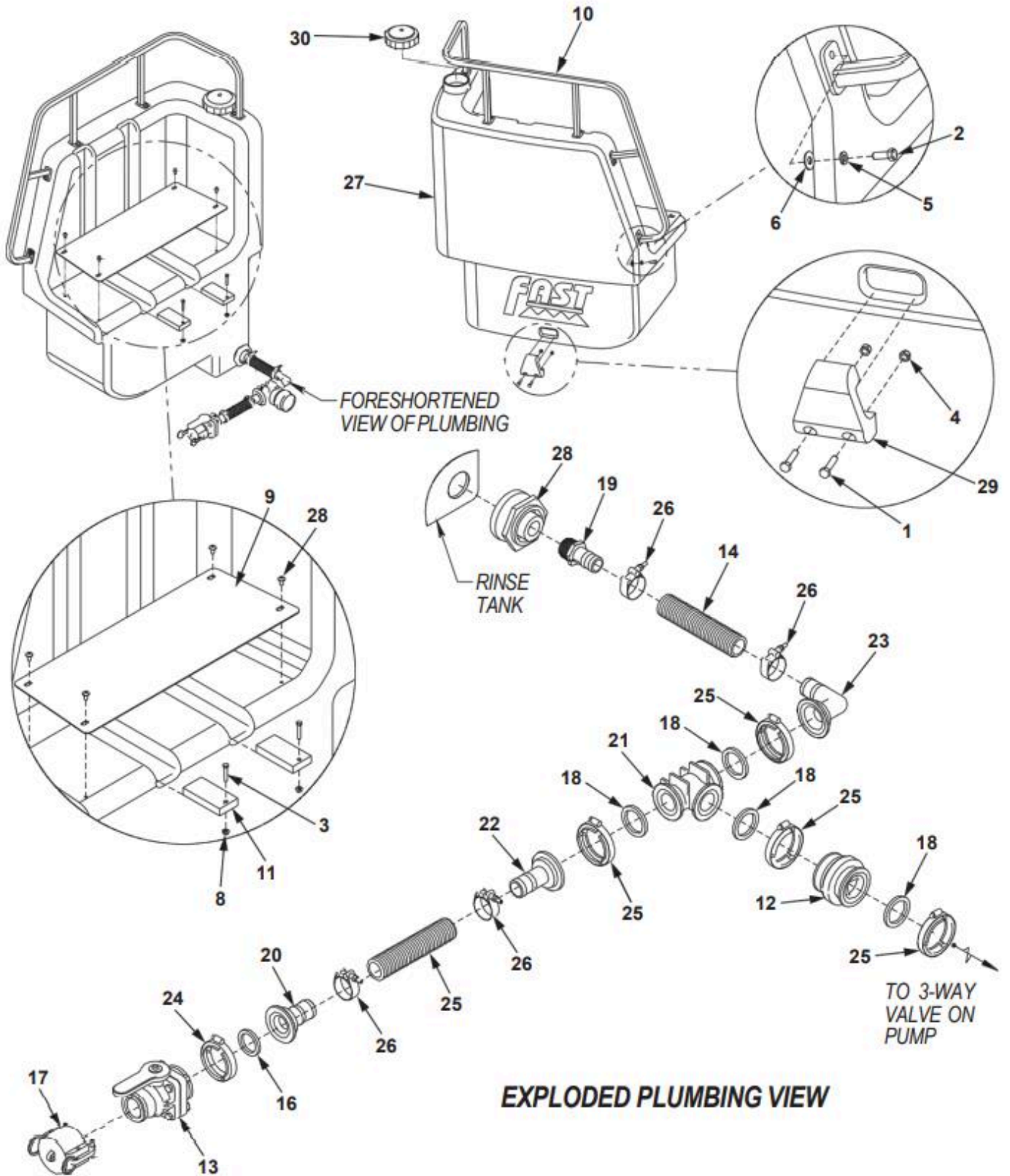


ILLUSTRATED PARTS LIST

Parts List: Main Product Tank

ITEM	VENDOR PART#	FAST PART#	DESCRIPTION	QTY
1	N/A	129	BOLT, 3/8" X 1-1/2" GR5ZP	4
2	N/A	170	BOLT, 5/8" X 2" GR5ZP	2
3	N/A	253	WASHER, LOCK, 5/8" ZP	2
4	N/A	258	WASHER FLAT, 3/8" ZP	4
5	N/A	261	WASHER FLAT, 5/8" ZP	2
6	N/A	769	NUT. WHIZLOCK,3/8-16	4
7	BS3/4BH200	510019	HOSE, 3/4",EPDM	3'
8	BS3/4BH200	510019	HOSE, 3/4",EPDM	13'
9	BS3/4BH200	510019	HOSE, 3/4",EPDM	1
10	SS2T200403BK1000	510023	HOSE, POLY, BLACK1/4"	20'
11	AP44103211	530004	CONNECTOR, 90° 1/4" TUBE X 1/4"NPT	1
12	BJ150G	530014	GASKET, 1 1/2"EPDM	1
13	BJHB07590	530040	3/4" MPT X 3/4" HOSE SHANK 90DEG	2
14	BJM200PLG	530093	2" MANIFOLDPLUG	1
15	BJMBF200BD	530118	2" STD PORT BOTTOMDRAIN	1
16	BJTF075	530160	3/4" POLY TANK FLANGEASSEMBLY	1
17	BJHB075	530230	3/4" MALE X 3/4" HOSEBARB	1
18	BJFC200	540001	CLAMP, 2"STD	1
19	BR64012H	540013	CLAMP, 3/4" SS #12	6
20	ARSP0025SYLS	570038	RINSE TANK, 2.5 GAL,YELLOW	1
	ARSP0025SWLS	570044	RINSE TANK, 2.5 GAL,WHITE	1
21	AR10226YNF	570047	TANK, 1800 GAL YELLOW28%	1
	AR10226WNF	570048	TANK, 1800 GAL WHITE 28%	1
	AR1065WNF	570049	TANK, 2400 GAL WHITE 28%	1
	AR1065YNF	570050	TANK, 2400 GAL YELLOW28%	1
22	14761	570157	LID, VENTED	1
23	590023	590023	HOLD DOWN, 1/2" UHMW	2
24	N/A	90SAESLI	ELECTRIC SIGHT LEVELINDICATOR	1
25	N/A	90SAFB	FLO-BACK FITTINGASSEMBLY	1
26	N/A	90SALTRUMPET	AGITATION ASSEMBLY, LARGETRUMPET	1
27	N/A	90SARNSEBALLASY	RINSE BALL ASSEMBLY W/90 DEG ELBOW	1
28	N/A	90SARNSEBALLASYT	RINSE BALL ASSEMBLYW/TEE	1
29	13792	90SASUMP95	FITTING, ASSEMBLY,SUMP	1
30	AR10522	N/A	5" VENTEDLID	1

Rinse Tank



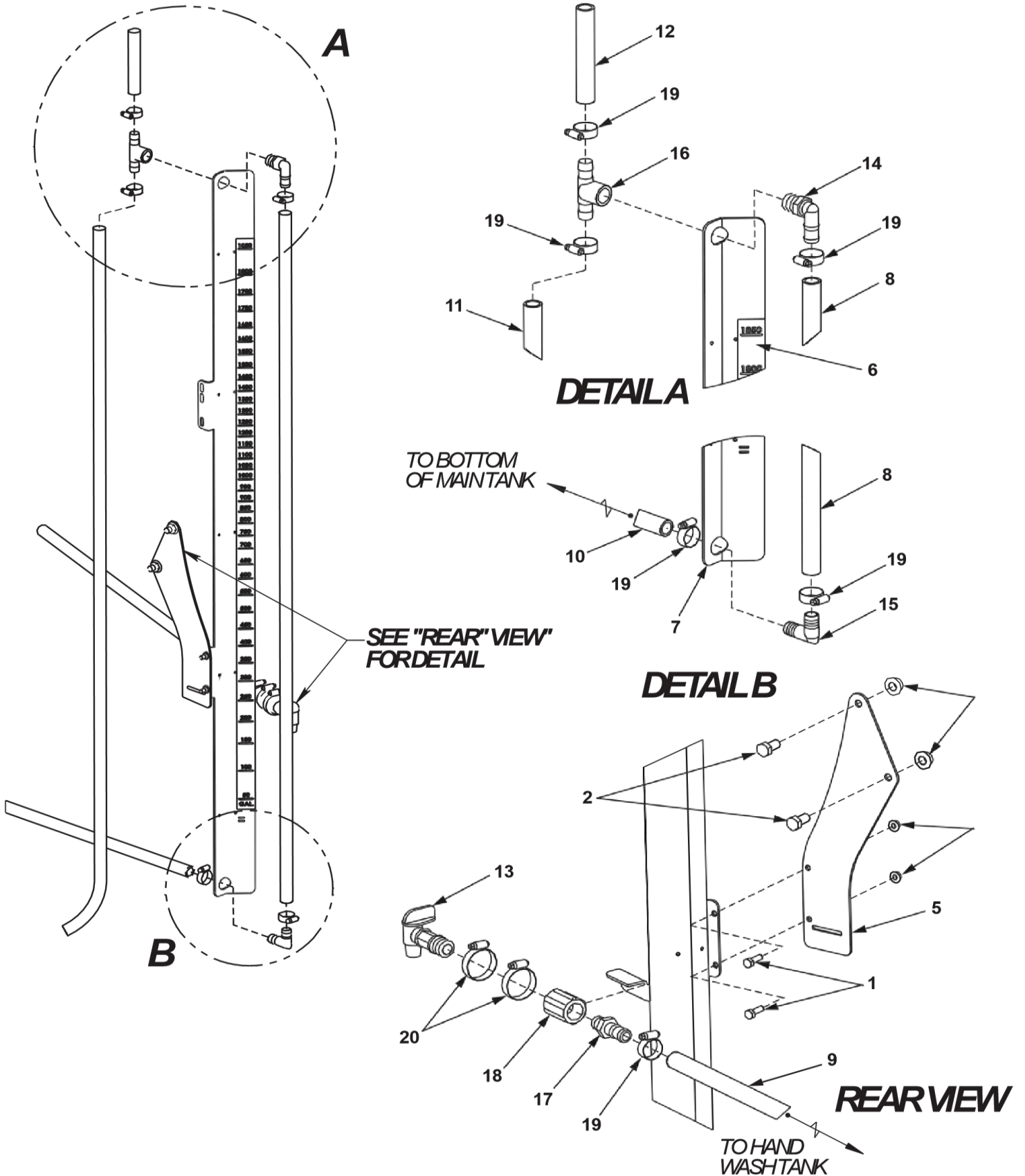


ILLUSTRATED PARTS LIST

Parts List: Rinse Tank

ITEM	VENDOR PART#	FAST PART#	DESCRIPTION	QTY
1	N/A	116	BOLT, HH 5/16" X 1-1/2" NC GR5 ZP	2
2	N/A	128	BOLT, HH 3/8" X 1" NC GR5 ZP	5
3	N/A	130	BOLT, HH 3/8" X 2" NC GR5 ZP	2
4	N/A	228	NUT, HH NYLOCK 5/16" NCZP	2
5	N/A	250	WASHER, LOCK 3/8" ZP	5
6	N/A	258	WASHER, FLAT 3/8" ZP	5
7	N/A	607	BOLT, PHILLIP 3/8-16 X 3/4" ZP	4
8	N/A	769	NUT, WHIZLOCK FLANGE, 3/8" NCZP	2
9	N/A	10612	PLATFORM, SAFETYTOP	1
10	N/A	10638	HANDRAIL,TRAILER	1
11	N/A	10669	RINSE TANK REAR HOLD DOWN	2
12	BJ-MCV220	500003	VALVE, CHECK 220 1 NO. SPRING	1
13	BJ-VSF200CF	500037	VALVE, 2" SP FLANGE X MALEADAPTER	1
14	AP-12012800	510002	HOSE, 1-1/2"FERTILIZER	1
15	AP-12012800	510002	HOSE, 1-1/2"FERTILIZER	1
16	BJ-150G	530014	GASKET, 1-1/2"EPDM	1
17	BJ-200CAP	530017	CAP, 2" CAM LOCK W/200GGASKET	1
18	BJ-200G	530019	GASKET, 2"EPDM	4
19	BJ-HB125	530045	1-1/4" MT X 1-1/4" HOSEBARB	1
20	BJ-M200150BRB	530079	2" MANIFOLD X 1-1/2" HOSEBARB	1
21	BJ-M200TEE	530097	2" FLANGED TEEFITTING	1
22	BJ-M220150BRB	530100	2" FULL PORT X 1-1/2" HOSEBARB	1
23	BJ-M220150BRB90	530101	2" FP FLANGE X 1-1/2" HB90"	1
24	BJ-FC200	540001	CLAMP, 2" STD WORMSCREW	1
25	BJ-FC220	540002	CLAMP, 2" FULL WORMSCREW	4
26	BJ-TC181	540006	CLAMP 1-1/2" T-BOLT HOSE1.8"	4
27	AR-10602W	570003TNK	RINSE TANK, 100 GAL WHITE	1
	AR-10602Y	570004TNK	RINSE TANK, 100 GAL YELLOW	1
28	AR-10918	530522	TANK FITTING, BULKHEAD 1-1/4"	1
29	NE-P10643	590022	HOLD DOWN,TANK	1
30	AR-10522	570181	5" VENTEDLID	1

Manual Sight Gauge



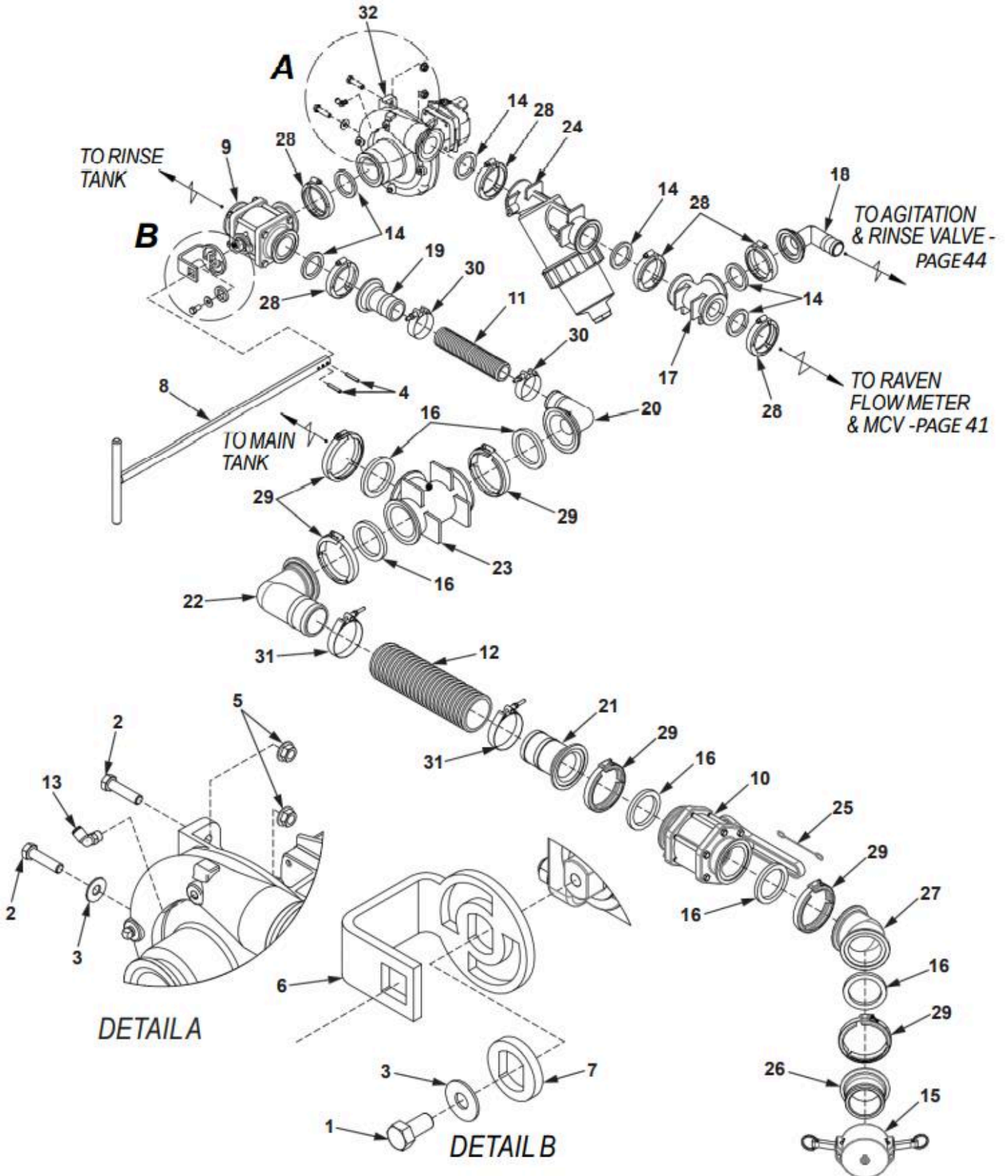


ILLUSTRATED PARTS LIST

Parts List: Manual Sight Gauge

ITEM	VENDOR PART#	FAST PART#	DESCRIPTION	QTY
1	N/A	115	BOLT, HH 5/16" X 1-1/2" NC GR5 ZP	2
2	N/A	152	BOLT, HH 3/8" X 1" NC GR5 ZP	2
3	N/A	768	BOLT, HH 3/8" X 2" NC GR5 ZP	2
4	N/A	771	NUT, HH NYLOCK 5/16" NCZP	2
5	N/A	10818	WASHER, LOCK 3/8" ZP	1
6	N/A	10820	WASHER, FLAT 3/8" ZP	1
7	N/A	10921	BOLT, PHILLIP 3/8-16 X 3/4" ZP	1
8	AP-15007008	510006	HOSE, VINYL, CLEAR3/4"	66.5"
9	AP-15007008	510006	HOSE, VINYL, CLEAR3/4"	40"
10	AP-15007008	510006	HOSE, VINYL, CLEAR3/4"	58"
11	AP-15007008	510006	HOSE, VINYL, CLEAR3/4"	64"
12	AP-15017503	510008	HOSE, 3/4" I.D., 1/8"WALL	6"
13	RC-DF103503	510022	FAUCET, FLO-RITE, CLEAR,3/4"	1
14	BJ-HB07590	530040	HOSE SHANK 3/4" MPT X 3/4" 90DEG	1
15	VI-3EL34HB	530214	HOSE BARB, 3/4" X 3/4" ELBOW	1
16	VI-3T34F	530220	TEE, 3/4" X 3/4" FPT XHB	1
17	BJ-HB075	530230	HOSE BARB, MPT X3/4"	1
18	BJ-CPLG075	530235	COUPLER, 3/4" POLY PIPE	1
19	BR-64012H	540013	CLAMP, 3/4" #12SS	6
20	BR-64024H	540016	CLAMP, 1-1/2" #24SS	2

Pump, Plumbing & 3" Quick Fill HYPRO Pump



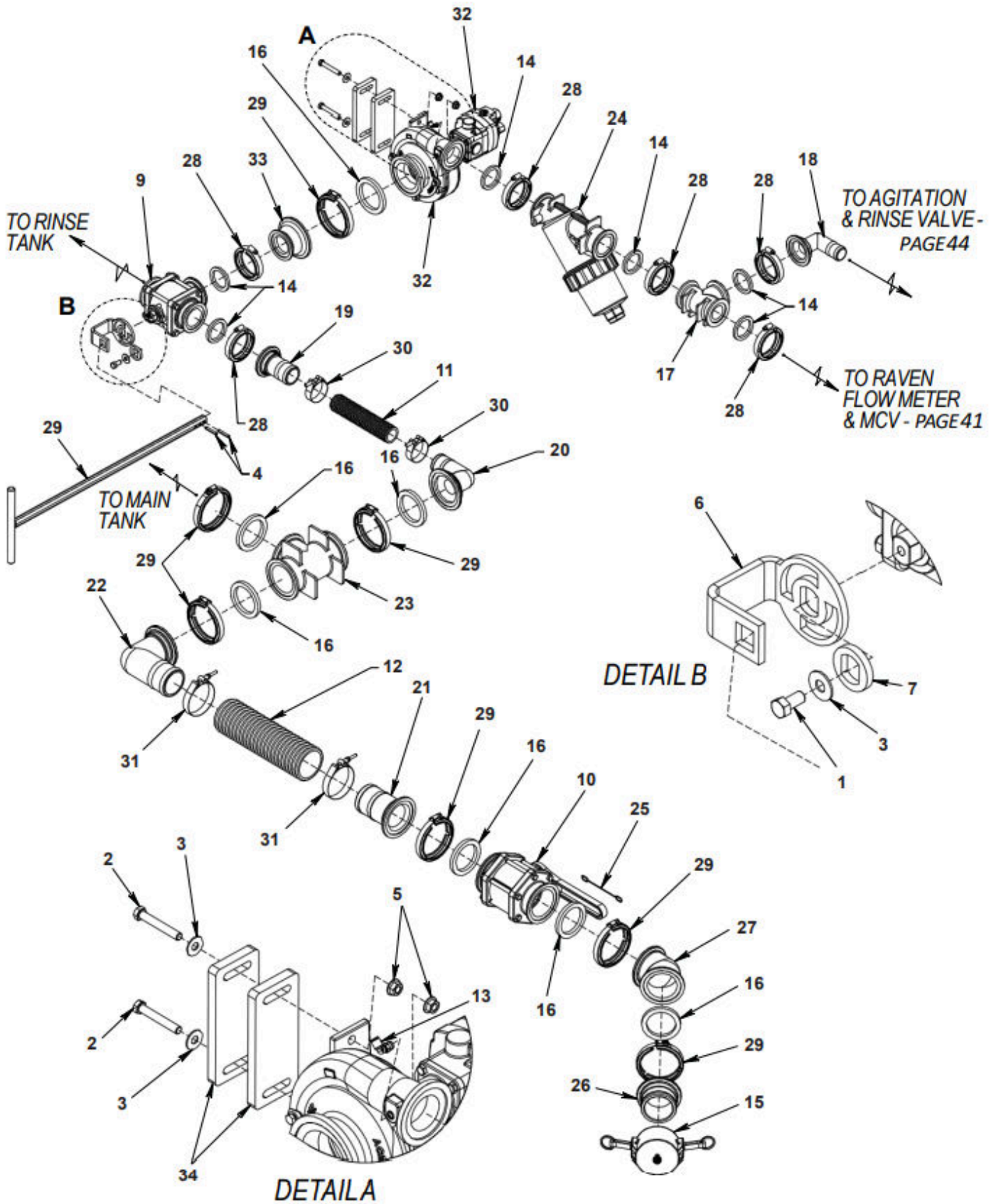


ILLUSTRATED PARTS LIST

Parts List: Pump, Plumbing & 3" Quick Fill HYPRO Pump

ITEM	VENDOR PART#	FAST PART#	DESCRIPTION	QTY
1	N/A	127	BOLT, HH 3/8" X 3/4" NC GR5ZP	1
2	N/A	129	BOLT, HH 3/8" X 1-1/2" NC GR5 ZP	2
3	N/A	258	WASHER, FLAT 3/8" ZP	2
4	N/A	683	SPRING PIN, 1/4" X 1-1/2"ZP	2
5	N/A	769	NUT, WHIZLOCK FLANGE, 3/8" NCZP	2
6	N/A	7232	ADAPTER, VALVE HANDLE	1
7	N/A	7233	COLLAR, VALVE HANDLE	1
8	N/A	7236	EXTENSION, VALVEHANDLE	1
9	BJ-MV220BL	500034	VALVE, 2" FP FLANGE X 2" FPTIN	1
10	BJ-MV300CF	500042	VALVE, 3" FLANGEDMANIFOLD	1
11	AP-12012805	510003	HOSE, 2"FERTILIZER	21"
12	AP-12012810	510004	HOSE, 3"FERTILIZER	27"
13	AP-44103211	530004	MALE ELBOW, 1/4 X 1/4	1
14	BJ-200G	530019	GASKET, 2"EPDM	6
15	BJ-300CAP	530023	CAP,3"	1
16	BJ-300G	530024	GASKET, 3"EPDM	6
17	BJ-M200TEE	530097	2" FLANGED TEEFITTING	1
18	BJ-M220150BRB90	530101	2" FP FLANGE X 1-1/2" HOSEBARB	1
19	BJ-M220BRB	530103	2" FP FLANGE X 2" HOSEBARB	1
20	BJ-M300220BRB90	530112	3" FLANGE X 2" HOSE BARB90	1
21	BJ-M300BRB	530113	FLANGE, 3" X 3" HOSEBARB	1
22	BJ-M300BRB90	530114	FLANGE, 3" X 3" HOSE BARB90	1
23	BJ-M300TEE	530115	3" MANIFOLDTEE	1
24	BJ-MLS222-30	530125	2" FULL PORT LINESTRAINER	1
25	HN-79-12	530179	CABLELANYARD	1
26	BJ-M300A	530233	3" MANIFOLD X 3" MALEADAPTER	1
27	BJ-M300-CPG-45	530234	3" MANIFOLD COUPLER45	1
28	BJ-FC220	540002	CLAMP, 2" FULL WORMSCREW	6
29	BJ-FC300	540003	CLAMP, 3" WORMSCREW	6
30	BJ-TC231	540007	CLAMP, 2" T-BOLT HOSE 2.31"MIN	2
31	BJ-TC343	540009	CLAMP, 3" T-BOLT HOSE 3.43"MIN	2
32	HY-93079	550011	PUMP, HYPRO 9306C-HM1C-UB	1

Pump, Plumbing & 3" Quick Fill Ace 205F 304 Pump





ILLUSTRATED PARTS LIST

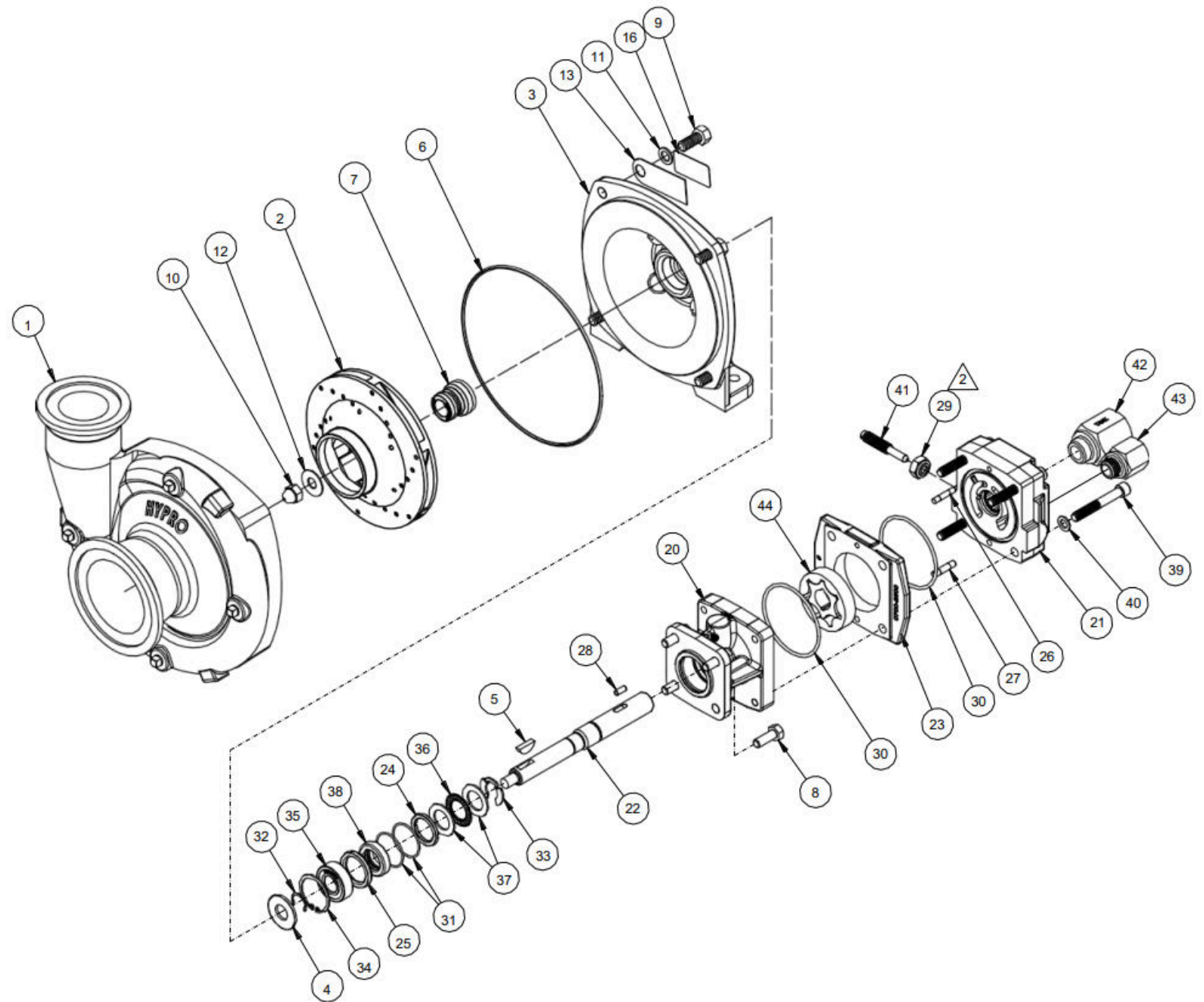
Parts List: Pump, Plumbing & 3" Quick Fil Ace 205F 304 Pump

ITEM	VENDOR PART#	FAST PART#	DESCRIPTION	QTY
1	N/A	127	BOLT, HH 3/8" X 3/4" NC GR5ZP	1
2	N/A	131	BOLT, HH 3/8" X 2-1/2" NC GR5 ZP	2
3	N/A	258	WASHER, FLAT 3/8" ZP	3
4	N/A	683	SPRING PIN, 1/4" X 1-1/2"ZP	2
5	N/A	769	NUT, WHIZLOCK FLANGE, 3/8" NCZP	2
6	N/A	7232	ADAPTER, VALVE HANDLE	1
7	N/A	7233	COLLAR, VALVE HANDLE	1
8	N/A	7236	EXTENSION, VALVEHANDLE	1
9	BJ-MV220BL	500034	VALVE, 2" FP FLANGE X 2" FPTIN	1
10	BJ-MV300CF	500042	VALVE, 3" FLANGEDMANIFOLD	1
11	AP-12012800	510002	HOSE, 1-1/2"FERTILIZER	1
12	AP-12012810	510004	HOSE, 3"FERTILIZER	27"
13	AP-44103211	530004	MALE ELBOW, 1/4 X 1/4	1
14	BJ-200G	530019	GASKET, 2"EPDM	6
15	BJ-300CAP	530023	CAP,3"	1
16	BJ-300G	530024	GASKET, 3"EPDM	7
17	BJ-M200TEE	530097	2" FLANGED TEEFITTING	1
18	BJ-M220150BRB90	530101	2" FP FLANGE X 1-1/2" HOSEBARB	1
19	BJ-M220BRB	530103	2" FP FLANGE X 2" HOSEBARB	1
20	BJ-M300220BRB90	530112	3" FLANGE X 2" HOSE BARB90	1
21	BJ-M300BRB	530113	FLANGE, 3" X 3" HOSEBARB	1
22	BJ-M300BRB90	530114	FLANGE, 3" X 3" HOSE BARB90	1
23	BJ-M300TEE	530115	3" MANIFOLDTEE	1
24	BJ-MLS222-30	530125	2" FULL PORT LINESTRAINER	1
25	HN-79-12	530179	CABLELANYARD	1
26	BJ-M300A	530233	3" MANIFOLD X 3" MALEADAPTER	1
27	BJ-M300-CPG-45	530234	3" MANIFOLD COUPLER45	1
28	BJ-FC220	540002	CLAMP, 2" FULL WORMSCREW	6
29	BJ-FC300	540003	CLAMP, 3" WORMSCREW	7
30	BJ-TC231	540007	CLAMP, 2" T-BOLT HOSE 2.31"MIN	2
31	BJ-TC343	540009	CLAMP, 3" T-BOLT HOSE 3.43"MIN	2
32	ACFMC205FHVD304	550025	PUMP, ACE 205-304FLANGED	1
33	BJ-M300220CPG	530316	3" MANIFOLD REDUCER X 2" CPLR	1
34	N/A	18339	PUMP SPACERPLATE	2
	BJ-200GXT	N/A	GASKET, 2" EPDM EXTRATHICK	AR



ILLUSTRATED PARTS LIST

HYPRO 9306 Pump





ILLUSTRATED PARTS LIST

Parts List 550045: HYPRO 9306 Pump

ITEM	PART NO.	DESCRIPTION	QTY
1	0158-9200C	PUMP HOUSING, 300 X 220 U.FLG	1
2	0401-9200P2	IMPELLER (CW ROTATION)	1
3	0750-9300C2	MOUTING FLANGE	1
4	1410-0056	SLINGER SEAL	1
5	1610-0012	WOODRUFF KEY	1
6	1720-0083	O-RING	1
7	2120-0039	SEAL, MECHANICAL	1
8	2210-0005	CAP SCREW, HEX HEAD 5/16"-18 X 7/8"	4
9	2210-0020	CAP SCREW, HEX HEAD 3/8"-16 X 7/8"	4
10	2253-0002	ALC NUT 0.3750-24-N	1
11	2270-0041	WASHER	1
12	2270-0071	IMPELLER WASHER	1
13	2270-0076	TAG	1
14	3031-0134	CARTON – INDIVIDUAL	1
15	3435-0171	PACKING KIT	1
16	6031-0325	DECAL	1
17	6031-0340	LABEL READY FOR ROUND UP	1
18	6031-0343	INSTRUCTION TAG	1
19	6031-0373	CE STICKER LABEL	1
20	0150-2500C	BODY ASSY – SMALL PILOT	1
21	0245-5200C2	END PLATE ASSY	1
22	0533-2500	SHAFT	1

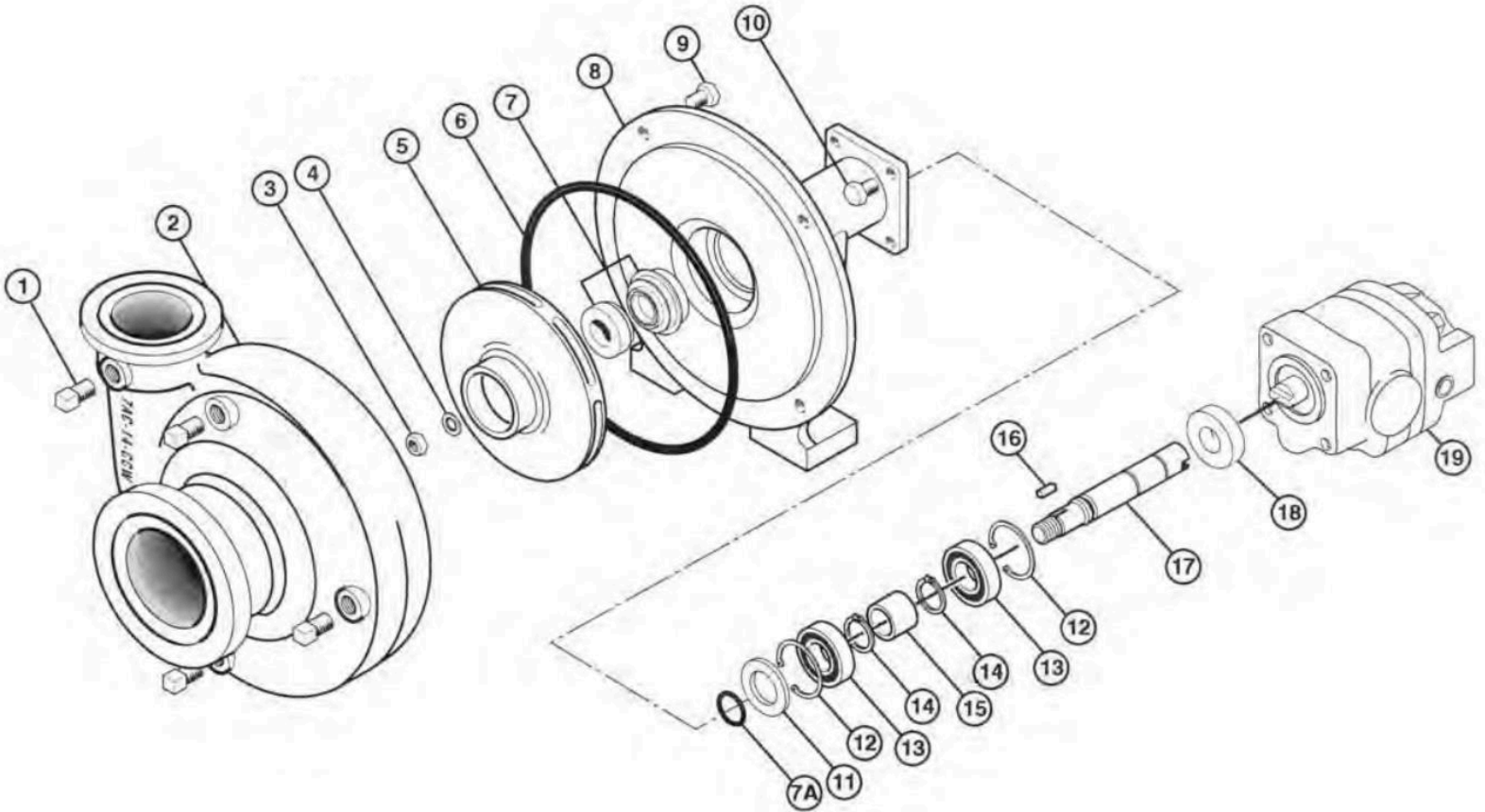


ILLUSTRATED PARTS LIST

23	0700-2500C1	GE ROTOR HOUSING HM1, COATED	1
24	1410-0130	SPACER, 3L SEAL	1
25	1410-0131	CARTRIDGE, FRONT	1
26	1600-0037	DOWEL PIN	1
27	1600-0044	DOWEL PIN	1
28	1610-0031	HM1 & HM5 ROUND KEY	1
29	1700-0245	NUT, SEALING	1
30	1720-0110	O-RING	2
31	1720-0268	O-RING	2
32	1810-0014	RETAINING RING	1
33	1810-0026	RETAINING RING	1
34	1820-0013	INT. RET. RING	1
35	2000-0010	BEARING, BALL	1
36	2029-0009	BEARING, THRUST	1
37	2029-0010	BEARING RACE, THRU	2
38	2104-0010	LIP SEAL	1
39	2220-0021	SCREW, SOCKET HEAD	4
40	2270-0039	WASHER, FLAT 5/16"	4
41	3220-0029	VALVE STEM	1
42	3200-0052A	CHECK VALVE ASSY – TANK PORT	1
43	3360-0023A	ADAPTER – INLET PORT ASSY	1
44	3900-0022	GE ROTOR	1



Optional Ace 304 Pump



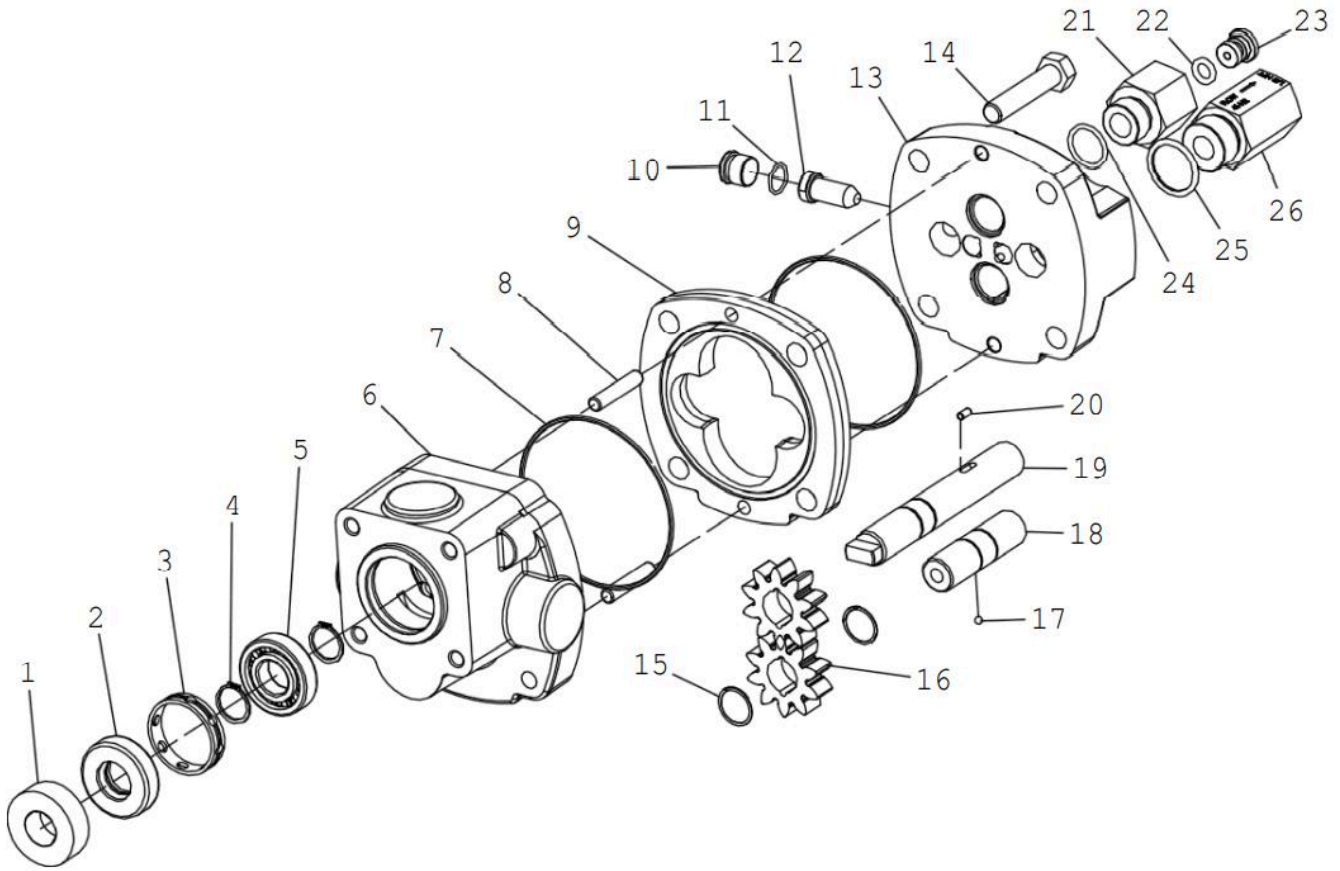


ILLUSTRATED PARTS LIST

Parts List 550025: Optional Ace 304 Pump

ITEM	PART#	EDP#	DESCRIPTION	QTY
1	BAC-53	41110	PIPEPLUG	4
1	41120	41120	PIPE PLUG, STAINLESS STEEL(OPTIONAL)	4
2	7AC-14-FLG	41530	VOLUTE, 300 STANDARD F ANGE X 220 FULL PORT FANGE	1
3	BAC-23-A	40391	NUT, 3/8" NF, CAD PLATED	1
4	BAC-24-HYD-SS	40400	WASHER, 3/8" STAR, STAINLESSSTEEL	1
5	BAC-26-200-CI	40433	IMPELLER, WITH EXTENDED KEYWAY, CAST IRON (OPTIONAL)	1
5	BAC-26-200-P	40434	IMPELLER, WITH EXTENDED KEYWAY, THERMOPLASTIC	1
6 ¹	BAC-4A	40005	O-RING , BODYSEAL	1
7 ¹	BAC-7V	40151	SEAL, CARBON/CERAMIC/VITON (INCLUDES 40160 "O" RING)	1
7 ²	BAC-7SC	40152	SEAL, SILICON CARBIDE (INCLUDES 40160 "O" RING) (OPTIONAL)	1
7A	40160	40160	O-RING, SHAFTSEAL	1
8	BAC-14-HYD-300A	40314	MOUNTING FRAME (FOR -300A SERIES HYDRAULICMOTOR)	1
9	40950	40950	CAP SCREW, 3/8" NC X 3/4" HEX HEAD	4
9	40930	40930	CAP SCREW, 3/8" NC X 3/4" HEX HEAD, STAINLESS STEEL (OPTIONAL)	4
10	41330	41330	CAP SCREW, 5/16" NC X 3/4" HEX HEAD, MOTOR TO PUMP	4
11	BAC-54	41130	SLINGER	1
12	BAC-33	40810	SNAP RING, INTERNAL, BAC-14 MOUNTINGFRAME	2
13	BAC-37	40870	BALL BEARING, SEALED , BAC-6 SHAFT	2
14	BAC-32	40790	SNAP RING , EXTERNAL, BAC-6 SHAFT	2
15	BAC-32S	40795	SPACER FOR BAC-6SHAFT	1
16	BAC-25	40425	KEY, 1/8" X 1/8" X 13/16", EXTENDED KEYWAY	1
17	BAC-6-HYD-200-SS	40063	SHAFT, EXTENDED KEYWAY, TANG, STAINLESSSTEEL	1
18	S300	40162	SEAL SUPPORT SPACER FOR 300 SERIES HYD MOTOR	1
19	BAC-75-HYD-304A	41388	HYDRAULIC MOTOR, 11 GPM, 1/2" NPT PORTS	1
19	BAC-75-HYD-304A-12SAE	41426	HYDRAULIC MOTOR, 11 GPM, #12 SAE END PORTS (OPTIONAL)	1
1	RK-FMC	52700	REPAIR KIT FOR FMC SERIES PUMP	-
2	RK-FMCSC	52706	REPAIR KIT FOR FMC SERIES PUMP WITH SILICON CARBIDE SHAFT SEAL	-
#	RK-BAC-75-HYD-300-L	41362	REPAIR KIT FOR 300 SERIES -LMOTOR	-

Optional Ace 205 Pump Motor



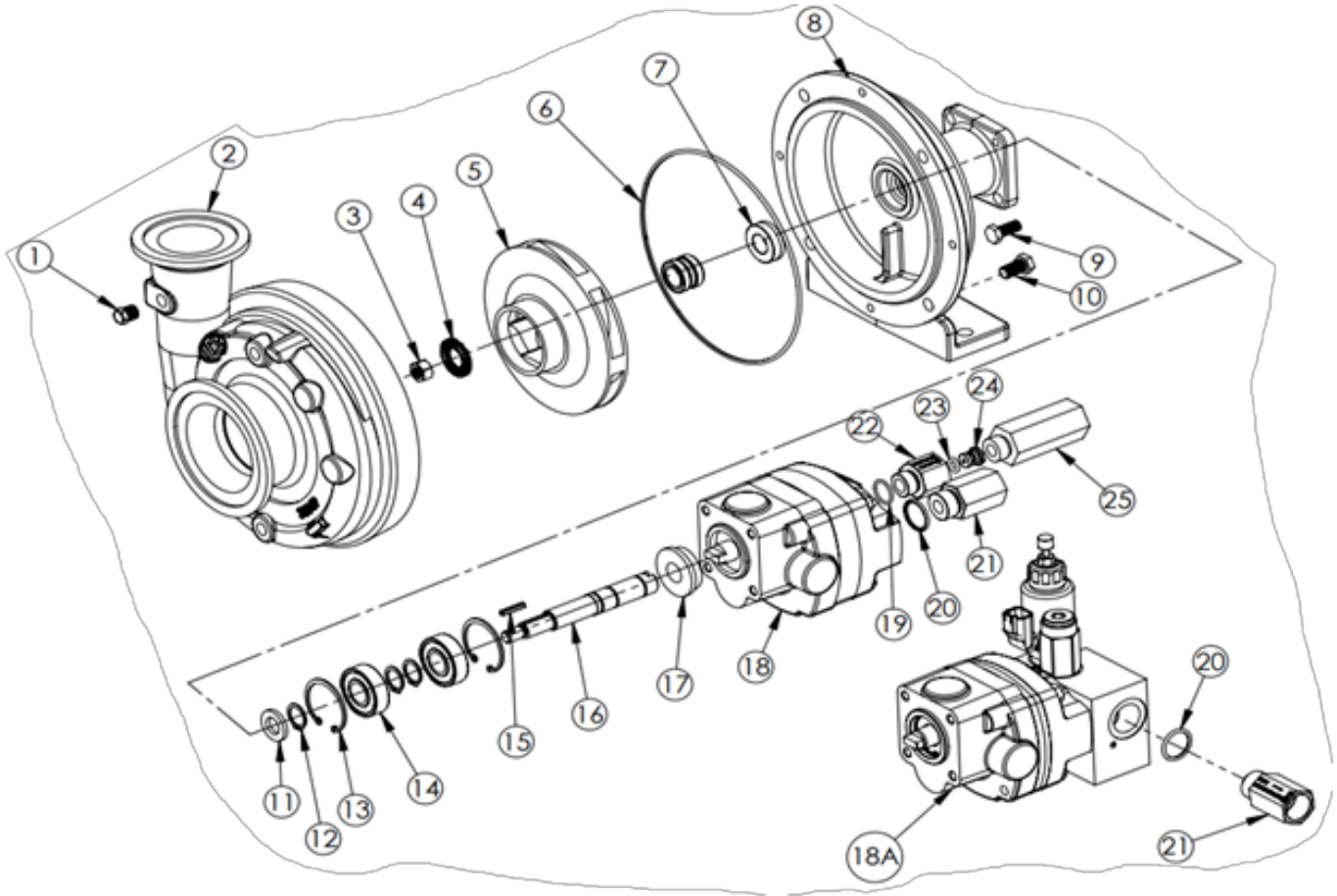


ILLUSTRATED PARTS LIST

Parts List 550025: Optional Ace 205 Pump Motor

ITEM	VENDOR PART#	FAST PART#	DESCRIPTION	QTY.
1	BAC-53	41110	PIPEPLUG	4
1	41120	41120	PIPE PLUG, STAINLESS STEEL(OPTIONAL)	4
2	7AC-14-FLG-A	41535	VOLUTE, 300 STANDARD FLANGE X 220 FULL PORT FLANGE	1
3	BAC-23-B-SS	40393	NUT, 3/8" NF, STAINLESSSTEEL	1
4	BAC-24-B-SS	42702	WASHER, 3/8", STAINLESS STEEL, SELF-LOCKING	1
5	BAC-26-200-P	40434	IMPELLER, WITH EXTENDED KEYWAY, THERMOPLASTIC	1
5	BAC-26-200-CI	40433	IMPELLER, WITH EXTENDED KEYWAY, CAST IRON (OPTIONAL)	1
5	BAC-26-200-SS	40436	IMPELLER, WITH EXTENDED KEYWAY, 316 STAINLESS STEEL (OPTIONAL)	1
6'	BAC-7SC-205V	40149	SEAL, SILICONCARBIDE	1
7'	BAC-4A	40005	O-RING, BODYSEAL	1
8	BAC-14-205-HYD	40338	MOUNTING FRAME FOR 205PUMP	1
9	40950	40950	CAP SCREW, 3/8" NC X 3/4" HEX HEAD	4
9	40930	40930	CAP SCREW, 3/8" NC X 3/4" HEX HEAD, STAINLESS STEEL (OPTIONAL)	4
10	41330	41330	CAP SCREW, 5/16" NC X 3/4" HEX HEAD, MOTOR TOPUMP	4
11	BAC-54	41130	SLINGER	1
12	BACH-33	40820	SNAP RING, INTERNAL, BAC-14-205 MOUNTINGFRAME	2
13	BACH-32-HD	40385	SNAP RING, EXTERNAL, BAC-6-205SHAFT	3
14	40880	40880	BALL BEARING, SEALED, BAC-6-205SHAFT	2
15	BAC-6-205-HYD-SS	40068	SHAFT, EXTENDED KEYWAY, TANG, STAINLESSSTEEL	1
16	BAC-25	40425	KEY, 1/8" X 1/8" X 13/16", EXTENDED KEYWAY	1
17	S305	40163	SEAL SUPPORT SPACER FOR 205 SERIES PUMP	1
18	BAC-75-HYD-304N	41343	HYDRAULIC MOTOR, 11 GPM, EFFECTIVE 5/13	1
19	41875	41875	O-RING, #8 SAEFITTING	1
20	41445	41445	O-RING, #10 SAEFITTING	1
21	BAC-80-8SAE	41455	BODY, RESTRICTOR ORIF CE, #8 SAE X 1/2"NPT	1
22	41448	41448	O-RING, ORIF CEINSERT	1
23	BAC-79-8	41447	ORIF CE INSERT, RESTRICTOR INSERT,0.125	1
24	41442	41442	REVERSE CHECK ASSEMBLY, #10 SAE X 1/2"NPT	1
25	LS-304N	41429	FLOW LIMITER(OPTIONAL)	1
1	RK-FMCSC-205	52705	REPAIR KIT FOR FMC-205 PUMP WITH SILICON CARBIDE SHAFT SEAL	
#	RK-BAC-75-HYD-300-L	41362	REPAIR KIT FOR 300 SERIES HYDRAULIC MOTOR	

Optional ACE 255F-304 (PWM) Pump



Parts List 550055 (550056): Optional ACE 255F-304 (PWM) Pump

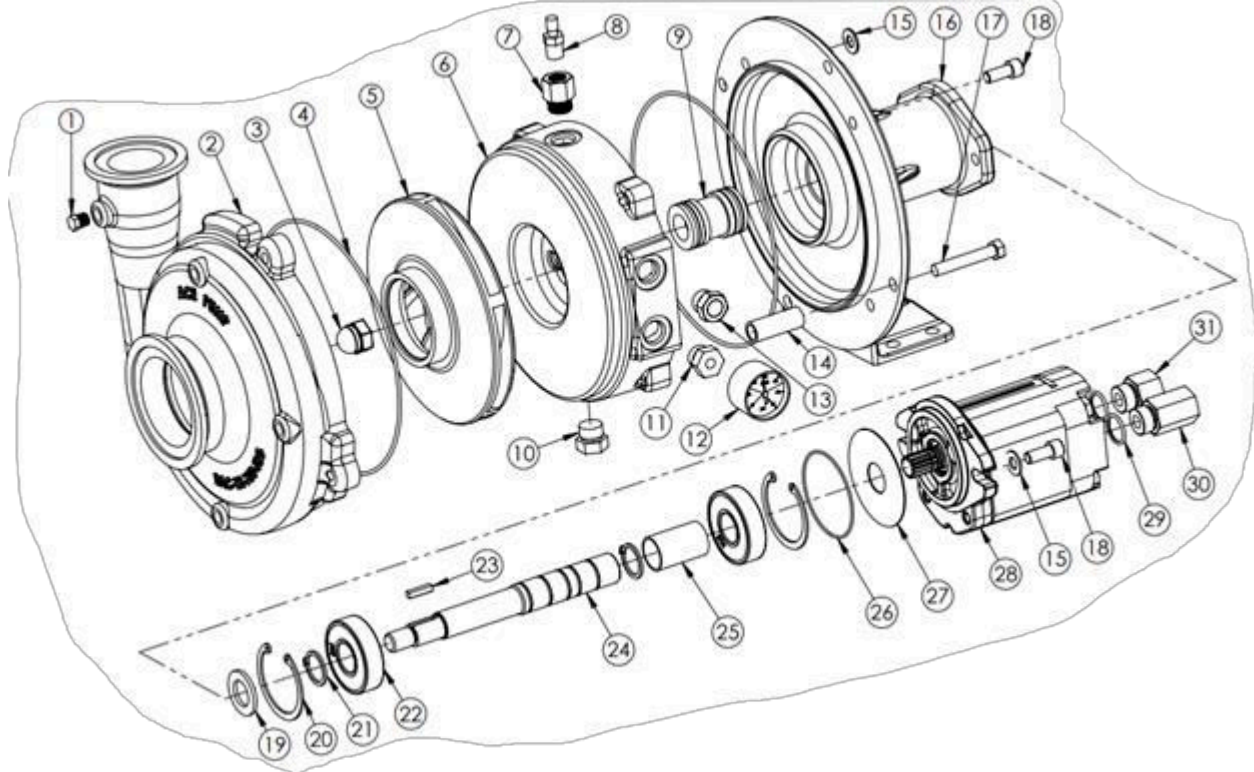
ITEM	EDP NO.	VENDOR NO.	QTY.	DESCRIPTION
0	-	550055 (550056)	1	PUMP, 255-304 WET SEAL (PWM)
1	41100	BAC-53	4	PIPE PLUG
1	41120	41120	4	PIPE PLUG, STAINLESS STEEL (OPTIONAL)
2	30149	BAC-12-255-FLG	1	VOLUTE, CAST IRON, 300 X 220 FLANGED, E-COATED
3	40393	BAC-23-B-SS	1	NUT, 3/8" NF, SS
4	42702	BAC-24-B-SS	1	WASHER, 3/8" SS, VIBRATION PROOF
5	40434	BAC-26-200-P	1	IMPELLER, THERMOPLASTIC, KEYWAY
5	40433	BAC-26-200-CI	1	IMPELLER, CAST IRON, KEYWAY (OPTIONAL)
5	40436	BAC-26-200-SS	1	IMPELLER, STAINLESS STEEL, KEYWAY (OPTIONAL)
6	40015	BAC-4-150	1	O-RING, BODY SEAL
7	40149	BAC-7SC-205V	1	SEAL, TYPE 2106 SILICON CARBIDE MECHANICAL SEAL



ILLUSTRATED PARTS LIST

8	40288	BAC-14-5-HYD	1	MOUNTING FRAME, CAST IRON, E-COATED
9	41330	41330	2	CAP SCREW, 5/16" NC X 3/4"
10	40950	40950	4	CAP SCREW, 3/8"NC X 3/4" HEX HEAD
10	40930	40930	4	CAP SCREW, 3/8"NC X 3/4" HEX HEAD, STAINLESS STEEL (OPTIONAL)
11	41130	BAC-54	1	SLINGER
12	40385	BACH-32-HD	3	SNAP RING, EXTERNAL, SHAFT
13	40820	BACH-33	2	SNAP RING, INTERNAL, MOUNTING FRAME
14	40880	40880	2	BEARING
15	40425	BAC-25	1	KEY, 1/8" X 1/8" X 13/16" SS
16	41584	BAC-6-255-HYD-SS	1	SHAFT, .625 DIA, 255, SS
17	40163	S305	1	SEAL SUPPORT SPACER (304N)
18	41343	BAC-75-HYD-304	1	HYDRAULIC MOTOR, 9 GPM (INCLUDES 17,18, 19,20,21,22,23, 24)
18	41312	BAC-75-HYD-306	1	HYDRAULIC MOTOR, 16.5 GPM (INCLUDES 17,18B, 19,20,21,22,23, 24A)
18A	41348	BAC-75-HYD-304-PWM	1	HYDRAULIC MOTOR, INTEGRATED PWM VALVE, 9 GPM (INCLUDES 17,18A,20,21A)
19	41875	41875	1	O-RING, #8 SAE FITTING
20	41445	41445	1	O-RING, #10 SAE FITTING
21	41442	BAC-78-10SAE	1	REVERSE CHECK ASSEMBLY, #10 SAE X 1/2" NPT, W/ O-RING
21A	41467	BAC-78-10X10SAE	1	REVERSE CHECK ASSEMBLY, #10 SAE X #10 SAE, W/ O-RING (OPTIONAL)
22	41455	BAC-80-8SAE	1	BODY, RESTRICTOR ORIFICE, #8 SAE X 1/2" NPT, W/ O-RING
23	41448	41448	1	O-RING, RESTRICTOR
24	41447	BAC-79-8	1	ORIFICE INSERT, RESTRICTOR, W/ O-RING (304) (DO NOT USE WITH 304-PWM)
24A	41449	BAC-79-9	1	ORIFICE INSERT, RESTRICTOR, W/ O-RING (306)
25	41429	LS-304N	1	FLOW LIMITING VALVE, #8 MSAE X 1/2" FNPT (304) (OPTIONAL)
*	52717	RK-FMCSC-PRO5	-	REPAIR KIT, INCLUDES ITEMS 6 AND 7
*	41362	RK-BAC-75-HYD-300-L	-	REPAIR KIT; 300 SERIES HYD MOTOR WITH HIGH PRESSURE LIP SEAL

Optional ACE 750 Pump



Parts List 550050: Optional ACE 750 Pump

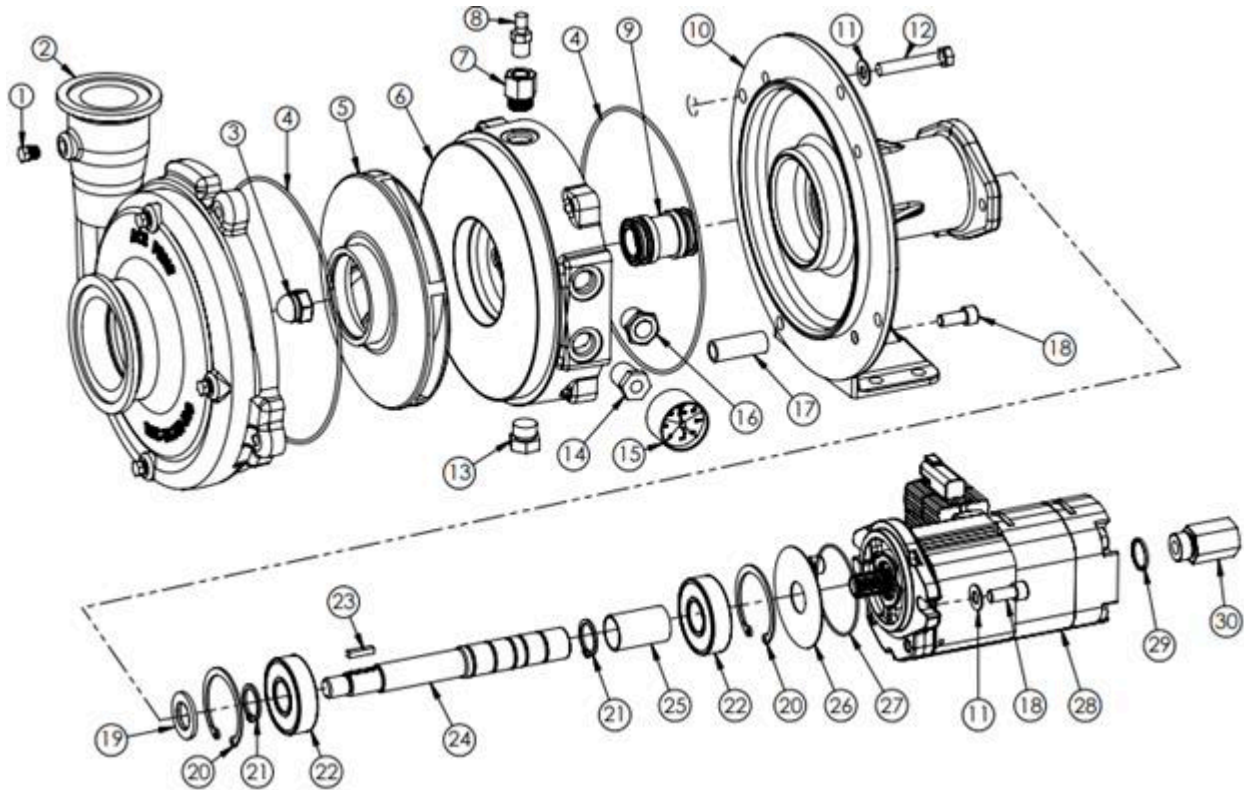
ITEM	EDP NO.	VENDOR NO.	QTY.	DESCRIPTION
0	-	550018 (550050)	1	PUMP 750 OASIS ACE (STAINLESS), COMPLETE
1	41110	BAC-53	4	PIPE PLUG, 1/8" NPT
2	30158	BAC-12-750-FLG	1	VOLUTE, 300 X 220 FLANGE, CAST IRON, E-COATED
3	40397	40397	1	ACORN NUT, 5/8"-11 STAINLESS STEEL
4	30009	ACAL-4	2	O-RING, VOLUTE SEAL
5	30182	BAC-26-750-CI	1	IMPELLER, CAST IRON, E-COATED
5	30189	BAC-26-750-SS	1	IMPELLER, 316 STAINLESS STEEL (OPTIONAL)
6	45264	BAC-16-750	1	SEAL PLATE, CAST IRON, E-COATED
7	41107	41107	1	PLUG, #8 SAE X 1/4" FNPT, HEX HEAD, WITH O-RING
8	41316	41316	1	AIR VALVE, 1/4" NPT
9	40147	BAC-7-750V	1	DUAL SEAL ASSEMBLY, TYPE 21, .875 SHAFT
10	41108	41108	1	PLUG, SAE #8, HEX HEAD, WITH O-RING
11	44039	44039	1	BUSHING, #8 SAE X 1/8" FNPT
11	44038	44038	1	BUSHING, 1/2" MNPT X 1/8" FNPT (PRIOR TO 11/11)



ILLUSTRATED PARTS LIST

12	50150	50150	1	PRESSURE GAUGE, 0-60 PSI, 1/8" NPT
13	55851	55851	1	SITE GAUGE, #8 SAE, STEEL
13	55850	55850	1	SITE GAUGE, BRASS 1/2" NPT
14	45267	45267	4	SPACER, SEAL PLATE
15	42701	42701	3	WASHER, 3/8", VOLUTE AND MOTOR MOUNT
16	40333	BAC-14-750-HYD	1	MOUNTING FRAME, CAST IRON, E-COATED
17	40952	40952	4	CAP SCREW, 3/8" NC X 2-1/2", HEX HEAD (VOLUTE)
18	41907	41907	4	CAP SCREW, 3/8" NC X 1", SOCKET HEAD (SEAL PLATE, MOTOR MOUNT)
19	41132	BAC-54-650	1	SLINGER, 7/8" SHAFT
20	41943	41943	2	SNAP RING, INTERNAL, FRAME
21	30174	ACAL-32	2	SNAP RING, EXTERNAL, SHAFT
22	40875	40875	2	BALL BEARING, SEALED
23	41085	41085	1	KEY, .188 X .188 X .875
24	40066	BAC-6-750-HYD-SS-WS	1	SHAFT, 11T FEMALE SPLINE, STAINLESS STEEL
25	40793	BAC-32-750	1	SPACER, SHAFT
26	43419	43419	1	O-RING, FLANGE, M SERIES MOTOR (EFFECTIVE 6/15)
27	43414	43414	1	PAD, ABSORBENT, M SERIES MOTOR (EFFECTIVE 6/15)
28	41355	BAC-75-HYD-M22	1	HYDRAULIC MOTOR, PRESSURE PLATED GEAR TYPE, 18 GPM
28	41356	BAC-75-HYD-M25	1	HYDRAULIC MOTOR, PRESSURE PLATED GEAR TYPE, 20 GPM
29	41445	41445	2	O-RING, #10 SAE FITTING
30	41442	BAC-78-10SAE	1	REVERSE CHECK, #10 SAE MALE X 1/2" NPT FEMALE
31	41446	BAC-80-10SAE	1	BODY, ADAPTER/RESTRICTOR, #10 SAE MALE X 1/2" NPT FEMALE
NS	55032	55032	1.32	BARRIER FLUID, ROYAL PURPLE, QUART
NS	52724	RK-FMC-750	-	REPAIR KIT, INCLUDES ITEMS 4 (2 PCS.), 9, AND 32 (2 QTS.)

Optional ACE 750 PWM Pump



Parts List 550044: Optional ACE 750 PWM Pump

ITEM	EDP NO.	VENDOR NO.	QTY.	DESCRIPTION
0	-	550044	1	PUMP ACE OASIS 750, PWM, COMPLETE
1	41110	BAC-53	4	PIPE PLUG, 1/8" NPT
2	30158	BAC-12-750-FLG	1	VOLUTE, 300 X 220 FLANGE, CAST IRON, E-COATED
3	40397	40397	1	ACORN NUT, 5/8"-11 STAINLESS STEEL
4	30009	ACAL-4	2	O-RING, VOLUTE SEAL
5	30182	BAC-26-750-CI	1	IMPELLER, CAST IRON, E-COATED
5	30189	BAC-26-750-SS	1	IMPELLER, 316 STAINLESS STEEL (OPTIONAL)
6	45264	BAC-16-750	1	SEAL PLATE, CAST IRON, E-COATED
7	41107	41107	1	PLUG, #8 SAE X 1/4" FNPT, HEX HEAD, WITH O-RING
8	41316	41316	1	AIR VALVE, 1/4" NPT
9	40147	BAC-7-750V	1	DUAL SEAL ASSEMBLY
10	40333	BAC-14-750-HYD	1	MOUNTING FRAME, CAST IRON, E-COATED
11	42701	42701	3	WASHER, 3/8", VOLUTE DISCHARGE AND MOTOR MOUNT

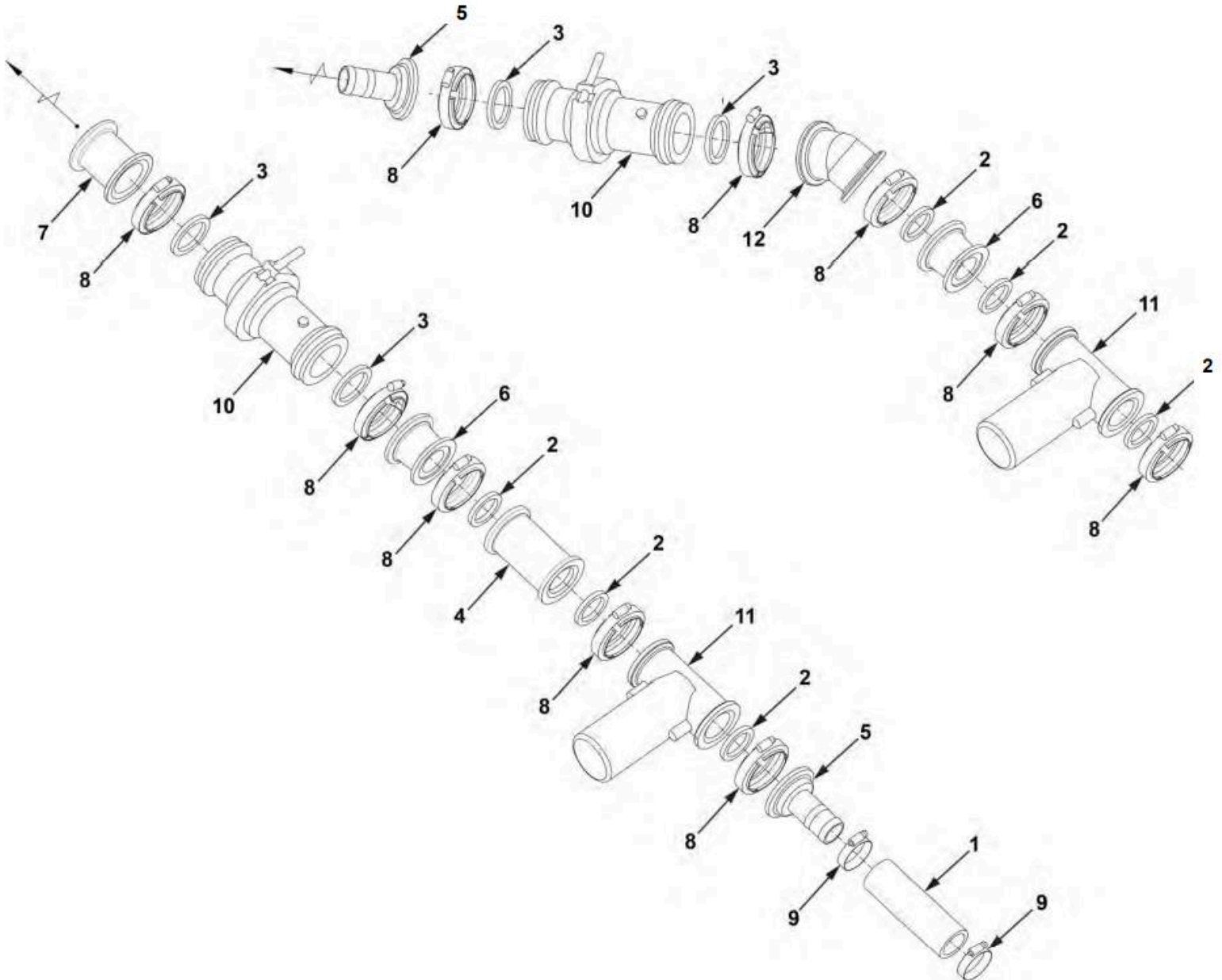


ILLUSTRATED PARTS LIST

12	40952	40952	4	CAP SCREW, 3/8" NC X 2-1/2", HEX HEAD (VOLUTE)
13	41108	41108	1	PLUG, SAE #8, HEX HEAD, WITH O-RING
14	44039	44039	1	BUSHING, #8 SAE X 1/8" FNPT
15	50150	50150	1	PRESSURE GAUGE, 0-60 PSI, 1/8" NPT
16	55851	55851	1	SITE GAUGE, #8 SAE, STEEL
17	45267	45267	4	SPACER, SEAL PLATE
18	41907	41907	1	CAP SCREW, 3/8" NC X 1", SOCKET HEAD (SEAL PLATE, MOTOR MOUNT) 6 19 BAC-54-650 41132 SLINGER, 7/8" SHAFT
20	41943	41943	2	SNAP RING, INTERNAL, FRAME
21	30174	ACAL-32	2	SNAP RING, EXTERNAL, SHAFT
22	40875	40875	2	BALL BEARING, SEALED
23	41085	41085	1	KEY, .188 X .188 X .875
24	40066	BAC-6-750-HYD-SS-WS	1	SHAFT, 11T FEMALE SPLINE, STAINLESS STEEL
25	40793	BAC-32-750	1	SPACER, SHAFT
26	43414	43414	1	PAD, ABSORBENT, M SERIES MOTOR
27	43419	43419	1	O-RING, FLANGE, M SERIES MOTOR
28	41336	BAC-75-HYD-M22-PWM	1	HYDRAULIC MOTOR, 18 GPM (65.9 LPM), WITH INTEGRATED VALVE
29	41445	41445	2	O-RING, #10 SAE FITTING
30	41442	BAC-78-10X10SAE	1	REVERSE CHECK, #10 SAE MALE X #10 SAE FEMALE
31	55032	55032	1.32	55032 BARRIER FLUID, QUART 1.32 J RK-FMC-750
NS	52724		-	REPAIR KIT, INCLUDES ITEMS 4 (2 PCS.), 9, AND 31 (2 QTS.)

Raven Flow Meter & MCV

TO TEEFITTING/
PUMP FILTER - ITEM 77, PAGE 34 & 36



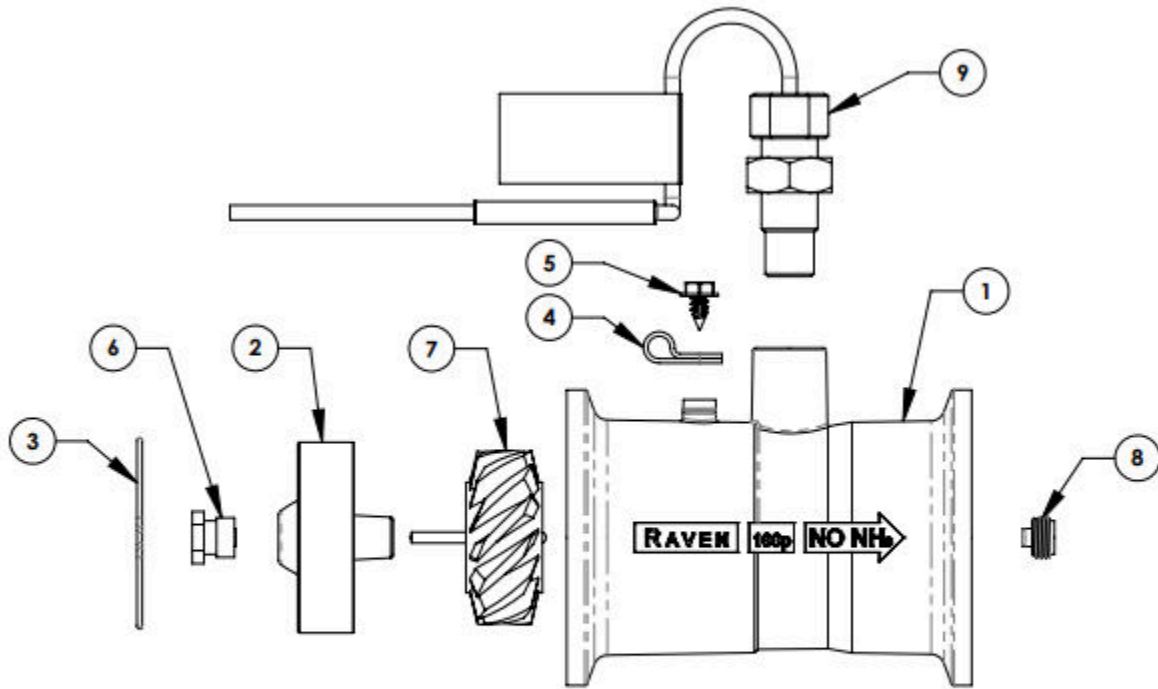


ILLUSTRATED PARTS LIST

Parts List: Raven Flow Meter & MCV

ITEM	VENDOR PART #	FAST PART#	DESCRIPTION	QTY.
1	BS-1-1/2BH200	510014	HOSE, 1-1/2" EPDM	1
2	BJ-150G	530014	GASKET, 2" EPDM	3
3	BJ-200G	530019	GASKET, 2" EPDM	2
4	BJ-M200CPG	530084	2" X 2" STANDARD PORT FLANGE	1
5	BJ-M220150BRB	530100	2" FP FLANGE X 1 1/2" HOSE BARB	1
6	BJ-M220200CPG	530102	2" FULL PORT - 2" REDUCER FLANGE	1
7	BJ-M220CPG	530244	2" X 2" FULL PORT FLANGE	1
8	BJ-FC200	540001	CLAMP, 2" STD WORM SCREW	5
9	BR-64024H	540016	CLAMP, 1-1/2" SS	2
10	RA-063-0171-066	631801	FLOWMETER, RFM-100	1
11	RA-063-0171-894	631805	CONTROL VALVE, 1-1/2"	1
12	BJ-M200CPG45	530087	2" SP FLANGE COUPLING, 45 DEG	1

RFM-100 Poly Flow Meter



054-0159-345
1/8/18 REV C
SHEET 1 OF 1



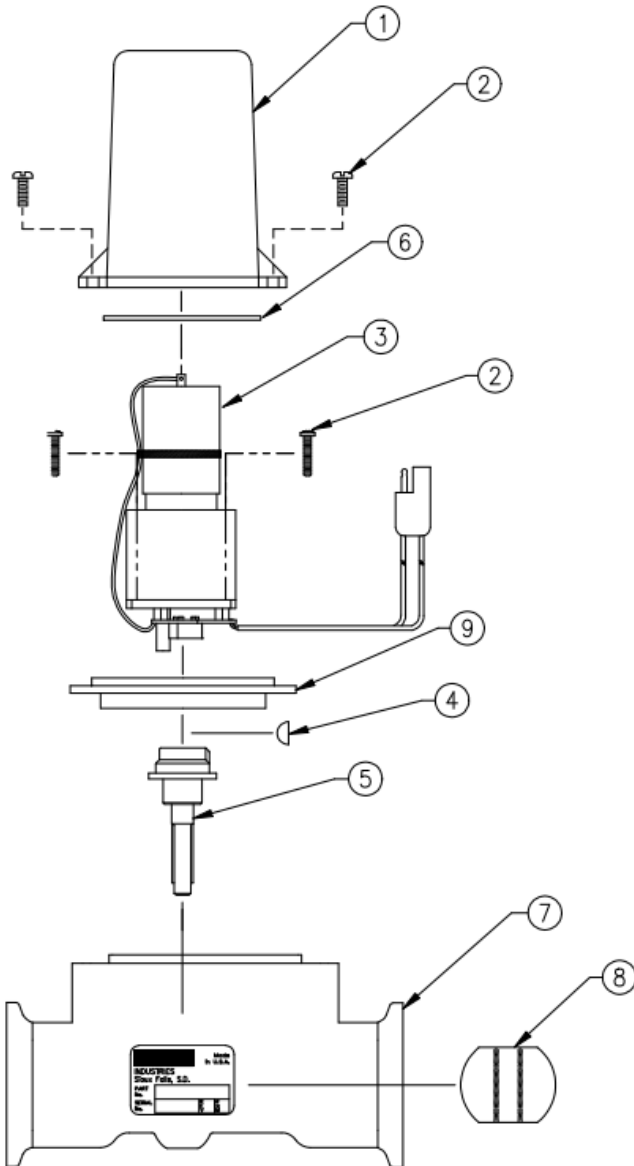
ILLUSTRATED PARTS LIST

Parts List 631801: RFM-100 Poly Flow Meter

ITEM	RAVEN PART #	DESCRIPTION
1	106-0159-710	BODY, MOLDED, RFM-100p, FLOWMETER
2	063-0173-580	HUB/BEARING ASSEMBLY, UPSTREAM, RFM-100p
3	335-0003-198	RING, RETAINING, WIREFORM, RFM-100
4	435-3002-017	CLAMP, CABLE, PLASTIC, 1/4" x 1/2"
5	310-0002-137	SCREW, THREAD FORMING, #10-16 UNC x 3/8" LONG
6	063-0173-057	TURBINE, STUD, POLY, RFM-100p
7	063-0173-596	TURBINE, FLOWMETER, 4 MAGNET, RFM-100p
8	063-0173-744	STUD, DOWNSTREAM, CUP BEARING. FLOWMETER
9	063-0172-458	SENSOR ASSEMBLY, EXTERNAL, DTM
	063-0172-447	SENSOR ASSEMBLY, EXTERNAL, DT
	063-0172-004	SENSOR ASSEMBLY, EXTERNAL, CON-X-ALL
	063-0173-855	SENSOR ASSEMBLY, EXTERNAL, METRI-PACK (JD)
		REF. KIT 117-0171-646 FOR ITEMS 3, 6, 7, & 8

Raven Poly Control Valve, 1 1/2"

063-0171-894



When servicing Valve:

Replace valve body with iso-body kit (item 10) if valve has been leaking internally.

Replace motor assembly if the motor will not run.

Before reassembling valve, remove the coupler shaft from the valve body. Apply Loctite (item 12) to coupler shaft and woodruff key. Place the coupler shaft (item 5) and the woodruff key (item 4) onto the motor shaft. Plug motor into the valve connector coming from Sprayer Control Console. Check that the motor rotates in both directions. Motor must stop when coupler shaft CAM releases printed circuit board button.

When reassembling valve, grease both sealing surfaces of coupler shaft. Insert coupler shaft into iso-flange and be sure seal properly seats on shaft. Install motor on valve body and apply silicon sealant to mounting holes. Reassemble remaining items as shown in parts diagram.

RAVEN INDUSTRIES, INC.

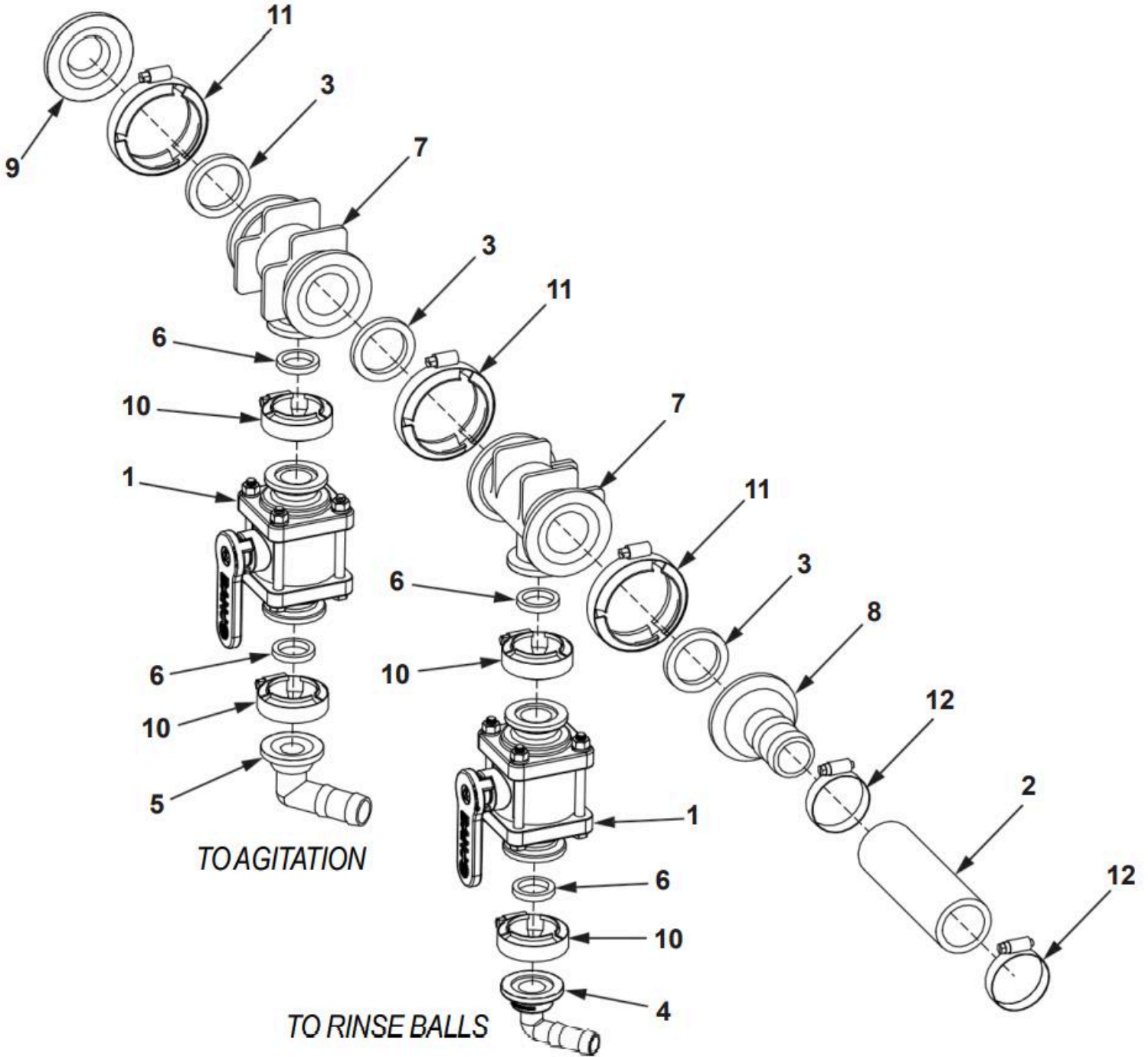


ILLUSTRATED PARTS LIST

Parts List: Raven Poly Control Valve, 1 1/2"

ITEM	RAVEN PART #	DESCRIPTION
1	106-0159-407	VALVE COVER
2	321-000-256	#6-32 X 3/4" LG. SCREW
3	063-0159-409	MOTOR ASSEMBLY
4	321-0000-062	WOODRUFF KEY
5	063-0171-893	COUPLER SHAFT ASSEMBLY (1 1/2" VALVE)
6	219-000-020	SEAL TETRASEAL
7	063-0171-892	VALVE BODY ASSEMBLY (1 1/2" VALVE)
8	106-0159-414	BUTTERFLY (1 1/2" VALVE)
9	063-0159-457	ISOLATION FLANGE ASSEMBLY
10	117-0159-739	*ISO-BODY KIT (1 1/2" VALVE) (NOT SHOWN)
11	115-0159-415	*POLARITY REVERSAL JUMPER (NOT SHOWN)
12	222-1001-050	LOCTITE RC-609 (NOT FURNISHED)

Agitation & Rinse Ball Manifold



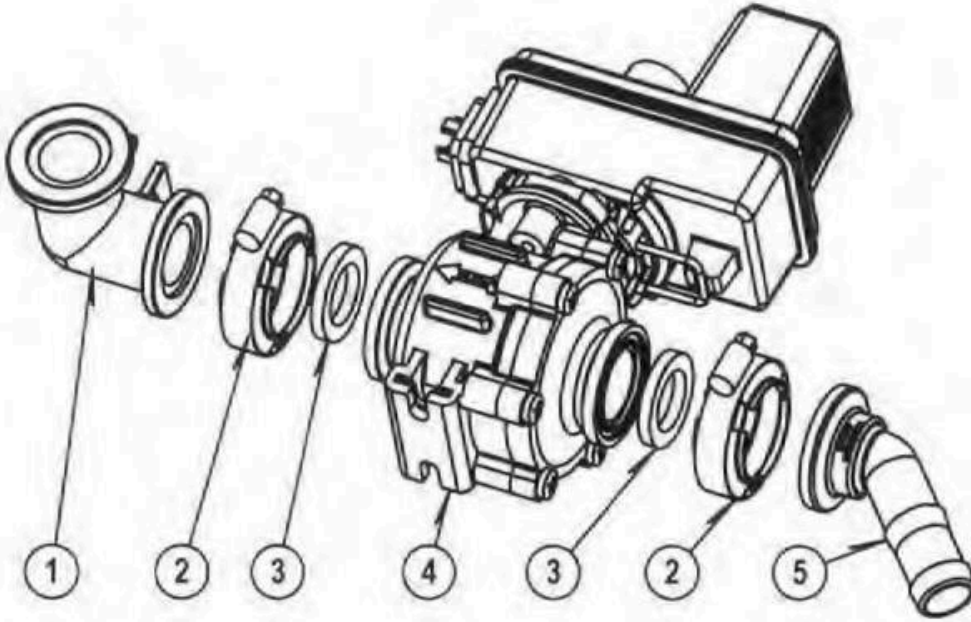


ILLUSTRATED PARTS LIST

Parts List: Agitation & Rinse Manifold

ITEM	VENDOR PART#	FAST PART#	DESCRIPTION	QTY.
1	BJ-MV100CF	500005	VALVE 1" FULL PORT WITHC-F	2
2	BS-1-1/2HB200	510014	HOSE, 1-1/2"EPDM	4'
3	BJ-150G	530014	GASKET, 1-1/2"EPDM	3
4	BJ-M100075BRB90	530060	1" MANIFOLD X 3/4" 90°BRB	1
5	BJ-M100BRB90	530063	1" X 1" MANIFOLD HB90°	1
6	BJ-M100G	530068	GASKET, 1" EPDM FORMANIFOLD	4
7	BJ-M200100TEE	530075	2" STD PORT X 1" TEEFLANGED	2
8	BJ-M200150BRB	530079	2" MANIFOLD X 1-1/2" HOSEBARB	1
9	BJ-M200PLG	530093	2" MANIFOLD PLUG	1
10	BJ-FC100	540000	WORM SCREW CLAMP1"	4
11	BJ-FC200	540001	CLAMP, 2" STD WORMSCREW	3
12	BR-64024H	540016	CLAMP, 1-1/2"SS	2

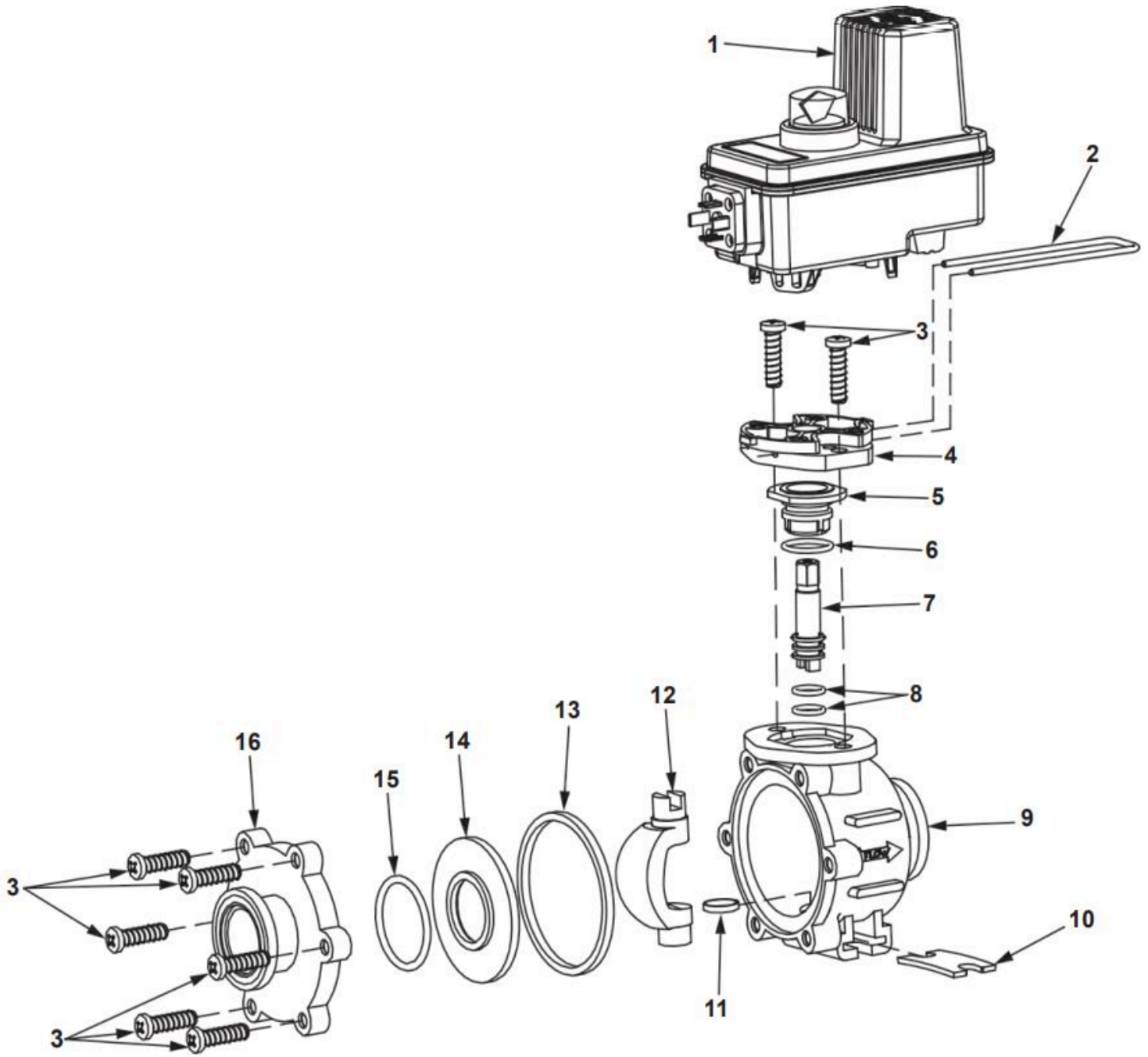
Optional Electric Agitation Shut Off



Parts List: Optional Electric Agitation Shut Off

ITEM	VENDOR PART#	FAST PART#	DESCRIPTION	QTY.
1	BJM100CPG	530362	MANIFOLD ELBOW1"	1
2	BJFC100	540000	MANIFOLD CLAMP1"	2
3	BJ100G	530013	MANIFOLD GASKET1"	2
4	TJ356BECC60OC	500064	MANIFOLD VALVE ON/OFF1"	1
5	BJM100BRB45	530426	MANIFOLD HOSE BARB 1"45°	1
NS	EC9367014	631970	HARNESS AGITATION SHUTOFF YELLOW MOTOR POSITION INDICATOR (2015)	1
NS		560043	SWITCHON/OFF	
NS		11145	BRACKETSWITCH	
NS	TJ-344BR-2F-C60	500022	MANIFOLD VALVE 344 REGULATING (2014 AND PRIOR)	REPAIR
NS	EC9367004	631938	HARNESS AGITATION SHUTOFF RED MOTOR POSITION INDICATOR (2014 ANDPRIOR)	REPAIR

Electric Agitation Valve



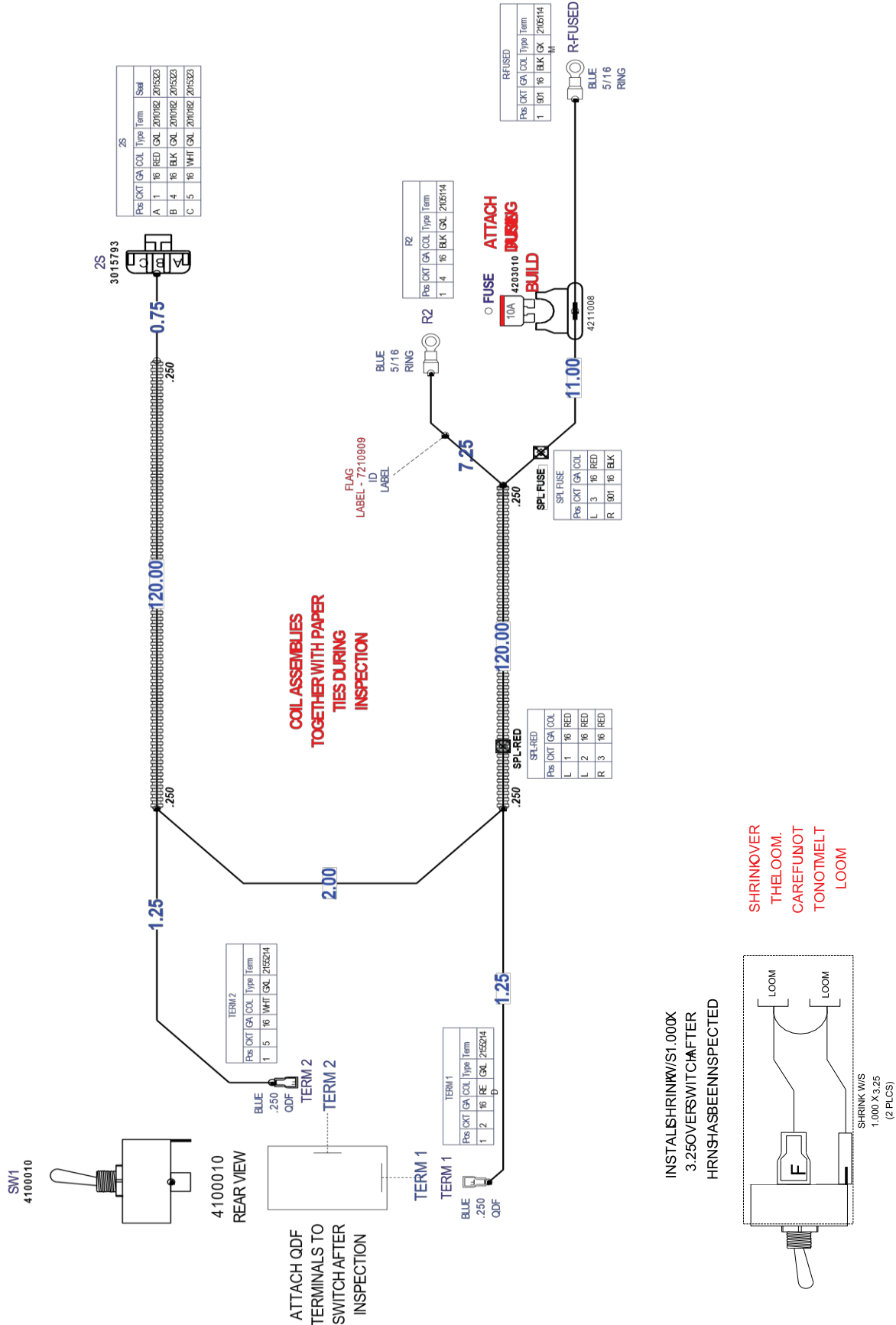


ILLUSTRATED PARTS LIST

Parts List: Electric Agitation Valve

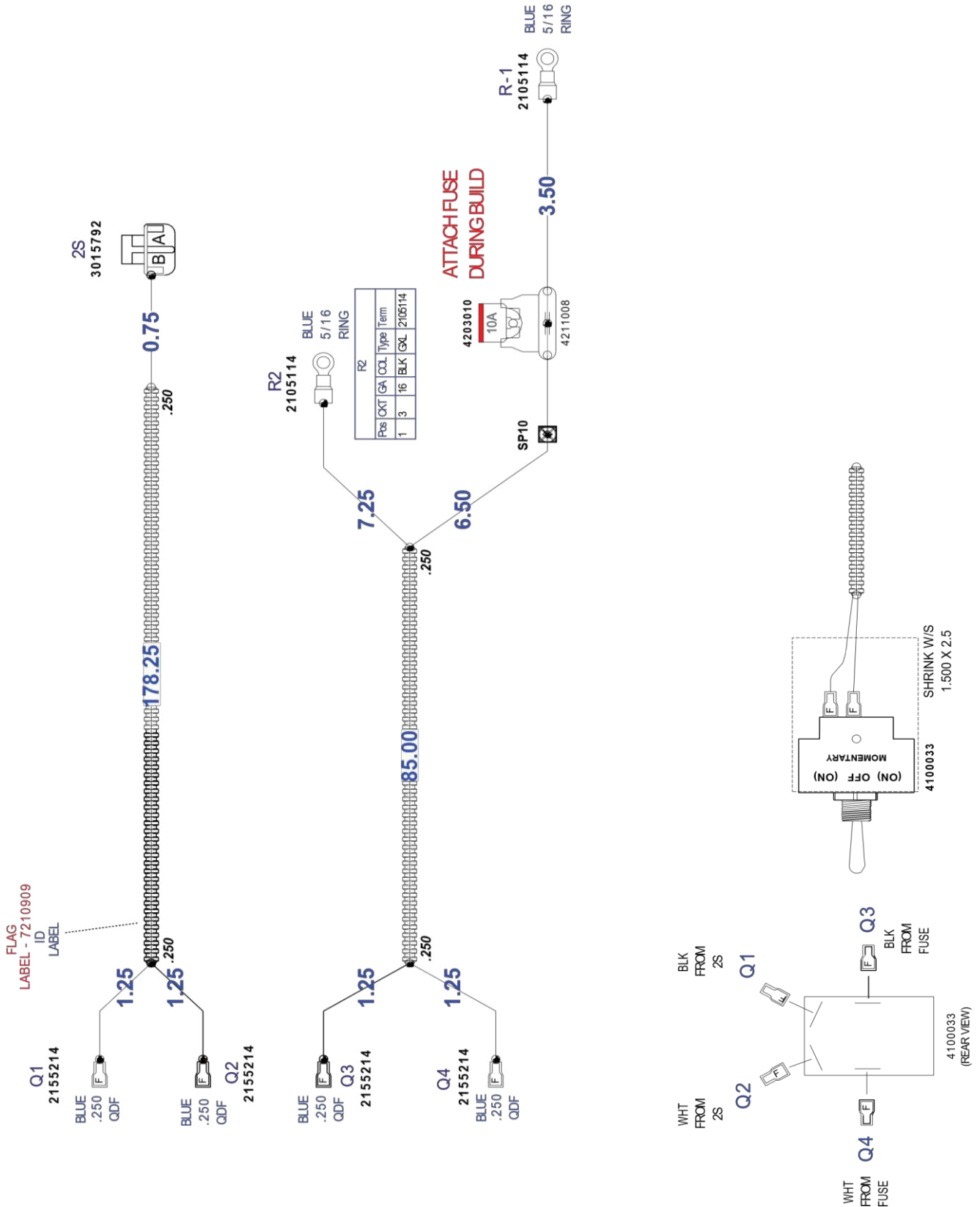
ITEM	VENDOR PART#	DESCRIPTION
1	50515-25CP60	BEC MOTOR, 25-RPM (0.6-SEC), 6.0-METER CABLE CONNECTION, POSITIVLEY SWITCHED
2	CP50517-SSPV	RETAINING CLIP, 304 STAINLES STEEL - PASSIVATED
3	CP45517-1 1/8-SS	SCREW, PHILIPS/SQ. PAN HEAD, 302 STAINLESS STEEL (8 REQ'D)
4	CP50514-PP	MOTOR ADAPTER, GLASS FILLED POLYPROPYLENE (BLACK)
5	CP50505-RYTON	STEM BUSHING, RYTON (BLACK
6*	CP7717-2-117-VI	O-RING, VITON
7	CP50532-316SS	STEM, 316 STAINLESS STEEL
8*	CP7717-M12X2.5-VI	O-RING, VITON (2 REQ'D)
9	CP50501-PP	BODY, GLASS FILLED POLYPROPYLENE (BLACK)
10	CP50507-304SS	MOUNTING PLATE, 304 STAINLESS STEEL
11*	CP50509-CTEF	LOWER BUSHING, CARBON FILLED TEFLON
12	CP50506-316SS	BALL, POLISHED 316 STAINLESS STEEL
13*	CP50504-VI	GASKET, VITON
14*	CP50503-CTEF	SEAL, CARBON-RING, VITONN FILLED TEFLON
15*	CP7717-M40X4-VI	O-RING, VITON
16	CP50502-PP	END CAP, GLASS FILLED POLYPROPYLENE (BLACK)
AB356-KIT, SPARE PARTS KIT (INCLUDES ALL ITEMS MARKED WITH *)		
NOTE: FOR NEGATIVLEY SWITCHED MOTORS SPECIFY "N" RATHER THAN "P" IN MOTOR PARTS NUMBER		

Electric Agitation Cable 631970 (2015) Yellow Indicator

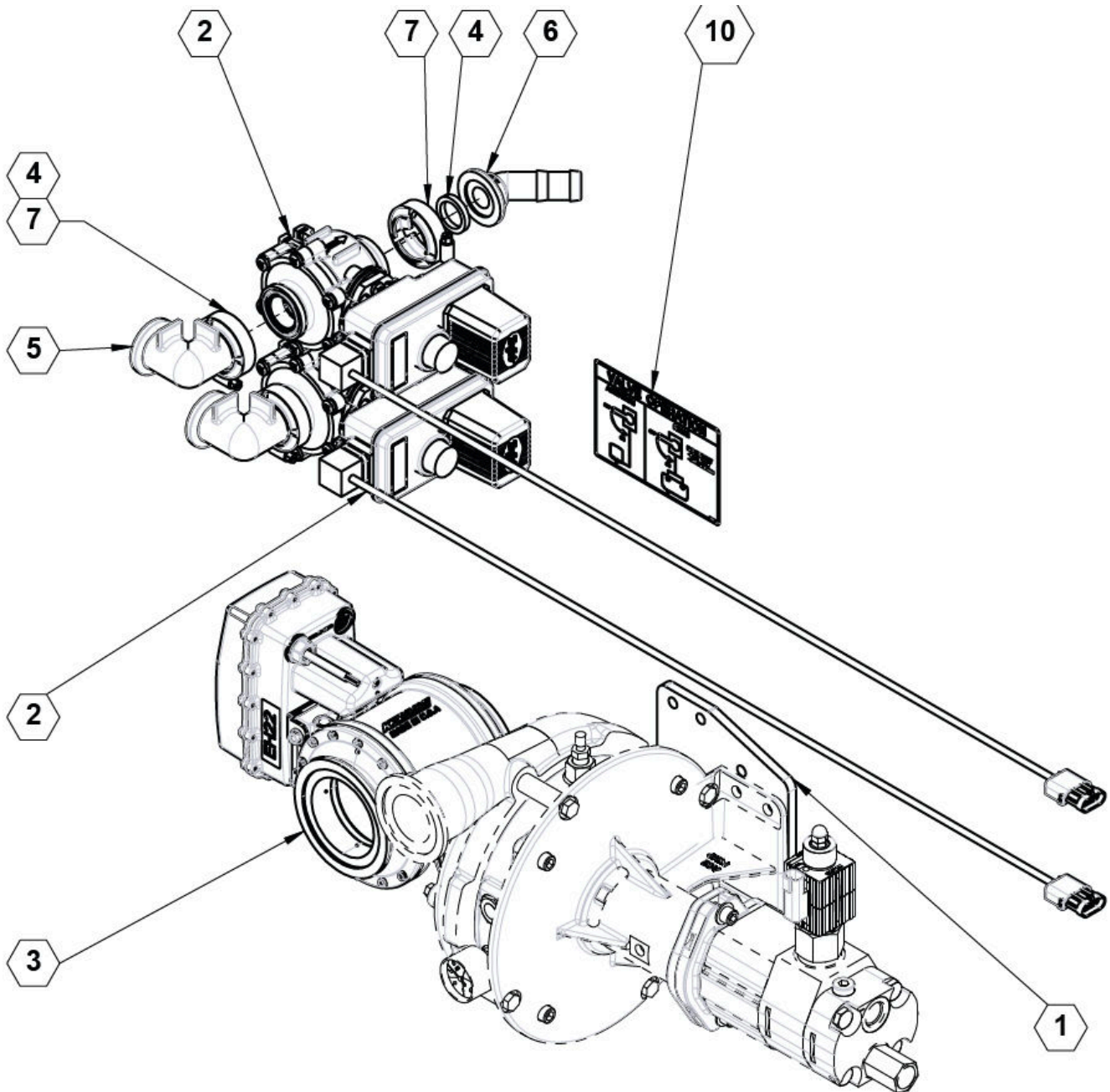


Electric Agitation Cable – 631938

(2014 & Prior) Red Indicator



Electrical Valving Option



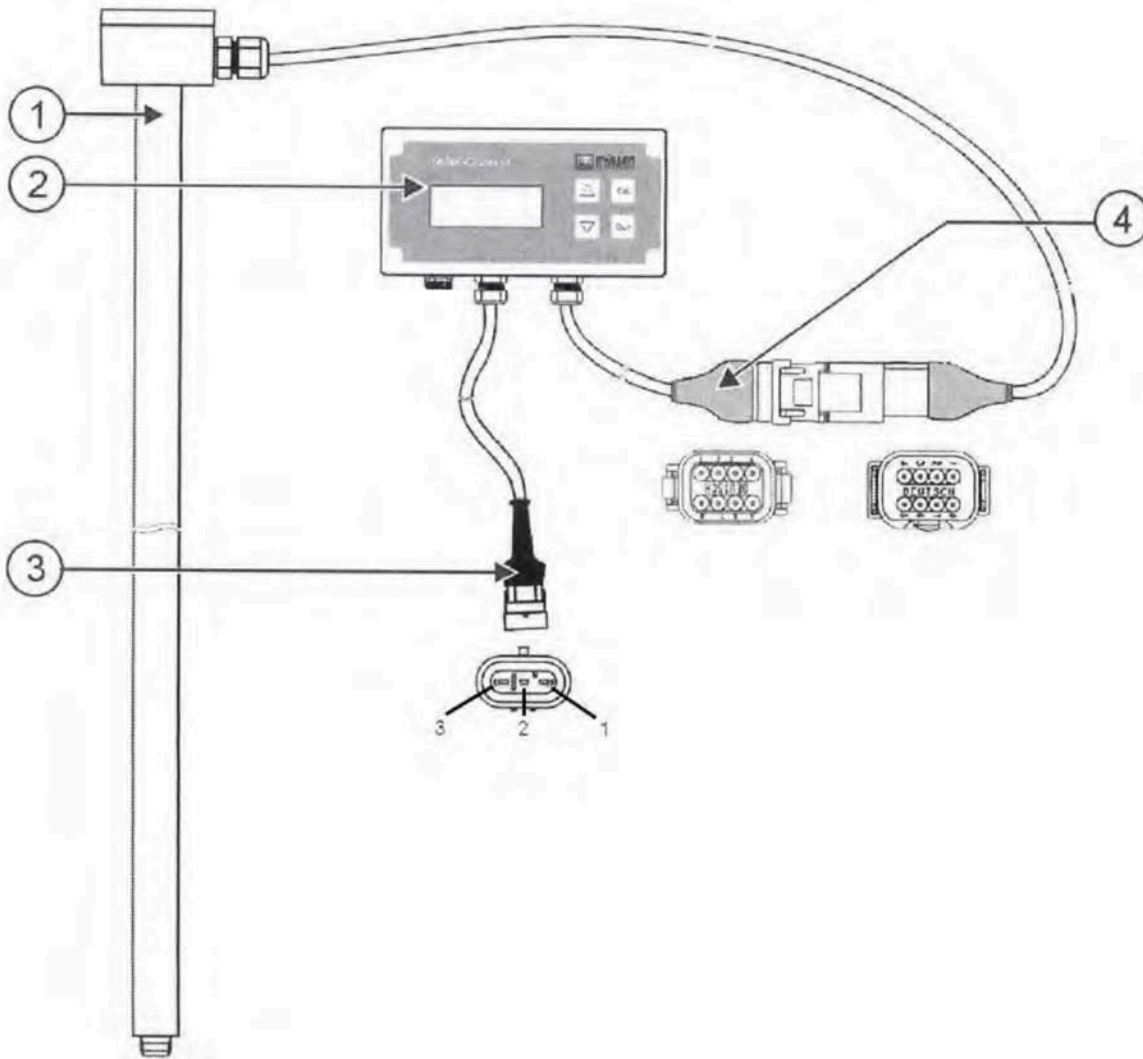


ILLUSTRATED PARTS LIST

Parts List 99FSEVO: Electrical Valving Option

ITEM	PART NO.	QTY.	DESCRIPTION
1	18305	1	PLATE, ADAPTER, ACE OASIS PUMP
2	500064	2	VALVE, 356 SERIES ON/OFF ELEC. AGITATION
3	500080	1	VALVE, 3" 3-WAY ACTUATED
4	530068	4	GASKET, 1.00 EPDM
5	530362	2	FITTING, 1" MANIFOLD 90 ELBOW
6	530426	2	ELBOW 45, 1.00 FLANGE X 1.00 HB
7	540000	4	CLAMP, WORM SCREW, 1.00
N.S.	632155	1	CAB BOX, ELECTRIC RINSE & AGITATE
N.S.	632156	1	HARNESS, ELECTRIC RINSE & AGITATE
10	800016	1	DECAL, MAIN TANK VALVE OPERATION

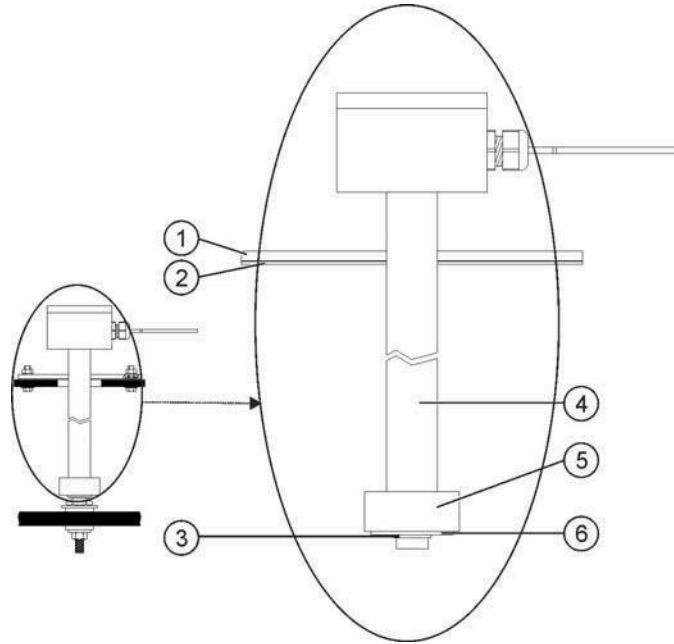
Electronic Sight Gauge



Parts List: Electronic Sight Gauge

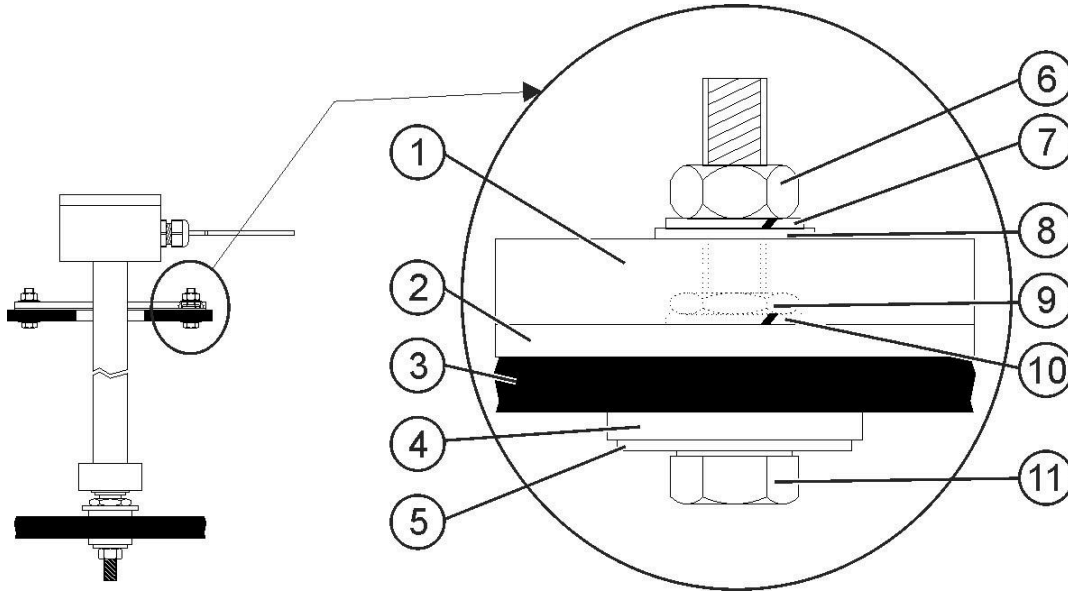
ITEM	FAST PART#	DESCRIPTION	QTY.
1		SENSOR	1
2		DISPLAY	1
3		POWERLEAD	1
4		SENSORPLUG	1
NS	632147 1350	COMPLETEKIT	
NS	632148 1800	COMPLETEKIT	
NS	631936 2400	COMPLETEKIT	

Prepare The Sensor Tube



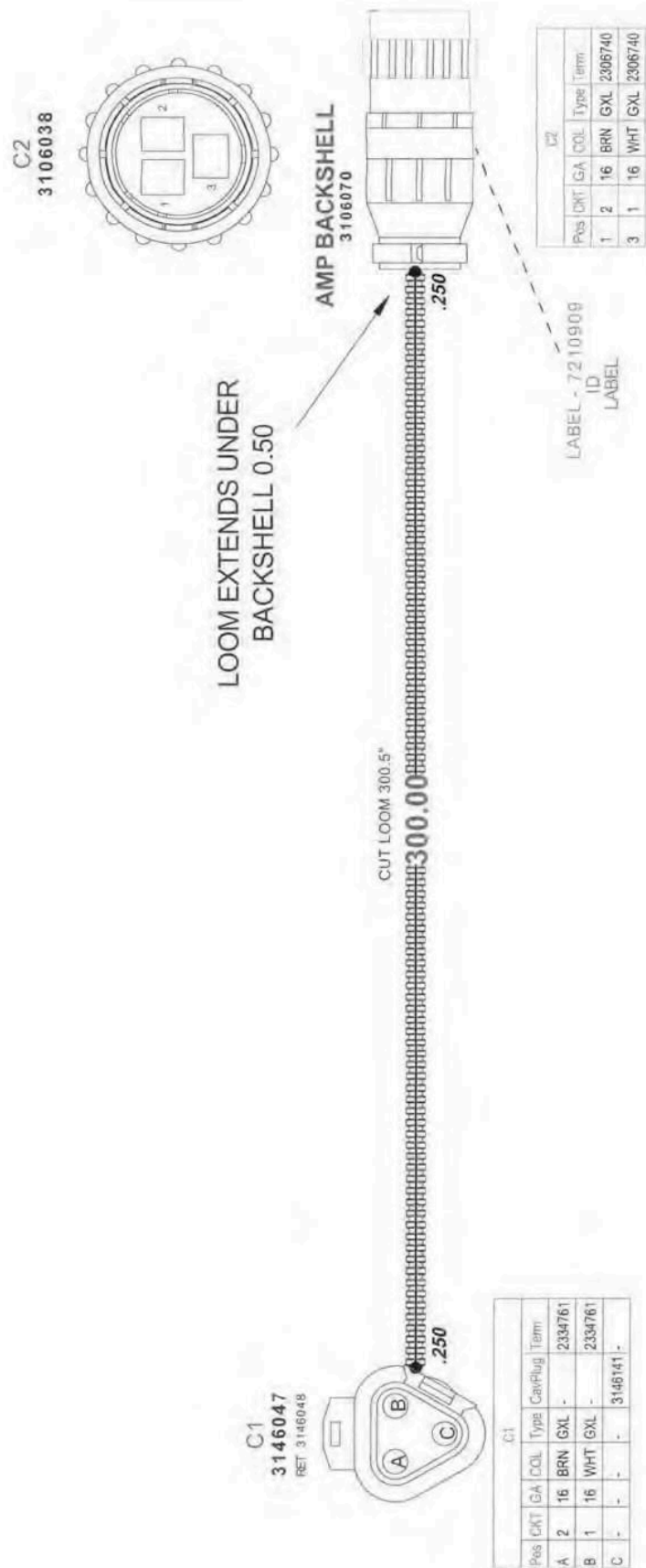
ITEM	VENDOR PART#	FAST PART#	DESCRIPTION	QTY.
1			FLANGE	1
2			VITONGASKET	1
3			LOCKINGRING	1
4			SENSORTUBE	1
5			FLOAT	1
6			WASHER 24.2 X 12.2	1

Install The Sensor Tube

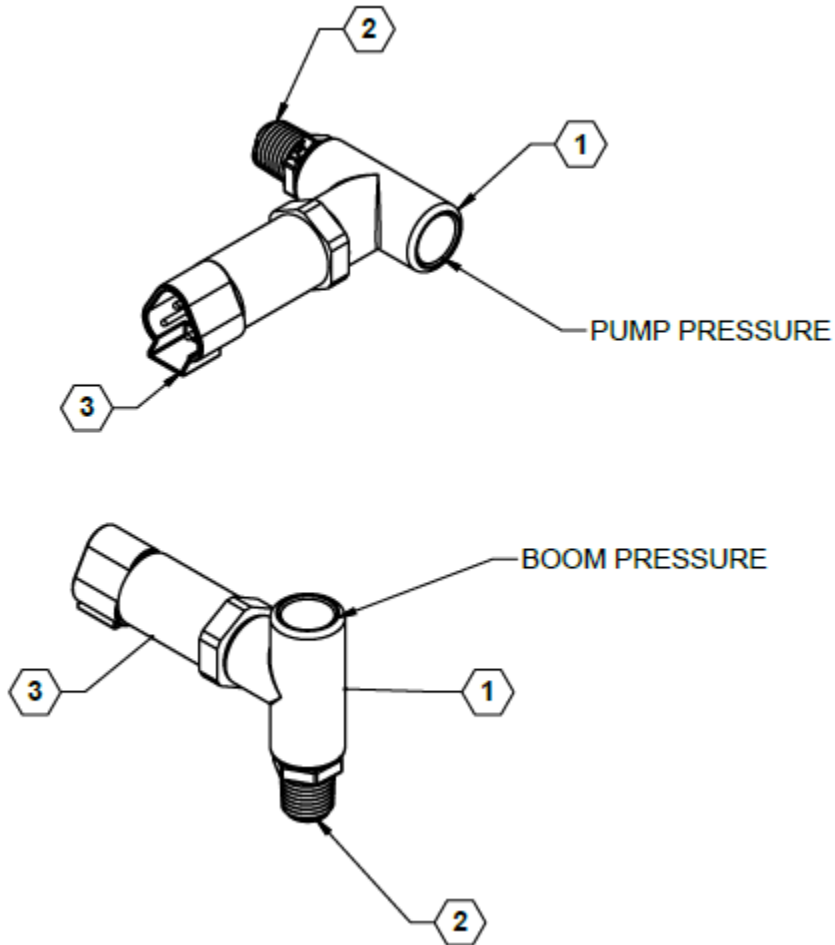


ITEM	VENDOR PART#	FAST PART#	DESCRIPTION	QTY.
1			TUBESOCKET	1
2			VITON GASKET 25 X6	1
3			BASE OF TANK	1
4			VITON GASKET 25 X6	1
5			WAHSER A6.4	1
6			NUT M6	1

Power Cable – Electronic Sight Gauge



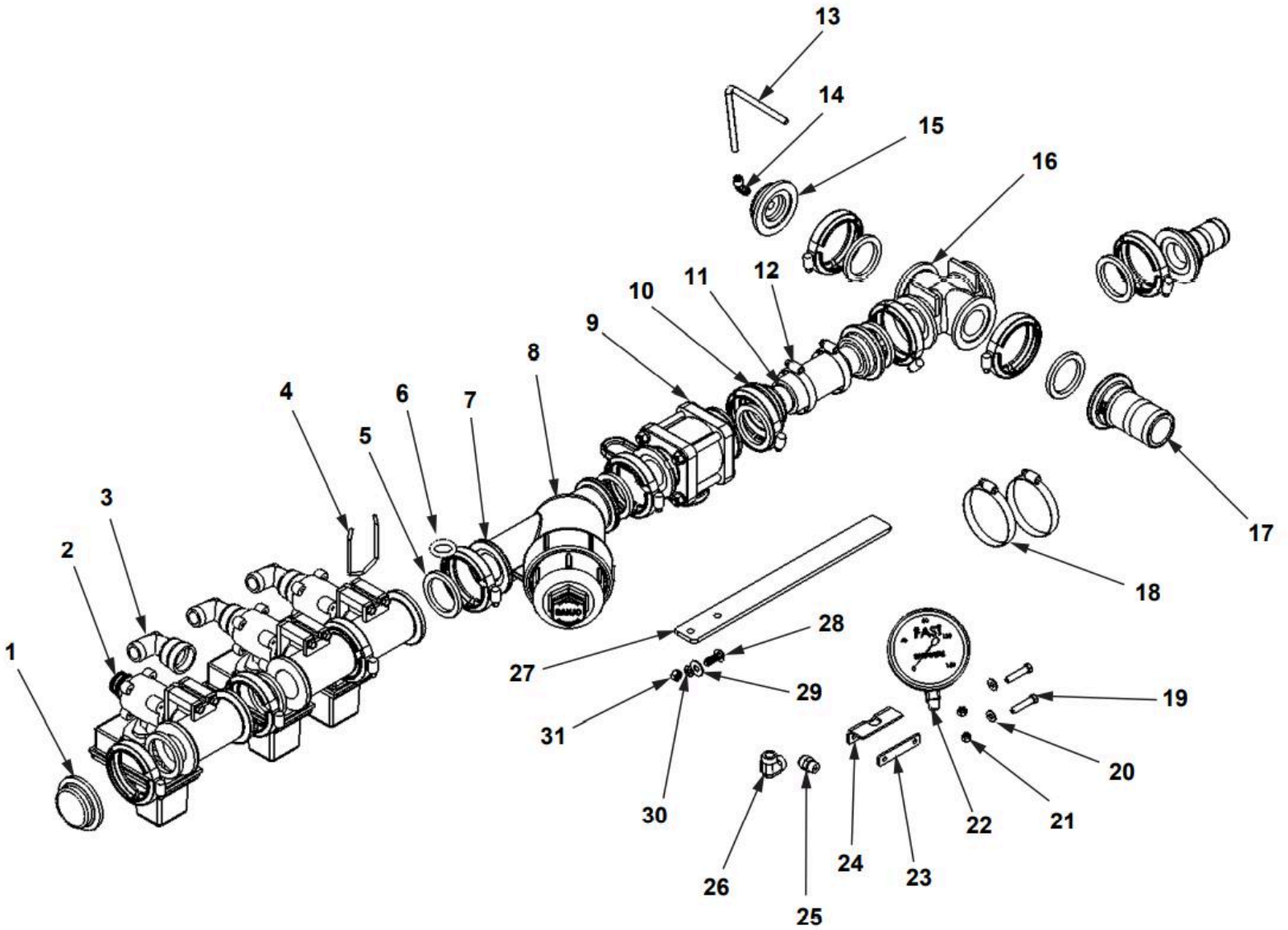
Option, Dual Pressure Transducers



Parts List 36280: Option, Dual Pressure Transducers

NO.	PART	QTY.	DESCRIPTION
1	530400	2	TEE 1/4" FPT, POLY
2	530401	2	NIPPLE, 1/4 MPT x 1/4 MPT, POLY
3	632036	2	TRANSDUCER, PRESSURE

Boom Shutoff, Gauge Plumbing



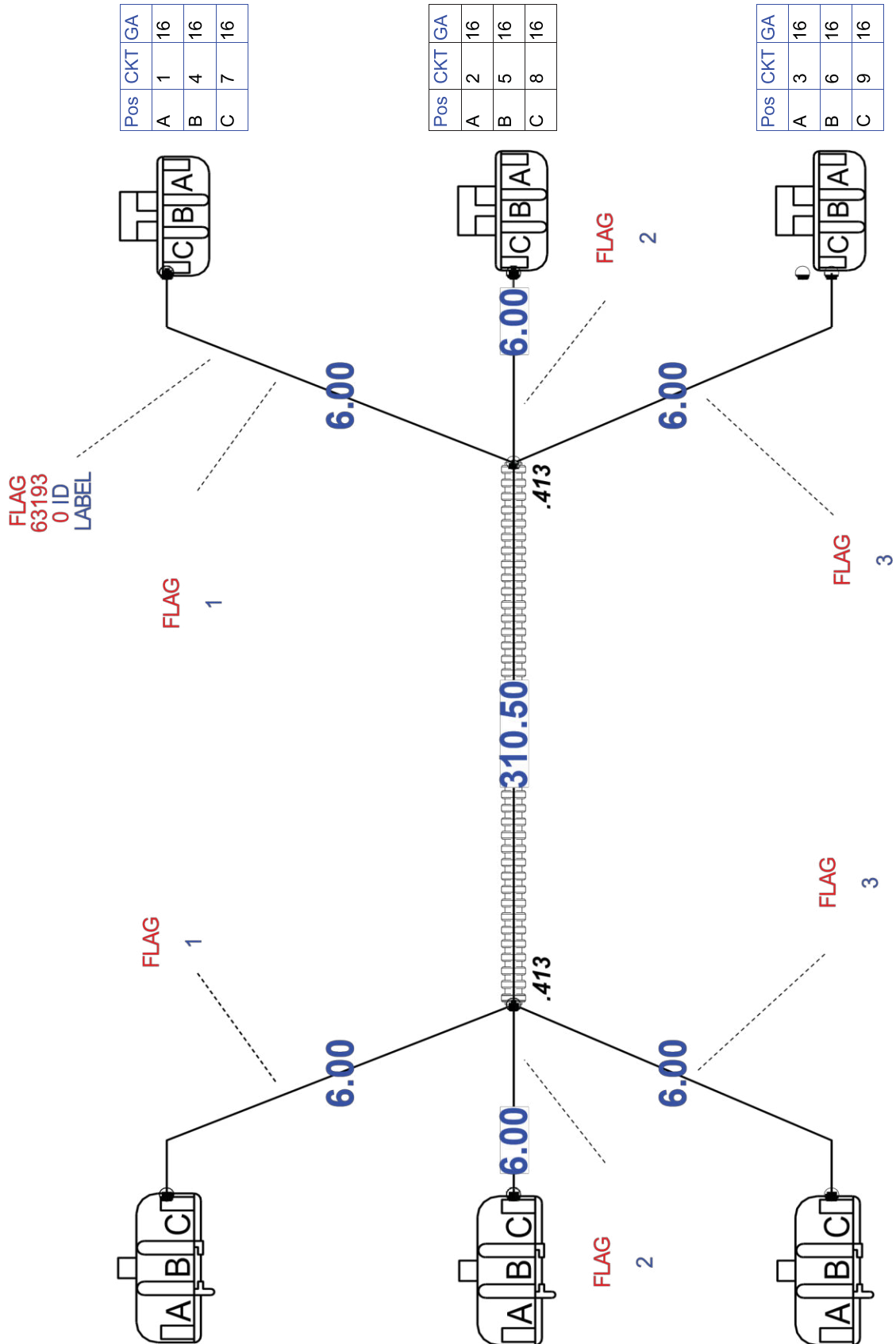


ILLUSTRATED PARTS LIST

Parts List: Boom Shutoff, Gauge Plumbing

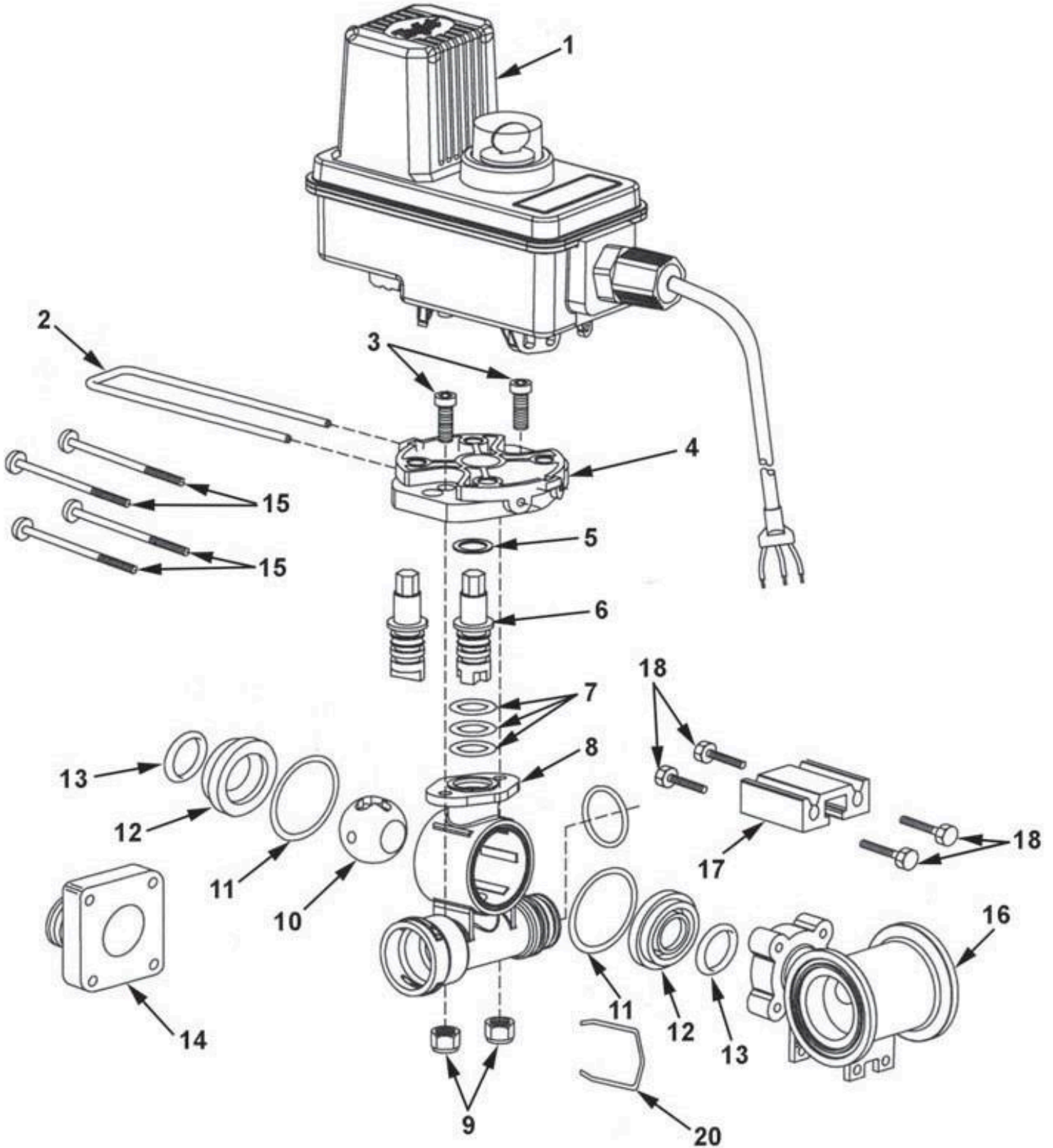
ITEM	VENDOR PART#	FAST PART#	DESCRIPTION	QTY
1	BJ-M200PLG	530093	MANIFOLD PLUG2"	1
2		520027	VALVE 450BEC MANIFOLD (NARROW) (NON-FLOWBACK)	3*
2	TT-56608-11-450BEC	500028	VALVE 450BEC MANIFOLD (WIDE) (NON-FLOWBACK)	3*
3	TT-45529-90X1	530190	90° QUICK CONNECT HOSEBARB	3*
4	TT-CP37166-1-302SS	530193	CLIP	3*
5	BJ-150G	530019	GASKET2"	10*
6	TT-CP7717-3-912-VI	530198	O-RINGVITON	3*
7	BJ-FC200	540002	CLAMP2"	10*
8	BJ-MLS200-80	530473	MANIFOLD FILTER2"	1
NS	BJ-LS280		FILTER 80 MESH (INC. IN 530473)	
9	BJ-MV200CF	500039	MANIFOLD VALVE 2" STD.FLOW	1
10	BJ-M200150BRB	530079	MANIFOLD1-1/ 2" HOSEBARB	4
11	BS-1-1/2BH200	510014	HOSE 1-1/2"EDPM	AR
12	BR-64024H	540016	CLAMP STAINLESS 1-1/4IN	4
13	SS-2T200403BK	510023	HOSE POLY BLACK1/4"	AR
14	AP-44103211	530004	ELBOW, MALE	1
15	BJ-M200PLG025	530094	MANIFOLD PLUG .25PORT	1
16	BJ-M200CR	530090	MANIFOLD CROSS2"	1
17	BJ-M200BRB	530082	MANIFOLD 2" HOSEBARB	1
18	BR-64044H	540018	HOSE CLAMP (CLAMPS 16 TO 27)	2
19		103	BOLT HEX HEAD 1/4 X 1-1/2" GR5ZP	2
20		256	WASHER FLAT 1/4" ZP	2
21		235	NUT HEX HEAD CENTER LOCK 1/4"ZP	
22	4154-GXX-160	790020	PRESSURE GUAGE 0-160PSI	1
23		11786	GUAGESTRAP	1
24		11758	GUAGEBRACKET	1
25	AP-44103206	530001	Q-LOCK ADAPTER 1/4" MPT X 1/4"HOSE	1
26	PA-5504-04-04-SS	610006	ELBOW 1/4" NPTSS	1
27		16682	MOUNT, CROSS (BOLTS TO ITEM 3 PAGE 13, SUPPORTS ITEM 16)	1
28		582	BOLT, CARRIAGE 5/16 X 1 ZP	2
29		257	WASHER, FLATZP	2
30		249	WASHER, LOCK 5/16 ZP	2
31		236	NUT, CENTERLOCK 5/16ZP	2
*PART QUANTITY IS FOR 3 BALL VALVES AS SHOWN				

Harness 3 Ball Valve Control – 631930



Electric Shut-Off Flow Back Ball Valve

(2014 & Prior) Red Indicator



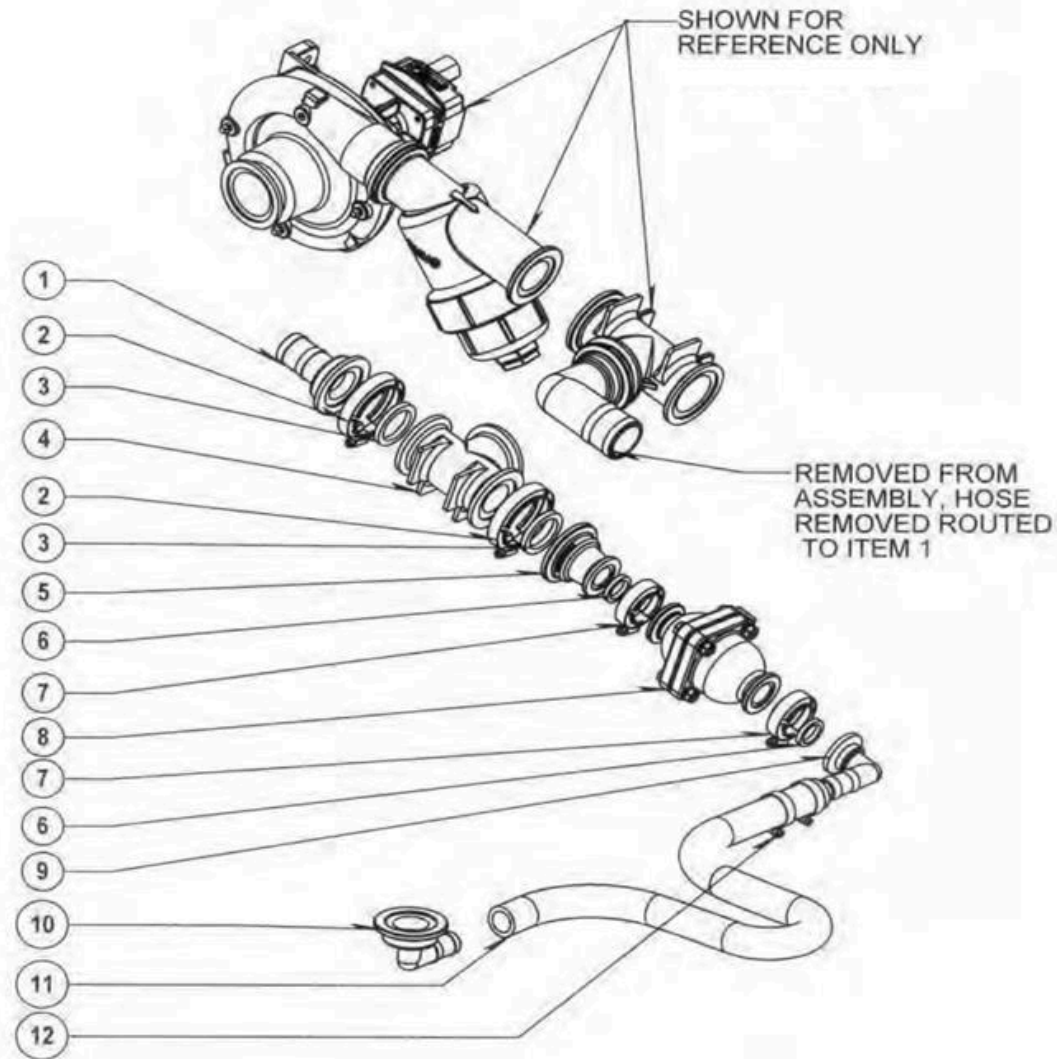


ILLUSTRATED PARTS LIST

Parts List: Electric Shut-Off Flow Back Ball Valve (2014 & Prior) Red Indicator

ITEM	VENDOR PART#	DESCRIPTION
1	50515-22CP05	BEC MOTOR, 22-RPM (0.7-SEC), 0.5- METER CABLE, POSITIVELY SWITCHED
2	CP50517-SSPV	RETAINING CUP, 304 STAINLESS STEEL.
3	CP26197-7/8-SS	SOCKET HEAD CAP SCREW, 1/4"-20 X 7/8", STAINLESS STEEL (2 REQ'D)
4	CP50514-PP	MOTOR ADAPTER, POLYPROPYLENE(BLACK)
5*	CP20125-TEF	THRUST WASHER, TEFON
6	CP56613-SS	STEM, 303 STAINLESS STEEL (FOR POLYPROPYLENEBALL)
7*	CP7717-M12 X 2.5-VI	O-RING, VITON (3 REQ'D)
8	CP55223-NYB	FLOW BACK BODY, NYLON(BLACK)
9	CP55223-NYB	ELASTIC LOCKNUT, 1/4" 20, STAINLESS STEEL (2 REQ'D)
10	CP20106 2 PP	FLOW BACK BALL POLYPROPYLENE(WHITE)
11*	CP20564-VI	GASKET, VITON (2 REQ'D)
12*	CP20103-TEF	SEAL, TEF ON (2REQ'D)
13*	CP7717-2-213-VI	O-RING, VITON (2 REQ'D)
14	CP45514-NYB	END CAP, NYLON (BLACK) (QUICK CONNECT)
15	CP45252-2-3/4-SSPV	SCREW, 1/4"-12 X 2-3/4" PAN HEAD, STAINLESS STEEL (4 REQ'D)
16	CP55224-PP	#75 NARROW TEE BODY, POLYPROPYLENE (BLACK)
17	CP45216-AL	MOUNTING RAIL,ALUMINUM
18	CP45259-SS	SCREW, M6 X 1 X 16 MM HEX, STAINLESS STEEL (4 REQ'D)
19	CP7717-J-912-VI	O-RING,VITON
20	CP37166-1-302SS	QUICK CONNECT RETAINING CUP, 302 STAINLESS STEEL
	56609-3FB	VALVE BODY SUB-ASSY, SPECIFY OUTLET SIZE & BALL MATERIAL (INC. ITEMS 3-19)
AB344AE-KIT, SPARE PARTS KIT (INCLUDES ALL ITEMS MARKED WITH*)		

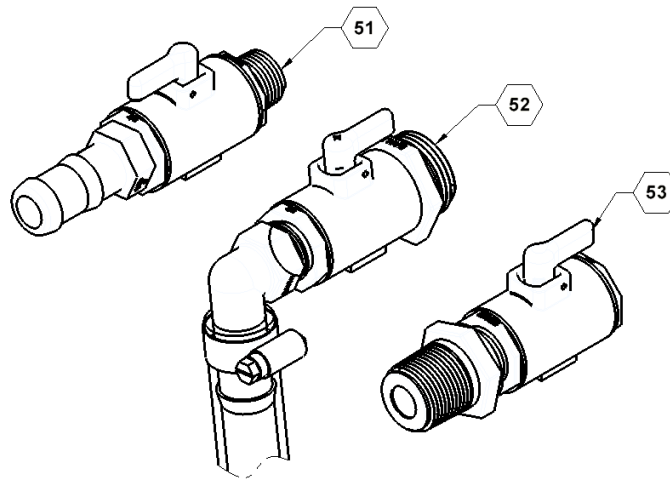
Optional High Pressure Bypass Plumbing



Parts List: Optional High Pressure Bypass Plumbing

ITEM	VENDOR PART#	FAST PART#	DESCRIPTION	QTY
1	BJ-M200PLG	530093	MANIFOLD PLUG2"	1
2		520027	VALVE 450BEC MANIFOLD (NARROW) (NON-FLOWBACK)	3*
2	TT-56608-11-450BEC	500028	VALVE 450BEC MANIFOLD (WIDE) (NON-FLOWBACK)	3*
3	TT-45529-90X1	530190	90° QUICK CONNECT HOSEBARB	3*
4	TT-CP37166-1-302SS	530193	CLIP	3*
5	BJ-150G	530019	GASKET2"	10*
6	TT-CP7717-3-912-VI	530198	O-RINGVITON	3*
7	BJ-FC200	540002	CLAMP2"	10*
8	BJ-MLS200-80	530473	MANIFOLD FILTER2"	1
NS	BJ-LS280		FILTER 80 MESH (INC. IN 530473)	
9	BJ-MV200CF	500039	MANIFOLD VALVE 2" STD.FLOW	1
10	BJ-M200150BRB	530079	MANIFOLD1-1/ 2" HOSEBARB	4
11	BS-1-1/2BH200	510014	HOSE 1-1/2"EDPM	AR
12	BR-64024H	540016	CLAMP STAINLESS 1-1/4IN	4

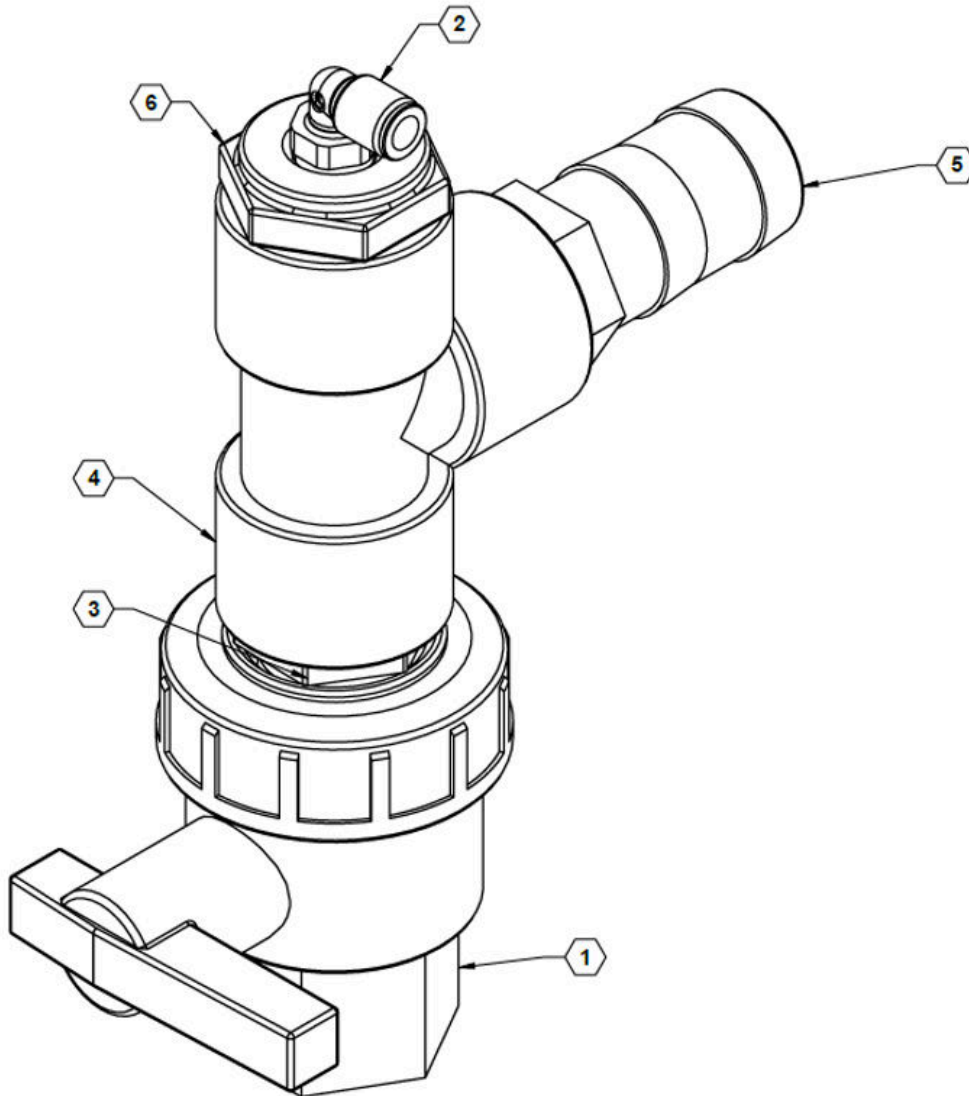
Optional High Pressure Bypass Plumbing Cleanout options



Parts List: Optional High Pressure Bypass Plumbing Cleanout options

ITEM	PART NO.	QTY.	DESCRIPTION
51	90SASC1	AR	ASSEMBLY, STRAINER DRAIN 1"
52	90SASC2	AR	ASSEMBLY, STRAINER DRAIN 2"
53	90SASC3	AR	ASSEMBLY, STRAINER DRAIN 3"

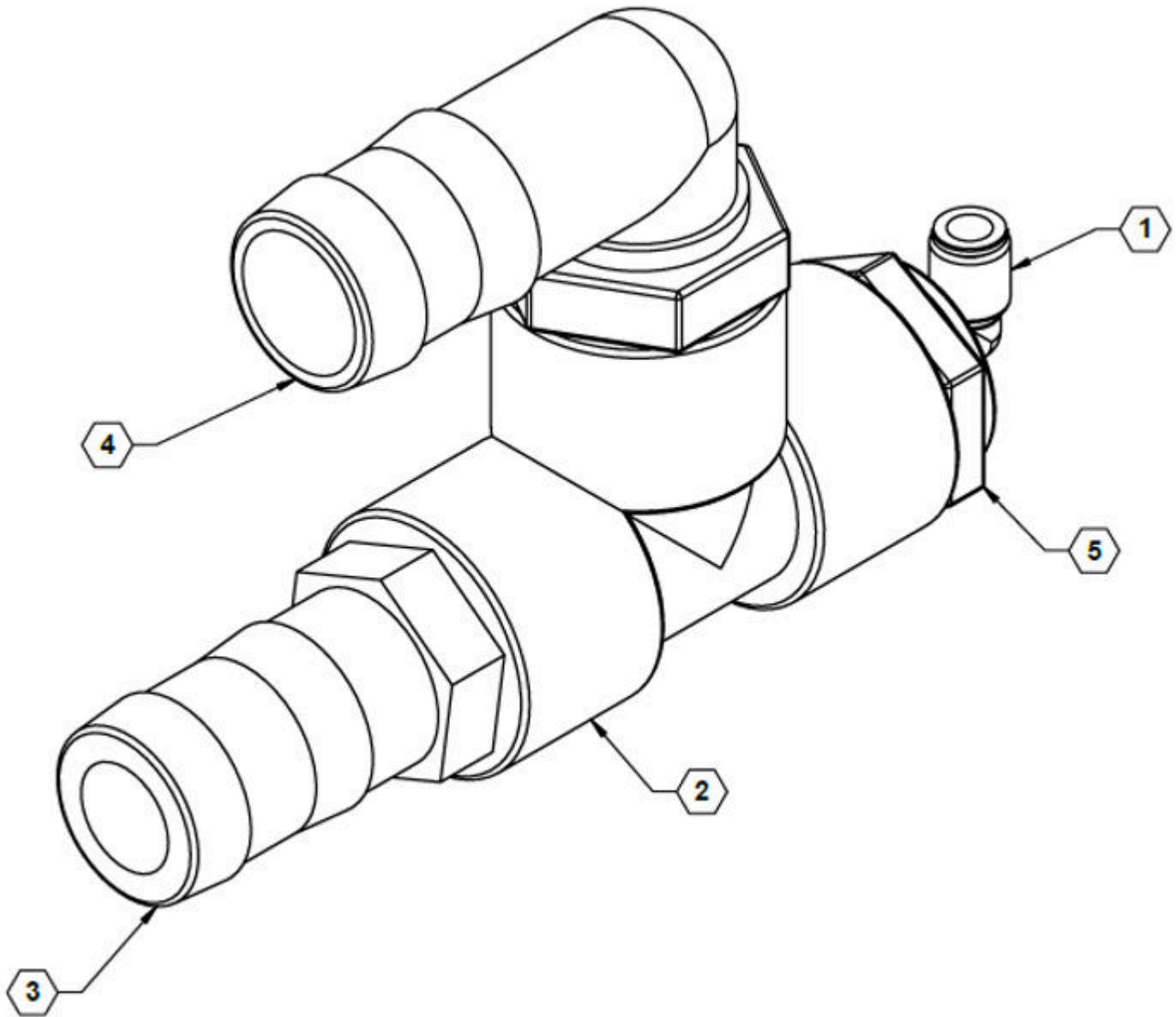
Optional Boom Cleanout with Pressure Gauge



Parts List 90SABCPG: Optional Boom Cleanout with Pressure Gauge

NO.	PART	QTY.	DESCRIPTION
1	500043	1	VALVE, 3/4" UNION
2	530004	1	FITTING, ELBOW, .250 QC X .250 MPT, 90D
3	530131	1	NIPPLE, POLY PIPE 3/4" SHORT
4	530156	1	TEE, 3/4" POLY PIPE
5	530203	1	FITTING, .750 MNPT X 1.00 HB, POLY
6	530544	1	FITTING, REDUCER, 3/4 MPT X 1/4" FPT

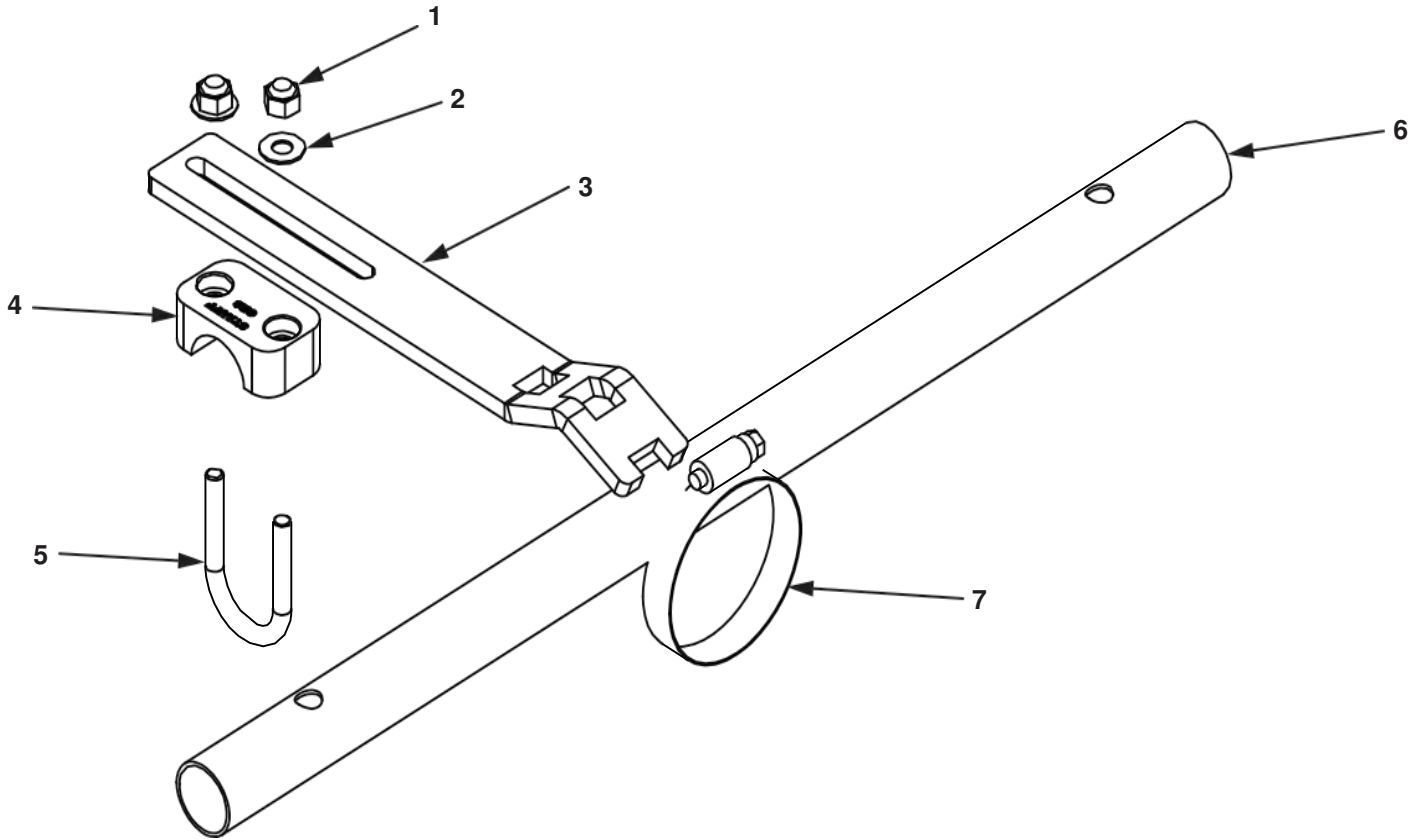
Optional Boom U-Fitting with Pressure Line



Parts List 90SAUPG: Optional Boom U-Fitting with Pressure Line

NO.	PART	QTY	DESCRIPTION
1	530004	1	FITTING, ELBOW, .250 QC X .250 MPT, 90D
2	530156	1	TEE, 3/4" POLY PIPE
3	530203	1	FITTING, .750 MNPT X 1.00 HB, POLY
4	530238	1	ELBOW, 3/4" NPT X 1" HB, POLY
5	530544	1	FITTING, REDUCER, 3/4 MPT X 1/4" FPT

Wet Boom & Bracket



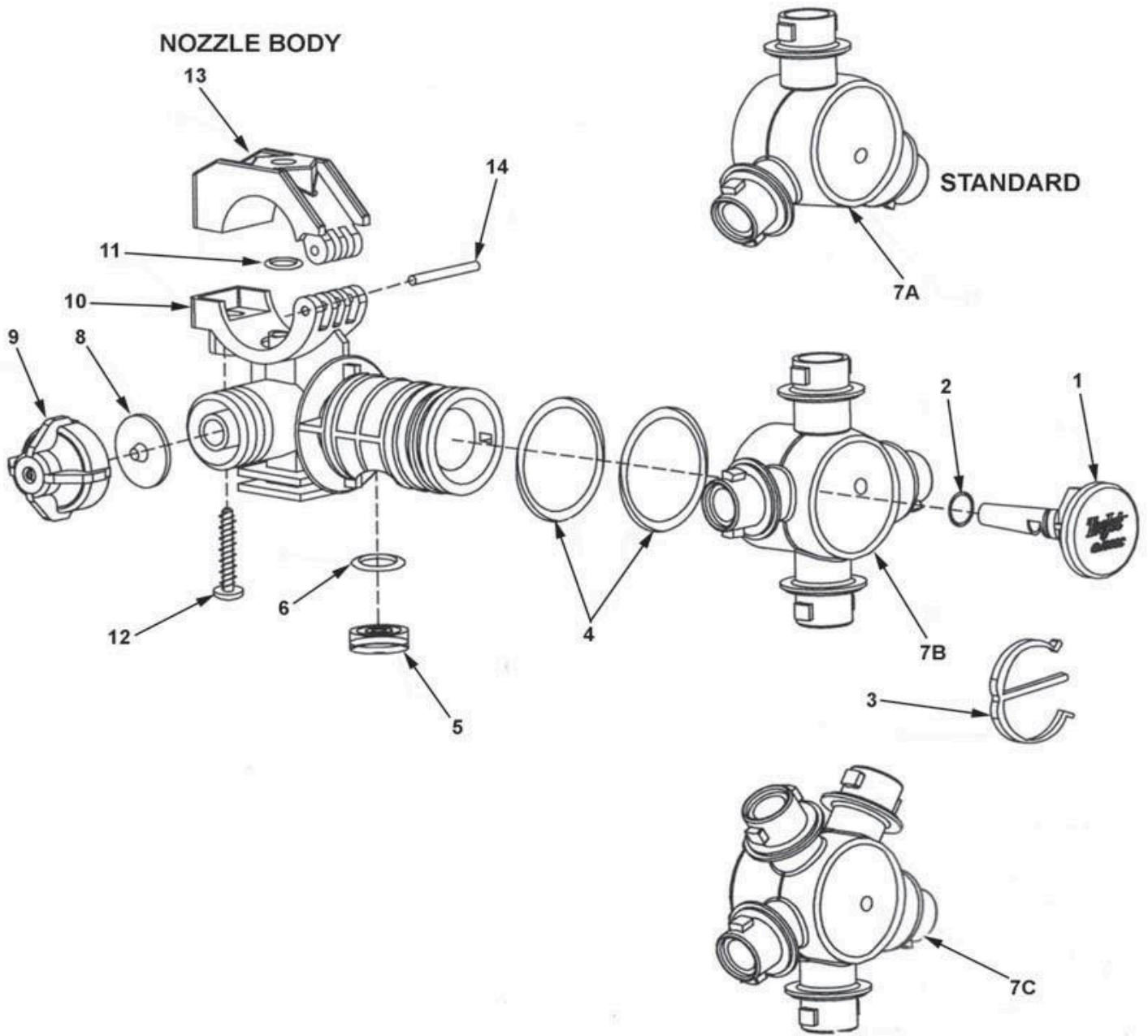


ILLUSTRATED PARTS LIST

Parts List: Wet Boom & Bracket

ITEM	VENDOR PART#	FAST PART #	DESCRIPTION
1		655	NUT 1/4" NYLOCK STAINLESS STEEL
2		685	WASHER 1/4" STAINLESS STEEL
3		16271	DELIVERY TUBE SUPPORT
4		540029	TUBE CLAMP BASE
5		590048	U-BOLT STAINLESS STEEL
6		14301	TUBE, 6 PORT 15 INCH SPACING + FENCELINE VALVE
		14302	TUBE, 2 PORT 15 INCH SPACING
		14303	TUBE, 3 PORT 15 INCH SPACING
		14304	TUBE, 4 PORT 15 INCH SPACING
		14305	TUBE, 5 PORT 15 INCH SPACING
		14306	TUBE, 6 PORT 15 INCH SPACING
		14307	TUBE, 7 PORT 15 INCH SPACING
		14308	TUBE, 8 PORT 15 INCH SPACING
		14310	TUBE, 10 PORT 15 INCH SPACING
		14311	TUBE, 7 PORT 20 INCH SPACING + FENCELINE VALVE
		14312	TUBE, 2 PORT 20 INCH SPACING
		14313	TUBE, 3 PORT 20 INCH SPACING
		14314	TUBE, 4 PORT 20 INCH SPACING
		14315	TUBE, 5 PORT 20 INCH SPACING
		14316	TUBE, 6 PORT 20 INCH SPACING
		14317	TUBE, 7 PORT 20 INCH SPACING
		14318	TUBE, 8 PORT 20 INCH SPACING
		14319	TUBE, 9 PORT 20 INCH SPACING
		14320	TUBE, 5 PORT 20 INCH SPACING + FENCELINE VALVE
		14321	TUBE, 6 PORT 20 INCH SPACING + FENCELINE VALVE
		14322	TUBE, 2 PORT 22 INCH SPACING
		14323	TUBE, 3 PORT 22 INCH SPACING
		14324	TUBE, 4 PORT 22 INCH SPACING
		14325	TUBE, 5 PORT 22 INCH SPACING
		14326	TUBE, 6 PORT 22 INCH SPACING
		14327	TUBE, 7 PORT 22 INCH SPACING
		14330	TUBE, 5 PORT 22 INCH SPACING + FENCELINE VALVE
7	BR64032H	540017	CLAMP HOSE

Wet Boom Diaphragm Check Valve Quick TeeJet Hinged Nozzle Body – 520039



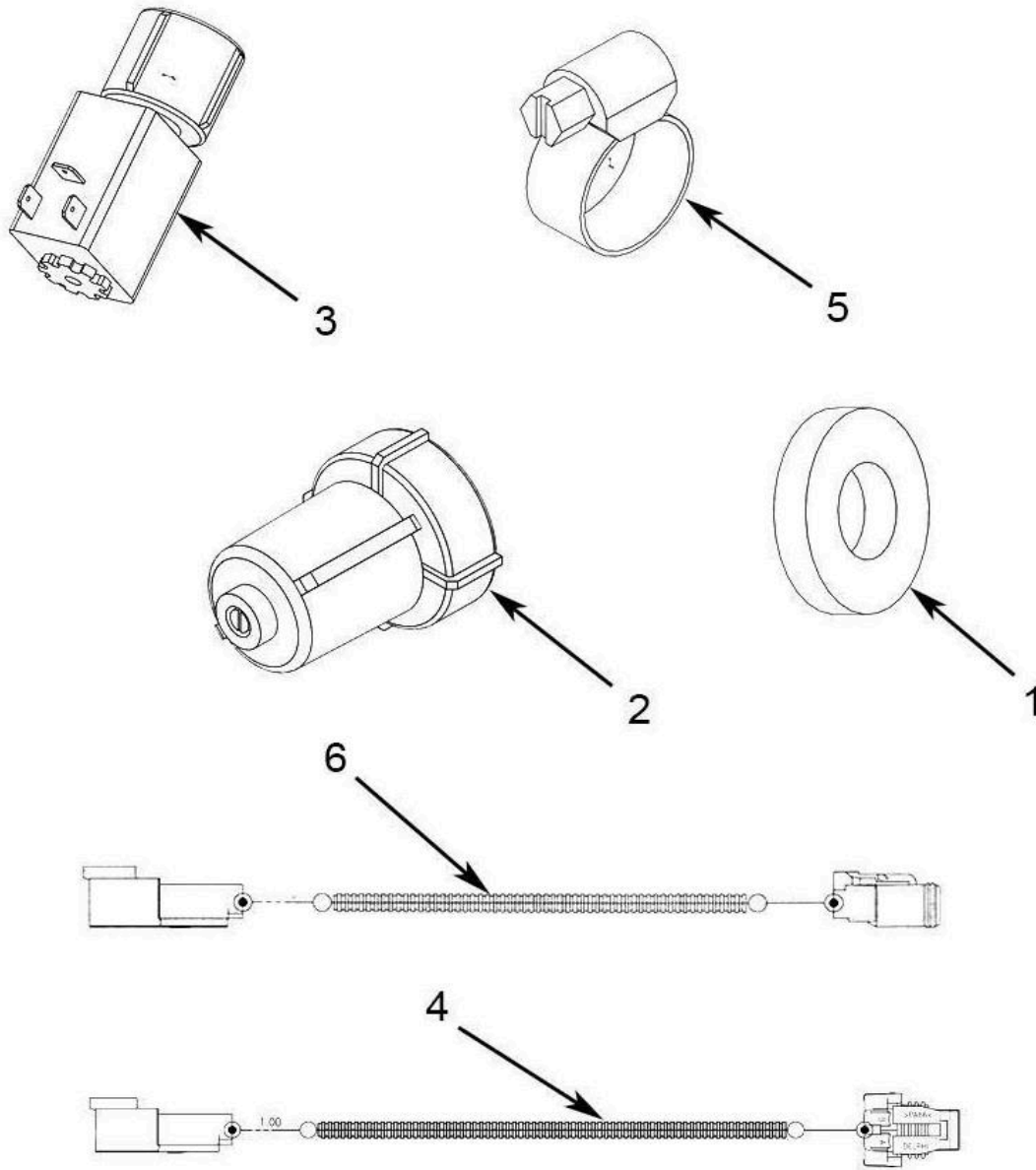


ILLUSTRATED PARTS LIST

Parts List: Wet Boom Diaphragm Check Valve Quick TeeJet Hinged Nozzle Body – 520039

ITEM	VENDOR PART#	DESCRIPTION
1	CP38930-8-NYB	PLUG, NYLOK (BLACK)
2	VP7717-2-13-EPR	O-RING, EPDM
	CP7717-2-13-VI	O-RING, VITON (OPTIONAL)
3	CP38931-NYB	E-CLIP, NYLON (BLACK)
4	CP7717-M23x3-EPRTFE	O-RING, EPR-TEF ON FILLED (2 REQ'D)
	CP7717-M28x3-VITFE	O-RING, VITON-TEF ON FILLED (2 REQ'D)(OPTINOAL)
5	CP56726-VITFE	SEAL, VITON-TEF ON FILLED
6	CP7717-2-111-VI	O-RING, VITON
7A	CP38921-2-NYB	TURRET, NYLON (BLACK) (3 OUTLET) STD
7B	CP38922-2-NYB	TURRET, NYLON (BLACK) (4 OUTLET)
7C	CP23823-2-NYB	TURRET, NYLON (BLACK) (5 OUTLET)
8	CP21953-EPR	DIAPHRAGM, EPDM
	CP21953-VI	DIAPHRAGM, VITON (OPTIONAL)
9	21950-10-NYB	END CAP SUB-ASSEMBLY, NYLON (BLACK)
10	CP38942-2-NYB	1/2" BODY, NYLON (BLOCK)
	CP38925-2-NYB	3/4" & 25mm BODY, NYLON (BLACK)
	CP38926-2-NYB	1" BODY, NYLON (BLACK)
11	CP7717-2-110-BU	O-RING, BUNA-N
	CP7717-2-110-VI	O-RING, VITON (OPTIONAL)
12	CP48255-1-1/2-302SS	SCREW, STAINLESS STEEL
13	CP48224-NYB	25mm UPPER CLAMP, NYLON (BLACK)
14	CP48256 SS	PIVOT PIN, STAINLESS STEEL

Fence Row Option



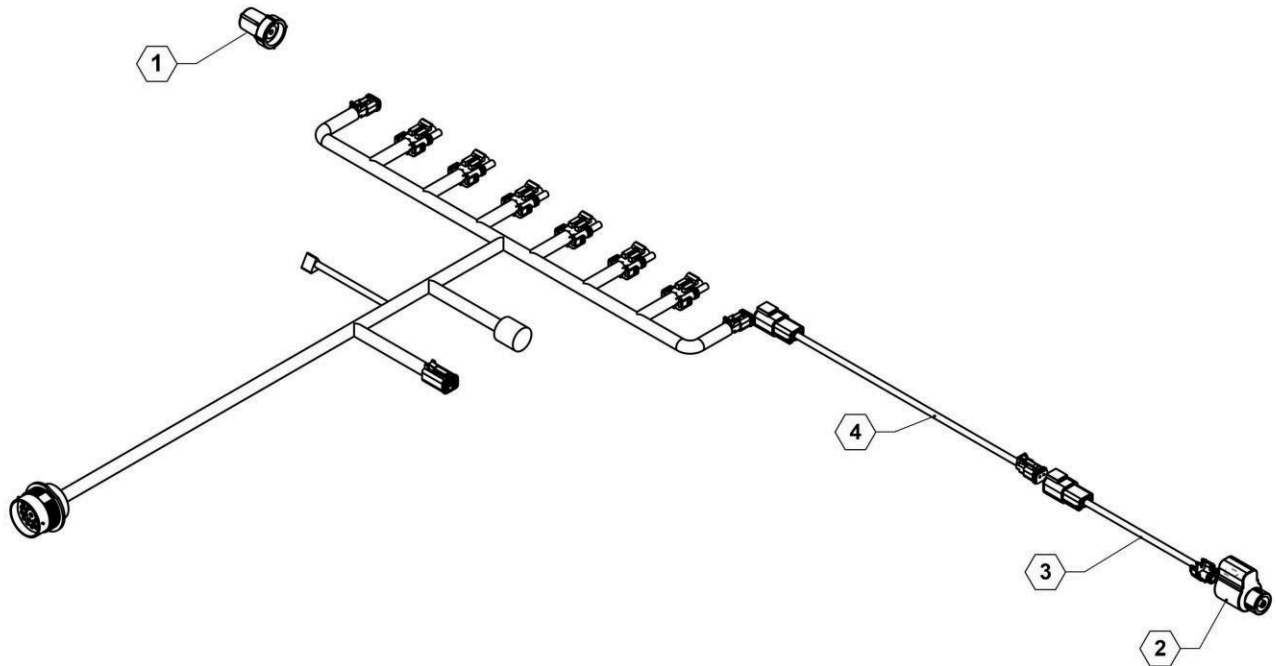
Parts List: Fence Row Option

ITEM	PART NO.	DESCRIPTION	QTY
1	52006	NOZZLE SEAT WASHER, RUBBER	2
2	520037	NOZZLE MANUAL CHEM SAVER	2
3	520038	NOZZLE ELECTRIC CHEM SAVER	2
4	632044	CABLE ADAPTER 2PDT TO 2P 6"	2
5	540032	CLAMP, HOSE 5/16"	4
6	632054	55' FENCE ROW CABLE	2

Single Fence Line, Display Control

NOTE:

1. FOR USE WITH RAVEN RCM AND JD RC2000

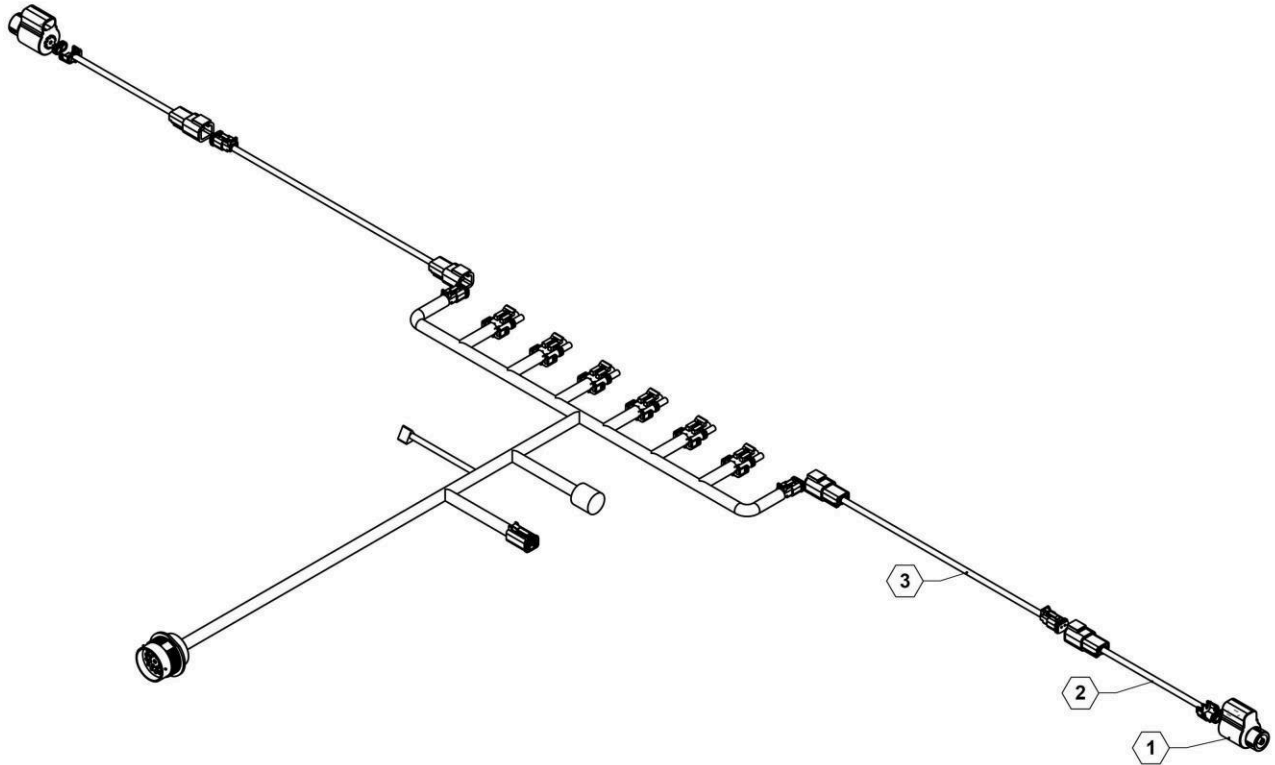


Parts List 27360: Single Fence Line, Display Control

ITEM	PART NO.	DESCRIPTION	QTY
1	520037	VALVE, MANUAL CHEMSAVER	1
2	520038	VALVE, ELECTRIC CHEMSAVER	1
3	632044	FENCEROW ADAPTER CABLE, 6"	1
4	632054	FENCEROW CABLE, 55'	1

Dual Fence Line, Display Control

NOTE:
1. FOR USE WITH RAVEN RCM AND JD RC2000

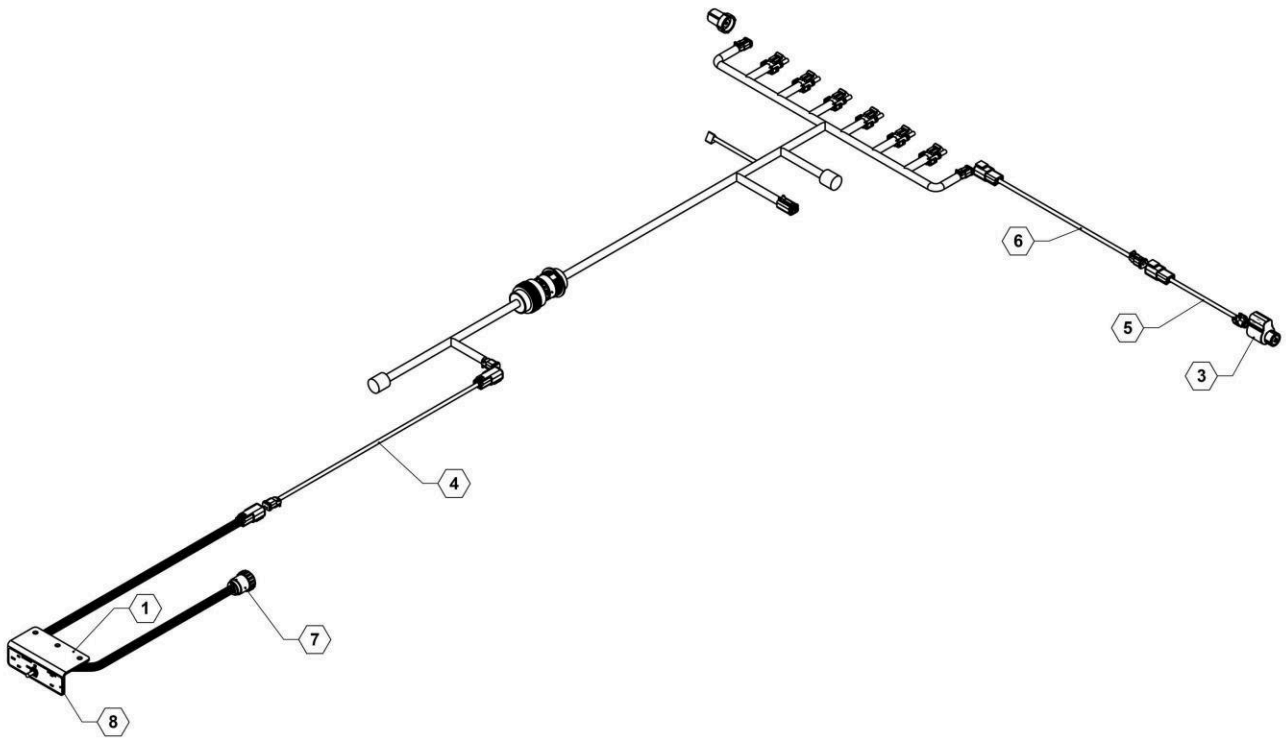


Parts List 27361: Dual Fence Line, Display Control

ITEM	PART NO.	DESCRIPTION	QTY
1	520038	VALVE, ELECTRIC CHEMSAVER	2
2	632044	FENCEWOR ADAPTER CABLE, 6"	2
3	632054	FENCEROW CABLE, 55'	2

Single Fence Row, Toggle Switch Control

NOTE:
1. FOR USE WITH RAVEN 450, JD GREENSTAR & OTHER 16 & 37 PIN CABLING CONTROLLERS

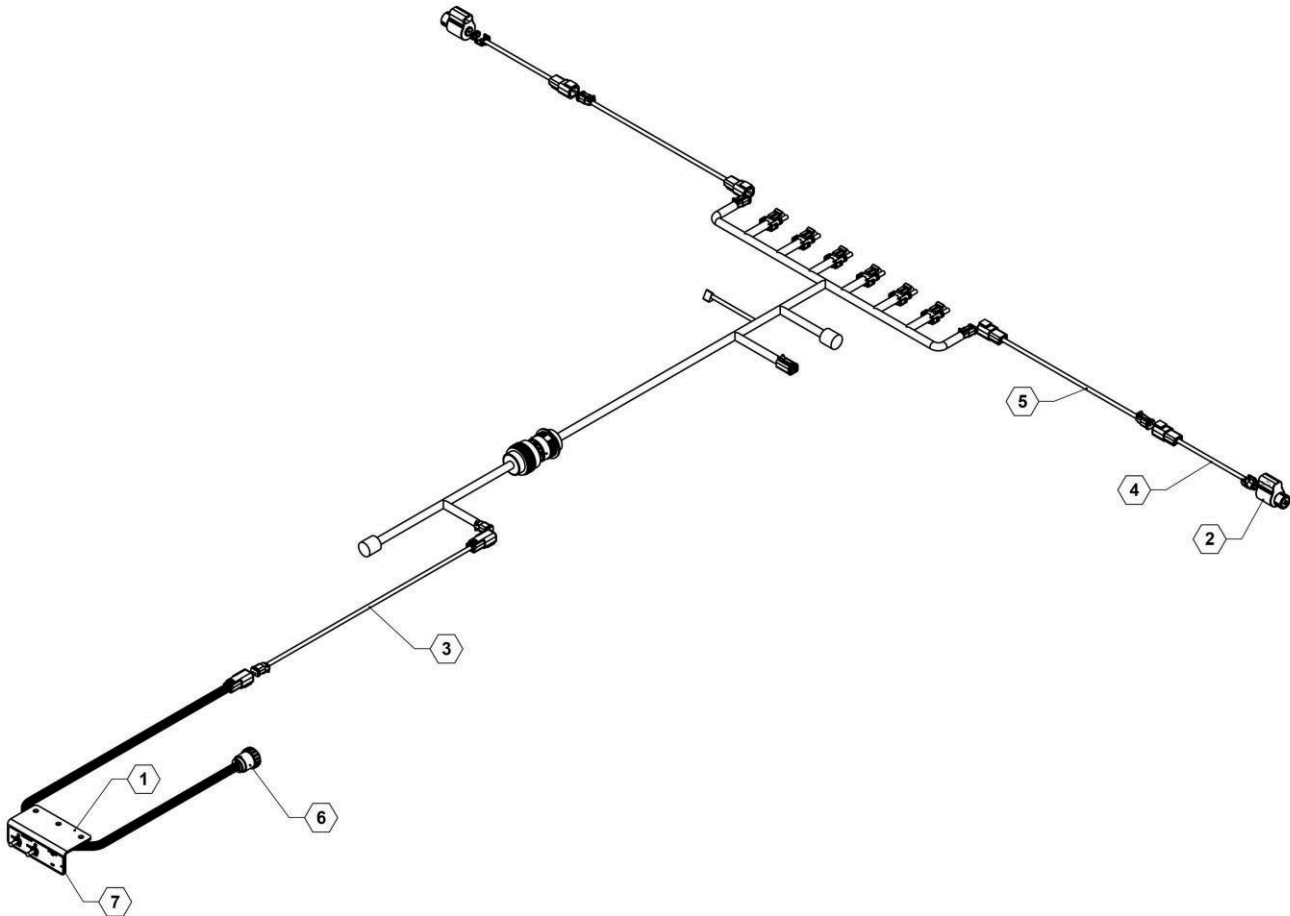


Parts List 27362: Single Fence Row, Toggle Switch Control

ITEM	PART NO.	DESCRIPTION	QTY
1	18437	PLATE, MOUNT	1
2	520037	VALVE, MANUAL CHEMSAVER	1
3	520038	VALVE, ELECTRIC CHEMSAVER	1
4	632042	2 PIN DT 40' CABLE EXTENSION	1
5	632044	FENCEROW ADAPER CABLE, 6"	1
6	632054	FRNCEROW CABLE, 55'	1
7	632089	CABLE, SINGLE ELECTRIC FENCELINE NOZZLE	1
8	800261	DECAL, FENCELINE & AGITATION	1

Dual Fence Row, Toggle Switch Control

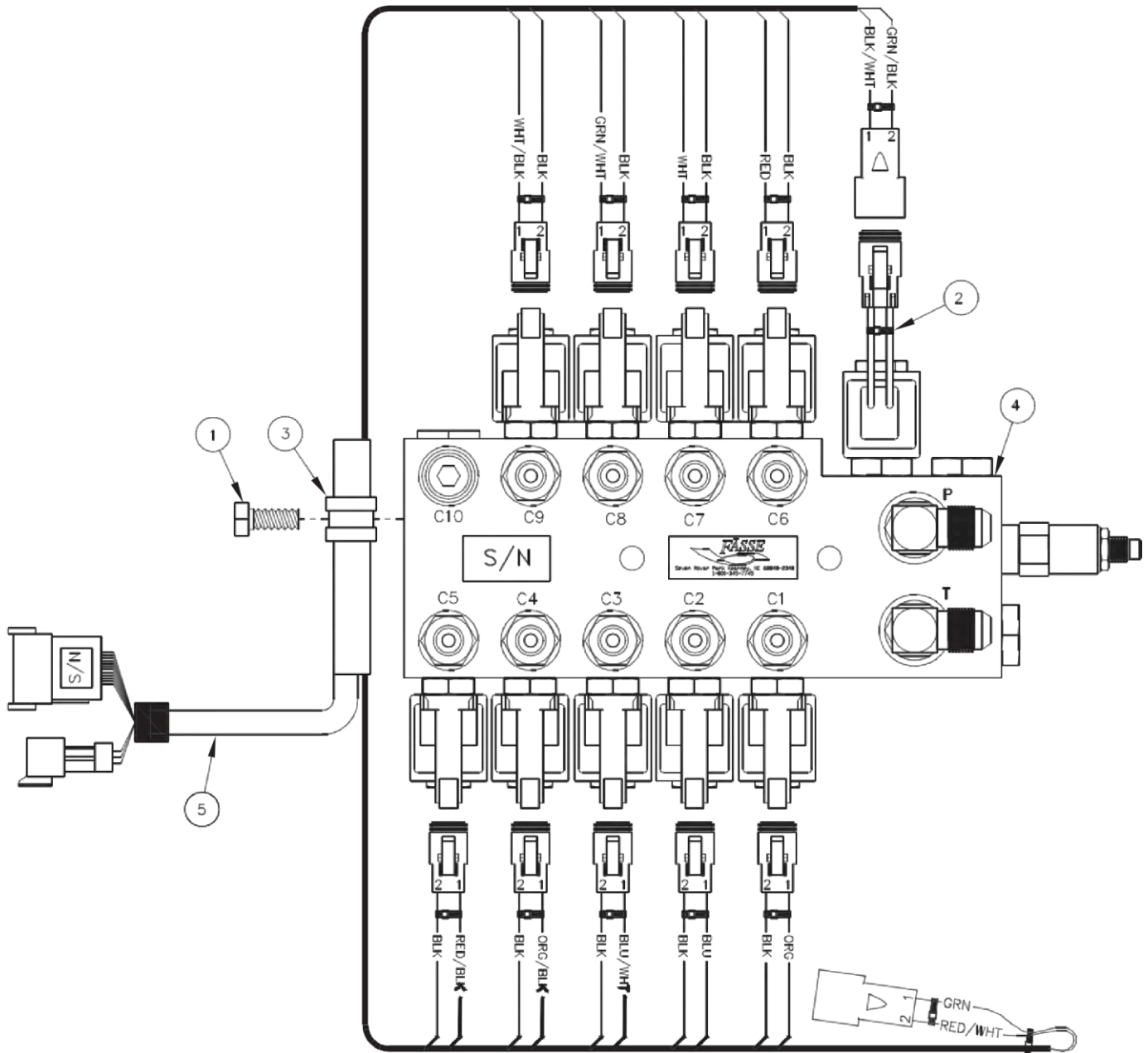
NOTE:
1. FOR USE WITH RAVEN 450, JD GREENSTAR & OTHER 16 & 37 PIN CABLING CONTROLLERS



Parts List 27363: Dual Fence Row, Toggle Switch Control

ITEM	PART NO.	DESCRIPTION	QTY
1	18437	PLATE, MOUNT	1
2	520038	VALVE, ELECTRIC CHEMSAVER	2
3	632042	2 PIN DT 40' CABLE EXTENSION	1
4	632044	FENCEROW ADAPTER CABLE, 6"	2
5	632054	FENCEROW CABLE, 55'	2
6	632088	CABLE, DUAL ELECTRIC FENCELINE NOZZLES	1
7	800261	DECAL, FENCELINE & AGITATION	1

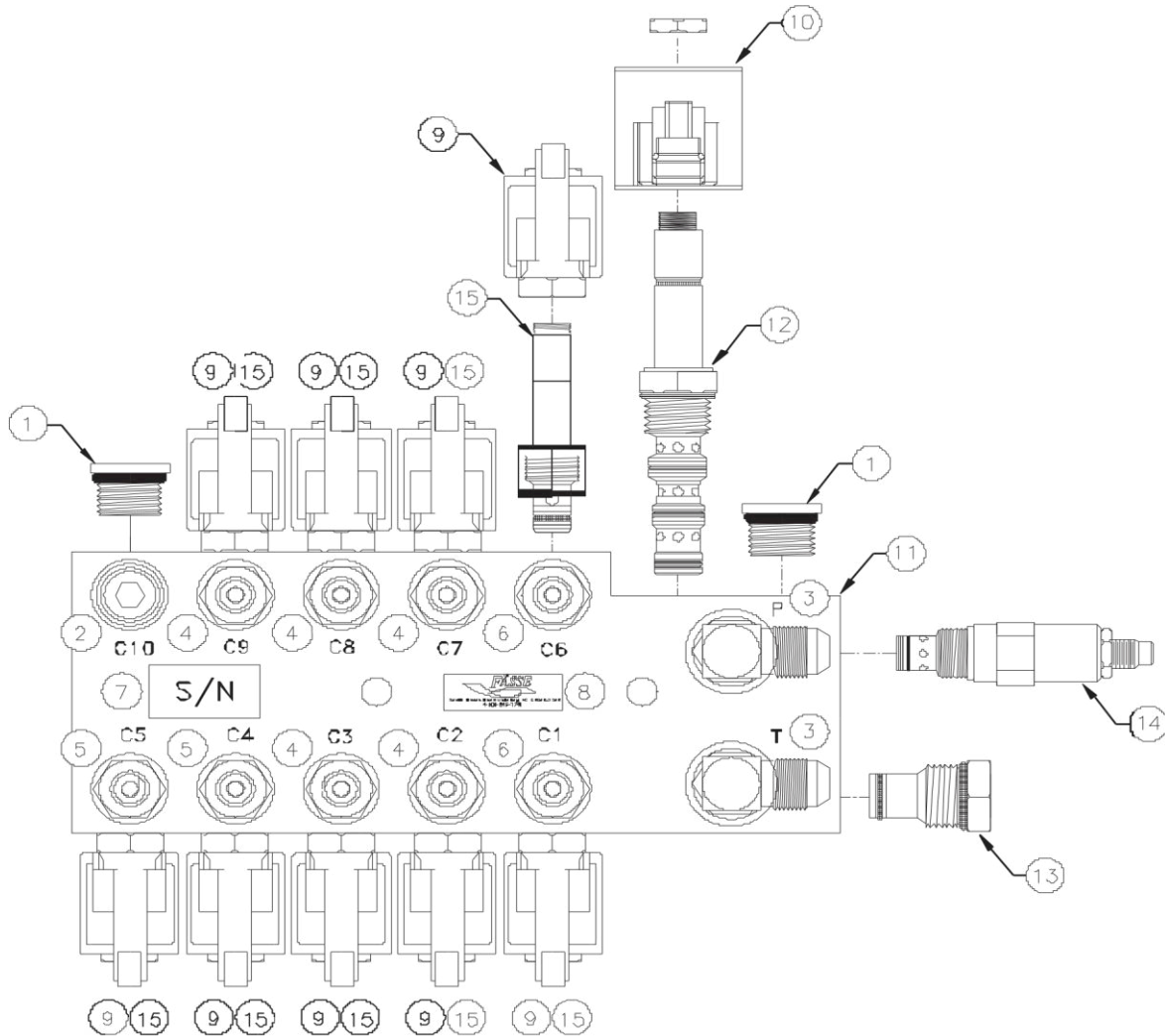
Hydraulic Control Valve Wiring Harness



Parts List: Hydraulic Control Valve Wiring Harness

ITEM	PART NO.	DESCRIPTION	QTY
1	212-025	BOLT, 5/16-18 X 0.75	1
2	214-002	CABLE TIE BLACK 7"	13
3	255-026	LOOM CLAMP 0.5" ID METAL/RUBBER	1
4	302-780	MANI ASSY 0806 4DA 1SA CLSD DTR 12V WP6400-4(7)+6(2)R.047 P6801-8	1
5	319-724	HRN ASSY 15CON 18GA DTR KEY A 12P(12)-DTR3P(3)-9DTP2P(2) 2DTR2P(2) 33'	1

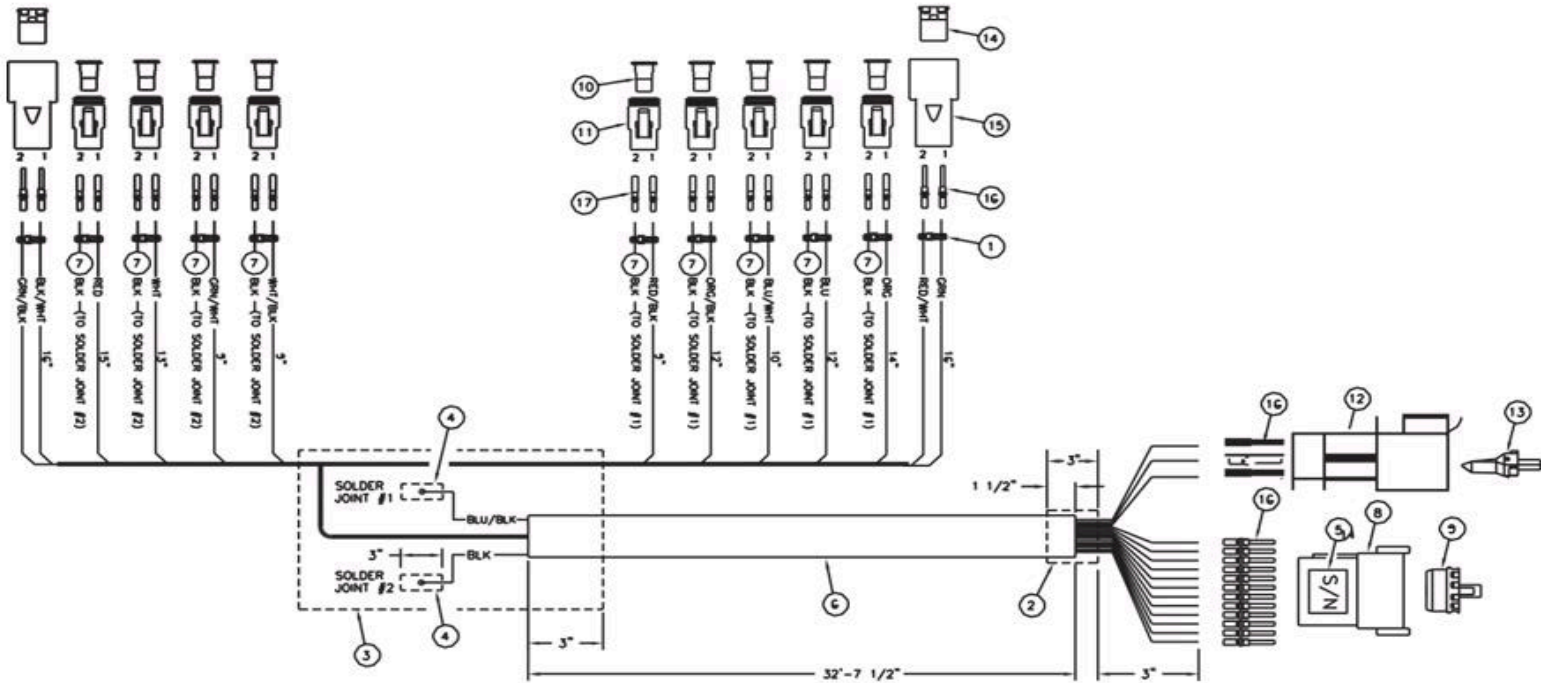
Hydraulic Control Valve



Parts List: Hydraulic Control Valve

ITEM	PART NO.	QTY	DESCRIPTION
1	210-038	2	FTG 6408-HHP-8/HOLL HEX PLUG MO
2	210-127	1	FTG 6408-HHP-6/HOLL HEX PLUG MO
3	210-390	2	FTG 6801-8-8/E-MJ-MO ZINC NICKEL PLATED
4	210-391	5	FTG 6400-4-6/S-MJ-MO ZINC NICKET PLATED
5	210-392	2	FTG 6400-6-6 R.047/S-MJ-MO ZINC NICKEL PLATED
6	210-393	2	FTG 6400-6-6/S-MJ-MO ZINC NICKEL PLATED
7	232-050	2	DECAL S/N (SILVER)
8	232-058	1	DECAL FASSE BLACK/GOLF 1" X 75" RND CRNR
9	253-046	9	COIL HYDAC 0312600 DL DSTCH RECPT
10	253-593	1	COIL N/F 4304112E-10 INTG DEUT DTR 12V ZENER DIODE
11	270-093	1	MANI S14153-4 5CIR AL RV
12	273-008	1	CART SV10-40-0-N-00
13	273-012	1	CART CP10-20
14	273-058	1	CART H/F RV10-22A-0-N-NC-35-30
15	273-077	9	CART HYDAC WSD8W-01-C-N-0

Hydraulic Control Valve Wiring Harness



8 PIN OUT DETAIL (DEUT RCPT)



- 1 - RED
- 2 - ORG
- 3 - WHT
- 4 - BLU/BLK
- 5 - WHT
- 6 - BLU/BLK
- 7 - GRN
- 8 - ORG/BLK
- 9 - WHT/BLK
- 10 - BLK
- 11 - GRN
- 12 - BLK

12 PIN OUT DETAIL (DEUT RCPT)



- A - GRN/WHT
- B - BLU/WHT
- C - RED/WHT

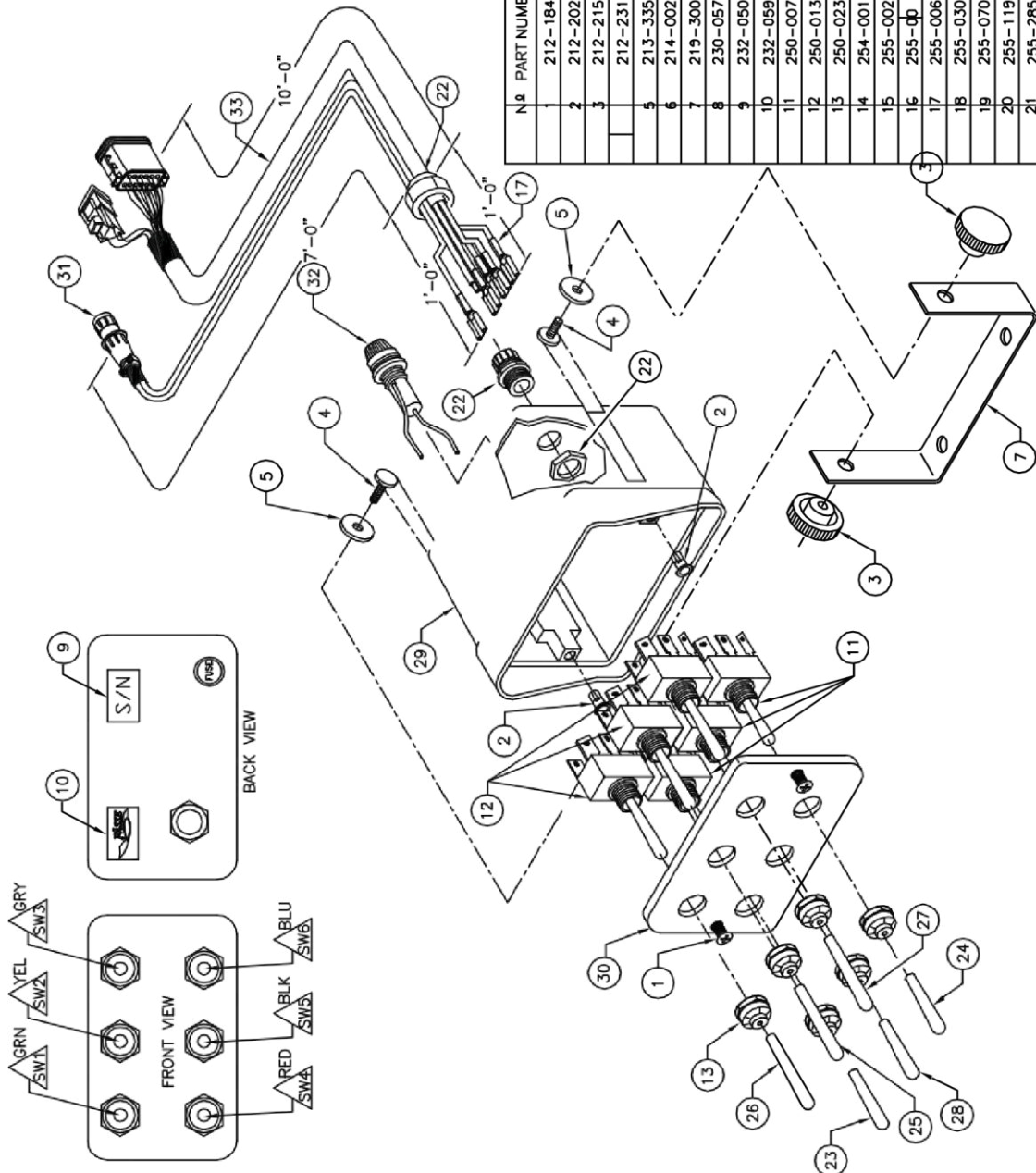
NOTES:

1. HARNESS LENGTH IS 33"
2. USE 3 CABLE TIES TO COIL UP HARNESS.
3. PUT REMAINING TIES INTO BAG.

Parts List: Hydraulic Control Valve Wiring Harness

ITEM	PART NO.	QTY	DESCRIPTION
1	214-002	11	CABLE TIE BLACK 7"
2	231-007	3"	SHRINK TUBING .625
3	231-008	6"	SHRINKTUBING .750
4	231-313	6"	SHRINKTUBING .313
5	232-050	2	DECAL S/N (SILVER)
6	252-020	35'	CABLE 15CON 18GA
7	252-058	13'	WIRE 18GA BLK
8	255-212	1	CNTR DEUTSCH 12 PIN RECEPT DIR
9	255-214	1	CNTR DEUTSCH LOCK WEDGE 12 PIN DIR
10	255-505	9	CNTR DEUTSCH LOCK WEDGE 2 PIN DIP
11	255-801	9	CNTR DEUTSCH 2 PIN PLUG DT
12	255-811	1	CNTR DEUTSCH 3 PIN RECPT DT
13	255-812	1	CNTR DEUTSCH LOCK WEDGE 3 PIN DIR
14	255-969	2	CNTR DEUTSCH LOCK WEDGE 2 PIN DIR
15	255-971	2	CNTR DEUTSCH 2 PIN RECEPT DT
16	255-977	19	TRM PIN DEUTSCH 16/18GA
17	255-978	18	TRM SOCKET DEUTSCH 16/18GA

Control Console



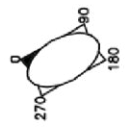
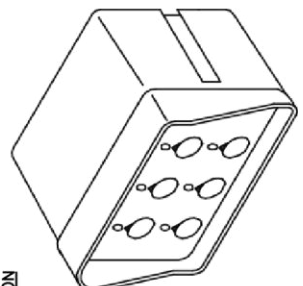
PN	PART NUMBER	QTY	PART DESCRIPTION
1	212-184	2	SCREW 6-32 X 3/8 DVA HD B LK
2	212-202	2	INSERT 6-32X3/8 BRASS
3	212-215	2	KNUR 1/4-20-EMMA F
4	212-231	2	SCREW WELDED 1/4-20 X .500
5	213-335	2	WASHER NYLON .257X.875X.060
6	214-002	3	CABLE TIE BLACK 7"
7	219-300	1	BRKT HSG MONITOR
8	230-057	1	BAG POLY CLR 14 X 18 2MIL W/LOGO
9	232-050	2	DECL 5/N (SILVER)
10	232-059	1	DECL GOLD/BLK 1.5 X .5
11	250-007	3	SW TOG DPDT 3P MOM SHORT
12	250-013	3	SW TOG DPDT 3P MOM LONG
13	250-023	6	SW TOG BOOT OPN GRN
14	254-001	1	DIODE D116A2 6AMP
15	255-002	25	TRM T-TAP F PO BLU
16	255-00	2	TRM PO F FULL INS 22-18GA
17	255-006	6	TRM PO F NON INS 20/18GA
18	255-030	2	TRM SPLICE CLOSED END 16-18GA
19	255-070	2	TRM PO M/F 14-16GA
20	255-119	3	TRM PO F INS 16-14GA
21	255-285	1	TRM SPLICE CLOSED END LRG
22	255-710	1	STRAIN RLF HEYCO .45"-705"ID, HOLE DIA 1.115"
23	259-005	1	SW TOG GRIP VNYL RED .187
24	259-015	1	SW TOG GRIP VNY B U .187
25	259-022	1	SW TOG GRIP VNYL YEL .187
26	259-023	1	SW TOG GRIP VNYL GRN .187
27	259-027	1	SW TOG GRIP VNYL GRN .187
28	259-031	1	GRIP TOG VNY B K .187"
29	30-00	1	ENCL DRILL MNIBRX -H-1-1/8" G
30	304-751	1	-NCL DRILL FP MNTN SW6 F00204
31	314-217	1	HARNESS R B WIRE SERIES 3 P B
32	319-769	1	FUSEHO DER PM ASSY 10A / .5'
33	320-760	1	TRN 15CON 18GA DTP KEY A 12P(12)D P3P(3) 11'

NOTES:

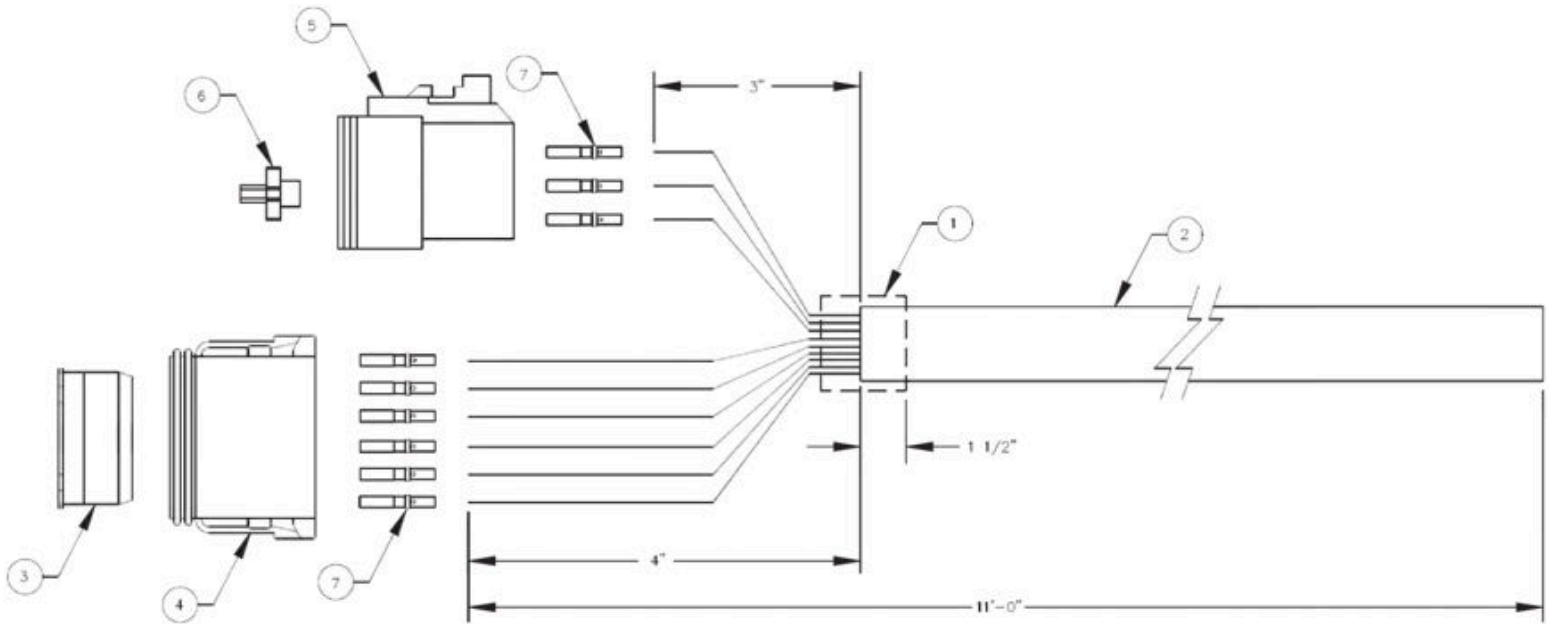
1. USE 1-CABLE TIE TO COIL UP HARNESS
2. NOT SHOWN: (6) (8)
3. CUT (23) (24) & (28) TO FIT ON SW BAT.

SWITCH NOTCH ORIENTATION

- ORIENT SWITCH NOTCHES AS SHOWN IN GRAPHIC
- USE THE ANGLE VALUES SHOWN AS REFERENCE



Wiring Harness

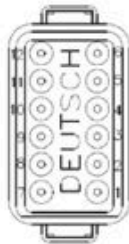


PREL. OUT. DETAIL

PREL. OUT. DETAIL



- A - GRN/WHT
- B - BLU/WHT
- C - RED/WHT



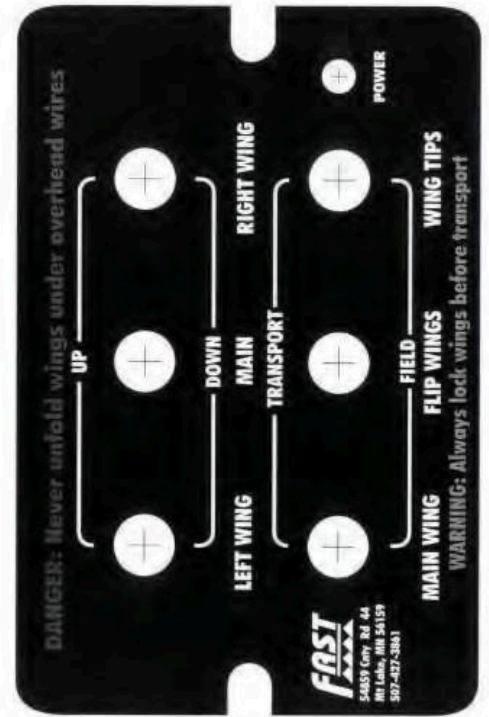
- 1 - RED
- 2 - ORG
- 3 - WHT
- 4 - BLU/BLK
- 5 - RED/BLK
- 6 - ORG/BLK
- 7 - WHT/BLK
- 8 - BLU
- 9 - BLK/WHT
- 10 - GRN
- 11 - BLK
- 12 - GRN/BLK

ITEM	PART NO.	QTY	DESCRIPTION
1	231-007	3"	SHRINKTUBING .625
2	252-020	11'	CABLE 15CON 18GA
3	255-215	1	CNTR LOCK WEDGE 12 PIN DTP
4	255-756	1	CONN DEUTSCH PLUG 12P KEY A
5	255-813	1	CNTR DEUTSCH 3 PIN PLUG DT
6	255-817	1	CNTR DEUTSCH LOCK WEDGE 3 PIN DTP
7	255-978	15	CNTR DEUTSCH SOCKET 16/18GA

Console Control Wiring Harness

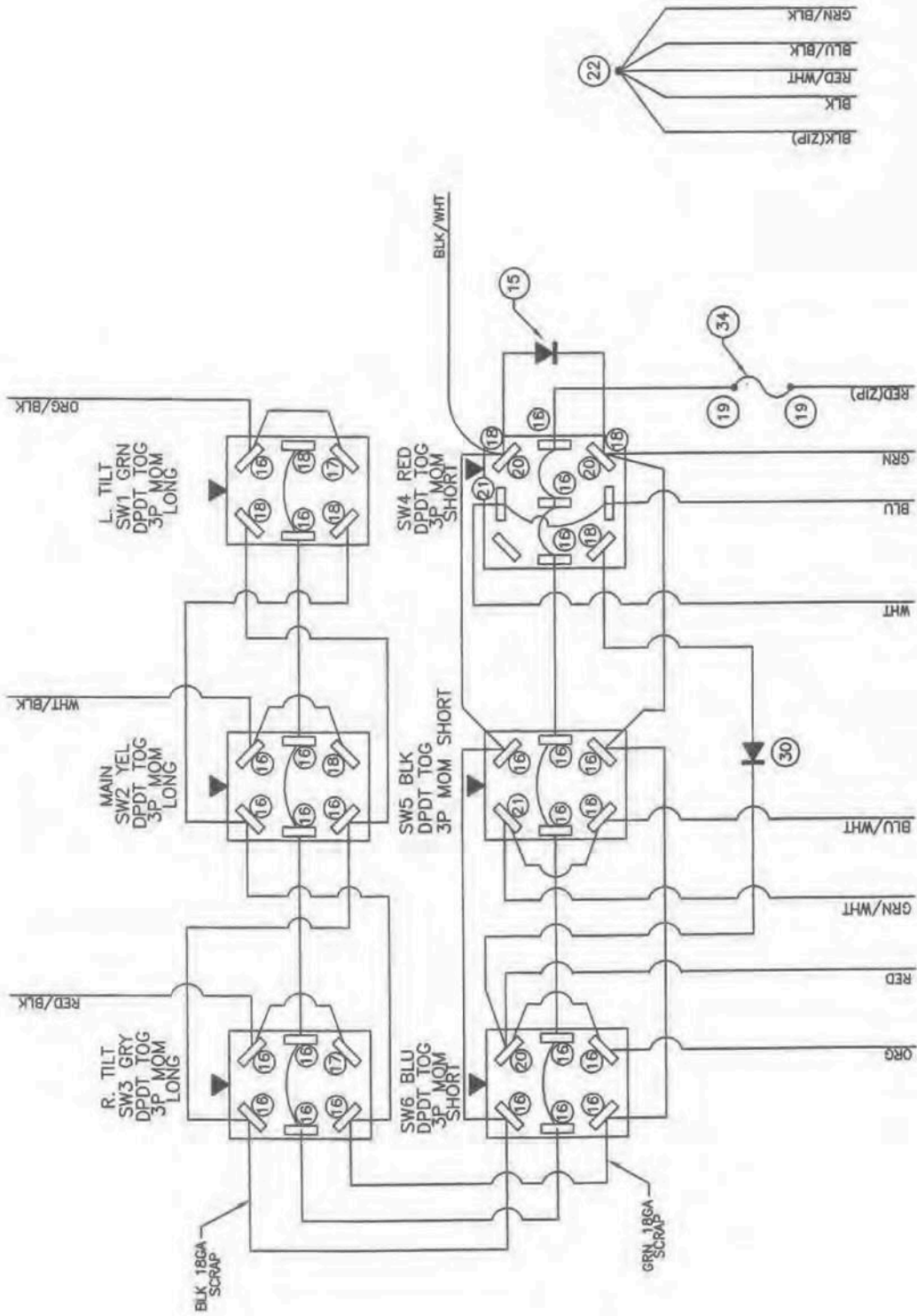
700-0806-4103 & 700-0806-4104 REV D

Switch No.	Boot Color	Switch Position	Hot Wires	Pin Out Location	Pressure Ports	Tank Ports	Function
1 Long	Green	Up (mom)	Org/Blk & Grn	6-12P, 10-12P	C4		Lt. Wing Up
		Center (stat)					Off
		Down (mom)	Org/Blk & Grn & Blk/Wht	6-12P, 10-12P, 9-12P		C4	
2 Long	Yellow	Up (mom)	Wht/Blk & Grn & Blk/Wht	7-12P, 10-12P, 9-12P	C9		Main Up
		Center (stat)					Off
		Down (mom)	Wht/Blk & Grn	7-12P, 10-12P		C9	
3 Long	Gray	Up (mom)	Red/Blk & Grn	5-12P, 10-12P	C5		Rt. Wing Up
		Center (stat)					Off
		Down (mom)	Red/Blk & Grn & Blk/Wht	5-12P, 10-12P, 9-12P		C5	
4 Short	Red	Up (mom)	Wht & Blu & Grn	3-12P, 8-12P, 10-12P	C2	C7	Main Wing Transport
		Center (stat)					Off
		Down (mom)	Wht & Blu & Grn & Blk/Wht	3-12P, 8-12P, 10-12P, 9-12P		C7	
5 Short	Black	Up (mom)	Grn/Wht & Blu/Wht & Grn	1-3P, 2-3P, 10-12P	C3	C8	Flip Wings Transport
		Center (stat)					Off
		Down (mom)	Grn/Wht & Blu/Wht & Grn & Blk/Wht	1-3P, 2-3P, 10-12P, 9-12P		C8	
6 Short	Blue	Up (mom)	Red & Org & Grn	1-12P, 2-12P, 10-12P	C1	C6	Wing Tips Transport
		Center (stat)					Off
		Down (mom)	Red & Org & Grn & Blk/Wht	1-12P, 2-12P, 10-12P, 9-12P		C6	
			Blk	11-12P			Ground
			Red/Wht	3-3P			Ground
			Blu/Blk	4-12P			Ground
			Grn/Blk	12-12P			Ground

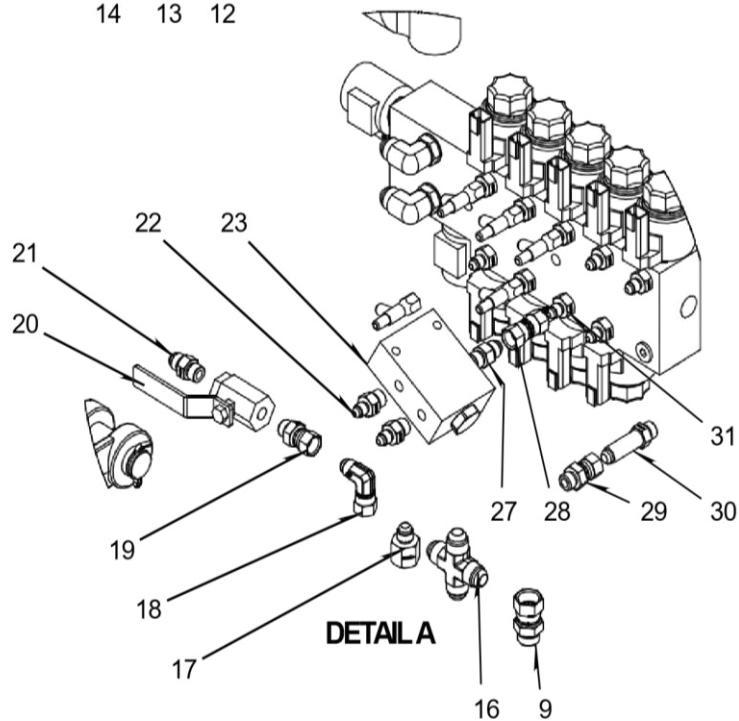
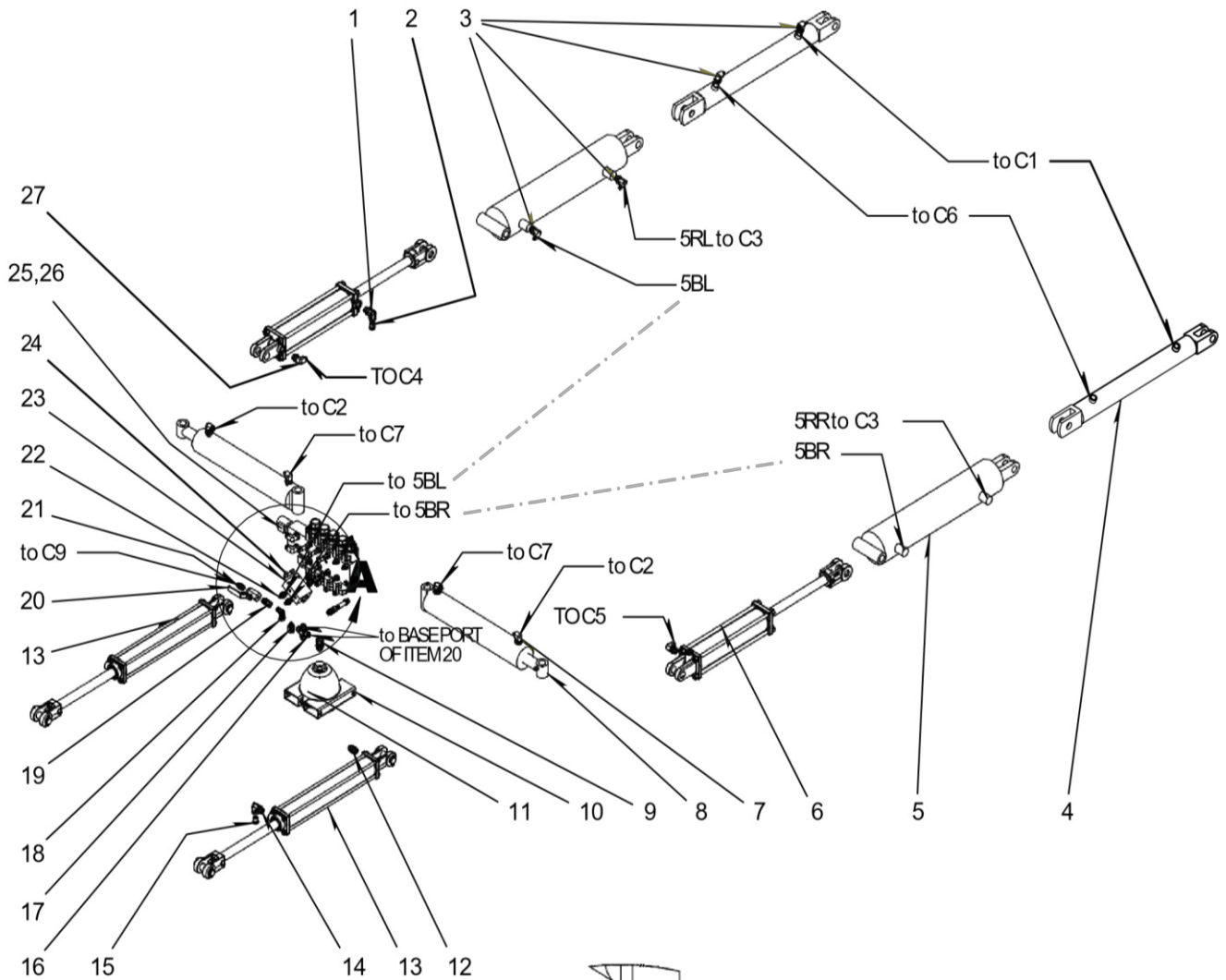


Control Console Switch Diagram

SWITCH WIRING DIAGRAM



Cylinder & Fittings





ILLUSTRATED PARTS LIST

Parts List: Cylinder & Fittings

ITEM	VENDOR PART#	FAST PART#	DESCRIPTION	QTY.
1	TO6805-08-06	610035	ADAPTER 8ORB X 3/8" FPT90°	2
2	TOBV3	610036	BREATHER 3/8"MPT	2
3	TO6801-04-08	610029	ADAPTER 8ORB X4JIC	8
4	647952	620036	CYLINDER 2.5 X 16 WELDED	2
	MI649262		SEALKIT	
5	MI647953	620043	CYLINDER 5 X 16 WELDED	2
NS	MI649096		SEALKIT	
6	MI671325	620056	CYLINDER 3 X 12	2
NS	MI661727		SEALKIT	
7	6801	610030	ADAPTER 8ORB X6JIC	4
8	MI675418	620079	CYLINDER 3 X 16 WELDED 1.75 ROD (2014 -)	2
NS	649209(RK30WR-175TSS)		KITSEAL	
9	TO6402-08-08	610083	ADAPTER 8ORB X8JIC	1
10		16654	TUBE ACCUMULATOR MOUNT	2
11		630020	ACCUMULATOR 80 CU.IN.	1
12	TO64000808	610013	ADAPTER 8ORB X8JIC	2
13	MI645710	620057	CYLINDER 3 X 16	2
14	TO6805-08-06	610035	ADAPTER 8ORB X 3/8" FPT90°	2
15	TOBV3	610036	BREATHER 3/8"MPT	2
16	TO2650-08-08-08	610071	CROSS8JIC	1
17	TO2406-08-06	610072	ADAPTER 8JIC TO 6JIC REDUCER	1
18	TO6500-06-06	610023	ADAPTER 6JIC X 6JIC90°	1
19	TO6402-04-06	610079	ADAPTER 6ORB X6JIC	1
20	AFMPV14SAE	500000	VALVE 1/4 TURN#4ORB	1
21	TO64000604	610007	ADAPTER 4ORB TO6JIC	1
22	TO64000406	610008	ADAPTER 6ORB TO4JIC	2
23	AFFD50458DN22	630022	BLOCK HYDRAULIC FLOWSPLITTER	1
24	TO6602040404	610026	ADAPTER RUNTEE	5
25	FV273-017	630036	CARTRIDGE OPEN CENTER CONVERSION	OPT
26	FV305-023	630037	COIL OPEN CENTER CONVERSION	OPT
27	TO64000406	610008	ADAPTER 4JIC X 6ORB IS REPLACED BY ITEM 29 IN CURRENT PRODUCTION	
28	TO65100404		JIC SWIVEL UNION IS REPLACED BY ITEM 30 IN CURRENT PRODUCTION	
29	TO64020606	610113	ADAPTER 6JIC X 6ORB REPLACES ITEM 27	1
30	TO64000606L	610103	ADAPTER 6JIC X 6ORB LONG STEM REPLACES ITEM 28 & 31	1
31	TO64000404		ADAPTER 4JIC X6ORB	

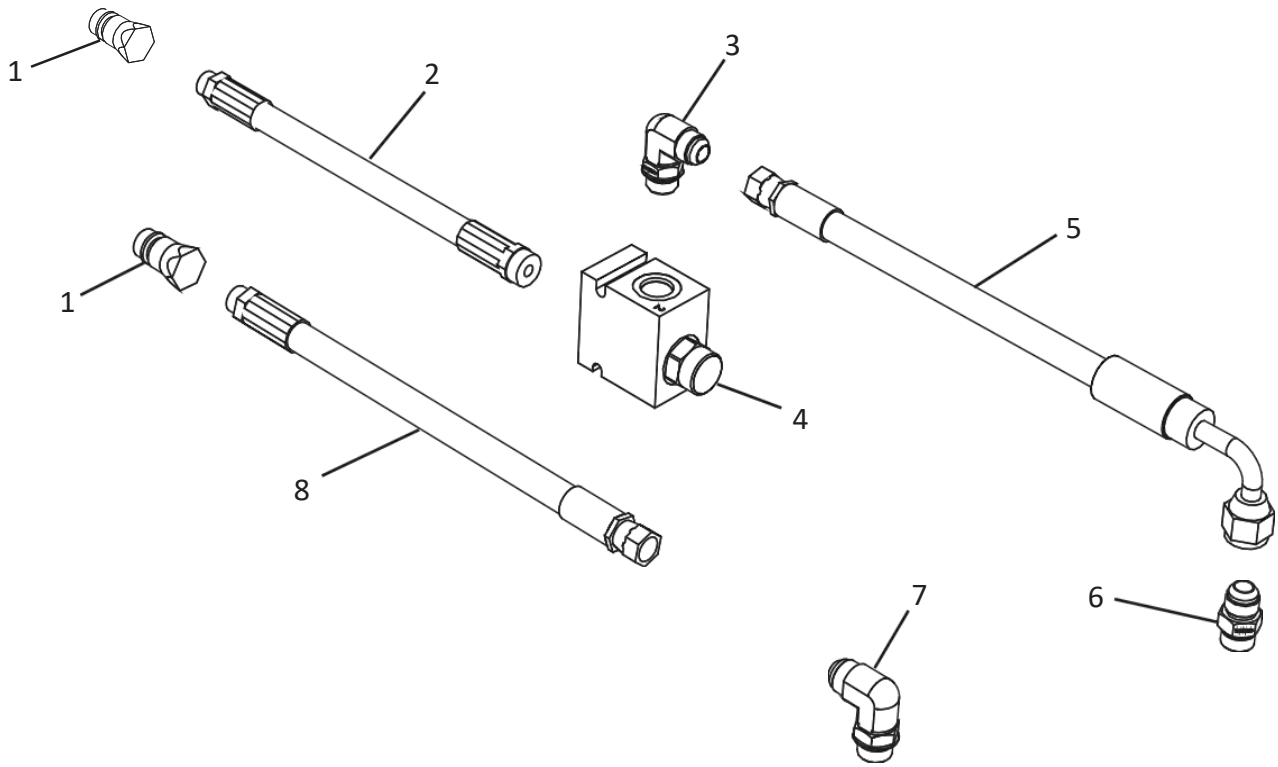


ILLUSTRATED PARTS LIST

Hose Description: Cylinder & Fittings

PART#	DESCRIPTION	HOSE SIZE	1 ST END	2 ND END	CUT LENGTH	QTY. REQ.	FUNCTION OFHOSE
520048	2-NV12-12SAE-M					4	HYDRAULICTIPS
610102	6801-10-10-NWO-TCT					1	
610060	6400-8-10-0-TCT					1	
FDM600039-13-ZN	FDM4R17-4FJX-4FJX90M	1/4"	FST.	F90	87	1	BLOCK TO MAIN LIFT
FDM 600039-11-ZN	FDM8R17-8FJX-8FJX45M	1/2"	FST.	F45	30	2	TEE TO MAIN LIFT RIGHT/LEFT
	STAUFFAG-2					52	TUBECLAMPS
FDM600039-7-ZN	FDM4R17-4FJX-4FJX	1/4"	FST.	FST	100	2	MAIN WING FOLD ROD
FDM600039-8-ZN	FDM4R17-4FJX-4FJX90M	1/4"	FST.	F90	100	2	MAIN WING FOLD BUTT
FDM600039-1A-ZN	FDM4R17-6MJX-4FJX	1/4"	MST.	FST.	132	4	BLOCK TOHARDLINES
FDM600039-2A-ZN	FDM4R17-6MJX-4FJX90M	1/4"	MST.	F901	132	4	BLOCK TOHARDLINES
FDMP603	FDMP603					124	FLIP WINGCYLINDERS
FDMP604	FDMP604					162	BREAKAWAY WING CYLINDER FEED ON MAIN WING
FDM600039-3A-ZN	FDM4R17-6MJX-6MJX	1/4"	MST.	MST	27.5	2	HARDLINE HINGE HOSE
FDM600039-4A-ZN	FDM4R17-6MJX-6MJX	1/4"	MST.	MST	31	2	HARDLINE HINGE HOSE
FDM600039-14-ZN	FDM6R17-6FJX-6FJX	3/8"	FST.	FST.	112	1	TILT CYLINDER RIGHT
FDM600039-12-ZN	FDM6R17-6FJX-6FJX	3/8"	FST.	FST.	118	1	TILT CYLINDER LEFT
FDMP605	FDMP605					203	BREAKAWAYWING CYLINDER
FDM600039-5A-ZN	FDM4R17-6MJX-4FJX	1/4"	MST.	FST.	24	2	HARDLINE TO CYLINDER FEEDBUTT
FDM600039-21A-ZN	FDM4R17-6MJX-4FJX	1/4"	MST.	FST.	26	2	HARDLINE TO CYLINDER FEEDBUTT
FDM600039-6A-ZN	FDM4R17-6MJX-4FJX	1/4"	MST.	FST.	32	4	HARDLINE TO CYLINDER FEED ROD
FDM600039-15-ZN	FDM8R17-8FJX-8MBO	1/2"	FST.	#8O-RING	340	1	BLOCKFEED
FDM600039-16-ZN	FDM8R17-8FJXZ-8MBOZ	1/2"	FST.	#8O-RING	350	1	BLOCKRETURN
FDM600039-17-ZN	FDM8R17-8MBO-10MBX90	1/2"	#8O-RING	#10O-RING	200	1	PC VALVEFEED
FDM600039-18-ZN	FDM10R17-8MBO-10FJXF	5/8"	#8O-RING	FST.	216	1	PUMPRETURN
FDM600040-20B-ZN	FDM8R17-8FJX90MZ-10MBOZ	1/2"	F90	#10O-RING	25	1	PC TOPUMP

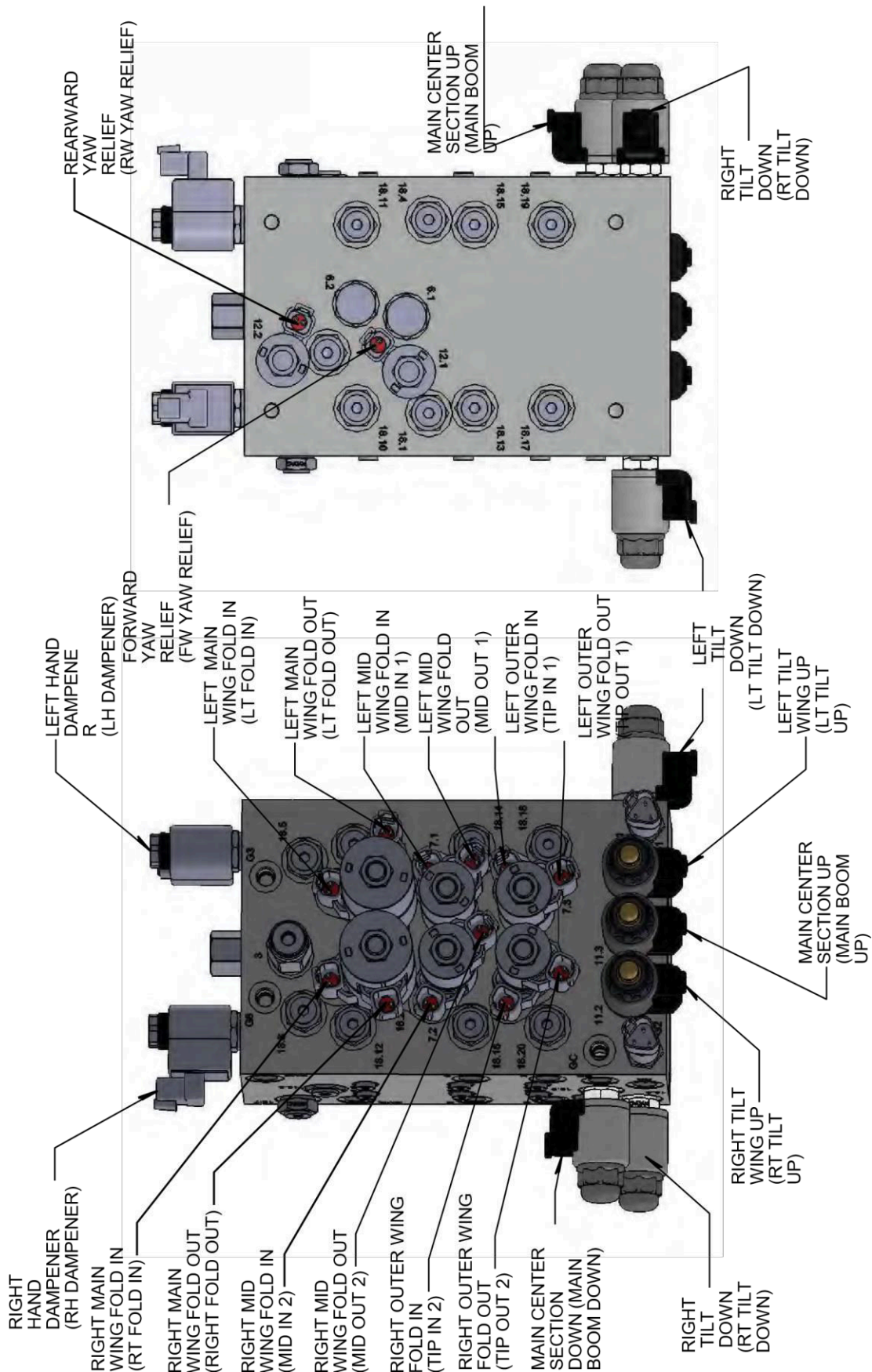
Hydraulic System for Pump



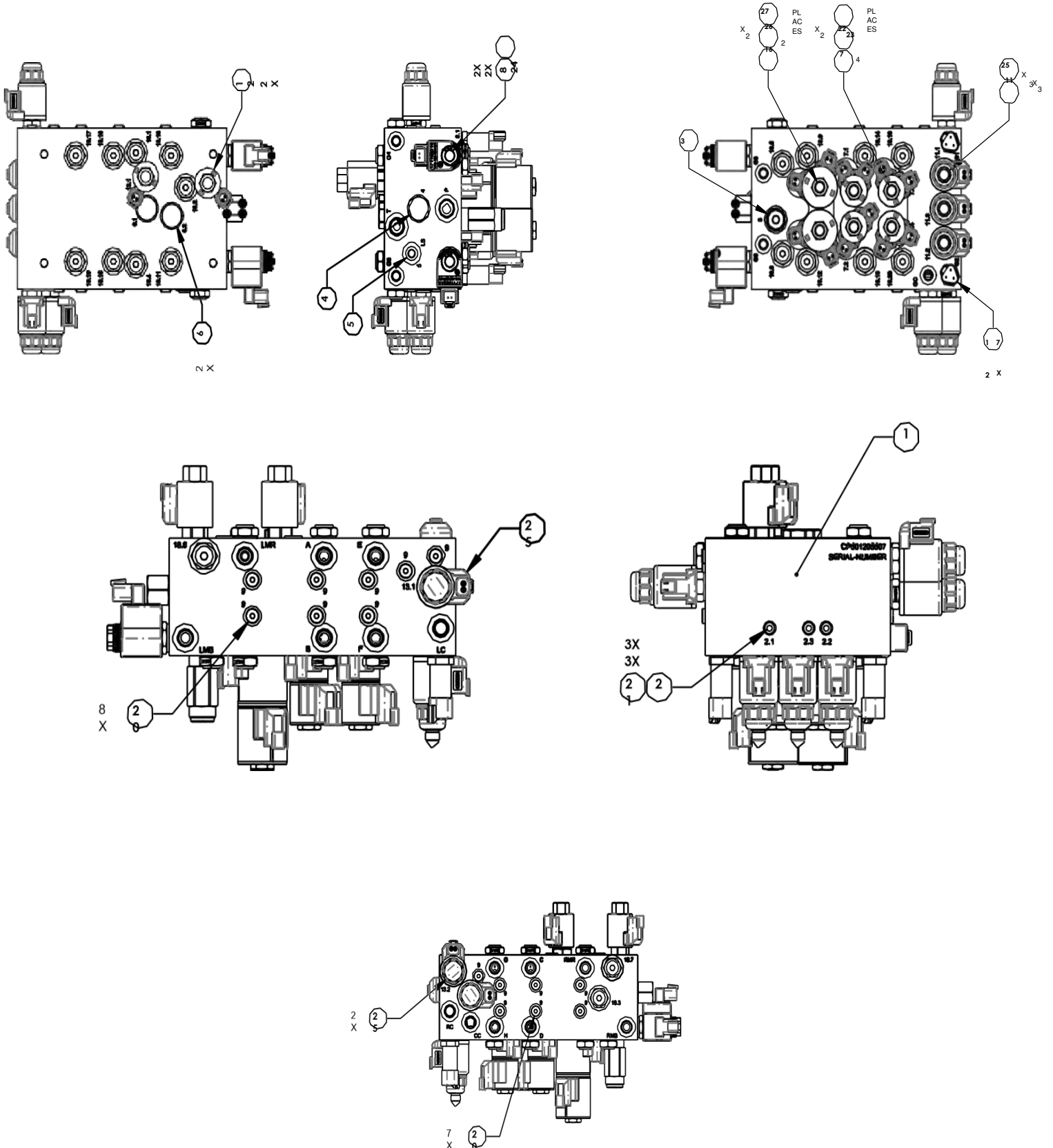
Parts List: Hydraulic System for Pump

ITEM	FAST PART#	DESCRIPTION	8218	8224
1	520048	HOSETIP	2	2
2	PA600040-20B	HOSE PRESSURE TOVALVE	1	1
3	610086	HYDRAULIC FITTING 6801-8-10	1	1
4	610099	PC VALVE 13GPM		
5	PA600039-17	HOSE PRESSURE TOPUMP	1	1
6	610106	HYDRAULIC FITTING 6400-10-10	1	1
7	610102	HYDRAULIC FITTING 6801-10-10	1	1
8	PA600039-18	HOSE PUMPRETURN	1	1

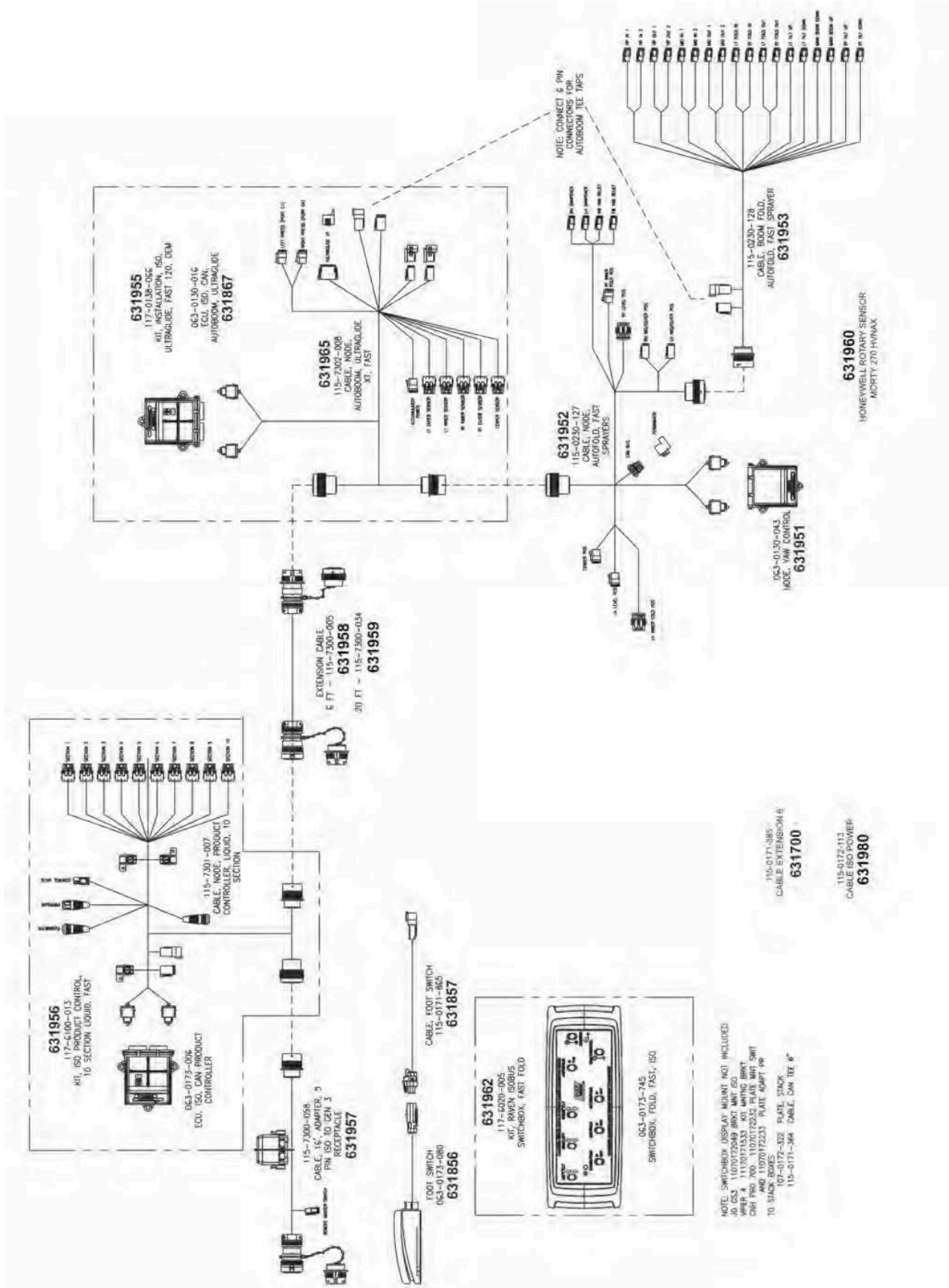
Trailer Manifold Connections – ISO YAW631943



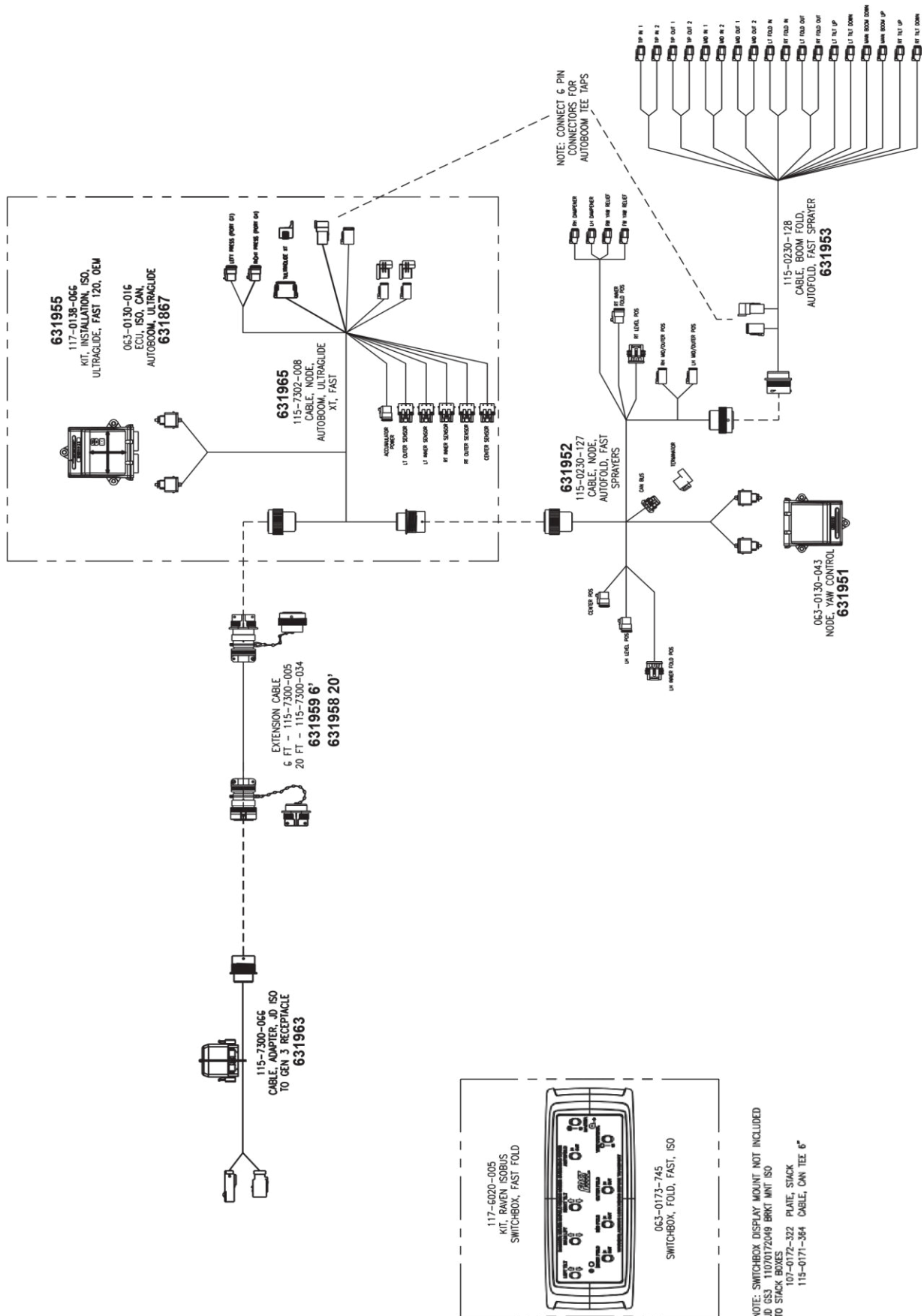
YAW Block



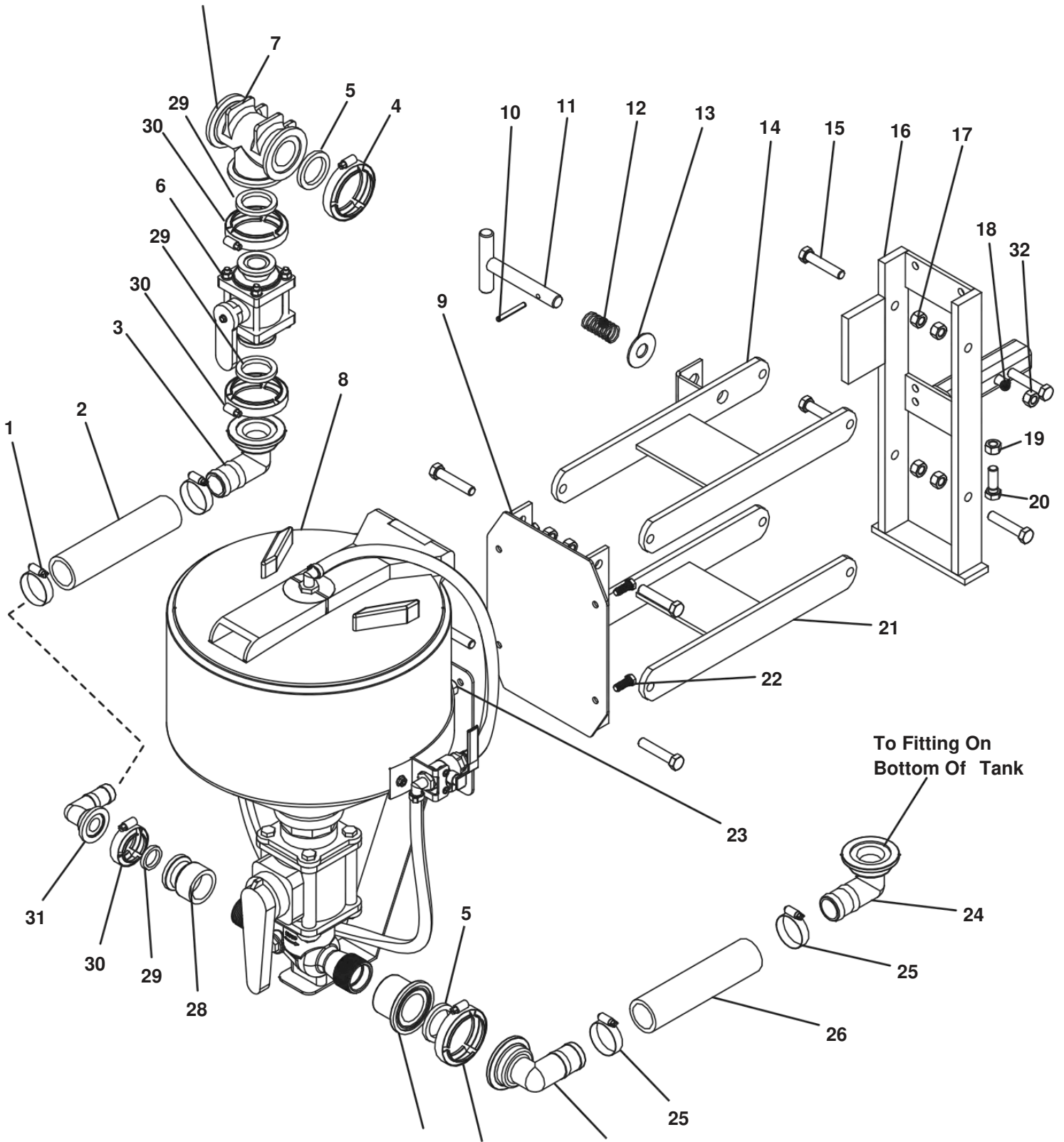
ISO AutoYAW / Fold, AutoBoom, & Raven Rate Control



ISO AutoYAW / Fold, AutoBoom, & JD Rate Control



HYPRO Cleanload Eductor & Mounting – 5 Gallon



To Fitting On Bottom Of Tank

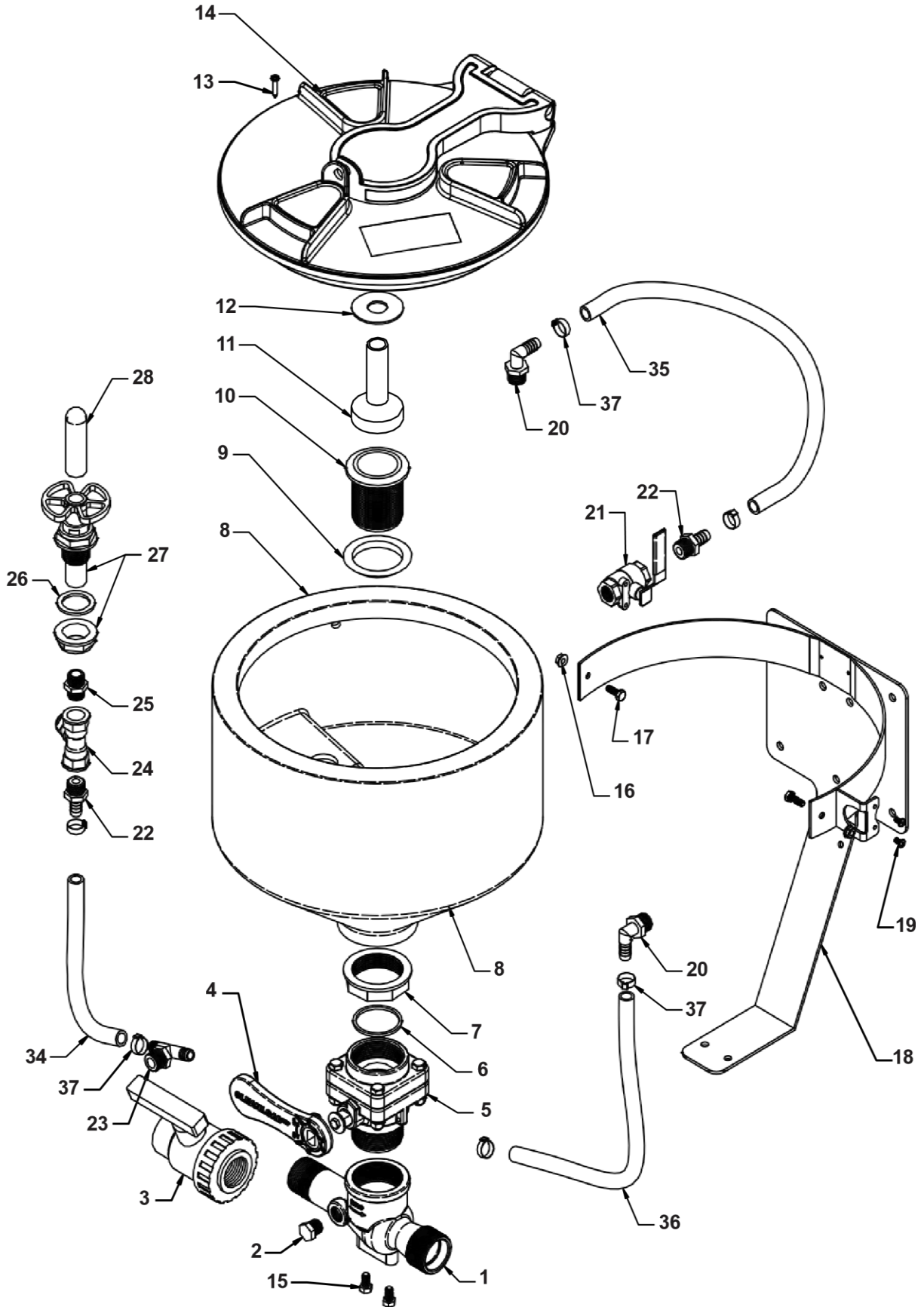


ILLUSTRATED PARTS LIST

Parts List: HYPRO Cleanload Eductor & Mounting – 5 Gallon

ITEM	VENDOR PART#	FAST PART#	DESCRIPTION	QTY.
1	64020H	540015	CLAMP, HOSE 1.25"	2
2	1-1/4BH200	510013	HOSE, SPRAY 1.25EDPM	6.5
3	M100125BRB90	530065	MANIFOLD ELBOW 1 X 1.25HB	2
4	FC200	540001	MANIFOLD CLAMP 1" STANDARDPORT	3
5	150G	530014	GASKET 1" STANDARDPORT	3
6	MV100CF	500005	MANIFOLD VALVE STANDARDPORT	1
7	M200100TEE	530075	MANIFOLDTEE	1
8	3375P-05T5-05	570039	HYPRO CLEADLOADEDUCTOR	1
9		9250	PLATEADAPTER	1
10		687	PIN, SPRING 1.25 X 2"ZP	1
11		7981	HANDLETEE	1
12	67	790001	SPRING, CENTURY 2" FREELENGTH	1
13		262	WASHER, FLAT 3/4"ZP	1
14		7928	LINK,UPPER	1
15		153	BOLT, HH 1/2 X 1.5 GR5ZP	8
16		11632	BACKPLATE	1
17		231	NUT, HH 1/2" NYLOCKZP	8
18		154	BOLT, HH 1/2 X 2.5 GR5ZP	1
19		223	NUT, HH 1/2" JAMZP	1
20		152	BOLT, HH 1/2 X 1" GR5ZP	1
21		7925	LINK,LOWER	1
22		128	BOLT, HH 3/8 X 1" GR5ZP	4
23		769	NUT, HH 3/8 " WHIZLOCKZP	4
24	M200150BRB90	530080	MANIFOLD ELBOW 2 X 1.5" HB	2
25	64024H	540016	CLAMP, HOSE 1.5"	2
26	1-1/2BH200	510014	HOSE, SPRAY 1.5EDPM	5
27	CP46066-PP	530196	MANIFOLD ADAPTER 2 X 1.5FPT	1
28	CPC45512-PP	530194	MANIFOLD ADAPTER 2 X 1.25FPT	1
29	100G	530008	GASKET 1"	3
30	FC100	540000	MANIFOLD CLAMP 1"	3
31	M100125BRB90	530065	MANIFOLD ELBOW 1 X 1.25"HB	1
32		771	1/2" WIZLOCKNUT	8

HYPRO Cleanload Eductor – 5 Gallon





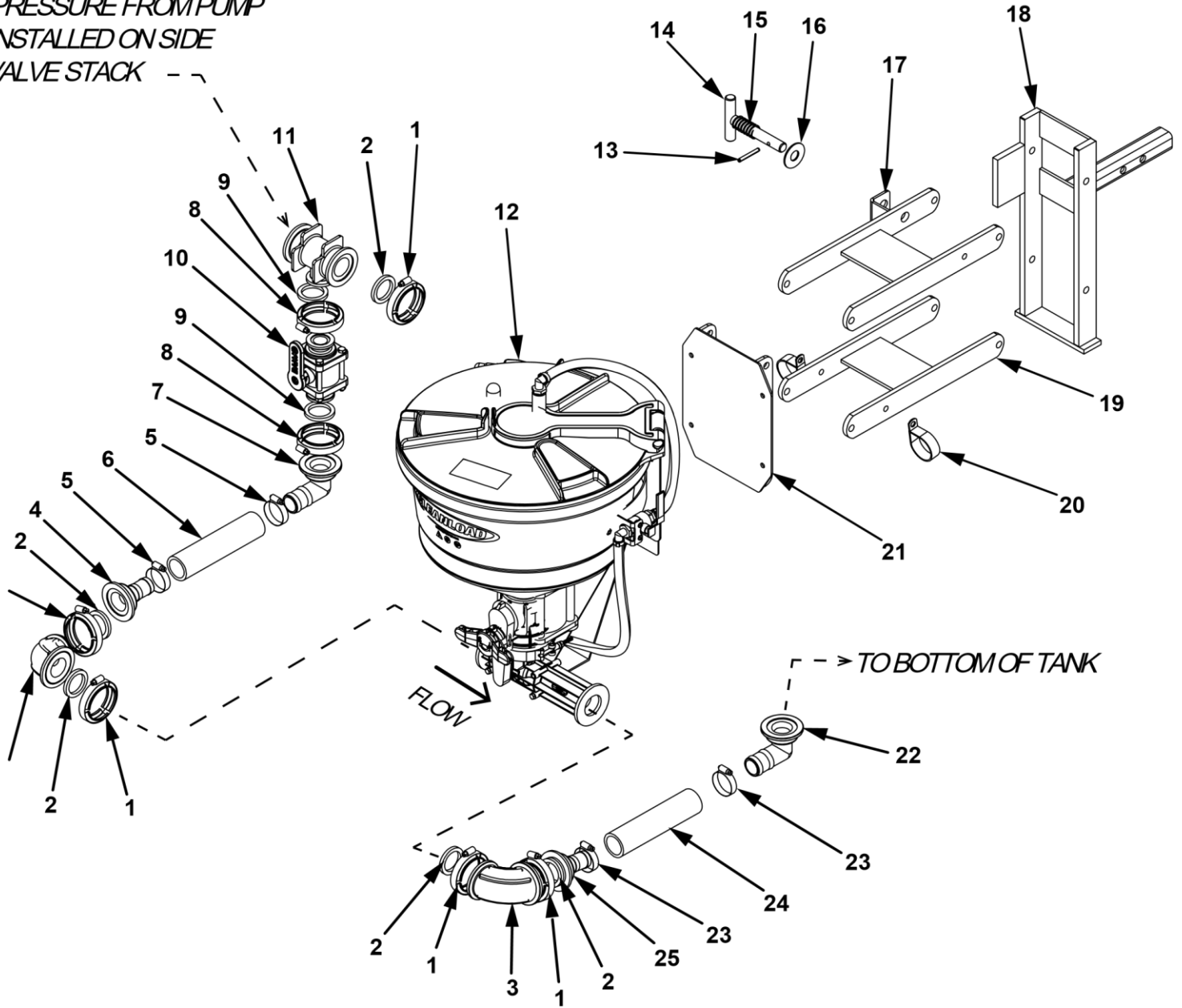
ILLUSTRATED PARTS LIST

Parts List 99HYPIND05: HYPRO Cleanload Eductor – 5 Gallon

ITEM	VENDOR PART#	DESCRIPTION	QTY.
1	3371-0034S	CLEANLOADEDUCTOR	1
2	3F12	PLUG,1/2"	11
3	4541135N	BALL VALVE, 1-1/4 SINGLE UNION	1
4	2800-0027	HANDLE, CLEANLOAD	1
5	9950-0043	BALLVALVE	1
6	1700-0045	GASKET: 2"BSP	1
7	205070	LOCKING RING,2"	1
8	1530-0016	TANK, 5.8GALLON	1
9	2270-0119	GASKET: 2",TAPERED	1
10	220070	DRAIN HEAD,2"	1
11	510120	TANKRINSE	1
12	1410-0112	SLINGERRING	1
13	2210-0133	SCREW, #6 X 1"	8
14	TL12-0006	TANKLID	1
15	2210-0003	BOLT, 5/16-18 X5/8	2
16	2250-0077	NUT, FLANGED1/4-20	2
17	2210-0134	BOLT, 1/4-20 X 3/4SS	2
18	1510-0103	FRAME, BACK MOUNT(SHOWN)	1
19	2210-0132	SCREW, 10-24 X .375	2
20	3EL12	HB ELBOW1/2"	2
21	78-12	VALVE, SS TANKRINSE	1
22	3A12	HB, 1/2MNPT	2
23	3T12T	HB TEE, 1/2 MNPT TO 1/2HB	1
24	3TT12	TEE, 1/2FNPT	1
25	3M12	NIPPLE,1/2"	1
26	G40004	GASKET,1"	1
27	C-510100	VALVE, BOTTLE RINSE BASEASSEMBLY	1
28	510110	BOTTLE RINSEHEAD	1
34	2900-0072	HOSE, BOTTLE RINSE, 1/2"EPDM	1
35	2900-0073	HOSE, TANK RINSE, 1/2"EPDM	1
36	2900-0074	HOSE, VALVE FEEDER, 1/2" EPDM	1
37	10500013	HOSE CLAMP,1/2"	6
N/S	6031-0378	LABEL /INSTRUCTIONS	1

HYPRO Cleanload Eductor & Mounting – 7 Gallon

PRESSURE FROM PUMP
INSTALLED ON SIDE
VALVE STACK



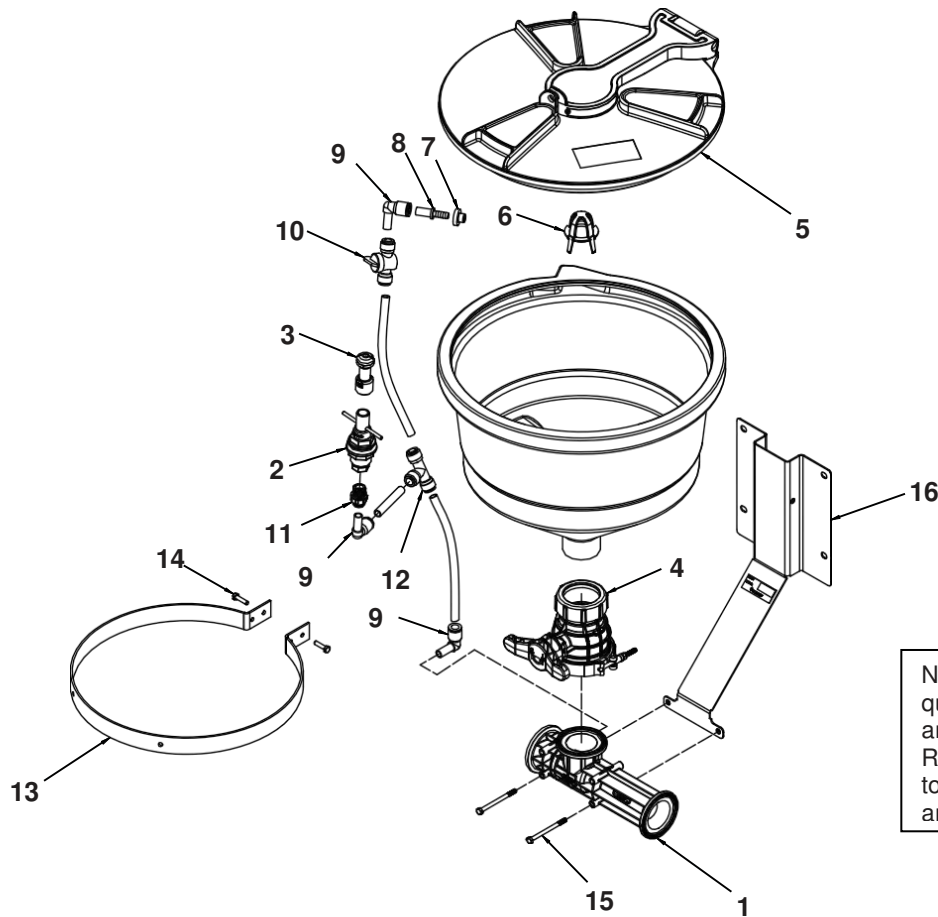


ILLUSTRATED PARTS LIST

Parts List 99HYPIND07: HYPRO Cleanload Eductor & Mounting – 7 Gallon

ITEM	VENDOR PART#	FAST PART#	DESCRIPTION	QTY.
1	540001	FC200	MANIFOLD CLAMP 2" STD PORT	5
2	530014	150G	GASKET 2" STDPORT	5
3	530388	BJM220200SWP90	2" FP FLANGE X 2" STD FLANGESWP	2
4	530076	BJ-M200125BRB	2" MANIFOLD X 1-1/4"BAR	1
5	540015	64020H	CLAMP HOSE1-1/4"	2
6	510015	1-1/4BH200	HOSE SPRAY 1-1/4"EDPM	6.5
7	530077	M200125BRB90	MANIFOLD ELBOW 2" X 1-1/4"HB	1
8	540000	FC100	MANIFOLD CLAMP1"	2
9	530013	100G	GASKET1"	2
10	500005	MV100CF	MANIFOLD VALVE STDPORT	1
11	530075	M200100TEE	MANIFOLDTEE	1
12	570073	3375P05T57K	HYPRO CLEANLOADEDUCTOR	1
13	687		PIN SPRING 1/4" X 2"ZP	1
14	7981		HANDLETEE	1
15	790001	67	SPRING CENTURY 2" FREELNGTH	1
16	262		WASHER FLAT 3/4" ZP	1
17	7928		LINK EDUCTOR UPPER	1
18	11632		MOUNT PLATE, BACK 9500TRAILER	1
19	7925		LINK EDUCATORLOWER	1
20	540051	NSKMCCOV3313Z1	CLAMP HOSE 2" WITH 3/8" ID	2
21	16560		PLATE ADAPTER HYPROCLEANLOAD	1
22	530079	M200150BRB90	MANIFOLD ELBOW 2" X 1-1/2"HB	1
23	540016	64024H	CLAMP HOSE1-1/2"	2
24	510014	1-1/2BH200	HOSE SPRAY 1-1/2"EDPM	5
25	530079	BJ-M200150BRB	2" MANIFOLD X 1-1/2"BAR	1
NS	800015		DECALINDUCTOR	1

HYPRO 7 Gallon Educator

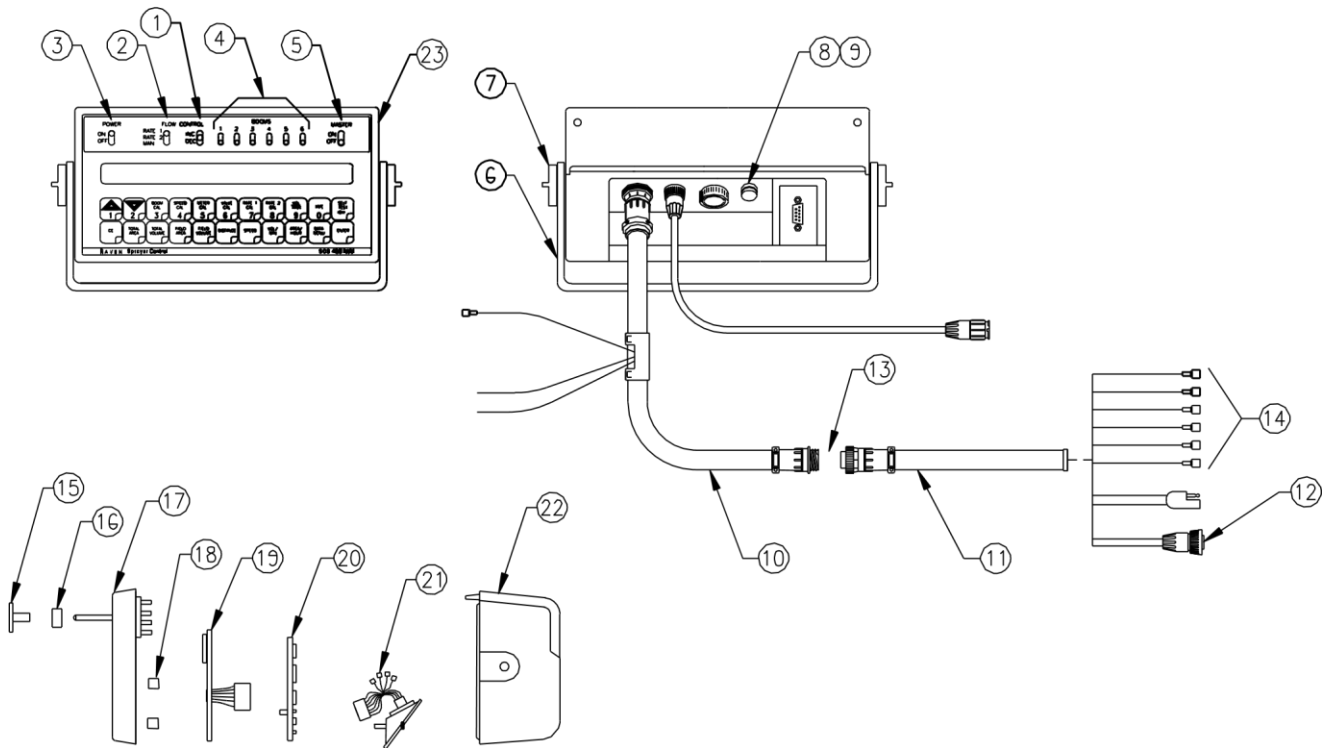


NOTE: When ordering parts, give quantity, part number, description and complete model number. Reference numbers are used ONLY to identify parts in the drawing and are NOT to be used as order

Parts List 570073: HYPRO 7 Gallon Educator

ITEM	VENDOR PART#	DESCRIPTION	QTY.
1	3371-0038R	EDUCATOR (FOR MODEL 3376-1170)	1
2	PV1/2F1/2M-MA	PROCLEAN CONTAINER RINSE	1
3	PC1/2F-36075	NOZZLE, PROCLEAN CONTAINER RINSE	1
4	7250-5000	TANKVALVE	1
5	TL16-0006	LIDKIT	1
6	3350-0180	STRAINER	1
7	1700-0253	GROMMET	1
8	2404-0413	HOSE BARBFITTING	1
9	2404-0414	ELBOW FITTING(1/2")	3
10	3305-0113	TWO-WAY VALVE(1/2")	1
11	2404-0386	FITTING	1
12	2404-0415	TEE FITTING(1/2")	1
13	1510-0128	MOUNTINGRING	1
14	2210-0201	HEX BOLT, M6 X 1 X25	2
15	2210-0200	HEX BOLT, M6 X 1 X80	2
16	1510-0127	BRACKET	1

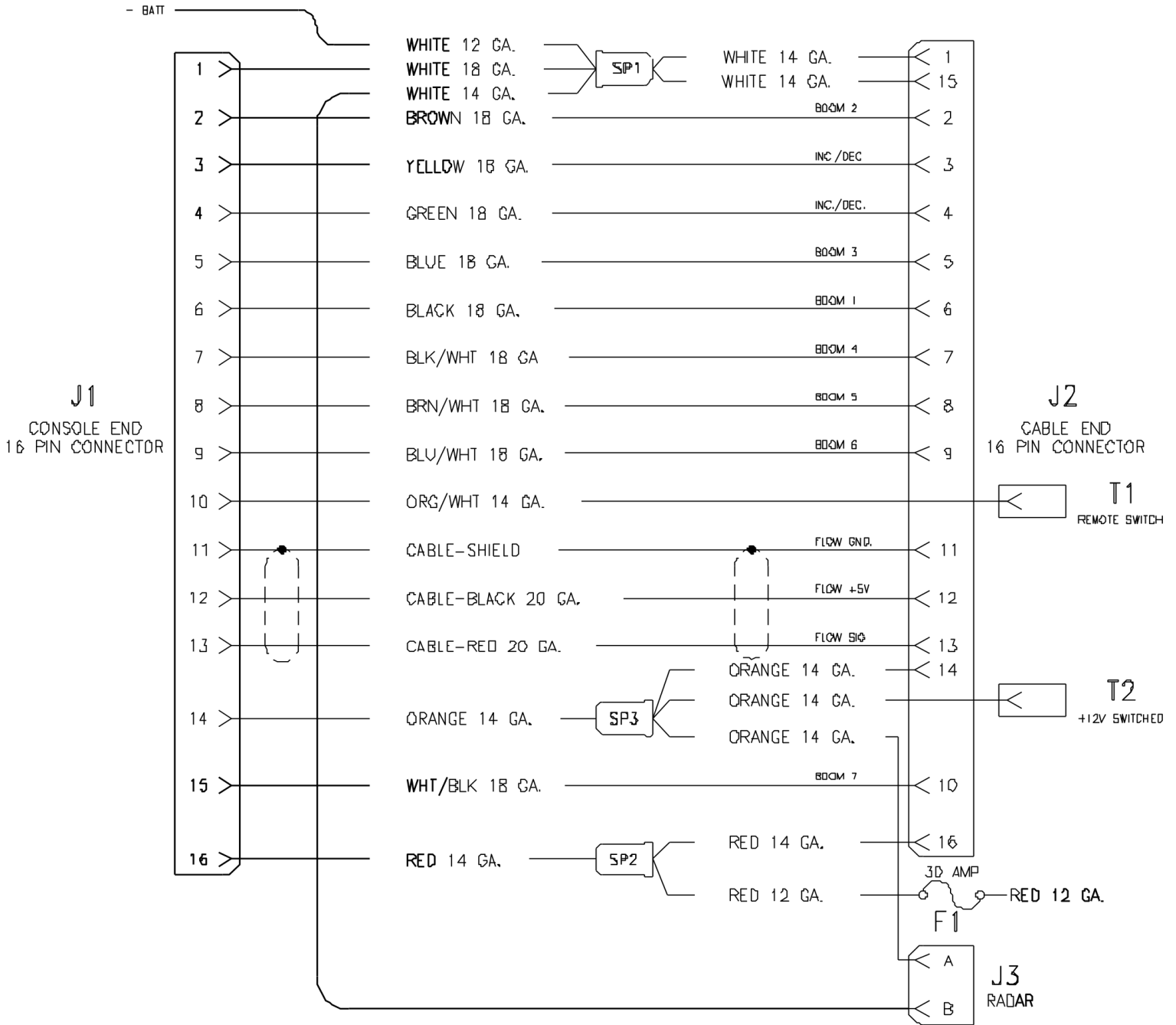
Raven SCS450 Console



Parts List: Raven SCS450 Console

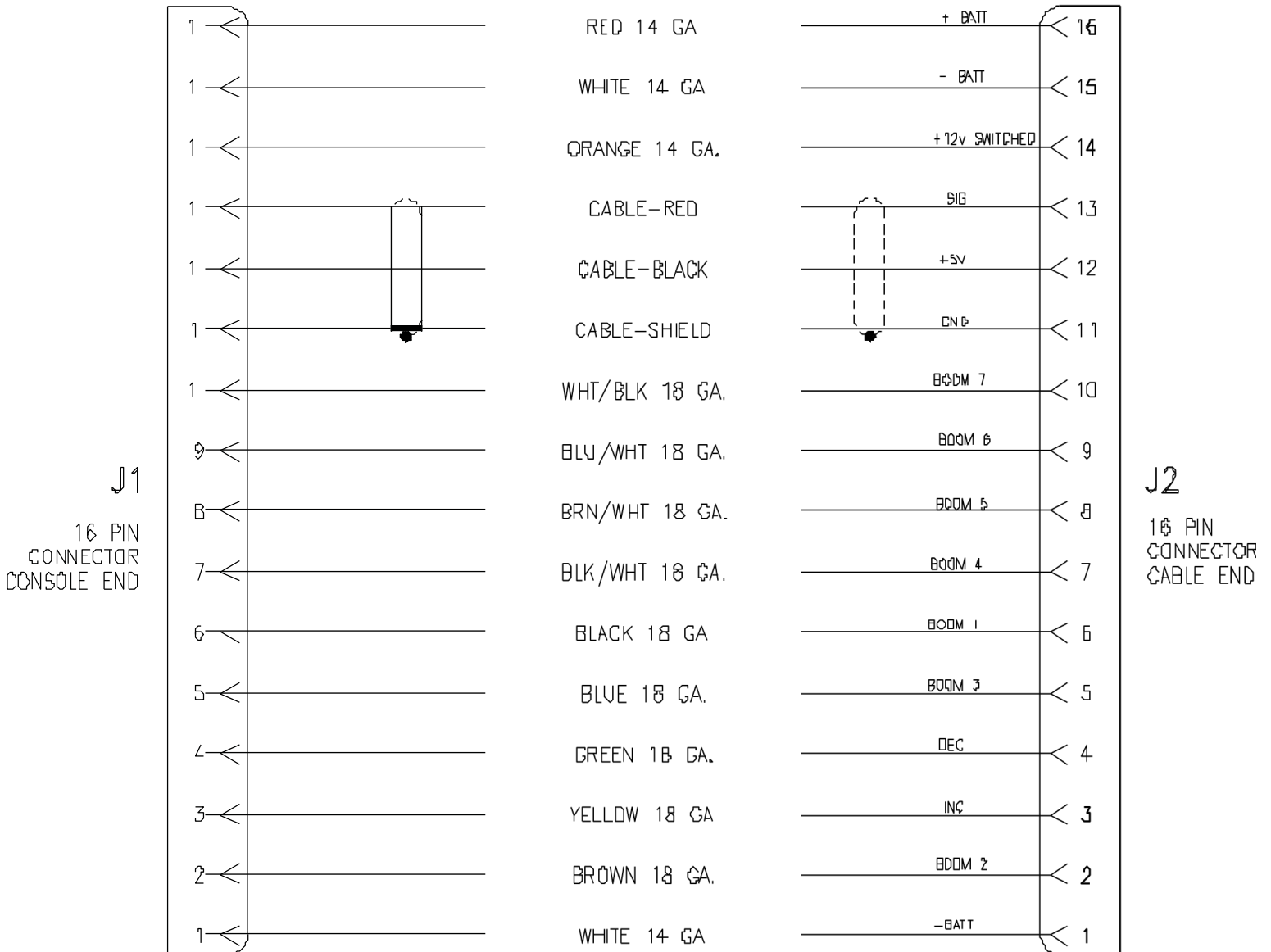
ITEM	DESCRIPTION	RAVEN PART#
1	MANUAL ADJ .SWITCH	412-2011-049
2	RATE1 / RATE2 / MANUALSWITCH	019-0159-078
3	POWER SWITCH	412-2011-048
4	BOOM SWITCH	412-2003-010
5	MASTER SWITCH	412-2011-046
6	MOUNTING BRACKET	106-0159-437
7	MOUNTING KNOB	106-0159-438
8	FUSE HOLDER	510-2001-018
9	FUSE, 15AMP.	510-1003-003
10	CONSOLE CONTROL CABLE (10FT.)	115-0159-492
	CONSOLE CONTROL CABLE (3FT.)	115-0159-707
11	FLOW CONTROL CABLE (6FT.)	115-0159-495
	FLOW CONTROL CABLE (12FT.)	115-0159-496
	FLOW CONTROL CABLE (24FT.)	115-0159-708
12	FLOW METER CABLE EXT .(6FT.)	115-0159-016
	FLOW METER CABLE EXT. (12FT.)	115-0159-017
13	FLOW EXT. CABLE (12FT.)	115-0159-493
	FLOW EXT. CABLE (24FT.)	115-0159-494
14	ASSORTED TERMINA LKIT	117-0159-402
15	SWITCH COVER	063-0159-734
16	1-SET FILLER SPACERS	117-0159-421
17	FACEPLATE ASSEMBLY	063-0172-024
18	DISPLAY BOARD SPACER	107-0159-478
19	LCD DISPLAY BOARD	063-0171-961
20	PROCESSOR BOARD (SERIALINTERFACE)	064-0159-745
21	CONNECTOR PLATE ASSEMBLY (SERIALINTERFACE)	063-0172-022
22	BACK ASSEMBLY	063-0159-530
23	SCS450 CONSOLE (SERIALINTERFACE)	063-0171-220

Control Console Harness – 115-0171-085

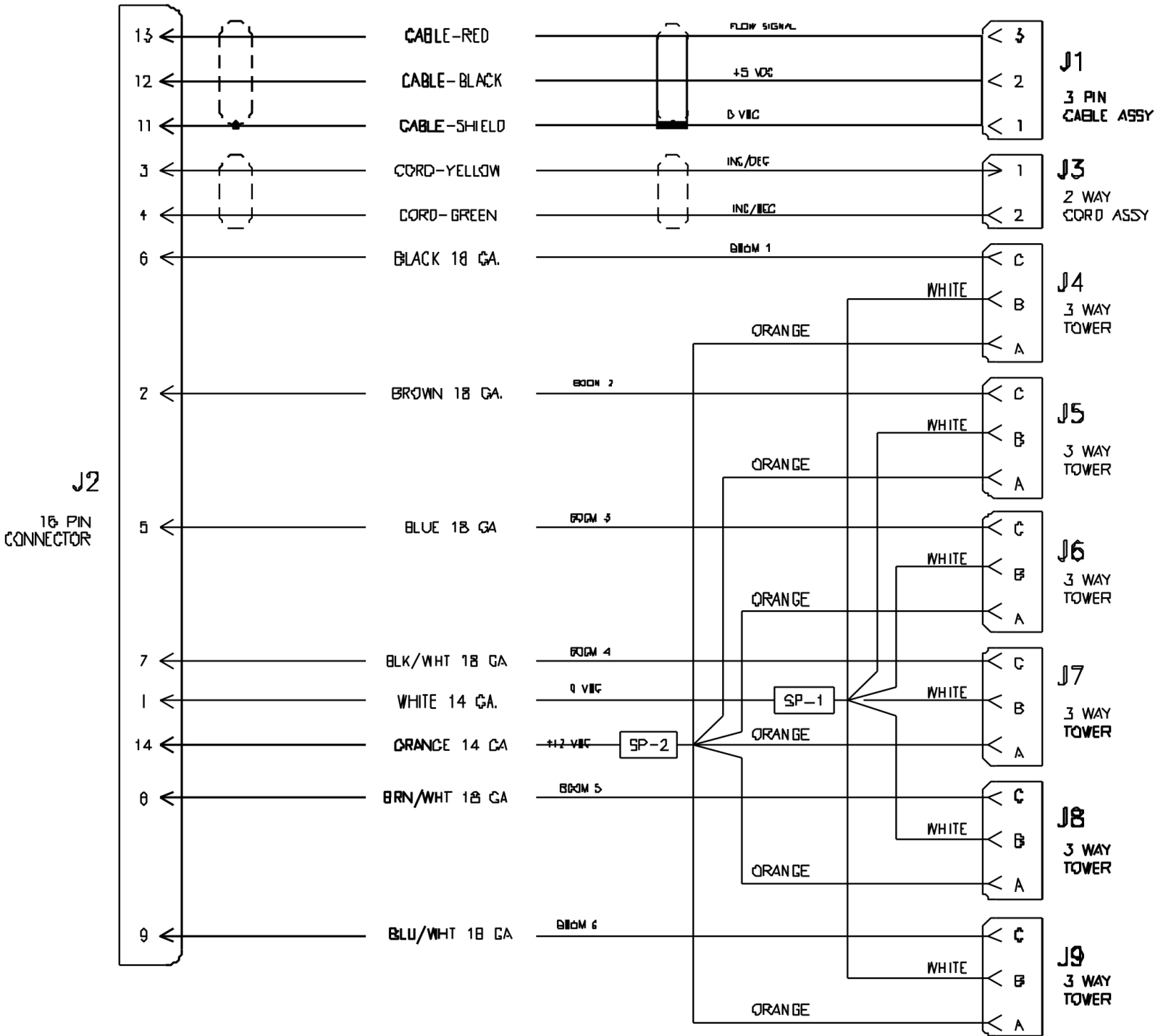


Harness Extension - 115-0159-856 12'

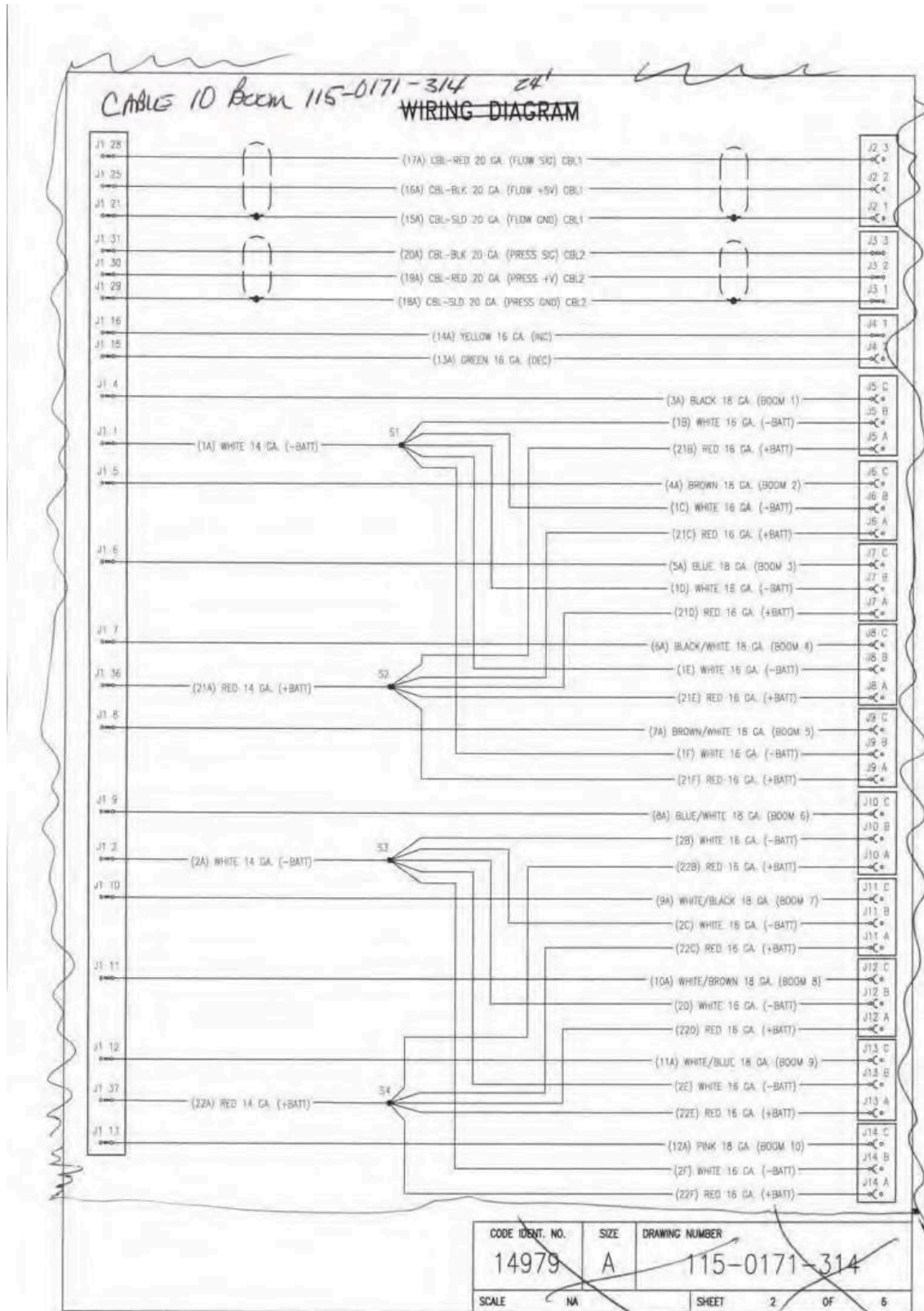
Harness Extension - 115-0159-857 24'



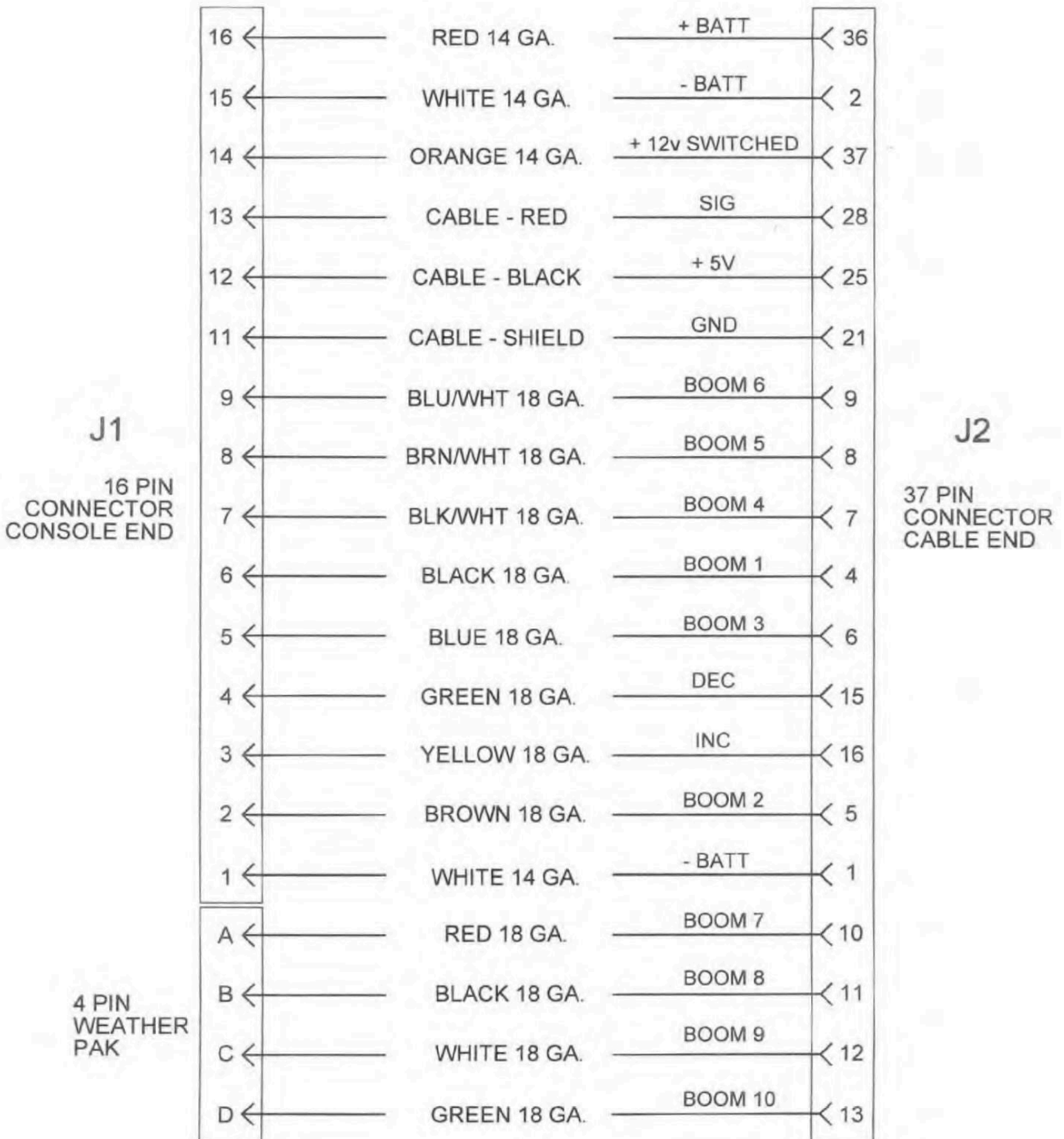
Control Harness - 115-0171-086 6'
 Control Harness - 115-0171-129 12'



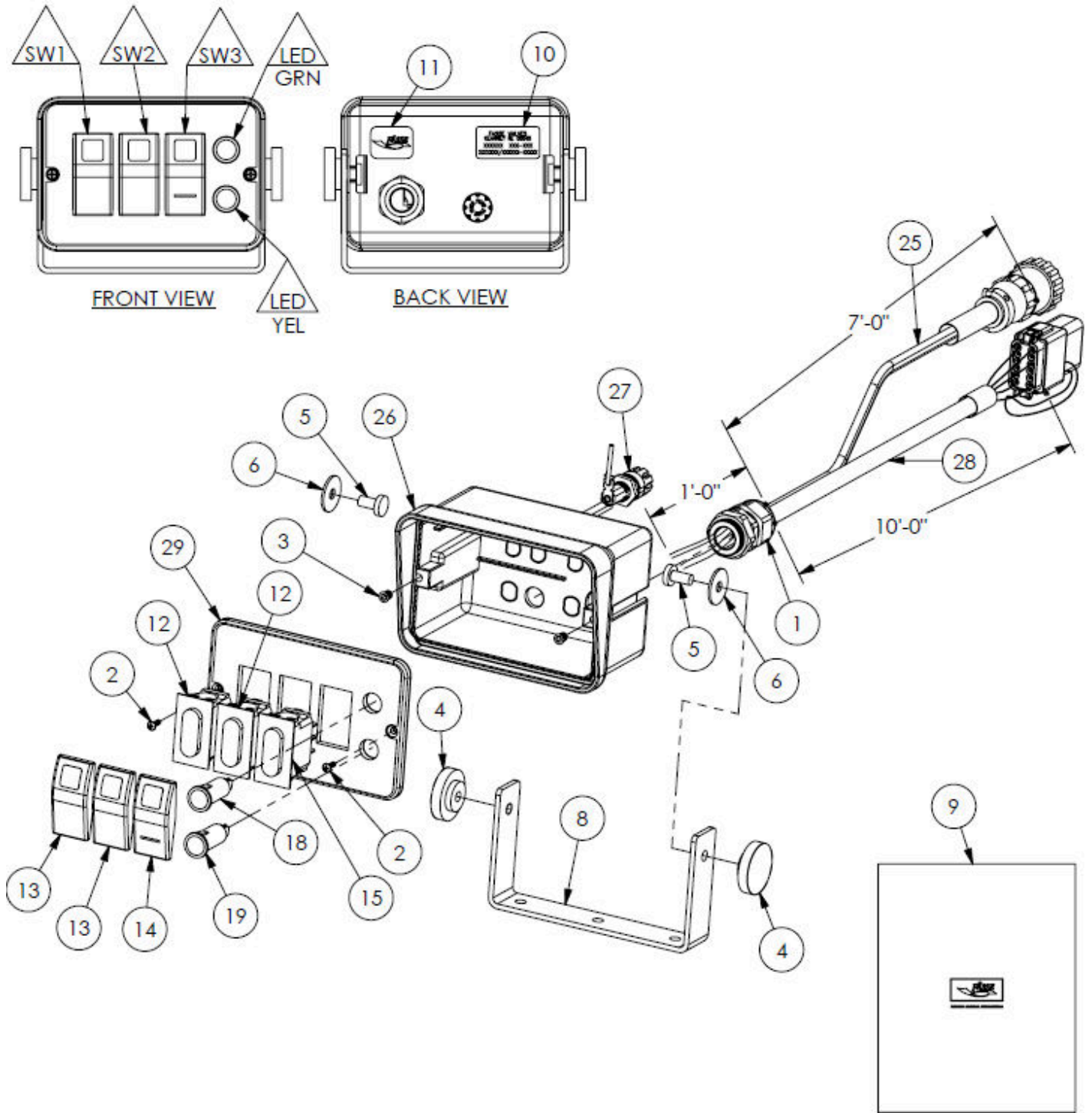
Cable 10 Boom, 115-0171-314, 24'



Cable, Adapter 6 Boom To 10 Boom, 631889



Cab Box for Electric Valving Option



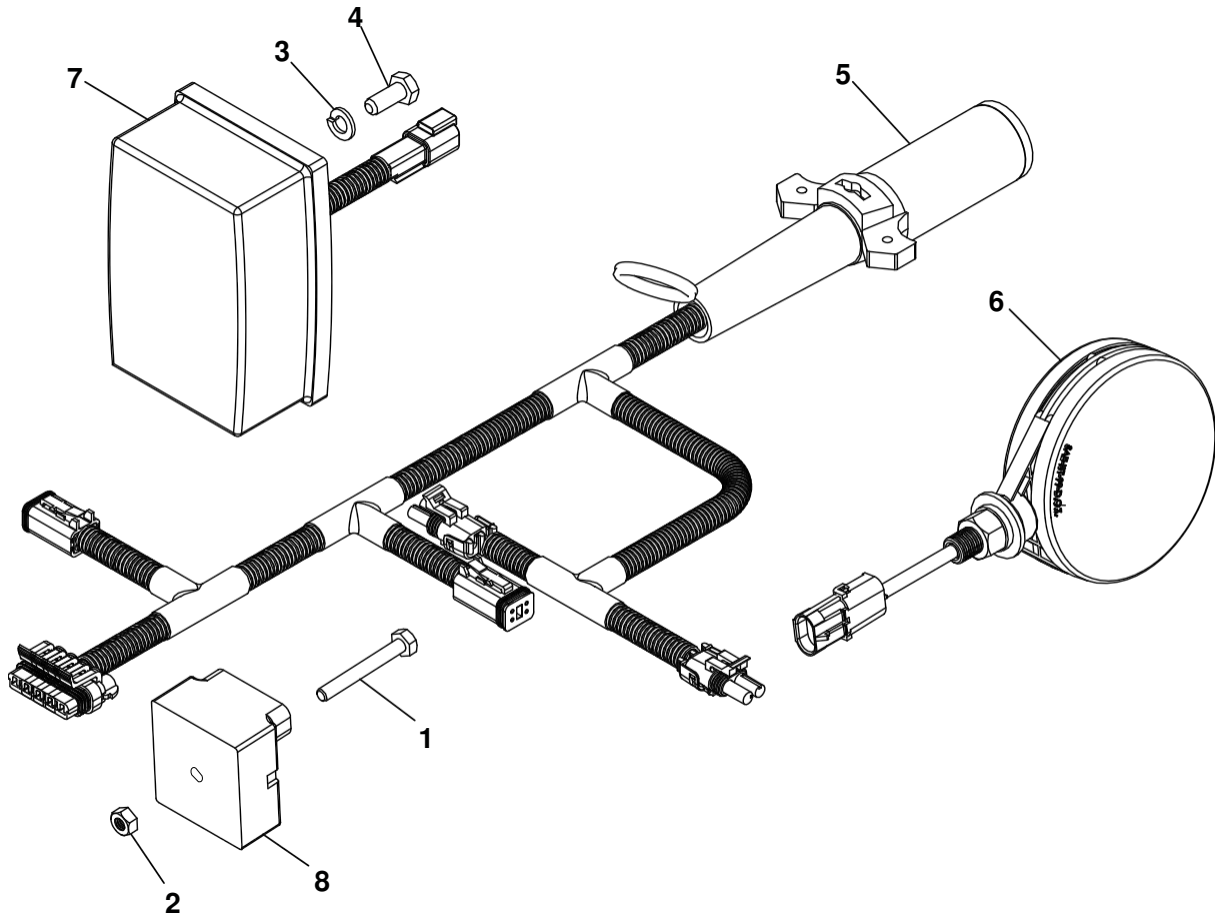


ILLUSTRATED PARTS LIST

Parts List 632155: Cab Box for Electric Valving Option

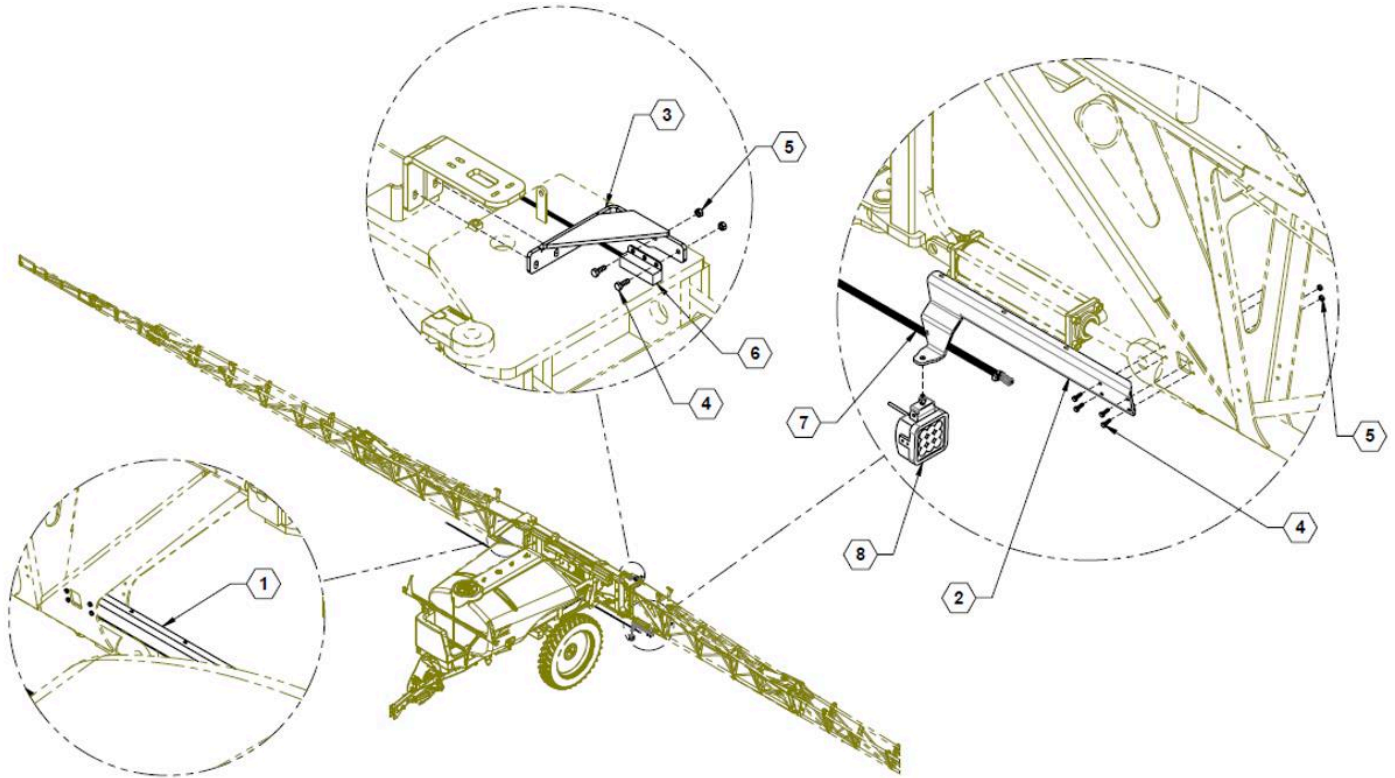
ITEM	PART NO.	QTY.	DESCRIPTION
1	210-710	1	STR RLF HEYCO .23"-.54"ID, HOLE DIA .886"
2	212-184	2	SCREW PHIL PAN #6-32X3/8" BLK
3	212-202	2	SCREW INSERT BRASS #6-32X3/8"
4	212-215	2	KNOB FEMALE 1/4"-20
5	212-231	2	SCREW WELDED 1/4"-20X.625"
6	213-335	2	WASHER NYLON FLAT 1/4"-20
7	214-002	3	CABLE TIE BLK 8.5"
8	219-300	1	BRKT MNTR BLK AL
9	230-057	1	BAG POLY 14X 18 2MIL LOGO
10	232-050	1	DECL S/N SILVER
11	232-058	1	DECAL FASSE BLK/GOLD 1"X.75" RND CRNR
12	250-242	2	SW RCK CONTURA BODY ONLY SPST 2P STAT CLEAR LED 12V
13	250-243	2	SW RCK CONTURA II ACTUATOR ONLY RED LENS BLK
14	250-244	1	SW RCK CONTURA II ACTUATOR ONLY RED/RED LENS BLK
15	250-245	1	SW RCK CONTURA BODY ONLY SPST 3P STAT CLEAR/CLEAR LEDS 12V
16	252-058	14"	WIRE 18GA BLK
17	252-059	14"	WIRE 18GA RED
18	254-179	1	LED GRN 12V 5/8"DIA SNAP FLUSH 1/4" MALE TRM
19	254-182	1	LED YEL 12V 5/8"DIA SNAP FLUSH 1/4" MALE TRM
20	255-002	6	TRM PO T-TAP F 18-14GA
21	255-006	7	TRM PO F INS 22-18GA
22	255-030	3	TRM SPLICE CLOSED END 16-18GA
23	255-119	1	TRM PO FINS 16-14GA
24	255-285	1	TRM SPLICE CLOSED END LRG 14-16GA
25	314-001	1	HRN 2CON 14GA AMP PLUG 3P(2) 8"
26	319-725	1	ENCL MNTR BOX 4.75"X3"X2"
27	320-529	1	FUSE HOLDER PM ASSY 7.5A .5'
28	320-607	1	HRN 12CON 18GA DTP KEY B 12P(12) 11' END CAP
29	320-609	1	ENCL DRILL FP MNTR RCK3 LED2 500204

Lighting



ITEM	FAST PART#	DESCRIPTION	QTY.
1	104	BOLT, 1/4 X 2" GR5ZP	1
2	235	NUT, CENTERLOCK, 1/4"ZP	1
3	249	WASHER, LOCK, 5/16" ZP	4
4	590229	BOLT, 8 X 20 MM 8.8ZP	4
5	740035	SAFETY LIGHT WIRINGHARNES	1
6	740024	AMBER WARNINGLIGHT	2
7	740025	RED TAILLIGHT	2
8	740031	LIGHTMODULE	1

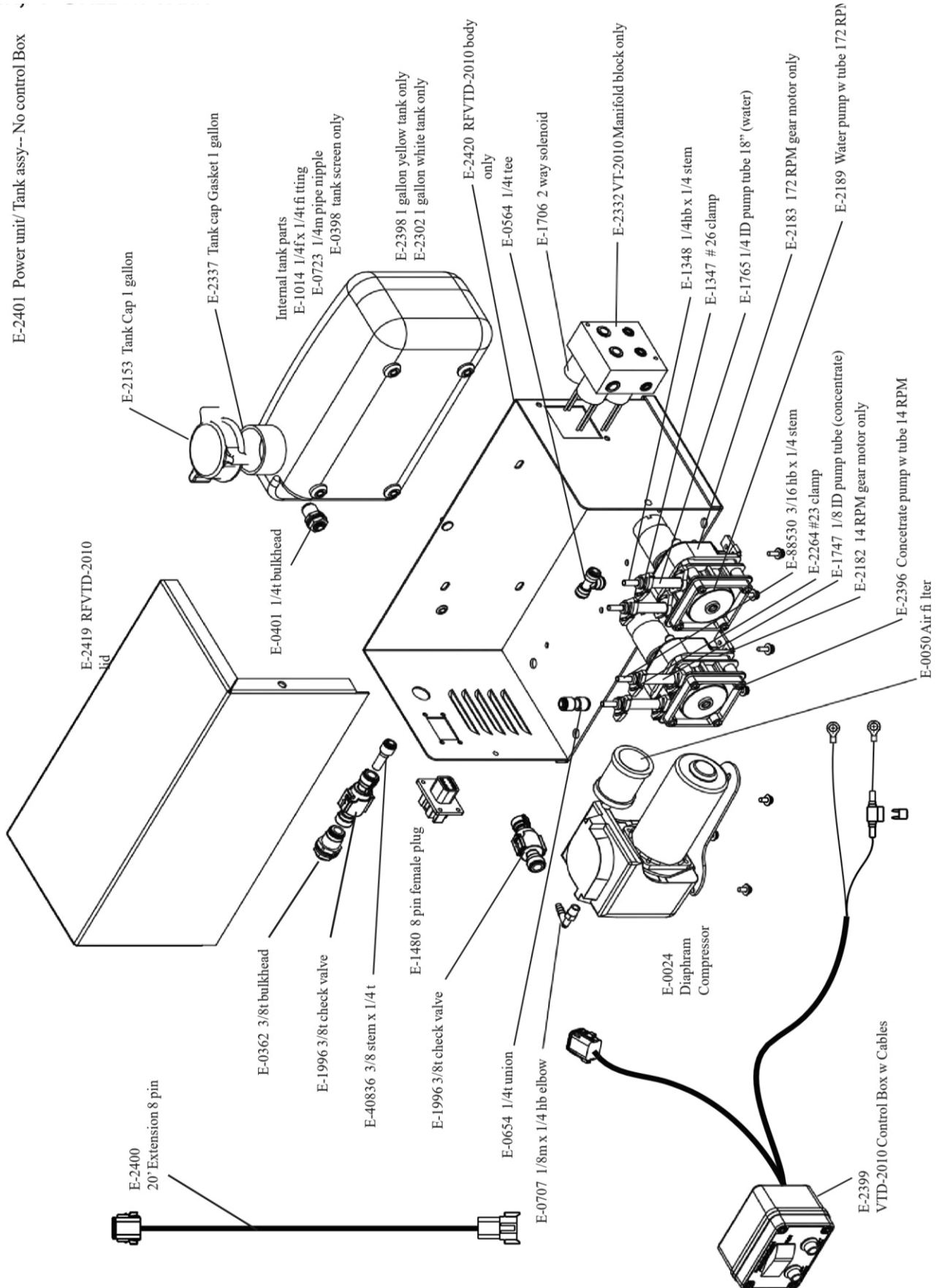
Blue Light Kit



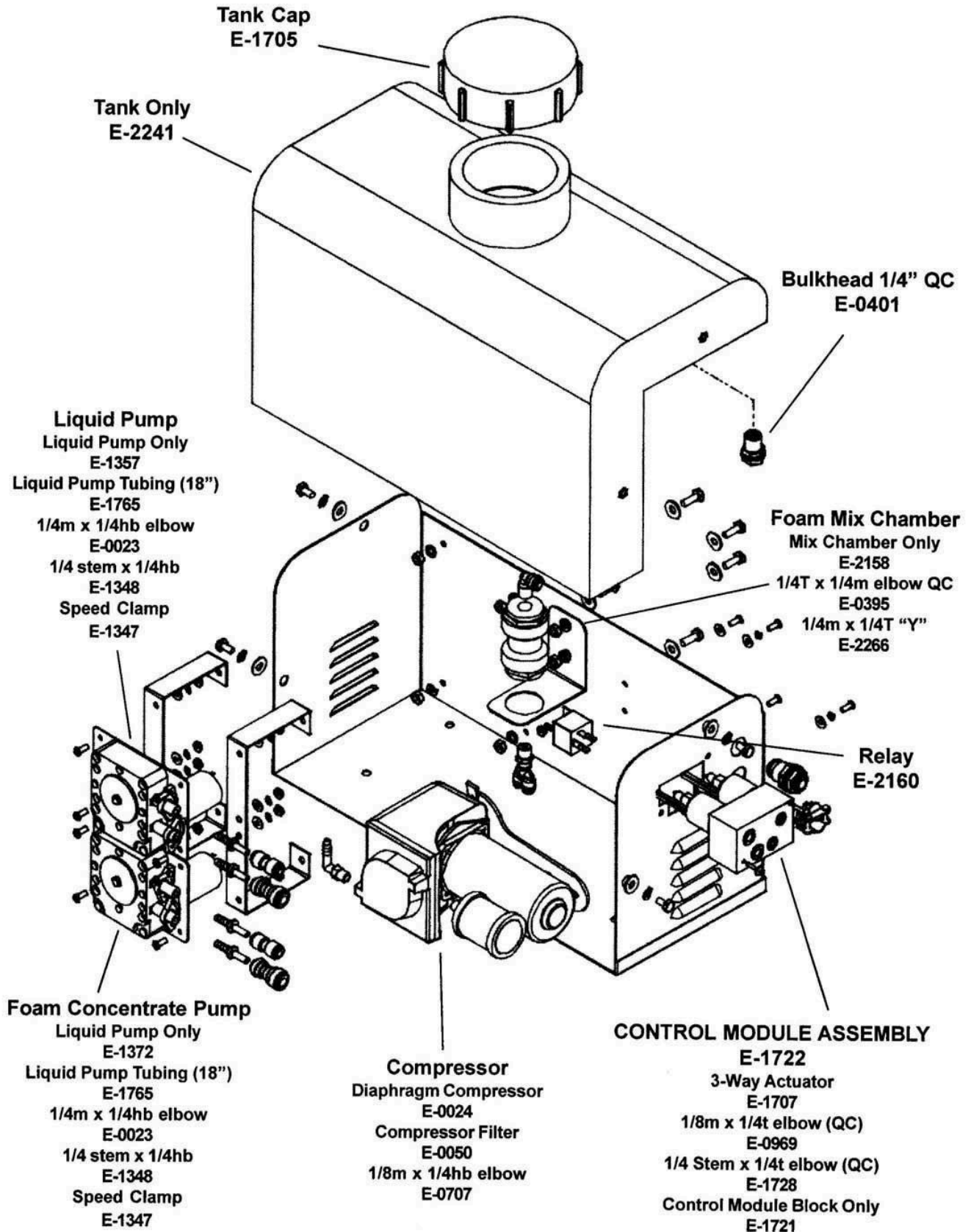
Parts List 28750: Blue Light Kit

ITEM	PART NO.	QTY.	DESCRIPTION
1	28940	1	PLATE, RH SPRAY LIGHT BRACKET
2	28942	1	PLATE, LH BLUE SPRAY LIGHT MOUNT
3	28949	1	PLATE, PROX SWITCH MOUNT
4	596101M	10	BOLT, HH 1/4-20X3/4 GR5 MAGNI
5	596235M	12	NUT, CENTERLOCK, 1/4-20 MAGNI
6	632121	1	PROX SWITCH, PARKER
7	740057	1	HARNESS, BLUE SPRAY LIGHTS
8	740058	2	LARSEN BLUE LED SPRAY LIGHT

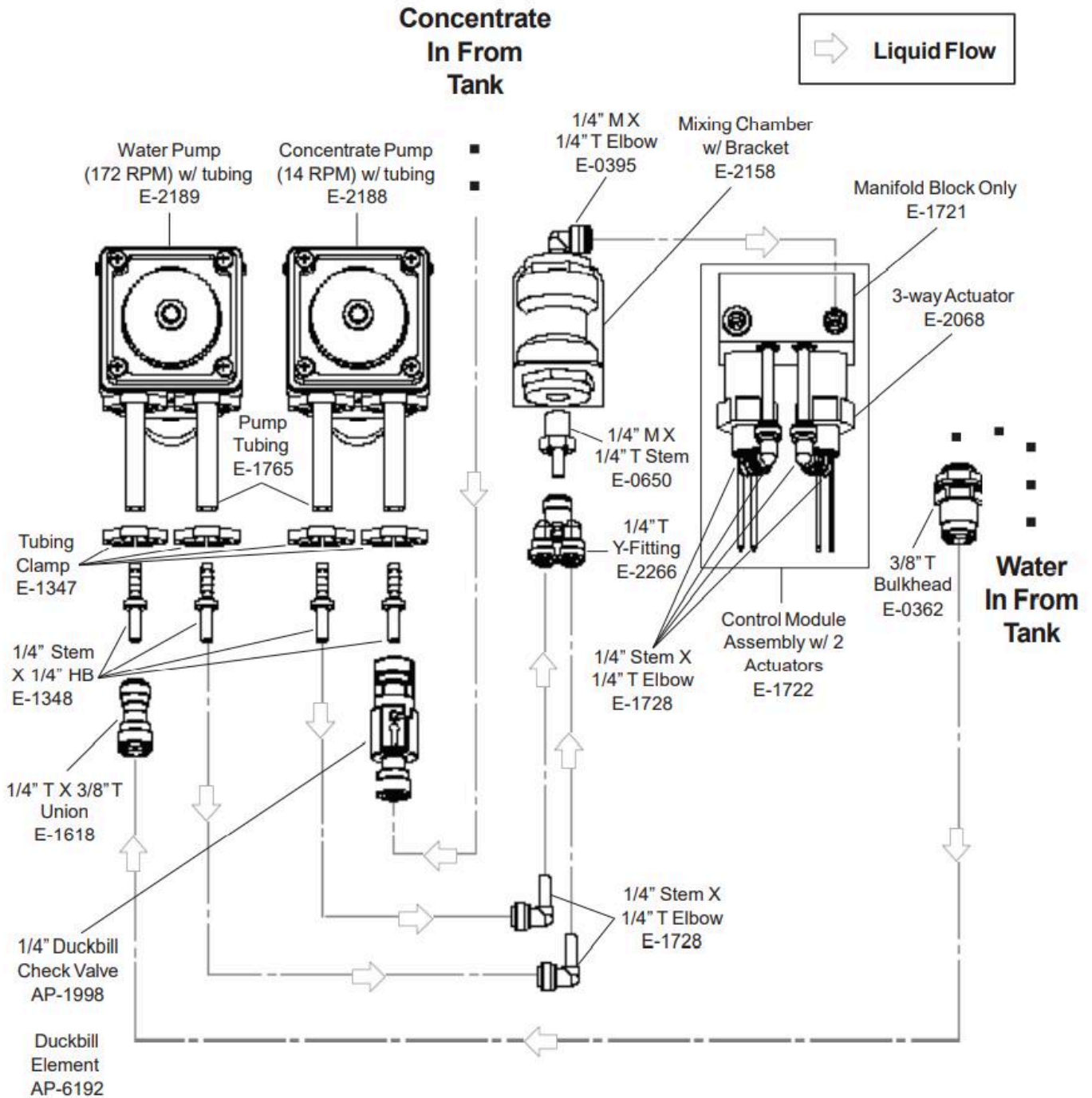
Foamer, 1 Gallon Tank



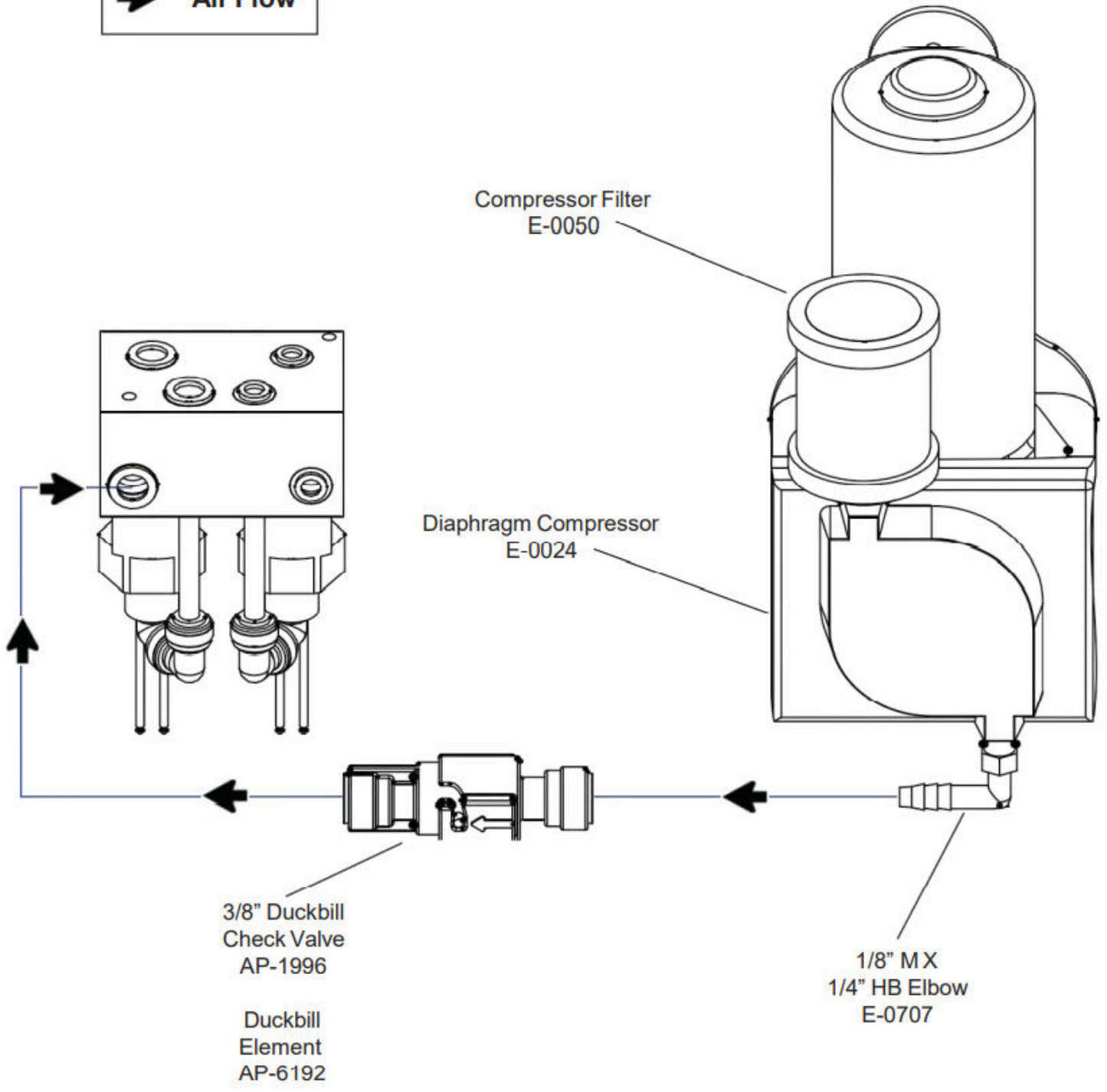
Richway Foam Marker 3 Gallon Tank



Richway Foam Marker Liquid Flow



Richway Foam Marker Compressor



Richway Foam Marker Wiring Harness

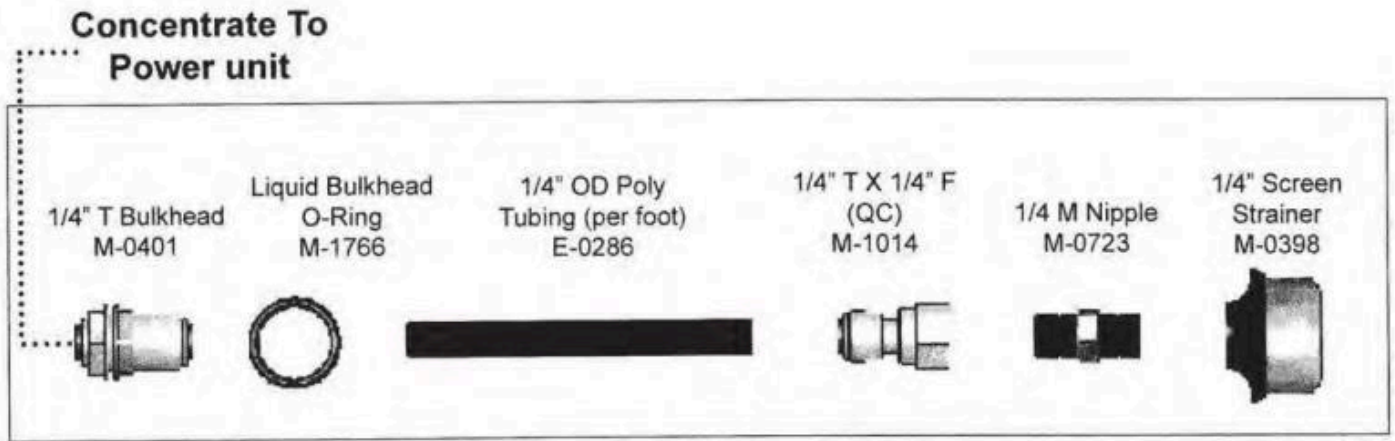
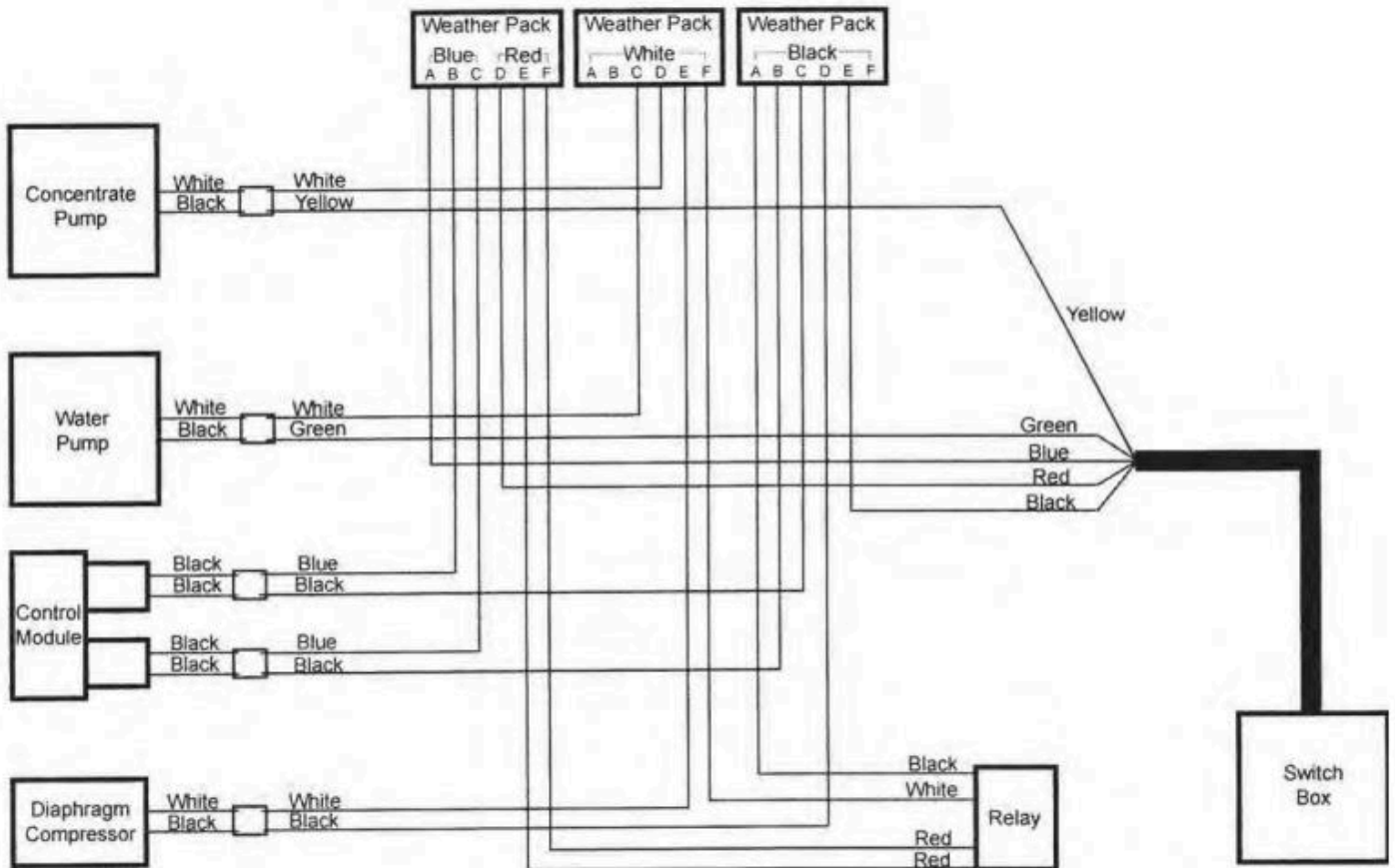
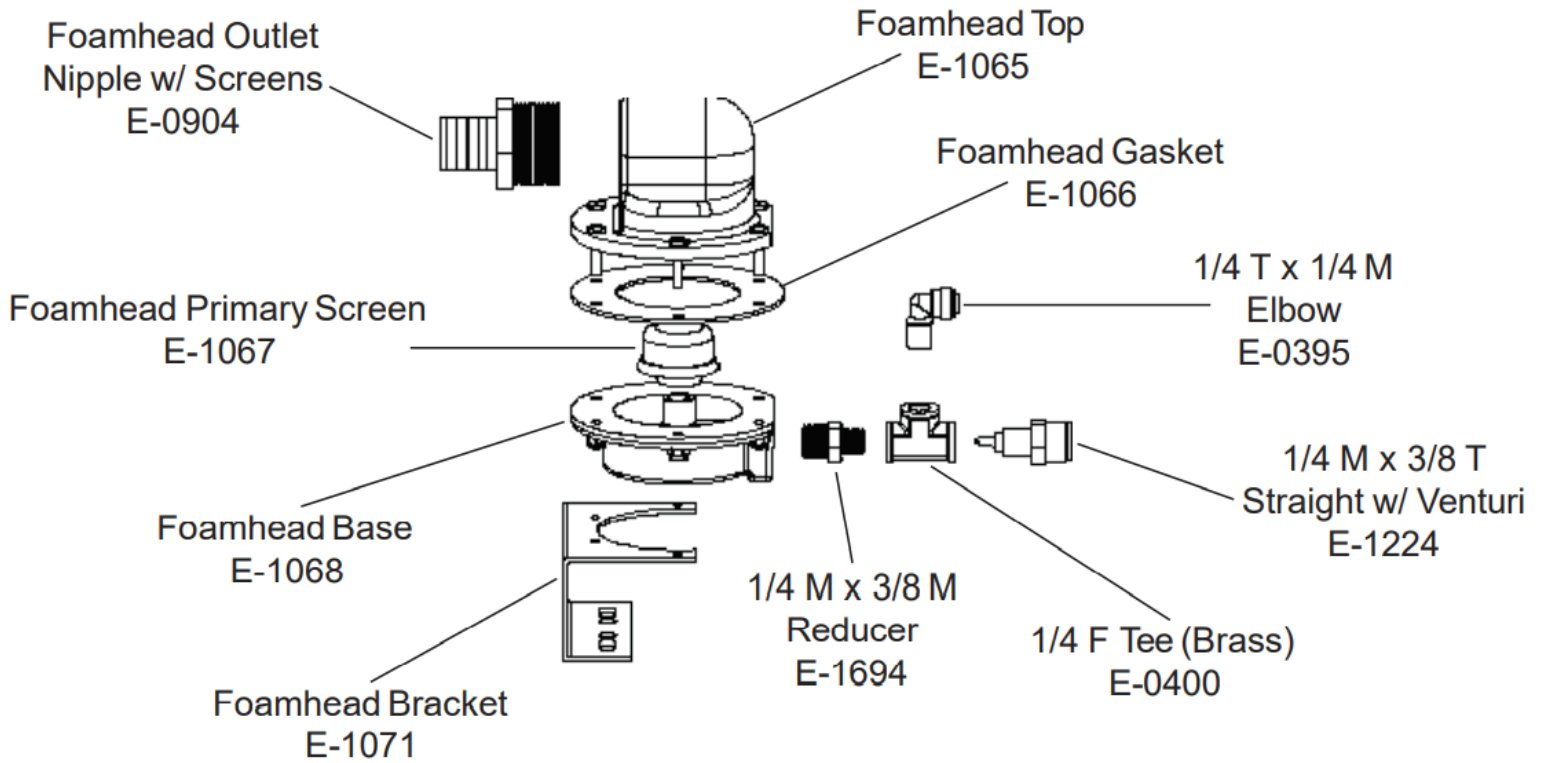


FIGURE 10 - Versa Trac Tank Components

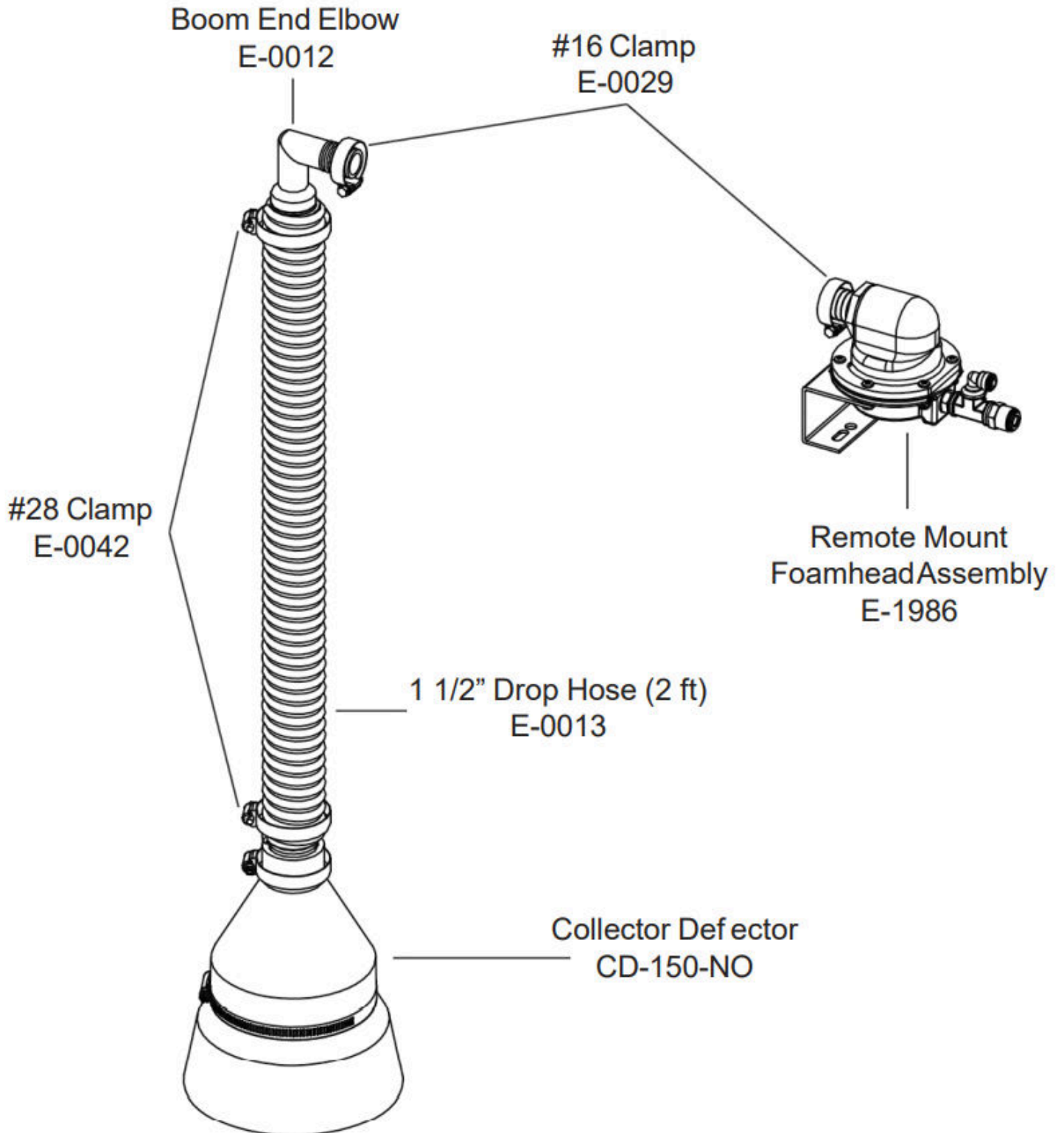
APPENDIX 4



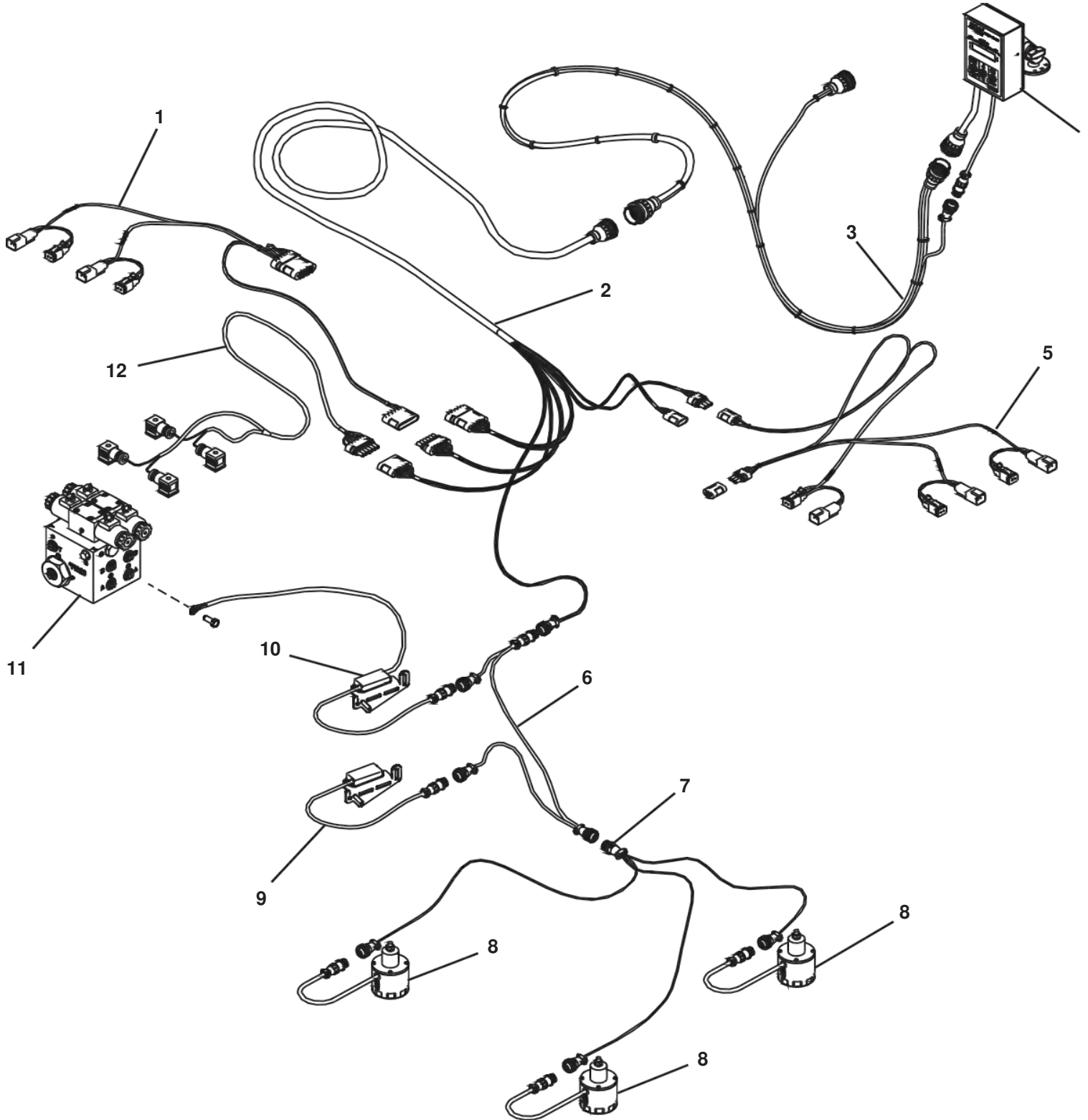
Richway Foam Marker Foamhead



Richway Foam Marker Boom End



NORAC Auto Height Boom Control UC4+



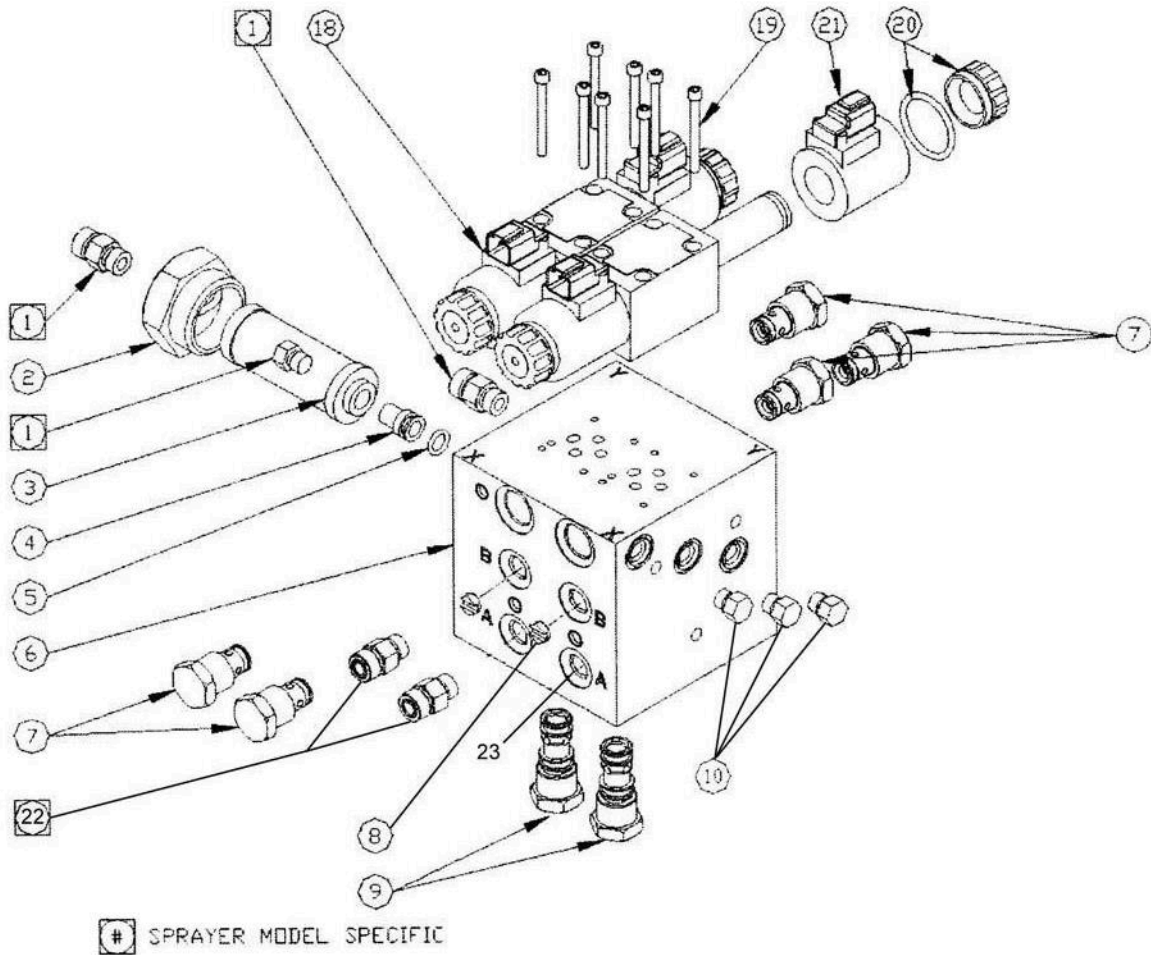


ILLUSTRATED PARTS LIST

Parts List: NORAC Auto Height Boom Control UC4+

ITEM	VENDOR PART#	DESCRIPTION	QTY.
1	44658-19	CABLE INTERFACE UC4 BC C13 FT1 MAIN	1
2	44651-03	CABLE EXTENSION VALVEGENERIC	1
3	44650-35	CABLE POWER GENERIC PULL-TYPE	1
4	4461BC+	UC4 PLUS BOOM CONTROL PANEL	1
5	44658-20	CABLE INTERFACE UC4 BC C12 FT1 WINGS	1
6	44664	CABLE UC4 CAN NODE DUAL	1
7	44668	CABLE UC3 SENSOR BRANCH 1 AMP RECEPT 3 AMP PLUGBC	1
8	44631	UC4 ULTRASOUNDSENSOR	3
9	44642	UC4 PLUS ROLLSENSOR	1
10	44641	UC4 PLUS ROLL SENSOR W TEMPERATUREPROBE	1
11	44933D	VALVE BLOCK UC4-BC 2-STATION CC/LS VARIABLE RATE DUETSCH	1
12	44656D	CABLE VALVE VARIABLE RATE DUETSCH	1
NS	44656	CABLE VALVE VARIABLE RATE DIN TERMINAL	NS

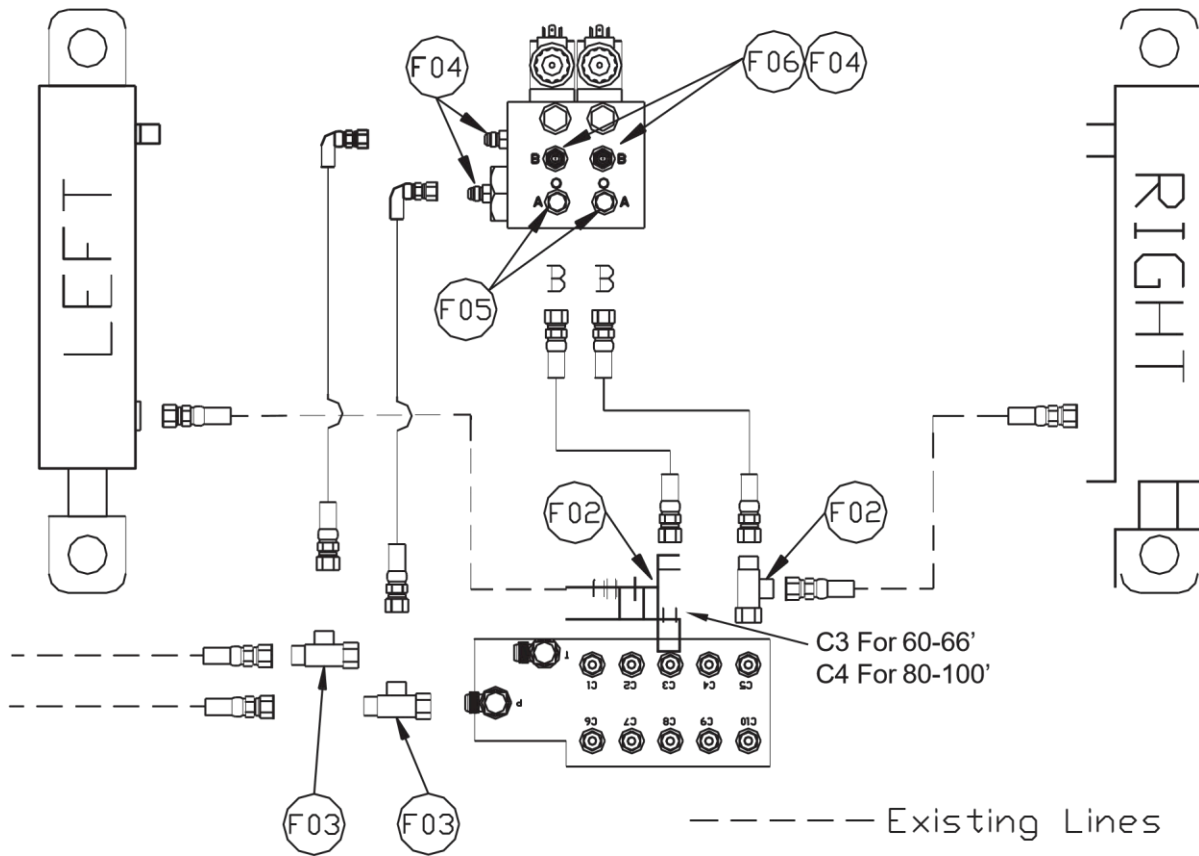
NORAC Hydraulic Valve Block



Parts List: NORAC Hydraulic Valve Block

ITEM	VENDOR PART#	DESCRIPTION	QTY.
1	W400-6-6	HYDRAULIC COUPLING - MODEL SPECIFIC	2
2	44897	FILLER CAP WITH 60RBPORT	1
3	104827	HYDRAULIC FILTER ELEMENT, 3000 PSI IN-LINE 10 MICRON	1
4	44896	FILTERINSERT	1
5	104998	O-RING 5/8 X 0.420 ID X0.103	1
6	44923	VALVE BLOCK2 STATION CLOSEDCENTER	1
7	104943	HYDRAULIC CHECK VALVEC-10-2	3
8	44928	ORIF CE INSERT0.047	2
9	104944	CHECK VALVE CARTRIDGEC-10-3S	2
10	103381	PLUG4MBP	5
18	105723	HYDRAULIC VALVE12V	1
19	100739	HEX SOCKET CAP SCREW 10-24 X 2"	8
20	105948	COIL NUT & O-RING FOR NORAC #10599 & 105723	4
21	105926D	COIL 12V FOR NORAC #10599 & 105723	4
21	105927	COIL 12V FOR NORAC DIN	4
22	103312	MALE ADAPTER6MB-6MJ	2
23	104369	PLUG6MBP	2

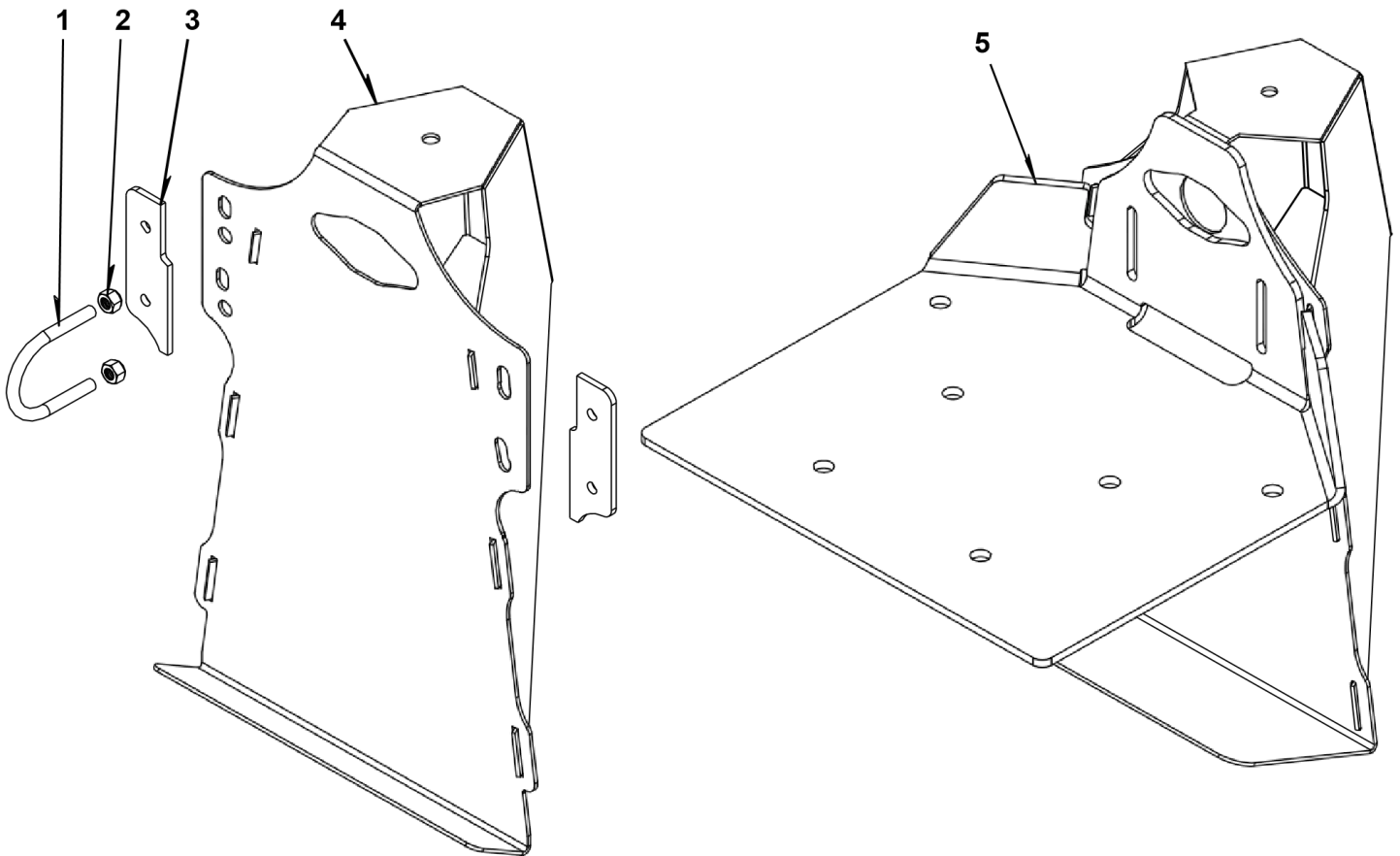
NORAC Auto Height Boom Control Hydraulic Schematic UC4+ & UCS



Parts List: NORAC Auto Height Boom Control Hydraulic Schematic UC4+ & UCS

ITEM	PART NUMBER	NAME	QUANTITY	PICTURE
F02	105588	TEE ADAPTER - 4FJXR 4MJT	2	
F03	104632	TEE ADAPTER 8FJXR8MJT	2	
F04	103312	MALE ADAPTER - 6MB 6MJ	4	
F05	104369	PLUG -6MBP	2	

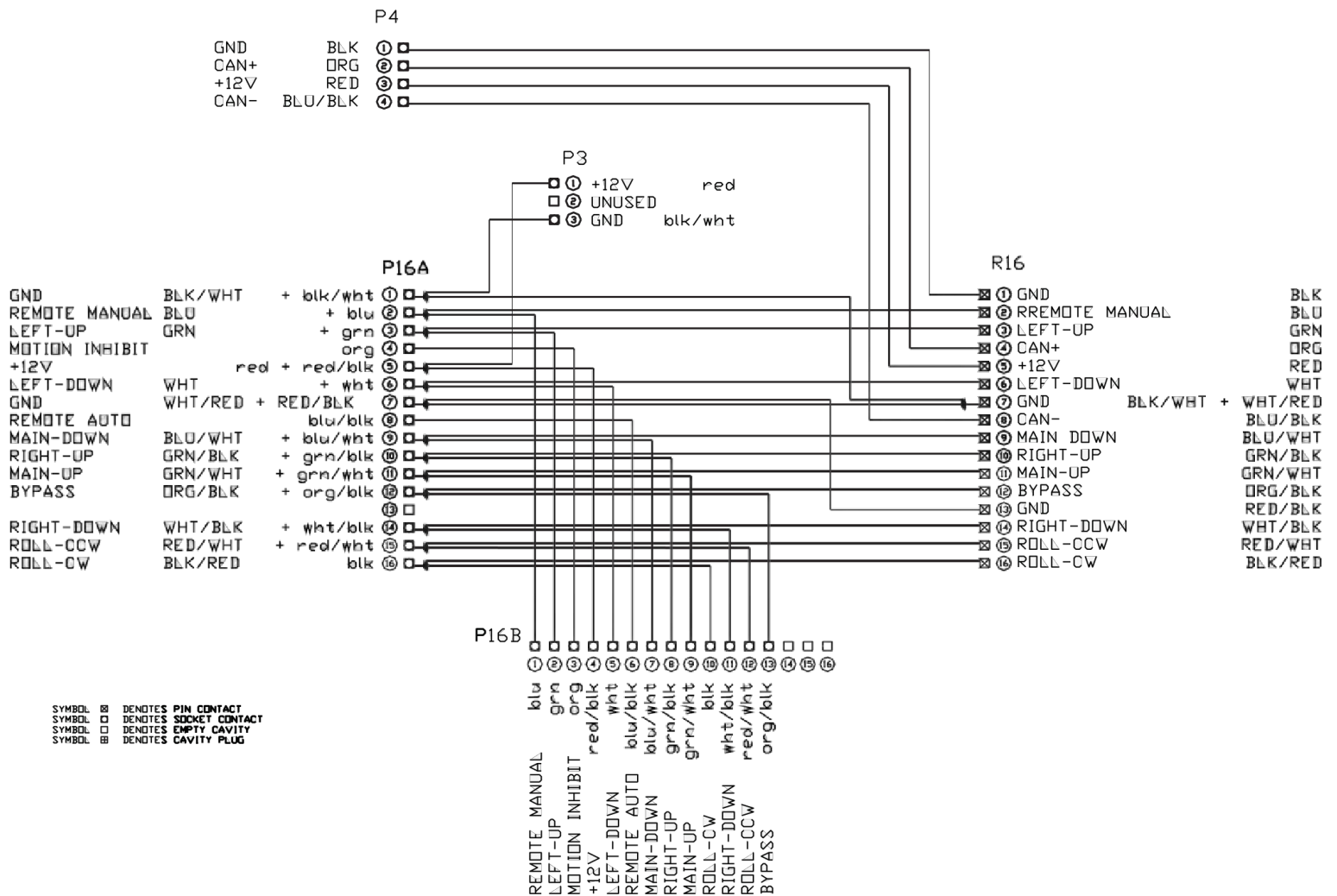
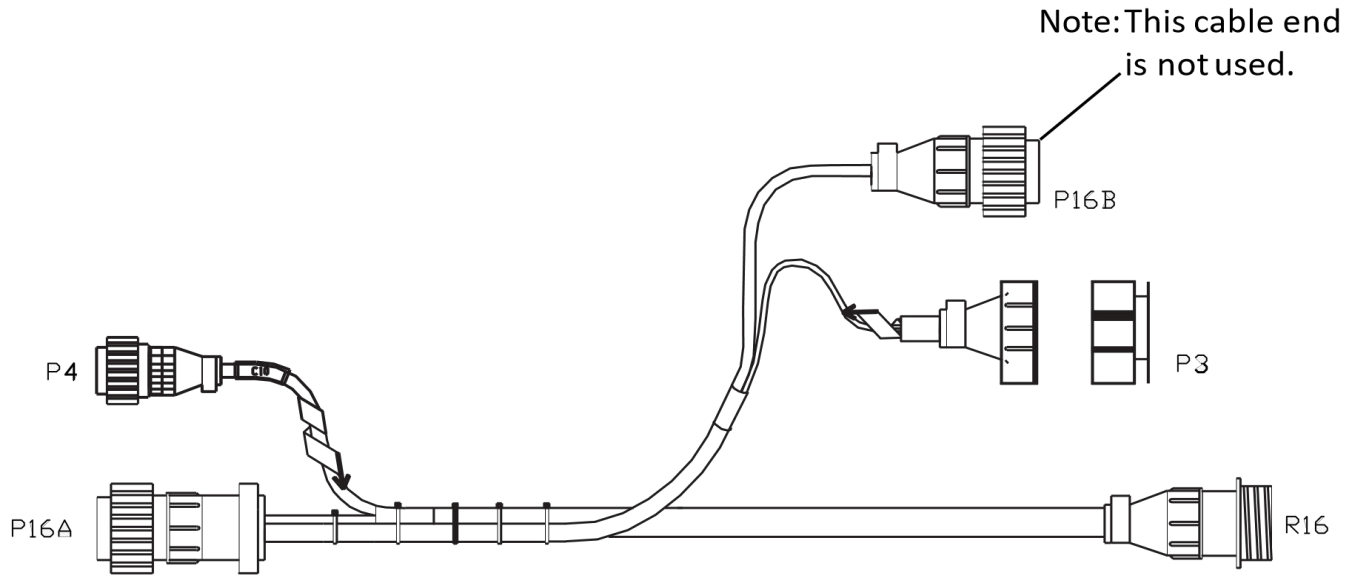
NORAC Auto Height Sensor Brackets



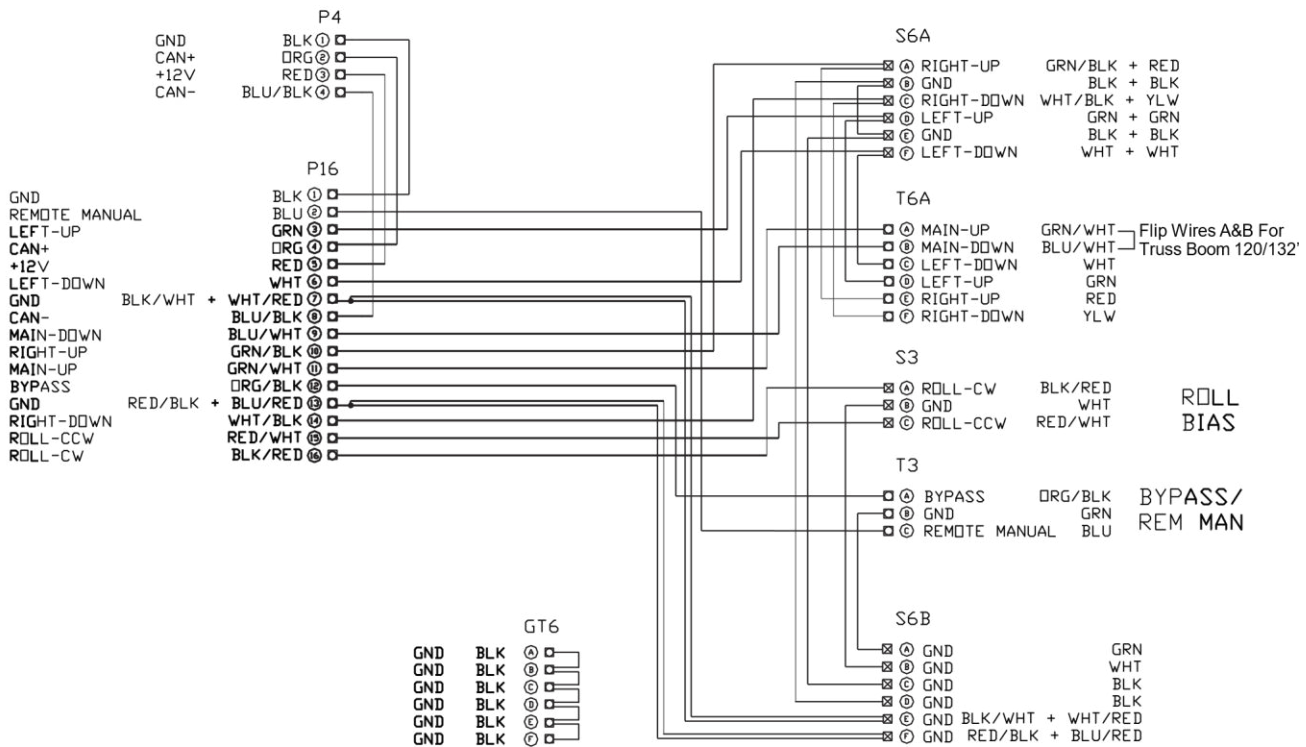
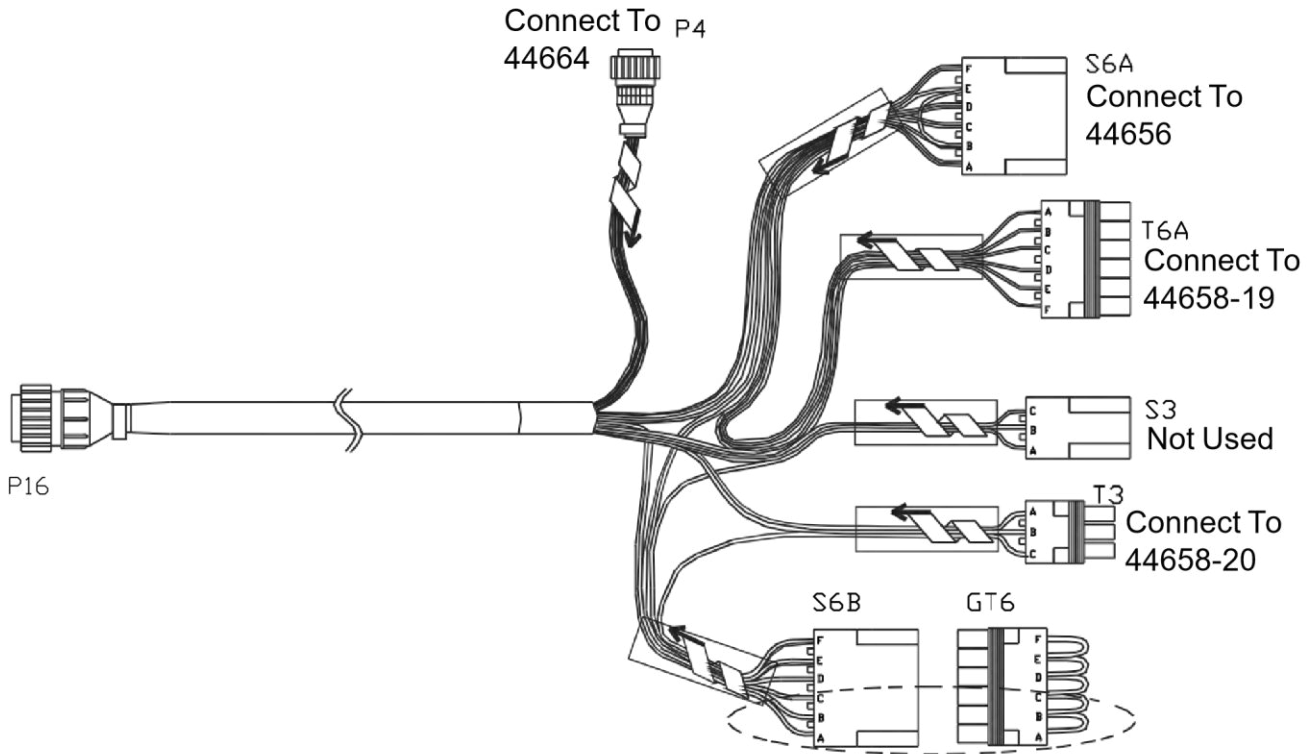
Parts List: NORAC Auto Height Sensor Bracket

ITEM	FAST PART#	DESCRIPTION	QTY.
1	590118	U-BOLT 1/4 X2	2
2	228	NUT HEX 1/4" NYLOCKZP	4
3	16737	SPACER SENSORMOUNT	4
4	16715	MOUNT BREAKAWAYSSENSOR	2
5	16721	MOUNT CENTERSECTION	1

NORAC Auto Height Boom Control Harness

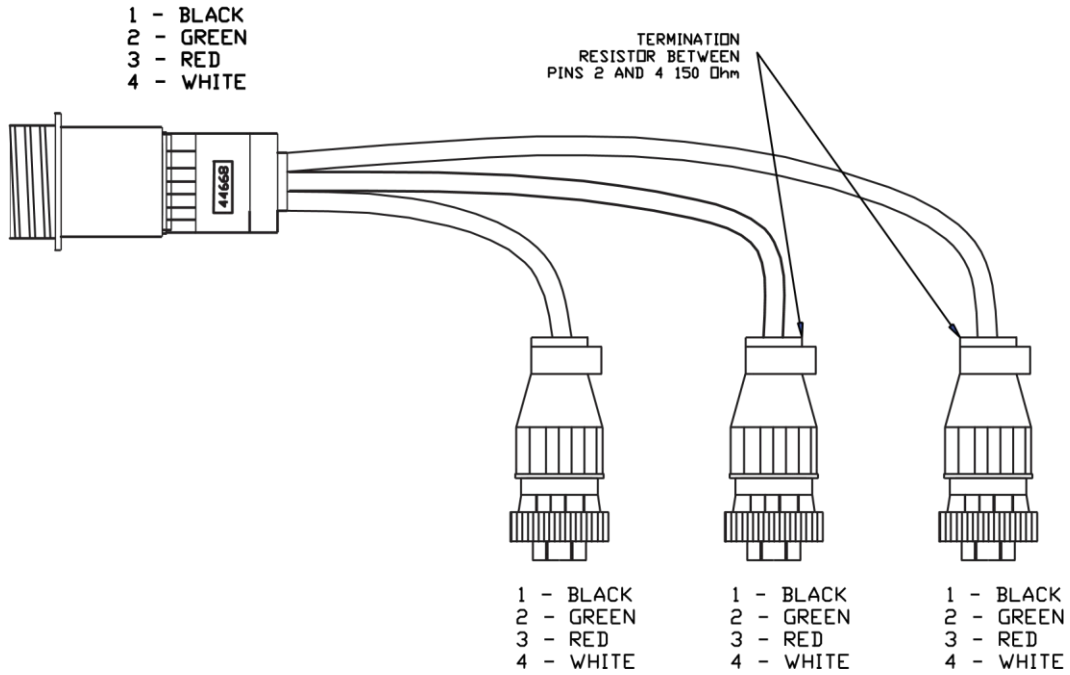


NORAC Auto Height Boom Control Extension Harness – No. 4465103

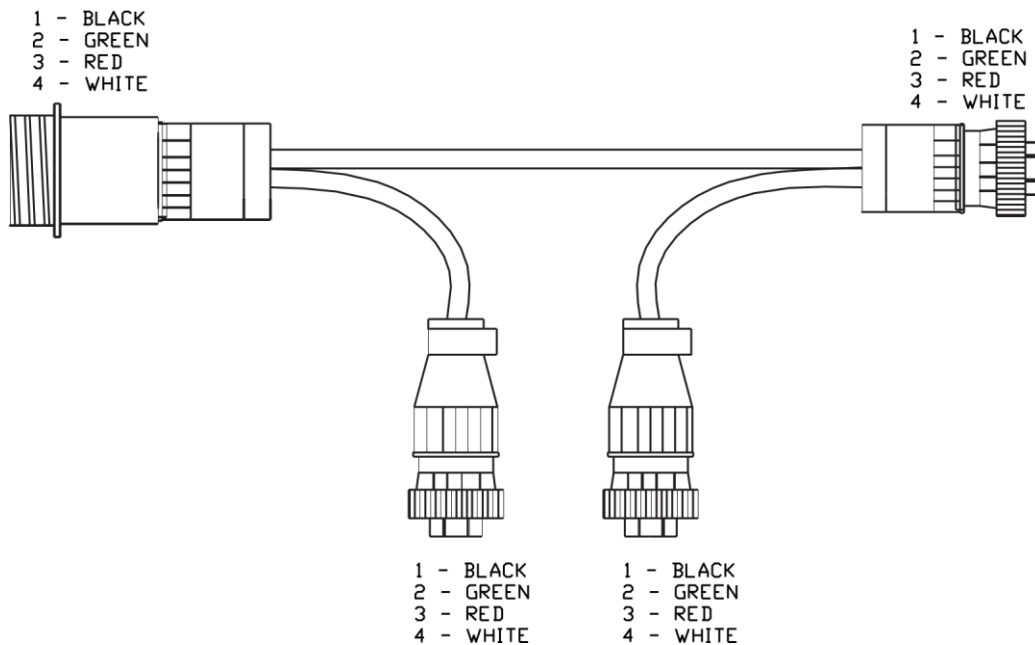


NORAC Auto Height Boom Control Sensor Cables

Item C02: 44668 – Sensor Branch Cable

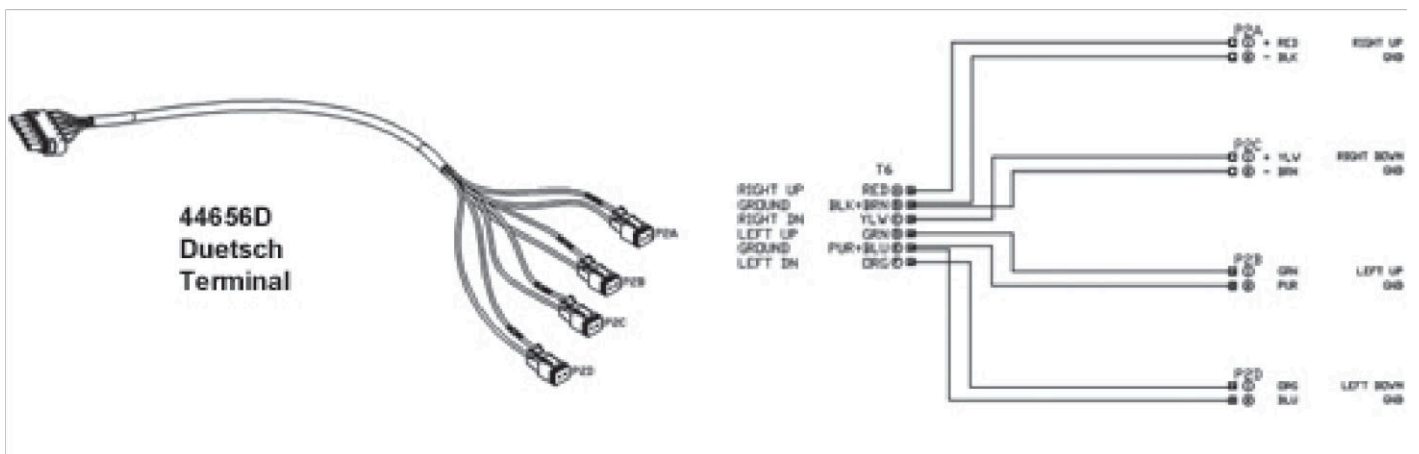
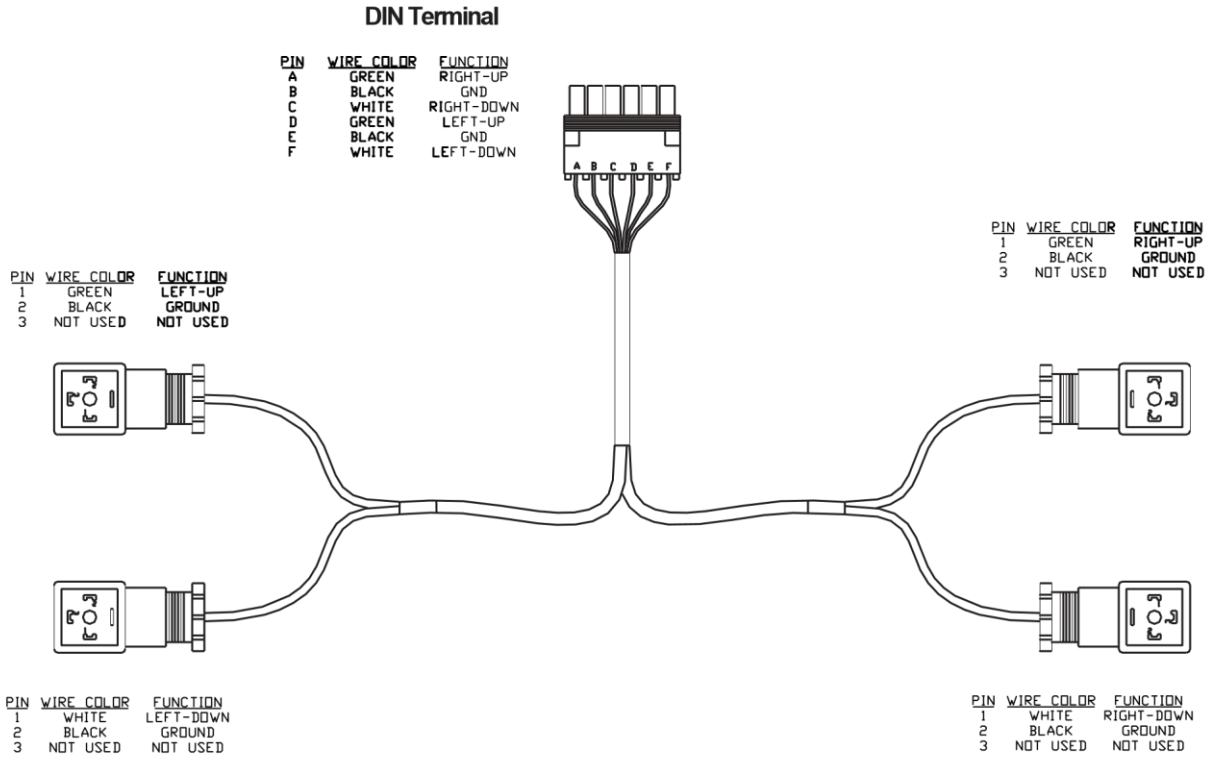


Item C02B: 44668 – Cable UC4 CAN Node Dual



NORAC Auto Height Boom Control Valve Cable

Item C03: 44656 – Valve Cable (Variable Rate)

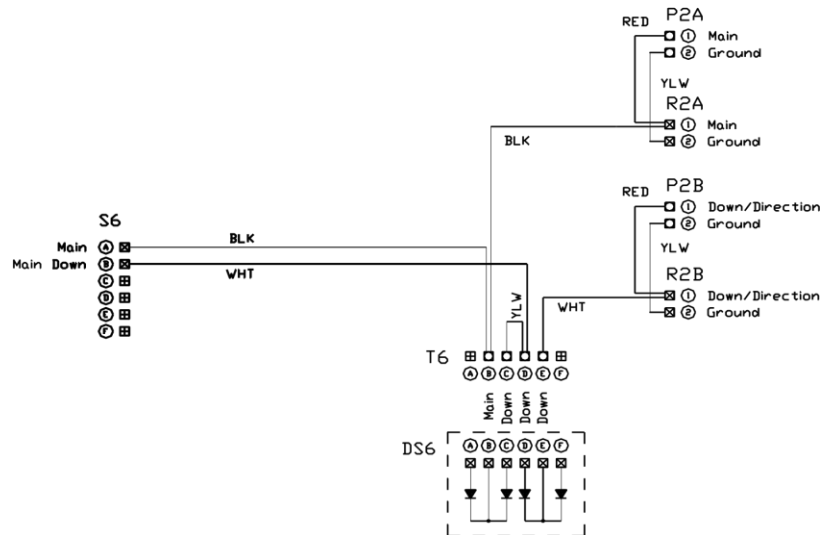
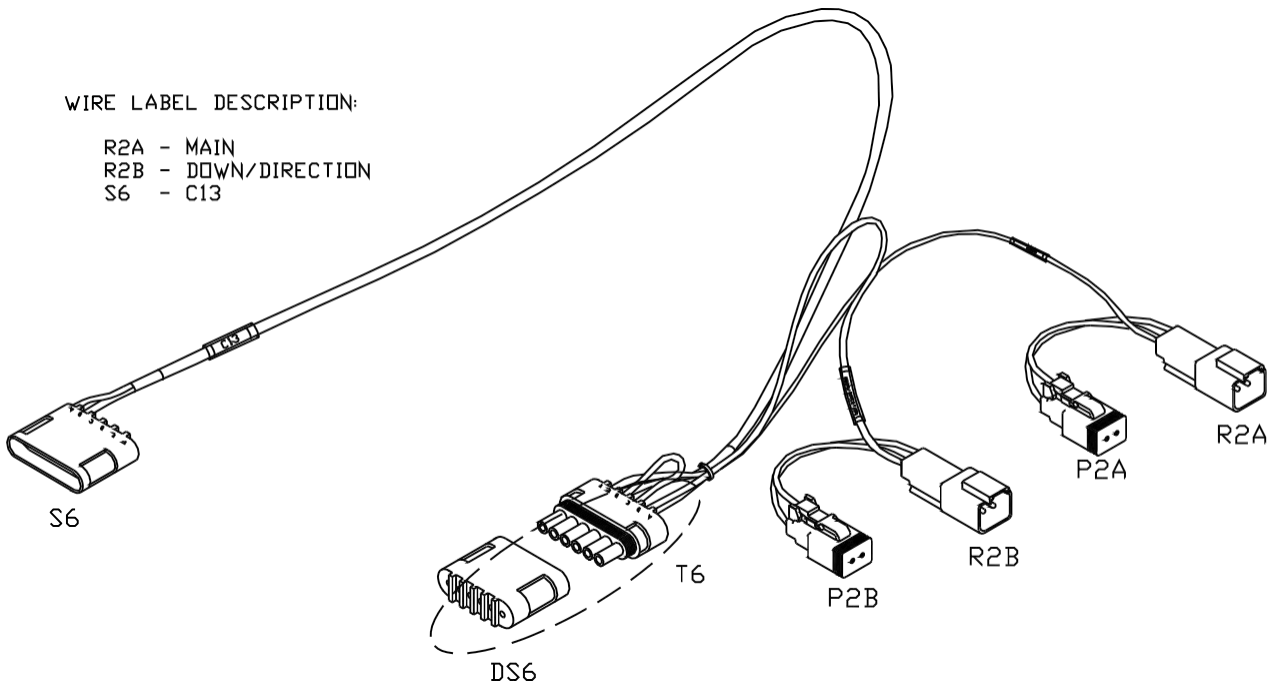


NORAC Auto Height Boom Control Main Interface Cable

Item C13: 4465819 – Main Interface Cable

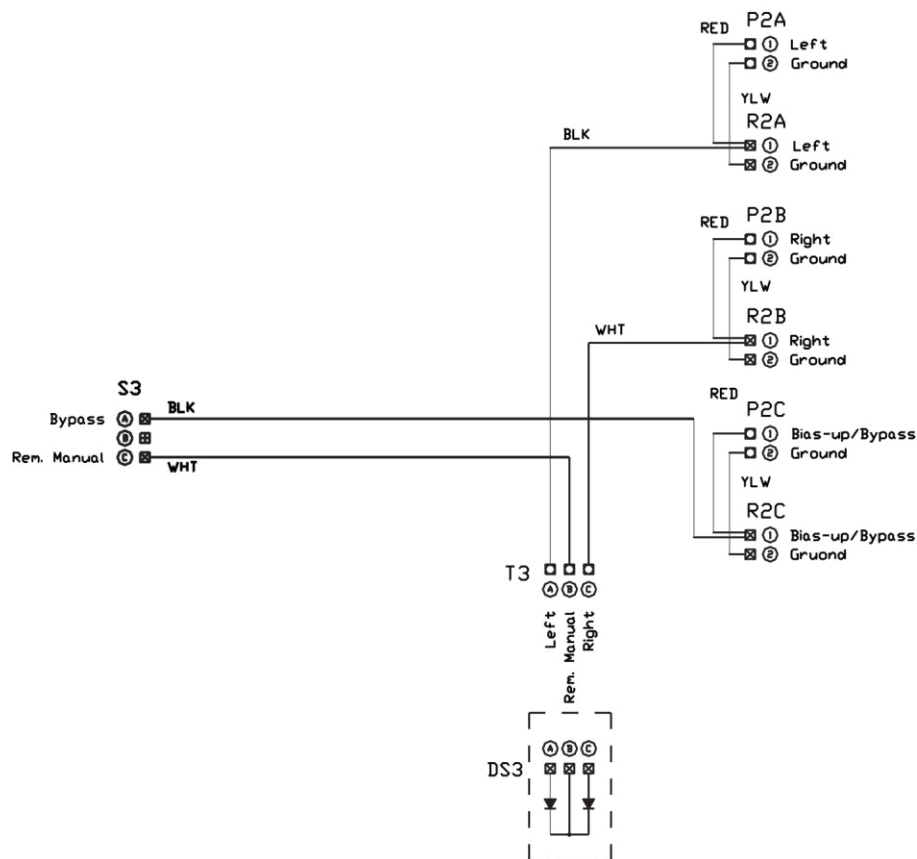
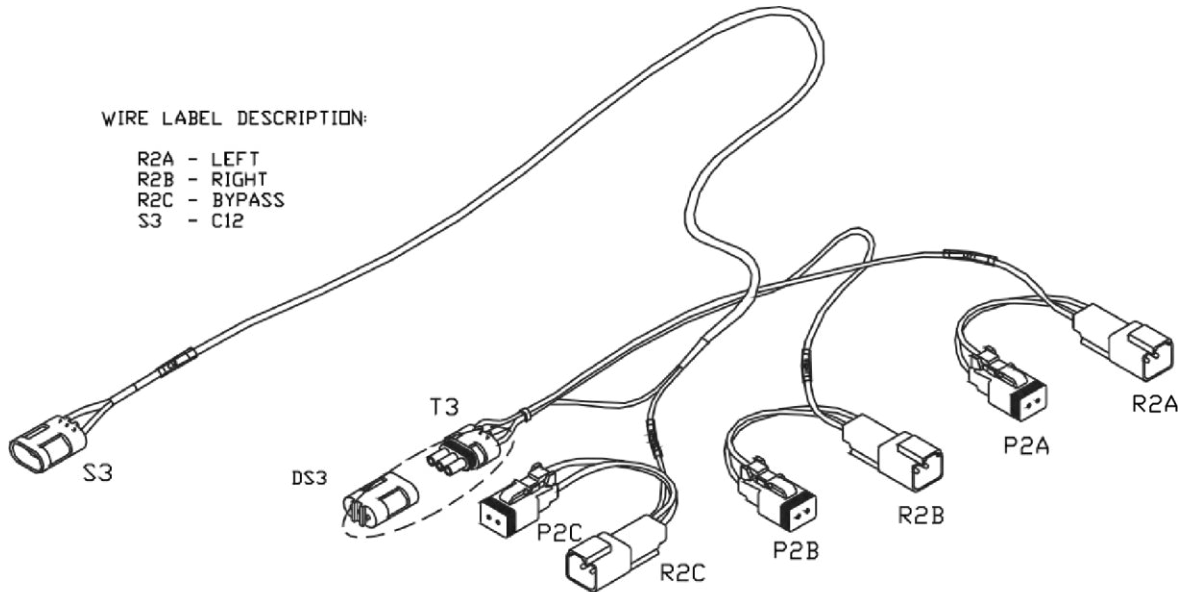
WIRE LABEL DESCRIPTION:

- R2A - MAIN
- R2B - DOWN/DIRECTION
- S6 - C13

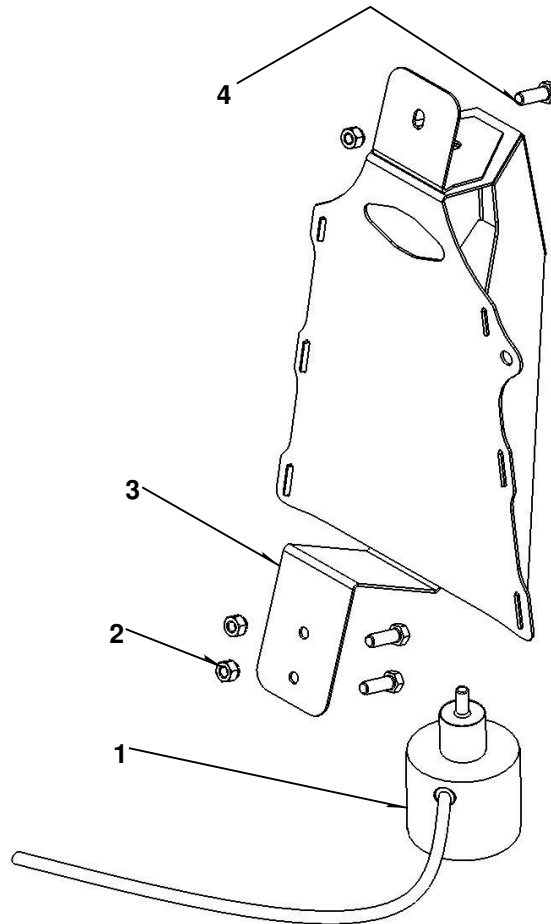


NORAC Auto Height Boom Control Wing Interface Cable

Item C12: 44658-20 – Wing Interface Cable



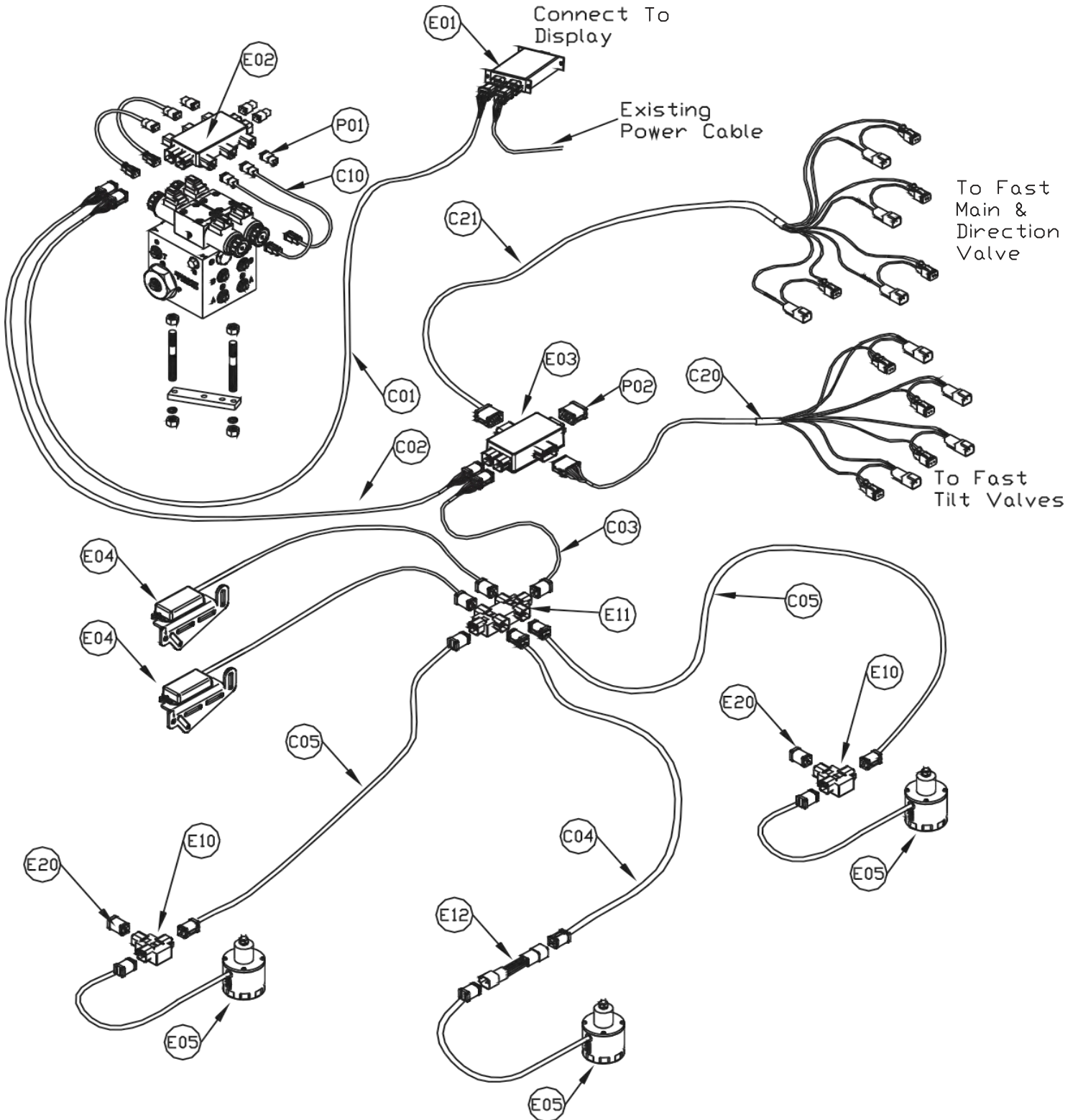
Severe Terrain Kit UC4/UC5



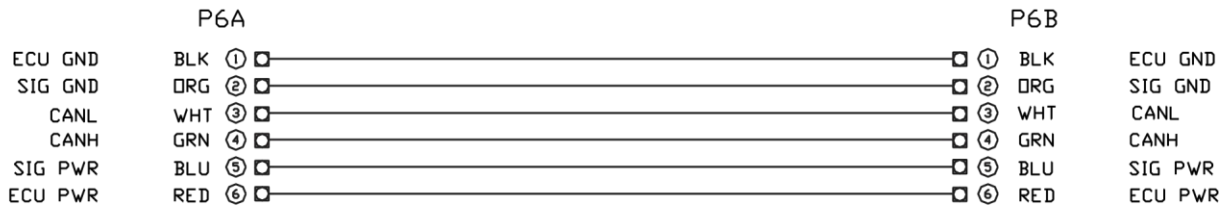
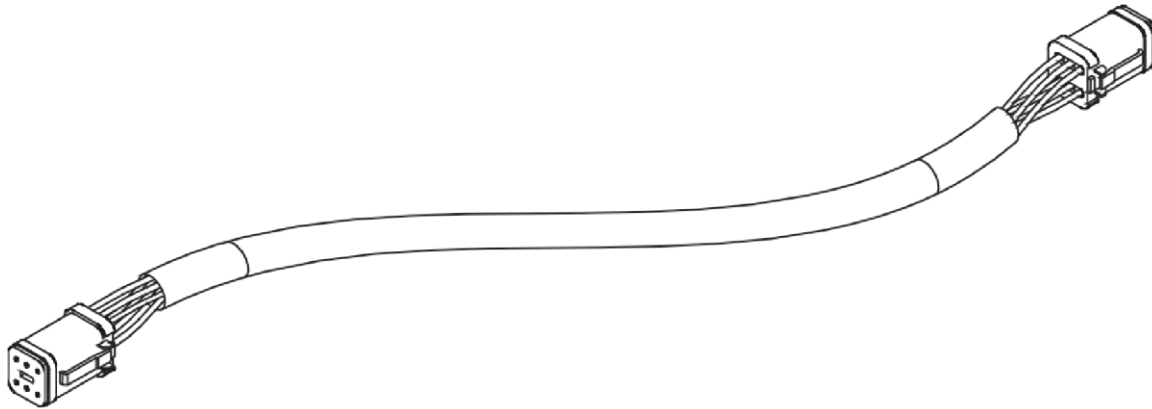
Parts List: Severe Terrain UC4/UC5

ITEM	VENDOR PART#	FAST PART#	DESCRIPTION	QTY.
1	NO44631	631900	SENSOR UC4	2
NS	NO43750	631911	SENSOR UC5	2
2		228	NUT HEX NYLOCK ZP	3
3		16720	SENSOR MOUNT	2
4		115	BOLT HH 5/16 X 1 GR5ZP	3
NS	NO44669	631901	CABLE SEVERE TERRAIN UC4	1
NS	NO4222010A		CABLE SEVERE TERRAIN UC5	1

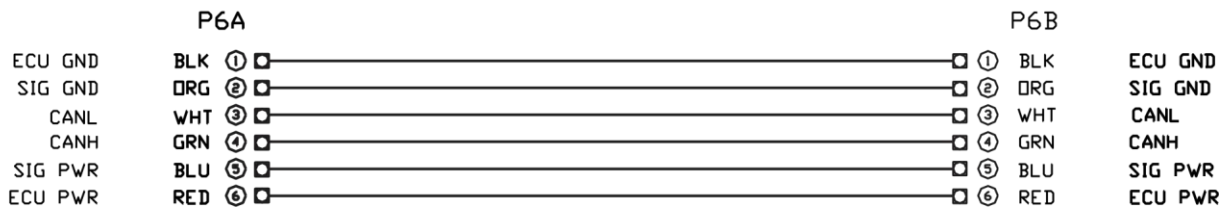
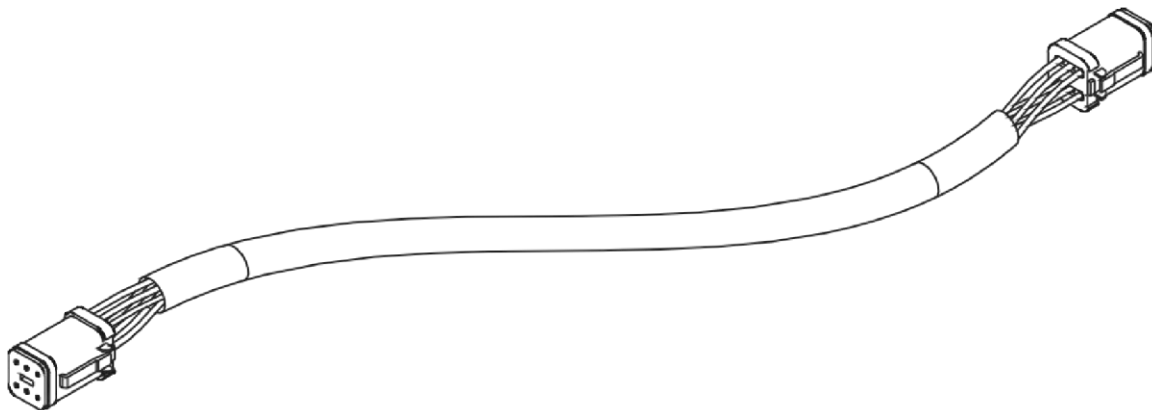
UC5 NORAC Kit Layout



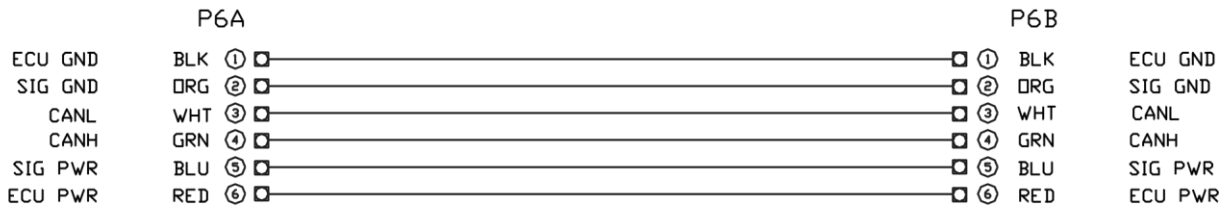
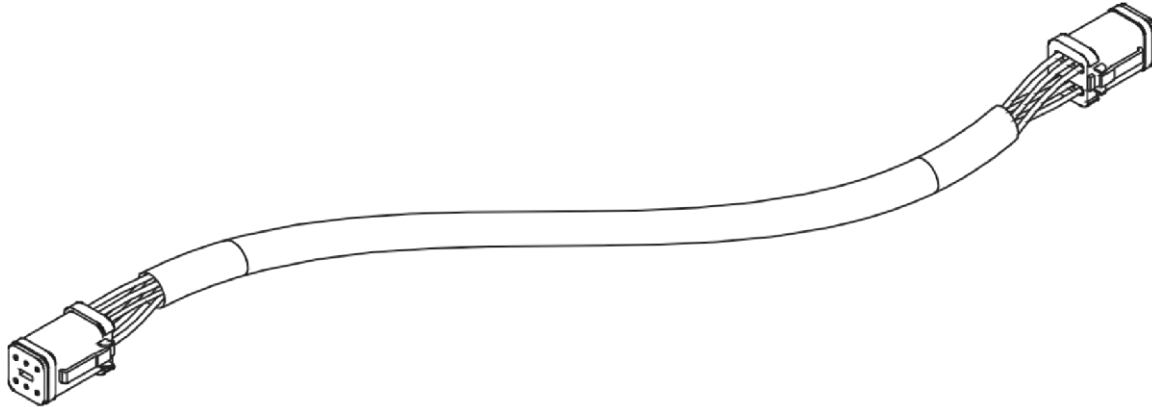
Item C01: 43220-10A – Cable UC5 Network 14 AWG – 10M



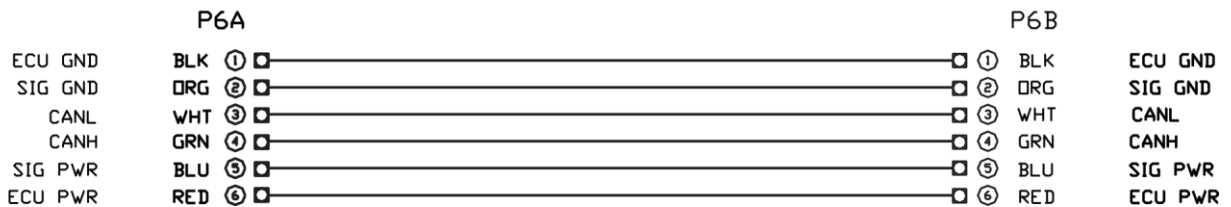
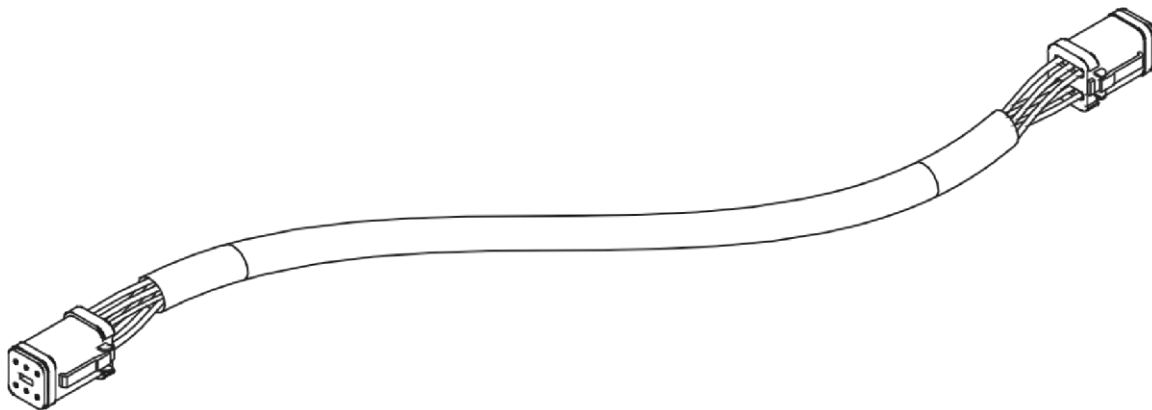
Item C02: 43220-01A – Cable UC5 Network 14 AWG – 1M



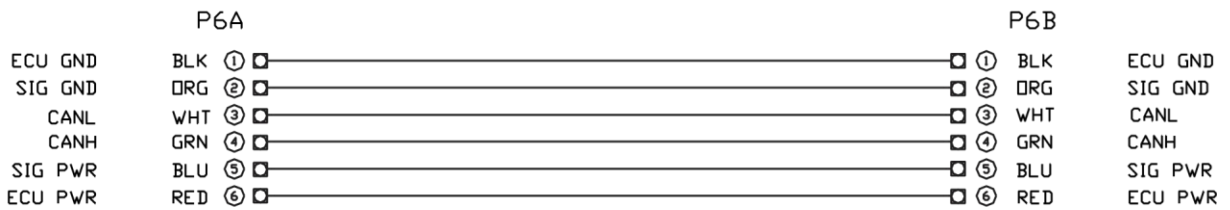
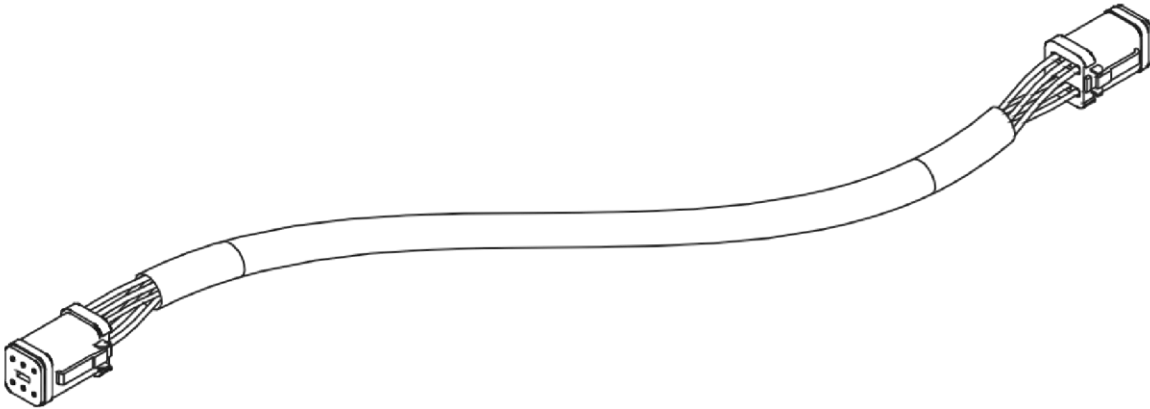
Item C03: 43210-03A – Cable UC5 Network 18 AWG – 3M



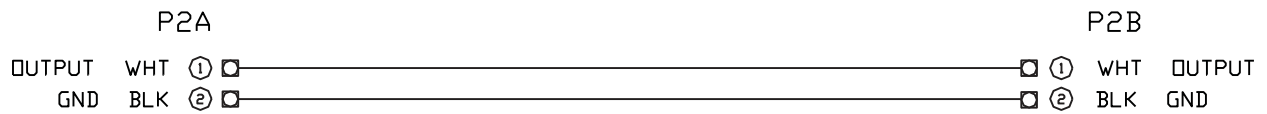
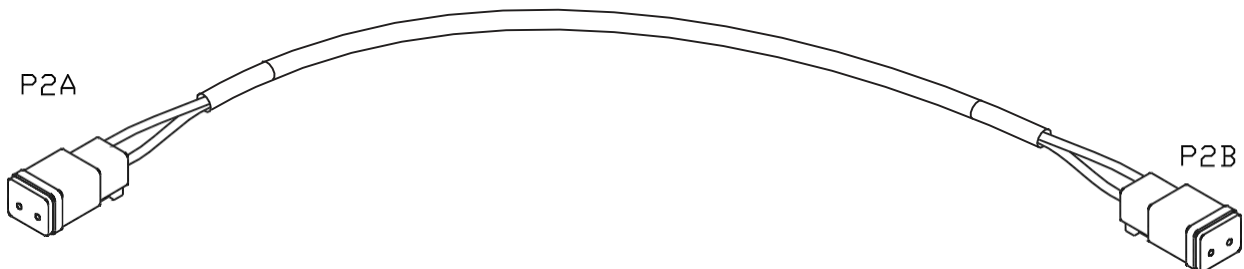
Item C04: 43210-01A – Cable UC5 Network 18 AWG – 1M



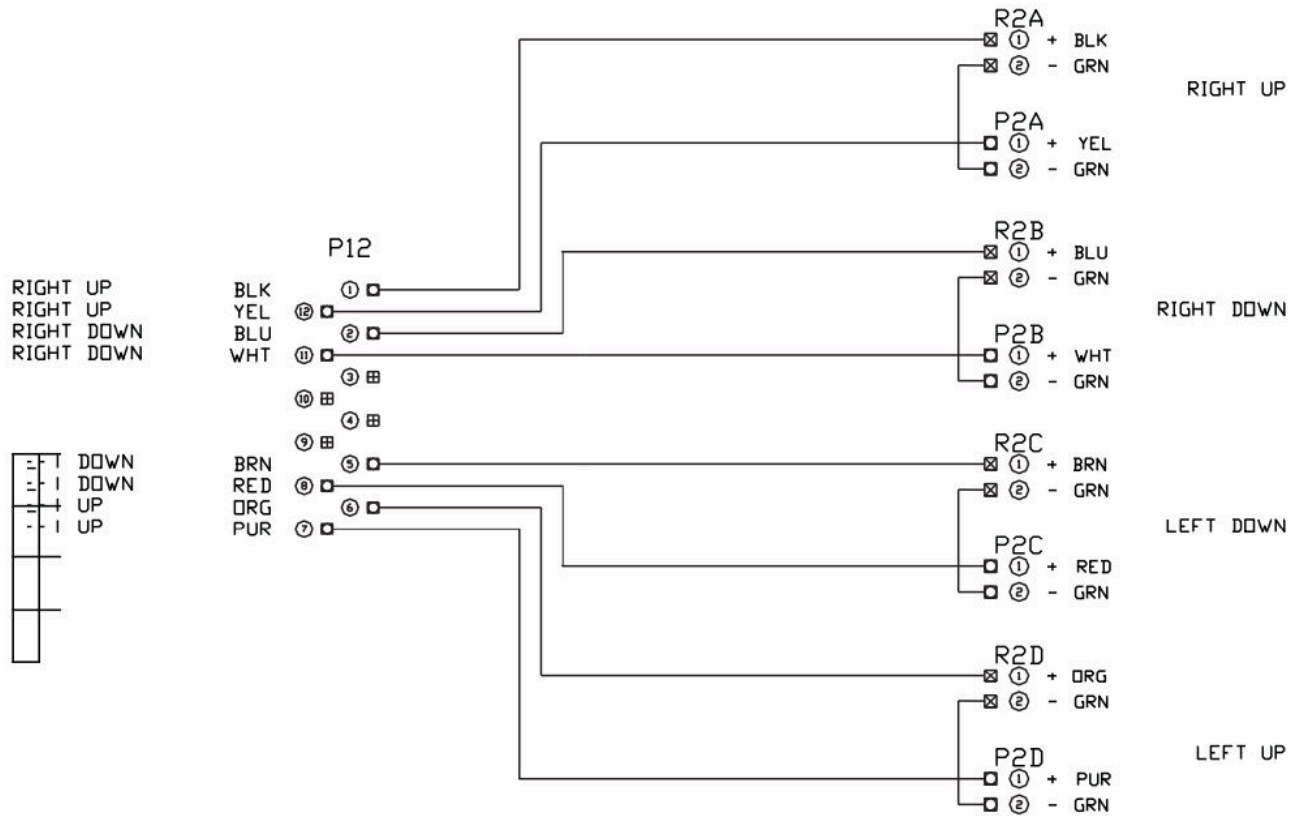
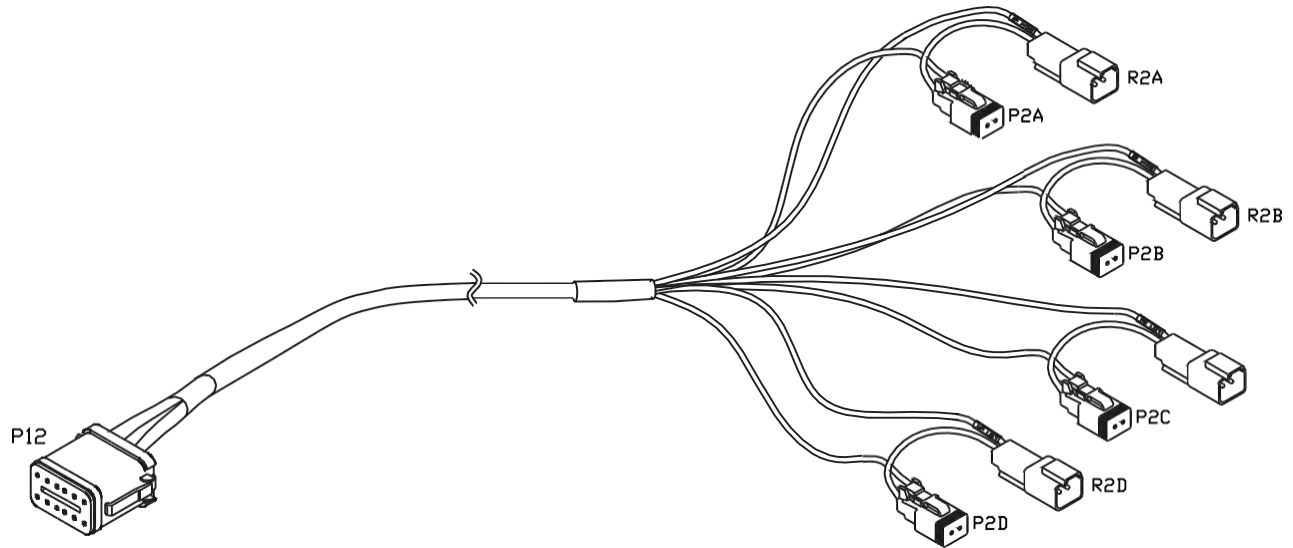
Item C05: 43210-20A – Cable UC5 Network 18 AWG – 20M



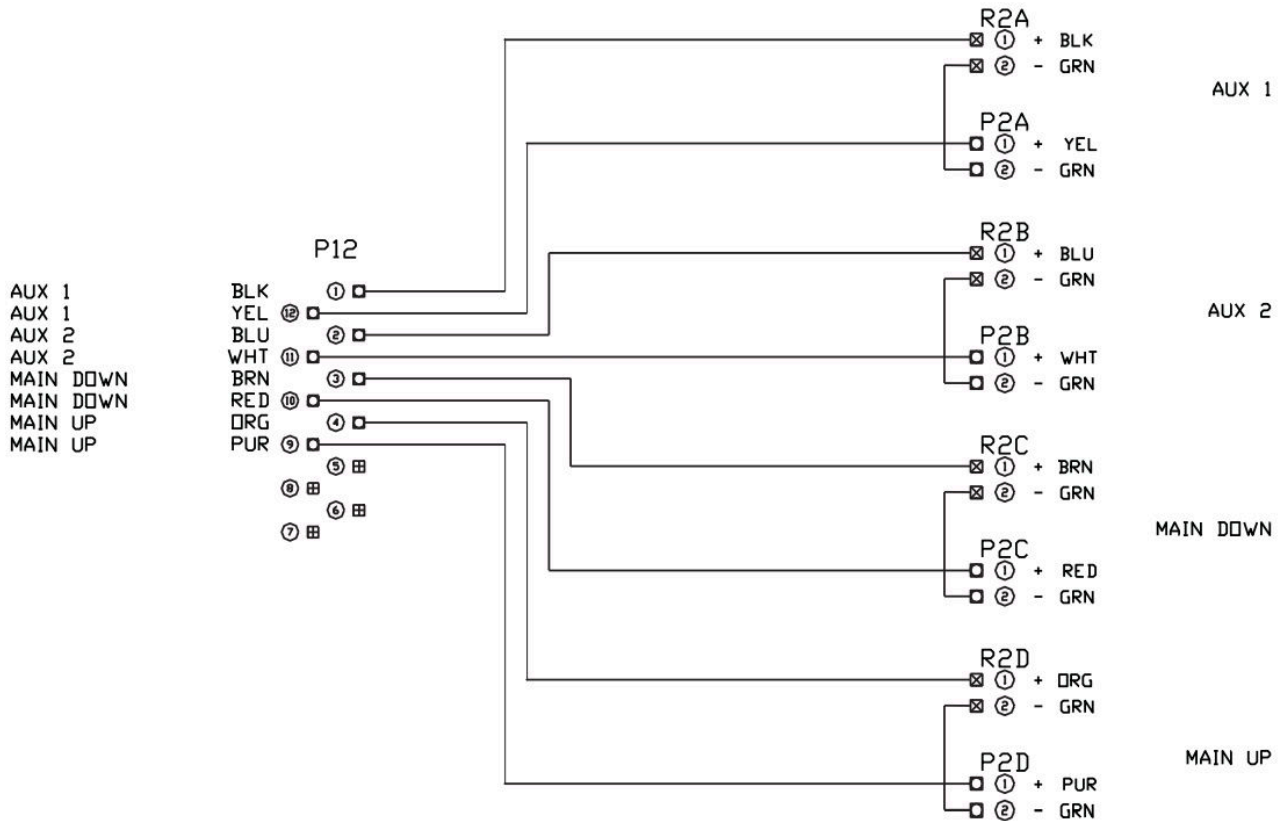
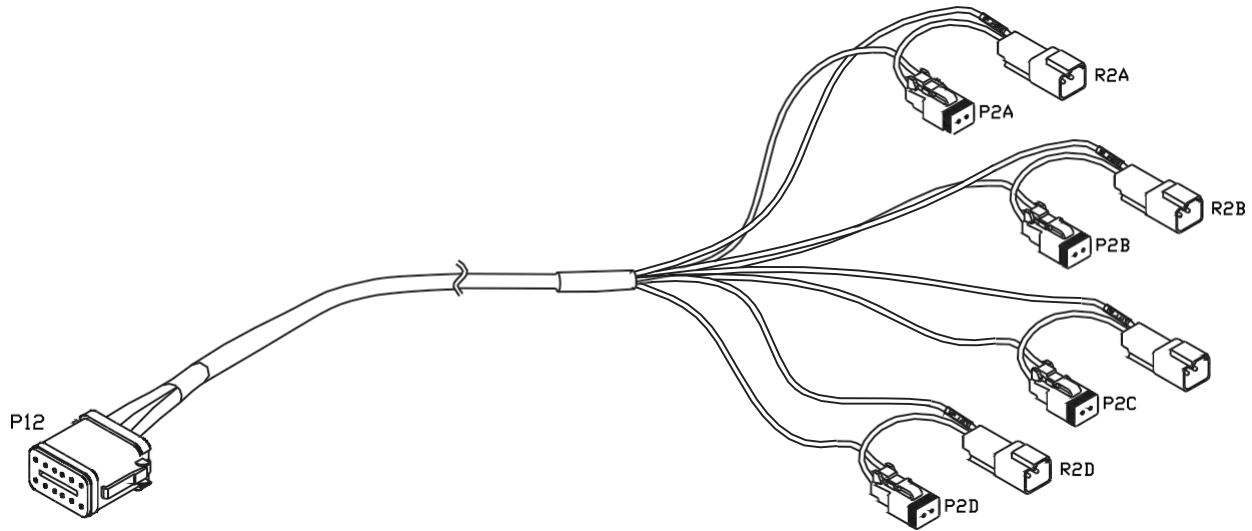
Item C10: 43230-04A – Cable UC5 Valve DT to DT



Item C20: 43240-01B – Cable UC5 Interface Tilt DT

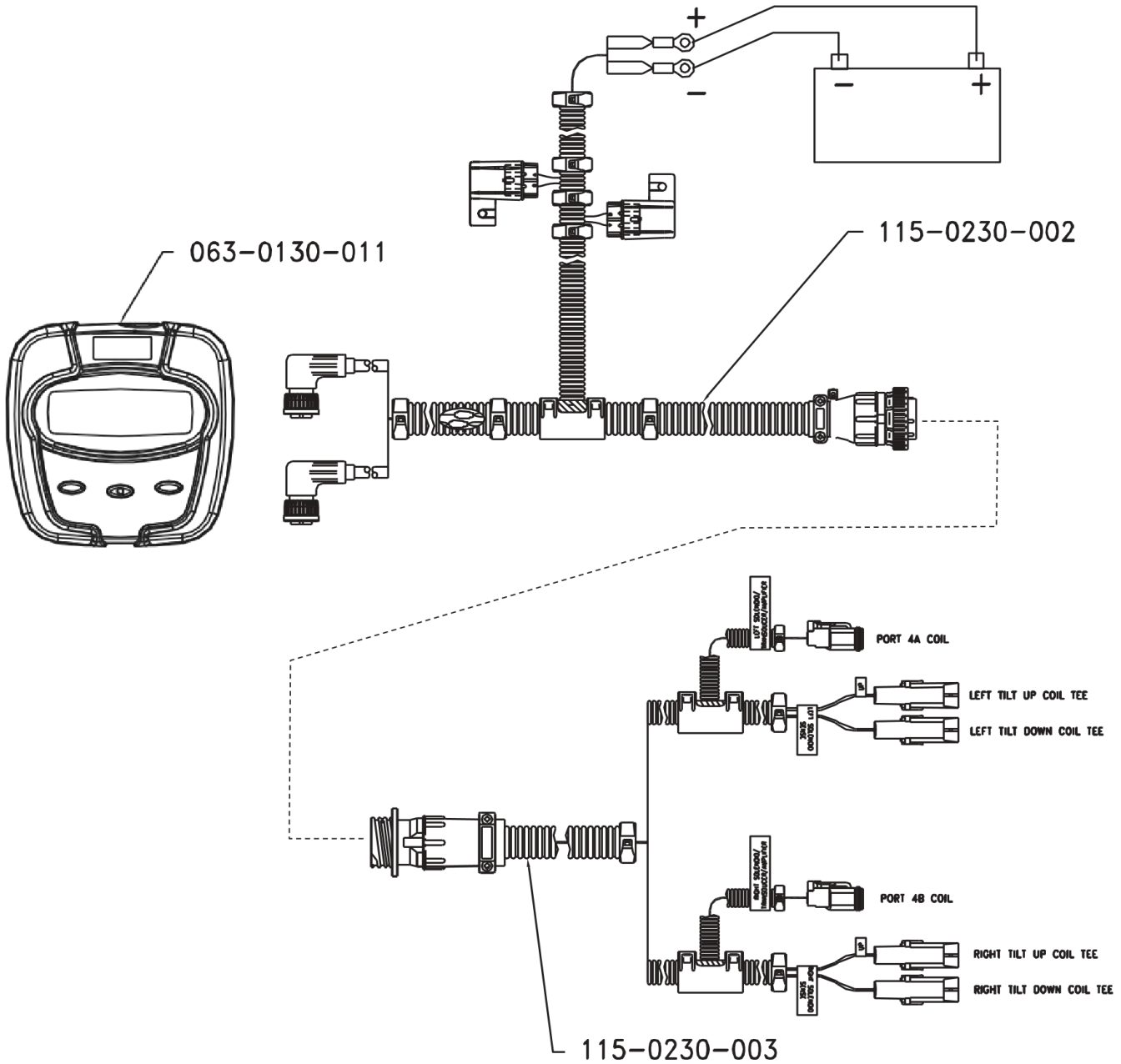


Item C21: 43240-07B – Cable UC5 Interface Main DT (With Aux 1 & 2)

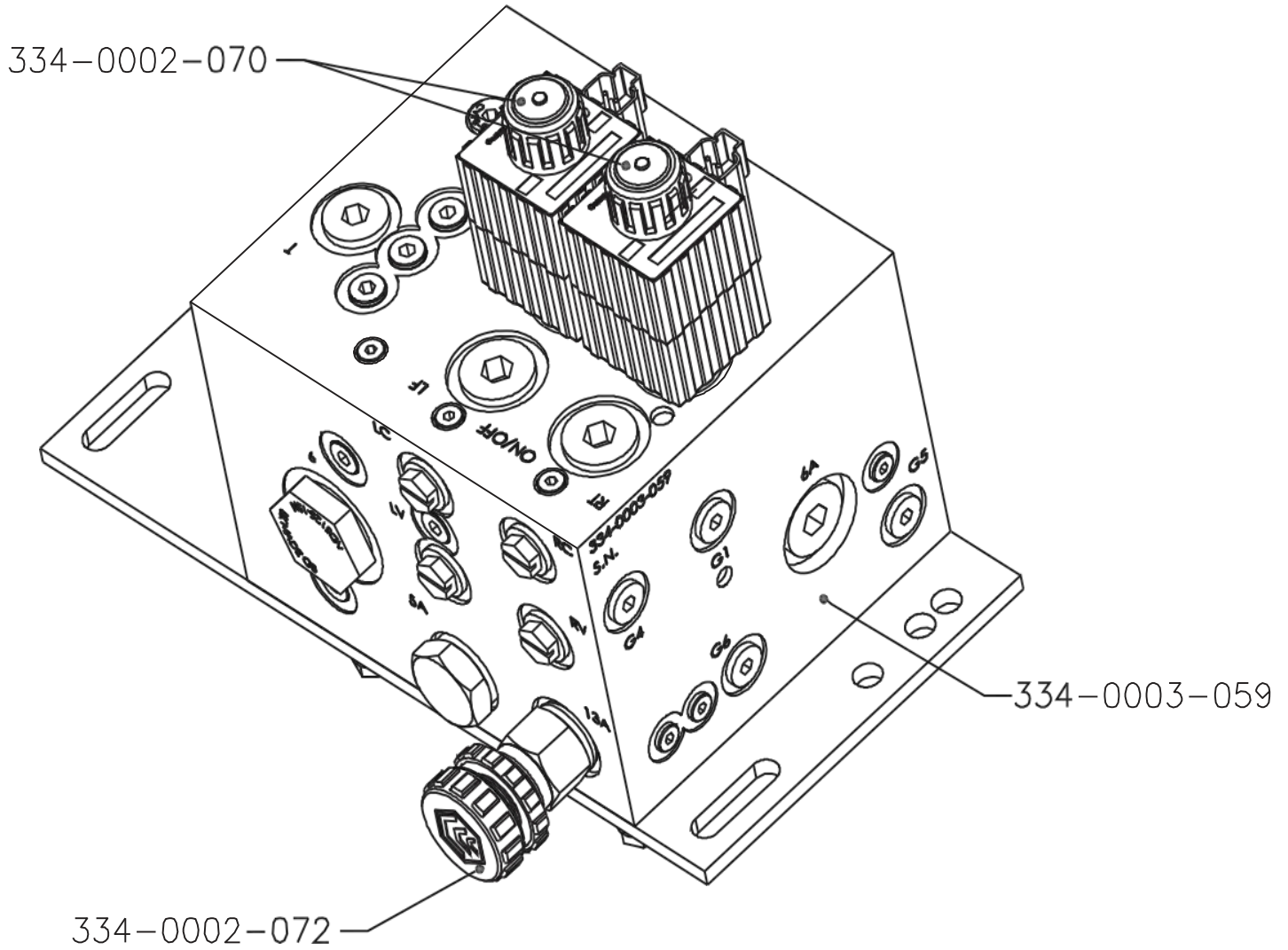


PowerGlide Wiring Schematic

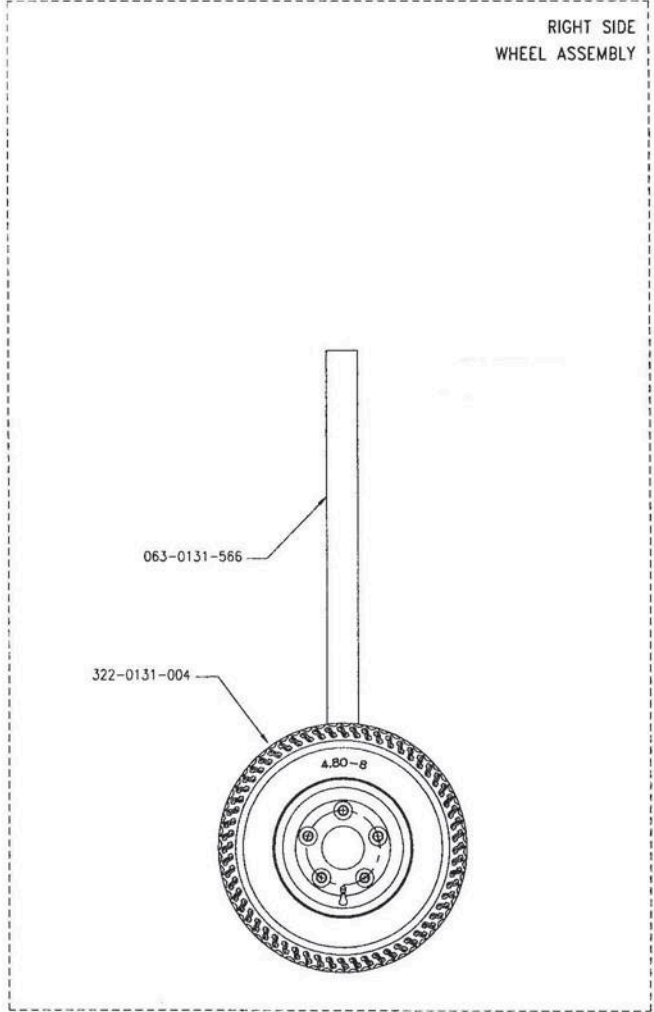
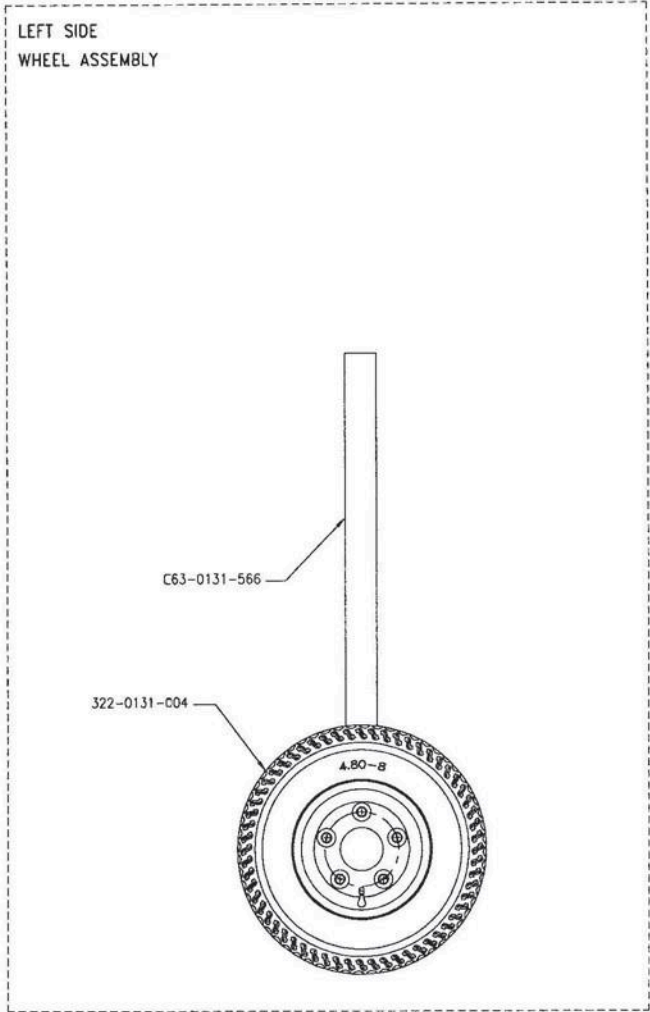
CONNECT LEADS TO BATTERY OR LIVE POWER SOURCE



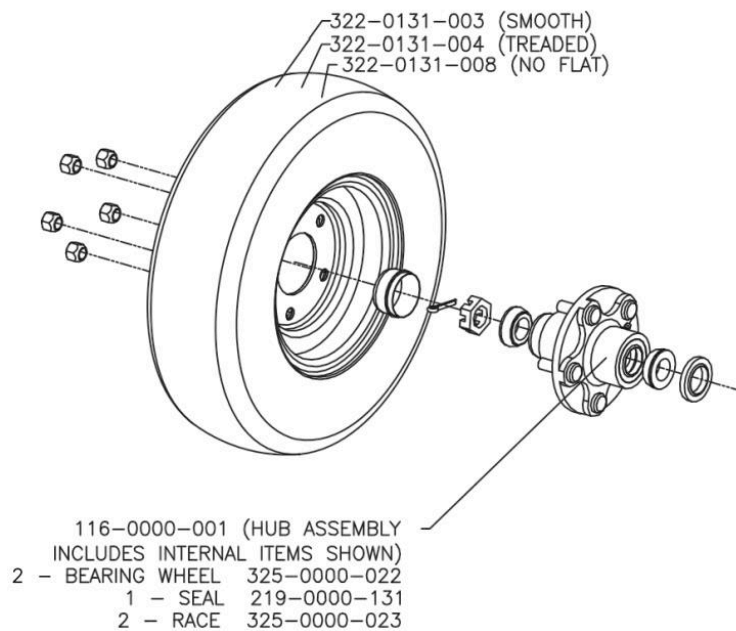
PowerGlide Hydraulic Block



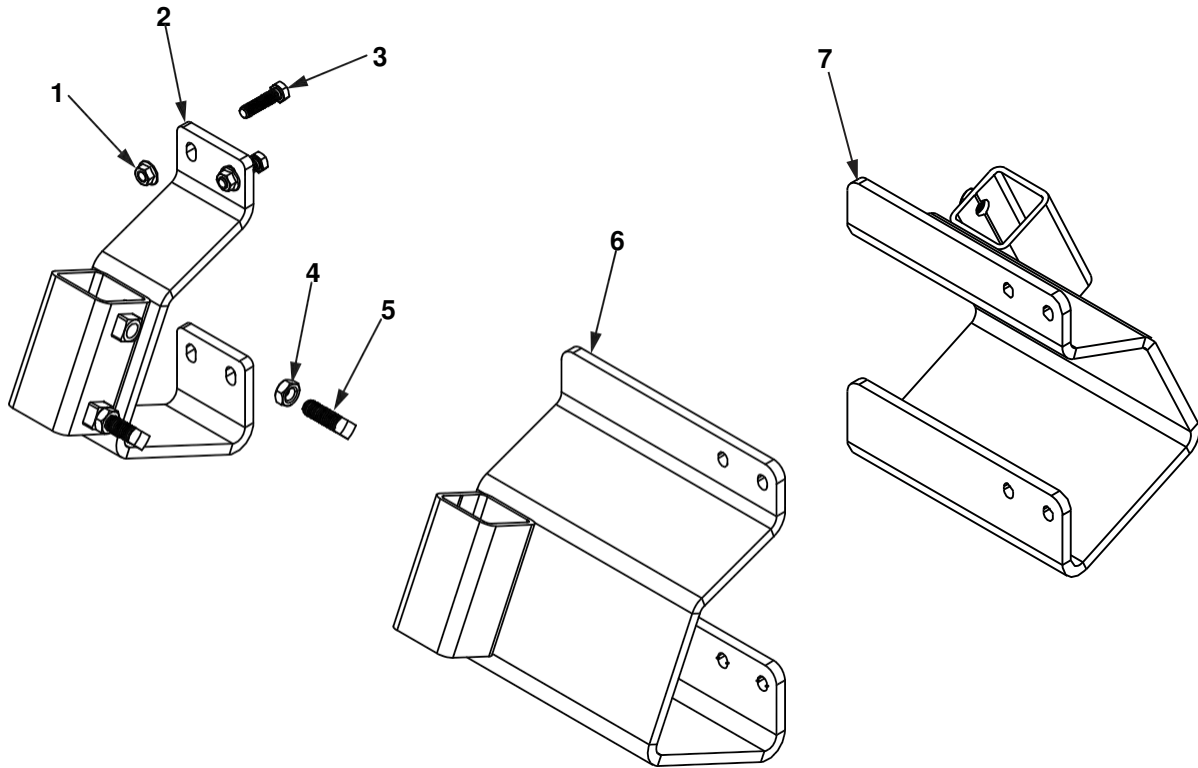
PowerGlide Solid Axle



Hub Breakout

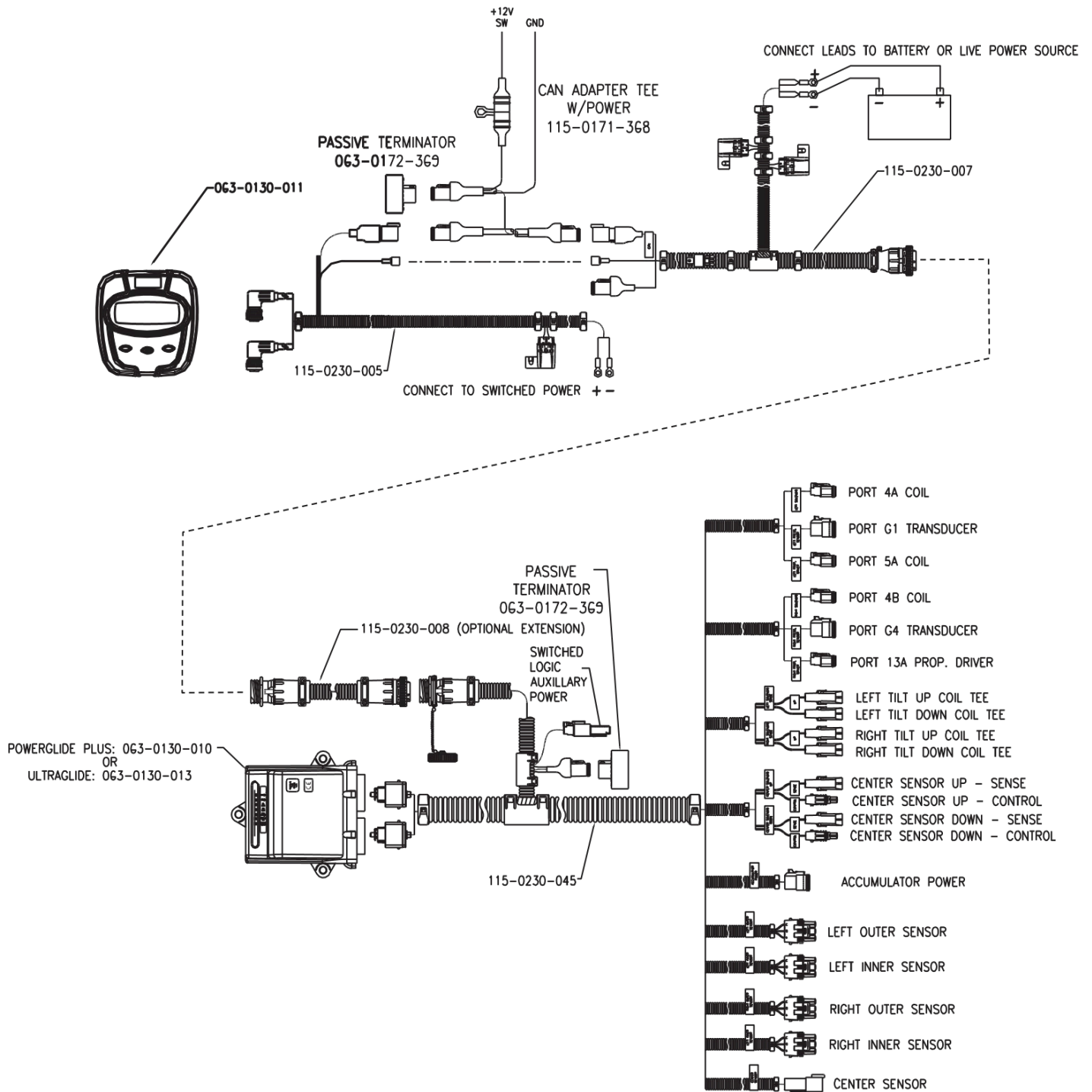


PowerGlide, PowerGlide Plus, UltraGlide Touch Down Bracket

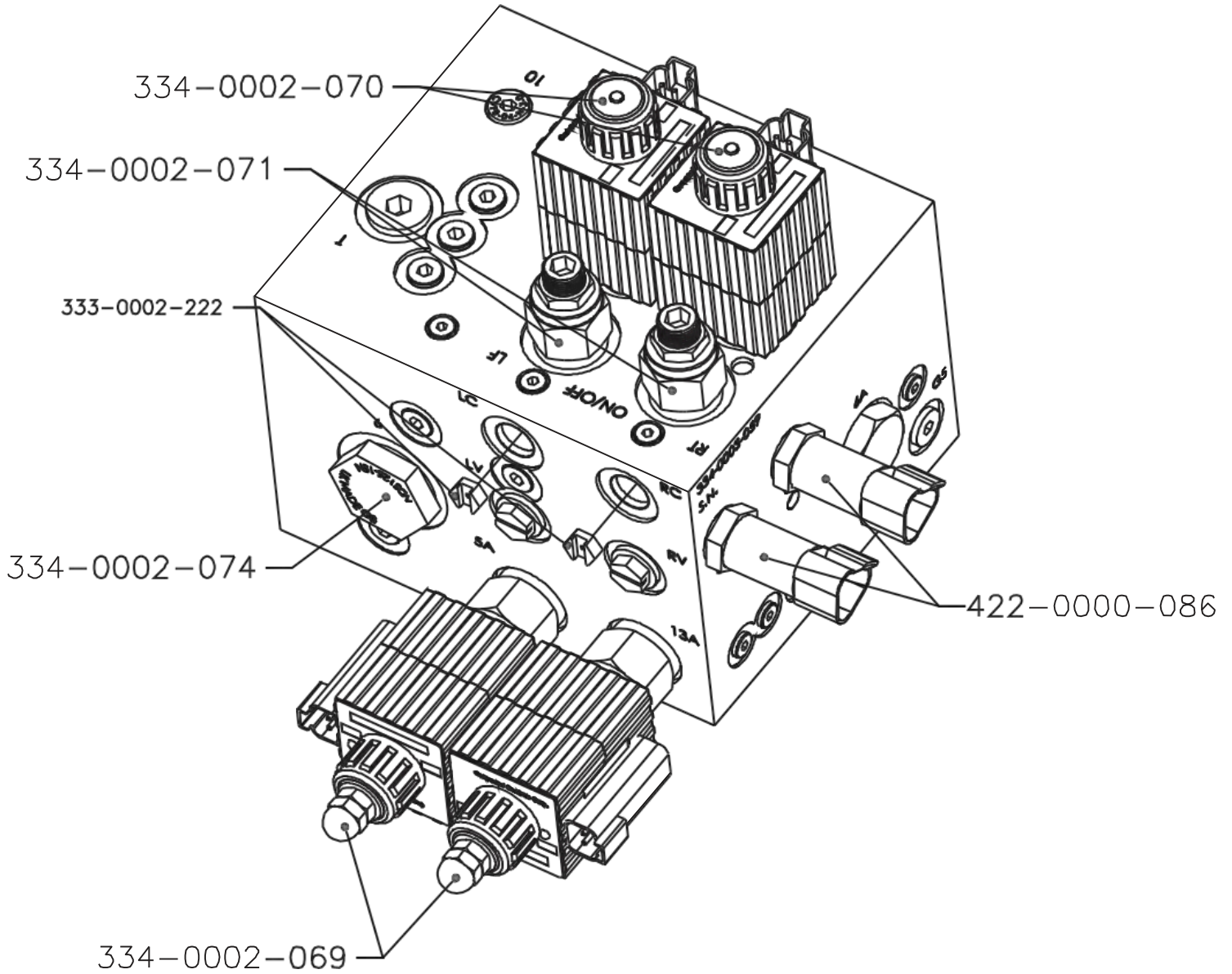


ITEM	FAST PART#	DESCRIPTION	QTY.	60FT.	80-90FT.
1	769	NUT, WHIZLOCK 3/8"ZP	8		
2	16655	BRACKET WHEEL 30"ROW		2	
3	129	BOLT HH 3/8 X 1-1/2 GR5ZP	8		
4	223	NUT JAM 1/2"ZP	4		
5	779	SETSCREW SQUARE HEADZP	4		
6	16684R	BRACKET WHEEL 22" ROWRH			1
7	16684L	BRACKET WHEEL 22" ROWLH			1

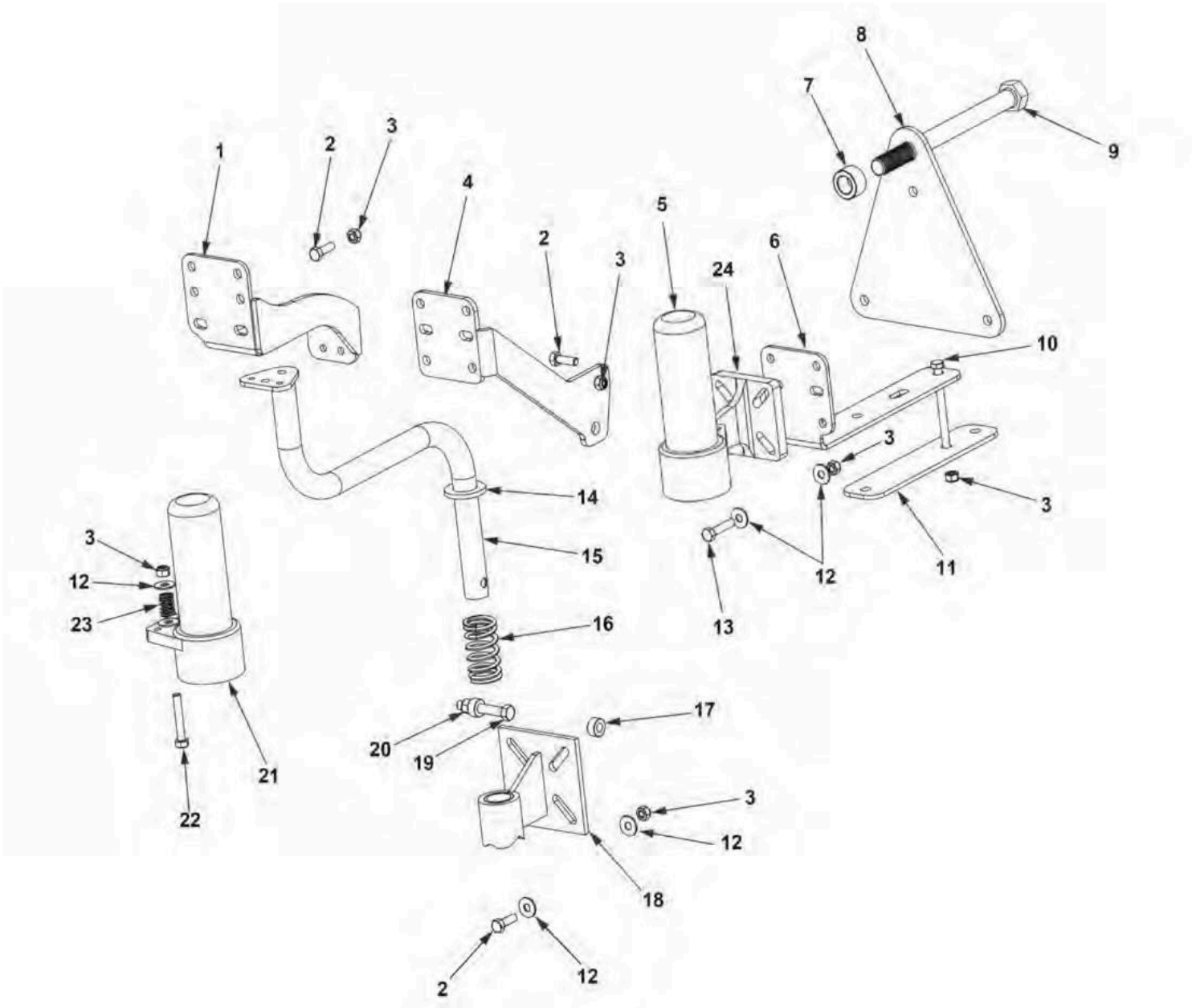
PowerGlide Plus Wiring Schematic



PowerGlide Plus Hydraulic Block



UltraGlide Mounting Parts



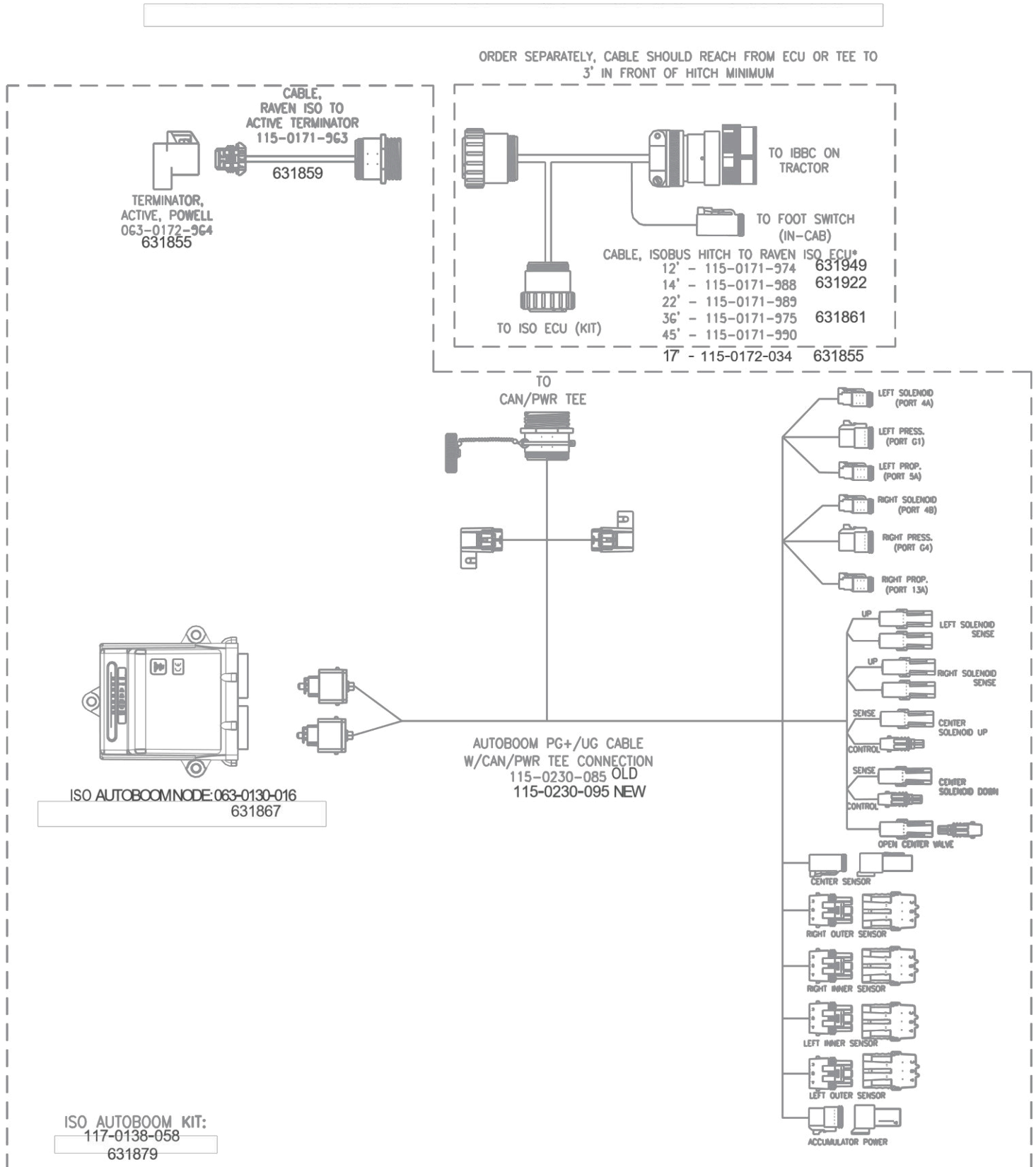


ILLUSTRATED PARTS LIST

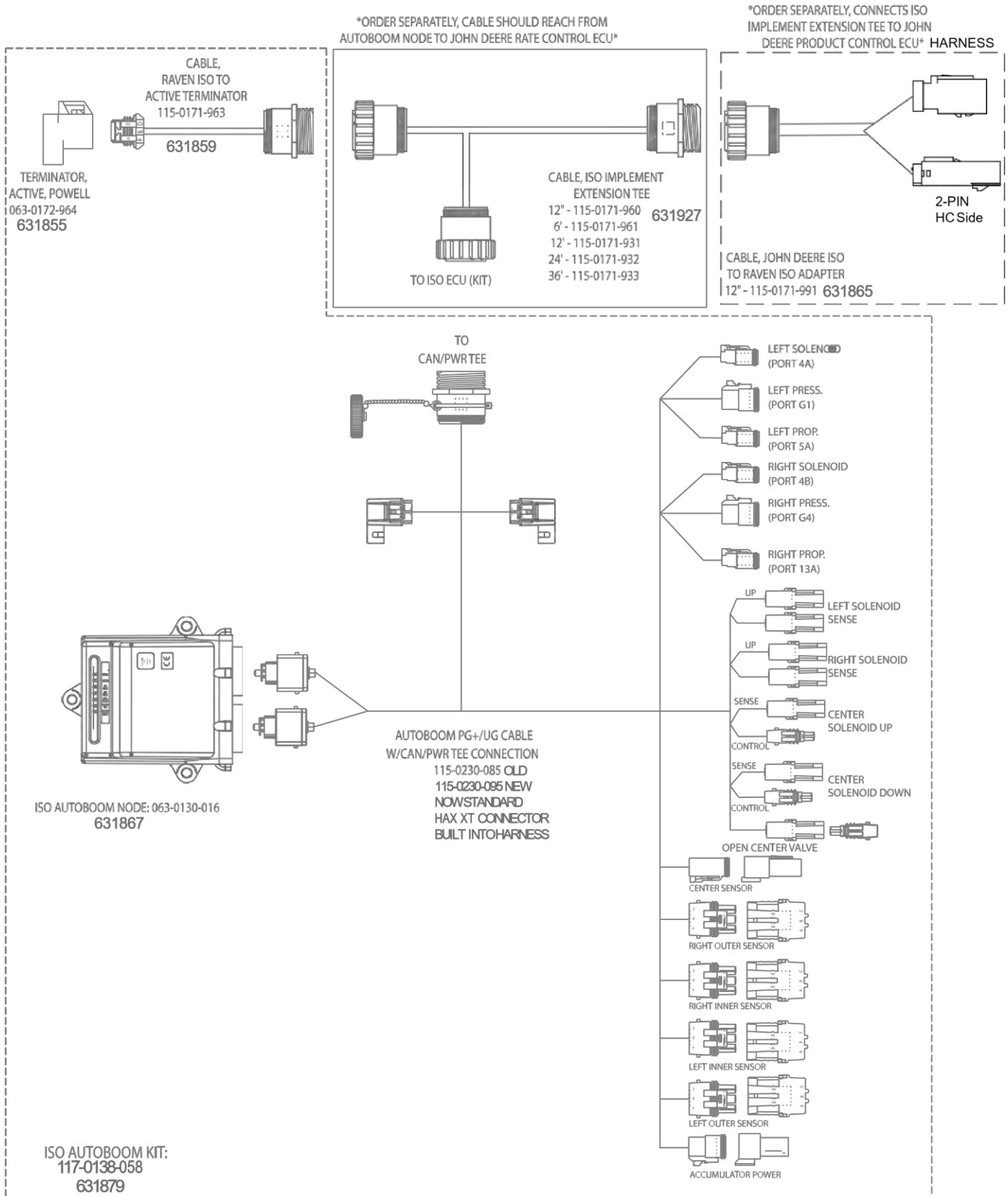
Parts List: UltraGlide Mounting Parts

ITEM	VENDOR PART#	FAST PART#	DESCRIPTION	QTY.
1		16464	MOUNTING BRACKETBREAKAWAY	2
2		115	BOLT HEX HEAD 5/16 X 1 GR5 ZP	AR
3		228	NUT HEX 5/16 NYLOCKZP	AR
4		16468R	MOUNTING BRACKET SEVERE TERRAINRH	1OPT
NS		16468L	MOUNTING BRACKET SEVERE TERRAINRH	1OPT
5	RA0630130014		SENSOR CENTERSECTION	1
6		16471	MOUNTING BRACKET CENTERSECTION	1
7		14461	SPACERDOM	1
8		18439	PLATE NODEMOUNT	1
9		490	BOLT HEX HEAD 3/4 X 9 GR5 ZP	1
10		121	BOLT HEX HEAD 5/16 X 4 GR5 ZP	2
11		16470	STRAP, MOUNTING BRACKET CENTERSECTION	1
12		257	WASHER FLAT 5/16ZP	AR
13		116	BOLT HEX HEAD 5/16 X 1-1/ 2 GR5 ZP	AR
14	RA3132202463		SPRINGSTOP	
15	RA1160159704	631881	BRACKETMOUNT	2 STD/2OPT
16	RA3140000025		SPRING BREAKAWAYPROTECTION	
17	RA1070171948		ROLLER BREAKAWAY PROTECTION	
18	RA1160159705		BASE BREAKAWAYPROTECTION	
19	RA3110054001		BOLT BREAKAWAY PROTECTION3/8	
20	229		NUT HEX NYLOCK 3/8"ZP	
21	RA0630130026		SENSORWING	2 STD/2OPT
22		117	BOLT HEX HEAD 5/16 X 2 GR5 ZP	2 STD/2OPT
23	RA3140000016		SPRING	AR
24	RA1060159626		ARM MOUNT	AR

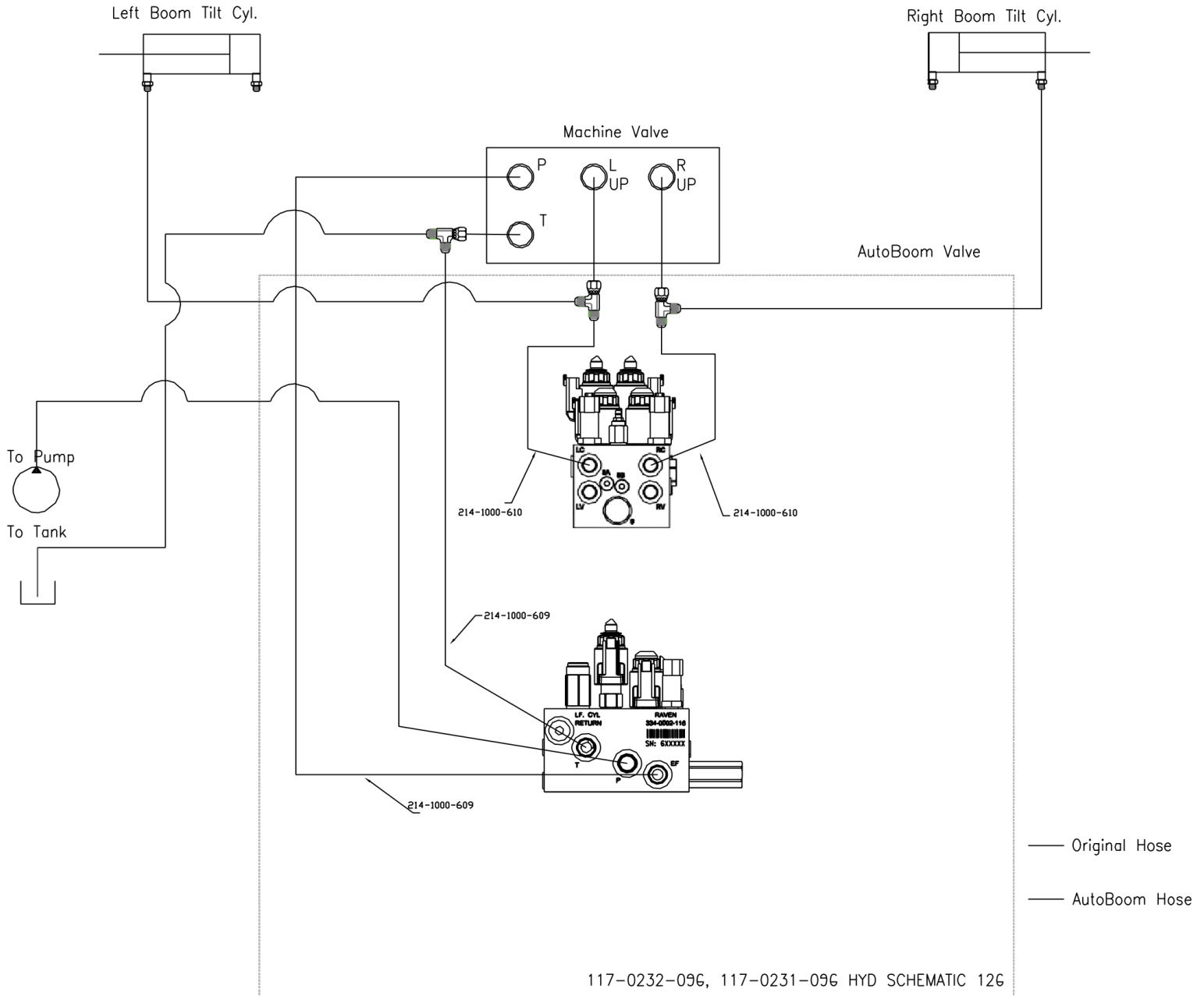
ISO AutoBoom Without ISO Product Control



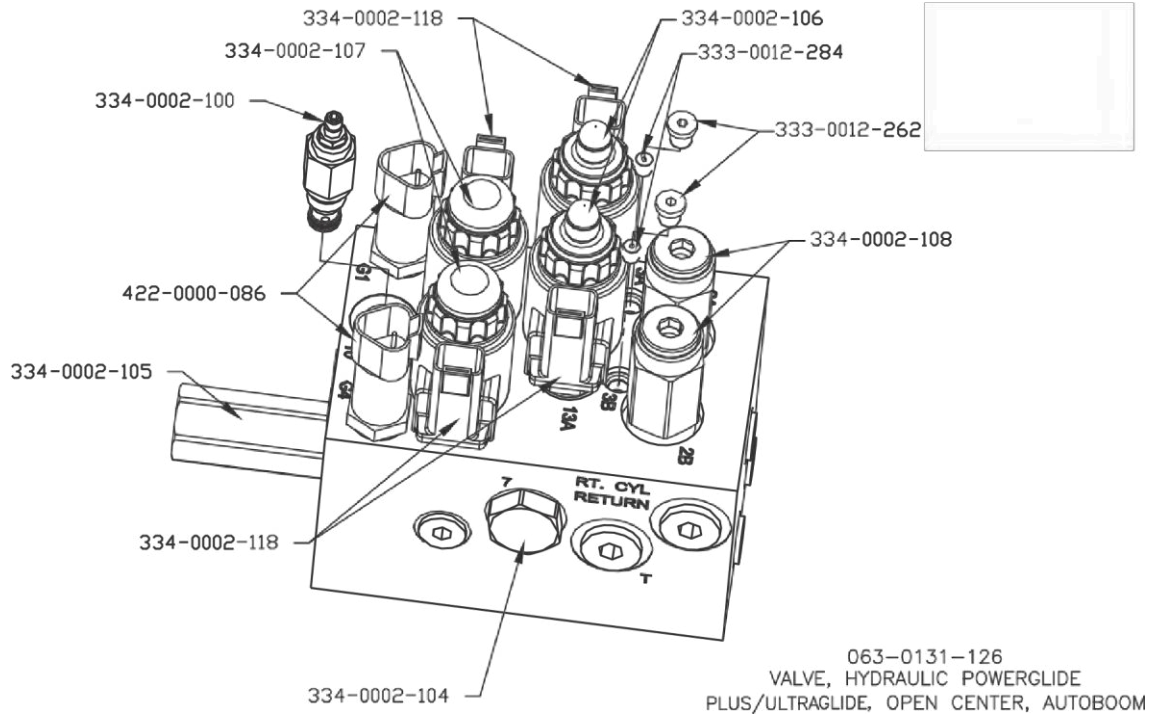
Raven ISO AutoBoom With John Deere Product Control



UltraGlide Hydraulic Schematic

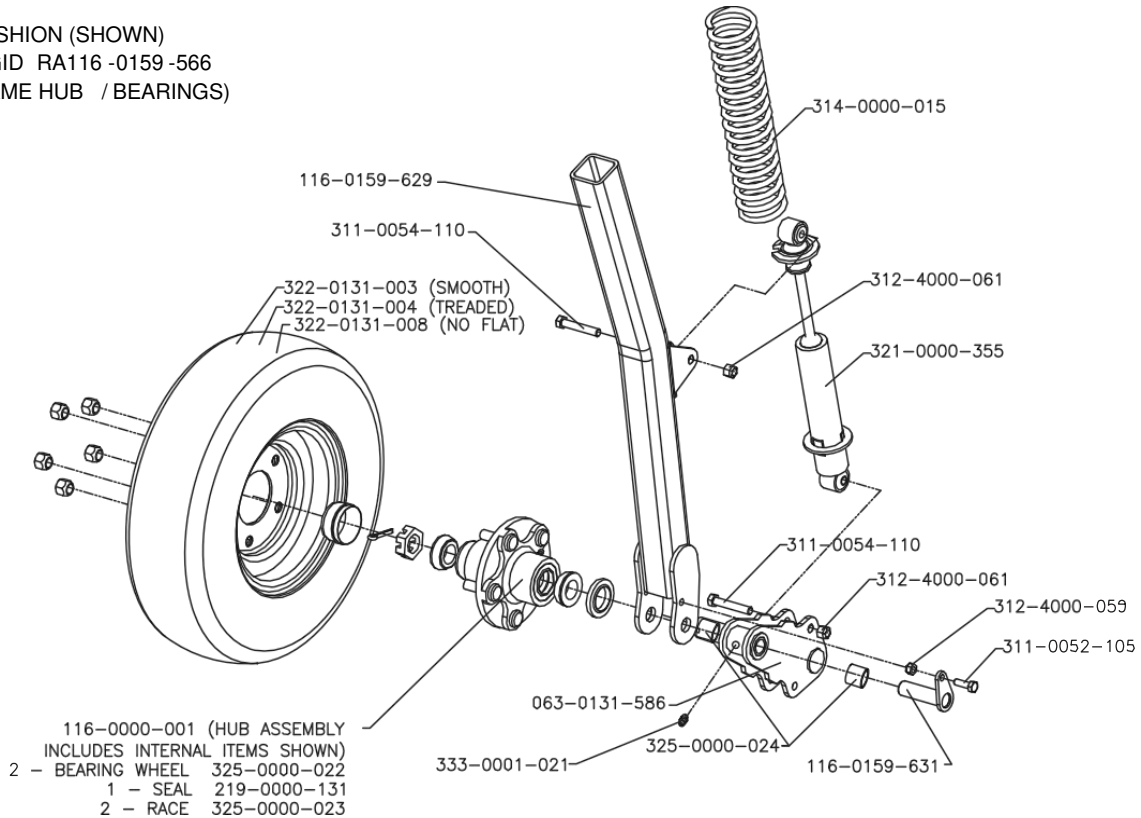


PowerGlide Plus and UltraGlide Valve Replacement Parts

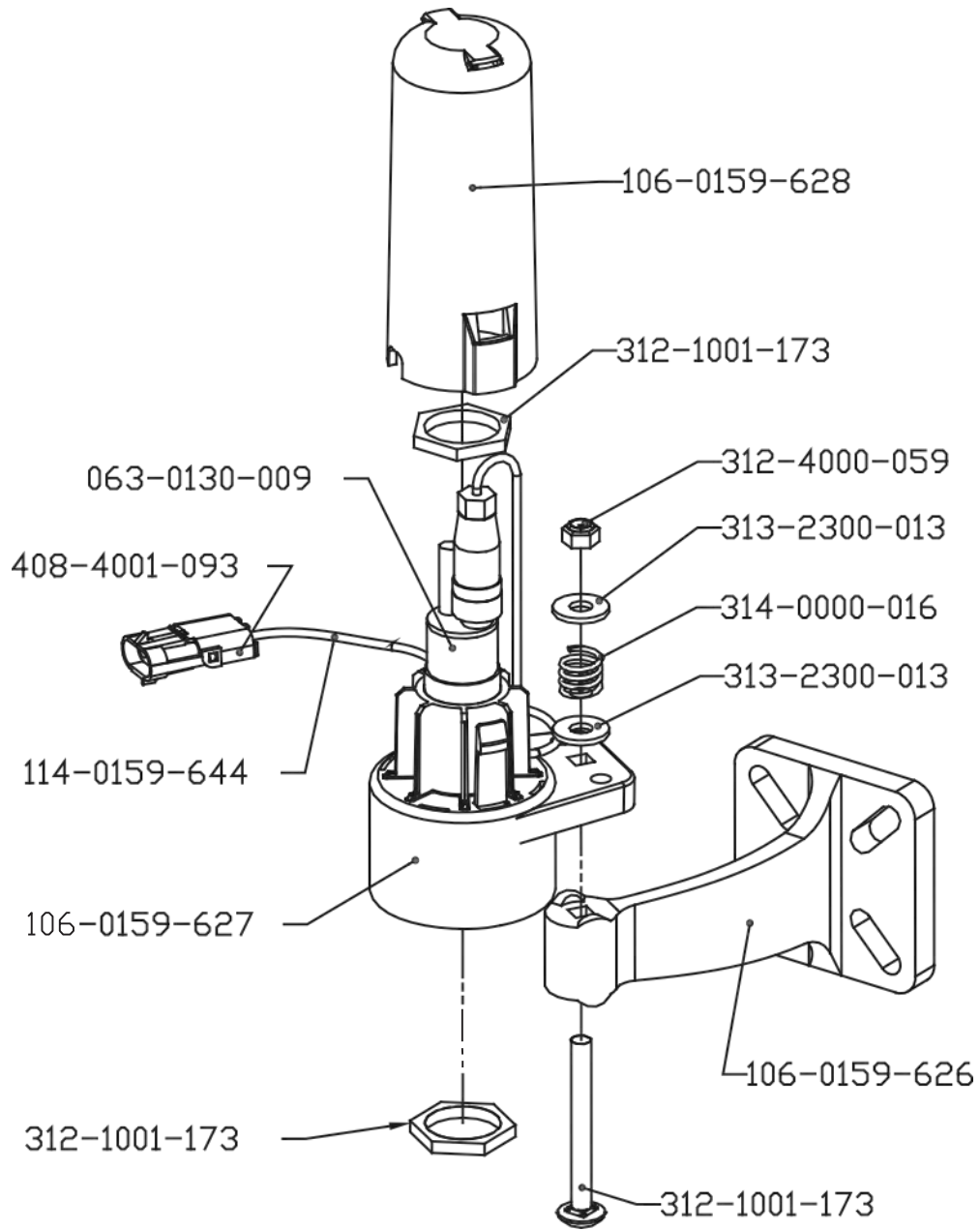


Wheels

CUSHION (SHOWN)
RIGID RA116-0159-566
(SAME HUB / BEARINGS)



Sensors



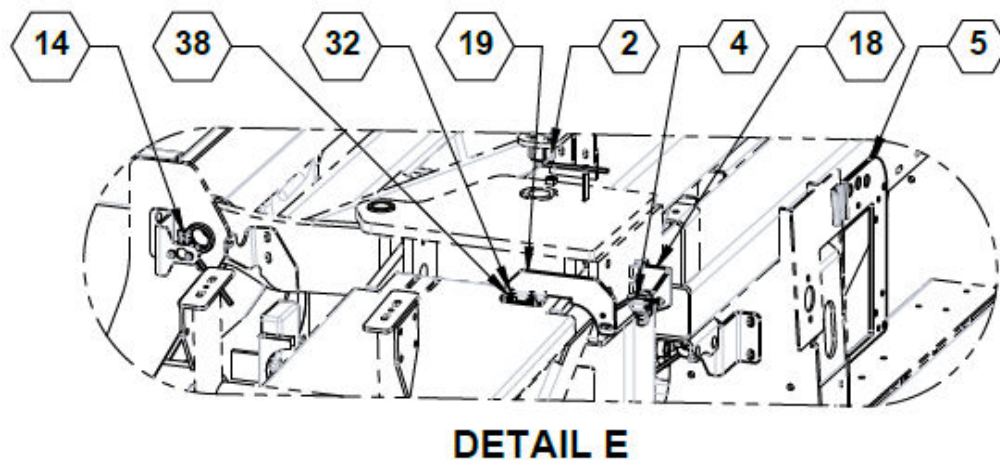
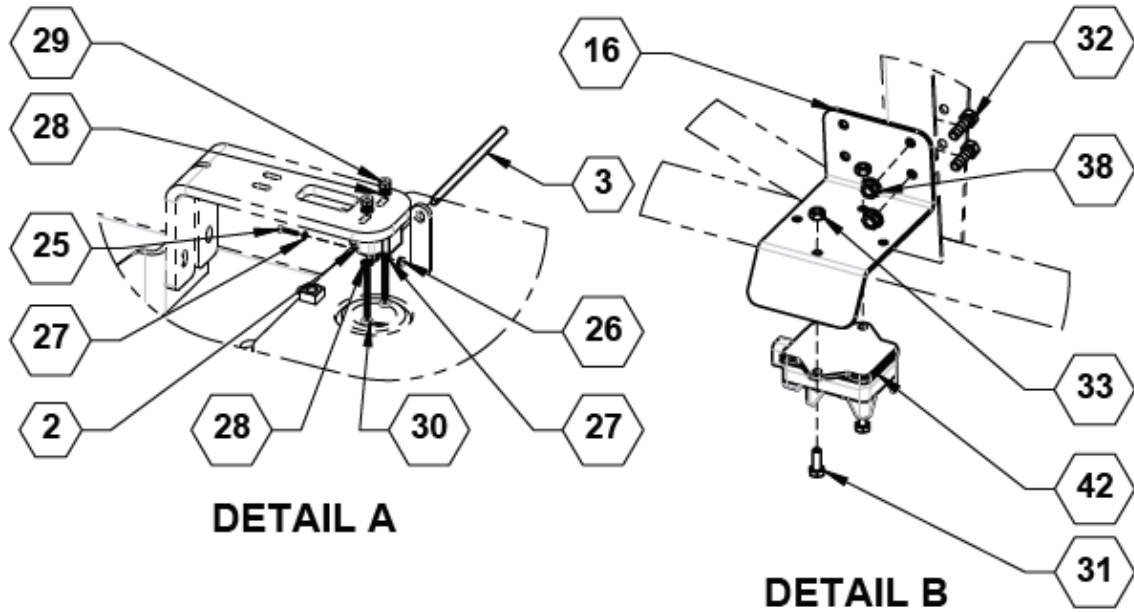
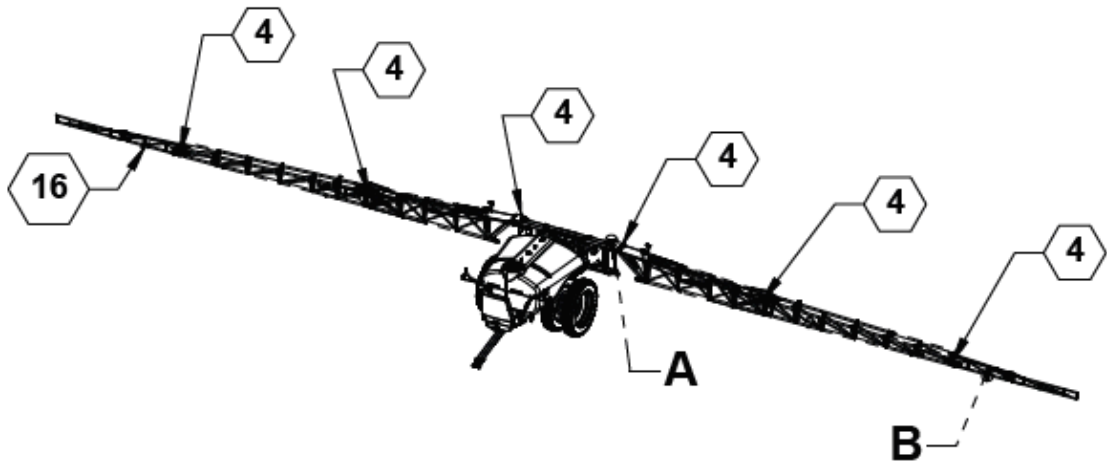


ILLUSTRATED PARTS LIST

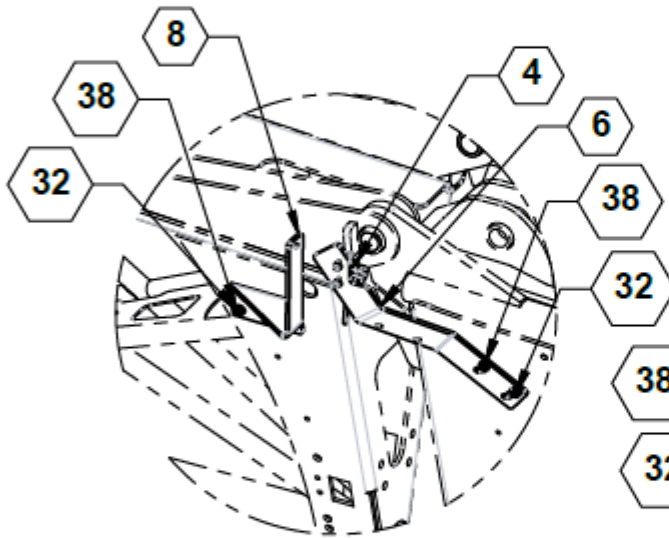
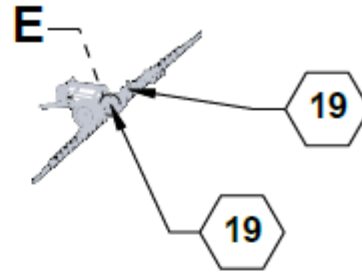
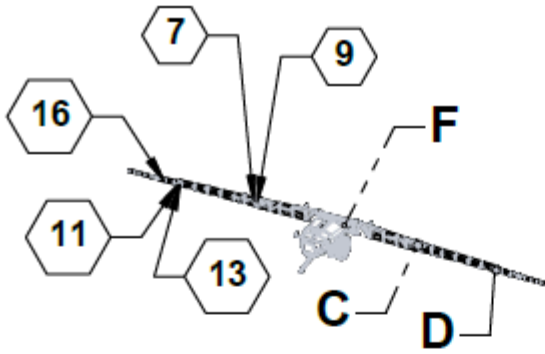
Raven XRT Components, Tri-Fold Parts List 35900

ITEM	PART NO.	QTY.	DESCRIPTION
1	14088	2	LINK, AUTOBOOM/NORAC
2	14461	1	DOM, 11/16"Lg
3	18317BLK	1	PLATE, BACKING
4	22906	3	ROD, ROTARY SENSOR LEVER
5	23976BLK	1	PLATE, RCM MOUNT
6	28853	3	50 DEGREE ROTARY SENSOR
7	28895BLK	1	BRACKET, XRT SENSOR, TRUSS CENTER
8	34701BLK	1	PLATE, SENSATA MOUNT
9	34704BLK	2	PLATE, TILT ROTARY SENSOR
10	34705BLK	2	PLATE, WING TILT SENSOR
11	34719BLK	1	PLATE, ROLL SENSOR
12	34721BLK	1	WLDMNT, SLIDE PIVOT
13	35578	1	TILT SENSOR ROD BRACKET NFT RH
14	35579	1	TILT SENSOR ROD BRACKET NFT LH
15	35691	2	BRACKET, XRT SENSOR, NTF OUTER
16	590272	12	WASHER SAE #10 SS18-8
17	590273	6	SCREW PHIL 10-24 X 1.75 SS18-8
18	590274	6	NUT NYLON 10-24 SS18-8
19	590275	3	SCREW PHIL 3-48 X .625 SS18-8
20	590276	3	NUT NYLON 3-48 SS18-8
21	590277	6	WASHER #3 SS18-8
22	596114M	8	BOLT, HH 5/16-18X3/4 GR5 MAGNI
23	596131M	4	BOLT, HH 3/8-16 X 2-1/2 GR5 MAGNI
24	596592M	4	BOLT, CARRIAGE 3/8-16 X 1 MAGNI
25	596767M	1	NUT, HEX FLANGE 1/4-20 MAGNI
26	596768M	8	NUT, HEX FLANGE 5/16-18 MAGNI
27	596769M	9	NUT, HEX FLANGE 3/8-16 MAGNI
28	620022	2	CYLINDER, 25TD10-112
NS	630036	1	CARTRIDGE, SV10-21-0-N-00 OPEN
NS	630037	1	COIL, 12V OPEN REVERSE FUNCTION
NS	632055	1	CABLE, 17' EXTENSION GEN 1 ISO
NS	632208	1	KIT, XRT AUTOBOOM FOR N/TF

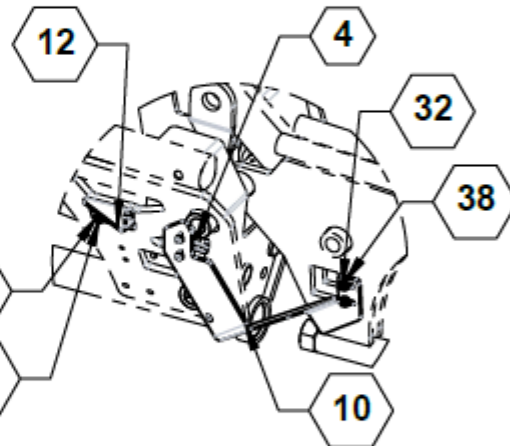
Raven XRT Components, Truss



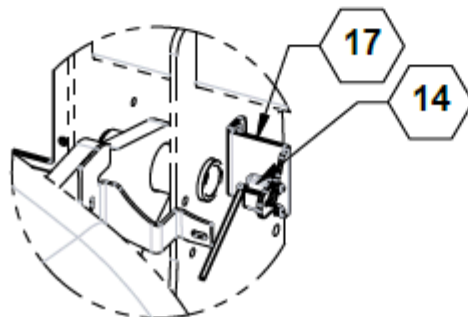
Raven XRT Components, Truss, continued



DETAIL C

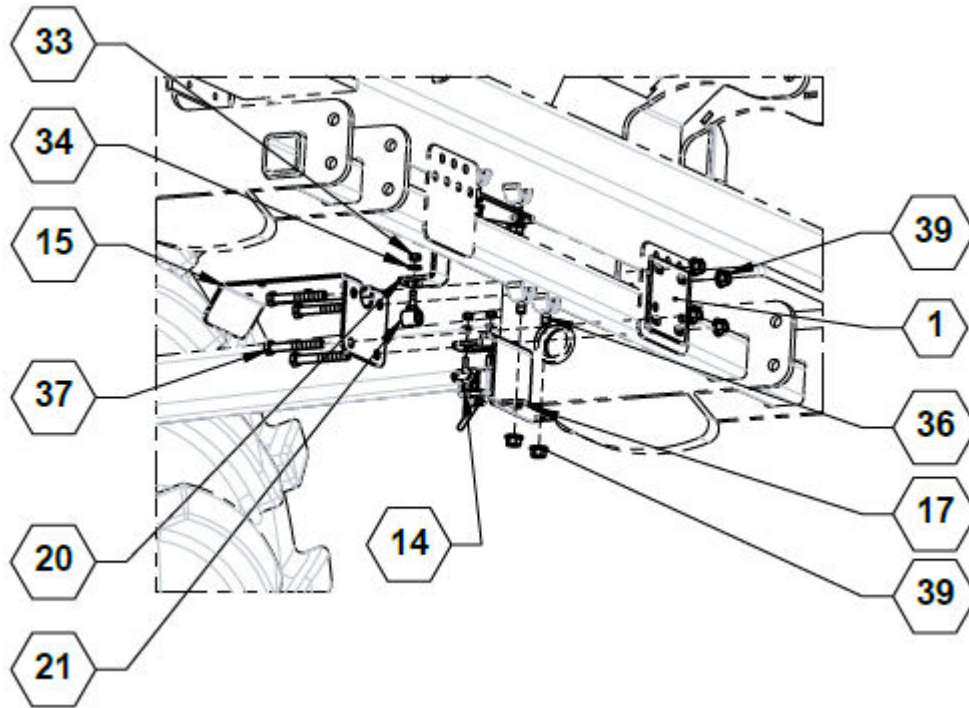


DETAIL D



DETAIL F

Raven XRT Components, Truss, continued



Raven XRT Components, Truss Parts List 99RAYAWTABXRT

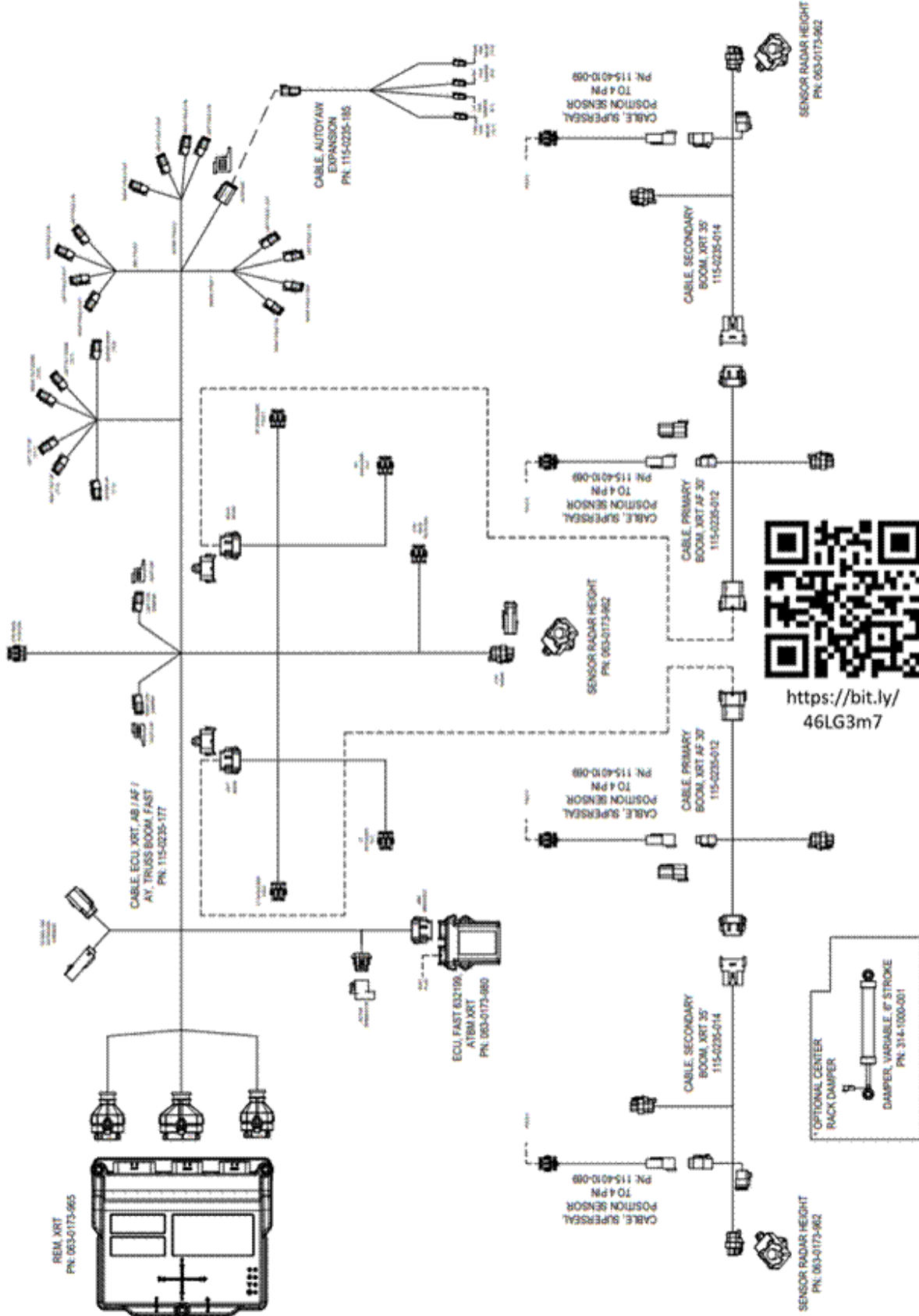
ITEM	PART NO.	QTY.	DESCRIPTION
1	18317BLK	1	PLATE, BACKING
2	21495	1	180 ROTARY SENSOR
3	22906	10	ROD, ROTARY SENSOR LEVER
4	22955	6	270 DEGREE ROTARY SENSOR
5	37157BLK	1	PLATE, XRT NODE
6	28840BLK	1	LH PRIMARY FLIP ROT SENSOR BRCKT
7	28841BLK	1	BRACKET, RH PRIMARY FLIP ROTARY SENSOR
8	28842BLK	1	BRACKET, LH PRIMARY FLIP SENSOR ROD
9	28843BLK	1	BRACKET, RH PRIMARY FLIP SENSOR ROD
10	28844	1	BRACKET, LH 2ND FLIP ROTARY SENSOR
11	28845	1	BRACKET, RH 2ND FLIP ROTARY SENSOR
12	28846	1	BRACKET, LH 2ND FLIP SENSOR ROD
13	28847	1	BRACKET, RH 2ND FLIP SENSOR ROD
14	28853	3	50 DEGREE ROTARY SENSOR
15	28895BLK	1	BRACKET, XRT SENSOR, TRUSS CENTER
16	28897	2	BRACKET, XRT SENSOR, TRUSS OUTER WING

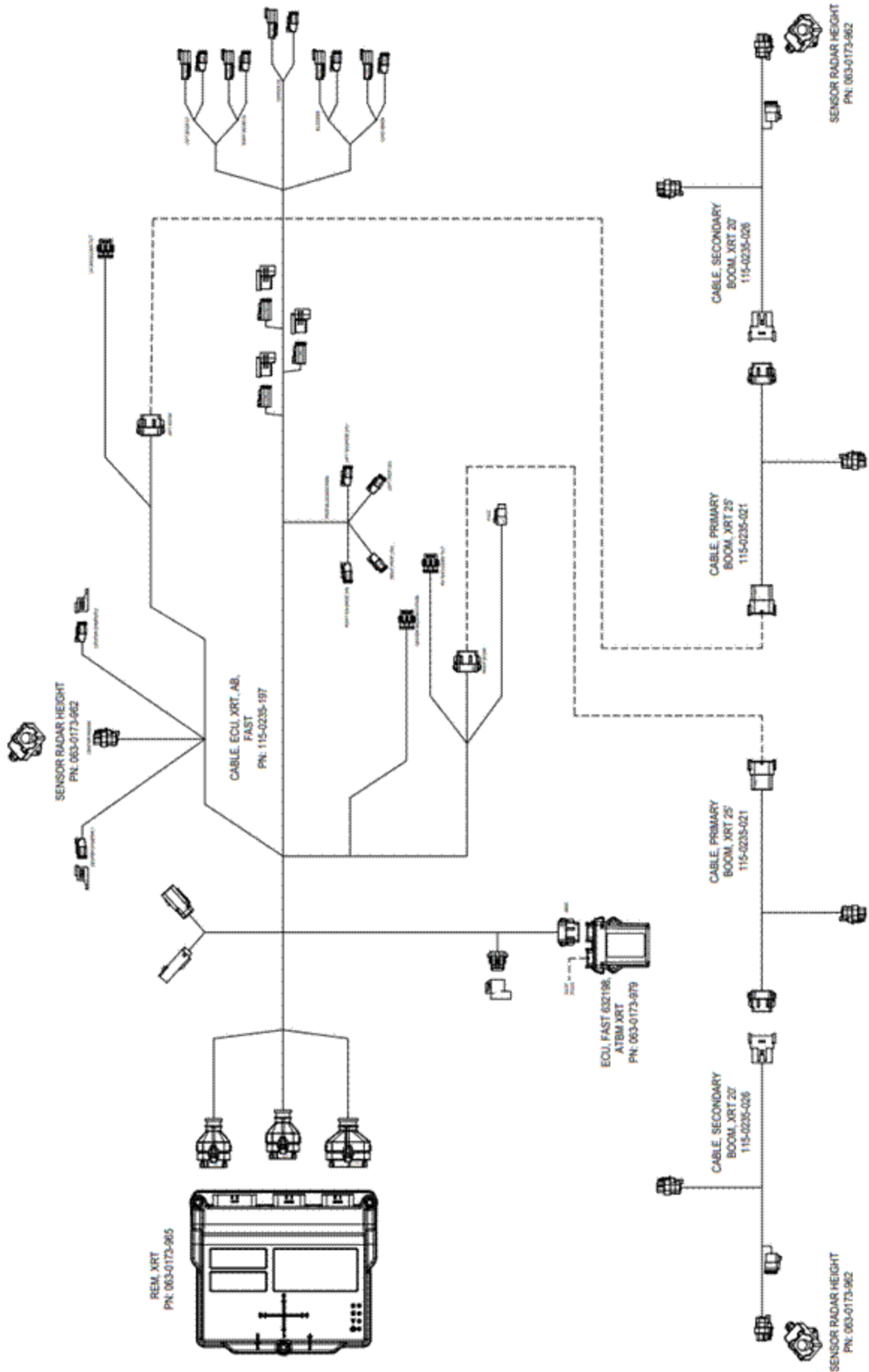


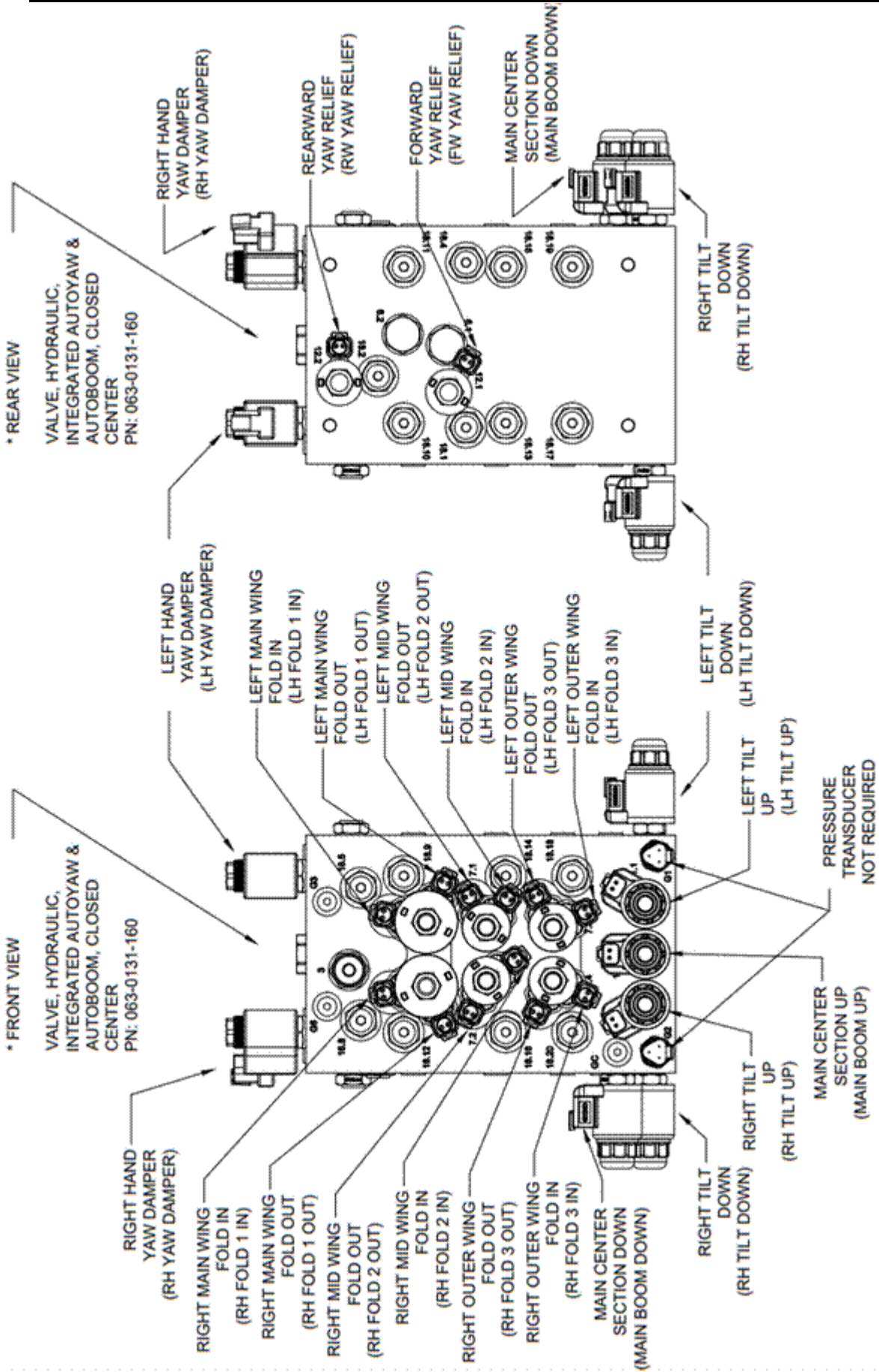
ILLUSTRATED PARTS LIST

ITEM	PART NO.	QTY.	DESCRIPTION
17	34701BLK	2	PLATE, SENSATA MOUNT
18	34704BLK	2	PLATE, TILT ROTARY SENSOR
19	34705BLK	2	PLATE, WING TILT SENSOR
20	34719BLK	1	PLATE, ROLL SENSOR
21	34721BLK	1	WLDMNT, SLIDE PIVOT
22	590272	36	WASHER SAE #10 SS18-8
23	590273	18	SCREW PHIL 10-24 X 1.75 SS18-8
24	590274	18	NUT NYLON 10-24 SS18-8
25	590275	10	SCREW PHIL 3-48 X .625 SS18-8
26	590276	10	NUT NYLON 3-48 SS18-8
27	590277	20	WASHER #3 SS18-8
28	590435	4	WASHER, #8 SS
29	590436	2	NUT, NYLOCK, 8-32 SS
30	590437	2	SCREW, #8-32 X 2" SS
31	596101M	4	BOLT, HH 1/4-20 X 3/4 GR5 MAGNI
32	596115M	24	BOLT, HH 5/16-18 X 1 GR5 MAGNI
33	596235M	5	NUT, CENTERLOCK, 1/4-20 MAGNI
34	596256M	1	WASHER, FLAT 1/4 USS MAGNI
35	596257M	16	WASHER, FLAT 5/16 USS MAGNI
36	596592M	8	BOLT, CARRIAGE 3/8-16 X 1 MAGNI
37	596637M	4	BOLT, HH 3/8-16 X 2-3/4 GR5 MAGNI
38	596768M	24	NUT, HEX FLANGE 5/16-18 MAGNI
39	596769M	12	NUT, HEX FLANGE 3/8-16 MAGNI
40	632199	1	NODE, XRT AUTOBOOM FOLD YAW
41	632207	1	KIT, XRT AB/AF/AY 120/132
42	632209	2	SENSOR, XRT

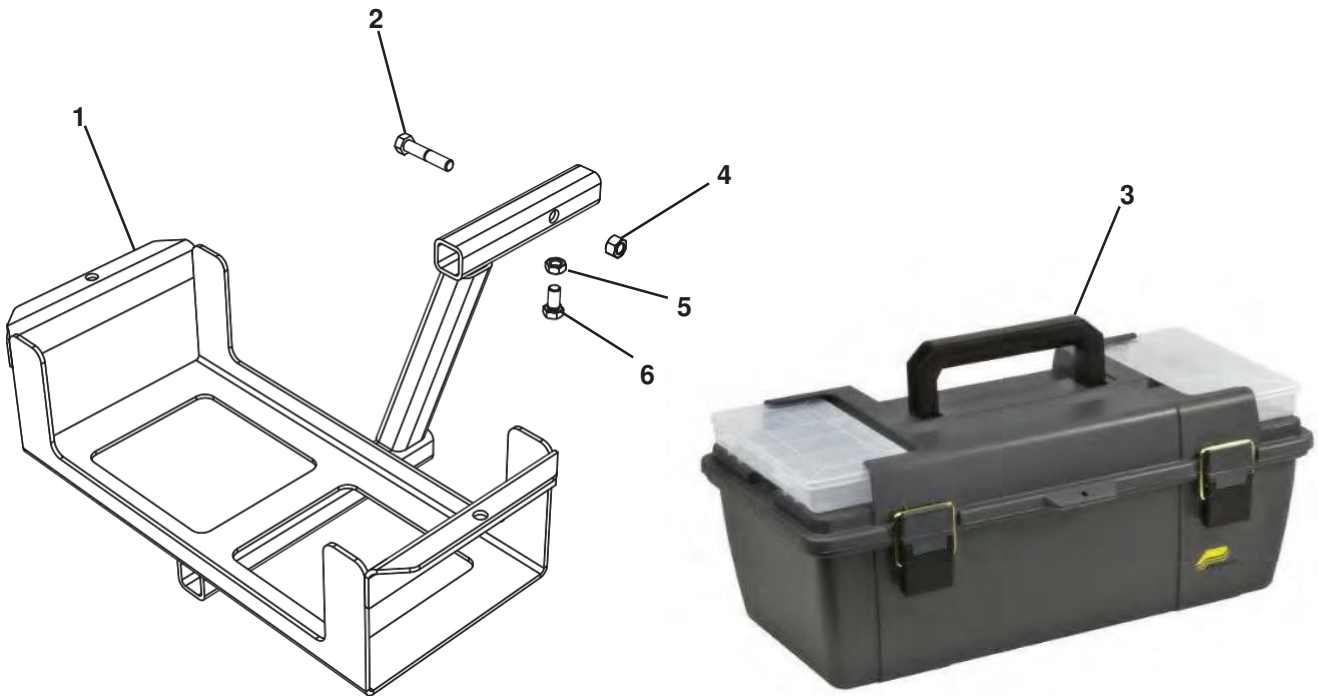
Raven XRT Wiring







Toolbox Carrier



Parts List: Toolbox Carrier

ITEM	FAST PART#	DESCRIPTION	QUANTITY
1	18426	TOOLBOX HOLDER	1
2	155	BOLT HEX HEAD 1/2 X 2-1/2" GR5 ZP	1
3	790041	GRAB N GO TOOLBOX	1
4	239	NUT HEX HEAD 1/2" CENTERLOCK ZP	1
5	223	NUT HEX HEAD 1/2" JAM ZP	1
6	152	BOLT HEX HEAD 1/2 X 1: GR5 ZP	1



ILLUSTRATED PARTS LIST

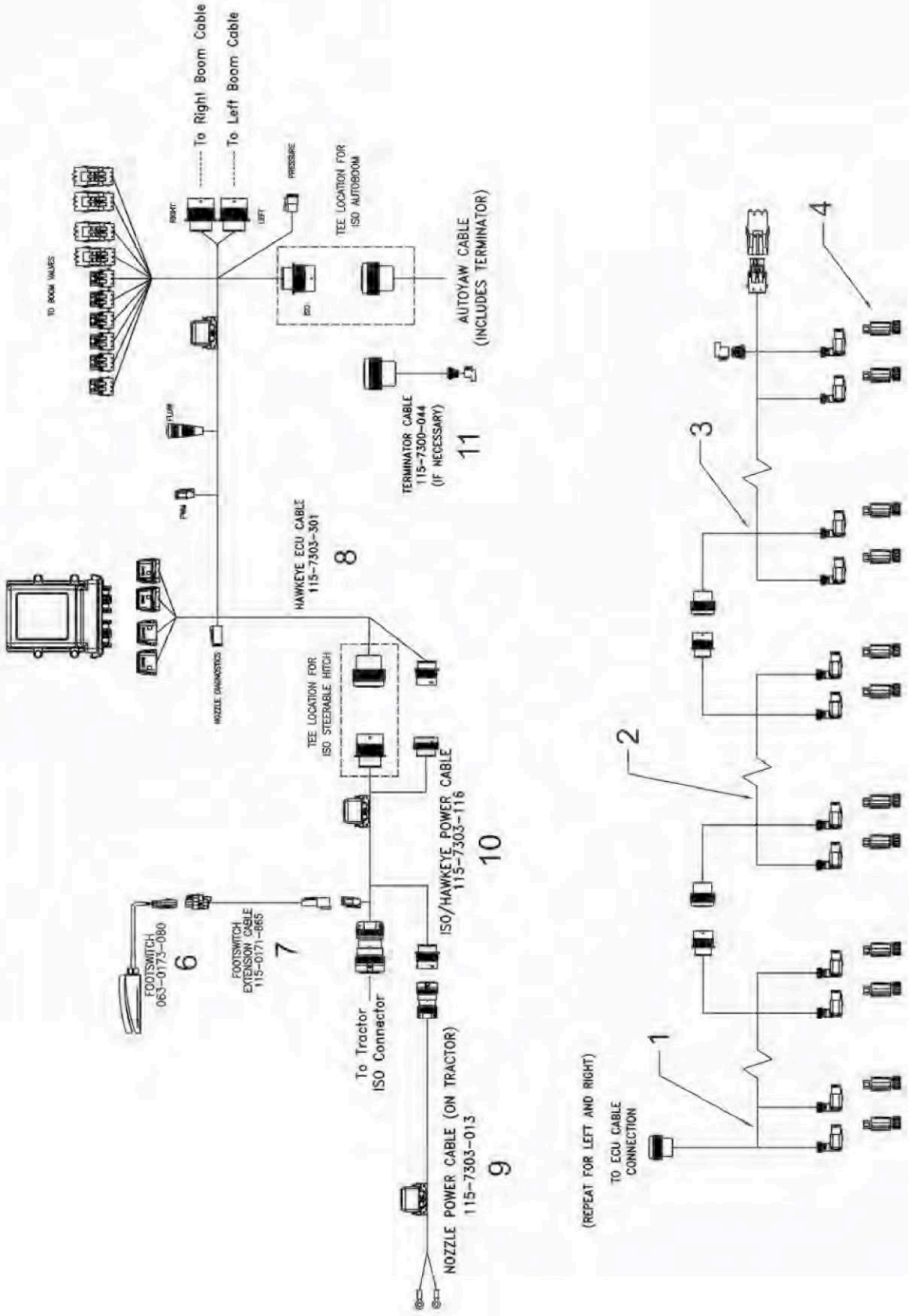
Kit Contents

FAST PART#	DESCRIPTION	INJECTOR QUANTITY	KNIFE QUANTITY
520003	3 NOZZLE, SINGLE HOSE SHANK NYB 3		2
520004	NOZZLE, DOUBLE HOSE SHANK NYB		2
520005	NOZZLE, SINGLE HS CONN 1/4" F	2	
520006	NOZZLE, DOUBLE HS CONN1/4"F	2	3
520014	NOZZLE, SS 1/4"TEE	1	
520015	NOZZLE, SSSA	1	
520034	TIP, SS - 0015TEEJET	2	
530001	1/4" X 1/4" MALECONNECTOR	1	1
530014	1-1/2" EDPMGASKET	2	2
530019	2" EDPMGASKET	2	2
530024	3" EDPMGASKET	2	2
530188	HOSE SHANKASSEMBLY	1	
530201	BARB HOSE 1/4" X3/8"	4	
530218	3/8" X 3/8" HOSE MENDER W/STOP	2	
530236	NIPPLE:1/4" MPT X 6"MPT	1	
530246	STR. ELB:1/4" MPT X 1/4"FPT	1	
540001	CLAMP, 2" STD WORMSCREW	1	1
540002	CLAMP, 2" FULL WORMSCREW	1	1
540003	CLAMP, 3" WORMSCREW	1	1
540006	CLAMP 1-1/2" T-BOLT HOSE1.81"	2	2
540013	CLAMP, STAINLESS 3/4"#12	10	5
540014	CLAMP, STAINLESS 1"#16		4
540032	CLAMP, HOSE5/16"	4	
590029	SEAL, EDPM RUBBER		3
590030	CAP Q.T.NY.LT.YELLOW		3
590031	PLATE ORIF CE, STAINLESSSTEEL		3
750008	LOCKING COLLAR, STD 30°	2	2
750016	ROCK GUARD WITHPIN	1	
750018	3/8 X 1/2" SET SCREW,SS	2	
750019	MOUNTING BRACKET F/WIESE CO-50KNIFE		1
790041	20" DEEP GRAB & GOTOOLBOX	1	1
AC40015	O-RING, VOLUTESEAL		1
AC40151	SEAL, 5/8" SHAFT,VITON-C		1
AC52700	REPAIRKIT	1	
AP44103202	1/4 X 1/4" UNIONCONNECTOR	3	3
AP44103240	1/4 X 1/4" FEMALEADAPTOR	1	1
AXGC30020XXL	XXL GREENGLOVES	1	1
LAXNVGOGGLES	GOGGLES	1	1
BJ200SHIM	2"SHIM		2
BJHM075	3/4" X 3/4" HOSEBARB	2	2
BJHM100	1" X 1" HOSEBARB	2	2
BJHM150	1-1/2" X 1-1/2" HOSEBARB	1	1
CLFBS1004	5/8 X 1 SQUARE HEAD SETSCREW	2	
PL707TB	REDURAN	1	1
WA21047	CABLE TIE, 15" HEAVY DUTY	20	20
VI3K9438	BARB:3/8" HB FOR 8027NUT-POLY		3

RAVEN Hawkeye

HAWKEYE ON FAST SPRAYERS

HAWKEYE ECU
063-0173-704





ILLUSTRATED PARTS LIST

Parts List: RAVEN Hawkeye

ITEM	VENDOR PART NO.	PART NO.	QTY.	DESCRIPTION
1	RA115-7303-105	RA1157303105	2	CABLE, PRIMARY BOOM, 90' BOOM, 20" SPACING & 120' BOOM, 20" SPACING
1	RA115-7303-336	632002	2	CABLE, PRIMARY BOOM, 120' BOOM, 15" SPACING
1	RA115-7303-333	RA1157303333	2	CABLE, PRIMARY BOOM, 132' BOOM, 22" SPACING
2	RA115-7303-340	RA1157303340	2	CABLE, MID BOOM, 90' BOOM, 20" SPACING
2	RA115-7303-337	632003	2	CABLE, MID BOOM, 120' BOOM, 15" SPACING
2	RA115-7303-106	RA1157303106	2	CABLE, MID BOOM, 120' BOOM, 20" SPACING
2	RA115-7303-334	RA1157303334	2	CABLE, MID BOOM, 132' BOOM, 22" SPACING
3	RA115-7303-338	632004	2	CABLE, OUTER BOOM, 120' BOOM, 15" SPACING
3	RA115-7303-341	RA1157303341	2	CABLE, OUTER BOOM, 90' BOOM, 20" SPACING
3	RA115-7303-122	RA1157303122	2	CABLE, OUTER BOOM, 120' BOOM, 20" SPACING
3	RA115-7303-335	RA1157303335	2	CABLE, OUTER BOOM, 132' BOOM, 22" SPACING
4	RA06-30173-673	RA0630173673	*	VALVE, HAWKEYE NOZZLE, ARAG/HYPRO
4	RA06-30173-672	631984	*	VALVE, HAWKEYE NOZZLE, TEE JET
4	RA063-0173-674	RA0630173674	*	VALVE, HAWKEYE NOZZLE, WILGER
4			*	90' 20" (QTY 54), 120' 15" (QTY 96), 120' 20" (QTY 72), 132' 22" (QTY 72)
5	RA063-0173-704	631983	1	ISO PRODUCT CONTROLLER II ECU
6	RA063-0173-080	631856	1	SWITCH ASSEMBY FOOT ISO PRODUCT CONTROL
7	RA115-0171-865	631857	1	CABLE, FOOT SWITCH ISO PRODUCT CONTROL
8	RA115-7303-301	632001	1	CABLE, HAWKEYE ECU
9	RA115-7303-013	632000	1	CABLE, NOZZLE POWER
10	RA115-7303-116	631992	1	CABLE, 17' ISO/HAWKEYE POWER
11	RA115-7300-044	631996	1	CABLE, GEN 3 TO ACTIVE TERMINAL, TERMINATOR INCLUDED
11	RA063-0172-964	RA0630172964	1	TERMINATOR, FOR 631996 (RA1157300044)
N/S	RA115-7303-168	RA1157303168	1	CABLE, 2' ECU POWER
N/S	RA115-7303-148	RA1157303148	4	CABLE, 6' EXTENSION
N/S	RA115-0171-810	632047	1	CABLE, 10' 2P EXTENSION
N/S	RA115-7303-260	RA1157303260	1	CABLE, 15' ECU NOZZLE
N/S	RA115-7303-159	RA1157303159	1	CABLE, 4 NOZZLE HAWKEYE
N/S	RA115-7305-160	RA1157305160	1	CABLE, 5 NOZZLE HAWKEYE
N/S	RA115-7305-161	RA1157305161	4	CABLE, 10 NOZZLE HAWKEYE
N/S	RA115-7303-156	RA1157303156	2	CABLE, FENCE ROW
N/S	RA117-6020-005	631962	1	KIT, FOLD SWITCH BOX, ISO, 132' TRUSS BOOM, 22" SPACING
N/S	RA117-1005-114	632014	1	KIT, HAWKEYE FAST 9500T, 120' TRUSS BOOM, 20" SPACING
N/S	RA117-1005-056	631985	1	KIT, HAWKEYE SYSTEM SERVICE TEE JET
N/S	RA117-1005-112	632081	1	KIT, HAWKEYE, 90' BOOM, 20" SPACING
N/S	RA117-1005-113	RA1171005113	1	KIT, HAWKEYE, 120' TRUSS BOOM, 15" SPACING
N/S	RA117-1005-115	632108	1	KIT, HAWKEYE, 132' TRUSS BOOM, 22" SPACING
N/S	RA117-0138-066	631955	1	KIT, INSTALLATION, ISO ULTRAGLIDE
N/S		530401	1	NIPPLE, 1/4 X 1/4" MPT, POLY
N/S	RA115-7305-139	RA1157305139	1	NOZZLE JUMPER
N/S	RA422-0000-119P	632036	1	PRESSURE TRANSDUCER, 1-5V 0-250
N/S		530400	1	TEE, 1/4" FPT, POLY



Fast Ag Solutions
4130 Commerce Boulevard
Windom, MN 56101

1-800-772-9279 Toll Free
1-507-427-3861 Voice
1-507-427-3030 Fax

www.fastagsolutions.com