



**9600N/TF SPRAYER
PARTS MANUAL**







Limited Warranty

FAST AG Solutions warrants to the buyer that the new machinery is free from defects in material and workmanship.

This warranty is only effective as to any new machinery which has not been altered, changed, repaired or treated since its delivery to the buyer, other than by FAST AG Solutions or its authorized dealers or employees, and does not apply to accessories, attachments, tools or parts, sold or operated with the new machinery, if they have not been manufactured by FAST AG Solutions.

FAST AG Solutions shall only be liable for defects in the materials or workmanship attributable to faulty material or bad workmanship that can be proved by the buyer, and specifically excludes liability for repairs arising as a result of normal wear and tear of the new machinery or in any other manner whatsoever, and without limiting the generality of the foregoing, excludes application or installation of parts not completed in accordance with this operator's manual, specifications, or printed instructions.

Written notice shall be given by registered mail, to the Manufacturer within seven (7) days after the defect shall have become apparent or the repairs shall have become necessary, addressed as follows:

FAST AG Solutions
4130 Commerce Boulevard
Windom, MN 56101

This warranty shall expire one (1) year after the date of delivery of the new machinery.

If these conditions are fulfilled, FAST AG Solutions shall at its own cost and at its own option either repair or replace any defective parts provided that the buyer shall be responsible for all expenses incurred as a result of repairs, labor, parts, transportation or any other work, unless FAST AG Solutions has authorized such expenses in advance.

The warranty shall not extend to any repairs, changes, alterations, or replacements made to the new equipment other than by FAST AG Solutions or its authorized dealers or employees.

This warranty extends only to the original owner of the new equipment.

Rubber parts (including tires, hoses, grommets) are not warranted.

This warranty is limited to the terms stated herein and is in lieu of any other warranties whether express or implied, and without limiting the generality of the foregoing, excluded all warranties, express or implied or conditions whether statutory or otherwise as to quality and fitness for any purpose of the new equipment. the Manufacturer disclaims all liability for incidental or consequential damages.

This Applicator is subject to design changes and FAST AG Solutions shall not be required to retrofit or exchange items on previously sold units except at its own option.

Warranty void if not registered.

FAST 9600N/TF SPRAYER

Warranty Registration Form & Inspection Report

Warranty Registration

This form must be filled out by the dealer and signed by both the dealer and the customer at the time of delivery.

| | | | | |
|------------------|--|-------|--|-----|
| Customer Name | | | | |
| Address | | | | |
| City | | State | | Zip |
| Phone | | | | |
| | | | | |
| Dealer Name | | | | |
| Address | | | | |
| City | | State | | Zip |
| | | | | |
| Applicator Model | | | | |
| Serial Number | | | | |
| Delivery Date | | | | |

DEALER INSPECTION REPORT

SAFETY

- All Fasteners Tight
- Wheel Bolts Torqued
- Hydraulic Hoses and Fittings Free and Tight
- Fertilizer Hoses and Fittings Free and Tight
- Wheel Drive Turns Freely
- Lubricate Machine
- Check Tire Pressure
- Frame and Wings Level
- Monitors and Controllers Function
- Wiring Harness Connected

- Safety Chain Installed
- All Guards Installed
- All Safety Signs Installed
- Reflectors, SMV and Lights Clean
- Review Operating and Safety Instructions

I have thoroughly instructed the buyer on the above described equipment which review included the Operator's Manual content, equipment care, adjustments, safe operation and applicable warranty policy.

Date _____

Dealer's Rep. Signature _____

The above equipment and Operator's Manual have been received by me and I have been thoroughly instructed as to care, adjustments, safe operation and applicable warranty policy.

Date _____

Owner's Signature _____

- White - FAST
- Yellow - Dealer
- Pink - Customer

FAST 9600N/TF SPRAYER

APPLICATOR SERIAL NUMBER _____

DATE PURCHASED _____ / _____ / _____

TANK SIZE _____

BOOM LENGTH _____

PUMP MANUFACTURER: (CIRCLE ONE)

ACE FMC-150-HYD-206

ACE FMCSC-205F-HYD-304

ACE FMCSC-205F-HYD-304 PWM

ACE 255F-304 WET SEAL

ACE 255F-304 PWM WET SEAL

ACE FMC-750-HYD OASIS

ACE FMC-750 OASIS PWM

HYPRO 9306C-HM1C



General Information

All rights, especially copying and distribution rights are reserved. No part of this publication may be reproduced in any form or by any means, electronic or mechanical, including photocopying, without express written permission from FAST AG Solutions.

Parts information in this manual represents components installed when product was manufactured based upon the best available information. Modifications made subsequent to initial delivery are not included. Always verify the parts and color required when ordering parts.

If you have any questions, please contact your FAST AG Solutions Parts and Service Department.

Parts Ordering Guide

1. Provide the Serial Number of your Chassis or System when ordering.
2. Use the Part Number and Description when ordering parts.
3. Provide the Page Title and Page Number if required.

Parts Searching Guide

To search this PDF by keyword, name, description, or part number, use **ctrl + f** for simple searches or **ctrl + shift + f** for advanced searches.

Explanation of Parts Lists

The parts lists are broken down sub-assemblies and listed in 4 columns:

- **ITEM** - These numbers are found on the illustration associated with the parts list.
 - o **NS** - This item is NOT SHOWN, included for reference.
- **QTY** - This is the quantity of parts needed in an assembly.
 - o **AR** - The quantity of this item is AS REQUIRED for the location.
- **PART NO** - These are the part numbers associated to the ITEM.
- **DESCRIPTION** - This is the description of the part.



Table of Contents

| Section | Page |
|--|-------------|
| Table of Contents | 7 |
| Trailer - 9600 | 14 |
| Trailer - 9600 Parts List 14475 | 15 |
| Trailer - 9600 | 16 |
| Trailer - 9600 Parts List 20124TA..... | 17 |
| Trailer - 9600N | 18 |
| Trailer - 9600N Parts List 20124TAN | 19 |
| Steerable Trailer - 9600N | 20 |
| Steerable Trailer - 9600N Parts List 20126TASH | 21 |
| Axles | 22 |
| Axles Parts List | 23 |
| Tires | 24 |
| Tires Parts List | 25 |
| Parallel Link Assembly | 26 |
| Parallel Link Assembly | 27 |
| 10' Center Section (Narrow) | 28 |
| 10' Center Section (Narrow) Parts List | 29 |
| 10' Center Section (Narrow) | 30 |
| 10' Center Section (Narrow) Parts List | 31 |
| 12' Center Section (Dry Boom) | 32 |
| 12' Center Section (Dry Boom) Parts List..... | 33 |
| 12' Center Section, 80 - 100' Boom | 34 |
| 12' Center Section, 80 - 100' Boom Parts List..... | 35 |
| 12' Center Section, 80 - 100' Boom | 36 |
| 12' Center Section, 80 - 100' Boom Parts List..... | 37 |
| Wings - 60 & 66 Foot Boom - Standard | 38 |
| Wings - 60 & 66 Foot Boom - Standard Parts List..... | 39 |
| Wings - 60 & 66 Foot Boom | 40 |
| Wings - 60 & 66 Boom Parts List | 41 |
| Wings - 60 & 66 Foot Boom | 42 |
| Wings - 60 & 66 Boom Parts List | 43 |
| Wings - 80, 90 & 100 Foot Boom - Standard | 44 |
| Wings - 80, 90 & 100 Foot Boom - Standard Parts List..... | 45 |
| Wings - Tri-Fold 40/80 Foot Boom | 46 |
| Wings - Tri-Fold 40/80 Foot Boom Parts List..... | 47 |
| Wings - Tri-Fold 40/80 Foot Boom | 48 |
| Wings - Tri-Fold 40/80 Foot Boom Parts List..... | 48 |

| | |
|---|-----------|
| Wings - Tri-Fold 60/88 Foot Boom | 50 |
| Wings - Tri-Fold 60/88 Boom Parts List..... | 51 |
| Wings - Tri-Fold 60/88 Foot Boom | 52 |
| Wings - Tri-Fold 60/88 Boom Parts List..... | 53 |
| Wings - Narrow Tri-Fold 60/88 Foot Boom | 54 |
| Wings - Narrow Tri-Fold 60/88 Boom Parts List | 55 |
| Wings - Narrow Tri-Fold 60/88 Foot Boom | 56 |
| Wings - Narrow Tri-Fold 60/88 Boom Parts List | 57 |
| Wings - Tri-Fold 60/90 Foot Boom | 58 |
| Wings - Tri-Fold 60/90 Boom Parts List..... | 59 |
| Wings - Tri-Fold 60/90 Foot Boom | 60 |
| Wings - Tri-Fold 60/90 Boom Parts List..... | 61 |
| Wings - Narrow Tri-Fold 60/90 Foot Boom | 62 |
| Wings - Narrow Tri-Fold 60/90 Boom Parts List | 63 |
| Wings - Narrow Tri-Fold 60/90 Foot Boom | 64 |
| Wings - Narrow Tri-Fold 60/90 Boom Parts List | 65 |
| Wings - Tri-Fold 100 Foot Boom | 66 |
| Wings - Tri-Fold 100 Boom Parts List..... | 67 |
| Wings - Tri-Fold 100 Foot Boom | 68 |
| Wings - Tri-Fold 100 Boom Parts List..... | 69 |
| Breakaway Pivot | 70 |
| Breakaway Pivot Parts List..... | 71 |
| Tank Assembly | 72 |
| Tank Assembly Parts List..... | 73 |
| Tank Assembly (continued) | 74 |
| Tank Assembly Parts List..... | 74 |
| Rinse Tank, Plumbing & Sight Gauge | 75 |
| Rinse Tank, Plumbing & Sight Gauge Parts List | 76 |
| 9600N Trailer Decals and Misc | 78 |
| 9600N Trailer Decals and Misc Parts List..... | 78 |
| Quick Fill & Pump Feed - 60-66 Ft Boom With ACE 150-206 Pump | 80 |
| Quick Fill & Pump Feed - 60-66 Ft Boom With ACE 150-206 Pump Parts List..... | 81 |
| Pump Option - 60' - 66' Boom With ACE 105-206 Pump | 82 |
| Pump Option - 60' & 66' Boom With ACE 150-206 Pump Parts List..... | 83 |
| Pump Option - 60' - 100' Boom With ACE 205-304 Pump | 84 |
| Pump Option - 60' - 100' Boom With ACE 205-304 Pump Parts List | 85 |
| Pump Option - 80, 90 & 100' Boom With ACE 205-304 PWM Pump | 86 |
| Pump Option - 80, 90 & 100' Boom With ACE 205-304 PWM Pump Parts List | 87 |
| Pump Option - 60' - 100' Boom With HYPRO Pump | 88 |
| Pump Option - 60' - 100' Boom With HYPRO Pump Parts List | 89 |

| | |
|--|------------|
| Quick Fill & Pump Feed - 80,90&100 Ft Boom With HYPRO Pump..... | 90 |
| Quick Fill & Pump Feed - 80,90&100 Ft Boom With HYPRO Pump Parts List | 91 |
| Y Strainer | 92 |
| Y Strainer Parts List 530125 | 93 |
| Electrical Valving Option | 94 |
| Electrical Valving Option 99FSEVO Parts List..... | 95 |
| Pump Electric Valve Option..... | 96 |
| Electric Valve 500080 | 96 |
| Pump Electric Valve Option..... | 97 |
| ACE 150-206 Pump 550000, 60 & 66 Foot Boom..... | 98 |
| ACE 150-206 Pump Hydraulic Motor, 60 & 66 Foot Boom | 99 |
| ACE 205-304 Pump 550025..... | 100 |
| ACE 205-304 Pump 550025 Parts List..... | 101 |
| ACE 205-304 PWM Pump 550035 | 102 |
| ACE 205-304 PWM Pump 550035 Parts List | 103 |
| ACE 255F -304 (PWM) Pump 550055 (550056)..... | 104 |
| ACE 255F -304 (PWM) Pump 550055 (550056) Parts List | 104 |
| ACE 750 Pump 550050..... | 106 |
| ACE 750 Pump 550050 Parts List..... | 106 |
| ACE 750 PWM Pump 550044 | 108 |
| ACE 750 PWM Pump 550044 Parts List | 108 |
| HYPRO 9306 Pump 550045..... | 110 |
| Quick Fill - Optional 3 Inch | 111 |
| Quick Fill - Optional 3 Inch Parts List | 111 |
| Raven Flow Controls..... | 112 |
| Raven Flow Controls Parts List | 113 |
| Agitation & Rinse Control..... | 114 |
| Agitation & Rinse Control Parts List | 115 |
| Agitation Shut-Off, Electric Option | 116 |
| Agitation Shut-Off, Electric Option Parts List | 116 |
| Boom Plumbing..... | 117 |
| Boom Plumbing Parts List..... | 118 |
| Fence Line Option..... | 120 |
| Fence Line Option Parts List..... | 121 |
| Single Fence Line, Display Control..... | 122 |
| Single Fence Line, Display Control Parts List 27360..... | 122 |
| Dual Fence Line, Display Control..... | 123 |
| Dual Fence Line, Display Control Parts List 27361 | 123 |
| Single Fence Line, Toggle Switch Control | 124 |
| Single Fence Line, Toggle Switch Control Parts List 27362 | 124 |

| | |
|--|------------|
| Dual Fence Line, Toggle Switch Control | 125 |
| Dual Fence Line, Toggle Switch Control Parts List 27363..... | 125 |
| Plumbing Valves | 126 |
| Plumbing Valves Parts List..... | 127 |
| Nozzle Bodies..... | 128 |
| Delivery Tubes..... | 130 |
| Delivery Tubes Parts List | 131 |
| 60 - 80' Side Fold Fitting | 132 |
| 60 - 80' Side Fold Fitting Parts List 90SA6080SF..... | 132 |
| Optional Boom Cleanout with Pressure Gauge | 133 |
| Parts List 90SABCPG: Optional Boom Cleanout with Pressure Gauge..... | 133 |
| Optional Boom U-Fitting with Pressure Line..... | 134 |
| Parts List 90SAUPG: Optional Boom U-Fitting with Pressure Line..... | 134 |
| Option, Dual Pressure Transducers | 135 |
| Parts List 36280: Option, Dual Pressure Transducers..... | 135 |
| Hydraulic System | 137 |
| Hydraulic System Parts List | 138 |
| Hydraulic Control Valve Harness - 60 - 66 Foot Boom | 139 |
| Hydraulic Control Valve Harness - 60 - 66 Foot Boom Parts List | 140 |
| Hydraulic Control Valve - 60 - 66 Foot Boom | 141 |
| Hydraulic Control Valve - 60 - 66 Foot Boom Parts List..... | 142 |
| Hydraulic Control Valve Harness - 60 - 66 Foot Boom | 143 |
| Hydraulic Control Valve Harness - 60 - 66 Foot Boom Parts List | 144 |
| Control Console - 60 - 66 Foot Boom | 145 |
| Wiring Harness - 60 - 66 Foot Boom | 147 |
| Control Console Decal - 60 - 66 Foot Boom | 148 |
| Hydraulic Control Valve Wiring Harness - 80, 90 & 100 Foot Boom | 150 |
| Hydraulic Control Valve - 80, 90 & 100 Foot Boom - 9600..... | 151 |
| Hydraulic Control Valve - 80, 90 & 100 Foot Boom Parts List..... | 152 |
| Hydraulic Control Valve - 9600N | 153 |
| Hydraulic Control Valve - 9600N Parts List | 154 |
| Hydraulic Control Valve Wiring Harness | 155 |
| Control Console - 80, 90 & 100 Foot Boom | 156 |
| Control Console Switch Diagram..... | 157 |
| Wiring Harness - 80, 90 & 100 Foot Boom..... | 158 |
| Wiring Harness - 80, 90 & 100 Foot Boom Parts List | 158 |
| Control Console Decal - 80, 90 & 100 Foot Boom..... | 159 |
| Cab Box for Electric Valving Option | 160 |
| Cab Box for Electric Valving Option 632155..... | 161 |
| 9613TF-80 Hydraulic Fitting Locations | 163 |
| 9613TF-80 Hydraulic Fitting Locations Parts List | 164 |
| 9613TF-80 Hydraulic Fitting Locations | 165 |

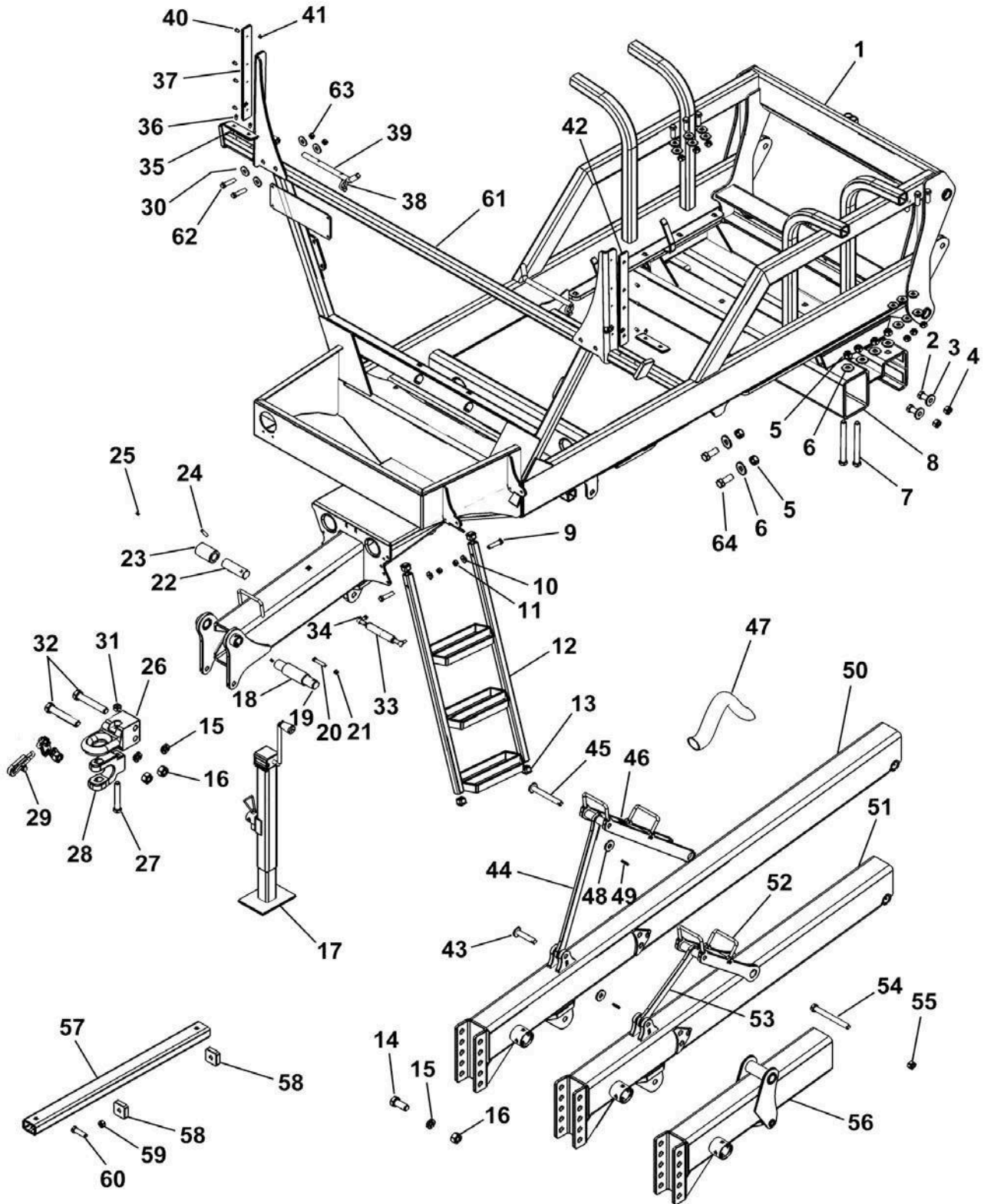
| | |
|--|------------|
| 9613TF-80 Hydraulic Fitting Locations Parts List | 166 |
| Fold Block Hydraulic Hose Routing | 167 |
| Fold Block Hydraulic Hose Routing Parts List | 167 |
| Main Lift Hydraulic Hose Routing | 168 |
| Main Lift Hydraulic Hose Routing Parts List | 168 |
| Tilt Cylinder Hydraulic Hose Routing | 169 |
| Tilt Cylinder Hydraulic Hose Routing Parts List | 169 |
| Main Hydraulic Hose Routing | 171 |
| Main Hydraulic Hose Routing Parts List | 172 |
| Flip Wing Hydraulic Hose Routing | 173 |
| Flip Wing Hydraulic Parts List | 174 |
| Breakaway Wing Hydraulic Hose Routing | 175 |
| Breakaway Wing Hydraulic Hose Routing Parts List | 176 |
| Breakaway Wing Hydraulic Hose Routing | 177 |
| Breakaway Wing Hydraulic Hose Routing Parts List | 178 |
| Hydraulic Pump Hose Routing | 179 |
| Hydraulic Pump Hose Routing Parts List..... | 180 |
| Raven 450 Controller Kit With Skytrak, Up To 6 Sections | 181 |
| Raven ISO Rate Control Module, Cables To Tractor, ISO Hookup, No VT Console | 181 |
| Deere JDRC 2000 ISO Rate Controller, Cables To Tractor, ISO Hookup, No VT Console | 182 |
| 47 Pin Product Control Cable - Customer Supplied JDRC2000 Rate Controller / Raven RCM | 182 |
| 47 Pin To 37 Pin Product Control Cable - Customer Supplied GreenStar Rate Controller | 183 |
| 47 Pin To 16 Pin Product Control Cable - Customer Supplied Raven 450 | 183 |
| 47 Pin Product Control Cable - Customer Supplied Rate Controller | 183 |
| Raven CR7 ISO Display With Deere Harness (Deere ISO Controller) | 183 |
| Raven CR7 ISO Display With Harness (Non-Deere ISO Controller) | 184 |
| Raven CR7 ISO Display With Complete ISO Harness (Non-ISO Tractor) | 184 |
| Flow-Back Ball Valve Line Rinse - Electric Valve With Toggle Switch | 184 |
| Control Console Wiring Harness | 185 |
| Adapter Cable, 16 Pin Console To 47 Pin Product Port (632028) | 187 |
| Cable, 81 Pin ECU, 47 Pin Rate Control Interface (632029) | 188 |
| Cable, 81 Pin ECU, 47 Pin Rate Control Interface (632029) | 189 |
| Cable, Pull Type Sprayer Frame, 14' 47 Pin To 47 Pin (632035) | 190 |
| Adapter Cable, 17', 9 Pin IBIC / 3 Pin Master to Gen 1 Isobus (632031) | 191 |
| Cable, Foot Switch, 12' (632061) | 192 |
| Cable, Raven ISO/Power With IBBC Connector (632064) | 193 |
| Cable, Raven ISO/Power With IBBC Connector (632064) | 194 |
| CAN/Power Cable, OEM ISO To Raven ISO Bulkhead (632065) | 195 |
| Cable, CR7, ISO VT Only (632066) | 196 |
| Cable, Display Port, Y Adapter (632067) | 197 |
| Adapter Cable, 37 Pin Console To 47 Pin Product Port (632070) | 198 |
| Product Cable, 47 Pin, 6 Section, Liquid, FAST, Center Mount (632077) | 199 |
| Product Cable, 47 Pin, 6 Section, Liquid, FAST, Center Mount (632077) | 200 |
| Product Cable, 47 Pin, 10 Section, Liquid, FAST 6'(632078) | 201 |
| Product Cable, 47 Pin, 10 Section, Liquid, FAST 6'(632078) | 202 |
| 9613TF Harness Identification & Location | 203 |

| | |
|---|------------|
| 9613TF Harness Identification & Location Parts List | 204 |
| Lighting Harness Routing | 205 |
| Lighting Harness Routing Parts List | 206 |
| Blue Lights | 207 |
| Blue Lights Parts List 28959..... | 207 |
| Product Control Harness Routing | 209 |
| Product Control Harness Routing Parts List | 210 |
| Fold Harness Routing | 211 |
| Fold Harness Routing Parts List..... | 212 |
| Pressure Transducer Kit | 213 |
| Pressure Transducer Kit Parts List..... | 213 |
| Powerglide Wiring Schematic | 214 |
| Powerglide Plus Wiring Schematic | 215 |
| Powerglide Wiring Schematic | 216 |
| Powerglide Hydraulic Block | 217 |
| Powerglide Solid Axle | 218 |
| Powerglide & Powerglide Plus Mounting Brackets | 219 |
| Powerglide & Powerglide Plus Mounting Brackets Parts List..... | 220 |
| Powerglide Plus Hydraulic Block | 221 |
| Powerglide Plus Cushioned Axle | 222 |
| Raven Sensor Mounts | 223 |
| Raven Sensor Mounts Parts List..... | 224 |
| Raven UltraGlide Gen I Wiring | 231 |
| Raven UltraGlide Gen II Wiring | 232 |
| Raven XRT Wiring | 233 |
| Raven XRT Components, Tri-Fold | 236 |
| Raven XRT Components, Tri-Fold Parts List 35900..... | 237 |
| Raven XRT Components, Truss | 238 |
| Raven XRT Components, Truss Parts List 35901 | 241 |
| Wing Tilt Options | 242 |
| Wing Tilt Options Parts List..... | 242 |
| Raven Hawkeye | 243 |
| Raven Hawkeye Parts List | 244 |
| Electronic Sight Gauge | 245 |
| Electronic Sight Gauge Parts List..... | 246 |
| Electronic Sight Gauge - Sensor Tube | 247 |
| Electronic Sight Gauge - Power Cable | 248 |
| HYPRO Cleanload Eductor & Mounting, 7.5 Gallon | 249 |
| HYPRO Cleanload Eductor & Mounting, 7.5 Gallon Parts List | 250 |
| HYPRO Cleanload Eductor, 7.5 Gallon | 251 |
| HYPRO Cleanload Eductor, 7.5 Gallon Parts List 570119 | 252 |
| Richway Direct Injection Foamer & Mounting | 253 |
| Richway Direct Injection Foamer & Mounting Parts List | 254 |

| | |
|---|-----|
| Richway Foam Marker 1 Gallon Tank & Switchbox | 255 |
| Richway Foam Marker Liquid Flow | 256 |
| Richway Foam Marker Compressor..... | 257 |
| Richway Foam Marker Foamhead..... | 258 |
| Richway Foam Marker Foam Head Assembly..... | 259 |
| Richway Foam Marker Collector Deflector | 260 |
| Richway Foam Marker Wiring Harness..... | 261 |
| Remote Boom Shut Off Kit (6 Section Shown)..... | 262 |



Trailer - 9600



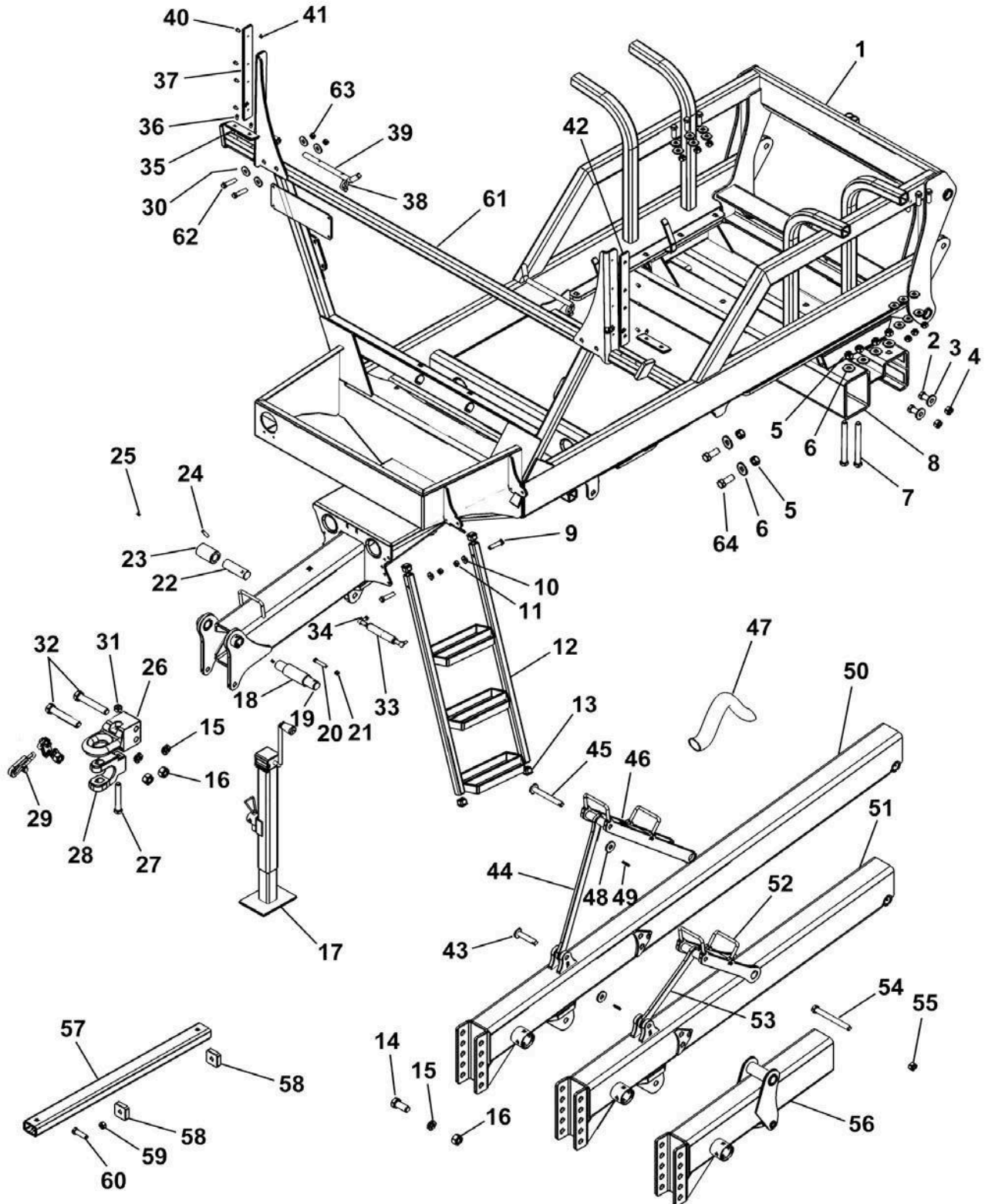


ILLUSTRATED PARTS LIST

Trailer - 9600 Parts List 14475

| ITEM | VENDOR PART # | FAST PART # | DESCRIPTION | QTY. | 60' | 80 - 90' | 100' |
|------|---------------|-------------|--|------|-----|----------|------|
| 1 | | 13501 | FAST TRAILER 9600 SERIES | 1 | | | |
| 2 | | 170 | BOLT HH 5/8 X 2.5 GR5 ZP | 6 | | | |
| 3 | | 261 | WASHER FLAT 5/8 ZP | 12 | | | |
| 4 | | 240 | NUT HH 5/8 CENTERLOCK ZP | 6 | | | |
| 5 | | 241 | NUT HH 3/4 CENTERLOCK ZP | 4 | | | |
| 6 | | 262 | WASHER FLAT 3/4 ZP | 4 | | | |
| 7 | | 488 | BOLT HH 3/4 X 8.5 GR5 ZP | 2 | | | |
| 8 | | 13512 | AXLE HOUSING RECEIVER | 1 | | | |
| 9 | | 155 | BOLT HH 1/2 X 2-1/2 GR5 ZP | 2 | | | |
| 10 | | 260 | WASHER FLAT 1/2" | 2 | | | |
| 11 | | 231 | NUT HH 1/2" CENTERLOCK ZP | 2 | | | |
| 12 | | 10620 | LADDER 3 STEP | 1 | | | |
| 13 | | 4191 | CAP BLACK DRIVE-IN | 4 | | | |
| 14 | | 199 | BOLT HH 1 X 2-1/2 GR5 ZP (ATTACH ITEM 29 TO HITCH) | 1 | | | |
| 15 | | 255 | WASHER LOCK 1" ZP (ATTACH ITEM 29 TO HITCH) | 1 | | | |
| 16 | | 218 | NUT HH 1" ZP (ATTACH ITEM 29 TO HITCH) | 1 | | | |
| 17 | FASTHD800 | 790005 | JACK 8000# SIDE WIND FAST HD800 | 1 | | | |
| NS | P800-001 | | BLACK HANDLE (PART OF FASTHD700) | AR | | | |
| NS | P700-020 | | 9" HANDLE KIT (PART OF FASTHD700) | AR | | | |
| NS | P700-040 | | HD700 SIDE WIND GEAR KIT (PART OF FASTHD700) | AR | | | |
| NS | P700-080 | | HD700 BEARING KIT (PART OF FASTHD700) | AR | | | |
| NS | P800-060 | | 5/8" PIN WITH CHAIN AND CLIP (PART OF FASTHD700) | AR | | | |
| 18 | | 10713 | ROLLER EXTERNAL | 1 | | | |
| 19 | | 8933 | PIN ROLLER EXTERNAL | 1 | | | |
| 20 | | 131 | BOLT HEX HEAD 3/8 X 2-1/2 GR5 ZP | 1 | | | |
| 21 | | 237 | NUT HEX HEAD 3/8" CENTERLOCK ZP | 1 | | | |
| 22 | | 10710 | PIN INTERNAL ROLLER | 1 | | | |
| 23 | | 10709 | ROLLER INTERNAL | 1 | | | |
| 24 | | 707 | PIN SPRING 3/8 X 2 | 1 | | | |
| 25 | | 759 | ZERK 1/4-28 TPI | 2 | | | |
| 26 | PPI-301V3-10 | 790003 | HITCH CAT 3 | 1 | | | |
| 27 | | 390 | BOLT HH 3/4 X 5-1/2 GR8 ZP | 1 | | | |
| 28 | PPI-208-VR-10 | 790002 | CLEVIS FOR HITCH | 1 | | | |
| 29 | PPSC21A | 790015 | SAFETY CHAIN 20,200# | 1 | | | |
| 30 | | 260 | WASHER FLAT 1/2 ZP | 8 | | | |
| 31 | | 233 | NUT HH 3/4" NYLOCK ZP | 1 | | | |
| 32 | | 564 | BOLT HH SPECIAL 1 X 6-1/2 GR 5 ZP | 2 | | | |
| 33 | 22011A3 | 590010 | EASYLIFT CYLINDER (FOR USE WITH LADDER ITEM 12) | 1 | | | |

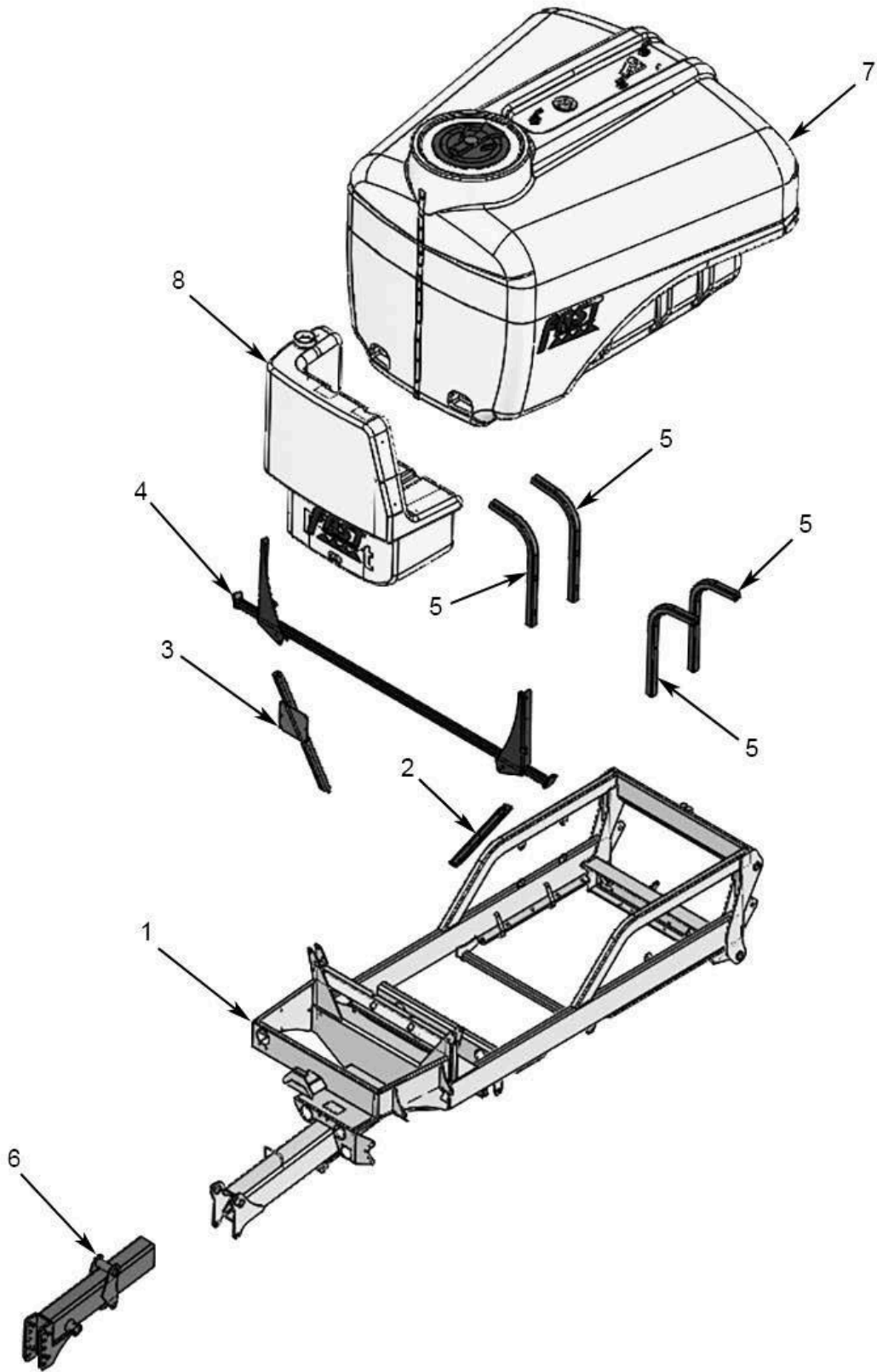
Trailer - 9600



Trailer - 9600 Parts List 20124TA

| ITEM | VENDOR PART # | FAST PART # | DESCRIPTION | QTY. | 60' | 80-90' | 100' |
|------|---------------|-------------|---|------|-----|--------|------|
| 34 | | 855 | NUT HH M8 ZP (FOR USE WITH LADDER 10620 ITEM 12) | 1 | | | |
| 35 | | 7781 | WEAR PAD PLASTIC TRANSPORT SADDLE BASE | 2 | | | |
| 36 | | 581 | RIVET 1/4" DRIVE IN | 4 | | | |
| 37 | | 11050R | VERTICAL STOP CHAM FERED PLASTIC RIGHT | 1 | | | |
| 38 | 715300927 | 720001 | KWIK CLIP PIN | 2 | | | |
| 39 | | 7618 | SAFETY LATCH PIN | 2 | | | |
| 40 | | 671 | FLAT HEAD SOCKET CAP SCREW 1/4X 7/8" | 8 | | | |
| 41 | | 235 | NUT HEXHEAD 1/4" CENTERLOCK ZP | 8 | | | |
| 42 | | 11050L | VERTICAL STOP CHAMFERED PLASTIC LEFT | 1 | | | |
| 43 | | 10779 | PIN PIVOT | | | 2 | 2 |
| 44 | | 13511 | LINK FRONT 100' TONGUE | | | | 1 |
| 45 | | 8341 | PIN PIVOT | | | 1 | 1 |
| 46 | | 13510 | LINK REAR 100' TONGUE | | | | 1 |
| 47 | NHS-FS334 | 790018 | NYLON SLEEVING 7' | 1 | | | |
| 48 | | 262 | WASHER FLAT 3/4 ZP | 1 | | | |
| 49 | | 683 | PIN SPRING 1/4 X 1-1/2 | 1 | | | |
| 50 | | 13507 | TONGUE RETRACTABLE 100' | | | | 1 |
| 51 | | 13503 | TONGUE RETRACTABLE 80' | | | 1 | |
| 52 | | 13505 | LINK REAR 80' TONGUE | | | 1 | |
| 53 | | 13506 | LINK FRONT 80' TONGUE | | | 1 | |
| 54 | | 487 | BOLT HEX HEAD 3/4 X 8 GR5 ZP | | 1 | | |
| 55 | | 241 | NUT HEX HEAD 3/4" ZP | | 1 | | |
| 56 | | 13504 | TONGUE FIX ED 60', N ON W EIGHTED | 1 | 1 | | |
| 56 | | 13730 | TONGUE WEIGHTED, SHORT, 80', 90' & 100' (SEE NOTE) | 1 | 1 | 1 | 1 |
| | | | NOTE: required on 9600N/TF 60' & 66' boom with axle in forward position and with all booms larger than 66'. | | | | |
| 57 | | 13594 | TUBE TANK SUPPORT | AR | | | |
| 58 | | 13590 | SPACER TUBE TANK SUPPORT | AR | | | |
| 59 | | 250 | NUT HEX HEAD 5/8" ZP | AR | | | |
| 60 | | 171 | BOLT HEX HEAD 5/8 X 2-1/2" G R 5 ZP | AR | | | |
| 61 | | 13246 | WING REST, TOP | 1 | | | |
| 62 | | 157 | BOLT HEX HEAD 1/2 X 3-1/2 G R 5 ZP | 4 | | | |
| 63 | | 239 | NUT HEX HEAD 1/2 CENTER LOCK ZP | 4 | | | |
| 64 | | 174 | BOLT HEX HEAD 3/4 X 2 GR5 ZP | 2 | | | |

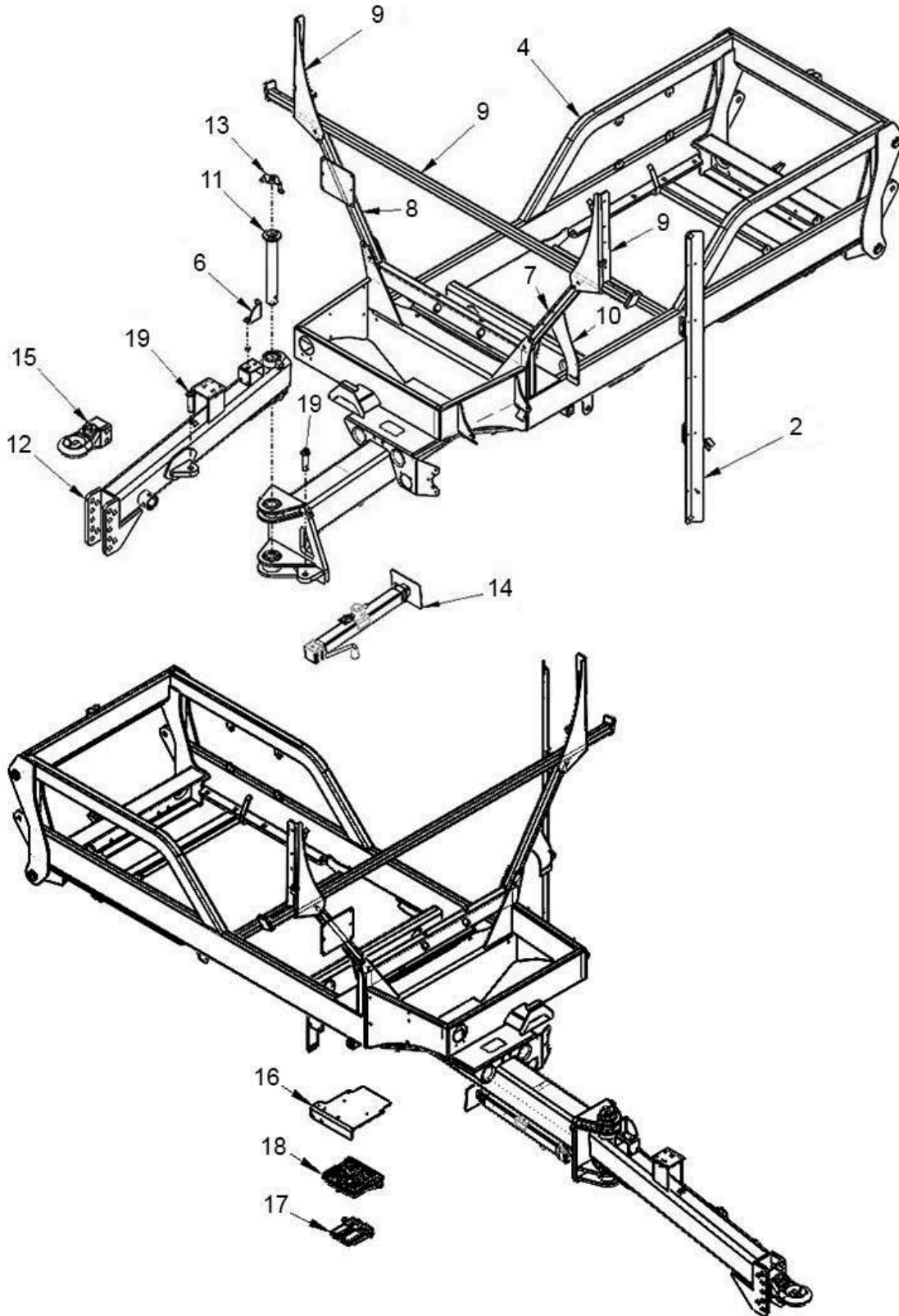
Trailer - 9600N



Trailer - 9600N Parts List 20124TAN

| ITEM | PART NO. | QTY. | DESCRIPTION |
|------|-----------|------|---|
| 1 | 21250 | 1 | 1050 & 1350 TRAILER, 9600N, NON-STEERABLE |
| 1 | 21261 | 1 | 1050 & 1350 TRAILER, 9600N, STEERABLE |
| 2 | 21182 | 1 | TUBE, BRACE |
| 3 | 21255 | 1 | TUBE WITH HANDWASH |
| 4 | 21198 | 1 | WING REST, TOP, 80-90 STYLE |
| 5 | 18187 | 4 | TANK SUPPORT |
| 6 | 13504 | 1 | TONGUE, BOLT ON, NON-WEIGHTED, FIXED 60' |
| 6 | 13730 | 1 | TONGUE, BOLT ON, WEIGHTED, 80', 90' & 100' (SEE NOTE) |
| | | | NOTE: Required on 9600N/TF 60' & 66' boom with axle in forward position and with all booms larger than 66'. |
| 7 | 570054* | 1 | TANK, 1050, AG WHITE, Complete With Fittings and Lid |
| 7 | 570055* | 1 | TANK, 1050, AG YELLOW, Complete With Fittings and Lid |
| 7 | 570058* | 1 | TANK, 1350, AG WHITE, Complete With Fittings and Lid |
| 7 | 570059* | 1 | TANK, 1350, AG YELLOW, Complete With Fittings and Lid |
| 8 | 570003TNK | 1 | RINSE TANK, 100 GALLON WHITE |
| 8 | 570004TNK | 1 | RINSE TANK, 100 GALLON YELLOW |
| 8 | 10918 | 1 | ACE Tank Fitting |
| | | | * SEE TANK ASSEMBLY PAGE |

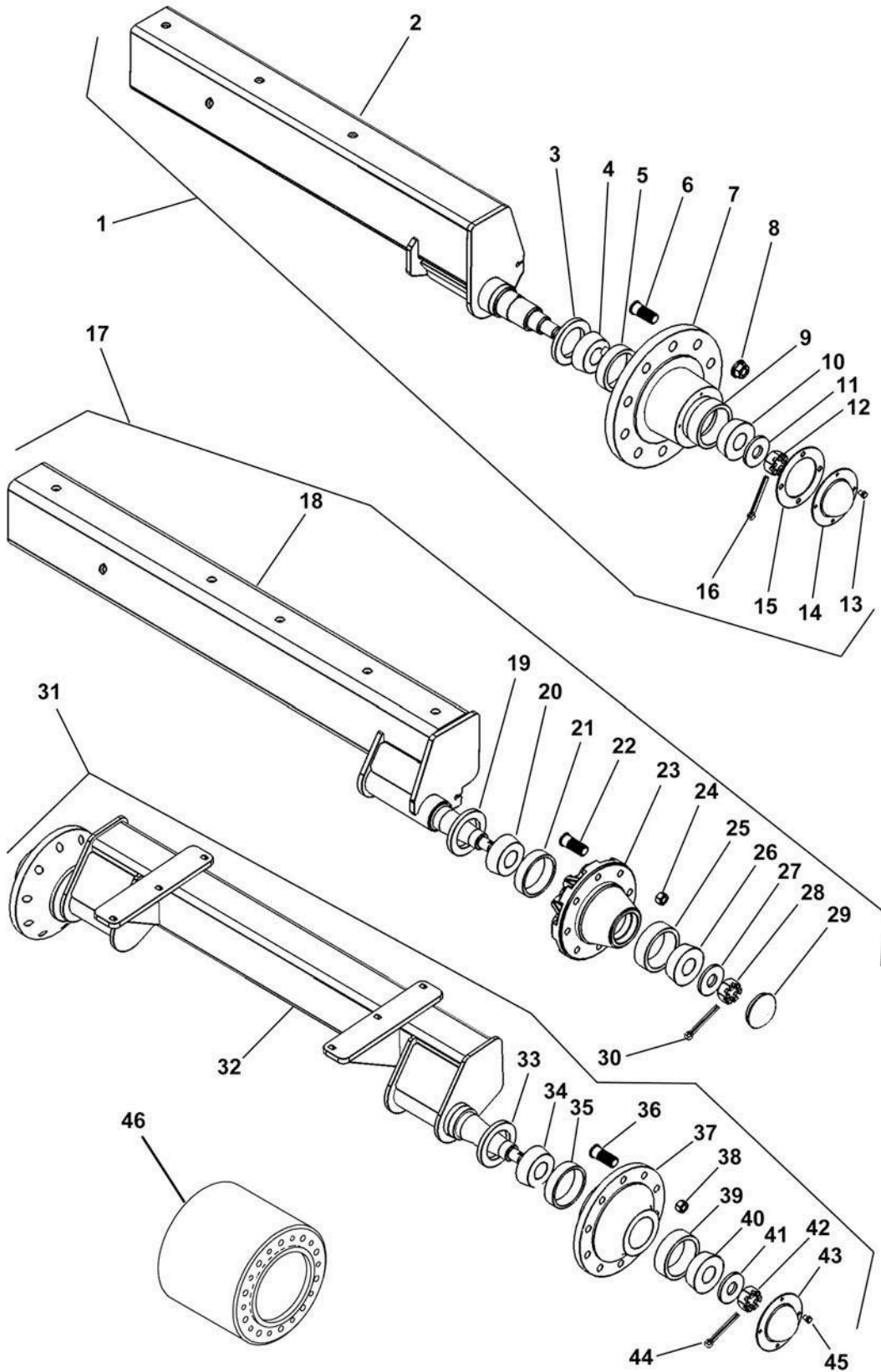
Steerable Trailer - 9600N



Steerable Trailer - 9600N Parts List 20126TASH

| ITEM | PART NO. | QTY. | DESCRIPTION |
|------|---------------|------|--|
| 1 | 2284 | 1 | 3/16 x 1 1/4 HRFLAT |
| 2 | 10921 | 1 | FORMED SIGHT GAGE |
| 3 | 13594 | 1 | TUBE, SUMP SUPPORT |
| 4 | 21261 | 1 | 9600N STEERABLE HITCH TRAILER |
| 5 | 15277 | 2 | WASHER, STAINLESS STEEL |
| 6 | 21273 | 1 | INDICATOR, STEERABLE HITCH |
| 7 | 21182 | 1 | TUBE, BRACE |
| 8 | 21255 | 1 | TUBE WITH HANDWASH |
| 9 | 21198 | 1 | WING REST, TOP, 80-90 STYLE |
| 10 | 21205 | 1 | BRACKET, SIGHT GAUGE |
| 11 | 26056 | 1 | PIN, STEERABLE HITCH |
| 12 | 26060 | 1 | TONGUE |
| 13 | 26190 | 1 | MOUNT, SENSOR |
| 14 | 790005 | 1 | JACK STAND |
| 15 | PPI401 | 1 | HITCH |
| 16 | 26327 | 1 | MOUNT, RAVEN NODE |
| 17 | Node Assembly | 1 | NODE ASSEMBLY |
| 18 | 063-0173-752 | 1 | RAVEN CONTROL MODULE |
| 19 | 21207 | 2 | STEERABLE HITCH CYLINDER PIN |
| NS | 620028 | 1 | CYLINDER, STEERABLE HITCH - SINGLE CYLINDER VERSION |
| NS | 21207 | 2 | PINS, STEERABLE HITCH CYLINDER - SINGLE CYLINDER VERSION |
| NS | 21199 | 1 | ANGLE LOCK, STEERABLE HITCH - SINGLE CYLINDER VERSION |
| NS | 620103 | 2 | CYLINDER, STEERABLE HITCH - DUAL CYLINDER VERSION |
| NS | 28927 | 1 | PINS, STEERABLE HITCH CYLINDER - DUAL CYLINDER VERSION |
| NS | 28926 | 2 | CYLINDER STOP - STEERABLE HITCH |
| NS | 720001 | 4 | QUICK CLIP PIN FOR CYLINDER STOP |
| NS | 600116 | 1 | HOSE KIT, STEERABLE HITCH, DUAL CYLINDER UPDATE |
| NS | 800208 | 1 | DECAL, HYDRAULIC HOSE KEY |

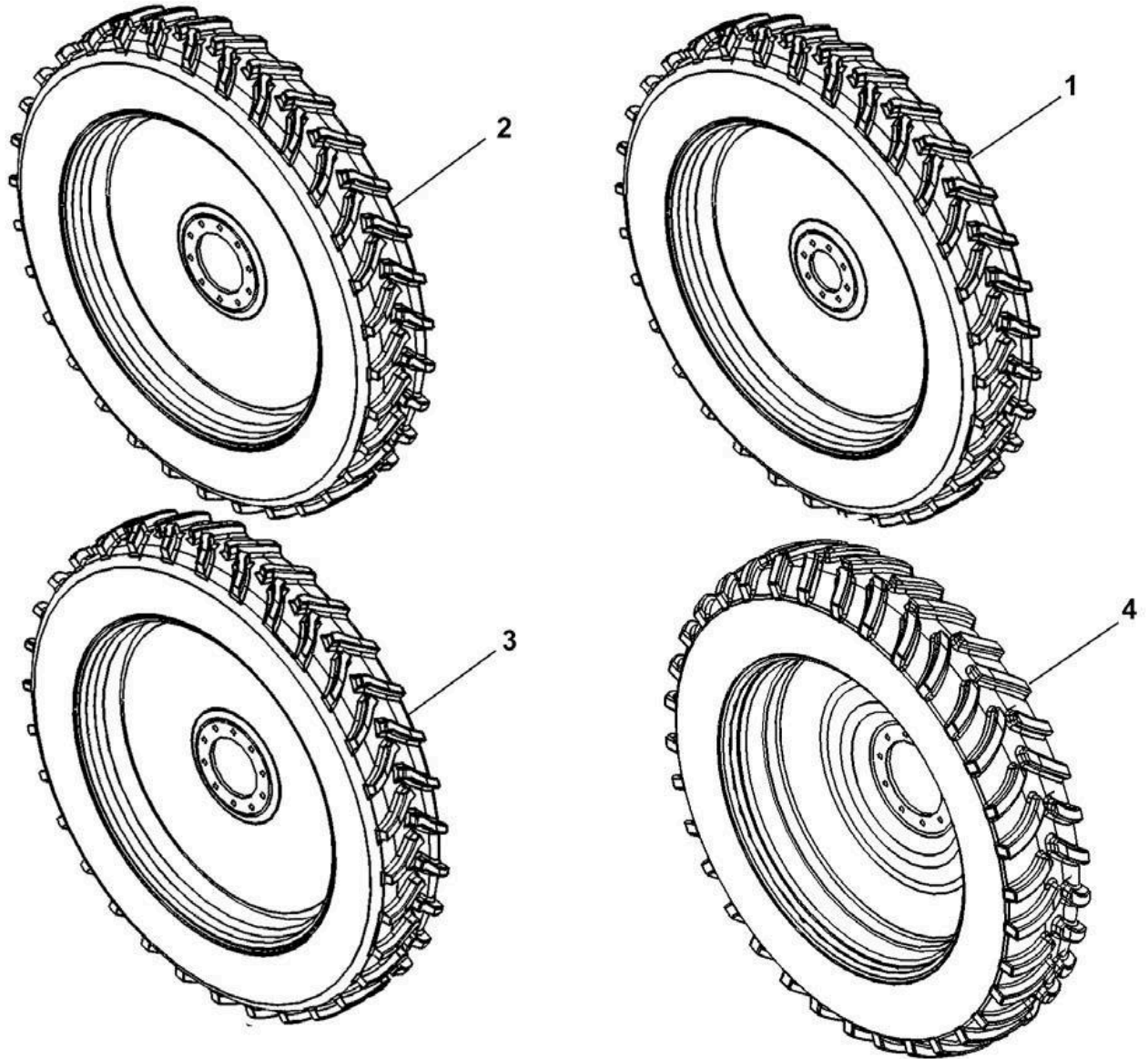
Axles



Axles Parts List

| ITEM | VENDOR PART NO. | PART NO. | QTY. | DESCRIPTION |
|------|--------------------|----------|------|---|
| 1 | | 13586 | 2 | AXLE ASS EM BLY 10 BOLT (INC 2 - 16) |
| 2 | | 13518 | 2 | TRAILER NARROW AXLE SUB WELD 3-3/8" SPINDLE |
| 3 | 946275 | 730013 | 2 | SEAL 873 SERIES HUB |
| 4 | NI-910398/332752 | 730011 | 2 | CONE INNER 873 SERIES HUB |
| 5 | NI-910397/133462 | | 2 | CUP INNER 873 SERIES HUB |
| 6 | NI-953033 | 1683 | 20 | STUD WHEEL |
| 7 | NI-289121 | 730002 | 2 | HUB 10 BOLT WITH CUPS 873 SERIES HUBS, 15.000# |
| 8 | NI-913571 | 730051 | 20 | NUT WHEEL |
| 9 | NI-910332/453A | 1679 | 2 | CUP OUTER |
| 10 | NI-910334/460 | 1681 | 2 | CONE OUTER |
| 11 | NI-913632 | 1688 | 2 | WAS HER SPINDLE |
| 12 | NI-912969 | 1689 | 2 | NUT SPINDLE 1.25-12 TPI |
| 13 | NI-9052148 | 113 | 8 | BOLT HH 5/16 X 1/2 GR5 ZP |
| 14 | 1682 | 730072 | 2 | HUB CAP Q-871 HUB |
| 15 | 1686 | 730016 | 2 | GASKET HUB CAP |
| 16 | NI-905944 | 1690 | 2 | COTTER PIN |
| 17 | | 13588 | 2 | AXLE ASSEMBLY 9600 8-BOLT Q758 HUB, 7500# (INC 18 - 30) |
| 18 | | 13587 | 2 | TRAILER NARROW AXLE SUB WELD |
| 19 | NI-946486 CR29968 | 1669 | 2 | SEAL 8 BOLT |
| 20 | NI-910359/387AS | 730020 | 2 | CONE INNER |
| 21 | NI-910358/382A | 730058 | 2 | CUP INNER |
| 22 | NI-943527 | 1667 | 16 | STUD WHEEL |
| 23 | NI-281189 | 730059 | 2 | HUB 8 BOLT 7500# WITH CUPS |
| 24 | NI-913557 | 730024 | 16 | NUT WHEEL |
| 25 | NI-910272/LM501310 | 730051 | 2 | CUP OUTER |
| 26 | NI-910273/LM501349 | 730021 | 2 | CONE OUTER |
| 27 | NI-913624 | 730022 | 2 | WAS HER SPINDLE |
| 28 | NI-912959 | 730023 | 2 | NUT SPINDLE 1-14 TPI |
| 29 | NI-909912 | 730019 | 2 | HUB CAP Q75-8 |
| 30 | NI-905941 | 730025 | 2 | COTTER PIN |
| 31 | | 10913 | 1 | AXLE ASSEMBLY 10 BOLT DUALS 60"-120" TW (INC 32 - 45) |
| 31 | NOT ILLUSTRATED | 10907 | 1 | AXLE ASSEMBLY 10 BOLT DUALS 88"-132" TW (INC 32 - 45) |
| 31 | NOT ILLUSTRATED | 10910 | 1 | AXLE ASSEMBLY 10 BOLT DUALS 80"-120" TW (INC 32 - 45) |
| 32 | | 10917 | 1 | TRAILER AXLE 30" ROW |
| 32 | NOT ILLUSTRATED | 10908 | 1 | TRAILER AXLE 22" ROW |
| 32 | NOT ILLUSTRATED | 10911 | 1 | TRAILER AXLE 20" ROW |
| 33 | NI-906979 | 730041 | 2 | SEAL |
| 34 | NI-910346 | 730043 | 2 | CONE INNER |
| 35 | NI-910334 | 730012 | 2 | CUP INNER |
| 36 | NI-953035 | | 20 | STUD WHEEL |
| 37 | NI-281171 | 730060 | 2 | HUB 10 BOLT, 20,000# |
| 38 | NI-913571 | 730051 | 20 | NUT WHEEL |
| 39 | NI-910384 | 1679 | 2 | CUP OUTER |
| 40 | NI-910347 | 730037 | 2 | CONE OUTER |
| 41 | NI-913632 | 730040 | 2 | WAS HER SPINDLE |
| 42 | NI-913571 | 730051 | 2 | NUT |
| 43 | NI-909921 | 730039 | 2 | HUB CAP |
| 43 | | 730061 | 2 | HUB CAP GASKET |
| 44 | NI-905944 | 730042 | 2 | COTTER PIN |
| 45 | NI-9052148 | 113 | 8 | BOLT HH 5/16 X 1/2 GR5 ZP |
| 46 | | 710030 | 2 | SPACER 30" ROW 13.75" OAL |
| 46 | NOT ILLUSTRATED | 710032 | 2 | SPACER 22" ROW 7" OAL |

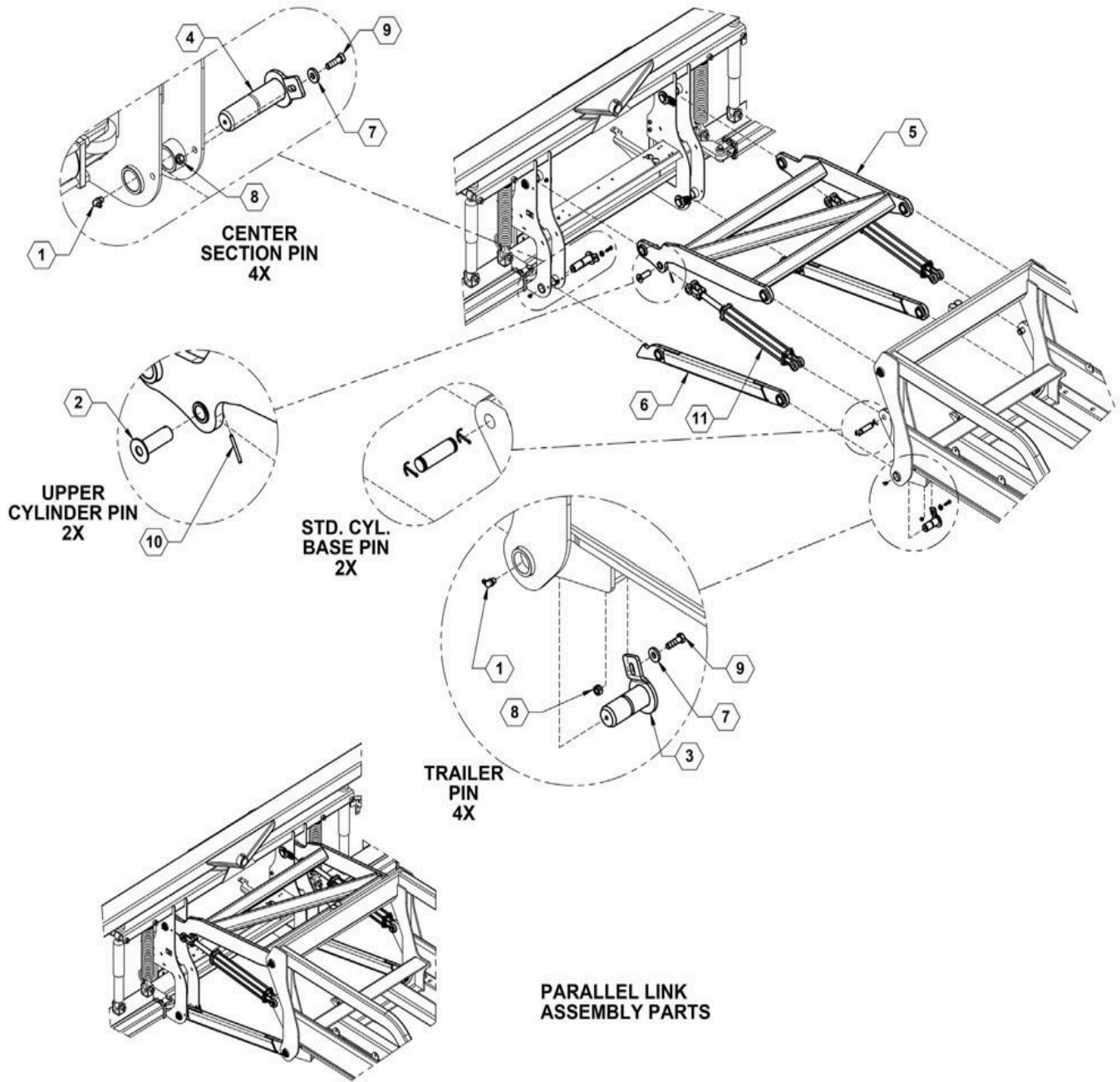
Tires



Tires Parts List

| ITEM | VENDOR PART NO. | PART NO. | 9600 | 9610/9613 | DESCRIPTION |
|------|---------------------|----------|-----------|-----------|--------------------------|
| 1 | TT-508260000057212L | 700026 | 1 | | 13.6 X 38 YELLOW LH |
| 1 | TT-508260000057212R | 700027 | 1 | | 13.6 X38 YELLOW RH |
| 1 | TT-508260000040712L | 700024 | 1 OPT/RED | | 13.6 X 38 SILVER LH |
| 1 | TT-508260000040712R | 700025 | 1 OPT/RED | | 13.6 X38 SILVER RH |
| 2 | TT-51578800572011L | 700010 | | 1 | 320/90R46 YELLOW LH |
| 2 | TT-5157880057201R | 700011 | | 1 | 320/90R46 YELLOW RH |
| 2 | TT-5157880040701R | 700009 | | 1 OPT/RED | 320/90R46 SILVER RH |
| 2 | TT-5157880040701L | 700008 | | 1 OPT/RED | 320/90R46 SILVER LH |
| 3 | TT-512318057201R | 700002 | | 1 OPT | 380/90R46 YELLOW RH |
| 3 | TT-512318057201L | 700003 | | 1 OPT | 380/90R46 YELLOW LH |
| 3 | TT-5123180040701L | 700001 | | 1 OPT/RED | 380/90R46 SILVER LH |
| 3 | TT-5123180040701R | 700000 | | 1 OPT/RED | 380/90R46 SILVER RH |
| 4 | TT-05193450040701L | 700032 | | 2 OPT. | 320/90R46 YELLOW LH DUAL |
| 4 | TT-05193450040701R | 700033 | | 2 OPT. | 320/90R46 YELLOW RH DUAL |
| 4 | TT-05193450057201L | 700040 | | 2 OPT/RED | 320/90R46 SILVER LH DUAL |
| 4 | TT-05193450057201R | 700041 | | 2 OPT/RED | 320/90RR6 SILVER RH DUAL |
| 4 | TT-5193450057201L | 700020 | | 2 OPT. | 380/90R46 YELLOW LH DUAL |
| 4 | TT-5193450057201R | 700021 | | 2 OPT. | 380/90R46 YELLOW RH DUAL |
| 4 | TT-519345004071L | 700034 | | 2 OPT/RED | 380/90R46 SILVER LH DUAL |
| 4 | TT-5193450040701R | 700035 | | 2 OPT/RED | 380/90R46 SILVER RH DUAL |

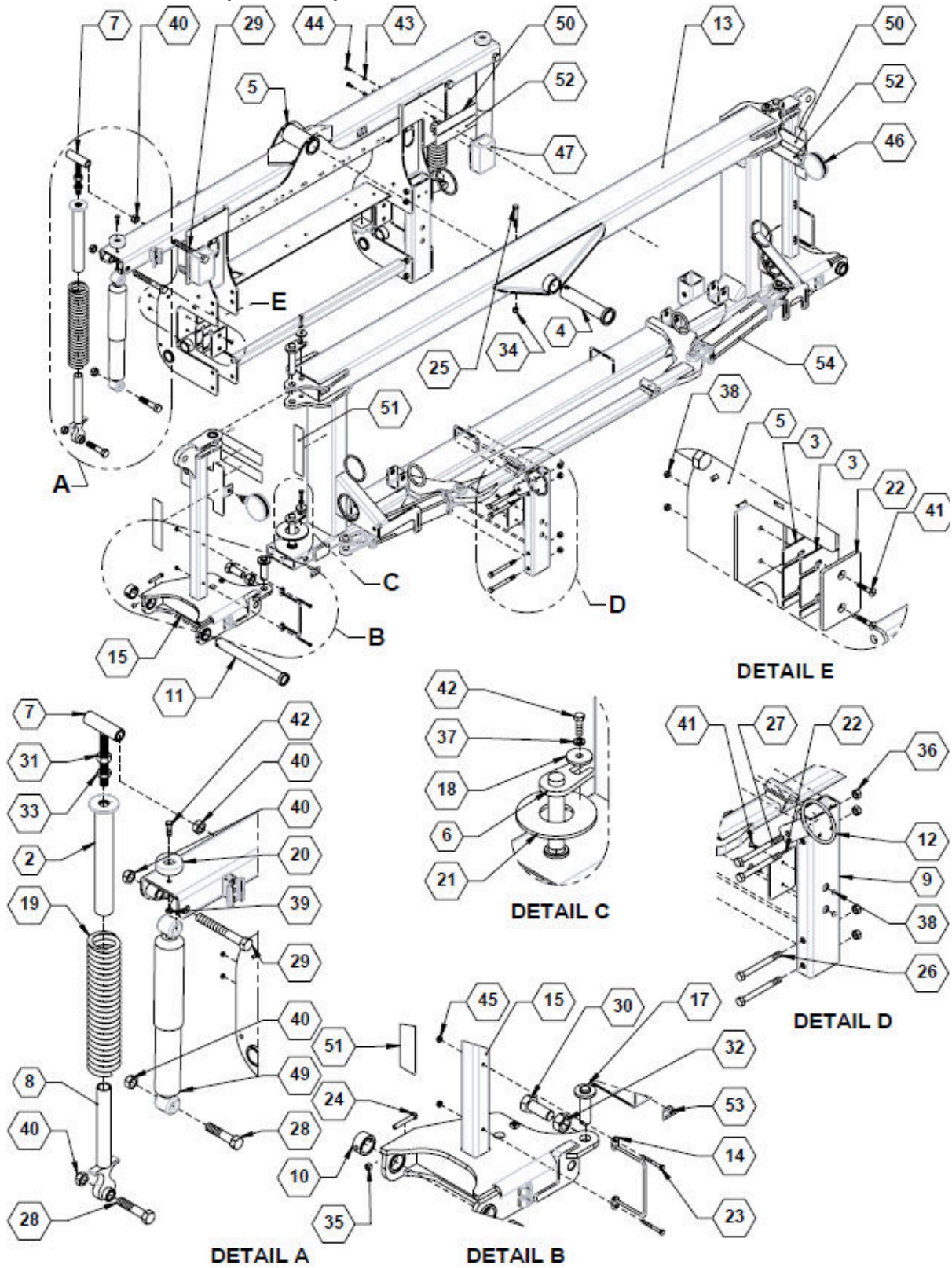
Parallel Link Assembly



Parallel Link Assembly

| ITEM | PART NO. | QTY. | DESCRIPTION |
|------|----------|------|-----------------------------------|
| 1 | 761 | 8 | ZERK, 90, 1/4" STRAIGHT PIPE |
| 2 | 11629 | 2 | CRADLE CYLINDER PIN |
| 3 | 13871 | 4 | PIN |
| 4 | 13872 | 4 | PIN |
| 5 | 14790 | 1 | LITE MACHO UPPER LINK |
| 6 | 14795 | 2 | LITE LINK, LOWER |
| 7 | 530309 | 8 | WASHER, FLAT HEAVY 13/32 X 1 |
| 8 | 596237M | 8 | NUT, CENTERLOCK 3/8 M A G N I |
| 9 | 596635M | 8 | BOLT, HH 3/8-16 x 1-1/4 M A G N I |
| 10 | 596746M | 2 | SPRING PIN 5X50m m M A G N I |
| 11 | 620019 | 2 | CYLINDER 20TD 16-112 MAIN LIFT |

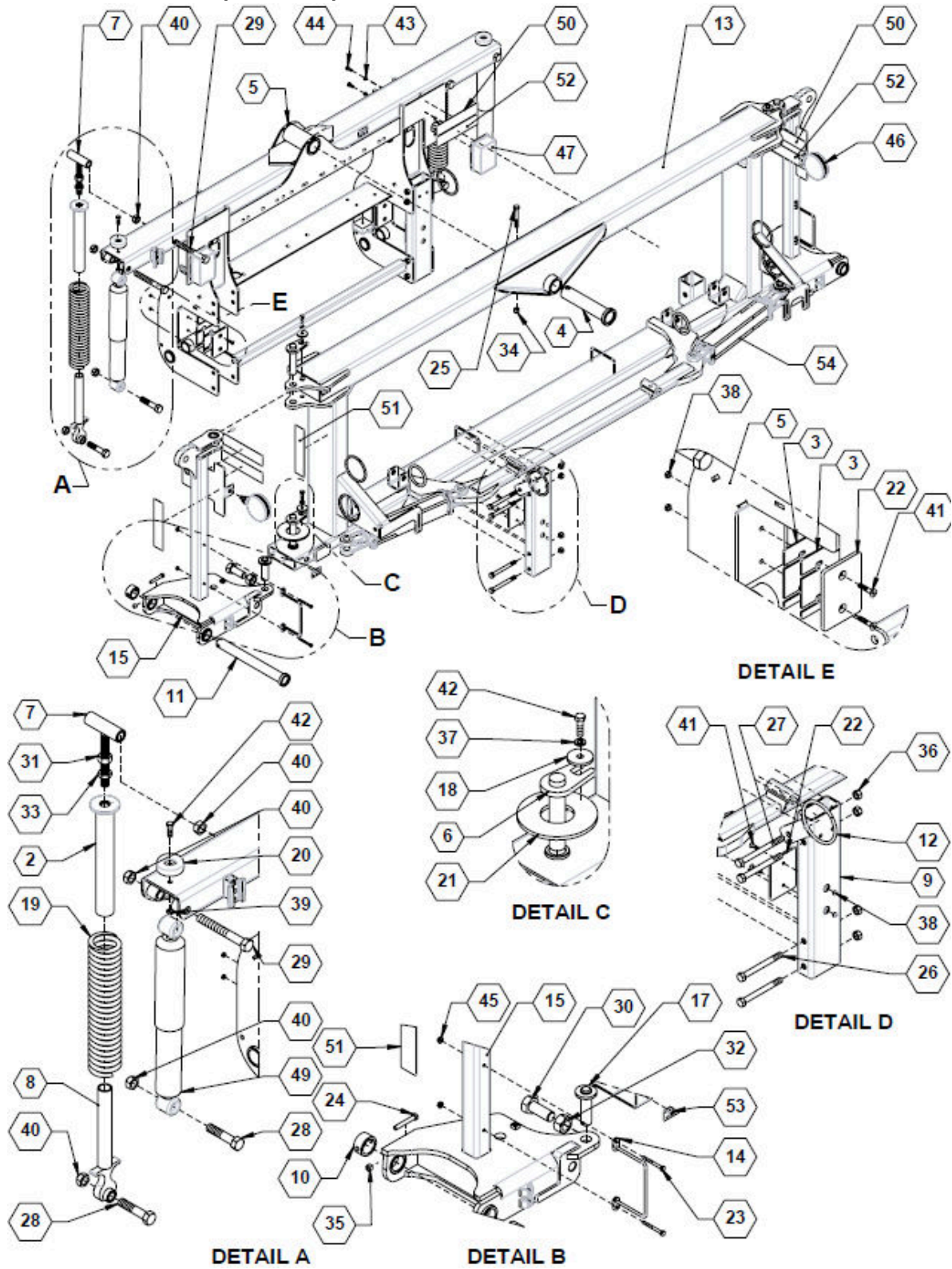
10' Center Section (Narrow)



10' Center Section (Narrow) Parts List

| ITEM | PART NO. | QTY. | DESCRIPTION |
|------|----------|------|-----------------------------------|
| 1 | 759 | 6 | ZERK, 1/4-28 STRAIGHT PIPE THREAD |
| 2 | 7442 | 2 | OUTER SPRING GUIDE |
| 3 | 11265 | 4 | SHIM, RUB PLATE 12 Ga |
| 4 | 13304 | 1 | PIN, CENTER PIVOT |
| 5 | 13806 | 1 | CRADLE, WELDMENT |
| 6 | 13874 | 4 | PIN, WING PIVOT |
| 7 | 13875 | 2 | ADJUSTER, SPRING |
| 8 | 13876 | 2 | BASE, SPRING MT |
| 9 | 13883 | 2 | TUBE, CRADLE LOCK |
| 10 | 14296 | 2 | BUSHING W/ HOLE |
| 11 | 14300 | 2 | PIN, MAIN WING |
| 12 | 14490 | 2 | HOSE HANGER |
| 13 | 14700 | 1 | WLDMNT, NARROW CENTER |
| 14 | 18267 | 2 | BOLT ON HOSE HOLDER |
| 15 | 21356L | 1 | 9600N LH WING PIVOT |
| 16 | 21356R | 1 | 9600N RH WING PIVOT |
| 17 | 28111 | 2 | PIN WLDMNT, 1.00 CYL PIN |
| 18 | 530308 | 4 | WASHER, HEAVY 13/32 X 1 5/8 |
| 19 | 590011 | 2 | CENTER SECTION SPRING |
| 20 | 590026 | 2 | BUMPER, 1X2-1/2 RUBBER ROUND |
| 21 | 590042 | 2 | WASHER, 2 1/8" ID THRUST |
| 22 | 590097 | 4 | RUB PLATE |
| 23 | 596105M | 4 | BOLT, HH 1/4-20X2-1/2 GR5 MAGNI |
| 24 | 596131M | 2 | BOLT, HH 3/8-16 X 2-1/2 GR5 MAGNI |
| 25 | 596157M | 1 | BOLT, HH 1/2 X 3-1/2 GR5 MAGNI |
| 26 | 596160M | 6 | BOLT, HH 1/2X5 GR5 MAGNI |
| 27 | 596161M | 2 | BOLT, HH 1/2X5-1/2 GR5 MAGNI |
| 28 | 596187M | 4 | BOLT, HH 3/4-10 X 3-1/2 GR5 MAGNI |

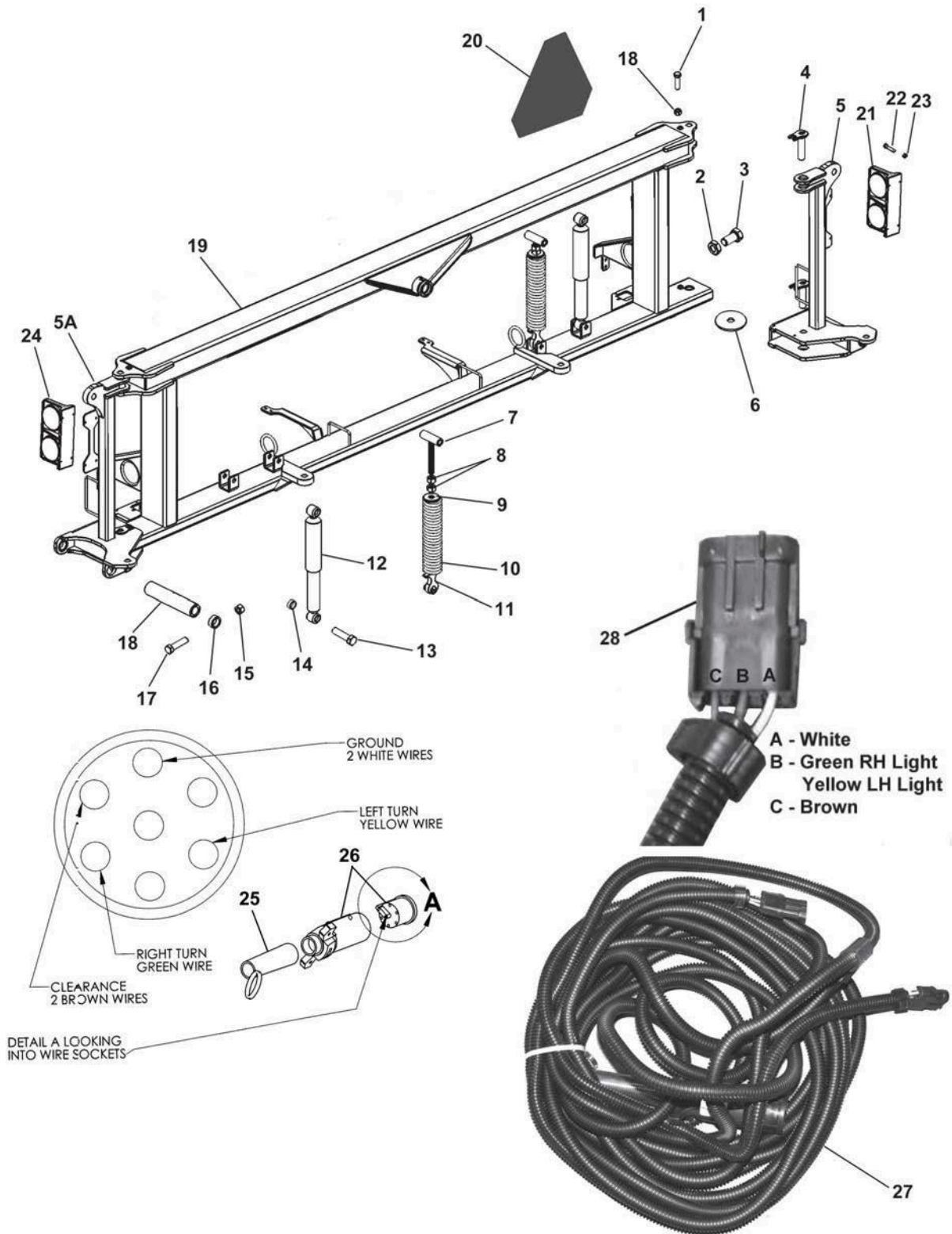
10' Center Section (Narrow)



10' Center Section (Narrow) Parts List

| ITEM | PART NO. | QTY. | DESCRIPTION |
|------|----------|------|----------------------------------|
| 29 | 596192M | 4 | BOLT, HH 3/4-10 X 6 GR5 MAGNI |
| 30 | 596199M | 2 | BOLT, HH 1-8X2-1/2 GR5 MAGNI |
| 31 | 596217M | 2 | NUT, HEX 3/4-10 G5 MAGNI |
| 32 | 596218M | 2 | NUT, HEX 1-8 MAGNI |
| 33 | 596225M | 2 | NUT, HEX JAM 3/4-10 GR8 MAGNI |
| 34 | 596231M | 1 | NUT, HEX NYLOCK 1/2-13 MAGNI |
| 35 | 596237M | 2 | NUT, CENTERLOCK 3/8-16 MAGNI |
| 36 | 596239M | 8 | NUT, CENTERLOCK, 1/2-13 MAGNI |
| 37 | 596250M | 4 | LOCKWASHER, 3/8 MAGNI |
| 38 | 596622M | 8 | NUT, TOPLOCK 1/4-20 MAGNI |
| 39 | 596624M | 2 | NUT, TOPLOCK 3/8-16 MAGNI |
| 40 | 596626M | 8 | NUT, TOPLOCK 3/4-10 G5 MAGNI |
| 41 | 596631M | 8 | FHSCS 1/4-20 X 1-1/4 MAGNI |
| 42 | 596634M | 6 | BOLT, HH 3/8-16X1-1/4 GR8 MAGNI |
| 43 | 596728M | 4 | LOCKWASHER 8MM MAGNI |
| 44 | 596737M | 4 | BOLT, HH 8-1.25 X 20MM 8.8 MAGNI |
| 45 | 596767M | 4 | NUT, HEX FLANGE 1/4-20 MAGNI |
| 46 | 740024 | 2 | LIGHT, AMBER, PED. MOUNT |
| 47 | 740025 | 2 | LIGHT, RED SURF MNT ASSY |
| 48 | 740031 | 1 | LIGHT MODULE, SAFETY FLASHER |
| 49 | 790010 | 2 | SHOCK, YELLOW 7400 120' CENTER |
| 50 | 800109 | 3 | DECAL, RED REFLECTOR |
| 51 | 800110 | 4 | DECAL, AMBER, REFLECTOR |
| 52 | 800111 | 3 | DECAL, NON-REFLECTIVE, ORANGE |
| 53 | 800287 | 7 | DECAL, GREASE PIVOT POINTS |
| 54 | 620017 | 2 | CYLINDER 25TD12-112 DBL ACTING |

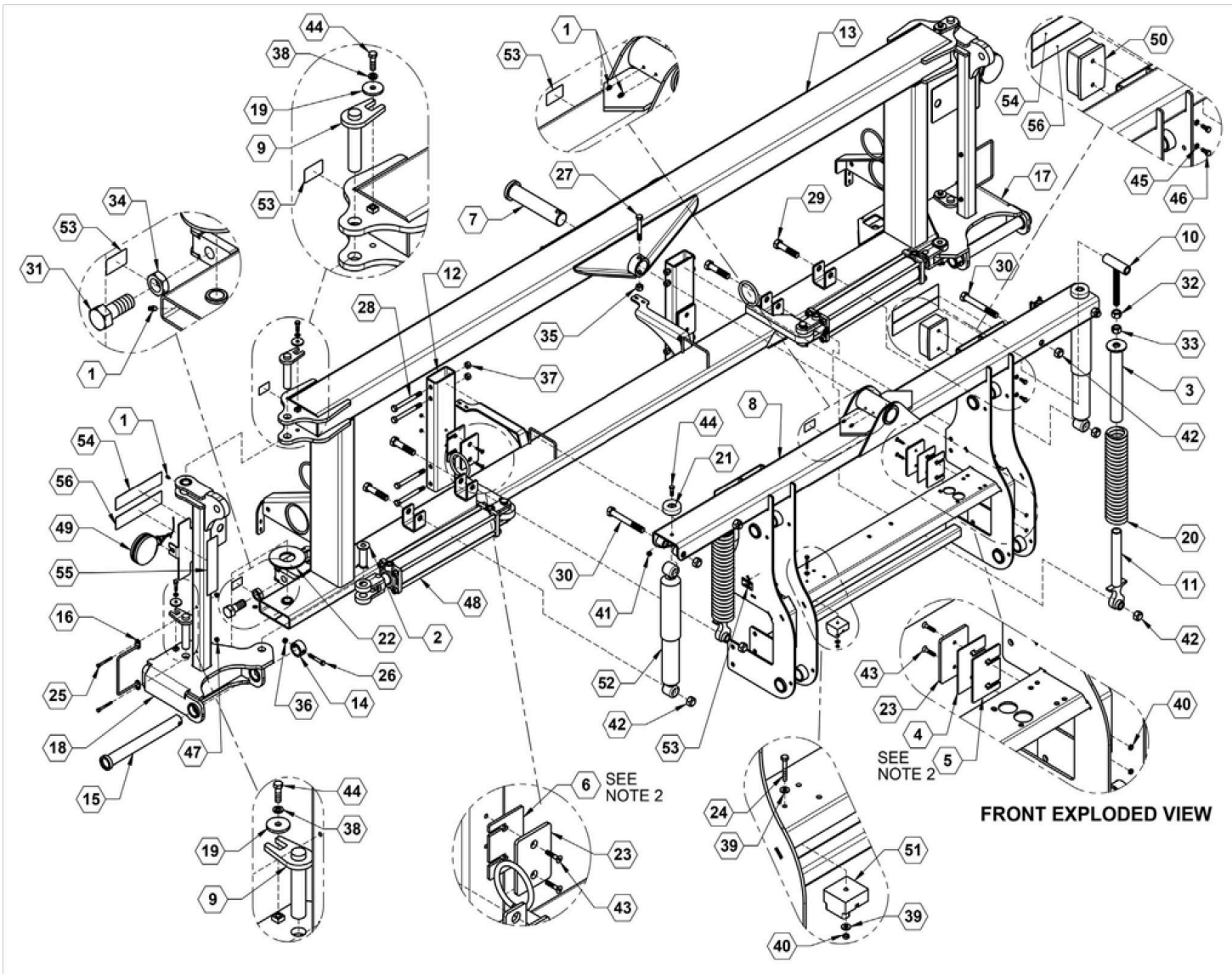
12' Center Section (Dry Boom)



12' Center Section (Dry Boom) Parts List

| ITEM | VENDOR PART NO. | PART NO. | QTY. | DESCRIPTION |
|------|-----------------|----------|------|------------------------------------|
| 1 | | 128 | 4 | BOLT HH 3/8 X 1 GR5 ZP |
| 2 | | 226 | 2 | NUT HEX HEAD JAM 1" ZP |
| 3 | | 198 | 2 | BOLT HEX HEAD 1 X 2 GR5 ZP |
| 4 | | 13886 | 4 | WING PIVOT PIN |
| 5 | | 21353L | 1 | WING PIVOT LEFT |
| 5A | | 21353R | 1 | WING PIVOT RIGHT |
| 6 | | 13891 | 2 | WASHER UHMW POLY |
| 7 | | 13875 | 2 | SPRING ADJUSTMENT EYEBOLT |
| 8 | | 217 | 4 | NUT HH 3/4" ZP |
| 9 | | 7442 | 2 | OUTER SPRING MOUNT |
| 10 | FX-FV0006656 | 590011 | 2 | SPRING CENTER SECTION |
| 11 | | 13876 | 2 | INNER SPRING MOUNT |
| 12 | 66833 | 790011 | 2 | SHOCK CENTER SECTION |
| 13 | | 187 | 8 | BOLT HH 3/4 X 3-1/2" GR5 ZP |
| 14 | | 241 | 8 | NUT HH 3/4" CENTERLOCK ZP |
| 15 | | 237 | 2 | NUT 3/8 CENTER LOCK ZP |
| 16 | | 14296 | 2 | COLLAR, PIN RETAINER |
| 17 | | 131 | 2 | BOLT HH 3/8 X 2-1/2" GR5 ZP |
| 18 | | 14300 | 2 | MAIN WING PIVOT PIN |
| 19 | | 13801 | 1 | CENTER SECTION, 12' WIDE, DRY BOOM |
| 20 | | 790017 | 1 | SMV |
| 21 | | 740001 | 1 | LIGHTS LEFT SIDE |
| 22 | | 102 | 8 | BOLT HH 1/4 X 1" GR5 ZP |
| 23 | | 767 | 8 | NUT HH 1/4" WHIZLOCK |
| 24 | | 740002 | 1 | LIGHTS RIGHT SIDE |
| NS | | 256 | 8 | 1/4" FLAT WASHER USED ON #22 |
| 25 | WA-37678 | | 1 | SPRING CABLE GUIDE |
| 26 | WA-37673 | | 1 | 7-PIN ELECTRICAL CONNECTOR |
| 27 | DA-1528 | 740007 | 1 | WARNING LIGHT HARNESS |
| 28 | WA-38044 | | 2 | WEATHER PACK 3-PIN SHROUD |

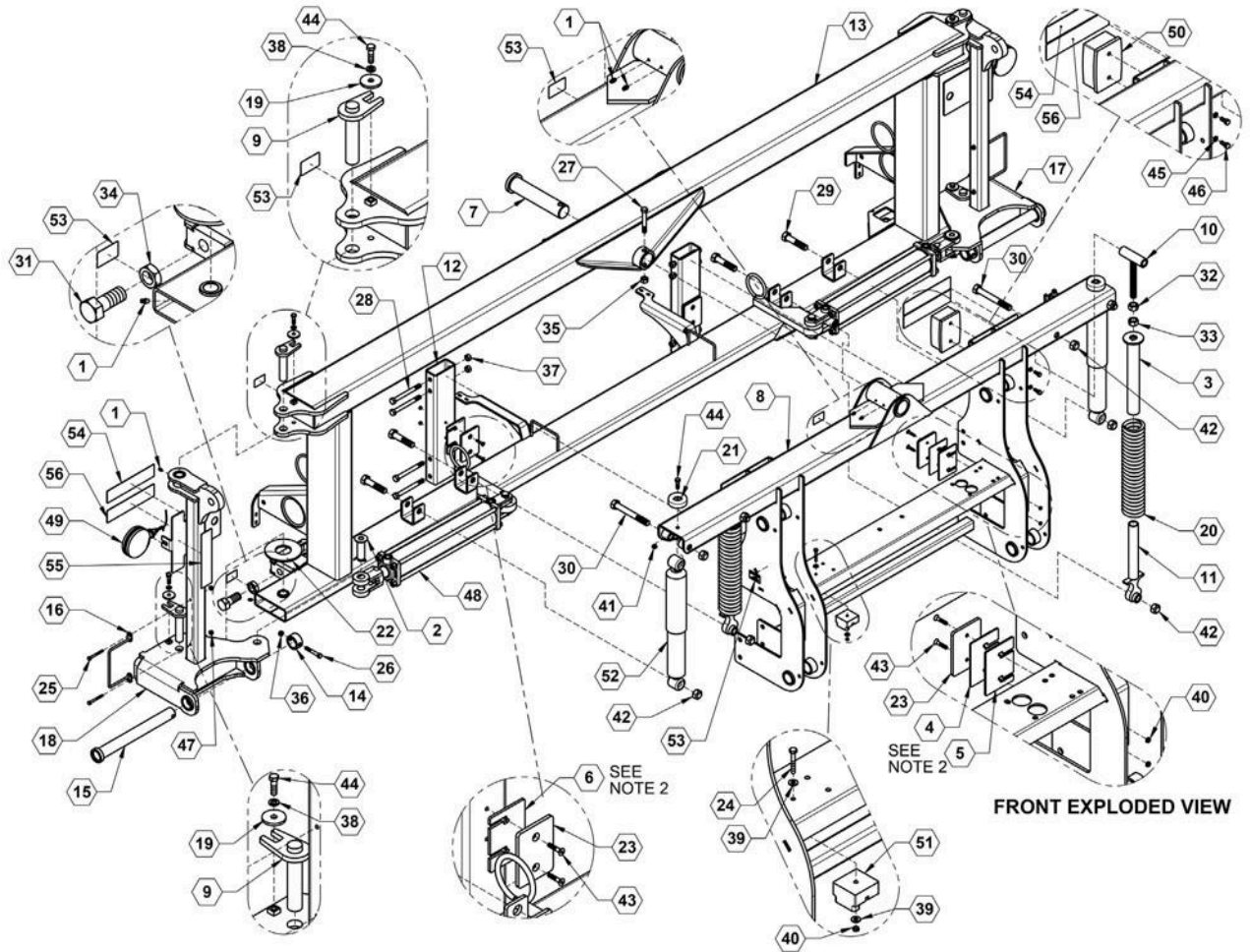
12' Center Section, 80 - 100' Boom



12' Center Section, 80 - 100' Boom Parts List

| ITEM | PART NO. | QTY. | DESCRIPTION |
|------|----------|------|---|
| 1 | 759 | 6 | ZERK, 1/4-28 STRAIGHT |
| 2 | 28111 | 2 | 1" CYLINDER PIN |
| 3 | 7442 | 2 | OUTER SPRING GUIDE |
| 4 | 11265 | 2 | SHIM, RUB PLATE 12 Ga |
| 5 | 11266 | 2 | SHIM, RUB PLATE 10 Ga |
| 6 | 11267 | 2 | SHIM, RUB PLATE 7Ga |
| 7 | 13304 | 1 | PIN, CENTER PIVOT |
| 8 | 13806 | 1 | CRADLE, WELDMENT |
| 9 | 13874 | 4 | PIN, WING PIVOT |
| 10 | 13875 | 2 | ADJUSTER, SPRING |
| 11 | 13876 | 2 | BASE, SPRING MT |
| 12 | 13883 | 2 | TUBE, CRADLE LOCK |
| 13 | 14200 | 1 | CENTER SECTION, 12' WIDE, STANDARD WET BOOM |
| 14 | 14296 | 2 | BUSHING WITH HOLE |
| 15 | 14300 | 2 | PIN, MAIN WING |
| 16 | 18267 | 2 | BOLT ON HOSE HOLDER |
| 17 | 21353L | 1 | PIVOT, WING LH |
| 18 | 21353R | 1 | PIVOT, WING, RH |
| 19 | 530308 | 4 | WASHER, HEAVY 13/32 X 1 5/8 |
| 20 | 590011 | 2 | CENTER SECTION SPRING |
| 21 | 590026 | 2 | BUMPER, 1X2-1/2 RUBBER ROUND |
| 22 | 590042 | 2 | WASHER, 2 1/8" ID THRUST |
| 23 | 590097 | 4 | RUB PLATE |
| 24 | 596104M | 1 | BOLT, HH 1/4-20X1-3/4 GR5 MAGNI |
| 25 | 596105M | 4 | BOLT, HH 1/4-20X2-1/2 GR5 MAGNI |
| 26 | 596131M | 2 | BOLT, HH 3/8-16X2-1/2 GR5 MAGNI |
| 27 | 596157M | 1 | BOLT, HH 1/2X3-1/2 GR5 MAGNI |
| 28 | 596160M | 8 | BOLT, HH 1/2X5 GR5 MAGNI |

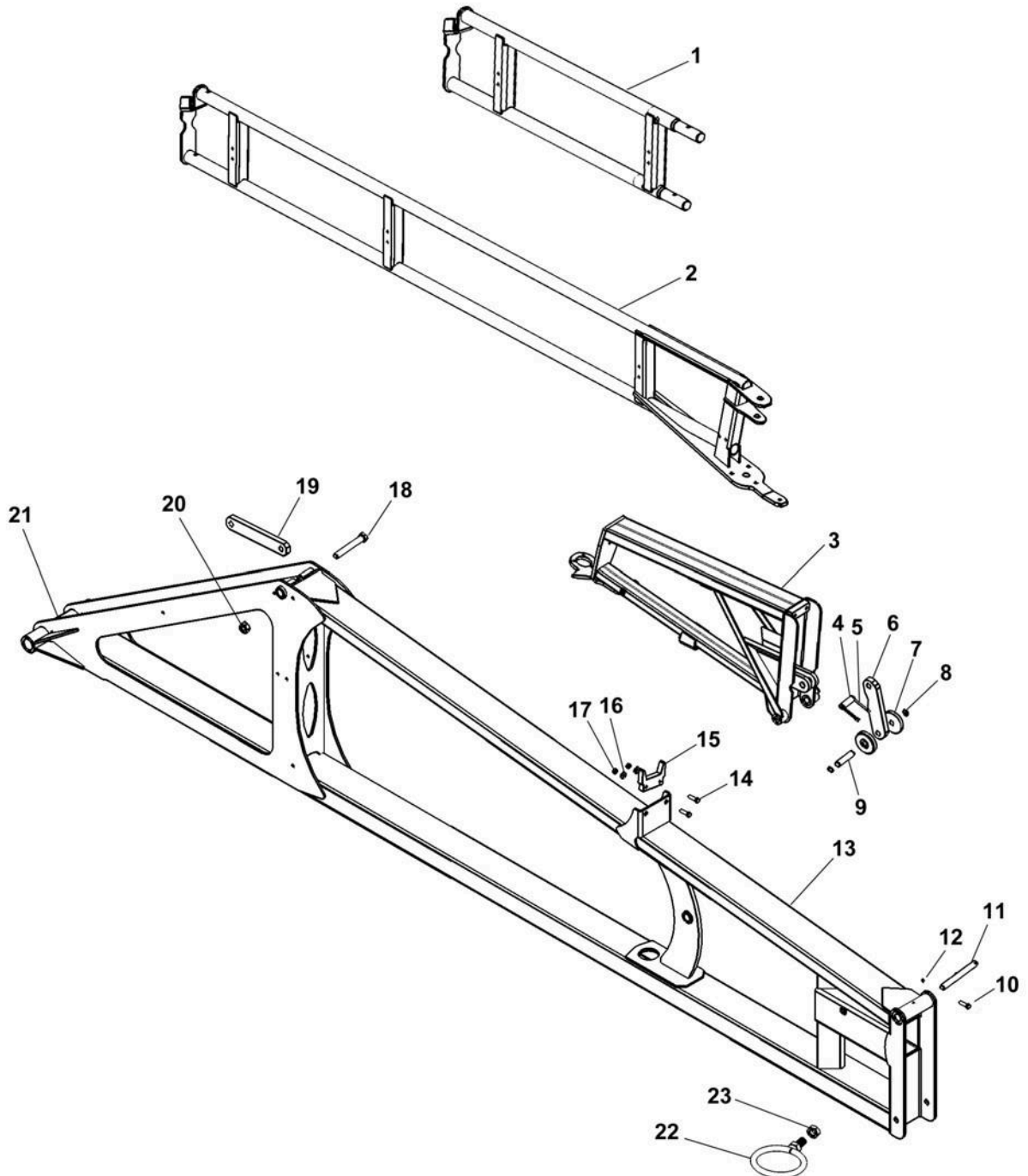
12' Center Section, 80 - 100' Boom



12' Center Section, 80 - 100' Boom Parts List

| ITEM | PART NO. | QTY. | DESCRIPTION |
|------|----------|------|-----------------------------------|
| 29 | 596187M | 4 | BOLT, HH 3/4-10X3-1/2 GR5 MAGNI |
| 30 | 596192M | 4 | BOLT, HH 3/4-10X6 GR5 MAGNI |
| 31 | 596199M | 2 | BOLT, HH 1-8X2-1/2 GR5 MAGNI |
| 32 | 596217M | 2 | NUT, HEX 3/4-10 G5 MAGNI |
| 33 | 596225M | 2 | NUT, HEX JAM 3/4-10 GR8 MAGNI |
| 34 | 596226M | 2 | NUT, HEX JAM 1-8 MAGNI |
| 35 | 596231M | 1 | NUT, HEX NYLOCK 1/2-13 MAGNI |
| 36 | 596237M | 2 | NUT, CENTERLOCK 3/8-16 MAGNI |
| 37 | 596239M | 8 | NUT, CENTERLOCK, 1/2-13 MAGNI |
| 38 | 596250M | 4 | LOCKWASHER 3/8 MAGNI |
| 39 | 596256M | 2 | WASHER, FLAT 1/4 USS MAGNI |
| 40 | 596622M | 9 | NUT, TOPLOCK 1/4-20 MAGNI |
| 41 | 596624M | 2 | NUT, TOPLOCK 3/8-16 MAGNI |
| 42 | 596626M | 8 | NUT, TOPLOCK 3/4-10 G5 MAGNI |
| 43 | 596631M | 8 | FHSCS 1/4-20X1-1/4 MAGNI |
| 44 | 596634M | 6 | BOLT, HH 3/8-16X1-1/4 GR8 MAGNI |
| 45 | 596728M | 4 | LOCKWASHER 8MM MAGNI |
| 46 | 596737M | 4 | BOLT, HH 8-1.25 X 20MM 8.8 MAGNI |
| 47 | 596767M | 4 | NUT, HEX FLANGE 1/4-20 MAGNI |
| 48 | 620057 | 2 | CYLINDER, 30THC16.00-150 |
| 49 | 740024 | 2 | LIGHT, AMBER, PEDESTAL. MOUNT |
| 50 | 740025 | 2 | LIGHT, RED SURFACE MOUNT ASSEMBLY |
| 51 | 740031 | 1 | LIGHT MODULE |
| 52 | 790010 | 2 | SHOCK, YELLOW 7400 120' CENTER |
| 53 | 800014 | 7 | DECAL, GREASE PIVOT POINTS |
| 54 | 800109 | 4 | DECAL, RED REFLECTOR |
| 55 | 800110 | 2 | DECAL, AMBER REFLECTOR |
| 56 | 800111 | 2 | DECAL, ORANGE REFLECTOR |

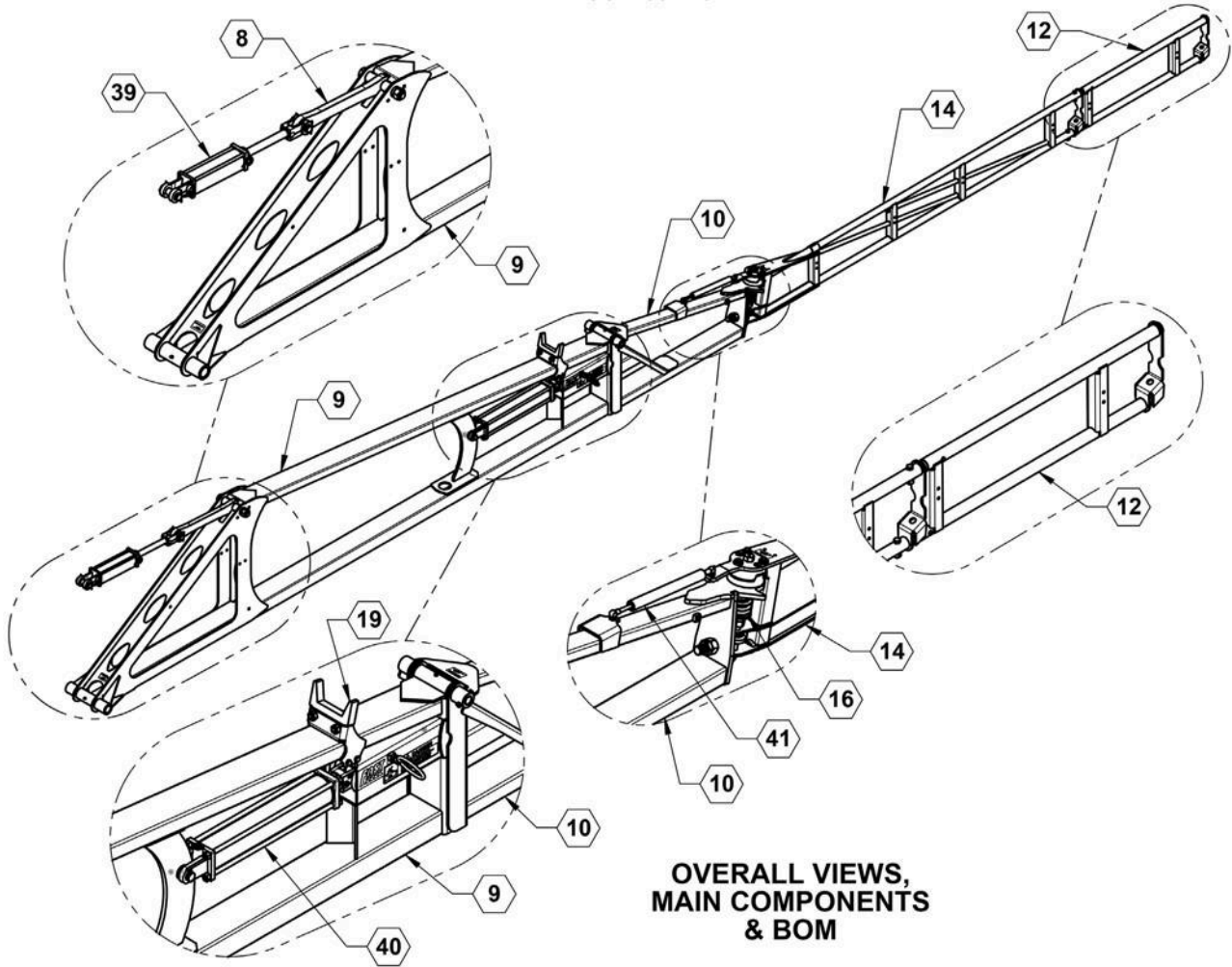
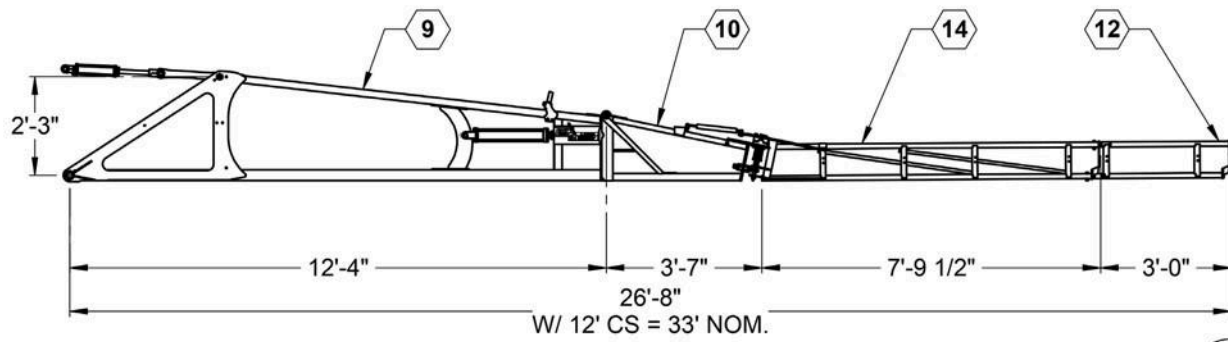
Wings - 60 & 66 Foot Boom - Standard



Wings - 60 & 66 Foot Boom - Standard Parts List

| ITEM | PART NO. | 60 & 66' BOOM | 66' BOOM | DESCRIPTION |
|------|----------|------------------|-------------|---------------------------------|
| 1 | 14627 | | 2 | BREAKAWAY EXTENSION 3' ALUMINUM |
| 2 | 18300 | 2 | | BREAKAWAY WING 93" |
| 3 | 14215 | 2 | | 60' & 66' FLIP WING |
| 3 | 14660 | 2 | | 60' FLIP WING |
| 3 | 14666 | 2 | | 66' FLIP WING |
| 4 | 11127 | 2 | | PIN |
| 5 | 135995 | 4 | | COTTER PIN 3/16 X 2 ZP |
| 6 | 9514 | 2 | | FLIP WING ARM |
| 7 | 7668 | 4 | | WING ROLLER MACHINED |
| 8 | 534 | 4 | | SNAP RING EXTERNAL 1" |
| 9 | 7669 | 2 | | ROLLER PIN 1" |
| 10 | 117 | 2 | | BOLT HH 5/16 X 2" GR5 ZP |
| 11 | 9468 | 2 | | FLIP WING PIN |
| 12 | 236 | 2 | | NUT HH 5/16" CENTERLOCK ZP |
| 13 | 14205 | 2 | | MAIN WING |
| 14 | 154 | 4 | | BOLT HH 1/2 X 2 GR5 ZP |
| 15 | 9674 | 2 | | WING REST 1" UHMW |
| 16 | 260 | 4 | | WASHER FLAT 1/2" ZP |
| 17 | 231 | 4 | | NUT HH 1/2" CENTERLOCK ZP |
| 18 | 209 | 2 | | BOLT HH 1 X 7-1/2" GR5 ZP |
| 19 | 14149 | 2 | | LINK LEVEL BOOM |
| 20 | 242 | 2 | | NUT HH 1" CENTERLOCK ZP |
| 21 | 759 | 2 | | ZERK 1/4-28 |
| 22 | 14146 | 2 | | RING HOSE HOLDER |
| 23 | 223 | 2 | | NUT JAM |

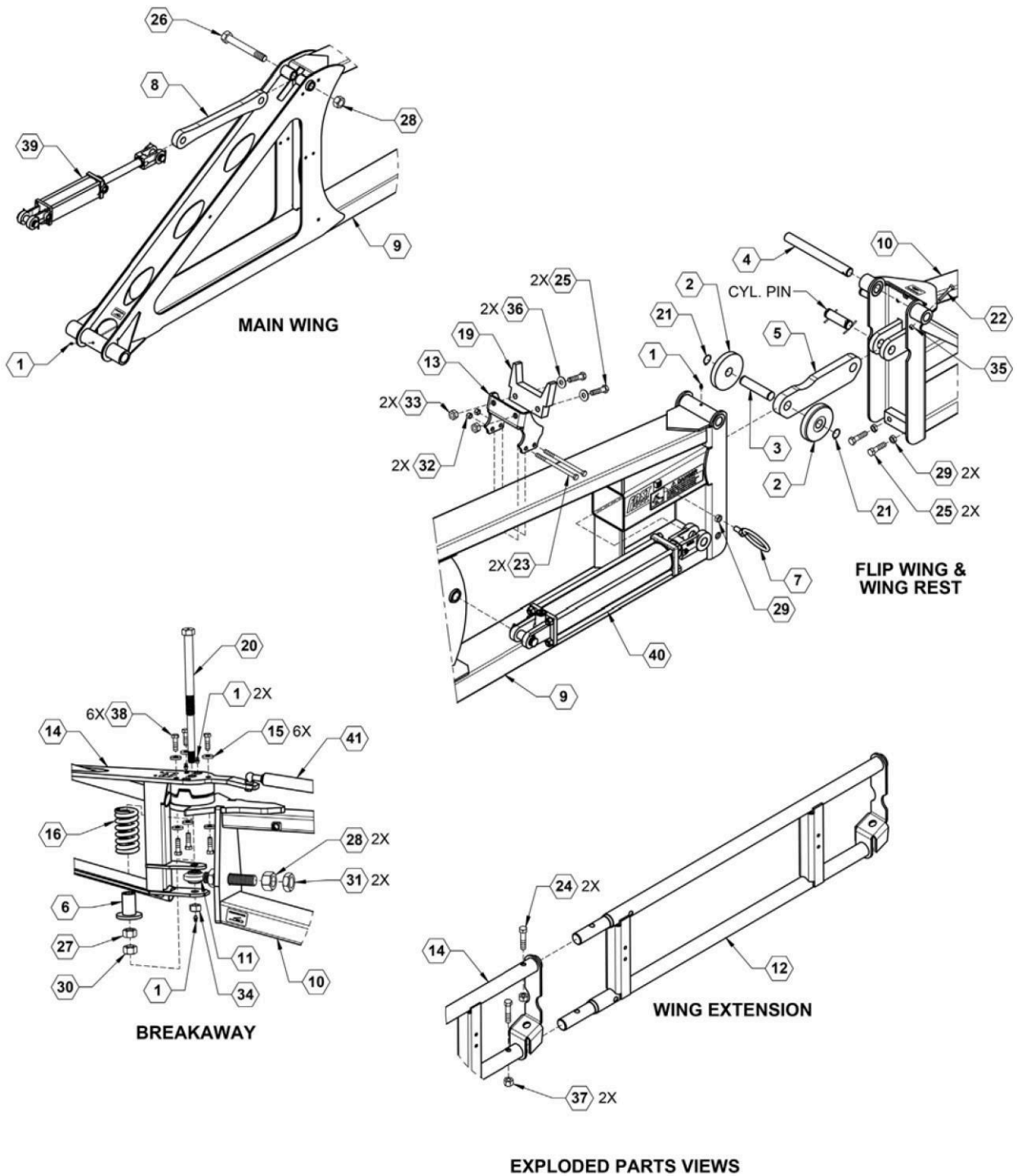
Wings - 60 & 66 Foot Boom



Wings - 60 & 66 Boom Parts List

| ITEM | PART NO. | QTY. | DESCRIPTION |
|------|----------|------|------------------------------------|
| 8 | 14149 | 1 | LINK, WING TILT |
| 9 | 14205 | 1 | WING, MAIN 60' |
| 10 | 14215 | 1 | 60' & 66' WING, FLIP |
| 10 | 14660 | 1 | 60' WING, FLIP, 9600N |
| 10 | 14666 | 1 | 66' WING, FLIP, 9600N |
| 12 | 14627 | 1 | 3' ALUMINUM EXTENSION FOR 66' BOOM |
| 14 | 18300 | 1 | WELDMENT, 93" BREAKAWAY |
| 16 | 590006 | 1 | SPRING, COMPRESSION |
| 19 | 590099 | 1 | REST, WING |
| 39 | 620023 | 1 | CYLINDER, 25TD08-112 WING TILT |
| 40 | 620057 | 1 | CYLINDER, 30THC16.00-150 FLIP WING |
| 41 | 790028 | 1 | SHOCK, BREAKAWAY, HEAVY |
| | 800014 | 4 | DECAL, GREASE PIVOT POINTS |
| | 800020 | 1 | DECAL, FAST LOGO BLACK/GRAY |
| | 800106 | 2 | DECAL, DANGER-STAND CLEAR |
| | 800110 | 3 | DECAL, AMBER REFLECTOR |

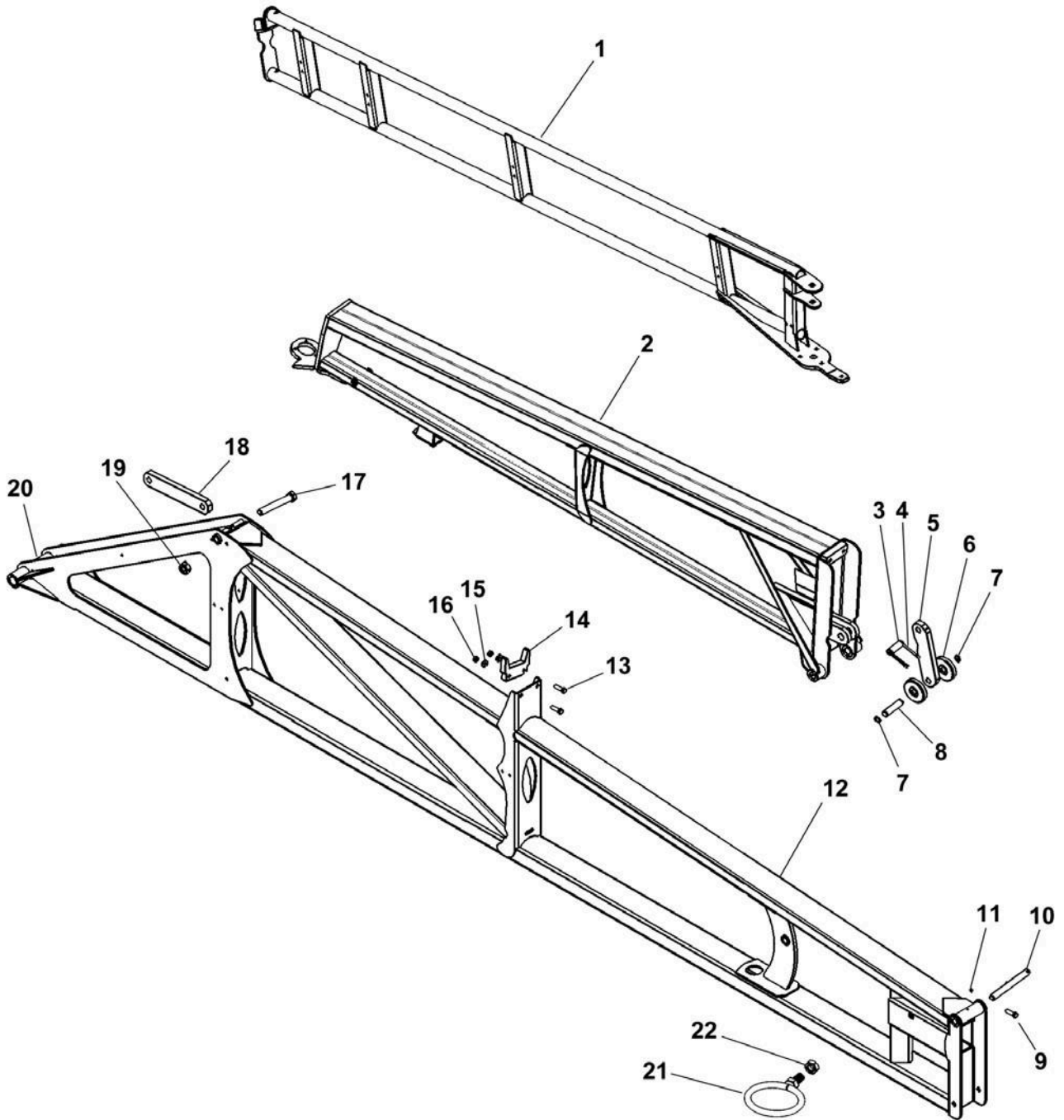
Wings - 60 & 66 Foot Boom



Wings - 60 & 66 Boom Parts List

| ITEM | PART NO. | QTY. | DESCRIPTION |
|------|----------|------|------------------------------------|
| 1 | 759 | 5 | ZERK, 1/4-28 STRAIGHT |
| 2 | 7668 | 2 | ROLLER, WING, MACHINED |
| 3 | 7669 | 1 | PIN, ROLLER, 1" |
| 4 | 9468 | 1 | PIN, FLIP WING |
| 5 | 9514 | 1 | ARM, FLIP WING |
| 6 | 14013 | 1 | SPRING GUIDE |
| 7 | 14146 | 1 | BRACKET, HOSE RING |
| 8 | 14149 | 1 | LINK, WING TILT |
| 9 | 14205 | 1 | WING, MAIN 60' |
| 10 | 14215 | 1 | 60' & 66' WING, FLIP |
| 10 | 14660 | 1 | 60' WING, FLIP, 9600N |
| 10 | 14666 | 1 | 66' WING, FLIP, 9600N |
| 11 | 14575 | 1 | BALL JOINT, ADJUSTMENT |
| 12 | 14627 | 1 | 3' ALUMINUM EXTENSION |
| 13 | 14725 | 1 | FLIP WING STOP MOUNT |
| 14 | 18300 | 1 | WLDMNT, 93" BREAKAWAY |
| 15 | 530309 | 6 | WASHER, FLAT HEAVY 13/32 X 1 |
| 16 | 590006 | 1 | SPRING, COMPRESSION |
| 19 | 590099 | 1 | REST, WING |
| 20 | 590112 | 1 | BOLT, BREAKAWAY |
| 21 | 590180 | 2 | SNAP RING 1" EXTERNAL |
| 22 | 596117M | 1 | BOLT, HH 5/16-18X2 GR5 MAGNI |
| 24 | 596142M | 2 | BOLT, HH 7/16X2 GR5 MAGNI |
| 25 | 596154M | 4 | BOLT, HH 1/2-13X2 GR5 MAGNI |
| 26 | 596209M | 1 | BOLT, HH 1-8X7-1/2 GR5 MAGNI |
| 27 | 596217M | 1 | NUT, HEX 3/4-10 G5 MAGNI |
| 28 | 596218M | 3 | NUT, HEX 1-8 MAGNI |
| 29 | 596223M | 3 | NUT, HEX JAM 1/2-13 MAGNI |
| 30 | 596225M | 1 | NUT, HEX JAM 3/4-10 GR8 MAGNI |
| 31 | 596226M | 2 | NUT, HEX JAM 1-8 MAGNI |
| 32 | 596229M | 2 | NUT, HEX NYLOCK 3/8-16 MAGNI |
| 33 | 596231M | 2 | NUT, HEX NYLOCK 1/2-13 MAGNI |
| 34 | 596232M | 1 | NUT, HEX NYLOCK 5/8-11 MAGNI |
| 35 | 596236M | 1 | NUT, CENTERLOCK, 5/16-18 MAGNI |
| 36 | 596260M | 2 | WASHER, FLAT 1/2 MAGNI |
| 37 | 596625M | 2 | NUT, TOPLOCK 7/16-14 MAGNI |
| 38 | 596633M | 6 | BOLT, HH 3/8-24X1-1/4 GR8 MAGNI |
| 39 | 620023 | 1 | CYLINDER, 25TD08-112 WING TILT |
| 40 | 620057 | 1 | CYLINDER, 30THC16.00-150 FLIP WING |
| 41 | 790028 | 1 | SHOCK, BREAKAWAY, HEAVY |

Wings - 80, 90 & 100 Foot Boom - Standard



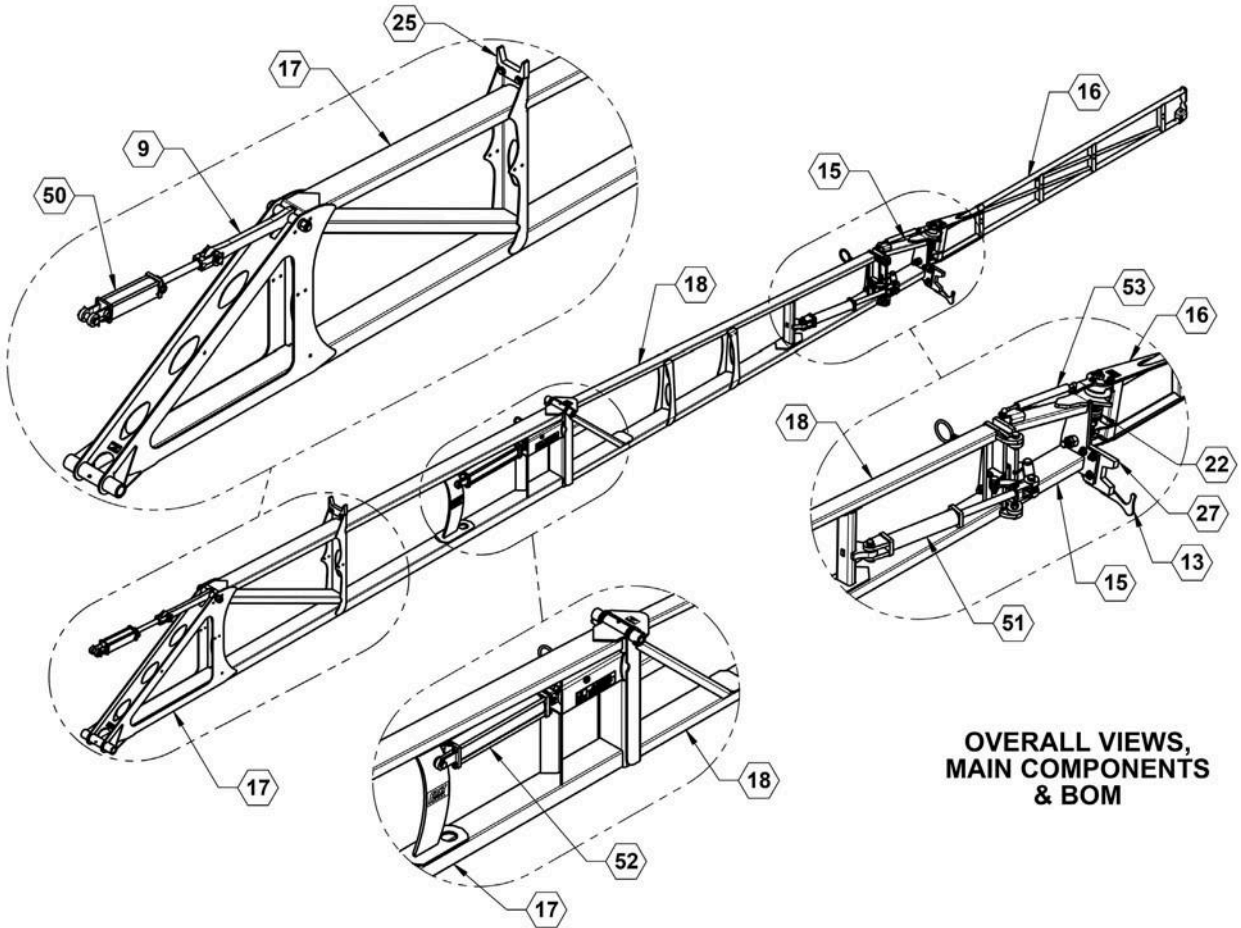
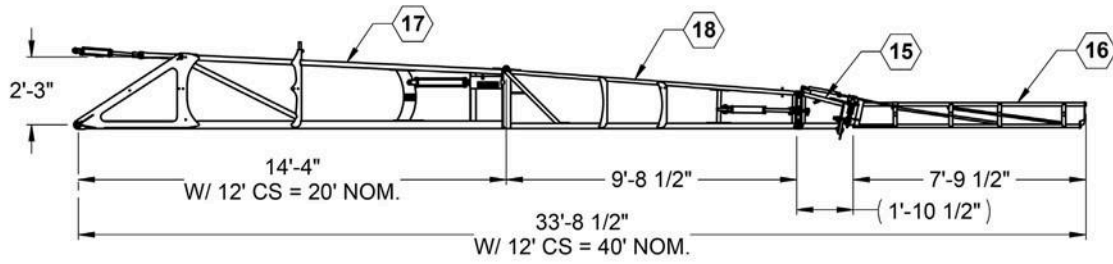


ILLUSTRATED PARTS LIST

Wings - 80, 90 & 100 Foot Boom - Standard Parts List

| ITEM | PART NO. | DESCRIPTION | 80, 90 & 100' BOOM | 80' BOOM | 90' BOOM | 100' BOOM |
|------|----------|----------------------------|-----------------------|-------------|-------------|--------------|
| 1 | 18300 | BREAKAWAY WING 93" | | | | 2 |
| 1 | 18320 | BREAKAWAY WING 111" | | 2 | 2 | |
| 2 | 14150 | FLIP WING 80' | 2 | 2 | | |
| 2 | 14160 | FLIP WING 90' | 2 | | 2 | |
| 2 | 14175 | FLIP WING 100' | 2 | | | 2 |
| 3 | 11127 | PIN | 2 | | | |
| 4 | 135995 | COTTER PIN 3/16 X 2 ZP | 4 | | | |
| 5 | 9514 | FLIP WING ARM | 2 | | | |
| 6 | 7668 | WING ROLLER MACHINED | 4 | | | |
| 7 | 534 | SNAP RING EXTERNAL 1" | 4 | | | |
| 8 | 7669 | ROLLER PIN 1" | 2 | | | |
| 9 | 117 | BOLT HH 5/16 X 2" GR5 ZP | 2 | | | |
| 10 | 9468 | FLIP WING PIN | 2 | | | |
| 11 | 236 | NUT HH 5/16" CENTERLOCK ZP | 2 | | | |
| 12 | 14130 | MAIN WING 80' & 90' | 2 | | | |
| 12 | 14165 | MAIN WING 100' | 2 | | | |
| 13 | 154 | BOLT HH 1/2 X 2 GR5 ZP | 4 | | | |
| 14 | 9674 | WING REST 1" UHMW | 2 | | | |
| 15 | 260 | WASHER FLAT 1/2" ZP | 4 | | | |
| 16 | 231 | NUT HH 1/2" CENTERLOCK ZP | 4 | | | |
| 17 | 209 | BOLT HH 1 X 7-1/2" GR5 ZP | 2 | | | |
| 18 | 14149 | LINK LEVEL BOOM | 2 | | | |
| 19 | 242 | NUT HH 1" CENTERLOCK ZP | 2 | | | |
| 20 | 759 | ZERK 1/4-28 | 2 | | | |
| 21 | 14146 | RING HOSE HOLDER | 2 | | | |
| 22 | 223 | NUT JAM | 2 | | | |

Wings - Tri-Fold 40/80 Foot Boom

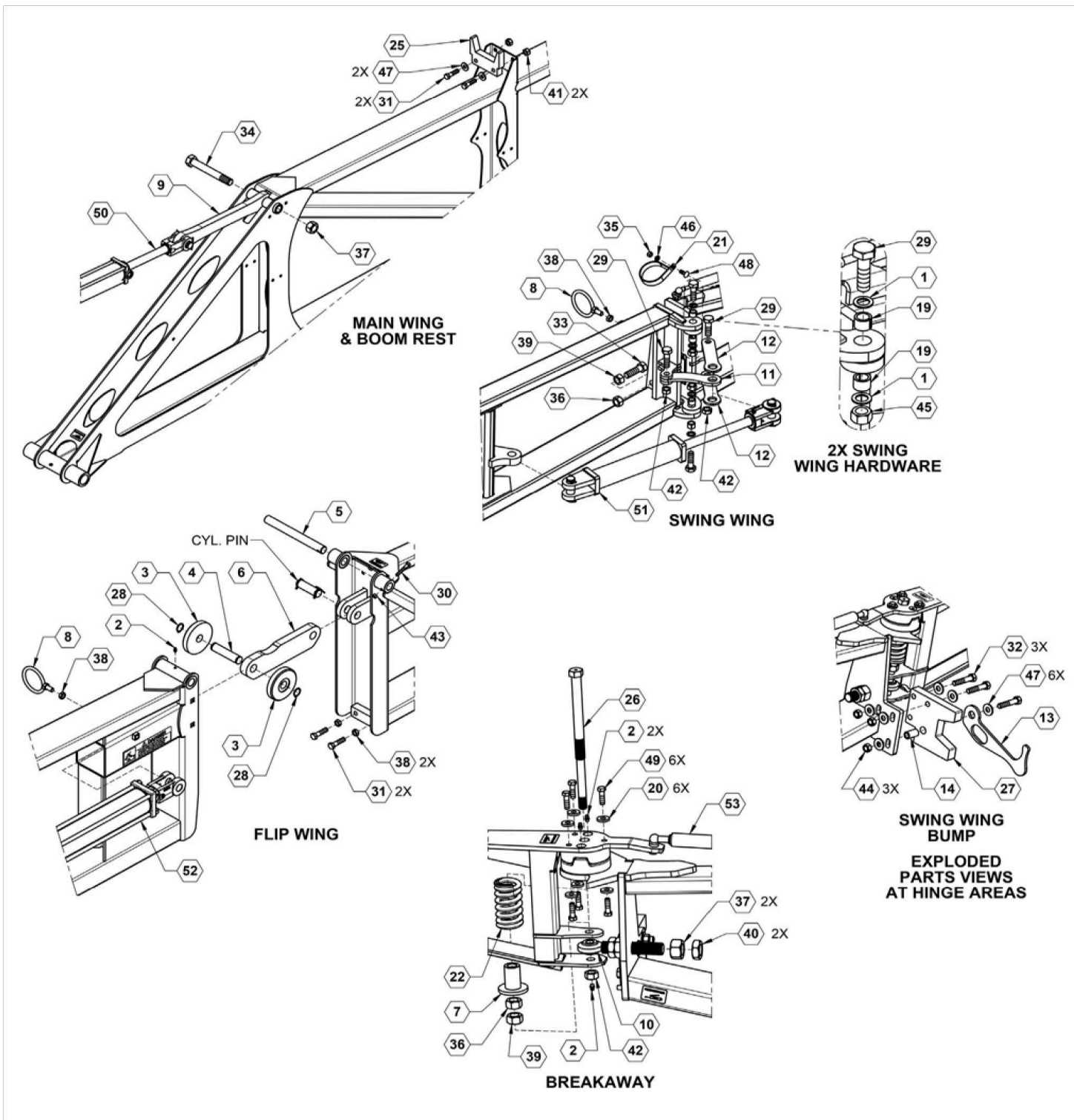


**OVERALL VIEWS,
MAIN COMPONENTS
& BOM**

Wings - Tri-Fold 40/80 Foot Boom Parts List

| ITEM | PART NO. | QTY. | DESCRIPTION |
|------|----------|------|------------------------------------|
| 9 | 14149 | 1 | LINK, WING TILT |
| 13 | 14746 | 1 | LOCK, SWING WING |
| 15 | 14825L | 1 | LH SWING WING, 80', 9600N |
| 15 | 14825R | 1 | RH SWING WING, 80', 9600N |
| 16 | 18300 | 1 | WELDMENT, 93" BREAKAWAY |
| 17 | 22970 | 1 | WING, MAIN, 80' & 100' BOOM |
| 18 | 22972L | 1 | WING, FLIP, LH, 80/40 FT BOOM |
| 18 | 22972R | 1 | WING, FLIP, RH, 80/40 FT BOOM |
| 22 | 590006 | 1 | SPRING, COMPRESSION |
| 25 | 590099 | 1 | REST, WING |
| 27 | 590405 | 1 | BUMP, SWING WING |
| 50 | 620023 | 1 | CYLINDER, 25TD08-112 WING TILT |
| 51 | 620034 | 1 | CYLINDER, 20TD10.00-112 |
| 52 | 620057 | 1 | CYLINDER, 30THC16.00-150 FLIP WING |
| 53 | 790028 | 1 | SHOCK, BREAKAWAY, HEAVY |
| | 800014 | 4 | DECAL, GREASE PIVOT POINTS |
| | 800020 | 1 | DECAL, FAST LOGO BLACK/GRAY |
| | 800105 | 1 | DECAL, WARNING-STAND CLEAR |
| | 800106 | 2 | DECAL, DANGER-STAND CLEAR |
| | 800110 | 3 | DECAL, AMBER REFLECTOR |

Wings - Tri-Fold 40/80 Foot Boom

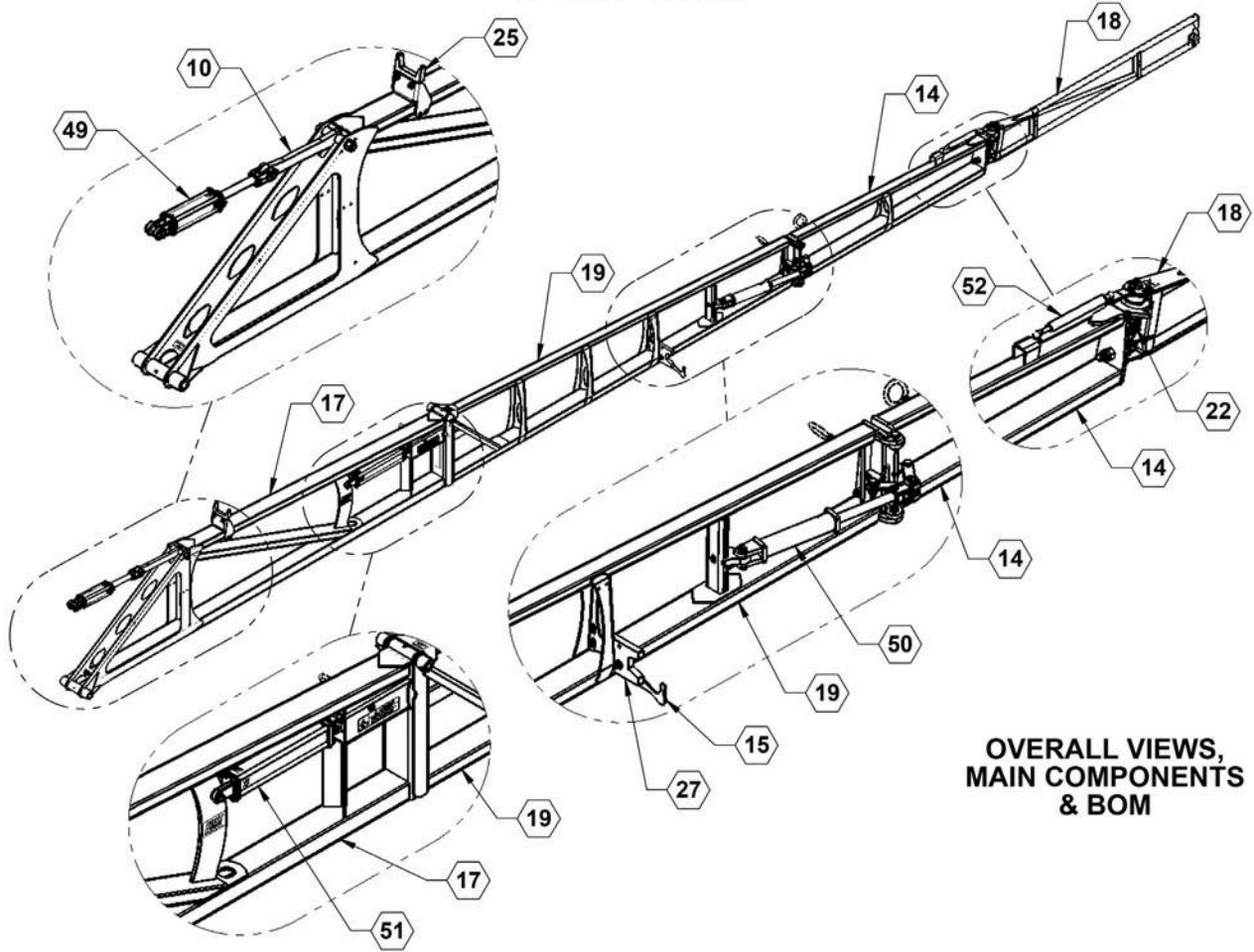
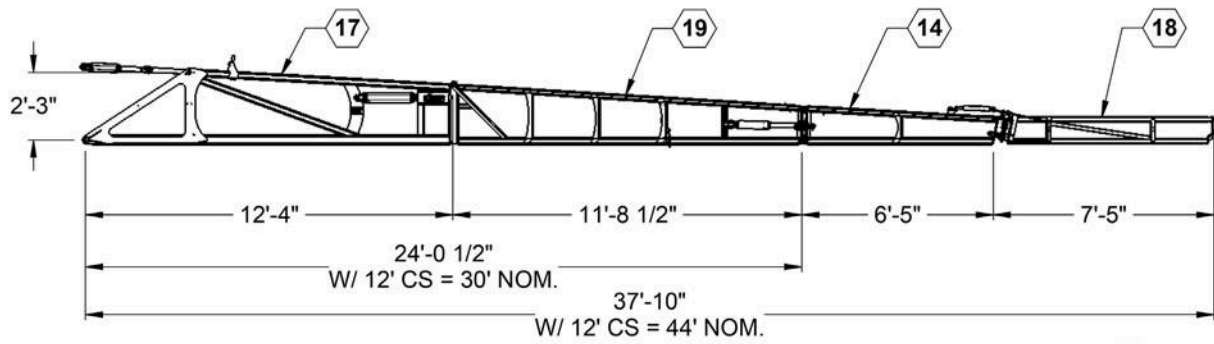


Wings - Tri-Fold 40/80 Foot Boom Parts List

| ITEM | PART NO. | QTY. | DESCRIPTION |
|------|----------|------|-------------|
|------|----------|------|-------------|

| | | | |
|----|---------|---|------------------------------------|
| 1 | 568 | 4 | BUSHING, MACHINED |
| 2 | 759 | 5 | ZERK, 1/4-28 STRAIGHT |
| 3 | 7668 | 2 | ROLLER, WING, MACHINED |
| 4 | 7669 | 1 | PIN, ROLLER, 1" |
| 5 | 9468 | 1 | PIN, FLIP WING |
| 6 | 9514 | 1 | ARM, FLIP WING |
| 7 | 14013 | 1 | SPRING GUIDE |
| 8 | 14146 | 2 | BRACKET, HOSE RING |
| 9 | 14149 | 1 | LINK, WING TILT |
| 10 | 14575 | 1 | BALL JOINT, ADJUSTMENT |
| 11 | 14642 | 1 | LINK, MIDDLE SCISSORS |
| 12 | 14643 | 2 | LINK, OUTSIDE SANDWICH |
| 13 | 14746 | 1 | LOCK, SWING WING |
| 14 | 14747 | 1 | SWING WING BUMP BUSHING |
| 19 | 530307 | 4 | BUSHING, CONEX |
| 20 | 530309 | 6 | WASHER, FLAT HEAVY 13/32 X 1 |
| 21 | 540052 | 1 | P-CLAMP, 3" W/3/8" HOLE |
| 22 | 590006 | 1 | SPRING, COMPRESSION |
| 25 | 590099 | 1 | REST, WING |
| 26 | 590112 | 1 | BOLT, BREAKAWAY |
| 27 | 590405 | 1 | BUMP, SWING WING |
| 28 | 590180 | 2 | SNAP RING 1" EXTERNAL |
| 29 | 596846M | 4 | BOLT, SHOULDER, 5/8 X 1.25" MAGNI |
| 29 | 596845M | 4 | BOLT, SHOULDER, 5/8 X 1.63" MAGNI |
| 30 | 596117M | 1 | BOLT, HH 5/16-18X2 GR5 MAGNI |
| 31 | 596154M | 4 | BOLT, HH 1/2-13X2 GR5 MAGNI |
| 32 | 596155M | 3 | BOLT, HH 1/2-13X2-1/2 GR5 MAGNI |
| 33 | 596185M | 1 | BOLT, HH 3/4-10X2-1/2 MAGNI |
| 34 | 596209M | 1 | BOLT, HH 1-8X7-1/2 GR5 MAGNI |
| 35 | 596213M | 1 | NUT, HEX 3/8-16 MAGNI |
| 36 | 596217M | 2 | NUT, HEX 3/4-10 G5 MAGNI |
| 37 | 596218M | 3 | NUT, HEX 1-8 MAGNI |
| 38 | 596223M | 4 | NUT, HEX JAM 1/2-13 MAGNI |
| 39 | 596225M | 2 | NUT, HEX JAM 3/4-10 GR8 MAGNI |
| 40 | 596226M | 2 | NUT, HEX JAM 1-8 MAGNI |
| 41 | 596231M | 2 | NUT, HEX NYLOCK 1/2-13 MAGNI |
| 42 | 596232M | 3 | NUT, HEX NYLOCK 5/8-11 MAGNI |
| 43 | 596236M | 1 | NUT, CENTERLOCK, 5/16-18 MAGNI |
| 44 | 596239M | 3 | NUT, CENTERLOCK, 1/2-13 MAGNI |
| 45 | 596240M | 2 | NUT, CENTERLOCK, 5/8-11 MAGNI |
| 46 | 596250M | 1 | LOCKWASHER 3/8 MAGNI |
| 47 | 596260M | 8 | WASHER, FLAT 1/2 MAGNI |
| 48 | 596592M | 1 | BOLT, CARRIAGE 3/8-16 X 1 MAGNI |
| 49 | 596633M | 6 | BOLT, HH 3/8-24X1-1/4 GR8 MAGNI |
| 50 | 620023 | 1 | CYLINDER, 25TD08-112 WING TILT |
| 51 | 620034 | 1 | CYLINDER, 20TD10.00-112 |
| 52 | 620057 | 1 | CYLINDER, 30THC16.00-150 FLIP WING |

Wings - Tri-Fold 60/88 Foot Boom

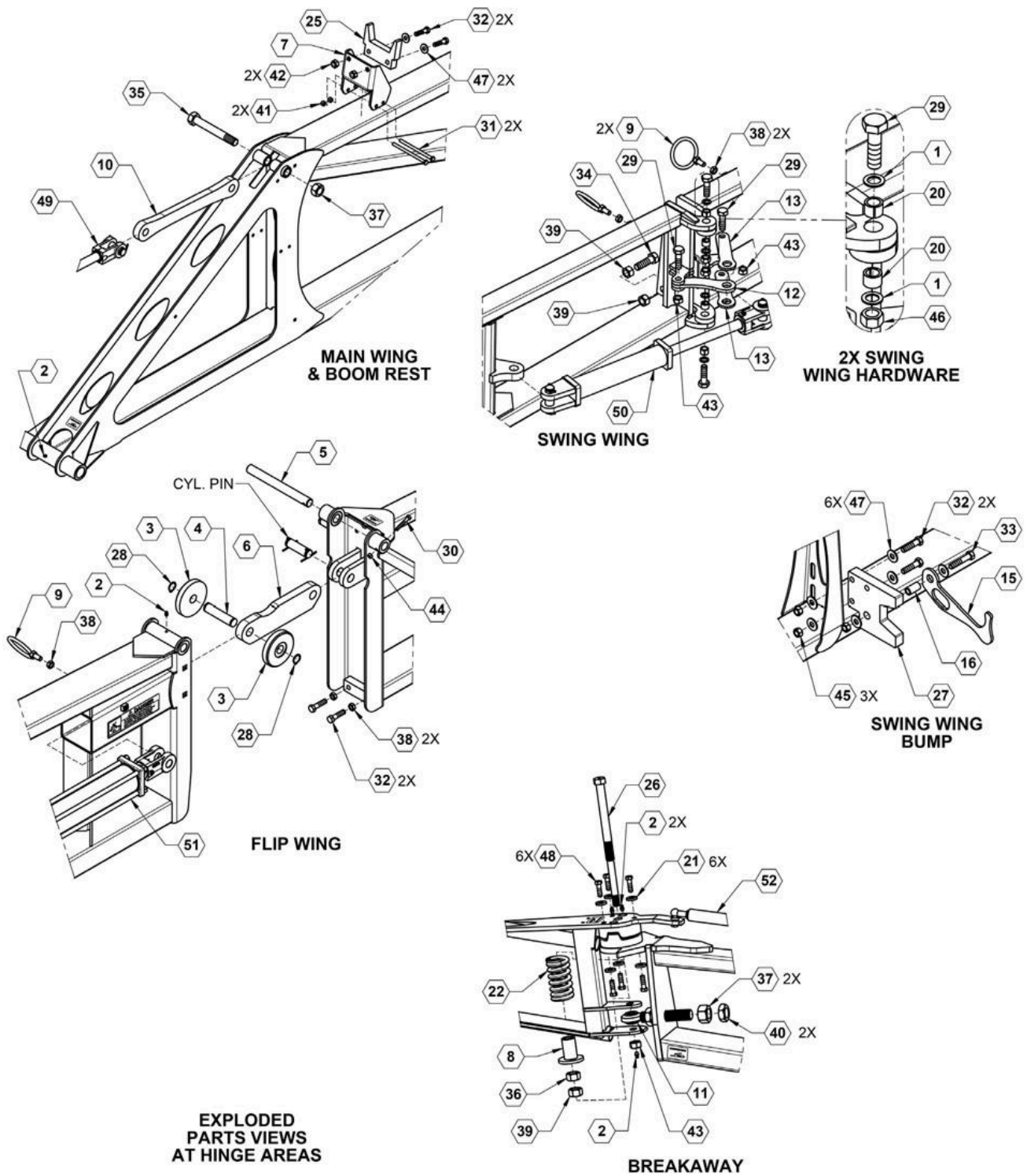


**OVERALL VIEWS,
MAIN COMPONENTS
& BOM**

Wings - Tri-Fold 60/88 Boom Parts List

| ITEM | PART NO. | QTY. | DESCRIPTION |
|------|----------|------|-----------------------------|
| 10 | 14149 | 1 | LINK, WING TILT |
| 14 | 14715L | 1 | WING, LH SWING |
| 14 | 14715R | 1 | WING, RH SWING |
| 15 | 14746 | 1 | LOCK, SWING WING |
| 17 | 14750 | 1 | MAIN WING, 9600N |
| 18 | 14850 | 1 | BREAKAWAY 83", WELDMENT |
| 19 | 22969L | 1 | WING, FLIP, LH, 90FT BOOM |
| 19 | 22969R | 1 | WING, FLIP, RH, 90FT BOOM |
| 22 | 590006 | 1 | SPRING, COMPRESSION |
| 25 | 590099 | 1 | REST, WING |
| 27 | 590405 | 1 | BUMP, SWING WING |
| 49 | 620023 | 1 | CYLINDER, 25TD08-112 |
| 50 | 620034 | 1 | CYLINDER, 20TD10.00-112 |
| 51 | 620057 | 1 | CYLINDER, 30THC16.00-150 |
| 52 | 790028 | 1 | SHOCK, BREAKAWAY, HEAVY |
| | 800014 | 4 | DECAL, GREASE PIVOT POINTS |
| | 800020 | 1 | DECAL, FAST LOGO BLACK/GRAY |
| | 800105 | 1 | DECAL, WARNING-STAND CLEAR |
| | 800106 | 2 | DECAL, DANGER-STAND CLEAR |
| | 800110 | 3 | DECAL, AMBER REFLECTOR |

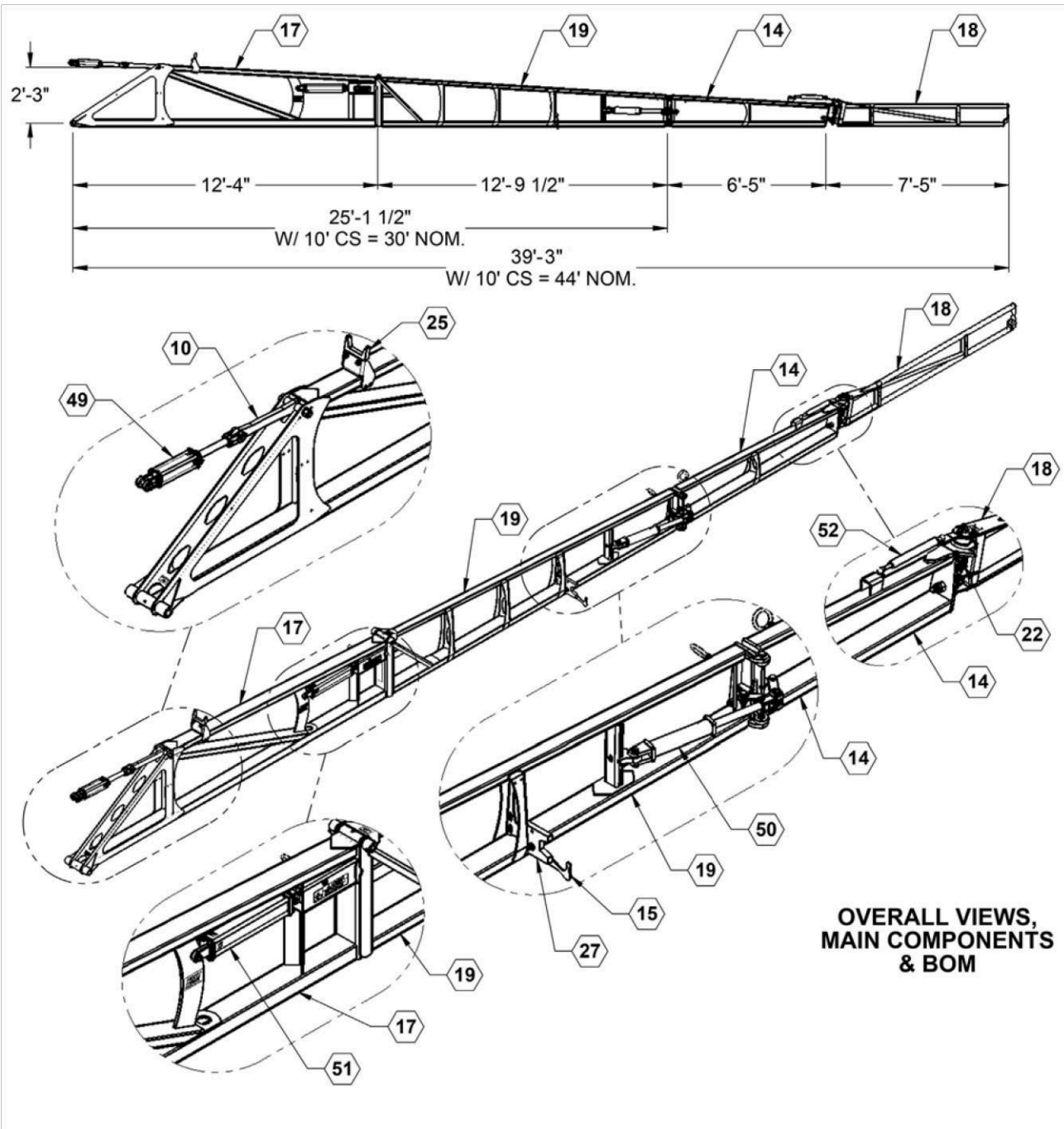
Wings - Tri-Fold 60/88 Foot Boom



Wings - Tri-Fold 60/88 Boom Parts List

| ITEM | PART NO. | QTY. | DESCRIPTION |
|------|----------|------|-----------------------------------|
| 1 | 568 | 4 | BUSHING, MACHINED |
| 2 | 759 | 5 | ZERK, 1/4-28 STRAIGHT |
| 3 | 7668 | 2 | ROLLER, WING, MACHINED |
| 4 | 7669 | 1 | PIN, ROLLER, 1" |
| 5 | 9468 | 1 | PIN, FLIP WING |
| 6 | 9514 | 1 | ARM, FLIP WING |
| 7 | 12206 | 1 | BRACKET, BOLT ON WING REST |
| 8 | 14013 | 1 | SPRING GUIDE |
| 9 | 14146 | 3 | BRACKET, HOSE RING |
| 10 | 14149 | 1 | LINK, WING TILT |
| 11 | 14575 | 1 | BALL JOINT, ADJUSTMENT |
| 12 | 14642 | 1 | LINK, MIDDLE SCISSORS |
| 13 | 14643 | 2 | LINK, OUTSIDE SANDWICH |
| 15 | 14746 | 1 | LOCK, SWING WING |
| 16 | 14747 | 1 | SWING WING BUMP BUSHING |
| 20 | 530307 | 4 | BUSHING, CONEX |
| 21 | 530309 | 6 | WASHER, FLAT HEAVY 13/32 X 1 |
| 22 | 590006 | 1 | SPRING, COMPRESSION |
| 25 | 590099 | 1 | REST, WING |
| 26 | 590112 | 1 | BOLT, BREAKAWAY |
| 27 | 590405 | 1 | BUMP, SWING WING |
| 28 | 590180 | 2 | SNAP RING 1" EXTERNAL |
| 29 | 596846M | 4 | BOLT, SHOULDER, 5/8 X 1.25" MAGNI |
| 29 | 596845M | 4 | BOLT, SHOULDER, 5/8 X 1.63" MAGNI |
| 30 | 596117M | 1 | BOLT, HH 5/16-18X2 GR5 MAGNI |
| 31 | 596138M | 2 | BOLT, HH 3/8-16X6 GR5 MAGNI |
| 32 | 596154M | 6 | BOLT, HH 1/2-13X2 GR5 MAGNI |
| 33 | 596155M | 1 | BOLT, HH 1/2-13X2-1/2 GR5 MAGNI |
| 34 | 596185M | 1 | BOLT, HH 3/4-10X2-1/2 MAGNI |
| 35 | 596209M | 1 | BOLT, HH 1-8X7-1/2 GR5 MAGNI |
| 36 | 596217M | 1 | NUT, HEX 3/4-10 G5 MAGNI |
| 37 | 596218M | 3 | NUT, HEX 1-8 MAGNI |
| 38 | 596223M | 5 | NUT, HEX JAM 1/2-13 MAGNI |
| 39 | 596225M | 3 | NUT, HEX JAM 3/4-10 GR8 MAGNI |
| 40 | 596226M | 2 | NUT, HEX JAM 1-8 MAGNI |
| 41 | 596229M | 2 | NUT, HEX NYLOCK 3/8-16 MAGNI |
| 42 | 596231M | 2 | NUT, HEX NYLOCK 1/2-13 MAGNI |
| 43 | 596232M | 3 | NUT, HEX NYLOCK 5/8-11 MAGNI |
| 44 | 596236M | 1 | NUT, CENTERLOCK, 5/16-18 MAGNI |
| 45 | 596239M | 3 | NUT, CENTERLOCK, 1/2-13 MAGNI |
| 46 | 596240M | 2 | NUT, CENTERLOCK, 5/8-11 MAGNI |
| 47 | 596260M | 8 | WASHER, FLAT 1/2 MAGNI |
| 48 | 596633M | 6 | BOLT, HH 3/8-24X1-1/4 GR8 MAGNI |
| 49 | 620023 | 1 | CYLINDER, 25TD08-112 |
| 50 | 620034 | 1 | CYLINDER, 20TD10.00-112 |
| 51 | 620057 | 1 | CYLINDER, 30THC16.00-150 |

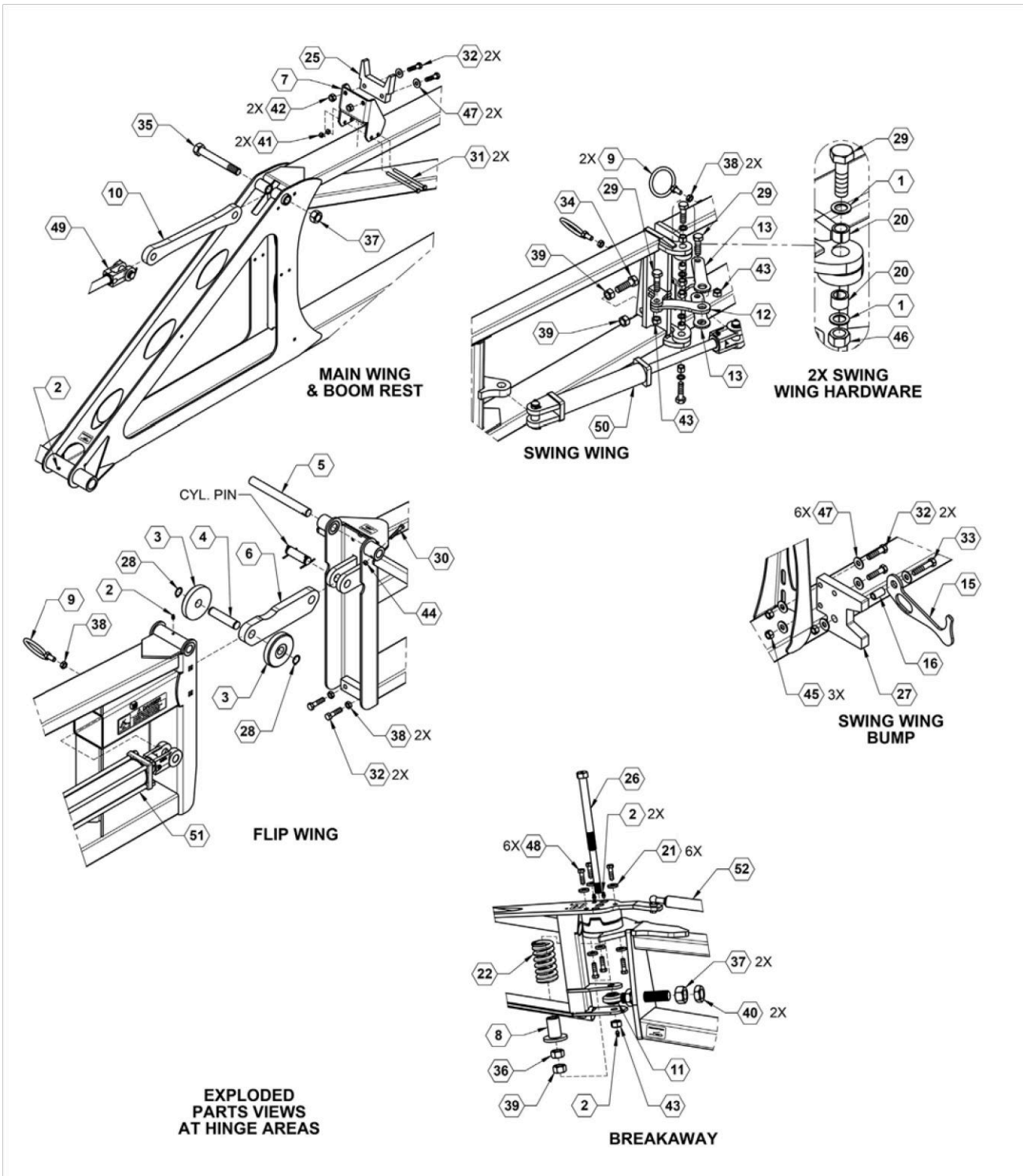
Wings - Narrow Tri-Fold 60/88 Foot Boom



Wings - Narrow Tri-Fold 60/88 Boom Parts List

| ITEM | PART NO. | QTY. | DESCRIPTION |
|------|----------|------|----------------------------------|
| 10 | 14149 | 1 | LINK, WING TILT |
| 14 | 14715L | 1 | WING, LH SWING |
| 14 | 14715R | 1 | WING, RH SWING |
| 15 | 14746 | 1 | LOCK, SWING WING |
| 17 | 14750 | 1 | MAIN WING, 9600N |
| 18 | 14850 | 1 | BREAKAWAY 83", WELDMENT |
| 19 | 14705L | 1 | WING, FLIP, LH, 90FT BOOM, 9600N |
| 19 | 14705R | 1 | WING, FLIP, RH, 90FT BOOM, 9600N |
| 22 | 590006 | 1 | SPRING, COMPRESSION |
| 25 | 590099 | 1 | REST, WING |
| 27 | 590405 | 1 | BUMP, SWING WING |
| 49 | 620023 | 1 | CYLINDER, 25TD08-112 |
| 50 | 620034 | 1 | CYLINDER, 20TD10.00-112 |
| 51 | 620057 | 1 | CYLINDER, 30THC16.00-150 |
| 52 | 790028 | 1 | SHOCK, BREAKAWAY, HEAVY |
| | 800014 | 4 | DECAL, GREASE PIVOT POINTS |
| | 800020 | 1 | DECAL, FAST LOGO BLACK/GRAY |
| | 800105 | 1 | DECAL, WARNING-STAND CLEAR |
| | 800106 | 2 | DECAL, DANGER-STAND CLEAR |
| | 800110 | 3 | DECAL, AMBER REFLECTOR |

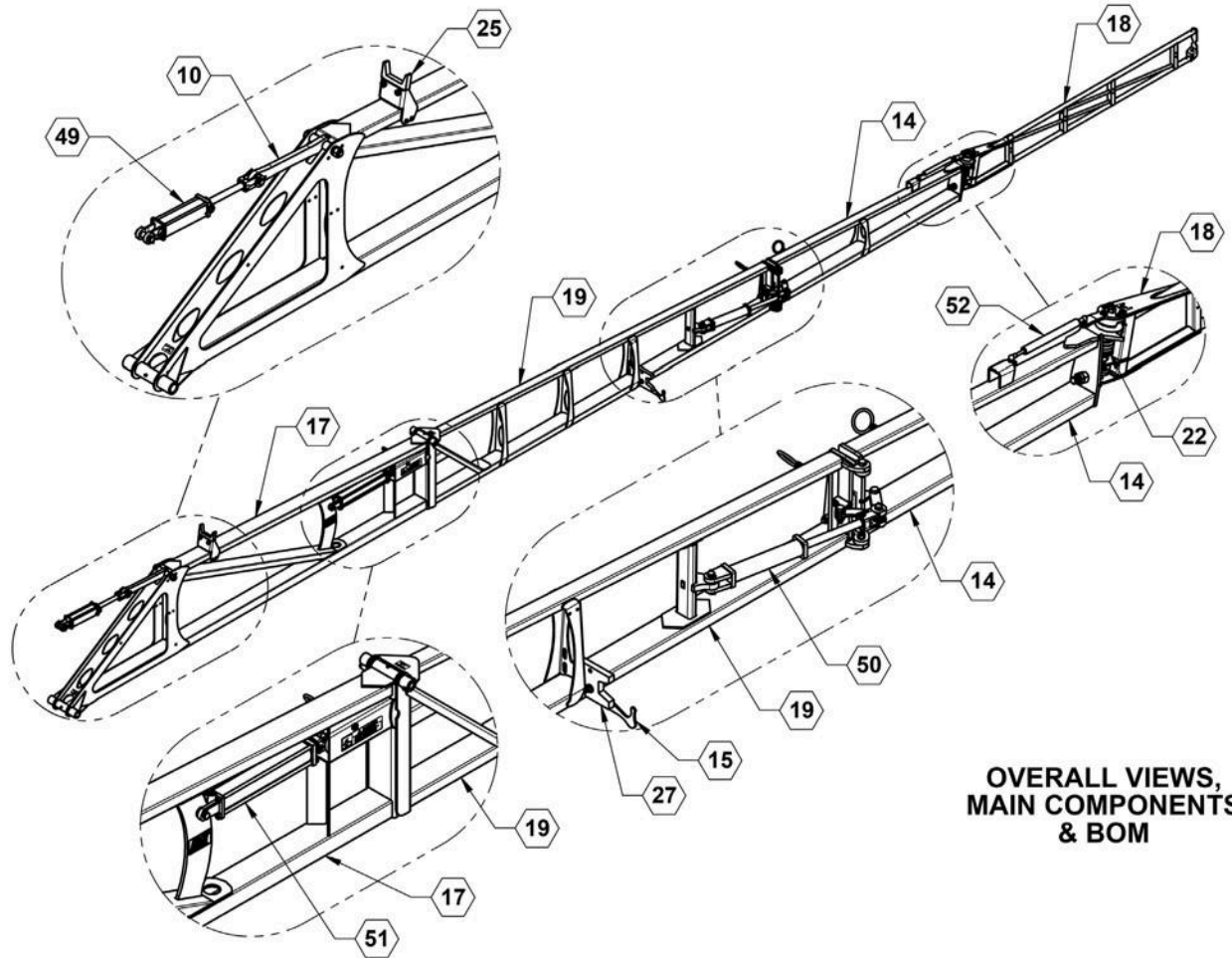
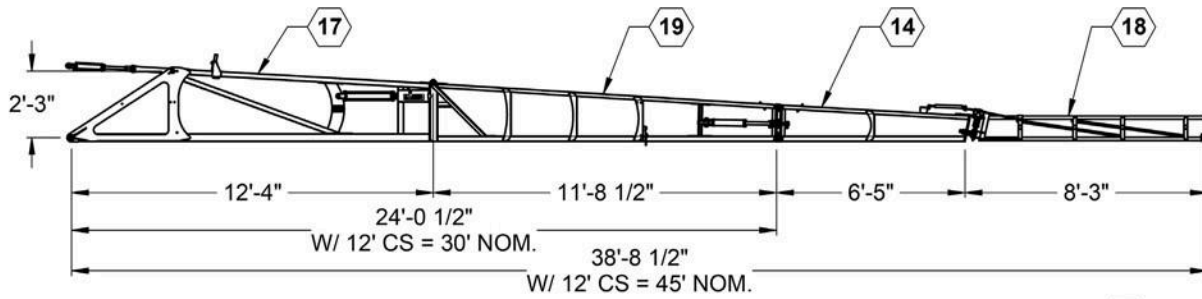
Wings - Narrow Tri-Fold 60/88 Foot Boom



Wings - Narrow Tri-Fold 60/88 Boom Parts List

| ITEM | PART NO. | QTY. | DESCRIPTION |
|------|----------|------|-----------------------------------|
| 1 | 568 | 4 | BUSHING, MACHINED |
| 2 | 759 | 5 | ZERK, 1/4-28 STRAIGHT |
| 3 | 7668 | 2 | ROLLER, WING, MACHINED |
| 4 | 7669 | 1 | PIN, ROLLER, 1" |
| 5 | 9468 | 1 | PIN, FLIP WING |
| 6 | 9514 | 1 | ARM, FLIP WING |
| 7 | 12206 | 1 | BRACKET, BOLT ON WING REST |
| 8 | 14013 | 1 | SPRING GUIDE |
| 9 | 14146 | 3 | BRACKET, HOSE RING |
| 10 | 14149 | 1 | LINK, WING TILT |
| 11 | 14575 | 1 | BALL JOINT, ADJUSTMENT |
| 12 | 14642 | 1 | LINK, MIDDLE SCISSORS |
| 13 | 14643 | 2 | LINK, OUTSIDE SANDWICH |
| 15 | 14746 | 1 | LOCK, SWING WING |
| 16 | 14747 | 1 | SWING WING BUMP BUSHING |
| 20 | 530307 | 4 | BUSHING, CONEX |
| 21 | 530309 | 6 | WASHER, FLAT HEAVY 13/32 X 1 |
| 22 | 590006 | 1 | SPRING, COMPRESSION |
| 25 | 590099 | 1 | REST, WING |
| 26 | 590112 | 1 | BOLT, BREAKAWAY |
| 27 | 590405 | 1 | BUMP, SWING WING |
| 28 | 590180 | 2 | SNAP RING 1" EXTERNAL |
| 29 | 596846M | 4 | BOLT, SHOULDER, 5/8 X 1.25" MAGNI |
| 29 | 596845M | 4 | BOLT, SHOULDER, 5/8 X 1.63" MAGNI |
| 30 | 596117M | 1 | BOLT, HH 5/16-18X2 GR5 MAGNI |
| 31 | 596138M | 2 | BOLT, HH 3/8-16X6 GR5 MAGNI |
| 32 | 596154M | 6 | BOLT, HH 1/2-13X2 GR5 MAGNI |
| 33 | 596155M | 1 | BOLT, HH 1/2-13X2-1/2 GR5 MAGNI |
| 34 | 596185M | 1 | BOLT, HH 3/4-10X2-1/2 MAGNI |
| 35 | 596209M | 1 | BOLT, HH 1-8X7-1/2 GR5 MAGNI |
| 36 | 596217M | 1 | NUT, HEX 3/4-10 G5 MAGNI |
| 37 | 596218M | 3 | NUT, HEX 1-8 MAGNI |
| 38 | 596223M | 5 | NUT, HEX JAM 1/2-13 MAGNI |
| 39 | 596225M | 3 | NUT, HEX JAM 3/4-10 GR8 MAGNI |
| 40 | 596226M | 2 | NUT, HEX JAM 1-8 MAGNI |
| 41 | 596229M | 2 | NUT, HEX NYLOCK 3/8-16 MAGNI |
| 42 | 596231M | 2 | NUT, HEX NYLOCK 1/2-13 MAGNI |
| 43 | 596232M | 3 | NUT, HEX NYLOCK 5/8-11 MAGNI |
| 44 | 596236M | 1 | NUT, CENTERLOCK, 5/16-18 MAGNI |
| 45 | 596239M | 3 | NUT, CENTERLOCK, 1/2-13 MAGNI |
| 46 | 596240M | 2 | NUT, CENTERLOCK, 5/8-11 MAGNI |
| 47 | 596260M | 8 | WASHER, FLAT 1/2 MAGNI |
| 48 | 596633M | 6 | BOLT, HH 3/8-24X1-1/4 GR8 MAGNI |
| 49 | 620023 | 1 | CYLINDER, 25TD08-112 |
| 50 | 620034 | 1 | CYLINDER, 20TD10.00-112 |
| 51 | 620057 | 1 | CYLINDER, 30THC16.00-150 |

Wings - Tri-Fold 60/90 Foot Boom

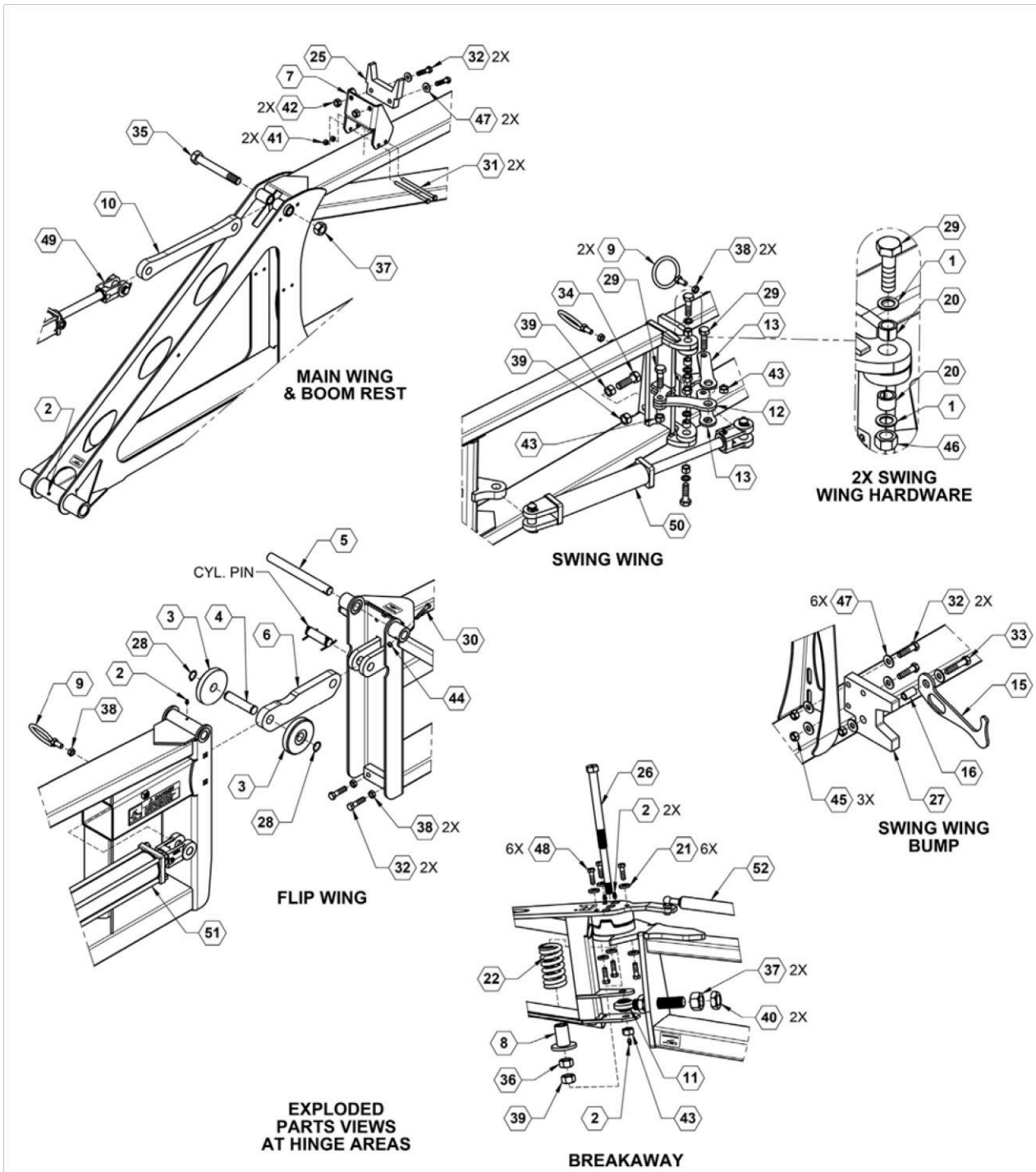


**OVERALL VIEWS,
MAIN COMPONENTS
& BOM**

Wings - Tri-Fold 60/90 Boom Parts List

| ITEM | PART NO. | QTY. | DESCRIPTION |
|------|----------|------|-----------------------------|
| 10 | 14149 | 1 | LINK, WING TILT |
| 14 | 14715L | 1 | WING, LH SWING |
| 14 | 14715R | 1 | WING, RH SWING |
| 15 | 14746 | 1 | LOCK, SWING WING |
| 17 | 14750 | 1 | MAIN WING, 9600N |
| 18 | 18300 | 1 | WLDMNT, 93" BREAKAWAY |
| 19 | 22969L | 1 | WING, FLIP, LH, 90FT BOOM |
| 19 | 22969R | 1 | WING, FLIP, RH, 90FT BOOM |
| 22 | 590006 | 1 | SPRING, COMPRESSION |
| 25 | 590099 | 1 | REST, WING |
| 27 | 590405 | 1 | BUMP, SWING WING |
| 49 | 620023 | 1 | CYLINDER, 25TD08-112 |
| 50 | 620034 | 1 | CYLINDER, 20TD10.00-112 |
| 51 | 620057 | 1 | CYLINDER, 30THC16.00-150 |
| 52 | 790028 | 1 | SHOCK, BREAKAWAY, HEAVY |
| | 800014 | 4 | DECAL, GREASE PIVOT POINTS |
| | 800020 | 1 | DECAL, FAST LOGO BLACK/GRAY |
| | 800105 | 1 | DECAL, WARNING-STAND CLEAR |
| | 800106 | 2 | DECAL, DANGER-STAND CLEAR |
| | 800110 | 3 | DECAL, AMBER REFLECTOR |

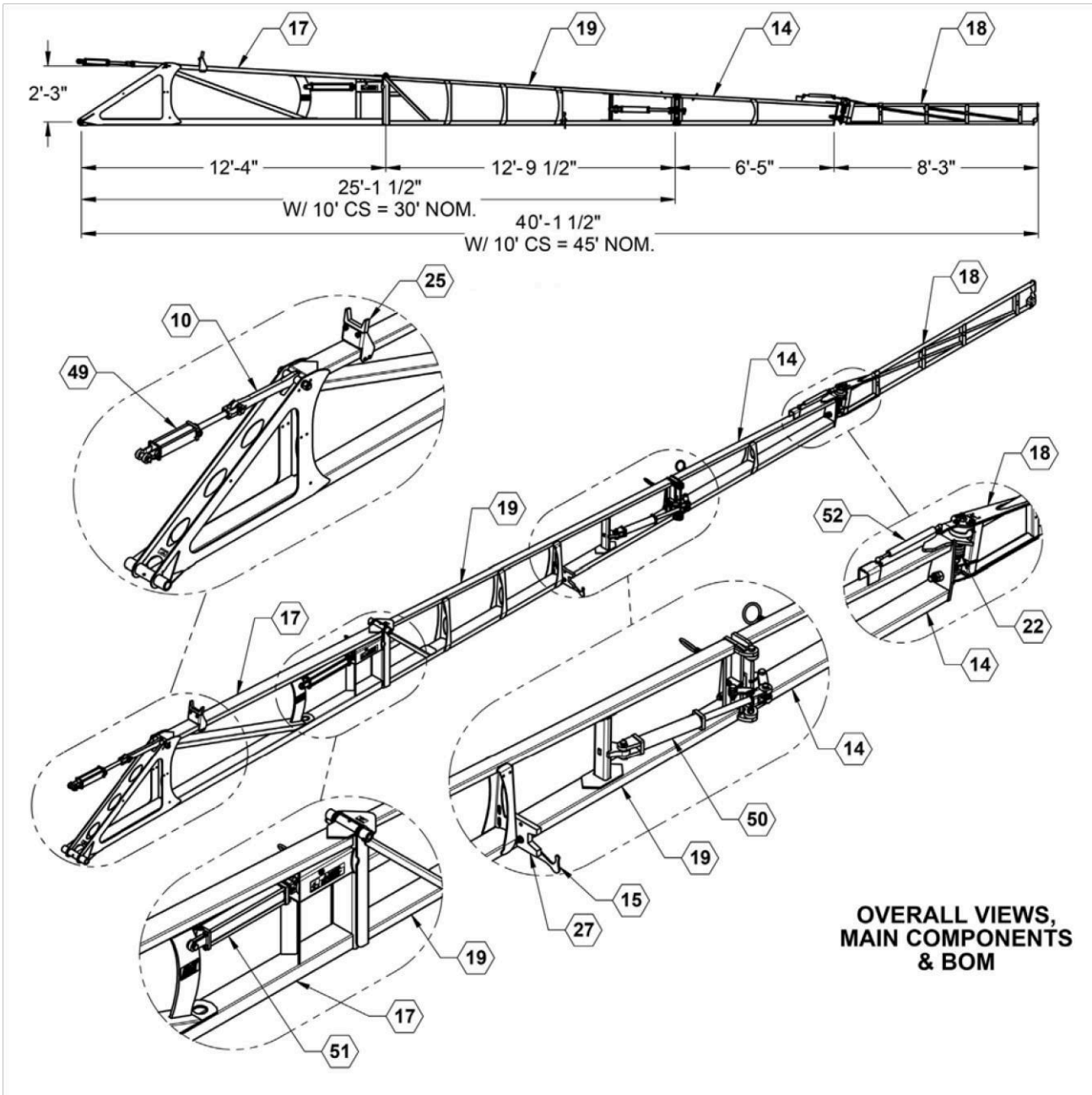
Wings - Tri-Fold 60/90 Foot Boom



Wings - Tri-Fold 60/90 Boom Parts List

| ITEM | PART NO. | QTY. | DESCRIPTION |
|------|----------|------|-----------------------------------|
| 1 | 568 | 4 | BUSHING, MACHINED |
| 2 | 759 | 5 | ZERK, 1/4-28 STRAIGHT |
| 3 | 7668 | 2 | ROLLER, WING, MACHINED |
| 4 | 7669 | 1 | PIN, ROLLER, 1" |
| 5 | 9468 | 1 | PIN, FLIP WING |
| 6 | 9514 | 1 | ARM, FLIP WING |
| 7 | 12206 | 1 | BRACKET, BOLT ON WING REST |
| 8 | 14013 | 1 | GUIDE, SPRING WELDMENT |
| 9 | 14146 | 3 | BRACKET, HOSE RING |
| 10 | 14149 | 1 | LINK, WING TILT |
| 11 | 14575 | 1 | BALL JOINT, ADJUSTMENT |
| 12 | 14642 | 1 | LINK, MIDDLE SCISSORS |
| 13 | 14643 | 2 | LINK, OUTSIDE SANDWICH |
| 15 | 14746 | 1 | LOCK, SWING WING |
| 16 | 14747 | 1 | SWING WING BUMP BUSHING |
| 20 | 530307 | 4 | BUSHING, CONEX |
| 21 | 530309 | 6 | WASHER, FLAT HEAVY 13/32 X 1 |
| 22 | 590006 | 1 | SPRING, COMPRESSION |
| 25 | 590099 | 1 | REST, WING |
| 26 | 590112 | 1 | BOLT, BREAKAWAY |
| 27 | 590405 | 1 | BUMP, SWING WING |
| 28 | 590180 | 2 | SNAP RING, 1" EXTERNAL |
| 29 | 596846M | 4 | BOLT, SHOULDER, 5/8 X 1.25" MAGNI |
| 29 | 596845M | 4 | BOLT, SHOULDER, 5/8 X 1.63" MAGNI |
| 30 | 596117M | 1 | BOLT, HH 5/16-18X2 GR5 MAGNI |
| 31 | 596138M | 2 | BOLT, HH 3/8-16X6 GR5 MAGNI |
| 32 | 596154M | 6 | BOLT, HH 1/2-13X2 GR5 MAGNI |
| 33 | 596155M | 1 | BOLT, HH 1/2-13X2-1/2 GR5 MAGNI |
| 34 | 596185M | 1 | BOLT, HH 3/4-10X2-1/2 MAGNI |
| 35 | 596209M | 1 | BOLT, HH 1-8X7-1/2 GR5 MAGNI |
| 36 | 596217M | 1 | NUT, HEX 3/4-10 MAGNI |
| 37 | 596218M | 3 | NUT, HEX 1-8 MAGNI |
| 38 | 596223M | 5 | NUT, HEX JAM 1/2-13 MAGNI |
| 39 | 596225M | 3 | NUT, HEX JAM 3/4-10 GR8 MAGNI |
| 40 | 596226M | 2 | NUT, HEX JAM 1-8 MAGNI |
| 41 | 596229M | 2 | NUT, HEX NYLOCK 3/8-16 MAGNI |
| 42 | 596231M | 2 | NUT, HEX NYLOCK 1/2-13 MAGNI |
| 43 | 596232M | 3 | NUT, HEX NYLOCK 5/8-11 MAGNI |
| 44 | 596236M | 1 | NUT, CENTERLOCK, 5/16-18 MAGNI |
| 45 | 596239M | 3 | NUT, CENTERLOCK, 1/2-13 MAGNI |
| 46 | 596240M | 2 | NUT, CENTERLOCK, 5/8-11 MAGNI |
| 47 | 596260M | 8 | WASHER, FLAT 1/2 MAGNI |
| 48 | 596633M | 6 | BOLT, HH 3/8-24X1-1/4 GR8 MAGNI |
| 49 | 620023 | 1 | CYLINDER, 25TD08-112 |
| 50 | 620034 | 1 | CYLINDER, 20TD10.00-112 |
| 51 | 620057 | 1 | CYLINDER, 30THC16.00-150 |

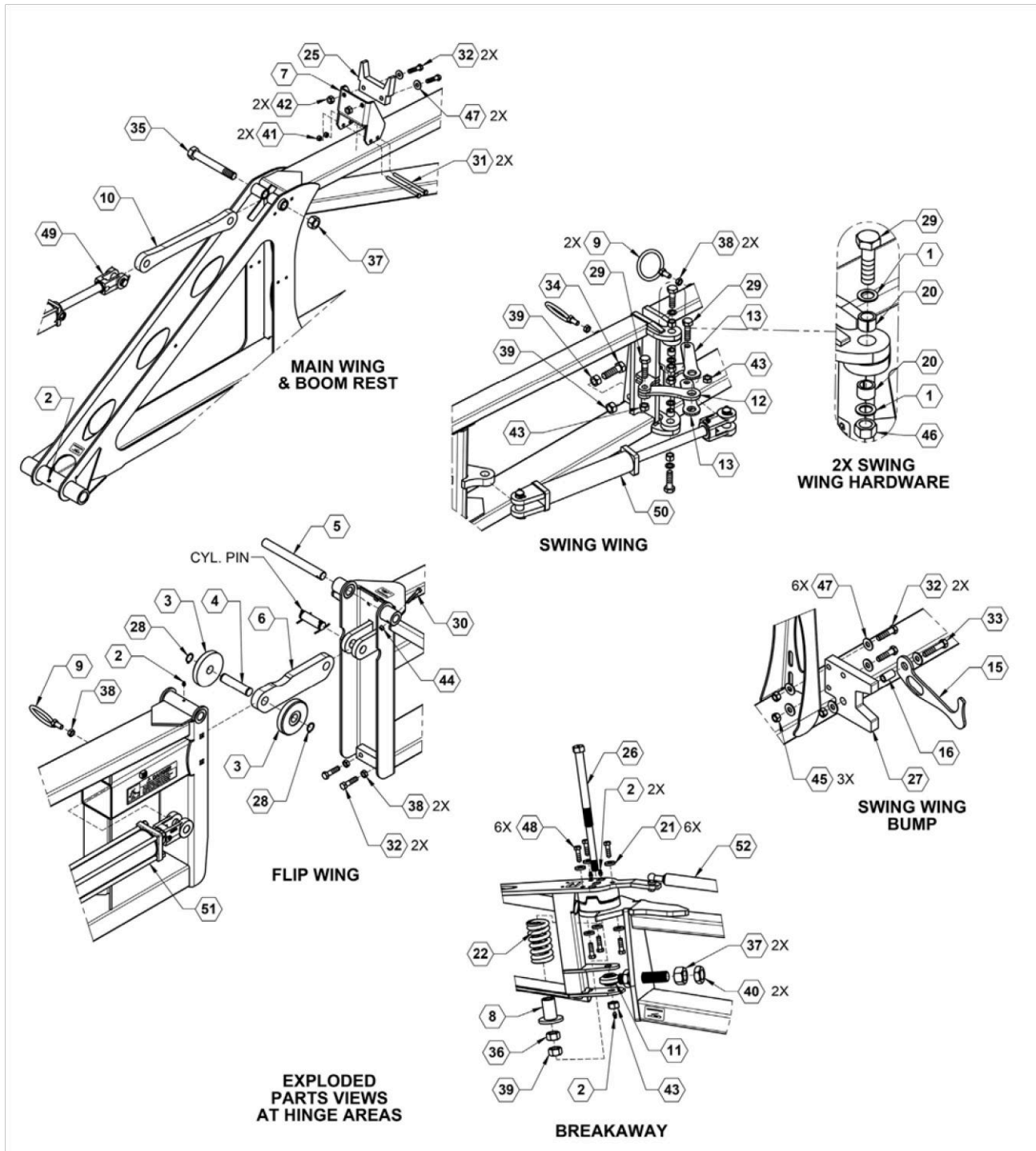
Wings - Narrow Tri-Fold 60/90 Foot Boom



Wings - Narrow Tri-Fold 60/90 Boom Parts List

| ITEM | PART NO. | QTY. | DESCRIPTION |
|------|----------|------|----------------------------------|
| 10 | 14149 | 1 | LINK, WING TILT |
| 14 | 14715L | 1 | WING, LH SWING |
| 14 | 14715R | 1 | WING, RH SWING |
| 15 | 14746 | 1 | LOCK, SWING WING |
| 17 | 14750 | 1 | MAIN WING, 9600N |
| 18 | 18300 | 1 | WLDMNT, 93" BREAKAWAY |
| 19 | 14705L | 1 | WING, FLIP, LH, 90FT BOOM, 9600N |
| 19 | 14705R | 1 | WING, FLIP, RH, 90FT BOOM, 9600N |
| 22 | 590006 | 1 | SPRING, COMPRESSION |
| 25 | 590099 | 1 | REST, WING |
| 27 | 590405 | 1 | BUMP, SWING WING |
| 49 | 620023 | 1 | CYLINDER, 25TD08-112 |
| 50 | 620034 | 1 | CYLINDER, 20TD10.00-112 |
| 51 | 620057 | 1 | CYLINDER, 30THC16.00-150 |
| 52 | 790028 | 1 | SHOCK, BREAKAWAY, HEAVY |
| | 800014 | 4 | DECAL, GREASE PIVOT POINTS |
| | 800020 | 1 | DECAL, FAST LOGO BLACK/GRAY |
| | 800105 | 1 | DECAL, WARNING-STAND CLEAR |
| | 800106 | 2 | DECAL, DANGER-STAND CLEAR |
| | 800110 | 3 | DECAL, AMBER REFLECTOR |

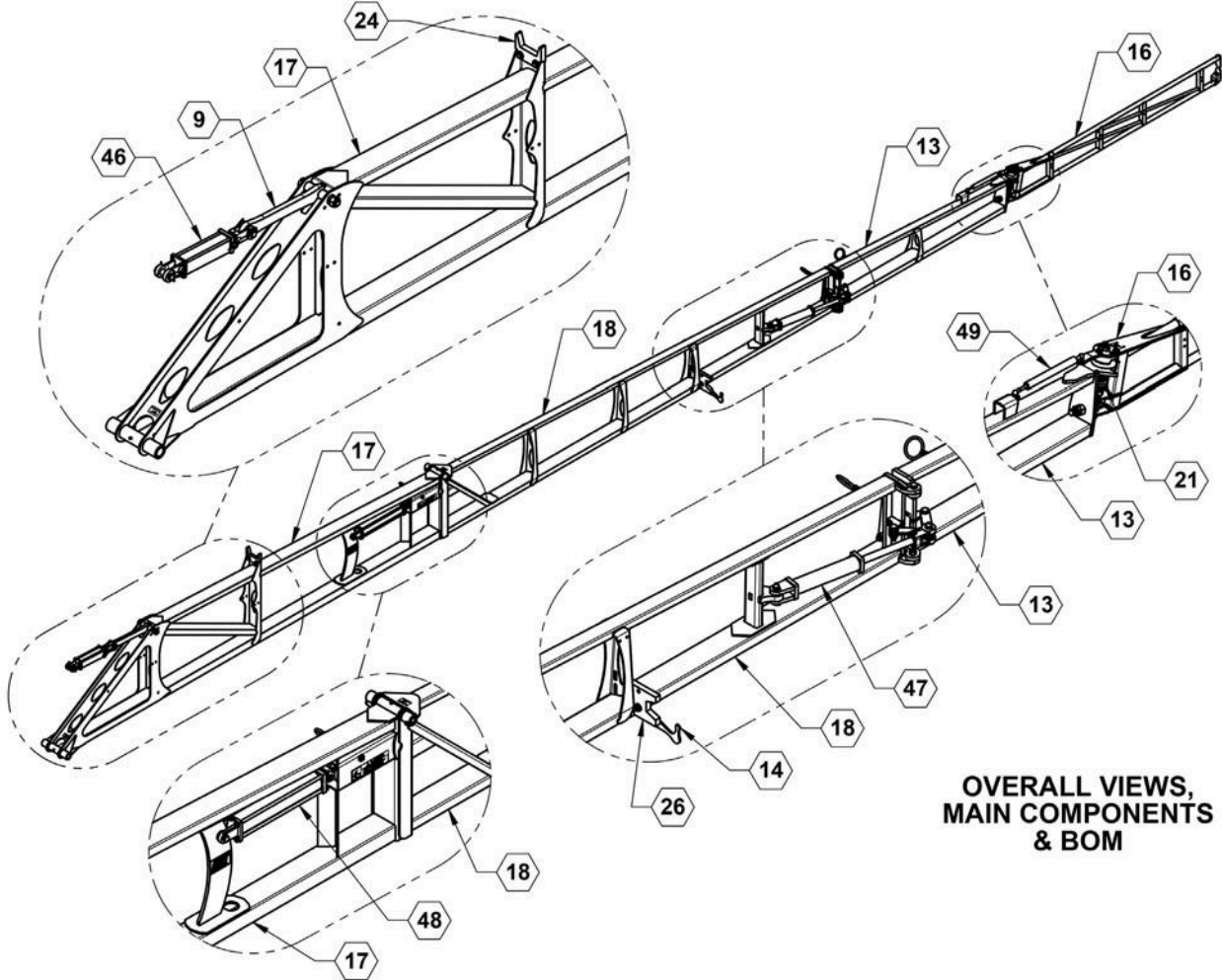
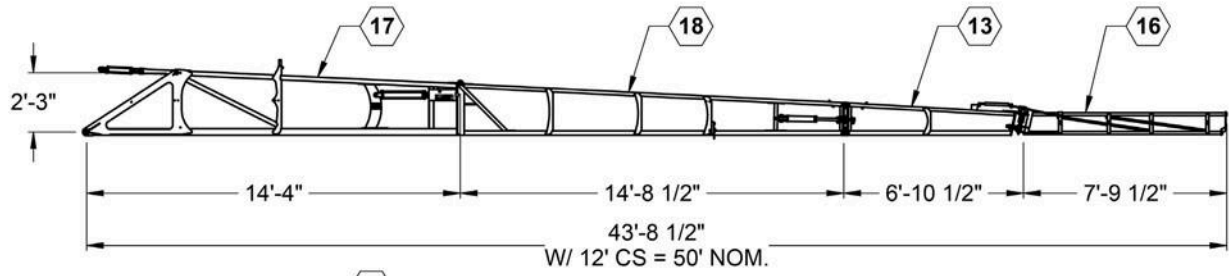
Wings - Narrow Tri-Fold 60/90 Foot Boom



Wings - Narrow Tri-Fold 60/90 Boom Parts List

| ITEM | PART NO. | QTY. | DESCRIPTION |
|------|----------|------|-----------------------------------|
| 1 | 568 | 4 | BUSHING, MACHINED |
| 2 | 759 | 5 | ZERK, 1/4-28 STRAIGHT |
| 3 | 7668 | 2 | ROLLER, WING, MACHINED |
| 4 | 7669 | 1 | PIN, ROLLER, 1" |
| 5 | 9468 | 1 | PIN, FLIP WING |
| 6 | 9514 | 1 | ARM, FLIP WING |
| 7 | 12206 | 1 | BRACKET, BOLT ON WING REST |
| 8 | 14013 | 1 | GUIDE, SPRING WELDMENT |
| 9 | 14146 | 3 | BRACKET, HOSE RING |
| 10 | 14149 | 1 | LINK, WING TILT |
| 11 | 14575 | 1 | BALL JOINT, ADJUSTMENT |
| 12 | 14642 | 1 | LINK, MIDDLE SCISSORS |
| 13 | 14643 | 2 | LINK, OUTSIDE SANDWICH |
| 15 | 14746 | 1 | LOCK, SWING WING |
| 16 | 14747 | 1 | SWING WING BUMP BUSHING |
| 20 | 530307 | 4 | BUSHING, CONEX |
| 21 | 530309 | 6 | WASHER, FLAT HEAVY 13/32 X 1 |
| 22 | 590006 | 1 | SPRING, COMPRESSION |
| 25 | 590099 | 1 | REST, WING |
| 26 | 590112 | 1 | BOLT, BREAKAWAY |
| 27 | 590405 | 1 | BUMP, SWING WING |
| 28 | 590180 | 2 | SNAP RING, 1" EXTERNAL |
| 29 | 596846M | 4 | BOLT, SHOULDER, 5/8 X 1.25" MAGNI |
| 29 | 596845M | 4 | BOLT, SHOULDER, 5/8 X 1.63" MAGNI |
| 30 | 596117M | 1 | BOLT, HH 5/16-18X2 GR5 MAGNI |
| 31 | 596138M | 2 | BOLT, HH 3/8-16X6 GR5 MAGNI |
| 32 | 596154M | 6 | BOLT, HH 1/2-13X2 GR5 MAGNI |
| 33 | 596155M | 1 | BOLT, HH 1/2-13X2-1/2 GR5 MAGNI |
| 34 | 596185M | 1 | BOLT, HH 3/4-10X2-1/2 MAGNI |
| 35 | 596209M | 1 | BOLT, HH 1-8X7-1/2 GR5 MAGNI |
| 36 | 596217M | 1 | NUT, HEX 3/4-10 MAGNI |
| 37 | 596218M | 3 | NUT, HEX 1-8 MAGNI |
| 38 | 596223M | 5 | NUT, HEX JAM 1/2-13 MAGNI |
| 39 | 596225M | 3 | NUT, HEX JAM 3/4-10 GR8 MAGNI |
| 40 | 596226M | 2 | NUT, HEX JAM 1-8 MAGNI |
| 41 | 596229M | 2 | NUT, HEX NYLOCK 3/8-16 MAGNI |
| 42 | 596231M | 2 | NUT, HEX NYLOCK 1/2-13 MAGNI |
| 43 | 596232M | 3 | NUT, HEX NYLOCK 5/8-11 MAGNI |
| 44 | 596236M | 1 | NUT, CENTERLOCK, 5/16-18 MAGNI |
| 45 | 596239M | 3 | NUT, CENTERLOCK, 1/2-13 MAGNI |
| 46 | 596240M | 2 | NUT, CENTERLOCK, 5/8-11 MAGNI |
| 47 | 596260M | 8 | WASHER, FLAT 1/2 MAGNI |
| 48 | 596633M | 6 | BOLT, HH 3/8-24X1-1/4 GR8 MAGNI |
| 49 | 620023 | 1 | CYLINDER, 25TD08-112 |
| 50 | 620034 | 1 | CYLINDER, 20TD10.00-112 |
| 51 | 620057 | 1 | CYLINDER, 30THC16.00-150 |

Wings - Tri-Fold 100 Foot Boom

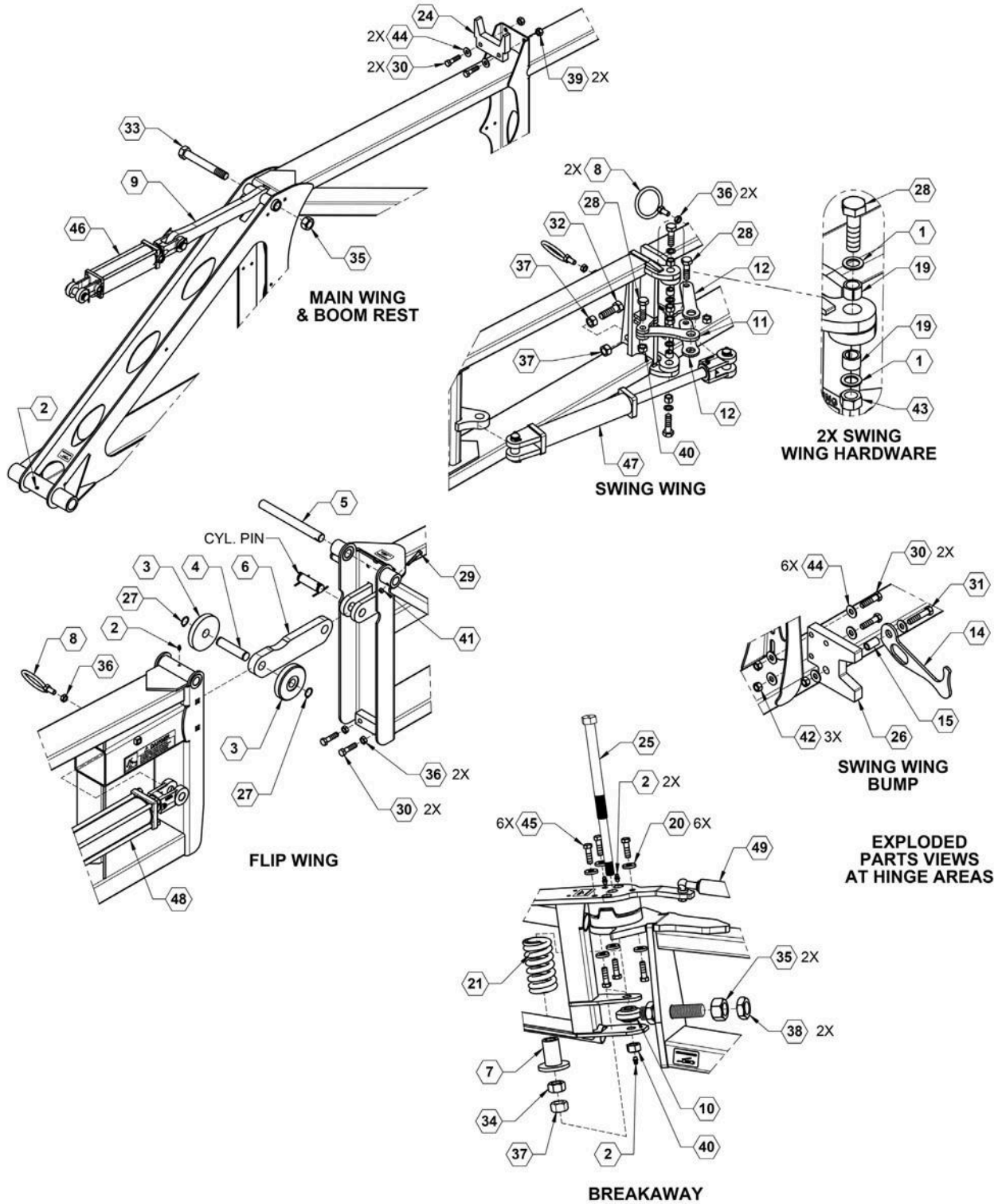


**OVERALL VIEWS,
MAIN COMPONENTS
& BOM**

Wings - Tri-Fold 100 Boom Parts List

| ITEM | PART NO. | QTY. | DESCRIPTION |
|------|----------|------|------------------------------------|
| 9 | 14149 | 1 | LINK, WING TILT |
| 13 | 14715L | 1 | WING, LH SWING |
| 13 | 14715R | 1 | WING, RH SWING |
| 14 | 14746 | 1 | LOCK, SWING WING |
| 16 | 18300 | 1 | WELDMENT, 93" BREAKAWAY |
| 17 | 22970 | 1 | WING, MAIN, 80' & 100' BOOM |
| 18 | 22971L | 1 | WING, FLIP, LH, 100' BOOM |
| 18 | 22971R | 1 | WING, FLIP, RH, 100' BOOM |
| 21 | 590006 | 1 | SPRING, COMPRESSION |
| 24 | 590099 | 1 | REST, WING |
| 26 | 509405 | 1 | BUMP, SWING WING |
| 46 | 620023 | 1 | CYLINDER, 25TD08-112 WING TILT |
| 47 | 620034 | 1 | CYLINDER, 20TD10.00-112 |
| 48 | 620057 | 1 | CYLINDER, 30THC16.00-150 FLIP WING |
| 49 | 790028 | 1 | SHOCK, BREAKAWAY, HEAVY |
| | 800014 | 4 | DECAL, GREASE PIVOT POINTS |
| | 800020 | 1 | DECAL, FAST LOGO BLACK/GRAY |
| | 800105 | 1 | DECAL, WARNING-STAND CLEAR |
| | 800106 | 2 | DECAL, DANGER-STAND CLEAR |
| | 800110 | 3 | DECAL, AMBER REFLECTOR |

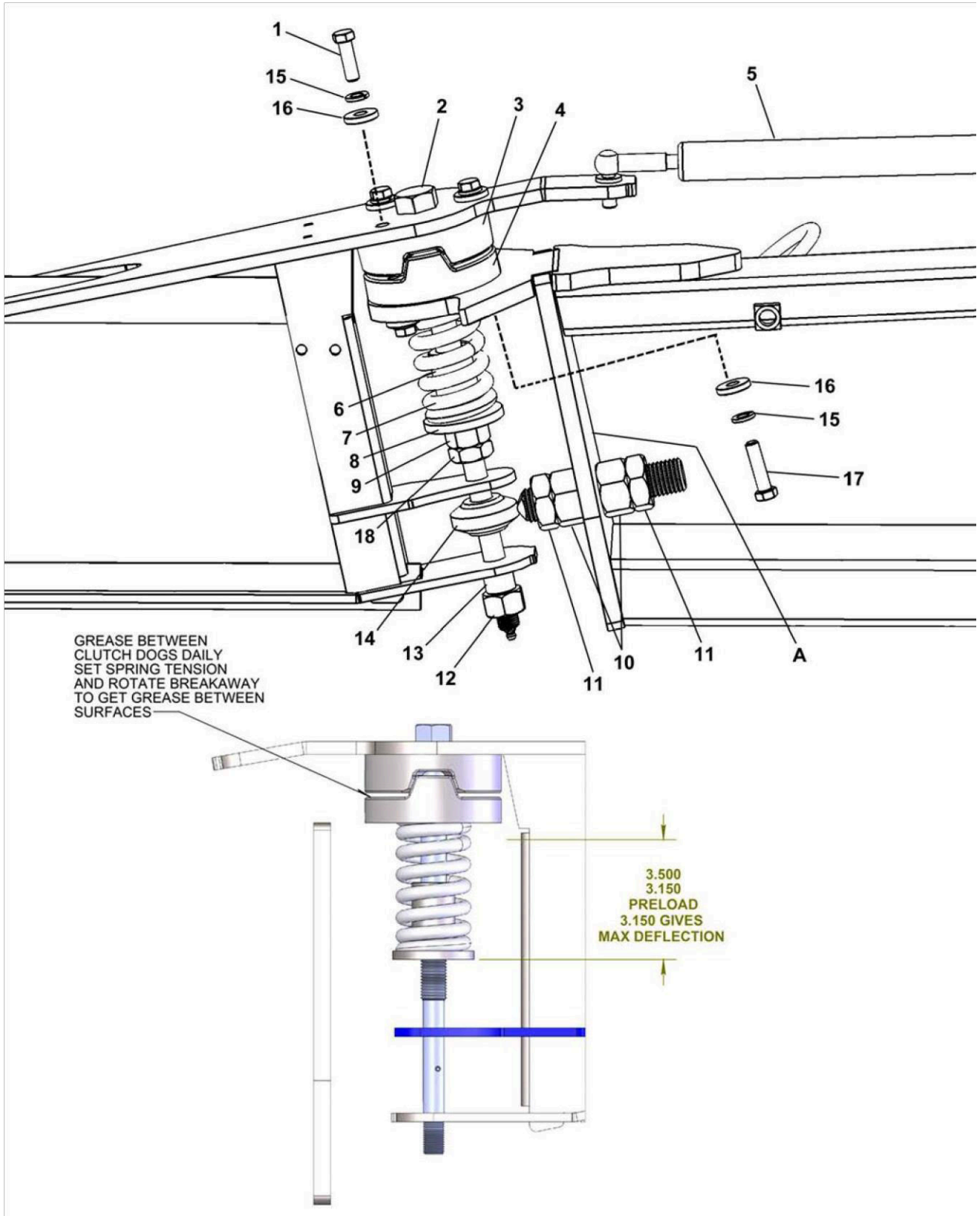
Wings - Tri-Fold 100 Foot Boom



Wings - Tri-Fold 100 Boom Parts List

| ITEM | PART NO . | QTY. | DESCRIPTION |
|------|-----------|------|-----------------------------------|
| 1 | 568 | 4 | BUSHING, MACHINED |
| 2 | 759 | 5 | ZERK, 1/4-28 STRAIGHT |
| 3 | 7668 | 2 | ROLLER, WING, MACHINED |
| 4 | 7669 | 1 | PIN, ROLLER, 1" |
| 5 | 9468 | 1 | PIN, FLIP WING |
| 6 | 9514 | 1 | ARM, FLIP WING |
| 7 | 14013 | 1 | SPRING GUIDE |
| 8 | 14146 | 3 | BRACKET, HOSE RING |
| 9 | 14149 | 1 | LINK, WING TILT |
| 10 | 14575 | 1 | BALL JOINT, ADJUSTMENT |
| 11 | 14642 | 1 | LINK, MIDDLE SCISSORS |
| 12 | 14643 | 2 | LINK, OUTSIDE SANDWICH |
| 14 | 14746 | 1 | LOCK, SWING WING |
| 15 | 14747 | 1 | SWING WING BUMP BUSHING |
| 19 | 530307 | 4 | BUSHING, CONEX |
| 20 | 530309 | 6 | WASHER, FLAT HEAVY 13/32 X 1 |
| 21 | 590006 | 1 | SPRING, COMPRESSION |
| 24 | 590099 | 1 | REST, WING |
| 25 | 590112 | 1 | BOLT, BREAKAWAY |
| 26 | 590405 | 1 | BUMP, SWING WING |
| 27 | 590180 | 2 | SNAP RING 1" EXTERNAL |
| 28 | 596846M | 4 | BOLT, SHOULDER, 5/8 X 1.25" MAGNI |
| 28 | 596845M | 4 | BOLT, SHOULDER, 5/8 X 1.63" MAGNI |
| 29 | 596117M | 1 | BOLT, HH 5/16-18 X 2 GR5 MAGNI |
| 30 | 596154M | 6 | BOLT, 1/2-13 X 2 GR5 MAGNI |
| 31 | 596155M | 1 | BOLT, 1/2-13 X 2-1/2 GR5 MAGNI |
| 32 | 596185M | 1 | BOLT, HH 3/4-10 X 2-1/2 |
| 33 | 596209M | 1 | BOLT, HH 1-8 X 7-1/2 GR5 MAGNI |
| 34 | 596217M | 1 | NUT, HEX 3/4-10 G5 MAGNI |
| 35 | 596218M | 3 | NUT, HEX |
| 36 | 596223M | 5 | |
| 37 | 596225M | 3 | |
| 38 | 596226M | 2 | |
| 40 | 596232M | 3 | |
| 41 | 596236M | 1 | |
| 42 | 596239M | 3 | |
| 43 | 596240M | 2 | |
| 44 | 596260M | 8 | |
| 45 | 596633M | 6 | |
| 46 | 620023 | 1 | |
| 47 | 620034 | 1 | |
| 48 | 620057 | 1 | |

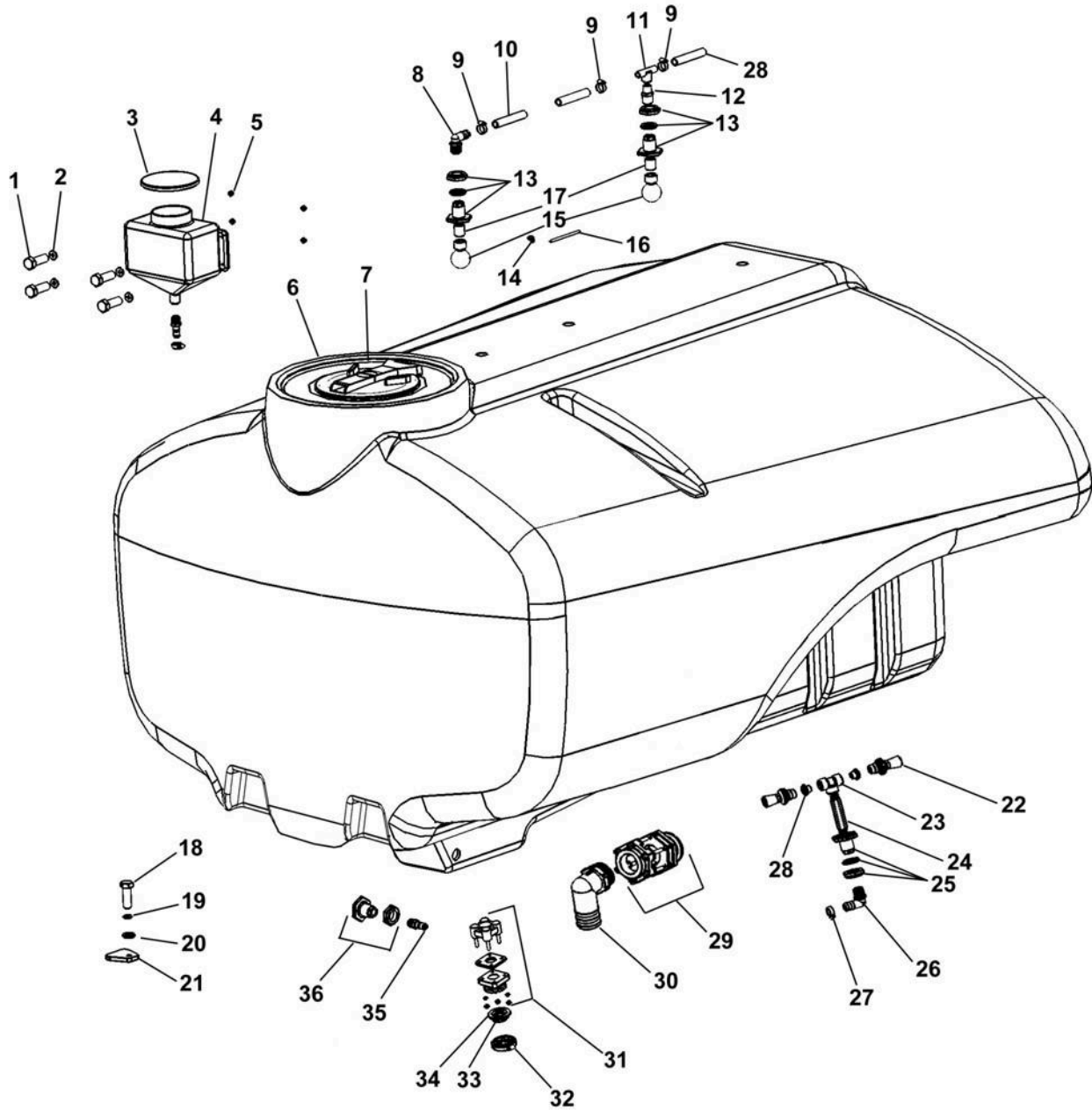
Breakaway Pivot



Breakaway Pivot Parts List

| ITEM | VENDOR PART NO. | PART NO. | QTY. | DESCRIPTION |
|------|-----------------|----------|------|--|
| 1 | | 596633M | 6 | BOLT HEX HEAD 3/8-24 X 1-1/4 GR8 MAGNI |
| 2 | | 590112 | 1 | BOLT HEX HEAD BREAKAWAY PIVOT |
| 3 | 14457 | 590074 | 1 | 20° CLUTCH MALE HALF |
| 4 | 14458 | 590073 | 1 | 20° CLUTCH FEMALE HALF |
| 5 | EL-2X3X2-046 | 790028 | 1 | SHOCK BREAKAWAY, HEAVY |
| 6 | | 14013 | 1 | GUIDE, SPRING BREAKAWAY |
| 7 | | 590006 | 1 | SPRING, BREAKAWAY |
| 8 | | 14013 | 1 | GUIDE, SPRING BREAKAWAY |
| 9 | | 217 | 1 | NUT HEX HEAD 3/4" ZP |
| 10 | | 799 | 2 | NUT HEX HEAD 1" ZP |
| 11 | | 226 | 2 | NUT HEX HEAD JAM 1" ZP |
| 12 | | 216 | 1 | NUT HEX HEAD 5/8 ZP |
| 13 | | 14268 | 1 | COLLAR |
| 14 | | 14575 | 1 | BREAKAWAY ADJUSTMENT BOLT |
| 15 | | 250 | 6 | LOCK WASHER 3/8 ZP |
| 16 | | 530309 | 6 | FLAT WASHER HEAVY 3/8 |
| 17 | | 368 | 3 | BOLT HEX HEAD 3/8 X 1-1/2 GR8 ZP |
| 18 | | 225 | 1 | NUT HEX HEAD JAM 3/4" ZP |
| 19 | | 12388 | 1 | EARLY UNIT UPDATE - REPLACES 3/4" #14 WHEN PLATE (A) HAS A 3/4 X 1-1/2" SLOT |

Tank Assembly



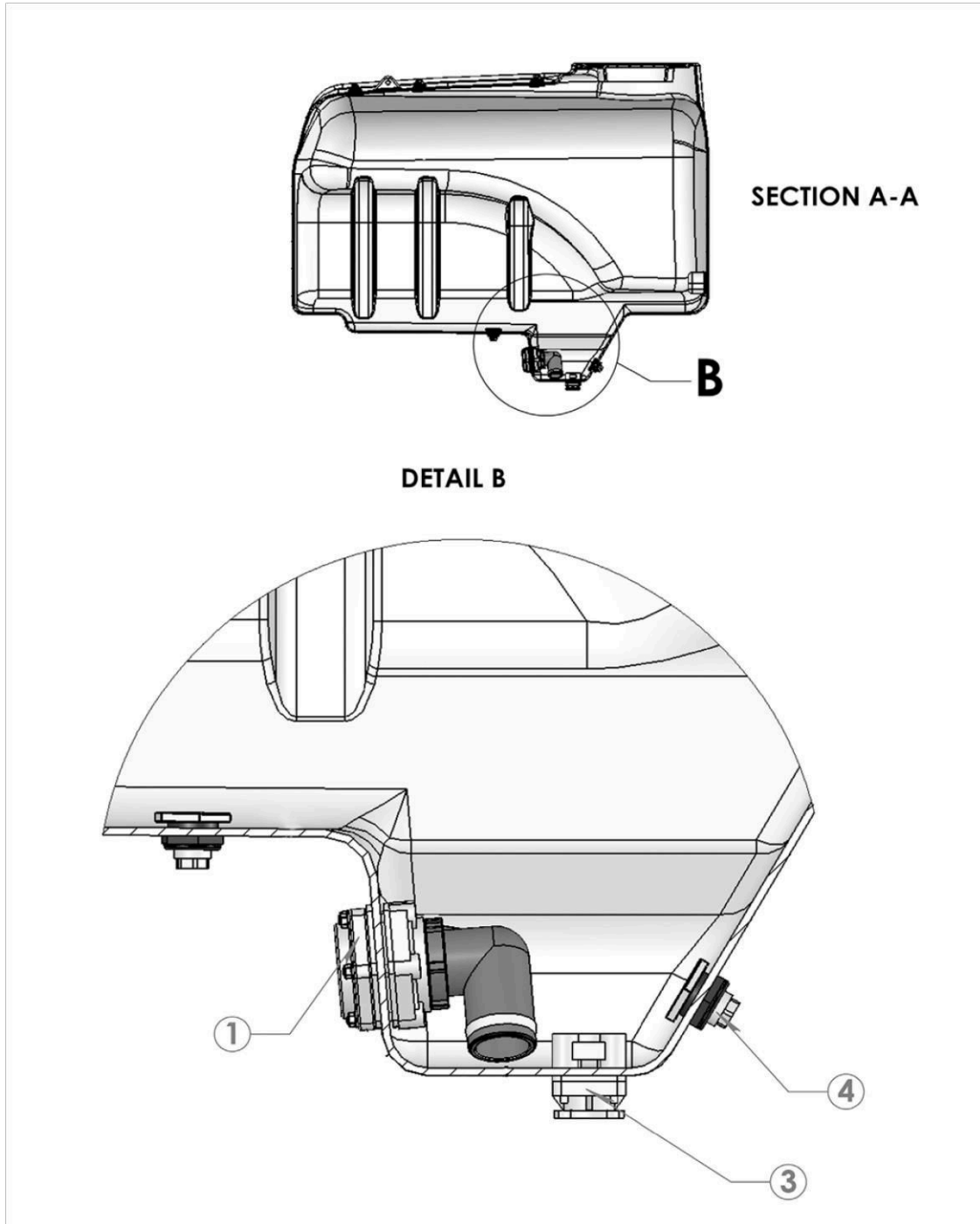


ILLUSTRATED PARTS LIST

Tank Assembly Parts List

| ITEM | VENDOR PART NO. | PART NO. | QTY. | DESCRIPTION |
|-------|---------------------|--------------|------|--|
| 1 | | 129 | 4 | BOLT HH 3/8 X 1-1/2 GR5 ZP |
| 2 | | 258 | 4 | WASHER FLAT 3/8 ZP |
| 3 | | 10522 | 1 | 5" VENTED LID |
| 4 | | 570038 | 1 | RINSE TANK 2.5 GALLON, YELLOW |
| 4 | SP002-5SYLS | 570044 | 1 | RINSE TANK 2.5 GALLON, WHITE |
| 4 | SP0005-SQ5 | 570125 | 1 | RINSE TANK 5 GALLON, YELLOW, 5" SCREW ON LID |
| 5 | | 169 | 4 | NUT HH 3/8 WHIZLOCK ZP |
| 6 | | 570063 | 1 | TANK, 1800, AG YELLOW, WITH FITTINGS AND LID |
| | | 570062 | 1 | TANK, 1800, AG WHITE, WITH FITTINGS AND LID |
| | | 570066 | 1 | TANK, 2400, AG WHITE, WITH FITTINGS AND LID |
| | | 570067 | 1 | TANK, 2400, AG YELLOW, WITH FITTINGS AND LID |
| 7 | 14761 | 570157 | 1 | LID, VENTED |
| 8 | - | 530040 | 1 | HOSE BARB 3/4" MPT X 3/4" HB X 90° |
| 9 | 64012H | 540013 | 4 | CLAMP, HOSE 3/4" SS |
| 10 | 3/4BH200 | 510012 | 36" | HOSE 3/4" EDPM |
| 11 | - | 530221 | 1 | 3/4" TEE HB X 3/4" MPT |
| 12 | - | - | - | N/A |
| 13-17 | | 90SARNSEBALL | 2 | SUB ASSEMBLY, RINSE BALL |
| 13 | 67172 | 530160 | 2 | BULKHEAD FITTING 3/4" |
| 14 | 44103211 | 530004 | 2 | CONNECTOR 90° 1/4 TUBE X 1/4 NPT |
| 15 | TJ-55270-3.4-18-POM | 520012 | 2 | TANK RINSE BALL |
| 17 | - | 530130 | 2 | NIPPLE, 3/4" X 6" |
| 18 | | 170 | 2 | BOLT HH 5/8 X 2 GR5 ZP |
| 19 | | 253 | 2 | WASHER LOCK 5/8" ZP |
| 20 | | 261 | 2 | WASHER FLAT 5/8" ZP |
| 21 | 10244 | 590023 | 2 | HOLDDOWN TAB POLY |
| 22-25 | | 90SALTRUMPET | 1 | SUB ASSEMBLY, AGITATION |
| 22 | - | 520029 | 2 | AGITATION NOZZLE |
| 23 | - | 530156 | 1 | TEE, 3/4" POLY PIPE |
| 24 | NIP075-6 | 530130 | 1 | NIPPLE 3/4" X 6" |
| 25 | TF075 | 530160 | 1 | BULKHEAD FITTING 3/4" BANJO |
| 26 | HB075-90 | 530040 | 1 | HOSE BARB 3/4" X 90° |
| 27 | 64012H | 540013 | 1 | CLAMP HOSE 3/4" SS |
| 28 | - | - | - | N/A |
| 29-30 | | 90SASUMP95 | 1 | SUB ASSEMBLY, SUMP FITTING |
| 29 | BJMF300 | 530120 | 1 | BOTTOM DRAIN 3" |
| NS | - | 530155 | 1 | 3" STREET ELBOW |
| 30 | HB300-90 | 530053 | 1 | HOSE BARB ELBOW 3" 90° |
| 31 | MBF200BD | 530118 | 1 | BOTTOM DRAIN 2" STANDARD PORT |
| 32 | FC200 | 540001 | 1 | FLANGE CLAMP 2" STANDARD PORT |
| 33 | M200PLG | 530093 | 1 | PLUG 2" STANDARD PORT |
| 34 | 150G | 530014 | 1 | GASKET 2" STANDARD PORT |
| 35 | HB075 | 530230 | 1 | HOSE BARB 3/4" |
| 36 | TF075 | 530160 | 1 | BULKHEAD FITTING 3/4" BANJO |

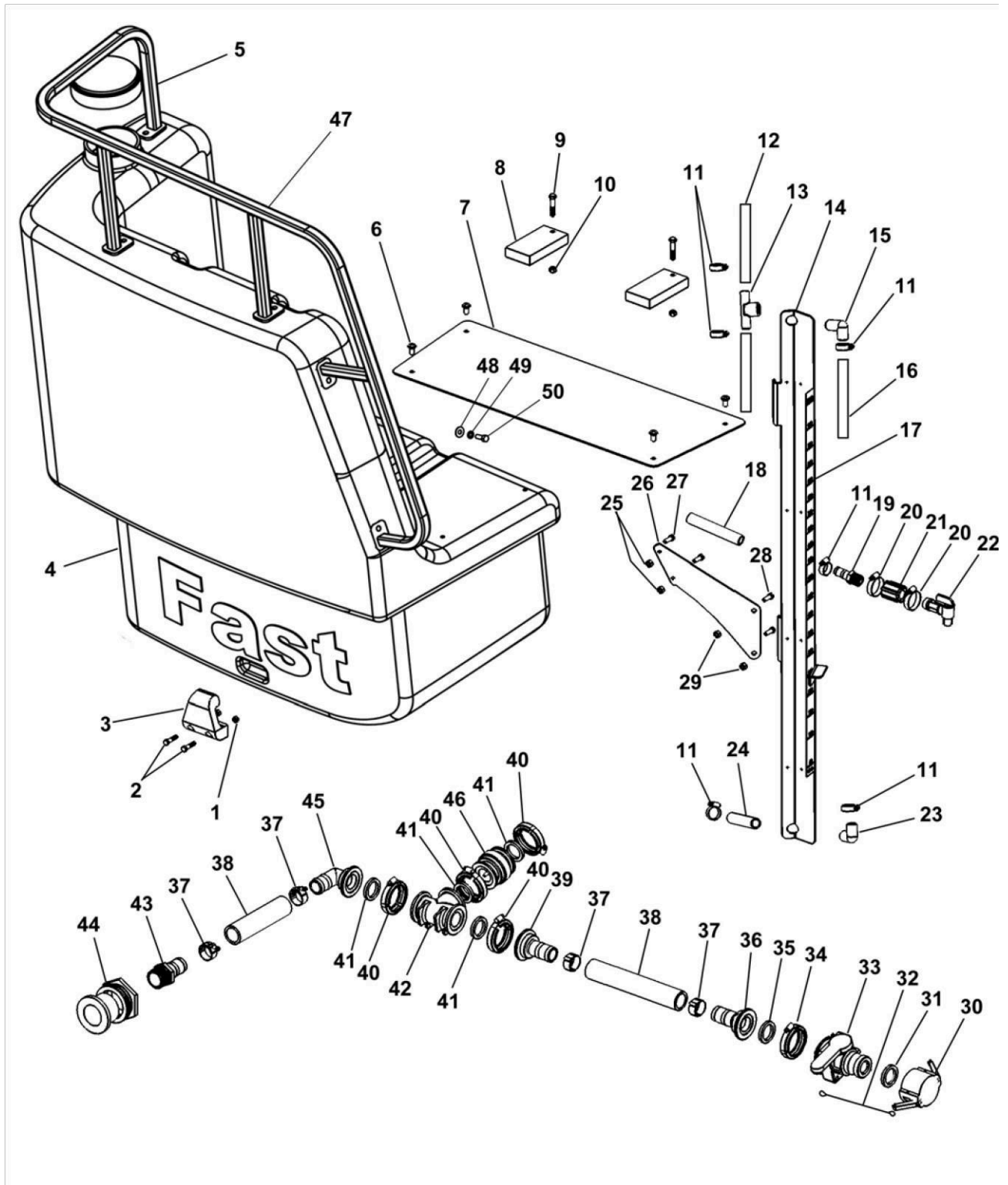
Tank Assembly (continued)



Tank Assembly Parts List

| ITEM | VENDOR PART NO. | QTY. | DESCRIPTION |
|------|----------------------------|------|--------------------------|
| 1 | 13791 | 1 | SUMP ASSEMBLY |
| 3 | MBF15020 BD | 1 | FITTING, 1-1/2" BULKHEAD |
| 4 | TF075 .75 BULKHEAD FITTING | 1 | 3/4" BULKHEAD FITTING |

Rinse Tank, Plumbing & Sight Gauge



Rinse Tank, Plumbing & Sight Gauge Parts List

| ITEM | VENDOR PART NO. | PART NO. | QTY. | DESCRIPTION |
|------|-----------------|----------|-------|---|
| 1 | | 228 | 2 | NUT HH5/16" NYLOCK ZP |
| 2 | | 116 | 2 | BOLT HH5/16X1-1/2 GR5 ZP |
| 3 | 10643 | 590022 | 2 | POLYRINSE TANK HOLD DOWN |
| 4 | 10602W | 570003 | 1 | TANK RINSE 100 GALLON WHITE |
| | 10602Y | 570004 | 1 | TANK RINSE 100 GALLON YELLOW |
| | 10918 | | 1 | ACE FITTING |
| 5 | AR-10522 | | 1 | 5" VENTED LID |
| 6 | | 607 | 4 | BOLT TRUSS HEAD 3/8 X 3/4 ZP |
| 7 | | 10612 | 1 | PLATFORM TOP SAFETY PLATE |
| 8 | | 10669 | 2 | POLYRINSE TANK HOLD DOWN |
| 9 | | 130 | 2 | BOLT HH3/8 X 2 GR5 ZP |
| 10 | | 769 | 2 | NUT HH3/8" WHIZ LOCK ZP |
| 11 | 64012 | 540013 | 5 | CLAMP HOSE 3/4" |
| 12 | 15017503 | 510008 | 6" | HOSE EVA 3/4" |
| 13 | 3T34F | 530220 | 1 | TEE HOSE BARB X 3/4 NPT F |
| 14 | | 10921 | 1 | FORMED SIGHT GAUGE SUPPORT 1000 GALLON |
| | | 10919 | 1 | FORMED SIGHT GAUGE SUPPORT 1250 GALLON |
| 15 | 3EL34 | 530210 | 1 | HOSE BARB ELBOW 3/4" HB X 3/4" NPT M |
| 16 | 15007008 | 510006 | 66.5" | HOSE VINYL CLEAR 3/4" 1000 GALLON |
| 17 | 13595 | 800040 | 1 | DECAL GALLON 1000 GALLON TANK |
| NS | 13596 | 800041 | 1 | DECAL GALLON 1250 GALLON TANK |
| 18 | 15007008 | 510006 | 40" | HOSE VINYL CLEAR 3/4" |
| 19 | HB075 | 530230 | 1 | HOSE BARB 3/4" |
| 20 | 64020H | 540015 | 2 | CLAMP HOSE 1-1/2" |
| 21 | CPLG075 | 530235 | 1 | COUPLING 3/4" NPT |
| 22 | DF-103 | 510022 | 1 | FLO-RITE FAUCET |
| 23 | 3EL34HB | 530214 | 1 | HOSE BARB 90° |
| 24 | 15007008 | 510006 | 58" | HOSE VINYL CLEAR 3/4" |
| 25 | | 768 | 2 | NUT HH5/16 WHIZ LOCK ZP |
| 26 | | 10818 | 1 | SIGHT GAUGE SUPPORT BRACKET |
| 27 | | 115 | 2 | BOLT HH5/16X1 GR5 ZP |
| 28 | | 152 | 2 | BOLT HH1/2X1 GR5 ZP |
| 29 | | 771 | 2 | NUT HH1/2" WHIZ LOCK |
| 30 | 200CAP | 530017 | 1 | 2" CAM LOCK CAP W/530019 GASKET |
| 31 | 200G | 530019 | 7 | GASKET 2" STANDARD THICKNESS |
| | 200GXT | | SP | GASKET 2" EXTRA THICK |
| 32 | HN-79.12 | 530179 | 1 | LYNARD 12" |
| 33 | VSF200CF | 500037 | 1 | VALVE MANIFOLD X 2" MALE ADAPTER |
| 34 | FC200 | 540001 | 6 | CLAMP MANIFOLD 2" STANDARD PORT |
| 35 | 150G | 530014 | 1 | GASKET 2" |
| 36 | M150BRB | 530079 | 2 | MANIFOLD 1-1/2" HOSE BARB |
| 37 | TC-181 | 540006 | 4 | CLAMP T-BOLT 1-1/2" |
| 38 | 12012800 | 510002 | 27" | FERTILIZER SOLUTION HOSE 1-1/2" |
| 39 | M220150BRB | 530100 | 1 | MANIFOLD 2" FULL PORT X 1-1/2 HOSE BARB |
| 40 | FC220 | 540002 | 4 | CLAMP MANIFOLD 2" FULL PORT |
| 41 | 200G | 530019 | 4 | GASKET 2" FULL PORT |
| 42 | M220TEE | 530097 | 1 | MANIFOLD TEE 2" FULL PORT |

| | | | | |
|----|--------------|--------|---|--------------------------------|
| 43 | HB125-125 | 530045 | 1 | HOSEBARB1-1/2NPTX1-1/2HOSEBARB |
| 44 | AR10918 | 570071 | 1 | BULKHEAD1/14" |
| 45 | M220150BRB90 | 530100 | 1 | MANIFOLDHOSEBARBELBOW90° |
| 46 | CV220 | 500003 | 1 | MANIFOLDCHECKVALVE |
| 47 | | 10638 | 1 | HANDRAILRISETANK |
| 48 | | 258 | 5 | WASHERFLAT3/8" |
| 49 | | 250 | 5 | WASHERLOCK3.8" |
| 50 | | 128 | 5 | BOLTHH3/8X1" |

9600N Trailer Decals and Misc

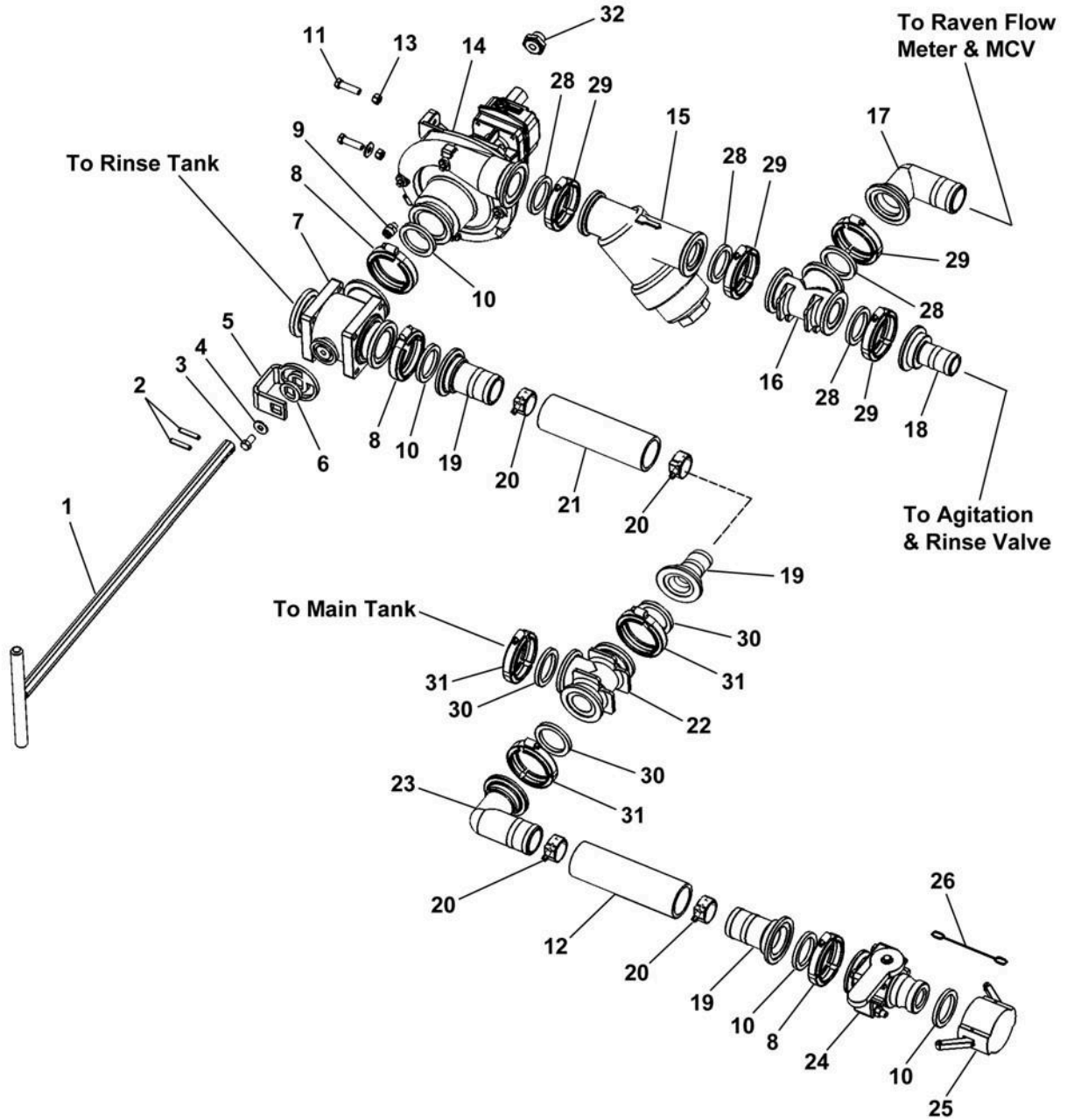


9600N Trailer Decals and Misc Parts List

| ITEM | PART NO. | QTY. | DESCRIPTION |
|------|----------|------|-------------------------------------|
| 0 | 13508 | 1 | VALVE EXTENSION HANDLE ARROW |
| 0 | 15829 | 1 | WASHER, SAFETY CHAIN |
| 0 | 15835 | 1 | DOM, SAFETY CHAIN SPACER |
| 0 | 21188L | 1 | PLATE, FORMED, STEP MOUNT |
| 0 | 21188R | 1 | PLATE, FORMED, STEP MOUNT |
| 0 | 530026 | 1 | 1" EPDM BOLTED FLANGE GASKET |
| 0 | 530036 | 1 | 3/4" MPT X 1" HOSE SHANK-90° |
| 0 | 530050 | 1 | 2" MPT X 1-1/2" HOSE SHANK |
| 0 | 530101 | 2 | 2" FP FLANGE X 1-1/2" HOSE BARB-90° |
| 0 | 530110 | 2 | 2" MANIFOLD TEE - 220 SERIES |
| 0 | 530221 | 1 | TEE, 3/4" X 3/4" MPT BY HOSE BARB |
| 0 | 530256 | 1 | 1-1/4" MPT X 1-1/2" HOSE BARB |
| 0 | 530358 | 1 | QUICK CONNECT, 3/4" HOSE BARB, 90° |
| 0 | 540020 | 2 | CLAMP, STAINLESS 3-1/2" #56 |
| 0 | 590001 | 4 | 3/8 X 3/4 PHILLIPS PAN HEAD SMS |
| 0 | 590024 | 2 | SADDLE BASE PAD |
| 0 | 590113 | 1 | BUMP PLATE LH |
| 0 | 590114 | 1 | BUMP PLATE RH |
| 0 | 590127 | 4 | PLUG 1-1/4" PLASTIC SQUARE TUBE |
| 0 | 590137 | 3 | NUT HH CENTERLOCK 1" NC ZP |
| 0 | 590153 | 2 | BOLT 1 X 6-3/4, 1-1/4 THREAD, MAGNI |
| 0 | 590156 | 1 | U-BOLT 2 X 3 X 1/4" SS |
| 0 | 590226 | 1 | BOLT HH 1 X 3-1/4 GR5 ZP |
| 0 | 720001 | 2 | PIN, SNAP |
| 0 | 750048 | 1 | MANUAL HOLDER |
| 0 | 790008 | 3 | WASHER, THRUST 1-5/8" I.D. |
| 0 | 790049 | 1 | CHAIN, SAFETY 20,000 LB |
| 0 | 800003 | 1 | DECAL, WARNING FALLING HAZARD |
| 0 | 800004 | 1 | DECAL, WARNING HIGH PRESSURE |
| 0 | 800005 | 1 | DECAL, UPENDING HAZARD |

| | | | |
|---|--------|---|--------------------------------------|
| 0 | 800006 | 1 | DECAL DANGER ELECTROCUTION HAZARD |
| 0 | 800007 | 1 | DECAL, DANGER CHEMICAL HAZARD |
| 0 | 800008 | 1 | DECAL, WARNING TOXIC CHEMICAL |
| 0 | 800009 | 2 | DECAL, WARNING OVERHEAD HAZARD |
| 0 | 800010 | 2 | DECAL, WARNING INSTALL PIN |
| 0 | 800013 | 1 | DECAL, DANGER CRUSHING HAZARD |
| 0 | 800014 | 2 | DECAL, GREASE PIVOT POINTS |
| 0 | 800017 | 1 | DECAL MAIN TANK VALVE OPERATION |
| 0 | 800018 | 1 | DECAL RINSE TANK OPERATION SUC |
| 0 | 800016 | 1 | DECAL, ELECTRIC AGITATION |
| 0 | 800021 | 2 | DECAL FAST SPRAYERS LOGO BLACK/GREEN |
| 0 | 800023 | 2 | DECAL POWDER COAT /WHITE BACKGROUND |
| 0 | 800024 | 1 | DECAL REAR LIFT CYLINDER VALVE |
| 0 | 800026 | 1 | DECAL VALVE OPERATION FOR HYPRO |
| 0 | 800029 | 2 | DECAL 62" WHEEL TRACK LUG NUT TORQUE |
| 0 | 800031 | 1 | DECAL, AXLE POSITION |
| 0 | 800057 | 1 | DECAL US PATENT 7585000 |
| 0 | 800061 | 2 | DECAL 9610N |
| 0 | 800282 | 1 | DECAL, DO NOT RUN PUMP DRY, ENGLISH |
| 0 | 800208 | 1 | DECAL, HYDRAULIC HOSE KEY |

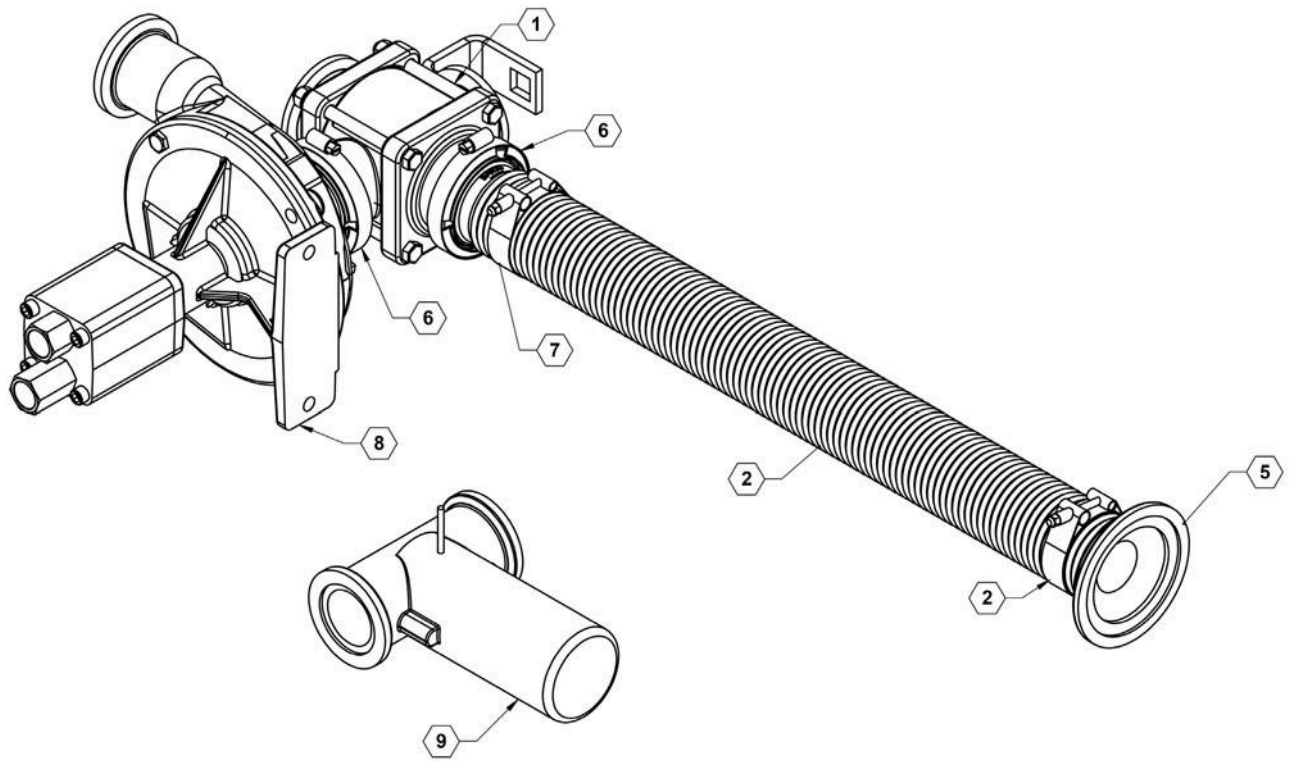
Quick Fill & Pump Feed - 60-66 Ft Boom With ACE 150-206 Pump



Quick Fill & Pump Feed - 60-66 Ft Boom With ACE 150-206 Pump Parts List

| ITEM | VENDOR PART NO. | PART NO. | QTY. | DESCRIPTION |
|------|---------------------|----------|------|--|
| 1 | | 7236 | 1 | VALVE HANDLE EXTENSION |
| 2 | | 683 | 2 | PIN, SPRING 1/4 X 2 |
| 3 | | 127 | 1 | BOLT HH 3/8 X 3/4 GR5 ZP |
| 4 | | 258 | 1 | WASHER, FLAT 3/8" ZP |
| 5 | | 7232 | 1 | VALVE HANDLE ADAPTER |
| 6 | | 7233 | 1 | VALVE HANDLE COLLAR |
| 7 | MV220BL | 500034 | 1 | MANIFOLD VALVE 2" FULL PORT BOTTOM LOAD |
| 8 | FC220 | 530002 | 3 | MANIFOLD CLAMP 2" FULL PORT |
| 9 | 44103220 | 530005 | 1 | ADAPTER 1/8 MPT X 1/4 QUICK LOCK |
| 10 | 200G | 530019 | 4 | GASKET 2" FULL PORT |
| 11 | | 129 | 2 | BOLT HH 3/8 X 1-1/2 GR5 ZP |
| 12 | 12012800 | 510002 | 1 | FERTILIZER SOLUTION HOSE |
| 13 | | 769 | 2 | NUT HH 3/8" WHIZLOCK ZP |
| 14 | AC-FMC-150F-HYD-206 | 550000 | 1 | PUMP, ACE 150-260F |
| 15 | MLS200-30 | 530123 | 1 | MANIFOLD Y STRAINER 30 MESH SCREEN |
| 16 | M200TEE | 530097 | 1 | MANIFOLD TEE 2" PORT |
| 17 | M200150BRB90 | 530080 | 1 | MANIFOLD ELBOW 2" PORT X 1-1/2 HOSE BARB |
| 18 | M200150BRB | 530100 | 1 | MANIFOLD HOSE BARB 2 X 1-1/2 HOSE BARB |
| 19 | M220200BRB | 530103 | 2 | MANIFOLD 2" FULL PORT X 2" HOSE BARB |
| 20 | TC-231 | 540007 | 4 | T-BOLT CLAMP 2" HOSE |
| 21 | 12012800 | 510002 | 1 | FERTILIZER SOLUTION HOSE |
| 22 | M300TEE | 530115 | 1 | MANIFOLD TEE 3" |
| 23 | M300200BRB90 | 530112 | 1 | MANIFOLD 3 X 2 HOSE BARB 90° |
| 24 | MVSF220FP | 530128 | 1 | MANIFOLD VALVE 2" FULL PORT X MALE ADAPTER |
| 25 | 200CAP | 530017 | 1 | CAP 2" QUICK CAM |
| 26 | HN-79-12 | 530179 | 1 | LANYARD |
| 27 | 200GXT | | AR | GASKET 2" EXTRA THICK |
| 28 | 150G | 530014 | 4 | GASKET 2" |
| 29 | FC200 | 540001 | 4 | CLAMP 2" STD |
| 30 | 300G | 530024 | 3 | GASKET 3" |
| 31 | FC300 | 540003 | 3 | CLAMP 3" STD |
| 32 | 6404-10-08 | 610019 | 1 | ADAPTER 1/2 NPT X 10 ORD |

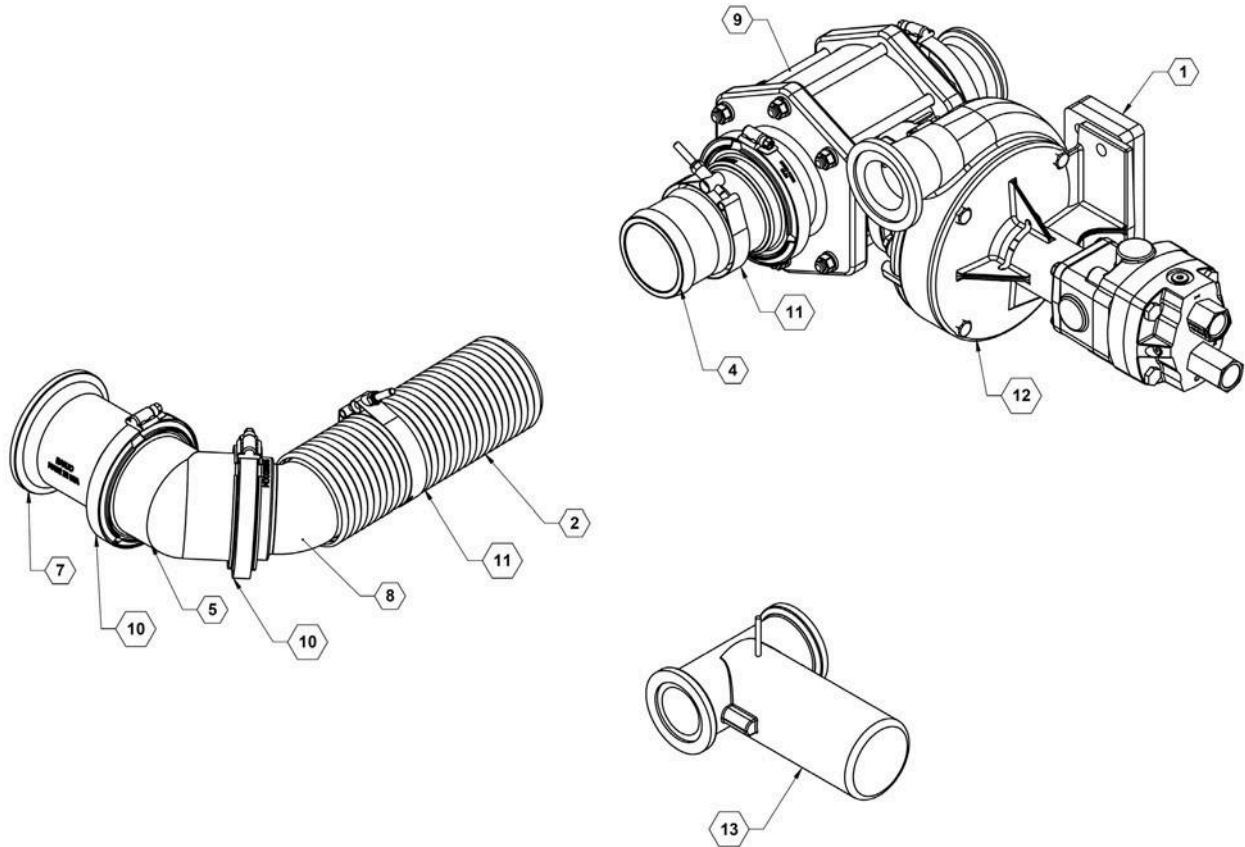
Pump Option - 60' - 66' Boom With ACE 105-206 Pump



Pump Option - 60' & 66' Boom With ACE 150-206 Pump Parts List

| ITEM | PART NO. | QTY. | DESCRIPTION |
|------|----------|------|---|
| 1 | 500034 | 1 | VALVE, 2" BOTTOM LOAD FPF |
| 2 | 510003 | 1 | BUMBLEBEE HOSE, 2" |
| 3 | 530019 | 2 | GASKET, 2" EPDM |
| 4 | 530103 | 1 | MANIFOLD FLANGE 2" FP X 2" HB |
| 5 | 530111 | 1 | MANIFOLD, 3" X 2" HB |
| 6 | 540002 | 2 | CLAMP, WORM SCREW 2" |
| 7 | 540007 | 2 | CLAMP, HOSE 2" T-BOLT |
| 8 | 550000 | 1 | PUMP, 150-206 FLANGED, ACE |
| 9 | 632079 | 1 | VALVE, BUTTERFLY, 1.5", Deutsch Connector |

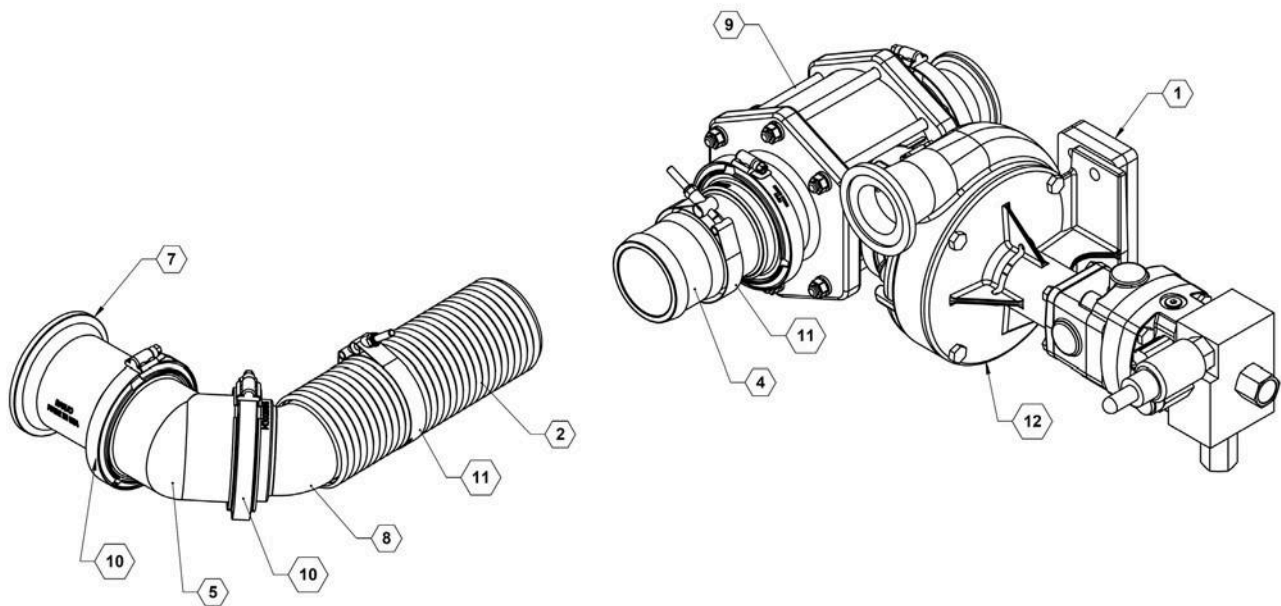
Pump Option - 60' - 100' Boom With ACE 205-304 Pump



Pump Option - 60' - 100' Boom With ACE 205-304 Pump Parts List

| ITEM | PART NO. | QTY. | DESCRIPTION |
|------|----------|------|---|
| 1 | 18339 | 2 | PLATE, PUMP SPACER |
| 2 | 510004 | 2' | HOSE, 3" FERTILIZER |
| 3 | 530024 | 5 | GASKET, 3" EPDM |
| 4 | 530113 | 1 | Flanged 3 Inch Hose Barb |
| 5 | 530234 | 1 | 3" COUPLER, 45° |
| 6 | 530316 | 1 | MANIFOLD REDUCER 3" X 2" COUPLER |
| 7 | 530448 | 1 | 3" FLANGE X 3" FLANGE |
| 8 | 530449 | 1 | 3" MANIFOLD TO HOSE BARB 45 |
| 9 | 530450 | 1 | 3" MANIFOLD 3 W AY VALVE |
| 10 | 540003 | 5 | CLAMP, W ORM SCREW 3" |
| 11 | 540009 | 2 | CLAMP, 3" T BOLT |
| 12 | 550025 | 1 | PUMP, ACE 205F 304 ASSEMBLY |
| 13 | 632079 | 1 | VALVE, BUTTERFLY, 1.5", Deutsch Connector |

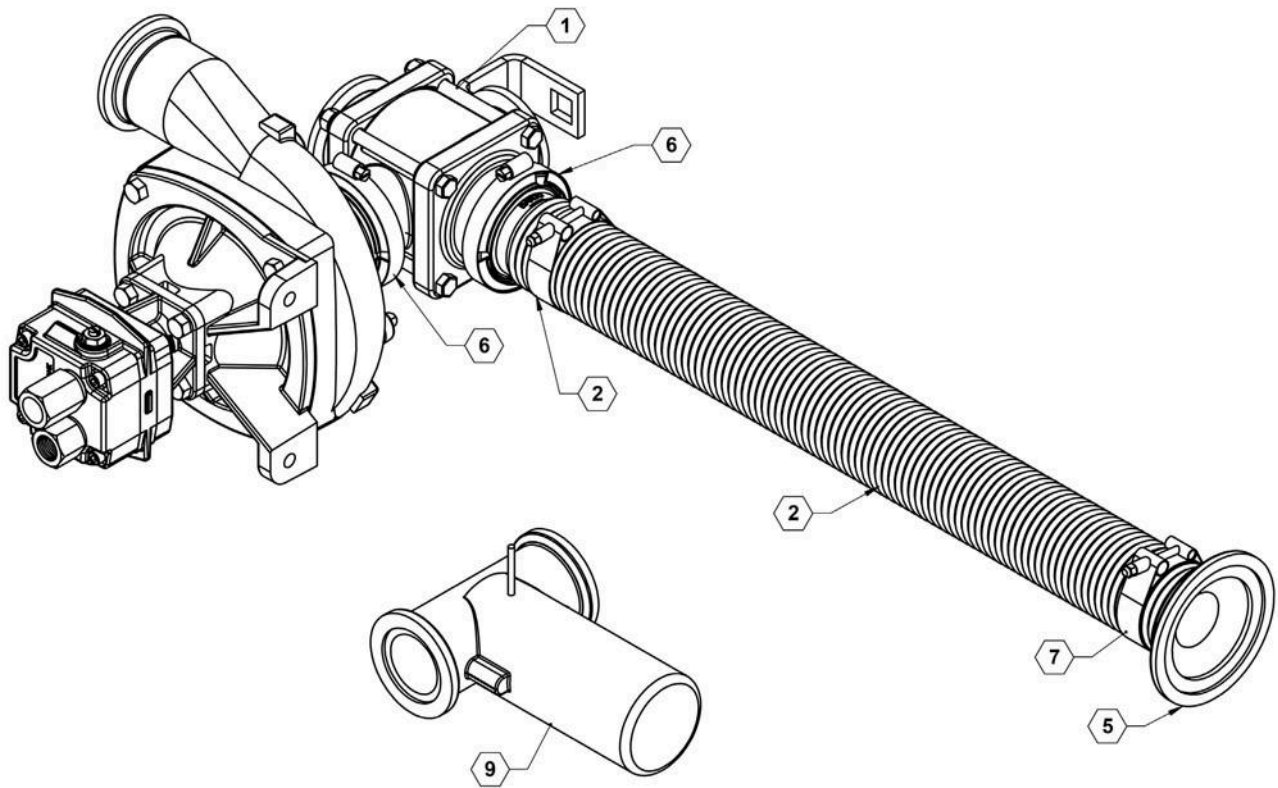
Pump Option - 80, 90 & 100' Boom With ACE 205-304 PWM Pump



Pump Option - 80, 90 & 100' Boom With ACE 205-304 PWM Pump Parts List

| ITEM | PART NO. | QTY. | DESCRIPTION |
|------|----------|------|----------------------------------|
| 1 | 18339 | 2 | PLATE, PUMP SPACER |
| 2 | 510004 | 2' | HOSE, 3" FERTILIZER |
| 3 | 530024 | 5 | GASKET, 3" EPDM |
| 4 | 530113 | 1 | Flanged 3 Inch Hose Barb |
| 5 | 530234 | 1 | 3" COUPLER, 45° |
| 6 | 530316 | 1 | MANIFOLD REDUCER 3" X 2" COUPLER |
| 7 | 530448 | 1 | 3" FLANGE X 3" FLANGE |
| 8 | 530449 | 1 | 3" MANIFOLD TO HOSE BARB 45 |
| 9 | 530450 | 1 | 3" MANIFOLD 3 W AY VALVE |
| 10 | 540003 | 5 | CLAMP, W ORM SCREW 3" |
| 11 | 540009 | 2 | CLAMP, 3" T BOLT |
| 12 | 550035 | 1 | PUMP, ACE 205F W ITH 304 PW M |

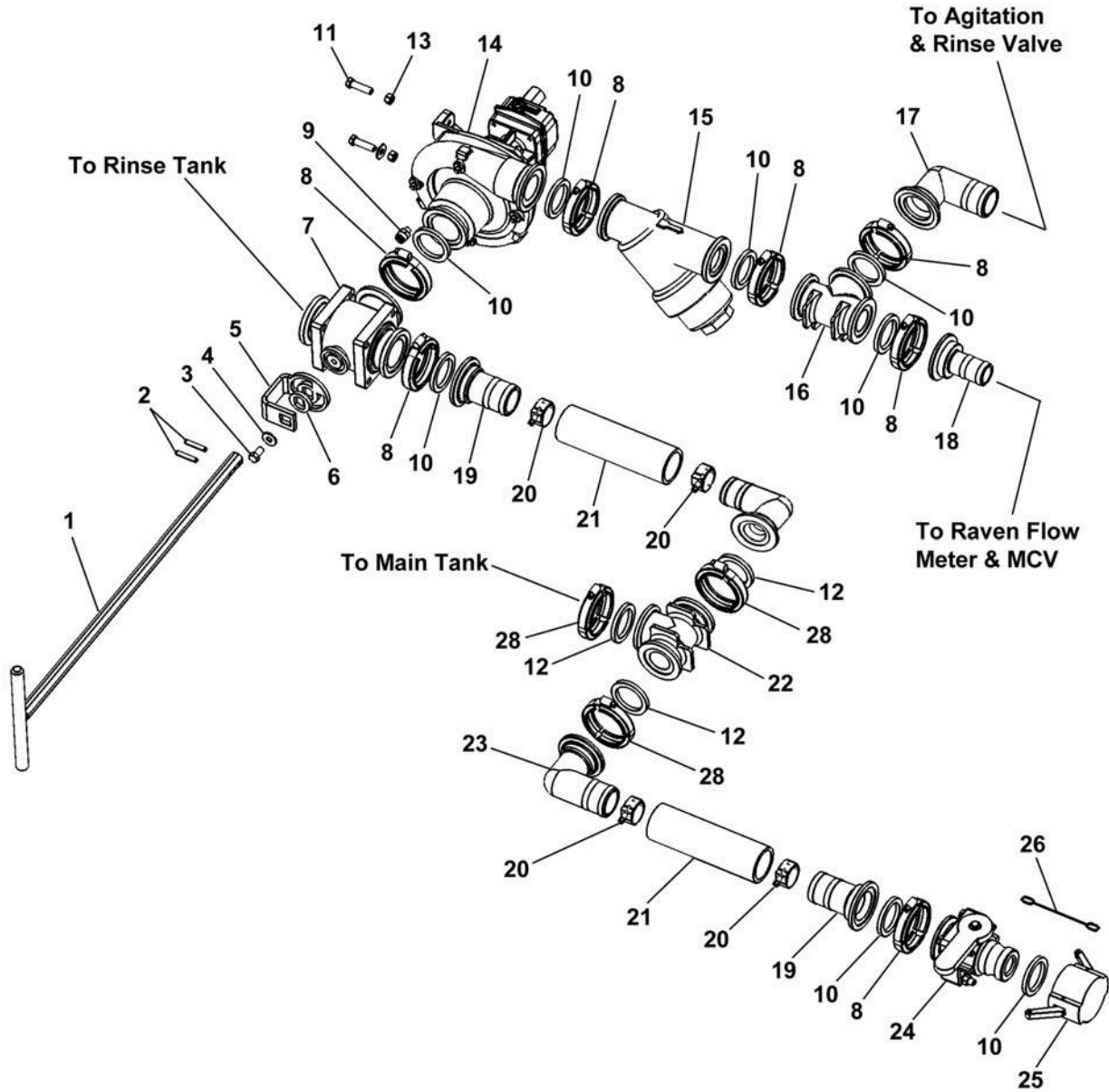
Pump Option - 60' - 100' Boom With HYPRO Pump



Pump Option - 60' - 100' Boom With HYPRO Pump Pump Parts List

| ITEM | PART NO. | QTY. | DESCRIPTION |
|------|----------|------|---|
| 1 | 500034 | 1 | VALVE, 2" BOTTOM LOAD FPF |
| 2 | 510003 | 1 | BUMBLEBEE HOSE, 2" |
| 3 | 530019 | 2 | GASKET, 2" EPDM |
| 4 | 530103 | 1 | MANIFOLD FLANGE 2" FP X 2" HB |
| 5 | 530111 | 1 | MANIFOLD, 3" X 2" HB |
| 6 | 540002 | 2 | CLAMP, WORM SCREW 2" |
| 7 | 540007 | 2 | CLAMP, HOSE 2" T-BOLT |
| 8 | 550011 | 1 | PUMP, HYPRO |
| 9 | 632079 | 1 | VALVE, BUTTERFLY, 1.5", Deutsch Connector |

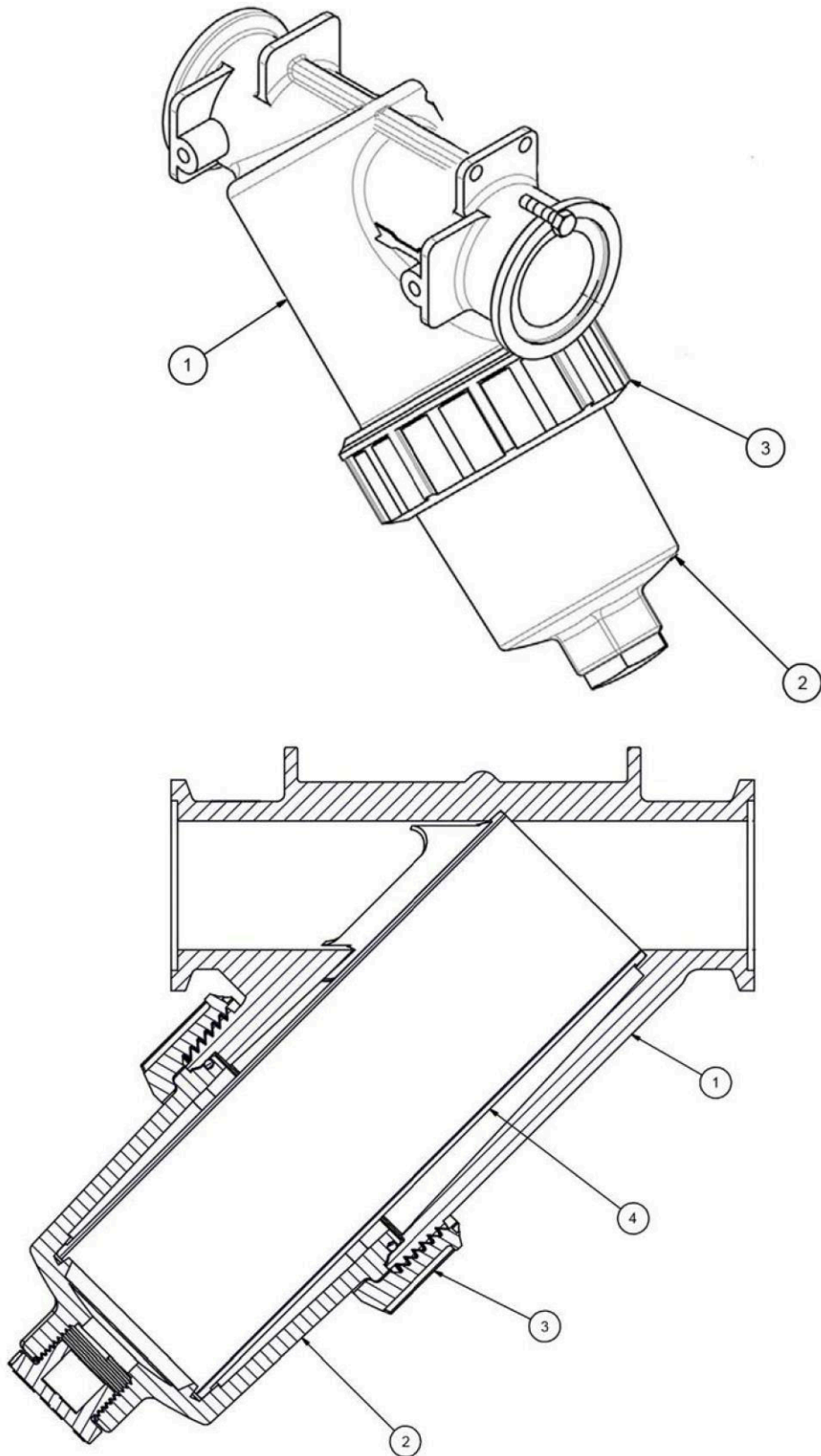
Quick Fill & Pump Feed - 80,90&100 Ft Boom With HYPRO Pump



Quick Fill & Pump Feed - 80,90&100 Ft Boom With HYPRO Pump Parts List

| ITEM | VENDOR PART NO. | PART NO. | QTY. | DESCRIPTION |
|------|-----------------|----------|------|---|
| 1 | | 7236 | 1 | VALVE HANDLE EXTENSION |
| 2 | | 683 | 2 | PIN, SPRING 1/4 X 2 |
| 3 | | 127 | 1 | BOLT HH 3/8 X 3/4 GR5 ZP |
| 4 | | 258 | 1 | WASHER, FLAT 3/8" ZP |
| 5 | | 7232 | 1 | VALVE HANDLE ADAPTER |
| 6 | | 7233 | 1 | VALVE HANDLE COLLAR |
| 7 | MV220BL | 500034 | 1 | MANIFOLD VALVE 2" FULL PORT BOTTOM LOAD |
| 8 | FC220 | 530002 | 7 | MANIFOLD CLAMP 2" FULL PORT |
| 9 | 44103220 | 530005 | 1 | ADAPTER 1/8 MPT X 1/4 QUICK LOCK |
| 10 | 200G | 530019 | 8 | GASKET 2" FULL PORT |
| 11 | | 129 | 2 | BOLT HH 3/8 X 1-1/2 GR5 ZP |
| 12 | 300G | 530024 | 3 | GASKET 3" |
| 13 | | 769 | 2 | NUT HH 3/8" WHIZLOCK ZP |
| 14 | 93079 | 550011 | 1 | PUMP, HYPRO 9306C-HM1C-UB |
| 15 | MLS220-30 | 530125 | 1 | MANIFOLD Y STRAINER 30 MESH SCREEN 2" FULL PORT |
| 16 | M220TEE | 530097 | 1 | MANIFOLD TEE 2" PORT |
| 17 | M220150BRB90 | 530080 | 1 | MANIFOLD ELBOW 2" PORT X 1-1/2 HOSE BARB |
| 18 | M200150BRB | 530100 | 1 | MANIFOLD HOSE BARB 2 X 1-1/2 HOSE BARB |
| 19 | M220200BRB | 530103 | 2 | MANIFOLD 2" FULL PORT X 2" HOSE BARB |
| 20 | TC-231 | 540007 | 4 | T-BOLT CLAMP 2" HOSE |
| 21 | 12012800 | 510002 | 1 | FERTILIZER SOLUTION HOSE |
| 22 | M300TEE | 530115 | 1 | MANIFOLD TEE 3" |
| 23 | M300200BRB90 | 530112 | 2 | MANIFOLD 3 X 2 HOSE BARB 90° |
| 24 | MVSF220FP | 530128 | 1 | MANIFOLD VALVE 2" FULL PORT X MALE ADAPTER |
| 25 | 200CAP | 530017 | 1 | CAP 2" QUICK CAM |
| 26 | HN-79-12 | 530179 | 1 | LANYARD |
| 27 | 200GXT | | AR | GASKET 2" EXTRA THICK |
| 28 | FC300 | 540003 | 3 | MANIFOLD CLAMP 3" |

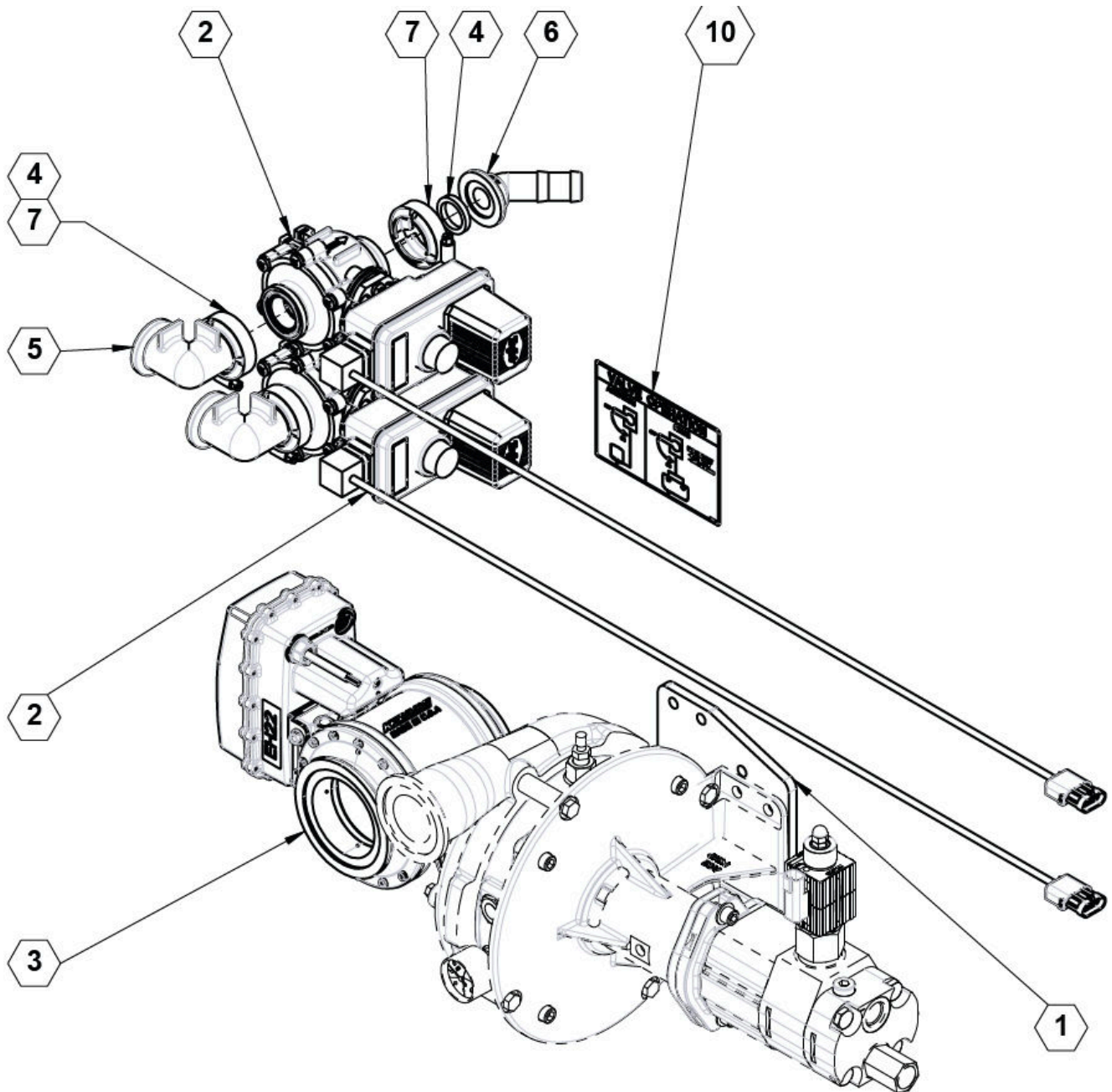
Y Strainer



Y Strainer Parts List 530125

| ITEM | PART NO. | VENDOR PART NO. | QTY. | DESCRIPTION |
|------|----------|-----------------|------|--------------------------------|
| | 530125 | | 1 | COMPLETE STRAINER |
| 1 | | M LS222B | 1 | 2" FP LINE STRAINER BODY |
| 2 | | M LS220C1 | 1 | M LS220 CAP ASSEMBLY |
| 3 | | M LS220R1 | 1 | 2" FP LS RETAINING RING |
| 4 | | LST204SS | 1 | 4 SS M ESH SCREEN |
| 4 | | LST206SS | 1 | 6 SS M ESH SCREEN |
| 4 | | LST208SS | 1 | 8 SS M ESH SCREEN |
| 4 | | LST210SS | 1 | 10 SS M ESH SCREEN |
| 4 | | LST216SS | 1 | 16 SS M ESH SCREEN |
| 4 | | LST230SS | 1 | 30H SS M ESH SCREEN |
| 4 | | LST250SS | 1 | 50 SS M ESH SCREEN |
| 4 | | M LS250SS | 1 | 50 SS M ESH PERFORATED SCREEN |
| 4 | | LST280SS | 1 | 80 SS M ESH SCREEN |
| 4 | | M LS280SS | 1 | 80 SS M ESH PERFORATED SCREEN |
| 4 | | LST2100SS | 1 | 100 SS M ESH SCREEN |
| 4 | | M LS2100SS | 1 | 100 SS M ESH PERFORATED SCREEN |

Electrical Valving Option



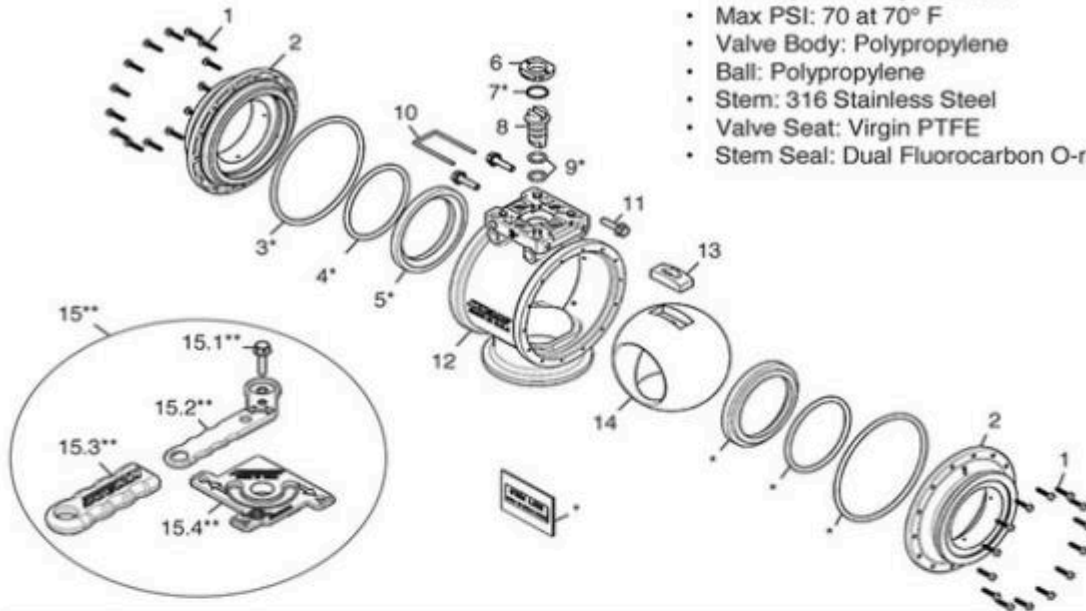
Electrical Valving Option 99FSEVO Parts List

| ITEM | PART NO. | QTY. | DESCRIPTION |
|-------------|-----------------|-------------|--|
| 1 | 18305 | 1 | PLATE, ADAPTER, ACE OASIS PUMP |
| 2 | 500064 | 2 | VALVE, 356 SERIES ON/OFF ELEC. AGITATION |
| 3 | 500080 | 1 | VALVE, 3" 3-WAY ACTUATED |
| 4 | 530068 | 4 | GASKET, 1.00 EPDM |
| 5 | 530362 | 2 | FITTING, 1" MANIFOLD 90 ELBOW |
| 6 | 530426 | 2 | ELBOW 45, 1.00 FLANGE X 1.00 HB |
| 7 | 540000 | 4 | CLAMP, WORM SCREW, 1.00 |
| 8 | 632155 | 1 | CAB BOX, ELECTRIC RINSE & AGITATE |
| 9 | 632156 | 1 | HARNESS, ELECTRIC RINSE & AGITATE |
| 10 | 800016 | 1 | DECAL, MAIN TANK VALVE OPERATION |

Pump Electric Valve Option

Electric Valve 500080

MX12 3-way



Design Features:

- 3" Full port 3-Way ball valve
- Max PSI: 70 at 70° F
- Valve Body: Polypropylene
- Ball: Polypropylene
- Stem: 316 Stainless Steel
- Valve Seat: Virgin PTFE
- Stem Seal: Dual Fluorocarbon O-rings

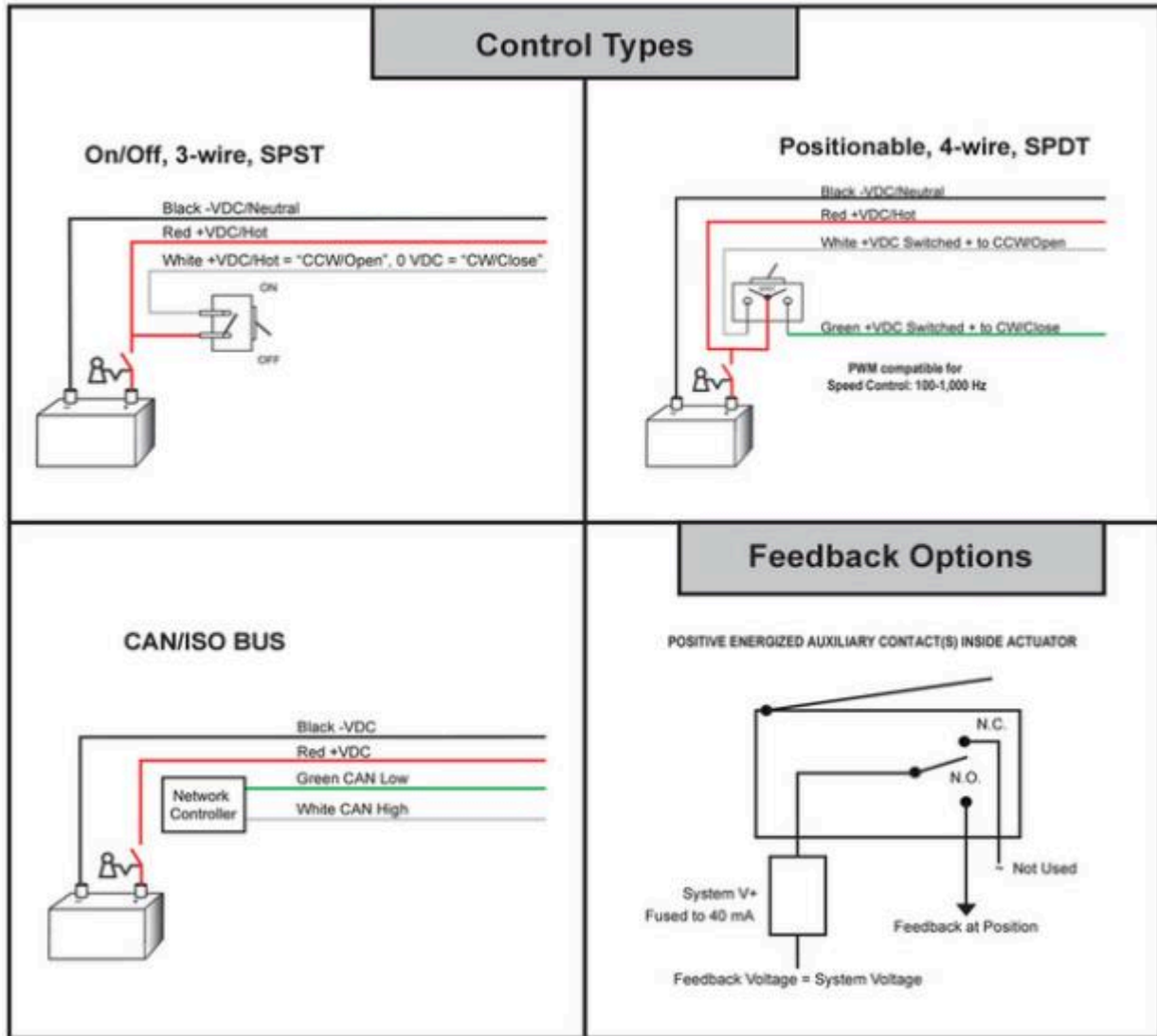
| No. | Part Number | Description | Qty |
|--------|-------------|--|-----|
| 1 | 100-0002 | screw, #8, 3/4, stainless steel, 18-8 | 28 |
| 2 | 202-0080 | endcap, M300, 3" full port flange | 2 |
| 3* | 205-0030 | o-ring, EPDM | 2 |
| 4* | 205-0040 | o-ring, EPDM | 2 |
| 5* | 206-0025 | seat, 3" full port | 2 |
| 6 | QX4-121-3 | stem retainer bushing, polypropylene | 1 |
| 7* | QC3-170 | thrust washer, PTFE | 1 |
| 8 | 207-0001 | stem, stainless steel inline | 1 |
| | 207-0009** | stem, stainless steel inline, tapped for manual valve | |
| 9* | QC3-130 | o-ring, #113, VITON | 2 |
| 10 | QX-103 | hairpin, stainless steel | 1 |
| 11 | 100340 | bolt, serrated flange, 1/4 - 20 x 1 | 3 |
| 12 | 201-0115 | valve body, 3-way, bottom load, M300, 3" polypropylene full port | 1 |
| 13 | 250-0050 | shoe, ball/stem engagement | 1 |
| 14 | 204-0030 | valve ball, 3-way, 2" diverter | 1 |
| | 204-0057 | valve ball, 3" polypropylene full port | |
| 15** | | Manual Valve | |
| 15.1** | 100340 | bolt, serrated flange, 1/4 - 20 x 1 | 1 |
| 15.2** | 212-0010 | handle | 1 |
| 15.3** | 212-0015 | handle cover | 1 |
| 15.4** | 250-0040-P | retainer, stop plate | 1 |
| * | 210-0026 | valve repair kit, MX - 3" (M4K) | |

*Items included in valve repair kits

**Manual valve only

See https://view.publitas.com/kzvalve/kzvalve_catalog

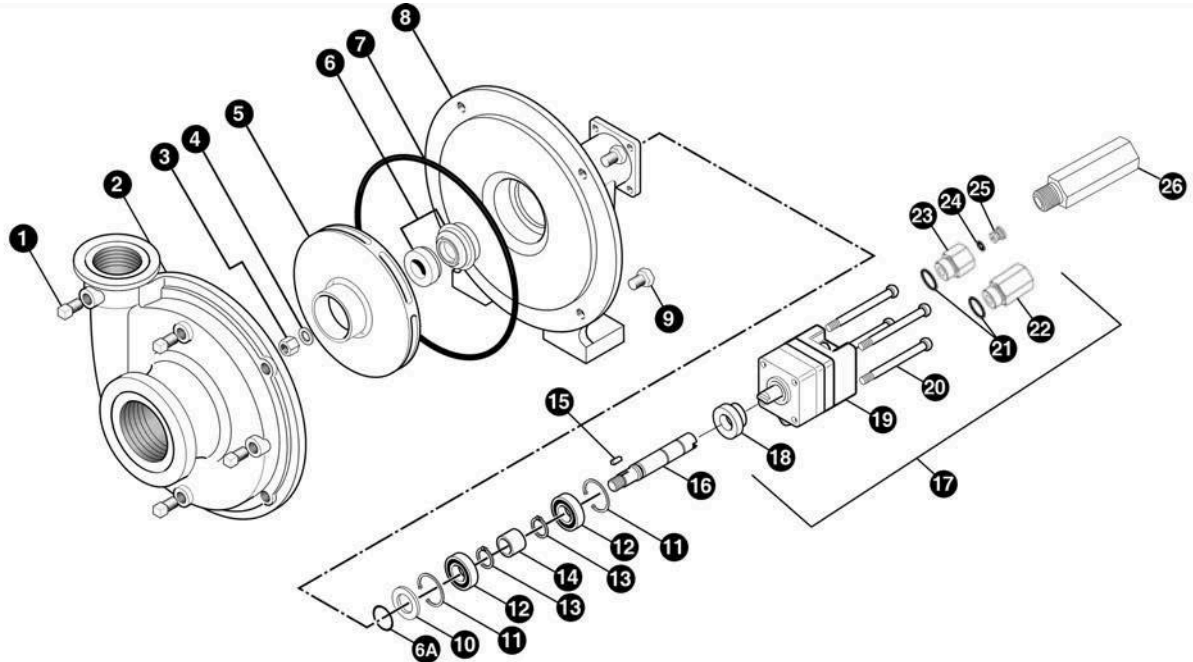
Pump Electric Valve Option



See https://view.publitas.com/kzvalve/kzvalve_catalog

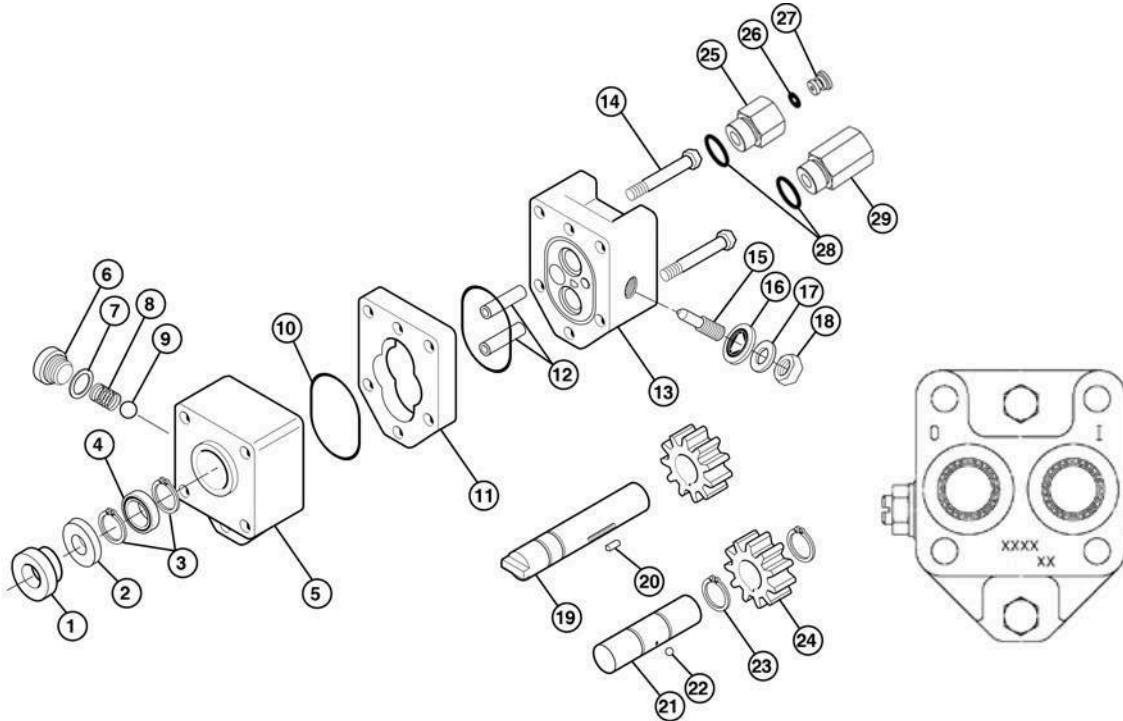


ACE 150-206 Pump 550000, 60 & 66 Foot Boom



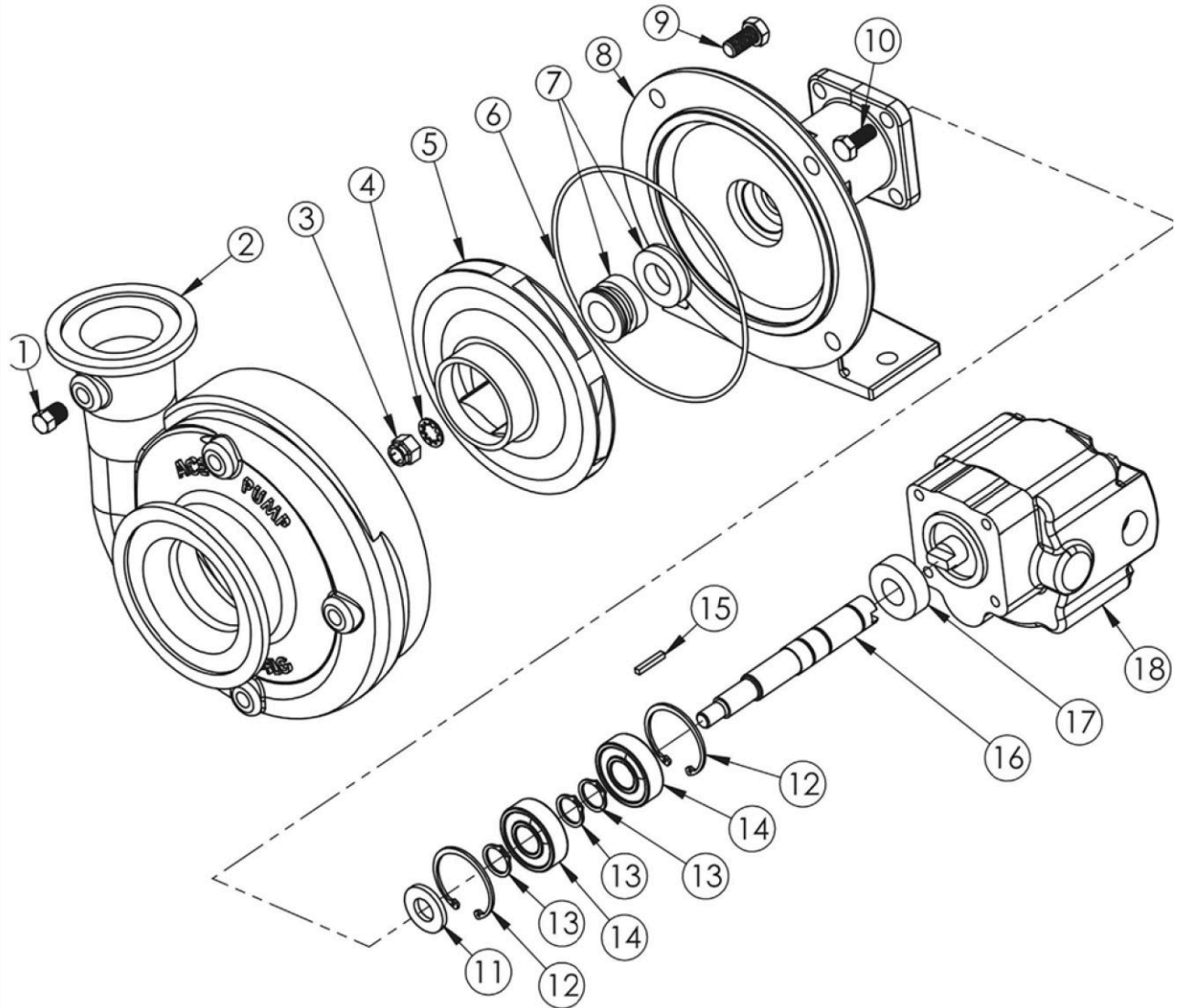
| REF. # | PART NUMBER | EDP # | DESCRIPTION | REQ. |
|-----------------|-------------------|-------|--|------|
| 1 | BAC-53 | 41110 | Pipe plug | 4 |
| 1 | 41120 | 41120 | Pipe plug, stainless steel (optional) | 4 |
| 2 | BAC-12-150-FLG | 40257 | Volute, cast iron, NPT & flanged (for 150F models) | 1 |
| 2 | BAC-12-150-SS | 40249 | Volute, 316 stainless steel, NPT & flanged (for 150FS models) | 1 |
| 3 | BAC-23-A | 40391 | Nut, 3/8" NF, cad plated | 1 |
| 3 | BAC-23-A-SS | 40392 | Nut, 3/8" NF, stainless steel (optional) | 1 |
| 4 [Ⓞ] | BAC-24-HYD-SS | 40400 | Washer, 3/8" star, stainless steel | 1 |
| 5 | BAC-26-150-P | 40446 | Impeller, Valox, keyway | 1 |
| 5 | BAC-26-150-CI | 40445 | Impeller, cast iron, keyway (optional) | 1 |
| 6 [Ⓞ] | BAC-7V | 40151 | Seal, carbon/ceramic/Viton (includes 40160 O-Ring) | 1 |
| 6 [Ⓢ] | BAC-7SC | 40152 | Seal, silicon carbide/Viton (includes 40160 O-Ring) (optional) | 1 |
| 6A [Ⓞ] | 40160 | 40160 | O-ring, shaft seal | 1 |
| 7 [Ⓞ] | BAC-4-150 | 40015 | O-ring, body seal | 1 |
| 8 | BAC-14-150-HYD | 40305 | Mounting frame, cast iron (for 150F models) | 1 |
| 8 | BAC-14-150-HYD-SS | 40319 | Mounting frame, 316 stainless steel (for 150FS models) | 1 |
| 9 | 40950 | 40950 | Cap screw, 3/8" NC x 3/4" hex head | 4 |
| 9 | 40930 | 40930 | Cap screw, 3/8" NC x 3/4" hex head, stainless steel (optional) | 4 |
| 10 | BAC-54 | 41130 | Slinger | 1 |
| 11 | BAC-33 | 40810 | Snap ring, internal, BAC-14 mounting frame | 2 |
| 12 | BAC-37 | 40870 | Ball Bearing, sealed, BAC-6 shaft | 2 |
| 13 | BAC-32 | 40790 | Snap ring, external, BAC-6 shaft | 2 |
| 14 | BAC-32-S | 40795 | Spacer for BAC-6 shaft | 1 |
| 15 | BACH-25 | 40420 | Key, 1/8" x 1/8" x 1/2" | 1 |
| 16 | BAC-6-HYD-SS | 40061 | Shaft, 5/8" diameter, keyway and tang slot, stainless steel | 1 |
| 17 | BAC-75-HYD-206 | 41372 | Hydraulic motor, 7 GPM (includes parts 18 - 25) | 1 |
| 18 | S200 | 40161 | Seal support spacer for 200 Series HYD motor | 1 |
| 19 | BAC-75-HYD-206N | 41397 | Hydraulic motor, 7 GPM (motor only - no external fittings) | 1 |
| 20 | 41255 | 41255 | Cap screw, 5/16" N. C. x 3-3/4" socket head (for 206N motor) | 4 |
| 21 | 41875 | 41875 | O-ring, #8 SAE fitting | 2 |
| 22 | BAC-78-8SAE | 41441 | Reverse check valve, #8 SAE male x 1/2" NPT female | 1 |
| 23 | BAC-80-8SAE | 41455 | Adapter, restrictor body, #8 SAE male x 1/2" NPT female | 1 |
| 24 | 41448 | 41448 | O-ring, orifice insert | 1 |
| 25 | BAC-79-7 | 41456 | Orifice, restrictor insert, .109 (206N) | 1 |
| 26 | LS-206N | 41418 | Flow limiting valve (206N), #8 SAE male x 1/2" NPT female | 1 |
| Ⓞ | RK-FMC-150 | 52710 | Repair kit for FMC-150 series pump | - |
| Ⓢ | RK-FMCSC-150 | 52711 | Repair kit for FMC-150 series with silicon carbide shaft seal | - |
| # | RK-BAC-75-HYD-L | 41374 | Repair kit for 200-L Series motor | - |

ACE 150-206 Pump Hydraulic Motor, 60 & 66 Foot Boom



| REF. # | MODEL 204N | MODEL 206N | MODEL 210N | DESCRIPTION | REQUIRED |
|--------|------------|------------|------------|--|----------|
| 1* | S200 | S200 | S200 | Seal support spacer | 1 |
| 2* | 40153 | 40153 | 40153 | Seal cartridge | 1 |
| 3 | 41941 | 41941 | 41941 | Snap ring, bearing | 2 |
| 4 | 41961 | 41961 | 41961 | Ball bearing, 7/16" I.D. | 1 |
| 5 | 41731 | 41731 | 41731 | Drive plate | 1 |
| 6 | 42041 | 42041 | 42041 | Valve cap, coasting check | 1 |
| 7* | 42044 | 42044 | 42044 | "O" ring, coasting check | 1 |
| 8 | 42042 | 42042 | 42042 | Spring, coasting check | 1 |
| 9 | 42043 | 42043 | 42043 | Ball, coasting check | 1 |
| 10* | 41850 | 41850 | 41850 | "O" ring, housing seal | 2 |
| 11 | 41720 | 41721 | 41725 | Gear housing | 1 |
| 12 | 41800 | 41801 | 41805 | Dowel pin, housing | 2 |
| 13 | 41742 | 41742 | 41742 | End plate | 1 |
| 14 | 41900 | 41900 | 41905 | Cap screw, 1/4" N.C. hex head | 2 |
| 15 | 42010 | 42010 | 42010 | Adjusting screw, needle valve | 1 |
| 16* | 42030 | 42030 | 42030 | Thread seal, 3/8", needle valve | 1 |
| 17 | 42040 | 42040 | 42040 | Washer, flat steel, needle valve | 1 |
| 18 | 40960 | 40960 | 40960 | Nut, 3/8" N.C. jam, needle valve | 1 |
| 19 | 41761 | 41764 | 41766 | Drive shaft | 1 |
| 20 | 41920 | 41921 | 41925 | Dowel pin, drive shaft | 1 |
| 21 | 41970 | 41971 | 41975 | Idler shaft | 1 |
| 22 | 41990 | 41990 | 41990 | Ball, idler shaft | 1 |
| 23 | 41980 | 41980 | 41980 | Retaining ring, idler gear | 2 |
| 24 | 41750 | 41751 | 41755 | Gear | 2 |
| 25 | 41455 | 41455 | 41455 | Adapter body, #8 SAE male x 1/2" NPT | 1 |
| 26 | 41448 | 41448 | 41448 | "O" ring, orifice insert (use with 41456 insert) | 1 |
| 27 | 41457 | 41456 | 41456 | Insert, restrictor orifice (use with 41455 body) | 1 |
| 28 | 41875 | 41875 | 41875 | "O" ring, #8 SAE male fitting | 2 |
| 29 | 41441 | 41441 | 41441 | Reverse check, #8 SAE male x 1/2" NPT | 1 |
| # | 41374 | 41374 | 41374 | Repair Kit, RK-BAC-75-HYD-L | -- |

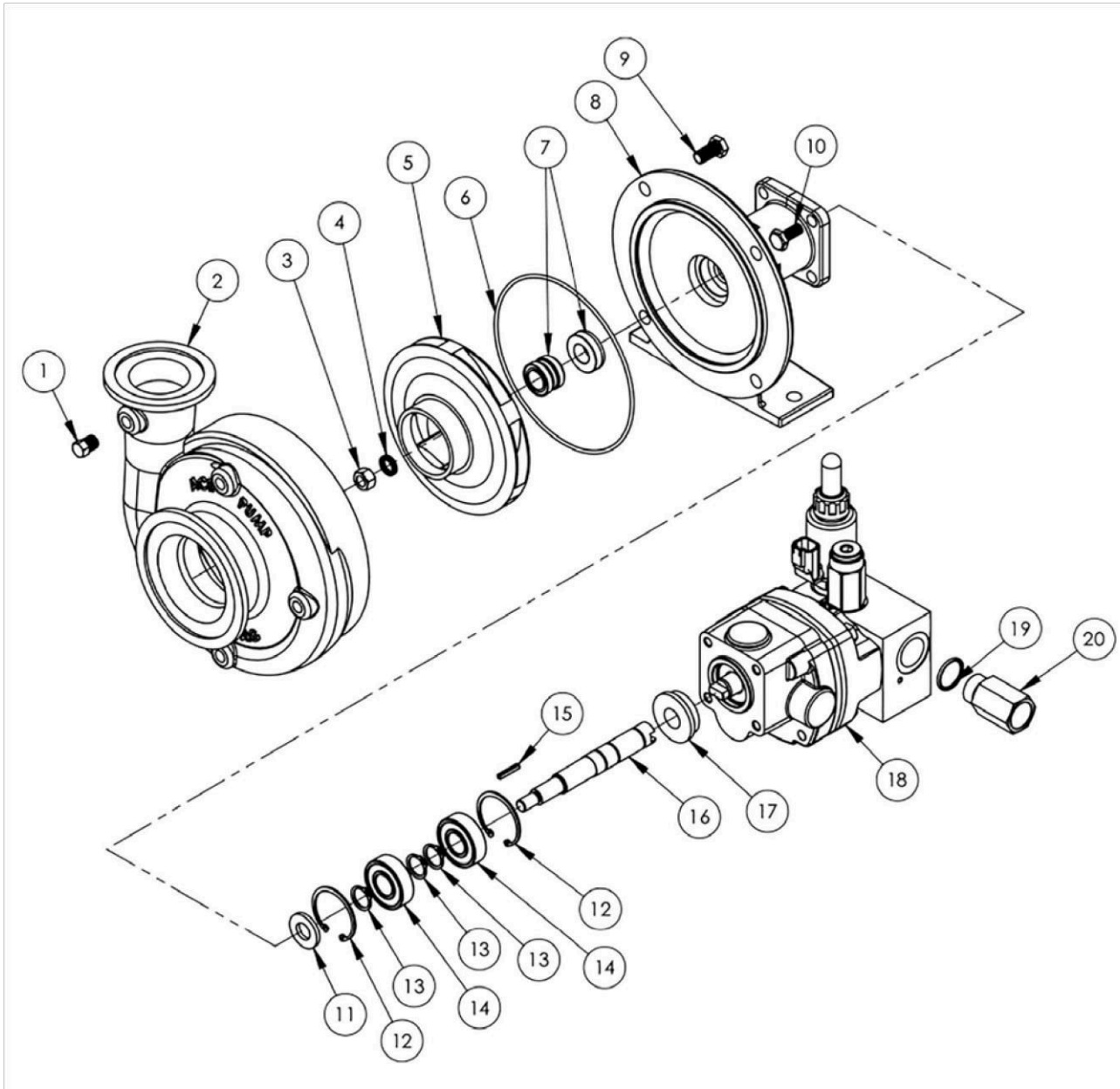
ACE 205-304 Pump 550025



ACE 205-304 Pump 550025 Parts List

| ITEM | PART NO. | QTY. | DESCRIPTION |
|------|-----------------------|------|--|
| 0 | 550025 | 1 | PUMP, 205-304 FLANGED, COMPLETE PUMP |
| 1 | BAC-53 | 1 | PIPE PLUG |
| 1 | 41120 | 1 | PIPE PLUG, STAINLESS STEEL (OPTIONAL) |
| 2 | 7AC-14-FLG | 1 | VOLUTE, 300 STANDARD FLANGE X 220 FULL PORT FLANGE |
| 3 | BAC-23-A | 1 | NUT, 3/8" NF, CAD PLATED |
| 3 | BAC-23-A-SS | 1 | NUT, 3/8" NF, STAINLESS STEEL (OPTIONAL) |
| 4J | BAC-24-HYD-SS | 1 | WASHER, 3/8" STAR, STAINLESS STEEL |
| 5 | BAC-26-200-P | 1 | IMPELLER, WITH EXTENDED KEYWAY, THERMOPLASTIC |
| 5 | BAC-26-200-CI | 1 | IMPELLER, WITH EXTENDED KEYWAY, CAST IRON (OPTIONAL) |
| 5 | BAC-26-200-SS | 1 | IMPELLER, WITH EXTENDED KEYWAY, 316 STAINLESS STEEL (OPTIONAL) |
| 6J | BAC-4A | 1 | O-RING, BODY SEAL |
| 7J | BAC-7SC-205V | 1 | SEAL, SILICON CARBIDE |
| 8 | BAC-14-205-HYD | 1 | MOUNTING FRAME FOR 205 PUMP |
| 9 | 40950 | 4 | CAP SCREW, 3/8" NC X 3/4" HEX HEAD |
| 10 | 41330 | 4 | CAP SCREW, 5/16" NC X 3/4" HEX HEAD, MOTOR TO PUMP |
| 11 | BAC-54 | 1 | SLINGER |
| 12 | BACH-33 | 1 | SNAP RING, INTERNAL, BAC-14-205 MOUNTING FRAME |
| 13 | BACH-32-HD | 3 | SNAP RING, EXTERNAL, BAC-6-205 SHAFT |
| 14 | 40880 | 1 | BALL BEARING, SEALED, BAC-6-205 SHAFT |
| 15 | BAC-25 | 1 | KEY, 1/8" X 1/8" X 13/16", EXTENDED KEYWAY |
| 16 | BAC-6-205-HYD-SS | 1 | SHAFT, EXTENDED KEYWAY, TANG, STAINLESS STEEL |
| 17 | S305 | 1 | SEAL SUPPORT SPACER FOR 205 SERIES PUMP |
| 18 | BAC-75-HYD-304A | 1 | HYDRAULIC MOTOR, 13 GPM, 1/2" NPT PORTS |
| 18 | BAC-75-HYD-304A-12SAE | 1 | HYDRAULIC MOTOR, 13 GPM, #12 SAE END PORTS (OPTIONAL) |
| J | RK-FMCSC-205 | 1 | REPAIR KIT FOR FMC-205 PUMP WITH SILICON CARBIDE SHAFT SEAL |
| # | RK-BAC-75-HYD-300-L | 1 | REPAIR KIT FOR 300 SERIES HYDRAULIC MOTOR |

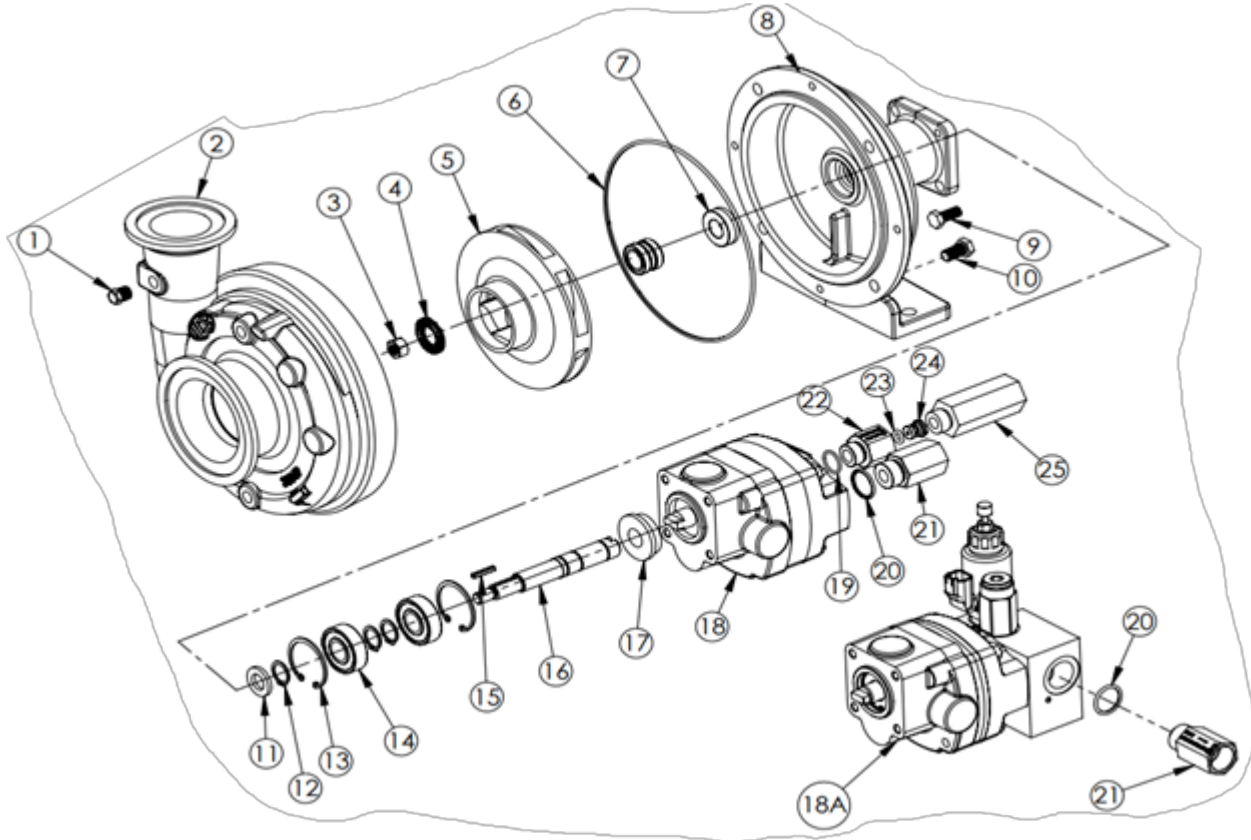
ACE 205-304 PWM Pump 550035



ACE 205-304 PWM Pump 550035 Parts List

| ITEM | PART NO. | QTY. | EDP # | DESCRIPTION |
|------|---------------------|------|-------|--|
| 0 | 550035 | 1 | | PUMP, 205-304 FLANGED, PWM, COMPLETE PUMP |
| 1 | BAC-53 | 4 | 41110 | PIPE PLUG |
| 1 | 41120 | 4 | 41120 | PIPE PLUG, STAINLESS STEEL (-FS MODEL) (OPTIONAL) |
| 2 | 7AC-14-FLG | 1 | 41530 | VOLUTE, 300 STANDARD FLANGE X 220 FULL PORT FLANGE, CAST IRON |
| 2 | 7AC-14-FLG-SS | 1 | 41532 | VOLUTE. 300 FLANGE X 220 FLANGE, 316 STAINLESS STEEL (-FS MODEL) |
| 3 | BAC-23-B-SS | 1 | 40393 | NUT, 3/8" NF, STAINLESS STEEL |
| 4 | BAC-24-B-SS | 1 | 42702 | WASHER, 3/8", STAINLESS STEEL, SELF-LOCKING |
| 5 | BAC-26-200-P | 1 | 40434 | IMPELLER, THERMOPLASTIC |
| 5 | BAC-26-200-CI | 1 | 40433 | IMPELLER, CAST IRON (OPTIONAL) |
| 5 | BAC-26-200-SS | 1 | 40436 | IMPELLER, 316 STAINLESS STEEL (-FS MODEL) (OPTIONAL) |
| 6 | BAC-4A | 1 | 40005 | O-RING, BODY SEAL |
| 7 | BAC-7SC-205V | 1 | 40149 | SEAL, SILICON CARBIDE |
| 8 | BAC-14-205-HYD | 1 | 40338 | MOUNTING FRAME FOR 205 PUMP |
| 8 | BAC-14-205-HYD-SS | 1 | 40346 | MOUNTING FRAME FOR 205 PUMP, 316 STAINLESS STEEL (-FS MODEL) |
| 9 | 40950 | 4 | 40950 | CAP SCREW, 3/8" NC X 3/4" HEX HEAD |
| 9 | 40930 | 4 | 40930 | CAP SCREW, 3/8" NC X 3/4" HEX HEAD, STAINLESS STEEL (-FS MODEL) |
| 10 | 41330 | 4 | 41330 | CAP SCREW, 5/16" NC X 3/4" HEX HEAD, MOTOR TO PUMP |
| 11 | BAC-54 | 1 | 41130 | SLINGER |
| 12 | BACH-33 | 2 | 40820 | SNAP RING, INTERNAL, BAC-14-205 MOUNTING FRAME |
| 13 | BACH-32-HD | 3 | 40385 | SNAP RING, EXTERNAL, BAC-6-205 SHAFT |
| 14 | 40880 | 2 | 40880 | BALL BEARING, SEALED, BAC-6-205 SHAFT |
| 15 | BAC-25 | 1 | 40425 | KEY, 1/8" X 1/8" X 13/16", EXTENDED KEYWAY |
| 16 | BAC-6-205-HYD-SS | 1 | 40068 | SHAFT, EXTENDED KEYWAY, TANG, STAINLESS STEEL |
| 17 | S305 | 1 | 40163 | SEAL SUPPORT SPACER FOR 205 SERIES PUMP |
| 18 | BAC-75-HYD-304-PWM | 1 | 41348 | HYDRAULIC MOTOR, 11 GPM, PWM |
| 19 | 41445 | 1 | 41445 | O-RING, #10 SAE FITTING |
| 20 | BAC-78-10X10SAE | 1 | 41467 | REVERSE CHECK ASSEMBLY, #10 SAE X #10 SAE |
| NS | RK-FMCSC-205 | - | 52705 | REPAIR KIT FOR FMC-205 PUMP WITH SILICON CARBIDE SHAFT SEAL |
| NS | RK-BAC-75-HYD-300-L | - | 41362 | REPAIR KIT FOR 300 SERIES HYDRAULIC MOTOR |

ACE 255F -304 (PWM) Pump 550055 (550056)

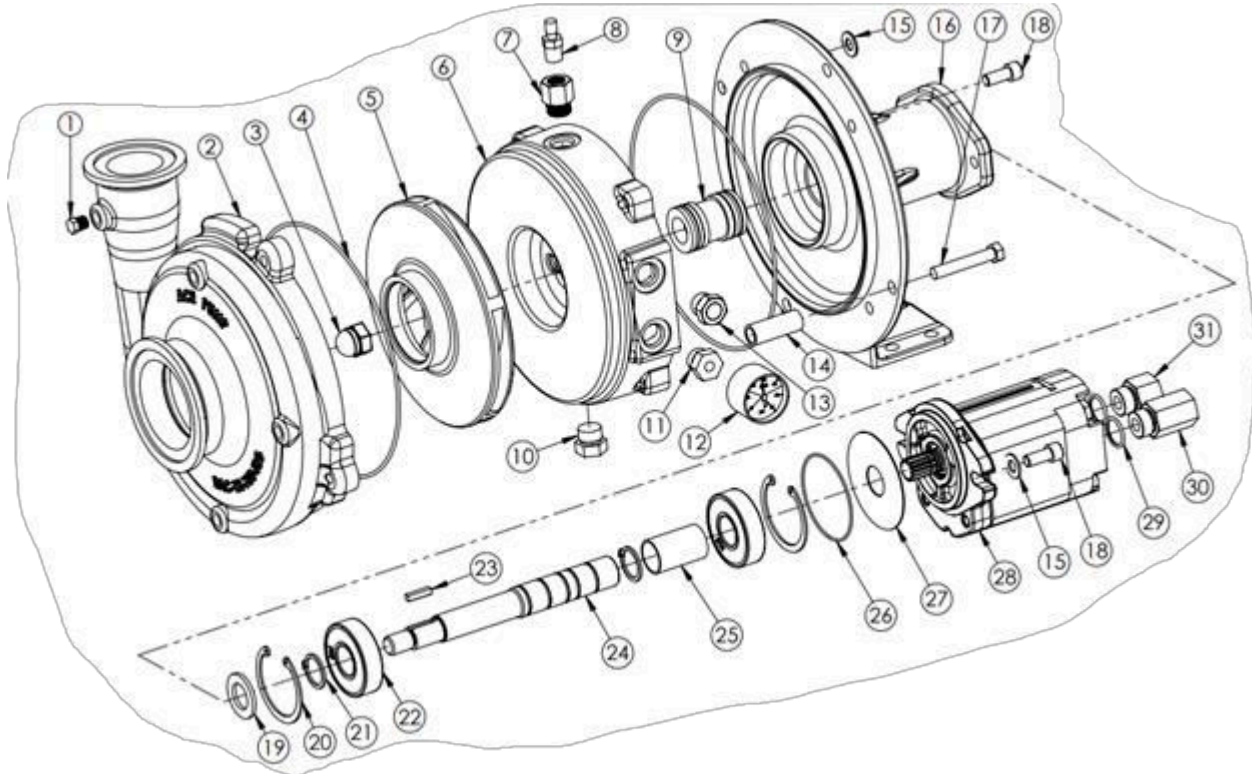


ACE 255F -304 (PWM) Pump 550055 (550056) Parts List

| ITEM | EDP NO. | VENDOR NO. | QTY. | DESCRIPTION |
|------|---------|--------------------|------|---|
| 0 | - | 550055 (550056) | 1 | PUMP, 255-304 WET SEAL (PWM) |
| 1 | 41100 | BAC-53 | 4 | PIPE PLUG |
| 1 | 41120 | 41120 | 4 | PIPE PLUG, STAINLESS STEEL (OPTIONAL) |
| 2 | 30149 | BAC-12-255-FLG | 1 | VOLUTE, CAST IRON, 300 X 220 FLANGED, E-COATED |
| 3 | 40393 | BAC-23-B-SS | 1 | NUT, 3/8" NF, SS |
| 4 | 42702 | BAC-24-B-SS | 1 | WASHER, 3/8" SS, VIBRATION PROOF |
| 5 | 40434 | BAC-26-200-P | 1 | IMPELLER, THERMOPLASTIC, KEYWAY |
| 5 | 40433 | BAC-26-200-CI | 1 | IMPELLER, CAST IRON, KEYWAY (OPTIONAL) |
| 5 | 40436 | BAC-26-200-SS | 1 | IMPELLER, STAINLESS STEEL, KEYWAY (OPTIONAL) |
| 6 | 40015 | BAC-4-150 | 1 | O-RING, BODY SEAL |
| 7 | 40149 | BAC-7SC-205V | 1 | SEAL, TYPE 2106 SILICON CARBIDE MECHANICAL SEAL |
| 8 | 40288 | BAC-14-5-HYD | 1 | MOUNTING FRAME, CAST IRON, E-COATED |
| 9 | 41330 | 41330 | 2 | CAP SCREW, 5/16" NC X 3/4" |

| | | | | |
|-----|-------|---------------------|---|---|
| 10 | 40950 | 40950 | 4 | CAP SCREW, 3/8"NC X 3/4" HEX HEAD |
| 10 | 40930 | 40930 | 4 | CAP SCREW, 3/8"NC X 3/4" HEX HEAD, STAINLESS STEEL (OPTIONAL) |
| 11 | 41130 | BAC-54 | 1 | SLINGER |
| 12 | 40385 | BACH-32-HD | 3 | SNAP RING, EXTERNAL, SHAFT |
| 13 | 40820 | BACH-33 | 2 | SNAP RING, INTERNAL, MOUNTING FRAME |
| 14 | 40880 | 40880 | 2 | BEARING |
| 15 | 40425 | BAC-25 | 1 | KEY, 1/8" X 1/8" X 13/16" SS |
| 16 | 41584 | BAC-6-255-HYD-SS | 1 | SHAFT, .625 DIA, 255, SS |
| 17 | 40163 | S305 | 1 | SEAL SUPPORT SPACER (304N) |
| 18 | 41343 | BAC-75-HYD-304 | 1 | HYDRAULIC MOTOR, 9 GPM (INCLUDES 17,18, 19,20,21,22,23, 24) |
| 18 | 41312 | BAC-75-HYD-306 | 1 | HYDRAULIC MOTOR, 16.5 GPM (INCLUDES 17,18B, 19,20,21,22,23, 24A) |
| 18A | 41348 | BAC-75-HYD-304-PWM | 1 | HYDRAULIC MOTOR, INTEGRATED PWM VALVE, 9 GPM (INCLUDES 17,18A,20,21A) |
| 19 | 41875 | 41875 | 1 | O-RING, #8 SAE FITTING |
| 20 | 41445 | 41445 | 1 | O-RING, #10 SAE FITTING |
| 21 | 41442 | BAC-78-10SAE | 1 | REVERSE CHECK ASSEMBLY, #10 SAE X 1/2" NPT, W/ O-RING |
| 21A | 41467 | BAC-78-10X10SAE | 1 | REVERSE CHECK ASSEMBLY, #10 SAE X #10 SAE, W/ O-RING (OPTIONAL) |
| 22 | 41455 | BAC-80-8SAE | 1 | BODY, RESTRICTOR ORIFICE, #8 SAE X 1/2" NPT, W/ O-RING |
| 23 | 41448 | 41448 | 1 | O-RING, RESTRICTOR |
| 24 | 41447 | BAC-79-8 | 1 | ORIFICE INSERT, RESTRICTOR, W/ O-RING (304) (DO NOT USE WITH 304-PWM) |
| 24A | 41449 | BAC-79-9 | 1 | ORIFICE INSERT, RESTRICTOR, W/ O-RING (306) |
| 25 | 41429 | LS-304N | 1 | FLOW LIMITING VALVE, #8 MSAE X 1/2" FNPT (304) (OPTIONAL) |
| * | 52717 | RK-FMCSC-PRO5 | - | REPAIR KIT, INCLUDES ITEMS 6 AND 7 |
| * | 41362 | RK-BAC-75-HYD-300-L | - | REPAIR KIT; 300 SERIES HYD MOTOR WITH HIGH PRESSURE LIP SEAL |

ACE 750 Pump 550050

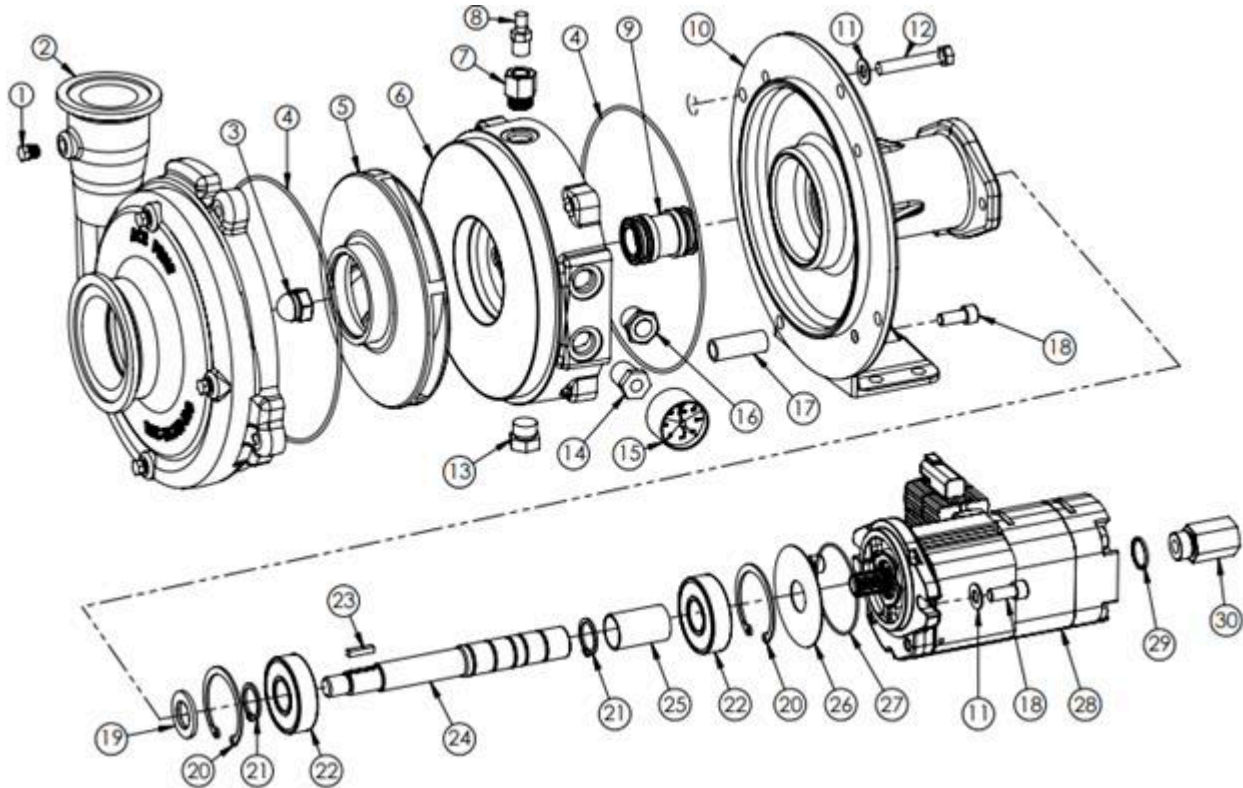


ACE 750 Pump 550050 Parts List

| ITEM | EDP NO. | VENDOR NO. | QTY. | DESCRIPTION |
|------|--------------|----------------------------|------|---|
| 0 | - | 550018 (550050) | 1 | PUMP 750 OASIS ACE (STAINLESS), COMPLETE |
| 1 | 41110 | BAC-53 | 4 | PIPE PLUG, 1/8" NPT |
| 2 | 30158 | BAC-12-750- FLG | 1 | VOLUTE, 300 X 220 FLANGE, CAST IRON, E-COATED |
| 3 | 40397 | 40397 | 1 | ACORN NUT, 5/8"-11 STAINLESS STEEL |
| 4 | 30009 | ACAL-4 | 2 | O-RING, VOLUTE SEAL |
| 5 | 30182 | BAC-26-750-CI | 1 | IMPELLER, CAST IRON, E-COATED |
| 5 | 30189 | BAC-26-750- SS | 1 | IMPELLER, 316 STAINLESS STEEL (OPTIONAL) |
| 6 | 45264 | BAC-16-750 | 1 | SEAL PLATE, CAST IRON, E-COATED |
| 7 | 41107 | 41107 | 1 | PLUG, #8 SAE X 1/4" FNPT, HEX HEAD, WITH O-RING |
| 8 | 41316 | 41316 | 1 | AIR VALVE, 1/4" NPT |
| 9 | 40147 | BAC-7-750V | 1 | DUAL SEAL ASSEMBLY, TYPE 21, .875 SHAFT |
| 10 | 41108 | 41108 | 1 | PLUG, SAE #8, HEX HEAD, WITH O-RING |
| 11 | 44039 | 44039 | 1 | BUSHING, #8 SAE X 1/8" FNPT |
| 11 | 44038 | 44038 | 1 | BUSHING, 1/2" MNPT X 1/8" FNPT (PRIOR TO 11/11) |
| 12 | 50150 | 50150 | 1 | PRESSURE GAUGE, 0-60 PSI, 1/8" NPT |

| | | | | |
|----|-------|---------------------|------|--|
| 13 | 55851 | 55851 | 1 | SITE GAUGE, #8 SAE, STEEL |
| 13 | 55850 | 55850 | 1 | SITE GAUGE, BRASS 1/2" NPT |
| 14 | 45267 | 45267 | 4 | SPACER, SEAL PLATE |
| 15 | 42701 | 42701 | 3 | WASHER, 3/8", VOLUTE AND MOTOR MOUNT |
| 16 | 40333 | BAC-14-750-HYD | 1 | MOUNTING FRAME, CAST IRON, E-COATED |
| 17 | 40952 | 40952 | 4 | CAP SCREW, 3/8" NC X 2-1/2", HEX HEAD (VOLUTE) |
| 18 | 41907 | 41907 | 4 | CAP SCREW, 3/8" NC X 1", SOCKET HEAD (SEAL PLATE, MOTOR MOUNT) |
| 19 | 41132 | BAC-54-650 | 1 | SLINGER, 7/8" SHAFT |
| 20 | 41943 | 41943 | 2 | SNAP RING, INTERNAL, FRAME |
| 21 | 30174 | ACAL-32 | 2 | SNAP RING, EXTERNAL, SHAFT |
| 22 | 40875 | 40875 | 2 | BALL BEARING, SEALED |
| 23 | 41085 | 41085 | 1 | KEY, .188 X .188 X .875 |
| 24 | 40066 | BAC-6-750-HYD-SS-WS | 1 | SHAFT, 11T FEMALE SPLINE, STAINLESS STEEL |
| 25 | 40793 | BAC-32-750 | 1 | SPACER, SHAFT |
| 26 | 43419 | 43419 | 1 | O-RING, FLANGE, M SERIES MOTOR (EFFECTIVE 6/15) |
| 27 | 43414 | 43414 | 1 | PAD, ABSORBENT, M SERIES MOTOR (EFFECTIVE 6/15) |
| 28 | 41355 | BAC-75-HYD-M22 | 1 | HYDRAULIC MOTOR, PRESSURE PLATED GEAR TYPE, 18 GPM |
| 28 | 41356 | BAC-75-HYD-M25 | 1 | HYDRAULIC MOTOR, PRESSURE PLATED GEAR TYPE, 20 GPM |
| 29 | 41445 | 41445 | 2 | O-RING, #10 SAE FITTING |
| 30 | 41442 | BAC-78-10SAE | 1 | REVERSE CHECK, #10 SAE MALE X 1/2" NPT FEMALE |
| 31 | 41446 | BAC-80-10SAE | 1 | BODY, ADAPTER/RESTRICTOR, #10 SAE MALE X 1/2" NPT FEMALE |
| NS | 55032 | 55032 | 1.32 | BARRIER FLUID, ROYAL PURPLE, QUART |
| NS | 52724 | RK-FMC-750 | - | REPAIR KIT, INCLUDES ITEMS 4 (2 PCS.), 9, AND 32 (2 QTS.) |

ACE 750 PWM Pump 550044



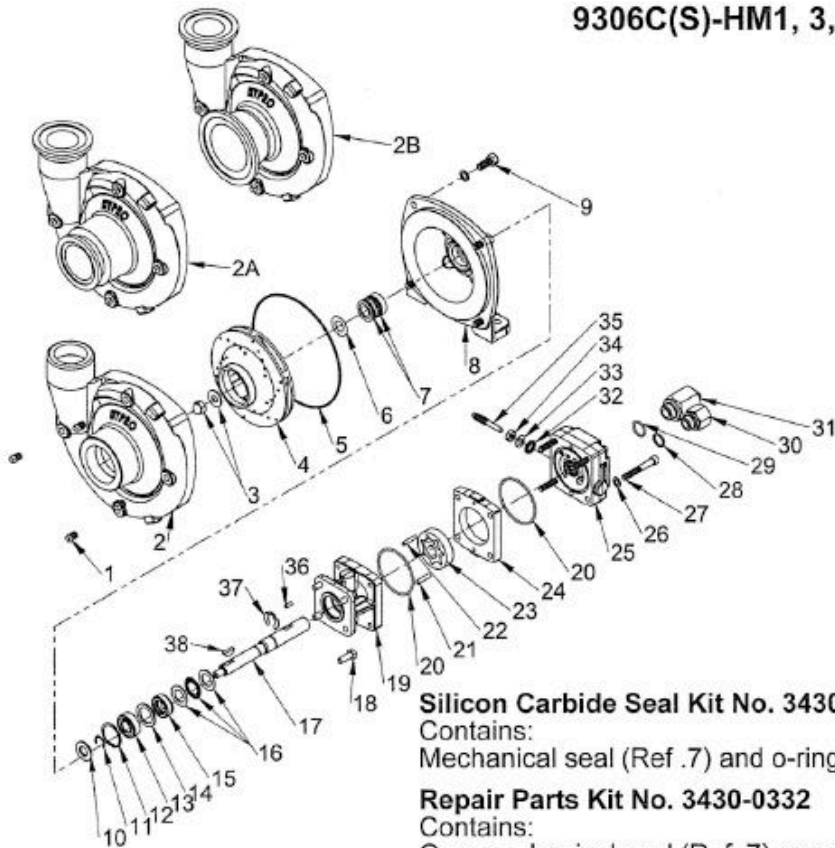
ACE 750 PWM Pump 550044 Parts List

| ITEM | EDP NO. | VENDOR NO. | QTY | DESCRIPTION |
|------|---------|----------------|-----|---|
| 0 | - | 550044 | 1 | PUMP ACE OASIS 750, PWM, COMPLETE |
| 1 | 41110 | BAC-53 | 4 | PIPE PLUG, 1/8" NPT |
| 2 | 30158 | BAC-12-750-FLG | 1 | VOLUTE, 300 X 220 FLANGE, CAST IRON, E-COATED |
| 3 | 40397 | 40397 | 1 | ACORN NUT, 5/8"-11 STAINLESS STEEL |
| 4 | 30009 | ACAL-4 | 2 | O-RING, VOLUTE SEAL |
| 5 | 30182 | BAC-26-750-CI | 1 | IMPELLER, CAST IRON, E-COATED |
| 5 | 30189 | BAC-26-750-SS | 1 | IMPELLER, 316 STAINLESS STEEL (OPTIONAL) |
| 6 | 45264 | BAC-16-750 | 1 | SEAL PLATE, CAST IRON, E-COATED |
| 7 | 41107 | 41107 | 1 | PLUG, #8 SAE X 1/4" FNPT, HEX HEAD, WITH O-RING |
| 8 | 41316 | 41316 | 1 | AIR VALVE, 1/4" NPT |
| 9 | 40147 | BAC-7-750V | 1 | DUAL SEAL ASSEMBLY |
| 10 | 40333 | BAC-14-750-HYD | 1 | MOUNTING FRAME, CAST IRON, E-COATED |
| 11 | 42701 | 42701 | 3 | WASHER, 3/8", VOLUTE DISCHARGE AND MOTOR MOUNT |
| 12 | 40952 | 40952 | 4 | CAP SCREW, 3/8" NC X 2-1/2", HEX HEAD (VOLUTE) |

| | | | | |
|----|--------------|----------------------------|------|--|
| 13 | 41108 | 41108 | 1 | PLUG, SAE #8, HEX HEAD, WITH O-RING |
| 14 | 44039 | 44039 | 1 | BUSHING, #8 SAE X 1/8" FNPT |
| 15 | 50150 | 50150 | 1 | PRESSURE GAUGE, 0-60 PSI, 1/8" NPT |
| 16 | 55851 | 55851 | 1 | SITE GAUGE, #8 SAE, STEEL |
| 17 | 45267 | 45267 | 4 | SPACER, SEAL PLATE |
| 18 | 41907 | 41907 | 1 | CAP SCREW, 3/8" NC X 1", SOCKET HEAD (SEAL PLATE, MOTOR MOUNT) 6 19 BAC-54-650 41132 SLINGER, 7/8" SHAFT |
| 20 | 41943 | 41943 | 2 | SNAP RING, INTERNAL, FRAME |
| 21 | 30174 | ACAL-32 | 2 | SNAP RING, EXTERNAL, SHAFT |
| 22 | 40875 | 40875 | 2 | BALL BEARING, SEALED |
| 23 | 41085 | 41085 | 1 | KEY, .188 X .188 X .875 |
| 24 | 40066 | BAC-6-750-HYD-SS-WS | 1 | SHAFT, 11T FEMALE SPLINE, STAINLESS STEEL |
| 25 | 40793 | BAC-32-750 | 1 | SPACER, SHAFT |
| 26 | 43414 | 43414 | 1 | PAD, ABSORBENT, M SERIES MOTOR |
| 27 | 43419 | 43419 | 1 | O-RING, FLANGE, M SERIES MOTOR |
| 28 | 41336 | BAC-75-HYD-M22-PWM | 1 | HYDRAULIC MOTOR, 18 GPM (65.9 LPM), WITH INTEGRATED VALVE |
| 29 | 41445 | 41445 | 2 | O-RING, #10 SAE FITTING |
| 30 | 41442 | BAC-78-10X10SAE | 1 | REVERSE CHECK, #10 SAE MALE X #10 SAE FEMALE |
| 31 | 55032 | 55032 | 1.32 | 55032 BARRIER FLUID, QUART 1.32 J RK-FMC-750 |
| NS | 52724 | | - | REPAIR KIT, INCLUDES ITEMS 4 (2 PCS.), 9, AND 31 (2 QTS.) |

HYPRO 9306 Pump 550045

9306C(S)-HM1, 3, 5C and 9306C(S)-HM1, 3, 5C-3U



NOTE: When ordering parts, give QUANTITY, PART NUMBER, DESCRIPTION, and COMPLETE MODEL NUMBER. Reference numbers are used ONLY to identify part in the drawing and are NOT to be used as order numbers.

Silicon Carbide Seal Kit No. 3430-0589

Contains:
Mechanical seal (Ref. 7) and o-ring (Ref. 5).

Repair Parts Kit No. 3430-0332

Contains:
One mechanical seal (Ref. 7), one o-ring (Ref. 5) and one rubber gasket (Ref. 6).

Parts Kit No. 3430-0881

Contains: One each ball bearing (Ref. 13), motor shaft seal (Ref. 15), thread seal gasket (Ref. 32), and washer (Ref. 33); two spacer O-rings (Ref. 20), and port adapter o-rings (Ref. 28 & 29).

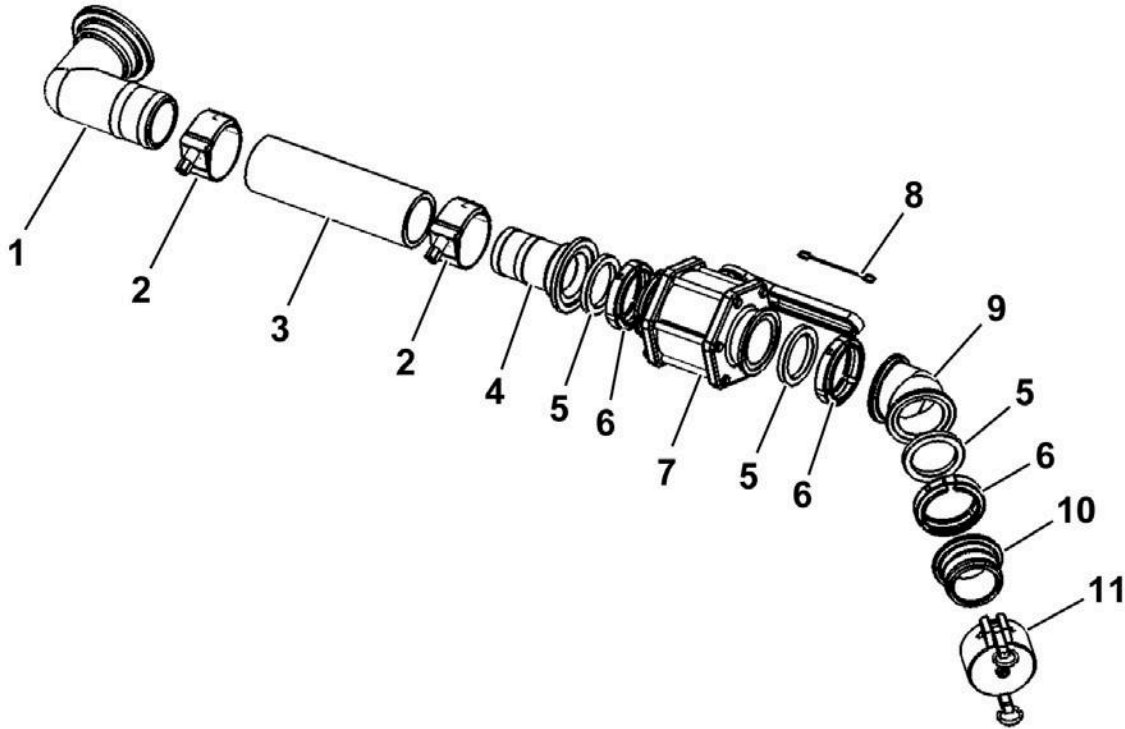
Hydraulic Motor Part Nos.

2540-0806C (HM1C Models)
2540-1606C (HM3C Models)
2540-1006C (HM5C Models)

| Ref. No. | Qty. Req'd. | Part No. | Description |
|----------|-------------|-------------|--|
| 1 | 4 | 2406-0016 | Drain/Vent Plug |
| 2 | 1 | 0154-9200C1 | Pump Casing (9306C) |
| 2 | 1 | 0154-9200S1 | Pump Casing (9306S) |
| 2A | 1 | 0157-9200C | Pump Casing (Universal Flange 2" X 2" Cast) |
| 2A | 1 | 0157-9200S | Pump Casing (Universal Flange 2" X 2" S.S) |
| 2B | 1 | 0158-9200C | Pump Casing (Universal Flange 3" X 2" Cast) |
| 2B | 1 | 0158-9200S | Pump Casing (Universal Flange 3" X 2" S.S.) |
| 3 | 1 | 3430-0825 | Impeller Nut (9306C and 9306S) |
| 4 | 1 | 0401-9200P2 | Impeller (Nylon Std. 9306C) |
| 4 | 1 | 0405-9100P2 | Impeller (Polypropylene Optional) (Std. 9306S) |
| 4 | 1 | 0407-9306P | Impeller (GTX Optional) |
| 5 | 1 | 3430-0332 | O-ring |
| 6 | 1 | 3430-0332 | Gasket |
| 7 | 1 | 3430-0332 | Mechanical Seal (Viton/Cermaic) (Std. 9306C) |
| 7 | 1 | 3430-0589 | Mechanical Seal (Silicon Carbide) (Std. 9306S) |
| 8 | 1 | 0750-9300C2 | Mounting Flange (9306C) |
| 8 | 1 | 0756-9300S | Mounting Flange (9306S) |
| 9 | 4 | 2210-0020 | Hex Head Cap Screw (9306C) |
| 9 | 4 | 2210-0125 | Hex Head Cap Screw (9306S) |
| 10 | 1 | 1410-0056 | Slinger Ring |
| 11 | 1 | 1810-0014 | Snap Ring |
| 12 | 1 | 1820-0013 | Retaining Ring |
| 13 | 1 | 3430-0881 | Ball Bearing |
| 14 | 1 | 1410-0154 | Spacer |
| 15 | 1 | 3430-0881 | Lip Seal |
| 16 | 1 | 2029-0014 | Thrust Bearing Assembly |
| 17 | 1 | 3430-0852 | Shaft (HM1C/HM5C) |
| 17 | 1 | 3430-0855 | Shaft (HM3C) |
| 18 | 4 | 2210-0005 | Hex Head Cap Screw |
| 19 | 1 | 0150-2540C | Motor Body (Includes needle bearing) |
| 19 | 1 | 0150-2542C | Motor Body Case Drain SAE -4 (Includes needle bearing) |

| Ref. No. | Qty. Req'd. | Part No. | Description |
|----------|-------------|-------------|--|
| 20 | 1 | 3430-0881 | O-ring |
| 21 | 1 | 1600-0095 | Dowel Pin (HM1C/HM5C) |
| 21 | 1 | 1600-0096 | Dowel Pin (HM3C) |
| 22 | 1 | 1600-0084 | Dowel Pin (HM1C/HM5C) |
| 22 | 1 | 1600-0085 | Dowel Pin (HM3C) |
| 23 | 1 | 3900-0022 | Gerotor (HM1C) |
| 23 | 1 | 3900-0024 | Gerotor (HM3C) |
| 23 | 1 | 3900-0048 | Gerotor (HM5C) |
| 24 | 1 | 0720-2803 | Gerotor Housing (HM1C Models) 1/2" wide |
| 24 | 1 | 0720-2806 | Gerotor Housing (HM3C Models) 1" wide |
| 24 | 1 | 0720-2804 | Gerotor Housing (HM5C Models) 5/8" wide |
| 25 | 1 | 0254-2500C2 | Motor End Plate (includes needle bearing) |
| 25 | 1 | 0254-2500C3 | Motor End Plate -8, -10 SAE, No Bypass (Includes needle bearing) |
| 26 | 4 | 2270-0039 | Washer |
| 27 | 4 | 2220-0021 | Cap Screw (HM1C Models) |
| 27 | 4 | 2220-0044 | Cap Screw (HM3C Models) |
| 27 | 4 | 2220-0032 | Cap Screw (HM5C Models) |
| 28 | 1 | 3430-0881 | O-ring |
| 29 | 1 | 3430-0881 | O-ring |
| 30 | 1 | 3360-0021A | Pressure Port Adapter (includes o-ring) |
| 31 | 1 | 3320-0051A | Tank Port Adapter (includes o-ring) |
| 32 | 1 | 3430-0881 | Gasket |
| 33 | 1 | 3430-0881 | Washer |
| 34 | 1 | 2250-0038 | Lock Nut |
| 35 | 1 | 3220-0029 | Bypass Adjusting Screw |
| 36 | 1 | 1610-0031 | Gerotor Key (HM1C/HM5C) |
| 36 | 1 | 1610-0055 | Gerotor Key (HM3C) |
| 37 | 1 | 1810-0026 | Snap Ring |
| 38 | 1 | 1610-0012 | Woodruff Key (9306C) |
| 38 | 1 | 04432-SHW | Woodruff Key (9306S) |

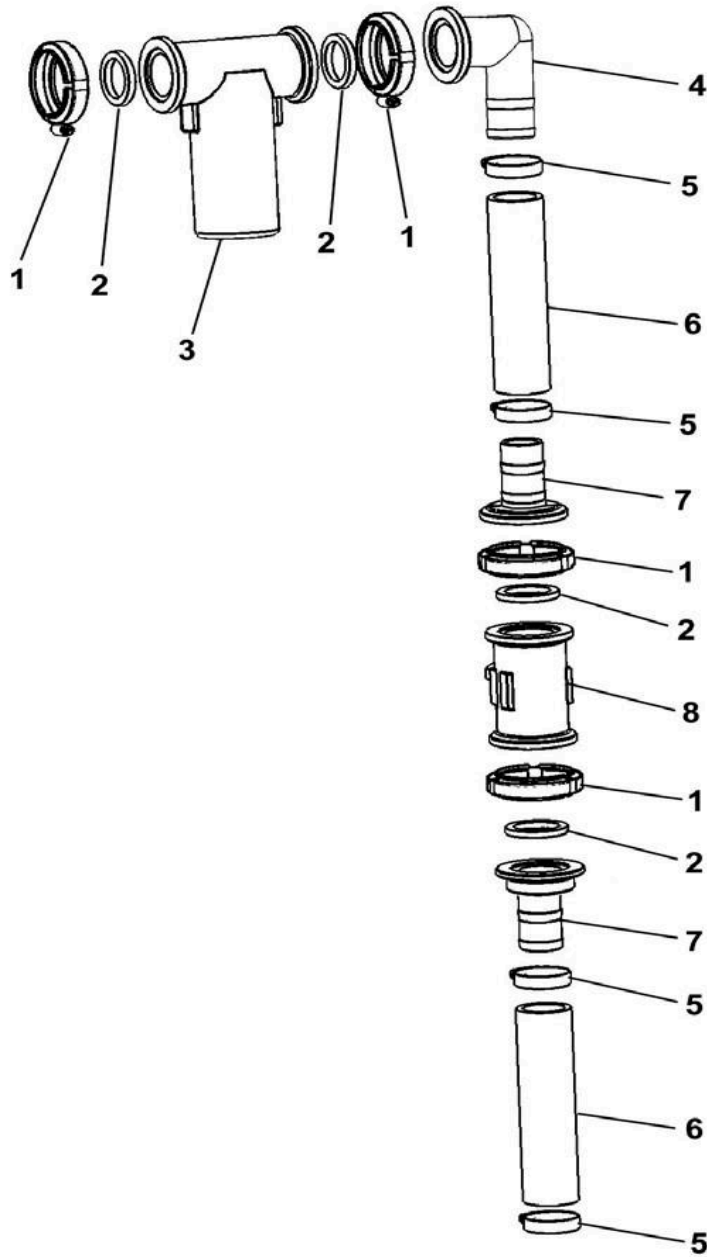
Quick Fill - Optional 3 Inch



Quick Fill - Optional 3 Inch Parts List

| ITEM | VENDOR PART NO. | PART NO. | QTY. | DESCRIPTION |
|------|-----------------|----------|------|--------------------------------|
| 1 | M300BRB90 | 530114 | 1 | 3" FLANGE X 3" HB-90 DEG |
| 2 | TC-343 | 540009 | 2 | CLAMP 3" T-BOLT HOSE 3.43 MM |
| 3 | 12012810 | 510004 | 1 | HOSE 3" FERTILIZER |
| 4 | M300BRR | 530113 | 1 | 3" FLANGE X 3" HOSE BARB |
| 5 | 300G | 530024 | 3 | 3" EPDM GASKET |
| 6 | FC300 | 540003 | 3 | CLAMP 3" WORM SCREW |
| 7 | M300FP | 500012 | 1 | VALVE 3" FPT X 3" PORT POLY |
| 8 | 79-12 | 530179 | 1 | CABLE LANYARD |
| 9 | M300CPG45 | 530234 | 1 | 3" MANIFOLD CPIG X 45 DEG |
| 10 | M300A | 530233 | 1 | ADAPTER, 3" MALE X 3" MALE THD |
| 11 | 300CAP | 530023 | 1 | 3" CAP |

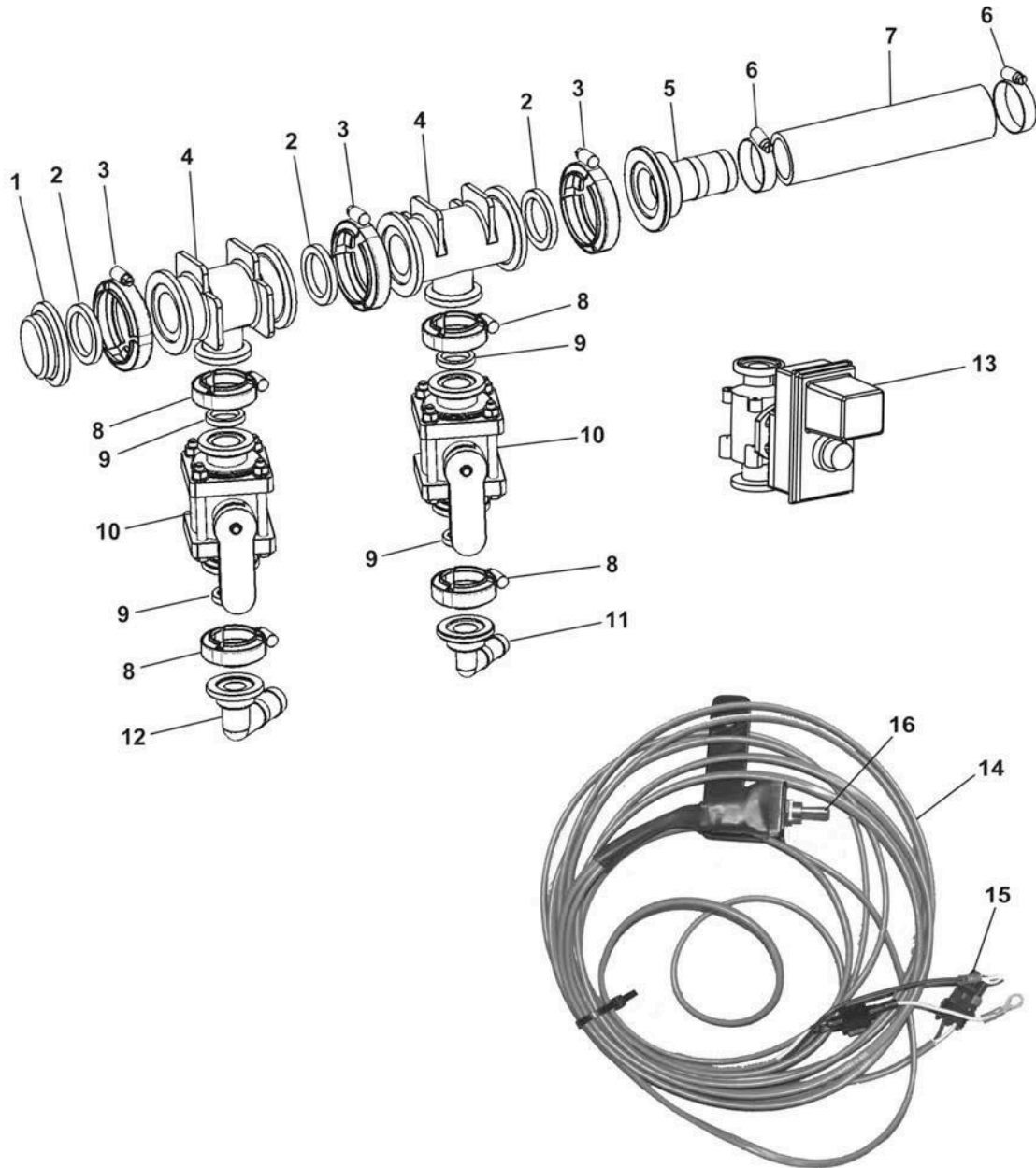
Raven Flow Controls



Raven Flow Controls Parts List

| ITEM | VENDOR PART NO. | PART NO. | QTY. | DESCRIPTION |
|-------------|------------------------|-----------------|-------------|---|
| 1 | FC220 | 540002 | 4 | MANIFOLD CLAMP 2" FULL PORT |
| 2 | 150G | 530014 | 4 | GASKET 2" PORT |
| 3 | 063-0171-894 | 631805 | 1 | RAVEN MOTORIZED CONTROL, 2-WAY MOLDED CONNECTOR |
| 4 | M200150BRB90 | 530080 | 1 | MANIFOLD ELBOW 2" FULL PORT X 1.5" HOSE BARB |
| 5 | 64024H | 540016 | 4 | CLAMP STAINLESS STEEL 1-1/2" |
| 6 | BS-1-1/2BH200 | 510014 | AR | HOSE EDPM 1-1/2" |
| 7 | M200150BRB | 530100 | 2 | MANIFOLD HOSE BARB 2" X 1.5" HOSE BARB |
| 8 | 063-0171-0793 | 631804 | 1 | RAVEN FLOW METER |

Agitation & Rinse Control



Agitation & Rinse Control Parts List

| ITEM | VENDOR PART NO. | PART NO. | QTY. | DESCRIPTION |
|------|-----------------|----------|------|--|
| 1 | M200PLG | 530093 | 1 | MANIFOLD PLUG 2" |
| 2 | 150G | 530014 | 3 | 1.5" EPDM GASKET |
| 3 | FC200 | 540001 | 3 | MANIFOLD CLAMP |
| 4 | M200100TEE | 530075 | 2 | MANIFOLD TEE 2 X 1" |
| 5 | M200150BRB | 530079 | 1 | MANIFOLD HOSE BARB 1-1/2" |
| 6 | 64024H | 540016 | 2 | CLAMP HOSE 1-1/2 |
| 7 | 1-1/2 EDPM | 510014 | 4' | HOSE SPRAY 1-1/2 GOODYEAR |
| 8 | FC100 | 540000 | 4 | MANIFOLD CLAMP 1" |
| 9 | M100G | 530068 | 4 | GASKET 1" |
| 10 | MV100CF | 500005 | 2 | MANIFOLD VALVE 1" |
| 11 | M100075BRB90 | 530060 | 1 | MANIFOLD ELBOW 1" X 3/4" HB TO RINSE BALLS |
| 12 | M100BRB90 | 530061 | 1 | MANIFOLD ELBOW 1" HB TO AGITATION |
| 13 | PL344BR-24-CEC | 500001 | 2 | VALVE BALL ELECTRIC AGITATION (OPTIONAL) |
| 14 | | 90SAEASA | 1 | CONTROL HARNESS ELECTRIC AGITATION |
| 15 | | 560021 | 1 | FUSE 15 AMP |
| 16 | | 560043 | 1 | SWITCH |

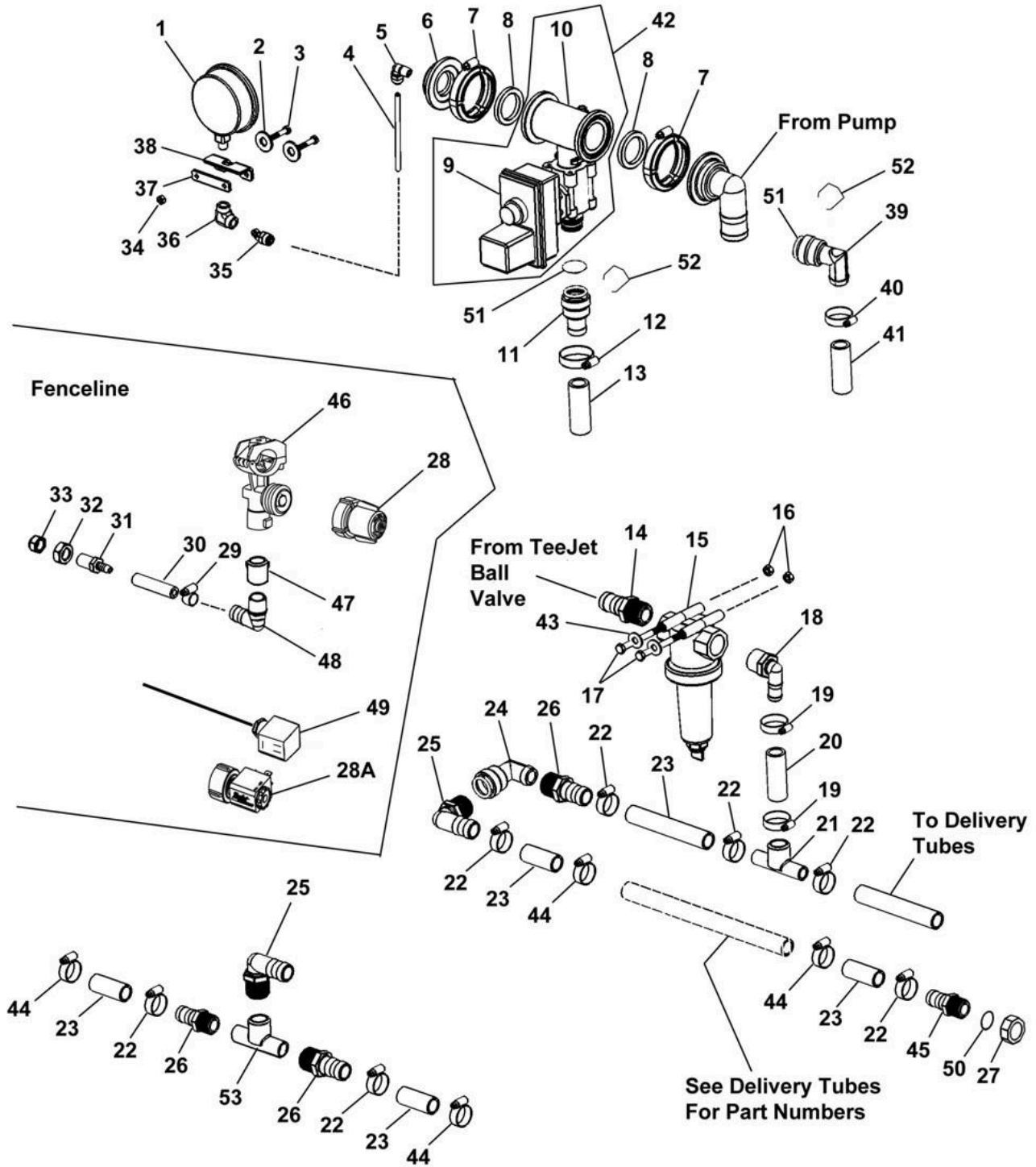
Agitation Shut-Off, Electric Option



Agitation Shut-Off, Electric Option Parts List

| ITEM | PART NO. | QTY. | DESCRIPTION |
|------|----------|------|---|
| 1 | 11145BLK | 1 | SWITCH BRACKET |
| 2 | 500064 | 1 | VALVE 356 Ser ON/OFF ELECTRIC AGITATION |
| 3 | 530066 | 1 | 1" MANIFOLD X 1" HOSE BARB |
| 4 | 530068 | 2 | 1" EPDM GASKET FOR MANIFOLD |
| 5 | 530362 | 1 | 1" MANIFOLD COUPLING, 90° |
| 6 | 540000 | 2 | CLAMP, 1" WORM SCREW |
| 7 | 631970 | 1 | CABLE, ELECTRIC AGITATION ON/OFF |
| 8 | 800016 | 1 | DECAL, ELECTRIC AGITATION |

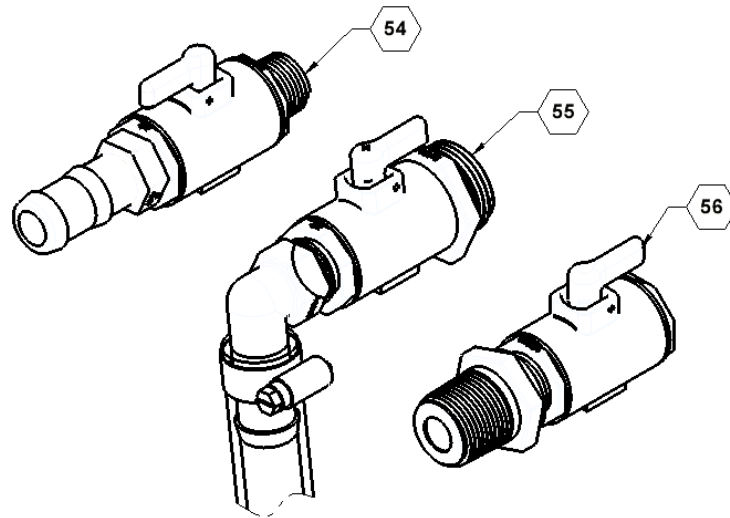
Boom Plumbing



Boom Plumbing Parts List

| ITEM | VENDOR PART NO. | PART NO. | QTY. | DESCRIPTION |
|------|------------------|----------|------|--|
| 1 | 4154-GXX-160 | 790020 | 1 | PRESSURE GUAGE 0-160 PSI |
| 2 | | 256 | 2 | WASHER FLAT 1/4" ZP |
| 3 | | 103 | 2 | BOLT HH 1/4 X 1-1/2 GR5 ZP |
| 4 | 2T20-003 | 510023 | AR | TUBING POLY 1/4" OD |
| 5 | 44103211 | 530004 | 1 | Q-LOCK CONNECTOR ELBOW 1/4" MPT X 1/4" HOSE |
| 6 | M200PLG025 | 530094 | 1 | MANIFOLD PLUG 2" X 1/4" PORT |
| 7 | FC200 | 540001 | AR | MANIFOLD CLAMP 2" STANDARD |
| 8 | 150G | 530014 | AR | MANIFOLD GASKET 2" |
| 9 | | 500027 | AR | VALVE 450BEC MANIFOLD (NARROW) (NON-FLOWBACK) |
| 9 | | 500028 | AR | VALVE 450BEC MANIFOLD (WIDE) (NON-FLOWBACK) |
| 9 | 50516-6 | 500029 | AR | VALVE 450BEC MANIFOLD (WIDE) (FLOWBACK) |
| 10 | 56609-2-F | | AR | VALVE SUB-ASSEMBLY |
| 11 | 45529-1" | 530190 | AR | QUICK CONNECTOR SUB-ASSEMBLY |
| 12 | 64016H | 540014 | AR | HOSE CLAMP 1" |
| 13 | 1BH200 | 510016 | AR | HOSE SPRAY EDPM 1" ID |
| 14 | HB100 | 530041 | AR | HOSE BARB 1" MPT X 1" HB |
| 15 | LST100-80 | 530474 | AR | STRAINER LINE 80 MESH SCREEN (LST180 SCREEN) |
| 16 | | 236 | AR | NUT HH 5/16" CL ZP |
| 17 | | 120 | AR | BOLT HH 5/16 X 3-1/2 GR5 ZP |
| 18 | HB100-90 | 530044 | AR | HOSE BARB ELBOW 1" MPT X 1" HOSE |
| 19 | 64016H | 540014 | AR | HOSE CLAMP 1" |
| 20 | 1BH100 | 510016 | AR | HOSE SPRAY EDPM 1" ID |
| 21 | HB100 | 530056 | AR | HOSE BARB 1" X 1" TEE |
| 22 | 64016H | 540014 | AR | HOSE CLAMP 1" |
| 23 | 1BH200 | 510016 | AR | HOSE SPRAY EDPM 1" ID |
| 24 | EL100-90 | 530310 | AR | ELBOW 1" FPT |
| 25 | HB100-90 | 530044 | AR | HOSE BARB ELBOW 1" MPT X 1" HOSE |
| 26 | HB100 | 530041 | AR | HOSE BARB 1" MPT X 1" HB |
| 27 | V13N34 | 530245 | AR | CAP 1" FPT |
| 28 | 58140 | 520037 | AR | FENCELINE NOZZLE BODY, MANUALLY CONTROLLED |
| 28A | 55280-1 | 520038 | AR | FENCELINE NOZZLE BODY, ELECTRICALLY CONTROLLED |
| 29 | 345-005 | 540032 | 2 | HOSE CLAMP 3/8" |
| 30 | 3/8BH200 | 510020 | AR | HOSE SPRAY EDPM 3/8" |
| 31 | 1338D | 530306 | 2 | FENCELINE NOZZLE BODY |
| 32 | 3B12 | 530206 | 2 | NOZZLE BODY NUT |
| 33 | CP8027-NYB | 520019 | 2 | NOZZLE TIP NUT |
| 34 | | 227 | 2 | NUT HH 1/4" NYLOCK ZP |
| 35 | 44103206 | 530001 | 1 | Q-LOCK CONNECTOR 1/4" MPT X 1/4" HOSE |
| 36 | 5504-04-04-SS | 610006 | 1 | ELBOW 1/4" NPT STAINLESS STEEL |
| 37 | | 11758 | 1 | GUAGE BRACKET |
| 38 | | 11786 | 1 | GUAGE STRAP |
| 39 | 45529-90-1 | 530190 | 1 | ELBOW 3/4" RETURN TO TANK |
| 40 | 64012H | 540013 | 1 | CLAMP 3/4" |
| 41 | BS-3/4 BH200 | 510019 | 1 | HOSE 3/4" |
| 42 | | 500027 | AR | VALVE 450BEC MANIFOLD (NARROW) (NON-FLOWBACK) (ITEMS 9 & 10) |
| 42 | | 500028 | AR | VALVE 450BEC MANIFOLD (WIDE) (NON-FLOWBACK) (ITEMS 9 & 10) |
| 42 | 54608-15-450BEC3 | 500029 | AR | VALVE 450BEC MANIFOLD (WIDE) (FLOWBACK) (ITEMS 9 & 10) |
| 43 | | 257 | AR | 5/16" WASHER |
| 44 | TC-130 | 540037 | AR | T-BOLT CLAMP |
| 45 | 3D34100 | 530275 | AR | HOSE BARB |
| 46 | QJ17560A-25M | 520030 | AR | BODY SINGLE |
| 47 | Q54676-1/4-NYR | 530248 | AR | ADAPTER |
| 48 | 3EL14628 | 530209 | AR | 1/4 X 3/8" BARB 90° |
| 49 | 58480-2 | 530429 | AR | CABLE, CHEM SAVER ELECTRIC OPTION |

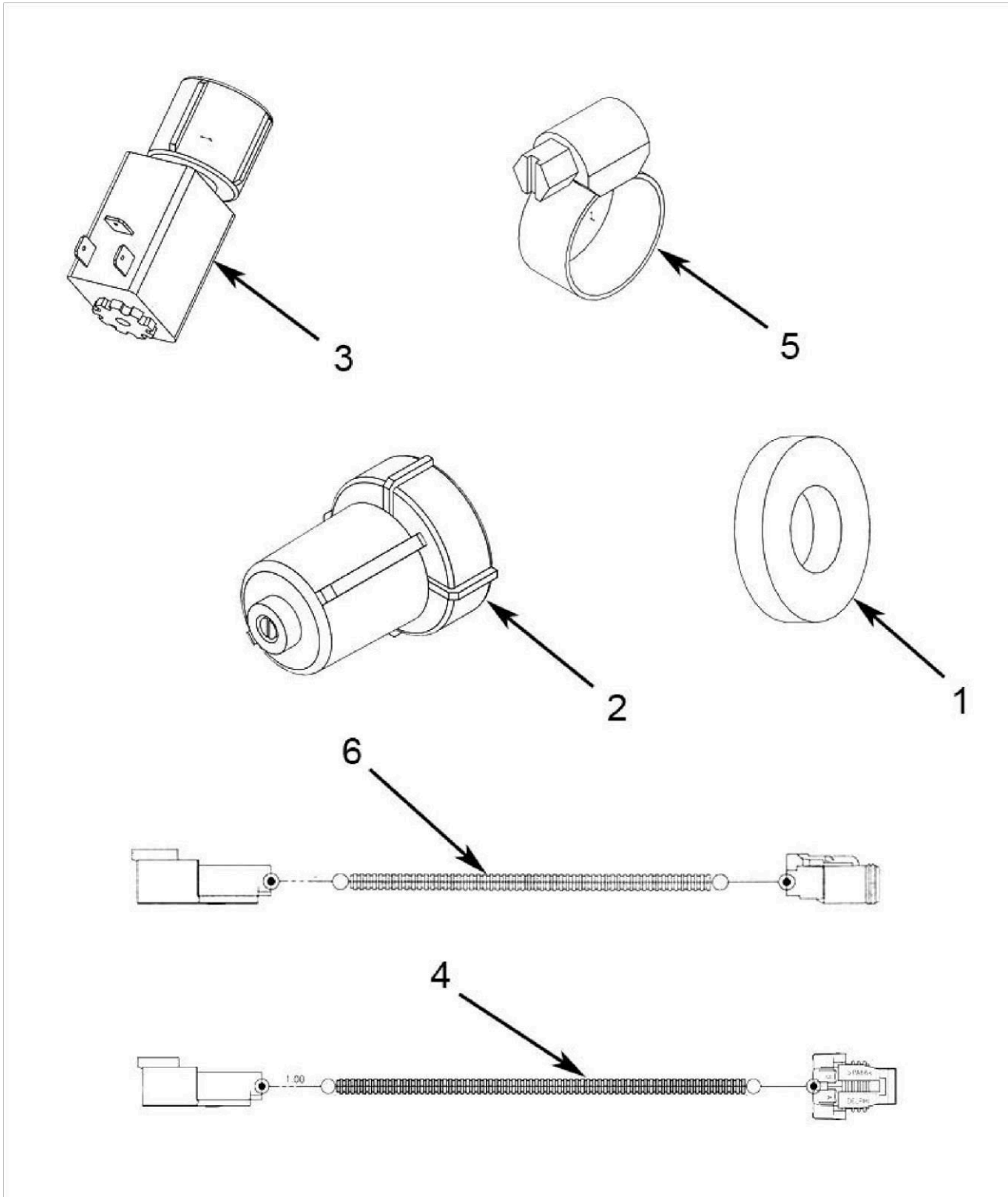
Boom Plumbing (continued)



Parts List: Boom Plumbing (continued)

| ITEM | PART NO. | QTY. | DESCRIPTION |
|------|----------|------|-----------------------------|
| 50 | 530227 | AR | CAPGASKET |
| 51 | 530198 | AR | O-RING |
| 52 | 530193 | AR | RETAINING CLIP |
| 53 | 530147 | AR | TEE 1" NPT |
| 54 | 90SASC1 | AR | ASSEMBLY, STRAINER DRAIN 1" |
| 55 | 90SASC2 | AR | ASSEMBLY, STRAINER DRAIN 2" |
| 56 | 90SASC3 | AR | ASSEMBLY, STRAINER DRAIN 3" |

Fence Line Option

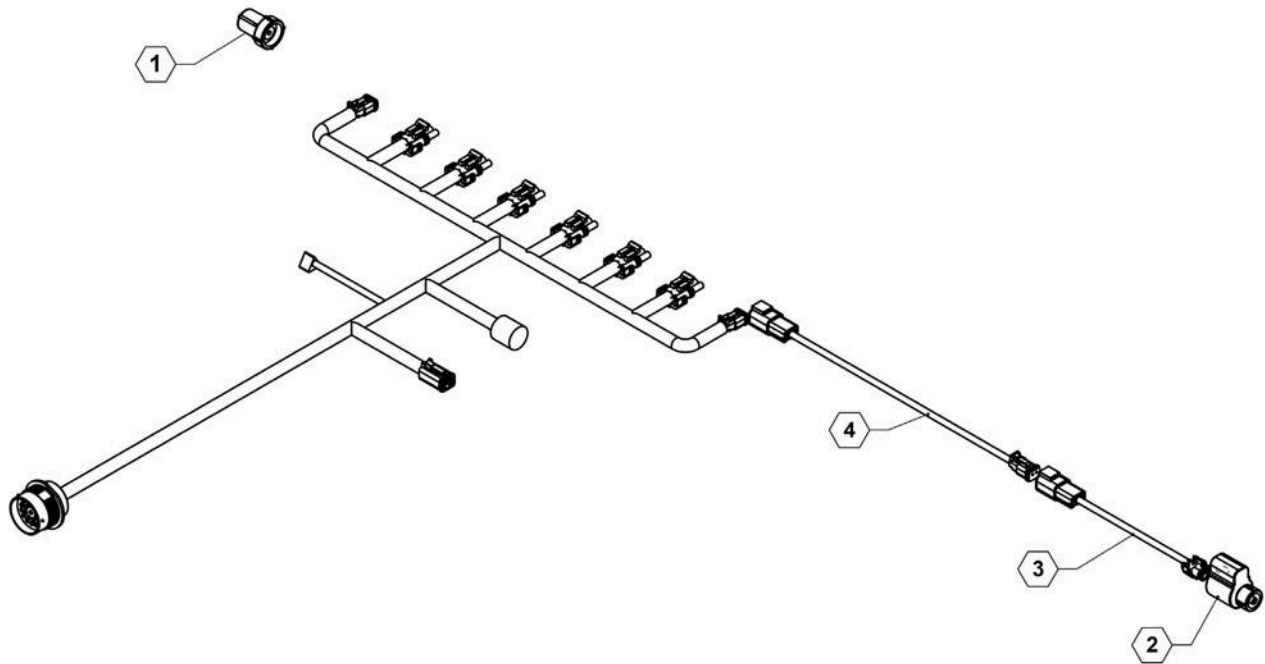


Fence Line Option Parts List

| ITEM | PART NO. | QTY. | DESCRIPTION |
|------|----------|------|------------------------------|
| 1 | 520016 | 2 | NOZZLE SEAT WASHER, RUBBER |
| 2 | 520037 | 2 | NOZZLE MANUAL CHEM SAVER |
| 3 | 520038 | 2 | NOZZLE ELECTRIC CHEM SAVER |
| 4 | 632044 | 2 | CABLE ADAPTER 2P DT TO 2P 6" |
| 5 | 540032 | 4 | CLAMP, HOSE 5/16" |
| 6 | 632054 | 2 | 55' FENCE ROW CABLE |

Single Fence Line, Display Control

NOTE:
1. FOR USE WITH RAVEN RCM AND JD RC2000

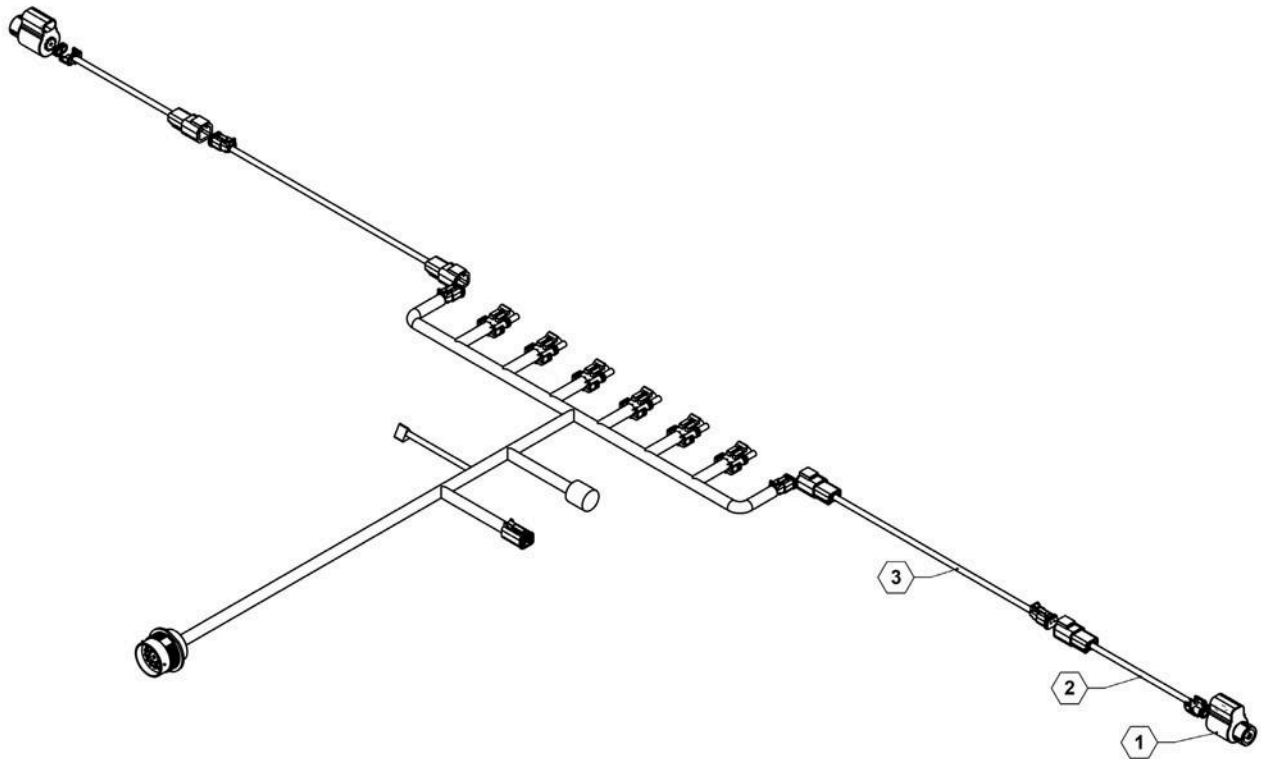


Single Fence Line, Display Control Parts List 27360

| ITEM | PART NO. | QTY. | DESCRIPTION |
|------|----------|------|----------------------------|
| 1 | 520037 | 1 | VALVE, MANUAL CHEMSAVER |
| 2 | 520038 | 1 | VALVE, ELECTRIC CHEMSAVER |
| 3 | 632044 | 1 | FENCEROW ADAPTER CABLE, 6" |
| 4 | 632054 | 1 | FENCEROW CABLE, 55' |

Dual Fence Line, Display Control

NOTE:
1. FOR USE WITH RAVEN RCM AND JD RC2000

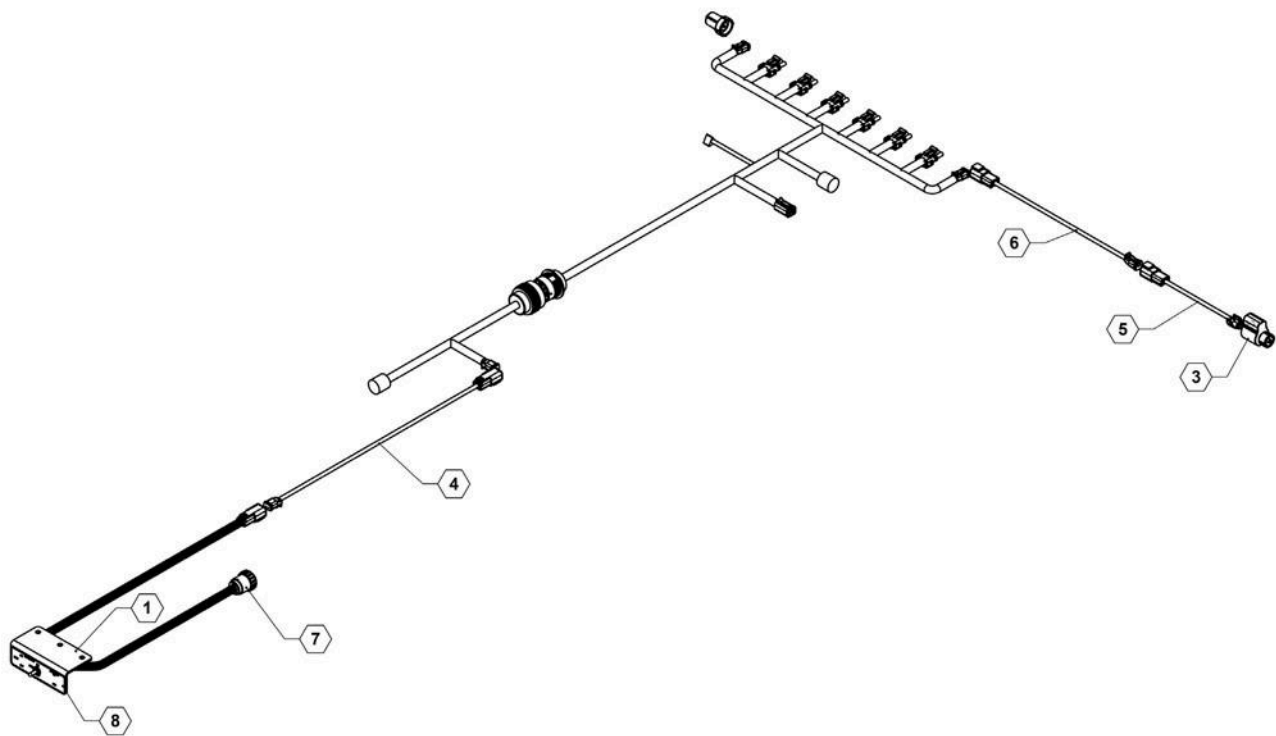


Dual Fence Line, Display Control Parts List 27361

| ITEM | PART NO. | QTY. | DESCRIPTION |
|------|----------|------|----------------------------|
| 1 | 520038 | 2 | VALVE, ELECTRIC CHEMSAVER |
| 2 | 632044 | 2 | FENCEROW ADAPTER CABLE, 6" |
| 3 | 632054 | 2 | FENCEROW CABLE, 55' |

Single Fence Line, Toggle Switch Control

NOTE:
1. FOR USE WITH RAVEN 450, JD GREENSTAR & OTHER 16 & 37 PIN CABLING CONTROLLERS

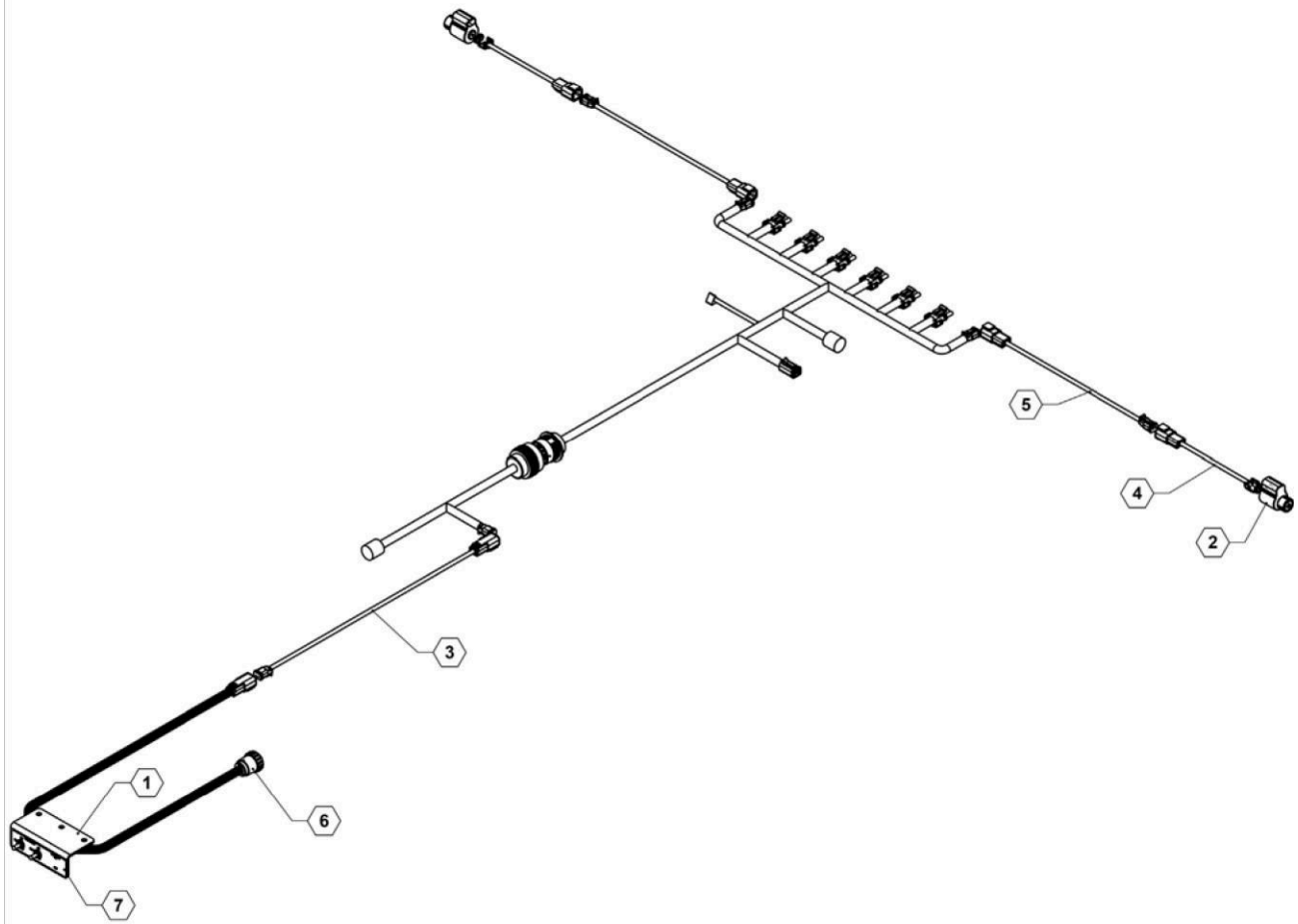


Single Fence Line, Toggle Switch Control Parts List 27362

| ITEM | PART NO. | QTY. | DESCRIPTION |
|------|----------|------|---|
| 1 | 18437 | 1 | PLATE, M OUNT |
| 2 | 520037 | 1 | VALVE, M ANUAL CHEM SAVER |
| 3 | 520038 | 1 | VALVE, ELECTRIC CHEM SAVER |
| 4 | 632042 | 1 | 2 PIN DT 40' CABLE EXTENSION |
| 5 | 632044 | 1 | FENCEROW ADAPTER CABLE, 6" |
| 6 | 632054 | 1 | FENCEROW CABLE, 55' |
| 7 | 632089 | 1 | CABLE, SINGLE ELECTRIC FENCELINE NOZZLE |
| 8 | 800261 | 1 | DECAL, FENCELINE & AGITATION |

Dual Fence Line, Toggle Switch Control

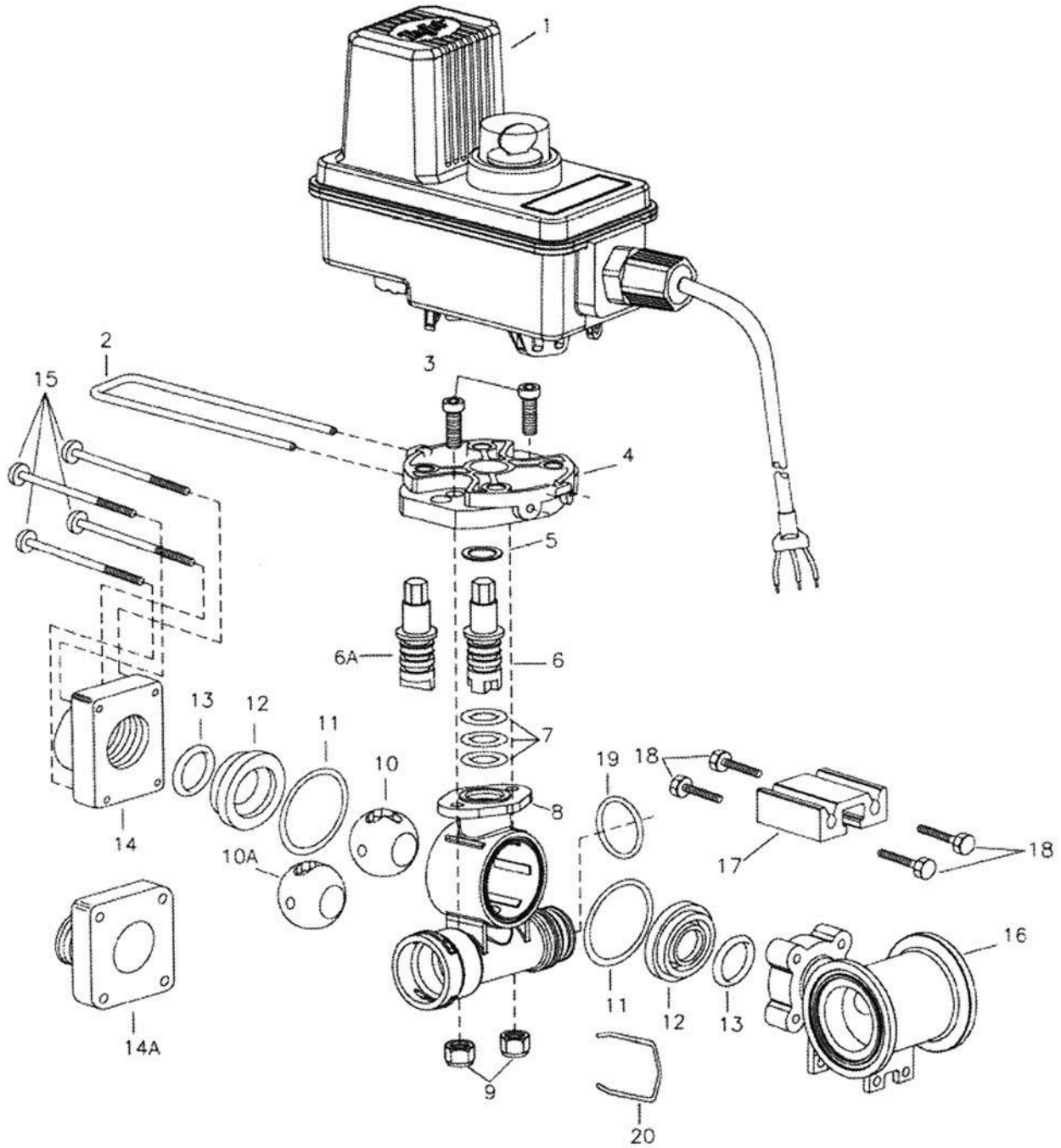
NOTE:
1. FOR USE WITH RAVEN 450, JD GREENSTAR & OTHER 16 & 37 PIN CABLING CONTROLLERS



Dual Fence Line, Toggle Switch Control Parts List 27363

| ITEM | P ART NO. | QTY. | DES CRIP TION |
|------|-----------|------|--|
| 1 | 18437 | 1 | PLATE, MOUNT |
| 2 | 520038 | 2 | VALVE ELECTRIC CHEM-SAVER |
| 3 | 632042 | 1 | 2 PINDT 40' CABLE EXTENSION |
| 4 | 632044 | 2 | FENCE ROW ADAPTER CABLE, 6" |
| 5 | 632054 | 2 | FENCE ROW CABLE, 55' |
| 6 | 632088 | 1 | CABLE, DUAL ELETRIC FENCE LINE NOZZLES |
| 7 | 800261 | 1 | DECAL, FENCELINE & AGITATION |

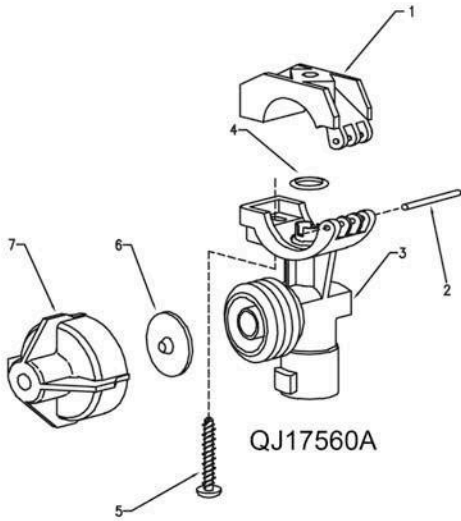
Plumbing Valves



Plumbing Valves Parts List

| ITEM | VENDOR PART NO. | QTY. | DESCRIPTION |
|------|--------------------|------|---|
| 0 | PL450BEC-FB | 1 | SHUT-OFF VALVE |
| 1 | TJ505156 | 1 | BEC MOTOR, 22 RPM (.07 SEC) |
| 2 | CP50517-SSPV | 1 | RETAINING CLIP, 304 STAINLESS |
| 3 | CP26197-PP | 2 | SCREW, 1/4"-20 X 7/8", STAINLESS |
| 4 | CP50514-PP | 1 | MOTOR ADAPTER, POLY BLACK |
| 5 | CP20125-TEF | 1 | THRUST WASHER, TEFLON |
| 6 | CP56613-SS | 1 | STEM, 303 STAINLESS (FOR POLY BALL) |
| 7 | CP7717-M12X2.5-V1 | 3 | O-RING, VITON |
| 8 | CP55233-NYB | 1 | FLOW BACK BODY, NYLON BLACK |
| 9 | CP38435-1/4-SSNY | 2 | ELASTIC LOCKNUT, 1/4-20, STAINLESS |
| 10 | CP20106-2-PP | 1 | FLOW BACK BALL, POLY, WHITE |
| 10A | CP19926-2-SS | 1 | FLOW BACK BALL, 303 STAINLESS |
| 11 | CP20564 | 2 | GASKET, VITON |
| 12 | CP20103-TEF | 2 | SEAL, TEFLON |
| 13 | CP7717-2-2132VI | 2 | O-RING, VITON |
| 14A | CP45514-NYB | 1 | END CAP, NYLON, BLACK, QUICK CONNECT |
| 15 | CP45252-2-3/4-SSPV | 4 | SCREW, 1/4-12 X 2-3/4 PAN HEAD, SS |
| 16 | CP55224-PP | 1 | #75 NARROW TEE BODY, POLY, BLACK |
| 17 | CP45216-AL | 1 | MOUNTING RAIL, ALUMINUM |
| 18 | CP45259-SS | 4 | SCREW, M6 X 1 X 16MM HEX, SS |
| 19 | CP7717-3-912-VI | 2 | O-RING, VITON |
| 20 | CP37166-1-302SS | 2 | QUICK CONNECT RETAINING CLIP, 302 SS |
| | 56609-3FB-_-_- | 1 | VALVE BODY SUB ASSEMBLY, SPECIFY OUTLET SIZE & BALL MATERIAL (INCLUDES ITEMS 1-3) |
| | AB344AE-KIT | 1 | SPARE PARTS KIT |

Nozzle Bodies



QJ17560A

| ITEM | PART NO. | DESCRIPTION |
|------|---------------------|--|
| 1 | CP48224-NYB | Upper Clamp, 25mm, Nylon (Black) |
| 2 | CP48256-SS | Pivot Pin, Stainless Steel |
| 3 | CP48498-NYB | Body, 3/4", Nylon (Black) (for 3/4" and 25mm versions) |
| 4 | CP7717-2/110-BU | O-Ring, Buna-N |
| | CP7717-2/110-VI | O-Ring, Viton (Optional) |
| 5 | CP48255-1 1/4-302SS | Screw, Stainless Steel |
| 6 | CP21953-EPR | Diaphragm, EPDM |
| | CP21953-VI | Diaphragm, Viton (Optional) |
| 7 | 21950-10-NYB | End Cap Sub-Ass'y, Nylon (Black) |

No. QJ17560A-25mm-NYB(-VI) - Hinged Nozzle Body Assembly

| ITEM | PART NO. | DESCRIPTION |
|------|---------------------|---|
| 1 | CP38930-8-NYB | Plug, Nylon (Black) |
| 2 | CP7717-2-13-EPR | O-Ring, EPDM |
| | CP7717-2-13-VI | O-Ring, Viton (Optional) |
| 3 | CP38931-NYB | E-Clip, Nylon (Black) |
| 4 | CP7717-M28x3-EPRTFE | O-Ring, EPR-Teflon Filled (2 Req'd.) |
| | CP7717-M28x3-VITFE | O-Ring, Viton-Teflon Filled (2 Req'd.) (Optional) |
| 5 | CP56726-VITFE | Seal, Viton-Teflon Filled |
| 6 | CP7717-2-111-VI | O-Ring, Viton |
| 7A | CP38921-2-NYB | Turret, Nylon (Black) (3 Outlet) |
| 7B | CP38922-2-NYB | Turret, Nylon (Black) (4 Outlet) |
| 7C | CP38923-2-NYB | Turret, Nylon (Black) (5 Outlet) |
| 8 | CP21953-EPR | Diaphragm, EPDM |
| | CP21953-VI | Diaphragm, Viton (Optional) |
| 9 | 21950-10-NYB | End Cap Sub-assembly, Nylon (Black) |
| 10 | CP38925-2-NYB | 3/4" & 25mm Body, Nylon (Black) |
| 11 | CP7717-2-110-BU | O-Ring, Buna-N |
| | CP7717-2-110-VI | O-Ring, Viton (Optional) |
| 12 | CP48255-1-1/4-302SS | Screw, Stainless Steel |
| 13 | | |
| | CP48224-NYB | 25mm Upper Clamp, Nylon (Black) |
| 14 | CP48256-SS | Pivot Pin, Stainless Steel |

No. QJ36_C-25MM-NYB(-VI) - 25mm Wet Boom Nozzle Body*

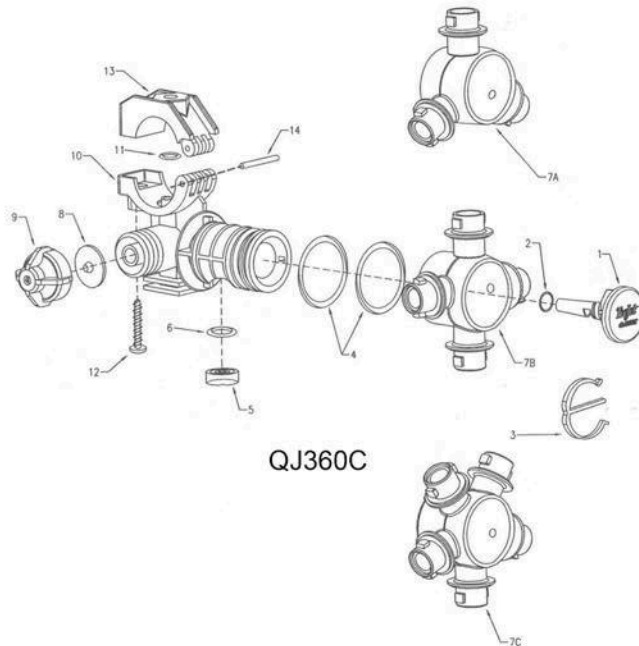
*Notes: Specify Either 3, 4, or 5 in Part Number For Number of Outlets Desired, -VI in Part Number Specifies Viton O-Ring Option

DESCRIPTION:
 QJ17560A HINGED CLAMP
 WET BOOM DIAPHRAGM
 CHECK VALVE QUICK TEEJET®
 NOZZLE BODY ASSEMBLY
 (1/2", 3/4", 1", 20mm, & 25mm)

Spraying Systems Co.
 Spray Nozzles and Accessories
 P.O. Box 7900 - Wheaton, IL 60189-7900

Rev. No. _____
 Ref. _____

Parts List No.
PL QJ17560A
 SHEET OF _____



QJ360C

DESCRIPTION:
 QJ360C WET BOOM
 DIAPHRAGM CHECK VALVE
 QUICK TEEJET® HINGED
 NOZZLE BODY ASSEMBLY

Spraying Systems Co.
 Spray Nozzles and Accessories
 P.O. Box 7900 - Wheaton, IL 60189-7900

Rev. No. 1
 Ref. _____

PARTS LIST
PL QJ360C-WB
 SHEET OF _____



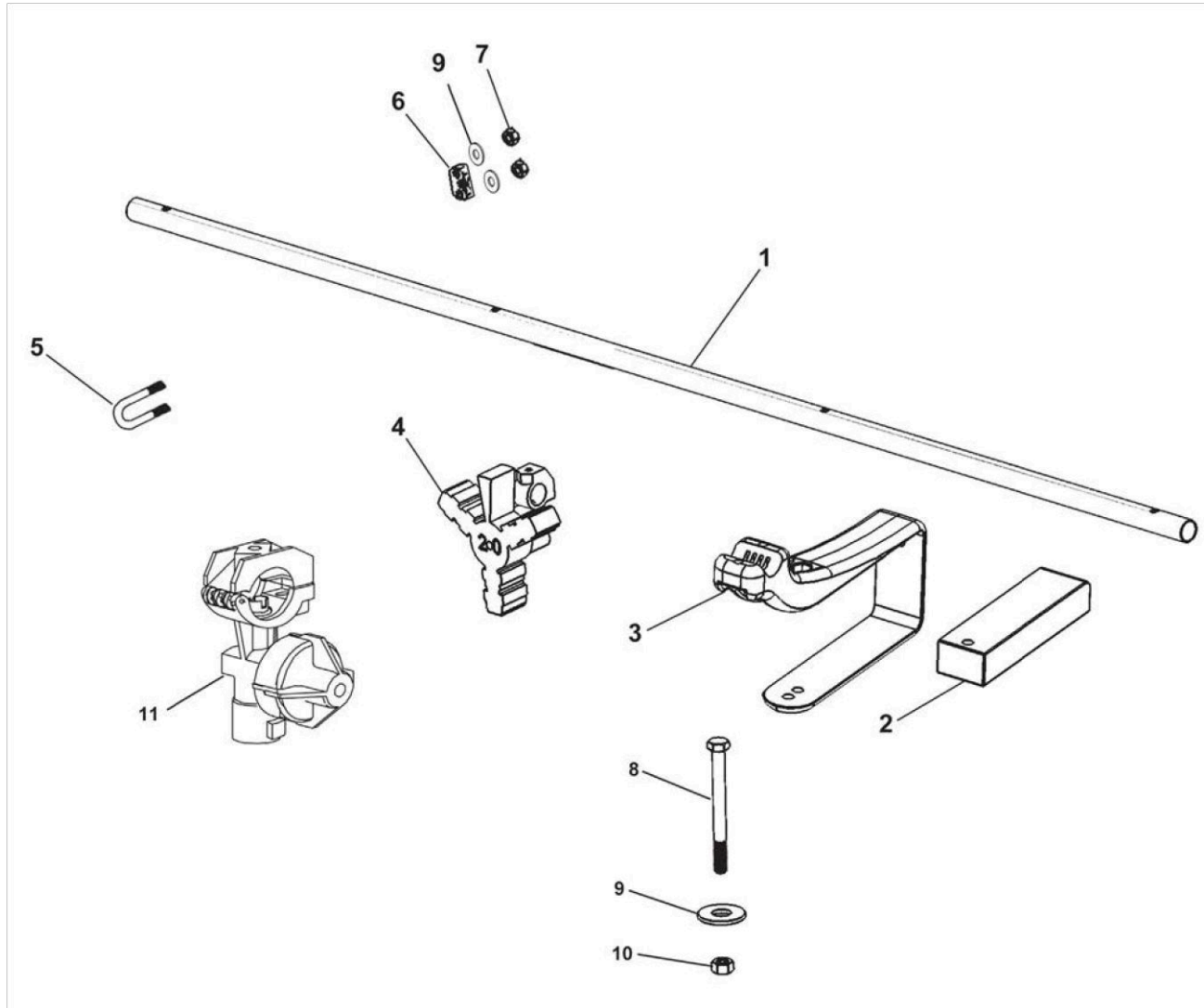
QJ375



QJ373



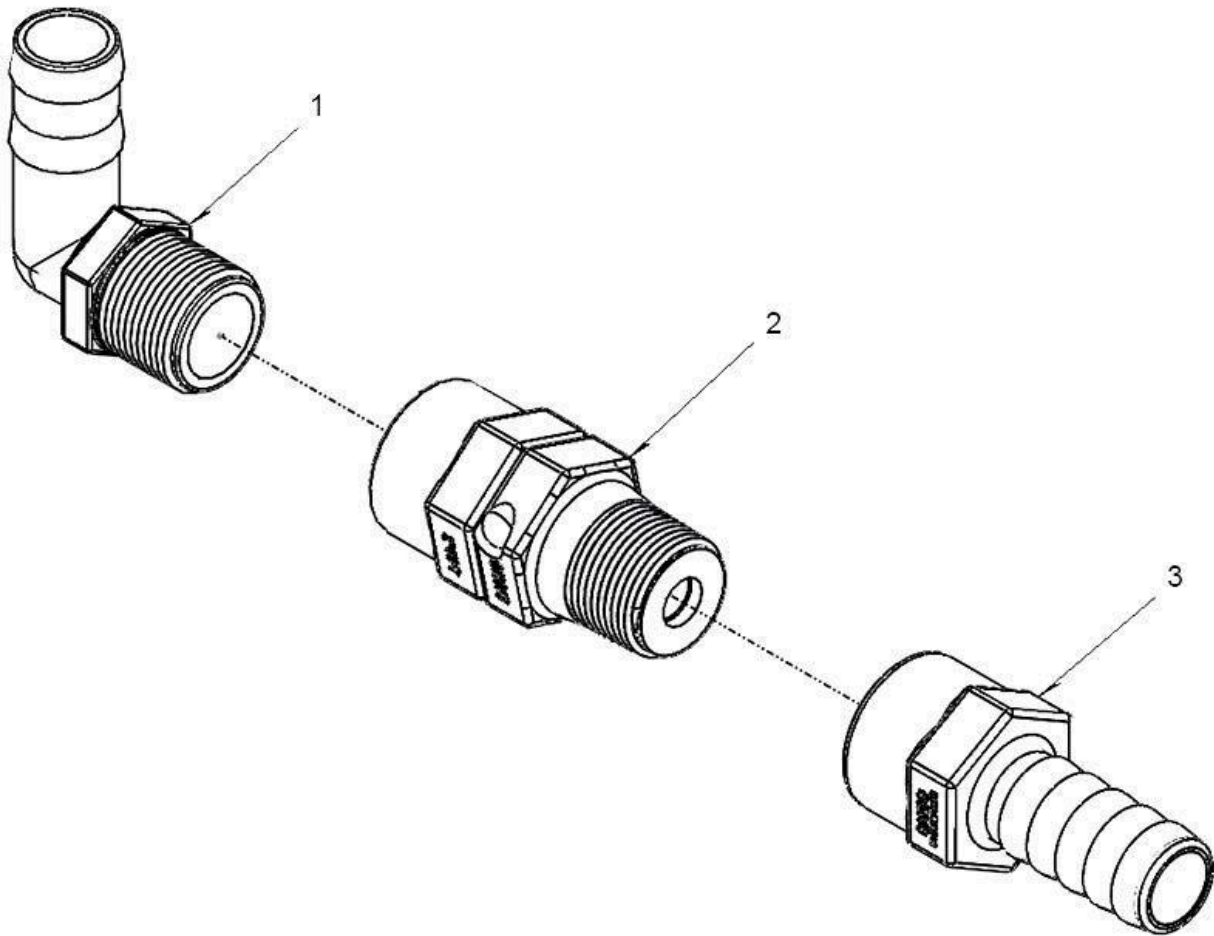
Delivery Tubes



Delivery Tubes Parts List

| ITEM | PART NO. | QTY. | DESCRIPTION |
|------|----------|------|---|
| 1 | 14301 | A R | TUBE, 6 P ORT 15 INCH S PACING + FENCELINE V ALVE |
| 1 | 14302 | A R | TUBE, 2 P ORT 15 INCH S PACING |
| 1 | 14303 | A R | TUBE, 3 P ORT 15 INCH S PACING |
| 1 | 14304 | A R | TUBE, 4 P ORT 15 INCH S PACING |
| 1 | 14305 | A R | TUBE, 5 P ORT 15 INCH S PACING |
| 1 | 14306 | A R | TUBE, 6 P ORT 15 INCH S PACING |
| 1 | 14307 | A R | TUBE, 7 P ORT 15 INCH S PACING |
| 1 | 14308 | A R | TUBE, 8 P ORT 15 INCH S PACING |
| 1 | 14309 | A R | TUBE, 9 P ORT 15 INCH S PACING |
| 1 | 14310 | A R | TUBE, 10 P ORT 15 INCH S PACING |
| 1 | 14311 | A R | TUBE, 7 P ORT 20 INCH S PACING + FENCELINE V ALVE |
| 1 | 14312 | A R | TUBE, 2 P ORT 20 INCH S PACING |
| 1 | 14313 | A R | TUBE, 3 P ORT 20 INCH S PACING |
| 1 | 14314 | A R | TUBE, 4 P ORT 20 INCH S PACING |
| 1 | 14315 | A R | TUBE, 5 P ORT 20 INCH S PACING |
| 1 | 14316 | A R | TUBE, 6 P ORT 20 INCH S PACING |
| 1 | 14317 | A R | TUBE, 7 P ORT 20 INCH S PACING |
| 1 | 14318 | A R | TUBE, 8 P ORT 20 INCH S PACING |
| 1 | 14319 | A R | TUBE, 9 P ORT 20 INCH S PACING |
| 1 | 14320 | A R | TUBE, 5 P ORT 20 INCH S PACING + FENCELINE V ALVE |
| 1 | 14321 | A R | TUBE, 6 P ORT 20 INCH S PACING + FENCELINE V ALVE |
| 1 | 14322 | A R | TUBE, 2 P ORT 22 INCH S PACING |
| 1 | 14323 | A R | TUBE, 3 P ORT 22 INCH S PACING |
| 1 | 14324 | A R | TUBE, 4 P ORT 22 INCH S PACING |
| 1 | 14325 | A R | TUBE, 5 P ORT 22 INCH S PACING |
| 1 | 14326 | A R | TUBE, 6 P ORT 22 INCH S PACING |
| 1 | 14327 | A R | TUBE, 7 P ORT 22 INCH S PACING |
| 1 | 14329 | A R | TUBE, 6 P ORT 22 INCH S PACING + FENCELINE V ALVE |
| 1 | 14330 | A R | TUBE, 5 P ORT 22 INCH S PACING + FENCELINE V ALVE |
| 1 | 14331 | A R | TUBE, 6 P ORT 15 INCH S PACING + FENCELINE V ALVE |
| 1 | 14332 | A R | TUBE A SSEM BLY, 2 P ORT 15 INCH S PACING, INC NOZZLES |
| 1 | 14333 | A R | TUBE A SSEM BLY, 3 P ORT 15 INCH S PACING, INC NOZZLES |
| 1 | 14334 | A R | TUBE A SSEM BLY, 4 P ORT 15 INCH S PACING, INC NOZZLES |
| 1 | 14335 | A R | TUBE A SSEM BLY, 5 P ORT 15 INCH S PACING, INC NOZZLES |
| 1 | 14336 | A R | TUBE A SSEM BLY, 6 P ORT 15 INCH S PACING, INC NOZZLES |
| 1 | 14337 | A R | TUBE A SSEM BLY, 7 P ORT 15 INCH S PACING, INC NOZZLES |
| 1 | 14338 | A R | TUBE A SSEM BLY, 8 P ORT 15 INCH S PACING, INC NOZZLES |
| 1 | 14339 | A R | TUBE A SSEM BLY, 9 P ORT 15 INCH S PACING, INC NOZZLES |
| 1 | 14340 | A R | TUBE A SSEM BLY, 10 P ORT 15 INCH S PACING, INC NOZZLES |
| 2 | 590054 | A R | S PACER, W ET B OOM |
| 3 | 540040 | A R | CLAM P, W ET B OOM |
| 4 | 520039 | A R | NOZZLE B ODY TRIPLE W ET B OOM |
| 5 | 590048 | A R | U-B OLT S TAINLESS S TEEL |
| 6 | 540029 | A R | TUBE CLAM P B ASE |
| 7 | 655 | A R | NUT HH |
| 8 | 590078 | A R | B OLT HH 1/4 X 4-1/2 GR5 S TAINLESS S TEEL |
| 9 | 685 | A R | W ASHER 1/4" S TAINLESS S TEEL |
| 10 | 655 | A R | NUT 1/4" NYLOCK S TAINLESS S TEEL |
| 11 | 520030 | A R | NOZZLE B ODY S INGLE W ET B OOM |

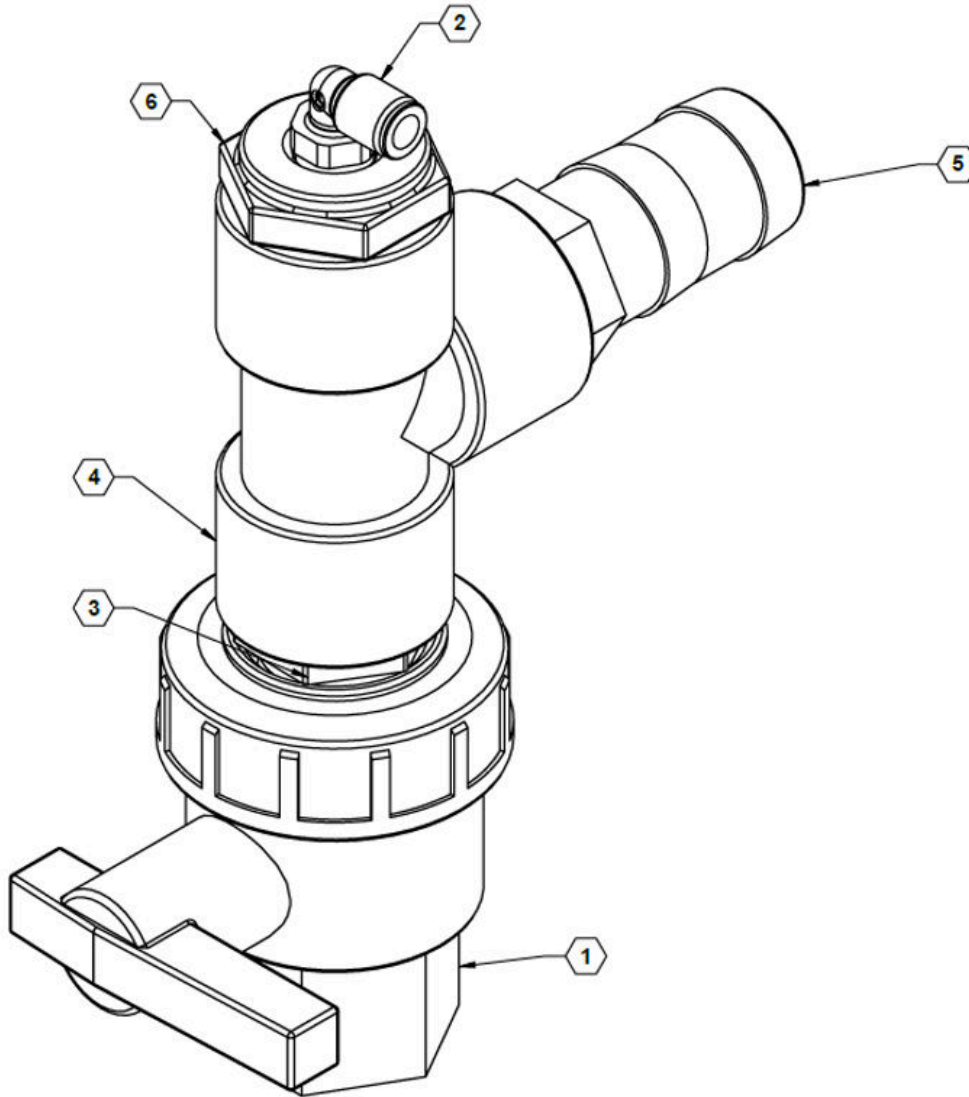
60 - 80' Side Fold Fitting



60 - 80' Side Fold Fitting Parts List 90SA6080SF

| ITEM | PART NO. | QTY | DESCRIPTION |
|------|----------|-----|-----------------------------------|
| 1 | 530044 | 1 | 1 " MPT X 1 " HOSE SHANK -9 0° |
| 2 | 530326 | 1 | 1 ' MALE X 1 " FEMALE SWIVEL |
| 3 | 530325 | 1 | 1 ' FEMALE THREAD X 1 " HOSESHANK |

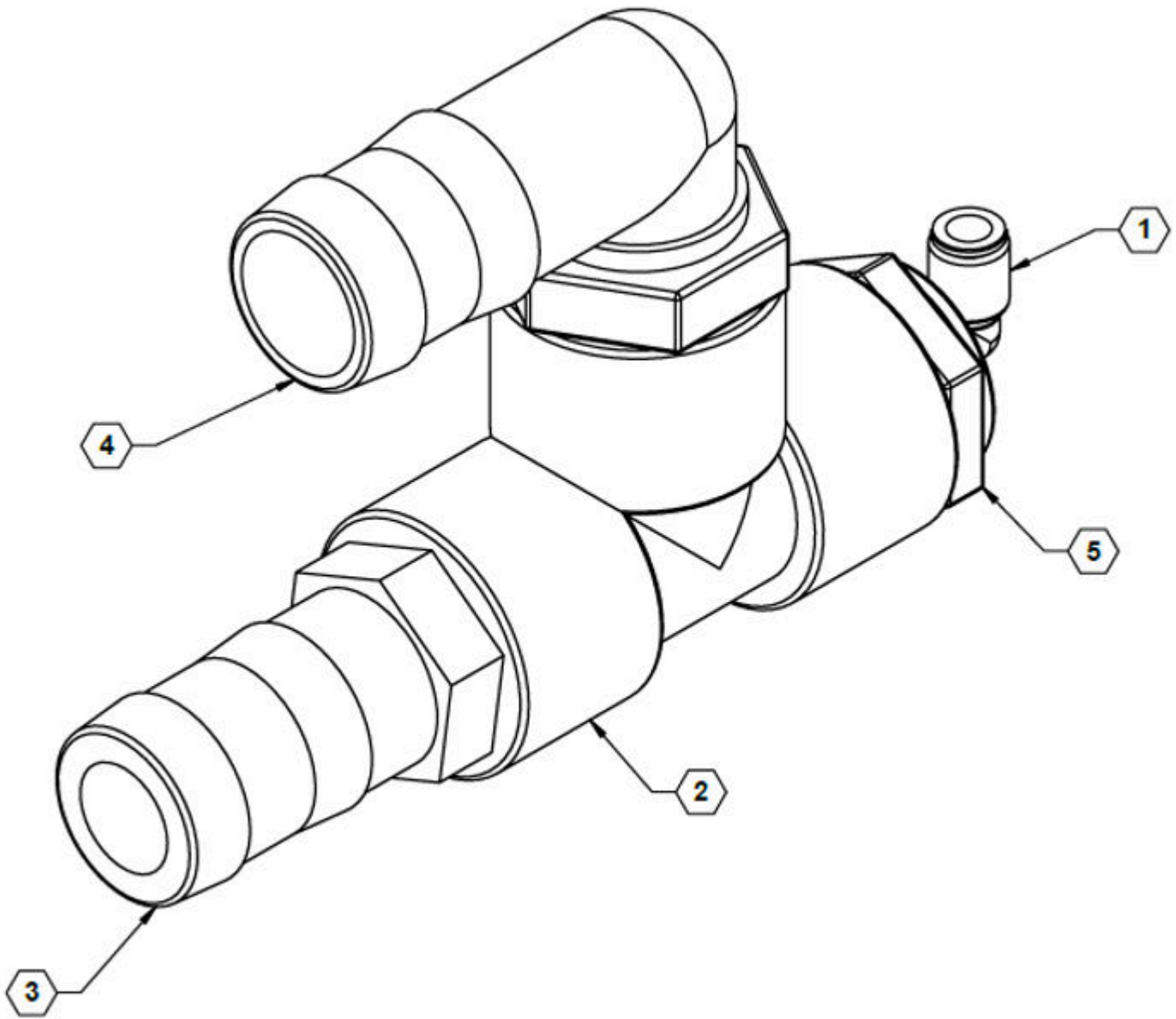
Optional Boom Cleanout with Pressure Gauge



Parts List 90SABCPG: Optional Boom Cleanout with Pressure Gauge

| NO. | PART | QTY. | DESCRIPTION |
|-----|--------|------|---|
| 1 | 500043 | 1 | VALVE, 3/4" UNION |
| 2 | 530004 | 1 | FITTING, ELBOW, .250 QC X .250 MPT, 90D |
| 3 | 530131 | 1 | NIPPLE, POLY PIPE 3/4" SHORT |
| 4 | 530156 | 1 | TEE, 3/4" POLY PIPE |
| 5 | 530203 | 1 | FITTING, .750 MNPT X 1.00 HB, POLY |
| 6 | 530544 | 1 | FITTING, REDUCER, 3/4 MPT X 1/4" FPT |

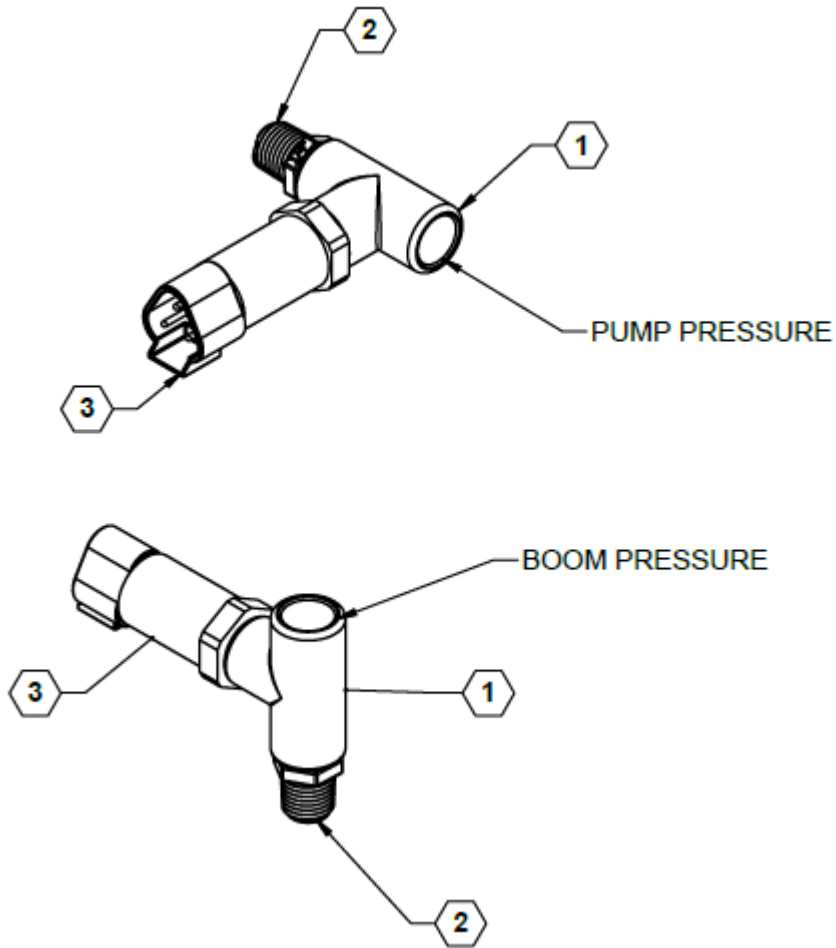
Optional Boom U-Fitting with Pressure Line



Parts List 90SAUPG: Optional Boom U-Fitting with Pressure Line

| NO. | PART | QTY | DESCRIPTION |
|-----|--------|-----|---|
| 1 | 530004 | 1 | FITTING, ELBOW, .250 QC X .250 MPT, 90D |
| 2 | 530156 | 1 | TEE, 3/4" POLY PIPE |
| 3 | 530203 | 1 | FITTING, .750 MNPT X 1.00 HB, POLY |
| 4 | 530238 | 1 | ELBOW, 3/4" NPT X 1" HB, POLY |
| 5 | 530544 | 1 | FITTING, REDUCER, 3/4 MPT X 1/4" FPT |

Option, Dual Pressure Transducers

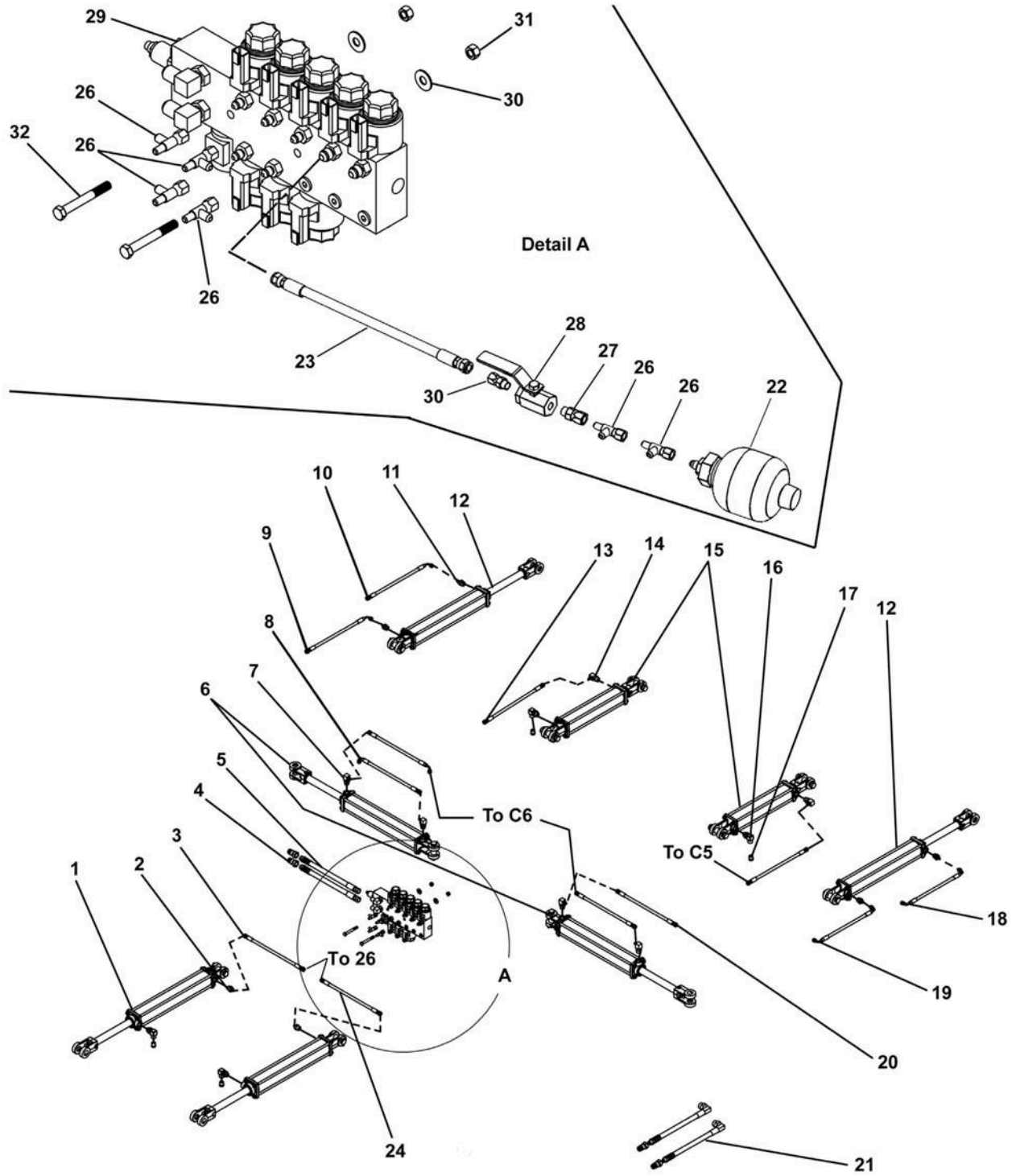


Parts List 36280: Option, Dual Pressure Transducers

| NO. | PART | QTY. | DESCRIPTION |
|-----|--------|------|---------------------------------|
| 1 | 530400 | 2 | TEE 1/4" FPT, POLY |
| 2 | 530401 | 2 | NIPPLE, 1/4 MPT x 1/4 MPT, POLY |
| 3 | 632036 | 2 | TRANSDUCER, PRESSURE |



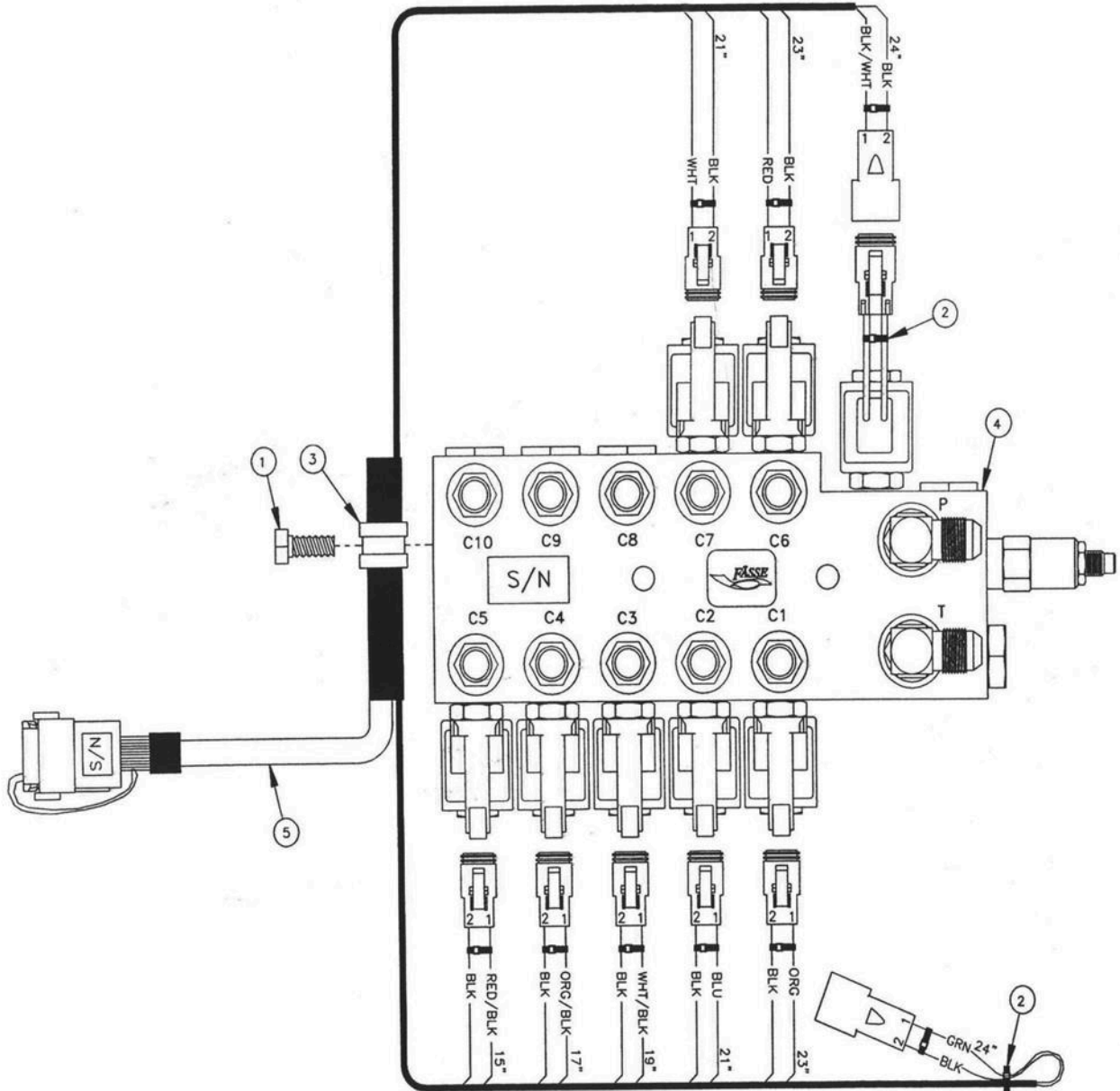
Hydraulic System



Hydraulic System Parts List

| ITEM | VENDOR PART NO. | PART NO. | DESCRIPTION | QTY. | 60' | 80, 90 & 100' |
|------|---------------------------|----------|--|------|------|---------------|
| 1 | 648124 | 620019 | CYLINDER, 20TD16-150 SA PUSH, MAIN LIFT | 2 | | |
| 2 | 6400-4-8-047 | 610038 | 8ORB X 4JIX RESTRICTED ADAPTER, .047 | 2 | | |
| 3 | FDM4R17-4FJX | 600008 | HOSE 4JIC STRAIGHT | 1 | | |
| 4 | 2-NV12-12SAE-M | 530182 | HYDRAULIC TIP X 8ORB | 4 | | |
| 5 | FDM8R17-8FJX-8MBO-288 | | HOSE HYDRAULIC BLOCK FEED | 2 | | |
| 6 | 645710 | 620006 | CYLINDER, 30TD16-150 DOUBLE ACTING, FOLD | 2 | | |
| 7 | 6801-4-8-R.045 | 610039 | 8ORB X 4JIX 90° RESTRICTED ADAPTER, .032 (9600N) | 4 | | |
| 7 | 6801-4-8-R.045 | 610040 | 8ORB X 4JIX 90° RESTRICTED ADAPTER, .045 (9600) | 4 | | |
| 8 | FDM4R17-4FJX-4FJX-104 | | HOSE 4JIC STRAIGHT | 2 | | |
| 9 | FDM4R17-4FJX90M-4FJX-302 | | HOSE 4JIC STRAIGHT X 4JIC 90° | 1 | | |
| 10 | FDM4R17-4FJX90M-4FJX-302 | | HOSE 4JIC STRAIGHT X 4JIC 90° | 1 | | |
| 11 | | 610039 | 8ORB X 4JIX 90° RESTRICTED ADAPTER, .032 (9600N) | 4 | | |
| 11 | 6801-4-8-R.045 | 610040 | 8ORB X 4JIX 90° RESTRICTED ADAPTER, .045 (9600) | 4 | | |
| 12 | 645710 | 620006 | CYLINDER, 30TD16-150 DOUBLE ACTING, D13, WING | 2 | | |
| 13 | FDM6R17-6FJX-156 | | HOSE 6JIC STRAIGHT | 2 | | |
| 14 | 6801-6-8 | 610030 | 8ORB X 6JIX ADAPTER | 2 | | |
| 15 | 648422 | 620023 | CYLINDER, 25TD08-112 SA PULL, WING TILT | 2 | | |
| 15 | | | FOR NORAC/RAVEN BOOM HEIGHT CONTROL SYSTEMS | | OPT. | |
| 15 | 648402 OPT. NORAC/RAVEN | 620022 | CYLINDER, 25TD10-112 SA PULL, WING TILT | | OPT. | |
| 16 | 6805-6-8 | 610035 | 8ORB X 3/8" FPT 90° ADAPTER | 4 | | |
| 17 | BV3 | 610036 | BREATHER 3/8" MPT | 4 | | |
| 18 | FDM4R17-4FJX90M-SAME-302 | | HOSE HYDRAULIC 4JIC 90° X 4JIC 90° | 1 | | |
| 19 | FDM4R17-4FJX90M-4FJX-322 | | HOSE HYDRAULIC 4JIC 90° X 4JIC 90° | 1 | | |
| 20 | FDM4R17-4FJX-4FJX-104 | | HOSE HYDRAULIC 4JIC STRAIGHT | 2 | | |
| 21 | FDM8R17-8MBO-10MBX090-204 | | HOSE HYDRAULIC PUMP FEED | 2 | | |
| 22 | 0531-601-500/100 | 630002 | ACCUMULATOR | 1 | | |
| 23 | FDM4R17-4FJX-4FJX90M-15 | | HOSE HYDRAULIC 4JIC STRAIGHT | 1 | | |
| 24 | FDM4R17-4FJX-4FJX-25.3 | | HOSE HYDRAULIC 4JIC STRAIGHT | 1 | | |
| 25 | N/A | | | | | |
| 26 | | 610026 | RUN TEE ADAPTER 4JIC, ZN | 6 | | |
| 26 | 6602-4 | 610028 | RUN TEE ADAPTER 4JIC | 6 | | |
| 27 | 6402-04-04 | 610018 | ADAPTER SWIVEL 4JIC X 4ORB | 1 | | |
| 28 | MPV-14-SAE | 500000 | VALVE 1/4 TURN HYDRAULIC | 1 | | |
| 29 | 700-0805-4103 | 630008 | HYDRAULIC BLOCK - 5 STATION | | 1 | |
| NS | 700-0806-4103 | 630011 | HYDRAULIC BLOCK - 6-STATION | | | 1 |
| 30 | 6400-04 | 610007 | 4 ORB X 4 JIC | 1 | | |
| 31 | 237 | 237 | NUT HH 3/8" NYLOCK ZP CENTERLOCK | 2 | | |
| 32 | 132 | 132 | BOLT HH 3/8 X 3" GR5 ZP | 2 | | |
| | SEAL KITS | | | | | |
| | 648126 | | 648124 20TD16-150 SA PUSH | | | |
| | 645752 | | 648422 25TD-08-112 SA PULL | | | |
| | 645752 | | 648402 25TD10-112 SA PULL | | | |
| | 639559 | | 645710 30TD16-150 DA | | | |

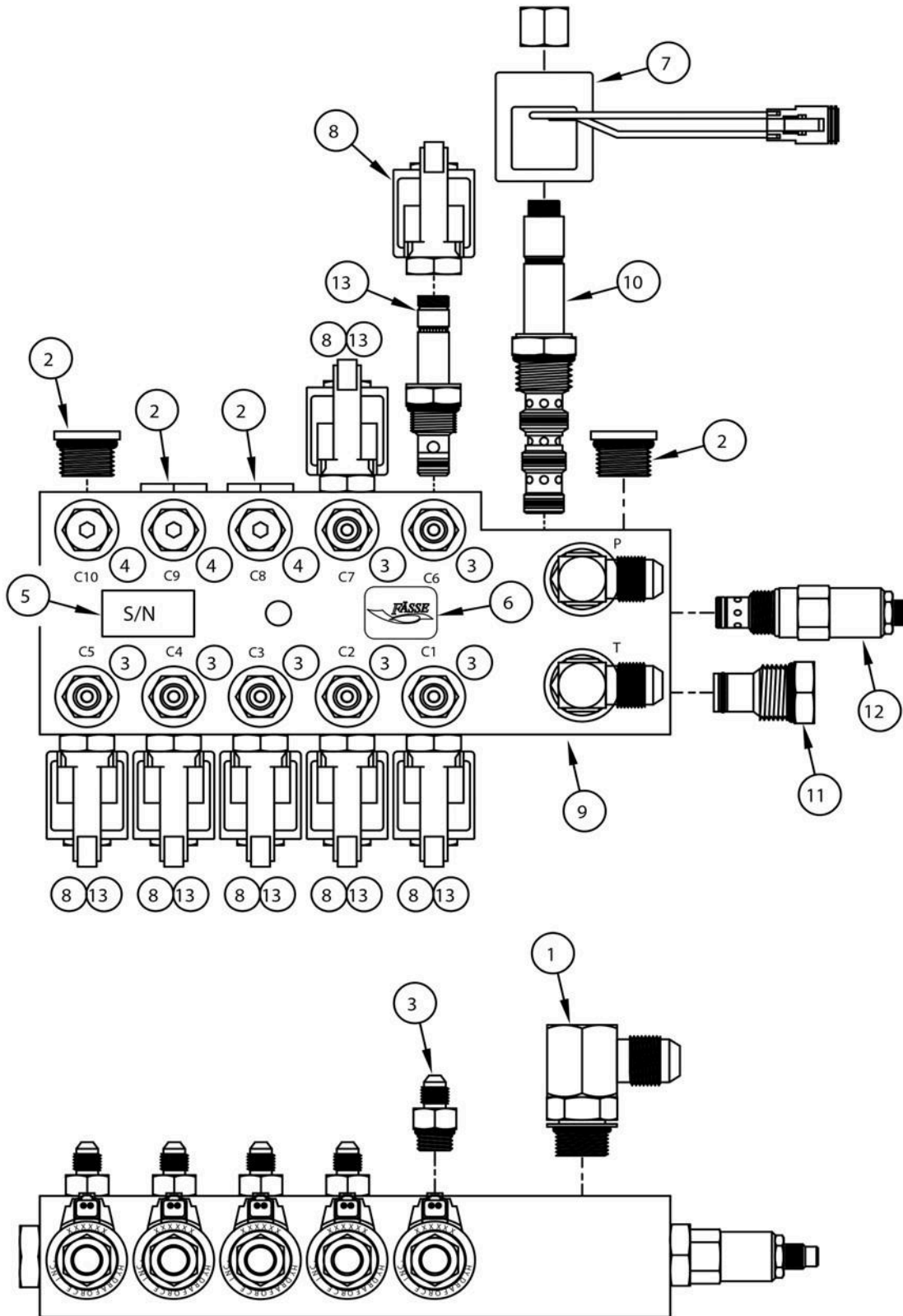
Hydraulic Control Valve Harness - 60 - 66 Foot Boom



Hydraulic Control Valve Harness - 60 - 66 Foot Boom Parts List

| ITEM | VENTOR PART NO. | QTY. | DESCRIPTION |
|------|-----------------|------|--|
| 1 | 212-025 | 1 | BOLT, 5/16-18 X 0.75 |
| 2 | 214-002 | 14 | CABLE TIE, BLACK, 7" |
| 3 | 255-026 | 1 | LOOM CLAMP, .5" ID METAL/RUBBER |
| 4 | 302-374 | 1 | MANIFOLD ASSEMBLY, 0805 2DA 3SA 0CLOSED INTG DTR 12V WP 6400-4 P T6801-8 |
| 5 | 319-668 | 1 | HARNESS ASSEMBLY, 12 CON 18GAD TR KEY A 12P (12)-2D TR2P (2) 33' |

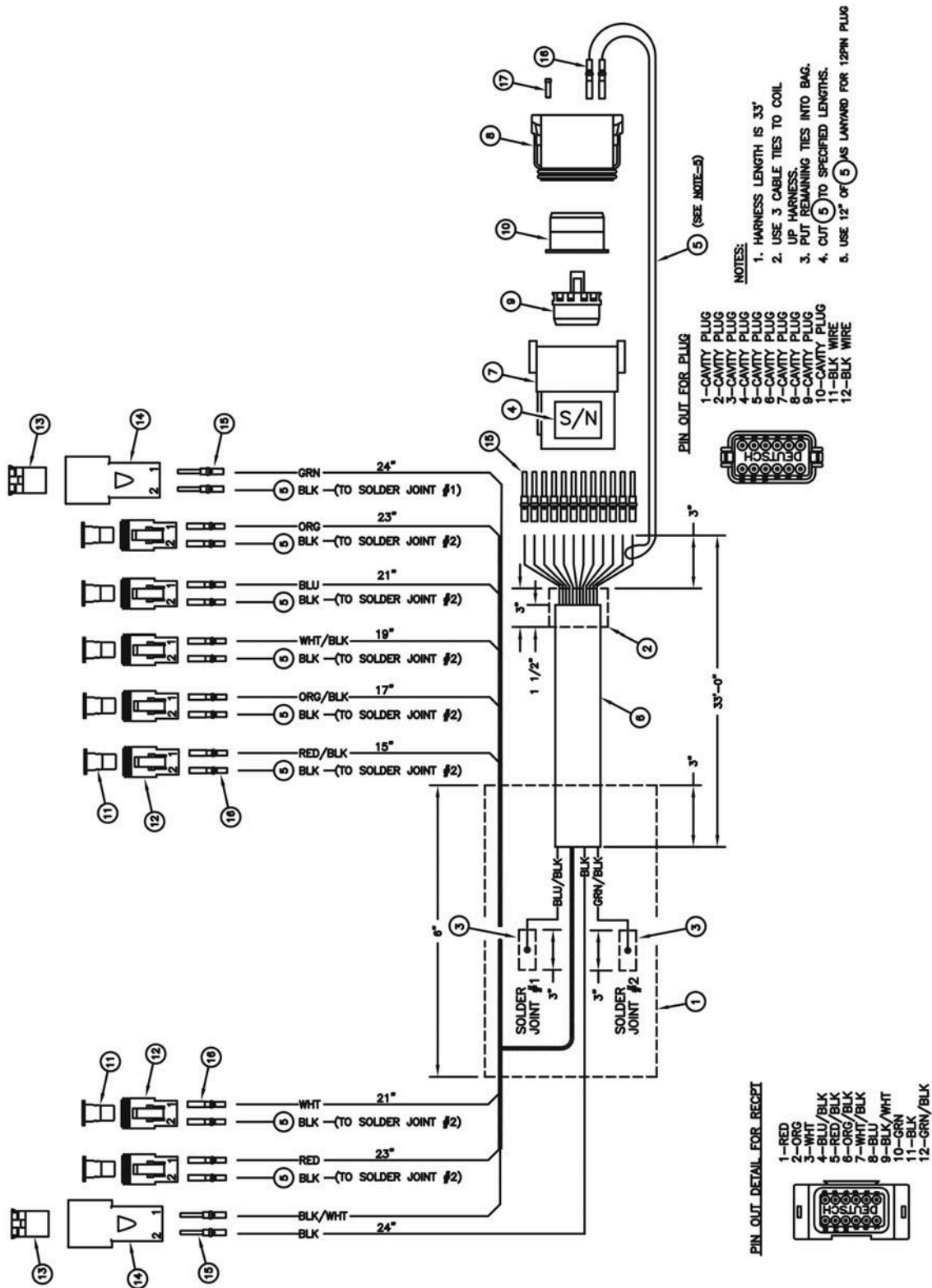
Hydraulic Control Valve - 60 - 66 Foot Boom



Hydraulic Control Valve - 60 - 66 Foot Boom Parts List

| ITEM | VENDOR PART NO. | QTY. | DESCRIPTION |
|------|-----------------|------|--|
| 1 | 210-017 | 2 | FITTING 6801-8-8/E-MJ-MO |
| 2 | 210-038 | 4 | FITTING 6408-HHP-8/HOLL HEX PLUG MO |
| 3 | 210-113 | 7 | FITTING 6400-4-6/S-MJ-MO |
| 4 | 210-127 | 3 | FITTING 6408-HHP-6/HOLL HEX PLUG MO |
| 5 | 232-050 | 2 | DECAL S/N (SILVER) |
| 6 | 232-058 | 1 | DECAL FASSE BLACK/GOLD 1" X .75" ROUND CORNER |
| 7 | 253-037 | 1 | COIL H/F 6359774 DT |
| 8 | 253-046 | 7 | COIL HYDAC 0312600 DL DSTCH RECPT. |
| 9 | 270-093 | 1 | MANIFOLD S14153-4 5CIR AL RV |
| 10 | 273-008 | 1 | CARTRIDGE SV10-40-0-N-00 (Seal Kit Part Number 274-001) |
| 11 | 273-012 | 1 | CARTRIDGE CP10-20 (Seal Kit Part Number 274-019) |
| 12 | 273-058 | 1 | CARTRIDGE H/F RV10-22A-0-N-NC-35-30 (Seal Kit Part Number 274-009) |
| 13 | 273-077 | 7 | CARTRIDGE HYDAC WS 08W-01-C-N-0 (Seal Kit Part Number 274-028) |

Hydraulic Control Valve Harness - 60 - 66 Foot Boom

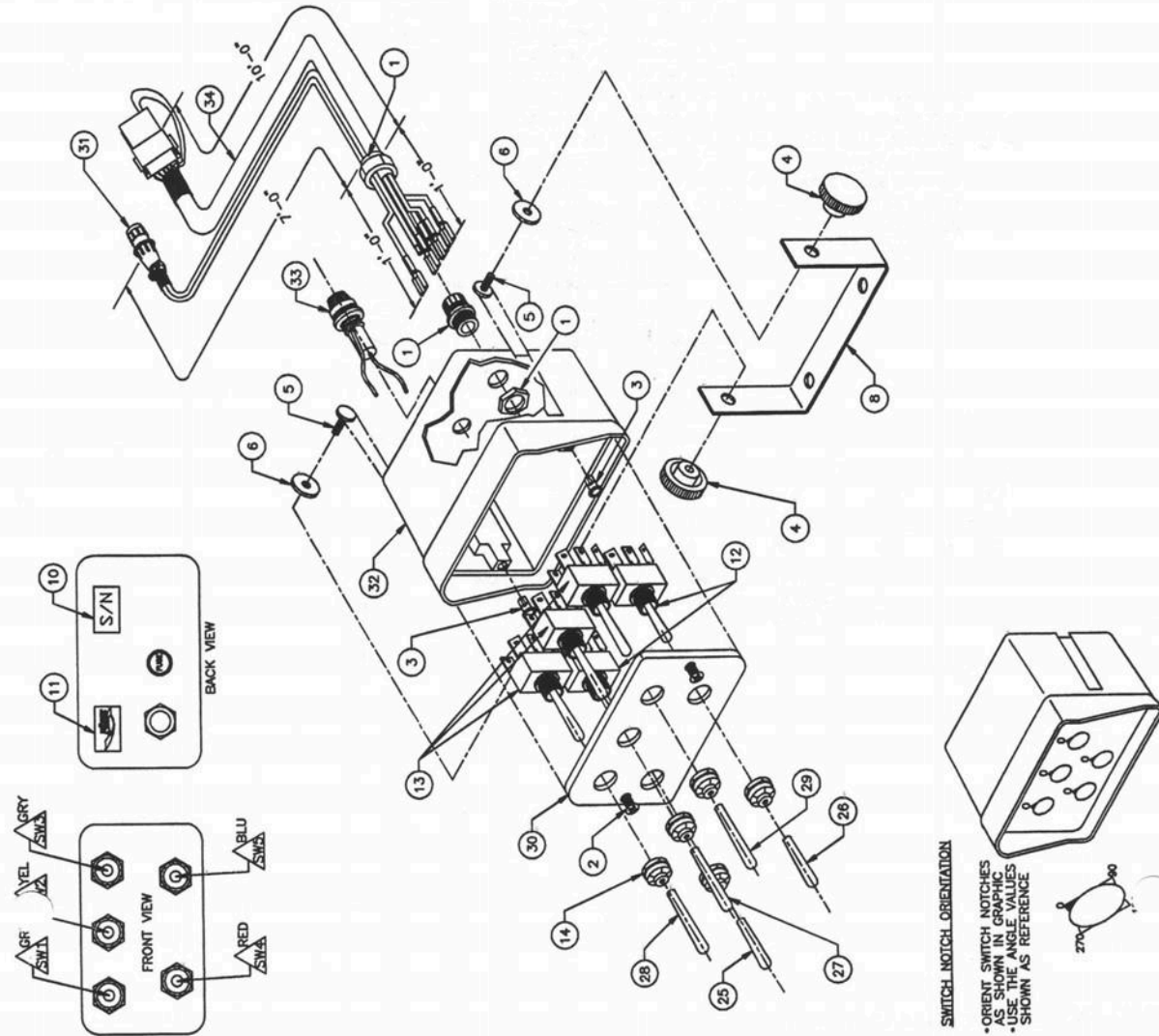


Hydraulic Control Valve Harness - 60 - 66 Foot Boom Parts List

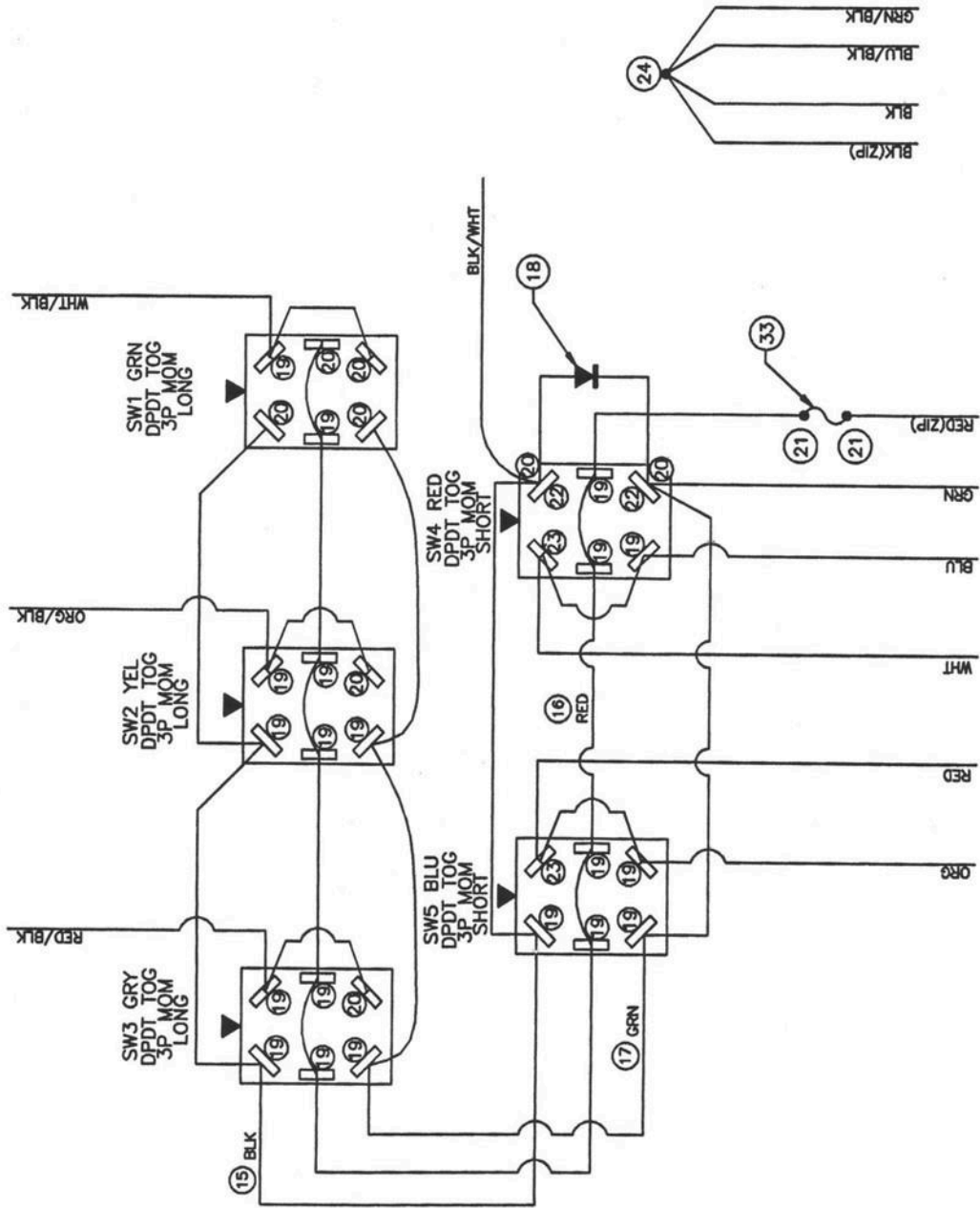
| ITEM | VENDOR PART NO. | QTY. | DESCRIPTION |
|------|-----------------|------|---|
| 1 | 231-008 | 6" | SHRINK TUBING .750 |
| 2 | 231-009 | 3" | SHRINK TUBING .5 |
| 3 | 231-250 | 6" | SHRINK TUBING .250 BLACK |
| 4 | 232-050 | 2 | DECAL S/N (SILVER) |
| 5 | 252-058 | 159" | WIRE 18GA BLACK |
| 6 | 252-064 | 35' | CABLE 12CON GRAY 18GA |
| 7 | 255-212 | 1 | CONNECTOR DEUTSCH 12 PIN RECEPTICLE DT |
| 8 | 255-213 | 1 | CONNECTOR DEUTSCH DT PLUG 12 PIN |
| 9 | 255-214 | 1 | CONNECTOR DEUTSCH LOCK WEDGE 12 PIN DTR |
| 10 | 255-215 | 1 | CONNECTOR DEUTSCH LOCK WEDGE 12 PIN DTP |
| 11 | 255-505 | 7 | CONNECTOR DEUTSCH LOCK WEDGE 2 PIN DTP |
| 12 | 255-801 | 7 | CONNECTOR DEUTSCH 2 PIN PLUG DT |
| 13 | 255-969 | 2 | CONNECTOR DEUTSCH LOCK WEDGE 2 PIN DTR |
| 14 | 255-971 | 2 | CONNECTOR DEUTSCH 2 PIN RECEPTICLE DT |
| 15 | 255-977 | 16 | TERMINAL PIN DEUTSCH 16/18GA |
| 16 | 255-978 | 16 | TERMINAL SOCKET DEUTSCH 16/18GA |
| 17 | 255-979 | 10 | CONNECTOR DEUTSCH |

Control Console - 60 - 66 Foot Boom

| PARTS LIST | | | |
|------------|-------------|-----|---|
| № | PART NUMBER | QTY | PART DESCRIPTION |
| 1 | 210-710 | 1 | STR RLF HEYCO .23"-33TID. HOLE DA. .886" |
| 2 | 212-184 | 2 | SCREW 6-32 X 3/8 ONAL HD BLK |
| 3 | 212-202 | 2 | INSERT 6-32X3/8 BRASS |
| 4 | 212-215 | 2 | KNOB 1/4-20 FEMALE |
| 5 | 212-231 | 2 | SCREW WELDED 1/4-20 X .500 |
| 6 | 213-335 | 2 | WASHER NYLON .2574.875X.060 |
| 7 | 214-002 | 3 | CABLE TIE BLACK 7" |
| 8 | 219-300 | 1 | BRKT HSG MONITOR |
| 9 | 230-087 | 1 | BAG POLY CLR 14 X 18 2MIL W/LOGO |
| 10 | 232-060 | 2 | DECL S/N (SILVER) |
| 11 | 232-059 | 1 | DECL GOLD/BLK 1.5 X .5 |
| 12 | 250-007 | 2 | SW TOG DPDT 3P MOM SHORT |
| 13 | 250-013 | 3 | SW TOG DPDT 3P MOM LONG |
| 14 | 250-023 | 5 | SW TOG BOOT OPN GRY |
| 15 | 252-058 | 18* | WIRE 18GA BLK |
| 16 | 252-069 | 24* | WIRE 18GA RED |
| 17 | 252-060 | 18* | WIRE 18GA GRN |
| 18 | 254-001 | 1 | DIODE D119A2 6AMP |
| 19 | 255-002 | 20 | TRM T-TAP F PO BLU |
| 20 | 255-006 | 8 | TRM PG F NON INS 20/18GA |
| 21 | 255-030 | 2 | TRM SPLICE CLOSED END 16-18GA |
| 22 | 255-070 | 2 | TRM PO M/F 14-16GA |
| 23 | 255-119 | 2 | TRM PG F INS 16-14GA |
| 24 | 255-285 | 1 | TRM SPLICE CLOSED END LRG |
| 25 | 259-005 | 1 | SW TOG GRIP VNTL RED .187 |
| 26 | 259-015 | 1 | SW TOG GRIP VNTL BLU .187 |
| 27 | 259-022 | 1 | SW TOG GRIP VNTL YEL .187 |
| 28 | 259-023 | 1 | SW TOG GRIP VNTL GRN .187 |
| 29 | 259-027 | 1 | SW TOG GRIP VNTL GRY .187 |
| 30 | 311-083 | 1 | ENCL FP DRL MNTN/FD DECL-SX15/32 .35A |
| 31 | 314-217 | 1 | HARNES R/B WIRE SERIES 3 P/B |
| 32 | 319-725 | 1 | ENCL DRILL MNTBRX FH-7/8" STR RLF |
| 33 | 319-769 | 1 | FUSEHOLDER PM ASSY 10A /.5" |
| 34 | 320-184 | 1 | HRN 12CON 18GA OTP KEY A 12PK(12) 11" END CAP |



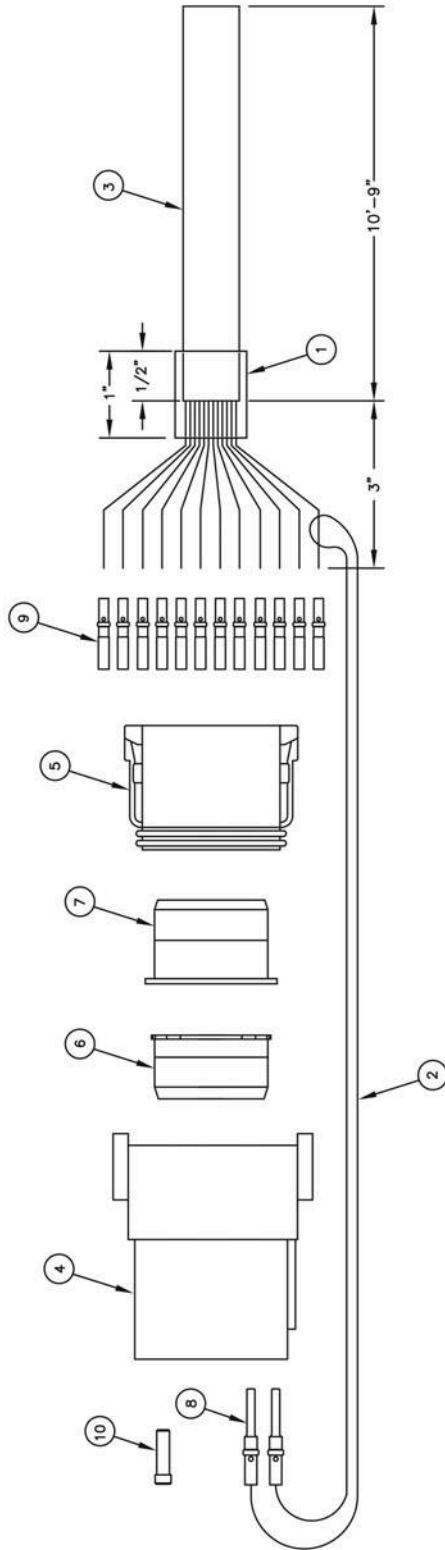
SWITCH WIRING DIAGRAM



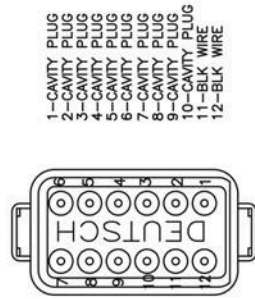
Wiring Harness - 60 - 66 Foot Boom

PARTS LIST

| N# | PART NUMBER | QTY | PART DESCRIPTION |
|----|-------------|-----|-------------------------------|
| 1 | 231-009 | 1* | SHRINKTUBING .500" BLK |
| 2 | 252-058 | 12* | WIRE 18GA BLK |
| 3 | 252-064 | 11' | CABLE 12CON 18GA PVC GRY |
| 4 | 255-212 | 1 | CONN DEUT DT RECPT 12PIN |
| 5 | 255-213 | 1 | CNTR DEUTSCH 12PIN PLUG DT |
| 6 | 255-214 | 1 | CONN DEUT LOCKWEDGE 12PIN DTR |
| 7 | 255-215 | 1 | CNTR LOCK WEDGE 12PIN DTP |
| 8 | 255-977 | 2 | CONT DEUT PIN 16-18GA |
| 9 | 255-978 | 12 | CNTR DEUTSCH SOCKET 16/18GA |
| 10 | 255-979 | 10 | CONT DEUT CAVITY PLUG |

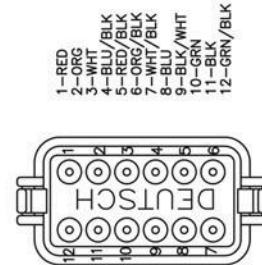


PIN OUT DETAIL FOR RECEIPT



- 1-CAVITY PLUG
- 2-CAVITY PLUG
- 3-CAVITY PLUG
- 4-CAVITY PLUG
- 5-CAVITY PLUG
- 6-CAVITY PLUG
- 7-CAVITY PLUG
- 8-CAVITY PLUG
- 9-CAVITY PLUG
- 10-CAVITY PLUG
- 11-BLK WIRE
- 12-BLK WIRE

PIN OUT DETAIL FOR PLUG

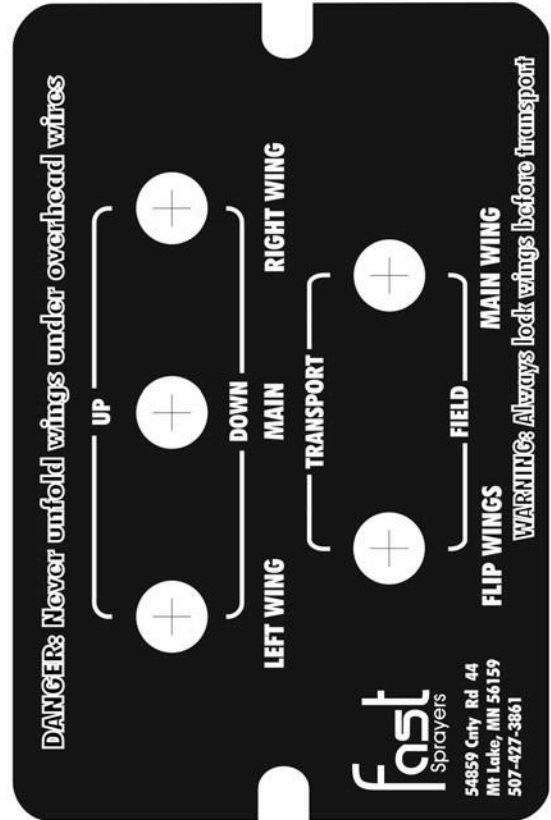


- 1-RED
- 2-ORG
- 3-WHT
- 4-BLU/BLK
- 5-RED/BLK
- 6-ORG/BLK
- 7-WHT/BLK
- 8-BLU
- 9-BLK/WHT
- 10-GRN
- 11-BLK
- 12-GRN/BLK

Control Console Decal - 60 - 66 Foot Boom

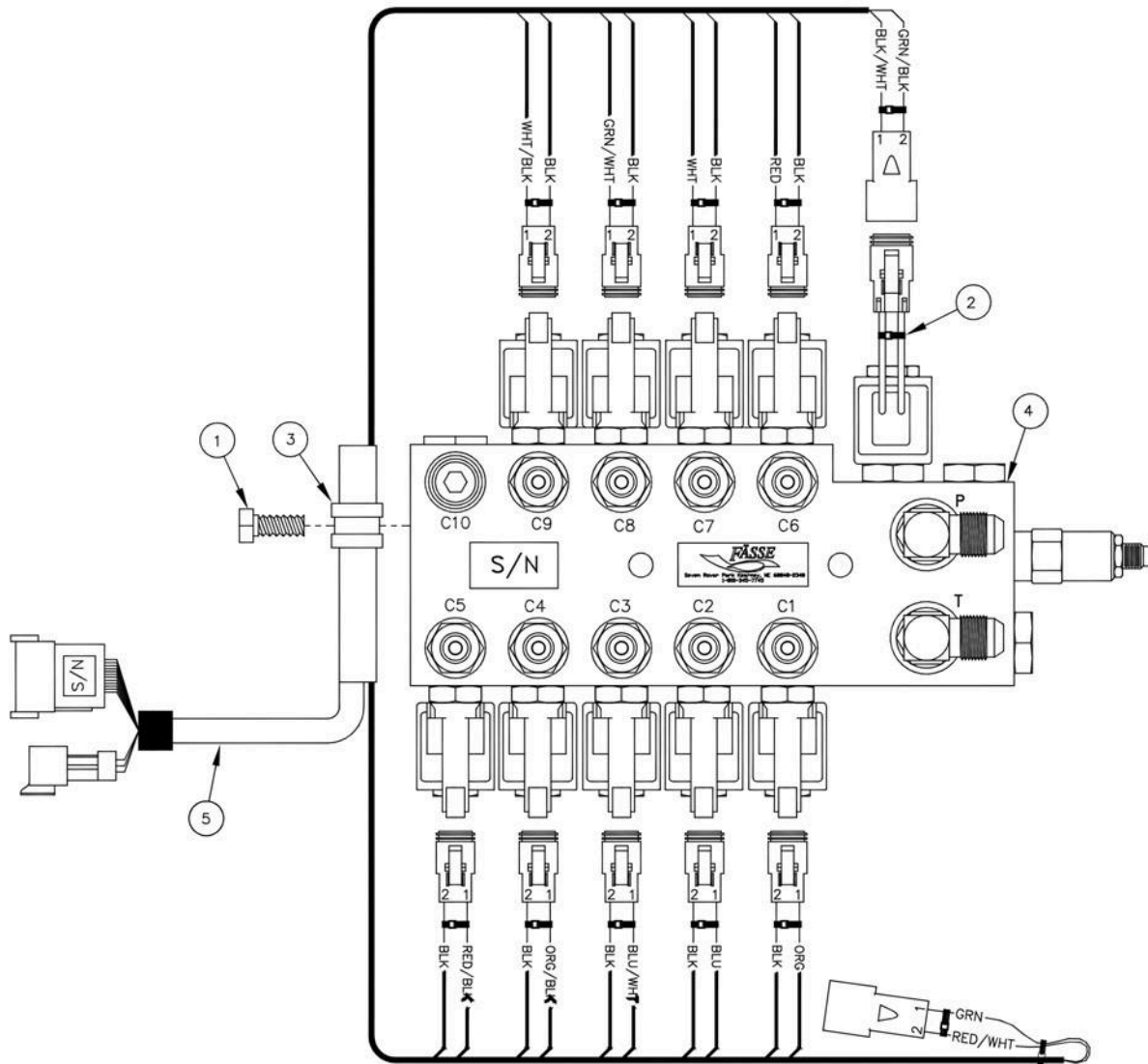
700-0805-4103 & 700-0805-4104

| Switch No. | Boot Color | Switch Position | Hot Wires | Pin Out Location | Pressure Ports | Tank Ports | Function | |
|------------|------------|-----------------|---------------------------|------------------|----------------|------------|----------------------|------------------|
| 1 Long | Green | Up (mom) | Wht/Blk & Grn | 7 & 10 | C3 | ----- | Lt. Wing Up | |
| | | Center (stat) | ----- | ----- | ----- | ----- | Off | |
| | | Down (mom) | Wht/Blk & Grn & Blk/Wht | 7 & 10 & 9 | ----- | C3 | ----- | Lt. Wing Down |
| 2 Long | Yellow | Up (mom) | Org/Blk & Grn | 6 & 10 | C4 | ----- | Main Up | |
| | | Center (stat) | ----- | ----- | ----- | ----- | Off | |
| | | Down (mom) | Org/Blk & Grn & Blk/Wht | 6 & 10 & 9 | ----- | C4 | ----- | Main Down |
| 3 Long | Gray | Up (mom) | Red/Blk & Grn | 5 & 10 | C5 | ----- | Rt. Wing Up | |
| | | Center (stat) | ----- | ----- | ----- | ----- | Off | |
| | | Down (mom) | Red/Blk & Grn & Blk/Wht | 5 & 10 & 9 | ----- | C5 | ----- | Rt. Wing Down |
| 4 Short | Red | Up (mom) | Wht & Blu & Grn | 3 & 8 & 10 | C2 | C7 | Flip Wings Transport | |
| | | Center (stat) | ----- | ----- | ----- | ----- | ----- | Off |
| | | Down (mom) | Wht & Blu & Grn & Blk/Wht | 3 & 8 & 10 & 9 | C7 | C2 | ----- | Flip Wings Field |
| 5 Short | Blue | Up (mom) | Red & Org & Grn | 1 & 2 & 10 | C1 | C6 | Main Wing Transport | |
| | | Center (stat) | ----- | ----- | ----- | ----- | ----- | Off |
| | | Down (mom) | Red & Org & Grn & Blk/Wht | 1 & 2 & 10 & 9 | C6 | C1 | ----- | Main Wing Field |
| ----- | ----- | ----- | Blk | 11 | ----- | ----- | Ground | |
| ----- | ----- | ----- | Blu/Blk | 4 | ----- | ----- | Ground | |
| ----- | ----- | ----- | Grn/Blk | 12 | ----- | ----- | Ground | |



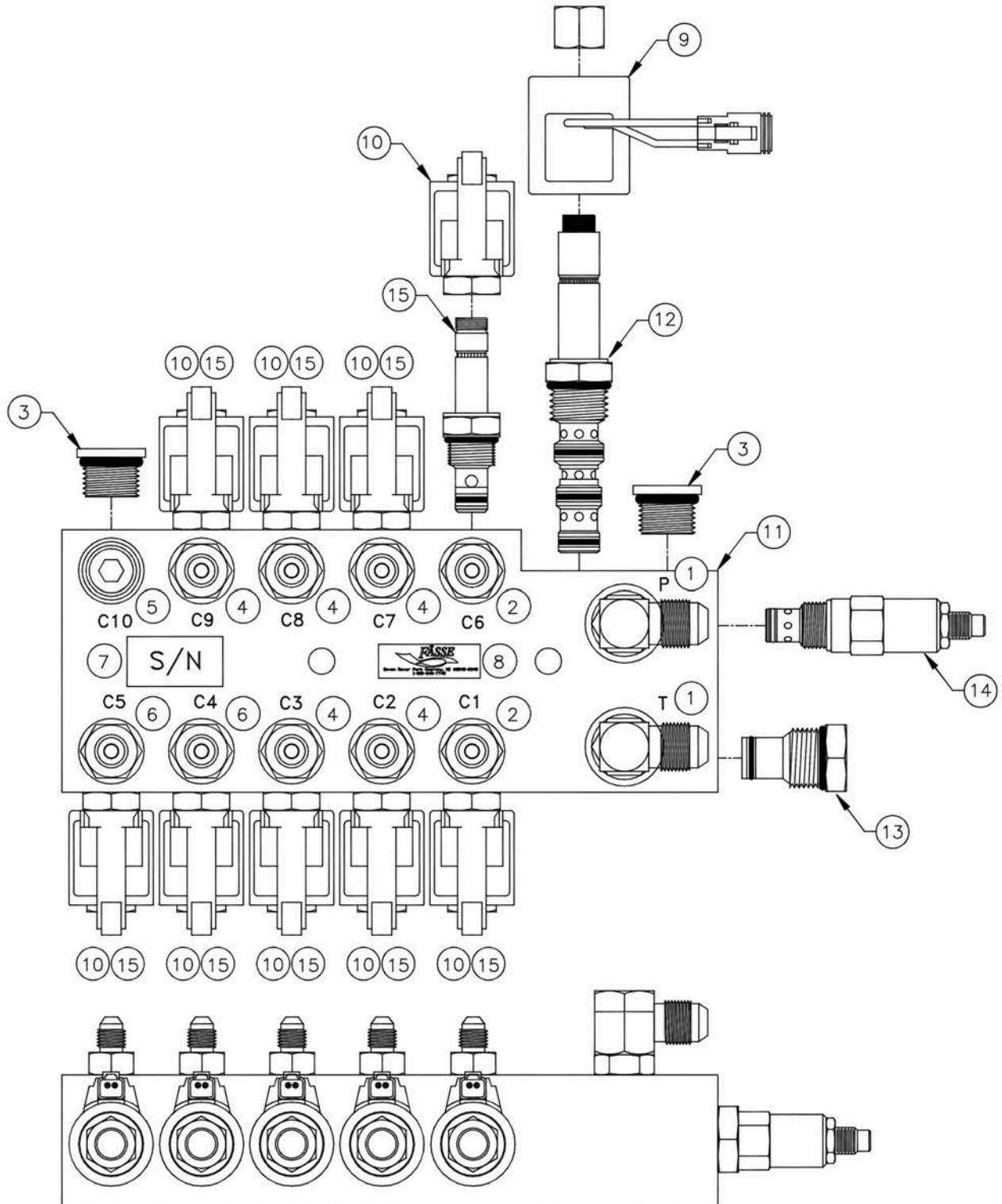


Hydraulic Control Valve Wiring Harness - 80, 90 & 100 Foot Boom



| PARTS LIST | | | |
|------------|-------------|-----|--|
| N# | PART NUMBER | QTY | PART DESCRIPTION |
| 1 | 212-025 | 1 | BOLT 5/16-18 X .75 |
| 2 | 214-002 | 13 | CABLE TIE BLACK 7" |
| 3 | 255-026 | 1 | LOOM CLAMP .5"ID METAL/RUBB |
| 4 | 302-780 | 1 | MANI ASSY 0806 4DA 1SA CLSD DTR 12V WP6400-4(7)+6(2)R.047 P6801-8 |
| 5 | 319-724 | 1 | HRN ASSY 15CON 18GA DTR KEY A 12P(12)-DTR3P(3)-9DTP2P(2) 2DTR2P(2) 33' |

Hydraulic Control Valve - 80, 90 & 100 Foot Boom - 9600

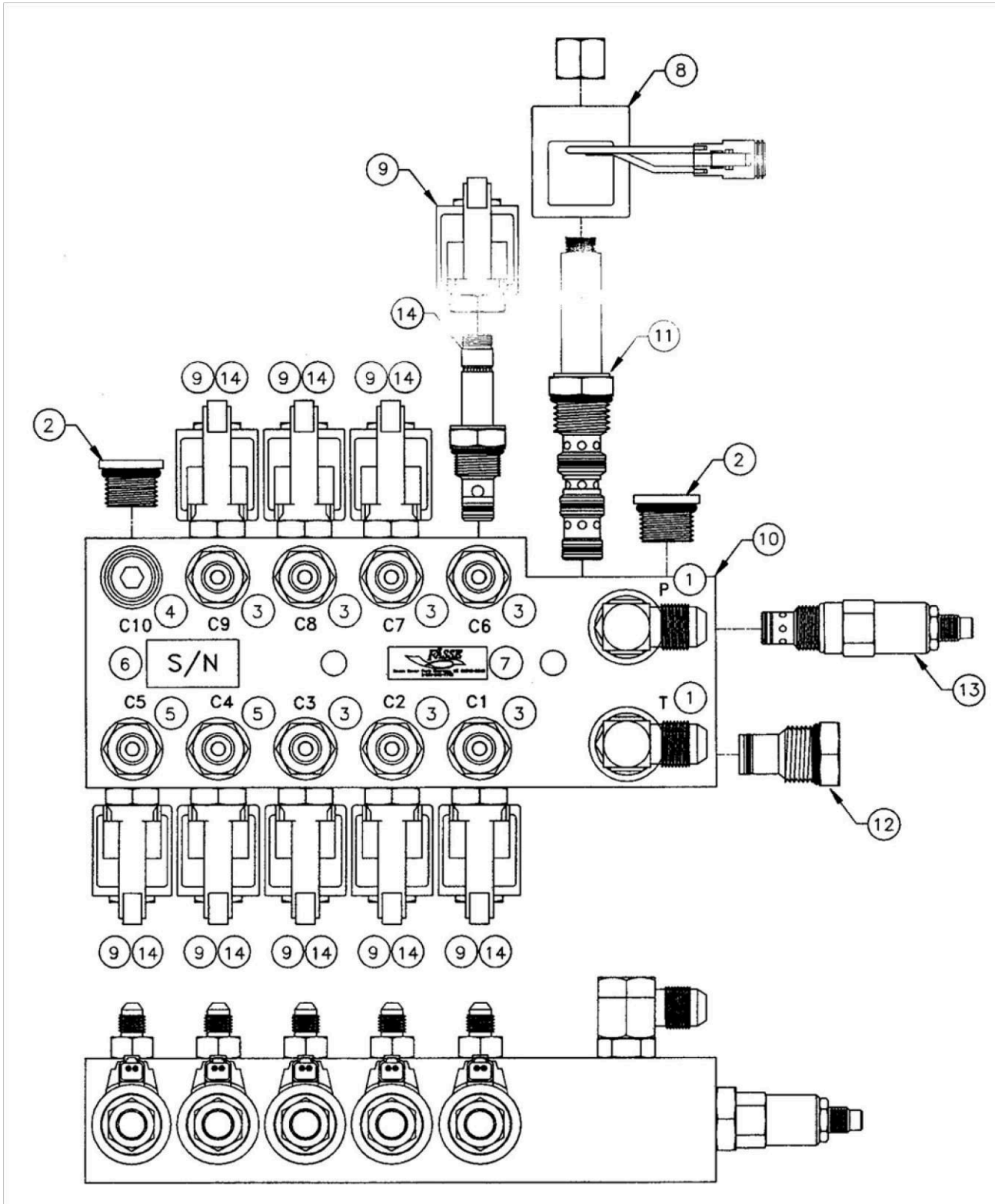


Hydraulic Control Valve - 80, 90 & 100 Foot Boom Parts List

| ITEM | VENDOR PART NO. | QTY. | DESCRIPTION |
|------|-----------------|------|--|
| 1 | 210-017 | 2 | FITTING 6801-8-8/E-MJ-MO |
| 2 | 273-023 | 2 | FITTING 6400-6-6/S-MJ-MO |
| 3 | 210-038 | 4 | FITTING 6408-HHP-8/HOLL HEX PLUG MO |
| 4 | 210-113 | 7 | FITTING 6400-4-6/S-MJ-MO |
| 5 | 210-127 | 3 | FITTING 6408-HHP-6/HOLL HEX PLUG MO |
| 6 | 210-188 | 2 | FITTING 6400-6-6 R.047/S-MJ-MO |
| 7 | 232-050 | 2 | DECAL S/N (SILVER) |
| 8 | 232-058 | 1 | DECAL FASSE BLACK/GOLD 1" X .75" ROUND CORNER |
| 9 | 253-037 | 1 | COIL H/F 6359774 DT |
| 10 | 253-046 | 7 | COIL HYDAC 0312600 DL DSTCH RECPT. |
| 11 | 270-093 | 1 | MANIFOLD S14153-4 5CIR AL RV |
| 12 | 273-008 | 1 | CARTRIDGE SV10-40-0-N-00 (Seal Kit Part Number 274-001) |
| 13 | 273-012 | 1 | CARTRIDGE CP10-20 (Seal Kit Part Number 274-019) |
| 14 | 273-058 | 1 | CARTRIDGE H/F RV10-22A-0-N-NC-35-30 (Seal Kit Part Number 274-009) |
| 15 | 273-077 | 7 | CARTRIDGE HYDAC WS 08W-01-C-N-0 (Seal Kit Part Number 274-028) |

Hydraulic Control Valve - 80, 90 & 100 Foot Boom - 9600

Hydraulic Control Valve - 9600N

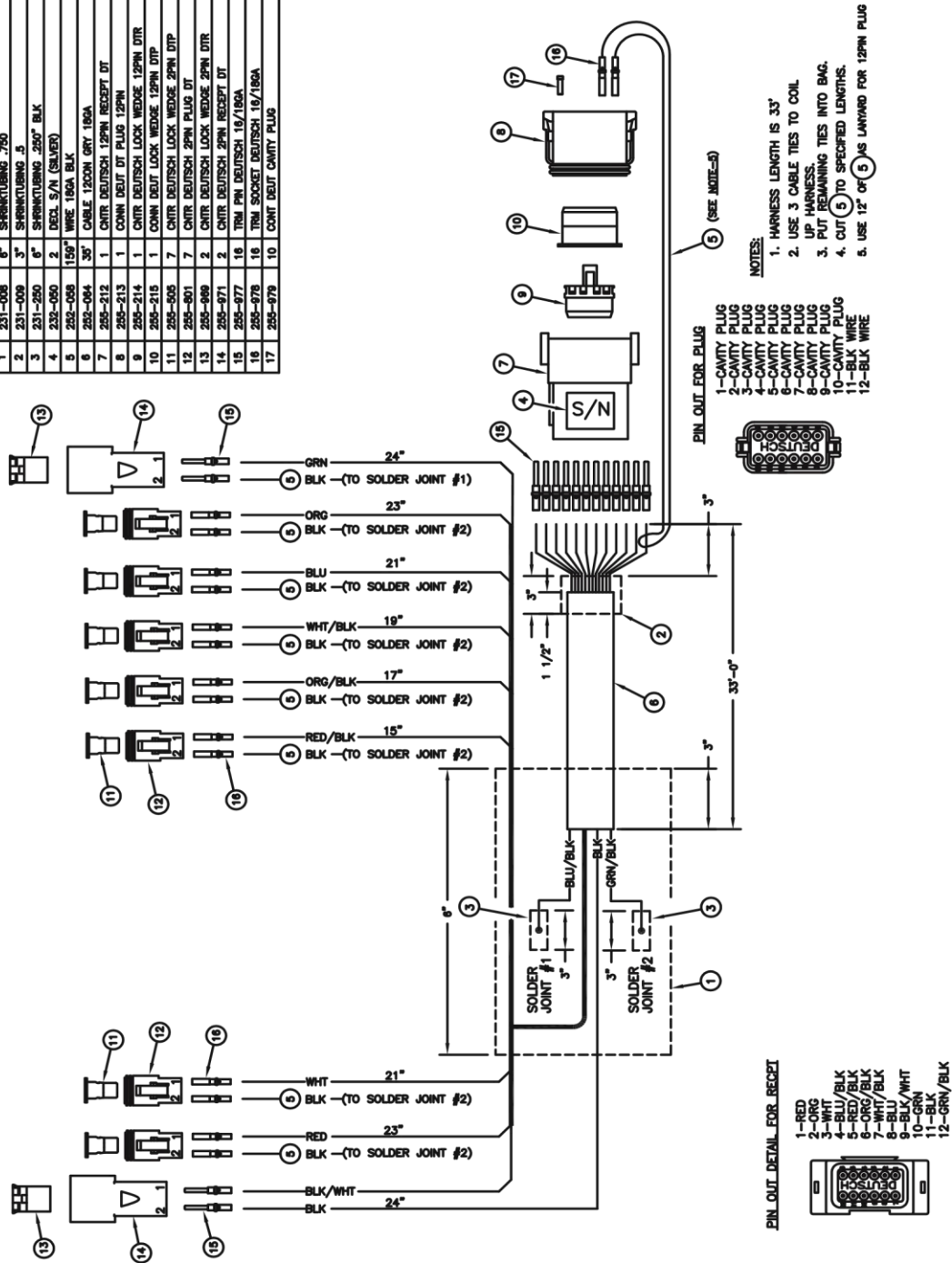


Hydraulic Control Valve - 9600N Parts List

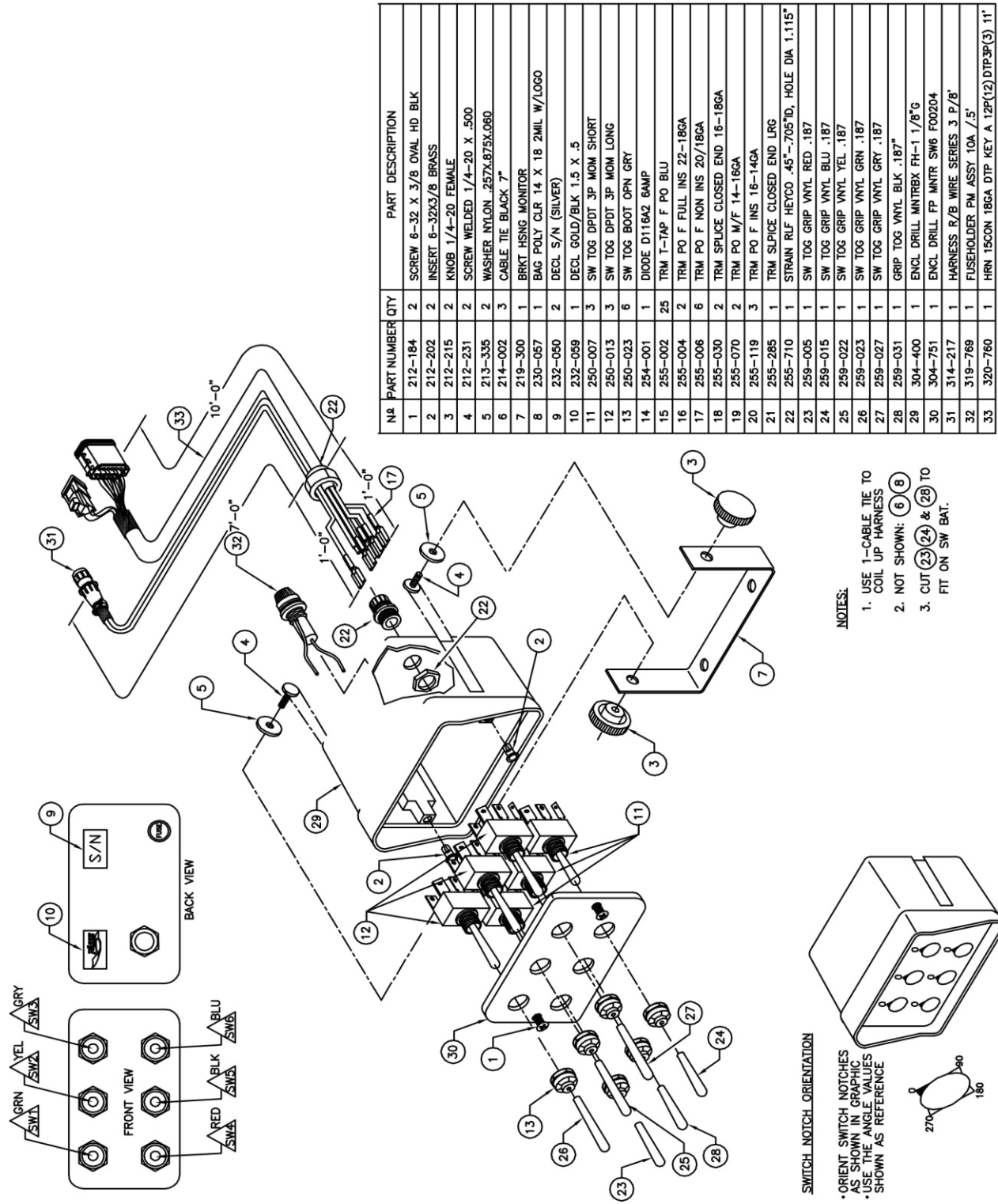
| ITEM | PART NO. | QTY. | DESCRIPTION |
|------|----------|------|--|
| 1 | 210-017 | 2 | FITTING 6801--8-/E-MJ-MO |
| 2 | 210-038 | 2 | FITTING 6408-HHP-8/HOLL HEX PLUG MO |
| 3 | 210-113 | 7 | FITTING 6400-4-6/S-MJ-MO |
| 4 | 210-127 | 1 | FITTING 6408-HHP-6/HOLL HEX PLUG MO |
| 5 | 210-188 | 2 | FITTING 6400-6-6 R.047/S-MJ-MO |
| 6 | 232-050 | 2 | DECAL S/N (SILVER) |
| 7 | 232-058 | 1 | DECAL FASSE BLACK/GOLD 1" X .75" ROUND CORNER |
| 8 | 253-037 | 1 | COIL H/F 6359774 DT |
| 9 | 253-046 | 9 | COIL HYDAK 0312600 DL DEUTSC RECEPTICLE |
| 10 | 270-093 | 1 | MANIFOLD S14153-4 5CIR AL RV |
| 11 | 273-008 | 1 | CARTRIDGE SV10-40-1-N-00 (Seal Kit Part Number 274-001) |
| 12 | 273-012 | 1 | CARTRIDGE CP10-20 (Seal Kit Part Number 274-019) |
| 13 | 273-058 | 1 | CARTRIDGE H/F RV10-22A-0-N-NC-35-30 (Seal Kit Part Number 274-009) |
| 14 | 273-077 | 9 | CARTRIDGE HYDAC WS 08W-01-C-N-0 (Seal Kit Part Number 274-028) |

Hydraulic Control Valve Wiring Harness

| PARTS LIST | | |
|----------------|------|-----------------------------------|
| NA PART NUMBER | QTY | PART DESCRIPTION |
| 231-008 | 6" | SHRINKTUBING .750 |
| 231-009 | 3" | SHRINKTUBING .5 |
| 231-260 | 6" | SHRINKTUBING .260" BLK |
| 232-050 | 2 | DEG. S/N (SILVER) |
| 252-056 | 159" | WIRE 16GA BLK |
| 252-064 | 35" | CABLE 1200N CRT 16GA |
| 255-212 | 1 | CNTR DEUTSCH 12PIN RECEIPT DT |
| 255-213 | 1 | CNTR DEUTSCH 12PIN PLUG DT |
| 255-214 | 1 | CNTR DEUTSCH LOCK WEDGE 12PIN DTR |
| 255-215 | 1 | CNTR DEUTSCH LOCK WEDGE 12PIN DTP |
| 255-505 | 7 | CNTR DEUTSCH LOCK WEDGE 2PIN DTP |
| 255-801 | 7 | CNTR DEUTSCH 2PIN PLUG DT |
| 255-809 | 2 | CNTR DEUTSCH LOCK WEDGE 2PIN DTR |
| 255-871 | 2 | CNTR DEUTSCH 2PIN RECEIPT DT |
| 255-877 | 16 | TRM PIN DEUTSCH 16/18GA |
| 255-878 | 16 | TRM SOCKET DEUTSCH 16/18GA |
| 255-879 | 10 | CNTR DEUTSCH CAVITY PLUG |

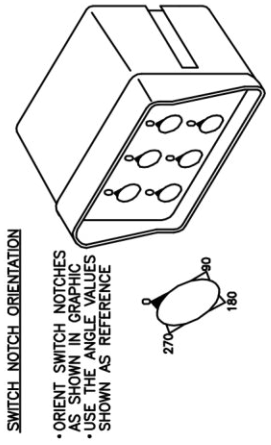


Control Console - 80, 90 & 100 Foot Boom



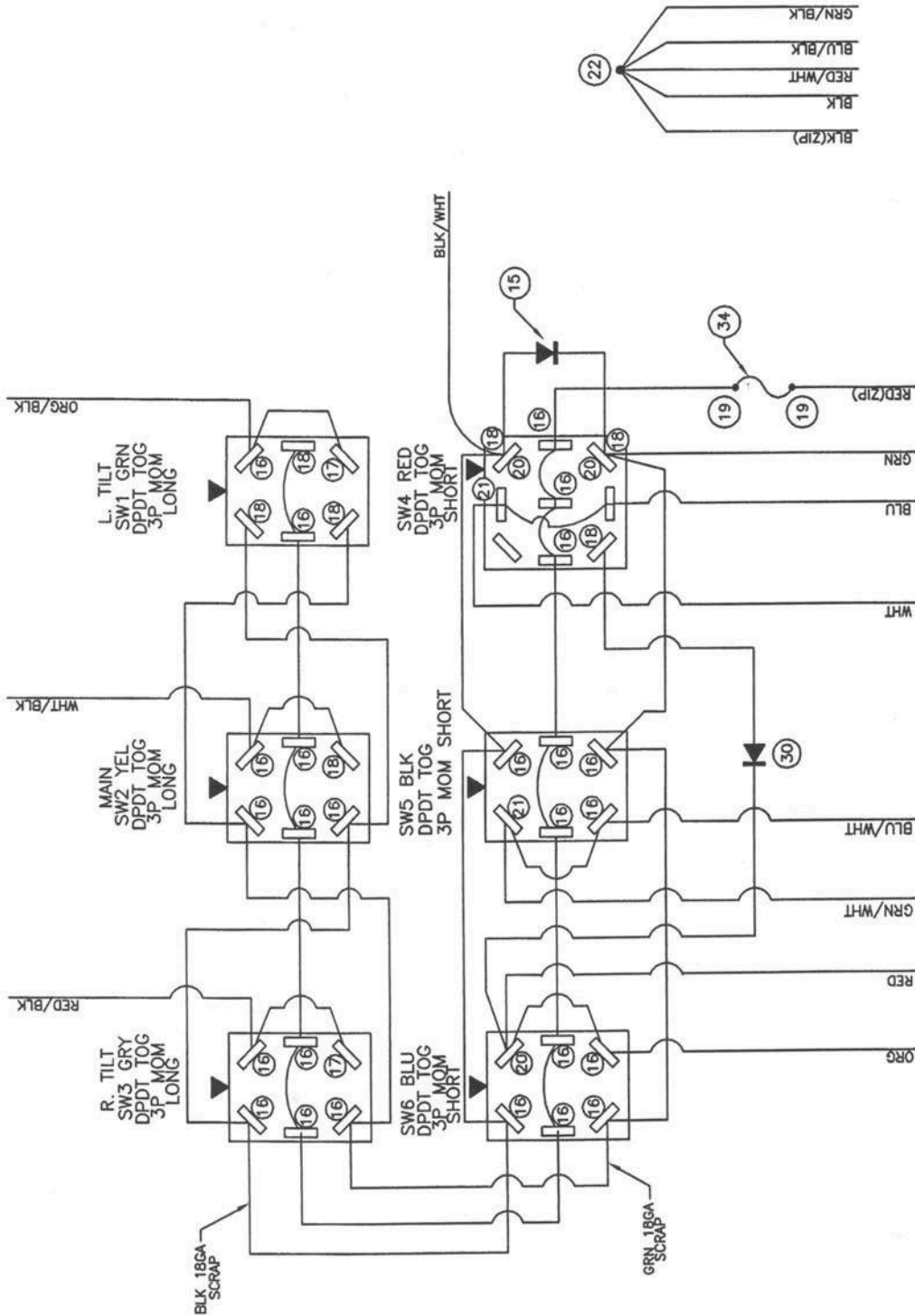
| PN# | PART NUMBER | QTY | PART DESCRIPTION |
|-----|-------------|-----|--|
| 1 | 212-184 | 2 | SCREW 6-32 X 3/8 OVAL HD BLK |
| 2 | 212-202 | 2 | INSERT 6-32X3/8 BRASS |
| 3 | 212-215 | 2 | KNOB 1/4-20 FEMALE |
| 4 | 212-231 | 2 | SCREW WELDED 1/4-20 X .500 |
| 5 | 213-335 | 2 | WASHER NYLON .257X.875X.080 |
| 6 | 214-002 | 3 | CABLE TIE BLACK 7" |
| 7 | 219-300 | 1 | BRKT HSG MONITOR |
| 8 | 230-057 | 1 | BAG POLY CLR 14 X 18 2MIL W/LOGO |
| 9 | 232-050 | 2 | DECL S/N (SILVER) |
| 10 | 232-059 | 1 | DECL GOLD/BLK 1.5 X 5 |
| 11 | 250-007 | 3 | SW TOG DPDT 3P MOM SHORT |
| 12 | 250-013 | 3 | SW TOG DPDT 3P MOM LONG |
| 13 | 250-023 | 6 | SW TOG BOOT OPN GRN |
| 14 | 254-001 | 1 | DIODE D116A2 BAMP |
| 15 | 255-002 | 25 | TRM T-TAP F PO BLU |
| 16 | 255-004 | 2 | TRM PO F FULL INS 22-18GA |
| 17 | 255-006 | 6 | TRM PO F NON INS 20/18GA |
| 18 | 255-030 | 2 | TRM SPLICE CLOSED END 16-18GA |
| 19 | 255-070 | 2 | TRM PO M/F 14-16GA |
| 20 | 255-119 | 3 | TRM PO F INS 16-14GA |
| 21 | 255-285 | 1 | TRM SPLICE CLOSED END LRG |
| 22 | 255-710 | 1 | STRAIN RLF HEYCO .45"-.705"ID, HOLE DIA 1.115" |
| 23 | 259-005 | 1 | SW TOG GRIP VNTL RED .187 |
| 24 | 259-015 | 1 | SW TOG GRIP VNTL BLU .187 |
| 25 | 259-022 | 1 | SW TOG GRIP VNTL YEL .187 |
| 26 | 259-023 | 1 | SW TOG GRIP VNTL GRN .187 |
| 27 | 259-027 | 1 | SW TOG GRIP VNTL GRY .187 |
| 28 | 259-031 | 1 | GRIP TOG VNTL BLK .187" |
| 29 | 304-400 | 1 | ENCL DRILL MNTBRX FH-1 1/8"Ø |
| 30 | 304-751 | 1 | ENCL DRILL FP MNTR SW6 F00204 |
| 31 | 314-217 | 1 | HARNESS R/B WIRE SERIES 3 P/8' |
| 32 | 319-769 | 1 | FUSEHOLDER PM ASSY 10A /.5' |
| 33 | 320-760 | 1 | HRN 15CON 18GA DTP KEY A 12P(12)DTP3P(3) 11' |

- NOTES:**
1. USE 1-CABLE TIE TO COIL UP HARNESS
 2. NOT SHOWN: (6) (8)
 3. CUT (23) (24) & (28) TO FIT ON SW BAT.



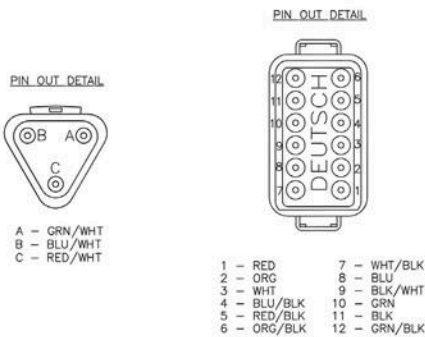
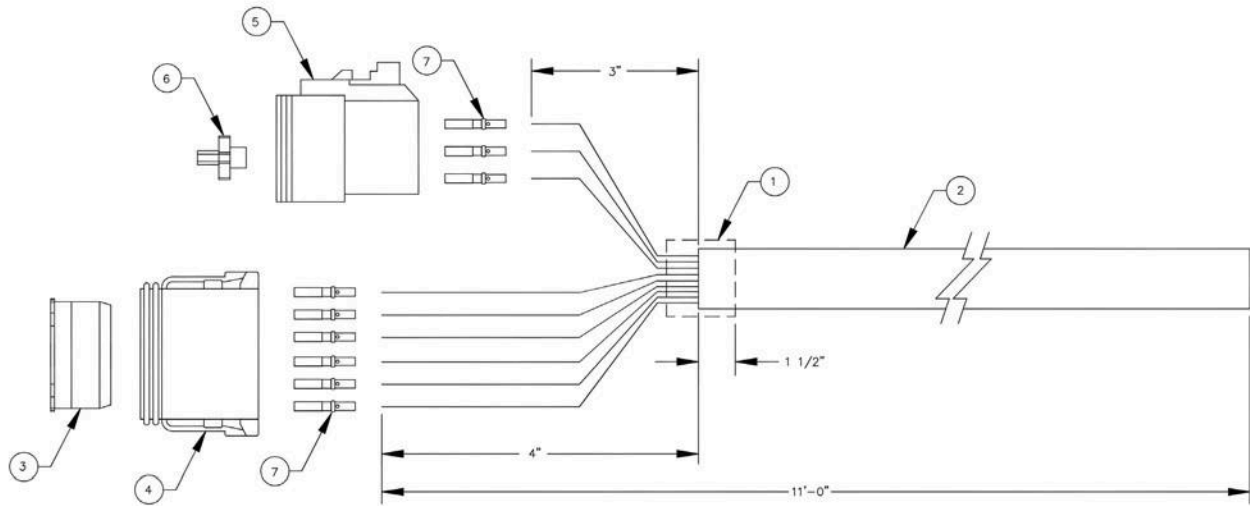
Control Console Switch Diagram

SWITCH WIRING DIAGRAM



▲ = NOTCH LOCATION

Wiring Harness - 80, 90 & 100 Foot Boom



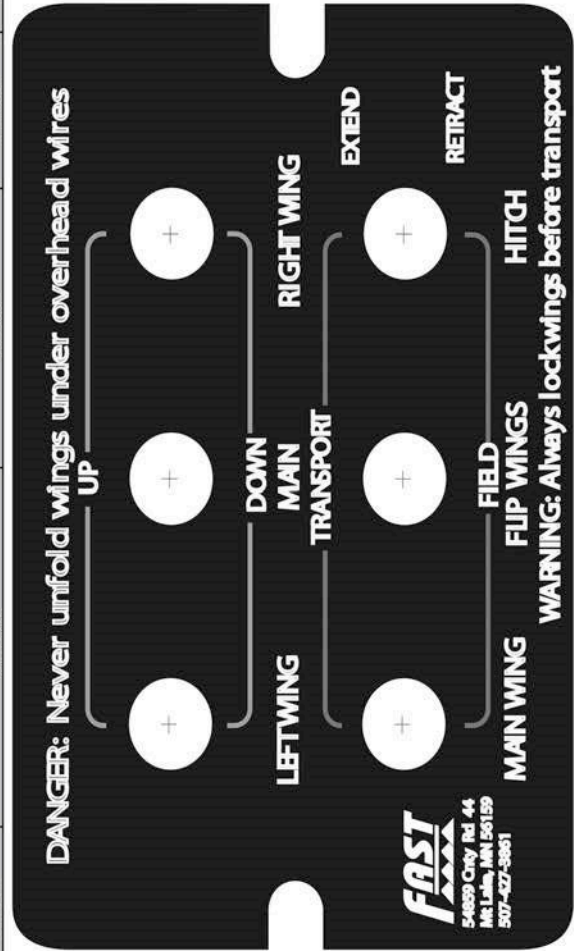
Wiring Harness - 80, 90 & 100 Foot Boom Parts List

| ITEM | PART NO. | QTY. | DESCRIPTION |
|------|----------|------|--|
| 1 | 231-007 | 3" | S HRINK TUBING .625 |
| 2 | 252-020 | 11' | CABLE 15CON 18 GAUGE |
| 3 | 255-215 | 1 | CENTERLOCK WEDGE 12 P IN DTP |
| 4 | 255-756 | 1 | CONNECTOR DEUTSCHDT PLUG 12 PIN KEY A |
| 5 | 255-813 | 1 | CONNECTOR DEUTSCH 3 PIN PLUG DTD T PLUG 12 PIN KEY A |
| 6 | 255-817 | 1 | CONNECTOR DEITSCH LOCK W EDGE 3 PIN DTP |
| 7 | 255-978 | 15 | CONNECTOR DEUTSCH SOCKET 16/18 GAUG E |

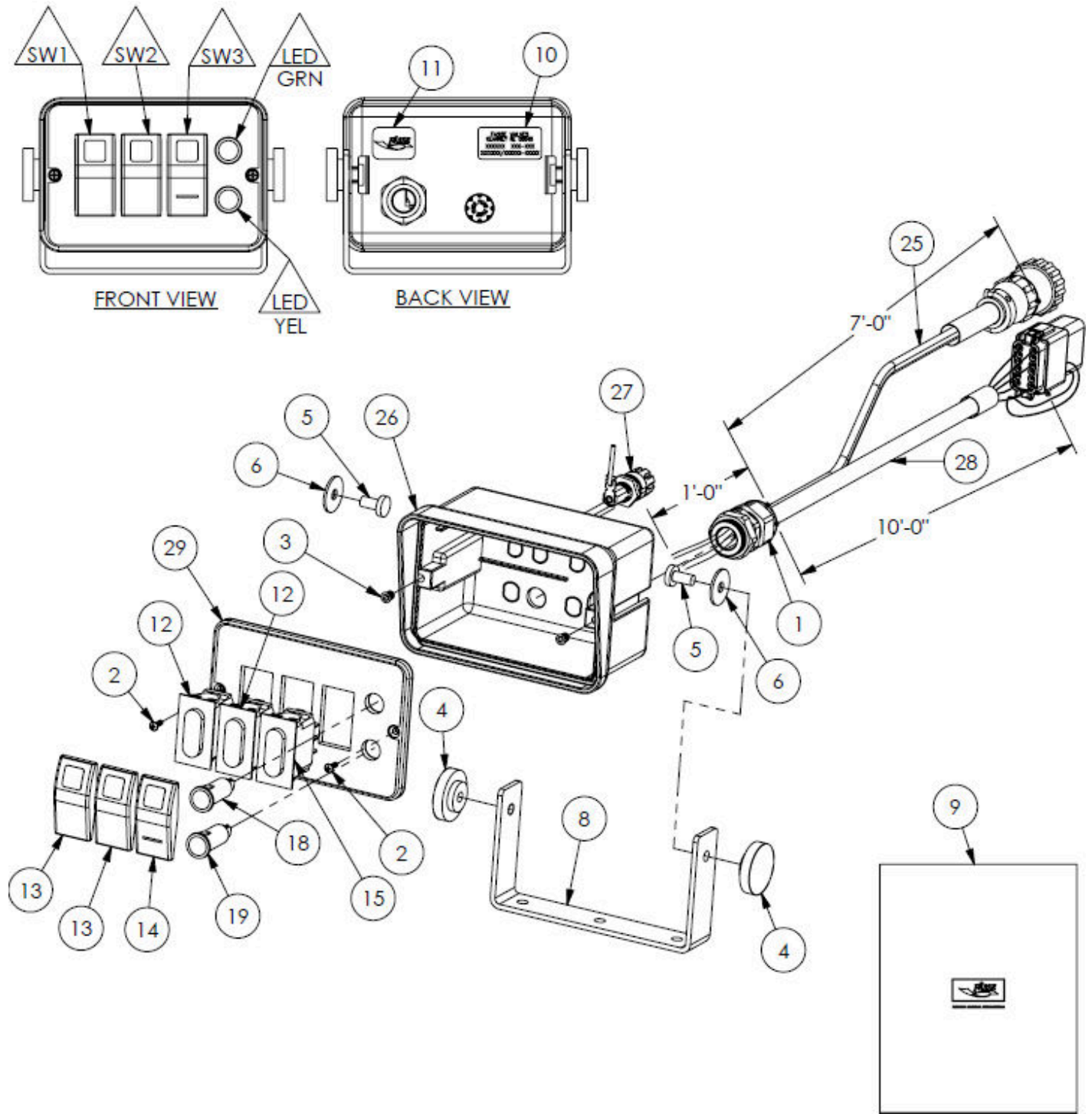
Control Console Decal - 80, 90 & 100 Foot Boom

700-0806-4105 120' Fixed Tongue

| Switch No. | Boot Color | Switch Position | Hot Wires | Pin Out Location | Pressure Ports | Tank Ports | Function |
|------------|------------|-----------------|-----------------------------------|-----------------------------|----------------|------------|----------------------|
| 1 Long | Green | Up (mom) | Org/Blk & Grn | 6-12P, 10-12P | C4 | | Lt. Wing Up |
| | | Center (stat) | | | | | Off |
| | | Down (mom) | Org/Blk & Grn & Blk/Wht | 6-12P, 10-12P, 9-12P | | C4 | Lt. Wing Down |
| 2 Long | Yellow | Up (mom) | Wht/Blk & Grn & Blk/Wht | 7-12P, 10-12P, 9-12P | C9 | | Main Up |
| | | Center (stat) | | | | | Off |
| | | Down (mom) | Wht/Blk & Grn | 7-12P, 10-12P | | C9 | Main Down |
| 3 Long | Gray | Up (mom) | Red/Blk & Grn | 5-12P, 10-12P | C5 | | Rt. Wing Up |
| | | Center (stat) | | | | | Off |
| | | Down (mom) | Red/Blk & Grn & Blk/Wht | 5-12P, 10-12P, 9-12P | | C5 | Rt. Wing Down |
| 4 Short | Red | Up (mom) | Wht & Blu & Grn | 3-12P, 8-12P, 10-12P | C2 | | Main Wing Transport |
| | | Center (stat) | | | | | Off |
| | | Down (mom) | Wht & Blu & Grn & Blk/Wht | 3-12P, 8-12P, 10-12P, 9-12P | | C2 | Main Wing Field |
| 5 Short | Black | Up (mom) | Grn/Wht & Blu/Wht & Grn | 1-3P, 2-3P, 10-12P | C3 | | Flip Wings Transport |
| | | Center (stat) | | | | | Off |
| | | Down (mom) | Grn/Wht & Blu/Wht & Grn & Blk/Wht | 1-3P, 2-3P, 10-12P, 9-12P | | C3 | Flip Wings Field |
| 6 Short | Blue | Up (mom) | Red & Org & Grn | 1-12P, 2-12P, 10-12P | C1 | | Hitch Transport |
| | | Center (stat) | | | | | Off |
| | | Down (mom) | Red & Org & Grn & Blk/Wht | 1-12P, 2-12P, 10-12P, 9-12P | | C1 | Hitch Field |
| | | | Blk | 11-12P | | | Ground |
| | | | Red/Wht | 3-3P | | | Ground |
| | | | Blu/Blk | 4-12P | | | Ground |
| | | | Grn/Blk | 12-12P | | | Ground |



Cab Box for Electric Valving Option



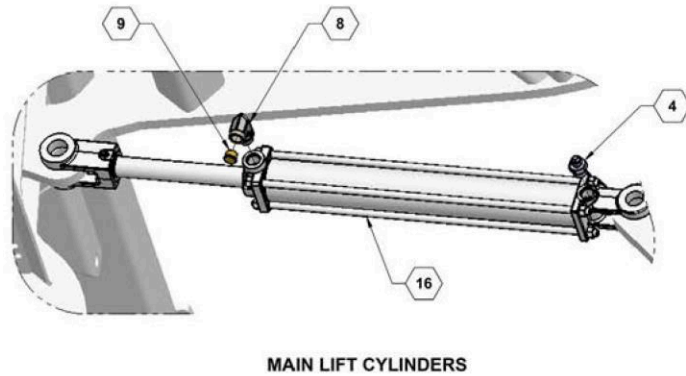
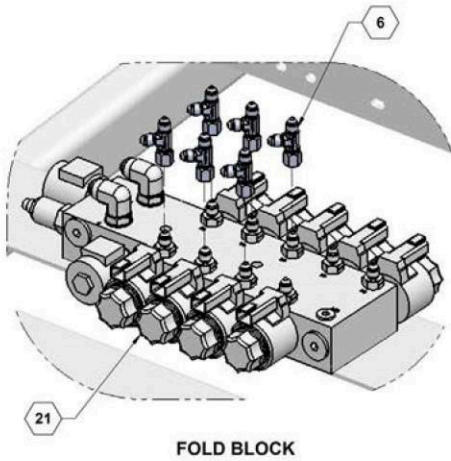
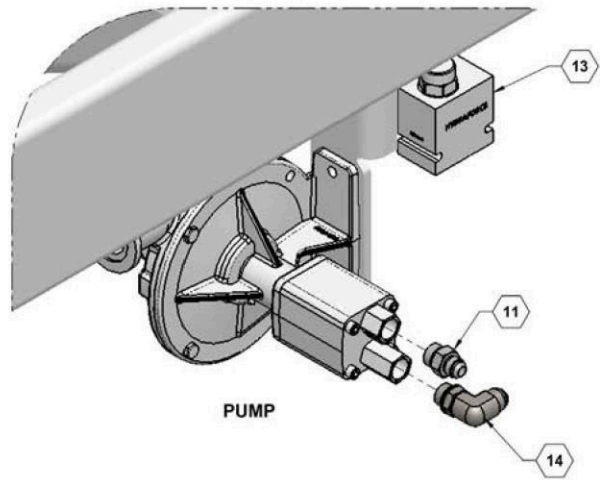
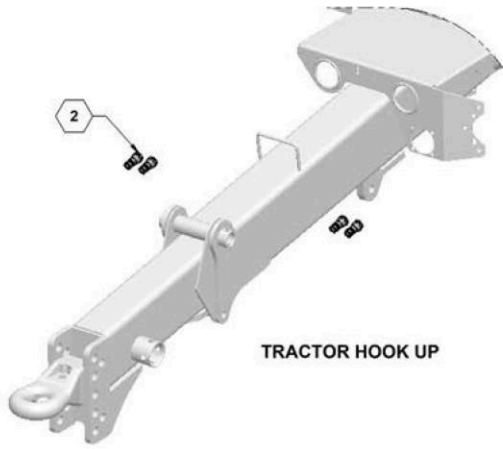
Cab Box for Electric Valving Option 632155

| ITEM | PART NO. | QTY. | DESCRIPTION |
|------|----------|------|--|
| 1 | 210-710 | 1 | STR RLF HEYCO .23"-.54"ID, HOLE DIA .886" |
| 2 | 212-184 | 2 | SCREW PHIL PAN #6-32X3/8" BLK |
| 3 | 212-202 | 2 | SCREW INSERT BRASS #6-32X3/8" |
| 4 | 212-215 | 2 | KNOB FEMALE 1/4"-20 |
| 5 | 212-231 | 2 | SCREW WELDED 1/4"-20X.625" |
| 6 | 213-335 | 2 | WASHER NYLON FLAT 1/4"-20 |
| 7 | 214-002 | 3 | CABLE TIE BLK 8.5" |
| 8 | 219-300 | 1 | BRKT MNTR BLK AL |
| 9 | 230-057 | 1 | BAG POLY 14X 18 2MIL LOGO |
| 10 | 232-050 | 1 | DECL S/N SILVER |
| 11 | 232-058 | 1 | DECAL FASSE BLK/GOLD 1"X.75" RND CRNR |
| 12 | 250-242 | 2 | SW RCK CONTURA BODY ONLY SPST 2P STAT CLEAR LED 12V |
| 13 | 250-243 | 2 | SW RCK CONTURA II ACTUATOR ONLY RED LENS BLK |
| 14 | 250-244 | 1 | SW RCK CONTURA II ACTUATOR ONLY RED/RED LENS BLK |
| 15 | 250-245 | 1 | SW RCK CONTURA BODY ONLY SPST 3P STAT CLEAR/CLEAR LEDS 12V |
| 16 | 252-058 | 14" | WIRE 18GA BLK |
| 17 | 252-059 | 14" | WIRE 18GA RED |
| 18 | 254-179 | 1 | LED GRN 12V 5/8"DIA SNAP FLUSH 1/4" MALE TRM |
| 19 | 254-182 | 1 | LED YEL 12V 5/8"DIA SNAP FLUSH 1/4" MALE TRM |
| 20 | 255-002 | 6 | TRM PO T-TAP F 18-14GA |
| 21 | 255-006 | 7 | TRM PO F INS 22-18GA |
| 22 | 255-030 | 3 | TRM SPLICE CLOSED END 16-18GA |
| 23 | 255-119 | 1 | TRM PO FINS 16-14GA |
| 24 | 255-285 | 1 | TRM SPLICE CLOSED END LRG 14-16GA |
| 25 | 314-001 | 1 | HRN 2CON 14GA AMP PLUG 3P(2) 8" |
| 26 | 319-725 | 1 | ENCL MNTR BOX 4.75"X3"X2" |
| 27 | 320-529 | 1 | FUSE HOLDER PM ASSY 7.5A .5' |
| 28 | 320-607 | 1 | HRN 12CON 18GA DTP KEY B 12P(12) 11' END CAP |
| 29 | 320-609 | 1 | ENCL DRILL FP MNTR RCK3 LED2 500204 |



9613TF-80 Hydraulic Fitting Locations

9613TF-80 FITTING I.D. & LOCATION

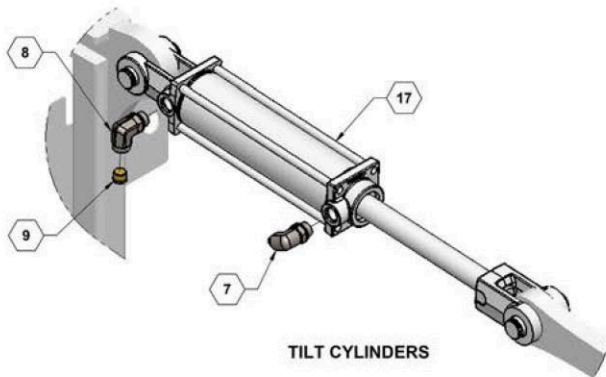


9613TF-80 Hydraulic Fitting Locations Parts List

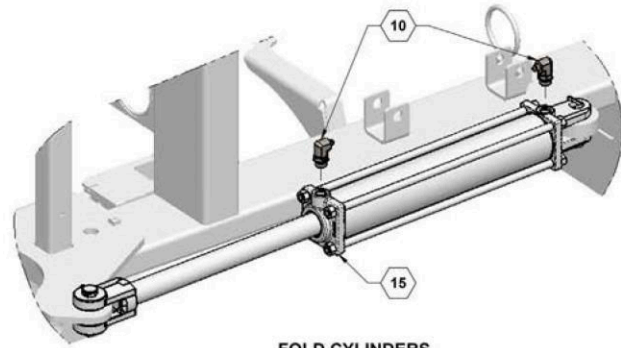
| ITEM | PART NO. | QTY. | DESCRIPTION |
|------|----------|------|------------------------------------|
| 2 | 520048 | 4 | PIONEER COUPLER #8 FORB |
| 4 | 610011 | 3 | JIC #6 TO ORING #8 |
| 6 | 610028 | 6 | #4 SWIVEL RUN TEE |
| 8 | 610035 | 4 | ORING #8 TO 3/8" PIPE 90 DEG |
| 9 | 610036 | 4 | PLUG 3/8-18 BREATHER VENT |
| 11 | 610060 | 1 | JIC #8 TO ORING #10 |
| 13 | 610099 | 1 | VALVE, FLOW CONTROL, P.C. |
| 14 | 610102 | 1 | JIC #10 TO O-RING #10 ELBOW 90° |
| 16 | 620019 | 2 | CYLINDER, 20TD16-112 MAIN LIFT |
| 21 | 630011 | 1 | HYDRAULIC BLOCK 6-STA. 9610E-9612E |

9613TF-80 Hydraulic Fitting Locations

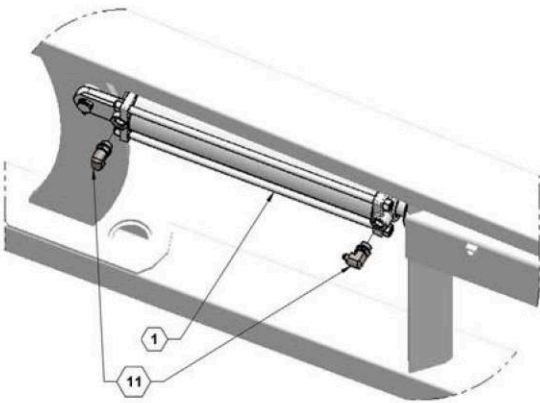
9613TF-80 FITTING I.D. & LOCATION CONTINUED



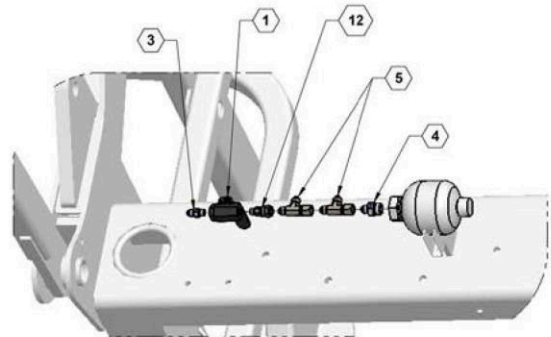
TILT CYLINDERS



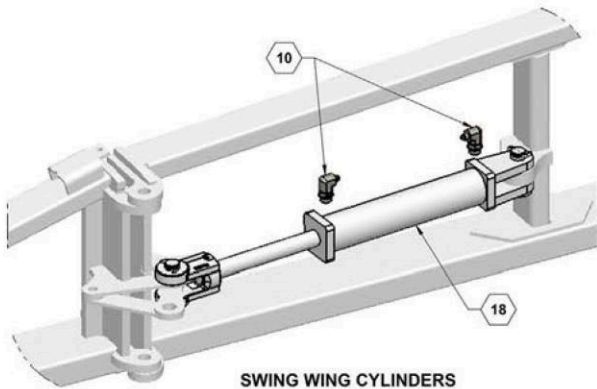
FOLD CYLINDERS



FLIP WING CYLINDERS



ACCUMULATOR



SWING WING CYLINDERS

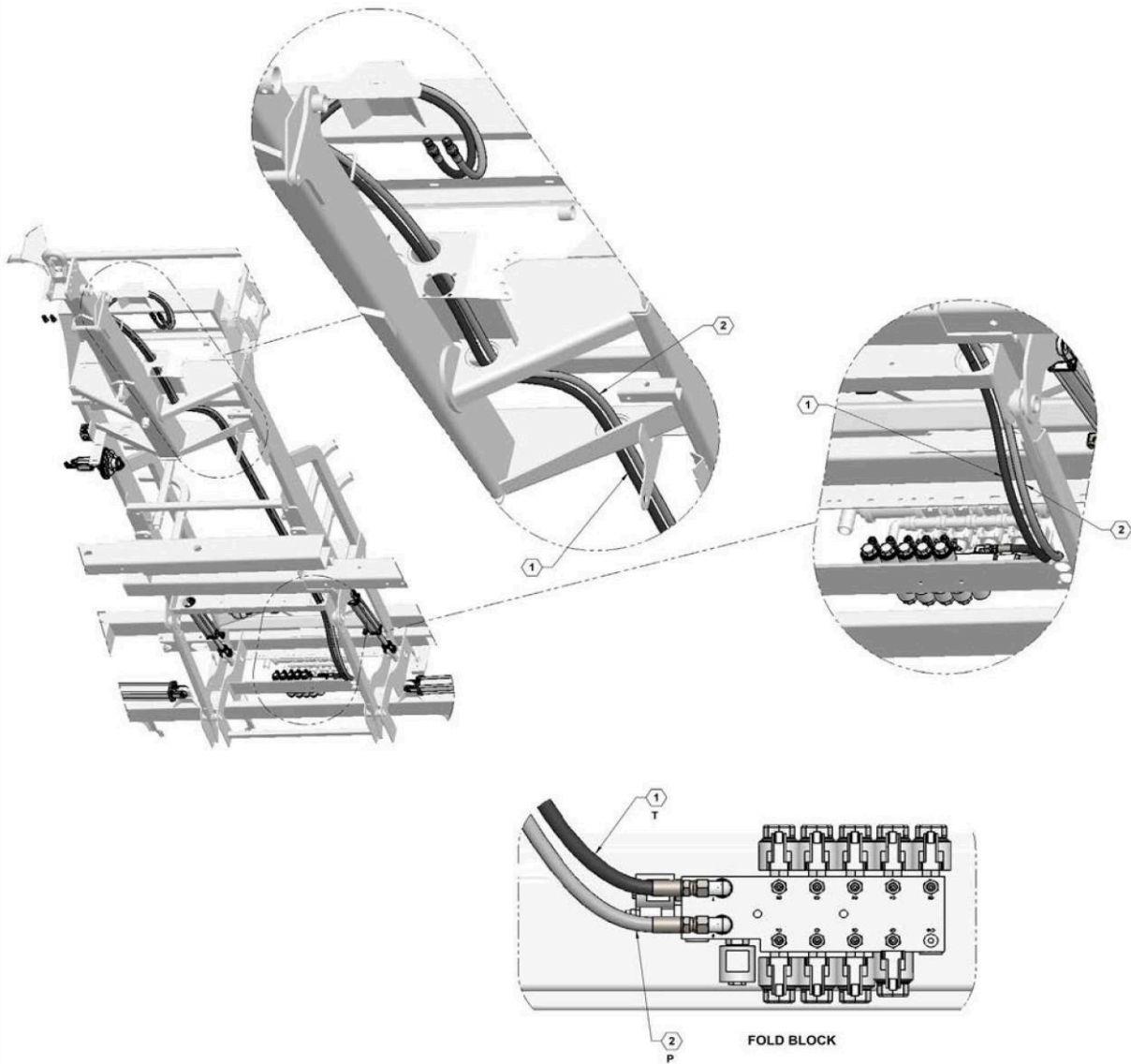
9613TF-80 Hydraulic Fitting Locations Parts List

| ITEM | PART NO. | QTY. | DESCRIPTION |
|------|----------|------|--|
| 1 | 500000 | 1 | VALVE, BALLSAE#4FEMALEPORT |
| 3 | 610007 | 1 | JIC#4TOORING#4 |
| 4 | 610011 | 3 | JIC#6TOORING#8 |
| 5 | 610027 | 2 | JIC#6RUNTEE |
| 7 | 610030 | 2 | JIC#6TOORING#890DEG |
| 8 | 610035 | 4 | ORING#8TO3/8"PIPE90DEG |
| 9 | 610036 | 4 | PLUG3/8-18BREATHERVEENT |
| 10 | 610039 | 8 | JICRESTRICTED.032#4XO-R#890DEG(9600N) |
| 10 | 610040 | 12 | JICRESTRICTED.045#4XO-R#890DEG(9600) |
| 11 | 610040 | 12 | JICRESTRICTED.045#4XO-R#890DEG(9600&9600N) |
| 12 | 610079 | 1 | CONNECTOR#4ORBX#6JIC |
| 15 | 620006 | 2 | CYLINDER,30TD16-150FOLD |
| 17 | 620023 | 2 | CYLINDER,25TD08-112WINGTILT |

Fold Block Hydraulic Hose Routing

FOLD BLOCK PRESSURE = BLACK HOSE
 FOLD BLOCK RETURN = GRAY HOSE

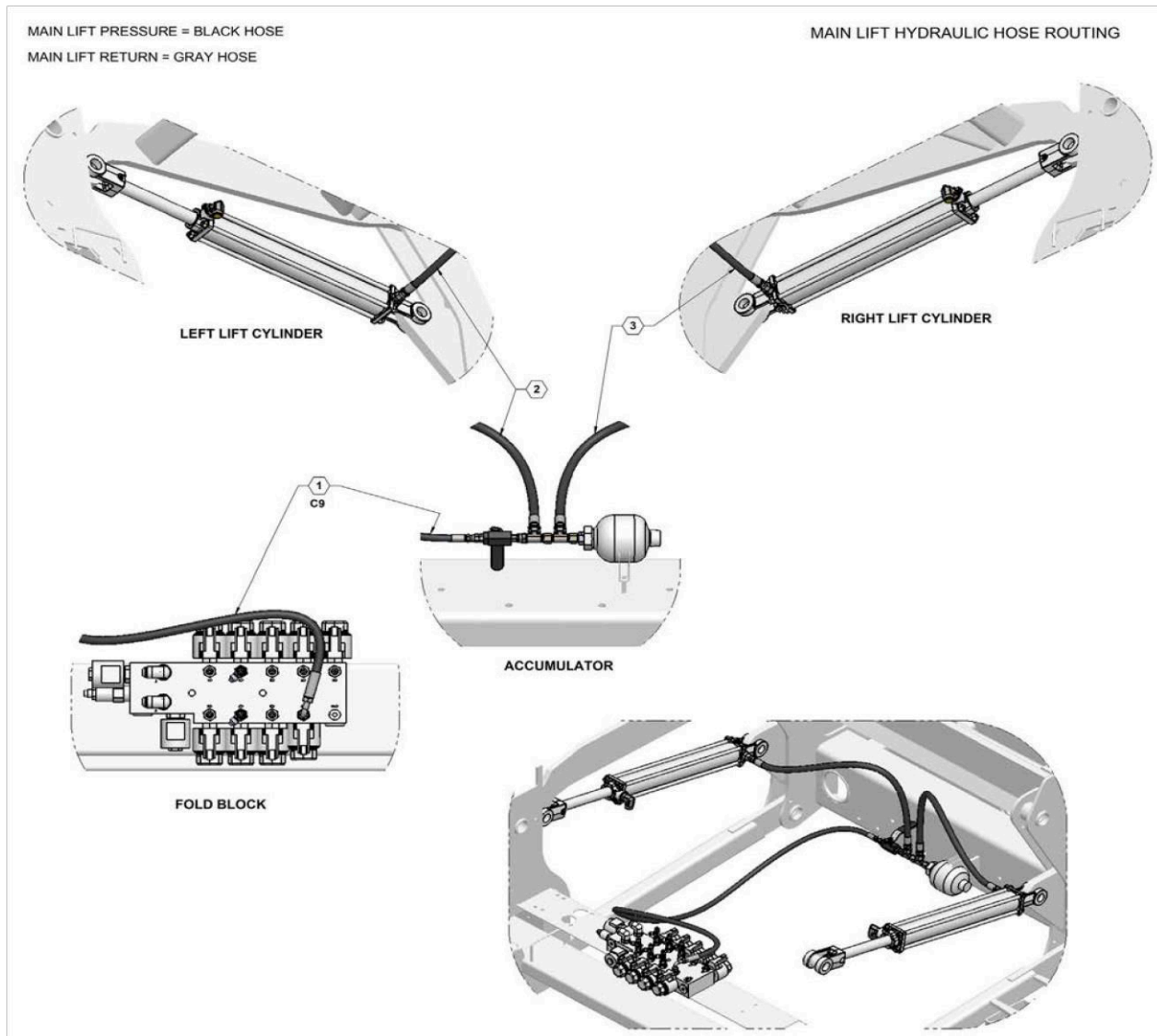
FOLD BLOCK HYDRAULIC HOSE ROUTING



Fold Block Hydraulic Hose Routing Parts List

| ITEM | PART NO. | QTY. | DESCRIPTION |
|------|-------------|------|----------------------------------|
| 1 | 600040-1-ZN | 1 | HYDRAULIC HOSE, 08-8MOR-8FJX-302 |
| 2 | 600040-3-ZN | 1 | HYDRAULIC HOSE, 08-8MOR-8FJX-304 |

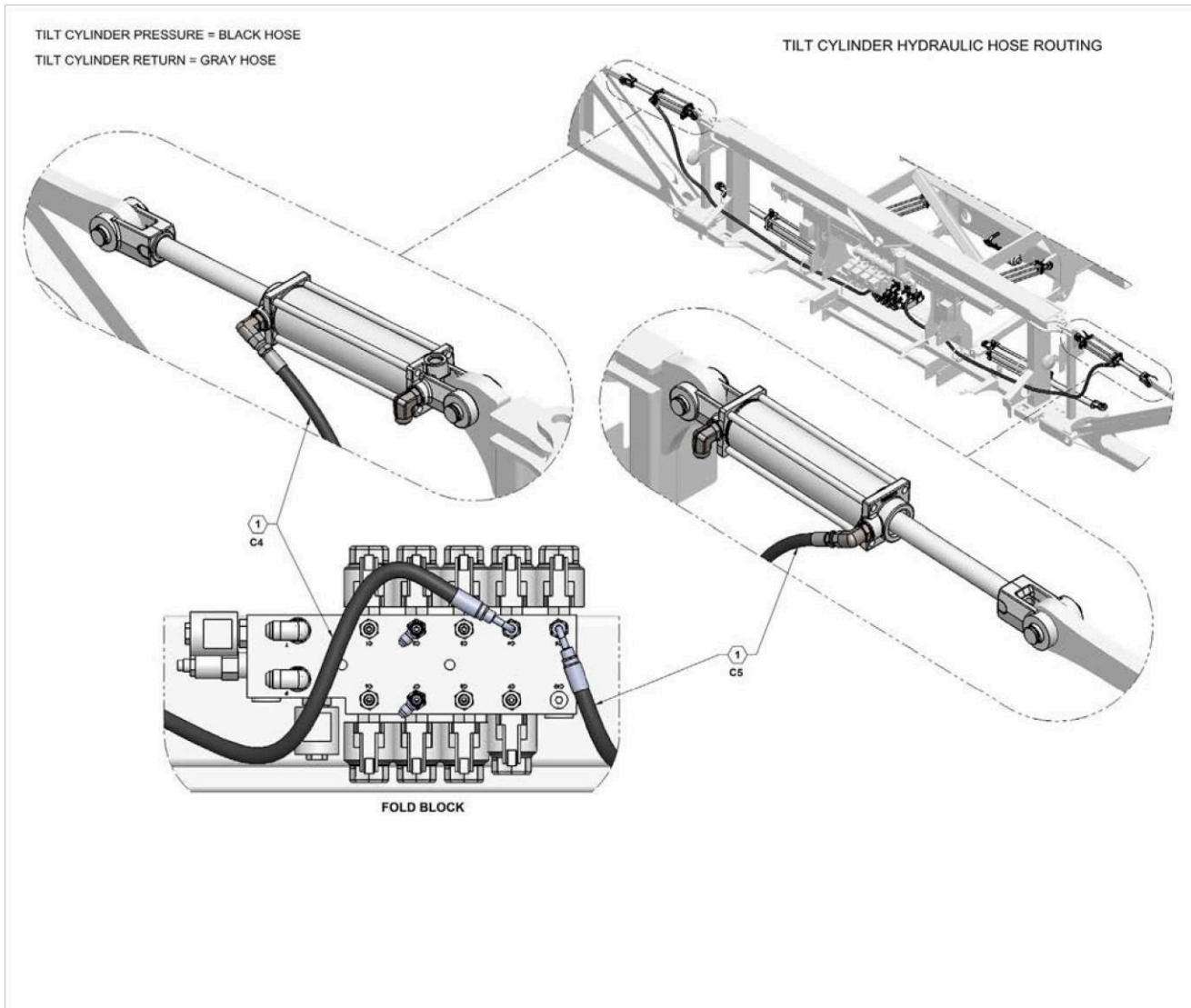
Main Lift Hydraulic Hose Routing



Main Lift Hydraulic Hose Routing Parts List

| ITEM | PART NO. | QTY. | DESCRIPTION |
|------|--------------|------|---|
| 1 | FDM0048-ZN | 1 | HYDRAULIC HOSE , 04 - 4 F J X 90 - 4 F J X - 85 |
| 2 | 600040-12-ZN | 1 | HYDRAULIC HOSE, 06 - 6 F J X - 6 F J X - 28 |
| 3 | 600040-13-ZN | 1 | HYDRAULIC HOSE, 06 - 6 F J X - 6 F J X - 30 |

Tilt Cylinder Hydraulic Hose Routing

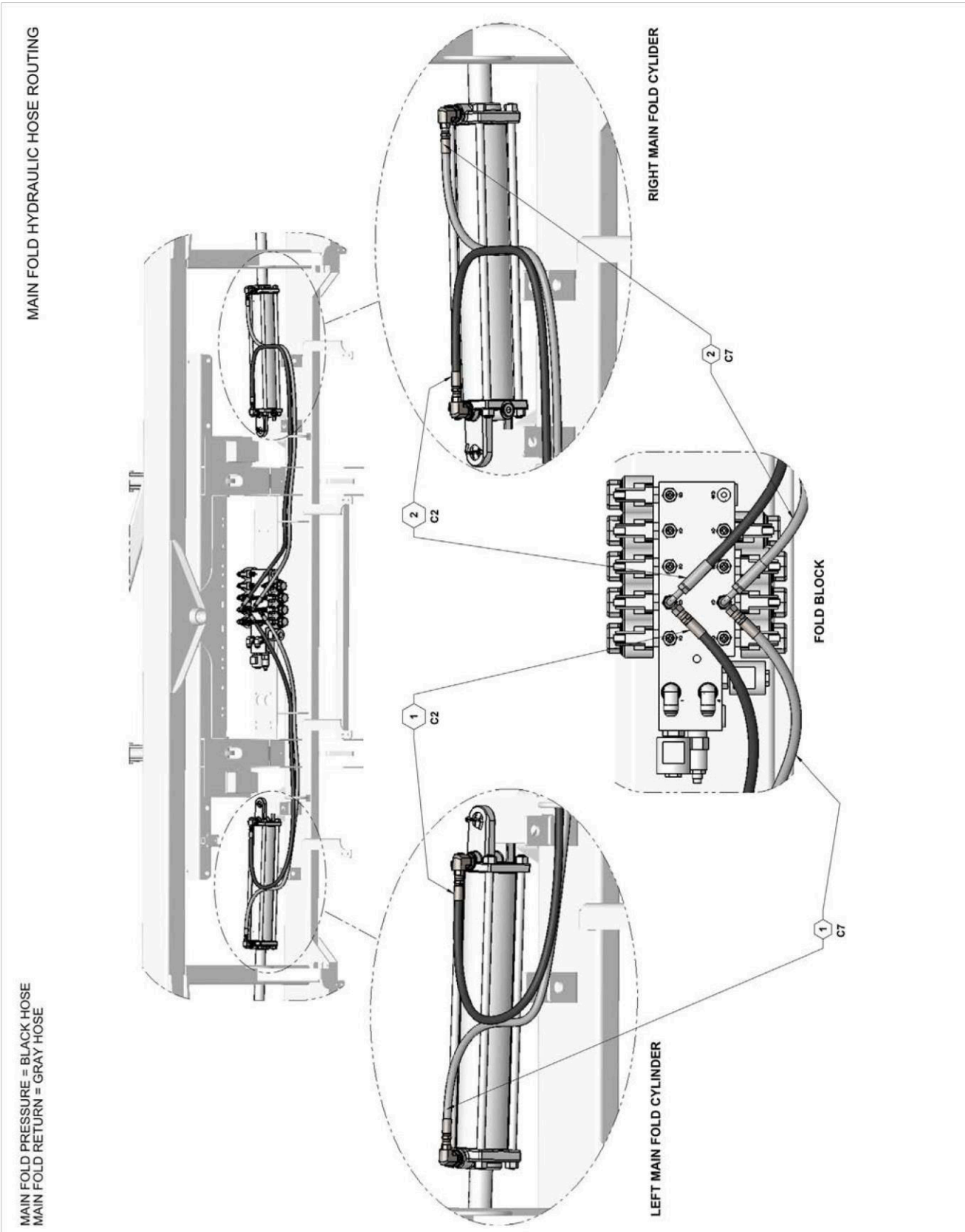


Tilt Cylinder Hydraulic Hose Routing Parts List

| ITEM | PART NO. | QTY. | DESCRIPTION |
|------|--------------|------|------------------------------------|
| 1 | 600040-19-ZN | 2 | HYDRAULIC HOSE, 06-4FJX90-6FJX-100 |



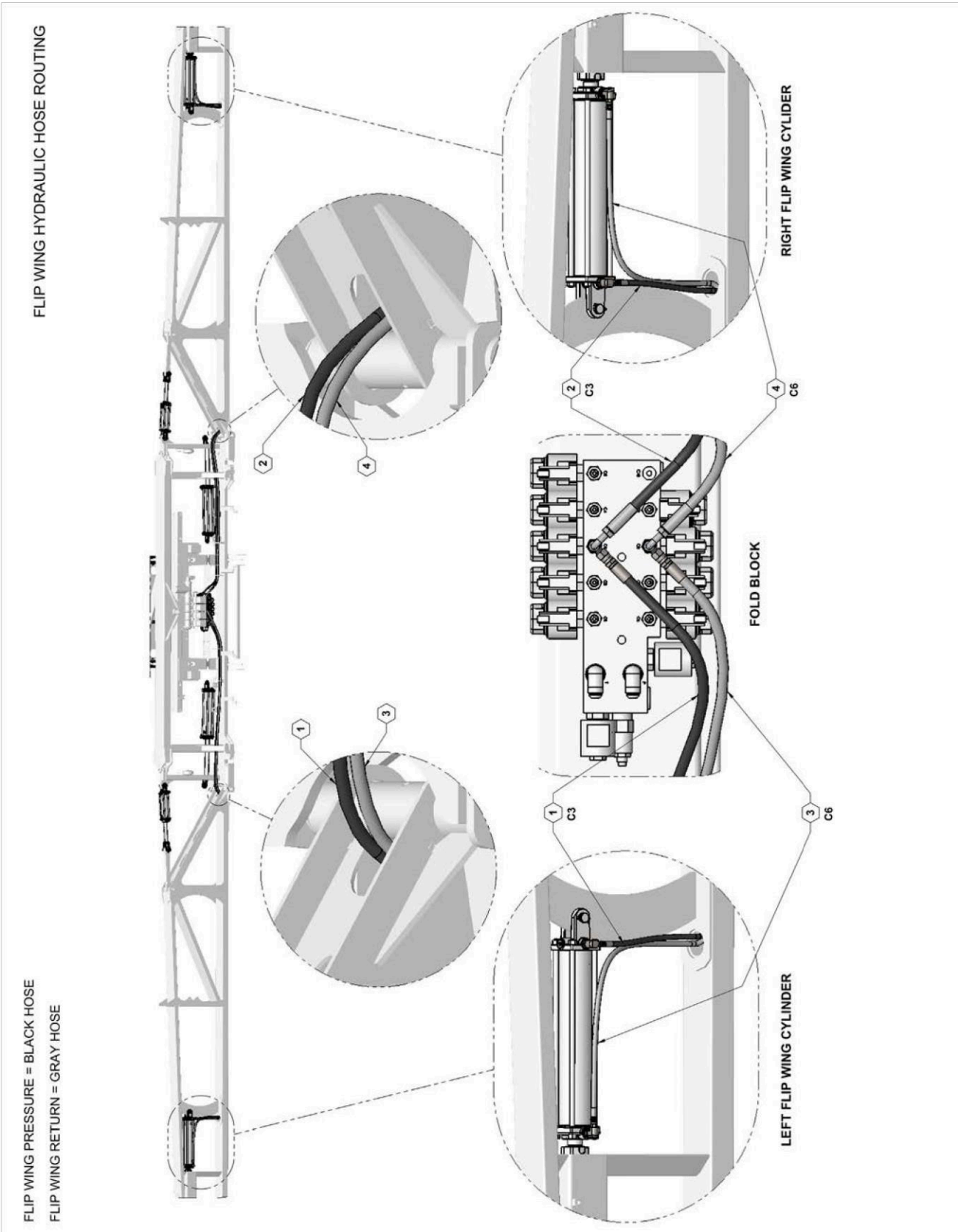
Main Hydraulic Hose Routing



Main Hydraulic Hose Routing Parts List

| ITEM | PART NO. | QTY. | DESCRIPTION |
|------|--------------|------|---------------------------------|
| 1 | 600040-14-ZN | 2 | HYDRAULIC HOSE, 04-4FJX-4FJX-54 |
| 2 | 600040-9-ZN | 2 | HYDRAULIC HOSE, 04-4FJX-4FJX-54 |

Flip Wing Hydraulic Hose Routing



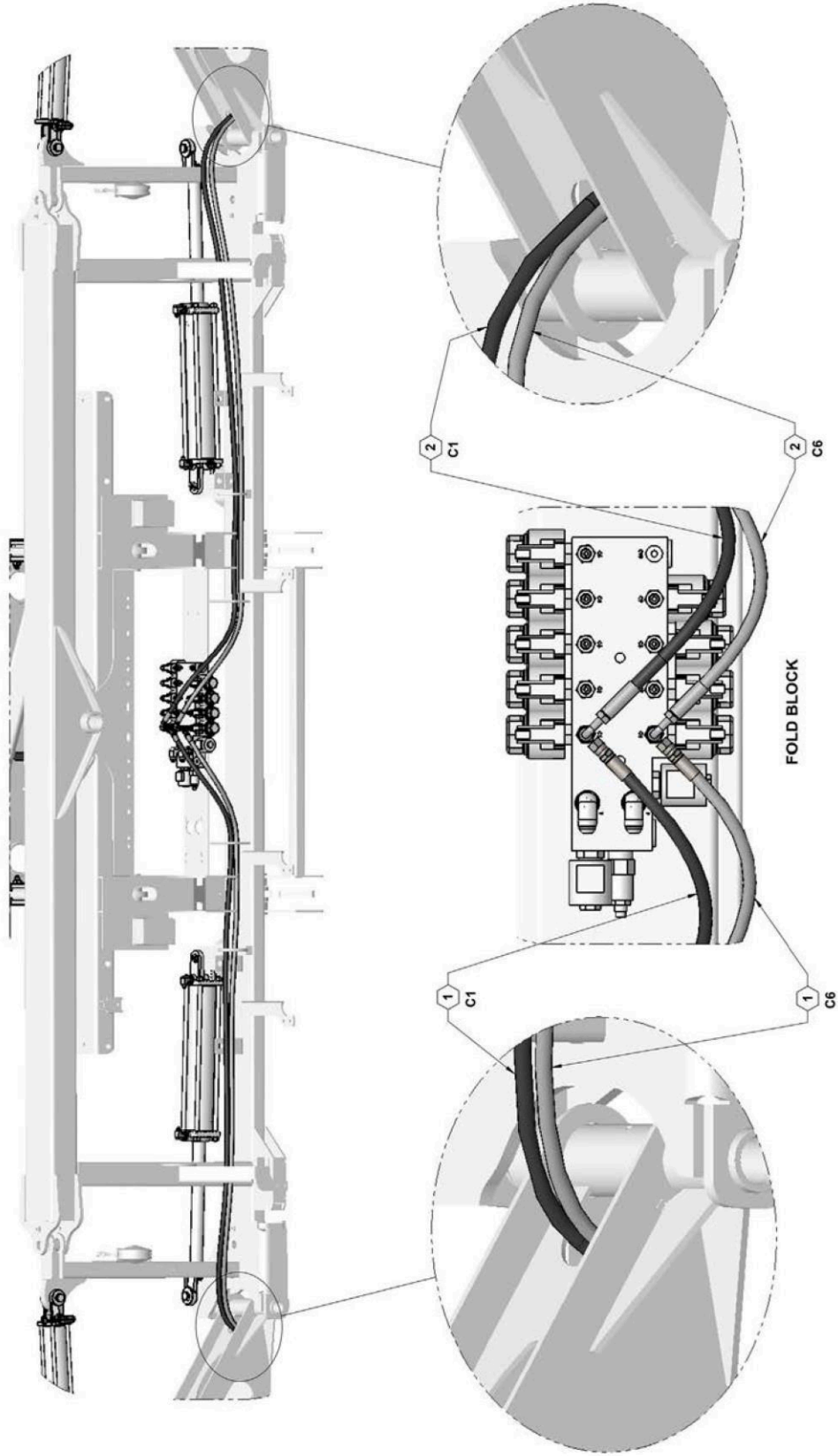
Flip Wing Hydraulic Parts List

| ITEM | PART NO. | QTY. | DESCRIPTION |
|------|----------------|------|---------------------------------------|
| 1 | 600040-16-ZN | 1 | HYDRAULIC HOSE , 04-4F JX-4F JX-202 |
| 2 | 600040-11A -ZN | 1 | HYDRAULIC HOSE, 04-4F JX90-4F JX-215 |
| 3 | 600040-17A -ZN | 1 | HYDRAULIC HOSE, 04-4F JX-4F JX-220 |
| 4 | 600045-6-ZN | 1 | HYDRAULIC HOSE , 04-4F JX90-4F JX-200 |

Breakaway Wing Hydraulic Hose Routing

BREAKAWAY WING HYDRAULIC HOSE ROUTING

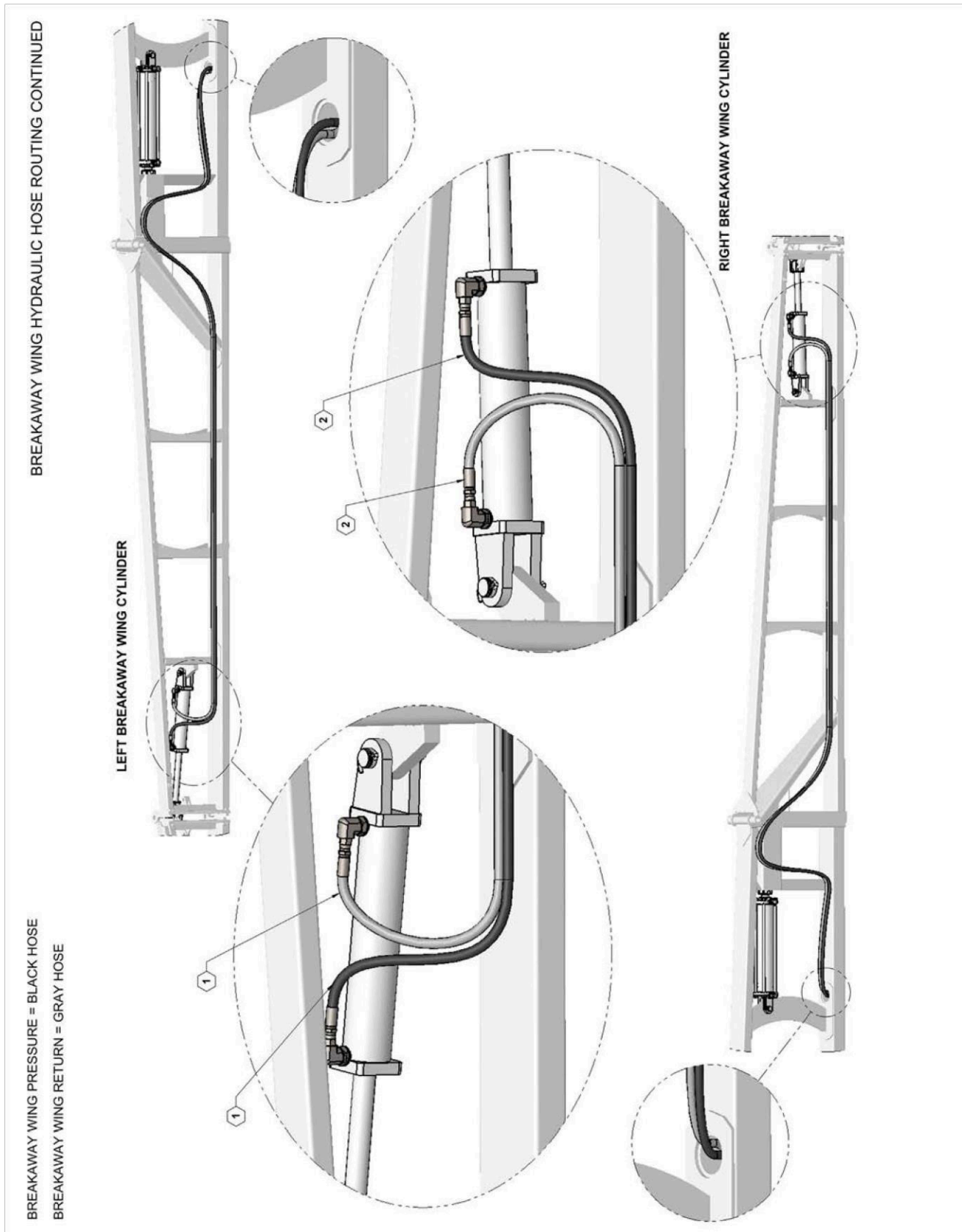
BREAKAWAY WING PRESSURE = BLACK HOSE
 BREAKAWAY WING RETURN = GRAY HOSE



Breakaway Wing Hydraulic Hose Routing Parts List

| ITEM | PART NO. | QTY. | DESCRIPTION |
|------|-------------|------|------------------------------------|
| 1 | 600040-7-ZN | 2 | HYDRAULIC HOSE, 04-4FJX-4FJX-384 |
| 2 | 600040-8-ZN | 2 | HYDRAULIC HOSE, 04-4FJX90-4FJX-384 |

Breakaway Wing Hydraulic Hose Routing



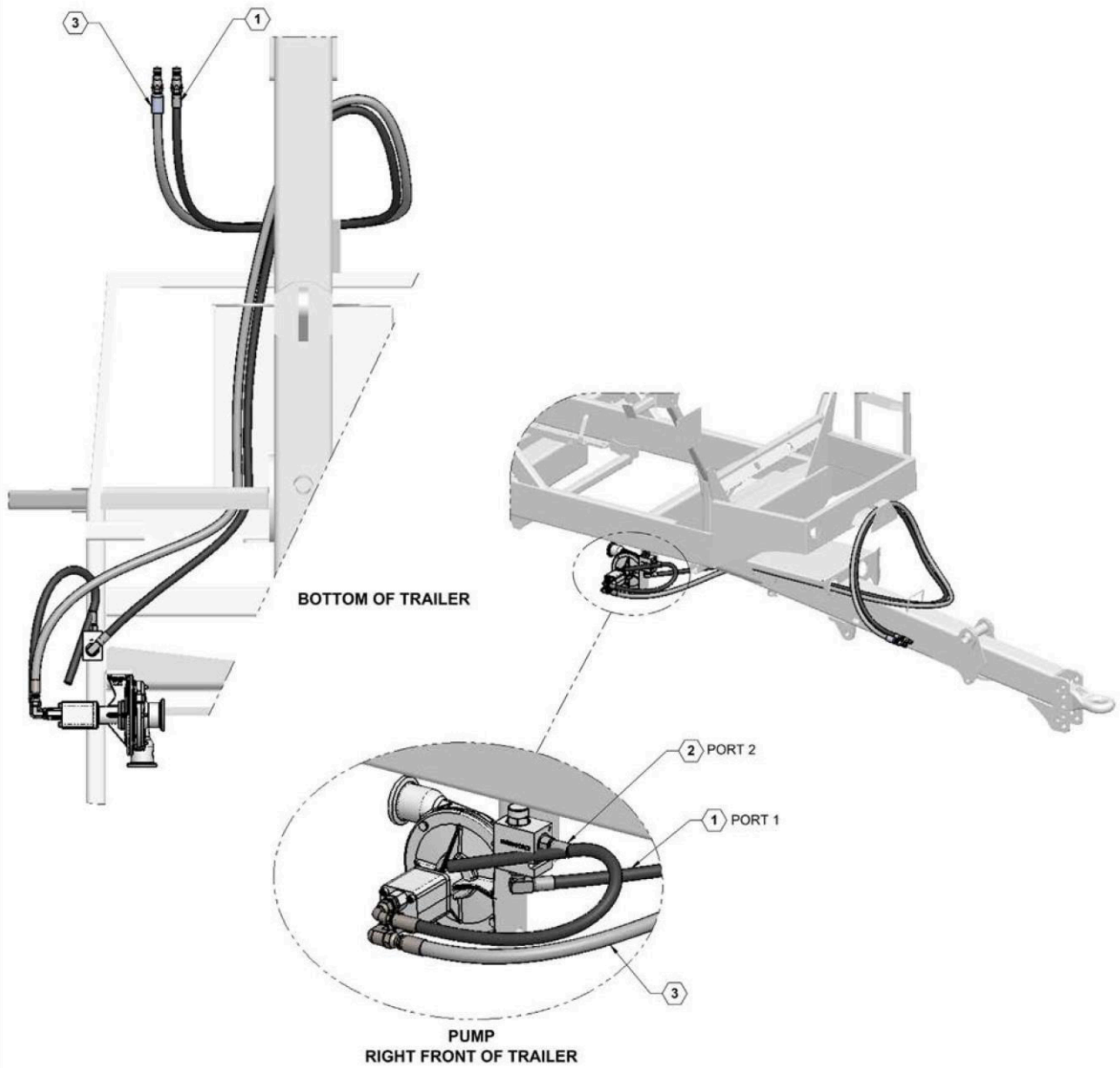
Breakaway Wing Hydraulic Hose Routing Parts List

| ITEM | PART NO. | QTY. | DESCRIPTION |
|------|-------------|------|------------------------------------|
| 1 | 600040-7-ZN | 2 | HYDRAULIC HOSE, 04-4FJX-4FJX-384 |
| 2 | 600040-8-ZN | 2 | HYDRAULIC HOSE, 04-4FJX90-4FJX-384 |

Hydraulic Pump Hose Routing

PUMP PRESSURE = BLACK HOSE
PUMP RETURN = GRAY HOSE

PUMP HYDRAULIC HOSE ROUTING



Hydraulic Pump Hose Routing Parts List

| ITEM | PART NO. | QTY. | DESCRIPTION |
|------|---------------|------|-------------------------------------|
| 1 | 600040-18A-ZN | 1 | HYDRAULIC HOSE, 08-10MOR90-8MOR-168 |
| 2 | 600040-20A-ZN | 1 | HYDRAULIC HOSE, 08-8FJX90-10MOR-25 |
| 3 | 600040-2C-ZN | 1 | HYDRAULIC HOSE, 10-10MOR-8MOR-180 |

Raven 450 Controller Kit With Skytrak, Up To 6 Sections

| ITEM | PART NO. | QTY. | DESCRIPTION |
|------|----------|------|-----------------------------------|
| | 631803 | 1 | CONSOLE, SCS450 (6-BOOM) |
| | 631815 | 1 | CABLE, 24' EXT 6BM SCS450 |
| | 631818 | 1 | CABLE 10' CONSOLE 7BM SCS 440/450 |
| | 631832 | 1 | SENSOR, GPS SPEED, RAVEN |
| | 632028 | 1 | 47 PIN TO 16 PIN ADAPTER CABLE |
| | 632077 | 1 | CABLE PRODUCT 47 PIN 6 SECTION |

Raven ISO Rate Control Module, Cables To Tractor, ISO Hookup, No VT Console

| ITEM | PART NO. | QTY. | DESCRIPTION |
|------|----------|------|--|
| | 15813BLK | 1 | PLATE, MOUNT, RATE CONTROLLER |
| | 596105M | 1 | HEX HEAD G5 1/4-20 X 2-1/2 MAG |
| | 596110M | 1 | BOLT, HH 1/4-20 X 3 MAGNI |
| | 596128M | 2 | HH G5 3/8 X 1 MAGNI |
| | 596235M | 3 | HEX NUT CENTER LOCK 1/4 MAGNI |
| | 596237M | 2 | HEX NUT 3/8 CENTER LOCK MAGNI |
| | 631856 | 1 | SWITCH ASSEMBLY FOOT ISO PRODUCT CONTROL |
| | 632010 | 1 | RAVEN RATE CONTROL MODULE, SPRAYER |
| | 632029 | 1 | 47 PIN RCM CABLE |
| | 632035 | 1 | 14' 47 PIN TO 47 PIN PLUG |
| | 632078 | 1 | CABLE PRODUCT 47 PIN 10SEC |
| | 632031 | 1 | CABLE, ADAPTER 17' 9 PIN |
| | 632061 | 1 | CABLE, FOOT SWITCH 12' |

Deere JDRC 2000 ISO Rate Controller, Cables To Tractor, ISO Hookup, No VT Console

| ITEM | PART NO. | QTY. | DESCRIPTION |
|------|----------|------|--------------------------------|
| | 15813BLK | 1 | PLATE, MOUNT, RATE CONTROLLER |
| | 596105M | 1 | HEX HEAD G5 1/4-20 X 2-1/2 MAG |
| | 596110M | 2 | BOLT, HH 1/4-20 X 3 MAGNI |
| | 596128M | 2 | HH G5 3/8 X 1 MAGNI |
| | 596235M | 3 | HEX NUT CENTER LOCK 1/4 MAGNI |
| | 596237M | 2 | HEX NUT 3/8 CENTER LOCK MAGNI |
| | 632035 | 1 | 14' 47 PIN TO 47 PIN PLUG |
| | 632078 | 1 | CABLE PRODUCT 47 PIN 10SEC |
| | 632031 | 1 | CABLE, ADAPTER 17' 9 PIN |
| | 632045 | 1 | JD RC2000 CONTROL MODULE |
| | 632061 | 1 | CABLE, FOOT SWITCH 12' |

47 Pin Product Control Cable - Customer Supplied JDRC2000 Rate Controller / Raven RCM

| ITEM | PART NO. | QTY. | DESCRIPTION |
|------|----------|------|--------------------------------|
| | 15813BLK | 1 | PLATE, MOUNT, RATE CONTROLLER |
| | 596105M | 1 | HEX HEAD G5 1/4-20 X 2-1/2 MAG |
| | 596110M | 2 | BOLT, HH 1/4-20 X 3 MAGNI |
| | 596128M | 2 | HH G5 3/8 X 1 MAGNI |
| | 596235M | 3 | HEX NUT CENTER LOCK 1/4 MAGNI |
| | 596237M | 2 | HEX NUT 3/8 CENTER LOCK MAGNI |
| | 632035 | 1 | 14' 47 PIN TO 47 PIN PLUG |
| | 632078 | 1 | CABLE PRODUCT 47 PIN 10SEC |

47 Pin To 37 Pin Product Control Cable - Customer Supplied GreenStar Rate Controller

| ITEM | PART NO. | QTY. | DESCRIPTION |
|------|----------|------|--------------------------------|
| | 15813BLK | 1 | PLATE, MOUNT, RATE CONTROLLER |
| | 596105M | 1 | HEX HEAD G5 1/4-20 X 2-1/2 MAG |
| | 596110M | 2 | BOLT, HH 1/4-20 X 3 MAGNI |
| | 596128M | 2 | HH G5 3/8 X 1 MAGNI |
| | 596235M | 3 | HEX NUT CENTER LOCK 1/4 MAGNI |
| | 596237M | 2 | HEX NUT 3/8 CENTER LOCK MAGNI |
| | 632035 | 1 | 14' 47 PIN TO 47 PIN PLUG |
| | 632078 | 1 | CABLE PRODUCT 47 PIN 10SEC |
| | 632070 | 1 | 37 TO 47 PIN ADAPTER |

47 Pin To 16 Pin Product Control Cable - Customer Supplied Raven 450

| ITEM | PART NO. | QTY. | DESCRIPTION |
|------|----------|------|---|
| | 631814 | 1 | CABLE, 12' EXTENSION 6BM SCS440, 16 PIN |
| | 632028 | 1 | 47 PIN TO 16 PIN ADAPTER CABLE |
| | 632035 | 1 | 14' 47 PIN TO 47 PIN PLUG |
| | 632077 | 1 | CABLE PRODUCT 47 PIN 6SEC |

47 Pin Product Control Cable - Customer Supplied Rate Controller

| ITEM | PART NO. | QTY. | DESCRIPTION |
|------|----------|------|----------------------------|
| | 632035 | 1 | 14' 47 PIN TO 47 PIN PLUG |
| | 632078 | 1 | CABLE PRODUCT 47 PIN 10SEC |

Raven CR7 ISO Display With Deere Harness (Deere ISO Controller)

| ITEM | PART NO. | QTY. | DESCRIPTION |
|------|----------|------|--------------------------------|
| | 632063 | 1 | RAVEN PRECISION CR7 DISPLAY |
| | 632066 | 1 | CABLE, CR7 ISO VT ONLY |
| | 632067 | 1 | CABLE, DISPLAY PORT, Y ADAPTER |

Raven CR7 ISO Display With Harness (Non-Deere ISO Controller)

| ITEM | PART NO. | QTY. | DESCRIPTION |
|------|----------|------|-----------------------------|
| | 632063 | 1 | RAVEN PRECISION CR7 DISPLAY |
| | 632065 | 1 | CABLE, CAN/POWER OEM ISO |
| | 632066 | 1 | CABLE, CR7 ISO VT ONLY |

Raven CR7 ISO Display With Complete ISO Harness (Non-ISO Tractor)

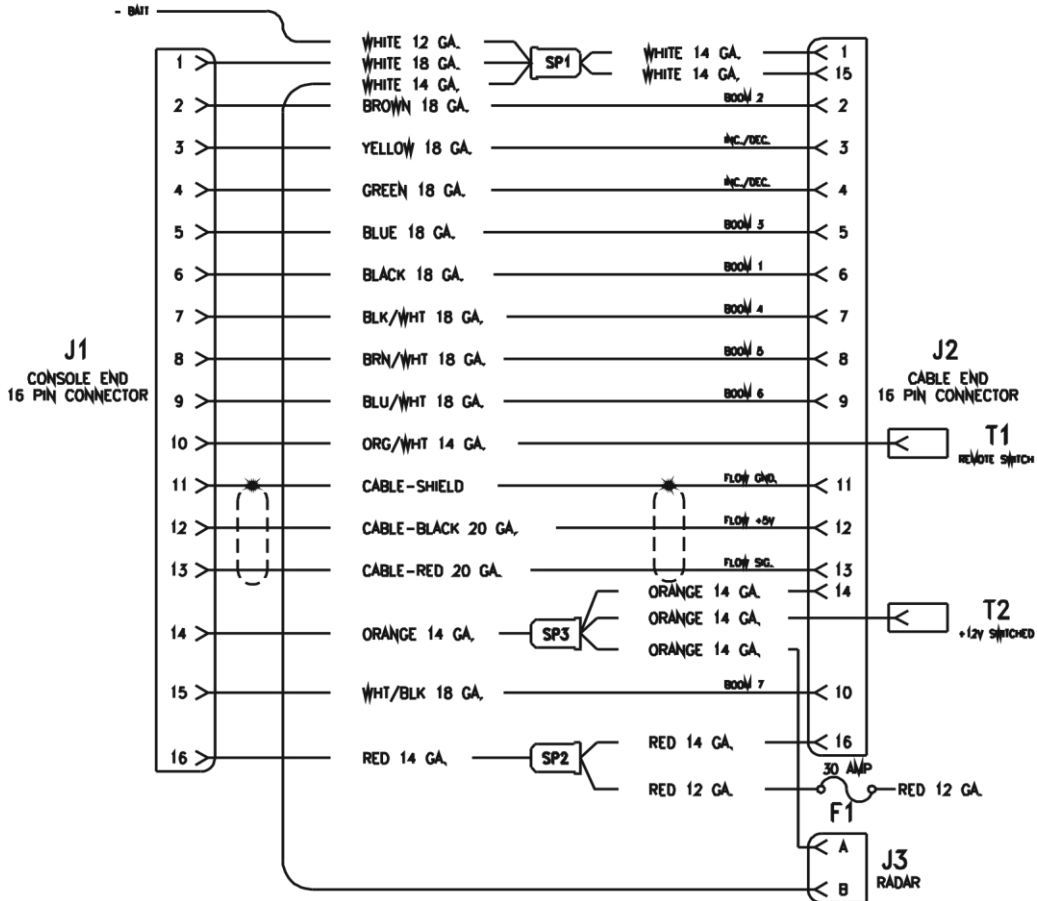
| ITEM | PART NO. | QTY. | DESCRIPTION |
|------|----------|------|-----------------------------|
| | 632063 | 1 | RAVEN PRECISION CR7 DISPLAY |
| | 632064 | 1 | CABLE, RAVEN ISO/POWER |
| | 632066 | 1 | CABLE, CR7 ISO VT ONLY |

Flow-Back Ball Valve Line Rinse - Electric Valve With Toggle Switch

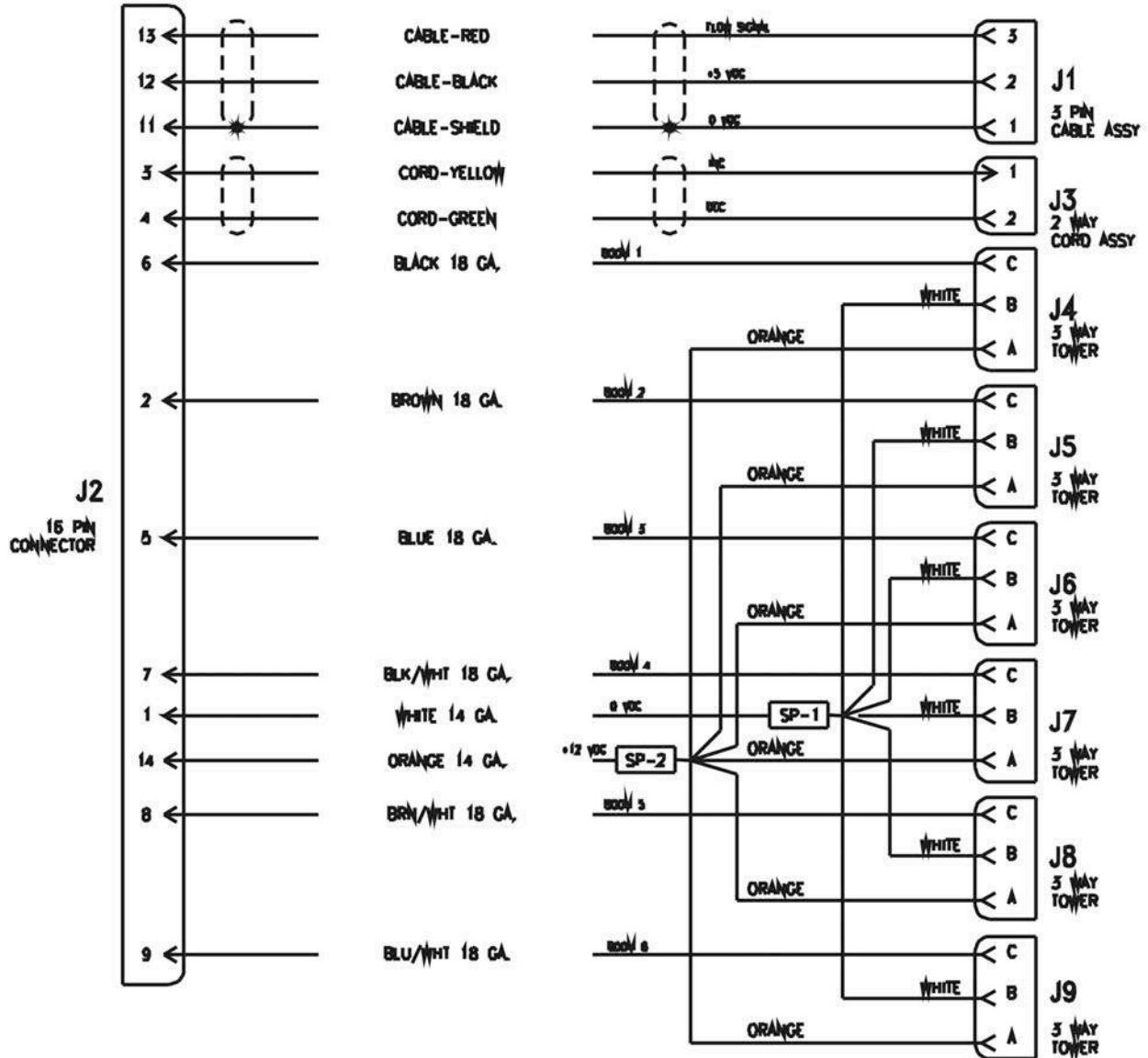
| ITEM | PART NO. | QTY. | DESCRIPTION |
|------|----------|------|---|
| | 11145BLK | 1 | SWITCH BRACKET |
| | 500027 | 0.25 | VALVE 450BEC MANIFOLD (NARROW) (NON-FLOWBACK) |
| | 500028 | 0.25 | VALVE 450BEC MANIFOLD (WIDE) (NON-FLOWBACK) |
| | 500029 | 0.25 | VALVE 450BEC MANIFOLD (WIDE) (FLOWBACK) |
| | 510016 | 2.5 | HOSE, 1" EPDM |
| | 510019 | 3 | HOSE, 3/4" EPDM |
| | 530189 | 1 | QUICK CONNECT 1" STRAIGHT BARB |
| | 530434 | 1 | 1" HB OUTLET X M QC |
| | 540013 | 2 | CLAMP, STAINLESS 3/4" #12 |
| | 540014 | 2 | CLAMP, STAINLESS 1" #16 |
| | 560055 | 1 | ELECTRICAL SWITCH SEALED SPST |
| | 560071 | 1 | TOGGLE SWITCH BOOT |

Control Console Wiring Harness

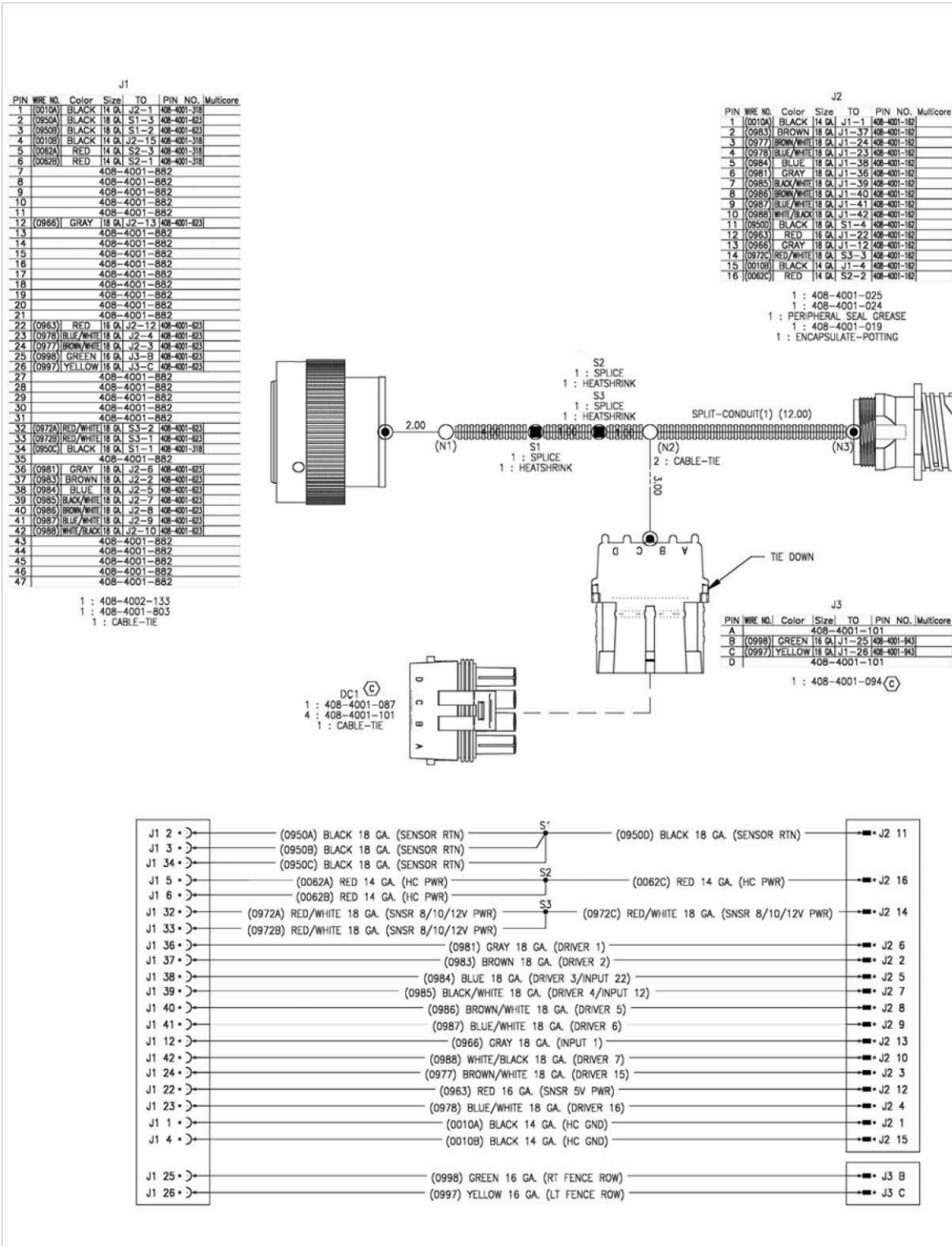
CABLE,
CONSOLE, SCS 460, 6 BOOM, 10'
115-0171-085 (Rev. A)



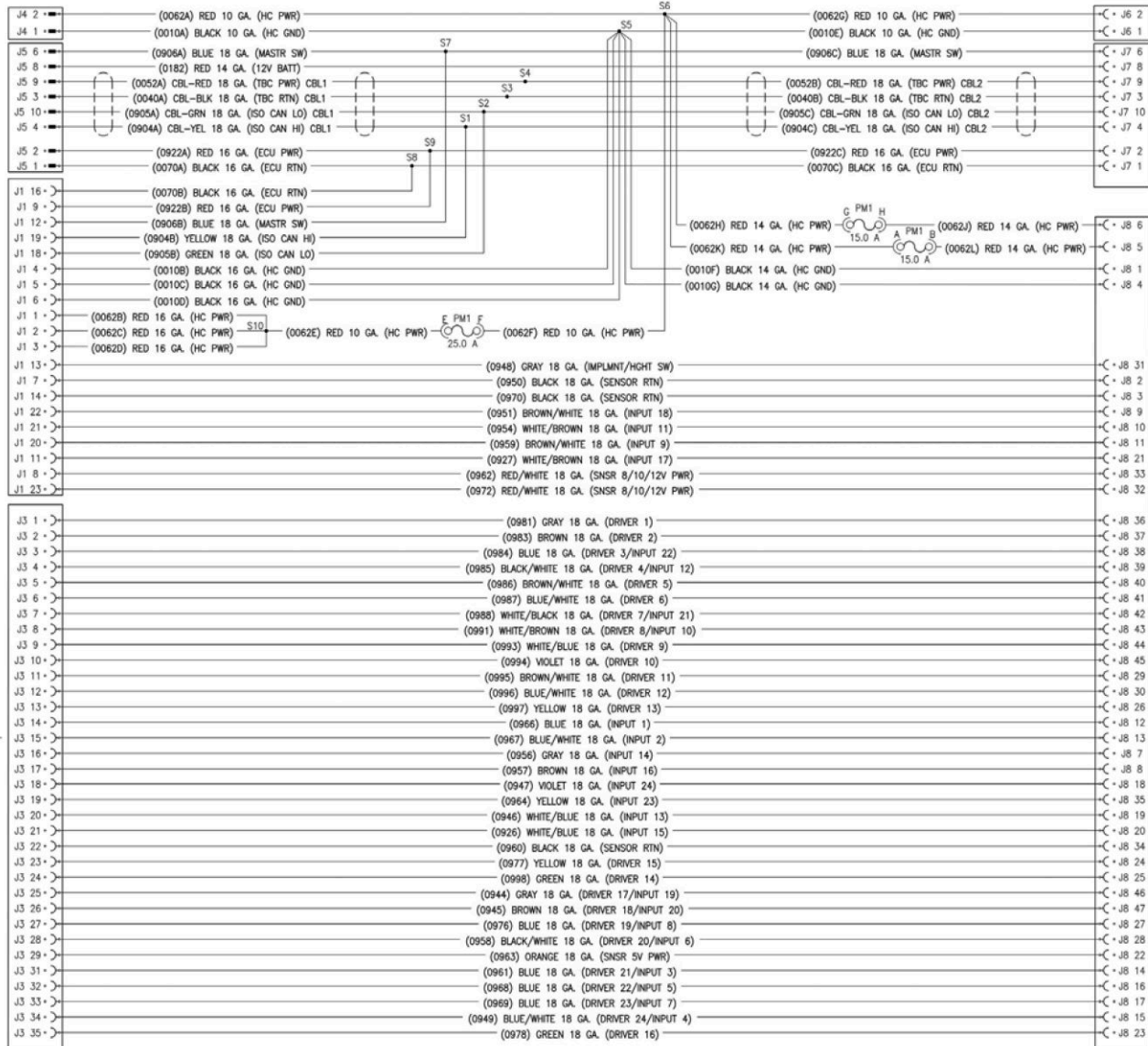
CABLE, 12' PRODUCT, 6 BOOM WITH 3 PIN TOWERS 115-0171-129 (Rev. A)



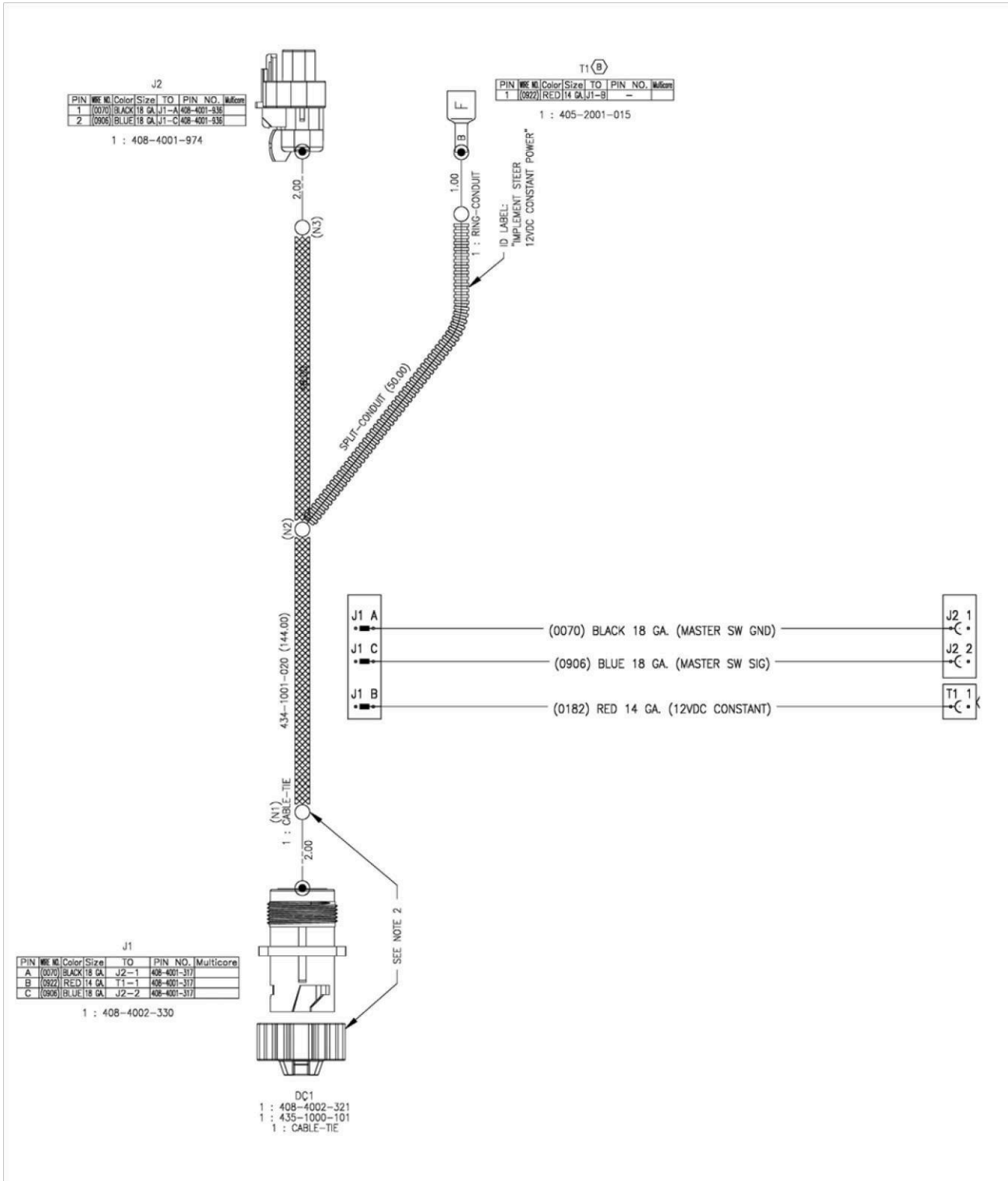
Adapter Cable, 16 Pin Console To 47 Pin Product Port (632028)



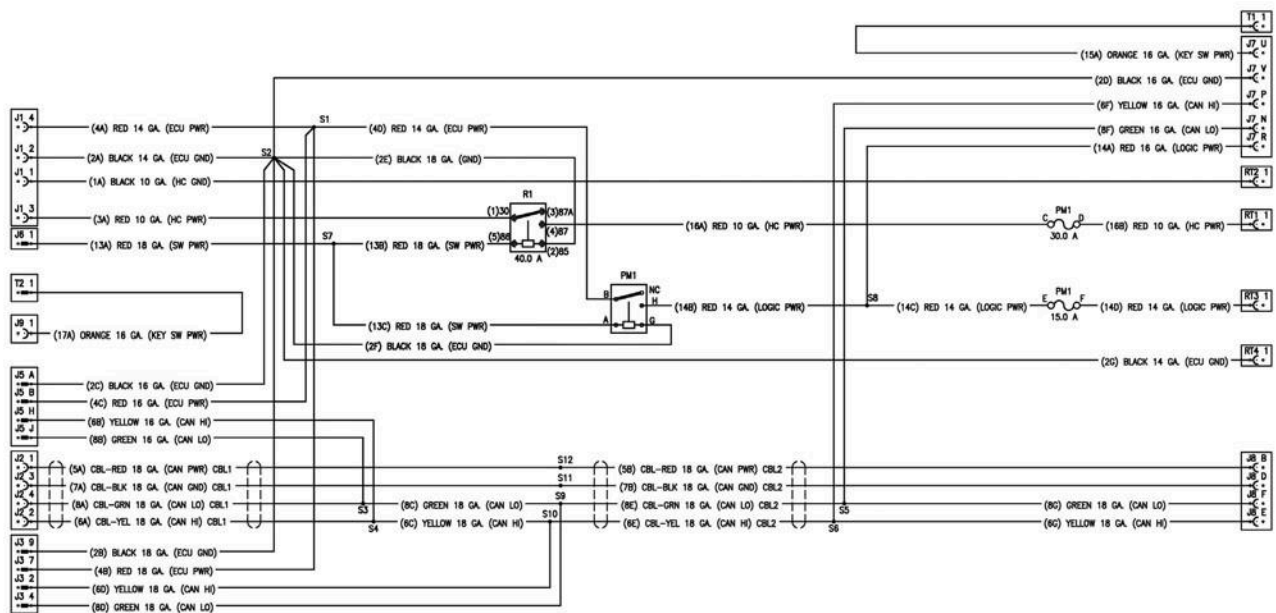
Cable, 81 Pin ECU, 47 Pin Rate Control Interface (632029)



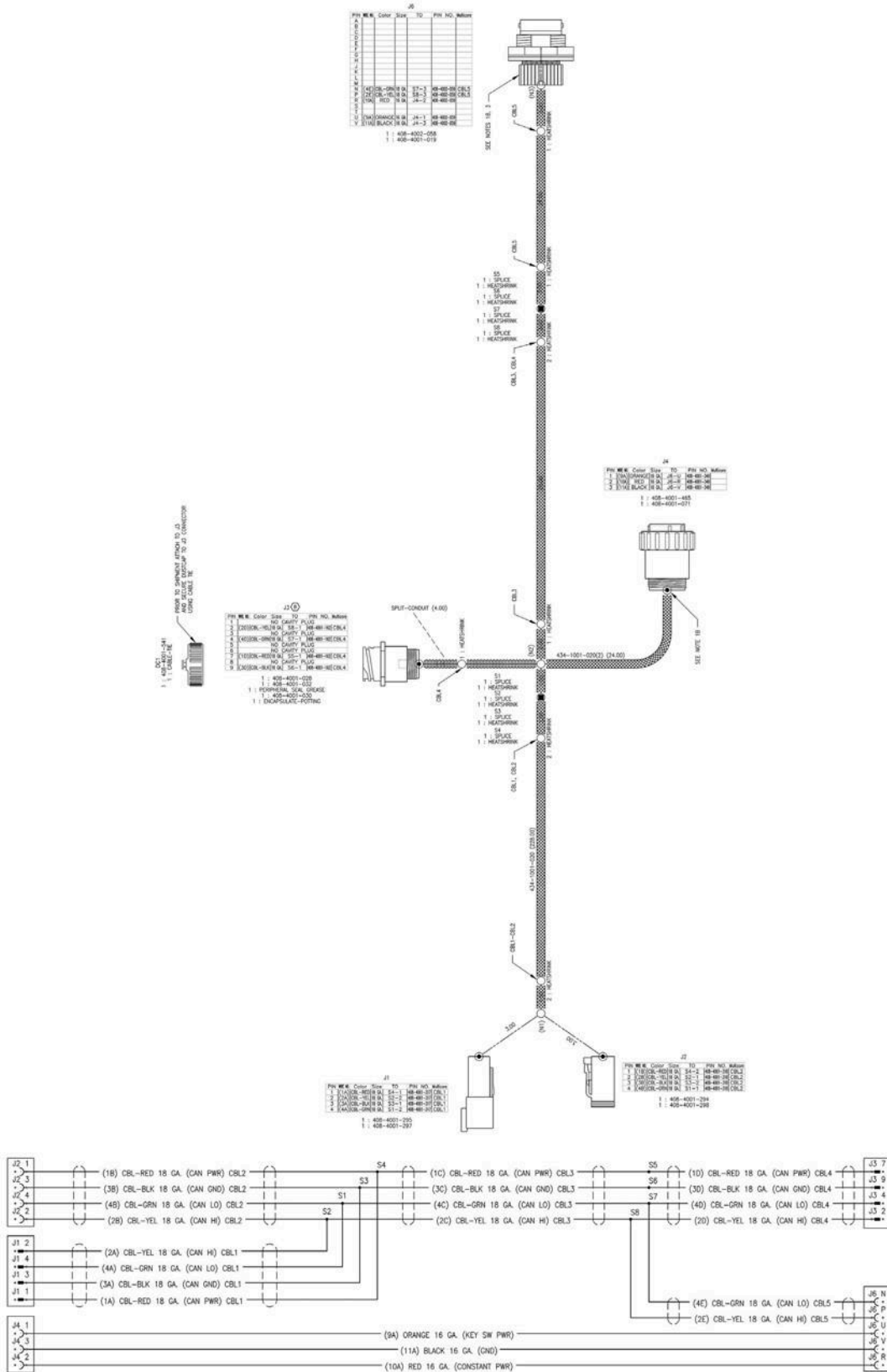
Cable, Foot Switch, 12' (632061)



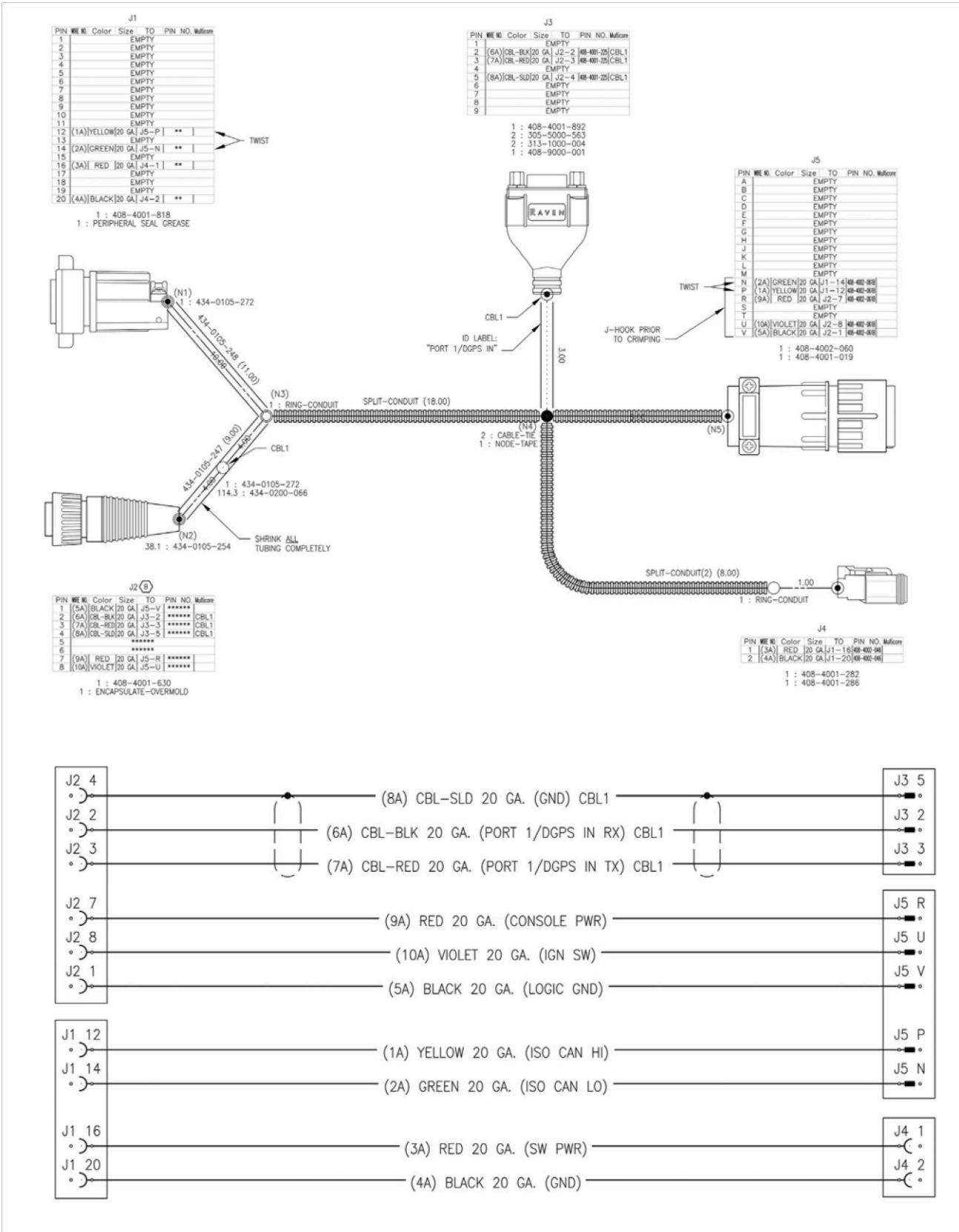
Cable, Raven ISO/Power With IBC Connector (632064)



CAN/Power Cable, OEM ISO To Raven ISO Bulkhead (632065)



Cable, CR7, ISO VT Only (632066)



Cable, Display Port, Y Adapter (632067)

J1(B)

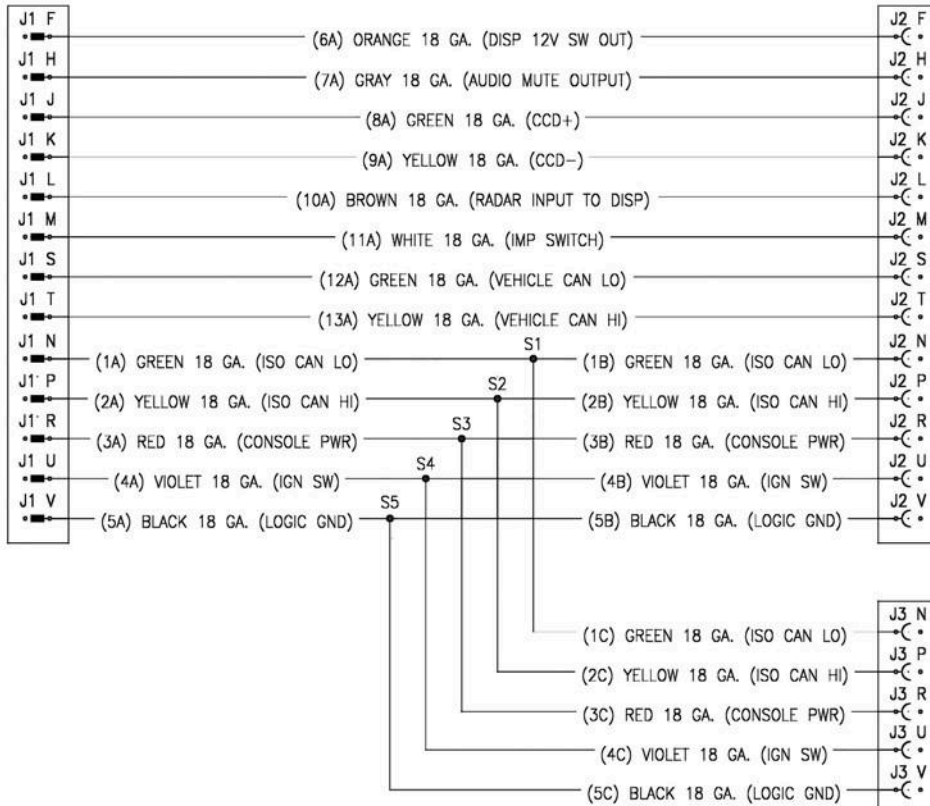
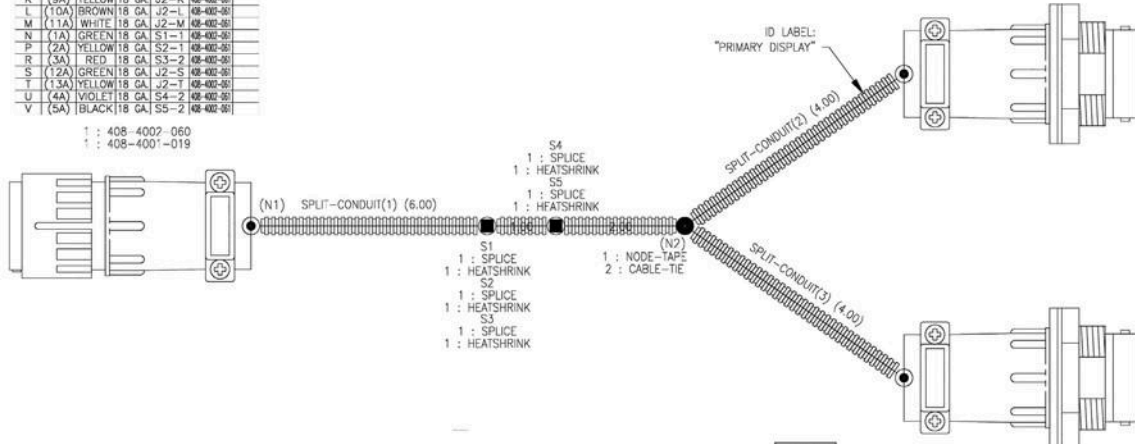
| PIN | WIRE NO. | Color | Size | TO | PIN NO. | Notes |
|-----|----------|--------|--------|------|---------|-------------|
| A | | EMPTY | | | | |
| B | | EMPTY | | | | |
| C | | EMPTY | | | | |
| D | | EMPTY | | | | |
| E | | EMPTY | | | | |
| F | (6A) | ORANGE | 18 GA. | J2-F | | 408-400-060 |
| G | | EMPTY | | | | |
| H | (7A) | GRAY | 18 GA. | J2-H | | 408-400-060 |
| J | (8A) | GREEN | 18 GA. | J2-J | | 408-400-060 |
| K | (9A) | YELLOW | 18 GA. | J2-K | | 408-400-060 |
| L | (10A) | BROWN | 18 GA. | J2-L | | 408-400-060 |
| M | (11A) | WHITE | 18 GA. | J2-M | | 408-400-060 |
| N | (1A) | GREEN | 18 GA. | S1-1 | | 408-400-060 |
| P | (2A) | YELLOW | 18 GA. | S2-1 | | 408-400-060 |
| R | (3A) | RED | 18 GA. | S3-1 | | 408-400-060 |
| S | (12A) | GREEN | 18 GA. | J2-S | | 408-400-060 |
| T | (13A) | YELLOW | 18 GA. | J2-T | | 408-400-060 |
| U | (4A) | VIOLET | 18 GA. | S4-1 | | 408-400-060 |
| V | (5A) | BLACK | 18 GA. | S5-1 | | 408-400-060 |

1 : 408-4002-060
1 : 408-4001-019

J2(B)

| PIN | WIRE NO. | Color | Size | TO | PIN NO. | Notes |
|-----|----------|--------|--------|------|---------|-------------|
| A | | EMPTY | | | | |
| B | | EMPTY | | | | |
| C | | EMPTY | | | | |
| D | | EMPTY | | | | |
| E | | EMPTY | | | | |
| F | (6A) | ORANGE | 18 GA. | J1-F | | 408-400-060 |
| G | | EMPTY | | | | |
| H | (7A) | GRAY | 18 GA. | J1-H | | 408-400-060 |
| J | (8A) | GREEN | 18 GA. | J1-J | | 408-400-060 |
| K | (9A) | YELLOW | 18 GA. | J1-K | | 408-400-060 |
| L | (10A) | BROWN | 18 GA. | J1-L | | 408-400-060 |
| M | (11A) | WHITE | 18 GA. | J1-M | | 408-400-060 |
| N | (1B) | GREEN | 18 GA. | S1-2 | | 408-400-060 |
| P | (2B) | YELLOW | 18 GA. | S2-2 | | 408-400-060 |
| R | (3B) | RED | 18 GA. | S3-1 | | 408-400-060 |
| S | (12A) | GREEN | 18 GA. | J1-S | | 408-400-060 |
| T | (13A) | YELLOW | 18 GA. | J1-T | | 408-400-060 |
| U | (4B) | VIOLET | 18 GA. | S4-1 | | 408-400-060 |
| V | (5B) | BLACK | 18 GA. | S5-1 | | 408-400-060 |

1 : 408-4002-058
1 : 408-4001-019



J3

| PIN | WIRE NO. | Color | Size | TO | PIN NO. | Notes |
|-----|----------|--------|--------|------|---------|-------------|
| A | | EMPTY | | | | |
| B | | EMPTY | | | | |
| C | | EMPTY | | | | |
| D | | EMPTY | | | | |
| E | | EMPTY | | | | |
| F | | EMPTY | | | | |
| G | | EMPTY | | | | |
| H | | EMPTY | | | | |
| J | | EMPTY | | | | |
| K | | EMPTY | | | | |
| L | | EMPTY | | | | |
| M | | EMPTY | | | | |
| N | (1C) | GREEN | 18 GA. | S1-3 | | 408-400-060 |
| P | (2C) | YELLOW | 18 GA. | S2-3 | | 408-400-060 |
| R | (3C) | RED | 18 GA. | S3-3 | | 408-400-060 |
| S | | EMPTY | | | | |
| T | | EMPTY | | | | |
| U | (4C) | VIOLET | 18 GA. | S4-3 | | 408-400-060 |
| V | (5C) | BLACK | 18 GA. | S5-3 | | 408-400-060 |

1 : 408-4002-058
1 : 408-4001-019

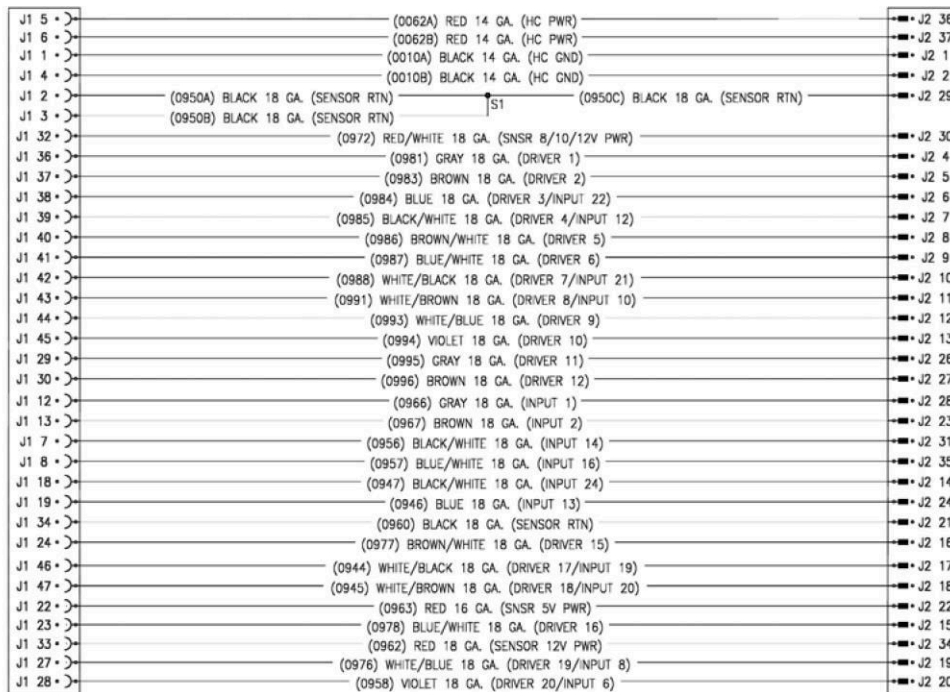
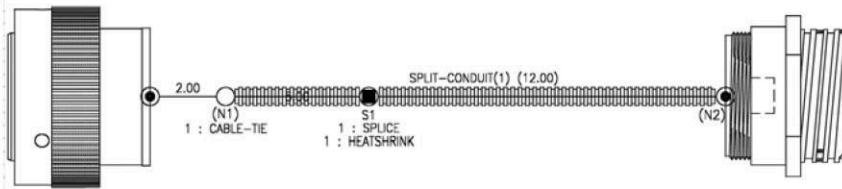
Adapter Cable, 37 Pin Console To 47 Pin Product Port (632070)

| J1 | | | | | |
|-----|----------|-------------|--------|-------|-------------------|
| PIN | WIRE NO. | Color | Size | TO | PIN NO. Multicore |
| 1 | (0010A) | BLACK | 14 GA. | J2-1 | 408-401-318 |
| 2 | (0950A) | BLACK | 18 GA. | S1-2 | 408-401-623 |
| 3 | (0950B) | BLACK | 18 GA. | S1-1 | 408-401-623 |
| 4 | (0010B) | BLACK | 14 GA. | J2-2 | 408-401-318 |
| 5 | (0062A) | RED | 14 GA. | J2-36 | 408-401-318 |
| 6 | (0062B) | RED | 14 GA. | J2-37 | 408-401-318 |
| 7 | (0950C) | BLACK/WHITE | 18 GA. | J2-31 | 408-401-623 |
| 8 | (0957) | BLUE/WHITE | 18 GA. | J2-35 | 408-401-623 |
| 9 | | | | | 408-4001-882 |
| 10 | | | | | 408-4001-882 |
| 11 | | | | | 408-4001-882 |
| 12 | (0966) | GRAY | 18 GA. | J2-28 | 408-401-623 |
| 13 | (0967) | BROWN | 18 GA. | J2-23 | 408-401-623 |
| 14 | | | | | 408-4001-882 |
| 15 | | | | | 408-4001-882 |
| 16 | | | | | 408-4001-882 |
| 17 | | | | | 408-4001-882 |
| 18 | (0947) | BLACK/WHITE | 18 GA. | J2-14 | 408-401-623 |
| 19 | (0946) | BLUE | 18 GA. | J2-24 | 408-401-623 |
| 20 | | | | | 408-4001-882 |
| 21 | | | | | 408-4001-882 |
| 22 | (0963) | RED | 18 GA. | J2-22 | 408-401-623 |
| 23 | (0978) | BLUE/WHITE | 18 GA. | J2-15 | 408-401-623 |
| 24 | (0977) | BROWN/WHITE | 18 GA. | J2-16 | 408-401-623 |
| 25 | | | | | 408-4001-882 |
| 26 | | | | | 408-4001-882 |
| 27 | (0976) | WHITE/BLUE | 18 GA. | J2-19 | 408-401-623 |
| 28 | (0958) | VIOLET | 18 GA. | J2-20 | 408-401-623 |
| 29 | (0995) | GRAY | 18 GA. | J2-26 | 408-401-623 |
| 30 | (0996) | BROWN | 18 GA. | J2-27 | 408-401-623 |
| 31 | | | | | 408-4001-882 |
| 32 | (0972) | RED/WHITE | 18 GA. | J2-30 | 408-401-623 |
| 33 | (0962) | RED | 18 GA. | J2-34 | 408-401-623 |
| 34 | (0960) | BLACK | 18 GA. | J2-21 | 408-401-318 |
| 35 | | | | | 408-4001-882 |
| 36 | (0981) | GRAY | 18 GA. | J2-4 | 408-401-623 |
| 37 | (0983) | BROWN | 18 GA. | J2-5 | 408-401-623 |
| 38 | (0984) | BLUE | 18 GA. | J2-6 | 408-401-623 |
| 39 | (0985) | BLACK/WHITE | 18 GA. | J2-7 | 408-401-623 |
| 40 | (0986) | BROWN/WHITE | 18 GA. | J2-8 | 408-401-623 |
| 41 | (0987) | BLUE/WHITE | 18 GA. | J2-9 | 408-401-623 |
| 42 | (0988) | WHITE/BLACK | 18 GA. | J2-10 | 408-401-623 |
| 43 | (0991) | WHITE/BROWN | 18 GA. | J2-11 | 408-401-623 |
| 44 | (0993) | WHITE/BLUE | 18 GA. | J2-12 | 408-401-623 |
| 45 | (0994) | VIOLET | 18 GA. | J2-13 | 408-401-623 |
| 46 | (0944) | WHITE/BLACK | 18 GA. | J2-17 | 408-401-623 |
| 47 | (0945) | WHITE/BROWN | 18 GA. | J2-18 | 408-401-623 |

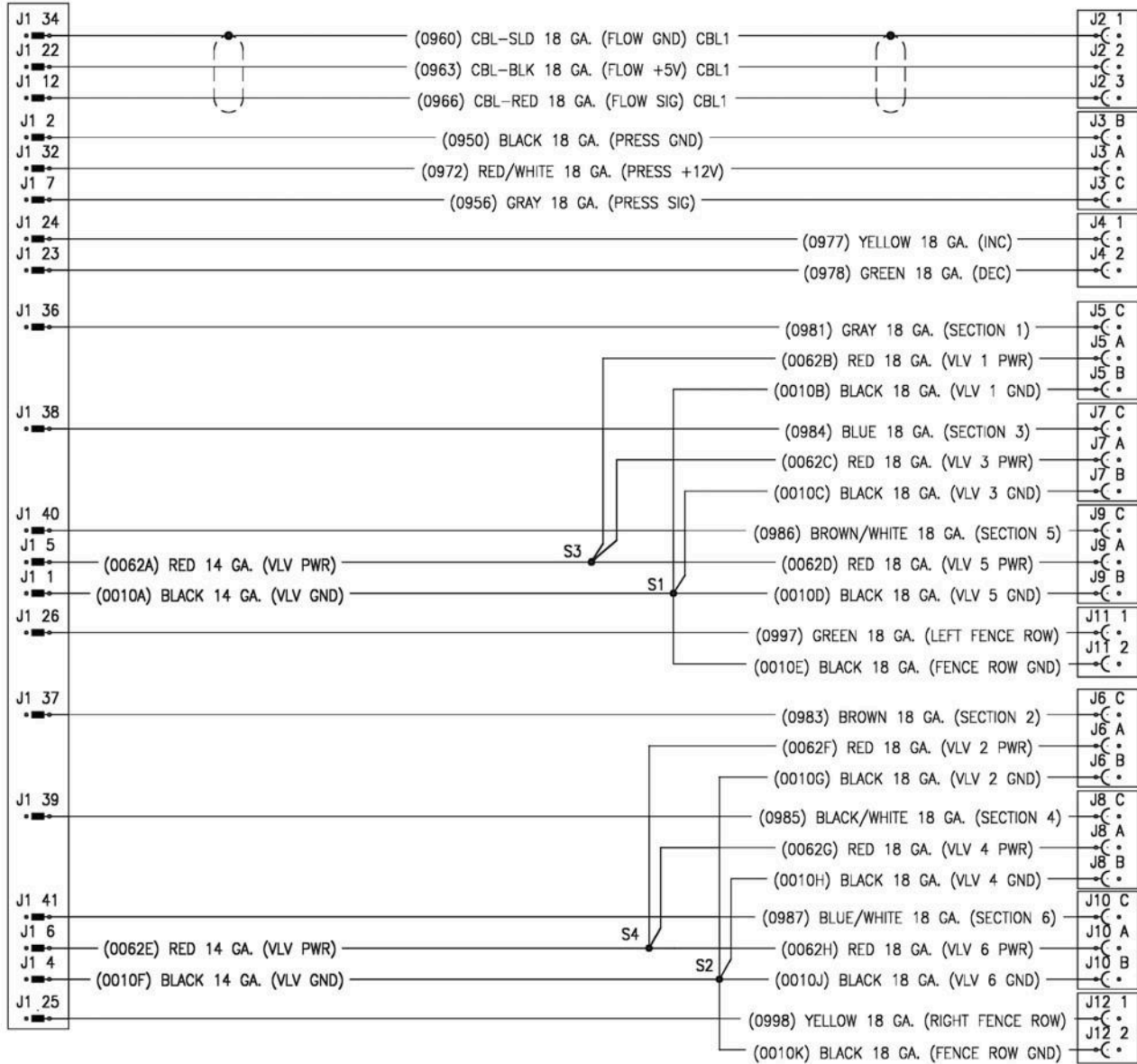
1 : 408-4002-133
 1 : 408-4001-803
 1 : CABLE-TIE

| J2 | | | | | |
|-----|----------|-------------|--------|-------|-------------------|
| PIN | WIRE NO. | Color | Size | TO | PIN NO. Multicore |
| 1 | (0010A) | BLACK | 14 GA. | J1-1 | 408-401-182 |
| 2 | (0010B) | BLACK | 14 GA. | J1-4 | 408-401-182 |
| 3 | | | | | |
| 4 | (0981) | GRAY | 18 GA. | J1-36 | 408-401-182 |
| 5 | (0983) | BROWN | 18 GA. | J1-37 | 408-401-182 |
| 6 | (0984) | BLUE | 18 GA. | J1-38 | 408-401-182 |
| 7 | (0985) | BLACK/WHITE | 18 GA. | J1-39 | 408-401-182 |
| 8 | (0986) | BROWN/WHITE | 18 GA. | J1-40 | 408-401-182 |
| 9 | (0987) | BLUE/WHITE | 18 GA. | J1-41 | 408-401-182 |
| 10 | (0988) | WHITE/BLACK | 18 GA. | J1-42 | 408-401-182 |
| 11 | (0991) | WHITE/BROWN | 18 GA. | J1-43 | 408-401-182 |
| 12 | (0993) | WHITE/BLUE | 18 GA. | J1-44 | 408-401-182 |
| 13 | (0994) | VIOLET | 18 GA. | J1-45 | 408-401-182 |
| 14 | (0947) | BLACK/WHITE | 18 GA. | J1-18 | 408-401-182 |
| 15 | (0978) | BLUE/WHITE | 18 GA. | J1-23 | 408-401-182 |
| 16 | (0977) | BROWN/WHITE | 18 GA. | J1-24 | 408-401-182 |
| 17 | (0944) | WHITE/BLACK | 18 GA. | J1-46 | 408-401-182 |
| 18 | (0945) | WHITE/BROWN | 18 GA. | J1-47 | 408-401-182 |
| 19 | (0976) | WHITE/BLUE | 18 GA. | J1-27 | 408-401-182 |
| 20 | (0958) | VIOLET | 18 GA. | J1-28 | 408-401-182 |
| 21 | (0960) | BLACK | 18 GA. | J1-34 | 408-401-182 |
| 22 | (0963) | RED | 18 GA. | J1-22 | 408-401-182 |
| 23 | (0967) | BROWN | 18 GA. | J1-13 | 408-401-182 |
| 24 | (0946) | BLUE | 18 GA. | J1-19 | 408-401-182 |
| 25 | | | | | |
| 26 | (0995) | GRAY | 18 GA. | J1-29 | 408-401-182 |
| 27 | (0996) | BROWN | 18 GA. | J1-30 | 408-401-182 |
| 28 | (0966) | GRAY | 18 GA. | J1-12 | 408-401-182 |
| 29 | (0900C) | BLACK | 18 GA. | S1-3 | 408-401-182 |
| 30 | (0972) | RED/WHITE | 18 GA. | J1-32 | 408-401-182 |
| 31 | (0956) | BLACK/WHITE | 18 GA. | J1-7 | 408-401-182 |
| 32 | | | | | |
| 33 | | | | | |
| 34 | (0962) | RED | 18 GA. | J1-33 | 408-401-182 |
| 35 | (0957) | BLUE/WHITE | 18 GA. | J1-8 | 408-401-182 |
| 36 | (0062A) | RED | 14 GA. | J1-5 | 408-401-182 |
| 37 | (0062B) | RED | 14 GA. | J1-6 | 408-401-182 |

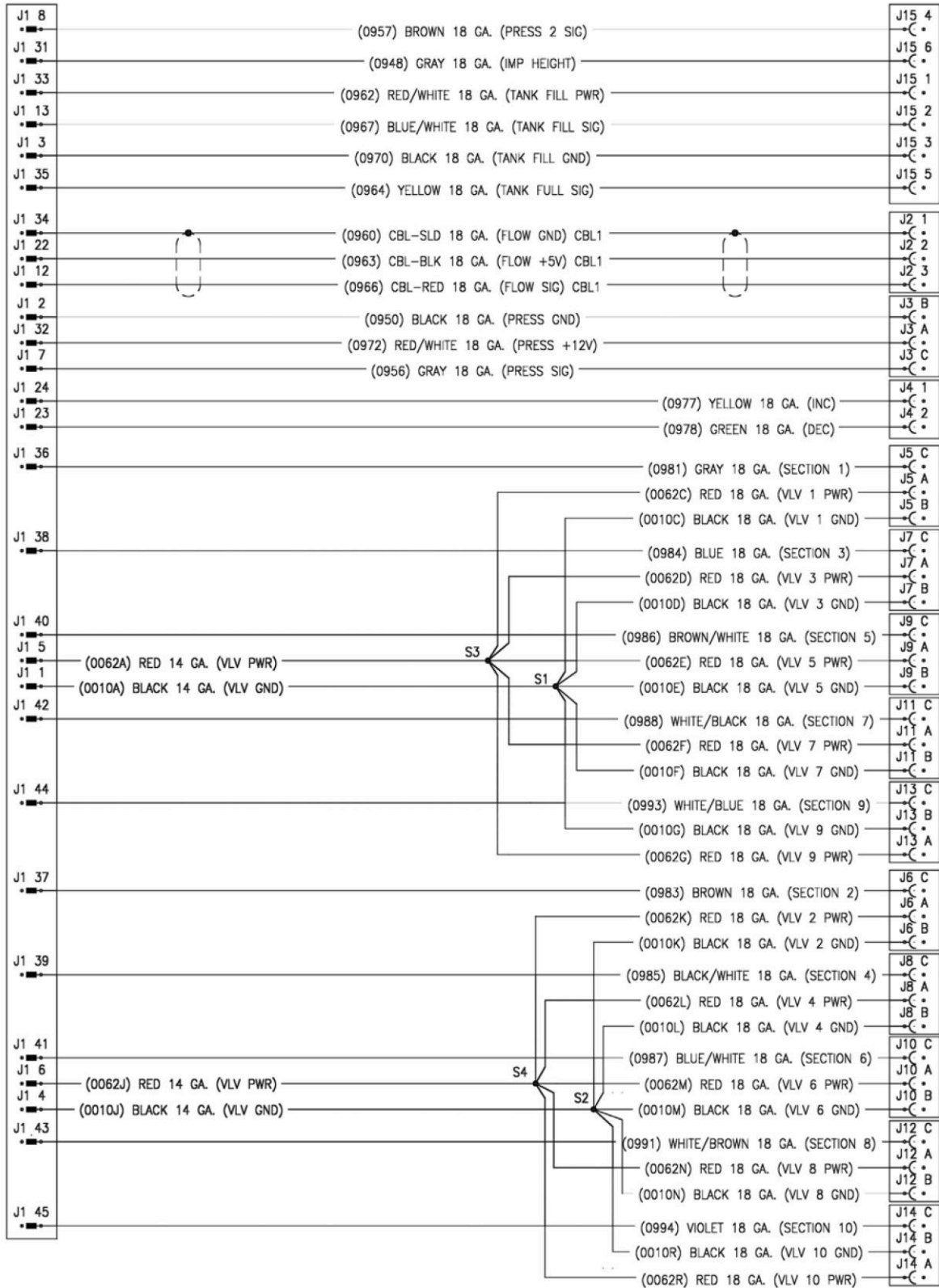
1 : 408-4001-563
 1 : 408-4001-037
 1 : PERIPHERAL SEAL CREASE
 1 : 408-4001-036
 1 : ENCAPSULATE-POTTING



Product Cable, 47 Pin, 6 Section, Liquid, FAST, Center Mount (632077)

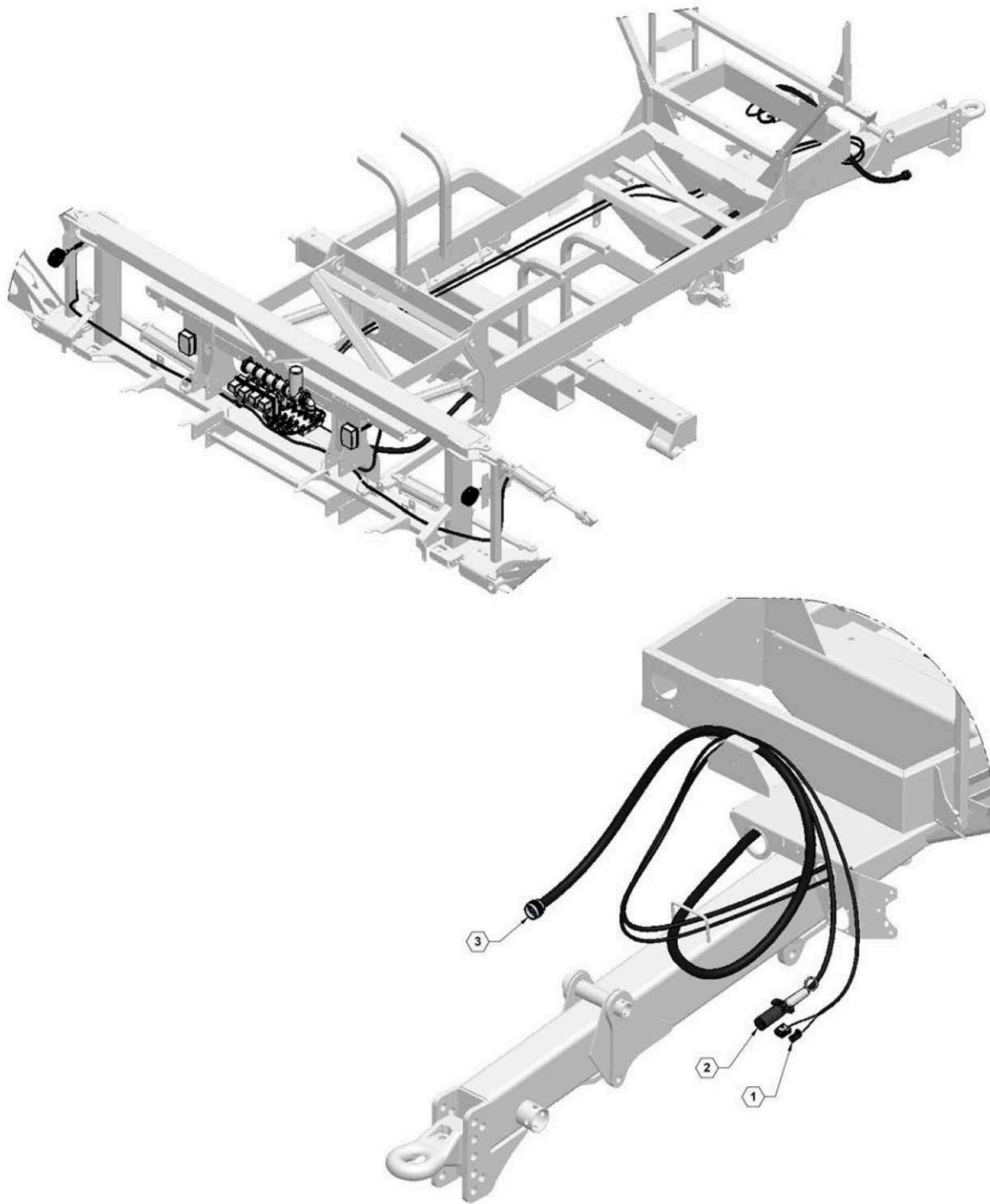


Product Cable, 47 Pin, 10 Section, Liquid, FAST 6'(632078)



9613TF Harness Identification & Location

9613TF-80 HARNESS I.D. & LOCATION

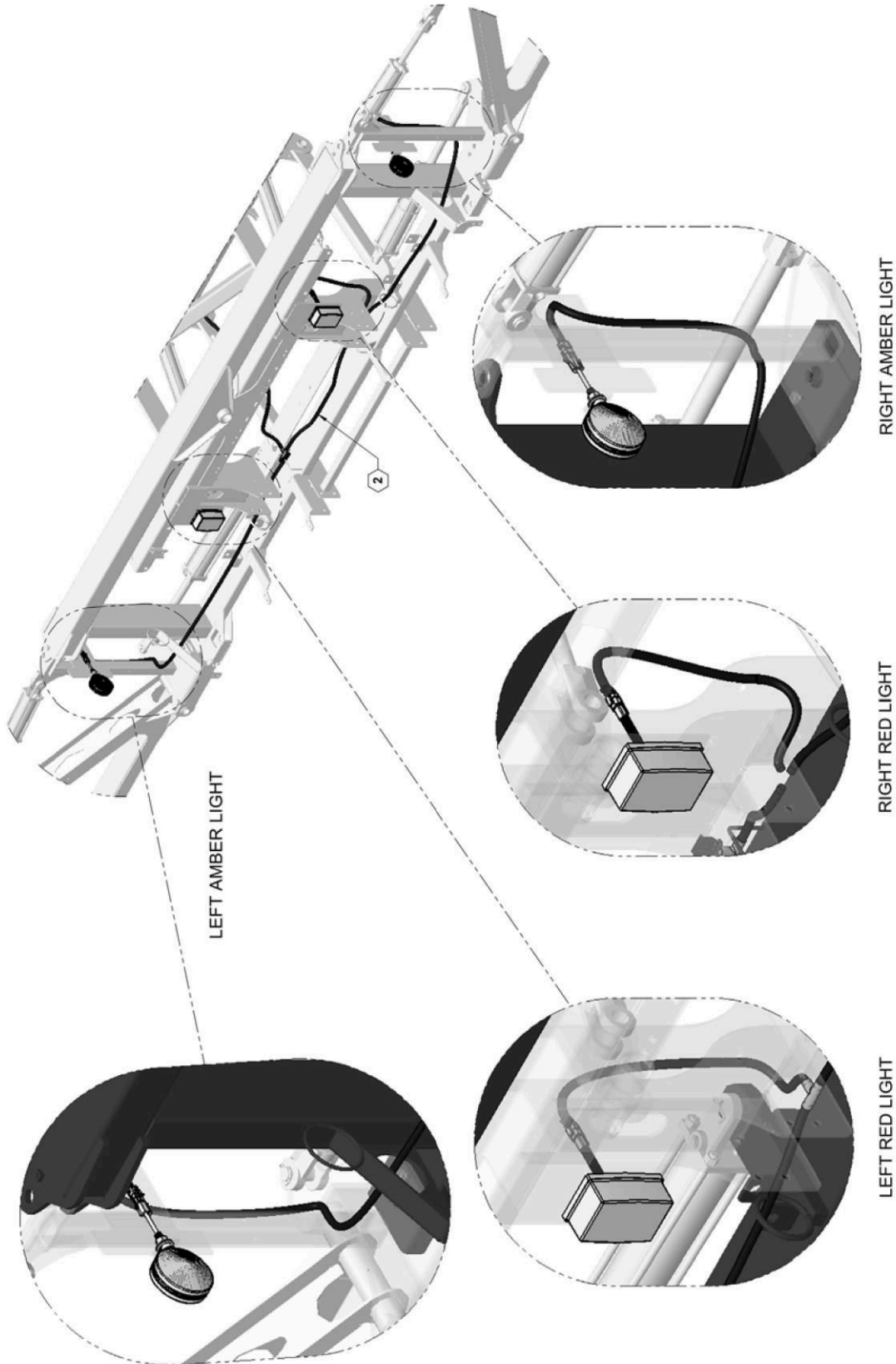


9613TF Harness Identification & Location Parts List

| ITEM | PART NO. | QTY. | DESCRIPTION |
|------|----------|------|-------------------------------------|
| 1 | 319-668 | 1 | FOLD HARNESS, 60' - 66' BOOMS |
| 1 | 319-724 | 1 | FOLD HARNESS, 80', 90' & 100' BOOMS |
| 2 | 740035 | 1 | LIGHTING HARNESS |
| 3 | 632077 | 1 | PRODUCT CONTROL HARNESS, 6 SECTION |
| 3 | 632078 | 1 | PRODUCT CONTROL HARNESS, 10 SECTION |

Lighting Harness Routing

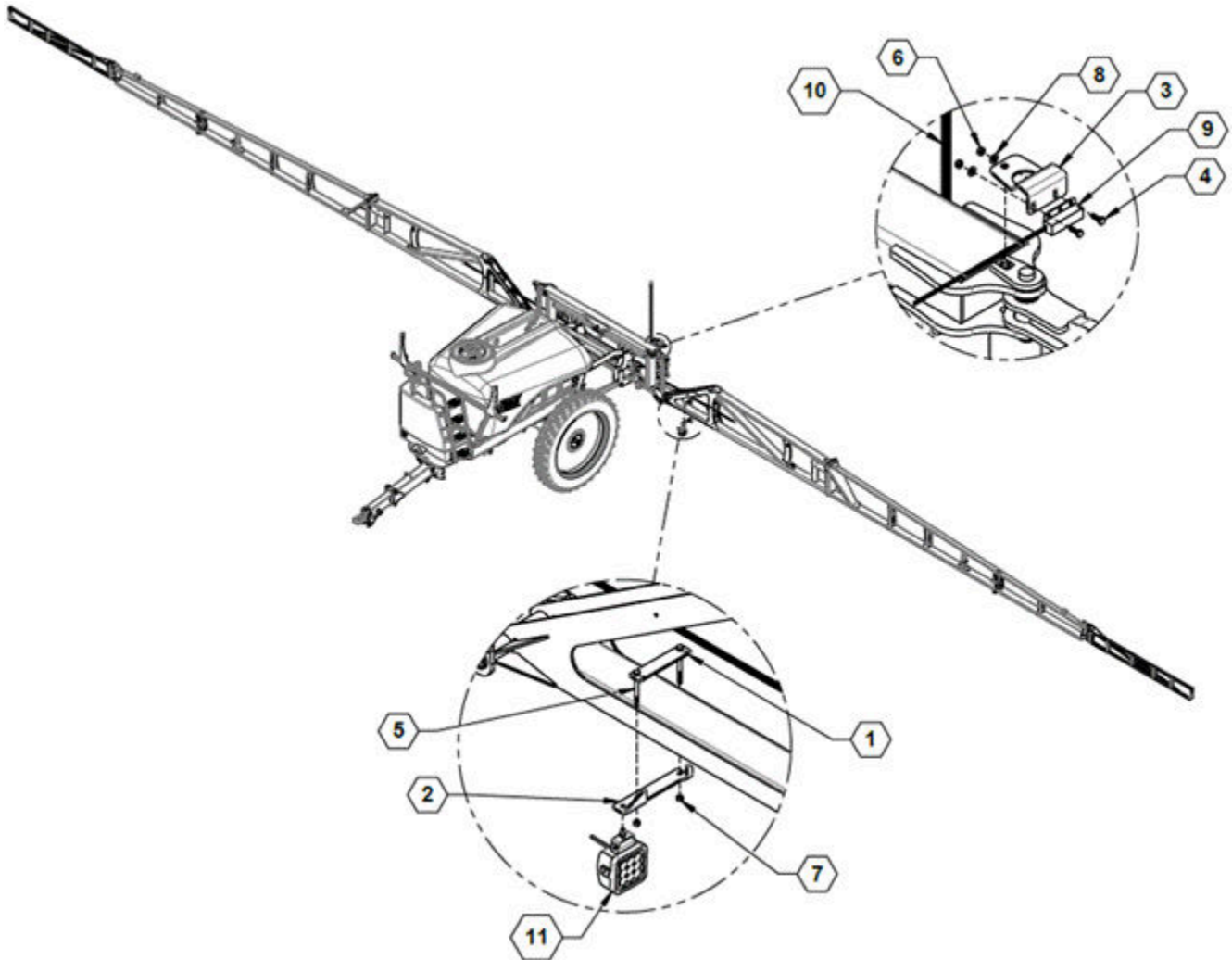
LIGHTING HARNESS



Lighting Harness Routing Parts List

| ITEM | PART NO. | QTY. | DESCRIPTION |
|------|----------|------|-------------------------------------|
| 1 | 319-668 | 1 | FOLD HARNESS, 60' - 66' BOOMS |
| 1 | 319-724 | 1 | FOLD HARNESS, 80', 90' & 100' BOOMS |
| 2 | 740035 | 1 | LIGHTING HARNESS |
| 3 | 632077 | 1 | PRODUCT CONTROL HARNESS, 6 SECTION |
| 3 | 632078 | 1 | PRODUCT CONTROL HARNESS, 10 SECTION |

Blue Lights



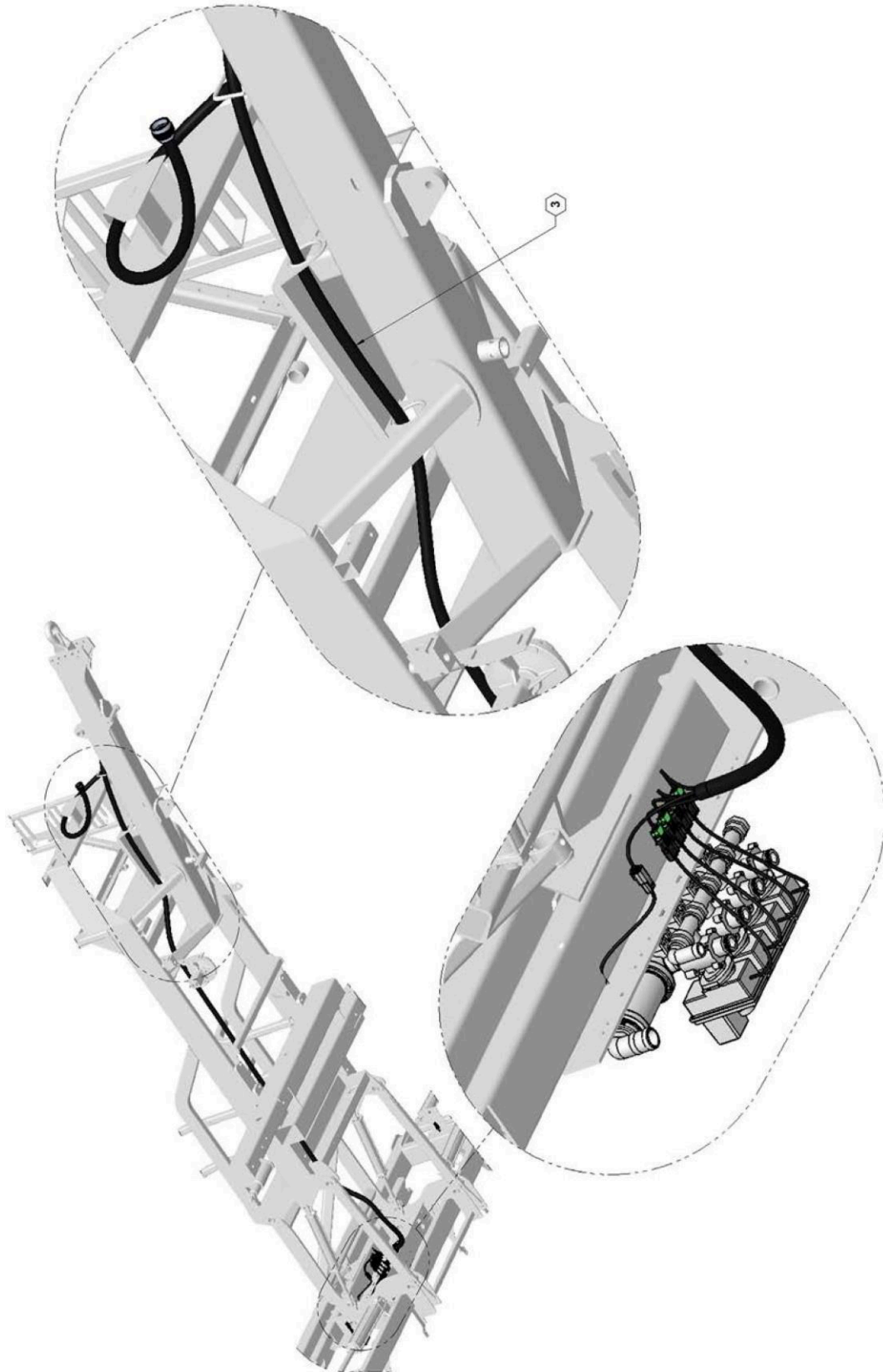
Blue Lights Parts List 28959

| ITEM | PART NO. | QTY. | DESCRIPTION |
|------|----------|------|-------------------------------|
| 1 | 28747 | 2 | PLATE, LIGHT MOUNT TOP |
| 2 | 28748 | 2 | PLATE, TF LIGHT MOUNT |
| 3 | 28970 | 1 | PLATE, PROX SWITCH MOUNT |
| 4 | 596101M | 2 | BOLT, HH 1/4-20X3/4 GR5 MAGNI |
| 5 | 596134M | 4 | BOLT, HH 3/8-16 X 4 GR5 MAGNI |
| 6 | 596235M | 2 | NUT, CENTERLOCK, 1/4-20 MAGNI |
| 7 | 596237M | 4 | NUT, CENTERLOCK 3/8-16 MAGNI |
| 8 | 596256M | 2 | WASHER, FLAT 1/4 USS MAGNI |
| 9 | 632121 | 1 | PROX SWITCH, PARKER |
| 10 | 740057 | 1 | HARNESS, BLUE SPRAY LIGHTS |
| 11 | 740058 | 2 | LARSEN BLUE LED SPRAY LIGHT |



Product Control Harness Routing

PRODUCT CONTROL HARNESS

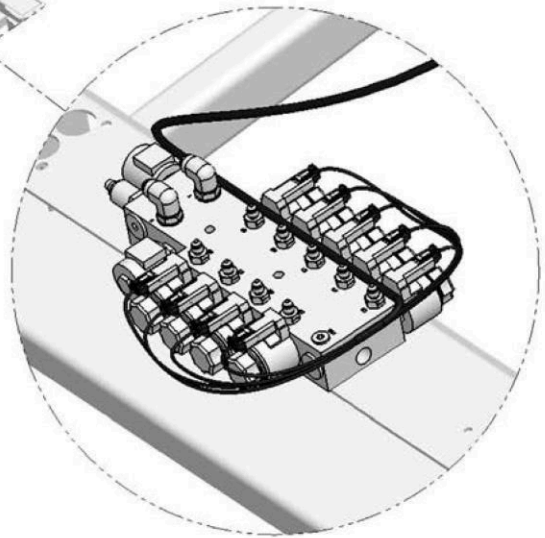
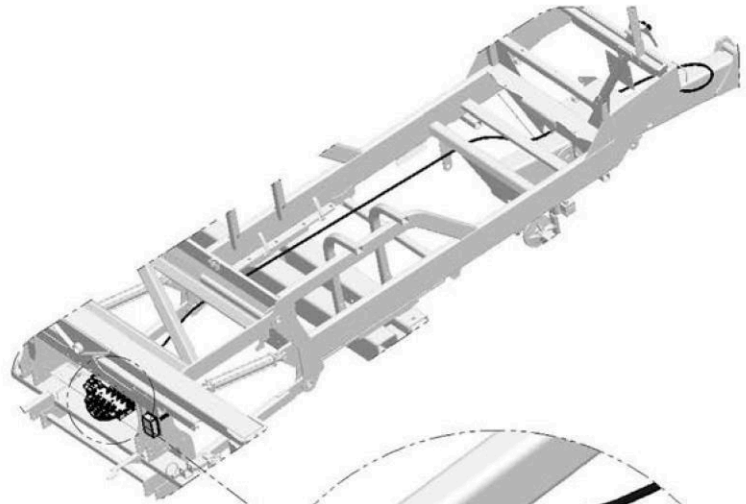


Product Control Harness Routing Parts List

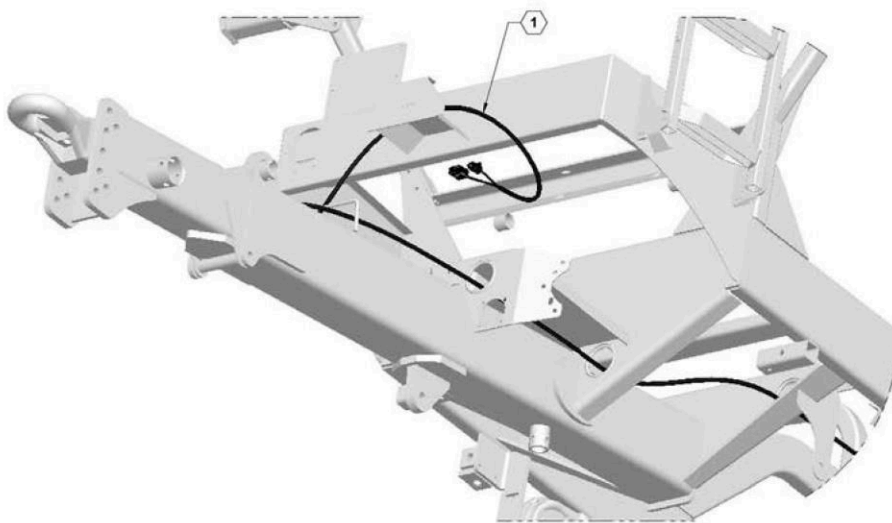
| ITEM | PART NO. | QTY. | DESCRIPTION |
|------|----------|------|-------------------------------------|
| 1 | 319-668 | 1 | FOLD HARNESS, 60' - 66' BOOMS |
| 1 | 319-724 | 1 | FOLD HARNESS, 80', 90' & 100' BOOMS |
| 2 | 740035 | 1 | LIGHTING HARNESS |
| 3 | 632077 | 1 | PRODUCT CONTROL HARNESS, 6 SECTION |
| 3 | 632078 | 1 | PRODUCT CONTROL HARNESS, 10 SECTION |

Fold Harness Routing

FOLD HARNESS



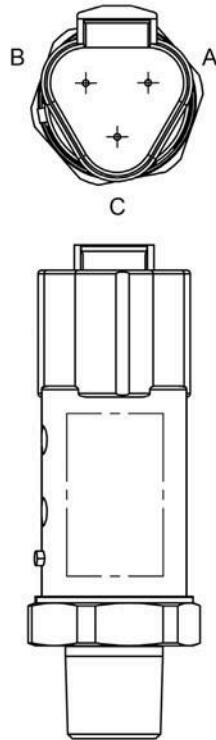
FOLD BLOCK



Fold Harness Routing Parts List

| ITEM | PART NO. | QTY. | DESCRIPTION |
|-------------|-----------------|-------------|-------------------------------------|
| 1 | 319-668 | 1 | FOLD HARNESS, 60' - 66' BOOMS |
| 1 | 319-724 | 1 | FOLD HARNESS, 80', 90' & 100' BOOMS |
| 2 | 740035 | 1 | LIGHTING HARNESS |
| 3 | 632077 | 1 | PRODUCT CONTROL HARNESS, 6 SECTION |
| 3 | 632078 | 1 | PRODUCT CONTROL HARNESS, 10 SECTION |

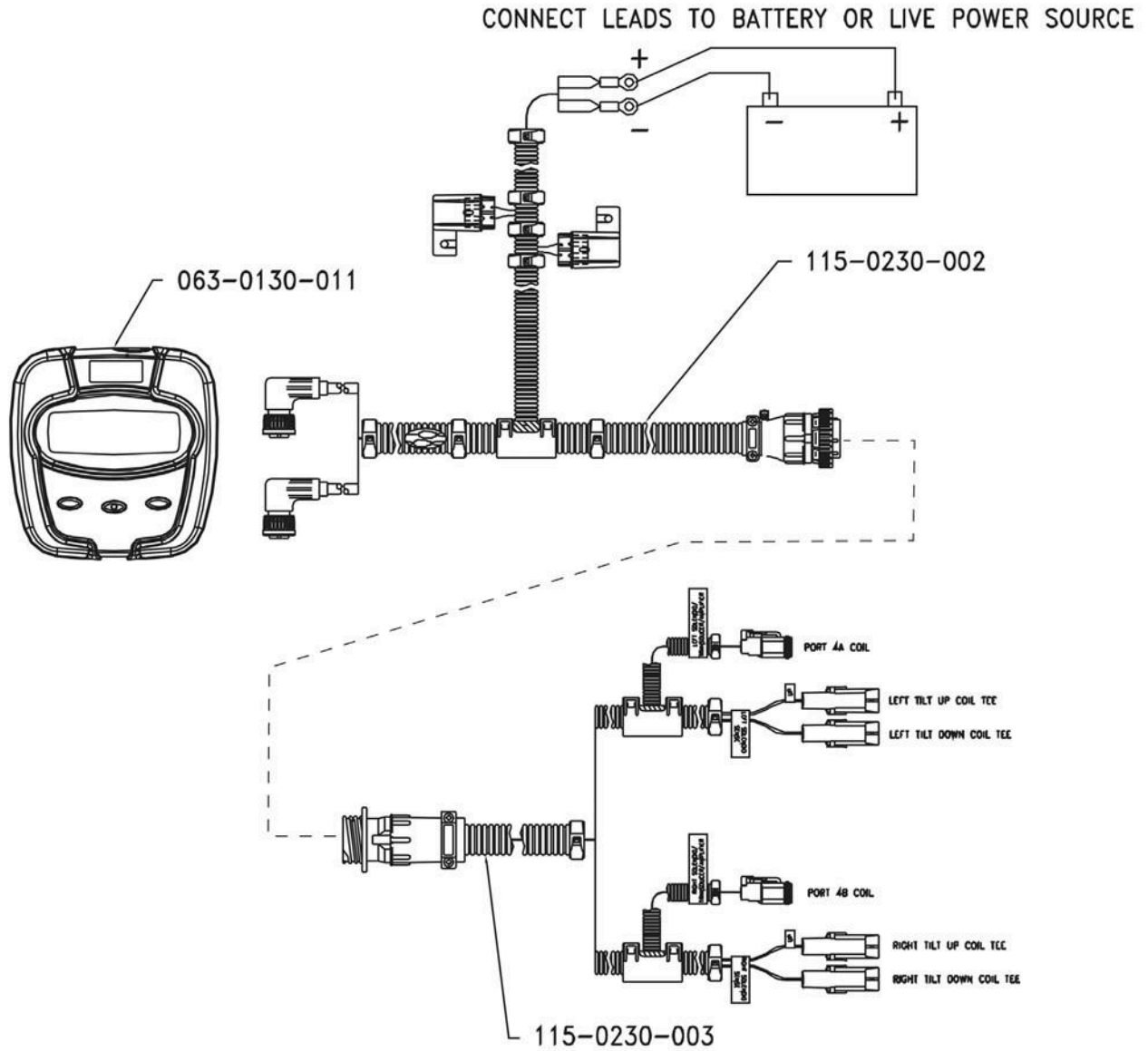
Pressure Transducer Kit



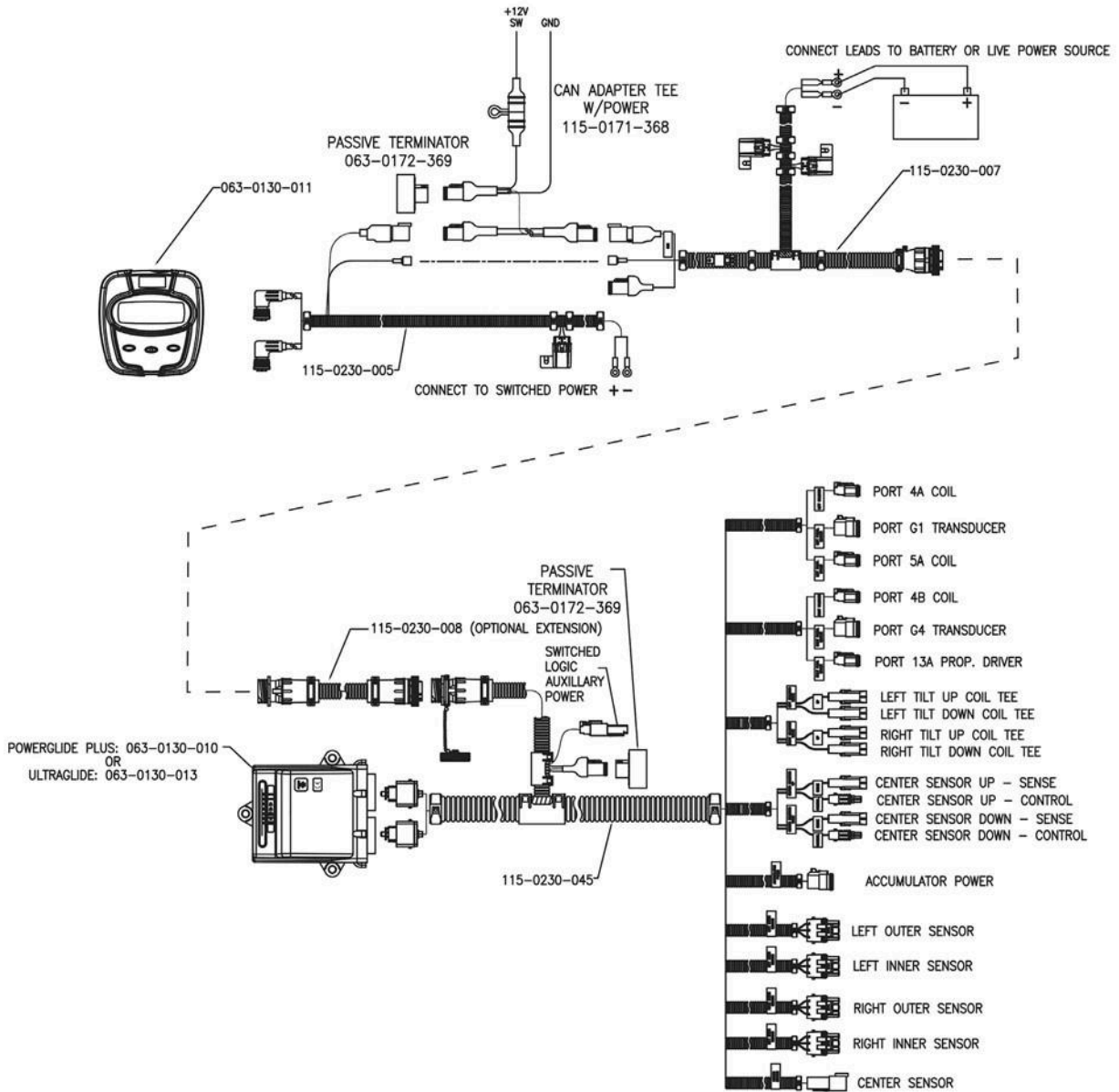
Pressure Transducer Kit Parts List

| ITEM | PART NO. | QTY. | DESCRIPTION |
|------|----------|------|--------------------------------|
| | 530400 | 1 | TEE: 1/4" FPT, POLY |
| | 530401 | 1 | NIPPLE: 1/4 X 1/4" MPT, POLY |
| | 632036 | 1 | PRESSURE TRANSDUCER 1-5V 0-250 |

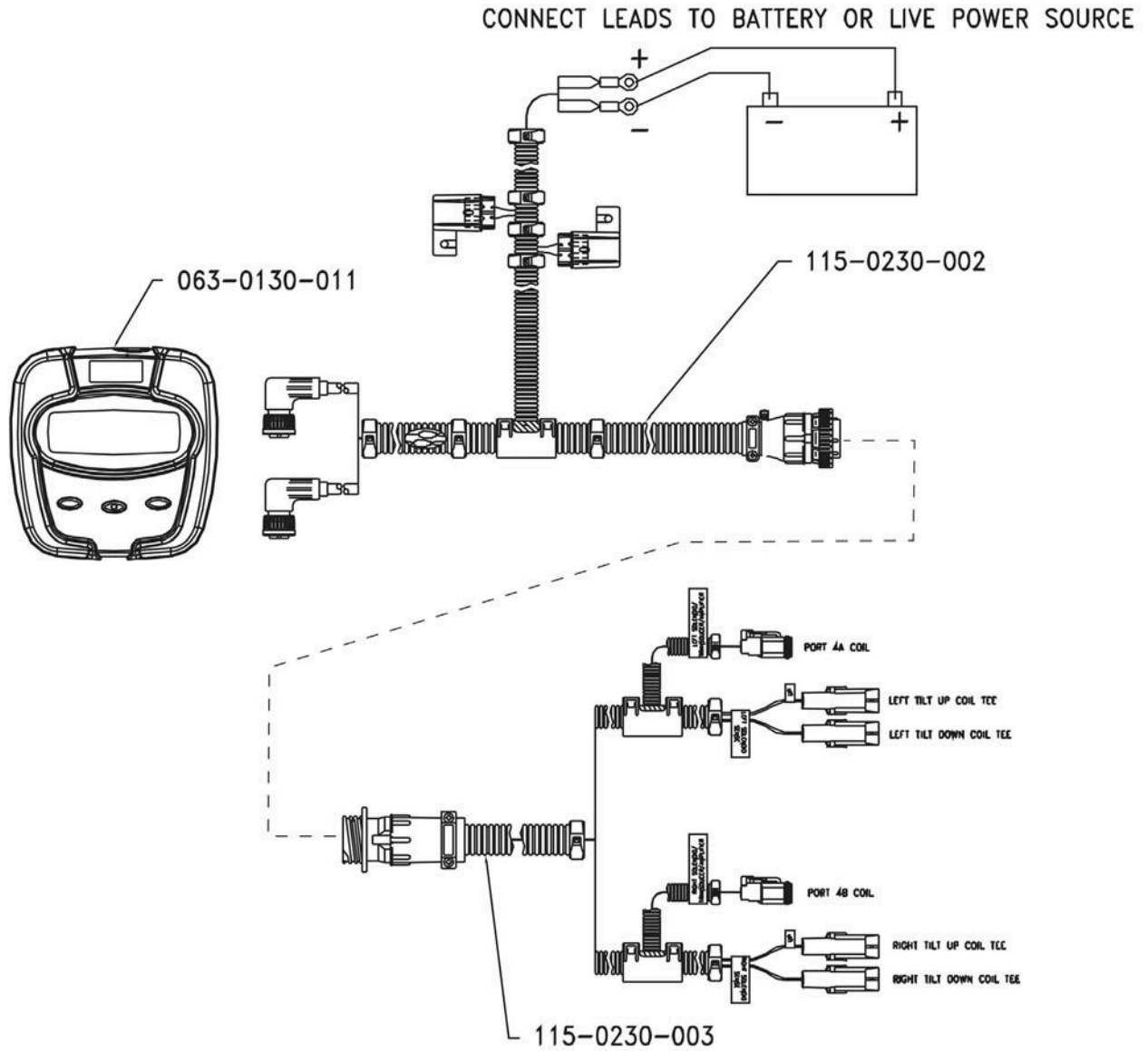
Powerglide Wiring Schematic



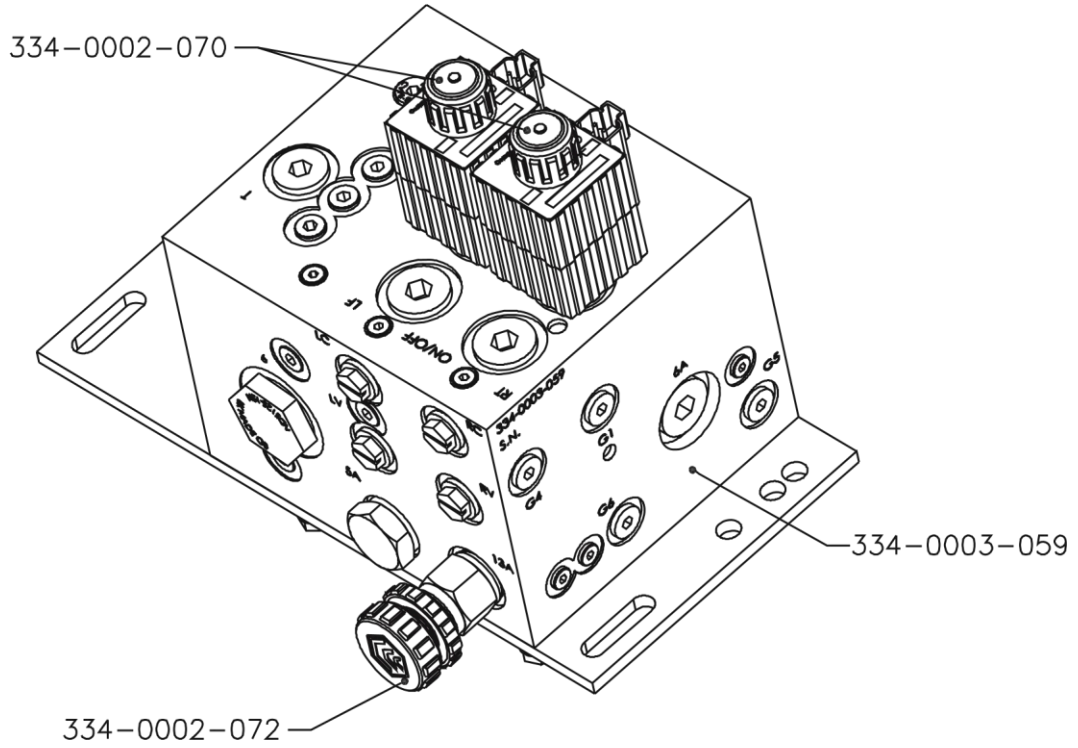
Powerglide Plus Wiring Schematic



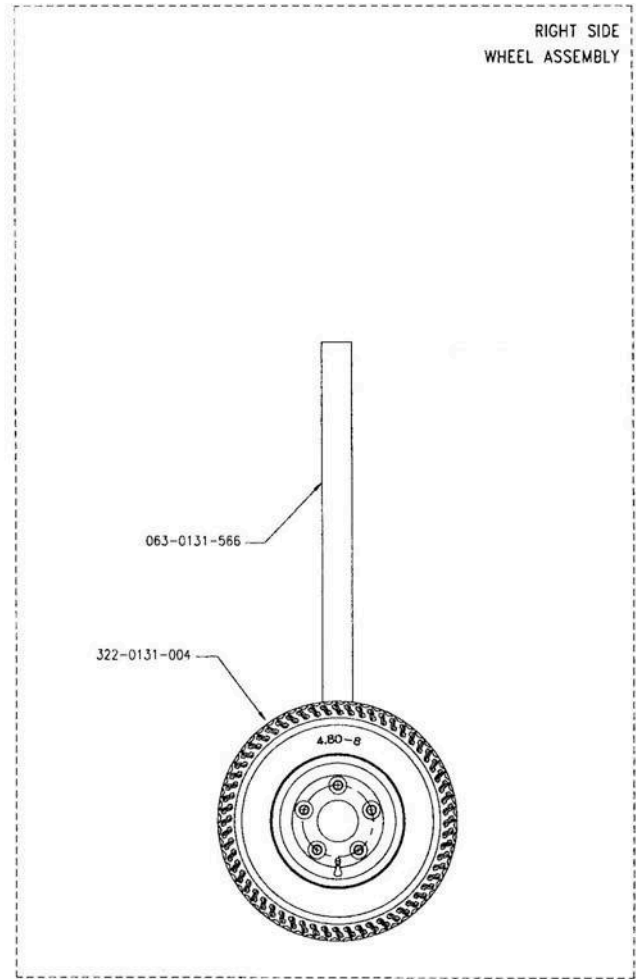
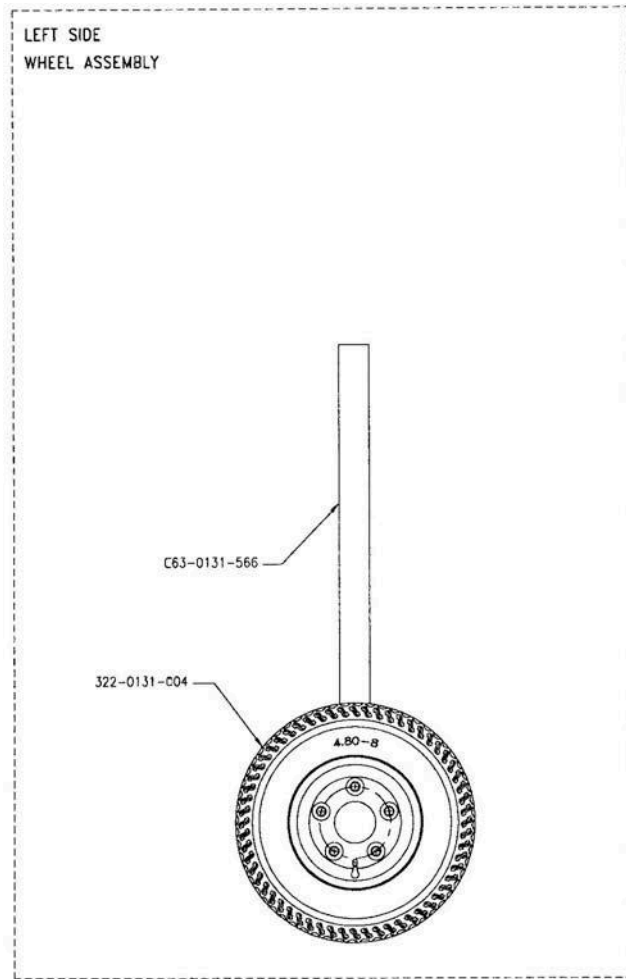
Powerglide Wiring Schematic



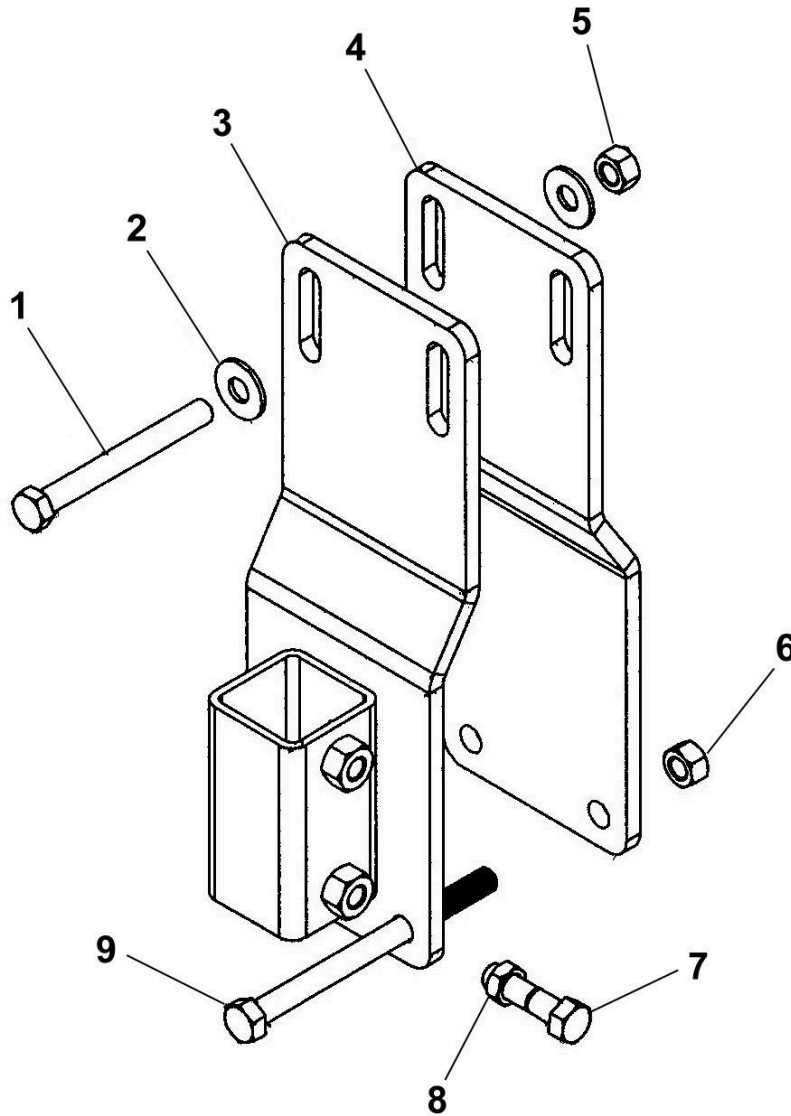
Powerglide Hydraulic Block



Powerglide Solid Axle



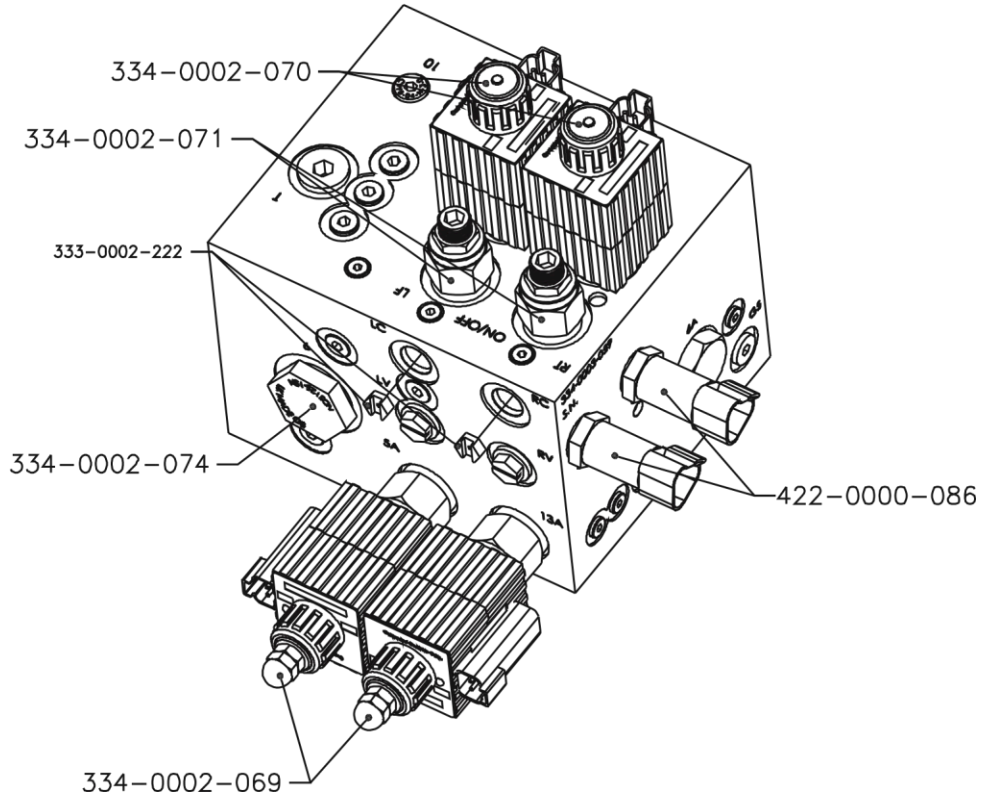
Powerglide & Powerglide Plus Mounting Brackets



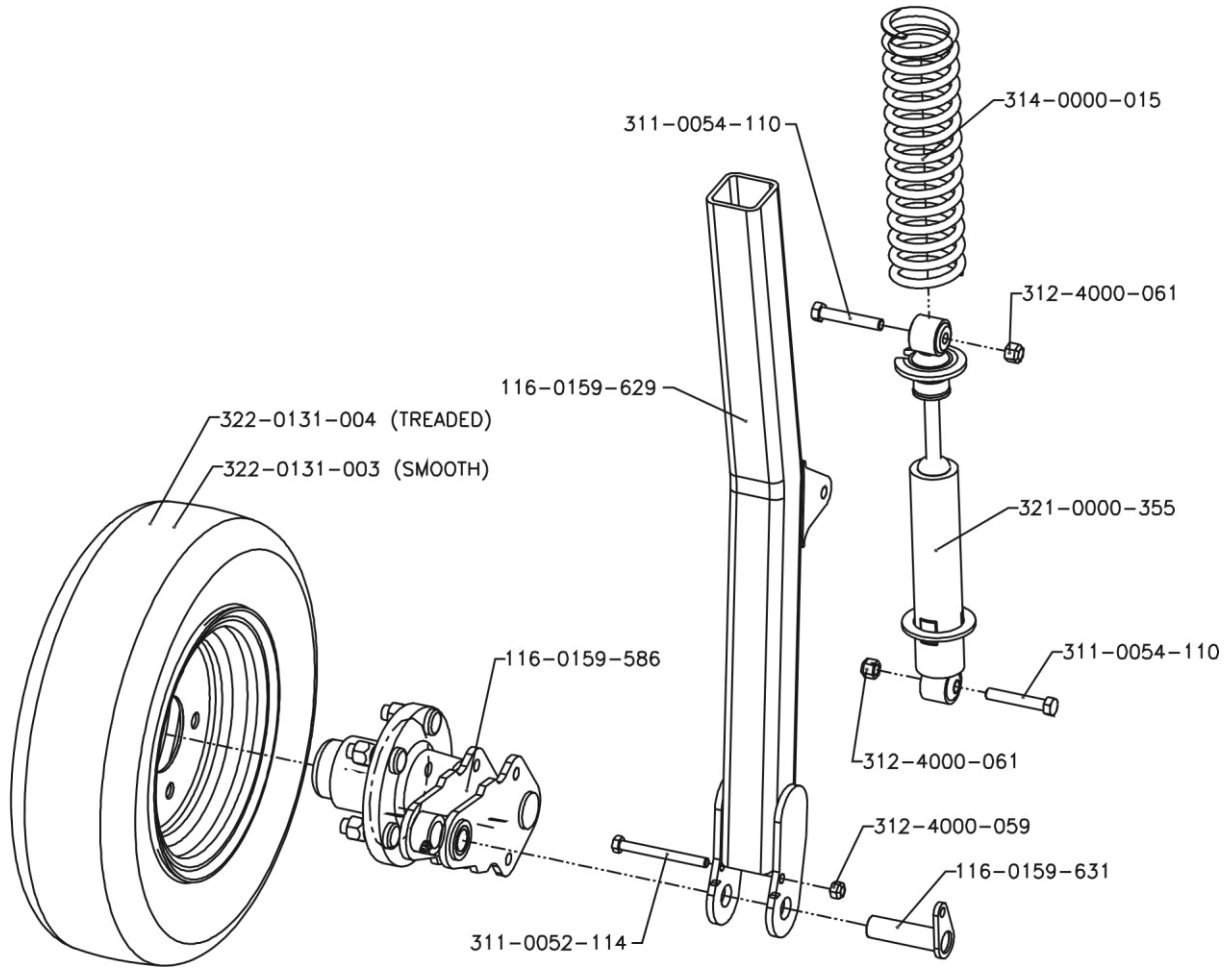
Powerglide & Powerglide Plus Mounting Brackets Parts List

| ITEM | PART NO. | QTY. | DESCRIPTION |
|------|----------|------|-------------------------------|
| 1 | 159 | 2 | BOLT HEX, 1/2 X 4-1/2" GR5 ZP |
| 2 | 260 | 2 | WASHER FLAT 1/2" ZP |
| 3 | 14670BLK | 1 | RAVEN TOUCH WHEEL MOUNT |
| 4 | 14668BLK | 1 | RAVEN BACK TOUCH PLATE |
| 5 | 215 | 2 | NUT HEX HEAVY 1/2" |
| 6 | 239 | 2 | NUT NUT 1/2" CENTERLOCK |
| 7 | 154 | 1 | BOLT HEX, 1/2 X 2" GR5 ZP |
| 8 | 223 | 1 | NUT HEX JAM 1/2" |
| 9 | 163 | 2 | BOLT HEX, 1/2 X 6-1/2" GR5 ZP |

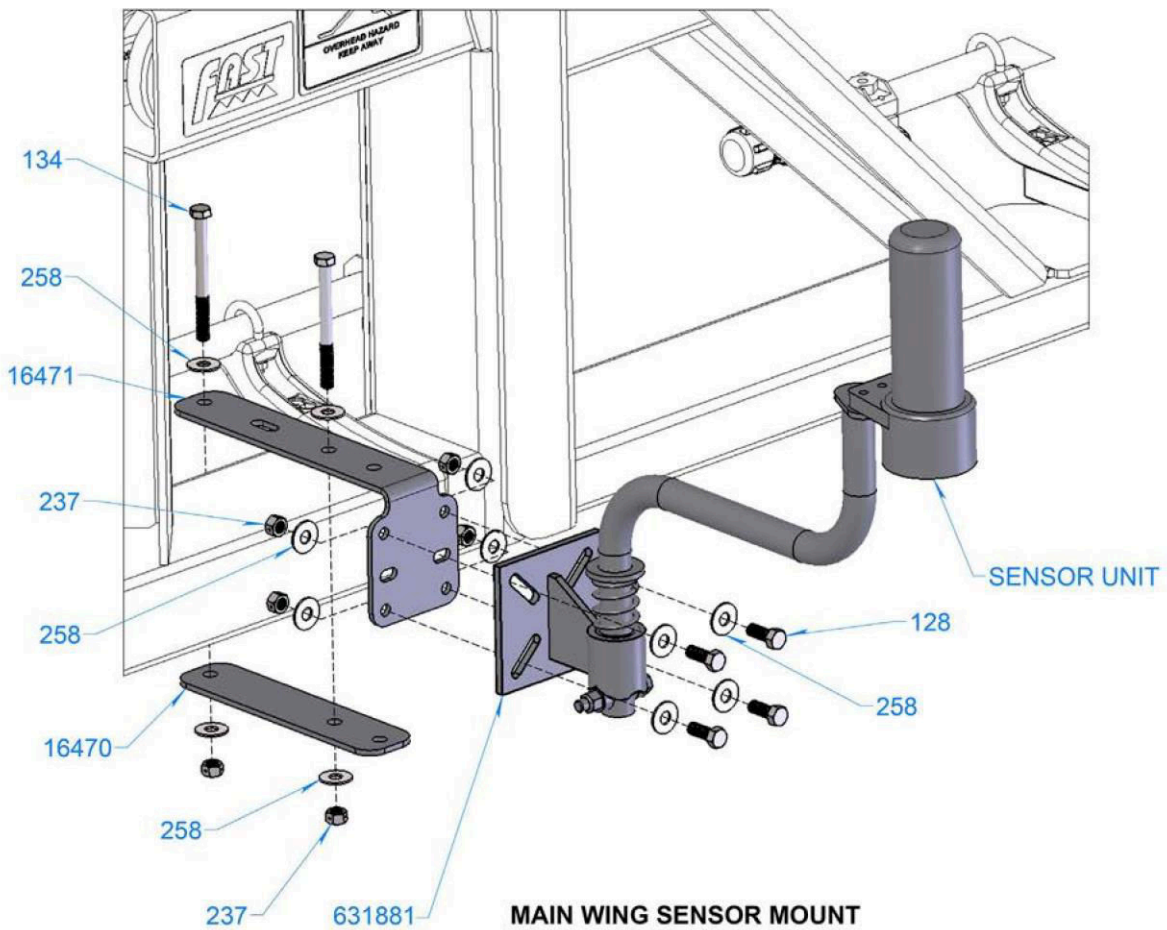
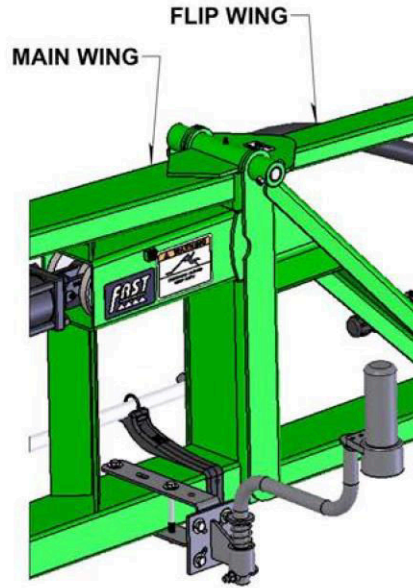
Powerglide Plus Hydraulic Block



Powerglide Plus Cushioned Axle

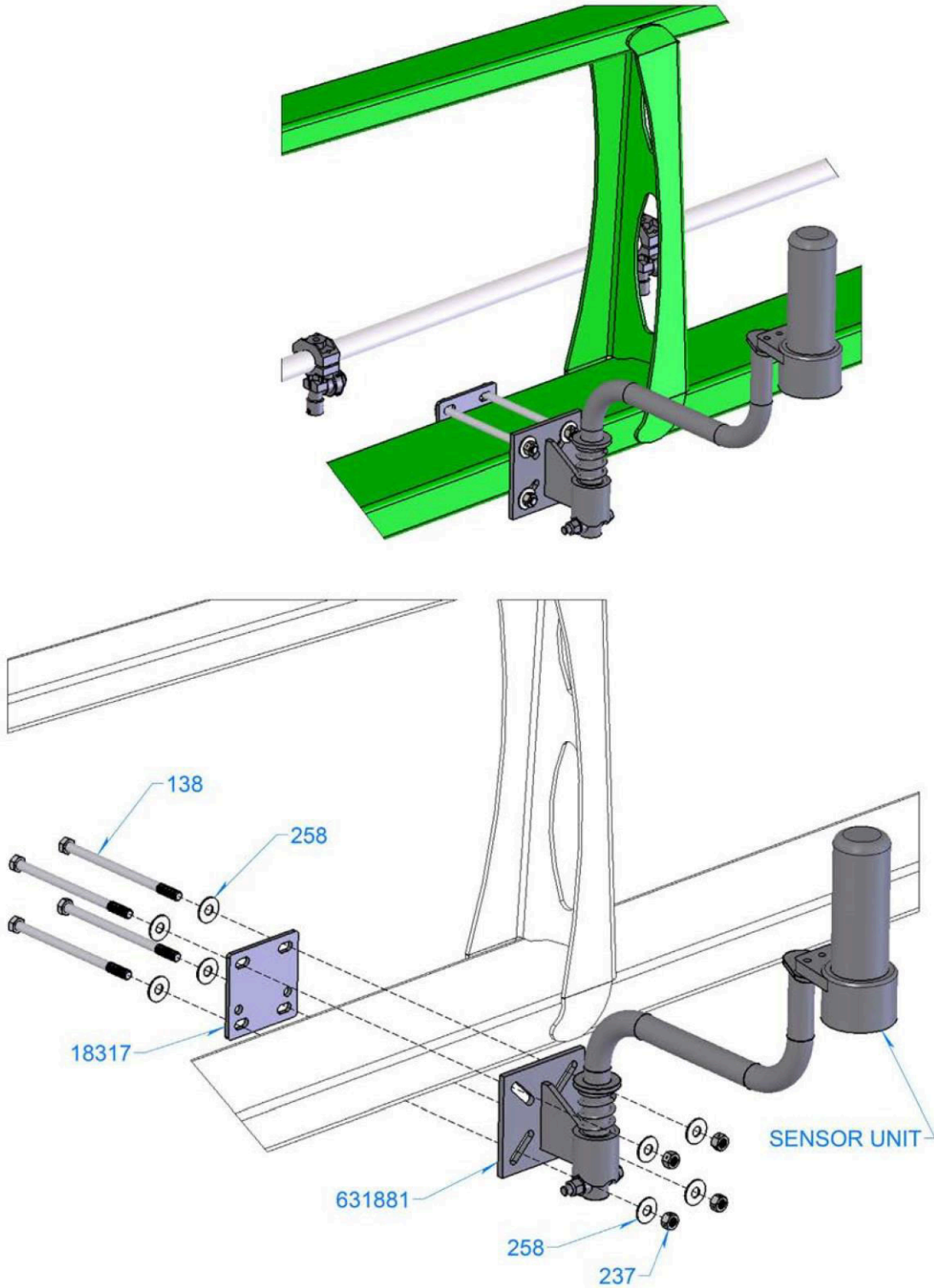


Raven Sensor Mounts



Raven Sensor Mounts Parts List

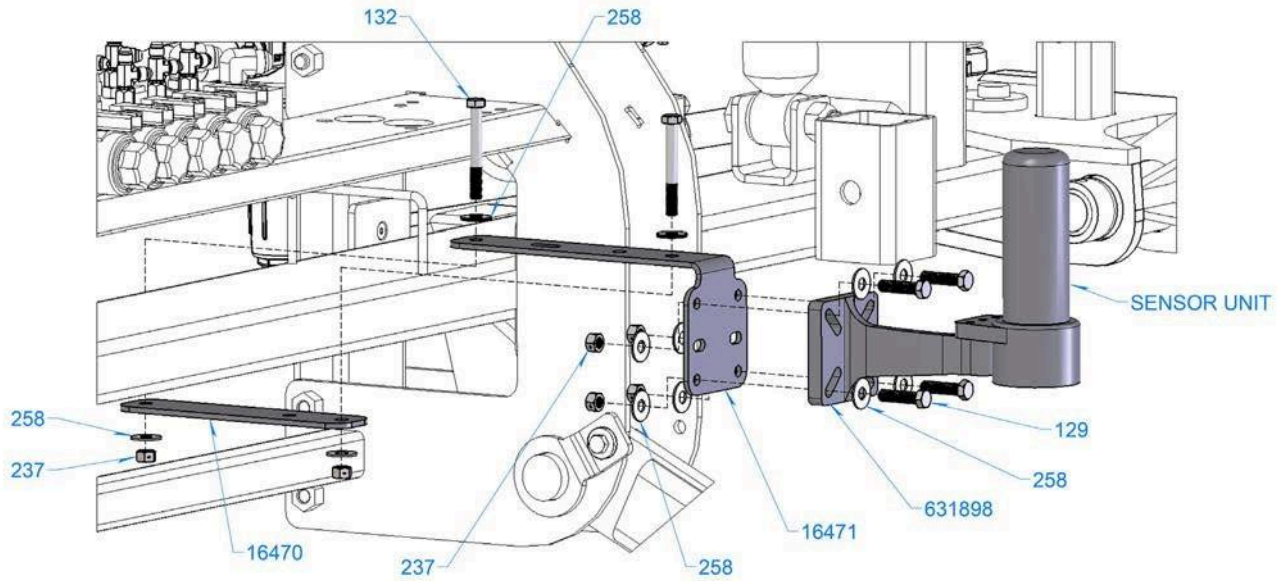
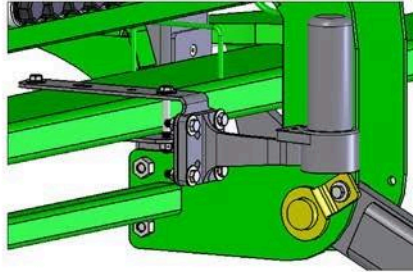
| ITEM | VENDOR PART NO. | PART NO. | QTY. | DESCRIPTION |
|------|-----------------|----------|------|----------------------------|
| | | 128 | 4 | BOLT, HH 3/8-16 X 1 GR5 ZP |
| | | 134 | 2 | BOLT, HH 3/8-16 X 4 GR5 ZP |
| | | 237 | 6 | NUT, 3/8-16 CENTERLOCK |
| | | 258 | 12 | 3/8" FLAT WASHER |
| | | 16470 | 1 | PLATE, BACKING, MOUNT |
| | | 16471 | 1 | MOUNT, AUTO BOOM, RAVEN |
| | | 631881 | 1 | RAVEN BRACKET SENSOR MOUNT |
| | RA0630130026 | | 1 | AUTO HEIGHT SENSOR |



WET BOOM ASSEMBLY NOT SHOWN FOR CLARITY

FLIP WING SENSOR MOUNT

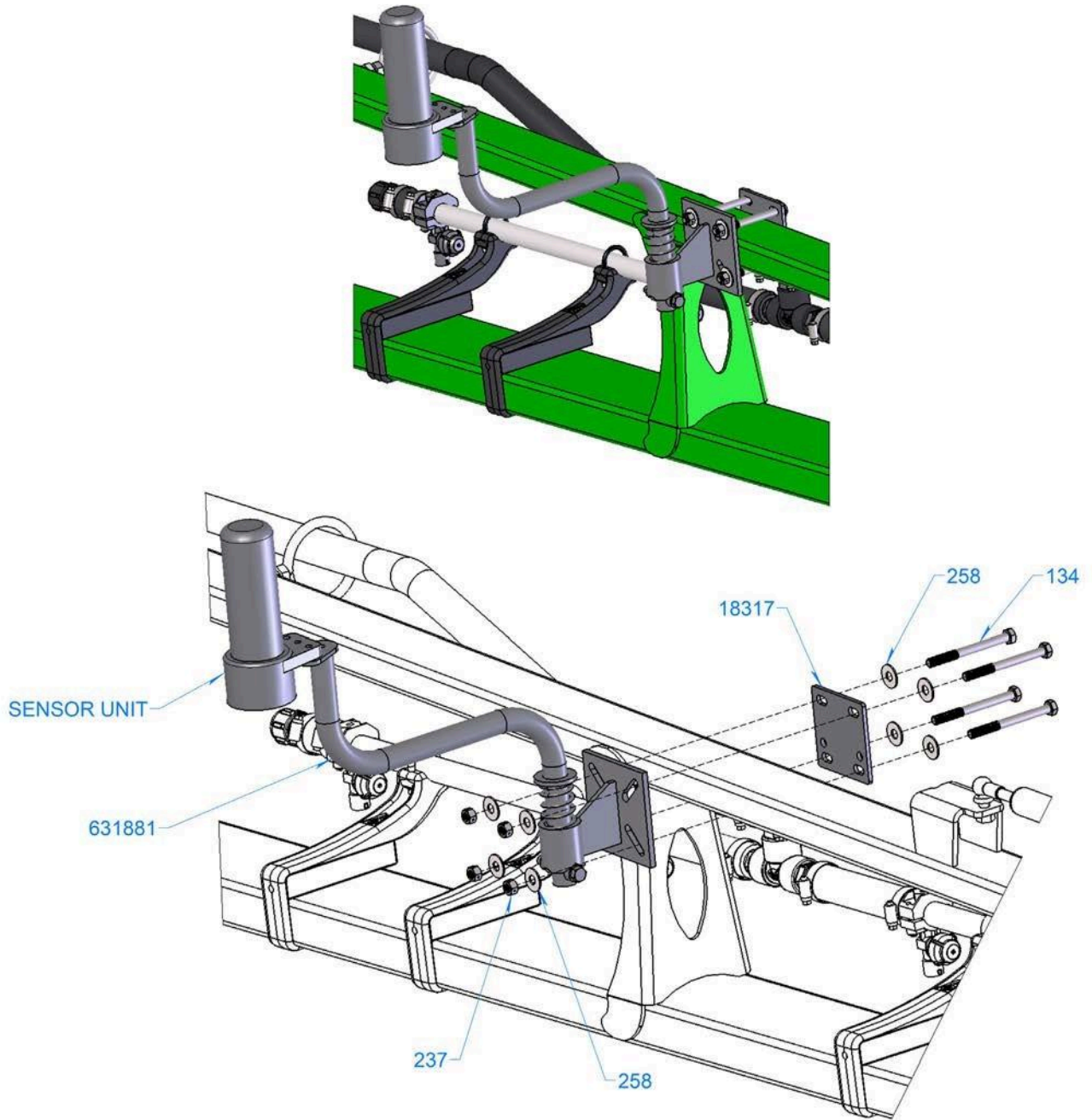
| ITEM | VENDOR PART NO. | PART NO. | QTY. | DESCRIPTION |
|------|-----------------|----------|------|----------------------------|
| | | 138 | 4 | BOLT, HH 3/8-16 X6 GR5 ZP |
| | | 237 | 4 | NUT, 3/8-16 CENTERLOCK |
| | | 258 | 8 | 3/8" FLAT WASHER |
| | | 18317 | 1 | PLATE, BACKING |
| | | 631881 | 1 | RAVEN BRACKET SENSOR MOUNT |
| | RA0630130026 | | 1 | AUTO HEIGHT SENSOR |



PARTIAL REAR VIEW AT CENTER SECTION

**CENTER SECTION
SENSOR MOUNT**

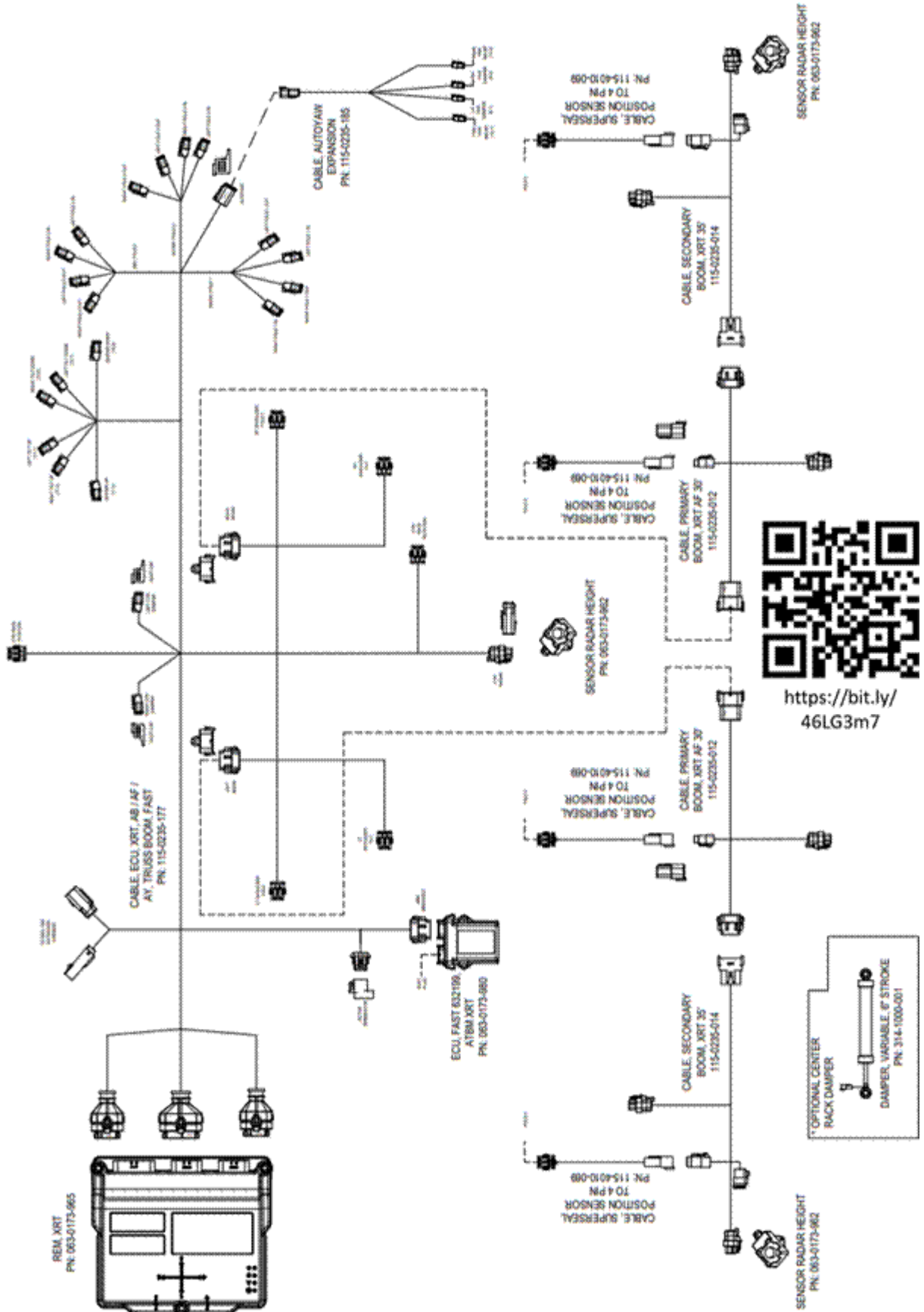
| ITEM | VENDOR PART NO. | PART NO. | QTY. | DESCRIPTION |
|------|-----------------|----------|------|--------------------------------|
| | | 129 | 4 | BOLT, HH 3/8-16 X 1-1/2 GR5 ZP |
| | | 132 | 2 | BOLT, HH 3/8-16 X 3 GR5 ZP |
| | | 237 | 6 | NUT, 3/8-16 CENTERLOCK |
| | | 258 | 12 | 3/8" FLAT WASHER |
| | | 16470 | 1 | PLATE, BACKING, MOUNT |
| | | 16471 | 1 | MOUNT, AUTO BOOM, RAVEN |
| | | 631898 | 1 | ARM ULTRASONIC SENSOR |
| | RA0630130026 | | 1 | AUTO HEIGHT SENSOR |

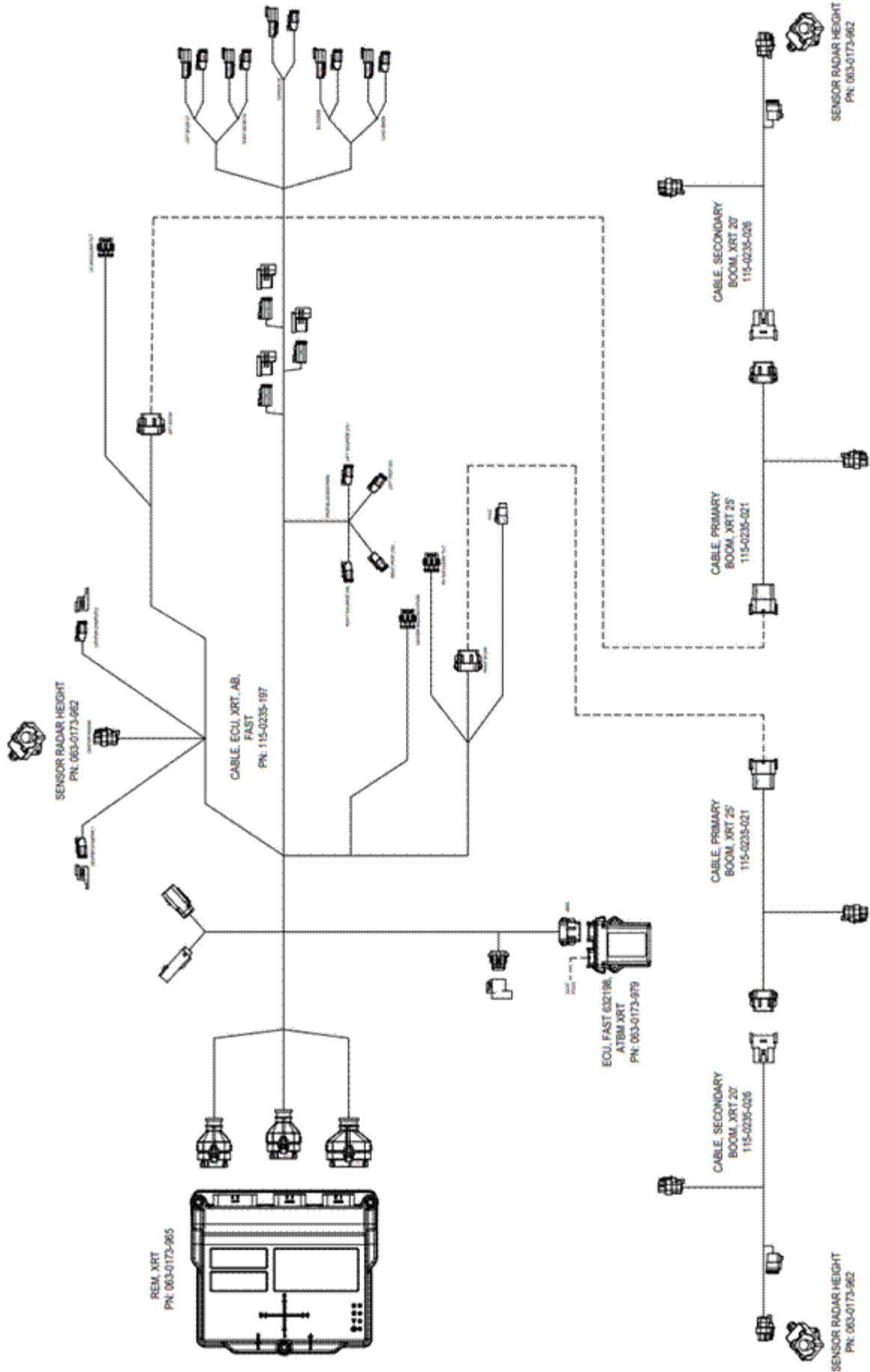


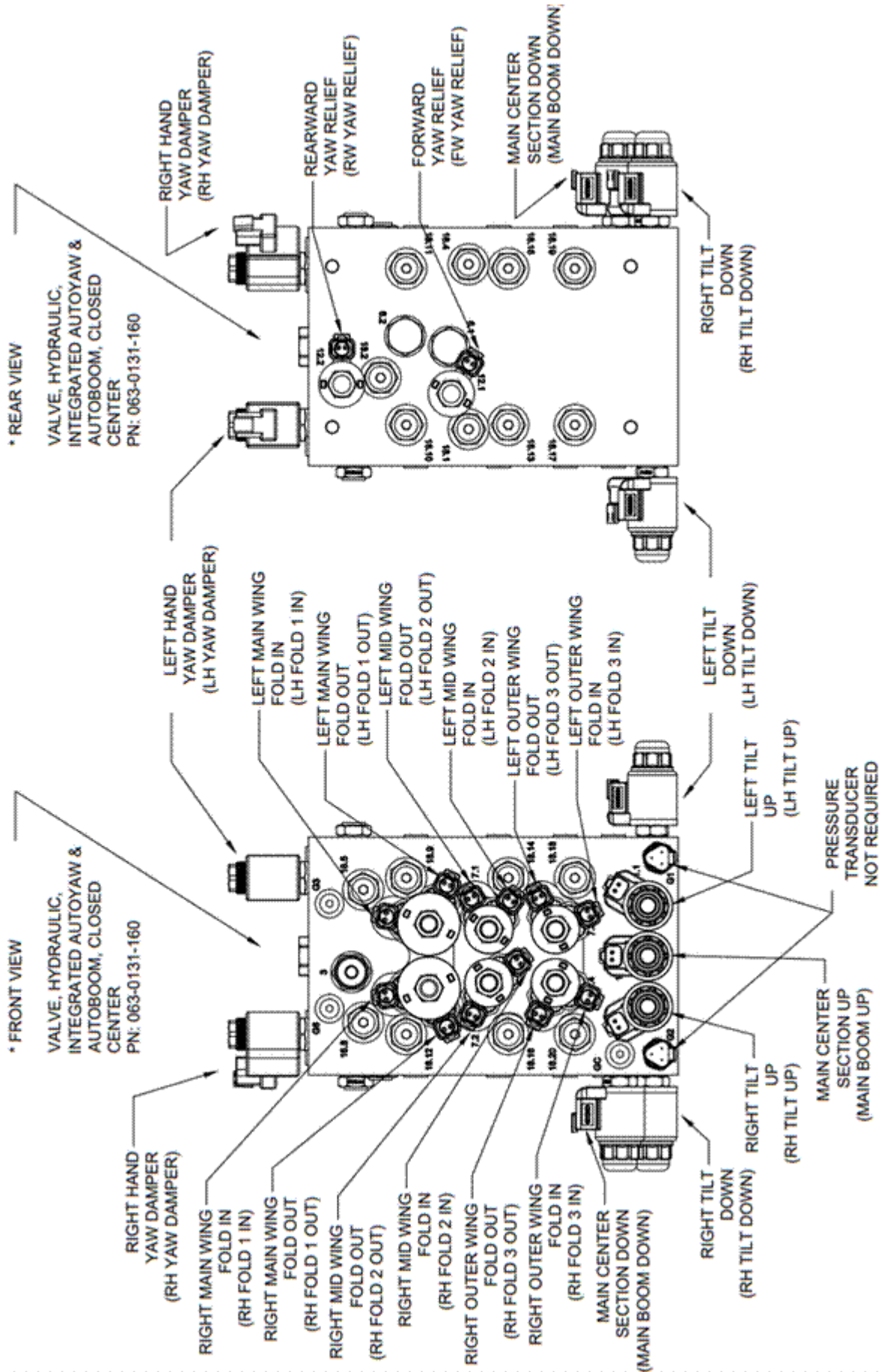
**SWING WING
SENSOR MOUNT**

| ITEM | VENDOR PART NO. | PART NO. | QTY. | DESCRIPTION |
|------|-----------------|----------|------|----------------------------|
| | | 134 | 4 | BOLT, HH 3/8-16 X 4 GR5 ZP |
| | | 237 | 4 | NUT, 3/8-16 CENTERLOCK |
| | | 258 | 8 | 3/8" FLAT WASHER |
| | | 18317 | 1 | PLATE, BACKING |
| | | 631881 | 1 | RAVEN BRACKET SENSOR MOUNT |
| | RA0630130026 | | 1 | AUTO HEIGHT SENSOR |

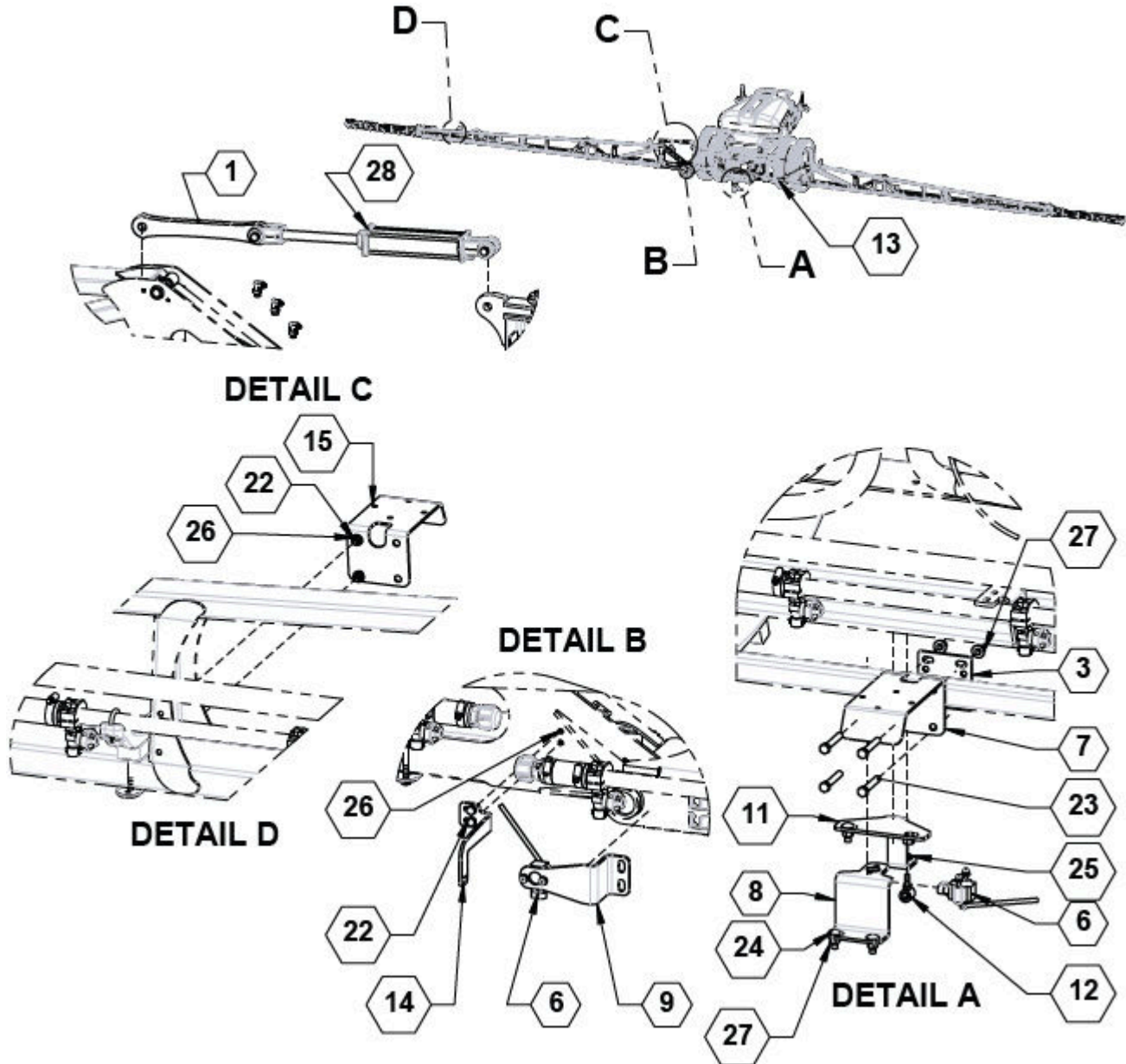
Raven XRT Wiring







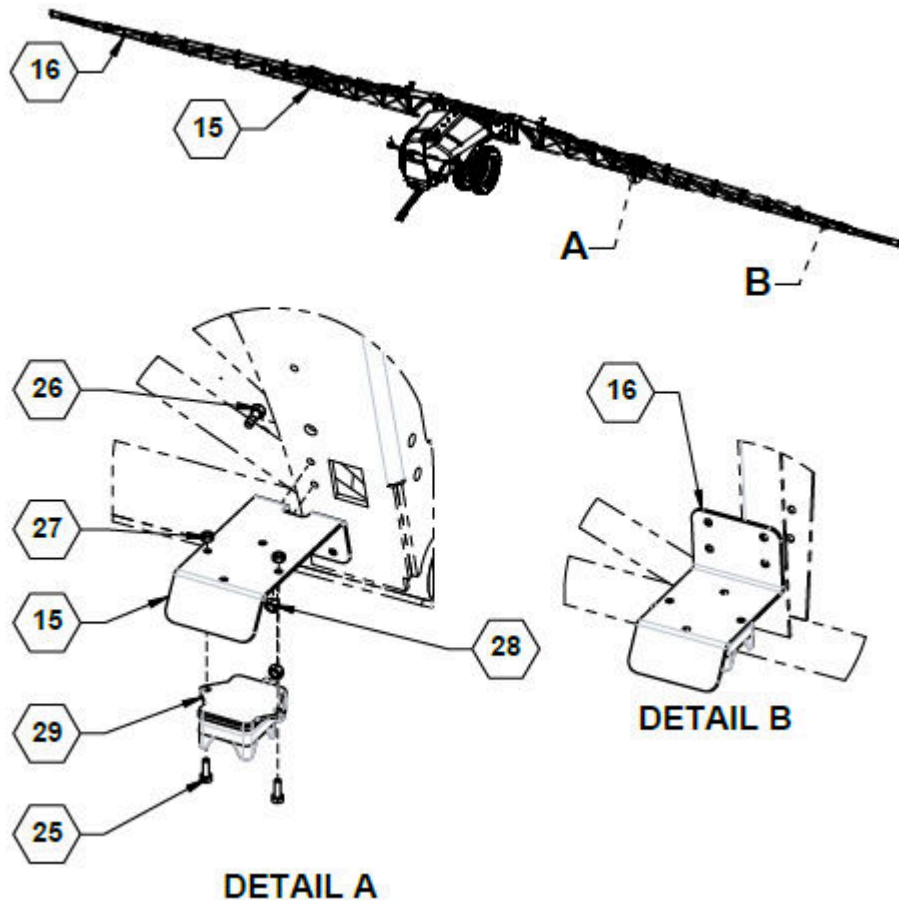
Raven XRT Components, Tri-Fold



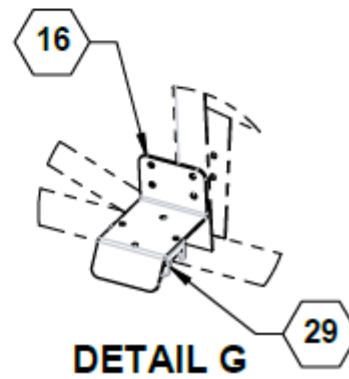
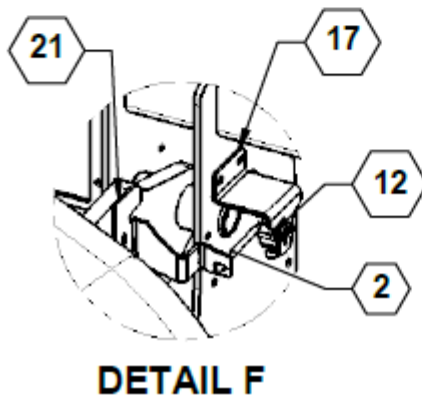
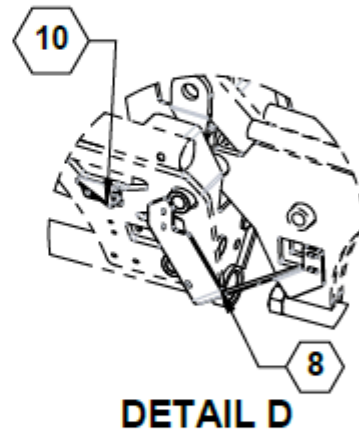
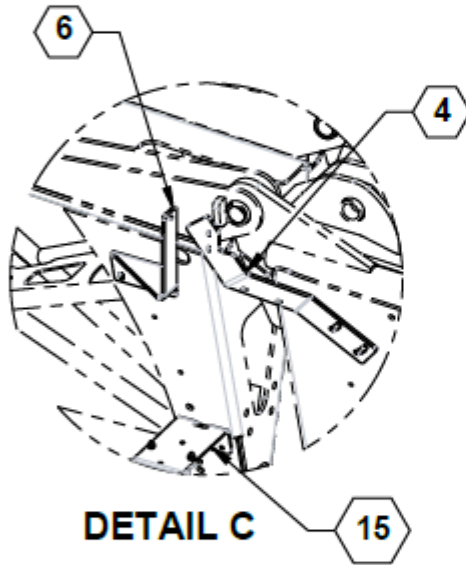
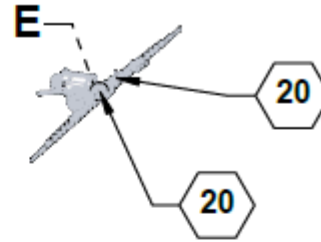
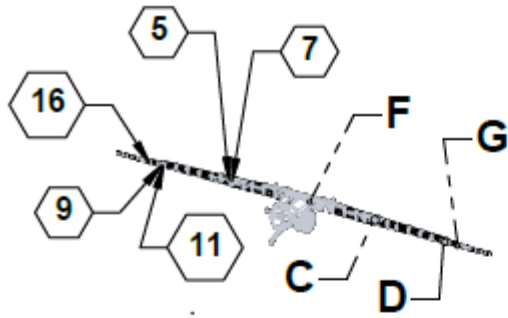
Raven XRT Components, Tri-Fold Parts List 35900

| ITEM | PART NO. | QTY. | DESCRIPTION |
|------|----------|------|-----------------------------------|
| 1 | 14088 | 2 | LINK, AUTOBOOM/NORAC |
| 2 | 14461 | 1 | DOM, 11/16"Lg |
| 3 | 18317BLK | 1 | PLATE, BACKING |
| 4 | 22906 | 3 | ROD, ROTARY SENSOR LEVER |
| 5 | 23976BLK | 1 | PLATE, RCM MOUNT |
| 6 | 28853 | 3 | 50 DEGREE ROTARY SENSOR |
| 7 | 28895BLK | 1 | BRACKET, XRT SENSOR, TRUSS CENTER |
| 8 | 34701BLK | 1 | PLATE, SENSATA MOUNT |
| 9 | 34704BLK | 2 | PLATE, TILT ROTARY SENSOR |
| 10 | 34705BLK | 2 | PLATE, WING TILT SENSOR |
| 11 | 34719BLK | 1 | PLATE, ROLL SENSOR |
| 12 | 34721BLK | 1 | WLDMNT, SLIDE PIVOT |
| 13 | 35578 | 1 | TILT SENSOR ROD BRACKET NFT RH |
| 14 | 35579 | 1 | TILT SENSOR ROD BRACKET NFT LH |
| 15 | 35691 | 2 | BRACKET, XRT SENSOR, NTF OUTER |
| 16 | 590272 | 12 | WASHER SAE #10 SS18-8 |
| 17 | 590273 | 6 | SCREW PHIL 10-24 X 1.75 SS18-8 |
| 18 | 590274 | 6 | NUT NYLON 10-24 SS18-8 |
| 19 | 590275 | 3 | SCREW PHIL 3-48 X .625 SS18-8 |
| 20 | 590276 | 3 | NUT NYLON 3-48 SS18-8 |
| 21 | 590277 | 6 | WASHER #3 SS18-8 |
| 22 | 596114M | 8 | BOLT, HH 5/16-18X3/4 GR5 MAGNI |
| 23 | 596131M | 4 | BOLT, HH 3/8-16 X 2-1/2 GR5 MAGNI |
| 24 | 596592M | 4 | BOLT, CARRIAGE 3/8-16 X 1 MAGNI |
| 25 | 596767M | 1 | NUT, HEX FLANGE 1/4-20 MAGNI |
| 26 | 596768M | 8 | NUT, HEX FLANGE 5/16-18 MAGNI |
| 27 | 596769M | 9 | NUT, HEX FLANGE 3/8-16 MAGNI |
| 28 | 620022 | 2 | CYLINDER, 25TD10-112 |
| NS | 630036 | 1 | CARTRIDGE, SV10-21-0-N-00 OPEN |
| NS | 630037 | 1 | COIL, 12V OPEN REVERSE FUNCTION |
| NS | 632055 | 1 | CABLE, 17' EXTENSION GEN 1 ISO |
| NS | 632208 | 1 | KIT, XRT AUTOBOOM FOR N/TF |

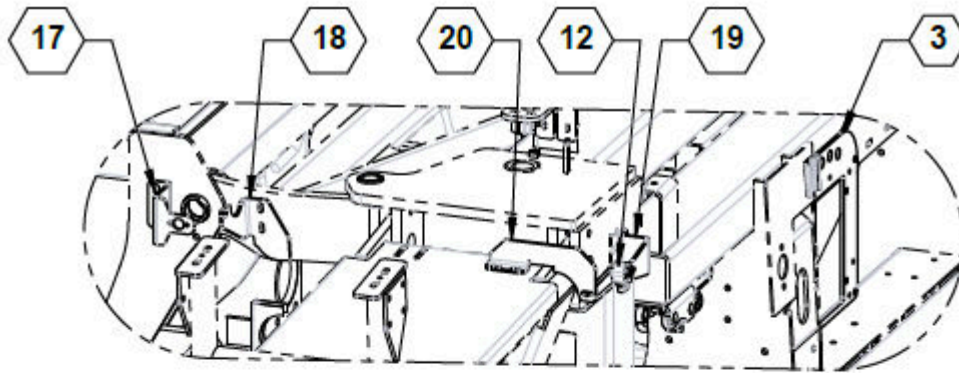
Raven XRT Components, Truss



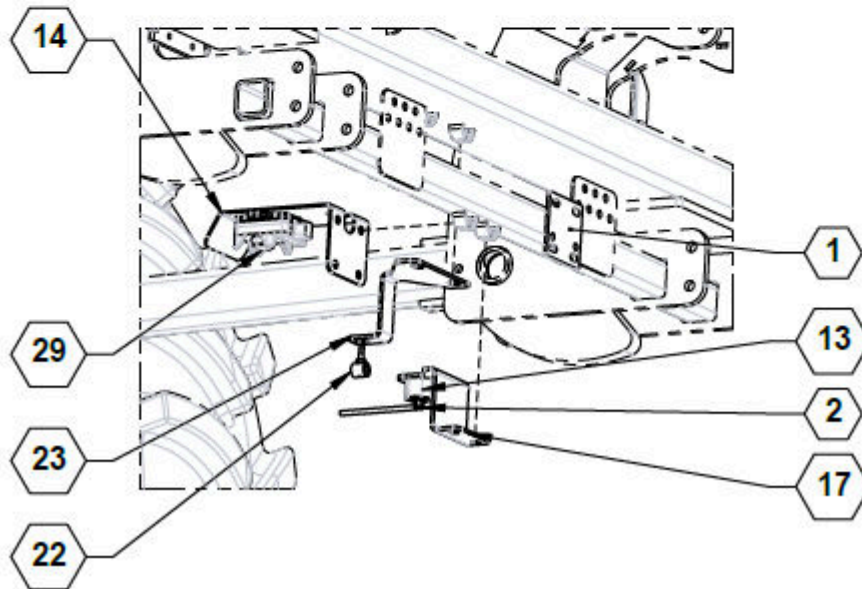
Raven XRT Components, Truss, continued



Raven XRT Components, Truss, continued



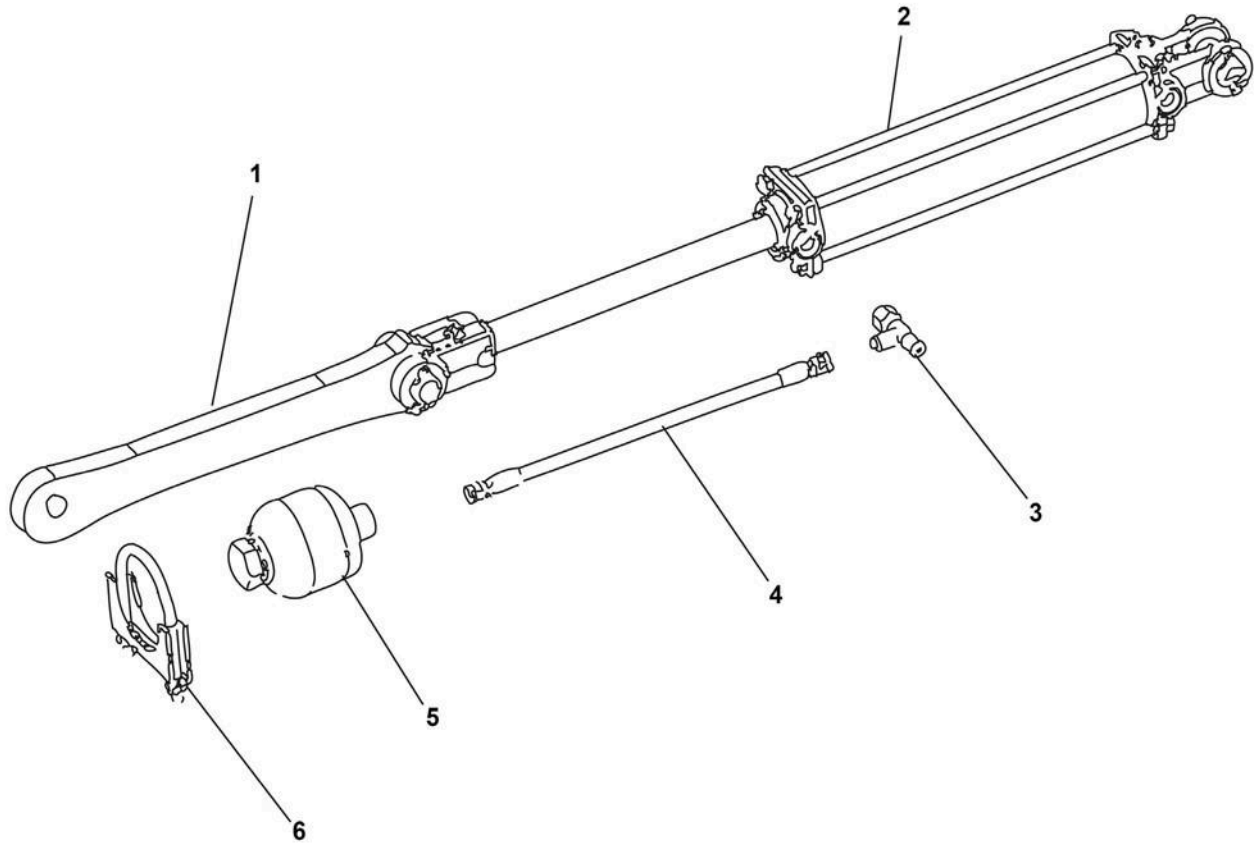
DETAIL E



Raven XRT Components, Truss Parts List 35901

| ITEM | PART NO. | QTY. | DESCRIPTION |
|------|----------|------|--|
| 1 | 18317BLK | 1 | PLATE, BACKING |
| 2 | 22906 | 4 | ROD, ROTARY SENSOR LEVER |
| 3 | 23976BLK | 1 | PLATE, RCM MOUNT |
| 4 | 28840BLK | 1 | LH PRIMARY FLIP ROT SENSOR BRCKT |
| 5 | 28841BLK | 1 | BRACKET, RH PRIMARY FLIP ROTARY SENSOR |
| 6 | 28842BLK | 1 | BRACKET, LH PRIMARY FLIP SENSOR ROD |
| 7 | 28843BLK | 1 | BRACKET, RH PRIMARY FLIP SENSOR ROD |
| 8 | 28844 | 1 | BRACKET, LH 2ND FLIP ROTARY SENSOR |
| 9 | 28845 | 1 | BRACKET, RH 2ND FLIP ROTARY SENSOR |
| 10 | 28846 | 1 | BRACKET, LH 2ND FLIP SENSOR ROD |
| 11 | 28847 | 1 | BRACKET, RH 2ND FLIP SENSOR ROD |
| 12 | 28889 | 4 | SENSOR, ROTARY, 180 DEGREE WITH DRILLED HOLE |
| 13 | 28894 | 1 | SENSORY, ROTAY, 270 DEGREE W/ DRILLED HOLE |
| 14 | 28895BLK | 1 | BRACKET, XRT SENSOR, TRUSS CENTER |
| 15 | 28896 | 2 | BRACKET, XRT SENSOR, TRUSS INNER WING |
| 16 | 28897 | 2 | BRACKET, XRT SENSOR, TRUSS OUTER WING |
| 17 | 34701BLK | 3 | PLATE, SENSATA MOUNT |
| 18 | 34703 | 1 | PLATE, MAIN LIFT SENSOR |
| 19 | 34704BLK | 2 | PLATE, TILT ROTARY SENSOR |
| 20 | 34705BLK | 2 | PLATE, WING TILT SENSOR |
| 21 | 34717 | 1 | PLATE, MAIN LIFT SENSOR |
| 22 | 34721BLK | 2 | WLDMNT, SLIDE PIVOT |
| 23 | 35901 | 1 | PLATE, ROLL SENSOR |
| 25 | 596101M | 2 | BOLT, HH 1/4-20 X 3/4 GR5 MAGNI |
| 26 | 596114M | 4 | BOLT, HH 5/16-18X3/4 GR5 MAGNI |
| 27 | 596235M | 2 | NUT, CENTERLOCK, 1/4-20 MAGNI |
| 28 | 596236M | 4 | NUT, CENTERLOCK, 5/16-18 MAGNI |
| 29 | 632209 | 5 | SENSOR, XRT |

Wing Tilt Options



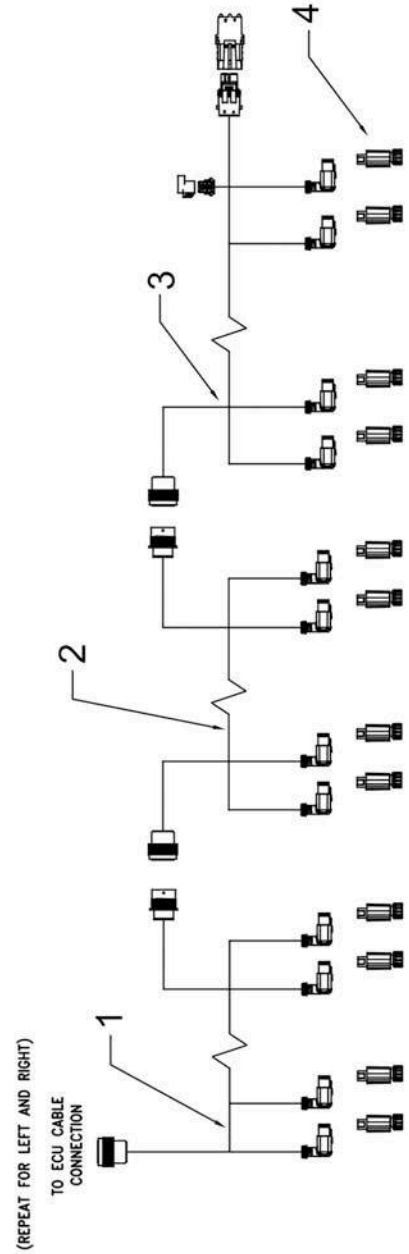
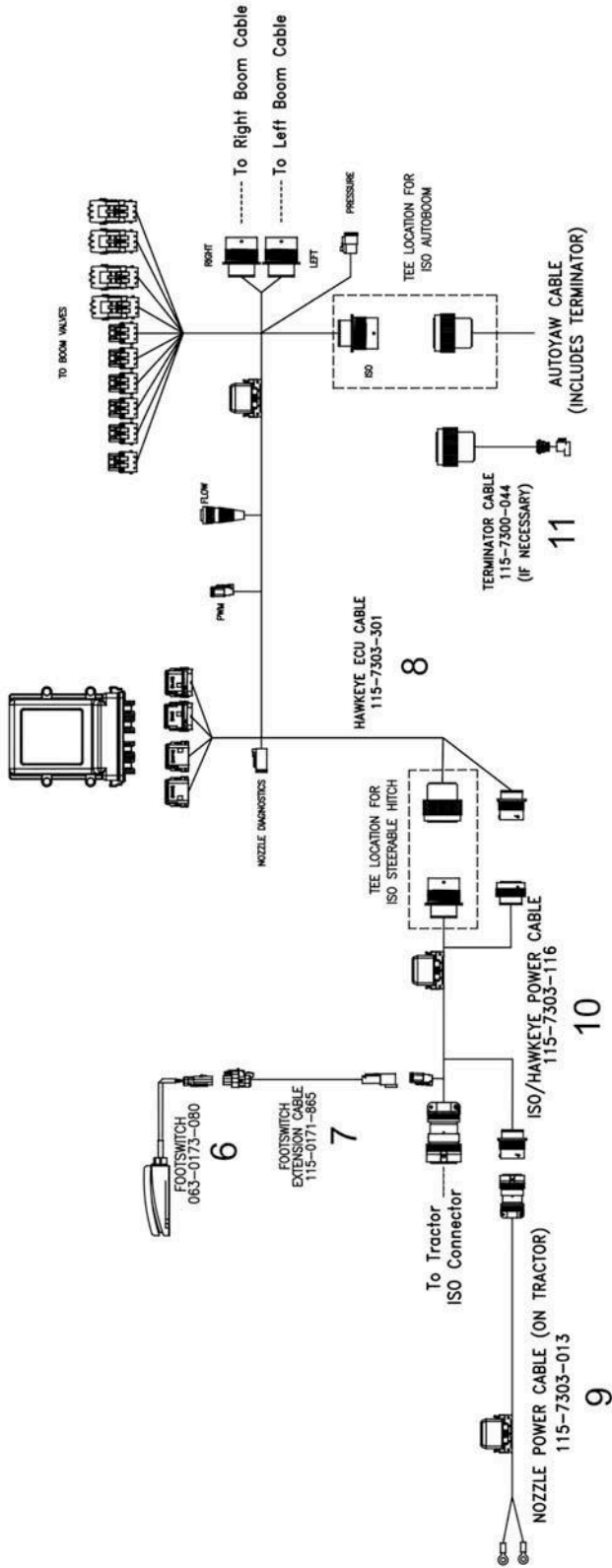
Wing Tilt Options Parts List

| ITEM | PART NO. | DESCRIPTION | QTY. | 60' BOOM | 80' - 90' BOOM | 100' BOOM |
|------|--------------------|-------------------------------------|------|----------|----------------|-----------|
| | CUSHIONED TILT | | | | | |
| 1 | 14088 | LINK, NORAC | 1 | | | |
| 2 | 620022 | CYLINDER 25TD10-112 60' - 90' WINGS | 1 | 1 | 1 | |
| 2 | 620020 | CYLINDER 30TD10-125 100' WINGS | | | | 1 |
| 3 | 610027 | TEE JIC #6 | 1 | | | |
| 4 | 600018 | HOSE, HYDRAULIC 3/8 X #6 JIC | 1 | | | |
| 5 | 630002 | ACCUMULATOR 21 CU" | 1 | | | |
| 6 | 540033 | CLAMP 3.5 ACCUMULATOR | 1 | | | |
| | NON-CUSHIONED TILT | | | | | |
| 1 | 14088 | LINK, NORAC | 1 | | | |
| 2 | 620022 | CYLINDER 25TD10-112 60' - 90' WINGS | | 1 | 1 | |
| 2 | 620020 | CYLINDER 30TD10-125 100' WINGS | | | | 1 |

Raven Hawkeye

HAWKEYE ON FAST SPRAYERS

HAWKEYE ECU 5
063-0173-704

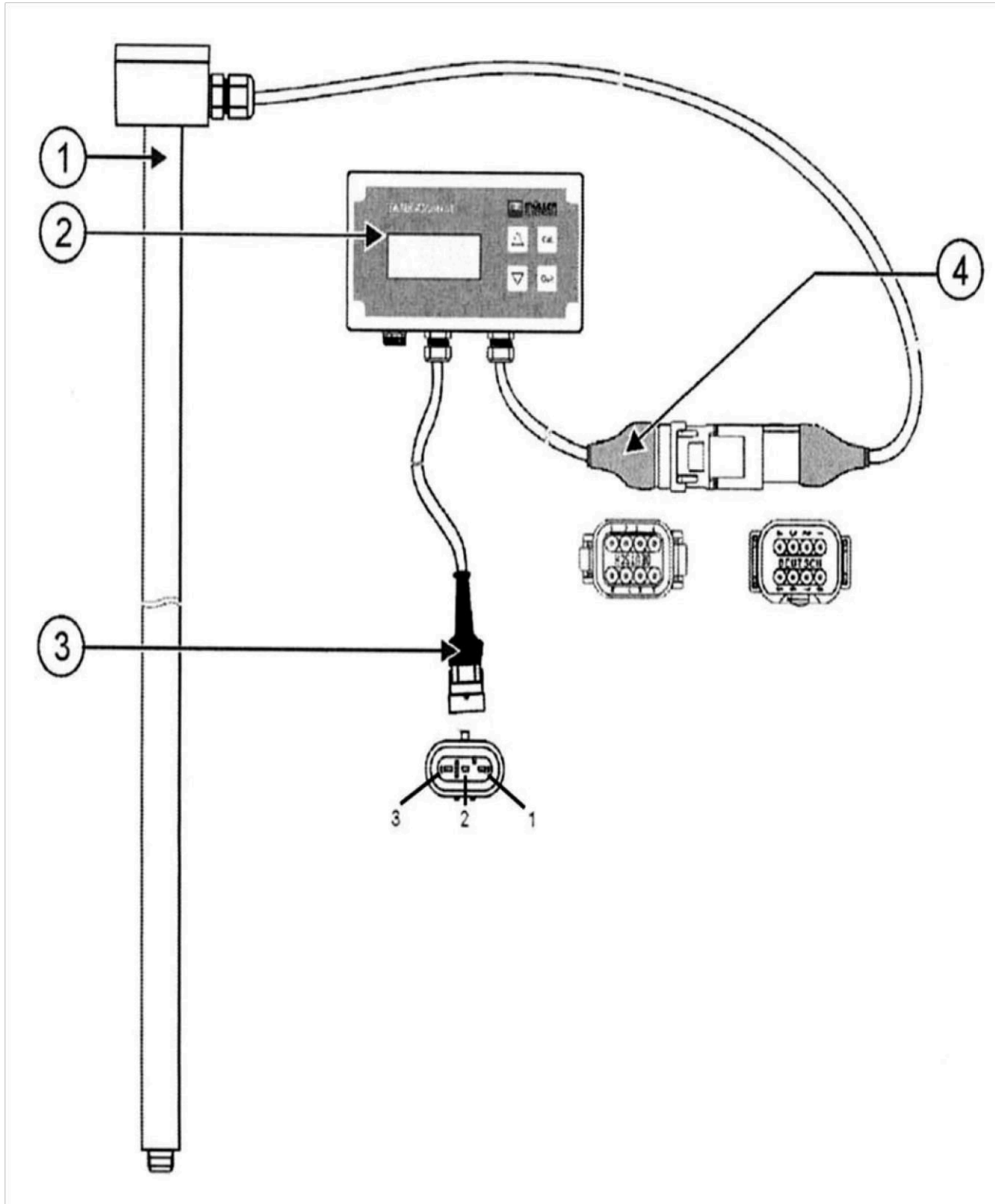


(REPEAT FOR LEFT AND RIGHT)

Raven Hawkeye Parts List

| ITEM | VENDOR PART NO. | PART NO. | QTY. | DESCRIPTION |
|------|-----------------|--------------|------|---|
| 1 | RA115-7303-105 | RA1157303105 | 2 | CABLE, PRIMARY BOOM, 90' BOOM, 20" SPACING & 120' BOOM, 20" SPACING |
| 1 | RA115-7303-336 | 632002 | 2 | CABLE, PRIMARY BOOM, 120' BOOM, 15" SPACING |
| 1 | RA115-7303-333 | RA1157303333 | 2 | CABLE, PRIMARY BOOM, 132' BOOM, 22" SPACING |
| 2 | RA115-7303-340 | RA1157303340 | 2 | CABLE, MID BOOM, 90' BOOM, 20" SPACING |
| 2 | RA115-7303-337 | 632003 | 2 | CABLE, MID BOOM, 120' BOOM, 15" SPACING |
| 2 | RA115-7303-106 | RA1157303106 | 2 | CABLE, MID BOOM, 120' BOOM, 20" SPACING |
| 2 | RA115-7303-334 | RA1157303334 | 2 | CABLE, MID BOOM, 132' BOOM, 22" SPACING |
| 3 | RA115-7303-338 | 632004 | 2 | CABLE, OUTER BOOM, 120' BOOM, 15" SPACING |
| 3 | RA115-7303-341 | RA1157303341 | 2 | CABLE, OUTER BOOM, 90' BOOM, 20" SPACING |
| 3 | RA115-7303-122 | RA1157303122 | 2 | CABLE, OUTER BOOM, 120' BOOM, 20" SPACING |
| 3 | RA115-7303-335 | RA1157303335 | 2 | CABLE, OUTER BOOM, 132' BOOM, 22" SPACING |
| 4 | RA06-30173-673 | RA0630173673 | * | VALVE, HAWKEYE NOZZLE, ARAG/HYPRO |
| 4 | RA06-30173-672 | 631984 | * | VALVE, HAWKEYE NOZZLE, TEE JET |
| 4 | RA063-0173-674 | RA0630173674 | * | VALVE, HAWKEYE NOZZLE, WILGER |
| 4 | | | * | 90' 20" (QTY 54), 120' 15" (QTY 96), 120' 20" (QTY 72), 132' 22" (QTY 72) |
| 5 | RA063-0173-704 | 631983 | 1 | ISO PRODUCT CONTROLLER II ECU |
| 6 | RA063-0173-080 | 631856 | 1 | SWITCH ASSEMBY FOOT ISO PRODUCT CONTROL |
| 7 | RA115-0171-865 | 631857 | 1 | CABLE, FOOT SWITCH ISO PRODUCT CONTROL |
| 8 | RA115-7303-301 | 632001 | 1 | CABLE, HAWKEYE ECU |
| 9 | RA115-7303-013 | 632000 | 1 | CABLE, NOZZLE POWER |
| 10 | RA115-7303-116 | 631992 | 1 | CABLE, 17' ISO/HAWKEYE POWER |
| 11 | RA115-7300-044 | 631996 | 1 | CABLE, GEN 3 TO ACTIVE TERMINAL, TERMINATOR INCLUDED |
| 11 | RA063-0172-964 | RA0630172964 | 1 | TERMINATOR, FOR 631996 (RA1157300044) |
| N/S | RA115-7303-168 | RA1157303168 | 1 | CABLE, 2' ECU POWER |
| N/S | RA115-7303-148 | RA1157303148 | 4 | CABLE, 6' EXTENSION |
| N/S | RA115-0171-810 | 632047 | 1 | CABLE, 10' 2P EXTENSION |
| N/S | RA115-7303-260 | RA1157303260 | 1 | CABLE, 15' ECU NOZZLE |
| N/S | RA115-7303-159 | RA1157303159 | 1 | CABLE, 4 NOZZLE HAWKEYE |
| N/S | RA115-7305-160 | RA1157305160 | 1 | CABLE, 5 NOZZLE HAWKEYE |
| N/S | RA115-7305-161 | RA1157305161 | 4 | CABLE, 10 NOZZLE HAWKEYE |
| N/S | RA115-7303-156 | RA1157303156 | 2 | CABLE, FENCE ROW |
| N/S | RA117-6020-005 | 631962 | 1 | KIT, FOLD SWITCH BOX, ISO, 132' TRUSS BOOM, 22" SPACING |
| N/S | RA117-1005-114 | 632014 | 1 | KIT, HAWKEYE FAST 9500T, 120' TRUSS BOOM, 20" SPACING |
| N/S | RA117-1005-056 | 631985 | 1 | KIT, HAWKEYE SYSTEM SERVICE TEE JET |
| N/S | RA117-1005-112 | 632081 | 1 | KIT, HAWKEYE, 90' BOOM, 20" SPACING |
| N/S | RA117-1005-113 | RA1171005113 | 1 | KIT, HAWKEYE, 120' TRUSS BOOM, 15" SPACING |
| N/S | RA117-1005-115 | 632108 | 1 | KIT, HAWKEYE, 132' TRUSS BOOM, 22" SPACING |
| N/S | RA117-0138-066 | 631955 | 1 | KIT, INSTALLATION, ISO ULTRAGLIDE |
| N/S | | 530401 | 1 | NIPPLE, 1/4 X 1/4" MPT, POLY |
| N/S | RA115-7305-139 | RA1157305139 | 1 | NOZZLE JUMPER |
| N/S | RA422-0000-119P | 632036 | 1 | PRESSURE TRANSDUCER, 1-5V 0-250 |
| N/S | | 530400 | 1 | TEE, 1/4" FPT, POLY |

Electronic Sight Gauge

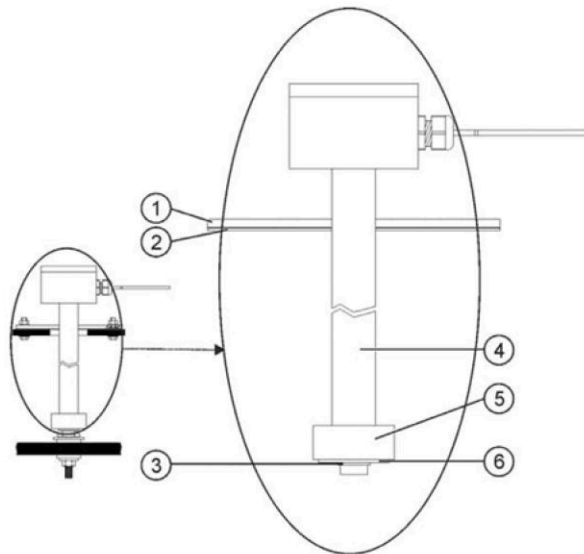


Electronic Sight Gauge Parts List

| ITEM | PART NO. | QTY. | DESCRIPTION |
|------|----------|------|----------------------------|
| 1 | | 1 | Sensor |
| 2 | | 1 | Display |
| 3 | | 1 | Power Lead |
| 4 | | 1 | Sensor Plug |
| NS | 632147 | | Complete Kit - 1350 Gallon |
| NS | 931933 | | Complete Kit - 1800 Gallon |
| NS | 931935 | | Complete Kit - 2400 Gallon |
| NS | 931936 | | Sight Gauge Flange Kit |

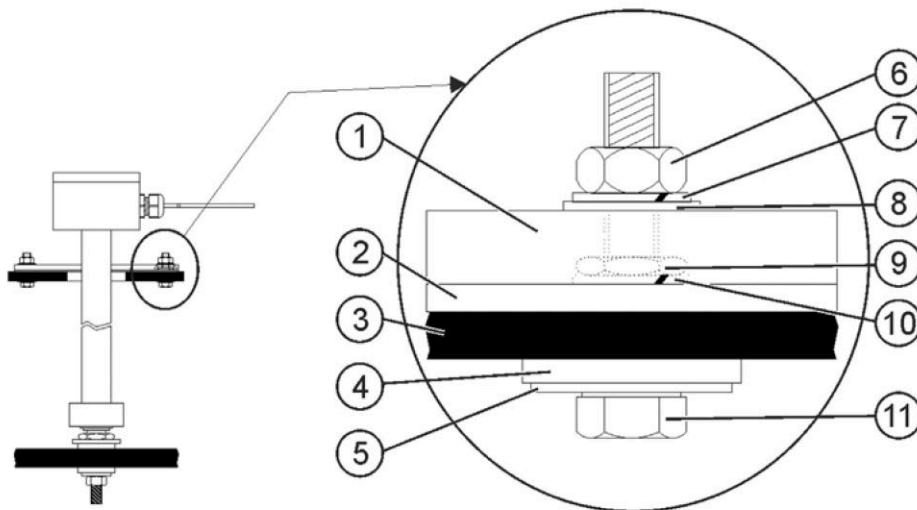
Electronic Sight Gauge - Sensor Tube

PREPARE THE SENSOR TUBE



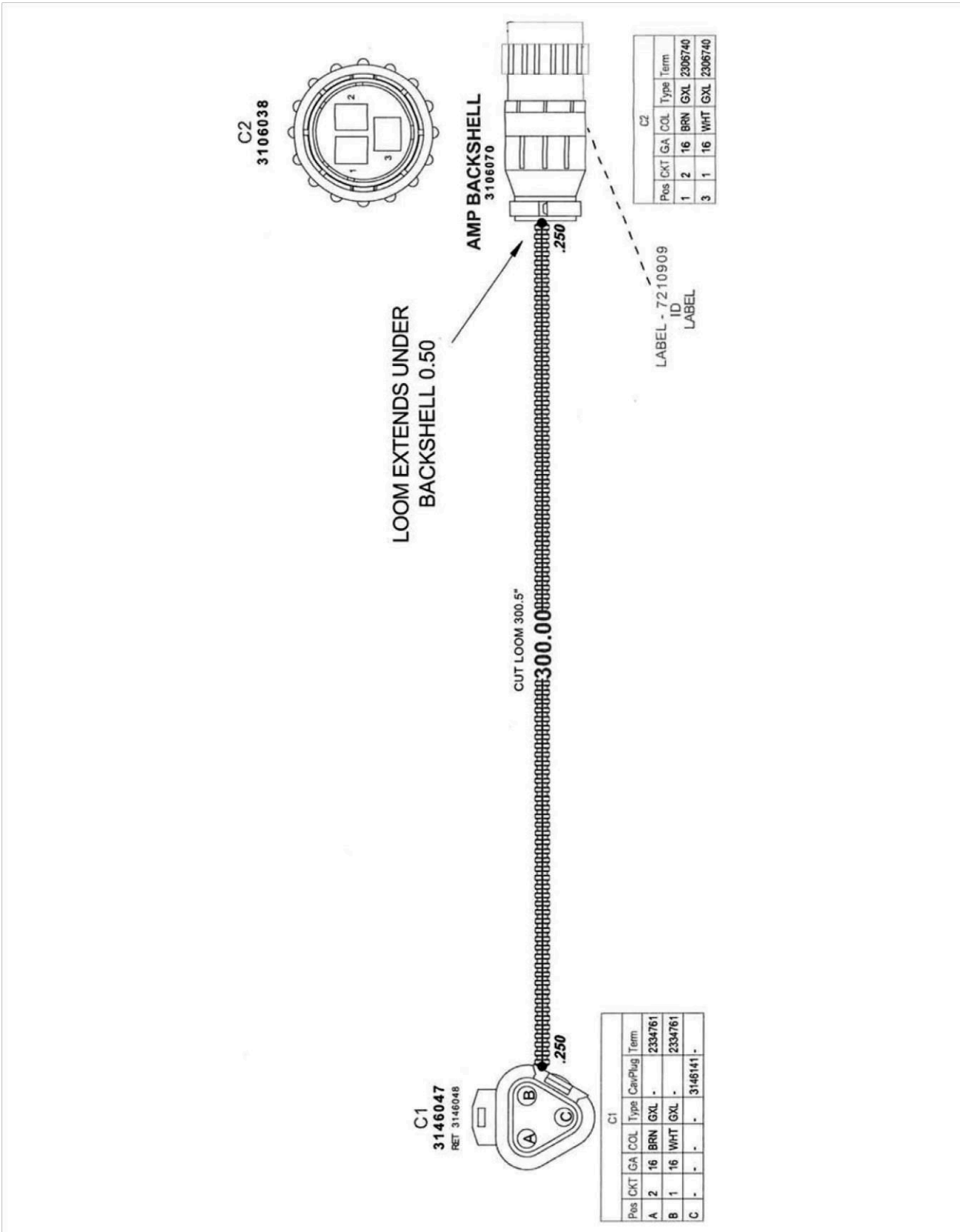
| Item | Vendor Part # | Fast Part # | Description | Qty. |
|------|---------------|-------------|--------------------|------|
| 1 | | | Flange | 1 |
| 2 | | | Viton Gasket | 1 |
| 3 | | | Locking Ring | 1 |
| 4 | | | Sensor Tube | 1 |
| 5 | | | Float | 1 |
| 6 | | | Washer 24.2 x 12.2 | 1 |

INSTALL THE SENSOR TUBE

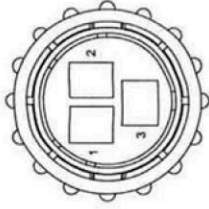


| Item | Vendor Part # | Fast Part # | Description | Qty. |
|------|---------------|-------------|---------------------|------|
| 1 | | | Tube Socket | 1 |
| 2 | | | Viton Gasket 25 x 6 | 1 |
| 3 | | | Base of Tank | 1 |
| 4 | | | Viton Gasket 25 x 6 | 1 |
| 5 | | | Wahser A6.4 | 1 |
| 6 | | | Nut M6 | 1 |

Electronic Sight Gauge - Power Cable



C2
3106038



AMP BACKSHELL
3106070

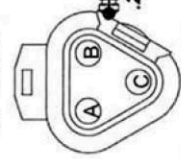
LOOM EXTENDS UNDER
BACKSHELL 0.50

CUT LOOM 300.5"

300.00

.250

C1
3146047
RET 3146048



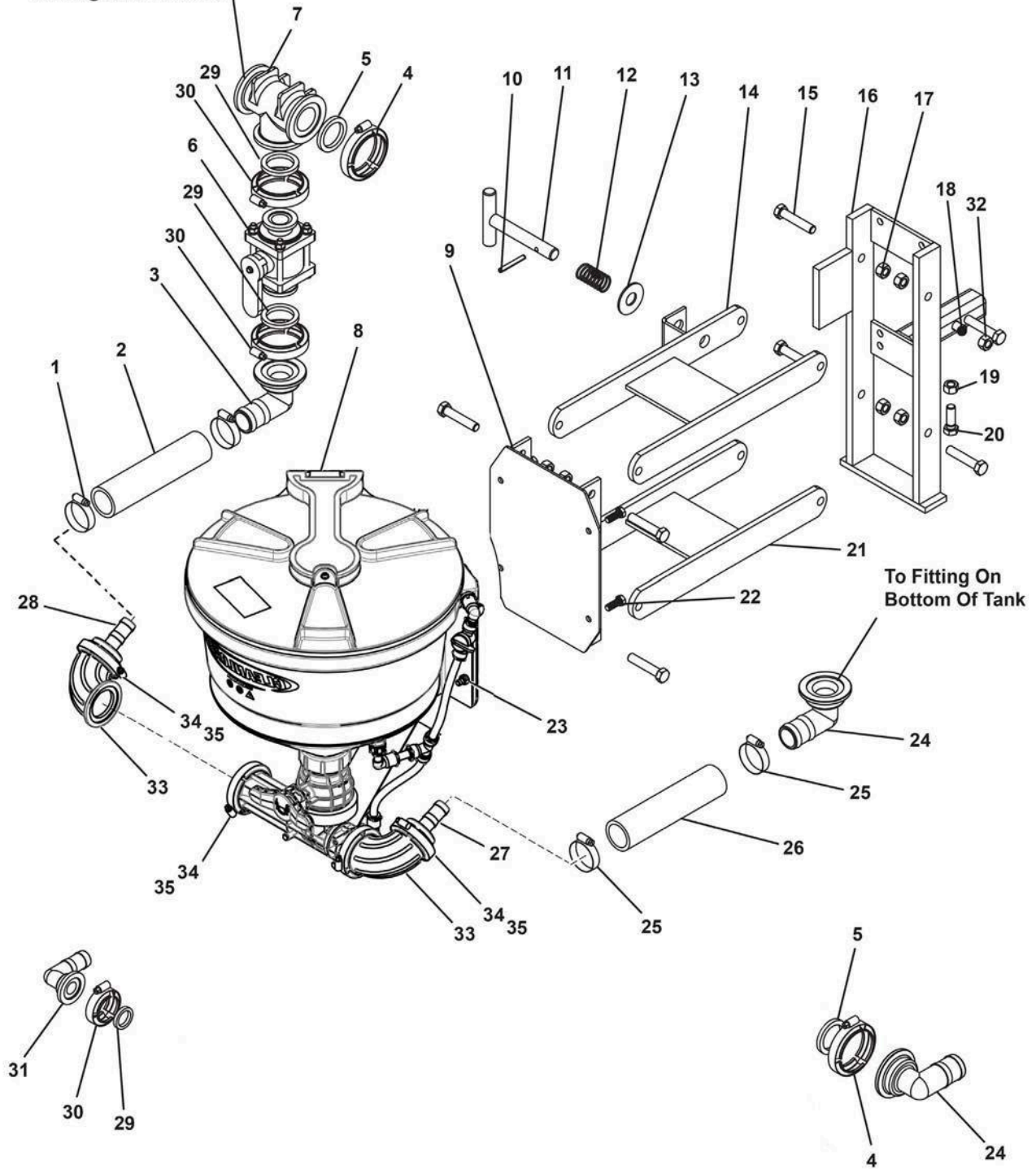
| C2 | | | | |
|-----|-----|----|-----|-------------|
| Pos | CKT | GA | COL | Type Term |
| 1 | 2 | 16 | BRN | GXL 2306740 |
| 3 | 1 | 16 | WHT | GXL 2306740 |

LABEL - 7210909
ID
LABEL

| C1 | | | | |
|-----|-----|----|-----|-------------------|
| Pos | CKT | GA | COL | Type CarPlug Term |
| A | 2 | 16 | BRN | GXL - 2334761 |
| B | 1 | 16 | WHT | GXL - 2334761 |
| C | - | - | - | - 3146141 - |

HYPRO Cleanload Eductor & Mounting, 7.5 Gallon

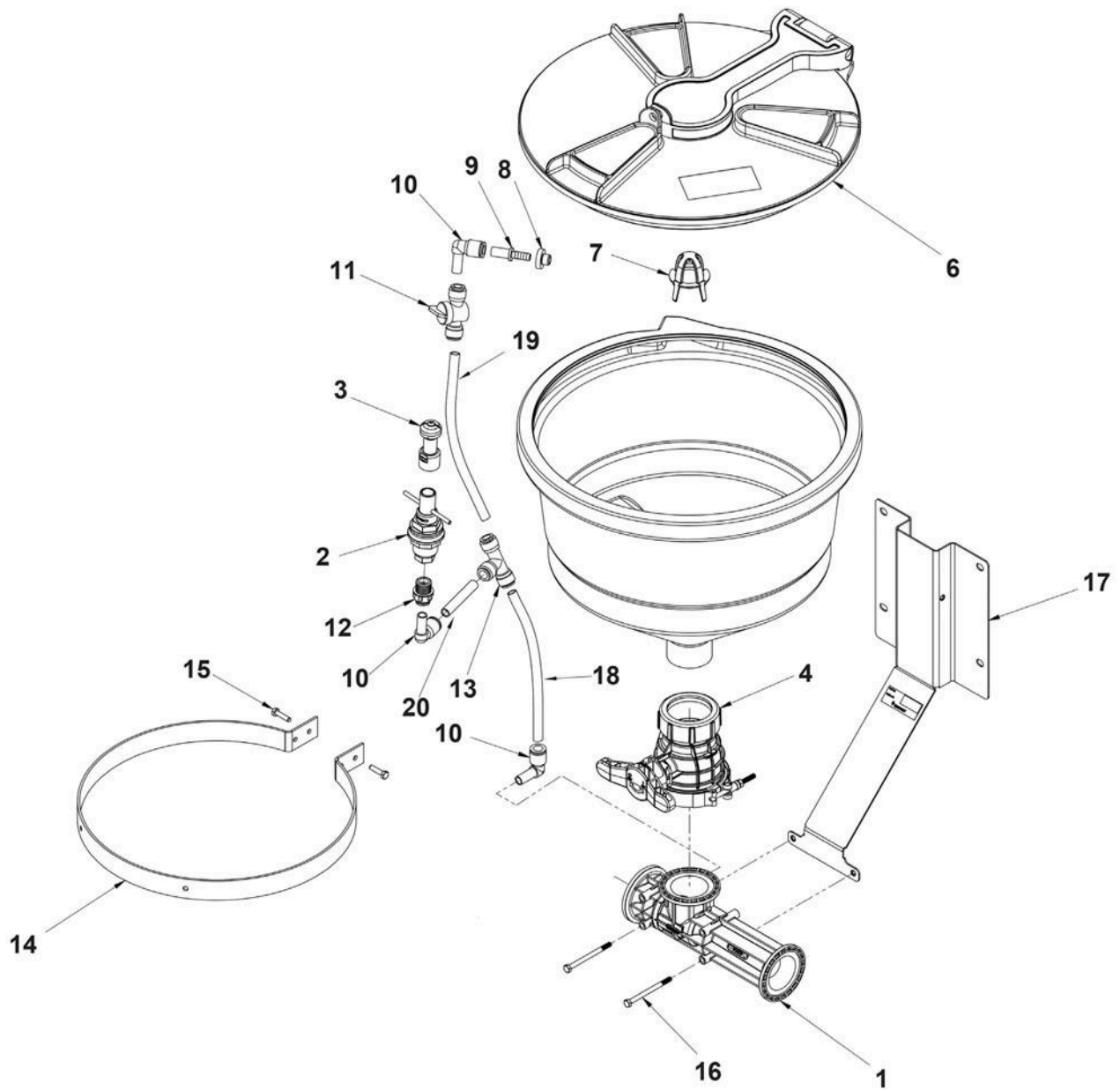
Installs In Line With Rinse
And Agitation Valves



HYPRO Cleanload Eductor & Mounting, 7.5 Gallon Parts List

| ITEM | PART NO. | QTY. | DESCRIPTION |
|------|----------|------|---------------------------------------|
| NS | 800015 | 1 | DECAL, INDUCTOR |
| NS | 540051 | 2 | P CLAMP, 2" HOSE 2" |
| 1 | 540015 | 2 | CLAMP, STAINLESS 1-1/4" #20 |
| 2 | 510015 | 6 | HOSE, 1-1/4" EPDM |
| 4 | 540001 | 3 | CLAMP, 2" STANDARD WORM SCREW |
| 5 | 530014 | 3 | 1-1/2" EPDM GASKET |
| 6 | 500005 | 1 | VALVE, 1" FULL PORT WITH C-F |
| 7 | 530075 | 1 | 2" STANDARD PORT X 1" FLANGED |
| 8 | 570119 | 1 | TANK CLEANLOAD EDUCTOR 7.5 GALLON |
| 9 | 16560BLK | 1 | MOUNT, HYPRO EDUCTOR |
| 10 | 687 | 1 | PIN, SPRING 1.25 X 2" ZP |
| 11 | 7981BLK | 1 | HANDLE, T SHAPED |
| 12 | 790001 | 1 | SPRING, INDUCTOR LATCH |
| 13 | 262 | 1 | WASHER, FLAT 3/4" ZIP |
| 14 | 7928BLK | 1 | LINK, EDUCTOR, UPPER |
| 15 | 153 | 8 | BOLT, HH 1/2 X 1.5 GR5 ZP |
| 16 | 11632BLK | 1 | MOUNT PLATE, BACK 9500 TRAILER |
| 17 | 231 | 8 | NUT, HH 1/2" NYLOCK ZP |
| 18 | 154 | 1 | BOLT, HH 1/2 X 2.5 GR5 ZP |
| 19 | 223 | 1 | NUT, HH 1/2" JAM ZP |
| 20 | 152 | 1 | BOLT, HH 1/2 X 1" GR5 ZP |
| 21 | 7925BLK | 1 | LINK, EDUCTOR, LOWER |
| 22 | 128 | 4 | BOLT, HH 3/8 X 1" GR5 ZP |
| 23 | 769 | 4 | NUT, HH 3/8 " WHIZLOCK ZP |
| 24 | 530080 | 1 | 2" SP FLANGE X 1-1/2" HOSE BARB - 90° |
| 25 | 540016 | 2 | CLAMP, STAINLESS 1-1/2" #24 |
| 26 | 510014 | 5 | HOSE, 1-1/2" EPDM |
| 27 | 530079 | 1 | 2" MANIFOLD X 1-1/2" HOSE BARB |
| 28 | 530076 | 1 | 2" MANIFOLD X 1-1/4" HOSE BARB |
| 29 | 530068 | 2 | 1" EPDM GASKET FOR MANIFOLD |
| 30 | 540000 | 2 | CLAMP, 1" WORM SCREW |
| 31 | 530065 | 1 | 1" FLANGE X 1-1/4" HOSE BARB - 90° |
| 32 | 771 | 8 | 1/2" WIZLOCK NUT |
| 33 | 530388 | 2 | 2" FP FLANGE X 2" STANDARD FLANGE SWP |
| 34 | 540002 | 2 | CLAMP, 2" FULL WORM SCREW |
| 35 | 530019 | 2 | 2" EPDM GASKET |

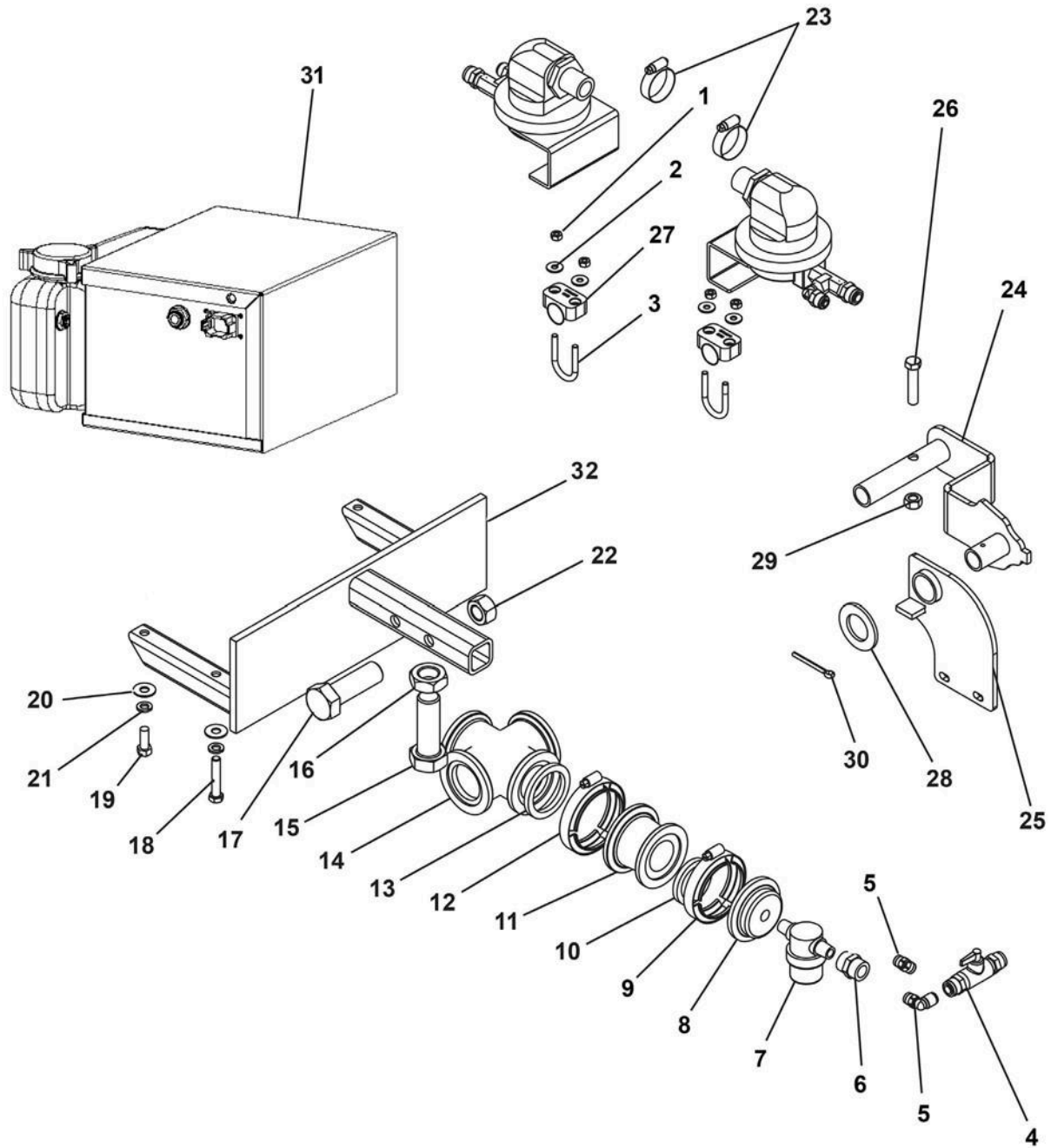
HYPRO Cleanload Eductor, 7.5 Gallon



HYPRO Cleanload Eductor, 7.5 Gallon Parts List 570119

| ITEM | VENDOR PART NO. | PART NO. | QTY. | DESCRIPTION |
|------|-----------------|----------|------|--|
| 0 | | 570119 | 1 | EDUCTOR COMPLETE |
| 1 | 3371-0038R | | 1 | EDUCTOR |
| 2 | PV1/2F1/2M-MA | | 1 | PROCLEAN CONTAINER RINSE |
| 3 | PC1/2F-36075 | | 1 | NOZZLE, PROCLEAN CONTAINER RINSE |
| 4 | 7250-5000 | | 1 | TANK VALVE |
| 6 | TL16-0006 | | 1 | LID KIT |
| 7 | 3350-0180 | | 1 | STRAINER |
| 8 | 1700-0253 | | 1 | GROMMET |
| 9 | 2404-0413 | | 1 | HOSE BARB FITTING |
| 10 | 2404-0414 | | 1 | ELBOW FITTING (1/2") |
| 11 | 3305-0113 | | 1 | TWO-WAY VALVE (1/2") |
| 12 | 2404-0386 | | 1 | FITTING |
| 13 | 2404-0415 | | 1 | TEE FITTING (1/2") |
| 14 | 1510-0128 | | 1 | MOUNTING RING |
| 15 | 2210-0201 | | 2 | HEX BOLT, M6X1X25 |
| 16 | 2210-0200 | | 2 | HEX BOLT, M6X1X80 |
| 17 | 1510-0127 | | 1 | BRACKET |
| 18 | 3430-0833 | | 1 | TUBE KIT (INCLUDES ITEMS 18 - 20, SCREW AND CLAMP) |
| 19 | 3430-0833 | | 1 | TUBE KIT (INCLUDES ITEMS 18 - 20, SCREW AND CLAMP) |
| 20 | 3430-0833 | | 1 | TUBE KIT (INCLUDES ITEMS 18 - 20, SCREW AND CLAMP) |

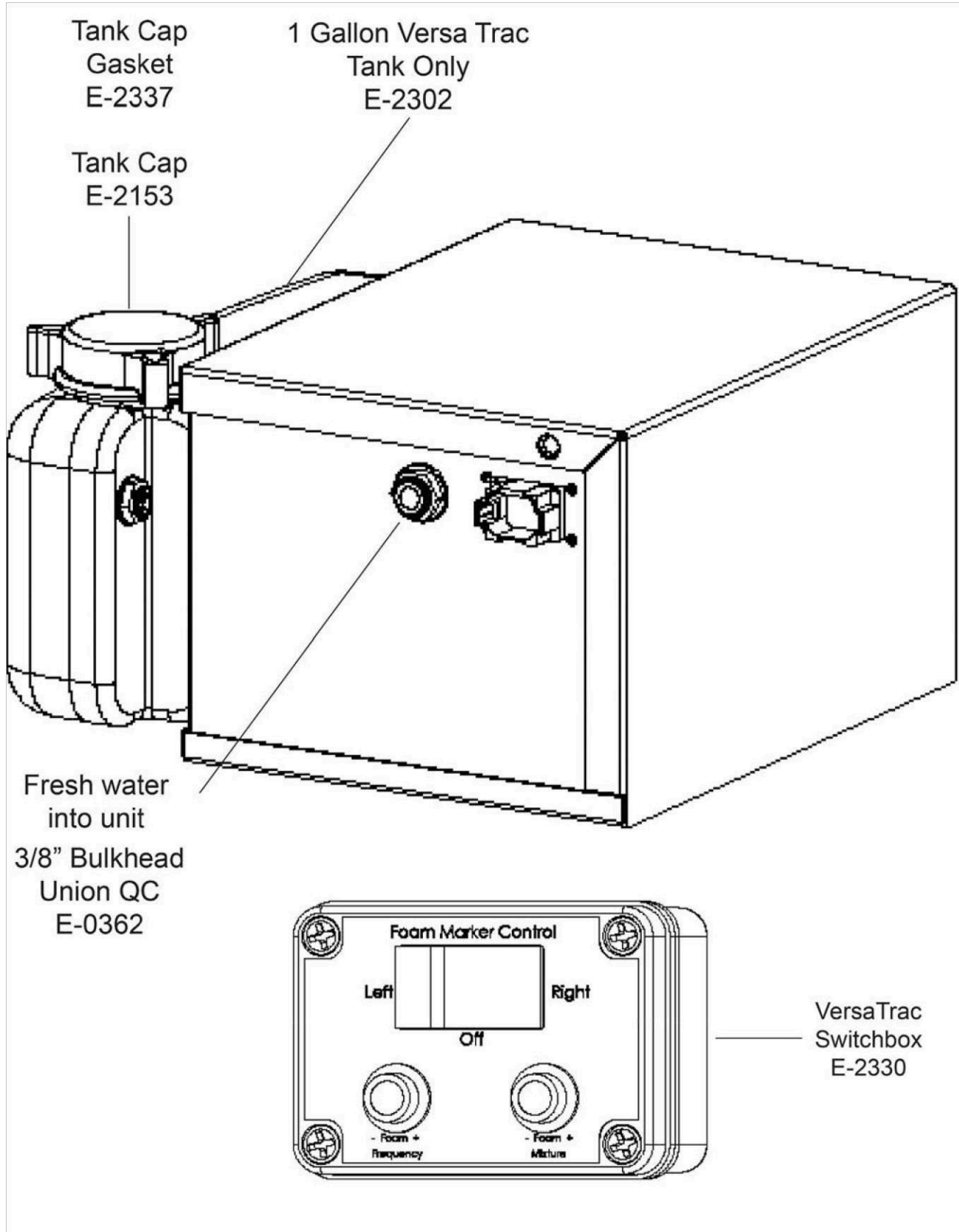
Richway Direct Injection Foamer & Mounting



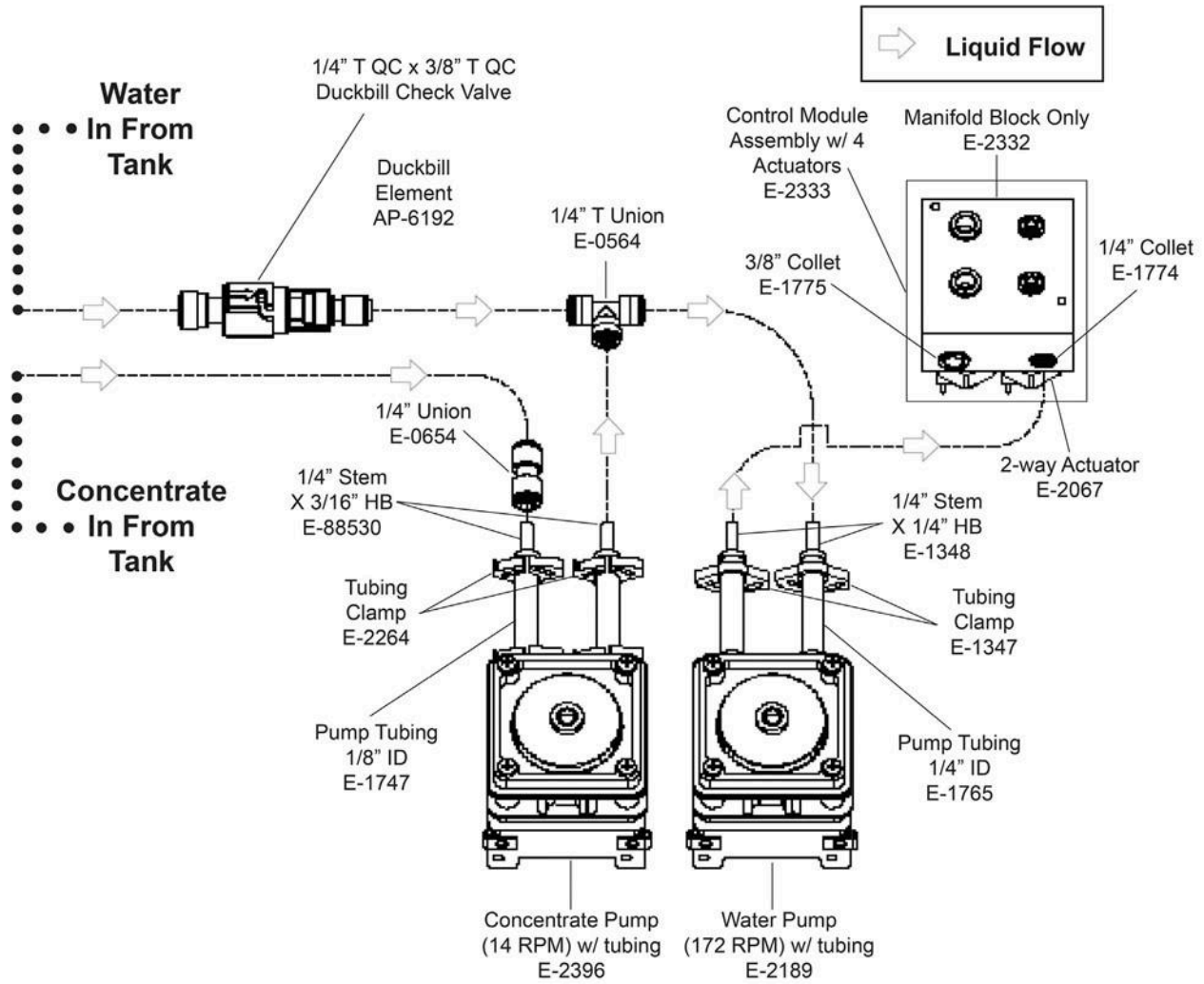
Richway Direct Injection Foamer & Mounting Parts List

| ITEM | VENDOR PART NO. | PART NO. | QTY. | DESCRIPTION |
|------|-----------------|----------|------|---|
| 1 | | 647 | 8 | NUT, HH 1/4" NYLOCK SS |
| 2 | | 663 | 8 | WASHER, FLAT 1/4" SS |
| 3 | 2M1473140 | 590048 | 4 | U-BOLT 1/4 X 1.5 SS |
| 4 | 44103289 | 530007 | 1 | VALVE, SHUT OFF 3/8 Q-LOCK |
| 5 | 44103231 | 530006 | 1 | Q-LOCK ADAPTER FITTING 3/8" 90° |
| 5 | | 530002 | 1 | 3/8"X3/8" MALE CONNECTOR |
| 6 | 3FC38 | 530217 | 1 | COUPLER, 3/8" FPT |
| 7 | RVM66NE40C | 530000 | 1 | STRAINER 40 MESH 3/8" MPT |
| 8 | M200PLG038 | 530095 | 1 | MANIFOLD PLUG X 3/8" FPT |
| 9 | FC200 | 540001 | 1 | MANIFOLD CLAMP 2" STANDARD PORT |
| 10 | 150G | 530014 | 1 | GASKET 2" STANDARD PORT |
| 11 | M220200CPG | 530102 | 1 | MANIFOLD COUPLING 2" FULL PORT X 2" STANDARD PORT |
| 12 | FC220 | 540002 | 1 | MANIFOLD CLAMP 2" FULL PORT |
| 13 | 200G | 530019 | 1 | GASKET 2" FULL PORT |
| 14 | | 530107 | 1 | MANIFOLD CROSS, 2" FULL PORT |
| 15 | | 152 | 1 | BOLT, HH 1/2 X 1 GR5 ZP |
| 16 | | 223 | 1 | NUT, HH 1/2" JAM ZP |
| 17 | | 156 | 1 | NUT, HH 1/2 X 3" GR5 ZP |
| 18 | | 130 | 2 | BOLT, HH 3/8 X 2" GR5 ZP |
| 19 | | 128 | 2 | BOLT, HH 3/8 X 1" GR5 ZP |
| 20 | | 250 | 4 | WASHER, LOCK 3/8 ZP |
| 21 | | 258 | 4 | WASHER, FLAT 3/8 ZP |
| 22 | | 771 | 1 | NUT, HH 1/2" WHIZLOCK ZP |
| 23 | 64016A | 540014 | 2 | CLAMP, HOSE 1" |
| 24 | | 14619 | 2 | FOAMER INSERT |
| 25 | | 14279 | 2 | FOAMER FLIPPER |
| 26 | | 142 | 2 | BOLT HH 7/16 X 2" GR5 ZP |
| 27 | 3254PP | 540029 | 2 | TUBE CLAMP |
| 28 | | 789 | AR | WASHER, NR 1-1/4 X 14 CP |
| 28 | | 590159 | AR | 1-1/8" FLAT WASHER, 2" MAX OD |
| 29 | | 597 | 2 | NUT, HH 7/16" TOPLOCK |
| 30 | | 576 | 2 | COTTER PIN, 3/16 X 2 ZP |
| 31 | | 590111 | 1 | VERSA TRAC FOAM INJECTOR BLACK |
| 32 | | 10792 | 1 | FOAMER MOUNT |
| NS | | 596744M | AR | WASHER, NP 1-1/4 X 14 GA |
| NS | 2T20-003 | 510023 | AR | 1/4" LINEAR LOW DENSITY POLY TUBING |
| NS | 2T20-604 | 510024 | AR | 3/8" LINEAR LOW DENSITY POLY TUBING |
| NS | 12015003 | 510005 | 20' | PVC WATER SUCTION HOSE 1" |
| NS | | 630050 | 1 | EXTENSION CABLE 20' |

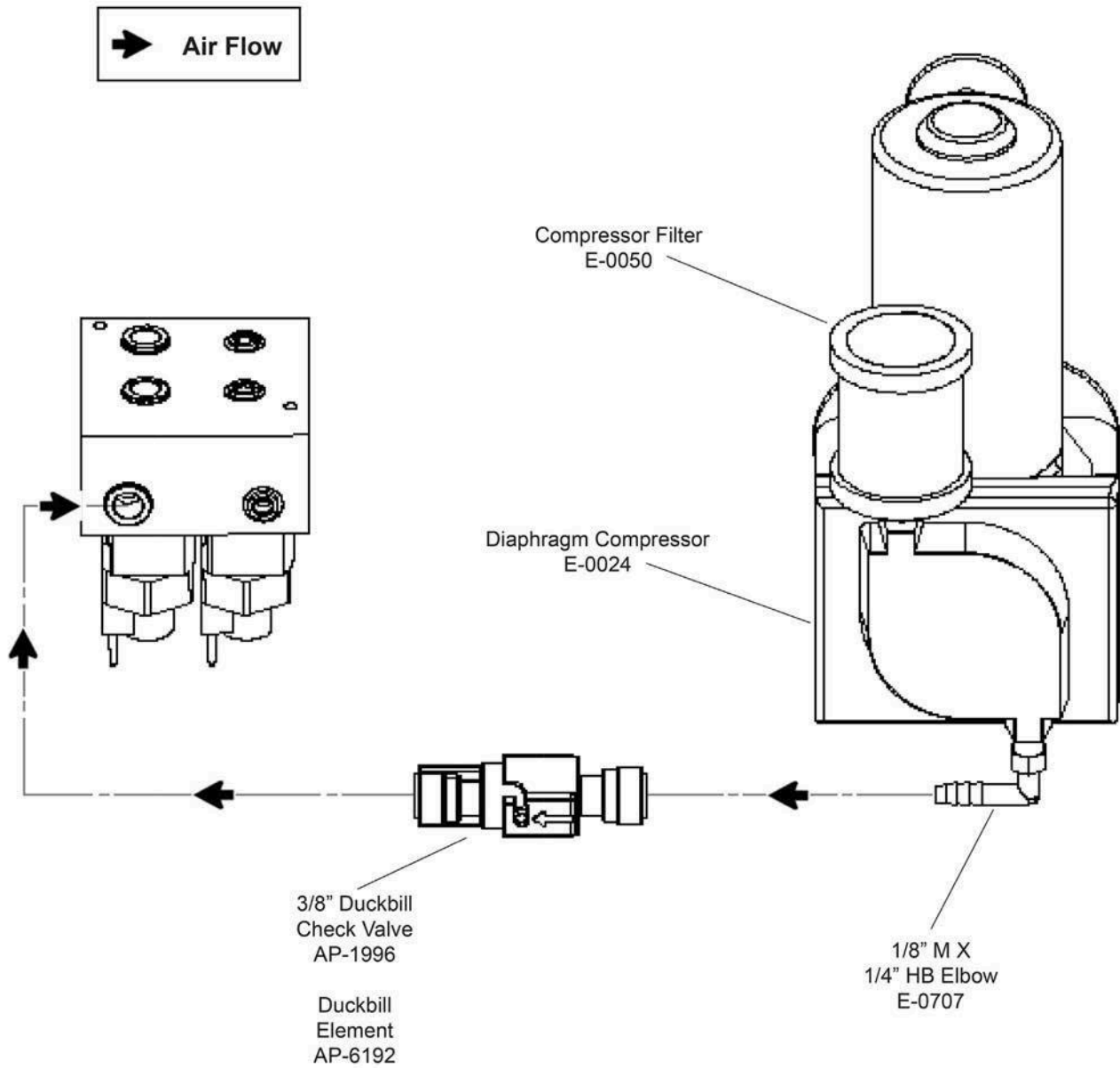
Richway Foam Marker 1 Gallon Tank & Switchbox



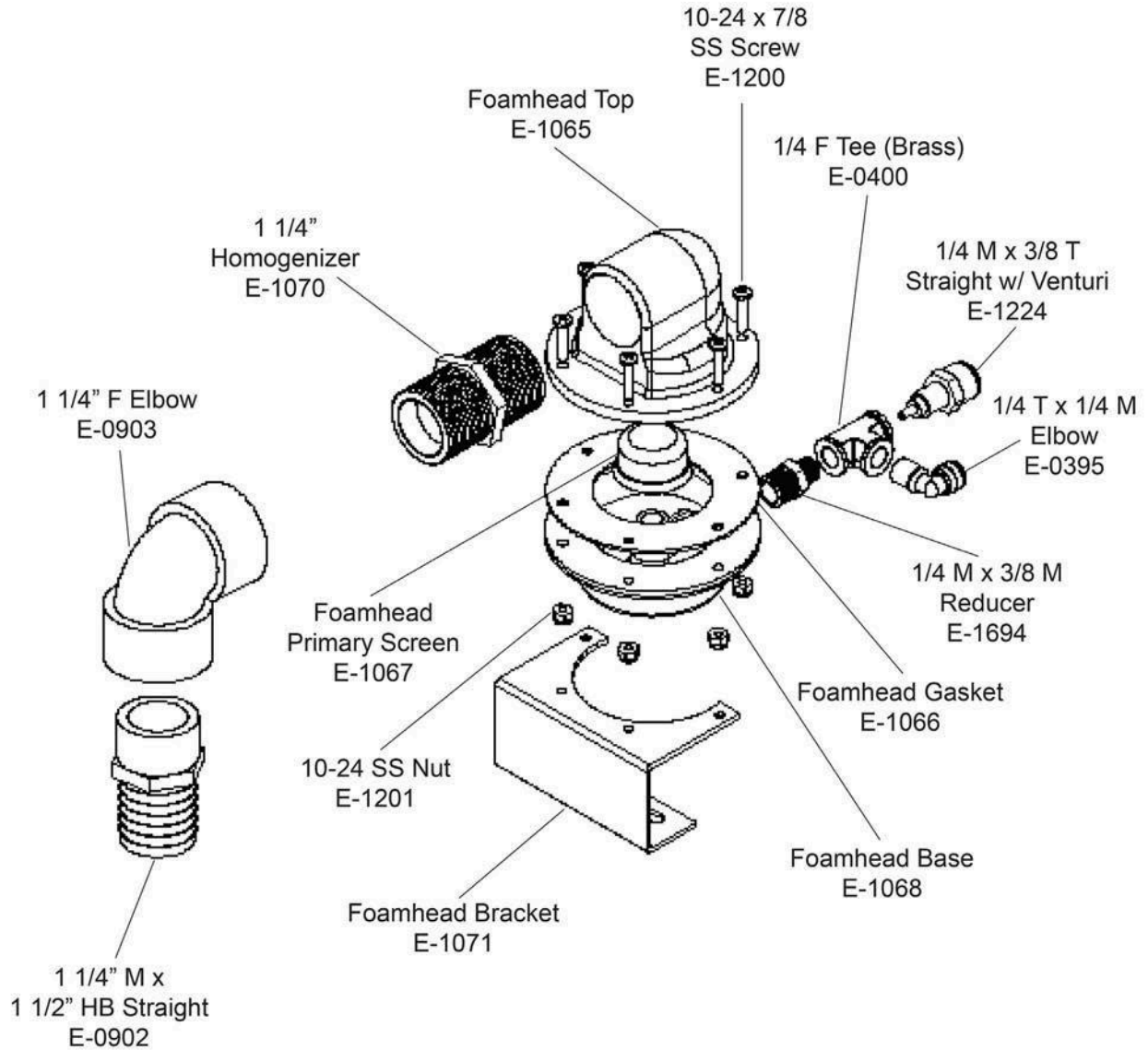
Richway Foam Marker Liquid Flow



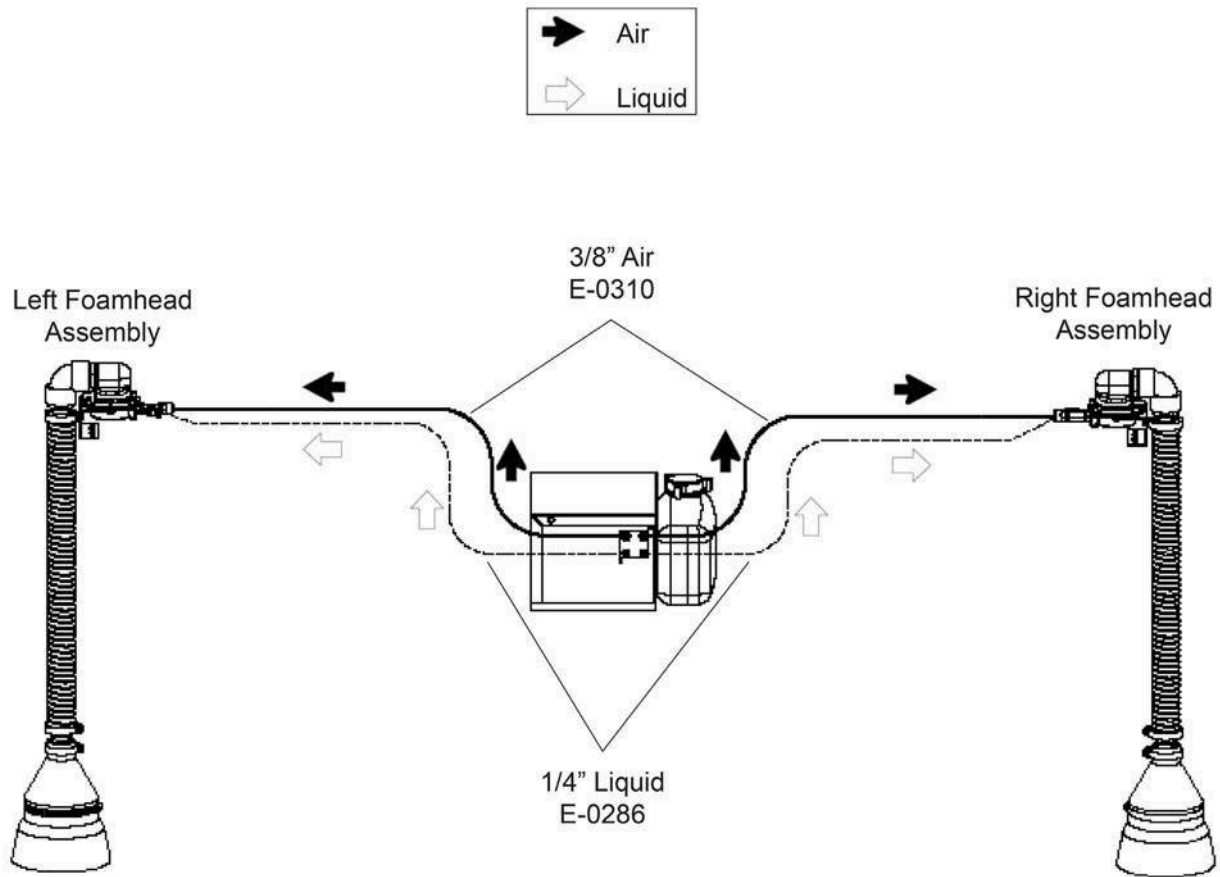
Richway Foam Marker Compressor



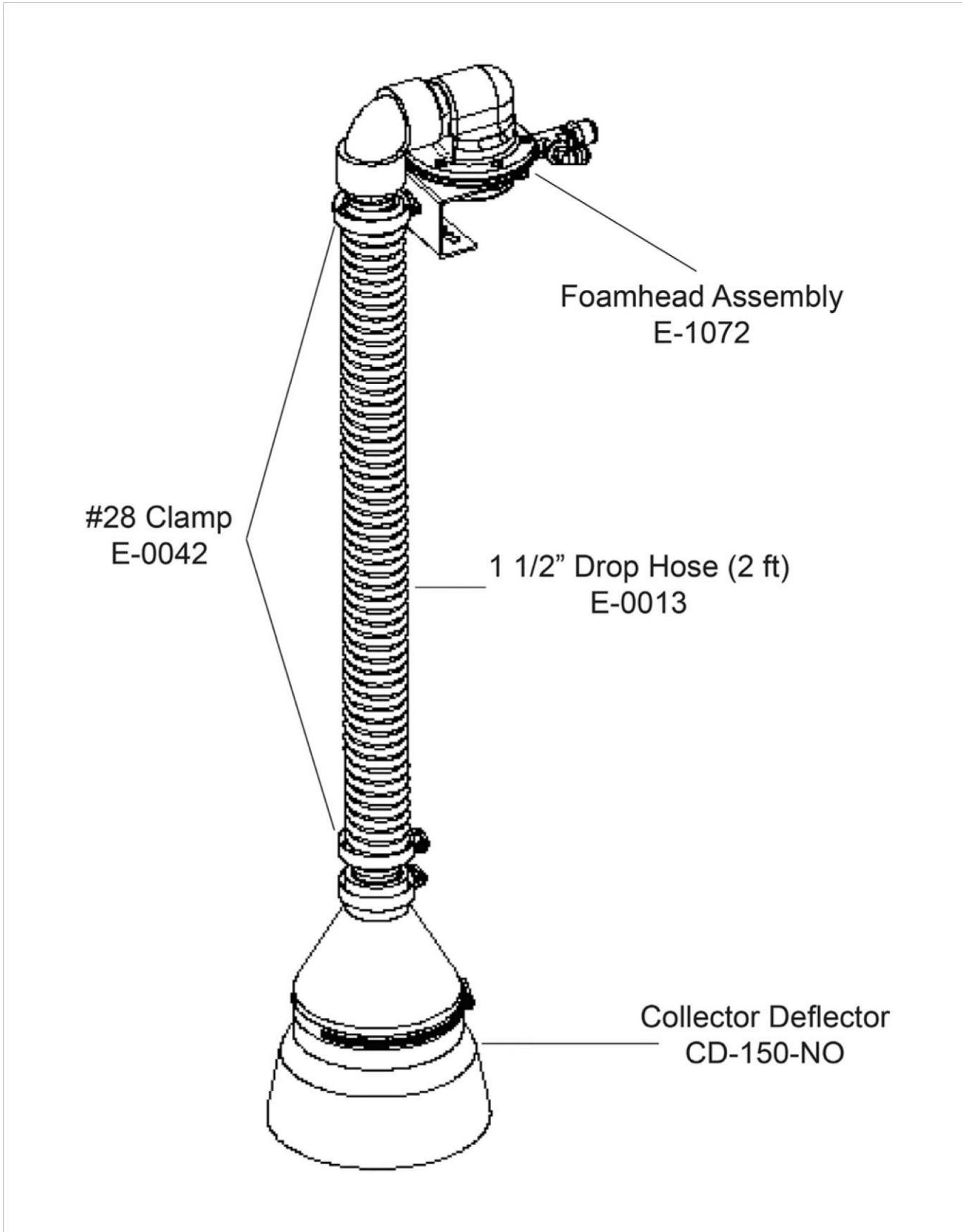
Richway Foam Marker Foamhead



Richway Foam Marker Foam Head Assembly



Richway Foam Marker Collector Deflector



Richway Foam Marker Wiring Harness

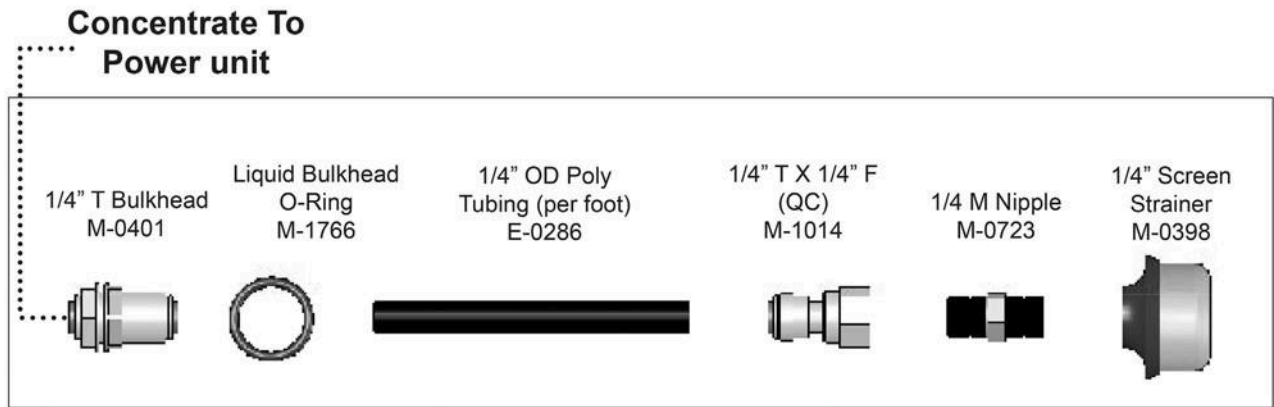
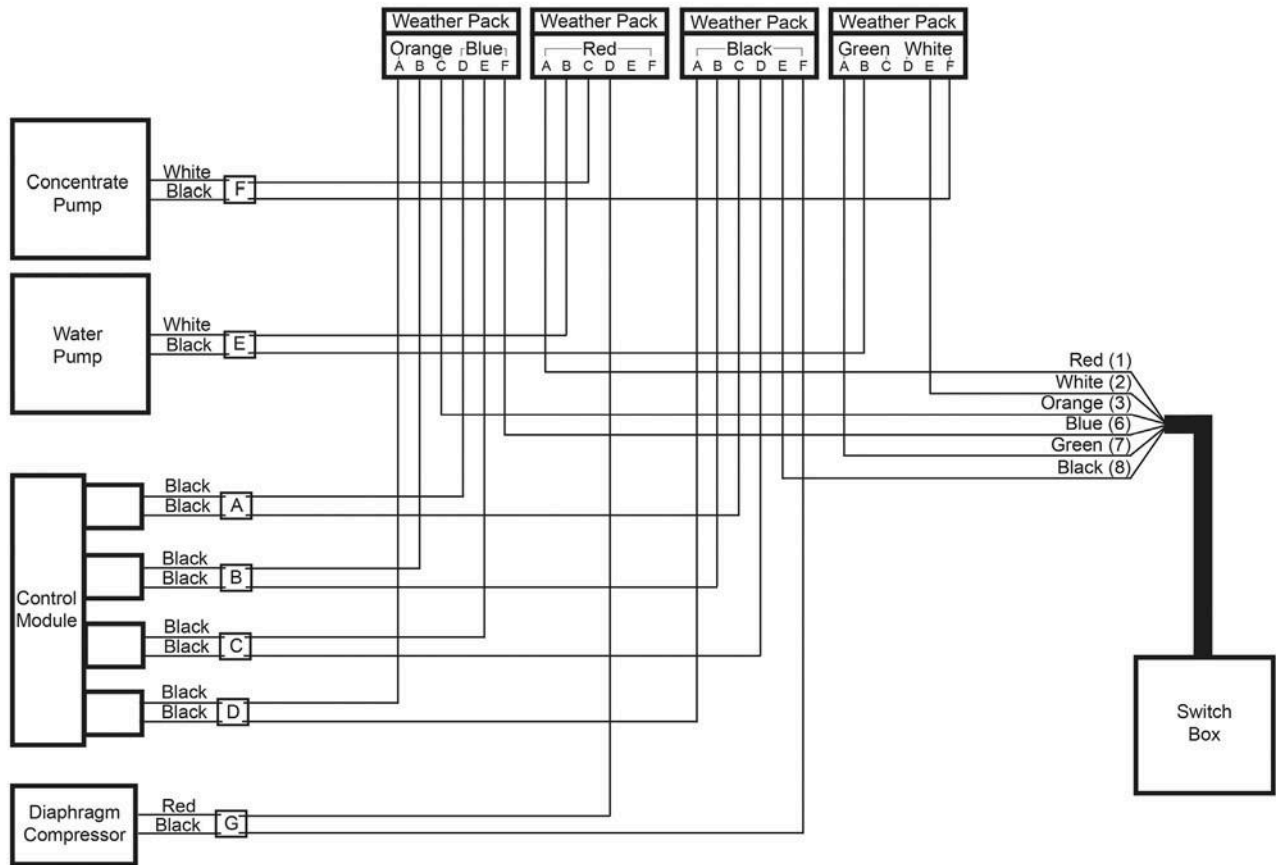
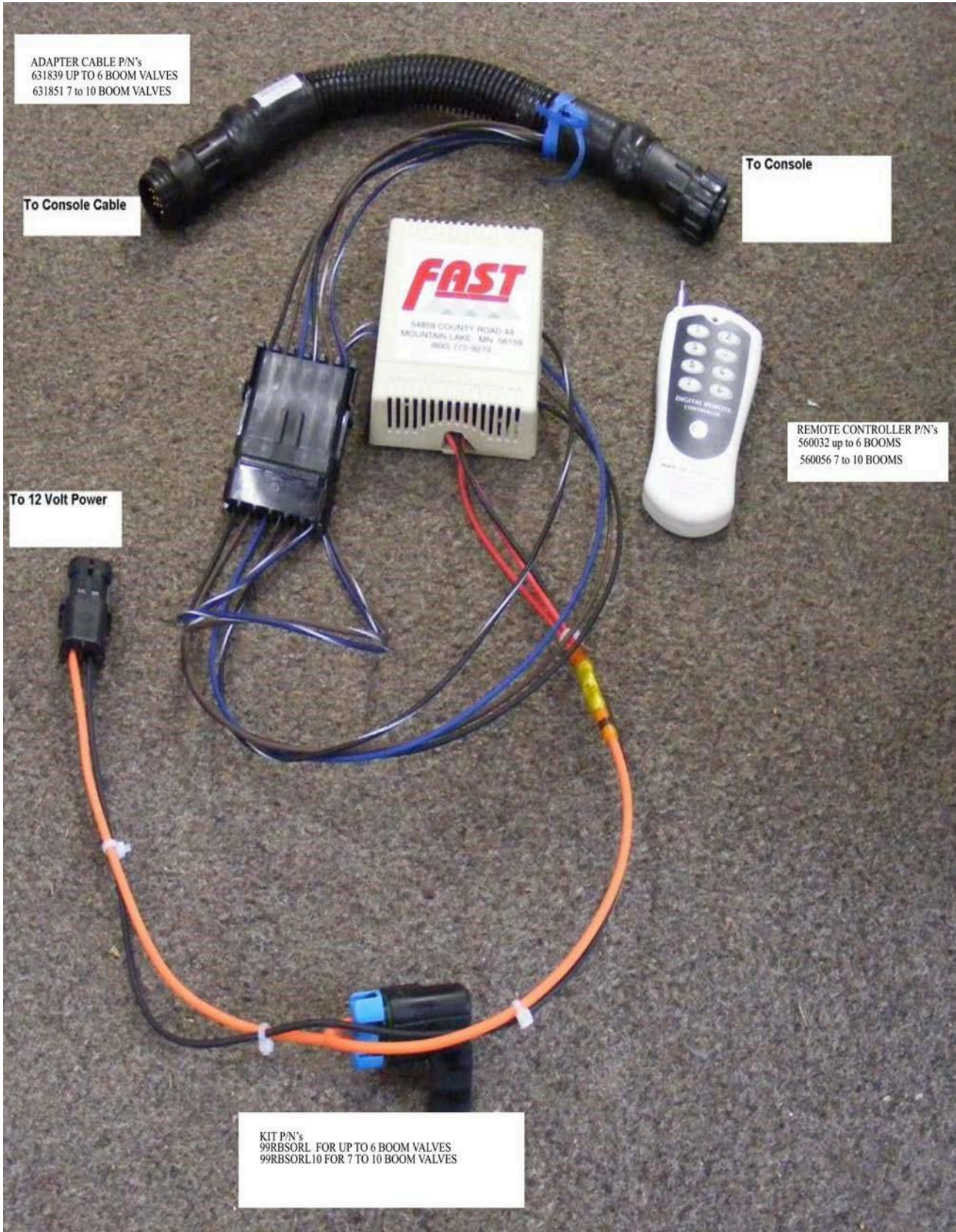


FIGURE 10 - Versa Trac Tank Components

APPENDIX 4



Remote Boom Shut Off Kit (6 Section Shown)





FAST Ag Solutions
4130 Commerce Boulevard
Windom, MN 56101
1-800-772-9279 Toll Free
1-507-427-3861 Voice
1-507-427-3030 Fax
www.fastsprayers.com