



RH15 / RH18 - 15m / 18m

ROTARY HOE

PARTS MANUAL - 2024



ILLUSTRATED PARTS LIST





Limited Warranty

Fast Ag Solutions warrants to the buyer that the new machinery is free from defects in material and workmanship.

This warranty is only effective as to any new machinery which has not been altered, changed, repaired or treated since its delivery to the buyer, other than by Fast Ag Solutions or its authorized dealers or employees, and does not apply to accessories, attachments, tools or parts, sold or operated with the new machinery, if they have not been manufactured by Fast Ag Solutions.

Fast Ag Solutions shall only be liable for defects in the materials or workmanship attributable to faulty material or bad workmanship that can be proved by the buyer, and specifically excludes liability for repairs arising as a result of normal wear and tear of the new machinery or in any other manner whatsoever, and without limiting the generality of the foregoing, excludes application or installation of parts not completed in accordance with this operator's manual, specifications, or printed instructions.

Written notice shall be given by registered mail, to the Manufacturer within seven (7) days after the defect shall have become apparent or the repairs shall have become necessary, addressed as follows:

Fast Ag Solutions
4130 Commerce Boulevard
Windom, MN 56101

This warranty shall expire one (1) year after the date of delivery of the new machinery.

If these conditions are fulfilled, Fast Ag Solutions shall at its own cost and at its own option either repair or replace any defective parts provided that the buyer shall be responsible for all expenses incurred as a result of repairs, labor, parts, transportation or any other work, unless Fast Ag Solutions has authorized such expenses in advance.

The warranty shall not extend to any repairs, changes, alterations, or replacements made to the new equipment other than by Fast Ag Solutions or its authorized dealers or employees.

This warranty extends only to the original owner of the new equipment.

Rubber parts (including tires, hoses, grommets) are not warranted.

This warranty is limited to the terms stated herein and is in lieu of any other warranties whether express or implied, and without limiting the generality of the foregoing, excluded all warranties, express or implied or conditions whether statutory or otherwise as to quality and fitness for any purpose of the new equipment. The Manufacturer disclaims all liability for incidental or consequential damages.

This Rotary Hoe is subject to design changes and Fast Ag Solutions shall not be required to retrofit or exchange items on previously sold units except at its own option.

Warranty void if not registered.



ILLUSTRATED PARTS LIST

FAST ROTARY HOE

Warranty Registration

This form must be filled out by the dealer and signed by both the dealer and the customer at the time of delivery.

Customer Name				
Address				
City		State		Zip
Phone				

Dealer Name				
Address				
City		State		Zip

Rotary Hoe Model				
Serial Number				
Delivery Date				

Warranty Inspection Report

DEALER INSPECTION REPORT

- All Fasteners Tight
- Wheel Bolts Torqued
- Hydraulic Hoses and Fittings Free and Tight
- Wheel Drive Turns Freely
- Lubricate Machine
- Check Tire Pressure
- Frame and Wings Level
- Monitors and Controllers Function
- Wiring Harness Connected

SAFETY

- Safety Chain Installed
- All Guards Installed
- All Safety Signs Installed
- Reflectors, SMV, and Lights Clean
- Review Operating and
- Safety Instructions

I have thoroughly instructed the buyer on the above-described equipment which review included the Operator's Manual content, equipment care, adjustments, safe operation, and applicable warranty policy.

Date _____

Dealer's Rep. Signature _____

The above equipment and Operator's Manual have been received by me, and I have been thoroughly instructed as to care, adjustments, safe operation, and applicable warranty policy.

Date _____

Owner's Signature _____

White - FAST
Yellow - Dealer
Pink - Customer



ILLUSTRATED PARTS LIST

FAST RH15 / RH18 Series Rotary Hoe

ROTARY HOE SERIAL NUMBER _____

DATE PURCHASED _____ / _____ / _____

WIDTH (CIRCLE ONE) **15m / 18m**

General Information

All rights, especially copying and distribution rights are reserved. No part of this publication may be reproduced in any form or by any means, electronic or mechanical, including photocopying, without express written permission from Fast Ag Solutions.

Parts information in this manual represents components installed when product was manufactured based upon the best available information. Modifications made subsequent to initial delivery are not included. Always verify the parts and color required when ordering parts.

If you have any questions, please contact your Fast Ag Solutions Parts and Service Department.

Explanation of Parts Lists

The parts list is organized as follows:

Table of Contents

TRAILER & FRAME

TOOLBAR

HYDRAULICS

WHEELS & HUBS

LIGHTS & DECALS

The parts lists are broken down into sub-assemblies and listed in four (4) columns:

- **ITEM** - These numbers are found on the illustration associated with the parts list.
 - NS - This item is NOT SHOWN, included for reference.
- **QTY.** - This is the quantity of parts needed in an assembly.
 - AR - The quantity of this item is applied AS REQUIRED for the location.
- **PART NO.** - These are the part numbers associated with the ITEM.
- **DESCRIPTION** - This is the description of the part.



Table of Contents

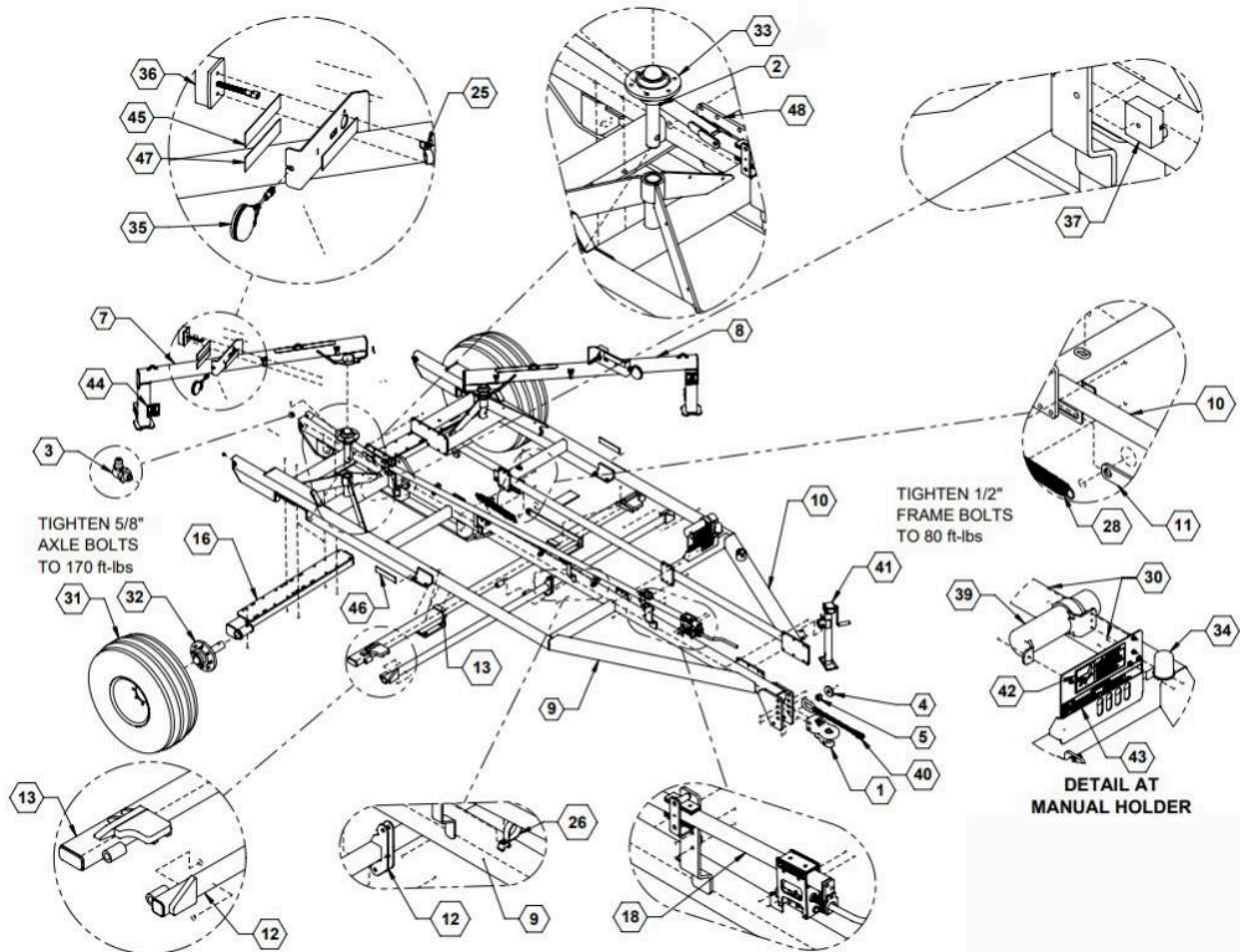
Section	Page
<i>Warranty Registration</i>	<i>iv</i>
<i>Warranty Inspection Report</i>	<i>iv</i>
<i>General Information</i>	<i>vi</i>
Table of Contents	vii
TRAILER & FRAME	10
<i>Folding Frame Base</i>	<i>10</i>
Parts List 27900: Folding Frame Base	<i>12</i>
<i>Hardware</i>	<i>14</i>
Parts List 590889: Hardware	<i>18</i>
<i>Manual Holder Assembly</i>	<i>20</i>
Parts List 34752: Manual Holder Assembly	<i>20</i>
<i>Toolbar Depth Adjustment</i>	<i>21</i>
Parts List 28090: Toolbar Depth Adjustment	<i>21</i>
<i>Bump Adjust Box</i>	<i>22</i>
Parts List 28090: Bump Adjust Box	<i>22</i>
<i>Depth Adjustment Slide Pivot</i>	<i>23</i>
Parts List 28090: Depth Adjustment Slide Pivot	<i>23</i>
TOOLBAR	24
<i>Bare Base Toolbar</i>	<i>24</i>
Parts List 27910: Bare Base Toolbar	<i>25</i>
<i>Base Toolbar</i>	<i>26</i>
Parts List 27905: Base Toolbar	<i>27</i>
<i>Rotary Hoe Wheel & Arm</i>	<i>28</i>
Parts List: Rotary Hoe Wheel & Arm	<i>29</i>
<i>Option, 15m Toolbar</i>	<i>30</i>
Parts List 28047: Option, 15m Toolbar	<i>30</i>
<i>Option, 18m Toolbar</i>	<i>Error! Bookmark not defined.</i>
Parts List 28048: Option, 18m Toolbar	<i>31</i>
HYDRAULICS	33
<i>Hydraulic Diagram</i>	<i>33</i>
<i>Base Hydraulics</i>	<i>34</i>
Parts List 28073: Base Hydraulics	<i>35</i>
<i>Field Latch Cylinder</i>	<i>36</i>
Parts List 28072: Field Latch Cylinder	<i>36</i>
Parts List 600113: Field Latch Cylinder	<i>36</i>

<i>Fitting Locations</i>	37
Parts List 600113: Fitting Locations	37
<i>Center Cylinder Hydraulics</i>	38
Parts List 600113: Center Cylinder Hydraulics	38
<i>Wing Fold Hydraulics</i>	39
Parts List 600113: Wing Fold Hydraulics	39
WHEELS & HUBS	40
<i>Wing Wheel, Right</i>	40
Parts List 28195: Wing Wheel, Right	41
<i>Wing Wheel, Left</i>	42
Parts List 28196: Wing Wheel, Left	43
<i>Hub Assembly, 6-Bolt N890 (for Wing Wheels)</i>	44
Parts List 730113: Hub Assembly, 6-Bolt N890	44
<i>Hub Assembly, 6-Bolt N709 (for Main Trailer Pivot)</i>	45
Parts List 730140: Hub Assembly, 6-Bolt N709	45
<i>Hub Assembly, 8-Bolt N45-8 (for Main Trailer Wheels)</i>	46
Parts List 730008: Hub Assembly, 8-Bolt N45-8	46
LIGHTS & DECALS	48
<i>Decals, 15m & 18m Toolbar, Fast</i>	48
Parts List 28130 / 28132: Decals, 15m & 18m Toolbar, Fast	49
<i>Taillight Harness</i>	50
Parts List 740047: Taillight Harness.....	51



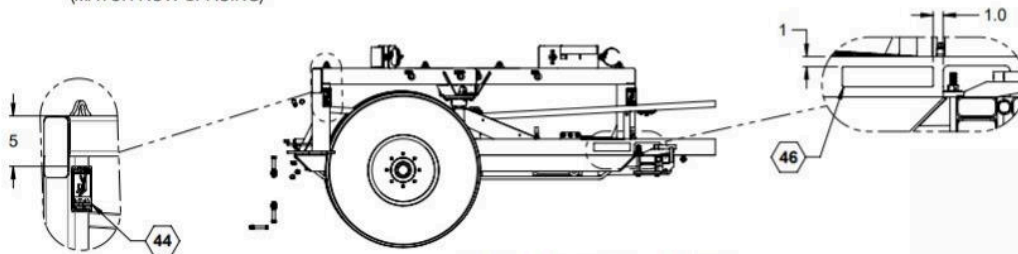
TRAILER & FRAME

Folding Frame Base

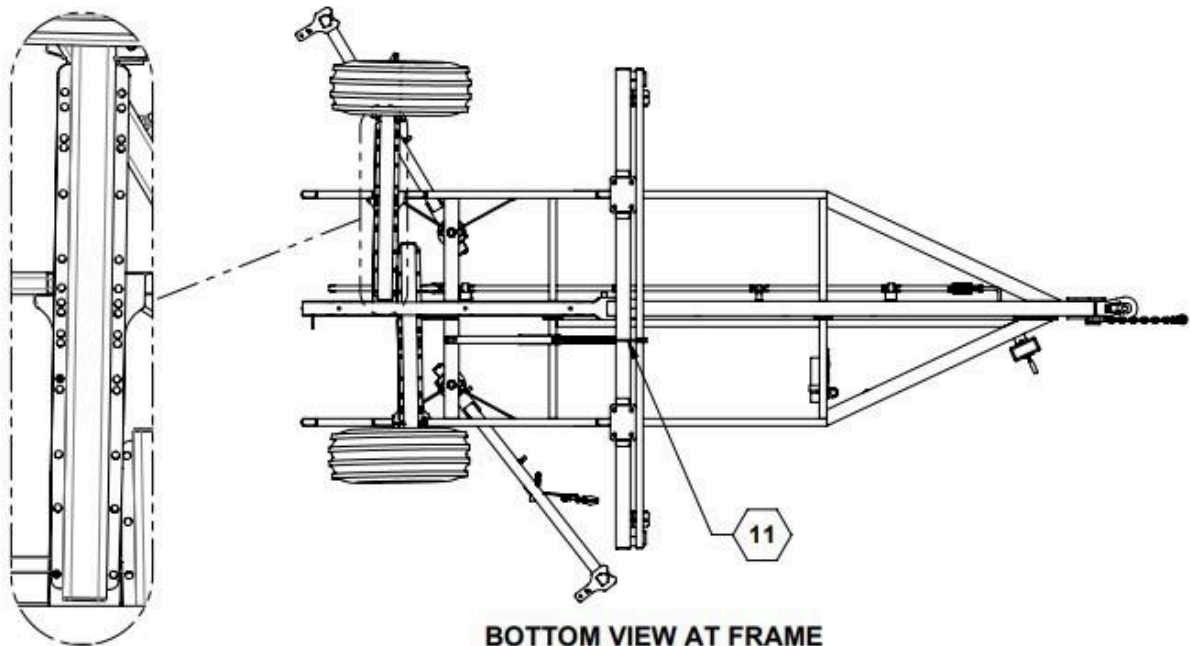
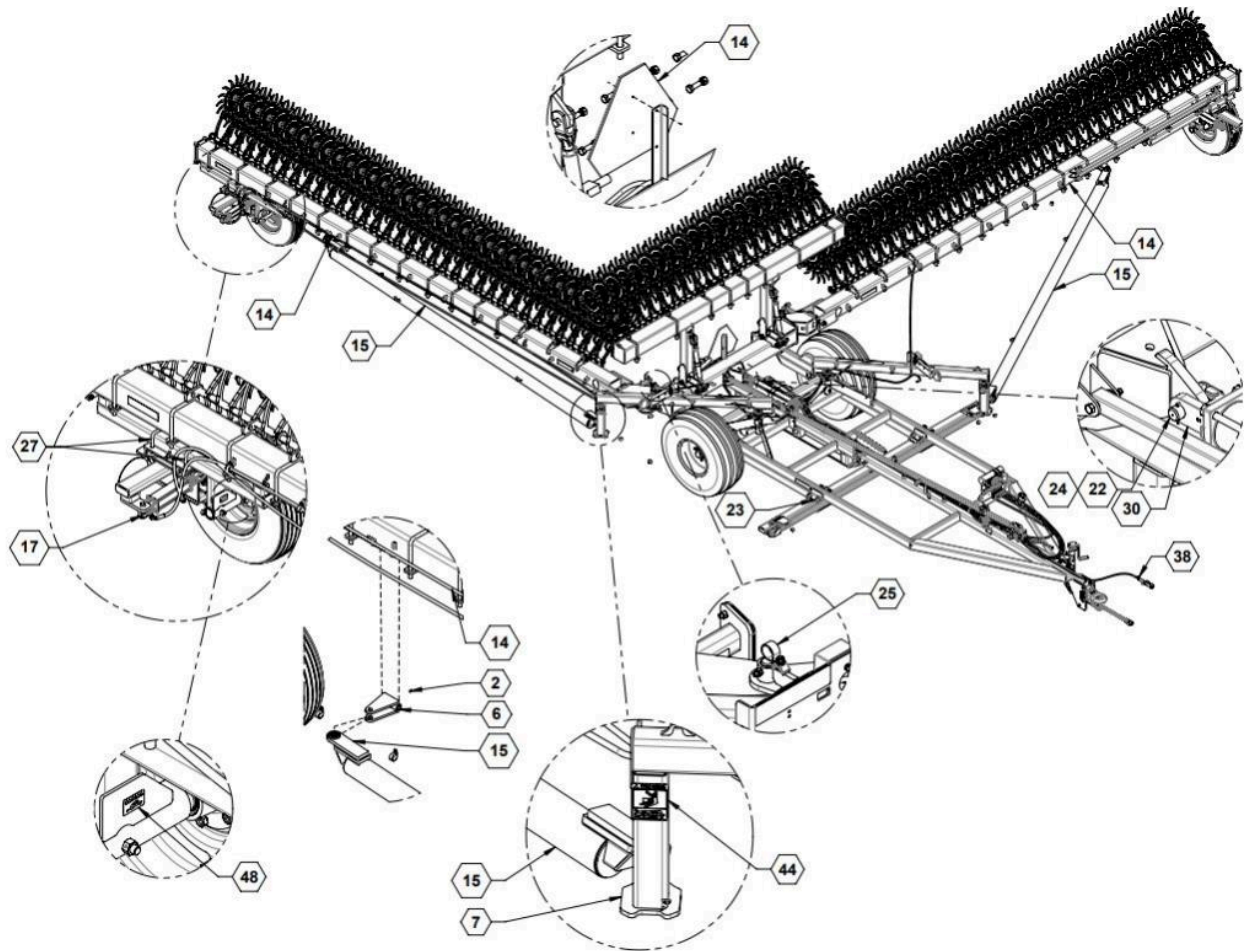


PARTIAL FRONT VIEW AT RH WING (LH WING SIMILAR)

15.0
POSITION TO BEST
MATCH ROW SPACING



PARTIAL SIDE VIEW AT FRAME



BOTTOM VIEW AT FRAME



ILLUSTRATED PARTS LIST

Parts List 27900: Folding Frame Base

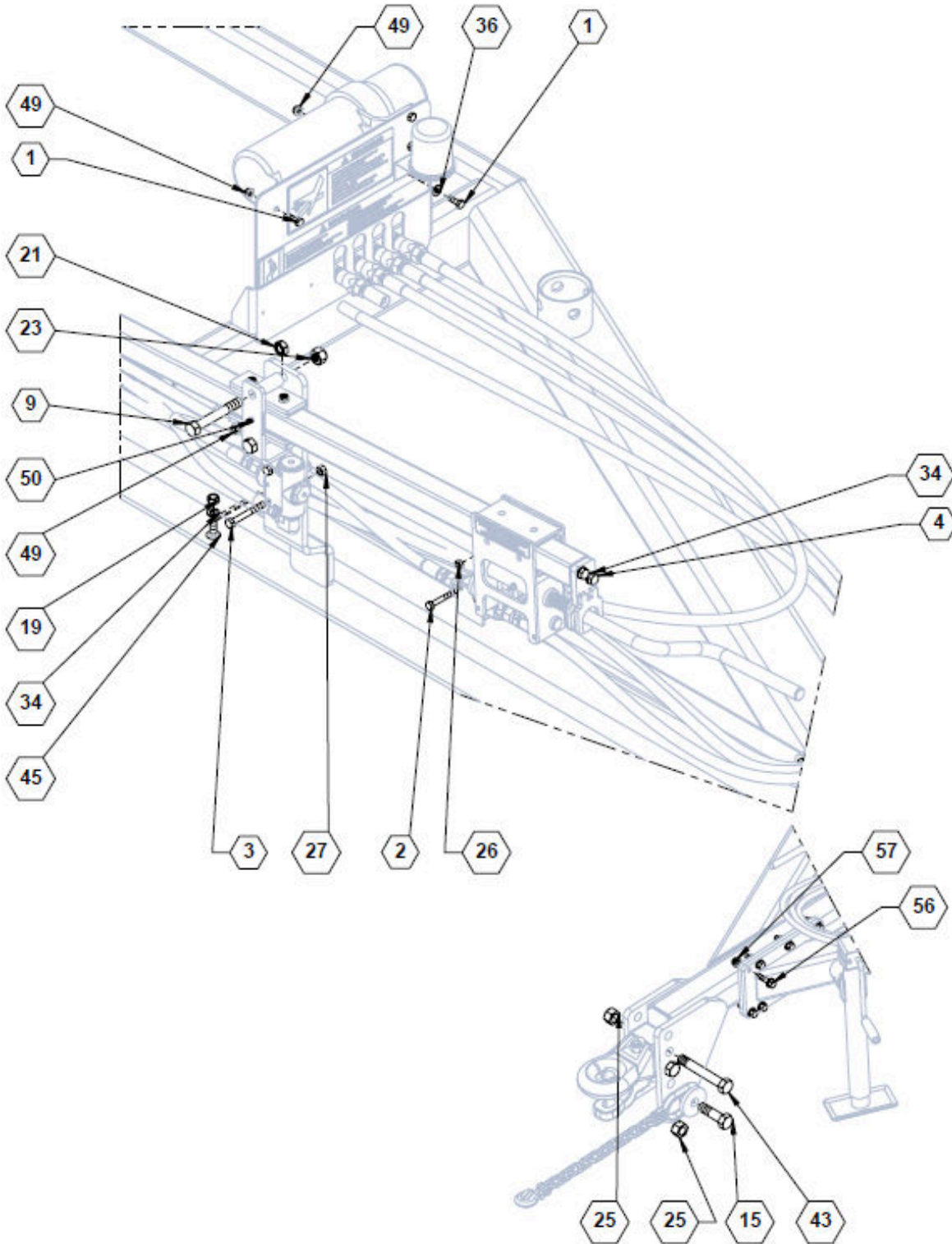
ITEM	PART NO.	QTY.	DESCRIPTION
1	90SAHITCHLG	1	HITCH, LARGE CAT 4
2	759	5	ZERK, 1/4-28 STRAIGHT PIPE THREAD
3	761	3	ZERK, 90°, 1/4-28 STRAIGHT PIPE THREAD
4	15829	1	WASHER PLATE, SAFETY CHAIN
5	15835	1	BUSHING, SAFETY CHAIN SPACER
6	27510	2	WLDMNT, LINKAGE SWING
7	27560	1	WLDMNT, RH FOLD ARM
8	27580	1	WLDMNT, LH FOLD ARM
9	27614	1	WLDMNT, RH FRAME
10	27615	1	WLDMNT, LH FRAME
11	27617	1	PLATE, 3/8" FIELD LATCH
12	27721	1	WLDMNT, FIELD LOCK PIVOT
13	27723	1	WLDMNT, FIELD LOCK
14	27905	1	ASSY, BASE TOOLBAR
15	27936	2	WLDMNT, LINKAGE BAR
16	28070	2	WLDMNT, FRONT AXLE
17	28073	1	ASSY, ROTARY HOE HYDRAULICS
18	28090	1	ASSY, DEPTH ADJUSTMENT
19	28195	1	ASSY, RH WING WHEEL
20	28196	1	ASSY, LH WING WHEEL
21	28773	2	WLDMT, REAR TIRE MNT
22	28915	1	PIN WLDMT, ROD END MAIN LIFT
23	35262	4	LATCH SHIM
24	530291	1	BUSHING, 1-1/4" I.D. x 1" LG
25	540035	26	P-CLAMP, 1-1/4"
26	540051	5	P-CLAMP, 2" W/3/8" HOLE
27	590404	4	U-BOLT 5 X 5 X 5/8 ZP
28	590834	1	SPRING, CENTURY SPRING 4075
29	590889	1	KIT, ROTARY HOE HARDWARE
30	620100	1	CLEVIS, ADI, 1.25" PIN, 1.5" ROD
31	700208	2	WHEEL, TITAN 14L 16.1 SL, 8 BOLT RIM
32	730008	2	HUB & SPINDLE ASM, 8 BOLT
33	730140	2	HUB, 709 HUB & SPINDLE PKG
34	740018	1	LIGHT HARNESS HOLDER
35	740024	2	LIGHT, AMBER WARNING
36	740025	2	TAILLIGHT, RED

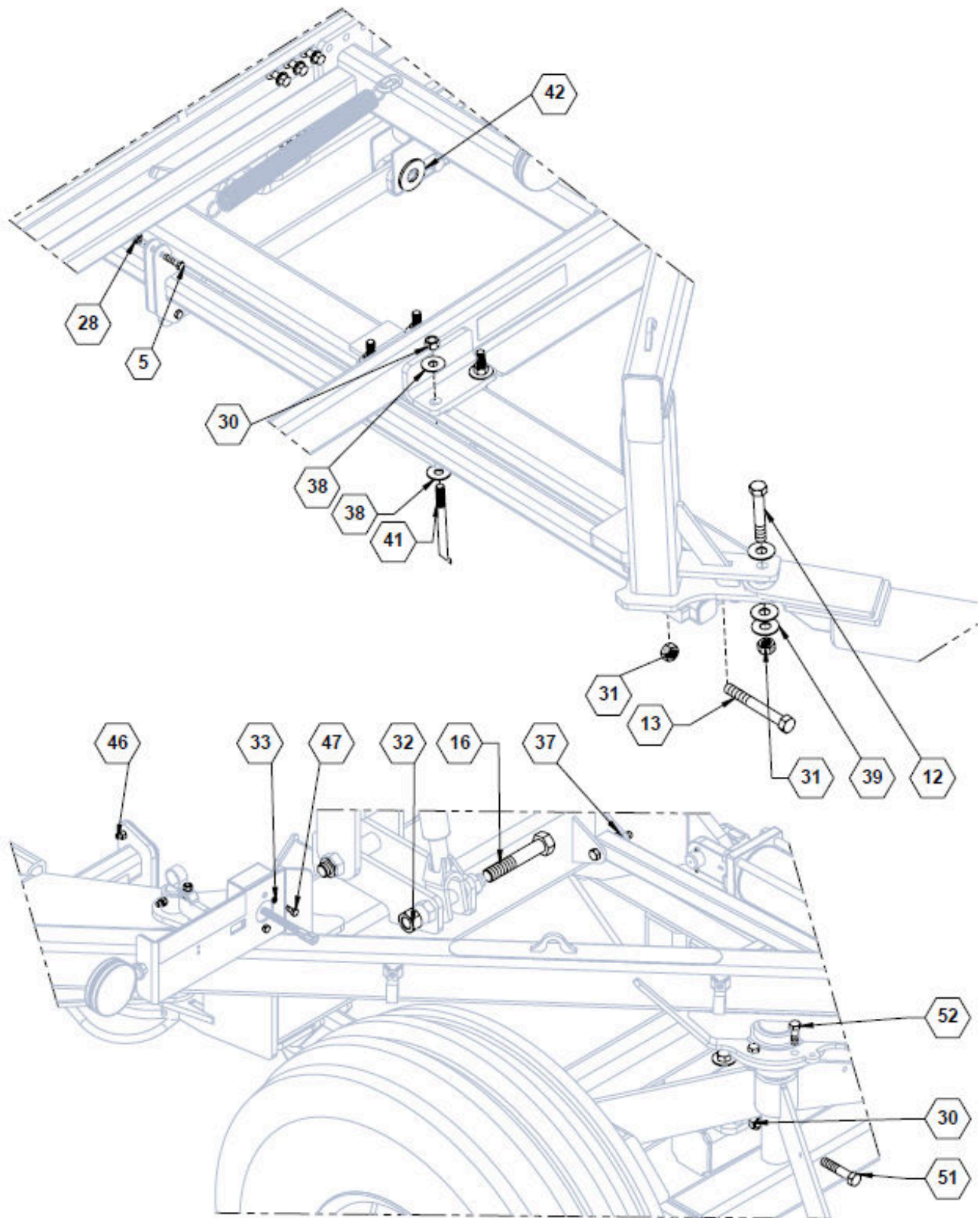


ILLUSTRATED PARTS LIST

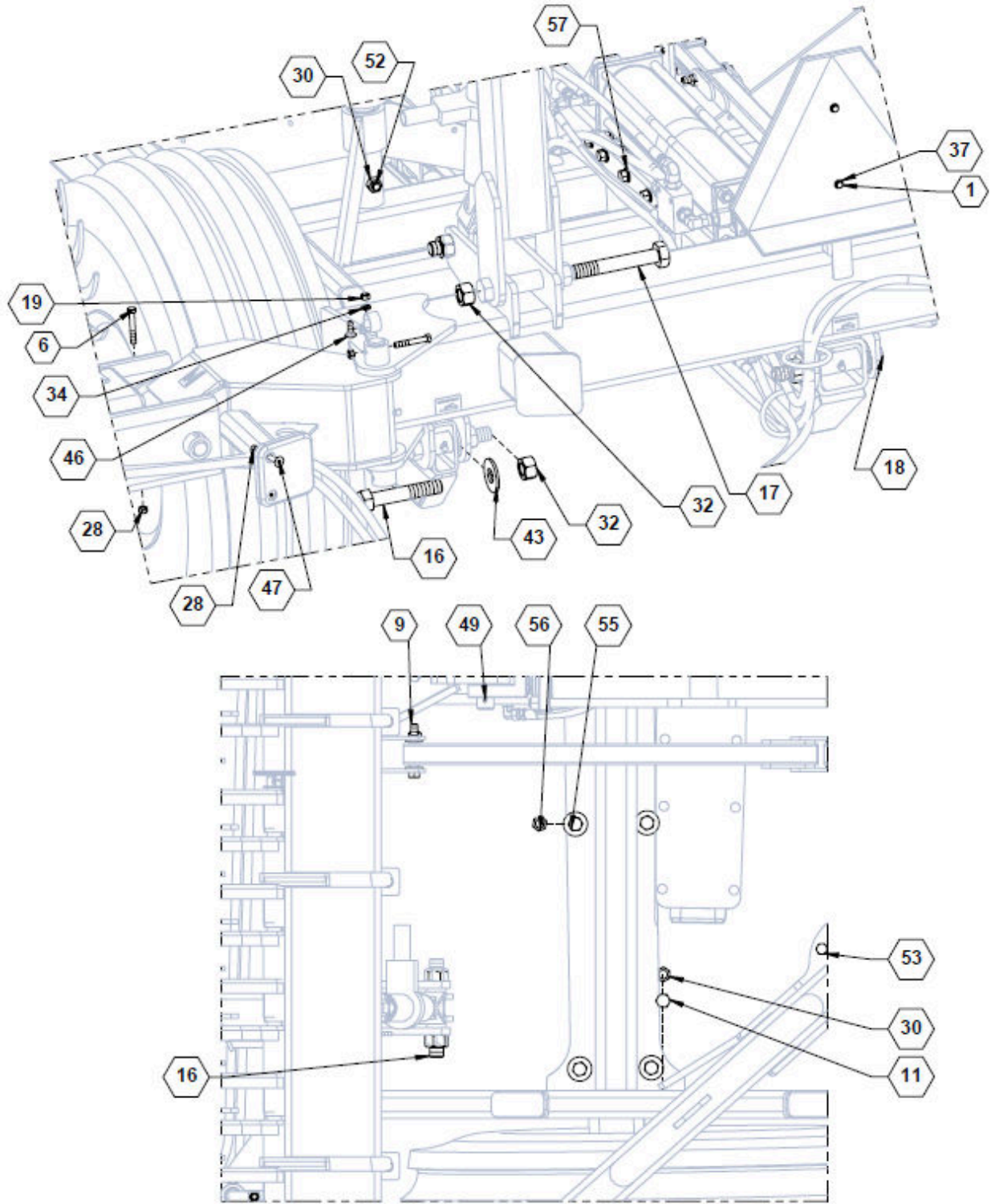
ITEM	PART NO.	QTY.	DESCRIPTION
37	740031	1	LIGHT MODULE, SAFETY FLASHER
38	740047	1	HARNESS, TAILLIGHT
39	750048	1	MANUAL HOLDER
40	790049	1	SAFETY CHAIN, 20,000LB
41	790051	1	JACK, 5000 LB SIDE WIND
42	800098	1	DECAL, WARNING-HYDRAULIC FLUID
43	800104	1	DECAL, WARNING-DO NOT SPEED
44	800105	2	DECAL, WARNING-STAND CLEAR
45	800109	2	DECAL, RED REFLECTOR
46	800110	4	DECAL, AMBER, REFLECTOR
47	800111	2	DECAL, NON-REFLECTIVE, ORANGE
48	800287	6	DECAL, GREASE PIVOT POINTS

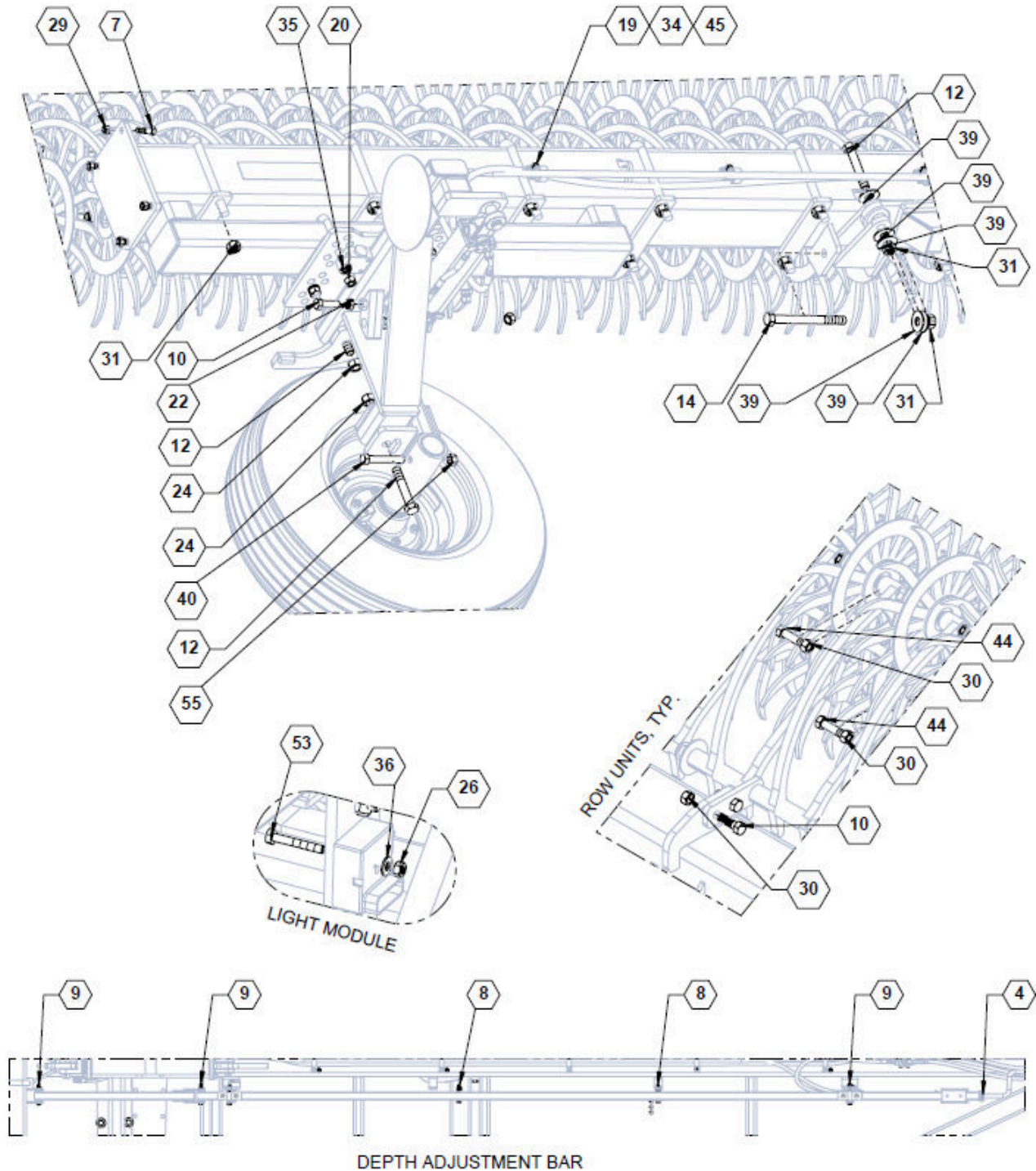
Hardware





e







ILLUSTRATED PARTS LIST

Parts List 590889: Hardware

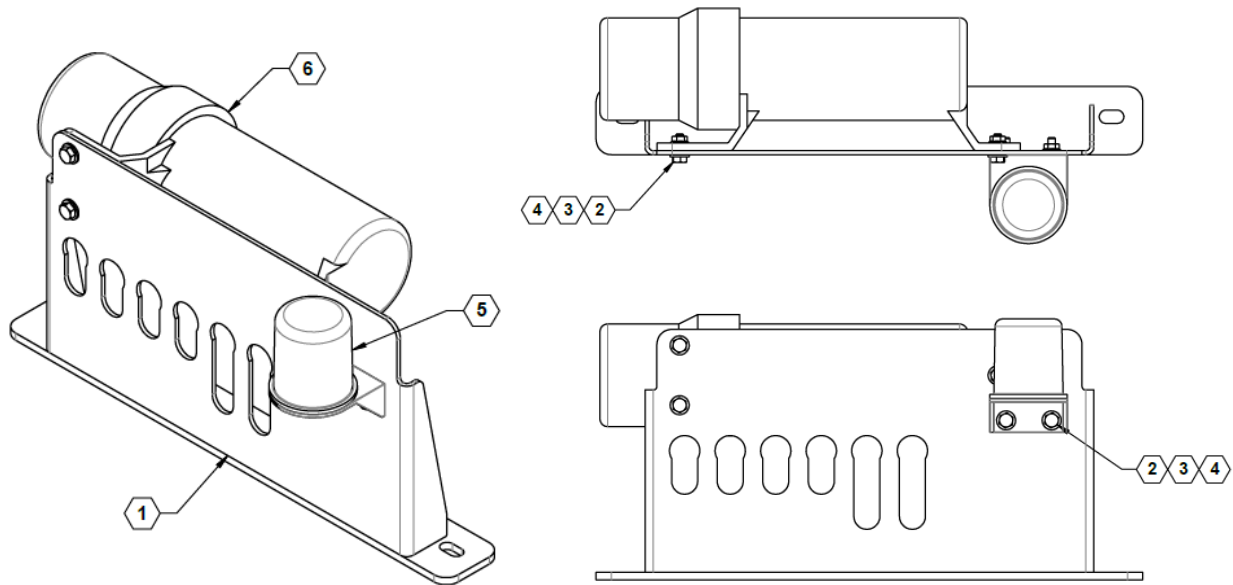
ITEM	PART NO.	QTY.	DESCRIPTION
1	101	7	BOLT, HH 1/4-20 X 3/4 GR5 ZINC
2	104	2	BOLT, HH 1/4-20 X 2 GR5 ZINC
3	118	2	BOLT, HH 5/16-18 X 2-1/2 GR5 ZINC
4	128	2	BOLT, HH 3/8-16 X 1 GR5 ZINC
5	129	2	BOLT, HH 3/8-16 X 1-1/2 GR5 ZP
6	131	4	BOLT, HH 3/8-16 X 2-1/2 GR5 ZP
7	153	8	BOLT, HH 1/2-13 X 1-1/2 ZP
8	156	2	BOLT, HH 1/2-13 X 3 GR5 ZINC
9	157	6	BOLT, HH 1/2-13 X 3-1/2 GR5 ZINC
10	170	16	5/8-11 x 2 HH BOLT
11	173	2	BOLT, HH 5/8-11 X 3 1/2 GR5 ZINC
12	189	8	BOLT, HH 3/4-10 X 4 1/2 GR5 ZINC
13	192	3	BOLT HH 3/4-10 X 6 GR5 ZINC
14	196	2	BOLT, 3/4-10 X 8 GR5 ZINC
15	201	1	BOLT, HH 1-8 X 3 1/2 GR5 ZINC
16	205	4	BOLT, HEX 1-8X5-1/2 GR5 ZINC
17	207	2	BOLT, HH 1-8 X 6-1/2 G5 ZINC
18	209	1	BOLT, HH 1-8X7-1/2 GR5 ZINC
19	213	31	NUT, HEX 3/8-16 ZINC
20	216	8	NUT, HEX 5/8-11, ZINC
21	223	6	NUT, HEX JAM 1/2-13 GR5 ZINC
22	224	4	5/8-11 Jam Nut
23	231	8	NUT, NYLOCK, 1/2" ZP
24	233	4	NUT, HEX NYLOCK 3/4-10 ZINC
25	234	3	NUT, HEX NYLOCK 1-8 ZINC
26	235	5	NUT, CENTERLOCK, 1/4-20 GR5 ZINC
27	236	2	NUT, CENTERLOCK, 5/16-18 GR5 ZINC
28	237	10	NUT, CENTERLOCK 3/8-16 ZINC
29	239	8	NUT, CENTER LOCK, 1/2-13 GR5 ZP
30	240	198	NUT, CENTER LOCK, 5/8-11 GR5 ZP
31	241	73	CENTERLOCK, NUT, 3/4-10 Zp
32	242	7	NUT, CENTERLOCK, 1-8 ZINC



ILLUSTRATED PARTS LIST

ITEM	PART NO.	QTY.	DESCRIPTION
33	248	4	WASHER, LOCK, 1/4 ZINC
34	250	33	LOCKWASHER, 3/8 ZINC
35	253	8	LOCKWASHER, 5/8" ZINC
36	256	5	WASHER, FLAT, 1/4 ZINC
37	260	4	WASHER, FLAT, 1/2 ZINC
38	261	24	WASHER, FLAT, 5/8 ZINC
39	262	16	WASHER, FLAT 3/4 ZINC
40	373	2	5/8-11 X 4 Gr8 Bolt
41	473	8	BOLT HH 5/8 X 7 NC GR 5 ZP
42	590146	11	WASHER, FLAT 1" ZINC
43	590153	2	BOLT, HH 1-8 X6 -3/4 X 1-1/4 THD GR5 ZINC
44	590347	174	BOLT, HH 5/8-11X2.75 GR5 ZP
45	592	31	BOLT, CARRIAGE 3/8-16 X 1 ZINC
46	726	4	BOLT, FHSCS 3/8-16 X 1-1/4 ZINC
47	737	4	BOLT, HH 8-1.25 X 20MM 8.8 ZINC
48	746	1	SPRING PIN 5X50mm MAGNI
49	767	28	NUT, FLANGE, 1/4-20 GR5 ZINC
50	800	23	FHSCS, 1/4-20 X 3/4 ZINC
51	812	2	BOLT, HH 5/8-11 X 3 GR8 ZINC
52	813	8	BOLT, 1/2-20 UNF X 1-1/2 GR5 ZINC
53	814	3	BOLT, 1/4 X 1-3/4 GR5 ZINC
54	815	8	BOLT, HH 5/8-11 X 2-1/4 GR8 ZINC
55	817	11	NUT, CENTERLOCK, 5/8-11, GR8 ZINC
56	819	28	HHCS, FLANGED 1/2 X 2 G8 ZINC
57	820	28	NUT, FLANGED LOCK, 1/2-13 G8 ZINC

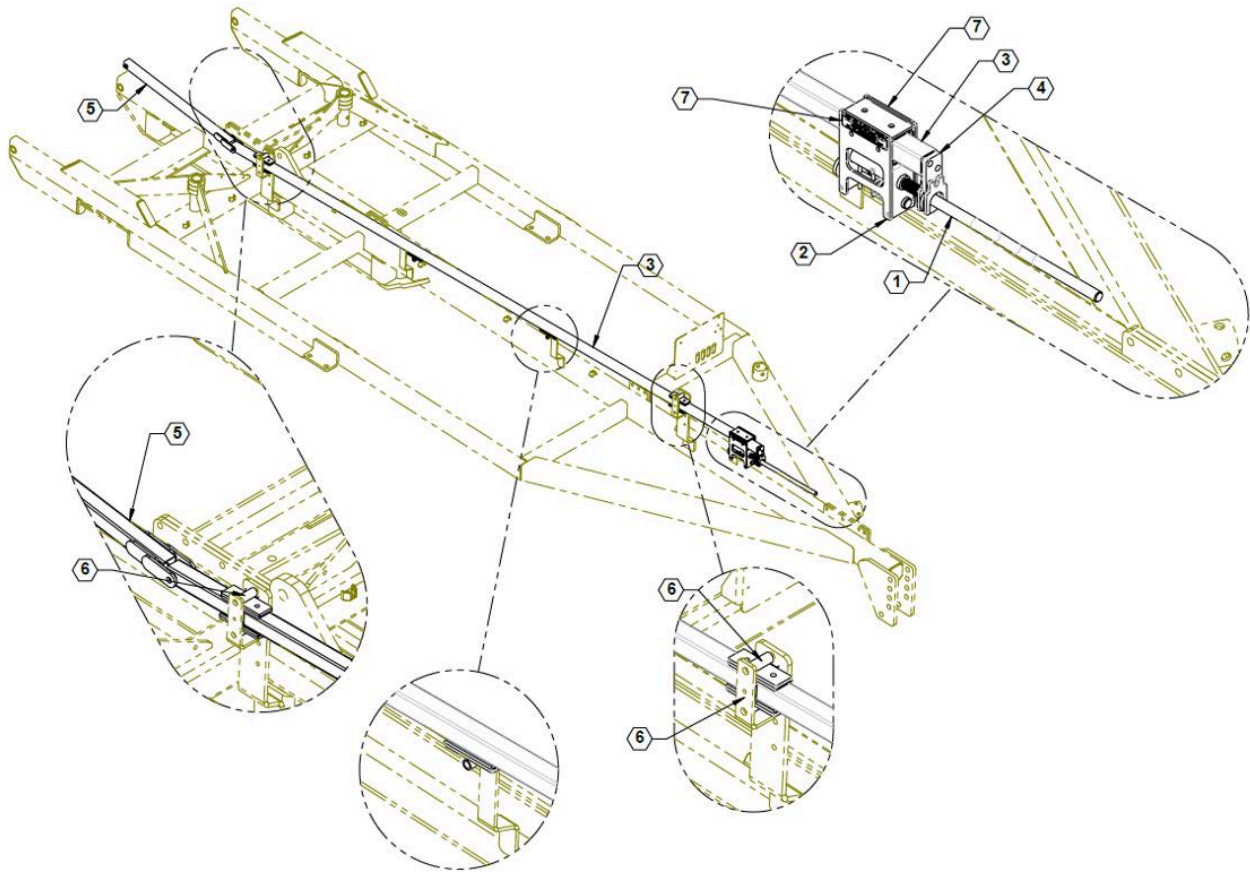
Manual Holder Assembly



Parts List 34752: Manual Holder Assembly

ITEM	PART NO.	QTY.	DESCRIPTION
1	34753	1	WLDMNT, MANUAL HOLDER
2	596101M	5	BOLT, HH 1/4-20X3/4 GR5 MAGNI
3	596256M	5	WASHER, FLAT 1/4 USS MAGNI
4	596767M	5	NUT, HEX FLANGE 1/4-20 MAGNI
5	740018	1	LIGHT HARNESS HOLDER
6	750048	1	MANUAL HOLDER

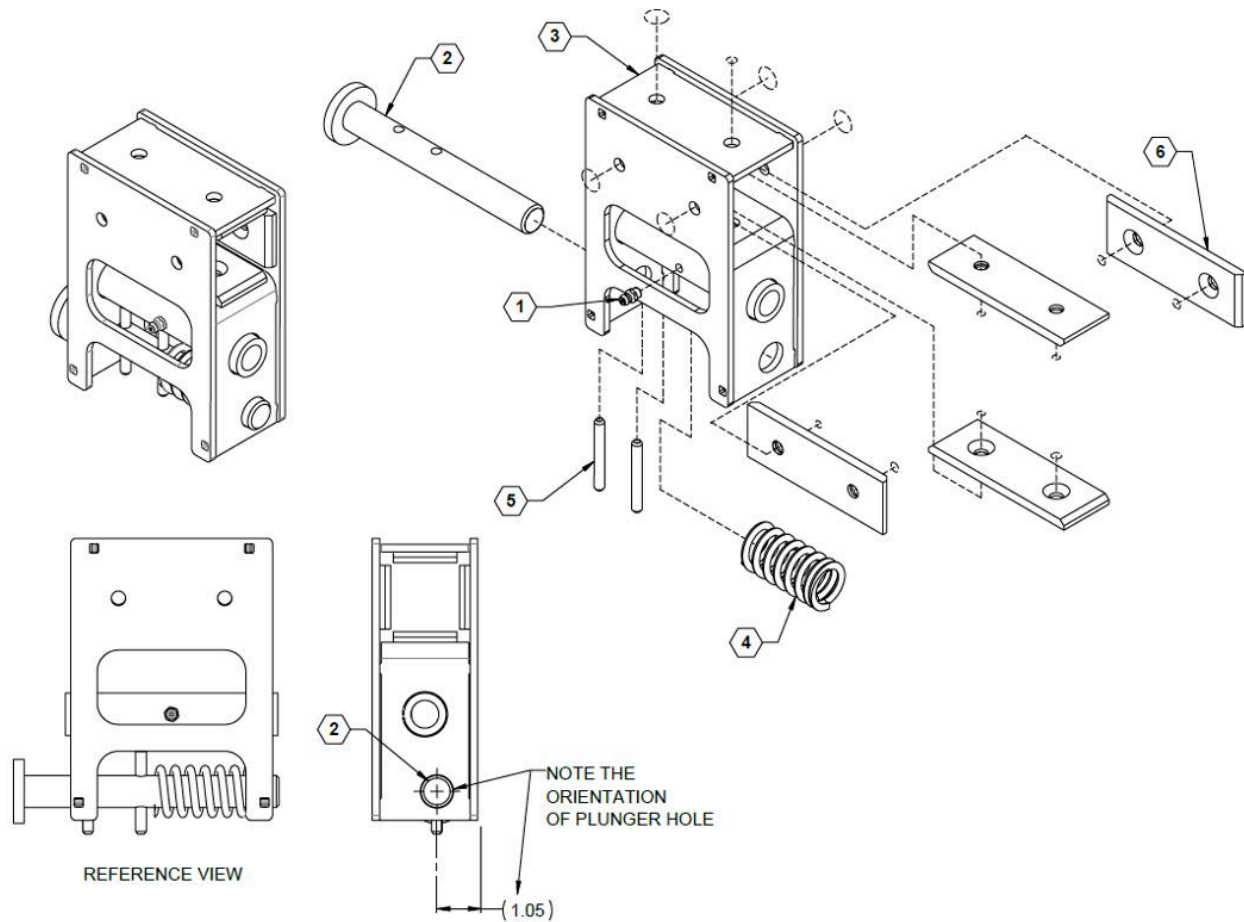
Toolbar Depth Adjustment



Parts List 28090: Toolbar Depth Adjustment

ITEM	PART NO.	QTY.	DESCRIPTION
1	28080	1	WLDMNT, ADJUST HANDLE
2	28089	1	ASSY, BUMP ADJUST
3	28091	1	WLDMNT, DEPTH TUBE
4	28096	1	WLDMNT, BASE ANCHOR
5	28100	1	WLDMNT, DEPTH FRONT TUBE
6	28134	4	PAD, SIDE BRACE
7	800262	2	DECAL, DEPTH ADJUSTMENT
8	28103	6	WLDMNT, SLIDE PIVOT
9	590416	6	POLY, DEPTH ADJUST SLIDE

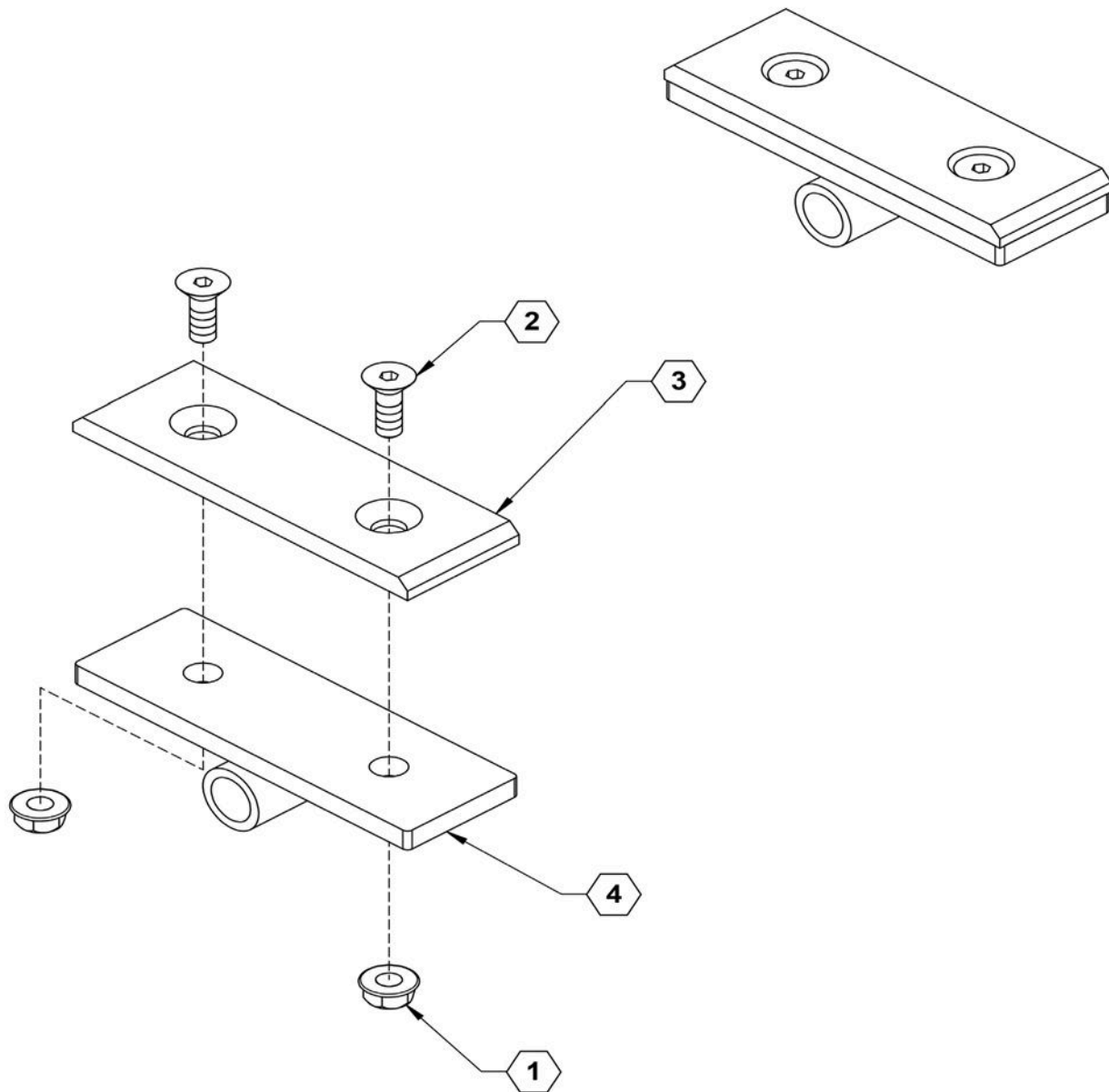
Bump Adjust Box



Parts List 28090: Bump Adjust Box

ITEM	PART NO.	QTY.	DESCRIPTION
1	759	1	ZERK, 1/4-28 STRAIGHT PIPE THREAD
2	28087	1	WLDMNT, PLUNGER
3	28088	1	WLDMNT, BUMP ADJUST
4	28135	1	SPRING, PUSH BUTTON VALVE
5	590299	2	PIN, SPRING, .250 X 2.00, CPZ
6	590416	4	POLY, DEPTH ADJUST SLIDE

Depth Adjustment Slide Pivot

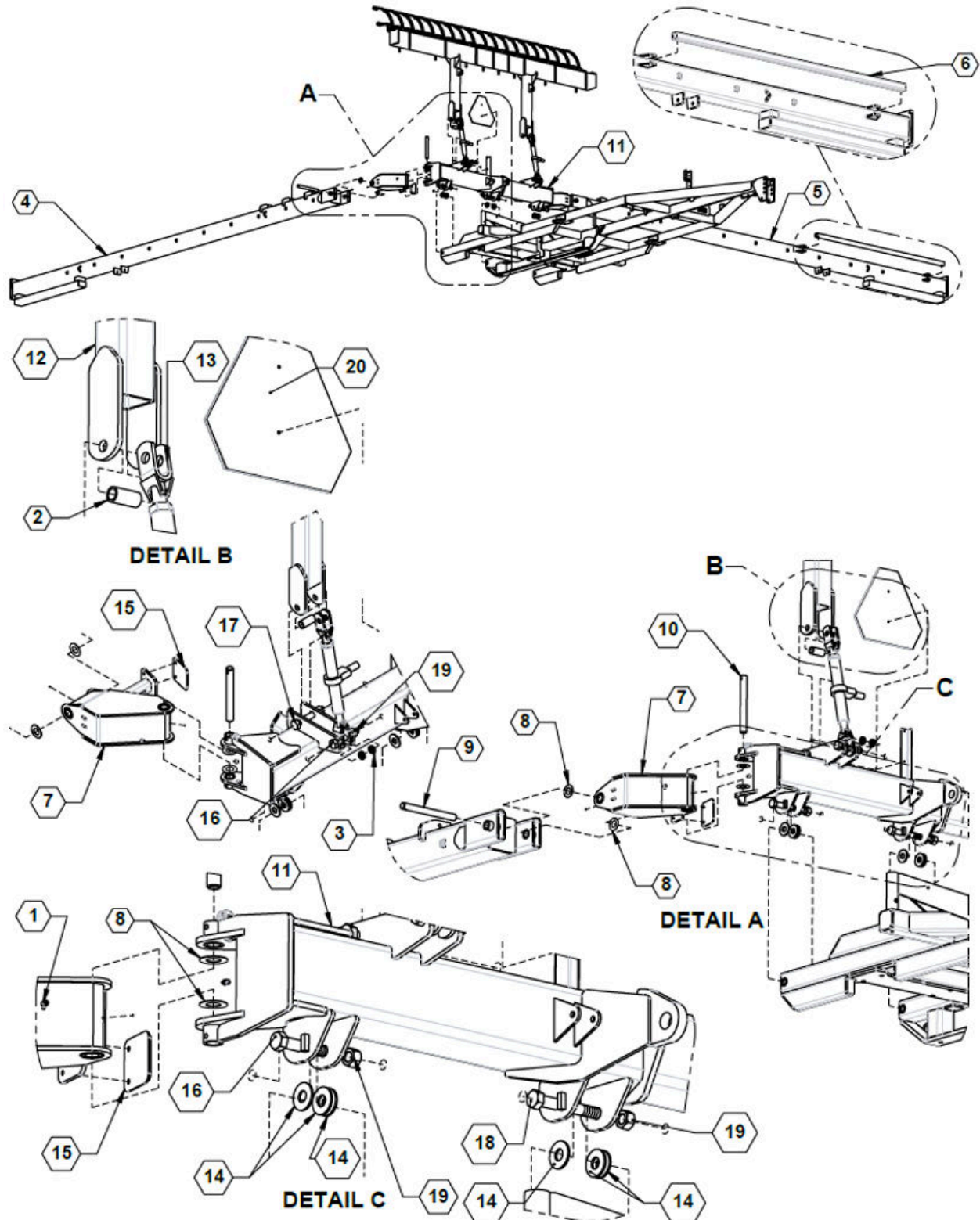


Parts List 28090: Depth Adjustment Slide Pivot

ITEM	PART NO.	QTY.	DESCRIPTION
1	767	2	NUT, FLANGE, 1/4-20 GR5 ZINC
2	800	2	FHSCS, 1/4-20 X 3/4 ZINC
3	28095	1	POLY, DEPTH ADJUST SLIDE
4	28103	1	WLDMNT, SLIDE PIVOT

TOOLBAR

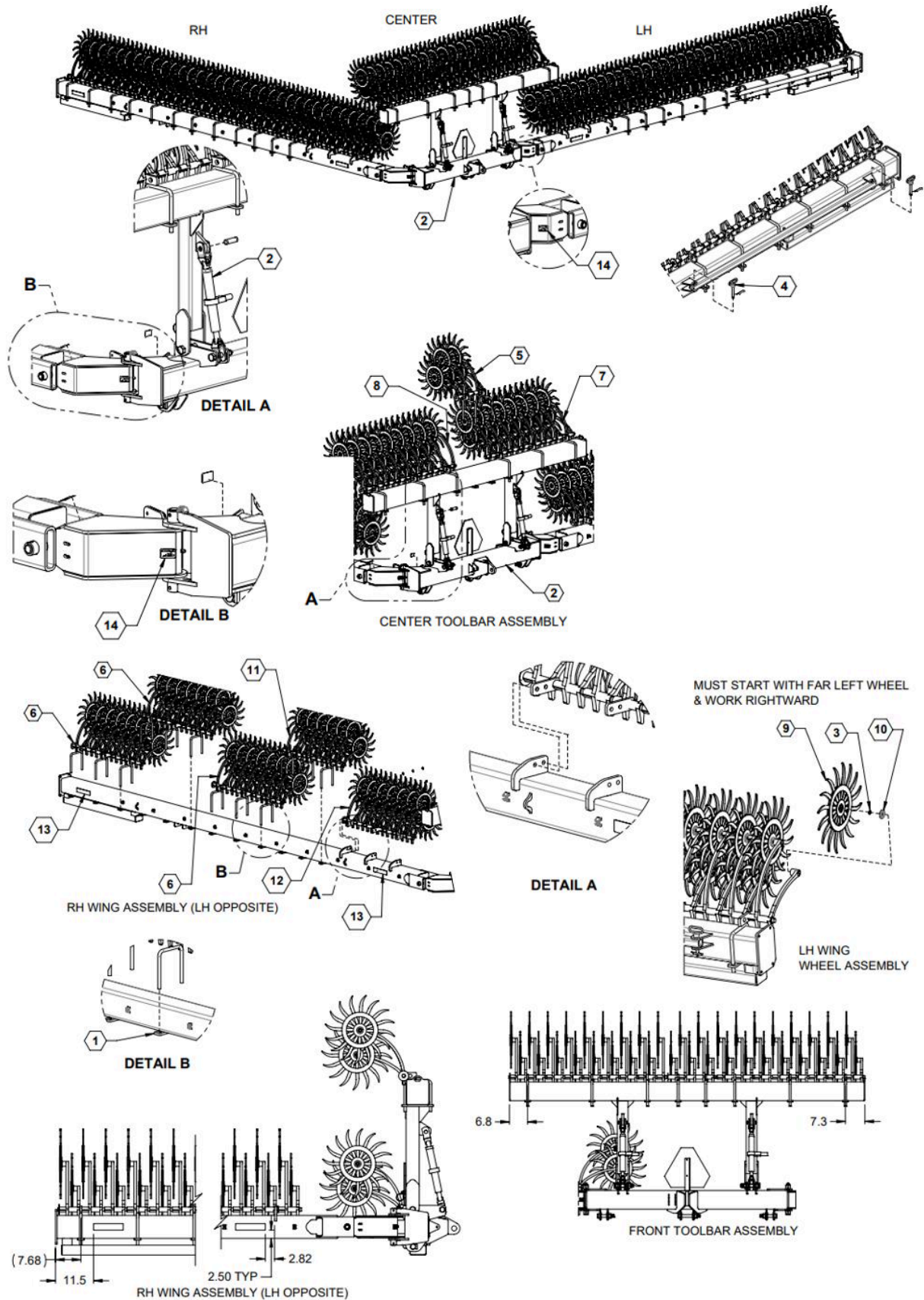
Bare Base Toolbar



Parts List 27910: Bare Base Toolbar

ITEM	PART NO.	QTY.	DESCRIPTION
1	761	4	ZERK, 90°, 1/4-28 STRAIGHT PIPE THREAD
2	27537	2	BUSHING, LONG SPACER
3	27538	4	BUSHING, SHORT SPACER
4	27934	1	WLDMNT, RH MAIN WING
5	27935	1	WLDMNT, LH MAIN WING
6	27959	1	TUBE, CROSS BAR
7	27999	2	FLEX JOINT WLDMNT
8	28037	8	1.5ID x 2.5OD THRUST WASHER
9	28050	2	PIN, 1.25 DIA
10	28058	2	PIVOT PIN
11	34446	1	CENTER TOOLBAR WLDMT
12	34447	1	WLDMNT, CENTER TOOLBAR
13	35908	2	REINFORCED 24" TURNBUCKLE
14	590146	9	WASHER, FLAT 1" ZINC
15	590265	2	PLATE, WEAR
16	596205M	4	BOLT, HEX 1-8 X 5-1/2 GR5 MAGNI
17	596207M	2	BOLT, HH 1-8 X 6-1/2 G5 MAGNI
18	596209M	1	BOLT, HH 1-8 X 7-1/2 GR5 MAGNI
19	596242	7	NUT, 1-8 CENTERLOCK, ZP
20	790017	1	SIGN, SMV PLASTIC MOLDED

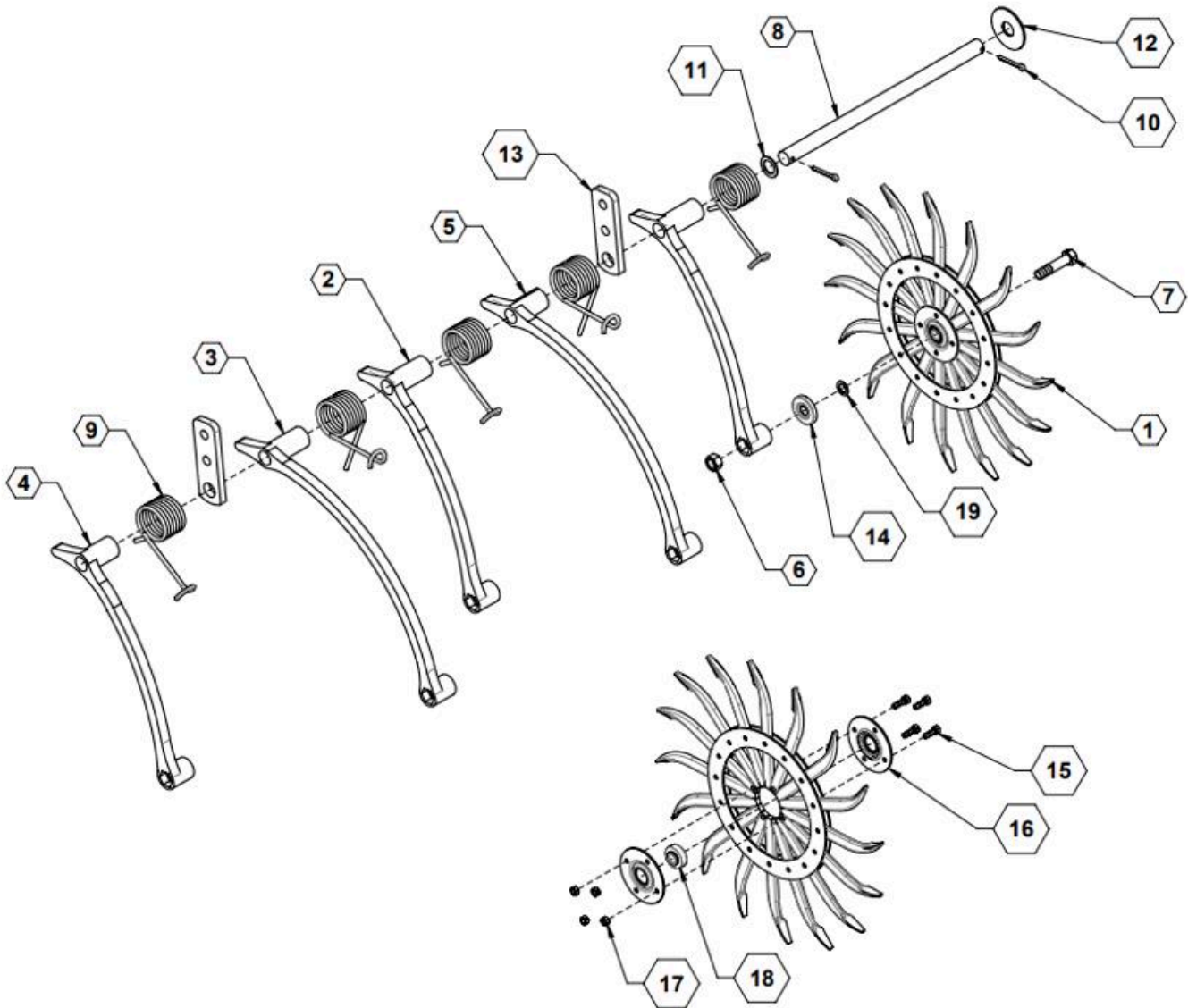
Base Toolbar



Parts List 27905: Base Toolbar

ITEM	PART NO.	QTY.	DESCRIPTION
1	27542	32	PLATE, ROW UNIT BOLT MOUNT
2	27910	1	ASSY, BARE BASE TOOLBAR
3	590466	174	SPACER, 5/8ID, 1OD, 14GA, 2527-563
4	790043	2	HITCH PIN, 5/8" X 4"
5	790066	1	YETTER 5 WHEEL AXLE ASSY
6	790067	6	YETTER 14 WHEEL AXLE ASSY
7	790068	1	YETTER 16 WHEEL AXLE ASSY
8	790069	1	YETTER 17 WHEEL AXLE ASSY
9	790071	174	WHEEL, YETTER ROTARY HOE
10	790072	174	BEARING SHIELD, 3400-408
11	790074	2	YETTER 12 WHEEL AXLE ASSY
12	790079	2	YETTER 14 WHEEL TAB MOUNT AXLE ASSY
13	800110	4	DECAL, AMBER, REFLECTOR
14	800287	7	DECAL, GREASE PIVOT POINTS

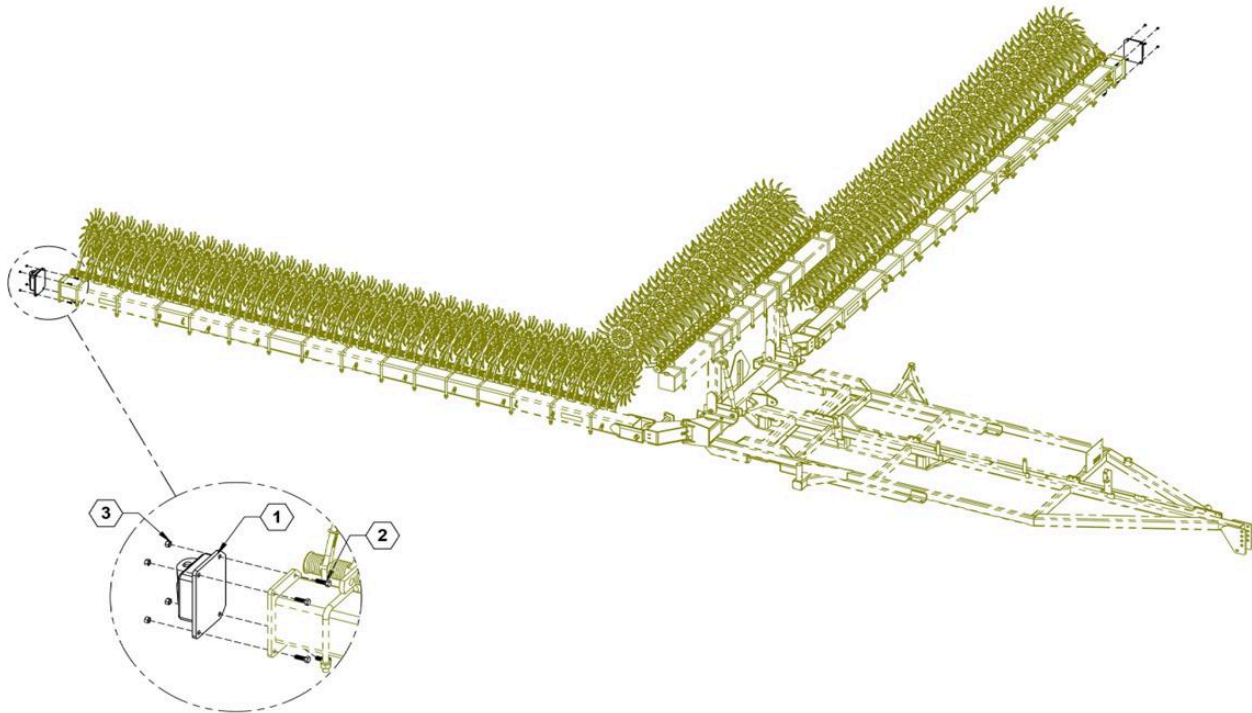
Rotary Hoe Wheel & Arm



Parts List: Rotary Hoe Wheel & Arm

ITEM	PART NO.	QTY.	DESCRIPTION
1*	790071	1	PAINTED WHEEL ASSEMBLY, BLACK
2	2555-119	A/R	SHORT HUB - REAR ARM CASTING
3	2555-117	A/R	LONG HUB - FRONT ARM CASTING
4	2555-118	A/R	SHORT HUB - FRONT ARM CASTING
5	2555-116	A/R	LONG HUB - REAR ARM CASTING
6*	240	A/R	5/8"-11 LOCK HEX NUT, ZP
7*	590347	A/R	5/8"-11 X 2-3/4" HEX HEAD BOLT, GR5 ZP
8	790077	1	5 WHEEL AXLE ASSEMBLY, TAB MOUNT
8	790078	1	12 WHEEL AXLE ASSEMBLY, TAB MOUNT
8	790079	1	14 WHEEL AXLE ASSEMBLY, TAB MOUNT
8	790080	1	16 WHEEL AXLE ASSEMBLY, TAB MOUNT
8	790091	1	17 WHEEL AXLE ASSEMBLY, TAB MOUNT
9	2550-716	A/R	ROTARY HOE TORSION SPRING
10	2531-125	A/R	1/4"X X1-3/4" COTTER KEY. ZP
11	2527-564	A/R	1" ID X 1-1/2" OD X 14GA M.B.
12	3400-383	A/R	3" OD X 1-1/32" ID X 1/8" WASHER
13	28290	A/R	TAB
14*	790072	A/R	BEARING SHIELD
15	2502-203	4	BOLT, 5/16-18 HHCS GR5 ZP
16	3400-341	2	HUB
17	2520-205	4	NUT, 5/16-18 LOCK HEX GR A ZP
18	2550-016	1	BEARING
19	590466	A/R	SPACER, 5/8ID, 1OD, 14GA, 2527-563
			* NOT INCLUDED WITH SECTION ASSEMBLIES ABOVE

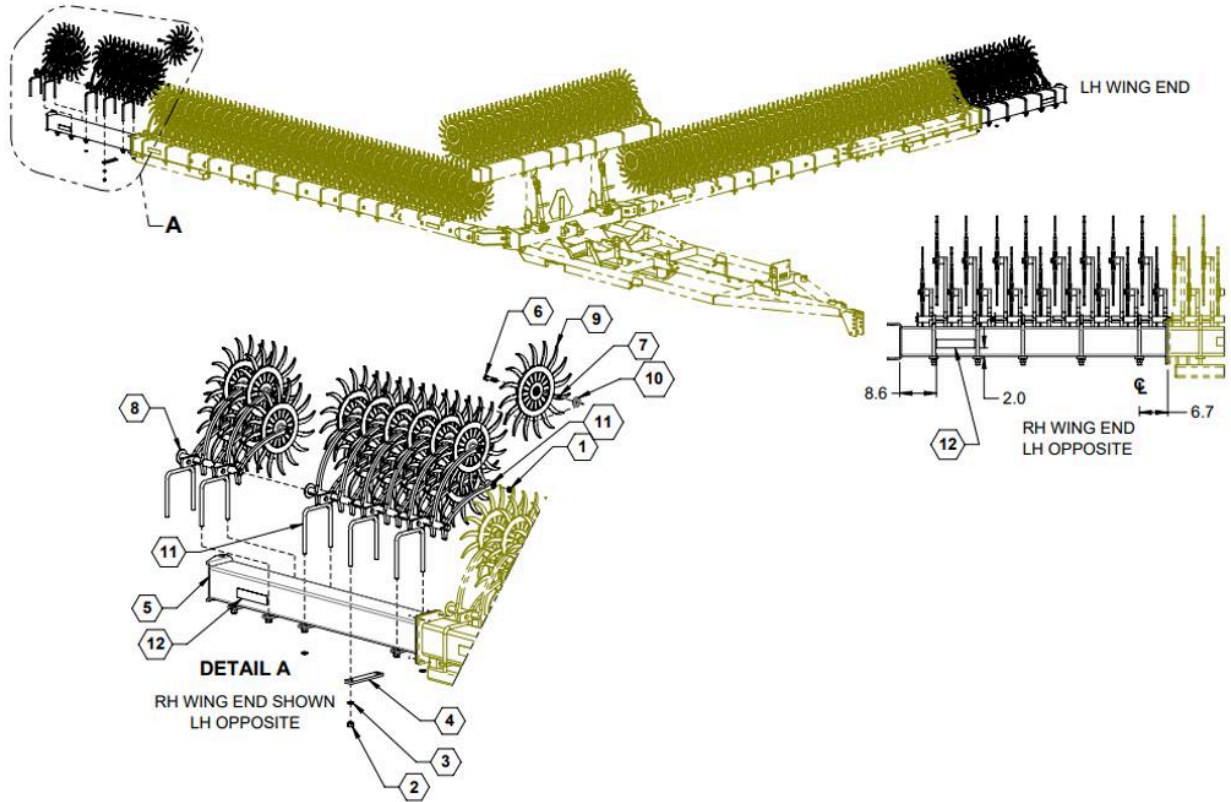
Option, 15m Toolbar



Parts List 28047: Option, 15m Toolbar

ITEM	PART NO.	QTY.	DESCRIPTION
1	28022	2	CROSS TUBE MOUNT

Option, 18m Toolbar

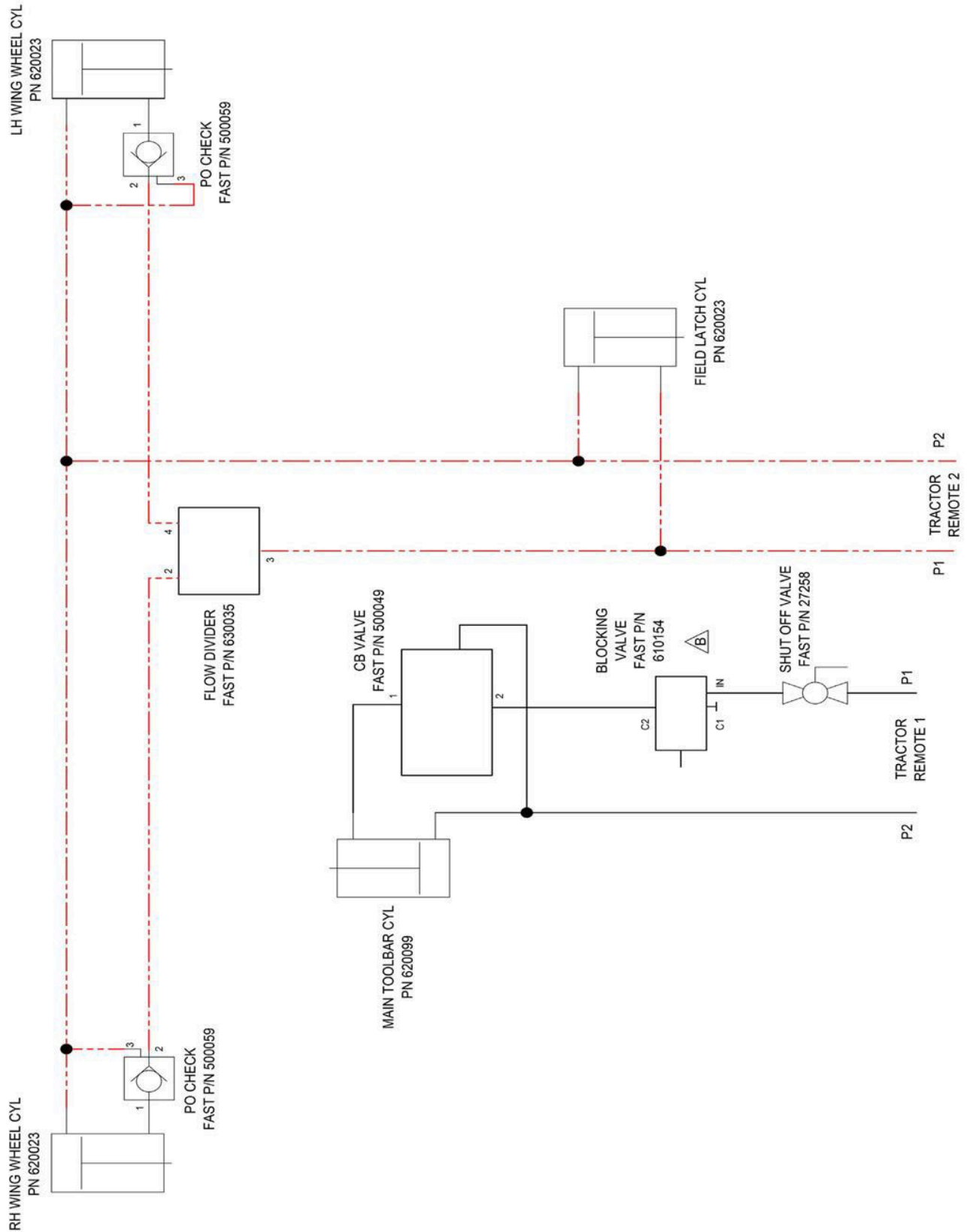


Parts List 28048: Option, 18m Toolbar

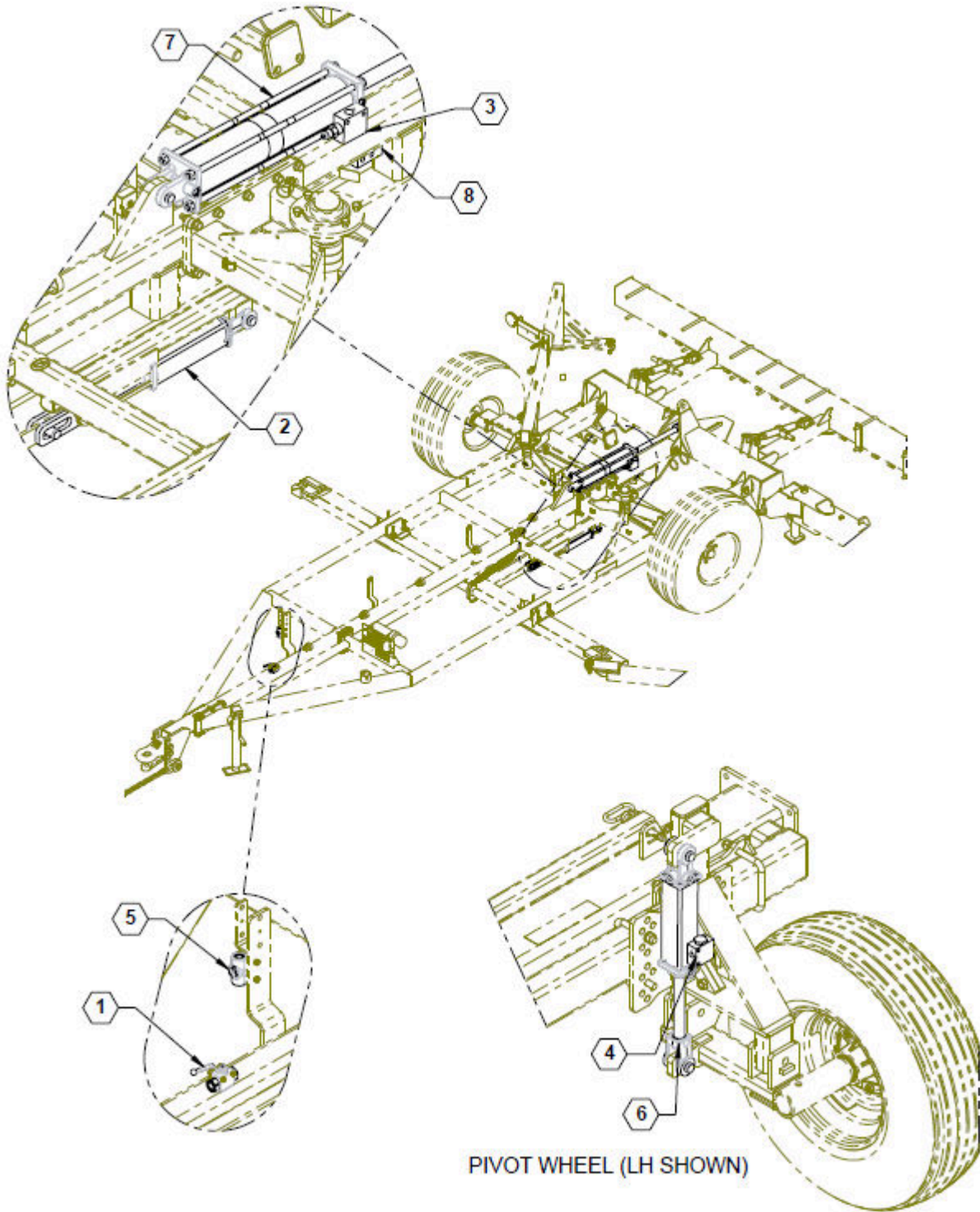
ITEM	PART NO.	QTY.	DESCRIPTION
1	240	34	NUT, CENTER LOCK, 5/8-11 GR5 ZP
2	241	20	NUT, CENTERLOCK, 3/4-10 GR5 ZINC
3	254	20	LOCKWASHER, 3/4 ZINC
4	27542	10	PLATE, ROW UNIT BOLT MOUNT
5	28028	2	WLDMT, LH 18M/60FT WING EXTENSION
6	590347	34	BOLT, HH 5/8-11X2.75 GR5 ZP
7	590466	34	SPACER, 5/8ID, 1OD, 14GA, 2527-563
8	790066	2	YETTER 5 WHEEL AXLE ASSY
9	790071	34	WHEEL, YETTER ROTARY HOE
10	790072	34	BEARING SHIELD, 3400-408
11	790074	2	YETTER 12 WHEEL AXLE ASSY
12	800110	2	DECAL, AMBER, REFLECTOR



HYDRAULICS Hydraulic Diagram



Base Hydraulics



Parts List 28073: Base Hydraulics

ITEM	PART NO.	QTY.	DESCRIPTION
1	27258	1	BLOCKING VALVE/WITH MOUNTING HOLES
2	28072	1	ASSY, FIELD LATCH CYLINDER
3	500049	1	VALVE, COUNTERBALANCE, SAE -10
4	500059	2	CHECK VALVE, P.O., SINGLE, 3/8 PORTS, 5000PSI, 60GPM
5	610154	1	VALVE, PUSH BUTTON BLOCKING
6	620023	2	CYLINDER, 25TD08-112
7	620099	1	CYLINDER 4 X 20" 1.75" ROD 3000PSI
8	630035	1	FLOW DIVIDER
9	600113	1	ROTARY HOE HYDRAULIC KIT
10	34372	1	BLOCKING VALVE/WITH MOUNTING HOLES

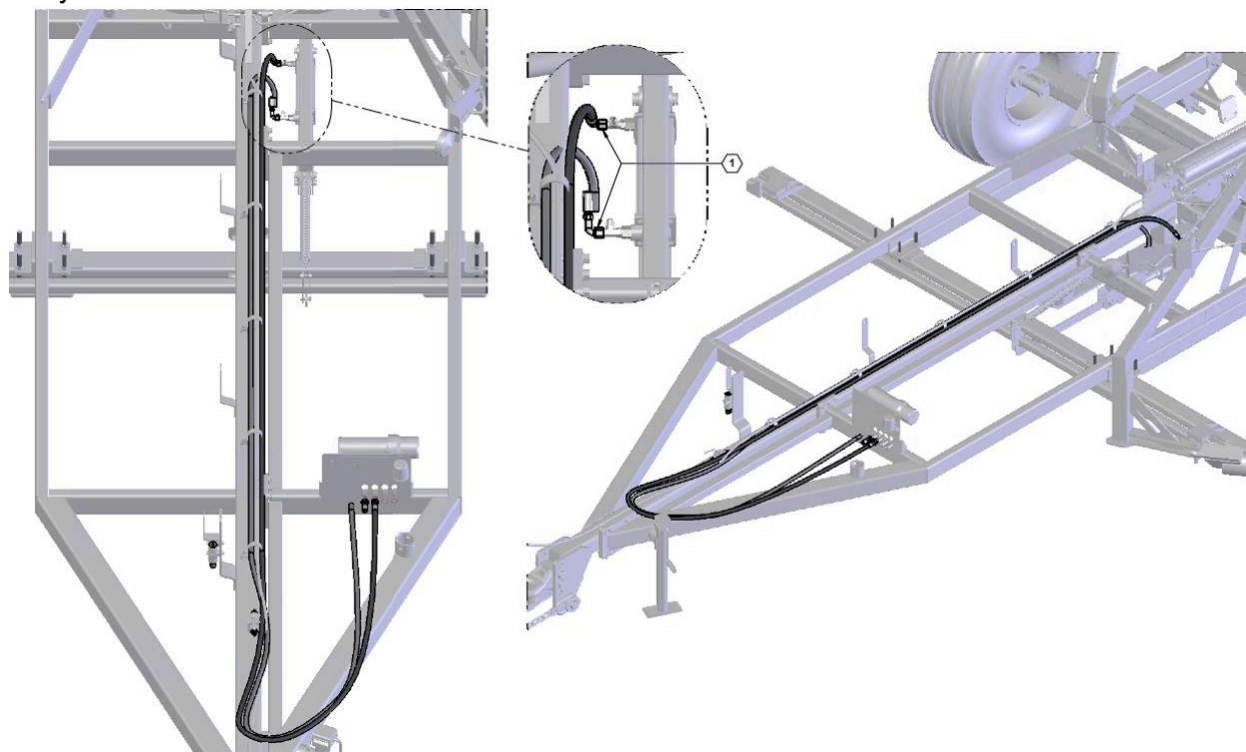
Field Latch Cylinder

NOTE:

1. REMOVE STANDARD ROD END CLEVIS AND DISCARD - SAVING THE 3/8"-16 SET SCREW
2. INSTALL 28054 SLOTTED CLEVIS WELDMENT
3. REUSE 3/8"-16 SET SCREW FROM STANDARD CLEVIS TO SECURE NEW WELDMENT CLEVIS
4. BOTH STANDARD CYLINDER PINS AND COTTER PINS WILL BE USED

Black = Pressure

Gray = Return



Parts List 28072: Field Latch Cylinder

ITEM	PART NO.	QTY.	DESCRIPTION
1	28054	1	WLDMNT, SLOTTED CYL CLEVIS
2	28180	1	TUBE, CYLINDER SPACER
3	620023	1	CYLINDER, 25TD08-112

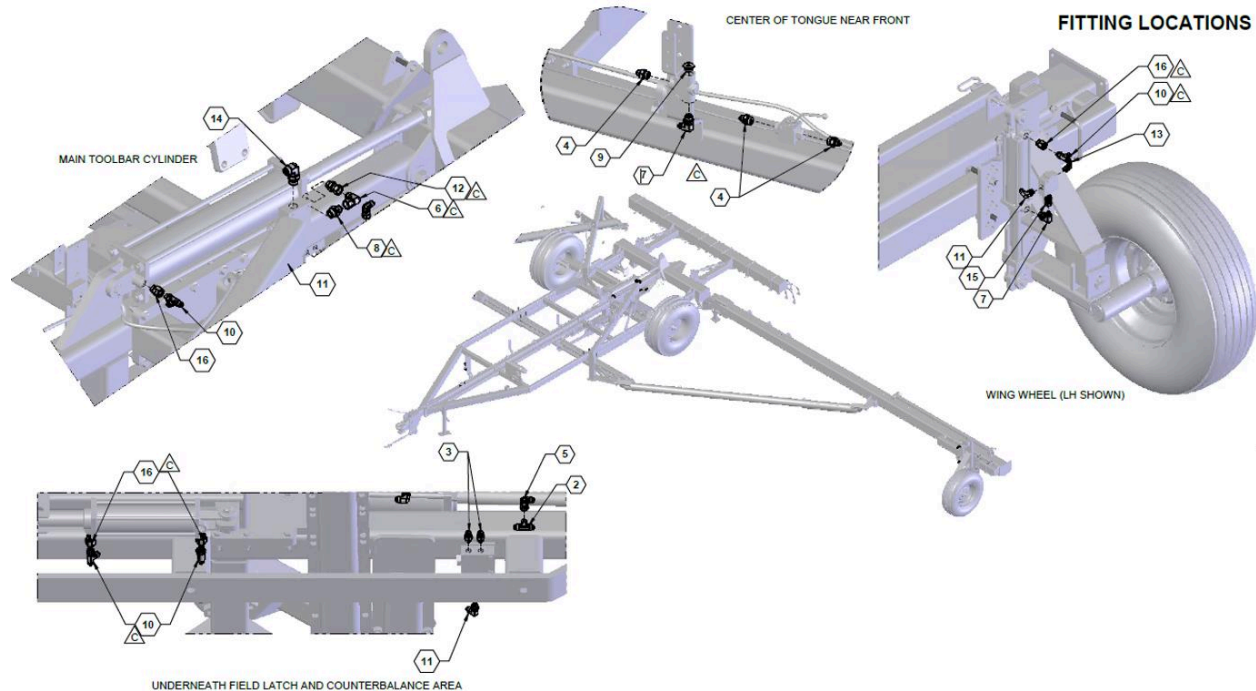
Parts List 600113: Field Latch Cylinder

ITEM	PART NO.	QTY.	DESCRIPTION
1	600113-1	2	HOSE ASSY, 06-6FJX90-8MOR-220

Fitting Locations

Black = Pressure

Gray = Return



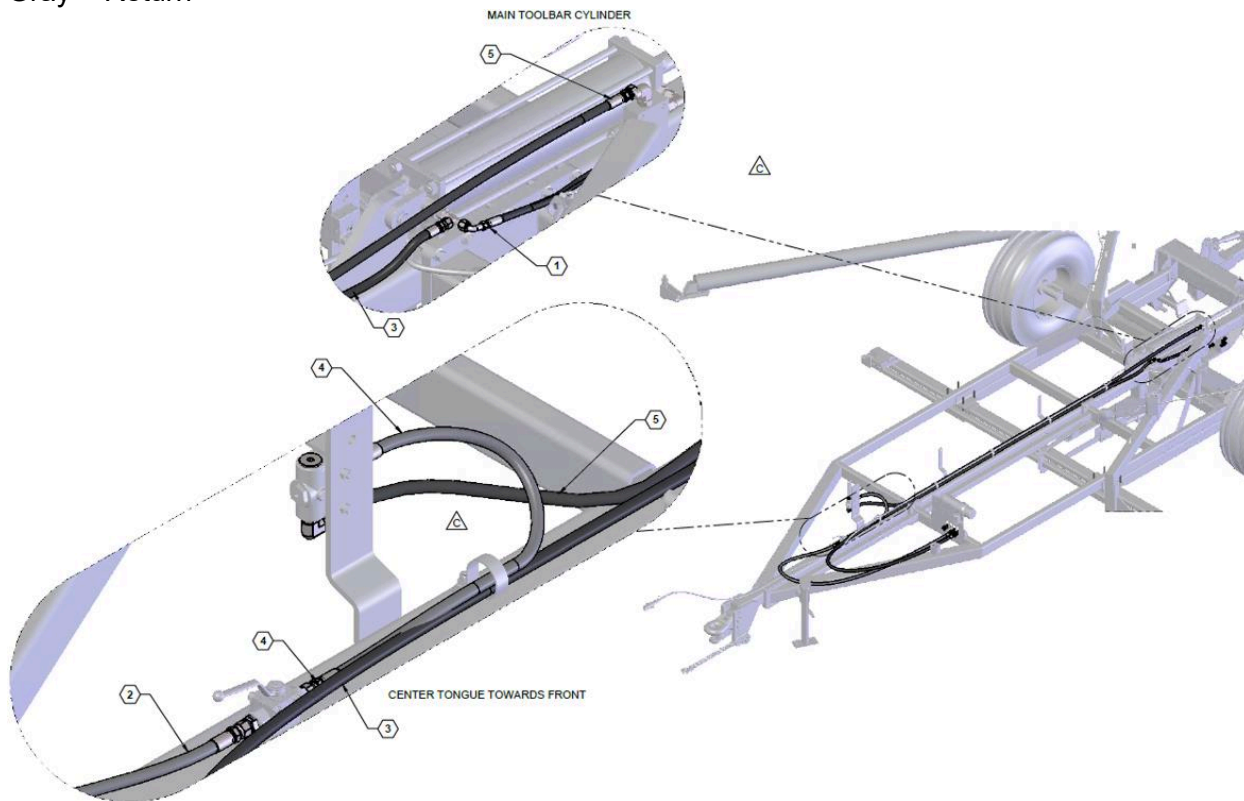
Parts List 600113: Fitting Locations

ITEM	PART NO.	QTY.	DESCRIPTION
1	520048	4	PIONEER COUPLER #8 FORB
2	610005	1	JIC UNION TEE #6
3	610010	2	ADAPTER, -6MJIC X -6MORB
4	610011	3	JIC #6 TO ORING #8
5	610023	1	ADAPTER, -6MJIC X -6FJX 90
6	610024	1	JIC #8 90 DEG
7	610030	3	ADAPTER, -6MJIC X -8MORB90
8	610060	1	JIC #8 TO ORING #10
9	610062	1	#8 O-RING PLUG
10	610074	5	JIC TO ORING #6 RUN TEE
11	610078	4	JIC #6 TO #6 ORING 90
12	610083	1	ADAPTER, -8MORB X -8FJX
13	610084	2	ELBOW 90 #4 JIC #4 O-RING
14	610086	1	JIC #8 TO O-RING #10 ELBOW 90°
15	610113	2	#6 O-RING TO #6 JICF SWIVEL
16	610159	5	#8 MORB x #6 FORB REDUCER

Center Cylinder Hydraulics

Black = Pressure

Gray = Return



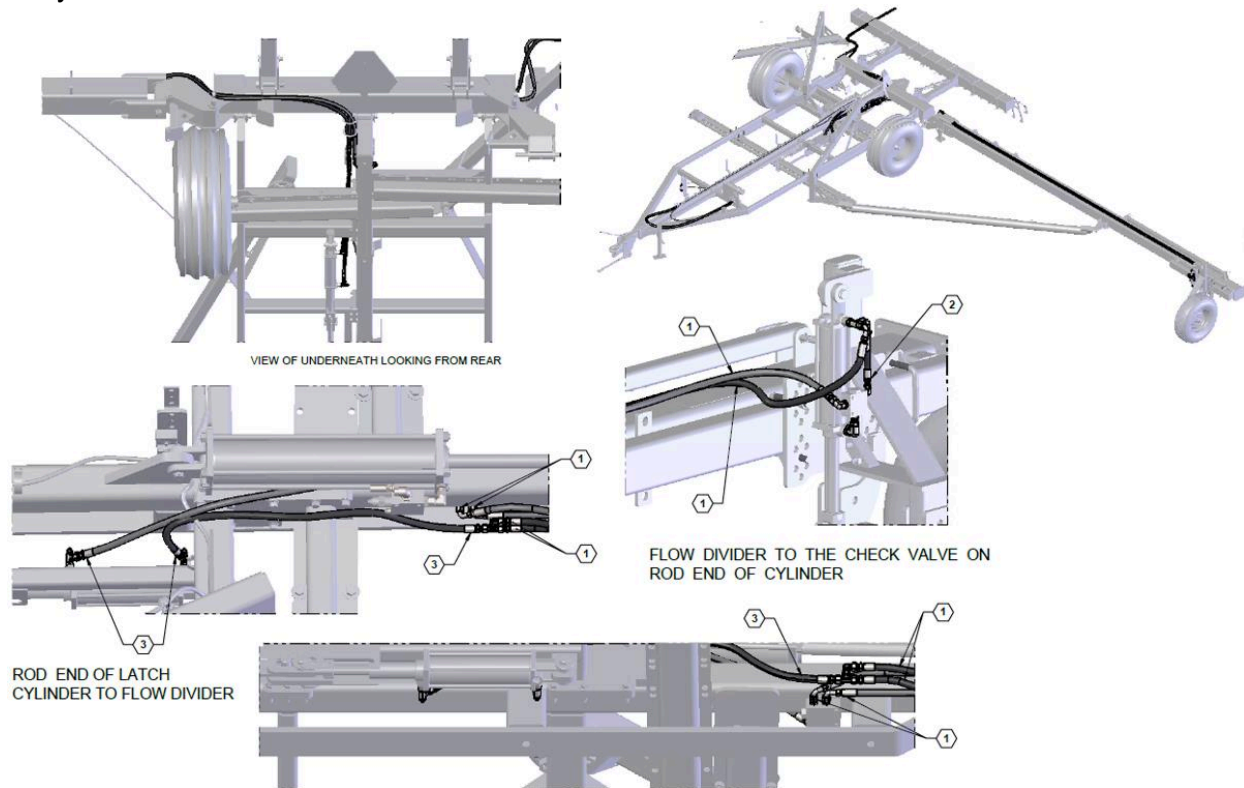
Parts List 600113: Center Cylinder Hydraulics

ITEM	PART NO.	QTY.	DESCRIPTION
1	600113-4	1	HOSE ASSY, 04-6FJX90-6FJX-20
2	600113-7	1	HOSE ASSY, 06-6FJX-8MOR-89
3	600113-12	1	HOSE ASSY, 06-6FJX-8MOR-222.5
4	600113-13	1	HOSE ASSY, 06-6FJX-6FJX-32
5	600113-14	1	HOSE ASSY, 06-6FJX-8FJX-139.5

Wing Fold Hydraulics

Black = Pressure

Gray = Return

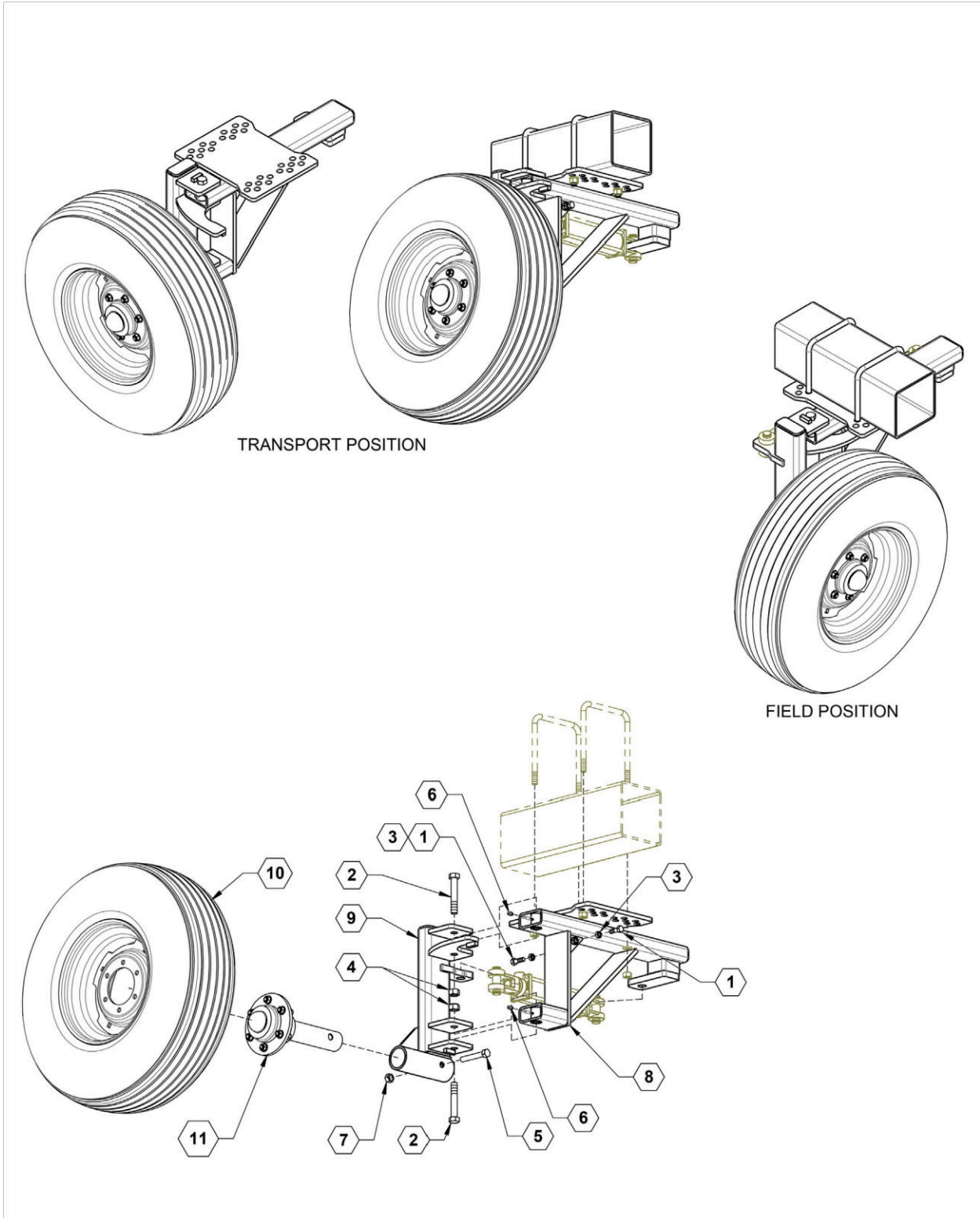


Parts List 600113: Wing Fold Hydraulics

ITEM	PART NO.	QTY.	DESCRIPTION
1	600113-5	4	HOSE ASSY, 06-6FJX90-6FJX-337
2	600113-6	2	HOSE ASSY, 04-6FJX90-4FJX-8
3	600113-8	2	HOSE ASSY, 06-6FJX-6FJX-47

WHEELS & HUBS

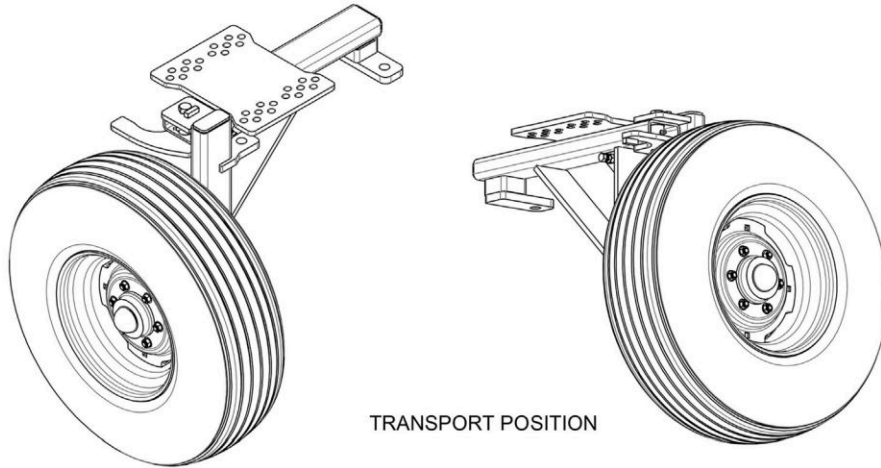
Wing Wheel, Right



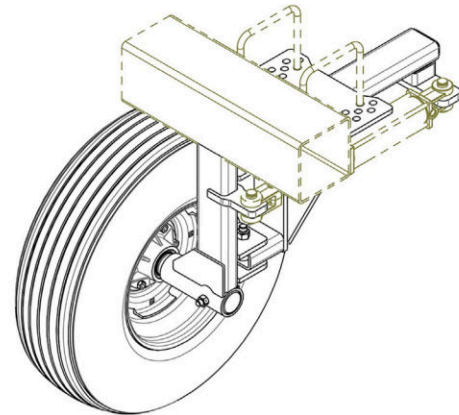
Parts List 28195: Wing Wheel, Right

ITEM	PART NO.	QTY.	DESCRIPTION
1	596332M	2	BOLT, HH 5/8-11 X 2-1/4 GR8 MAGNI
2	189	2	BOLT, HH 3/4-10 X 4 1/2 GR5 ZINC
3	224	2	NUT, HEX JAM 5/8-11 GR5 ZINC
4	233	2	NUT, HEX NYLOCK 3/4-10 ZINC
5	373	1	5/8-11 X 4 Gr8 Bolt
6	760	2	ZERK, GREASE 1/4-28 45~
7	817	1	NUT, CENTERLOCK, 5/8-11, GR8 ZINC
8	28018	1	WLDMT, RH REAR TIRE MOUNT
9	28193	1	WLDMT, RH REAR TIRE PIVOT
10	700210	1	WHEEL, TITAN 11L 15 SL, 6 BOLT
11	730113	1	HUB ASSY, N890

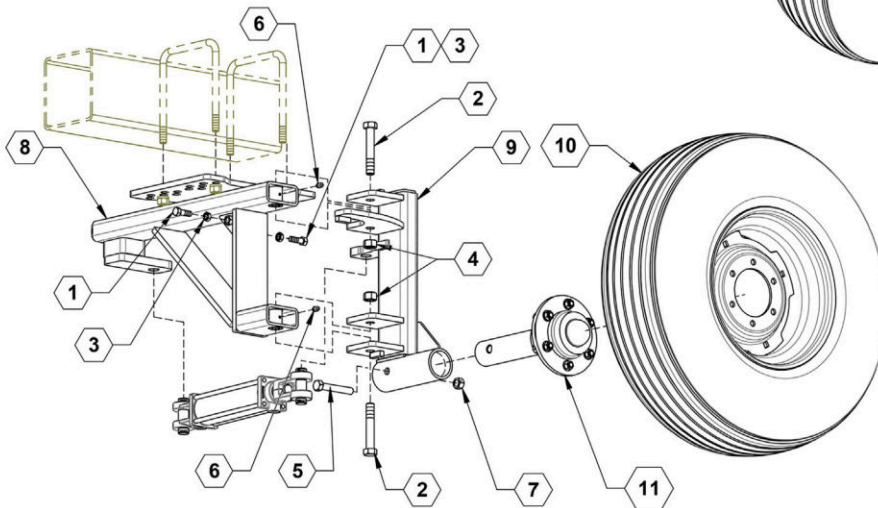
Wing Wheel, Left



TRANSPORT POSITION



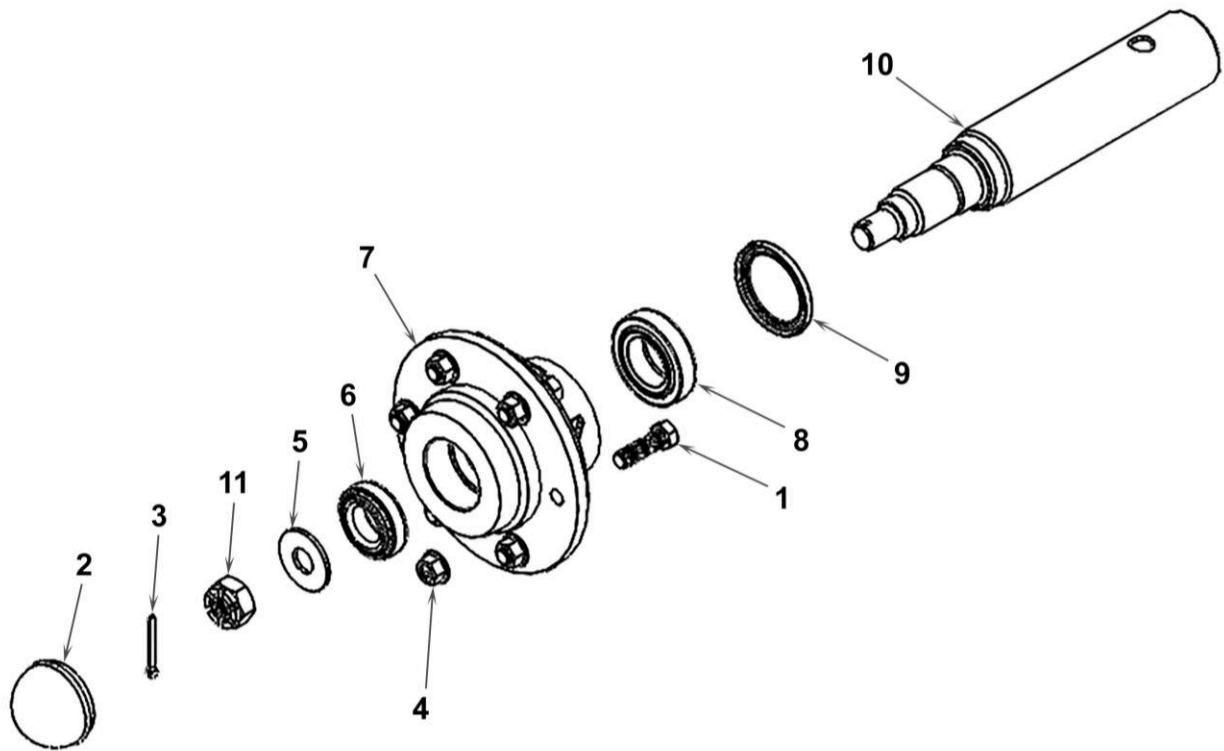
FIELD POSITION



Parts List 28196: Wing Wheel, Left

ITEM	PART NO.	QTY.	DESCRIPTION
1	596332M	2	BOLT, HH 5/8-11 X 2-1/4 GR8 MAGNI
2	189	2	BOLT, HH 3/4-10 X 4 1/2 GR5 ZINC
3	224	2	NUT, HEX JAM 5/8-11 GR5 ZINC
4	233	2	NUT, HEX NYLOCK 3/4-10 ZINC
5	373	1	5/8-11 X 4 Gr8 Bolt
6	760	2	ZERK, GREASE 1/4-28 45~
7	817	1	NUT, CENTERLOCK, 5/8-11, GR8 ZINC
8	28034	1	WLDMT, LH REAR TIRE MOUNT
9	28192	1	WLDMT, LH REAR TIRE PIVOT
10	700210	1	WHEEL, TITAN 11L 15 SL, 6 BOLT
11	730113	1	HUB ASSY, N890

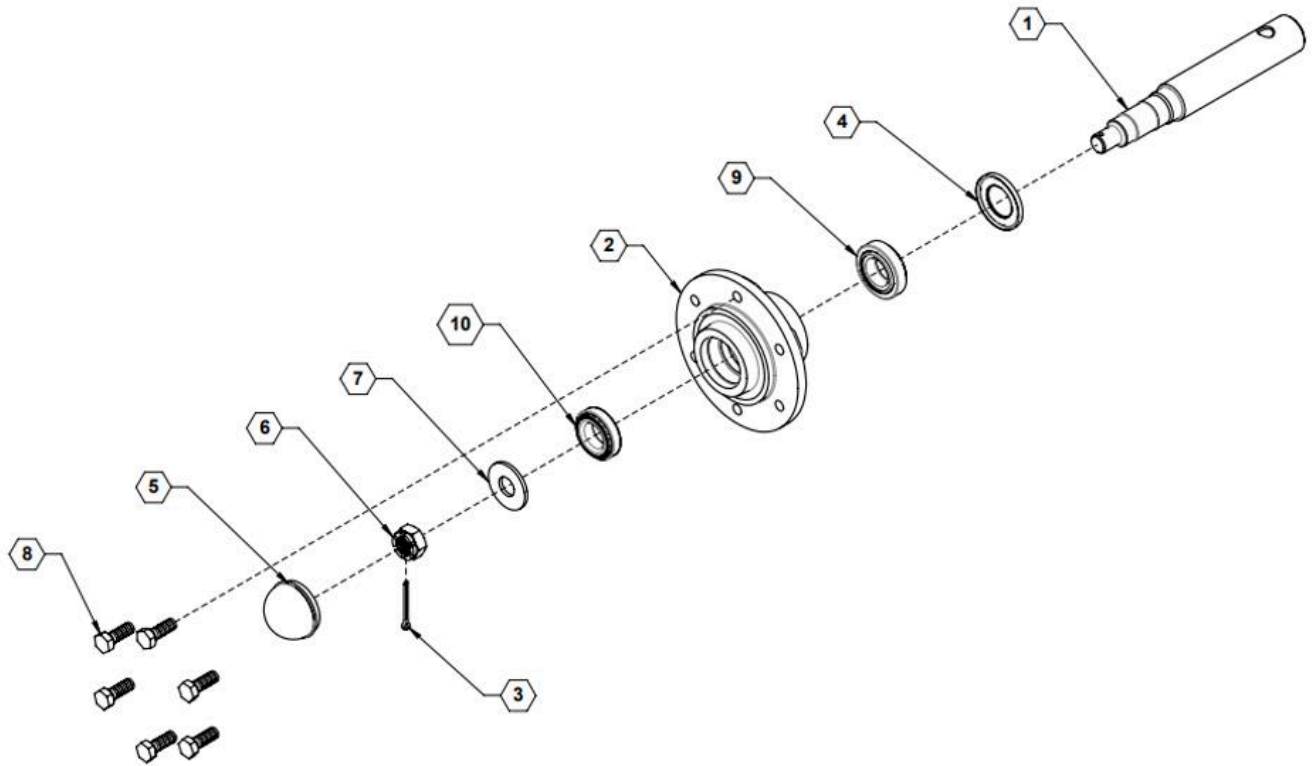
Hub Assembly, 6-Bolt N890 (for Wing Wheels)



Parts List 730113: Hub Assembly, 6-Bolt N890 (for Wing Wheels)

ITEM	VENDOR NO.	PART NO.	QTY.	DESCRIPTION
0		730113	1	COMPLETE HUB AND SPINDLE ASSEMBLY (N890)
1	913574		6	STUD
2	909905		1	CAP
3	905936		1	COTTER PIN
4	912927		6	NUT
5	913616		1	WASHER
6	LM67048		1	OUTER CUP AND CONE BEARING
7*	730113		1	HUB N890
8	LM501349		1	INNER CUP AND CONE BEARING
9	906985		1	SEAL
10*	730114		1	SPINDLE
11	912952		1	NUT

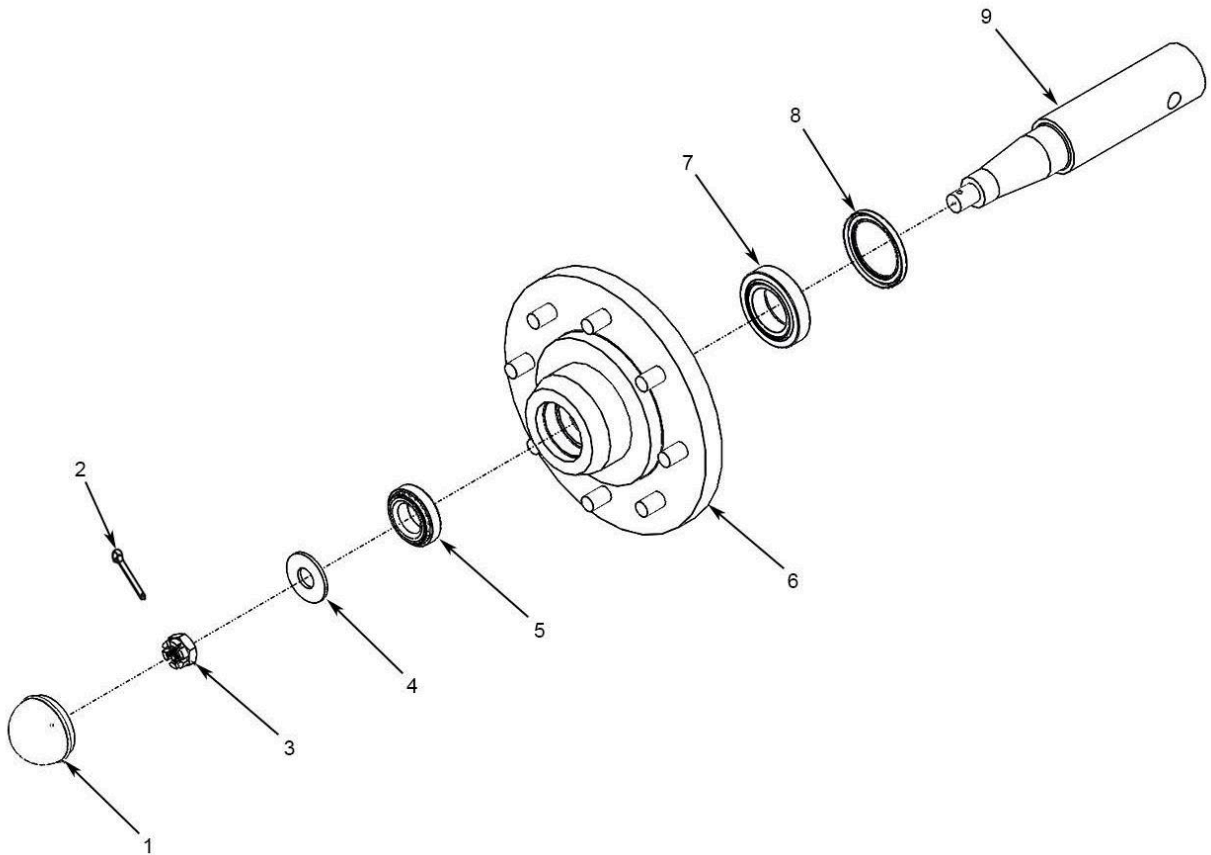
Hub Assembly, 6-Bolt N709 (for Main Trailer Pivot)



Parts List 730140: Hub Assembly, 6-Bolt N709 (for Main Trailer Pivot)

ITEM	VENDOR NO.	PART NO.	QTY.	DESCRIPTION
0		730140	1	COMPLETE HUB AND SPINDLE ASSEMBLY (N709)
1*	730140		1	SPINDLE *INCLUDED WITH 730140
2*	730140		1	HUB N709 *INCLUDED WITH 730140
3	905936		1	COTTER PIN
4	906283		1	SEAL
5	909905		1	HUB CAP
6	912952		1	NUT
7	913683		1	WASHER
8	943549		6	BOLT
9	LM48510		1	INNER CUP AND CONE BEARING
10	LM67010		1	OUTER CUP AND CONE BEARING

Hub Assembly, 8-Bolt N45-8 (for Main Trailer Wheels)



Parts List 730008: Hub Assembly, 8-Bolt N45-8 (for Main Trailer Wheels)

ITEM	VENDOR NO.	PART NO.	QTY.	DESCRIPTION
0		730008	1	COMPLETE HUB AND SPINDLE ASSEMBLY (N45-8)
1	909905		1	CAP
2	N/A	N/A	1	COTTER PIN
3	912953		1	NUT
4	913616		1	WASHER
5	LM67048		1	OUTER CUP AND CONE BEARING
6	730008		1	HUB
7	LM603049		1	INNER CUP AND CONE BEARING
8	906297		1	SEAL
9	07-08400		1	SPINDLE

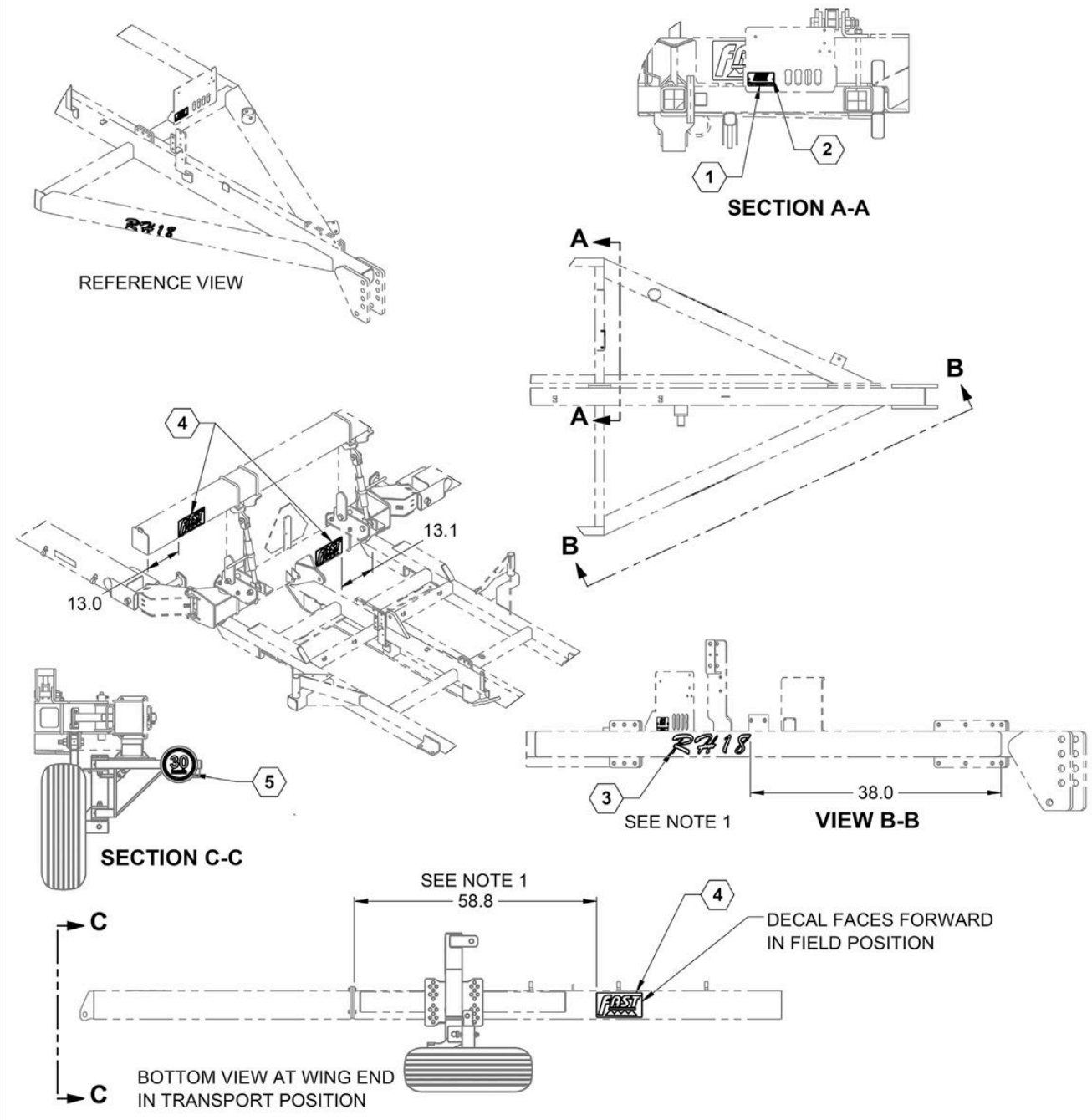


LIGHTS & DECALS

Decals, 15m & 18m Toolbar, Fast

NOTE:

1. DECALS ARE IN THE SAME LOCATIONS ON BOTH SIDES OF THE UNIT



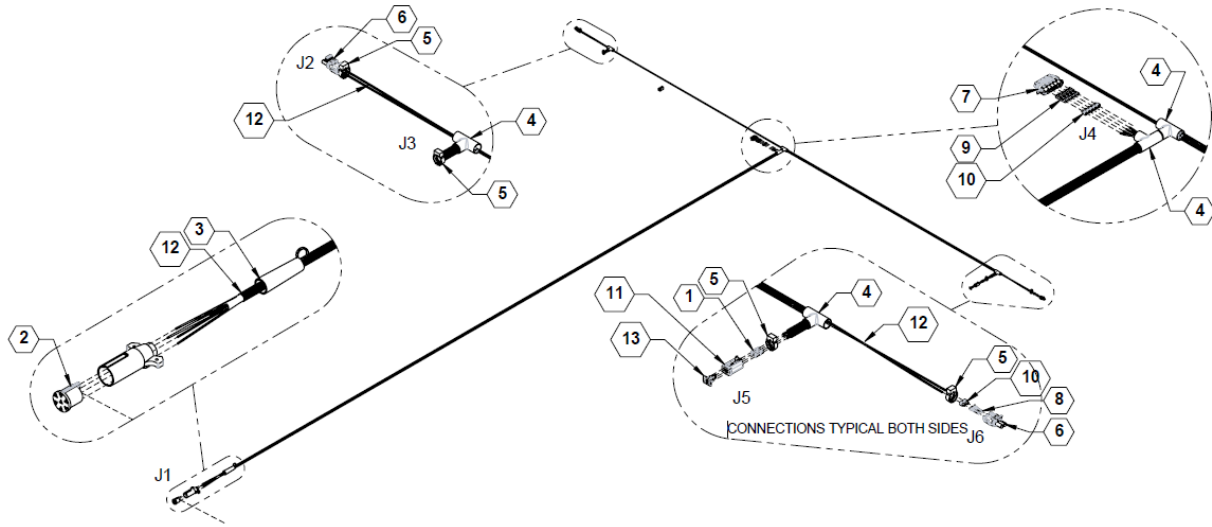


ILLUSTRATED PARTS LIST

Parts List 28130 / 28132: Decals, 15m & 18m Toolbar, Fast

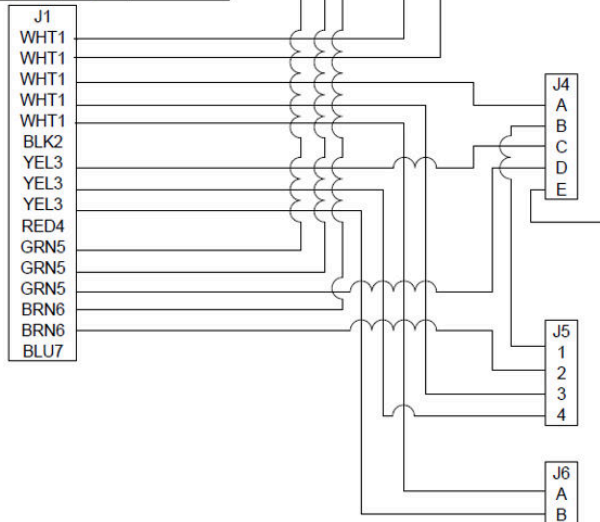
ITEM	PART NO.	QTY.	DESCRIPTION
1	590216	1	FAST SERIAL TAG
2	590341	2	RIVET, 1/8" STAINLESS
3	800270	2	DECAL, RH15 SILVER
	800271		DECAL, RH18 SILVER
4	800272	4	DECAL, FAST LOGO BLK/GRY
5	800306	1	DECAL, SIS, 20 mile/h
	800307		DECAL, SIS, 30 km/h

Taillight Harness



- J1 = 37673 TRAILER CONNECTOR
- J2 = 12010973 WEATHERPACK 2 PIN
- J3 = DT06-4S MALE DEUTSCH
- J4 = 12084891 FEMALE METRI PACK
- J5 = DT06-4S MALE DEUTSCH
- J6 = 12010973 WEATHERPACK 2 PIN

J1 CONNECTOR				
PIN	COLOR	SIZE	TO	PIN NO.
WHT1	WHITE	16 GA	J2 - A	-
WHT1	WHITE	16 GA	J3 - 3	-
WHT1	WHITE	16 GA	J4 - A	-
WHT1	WHITE	16 GA	J5 - 3	-
WHT1	WHITE	16 GA	J6 - A	-
BLK2	-	-	-	-
YEL3	YELLOW	16 GA	J4 - C	-
YEL3	YELLOW	16 GA	J5 - 4	-
YEL3	YELLOW	16 GA	J6 - B	-
RED4	-	-	-	-
GRN5	GREEN	16 GA	J2 - B	-
GRN5	GREEN	16 GA	J3 - 1	-
GRN5	GREEN	16 GA	J4 - D	-
BRN6	BROWN	16 GA	J3 - 2	-
BRN6	BROWN	16 GA	J5 - 2	-
BLU7	-	-	-	-



J2 CONNECTOR				
PIN	COLOR	SIZE	TO	PIN NO.
A	WHITE	16 GA	J1 - WHT1	12124580
B	GREEN	16 GA	J1 - GRN5	12124580

J3 CONNECTOR				
PIN	COLOR	SIZE	TO	PIN NO.
1	GREEN	16 GA	J1 - GRN5	1060-14-0122
2	BROWN	16 GA	J1 - BRN6	1060-14-0122
3	WHITE	16 GA	J1 - WHT1	1060-14-0122
4	PURPLE	16 GA	J4 - E	1060-14-0122

J4 CONNECTOR				
PIN	COLOR	SIZE	TO	PIN NO.
A	WHITE	16 GA	J1 - WHT1	15304719
B	BLUE	16 GA	J5 - 1	15304719
C	YELLOW	16 GA	J1 - YEL3	15304719
D	GREEN	16 GA	J1 - GRN5	15304719
E	PURPLE	16 GA	J4 - 4	15304719

J5 CONNECTOR				
PIN	COLOR	SIZE	TO	PIN NO.
1	BLUE	16 GA	J4 - B	1060-14-0122
2	BROWN	16 GA	J1 - BRN6	1060-14-0122
3	WHITE	16 GA	J1 - WHT1	1060-14-0122
4	YELLOW	16 GA	J1 - YEL3	1060-14-0122

J6 CONNECTOR				
PIN	COLOR	SIZE	TO	PIN NO.
A	WHITE	16 GA	J1 - WHT1	12124580
B	YELLOW	16 GA	J1 - YEL3	12124580

Parts List 740047: Taillight Harness

ITEM	PART NO.	QTY.	DESCRIPTION
1	0462-201-16141	8	DEUTSCH SIZE 16 FEMALE SOCKET
2	37673	1	Waytek Pollak 11-704 7-way Trailer Connector
3	37678	1	Waytek Pollak 11-763 Cable Guard Spring
4	8905798	4	WAYTEK DELPHI .50" LOOM TEE
5	8911377	4	DELPHI .500 CONDUIT CLIP
6	12010973	2	DELPHI MALE 2-CONTACT WEATHER PACK
7	12084891	1	5 PIN FEMALE METRI PACK CONNECTOR
8	12124580	4	16-14GA FEMALE TERMINAL
9	15304719	5	WAYTEK DELPHI GT280 SERIES 18-16 GA FEMALE TERMINAL
10	15324982	9	WAYTEK DELPHI 280 SERIES CABLE SEAL GREEN
11	DT06-4S	2	CONNECTOR, MALE DEUTSCH DT06-4S
12	LCP-500	A.R.	WAYTEK 1/2 CORRUGATED LOOM BLACK
13	W4S-P012	2	DEUTSCH 4 PIN WEDGE LOCK GREEN
14	WG16	A.R.	WHITE - 16 GA WIRE
15	WG16	A.R.	YELLOW - 16 GA WIRE
16	WG16	A.R.	GREEN - 16 GA WIRE
17	WG16	A.R.	GREEN - 16 GA WIRE
18	WG16	A.R.	GREEN - 16 GA WIRE
19	WG16	A.R.	WHITE - 16 GA WIRE
20	WG16	A.R.	WHITE - 16 GA WIRE
21	WG16	A.R.	BROWN - 16 GA WIRE
22	WG16	A.R.	PURPLE - 16 GA WIRE
23	WG16	A.R.	WHITE - 16 GA WIRE
24	WG16	A.R.	YELLOW - 16 GA WIRE
25	WG16	A.R.	WHITE - 16 GA WIRE
26	WG16	A.R.	YELLOW - 16 GA WIRE
27	WG16	A.R.	BLUE - 16 GA WIRE
28	WG16	A.R.	BROWN - 16 GA WIRE



Fast Ag Solutions
4130 Commerce Boulevard
Windom, MN 56101

1-800-772-9279 Toll Free

1-507-427-3861 Voice

1-507-427-3030 Fax

<https://fastagsolutions.com/>