



S50 - 120' / 146'
BIG ACRE
PARTS MANUAL



ILLUSTRATED PARTS LIST





Limited Warranty

Fast Ag Solutions warrants to the buyer that the new machinery is free from defects in material and workmanship.

This warranty is only effective as to any new machinery which has not been altered, changed, repaired or treated since its delivery to the buyer, other than by Fast Ag Solutions or its authorized dealers or employees, and does not apply to accessories, attachments, tools or parts, sold or operated with the new machinery, if they have not been manufactured by Fast Ag Solutions.

Fast Ag Solutions shall only be liable for defects in the materials or workmanship attributable to faulty material or bad workmanship that can be proved by the buyer, and specifically excludes liability for repairs arising as a result of normal wear and tear of the new machinery or in any other manner whatsoever, and without limiting the generality of the foregoing, excludes application or installation of parts not completed in accordance with this operator's manual, specifications, or printed instructions.

Written notice shall be given by registered mail, to the Manufacturer within seven (7) days after the defect shall have become apparent or the repairs shall have become necessary, addressed as follows:

Fast Ag Solutions
4130 Commerce Boulevard
Windom, MN 56101

This warranty shall expire one (1) year after the date of delivery of the new machinery.

If these conditions are fulfilled, Fast Ag Solutions shall at its own cost and at its own option either repair or replace any defective parts provided that the buyer shall be responsible for all expenses incurred as a result of repairs, labor, parts, transportation or any other work, unless Fast Ag Solutions has authorized such expenses in advance.

The warranty shall not extend to any repairs, changes, alterations, or replacements made to the new equipment other than by Fast Ag Solutions or its authorized dealers or employees.

This warranty extends only to the original owner of the new equipment.

Rubber parts (including tires, hoses, grommets) are not warranted.

This warranty is limited to the terms stated herein and is in lieu of any other warranties whether express or implied, and without limiting the generality of the foregoing, excluded all warranties, express or implied or conditions whether statutory or otherwise as to quality and fitness for any purpose of the new equipment. The Manufacturer disclaims all liability for incidental or consequential damages.

This Big Acre is subject to design changes and Fast Ag Solutions shall not be required to retrofit or exchange items on previously sold units except at its own option.

Warranty void if not registered.



ILLUSTRATED PARTS LIST

FAST BIG ACRE

Warranty Registration

This form must be filled out by the dealer and signed by both the dealer and the customer at the time of delivery.

Customer Name				
Address				
City		State		Zip
Phone				

Dealer Name				
Address				
City		State		Zip

Sprayer Model				
Serial Number				
Delivery Date				

Warranty Inspection Report

DEALER INSPECTION REPORT

- All Fasteners Tight
- Wheel Bolts Torqued
- Hydraulic Hoses and Fittings Free and Tight
- Fertilizer Hoses and Fittings Free and Tight
- Wheel Drive Turns Freely
- Lubricate Machine
- Check Tire Pressure
- Frame and Wings Level
- Monitors and Controllers Function
- Wiring Harness Connected

SAFETY

- Safety Chain Installed
- All Guards Installed
- All Safety Signs Installed
- Reflectors, SMV, and Lights Clean
- Review Operating and
- Safety Instructions

I have thoroughly instructed the buyer on the above-described equipment which review included the Operator's Manual content, equipment care, adjustments, safe operation, and applicable warranty policy.

Date _____
Dealer's Rep. Signature _____

The above equipment and Operator's Manual have been received by me, and I have been thoroughly instructed as to care, adjustments, safe operation, and applicable warranty policy.

Date _____
Owner's Signature _____

White - FAST
Yellow - Dealer
Pink - Customer



ILLUSTRATED PARTS LIST

FAST S50 Series Sprayer

SPRAYER SERIAL NUMBER _____

DATE PURCHASED _____ / _____ / _____

BOOM WIDTH _____

NOZZLE SPACING _____

MAIN PUMP:

(CIRCLE ONE)

ACE FMC-750 OASIS PWM

ACE FMC-755FS-HYD-M22-PWM

AGITATION PUMP:

(CIRCLE ONE)

ACE FMC-750F-HYD-M22-SAE

ACE FMC-750F-HYD-M22-SS

HYPRO 9316C3U-M08-CAST

HYPRO 9316C3U-M08-SS



General Information

All rights, especially copying and distribution rights are reserved. No part of this publication may be reproduced in any form or by any means, electronic or mechanical, including photocopying, without express written permission from Fast Ag Solutions.

Parts information in this manual represents components installed when product was manufactured based upon the best available information. Modifications made subsequent to initial delivery are not included. Always verify the parts and color required when ordering parts.

If you have any questions, please contact your Fast Ag Solutions Parts and Service Department.

Explanation of Parts Lists

The parts list is organized as follows:

Table of Contents

TRAILER & FRAME

TANK & PUMP

BOOM

PRODUCT PLUMBING on BOOM

PRODUCT PLUMBING on FRAME

PRODUCT ELECTRICAL COMP.S

HYDRAULICS

FOLD BOX ELECTRICAL

TRACKS & AXLES

LIGHTS, DECALS, & TAGS

The parts lists are broken down into sub-assemblies and listed in four (4) columns:

- **ITEM** - These numbers are found on the illustration associated with the parts list.
 - NS - This item is NOT SHOWN, included for reference.
- **QTY.** - This is the quantity of parts needed in an assembly.
 - AR - The quantity of this item is applied AS REQUIRED for the location.
- **PART NO.** - These are the part numbers associated with the ITEM.
- **DESCRIPTION** - This is the description of the part.



ILLUSTRATED PARTS LIST

Table of Contents

Section	Page
<i>Warranty Registration</i>	<i>iv</i>
<i>Warranty Inspection Report</i>	<i>iv</i>
<i>General Information</i>	<i>vi</i>
Table of Contents	vii
TRAILER & FRAME	11
<i>Trailer Frame</i>	<i>12</i>
Parts List 34001: Trailer Frame	<i>13</i>
<i>Boom Rest</i>	<i>14</i>
Parts List 34055: Boom Rest	<i>14</i>
<i>Base Trailer with Fittings</i>	<i>15</i>
Parts List 34000: Base Trailer with Fittings	<i>19</i>
<i>Manual Holder Assembly</i>	<i>22</i>
Parts List 34752: Manual Holder Assembly	<i>22</i>
<i>Tongue Jack with Handle</i>	<i>23</i>
Parts List 34131: Tongue Jack with Handle	<i>23</i>
TANK & PUMP	24
<i>5000 Gal. Tank</i>	<i>24</i>
Parts List 34100 / 34410: 5000 Gal. Tank	<i>25</i>
<i>Main Pumps</i>	<i>26</i>
Parts List 550044 / 550058: Main Pumps	<i>26</i>
<i>Agitation Pumps</i>	<i>27</i>
Parts List 550050 / 550051 / 550052 / 550053: Agitation Pumps	<i>27</i>
BOOM	28
<i>Boom Assembly 120'</i>	<i>28</i>
Parts List 34059: Boom Assembly 120'	<i>29</i>
<i>Boom Assembly 146'</i>	<i>33</i>
Parts List 34730: Boom Assembly 146'	<i>35</i>
<i>Swiveling Hose Clamp</i>	<i>39</i>
Parts List 37532: Swiveling Hose Clamp	<i>39</i>
<i>Touchdown Wheels</i>	<i>40</i>
Parts List 99RAUG1203PWLKKT: Touchdown Wheels	<i>40</i>
<i>Ultraglide Dual Sensor Kit</i>	<i>41</i>
Parts List 99RAUGISOTBSTK: Ultraglide Dual Sensor Kit	<i>41</i>
PRODUCT PLUMBING on BOOM	42



ILLUSTRATED PARTS LIST

<i>Product Supply, 10-section</i>	42
Parts List 34145: Wetboom Tubes, 10-section	42
<i>Nozzles, 120', 15" spacing</i>	44
Parts List 35106: Nozzles, 120', 15" spacing.....	45
<i>Nozzles, 120', 20" spacing</i>	46
Parts List 34657: Nozzles, 120', 20" spacing.....	47
<i>Nozzles, 146', 15" spacing</i>	48
Parts List 35105: Nozzles, 146', 15" spacing.....	49
<i>Nozzles, 146', 20" spacing</i>	51
Parts List 34731: Nozzles, 146', 20" spacing.....	52
<i>Manual Fenceline Nozzles</i>	54
Parts List 99EPFLN00: Manual Fenceline Nozzles	54
PRODUCT PLUMBING on FRAME.....	55
<i>Base Plumbing</i>	55
Parts List 34065: Base Plumbing	56
<i>Tank Vented Overflow Fittings</i>	58
Parts List 90SAFCOV: Tank Vented Overflow Fittings	58
<i>Hand Wash Faucet Fittings</i>	58
Parts List 90SAFCHWF: Hand Wash Faucet Fittings.....	58
<i>Rinse Ball, Elbow</i>	59
Parts List 90SARNSEBALLASY: Rinse Ball	59
<i>Rinse Ball, Elbow</i>	59
Parts List 90SARNSEBALLASYT: Rinse Ball	59
<i>Tank Agitation Fittings</i>	60
Parts List 90SALTRUMPET: Tank Agitation Fittings	60
<i>Strainer Drain</i>	60
Parts List 90SASC3: Strainer Drain.....	60
<i>High Volume Flowmeter</i>	61
Parts List 34320: High Volume Flowmeter	61
<i>High Flow Flowmeter Breakdown</i>	62
Parts List 632125: High Flow Flowmeter Breakdown.....	62
<i>Manual Sight Gauge</i>	63
Parts List 34456: Manual Sight Gauge.....	64
<i>Quick Fill Valve, 3"</i>	65
Parts List 90SA3QF: Quick Fill Valve, 3"	65
PRODUCT ELECTRICAL COMPS.....	66
<i>Pressure Transducer</i>	66
Parts List 28027: Pressure Transducer	66
<i>Electric Fenceline Nozzles</i>	67
Parts List 27360 / 27361: Electric Fenceline Nozzles	67



ILLUSTRATED PARTS LIST

<i>Boom XRT (120')</i>	68
Parts List 35907: Boom XRT (120')	69
<i>Raven Harnesses & Components</i>	70
Parts List: Raven Harnesses & Components.....	71
<i>Raven RCM Rate Controller</i>	72
Parts List 34103: Raven RCM Rate Controller	72
<i>Customer Supplied RCM/RC2000</i>	73
Parts List 47PCSJDRC__BTB: Customer Supplied RCM/RC2000	73
<i>Customer Supplied JD Greenstar</i>	74
Parts List 479CSJDGS__BTB: Customer Supplied JD Greenstar	74
<i>Customer Supplied Other / Non-ISO</i>	75
Parts List 631980: Customer Supplied Other / Non-ISO	75
HYDRAULICS	76
<i>Hydraulic Block Connections (631943)</i>	76
Parts List 600117: Hydraulic Block Connections (631943)	77
<i>Truss Boom Center</i>	78
Parts List 600131: Truss Boom Center.....	78
FOLD BOX ELECTRICAL	79
<i>Cab Fold Box</i>	79
Parts List 632207: Cab Fold Box	80
<i>Cab Agitation & Rinse Box</i>	82
Parts List 632155: Cab Agitation & Rinse Box	83
<i>Cab Agitation & Rinse Box Harness</i>	84
Parts List 632156: Cab Agitation & Rinse Box Harness	85
<i>Cab Display, Raven CR7</i>	86
Parts List 9920RACR7ISOPH / 9920RACR7ISOPHJD / 9920RACR7ISOH: Cab Display, Raven CR7	86
TRACKS & AXLES	87
<i>Adjustable Track Axle, 120"</i>	87
Parts List 34090: Adjustable Track Axle, 120"	87
<i>36" Camso Tracks</i>	88
Parts List 700213 / 700214: 36" Camso Tracks	88
LIGHTS, DECALS, & TAGS	89
<i>Standard Decals</i>	89
Parts List: Standard Decals	89
<i>Slow-Moving-Vehicle Sign Assembly</i>	94
Parts List 90SASMV: Slow-Moving-Vehicle Sign Assembly	94



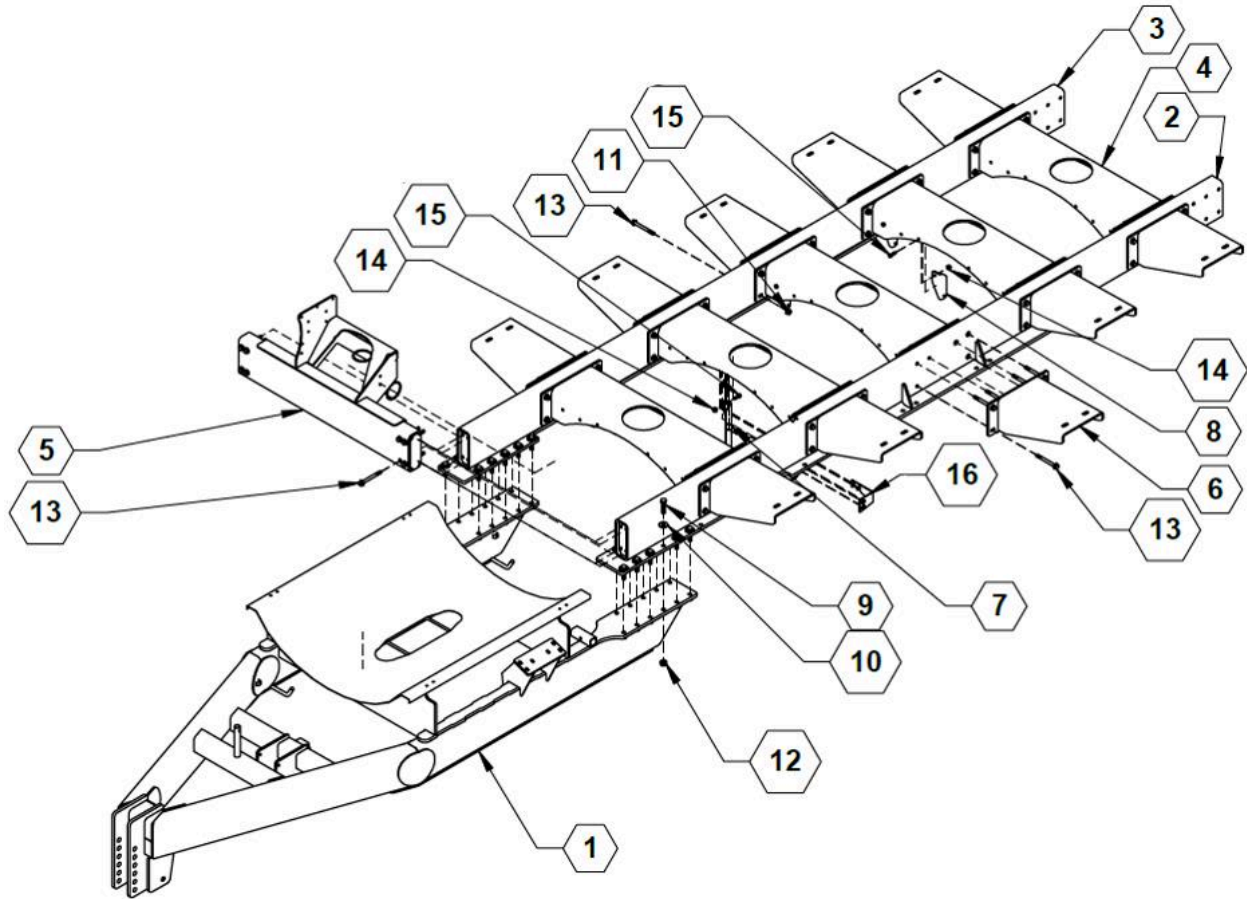
ILLUSTRATED PARTS LIST





TRAILER & FRAME

Trailer Frame



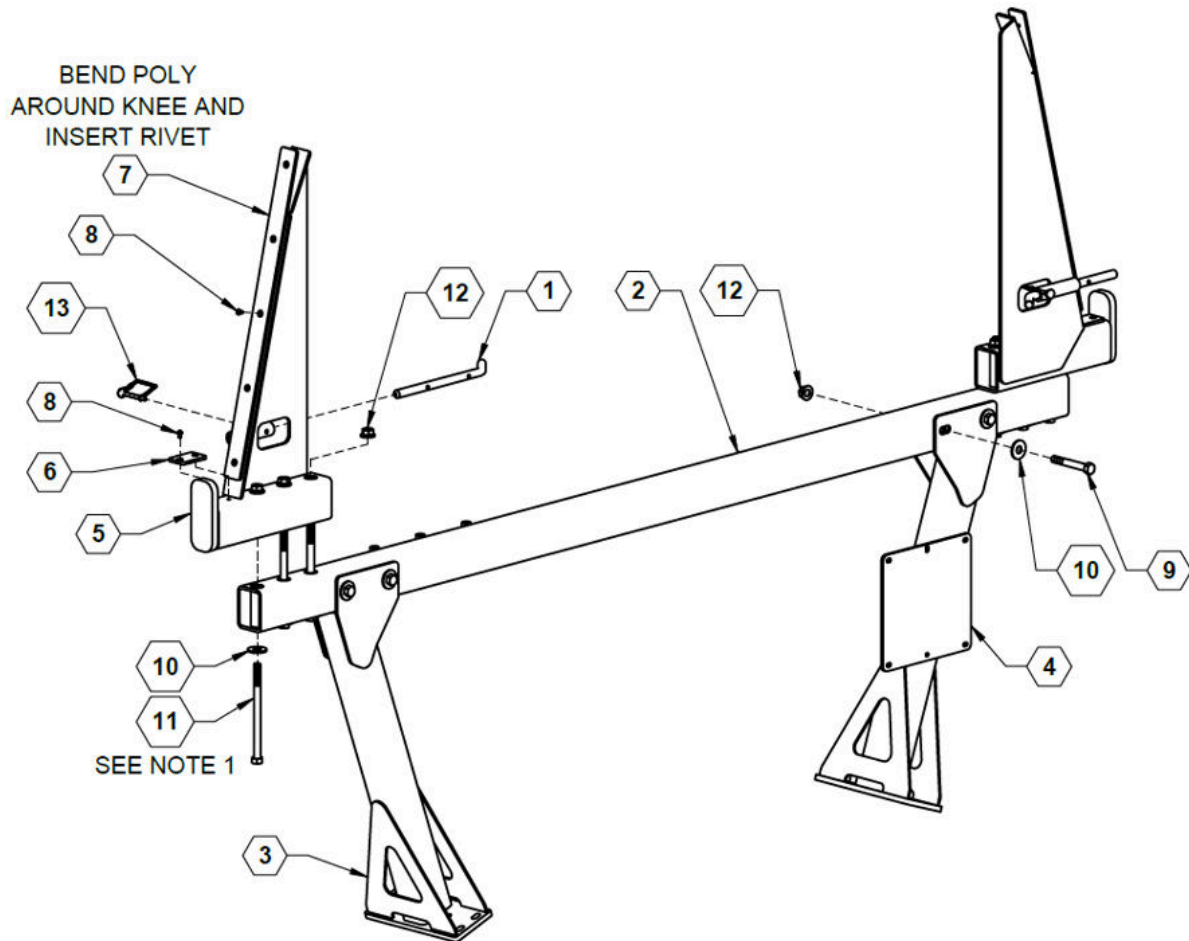


ILLUSTRATED PARTS LIST

Parts List 34001: Trailer Frame

ITEM	PART NO.	QTY.	DESCRIPTION
1	34015	1	WLDMNT, POLY TANK FRONT
2	34512	1	WLDMNT, LH FRAME RAIL
3	34513	1	WLDMNT, RH FRAME RAIL
4	34515	5	WLDMNT, FRAME CROSS MEMBER
5	34518	1	WLDMNT, FRAME FRONT
6	34582	10	WLDMNT, POLY TANK MINT
7	34583	1	PLATE, P-CLIP MOUNT LONG
8	34584	3	PLATE, P-CLIP MOUNT SHORT
9	596186M	22	BOLT, HH 3/4-10 FT X 3 GR8 MAGNI
10	596259M	22	WASHER, FLAT 3/4 MAGNI
11	596742M	60	NUT, TOP LOCK FLANGE 5/8-11 MAGNI
12	596775M	22	NUT, HEX FLANGE 3/4-10 GR8 MAGNI
13	596851M	68	BOLT, FLANGE 5/8 -11 X 6" GR 8 MAGNI
14	596771M	4	NUT, HEX FLANGE 1/2-13 MAGNI
15	596153M	4	BOLT, HH 1/2-13X1-1/2 GR5 MAGNI
16	35512	1	STRAINER BRACKET
17	596258M	4	WASHER, FLAT 3/8 MAGNI
18	596128M	2	BOLT, HH 3/8-16 X 1 GR5 MAGNI
19	596237M	2	NUT, CENTERLOCK 3/8-16 MAGNI
20	596256M	4	WASHER, FLAT 1/4 USS MAGNI
21	596115M	2	BOLT, HH 5/16-18X1 GR5 MAGNI
22	596228M	2	NUT, HEX NYLOCK 5/16-18 MAGNI

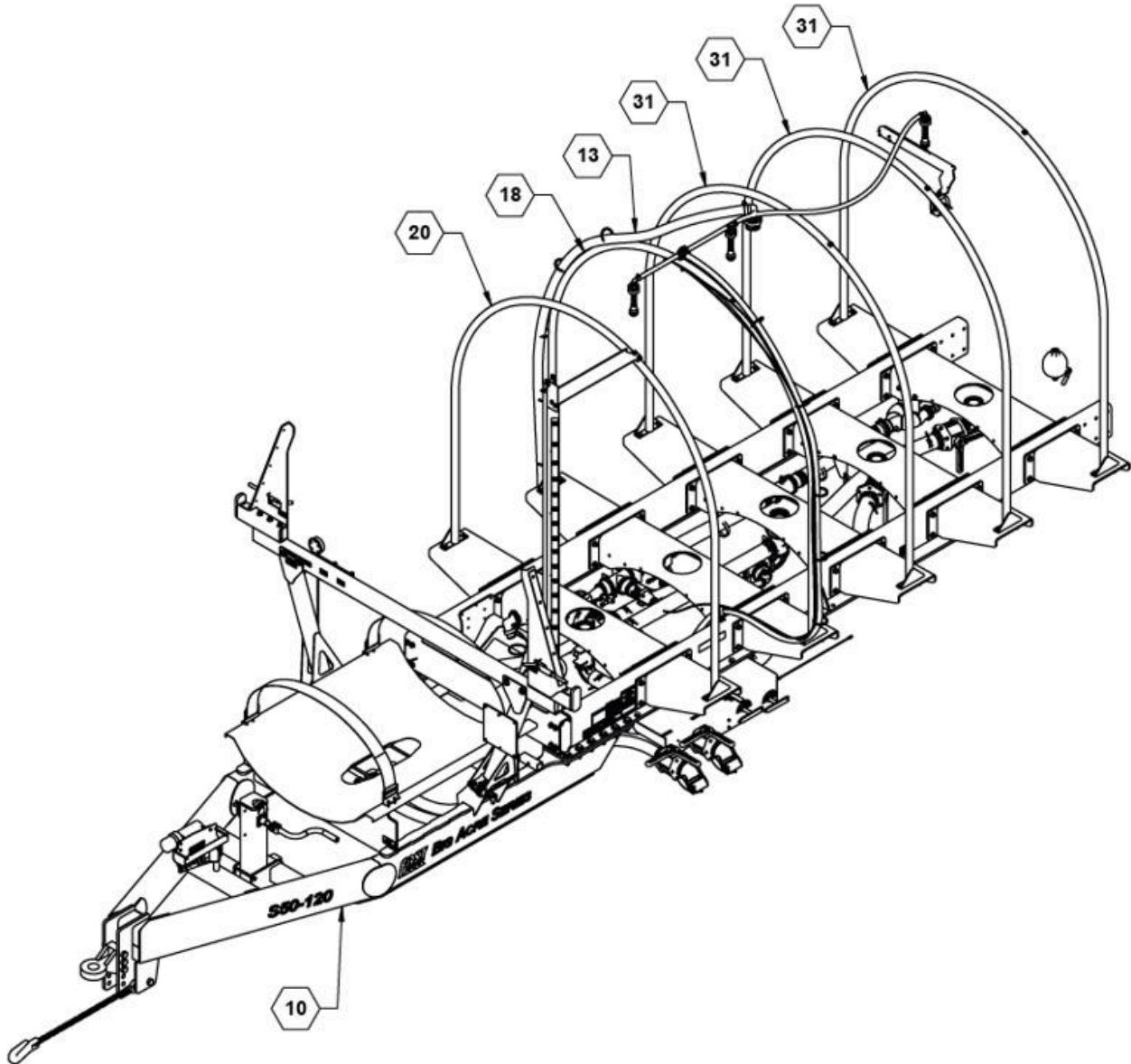
Boom Rest

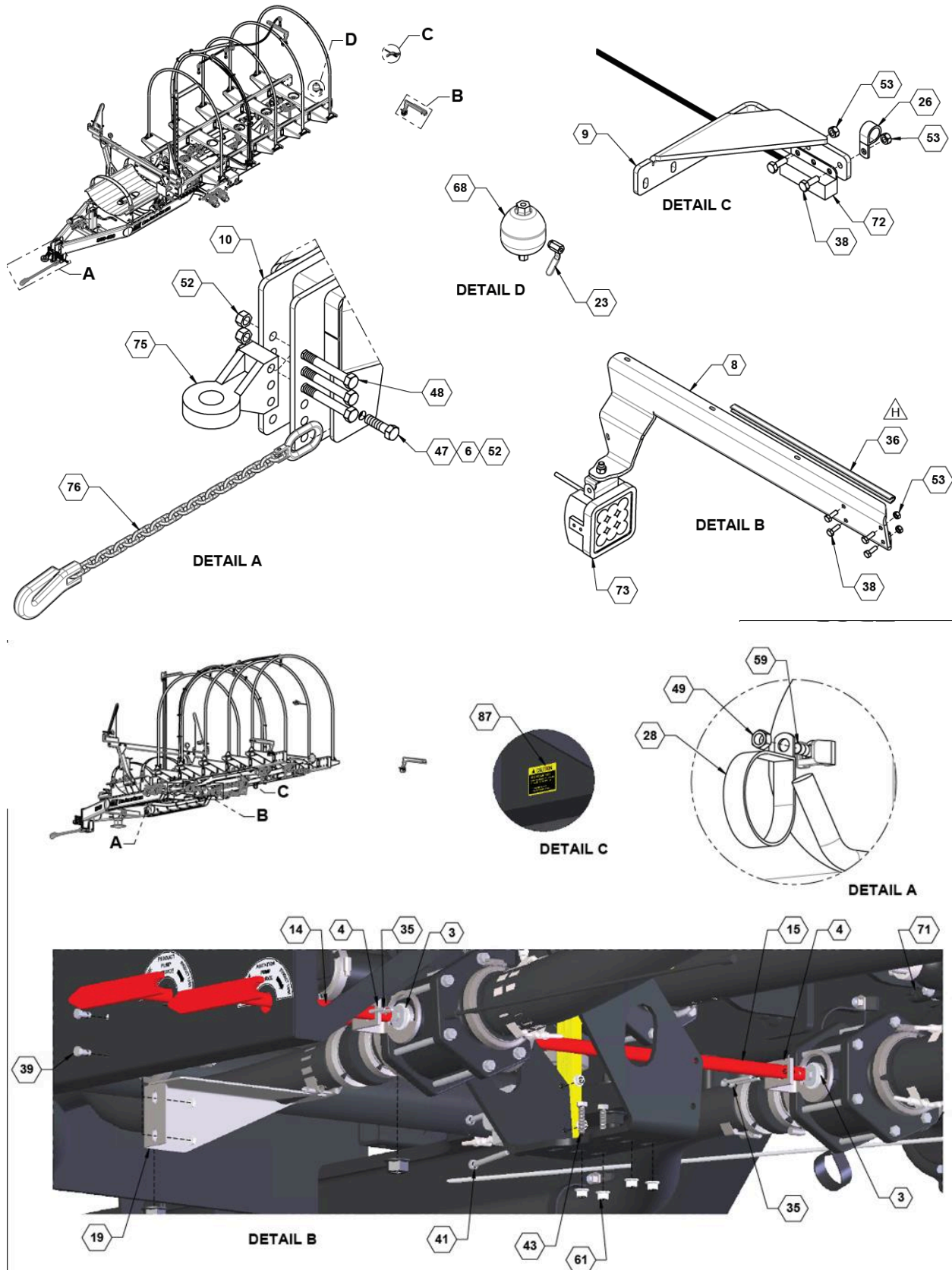


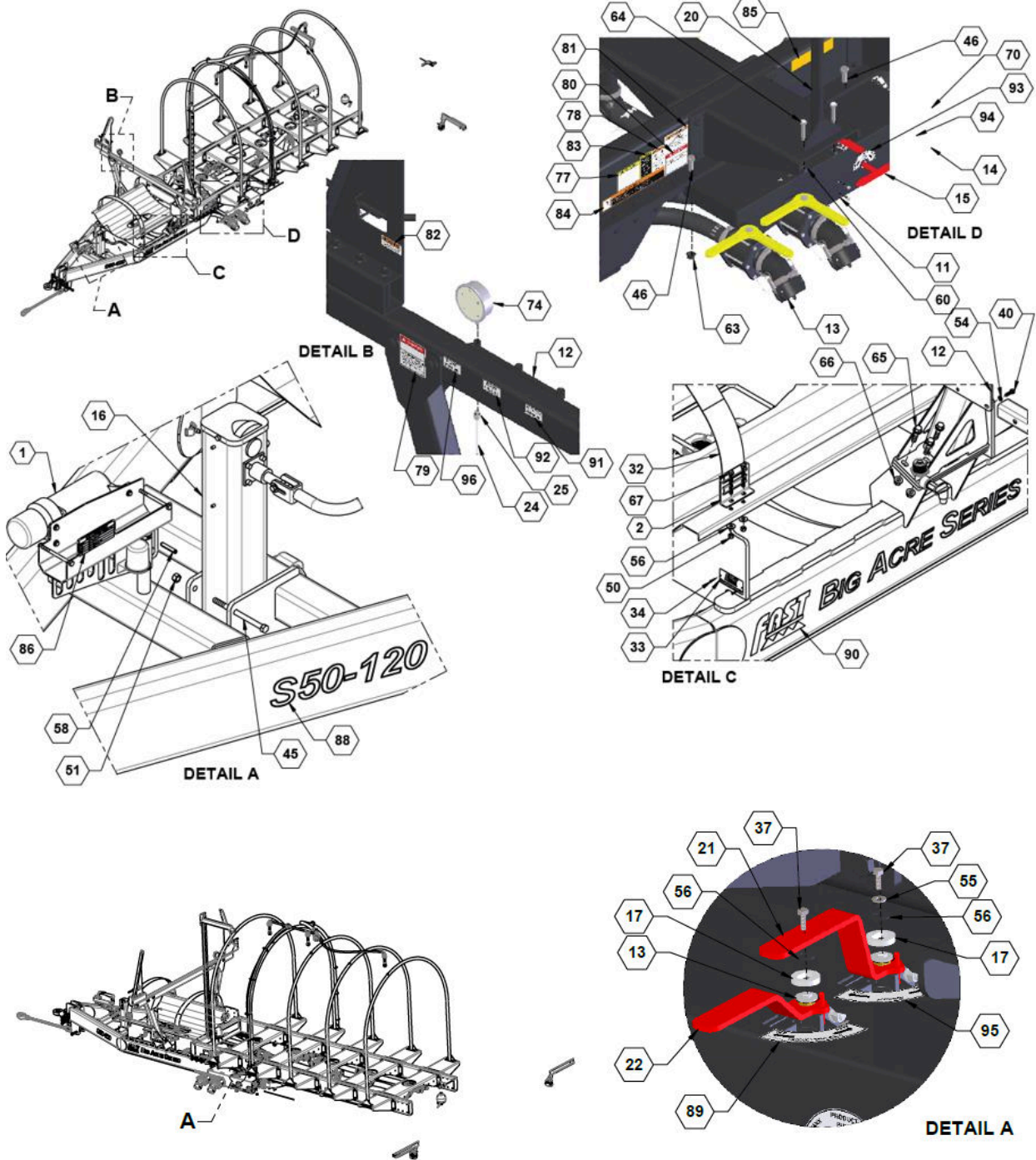
Parts List 34055: Boom Rest

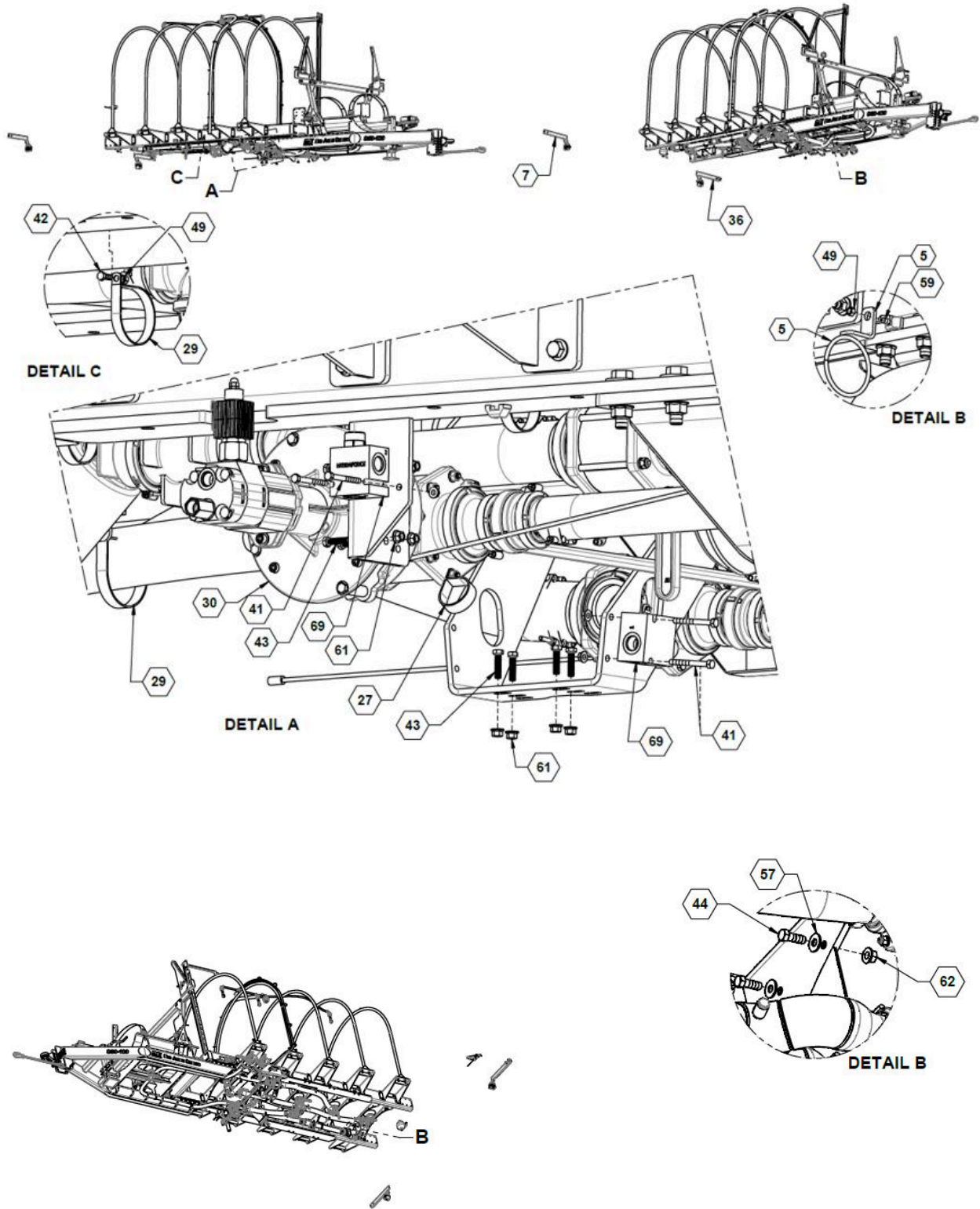
ITEM	PART NO.	QTY.	DESCRIPTION
1	7618	2	3/4" CRR 1018, 14" LG
2	34043	1	WLDMNT, WING REST
3	34045	1	WLDMNT, WING REST SUB
4	34417	1	WLDMNT, LH WING REST SUB
5	37525	2	WLDMNT, WING REST
6	590106	2	PAD, TRANSPORT
7	590431	2	POLY, WING BUMP
8	590581	14	RIVET, POUND IN, 1/4 X 7/16
9	596177M	4	BOLT, HH 5/8-11 X 4-1/2 GR5 MAGNI
10	596261M	10	WASHER, FLAT 5/8 MAGNI
11	596477M	6	BOLT, HH 5/8 X 9 GR5 MAGNI
12	596742M	10	NUT, TOP LOCK FLANGE 5/8-11 MAGNI
13	720001	2	SNAP PIN, 5/16

Base Trailer with Fittings











ILLUSTRATED PARTS LIST

Parts List 34000: Base Trailer with Fittings

ITEM	PART NO.	QTY.	DESCRIPTION
1	90SAHMH	1	HOSE/MANUAL HOLDER
2	3019	4	STRAP BUCKLE
3	7233	2	VALVE HANDLE COLLAR
4	10099	2	PLATE, VALVE HANDLE ADAPTER
5	15166	1	BRACKET, RING HOSE HOLDER
6	15835	1	BUSHING, SAFETY CHAIN SPACER
7	28940	1	PLATE, RH SPRAY LIGHT BRACKET
8	28942	1	PLATE, LH BLUE SPRAY LIGHT MOUNT
9	28949	1	PLATE, PROX SWITCH MOUNT
10	34001	1	ASSY, POLY TANK FRAME
11	34036	1	WLDMNT, PLUMB STATION
12	34055	1	ASSY, BOOM REST
13	34065	1	ASSY, POLY TANK PRODUCT
14	34127	1	WLDMNT, VALVE HANDLE SHORT
15	34130	1	WLDMNT, VALVE HANDLE
16	34131	1	ASSY, 25K JACK W HANDLE
17	34132	2	VALVE HANDLE COLLAR
18	34418	1	WLDMNT, HOSE RING HOOP
19	34420	1	PLATE, VALVE SUPPORT
20	34496	1	WLDMNT, HOSE HOOP WITH NUTS
21	34680	1	ASSY, TALL VALVE HANDLE
22	34681	1	ASSY, VALVE HANDLE
23	500000	1	VALVE, BALL SAE#4 FEM PORT
24	510023	12FT	HOSE, BLACK POLY, 1/4"
25	530001	1	MALE CONNECTOR, 1/4" X 1/4"
26	540049	1	CLAMP, LOOP, .625, .50 WIDE, W/ .281 HOLE, VINYL COATED
27	540051	2	P-CLAMP, 2" W/3/8" HOLE
28	540052	12	P-CLAMP, 3" W/3/8" HOLE
29	540053	6	P-CLAMP, 4" W/3/8" HOLE
30	550044	1	PUMP, 750 OASIS W/ PWM
31	570161	3	TANK HOLDDOWN, 5025 GAL
32	580000	16	FT 300 GALLON TANK STRAP
33	590216	1	FAST SERIAL TAG
34	590341	2	RIVET, 1/8" STAINLESS
35	590403	4	COTTER PIN, 1/4" X 2"



ILLUSTRATED PARTS LIST

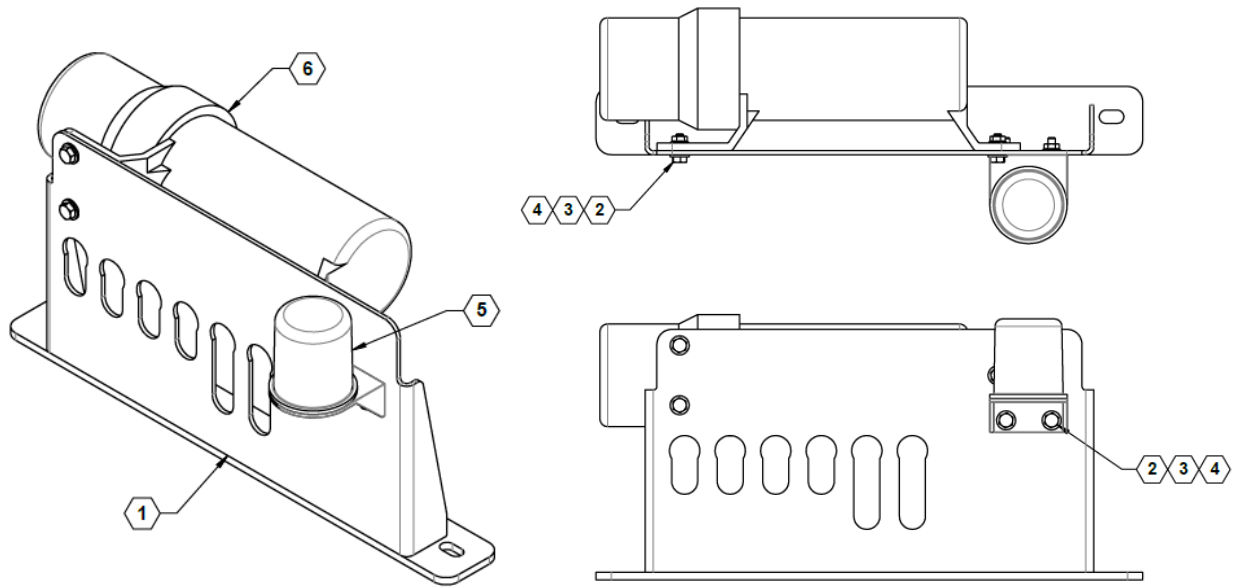
ITEM	PART NO.	QTY.	DESCRIPTION
36	590459	5	(FT) TRIM, EDGE GUARD 1/4
37	596101M	2	BOLT, HH 1/4-20 X 3/4 GR5 MAGNI
38	596101M	10	BOLT, HH 1/4-20 X 3/4 GR5 MAGNI
39	596114M	2	BOLT, HH 5/16-18X3/4 GR5 MAGNI
40	596115M	4	BOLT, HH 5/16-18 X 1 GR5 MAGNI
41	596119M	4	BOLT, HH 5/16-18 X 3 GR5 MAGNI
42	596128M	4	BOLT, HH 3/8-16 X 1 GR5 MAGNI
43	596129M	8	BOLT, HH 3/8-16X1-1/2 GR5 MAGNI
44	596153M	2	BOLT, HH 1/2-13X1-1/2 GR5 MAGNI
45	596164M	3	BOLT, HH 1/2X7 GR5 MAGNI
46	596184M	3	BOLT, HH 3/4X2 GR5 MAGNI
47	596201M	1	BOLT, HEX 1-8 X 3-1/2 GR5 MAGNI
48	596208M	3	BOLT, HH 1-8X6-3/4 GR5 MAGNI
49	596213M	21	NUT, HEX 3/8-16 MAGNI
50	596229M	8	NUT, HEX NYLOCK 3/8-16 MAGNI
51	596231M	3	NUT, HEX NYLOCK 1/2-13 MAGNI
52	596234M	4	NUT, HEX NYLOCK 1-8 MAGNI
53	596235M	10	NUT, CENTERLOCK, 1/4-20 MAGNI
54	596249M	4	LOCKWASHER 5/16 MAGNI
55	596256M	2	WASHER, FLAT 1/4 USS MAGNI
56	596258M	10	WASHER, FLAT 3/8 MAGNI
57	596260M	2	WASHER, FLAT 1/2 MAGNI
58	596300M	1	SPRING PIN, 3/8 X 2 MAGNI
59	596592M	16	BOLT, CARRIAGE 3/8-16 X 1 MAGNI
60	596742M	20	NUT, TOP LOCK FLANGE 5/8-11 MAGNI
61	596769M	8	NUT, HEX FLANGE 3/8-16 MAGNI
62	596771M	2	NUT, HEX FLANGE 1/2-13 MAGNI
63	596775M	3	NUT, HEX FLANGE 3/4-10 GR8 MAGNI
64	596779M	20	BOLT, HH 5/8 X 3 G8 MAGNI
65	596819M	12	BOLT, FLANGED 1/2 X 2 G8 MAGNI
66	596820M	12	LOCKNUT, FLANGED 1/2-13 G8 MAGNI
67	596838M	8	BOLT, HH 3/8-16 X 3 FULL THREAD GR5 MAGNI
68	630020	1	ACCUMULATOR, 85 CU.
69	630057	2	FLOW REGULATOR, 16 GPM
70	631848	1	12' FLOWMETER CABLE EXT
71	632036	1	TRANSDUCER, PRESSURE
72	632121	1	PROX SWITCH, PARKER



ILLUSTRATED PARTS LIST

ITEM	PART NO.	QTY.	DESCRIPTION
73	740058	2	LARSEN BLUE LED SPRAY LIGHT
74	790020	1	GAUGE, FAST LOGO 160PSI
75	790082	1	HITCH CAT 5 BLACK ARTICULATING
76	790083	1	SAFETY CHAIN, 80,000 LB
77	800002	1	DECAL, CAUTION, STD SAFETY WARNINGS
78	800004	1	DECAL, WARNING-HIGH PRESSURE
79	800006	1	DECAL, DANGER ELECTROCUTION HAZARD
80	800007	1	DECAL, DANGER-CHEMICAL HAZARD
81	800009	1	DECAL, OVERHEAD WARNING
82	800010	2	DECAL, SAFETY PIN
83	800101	1	DECAL, CAUTION-AG CHEMICAL
84	800104	1	DECAL, WARNING-DO NOT SPEED
85	800110	2	DECAL, AMBER, REFLECTOR
86	800208	1	DECAL, SPRAYER HYD HOSE KEY
87	800259	2	DECAL, CAUTION - TRACK FIRE
88	800333	2	DECAL, S50-120 SILVER
89	800336	1	DECAL, PRODUCT TANK RINSE
90	800337	2	DECAL, BIG ACRE SERIES
91	800339	1	DECAL, AGITATION PRESSURE
92	800340	1	DECAL, BOOM PRESSURE
93	800341	1	DECAL, PRODUCT PUMP RINSE
94	800342	1	DECAL, AGITATION PUMP RINSE
95	800343	1	DECAL, AGITATION ON OFF
96	800370	1	DECAL, PUMP PRESSURE

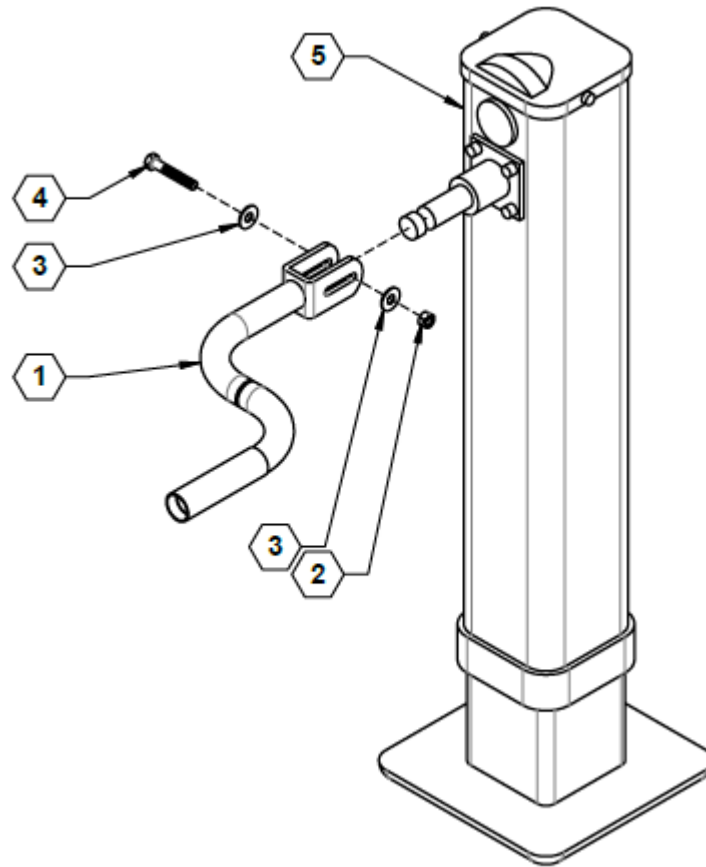
Manual Holder Assembly



Parts List 34752: Manual Holder Assembly

ITEM	PART NO.	QTY.	DESCRIPTION
1	34753	1	WLDMNT, MANUAL HOLDER
2	596101M	5	BOLT, HH 1/4-20X3/4 GR5 MAGNI
3	596256M	5	WASHER, FLAT 1/4 USS MAGNI
4	596767M	5	NUT, HEX FLANGE 1/4-20 MAGNI
5	740018	1	LIGHT HARNESS HOLDER
6	750048	1	MANUAL HOLDER

Tongue Jack with Handle

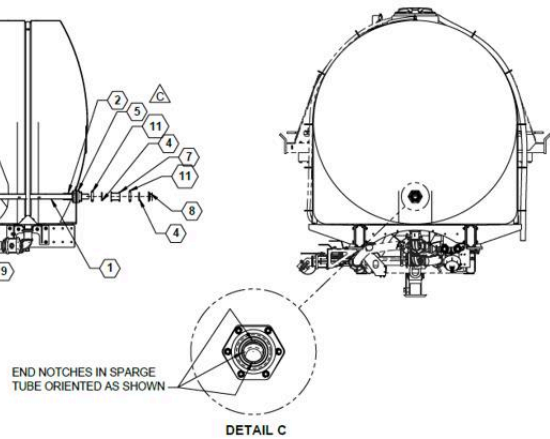
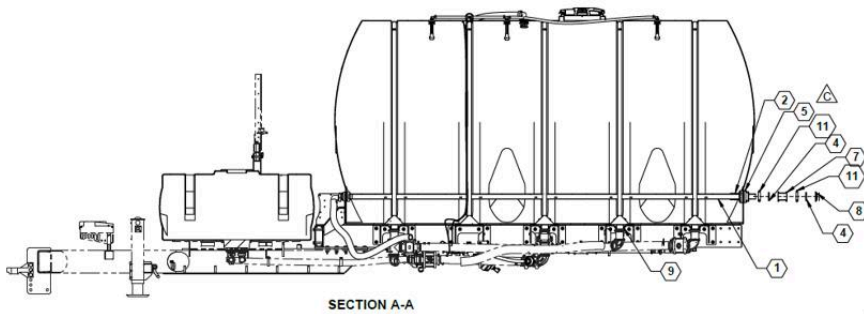
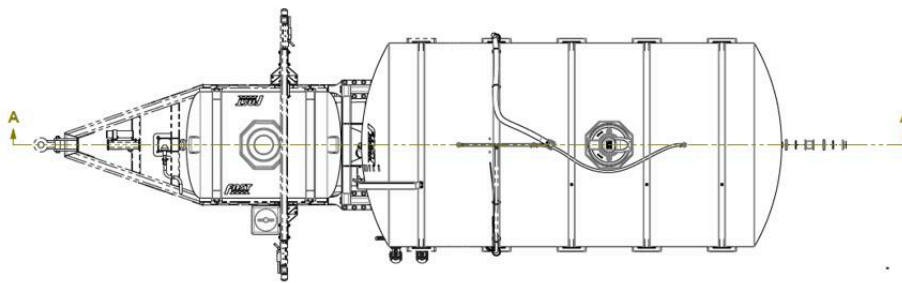
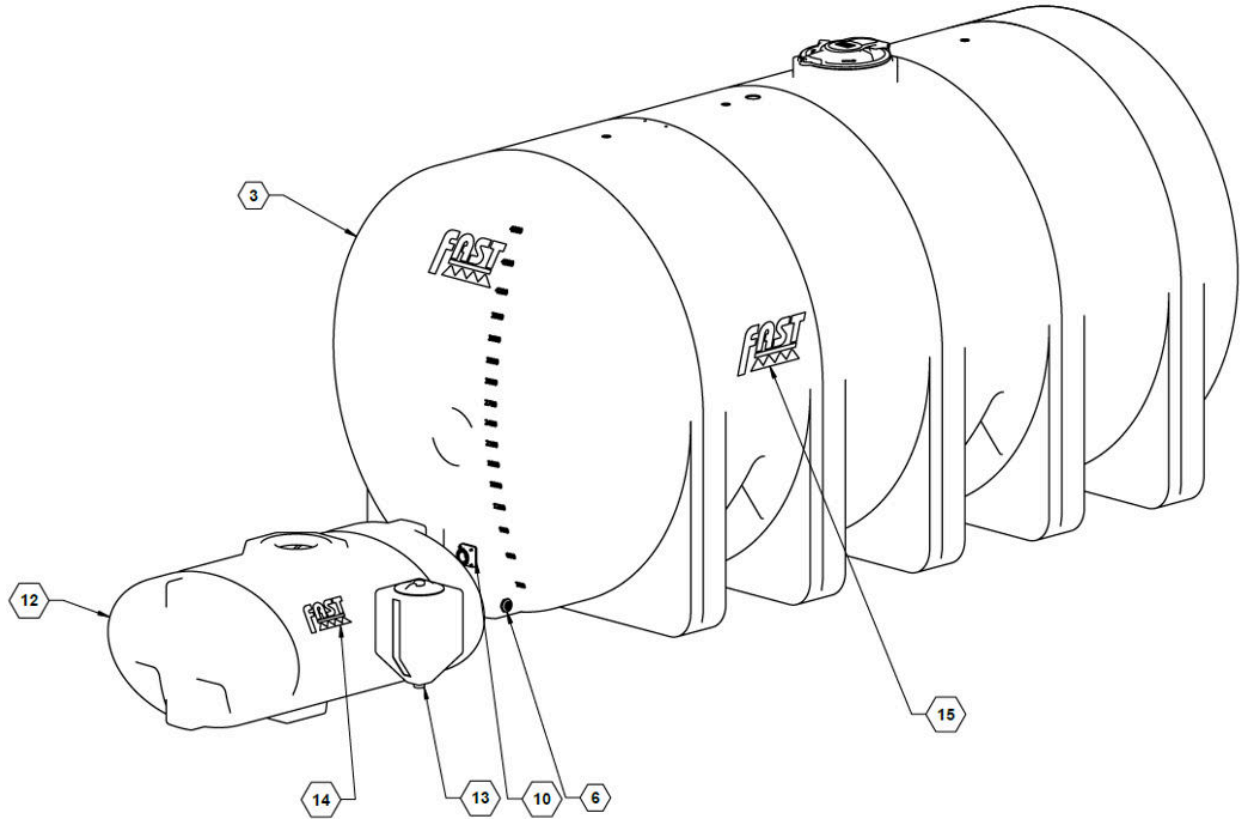


Parts List 34131: Tongue Jack with Handle

ITEM	PART NO.	QTY.	DESCRIPTION
1	17846	1	JACK CRANK WLDMT
2	596237M	1	NUT, CENTERLOCK 3/8-16 MAGNI
3	596258M	2	WASHER, FLAT 3/8 MAGNI
4	596636M	1	BOLT, HH 3/8-16X2-1/4 GR5 MAGNI
5	790045	1	JACK, JOST, 25,000 LB LIFTING

TANK & PUMP

5000 Gal. Tank



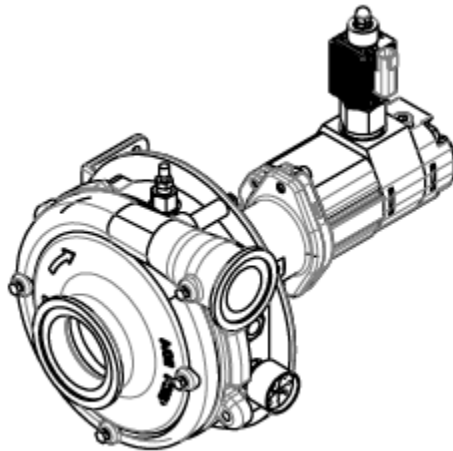


ILLUSTRATED PARTS LIST

Parts List 34100 / 34410: 5000 Gal. Tank

ITEM	PART NO.	QTY.	DESCRIPTION
1	34120	1	WLDMNT, SS SPARGE TUBE
2	34495	1	HOSE BARB, 3" WITH 2.45"ID
3	34591	1	TANK, 5025 GAL WHITE SPRY CUTS
4	530024	2	GASKET, 3" EPDM
5	530120	1	FITTING, 6 BOLT 3" FLANGE X 3" FPT
6	530160	1	FLANGE, 3/4" POLY TANK
7	530443	1	FLANGE COUPLING 3"
8	530456	1	CAP, 3" MANIFOLD
9	530508	4	FITTING, 3" BOLTED FLANGE BOTTOM DRAIN
10	530531	1	2" FP MANIFOLD TANK FLANGE W/ 2-1/2" BOLTS
11	540003	2	CLAMP, 3 INCH WORM SCREW
12	570022	1	300 Gallon White Elliptical Tank
13	570092	1	TANK, 10 GAL, WHITE
14	800080	2	DECAL, FAST 6" X 12.5" BLACK/GREY
15	800181	3	FAST TANK LOGO

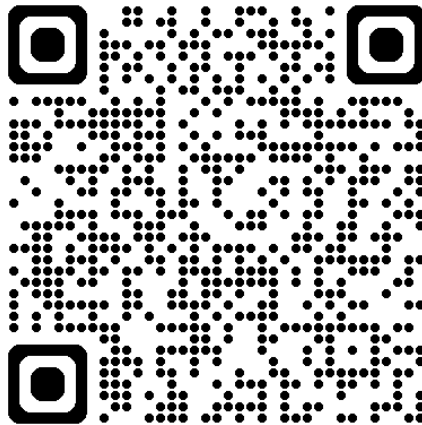
Main Pumps

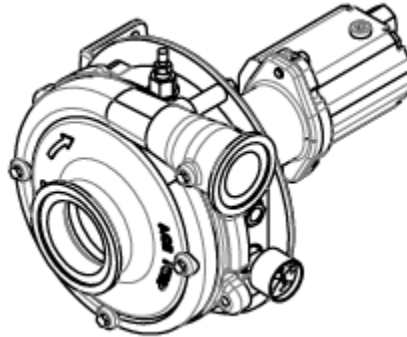


Parts List 550044 / 550058: Main Pumps

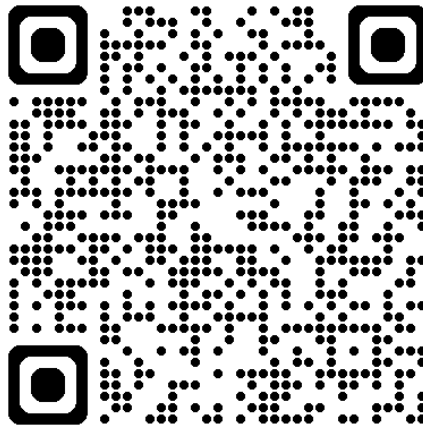
550044 (550058), FMC-750F(S)-HYD-M22-PWM:

- <https://www.acepumps.com/Assets/Literature/FMC-755FS-HYD-M22-PWM.pdf>
- <https://fastagsolutions.com/wp-content/uploads/2024/09/550044-FMC-750F-HYD-M22-PWM-05-18-002.pdf>



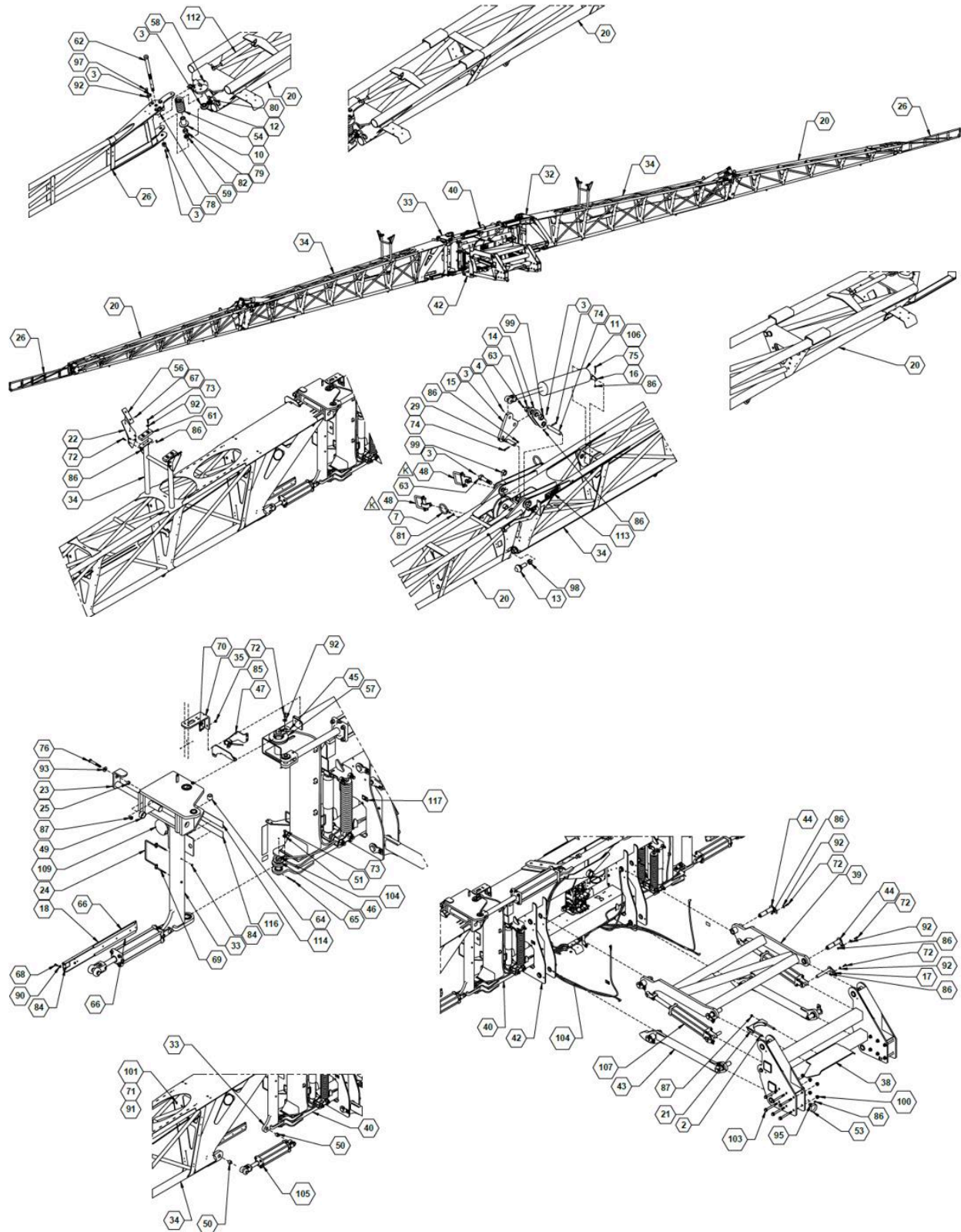
Agitation Pumps**Parts List 550050 / 550051 / 550052 / 550053: Agitation Pumps**

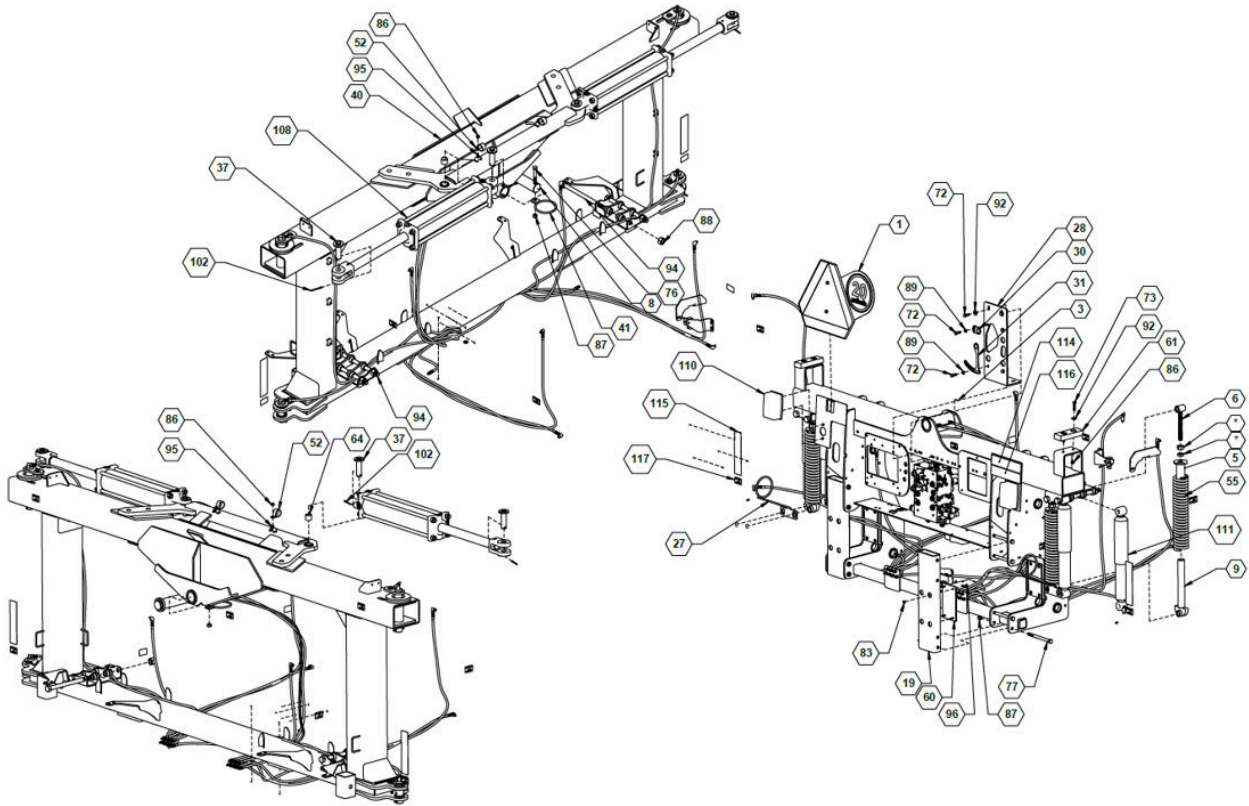
- 550050
 - ACE 750F-HYD-M22-SS B,A,B,A
 - https://www.acepumps.com/Assets/Literature/FMC-750F-HYD_12-16.pdf
- 550051
 - HYPRO 9316S3U-M08
 - <https://www.pentair.com/content/dam/extranet/web/nam/hypro/manuals/I-1590-series-9316-hydraulic-driven-centrifugal-pumps-iom.pdf>
 - <https://fastagsolutions.com/wp-content/uploads/2024/09/550051-550052.pdf>
- 550052
 - HYPRO 9316C3U-M08
 - <https://www.pentair.com/content/dam/extranet/web/nam/hypro/manuals/I-1590-series-9316-hydraulic-driven-centrifugal-pumps-iom.pdf>
 - <https://fastagsolutions.com/wp-content/uploads/2024/09/550051-550052.pdf>
- 550053
 - ACE FMC-750F-HYD-M22-SAE A,B,A
 - https://www.acepumps.com/Assets/Literature/FMC-750F-HYD_12-16.pdf



BOOM

Boom Assembly 120'





Parts List 34059: Boom Assembly 120'

ITEM	PART NO.	QTY.	DESCRIPTION
1	90SASMV	1	SMV ASSEMBLY
2	166	2	BOLT HH 1/2-13 X 8
3	759	21	ZERK, 1/4-28 STRAIGHT PIPE THREAD
4	761	2	ZERK, 90, 1/4-28 STRAIGHT PIPE THREAD
5	7442	4	OUTER SPRING GUIDE
6	7444	4	SPRING ADJUSTMENT EYEBOLT
7	8877	4	RING WITH BOLT
8	11515	1	PIN, MAIN PIVOT
9	11620	4	BASE SPRING MT
10	14013	2	SPRING GUIDE
11	16149	2	PIN, 1 1/4" X 6 7/8" LG.
12	16176	2	SUPPORT, BRKWAY, ADJ.
13	16185	2	CONE, 3X1 3/8 WELD
14	16197	2	LINK, SCISSOR WELDMENT
15	16198	2	LINK, SCISSOR
16	16268	2	PIN, CYL, MAIN WING
17	16331	2	PIN, LIFT CYLINDER



ILLUSTRATED PARTS LIST

ITEM	PART NO.	QTY.	DESCRIPTION
18	16378	2	MOUNT BRACKET
19	16518	2	TUBE, CRADLE LOCK
20	16580	2	WING, PRIMARY FLIP
21	16654	1	TUBE, ACCUMULATOR MOUNT
22	16794	4	GUIDE, WING REST, BOLT-ON
23	18265	2	PIN, 1 1/2" MAIN WING
24	18267	2	BOLT ON HOSE HOLDER
25	18268	2	DOM, 7/16" LG
26	18300	2	WLDMNT, 93" BREAKAWAY
27	18387	2	FEED HOSE MOUNT
28	18389	1	PLATE, MOUNT, RAVEN
29	21076	2	PIN, FLIP LINKAGE
30	21496	1	PLATE, CARTRIDGE LOCK
31	21497	1	PLATE, CARTRIDGE LOCK
32	22204L	1	WING PIVOT LH, HYD YAW
33	22204R	1	WING PIVOT RH, HYD YAW
34	22261	2	WING, MAIN, 132 3P
35	22904	2	SENSOR MT BRKT
36	22906	1	ROD, ROTARY SENSOR LEVER
37	28111	4	PIN WLDMNT, 1 CYL PIN
38	34035	1	WLDMNT, BOOM MOUNT
39	34061	1	WLDMNT, UPPER LIFTARM
40	34095	1	WLDMNT, CENTER SECTION
41	34136	1	WLDMNT, HOSE RING PIN
42	34253	1	PIVOT, CENTER, PASSIVE TRIPLE
43	34310	2	LINK, LOWER WLDMNT
44	35561	8	PIN, TRUSS CRADLE
45	35566	2	WLDMT, SENSOR PIN
46	35568	2	WLDMNT, LOWER PIVOT PIN
47	35907	1	OPTION, XRT 120FT BOOM
48	37532	4	ASSEMBLY, SWIVELING HOSE CLAMP
49	530280	4	BUSHING 1.5ID x 1.75OD x .75LG
50	530281	4	SPRING BUSHING 1" I.D.
51	530309	2	WASHER, 1 OD X 0.406 ID X .188, MAGNI
52	540035	2	P-CLAMP, 1-1/4"
53	540052	1	P-CLAMP, 3" WITH 3/8" HOLE
54	590006	2	SPRING, COMPRESSION



ILLUSTRATED PARTS LIST

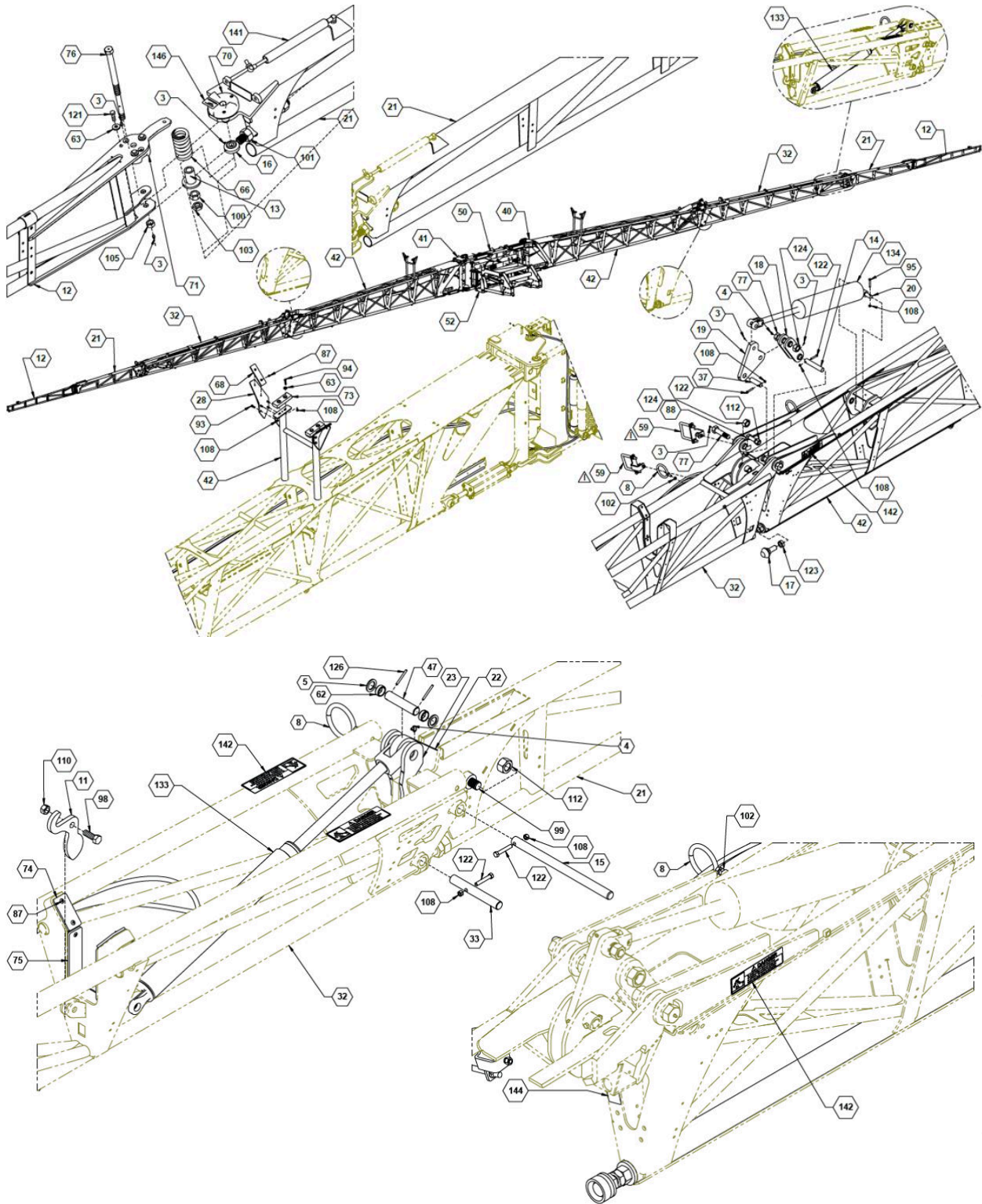
ITEM	PART NO.	QTY.	DESCRIPTION
55	590011	4	CENTER SECTION SPRING
56	590024	4	PLASTIC TRANSPORT
57	590038	4	WASHER, 2 5/8" ID THRUST
58	590073	2	CLUTCH, MALE 20
59	590074	2	CLUTCH, FEMALE 20
60	590079	4	RUB PLATE
61	590094	6	BUMPER PAD, 6" LG
62	590112	2	BOLT, BREAKAWAY
63	590183	6	BOLT, 1-1/4" X 5" MACHINED
64	590248	4	SLEEVE BEARING, 1.00ID, 1.25OD, 1.00LG, CAST BRONZE
65	590403	4	COTTER PIN, 1/4" X 2"
66	590459	5	(FT) TRIM, EDGE GUARD 1/4
67	590581	8	RIVET, POUND IN, 1/4 X 7/16
68	596101M	8	BOLT, HH 1/4-20 X 3/4 GR5 MAGNI
69	596107M	4	BOLT, HH 1/4-20X3-1/2 GR5 MAGNI
70	596115M	4	BOLT, HH 5/16 X 1 GR5 MAGNI
71	596117M	12	BOLT, HH 5/16 X 2 GR5 MAGNI
72	596128M	34	BOLT, HH 3/8-16 X 1 GR5 MAGNI
73	596129M	14	BOLT, HH 3/8-16X1-1/2 GR5 MAGNI
74	596130M	4	BOLT, HH 3/8-16 X 2 GR5 MAGNI
75	596131M	2	BOLT, HH 3/8-16 X 2-1/2 GR5 MAGNI
76	596157M	3	BOLT, HH 1/2 X 3-1/2 GR5 MAGNI
77	596163M	8	BOLT, HH 1/2 X 6-1/2 GR5 MAGNI
78	596216M	2	NUT, HEX 5/8-11 MAGNI
79	596217M	2	NUT, HEX 3/4-10 G5 MAGNI
80	596218M	4	NUT, HEX 1-8 MAGNI
81	596223M	4	NUT, HEX JAM 1/2-13 MAGNI
82	596225M	2	NUT, HEX JAM 3/4-10 GR8 MAGNI
83	596227M	16	NUT, HEX NYLOCK 1/4-20 MAGNI
84	596235M	12	NUT, CENTERLOCK, 1/4-20 MAGNI
85	596236M	4	NUT, CENTERLOCK, 5/16 MAGNI
86	596237M	53	NUT, CENTERLOCK 3/8-16 MAGNI
87	596239M	13	NUT, CENTERLOCK, 1/2-13 MAGNI
88	596241M	8	NUT, CENTERLOCK 3/4-10 MAGNI
89	596250M	4	LOCKWASHER, 3/8 MAGNI
90	596256M	8	WASHER, FLAT 1/4 USS MAGNI

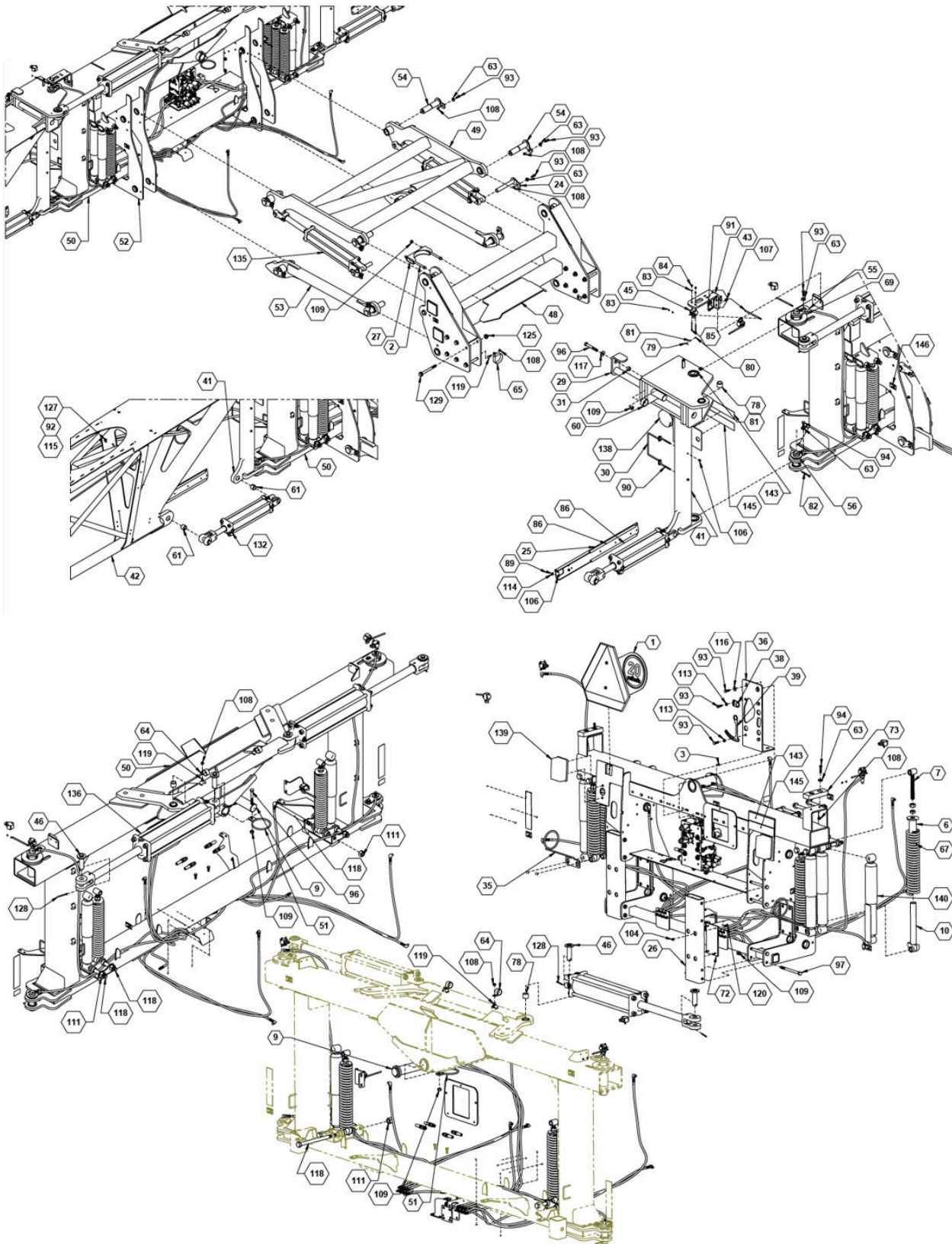


ILLUSTRATED PARTS LIST

ITEM	PART NO.	QTY.	DESCRIPTION
91	596257M	13	WASHER, FLAT 5/16 USS MAGNI
92	596258M	42	WASHER, FLAT 3/8 MAGNI
93	596260M	2	WASHER, FLAT 1/2 MAGNI
94	596397M	8	BOLT, HH 3/4-10 X 11 GR5 MAGNI
95	596592M	3	BOLT, CARRIAGE 3/8-16 X 1 MAGNI
96	596630M	16	FHSCS 1/4-20 X 1 MAGNI
97	596633M	12	BOLT, HH 3/8-24 X 1-1/4 GR5 MAGNI
98	596722M	2	NUT, HEX 1-1/4 -7 UNC JAM MAGNI
99	596724M	6	NUT, CENTERLOCK, 1-1/4" MAGNI
100	596742M	12	NUT, TOP LOCK FLANGE 5/8-11 MAGNI
101	596768M	12	NUT, HEX FLANGE 5/16 MAGNI
102	596808M	4	COTTER PIN, 3/16 X 2" MAGNI
103	596851M	12	BOLT, FLANGE 5/8-11 X 6" GR 8 MAGNI
104	600131	1	HOSE KIT, TRUSS BOOM CENTER
105	620028	2	CYLINDER, 3" X 12" 1-1/4" ROD
106	620043	2	CYL., 5X16 CUSHIONED
107	620057	2	CYLINDER, 30THC16.00-150
108	620077	2	CYLINDER, 4 X 18"
109	740024	2	LIGHT, AMBER, PED. MOUNT
110	740025	2	LIGHT, RED SURF MNT ASSY
111	790010	4	SHOCK, YELLOW 7400 120' CENTER
112	790028	2	SHOCK, BREAKAWAY, HEAVY
113	800106	4	DECAL, DANGER-STAND CLEAR
114	800109	3	DECAL, RED REFLECTOR
115	800110	4	DECAL, AMBER, REFLECTOR
116	800111	3	DECAL, NON-REFLECTIVE, ORANGE
117	800287	15	DECAL, GREASE PIVOT POINTS

Boom Assembly 146'







ILLUSTRATED PARTS LIST

Parts List 34730: Boom Assembly 146'

ITEM	PART NO.	QTY.	DESCRIPTION
1	90SASMV	1	SMV ASSEMBLY
2	166	2	BOLT HH 1/2-13 X 8
3	759	20	ZERK, 1/4-28 STRAIGHT PIPE THREAD
4	761	4	ZERK, 90°, 1/4-28 STRAIGHT PIPE THREAD
5	787	10	WASHER, 1" ID X 10GA
6	7442	6	OUTER SPRING GUIDE
7	7444	6	SPRING ADJUSTMENT EYEBOLT
8	8877	6	RING WITH BOLT
9	11515	1	PIN, MAIN PIVOT
10	11620	6	BASE SPRING MT
11	13634	2	LATCH, OVERCENTER 132'
12	14000	2	BREAKAWAY TAPERED
13	14013	2	SPRING GUIDE
14	16149	2	PIN, 1 1/4" X 6 7/8" LG.
15	16151	2	PIN, 2ND FLIP
16	16176	2	SUPPORT, BRKWAY, ADJ.
17	16185	4	CONE, 3X1 3/8 WELD
18	16197	2	LINK, SCISSOR WELDMENT
19	16198	2	LINK, SCISSOR
20	16268	2	PIN, CYL, MAIN WING
21	16290	2	WING, 2ND FLIP, 132'
22	16297	2	LINK, SCISSOR, 2ND FLIP
23	16298	2	LINK, SCISSOR, 2ND FLIP
24	16331	2	PIN, LIFT CYLINDER
25	16378	2	MOUNT BRACKET
26	16518	2	TUBE, CRADLE LOCK
27	16654	1	TUBE, ACCUMULATOR MOUNT
28	16794	4	GUIDE, WING REST, BOLT-ON
29	18265	2	PIN, 1 1/2" MAIN WING
30	18267	2	BOLT ON HOSE HOLDER
31	18268	2	DOM, 7/16" LG
32	18276	2	WING, PRIMARY FLIP
33	18292	2	PIN, 1" X 7.5" LG
34	18357	1	DOM, SPACER
35	18387	2	FEED HOSE MOUNT
36	18389	1	PLATE, MOUNT, RAVEN



ILLUSTRATED PARTS LIST

ITEM	PART NO.	QTY.	DESCRIPTION
37	21076	2	PIN, FLIP LINKAGE
38	21496	1	PLATE, CARTRIDGE LOCK
39	21497	1	PLATE, CARTRIDGE LOCK
40	22204L	1	WING PIVOT LH, HYD YAW
41	22204R	1	WING PIVOT RH, HYD YAW
42	22261	2	WING, MAIN, 132 3P
43	22904	2	SENSOR MT BRKT
44	22906	2	ROD, ROTARY SENSOR LEVER
45	22955	2	270 DEGREE ROTARY SENSOR
46	28111	4	PIN WLDMNT, 1.00 CYL PIN
47	28112	2	PIN, CYLINDER, 1.00"
48	34035	1	WLDMNT, BOOM MOUNT
49	34061	1	WLDMNT, UPPER LIFTARM
50	34095	1	WLDMNT, CENTER SECTION
51	34136	1	WLDMNT, HOSE RING PIN
52	34253	1	PIVOT, CENTER, PASSIVE TRIPLE
53	34310	2	LINK, LOWER WLDMNT
54	35561	8	PIN, TRUSS CRADLE
55	35566	2	WLDMT, SENSOR PIN
56	35568	2	WLDMNT, LOWER PIVOT PIN
57	35906	1	OPTION, XRT 146FT BOOM
58	37157	1	PLATE, XRT NODE
59	37532	4	ASSEMBLY, SWIVELING HOSE CLAMP
60	530280	4	BUSHING 1.5ID x 1.75OD x .75LG
61	530281	12	SPRING BUSHING 1" I.D.
62	530284	4	BUSHING 1.25OD X 1 ID X 1/2"L
63	530309	38	WASHER, 1.00 OD X .406 ID X .188, MAGNI
64	540035	2	P-CLAMP, 1-1/4"
65	540052	1	P-CLAMP, 3" WITH 3/8" HOLE
66	590006	2	SPRING, COMPRESSION
67	590011	6	CENTER SECTION SPRING
68	590024	4	PLASTIC TRANSPORT
69	590038	4	WASHER, 2 5/8" ID THRUST
70	590073	2	CLUTCH, MALE 20°
71	590074	2	CLUTCH, FEMALE 20°
72	590079	4	RUB PLATE
73	590094	6	BUMPER PAD, 6" LG



ILLUSTRATED PARTS LIST

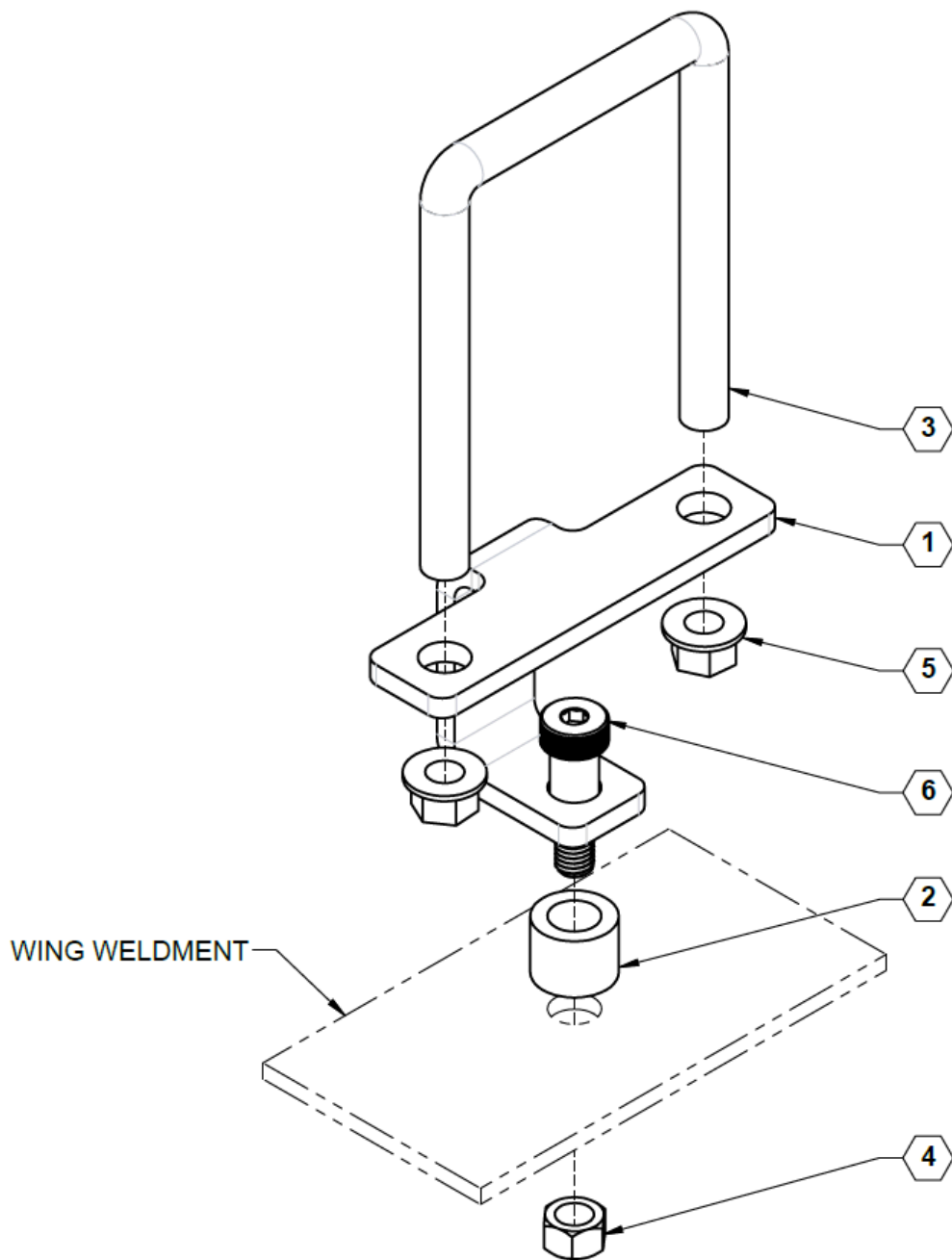
ITEM	PART NO.	QTY.	DESCRIPTION
74	590109	20	PAD, RUB, SHORT
75	590110	12	PAD, RUB, LONG
76	590112	2	BOLT, BREAKAWAY
77	590183	6	BOLT, 1-1/4" X 5" MACHINED
78	590248	4	SLEEVE BEARING, 1.0ID, 1.25OD, 1.0LG, CAST BRONZE
79	590275	2	SCREW PHIL 3-48 X .625 SS18-8
80	590276	2	NUT NYLON 3-48 SS18-8
81	590277	4	WASHER #3 SS18-8
82	590403	4	COTTER PIN, 1/4" X 2"
83	590435	8	WASHER, #8 SS
84	590436	4	NUT, NYLOCK, 8-32 SS
85	590437	4	SCREW, #8-32 X 2" SS
86	590459	5	(FT) TRIM, EDGE GUARD 1/4
87	590581	72	RIVET, POUND IN, 1/4 X 7/16
88	590815	2	BOLT, 1 X 4", GR8
89	596101M	8	BOLT, HH 1/4-20 X 3/4 GR5 MAGNI
90	596107M	4	BOLT, HH 1/4-20X3-1/2 GR5 MAGNI
91	596115M	4	BOLT, HH 5/16-18 X 1 GR5 MAGNI
92	596117M	12	BOLT, HH 5/16-18 X 2 GR5 MAGNI
93	596128M	36	BOLT, HH 3/8-16 X 1 GR5 MAGNI
94	596129M	14	BOLT, HH 3/8-16X1-1/2 GR5 MAGNI
95	596131M	2	BOLT, HH 3/8-16 X 2-1/2 GR5 MAGNI
96	596157M	3	BOLT, HH 1/2 X 3-1/2 GR5 MAGNI
97	596163M	8	BOLT, HH 1/2 X 6-1/2 GR5 MAGNI
98	596172M	2	BOLT, HH 5/8-11 X 1-3/4 GR5 MAGNI
99	596205M	2	BOLT, HEX 1-8 X 5-1/2 GR5 MAGNI
100	596217M	4	NUT, HEX 3/4-10 G5 MAGNI
101	596218M	4	NUT, HEX 1-8 MAGNI
102	596223M	6	NUT, HEX JAM 1/2-13 MAGNI
103	596225M	4	NUT, HEX JAM 3/4-10 GR8 MAGNI
104	596227M	16	NUT, HEX NYLOCK 1/4-20 MAGNI
105	596232M	2	NUT, HEX NYLOCK 5/8-11 MAGNI
106	596235M	12	NUT, CENTERLOCK, 1/4-20 MAGNI
107	596236M	4	NUT, CENTERLOCK, 5/16-18 MAGNI
108	596237M	57	NUT, CENTERLOCK 3/8-16 MAGNI
109	596239M	13	NUT, CENTERLOCK, 1/2-13 MAGNI
110	596240M	2	NUT, CENTERLOCK, 5/8-11 MAGNI



ILLUSTRATED PARTS LIST

ITEM	PART NO.	QTY.	DESCRIPTION
111	596241M	8	NUT, CENTERLOCK 3/4-10 MAGNI
112	596242M	4	NUT, CENTERLOCK, 1" MAGNI
113	596250M	4	LOCKWASHER, 3/8 MAGNI
114	596256M	8	WASHER, FLAT 1/4 USS MAGNI
115	596257M	12	WASHER, FLAT 5/16 USS MAGNI
116	596258M	6	WASHER, FLAT 3/8 MAGNI
117	596260M	2	WASHER, FLAT 1/2 MAGNI
118	596397M	8	BOLT, HH 3/4-10 X 11 GR5 MAGNI
119	596592M	3	BOLT, CARRIAGE 3/8-16 X 1 MAGNI
120	596630M	16	FHSCS 1/4-20 X 1 MAGNI
121	596633M	12	BOLT, HH 3/8-24 X 1-1/4 GR5 MAGNI
122	596636M	8	BOLT, HH 3/8-16 X 2-1/4 GR5 MAGNI
123	596722M	4	NUT, HEX 1-1/4 -7 UNC JAM MAGNI
124	596724M	6	NUT, CENTERLOCK, 1-1/4" MAGNI
125	596742M	12	NUT, TOP LOCK FLANGE 5/8-11 MAGNI
126	596746M	4	SPRING PIN 5X50MM MAGNI
127	596768M	12	NUT, HEX FLANGE 5/16-18 MAGNI
128	596808M	4	COTTER PIN, 3/16 X 2" MAGNI
129	596851M	12	BOLT, FLANGE 5/8 -11 X 6" GR 8 MAGNI
130	600131	1	HOSE KIT, TRUSS BOOM CENTER
131	600147	1	HOSE KIT, HYD 146FT OPTION
132	620028	2	CYLINDER, 3" X 12" 1-1/4" ROD
133	620036	2	CYLINDER, WELDED, 2.5X16 1.25" ROD
134	620043	2	CYL., 5X16 CUSHIONED
135	620057	2	CYLINDER, 30THC16.00-150
136	620077	2	CYLINDER, 4 X 18"
137	631877	1	RAVEN ULTRAGLID TB DL SENSR KT
138	740024	2	LIGHT, AMBER, PED. MOUNT
139	740025	2	LIGHT, RED SURF MNT ASSY
140	790010	6	SHOCK, YELLOW 7400 120' CENTER
141	790028	2	SHOCK, BREAKAWAY, HEAVY
142	800106	8	DECAL, DANGER-STAND CLEAR
143	800109	3	DECAL, RED REFLECTOR
144	800110	4	DECAL, AMBER, REFLECTOR
145	800111	3	DECAL, NON-REFLECTIVE, ORANGE
146	800287	15	DECAL, GREASE PIVOT POINTS

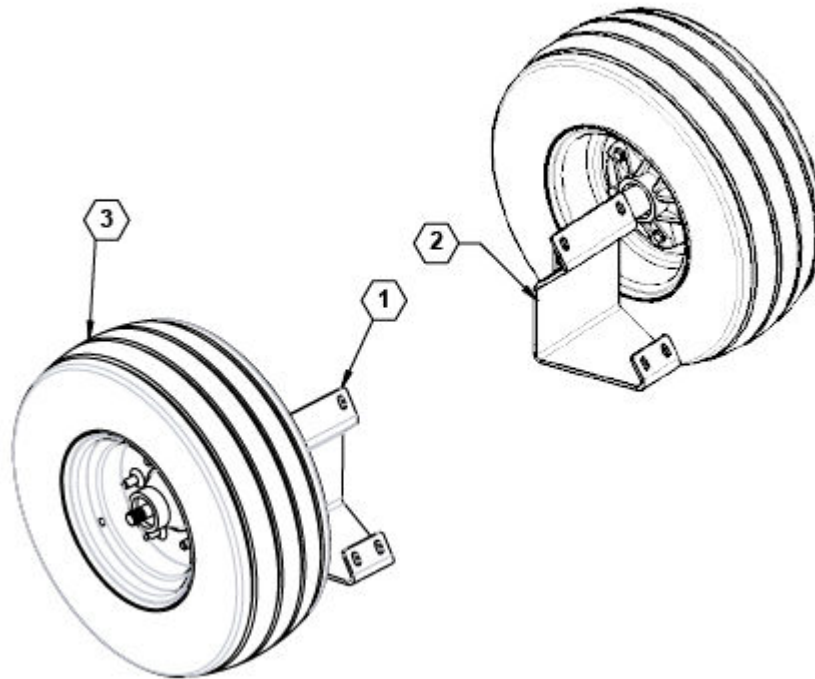
Swiveling Hose Clamp



Parts List 37532: Swiveling Hose Clamp

ITEM	PART NO.	QTY.	DESCRIPTION
1	37529	1	PLATE, HOSE CONTROL
2	37530	1	SPACER, HOSE CONTROL
3	590186	1	U-BOLT, 5/8 X 4 X 5-3/4
4	596239M	1	NUT, CENTERLOCK, 1/2-13 MAGNI
5	596771M	2	NUT, HEX FLANGE 1/2-13 MAGNI
6	596846M	1	BOLT, SHOULDER, 5/8 X 1-1/4" MAGNI

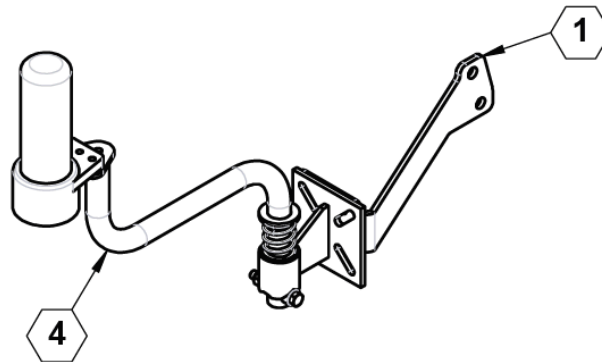
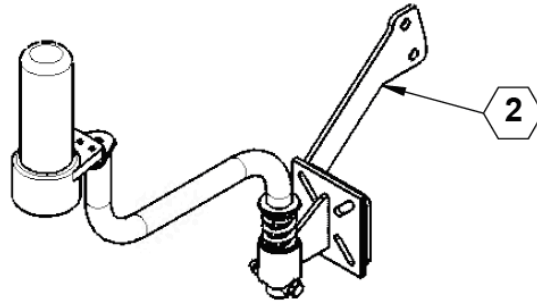
Touchdown Wheels



Parts List 99RAUG1203PWHLKT: Touchdown Wheels

ITEM	PART NO.	QTY.	DESCRIPTION
1	16908L	1	BRACKET, RAVEN AUTOBOOM
2	16908R	1	BRACKET, RAVEN AUTOBOOM
3	631878	1	RAVEN ULTRAGLIDE 120 3P WHL KIT

Ultraglide Dual Sensor Kit

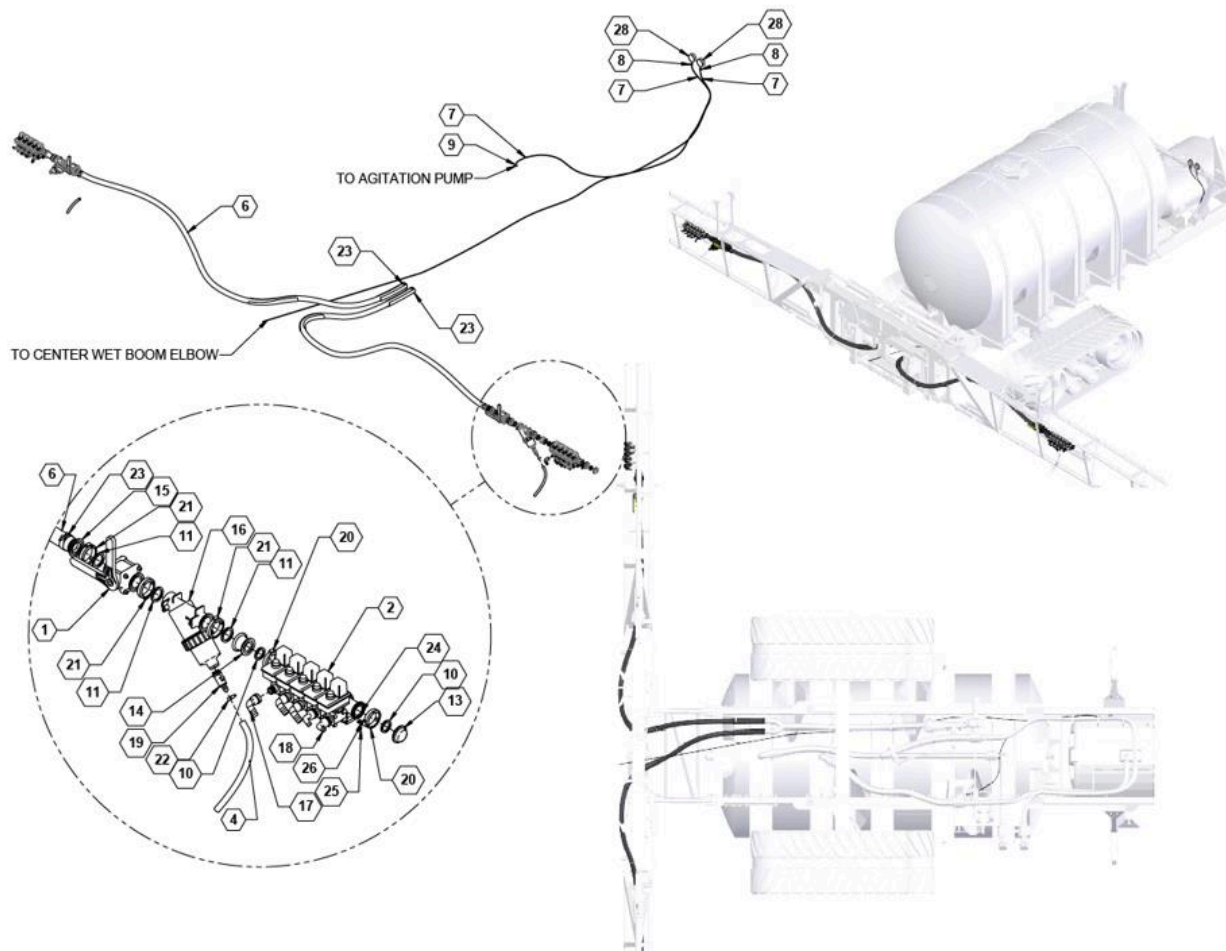


Parts List 99RAUGISOTBSTK: Ultraglide Dual Sensor Kit

ITEM	PART NO.	QTY.	DESCRIPTION
1	16468L	1	MOUNT LH, RAVEN SENSOR
2	16468R	1	MOUNT RH, RAVEN SENSOR
3	631877	1	RAVEN ULTRAGLID TB DL SENSR KT
4	631881	2	RAVEN BRACKET SENSOR MOUNT

PRODUCT PLUMBING on BOOM

Product Supply, 10-section



Parts List 34145: Product Supply, 10-section

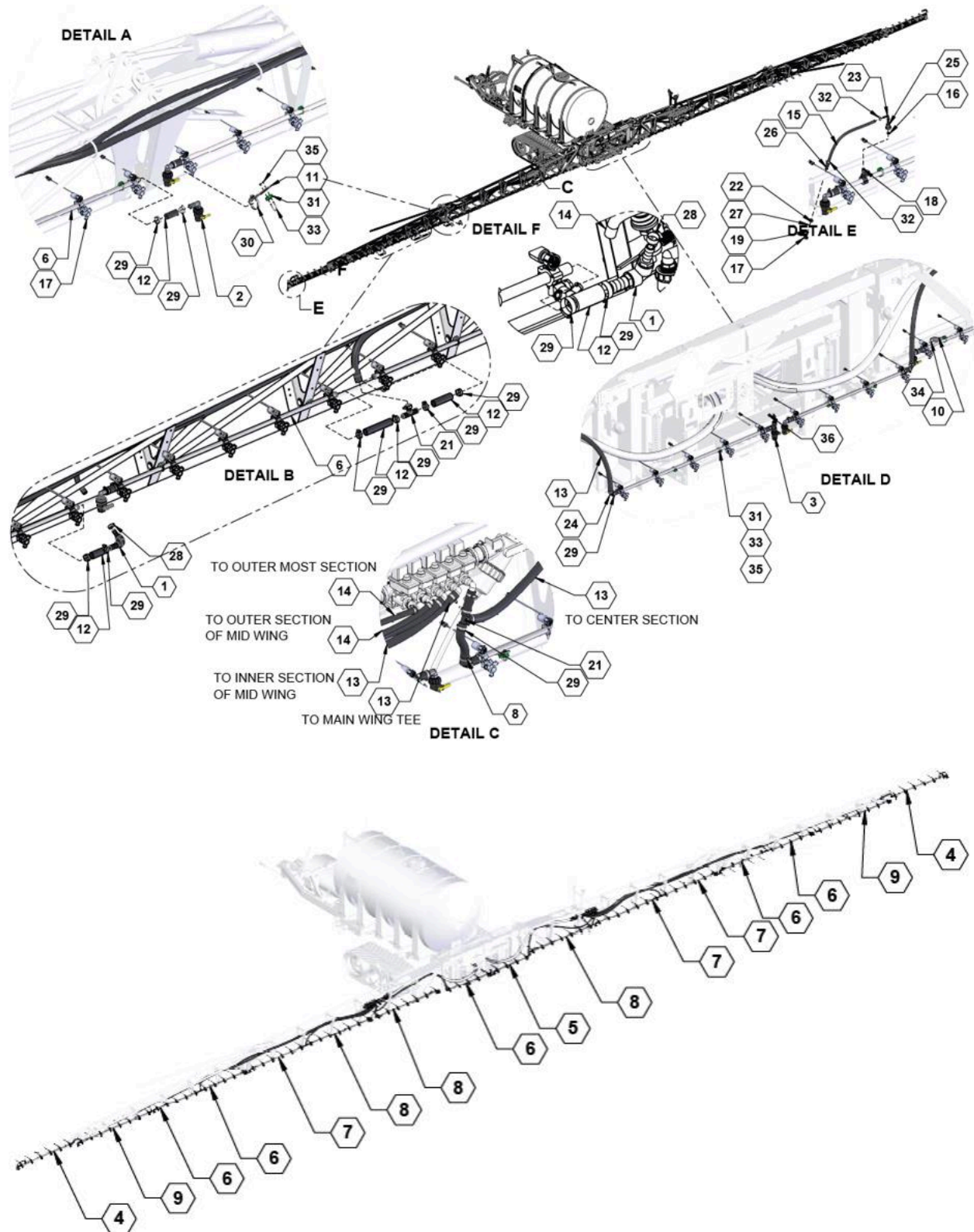
ITEM	PART NO.	QTY.	DESCRIPTION
1	500006	2	VALVE, 2" FULL PORT MANIFOLD
2	500027	2.5	VALVE, 450 4-BANK, NON-FLOWBACK, NARROW TEE
3	510003	7 ft	HOSE, 2 IN FERTILIZER
4	510006	4 ft	HOSE, VINYL, CLEAR 3/4"
5	510016	0.8	(FT) HOSE, 1.00" EPDM
6	510017	40 ft	HOSE, 2 IN HORIZON EPDM
7	510023	45 ft	HOSE POLY BLACK 1/4"
8	530001	2	MALE CONNECTOR, 1/4" X 1/4"
9	530003	1	ELBOW, MALE 1/4"NPT X1/8"
10	530014	6	GASKET, 1.500 EPDM
11	530019	8	GASKET, 2.00 EPDM



ILLUSTRATED PARTS LIST

ITEM	PART NO.	QTY.	DESCRIPTION
12	530084	2	FLANGE, STD PORT 2" X 2"
13	530093	2	PLUG, MANIFOLD, 2.00
14	530102	2	FLANGE, 2" FP X 2" REDUCER
15	530103	2	FITTING, 2.00 FP FLANGE X 2.00 HB
16	530125	2	STRAINER, 2" FULL PORT LINE
17	530190	6	QUICK CONNECT, 1.00 HB ELBOW 90
18	530358	4	QUICK CONNECT, 3/4" HB, 90°
19	530517	2	MICRO VALVE, 3/4" HB X 1" MPT
20	540001	8	CLAMP, 2.00 STD WORM SCREW
21	540002	6	CLAMP, FP WORM SCREW, 2.00
22	540013	2	HOSE CLAMP, SS .75 #12
23	540069	4	HOSE CLAMP, 2.00 T-BOLT
24	596115M	10	BOLT, HH 5/16-18 X 1 GR5 MAGNI
25	596236M	10	NUT, CENTERLOCK, 5/16-18 MAGNI
26	596257M	10	WASHER, FLAT 5/16 USS MAGNI
27	632076	1	HARNESS, 47P 10 SECTION
28	790020	2	GAUGE, FAST LOGO 160PSI

Nozzles, 120', 15" spacing



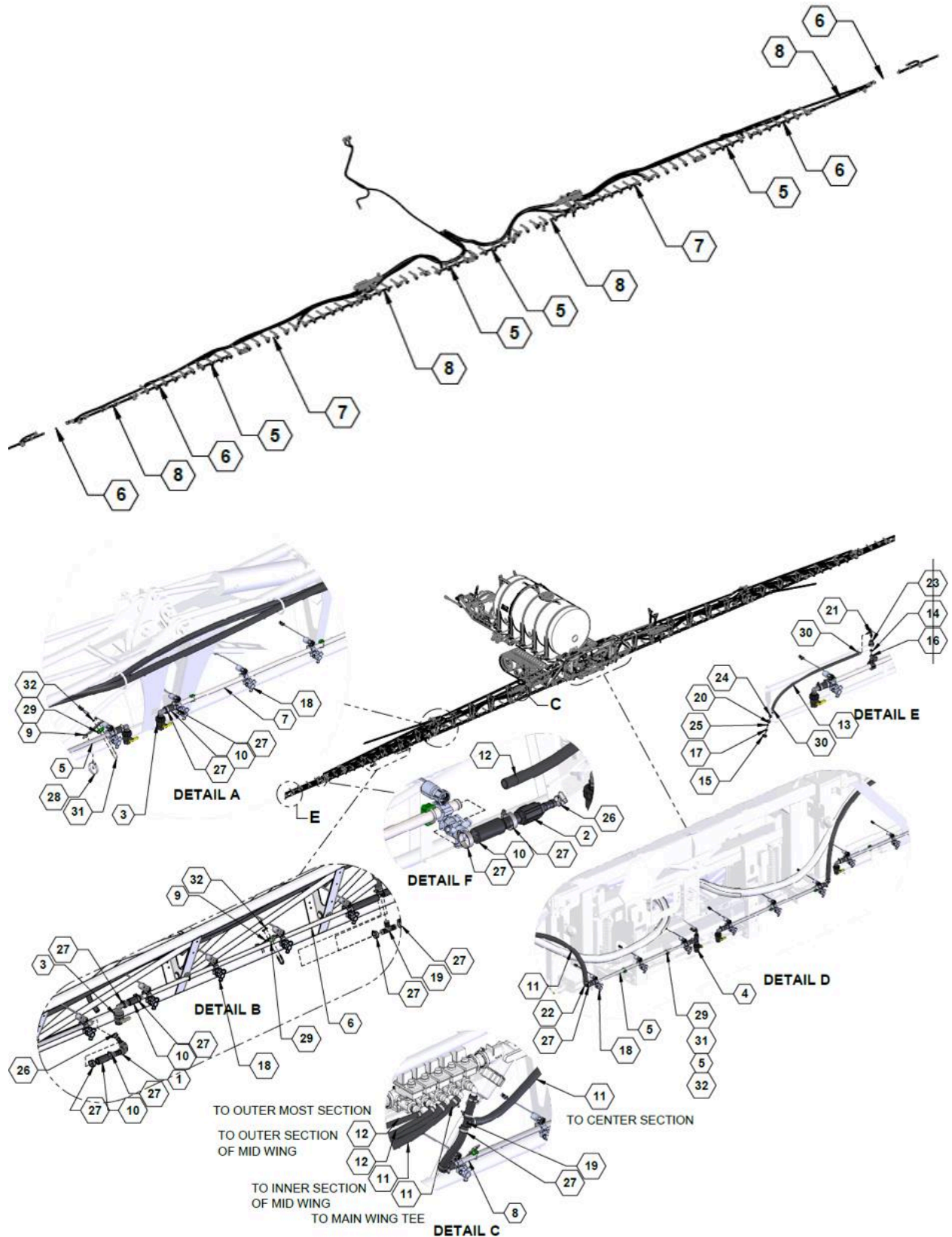


ILLUSTRATED PARTS LIST

Parts List 35106: Nozzles, 120', 15" spacing

ITEM	PART NO.	QTY.	DESCRIPTION
1	90SA075100HB90	4	SUBASSEMBLY, 3/4" TO 1" HOSE BARB 90
2	90SABC	15	ASSY, BOOM CLEAN OUT
3	90SABCPG	1	ASSY, BOOM CLEAN OUT, W/ PRESSURE GAUGE
4	14301	2	TUBE, 6 PORT 15" + VALVE
5	14304	1	TUBE, 4 PORT 15" WB
6	14305	5	TUBE, 5 PORT 15" WB
7	14306	2	TUBE, 6 PORT 15" WB
8	14307	4	TUBE, 7 PORT 15" WB
9	14308	2	TUBE, 8 PORT 15" WB
10	14654	2	BRACKET, WET BOOM OFFSET
11	16271	14	BRACKET, WET BOOM
13	510016	100 FT	HOSE, 1" EPDM
14	510019	150 FT	HOSE, 3/4" EPDM
15	510020	4 FT	HOSE, 3/8" EPDM
16	520016	2	GASKET, QUICK TEEJET SEAT, STD EPDM
17	520019	2	CAP, NOZZLE, BLACK NYLON
18	520030	2	NOZZLE BODY, 25MM SINGLE
19	520050	2	TIP, NOZZLE, BLUE POLYMER, FLAT SPRAY
17	520084	97	NOZZLE BODY, TRIPLE 25mm
21	530056	6	FITTING, TEE, 1.00 HB, POLY
22	530206	2	NUT, NOZZLE 11/16"
23	530209	2	FITTING, ELBOW, 90D, .250 MNPT X .375 HB, POLY
24	530237	4	1" HOSE BARB ELBOW
25	530248	2	QUICKJET ADAPTER NY
26	530306	2	NOZZLE, POLY FENCELINE W/ HB
27	530356	2	GASKET, RUBBER QJT
28	540013	8	HOSE CLAMP, SS .75 #12
29	540014	84	HOSE CLAMP, SS 1.00 #16
30	540018	14	CLAMP, 2-3/4" SS
31	540029	42	CLAMP BODY, 1.00" TUBE, POLY GREEN
32	540032	4	HOSE CLAMP, 5/16 #5 SS
33	590048	42	U-BOLT, 1/4 X 1"
34	596101M	4	BOLT, HH 1/4-20 X 3/4 GR5 MAGNI
35	596767M	88	NUT, HEX FLANGE 1/4-20 MAGNI
36	632036	1	TRANSDUCER, PRESSURE

Nozzles, 120', 20" spacing



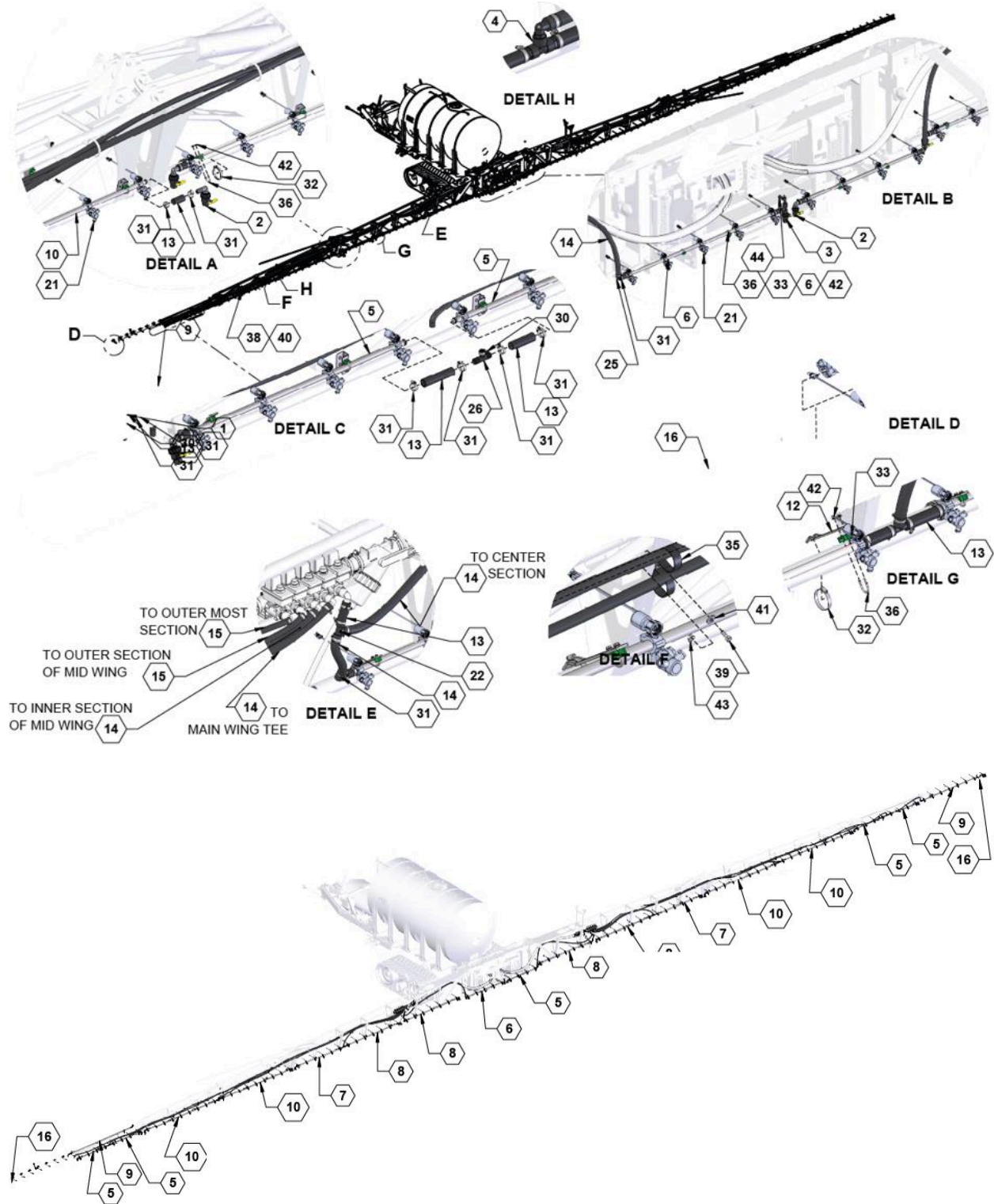


ILLUSTRATED PARTS LIST

Parts List 34657: Nozzles, 120', 20" spacing

ITEM	PART NO.	QTY.	DESCRIPTION
1	90SA075100HB90	2	SUBASSEMBLY, 3/4" TO 1 "HOSE BARB 90
2	90SA075100HBST	2	SUBASSEMBLY, 3/4" TO 1 "HOSE BARB STRAIGHT
3	90SABC	15	ASSY, BOOM CLEAN OUT
4	90SABCPG	1	ASSY, BOOM CLEAN OUT, W/ PRESSURE GAUGE
5	14313	4	TUBE, 3 PORT 20" WB
6	14314	4	TUBE, 4 PORT 20" WB
7	14315	4	TUBE, 5 PORT 20" WB
8	14316	4	TUBE, 6 PORT 20" WB
9	16271	15	BRACKET, WET BOOM
11	510016	105 FT	HOSE, 1" EPDM
12	510019	150 FT	HOSE, 3/4" EPDM
13	510020	4 FT	HOSE, 3/8" EPDM
14	520016	2	GASKET, QUICK TEEJET SEAT, STD EPDM
15	520019	2	CAP, NOZZLE, BLACK NYLON
16	520030	2	NOZZLE BODY, 25MM SINGLE
17	520050	2	TIP, NOZZLE, BLUE POLYMER, FLAT SPRAY
18	520084	72	NOZZLE BODY, TRIPLE 25mm
19	530056	6	FITTING, TEE, 1.00 HB, POLY
20	530206	2	NUT, NOZZLE 11/16"
21	530209	2	FITTING, ELBOW, 90D, .250 MNPT X .375 HB, POLY
22	530237	4	1" HOSE BARB ELBOW
23	530248	2	QUICKJET ADAPTER NY
24	530306	2	NOZZLE, POLY FENCELINE W/ HB
25	530356	2	GASKET, RUBBER QJT
26	540013	8	HOSE CLAMP, SS .75 #12
27	540014	84	HOSE CLAMP, SS 1.00 #16
28	540018	15	CLAMP, 2-3/4" SS
29	540029	43	CLAMP BODY, 1.00" TUBE, POLY GREEN
30	540032	4	HOSE CLAMP, 5/16 #5 SS
31	590048	43	U-BOLT, 1/4 X 1"
32	596767M	86	NUT, HEX FLANGE 1/4-20 MAGNI
33	632036	1	TRANSDUCER, PRESSURE

Nozzles, 146', 15" spacing





ILLUSTRATED PARTS LIST

Parts List 35105: Nozzles, 146', 15" spacing

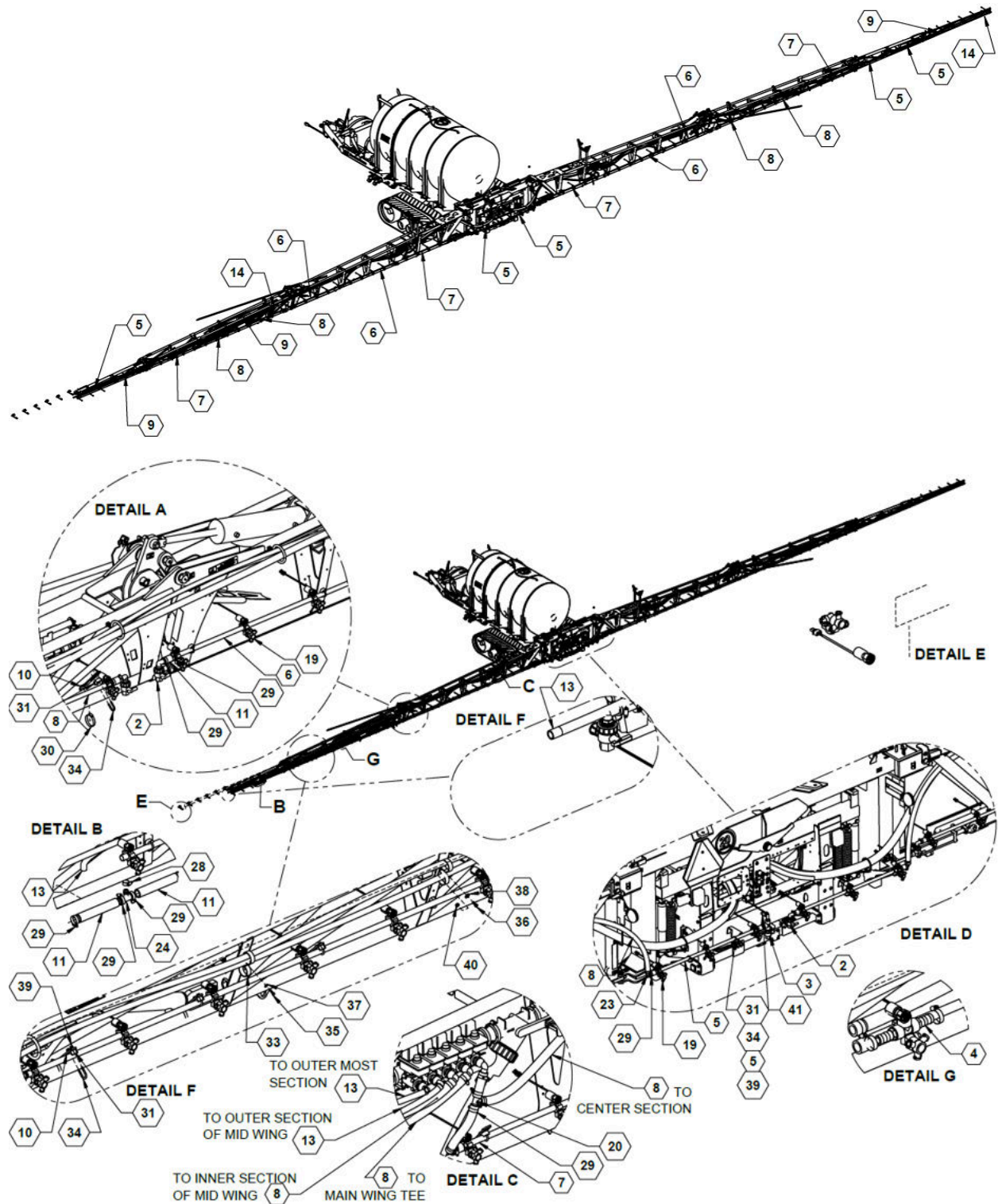
ITEM	PART NO.	QTY.	DESCRIPTION
1	90SA075100HB90	2	SUBASSEMBLY, 3/4" TO 1 "HOSE BARB 90
2	90SABC	17	ASSY, BOOM CLEAN OUT
3	90SABCPG	1	ASSY, BOOM CLEAN OUT, W/ PRESSURE GAUGE
4	90SALT	2	SUB-ASSY, LT; FTTNGS-L,T,2HB
5	14304	5	TUBE, 4 PORT 15" WB
6	14305	1	TUBE, 5 PORT 15" WB
7	14306	2	TUBE, 6 PORT 15" WB
8	14307	4	TUBE, 7 PORT 15" WB
9	14308	2	TUBE, 8 PORT 15" WB
10	14309	4	TUBE, 9 PORT 15"
11	14452	20	BRACKET, WB OFFSET
12	16271	31	BRACKET, WET BOOM
14	510016	110 FT	HOSE, 1" EPDM
15	510019	195 FT	HOSE, 3/4" EPDM
16	510020	4 FT	HOSE, 3/8" EPDM
17	520016	2	GASKET, QUICK TEEJET SEAT, STD EPDM
18	520019	2	CAP, NOZZLE, BLACK NYLON
19	520030	2	NOZZLE BODY, 25MM SINGLE
20	520050	2	TIP, NOZZLE, BLUE POLYMER, FLAT SPRAY
21	520084	117	NOZZLE BODY, TRIPLE 25mm
22	530056	4	FITTING, TEE, 1.00 HB, POLY
23	530206	2	NUT, NOZZLE 11/16"
24	530209	2	FITTING, ELBOW, 90D, .250 MNPT X .375 HB, POLY
25	530237	4	1" HOSE BARB ELBOW
26	530241	2	Hose Barb Tee 1 x 1 x .75
27	530248	2	QUICKJET ADAPTER NY
28	530306	2	NOZZLE, POLY FENCELINE W/ HB
29	530356	2	GASKET, RUBBER QJT
30	540013	8	HOSE CLAMP, SS .75 #12
31	540014	92	HOSE CLAMP, SS 1.00 #16
32	540018	31	CLAMP, 2-3/4" SS
33	540029	55	CLAMP BODY, 1.00" TUBE, POLY GREEN
34	540032	4	HOSE CLAMP, 5/16 #5 SS
35	540051	20	P-CLAMP, 2" W/3/8" HOLE
36	590048	55	U-BOLT, 1/4 X 1"
37	596101M	40	BOLT, HH 1/4-20 X 3/4 GR5 MAGNI



ILLUSTRATED PARTS LIST

ITEM	PART NO.	QTY.	DESCRIPTION
38	596102M	2	BOLT, HH 1/4-20 X 1 GR5 MAGNI
39	596114M	8	BOLT, HH 5/16-18X3/4 GR5 MAGNI
40	596256M	2	WASHER, FLAT 1/4 USS MAGNI
41	596257M	8	WASHER, FLAT 5/16 USS MAGNI
42	596767M	152	NUT, HEX FLANGE 1/4-20 MAGNI
43	596768M	8	NUT, HEX FLANGE 5/16-18 MAGNI
44	632036	1	TRANSDUCER, PRESSURE

Nozzles, 146', 20" spacing





ILLUSTRATED PARTS LIST

Parts List 34731: Nozzles, 146', 20" spacing

ITEM	PART NO.	QTY.	DESCRIPTION
1	90SA075100HBST	2	SUBASSEMBLY, 3/4" TO 1" HOSE BARB STRAIGHT
2	90SABC	17	ASSY, BOOM CLEAN OUT
3	90SABCPG	1	ASSY, BOOM CLEAN OUT, W/ PRESSURE GAUGE
4	90SALT	2	SUB-ASSY, LT; FTTNGS-L,T,2HB
5	14313	6	TUBE, 3 PORT 20" WB
6	14315	4	TUBE, 5 PORT 20" WB
7	14316	4	TUBE, 6 PORT 20" WB
8	14317	2	TUBE, 7 PORT 20"
9	14321	2	TUBE, 6 PORT 20" + VALVE
10	16271	15	BRACKET, WET BOOM
8	510016	110 FT	HOSE, 1" EPDM
13	510019	195 FT	HOSE, 3/4" EPDM
14	510020	4 FT	HOSE, 3/8" EPDM
15	520016	2	GASKET, QUICK TEEJET SEAT, STD EPDM
16	520019	2	CAP, NOZZLE, BLACK NYLON
17	520030	2	NOZZLE BODY, 25MM SINGLE
18	520050	2	TIP, NOZZLE, BLUE POLYMER, FLAT SPRAY
19	520084	88	NOZZLE BODY, TRIPLE 25mm
20	530056	4	FITTING, TEE, 1.00 HB, POLY
21	530206	2	NUT, NOZZLE 11/16"
22	530209	2	FITTING, ELBOW, 90D, .250 MNPT X .375 HB, POLY
23	530237	4	1" HOSE BARB ELBOW
24	530241	2	Hose Barb Tee 1 x 1 x .75
25	530248	2	QUICKJET ADAPTER NY
26	530306	2	NOZZLE, POLY FENCELINE W/ HB
27	530356	2	GASKET, RUBBER QJT
28	540013	8	HOSE CLAMP, SS .75 #12
29	540014	92	HOSE CLAMP, SS 1.00 #16
30	540018	15	CLAMP, 2-3/4" SS
31	540029	53	CLAMP BODY, 1.00" TUBE, POLY GREEN
32	540032	4	HOSE CLAMP, 5/16 #5 SS
33	540051	20	P-CLAMP, 2" W/3/8" HOLE
34	590048	53	U-BOLT, 1/4 X 1"
35	596102M	2	BOLT, HH 1/4-20 X 1 GR5 MAGNI



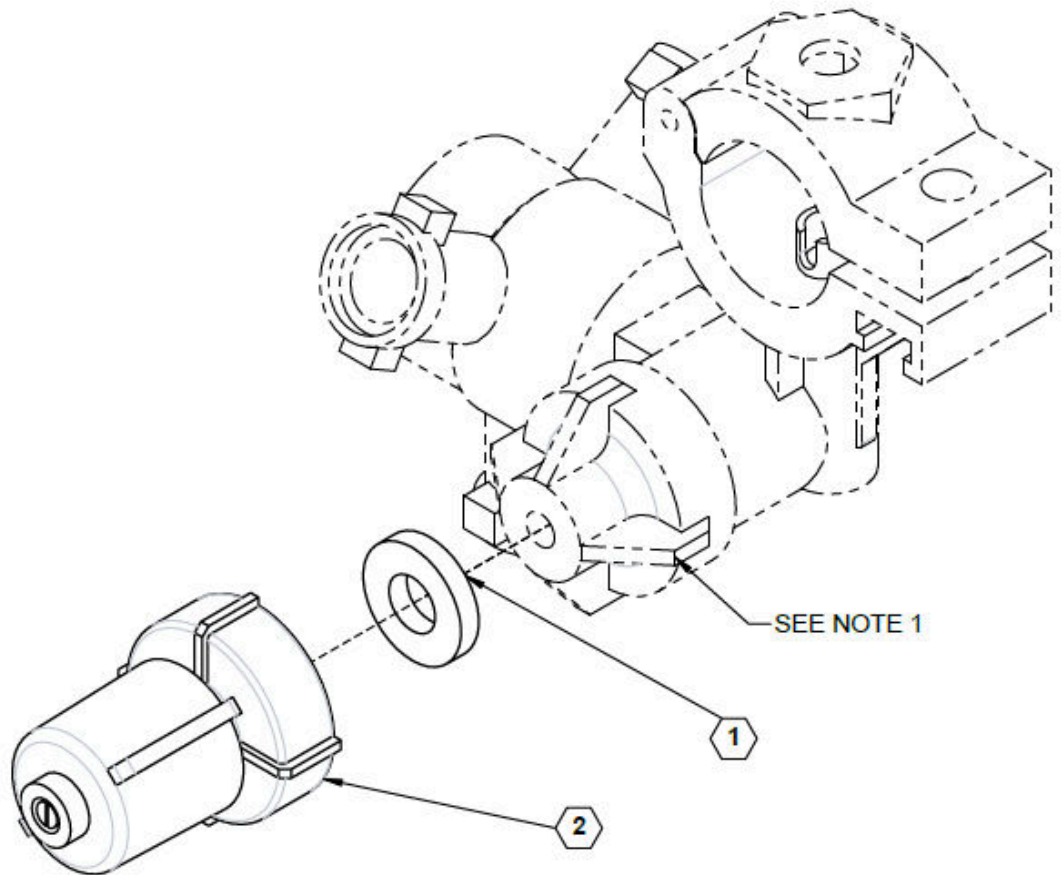
ILLUSTRATED PARTS LIST

ITEM	PART NO.	QTY.	DESCRIPTION
36	596114M	8	BOLT, HH 5/16-18X3/4 GR5 MAGNI
37	596256M	2	WASHER, FLAT 1/4 USS MAGNI
38	596257M	8	WASHER, FLAT 5/16 USS MAGNI
39	596767M	106	NUT, HEX FLANGE 1/4-20 MAGNI
40	596768M	8	NUT, HEX FLANGE 5/16-18 MAGNI
41	632036	1	TRANSDUCER, PRESSURE

Manual Fenceline Nozzles

NOTE:

1. REMOVE CHECK VALVE CAP FROM NOZZLE BODY
2. FINISH: NONE

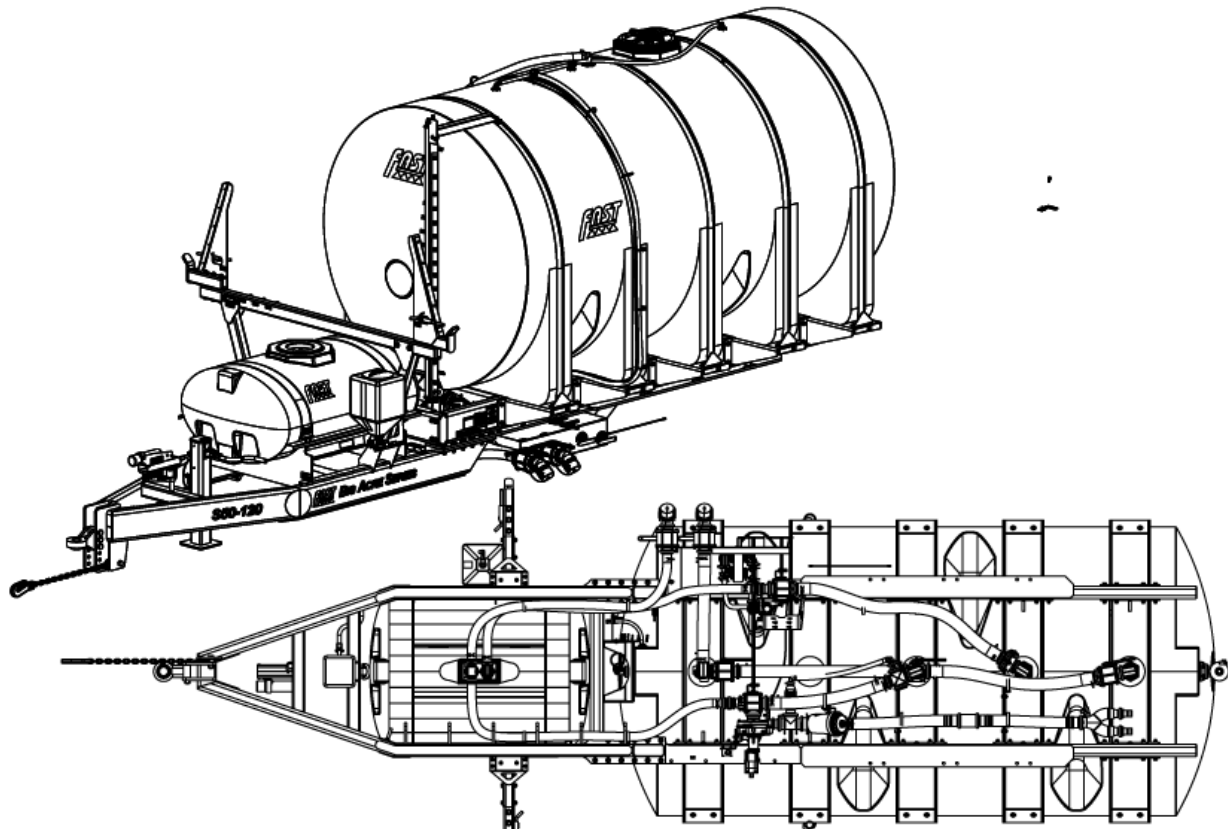
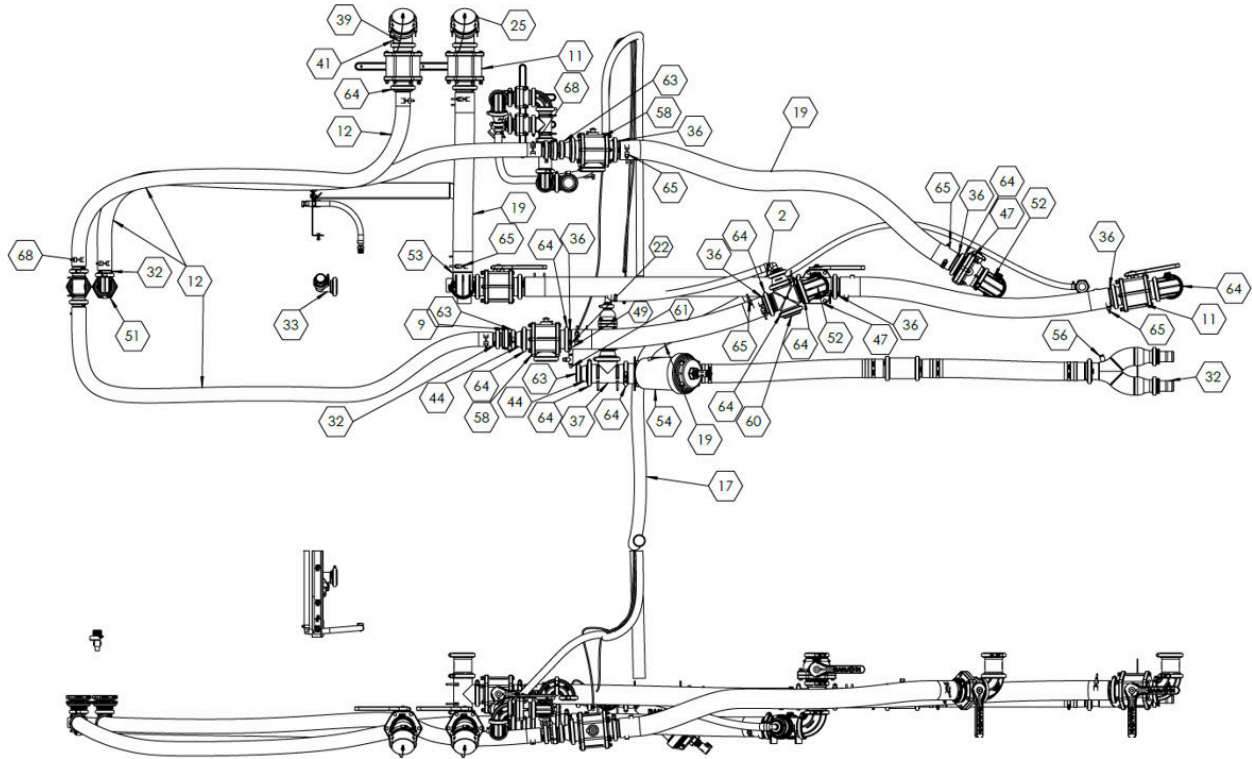


Parts List 99EPFLN00: Manual Fenceline Nozzles

ITEM	PART NO.	QTY.	DESCRIPTION
1	520016	2	GASKET, QUICK TEEJET SEAT, STD EPDM
2	520037	2	VALVE, MANUAL SHUTOFF, FENCELINE

PRODUCT PLUMBING on FRAME

Base Plumbing





ILLUSTRATED PARTS LIST

Parts List 34065: Base Plumbing

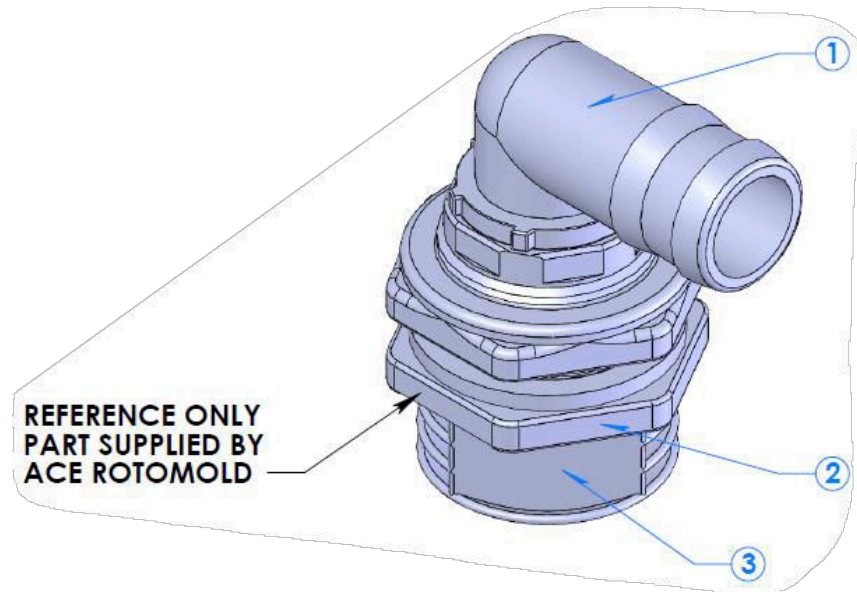
ITEM	PART NO.	QTY.	DESCRIPTION
1	90SAFCHWF	1	FC HAND WASH FAUCET ASSY
2	90SAFCOV	1	FERT TANK VENTED OVERFLOW
3	90SARNSEBALLASY	2	RINSE BALL W/90° ELBOW
4	90SARNSEBALLASYT	1	RINSE BALL W/ TEE
5	90SASC3	1	ASSEMBLY, STRAINER DRAIN 3"
6	34315	1	WLDMNT, 3" Y MANIFOLD
7	34320	1	OPTION, RFM200
8	34456	1	ASSY, SIGHT GAUGE
9	500003	2	VALVE, CHECK 220 1NO. SPRING
10	500004	1	VALVE, 100 PSI RELIEF
11	500042	4	MANIFOLD VALVE, STD PORT 3"
12	510003	1	HOSE, 2IN FERTLIZER
13	510016	1	HOSE, 1" EPDM
14	510016	1	HOSE, 1" EPDM
15	510019	1	HOSE, 3/4" EPDM
16	510023	1	HOSE POLY BLACK 1/4"
17	510025	13	2" CLEAR PVC SUCTION HOSE 60 x 15ft
18	510033	1	HOSE, 3" WIRE REINFORCED
19	510038	1	HOSE, 3" FERTILIZER, BLACK
20	530001	1	MALE CONNECTOR, 1/4" X 1/4"
21	530003	1	ELBOW, MALE 1/4"NPT X1/8"
22	530004	3	FITTING, ELBOW, .250 QC X .250 MST, 90D
23	530014	2	GASKET, 1.500 EPDM
24	530019	26	GASKET, 2.00 EPDM
25	530023	2	CAP, 3"
26	530024	39	GASKET, 3" EPDM
27	530055	1	TEE, 1.00 HB X .75 HB X .75 HB
28	530066	1	FITTING, 1.00 MANIFOLD X 1.00 HB
29	530067	1	FITTING, ELBOW, 1" MANIFOLD X 1" HB 90°
30	530068	3	GASKET, 1.00 EPDM
31	530073	1	FITTING, ELBOW, 90D, 2.00 FLANGE X 1.00 HB, POLY
32	530103	7	FITTING, 2.00 FP FLANGE X 2.00 HB
33	530104	1	ELBOW 90, 2.00 FP MANIFOLD X 2.00 HB
34	530110	2	MANIFOLD TEE, 2"
35	530111	1	MANIFOLD, 3" X 2" HB



ILLUSTRATED PARTS LIST

ITEM	PART NO.	QTY.	DESCRIPTION
36	530113	11	MANIFOLD FLANGE, 3" HB
37	530115	2	MANIFOLD, 3" TEE
38	530143	1	REDUCER, 1-1/4" MPT X 3/4" FPT
39	530179	2	CABLE LANYARD
40	530233	2	MANIFOLD ADAPTER, 3" X 3" QDC MALE
41	530234	2	COUPLER, 3" X 45°
42	530242	1	3INCH X 2INCH STD PORT REDUCER
43	530297	2	Flanged Cross 3 Inch
44	530316	4	MANIFOLD REDUCER 3" X 2" CPLR
45	530327	2	MANIFOLD, VALVE, 2" FP STUBBY
46	530354	1	ELBOW 45, 2.00 MANIFOLD X 2.00 HB
47	530377	2	3IN FP MANIFOLD STUBBY VALVE
48	530386	7	MANIFOLD SWEEP, 2" FP FLANGE
49	530400	2	TEE 1/4" FPT, POLY
50	530401	1	1/4" MPT Short Poly Nipple
51	530411	2	2" X 2" FP MANIFOLD BOTTOM DRAIN
52	530439	3	MANIFOLD SWEEP, FLANGE 3"
53	530441	1	FLANGE SWEEP, 90 X 3" HOSE BARB
54	530442	1	STRAINER, 3" Y STANDARD PORT -12
55	530443	3	FLANGE COUPLING 3"
56	530446	1	PLUG, .25 MPT, POLY
57	530447	2	MANIFOLD, 2 IN FP X 1 IN COUPLING
58	530450	2	3" MANIFOLD 3 WAY VALVE
59	530454	1	2" X 2" LONG PORT MANIFOLD
60	530456	1	CAP, 3" MANIFOLD
61	530543	1	REDUCER NIPPLE, 1/4 X 1/8 MPT
62	540000	3	CLAMP, WORM SCREW, 1.00
63	540002	27	CLAMP, FP WORM SCREW, 2.00
64	540003	39	CLAMP, 3INCH WORM SCREW
65	540009	20	CLAMP, 3" T BOLT
66	540013	6	HOSE CLAMP, SS .75 #12
67	540014	4	HOSE CLAMP, SS 1.00 #16
68	540069	9	HOSE CLAMP, 2.00 T-BOLT

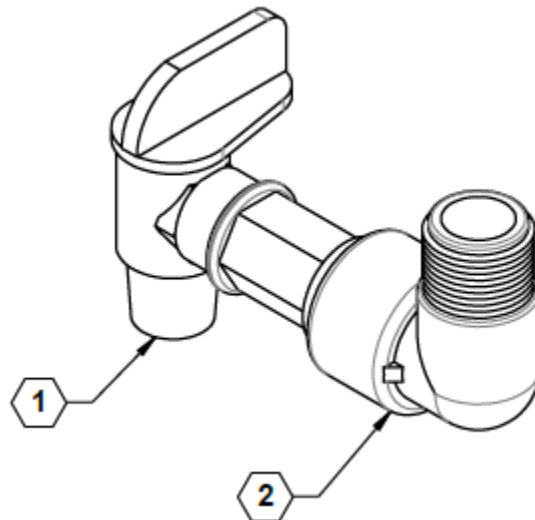
Tank Vented Overflow Fittings



Parts List 90SAFCOV: Tank Vented Overflow Fittings

ITEM	PART NO.	QTY.	DESCRIPTION
1	530051	1	2" MPT X 2" HB 90°
2	530163	1	2" TANK FITTING
3	530331	1	2" VENTED CAP

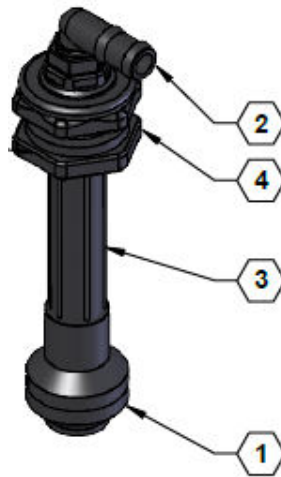
Hand Wash Faucet Fittings



Parts List 90SAFCHWF: Hand Wash Faucet Fittings

ITEM	PART NO.	QTY.	DESCRIPTION
1	510022	1	FAUCET, 3/4" FLO-RITE, CLEAR
2	530151	1	ELBOW, STREET 3/4" 90

Rinse Ball, Elbow



Parts List 90SARNSEBALLASY: Rinse Ball, Elbow

ITEM	PART NO.	QTY.	DESCRIPTION
1	520012	1	NOZZLE, RINSE TANK
2	530040	1	HOSE SHANK, 3/4" MPT X 3/4" HB 90~
3	530130	1	NIPPLE, 3/4" X 6"
4	530160	1	FLANGE, 3/4" POLY TANK

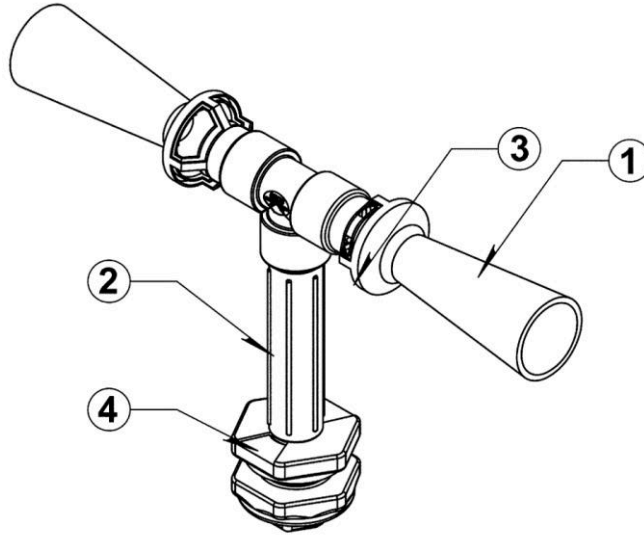
Rinse Ball, Elbow



Parts List 90SARNSEBALLASYT: Rinse Ball, Elbow

ITEM	PART NO.	QTY.	DESCRIPTION
1	520012	1	NOZZLE, RINSE TANK
2	530130	1	NIPPLE, 3/4" X 6"
3	530160	1	FLANGE, 3/4" POLY TANK
4	530221	1	3/4" MPT X 3/4" HOSE BARB TEE

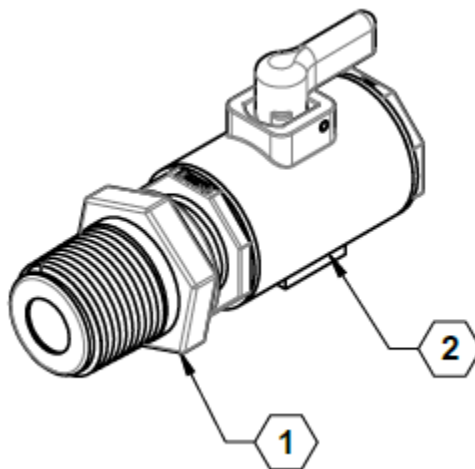
Tank Agitation Fittings



Parts List 90SALTRUMPET: Tank Agitation Fittings

ITEM	PART NO.	QTY.	DESCRIPTION
1	520029	2	AGITATION NOZZLE
2	530130	1	NIPPLE, 3/4" X 6"
3	530156	1	TEE, 3/4" NPT
4	530160	1	3/4" BULKHEAD FITTING

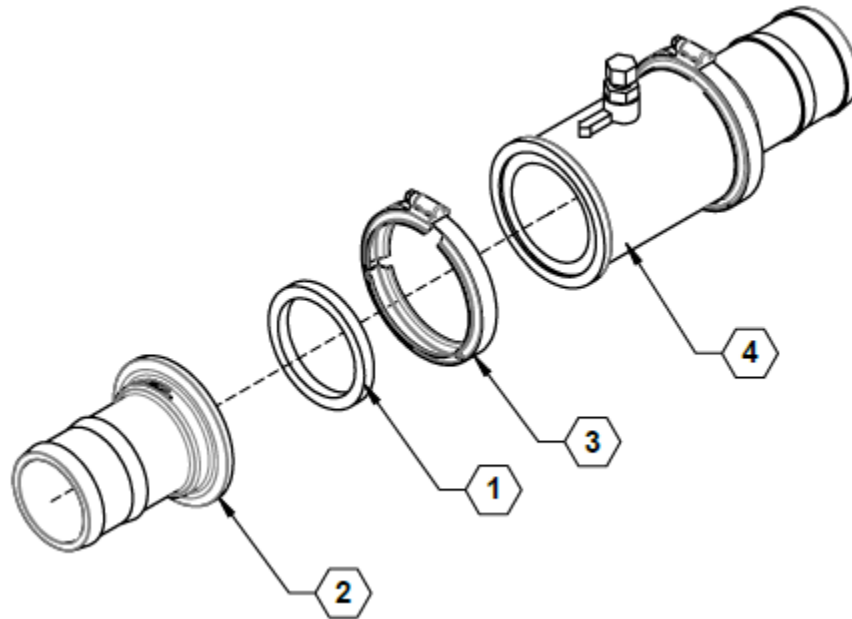
Strainer Drain



Parts List 90SASC3: Strainer Drain

ITEM	PART NO.	QTY.	DESCRIPTION
1	53051	1	REDUCING BUSHING, 3/4" MPT X 1/2" FPT
2	530515	1	VALVE, 1/2" FPT X 1/2" MPT MICRO

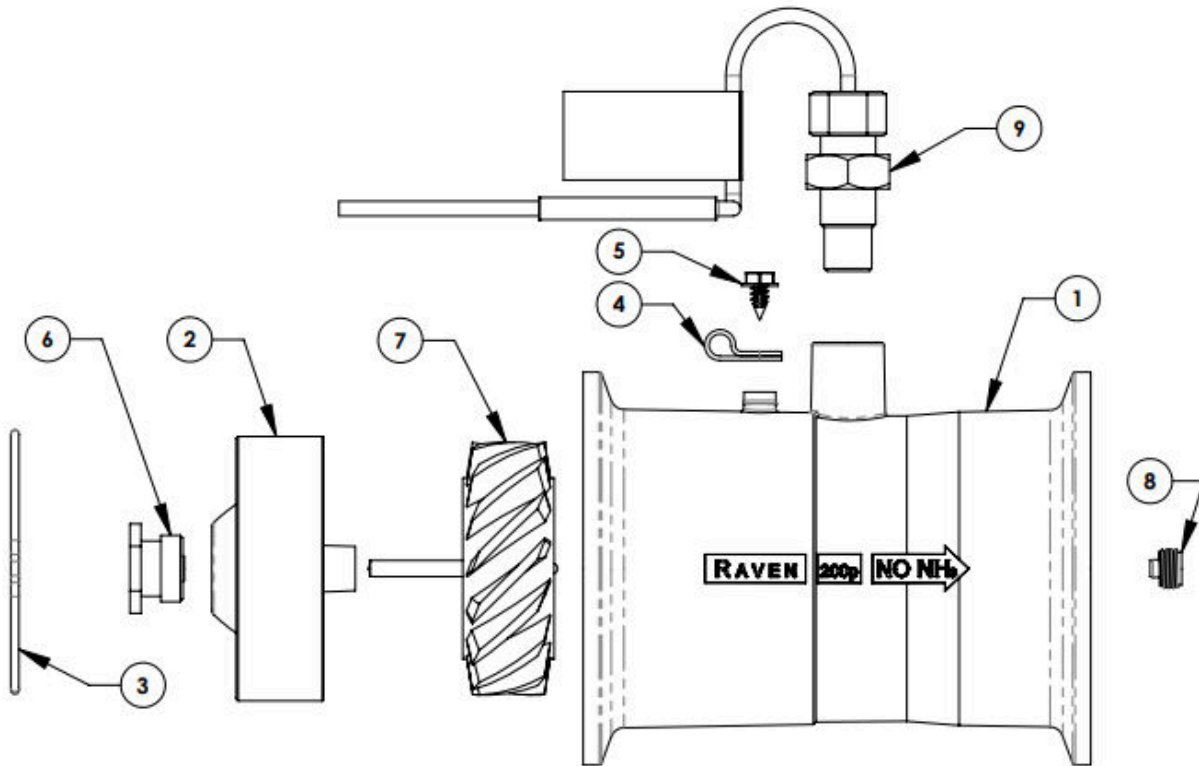
High Volume Flowmeter



Parts List 34320: High Volume Flowmeter

ITEM	PART NO.	QTY.	DESCRIPTION
1	530024	2	GASKET, 3" EPDM
2	530113	2	MANIFOLD FLANGE, 3" HB
3	540003	2	CLAMP, WORM SCREW 3"
4	632125	1	FLOWMETER, 200P

High Flow Flowmeter Breakdown



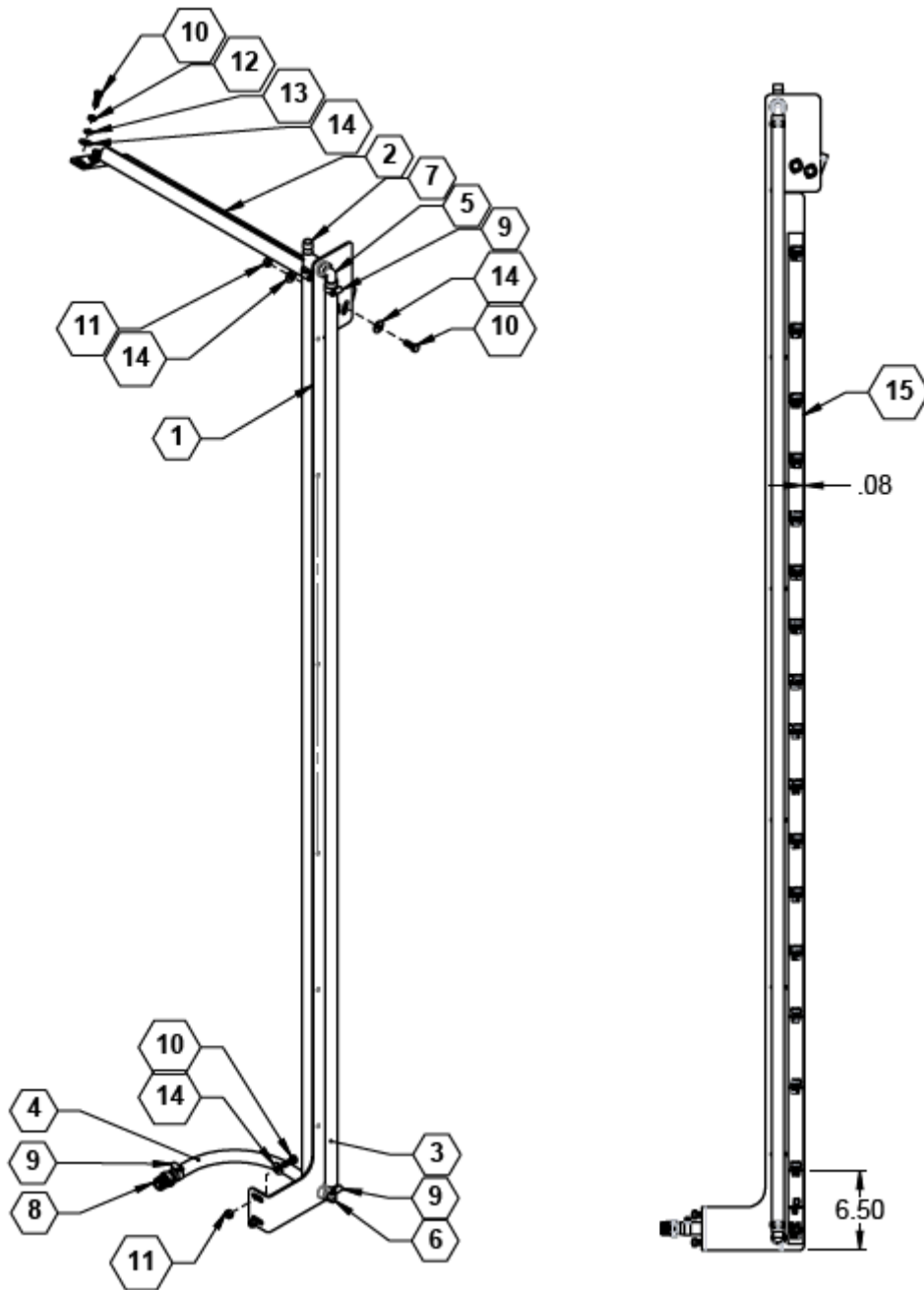
Parts List 632125: High Flow Flowmeter Breakdown

<u>ITEM</u>	<u>DESCRIPTION</u>	<u>RAVEN P/N:</u>
1	BODY, MOLDED, RFM-200p, FLOWMETER	106-0159-711
2	HUB/BEARING ASSEMBLY, UPSTREAM, RFM-200p	063-0173-581
3	RING, RETAINING, WIREFORM, RFM-200	335-0003-199
4	CLAMP, CABLE, PLASTIC, 1/4" x 1/2"	435-3002-017
5	SCREW, THREAD FORMING, #10-16 UNC x 3/8" LONG	310-0002-137
6	TURBINE, STUD/BEARING ASSEMBLY, RFM-200p	063-0159-575
7	TURBINE, FLOWMETER, 4 MAGNET, RFM-200p	063-0173-597
8	STUD, DOWNSTREAM, CUP BEARING, FLOWMETER	063-0173-744
9	SENSOR ASSEMBLY, EXTERNAL, DTM SENSOR ASSEMBLY, EXTERNAL, DT SENSOR ASSEMBLY, EXTERNAL, CON-X-ALL SENSOR ASSEMBLY, EXTERNAL, METRI-PACK (JD)	063-0172-458 063-0172-447 063-0172-004 063-0173-855

REF. KIT 117-0171-645 FOR ITEMS 3, 6, 7, & 8

See https://ravenindustries.mcoutput.com/assets/Content/Resources/PDF_SysDiagrams/054-0159-346-C.pdf

Manual Sight Gauge



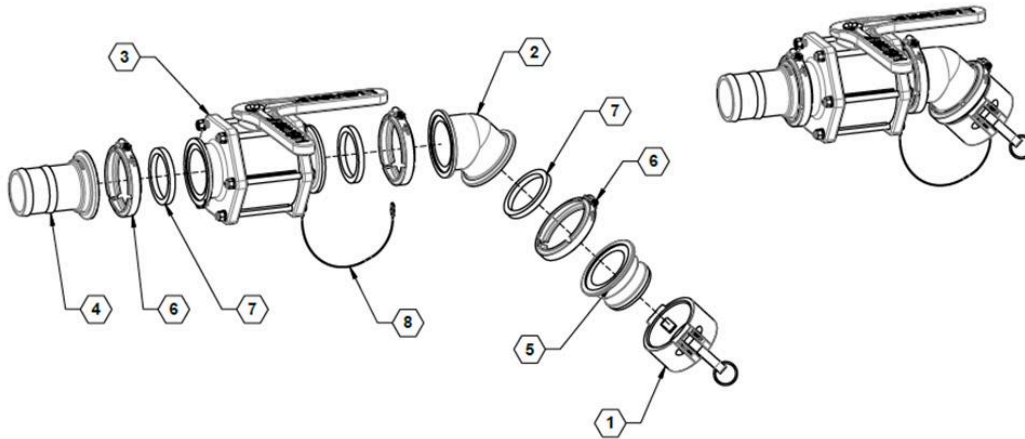


ILLUSTRATED PARTS LIST

Parts List 34456: Manual Sight Gauge

ITEM	PART NO.	QTY.	DESCRIPTION
1	34457	1	PLATE, SIGHT GAUGE
2	34458	1	PLATE, SIGHT GAUGE MNT
3	510006	2	HOSE, VINYL, CLEAR 3/4"
4	510006	1	HOSE, VINYL, CLEAR 3/4"
5	530040	1	HOSE SHANK, 3/4" MPT X 3/4" HB 90~
6	530214	1	HOSE BARB ELBOW, 3/4" X 3/4"
7	530220	1	TEE, .75 FPT X .75 HB X .75 HB
8	530230	1	FITTING, 3/4" MPT X 3/4" HB
9	540013	5	HOSE CLAMP, SS .75 #12
10	596128M	6	BOLT, HH 3/8-16 X 1 GR5 MAGNI
11	596213M	4	NUT, HEX 3/8-16 MAGNI
12	596221M	2	HEX NUT JAM 3/8-16 MAGNI
13	596250M	1	LOCKWASHER, 3/8 MAGNI
14	596258M	8	WASHER, FLAT 3/8 MAGNI
15	800344	1	DECAL, SIGHT GAUGE

Quick Fill Valve, 3"



Parts List 90SA3QF: Quick Fill Valve, 3"

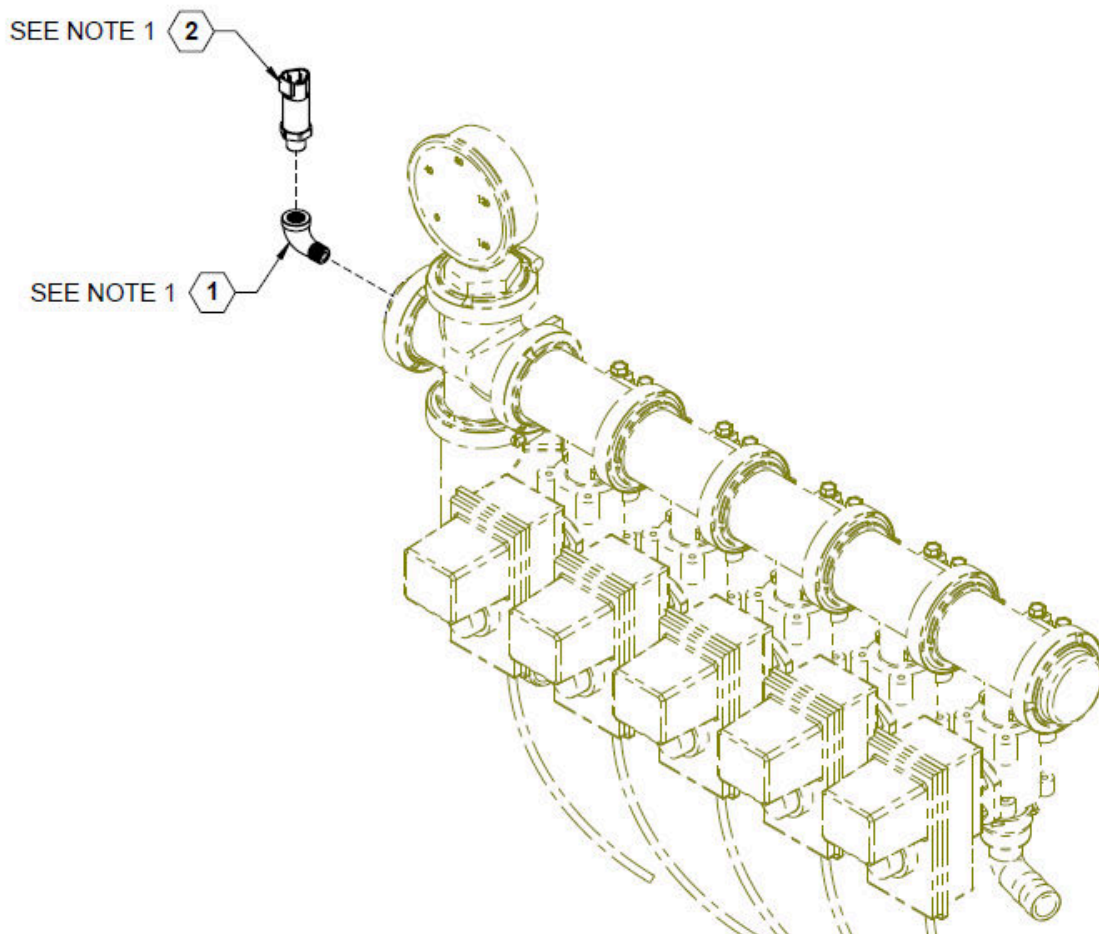
ITEM	PART NO.	QTY.	DESCRIPTION
1	500042	1	MV300CF
2	530023	1	CAP, 3"
3	530024	3	GASKET, 3" EPDM
4	530113	1	Flanged 3" Hose Barb
5	530179	1	CABLE LANYARD
6	530233	1	3" MANIFOLD X 3" MALE ADAPTER
7	530234	1	3" COUPLER, 45 DEGREE
8	540003	3	CLAMP, WORM SCREW 3"

PRODUCT ELECTRICAL COMP.S

Pressure Transducer

NOTES:

1. APPLY A SMALL AMOUNT OF THREAD SEALANT BEFORE INSTALLING
2. INSTALL WITH TRANSDUCER ELECTRICAL CONNECTION FACING UPWARD

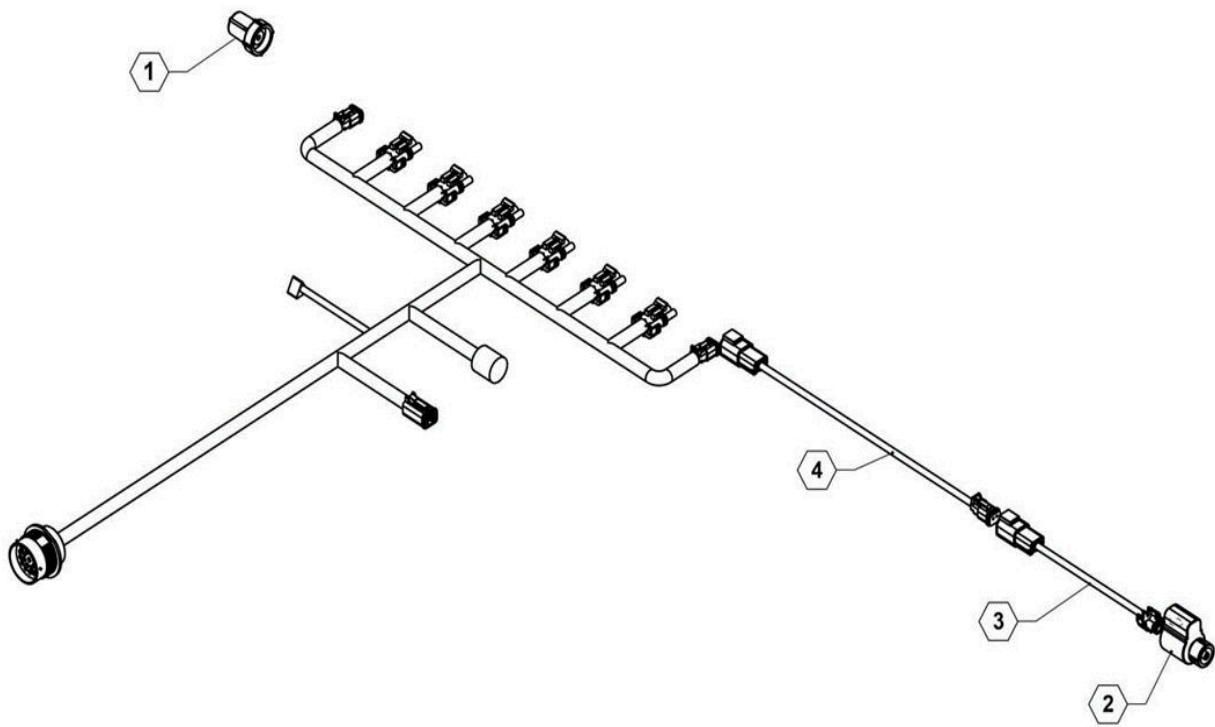


Parts List 28027: Pressure Transducer

ITEM	PART NO.	QTY.	DESCRIPTION
1	530246	1	ELBOW, 90° STREET ¼ NPT SS
2	632036	1	TRANSDUCER, PRESSURE

Electric Fenceline Nozzles

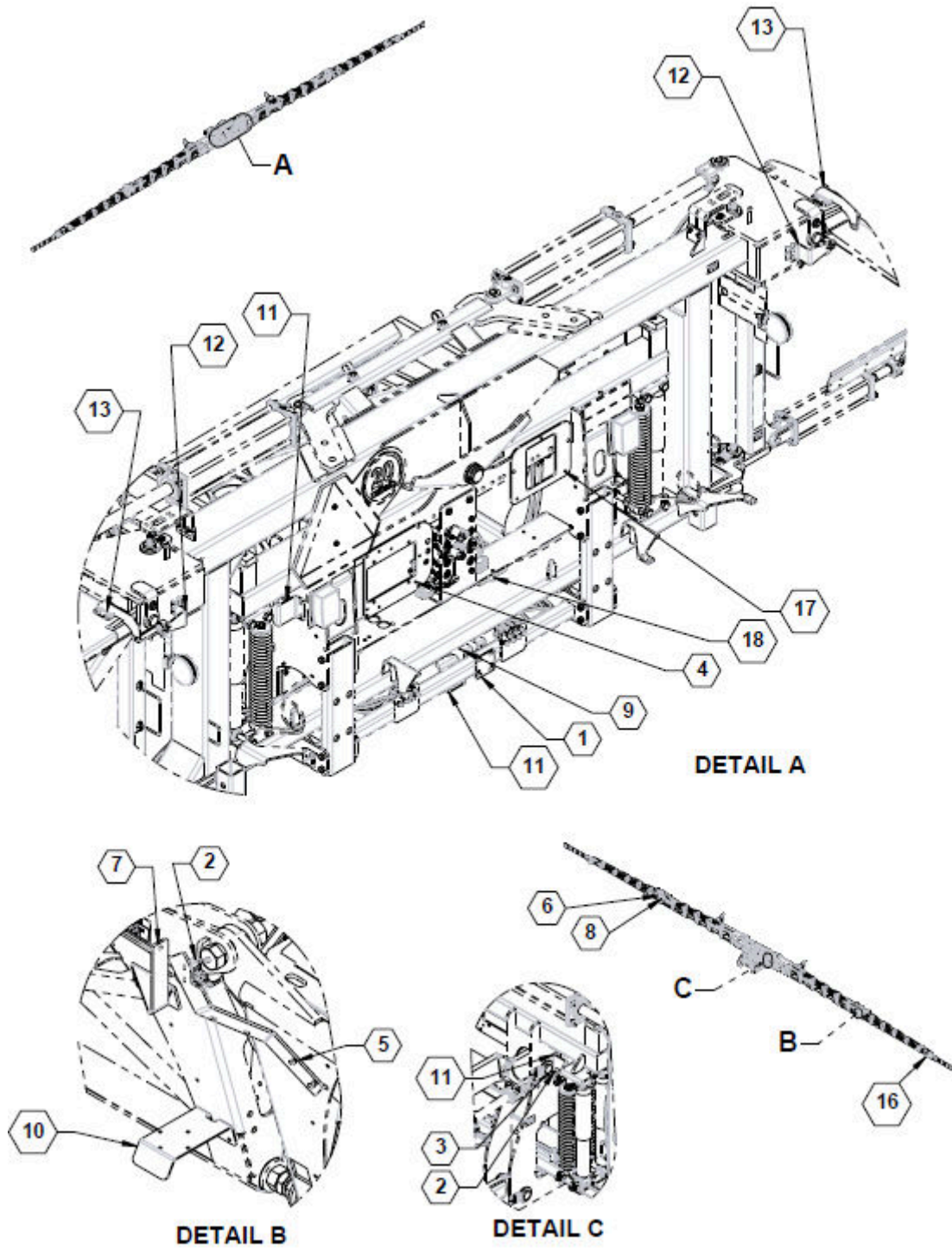
NOTE:
1. FOR USE WITH RAVEN RCM AND JD RC2000

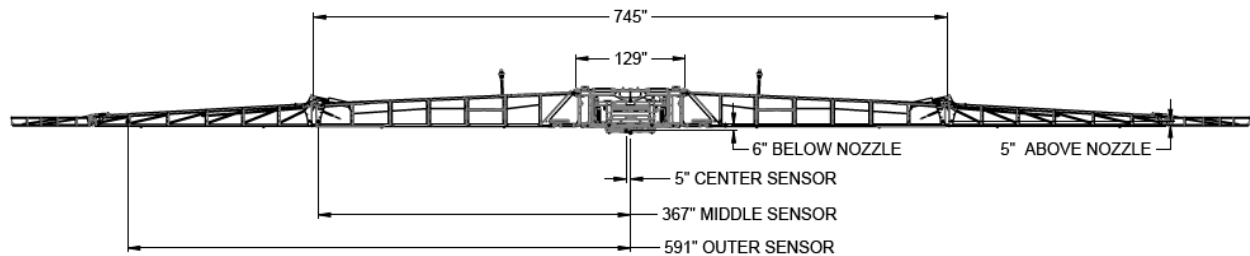


Parts List 27360 / 27361: Electric Fenceline Nozzles

ITEM	PART NO.	QTY.	DESCRIPTION
1	520037	1	VALVE, MANUAL CHEMSAVER
		0	
2	520038	1	VALVE, ELECTRIC CHEMSAVER
		2	
3	632044	1	FENCEROW ADAPTER CABLE, 6"
		2	
4	632054	1	FENCEROW CABLE, 55'
		2	

Boom XRT (120')

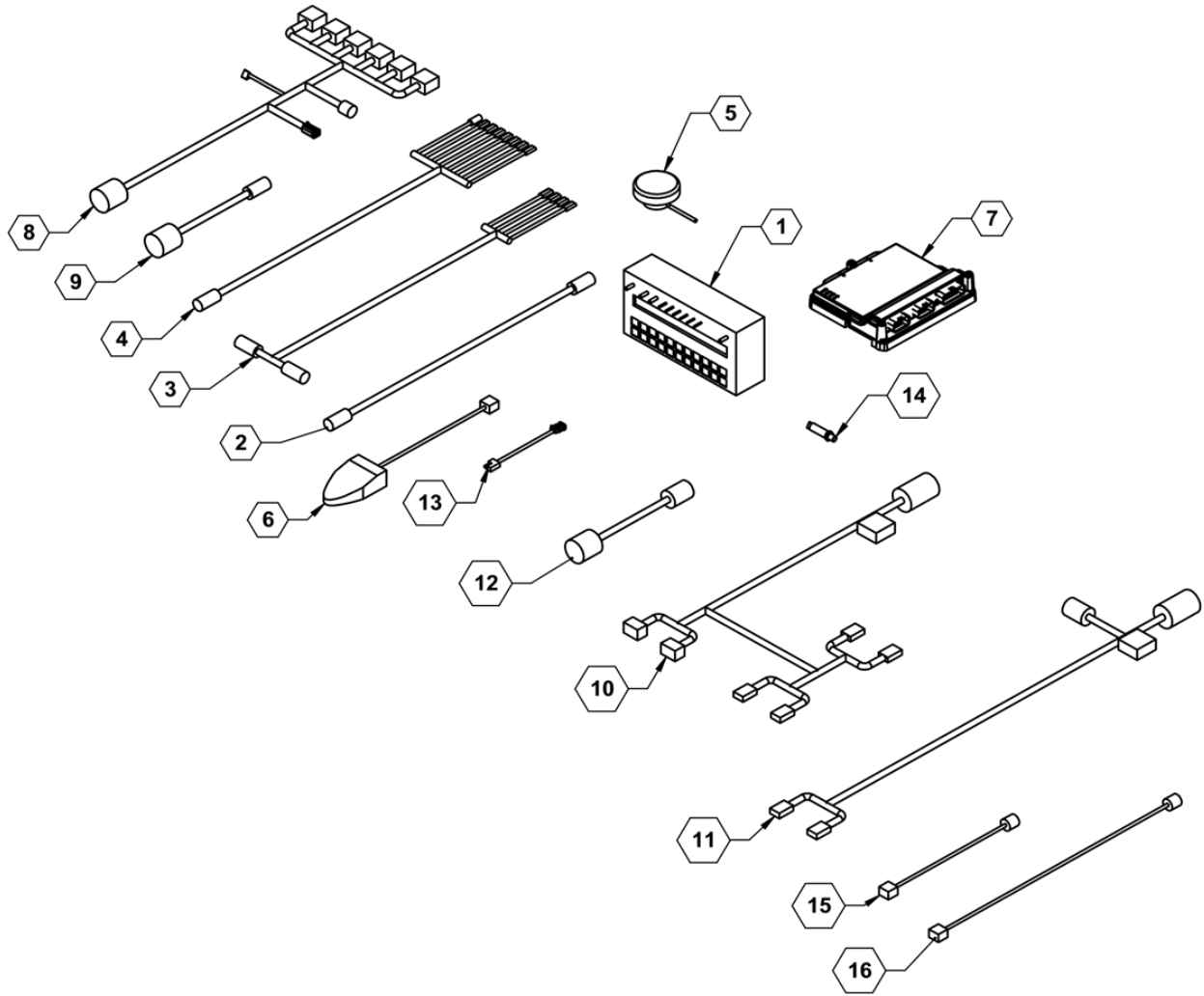




Parts List 35907: Boom XRT (120')

ITEM	PART NO.	QTY.	DESCRIPTION
1	18317	1	PLATE, BACKING
2	21495	5	180 ROTARY SENSOR
3	22906	3	ROD, ROTARY SENSOR LEVER
4	23976	1	PLATE, RCM MOUNT
5	28840	1	LH PRIMARY FLIP ROT SENSOR BRCKT
6	28841	1	BRACKET, RH PRIMARY FLIP ROTARY SENSOR
7	28842	1	BRACKET, LH PRIMARY FLIP SENSOR ROD
8	28843	1	BRACKET, RH PRIMARY FLIP SENSOR ROD
9	28895	1	BRACKET, XRT SENSOR, TRUSS CENTER
10	28896	2	BRACKET, XRT SENSOR, TRUSS INNER WING
11	34701	2	PLATE, SENSATA MOUNT
12	34704	2	PLATE, TILT ROTARY SENSOR
13	34705	2	PLATE, WING TILT SENSOR
14	34719	1	PLATE, ROLL SENSOR
15	34721	1	WLDMNT, SLIDE PIVOT
16	35831	2	BRACKET, XRT SENSOR
17	37157	1	PLATE, XRT NODE
18	632198	1	NODE, AUTOBOOM XRT UNLOCK
NS	632207	1	KIT, XRT AUTOBOOM CONNECT, 120'

Raven Harnesses & Components



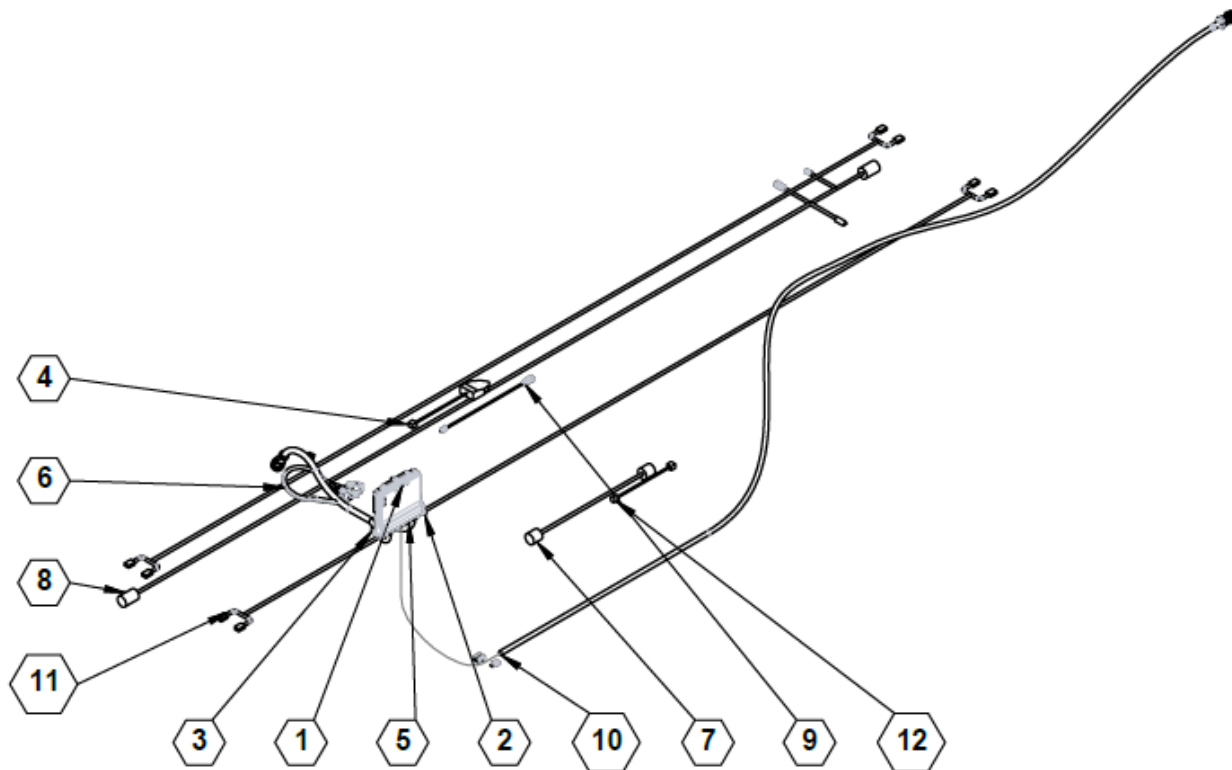


ILLUSTRATED PARTS LIST

Parts List: Raven Harnesses & Components

ITEM	PART NO.	QTY.	DESCRIPTION
1	631803	AR	6 SECTION 450 CONSOLE
2	631814	AR	12' 16 PIN EXTENSION CABLE
3	631818	AR	10' 440/450 CONSOLE CABLE
4	631819	AR	16 PIN 6 SECTION CABLE
5	631832	AR	GPS SPEED SENSOR
6	631856	AR	FOOTSWITCH
7	632010	AR	RCM
8	632080	AR	47 PIN 6 SECTION CABLE
9	632028	AR	47 PIN TO 16 PIN ADAPTER
10	632029	AR	47 PIN RCM Y-CABLE
11	632031	AR	12' ISO TO IBIC CABLE
12	632033	AR	47 PIN TO 37 PIN ADAPTER
13	632034	AR	TRAILER TO DEUTSCH PLUG ADAPTER CABLE
14	632036	AR	PRESSURE TRANSDUCER
15	632061	AR	CABLE, FOOTSWITCH, 12'
16	632062	AR	CABLE, FOOTSWITCH, 23'
NS	631802	AR	3 SECTION 440 CONSOLE

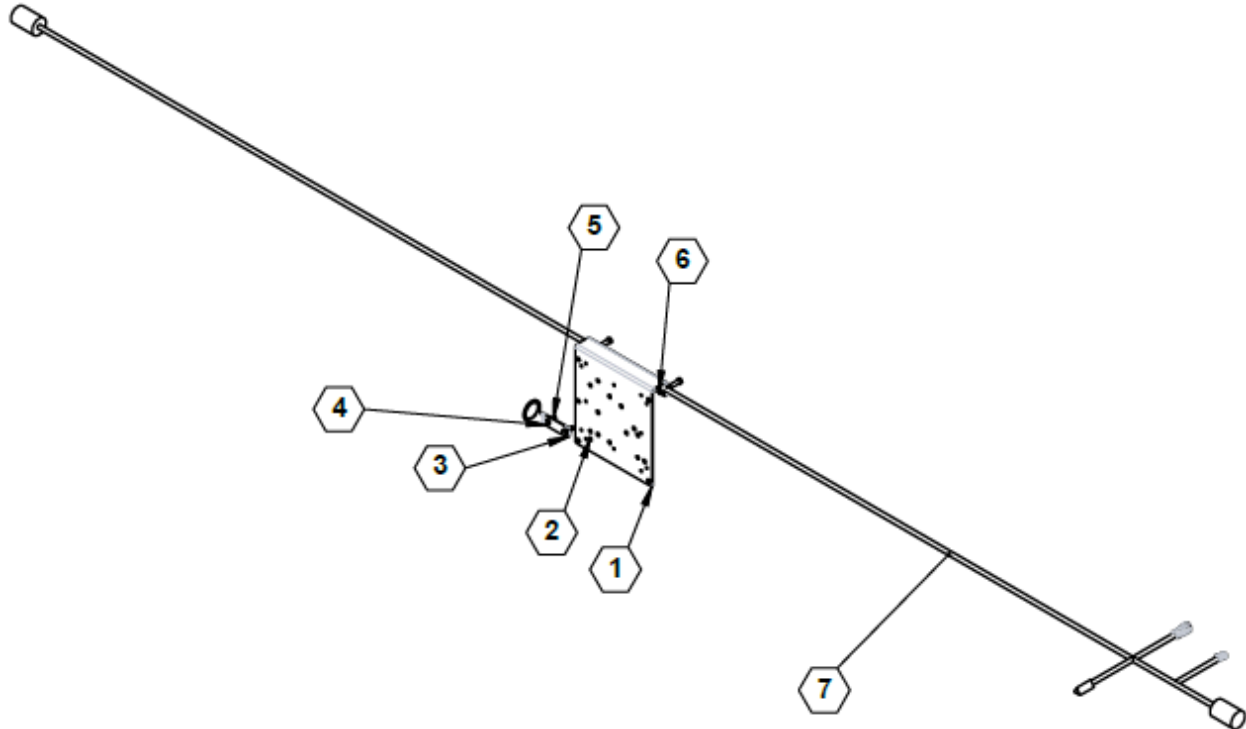
Raven RCM Rate Controller



Parts List 34103: Raven RCM Rate Controller

ITEM	PART NO.	QTY.	DESCRIPTION
1	596105M	1	BOLT, HH 1/4-20X2-1/2 GR5 MAGNI
2	596110M	2	BOLT, HH 1/4-20 X 3 MAGNI
3	596235M	3	NUT, CENTERLOCK, 1/4-20 MAGNI
4	631856	1	FOOTSWITCH, ISO PRODUCT CONTROL
5	632010	1	RAVEN RCM
6	632029	1	47 PIN RATE CTRL INTERFACE CABLE
7	632032	1	47 PIN 12' EXTENSION CABLE
8	632035	1	CABLE, 47 PIN SPRAYER FRAME, 14'
9	632042	1	2 PIN DT 40' CABLE EXTENSION
10	632043	1	IBIC TO GEN 1 ISO 17'
11	632055	2	CABLE, 17' EXTENSION GEN 1 ISO
12	632061	1	CABLE, FOOTSWITCH, 12' ROW CROP TRACTOR

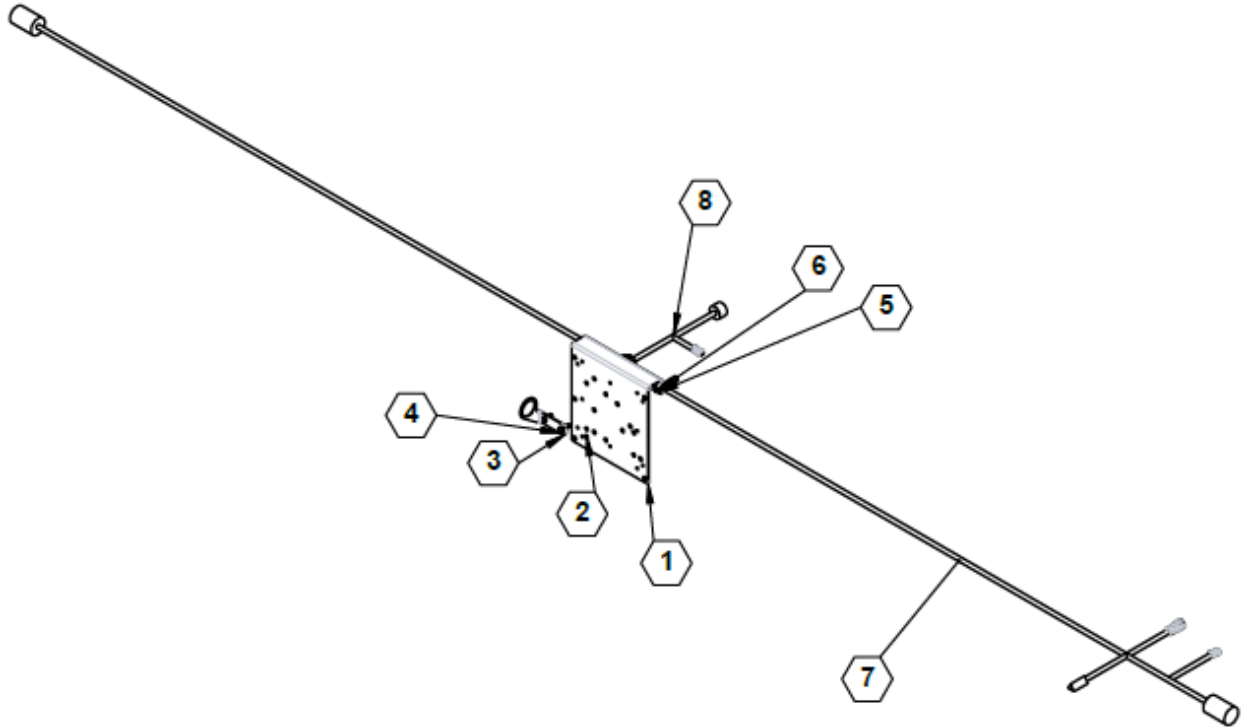
Customer Supplied RCM/RC2000



Parts List 47PCSJDRC BTB: Customer Supplied RCM/RC2000

ITEM	PART NO.	QTY.	DESCRIPTION
1	15813	1	PLATE, FORMED MOUNT
2	26236	1	TUBE, SPACER
3	35224	1	BRACKET, 47 PIN HARNESS
4	596128M	2	BOLT, HH 3/8-16 X 1 GR5 MAGNI
5	596237M	4	NUT, CENTERLOCK 3/8-16 MAGNI
6	596637M	2	BOLT, HH 3/8-16 X 2-3/4 GR5 MAGNI
7	632035	1	CABLE, 47 PIN SPRAYER FRAME, 14'
NS	632075	1	HARNESS, 47P 06 SECTION
	632076		HARNESS, 47P 10 SECTION

Customer Supplied JD Greenstar



Parts List 479CSJDGS BTB: Customer Supplied JD Greenstar

ITEM	PART NO.	QTY.	DESCRIPTION
1	15813	1	PLATE, FORMED MOUNT
2	26236	1	TUBE, SPACER
3	35224	1	BRACKET, 47 PIN HARNESS
4	596128M	2	BOLT, HH 3/8-16 X 1 GR5 MAGNI
5	596237M	3	NUT, CENTERLOCK 3/8-16 MAGNI
6	596637M	1	BOLT, HH 3/8-16 X 2-3/4 GR5 MAGNI
7	632035	1	CABLE, 47 PIN SPRAYER FRAME, 14'
8	632070	1	37 TO 47 PIN ADAPTER CABLE
NS	632075	1	HARNESS, 47P 06 SECTION
	632076		HARNESS, 47P 10 SECTION



ILLUSTRATED PARTS LIST

Customer Supplied Other / Non-ISO

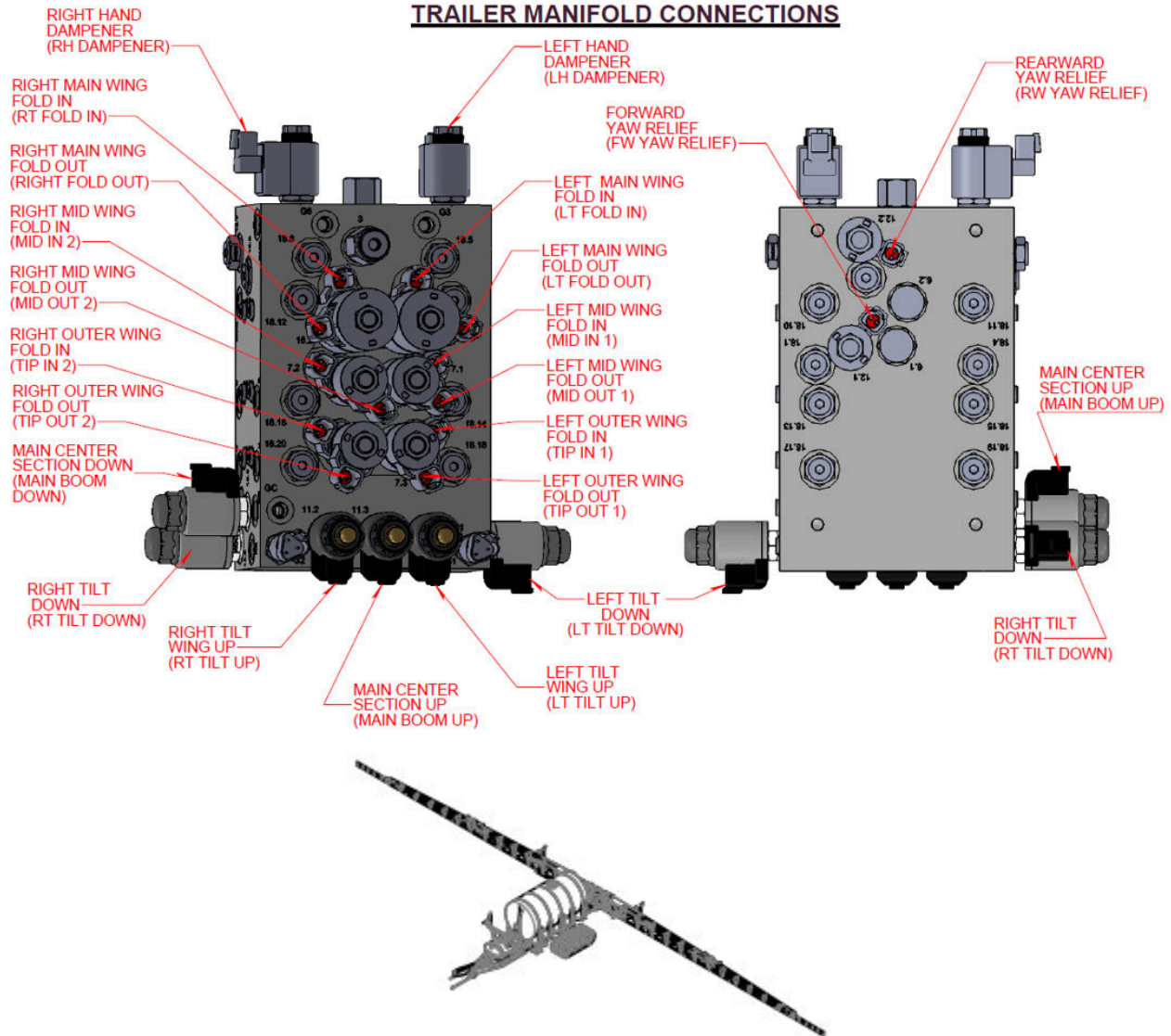


Parts List 631980: Customer Supplied Other / Non-ISO

ITEM	PART NO.	QTY.	DESCRIPTION
-	115-0172-113	-	CABLE, ISO POWER, CIH PRO700 AGCO

HYDRAULICS

Hydraulic Block Connections (631943)



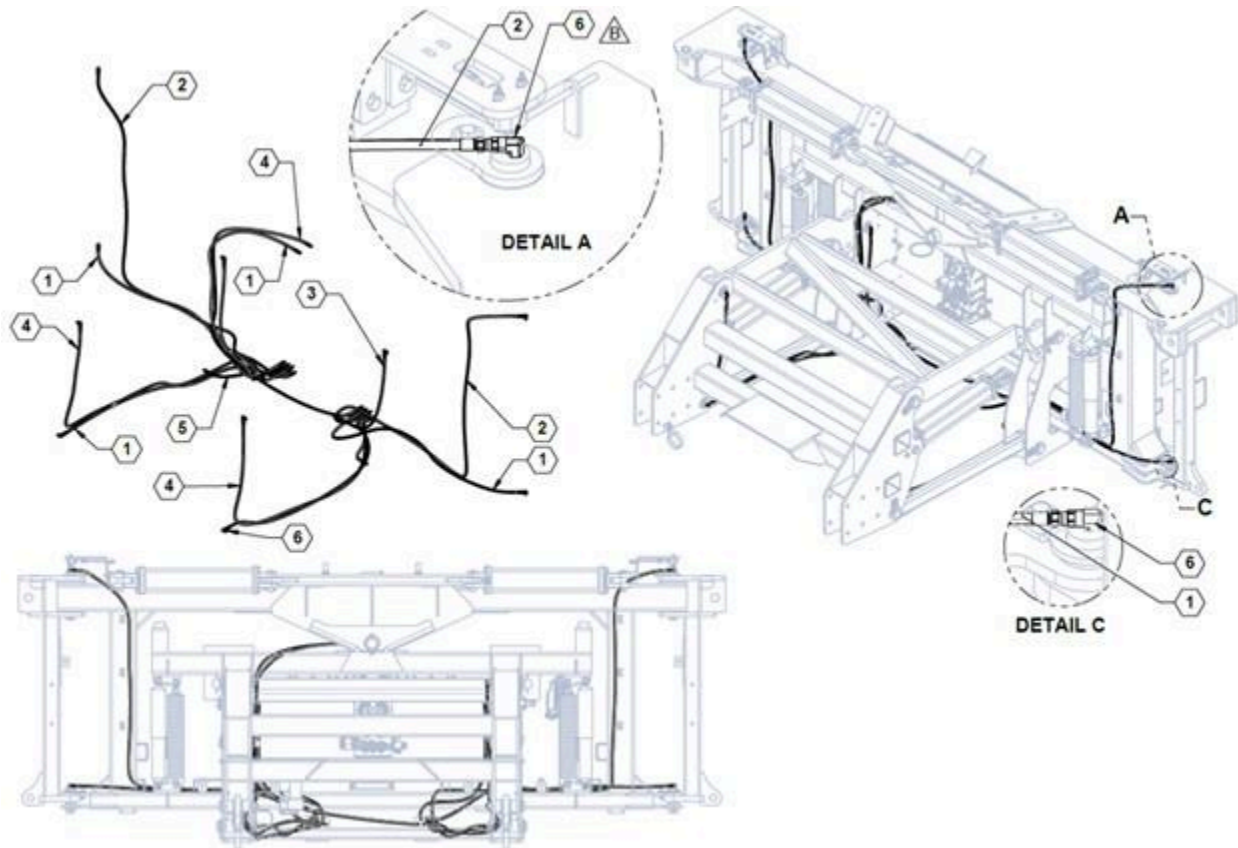


ILLUSTRATED PARTS LIST

Parts List 600117: Hydraulic Block Connections (631943)

ITEM	PART NO.	QTY.	DESCRIPTION
1	520048	6	PIONEER COUPLER #8 FORB
2	540077	24	CLAMP TWIN AG 2 STAUFF
3	600117-1-ZN	2	HOSE ASSY, 08-8FJX-8FJX45-31.3
4	600117-10-ZN	2	HOSE ASSY, 12-10FJX-10FJX-267
5	600117-11-ZN	1	HOSE ASSY, 10-10FJX-8MORB-242
6	600117-2-ZN	1	HOSE ASSY, 04-4FJX-4FJX90-90
7	600117-3-ZN	2	HOSE ASSY, 04-4FJX-4FJX90-70
8	600117-4-ZN	2	HOSE ASSY, 04-4FJX-4FJX90-46
9	600117-5-ZN	2	HOSE ASSY, 06-6FJX-6FJX-109
10	600117-6-ZN	4	HOSE ASSY, 04-4FJX-4FJX-374
11	600117-7-ZN	2	HOSE ASSY, 08-8FJX-8MORB-471
12	600117-8-ZN	2	HOSE ASSY, 10-10FJX-10FJX-32.7
13	600117-9-ZN	1	HOSE ASSY, 10-10FJX-8MORB-270
14	610007	1	ADAPTER, -4MJIC X -4MORB
15	610008	9	ADAPTER, -4MJIC X -6MORB
16	610010	2	ADAPTER, -6MJIC X -6MORB
17	610013	2	ADAPTER, -8MJIC X -8MORB
18	610023	1	ADAPTER, -6MJIC X -6FJX 90
19	610029	8	ADAPTER, -4MJIC X -8MORB90
20	610030	2	ADAPTER, -6MJIC X -8MORB90
21	610035	4	ADAPTER, -8MORB X -6FPT 90
22	610036	4	BREATHER VENT, PLUG MALE 3/8-18 NPT
23	610071	1	ADAPTER, -8 MJIC UNION CROSS
24	610072	1	ADAPTER, -8FJIC X -6MJIC
25	610079	1	ADAPTER, -4MORB X -6FJX
26	610083	1	ADAPTER, -8MORB X -8FJX
27	610097	2	ADAPTER, -8MJIC X -8MORB90
28	610102	4	ADAPTER, -10MJIC X -10MORB90
29	610106	4	ADAPTER, -10MJIC X -10MORB
30	610115	4	ADAPTER, -6MORB PLUG
31	610163	2	ADAPTER, -10 MJIC X -8 MORB

Truss Boom Center

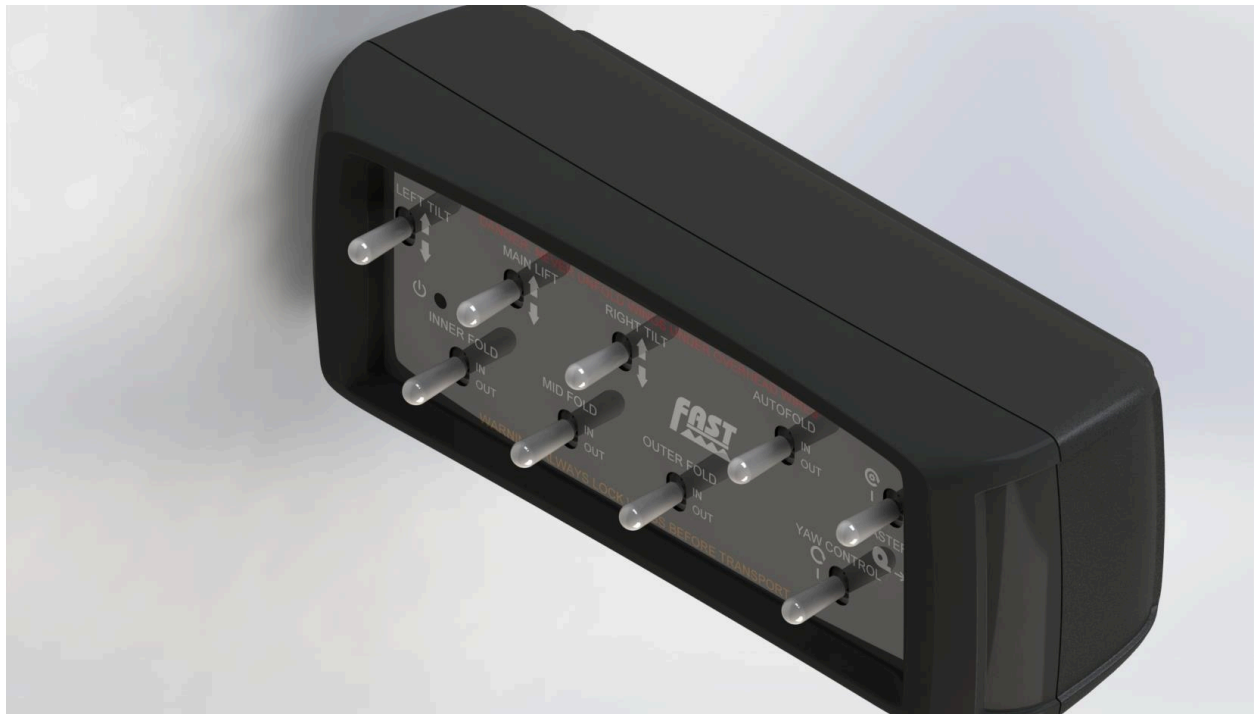


Parts List 600131: Truss Boom Center

ITEM	PART NO.	QTY.	DESCRIPTION
1	600131-100	5	HOSE ASSY, 02-2NPTX-2GREASE-72
2	600131-200	2	HOSE ASSY, 02-2NPTX-2GREASE-110
3	600131-300	2	HOSE ASSY, 02-2NPTX-2GREASE-42
4	600131-400	3	HOSE ASSY, 02-2NPTX-2GREASE-88
5	600131-500	2	HOSE ASSY, 02-2NPTX-2GREASE-28
6	610184	10	FITTING, -2MPT X -2FPT 90

FOLD BOX ELECTRICAL

Cab Fold Box





ILLUSTRATED PARTS LIST

Parts List 632207: Cab Fold Box

PART #	QTY	DESCRIPTION	ITEM #
053-0159-181 (A1)	1	BOX, SHIPPING	1
115-0172-011	1	CABLE, CAN/POWER, ISO, SWITCHBOX, JOHN DEERE	2
053-0159-019	1	BOX, SHIPPING	3
053-0159-275	1	INSERT, KORRVU	4
063-0173-745	1	SWITCHBOX, FOLD, FAST ISO	5
053-0159-110	1	ENVELOPE, PLASTIC	6
311-0001-007	2	SCREW, 8-32 UNC x 5/16	7
311-0001-013	2	SCREW, 8-32 UNC x 1/2" PHL	8
313-4000-007	2	WASHER, #8 LOCK, EXT STL ZINC	9

This switchbox (063-173-745) is non-serviceable.

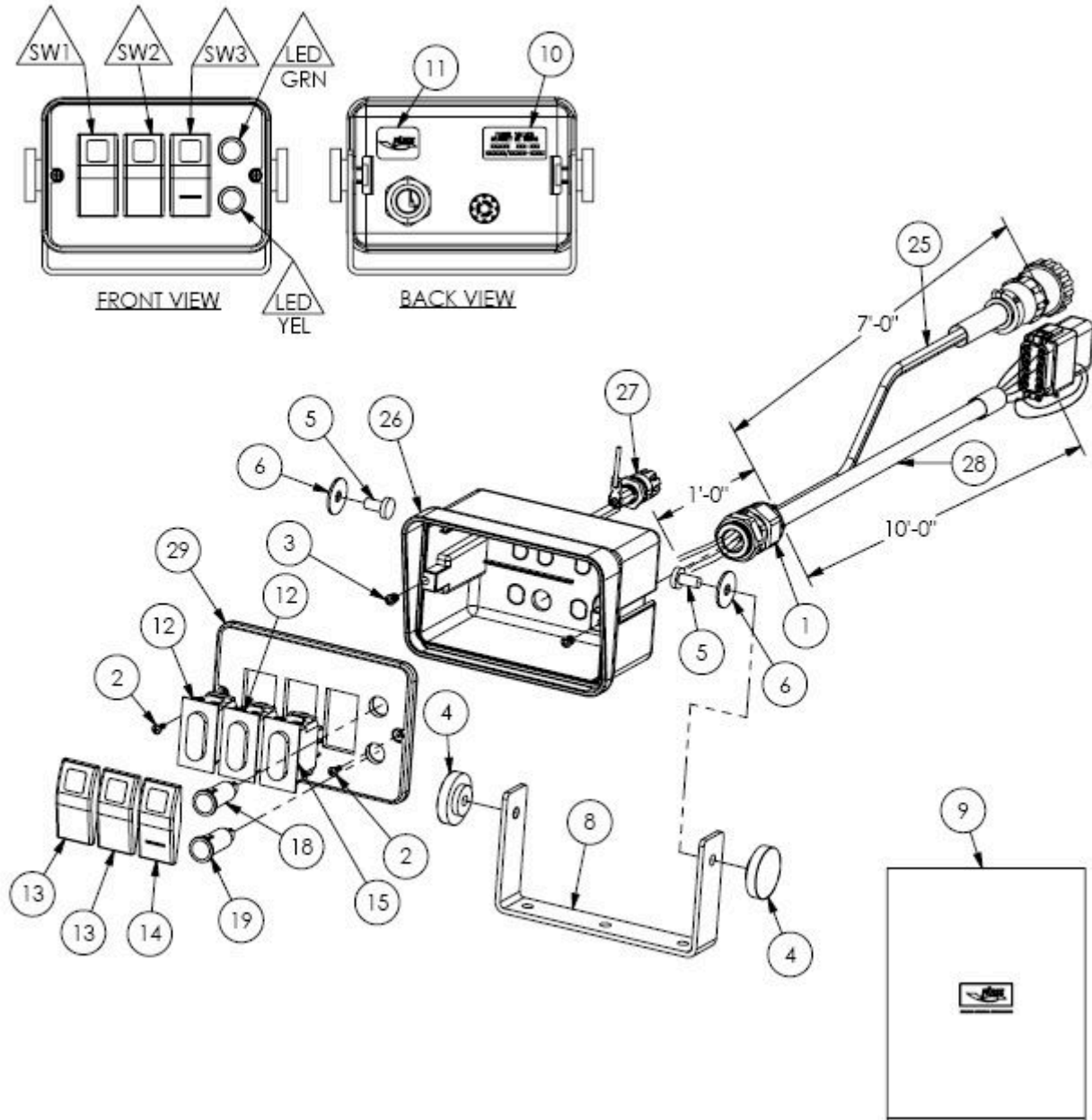
For the entire AutoFold 120'/132' kit, ask a Fast Ag Solutions Dealer for 632207.



ILLUSTRATED PARTS LIST



Cab Agitation & Rinse Box



Parts List 632155: Cab Agitation & Rinse Box

NO.	PART NUMBER	QTY	PART DESCRIPTION
1	210-710	1	STR RLF HEYCO .23"-.54"ID, HOLE DIA .886"
2	212-184	2	SCREW PHIL PAN #6-32X3/8" BLK
3	212-202	2	SCREW INSERT BRASS #6-32X3/8"
4	212-215	2	KNOB FEMALE 1/4"-20
5	212-231	2	SCREW WELDED 1/4"-20X.625"
6	213-335	2	WASHER NYLON FLAT 1/4"-20
7	214-002	3	CABLE TIE BLK 8.5"
8	219-300	1	BRKT MNTR BLK AL
9	230-057	1	BAG POLY 14X18 2MIL LOGO
10	232-050	1	DECL S/N SILVER
11	232-058	1	DECAL FASSE BLK/GOLD 1"X.75" RND CRNR
12	250-242	2	SW RCK CONTURA BODY ONLY SPST 2P STAT CLEAR LED 12V
13	250-243	2	SW RCK CONTURA II ACTUATOR ONLY RED LENS BLK
14	250-244	1	SW RCK CONTURA II ACTUATOR ONLY RED/RED LENS BLK
15	250-245	1	SW RCK CONTURA BODY ONLY SPST 3P STAT CLEAR/CLEAR LEDS 12V
16	252-058	14"	WIRE 18GA BLK
17	252-059	14"	WIRE 18GA RED
18	254-179	1	LED GRN 12V 5/8"DIA SNAP FLUSH 1/4" MALE TRM
19	254-182	1	LED YEL 12V 5/8"DIA SNAP FLUSH 1/4" MALE TRM
20	255-002	6	TRM PO T-TAP F 18-14GA
21	255-006	7	TRM PO F INS 22-18GA
22	255-030	3	TRM SPLICE CLOSED END 16-18GA
23	255-119	1	TRM PO F INS 16-14GA
24	255-285	1	TRM SPLICE CLOSED END LRG 14-16GA
25	314-001	1	HRN 2CON 14GA AMP PLUG 3P(2) 8'
26	319-725	1	ENCL MNTR BOX 4.75"X3"X2"
27	320-529	1	FUSE HOLDER PM ASSY 7.5A .5'
28	320-607	1	HRN T2CON 18GA DTP KEY B T2P(12) T1' END CAP
29	320-609	1	ENCL DRILL FP MNTR RCK3 LED2 F00204

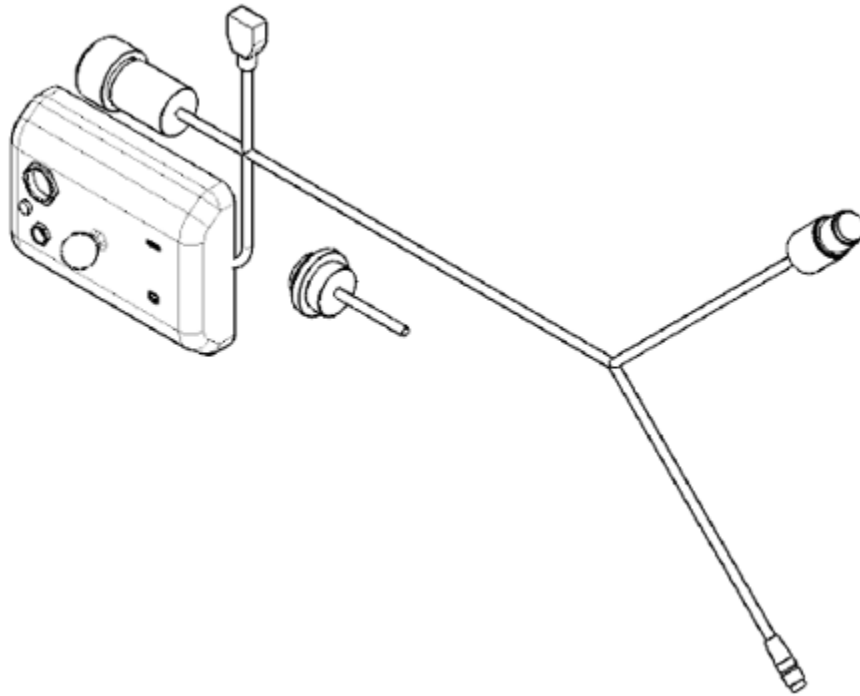


ILLUSTRATED PARTS LIST

Parts List 632156: Cab Agitation & Rinse Box Harness

NO.	PART NUMBER	QTY	PART DESCRIPTION
1	214-002	3	CABLE TIE BLK 8.5"
2	230-007	1	BAG POLY 14X18 2MIL
3	231-009	3"	SHRINKTUBING .500" BLK
4	231-187	8"	SHRINKTUBING .187" BLK
5	231-375	2"	SHRINKTUBING .375" BLK
6	252-012	70"	LOOM 0CON .250" ID BLK
7	252-013	129"	LOOM 0CON .350"ID BLK
8	252-058	12"	WIRE 18GA BLK
9	252-064	15.5'	CABLE 12CON 18GA PVC GRY
10	255-209	1	CONN DEUT DT PLUG 6PIN
11	255-211	1	CONN DEUT LOCK WEDGE 6PIN DTP ORG
12	255-214	1	CONN DEUT LOCK WEDGE 12PIN DTR GRN
13	255-215	1	CONN DEUT LOCK WEDGE 12PIN DTP ORG
14	255-594	1	CONN DEUT DT PLUG 12PIN KEY B
15	255-625	1	CONN DEUT RCPT 12PIN KEY B
16	255-627	6	CONT M/P 150.2 PTS F 16-18GA
17	255-628	2	CONN M/P 150.2 PTS F 3PIN 16-18GA
18	255-977	12	CONT DEUT PIN 16-18GA
19	255-978	8	CONT DEUT SOCKET SIZE 16 16-20GA
20	255-979	10	CONT DEUT CAVITY PLUG
21	255-990	6	CONT M/P 150.2 PTS CABLE SEAL 16-18GA WHT
22	307-182	1	LABEL KIT FOR 320-612

Cab Display, Raven CR7

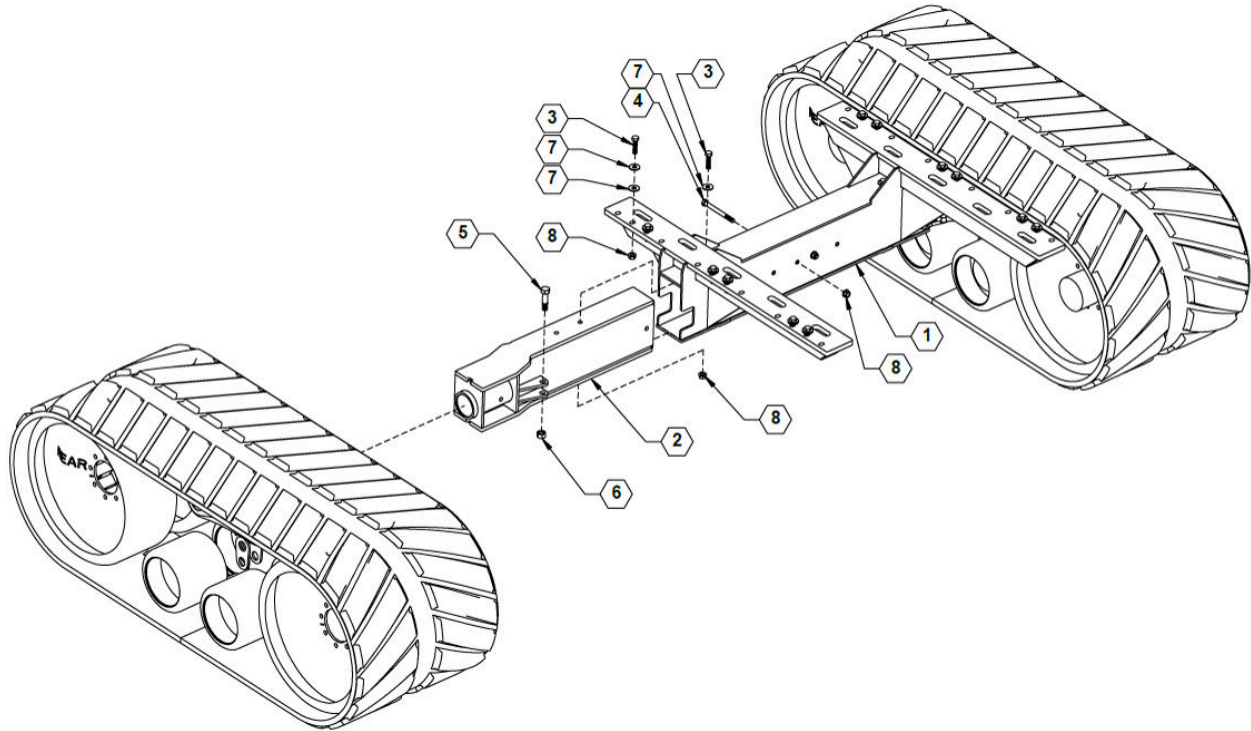


Parts List 9920RACR7ISOPH / 9920RACR7ISOPHJD / 9920RACR7ISOH: Cab Display, Raven CR7

ITEM	PART NO.	QTY.	DESCRIPTION
1	632063	1	RAVEN PRECISION CR7 DISPLAY
2	632066	1	CABLE, CR7 ISO VT ONLY
3	632064	1	CABLE, RAVEN ISO/POWER
	632065		CABLE, CAN/POWER OEM ISO
	632067		CABLE, DISPLAY PORT, Y ADAPTER

TRACKS & AXLES

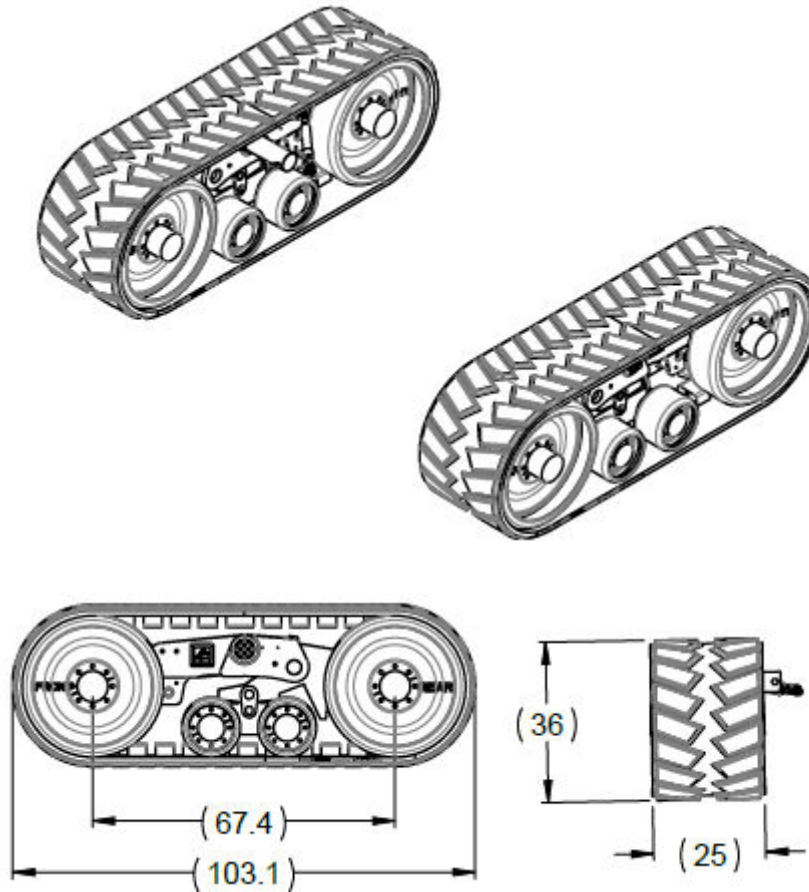
Adjustable Track Axle, 120"



Parts List 34090: Adjustable Track Axle, 120"

ITEM	PART NO.	QTY.	DESCRIPTION
1	34073	1	WLDMNT, AXLE RECEIVER
2	34074	2	WLDMNT, AXLE ADJ TRACK
3	596186M	14	BOLT, HH 3/4-10 X 3 GR8 MAGNI
4	596196M	2	BOLT, 3/4-10 X 8 MAGNI
5	596202M	2	BOLT, HH 1-8 X 4 GR5 MAGNI
6	596242M	2	NUT, CENTERLOCK, 1" MAGNI
7	596259M	28	WASHER, FLAT 3/4 MAGNI
8	596775M	16	NUT, HEX FLANGE 3/4-10 GR8 MAGNI

36" Camso Tracks



Parts List 700213 / 700214: 36" Camso Tracks

ITEM	PART NO.	QTY.	DESCRIPTION
-	TTS 70-3612YL2-0063	1	CAMSO, TTS 70 36" TRACKS, YELLOW
	TTS 70-3612GY2-0063		CAMSO, TTS 70 36" TRACKS, GRAY

LIGHTS, DECALS, & TAGS

Standard Decals

See also:

- [Base Trailer with Fittings](#)

Parts List: Standard Decals

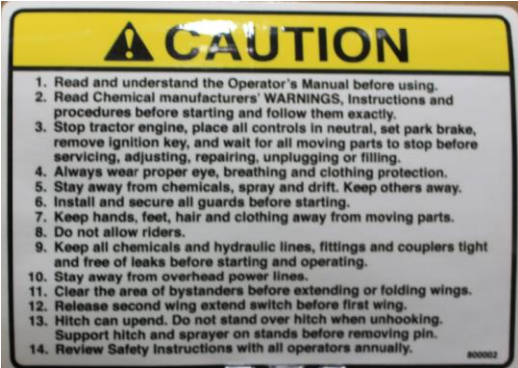


IMAGE	PART NO.	DESCRIPTION
 <p>CAUTION</p> <ol style="list-style-type: none"> 1. Read and understand the Operator's Manual before using. 2. Read Chemical manufacturers' WARNINGS, instructions and procedures before starting and follow them exactly. 3. Stop tractor engine, place all controls in neutral, set park brake, remove ignition key, and wait for all moving parts to stop before servicing, adjusting, repairing, unplugging or filling. 4. Always wear proper eye, breathing and clothing protection. 5. Stay away from chemicals, spray and drift. Keep others away. 6. Install and secure all guards before starting. 7. Keep hands, feet, hair and clothing away from moving parts. 8. Do not allow riders. 9. Keep all chemicals and hydraulic lines, fittings and couplers tight and free of leaks before starting and operating. 10. Stay away from overhead power lines. 11. Clear the area of bystanders before extending or folding wings. 12. Release second wing extend switch before first wing. 13. Hitch can upend. Do not stand over hitch when unhooking. Support hitch and sprayer on stands before removing pin. 14. Review Safety Instructions with all operators annually. 	800002	DECAL, CAUTION W/ YELLOW STRIP
 <p>WARNING</p> <p>HIGH PRESSURE FLUID HAZARD <i>To prevent serious injury or death from high pressure fluid:</i></p> <ul style="list-style-type: none"> • Relieve pressure on system before repairing, adjusting or disconnecting. • Wear proper hand and eye protection when searching for leaks. Use wood or cardboard instead of hands. • Keep all components in good repair. 	800004	DECAL, WARNING HIGH PRESSURE
 <p>DANGER</p> <p>ELECTROCUTION HAZARD KEEP AWAY FROM POWER LINES <i>To prevent serious injury or death from electrocution:</i></p> <ol style="list-style-type: none"> 1. Stay well away from power lines when folding or extending wings. Electrocution can occur without direct contact. 2. Lower wings completely before moving or transporting. 	800006	DECAL DANGER ELECTROCUTION HAZ





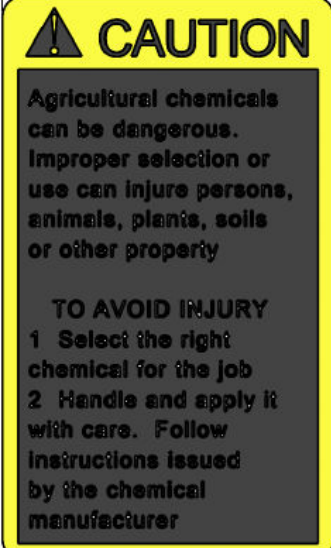



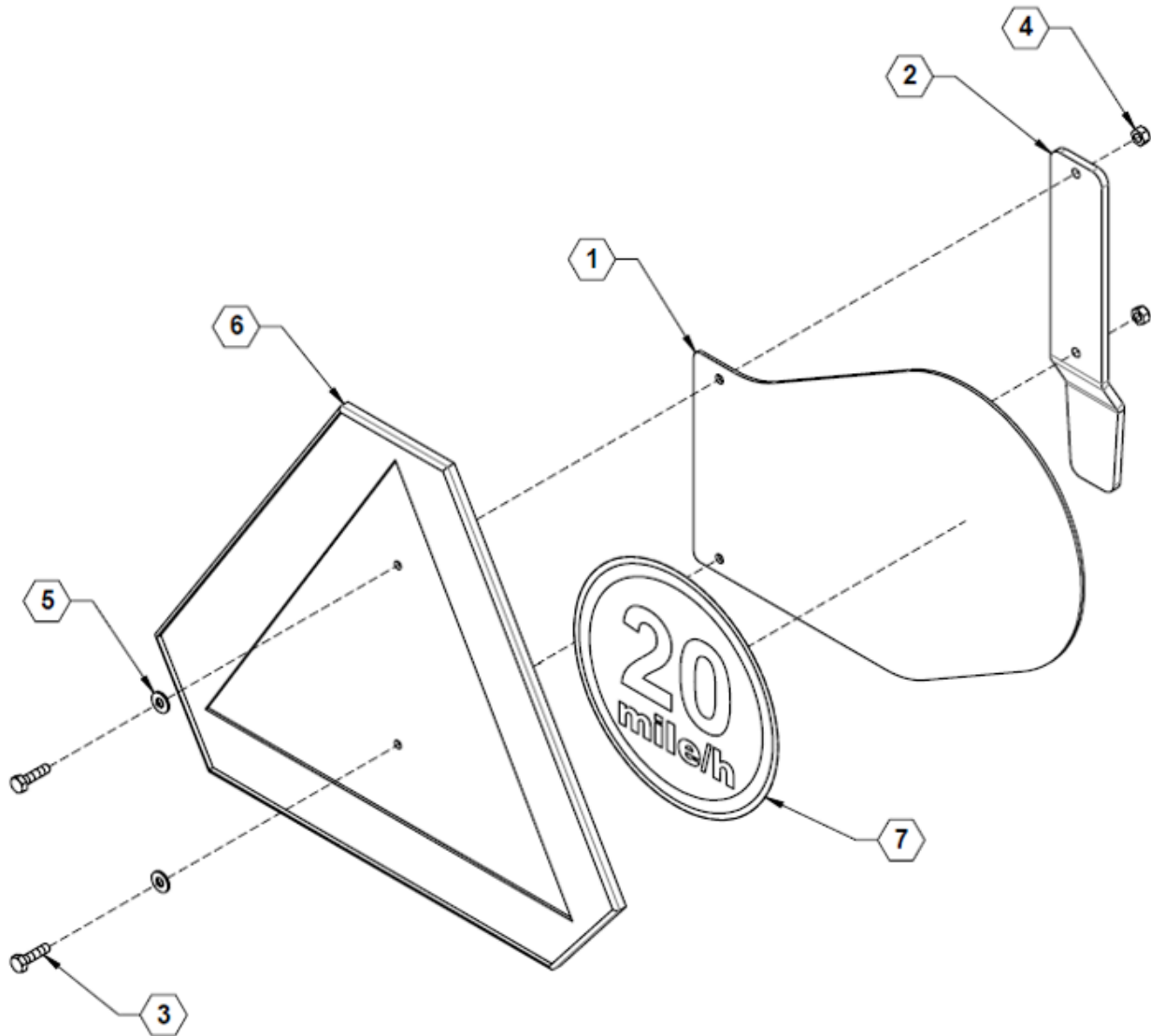
IMAGE	PART NO.	DESCRIPTION
	800007	DECAL, DANGER CHEMICAL HAZARD
	800009	DECAL, WARNING OVERHEAD HAZARD
	800010	DECAL, WARNING INSTALL PIN
	800080	DECAL FAST 6"X12.5" BLACK/GRAY
	800101	DECAL CAUTION-AG CHEMICAL

IMAGE	PART NO.	DESCRIPTION												
	800104	DECAL WARNING-DO NOT SPEED												
	800106	DECAL DANGER-STAND CLEAR												
	800109	DECAL RED REFLECTOR												
	800110	DECAL AMBER REFLECTOR												
	800111	DECAL RED/ORANGE NON-REFLECT												
	800181	DECAL FAST LGE TANK REPLCT												
<table border="1"> <thead> <tr> <th colspan="2">HYDRAULIC HOSE KEY</th> </tr> <tr> <th>COLOR</th> <th>SPRAYER DESCRIPTION OF USE</th> </tr> </thead> <tbody> <tr> <td>Red</td> <td>Pump Pressure</td> </tr> <tr> <td>Yellow</td> <td>Pump Return</td> </tr> <tr> <td>Green</td> <td>Main Fold Pressure</td> </tr> <tr> <td>Blue</td> <td>Main Fold Return</td> </tr> </tbody> </table>	HYDRAULIC HOSE KEY		COLOR	SPRAYER DESCRIPTION OF USE	Red	Pump Pressure	Yellow	Pump Return	Green	Main Fold Pressure	Blue	Main Fold Return	800208	HYDRAULIC HOSE KEY SPRAYER
HYDRAULIC HOSE KEY														
COLOR	SPRAYER DESCRIPTION OF USE													
Red	Pump Pressure													
Yellow	Pump Return													
Green	Main Fold Pressure													
Blue	Main Fold Return													
	800259	DECAL, CAUTION, TRACK FIRE												
	800287	DECAL, GREASE PIVOT POINTS												
<p>See Slow-Moving-Vehicle Sign Assembly</p>	800306	DECAL, SIS 20MPH												

IMAGE	PART NO.	DESCRIPTION
S50-120	800333	DECAL, S50-120 SILVER
	800336	DECAL, PRODUCT TANK RINSE
	800337	DECAL, BIG ACRE SERIES
	800339	DECAL, AGITATION PRESSURE
	800340	DECAL, BOOM PRESSURE
	800341	DECAL, PRODUCT PUMP RINSE
	800342	DECAL, AGITATION PUMP RINSE

IMAGE	PART NO.	DESCRIPTION
	800343	DECAL, AGITATION ON/OFF
	800344	DECAL, BIG ACRE SIGHT GAUGE
	800370	DECAL, PUMP PRESSURE

Slow-Moving-Vehicle Sign Assembly



Parts List 90SASMV: Slow-Moving-Vehicle Sign Assembly

ITEM	PART NO.	QTY.	DESCRIPTION
1	28251	1	PLATE, SIS MOUNT
2	28252	1	PLATE, SMV MOUNT
3	596102M	2	BOLT, HH 1/4-20 X 1 GR5 MAGNI
4	596227M	2	NUT, HEX NYLOCK 1/4-20 MAGNI
5	596256M	2	WASHER, FLAT 1/4 USS MAGNI
6	790017	1	SIGN, SMV PLASTIC MOLDED
7	800306	1	DECAL, SIS, 20 MPH



Fast Ag Solutions
4130 Commerce Boulevard
Windom, MN 56101

1-800-772-9279 Toll Free

1-507-427-3861 Voice

1-507-427-3030 Fax

<https://fastagsolutions.com/>