

Miller

Since 1899

Trailer Sprayer

PARTS BOOK

MODEL 1250

07.26812

This parts book is furnished for your convenience only. All parts must be purchased through an authorized dealer. Call us for a dealer near you.



P O Box 127
511 East Main St.
St. Nazianz, WI 54232
(920) 773-2121

Issue Date: 10/07

IMPORTANT!

For ongoing updates to this Parts Book

Visit us on the web at:

www.millerstn.com and click on EMPART web.

Check for new updates before placing any orders.

Order parts through your local dealer.

Trailer Sprayer

1250 Sprayer

Contents

SECTION 1 - SAFETY SIGNS AND DECALS

Safety Signs & Decal Assembly	1-2
Safety Signs & Decal Assembly Parts List	1-3

SECTION 2 - FRAME, TANK, BOOMRESTS, HOLD DOWNS, WHEELS AND AXLES

Frame, Product Tank & Tank Hold Downs	2-2
Frame, Product Tank & Tank Hold Downs Parts List	2-3
Ladder Assembly	2-4
Ladder Assembly Parts List	2-5
Adjustable Axle Assembly w/Hub	2-6
Adjustable Axle Assembly w/Hub Parts List	2-7
Hydraulic Tread Width Kit - Tractor SCV Activated	2-8
Hydraulic Tread Width Kit - Tractor SCV Activated Parts List	2-9
Hydraulic Tread Width Kit - HC Manifold Activated	2-10
Hydraulic Tread Width Kit - HC Manifold Activated Parts List	2-11
Axle Assembly w/Hub - 120" Fixed	2-12
Axle Assembly w/Hub - 120" Fixed Parts List	2-13
Wheel And Tire	2-14
Wheel And Tire Parts List	2-15
Tongue - Swing Assembly	2-16
Tongue - Swing Assembly Parts List	2-17
Steerable Hitch with Cylinder - Tractor SCV Activated	2-18
Steerable Hitch with Cylinder - Tractor SCV Activated Parts List	2-19
Steerable Hitch with Cylinder - HC Manifold Activated	2-20
Steerable Hitch with Cylinder - HC Manifold Activated Parts List	2-21
Hitch - Ridged Option	2-22
Hitch - Ridged Option Parts List	2-23
Boom Rest Assembly	2-24
Boom Rest Assembly Parts List	2-25
Left Panel Assembly	2-26
Left Panel Assembly Parts List	2-27

continued on next page

Trailer Sprayer

Contents (continued)

SECTION 3 - BOOM SECTIONS AND HYDRAULICS

Center Section Lift Arms	3-2
Center Section Lift Arms Parts List	3-3
Boom Center and Suspension	3-4
Boom Center and Suspension Parts List	3-5
Primary/Secondary Boom - Left Hand	3-6
Primary/Secondary Boom - Left Hand Parts List	3-7
Primary/Secondary Boom - Right Hand	3-8
Primary/Secondary Boom - Right Hand Parts List	3-9
Outer Boom Assembly - 90 Ft	3-10
Outer Boom Assembly - 90 Ft Parts List	3-11
Outer Boom Assembly - 80 Ft	3-12
Outer Boom Assembly - 80 Ft Parts List	3-13
Boom Hydraulics	3-14
Boom Hydraulics Parts List	3-15
Manifold - Hydraulic	3-16
Manifold - Hydraulic Parts List	3-17
Control Package, Electro-Hydraulic	3-18
Control Package, Electro-Hydraulic Parts List	3-19

SECTION 4 - PTO DRIVELINE AND PUMPS

540 PTO Drive Pump Option	4-2
540 PTO Drive Pump Option Parts List	4-3
1000 PTO Drive Pump Option	4-4
1000 PTO Drive Pump Option Parts List	4-5
Pump Option - Ace Hydraulic Drive 650	4-6
Pump Option - Ace Hydraulic Drive 650 Parts List	4-7
Pump Option - Ace Hydraulic Drive 304	4-8
Pump Option - Ace Hydraulic Drive 304 Parts List	4-9
ACE 150 Series Belt Driven Pump	4-10
ACE 150 Series Belt Driven Pump Parts List	4-11
ACE 150 Series Belt Driven Pump (continued)	4-12
ACE 150 Series Belt Driven Pump Parts List (continued)	4-13
Product Pump w/Hydraulic Motor - 650F	4-14
Product Pump w/Hydraulic Motor - 650F Parts List	4-15
Product Pump w/Hydraulic Motor - 304	4-16
Product Pump w/Hydraulic Motor - 304 Parts List	4-17
Product Pump w/Hydraulic Motor - 206	4-18
Product Pump w/Hydraulic Motor - 206 Parts List	4-19
PTO Shaft - 540 RPM	4-20
PTO Shaft - 540 RPM Parts List	4-21
PTO Shaft - 1000 RPM	4-22
PTO Shaft - 1000 RPM Parts List	4-23

continued on next page

Trailer Sprayer

Contents (continued)

SECTION 5 - TRANSPORT LIGHTS AND WIRING

Transport Lights and Wiring	5-2
Transport Lights and Wiring Parts List.....	5-3

SECTION 6 - PLUMBING, BOOM AND TANKS

Fast Fill & 3 Way Plumbing	6-2
Fast Fill & 3 Way Plumbing Parts List	6-3
Agitation System Product Tank and Hand Wash Supply System	6-4
Agitation System Product Tank and Hand Wash Supply System Parts List	6-5
Manifold Distribution Assembly	6-6
Manifold Distribution Assembly Parts List	6-7
80 Ft. Boom Plumbing, 15" Spacing Poly	6-8
80 Ft. Boom Plumbing, 15" Spacing Poly Parts List	6-9
80 Ft. Boom Plumbing, 20" Spacing Poly	6-10
80 Ft. Boom Plumbing, 20" Spacing Poly Parts List	6-11
90 Ft. Boom Plumbing, 15" Spacing Poly	6-12
90 Ft. Boom Plumbing, 15" Spacing Poly Parts List	6-13
90 Ft. Boom Plumbing, 20" Spacing Poly	6-14
90 Ft. Boom Plumbing, 20" Spacing Poly Parts List	6-15
80 Ft. Boom Plumbing, 15" Spacing Stainless Steel	6-16
80 Ft. Boom Plumbing, 15" Spacing Stainless Steel Parts List	6-17
80 Ft. Boom Plumbing, 20" Spacing Stainless Steel	6-18
80 Ft. Boom Plumbing, 20" Spacing Stainless Steel Parts List	6-19
90 Ft. Boom Plumbing, 15" Spacing Stainless Steel	6-20
90 Ft. Boom Plumbing, 15" Spacing Stainless Steel Parts List	6-21
90 Ft. Boom Plumbing, 20" Spacing Stainless Steel	6-22
90 Ft. Boom Plumbing, 20" Spacing Stainless Steel Parts List	6-23

continued on next page

Trailer Sprayer

Contents (continued)

SECTION 7 - GROUP A & GROUP C OPTIONS AND ACCESSORIES & ELECTRICAL CONNECTORS

Primary Product Circuit - Group A	7-2
Primary Product Circuit - Group A Parts List	7-3
Product Tank Sump - Group A	7-4
Product Tank Sump - Group A Parts List	7-5
Primary Product Circuit - Group C	7-6
Primary Product Circuit - Group C Parts List	7-7
Product Tank Sump - Group C	7-8
Product Tank Sump - Group C Parts List	7-9
Rinse Tank Assembly - Group C	7-10
Rinse Tank Assembly - Group C Parts List	7-11
Control - In Cab Rinse System	7-12
Control - In Cab Rinse System Parts List	7-13
Chemical Educator - Hypro	7-14
Chemical Educator - Hypro Parts List	7-15
Chemical Educator Hopper and Valve - Hypro	7-16
Chemical Educator Hopper and Valve - Hypro Parts List	7-17
Self Cleaning Filter	7-18
Self Cleaning Filter Parts List	7-19
Tank - Water Supply Assembly	7-20
Tank - Water Supply Assembly Parts List	7-21
Foam Marker Head - Second Location	7-22
Foam Marker Head Second Location Parts List	7-23
Flood Light Option	7-24
Flood Light Option Parts List	7-25
Fence Line Nozzle Option	7-26
Fence Line Nozzle Option Parts List	7-27
Foam Marker With Compressor	7-28
Foam Marker With Compressor Parts List	7-29
Foam Marker Power Unit and Tank	7-30
Foam Marker Power Unit and Tank Parts List	7-31
Dual Wheels - 320/90R46 with Spacer	7-32
Dual Wheels - 320/90R46 with Spacer Parts List	7-33
Electrical Connectors	7-34
Electrical Connectors Parts List	7-35

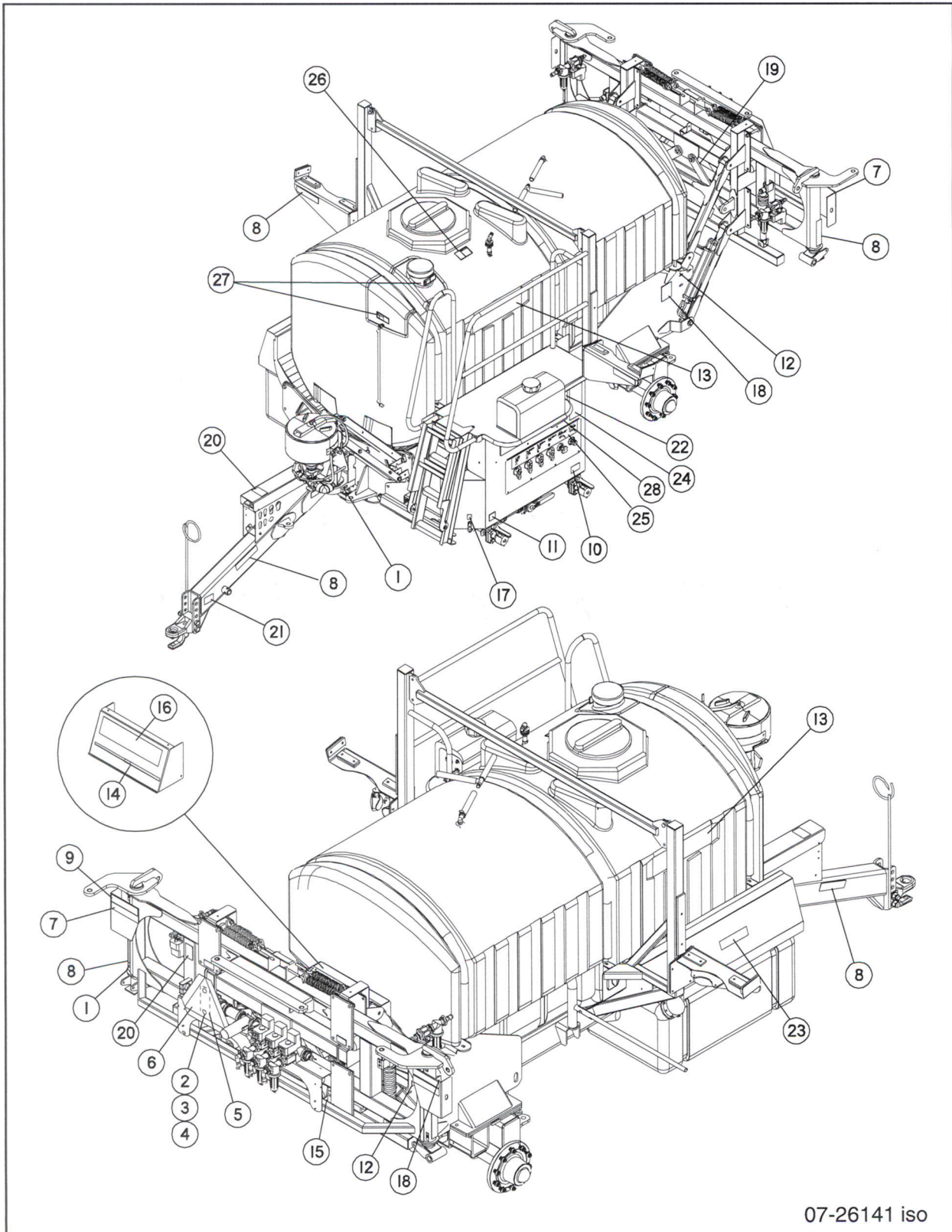
SECTION 8 - NUMERICAL INDEX

Part Number Index	8-2
--------------------------------	------------

SECTION 1
SAFETY SIGNS & DECALS

SECTION 1

Safety Signs & Decal Assembly



07-26141 iso

Safety Signs & Decal Assembly Parts List

Item	Part No.	Quantity	Description
1	907510	6	Decal, Grease
2	907413	2	Bolt, Carriage, 5/16-18 x 3/4" Stainless Steel
3	907390	2	Nut, Hex Lock, 5/16-18 Nylock Stainless Steel
4	907379	2	Washer, Flat, 5/16" Stainless Steel
5	907247	1	Blade, SMV Sign
6	907224	1	Slow Moving Vehicle (SMV) Sign
7	907221	2	Decal, Orange Florescent, 2 x 9"
8	907220	6	Decal, Yellow Retroreflective, 2 x 9"
9	907219	2	Decal, Red Retroreflective, 2 x 9"
10	44.03178	1	Decal, Product Tank Fill
11	44.03177	1	Decal, Rinse Tank Fill
12	40.00472	5	Safety Sign, Warning, Hand Crushing
13	32.61961	2	Decal, Miller, Front Bumper
14	21.42097	1	Decal, Small Stripe
15	21.42094	1	Decal, www.millerstn.com
16	21.42092	1	Decal, Miller, 4"
17	21.23870	1	Decal, Hand Rinse
18	21.20121	2	Safety Sign, Warning, Cylinder Stop
19	21.09044	1	Safety Sign, Warning, Accumulator Pressure
20	21.09024	2	Safety Sign, Warning, Hydraulic Oil Pressure
21	17.01155	1	Safety Sign, Warning, Foot Crushing
22	16.20178	1	Safety Sign, Warning, Before Operating
23	07.26817	2	Decal, 1250
24	07.26702	1	Decal, Valve Instruction
25	07.26641	1	Decal, Valve Panel
26	07.09987	1	Safety, Sign, Danger, Confined Space
27	07.09984	2	Safety Sign, Warning, Fresh Water
28	07.05527	1	Safety Sign, Warning, Chemical

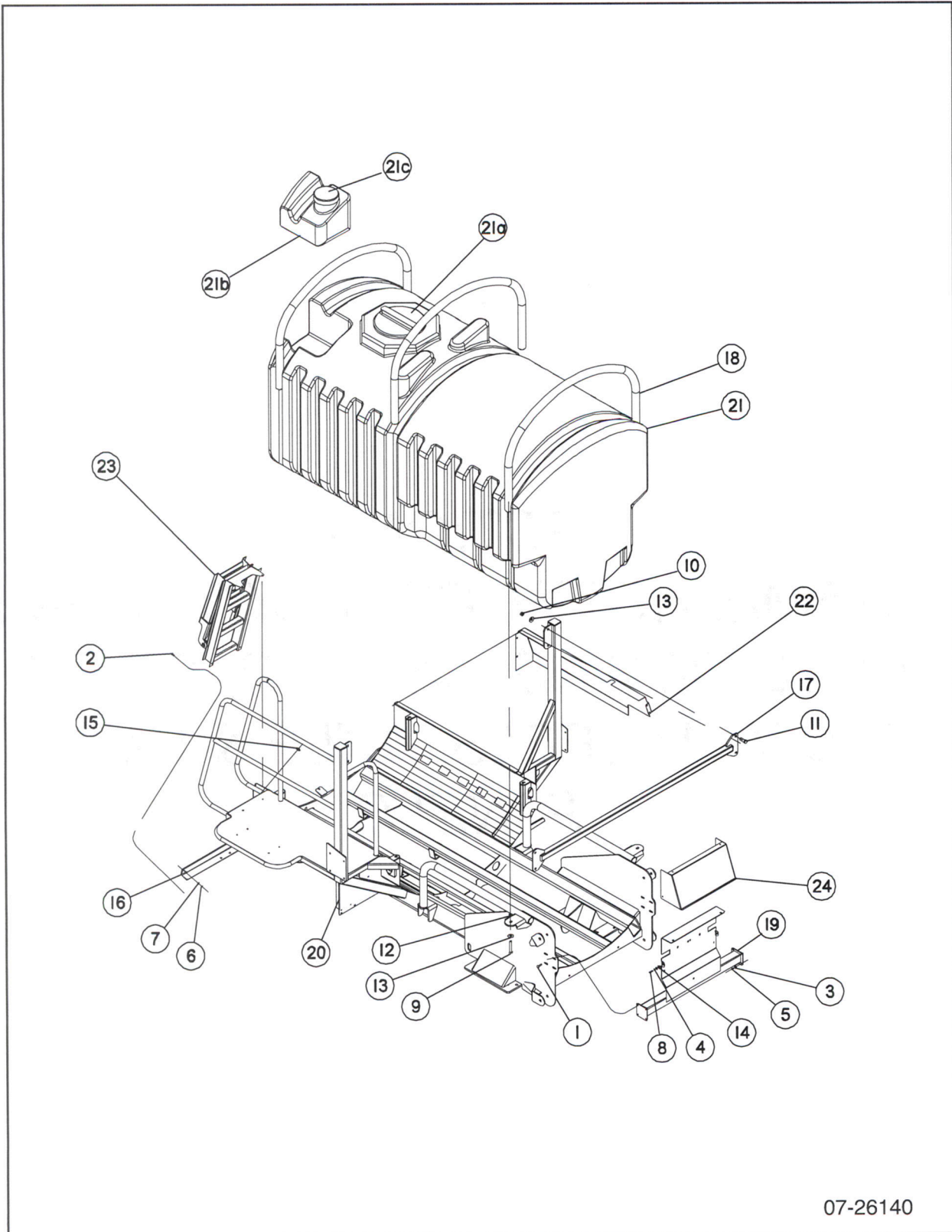
SECTION 1

This Page Intentionally Left Blank

SECTION 2
FRAME, HITCH, PRODUCT TANK,
HOLD DOWNS, LADDER, BOOM
RESTS, WHEELS, AXLE & VALVE
PANELS

SECTION 2

Frame, Product Tank & Tank Hold Downs



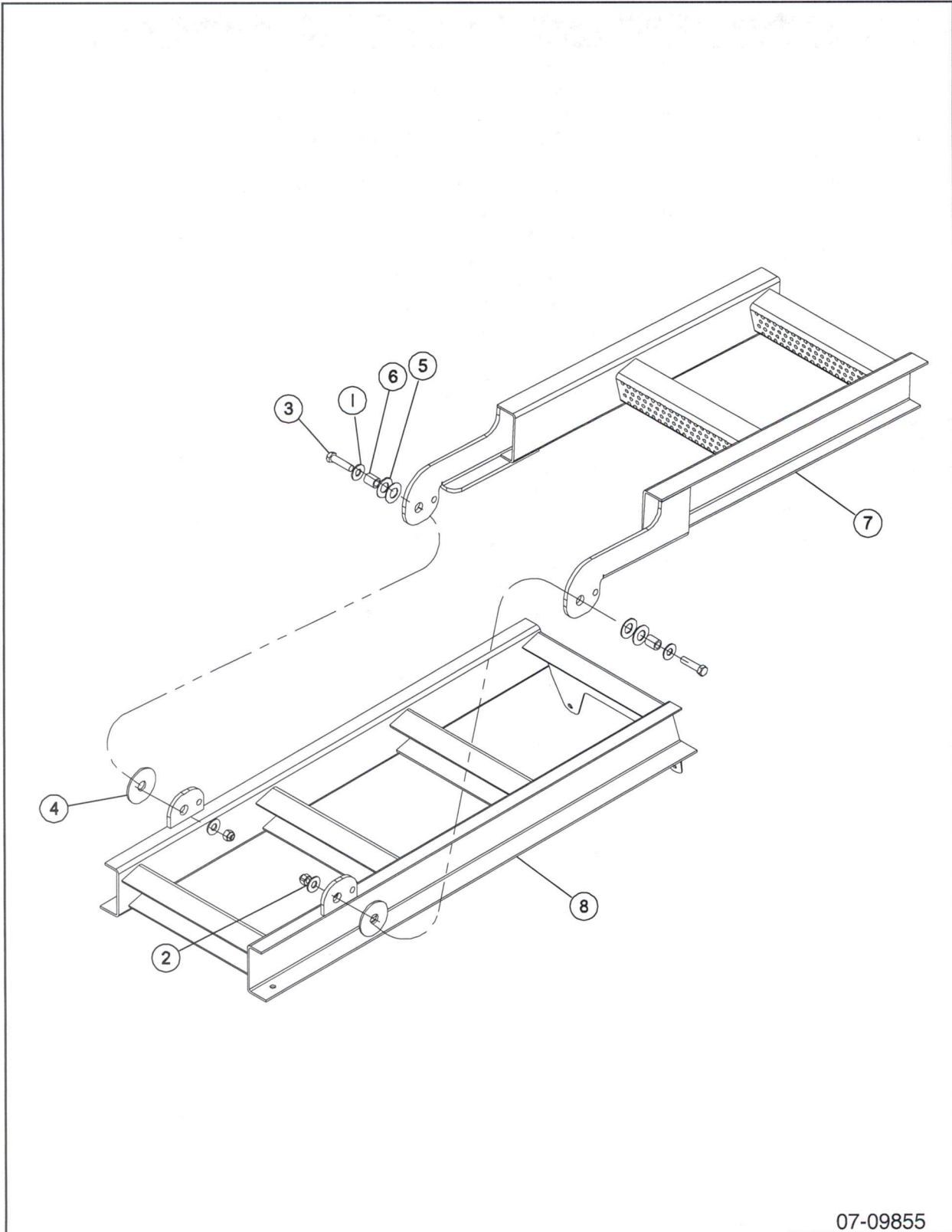
07-26140

Frame, Product Tank & Tank Hold Downs Parts List

Item	Part No.	Quantity	Description
1	907643	8	Bolt, Carriage, 3/8-16 x 1-1/2" Stainless Steel
2	907615	4	Bolt, Button Head, 5/16-18 x 1" Stainless Steel
3	907465	8	Washer, Flat, 3/8" Wide Stainless Steel
4	907411	4	Washer, Lock, 5/16" Stainless Steel
5	907391	8	Nut, Hex Lock, 3/8-16 Nylock Stainless Steel
6	907390	6	Nut, Hex Lock, 5/16-18 Nylock Stainless Steel
7	907379	12	Washer, Flat, 5/16" Stainless Steel
8	907349	1	Bolt, Hex, 5/16-18 x 1" Stainless Steel
9	907066	6	Bolt, Hex, 5/8-11 x 4" Full Thread
10	906402	4	Nut, Hex Lock, 5/8-11 Nylock
11	904253	4	Bolt, Hex, 5/8-11 x 2" Gr 5
12	901885	6	Nut, Hex Jam, 5/8-11
13	900498	10	Washer, Flat, 5/8"
14	900382	6	U-Nut, 5/16-18
15	32.60582	1	Grommet, 3/4" Hole
16	07.26460	1	Support, Ladder
17	07.26426	1	Brace, Cross
18	07.26422	3	Hoop, Tank Hold Down
19	07.26103	1	Support, Rear
20	07.26035	1	Frame, Main
21	07.26000	1	Tank, Product, 1250 Gallon w/ 5 Gallon Fresh Water Insert
21a	07.26823	1	Lid, 16"
21b	07.26824	1	Fresh Water Tank, 5 Gallon
21c	07.17338	1	Lid, Fresh Water Tank
22	07.09869	1	Cover
23	07.09855	1	Assembly, Ladder - See Ladder Assembly Page for Breakdown
24	07.09829	1	Cover, Hydraulic Valve

SECTION 2

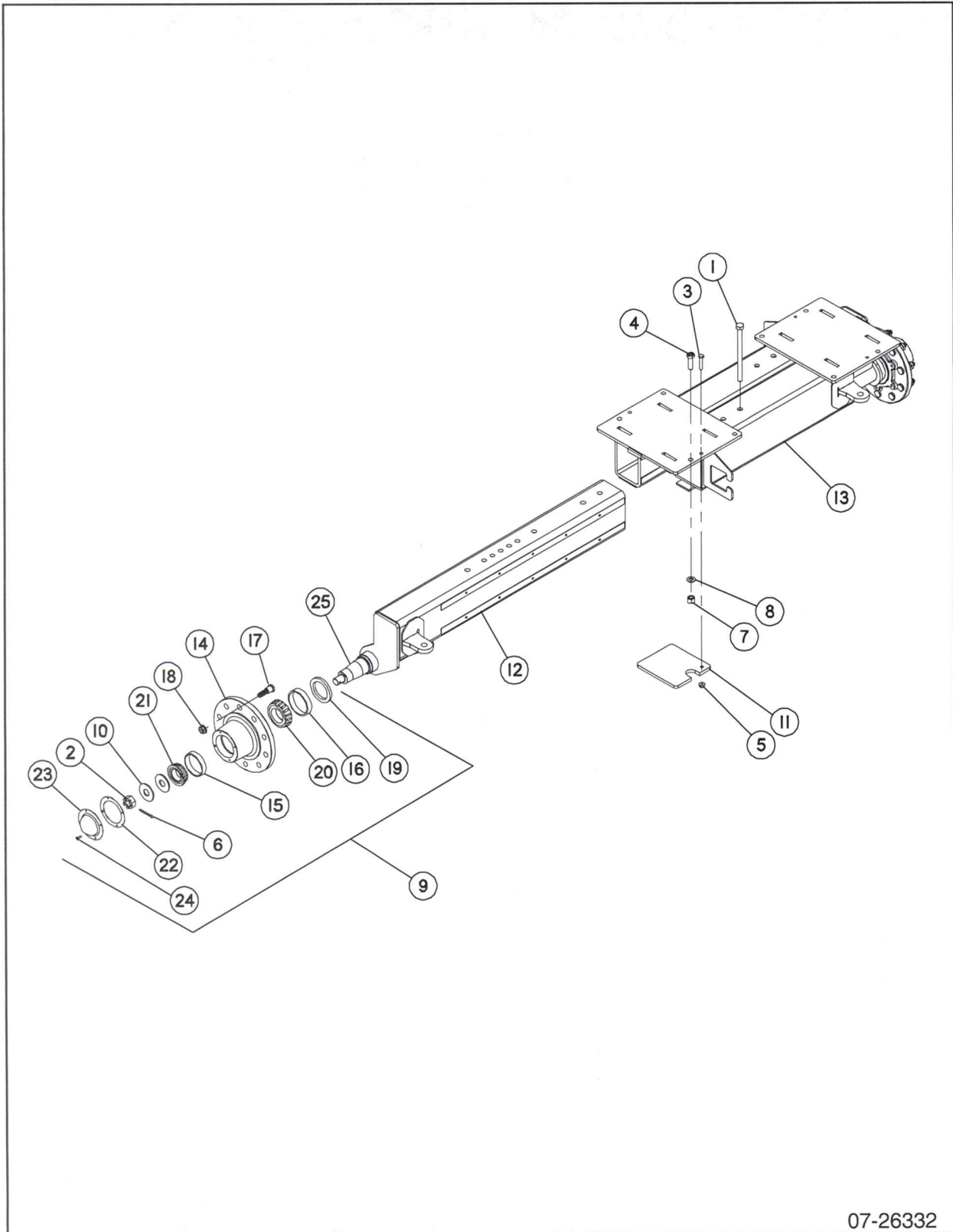
Ladder Assembly



07-09855

SECTION 2

Adjustable Axle Assembly w/Hub



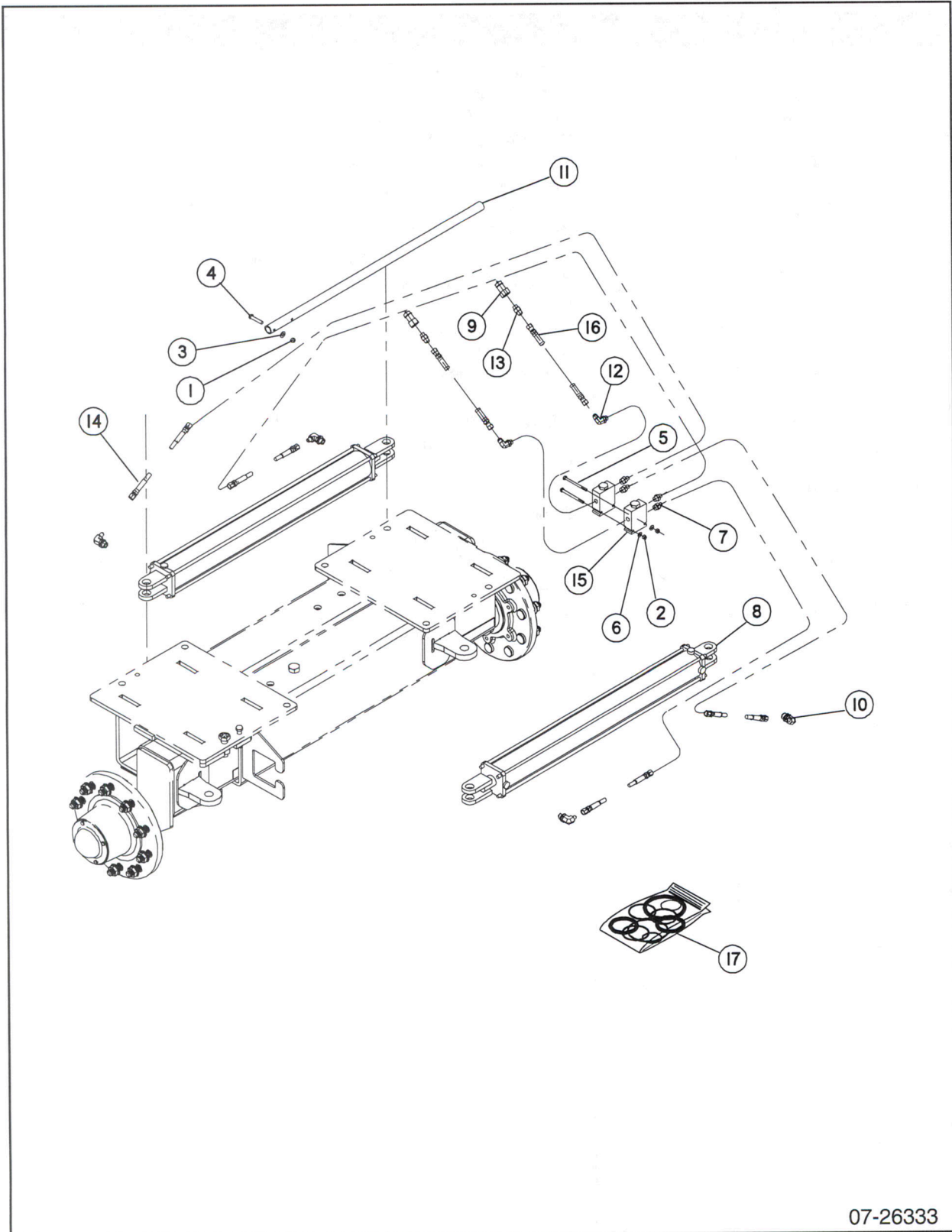
07-26332

Adjustable Axle Assembly w/Hub Parts List

Item	Part No.	Quantity	Description
1	907944	4	Bolt, Hex, 3/4-10 x 11" Gr 8
2	907886	2	Nut, Hex Slotted, 1-1/4 - 12
3	907831	2	Bolt, Hex, 1/2-13 x 2-1/2" Gr 8 Yellow Zinc
4	907553	8	Bolt, Hex, 3/4-10 x 2-1/2" Gr 8
5	907399	2	Nut, Hex Lock, 1/2-13 Nylon Flange
6	907050	2	Pin, Cotter, 1/4 x 2-1/2"
7	906349	12	Nut, Hex Lock, 3/4-10 Nylock
8	903061	12	Washer, Flat, 3/4" SAE
9	44.03701	2	Hub, Wheel - Consists Of Items 14 thru 24
10	09.70893	4	Washer, Flat, 1.28 x 3.25 x .18
11	07.26411	2	Wear Pad, Axle
12	07.26073	2	Axle, Adjustable
13	07.26041	1	Beam, Main Axle
14	44.03702	2	Hub with Cups and Studs
15	44.01605	1	Cup, Bearing, Outer (Qty per hub)
16	44.01603	1	Cup, Bearing, Inner (Qty per hub)
17	44.02794	10	Stud, Wheel (Qty per hub)
18	44.02336	20	Lug Nut
19	44.01602	2	Seal, Hub
20	44.01604	2	Cone, Bearing, Inner
21	44.02961	2	Cone, Bearing, Outer
22	44.02796	2	Gasket, Hub Cap
23	44.02795	2	Cap, Hub
24	44.02797	8	Screw, Hub Cap
25	07.26215	AR	Spindle, Weld In (Included In Item 12)

SECTION 2

Hydraulic Tread Width Kit - Tractor SCV Activated



07-26333

Trailer Sprayer

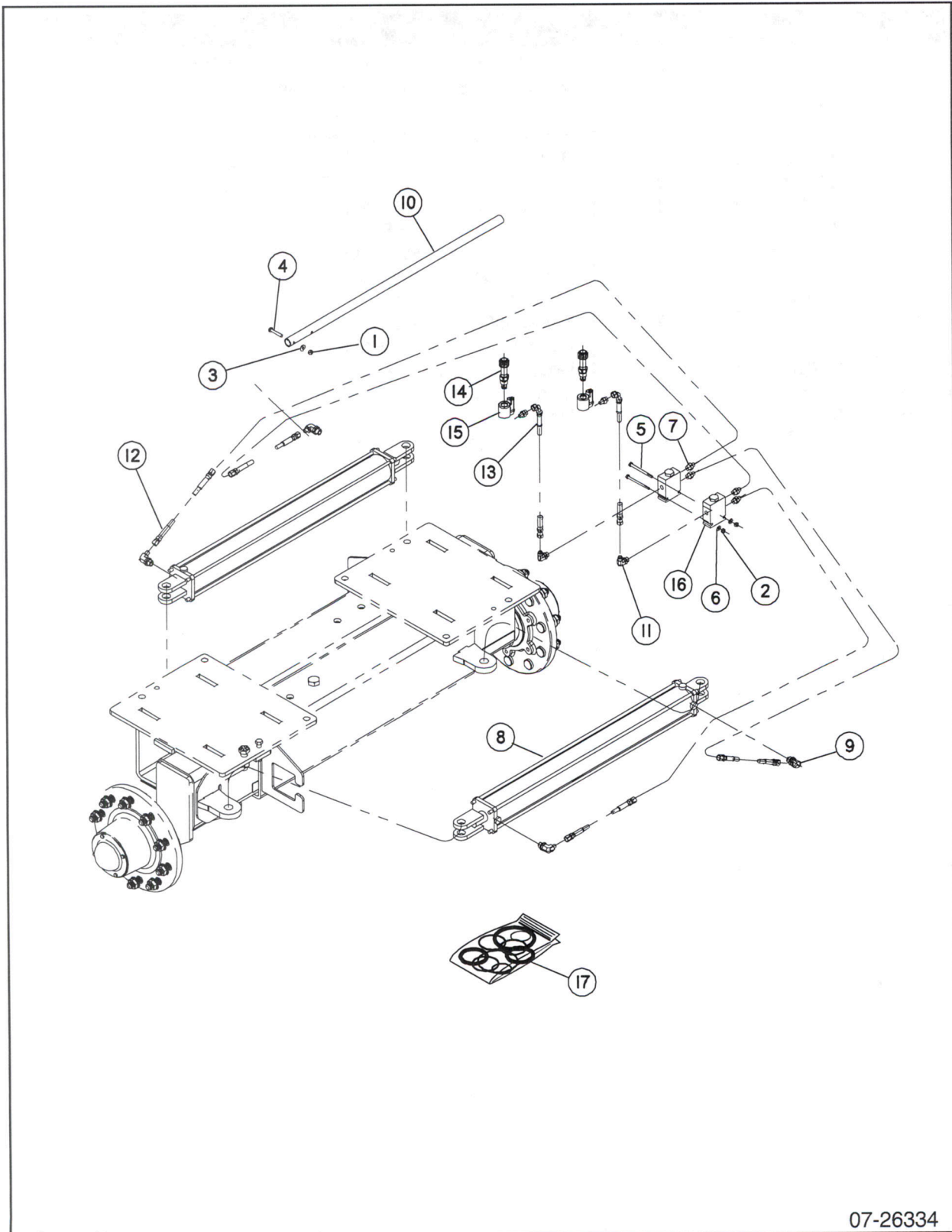
SECTION 2

Hydraulic Tread Width Kit - Tractor SCV Activated Parts List

Item	Part No.	Quantity	Description
1	907390	2	Nut, Hex Lock, 5/16-18 Nylock Stainless Steel
2	907389	2	Nut, Hex Lock, 1/4-20 Nylock Stainless Steel
3	907379	2	Washer, Flat, 5/16" Stainless Steel
4	907323	2	Bolt, Hex, 5/16-18 x 1-3/4" Stainless Steel
5	907268	2	Bolt, Hex, 1/4-20 x 3-1/2" Stainless Steel
6	907234	2	Washer, Flat, 1/4" Stainless Steel
7	32.03910	4	Adapter, -06 ORB x 1/4 MJIC
8	32.05560	2	Cylinder, Hydraulic, 65"
9	09.74158	2	Coupler, Quick Male, -08 ORB
10	07.26815	4	Elbow, -08 ORB x 1/4 MJIC
11	07.26629	1	Indicator, Wheel Width
12	07.17946	2	Elbow, -06 ORB x MJIC
13	07.17911	2	Adapter, -06 ORB x 3/8 MJIC
14	07.09949	4	Hose, Hydraulic, 1/4 x 33"
15	07.09760	2	Manifold, Flow Divider, 4 GPM
16	07.05865	2	Hose, Hydraulic, 300"
17	32.00323	AR	Seal Kit, Hydraulic Cylinder For Item 8

SECTION 2

Hydraulic Tread Width Kit - HC Manifold Activated



07-26334

Trailer Sprayer

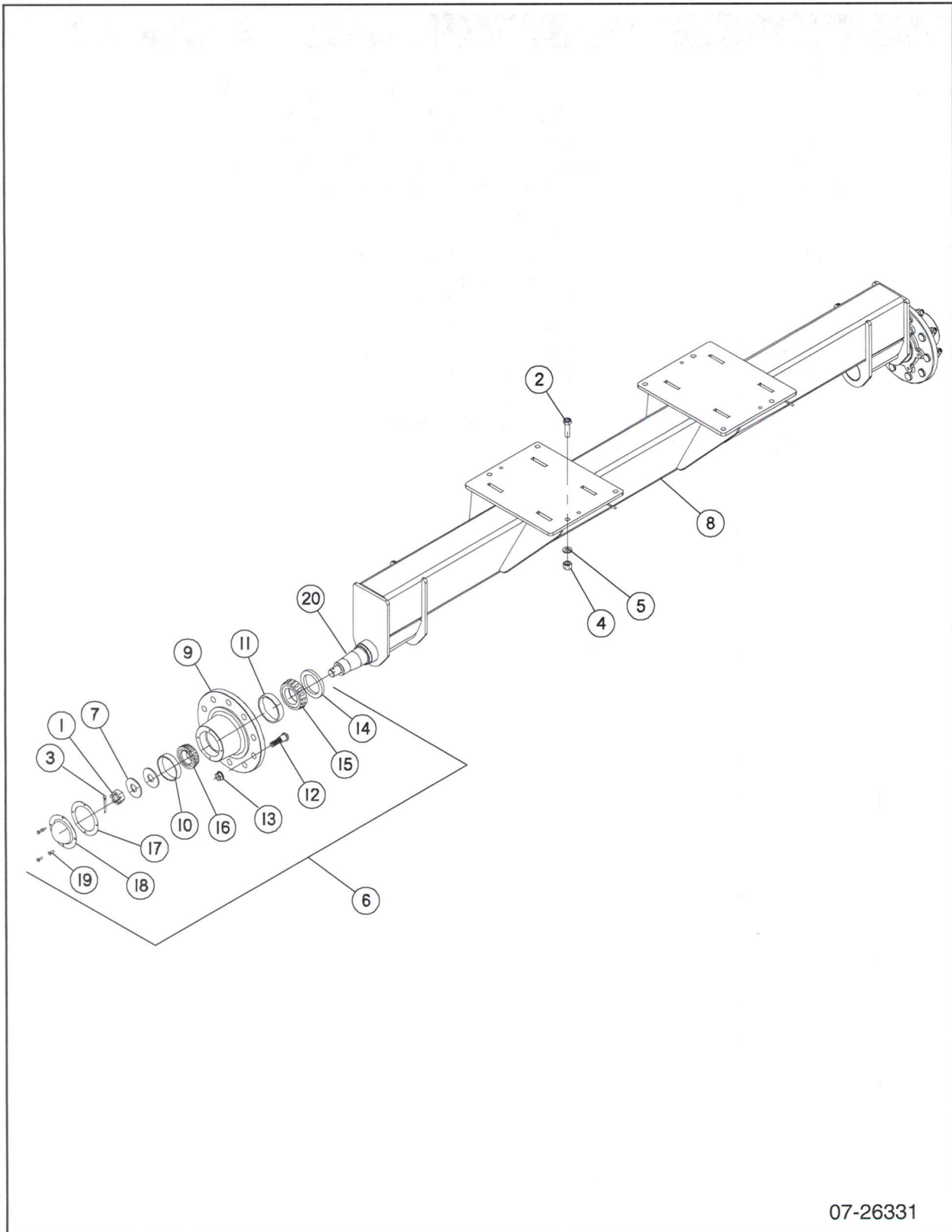
SECTION 2

Hydraulic Tread Width Kit - HC Manifold Activated Parts List

Item	Part No.	Quantity	Description
1	907390	1	Nut, Hex Lock, 5/16-18 Nylock Stainless Steel
2	907389	2	Nut, Hex Lock, 1/4-20 Nylock Stainless Steel
3	907379	1	Washer, Flat, 5/16" Stainless Steel
4	907323	1	Bolt, Hex, 5/16-18 x 1-3/4" Stainless Steel
5	907268	2	Bolt, Hex, 1/4-20 x 3-1/2" Stainless Steel
6	907234	2	Washer, Flat, 1/4" Stainless Steel
7	32.03910	6	Adapter, -06 ORB x 1/4 MJIC
8	32.05560	2	Cylinder, Hydraulic, 65"
9	07.26815	4	Elbow, -08 ORB x 1/4 MJIC
10	07.26629	1	Indicator, Wheel Width
11	07.17946	2	Elbow, -06 ORB x MJIC
12	07.09949	4	Hose, Hydraulic, 1/4 x 33"
13	07.09947	2	Hose, Hydraulic, 1/4 x 63"
14	07.09893	2	Cartridge, HYDAC
15	07.09892	2	Coil, HYDAC
16	07.09760	2	Manifold, Flow Divider, 4 GPM
17	32.00323	AR	Seal Kit, Hydraulic Cylinder For Item 8

SECTION 2

Axle Assembly w/Hub - 120" Fixed

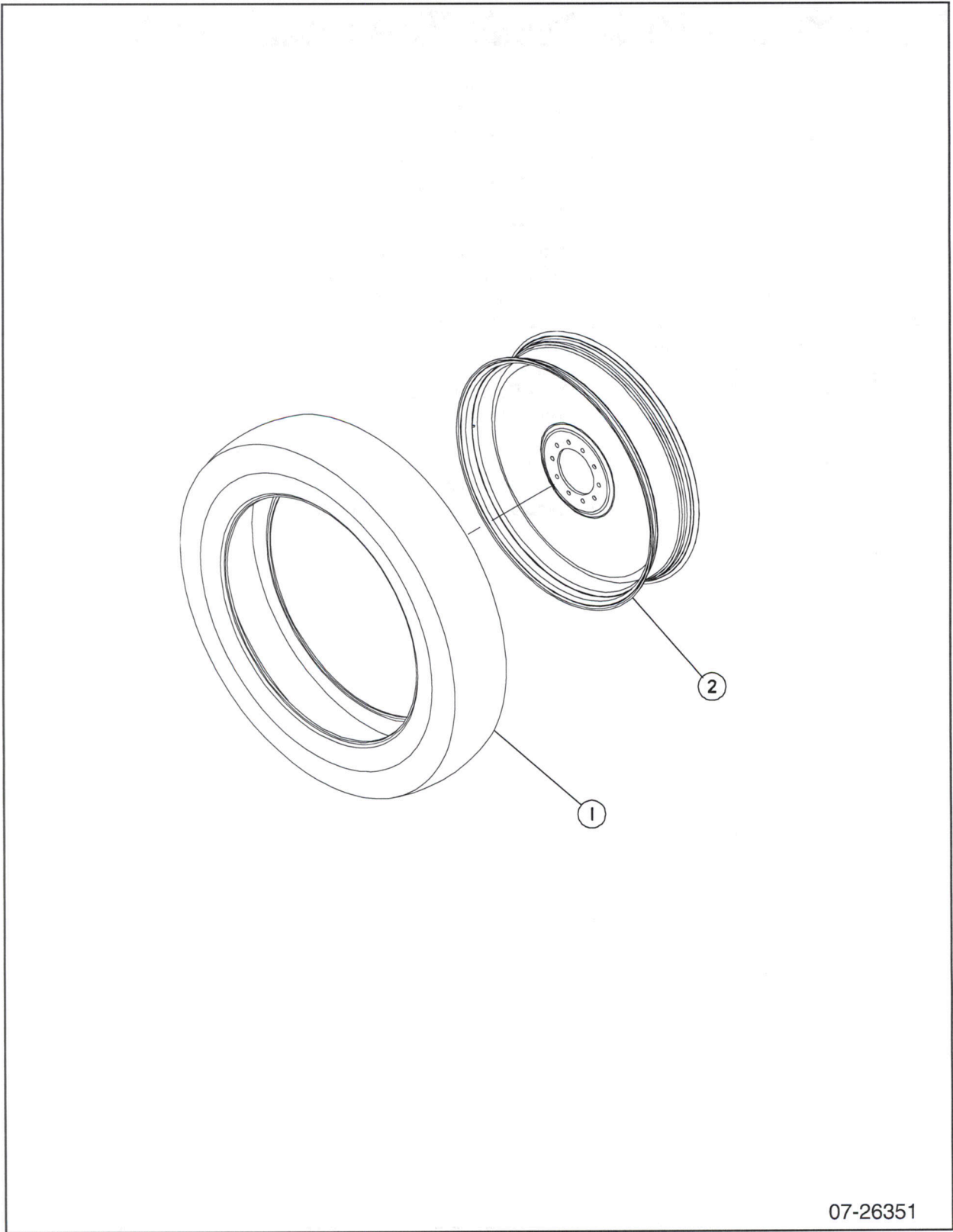


07-26331

Axle Assembly w/Hub - 120" Fixed Parts List

Item	Part No.	Quantity	Description
1	907886	2	Nut, Hex Slotted, 1-1/4 - 12
2	907553	8	Bolt, Hex, 3/4-10 x 2-1/2" Gr 8
3	907050	2	Pin, Cotter, 1/4 x 2-1/2"
4	906349	8	Nut, Hex Lock, 3/4-10 Nylock
5	903061	8	Washer, Flat, 3/4" SAE
6	44.03701	2	Hub, Wheel - Consists Of Items 9 thru 19
7	09.70893	4	Washer, Flat, 1.28 x 3.25 x .18
8	07.26041	1	Axle, 120"
9	44.03702	2	Hub with Cups and Studs
10	44.01605	1	Cup, Bearing, Outer (Qty per hub)
11	44.01603	1	Cup, Bearing, Inner (Qty per hub)
12	44.02794	10	Stud, Wheel (Qty per hub)
13	44.02336	20	Lug Nut
14	44.01602	2	Seal, Hub
15	44.01604	2	Cone, Bearing, Inner
16	44.02961	2	Cone, Bearing, Outer
17	44.02796	2	Gasket, Hub Cap
18	44.02795	2	Cap, Hub
19	44.02797	8	Screw, Hub Cap
20	07.26215	AR	Spindle, Weld In (Included In Item 8)

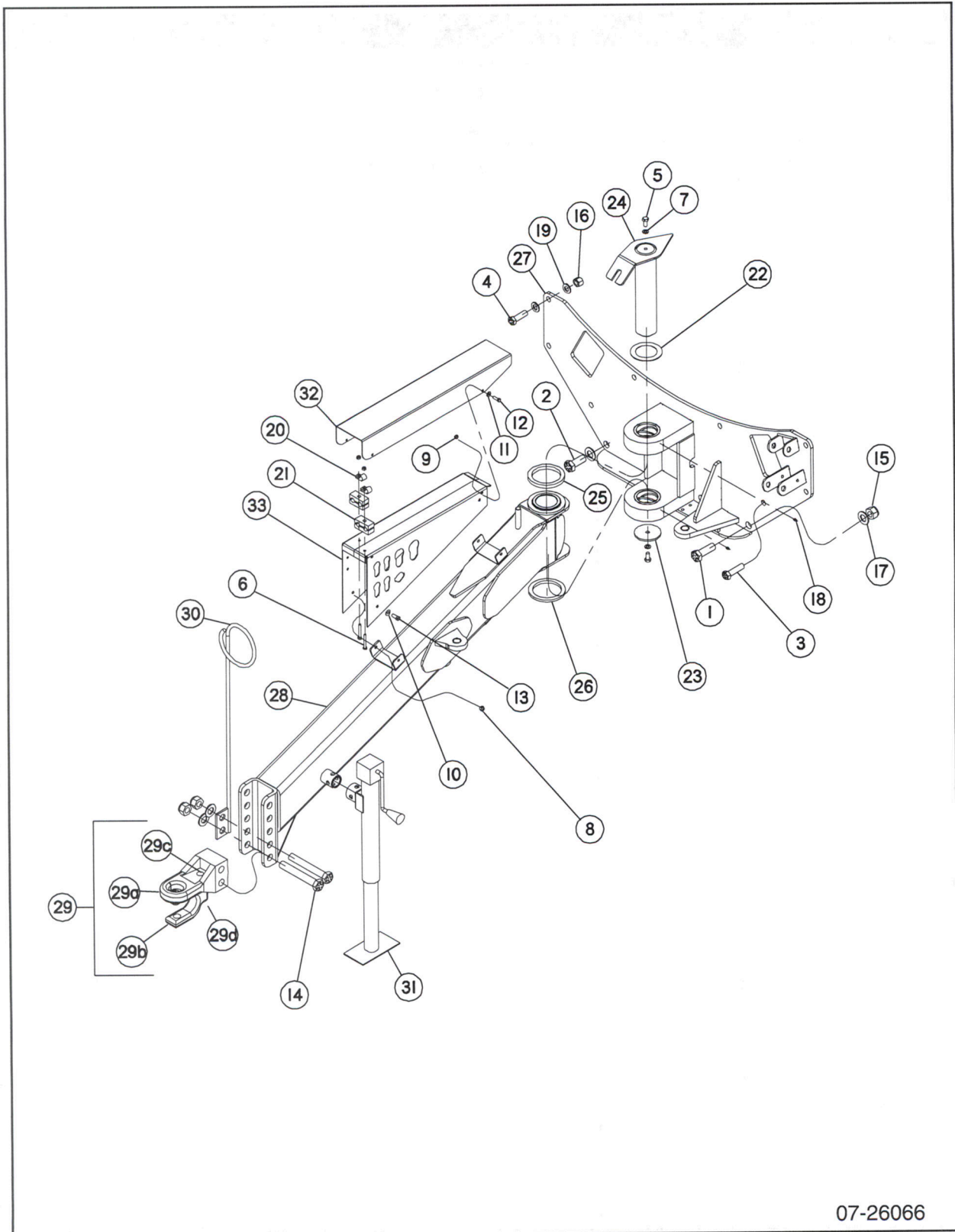
Wheel And Tire



07-26351

SECTION 2

Tongue - Swing Assembly



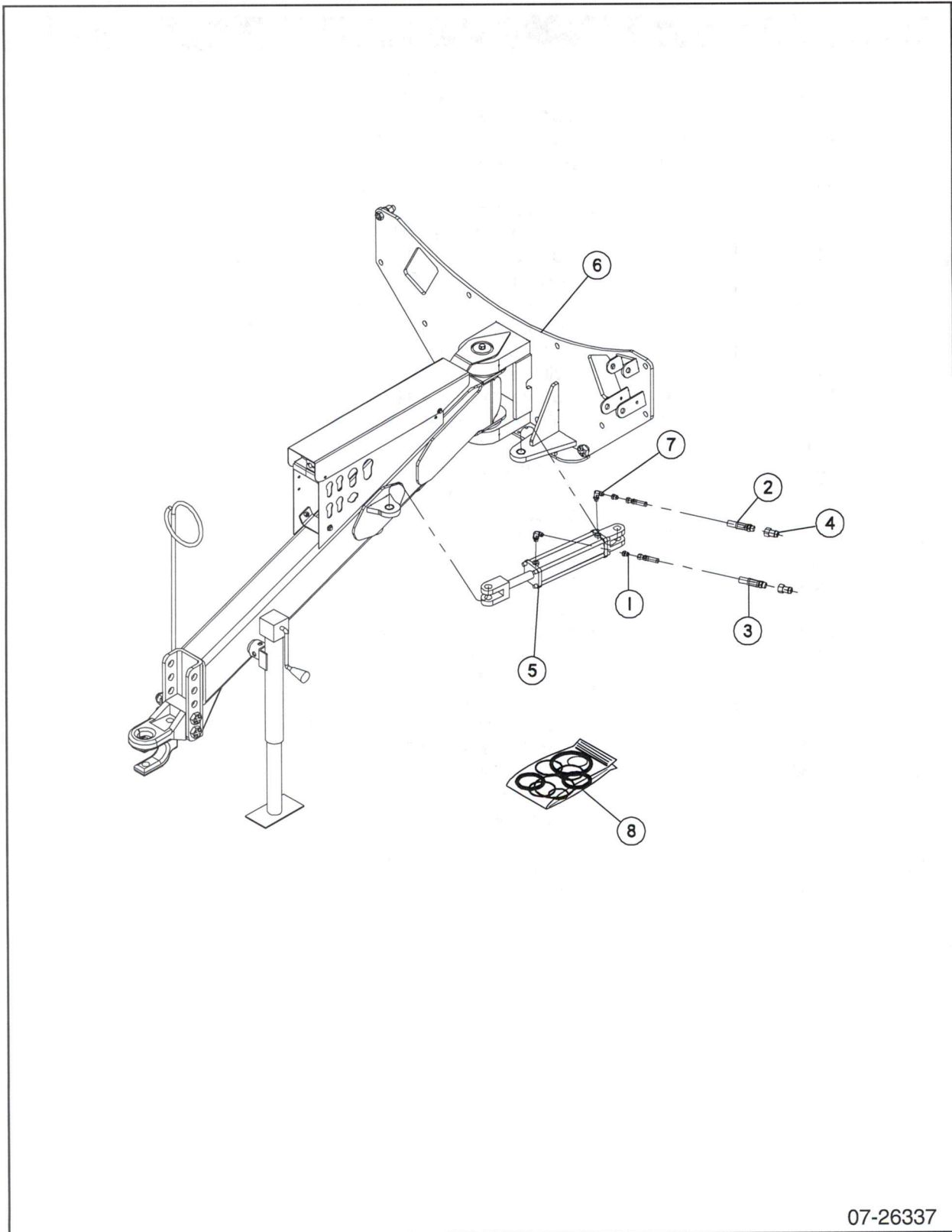
07-26066

Tongue - Swing Assembly Parts List

Item	Part No.	Quantity	Description
1	907998	1	Bolt, Hex, 1-8 x 3" Gr 8
2	907997	3	Bolt, Hex, 1-8 x 2-1/2" Gr 8
3	907756	2	Bolt, Hex, 3/4-10 x 3" gr 8
4	907553	6	Bolt, Hex, 3/4-10 x 2-1/2" Gr 8
5	907486	2	Bolt, Hex, 1/2-13 x 1" Stainless Steel
6	907481	2	Bolt, Hex, 5/16-18 x 2-1/4" Stainless Steel
7	907418	2	Washer, Lock, 1/2" Stainless Steel
8	907391	4	Nut, Hex Lock, 3/8-16 Nylock Stainless Steel
9	907390	6	Nut, Hex Lock, 5/16-18 Nylock Stainless Steel
10	907380	4	Washer, Flat, 3/8" Stainless Steel
11	907379	4	Washer, Flat, 5/16" Stainless Steel
12	907349	4	Bolt, Hex, 5/16-18 x 1" Stainless Steel
13	907277	4	Bolt, Hex, 3/8-16 x 1" Stainless Steel
14	907253	2	Bolt, Hex, 1-8 x 7" Gr 8
15	907248	6	Nut, Hex Lock, 1-8 Nylock
16	906349	8	Nut, Hex Lock, 3/4-10 Nylock
17	903708	9	Washer, Flat, 1" SAE
18	903162	2	Grease Zerk, 1/4-28
19	903061	14	Washer, Flat, 3/4" SAE
20	32.60565	2	"P" Clamp, 3/4"
21	17.01144	2	Tube Clamp, 3/4" Twin
22	07.26295	1	Washer, King Pin
23	07.26274	1	Plate, Pin Stop
24	07.26271	1	Pin, Pivot
25	07.26249	1	Washer, Thrust, Hitch (Upper)
26	07.26245	1	Washer, Thrust, Hitch (Lower)
27	07.26057	1	Plate, Pivot
28	07.26052	1	Tongue, Swing
29	07.26024	1	Hitch Assembly, Pintle/Clevis Combo Cat 3
29a	07.26022	1	Hitch, Pintle Cat 3
29b	07.26023	1	Hitch, Clevis Cat 3
29c	906984	1	Bolt, Hex, 3/4-10 x 5" Gr 8
29d	902465	1	Nut, Hex Lock, 3/4-10 Gr 8
30	07.09970	1	Support, Hose
31	07.09834	1	Jack, Bulldog Model #5SM-15-5
32	07.09823	1	Guard, Hydraulic Hose
33	07.09820	1	Support

SECTION 2

Steerable Hitch with Cylinder - Tractor SCV Activated



07-26337

Trailer Sprayer

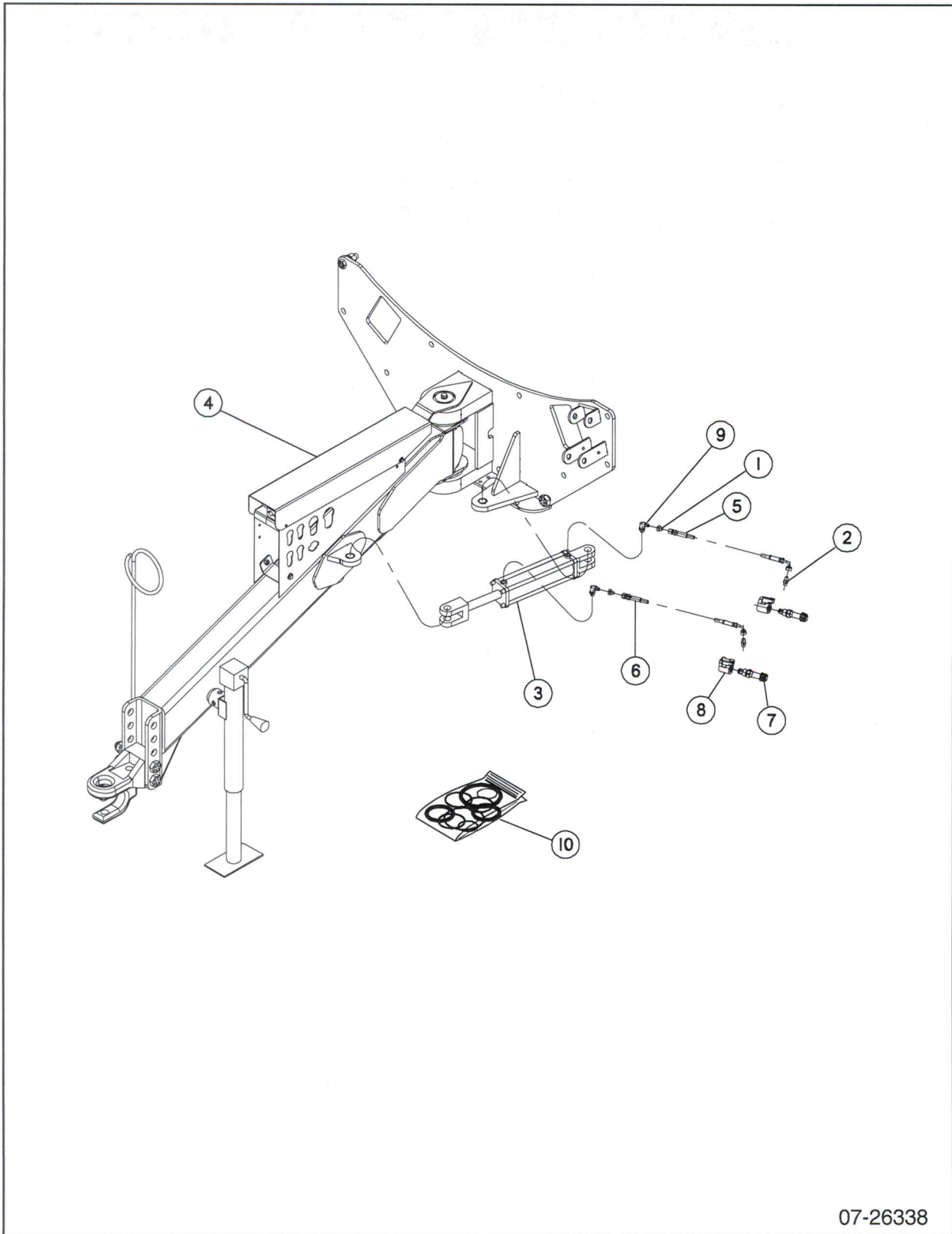
SECTION 2

Steerable Hitch with Cylinder - Tractor SCV Activated Parts List

Item	Part No.	Quantity	Description
1	32.01954	2	Orifice, 3/8 JIC, .040"
2	17.00791	1	Hose, Hydraulic, 3/8 x 90"
3	17.00790	1	Hose, Hydraulic, 3/8 x 96.5"
4	09.74158	2	Coupler, Quick Male, -08 ORB
5	07.26250	1	Cylinder, Hydraulic, 2.50 Bore x 8" Stroke
6	—	1	Tongue, Swing Assembly - Reference Only
7	07.17946	2	Elbow, -06 ORB x MJIC
8	07.26838	AR	Seal Kit, Hydraulic Cylinder For Item 5

SECTION 2

Steerable Hitch with Cylinder - HC Manifold Activated



07-26338

Trailer Sprayer

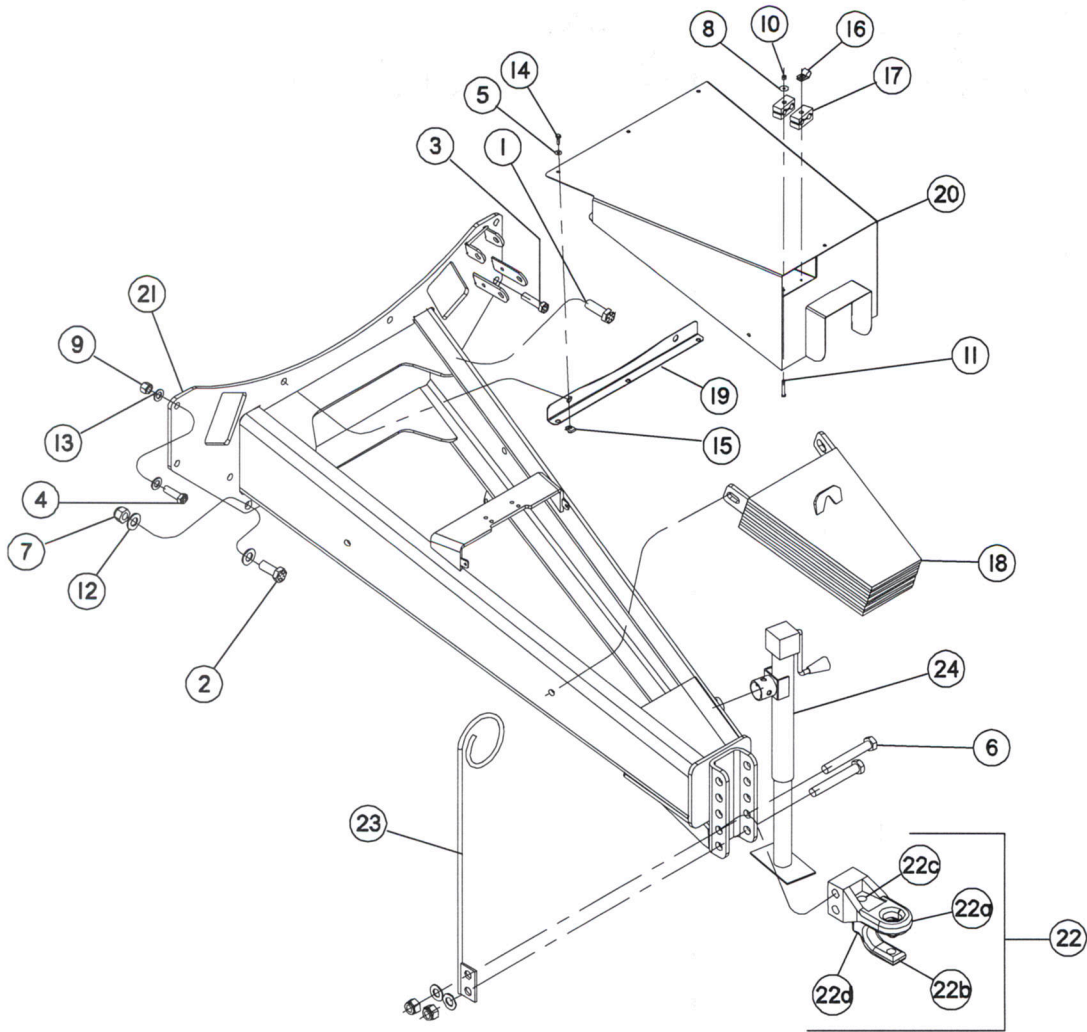
SECTION 2

Steerable Hitch with Cylinder - HC Manifold Activated Parts List

Item	Part No.	Quantity	Description
1	32.04729	2	Orifice, 1/4 JIC, .030"
2	32.03577	2	Adapter, -04 ORB x 1/4 MJIC
3	07.26250	1	Cylinder, Hydraulic, 2.50 Bore x 8" Stroke
4	—	1	Tongue, Swing Assembly - Reference Only
5	07.09952	1	Hose, Hydraulic, 1/4 x 215"
6	07.09951	1	Hose, Hydraulic, 1/4 x 227"
7	07.09893	2	Cartridge, HYDAC
8	07.09892	2	Coil, HYDAC
9	07.08716	2	Elbow, -06 ORB x -04 MJIC
10	07.26838	AR	Seal Kit, Hydraulic Cylinder For Item 3

SECTION 2

Hitch - Ridged Option



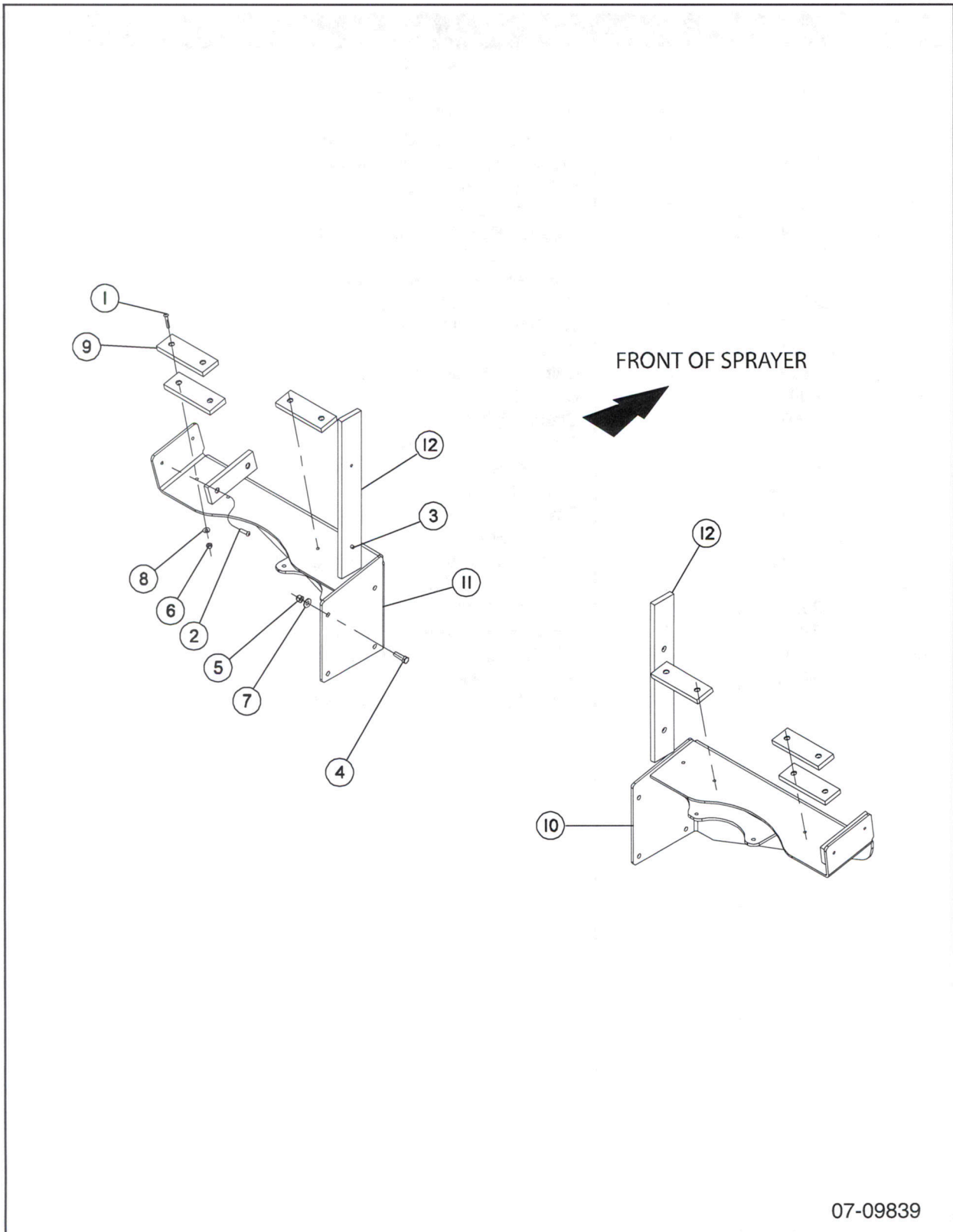
07-26336

Hitch - Ridged Option Parts List

Item	Part No.	Quantity	Description
1	907998	1	Bolt, Hex, 1-8 x 3" Gr 8
2	907997	3	Bolt, Hex, 1-8 x 2-1/2" Gr 8
3	907756	2	Bolt, Hex, 3/4-10 x 3" gr 8
4	907553	8	Bolt, Hex, 3/4-10 x 2-1/2" Gr 8
5	907379	5	Washer, Flat, 5/16" Stainless Steel
6	907253	2	Bolt, Hex, 1-8 x 7" Gr 8
7	907248	6	Nut, Hex Lock, 1-8 Nylock
8	907234	2	Washer, Flat, 1/4" Stainless Steel
9	906349	10	Nut, Hex Lock, 3/4-10 Nylock
10	904092	2	Nut, Hex Lock, 1/4-20 Nylock
11	903851	2	Bolt, Hex, 1/4-20 x 2" Gr 5
12	903708	9	Washer, Flat, 1" SAE
13	903061	14	Washer, Flat, 3/4" SAE
14	902859	5	Bolt, Hex, 5/16-18 x 1" Gr 5
15	900382	5	U-Nut, 5/16-18
16	32.60565	2	Clamp, P, 3/4"
17	17.01144	2	Tube Clamp, 3/4" Twin
18	07.26756	1	Counterweight
19	07.26719	1	Mount, Cover
20	07.26707	1	Cover
21	07.26498	1	Hitch, A Frame
22	07.26024	1	Hitch Assembly, Pintle/Clevis Combo Cat 3
22a	07.26022	2	Hitch, Pintle Cat 3
22b	07.26023	1	Hitch, Clevis Cat 3
22c	906984	1	Bolt, Hex, 3/4-10 x 5" Gr 8
22d	902465	1	Nut, Hex Lock, 3/4-10 Gr 8
23	07.09970	1	Support, Hose
24	07.09834	1	Jack, Bulldog Model #5SM-15-5

SECTION 2

Boom Rest Assembly

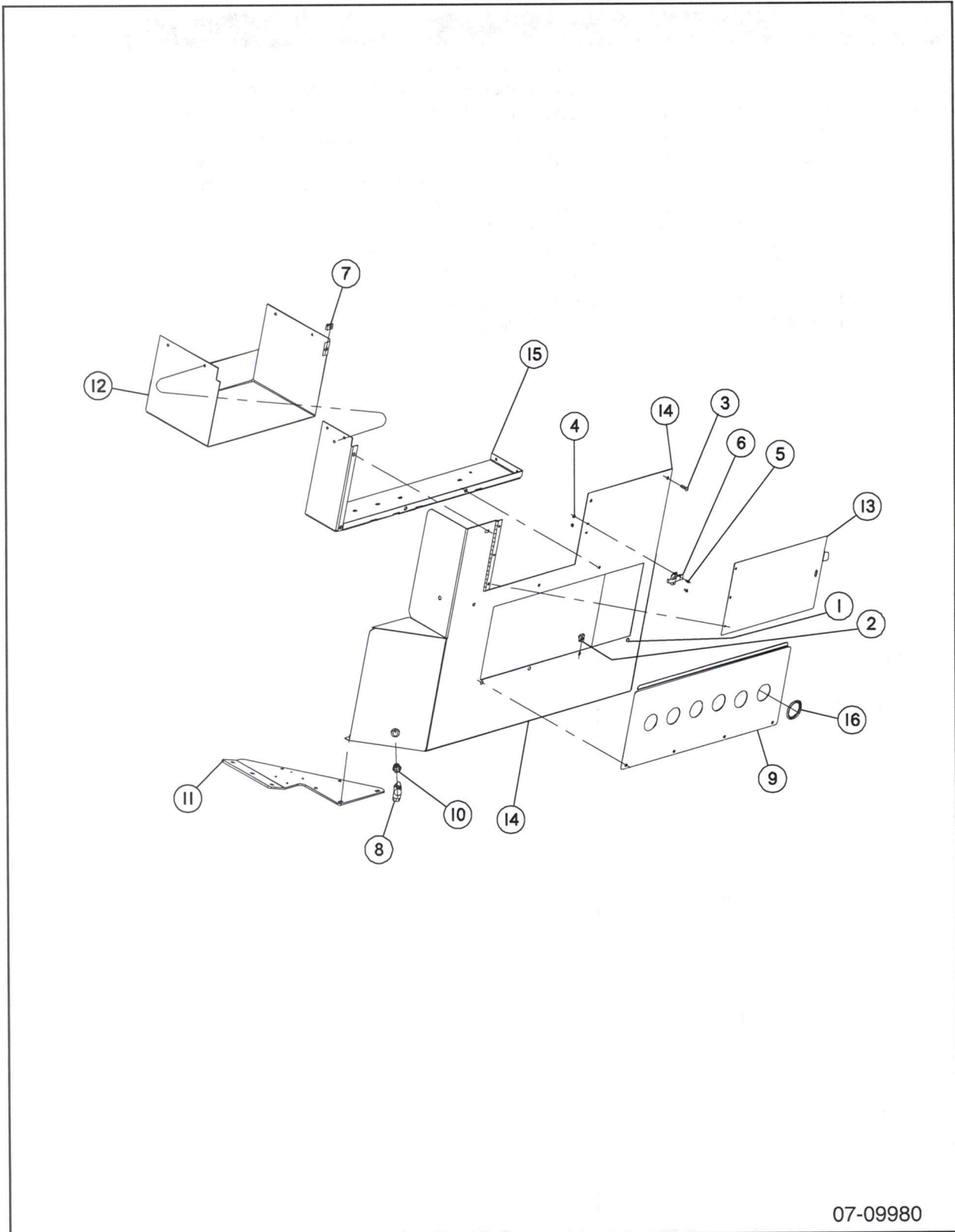


Boom Rest Assembly Parts List

Item	Part No.	Quantity	Description
1	907614	4	Bolt, Button Head, 1/4-20 x 1-1/2" Stainless Steel
2	907506	8	Bolt, Button Head, 1/4-20 x 1" Stainless Steel
3	907480	4	Screw, Flat Head, 1/4-28 x 3/4" Stainless Steel
4	907425	8	Bolt, Hex, 3/8-16 x 1-1/4" Stainless Steel
5	907391	8	Nut, Hex Lock, 3/8-16 Nylock Stainless Steel
6	907389	12	Nut, Hex Lock, 1/4-20 Nylock Stainless Steel
7	907380	8	Washer, Flat, 3/8" Stainless Steel
8	907234	12	Washer, Flat, 1/4" Stainless Steel
9	21.24412	8	Pad, UHMW, .50 x 2.00 x 5.88"
10	07.09920	1	Boom Saddle, RH
11	07.09919	1	Boom Saddle, LH
12	07.06762	2	Pad, UHMW, 17.50 x 2.5"

SECTION 2

Left Panel Assembly



07-09980

Left Panel Assembly Parts List

Item	Part No.	Quantity	Description
1	907979	4	Bolt, Button Head, 1/4-20 x 1/2" Stainless Steel
2	907963	4	Clip Nut, 1/4-20
3	907615	12	Bolt, Button Head, 5/16-18 x 1" Stainless Steel
4	907404	2	Nut, Hex, #10-32 Stainless Steel
5	907403	2	Screw, Slotted Pan Head, #10-32 x 3/8" Stainless Steel
6	907402	1	Latch, Door Stainless Steel
7	900382	12	U-Nut, 5/16-18
8	21.41869	1	Ball Valve, Hand Wash
9	07.26638	1	Panel, Cover
10	07.11608	1	Bushing, 1/2 MPT x 3/8 FPT
11	07.09964	1	Plate, Support
12	07.09833	1	Frame, Tool Box
13	07.09831	1	Door, Tool Box
14	07.09815	1	Panel, Control
15	07.09812	1	Mount, Side Valve
16	07.06407	1	Plug, Button, Recessed, 2-1/2"

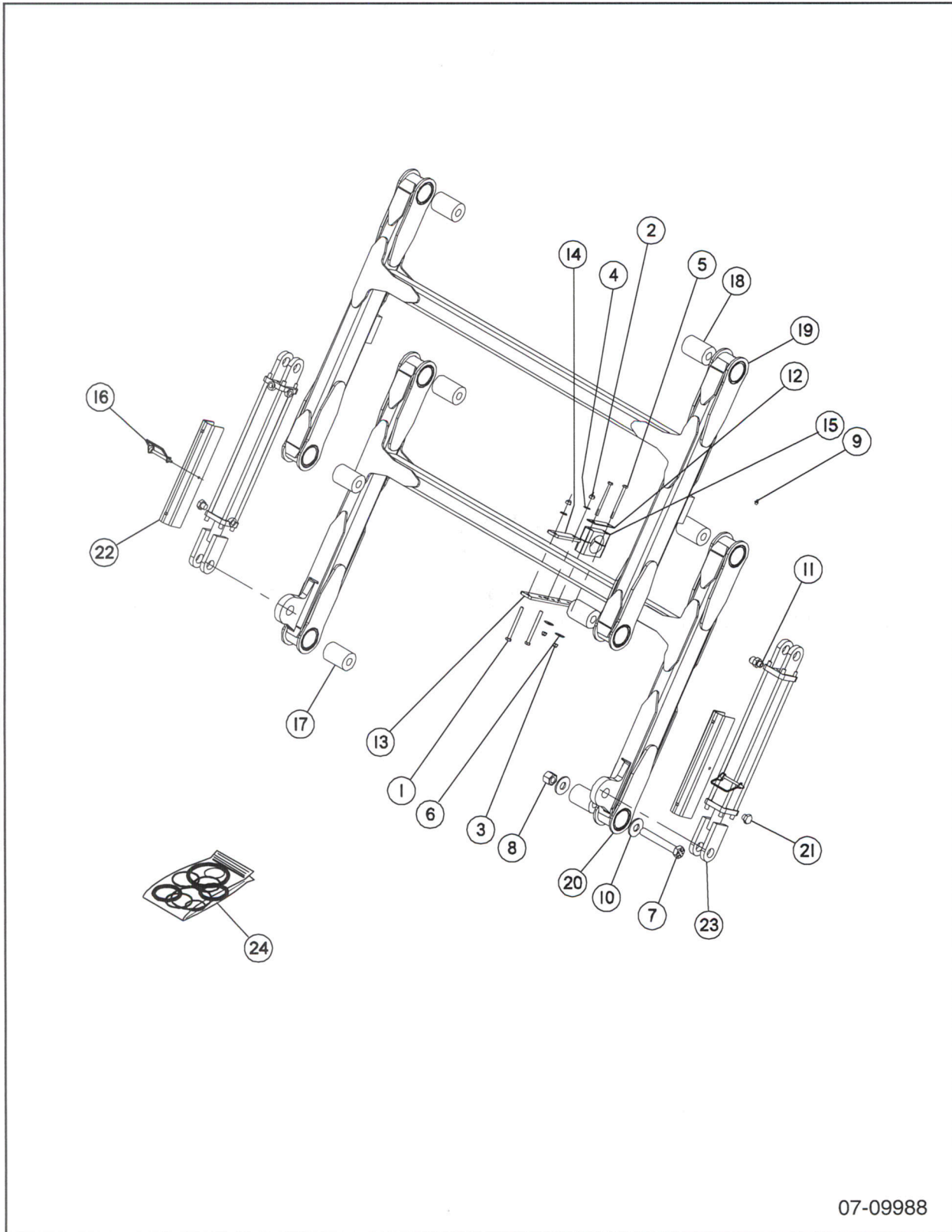
SECTION 2

This Page Intentionally Left Blank

SECTION 3
BOOM SECTIONS & HYDRAULICS

SECTION 3

Center Section Lift Arms



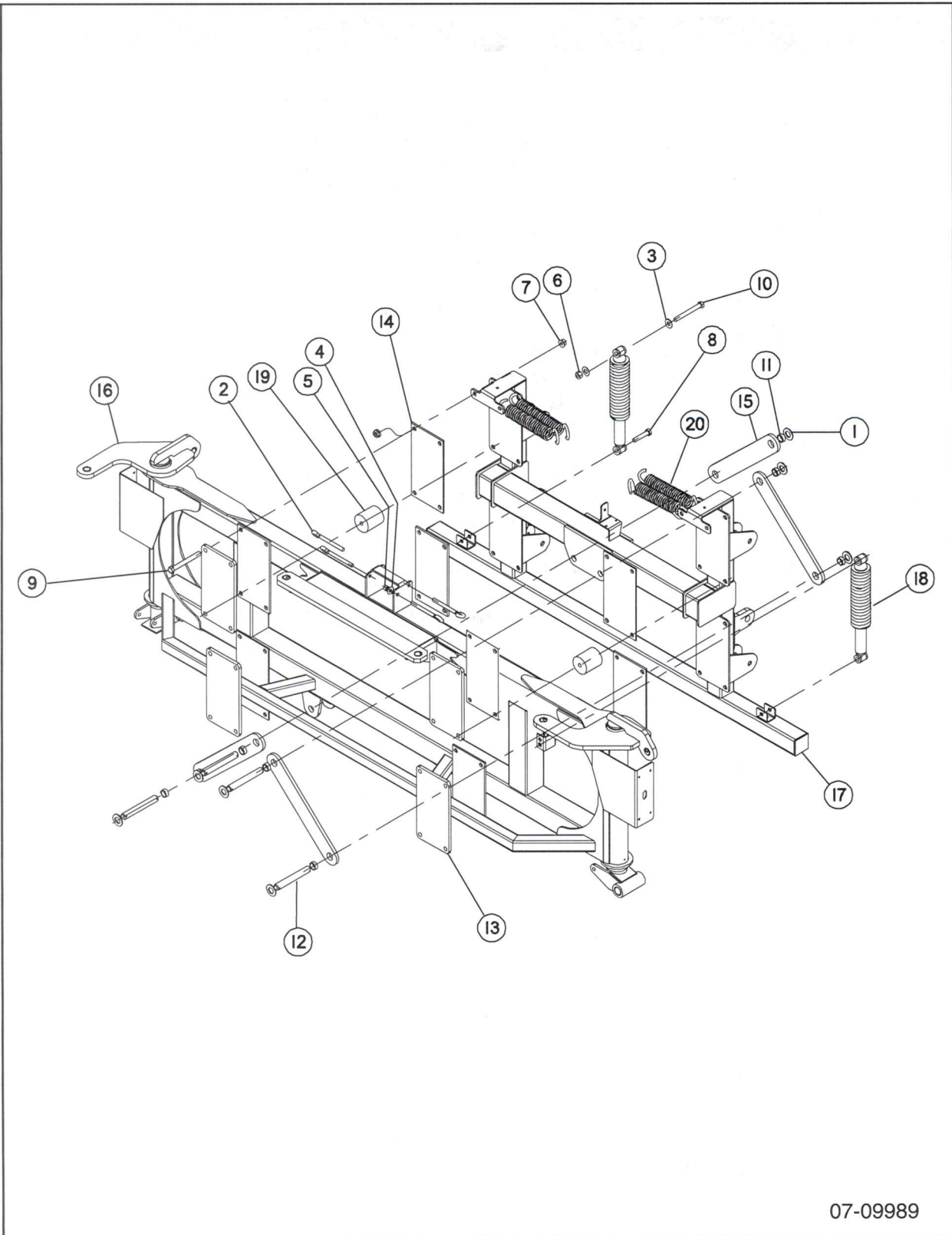
07-09988

Center Section Lift Arms Parts List

Item	Part No.	Quantity	Description
1	907650	2	Bolt, Hex, 5/16-18 x 3-1/2" Stainless Steel
2	907390	2	Nut, Hex Lock, 5/16-18 Nylock Stainless Steel
3	907389	2	Nut, Hex Lock, 1/4-20 Nylock Stainless Steel
4	907379	2	Washer, Flat, 5/16" Stainless Steel
5	907268	2	Bolt, Hex, 1/4-20 x 3-1/2" Stainless Steel
6	907234	2	Washer, Flat, 1/4" Stainless Steel
7	906984	8	Bolt, Hex, 3/4-10 x 5" Gr 8
8	906349	8	Nut, Hex Lock, 3/4-10 Nylock
9	903162	8	Grease Zerk, 1/4-28
10	900499	16	Washer, Flat, 3/4"
11	32.60010	2	Adapter, -06 ORB x 1/2 MJIC
12	32.01597	1	Plate, Cover
13	21.21643	1	Bracket, Wet Boom Holder, 3 x 3
14	21.21642	1	Bracket, Boom Extension Holder
15	21.20125	1	Clamp, 2"
16	17.00779	2	Pin, Lock, 1/4 x 2-1/2"
17	07.26438	4	Bushing, Lift Arm/Frame
18	07.26437	4	Bushing, Lift Arm/Center Section
19	07.26379	1	Lift Arm, Upper
20	07.26378	1	Lift Arm, Lower
21	07.09991	2	Breather, -08 ORB, 50 Mesh
22	07.09930	2	Stop, Transport
23	07.08558	2	Hydraulic Cylinder, 2 x 12 Nitrosteel
24	07.26840	AR	Seal Kit, Hydraulic Cylinder - For Item 23

SECTION 3

Boom Center and Suspension



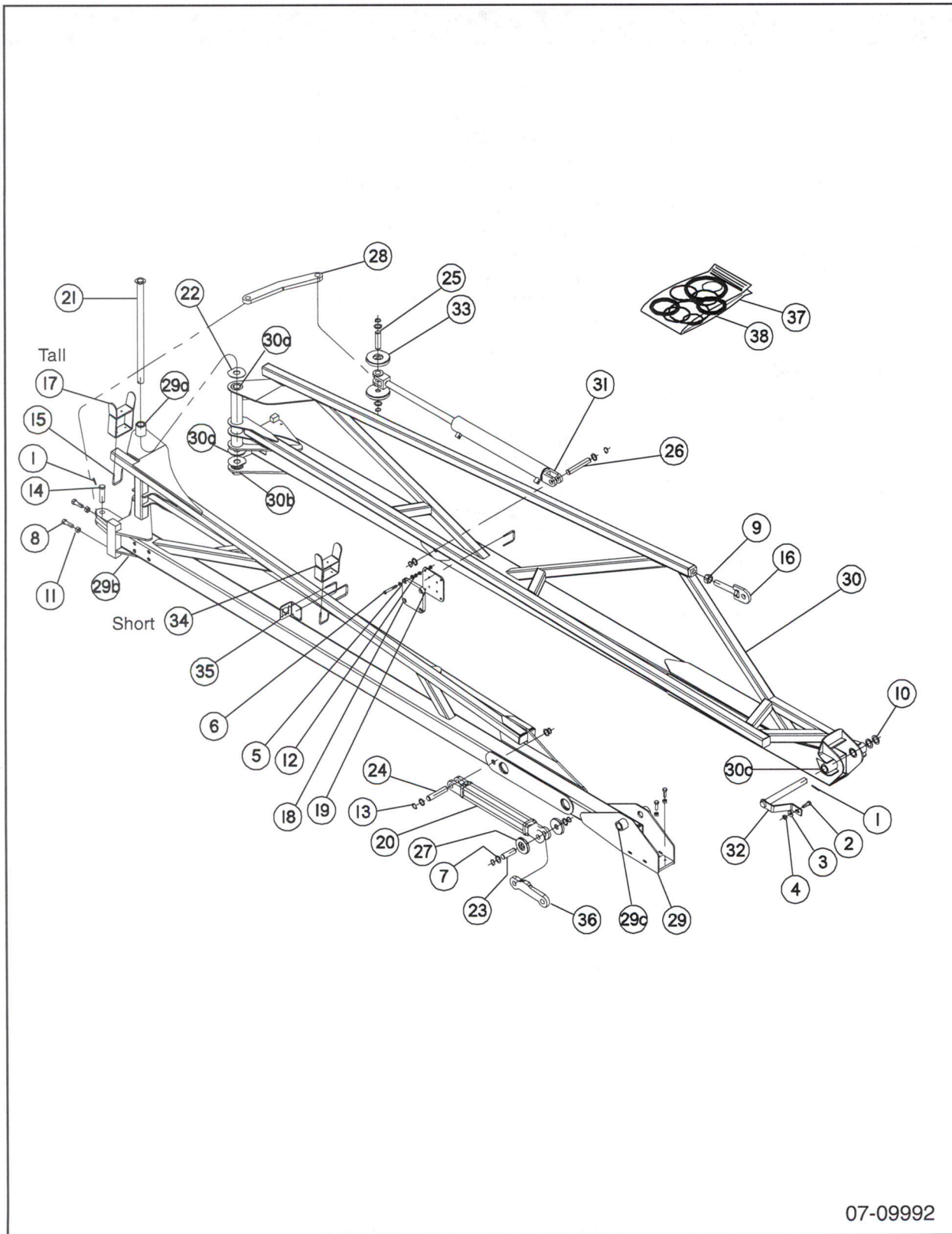
07-09989

Boom Center and Suspension Parts List

Item	Part No.	Quantity	Description
1	907530	8	Washer, Flat, 1" Stainless Steel
2	907435	4	Eyebolt, 1/2-13 Stainless Steel
3	907396	8	Washer, Flat, 5/8" Stainless Steel
4	907395	8	Washer, Flat, 1/2" Stainless Steel
5	907387	8	Nut, Hex, 1/2-13 Stainless Steel
6	906402	4	Nut, Hex Lock, 5/8-11 Nylock
7	904016	32	Nut, Hex Lock, 5/8-11 Whiz Lock
8	903849	2	Bolt, Hex, 5/8-11 x 3" Gr 5
9	903422	16	Bolt, Hex, 5/8-11 x 6" Gr 5
10	901264	2	Bolt, Hex, 5/8-11 x 5-1/2" Gr 5
11	07.26431	8	Bushing, Swing Link, Center Section
12	07.26421	4	Pin, Sway Link
13	07.26401	4	Plate, Boom Clamp
14	07.26198	8	Pad, Boom Slide
15	07.26194	4	Plate, Swing Link
16	07.26192	1	Boom, Center Section
17	07.26126	1	Boom Clamp
18	07.09928	2	Shock Absorber
19	07.09927	2	Roller, Spacer, Poly
20	07.05945	4	Spring, Extension, 11.375"

SECTION 3

Primary/Secondary Boom - Left Hand

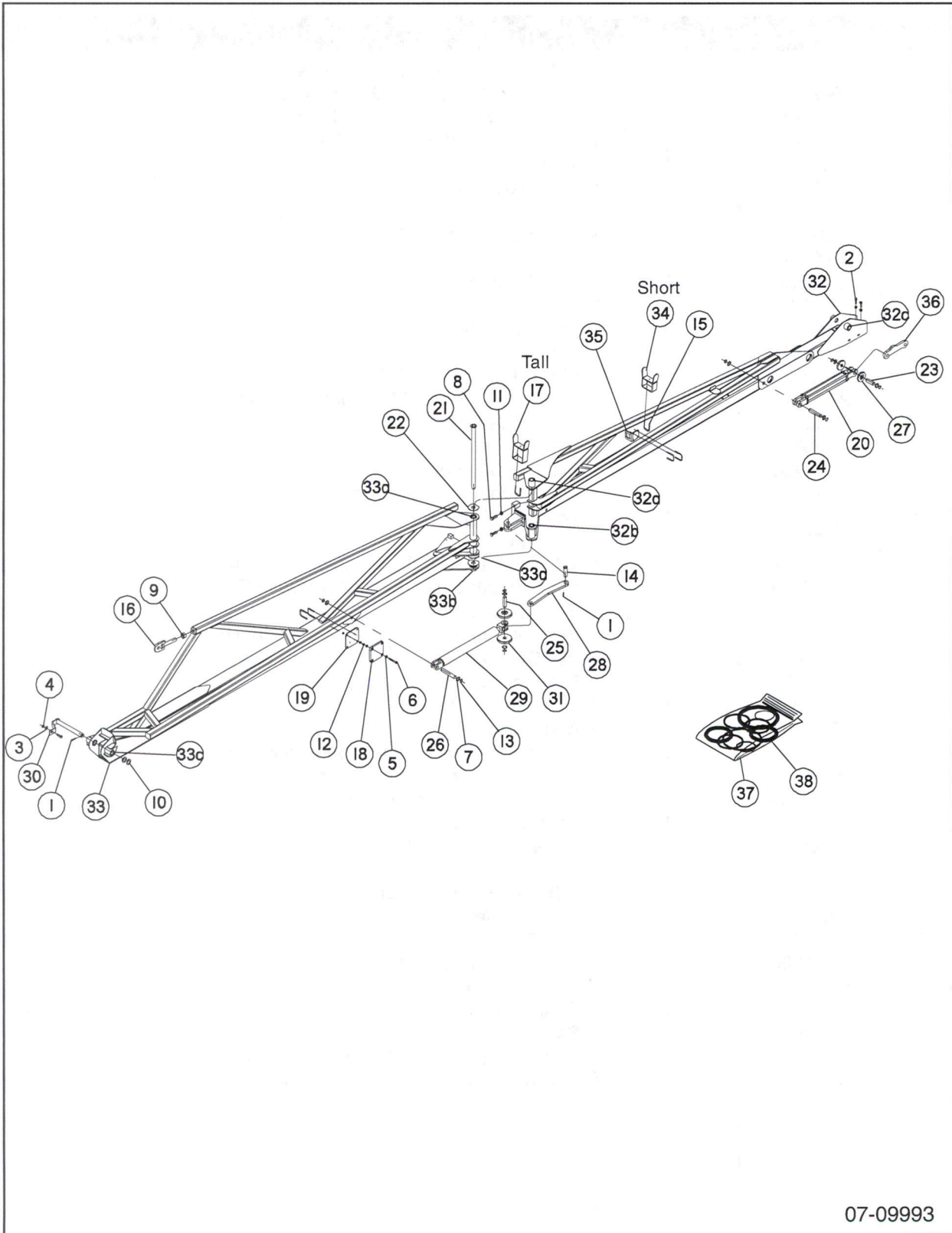


Primary/Secondary Boom - Left Hand Parts List

Item	Part No.	Quantity	Description
1	907429	2	Roll Pin, 7/32 x 2" Stainless Steel
2	907424	3	Bolt, Hex, 1/2-13 x 1-1/2" Stainless Steel
3	907395	1	Washer, Flat, 1/2" Stainless Steel
4	907387	3	Nut, Hex, 1/2-13 Stainless Steel
5	907380	2	Washer, Flat, 3/8" Stainless Steel
6	907058	1	Bolt, Hex, 3/8-16 x 3" Gr 5 Full Thread
7	905464	8	Machine Bushing, 1.0 x 0.54 x 1.50" O.D.
8	904253	2	Bolt, Hex, 5/8-11 x 2" Gr 5
9	903564	1	Nut, Hex, 1-8 Zinc Plated
10	900512	2	Machine Bushing, 1-1/4"
11	900371	2	Nut, Hex, 5/8-11
12	900366	3	Nut, Hex, 3/8-16
13	900127	8	Snap Ring, External, 1"
14	21.22738	1	Pin, 1" Dia. x 3.25" Gr 5
15	21.21654	5	U-Bolt, 1/4 x 2 x 2.75" Square Stainless Steel
16	21.20175	1	Turnbuckle, Upper Truss
17	07.26671	1	Support, Tall
18	07.26483	1	Plate, Boom Stop
19	07.26482	1	Plate, Boom Stop, Support
20	07.26450	1	Cylinder, Hydraulic, 2.00 Bore x 1.125 Rod x 14" Stroke
21	07.26440	1	Pin, Fold
22	07.26429	3	Washer, Thrust, 1.28 I.D. x 3.50 O.D. x .125"
23	07.26419	1	Pin, Cylinder Clevis, Secondary/Outer Fold
24	07.26418	1	Pin, Cylinder Base
25	07.26416	1	Pin, Cylinder Clevis, Primary/Secondary Fold
26	07.26415	1	Pin, Cylinder Base
27	07.26387	2	Roller, Secondary Boom Cylinder
28	07.26386	1	Link, Primary Boom Cylinder
29	07.26302	1	Boom, Secondary, Left Hand
29a	07.26434	1	Bushing, Upper, Primary/Secondary
29b	07.26435	1	Bushing, Lower, Primary/Secondary
29c	07.26436	2	Bushing, Secondary/Outer
30	07.26301	1	Boom, Primary, Left Hand
30a	07.26439	2	Bushing, Upper, Primary/Secondary Pivot
30b	07.26447	1	Bushing, Bottom, Primary/Secondary
30c	07.26432	2	Bushing, Center Section/Primary Outer
31	07.26229	1	Cylinder, Welded
32	07.26188	1	Pin, Tilt Pivot
33	07.26180	2	Roller, Primary Boom
34	07.09940	1	Support, Short
35	07.09867	1	Bracket, Valve
36	07.09835	1	Bar, Link
37	07.26839	AR	Seal Kit, Hydraulic Cylinder - For Item 20
38	07.26837	AR	Seal Kit, Hydraulic Cylinder - For Item 31

SECTION 3

Primary/Secondary Boom - Right Hand



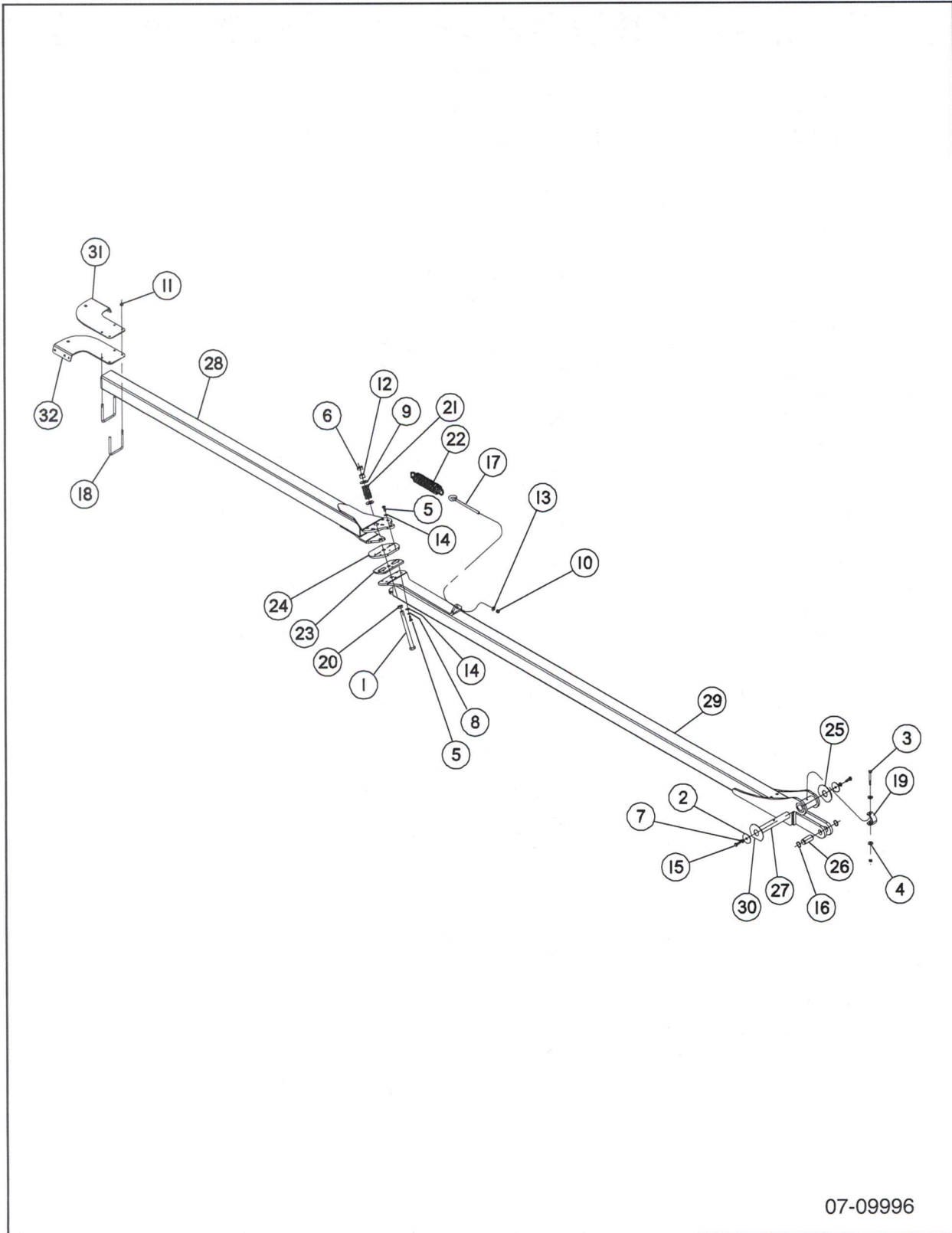
07-09993

Primary/Secondary Boom - Right Hand Parts List

Item	Part No.	Quantity	Description
1	907429	2	Roll Pin, 7/32 x 2" Stainless Steel
2	907424	3	Bolt, Hex, 1/2-13 x 1-1/2" Stainless Steel
3	907395	1	Washer, Flat, 1/2" Stainless Steel
4	907387	3	Nut, Hex, 1/2-13 Stainless Steel
5	907380	2	Washer, Flat, 3/8" Stainless Steel
6	907058	1	Bolt, Hex, 3/8-16 x 3" Gr 5 Full Thread
7	905464	8	Machine Bushing, 1.0 x 0.54 x 1.50" O.D.
8	904253	2	Bolt, Hex, 5/8-11 x 2" Gr 5
9	903564	1	Nut, Hex, 1-8 Zinc Plated
10	900512	2	Machine Bushing, 1-1/4"
11	900371	2	Nut, Hex, 5/8-11
12	900366	3	Nut, Hex, 3/8-16
13	900127	8	Snap Ring, External, 1"
14	21.22738	1	Pin, 1" Dia. x 3.25" Gr 5
15	21.21654	6	U-Bolt, 1/4 x 2 x 2.75" Square Stainless Steel
16	21.20175	1	Turnbuckle, Upper Truss
17	07.26671	1	Support, Tall
18	07.26483	1	Plate, Boom Stop
19	07.26482	1	Plate, Boom Stop, Support
20	07.26450	1	Cylinder, Hydraulic, 2.00 Bore x 1.125 Rod x 14" Stroke
21	07.26440	1	Pin, Fold
22	07.26429	3	Washer, Thrust, 1.28 I.D. x 3.50 O.D. x .125"
23	07.26419	1	Pin, Cylinder Clevis, Secondary/Outer Fold
24	07.26418	1	Pin, Cylinder Base
25	07.26416	1	Pin, Cylinder Clevis, Primary/Secondary Fold
26	07.26415	1	Pin, Cylinder Base
27	07.26387	2	Roller, Secondary Boom Cylinder
28	07.26386	1	Link, Primary Boom Cylinder
29	07.26229	1	Cylinder, Welded
30	07.26188	1	Pin, Tilt Pivot
31	07.26180	2	Roller, Primary Boom
32	07.26142	1	Boom, Secondary, Right Hand
32a	07.26434	1	Bushing, Upper, Primary/Secondary
32b	07.26435	1	Bushing, Lower, Primary/Secondary
32c	07.26436	2	Bushing, Secondary/Outer
33	07.26138	1	Boom, Primary, Right Hand
33a	07.26439	2	Bushing, Upper, Primary/Secondary Pivot
33b	07.26447	1	Bushing, Bottom, Primary/Secondary
33c	07.26432	2	Bushing, Center Section/Primary Outer
34	07.09940	1	Support, Short
35	07.09867	1	Bracket, Valve
36	07.09835	1	Bar, Link
37	07.26839	AR	Seal Kit, Hydraulic Cylinder - For Item 20
38	07.26837	AR	Seal Kit, Hydraulic Cylinder - For Item 29

SECTION 3

Outer Boom Assembly - 90 Ft



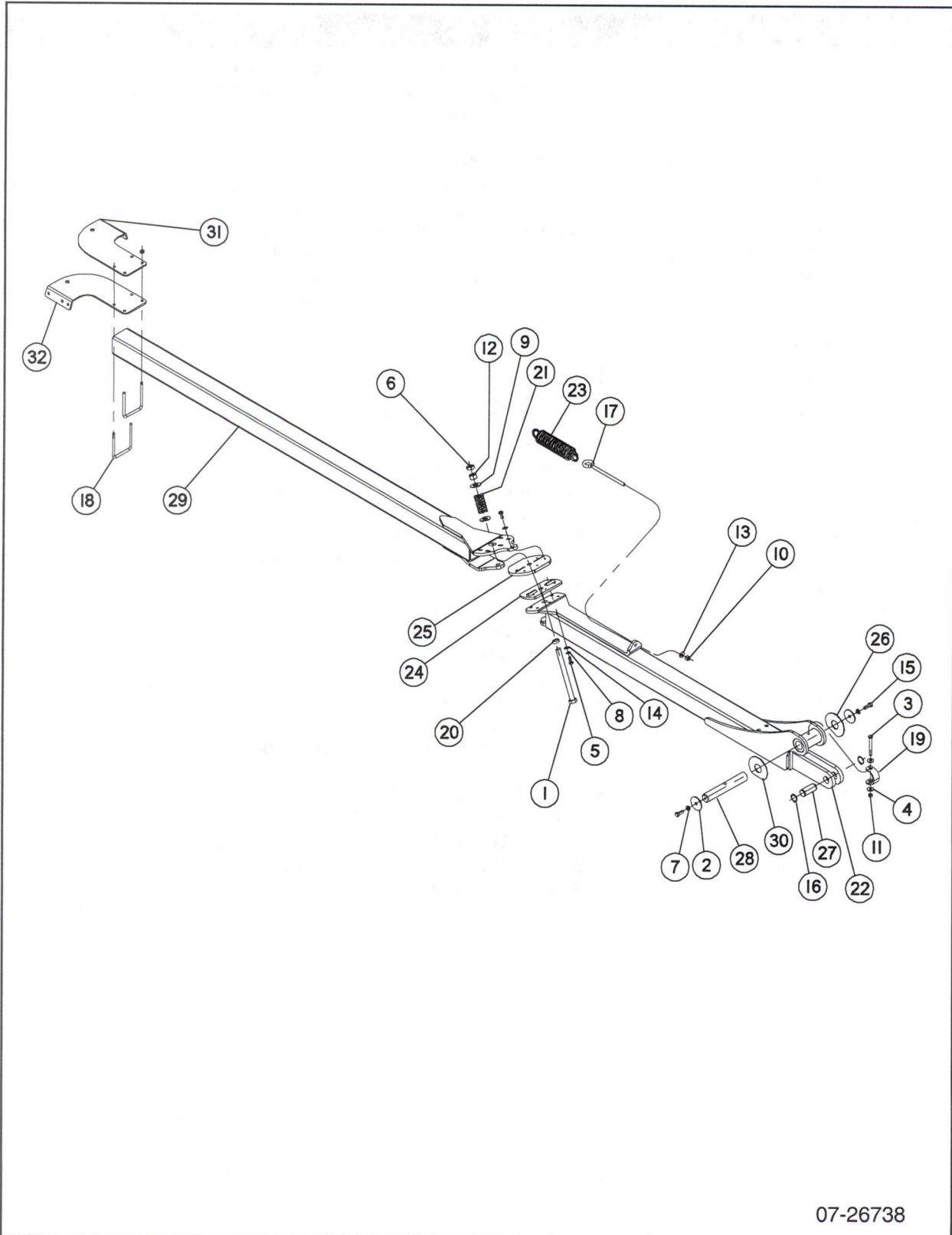
07-09996

Outer Boom Assembly - 90 Ft Parts List

Item	Part No.	Quantity	Description
Note: Quantities Listed Are For One Side.			
Parts are the same for left and right sides except where specifically identified.			
1	907968	1	Bolt, Hex, 5/8-18 x 7-1/2" Gr 8 Yellow Zinc
2	907626	2	Washer, Flat, 3/8 x 2" O.D. Stainless Steel
3	907483	1	Bolt, Hex, 5/16-18 x 3" Stainless Steel
4	907464	2	Washer, Flat, 5/16" Wide Stainless Steel
5	907463	10	Bolt, Hex, 5/16-18 x 3/4" Stainless Steel
6	907434	1	Nut, Hex Jam, 5/8-11 FIN Stainless Steel
7	907412	2	Washer, Lock, 3/8" Stainless Steel
8	907411	5	Washer, Lock, 5/16" Stainless Steel
9	907396	2	Washer, Flat, 5/8" Stainless Steel
10	907391	1	Nut, Hex Lock, 3/8-16 Nylock Stainless Steel
11	907390	5	Nut, Hex Lock, 5/16-18 Nylock Stainless Steel
12	907388	1	Nut, Hex, 5/8-11 Stainless Steel
13	907380	1	Washer, Flat, 3/8" Stainless Steel
14	907379	10	Washer, Flat, 5/16" Stainless Steel
15	907277	2	Bolt, Hex, 3/8-16 x 1" Stainless Steel
16	900127	2	Snap Ring, External 1"
17	32.03288	1	Eyebolt, 3/8-16 x 6" Stainless Steel
18	21.21657	2	U-Bolt, 5/16-18 x 3 x 4" Square Stainless Steel
19	07.26666	1	Plate, Stop
20	07.26646	1	Spacer, 7/8 O.D. x .12 W x .30" Long
21	07.26645	1	Spring, Die, 1.25 x 2.5"
22	07.26556	1	Spring, Extension
23	07.26554	1	Plate, Detent
24	07.26553	1	Plate, Detent Lock
25	07.26429	1	Washer, Thrust, 1.28 I.D. x 3.50 O.D. x .125"
26	07.26420	1	Pin, Connecting Link, Secondary/Outer
27	07.26414	1	Pin, Pivot
28	07.26369	1	Outer Boom Section, 90 Ft.
29	07.26360	1	Boom, Section Three, 90 Ft.
30	07.09926	1	Washer, Thrust, 1.28 I.D. x 3.50 O.D. x .093"
31	07.09872	1	Bracket, Mount - Right Hand Boom Only
32	07.09871	1	Bracket, Mount - Left Hand Boom Only

SECTION 3

Outer Boom Assembly - 80 Ft



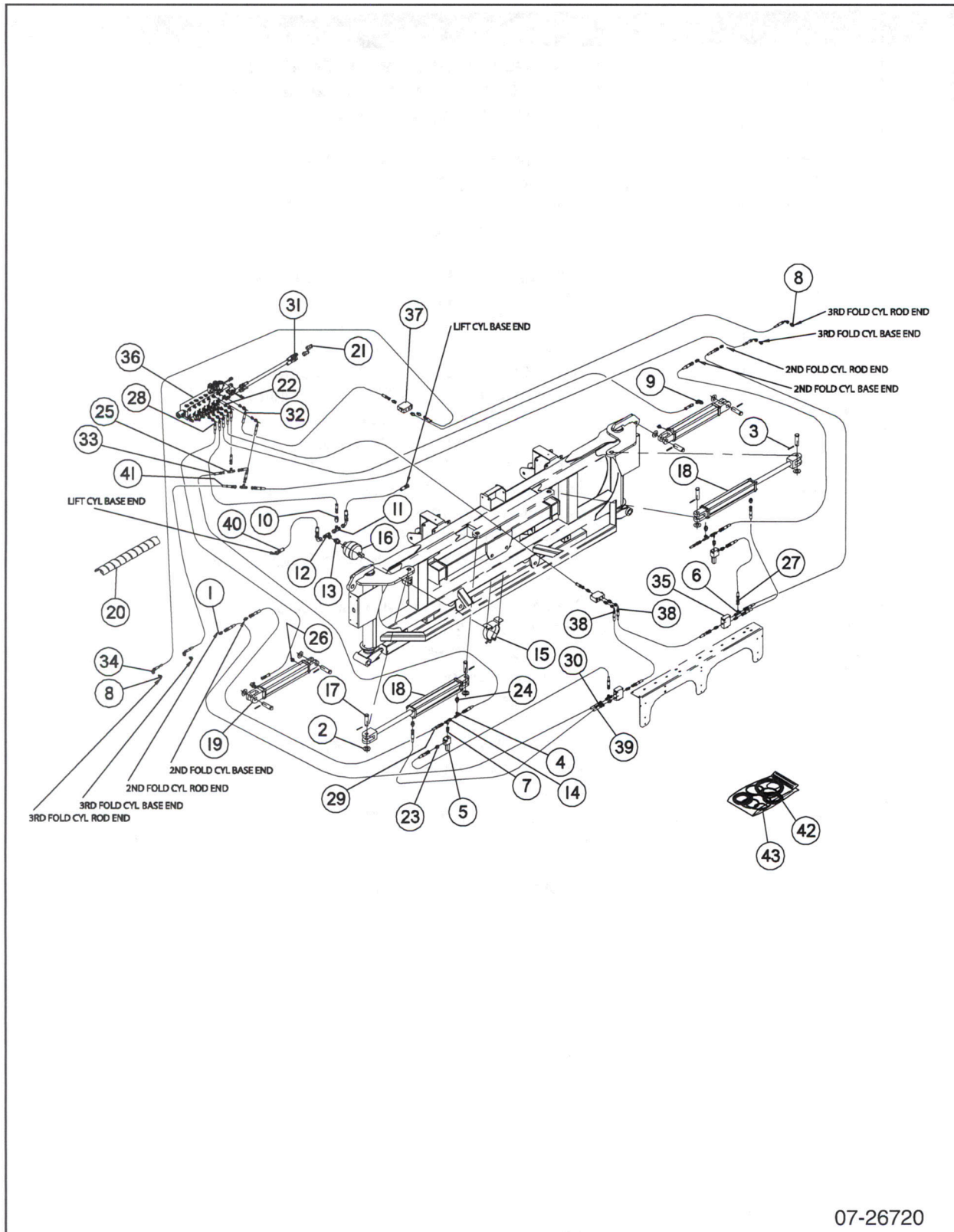
07-26738

Outer Boom Assembly - 80 Ft Parts List

Item	Part No.	Quantity	Description
			Note: Quantities Listed Are For One Side. Parts are the same for left and right sides except where specifically identified.
1	907968	1	Bolt, Hex, 5/8-18 x 7-1/2" Gr 8 Yellow Zinc
2	907626	2	Washer, Flat, 3/8 x 2" O.D. Stainless Steel
3	907483	1	Bolt, Hex, 5/16-18 x 3" Stainless Steel
4	907464	2	Washer, Flat, 5/16" Wide Stainless Steel
5	907463	10	Bolt, Hex, 5/16-18 x 3/4" Stainless Steel
6	907434	1	Nut, Hex Jam, 5/8-11 FIN Stainless Steel
7	907412	2	Washer, Lock, 3/8" Stainless Steel
8	907411	5	Washer, Lock, 5/16" Stainless Steel
9	907396	2	Washer, Flat, 5/8" Stainless Steel
10	907391	1	Nut, Hex Lock, 3/8-16 Nylock Stainless Steel
11	907390	5	Nut, Hex Lock, 5/16-18 Nylock Stainless Steel
12	907388	1	Nut, Hex, 5/8-11 Stainless Steel
13	907380	1	Washer, Flat, 3/8" Stainless Steel
14	907379	10	Washer, Flat, 5/16" Stainless Steel
15	907277	2	Bolt, Hex, 3/8-16 x 1" Stainless Steel
16	900127	2	Snap Ring, External 1"
17	32.03288	1	Eyebolt, 3/8-16 x 6" Stainless Steel
18	21.21657	2	U-Bolt, 5/16-18 x 3 x 4" Square Stainless Steel
19	07.26666	1	Plate, Stop
20	07.26646	1	Spacer, 7/8 O.D. x .12 W x .30" Long
21	07.26645	1	Spring, Die, 1.25 x 2.5"
22	07.26560	1	Boom, Outer 80 Ft.
23	07.26556	1	Spring, Extension
24	07.26554	1	Plate, Detent
25	07.26553	1	Plate, Detent Lock
26	07.26429	1	Washer, Thrust, 1.28 I.D. x 3.50 O.D. x .125"
27	07.26420	1	Pin, Connecting Link, Secondary/Outer
28	07.26414	1	Pin, Pivot
29	07.26369	1	Outer Boom Section, 80 Ft.
30	07.09926	1	Washer, Thrust, 1.28 I.D. x 3.50 O.D. x .093"
31	07.09872	1	Bracket, Mount - Right Hand Boom Only
32	07.09871	1	Bracket, Mount - Left Hand Boom Only

SECTION 3

Boom Hydraulics



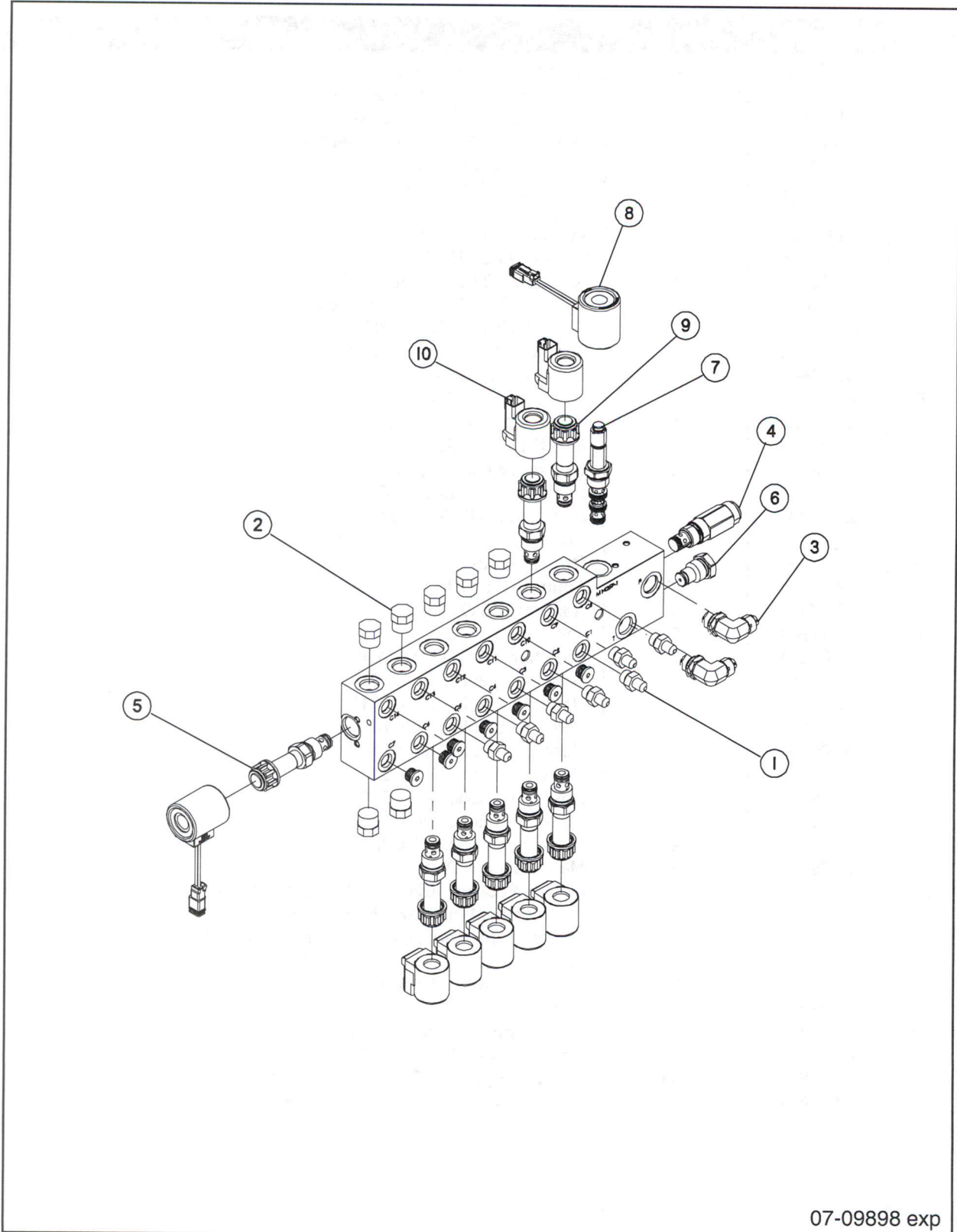
07-26720

Boom Hydraulics Parts List

Item	Part No.	Quantity	Description
1	907695	4	Union, -04 ORB -06MJIC
2	907530	8	Washer, Flat, 1" Stainless Steel
3	907429	8	Roll Pin, 7/32 x 2" Stainless Steel
4	907182	2	Tee, Branch, 37° Flare, Swivel 9/16-18
5	44.03301	2	Relief Valve, 20 GPM
6	32.60704	2	Tee, -06 ORB Run x MJIC
7	32.04648	2	Adapter, -06 ORB x FJIC Swivel
8	32.03910	4	Adapter, -06 ORB x 1/4 MJIC
9	32.03465	2	Elbow, -08 ORB x 3/8 MJIC
10	32.03057	1	Adapter, 1/2 FJIC x 3/8 MJIC
11	32.02033	1	Tee, 1/2 Swivel Run, 37° Flare
12	32.01947	1	Tee, 1/2 Swivel, Outlet JIC
13	32.01940	1	Adapter, -12 ORB x 1/2 MJIC
14	32.01604	2	Tee, 3/8 Swivel Run, 37° Flare
15	21.31540	1	Clamp, Accumulator, 4.8 - 5.1
16	21.31539	1	Accumulator, 45 CI (.75L)
17	21.22738	8	Pin, 1" Dia. x 3.25" Gr 5
18	21.20004	2	Cylinder, Hydraulic, 2.50 x 16
19	21.20003	2	Cylinder, Hydraulic, 2.50 x 14
20	21.00336	1	Hose Wrap, HG200 (8 Ft Long)
21	09.74158	2	Coupler, Quick, Male -08 ORB
22	07.26743	7	Orifice, 1/4 JIC
23	07.17911	12	Adapter, -06 ORB x 3/8 MJIC
24	07.17849	4	Adapter, -08 ORB x 3/8 MJIC
25	07.17844	2	Tee, Union JIC 3/8
26	07.09991	2	Breather, -08 ORB, 50 Mesh
27	07.09981	2	Hose, Hydraulic, 1/4 x 18"
28	07.09957	2	Hose, Hydraulic, 1/4 x 131"
29	07.09956	2	Hose, Hydraulic, 1/4 x 192"
30	07.09955	2	Hose, Hydraulic, 1/4 x 177"
31	07.09948	2	Hose, Hydraulic, 1/2 x 300"
32	07.09947	5	Hose, Hydraulic, 1/4 x 63"
33	07.09946	2	Hose, Hydraulic, 1/4 x 346"
34	07.09945	2	Hose, Hydraulic, 1/4 x 364"
35	07.09924	2	Manifold, Flow Divider, 60-40
36	07.09761	1	Control Package, Electro - Hydraulic Complete (Refer to "Manifold-Hydraulic" and "Control Package, Electro-Hydraulic" for breakdown)
37	07.09760	2	Manifold, Flow Divider, 4 GPM, 50-50
38	07.09102	2	Hose, Hydraulic, 1/4 x 35"
39	07.06375	2	Hose, Hydraulic, 1/4 x 33"
40	07.06368	2	Hose, Hydraulic, Return To Filter
41	07.06205	2	Hose, Hydraulic, 1/4 x 24"
42	07.26842	AR	Seal Kit, Hydraulic Cylinder - For Item 18
43	07.26841	AR	Seal Kit, Hydraulic Cylinder - For Item 19

SECTION 3

Manifold - Hydraulic



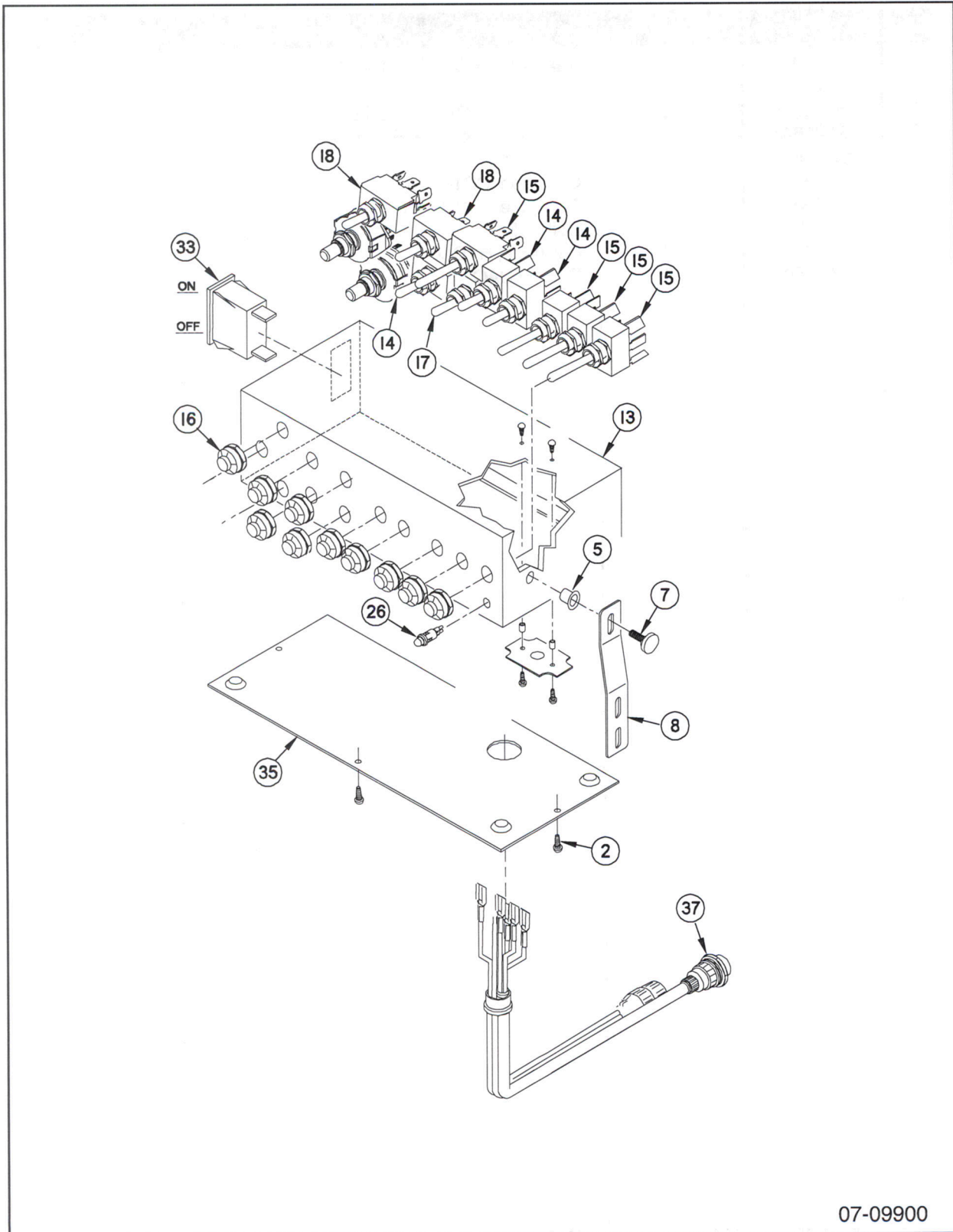
07-09898 exp

Manifold - Hydraulic Parts List

Item	Part No.	Quantity	Description
1	32.03910	7	Adapter, -06 ORB x 1/4 MJIC
2	21.21050	7	Plug, 8 ORFS
3	09.74145	2	Elbow, -08 ORB x 1/2 MJIC
4	07.26845	1	Cartridge, Diff Area, Pop 3000 PSI
5	07.26679	1	Cartridge
6	07.26678	1	Cartridge, CP10 - 20
7	07.26677	1	Cartridge, SV10 - 40 - 0 - N - 00
8	07.26676	2	Coil, H/F
9	07.09893	7	Cartridge, HYDAC
10	07.09892	7	Coil, HYDAC

SECTION 3

Control Package, Electro-Hydraulic



07-09900

Control Package, Electro-Hydraulic Parts List

Item	Part No.	Quantity	Description
2	46.09180	4	Screw, #8-32 x 5/16" Thread Cutting
5	46.09183	2	Nut, Rivot Kilk, 1/4-20, .339 OD
7	46.03192	2	Screw, Thumb, 1/4-20 x 1/2" Black
8	46.03312	2	Bracket, Raven Switch Box Side Support
13	07.26843	1	Silkscreen, CNBX, Miller, 7 CIR
14	46.03199	3	Switch, Toggle, DPDT, 3P MOM, Short
15	46.03200	4	Switch, Toggle, DPDT, 3P MOM, Long
16	07.26862	10	Switch, Toggle Boot, OPN Gray
17	07.26863	1	Switch, Toggle, DPDT, 3P STAT, Short
18	07.26864	1	Switch, Toggle, SPDT, 3P STAT, Short
26	32.04436	1	LED, Red, T-1, 3/4, 12V Leads Panel Mount
33	07.26865	1	Circuit Breaker, 12V, 25 Amp, Time Delay
35	07.26844	1	Enclosure, DRL Lid, CNBX, M00458
37	07.09932	1	Harness

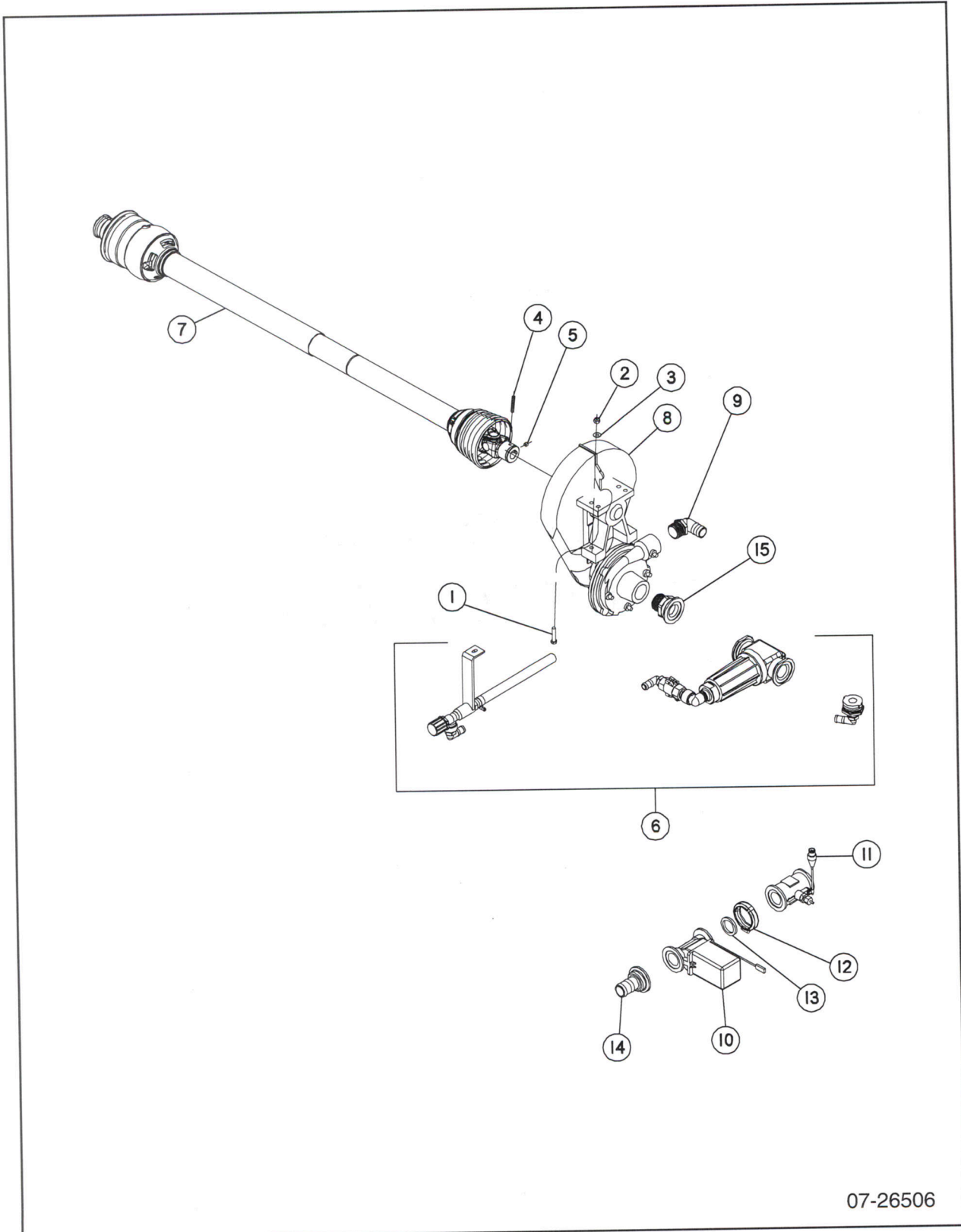
SECTION 3

This Page Intentionally Left Blank

SECTION 4
PTO DRIVELINE & PUMPS

SECTION 4

540 PTO Drive Pump Option



Trailer Sprayer

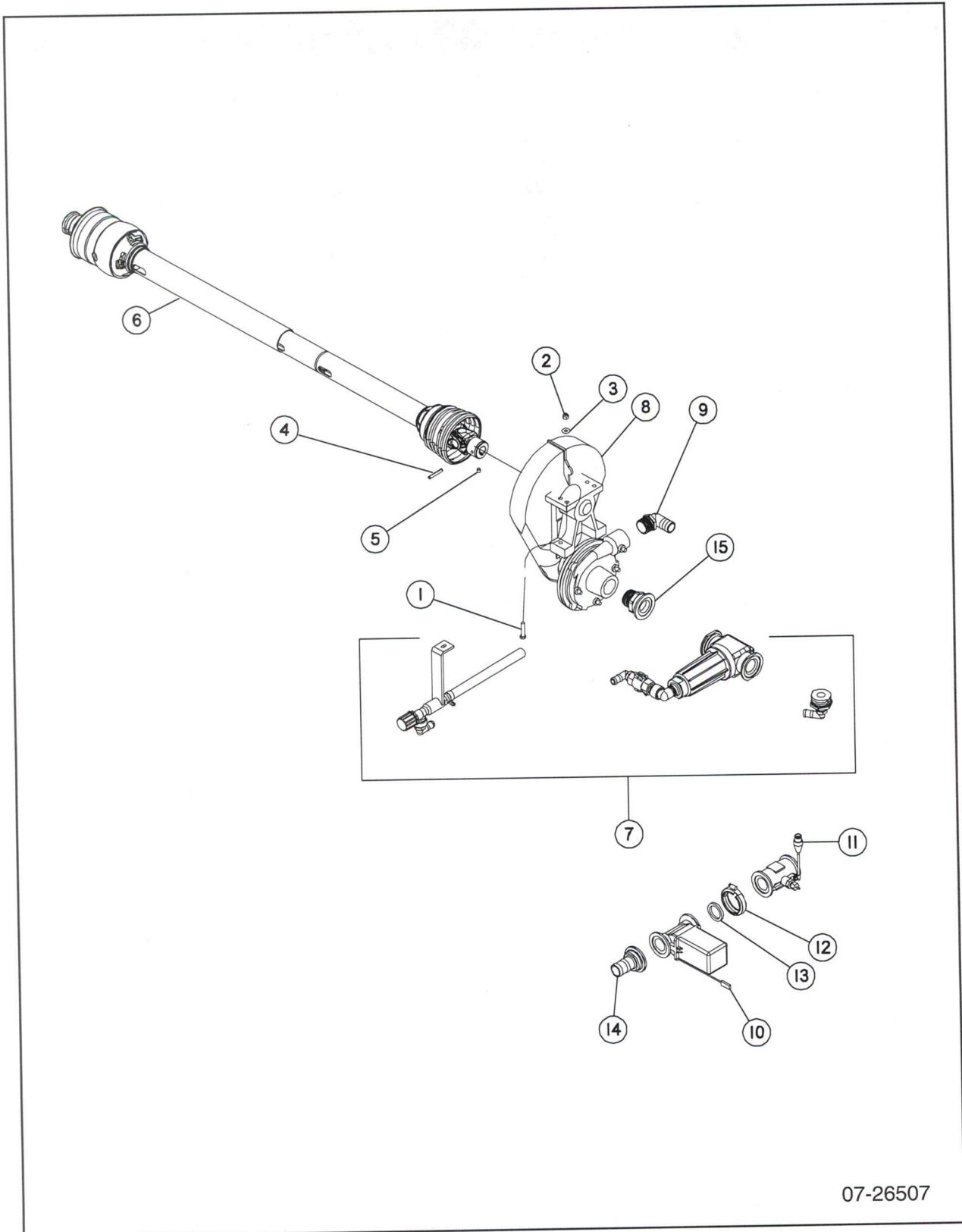
SECTION 4

540 PTO Drive Pump Option Parts List

Item	Part No.	Quantity	Description
1	907422	4	Bolt, Hex, 3/8-16 x 1-3/4" Stainless Steel
2	907391	4	Nut, Hex Lock, 3/8-16 Nylock Stainless Steel
3	907380	4	Washer, Flat, 3/8" Stainless Steel
4	904847	1	Pin, Spirol, 5/16 x 2" Pln Hd
5	900444	1	Set Screw, 3/8-16 x 3/8" Hex Socket Hd, Cup Point
6	07.26742	1	Self Cleaning Filter - See Self Cleaning Filter for Breakdown
7	07.26565	1	Shaft, PTO, 540 RPM Pump - See PTO Shaft Page for Breakdown
8	07.20052	1	Pump, Ace 540 RPM Frame Mount - See Pump Page for Breakdown
9	07.10294	1	Elbow, 90°, 1-1/4 MPT x 1-1/4" Hose Barb
10	07.07925	1	Valve, Control, 1" Poly NPT/Flg
11	07.07721	1	Flowmeter, RFM 60P, 1 - 60 GPM
12	07.06702	1	Clamp, Worm Screw, 2"
13	07.06701	1	Gasket, EPDM 2"
14	07.06700	1	Fitting, 2" Flg x 1-1/2" Hose Barb
15	07.06696	1	Fitting, 2" Flg x 1-1/2" MPT

SECTION 4

1000 PTO Drive Pump Option



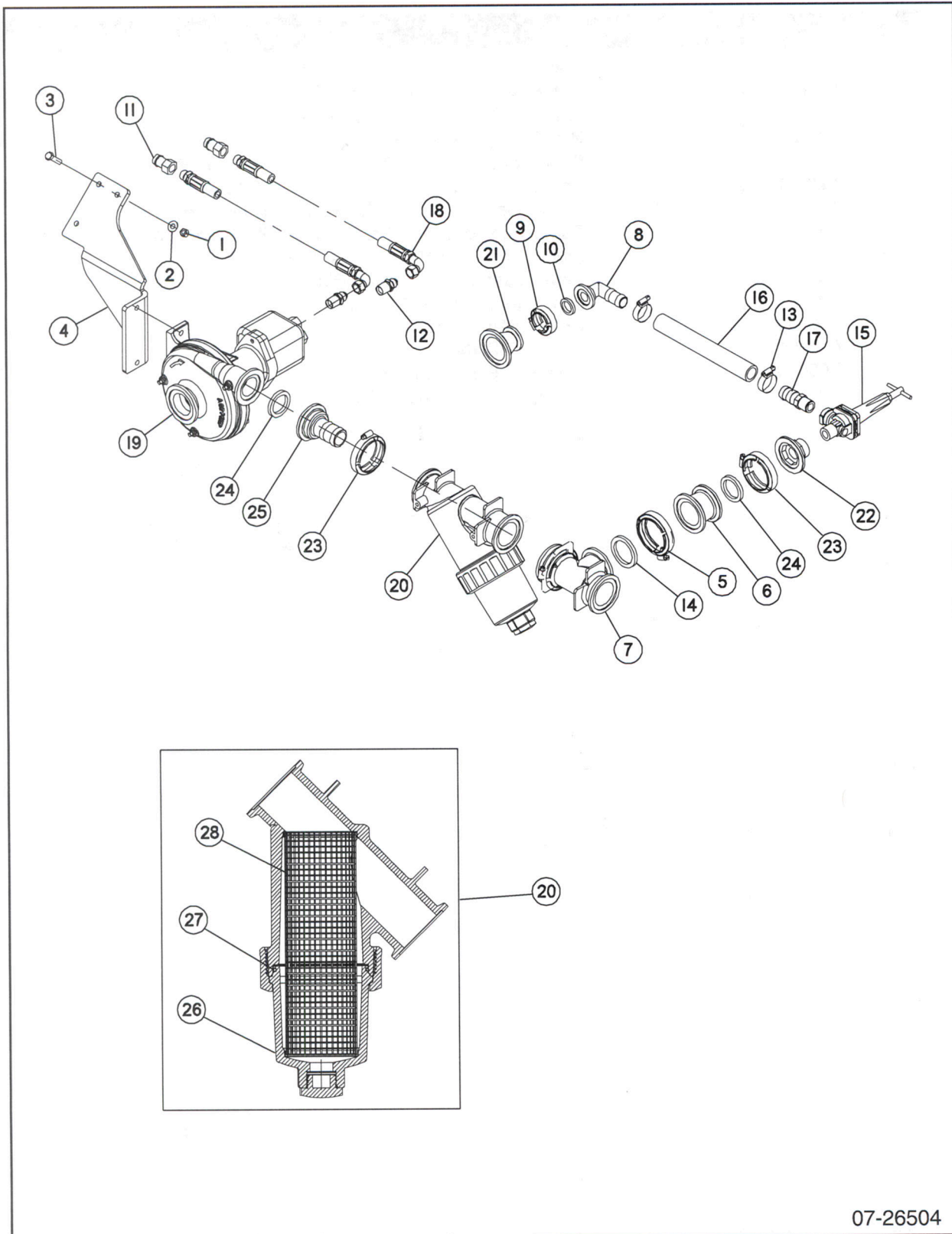
07-26507

1000 PTO Drive Pump Option Parts List

Item	Part No.	Quantity	Description
1	907422	4	Bolt, Hex, 3/8-16 x 1-3/4" Stainless Steel
2	907391	4	Nut, Hex Lock, 3/8-16 Nylock Stainless Steel
3	907380	4	Washer, Flat, 3/8" Stainless Steel
4	904847	1	Pin, Spirol, 5/16 x 2" Pln Hd
5	900444	1	Set Screw, 3/8-16 x 3/8" Hex Socket Hd, Cup Point
6	07.26811	1	Shaft, PTO, 1000 RPM Pump - See PTO Shaft Page for Breakdown
7	07.26742	1	Self Cleaning Filter - See Self Cleaning Filter for Breakdown
8	07.20164	1	Pump, Ace 1000 RPM Frame Mount-See Pump Page for Breakdown
9	07.10294	1	Elbow, 90°, 1-1/4 MPT x 1-1/4" Hose Barb
10	07.07925	1	Valve, Control, 1" Poly NPT/Fig
11	07.07721	1	Flowmeter, RFM 60P, 1 - 60 GPM
12	07.06702	1	Clamp, Worm Screw, 2"
13	07.06701	1	Gasket, EPDM 2"
14	07.06700	1	Fitting, 2" Fig x 1-1/2" Hose Barb
15	07.06696	1	Fitting, 2" Fig x 1-1/2" MPT

SECTION 4

Pump Option - Ace Hydraulic Drive 650



07-26504

Trailer Sprayer

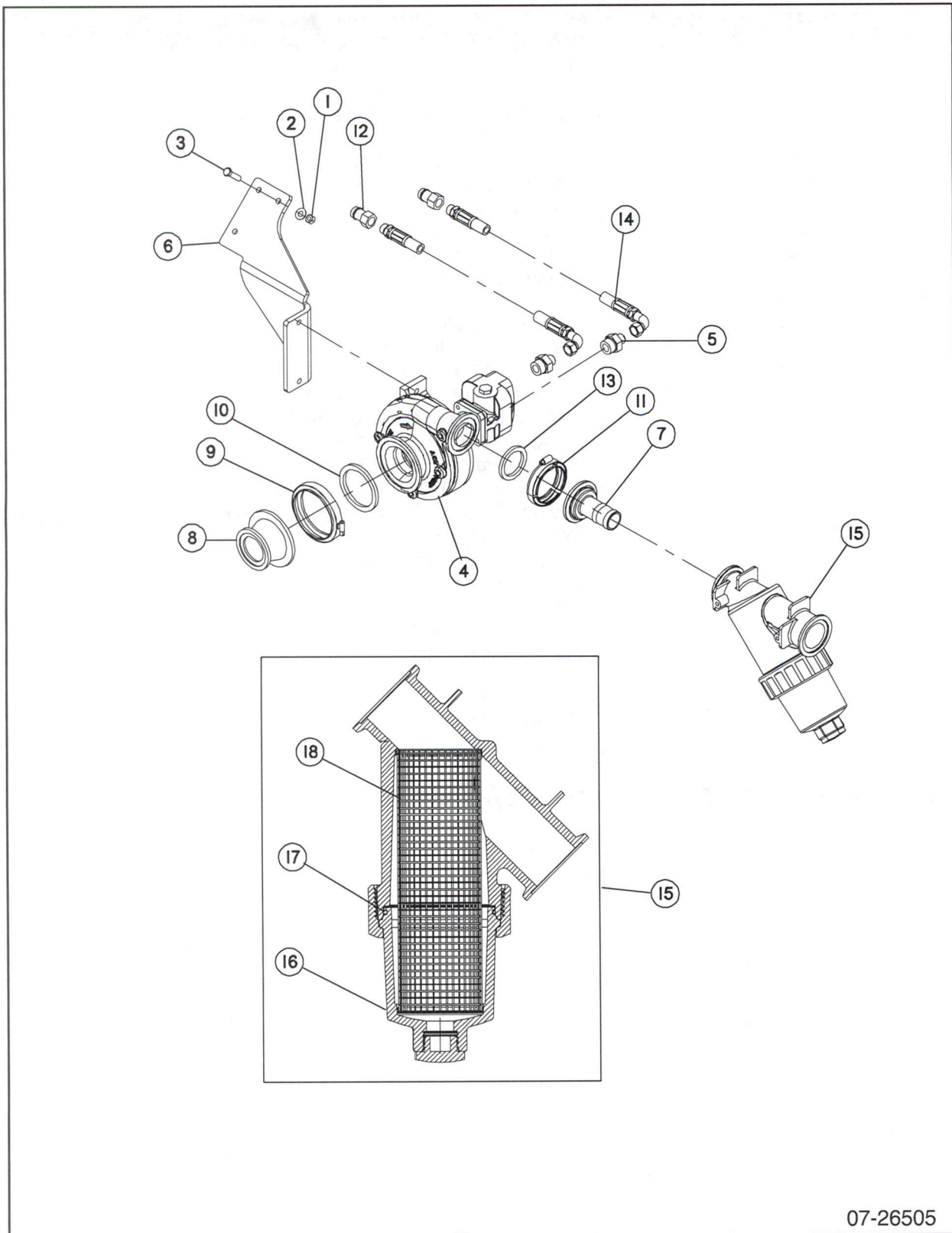
SECTION 4

Pump Option - Ace Hydraulic Drive 650 Parts List

Item	Part No.	Quantity	Description
1	907391	5	Nut, Hex Lock, 3/8-16 Nylock Stainless Steel
2	907380	5	Washer, Flat, 3/8" Stainless Steel
3	907376	5	Bolt, Hex, 3/8-16 x 1-1/2" Stainless Steel
4	21.25433	1	Mount, Pump
5	21.21068	2	Clamp, Worm, 220 Full Port
6	21.21003	1	Flange, Reducer, 2" Full - 2" Std
7	21.21001	1	Tee, Flanged, 2" Full Port
8	21.20998	1	Elbow, 90°, 1" Flange x 1" HB
9	21.20995	1	Clamp, Worm 100 Series
10	21.20994	1	Gasket, EDPM 1"
11	09.74158	2	Coupler, Quik Male, -08 ORB
12	07.17862	2	Adapter, 1/2 MJIC To 1/2 MPT
13	07.11698	2	Clamp, Hose, .687 - 1.500"
14	07.11584	2	Gasket, EPDM 200 Full Port
15	07.11272	1	Valve, Pressure Relief, 3/4" Nylon
16	07.10557	5 Ft	Hose, 1" EPDM Spray (Order Per Foot)
17	07.10343	1	Straight, 3/4" PT x 1" HB Nylon
18	07.09958	2	Hose, Hydraulic, 1/2 x 162"
19	07.09887	1	Product Pump, 650F - See Pump Page for Breakdown
20	07.09825	1	Strainer, Banjo, 2" FP (Includes Items 26 thru 28) <i>MLS 222-50</i>
21	07.07719	1	Coupling, Flange, 1" x 2" FP
22	07.07075	1	Plug, Flange, 2" Std x 3/4" FPT
23	07.06702	1	Clamp, Worm Screw, 2"
24	07.06701	1	Gasket, EPDM 2"
25	07.06700	1	Fitting, 2" Fig x 1-1/2" Hose Barb
26	07.26574	1	Cap (Included In Item 20)
27	07.26575	1	Ring (Included In Item 20)
28	07.26573	1	Screen, 30 Mesh
	21.21605	1	Screen, 50 Mesh
	21.21606	1	Screen, 80 Mesh
<i>NS</i>	<i>BS-MLS 220G1</i>		<i>BODY GASKET</i>

SECTION 4

Pump Option - Ace Hydraulic Drive 304



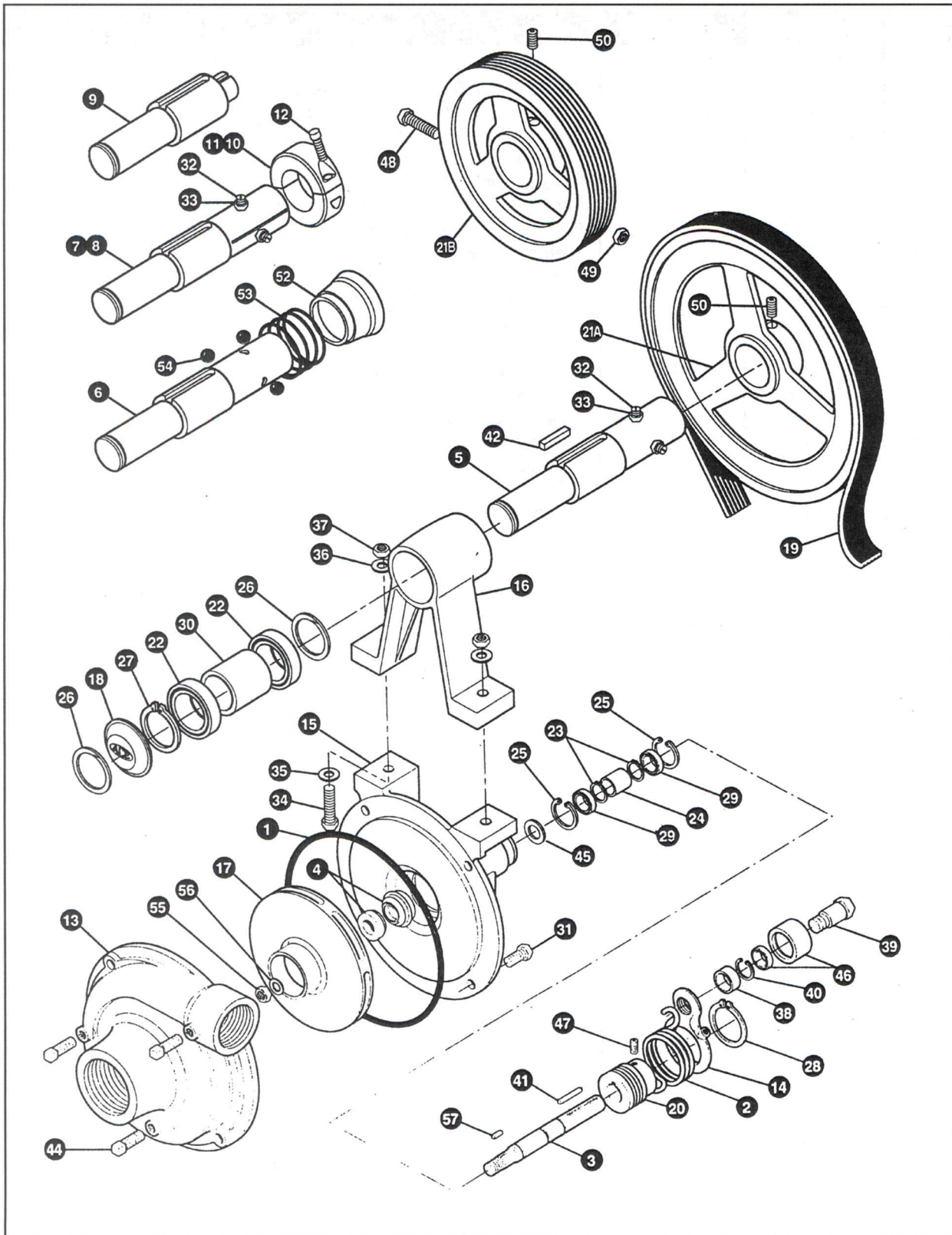
07-26505

Pump Option - Ace Hydraulic Drive 304 Parts List

Item	Part No.	Quantity	Description
1	907391	5	Nut, Hex Lock, 3/8-16 Nylock Stainless Steel
2	907380	5	Washer, Flat, 3/8" Stainless Steel
3	907376	5	Bolt, Hex, 3/8-16 x 1-1/2" Stainless Steel
4	44.02041	1	Product Pump, 304 - See Pump Page for Breakdown
5	32.01940	2	Adapter, -12 ORB x 1/2 MJIC
6	21.25433	1	Mount, Pump
7	21.21631	1	Fitting, 2" Full Port x 1-1/2" Hose Barb
8	21.21599	1	Reducer, 3" Flange x 2" Full Port
9	21.21073	1	Clamp, 3" Manifold
10	21.21072	1	Gasket, EPDM 300 Series
11	21.21068	1	Clamp, Worm, 220 Full Port
12	09.74158	2	Coupler, Quik Male, -08 ORB
13	07.11584	1	Gasket, EPDM 200 Full Port
14	07.09958	2	Hose, Hydraulic, 1/2 x 162"
15	07.09825	1	Strainer, Banjo, 2" FP (Includes Items 16 thru 18)
16	07.26574	1	Cap (Included In Item 15)
17	07.26575	1	Ring (Included In Item 15)
18	07.26573	1	Screen, 30 Mesh
	21.21605	1	Screen, 50 Mesh
	21.21606	1	Screen, 80 Mesh

SECTION 4

ACE 150 Series Belt Driven Pump

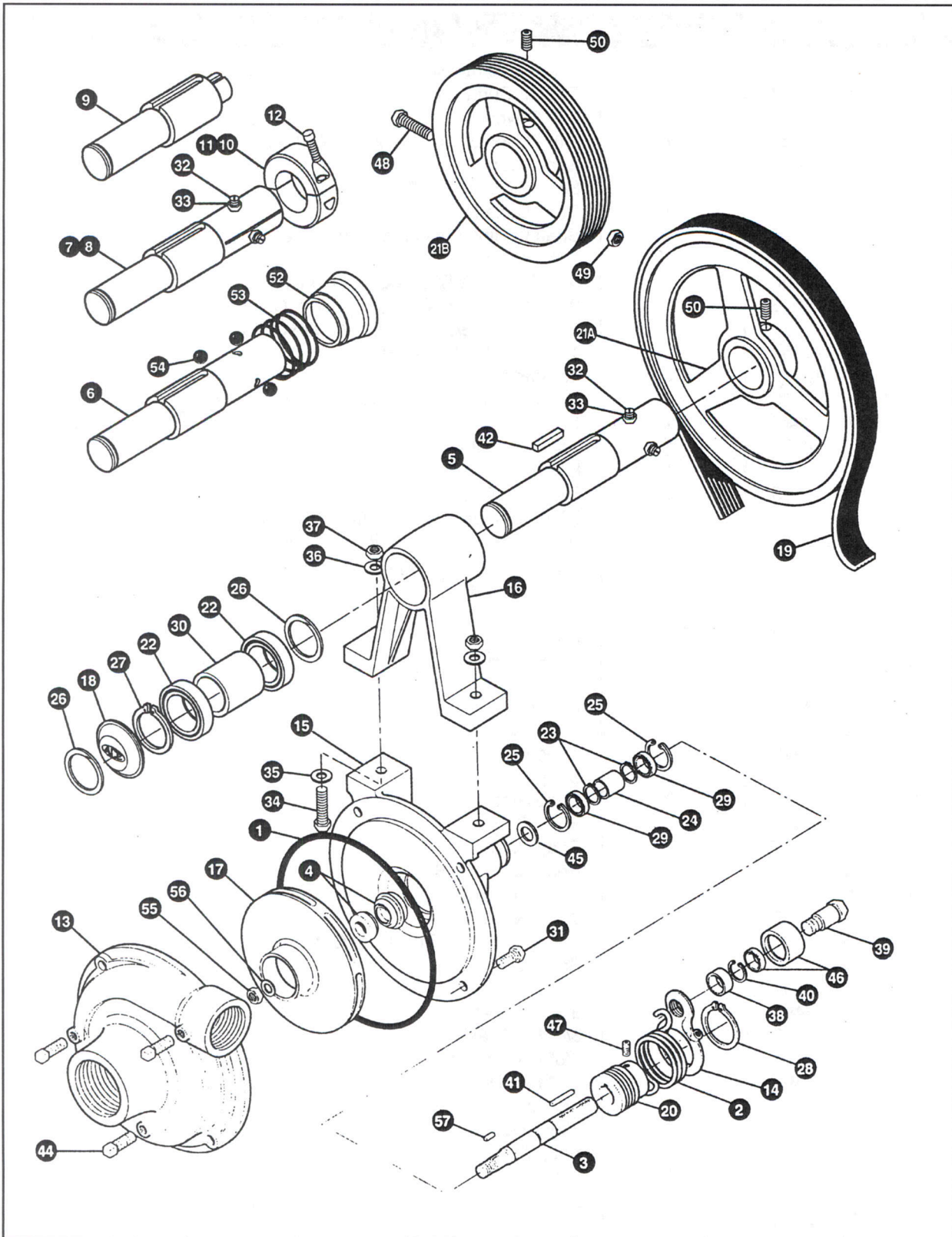


ACE 150 Series Belt Driven Pump Parts List

Item	Part No.	Quantity	Description
1	07.12520	1	O-Ring, Volute Seal
2	07.12748	1	Torsion Spring, 150
3	07.12547	1	5/8" Driven Shaft
	07.12724	1	5/8" Driven Shaft - Stainless (Optional)
4	07.12457	1	Seal, Viton
	07.12521	1	Seal, Silicon Carbide
	07.12456	1	Seal, Buna N
	07.12628	1	Shaft O-Ring (Included With Seal)
5	07.12459	1	6 Spline Drive Shaft
6	07.12460	1	6 Spline Drive Shaft - Quick Coupler
7	07.15048	1	20 Spline, 1-3/4" Drive Shaft With Collar
8	07.12461	1	21 Spline, 1-3/8" Drive Shaft With Collar
9	07.11591	1	1" Tumble Rod Drive Shaft
10	07.40235	1	Locking Collar, 1-3/8" Shaft
11	07.40236	1	Locking Collar, 1-3/4" Shaft
12	07.20437	1	Set Screw
13	07.12522	1	Volute, 1-1/2 x 1-1/4
14	07.12463	1	Idler Arm
15	07.12725	1	Mounting Frame
16	07.12550	1	Bearing Housing, PTO Drive - 3 Pt. Sprayer
	07.15690	1	Bearing Housing, Tumble Rod Drive Shaft (Pull Type Sprayer) Includes Flat Casting On Top For Mounting To Sprayer)
17	07.12525	1	Impeller - Cast Iron
18	07.12728	1	Name Plate
19	07.12532	1	Belt
20	07.12548	1	Driven Pulley
21	07.12549	1	Drive Pulley
22	07.12746	2	Bearing
23	07.12483	2	Snap Ring
24	07.16314	1	Spacer
25	07.12484	2	Snap Ring
26	07.12485	2	Snap Ring
27	07.12486	1	Snap Ring
28	07.12487	1	Snap Ring
29	07.12488	2	Bearing, Pump Shaft
30	07.12747	1	Bearing Spacer
31	07.12630	4	3/8" x 3/4" Bolt
	07.12732	4	3/8" x 3/4" Bolt - Stainless (Optional)
32	07.12490	3	Set Screw
33	07.12631	3	Jam Nut
34	07.12491	2	3/8" x 1-3/4" Bolt
35	07.12633	2	3/8" Flat Washer
36	07.10228	2	3/8" Lockwasher
37	07.12493	4	3/8" Hex Nut
38	07.12494	1	Spacer
39	07.12495	1	Idler Bolt
40	07.12470	1	Snap Ring
41	07.12498	1	Key
42	07.12499	1	Key
	07.12500	1	Cold Shut

SECTION 4

ACE 150 Series Belt Driven Pump (continued)



Trailer Sprayer

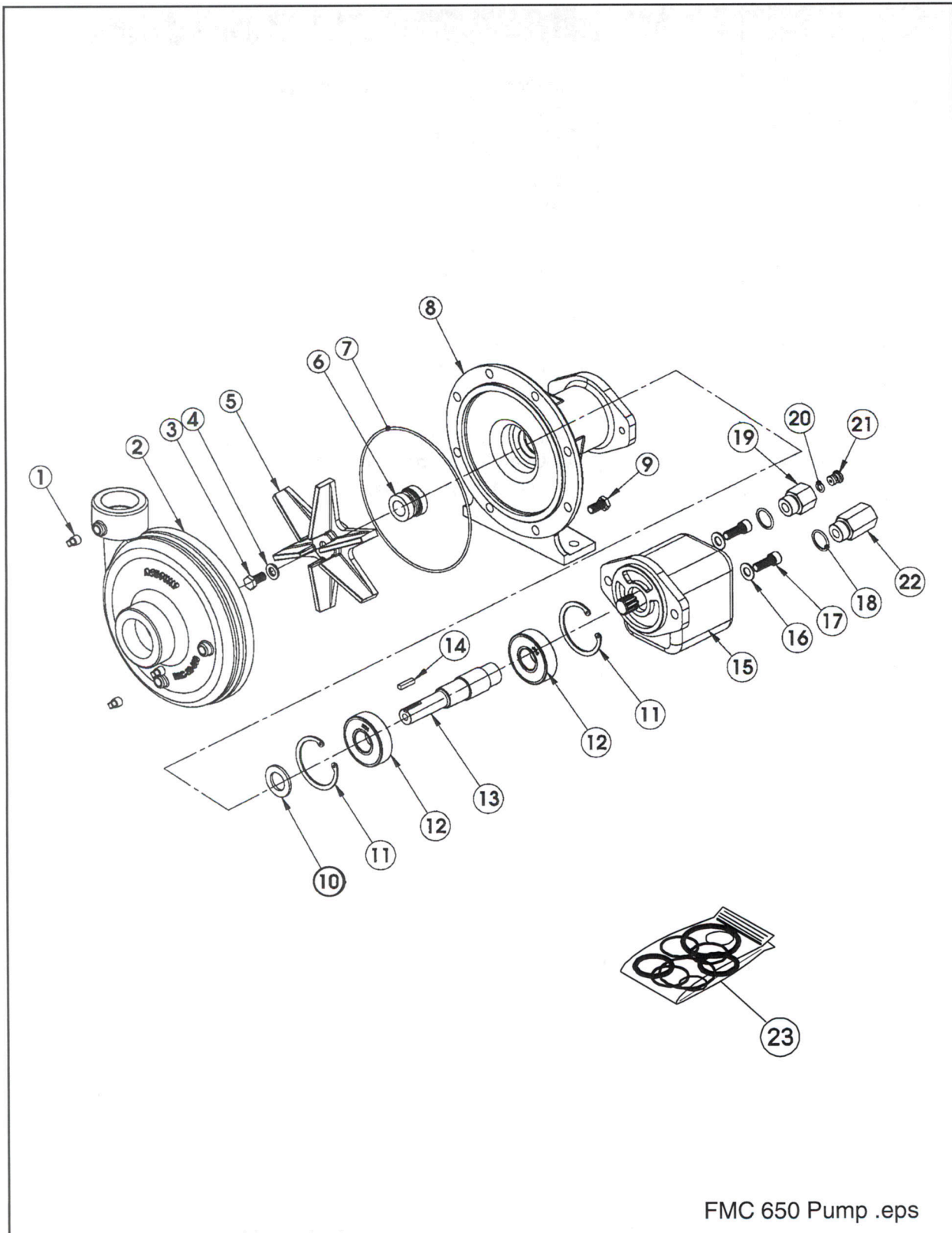
SECTION 4

ACE 150 Series Belt Driven Pump Parts List (continued)

Item	Part No.	Quantity	Description
44	07.12635	3	1/8" Pipe Plug
	07.12733	3	1/8" Pipe Plug - Stainless (Optional)
45	07.12501	1	Slinger
46	07.12502	1	Idler Roller With Bearing
47	07.12504	2	Allen Head Bolt
	07.12505	1	Grease Zerk
48	07.12734	1	5/16" x 3-1/4" Bolt
49	09.70711	1	5/16" Lock Nut
50	07.12506	2	Allen Head Bolt
52	07.12517	1	Quick Coupler Sleeve
53	07.12518	1	Spring
54	07.12519	3	Ball
55	07.12530	1	Nut, Stainless
56	07.12471	1	Washer, Stainless
57	07.12534	1	Key
	07.12735	1	Pump Assembly, Less Pulley And Idler Assembly
	07.12722	1	Belt Guard, Left (Facing Tractor)
	07.12723	1	Belt Guard, Right (Facing Tractor)

SECTION 4

Product Pump w/Hydraulic Motor - 650F

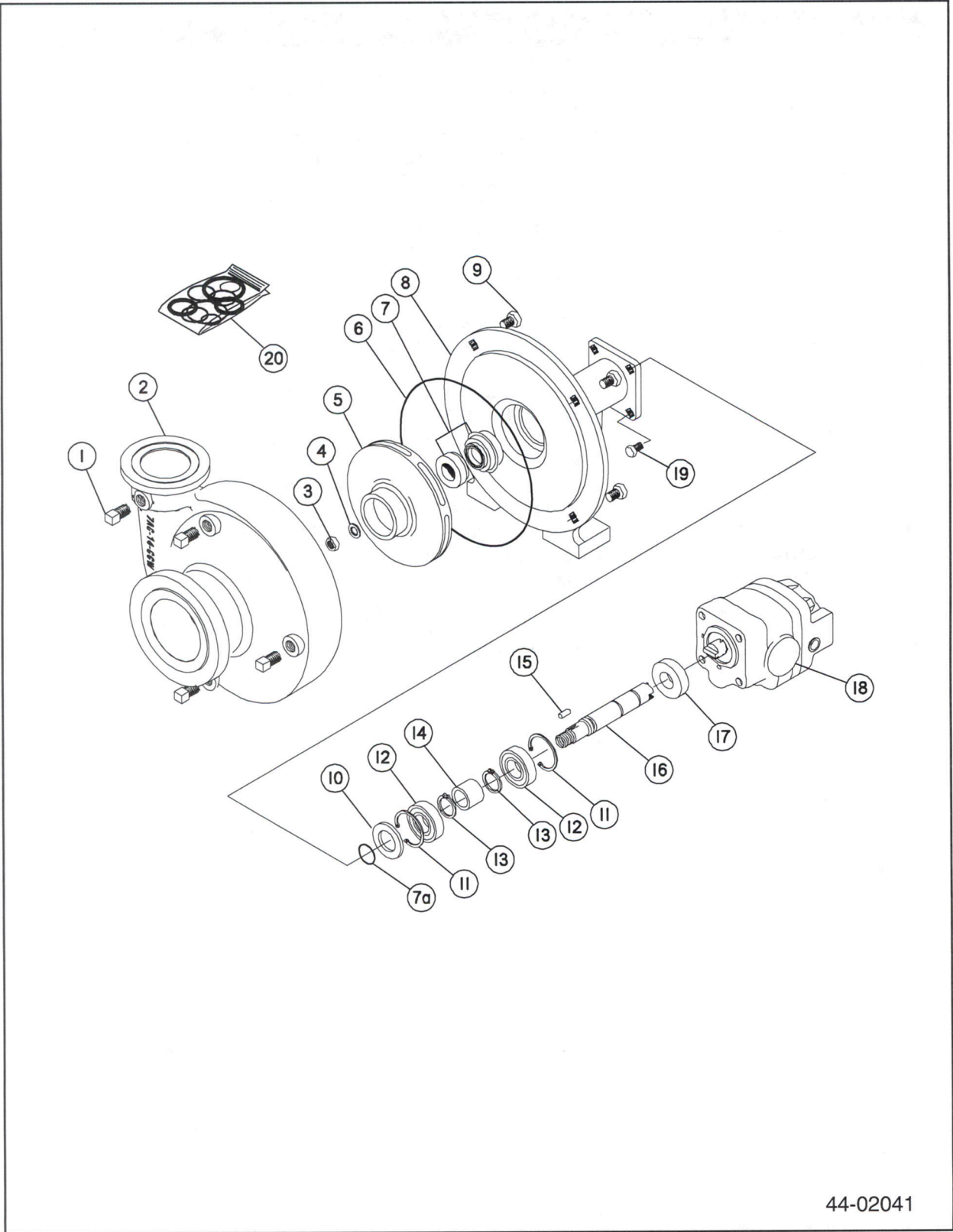


Product Pump w/Hydraulic Motor - 650F Parts List

Item	Part No.	Quantity	Description
1	907628	3	Pipe Plug, 1/8" NPT, Square Head
	07.12721	3	Pipe Plug, 1/8" NPT, Square Head Stainless Steel (Optional)
2	07.09901	1	Volute, Flanged, Cast Iron, E-Coated
3	07.12686	1	Cap Screw, Hex Head, 3/8-16 x 3/4" Stainless Steel
4	07.09902	1	Washer, 3/8" O.D. Sealing, Stainless Steel
5	07.09903	1	Impeller, Cast Iron, E-Coated
6	07.09904	1	Seal, Silicon Carbide/Viton, Type 2106, 3/4"
7	07.09905	1	O-Ring, Volute Seal
8	07.09906	1	Mounting Frame, Cast Iron, E-Coated
9	07.12691	8	Cap Screw, Hex Head, 3/8-16 x 3/4"
	07.12686	8	Cap Screw, Hex Head, 3/8-16 x 3/4" Stainless Steel (Optional)
10	07.09907	1	Slinger, 1.5" O.D. x 7/8" I.D.
11	07.09908	2	Snap Ring, Internal, Mounting Frame
12	07.09909	2	Bearing
13	07.09910	1	Shaft, 1.13" Dia. 11T Female Spline, Stainless Steel
14	07.09918	1	Key, .188 x .188 x .875"
15	07.09911	1	Motor, Hydraulic, Pressure Plated Gear
16	900495	2	Washer, 3/8"
17	07.09912	2	Cap Screw, Hex Socket Head, 3/8-16 x 1"
18	907508	2	O-Ring, #10 SAE Fitting
19	07.09913	1	Body, Adapter/Restrictor, #10 SAE Male x 1/2" NPT Female
20	07.09914	1	O-Ring, Restrictor Insert
21	07.09915	1	Restrictor Orifice Insert, .125" (For Pressure Compensated Hydraulic Systems Only)
22	07.09916	1	Reverse Check, #10 SAE Male x 1/2" NPT Female
23	07.09917	AR	Repair Kit, Silicon Carbide/Viton Seal

SECTION 4

Product Pump w/Hydraulic Motor - 304



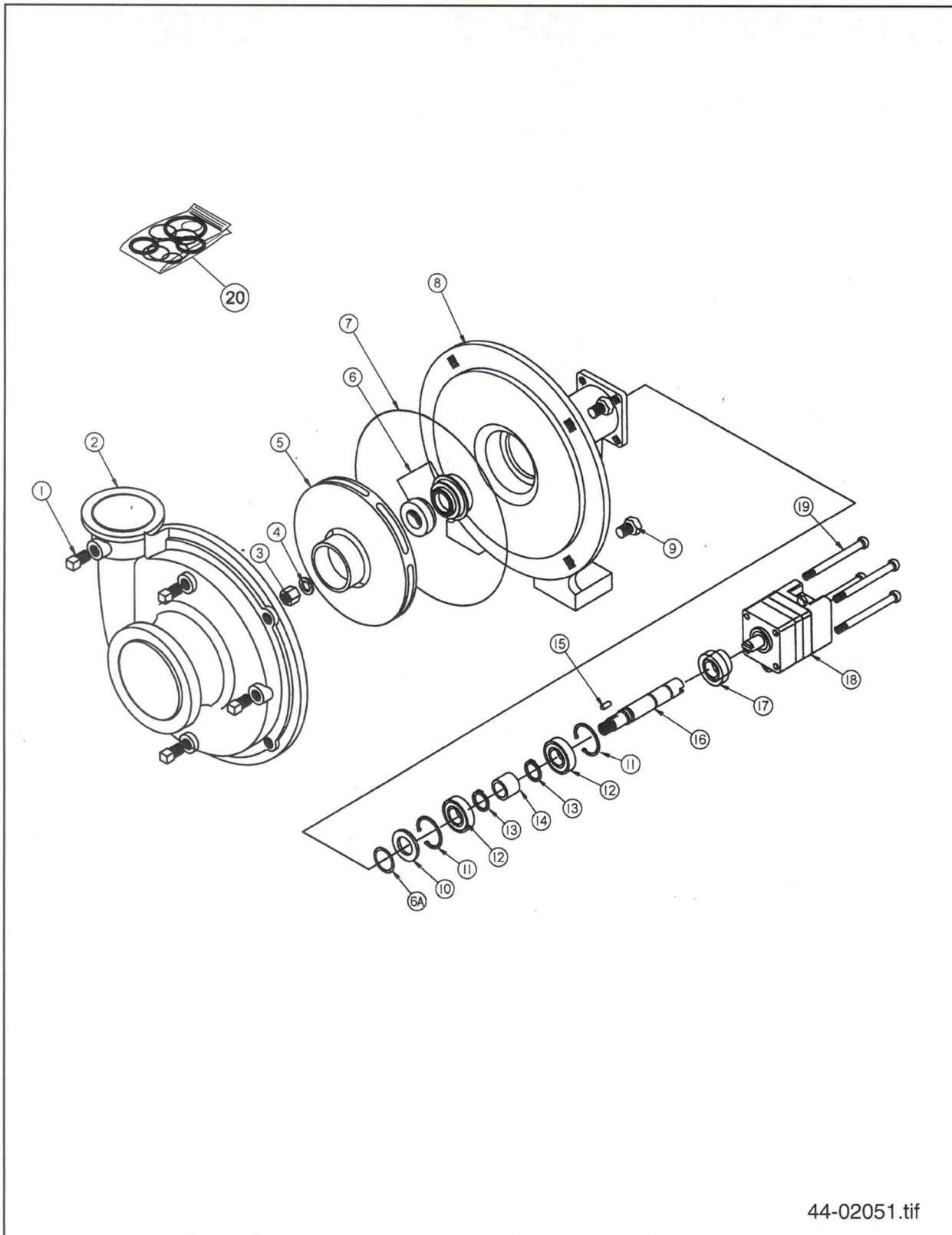
44-02041

Product Pump w/Hydraulic Motor - 304 Parts List

Item	Part No.	Quantity	Description
1	07.12635	4	Pipe Plug
2	44.02811	1	Volute, 300 Std x 220 Full Flange
3	07.07903	1	Nut, 3/8" NF, CAD Plated
4	07.12471	1	Washer, 3/8" Star, Stainless Steel
5	07.08040	1	Impeller, Thermoplastic
6	07.08038	1	O-Ring
7	07.12521	1	Seal, Silicon Carbide
7a	07.12628	1	O-Ring, Shaft Seal
8	44.02812	1	Mounting Frame
9	902364	4	Cap Screw, Hex Head, 3/8-16 x 3/4"
10	07.12501	1	Slinger
11	07.12484	2	Snap Ring, Internal
12	07.12488	2	Ball Bearing, Sealed
13	07.12483	2	Snap Ring, External
14	07.16314	1	Spacer
15	07.08041	1	Key, 1/8 x 1/8 x 13/16" Extended
16	07.08042	1	Shaft, Extended Keyway
17	07.08044	1	Seal Support Spacer
18	44.02813	1	Hydraulic Motor
19	07.12638	4	Cap Screw, Hex Head, 5/16-18 x 3/4"
20	07.12620	AR	Seal Kit - Includes Items 6, 7 & 7a

SECTION 4

Product Pump w/Hydraulic Motor - 206



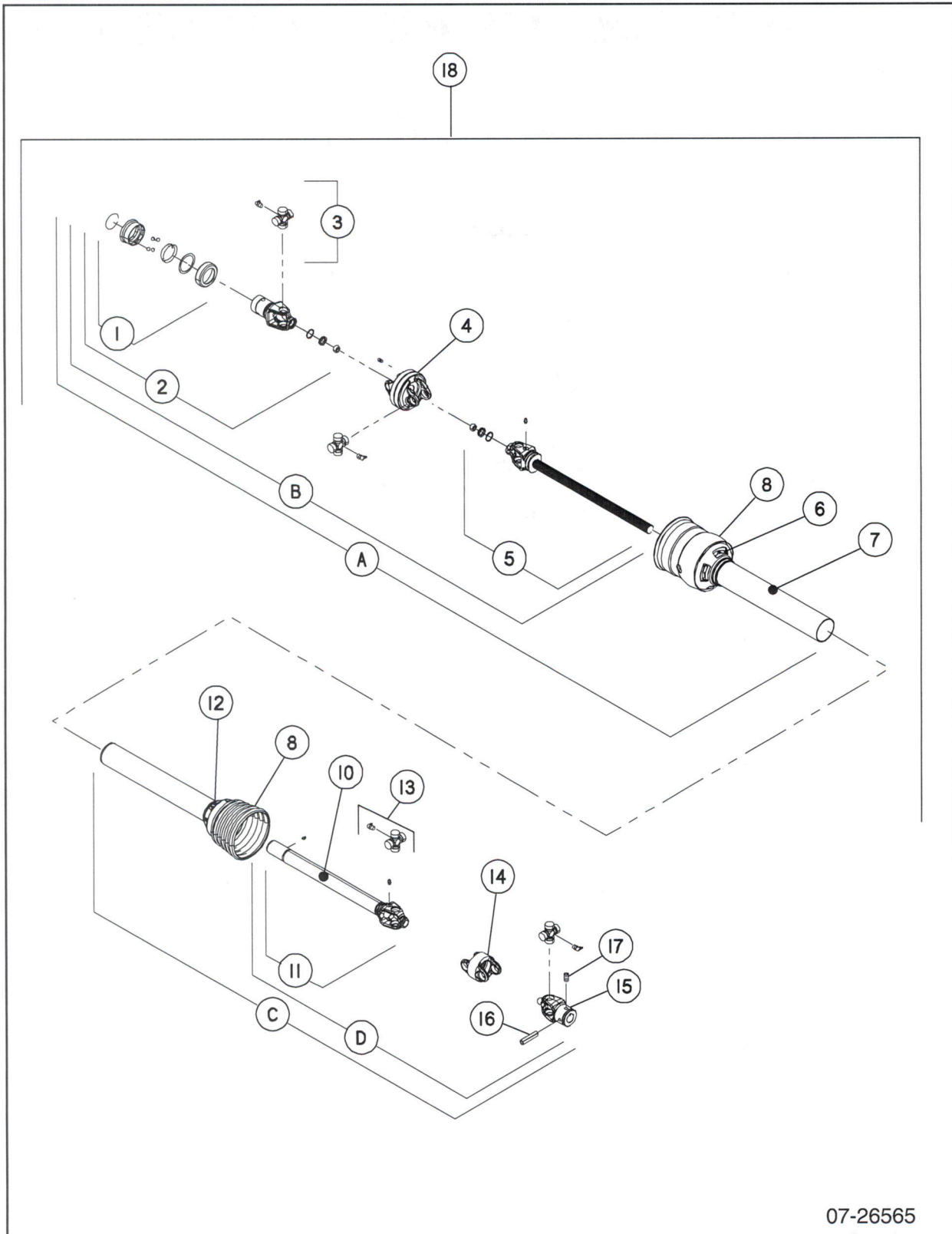
44-02051.tif

Product Pump w/Hydraulic Motor - 206 Parts List

Item	Part No.	Quantity	Description
1	07.12635	4	Pipe Plug
2	44.02817	1	Volute
3	07.07903	1	Nut, 3/8" NF, CAD Plated
4	07.12471	1	Washer, 3/8" Star, Stainless Steel
5	07.06974	1	Impeller, Valox, Keyway
6	07.12521	1	Seal
6A	07.12628	1	O-Ring, Shaft Seal
7	07.08038	1	O-Ring, Body Seal
8	07.12523	1	Mounting Frame
9	902364	4	Cap Screw, Hex Head, 3/8-16 x 3/4"
10	07.12501	1	Slinger
11	07.12484	2	Snap Ring, Internal
12	07.12488	2	Ball Bearing, Sealed
13	07.12483	2	Snap Ring, External
14	07.16314	1	Spacer For BAC-6 Shaft
15	07.12533	1	Key, 1/8 x 1/8 x 1/2"
16	07.12454	1	Shaft, 5/8" Dia.
17	44.02814	1	Seal Support Spacer
18	44.02818	1	Hydraulic Motor, 7 GPM
19	44.02819	4	Cap Screw, Hex Socket Head, 5/16 x 3-3/4"
20	44.02063	AR	Seal Kit - Includes Items 6, 6A & 7

SECTION 4

PTO Shaft - 540 RPM



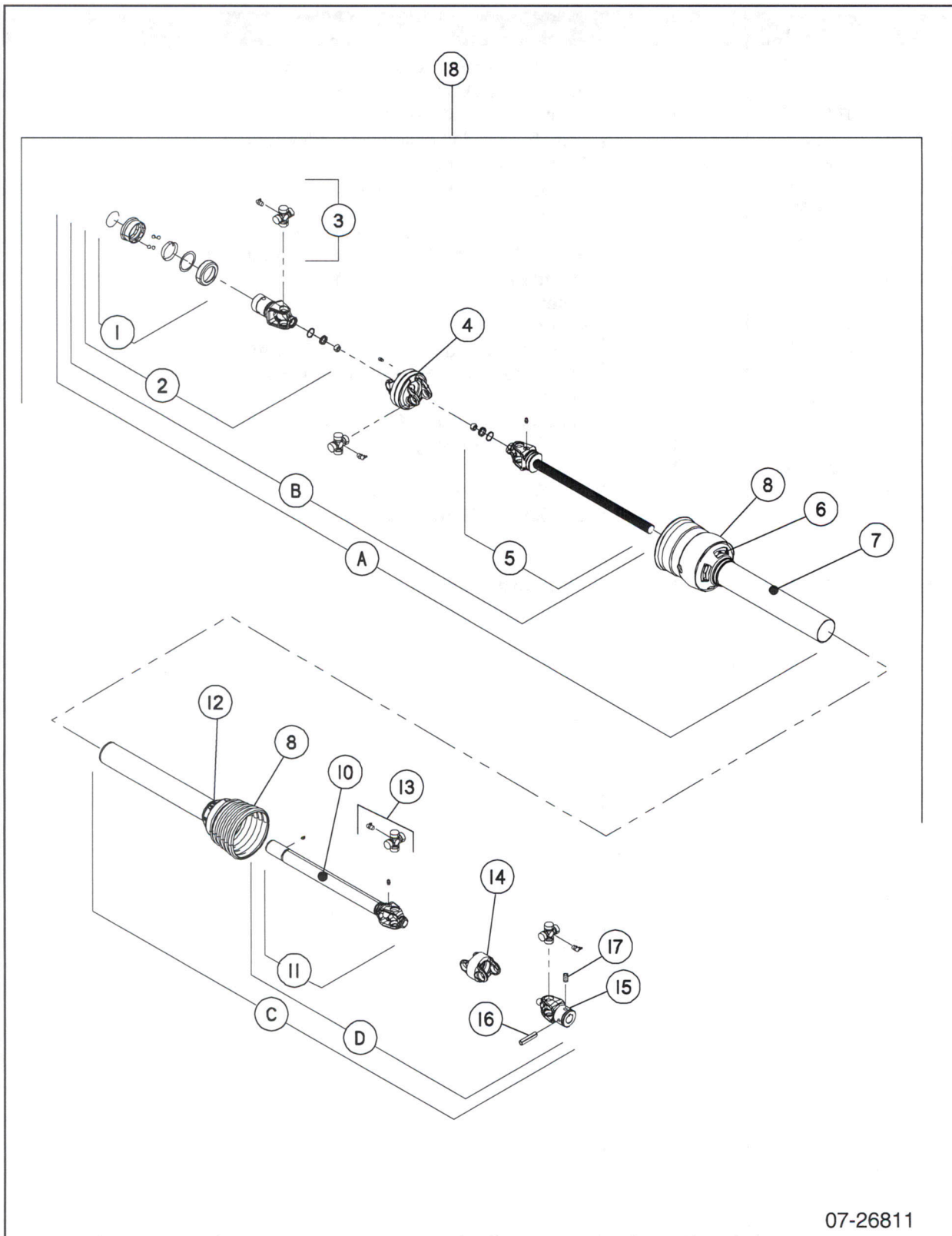
07-26565

PTO Shaft - 540 RPM Parts List

Item	Part No.	Quantity	Description
A	07.26827	1	Joint & Shaft Half Assembly w/Guard
B	NSS	1	Joint & Shaft Half Assembly (Order Item A)
C	07.26828	1	Joint & Tube Half Assembly w/Guard
D	NSS	1	Joint & Tube Half Assembly (Order Item C)
1	906195	1	Spring - Lok Repair Kit
2	07.26829	1	Spring - Lok Yoke Assembly
3	07.26830	2	CAT 6 Cross & Bearing Kit
4	NSS	1	C.V.Center Housing (Order Item A)
5	NSS	1	Yoke & Shaft (1.00 - 15 Spline) (Order Item A)
6	07.09520	1	Guard Repair Kit (Not Shown)
7	329594B2	1	Safety Sign
8	07.26826	1	Guard Set
10	331639B2	1	Safety Sign - Guard Is Off (Not Shown)
11	NSS	1	Yoke, Tube & Slip Sleeve (Order Item C)
12	07.26831	1	Guard Repair Kit (Not Shown)
13	903071	2	6R Cross & Bearing Kit
14	07.09425	1	C.V.Center Housing
15	07.09426	1	Yoke
16	904847	1	Pin, Spirol, 5/16" x 2" HD
17	900444	1	Set Screw, 3/8-16 x 3/8" Yellow Zinc
18	07.26565	1	PTO Shaft Assembly (Consists Of items A thru 15)

SECTION 4

PTO Shaft - 1000 RPM



07-26811

PTO Shaft - 1000 RPM Parts List

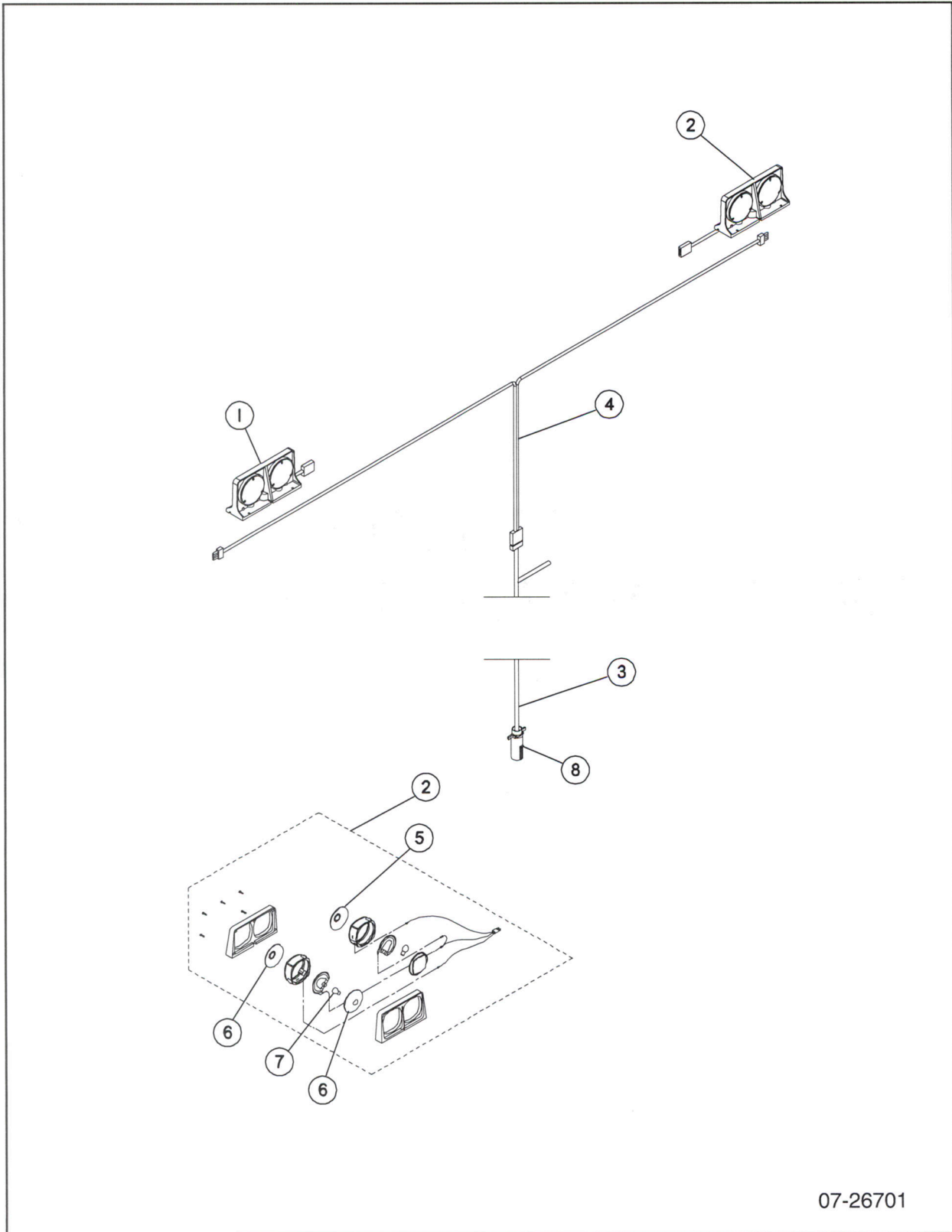
Item	Part No.	Quantity	Description
A	07.26832	1	Joint & Shaft Half Assembly w/Guard
B	NSS	1	Joint & Shaft Half Assembly (Order Item A)
C	07.26828	1	Joint & Tube Half Assembly w/Guard
D	NSS	1	Joint & Tube Half Assembly (Order Item C)
1	906195	1	Spring - Lok Repair Kit
2	07.26833	1	Spring - Lok Yoke Assembly
3	07.26830	2	CAT 6 Cross & Bearing Kit
4	NSS	1	C.V. Center Housing (Order Item A)
5	NSS	1	Yoke & Shaft (1.00 - 15 Spline) (Order Item A)
6	07.09420	1	Guard Repair Kit (Not Shown)
7	329594B2	1	Safety Sign
8	07.26826	1	Guard Set
10	331639B2	1	Safety Sign - Guard Is Off (Not Shown)
11	NSS	1	Yoke, Tube & Slip Sleeve (Order Item C)
12	07.26831	1	Guard Repair Kit (Not Shown)
13	903071	2	6R Cross & Bearing Kit
14	07.09425	1	C.V. Center Housing
15	07.09426	1	Yoke
16	904847	1	Pin, Spirol, 5/16" x 2" HD
17	900444	1	Set Screw, 3/8-16 x 3/8" Yellow Zinc
18	07.26811	1	PTO Shaft Assembly (Consists Of items A thru 15)

SECTION 4

This Page Intentionally Left Blank

SECTION 5
TRANSPORT LIGHTS & WIRING

Transport Lights and Wiring



07-26701

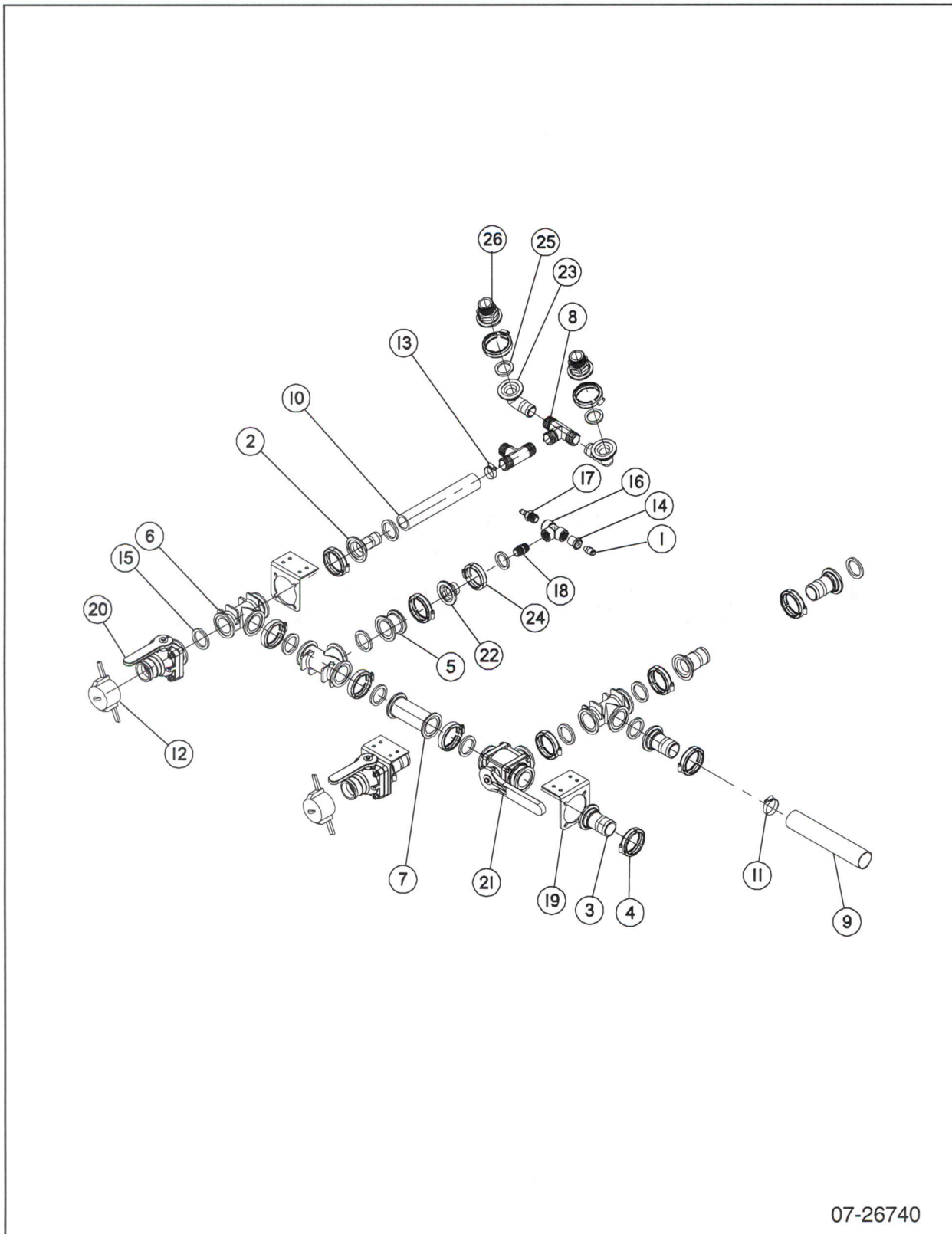
SECTION 5

This Page Intentionally Left Blank

SECTION 6
PLUMBING, BOOM & TANKS

SECTION 6

Fast Fill & 3 Way Plumbing



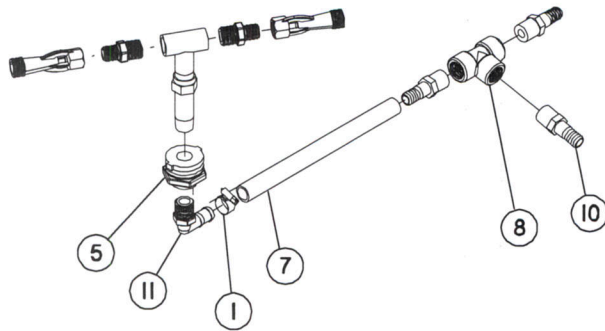
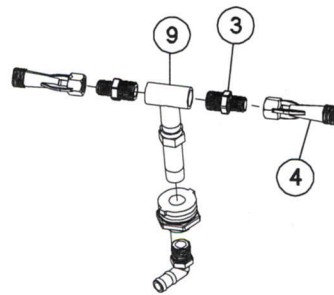
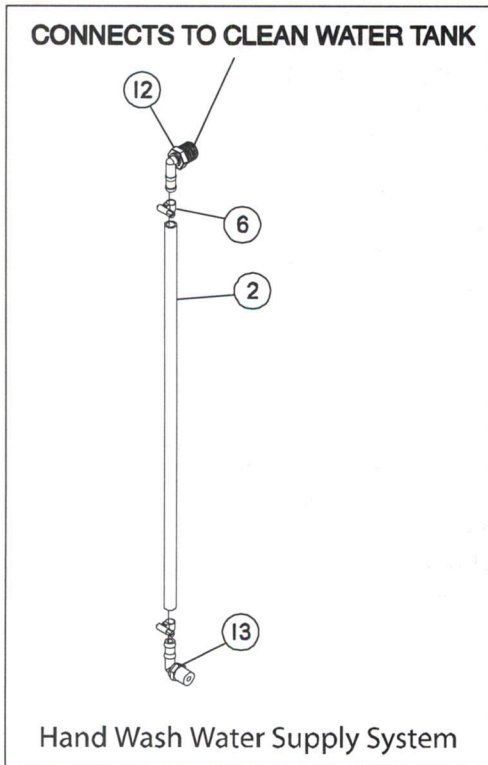
07-26740

Fast Fill & 3 Way Plumbing Parts List

Item	Part No.	Quantity	Description
1	32.01482	1	Connector, 3/8 Tube x 1/4 MPT
2	21.21631	1	Fitting, 2" Full Port x 1-1/2" HB
3	21.21079	5	Flange, 2" Full Port x 2" HB
4	21.21068	13	Clamp, Worm 220 Full Port
5	21.21003	1	Flange, Reducer, 2" Full - 2" Std
6	21.21001	3	Tee, Flanged, 2" Full Port
7	07.26280	1	Coupling, 2 x 6 Flanged Full Port
8	07.17413	2	Tee, Hose Barb, 1.5" Polypro
9	07.15985	8 Ft	Hose, 2" Fertilizer (Order Per Foot)
10	07.15733	8 Ft	Hose, Fert Sol, 1.5" (Order Per Foot)
11	07.13245	6	Clamp, Hose, 1.562 - 2.500"
12	07.26868	2	Dust Cap, 2" Camlock
13	07.11699	8	Clamp, Hose, 1.062 - 2.000"
14	07.11607	1	Bushing, 3/4" MPT x 1/4" FPT
15	07.11584	11	Gasket, EPDM, 200 Full Port
16	07.10391	1	Tee, 3/4" FPT
17	07.10344	1	Straight, 3/4" PT x 1/2" HB Nylon
18	07.10322	1	Nipple, 3/4" x Close Poly
19	07.09126	3	Bracket, Short, 2" Ball Valve
20	07.07110	2	Valve, Stubby Ball, 2" Full port Flanged
21	07.07078	1	Valve, 3 Way Flange, 2" Full Port Flanged
22	07.07075	1	Plug, Flange, 2" STD x 3/4" FPT
23	07.06978	2	Fitting, 2" S-FLG x 1-1/2" HB, 90°
24	07.06702	1	Clamp, Worm Screw, 2"
25	07.06701	3	Gasket, EPDM, 2"
26	07.06696	2	Fitting, 2" FLG x 1-1/2" MPT

SECTION 6

Agitation System Product Tank and Hand Wash Supply System



07-26033

Trailer Sprayer

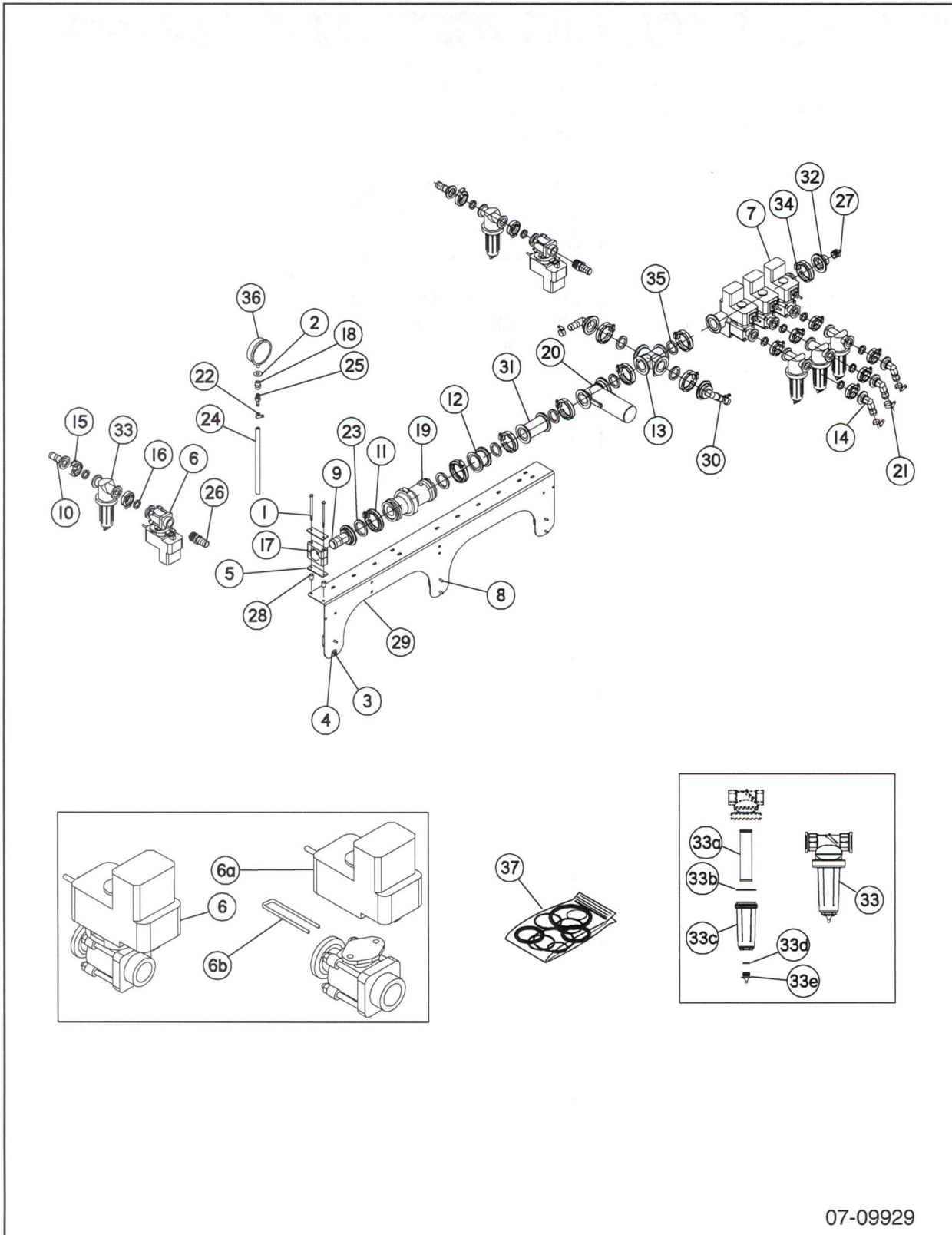
SECTION 6

Agitation System Product Tank and Hand Wash Supply System Parts List

Item	Part No.	Quantity	Description
1	07.16542	6	Clamp, Hose, .56 - 1.25"
2	07.15872	6 Ft	Tubing, Clear Vinyl .50" (Order Per Foot)
3	07.15684	4	Nipple, Reducer, 3/4" x 1/2"
4	07.13536	4	Agitator, Hypro
5	07.13030	2	Fitting, Bulkhead, 3/4" FPT
6	07.11695	2	Clamp, Hose, .375 - .875"
7	07.10570	10 Ft	Hose, EPDM, .75" Black (Order Per Foot)
8	07.10391	1	Tee, 3/4" FPT
9	07.10381	2	Tee, Agitator, 3/4 T34 - TE Ext.
10	07.10348	3	Straight, 3/4 NPT x 3/4" HB Nylon
11	07.10305	2	Elbow, 90°, 3/4" MPT x 3/4" HB
12	07.10302	1	Elbow, 90°, 3/4" MPT x 1/2" HB
13	07.10295	1	Elbow, 90°, 1/2" MPT x 1/2" HB

SECTION 6

Manifold Distribution Assembly



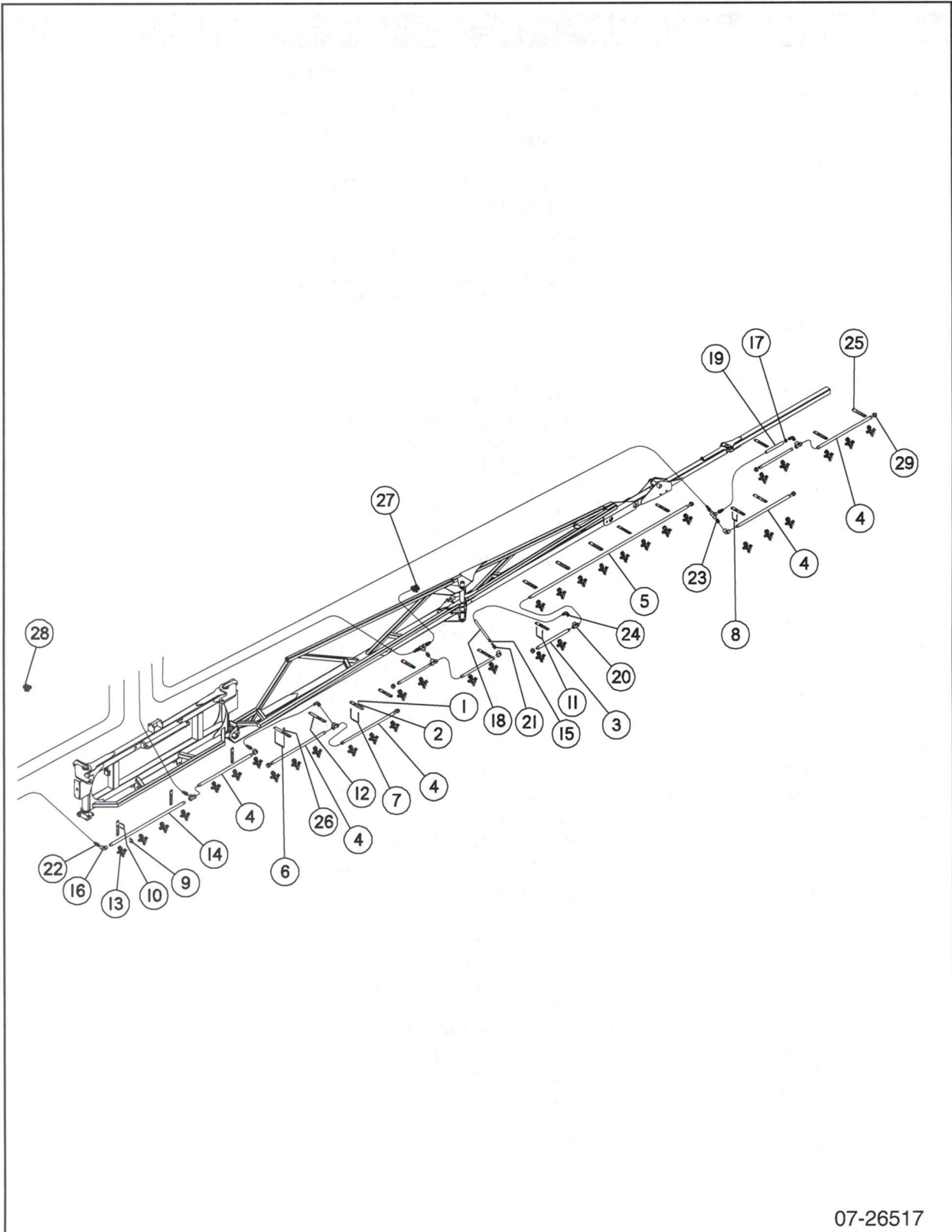
07-09929

Manifold Distribution Assembly Parts List

Item	Part No.	Quantity	Description
1	907495	2	Bolt, Hex, 1/4-20 x 4-1/2" Stainless Steel
2	907395	1	Washer, Flat, 1/2" Stainless Steel
3	907389	8	Nut, Hex Lock, 1/4-20 Nylock Stainless Steel
4	907234	8	Washer, Flat, 1/4" Stainless Steel
5	32.01597	2	Plate, Cover
6	21.23177	2	Valve, Ball, 1" NPT In, 1" Flg Out
6a	07.09262	AR	Motor Only
6b	07.09263	AR	Clip
7	21.23175	1	Manifold, 3 Section, Electric Valve
8	21.21654	3	U-Bolt, 1/4-20 x 2 x 2.75" Square Stainless Steel
9	21.21631	1	Fitting, 2" Full Port x 1-1/2" HB
10	21.21083	2	Fitting, 1" Flange x 1" HB
11	21.21068	2	Clamp, Worm 220 Full Port
12	21.21003	1	Flange, Reducer, 2" Full - 2" Std
13	21.21000	1	Cross, Flanged, 2" Std Port
14	21.20998	3	Elbow, 90°, 1" Flange x 1" HB
15	21.20995	10	Clamp, Worm 100 Series
16	21.20994	10	Gasket, EDPM, 1"
17	21.20125	1	Clamp, 2"
18	09.74139	1	Coupling, 1/4 NPTF
19	07.20162	1	Flowmeter, RF100, Poly 2" NPT
20	07.20154	1	Valve, Control, 1-1/2"
21	07.16542	5	Clamp, Hose, .56 - 1.25"
22	07.11695	2	Clamp, Hose, .375 - .875"
23	07.11584	2	Gasket, EPDM 200 Full Port
24	07.10572	22 Ft	Hose, EPDM, .375 x 1 Braid Black (Order Per Foot)
25	07.10341	1	Straight, 1/4" PT x 3/8" HB Nylon
26	07.10327	2	Straight, 1" PT x 1" HB Nylon
27	07.10307	1	Elbow, 90°, 3/4" MPT x 3/8" HB
28	07.09983	2	Bushing, .42 x .62 x .740" Long
29	07.09809	1	Plate, Valve Mount
30	07.07495	2	Elbow, 90°, 2" Flange x 1" HB
31	07.07400	1	Flange, Std Port 2x2
32	07.07075	1	Plug, Flange, 2" Std x 3/4" FPT
33	07.06979	5	Strainer, T, 1" Flange, 50 Mesh
33a	07.10683	1	30 Mesh Screen
	07.17475	1	50 Mesh Screen
	07.10682	1	80 Mesh Screen
	07.06654	1	100 Mesh Screen
33b	07.10680	1	Poly "T" Strainer Gasket - Viton
33c	07.10670	1	Poly 1" Strainer Bowl
33d	07.10695	1	O-Ring For Clean Out Plug (EPDM)
33e	07.10693	1	Clean Out Plug, 1/2"
34	07.06702	7	Clamp, Worm Screw, 2"
35	07.06701	7	Gasket, EPDM 2"
36	07.06648	1	Gauge, 200 PSI, 4" Liquid
37	07.08675	AR	Seal Kit for Item 6

SECTION 6

80 Ft. Boom Plumbing, 15" Spacing Poly



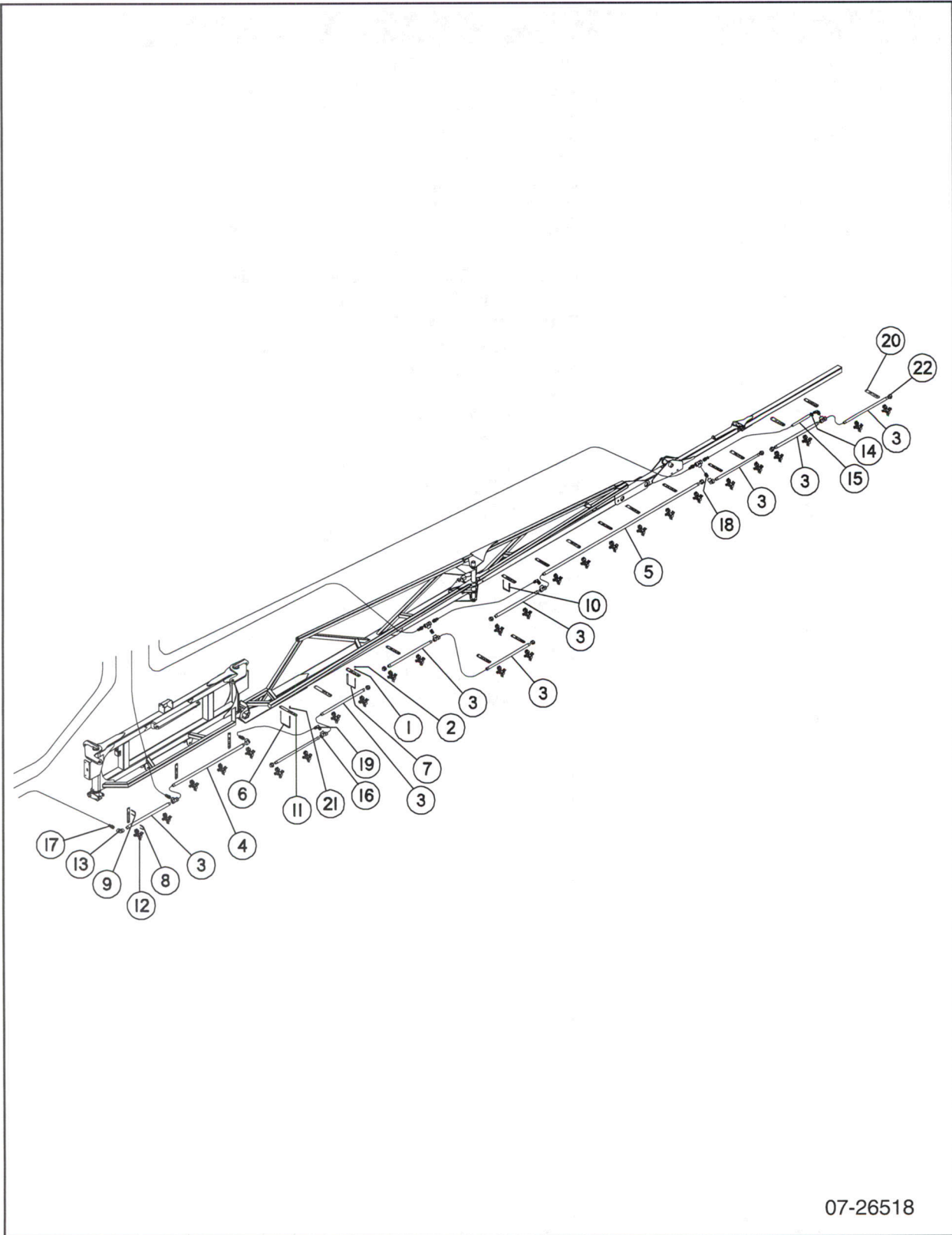
07-26517

80 Ft. Boom Plumbing, 15" Spacing Poly Parts List

Item	Part No.	Quantity	Description
1	907390	142	Nut, Hex Lock, 5/16-18 Nylock Stainless Steel
2	907379	142	Washer, Flat, 5/16" Stainless Steel
3	21.25257	8	Boom Line, Poly, 23" 2 Hole, 15" Spacing
4	21.25255	9	Boom Line, Poly, 38" 3 Hole, 15" Spacing
5	21.25254	2	Boom Line, Poly, 113" 8 Hole, 15" Spacing
6	21.21659	4	U-Bolt, 5/16-18 x 6 x 7" Square Stainless Steel
7	21.21658	8	U-Bolt, 5/16-18 x 5 x 6" Square Stainless Steel
8	21.21657	10	U-Bolt, 5/16-18 x 3 x 4" Square Stainless Steel
9	21.21655	37	U-Bolt, 5/16-18 x 1.37 x 1.5" Round Stainless Steel
10	21.21654	1	U-Bolt, 1/4-20 x 2 x 2.75" Square Stainless Steel
11	21.21653	12	U-Bolt, 5/16-18 x 4 x 5" Square Stainless Steel
12	21.21646	4	Bracket, Wet Boom, 5x5 & 6x6
13	21.00231	63	Nozzle Assembly, 1" 3 Way Wet Boom
14	07.26681	1	Boom Line, Poly, 53" 4 Hole, 15" Spacing
15	07.16542	4	Clamp, Hose, .56 - 1.25"
16	07.16425	6	Elbow, 90°, 1" FPT
17	07.11698	18	Clamp, Hose, .687 - 1.500"
18	07.10570	6 Ft	Hose, EPDM, .75" Black (Order Per Foot)
19	07.10556	140 Ft	Hose, EPDM, 1" Black (Order Per Foot)
20	07.10386	13	Tee, 1" FPT
21	07.10328	2	Straight, 1" PT x 3/4" HB Nylon
22	07.10327	11	Straight, 1" PT x 1" HB Nylon
23	07.10316	4	Nipple, 1" x Close Nylon
24	07.10289	6	Elbow, 90°, 1" MPT x 1" HB
25	07.09968	33	Bracket, Wet Boom Holder
26	07.09606	8	Spacer, Truck Pump Large
27	07.08914	1	Turret, Triplet, 3/4" Right Hand, Hose Barb w/Stud
28	07.08913	1	Turret, Triplet, 3/4" Left Hand, Hose Barb w/Stud
29	07.08187	16	Cap, Pipe, Poly 1"

SECTION 6

80 Ft. Boom Plumbing, 20" Spacing Poly



07-26518

Trailer Sprayer

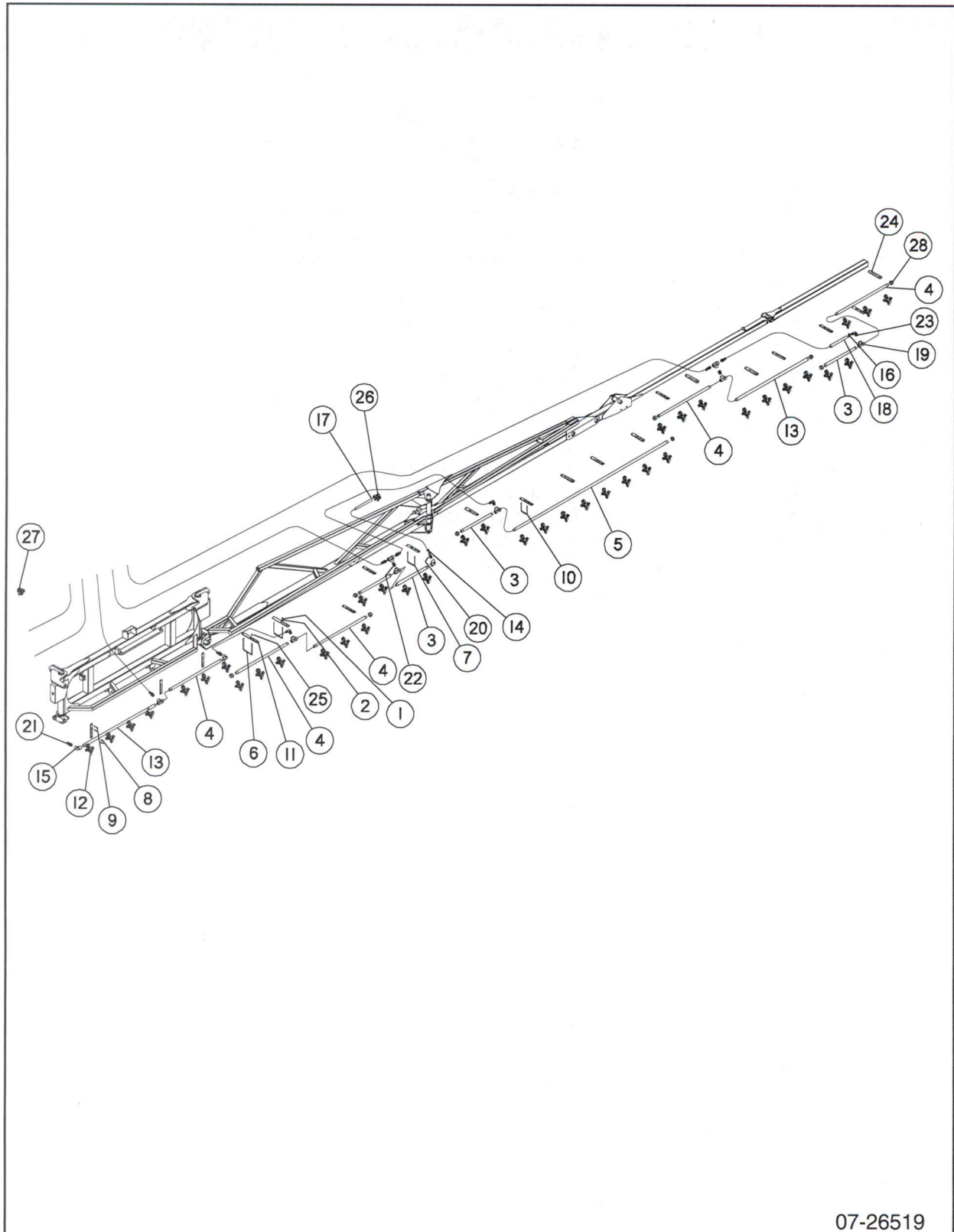
SECTION 6

80 Ft. Boom Plumbing, 20" Spacing Poly Parts List

Item	Part No.	Quantity	Description
1	907390	140	Nut, Hex Lock, 5/16-18 Nylock Stainless Steel
2	907379	140	Washer, Flat, 5/16" Stainless Steel
3	21.25245	17	Boom Line, Poly, 30.5" 2 Hole, 20" Spacing
4	21.25244	1	Boom Line, Poly, 50.5" 3 Hole, 20" Spacing
5	21.25243	2	Boom Line, Poly, 110.5" 6 Hole, 20" Spacing
6	21.21659	4	U-Bolt, 5/16-18 x 6 x 7" Square Stainless Steel
7	21.21658	8	U-Bolt, 5/16-18 x 5 x 6" Square Stainless Steel
8	21.21655	22	U-Bolt, 5/16-18 x 1.37 x 1.5" Round Stainless Steel
9	21.21654	3	U-Bolt, 1/4-20 x 2 x 2.75" Square Stainless Steel
10	21.21653	22	U-Bolt, 5/16-18 x 4 x 5" Square Stainless Steel
11	21.21646	4	Bracket, Wet Boom, 5x5 & 6x6
12	21.00231	49	Nozzle Assembly, 1" 3 Way Wet Boom
13	07.16425	4	Elbow, 90°, 1" FPT
14	07.11698	18	Clamp, Hose, .687 - 1.500"
15	07.10556	140 Ft	Hose, EPDM, 1" Black (Order Per Foot)
16	07.10386	13	Tee, 1" FPT
17	07.10327	11	Straight, 1" PT x 1" HB Nylon
18	07.10316	4	Nipple, 1" x Close Nylon
19	07.10289	6	Elbow, 90°, 1" MPT x 1" HB
20	07.09968	33	Bracket, Wet Boom Holder
21	07.09606	1	Spacer, Truck Pump Large
22	07.08187	16	Cap, Pipe, Poly 1"

SECTION 6

90 Ft. Boom Plumbing, 15" Spacing Poly



07-26519

Trailer Sprayer

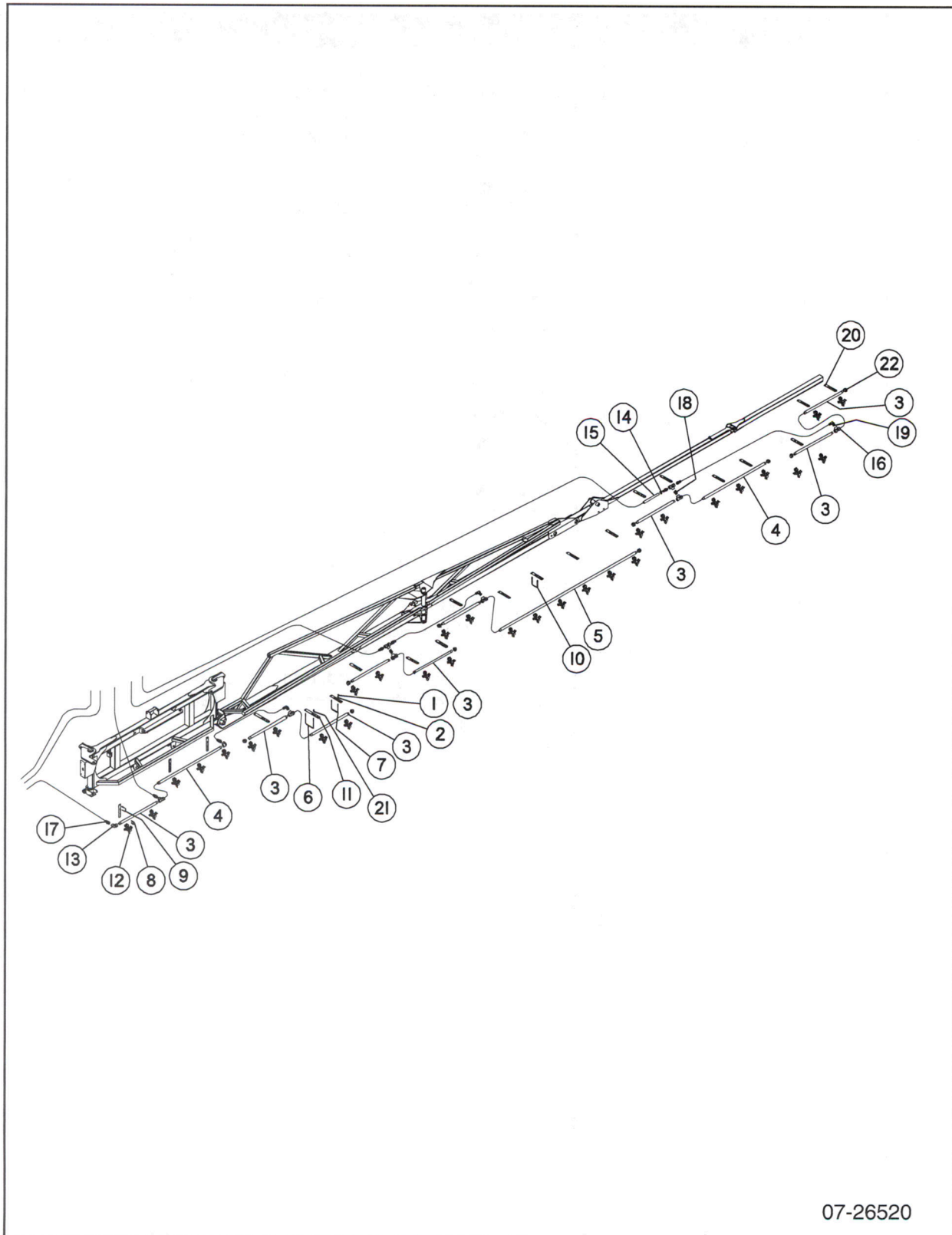
SECTION 6

90 Ft. Boom Plumbing, 15" Spacing Poly Parts List

Item	Part No.	Quantity	Description
1	907390	148	Nut, Hex Lock, 5/16-18 Nylock Stainless Steel
2	907379	148	Washer, Flat, 5/16" Stainless Steel
3	21.25257	8	Boom Line, Poly, 23" 2 Hole, 15" Spacing
4	21.25255	9	Boom Line, Poly, 38" 3 Hole, 15" Spacing
5	21.25254	2	Boom Line, Poly, 113" 8 Hole, 15" Spacing
6	21.21659	4	U-Bolt, 5/16-18 x 6 x 7" Square Stainless Steel
7	21.21658	6	U-Bolt, 5/16-18 x 5 x 6" Square Stainless Steel
	21.21657	10	U-Bolt, 5/16-18 x 3 x 4" Square Stainless Steel
8	21.21655	37	U-Bolt, 5/16-18 x 1.37 x 1.5" Round Stainless Steel
9	21.21654	3	U-Bolt, 1/4-20 x 2 x 2.75" Square Stainless Steel
10	21.21653	24	U-Bolt, 5/16-18 x 4 x 5" Square Stainless Steel
11	21.21646	4	Bracket, Wet Boom, 5x5 & 6x6
12	21.00231	71	Nozzle Assembly, 1" 3 Way Wet Boom
13	07.26681	3	Boom Line, Poly, 53" 4 Hole, 15" Spacing
14	07.16542	4	Clamp, Hose, .56 - 1.25"
15	07.16425	4	Elbow, 90°, 1" FPT
16	07.11698	24	Clamp, Hose, .687 - 1.500"
17	07.10570	6 Ft	Hose, EPDM, .75" Black (Order Per Foot)
18	07.10556	150 Ft	Hose, EPDM, 1" Black (Order Per Foot)
19	07.10386	15	Tee, 1" FPT
20	07.10328	2	Straight, 1" PT x 3/4" HB Nylon
21	07.10327	11	Straight, 1" PT x 1" HB Nylon
22	07.10316	4	Nipple, 1" x Close Nylon
23	07.10289	6	Elbow, 90°, 1" MPT x 1" HB
24	07.09968	33	Bracket, Wet Boom Holder
25	07.09606	4	Spacer, Truck Pump Large
26	07.08914	1	Turret, Triplet, 3/4" Right Hand, Hose Barb w/Stud
27	07.08913	1	Turret, Triplet, 3/4" Left Hand, Hose Barb w/Stud
28	07.08187	18	Cap, Pipe, Poly 1"

SECTION 6

90 Ft. Boom Plumbing, 20" Spacing Poly



07-26520

Trailer Sprayer

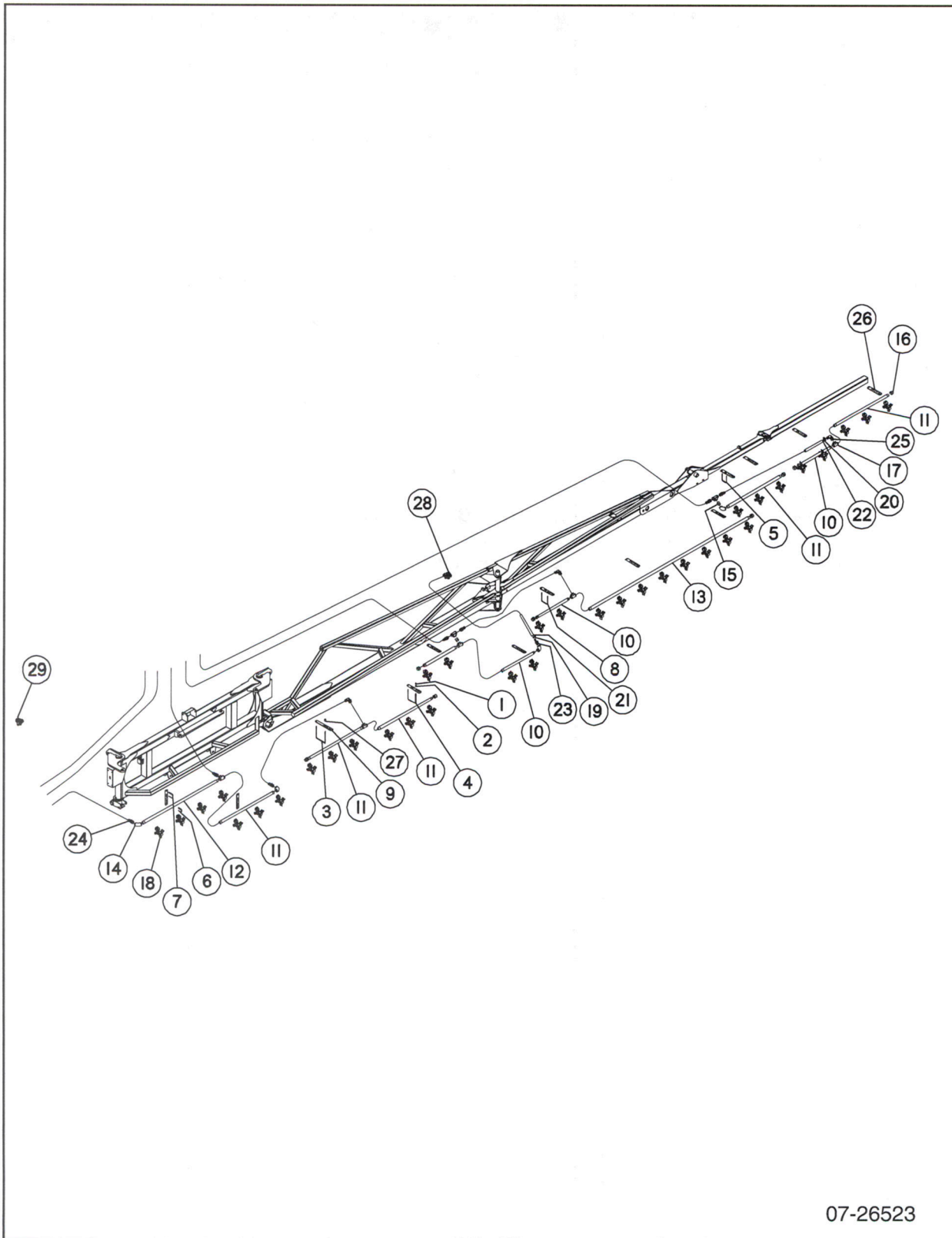
SECTION 6

90 Ft. Boom Plumbing, 20" Spacing Poly Parts List

Item	Part No.	Quantity	Description
1	907390	156	Nut, Hex Lock, 5/16-18 Nylock Stainless Steel
2	907379	156	Washer, Flat, 5/16" Stainless Steel
3	21.25245	17	Boom Line, Poly, 30.5" 2 Hole, 20" Spacing
4	21.25244	3	Boom Line, Poly, 50.5" 3 Hole, 20" Spacing
5	21.25243	2	Boom Line, Poly, 110.5" 6 Hole, 20" Spacing
6	21.21659	4	U-Bolt, 5/16-18 x 6 x 7" Square Stainless Steel
7	21.21658	8	U-Bolt, 5/16-18 x 5 x 6" Square Stainless Steel
8	21.21655	39	U-Bolt, 5/16-18 x 1.37 x 1.5" Round Stainless Steel
9	21.21654	3	U-Bolt, 1/4-20 x 2 x 2.75" Square Stainless Steel
10	21.21653	24	U-Bolt, 5/16-18 x 4 x 5" Square Stainless Steel
11	21.21646	4	Bracket, Wet Boom, 5x5 & 6x6
12	21.00231	55	Nozzle Assembly, 1" 3 Way Wet Boom
13	07.16425	2	Elbow, 90°, 1" FPT
14	07.11698	18	Clamp, Hose, .687 - 1.500"
15	07.10556	150 Ft	Hose, EPDM, 1" Black (Order Per Foot)
16	07.10386	15	Tee, 1" FPT
17	07.10327	11	Straight, 1" PT x 1" HB Nylon
18	07.10316	4	Nipple, 1" x Close Nylon
19	07.10289	6	Elbow, 90°, 1" MPT x 1" HB
20	07.09968	34	Bracket, Wet Boom Holder
21	07.09606	8	Spacer, Truck Pump Large
22	07.08187	20	Cap, Pipe, Poly 1"

SECTION 6

80 Ft. Boom Plumbing, 15" Spacing Stainless Steel



07-26523

Trailer Sprayer

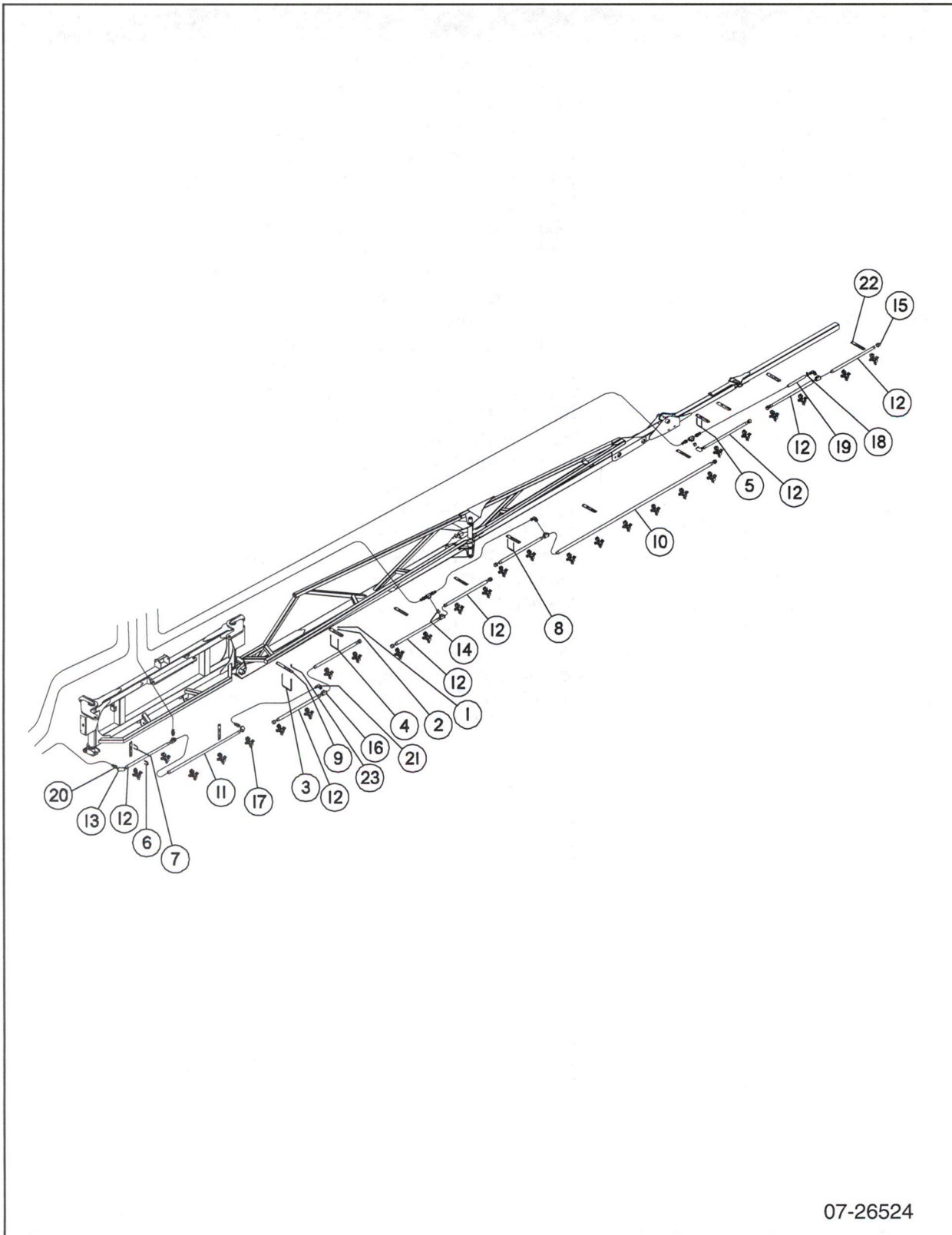
SECTION 6

80 Ft. Boom Plumbing, 15" Spacing Stainless Steel Parts List

Item	Part No.	Quantity	Description
1	907390	100	Nut, Hex Lock, 5/16-18 Nylock Stainless Steel
2	907379	100	Washer, Flat, 5/16" Stainless Steel
3	21.21659	2	U-Bolt, 5/16-18 x 6 x 7" Square Stainless Steel
4	21.21658	6	U-Bolt, 5/16-18 x 5 x 6" Square Stainless Steel
5	21.21657	8	U-Bolt, 5/16-18 x 3 x 4" Square Stainless Steel
6	21.21655	25	U-Bolt, 5/16-18 x 1.37 x 1.5" Round Stainless Steel
7	21.21654	2	U-Bolt, 1/4-20 x 2 x 2.75" Square Stainless Steel
8	21.21653	6	U-Bolt, 5/16-18 x 4 x 5" Square Stainless Steel
9	21.21646	2	Bracket, Wet Boom, 5x5 & 6x6
10	21.00504	8	Boom Line, Stainless Steel, 23" 2 Hole, 15" Spacing
11	21.00503	9	Boom Line, Stainless Steel, 38" 3 Hole, 15" Spacing
12	21.00502	1	Boom Line, Stainless Steel, 53" 4 Hole, 15" Spacing
13	21.00501	2	Boom Line, Stainless Steel, 113" 8 Hole, 15" Spacing
14	21.00388	6	Elbow, 90°, 1" NPT, 304 Stainless Steel
15	21.00387	4	Nipple, Close 1" NPT, 304 Stainless Steel
16	21.00386	16	Cap, 1" NPT, 304 Stainless Steel
17	21.00385	13	Tee, 1" FNPT, 304 Stainless Steel
18	21.00231	63	Nozzle Assembly, 1" 3 Way Wet Boom
19	07.16542	4	Clamp, Hose, .56 - 1.25"
20	07.11698	18	Clamp, Hose, .687 - 1.500"
21	07.10570	6 Ft	Hose, EPDM, .75" Black (Order Per Foot)
22	07.10556	140 Ft	Hose, EPDM, 1" Black (Order Per Foot)
23	07.10328	2	Straight, 1" PT x 3/4" HB Nylon
24	07.10327	11	Straight, 1" PT x 1" HB Nylon
25	07.10289	6	Elbow, 90°, 1" MPT x 1" HB
26	07.09968	22	Bracket, Wet Boom Holder
27	07.09606	4	Spacer, Truck Pump Large
28	07.08914	1	Turret, Triplet, 3/4" Right Hand, Hose Barb w/Stud
29	07.08913	1	Turret, Triplet, 3/4" Left Hand, Hose Barb w/Stud

SECTION 6

80 Ft. Boom Plumbing, 20" Spacing Stainless Steel



Trailer Sprayer

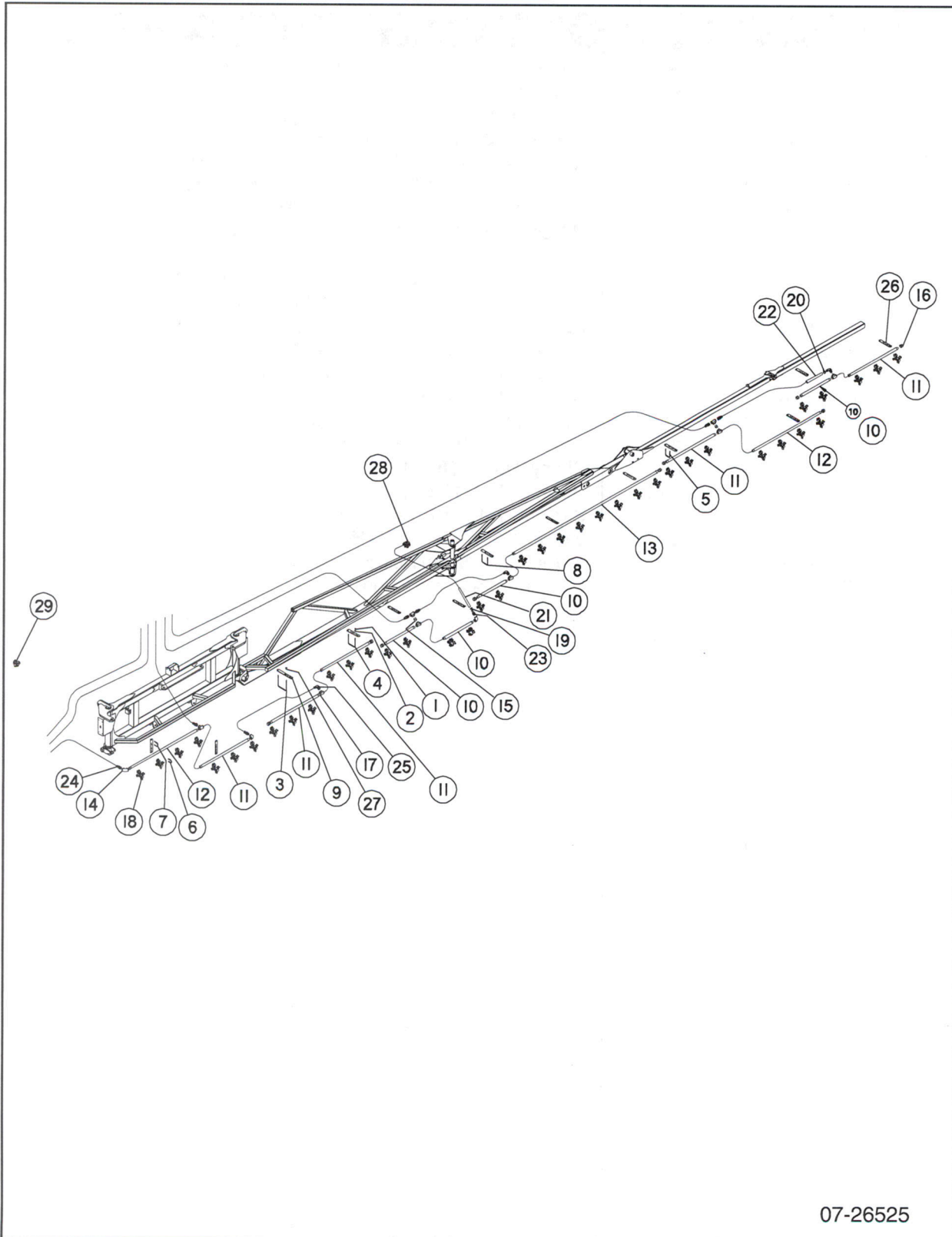
SECTION 6

80 Ft. Boom Plumbing, 20" Spacing Stainless Steel Parts List

Item	Part No.	Quantity	Description
1	907390	100	Nut, Hex Lock, 5/16-18 Nylock Stainless Steel
2	907379	100	Washer, Flat, 5/16" Stainless Steel
3	21.21659	2	U-Bolt, 5/16-18 x 6 x 7" Square Stainless Steel
4	21.21658	6	U-Bolt, 5/16-18 x 5 x 6" Square Stainless Steel
5	21.21657	10	U-Bolt, 5/16-18 x 3 x 4" Square Stainless Steel
6	21.21655	24	U-Bolt, 5/16-18 x 1.37 x 1.5" Round Stainless Steel
7	21.21654	2	U-Bolt, 1/4-20 x 2 x 2.75" Square Stainless Steel
8	21.21653	12	U-Bolt, 5/16-18 x 4 x 5" Square Stainless Steel
9	21.21646	2	Bracket, Wet Boom, 5x5 & 6x6
10	21.00508	2	Boom Line, Stainless Steel, 110.50" 6 Hole, 20" Spacing
11	21.00507	1	Boom Line, Stainless Steel, 50.50" 3 Hole, 20" Spacing
12	21.00505	17	Boom Line, Stainless Steel, 30.50" 2 Hole, 20" Spacing
13	21.00388	4	Elbow, 90°, 1" NPT, 304 Stainless Steel
14	21.00387	4	Nipple, Close 1" NPT, 304 Stainless Steel
15	21.00386	18	Cap, 1" NPT, 304 Stainless Steel
16	21.00385	13	Tee, 1" FNPT, 304 Stainless Steel
17	21.00231	49	Nozzle Assembly, 1" 3 Way Wet Boom
18	07.11698	18	Clamp, Hose, .687 - 1.500"
19	07.10556	140 Ft	Hose, EPDM, 1" Black (Order Per Foot)
20	07.10327	11	Straight, 1" PT x 1" HB Nylon
21	07.10289	6	Elbow, 90°, 1" MPT x 1" HB
22	07.09968	22	Bracket, Wet Boom Holder
23	07.09606	1	Spacer, Truck Pump Large

SECTION 6

90 Ft. Boom Plumbing, 15" Spacing Stainless Steel



Trailer Sprayer

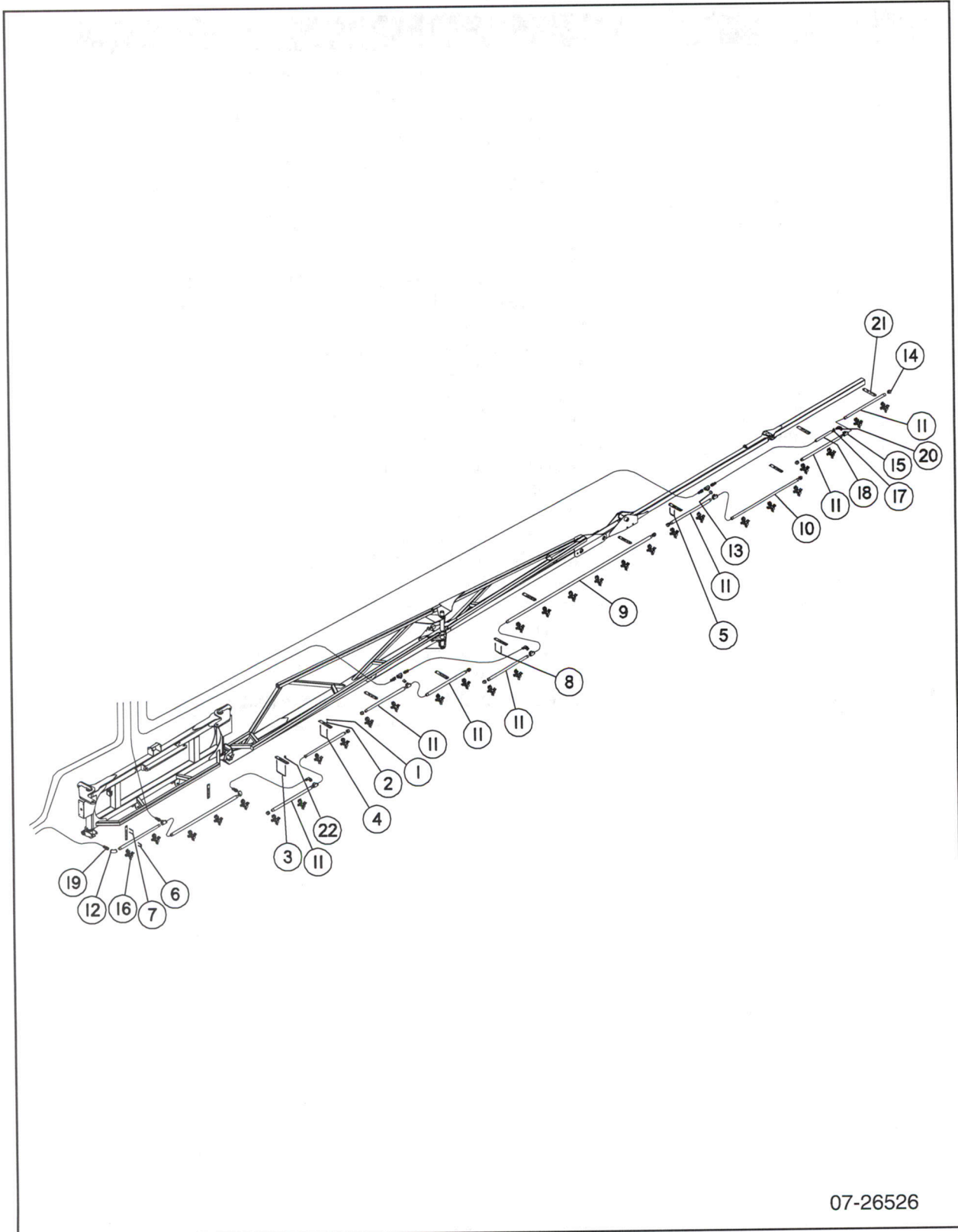
SECTION 6

90 Ft. Boom Plumbing, 15" Spacing Stainless Steel Parts List

Item	Part No.	Quantity	Description
1	907390	148	Nut, Hex Lock, 5/16-18 Nylock Stainless Steel
2	907379	148	Washer, Flat, 5/16" Stainless Steel
3	21.21659	2	U-Bolt, 5/16-18 x 6 x 7" Square Stainless Steel
4	21.21658	6	U-Bolt, 5/16-18 x 5 x 6" Square Stainless Steel
5	21.21657	8	U-Bolt, 5/16-18 x 3 x 4" Square Stainless Steel
6	21.21655	1	U-Bolt, 5/16-18 x 1.37 x 1.5" Round Stainless Steel
7	21.21654	2	U-Bolt, 1/4-20 x 2 x 2.75" Square Stainless Steel
8	21.21653	6	U-Bolt, 5/16-18 x 4 x 5" Square Stainless Steel
9	21.21646	2	Bracket, Wet Boom, 5x5 & 6x6
10	21.00504	8	Boom Line, Stainless Steel, 23" 2 Hole, 15" Spacing
11	21.00503	9	Boom Line, Stainless Steel, 38" 3 Hole, 15" Spacing
12	21.00502	3	Boom Line, Stainless Steel, 53" 4 Hole, 15" Spacing
13	21.00501	2	Boom Line, Stainless Steel, 113" 8 Hole, 15" Spacing
14	21.00388	4	Elbow, 90°, 1" NPT, 304 Stainless Steel
15	21.00387	4	Nipple, Close 1" NPT, 304 Stainless Steel
16	21.00386	18	Cap, 1" NPT, 304 Stainless Steel
17	21.00385	15	Tee, 1" FNPT, 304 Stainless Steel
18	21.00231	71	Nozzle Assembly, 1" 3 Way Wet Boom
19	07.16542	4	Clamp, Hose, .56 - 1.25"
20	07.11698	24	Clamp, Hose, .687 - 1.500"
21	07.10570	6 Ft	Hose, EPDM, .75" Black (Order Per Foot)
22	07.10556	150 Ft	Hose, EPDM, 1" Black (Order Per Foot)
23	07.10328	2	Straight, 1" PT x 3/4" HB Nylon
24	07.10327	9	Straight, 1" PT x 1" HB Nylon
25	07.10289	6	Elbow, 90°, 1" MPT x 1" HB
26	07.09968	21	Bracket, Wet Boom Holder
27	07.09606	4	Spacer, Truck Pump Large
28	07.08914	1	Turret, Triplet, 3/4" Right Hand, Hose Barb w/Stud
29	07.08913	1	Turret, Triplet, 3/4" Left Hand, Hose Barb w/Stud

SECTION 6

90 Ft. Boom Plumbing, 20" Spacing Stainless Steel



07-26526

Trailer Sprayer

SECTION 6

90 Ft. Boom Plumbing, 20" Spacing Stainless Steel Parts List

Item	Part No.	Quantity	Description
1	907390	96	Nut, Hex Lock, 5/16-18 Nylock Stainless Steel
2	907379	96	Washer, Flat, 5/16" Stainless Steel
3	21.21659	2	U-Bolt, 5/16-18 x 6 x 7" Square Stainless Steel
4	21.21658	6	U-Bolt, 5/16-18 x 5 x 6" Square Stainless Steel
5	21.21657	8	U-Bolt, 5/16-18 x 3 x 4" Square Stainless Steel
6	21.21655	39	U-Bolt, 5/16-18 x 1.37 x 1.5" Round Stainless Steel
7	21.21654	2	U-Bolt, 1/4-20 x 2 x 2.75" Square Stainless Steel
8	21.21653	6	U-Bolt, 5/16-18 x 4 x 5" Square Stainless Steel
9	21.00508	2	Boom Line, Stainless Steel, 110.50" 6 Hole, 20" Spacing
10	21.00507	3	Boom Line, Stainless Steel, 50.50" 3 Hole, 20" Spacing
11	21.00505	17	Boom Line, Stainless Steel, 30.50" 2 Hole, 20" Spacing
12	21.00388	2	Elbow, 90°, 1" NPT, 304 Stainless Steel
13	21.00387	4	Nipple, Close 1" NPT, 304 Stainless Steel
14	21.00386	20	Cap, 1" NPT, 304 Stainless Steel
15	21.00385	15	Tee, 1" FNPT, 304 Stainless Steel
16	21.00231	55	Nozzle Assembly, 1" 3 Way Wet Boom
17	07.11698	18	Clamp, Hose, .687 - 1.500"
18	07.10556	150 Ft	Hose, EPDM, 1" Black (Order Per Foot)
19	07.10327	11	Straight, 1" PT x 1" HB Nylon
20	07.10289	6	Elbow, 90°, 1" MPT x 1" HB
21	07.09968	23	Bracket, Wet Boom Holder
22	07.09606	4	Spacer, Truck Pump Large

SECTION 6



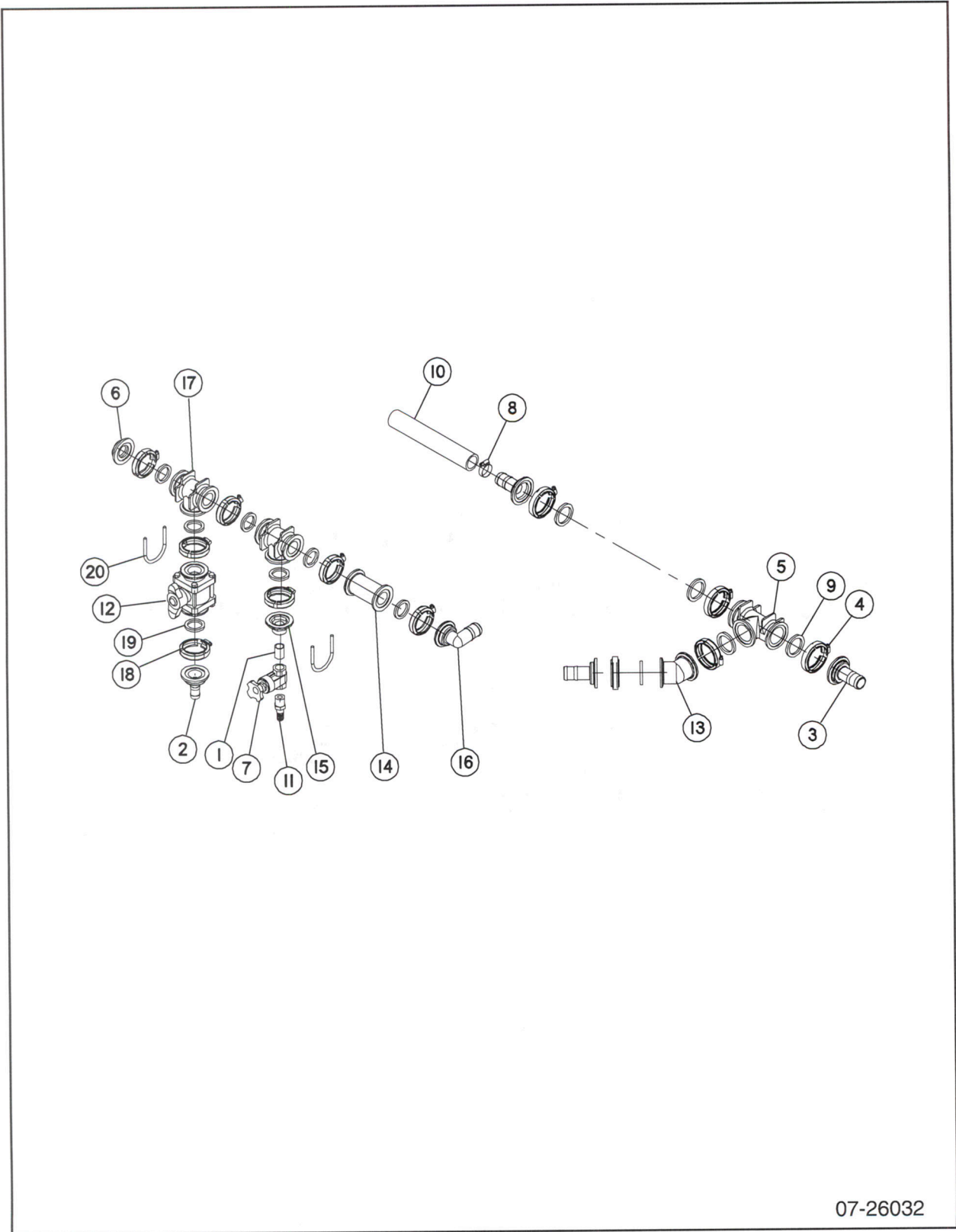
[Illegible text]

This Page Intentionally Left Blank

SECTION 7
GROUP A & GROUP C OPTIONS
&
ACCESSORIES
& ELECTRICAL CONNECTORS

SECTION 7

Primary Product Circuit - Group A



07-26032

Trailer Sprayer

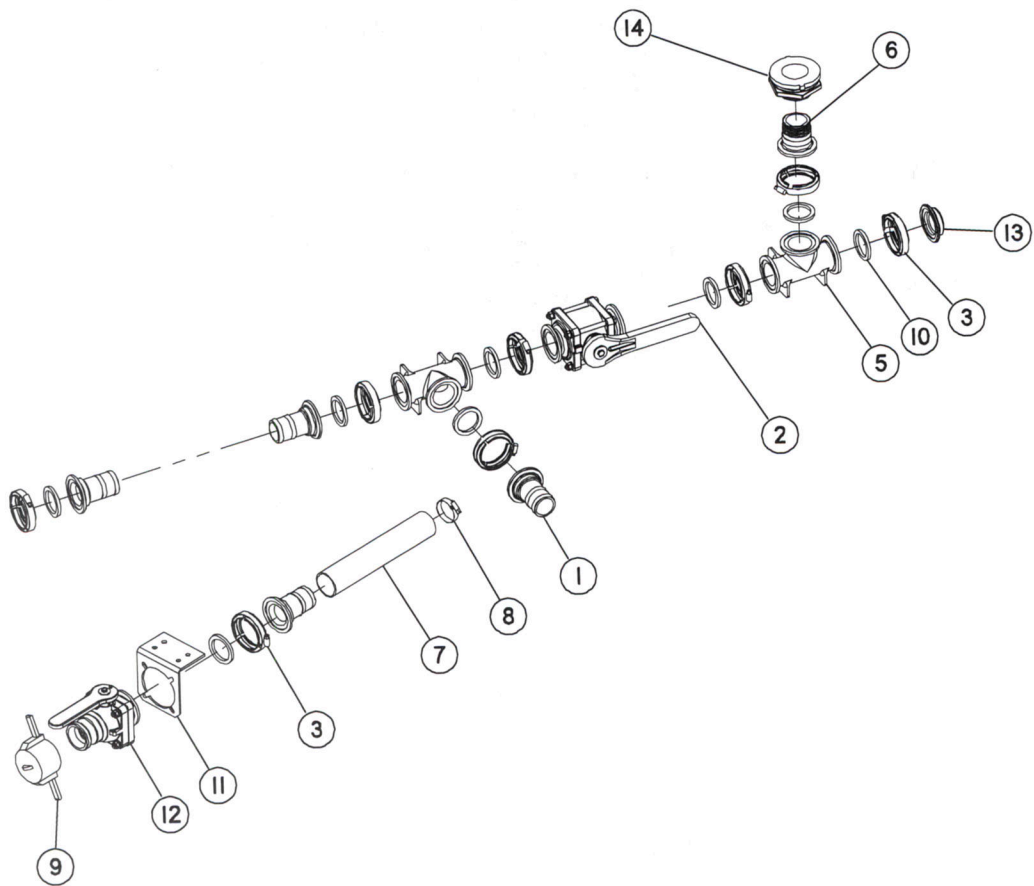
SECTION 7

Primary Product Circuit - Group A Parts List

Item	Part No.	Quantity	Description
1	32.00704	1	Nipple, 3/4" Close Stainless Steel
2	21.22199	1	Fitting, 2" Flange x 1" HB
3	21.21631	3	Fitting, 2" Full Port x 1-1/2" HB
4	21.21068	5	Clamp, Worm 220 Full Port
5	21.21001	1	Tee, Flanged, 2" Full Port
6	21.20996	1	Plug, Flanged, 2" Std Port
7	07.15700	1	Valve, Gate Celcon
8	07.11699	6	Clamp, Hose, 1.062 - 2.000"
9	07.11584	5	Gasket, EPDM, 200 Full Port
10	07.10559	24 Ft	Hose, EPDM, 1.50" x 2 Braid 200 PSI (Order Per Foot)
11	07.10348	1	Straight, 3/4 NPT x 3/4" HB Nylon
12	07.08549	1	Valve, Ball, 2" Std Flange, T Handle
13	07.07996	1	2" Full Port Flange, 45°
14	07.07400	1	Flange, Std Port, 2 x 2
15	07.07075	1	Plug, Flange, 2" Std x 3/4 FPT
16	07.06978	1	Fitting, 2" S-Flange x 1-1/2" HB, 90°
17	07.06977	2	2" Std Port Flange Tee
18	07.06702	7	Clamp, Worm Screw, 2"
19	07.06701	7	Gasket, EPDM, 2"
20	07.05189	2	Clamp, Muffler, 2.5" Plated

SECTION 7

Product Tank Sump - Group A



07-26741

Trailer Sprayer

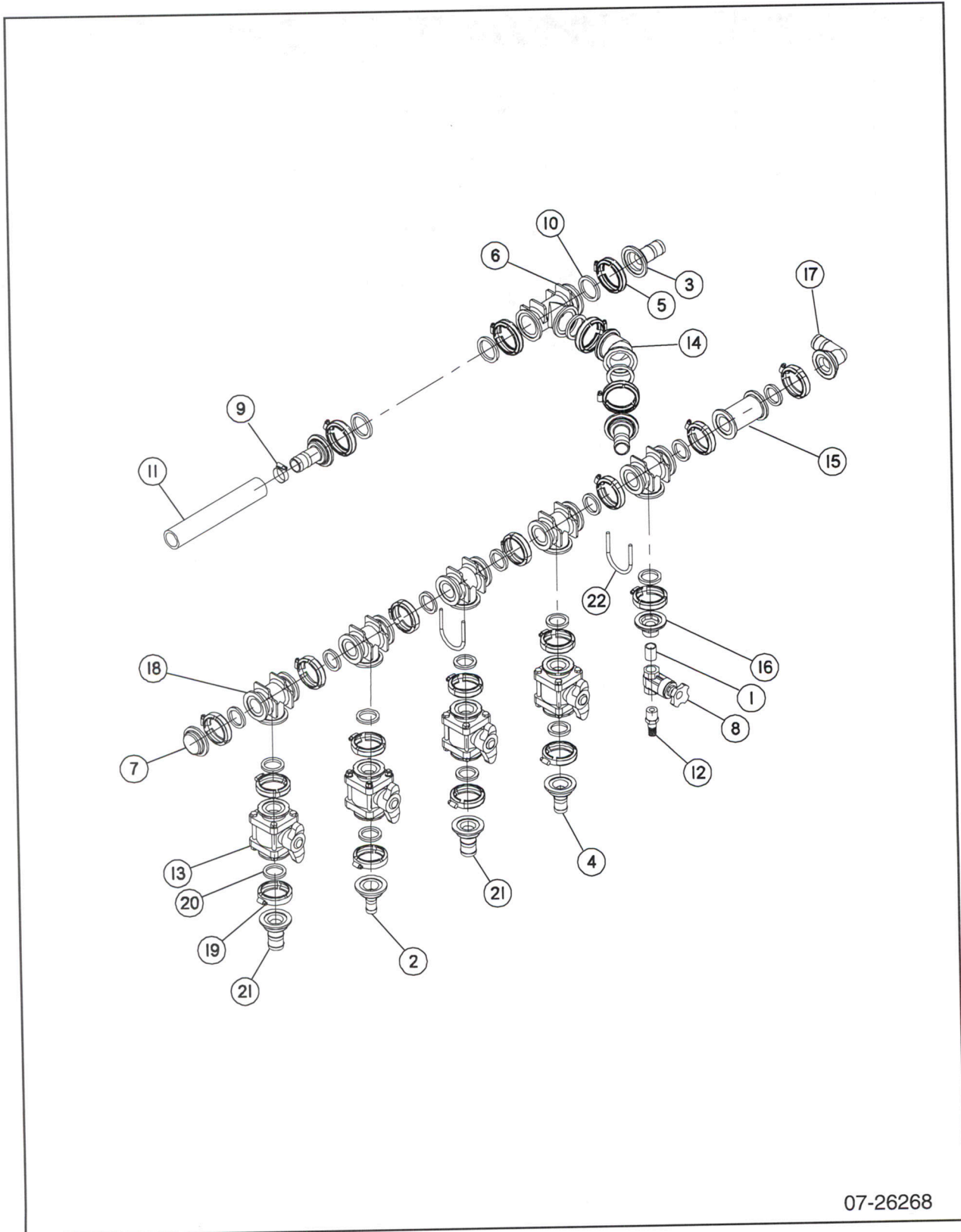
SECTION 7

Product Tank Sump - Group A Parts List

Item	Part No.	Quantity	Description
1	21.21079	4	Flange, 2" Full Port x 2" HB
2	21.21069	1	Valve, Ball, 2 x 2 Full Port Flange
3	21.21068	8	Clamp, Worm 220 Full Port
5	21.21001	2	Tee, Flanged, 2" Full Port
6	21.20999	1	Fitting, 2" Full Port Flange x 2" MPT
7	07.15985	1	Hose, 2" Fertilizer
8	07.13245	4	Clamp, Hose, 1.562 - 2.500"
9	07.26868	1	Dust Cap, 2" Camlock
10	07.11584	8	Gasket, EPDM 200 Full Port
11	07.09126	1	Bracket, Short, 2" Ball Valve
12	07.07110	1	Valve, Stubby Ball, 2" Full Port x 2" Adpt
13	07.07076	1	Plug, Flange, 2" Full Port
14	07.07912	1	Fitting Bulkhead (Supplied With Product Tank)

SECTION 7

Primary Product Circuit - Group C



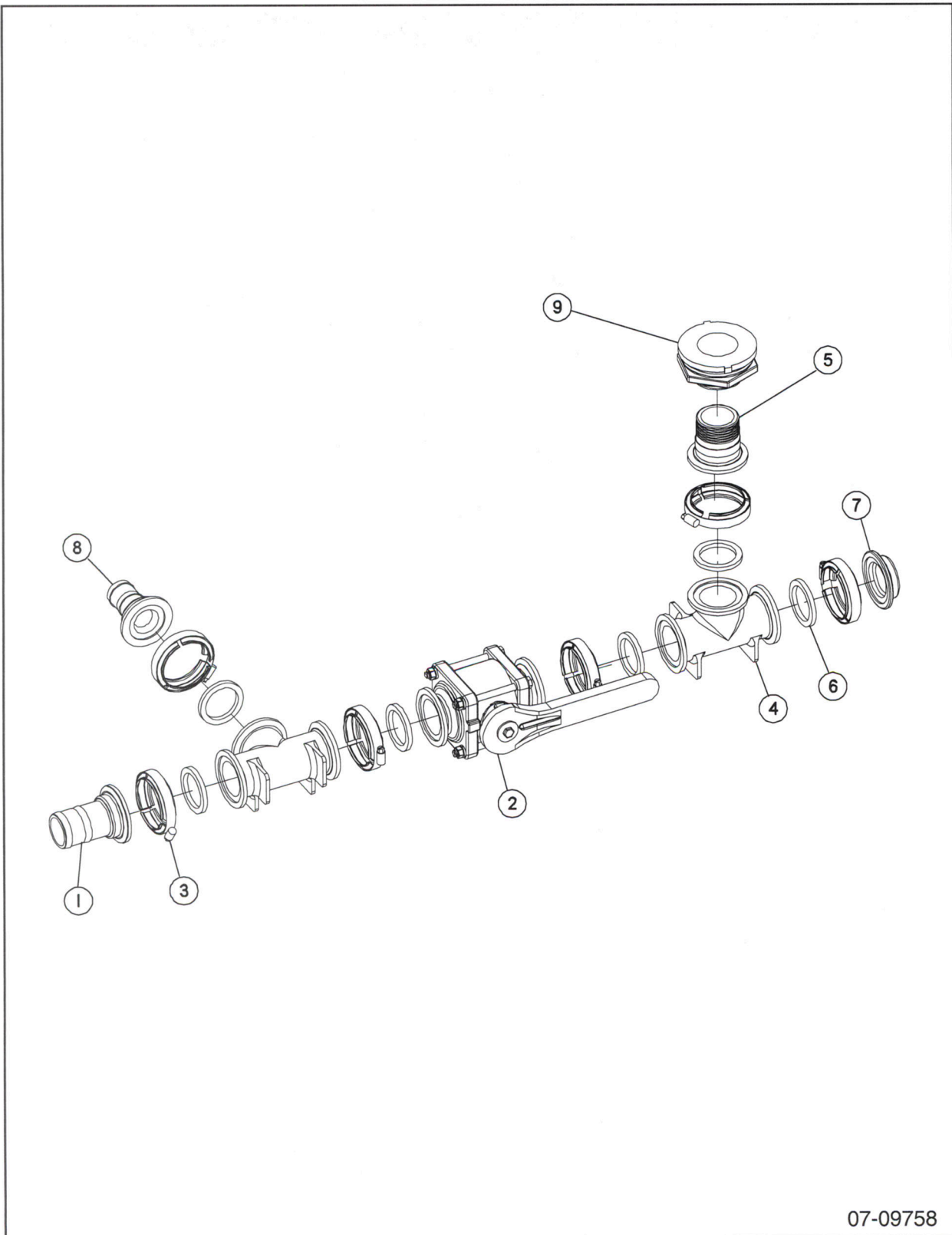
07-26268

Primary Product Circuit - Group C Parts List

Item	Part No.	Quantity	Description
1	32.00704	1	Nipple, 3/4" Close Stainless Steel
2	21.22199	1	Fitting, 2" Flange x 1" HB
3	21.21631	3	Fitting, 2" Full Port x 1-1/2" HB
4	21.21078	1	Fitting, Flange, 2" Std x 1-1/4" HB
5	21.21068	5	Clamp, Worm 220 Full Port
6	21.21001	1	Tee, Flanged, 2" Full Port
7	21.20996	1	Plug, Flanged, 2" Std Port
8	07.15700	1	Valve, Gate Celcon
9	07.11699	6	Clamp, Hose, 1.062 - 2.000"
10	07.11584	5	Gasket, EPDM, 200 Full Port
11	07.10559	24 Ft	Hose, EPDM, 1.50" x 2 Braid 200 PSI (Order Per Foot)
12	07.10348	1	Straight, 3/4 NPT x 3/4" HB Nylon
13	07.08549	4	Valve, Ball, 2" Std Flange, T Handle
14	07.07996	1	2" Full Port Flange, 45°
15	07.07400	1	Flange, Std Port, 2 x 2
16	07.07075	1	Plug, Flange, 2" Std x 3/4 FPT
17	07.06978	1	Fitting, 2" S-Flange x 1-1/2" HB, 90°
18	07.06977	5	2" Std Port Flange Tee
19	07.06702	16	Clamp, Worm Screw, 2"
20	07.06701	16	Gasket, EPDM, 2"
21	07.06700	2	Fitting, 2" Flange x 1-1/2" HB
22	07.05189	2	Clamp, Muffler, 2.5" Plated

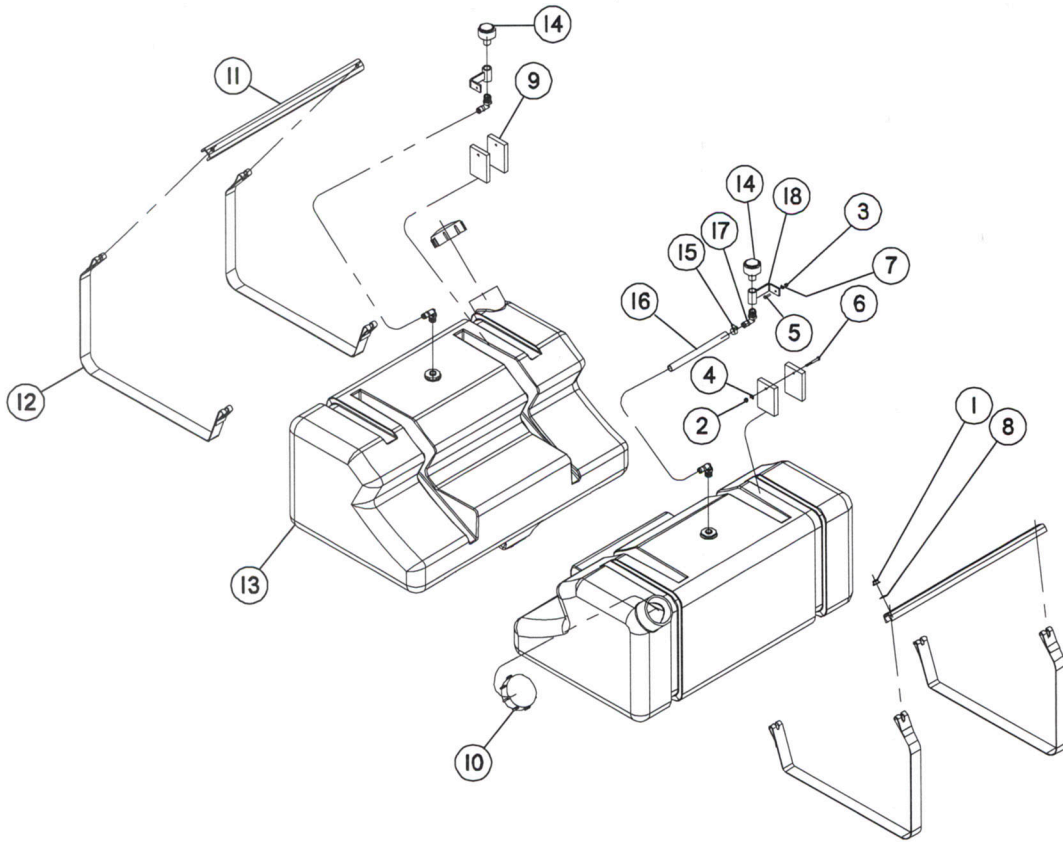
SECTION 7

Product Tank Sump - Group C



SECTION 7

Rinse Tank Assembly - Group C



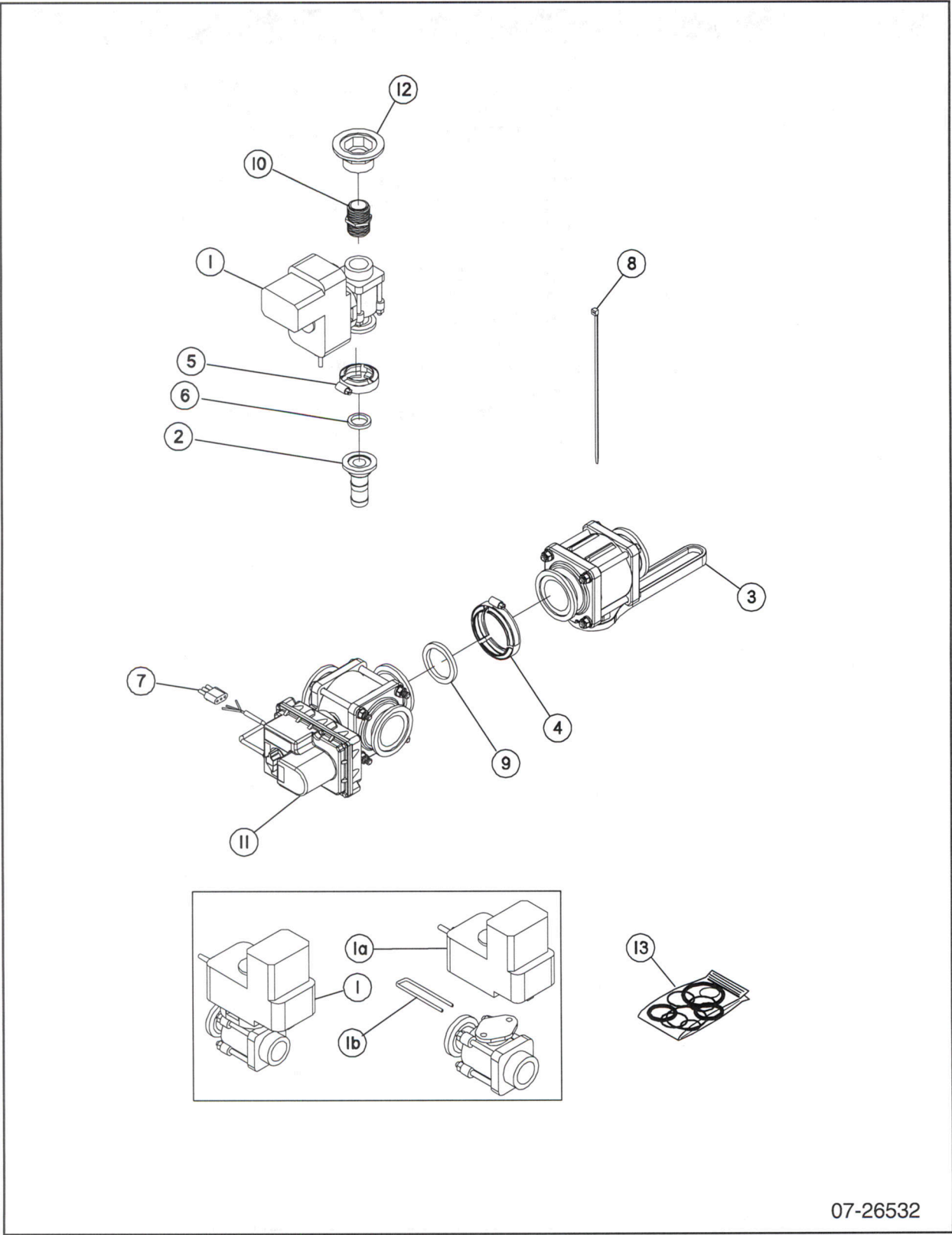
07-26577

Rinse Tank Assembly - Group C Parts List

Item	Part No.	Quantity	Description
1	907399	8	Nut, Hex Lock, Nylon Flange, 1/2-13
2	907390	2	Nut, Hex Lock, 5/16-18 Nylock Stainless Steel
3	907389	2	Nut, Hex Lock, 1/4-20 Nylock Stainless Steel
4	907379	2	Washer, Flat, 5/16" Stainless Steel
5	907322	2	Bolt, Hex, 1/4-20 x 1" Stainless Steel
6	907299	2	Bolt, Hex, 5/16-18 x 2-1/2" Stainless Steel
7	907234	2	Washer, Flat, 1/4" Stainless Steel
8	901937	8	Washer, Flat, 1/2"
9	07.26631	4	Block, Spacer
10	07.26264	2	Cap, Non Vented, 4"
11	07.26262	2	Channel, Rinse Tank Support
12	07.26261	4	Strap, Rinse Tank
13	07.26260	2	Tank, Rinse, 75 Gal.
14	07.17994	2	Breather, 10 Micron, 3/4 MNPT
15	07.16542	4	Clamp, Hose, .56 - 1.25"
16	07.10570	5 Ft	Hose, EPDM, .75" Black (Order Per Foot)
17	07.10305	4	Elbow, 90°, 3/4" MPT x 3/4" HB
18	07.09840	2	Mount

SECTION 7

Control - In Cab Rinse System



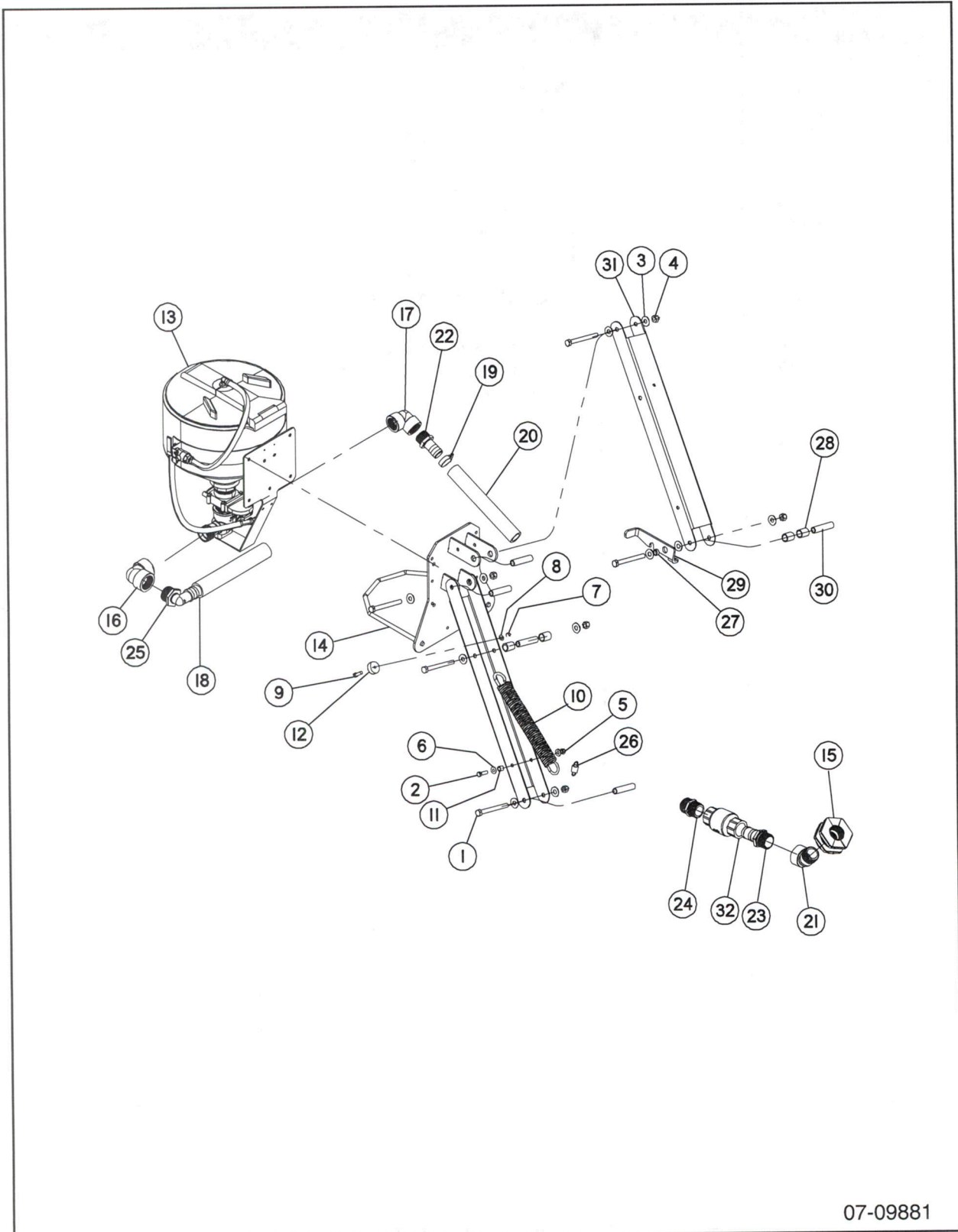
07-26532

Control - In Cab Rinse System Parts List

Item	Part No.	Quantity	Description
1	21.23177	1	Valve, Ball, 1" NPT In, 1" Flg Out
1a	07.09262	1	Motor Only
1b	07.09263	1	Clip
2	21.21083	1	Fitting, 1" Flange x 1" HB
3	21.21069	1	Valve, Ball, 2 x 2 Full Port Flange
4	21.21068	1	Clamp, Worm 220 Full Port
5	21.20995	1	Clamp, Worm 100 Series
6	21.20994	1	Gasket, EDPM 1"
7	21.00944	1	Connector, Male 3 Pin Weatherpack
8	07.13145	4	Tie, Cable, 11" Black
9	07.11584	1	Gasket, EPDM 200 Full Port
10	07.10316	1	Nipple, 1" x Close Nylon
11	07.08518	1	Valve, Ball, 3 Way Bottom Load
12	07.07082	1	Plug, Flanged, 2" Std x 1" FPT
13	07.08675	AR	Seal Kit For Item 1

SECTION 7

Chemical Educator - Hypro



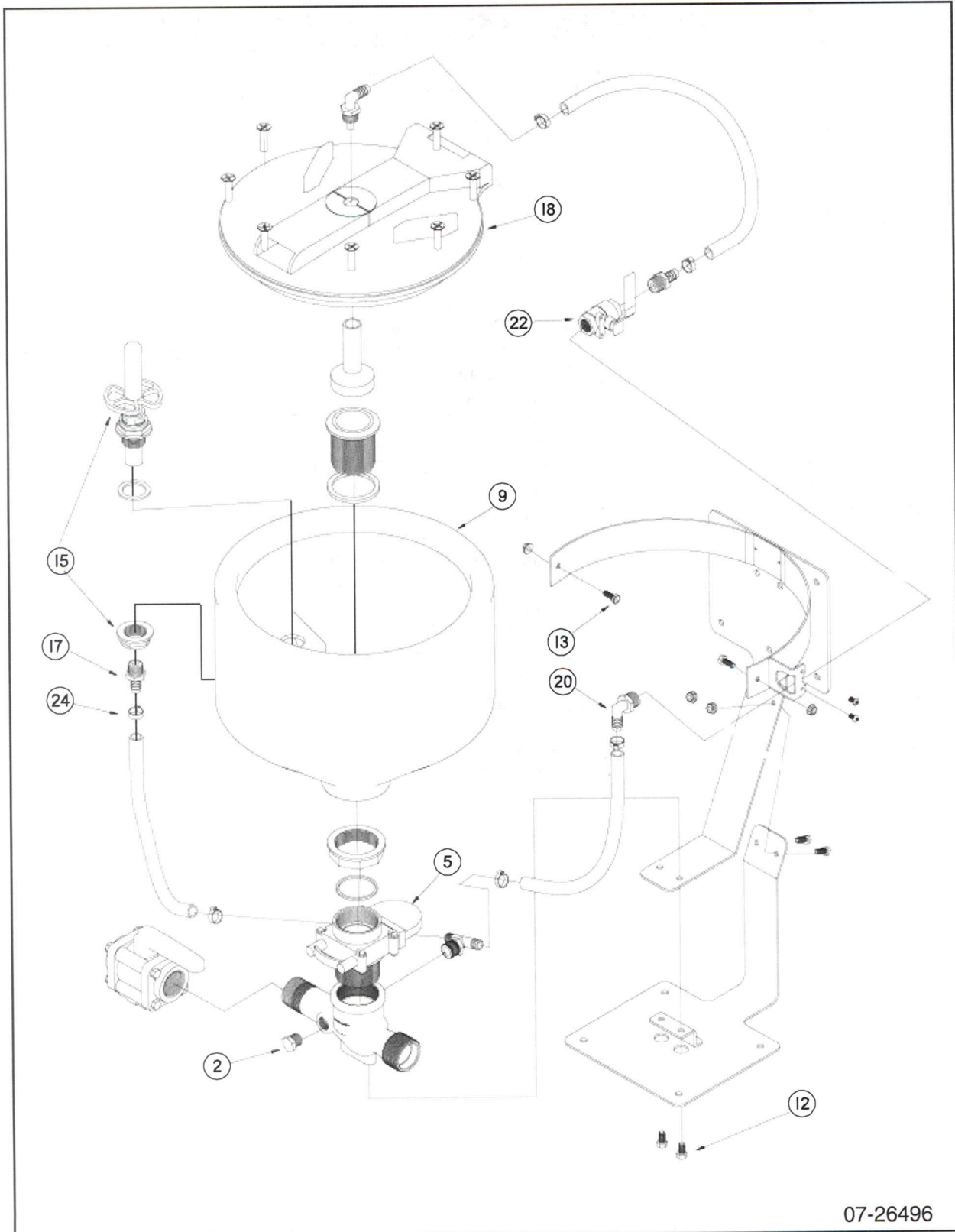
07-09881

Chemical Eductor - Hypro Parts List

Item	Part No.	Quantity	Description
1	907456	5	Bolt, Hex, 1/2-13 x 5" Stainless Steel
2	907425	1	Bolt, Hex, 3/8-16 x 1-1/4" Stainless Steel
3	907395	11	Washer, Flat, 1/2" Stainless Steel
4	907392	5	Nut, Hex Lock, 1/2-13 Nylock Stainless Steel
5	907391	1	Nut, Hex Lock, 3/8-16 Nylock Stainless Steel
6	907380	2	Washer, Flat, 3/8" Stainless Steel
7	906483	1	Nut, Hex Lock, 5/16-18 Nylock
8	904324	1	Washer, Flat, 5/16"
9	902859	1	Bolt, Hex, 5/16-18 x 1-1/4" Gr 5
10	333271B1	1	Spring, Extension
11	26.00025	1	Bushing, .625 x .520 x .52"
12	21.22040	1	Bumper, Rubber, Boom
13	07.26496	1	Eductor, Hypro Cleanload 3374P-05T5 (See separate page for parts)
14	07.26487	1	Mount, Eductor
15	07.17405	1	Fitting, Bulkhead, 1-1/2" FPT
16	07.15889	1	Elbow, 90°, 1-1/2" FPT x 1-1/2" FPT
17	07.15888	1	Elbow, 90°, 1-1/4" FPT x 1-1/4" FPT
18	07.15733	8 Ft	Hose, Fertilizer, SOL 1.50" (Order Per Foot)
19	07.11699	4	Clamp, Hose, 1.062 - 2.000"
20	07.10561	9 Ft	Hose, EPDM, 1.25 x 2 Braid, 200 PSI (Order Per Foot)
21	07.10358	1	Elbow, 1-1/2" Street, 45°
22	07.10332	1	Straight, 1-1/4" PT x 1-1/4" HB Nylon
23	07.10329	1	Straight, 1-1/2" PT x 1-1/2" HB Nylon
24	07.10317	1	Nipple, 1-1/2" x Close Poly
25	07.10292	1	Elbow, 90°, 1-1/2" MPT x 1-1/2" HB
26	07.09935	1	Spring, 3/4" Dia x .105 Wire x 2.00"
27	07.09878	1	Bushing
28	07.09876	4	Spacer, Hose
29	07.09875	1	Bracket, Stop
30	07.09874	5	Bushing
31	07.09873	2	Bracket, Arm
32	07.06681	1	Valve, Check, 1/2# Spring, 1.50"

SECTION 7

Chemical Eductor Hopper and Valve - Hypro



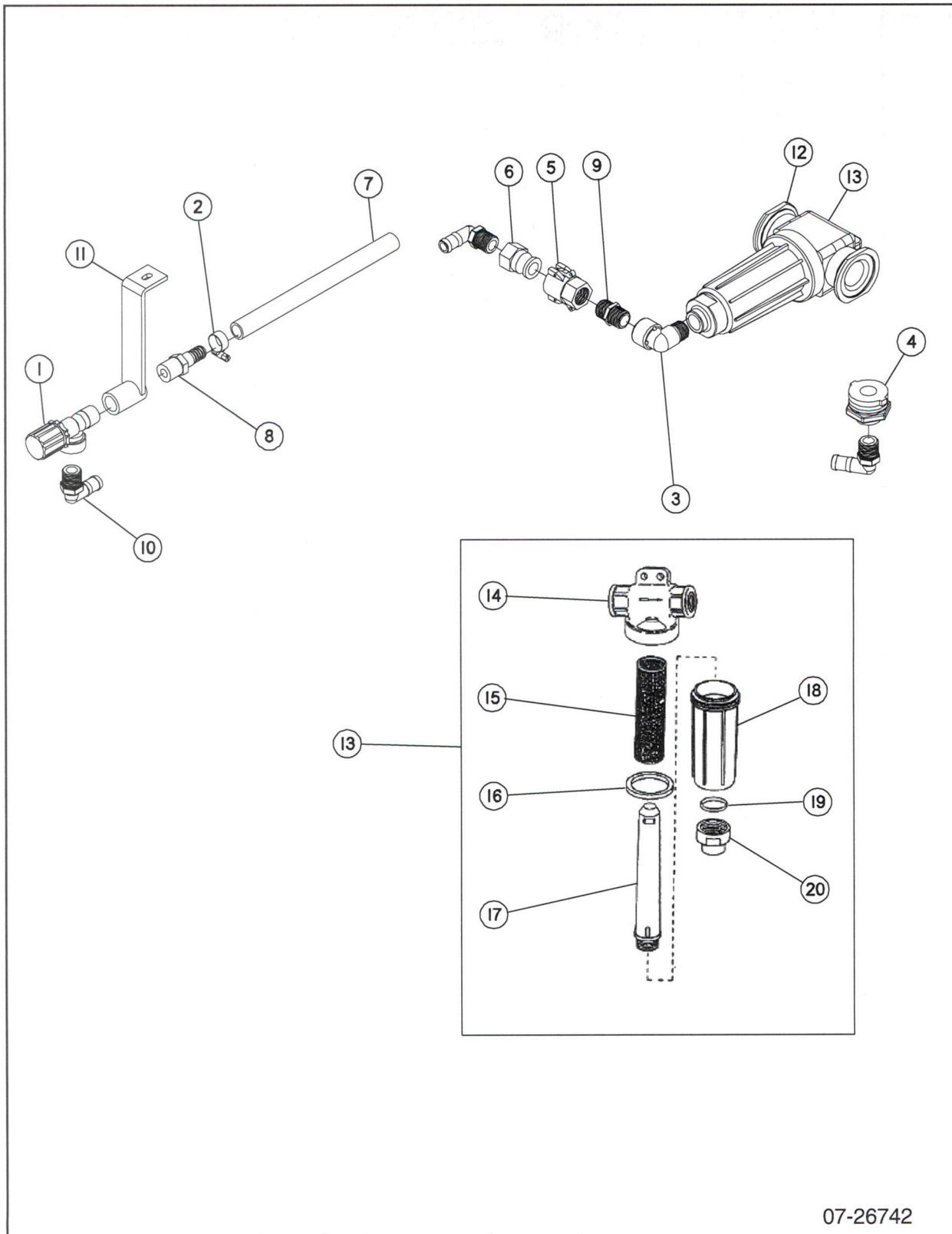
07-26496

Chemical Eductor Hopper and Valve - Hypro Parts List

Item	Part No.	Quantity	Description
2	907716	1	Plug, 1/2"
5	07.09937	1	Knife Valve, 2"
9	07.26711	1	Tank, 5.5 Gallon
12	07.07900	2	Bolt, Hex, 5/16-18 x 5/8"
13	907270	4	Bolt, Hex, 1/4-20 x 3/4" Stainless Steel
15	07.26712	1	Bottle Rinse Head and Base
17	07.10333	2	Hose barb, 1/2" Male NPT x 1/2" HB
18	07.26713	1	Tank Lid, 12"
20	07.11606	2	Hose Barb, Elbow, 1/2" Male NPT x 1/2" HB
22	32.01233	1	Valve, 1/2" Stainless Steel
24	07.16542	6	Hose Clamp

SECTION 7

Self Cleaning Filter



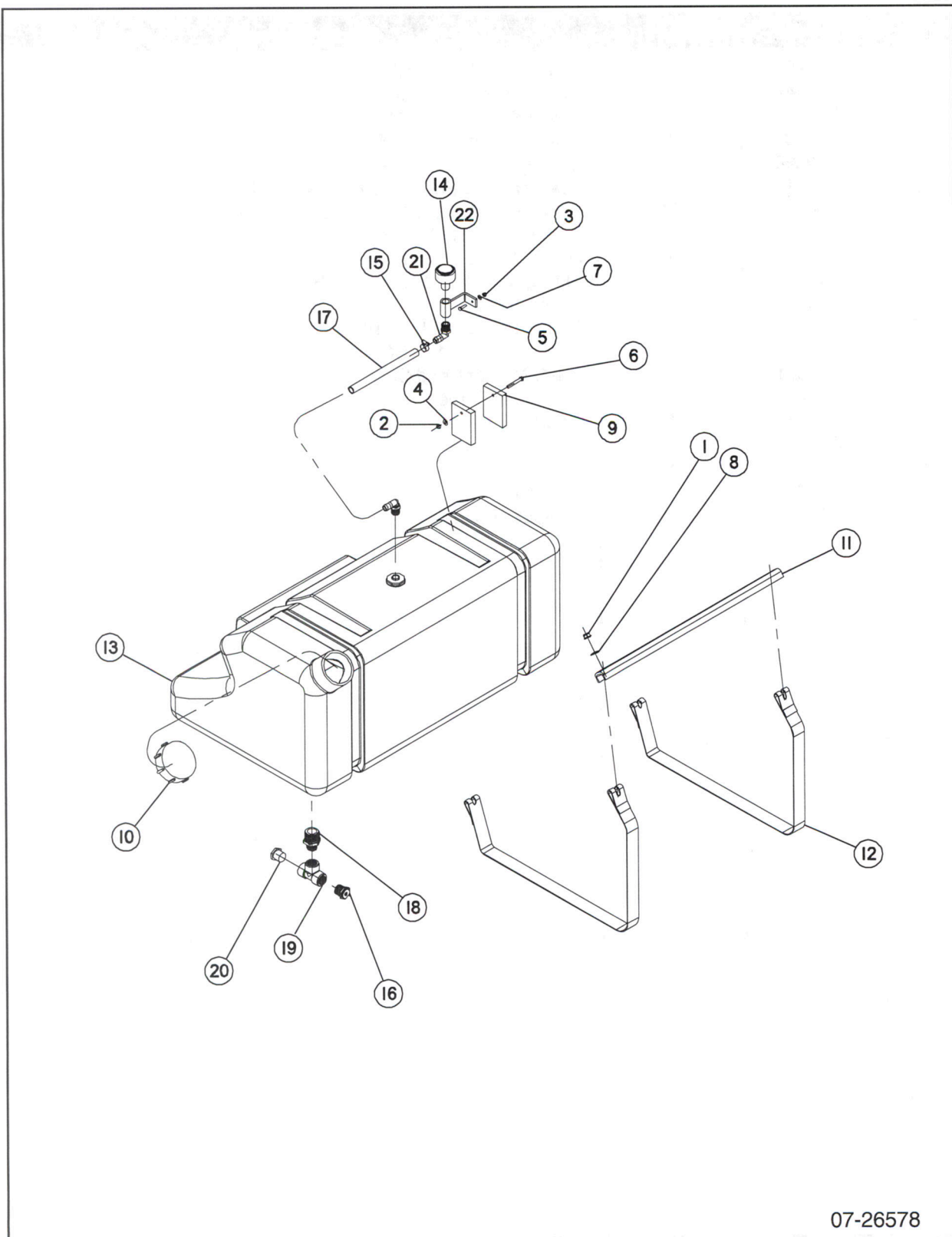
07-26742

Self Cleaning Filter Parts List

Item	Part No.	Quantity	Description
1	07.17893	1	Valve, Throttling, 23520, 3/4"
2	07.16542	4	Clamp, Hose, .56 - 1.25"
3	07.13032	1	Elbow, 90° Street, 3/4"
4	07.13030	1	Fitting, Bulkhead, 3/4" FPT
5	07.12320	1	Coupler, FM/FM, .75 Thread
6	07.12316	1	Adapter, Male/FM, 3/4" Thread, Camlock
7	07.10570	14 Ft	Hose, EPDM, .75" Black (Order Per Foot)
8	07.10348	1	Straight, 3/4" NPT x 3/4" HB Nylon
9	07.10322	1	Nipple, 3/4" x Close Poly
10	07.10305	3	Elbow, 90°, 3/4" MPT x 3/4" HB
11	07.09858	1	Mount, Valve
12	07.07985	2	Fitting, 2" Manifold x 1-1/2" MP
13	07.07200	1	Strainer, 124, 1-1/2" SC AL 50
14	07.07921	1	1-1/2" Filter Head Only
15	07.13439	1	50 Mesh Screen
16	07.13434	1	Gasket, Viton
17	07.13450	1	Inner Cylinder
18	07.13451	1	Bowl
19	07.11287	1	O-Ring
20	07.13452	1	Bypass Adaptor

SECTION 7

Tank - Water Supply Assembly

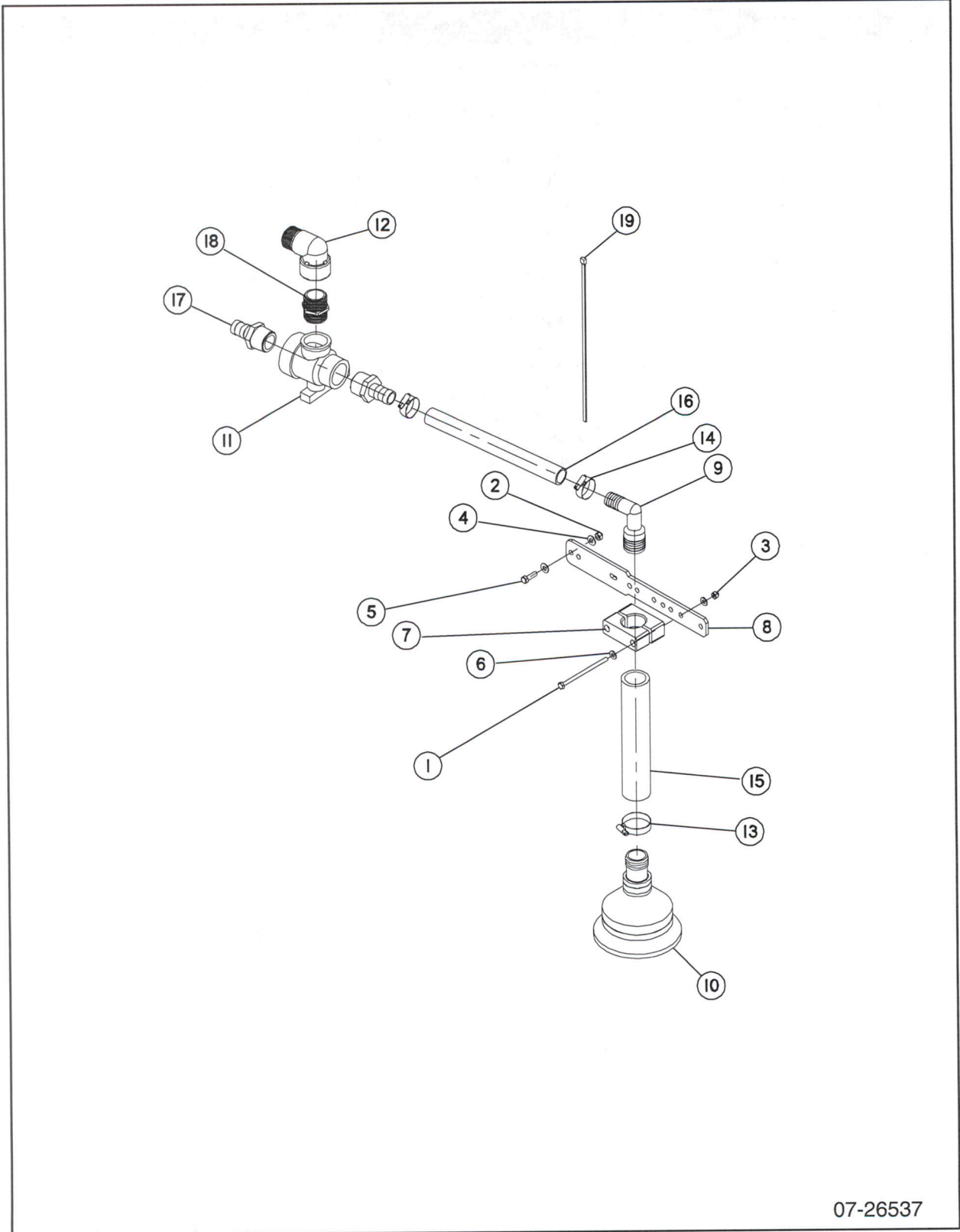


07-26578

Tank - Water Supply Assembly Parts List

Item	Part No.	Quantity	Description
1	907399	4	Nut, Hex Lock, Nylon Flange, 1/2-13
2	907390	1	Nut, Hex Lock, 5/16-18 Nylock Stainless Steel
3	907389	1	Nut, Hex Lock, 1/4-20 Nylock Stainless Steel
4	907379	1	Washer, Flat, 5/16" Stainless Steel
5	907322	2	Bolt, Hex, 1/4-20 x 1" Stainless Steel
6	907299	1	Bolt, Hex, 5/16-18 x 2-1/2" Stainless Steel
7	907234	1	Washer, Flat, 1/4" Stainless Steel
8	901937	4	Washer, Flat, 1/2"
9	07.26631	2	Block, Spacer
10	07.26264	1	Cap, Non Vented, 4"
11	07.26262	1	Channel, Rinse Tank Support
12	07.26261	2	Strap, Rinse Tank
13	07.26260	1	Tank, Rinse, 75 Gal.
14	07.17994	1	Breather, 10 Micron, 3/4 MNPT
15	07.16542	2	Clamp, Hose, .56 - 1.25"
16	07.16429	1	Reducer Bushing, MPT x FPT, 1 x 1/4"
17	07.10570	3 Ft	Hose, EPDM, .75" Black (Order Per Foot)
18	07.10400	1	Nipple, Reducer, 1-1/2 x 1"
19	07.10386	1	Tee, 1" FPT
20	07.10363	1	Hex Plug, 1" MPT
21	07.10305	2	Elbow, 90°, 3/4" MPT x 3/4" HB
22	07.09840	1	Mount

Foam Marker Head - Second Location



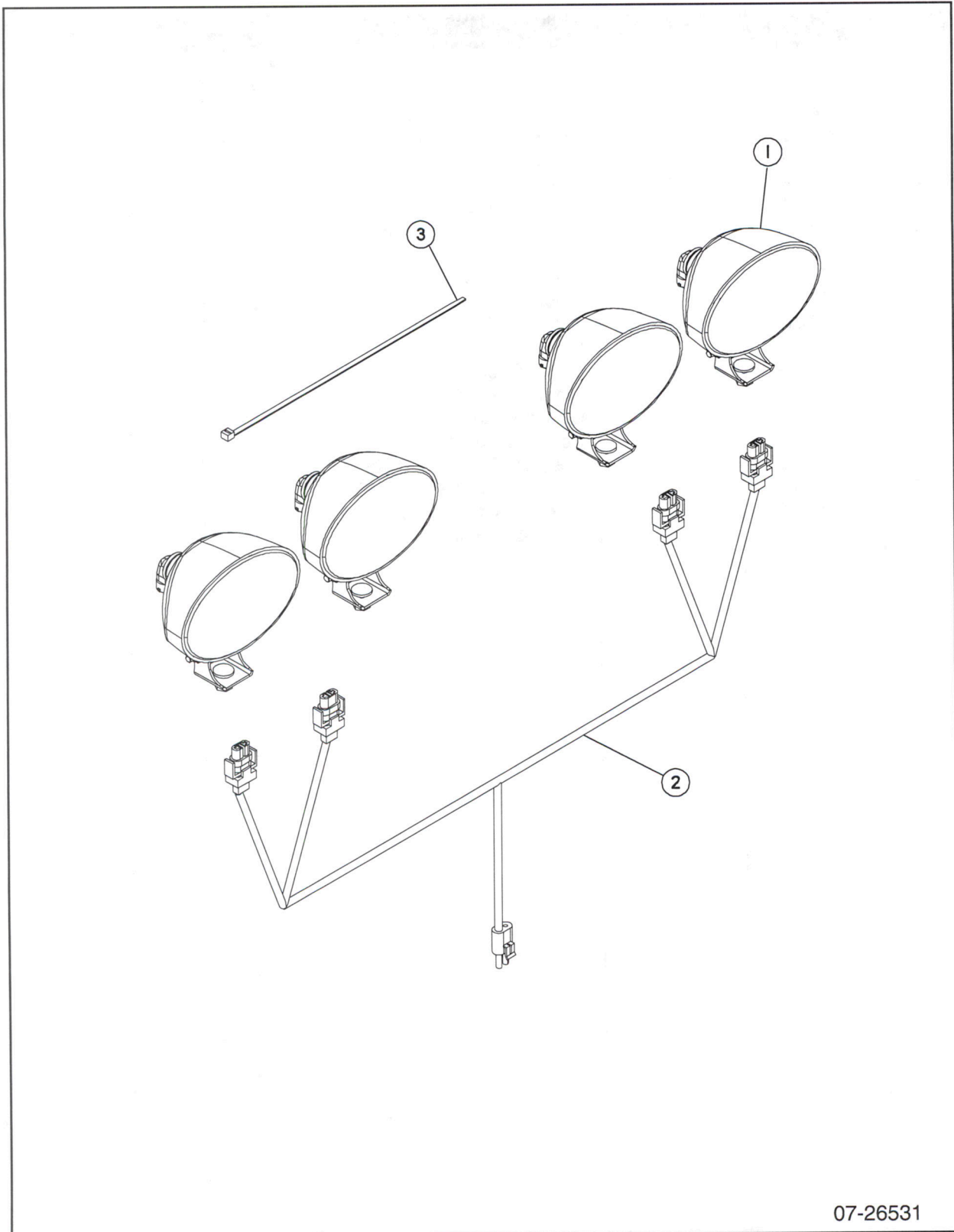
07-26537

Foam Marker Head Second Location Parts List

Item	Part No.	Quantity	Description
Quantities Shown Are For One Side Only			
1	907495	1	Bolt, Hex, 1/4-20 x 4-1/2" Stainless Steel
2	907390	2	Nut, Hex Lock, 5/16-18 Nylock Stainless Steel
3	907389	1	Nut, Hex Lock, 1/4-20 Nylock Stainless Steel
4	907379	5	Washer, Flat, 5/16" Stainless Steel
5	907349	2	Bolt, Hex, 5/16-18 x 1" Stainless Steel
6	907234	4	Washer, Flat, 1/4" Stainless Steel
7	32.03832	1	Clamp, 1-1/2" Hose
8	21.21648	1	Plate, Foam Chamber
9	07.20219	1	Elbow, Boom End, 1-1/2"
10	07.20217	1	Collector, Foamhead, 1-1/2"
11	07.20168	1	Valve, Ball, 1-1/4" 3 Way
12	07.13372	1	Elbow, Street, 1-1/4" 90°
13	07.13245	1	Clamp, Hose, 1.562 - 2.500"
14	07.11613	2	Clamp, Hose, .750 - 1.750"
15	07.10560	1	Hose, Suction, 1-1/2"
16	07.10555	9 Ft	Hose, PVC Suction, Clear 1" (Order Per Foot)
17	07.10330	2	Straight, 1-1/4" PT x 1" HB
18	07.10318	1	Nipple, 1-1/4" x Close Poly
19	07.05531	4	Tie, Cable, Black 14"

SECTION 7

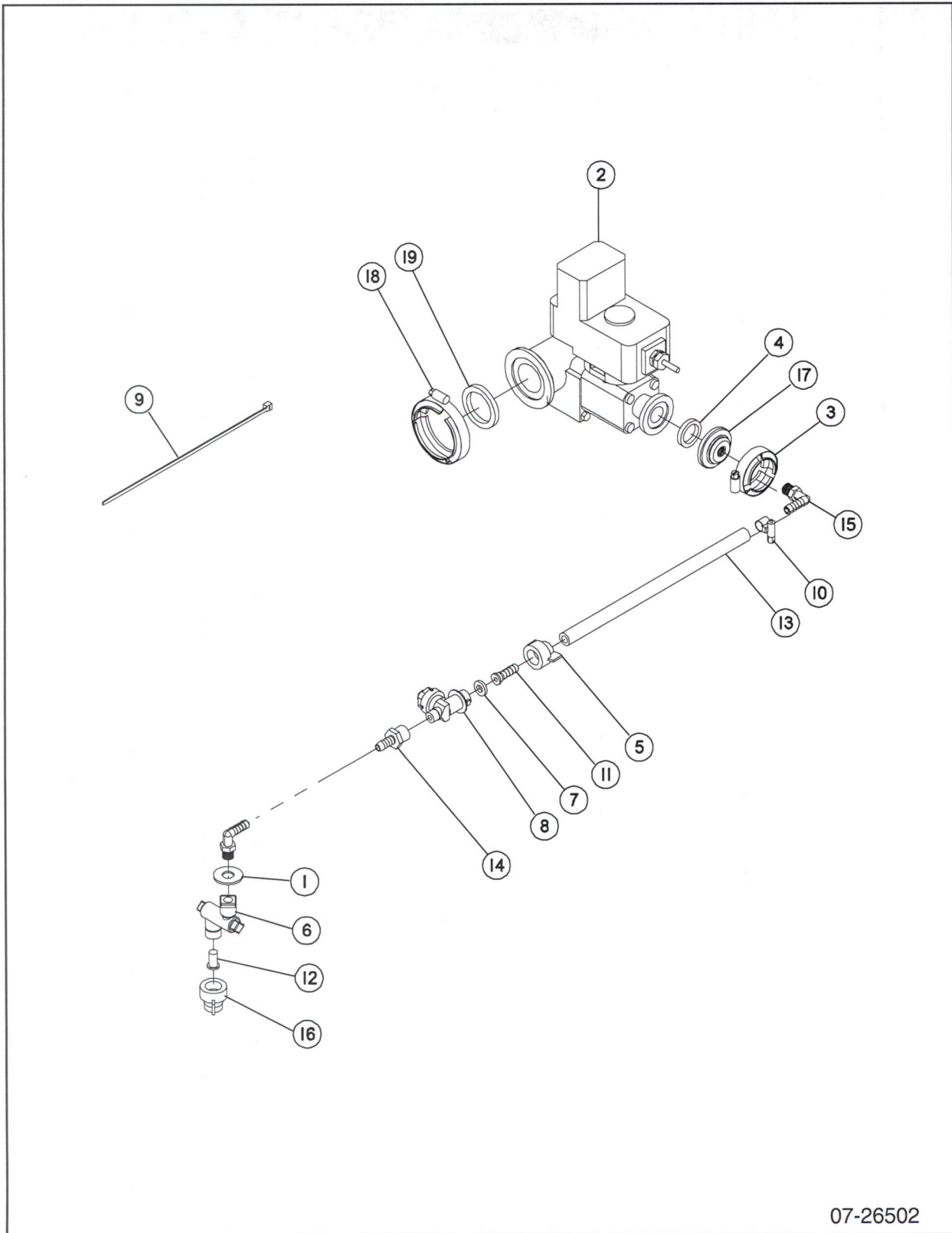
Flood Light Option



07-26531

SECTION 7

Fence Line Nozzle Option



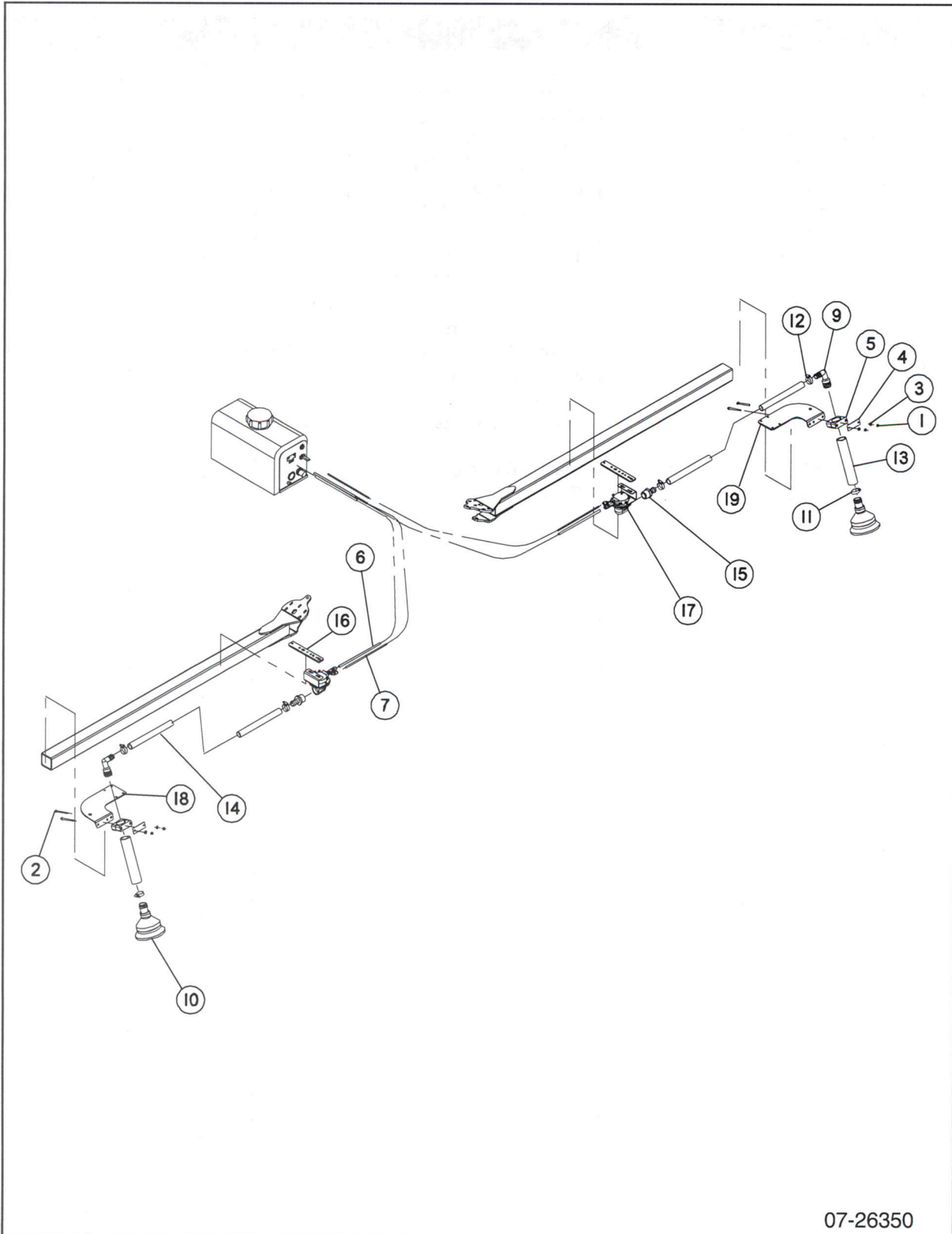
07-26502

Fence Line Nozzle Option Parts List

Item	Part No.	Quantity	Description
1	900497	1	Washer, Flat, 1/2"
2	21.23184	1	Manifold, 1 Section Electric Valve
3	21.20995	1	Clamp, Worm 100 Series
4	21.20994	1	Gasket, EDPM, 1"
5	07.17837	1	Cap, CP25607-1-Nylon Black
6	07.16723	1	Swivel, Hose Drop, QJ Single
7	07.15790	1	Gasket, Cap, EPDM, CP19438-EPR
8	07.15580	1	Adapter, QJ8360-NYB
9	07.13145	25	Tie, Cable, 11" Black
10	07.11695	4	Clamp, Hose, .375 - .875"
11	07.11259	1	Hose Shank, Tee Jet, 3/8" Nylon
12	07.10629	1	Strainer, Nozzle, 50 Mesh Red
13	07.10572	50 Ft	Hose, EPDM, .375" x 1 Braid Black (Order Per Foot)
14	07.10310	1	Slip-On, 1/4" FPT x 3/8" HB Nylon
15	07.10279	2	Elbow, 90°, 1/4" MPT x 3/8" HB
16	07.08289	1	Tip, w/Cap & Gasket, XRC11004-VK
17	07.07754	1	Plug, Flange, 1" - 1/4" FPT
18	07.06702	1	Clamp, Worm Screw, 2"
19	07.06701	1	Gasket, EPDM, 2"

SECTION 7

Foam Marker With Compressor



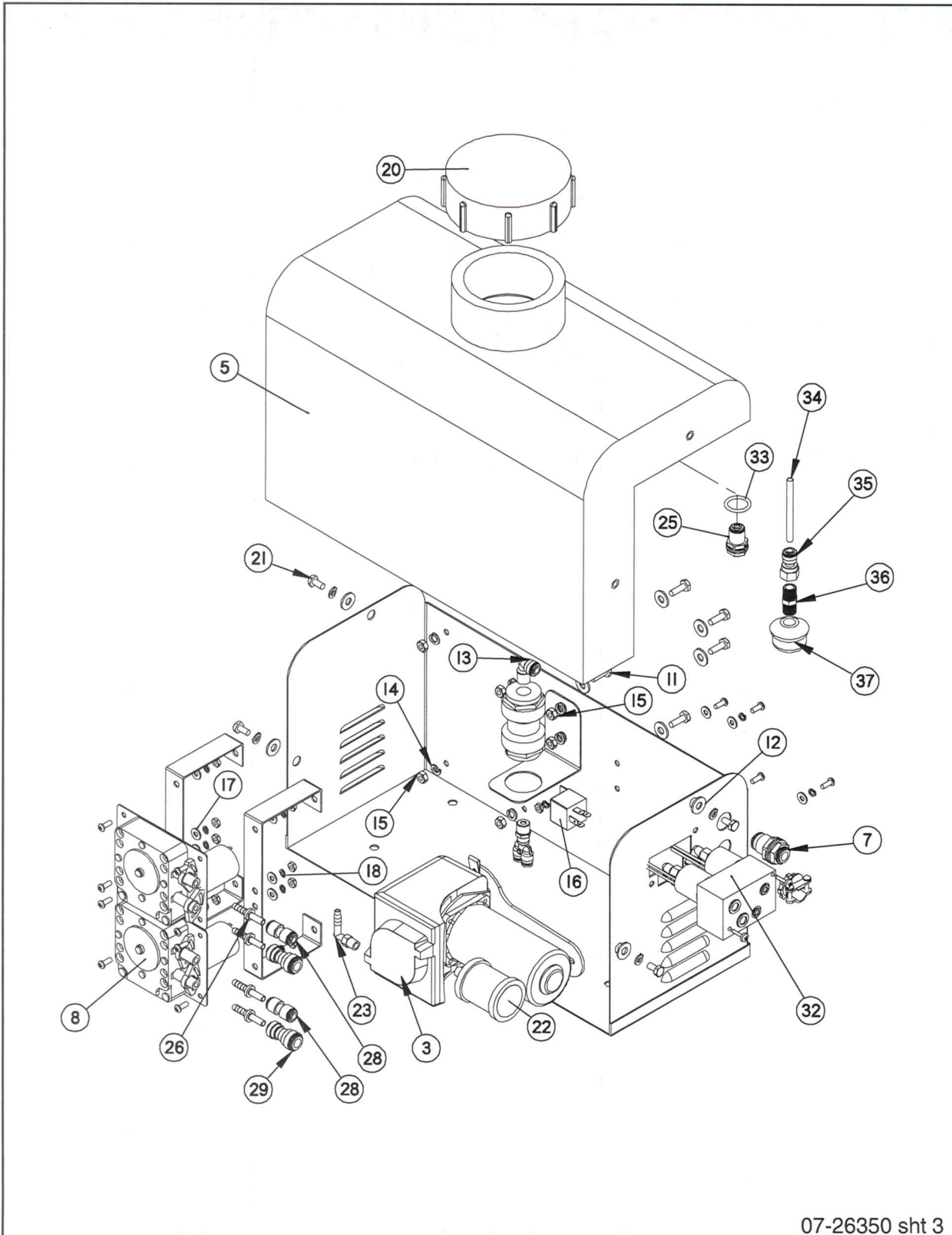
07-26350

Foam Marker With Compressor Parts List

Item	Part No.	Quantity	Description
1	907389	4	Nut, Hex Lock, 1/4-20 Nylock Stainless Steel
2	907268	4	Bolt, Hex, 1/4-20 x 3-1/2" Stainless Steel
3	907234	4	Washer, Flat, 1/4" Stainless Steel
4	32.01597	2	Plate, Cover
5	21.20125	2	Clamp, 2"
6	11.80529	1	Tubing, Air, 3/8" Nylon
7	11.80528	1	Tubing, Air, 1/4" Nylon
9	07.20219	2	Elbow, Boom End, 1-1/2"
10	07.20217	2	Collector, Foam Head, 1-1/2"
11	07.11699	2	Clamp, Hose, 1.062 - 2.000"
12	07.11698	4	Clamp, Hose, .687 - 1.500"
13	07.10560	2	Hose, Suction, 1-1/2"
14	07.10555	1	Hose, PVC Suction, 1" Clear
15	07.10330	2	Straight, 1-1/4" PT x 1" HB Nylon
16	07.09968	2	Bracket, Wet Boom Holder
17	07.09406	2	Foam Head, Trac Rite Assembly
18	07.09871	1	Bracket, Mount, L.H. Boom
19	07.09872	1	Bracket, Mount, R.H. Boom

SECTION 7

Foam Marker Power Unit and Tank



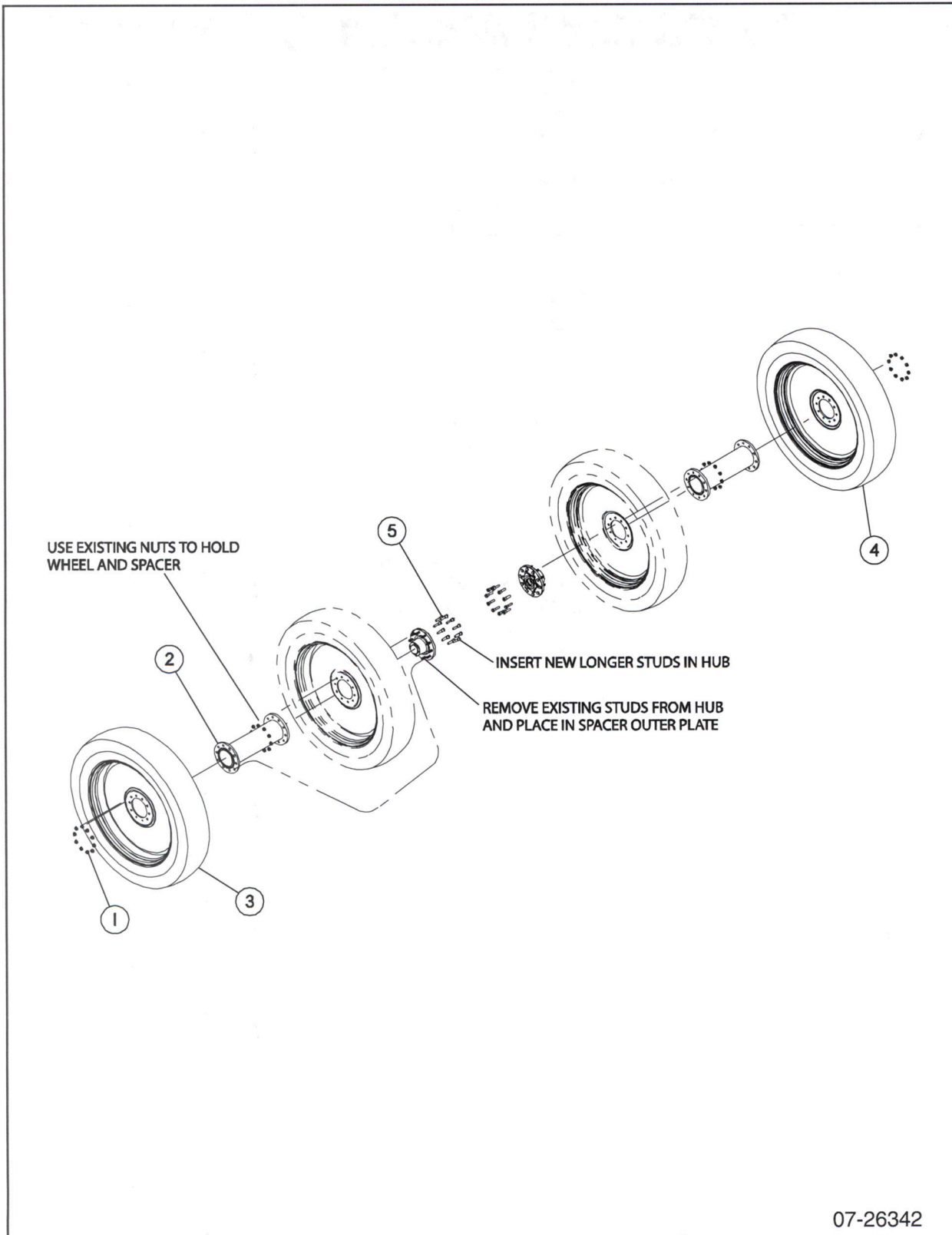
07-26350 sht 3

Foam Marker Power Unit and Tank Parts List

Item	Part No.	Quantity	Description
3	21.30736	1	Diaphragm, Compressor
5	07.26614	1	Versatrac Tank
7	32.01496	1	3/8" T Bulkhead
8	07.08936	2	172 RPM Peristaltic Pump
11	904270	6	Bolt, Hex, 1/4 x 3/4"
12	907234	10	Washer, Flat, 1/4"
13	32.60018	1	Elbow, 1/4" T x 1/4" M
14	907417	10	Washer, Lock, 1/4"
15	907384	6	Nut, Hex, 1/4-20
16	07.26615	1	Relay for Versatrac
17	907494	12	Washer, Flat, #10
18	907416	12	Washer, Lock, #10
20	07.09494	1	Tank Cap
21	907485	4	Bolt, Hex, 1/4" x 1/2"
22	21.30735	1	Filter
23	07.07541	1	Elbow, 1/8" M x 1/4" Hose Barb
25	32.01495	1	1/4" Bulkhead
26	32.01490	4	1/4" Stem x 1/4" Hose Barb
28	32.01487	2	1/4" Union
29	07.26616	2	3/8" x 1/4" Connector
32	07.09484	1	Manifold
33	07.09490	1	O-Ring, Liquid Bulkhead
34	07.20904	1	1/4" Black Poly Tubing
35	32.01481	1	1/4" T x 1/4" F Connector
36	07.16724	1	1/4" M Hex Nipple
37	07.26617	1	1/4" Screen Strainer

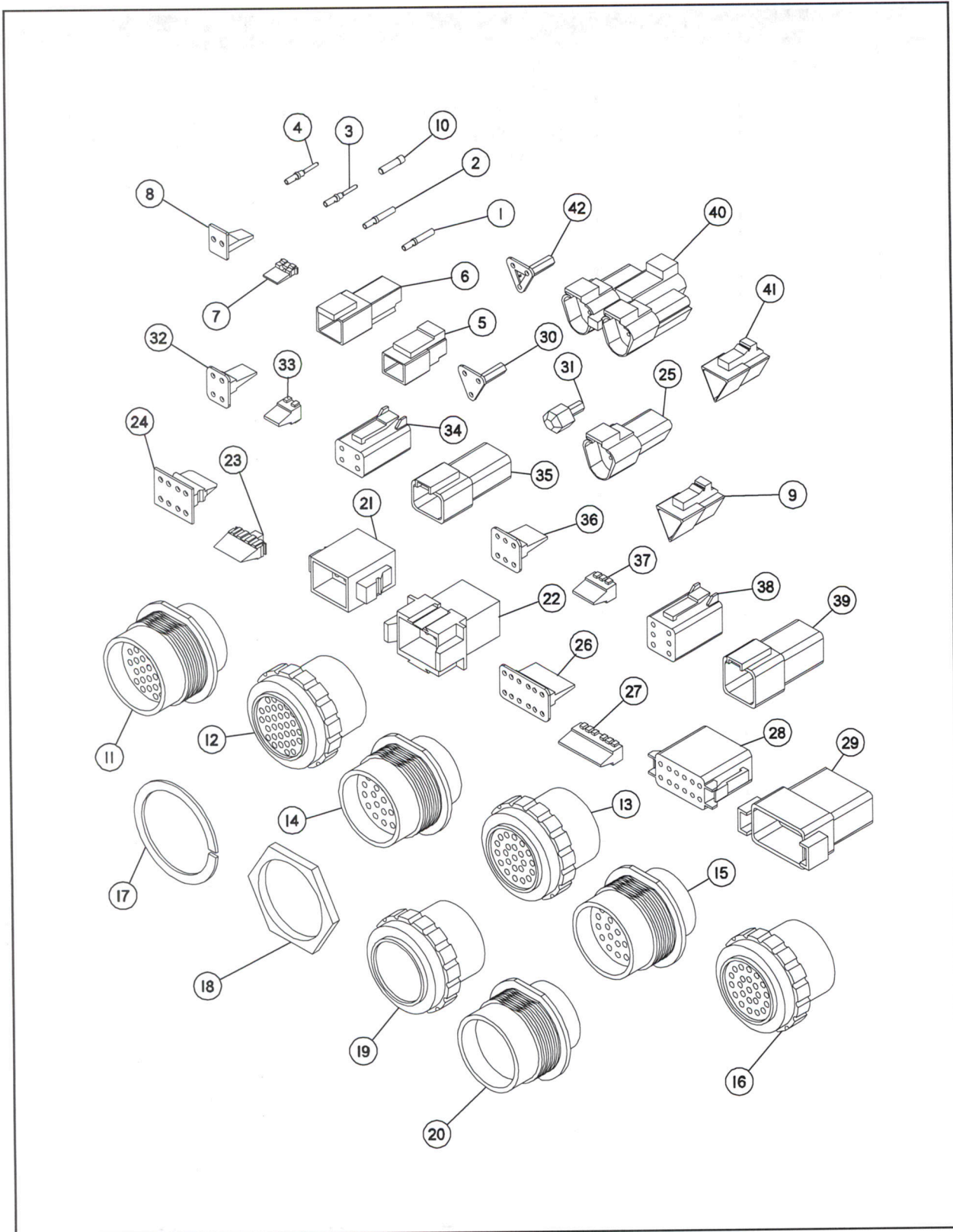
SECTION 7

Dual Wheels - 320/90R46 with Spacer



SECTION 7

Electrical Connectors



Electrical Connectors Parts List

Item	Part No.	Quantity	Description
1	21.01012	AR	Socket, Deutsch, 16/18 Ga
2	21.01013	AR	Socket, Deutsch, 14 Ga
3	21.01014	AR	Pin, Deutsch, 14 Ga
4	21.01015	AR	Pin, Deutsch, 16/18 Ga
5	21.22531	AR	Plug, Deutsch, 2-Socket
6	21.22532	AR	Receptacle, Deutsch, 2 Pin
7	21.22542	AR	Lock, Deutsch, 2 Pin Receptacle
8	21.22543	AR	Lock, Deutsch, 2 Socket Plug
9	21.01002	AR	Connector, Deutsch, 3 Socket
10	21.22579	AR	Plug, Deutsch Cavity
11	21.00962	AR	Receptacle, Deutsch, 31 Pin (Plastic)
12	21.00963	AR	Plug, Deutsch, 31 Socket (Plastic)
13	21.22682	AR	Connector, 23 Pos HD Deutsch Plug
14	21.22683	AR	Connector, 23 Pos HD Series, Deutsch Receptacle
15	21.22725	AR	Receptacle, Deutsch 23 Pin (Plastic)
16	21.22726	AR	Plug, Deutsch 23 Socket (Plastic)
17	21.20126	AR	Lockwasher, 1-11/16"
18	21.20127	AR	Nut, 1-11/16-18
19	21.22723	AR	Cap, Deutsch Plug
20	21.22724	AR	Cap, Deutsch Receptacle
21	21.22538	AR	Plug, Deutsch, 8 Socket
22	21.22539	AR	Receptacle, Deutsch, 8 Pin
23	21.22550	AR	Lock, Deutsch, 8 Pin Receptacle
24	21.22551	AR	Lock, Deutsch, 8 Socket Plug
25	21.22533	AR	Receptacle, Deutsch 3 Pin
26	21.22553	AR	Lock, Deutsch, 12 Socket Plug
27	21.22552	AR	Lock, Deutsch, 12 Pin Receptacle
28	21.22540	AR	Plug, Deutsch, 12 Socket
29	21.22541	AR	Receptacle, Deutsch, 12 Pin
30	21.22545	AR	Lock, Deutsch, 3 Socket Plug
31	21.22544	AR	Lock, Deutsch, 3 Pin Receptacle
32	21.22547	AR	Lock, Deutsch, 4 Socket Plug
33	21.22546	AR	Lock, Deutsch, 4 Pin Receptacle
34	21.22534	AR	Plug, Deutsch, 4 Socket
35	21.22535	AR	Receptacle, Deutsch, 4 Pin
36	21.22549	AR	Lock, Deutsch, 6 Socket Plug
37	21.22548	AR	Lock, Deutsch, 6 Pin Receptacle
38	21.22536	AR	Plug, Deutsch, 6 Socket
39	21.22537	AR	Receptacle, Deutsch, 6 Pin
40	21.30313	AR	Receptacle, Y
41	32.60886	AR	Terminating Resistor, Deutsch
42	32.60887	AR	Wedge Lock, Deutsch, J1939

SECTION 7

This Page Intentionally Left Blank

SECTION 8
NUMERICAL INDEX

SECTION 8

Part Number Index

Part No.	Page	Part No.	Page	Part No.	Page
07.05189	7-3, 7-7	07.08289	7-27	07.09887	4-7
07.05527	1-3	07.08518	7-13	07.09892	2-11, 2-21, 3-17
07.05531	7-23	07.08549	7-3, 7-7	07.09893	2-11, 2-21, 3-17
07.05865	2-9	07.08558	3-3	07.09901	4-15
07.05945	3-5	07.08675	6-7, 7-13	07.09902	4-15
07.06205	3-15	07.08716	2-21	07.09903	4-15
07.06368	3-15	07.08913	6-9, 6-13, 6-17, 6-21	07.09904	4-15
07.06375	3-15	07.08914	6-9, 6-13, 6-17, 6-21	07.09905	4-15
07.06407	2-27	07.08936	7-31	07.09906	4-15
07.06648	6-7	07.09102	3-15	07.09907	4-15
07.06654	6-7	07.09126	6-3, 7-5	07.09908	4-15
07.06681	7-15	07.09262	6-7, 7-13	07.09909	4-15
07.06696	4-3, 4-5, 6-3	07.09263	6-7, 7-13	07.09910	4-15
07.06700	4-3, 4-5, 4-7, 7-7	07.09406	7-29	07.09911	4-15
	7-9	07.09420	4-23	07.09912	4-15
07.06701	4-3, 4-5, 4-7, 6-3	07.09425	4-21, 4-23	07.09913	4-15
	6-7, 7-3, 7-7, 7-27	07.09426	4-21, 4-23	07.09914	4-15
07.06702	4-3, 4-5, 4-7, 6-3	07.09484	7-31	07.09915	4-15
	6-7, 7-3, 7-7, 7-27	07.09490	7-31	07.09916	4-15
07.06762	2-25	07.09494	7-31	07.09917	4-15
07.06974	4-19	07.09520	4-21	07.09918	4-15
07.06977	7-3, 7-7	07.09606	6-9, 6-11, 6-13, 6-15	07.09919	2-25
07.06978	6-3, 7-3, 7-7		6-17, 6-19, 6-21, 6-23	07.09920	2-25
07.06979	6-7	07.09760	2-9, 2-11, 3-15	07.09924	3-15
07.07075	4-7, 6-3, 6-7, 7-3	07.09761	3-15	07.09926	3-11, 3-13
	7-7	07.09809	6-7	07.09927	3-5
07.07076	7-5, 7-9	07.09812	2-27	07.09928	3-5
07.07078	6-3	07.09815	2-27	07.09930	3-3
07.07082	7-13	07.09820	2-17	07.09932	3-19
07.07110	6-3, 7-5	07.09823	2-17	07.09933	2-15
07.07200	7-19	07.09825	4-7, 4-9	07.09935	7-15
07.07400	6-7, 7-3, 7-7	07.09829	2-3	07.09937	7-17
07.07495	6-7	07.09831	2-27	07.09940	3-7, 3-9
07.07541	7-31	07.09833	2-27	07.09945	3-15
07.07719	4-7	07.09834	2-17, 2-23	07.09946	3-15
07.07721	4-3, 4-5	07.09835	3-7, 3-9	07.09947	2-11, 3-15
07.07754	7-27	07.09840	7-11, 7-21	07.09948	3-15
07.07900	7-17	07.09853	2-5	07.09949	2-9, 2-11
07.07903	4-17, 4-19	07.09854	2-5	07.09951	2-21
07.07912	7-5, 7-9	07.09855	2-3	07.09952	2-21
07.07921	7-19	07.09858	7-19	07.09955	3-15
07.07925	4-3, 4-5	07.09867	3-7, 3-9	07.09956	3-15
07.07985	7-19	07.09869	2-3	07.09957	3-15
07.07996	7-3, 7-7	07.09871	3-11, 3-13, 7-29	07.09958	4-7, 4-9
07.08038	4-17, 4-19	07.09872	3-11, 3-13, 7-29	07.09964	2-27
07.08040	4-17	07.09873	7-15	07.09968	6-9, 6-11, 6-13
07.08041	4-17	07.09874	7-15		6-15, 6-17, 6-19, 6-21
07.08042	4-17	07.09875	7-15		6-23, 7-29
07.08044	4-17	07.09876	7-15	07.09970	2-17, 2-23
07.08187	6-9, 6-11, 6-13, 6-15	07.09878	7-15	07.09981	3-15

Part Number Index (continued)

Part No.	Page	Part No.	Page	Part No.	Page
07.09983	2-5, 6-7	07.10570	6-21, 7-11, 7-19	07.12500	4-11
07.09984	1-3		7-21	07.12501	4-13, 4-17, 4-19
07.09987	1-3	07.10572	6-7, 7-27	07.12502	4-13
07.09991	3-3, 3-15	07.10629	7-27	07.12504	4-13
07.10228	4-11	07.10670	6-7	07.12505	4-13
07.10279	7-27	07.10680	6-7	07.12506	4-13
07.10289	6-9, 6-11, 6-13	07.10682	6-7	07.12517	4-13
	6-15, 6-17, 6-19	07.10683	6-7	07.12518	4-13
	6-21, 6-23	07.10693	6-7	07.12519	4-13
07.10292	7-15	07.10695	6-7	07.12520	4-11
07.10294	4-3, 4-5	07.11259	7-27	07.12521	4-11, 4-17, 4-19
07.10295	6-5	07.11272	4-7	07.12522	4-11
07.10302	6-5	07.11287	7-19	07.12523	4-19
07.10305	6-5, 7-11, 7-19	07.11584	4-7, 4-9, 6-3, 6-7	07.12525	4-11
	7-21		7-3, 7-5, 7-7, 7-9, 7-13	07.12530	4-13
07.10307	6-7	07.11591	4-11	07.12532	4-11
07.10310	7-27	07.11606	7-17	07.12533	4-19
07.10316	6-9, 6-11, 6-13	07.11607	6-3	07.12534	4-13
	6-15, 7-13	07.11608	2-27	07.12547	4-11
07.10317	7-15	07.11613	7-23	07.12548	4-11
07.10318	7-23	07.11695	6-5, 6-7, 7-27	07.12549	4-11
07.10322	6-3, 7-19	07.11698	4-7, 6-9, 6-11, 6-13	07.12550	4-11
07.10327	6-7, 6-9, 6-11, 6-13		6-15, 6-17, 6-19, 6-21	07.12620	4-17
	6-15, 6-17, 6-19, 6-21		6-23, 7-29	07.12628	4-11, 4-17, 4-19
	6-23	07.11699	6-3, 7-3, 7-7, 7-15	07.12630	4-11
07.10328	6-9, 6-13, 6-17		7-29	07.12631	4-11
	6-21	07.12316	7-19	07.12633	4-11
07.10329	7-15	07.12320	7-19	07.12635	4-13, 4-17, 4-19
07.10330	7-23, 7-29	07.12454	4-19	07.12638	4-17
07.10332	7-15	07.12456	4-11	07.12686	4-15
07.10333	7-17	07.12457	4-11	07.12691	4-15
07.10341	6-7	07.12459	4-11	07.12721	4-15
07.10343	4-7	07.12460	4-11	07.12722	4-13
07.10344	6-3	07.12461	4-11	07.12723	4-13
07.10348	6-5, 7-3, 7-7, 7-19	07.12463	4-11	07.12724	4-11
07.10358	7-15	07.12470	4-11	07.12725	4-11
07.10363	7-21	07.12471	4-13, 4-17, 4-19	07.12728	4-11
07.10381	6-5, 6-9, 6-11	07.12483	4-11, 4-17, 4-19	07.12732	4-11
	6-13, 6-15, 7-21	07.12484	4-11, 4-17, 4-19	07.12733	4-13
07.10391	6-3, 6-5	07.12485	4-11	07.12734	4-13
07.10400	7-21	07.12486	4-11	07.12735	4-13
07.10555	7-23, 7-29	07.12487	4-11	07.12746	4-11
07.10556	6-9, 6-11, 6-13	07.12488	4-11, 4-17, 4-19	07.12747	4-11
	6-15, 6-17, 6-19	07.12490	4-11	07.12748	4-11
	6-21, 6-23	07.12491	4-11	07.13030	6-5, 7-19
07.10557	4-7	07.12493	4-11	07.13032	7-19
07.10559	7-3, 7-7	07.12494	4-11	07.13145	7-13, 7-25, 7-27
07.10560	7-23, 7-29	07.12495	4-11	07.13245	6-3, 7-5, 7-23
07.10561	7-15	07.12498	4-11	07.13372	7-23
07.10570	6-5, 6-9, 6-13, 6-17	07.12499	4-11	07.13434	7-19

SECTION 8

Part Number Index (continued)

Part No.	Page	Part No.	Page	Part No.	Page
07.13439	7-19	07.26024	2-17, 2-23	07.26431	3-5
07.13450	7-19	07.26035	2-3	07.26432	3-7, 3-9
07.13451	7-19	07.26041	2-7, 2-13	07.26434	3-7, 3-9
07.13452	7-19	07.26052	2-17	07.26435	3-7, 3-9
07.13536	6-5	07.26057	2-17	07.26436	3-7, 3-9
07.15048	4-11	07.26073	2-7	07.26437	3-3
07.15580	7-27	07.26103	2-3	07.26438	3-3
07.15684	6-5	07.26126	3-5	07.26439	3-7, 3-9
07.15690	4-11	07.26138	3-9	07.26440	3-7, 3-9
07.15700	7-3, 7-7	07.26142	3-9	07.26447	3-7, 3-9
07.15733	6-3, 7-15	07.26180	3-7, 3-9	07.26450	3-7, 3-9
07.15790	7-27	07.26188	3-7, 3-9	07.26460	2-3
07.15872	6-5	07.26192	3-5	07.26482	3-7, 3-9
07.15888	7-15	07.26194	3-5	07.26483	3-7, 3-9
07.15889	7-15	07.26198	3-5	07.26484	7-33
07.15985	6-3, 7-5	07.26212	7-33	07.26487	7-15
07.16314	4-11, 4-17, 4-19	07.26215	2-7, 2-13	07.26496	7-15
07.16425	6-9, 6-11, 6-13	07.26229	3-7, 3-9	07.26498	2-23
	6-15	07.26245	2-17	07.26553	3-11
07.16429	7-21	07.26249	2-17	07.26553	3-13
07.16542	6-5, 6-7, 6-9, 6-13	07.26250	2-19, 2-21	07.26554	3-11, 3-13
	6-17, 6-21, 7-11, 7-17	07.26260	7-11, 7-21	07.26556	3-11, 3-13
	7-19, 7-21	07.26261	7-11, 7-21	07.26557	2-5
07.16723	7-27	07.26262	7-11, 7-21	07.26560	3-13
07.16724	7-31	07.26264	7-11, 7-21	07.26565	4-3, 4-21
07.17338	2-3	07.26271	2-17	07.26573	4-7, 4-9
07.17405	7-15	07.26274	2-17	07.26574	4-7, 4-9
07.17413	6-3	07.26280	6-3	07.26575	4-7, 4-9
07.17475	6-7	07.26295	2-17	07.26614	7-31
07.17837	7-27	07.26301	3-7	07.26615	7-31
07.17844	3-15	07.26302	3-7	07.26616	7-31
07.17849	3-15	07.26351	7-33	07.26617	7-31
07.17862	4-7	07.26360	3-11	07.26629	2-9, 2-11
07.17893	7-19	07.26369	3-11, 3-13	07.26631	7-11, 7-21
07.17911	2-9, 3-15	07.26378	3-3	07.26638	2-27
07.17946	2-9, 2-11, 2-19	07.26379	3-3	07.26641	1-3
07.17994	7-11, 7-21	07.26386	3-7, 3-9	07.26643	5-3
07.20052	4-3	07.26387	3-7, 3-9	07.26644	7-25
07.20154	6-7	07.26401	3-5	07.26645	3-11, 3-13
07.20162	6-7	07.26411	2-7	07.26646	3-11, 3-13
07.20164	4-5	07.26414	3-11, 3-13	07.26666	3-11, 3-13
07.20168	7-23	07.26415	3-7, 3-9	07.26671	3-7, 3-9
07.20217	7-23, 7-29	07.26416	3-7, 3-9	07.26676	3-17
07.20219	7-23, 7-29	07.26418	3-7, 3-9	07.26677	3-17
07.20437	4-11	07.26419	3-7, 3-9	07.26678	3-17
07.20904	7-31	07.26420	3-11, 3-13	07.26679	3-17
07.26000	2-3	07.26421	3-5	07.26681	6-9, 6-13
07.26002	7-33	07.26422	2-3	07.26692	5-3
07.26022	2-17, 2-23	07.26426	2-3	07.26702	1-3
07.26023	2-17, 2-23	07.26429	3-7, 3-9, 3-11, 3-13	07.26707	2-23

Part Number Index (continued)

Part No.	Page	Part No.	Page	Part No.	Page
07.26711	7-17	17.01144	2-17, 2-23	21.21068	7-3, 7-5, 7-7, 7-9
07.26712	7-17	17.01155	1-3		7-13
07.26713	7-17	21.00231	6-9, 6-11, 6-13, 6-15	21.21069	7-5, 7-9, 7-13
07.26719	2-23		6-17, 6-19, 6-21, 6-23	21.21072	4-9
07.26742	4-3, 4-5	21.00336	3-15	21.21073	4-9
07.26743	3-15	21.00385	6-17, 6-19, 6-21	21.21078	7-7
07.26756	2-23		6-23	21.21079	6-3, 7-5, 7-9
07.26811	4-5, 4-23	21.00386	6-17, 6-19, 6-21	21.21083	6-7, 7-13
07.26815	2-9, 2-11		6-23	21.21599	4-9
07.26817	1-3	21.00387	6-17, 6-19, 6-21	21.21605	4-7, 4-9
07.26823	2-3		6-23	21.21606	4-7, 4-9
07.26824	2-3	21.00388	6-17, 6-19, 6-21	21.21631	4-9, 6-3, 6-7, 7-3
07.26826	4-21, 4-23		6-23		7-7
07.26827	4-21	21.00501	6-17, 6-21	21.21642	3-3
07.26828	4-21, 4-23	21.00502	6-17, 6-21	21.21643	3-3
07.26829	4-21	21.00503	6-17, 6-21	21.21646	6-9, 6-11, 6-13
07.26830	4-21, 4-23	21.00504	6-17, 6-21		6-15, 6-17, 6-19, 6-21
07.26831	4-21, 4-23	21.00505	6-19, 6-23	21.21648	7-23
07.26832	4-23	21.00507	6-19, 6-23	21.21653	6-9, 6-11, 6-13
07.26833	4-23	21.00508	6-19, 6-23		6-15, 6-17, 6-19, 6-21
07.26837	3-7, 3-9	21.00887	2-15		6-23
07.26838	2-19, 2-21	21.00944	7-13	21.21654	3-7, 3-9, 6-7, 6-9
07.26839	3-7, 3-9	21.00962	7-35		6-11, 6-13, 6-15, 6-17
07.26840	3-3	21.00963	7-35		6-19, 6-21, 6-23
07.26841	3-15	21.01002	7-35	21.21655	6-9, 6-11, 6-13
07.26842	3-15	21.01012	7-35		6-15, 6-17, 6-19, 6-21
07.26843	3-19	21.01013	7-35		6-23
07.26844	3-19	21.01014	7-35	21.21657	3-11, 3-13, 6-9, 6-13
07.26845	3-17	21.01015	7-35		6-17, 6-19, 6-21, 6-23
07.26847	2-15	21.09024	1-3	21.21658	6-9, 6-11, 6-13
07.26862	3-19	21.09044	1-3		6-15, 6-17, 6-19, 6-21
07.26863	3-19	21.20003	3-15		6-23
07.26864	3-19	21.20004	3-15	21.21659	6-9, 6-11, 6-13
07.26865	3-19	21.20121	1-3		6-15, 6-17, 6-19, 6-21
07.26868	6-3, 7-5	21.20125	3-3, 6-7, 7-29		6-23
07.40235	4-11	21.20126	7-35	21.22040	7-15
07.40236	4-11	21.20127	7-35	21.22199	7-3, 7-7
09.70711	4-13	21.20175	3-7, 3-9	21.22531	7-35
09.70893	2-7, 2-13	21.20917	5-3	21.22532	7-35
09.74139	6-7	21.20994	4-7, 6-7, 7-13, 7-27	21.22533	7-35
09.74145	3-17	21.20995	4-7, 6-7, 7-13, 7-27	21.22534	7-35
09.74158	2-9, 2-19, 3-15	21.20996	7-3, 7-7	21.22535	7-35
	4-7, 4-9	21.20998	4-7, 6-7	21.22536	7-35
11.80528	7-29	21.20999	7-5, 7-9	21.22537	7-35
11.80529	7-29	21.21000	6-7	21.22538	7-35
16.10818	5-3	21.21001	4-7, 6-3, 7-3, 7-5	21.22539	7-35
16.20178	1-3		7-7, 7-9	21.22540	7-35
17.00779	3-3	21.21003	4-7, 6-3, 6-7	21.22541	7-35
17.00790	2-19	21.21050	3-17	21.22542	7-35
17.00791	2-19	21.21068	4-7, 4-9, 6-3, 6-7	21.22543	7-35

SECTION 8

Part Number Index (continued)

Part No.	Page	Part No.	Page	Part No.	Page
21.22544	7-35	32.01496	7-31	44.02819	4-19
21.22545	7-35	32.01597	3-3, 6-7, 7-29	44.02961	2-7, 2-13
21.22546	7-35	32.01604	3-15	44.03177	1-3
21.22547	7-35	32.01940	3-15, 4-9	44.03178	1-3
21.22548	7-35	32.01947	3-15	44.03301	3-15
21.22549	7-35	32.01954	2-19	44.03701	2-7, 2-13
21.22550	7-35	32.02033	3-15	44.03702	2-7, 2-13
21.22551	7-35	32.03057	3-15	46.03192	3-19
21.22552	7-35	32.03288	3-11, 3-13	46.03199	3-19
21.22553	7-35	32.03339	2-5	46.03200	3-19
21.22579	7-35	32.03465	3-15	46.03312	3-19
21.22682	7-35	32.03577	2-21	46.09180	3-19
21.22683	7-35	32.03832	7-23	46.09183	3-19
21.22723	7-35	32.03910	2-9, 2-11, 3-15, 3-17	900127	3-7, 3-9, 3-11, 3-13
21.22724	7-35	32.04436	3-19	900366	3-7, 3-9
21.22725	7-35	32.04648	3-15	900371	3-7, 3-9
21.22726	7-35	32.04729	2-21	900382	2-3, 2-23, 2-27
21.22738	3-7, 3-9, 3-15	32.05560	2-9, 2-11	900444	4-3, 4-5, 4-21, 4-23
21.23175	6-7	32.60010	3-3	900495	4-15
21.23177	6-7, 7-13	32.60018	7-31	900497	7-27
21.23184	7-27	32.60565	2-17, 2-23	900498	2-3
21.23870	1-3	32.60582	2-3	900499	3-3
21.24412	2-25	32.60704	3-15	900512	3-7, 3-9
21.24711	7-25	32.60886	7-35	901264	3-5
21.25243	6-11, 6-15	32.60887	7-35	901885	2-3
21.25244	6-11, 6-15	32.61961	1-3	901937	7-11, 7-21
21.25245	6-11, 6-15	329594B2	4-21, 4-23	902364	4-17, 4-19
21.25254	6-9, 6-13	331639B2	4-21, 4-23	902465	2-17, 2-23
21.25255	6-9, 6-13	333271B1	7-15	902859	2-23, 7-15
21.25257	6-9, 6-13	40.00472	1-3	903061	2-7, 2-13, 2-17, 2-23
21.25433	4-7, 4-9	42.0900462	5-3	903071	4-21, 4-23
21.30313	7-35	42.0900463	5-3	903162	2-17, 3-3
21.30735	7-31	44.01602	2-7	903422	3-5
21.30736	7-31	44.01602	2-13	903564	3-7, 3-9
21.31049	2-15	44.01603	2-7, 2-13	903708	2-17, 2-23
21.31539	3-15	44.01604	2-7, 2-13	903849	3-5
21.31540	3-15	44.01605	2-7, 2-13	903851	2-23
21.41869	2-27	44.02041	4-9	904016	3-5
21.42092	1-3	44.02063	4-19	904092	2-23
21.42094	1-3	44.02336	2-7, 2-13, 7-33	904253	2-3, 3-7, 3-9
21.42097	1-3	44.02794	2-7, 2-13	904270	7-31
26.00025	7-15	44.02795	2-7, 2-13	904324	7-15
32.00323	2-9, 2-11	44.02796	2-7, 2-13	904847	4-3, 4-5, 4-21, 4-23
32.00704	7-3, 7-7	44.02797	2-7, 2-13	905464	3-7, 3-9
32.01233	7-17	44.02811	4-17	906195	4-21, 4-23
32.01481	7-31	44.02812	4-17	906349	2-7, 2-13
32.01482	6-3	44.02813	4-17	906349	2-17, 2-23, 3-3
32.01487	7-31	44.02814	4-19	906402	2-3, 3-5
32.01490	7-31	44.02817	4-19	906483	7-15
32.01495	7-31	44.02818	4-19	906984	2-17, 2-23, 3-3

Part Number Index (continued)

Part No.	Page	Part No.	Page	Part No.	Page
907050	2-7, 2-13	907402	2-27		
907058	3-7, 3-9	907403	2-27		
907066	2-3	907404	2-27		
907182	3-15	907411	2-3, 3-11, 3-13		
907219	1-3	907412	3-11, 3-13		
907220	1-3	907413	1-3		
907221	1-3	907416	7-31		
907224	1-3	907417	7-31		
907234	2-9, 2-11, 2-23, 2-25	907418	2-17		
	3-3, 6-7, 7-11, 7-21	907422	4-3, 4-5		
	7-23, 7-29, 7-31	907424	3-7, 3-9		
907247	1-3	907425	2-25, 7-15		
907248	2-17, 2-23	907429	3-7, 3-9, 3-15		
907253	2-17	907434	3-11, 3-13		
907253	2-23	907435	3-5		
907268	2-9, 2-11, 3-3, 7-29	907456	7-15		
907270	7-17	907463	3-11, 3-13		
907277	2-17, 3-11, 3-13	907464	3-11, 3-13		
907299	7-11, 7-21	907465	2-3, 2-5		
907311	5-3	907480	2-25		
907312	5-3	907481	2-17		
907322	7-11, 7-21	907483	3-11, 3-13		
907323	2-9, 2-11	907485	7-31		
907349	2-3, 2-17, 7-23	907486	2-17		
907376	2-5, 4-7, 4-9	907494	7-31		
907379	1-3, 2-3, 2-9, 2-11	907495	6-7, 7-23		
	2-17, 2-23, 3-3, 3-11	907506	2-25		
	3-13, 6-9, 6-11, 6-13	907508	4-15		
	6-15, 6-17, 6-19, 6-21	907510	1-3		
	6-23, 7-11, 7-21, 7-23	907530	3-5, 3-15		
907380	2-17, 2-25, 3-7, 3-9	907553	2-7, 2-13, 2-17, 2-23		
	3-11, 3-13, 4-3, 4-5	907614	2-25		
	4-7, 4-9, 7-15	907615	2-3, 2-27		
907384	7-31	907626	3-11, 3-13		
907387	3-5, 3-7, 3-9	907628	4-15		
907388	3-11, 3-13	907643	2-3		
907389	2-9, 2-11, 2-25, 3-3	907650	3-3		
	6-7, 7-11, 7-21, 7-23, 7-29	907695	3-15		
907390	1-3, 2-3, 2-9, 2-11	907716	7-17		
	2-17, 3-3, 3-11, 3-13, 6-9	907756	2-17, 2-23		
	6-11, 6-13, 6-15, 6-17	907831	2-7		
	6-19, 6-21, 6-23, 7-11	907886	2-7, 2-13		
	7-21, 7-23	907944	2-7		
907391	2-3, 2-5, 2-17, 2-25	907963	2-27		
	3-11, 3-13, 4-3, 4-5, 4-7	907968	3-11, 3-13		
	4-9, 7-15	907979	2-27		
907392	7-15	907997	2-17, 2-23		
907395	3-5, 3-7, 3-9, 6-7, 7-15	907998	2-17, 2-23		
907396	3-5, 3-11, 3-13				
907399	2-7, 7-11, 7-21				



© 2007 by Miller-St. Nazianz, Inc.